



VN	VIETNAM
----	---------

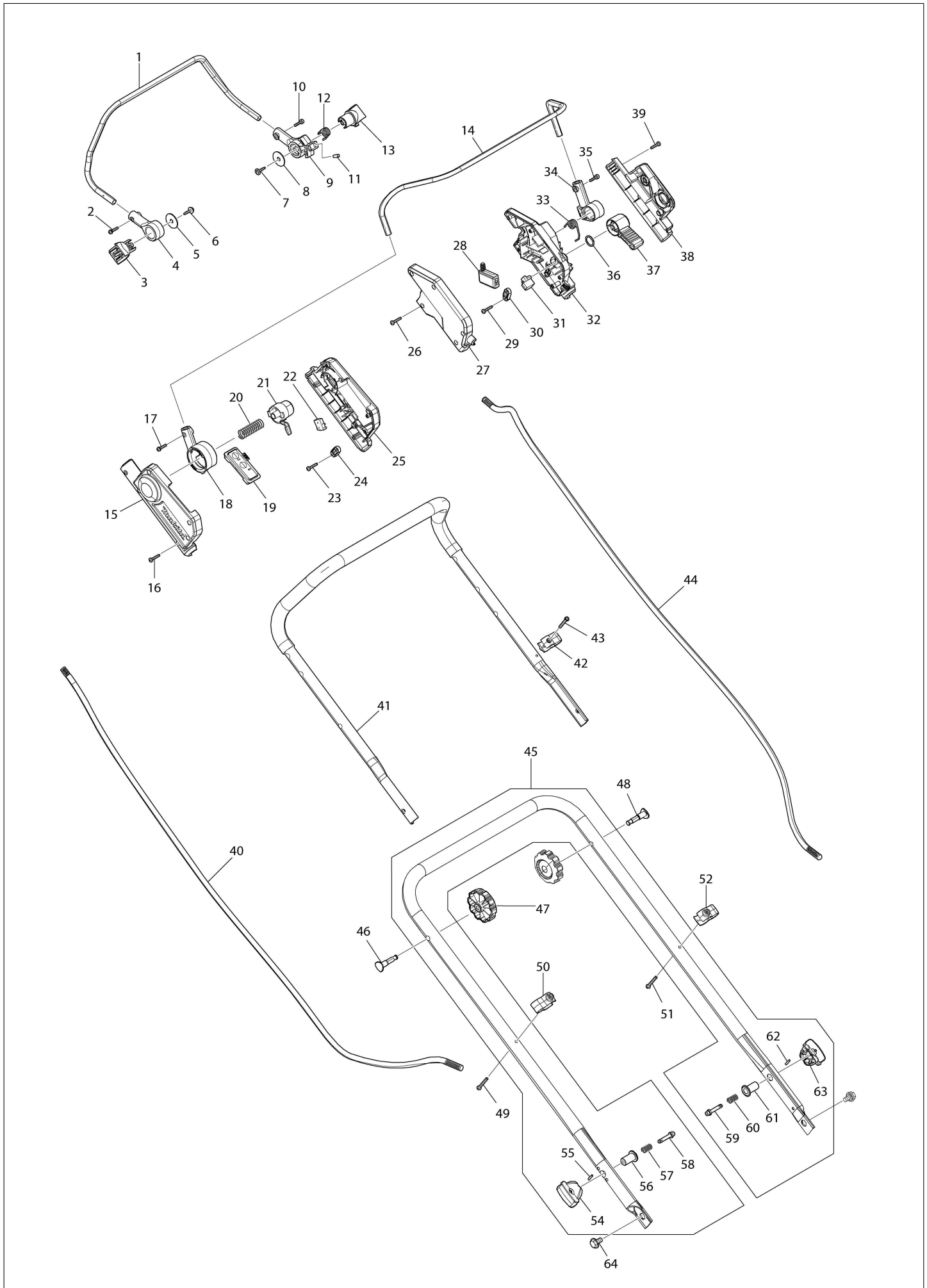
# Diagram / Parts List

**DLM540**

**Cordless Lawn Mower**

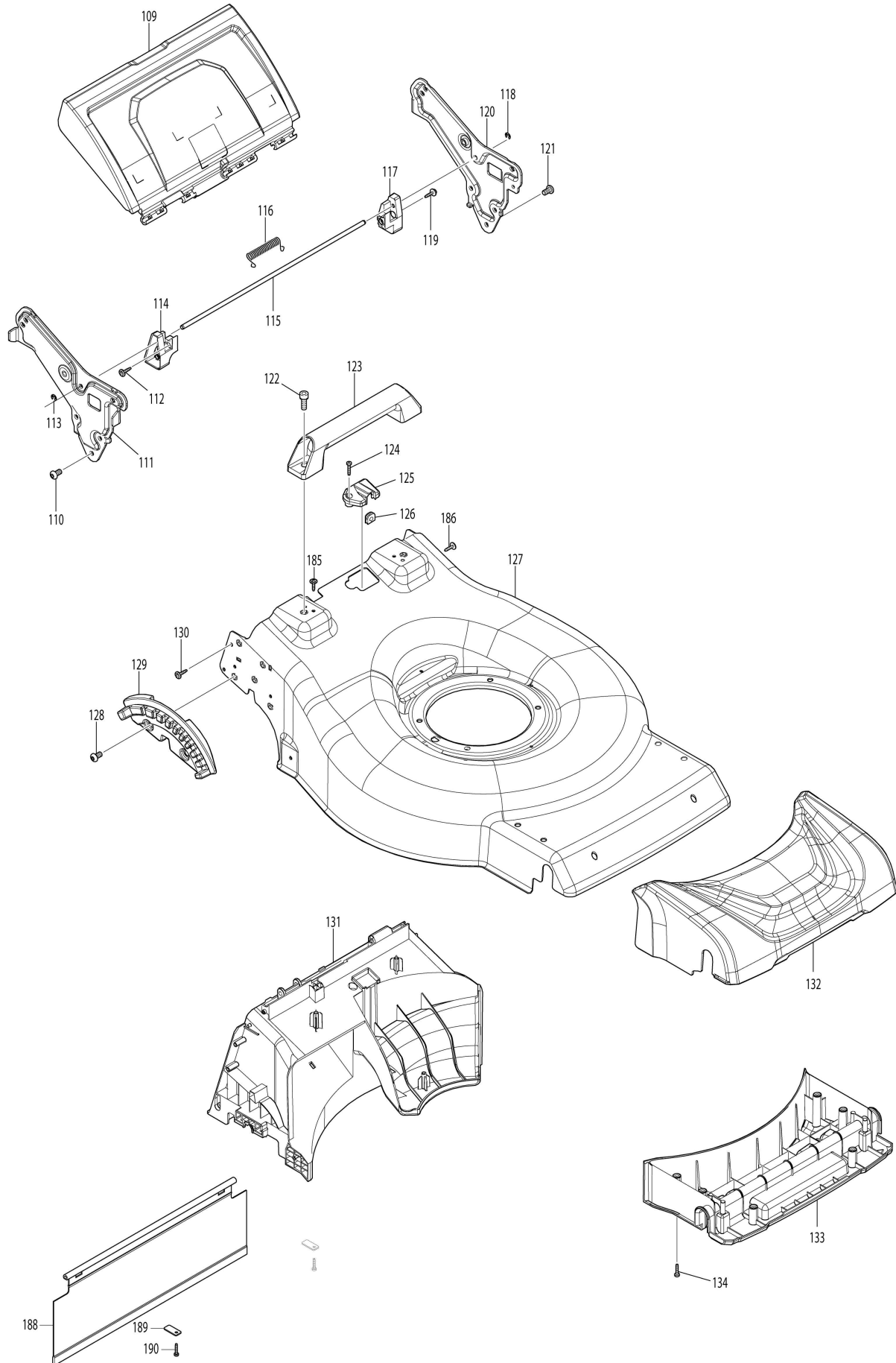


# (VN) DLM540 / Cordless Lawn Mower

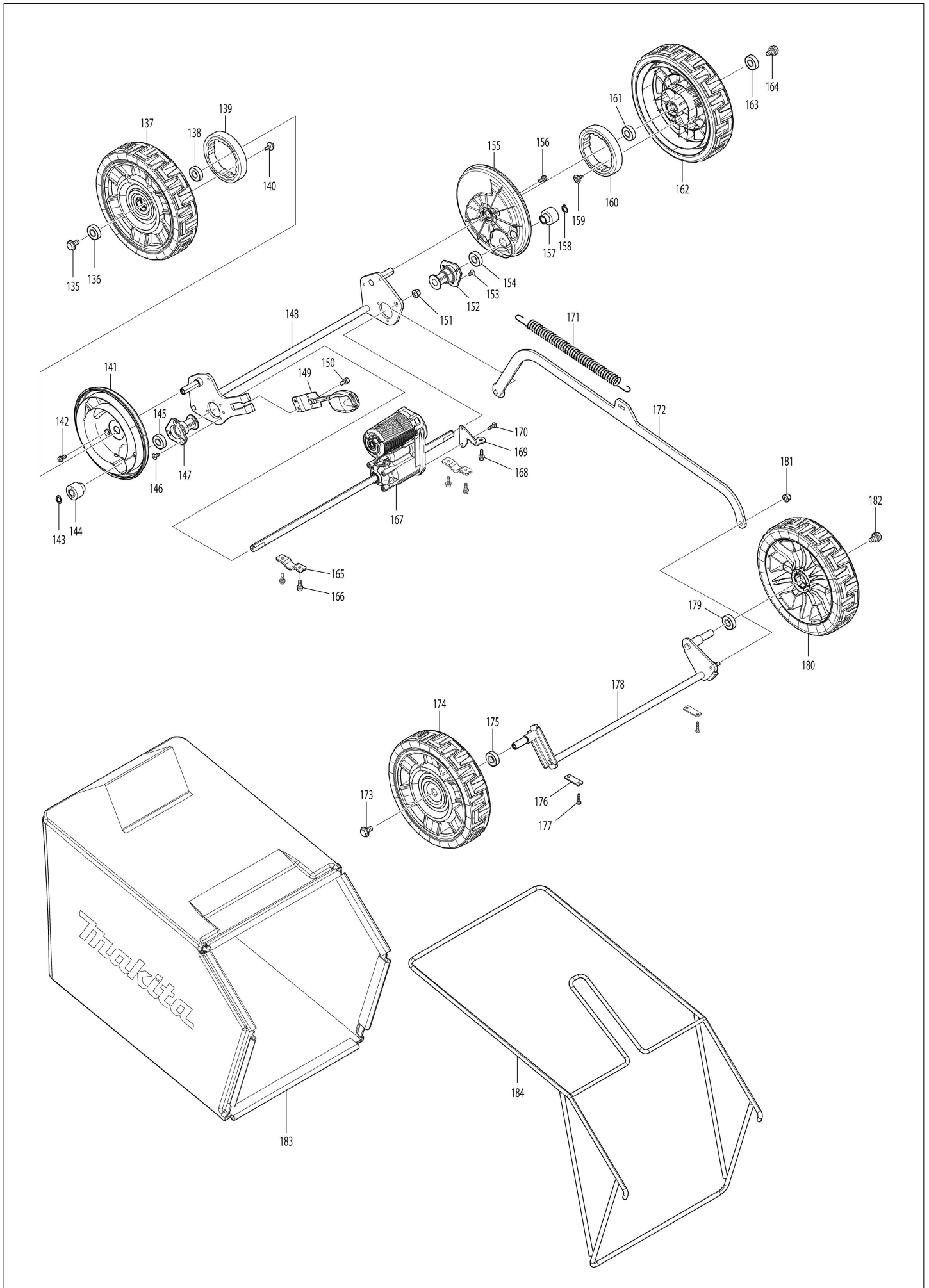




# (VN) DLM540 / Cordless Lawn Mower



# (VN) DLM540 / Cordless Lawn Mower



**VN | VIETNAM**
**DLM540 / Cordless Lawn Mower**

Item	Sub	Parts No.	Parts Description	Qty	I/C	E/C No.	Close No.	Remark
001		327425-6	Driving lever	1				
002		911138-5	Pan head screw M4X20 WR	1				
003		413A98-8	Driving lever holder	1				
004		459858-8	Driving lever support R	1				
005		253814-8	Flat washer 8	1				
006		265620-9	Flange tapping screw 4X18	1				
007		265620-9	Flange tapping screw 4X18	1				
008		253814-8	Flat washer 8	1				
009		413B10-4	Driving lever support L	1				
010		911138-5	Pan head screw M4X20 WR	1				
011		268225-4	Pin 5	1				
012		232566-4	Torsion spring 12	1				
013		413A98-8	Driving lever holder	1				
014		327424-8	Switch lever	1				
015		1832M6-7	SWITCH BOX SET	1				
	C10	8044A1-9	Indication label	1				
	D10		INC. 25					
016		266424-2	Binding head tapping screw 4X20	6				
017		911138-5	Pan head screw M4X20 WR	1				
018		459856-2	Switch lever support R	1				
019		1413F6-0	SWITCH CIRCUIT COMPLETE	1				
020		231227-3	Compression spring 15	1				
021		459857-0	Lock off button	1				
022		632E26-0	Switch unit	1				
023		266424-2	Binding head tapping screw 4X20	2				
024		687123-7	Strain relief	1				
025		1832M6-7	SWITCH BOX SET	1				
	C10	8044A1-9	Indication label	1				
	D10		INC. 15					
026		266424-2	Binding head tapping screw 4X20	5				
027		183U35-3	Lever box set	1				
	D10		INC. 38					
028		651083-9	Switch C3XA-1PSPM	1				
029		266424-2	Binding head tapping screw 4X20	2				
030		687124-5	Strain relief	1				
031		620J45-8	Dial circuit	1				
032		413A95-4	Lever box C	1				
033		232575-3	Torsion spring 12	1				
034		459863-5	Switch lever support L	1				
035		911138-5	Pan head screw M4X20 WR	1				
036		213A12-2	O-ring 18	1				
037		413B01-5	Speed lever	1				
038		183U35-3	Lever box set	1				
	D10		INC. 27					
039		266424-2	Binding head tapping screw 4X20	5				
040		699264-7	Power supply cord unit	1				
041		327871-3	Upper handle	1				
042		413944-9	Clamp	1				
043		911163-6	Pan head screw M4X35 WR	1				
044		699267-1	Power supply cord unit	1				
045		122D38-0	Handle lower assembly	1				
	D10		INC. 54-63					
046		265C08-1	Flat head bolt M8X50	1				
047		265C06-5	Thumb nut M8	2				
048		265C08-1	Flat head bolt M8X50	1				
049		911168-6	Pan head screw M4X40 WR	1				
050		413L52-8	Clamp	1				
051		911168-6	Pan head screw M4X40 WR	1				
052		413L52-8	Clamp	1				
054		413943-1	Knob	1				
055		258004-8	Spring pin 2.5-16	1				
056		327A66-4	Lock holder	1				
057		234121-8	Compression spring 8	1				
058		327A65-6	Lock pin	1				
059		327A65-6	Lock pin	1				

B:DLM540PT2(H)

Interchange

O : Yes

X : No

&lt; : the new part can be substituted for the current.

&gt; : the current part can be substituted for the new.

S : Interchangeable as a set.

**VN | VIETNAM**
**DLM540 / Cordless Lawn Mower**

Item	Sub	Parts No.	Parts Description	Qty	I/C	E/C No.	Close No.	Remark
060		234121-8	Compression spring 8	1				
061		327A66-4	Lock holder	1				
062		258004-8	Spring pin 2.5-16	1				
063		413943-1	Knob	1				
064		265C07-3	Hex. socket head shoulder bolt M8	2				
065		8101U7-9	INDICATIN LABEL	1				
066		137459-9	BATTERY COVER ASS'Y	1				
	D10		INC. 65					
067		266424-2	Binding head tapping screw 4X20	2				
068		1413F5-2	Cowling cover complete	1				
069		422D31-7	Sponge seal	1				
070		266424-2	Binding head tapping screw 4X20	4				
071		4135F2-3	Upper cowling	1				
072		266424-2	Binding head tapping screw 4X20	5				
073		183N78-3	Terminal housing set	1				
	C10	263005-3	Rubber pin 6	4				
	D10		INC. 75					
074		644809-6	Terminal	2				
075		183N78-3	Terminal housing set	1				
	C10	263005-3	Rubber pin 6	4				
	D10		INC. 73					
076		266424-2	Binding head tapping screw 4X20	2				
078		620T72-5	Controller	1				
079		699265-5	Power supply cord unit	1				
080		422956-1	Sponge	1				
081		266424-2	Binding head tapping screw 4X20	2				
082		687124-5	Strain relief	1				
083		687051-6	Strain relief	1				
084		4135F3-1	Lower cowling	1				
085		266424-2	Binding head tapping screw 4X20	4				
086		687123-7	Strain relief	2				
087		687051-6	Strain relief	2				
088		911233-1	Pan head screw M5X20 WR	4				
089		141M30-1	Stator base complete	1				
090		422955-3	Grommet	2				
091		253455-0	Wave washer 19	1				
092		210059-1	Ball bearing 6000DDW	1				
093		629B84-7	Stator	1				
094		911148-2	Pan head screw M4X25 WR	6				
095		620J44-0	Controller B	1				
096		265F08-9	Flat head screw M3X10	3				
097		519785-2	Rotor assembly	1				
	D10		INC. 92,98					
098		211332-2	Ball bearing 6004LLU	1				
099		312D43-7	Bracket	1				
100		911233-1	Pan head screw M5X20 WR	4				
101		922441-9	Hex. socket head bolt M8X25 W	4				
102		413L53-6	Baffle plate	1				
103		911126-2	Pan head screw M4X16 W	4				
104		240205-2	Fan 170	1				
105		312D48-7	Blade support 530	1				
106		266424-2	Binding head tapping screw 4X20	2				
107		191W87-2	Blade 530 set	1				
108		265D72-8	Hex. head bolt M10X35 WG	1				
109		141M22-0	Rear flap complete	1				
	C10	8047H4-0	Caution label	1				
110		265B20-5	Hex. socket button head bolt M8X14	3				
111		347A56-1	Handle bracket R	1				
112		265620-9	Flange tapping screw 4X18	1				
113		961018-5	Stop ring (EXT) E-5	1				
114		183X16-5	Grass guard set	1				
	D10		INC. 117					
115		327A64-8	Rod 6	1				
116		232721-8	Torsion spring 8	1				
117		183X16-5	Grass guard set	1				

B:DLM540PT2(H)

Interchange

O : Yes

X : No

&lt; : the new part can be substituted for the current.

&gt; : the current part can be substituted for the new.

S : Interchangeable as a set.

<b>VN</b>	<b>VIETNAM</b>
-----------	----------------

## DLM540 / Cordless Lawn Mower

Item	Sub	Parts No.	Parts Description	Qty	I/C	E/C No.	Close No.	Remark
	D10		INC. 114					
118		961018-5	Stop ring (EXT) E-5	1				
119		265620-9	Flange tapping screw 4X18	1				
120		347A55-3	Handle bracket L	1				
121		265B20-5	Hex. socket button head bolt M8X14	3				
122		922441-9	Hex. socket head bolt M8X25 W	2				
123		413L42-1	Rear grip	1				
124		266424-2	Binding head tapping screw 4X20	1				
125		413L50-2	Lead cover	1				
126		422526-6	Grommet	1				
127		1413G0-9	Deck complete	1				
128		265B20-5	Hex. socket button head bolt M8X14	2				
129		413L43-9	Height adjust plate	1				
130		265620-9	Flange tapping screw 4X18	3				
131		413L37-4	Deck under cover R	1				
132		4135F4-9	Front cover	1				
133		413L35-8	Deck under cover F	1				
134		266424-2	Binding head tapping screw 4X20	6				
135		265324-3	Hex. head flange bolt M8X12	1				
136		210163-6	Ball bearing 6001DDW	1				
137		1413F9-4	Tire 230 complete	1				
138		210163-6	Ball bearing 6001DDW	1				
139		227C38-0	Spur gear 49	1				
140		265B00-1	Flange tapping screw 4X12	2				
141		413L40-5	Wheel cap	1				
142		911213-7	Pan head screw M5X12 WR	2				
143		961052-5	Retaining ring (EXT) S-12	1				
144		227A00-3	Spur gear 12	1				
145		210163-6	Ball bearing 6001DDW	1				
146		251951-2	Hex. socket countersunk head scr- ...	3				
147		313390-5	Rear shaft holder	1				
148		162C02-3	Rear shaft	1				
149		162B98-8	Height adjust lever complete	1				
150		922311-2	Hex. socket head bolt M6X12 W	2				
151		252301-4	Hex. flange lock nut M6-10	1				
152		313390-5	Rear shaft holder	1				
153		251951-2	Hex. socket countersunk head scr- ...	3				
154		210163-6	Ball bearing 6001DDW	1				
155		413L40-5	Wheel cap	1				
156		911213-7	Pan head screw M5X12 WR	2				
157		227A00-3	Spur gear 12	1				
158		961052-5	Retaining ring (EXT) S-12	1				
159		265B00-1	Flange tapping screw 4X12	2				
160		227C38-0	Spur gear 49	1				
161		210163-6	Ball bearing 6001DDW	1				
162		1413F9-4	Tire 230 complete	1				
163		210163-6	Ball bearing 6001DDW	1				
164		265324-3	Hex. head flange bolt M8X12	1				
165		347865-2	Clamp 19	2				
166		922223-9	Hex. socket head bolt M5X16 WR	4				
167		122E54-8	Drive unit	1				
168		922223-9	Hex. socket head bolt M5X16 WR	1				
169		347A59-5	Bracket	1				
170		266388-0	Binding head tapping screw 5X16	2				
171		232628-8	Tension spring 16	1				
172		347A58-7	Connecting rod	1				
173		265324-3	Hex. head flange bolt M8X12	1				
174		1413F8-6	Tire 230 complete	1				
175		210163-6	Ball bearing 6001DDW	1				
176		347869-4	Plate	2				
177		266424-2	Binding head tapping screw 4X20	4				
178		162C00-7	Front shaft	1				
179		210163-6	Ball bearing 6001DDW	1				
180		1413F8-6	Tire 230 complete	1				
181		252301-4	Hex. flange lock nut M6-10	1				

B:DLM540PT2(H)

Interchange  
 O : Yes  
 X : No  
 < : the new part can be substituted for the current.  
 > : the current part can be substituted for the new.  
 S : Interchangeable as a set.

