

**Max. cutting capacity (with 255/ 260mm saw blade)**

Miter saw (height x width)				Table saw (height)	
Cross Cut	Miter Cut (left & right)	Bevel Cut (left & right)	Compound Cut		Rip Cut
69 mm x 130 mm (2-3/4" x 5-1/8") <sup>*1</sup>	Miter 45° left / right	Bevel 45° left	Bevel 45° left Miter 45° left	Bevel 45° left Miter 45° right	40 mm (1-9/16")
93 mm x 95 mm (3-5/8" x 3-3/4") <sup>*2</sup>	69 mm x 85 mm (2-3/4" x 3-3/8") <sup>*1</sup> 93 mm x 67 mm (3-5/8" x 2-5/8") <sup>*2</sup>	35 mm x 130 mm (1-3/8" x 5-1/8") <sup>*1</sup> 53 mm x 95 mm (2-1/16" x 3-3/4") <sup>*2</sup>	35 mm x 65 mm (1-3/8" x 2-9/16") <sup>*1</sup> 49 mm x 42 mm (1-15/16" x 1-5/8") <sup>*2</sup>	35 mm x 91 mm (1-3/8" x 3-5/8") <sup>*1</sup> 49 mm x 67 mm (1-15/16" x 2-5/8") <sup>*2</sup>	

\*1: When the workpiece is positioned to maximum horizontal cutting width.  
\*2: When the workpiece is positioned to maximum vertical cutting height.

**Accessories** ● *Standard Equipment*

TCT saw blade for table top miter saw

**EFFICUT**



★★★★★

Outer (mm)	No. teeth	Kerf (mm)	Hole (mm)	Ring (mm)	Sales pkg q'ty	Part No.
260	45	2.15	25.4	15.88	1	E-27779 ●
	60	2.15	25.4	-	1	E-29555
	80	2.15	25.4	-	1	E-29583
	45	2.15	30	-	1	E-27763
	60	2.15	30	25.4 15.88	1	E-29549
	80	2.15	30	25.4 15.88	1	E-29577



**Miter saw and Table saw in one tool  
with cordless convenience**

**Charging Time**

Battery	Fast Charging	Standard Charging
	DC40RA	DC40RC
BL4020 2.0Ah	22 min	30 min
*1 BL4025 2.5Ah	28 min	38 min
*1 BL4040 4.0Ah	45 min	67 min
*1 BL4050F 5.0Ah	50 min	85 min
*1 BL4080F/H 8.0Ah	76 min	170 min

\*1 Recommended battery

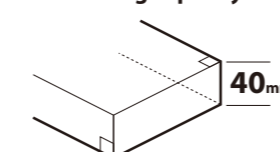
**Cordless Table Top Miter Saw**

**LH001GZ**

	Brake	Wheel diameter	255 mm (10"), 260 mm (10-1/4")
	Anti-Restart Function	No load speed	4,300 min <sup>-1</sup>
	Constant Speed	Miter saw specifications / Bevel range	0° - Left: 45°
	Soft Start	Miter saw specifications / Miter range	Left: 45° / Right: 52°
	Bevel Cutting 45° Left	Miter saw specifications / Cutting capacity	Bevel 0° / Miter 0°: 69 x 130 mm (2-3/4 x 5-1/8"), 93 x 95 mm (3-5/8 x 3-3/4") Bevel 0° / Miter 45°LR: 69 x 85 mm (2-3/4 x 3-3/8"), 93 x 67 mm (3-5/8 x 2-5/8")
	LED Marker	Sound pressure level	91 dB(A) (EN62841-3-11)
	Dust Collection	Sound power level	103 dB(A) (EN62841-3-11)
	Built-in Job Light	Table saw, Max cutting capacity	40 mm (1-9/16")
		Table saw, Table size	260 x 415 mm (10-1/4 x 16-3/8")
		Dimensions (L x W x H) (Battery)	545 x 476 x 585 mm (21-1/2 x 18-3/4 x 23") (BL4040)
		Net weight (Battery)	14.8 - 16.0 kg (32.6 - 35.3 lbs.) (BL4020 - BL4080F)

**Standard Equipment:** Rip fence assembly (122K39-0), blade cover assembly (122K40-5), set plate (345709-0), thumb screw M6X10 (251887-5), vise assembly (122536-0), dust bag assembly (122852-0), holder (322312-4), push stick (416772-1), TCT saw EFFT 260X45T (E-27779), hex. wrench 6 (781044-6)

Max cutting capacity



The weight may differ depending on the attachment(s), including the battery cartridge. The lightest and heaviest combination, according to EPTA-Procedure 01/2014, are shown in the table. Items of standard equipment and specifications may vary by country or area. A3-032026-6

**MAKITA VIETNAM COMPANY LIMITED**

UNT 4-56, Block 16, 18L12, Street No 3, VSP II, Binh Duong Ward, Ho Chi Minh City  
Tel: 0274 362 8338 - Fax: 0274 362 8339 - Website: www.makita.com.vn

MAKITA VIETNAM COMPANY LIMITED NORTH BRANCH  
Unit 5, No1, Road 6, Vsp Industrial Park, Tu Son Ward,  
Bac Ninh Province,  
Tel: 0222 376 9942

MAKITA VIETNAM COMPANY LIMITED - HANOI BRANCH  
Group 15 and No.4 Alley 63 Truong Chinh Street, Phuong Liet Ward,  
Hanoi City  
Tel: 0243 202 2585

MAKITA VIETNAM COMPANY LIMITED - DA NANG  
CITY BRANCH  
40 Chi Lang, Hai Chau Ward, Da Nang City  
Tel: 0238 3529 170

MAKITA VIETNAM COMPANY LIMITED - CAN THO  
CITY BRANCH  
366 Vo Van Kiet Street, Area 5, Binh Thuy Ward, Can Tho City  
Tel: 0292 369 4356

MAKITA VIETNAM COMPANY LIMITED - BUON MA THUOT  
CITY BRANCH  
68 Le Dieu Thu, Buon Ma Thuot Ward, Dak Lak Province  
Tel: 0262 305 4536

MAKITA VIETNAM COMPANY LIMITED - HAI PHONG  
CITY BRANCH  
No 13, Lot TBC 13, The Lu Street, Hong Bang Ward, Hai Phong City  
Tel: 0225 863 1529

MAKITA VIETNAM COMPANY LIMITED - NHA TRANG  
CITY BRANCH  
Lot 26-38, 86 Street, Vinh Diem Trung Urban Area, Tay Nha Trang Ward, Khanh Hoa Province  
Tel: 0258 220 8038

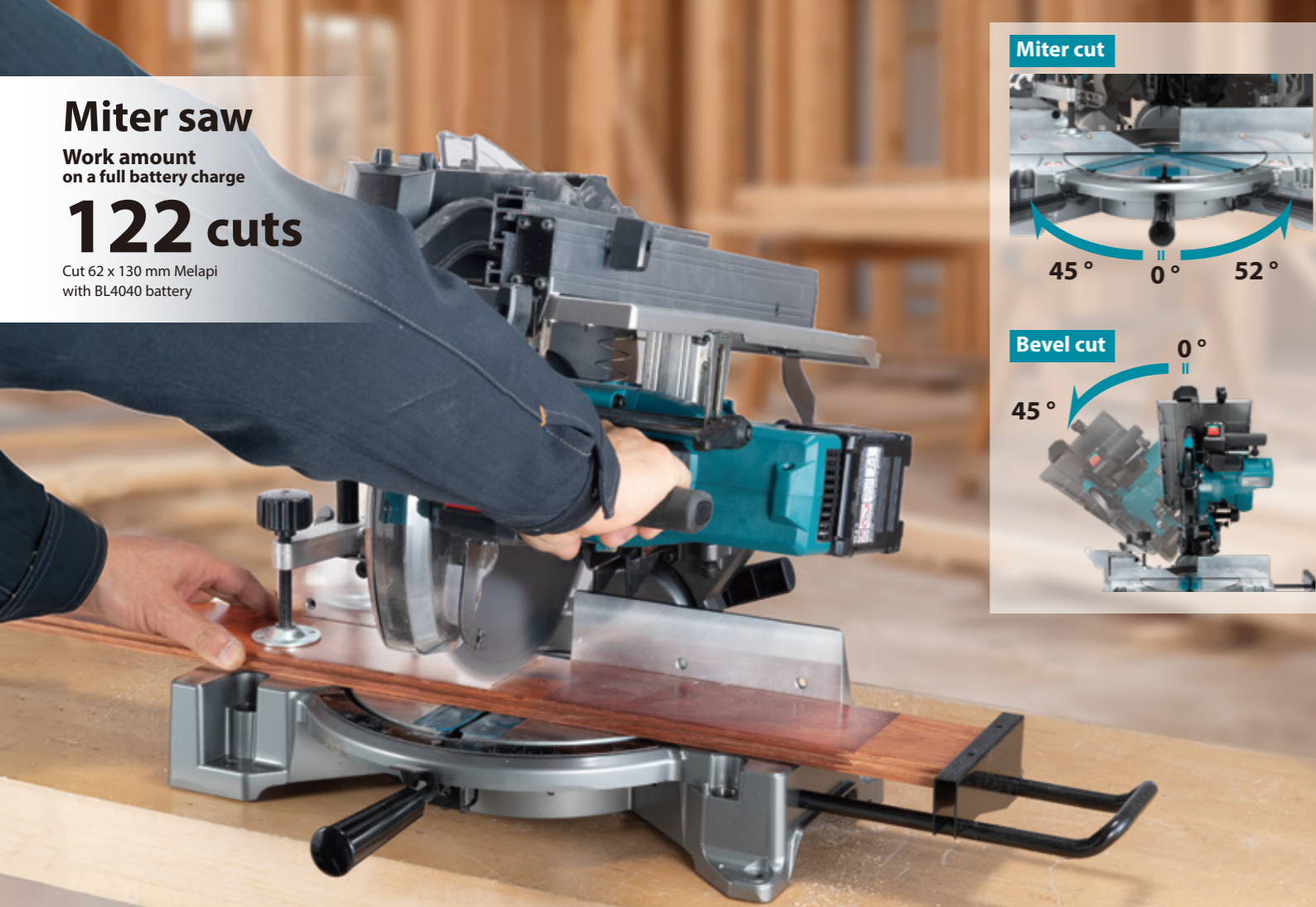
MAKITA VIETNAM COMPANY LIMITED - HO CHI MINH  
CITY BRANCH  
12 Trinh Van Can, Ben Thanh Ward, Ho Chi Minh City  
Tel: 0283 821 5191

## Miter saw

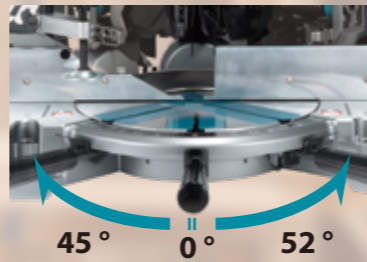
Work amount on a full battery charge

# 122 cuts

Cut 62 x 130 mm Melapi with BL4040 battery



Miter cut



Bevel cut



XGT 40V Li-ion max + BL MOTOR

With an XGT battery, BL motor, and EFFICUT blade, the tool delivers power and efficiency that exceed those of corded models equipped with a general-purpose blade.



Lightweight at only 12.5kg (tool only)



Work efficiency\*

LH001G (EFFICUT blade)

## 285% (3.2 sec)

Our AC model (General-purpose blade)

## 100%

\*Test condition: Table saw mode, Test material: Melapi (40 x 500mm)



Auto-start Wireless System

Connects to a compatible vacuum cleaner with Bluetooth. The vacuum cleaner automatically runs while the switch is on.

## Table saw

Work amount on a full battery charge

# 60 cuts

Cut 40 x 500mm Melapi with BL4040 battery



Rip fence secured at both ends

Minimizes bending when the workpiece is pressed against it, enhancing cutting accuracy in table saw mode.

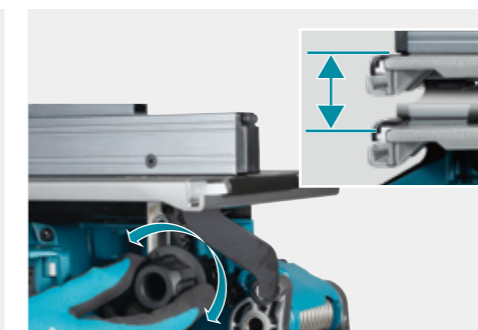
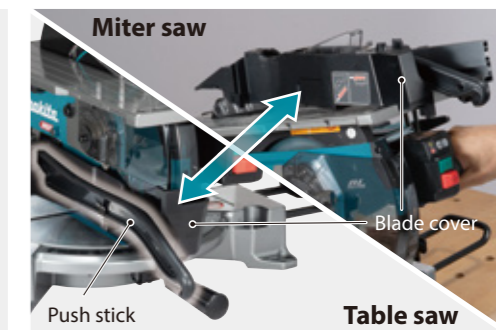


Table height adjustment

A rack-and-pinion mechanism allows easy fine adjustment of the table height by simply turning the knob.



Blade cover for both modes

The blade cover is used in Miter saw and Table saw modes. The push stick can be stored on the side of the blade cover to help avoid loss.



Enhanced dust-collection efficiency

A redesigned airflow path minimizes the dust ejected from the blade cover, enhancing dust-collection efficiency in table saw mode.



Vacuum cleaner activation switch

The switch that activates only the vacuum cleaner via AWS makes it easier to clean the tool after use.



LED job light with cut line guide

An LED light casts the blade's shadow on the workpiece, allowing the blade to be aligned with the marked cut line.