



VN	VIETNAM
----	---------

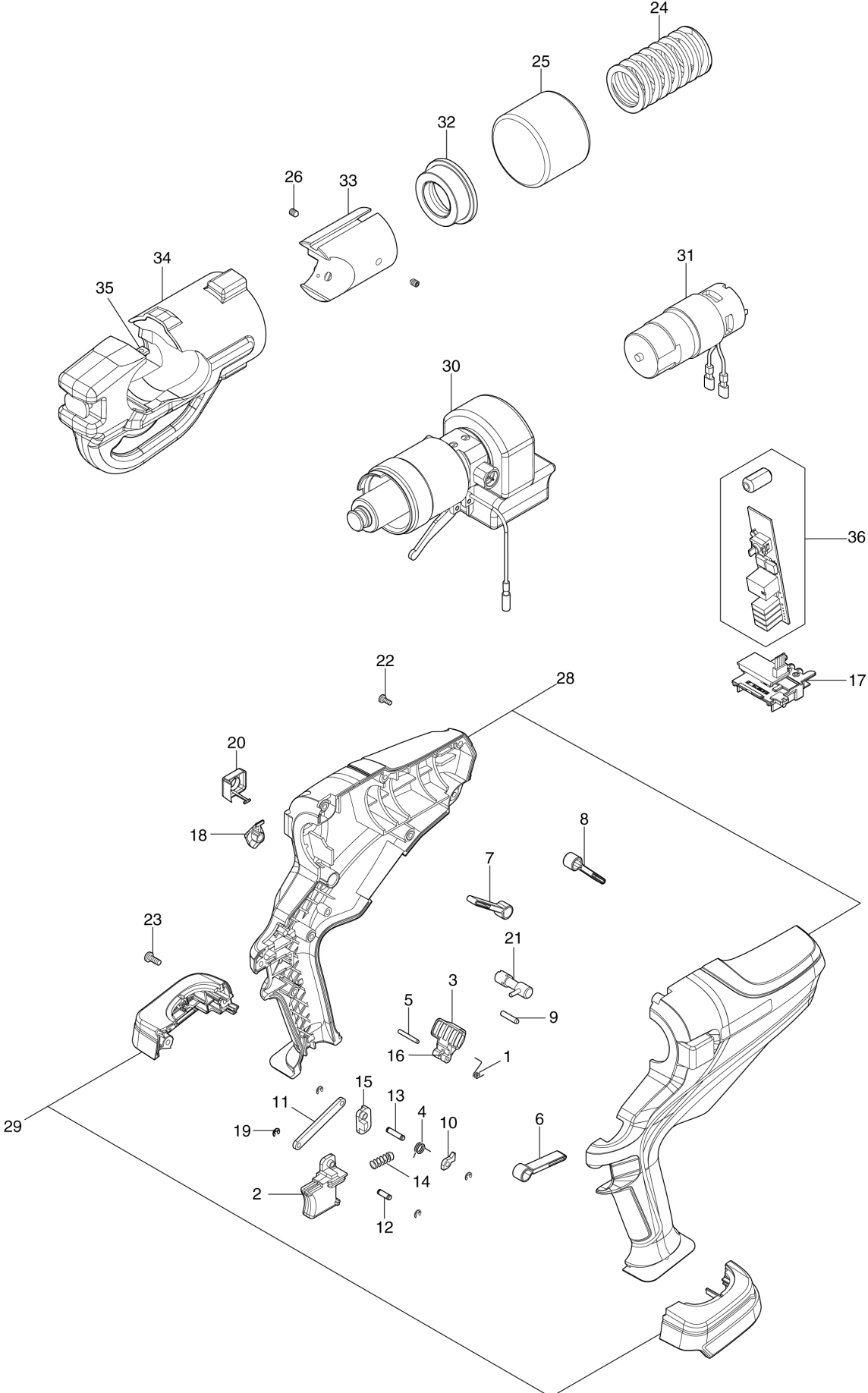
# Diagram / Parts List

**DTC302**

**CORDLESS CRIMPER**



(VN) DTC302 / CORDLESS CRIMPER



### DTC302 / CORDLESS CRIMPER

Item	Sub	Parts No.	Parts Description	Qty	I/C	E/C No.	Close No.	Remark
001		ZM00000011	TORSION SPRING (719)	1				
002		ZM00000229	SWITCH LEVER	1				
003		ZM00000009	LOCK RELEASE LEVER	1				
004		ZM00000006	TORSION SPRING (720)	1				
005		ZM00000012	PIN 3X22	1				
006		ZM00000015	STRAP RING	1				
007		ZM00000015	STRAP RING	1				
008		ZM00000015	STRAP RING	1				
009		ZM00000268	PIN 4X18	1				
010		ZM00000003	RATCHET	1				
011		ZM00000230	LINK	1				
012		ZM00000004	PIN (280)	1				
013		ZM00000231	PIN	1				
014		ZM00000232	COMPRESSION SPRING (599)	1				
015		ZM00000233	CAM STAY	1				
016		ZM00000010	SUPPORTER	1				
017		643874-2	TERMINAL	1				
018		ZM00000234	CAP	1				
019		ZM00000235	STOP RING	4			Y09600	
019-1		ZM00000007	STOP RING E3	4	X	Y09600		
020		ZM00000236	ADJUSTMENT CAP	1				
021		ZM00000237	CHANGE PIN	1			Y09600	
021-1		ZM00000013	CHANGE PIN	1	X	Y09600		
022		ZM00000149	PAN HEAD SCREW M4X12	9				
023		ZM00000149	PAN HEAD SCREW M4X12	2				
024		ZM00000261	COMPRESSION SPRING (644)	1				
025		ZM00000239	BODY COVER	1				
026		ZM00000262	HEX. SOCKET SET BOLT M5X8	2				
028		ZM00000242	HOUSING SET	1				
029		ZM00000185	BATTERY CASE ASSY	1				
	C10	263005-3	RUBBER PIN 6	2				
030		ZM00000263	OIL UNIT ASSY	1				
031		ZM00000244	POWER UNIT ASSY	1				
	C10	ZM00000245	MOTOR ASSY	1				
	C20	ZM00000246	O-RING S14	1				
032		ZM00000264	GUIDE RING ASSY	1				
033		ZM00000265	RAM HEAD ASSY	1				
	C10	ZM00000249	SPRING PIN 2.5X14	1				
	C20	ZM00000250	RAM RELEASE SHAFT	1				
	C30	ZM00000251	RAM RELEASE PIN	1				
	C40	ZM00000252	COMPRESSION SPRING (177)	1				
034		ZM00000266	HEAD ASSY	1				
	C10	ZM00000254	SPRING PIN 2.5X25	1				
	C20	ZM00000255	HEAD RELEASE PIN	1				
	C30	ZM00000256	COMPRESSION SPRING (257)	1				
	C40	ZM00000257	SCREW(16)	1				
	C50	ZM00000258	KNOB	1				
	C60	ZM00000259	SPRING PIN 2.5X12	1				
035		ZM00000241	KEY	1				
036		ZM00000267	SWITCH ASSY	1			Y09600	
036-1		ZM00000260	SWITCH ASSY	1	X	Y09600		

<p>A:</p>	<p>Interchange  O : Yes  X : No  &lt; : the new part can be substituted for the current.  &gt; : the current part can be substituted for the new.  S : Interchangeable as a set.</p>
-----------	--