



|    |         |
|----|---------|
| VN | VIETNAM |
|----|---------|

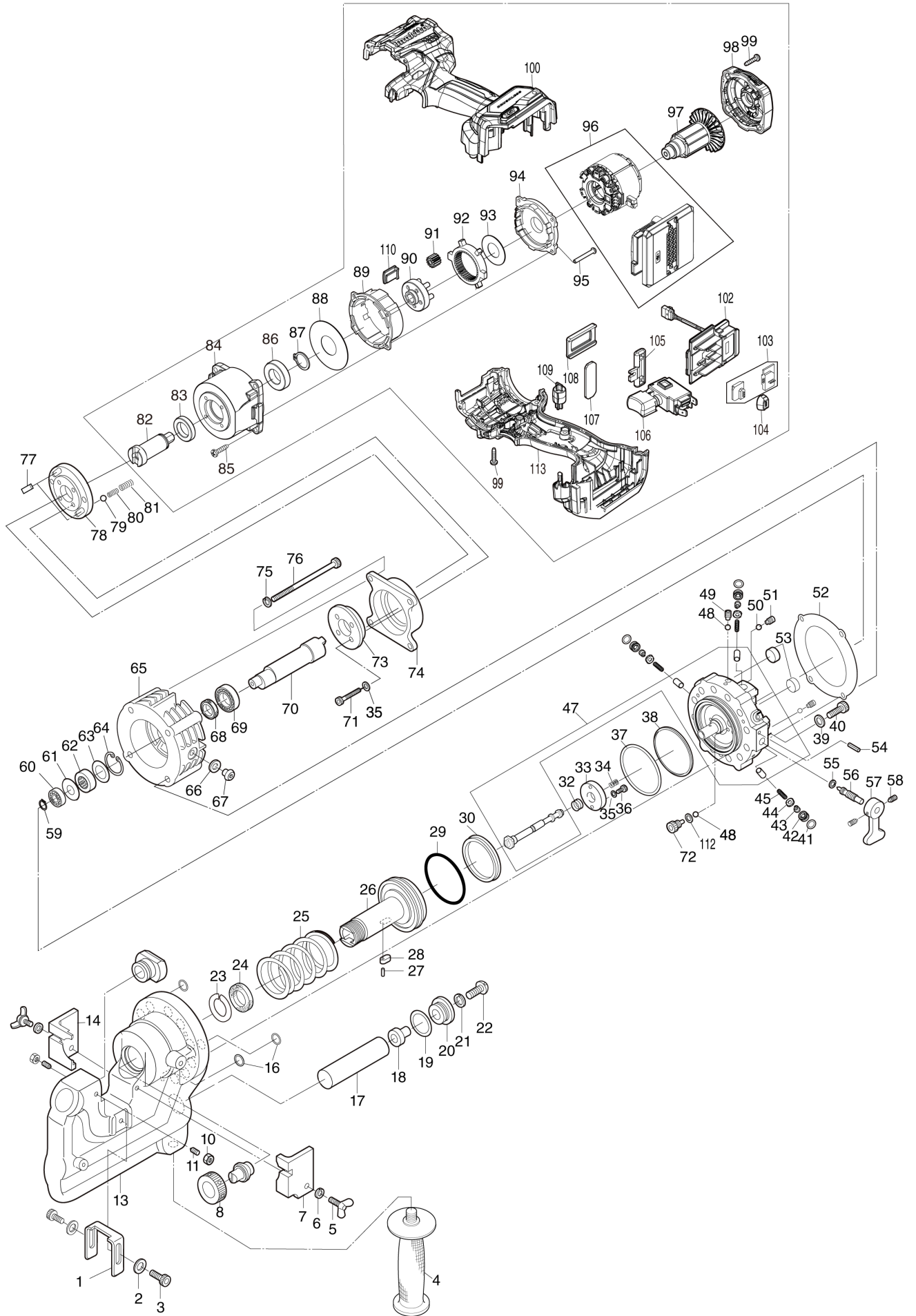
# Diagram / Parts List

PP001G

CORDLESS HOLE PUNCHER



(VN) PP001G / CORDLESS HOLE PUNCHER



|    |         |
|----|---------|
| VN | VIETNAM |
|----|---------|

### PP001G / CORDLESS HOLE PUNCHER

| Item  | Sub | Parts No.  | Parts Description            | Qty | I/C | E/C No. | Close No. | Remark |
|-------|-----|------------|------------------------------|-----|-----|---------|-----------|--------|
| 001   |     | SC03505970 | SLIDE STOPPPER               | 1   |     |         |           |        |
| 002   |     | 941101-4   | FLAT WASHER 5                | 2   |     |         |           |        |
| 003   |     | SC00000059 | HEX. SOCKET HEAD BOLT M5X12  | 2   |     |         |           |        |
| 004   |     | SC00000155 | GRIP M14                     | 1   |     |         |           |        |
| 005   |     | SC07552000 | WING BOLT M6X15              | 2   |     |         |           |        |
| 006   |     | SC07610040 | WASHER SW6                   | 2   |     |         |           |        |
| 007   |     | SC03303570 | STRIPPER R                   | 1   |     |         |           |        |
| 008   |     | SC03505320 | PUNCH RETAINING NUT          | 1   |     |         |           |        |
| 010   |     | 931301-4   | HEX. NUT M6                  | 2   |     |         |           |        |
| 011   |     | 913327-8   | SET SCREW (CONE POINT) M6X16 | 2   |     |         |           |        |
| 013   |     | SC03103740 | C FRAME COMPLETE             | 1   |     |         |           |        |
| 014   |     | SC03302580 | STRIPPER L                   | 1   |     |         |           |        |
| 016   |     | SC06506010 | O RING P8                    | 3   |     |         |           |        |
| 017   |     | SC09004910 | OIL LEVELER SACK             | 1   |     |         |           |        |
| 018   |     | SC03507000 | BUSHING                      | 1   |     |         |           |        |
| 019   |     | SC06505320 | O RING P26                   | 1   |     |         |           |        |
| 020   |     | SC03507010 | BUSHING HOLDER               | 1   |     |         |           |        |
| 021   |     | SC00000065 | SPRING WASHER 8              | 1   |     |         |           |        |
| 022   |     | SC00000034 | SPECIAL PAN HEAD SCREW M8X20 | 1   |     |         |           |        |
| 023   |     | SC06503640 | BACK UP RING                 | 1   |     |         |           |        |
| 024   |     | SC06505880 | SKY PACKING                  | 1   |     |         |           |        |
| 025   |     | SC04000370 | RETURN SPRING FOR CUTTER ROD | 1   |     |         |           |        |
| 026   |     | SC03110760 | PUNCHING ROD                 | 1   |     |         |           |        |
| 027   |     | SC00000070 | SPRING PIN 2.5X10            | 1   |     |         |           |        |
| 028   |     | SC03700020 | KEY                          | 1   |     |         |           |        |
| 029   |     | SC06505510 | O RING S67                   | 1   |     |         |           |        |
| 030   |     | SC00000096 | ROD PACKING                  | 1   |     |         |           |        |
| 032   |     | SC04005170 | VALVE RETURN SPRING          | 1   |     |         |           |        |
| 033   |     | SC03500690 | STOPPER PLATE                | 1   |     |         |           |        |
| 034   |     | SC04004170 | RELEASE BULB SPRING          | 1   |     |         |           |        |
| 035   |     | SC00000068 | FLAT WASHER 4                | 6   |     |         |           |        |
| 036   |     | SC00000060 | HEX. SOCKET HEAD BOLT 4X6    | 2   |     |         |           |        |
| 037   |     | SC06505190 | O RING G65                   | 1   |     |         |           |        |
| 038   |     | SC06503630 | BACK UP RING G65             | 1   |     |         |           |        |
| 039   |     | SC07620040 | WASHER HW8                   | 12  |     |         |           |        |
| 040   |     | SC07514130 | HEX. SOCKET HEAD BOLT M8X22  | 12  |     |         |           |        |
| 041   |     | SC06505590 | O RING S-8                   | 3   |     |         |           |        |
| 042   |     | SC03500540 | METAL PACKING                | 3   |     |         |           |        |
| 043   |     | SC00000468 | SPRING #43449N2              | 3   |     |         |           |        |
| 044   |     | SC00000464 | CHECK VALVE #T43445          | 3   |     |         |           |        |
| 045   |     | SC00000022 | PISTON RETURN SPRING         | 3   |     |         |           |        |
| 047   |     | SC09050360 | CYLINDER,PISTON & VALVE SET  | 1   |     |         |           |        |
| 048   |     | SC07900010 | STEEL BALL S4                | 6   |     |         | Y09431    |        |
| 048-1 |     | SC07900010 | STEEL BALL S4                | 7   | O   | Y09431  |           |        |
| 049   |     | SC07523040 | HEX.SOCKET SET SCREW M5X5    | 6   |     |         |           |        |
| 050   |     | SC07900000 | STEEL BALL 3                 | 3   |     |         |           |        |
| 051   |     | SC07521010 | HEX.SOCKET SET SCREW M4X4    | 3   |     |         |           |        |
| 052   |     | SC04601600 | LINER B                      | 1   |     |         |           |        |
| 053   |     | SC00000020 | MAGNET                       | 2   |     |         |           |        |
| 054   |     | 951116-3   | SPRING PIN 4-20              | 1   |     |         |           |        |
| 055   |     | SC00000158 | O RING P4                    | 1   |     |         |           |        |
| 056   |     | SC00000146 | RETURN VALVE                 | 1   |     |         |           |        |
| 057   |     | SC00000147 | RETURN LEVER                 | 1   |     |         |           |        |
| 058   |     | 913301-6   | SET SCREW (CUP POINT) M6X6   | 2   |     |         |           |        |
| 059   |     | SC07411250 | CIRCLIP STW5                 | 1   |     |         |           |        |
| 060   |     | SC07100050 | BALL BEARING 698             | 1   |     |         |           |        |
| 061   |     | SC03301350 | WASHER B                     | 1   |     |         |           |        |
| 062   |     | SC07201030 | NEEDLE BEARING               | 1   |     |         |           |        |
| 063   |     | SC03301340 | WASHER A                     | 1   |     |         |           |        |
| 064   |     | SC07411330 | RETAINING RING H25           | 1   |     |         |           |        |
| 065   |     | SC03211330 | PUMP CASE                    | 1   |     |         |           |        |
| 066   |     | SC00000489 | SEAL WASHER                  | 1   |     |         |           |        |
| 067   |     | SC07550510 | T50 BUTTON HEAD BOLT M10X15  | 1   |     |         |           |        |
| 068   |     | SC06504050 | OIL SEAL UE15257             | 1   |     |         |           |        |
| 069   |     | SC00000050 | BALL BEARING 6002RU          | 1   |     |         |           |        |

A:

Interchange  
O : Yes  
X : No  
< : the new part can be substituted for the current.  
> : the current part can be substituted for the new.  
S : Interchangeable as a set.

## PP001G / CORDLESS HOLE PUNCHER

| Item | Sub | Parts No.  | Parts Description           | Qty | I/C | E/C No. | Close No. | Remark |
|------|-----|------------|-----------------------------|-----|-----|---------|-----------|--------|
| 070  |     | SC03501070 | CRANK SHAFT                 | 1   |     |         |           |        |
| 071  |     | SC07511070 | HEX. SOCKET HEAD BOLT M4X25 | 4   |     |         |           |        |
| 072  |     | SC03513230 | SEAL BOLT                   | 1   |     |         |           |        |
| 073  |     | SC03251180 | FLANGE                      | 1   |     |         |           |        |
| 074  |     | SC03251320 | SPACER                      | 1   |     |         |           |        |
| 075  |     | SC07610030 | SPRING WASHER 5             | 4   |     |         |           |        |
| 076  |     | SC07512130 | HEX. SOCKET HEAD BOLT M5X65 | 4   |     |         |           |        |
| 077  |     | SC04007990 | LEAF SPRING                 | 2   |     |         |           |        |
| 078  |     | SC03252560 | FLANGE FOR MOTOR            | 1   |     |         |           |        |
| 079  |     | SC07900080 | STEEL BALL D6               | 2   |     |         |           |        |
| 080  |     | SC04007970 | POSITION SPRING B           | 2   |     |         |           |        |
| 081  |     | SC04007960 | POSITION SPRING A           | 2   |     |         |           |        |
| 082  |     | 327B59-7   | SPINDLE                     | 1   |     |         |           |        |
| 083  |     | 211233-4   | BALL BEARING 6802LLB        | 1   |     |         |           |        |
| 084  |     | 312D97-4   | GEAR HOUSING                | 1   |     |         |           |        |
| 085  |     | 266326-2   | TAPPING SCREW 4X18          | 4   |     |         |           |        |
| 086  |     | 211234-2   | BALL BEARING 6902LLB        | 1   |     |         |           |        |
| 087  |     | 961055-9   | RETAINING RING S-15         | 1   |     |         |           |        |
| 088  |     | 253577-6   | FLAT WASHER 15              | 1   |     |         |           |        |
| 089  |     | 412367-8   | GEAR CASE                   | 1   |     |         |           |        |
| 090  |     | 141P06-6   | CARRIER COMPLETE            | 1   |     |         |           |        |
| 091  |     | 227A51-6   | SPUR GEAR 13                | 5   |     |         |           |        |
| 092  |     | 227A50-8   | INTERNAL GEAR 41            | 1   |     |         |           |        |
| 093  |     | 253465-7   | FLAT WASHER 13              | 1   |     |         |           |        |
| 094  |     | 412368-6   | MOTOR BRACKET               | 1   |     |         |           |        |
| 095  |     | 911047-8   | P.H.SCREW M3X25             | 4   |     |         |           |        |
| 096  |     | 629B35-0   | STATOR COMPLETE             | 1   |     |         |           |        |
| 097  |     | 619655-6   | ROTOR                       | 1   |     |         |           |        |
| 098  |     | 412361-0   | REAR COVER                  | 1   |     |         |           |        |
| 099  |     | 266130-9   | TAPPING SCREW BIND PT 3X16  | 11  |     |         |           |        |
| 100  |     | 1830K2-9   | HOUSING SET                 | 1   |     |         |           |        |
|      | C10 | 263005-3   | RUBBER PIN 6                | 2   |     |         |           |        |
|      | C20 | 252126-6   | HEX. LOCK NUT M4-7          | 2   |     |         |           |        |
|      | C30 | 422569-8   | SPONGE SHEET                | 2   |     |         |           |        |
|      | D10 |            | INC. 113                    |     |     |         |           |        |
| 102  |     | 632P49-4   | TERMINAL UNIT               | 1   |     |         |           |        |
| 103  |     | 620C81-2   | SENSOR CIRCUIT              | 1   |     |         |           |        |
| 104  |     | 620549-0   | LED CIRCUIT                 | 1   |     |         |           |        |
| 105  |     | 413R94-8   | LOCK LEVER                  | 1   |     |         |           |        |
| 106  |     | 651443-5   | SWITCH C3JR-4B              | 1   |     |         |           |        |
| 107  |     | 8063D5-2   | MASKING LABEL               | 1   |     |         |           |        |
| 108  |     | 413P19-0   | COVER A                     | 1   |     |         |           |        |
| 109  |     | 413P20-5   | COVER B                     | 1   |     |         |           |        |
| 110  |     | 413P38-6   | COVER C                     | 1   |     |         |           |        |
| 112  |     | SC07610030 | SPRING WASHER 5             | 1   |     |         |           |        |
| 113  |     | 1830K2-9   | HOUSING SET                 | 1   |     |         |           |        |
|      | C10 | 263005-3   | RUBBER PIN 6                | 2   |     |         |           |        |
|      | C20 | 252126-6   | HEX. LOCK NUT M4-7          | 2   |     |         |           |        |
|      | C30 | 422569-8   | SPONGE SHEET                | 2   |     |         |           |        |
|      | D10 |            | INC. 100                    |     |     |         |           |        |
| A02  |     | SC03505300 | NUT RETAINING BAR           | 1   |     |         |           |        |
| A03  |     | SC00000103 | HEX KEY WRENCH 3            | 1   |     |         |           |        |
| A04  |     | SC00000104 | HEX KEY WRENCH 4            | 1   |     |         |           |        |
| A06  |     | SC00000166 | WRENCH 8-10                 | 1   |     |         |           |        |
| A07  |     | SC09009190 | PLASTIC CASE SET            | 1   |     |         |           |        |
| A08  |     | SC08018050 | PLASTIC CASE LABEL          | 1   |     |         |           |        |
| A09  |     | SC05340120 | PUNCH 14                    | 1   |     |         |           |        |
| A10  |     | SC00000219 | DIE SB-14                   | 1   |     |         |           |        |
|      |     |            |                             |     |     |         |           |        |
|      |     |            |                             |     |     |         |           |        |
|      |     |            |                             |     |     |         |           |        |
|      |     |            |                             |     |     |         |           |        |
|      |     |            |                             |     |     |         |           |        |
|      |     |            |                             |     |     |         |           |        |
|      |     |            |                             |     |     |         |           |        |
|      |     |            |                             |     |     |         |           |        |
|      |     |            |                             |     |     |         |           |        |
|      |     |            |                             |     |     |         |           |        |
|      |     |            |                             |     |     |         |           |        |

|           |                                                                                                                                                                                                                                                            |
|-----------|------------------------------------------------------------------------------------------------------------------------------------------------------------------------------------------------------------------------------------------------------------|
| <p>A:</p> | <p>Interchange<br/>           O : Yes<br/>           X : No<br/>           &lt; : the new part can be substituted for the current.<br/>           &gt; : the current part can be substituted for the new.<br/>           S : interchangeable as a set.</p> |
|-----------|------------------------------------------------------------------------------------------------------------------------------------------------------------------------------------------------------------------------------------------------------------|