



VN	VIETNAM
----	---------

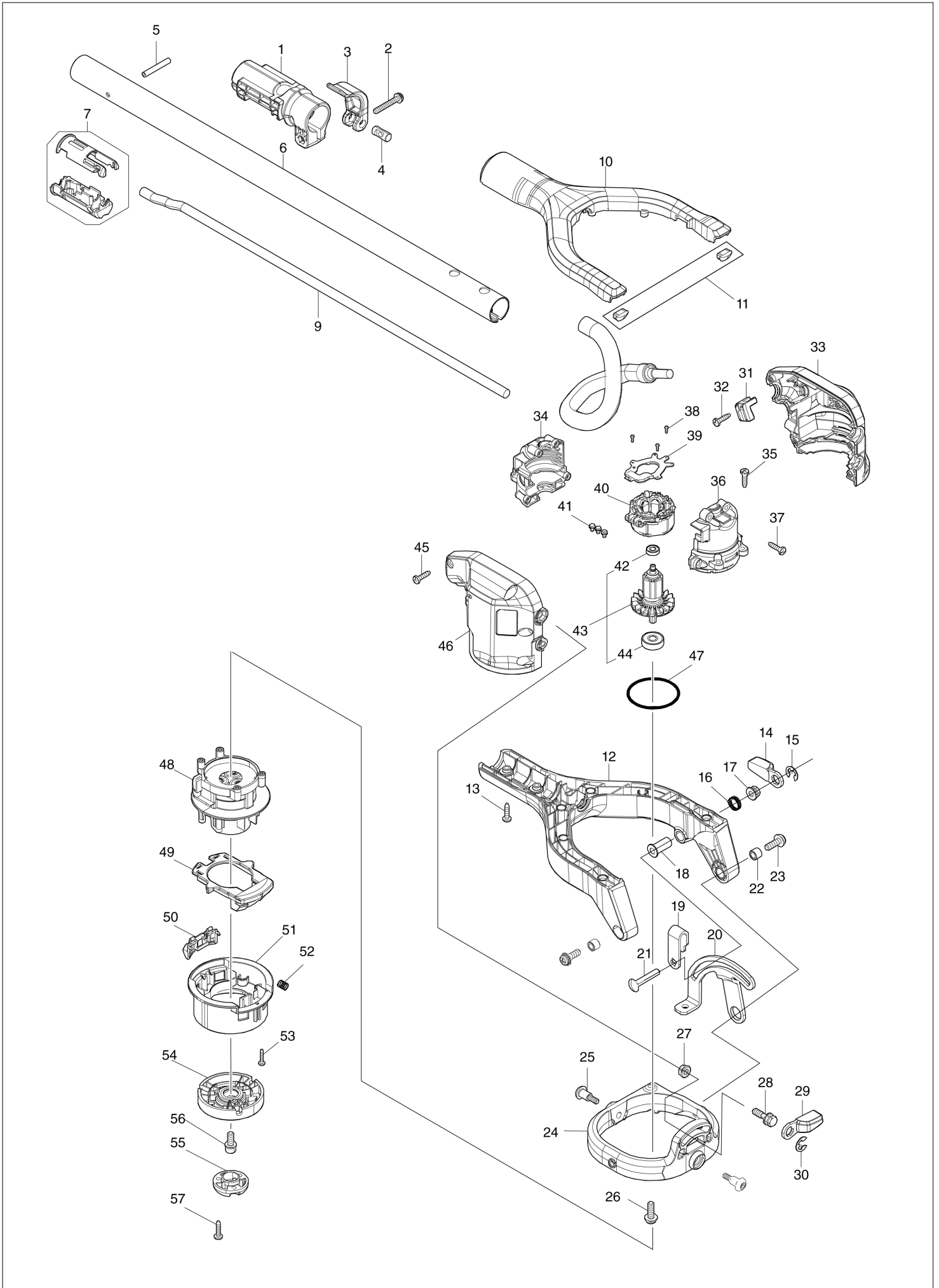
# Diagram / Parts List

**PS001G**

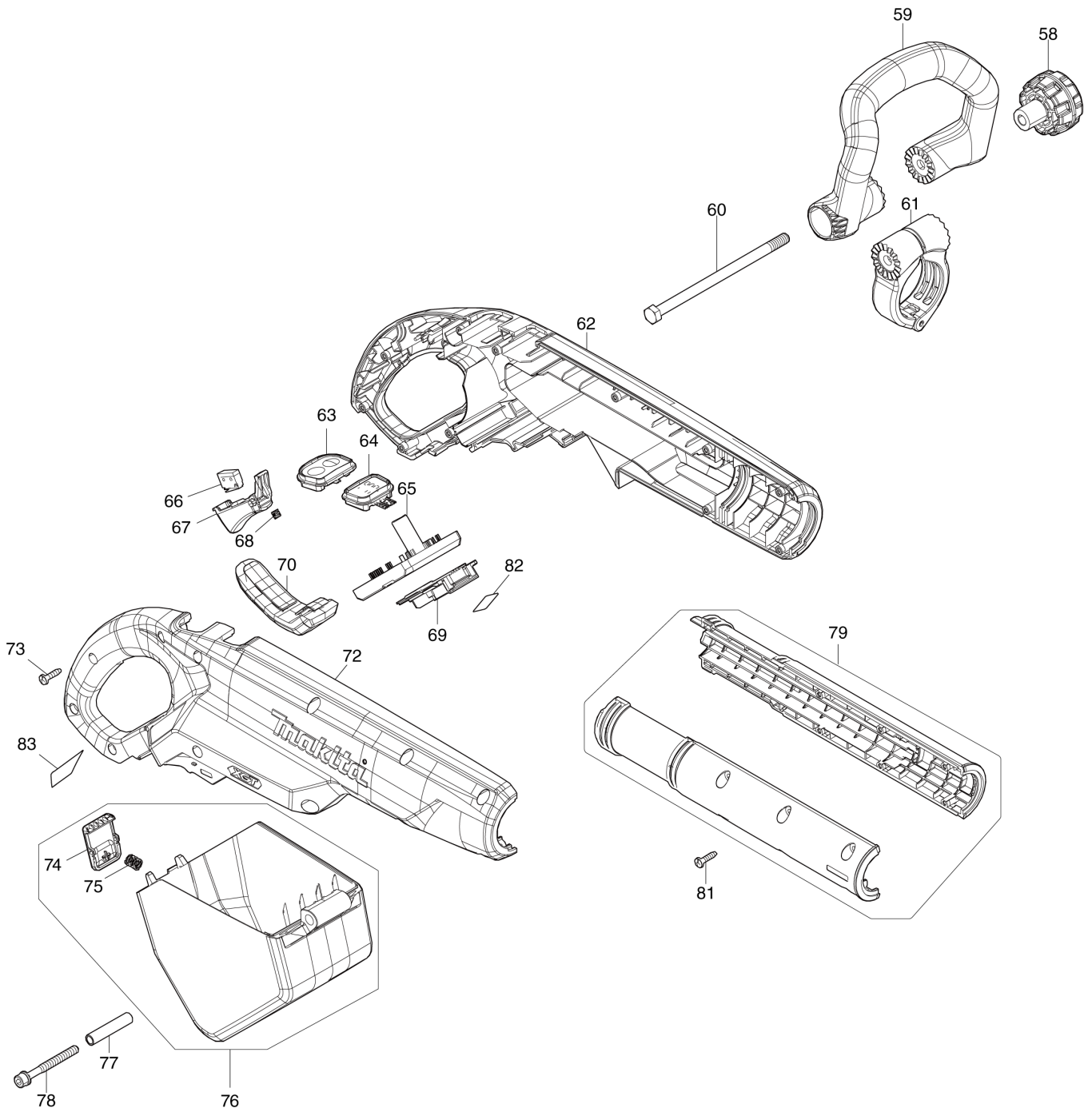
**CORDLESS POLISHER SCRUBBER**



(VN) PS001G / CORDLESS POLISHER SCRUBBER



(VN) PS001G / CORDLESS POLISHER SCRUBBER



<b>VN</b>	<b>VIETNAM</b>
-----------	----------------

### PS001G / CORDLESS POLISHER SCRUBBER

Item	Sub	Parts No.	Parts Description	Qty	I/C	E/C No.	Close No.	Remark
001		4131A8-2	SLEEVE	1				
002		265D91-4	P.H.SCREW M5X35 WITH WR	1				
003		4131A9-0	LEVER	1				
004		327E33-3	PIN9	1				
005		951175-7	SPRING PIN 5-36	1				
006		327E32-5	PIPE 28	1				
007		1830Y7-7	CORD HOLDER SET	1				
009		699251-6	POWER SUPPLY CORD UNIT	1				
010		1830Y9-3	ARM SET	1				
	D10		INC. 12					
011		620N28-2	LED CIRCUIT	1				
012		1830Y9-3	ARM SET	1				
	D10		INC. 10					
013		265D95-6	TAPPING SCREW 4X18	8				
014		271483-3	LEVER 39	1				
015		259095-2	STOP RING E-8	1				
016		232908-2	TORSION SPRING 13	1				
017		252351-9	HEX. NUT M6	1				
018		257A52-0	COLLARED SLEEVE 6	1				
019		347D09-8	FIX PLATE	1				
020		347D08-0	ADJUST PLATE	1				
021		265D90-6	R.H SQUARE NECK BOLT M6X35	1				
022		257A53-8	SLEEVE 6	2				
023		265D92-2	P.H.SCREW M6X20 WITH WG	2				
024		312H45-7	FRAME	1				
025		265D88-3	HEX SOCKET BUTTON H BOLT M8X22	2				
026		265D92-2	P.H.SCREW M6X20 WITH WG	1				
027		252348-8	FLANGE NUT M6	1				
028		265D89-1	HEX.BOLT M6X20	1				
029		271483-3	LEVER 39	1				
030		259095-2	STOP RING E-8	1				
031		687261-5	STRAIN RELIEF	1				
032		265D95-6	TAPPING SCREW 4X18	1				
033		1831C1-1	HEAD COVER SET	1				
	C10	8081H1-2	CAUTION LABEL	1				
	D10		INC. 46					
034		1830Y6-9	MOTOR HOUSING SET	1				
	D10		INC. 36					
035		265D95-6	TAPPING SCREW 4X18	4				
036		1830Y6-9	MOTOR HOUSING SET	1				
	D10		INC. 34					
037		265D95-6	TAPPING SCREW 4X18	4				
038		266490-9	TAPPING SCREW PT 2X6	3				
039		620N29-0	CONTROLLER B	1				
040		629C80-1	STATOR	1				
041		652069-6	FLAT HEAD SCREW M3X6	3				
042		210039-7	BALL BEARING 695DDW	1				
043		519870-1	ROTOR ASS'Y	1				
	D10		INC. 42,44					
044		210023-2	BALL BEARING 627DDW	1				
045		265D95-6	TAPPING SCREW 4X18	6				
046		1831C1-1	HEAD COVER SET	1				
	C10	8081H1-2	CAUTION LABEL	1				
	D10		INC. 33					
047		213A01-7	O-RING 50	1				
048		122G86-7	GEAR ASSEMBLY	1				
049		4131C4-4	HOOK A	1				
050		4131C6-0	HOOK B	1				
051		4131C5-2	HOOK COVER	1				
052		232904-0	COMPRESSION SPRING 8	1				
053		265D96-4	TAPPING SCREW 3X16	4				
054		4131C0-2	ADAPTER	1				
055		4131C1-0	CAP36	1				
056		265D93-0	H.S.H.BOLT M6X16 WITH WG	1				
057		265D95-6	TAPPING SCREW 4X18	3				

A:PS001GZ(N)

Interchange  
 O : Yes  
 X : No  
 < : the new part can be substituted for the current.  
 > : the current part can be substituted for the new.  
 S : Interchangeable as a set.

