



VN	VIETNAM
----	---------

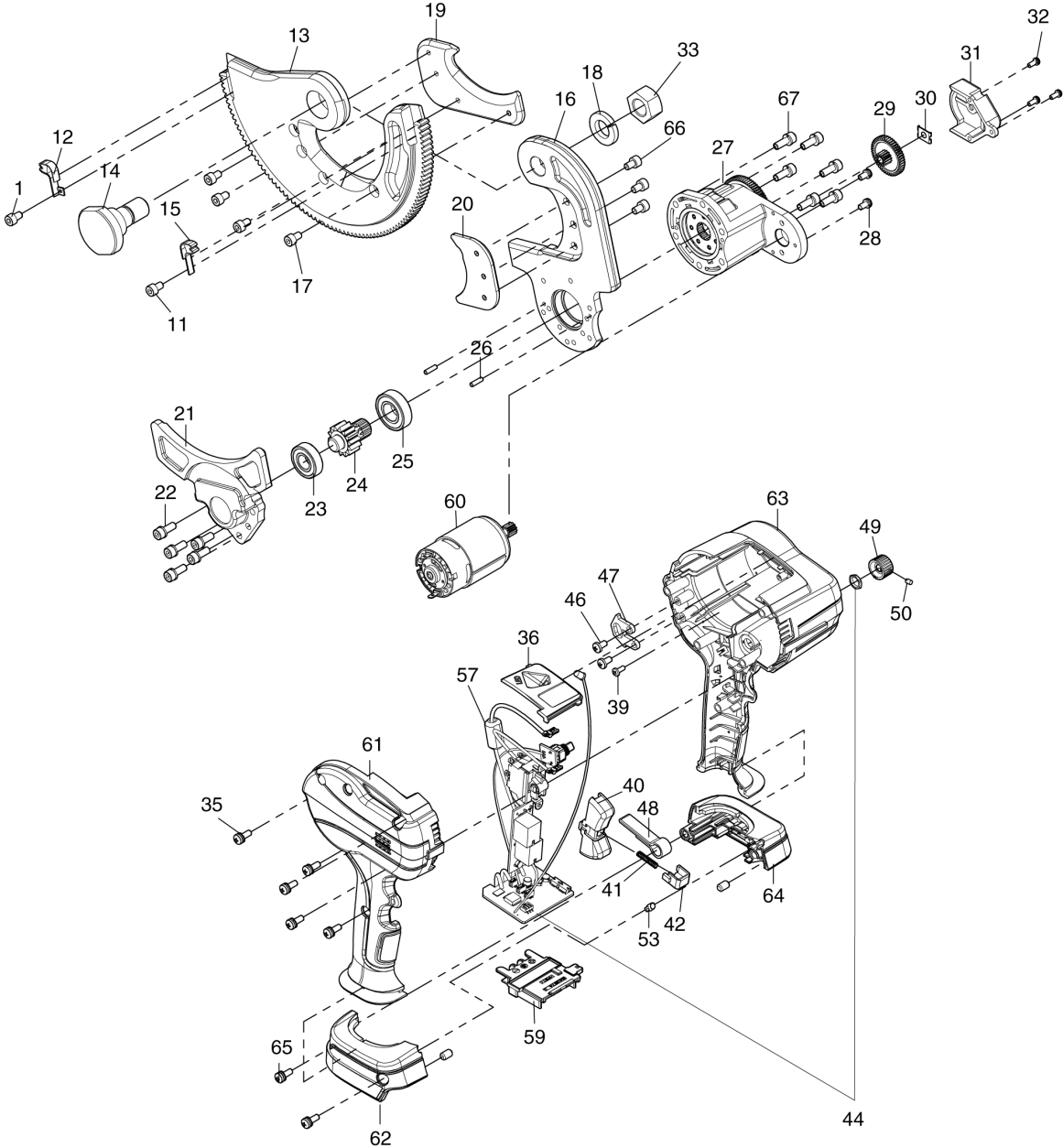
Diagram / Parts List

DTC103

CORDLESS CABLE CUTTER



(VN) DTC103 / CORDLESS CABLE CUTTER



DTC103 / CORDLESS CABLE CUTTER

Item	Sub	Parts No.	Parts Description	Qty	I/C	E/C No.	Close No.	Remark
001		ZM00000203	H.S. HEAD SCREW M3X3	1				
011		ZM00000203	H.S. HEAD SCREW M3X3	1				
012		ZM00000128	SPRING GEAR B ASSY	1				
013		ZM00000204	MOVING BLADE FRAME	1				
014		ZM00000205	SHOULDER SCREW M16	1				
015		ZM00000131	SPRING GEAR A ASSY	1				
016		ZM00000206	STATIONARY BLADE FRAME	1				
017		ZM00000207	H.S. HEAD SCREW M5X8	4				
018		ZM00000208	SPRING WASHER 16	1				
019		ZM00000209	MOVING BLADE	1				
020		ZM00000210	STATIONARY BLADE	1				
021		ZM00000211	BEARING CASE	1				
022		ZM00000138	HEX. SOCKET HEAD BOLT M5X14	5				
023		ZM00000139	BALL BEARING 6001VV	1				
024		ZM00000212	SPUR GEAR	1				
025		ZM00000141	BALL BEARING 6002VV	1				
026		ZM00000142	NEEDLE PIN 3X11.8	2				
027		ZM00000143	GEAR CASE ASSY	1				
028		ZM00000144	PAN HEAD SCREW M4X8	2				
029		ZM00000145	SPUR GEAR	1				
030		ZM00000146	GEAR PLATE	1				
031		ZM00000147	GEAR COVER	1				
032		ZM00000135	PAN HEAD SCREW M3X8	3				
033		ZM00000213	HEX LOCK NUT M16	1				
035		ZM00000149	PAN HEAD SCREW M4X12	5				
036		ZM00000199	LED COVER ASSY	1				
	C10	ZM00000188	CAUTION LABEL	1				
039		ZM00000151	TAPPING SCREW 3X8	1				
040		ZM00000152	SWITCH KNOB	1				
041		ZM00000153	COMPRESSION SPRING	1				
042		ZM00000154	LOCK OFF BUTTON	1				
044		ZM00000155	SWITCH CIRCUIT UNIT	1				
046		ZM00000156	TAPPING SCREW 4X12	2				
047		ZM00000157	STRAP PLATE	1				
048		ZM00000015	STRAP RING	1				
049		ZM00000158	DIAL KNOB	1				
050		ZM00000095	HEX. SET SCREW M3X5	1				
053		ZM00000159	CAP	1				
057		ZM00000201	FERRITE CORE	1				
	C10	263005-3	RUBBER PIN 6	1				
059		643874-2	TERMINAL	1				
060		ZM00000161	MOTOR ASSY	1				
061		ZM00000162	HOUSING ASSY	1				
	D10		INC. 63					
062		ZM00000185	BATTERY CASE ASSY	1				
	C10	263005-3	RUBBER PIN 6	1				
	D10		INC. 64					
063		ZM00000162	HOUSING ASSY	1				
	C10	ZM00000163	MAKITA LOGO LABEL	1				
	D10		INC. 61					
064		ZM00000185	BATTERY CASE ASSY	1				
	C10	263005-3	RUBBER PIN 6	1				
	D10		INC. 62					
065		ZM00000149	PAN HEAD SCREW M4X12	2				
066		ZM00000207	H.S. HEAD SCREW M5X8	3				
067		ZM00000138	HEX. SOCKET HEAD BOLT M5X14	6				

A:	Interchange O : Yes X : No < : the new part can be substituted for the current. > : the current part can be substituted for the new. S : Interchangeable as a set.
----	---