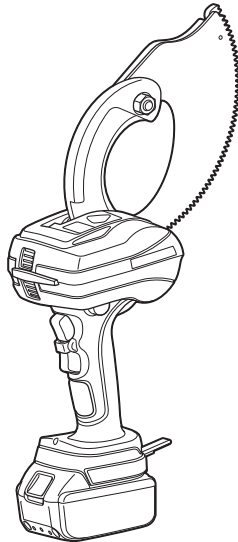
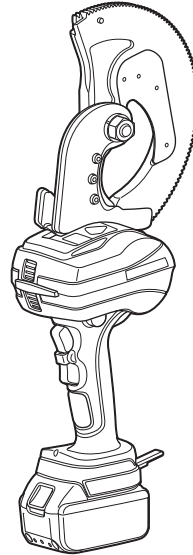


EN	Cordless Cable Cutter	INSTRUCTION MANUAL	2
ESMX	Cortadora de Cable Inalámbrica	MANUAL DE INSTRUCCIONES	17
PTBR	Cortador de Cabo a Bateria	MANUAL DE INSTRUÇÕES	32
ZHCN	充电式电缆剪	使用说明书	47
ID	Pemotong Kabel Nirkabel	PANDUAN PENGGUNAAN	62
MS	Pemotong Kabel Tanpa Kord	MANUAL ARAHAN	77
VI	Máy Cắt Cáp Cầm Tay Hoạt Động Bằng Pin	TÀI LIỆU HƯỚNG DẪN	92
TH	เครื่องตัดสายไฟแบบไร้สาย	คู่มือการใช้งาน	107
FA		کابل بر شارژی	دفتريچه راهنما 134
AR		قاطع كابلات لاسلكي	دليل التعليمات 146



DTC102



DTC103



Read before use.
Léase antes de su uso.
Leia antes de usar.
请在使用前阅读。
Baca sebelum digunakan.

Baca sebelum guna.
Đọc kỹ trước khi sử dụng.
โปรดอ่านก่อนใช้งาน
پیش از استفاده مطالعه کنید.
اقرآه قبل الاستخدام.

⚠WARNING: Please read and understand all of the instructions and safety information in this operator's guide and instructions. Use for unintended applications may lead to serious injury or death.

- Thank you for purchasing our cordless cable cutter.
- Please read this instruction manual thoroughly and carefully before attempting to use the equipment. After reading this instruction manual, store it in an easily accessible location.
- Description
The mechanical cutters are battery-operated cutters designed to cut cables used in the industry today.

Safety precautions

⚠WARNING: Read all safety warnings and all instructions. Failure to follow the warnings and instructions may result in electric shock, fire and/or serious injury.

Save all warnings and instructions for future reference.

⚠WARNING: The user may be killed or seriously injured if this product is misused.

1) Work area safety

- a) Keep work area clean and well lit. Cluttered or dark areas invite accidents.
- b) Do not operate power tools in explosive atmospheres, such as in the presence of flammable liquids, gases or dust. Power tools create sparks which may ignite the dust or fumes.
- c) Keep children and bystanders away while operating a power tool. Distractions can cause you to lose control.

2) Electrical safety

- a) Power tool plugs must match the outlet. Never modify the plug in any way. Do not use any adapter plugs with earthed (grounded) power tools. Unmodified plugs and matching outlets will reduce risk of electric shock.
- b) Avoid body contact with earthed or grounded surfaces, such as pipes, radiators, ranges and refrigerators. There is an increased risk of electric shock if your body is earthed or grounded.
- c) Do not expose power tools to rain or wet conditions. Water entering a power tool will increase the risk of electric shock.
- d) Do not abuse the cord. Never use the cord for carrying, pulling or unplugging the power tool. Keep cord away from heat, oil, sharp edges or moving parts. Damaged or entangled cords increase the risk of electric shock.

- e) When operating a power tool outdoors, use an extension cord suitable for outdoor use. Use of a cord suitable for outdoor use reduces the risk of electric shock.
- f) If operating a power tool in a damp location is unavoidable, use a residual current device (RCD) protected supply. Use of an RCD reduces the risk of electric shock.

3) Personal safety

- a) Stay alert, watch what you are doing and use common sense when operating a power tool.
Do not use a power tool while you are tired or under the influence of drugs, alcohol or medication. A moment of inattention while operating power tools may result in serious personal injury.
- b) Use personal protective equipment. Always wear eye protection. Protective equipment such as dust mask, non-skid safety shoes, hard hat, or hearing protection used for appropriate conditions will reduce personal injuries.
- c) Prevent unintentional starting. Ensure the switch is in the off-position before connecting to power source and/or battery pack, picking up or carrying the tool. Carrying power tools with your finger on the switch or energising power tools that have the switch on invites accidents.
- d) Remove any adjusting key or wrench before turning the power tool on. A wrench or a key left attached to a rotating part of the power tool may result in personal injury.
- e) Do not overreach. Keep proper footing and balance at all times. This enables better control of the power tool in unexpected situations.
- f) Dress properly. Do not wear loose clothing or jewellery. Keep your hair, clothing and gloves away from moving parts. Loose clothes, jewellery or long hair can be caught in moving parts.
- g) If devices are provided for the connection of dust extraction and collection facilities, ensure these are connected and properly used. Use of dust collection can reduce dust-related hazards.

- h) Do not let familiarity gained from frequent use of tools allow you to become complacent and ignore tool safety principles. A careless action can cause severe injury within a fraction of a second.

4) Power tool use and care

- a) Do not force the power tool. Use the correct power tool for your application. The correct power tool will do the job better and safer at the rate for which it was designed.
- b) Do not use the power tool if the switch does not turn it on and off. Any power tool that cannot be controlled with the switch is dangerous and must be repaired.
- c) Disconnect the plug from the power source and/ or the battery pack from the power tool before making any adjustments, changing accessories, or storing power tools. Such preventive safety measures reduce the risk of starting the power tool accidentally.
- d) Store idle power tools out of the reach of children and do not allow persons unfamiliar with the power tool or these instructions to operate the power tool. Power tools are dangerous in the hands of untrained users.
- e) Maintain power tools and accessories. Check for misalignment or binding of moving parts, breakage of parts and any other condition that may affect the power tool's operation. If damaged, have the power tool repaired before use. Many accidents are caused by poorly maintained power tools.
- f) Keep cutting tools sharp and clean. Properly maintained cutting tools with sharp cutting edges are less likely to bind and are easier to control.
- g) Use the power tool, accessories and tool bits etc. in accordance with these instructions, taking into account the working conditions and the working conditions and the work to be performed.
Use of the power tool for operations different from those intended could result in a hazardous situations.
- h) Keep handles and grasping surfaces dry, clean and free from oil and grease. Slippery handles and grasping surfaces do not allow for safe handling and control of the tool in unexpected situations.

5) Battery tool use and care

- a) Recharge only with the charger specified by the manufacturer. A charger that is suitable for one type of battery pack may create a risk of fire when used with another battery pack.
- b) Use power tools only with specifically designated battery packs. Use of any other battery packs may create a risk of injury and fire.
- c) When battery pack is not in use, keep it away from other metal objects, like paper clips, coins, keys, nails, screws or other small metal objects, that can make a connection from one terminal to another. Shorting the battery terminals together may cause burns or a fire.
- d) Under abusive conditions, liquid may be ejected from the battery; avoid contact. If contact accidentally occurs, flush with water. If liquid contacts eyes, additionally seek medical help.

Liquid ejected from the battery may cause irritation or burns.

- e) Do not use a battery pack or tool that is damaged or modified. Damaged or modified batteries may exhibit unpredictable behaviour resulting in fire, explosion or risk of injury.
- f) Do not expose a battery pack or tool to fire or excessive temperature. Exposure to fire or temperature above 130°C may cause explosion.
- g) Follow all charging instructions and do not charge the battery pack or tool outside the temperature range specified in the instructions. Charging improperly or at temperatures outside the specified range may damage the battery and increase the risk of fire.

6) Service

- a) Have your power tool serviced by a qualified repair person using only identical replacement parts. This will ensure that the safety of the power tool is maintained.
- b) Never service damaged battery packs. Service of battery packs should only be performed by the manufacturer or authorized service providers.

Hold the power tool by insulated gripping surfaces, when performing an operation where the fastener may contact hidden wiring. Fasteners contacting a "live" wire may make exposed metal parts of the power tool "live" and could give the operator an electric shock.

Use genuine Makita battery charger and battery pack.

- Use genuine battery pack for this tool.
- Do not charge the battery pack with another battery charger. Failure to observe this may cause a rupture, which may lead to an accident or injury.

Charge the battery pack in a correct way.

- Use a power source with rating indication to connect the battery charger supplied with this product.
- Do not use a DC power source or an engine-driven power generator to charge the battery pack. Failure to observe this may generate excessive heat, which may lead to a fire.
- When the temperature of the ambience, battery pack, or battery charger is less than 0°C or more than 40°C, do not charge the battery pack. Failure to observe this may cause a rupture or a fire.
- When charging the battery pack, select a well-ventilated place for charging.
- Do not cover the battery pack with a cloth during charging. Failure to observe this may cause a rupture or a fire.
- Be sure to disconnect the power plug after charging. Failure to observe this may cause an electric shock or a fire.

Do not point the cutter toward people during use.

- Failure to observe this may lead injury.

Do not short-circuit the terminals on the battery pack.

- When the battery pack is stored alone, be sure to put the terminal cover on the terminal to prevent short circuit. Ensure that the battery terminals will not be shorted by other metal parts such as screws, nails, etc.

Do not subject the battery pack to flames.

- Failure to observe this may cause rupture or leakage of a hazardous material.

Do not use on parts with live electricity.

- The tool is not insulated. Use on electrified locations may lead to electric shock.
- Do not touch the power plug or battery pack with wet hands. Failure to observe this may lead to electric shock.

Remove the battery pack from the body of the tool in the following circumstances.

- When not using or for repair
 - When replacing spare parts
 - Other times when danger is suspected
- Failure to observe these warnings may cause the tool to turn on accidentally and cause injury.

Starting up the tool unexpectedly.

- Ensure that fingers are well away from the trigger when moving the tool. The unexpected start-up of the tool may result in injury.

Use only specified accessories.

- Do not use any accessories other than those indicated in this instruction manual or our catalogue. Failure to observe this may lead to an accident or injury.

Use protective equipment.

- Use safety glasses during operation. If operation is dusty, use a protective mask. When cutting, small pieces may scatter and cause injury.

Do not stare at LED work light.

- It may deteriorate eyesight.

Consider the work environment.

- Do not use the tool, battery charger, or battery pack in the rain, or in a wet or moist place. Failure to observe this may cause an electric shock or smoke.
- Conduct work in a sufficiently bright place. Work in a dark place may cause an accident.
- Do not use or charge the battery in the presence of flammable liquid or gas. Failure to observe this may cause an explosion or a fire.

Keep the workplace always clean.

- Messy places and benches may cause an accident.

Keep children away from the tool.

- Do not let people other than the operators touch the tool and the cord of the battery charger. Keep people away from the workplace. Failure to observe this may cause injury.

When the tool is not used, store it properly.

- Store the tool in a place where humidity is low and also a high place that children cannot reach or a place that can be locked. Failure to observe this may cause an accident.
- Do not store the tool or battery pack in a place where the temperature can rise 40°C or higher (inside a metal box, inside a car in summer, etc.). Failure to observe this may deteriorate the battery pack, which may lead to smoke or ignition.

Do not use the tool in an unreasonable manner.

- Conduct operation in accordance with the capacity of the tool for safe and efficient operation. Use of the tool beyond its capacity may cause an accident.
- Do not use the tool in an unreasonable manner that causes the motor to be locked. Failure to observe this may cause smoke or ignition.

Use a tool suitable for operation.

- Do not use the tool for other than the specified applications. Failure to observe this may cause injury.

Conduct operation with proper clothes.

- Do not wear loose clothes or accessories such as a necklace. Such things may become caught in a moving part, rotating part, or the like.
- When operation is conducted outdoors, use of rubber gloves and non-slip shoes is recommended. Slippery gloves and shoes may cause injury.
- If you have long hair, use a cap or a hair cover to cover your hair. Failure to observe this may cause your hair to become caught in a moving part, rotating part, or the like.

Do not operate the tool with an unnatural posture.

- Keep proper footing all the time, and keep your balance. Failure to observe this may cause you to topple over, which may lead to injury.

Stay alert when you are working with great attention.

- When you use the tool, be careful about the handling method, manner of operation, and surrounding circumstances, and conduct your operation carefully. Failure to observe this may cause an accident or injury.
- Do not operate the tool under the influence of alcohol. Failure to observe this may cause an accident or injury.
- Do not operate the tool when you are in poor physical condition. Failure to observe this may cause an accident or injury.

Do not handle the cord of the battery charger in a rough manner.

- Do not carry the charger by the cord or yank it to disconnect from the socket.
- Keep the cord away from heat, oil, and sharp edges.
- Make sure the charging environment is free from stepping on or tripping over the cord. Failure to observe this may cause an electric shock or a short circuit, which may lead to ignition.

Use an extension cord with outdoor specifications.

- If you use the tool outdoors, use an extension cord made of tough rubber-sheathed cable.

Conduct maintenance of the tool carefully.

- Follow the instruction manual when replacing spare parts. Failure to observe this may cause injury.
- Inspect the cord of the battery charger on a regular basis. If the cord is damaged, ask the authorized service facility for repair. Failure to observe this may cause an electric shock or a short circuit, which may lead to ignition.
- If an extension cord is used, inspect the cord on a regular basis. If the cord is damaged, replace it with a new one. Failure to observe this may cause an electric shock or a short circuit, which may lead to ignition.
- Keep the grip always dry and clean and keep it away from oil and grease. Failure to observe this may cause injury.

Check damaged parts.

- Check that nothing is damaged before use. Confirm that the tool operates normally and all components function properly.
- Check for alignment of moving parts, smooth running of moving parts, breakage of parts, mounting and any other condition that may affect its operation.
- Do not use the battery charger whose power plug or cord is damaged or that was dropped and then damaged. Failure to observe this may cause an electric shock or a short circuit, which may lead to ignition. If damaged, it should be properly repaired or replaced by an authorized service facility unless otherwise indicated in this instruction manual. Have defective switches replaced by an authorized service facility. Do not use the tool if the switch does not turn it on and off. Such tool may operate abnormally, which may lead to injury.

Ask the authorized service facility for repair.

- Do not disassemble, repair, or modify the main unit, battery charger, or battery pack. Failure to observe this may cause ignition or abnormal operation, which may lead to injury.
- If the tool becomes hot or an abnormality is found in the tool, request inspection or repair of the tool.
- This tool is constructed in accordance with the relevant safety requirements. Do not attempt to modify this product.
- Have your tool repaired by an authorized service center. Repairs should only be carried out by a qualified person using original spare parts; otherwise, this may result in considerable danger to the user.

Precautions in using the cordless cable cutter

- When using this tool, follow the instructions as shown below:

Precautions for the tool

- **Never cut anything beyond maximum cutting capacity.**

Exercise caution, as failure to observe this may lead to damage. (see page 16)

- **Do not touch the cutting edge of the movable or fixed blades.**

Failure to observe this may lead to injury.

- **Never cut live wires (electric cables that are conducting electricity).**

- **Do not subject to drops or other excessive impact.**
The internal structure has been precisely manufactured to make it compact and lightweight, so it may not function properly if subjected to impact.

- **Do not use in the rain.**

Doing so may cause the blade to rust and dull the cutting edge or lead to damage.

- **Do not cut excess lengths of 50 mm or less.**

Cutting excess lengths of the ends of CCP and other cables extremely short may cause the insides of the cable, etc. to be cut.

- **Do not apply force against the direction being cut.**

Always cut materials straight on. Failure to observe this may damage the cutter blade.

- **Hold securely.**

Failure to observe this may lead to injury.

- **Make sure no one is below you before using in a high location.**

Failure to observe this may result in an accident should materials or the device be dropped, etc.

- **Check to ensure nothing is abnormal before use.**

Cracks or fractures on the cutter may damage the cutter and lead to injury.

- **Take breaks during use.**

Prolonged cutting without breaks maintains a heightened motor heat that may overheat the motor and battery pack, leading to damage. Make sure to take occasional breaks during use.

- **Low ambient temperatures (10°C or less) may cause the electric cable to harden, making it difficult to cut, even when within the cutting capacity.**

- **Clean with air, etc. after every use.**

Be careful to keep cuttings and other scraps from getting into the unit from the opening (movable blade driver).

- **Do not cut electric cables with 1-mm-diameter wire.**

Failure to observe this may lead to the cutter blade getting caught in the electric cable blade and locking up.

Precautions in using battery pack

- Never short-circuit the terminals.
- Keep the battery pack away from water, oil, and organic solvents.
- Do not disassemble or modify the battery pack.
- If the battery pack is disposed of, do not subject it to flames or dispose of it as general waste. (We promote recycling.)
- Do not throw or drop the battery pack.
- Do not leave the battery pack in a place where the temperature is 40°C or higher for a long time.
- Do not short-circuit the battery by placing dirt or dust on the terminal, as this will lead to malfunction. If the terminal is corroded, do not use the battery pack.
- A protective function that stops the output is equipped to prolong the life of the battery pack. The motor may stop when the remaining battery level is low even while the operation switch is pressed during the use of this tool. However, this phenomenon is caused not by malfunction but by the protective function. In such a case, immediately charge the battery.

Precautions for the battery charger

- This battery charger has an indicator lamp (multicoloured LED) to show the battery charging state.
- Do not short-circuit the charger by placing dirt or dust into the insertion slot, as this will lead to malfunction. If the metal terminal is corroded, do not use the battery charger.

WARNING SYMBOLS



Before using the tool, carefully read the instructions in this manual.



High-heat warning area

To protect the motor, do not use if the high-heat warning area becomes hot. (see page 14)



Do not touch during operation.

Applicable battery cartridge and charger

Battery cartridge	BL1815N / BL1820B / BL1830B / BL1840B / BL1850B / BL1860B
Charger	DC18RC / DC18RD / DC18RE / DC18SD / DC18SE / DC18SF / DC18SH / DC18WC

- Some of the battery cartridges and chargers listed above may not be available depending on your region of residence.
- To charge the battery, please read the instruction manual for the battery charger.

⚠WARNING: Only use the battery cartridges and chargers listed above. Use of any other battery cartridges and chargers may cause injury and/or fire.

Important safety instructions for battery cartridge

1. **Before using battery cartridge, read all instructions and cautionary markings on (1) battery charger, (2) battery, and (3) product using battery.**
2. **Do not disassemble or tamper with the battery cartridge.** It may result in a fire, excessive heat, or explosion.
3. **If operating time has become excessively shorter, stop operating immediately.** It may result in a risk of overheating, possible burns and even an explosion.
4. **If electrolyte gets into your eyes, rinse them out with clear water and seek medical attention right away.** It may result in loss of your eyesight.
5. **Do not short the battery cartridge:**
 - (1) **Do not touch the terminals with any conductive material.**
 - (2) **Avoid storing battery cartridge in a container with other metal objects such as nails, coins, etc.**
 - (3) **Do not expose battery cartridge to water or rain.**

A battery short can cause a large current flow, overheating, possible burns and even a breakdown.
6. **Do not store and use the tool and battery cartridge in locations where the temperature may reach or exceed 50°C (122°F).**
7. **Do not incinerate the battery cartridge even if it is severely damaged or is completely worn out.** The battery cartridge can explode in a fire.
8. **Do not nail, cut, crush, throw, drop the battery cartridge, or hit against a hard object to the battery cartridge.** Such conduct may result in a fire, excessive heat, or explosion.
9. **Do not use a damaged battery.**
10. **The contained lithium-ion batteries are subject to the Dangerous Goods Legislation requirements.**

For commercial transports e.g. by third parties, forwarding agents, special requirement on packaging and labeling must be observed.

For preparation of the item being shipped, consulting an expert for hazardous material is required. Please also observe possibly more detailed national regulations.

Tape or mask off open contacts and pack up the battery in such a manner that it cannot move around in the packaging.

11. **When disposing the battery cartridge, remove it from the tool and dispose of it in a safe place.** Follow your local regulations relating to disposal of battery.
12. **Use the batteries only with the products specified by Makita.** Installing the batteries to non-compliant products may result in a fire, excessive heat, explosion, or leak of electrolyte.
13. **If the tool is not used for a long period of time, the battery must be removed from the tool.**
14. **During and after use, the battery cartridge may take on heat which can cause burns or low temperature burns.** Pay attention to the handling of hot battery cartridges.
15. **Do not touch the terminal of the tool immediately after use as it may get hot enough to cause burns.**
16. **Do not allow chips, dust, or soil stuck into the terminals, holes, and grooves of the battery cartridge.** It may cause heating, catching fire, burst and malfunction of the tool or battery cartridge, resulting in burns or personal injury.
17. **Unless the tool supports the use near high-voltage electrical power lines, do not use the battery cartridge near high-voltage electrical power lines.** It may result in a malfunction or breakdown of the tool or battery cartridge.
18. **Keep the battery away from children.**

SAVE THESE INSTRUCTIONS.

⚠CAUTION:

- **Only use genuine Makita batteries.**

Use of non-genuine Makita batteries, or batteries that have been altered, may result in the battery bursting causing fires, personal injury and damage. It will also void the Makita warranty for the Makita tool and charger.

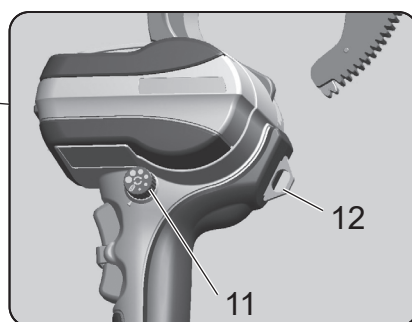
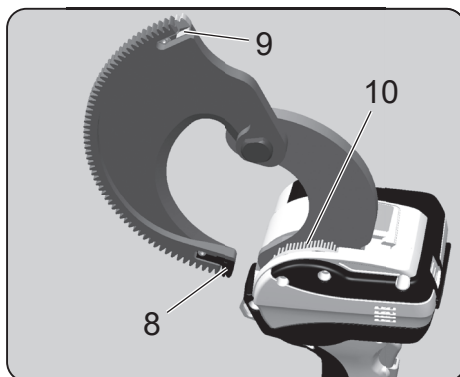
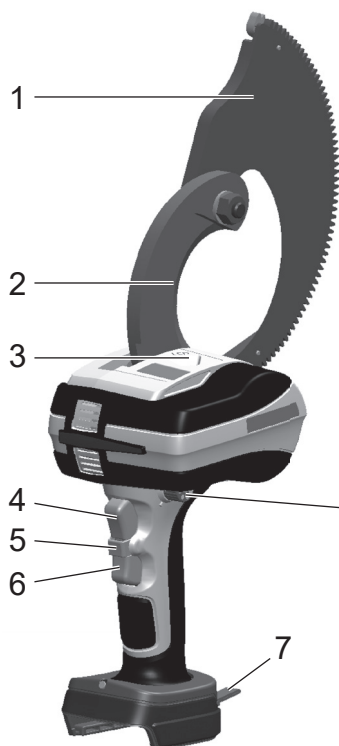
Tips for maintaining maximum battery life

1. **Charge the battery cartridge before completely discharged. Always stop tool operation and charge the battery cartridge when you notice less tool power.**
2. **Never recharge a fully charged battery cartridge. Overcharging shortens the battery service life.**
3. **Charge the battery cartridge with room temperature at 10°C - 40°C (50°F - 104°F). Let a hot battery cartridge cool down before charging it.**
4. **When not using the battery cartridge, remove it from the tool or the charger.**
5. **Charge the battery cartridge if you do not use it for a long period (more than six months).**

Names and accessories

DTC102

Cordless cable cutter



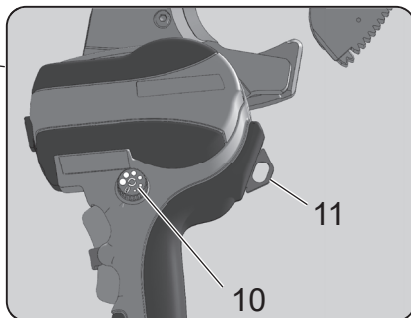
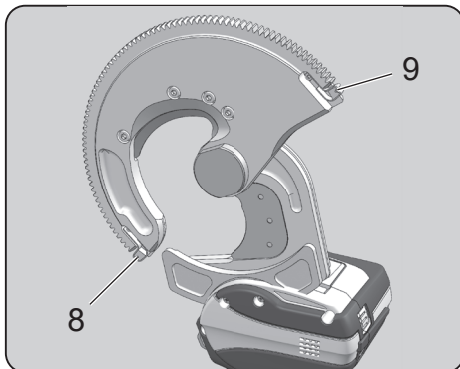
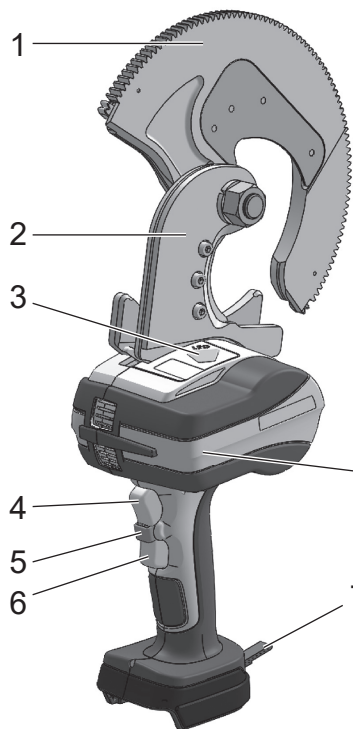
Carrying case



* This tool is designed for the Makita 18V lithium ion battery.

1	Moving blade	7	Hanging strap
2	Stationary blade	8	Gear guide (A)
3	LED work light	9	Gear guide (B)
4	Forward-mode switch	10	Brush (for dusting)
5	Switch lock	11	Dial knob
6	Reverse-mode switch	12	Hanging ring

Cordless cable cutter



Carrying case



* This tool is designed for the Makita 18V lithium ion battery.

1	Moving blade	7	Hanging strap
2	Stationary blade	8	Gear guide (A)
3	LED work light	9	Gear guide (B)
4	Forward-mode switch	10	Dial knob
5	Switch lock	11	Hanging ring
6	Reverse-mode switch	—	—

Battery

Battery

- At the time of purchase, the battery protection function may be activated due to the battery not being sufficiently charged. (Please be careful because this product may start operating if you operate the switch.) Correctly charge the battery with the rapid charger before use.
- Attach the battery cover when not using the product. It will help protect the battery from water and dust.
- When not using the product for a long period, store it with the battery removed.

To increase the life of the battery

- When you sense that the force of the tool has become weak, stop use and charge the battery.
- Do not recharge a battery that is fully charged.
- Charge the battery in an ambient temperature range of 10°C to 40°C.
- When the battery has become hot such as immediately after use, we recommend inserting it into the charger to cool and charge it.
- When a lithium-ion battery will not be used for a long period of time (at least 6 months), we recommend charging and then storing it.

Battery collection

- Used batteries are collected for recycling. Please take the battery to the store where you purchased the product or a Makita sales office.



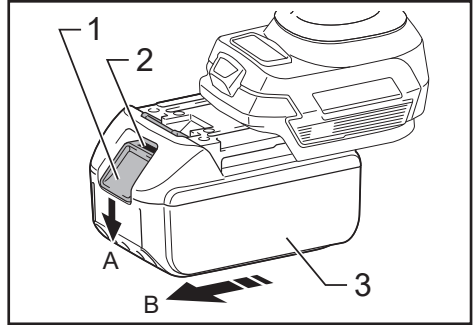
Recycle the lithium-ion battery

How to attach and detach the battery

⚠WARNING:

Insert the battery into the product properly. If the red part at the top of the button is visible, the battery is not fully locked into place. Firmly insert the battery until all of the red part cannot be seen.

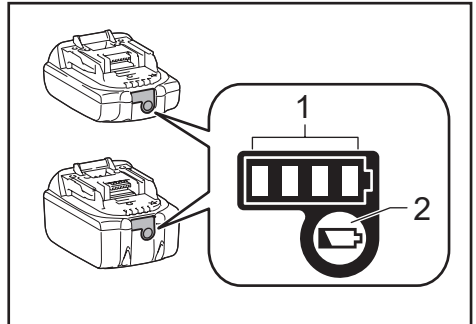
- If the battery is not inserted sufficiently, it may detach and cause an accident.
- To detach the battery from this product, A. hold down the button on the battery front and B. slide the battery to remove it.
- When attaching the battery, align the battery with the grooves in the product and then insert it all the way by performing the procedure in reverse. If the red part at the top of the button is visible at this time, the battery is not fully locked into place. Insert the battery properly all the way until all of the red part cannot be seen.



▶ 1. Button 2. Red part 3. Battery

Indicating the remaining battery capacity

Only for battery cartridges with an indicator



▶ 1. Indicator lamps 2. Check button

Press the check button on the battery cartridge to indicate the remaining battery capacity. The indicator lamps light up for a few seconds.

Indicator lamps			Remaining capacity
Lighted	Off	Blinking	
■ ■ ■ ■			75% to 100%
■ ■ ■ □			50% to 75%
■ ■ □ □			25% to 50%
■ □ □ □			0% to 25%
▬ □ □ □			Charge the battery.
■ ■ □ □			The battery may have malfunctioned.
□ □ ■ ■	↑ ↓		

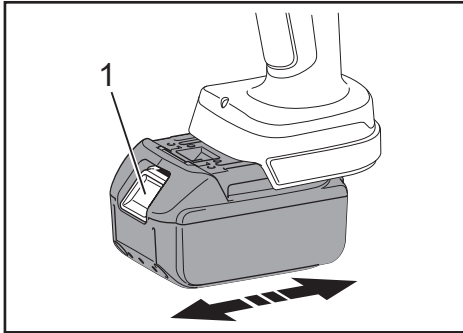
NOTE: Depending on the conditions of use and the ambient temperature, the indication may differ slightly from the actual capacity.

NOTE: The first (far left) indicator lamp will blink when the battery protection system works.

How to use the tool

Attaching the battery pack

1. While pressing the latch, pull out the battery pack. To replace the battery pack, push the new pack firmly into place.
2. After sliding a battery pack on, check if it is securely in place by pulling it gently. Do not press the latch when pulling the battery.



- 1. Latch

Switch operations

For safety purposes, the tool has a two-action switch system.

To activate the forward-mode (cutting) and reverse-mode (reverse) switch, first press the switch lock and then press the forward/reverse-mode switch.



- 1. Forward-mode switch 2. Switch lock
3. Reverse-mode switch

Work assistance LED lamp

This tool has an LED lamp that illuminates the periphery of the cutter blade. It illuminates when either the forward or reverse switch is on, then turns off approximately 10 seconds after the switch is released.

CAUTION:

- Do not look directly into the LED lamp. Looking at the LED lamp for an extended period of time may hurt your eyes.

Low battery alarm

If the remaining capacity of the battery is low, the LED light blinks 5 times as an alarm when the forward-mode switch is turned on. Charge the battery or replace with a spare.

Cutting operations

1. [DTC102, DTC103]
Activate the switch to open the moving blade. Use the forward- and reverse-mode switches to set the moving blade to neutral.

DTC102

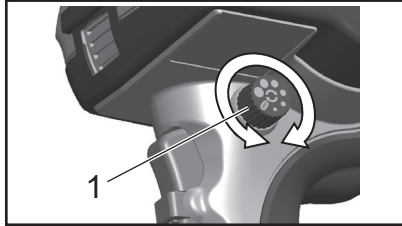


DTC103



- Using the dial knob to enable or disable auto reverse

Move the dial to the desired position to enable auto reverse, or move it to off to disable.

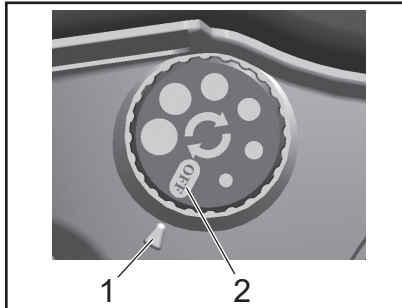


► 1. Dial knob

The auto reverse function

When auto reverse is enabled, the motor brakes after cutting a cable. Once the forward-mode switch is released, the moving blade automatically returns as set by the dial knob.

The opening can be adjusted between 6 levels. (The opening amount is a guide.)



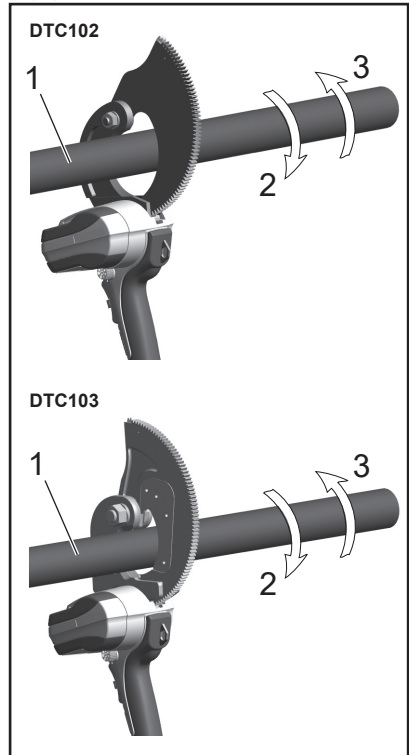
► 1. Opening amount 2. Off

CAUTION:

- Auto reverse does not activate if the forward-mode switch is released before complete cutting.
- Auto reverse does not activate with fine electric cable of 60 mm² or less.
- The opening diameter may differ depending on the remaining battery voltage.

- [DTC102, DTC103]
Inserting electric cable into the moving blade opening

Place the cable to be cut onto the stationary blade, and close the moving blade around the cable. Feed the moving blade by hand so that the gear teeth engage the drive mechanism of the unit.



► 1. Cable 2. Cutting rotation
3. Reverse rotation

- Operating the forward-mode switch and cutting electric cable
Hold down the forward-mode switch until cutting is complete.
- Removing debris after cutting.
After you are finished cutting, remove any scraps or debris on the blade.

⚠ CAUTION:

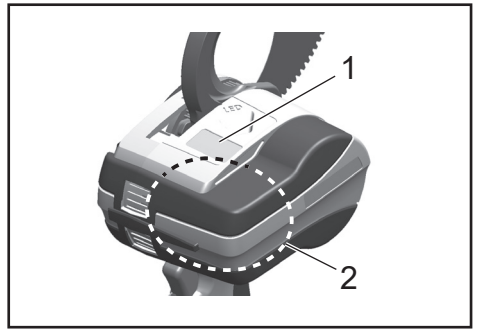
• **Prolonged operation**

To protect the motor, stop using the tool when the area around the caution label becomes hot. To continue using the tool, place the tool for 50 minutes in a cool and well-ventilated place until it cools off.

- **The overcurrent/overloading protection may also be activated even when operating the tool within the cutting capacity.**

The operating temperature, cable length, and bend and other factors affect the performance of the tool.

- **If the LED light blinks 6 times or more, it is a circuit board error display. Please contact your dealer.**



► 1. Caution Label 2. High-heat warning area

⚠ CAUTION:

- **DTC102 is for copper and aluminum cables only. Do not use DTC102 for steel, ACSR, or other steel materials.**

The overcurrent protection function

If overload current applies due to cutting cable outside specification, the overcurrent protection function activates and stops the motor. To recover, release the forward-mode switch.

Replacing with spare parts

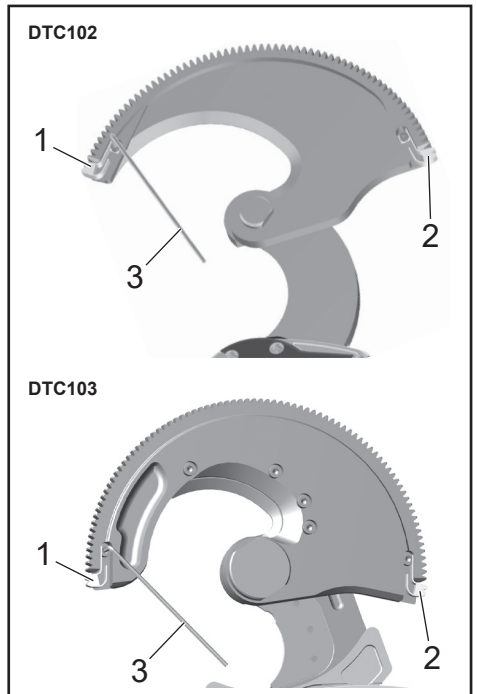
To replace the gear guide by yourself, follow the procedure below.

⚠ CAUTION:

- **Make sure to remove the battery pack from the main unit before replacing the gear guide.**
- **If the gear guide is damaged or produces an abnormal noise, replace it immediately. Continuing to use the product with a damaged gear guide could cause damage to the internal gears.**

Replacing the gear guide

1. Removing the gear guide
Use a hex key to unscrew the bolt with hexagonal hole (M3 × 3) and remove the gear guide.
2. Mounting the gear guide
Mount the new gear guide and tighten the bolt securely.



► 1. Gear guide (A) 2. Gear guide (B) 3. Hex key

Replacing with spare parts (DTC103)

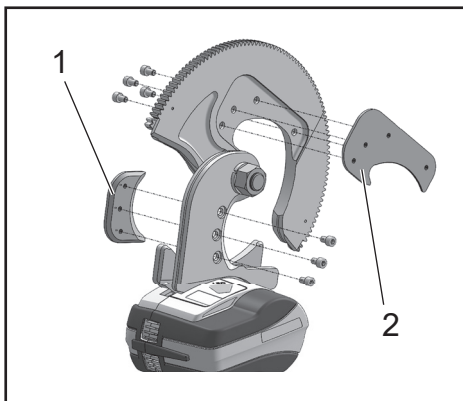
To replace the blade by yourself, follow the procedure below.

⚠ CAUTION:

- Make sure to remove the battery pack from the main unit before replacing the blade.

Replacing the blade

1. Remove the bolts from the moving frame or stationary frame.
2. Replace the blade with a new one and screw in the bolts.

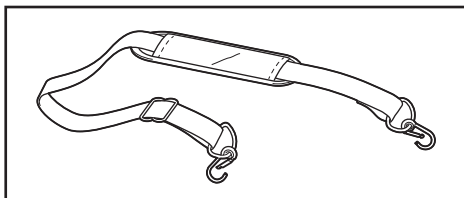


► 1. Replacing blade 2. Replacing blade

Optional accessories

• Shoulder belt (161347-8)

This shoulder strap is used by connecting the hanging strap of this tool.



Maintenance/Inspection

- Be aware that neglect of daily maintenance/inspection may cause a malfunction of the tool.
- Please avoid storing the tool in a humid environment for smooth operation of the tool and prevention of rust.
- If the tool is damaged during normal use (10,000 operations or more, 1,000 cuts or more), do not resume operation simply after replacing only the damaged part, as it has reached the end of its life.
- When a resin part becomes dirty, use a soft cloth dampened with soapy water to wipe it.
- When the battery pack is stored alone, be sure to put the accessory terminal cover on the terminal to prevent short circuit.
- For safety inspection, we recommend submitting the tool to the manufacturer about once every two years (fee incurred). Contact your dealer for details.
- The moving blade and the stationary blade are consumable parts. Those parts are not covered by the warranty.

Specifications

Cordless cable cutter	DTC102		DTC103
Maximum cuttable diameter	Non-ferrous materials only (AL or Cu)	Cu Strand	ACSR AL550 mm ² /ST70 mm ²
	φ 65 mm	φ 47 mm	
Electric motor	DC motor		
Dimensions	117 (D) × 357 (H) × 228 (W) (mm)		117 (D) × 356 (H) × 240 (W) (mm)
Weight	2.8 kg		4.8 kg

⚠ CAUTION:

- DTC102 is for copper and aluminum cables only. Do not use DTC102 for steel, ACSR, or other steel materials.

⚠ADVERTENCIA: Lea y comprenda todas las instrucciones y la información de seguridad contenidas en esta guía e instrucciones del operador. El uso para aplicaciones no deseadas podría provocar lesiones graves o la muerte.

- Gracias por comprar nuestra cortadora de cable inalámbrica.
- Antes de intentar utilizar el equipo, lea atenta y detenidamente este manual de instrucciones. Después de leer este manual de instrucciones, guárdelo en un lugar de fácil acceso.
- **Descripción**
Las cortadoras mecánicas son cortadoras que funcionan con baterías, y están diseñadas para cortar los cables que se utilizan en la industria hoy en día.

Precauciones de seguridad

⚠ADVERTENCIA: Lea todas las advertencias de seguridad y todas las instrucciones. El incumplimiento de las advertencias e instrucciones podría provocar descargas eléctricas, incendios o lesiones graves.

Guarde todas las advertencias e instrucciones para consultarlas en el futuro.

⚠ADVERTENCIA: El usuario podría morir o sufrir lesiones graves si este producto se utiliza incorrectamente.

1) Seguridad en el área de trabajo

- a) Mantenga el área de trabajo limpia y bien iluminada. Las áreas desordenadas u oscuras son propensas a los accidentes.
- b) No opere herramientas eléctricas en atmósferas explosivas, como en presencia de líquidos, gases o polvo inflamables. Las herramientas eléctricas crean chispas que pueden encender el polvo o los vapores.
- c) Mantenga alejados a los niños y a otras personas mientras utiliza una herramienta eléctrica. Las distracciones puede ocasionar que pierda usted el control de la herramienta.

2) Seguridad eléctrica

- a) Los enchufes de las herramientas eléctricas deben coincidir con el tomacorriente. Nunca modifique el enchufe de ninguna manera. No utilice ningún enchufe adaptador con herramientas eléctricas conectadas a tierra. Los enchufes no modificados y los tomacorrientes compatibles reducirán el riesgo de descarga eléctrica.
- b) Evite el contacto corporal con superficies conectadas a tierra o puestas a tierra, como tuberías, radiadores, estufas y refrigeradores. Existe un mayor riesgo de sufrir una descarga eléctrica si su cuerpo está conectado a tierra o hace tierra.

- c) No exponga las herramientas eléctricas a la lluvia o a condiciones húmedas. El agua que ingresa a una herramienta eléctrica aumentará el riesgo de descarga eléctrica.
- d) No maltrate el cable. Nunca utilice el cable para transportar, tirar o desencharfar la herramienta eléctrica.
Mantenga el cable alejado del calor, aceite, bordes afilados o piezas móviles. Los cables dañados o enredados aumentan el riesgo de descarga eléctrica.
- e) Cuando opere una herramienta eléctrica al aire libre, utilice un cable de extensión adecuado para uso en exteriores. El uso de un cable adecuado para uso en exteriores reduce el riesgo de descarga eléctrica.
- f) Si es inevitable utilizar una herramienta eléctrica en un lugar húmedo, utilice un suministro protegido con un dispositivo de corriente residual (RCD). El uso de un dispositivo RCD reduce el riesgo de una descarga eléctrica.

3) Seguridad personal

- a) Manténgase alerta, observe lo que hace y use el sentido común al operar una herramienta eléctrica.
No utilice una herramienta eléctrica si está cansado o bajo la influencia de drogas, alcohol o medicamentos. Un momento de distracción mientras se utilizan herramientas eléctricas podría provocar lesiones personales graves.
- b) Utilice equipo de protección personal. Siempre use protección para los ojos. Los equipos de protección como una máscara contra el polvo, zapatos de seguridad antideslizantes, casco o protección auditiva utilizados en las condiciones adecuadas reducirán las lesiones personales.
- c) Evite el arranque involuntario. Asegúrese de que el interruptor esté en la posición de apagado antes de conectarlo a la fuente de alimentación o al paquete de batería, al levantar o transportar la herramienta. Llevar herramientas eléctricas con el dedo en el interruptor o encender herramientas eléctricas con el interruptor encendido provoca accidentes.

- d) Retire cualquier llave o llave inglesa antes de encender la herramienta eléctrica. Una llave inglesa o una llave que se deje fijada a una parte giratoria de la herramienta eléctrica podría provocar lesiones personales.
 - e) No adopte una postura forzada. Mantenga la postura y el equilibrio en todo momento. Esto permite un mejor control de la herramienta eléctrica en situaciones inesperadas.
 - f) Esté vestido de manera adecuada. No use ropa holgada ni joyas. Mantenga el cabello, la ropa y los guantes alejados de las piezas móviles. La ropa suelta, las joyas o el pelo largo pueden quedar atrapados en las piezas móviles.
 - g) Si se proporcionan dispositivos para la conexión de instalaciones de extracción y recolección de polvo, asegúrese de que estén conectados y se utilicen correctamente. El uso de un sistema de recolección de polvo puede reducir los peligros relacionados con el polvo.
 - h) No permita que la familiaridad adquirida con el uso frecuente de herramientas le permita volverse complaciente e ignorar los principios de seguridad de las herramientas. Una acción descuidada puede provocar lesiones graves en una fracción de segundo.
- g) Utilice la herramienta eléctrica, los accesorios, las brocas, etc., de acuerdo con estas instrucciones, teniendo en cuenta las condiciones de trabajo y el trabajo a realizar.
El uso de la herramienta eléctrica para operaciones diferentes a las previstas podría provocar situaciones peligrosas.
 - h) Mantenga los mangos y superficies de agarre secos, limpios y libres de aceite y grasa. Los mangos y superficies de agarre resbaladizos no permiten un manejo y control seguros de la herramienta en situaciones inesperadas.

5) Uso y cuidado de la herramienta a batería

4) Uso y cuidado de la herramienta eléctrica

- a) No fuerce la herramienta eléctrica. Utilice la herramienta eléctrica adecuada para su aplicación. La herramienta eléctrica adecuada hará el trabajo mejor y de forma más segura al ritmo para el que fue diseñada.
 - b) No utilice la herramienta eléctrica si el interruptor no la enciende y apaga. Cualquier herramienta eléctrica que no pueda controlarse con el interruptor es peligrosa, y debe repararse.
 - c) Antes de realizar cualquier ajuste, cambiar accesorios o guardar herramientas eléctricas, desconecte el enchufe de la fuente de alimentación o del paquete de batería de la herramienta eléctrica. Estas medidas de seguridad preventivas reducen el riesgo de poner en marcha accidentalmente la herramienta eléctrica.
 - d) Guarde las herramientas eléctricas inactivas fuera del alcance de los niños, y no permita que personas que no estén familiarizadas con la herramienta eléctrica o con estas instrucciones la operen. Las herramientas eléctricas son peligrosas en manos de usuarios no capacitados.
 - e) Dé mantenimiento a las herramientas eléctricas y sus accesorios. Verifique si hay desalineación o atascamiento de piezas móviles, rotura de piezas y cualquier otra condición que pueda afectar el funcionamiento de la herramienta eléctrica. Si la herramienta está dañada, repare la herramienta eléctrica antes de utilizarla. Muchos accidentes son ocasionados por herramientas eléctricas en mal estado.
 - f) Mantenga las herramientas de corte afiladas y limpias. Las herramientas de corte con un mantenimiento adecuado y con bordes cortantes afilados tienen menos probabilidades de atascarse, y son más fáciles de controlar.
- a) Recargue la herramienta únicamente con el cargador especificado por el fabricante. Un cargador adecuado para un tipo de batería podría crear un riesgo de incendio cuando se utiliza con otro paquete de batería.
 - b) Utilice herramientas eléctricas únicamente con paquetes de batería designados específicamente. El uso de otros paquetes de batería podría generar el riesgo de lesiones e incendio.
 - c) Cuando el paquete de batería no esté en uso, manténgalo alejado de otros objetos metálicos, como clips, monedas, llaves, clavos, tornillos u otros objetos metálicos pequeños, que puedan establecer una conexión de un terminal a otro. Un cortocircuito entre los terminales de la batería podría provocar quemaduras o un incendio.
 - d) En condiciones de uso excesivo, podría salir expulsado líquido de la batería; evite el contacto con este. Si hace contacto accidentalmente con el líquido, enjuague con agua. Si el líquido entra en contacto con los ojos, busque además ayuda médica.
El líquido expulsado de la batería podría causar irritación o quemaduras.
 - e) No utilice un paquete de batería o herramienta que esté dañado o modificado. Las baterías dañadas o modificadas podrían exhibir un comportamiento impredecible que resulte en incendio, explosión o riesgo de lesiones.
 - f) No exponga un paquete de batería o herramienta al fuego o a temperaturas excesivas. La exposición al fuego o a temperaturas superiores a 130 °C podría provocar una explosión.
 - g) Siga todas las instrucciones de carga y no cargue el paquete de batería o la herramienta fuera del rango de temperatura especificado en las instrucciones. Cargar incorrectamente la batería o a temperaturas fuera del rango especificado podría dañar la batería y aumentar el riesgo de incendio.

6) Mantenimiento

- a) Haga que un técnico calificado revise su herramienta eléctrica utilizando únicamente piezas de repuesto idénticas. Esto garantizará que se mantenga la seguridad de la herramienta eléctrica.
- b) Nunca realice mantenimiento a paquetes de baterías dañados. El mantenimiento de los paquetes de baterías sólo debe ser realizado por el fabricante o por proveedores de mantenimiento autorizados.

Sujete la herramienta eléctrica por las superficies de agarre aisladas cuando realice una operación en la que el sujetador pudiera entrar en contacto con cables ocultos. Los sujetadores que entran en contacto con un cable con corriente podrían hacer que las partes metálicas expuestas de la herramienta eléctrica estén cargadas con electricidad, y podrían provocar una descarga eléctrica al operador.

Utilice un cargador de batería y un paquete de batería originales de Makita.

- Utilice un paquete de batería genuino para esta herramienta.
- No cargue el paquete de batería con otro cargador de batería. De lo contrario, podría producirse una rotura que podría provocar un accidente o lesiones.

Cargue el paquete de batería de forma correcta.

- Utilice una fuente de alimentación con indicación de clasificación nominal para conectar el cargador de batería suministrado con este producto.
- No utilice una fuente de alimentación de c.c. ni un generador de energía impulsado por motor para cargar el paquete de batería. De lo contrario, se podría generar un calor excesivo que podría provocar un incendio.
- Cuando la temperatura ambiente, el paquete de batería o el cargador de batería sea inferior a 0 °C o superior a 40 °C, no cargue el paquete de batería. De lo contrario, podría producirse una rotura o un incendio.
- Al cargar el paquete de batería, seleccione un lugar bien ventilado para la carga.
- Durante la carga, no cubra el paquete de batería con un paño. De lo contrario, podría producirse una rotura o un incendio.
- Después de la carga, asegúrese de desconectar la clavija de alimentación. De lo contrario, podría producirse una descarga eléctrica o un incendio.

Durante el uso, no apunte la cortadora hacia las personas.

- De lo contrario, podrían producirse lesiones.

No cortocircuite los terminales del paquete de batería.

- Cuando guarde el paquete de batería solo, asegúrese de colocar la tapa del terminal en el terminal para evitar cortocircuitos. Asegúrese de que los terminales de la batería no sufran cortocircuitos con otras piezas metálicas como tornillos, clavos, etc.

No exponga el paquete de batería a las llamas.

- El incumplimiento de esto podría ocasionar la ruptura o fuga de un material peligroso.

No utilice en piezas con electricidad con corriente.

- La herramienta no está aislada. El uso en lugares electrificados podría provocar una descarga eléctrica.
- No toque la clavija de alimentación ni el paquete de batería con las manos mojadas. De lo contrario, podría producirse una descarga eléctrica.

Retire el paquete de batería del cuerpo de la herramienta en las siguientes circunstancias.

- Cuando no la utilice o esté en reparación
 - Cuando reemplace piezas de repuesto
 - Otras ocasiones en las que se sospecha peligro
- El incumplimiento de estas advertencias podría provocar que la herramienta se encienda accidentalmente y provocar lesiones.

Arranque de la herramienta inesperadamente.

- Al mover la herramienta, asegúrese de que los dedos estén bien alejados del gatillo. El arranque inesperado de la herramienta podría provocar lesiones.

Utilice únicamente accesorios especificados.

- No utilice ningún accesorio distinto a los indicados en este manual de instrucciones o en nuestro catálogo. De lo contrario, esto podría provocar un accidente o lesiones.

Utilice equipo de protección.

- Utilice gafas de seguridad durante la operación. Si la operación genera polvo, use una mascarilla protectora. Al cortar, los trozos pequeños podrían esparcirse y provocar lesiones.

No mire fijamente la luz de trabajo LED.

- Podría deteriorarse su visión.

Considere el ambiente de trabajo.

- No utilice la herramienta, el cargador de batería ni el paquete de batería bajo la lluvia o en un lugar mojado o húmedo. De lo contrario, podría producirse una descarga eléctrica o humo.
- Realice el trabajo en un lugar con suficiente luz. Trabajar en un lugar oscuro podría provocar un accidente.
- No utilice ni cargue la batería en presencia de líquidos o gases inflamables. De lo contrario, podría producirse una explosión o un incendio.

Mantenga el lugar de trabajo siempre limpio.

- Los lugares y bancos desordenados podrían provocar un accidente.

Mantenga a los niños alejados de la herramienta.

- No permita que otras personas que no sean los operadores toquen la herramienta y el cable del cargador de batería. Mantenga a las personas alejadas del lugar de trabajo. De lo contrario, podría producirse una lesión.

Cuando no utilice la herramienta, guárdela adecuadamente.

- Guarde la herramienta en un lugar donde la humedad sea baja y también en un lugar alto al que los niños no puedan llegar o en un lugar que pueda cerrarse con llave. De lo contrario, podría producirse un accidente.

- No guarde la herramienta o el paquete de batería en un lugar donde la temperatura pueda aumentar 40 °C o más (dentro de una caja metálica, dentro de un automóvil en verano, etc.). El incumplimiento de esto puede deteriorar el paquete de batería, lo que puede provocar humo o combustión.

No utilice la herramienta de manera irrazonable.

- Realice la operación de acuerdo con la capacidad de la herramienta para una operación segura y eficiente. El uso de la herramienta más allá de su capacidad podría provocar un accidente.
- No utilice la herramienta de manera irrazonable que provoque que el motor se bloquee. De lo contrario, esto podría provocar humo o combustión.

Utilice una herramienta adecuada para su funcionamiento.

- No utilice la herramienta para otras aplicaciones que no sean las especificadas. De lo contrario, podría producirse una lesión.

Realice la operación con ropa adecuada.

- No utilice ropa holgada ni accesorios como un collar. Estos objetos podrían quedar atrapados en una pieza móvil, giratoria o similar.
- Cuando la operación se realiza al aire libre, se recomienda el uso de guantes de goma y zapatos antideslizantes. Los guantes y zapatos resbaladizos podrían causar lesiones.
- Si tiene el cabello largo, utilice una gorra o una red para cubrirlo. De lo contrario, su cabello podría quedar atrapado en una pieza móvil, giratoria o similar.

No opere la herramienta con una postura antinatural.

- Mantenga la posición firme de los pies en todo momento, y mantenga el equilibrio. De lo contrario, podría caerse y provocar lesiones.

Manténgase alerta y con gran atención cuando esté trabajando.

- Cuando utilice la herramienta, tenga cuidado con el método de manejo, la forma de operación y las circunstancias circundantes, y realice su operación con cuidado. De lo contrario, podría producirse un accidente o lesión.
- No opere la herramienta bajo la influencia del alcohol. De lo contrario, podría producirse un accidente o lesión.
- No opere la herramienta cuando se encuentre en malas condiciones físicas. De lo contrario, podría producirse un accidente o lesión.

No manipule el cable del cargador de batería de manera brusca.

- No transporte el cargador por el cable ni tire de él para desconectarlo del enchufe hembra.
- Mantenga el cable alejado del calor, el aceite y los bordes afilados.
- Asegúrese de que el entorno de carga no permita que se pise o se tropiece con el cable. De lo contrario, podría producirse una descarga eléctrica o un cortocircuito, que podría provocar una combustión.

Utilice un cable de extensión con especificaciones para exteriores.

- Si utiliza la herramienta al aire libre, utilice un cable de extensión hecho de un cable resistente recubierto de goma.

Realice el mantenimiento de la herramienta con cuidado.

- Siga el manual de instrucciones al reemplazar piezas de repuesto. De lo contrario, podría producirse una lesión.
- Inspeccione periódicamente el cable del cargador de batería. Si el cable está dañado, solicite reparación en un centro de servicio autorizado. De lo contrario, podría producirse una descarga eléctrica o un cortocircuito, que podría provocar una combustión.
- Si se utiliza un cable de extensión, inspeccione el cable periódicamente. Si el cable está dañado, reemplácelo por uno nuevo. De lo contrario, podría producirse una descarga eléctrica o un cortocircuito, que podría provocar una combustión.
- Mantenga la empuñadura siempre seca y limpia y manténgala alejada del aceite y la grasa. De lo contrario, podría producirse una lesión.

Verifique las piezas dañadas.

- Compruebe que no haya nada dañado antes de su uso. Confirme que la herramienta funcione normalmente, y que todos los componentes funcionen correctamente.
- Verifique la alineación de las piezas móviles, el buen funcionamiento de las piezas móviles, rotura de piezas, montaje y cualquier otra condición que pudiera afectar su funcionamiento.
- No utilice el cargador de batería cuya clavija o cable de alimentación esté dañado, o que se haya caído y luego se haya dañado. De lo contrario, podría producirse una descarga eléctrica o un cortocircuito, que podría provocar una combustión. Si está dañado, debe ser reparado o reemplazado adecuadamente en un centro de servicio autorizado, a menos que se indique lo contrario en este manual de instrucciones. Haga reemplazar los interruptores defectuosos en un centro de servicio autorizado. No utilice la herramienta si el interruptor no la enciende y apaga. Esta herramienta podría funcionar de forma anormal, lo que podría provocar lesiones.

Solicite la reparación en un centro de servicio autorizado.

- No desmonte, repare ni modifique la unidad principal, el cargador de batería ni el paquete de batería. De lo contrario, esto podría causar combustión o un funcionamiento anormal, lo que podría provocar lesiones.
- Si la herramienta se calienta o se encuentra una anomalía en la herramienta, solicite inspección o reparación de la herramienta.
- Esta herramienta está construida de acuerdo con los requisitos de seguridad pertinentes. No intente modificar este producto.
- Haga reparar su herramienta en un centro de servicio autorizado. Las reparaciones deben ser realizadas únicamente por una persona cualificada utilizando repuestos originales; de lo contrario, esto podría suponer un peligro considerable para el usuario.

Precauciones en el uso de la cortadora de cable inalámbrica

- Cuando utilice esta herramienta, siga las instrucciones que se muestran a continuación:

Precauciones para la herramienta

- **Nunca corte nada más allá de la capacidad máxima de corte.**

Tenga cuidado, ya que de lo contrario esto podría provocar algún daño. (Vea la página 31)

- **No toque el filo de las cuchillas móviles o fijas.**

De lo contrario, podrían producirse una lesión.

- **Nunca corte cables con corriente (cables eléctricos que conducen electricidad).**

- **No lo exponga a caídas u otros impactos excesivos.**

La estructura interna ha sido fabricada con precisión para que sea compacta y liviana, por lo que es posible que no funcione correctamente si se somete a un impacto.

- **No la utilice en la lluvia.**

Hacerlo podría ocasionar que la cuchilla se oxide y desafilé el filo o provocar daños.

- **No corte longitudes sobrantes de 50 mm o menos.**

Cortar longitudes sobrantes de los extremos del CCP y otros cables demasiado cortos podría provocar que se corte el interior del cable, etc.

- **No aplique fuerza en contra de la dirección en la que se corta.**

Siempre corte los materiales de forma recta. De lo contrario, se podría dañar la cuchilla de la cortadora.

- **Sosténgala de manera firme.**

De lo contrario, podrían producirse una lesión.

- **Asegúrese de que no haya nadie debajo de usted antes de usarla en un lugar elevado.**

De lo contrario, podría producirse un accidente en caso de que se caigan los materiales o el dispositivo, etc.

- **Compruebe que no haya nada anormal antes de su uso.**

Las grietas o fracturas en la cortadora podrían dañarla y provocar lesiones.

- **Tome descansos durante el uso de la misma.**

El cortado prolongado sin interrupciones mantiene un mayor calor en el motor que podría sobrecalentar el motor y la batería, provocando daños. Asegúrese de tomar descansos ocasionales durante el uso.

- **Las bajas temperaturas ambientales (10 °C o menos) podrían provocar que el cable eléctrico se endurezca, dificultando el cortado, incluso cuando esté dentro de la capacidad de corte.**

- **Límpiala con aire, etc., después de cada uso.**

Tenga cuidado de evitar que cortes y otros fragmentos entren en la unidad por la abertura (impulsor de cuchilla móvil).

- **No corte cables eléctricos con alambre de 1 mm de diámetro.**

De lo contrario, la cuchilla de la cortadora podría quedar atrapada en el cable eléctrico y bloquearse.

Precauciones al usar el paquete de batería

- Nunca cortocircuite los terminales.
- Mantenga el paquete de batería alejada del agua, aceite y disolventes orgánicos.
- No desmonte ni modifique el paquete de batería.
- Si desecha el paquete de batería, no lo exponga a las llamas ni lo deseche como residuos generales. (Promovemos el reciclaje).
- No arroje ni deje caer el paquete de batería.
- No deje la batería en un lugar donde la temperatura sea de 40 °C o más durante mucho tiempo.
- No cortocircuite la batería si le cae suciedad o polvo en el terminal, ya que esto provocará una avería. Si el terminal está corroído, no utilice el paquete de batería.
- Está equipada con una función protectora que detiene el escurrimiento, para prolongar la vida útil del paquete de batería. El motor podría detenerse cuando el nivel restante de la batería es bajo, incluso mientras se presiona el interruptor de operación durante el uso de esta herramienta. Sin embargo, este fenómeno no se debe a un mal funcionamiento sino a la función protectora. En tal caso, cargue inmediatamente la batería.

Precauciones para el cargador de batería

- Este cargador de baterías tiene una lámpara indicadora (LED multicolor) para mostrar el estado de carga de la batería.
- No cortocircuite el cargador de batería si le cae suciedad o polvo en la ranura de inserción, ya que esto provocará una avería. Si el terminal de metal está corroído, no utilice el paquete de batería.

SÍMBOLOS DE ADVERTENCIA



Antes de utilizar la herramienta, lea atentamente las instrucciones de este manual.



Área de advertencia por calor intenso

Para proteger el motor, no lo utilice si el área de advertencia por calor intenso se calienta. (Vea la página 29)



No lo toque durante el funcionamiento.

Cartucho de batería y cargador aplicables

Cartucho de batería	BL1815N / BL1820B / BL1830B / BL1840B / BL1850B / BL1860B
Cargador	DC18RC / DC18RD / DC18RE / DC18SD / DC18SE / DC18SF / DC18SH / DC18WC

- Es posible que algunos de los cartuchos de batería y cargadores enumerados anteriormente no estén disponibles según su región de residencia.
- Para cargar la batería, lea el manual de instrucciones del cargador de batería.

⚠ADVERTENCIA: Utilice únicamente los cartuchos de batería y los cargadores enumerados anteriormente. El uso de cualquier otro cartucho de batería y cargador podría causar lesiones o un incendio.

Instrucciones de seguridad importantes para el cartucho de batería

1. **Antes de usar el cartucho de batería, lea todas las instrucciones y marcas de precaución en (1) el cargador de batería, (2) la batería y (3) el producto que usa la batería.**
2. **No desmonte ni altere el cartucho de batería.** Podría provocar un incendio, calor excesivo o una explosión.
3. **Si el tiempo de funcionamiento se ha acortado excesivamente, deje de utilizarlo inmediatamente. Puede haber riesgo de sobrecalentamiento, posibles quemaduras e incluso una explosión.**
4. **Si el electrolito entra en contacto con sus ojos, enjuáguelos con agua limpia y busque atención médica de inmediato. Puede provocar la pérdida de la vista.**
5. **No cortocircuite el cartucho de batería:**
 - (1) **No toque los terminales con ningún material conductor.**
 - (2) **Evite almacenar el cartucho de batería en un recipiente con otros objetos metálicos como clavos, monedas, etc.**
 - (3) **No exponga el cartucho de batería al agua o a la lluvia.**

Un cortocircuito en la batería podría provocar un flujo de corriente considerable, sobrecalentamiento, posibles quemaduras e incluso una avería.
6. **No almacene ni utilice la herramienta ni el cartucho de batería en lugares donde la temperatura podría alcanzar o superar los 50 °C (122 °F).**
7. **No incinere el cartucho de batería incluso si está gravemente dañado o completamente desgastado. El cartucho de batería puede explotar en caso de incendio.**
8. **No clave, corte, aplaste, arroje, deje caer el cartucho de batería ni lo golpee contra un objeto duro.** Esto podría provocar un incendio, calor excesivo o una explosión.
9. **No utilice una batería dañada.**
10. **Las baterías de iones de litio contenidas están sujetas a los requisitos de la legislación sobre mercancías peligrosas.**

Para transportes comerciales, p.ej. por parte de terceros, transportistas, se deben respetar requisitos especiales en materia de embalaje y etiquetado.

Para la preparación del artículo que se envía, se requiere consultar a un experto en materiales peligrosos. Tenga en cuenta también las normas nacionales, que posiblemente sean más detalladas.

Ponga cinta adhesiva o cubra los contactos abiertos con cinta de enmascarar, y empaquete la batería de tal manera que no pueda moverse dentro del embalaje.
11. **Cuando deseche el cartucho de batería, retírelo de la herramienta y deséchelo en un lugar seguro. Siga las regulaciones locales relacionadas con la eliminación de la batería.**
12. **Utilice las baterías únicamente con los productos especificados por Makita.** La instalación de baterías en productos que no cumplen con las normas podría provocar un incendio, calor excesivo, explosión o fuga de electrolito.
13. **Si la herramienta no se utiliza durante un período prolongado, se debe retirar la batería de la herramienta.**
14. **Durante y después del uso, el cartucho de batería podría calentarse, lo que podría provocar quemaduras o quemaduras por baja temperatura. Preste atención al manejo de cartuchos de batería calientes.**
15. **No toque el terminal de la herramienta inmediatamente después de su uso, ya que puede calentarse lo suficiente como para provocar quemaduras.**

16. **No permita que virutas, polvo o tierra se adhieran a los terminales, orificios y ranuras del cartucho de batería.** Podría provocar calentamiento, incendio, explosión y mal funcionamiento de la herramienta o del cartucho de batería, lo que provocaría quemaduras o lesiones personales.
17. **A menos que la sea compatible el uso cerca de líneas eléctricas de alto voltaje, no utilice el cartucho de batería cerca de líneas eléctricas de alto voltaje.** Podría provocar un mal funcionamiento o causar una avería de la herramienta o del cartucho de batería.
18. **Mantenga la batería fuera del alcance de los niños.**

GUARDE ESTAS INSTRUCCIONES.

⚠PRECAUCIÓN:

- **Utilice solamente baterías originales de Makita.**

El uso de baterías no originales de Makita o baterías que hayan sido alteradas podría provocar que la batería explote y provoque incendios, lesiones personales y daños. También anulará la garantía de Makita para la herramienta y el cargador de Makita.

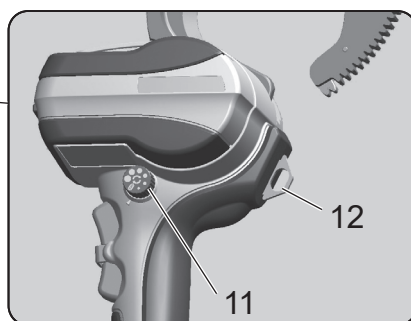
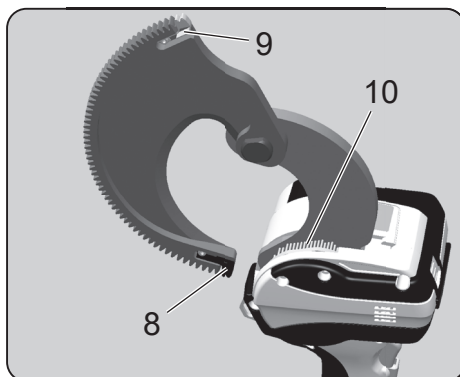
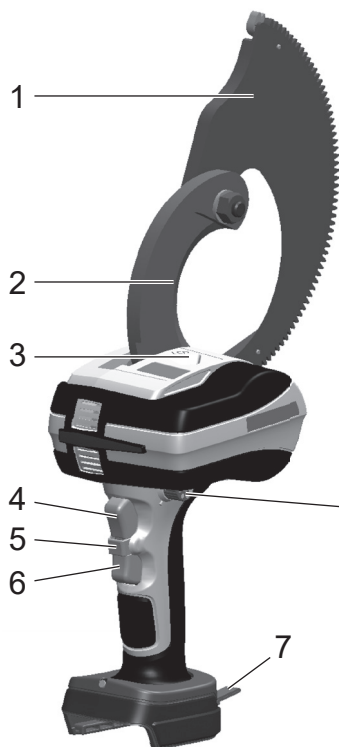
Consejos para mantener la máxima duración de la batería

1. **Cargue el cartucho de batería antes de que esté completamente descargado. Detenga siempre el funcionamiento de la herramienta y cargue el cartucho de batería cuando note menos potencia de la herramienta.**
2. **Nunca recargue un cartucho de batería completamente cargado. La sobrecarga acorta la vida útil de la batería.**
3. **Cargue el cartucho de batería a temperatura ambiente de 10 °C a 40 °C (50 °F a 104 °F). Deje que un cartucho de batería caliente se enfríe antes de cargarlo.**
4. **Cuando no utilice el cartucho de batería, retírelo de la herramienta o del cargador.**
5. **Cargue el cartucho de batería si no lo va a utilizar por un período prolongado (por más de seis meses).**

Nombres y accesorios

DTC102

Cortadora de cable inalámbrica



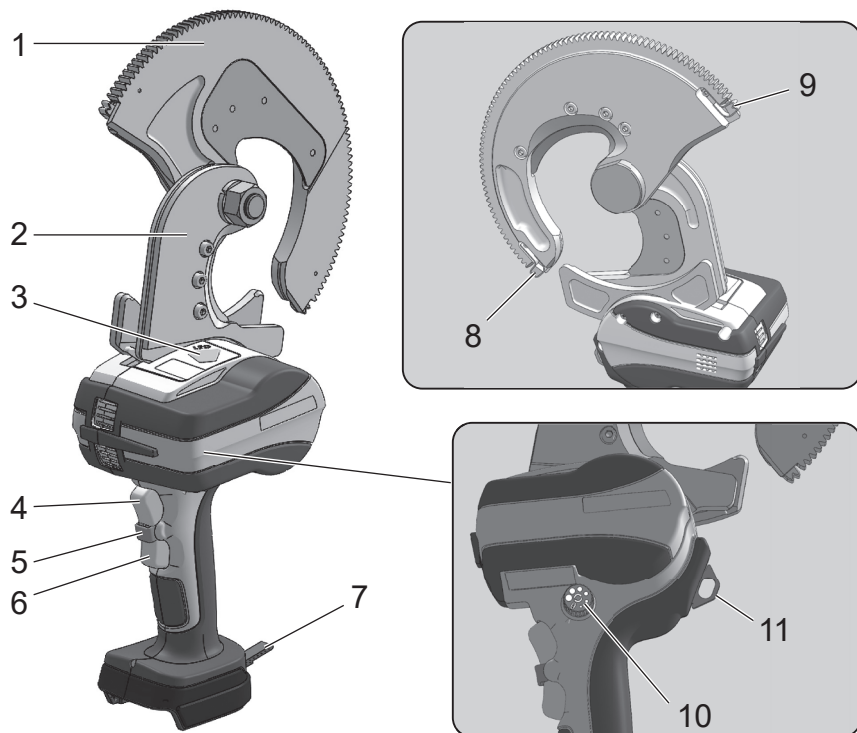
Estuche para transporte



* Esta herramienta está diseñada para la batería de iones de litio Makita de 18 V.

1	Cuchilla móvil	7	Correa para colgado
2	Cuchilla estacionaria	8	Guía para engrane (A)
3	Luz de trabajo LED	9	Guía para engrane (B)
4	Interruptor de modo de avance	10	Cepillo (para sacudir polvo)
5	Seguro de interruptor	11	Perilla circular indicadora
6	Interruptor de modo de retroceso	12	Anillo para colgado

Cortadora de cable inalámbrica



Estuche para transporte



* Esta herramienta está diseñada para la batería de iones de litio Makita de 18 V.

1	Cuchilla móvil	7	Correa para colgado
2	Cuchilla estacionaria	8	Guía para engrane (A)
3	Luz de trabajo LED	9	Guía para engrane (B)
4	Interruptor de modo de avance	10	Perilla circular indicadora
5	Seguro de interruptor	11	Anillo para colgado
6	Interruptor de modo de retroceso	—	—

Batería

Batería

- En el momento de la compra, la función de protección de la batería podría estar activada debido a que la batería no está cargada lo suficiente. (Tenga cuidado porque este producto podría comenzar a funcionar si acciona el interruptor). Cargue correctamente la batería con el cargador rápido antes de su uso.
- Coloque la tapa de la batería cuando no utilice el producto. Ayudará a proteger la batería del agua y el polvo.
- Cuando no utilice el producto durante un período prolongado, guárdelo sin la batería.

Para aumentar la vida útil de la batería

- Cuando sienta que la fuerza de la herramienta se ha debilitado, deje de usarla y cargue la batería.
- No recargue una batería que esté completamente cargada.
- Cargue la batería en un rango de temperatura ambiente de 10 °C a 40 °C.
- Cuando la batería se calienta, por ejemplo inmediatamente después de su uso, recomendamos insertarla en el cargador para enfriarla y cargarla.
- Cuando una batería de iones de litio no se vaya a utilizar durante un período prolongado (al menos 6 meses), recomendamos cargarla y luego almacenarla.

Recolección de la batería

- Las baterías usadas son recolectadas para reciclar. Lleve la batería a la tienda donde compró el producto o a una oficina de ventas de Makita.



Li-ion

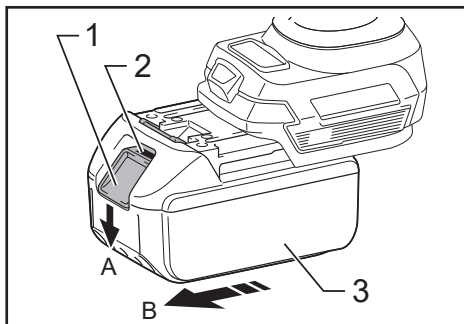
Recicle la batería de iones de litio

Cómo colocar y quitar la batería

⚠ ADVERTENCIA:

Inserte la batería correctamente en el producto. Si la parte roja en la parte superior del botón es visible, la batería no está completamente bloqueada en su lugar. Inserte firmemente la batería hasta que no se pueda ver toda la parte roja.

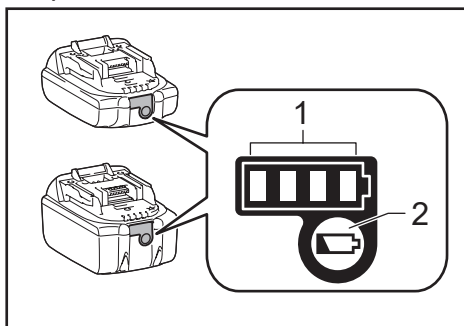
- Si la batería no se inserta lo suficiente, podría desprenderse y provocar un accidente.
- Para desconectar la batería de este producto: A. Mantenga presionado el botón en el frente de la batería, y B. Deslice la batería para retirarla.
- Al colocar la batería, alinee la batería con las ranuras del producto y luego insértela completamente realizando el procedimiento a la inversa. Si la parte roja en la parte superior del botón es visible en este momento, la batería no está completamente bloqueada en su lugar. Inserte la batería correctamente hasta que no se pueda ver toda la parte roja.



► 1. Botón 2. Parte roja 3. Batería

Indicación de la capacidad restante de la batería

Solo para cartuchos de batería con indicador



► 1. Luces indicadoras 2. Botón de verificación

Presione el botón de verificación en el cartucho de la batería para indicar la capacidad restante de la batería. Las luces indicadoras se encienden durante unos segundos.

Luces indicadoras			Capacidad restante
Iluminadas	Apagadas	Parpadeando	
■ ■ ■ ■			75 % a 100 %
■ ■ ■	□		50 % a 75 %
■ ■	□ □		25 % a 50 %
■	□ □ □		0 % a 25 %
▬	□ □ □		Cargue la batería.
■ ■ □ □			La batería podría tener una avería.
□ □ ■ ■			

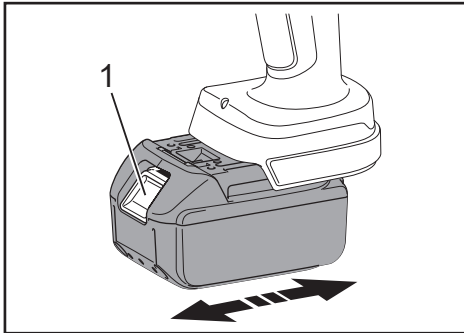
NOTA: Dependiendo de las condiciones de uso y de la temperatura ambiente, la indicación podría diferir ligeramente de la capacidad real.

NOTA: La primera luz indicadora (extrema izquierda) parpadeará cuando funcione el sistema de protección de la batería.

Cómo utilizar la herramienta

Colocar el paquete de batería

1. Extraiga la batería mientras presiona el pestillo. Para reemplazar la batería, presione firmemente la nueva batería en su lugar.
2. Después de colocar una batería, verifique si está firmemente en su lugar tirando de ella suavemente. No presione el pestillo cuando tire de la batería.

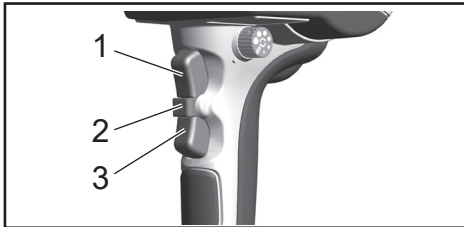


► 1. Pestillo

Operaciones del interruptor

Por motivos de seguridad, la herramienta tiene un sistema de interruptor de dos acciones.

Para activar el interruptor de modo de avance (corte) y de modo de retroceso (retroceso), primero presione el seguro de interruptor, y luego presione el interruptor de modo de avance/de retroceso.



- 1. Interruptor de modo de avance
2. Seguro del interruptor
3. Interruptor de modo de retroceso

Lámpara LED de ayuda para el trabajo

Esta herramienta tiene una lámpara LED que ilumina la periferia de la cuchilla de la cortadora. Se ilumina cuando el interruptor de modo de avance o de retroceso está encendido, y luego se apaga aproximadamente 10 segundos después de soltarlo.

⚠ PRECAUCIÓN:

- **No mire directamente a la luz LED. Mirar la luz LED durante un período prolongado podría dañar sus ojos.**

Alarma de batería baja

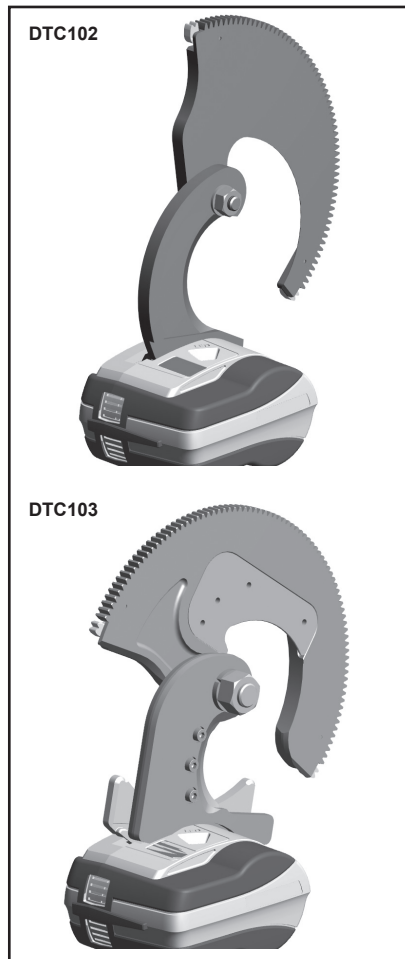
Si la capacidad restante de la batería es baja, la luz LED parpadea 5 veces como alarma cuando se enciende el interruptor de modo de avance. Cargue la batería o reemplácela con una de repuesto.

Operaciones de cortado

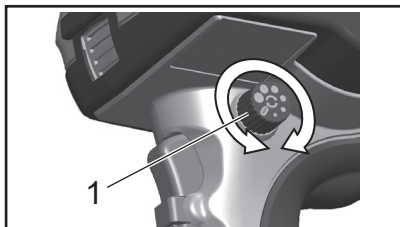
1. [DTC102, DTC103]

Active el interruptor para abrir la cuchilla móvil.

Utilice los interruptores de modo de avance y retroceso para configurar la cuchilla móvil en punto muerto.



2. Uso de la perilla circular indicadora para habilitar o deshabilitar el modo de reversa automática
- Mueva la perilla circular indicadora a la posición deseada para habilitar el modo de reversa automática, o cámbiela a apagado para desactivarla.

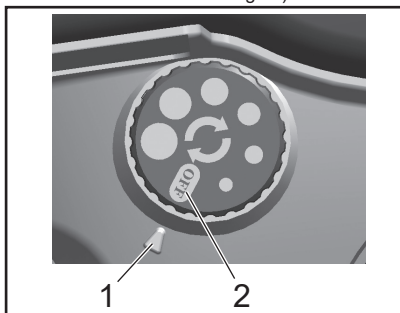


► 1. Perilla circular indicadora

Función de (modo de) reversa automática

Cuando el modo de reversa automática está habilitado, el motor frena después de cortar un cable. Una vez que se libera el interruptor de modo de avance, la cuchilla móvil regresa automáticamente según lo establecido por la perilla circular indicadora.

La abertura se puede ajustar entre 6 niveles. (La distancia de abertura es una guía).



► 1. Distancia de abertura 2. Apagado

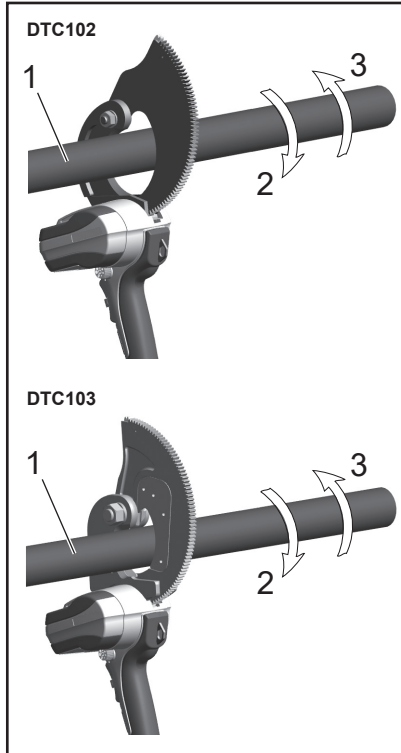
⚠PRECAUCIÓN:

- El modo de reversa automática no se activa si el interruptor de modo de avance se libera antes de completar el cortado.
- El modo de reversa automática no se activa con un cable eléctrico delgado de 60 mm² o menos.
- El diámetro de abertura podría variar dependiendo del voltaje restante de la batería.

3. [DTC102, DTC103]

Inserción del cable eléctrico en la abertura de la cuchilla móvil

Coloque el cable a cortar sobre la cuchilla estacionaria, y cierre la cuchilla móvil alrededor del cable. Alimente la cuchilla móvil con la mano para que los dientes del engranaje se engranen con el mecanismo de accionamiento de la unidad.



► 1. Cable 2. Rotación de corte
3. Rotación en reversa

4. Operación del interruptor de modo de avance y corte del cable eléctrico

Mantenga presionado el interruptor de modo de avance hasta que se complete el corte.

5. Eliminación de restos después del corte

Una vez que haya terminado de cortar, retire los restos o residuos de la cuchilla.

⚠PRECAUCIÓN:

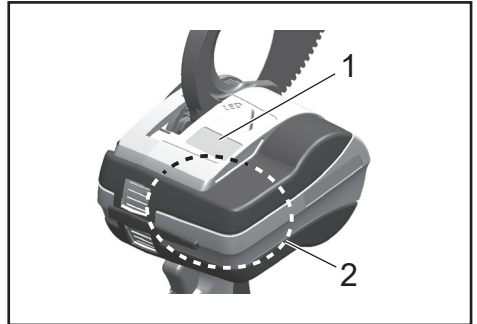
• **Operación prolongada**

Para proteger el motor, deje de usar la herramienta cuando el área alrededor de la etiqueta de precaución se caliente. Para continuar usando la herramienta, colóquela durante 50 minutos en un lugar fresco y bien ventilado hasta que se enfríe.

• **La protección contra sobrecorriente/sobrecarga también podría activarse incluso cuando se opera la herramienta dentro de la capacidad de corte.**

La temperatura de funcionamiento, la longitud del cable y la curvatura y otros factores afectan el desempeño de la herramienta.

• **Si la luz LED parpadea 6 veces o más, se trata de una indicación de error en la placa de circuitos. Comuníquese con su distribuidor.**



► 1. Etiqueta de precaución
2. Área de advertencia por calor intenso

⚠PRECAUCIÓN:

• **El modelo DTC102 es para cables de cobre y aluminio solamente. No utilice el modelo DTC102 para acero, ACSR u otros materiales de acero.**

La función de protección contra sobrecorriente

Si se aplica una sobrecarga de corriente debido a un corte de cable fuera de especificaciones, la función de protección contra sobrecorriente se activa y detiene el motor. Para recuperarse, libere el interruptor de modo de avance.

Reemplazo con refacciones

Para reemplazar la guía para engrane usted mismo, siga el procedimiento a continuación.

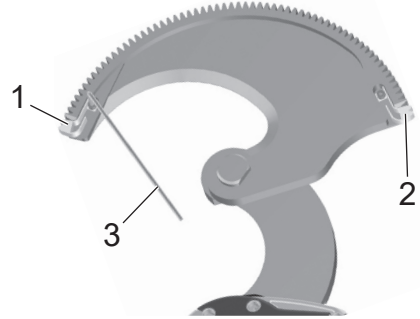
⚠PRECAUCIÓN:

- Asegúrese de retirar la batería de la unidad principal antes de reemplazar la guía para engrane.
- Si la guía para engrane está dañada o produce un ruido anormal, reemplácela inmediatamente. Continuar utilizando el producto con una guía para engrane dañada podría causar daños a los engranajes internos.

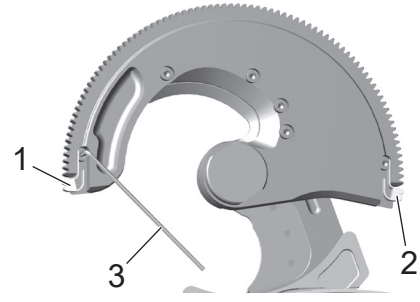
Reemplazo de la guía para engrane

1. Remoción de la guía para engrane
Utilice una llave hexagonal para desenroscar el perno con orificio hexagonal (M3 x 3), y retire la guía para engrane.
2. Montaje de la guía para engrane
Monte la nueva guía para engrane, y apriete el perno firmemente.

DTC102



DTC103



- 1. Guía para engrane (A) 2. Guía para engrane (B)
3. Llave hexagonal

Reemplazo con refacciones (DTC103)

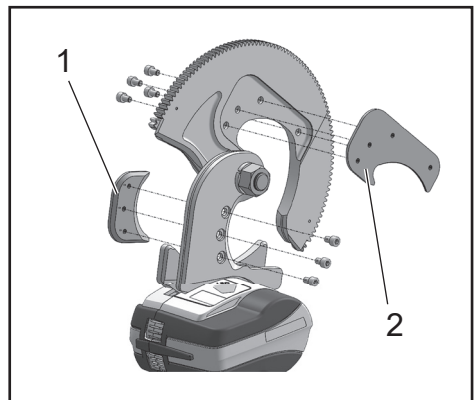
Para reemplazar la cuchilla usted mismo, siga el procedimiento a continuación.

⚠PRECAUCIÓN:

- Antes de reemplazar la cuchilla, asegúrese de retirar la batería de la unidad principal.

Cómo reemplazar la cuchilla

1. Retire los pernos del armazón móvil o del armazón estacionario.
2. Reemplace la cuchilla por una nueva, y atornille los pernos.

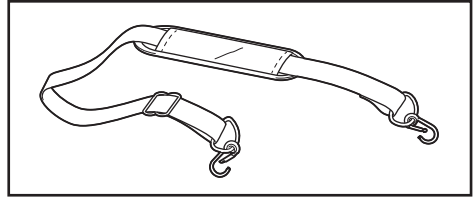


- 1. Cuchilla de sustitución 2. Cuchilla de sustitución

Accesorios opcionales

• Cinturón de hombro (161347-8)

Esta correa para hombros se utiliza conectando la correa para colgado de esta herramienta.



Mantenimiento/inspección

- Tenga en cuenta que el descuido del mantenimiento/inspección diarios podría causar un mal funcionamiento de la herramienta.
- Evite almacenar la herramienta en un ambiente húmedo para un funcionamiento suave de la herramienta y evitar la oxidación.
- Si la herramienta se daña durante el uso normal (10 000 operaciones o más, 1 000 cortes o más), no reanude el funcionamiento simplemente después de reemplazar solo la pieza dañada, ya que ha llegado al final de su vida.
- Cuando una pieza de resina se ensucie, utilice un paño suave humedecido con agua y jabón para limpiarla.
- Cuando guarde el paquete de batería solo, asegúrese de colocar la tapa de accesorio del terminal en el terminal para evitar cortocircuitos.
- Para una inspección de seguridad, recomendamos enviar la herramienta al fabricante aproximadamente una vez cada dos años (se genera un cargo). Comuníquese con su distribuidor para obtener más detalles.
- La cuchilla móvil y la cuchilla estacionaria son piezas consumibles. Esas piezas no están cubiertas por la garantía.

Especificaciones

Cortadora de cable inalámbrica	DTC102		DTC103
Diámetro cortable máximo	Materiales no ferrosos solamente (AL o Cu)	Hebra de Cu	ACSR AL550 mm ² /ST70 mm ²
	φ 65 mm	φ 47 mm	
Motor eléctrico	Motor de c.c.		
Dimensiones	117 (D) × 357 (Alt) × 228 (An) (mm)		117 (D) × 356 (Alt) × 240 (An) (mm)
Peso	2,8 kg		4,8 kg

⚠PRECAUCIÓN:

- El modelo DTC102 es para cables de cobre y aluminio solamente. No utilice el modelo DTC102 para acero, ACSR u otros materiales de acero.

PORTUGUÊS DO BRASIL: Instruções originais

⚠️ AVISO: Leia e entenda todas as instruções e informações de segurança neste guia e instruções do operador. O uso para aplicações não indicadas pode resultar em acidentes sérios ou fatalidades.

- **Obrigado por adquirir nosso cortador de cabo a bateria.**
- **Leia este manual de instruções totalmente e com atenção antes de tentar usar o equipamento. Depois de ler este manual de instruções, guarde-o em um local de fácil acesso.**
- **Descrição**
Os cortadores mecânicos são operados a bateria e são indicados para cortar cabos de uso industrial atual.

Precauções de segurança

⚠️ AVISO: Leia todos os avisos de segurança e todas as instruções. O descumprimento dos avisos e instruções pode resultar em choques elétricos, incêndios e/ou ferimentos graves.

Guarde todos os avisos e instruções para consulta futura.

⚠️ AVISO: O uso indevido deste produto pode levar à morte ou causar ferimentos sérios no usuário.

1) Segurança da área de trabalho

- a) Mantenha a área de trabalho limpa e bem iluminada. Áreas desorganizadas ou escuras favorecem a ocorrência de acidentes.
- b) Não opere ferramentas elétricas em atmosferas explosivas, como por exemplo, na presença de líquidos, gases ou poeiras inflamáveis. Ferramentas elétricas podem criar faíscas, as quais podem inflamar poeiras ou fumos.
- c) Mantenha crianças e outras pessoas afastadas durante a operação de uma ferramenta elétrica. Distrações podem fazer com que você perca o controle.

2) Segurança elétrica

- a) Os plugues de ferramentas elétricas devem ser compatíveis com as tomadas de rede. Nunca modifique o plugue de forma alguma. Não use plugues-adaptadores com ferramentas elétricas aterradas. Plugues não modificados e tomadas de rede compatíveis reduzem o risco de choques elétricos.
- b) Evite o contato do corpo com superfícies aterradas, tais como tubos, radiadores, fogões e refrigeradores. O risco de choques elétricos é maior se o seu corpo estiver ligado a terra.
- c) Não exponha ferramentas elétricas à chuva ou condições de umidade. A entrada de água em uma ferramenta elétrica aumenta o risco de choques elétricos.
- d) Não use o cabo indevidamente. Nunca transporte, puxe ou desconecte a ferramenta elétrica da tomada segurando-a pelo cabo.

Mantenha o cabo afastado do calor, óleo, bordas cortantes ou partes móveis. Cabos danificados ou emaranhados aumentam o risco de choques elétricos.

- e) Quando operar uma ferramenta elétrica ao ar livre, use um cabo de extensão adequado para uso ao ar livre. A utilização de um cabo adequado para uso ao ar livre reduz o risco de choques elétricos.
- f) Se a operação de uma ferramenta elétrica em um local muito úmido for inevitável, utilize uma alimentação protegida por um disjuntor diferencial (IDR). O uso de um IDR reduz o risco de choques elétricos.

3) Segurança pessoal

- a) Mantenha-se alerta, preste atenção ao que estiver fazendo e utilize de bom senso quando operar uma ferramenta elétrica.
Não use uma ferramenta elétrica se estiver cansado, ou ainda sob influência de drogas, medicamentos ou álcool. Um instante de desatenção durante a operação de ferramentas elétricas pode resultar em ferimentos graves.
- b) Use equipamentos de proteção individual. Use sempre proteção ocular. Equipamentos de proteção, tais como máscaras contra pó, sapatos de segurança antiderrapantes, capacetes ou proteção auditiva, reduzem a ocorrência de ferimentos quando usados para as condições apropriadas.
- c) Evite ligar o aparelho acidentalmente. Certifique-se de que o interruptor está na posição desligado antes de conectar a fonte de alimentação e/ou a bateria, e antes de pegar ou transportar a ferramenta. Transportar ferramentas elétricas com o dedo no interruptor ou energizar ferramentas elétricas com o interruptor ligado favorece a ocorrência de acidentes.
- d) Remova chaves de ajuste ou outras chaves antes de ligar a ferramenta elétrica. Qualquer tipo de chave deixada conectada a uma peça rotativa da ferramenta elétrica pode provocar ferimentos.
- e) Não se estenda para tentar alcançar posições distantes demais. Mantenha sempre o equilíbrio e os pés assentados com firmeza no chão. Isso possibilita um controle maior da ferramenta elétrica em situações imprevistas.

- f) Use roupas apropriadas. Não use roupas largas ou acessórios. Mantenha os cabelos, roupas e luvas afastados de partes móveis. Roupas largas, acessórios ou cabelos compridos podem enroscar em partes móveis.
- g) Se os dispositivos forem equipados com conexão para acessórios de extração e coleta de pó, certifique-se de que estes estão conectados e que sejam corretamente usados. O uso do recurso de coleta de pó pode reduzir perigos relacionados a pós.
- h) Não permita que a familiaridade adquirida com o uso frequente de ferramentas deixe você complacente e faça ignorar os princípios de segurança das ferramentas. Uma ação descuidada pode provocar ferimentos sérios em uma fração de segundo.

4) Utilização e cuidados com ferramentas elétricas

- a) Não force a ferramenta elétrica. Use a ferramenta elétrica apropriada para a sua aplicação. A ferramenta elétrica correta executa o trabalho com mais eficácia e segurança, no ritmo para o qual foi projetada.
- b) Não use a ferramenta elétrica se o interruptor não estiver ligado e desligando. Uma ferramenta elétrica que não possa ser controlada com o interruptor é perigosa e deve ser reparada.
- c) Desconecte a tomada da fonte de alimentação e/ou retire a bateria da ferramenta elétrica antes de fazer ajustes, trocar acessórios ou guardar a ferramenta elétrica. Estas medidas preventivas de segurança reduzem o risco de a ferramenta elétrica ser acionada acidentalmente.
- d) Enquanto não estiver sendo usada, mantenha a ferramenta elétrica afastada do alcance de crianças e não permita que pessoas não familiarizadas com estas instruções a operem. Ferramentas elétricas são perigosas nas mãos de usuários não treinados.
- e) Execute a manutenção de ferramentas elétricas e acessórios. Verifique se há partes móveis desalinhadas ou emperradas, se há peças avariadas, e todas as demais condições que possam afetar a operação da ferramenta elétrica. Em caso de danos, providencie para que a ferramenta elétrica seja reparada antes do uso. Muitos acidentes são provocados pela manutenção insatisfatória de ferramentas elétricas.
- f) Mantenha ferramentas de corte afiadas e limpas. Ferramentas de corte devidamente mantidas e com arestas de corte afiadas têm menos chance de emperrar e são mais fáceis de controlar.
- g) Use a ferramenta elétrica, acessórios, brocas e outros componentes da ferramenta de acordo com estas instruções, levando em conta as condições de trabalho e o trabalho a ser realizado.

O uso da ferramenta elétrica para operações diferentes daquelas às quais se destina pode resultar em situações perigosas.

- h) Mantenha empunhaduras e superfícies de agarre secas, limpas e isentas de óleos e graxas. Empunhaduras e superfícies de agarre escorregadias não permitem o manuseio e controle seguros da ferramenta em situações inesperadas.

5) Utilização e cuidados com ferramentas a bateria

- a) Use somente o carregador especificado pelo fabricante para recarregar. Um carregador adequado para um certo tipo de bateria pode criar risco de incêndio quando usado com outra bateria.
- b) Use ferramentas elétricas somente com as baterias especificamente designadas. O uso de qualquer outro tipo de bateria pode criar riscos de ferimentos e incêndios.
- c) Quando a bateria não estiver em uso, mantenha-a afastada de outros objetos metálicos, tais como cliques, moedas, chaves, pregos, parafusos, etc., os quais podem conectar um terminal ao outro. O curto-circuito dos terminais da bateria pode causar queimaduras ou incêndio.
- d) Sob condições extremas de uso, o fluido da bateria poderá vaziar; evite o contato com esse fluido. Em caso de contato acidental, lave com água. Em caso de contato do líquido com os olhos, procure também auxílio médico.
O líquido vazado da bateria pode causar irritação ou queimaduras.
- e) Não use uma bateria ou ferramenta que esteja danificada ou tenha sido modificada. Baterias danificadas ou modificadas podem exibir comportamentos imprevisíveis, resultando em incêndios, explosões ou risco de ferimentos.
- f) Não exponha a bateria nem a ferramenta a chamas ou a temperaturas excessivas. A exposição a chamas ou a uma temperatura acima de 130 °C pode causar explosão.
- g) Siga todas as instruções de recarga e não recarregue a bateria nem a ferramenta fora da faixa de temperatura especificada nas instruções. A recarga inadequada ou a temperaturas fora da faixa especificada pode danificar a bateria e aumentar o risco de incêndio.

6) Manutenção e reparos

- a) Providencie para que a manutenção e os reparos de sua ferramenta elétrica sejam realizados por pessoal qualificado, utilizando somente peças de reposição idênticas. Isto garantirá que a segurança da ferramenta elétrica seja mantida.
- b) Nunca execute a manutenção em baterias danificadas. A manutenção de baterias somente deve ser realizada pelo fabricante ou por prestadores de serviços autorizados.

Segure a ferramenta elétrica pelas superfícies isoladas ao executar uma operação onde o fixador possa entrar em contato com fios ocultos. O contato dos fixadores com um fio energizado pode energizar as partes metálicas expostas da ferramenta elétrica e causar choque elétrico no operador.

Use somente carregadores de bateria e baterias Makita genuínos.

- Use uma bateria genuína para esta ferramenta.
- Não recarregue a bateria usando outro carregador de bateria. Deixar de cumprir esta instrução poderá provocar uma ruptura, o que poderá resultar em um acidente ou ferimento.

Recarregue a bateria de maneira correta.

- Utilize uma fonte de alimentação com indicação de capacidade nominal para conectar o carregador de bateria fornecido com este produto.
- Não utilize uma fonte de alimentação CC nem um gerador de força acionado por motor para recarregar a bateria. Deixar de cumprir esta instrução poderá gerar calor excessivo, o que poderá resultar em um incêndio.
- Quando a temperatura ambiente, da bateria ou do carregador de bateria, for inferior a 0 °C ou superior a 40 °C, não recarregue a bateria. Deixar de cumprir esta instrução poderá causar uma ruptura ou incêndio.
- Selecione um local bem ventilado para recarregar a bateria.
- Não cubra a bateria com algum pano durante a recarga. Deixar de cumprir esta instrução poderá causar uma ruptura ou incêndio.
- Certifique-se de desconectar o plugue da alimentação depois da recarga. Deixar de cumprir esta instrução poderá causar choques elétricos ou um incêndio.

Não aponte o cortador na direção de outras pessoas durante o uso.

- Deixar de cumprir esta instrução poderá resultar em ferimentos.

Não coloque os terminais da bateria em curto-circuito.

- Quando a bateria for guardada sozinha, certifique-se de colocar a cobertura nos terminais para prevenir curtos-circuitos. Certifique-se de que os terminais da bateria não serão colocados em curto-circuito por outros itens metálicos, tais como parafusos, pregos, etc.

Não permita que a bateria entre em contato com chamas.

- Deixar de cumprir esta instrução poderá causar a ruptura ou o vazamento de materiais perigosos.

Não use a ferramenta em peças energizadas.

- A ferramenta não é isolada. O uso em componentes energizados pode resultar em choques elétricos.
- Não toque no plugue da alimentação ou na bateria com as mãos molhadas. Deixar de cumprir esta instrução poderá resultar em choques elétricos.

Retire a bateria do corpo da ferramenta nas situações a seguir.

- Quando não a estiver usando ou para executar reparos.
- Quando for trocar peças de reposição.
- Em outras ocasiões, quando houver suspeita de perigo. Deixar de cumprir estas advertências pode fazer com que a ferramenta seja acidentalmente ligada, resultando em ferimentos.

Acionamento inesperado da ferramenta.

- Certifique-se de manter os dedos bem afastados do gatilho quando estiver transportando a ferramenta. O acionamento inesperado da ferramenta pode resultar em ferimentos.

Use somente os acessórios especificados.

- Não use acessórios diferentes daqueles indicados neste manual de instruções ou em nossos catálogos. Deixar de cumprir esta instrução poderá resultar em acidentes ou ferimentos.

Use equipamentos de proteção individual.

- Use óculos de segurança durante a operação. Se a operação gerar muita poeira, utilize uma máscara de proteção. Durante a execução de cortes, pequenos fragmentos podem ser arremessados e causar ferimentos.

Não olhe diretamente para o LED de trabalho.

- Isso pode prejudicar sua visão.

Considere o ambiente de trabalho.

- Não use a ferramenta, o carregador de bateria ou a bateria na chuva ou em locais úmidos ou molhados. Deixar de cumprir esta instrução poderá causar choques elétricos ou gerar fumaça.
- Execute o trabalho em um local suficientemente iluminado. Trabalhar em ambientes escuros podem provocar acidentes.
- Não use nem recarregue a bateria na presença de líquidos ou gases inflamáveis. Deixar de cumprir esta instrução poderá causar explosões ou incêndios.

Mantenha o local de trabalho sempre limpo.

- Locais e bancadas desorganizados podem resultar em acidentes.

Mantenha as crianças afastadas da ferramenta.

- Não deixe que outras pessoas além dos operadores toquem na ferramenta e no cabo do carregador de bateria. Mantenha outras pessoas afastadas do local de trabalho. Deixar de cumprir esta instrução poderá provocar ferimentos.

Guarde a ferramenta corretamente quando não estiver sendo utilizada.

- Guarde a ferramenta em um local onde a umidade seja baixa, que seja alto o bastante para impedir que seja alcançada por crianças ou então que possa ser trancado. Deixar de cumprir esta instrução poderá provocar acidentes.
- Não guarde a ferramenta nem a bateria em locais onde a temperatura possa chegar a 40 °C ou mais (dentro de uma caixa de metal, dentro de um veículo no verão, etc.). Deixar de cumprir esta instrução poderá deteriorar a bateria, o que pode resultar na geração de fumaça ou ignição.

Não use a ferramenta de modo impensado.

- Execute a operação de acordo com a capacidade da ferramenta, para que a operação possa ser segura e eficiente. O uso da ferramenta além da sua capacidade pode provocar acidentes.
- Não use a ferramenta de maneira impensada, a ponto de travar o motor. Deixar de cumprir esta instrução poderá gerar fumaça ou causar ignição.

Use uma ferramenta adequada para a operação.

- Não use a ferramenta para outras aplicações além daquelas indicadas. Deixar de cumprir esta instrução poderá provocar ferimentos.

Use roupas apropriadas para executar a operação.

- Não use roupas ou acessório folgados, tais como colares. Esse tipo de objeto pode ser agarrado por partes móveis, partes rotativas e semelhantes.
- Se a operação for conduzida ao ar livre, recomenda-se usar luvas de borracha e sapatos antiderrapantes. Luvas e sapatos que escorregam podem provocar ferimentos.
- Se tiver cabelos compridos, use um boné ou cubra os cabelos. Deixar de cumprir esta instrução pode fazer com que seu cabelo seja agarrado por partes móveis, partes rotativas e semelhantes.

Não opere a ferramenta mantendo uma postura não natural.

- Mantenha os pés bem assentados no chão o tempo todo e mantenha o equilíbrio. Deixar de cumprir esta instrução pode fazer com que você caia, o que pode resultar em ferimentos.

Mantenha-se alerta enquanto estiver trabalhando, prestando muita atenção.

- Quando usar a ferramenta, tome cuidado com o método de manuseio, o modo de operação, as condições ao seu redor e execute a operação com cuidado. Deixar de cumprir esta instrução poderá provocar acidentes ou ferimentos.
- Não opere a ferramenta se estiver sob influência de álcool. Deixar de cumprir esta instrução poderá provocar acidentes ou ferimentos.
- Não opere a ferramenta se estiver em más condições físicas. Deixar de cumprir esta instrução poderá provocar acidentes ou ferimentos.

Não manuseie o cabo do carregador de bateria de maneira agressiva.

- Não transporte o carregador pelo cabo nem o desconecte da tomada dando puxões.
- Mantenha o cabo afastado do calor, óleo e de bordas cortantes.
- Certifique-se de que o local onde a recarga esteja sendo realizada não ofereça riscos para alguém pisar ou tropeçar no cabo. Deixar de cumprir esta instrução poderá provocar choques elétricos ou um curto-circuito, o que poderá resultar em ignição.

Use extensões apropriadas para uso ao ar livre.

- Se você utilizar a ferramenta ao ar livre, use uma extensão resistente, com cabo revestido de borracha.

Execute a manutenção da ferramenta com cuidado.

- Siga o manual de instruções para trocar as peças de reposição. Deixar de cumprir esta instrução poderá provocar ferimentos.

- Inspeccione o cabo do carregador de bateria regularmente. Se o cabo estiver danificado, solicite reparos a um centro de assistência técnica autorizado. Deixar de cumprir esta instrução poderá provocar choques elétricos ou um curto-circuito, o que poderá resultar em ignição.
- Se usar uma extensão, inspecione-a regularmente. Se o cabo da extensão estiver danificado, troque-a por uma nova. Deixar de cumprir esta instrução poderá provocar choques elétricos ou um curto-circuito, o que poderá resultar em ignição.
- Mantenha o punho sempre seco e limpo, e mantenha-o afastado de óleos e graxas. Deixar de cumprir esta instrução poderá provocar ferimentos.

Verifique se existem peças danificadas.

- Verifique se não há nada danificado antes de usar. Confirme que a ferramenta está operando normalmente e que todos os componentes estão funcionando corretamente.
 - Verifique se as peças móveis estão alinhadas e movimentando-se com facilidade, se há peças avariadas, problemas de montagem ou qualquer outra condição que possa afetar a operação.
 - Não use o carregador de bateria se o plugue de alimentação ou o cabo estiverem danificados, ou se ele houver sido derrubado e sofrido danos. Deixar de cumprir esta instrução poderá provocar choques elétricos ou um curto-circuito, o que poderá resultar em ignição.
- Em caso de danos, ele deve ser reparado corretamente ou substituído em um centro de assistência técnica autorizado, a menos que indicado de outra forma neste manual de instruções. Interruptores defeituosos devem ser substituídos em um centro de assistência técnica autorizado. Não use a ferramenta se o interruptor não estiver ligando e desligando. Uma ferramenta nessas condições poderá operar da modo anormal, o que poderá resultar em ferimentos.

Solicite reparos a um centro de assistência técnica autorizado.

- Não desmonte, repare nem modifique a unidade principal, o carregador de bateria ou a bateria. Deixar de cumprir esta instrução pode resultar em ignição ou na operação anormal, o que pode resultar em ferimentos.
- Se a ferramenta ficar quente, ou se alguma anormalidade for observada nela, providencie para que ela seja inspecionada ou reparada.
- A ferramenta é fabricada de acordo com os requisitos de segurança relevantes. Não tente adulterar este produto.
- Os reparos da máquina devem ser realizados por um centro de assistência técnica autorizado. Os reparos somente devem ser realizados por pessoas qualificadas, usando peças de reposição originais; caso contrário, isso poderá resultar em perigo considerável para o usuário.

Precauções de uso para o cortador de cabo a bateria

- Siga as instruções mostradas abaixo para usar a ferramenta:

Precauções para a ferramenta

- **Nunca corte nada além da capacidade máxima de corte.**

Use de cuidado, pois deixar de seguir essa instrução pode resultar em danos. (Vide a página 46.)

- **Não toque na borda cortante das lâminas móveis ou fixas.**

Deixar de cumprir esta instrução poderá resultar em ferimentos.

- **Nunca corte fios energizados (cabos elétricos que estejam conduzindo eletricidade).**

- **Não permita que sofra quedas ou outros impactos excessivos.**

A estrutura interna foi fabricada com precisão para ser compacta e leve, portanto, ela pode não funcionar corretamente se submetida a impactos.

- **Não use na chuva.**

Fazer isso pode fazer com que a lâmina enferruje e as bordas cortantes fiquem cegas, ou provocar danos.

- **Não corte cabos se o ponto de corte deixar uma ponta com comprimento de 50 mm ou menos.**

Cortar de cabos CCP e outros cabos deixando uma ponta extremamente curta pode fazer com que o interior dos cabos seja cortado.

- **Não aplique força contra a direção em que o corte estiver sendo feito.**

Corte sempre os materiais retos. Se isto não for feito, a lâmina de corte poderá sofrer danos.

- **Segure com firmeza.**

Deixar de cumprir esta instrução poderá resultar em ferimentos.

- **Se estiver usando a ferramenta em um local elevado, certifique-se de que não há ninguém abaixo de você.**

Deixar de observar esta instrução poderá resultar em acidentes, se materiais ou o dispositivo forem derrubados.

- **Verifique se não há nada anormal antes de usar.**

Trincas ou fraturas no cortador podem danificá-lo e resultar em ferimentos.

- **Faça pausas durante o uso.**

O corte prolongado sem pausas mantém o aquecimento do motor elevado, o que pode provocar seu aquecimento excessivo, e da bateria, resultando em danos. Certifique-se de fazer pausas ocasionais durante o uso.

- **Temperaturas ambientes baixas (10 °C ou menos) podem endurecer o cabo elétrico, dificultando o corte, mesmo quando dentro da capacidade de corte.**

- **Limpe com ar ou outros meios após cada utilização.** Tome cuidado para impedir que os fragmentos de corte ou outros refugos entrem na unidade através da abertura (acionamento da lâmina móvel).

- **Não corte cabos elétricos com fios de diâmetro de 1 mm.**

Deixar de observar esta instrução pode fazer com que a lâmina do cortador prenda no cabo elétrico e fique travada.

Precauções de uso da bateria

- Nunca coloque os terminais em curto-circuito.

- Mantenha a bateria afastada de água, óleos e solventes orgânicos.

- Não desmonte nem adultere a bateria.

- Se a bateria for descartada, não a incinere nem a descarte como lixo comum. (Nós promovemos a reciclagem.)

- Não arremesse nem derrube a bateria.

- Não deixe a bateria em um local onde a temperatura possa permanecer em 40 °C ou mais por um período de tempo prolongado.

- Não coloque a bateria em curto-circuito permitindo que sujeira ou poeiras se depositem no terminal, pois isso causará defeitos de funcionamento. Se o terminal estiver corroído, não use a bateria.

- Há uma funcionalidade de proteção instalada que corta a energia fornecida para prolongar a vida útil da bateria. O motor poderá parar quando a carga remanescente da bateria estiver baixa, mesmo enquanto o interruptor de operação estiver sendo pressionado durante o uso desta ferramenta. No entanto, isso não é causado por um problema de funcionamento, mas pela funcionalidade de proteção. Nesse caso, recarregue a bateria imediatamente.

Precauções para o carregador de bateria

- O carregador de bateria possui uma lâmpada indicadora (LED multicolorido) que mostra o status de recarga da bateria.

- Não coloque o carregador em curto-circuito permitindo que sujeira ou poeiras se depositem no encaixe de colocação, pois isso causará defeitos de funcionamento. Se o terminal metálico estiver corroído, não use o carregador de bateria.

SÍMBOLOS DE ADVERTÊNCIA



Antes de usar a ferramenta, leia com cuidado as instruções contidas neste manual.



Área de indicação de aquecimento excessivo

Para proteger o motor, não use a ferramenta se a área de indicação de aquecimento excessivo ficar quente. (Vide a página 44.)



Não toque durante a operação

Bateria e carregador aplicáveis

Bateria	BL1815N / BL1820B / BL1830B / BL1840B / BL1850B / BL1860B
Carregador	DC18RC / DC18RD / DC18RE / DC18SD / DC18SE / DC18SF / DC18SH / DC18WC

- Alguns dos carregadores e baterias listados acima podem não estar disponíveis na sua região de residência.
- Para recarregar a bateria, consulte o manual de instruções do carregador de bateria.

⚠️ AVISO: Use somente as baterias e carregadores listados acima. O uso de outras baterias e carregadores pode provocar ferimentos e/ou incêndios.

Instruções de segurança importantes para a bateria

1. **Antes de usar a bateria, leia todas as instruções e marcas de precaução existentes (1) no carregador da bateria, (2) na bateria e (3) no produto que estiver usando a bateria.**
2. **Não desmonte nem adultere a bateria.** Isto poderia resultar em incêndio, aquecimento excessivo ou explosão.
3. **Se o tempo de operação ficar excessivamente mais curto, interrompa a operação imediatamente.** Isso poderá resultar no risco de aquecimento excessivo, possíveis queimaduras e até mesmo de uma explosão.
4. **Em caso de contato de eletrólito com os olhos, enxágue-os com água limpa e consulte um médico imediatamente.** Isso poderá resultar na perda da visão.
5. **Não coloque a bateria em curto-circuito:**
 - (1) Não toque nos terminais com nenhum material condutor.
 - (2) Evite guardar a bateria em um recipiente que contenha outros objetos metálicos, tais como pregos, moedas, etc.
 - (3) Não exponha a bateria à água ou à chuva. Um curto-circuito da bateria pode causar um grande fluxo de corrente, aquecimento excessivo, possíveis queimaduras e até mesmo avarias.
6. **Não guarde nem use a ferramenta e a bateria em locais onde a temperatura possa atingir ou ultrapassar 50 °C (122 °F).**
7. **Não incinere a bateria, mesmo que ela esteja seriamente danificada ou totalmente desgastada.** A bateria pode explodir no fogo.
8. **Não perfure, corte, amasse, arremesse ou derrube a bateria, nem a atinja com um objeto rígido.** Isto poderia resultar em incêndio, aquecimento excessivo ou explosão.
9. **Não use uma bateria danificada.**
10. **As baterias de íons de lítio incluídas estão sujeitas aos requisitos da Lei de Mercadorias Perigosas.**

Para o transporte comercial, p. ex., por terceiros ou despachantes, devem-se observar requisitos especiais de embalagem e rotulagem.

Para preparar o item a ser transportado, deve-se consultar um especialista em materiais perigosos. Observe também outras possíveis regulamentações nacionais mais detalhadas.

Cubra com fita adesiva ou isole os contatos abertos e embale a bateria de modo que ela não fique solta na embalagem.
11. **Quando descartar a bateria, retire-a da ferramenta e descarte-a em um local seguro. Siga as regulamentações locais referentes ao descarte de baterias.**
12. **Use as baterias somente com os produtos especificados pela Makita.** A instalação das baterias em produtos não compatíveis poderá resultar em incêndio, aquecimento excessivo, explosão ou vazamento de eletrólito.
13. **A bateria deve ser retirada da ferramenta caso esta não vá ser usada por um período de tempo prolongado.**
14. **Durante e após o uso, a bateria pode ficar quente, o que pode causar queimaduras normais ou queimaduras de baixa temperatura. Preste atenção ao manusear baterias quentes.**
15. **Não toque no terminal da ferramenta imediatamente depois de usá-la, uma vez que ele pode ficar quente o bastante para provocar queimaduras.**
16. **Não permita que aparas, poeira ou fragmentos de solo fiquem agarrados aos terminais, furos e ranhuras da bateria.** Isso poderia provocar o aquecimento, incêndio, ruptura e defeitos de funcionamento da ferramenta ou da bateria, resultando em queimaduras ou ferimentos.
17. **A menos que a ferramenta seja compatível com o uso nas proximidades de linhas elétricas de alta tensão, não a use próximo a estas.** Isso poderia resultar em problemas de funcionamento ou em avarias da ferramenta ou da bateria.

18. Mantenha a bateria fora do alcance de crianças.

GUARDE ESTAS INSTRUÇÕES.

⚠ CUIDADO:

- Use somente baterias Makita genuínas.

O uso de baterias Makita não genuínas, ou de baterias que tenham sido alteradas, poderá resultar na ruptura da bateria, provocando incêndios, ferimentos e danos. Isso também invalidará a garantia da Makita para a ferramenta e o carregador Makita.

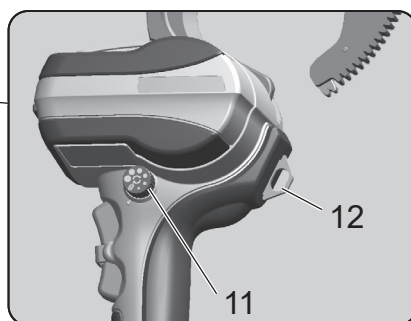
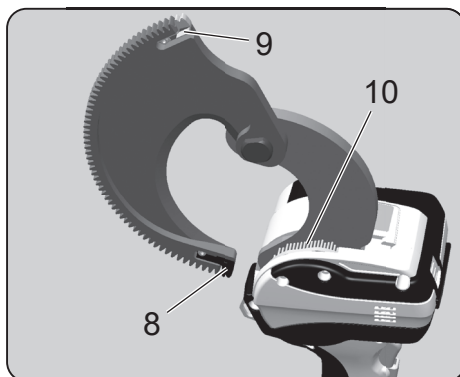
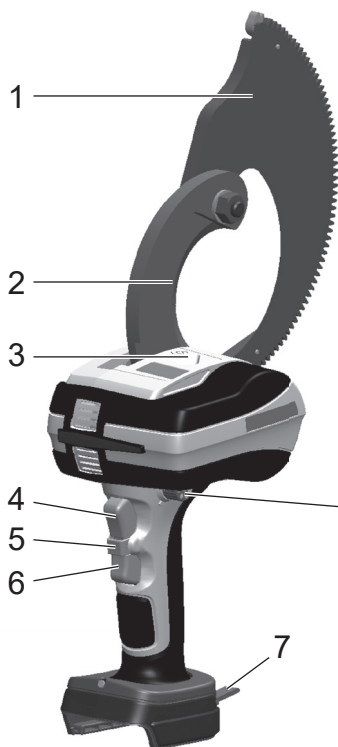
Dicas para obter a vida útil máxima da bateria

1. Recarregue a bateria antes que ela fique totalmente descarregada. Sempre que observar uma perda de potência na ferramenta, interrompa a operação e recarregue a bateria.
2. Nunca recarregue uma bateria que já esteja totalmente carregada. A sobrecarga reduz a vida útil da bateria.
3. Recarregue a bateria a uma temperatura ambiente na faixa de 10 °C - 40 °C (50 °F - 104 °F). Se a bateria estiver quente, espere ela esfriar antes de recarregá-la.
4. Quando não estiver usando a bateria, remova-a da ferramenta ou do carregador.
5. Recarregue a bateria se não a utilizar por um período de tempo prolongado (mais de seis meses).

Nomes e acessórios

DTC102

Cortador de cabo a bateria



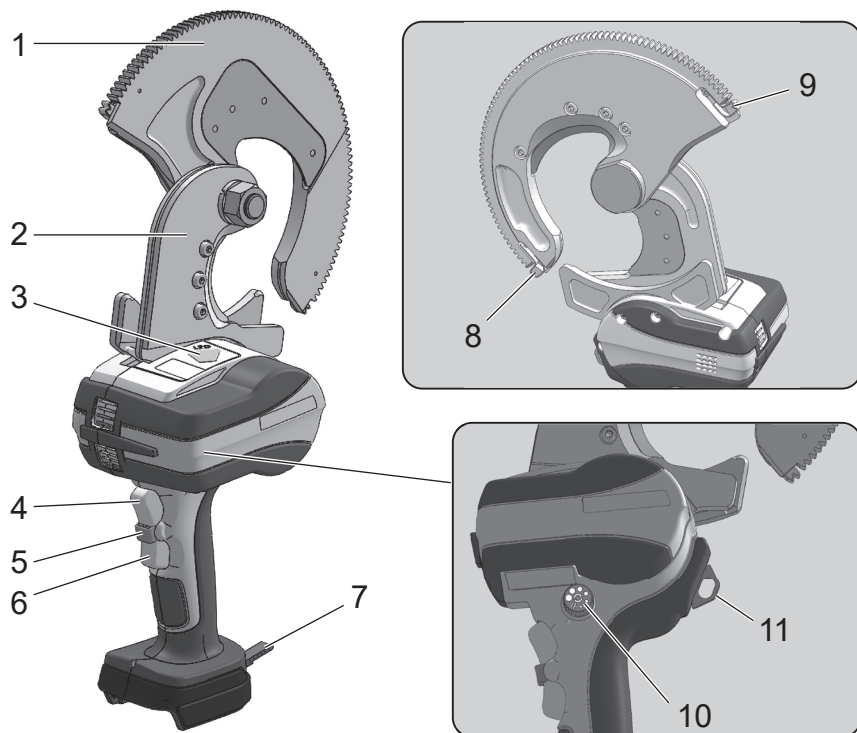
Sacola de transporte



* Esta bateria deve ser usada com baterias de íons de lítio de 18 V da Makita.

1	Lâmina móvel	7	Correia para pendurar
2	Lâmina fixa	8	Guia da engrenagem (A)
3	LED de trabalho	9	Guia da engrenagem (B)
4	Interruptor do modo de avanço	10	Escova (para remoção de pó)
5	Trava dos interruptores	11	Botão regulador
6	Interruptor do modo de recuo	12	Anel para pendurar

Cortador de cabo a bateria



Sacola de transporte



* Esta bateria deve ser usada com baterias de íons de lítio de 18 V da Makita.

1	Lâmina móvel	7	Correia para pendurar
2	Lâmina fixa	8	Guia da engrenagem (A)
3	LED de trabalho	9	Guia da engrenagem (B)
4	Interruptor do modo de avanço	10	Botão regulador
5	Trava dos interruptores	11	Anel para pendurar
6	Interruptor do modo de recuo	—	—

Bateria

Bateria

- A funcionalidade de proteção da bateria deve ser acionada no momento da compra, pois a bateria não deverá estar suficientemente carregada. (Tome cuidado, pois este produto pode começar a funcionar se você acionar o interruptor.) Recarregue corretamente a bateria com o carregador rápido antes de usar.
- Coloque a cobertura da bateria quando não estiver usando o produto. Ela ajudará a proteger a bateria contra água e poeira.
- Quando não for usar o produto por um período de tempo prolongado, guarde-o com a bateria removida.

Para aumentar a vida útil da bateria

- Quando você perceber que a potência da ferramenta enfraqueceu, interrompa o uso e recarregue a bateria.
- Não recarregue a bateria se ela estiver com carga completa.
- Recarregue a bateria na faixa de temperatura ambiente de 10 °C a 40 °C.
- Se a bateria ficar quente, por exemplo imediatamente após o uso, recomendamos colocá-la no carregador para esfriar e recarregá-la.
- Para baterias de íons de lítio que permanecem sem uso por um período de tempo prolongado (pelo menos 6 meses), recomendamos recarregá-las e então guardá-las.

Coleta de baterias

- Baterias usadas devem ser coletadas para reciclagem. Retorne a bateria para a loja onde você adquiriu o produto ou para um escritório de vendas da Makita.



Li-ion

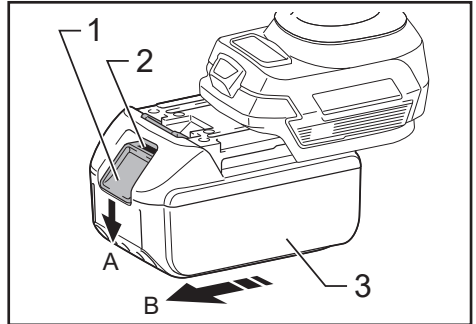
Recicle a bateria de íons de lítio

Como colocar e retirar a bateria

⚠️ AVISO:

Insira a bateria no produto corretamente. Se a parte vermelha no topo do botão estiver visível, a bateria não está totalmente encaixada em posição. Insira a bateria com firmeza, até que a parte vermelha não mais possa ser vista.

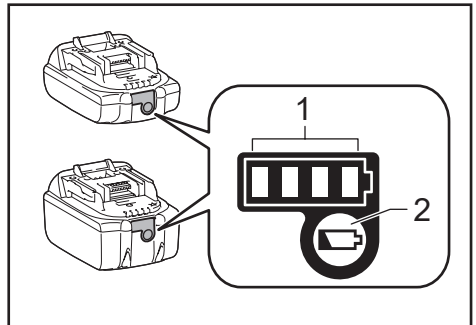
- Se a bateria não for inserida até o fim, ela poderá se soltar e causar um acidente.
- Para retirar a bateria deste produto, A. mantenha o botão localizado na frente da bateria pressionado para baixo e B. deslize a bateria para retirá-la.
- Para colocar a bateria, alinhe-a às ranhuras no produto e insira-a até o fim, executando o procedimento em ordem inversa. Se a parte vermelha no topo do botão estiver visível quando isso for feito, a bateria não está totalmente encaixada em posição. Insira a bateria até o fim corretamente, até que a parte vermelha não mais possa ser vista.



► 1. Botão 2. Parte vermelha 3. Bateria

Indicação da capacidade restante da bateria

Somente para baterias com indicador



► 1. Lâmpadas indicadoras 2. Botão de verificação

Pressione o botão de verificação na bateria para verificar a indicação da capacidade restante dela. As lâmpadas indicadoras acenderão por alguns segundos.

Lâmpadas indicadoras			Capacidade restante
Acesa	Apagada	Piscando	
■	□	▨	75% a 100%
■ ■ ■ ■	□ □ □ □	□ □ □ □	
■ ■ ■ ■	□ □ □ □	□ □ □ □	
■ ■ ■ ■	□ □ □ □	□ □ □ □	50% a 75%
■ ■ ■ ■	□ □ □ □	□ □ □ □	
■ ■ ■ ■	□ □ □ □	□ □ □ □	25% a 50%
■ ■ ■ ■	□ □ □ □	□ □ □ □	
■ ■ ■ ■	□ □ □ □	□ □ □ □	0% a 25%
■ ■ ■ ■	□ □ □ □	□ □ □ □	
▨ □ □ □	□ □ □ □	□ □ □ □	Recarregue a bateria.
■ ■ ■ ■	□ □ □ □	□ □ □ □	
□ □ □ □	■ ■ ■ ■	□ □ □ □	A bateria pode ter falhado.
□ □ □ □	■ ■ ■ ■	□ □ □ □	

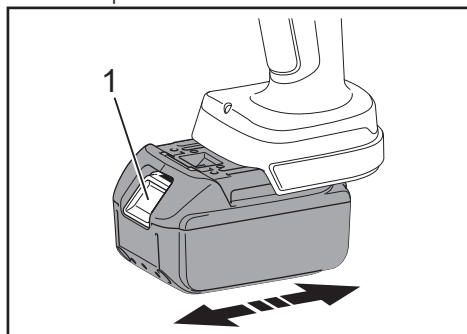
NOTA: Dependendo das condições de uso e da temperatura ambiente, a indicação pode ser um pouco diferente da capacidade real.

NOTA: A primeira lâmpada indicadora (extrema esquerda) pisca quando o sistema de proteção da bateria funciona.

Como usar a ferramenta

Colocação da bateria

1. Enquanto pressiona o engate, retire a bateria. Para trocar a bateria, empurre a nova bateria com firmeza em posição.
2. Depois de deslizar a bateria, verifique se está colocada com firmeza em posição puxando-a delicadamente. Não pressione o engate enquanto estiver puxando a bateria.

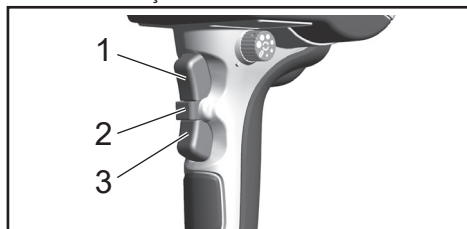


- 1. Engate

Operação do interruptor

Para fins de segurança, a ferramenta possui um sistema de interruptores de ação dupla.

Para ativar o interruptor do modo de avanço (corte) e o interruptor do modo de recuo (recuo), primeiro pressione a trava dos interruptores e então pressione o interruptor do modo de avanço / do modo de recuo.



- 1. Interruptor do modo de avanço
2. Trava dos interruptores
3. Interruptor do modo de recuo

Luz LED de assistência ao trabalho

Esta ferramenta possui um LED que ilumina a área ao redor da lâmina de corte. Ela se acende quando o interruptor do modo de avanço ou o do modo de recuo é acionado, e se apaga cerca de 10 segundos depois que o interruptor em questão é solto.

⚠ CUIDADO:

- Não olhe diretamente para a luz do LED. Olhar para a luz do LED por um período de tempo prolongado poderá causar danos a seus olhos.

Alarma de carga baixa da bateria

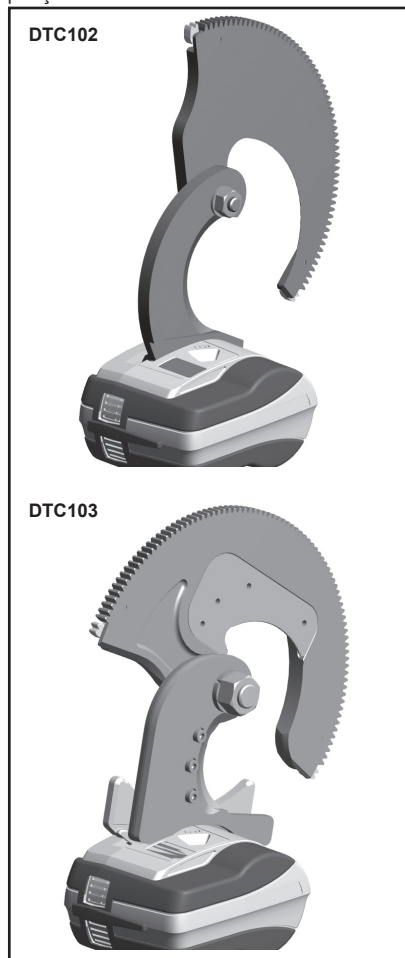
Se a capacidade restante da bateria estiver baixa, o LED piscará 5 vezes a título de alarme quando o interruptor do modo de avanço for acionado. Recarregue a bateria ou troque por uma de reserva.

Operação de corte

1. [DTC102, DTC103]

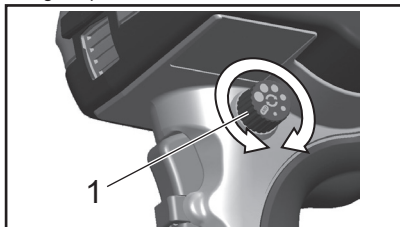
Acione o interruptor para abrir a lâmina móvel.

Com o auxílio dos interruptores do modo de avanço e do modo de recuo, coloque a lâmina móvel na posição neutra.



2. Uso do botão regulador para ativar ou desativar o recuo automático.

Coloque o regulador na posição desejada para ativar o recuo automático, ou coloque-o na posição desligado para desativar.

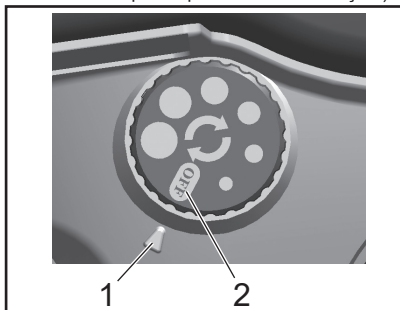


► 1. Botão regulador

Função de recuo automático

Quando o recuo automático é ativado, o motor para depois que o cabo é cortado. Quando o interruptor do modo de avanço é solto, a lâmina móvel retorna automaticamente, conforme definido pelo botão regulador.

A abertura pode ser ajustada em 6 níveis. (O valor da abertura é apenas para fins de orientação.)



► 1. Valor da abertura 2. Desligado

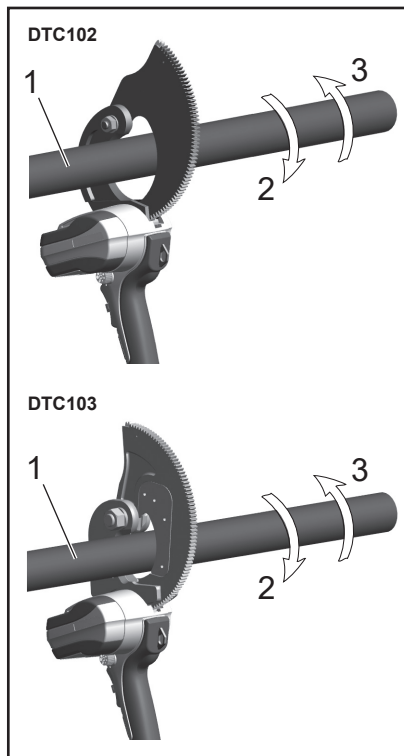
⚠ CUIDADO:

- O recuo automático não é ativado se o interruptor do modo de avanço for solto antes do término do corte.
- O recuo automático não é ativado com cabos elétricos finos, de 60 mm² ou menos.
- O diâmetro da abertura pode diferir de acordo com a tensão remanescente da bateria.

3. [DTC102, DTC103]

Colocação de um cabo elétrico na abertura da lâmina móvel

Coloque o cabo a ser cortado na lâmina fixa e feche a lâmina móvel ao redor do cabo. Avance a lâmina móvel manualmente até os dentes da engrenagem encaixarem no mecanismo de acionamento da unidade.



► 1. Cabo 2. Rotação do corte
3. Rotação inversa

4. Operação do interruptor do modo de avanço e corte do cabo elétrico

Mantenha o interruptor do modo de avanço pressionado até o corte ser concluído.

5. Remoção de detritos após o corte.

Uma vez terminado o corte, remova refugos ou detritos da lâmina.

⚠ CUIDADO:

• **Operação prolongada**

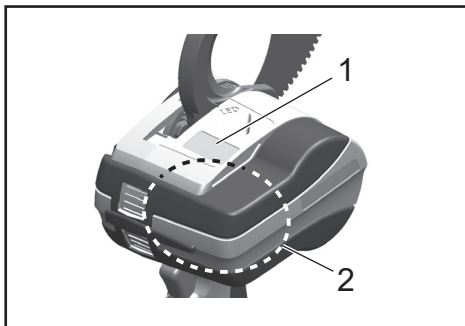
Para proteger o motor, pare de usar a ferramenta quando a área ao redor da etiqueta de advertência ficar quente. Para continuar usando a ferramenta, coloque-a por 50 minutos em uma área fresca e bem ventilada, até ela esfriar.

• **A proteção contra sobrecorrente / sobrecarga também pode ser acionada quando se opera a ferramenta dentro da capacidade de corte.**

A temperatura de operação, o comprimento do cabo, curvaturas e outros fatores também afetam o desempenho da ferramenta.

• **Se o LED piscar 6 vezes ou mais, isso é indicação de um erro da placa de circuitos.**

Entre em contato com seu revendedor.



► 1. Etiqueta de advertência

2. Área de indicação de aquecimento excessivo

⚠ CUIDADO:

• **O modelo DTC102 se destina somente a cabos de cobre e alumínio. Não use o modelo DTC102 com aço, cabos de alumínio nus CAA (ACSR), ou outros materiais de aço.**

Funcionalidade de proteção contra sobrecorrente

Se a sobrecorrente ocorrer devido ao corte de um cabo fora das especificações, a funcionalidade de proteção contra sobrecorrente será acionada e interromperá o funcionamento do motor. Para sair dessa condição, solte o interruptor do modo de avanço.

Troca de peças de reposição

Para substituir a guia da engrenagem, siga o procedimento abaixo.

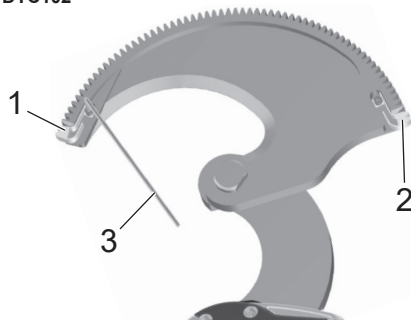
⚠ CUIDADO:

- **Certifique-se de remover a bateria da unidade principal antes de trocar o guia da engrenagem.**
- **Se o guia da engrenagem estiver danificado, ou emitir ruídos anormais, troque-o imediatamente. Continuar a usar o produto com um guia da engrenagem danificado pode causar danos às engrenagens internas.**

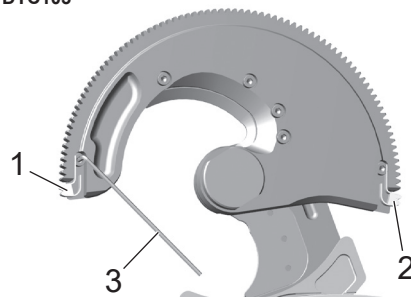
Troca da guia da engrenagem

1. Remova a guia da engrenagem
Com uma chave Allen, desaperte o parafuso Allen (M3 x 3) e retire a guia da engrenagem.
2. Instalação da guia da engrenagem
Instale a nova guia da engrenagem e aperte o parafuso com firmeza.

DTC102



DTC103



- 1. Guia da engrenagem (A)
2. Guia da engrenagem (B) 3. Chave Allen

Troca de peças de reposição (DTC103)

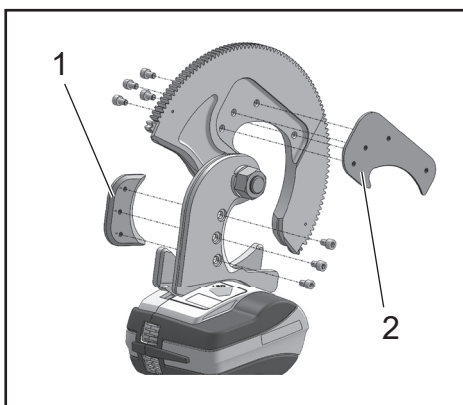
Para trocar a lâmina, siga o procedimento abaixo.

⚠ CUIDADO:

- **Certifique-se de remover a bateria da unidade principal antes de trocar a lâmina.**

Como trocar a lâmina

1. Remova os parafusos da estrutura móvel ou da estrutura fixa.
2. Troque a lâmina por uma nova e atarraxe os parafusos.

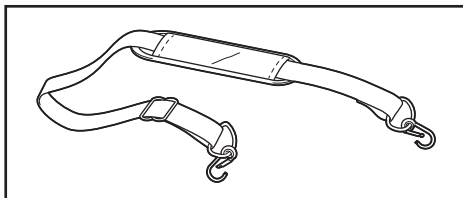


- 1. Lâmina de reposição 2. Lâmina de reposição

Acessórios opcionais

• Alça de ombro (161347-8)

Para usar esta alça de ombro, prenda-a à correia para pendurar da ferramenta.



Manutenção/inspeção

- Esteja ciente de que não realizar a manutenção / inspeção diárias pode causar problemas de funcionamento da ferramenta.
- Evite guardar a ferramenta em um local úmido para poder uma operação sem problemas dela e prevenir o enferrujamento.
- Se a ferramenta for danificada durante o uso normal (10.000 operações ou mais, 1.000 cortes ou mais), não torne a operar depois de trocar apenas a peça danificada, pois ela atingiu o fim da vida útil.
- Quando a peça de resina ficar suja, limpe-a com um pano umedecido em água e sabão.
- Quando a bateria for guardada sozinha, certifique-se de colocar a cobertura nos terminais para prevenir curtos-circuitos.
- Para inspeções de segurança, recomendamos enviar a ferramenta para o fabricante a cada dois anos, aproximadamente (sujeito a taxas). Entre em contato com seu revendedor para mais detalhes.
- A lâmina móvel e a lâmina estacionária são consumíveis. Essas peças não são cobertas por garantia.

Especificações

Cortador de cabo a bateria	DTC102		DTC103
Diâmetro máximo de corte	Somente materiais não ferrosos (Al ou Cu)	Fio de Cu	Cabos de alumínio nus CAA (ACSR) AL550 mm ² /ST70 mm ²
	φ 65 mm	φ 47 mm	
Motor elétrico	Motor CC		
Dimensões	117 (C) × 357 (A) × 228 (L) (mm)		117 (C) × 356 (A) × 240 (L) (mm)
Peso	2,8 kg		4,8 kg

⚠ CUIDADO:

- O modelo DTC102 se destina somente a cabos de cobre e alumínio. Não use o modelo DTC102 com aço, cabos de alumínio nus CAA (ACSR), ou outros materiais de aço.

简体中文：原始说明书

▲警告： 请阅读并理解本操作员指南和说明书中的所有说明和安全信息。用于预期以外的用途可能会导致严重伤害或死亡。

- 感谢您购买我们的充电式电缆剪。
- 在尝试使用设备之前，请仔细阅读本使用说明书。阅读本使用说明书后，请将其存放在易于取用的位置。
- 说明
机械切割器是电池供电的切割器，设计用于切割当今工业中使用的电缆。

安全注意事项

▲警告： 阅读所有安全警告所有说明。不遵守警告和说明可能会导致触电、火灾和/或严重伤害。

请保管所有警告和说明以备将来参考。

▲警告： 如果误用本产品，可能会造成用户死亡或重伤。

1) 工作区域安全

- a) 保持工作区域整洁和光线充足。杂乱或黑暗的区域会引发事故。
- b) 请勿在易爆环境中操作电动工具，例如存在易燃液体、气体或粉尘的地方。电动工具会产生火花，可能会点燃粉尘或汽雾。
- c) 操作电动工具时，请让儿童和旁观者远离。分心会导致您失去控制。

2) 电气安全

- a) 电动工具插头必须与插口相匹配。切勿以任何方式修改插头。请勿将任何适配器插头用于接地的电动工具。未经改造的插头和匹配的插口可降低触电危险。
- b) 避免身体接触接地的表面，例如管道、散热器、炉灶和冰箱。如果您的身体接地，会增加触电的危险。
- c) 请勿将电动工具暴露在雨或潮湿的环境中。电动工具进水会增加触电的危险。
- d) 请勿滥用电线。切勿将电线用于携带、拉扯电动工具或拔下电动工具插头。使电线远离热源、油污、锋利边缘或移动部件。损坏或缠绕的电线会增加触电的危险。

- e) 在户外操作电动工具时，请使用适合户外使用的延长电线。使用适合户外使用的电线可降低触电危险。
- f) 如果不能避免在潮湿的地方操作电动工具，请使用有剩余电流装置(RCD)保护的供电。使用RCD可降低触电危险。

3) 人身安全

- a) 在操作电动工具时保持警觉，注意您的所做并使用常识。
当您在疲倦或受到毒品、酒精或药物的影响时，请勿使用电动工具。操作电动工具中一不小心就可能会导致严重的人身伤害。
- b) 使用个人防护装备。始终戴上护目镜。用于适当场合的防护装备，如防尘面罩、防滑安全鞋、安全帽或听力保护装置可减少人身伤害。
- c) 防止意外启动。在连接电源和/或电池、拿起或携带工具之前，确保开关处于关闭位置。将手指放在开关上携带电动工具或给打开开关的电动工具加电会引发事故。
- d) 打开电动工具电源之前，请取下任何调整钥匙或扳手。留在电动工具旋转部件上的扳手或钥匙可能会导致人身伤害。
- e) 不要过度伸出。始终保持适当站脚和平衡。这可以在意外情况下更好地控制电动工具。
- f) 穿着适当。不要穿松垮的衣服或戴首饰。使您的头发、衣服和手套远离活动部件。松垮的衣服、首饰或长发可能会卷入活动部件。

- g) 如果提供了用于连接除尘和收集设施的装置，请确保已连接并能正确使用它们。使用除尘器可以减少与粉尘有关的危害。
 - h) 不要让从频繁使用工具中获得的熟悉感让您变得自得而忽视工具安全原则。一个粗心的动作可能会在几分之一秒内造成严重伤害。
- c) 不使用电池时，请将其远离其他金属物品，如回形针、硬币、钥匙、钉子、螺丝或其他可以从一个端子接到另一个端子的小金属物品。将电池端子短接在一起可能会导致灼伤或火灾。
 - d) 在滥用情况下，液体可能会从电池中喷出；请避免接触。如果发生意外接触，请用水冲洗。如果液体接触眼睛，请另外寻求医疗帮助。

4) 电动工具的使用和保养

- a) 不要强行使用电动工具。按您的用途使用正确的电动工具。正确的电动工具能按其设计速度更好、更安全地完成工作。
- b) 如果开关无法打开和关闭，请勿使用电动工具。任何不能用开关控制的电动工具都很危险，必须修理。
- c) 在进行任何调整、更换配件或存放电动工具之前，请断开电源插头和/或电动工具的电池。这样的预防性安全措施可降低意外启动电动工具的危险。
- d) 将闲着的电动工具存放在儿童接触不到的地方，并且不要让不熟悉电动工具或这些说明的人操作电动工具。电动工具在未经训练的用户手上很危险。
- e) 维护电动工具和配件。检查活动部件是否有未对准或卡住、部件破损以及任何其他可能影响电动工具运转的情况。如果损坏，请在使用前修好电动工具。许多事故是由维护不善的电动工具引起的。
- f) 保持切割工具锋利和清洁。正确维护的具有锋利切割刀的切割工具较少会卡住，并且更易于控制。
- g) 请按照这些说明使用电动工具、配件和工具头等，同时考虑工作条件和要进行的工作。

将电动工具用于与预期不同的操作可能会造成危险情况。

- h) 保持手柄和抓握表面干燥、清洁并且无油脂。滑溜的手柄和抓握表面在意外情况下会妨碍安全操作和控制工具。

5) 电池工具的使用和保养

- a) 请只用制造商指定的充电器充电。适用于一种电池的充电器在用于另一种电池时可能会造成火灾危险。
- b) 请只装上特定的电池使用电动工具。使用任何其他电池都可能会造成人身伤害和火灾的危险。

- 从电池中喷出的液体可能会引起刺激或灼伤。
- e) 请勿使用损坏或改造过的电池或工具。损坏或改造过的电池可能会有不可预期的表现，从而导致火灾、爆炸或受伤危险。
- f) 请勿将电池或工具曝于火或温度过高的环境中。曝于火或温度高过130° C的环境中可能会引起爆炸。
- g) 遵循所有充电说明，请勿在说明中指定的温度范围之外给电池或工具充电。充电不当或在指定范围之外的温度下充电可能会损坏电池并增加火灾风险。

6) 维修

- a) 让具有资格的维修人员只使用相同的替换部件对您的电动工具进行维修。这可确保电动工具的安全得到维持。
- b) 切勿维修损坏的电池。电池维修只应由制造商或授权服务提供商进行。

在进行紧固件可能接触隐藏电线的操作时，请通过绝缘的抓握表面握住电动工具。与“带电”电线接触的紧固件可能会使电动工具的裸露金属部件“带电”，并可能使操作人员触电。

使用正品Makita电池充电器和电池。

- 请为本工具使用正品电池。
- 请勿用其他电池充电器给电池充电。不遵守这一点可能会导致破裂，从而导致事故或受伤。

以正确的方式给电池充电。

- 请使用有额定指示的电源连接本产品随附的电池充电器。
- 请勿使用直流电源或发动机驱动的发电机给电池充电。不遵守这一点可能会产生过大热量，从而可能导致火灾。
- 当环境温度、电池或电池充电器的温度低于0° C或高于40° C时，请勿给电池充电。不遵守这一点可能会导致破裂或火灾。
- 给电池充电时，请选择通风良好的地方进行充电。

- 充电期间请勿用布盖住电池。不遵守这一点可能会导致破裂或火灾。
- 充电后务必拔下电源插头。否则可能会导致触电或火灾。

使用中请勿将切割器对着人。

- 不遵守这一点可能会导致受伤。

请勿使电池上的端子短路。

- 单独存放电池时，务必将端子盖盖在端子上，以防短路。确保电池端子不会被螺丝、钉子等其他金属部件短路。

请勿将电池曝于火焰。

- 不遵守这一点可能会导致破裂或危险材料泄漏。

请勿对带电的部件使用。

- 本工具不绝缘。在有电位置使用可能会导致触电。
- 请勿用湿手触摸电源插头或电池。不遵守这一点可能会导致触电。

在下列情况下，请从工具本体取下电池。

- 不使用或维修时
 - 更换备件时
 - 怀疑有危险等其他时候
- 不遵守这些警告可能会导致工具意外打开并造成伤害。

意外启动工具。

- 移动工具时，确保手指远离扳机。工具的意外启动可能会导致受伤。

仅使用指定的配件。

- 请勿使用本使用说明书或我们的类目中指定的配件以外的任何其他配件。不遵守这一点可能会导致事故或伤害。

使用防护装备。

- 在操作中请使用安全眼镜。如果作业会产生灰尘，请使用防护面具。切割时，小碎片可能会散落而造成伤害。

不要盯着LED工作灯。

- 否则可能会损坏视力。

考虑工作环境。

- 请勿在雨中、湿或潮的地方使用工具、电池充电器或电池。不遵守这一点可能会导致触电或冒烟。
- 在足够明亮的地方进行工作。在黑暗的地方工作可能会导致事故。

- 请勿在有易燃液体或气体的情况下使用电池或充电。不遵守这一点可能会导致爆炸或火灾。

保持工作场所始终清洁。

- 凌乱的地方和长椅可能会导致事故。

让儿童远离工具。

- 请勿让操作员以外的人接触工具和电池充电器的电源线。让人远离工作场所。不遵守这一点可能会导致伤害。

工具不使用时，请妥善保管。

- 将工具存放在湿度低的地方、儿童无法触及的高处或可以上锁的地方。不遵守这一点可能会导致事故。
- 请勿将工具或电池存放在温度可能升到40°C或更高的地方（金属箱内、夏天车内等）。不遵守这一点可能会使电池老化，从而可能导致冒烟或着火。

不要以不合理的方式使用工具。

- 按照工具的能力进行操作，确保安全高效地运作。超出工具能力范围使用可能会导致事故。
- 请勿以会导致电机锁定的不合理方式使用工具。不遵守这一点可能会导致冒烟或着火。

使用适合操作的工具。

- 请勿将本工具用于指定应用以外的用途。不遵守这一点可能会导致伤害。

请穿着合适的衣服进行操作。

- 请勿穿松垮的衣服或戴项链等配饰。这类东西可能会卡在活动部件、旋转部件等当中。
- 在户外进行操作时，建议使用橡胶手套和防滑鞋。滑溜的手套和鞋子可能会导致伤害。
- 如果您的头发很长，请使用帽子或发套盖住头发。不注意这一点可能会导致头发被活动部件、旋转部件等夹住。

请勿以不自然的姿势操作工具。

- 请始终保持正确的站脚，并保持平衡。不遵守这一点可能会导致您翻倒，从而导致受伤。

当您全神贯注地工作时，请保持警惕。

- 使用工具时，请注意使用方法、操作方式及周围情况，小心操作。不遵守这一点可能会导致事故或伤害。

- 请勿在酒精影响下操作工具。不遵守这一点可能会导致事故或伤害。
- 身体状况不佳时请勿操作工具。不遵守这一点可能会导致事故或伤害。
- 本工具按照相关的安全要求制造。请勿尝试改造本产品。
- 请让授权服务中心维修您的工具。维修应由具有资格的人员使用原装备件进行；否则，这可能会对用户造成相当大的危险。

请勿粗暴地处理电池充电器的电线。

- 请勿抓住电线携带充电器或猛拉它以断开其与插座的连接。
- 使电线远离热源、油和锋利的边缘。
- 确保在充电环境中不会踩上或绊到电线。不遵守这一点可能会导致触电或短路，从而导致起火。

使用符合户外规格的延长电线。

- 如果您在户外使用本工具，请使用由坚固的橡胶护套电缆制成的延长电线。

小心进行工具维护。

- 更换备件时，请遵循使用说明书。不遵守这一点可能会造成伤害。
- 定期检查电池充电器的电线。如果电线损坏，请联系授权服务部进行维修。不遵守这一点可能会导致触电或短路，从而导致起火。
- 如果使用延长电线，请定期检查延长电线。如果电线损坏，请更换新的。不遵守这一点可能会导致触电或短路，从而导致起火。
- 保持抓手始终干燥清洁，远离油脂。不遵守这一点可能会造成伤害。

检查是否有损坏的部件。

- 使用前请检查确认无任何损坏。请确认工具运转正常且所有组件功能正常。
- 请检查活动部件对齐、活动部件平稳运行、部件破损、安装和任何其他可能影响其运转的情况。
- 请勿使用电源插头或电线损坏或掉落损坏的电池充电器。不遵守这一点可能会导致触电或短路，从而导致起火。
如果损坏，除非本使用说明书中另有说明，否则应由授权服务部进行适当维修或更换。由授权服务部更换有缺陷的开关。如果开关不能打开和关闭，请勿使用本工具。这样的工具可能会异常运转，从而可能导致受伤。

请让授权服务部进行维修。

- 请勿拆解、修理或改造本机、电池充电器或电池。不遵守这一点可能会导致点火或异常运作，从而可能导致受伤。
- 如果工具变烫或发现工具有异常，请要求检查或修理工具。

使用充电式电缆剪的注意事项

- 使用本工具时，请遵循以下说明：

工具注意事项

- 切勿切割超出最大切割能力的任何东西。请谨慎作业，否则可能会导致损坏。（参见第61页）
- 请勿触摸活动或固定刀片的刀刃。不遵守这一点可能会导致受伤。
- 切勿剪切带电电线（导电的电缆）。
- 不要受到掉落或其他过度冲击。内部结构精密制造，以做到小巧轻便，因此如果受到冲击可能无法正常工作。
- 请勿在雨中使用。否则可能会导致刀片生锈并使切削刃变钝或导致损坏。
- 请勿切割50 mm或更短的多余长度。将CCP和其他电缆末端的多余长度剪得极短可能会导致电缆内部等被切割。
- 不要对切割方向施力。始终直截切割材料。不遵守这一点可能会损坏切割刀片。
- 牢牢握住。不遵守这一点可能会导致受伤。
- 在高处使用之前，请确保在您下方没人。不遵守这一点可能会因材料或设备掉落等而造成事故。
- 使用前检查确认无异常。切刀上的裂隙或断纹可能会损坏切刀并导致受伤。
- 使用过程中要休息一下。长时间不休息地切割会使电机温度持续很热，这可能会使电机和电池过热，从而导致损坏。确保在使用过程中偶尔休息。
- 低环境温度（10° C或更低）可能导致电缆变硬，使其即使在切割能力范围内也难以切割。
- 每次使用后用气吹等清洁。小心防止切屑和其他碎屑从开口处进入装置（活动刀片驱动器）。
- 请勿切割1毫米直径导线的电缆。不遵守这一点可能会导致切割刀片卡在电缆刀片中并锁定。

使用电池的注意事项

- 切勿使端子短路。
- 使电池远离水、油和有机溶剂。
- 请勿拆解或改造电池。
- 如果要处理电池，请勿将其置于火焰中或将其作为一般垃圾处理。（我们提倡回收利用。）
- 请勿扔投或掉落电池。
- 请勿将电池长时间放置在温度在40° C或更高的地方。
- 请勿将脏物或灰尘置于端子上使电池短路，否则会导致故障。如果端子被腐蚀，请勿使用电池。
- 配备有停止输出的保护功能，以延长电池的使用寿命。即使在使用本工具期间按下操作开关，当剩余电池电量低时，电机也可能会停止。但是，此现象不是由故障引起，而是由保护功能引起的。在这种情况下，请立即给电池充电。

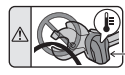
电池充电器的注意事项

- 此电池充电器有一个指示灯（多色LED），用于显示电池充电状态。
- 请勿将污垢或灰尘放入插槽中以使充电器短路，否则会导致故障。如果金属端子被腐蚀，请勿使用电池充电器。

警告符号



在使用本工具之前，请仔细阅读此说明书中的说明。



高温警告区域

为保护电机，如果高温警告区域变热，请勿使用。（参见第59页）



操作过程中请勿触摸。

适用的电池和充电器

电池	BL1815N / BL1820B / BL1830B / BL1840B / BL1850B / BL1860B
充电器	DC18RC / DC18RD / DC18RE / DC18SD / DC18SE / DC18SF / DC18SH / DC18WC

- 取决于您居住的地区，上面列出的某些电池和充电器可能不可用。
- 要给电池充电，请阅读电池充电器的使用说明书。

▲警告：仅使用上面所列的电池和充电器。使用任何其他电池和充电器都可能会导致伤害和/或火灾。

电池的重要安全说明

1. 在使用电池之前，请阅读（1）电池充电器、（2）电池和（3）使用电池的产品上的所有说明和警告标记。
2. 请勿拆解或改造电池。否则可能会导致火灾、过热或爆炸。
3. 如果操作时间变得过短，请立即停止操作。否则可能有导致过热、灼伤甚至爆炸的危险。
4. 如果电解液进入您的眼睛，用清水冲洗并立即就医。否则可能会导致您视力丧失。
5. 请勿将电池短路：
 - （1）不要用任何导电材料接触端子。
 - （2）避免将电池与有其他金属物品（如钉子、硬币等）存放在一个容器中。
 - （3）不要将电池暴露在水或雨中。电池短路会导致大电流、过热、烧伤甚至裂解。
6. 请勿在温度可能会达到或超过50° C (122° F)的场所存放和使用工具及电池。
7. 即使电池严重损坏或完全破损，也不要焚烧电池。电池在火中可能会爆炸。
8. 请勿钉、切割、挤压、投掷、掉落电池或将电池击打到硬物上。此类操作可能导致火灾、过热或爆炸。
9. 请勿使用损坏的电池。
10. 所含锂离子电池受危险品法规要求的约束。

对于经由第三方、货运代理等的商业运输，必须遵守包装和标签的特殊要求。

对于运输物品准备，需要咨询专家以明确危险材料。另请遵守可能更详细的国家法规。

用胶带胶上或盖住开放触点，并包装好电池使其不会在包裹中移动。

11. 弃置电池时，请将其从工具中取出，并将其弃置于安全的地方。请遵守当地有关电池弃置的法规。
12. 将电池只用于Makita指定的产品。将电池装到不兼容的产品上可能会导致火灾、过热、爆炸或电解液泄漏。
13. 如果长时间不使用工具，必须从工具中取出电池。
14. 在使用中和使用后，电池可能会有热量，从而导致烫伤或低温灼伤。操作热的电池时要注意。
15. 使用后请勿立即接触工具的端子，因为它可能会热到足以造成烫伤。
16. 请勿让碎屑、灰尘或泥土粘在电池的端子、孔隙和凹槽中。否则可能会导致工具或电池发热、着火、爆裂和故障，从而造成烫伤或人身伤害。
17. 除非工具支持在高压电线附近使用，否则请勿在高压电线附近使用电池。否则可能会导致工具或电池故障或裂解。
18. 将电池远离儿童。

请保管好说明书。

▲小心：

- 仅使用原装Makita电池。
使用非原装Makita电池或经过改装的电池可能会导致电池爆裂，从而导致火灾、人身伤害和损坏。它还将使Makita工具和充电器的Makita保修失效。

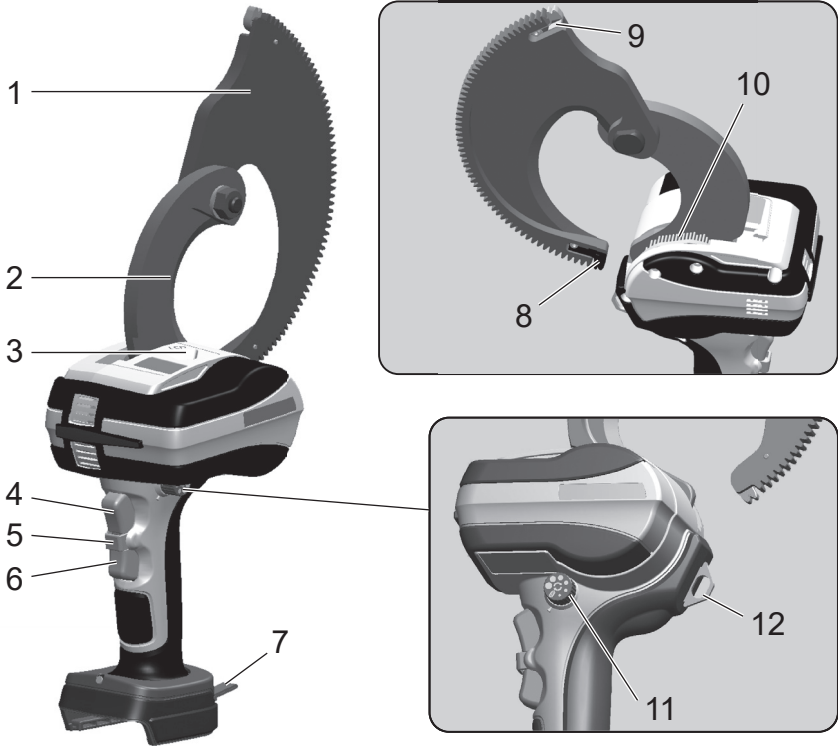
最大限度维持电池使用寿命的窍门

1. 在用完电池电量之前给其充电。当您注意到工具力量变弱时，一定要停止工具操作并给电池充电。
2. 切勿给充满电的电池再充电。过度充电会缩短电池的使用寿命。
3. 请在室温 10°C - 40°C (50°F - 104°F)下给电池充电。热的电池待其冷却后充电。
4. 不使用电池时，请将其从工具或充电器中取出。
5. 如果长期不使用（超过六个月），请给电池充电。

名称和附件

DTC102

充电式电缆剪



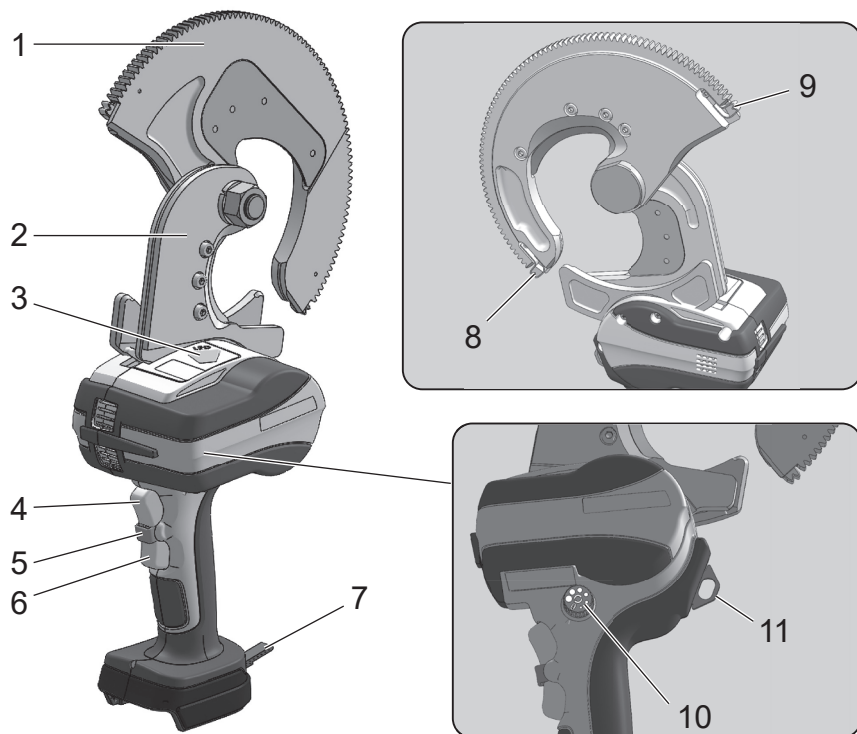
手提箱



* 此工具专为Makita 18 V 锂离子电池设计。

1	移动刀片	7	挂带
2	固定刀片	8	齿轮导轨 (A)
3	LED工作灯	9	齿轮导轨 (B)
4	正向模式开关	10	刷子 (用于除尘)
5	开关锁	11	旋钮
6	反向模式开关	12	挂孔

充电式电缆剪



手提箱



* 此工具专为Makita 18 V 锂离子电池设计。

1	移动刀片	7	挂带
2	固定刀片	8	齿轮导轨 (A)
3	LED工作灯	9	齿轮导轨 (B)
4	正向模式开关	10	旋钮
5	开关锁定	11	挂孔
6	反向模式开关	—	—

电池

电池

- 购买时，电池保护功能可能会因电池电量不足而启动。（请小心，如果您操作开关，本产品可能会开始运转。）使用前请用快速充电器给电池正确充电。
- 不使用产品时请装上电池盖。它将有助于保护电池免受水和灰尘的影响。
- 长期不使用本产品时，请取出电池存放。

为了延长电池使用寿命

- 当您感觉到工具的力量变弱时，请停止使用并给电池充电。
- 不要给充满电的电池再充电。
- 请在10°C至40°C的环境温度范围内给电池充电。
- 当电池变热时，例如在刚使用后，建议将其插入充电器冷却并充电。
- 当锂离子电池将长期（至少6个月）不使用时，建议充电后再存放。

电池回收

- 旧电池可回收再利用。请将电池带到您购买产品的商店或Makita销售处。



Li-ion

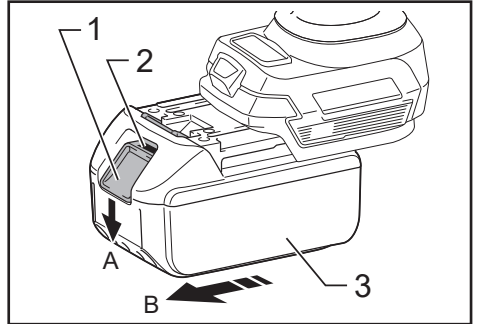
回收锂离子电池

如何装上和取下电池

▲警告：

请将电池正确插入产品。如果按钮顶部的红色部分可见，则电池未完全锁定到位。请牢固插入电池，直至全部红色部分都看不见。

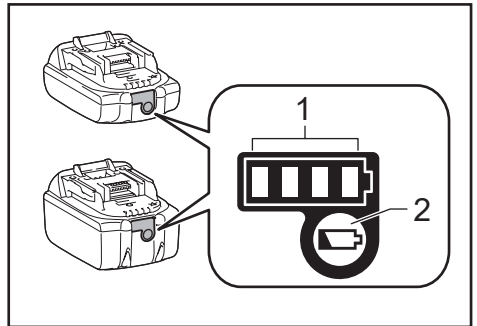
- 如果电池未充分插入，它可能会脱落并导致事故。
- 要从本产品取下电池，A. 按住电池前面的按钮，然后 B. 滑动电池将其取下。
- 装上电池时，将电池与产品中的凹槽对齐，然后按照相反的步骤将电池完全插入。如果此时可以看到按钮顶部的红色部分，则电池未完全锁定到位。请将电池正确插入到底，直至看不到全部红色部分。



▶ 1. 按钮 2. 红色部分 3. 电池

指示剩余电池电量

仅对于带指示灯的电池



▶ 1. 指示灯 2. 检查按钮

按下电池上的检查按钮以指示剩余电池电量。指示灯将点亮几秒钟。

指示灯			剩余电量
■ 点亮	□ 熄灭	▣ 闪烁	
■ ■ ■ ■			75% 至 100%
■ ■ ■ □			50% 至 75%
■ ■ □ □			25% 至 50%
■ □ □ □			0% 至 25%
▣ □ □ □			给电池充电。
■ ■ □ □			电池可能有故障。
□ □ ■ ■			

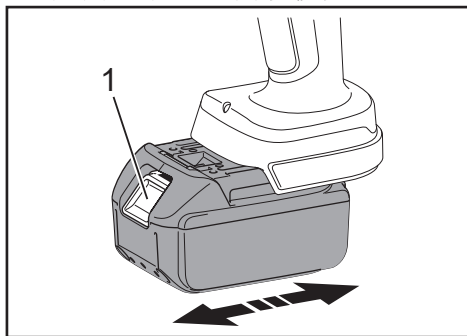
注意：根据使用情况和环境温度，指示可能与实际容量略有不同。

注意：当电池保护系统工作时，第一个（最左侧）指示灯将闪烁。

如何使用本工具

装上电池

1. 按下锁钮的同时，拉出电池。要更换电池，请将新电池牢固地推入到位。
2. 滑上电池后，轻轻拉动它以检查是否牢固就位。拉电池时不要按锁钮。

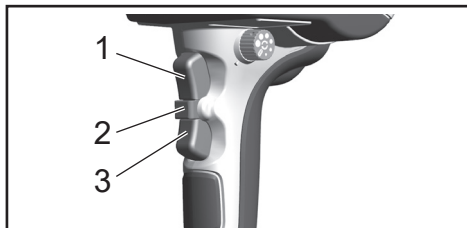


- 1. 锁钮

开关操作

为安全起见，本工具具有一个两动开关系统。

要激活正向模式（切割）和反向模式（反向）开关，先按下开关锁，然后按下正向/反向模式开关。



- 1. 正向模式开关 2. 开关锁
3. 反向模式开关

工作辅助LED灯

本工具具有一个LED灯，用于照亮切割刀片的周边。当正向或反向开关打开时它会亮起，然后在松开开关约10秒后熄灭。

⚠小心：

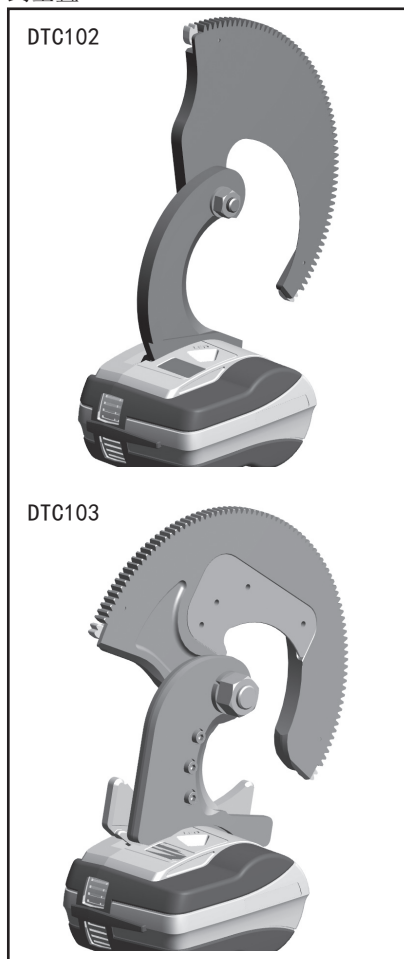
- 请勿直视LED灯。长时间注视LED灯可能会伤害您的眼睛。

低电量报警

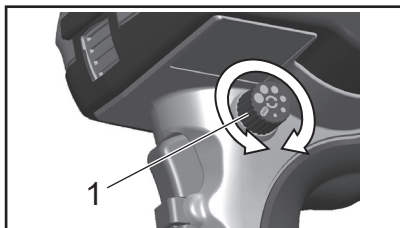
如果电池剩余电量低，则在打开正向模式开关时，LED灯会闪烁5次作为警报。请给电池充电或用备用电池更换。

切割操作

1. [DTC102, DTC103]
激活开关以打开活动刀片。
使用正向和反向模式开关将活动刀片设到空置。



2. 使用旋钮启用或禁用自动反转
将转盘旋至所需位置以启用自动反转，
或将其旋至关闭以禁用。

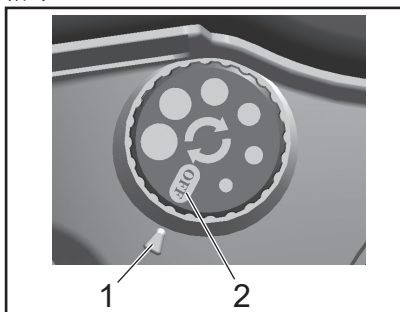


- 1. 旋钮

自动反转功能

启用自动反转功能后，电机在切断电缆后会制动。一旦释放正向模式开关，活动刀片将按旋钮所设自动返回。

开口可在6级之间调整。（开口量是个指导。）



- 1. 开口量 2. 关闭

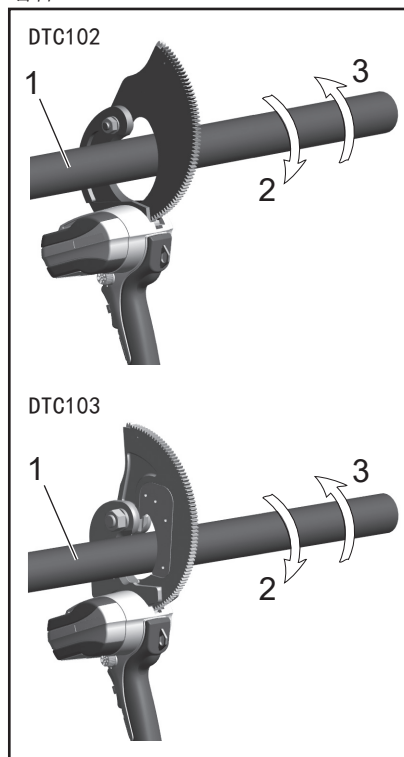
⚠小心：

- 如果在完成切割之前释放正向模式开关，则不会激活自动反转。
- 对于60 mm²或更细的电缆无法启动自动反转。
- 根据剩余电池电压，开口直径可能会有所不同。

3. [DTC102, DTC103]

将电缆插入活动刀片开口

将要切割的电缆放在固定刀片上，然后合上电缆周围的活动刀片。用手送活动刀片，使齿轮齿与装置的驱动机构啮合。



- ▶ 1. 电缆 2. 切割旋转
3. 反向旋转

4. 操作正向模式开关并切断电缆
按住正向模式开关，直到切割完成。
5. 切割后清除碎屑
完成切割后，清除刀片上的任何废料或碎屑。

⚠小心：

• 长时间运作

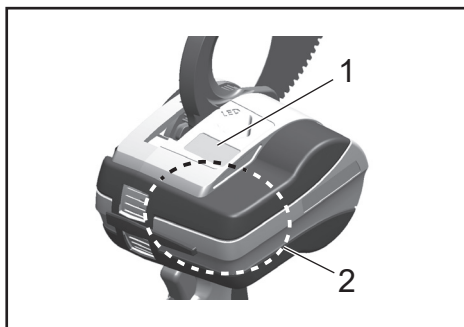
为保护电机，当警示标签周围区域变热时，请停止使用工具。要继续使用工具，请将工具放在阴凉且通风良好的地方50分钟，直至其冷却。

• 即使在切割能力范围内操作工具时，也可能会激活过电流/过载保护。

工作温度、电缆长度和弯曲等因素会影响工具的性能。

• 如果LED灯闪烁6次或更多，则为电路板错误显示。

请联系您的经销商。



- ▶ 1. 警示标签 2. 高温警告区域

⚠小心：

• DTC102仅适用于铜和铝电缆。请勿将DTC102用于钢、ACSR或其他钢材料。

过流保护功能

如因切割电缆超出规格而产生过载电流，过电流保护功能将启动并停止电机。要复原，请松开正向模式开关。

更换备件

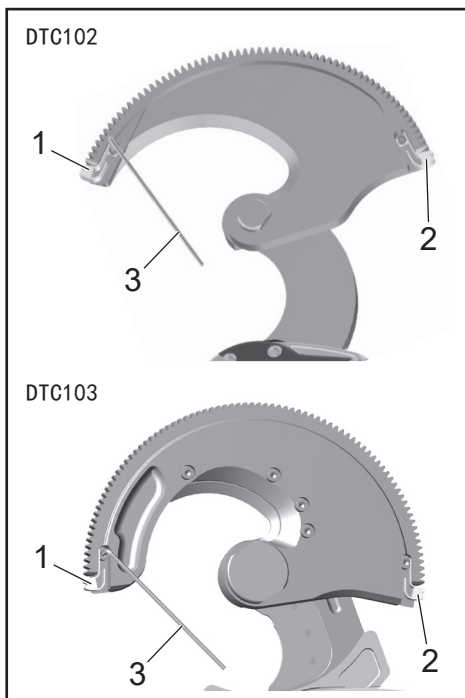
要自行更换齿轮导轨，请按照以下步骤操作。

⚠小心：

- 在更换齿轮导轨之前，请务必从主机上取下电池。
- 如果齿轮导轨损坏或产生异响，请立即更换。继续使用已损坏齿轮导轨的产品可能会对内部齿轮造成损坏。

更换齿轮导轨

1. 拆下齿轮导轨
用六角扳手拧下六角孔（M3×3）的螺栓，拆下齿轮导轨。
2. 安装齿轮导轨
安装新的齿轮导轨并拧紧螺栓。



- 1. 齿轮导轨(A) 2. 齿轮导轨(B)
3. 六角扳手

更换备件 (DTC103)

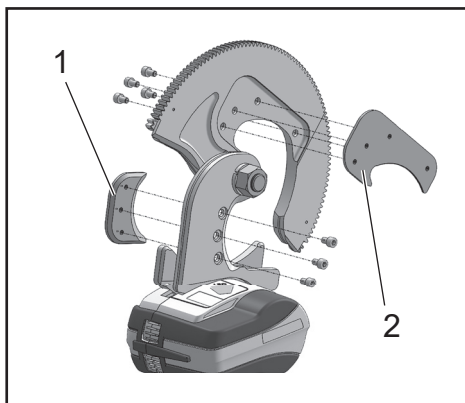
要自行更换刀片，请按照以下步骤操作。

⚠小心：

- 在更换刀片之前，请务必从主机上取下电池。

更换刀片

1. 拆下活动框或固定框上的螺栓。
2. 更换新刀片并拧紧螺栓。

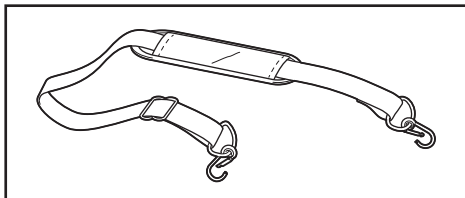


- 1. 更换刀片 2. 更换刀片

可选配件

● 肩带(161347-8)

此肩带通过连接此工具的挂带来使用。



维护 / 检查

- 请注意，忽视日常维护/检查可能会导致工具发生故障。
- 请避免将工具存放在潮湿的环境中，以便工具运转顺畅和防止生锈。
- 如果工具在正常使用中损坏（10,000次作业或更多，1,000次切割或更多），请勿仅在只更换损坏部分后恢复操作，因为它已达到使用寿命。
- 当树脂部变脏时，请使用蘸有肥皂水的软布擦拭。
- 单独存放电池时，务必将端子盖配件盖在端子上，以防短路。
- 对于安全检查，建议大约每两年将工具交给制造商一次（要收费）。有关详细信息，请联系您的经销商。
- 活动刀片和固定刀片是易损件。这些零件不保修。

规格

充电式电缆剪	DTC102		DTC103
最大可切割直径	仅限非铁质材料 (铝或铜)	铜绞线	ACSR AL550 mm ² /ST70 mm ²
	Φ 65 mm	Φ 47 mm	
电机	直流电机		
尺寸	117 (深) × 357 (高) × 228 (宽) (mm)		117 (深) × 356 (高) × 240 (宽) (mm)
重量	2.8 kg		4.8 kg

▲小心:

- DTC102仅适用于铜和铝电缆。请勿将DTC102用于钢、ACSR或其他钢材料。

⚠️PERINGATAN: Harap baca dan pahami semua panduan serta informasi keselamatan dalam panduan dan instruksi operator ini. Penggunaan untuk hal-hal yang tidak dimaksudkan dapat menyebabkan cedera serius atau kematian.

- Terima kasih telah membeli pemotong kabel nirkabel kami.
- Bacalah panduan penggunaan ini secara menyeluruh dan hati-hati sebelum mencoba menggunakan peralatan. Setelah dibaca, simpanlah panduan penggunaan ini di lokasi yang mudah diakses.
- **Keterangan**
Pemotong mekanis adalah pemotong kabel bertenaga baterai untuk memotong kabel yang digunakan dalam industri saat ini.

Kewaspadaan keselamatan

⚠️PERINGATAN: Baca semua peringatan dan panduan keselamatan. Tidak mengikuti peringatan dan panduan dapat mengakibatkan sengatan listrik, kebakaran dan/atau cedera serius.

Simpan semua peringatan dan panduan sebagai referensi di kemudian hari.

⚠️PERINGATAN: Pengguna bisa meninggal atau terluka parah jika produk ini disalahgunakan.

1) Keselamatan di area kerja

- a) Jaga agar area kerja tetap bersih dan cukup terang. Area yang berantakan atau gelap mengundang kecelakaan.
- b) Jangan mengoperasikan perkakas bertenaga listrik di atmosfer yang mudah meledak, seperti saat ada cairan, gas atau debu yang mudah terbakar. Perkakas bertenaga listrik menciptakan percikan api yang dapat menyulut debu atau uap.
- c) Jauhkan anak-anak dan pengamat saat mengoperasikan perkakas bertenaga listrik. Gangguan bisa menyebabkan Anda kehilangan kendali.

2) Keselamatan yang berkaitan dengan listrik

- a) Steker perkakas bertenaga listrik harus cocok dengan stopkontak. Jangan pernah memodifikasi steker dengan cara apa pun. Jangan gunakan steker adaptor apa pun dengan perkakas bertenaga listrik yang dibumikan (diarde). Steker yang tidak dimodifikasi dan stopkontak yang cocok akan mengurangi risiko sengatan listrik.
- b) Hindari kontak tubuh dengan permukaan yang dibumikan atau diarde, seperti pipa, radiator, rak, dan lemari es. Risiko sengatan listrik semakin tinggi jika tubuh Anda dibumikan atau diarde.

- c) Jangan sampai perkakas bertenaga listrik terkena hujan atau kondisi basah. Air yang masuk ke dalam perkakas bertenaga listrik akan meningkatkan risiko sengatan listrik.
- d) Gunakan kabel sesuai fungsinya. Jangan sekali-kali menggunakan kabel untuk membawa, menarik, atau mencabut perkakas bertenaga listrik.
Jauhkan kabel dari panas, minyak, tepi yang tajam atau komponen yang bergerak. Kabel yang rusak atau kusut meningkatkan risiko sengatan listrik.
- e) Apabila mengoperasikan perkakas bertenaga listrik di luar ruangan, gunakan kabel ekstensi yang sesuai untuk penggunaan di luar ruangan. Penggunaan kabel yang sesuai untuk penggunaan di luar ruangan mengurangi risiko sengatan listrik.
- f) Jika mengoperasikan perkakas bertenaga listrik di lokasi yang lembap tidak dapat dihindari, gunakan catu daya yang dilindungi perangkat arus sisa (RCD). Penggunaan RCD mengurangi risiko sengatan listrik.

3) Keselamatan diri

- a) Tetap waspada, perhatikan apa yang Anda lakukan dan gunakan akal sehat saat mengoperasikan perkakas bertenaga listrik.
Jangan menggunakan perkakas bertenaga listrik saat Anda lelah atau di bawah pengaruh obat, alkohol atau medikasi. Kelengahan saat mengoperasikan perkakas bertenaga listrik dapat mengakibatkan cedera diri serius.
- b) Gunakan alat pelindung diri. Selalu kenakan pelindung mata. Peralatan pelindung seperti masker debu, sepatu pengaman anti selip, topi keras, atau pelindung pendengaran yang digunakan untuk kondisi yang sesuai akan mengurangi cedera diri.
- c) Cegah penyalaan yang tidak disengaja. Pastikan sakelar dalam posisi mati sebelum menghubungkan ke sumber daya dan/atau unit baterai, mengambil atau membawa perkakas ini. Membawa perkakas bertenaga listrik dengan jari Anda pada sakelar atau memberi energi pada perkakas bertenaga listrik yang sakelarnya menyala mengundang kecelakaan.

- d) Lepaskan kunci pas atau kunci inggris sebelum menyalakan perkakas bertenaga listrik. Kunci inggris atau kunci yang dibiarkan menempel pada bagian yang berputar dari perkakas bertenaga listrik dapat mengakibatkan cedera diri.
 - e) Jangan berlebihan. Jaga pijakan dan keseimbangan yang tepat setiap saat. Hal ini menyebabkan kontrol yang lebih baik atas perkakas bertenaga listrik dalam situasi yang tidak terduga.
 - f) Berpakailah sebagaimana mestinya. Jangan mengenakan pakaian longgar atau perhiasan. Jauhkan rambut, pakaian dan sarung tangan Anda dari komponen yang bergerak. Pakaian longgar, perhiasan atau rambut panjang bisa tersangkut pada komponen yang bergerak.
 - g) Jika perangkat disediakan untuk koneksi fasilitas penyalang dan pengumpul debu, pastikan ini terhubung dan digunakan dengan benar. Penggunaan pengumpul debu dapat mengurangi bahaya terkait debu.
 - h) Meski sudah terbiasa karena seringnya menggunakan perkakas, Anda tidak boleh terlena dan mengabaikan prinsip-prinsip keselamatan perkakas. Tindakan yang ceroboh bisa menyebabkan cedera parah dalam waktu sepersekian detik.
- g) Gunakan perkakas bertenaga listrik, aksesoris serta tool bit, dll. sesuai dengan panduan ini, dengan mempertimbangkan kondisi kerja serta pekerjaan yang akan dilakukan.
Penggunaan perkakas bertenaga listrik untuk pengoperasian yang berbeda dari yang dimaksudkan dapat mengakibatkan situasi berbahaya.
 - h) Jaga agar gagang dan permukaan genggaman tetap kering, bersih serta bebas dari minyak dan lemak. Gagang dan permukaan genggaman yang licin bisa menyebabkan penggunaan dan kontrol perkakas yang tidak aman dalam situasi yang tidak terduga.

5) Penggunaan dan perawatan perkakas bertenaga baterai

- a) Isi ulang hanya dengan pengisi daya yang ditentukan oleh produsen. Pengisi daya yang cocok untuk satu jenis unit baterai bisa menimbulkan risiko kebakaran apabila digunakan dengan unit baterai lain.
 - b) Gunakan perkakas bertenaga listrik hanya dengan unit baterai yang ditetapkan. Penggunaan unit baterai lainnya dapat menimbulkan risiko cedera dan kebakaran.
 - c) Apabila unit baterai tidak digunakan, jauhkan dari benda logam lainnya, seperti klip kertas, koin, kunci, paku, sekrup atau benda logam kecil lainnya, yang dapat menyambungkan dari satu terminal ke terminal lainnya. Korsleting terminal baterai dapat menyebabkan luka bakar atau kebakaran.
 - d) Dalam kondisi yang dipaksakan, baterai bisa mengeluarkan cairan; hindari kontak. Jika terjadi kontak secara tidak sengaja, siram dengan air. Jika mata terkena cairan, cari juga bantuan medis.
Cairan yang keluar dari baterai dapat menyebabkan iritasi atau luka bakar.
 - e) Jangan menggunakan unit baterai atau perkakas yang rusak atau dimodifikasi. Baterai yang rusak atau dimodifikasi dapat menunjukkan perilaku yang tidak terduga yang bisa mengakibatkan kebakaran, ledakan atau risiko cedera.
 - f) Jangan sampai unit baterai atau perkakas terpapar api atau suhu yang berlebihan. Paparan api atau suhu di atas 130°C dapat menyebabkan ledakan.
 - g) Ikuti semua panduan pengisian daya dan jangan mengisi daya unit baterai atau perkakas di luar kisaran suhu yang ditentukan dalam panduan. Mengisi daya secara tidak benar atau pada suhu di luar kisaran yang ditentukan dapat merusak baterai dan meningkatkan risiko kebakaran.
- ## 4) Penggunaan dan perawatan perkakas bertenaga listrik
- a) Jangan memaksakan perkakas bertenaga listrik. Gunakan perkakas bertenaga listrik yang tepat untuk aplikasi Anda. Perkakas bertenaga listrik yang tepat akan melakukan pekerjaan dengan lebih baik dan lebih aman sesuai peruntukannya.
 - b) Jangan gunakan perkakas listrik jika sakelar tidak berfungsi. Perkakas bertenaga listrik apa pun yang tidak dapat dikendalikan dengan sakelar pasti berbahaya dan harus diperbaiki.
 - c) Lepaskan steker dari sumber listrik dan/atau unit baterai dari perkakas bertenaga listrik sebelum melakukan penyesuaian, mengganti aksesoris, atau menyimpan perkakas bertenaga listrik. Langkah-langkah keselamatan preventif seperti itu mengurangi risiko menyalakan perkakas bertenaga listrik secara tidak sengaja.
 - d) Simpan perkakas bertenaga listrik yang tidak digunakan di luar jangkauan anak-anak dan jangan biarkan orang yang tidak terbiasa dengan perkakas bertenaga listrik atau panduan ini untuk mengoperasikan perkakas bertenaga listrik. Perkakas bertenaga listrik bisa berbahaya di tangan pengguna yang tidak terlatih.
 - e) Pelihara perkakas bertenaga listrik dan aksesoris. Periksa ketidaksejajaran atau ikatan komponen yang bergerak, kerusakan komponen dan kondisi lain apa pun yang dapat memengaruhi pengoperasian perkakas bertenaga listrik. Jika rusak, perbaiki perkakas bertenaga listrik sebelum digunakan. Banyak kecelakaan yang disebabkan oleh perkakas bertenaga listrik yang tidak dirawat dengan baik.
 - f) Jaga agar alat pemotong tetap tajam dan bersih. Alat pemotong yang terawat dengan ujung tajam cenderung tidak mudah terikat dan lebih mudah dikendalikan.
- ## 6) Servis
- a) Lakukan servis perkakas bertenaga listrik Anda oleh petugas perbaikan yang kompeten dengan hanya menggunakan komponen pengganti yang sama. Hal ini akan memastikan bahwa keamanan perkakas bertenaga listrik tetap terjaga.

- b) Jangan pernah menyervis unit baterai yang rusak. Servis unit baterai hanya boleh dilakukan oleh produsen atau penyedia servis resmi.

Pegang perkakas bertenaga listrik dengan permukaan genggaman yang terisolasi, ketika melakukan operasi di mana pengunci bisa saja menyentuh kabel tersembunyi. Pengunci yang bersentuhan dengan kabel "aktif" dapat membuat bagian logam yang terbuka dari perkakas bertenaga listrik menjadi "aktif" dan bisa membuat operator tersengat listrik.

Gunakan pengisi daya baterai dan unit baterai Makita asli.

- Gunakan unit baterai asli untuk perkakas ini.
- Jangan mengisi daya unit baterai dengan pengisi daya baterai lain. Tidak mematuhi hal ini dapat menyebabkan kerusakan, yang dapat menimbulkan kecelakaan atau cedera.

Lakukan pengisian daya unit baterai dengan cara yang benar.

- Gunakan sumber listrik dengan indikasi peringatan untuk menghubungkan pengisi daya baterai yang disertakan bersama produk ini.
- Jangan gunakan sumber listrik DC atau generator listrik yang digerakkan mesin untuk mengisi daya unit baterai. Tidak mematuhi hal ini dapat menimbulkan panas yang berlebihan, yang dapat menyebabkan kebakaran.
- Apabila suhu lingkungan, unit baterai, atau pengisi daya baterai kurang dari 0°C atau lebih dari 40°C, jangan mengisi daya unit baterai. Tidak mematuhi hal ini dapat menyebabkan kerusakan atau kebakaran.
- Saat mengisi daya unit baterai, pilihlah tempat yang berventilasi baik.
- Jangan menutupi unit baterai dengan kain selama pengisian daya. Tidak mematuhi hal ini dapat menyebabkan kerusakan atau kebakaran.
- Pastikan untuk mencabut steker listrik setelah mengisi daya. Tidak mematuhi hal ini dapat menyebabkan sengatan listrik atau kebakaran.

Jangan arahkan pemotong kepada orang lain selama penggunaan.

- Tidak mematuhi hal ini dapat menyebabkan cedera.

Jangan sampai terjadi korsleting pada terminal unit baterai.

- Apabila unit baterai disimpan terpisah, pastikan untuk memasang penutup terminal pada terminal untuk mencegah korsleting. Pastikan bahwa terminal baterai tidak akan mengalami korsleting oleh bagian logam lainnya, seperti sekrup, paku, dll.

Jangan sampai unit baterai terkena api.

- Tidak mematuhi hal ini dapat menyebabkan kerusakan atau kebocoran bahan berbahaya.

Jangan gunakan pada bagian dengan listrik aktif.

- Perkakas ini tidak terisolasi. Penggunaan di lokasi yang dialiri listrik dapat menyebabkan sengatan listrik.
- Jangan menyentuh steker listrik atau unit baterai dengan tangan yang basah. Tidak mematuhi hal ini dapat menyebabkan sengatan listrik.

Lepaskan unit baterai dari bodi perkakas dalam keadaan berikut ini.

- Ketika tidak digunakan atau untuk perbaikan
 - Ketika mengganti suku cadang
 - Saat-saat lain ketika dicurigai ada bahaya
- Tidak mematuhi peringatan ini dapat menyebabkan perkakas menyala secara tidak sengaja dan menyebabkan cedera.

Menghidupkan perkakas secara tidak terduga.

- Pastikan bahwa jari jauh dari pemacu ketika menggerakkan perkakas. Perkakas yang dihidupkan secara tidak terduga dapat mengakibatkan cedera.

Gunakan hanya aksesori yang ditentukan.

- Jangan gunakan aksesori apa pun selain yang ditunjukkan dalam panduan penggunaan ini atau katalog kami. Tidak mematuhi hal ini dapat menyebabkan kecelakaan atau cedera.

Gunakan alat pelindung.

- Gunakan kacamata pengaman selama pengoperasian. Jika operasi berdebu, gunakan masker pelindung. Saat memotong, potongan-potongan kecil bisa berhamburan dan menyebabkan cedera.

Jangan menatap lampu kerja LED.

- Hal ini dapat memperburuk penglihatan.

Pertimbangkan lingkungan kerja.

- Jangan gunakan perkakas, pengisi daya baterai, atau unit baterai di tengah hujan, atau di tempat yang basah atau lembap. Tidak mematuhi hal ini dapat menyebabkan sengatan listrik atau asap.
- Lakukan pekerjaan di tempat yang cukup terang. Bekerja di tempat gelap dapat menyebabkan kecelakaan.
- Jangan menggunakan atau mengisi daya baterai jika ada cairan atau gas yang mudah terbakar. Tidak mematuhi hal ini dapat menyebabkan ledakan atau kebakaran.

Jaga agar tempat kerja selalu bersih.

- Tempat dan bangku yang berantakan bisa menyebabkan kecelakaan.

Jauhkan anak-anak dari perkakas ini.

- Jangan biarkan orang selain operator menyentuh perkakas dan kabel pengisi daya baterai. Jauhkan orang-orang dari tempat kerja. Tidak mematuhi hal ini dapat menyebabkan cedera.

Apabila perkakas ini tidak digunakan, simpanlah dengan benar.

- Simpan perkakas di tempat yang kelembapannya rendah dan juga tempat yang tinggi sehingga tidak bisa dijangkau anak-anak, atau di tempat yang bisa dikunci. Tidak mematuhi hal ini dapat menyebabkan kecelakaan.
- Jangan simpan perkakas atau unit baterai di tempat yang suhunya bisa naik 40°C atau lebih tinggi (di dalam kotak logam, di dalam mobil di musim panas, dll.). Tidak mematuhi hal ini dapat merusak unit baterai, yang dapat menyebabkan asap atau kebakaran.

Jangan menggunakan perkakas ini dengan cara yang tidak wajar.

- Lakukan pengoperasian sesuai dengan kapasitas perkakas untuk pengoperasian yang aman dan efisien. Penggunaan perkakas di luar kapasitasnya dapat menyebabkan kecelakaan.
- Jangan menggunakan perkakas secara tidak wajar yang menyebabkan motor terkunci. Tidak mematuhi hal ini dapat menyebabkan asap atau kebakaran.

Gunakan perkakas yang sesuai untuk pengoperasian.

- Jangan gunakan perkakas ini selain untuk penggunaan yang ditentukan. Tidak mematuhi hal ini dapat menyebabkan cedera.

Lakukan operasi dengan pakaian yang tepat.

- Jangan mengenakan pakaian longgar atau aksesoris seperti kalung. Benda-benda semacam itu bisa tersangkut di bagian yang bergerak, bagian yang berputar, atau sejenisnya.
- Apabila pengoperasian dilakukan di luar ruangan, dianjurkan menggunakan sarung tangan karet dan sepatu antislip. Sarung tangan dan sepatu yang licin dapat menyebabkan cedera.
- Jika Anda berambut panjang, gunakan topi atau penutup rambut untuk menutupi rambut Anda. Tidak mematuhi hal ini menyebabkan rambut Anda tersangkut di bagian yang bergerak, bagian yang berputar, atau sejenisnya.

Jangan mengoperasikan perkakas dengan postur yang tidak wajar.

- Jaga pijakan yang tepat sepanjang waktu, dan jaga keseimbangan Anda. Tidak mematuhi hal ini dapat menyebabkan Anda terguling, yang dapat menyebabkan cedera.

Tetap waspada ketika Anda bekerja dengan perhatian yang besar.

- Apabila Anda menggunakan perkakas ini, berhati-hatilah mengenai metode penanganan, cara pengoperasian, dan keadaan di sekitarnya, dan lakukan pengoperasian dengan hati-hati. Tidak mematuhi hal ini dapat menyebabkan kecelakaan atau cedera.
- Jangan mengoperasikan perkakas di bawah pengaruh alkohol. Tidak mematuhi hal ini dapat menyebabkan kecelakaan atau cedera.
- Jangan mengoperasikan perkakas ini apabila Anda berada dalam kondisi fisik yang buruk. Tidak mematuhi hal ini dapat menyebabkan kecelakaan atau cedera.

Jangan gunakan kabel pengisi daya baterai dengan cara yang kasar.

- Jangan membawa pengisi daya dengan kabelnya atau menariknya untuk melepaskannya dari soket.
- Jauhkan kabel dari panas, minyak, dan ujung-ujung yang tajam.
- Pastikan lingkungan pengisian daya bebas dari menginjak atau tersandung kabel. Tidak mematuhi hal ini dapat menyebabkan sengatan listrik atau korsleting, yang dapat menyebabkan kebakaran.

Gunakan kabel ekstensi dengan spesifikasi luar ruangan.

- Jika Anda menggunakan perkakas ini di luar ruangan, gunakan kabel ekstensi yang terbuat dari kabel berselubung karet yang kuat.

Lakukan pemeliharaan perkakas secara hati-hati.

- Ikuti panduan penggunaan ketika mengganti suku cadang. Tidak mematuhi hal ini dapat menyebabkan cedera.
- Periksa kabel pengisi daya baterai secara teratur. Jika kabelnya rusak, mintalah kepada fasilitas servis resmi untuk diperbaiki. Tidak mematuhi hal ini dapat menyebabkan sengatan listrik atau korsleting, yang dapat menyebabkan kebakaran.
- Jika menggunakan kabel ekstensi, periksa kabel secara teratur. Jika kabelnya rusak, gantilah dengan yang baru. Tidak mematuhi hal ini dapat menyebabkan sengatan listrik atau korsleting, yang dapat menyebabkan kebakaran.
- Jaga agar genggaman selalu kering dan bersih serta jauhkan dari minyak dan lemak. Tidak mematuhi hal ini dapat menyebabkan cedera.

Periksa bagian yang rusak.

- Periksa apakah tidak ada yang rusak sebelum digunakan. Pastikan bahwa perkakas beroperasi secara normal dan semua komponen berfungsi dengan baik.
- Periksa keselarasan bagian yang bergerak, kelancaran bagian yang bergerak, kerusakan bagian, pemasangan dan kondisi lain apa pun yang dapat memengaruhi pengoperasiannya.
- Jangan gunakan pengisi daya baterai yang steker atau kabel dayanya rusak atau yang terjatuh dan kemudian rusak. Tidak mematuhi hal ini dapat menyebabkan sengatan listrik atau korsleting, yang dapat menyebabkan kebakaran.
- Jika rusak, harus diperbaiki atau diganti dengan benar oleh fasilitas servis resmi, kecuali dinyatakan lain dalam panduan penggunaan ini. Minta agar sakelar yang rusak diganti oleh fasilitas servis resmi. Jangan gunakan perkakas listrik jika sakelar tidak berfungsi. Perkakas tersebut mungkin beroperasi secara tidak normal, yang dapat menyebabkan cedera.

Mintalah fasilitas servis resmi untuk memperbaiki.

- Jangan membongkar, memperbaiki, atau memodifikasi unit utama, pengisi daya baterai, atau unit baterai. Tidak mematuhi hal ini dapat menyebabkan kebakaran atau operasi yang tidak normal, yang dapat menyebabkan cedera.
- Jika perkakas menjadi panas atau ditemukan kelainan pada perkakas, mintalah pemeriksaan atau perbaikan perkakas.
- Perkakas ini dibuat sesuai dengan persyaratan keselamatan yang relevan. Jangan mencoba memodifikasi produk ini.
- Mintalah agar perkakas Anda diperbaiki oleh pusat servis resmi. Perbaikan hanya boleh dilakukan oleh orang yang kompeten dengan menggunakan suku cadang asli; jika tidak, dapat mengakibatkan bahaya yang cukup besar bagi pengguna.

Kewaspadaan dalam menggunakan pemotong kabel nirkabel

- Ketika menggunakan perkakas ini, ikuti panduan di bawah ini:

Kewaspadaan untuk perkakas ini

- **Jangan melakukan pemotongan melebihi kapasitas maksimum.**
Berhati-hatilah, karena tidak mematuhi hal ini dapat menyebabkan kerusakan. (Lihat halaman 76)
- **Jangan menyentuh mata potong dari pisau bergerak maupun pisau tak bergerak.**
Tidak mematuhi hal ini dapat menyebabkan cedera.
- **Jangan sekali-kali memotong kabel aktif (kabel listrik yang menghantarkan listrik).**
- **Jangan sampai terjatuh atau terkena benturan berlebihan lainnya.**
Struktur internal telah diproduksi secara tepat agar ringkas dan ringan, sehingga mungkin saja tidak berfungsi dengan baik jika terkena benturan.
- **Jangan gunakan di tengah hujan.**
Melakukan hal itu dapat menyebabkan pisau berkarat dan menumpulkan mata potong atau menyebabkan kerusakan.
- **Jangan memotong kelebihan panjang sebanyak 50 mm atau kurang.**
Memotong ujung CCP dan kabel lain dengan sangat pendek dapat menyebabkan bagian dalam kabel, dll. terpotong.
- **Jangan menerapkan gaya yang berlawanan dengan arah yang sedang dipotong.**
Selalu potong bahan secara lurus. Tidak mematuhi hal ini dapat merusak pisau pemotong.
- **Pegang dengan aman.**
Tidak mematuhi hal ini dapat menyebabkan cedera.
- **Pastikan tidak ada orang di bawah Anda sebelum menggunakannya di ketinggian.**
Tidak mematuhi hal ini dapat mengakibatkan kecelakaan apabila bahan atau perangkat terjatuh, dll.
- **Periksa untuk memastikan tidak ada yang tidak normal sebelum digunakan.**
Retak atau patah pada pemotong dapat merusak pemotong dan menyebabkan cedera.
- **Berikan jeda selama penggunaan.**
Pemotongan terus-menerus tanpa jeda akan meningkatkan panas motor sehingga motor dan unit baterai terlalu panas, dan dapat menyebabkan kerusakan. Pastikan untuk sesekali memberikan jeda selama penggunaan.
- **Suhu lingkungan yang rendah (10°C atau kurang) dapat menyebabkan kabel listrik mengeras, sehingga sulit untuk dipotong, bahkan ketika berada dalam kapasitas pemotongan.**
- **Bersihkan dengan udara, dll. setiap kali selesai menggunakan.**
Berhati-hatilah untuk menjaga agar potongan dan sisa-sisa lainnya tidak masuk ke dalam unit dari celah (penggerak pisau yang bisa digerakkan).
- **Jangan memotong kabel listrik dengan kawat berdiameter 1 mm.**
Tidak mematuhi hal ini dapat menyebabkan pisau pemotong tersangkut pada pisau kabel listrik dan terkunci.

Kewaspadaan dalam menggunakan unit baterai

- Jangan sampai terjadi korsleting pada terminal.
- Jauhkan unit baterai dari air, minyak, dan pelarut organik.
- Jangan membongkar atau memodifikasi unit baterai.
- Jika unit baterai dibuang, jangan sampai dibakar atau dibuang sebagai limbah umum. (Kami mendorong daur ulang.)
- Jangan melempar atau menjatuhkan unit baterai.
- Jangan meninggalkan unit baterai di tempat yang suhunya 40°C atau lebih tinggi untuk waktu yang lama.
- Hindari korsleting pada baterai akibat membiarkan kotoran atau debu pada terminal, karena hal ini akan menyebabkan kerusakan. Jika terminal berkarat, jangan gunakan unit baterai.
- Fungsi perlindungan yang menghentikan output ditambahkan untuk memperpanjang masa pakai unit baterai. Motor dapat berhenti ketika level baterai yang tersisa rendah bahkan ketika sakelar operasi ditekan selama penggunaan perkakas ini. Namun, fenomena ini bukan akibat kerusakan, tetapi oleh fungsi perlindungan. Dalam kasus seperti itu, segera isi daya baterai.

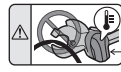
Kewaspadaan untuk pengisi daya baterai

- Pengisi daya baterai ini memiliki lampu indikator (LED warna-warni) untuk menunjukkan status pengisian daya baterai.
- Hindari korsleting pada pengisi daya akibat membiarkan kotoran atau debu pada slot penyisipan, karena hal ini akan menyebabkan kerusakan. Jika terminal logam berkarat, jangan gunakan pengisi daya baterai.

SIMBOL PERINGATAN



Sebelum menggunakan perkakas ini, bacalah panduan dalam manual ini dengan cermat.



Area peringatan panas tinggi

Untuk melindungi motor, jangan gunakan jika area peringatan panas tinggi menjadi panas. (Lihat halaman 74)



Jangan disentuh selama pengoperasian.

Kartrid baterai dan pengisi daya yang dapat digunakan

Kartrid baterai	BL1815N / BL1820B / BL1830B / BL1840B / BL1850B / BL1860B
Pengisi daya	DC18RC / DC18RD / DC18RE / DC18SD / DC18SE / DC18SF / DC18SH / DC18WC

- Sebagian kartrid baterai dan pengisi daya yang tercantum di atas mungkin tidak tersedia, tergantung di mana Anda tinggal.
- Untuk mengisi daya baterai, bacalah panduan penggunaan pengisi daya baterai.

⚠ PERINGATAN: Gunakan hanya kartrid baterai dan pengisi daya yang tercantum di atas. Menggunakan kartrid baterai dan pengisi daya yang lain dapat mengakibatkan cedera dan/atau kebakaran.

Panduan keselamatan penting untuk kartrid baterai

1. **Sebelum menggunakan kartrid baterai, bacalah semua panduan dan tanda peringatan untuk (1) pengisi daya baterai, (2) baterai dan (3) produk yang menggunakan baterai.**
2. **Jangan membongkar atau merusak kartrid baterai.** Tindakan tersebut dapat mengakibatkan kebakaran, panas yang berlebihan, atau ledakan.
3. **Jika waktu penggunaan menjadi sangat pendek, segera berhenti menggunakannya.** Hal ini dapat mengakibatkan risiko timbulnya panas yang berlebihan, terbakar dan bahkan ledakan.
4. **Jika cairan elektrolit terkena mata Anda, bilaslah dengan air bersih dan segera cari bantuan dokter.** Hal ini dapat mengakibatkan kebutaan.
5. **Hindari korsleting kartrid baterai:**
 - (1) **Jangan menyentuh terminal dengan barang yang menghantarkan listrik.**
 - (2) **Jangan menyimpan kartrid baterai dalam satu wadah bersama benda logam lainnya seperti jarum, koin, dsb.**
 - (3) **Jauhkan baterai dari air atau air hujan.** Korsleting baterai bisa mengakibatkan lonjakan arus besar, panas berlebihan, kemungkinan kebakaran atau bahkan kerusakan.
6. **Jangan menyimpan atau menggunakan perkakas ini dan kartrid baterai di lokasi yang suhunya bisa mencapai 50°C (122°F) atau lebih.**
7. **Jangan membakar kartrid baterai walaupun kondisinya sudah rusak berat atau sangat usang.** Kartrid baterai bisa meledak bila terbakar.
8. **Jangan memaku, memotong, menghancurkan, melempar, menjatuhkan kartrid baterai, atau memukulnya dengan benda keras.** Tindakan tersebut dapat mengakibatkan kebakaran, panas yang berlebihan, atau ledakan.
9. **Jangan menggunakan baterai yang rusak.**
10. **Baterai ion litium dalam alat ini mengikuti ketentuan pada Peraturan Barang Berbahaya.**

Untuk pengangkutan komersial, misalnya dilakukan oleh pihak ketiga, agen pengiriman, patuhi ketentuan tentang kemasan dan pelabelan. Untuk persiapan pengiriman barang, harus dikonsultasikan dengan pakar bahan berbahaya. Patuhi juga detail peraturan pemerintah jika ada. Beri lakban atau tutup bagian kontak lalu kemas baterai dengan cara yang dapat mencegahnya bergeser di dalam kemasan.
11. **Ketika membuang kartrid baterai, keluarkan kartrid dari perkakas lalu buanglah di tempat yang aman.** Patuhi peraturan pembuangan baterai dari pemerintah setempat.
12. **Gunakan baterai dengan produk yang ditentukan oleh Makita.** Memasang baterai ke produk yang tidak sesuai dapat mengakibatkan kebakaran, panas berlebihan, ledakan, atau kebocoran elektrolit.
13. **Jika perkakas tidak akan digunakan untuk waktu lama, baterainya harus dikeluarkan dari perkakas.**
14. **Sewaktu dan setelah penggunaan perkakas, kartrid baterai baterai bisa menjadi panas yang dapat mengakibatkan luka bakar atau luka bakar suhu rendah.** Hati-hati ketika menangani kartrid baterai yang panas.
15. **Jangan menyentuh terminal perangkat begitu selesai digunakan karena sangat panas sehingga dapat menimbulkan luka bakar.**
16. **Jaga agar tidak ada serpihan, debu, atau tanah yang masuk ke dalam terminal, lubang, dan lekukan pada kartrid baterai.** Tindakan tersebut dapat mengakibatkan panas berlebihan, kebakaran, ledakan dan kerusakan perkakas atau kartrid baterai, mengakibatkan luka bakar atau cedera diri.
17. **Kecuali jika perkakas dinyatakan aman untuk digunakan di area dekat saluran listrik tegangan tinggi, jangan gunakan kartrid baterai di area dekat saluran listrik tegangan tinggi.** Hal itu dapat mengganggu fungsi atau merusak perkakas atau kartrid baterai.

18. Jauhkan baterai dari jangkauan anak-anak.

SIMPAN BAIK-BAIK PANDUAN INI.

⚠PERHATIAN:

- **Gunakan hanya baterai Makita asli.**

Menggunakan baterai selain baterai Makita, atau baterai yang sudah diganti, dapat berakibat baterai meledak sehingga menimbulkan kebakaran, cedera diri dan kerusakan. Hal itu juga akan membatalkan garansi Makita untuk perkakas dan pengisi daya Makita.

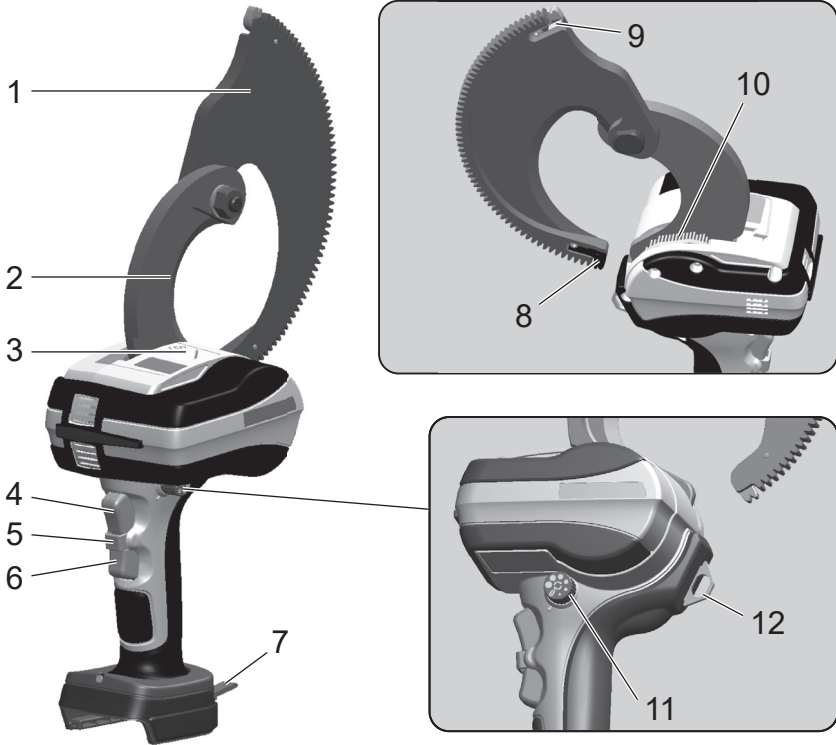
Kiat memaksimalkan masa pakai baterai

1. Isi ulang kartrid baterai sebelum dayanya benar-benar habis. Hentikan penggunaan perkakas dan isi daya kartrid baterai bila daya perkakas terlihat berkurang.
2. Jangan mengisi ulang daya kartrid baterai yang sudah terisi penuh. Kelebihan mengisi daya akan memperpendek masa pakai baterai.
3. Isi daya kartrid baterai dalam ruangan bersuhu 10°C - 40°C (50°F - 104°F). Untuk kartrid baterai yang panas, tungguhlah hingga dingin sebelum mengisi daya.
4. Ketika tidak digunakan, lepaskan kartrid baterai dari alat atau pengisi daya.
5. Isi daya kartrid baterai jika tidak akan digunakan untuk waktu lama (lebih dari enam bulan).

Nama dan aksesoris

DTC102

Pemotong kabel nirkabel



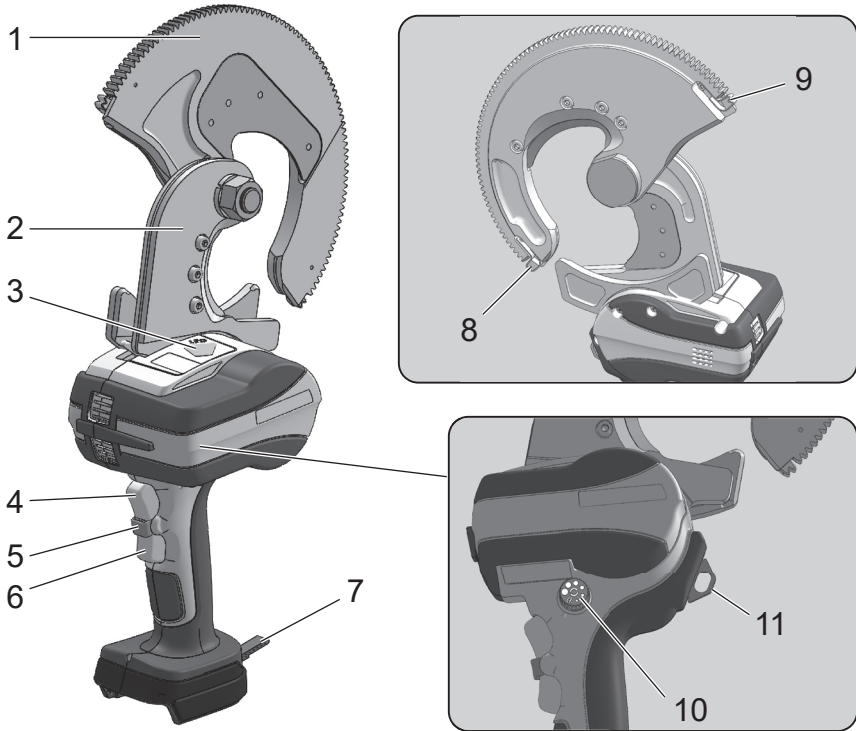
Tas jinjing



* Perangkat ini dirancang untuk baterai ion litium Makita 18 V.

1	Pisau bergerak	7	Tali penggantung
2	Pisau stasioner	8	Panduan roda gigi (A)
3	Lampu kerja LED	9	Panduan roda gigi (B)
4	Sakelar mode maju	10	Kuas (untuk membersihkan debu)
5	Sakelar pengunci	11	Tombol putar
6	Sakelar mode mundur	12	Cincin gantung

Pemotong kabel nirkabel



Tas jinjing



* Perangkat ini dirancang untuk baterai ion litium Makita 18 V.

1	Pisau bergerak	7	Tali penggantung
2	Pisau stasioner	8	Panduan roda gigi (A)
3	Lampu kerja LED	9	Panduan roda gigi (B)
4	Sakelar mode maju	10	Tombol putar
5	Sakelar pengunci	11	Cincin gantung
6	Sakelar mode mundur	—	—

Baterai

Baterai

- Pada saat pembelian, fungsi perlindungan baterai mungkin diaktifkan karena baterai tidak terisi daya secara memadai. (Harap berhati-hati karena produk ini dapat mulai beroperasi jika Anda mengoperasikan sakelar). Isi daya baterai dengan benar dengan pengisi daya cepat sebelum digunakan.
- Pasang penutup baterai apabila tidak menggunakan produk. Ini akan membantu melindungi baterai dari air dan debu.
- Apabila tidak menggunakan produk untuk jangka waktu yang lama, simpan dengan baterai dilepas.

Untuk meningkatkan masa pakai baterai

- Apabila Anda merasakan bahwa kekuatan perkakas melemah, hentikan penggunaan dan isi daya baterai.
- Jangan mengisi ulang daya baterai yang sudah terisi penuh.
- Isi daya baterai dalam kisaran suhu sekitar 10°C hingga 40°C.
- Apabila baterai menjadi panas, misalnya, segera setelah digunakan, kami sarankan untuk memasukkannya ke dalam pengisi daya untuk mendinginkan dan mengisi dayanya.
- Apabila baterai ion litium tidak akan digunakan untuk jangka waktu lama (minimal 6 bulan), kami sarankan untuk mengisi daya dan kemudian menyimpannya.

Pengumpulan baterai

- Baterai bekas dikumpulkan untuk didaur ulang. Bawalah baterai ke toko tempat Anda membeli produk atau kantor penjualan Makita.



Li-ion

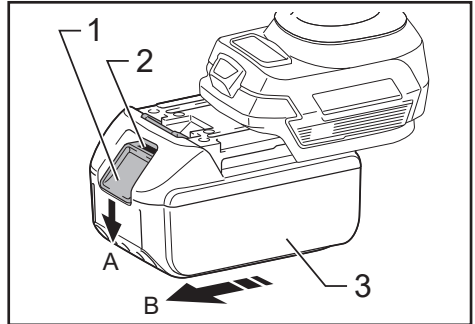
Daur ulang baterai
lithium-ion

Cara memasang dan melepaskan baterai

⚠ PERINGATAN:

Masukkan baterai ke dalam produk dengan benar. Jika bagian merah di bagian atas tombol terlihat, berarti baterai tidak sepenuhnya terkunci pada tempatnya. Masukkan baterai dengan kuat sampai semua bagian merah tidak terlihat.

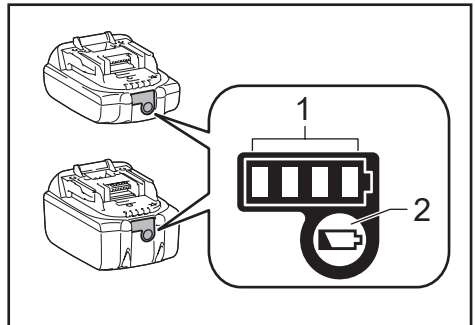
- Jika baterai tidak dimasukkan secara memadai, baterai dapat terlepas dan menyebabkan kecelakaan.
- Untuk melepaskan baterai dari produk ini, A. tahan tombol pada bagian depan baterai dan B. geser baterai untuk melepaskannya.
- Saat memasang baterai, sejajarkan baterai dengan lekukan pada produk, kemudian masukkan seluruhnya dengan melakukan prosedur secara terbalik. Jika bagian merah di bagian atas tombol terlihat pada saat ini, berarti baterai tidak sepenuhnya terkunci pada tempatnya. Masukkan baterai dengan benar sampai semua bagian merah tidak terlihat.



► 1. Tombol 2. Bagian merah 3. Baterai

Menunjukkan kapasitas baterai yang tersisa

Hanya untuk kartrid baterai dengan indikator



► 1. Lampu indikator 2. Tombol periksa

Tekan tombol periksa pada kartrid baterai untuk melihat kapasitas baterai yang tersisa. Lampu indikator menyala selama beberapa detik.

Lampu indikator			Kapasitas yang tersisa
Terang	Off	Berkedip	
■ ■ ■ ■	□ □ □ □	▬ ▬ ▬ ▬	75% hingga 100%
■ ■ ■ □	□ □ □ □	▬ ▬ ▬ ▬	50% hingga 75%
■ ■ □ □	□ □ □ □	▬ ▬ ▬ ▬	25% hingga 50%
■ □ □ □	□ □ □ □	▬ ▬ ▬ ▬	0% hingga 25%
▬ □ □ □	□ □ □ □	▬ ▬ ▬ ▬	Isi daya baterai.
■ ■ □ □	□ □ □ □	▬ ▬ ▬ ▬	Baterai mungkin sudah tidak berfungsi.
□ □ □ □	□ □ □ □	▬ ▬ ▬ ▬	

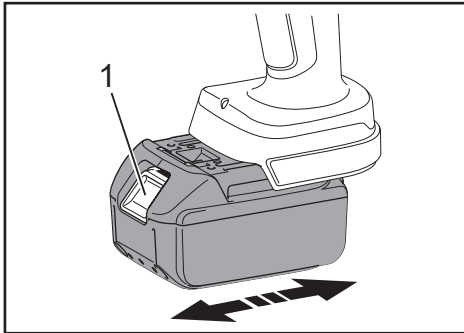
CATATAN: Tergantung pada kondisi penggunaan dan suhu sekitar, indikasi mungkin sedikit berbeda dari kapasitas aktual.

CATATAN: Lampu indikator pertama (paling kiri) akan berkedip apabila sistem proteksi baterai berfungsi.

Cara menggunakan perkakas ini

Memasang unit baterai

1. Sambil menekan pengancing, tarik keluar unit baterai. Untuk mengganti unit baterai, dorong unit baru dengan kuat ke tempatnya.
2. Setelah menggeser unit baterai, periksa apakah baterai sudah terpasang secara aman dengan menariknya perlahan. Jangan menekan pengancing ketika menarik baterai.

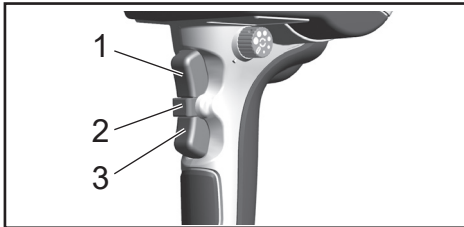


- 1. Pengancing

Operasi sakelar

Untuk tujuan keselamatan, perkakas ini memiliki sistem sakelar dua langkah.

Untuk mengaktifkan sakelar mode maju (memotong) dan mode mundur (sebaliknya), pertama-tama tekan pengunci sakelar, kemudian tekan sakelar mode maju/mundur.



- 1. Sakelar mode maju 2. Pengunci sakelar
3. Sakelar mode mundur

Lampu LED bantuan kerja

Perkakas ini memiliki lampu LED yang menerangi pinggiran pisau pemotong. Lampu ini menyala apabila sakelar maju atau mundur aktif, kemudian mati kira-kira 10 detik setelah sakelar dilepaskan.

⚠ PERHATIAN:

- Jangan melihat langsung ke lampu LED. Melihat lampu LED untuk jangka waktu yang lama dapat membuat mata Anda sakit.

Alarm baterai rendah

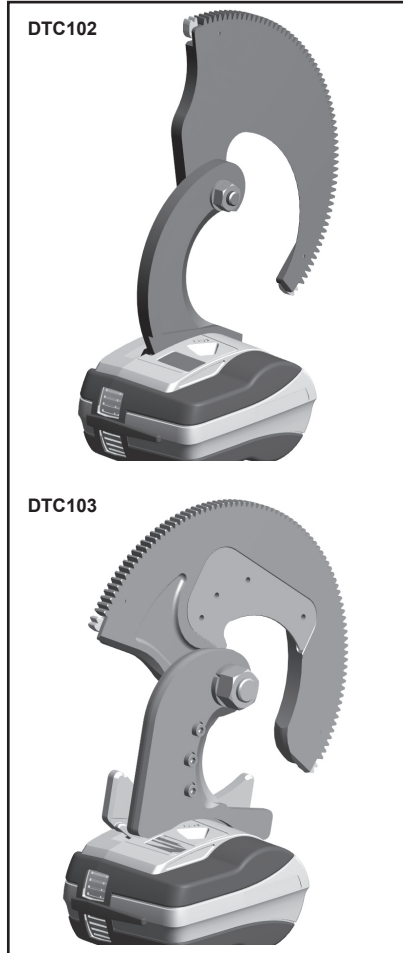
Jika kapasitas baterai yang tersisa rendah, lampu LED akan berkedip 5 kali sebagai alarm apabila sakelar mode maju dihidupkan. Isi daya baterai atau ganti dengan cadangan.

Operasi pemotongan

1. [DTC102, DTC103]

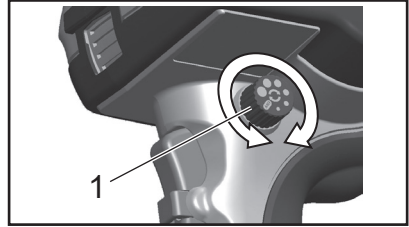
Aktifkan sakelar untuk membuka pisau bergerak.

Gunakan sakelar mode maju dan mundur untuk mengatur pisau bergerak ke netral.



2. Menggunakan tombol putar untuk mengaktifkan atau menonaktifkan mundur otomatis

Geser tombol putar ke posisi yang diinginkan untuk mengaktifkan mundur otomatis, atau pindahkan ke off untuk menonaktifkan.

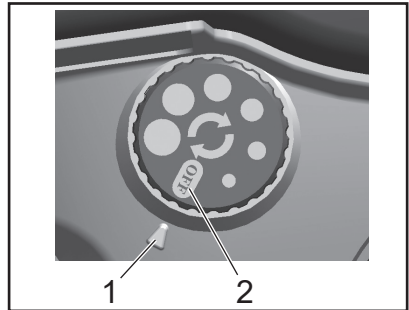


► 1. Tombol putar

Fungsi mundur otomatis

Jika mundur otomatis diaktifkan, motor akan mengerem setelah memotong kabel. Setelah sakelar mode maju dilepaskan, pisau bergerak akan secara otomatis kembali sesuai yang diatur oleh tombol putar.

Celah dapat disesuaikan di antara 6 tingkat. (Besarnya celah merupakan panduan.)



► 1. Besarnya celah 2. Off

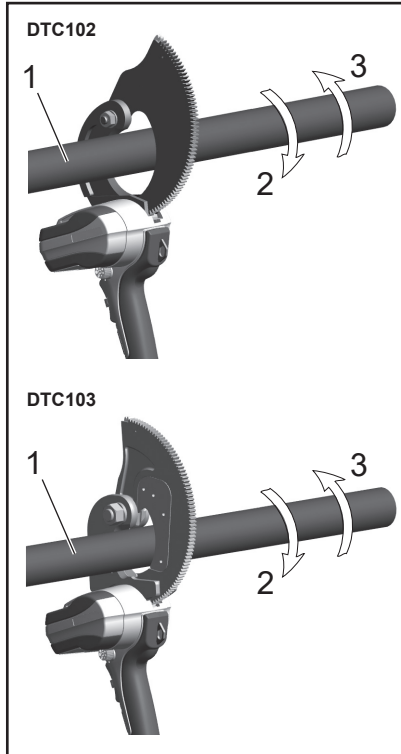
⚠ PERHATIAN:

- Mundur otomatis tidak aktif jika sakelar mode maju dilepaskan sebelum pemotongan selesai.
- Mundur otomatis tidak aktif dengan kabel listrik halus 60 mm² atau kurang.
- Diameter celah mungkin berbeda, tergantung pada tegangan baterai yang tersisa.

3. [DTC102, DTC103]

Memasukkan kabel listrik ke dalam celah pisau bergerak

Tempatkan kabel yang akan dipotong ke pisau stasioner, dan tutup pisau bergerak di sekitar kabel. Masukkan pisau bergerak dengan tangan sehingga gigi roda mengaktifkan mekanisme penggerak unit.



► 1. Kabel 2. Putaran pemotongan
3. Putaran terbalik

4. Mengoperasikan sakelar mode maju dan memotong kabel listrik
Tahan sakelar mode maju sampai pemotongan selesai.
5. Menghilangkan serpihan setelah pemotongan.
Setelah Anda selesai memotong, hilangkan sisa-sisa atau serpihan apa pun pada pisau.

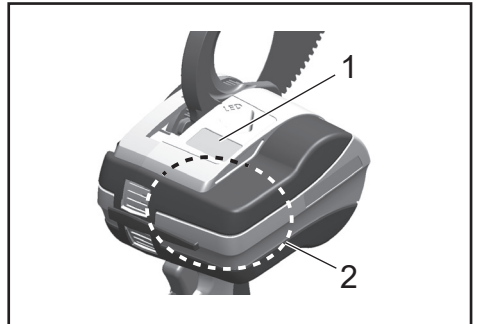
⚠ PERHATIAN:

• **Pengoperasian berkepanjangan**

Untuk melindungi motor, hentikan penggunaan perkakas ketika area di sekitar label perhatian menjadi panas. Untuk melanjutkan penggunaan, letakkan perkakas ini selama 50 menit di tempat yang sejuk dan berventilasi baik sampai dingin.

• **Perlindungan arus berlebih/kelebihan beban juga dapat diaktifkan, bahkan ketika mengoperasikan perkakas dalam kapasitas pemotongan.** Suhu pengoperasian, panjang kabel, dan tekukan serta faktor lainnya memengaruhi kinerja perkakas.

• **Jika lampu LED berkedip 6 kali atau lebih, itu adalah tampilan kesalahan papan sirkuit.** Silakan hubungi dealer Anda.



► 1. Label Perhatian 2. Area peringatan panas tinggi

⚠ PERHATIAN:

• **DTC102 hanya untuk kabel tembaga dan aluminium. Jangan gunakan DTC102 untuk baja, ACSR, atau bahan baja lainnya.**

Fungsi perlindungan arus berlebih

Jika arus kelebihan beban terjadi karena memotong kabel di luar spesifikasi, fungsi proteksi arus berlebih akan aktif dan menghentikan motor. Untuk memulihkan, lepaskan sakelar mode maju.

Mengganti dengan suku cadang

Untuk mengganti pemandu roda gigi sendiri, ikuti prosedur di bawah ini.

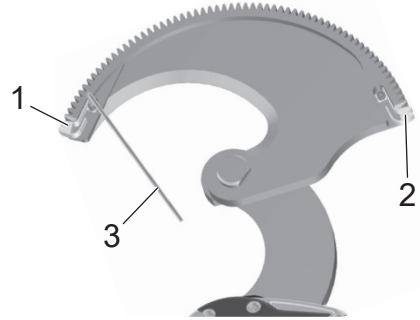
⚠PERHATIAN:

- Pastikan untuk melepaskan unit baterai dari unit utama sebelum mengganti pemandu roda gigi.
- Jika pemandu roda gigi rusak atau menghasilkan bunyi yang tidak normal, segera ganti. Melanjutkan penggunaan produk dengan pemandu roda gigi yang rusak bisa menyebabkan kerusakan pada roda gigi internal.

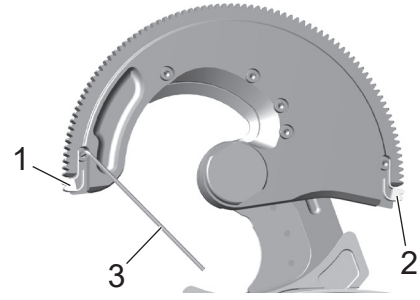
Mengganti pemandu roda gigi

1. Melepaskan pemandu roda gigi
Gunakan kunci L untuk membuka baut dengan lubang heksagonal (M3 × 3) dan lepaskan pemandu roda gigi.
2. Memasang pemandu roda gigi
Pasang pemandu roda gigi baru dan kencangkan bautnya dengan aman.

DTC102



DTC103



- 1. Pemandu roda gigi (A) 2. Pemandu roda gigi (B)
3. Kunci L

Mengganti dengan suku cadang (DTC103)

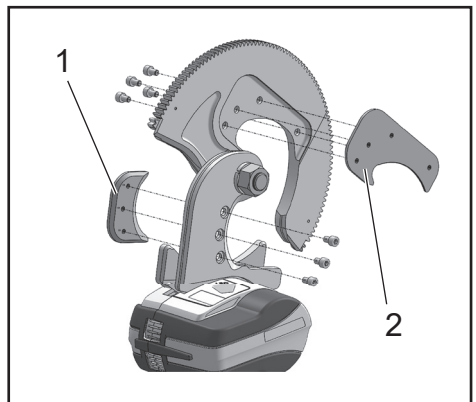
Untuk mengganti pisau sendiri, ikuti prosedur di bawah ini.

⚠PERHATIAN:

- Pastikan untuk melepaskan unit baterai dari unit utama sebelum mengganti pisau.

Mengganti pisau

1. Lepaskan baut dari rangka bergerak atau rangka stasioner.
2. Ganti pisau dengan yang baru lalu pasang bautnya.

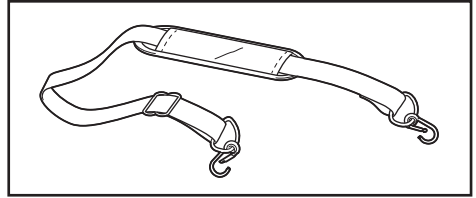


- 1. Pisau pengganti 2. Pisau pengganti

Aksesori opsional

• Tali sandang (161347-8)

Tali bahu ini digunakan dengan cara menyambungkan tali penggantung perkakas ini.



Pemeliharaan/Inspeksi

- Perlu diketahui bahwa mengabaikan pemeliharaan/inspeksi harian dapat menyebabkan kerusakan perkakas.
- Harap hindari menyimpan perkakas di lingkungan yang lembap untuk kelancaran pengoperasian perkakas dan pencegahan karat.
- Jika perkakas rusak selama penggunaan normal (10.000 operasi atau lebih, 1.000 pemotongan atau lebih), jangan melanjutkan operasi sebelum mengganti bagian yang rusak, karena alat ini telah mencapai akhir masa pakainya.
- Apabila bagian resin menjadi kotor, gunakan kain lembut yang dibasahi dengan air sabun untuk menyekanya.
- Apabila unit baterai disimpan terpisah, pastikan untuk memasang penutup terminal aksesori pada terminal untuk mencegah korsleting.
- Untuk pemeriksaan keselamatan, kami sarankan untuk mengirimkan perkakas ini ke pabrik setiap dua tahun sekali (dikenakan biaya). Hubungi dealer Anda untuk detailnya.
- Pisau bergerak dan pisau stasioner adalah suku cadang yang bisa diganti. Suku cadang tersebut tidak termasuk dalam garansi.

Spesifikasi

Pemotong kabel nirkabel	DTC102		DTC103
Diameter maksimum yang dapat dipotong	Hanya bahan non-besi (AL atau Cu)	Serat Cu	ACSR AL550 mm ² /ST70 mm ²
	φ 65 mm	φ 47 mm	
Motor listrik	Motor DC		
Dimensi	117 (D) × 357 (H) × 228 (W) (mm)		117 (D) × 356 (H) × 240 (W) (mm)
Berat	2,8 kg		4,8 kg

⚠ PERHATIAN:

- DTC102 hanya untuk kabel tembaga dan aluminium. Jangan gunakan DTC102 untuk baja, ACSR, atau bahan baja lainnya.

⚠️AMARAN: Sila baca dan fahami semua arahan dan maklumat keselamatan dalam panduan dan arahan pengendali ini. Penggunaan untuk aplikasi yang tidak dimaksudkan boleh menyebabkan kecederaan teruk atau kematian.

- Terima kasih atas pembelian pemotong kabel tanpa kord kami.
- Sila baca manual arahan ini secara menyeluruh dan dengan teliti sebelum cuba menggunakan kelengkapan. Selepas membaca manual arahan ini, simpan di lokasi yang mudah dicapai.
- Perihal
Pemotong mekanikal ialah pemotong kendalian bateri yang direka bentuk untuk memotong kabel yang digunakan dalam industri pada masa kini.

Langkah berjaga-jaga keselamatan

⚠️AMARAN: Baca semua amaran keselamatan dan semua arahan. Kegagalan untuk mematuhi amaran dan arahan boleh mengakibatkan renjatan elektrik, kebakaran dan/atau kecederaan teruk.

Simpan semua amaran dan arahan untuk rujukan masa hadapan.

⚠️AMARAN: Pengguna boleh terbunuh atau cedera parah jika produk ini disalahgunakan.

1) Keselamatan kawasan kerja

- a) Jaga kawasan kerja agar bersih dan cukup terang. Kawasan yang berselerak atau gelap mengundang kemalangan.
- b) Jangan mengendalikan perkakas kuasa di atmosfera yang boleh meletup, seperti dengan kehadiran cecair, gas, atau debu mudah terbakar. Perkakas kuasa mengeluarkan bunga api yang boleh mencucuh debu atau wasap.
- c) Jauhkan kanak-kanak dan orang yang berada di tempat kerja semasa mengendalikan perkakas kuasa. Gangguan boleh menyebabkan anda hilang kawalan.

2) Keselamatan elektrik

- a) Palam perkakas kuasa mestilah padan dengan alur keluar. Jangan mengubah suai palam dengan apa-apa cara pun. Jangan gunakan apa-apa palam penyesuai dengan perkakas kuasa terbumi (dibumikan). Palam yang tidak diubah suai dan salur keluar yang padan akan mengurangkan risiko renjatan elektrik.
- b) Elakkan sentuhan badan dengan permukaan yang dibumikan, seperti paip, radiator, dapur dan peti sejuk. Risiko renjatan elektrik adalah bertambah besar jika badan anda terbumi.
- c) Jangan dedahkan perkakas kuasa kepada hujan atau keadaan basah. Air yang memasuki perkakas kuasa akan meningkatkan risiko renjatan elektrik.
- d) Jangan salah guna kord. Jangan sekali-kali menggunakan kord untuk membawa, menarik atau mencabut palam perkakas kuasa.

Jauhi kord daripada haba, minyak, pinggir yang tajam atau bahagian yang gerak. Kord yang rosak atau terbelit meningkatkan risiko renjatan elektrik.

- e) Apabila mengendalikan perkakas kuasa di luar rumah, gunakan kord sambungan yang sesuai untuk kegunaan luar rumah. Penggunaan kord yang sesuai untuk kegunaan luar rumah mengurangkan risiko renjatan elektrik.
- f) Jika pengendalian perkakas kuasa di lokasi yang lembap tidak dapat dielakkan, gunakan bekalan berpelindung peranti arus baki (residual current device - RCD). Penggunaan RCD mengurangkan risiko renjatan elektrik.

3) Keselamatan diri

- a) Sentiasa berjaga-jaga, perhatikan apa yang anda sedang lakukan dan gunakan akal budi apabila mengendalikan perkakas kuasa.
Jangan gunakan perkakas kuasa apabila anda penat atau di bawah pengaruh dadah, alkohol atau ubat. Ketakperhatian walaupun seketika sewaktu mengendalikan perkakas kuasa boleh mengakibatkan kecederaan diri yang serius.
- b) Gunakan kelengkapan pelindung diri. Sentiasa memakai pelindung mata. Kelengkapan pelindung seperti topeng debu, kasut keselamatan tidak mudah tergelincir, topi keselamatan, atau pelindung pendengaran yang sesuai digunakan mengikut keadaan akan mengurangkan kecederaan diri.
- c) Cegah permulaan tidak sengaja. Pastikan suis berada dalam kedudukan mati sebelum menyambung kepada punca kuasa dan/atau pek bateri, mengangkat naik atau membawa perkakas. Membawa perkakas kuasa dengan jari anda pada suis atau memberikan tenaga kepada perkakas kuasa yang telah dihidupkan mengundang kemalangan.
- d) Tanggalkan apa-apa kunci atau perengkuh pelarasan sebelum menghidupkan perkakas kuasa. Perengkuh atau kunci yang dibiarkan tersambung pada bahagian perkakas kuasa yang berputar boleh mengakibatkan kecederaan diri.
- e) Jangan terlebih jangkau. Jaga kedudukan tapak danimbangan yang baik sepanjang masa. Ini membolehkan kawalan yang lebih baik bagi perkakas kuasa dalam situasi yang tidak diduga.

- f) Pakailah pakaian yang sesuai. Jangan memakai pakaian yang longgar atau barang kemas. Jauhi rambut, pakaian dan sarung tangan anda dari bahagian yang bergerak. Pakaian yang longgar, barang kemas, atau rambut yang panjang boleh tersangkut dalam bahagian yang bergerak.
- g) Jika peranti disediakan dengan sambungan bagi kemudahan pengekstrakan dan pengumpulan debu, pastikan ini tersambung dan digunakan dengan betul. Penggunaan alat pengumpulan debu boleh mengurangkan bahaya berkaitan debu.
- h) Jangan biarkan kebiasaan dengan produk daripada penggunaan berulang menyebabkan anda menjadi terlalu yakin dan mengabaikan prinsip keselamatan perkakas. Satu tindakan yang cuai boleh menyebabkan kecederaan yang parah dalam sekelip mata.

4) Penggunaan dan penjagaan perkakas kuasa

- a) Jangan dipaksa perkakas kuasa. Gunakan perkakas kuasa yang betul untuk kerja anda. Perkakas kuasa yang betul akan melakukan kerja yang lebih baik dan lebih selamat pada kadar reka bentuknya.
- b) Jangan gunakan perkakas kuasa jika suis tidak boleh menghidupkan dan mematikannya. Manamana perkakas kuasa yang tidak boleh dikawal dengan suis adalah berbahaya dan mesti dibaiki.
- c) Cabut palam dari punca kuasa dan/atau pek bateri dari perkakas kuasa sebelum membuat apa-apa pelarasan, menukar aksesori, atau menyimpan perkakas kuasa. Langkah-langkah keselamatan pencegahan sedemikian mengurangkan risiko memulakan perkakas kuasa secara tidak sengaja.
- d) Simpan perkakas kuasa yang melahu jauh dari capaian kanak-kanak dan jangan benarkan orang yang tidak biasa dengan perkakas kuasa atau arahan ini mengendalikan perkakas kuasa. Perkakas kuasa adalah berbahaya di tangan pengguna yang tidak terlatih.
- e) Menyelenggara perkakas kuasa dan aksesori. Periksa salah jajaran atau kekangan bahagian yang bergerak, retakan bahagian dan apa-apa keadaan lain yang mungkin menjelaskan pengendalian perkakas kuasa. Jika rosak, baiki perkakas kuasa sebelum digunakan. Banyak kemalangan adalah disebabkan oleh perkakas kuasa yang tidak diselenggarakan dengan betul.
- f) Jaga agar perkakas pemotongan tajam dan bersih. Perkakas pemotongan yang diselenggarakan dengan baik dengan mata pemotong yang tajam kurang kemungkinan menjadi sendat dan lebih mudah untuk dikawal.
- g) Gunakan perkakas kuasa, aksesori dan mata alat dan sebagainya menurut arahan ini, dengan mengambil kira keadaan kerja dan kerja yang akan dijalankan.

Penggunaan perkakas kuasa untuk pengendalian yang lain daripada tujuannya boleh mengakibatkan situasi yang berbahaya.

- h) Jaga permukaan pemegang dan gengaman agar kering, bersih dan bebas dari minyak dan gris. Permukaan pemegang dan gengaman yang licin tidak membolehkan pengendalian dan kawalan yang selamat bagi perkakas dalam situasi tidak diduga.

5) Penggunaan dan penjagaan perkakas bateri

- a) Cas semula hanya dengan pengecas yang ditetapkan oleh pengeluar. Pengecas yang sesuai untuk satu jenis pek bateri mungkin mewujudkan risiko kebakaran jika digunakan dengan pek bateri yang lain.
- b) Gunakan perkakas kuasa hanya dengan pek bateri yang ditetapkan secara khusus. Penggunaan apa-apa pek bateri lain boleh menimbulkan risiko kecederaan dan kebakaran.
- c) Apabila pek bateri tidak digunakan, pastikan ia disimpan jauh dari objek logam lain seperti klip kertas, syiling, kunci, paku, skru atau objek logam kecil lain yang boleh membuat sambungan dari satu terminal ke terminal yang lain. Pintasan terminal bateri boleh menyebabkan lecuran atau kebakaran.
- d) Dalam keadaan salah guna, cecair mungkin terpancut dari bateri, elak daripada tersentuh. Jika tersentuh secara tidak sengaja, bilas dengan air. Jika cecair terkena mata, dapatkan juga bantuan perubatan.
Cecair yang terpancut dari bateri boleh menyebabkan kerengsaan atau lecuran.
- e) Jangan gunakan pek bateri atau perkakas yang rosak atau diubah suai. Bateri yang rosak atau diubah suai boleh menunjukkan tindakan yang tidak dapat diramalkan sehingga mengakibatkan kebakaran, letupan atau risiko kecederaan.
- f) Jangan dedahkan pek bateri atau perkakas kepada api atau suhu yang berlebihan. Pendedahan kepada api atau suhu melebihi 130°C boleh mengakibatkan letupan.
- g) Ikuti semua arahan pengecasan dan jangan mengecas bateri atau perkakas di luar julat suhu yang dinyatakan dalam arahan. Mengecas dengan cara yang tidak betul atau pada suhu di luar julat yang dinyatakan boleh merosakkan bateri dan meningkatkan risiko kebakaran.

6) Servis

- a) Hantar perkakas kuasa anda untuk diservis oleh tukang yang layak dengan menggunakan alat ganti yang sama sahaja. Ini akan memastikan bahawa keselamatan perkakas kuasa terjaga.
- b) Jangan sekali-kali menservis pek bateri yang rosak. Servis pek bateri hanya boleh dilakukan oleh pengeluar atau penyedia perkhidmatan yang berdaftar.

Pegang perkakas kuasa pada permukaan gengaman bertebat, apabila menjalankan pengendalian yang memungkinkan pengikat terkena pendawaian yang tersembunyi. Pengikat yang terkena dawai "hidup" boleh menyebabkan bahagian logam yang terdedah pada perkakas kuasa turut "hidup" dan mengakibatkan renjatan elektrik kepada pengendali.

Gunakan pengecas bateri dan pek bateri Makita yang tulen.

- Gunakan pek bateri tulen untuk perkakas ini.
- Jangan mengecas pek bateri dengan pengecas bateri yang lain. Kegagalan untuk mematuhi perkara ini boleh menyebabkan meletup, yang boleh mengakibatkan kemalangan atau kecederaan.

Cas pek bateri dengan cara yang betul.

- Gunakan punca kuasa dengan petunjuk kadaran untuk menyambungkan pengecas bateri yang dibekalkan bersama-sama dengan produk ini.
- Jangan gunakan punca kuasa DC atau penjana kuasa pacuan enjin untuk mengecas pek bateri. Kegagalan untuk mematuhi hal ini boleh menjana haba yang berlebihan, yang boleh menyebabkan kebakaran.
- Apabila suhu ambien, pek bateri atau pengecas bateri kurang daripada 0°C atau lebih daripada 40°C, jangan cas pek bateri. Kegagalan untuk mematuhi perkara ini boleh menyebabkan meletup atau kebakaran.
- Semasa mengecas pek bateri, pilih tempat yang baik pengudaraannya untuk mengecas.
- Jangan menutup pek bateri dengan kain semasa mengecas. Kegagalan untuk mematuhi perkara ini boleh menyebabkan meletup atau kebakaran.
- Pastikan anda menanggalkan palam kuasa selepas mengecas. Kegagalan untuk mematuhi perkara ini boleh menyebabkan renjatan elektrik atau kebakaran.

Jangan mengajukan pemotong ke arah orang semasa digunakan.

- Kegagalan untuk mematuhi perkara ini boleh mengakibatkan kecederaan.

Elakkan litar pintas terminal pada pek bateri.

- Apabila pek bateri disimpan bersendirian, pastikan penutup terminal diletakkan pada terminal untuk mengelakkan litar pintas. Pastikan terminal bateri tidak akan dipintas oleh bahagian logam lain seperti skru, paku, dsb.

Jangan biarkan pek bateri terdedah kepada api.

- Kegagalan untuk mematuhi perkara ini boleh menyebabkan meletup atau kebocoran bahan berbahaya.

Jangan gunakan pada bahagian yang ada tenaga elektrik hidup.

- Perkakas ini tidak berpenambat. Penggunaan di lokasi yang bertenaga elektrik boleh menyebabkan renjatan elektrik.
- Jangan sentuh palam kuasa atau pek bateri dengan tangan yang basah. Kegagalan untuk mematuhi perkara ini boleh mengakibatkan renjatan elektrik.

Tanggalkan pek bateri dari badan perkakas dalam keadaan berikut.

- Apabila tidak digunakan atau untuk pembaikan
 - Apabila menggantikan alat ganti
 - Lain-lain masa apabila disyaki ada bahaya
- Kegagalan untuk mematuhi amaran ini boleh menyebabkan perkakas dihidupkan secara tidak sengaja dan mengakibatkan kecederaan.

Menghidupkan perkakas secara tidak dijangka.

- Pastikan jari berada jauh dari picu semasa mengalihkan perkakas. Perkakas yang dihidupkan secara tidak dijangka boleh mengakibatkan kecederaan.

Gunakan aksesori yang ditetapkan sahaja.

- Jangan menggunakan apa-apa aksesori yang lain daripada yang dinyatakan dalam manual arahan ini atau katalog kami. Kegagalan untuk mematuhi perkara ini boleh mengakibatkan kemalangan atau kecederaan.

Gunakan peralatan perlindungan.

- Gunakan kaca mata keselamatan semasa pengendalian. Jika pengendalian berdebu, gunakan topeng pelindung. Semasa memotong, serpihan kecil mungkin berserakan dan mengakibatkan kecederaan.

Jangan merenung lampu kerja LED.

- Ia boleh merosakkan penglihatan.

Pertimbangkan persekitaran kerja.

- Jangan gunakan perkakas, pengecas bateri, atau pek bateri dalam hujan, atau di tempat yang basah atau lembap. Kegagalan untuk mematuhi perkara ini boleh menyebabkan renjatan elektrik atau asap.
- Lakukan kerja di tempat yang cukup terang. Bekerja di tempat yang gelap boleh menyebabkan kemalangan.
- Jangan menggunakan atau mengecas bateri dengan kehadiran cecair atau gas mudah terbakar. Kegagalan untuk mematuhi perkara ini boleh mengakibatkan letupan atau kebakaran.

Sentiasa jaga agar tempat kerja bersih.

- Tempat dan bangku yang bersepah boleh menyebabkan kemalangan.

Simpan perkakas jauh dari kanak-kanak.

- Jangan biarkan orang lain selain daripada pengendali menyentuh perkakas dan kord pengecas bateri. Jauhkan orang ramai dari tempat kerja. Kegagalan untuk mematuhi perkara ini boleh mengakibatkan kecederaan.

Apabila perkakas tidak digunakan, simpanlah dengan betul.

- Simpan perkakas di tempat yang rendah kelembapan dan juga di tempat tinggi yang tidak dapat dicapai oleh kanak-kanak atau tempat yang boleh dikunci. Kegagalan untuk mematuhi perkara ini boleh mengakibatkan kemalangan.
- Jangan simpan perkakas atau pek bateri di tempat yang suhunya boleh mencapai atau melebihi 40°C (di dalam peti logam, di dalam kereta pada musim panas, dsb.). Kegagalan untuk mematuhi perkara ini boleh merosakkan pek bateri, yang mungkin menyebabkan asap atau pencucuhan.

Jangan menggunakan perkakas dengan cara yang tidak munasabah.

- Jalankan pengendalian selaras dengan kapasiti perkakas untuk pengendalian yang selamat dan cekap. Penggunaan perkakas yang melebihi kapasitinya boleh menyebabkan kemalangan.

- Jangan menggunakan perkakas dengan cara yang tidak munasabah yang menyebabkan motornya terkunci. Kegagalan untuk mematuhi perkara ini boleh mengakibatkan asap atau kebakaran.

Gunakan perkakas yang sesuai untuk pengendalian.

- Jangan menggunakan perkakas untuk penggunaan yang lain daripada yang ditentukan. Kegagalan untuk mematuhi perkara ini boleh mengakibatkan kecederaan.

Jalankan pengendalian dengan pakaian yang sesuai.

- Jangan memakai pakaian longgar atau aksesori seperti rantai leher. Perkara sedemikian boleh tersangkut dalam bahagian yang bergerak, bahagian yang berputar, atau seumpamanya.
- Apabila pengendalian dijalankan di luar rumah, penggunaan sarung tangan getah dan kasut tak gelincir disyorkan. Sarung tangan dan kasut yang licin boleh menyebabkan kecederaan.
- Jika anda berambut panjang, pakai topi atau penutup rambut untuk menutup rambut anda. Kegagalan untuk mematuhi perkara ini boleh menyebabkan rambut anda tersangkut dalam bahagian yang bergerak, bahagian yang berputar, atau seumpamanya.

Jangan mengendalikan perkakas dengan postur yang kaku dan kekok.

- Jaga kedudukan tapak yang baik sepanjang masa dan jaga imbangan anda. Kegagalan untuk mematuhi perkara ini boleh menyebabkan anda terjatuh, yang boleh mengakibatkan kecederaan.

Sentiasa berjaga-jaga semasa anda bekerja dengan penuh perhatian.

- Apabila anda menggunakan perkakas, berhati-hatilah dengan kaedah pengendalian, cara pengendalian dan keadaan persekitaran, serta jalankan pengendalian anda dengan berhati-hati. Kegagalan untuk mematuhi perkara ini boleh mengakibatkan kemalangan atau kecederaan.
- Jangan mengendalikan perkakas di bawah pengaruh alkohol. Kegagalan untuk mematuhi perkara ini boleh mengakibatkan kemalangan atau kecederaan.
- Jangan mengendalikan perkakas ini jika keadaan fizikal anda lemah. Kegagalan untuk mematuhi perkara ini boleh mengakibatkan kemalangan atau kecederaan.

Jangan mengendalikan kord pengecas bateri dengan cara yang kasar.

- Jangan mengangkat pengecas menggunakan kord atau merenggut untuk menanggalkannya dari soket.
- Jauhkan kord dari haba, minyak, dan pinggir yang tajam.
- Pastikan persekitaran pengecasan bebas daripada dipijak atau tersandung kord. Kegagalan untuk mematuhi perkara ini boleh menyebabkan renjatan elektrik atau lintas pintas yang boleh mengakibatkan kebakaran.

Gunakan kord sambungan dengan spesifikasi luar rumah.

- Jika anda menggunakan perkakas di luar rumah, gunakan kord sambungan yang diperbuat daripada kabel bersarung getah yang teguh.

Jalankan penyelenggaraan perkakas dengan cermat.

- Ikuti manual arahan semasa menggantikan alat ganti. Kegagalan untuk mematuhi perkara ini boleh mengakibatkan kecederaan.
- Periksa kord pengecas bateri secara berkala. Jika kord rosak, minta kemudahan servis berdaftar untuk membaikinya. Kegagalan untuk mematuhi perkara ini boleh menyebabkan renjatan elektrik atau lintas pintas yang boleh mengakibatkan kebakaran.
- Jika kord sambungan digunakan, periksa kord secara berkala. Jika kord telah rosak, gantikannya dengan yang baru. Kegagalan untuk mematuhi perkara ini boleh menyebabkan renjatan elektrik atau lintas pintas yang boleh mengakibatkan kebakaran.
- Jaga agar pemegang sentiasa kering dan bersih serta jauhkannya dari minyak dan gris. Kegagalan untuk mematuhi perkara ini boleh mengakibatkan kecederaan.

Periksa bahagian-bahagian yang rosak.

- Periksa bahawa tiada bahagian yang rosak sebelum digunakan. Sahkan bahawa perkakas beroperasi dengan normal dan semua komponen berfungsi dengan betul.
- Periksa penjarangan bahagian yang bergerak, kelancaran bahagian yang bergerak, rosak atau pecah bahagian, pemasangan dan apa-apa keadaan lain yang boleh menjejaskan pengendaliannya.
- Jangan menggunakan pengecas bateri jika palam kuasa atau kordnya rosak, atau yang telah terjatuh dan kemudian rosak. Kegagalan untuk mematuhi perkara ini boleh menyebabkan renjatan elektrik atau lintas pintas yang boleh mengakibatkan kebakaran. Jika rosak, ia hendaklah dibaiki dengan betul atau diganti oleh kemudahan servis berdaftar kecuali dinyatakan dengan cara lain dalam manual arahan ini. Gantikan suis yang rosak di kemudahan servis berdaftar. Jangan menggunakan perkakas jika suis tidak boleh dihidupkan atau dimatikannya. Perkakas sedemikian mungkin beroperasi secara tidak normal, yang boleh mengakibatkan kecederaan.

Minta kemudahan servis berdaftar untuk membaikinya.

- Jangan menyahpasang, membaiki atau mengubah suai unit utama, pengecas bateri, atau pek bateri. Kegagalan untuk mematuhi perkara ini boleh menyebabkan pencucuhan atau pengendalian tidak normal, yang boleh mengakibatkan kecederaan.
- Jika perkakas menjadi panas atau terdapat ketaknormalan pada perkakas, minta pemeriksaan atau membaikan perkakas tersebut.
- Perkakas ini dibina selaras dengan keperluan keselamatan yang berkenaan. Jangan cuba mengubah suai produk ini.
- Baiklah perkakas anda di pusat servis berdaftar. Pembaikan hendaklah dijalankan oleh orang yang berkelayakan sahaja menggunakan alat ganti tulen; jika tidak, ini boleh mengakibatkan bahaya yang besar kepada pengguna.

Langkah berjaga-jaga semasa menggunakan pemotong kabel tanpa kord

- Semasa menggunakan perkakas ini, ikuti arahan seperti yang ditunjukkan di bawah:

Langkah berjaga-jaga untuk perkakas

- **Jangan sekali-kali memotong apa-apa yang melebihi kapasiti pemotongan maksimum.**

Amalkan langkah berjaga-jaga, kerana kegagalan untuk mematuhi ini boleh menyebabkan kerosakan. (Lihat halaman 91)

- **Jangan sentuh pinggir pemotong bilah boleh gerak atau bilah tetap.**

Kegagalan untuk mematuhi perkara ini boleh mengakibatkan kecederaan.

- **Jangan sekali-kali memotong dawai hidup (kabel elektrik yang mengalirkan tenaga elektrik).**

- **Jangan biarkan terjatuh atau terkena hentakan yang berlebihan.**

Struktur dalaman telah dihasilkan secara jitu untuk menjadikannya padat dan ringan, jadi ia mungkin tidak berfungsi dengan baik jika terkena hentakan.

- **Jangan gunakan dalam hujan.**

Berbuat demikian boleh menyebabkan bilah berkarat dan pinggir pemotongan menjadi tumpul atau mengakibatkan kerosakan.

- **Jangan memotong panjang lebih 50 mm atau kurang.**

Memotong panjang lebih di hujung CCP dan kabel lain terlalu pendek boleh menyebabkan bahagian dalam kabel, dsb., terpotong juga.

- **Jangan mengenakan tekanan membalas arah yang dipotong.**

Sentiasa potong bahan secara berterusan. Kegagalan untuk mematuhi perkara ini boleh merosakkan bilah pemotong.

- **Pegang dengan kemas dan kukuh.**

Kegagalan untuk mematuhi perkara ini boleh mengakibatkan kecederaan.

- **Pastikan tiada orang di bawah anda sebelum menggunakan perkakas di tempat yang tinggi.**

Kegagalan untuk mematuhi perkara ini boleh mengakibatkan kemalangan sekiranya bahan atau peranti terjatuh, dsb.

- **Periksa untuk memastikan tiada apa-apa yang tidak normal sebelum digunakan.**

Retakan atau patah pada pemotong boleh merosakkan pemotong dan mengakibatkan kecederaan.

- **Rehat sebentar semasa penggunaan.**

Pemotongan yang berpanjangan tanpa rehat menghasilkan haba motor yang tinggi yang boleh menyebabkan motor dan pek bateri panas lampau, mengakibatkan kerosakan. Pastikan anda rehat beberapa ketika semasa penggunaan.

- **Suhu ambien yang rendah (10°C atau kurang) boleh menyebabkan kabel elektrik menjadi keras, menyebabkannya sukar untuk dipotong, walaupun berada dalam kapasiti pemotongan.**

- **Bersihkan dengan udara, dsb. selepas setiap penggunaan.**

Berhati-hati untuk memastikan potongan dan serpihan lain tidak masuk ke dalam unit dari bukaan (pemacu bilah boleh gerak).

- **Jangan potong kabel elektrik yang mempunyai dawai berdiameter 1 mm.**

Kegagalan untuk mematuhi perkara ini boleh menyebabkan bilah pemotong tersangkut pada bilah kabel elektrik dan terkunci.

Langkah berjaga-jaga semasa menggunakan pek bateri

- **Jangan sekali-kali melitarpintaskan terminal.**

- **Simpan pek bateri jauh daripada air, minyak, dan pelarut organik.**

- **Jangan nyahpasang atau ubah suai pek bateri.**

- **Jika pek bateri dilupuskan, jangan dedahkannya kepada api atau melupuskannya sebagai sisa biasa. (Kami menggalakkan kitar semula.)**

- **Jangan melempar atau menjatuhkan pek bateri.**

- **Jangan biarkan pek bateri di tempat yang suhunya 40°C atau lebih tinggi untuk jangka masa yang lama.**

- **Elakkan litar pintas bateri dengan tidak membiarkan kotoran atau debu pada terminal, kerana ini akan menyebabkan pincang tugas. Jika terminal terkakis, jangan gunakan pek bateri.**

- **Fungsi perlindungan yang menghentikan output dilengkapi untuk memanjangkan hayat pek bateri. Motor mungkin berhenti apabila baki aras bateri adalah rendah walaupun suis operasi ditekan semasa menggunakan perkakas ini. Walau bagaimanapun, fenomena ini bukan disebabkan oleh pincang tugas tetapi oleh fungsi perlindungan. Dalam hal sedemikian, cas bateri dengan segera.**

Langkah berjaga-jaga untuk pengecas bateri

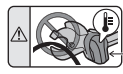
- **Pengecas bateri ini mempunyai lampu penunjuk (LED berbilang warna) untuk menunjukkan keadaan pengecasan bateri.**

- **Elakkan litar pintas pengecas dengan tidak membiarkan kotoran atau debu pada slot penyisipan, kerana ini akan menyebabkan pincang tugas. Jika terminal logam terkakis, jangan gunakan pengecas bateri.**

SIMBOL AMARAN



Sebelum menggunakan perkakas, baca arahan dalam manual ini dengan teliti.



Kawasan amaran haba tinggi

Untuk melindungi motor, jangan gunakan jika kawasan amaran haba tinggi menjadi panas. (Lihat halaman 89)



Jangan sentuh semasa pengendalian.

Kartrij bateri dan pengecas yang boleh digunakan

Kartrij bateri	BL1815N / BL1820B / BL1830B / BL1840B / BL1850B / BL1860B
Pengecas	DC18RC / DC18RD / DC18RE / DC18SD / DC18SE / DC18SF / DC18SH / DC18WC

- Sesetengah kartrij bateri dan pengecas yang disenaraikan di atas mungkin tidak boleh didapati bergantung pada rantau tempat tinggal anda.
- Untuk mengecap bateri, sila baca manual arahan untuk pengecas bateri.

⚠️ AMARAN: Hanya gunakan kartrij bateri dan pengecas yang disenaraikan di atas. Penggunaan apa-apa kartrij bateri atau pengecas lain boleh mengakibatkan kecederaan dan/atau kebakaran.

Arahan keselamatan penting untuk kartrij bateri

1. **Sebelum menggunakan kartrij bateri, baca semua arahan dan tanda-tanda amaran pada (1) pengecas bateri, (2) bateri, dan (3) produk yang menggunakan bateri.**
2. **Jangan menyahpasang atau mengganggu usik kartrij bateri.** Ini boleh menyebabkan kebakaran, haba berlebihan, atau letupan.
3. **Sekiranya masa pengendalian menjadi terlalu pendek, hentikan pengendalian dengan segera.** Ini boleh mengakibatkan risiko pemanasan lampau, kemungkinan lecuran malah letupan.
4. **Sekiranya elektrolit masuk ke mata anda, bilas dengan air bersih dan dapatkan rawatan perubatan dengan segera.** Ini boleh menyebabkan anda kehilangan penglihatan.
5. **Jangan memintas kartrij bateri:**
 - (1) Jangan sentuh terminal dengan apa-apa bahan pengalir.
 - (2) Elakkan menyimpan kartrij bateri di dalam bekas bersama-sama objek logam lain seperti paku, syiling, dsb.
 - (3) Jangan dedahkan kartrij bateri kepada air atau hujan.

Pintasan bateri boleh menyebabkan aliran arus yang besar, pemanasan lampau, kemungkinan terbakar dan juga kerosakan.
6. **Jangan simpan dan gunakan perkakas dan kartrij bateri di lokasi yang suhunya boleh mencapai atau melebihi 50°C (122°F).**
7. **Jangan membakar kartrij bateri walaupun ia rosak teruk atau kehabisan kuasa sepenuhnya.** Kartrij bateri boleh meletup dalam api.
8. **Jangan memaku, memotong, menghancurkan, melempar, menjatuhkan kartrij bateri, atau menghentak objek keras kepada kartrij bateri.** Perbuatan sedemikian boleh menyebabkan kebakaran, haba berlebihan, atau letupan.
9. **Jangan gunakan bateri yang telah rosak.**
10. **Bateri ion litium yang terkandung adalah tertakluk kepada keperluan Perundangan Barangan Berbahaya.**

Untuk pengangkutan komersial misalnya oleh pihak ketiga, ejen penghantaran, keperluan khas pada pembungkusan dan pelabelan mestilah dipatuhi.

Untuk penyediaan item yang akan dihantar, perundingan dengan pakar untuk bahan berbahaya diperlukan. Sila patuhi juga kemungkinan peraturan kebangsaan yang lebih terperinci.

Balut dengan pita atau pelekat sentuhan yang terbuka dan bungkus bateri dengan cara sedemikian sehingga ia tidak dapat bergerak dalam bungkus.

11. **Semasa melupuskan kartrij bateri, keluarkan dari perkakas dan lupuskannya di tempat yang selamat.** Ikuti peraturan tempatan anda berhubung dengan pelupusan bateri.
12. **Gunakan bateri hanya dengan produk yang dinyatakan oleh Makita.** Memasang bateri pada produk yang tidak patuh boleh mengakibatkan kebakaran, haba yang berlebihan, letupan atau kebocoran elektrolit.
13. **Jika perkakas tidak akan digunakan untuk tempoh masa yang lama, bateri mesti dikeluarkan dari perkakas.**
14. **Semasa dan selepas penggunaan, kartrij bateri boleh menjadi panas dan boleh menyebabkan lecuran atau lecuran suhu rendah.** Beri perhatian kepada pengendalian kartrij bateri yang panas.
15. **Jangan sentuh terminal perkakas sebaik sahaja digunakan kerana ia boleh menjadi cukup panas sehingga menyebabkan lecuran.**
16. **Jangan biarkan serpihan, debu atau tanah terlekat pada terminal, lubang, dan alur kartrij bateri.** Ini boleh menyebabkan pemanasan, terbakar, meletus dan pincang tugas terhadap perkakas atau kartrij bateri, mengakibatkan lecuran atau kecederaan diri.
17. **Kecuali perkakas menyokong penggunaan berhampiran talian kuasa elektrik voltan tinggi, jangan gunakan kartrij bateri berhampiran talian kuasa elektrik voltan tinggi.** Ini boleh mengakibatkan pincang tugas atau kerosakan perkakas atau kartrij bateri.
18. **Simpan bateri jauh dari kanak-kanak.**

SIMPAN ARAHAN INI.

⚠️AWAS:

• **Hanya gunakan bateri Makita yang tulen.**

Penggunaan bateri Makita yang tidak tulen, atau bateri yang telah diubah, boleh mengakibatkan bateri meletup lalu menyebabkan kebakaran, kecederaan diri dan kerosakan. Ini juga akan membatalkan waranti Makita untuk perkakas dan pengecas Makita.

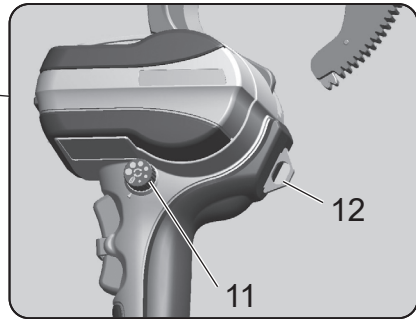
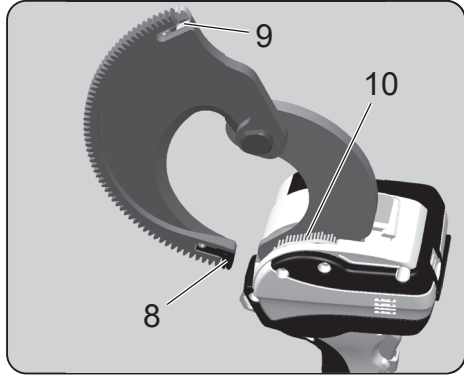
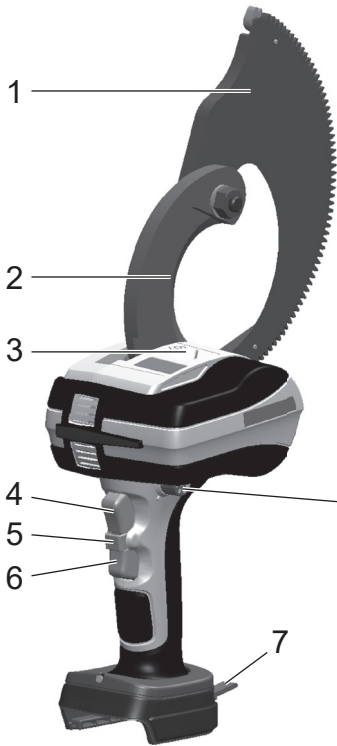
Petua untuk menjaga hayat bateri maksimum

1. **Cas kartrij bateri sebelum kehabisan kuasa sepenuhnya. Sentiasa hentikan pengendalian perkakas dan cas kartrij bateri apabila anda menyedari perkakas kurang kuasa.**
2. **Jangan sekali-kali mengecas semula kartrij bateri yang telah dicas sepenuhnya. Lampau cas akan memendekkan hayat perkhidmatan bateri.**
3. **Cas kartrij bateri pada suhu bilik 10°C - 40°C (50°F - 104°F). Biarkan kartrij bateri yang panas menyejuk dahulu sebelum mengecasnya.**
4. **Apabila tidak menggunakan kartrij bateri, keluarkannya dari perkakas atau pengecas.**
5. **Cas kartrij bateri jika anda tidak menggunakannya untuk tempoh masa yang lama (lebih daripada enam bulan).**

Nama dan aksesori

DTC102

Pemotong kabel tanpa kord



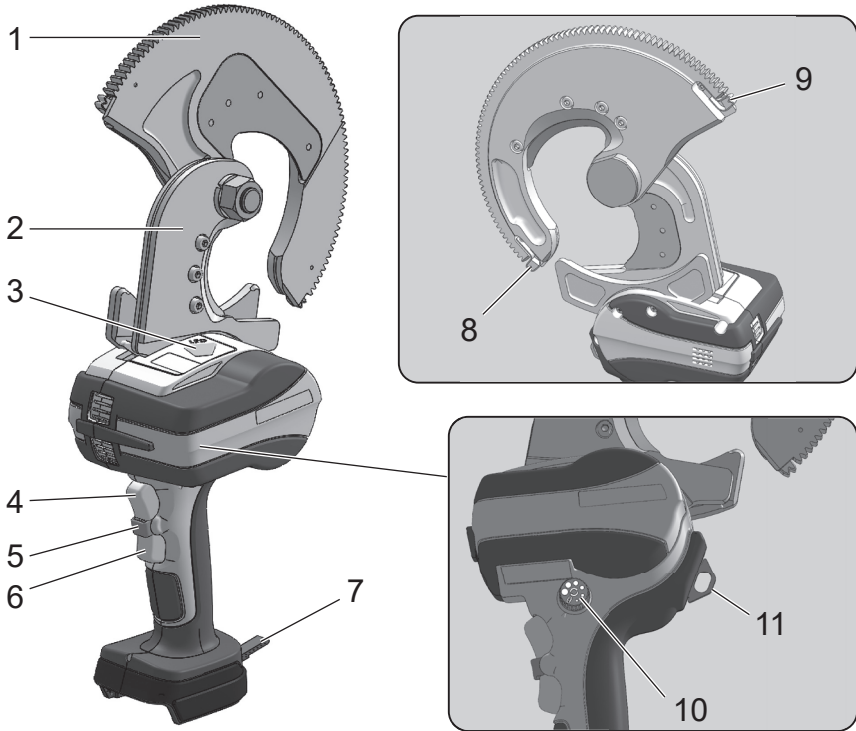
Bekas pembawa



* Perkakas ini direka bentuk untuk bateri litium ion 18V Makita.

1	Bilah bergerak	7	Tali penggantung
2	Bilah pegun	8	Pandu gear (A)
3	Lampu kerja LED	9	Pandu gear (B)
4	Suis mod mara	10	Berus (untuk membersihkan habuk)
5	Kunci suis	11	Tombol putar
6	Suis mod undur	12	Gegelang gantung

Pemotong kabel tanpa kord



Bekas pembawa



* Perkakas ini direka bentuk untuk bateri litium ion 18V Makita.

1	Bilah bergerak	7	Tali penggantung
2	Bilah pegun	8	Pandu gear (A)
3	Lampu kerja LED	9	Pandu gear (B)
4	Suis mod mara	10	Tombol putar
5	Kunci suis	11	Gegelang gantung
6	Suis mod undur	—	—

Bateri

Bateri

- Semasa pembelian, fungsi perlindungan bateri mungkin diaktifkan kerana bateri tidak dicas secukupnya. (Sila berhati-hati kerana produk ini mungkin mula beroperasi jika anda mengendalikan suis.) Cas bateri dengan betul menggunakan pengecas pantas sebelum digunakan.
- Pasang penutup bateri apabila tidak menggunakan produk. Ini akan membantu melindungi bateri daripada air dan habuk.
- Apabila tidak menggunakan produk untuk tempoh masa yang panjang, simpan dengan bateri ditanggalkan.

Untuk meningkatkan hayat bateri

- Apabila anda merasakan bahawa kekuatan perkakas telah menjadi lemah, berhenti menggunakannya dan cas bateri.
- Jangan mengecap semula bateri yang telah dicas sepenuhnya.
- Cas bateri dalam julat suhu ambien 10°C hingga 40°C.
- Apabila bateri telah menjadi panas seperti sejurus selepas digunakan, kami mengesyorkan supaya ia dimasukkan ke dalam pengecas untuk disejukkan dan dicas.
- Apabila bateri litium-ion tidak akan digunakan untuk tempoh masa yang lama (sekurang-kurangnya 6 bulan), kami mengesyorkan supaya ia dicas dan kemudian disimpan.

Pengumpulan bateri

- Bateri terpakai dikumpulkan untuk kitar semula. Sila bawa bateri ke kedai tempat anda membeli produk atau pejabat jualan Makita.



Li-ion

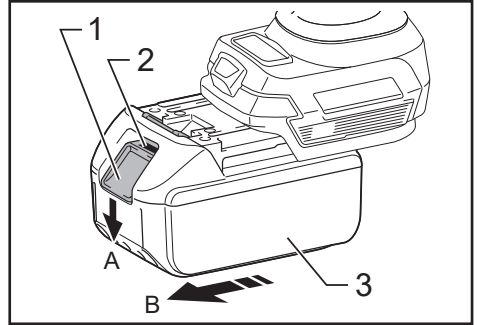
Kitar semula bateri
litium-ion

Cara memasang dan menanggalkan bateri

⚠️ AMARAN:

Masukkan bateri ke dalam produk dengan betul. Jika bahagian merah di bahagian atas butang masih kelihatan, bateri belum terkunci sepenuhnya. Masukkan bateri dengan kemas sehingga semua bahagian merah tidak dapat dilihat.

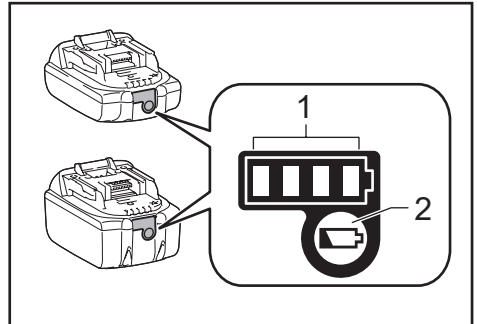
- Jika bateri tidak dimasukkan dengan secukupnya, ia mungkin tertanggal dan menyebabkan kemalangan.
- Untuk menanggalkan bateri dari produk ini, A. tekan butang di bahagian hadapan bateri dan B. gelangsarkan bateri untuk mengeluarkannya.
- Semasa memasang bateri, jajarkan bateri dengan alur dalam produk dan masukkan sepenuhnya ke dalam dengan melakukan tataraca secara terbalik. Jika bahagian merah di bahagian atas butang masih kelihatan pada masa ini, bateri belum terkunci sepenuhnya. Masukkan bateri dengan betul sepenuhnya sehingga semua bahagian merah tidak dapat dilihat.



► 1. Butang 2. Bahagian merah 3. Bateri

Menunjukkan baki kapasiti bateri

Hanya untuk kartrij bateri dengan penunjuk



► 1. Lampu penunjuk 2. Butang periksa

Tekan butang periksa pada kartrij bateri untuk menunjukkan baki kapasiti bateri. Lampu penunjuk menyala selama beberapa saat.

Lampu penunjuk			Baki kapasiti
Menyala	Mati	Berkelip	
■ ■ ■ ■			75% hingga 100%
■ ■ ■ □			50% hingga 75%
■ ■ □ □			25% hingga 50%
■ □ □ □			0% hingga 25%
◐ □ □ □			Cas bateri.
■ ■ □ □	↑ ↓	□ □ ■ ■	Bateri mungkin telah pincang tugas.

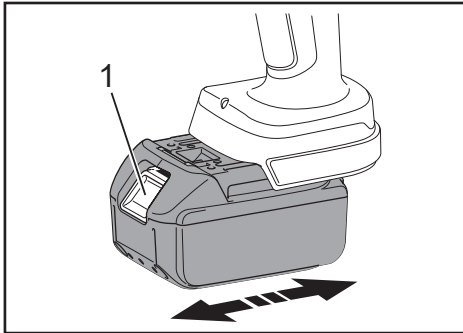
PERHATIAN: Bergantung kepada keadaan penggunaan dan suhu ambien, penunjuk mungkin berbeza sedikit daripada kapasiti sebenar.

PERHATIAN: Lampu penunjuk pertama (kiri sekali) akan berkelip apabila sistem perlindungan bateri berfungsi.

Cara menggunakan perkakas

Memasang pek bateri

1. Sambil menekan selak, tarik keluar pek bateri. Untuk menggantikan pek bateri, tolak pek bateri baharu dengan kemas ke dalam kedudukannya.
2. Selepas menggelasar masuk pek bateri, periksa sama ada terpasang dengan kukuh dengan menariknya perlahan-lahan. Jangan menekan selak semasa menarik bateri.



- 1. Selak

Pengendalian suis

Untuk tujuan keselamatan, perkakas mempunyai sistem suis dua tindakan.

Untuk mengaktifkan suis mod mara (memotong) dan mod undur (undur), mula-mula tekan kunci suis dan kemudian tekan suis mod mara/undur.



- 1. Suis mod mara 2. Kunci suis
3. Suis mod undur

Lampu LED bantuan kerja

Perkakas ini mempunyai lampu LED yang menerangi pinggir bilah pemotong. Ia menyala apabila suis mara atau undur dihidupkan, kemudian mati kira-kira 10 saat selepas suis dilepaskan.

⚠AWAS:

- Jangan memandang terus kepada lampu LED. Memandang lampu LED untuk tempoh masa yang lama boleh menyakitkan mata anda.

Penggera bateri lemah

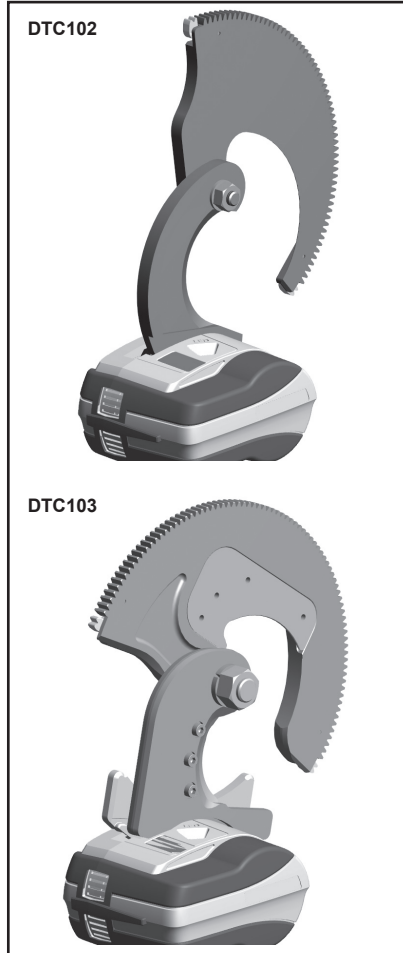
Jika baki kapasiti bateri adalah rendah, lampu LED berkelip 5 kali sebagai penggera apabila suis mod mara dihidupkan. Caj bateri atau gantikannya dengan bateri ganti.

Pengendalian pemotongan

1. [DTC102, DTC103]

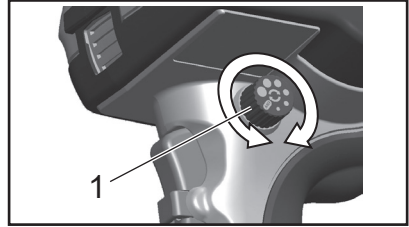
Aktifkan suis untuk membuka bilah bergerak.

Gunakan suis mod mara dan undur untuk mengesetkan bilah bergerak kepada neutral.



2. Menggunakan tombol putar untuk mendayakan atau menyahdayakan auto undur

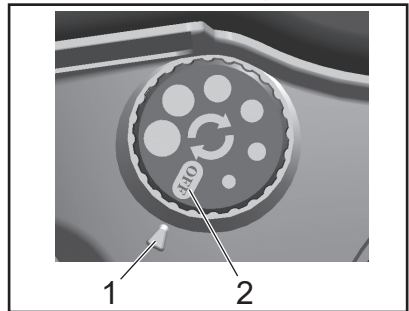
Putarkan tombol kepada kedudukan yang dikehendaki untuk mendayakan auto undur, atau gerakan kepada mati untuk menyahdayakannya.



► 1. Tombol putar

Fungsi auto undur

Apabila auto undur didayakan, motor membrek selepas memotong kabel. Sebaik sahaja suis mod mara dilepaskan, bilah bergerak secara automatik kembali seperti yang disetkan oleh tombol putar. Bukan boleh dilaraskan antara 6 aras. (Amaun bukan adalah suatu panduan.)



► 1. Amaun bukaan 2. Mati

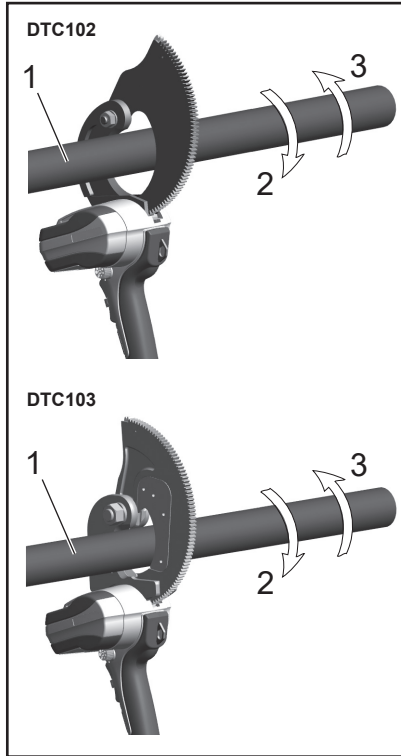
⚠️AWAS:

- Auto undur tidak akan diaktifkan jika suis mod mara dilepaskan sebelum pemotongan selesai.
- Auto undur tidak akan diaktifkan dengan kabel elektrik halus 60 mm² atau kurang.
- Diameter bukan mungkin berbeza-beza bergantung pada voltan bateri yang masih ada.

3. [DTC102, DTC103]

Memasukkan kabel elektrik ke dalam bukaan bilah bergerak

Letakkan kabel yang hendak dipotong ke atas bilah pegun, dan tutup bilah bergerak di atas kabel. Gerakkan bilah bergerak dengan tangan sehingga gigi gear memasuki mekanisme pacu unit.



► 1. Kabel 2. Putaran pemotongan
3. Putaran undur

4. Mengendalikan suis mod mara dan memotong kabel elektrik

Tekan dan tahan suis mod mara sehingga pemotongan selesai.

5. Buangkan serpihan selepas memotong.

Setelah anda selesai memotong, buang apa-apa serpihan atau cebisan pada bilah.

⚠AWAS:

• **Pengendalian berpanjangan**

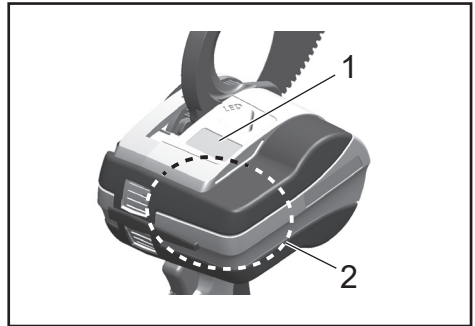
Untuk melindungi motor, berhenti menggunakan perkakas apabila kawasan di sekitar label amaran menjadi panas. Untuk terus menggunakan perkakas, letakkan perkakas di tempat yang sejuk dan baik pengudaraan selama 50 minit sehingga ia sejuk.

• **Perlindungan arus lebih/beban lampau juga boleh diaktifkan walaupun semasa mengendalikan alat di dalam kapasiti pemotongan.**

Suhu pengendalian, panjang kabel, dan lenturan serta faktor lain mempengaruhi prestasi perkakas.

• **Jika lampu LED berkelip 6 kali atau lebih, ini ialah paparan ralat papan litur.**

Sila hubungi wakil penjual anda.



► 1. Label Awas 2. Kawasan amaran haba tinggi

⚠AWAS:

• **DTC102 hanya untuk kabel tembaga dan aluminium sahaja. Jangan gunakan DTC102 untuk keluli, ACSR, atau bahan keluli lain.**

Fungsi perlindungan arus lebih

Jika arus beban lebih dikenakan kerana memotong kabel di luar spesifikasi, fungsi perlindungan arus lebih diaktifkan dan menghentikan motor. Untuk pulih, lepaskan suis mod mara.

Penggantian dengan alat ganti

Untuk menggantikan sendiri pandu gear, ikut tataraca di bawah ini.

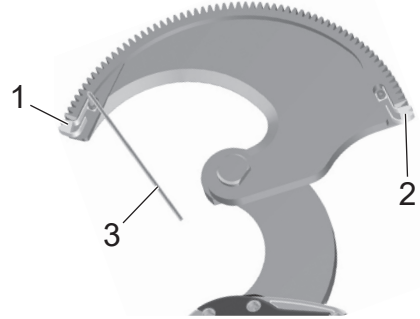
⚠AWAS:

- Pastikan pek bateri dikeluarkan dari unit utama sebelum menggantikan pandu gear.
- Jika pandu gear rosak atau mengeluarkan bunyi yang tidak normal, gantikannya serta-merta. Terus-menerus menggunakan produk dengan pandu gear yang rosak boleh menyebabkan kerosakan pada gear dalaman.

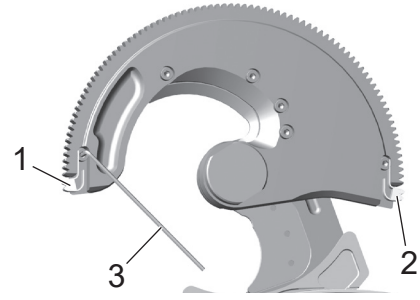
Menggantikan pandu gear

1. Menanggalkan pandu gear
Gunakan kunci heks untuk membuka bolt dengan lubang heksagon (M3 × 3) dan tanggalkan pandu gear.
2. Memasang pandu gear
Pasang pandu gear baharu dan ketatkan bolt dengan kukuh.

DTC102



DTC103



- 1. Pandu gear (A) 2. Pandu gear (B)
3. Kunci heks

Penggantian dengan alat ganti (DTC103)

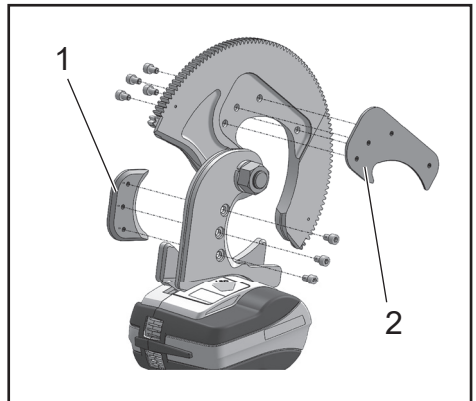
Untuk menggantikan bilah sendiri, ikut tataraca di bawah ini.

⚠AWAS:

- Pastikan pek bateri dikeluarkan dari unit utama sebelum menggantikan bilah.

Menggantikan bilah

1. Tanggalkan bolt dari bingkai bergerak atau bingkai pegun.
2. Gantikan bilah dengan bilah yang baharu dan skrukan bolt.

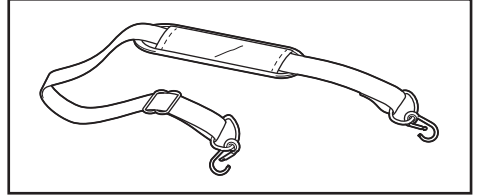


- 1. Bilah ganti 2. Bilah ganti

Aksesori pilihan

• Tali bahu (161347-8)

Tali bahu ini digunakan dengan menyambungkan tali penggantung perkakas ini.



Penyelenggaraan/Pemeriksaan

- Perlu diingatkan bahawa pengabaian penyelenggaraan/ pemeriksaan harian boleh menyebabkan pincang tugas perkakas.
- Sila elakkan menyimpan perkakas dalam persekitaran yang lembap untuk pengendalian perkakas yang lancar dan pencegahan karat.
- Sekiranya perkakas rosak semasa penggunaan biasa (10,000 pengendalian atau lebih, 1,000 potongan atau lebih), jangan sambung semula pengendalian dengan hanya menggantikan bahagian yang rosak, kerana perkakas ini telah mencapai penghujung hayatnya.
- Jika bahagian resin menjadi kotor, gunakan kain lembut yang dibasahkan dengan air sabun untuk mengelapnya.
- Apabila pek bateri disimpan bersendirian, pastikan penutup terminal aksesori diletakkan pada terminal untuk mengelakkan litar pintas.
- Untuk pemeriksaan keselamatan, kami mengesyorkan perkakas dihantar kepada pengeluar lebih kurang sekali setiap dua tahun (bayaran dikenakan). Hubungi wakil penjual anda untuk maklumat lanjut.
- Bilah bergerak dan bilah pegun adalah komponen guna habis. Bahagian-bahagian tersebut tidak diliputi oleh waranti.

Spesifikasi

Pemotong kabel tanpa kord	DTC102		DTC103
Diameter maksimum yang boleh dipotong	Bahan bukan ferus sahaja (AL atau Cu)	Lembar Cu	ACSR AL550 mm ² /ST70 mm ²
	φ 65 mm	φ 47 mm	
Motor elektirk	Motor DC		
Dimensi	117 (D) × 357 (T) × 228 (L) (mm)		117 (D) × 356 (T) × 240 (L) (mm)
Berat	2.8kg		4.8kg

⚠️AWAS:

- DTC102 hanya untuk kabel tembaga dan aluminium sahaja. Jangan gunakan DTC102 untuk keluli, ACSR, atau bahan keluli lain.

TIẾNG VIỆT: Hướng dẫn gốc

⚠️ CẢNH BÁO: Vui lòng đọc và hiểu rõ tất cả các hướng dẫn và thông tin an toàn trong tài liệu chỉ dẫn và hướng dẫn cho người vận hành này. Việc sử dụng thiết bị cho các ứng dụng ngoài mục đích thiết kế có thể dẫn đến thương tích nghiêm trọng hoặc tử vong.

- Cảm ơn bạn đã mua máy cắt cỏ cầm tay hoạt động bằng pin của chúng tôi.
- Vui lòng đọc tài liệu hướng dẫn này thật kỹ lưỡng và cẩn thận trước khi thử sử dụng thiết bị. Sau khi đọc tài liệu hướng dẫn này, hãy cất giữ tài liệu ở nơi dễ tìm thấy.
- **Mô tả**
Máy cắt cỏ khí là máy cắt vận hành bằng pin được thiết kế để cắt cỏ và được sử dụng trong ngành công nghiệp ngày nay.

Biện pháp phòng ngừa an toàn

⚠️ CẢNH BÁO: Vui lòng đọc tất cả cảnh báo an toàn cũng như hướng dẫn. Việc không tuân theo các cảnh báo và hướng dẫn có thể dẫn đến điện giật, hỏa hoạn và/hoặc thương tích nghiêm trọng.

Lưu giữ tất cả các cảnh báo và hướng dẫn để tham khảo sau này.

⚠️ CẢNH BÁO: Người dùng có thể tử vong hoặc bị thương tích nghiêm trọng nếu sử dụng sản phẩm này sai cách.

1) An toàn tại khu vực làm việc

- Giữ khu vực làm việc sạch sẽ và đủ ánh sáng. Nơi làm việc bừa bộn hoặc tối thường dễ gây ra tai nạn.
- Không vận hành dụng cụ máy trong môi trường dễ cháy nổ, chẳng hạn như môi trường có sự hiện diện của các chất lỏng, khí hoặc bụi dễ cháy. Các dụng cụ máy tạo tia lửa điện có thể làm bụi hoặc khí bốc cháy.
- Không để trẻ em và những người không phận sự đến gần khi đang vận hành dụng cụ máy. Sự xao nhãng có thể khiến bạn mất kiểm soát.

2) An toàn về điện

- Phích cắm dụng cụ máy phải phù hợp với ổ cắm. Tuyệt đối không sửa đổi phích cắm dưới bất kỳ hình thức nào. Không sử dụng bất kỳ phích chuyển đổi nào với các dụng cụ máy được nối đất (tiếp đất). Các phích cắm không bị sửa đổi và ổ cắm phù hợp sẽ giảm nguy cơ điện giật.
- Tránh để cơ thể tiếp xúc với các bề mặt nối đất hoặc tiếp đất như đường ống, bộ tản nhiệt, bếp ga và tủ lạnh. Nguy cơ bị điện giật sẽ tăng lên nếu cơ thể bạn được nối đất hoặc tiếp đất.
- Không để các dụng cụ máy tiếp xúc với mưa hoặc trong điều kiện ẩm ướt. Nước lọt vào dụng cụ máy sẽ làm tăng nguy cơ điện giật.

- Không được lạm dụng dây dẫn. Tuyệt đối không sử dụng dây dẫn để mang, kéo hoặc tháo phích cắm dụng cụ máy.
Giữ dây dẫn tránh xa nguồn nhiệt, dầu, các mép sắc hoặc các bộ phận chuyển động. Dây dẫn bị hỏng hoặc bị rối sẽ làm tăng nguy cơ điện giật.
- Khi vận hành dụng cụ máy ngoài trời, hãy sử dụng dây dẫn kéo dài phù hợp cho việc sử dụng ngoài trời. Việc dùng dây dẫn phù hợp cho việc sử dụng ngoài trời sẽ giảm nguy cơ điện giật.
- Nếu buộc phải vận hành dụng cụ máy ở nơi ẩm ướt, hãy sử dụng nguồn cấp điện được bảo vệ bằng thiết bị ngắt dòng điện rò (RCD). Việc sử dụng RCD sẽ làm giảm nguy cơ điện giật.

3) An toàn cá nhân

- Luôn cảnh giác, quan sát những việc bạn đang làm và phán đoán theo nhận thức thông thường khi vận hành dụng cụ máy.
Không sử dụng dụng cụ máy khi bạn đang mệt mỏi hoặc chịu ảnh hưởng của chất gây nghiện, rượu hay thuốc. Chỉ một khoảnh khắc không tập trung khi đang vận hành dụng cụ máy cũng có thể dẫn đến thương tích cá nhân nghiêm trọng.
- Sử dụng thiết bị bảo hộ cá nhân. Luôn đeo thiết bị bảo vệ mắt. Các thiết bị bảo hộ như mặt nạ chống bụi, giày an toàn chống trượt, mũ bảo hộ hay thiết bị bảo vệ thính giác được sử dụng trong các điều kiện thích hợp sẽ giúp giảm thương tích cá nhân.
- Ngăn ngừa khởi động ngoài ý muốn. Đảm bảo công tắc ở vị trí tắt trước khi kết nối với nguồn điện và/hoặc bộ pin, nhấn lên hoặc mang vác dụng cụ. Việc mang vác các dụng cụ máy khi ngón tay của bạn đặt trên công tắc hoặc việc cấp điện cho các dụng cụ máy có công tắc đang bật sẽ có nguy cơ dẫn đến tai nạn.
- Tháo tất cả khóa hoặc cò lê điều chỉnh trước khi bật dụng cụ máy. Việc cò lê hoặc khóa vẫn còn gắn vào bộ phận quay của dụng cụ máy có thể dẫn đến thương tích cá nhân.
- Không với tay quá xa. Luôn để chân phù hợp và giữ thăng bằng. Điều này cho phép điều khiển dụng cụ máy tốt hơn trong những tình huống bất ngờ.

- f) Mặc trang phục phù hợp. Không mặc quần áo rộng hoặc đeo trang sức. Giữ tóc, quần áo và găng tay của bạn tránh xa các bộ phận chuyển động. Quần áo rộng, trang sức hoặc tóc dài có thể mắc vào các bộ phận chuyển động.
- g) Nếu có các thiết bị được cung cấp để kết nối các thiết bị thu gom và hút bụi, hãy đảm bảo chúng được kết nối và sử dụng hợp lý. Việc sử dụng thiết bị thu gom bụi có thể làm giảm những mối nguy hiểm liên quan đến bụi.
- h) Không được để cho sự quen thuộc do việc thường xuyên sử dụng dụng cụ khiến bạn chủ quan và bỏ qua các nguyên tắc an toàn của dụng cụ. Một hành động bất cẩn có thể gây ra thương tích nghiêm trọng trong vòng chỉ một giây.

4) Sử dụng và bảo dưỡng dụng cụ máy

- a) Không ghi lực lên dụng cụ máy. Sử dụng đúng dụng cụ máy cho công việc của bạn. Sử dụng đúng dụng cụ máy sẽ giúp thực hiện công việc tốt hơn và an toàn hơn theo giá trị định mức được thiết kế của dụng cụ máy đó.
- b) Không sử dụng dụng cụ máy nếu công tắc không bật và tắt được. Mọi dụng cụ máy không thể điều khiển được bằng công tắc đều rất nguy hiểm và phải được sửa chữa.
- c) Rút phích cắm khỏi nguồn điện và/hoặc bộ pin khỏi dụng cụ máy trước khi thực hiện bất kỳ điều chỉnh, thay đổi phụ kiện hoặc cất giữ dụng cụ máy. Những biện pháp an toàn phòng ngừa này sẽ giảm nguy cơ vô tình khởi động dụng cụ máy.
- d) Cất giữ các dụng cụ máy không sử dụng ngoài tầm với của trẻ em và không cho bất kỳ người nào không có hiểu biết về dụng cụ máy hoặc các hướng dẫn này vận hành dụng cụ máy. Dụng cụ máy sẽ rất nguy hiểm nếu được sử dụng bởi những người dùng chưa qua đào tạo.
- e) Bảo dưỡng dụng cụ máy và các phụ kiện. Kiểm tra tình trạng lệch trục hoặc bó kẹt của các bộ phận chuyển động, hiện tượng nứt vỡ của các bộ phận và bất kỳ tình trạng nào khác mà có thể ảnh hưởng đến hoạt động của dụng cụ máy. Nếu có hỏng hóc, hãy sửa chữa dụng cụ máy trước khi sử dụng. Nhiều tai nạn xảy ra là do không bảo dưỡng tốt dụng cụ máy.
- f) Giữ các dụng cụ cất sắc bén và sạch sẽ. Những dụng cụ cất được bảo dưỡng phù hợp có mép cất sắc sẽ ít bị kẹt hơn và dễ điều khiển hơn.
- g) Sử dụng dụng cụ máy, phụ kiện và đầu dụng cụ cất, v.v... theo các hướng dẫn này, có xét đến điều kiện làm việc và công việc được thực hiện. Việc sử dụng dụng cụ máy cho các công việc khác với công việc dự định có thể dẫn đến các tình huống nguy hiểm.
- h) Giữ tay cầm và bề mặt nắm tay cầm khô, sạch, không dính dầu và mỡ. Tay cầm và bề mặt nắm tay cầm trơn trượt sẽ không cho phép bạn xử lý an toàn và kiểm soát dụng cụ trong các tình huống bất ngờ.

5) Sử dụng và bảo dưỡng dụng cụ chạy pin

- a) Chỉ sạc lại bằng bộ sạc do nhà sản xuất chỉ định. Bộ sạc phù hợp với một loại bộ pin có thể gây ra nguy cơ hỏa hoạn khi được dùng cho một bộ pin khác.
- b) Chỉ sử dụng dụng cụ máy với bộ pin được chỉ định có thể. Việc sử dụng bất kỳ bộ pin nào khác có thể gây ra nguy cơ thương tích và hỏa hoạn.
- c) Khi không sử dụng bộ pin, hãy giữ bộ pin tránh xa các đồ vật khác bằng kim loại như kẹp giấy, tiền xu, chìa khóa, đinh, vít hoặc các vật nhỏ bằng kim loại có thể nối các đầu cực pin. Các đầu cực pin cùng bị đoản mạch có thể gây bỏng hoặc hỏa hoạn.
- d) Trong điều kiện sử dụng quá mức, pin có thể bị chảy nước, hãy tránh tiếp xúc. Nếu vô tình xảy ra tiếp xúc, hãy rửa sạch bằng nước. Nếu dung dịch từ pin tiếp xúc với mắt, cần đi đến bác sĩ để khám thêm.
Dung dịch chảy ra từ pin có thể gây kích ứng hoặc bỏng.
- e) Không sử dụng bộ pin hoặc dụng cụ bị hư hỏng hoặc bị sửa đổi. Pin bị hỏng hoặc bị sửa đổi có thể hoạt động theo cách không thể đoán trước được dẫn đến cháy, nổ hoặc nguy cơ thương tích.
- f) Không để bộ pin hoặc dụng cụ tiếp xúc với lửa hoặc nhiệt độ quá cao. Tiếp xúc với lửa hoặc nhiệt độ trên 130°C có thể gây nổ.
- g) Làm theo tất cả các hướng dẫn sạc và không được sạc bộ pin hoặc dụng cụ ngoài phạm vi nhiệt độ quy định trong hướng dẫn. Sạc không đúng cách hoặc ở nhiệt độ ngoài phạm vi quy định có thể làm hỏng pin và tăng nguy cơ hỏa hoạn.

6) Bảo dưỡng

- a) Nhờ nhân viên sửa chữa đủ trình độ bảo dưỡng dụng cụ máy của bạn và chỉ sử dụng các bộ phận cùng loại để thay thế. Việc này sẽ đảm bảo duy trì được độ an toàn của dụng cụ máy.
- b) Tuyệt đối không bảo dưỡng các bộ pin đã hỏng. Việc bảo dưỡng bộ pin chỉ nên được thực hiện bởi nhà sản xuất hoặc các nhà cung cấp dịch vụ được ủy quyền.

Cầm dụng cụ máy tại bề mặt kẹp cách điện khi thực hiện thao tác mà bộ phận kẹp có thể tiếp xúc với hệ thống dây dẫn kín. Bộ phận kẹp tiếp xúc với dây dẫn "có điện" có thể khiến các bộ phận kim loại bị tiếp xúc của dụng cụ máy "có điện" và có thể khiến cho người vận hành bị điện giật.

Sử dụng bộ sạc pin và bộ pin chính hãng của Makita.

- Sử dụng bộ pin chính hãng cho dụng cụ này.
- Không sạc bộ pin bằng bộ sạc pin khác. Nếu không tuân thủ điều này có thể gây nứt vỡ, từ đó có thể dẫn đến tai nạn hoặc thương tích.

Sạc bộ pin đúng cách.

- Sử dụng nguồn điện với chỉ báo định mức để kết nối bộ sạc pin được cung cấp cùng với sản phẩm này.
- Không sử dụng nguồn điện DC hoặc máy phát điện chạy bằng động cơ để sạc bộ pin. Nếu không tuân thủ điều này có thể sinh nhiệt quá mức, từ đó có thể dẫn đến hỏa hoạn.

- Không được sạc bộ pin khi nhiệt độ của môi trường xung quanh, bộ pin hoặc bộ sạc pin dưới 0°C hoặc cao hơn 40°C. Nếu không tuân thủ điều này có thể gây nứt vỡ hoặc hỏa hoạn.
- Khi sạc bộ pin, hãy chọn nơi thông thoáng để sạc.
- Không che bộ pin bằng vải trong quá trình sạc. Nếu không tuân thủ điều này có thể gây nứt vỡ hoặc hỏa hoạn.
- Đảm bảo rút phích cắm nguồn sau khi sạc. Nếu không tuân thủ điều này có thể gây ra điện giật hoặc hỏa hoạn.

Không hướng máy cất về phía người khác trong khi sử dụng.

- Nếu không tuân thủ điều này có thể dẫn đến thương tích.

Không làm đoản mạch các đầu cực trên bộ pin.

- Khi cất giữ bộ pin riêng, hãy đảm bảo đặt nắp đầu cực lên đầu cực để tránh đoản mạch. Đảm bảo rằng các đầu cực pin sẽ không bị đoản mạch bởi các bộ phận kim loại khác như vít, đinh, v.v...

Không để bộ pin tiếp xúc với lửa.

- Nếu không tuân thủ điều này có thể gây nứt vỡ hoặc rò rỉ vật liệu nguy hiểm.

Không sử dụng trên các bộ phận đang có điện.

- Dụng cụ không được cách điện. Việc sử dụng trên các vị trí nhiệm vụ có thể dẫn đến điện giật.
- Không chạm vào phích cắm điện hoặc bộ pin bằng tay ướt. Nếu không tuân thủ điều này có thể dẫn đến điện giật.

Tháo bộ pin khỏi thân dụng cụ trong các trường hợp sau.

- Khi không sử dụng hoặc để sửa chữa
 - Khi thay thế linh kiện dự phòng
 - Những thời điểm nghi ngờ có nguy hiểm khác
- Nếu không tuân thủ những cảnh báo này có thể khiến dụng cụ vô tình bật lên và gây thương tích.

Khởi động dụng cụ bất ngờ.

- Đảm bảo rằng các ngón tay cách xa cần khởi động khi di chuyển dụng cụ. Khởi động dụng cụ bất ngờ có thể dẫn đến thương tích.

Chỉ sử dụng các phụ kiện được chỉ định.

- Không sử dụng bất kỳ phụ kiện nào khác với những phụ kiện được nêu trong tài liệu hướng dẫn này hoặc catalog của chúng tôi. Nếu không tuân thủ điều này có thể dẫn đến tai nạn hoặc thương tích.

Sử dụng thiết bị bảo hộ.

- Sử dụng kính bảo hộ trong quá trình vận hành. Nếu việc vận hành gây nhiều bụi, hãy sử dụng khẩu trang bảo vệ. Khi cắt, các mảnh nhỏ có thể rơi vãi và gây thương tích.

Không nhìn chăm chăm vào đèn làm việc LED.

- Điều này có thể làm giảm thị lực.

Xem xét môi trường làm việc.

- Không sử dụng dụng cụ, bộ sạc pin, hoặc bộ pin dưới trời mưa, hoặc nơi ẩm ướt. Nếu không tuân thủ điều này có thể gây điện giật hoặc bốc khói.
- Tiến hành công việc ở nơi đủ sáng. Làm việc ở nơi tối có thể gây ra tai nạn.
- Không sử dụng hoặc sạc pin khi có chất lỏng hoặc khí dễ cháy. Nếu không tuân thủ điều này có thể gây phát nổ hoặc hỏa hoạn.

Giữ nơi làm việc luôn sạch sẽ.

- Những bộ máy và nơi bừa bộn có thể gây ra tai nạn.

Giữ trẻ em tránh xa dụng cụ.

- Không để những người không phải người vận hành chạm vào dụng cụ và dây điện của bộ sạc pin. Giữ mọi người tránh xa nơi làm việc. Nếu không tuân thủ điều này có thể gây thương tích.

Khi không sử dụng dụng cụ, hãy cất giữ dụng cụ đúng cách.

- Cất giữ dụng cụ ở nơi có độ ẩm thấp và nơi cao cho trẻ em không thể với tới hoặc nơi có thể khóa được. Nếu không tuân thủ điều này có thể gây ra tai nạn.
- Không cất giữ dụng cụ hoặc bộ pin ở nơi nhiệt độ có thể tăng đến 40°C trở lên (bên trong hộp kim loại, bên trong xe ô tô vào mùa hè, v.v...). Nếu không tuân thủ điều này có thể làm hỏng bộ pin, từ đó có thể dẫn đến bốc khói hoặc bốc cháy.

Không sử dụng dụng cụ theo cách không hợp lý.

- Tiến hành vận hành phù hợp với công suất của dụng cụ để vận hành an toàn và hiệu quả. Sử dụng dụng cụ vượt quá công suất của nó có thể gây ra tai nạn.
- Không sử dụng dụng cụ theo cách không hợp lý khi mà sẽ làm động cơ bị khóa. Nếu không tuân thủ điều này có thể gây bốc khói hoặc bốc cháy.

Sử dụng dụng cụ phù hợp cho việc vận hành.

- Không sử dụng dụng cụ cho các ứng dụng khác ngoài các ứng dụng được chỉ định. Nếu không tuân thủ điều này có thể gây thương tích.

Thực hiện vận hành với quần áo phù hợp.

- Không mặc quần áo rộng hoặc các phụ kiện như vòng cổ. Những vật như vậy có thể bị cuốn vào bộ phận chuyển động, bộ phận quay, hoặc những vật tương tự.
- Khi vận hành ngoài trời, nên sử dụng găng tay cao su và giày chống trượt. Găng tay và giày trơn trượt có thể gây thương tích.
- Nếu bạn có mái tóc dài, hãy đội mũ hoặc trùm tóc để che tóc. Nếu không tuân thủ điều này có thể khiến tóc của bạn bị cuốn vào bộ phận chuyển động, bộ phận quay, hoặc những vật tương tự.

Không vận hành dụng cụ ở tư thế không tự nhiên.

- Luôn để chân phù hợp, và giữ thẳng bằng. Nếu không tuân thủ điều này có thể khiến bạn bị ngã, từ đó có thể dẫn đến thương tích.

Hãy cảnh giác khi bạn đang làm việc với sự chú ý cao độ.

- Khi bạn sử dụng dụng cụ, hãy cẩn thận về phương pháp xử lý, cách vận hành, tình hình xung quanh, và tiến hành vận hành cẩn thận. Nếu không tuân thủ điều này có thể gây ra tai nạn hoặc thương tích.
- Không vận hành dụng cụ khi đang chịu ảnh hưởng của rượu. Nếu không tuân thủ điều này có thể gây ra tai nạn hoặc thương tích.
- Không vận hành dụng cụ khi bạn đang ở trong tình trạng thể chất kém. Nếu không tuân thủ điều này có thể gây ra tai nạn hoặc thương tích.

Không cầm dây điện của bộ sạc pin một cách thô bạo.

- Không cầm bộ sạc bằng dây điện hoặc giật mạnh dây để rút khỏi ổ cắm.
- Giữ dây điện cách xa nguồn nhiệt, dầu và các cạnh mép sắc nhọn.
- Đảm bảo rằng môi trường sạc không bị giẫm lên hoặc vấp phải dây điện. Nếu không tuân thủ điều này có thể gây điện giật hoặc đoản mạch, từ đó có thể dẫn đến bốc cháy.

Sử dụng dây điện nối dài có thông số kỹ thuật cho vận hành ngoài trời.

- Nếu bạn sử dụng dụng cụ ngoài trời, hãy sử dụng dây điện nối dài được làm bằng cáp bọc cao su dai.

Tiến hành bảo dưỡng dụng cụ cẩn thận.

- Tuân theo tài liệu hướng dẫn khi thay thế linh kiện dự phòng. Nếu không tuân thủ điều này có thể gây thương tích.
- Kiểm tra dây điện của bộ sạc pin thường xuyên. Nếu dây điện bị hỏng, hãy nhờ cơ sở dịch vụ được ủy quyền sửa chữa. Nếu không tuân thủ điều này có thể gây điện giật hoặc đoản mạch, từ đó có thể dẫn đến bốc cháy.
- Nếu sử dụng dây điện nối dài, hãy kiểm tra dây điện thường xuyên. Nếu dây điện bị hỏng, hãy thay dây mới. Nếu không tuân thủ điều này có thể gây điện giật hoặc đoản mạch, từ đó có thể dẫn đến bốc cháy.
- Giữ tay cầm luôn khô, sạch sẽ, tránh xa dầu và mỡ. Nếu không tuân thủ điều này có thể gây thương tích.

Kiểm tra các bộ phận bị hỏng.

- Kiểm tra rằng không có gì bị hỏng trước khi sử dụng. Xác nhận rằng dụng cụ vận hành bình thường và tất cả các bộ phận hoạt động bình thường.
- Kiểm tra sự thẳng hàng của các bộ phận chuyển động, sự vận hành trơn tru của các bộ phận chuyển động, sự nứt vỡ của các bộ phận, việc lắp và bất kỳ tình trạng nào khác có thể ảnh hưởng đến hoạt động của bộ phận đó.
- Không sử dụng bộ sạc pin có phích cắm điện hoặc dây điện bị hỏng hoặc bị rơi và sau đó bị hỏng. Nếu không tuân thủ điều này có thể gây điện giật hoặc đoản mạch, từ đó có thể dẫn đến bốc cháy.

Bộ phận bị hỏng phải được sửa chữa hoặc thay thế đúng cách bởi cơ sở dịch vụ được ủy quyền, trừ khi có quy định khác trong tài liệu hướng dẫn này. Nhờ cơ sở dịch vụ được ủy quyền thay thế các công tắc bị hỏng. Không sử dụng dụng cụ nếu công tắc không bật và tắt được. Dụng cụ như vậy có thể vận hành bất thường, từ đó có thể dẫn đến thương tích.

Hãy nhờ cơ sở dịch vụ được ủy quyền sửa chữa.

- Không tháo rời, sửa chữa hoặc sửa đổi thân máy, bộ sạc pin, hoặc bộ pin. Nếu không tuân thủ điều này có thể gây bốc cháy hoặc vận hành bất thường, từ đó có thể dẫn đến thương tích.
- Nếu dụng cụ trở nên nóng hoặc phát hiện bất thường trong dụng cụ, hãy yêu cầu kiểm tra hoặc sửa chữa dụng cụ.
- Dụng cụ này được chế tạo theo các yêu cầu an toàn liên quan. Không cố sửa đổi sản phẩm này.
- Hãy nhờ trung tâm dịch vụ được ủy quyền sửa chữa dụng cụ của bạn. Việc sửa chữa chỉ nên được thực hiện bởi người có đủ trình độ chuyên môn sử dụng các linh kiện thay thế nguyên bản; nếu không, có thể dẫn đến nguy hiểm đáng kể cho người dùng.

Các biện pháp phòng ngừa khi sử dụng máy cắt cáp cầm tay hoạt động bằng pin

• Khi sử dụng dụng cụ này, hãy làm theo các hướng dẫn như được nêu ra dưới đây:

Các biện pháp phòng ngừa cho dụng cụ

• **Tuyệt đối không cắt bất cứ thứ gì vượt quá khả năng cắt tối đa.**

Hãy thận trọng khi thực hiện, vì nếu không tuân thủ điều này có thể dẫn đến hư hỏng. (xem trang 106)

• **Không chạm vào mép cắt của lưỡi cắt di động hoặc lưỡi cắt cố định.**

Nếu không tuân thủ điều này có thể dẫn đến thương tích.

• **Tuyệt đối không cắt dây dẫn có điện (cáp điện đang dẫn điện).**

• **Không để dụng cụ bị rơi hoặc chịu các va đập quá mức khác.**

Cấu trúc bên trong được sản xuất chính xác để dụng cụ nhỏ gọn và nhẹ, do đó dụng cụ có thể không hoạt động bình thường nếu bị va đập.

• **Không sử dụng dưới trời mưa.**

Làm như vậy có thể khiến lưỡi cắt bị gỉ sét và làm mòn mép cắt hoặc dẫn đến hư hỏng.

• **Không cắt các đoạn dài quá mức đối với vật có chiều dài từ 50 mm trở xuống.**

Việc cắt các đoạn dài quá mức đối với các đầu của CCP và các cáp rất ngắn khác có thể làm cho các bộ phận bên trong cáp, v.v... bị cắt.

• **Không ghi lực lên hướng bị cắt.**

Luôn cắt thẳng vật liệu. Nếu không tuân thủ điều này có thể làm hỏng lưỡi máy cắt.

• **Giữ chặt.**

Nếu không tuân thủ điều này có thể dẫn đến thương tích.

• **Đảm bảo rằng không có ai ở bên dưới bạn trước khi sử dụng máy ở nơi cao.**

Nếu không tuân thủ điều này có thể dẫn đến tai nạn nếu vật liệu hoặc thiết bị bị rơi, v.v...

• **Kiểm tra để đảm bảo không có gì bất thường trước khi sử dụng.**

Các vết nứt hoặc gãy trên máy cắt có thể làm hỏng máy cắt và dẫn đến thương tích.

• **Hãy để máy nghỉ trong quá trình sử dụng.**

Quá trình cắt kéo dài mà không để máy nghỉ sẽ giữ nhiệt động cơ tăng cao, điều này có thể làm quá nhiệt động cơ và bộ pin, dẫn đến hư hỏng. Đảm bảo thỉnh thoảng cho máy nghỉ trong quá trình sử dụng.

• **Nhiệt độ môi trường thấp (10°C trở xuống) có thể làm cứng cáp điện, gây khó khăn cho việc cắt, ngay cả khi trong khả năng cắt của máy.**

• **Làm sạch bằng không khí, v.v... sau mỗi lần sử dụng.**

Cẩn thận giữ cho phần cắt và các mảnh vụn khác không rơi vào thiết bị từ khe hở (bộ dẫn động lưỡi cắt di động).

• **Không cắt cáp điện có dây dẫn với đường kính 1-mm.**

Nếu không tuân thủ điều này có thể dẫn đến lưỡi máy cắt bị kẹt vào lưỡi cáp điện và khóa lại.

Các biện pháp phòng ngừa khi sử dụng bộ pin

• **Tuyệt đối không làm đoản mạch các đầu cực.**

• **Giữ bộ pin tránh xa nước, dầu và dung môi hữu cơ.**

• **Không tháo rời hoặc sửa đổi bộ pin.**

• **Nếu vứt bỏ bộ pin, không để bộ pin tiếp xúc với lửa hoặc vứt bỏ dưới dạng rác thải thông thường. (Chúng tôi khuyến khích tái chế.)**

• **Không ném hoặc làm rơi bộ pin.**

• **Không để bộ pin ở nơi có nhiệt độ từ 40°C trở lên trong thời gian dài.**

• **Không làm đoản mạch pin bằng cách đặt chất dẫn hoặc bụi bẩn lên đầu cực, vì điều này có thể dẫn đến sự cố. Nếu đầu cực bị ăn mòn, thì không được sử dụng bộ pin.**

• **Chức năng bảo vệ làm dừng đầu ra được trang bị để kéo dài tuổi thọ của bộ pin. Động cơ có thể dừng lại khi mức pin còn lại thấp, ngay cả khi đã nhấn công tắc vận hành trong khi sử dụng dụng cụ này. Tuy nhiên, hiện tượng này không phải do trục trặc mà do chức năng bảo vệ. Trong trường hợp này, hãy sạc pin ngay lập tức.**

Các biện pháp phòng ngừa cho bộ sạc pin

• **Bộ sạc pin này có một đèn chỉ báo (đèn LED nhiều màu) để cho biết tình trạng sạc pin.**

• **Không làm đoản mạch bộ sạc bằng cách đặt chất dẫn hoặc bụi vào khe cắm, vì điều này sẽ dẫn đến sự cố. Nếu đầu cực kim loại bị ăn mòn, thì không được sử dụng bộ sạc pin.**

CÁC KÝ HIỆU CẢNH BÁO



Trước khi sử dụng dụng cụ, hãy đọc kỹ các hướng dẫn trong tài liệu này.



Khu vực cảnh báo nhiệt cao

Để bảo vệ động cơ, không sử dụng dụng cụ nếu khu vực cảnh báo nhiệt cao nóng lên. (xem trang 103)



Không chạm vào trong quá trình vận hành.

Hộp pin và bộ sạc có thể áp dụng

Hộp pin	BL1815N / BL1820B / BL1830B / BL1840B / BL1850B / BL1860B
Bộ sạc	DC18RC / DC18RD / DC18RE / DC18SD / DC18SE / DC18SF / DC18SH / DC18WC

- Một số hộp pin và bộ sạc được liệt kê ở trên có thể không khả dụng tùy thuộc vào khu vực bạn sinh sống.
- Để sạc pin, vui lòng đọc hướng dẫn sử dụng cho bộ sạc pin.

⚠CẢNH BÁO: Chỉ sử dụng hộp pin và bộ sạc được liệt kê ở trên. Việc sử dụng bất kỳ hộp pin và bộ sạc nào khác có thể gây thương tích và/hoặc hỏa hoạn.

Hướng dẫn an toàn quan trọng cho hộp pin

1. Trước khi sử dụng hộp pin, vui lòng đọc tất cả các hướng dẫn và nhãn cảnh báo trên (1) bộ sạc pin, (2) pin và (3) sản phẩm sử dụng pin.
2. Không tháo rời hoặc cố ý làm thay đổi hộp pin. Điều này có thể dẫn đến hỏa hoạn, sinh nhiệt quá mức hoặc phát nổ.
3. Nếu thời gian vận hành trở nên ngắn hơn quá mức, hãy ngừng vận hành ngay lập tức. Điều này có thể dẫn đến nguy cơ quá nhiệt, có thể gây bỏng và thậm chí là phát nổ.
4. Nếu chất điện phân dính vào mắt, hãy rửa sạch bằng nước sạch và đến cơ sở y tế ngay lập tức. Điều này có thể làm mất thị lực của bạn.
5. Không làm đoản mạch hộp pin:
 - (1) Không chạm vào các đầu cực bằng bất kỳ vật liệu dẫn điện nào.
 - (2) Tránh cất giữ hộp pin trong hộp đựng cùng với các vật kim loại khác như đinh, đồng xu, v.v...
 - (3) Không để hộp pin tiếp xúc với nước hoặc mưa.

Pin bị đoản mạch có thể gây ra dòng điện lớn, quá nhiệt, có thể gây bỏng và thậm chí là hỏng hóc.
6. Không cất giữ và sử dụng dụng cụ, hộp pin ở những nơi nhiệt độ có thể đạt đến hoặc vượt quá 50°C (122°F).
7. Không đốt hộp pin ngay cả khi hộp pin bị hỏng nặng hoặc đã bị mòn hoàn toàn. Hộp pin có thể phát nổ khi bị đốt.
8. Không đóng đinh, cắt, nghiền ép, ném, làm rơi hộp pin hoặc va đập hộp pin vào một vật cứng. Những hành động như vậy có thể dẫn đến hỏa hoạn, sinh nhiệt quá mức hoặc phát nổ.
9. Không sử dụng pin đã hỏng.
10. Pin lithium-ion đi kèm phải tuân theo các yêu cầu của Luật về Hàng hóa Nguy hiểm.

Đối với hoạt động vận chuyển thương mại, ví dụ như hoạt động vận chuyển của bên thứ ba, đại lý giao nhận, phải tuân thủ yêu cầu đặc biệt về đóng gói và ghi nhãn.

Đối với việc chuẩn bị cho mặt hàng được vận chuyển, cần phải tham khảo ý kiến của chuyên gia về các vật liệu nguy hiểm. Đồng thời, vui lòng tuân thủ các quy định có thể chi tiết hơn của quốc gia. Dán hoặc che bớt các điểm tiếp xúc đang để hở và đóng gói pin sao cho pin không bị xô dịch trong hộp đóng gói.

11. Khi vứt bỏ hộp pin, hãy tháo hộp pin ra khỏi dụng cụ và vứt ở nơi an toàn. Tuân thủ theo các quy định địa phương của bạn liên quan đến việc thải bỏ pin.
12. Chỉ sử dụng pin với các sản phẩm do Makita chi định. Việc lắp pin vào các sản phẩm không tuân thủ theo chỉ định có thể dẫn đến hỏa hoạn, sinh nhiệt quá mức, phát nổ hoặc rò rỉ chất điện phân.
13. Nếu không sử dụng dụng cụ trong một thời gian dài, phải tháo pin ra khỏi dụng cụ.
14. Trong và sau khi sử dụng, hộp pin có thể sinh ra nhiệt có khả năng gây bỏng hoặc bỏng do nhiệt độ thấp. Hãy chú ý đến việc xử lý các hộp pin bị nóng.
15. Không chạm vào đầu cực của dụng cụ ngay sau khi sử dụng vì nó có thể đủ nóng để gây bỏng.
16. Không để mặt, bụi hoặc đất mắc vào các đầu cực, lỗ và rãnh của hộp pin. Điều này có thể gây nóng, bắt lửa, nổ và hỏng dụng cụ hoặc hộp pin, dẫn đến bỏng hoặc thương tích cá nhân.
17. Không sử dụng hộp pin gần đường dây điện cao áp, trừ khi dụng cụ có hỗ trợ sử dụng gần đường dây điện cao áp. Điều này có thể dẫn đến sự cố hoặc hỏng hóc dụng cụ hoặc hộp pin.
18. Để pin xa tầm tay trẻ em.

LƯU GIỮ CÁC HƯỚNG DẪN NÀY.

⚠THẬN TRỌNG:

- Chỉ sử dụng pin Makita chính hãng. Việc sử dụng pin Makita không chính hãng hoặc pin đã bị thay đổi có thể dẫn đến pin phát nổ gây hỏa hoạn, thương tích cá nhân và hư hỏng dụng cụ. Việc này cũng sẽ làm mất hiệu lực bảo hành của Makita đối với dụng cụ và bộ sạc Makita.

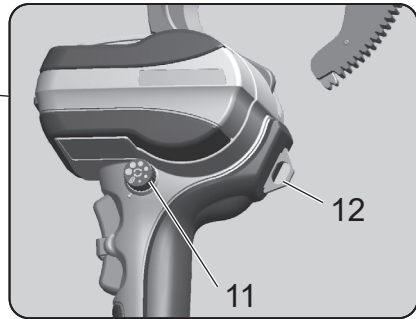
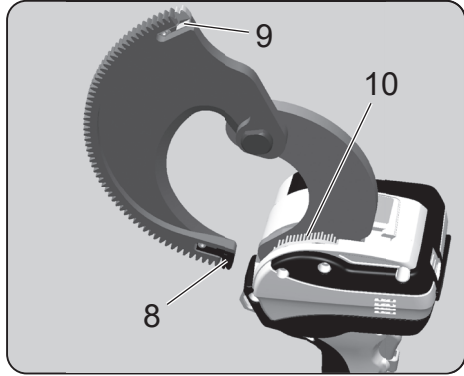
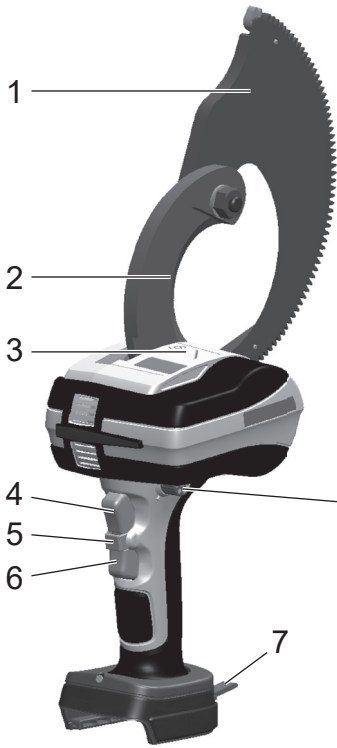
Mẹo để duy trì tuổi thọ pin tối đa

1. **Sạc hộp pin trước khi xả hoàn toàn. Luôn dừng hoạt động của dụng cụ và sạc hộp pin khi bạn nhận thấy dụng cụ hoạt động yếu hơn.**
2. **Tuyệt đối không sạc lại hộp pin đã sạc đầy. Việc sạc quá mức sẽ làm giảm tuổi thọ của pin.**
3. **Sạc hộp pin với nhiệt độ phòng ở 10°C - 40°C (50°F - 104°F). Hãy để hộp pin nóng nguội bớt trước khi sạc.**
4. **Khi không sử dụng hộp pin, hãy tháo hộp pin ra khỏi dụng cụ hoặc bộ sạc.**
5. **Sạc hộp pin nếu bạn không sử dụng trong thời gian dài (từ sáu tháng trở lên).**

Tên và phụ kiện

DTC102

Máy cắt cáp cầm tay hoạt động bằng pin



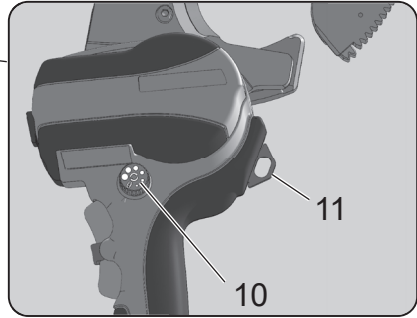
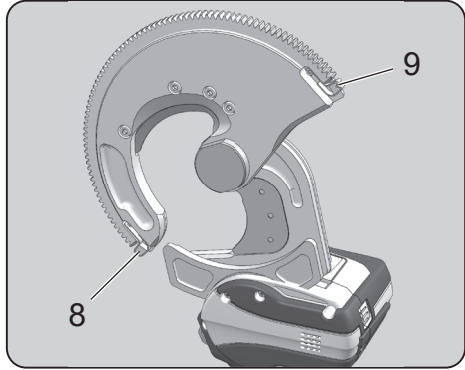
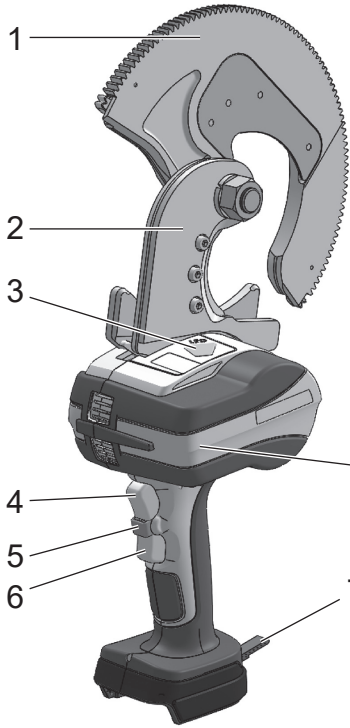
Hộp đựng



* Dụng cụ này được thiết kế cho pin lithium ion Makita 18 V.

1	Lưỡi cắt di động	7	Dây treo
2	Lưỡi cắt cố định	8	Thanh dẫn hướng bánh răng (A)
3	Đèn làm việc LED	9	Thanh dẫn hướng bánh răng (B)
4	Công tắc chế độ tiến	10	Bàn chải (để quét bụi)
5	Khóa công tắc	11	Núm xoay
6	Công tắc chế độ lùi	12	Vòng treo

Máy cắt cáp cầm tay hoạt động bằng pin



Hộp đựng



* Dụng cụ này được thiết kế cho pin lithium ion Makita 18 V.

1	Lưỡi cắt di động	7	Dây treo
2	Lưỡi cắt cố định	8	Thanh dẫn hướng bánh răng (A)
3	Đèn làm việc LED	9	Thanh dẫn hướng bánh răng (B)
4	Công tắc chế độ tiến	10	Núm xoay
5	Khóa công tắc	11	Vòng treo
6	Công tắc chế độ lùi	—	—

Pin

Pin

- Tại thời điểm mua, chức năng bảo vệ pin có thể được kích hoạt do pin chưa được sạc đầy. (Vui lòng cẩn thận vì sản phẩm này có thể bắt đầu hoạt động nếu bạn vận hành công tắc.) Hãy sạc pin đúng cách bằng bộ sạc nhanh trước khi sử dụng.
- Gắn nắp pin khi không sử dụng sản phẩm. Điều này sẽ giúp bảo vệ pin khỏi nước và bụi.
- Khi không sử dụng sản phẩm trong một thời gian dài, hãy cất giữ dụng cụ với pin đã được tháo ra.

Đề tăng tuổi thọ của pin

- Khi bạn cảm nhận được lực của dụng cụ đã trở nên yếu, hãy ngừng sử dụng và sạc pin.
- Không sạc lại pin đã được sạc đầy.
- Sạc pin trong phạm vi nhiệt độ môi trường xung quanh từ 10°C đến 40°C.
- Khi pin bị nóng như trong trường hợp ngay sau khi sử dụng, bạn nên lắp pin vào bộ sạc để làm mát và sạc pin.
- Khi không sử dụng pin lithium-ion trong thời gian dài (tối thiểu 6 tháng), bạn nên sạc rồi cất giữ pin.

Thu gom pin

- Pin đã qua sử dụng được thu gom để tái chế. Hãy mang pin đến cửa hàng nơi bạn mua sản phẩm hoặc văn phòng kinh doanh của Makita.



Li-ion

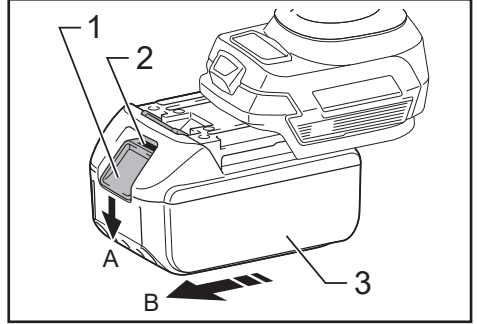
Tái chế pin lithium-ion

Cách gắn và tháo pin

⚠ CẢNH BÁO:

Lắp pin vào sản phẩm đúng cách. Nếu nhìn thấy được phần màu đỏ ở trên cùng của nút, thì tức là pin chưa được khóa hoàn toàn vào vị trí. Lắp chặt pin vào hết mức cho đến khi không thể nhìn thấy toàn bộ phần màu đỏ.

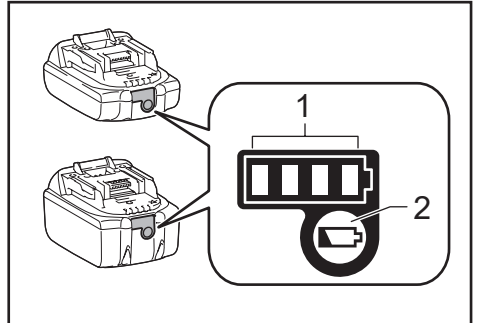
- Nếu pin chưa được lắp vào hoàn toàn, pin có thể bị tháo rời ra và gây ra tai nạn.
- Để tháo pin ra khỏi sản phẩm, A. nhấn giữ nút phía trước pin và B. trượt pin để tháo pin ra.
- Khi gắn pin, hãy căn chỉnh pin thẳng hàng với các rãnh trong sản phẩm, sau đó lắp pin vào hết mức bằng cách thực hiện ngược lại quy trình. Lúc này, nếu nhìn thấy được phần màu đỏ ở trên cùng của nút, thì tức là pin chưa được khóa hoàn toàn vào vị trí. Hãy lắp pin đúng cách vào hết mức cho đến khi không thể nhìn thấy toàn bộ phần màu đỏ.



► 1. Nút 2. Phần màu đỏ 3. Pin

Chỉ báo dung lượng pin còn lại

Chỉ dành cho hộp pin có đèn chỉ báo



► 1. Các đèn chỉ báo 2. Nút kiểm tra

Ấn nút kiểm tra trên hộp pin để chỉ báo dung lượng pin còn lại. Các đèn chỉ báo sẽ sáng lên trong vài giây.

Các đèn chỉ báo			Dung lượng còn lại
Bật sáng	Tắt	Nhấp nháy	
■ ■ ■ ■			75% đến 100%
■ ■ ■ □			50% đến 75%
■ ■ □ □			25% đến 50%
■ □ □ □			0% đến 25%
▬ □ □ □			Sạc pin.
■ ■ □ □			Pin có thể đã bị hỏng.
□ □ ■ ■			

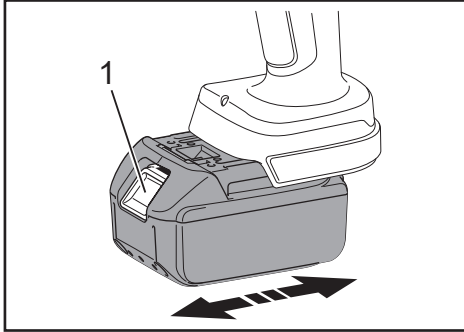
LƯU Ý: Tùy thuộc vào các điều kiện sử dụng và nhiệt độ môi trường xung quanh, chỉ báo có thể khác một chút so với dung lượng thực tế.

LƯU Ý: Đèn chỉ báo đầu tiên (ngoài cùng bên trái) sẽ nhấp nháy khi hệ thống bảo vệ pin hoạt động.

Cách sử dụng dụng cụ

Gắn bộ pin

1. Vừa nhấn chốt vừa kéo bộ pin ra. Để thay thế bộ pin, hãy đẩy mạnh bộ pin mới vào vị trí.
2. Sau khi đẩy bộ pin lên, hãy kiểm tra xem bộ pin có được lắp chặt vào vị trí hay không bằng cách kéo nhẹ nhàng. Không nhấn chốt khi kéo pin.

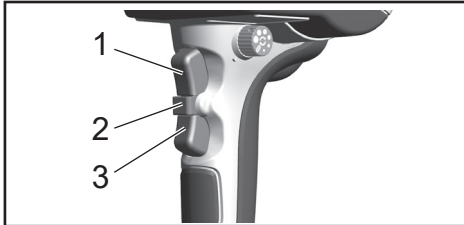


► 1. Chốt

Vận hành công tắc

Vì mục đích an toàn, dụng cụ có một hệ thống công tắc hai hành động.

Để kích hoạt công tắc chế độ tiến (cắt) và chế độ lùi (đào chiều), trước tiên nhấn khóa công tắc, sau đó nhấn công tắc chế độ tiến/lùi.



► 1. Công tắc chế độ tiến 2. Khóa công tắc
3. Công tắc chế độ lùi

Đèn LED hỗ trợ công việc

Dụng cụ này có đèn LED chiếu sáng ngoại vi của lưỡi cắt máy cắt. Đèn chiếu sáng khi công tắc tiến hoặc lùi được bật, sau đó tắt khoảng 10 giây sau khi nhả công tắc.

⚠ THẬN TRỌNG:

- Không nhìn trực tiếp vào đèn LED. Nhìn vào đèn LED trong một thời gian dài có thể làm tổn thương mắt bạn.

Bảo pin yếu

Nếu dung lượng còn lại của pin thấp, đèn LED sẽ nhấp nháy 5 lần để báo khi công tắc chế độ tiến được bật. Hãy sạc pin hoặc thay bằng pin dự phòng.

Thao tác cắt

1. [DTC102, DTC103]

Kích hoạt công tắc để mở lưỡi cắt di động.

Sử dụng công tắc chế độ tiến và lùi để đặt lưỡi dao di động ở vị trí trung tâm.

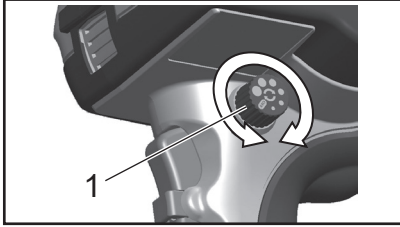
DTC102



DTC103



2. Sử dụng nút xoay để bật hoặc tắt tự động đảo chiều
- Di chuyển đĩa xoay đến vị trí mong muốn để bật tự động đảo chiều, hoặc di chuyển đến vị trí tắt để tắt.

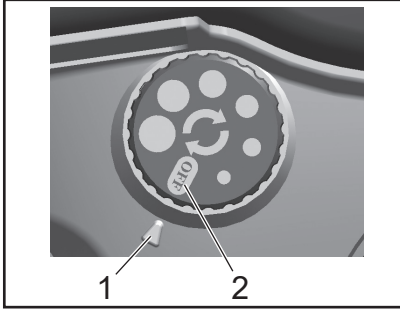


► 1. Nút xoay

Chức năng tự động đảo chiều

Khi tự động đảo chiều được bật, động cơ sẽ phanh lại sau khi cắt cáp. Khi công tắc chế độ tiến được nhà ra, lưỡi cắt di động sẽ tự động trả về như được thiết lập bằng nút xoay.

Có thể điều chỉnh khoảng hở giữa 6 mức. (Độ lớn khoảng hở là giá trị hướng dẫn.)



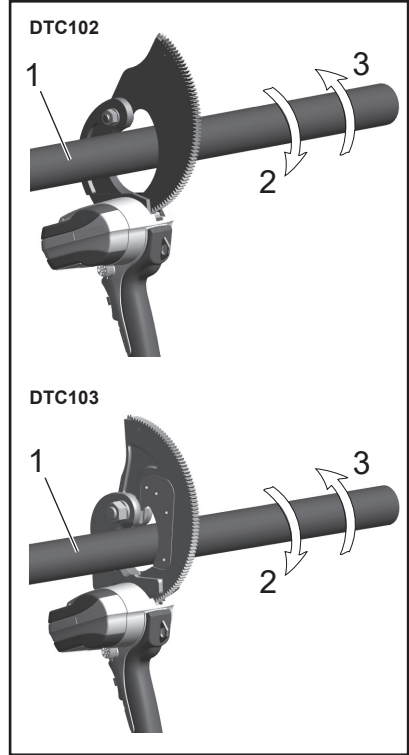
► 1. Độ lớn khoảng hở 2. Tắt

⚠ THẬN TRỌNG:

- Tự động đảo chiều không kích hoạt nếu công tắc chế độ tiến được nhà ra trước khi cắt xong.
- Tự động đảo chiều không kích hoạt với cáp điện nhỏ từ 60 mm² trở xuống.
- Đường kính khoảng hở có thể khác nhau tùy thuộc vào điện áp pin còn lại.

3. [DTC102, DTC103]

Lắp cáp điện vào khoảng hở lưỡi cắt di động. Đặt cáp cần cắt lên lưỡi cắt cố định, và đóng lưỡi cắt di động xung quanh cáp. Nạp lưỡi cắt di động bằng tay để các răng của bánh răng ăn khớp với cơ cấu truyền động của thiết bị.



- 1. Cáp 2. Quay cắt 3. Quay lùi
4. Vận hành công tắc chế độ tiến và cắt cáp điện. Nhấn giữ công tắc chế độ tiến cho đến khi cắt xong.
 5. Loại bỏ các mảnh vụn sau khi cắt. Sau khi bạn cắt xong, hãy loại bỏ các mảnh vỡ hoặc mảnh vụn trên lưỡi cắt.

⚠ THẬN TRỌNG:

- Vận hành kéo dài

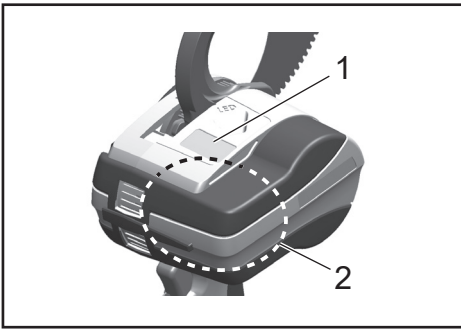
Để bảo vệ động cơ, ngừng sử dụng dụng cụ khi khu vực xung quanh nhãn cảnh báo nóng lên. Để tiếp tục sử dụng dụng cụ, hãy đặt dụng cụ khoảng 50 phút ở nơi mát mẻ và thông thoáng cho đến khi nó nguội đi.

- Bảo vệ quá dòng/quá tải cũng có thể được kích hoạt ngay cả khi vận hành dụng cụ trong khả năng cắt.

Nhiệt độ hoạt động, chiều dài cáp, độ uốn cong và các yếu tố khác sẽ ảnh hưởng đến hiệu suất của dụng cụ.

- Nếu đèn LED nhấp nháy từ 6 lần trở lên, đó là hiển thị lỗi bằng mạch.

Vui lòng liên hệ với đại lý của bạn.



► 1. Nhãn Thận trọng 2. Khu vực cảnh báo nhiệt cao

⚠ THẬN TRỌNG:

- DTC102 chỉ dành cho cáp đồng và nhôm. Không sử dụng DTC102 với thép, ACSR hoặc các vật liệu thép khác.

Chức năng bảo vệ quá dòng

Nếu dòng điện quá tải áp dụng do cáp cắt ngoài thông số kỹ thuật, chức năng bảo vệ quá dòng sẽ kích hoạt và dừng động cơ. Để khôi phục, hãy nhả công tắc chế độ tiến.

Thay thế bằng linh kiện dự phòng

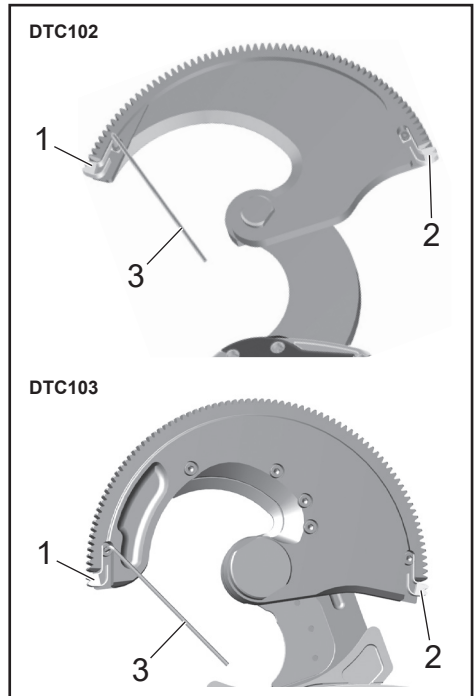
Để tự thay thanh dẫn hướng bánh răng, bạn hãy làm theo quy trình dưới đây.

⚠ THẬN TRỌNG:

- Đảm bảo tháo bộ pin khỏi thân máy trước khi thay thanh dẫn hướng bánh răng.
- Nếu thanh dẫn hướng bánh răng bị hỏng hoặc tạo ra tiếng ồn bất thường, hãy thay ngay lập tức. Việc tiếp tục sử dụng sản phẩm với thanh dẫn hướng bánh răng bị hỏng có thể gây hư hại cho các bánh răng bên trong.

Thay thanh dẫn hướng bánh răng

1. Tháo thanh dẫn hướng bánh răng
Sử dụng khóa lục giác để tháo bu lông có lỗ lục giác (M3 x 3) và tháo thanh dẫn hướng bánh răng.
2. Gắn thanh dẫn hướng bánh răng
Gắn thanh dẫn hướng bánh răng mới và siết chặt bu lông.



► 1. Thanh dẫn hướng bánh răng (A)
2. Thanh dẫn hướng bánh răng (B) 3. Khóa lục giác

Thay thế bằng linh kiện dự phòng (DTC103)

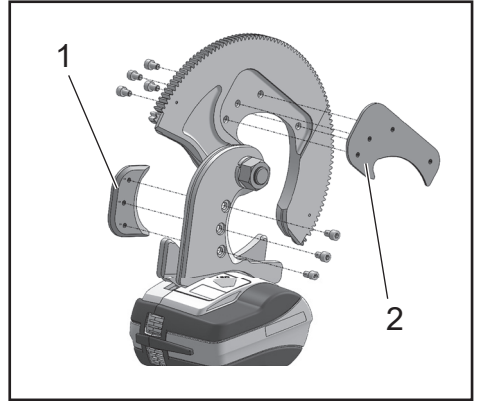
Để tự thay lưỡi dao, bạn hãy làm theo quy trình dưới đây.

⚠ THẬN TRỌNG:

- Hãy đảm bảo đã tháo bộ pin ra khỏi thân máy trước khi thay lưỡi dao.

Thay lưỡi dao

1. Tháo các bu lông ra khỏi khung di động hoặc khung cố định.
2. Thay lưỡi dao bằng lưỡi dao mới và vặn chặt các bu lông.

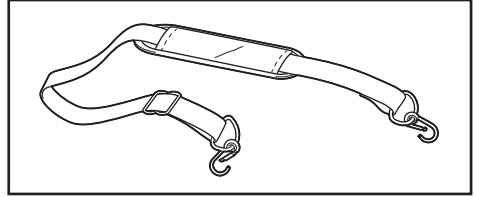


► 1. Lưỡi dao để thay 2. Lưỡi dao để thay

Phụ kiện tùy chọn

• Dây đeo vai (161347-8)

Dây đeo vai được sử dụng bằng cách nối với dây treo của dụng cụ này.



Bảo dưỡng/Kiểm tra

- Lưu ý rằng việc bỏ qua công tác bảo dưỡng/kiểm tra hằng ngày có thể gây ra sự cố cho dụng cụ.
- Vui lòng tránh cất giữ dụng cụ trong môi trường ẩm ướt để dụng cụ hoạt động trơn tru và ngăn ngừa rỉ sét.
- Nếu dụng cụ bị hỏng trong quá trình sử dụng bình thường (10.000 lần vận hành trở lên, 1.000 lần cất trữ lên), thì không được tiếp tục vận hành dụng cụ sau khi chỉ thay thế linh kiện bị hỏng vì dụng cụ đã hết tuổi thọ sử dụng.
- Khi bộ phận nhựa bị bẩn, hãy sử dụng vải mềm đã làm ẩm bằng nước xà phòng để lau sạch.
- Khi cất giữ bộ pin riêng, hãy đảm bảo đặt nắp đầu cực phụ kiện lên đầu cực để tránh đoản mạch.
- Đối với kiểm tra an toàn, bạn nên gửi dụng cụ cho nhà sản xuất khoảng hai năm một lần (có phát sinh phí). Liên hệ với đại lý của bạn để biết chi tiết.
- Lưỡi dao di động và lưỡi dao cố định là những linh kiện hao mòn. Những linh kiện đó không được bảo hành.

Thông số kỹ thuật

Máy cắt cáp cầm tay hoạt động bằng pin	DTC102		DTC103
Đường kính tối đa có thể cắt	Chỉ kim loại không chứa sắt (AL hoặc Cu)	Cáp Cu	ACSR (Dây nhôm lõi thép) AL550 mm ² /ST70 mm ²
	φ 65 mm	φ 47 mm	
Động cơ điện	Động cơ DC		
Kích thước	117 (S) × 357 (C) × 228 (R) (mm)		117 (S) × 356 (C) × 240 (R) (mm)
Trọng lượng	2,8 kg		4,8 kg

⚠ THẬN TRỌNG:

- DTC102 chỉ dành cho cáp đồng và nhôm. Không sử dụng DTC102 với thép, ACSR hoặc các vật liệu thép khác.

⚠ คำเตือน: โปรดอ่านและทำความเข้าใจคำแนะนำและข้อมูลด้านความปลอดภัยทั้งหมดในคู่มือและคำแนะนำสำหรับผู้ใช้ปฏิบัติงานนี้ การใช้เครื่องมือเพื่อการทำงานที่ไม่ได้กำหนดไว้อาจทำให้เกิดการบาดเจ็บสาหัสหรือเสียชีวิตได้

- ขอขอบคุณที่เลือกซื้อเครื่องตัดสายไฟแบบไร้สายของเรา
- โปรดอ่านคู่มือการใช้งานอย่างละเอียดถี่ถ้วนก่อนที่จะพยายามใช้งานอุปกรณ์ หลังจากอ่านคู่มือการใช้งานนี้แล้ว ให้เก็บคู่มือนี้ไว้ในที่ที่เข้าถึงได้ง่าย
- คำอธิบาย
เครื่องตัดแบบพกพาเป็นเครื่องตัดแบบใช้แบตเตอรี่ที่ออกแบบมาเพื่อตัดสายไฟที่ใช้ในอุตสาหกรรมในปัจจุบัน

ข้อควรระวังเพื่อความปลอดภัย

⚠ คำเตือน: อ่านคำเตือนด้านความปลอดภัยทั้งหมดและคำแนะนำทั้งหมด หากไม่ปฏิบัติตามคำเตือนและคำแนะนำนี้อาจทำให้เกิดไฟฟ้าช็อต ไฟไหม้ และ/หรือการบาดเจ็บสาหัสได้

เก็บรักษาคำแนะนำและคำแนะนำทั้งหมดไว้เพื่อใช้อ้างอิงในอนาคต

⚠ คำเตือน: ผู้ใช้อาจเสียชีวิตหรือได้รับบาดเจ็บสาหัสหากใช้ผลิตภัณฑ์นี้ในทางที่ผิด

1) ความปลอดภัยในพื้นที่ทำงาน

- รักษาพื้นที่ทำงานให้สะอาดและมีแสงสว่างเพียงพอ บริเวณที่ทรูกรังหรือมีดจะทำให้เกิดอุบัติเหตุได้
- ห้ามใช้เครื่องมือไฟฟ้าในบริเวณที่อาจเกิดการระเบิดได้ เช่น ในบริเวณที่มีของเหลว ก๊าซ หรือฝุ่นผงที่มีคุณสมบัติไวไฟ เครื่องมือไฟฟ้าสามารถก่อประกายไฟที่อาจจุดติดกับฝุ่นละอองหรือไอระเหยได้
- กันเด็กและผู้ไม่เกี่ยวข้องให้อยู่ห่างออกไปขณะใช้เครื่องมือไฟฟ้า การไม่มีสมาธิอาจทำให้ความคมเครื่องมือไม่ได้

2) ความปลอดภัยทางไฟฟ้า

- ปลั๊กของเครื่องมือไฟฟ้าต้องเข้ากับเต้าเสียบ ห้ามตัดแปลงปลั๊กไม่ว่าด้วยวิธีใด ๆ ก็ตาม ห้ามใช้ปลั๊กอะแดปเตอร์ใด ๆ กับเครื่องมือไฟฟ้าที่ต่อสายดิน (ต่อลงกราวด์) ปลั๊กที่ไม่มีการตัดแปลงและเต้าเสียบที่เข้ากันจะช่วยลดความเสี่ยงจากไฟฟ้าช็อต
- หลีกเลี่ยงการสัมผัสกับพื้นผิวที่ต่อลงดินหรือลงกราวด์ เช่น ท่อ หมอน้ำ ตะแกรง และตู้เย็น หากร่างกายของท่านต่อลงดินหรือต่อลงกราวด์ มีความเสี่ยงที่จะเกิดไฟฟ้าช็อตเพิ่มขึ้น
- อย่าให้เครื่องมือไฟฟ้าสัมผัสกับฝนหรือสภาพที่เปียกชื้น น้ำที่เข้าสู่เครื่องมือไฟฟ้าจะเพิ่มความเสี่ยงจากไฟฟ้าช็อต
- ห้ามใช้สายไฟในทางที่ผิด ห้ามขมย้าย ดึง หรือถอดปลั๊กเครื่องมือไฟฟ้าโดยจับที่สายไฟ เก็บสายไฟให้ห่างจากความร้อน น้ำมัน ของมีคม หรือชิ้นส่วนที่เคลื่อนที่ สายไฟที่ชำรุดหรือพันกันจะเพิ่มความเสี่ยงจากไฟฟ้าช็อต
- เมื่อใช้เครื่องมือไฟฟ้าบนอาคาร ให้ใช้สายต่อที่เหมาะสมสำหรับการใช้งานบนอาคาร การใช้สายไฟที่เหมาะสมสำหรับการใช้งานบนอาคารจะช่วยลดความเสี่ยงจากไฟฟ้าช็อต

- หากไม่สามารถหลีกเลี่ยงการใช้เครื่องมือไฟฟ้าในบริเวณที่เปียกชื้น ให้ใช้แหล่งจ่ายไฟที่มีการป้องกันด้วยเครื่องตัดไฟรั่ว (RCD) การใช้เครื่องตัดไฟรั่วจะช่วยลดความเสี่ยงจากไฟฟ้าช็อตได้

3) ความปลอดภัยส่วนบุคคล

- ตื่นตัวตลอดเวลา จับดาในสิ่งที่ท่านกำลังทำอยู่ และใช้สามัญสำนึกขณะที่ใช้เครื่องมือไฟฟ้า อย่าใช้เครื่องมือไฟฟ้าในขณะที่ท่านเหนื่อยล้าหรืออยู่ภายใต้ฤทธิ์ยา แอลกอฮอล์ หรือการรักษาด้วยยา การไม่ใส่ใจในขณะที่ใช้เครื่องมือไฟฟ้าอาจทำให้เกิดการบาดเจ็บสาหัสได้
- ใช้อุปกรณ์ป้องกันส่วนบุคคล สวมอุปกรณ์ป้องกันดวงตาเสมอ อุปกรณ์ป้องกัน เช่น หมวกกันน็อก รองเท้าบูทกันสั่น หมวกนิรภัย หรืออุปกรณ์ป้องกันการได้ยินที่ใช้ในสภาวะที่เหมาะสมจะช่วยลดการบาดเจ็บส่วนบุคคลได้
- ป้องกันการเปิดทำงานโดยไม่ตั้งใจ ตรวจสอบให้แน่ใจว่าสวิตช์อยู่ที่ตำแหน่งปิด (OFF) ก่อนที่จะเชื่อมต่อแหล่งจ่ายไฟและ/หรือแบตเตอรี่ และหยิบหรือถือเครื่องมือการถือเครื่องมือไฟฟ้าโดยวางนิ้วมือของท่านบนสวิตช์ หรือการจ่ายไฟให้กับเครื่องมือไฟฟ้าที่มีสวิตช์เปิดอยู่จะทำให้เกิดอุบัติเหตุได้
- ถอดกุญแจหรือประแจปรับก่อนที่จะเปิดเครื่องมือไฟฟ้า ประแจหรือกุญแจที่ปล่อยให้ติดอยู่กับส่วนของเครื่องมือไฟฟ้าทั้งหมดนี้อาจทำให้เกิดการบาดเจ็บได้
- อย่าทำงานในระบะที่สึดเอื้อม รักษาความสมดุลและทำยืนให้เหมาะสมตลอดเวลา ซึ่งจะช่วยให้สามารถควบคุมเครื่องมือไฟฟ้าได้ดีขึ้นในสถานการณ์ที่ไม่คาดคิด
- แต่งกายให้เหมาะสม อย่างสวมใส่เสื้อผ้าหลวม ๆ หรือเครื่องประดับ เก็บผม เสื้อผ้า และถุงมือให้เรียบร้อย ห่างจากส่วนที่กำลังเคลื่อนที่ เสื้อผ้าหลวม ๆ เครื่องประดับ หรือเส้นผมที่ยาวอาจเข้าไปติดอยู่ในส่วนที่กำลังเคลื่อนที่
- หากมีการจัดเตรียมอุปกรณ์สำหรับการเชื่อมต่ออุปกรณ์ ดัดฟันและเก็บฟัน โปรดตรวจสอบให้แน่ใจว่ามีการเชื่อมต่อและใช้งานอุปกรณ์เหล่านี้อย่างเหมาะสม การใช้อุปกรณ์เก็บฟันสามารถลดอันตรายจากฟันได้
- อย่าให้ความคุ้นเคยที่เกิดจากการใช้เครื่องมือเป็นประจำทำให้ท่านรู้สึกชะล่าใจและละเลยหลักความปลอดภัยของเครื่องมือ การกระทำโดยประมาทอาจทำให้เกิดการบาดเจ็บรุนแรงได้ภายในเสี้ยววินาที

4) การใช้งานและการดูแลรักษาเครื่องมือไฟฟ้า

- a) อย่าฝืนใช้เครื่องมือไฟฟ้า ใช้เครื่องมือไฟฟ้าที่ถูกต้องสำหรับการใช้งานของท่าน เครื่องมือไฟฟ้าที่ถูกต้องจะทำงานได้ดีกว่าและปลอดภัยกว่าในอัตราที่ออกแบบไว้
- b) อย่าใช้เครื่องมือไฟฟ้าหากสวิตช์ไม่สามารถเปิดและปิดได้ เครื่องมือไฟฟ้าใด ๆ ที่ไม่สามารถควบคุมด้วยสวิตช์ได้จะเป็นอันตรายและต้องได้รับการซ่อมแซม
- c) ถอดปลั๊กออกจากแหล่งจ่ายไฟ และ/หรือถอดแบตเตอรี่ออกจากเครื่องมือไฟฟ้าก่อนทำการปรับเปลี่ยน การเปลี่ยนอุปกรณ์เสริม หรือการจัดเก็บเครื่องมือไฟฟ้าใด ๆ มาตรการป้องกันความปลอดภัยดังกล่าวจะช่วยลดความเสี่ยงที่เครื่องมือไฟฟ้าจะเริ่มทำงานโดยไม่ตั้งใจ
- d) จัดเก็บเครื่องมือไฟฟ้าที่ไม่ได้ใช้งานให้พ้นมือเด็กและไมอนุญาตให้บุคคลที่ไม่คุ้นเคยกับเครื่องมือไฟฟ้าหรือคำแนะนำเหล่านี้ใช้เครื่องมือไฟฟ้า เครื่องมือไฟฟ้าจะเป็นอันตรายเมื่ออยู่ในมือของผู้ใช้ที่ไม่ได้รับการฝึกอบรม
- e) บำรุงรักษาเครื่องมือไฟฟ้าและอุปกรณ์เสริม ตรวจสอบความปลอดภัยหรือการติดตั้งของชิ้นส่วนที่เคลื่อนที่ การแตกหักของชิ้นส่วน และสภาวะอื่น ๆ ที่อาจส่งผลกระทบต่อการทำงานของเครื่องมือไฟฟ้า หากมีการชำรุดเสียหาย ให้ส่งเครื่องมือไฟฟ้าไปซ่อมก่อนการใช้งาน อุบัติเหตุหลาย ๆ ครั้งเกิดจากเครื่องมือไฟฟ้าที่ได้รับการบำรุงรักษาไม่ดีพอ
- f) รักษาเครื่องมือตัดใหม่และสะอาด เครื่องมือตัดที่ได้รับการดูแลรักษาอย่างดีและคมตัดที่คมจะมีโอกาสตัดขีดน้อยกว่าและควบคุมได้ง่ายกว่า
- g) ใช้เครื่องมือไฟฟ้า อุปกรณ์เสริม และดอกสว่านของเครื่องมือ ฯลฯ ตามคำแนะนำเหล่านี้ โดยคำนึงถึงสภาพการทำงานและงานที่จะต้องทำ การใช้เครื่องมือไฟฟ้าสำหรับการทำงานที่แตกต่างจากที่กำหนดไว้อาจทำให้เกิดสถานการณ์ที่เป็นอันตรายได้
- h) รักษาพื้นผิวตามจับและที่จับให้แห้ง สะอาด ปราศจากน้ำมันและจาระบี พื้นผิวตามจับและที่จับที่ชื้นทำให้ไม่สามารถจับและควบคุมเครื่องมือได้อย่างปลอดภัยในสถานการณ์ที่ไม่คาดคิด

5) การใช้งานและการดูแลรักษาเครื่องมือที่ใช้แบตเตอรี่

- a) ชาร์จด้วยเครื่องชาร์จตามที่ผู้ผลิตกำหนดไว้เท่านั้น เครื่องชาร์จที่เหมาะสมกับแบตเตอรี่แบบหนึ่งอาจก่อให้เกิดความเสี่ยงที่จะเกิดไฟไหม้ได้หากนำมาใช้กับแบตเตอรี่อีกแบบหนึ่ง
- b) ใช้เครื่องมือไฟฟ้ากับแบตเตอรี่ที่กำหนดไว้โดยเฉพาเท่านั้น การใช้แบตเตอรี่แบบอื่นอาจก่อให้เกิดความเสี่ยงต่อการบาดเจ็บและไฟไหม้ได้
- c) เมื่อไม่ได้ใช้งานแบตเตอรี่ ควรเก็บไว้ในห่างจากรัดฤกษ์เป็นโลหะอื่น ๆ เช่น คลิปหนีบกระดาษ เหรียญ กุญแจ ตะปู สกรู หรือวัตถุโลหะขนาดเล็กอื่น ๆ ที่สามารถเชื่อมชั่วคราวกับอีกขั้วหนึ่งได้ การลัดวงจรของขั้วแบตเตอรี่พร้อมกันอาจทำให้เกิดการลุกไหม้หรือระเบิดขึ้นได้
- d) ภายใต้อุณหภูมิที่ไม่เหมาะสม อาจมีของเหลวไหลออกมาจากแบตเตอรี่ ให้หลีกเลี่ยงการสัมผัสกับของเหลวนี้ หากมีการสัมผัสโดยไม่ได้ตั้งใจ ให้ล้างออกด้วยน้ำสะอาด หากของเหลวดังกล่าวสัมผัสกับดวงตา ควรไปพบแพทย์เพื่อรับการรักษาทันที
- ขของเหลวที่ไหลออกมาจากแบตเตอรี่อาจทำให้เกิดการระคายเคืองหรือเป็นรอยไฟไหม้ได้
- e) ห้ามใช้แบตเตอรี่หรือเครื่องมือที่ชำรุดเสียหายหรือมีการดัดแปลงมาแล้ว แบตเตอรี่ที่ชำรุดเสียหายหรือมีการดัดแปลงอาจมีลักษณะการทำงานที่คาดเดาไม่ได้ ซึ่งอาจทำให้เกิดไฟไหม้ การระเบิด หรือความเสี่ยงต่อการบาดเจ็บ

- f) อย่าให้แบตเตอรี่หรือเครื่องมือสัมผัสกับไฟหรืออยู่ในบริเวณที่มีอุณหภูมิที่สูงเกินไป การสัมผัสกับไฟหรืออุณหภูมิที่สูงกว่า 130°C อาจทำให้เกิดการระเบิดได้
- g) ปฏิบัติตามคำแนะนำในการชาร์จทั้งหมด และอย่าชาร์จแบตเตอรี่หรือเครื่องมือเกินช่วงอุณหภูมิที่ระบุไว้ในคำแนะนำ การชาร์จอย่างไม่เหมาะสมหรือที่อุณหภูมิเกินช่วงที่ระบุไว้อาจทำให้แบตเตอรี่ชำรุดเสียหายและมีโอกาสเสี่ยงที่จะเกิดไฟไหม้

6) การบริการ

- a) นำเครื่องมือไฟฟ้าของท่านเข้ารับการบริการจากช่างซ่อมที่ได้รับการรับรอง โดยใช้ชิ้นส่วนอะไหล่ที่เหมือนกับชิ้นส่วนเดิมเท่านั้น ซึ่งจะช่วยรับประกันความปลอดภัยของเครื่องมือไฟฟ้าได้
 - b) อย่าซ่อมแบตเตอรี่ที่ชำรุดเสียหาย การซ่อมแบตเตอรี่ควรทำโดยผู้ผลิตหรือผู้ให้บริการที่ได้รับอนุญาตเท่านั้น
- จับเครื่องมือไฟฟ้าที่พื้นผิวสำหรับจับที่หุ้มฉนวนเมื่อจะดำเนินการใด ๆ ในบริเวณที่ด้วยดีอาจสัมผัสกับสายไฟที่ซ่อนอยู่ใต้ด้วยดีที่สัมผัสกับสายไฟที่ "มีกระแสไฟฟ้า" อาจทำให้ชิ้นส่วนโลหะของเครื่องมือไฟฟ้าที่มีการสัมผัส "มีกระแสไฟฟ้า" และอาจทำให้ผู้ปฏิบัติงานถูกไฟฟ้าช็อตได้

ใช้เครื่องชาร์จแบตเตอรี่และแบตเตอรี่ Makita ของแท้

- ใช้แบตเตอรี่ของแท้สำหรับเครื่องมือ
- อย่าชาร์จแบตเตอรี่ด้วยเครื่องชาร์จแบตเตอรี่อื่น หากไม่ปฏิบัติตามคำแนะนำนี้อาจทำให้เกิดการแตกร้าวซึ่งอาจทำให้เกิดอุบัติเหตุหรือการบาดเจ็บได้

ชาร์จแบตเตอรี่ให้ถูกวิธี

- ใช้แหล่งจ่ายไฟที่มีการระบุไว้เพื่อเชื่อมต่อเครื่องชาร์จแบตเตอรี่ที่เข้ากับผลิตภัณฑ์นี้
- อย่าใช้แหล่งจ่ายไฟ DC หรือเครื่องกำเนิดไฟฟ้าที่ขับเคลื่อนด้วยเครื่องยนต์เพื่อชาร์จแบตเตอรี่ หากไม่ปฏิบัติตามคำแนะนำนี้อาจทำให้เกิดการร้อนสูงเกินซึ่งอาจทำให้เกิดไฟไหม้ได้
- เมื่ออุณหภูมิของบรรยากาศ แบตเตอรี่ หรือเครื่องชาร์จแบตเตอรี่ต่ำกว่า 0°C หรือสูงกว่า 40°C อย่าชาร์จแบตเตอรี่เมื่ออุณหภูมิของบรรยากาศหากไม่ปฏิบัติตามคำแนะนำนี้อาจทำให้เกิดการแตกร้าวหรือไฟไหม้ได้
- ขณะชาร์จแบตเตอรี่ ให้เลือกสถานที่ชาร์จที่มีอากาศถ่ายเทสะดวก
- อย่าใช้ผ้าปิดคลุมแบตเตอรี่ในระหว่างชาร์จ หากไม่ปฏิบัติตามคำแนะนำนี้อาจทำให้เกิดการแตกร้าวหรือไฟไหม้ได้
- อย่าสัมผัสถอดปลั๊กไฟหลังจากการชาร์จ หากไม่ปฏิบัติตามคำแนะนำนี้อาจทำให้เกิดไฟฟ้าช็อตหรือไฟไหม้ได้

อย่าห็นเครื่องตัดเข้าหาคอลอื่นในระหว่างการใช้งาน

- หากไม่ปฏิบัติตามคำแนะนำนี้อาจทำให้เกิดการบาดเจ็บได้

อย่าทำให้เกิดการลัดวงจรระหว่างขั้วแบตเตอรี่

- เมื่อจับแบตเตอรี่ไว้ตามลำพัง ตรวจสอบให้แน่ใจว่าได้ใส่ฝาครอบไว้ที่ขั้วต่อเพื่อป้องกันไฟฟ้าลัดวงจร ตรวจสอบให้แน่ใจว่าขั้วแบตเตอรี่จะไม่ลัดวงจรเนื่องจากชิ้นส่วนโลหะอื่น ๆ เช่น สกรู ตะปู ฯลฯ

อย่าใช้แบตเตอรี่สัมผัสเปลวไฟ

- หากไม่ปฏิบัติตามคำแนะนำนี้อาจทำให้เกิดการแตกร้าวหรือการรั่วไหลของสารอันตราย

อย่าใช้กับชิ้นส่วนที่มีกระแสไฟฟ้า

- เครื่องมือนี้ไม่มีฉนวน การใช้งานในตำแหน่งที่มีกระแสไฟฟ้าอาจทำให้เกิดไฟฟ้าช็อตได้
- อย่าสัมผัสปลั๊กไฟหรือแบตเตอรี่ด้วยมือที่เปียกชื้น หากไม่ปฏิบัติตามคำแนะนำนี้อาจทำให้เกิดไฟฟ้าช็อตได้

ถอดแบตเตอรี่ออกจากตัวเครื่องในกรณีต่อไปนี้

- เมื่อไม่ได้ใช้งานหรือเพื่อการซ่อม
- เมื่อเปลี่ยนชิ้นส่วนอะไหล่
- ในบางครั้งที่สงสัยว่าจะเกิดอันตราย หากไม่ปฏิบัติตามคำแนะนำนี้อาจทำให้เครื่องมือเปิดทำงานโดยไม่ได้ตั้งใจและทำให้เกิดการบาดเจ็บได้

การทำงานของเครื่องมือโดยไม่คาดคิด

- ตรวจสอบให้แน่ใจว่านิ้วมืออยู่ห่างจากปุ่มสั่งงานในขณะที่เคลื่อนย้ายเครื่องมือ การทำงานของเครื่องมือโดยไม่คาดคิดอาจทำให้เกิดการบาดเจ็บได้

ใช้เฉพาะอุปกรณ์เสริมที่ระบุเท่านั้น

- ห้ามใช้อุปกรณ์เสริมใด ๆ นอกเหนือจากที่ระบุไว้ในคู่มือการใช้งานนี้หรือในแค็ตตาล็อกของเรา หากไม่ปฏิบัติตามคำแนะนำนี้อาจทำให้เกิดอุบัติเหตุหรือการบาดเจ็บได้

ใช้อุปกรณ์ป้องกัน

- ใช้แว่นตาที่รัดกุมในระหว่างการทำงาน หากการทำงานมีฝุ่นมากให้ใช้หน้ากากป้องกัน ในขณะที่ตัด ชิ้นส่วนขนาดเล็กอาจกระจัดกระจายและทำให้เกิดการบาดเจ็บได้

อย่าจ้องที่ไฟ LED ขณะทำงาน

- อาจทำให้สายตาเสื่อมลงได้

คำนึงถึงสภาพแวดล้อมในการทำงาน

- อย่าใช้เครื่องมือ เครื่องชาร์จแบตเตอรี่ หรือแบตเตอรี่กลางสายฝนหรือในสถานที่เปียกชื้น หากไม่ปฏิบัติตามคำแนะนำนี้อาจทำให้เกิดไฟฟ้าช็อตหรือตกไฟได้
- ปฏิบัติงานในสถานที่ที่มีแสงสว่างเพียงพอ การทำงานในที่มืดอาจทำให้เกิดอุบัติเหตุได้
- ห้ามใช้หรือชาร์จแบตเตอรี่ในสถานที่ที่มีของเหลวหรือก๊าซที่ติดไฟได้ หากไม่ปฏิบัติตามคำแนะนำนี้อาจทำให้เกิดการระเบิดหรือไฟไหม้ได้

รักษาสถานที่ทำงานให้สะอาดอยู่เสมอ

- สถานที่และโต๊ะทำงานที่รกอาจทำให้เกิดอุบัติเหตุได้

ให้เด็กอยู่ห่างจากเครื่องมือ

- อย่าให้ผู้อื่นนอกเหนือจากผู้ใช้ปฏิบัติงานสัมผัสเครื่องมือและสายของเครื่องชาร์จแบตเตอรี่ ให้บุคคลอื่นอยู่ห่างจากสถานที่ทำงาน หากไม่ปฏิบัติตามคำแนะนำนี้อาจทำให้เกิดการบาดเจ็บได้

จัดเก็บเครื่องมืออย่างเหมาะสมเมื่อไม่ใช้งาน

- จัดเก็บเครื่องมือไว้ในสถานที่ที่มีความชื้นต่ำและในที่สูงที่เด็กไม่สามารถเอื้อมถึงได้หรือในสถานที่ที่สามารถล็อกได้ หากไม่ปฏิบัติตามคำแนะนำนี้อาจทำให้เกิดอุบัติเหตุได้
- อย่าจัดเก็บเครื่องมือหรือแบตเตอรี่ไว้ในสถานที่ที่อุณหภูมิอาจสูงถึง 40°C หรือสูงกว่านั้น (ภายในกล่องโลหะ ภายในรถยนต์ในฤดูร้อน ฯลฯ) หากไม่ปฏิบัติตามคำแนะนำนี้อาจทำให้แบตเตอรี่เสื่อมสภาพ ซึ่งอาจทำให้เกิดควันหรือติดไฟได้

อย่าใช้เครื่องมือนี้ในลักษณะที่ไม่เหมาะสม

- ปฏิบัติงานตามกำลังความสามารถของเครื่องมือเพื่อการปฏิบัติงานที่ปลอดภัยและมีประสิทธิภาพ การใช้งานเครื่องมือเกินกำลังความสามารถอาจทำให้เกิดอุบัติเหตุได้
- อย่าใช้เครื่องมือในลักษณะที่ไม่เหมาะสมซึ่งเป็นสาเหตุให้มอเตอร์ถูกบล็อก หากไม่ปฏิบัติตามคำแนะนำนี้อาจทำให้เกิดควันหรือติดไฟได้

ใช้เครื่องมือที่เหมาะสมกับการทำงาน

- อย่าใช้เครื่องมือสำหรับการทำงานอื่นนอกเหนือจากที่ระบุไว้ หากไม่ปฏิบัติตามคำแนะนำนี้อาจทำให้เกิดการบาดเจ็บได้

ปฏิบัติงานโดยสวมเสื้อผ้าที่เหมาะสม

- อย่าวางใส่เสื้อผ้าหลวม ๆ หรือเครื่องประดับ เช่น สร้อยคอ สิ่งของดังกล่าวอาจเข้าปัดติดอยู่ในส่วนที่กำลังเคลื่อนที่ ส่วนที่กำลังหมุน หรือส่วนอื่น ๆ ที่คล้ายกันนี้ได้
- เมื่อทำงานภายนอกอาคาร แนะนำให้ใช้ถุงมือยางและรองเท้ากันลื่น ถุงมือและรองเท้าที่ลื่นอาจทำให้เกิดการบาดเจ็บได้
- หากทำงานมีผมยาว ให้ใช้หมวกหรือผ้าคลุมผมปิดคลุมผมไว้ หากไม่ปฏิบัติตามคำแนะนำนี้อาจทำให้เส้นผมของทานเข้าปัดติดในส่วนที่กำลังเคลื่อนที่ ส่วนที่กำลังหมุนหรือส่วนอื่น ๆ ที่คล้ายกันนี้ได้

อย่าใช้งานเครื่องมือด้วยท่าทางที่ผิดธรรมชาติ

- รักษาความสมดุลและท่ายืนของท่านให้เหมาะสมตลอดเวลา หากไม่ปฏิบัติตามคำแนะนำนี้อาจทำให้ท่านหกล้ม ซึ่งอาจทำให้เกิดการบาดเจ็บได้

ตื่นตัวตลอดเวลาและมีสมาธิขณะทำงาน

- เมื่อทำงานใช้เครื่องมือ โปรดระมัดระวังเกี่ยวกับวิธีจับเครื่องมือ ลักษณะการทำงาน รวมถึงสภาพแวดล้อมโดยรวม และปฏิบัติงานอย่างระมัดระวัง หากไม่ปฏิบัติตามคำแนะนำนี้อาจทำให้เกิดอุบัติเหตุหรือการบาดเจ็บได้
- ห้ามใช้เครื่องมือขณะเมึนเมาจากแอลกอฮอล์ หากไม่ปฏิบัติตามคำแนะนำนี้อาจทำให้เกิดอุบัติเหตุหรือการบาดเจ็บได้
- ห้ามใช้เครื่องมือเมื่อท่านมีสภาพร่างกายที่ไม่สมบูรณ์ หากไม่ปฏิบัติตามคำแนะนำนี้อาจทำให้เกิดอุบัติเหตุหรือการบาดเจ็บได้

อย่าจับสายไฟของเครื่องชาร์จแบตเตอรี่ในลักษณะที่รุนแรง

- ห้ามชนย้ายเครื่องชาร์จด้วยการจับที่สายหรือกระชากสาย เพื่อถอดออกจากเต้าเสียบ
- เก็บสายไฟให้ห่างจากความร้อน น้ำมัน และของมีคม
- ตรวจสอบให้แน่ใจว่าสภาพแวดล้อมการชาร์จไม่มีกระแสไฟฟ้าหรือสะเก็ดสายไฟ หากไม่ปฏิบัติตามคำแนะนำนี้อาจทำให้เกิดไฟฟ้าช็อตหรือไฟฟ้าลัดวงจรซึ่งอาจทำให้เกิดไฟไหม้ได้

ใช้สายต่อที่มีข้อกำหนดเฉพาะภายนอกอาคาร

- หากท่านใช้เครื่องมือภายนอกอาคาร ให้ใช้สายต่อที่ผลิตจากสายเคเบิลหุ้มยางที่ทนทาน

ทำการบำรุงรักษาเครื่องมืออย่างระมัดระวัง

- ปฏิบัติตามคู่มือการใช้งานเมื่อเปลี่ยนชิ้นส่วนอะไหล่ หากไม่ปฏิบัติตามคำแนะนำนี้อาจทำให้เกิดการบาดเจ็บได้
- ตรวจสอบสายไฟของเครื่องชาร์จแบตเตอรี่เป็นประจำ หากสายไฟชำรุดเสียหาย ให้ติดต่อศูนย์บริการที่ได้รับอนุญาตเพื่อทำการซ่อม หากไม่ปฏิบัติตามคำแนะนำนี้อาจทำให้เกิดไฟฟ้าช็อตหรือไฟฟ้าลัดวงจรซึ่งอาจทำให้เกิดไฟไหม้ได้
- หากมีการใช้งานสายต่อ ให้ตรวจสอบสายไฟเป็นประจำ หากสายไฟชำรุดเสียหายให้เปลี่ยนสายไฟใหม่ หากไม่ปฏิบัติตามคำแนะนำนี้อาจทำให้เกิดไฟฟ้าช็อตหรือไฟฟ้าลัดวงจร ซึ่งอาจทำให้เกิดไฟไหม้ได้
- รักษาที่จับให้แห้งและสะอาดอยู่เสมอและเก็บให้ห่างจากน้ำมันและจาระบี หากไม่ปฏิบัติตามคำแนะนำนี้อาจทำให้เกิดการบาดเจ็บได้

ตรวจสอบชิ้นส่วนที่ชำรุดเสียหาย

- ตรวจสอบว่ามีอะไหล่หรือชิ้นส่วนที่ชำรุดเสียหายก่อนการใช้งาน ตรวจสอบให้แน่ใจว่า เครื่องมือทำงานปกติ และส่วนประกอบทั้งหมดทำงานอย่างถูกต้อง
- ตรวจสอบการวางแนวของชิ้นส่วนที่เคลื่อนที่ การทำงานที่ราบรื่นของชิ้นส่วนที่เคลื่อนที่ การแตกหักของชิ้นส่วน การติดตั้ง และสภาพอื่น ๆ ที่อาจส่งผลต่อการทำงาน

- อย่าใช้เครื่องชาร์จแบตเตอรี่ที่มีปลั๊กไฟหรือสายไฟชำรุดเสียหาย หรือที่ตกหล่นและชำรุดเสียหาย หากไม่ปฏิบัติตามคำแนะนำนี้อาจทำให้เกิดไฟฟ้าช็อตหรือไฟฟ้าลัดวงจรซึ่งอาจทำให้เกิดไฟไหม้ได้
- หากชำรุดเสียหาย ควรให้ศูนย์บริการที่ได้รับอนุญาตทำการซ่อมแซมหรือเปลี่ยนใหม่ เว้นแต่จะระบุไว้เป็นอย่างอื่นในคู่มือการใช้งานนี้ ให้ศูนย์บริการที่ได้รับอนุญาตทำการเปลี่ยนสวิตช์ที่ชำรุดเสียหาย อย่าใช้เครื่องมือหากสวิตช์ไม่สามารถเปิดและปิดได้ เครื่องมือดังกล่าวอาจทำงานผิดปกติซึ่งอาจทำให้เกิดการบาดเจ็บได้

ติดต่อศูนย์บริการที่ได้รับอนุญาตเพื่อทำการ

ซ่อม

- ห้ามถอดประกอบ ซ่อมแซม หรือดัดแปลงตัวเครื่อง เครื่องชาร์จแบตเตอรี่ หรือแบตเตอรี่ หากไม่ปฏิบัติตามคำแนะนำนี้อาจทำให้เกิดการติดไฟหรือการทำงานผิดปกติซึ่งอาจทำให้เกิดการบาดเจ็บได้
- หาก เครื่องมือ ร้อน ขึ้น หรือ พบ ความ ผิด ปกติ ใน เครื่องมือ ให้เข้ารับการตรวจสอบหรือซ่อมแซมเครื่องมือ
- เครื่องมือนี้ผลิตขึ้นตามข้อกำหนดด้านความปลอดภัยที่เกี่ยวข้อง อย่าพยายามดัดแปลงผลิตภัณฑ์นี้
- ให้ศูนย์บริการที่ได้รับอนุญาตทำการซ่อมเครื่องมือของท่าน การซ่อมแซมควรดำเนินการโดยช่างซ่อมที่ได้รับการรับรอง โดยใช้ชิ้นส่วนอะไหล่ของแท้เท่านั้น มิฉะนั้น อาจส่งผลให้เกิดอันตรายอย่างมากต่อผู้ใช้ได้

ข้อควรระวังในการใช้งานเครื่องตัดสายไฟแบบไร้สาย

- เมื่อใช้เครื่องมือนี้ ให้ปฏิบัติตามคำแนะนำที่แสดงไว้ด้านล่าง

ข้อควรระวังสำหรับเครื่องมือ

- ห้ามตัดสิ่งใดเกินกำลังความสามารถในการตัดสูงสุด โปรดใช้ความระมัดระวัง หากไม่ปฏิบัติตามคำแนะนำนี้อาจทำให้เกิดความเสียหายได้ (ดูที่หน้า 121)
- อย่าสัมผัสคมตัดของใบมีดที่เคลื่อนที่ไต่หรือที่ยึดอยู่กับ หากไม่ปฏิบัติตามคำแนะนำนี้อาจทำให้เกิดการบาดเจ็บได้
- ห้ามตัดสายไฟที่มีกระแสไฟฟ้า (สายไฟที่นำกระแสไฟฟ้า)
- อย่าให้เด็กเล่นหรือมีการกระแทกแรงเกินไป โครงสร้างภายในได้รับการผลิตมาอย่างแม่นยำเพื่อให้มีขนาดกะทัดรัดและน้ำหนักเบา ดังนั้นเครื่องมืออาจทำงานผิดปกติได้หากมีการกระแทก
- ห้ามใช้งานกลางสายฝน การกระทำดังกล่าวอาจทำให้ใบมีดเป็นสนิมและทำให้คมตัดที่อ้อ หรือทำให้เกิดการชำรุดเสียหายได้
- อย่าตัดยาวเกิน 50 มม. หรือสั้นเกิน การตัดปลายของ CCP ที่ยาวเกินและสายอื่น ๆ ที่สั้นมากอาจทำให้ภายในของสายเคเบิล ฯลฯ ถูกตัดได้
- อย่าวางแรงส่วนที่ตัดทางที่ถูกตัด ตัดวัสดุในแนวตรงเสมอ หากไม่ปฏิบัติตามคำแนะนำนี้อาจทำให้ใบมีดชำรุดเสียหายได้
- จับให้แน่น หากไม่ปฏิบัติตามคำแนะนำนี้อาจทำให้เกิดการบาดเจ็บได้
- ตรวจสอบให้แน่ใจว่าไม่มีใครอยู่ต่ำกว่าท่านก่อนที่จะใช้งานในตำแหน่งที่สูง หากไม่ปฏิบัติตามคำแนะนำนี้อาจทำให้เกิดอุบัติเหตุได้หากวัสดุหรืออุปกรณ์ตกหล่น ฯลฯ
- ตรวจสอบให้แน่ใจว่าไม่มีอะไรผิดปกติก่อนการใช้งาน ทรายแตกหรือรอยร้าวบนเครื่องตัดอาจทำให้เครื่องตัดชำรุดเสียหายและทำให้เกิดการบาดเจ็บได้
- หยุดพักในระหว่างการใช้งาน การตัดเป็นเวลานานโดยไม่หยุดพักจะสะสมความร้อนของมอเตอร์เพิ่มขึ้น ซึ่งอาจทำให้มอเตอร์และแบตเตอรี่ร้อนเกินไปและทำให้เกิดการชำรุดเสียหายได้ ตรวจสอบให้แน่ใจว่าได้หยุดพักในระหว่างการใช้งานเป็นครั้งคราว
- อุณหภูมิแวดล้อมที่ต่ำ (10°C หรือต่ำกว่า) อาจทำให้สายไฟแข็งตัว ทำให้ตัดได้ยาก แม้ว่าจะอยู่ในกำลังความสามารถในการตัดก็ตาม
- ทำความสะอาดด้วยลม ฯลฯ หลังจากการใช้งานทุกครั้ง ระวังอย่าให้เศษจากการตัดและเศษวัสดุอื่น ๆ เข้าไปในตัวเครื่องจากช่องเปิด (ตัวขับเคลื่อนใบมีดที่เคลื่อนที่ไต่)
- ห้ามตัดสายไฟที่มีเส้นลวดขนาดเส้นผ่านศูนย์กลาง 1 มม. หากไม่ปฏิบัติตามคำแนะนำนี้อาจทำให้ใบมีดติดอยู่ในสายไฟและดึงไม่ออก

ข้อควรระวังในการใช้แบตเตอรี่

- อย่าทำให้เกิดการลัดวงจรระหว่างขั้ว
- เก็บแบตเตอรี่ให้ห่างจากน้ำ น้ำมัน และตัวทำละลายอินทรีย์
- ห้ามกดตะขอกบหรือดัดแปลงแบตเตอรี่
- หากจะทิ้งแบตเตอรี่ อย่าใส่แบตเตอรี่สัมผัสเปลวไฟหรืออย่ากำจัดทิ้งเป็นขยะทั่วไป (เราส่งเสริมการรีไซเคิล)
- อย่านอนหรือทำแบตเตอรี่ร้อน
- อย่าทิ้งแบตเตอรี่ไว้ในสถานที่ที่อุณหภูมิสูงถึง 40°C หรือสูงกว่าเป็นเวลานาน
- อย่าทำให้แบตเตอรี่ลัดวงจรด้วยการปล่อยให้สิ่งสกปรกหรือฝุ่นละอองบนขั้ว เนื่องจากจะทำให้การทำงานผิดปกติได้ ห้ามใช้งานแบตเตอรี่หากขั้วสึกกร่อน
- การติดตั้งฟังก์ชันป้องกันที่จะหยุดจ่ายไฟเพื่อยืดอายุการใช้งานของแบตเตอรี่ มอเตอร์อาจหยุดทำงานเมื่อระดับแบตเตอรี่ที่เหลืออยู่มีระดับต่ำแม้ว่าจะกดสวิตช์สั่งงานในระหว่างการใช้งานเครื่องมือนี้ อย่างไรก็ตาม ปรากฏการณ์นี้ไม่ได้เกิดจากการทำงานผิดปกติแต่เกิดจากฟังก์ชันป้องกันในกรณีเช่นนี้ ให้ชาร์จแบตเตอรี่ทันที

ข้อควรระวังสำหรับเครื่องชาร์จแบตเตอรี่

- เครื่องชาร์จแบตเตอรี่นี้มีไฟแสดงสถานะ (ไฟ LED หลายสี) เพื่อแสดงสถานะการชาร์จแบตเตอรี่
- อย่าทำให้เครื่องชาร์จลัดวงจรด้วยการปล่อยให้สิ่งสกปรกหรือฝุ่นละอองเข้าไปในช่องเสียบ เนื่องจากจะทำให้การทำงานผิดปกติได้ อย่าใช้งานเครื่องชาร์จแบตเตอรี่หากขั้วโลหะสึกกร่อน

สัญลักษณ์เตือน



ก่อนการใช้เครื่องมือ โปรดอ่านคำแนะนำในคู่มืออย่างละเอียด



เพื่อป้องกันมอเตอร์ ห้ามใช้งานหากพื้นที่เดือนความร้อนสูงมีการร้อนขึ้น (ดูที่หน้า 119)

พื้นที่เดือน
ความร้อนสูง



ห้ามสัมผัสในระหว่างการใช้งาน

ดัลล์แบตเตอร์และเครื่องชาร์จที่สามารถใช้งานได้

ดัลล์แบตเตอร์	BL1815N / BL1820B / BL1830B / BL1840B / BL1850B / BL1860B
เครื่องชาร์จ	DC18RC / DC18RD / DC18RE / DC18SD / DC18SE / DC18SF / DC18SH / DC18WC

- ดัลล์แบตเตอร์และเครื่องชาร์จบางรายการที่แสดงไว้ข้างต้นอาจไม่มีจำหน่าย ทั้งนี้ขึ้นอยู่กับภูมิภาคที่ท่านอาศัยอยู่
- หากต้องการชาร์จแบตเตอร์ โปรดอ่านคู่มือการใช้งานเครื่องชาร์จแบตเตอร์

⚠ คำเตือน: ใช้เฉพาะดัลล์แบตเตอร์และเครื่องชาร์จในรายการที่แสดงไว้ด้านบนเท่านั้น การใช้ดัลล์แบตเตอร์และเครื่องชาร์จแบบอื่นอาจทำให้ได้รับบาดเจ็บและ/หรือเกิดไฟไหม้ได้

คำแนะนำสำคัญเพื่อความปลอดภัยสำหรับดัลล์แบตเตอร์

1. ก่อนใช้งานดัลล์แบตเตอร์ โปรดอ่านคำแนะนำและเครื่องหมายเตือนทั้งหมดบน (1) เครื่องชาร์จแบตเตอร์ (2) แบตเตอร์ และ (3) ผลิตภัณฑ์ที่ใช้แบตเตอร์
2. อย่าถอดหรือปรับเปลี่ยนดัลล์แบตเตอร์ เนื่องจากอาจทำให้เกิดการลัดวงจร ความร้อนสูงเกิน หรือระเบิดได้
3. หากระยะเวลาการใช้งานเริ่มสั้นลงอย่างมาก ให้หยุดใช้งานทันที เพราะอาจทำให้เกิดความเสี่ยงที่แบตเตอร์จะร้อนจัด ใหม่ หรือระเบิดได้
4. หากสารอิเล็กโทรไลต์เข้าตา ให้ล้างออกด้วยน้ำสะอาด และไปพบแพทย์โดยทันที เนื่องจากอาจทำให้สูญเสียการมองเห็นได้
5. อย่าทำให้ดัลล์แบตเตอร์เกิดการลัดวงจร:
 - (1) อย่าให้วัสดุที่เป็นสื่อนำไฟฟ้าสัมผัสกับขั้วแบตเตอร์
 - (2) หลีกเลี่ยงการเก็บดัลล์แบตเตอร์ไว้ในกล่องร่วมกับวัตถุอื่นที่เป็นโลหะ เช่น ตะปู เหรียญ เป็นต้น
 - (3) อย่าให้ดัลล์แบตเตอร์ถูกน้ำหรือเปียกฝน การลัดวงจรของแบตเตอร์อาจทำให้มีกระแสไฟฟ้าไหลในปริมาณมาก เกิดความร้อนจัด ใหม่ และชำรุดเสียหายได้
6. อย่าเก็บและใช้งานเครื่องมือและดัลล์แบตเตอร์ในบริเวณที่อาจมีอุณหภูมิสูงถึงหรือเกิน 50°C (122°F)
7. อย่าชาร์จดัลล์แบตเตอร์แม้ว่าจะชำรุดเสียหายอย่างรุนแรง หรือใช้งานไม่ได้แล้ว ดัลล์แบตเตอร์อาจระเบิดในเปลวไฟได้
8. อย่าดองตะปู ตัด บด โยน ทำดัลล์แบตเตอร์ตก หรือกระแทกดัลล์แบตเตอร์กับวัตถุแข็ง การกระทำดังกล่าวอาจทำให้เกิดการลัดวงจร ความร้อนสูงเกิน หรือระเบิดได้
9. อย่าใช้แบตเตอร์ที่ชำรุดเสียหาย
10. แบตเตอรี่ลิเธียมไอออนในตัวต้องเป็นไปตามข้อกำหนดของกฎหมายว่าด้วยสินค้าอันตราย สำหรับการขนส่งในเชิงพาณิชย์ เช่น โดยบุคคลภายนอก หรือตัวแทนผู้บริหารจัดการขนส่งสินค้าระหว่างประเทศ จะต้องปฏิบัติตามข้อกำหนดพิเศษว่าด้วยการบรรจุภัณฑ์ และการติดป้าย

ในส่วนของการจัดเตรียมสินค้าที่จะขนส่งจำเป็นต้องขอคำแนะนำจากผู้เชี่ยวชาญด้านวัตถุอันตราย นอกจากนี้ควรศึกษากฎระเบียบระดับประเทศซึ่งอาจมีผลบังคับใช้ให้ละเอียดด้วย

ติดเทปหรือวัสดุอื่นเพื่อปิดหน้าสัมผัสที่เปิดอยู่ แล้วหุ้มห่อแบตเตอร์อย่างแน่นหนาเพื่อไม่ให้เคลื่อนไหวไปมาโดยไม่ตั้งใจในบรรจุภัณฑ์

11. เมื่อจะทิ้งดัลล์แบตเตอร์ ให้ถอดแบตเตอร์ออกจากเครื่องมือและทิ้งในถังปลอดภัย ปฏิบัติตามกฎหมายที่เหมือนกันในส่วนที่เกี่ยวกับการกำจัดแบตเตอร์
12. ใช้แบตเตอร์ร่วมกับผลิตภัณฑ์ Makita รุ่นอื่นเท่านั้น การติดตั้งแบตเตอร์ในผลิตภัณฑ์ที่ไม่ได้รับอนุญาตอาจทำให้เกิดการลัดวงจร ความร้อนสูงเกินระเบิด หรือสารอิเล็กโทรไลต์รั่วไหลออกมาได้
13. หากไม่ได้ใช้งานเครื่องมือเป็นเวลานาน จะต้องถอดแบตเตอร์ออกจากเครื่องมือ
14. ในระหว่างและหลังจากการใช้งาน ดัลล์แบตเตอร์อาจได้รับความร้อนซึ่งอาจทำให้เกิดแผลพองหรือแสบผิวจากความร้อนที่อุณหภูมิได้ระดับหรือสูงในการสัมผัสดัลล์แบตเตอร์ที่ร้อน
15. อย่าสัมผัสขั้วของเครื่องมือทันทีหลังใช้งาน เนื่องจากเครื่องมืออาจร้อนจัดจนทำให้เกิดแผลพองได้
16. อย่าให้เศษวัสดุ ฝุ่น หรือดินติดอยู่ในขั้ว รู และร่องของดัลล์แบตเตอร์ เนื่องจากอาจทำให้เกิดความร้อนสูงเกิน การระเบิด และการทำงานผิดปกติของเครื่องมือหรือดัลล์แบตเตอร์ ซึ่งส่งผลให้เกิดแผลไหม้หรือร่างกายได้รับบาดเจ็บได้
17. อย่าใช้งานดัลล์แบตเตอร์ใกล้กับสายไฟฟ้าแรงสูง เว้นแต่เครื่องมือจะรองรับการใช้งานใกล้กับสายไฟฟ้าแรงสูง เนื่องจากอาจทำให้เครื่องมือหรือดัลล์แบตเตอร์ทำงานผิดปกติหรือชำรุดเสียหายได้
18. เก็บแบตเตอร์ให้ห่างจากเด็ก

เก็บรักษาคู่มือการใช้งานนี้ไว้

⚠ ข้อควรระวัง:

- ใช้แบตเตอร์ของแท้ของ Makita เท่านั้น การใช้แบตเตอร์อื่นที่ไม่ใช่แบตเตอร์ของแท้ของ Makita หรือแบตเตอร์ที่ถูกปรับเปลี่ยน อาจทำให้แบตเตอร์ระเบิดจนเกิดไฟไหม้ ร่างกายได้รับบาดเจ็บ และเกิดความเสียหายขึ้นได้ นอกจากนี้ยังทำให้การรับประกันของ Makita สำหรับเครื่องมือและเครื่องชาร์จของ Makita เป็นโมฆะอีกด้วย

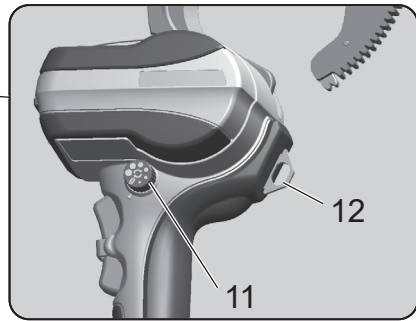
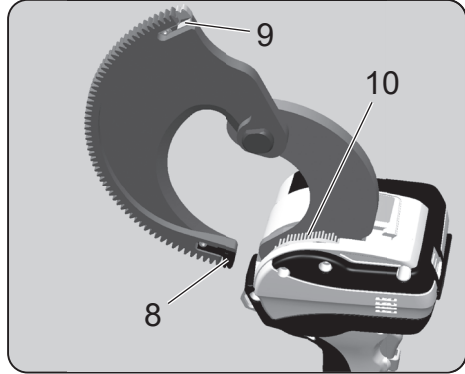
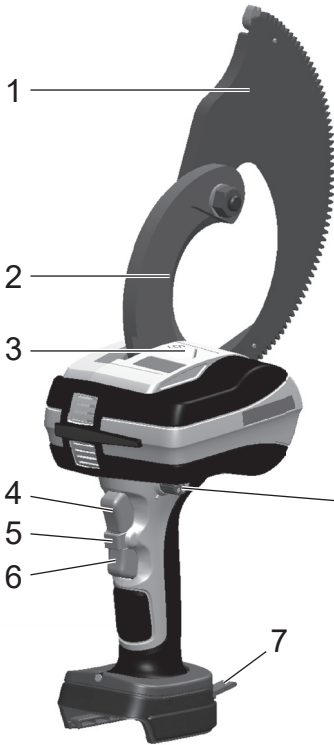
เคล็ดลับสำหรับการยืดอายุการใช้งาน แบตเตอรี่

1. ชาร์จตลับแบตเตอรี่ก่อนที่ประจุไฟจะหมดสนิท หยุดการทำงานของเครื่องมือและชาร์จตลับแบตเตอรี่ ทุกครั้งที่สังเกตเห็นว่าเครื่องมือมีกำลังลดลง
2. อย่าชาร์จตลับแบตเตอรี่ที่ชาร์จไฟเต็มแล้ว การชาร์จมากเกินไปจะทำให้อายุการใช้งานแบตเตอรี่สั้นลงได้
3. ชาร์จตลับแบตเตอรี่ที่อุณหภูมิห้องที่ $10^{\circ}\text{C} - 40^{\circ}\text{C}$ ($50^{\circ}\text{F} - 104^{\circ}\text{F}$) รอจนกระทั่งตลับแบตเตอรี่ที่ร้อนอยู่นั้นเย็นลงก่อนจึงจะทำการชาร์จไฟ
4. เมื่อไม่ได้ใช้งานตลับแบตเตอรี่ ให้ถอดแบตเตอรี่ออกจากเครื่องมือหรือเครื่องชาร์จ
5. ควรชาร์จไฟให้ตลับแบตเตอรี่ หากท่านไม่ได้ใช้งานแบตเตอรี่เป็นเวลานาน (มากกว่าหกเดือน)

ชื่อและอุปกรณ์เสริม

DTC102

เครื่องตัดสายไฟแบบไร้สาย



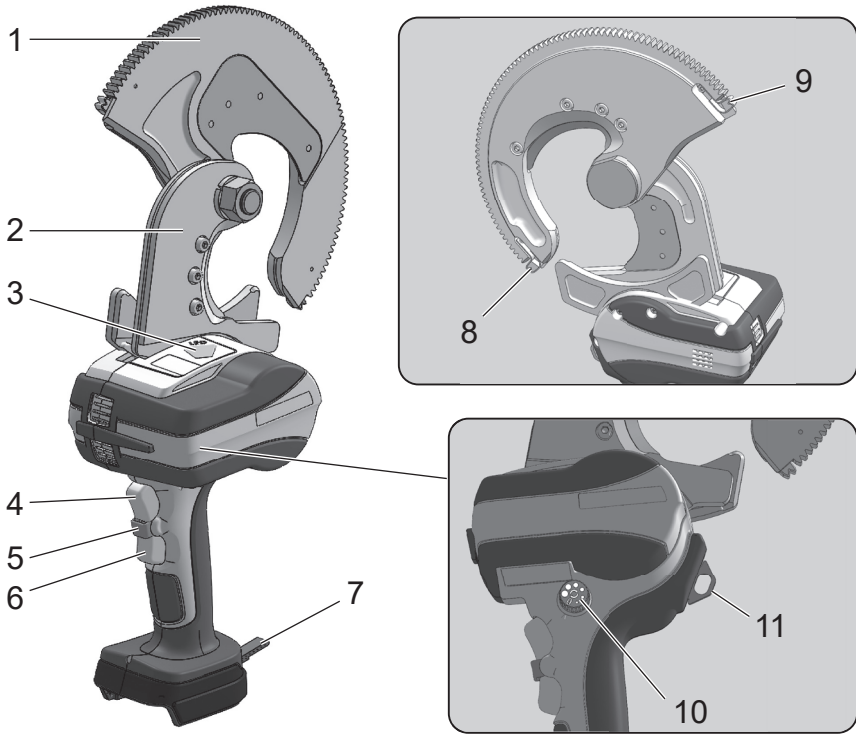
กระเป๋าพกพา



* เครื่องมือนี้ออกแบบมาสำหรับแบตเตอรี่ลิเธียมไอออน Makita 18V

1	ใบมีดเคลื่อนที่	7	สายเกี่ยว
2	ใบมีดที่อยู่กับที่	8	ตัวนำเฟือง (A)
3	ไฟ LED ขณะทำงาน	9	ตัวนำเฟือง (B)
4	สวิตช์โหมดเดินหน้า	10	แปรง (สำหรับปิดฝุ่น)
5	ตัวล็อกสวิตช์	11	ปุ่มหมุน
6	สวิตช์โหมดถอยหลัง	12	ห่วงเกี่ยว

เครื่องตัดสายไฟแบบไร้สาย



กระเป๋าพกพา



* เครื่องมือนี้ออกแบบมาสำหรับแบตเตอรี่ลิเธียมไอออน Makita 18V

1	ใบมีดเคลื่อนที่	7	สายเคี้ยว
2	ใบมีดที่อยู่กับที่	8	ตัวนำเฟือง (A)
3	ไฟ LED ขณะทำงาน	9	ตัวนำเฟือง (B)
4	สวิตช์โหมดเดินหน้า	10	ปุ่มหมุน
5	ตัวล็อกสวิตช์	11	ห่วงเกี่ยว
6	สวิตช์โหมดถอยหลัง	—	—

แบตเตอรี่

แบตเตอรี่

- ในเวลาที่ข้อ พังขันมือกันแบตเตอรี่อาจเปิดทำงานเนื่องจากไม้ได้ชาร์จแบตเตอรี่ไว้อย่างเพียงพอ (โปรดใช้ความระมัดระวังเนื่องจากผลิตภัณฑ์นี้อาจเริ่มทำงานได้หากท่านกดสวิตช์) ชาร์จแบตเตอรี่อย่างถูกต้องด้วยเครื่องชาร์จเร็วก่อนการใช้งาน
- ใส่ฝาครอบแบตเตอรี่เมื่อไม่ใช้งานผลิตภัณฑ์ ซึ่งจะช่วยป้องกันแบตเตอรี่จากน้ำและฝุ่นละอองได้
- เมื่อไม่ใช้งานผลิตภัณฑ์เป็นเวลานาน ให้จัดเก็บผลิตภัณฑ์โดยถอดแบตเตอรี่ออก

เพื่อเป็นการเพิ่มอายุการใช้งานของแบตเตอรี่

- เมื่อท่านรู้สึกว่ากำลังของเครื่องลดลง ให้หยุดใช้เครื่องและทำการชาร์จแบตเตอรี่
- อย่าชาร์จแบตเตอรี่ที่ชาร์จเต็มแล้ว
- ชาร์จแบตเตอรี่ในช่วงอุณหภูมิแวดล้อม 10°C ถึง 40°C
- เมื่อแบตเตอรี่ร้อนขึ้น เช่น ทันทีหลังจากการใช้งานขอแนะนำให้เสียบแบตเตอรี่เข้ากับเครื่องชาร์จเพื่อให้เย็นลงและทำการชาร์จ
- เพื่อจะไม่มีการใช้งานแบตเตอรี่ลิเทียมไอออนเป็นระยะเวลานาน (อย่างน้อย 6 เดือน)ขอแนะนำให้ชาร์จแบตเตอรี่และจัดเก็บไว้

การเก็บรวบรวมแบตเตอรี่

- แบตเตอรี่ที่ใช้แล้วควรเก็บรวบรวมไว้เพื่อนำไปรีไซเคิล โปรดนำแบตเตอรี่ไปยังร้านที่ท่านซื้อผลิตภัณฑ์หรือสำนักงานขาย Makita



Li-ion

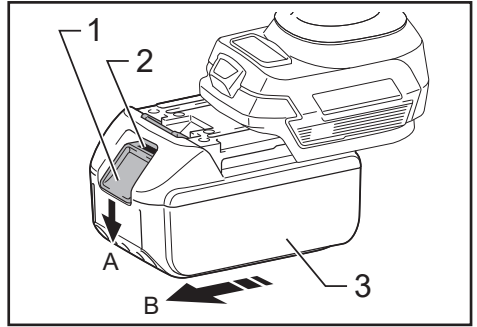
รีไซเคิลแบตเตอรี่ลิเทียมไอออน

วิธีใส่และถอดแบตเตอรี่

คำเตือน:

ใส่แบตเตอรี่เข้ากับผลิตภัณฑ์อย่างถูกต้อง หากมองเห็นส่วนสีแดงที่ด้านบนของปุ่มแสดงว่าแบตเตอรี่ไม่ได้ล็อกเข้าที่จนสุด ใส่แบตเตอรี่ให้แน่นจนกระทั่งมองไม่เห็นส่วนสีแดงทั้งหมด

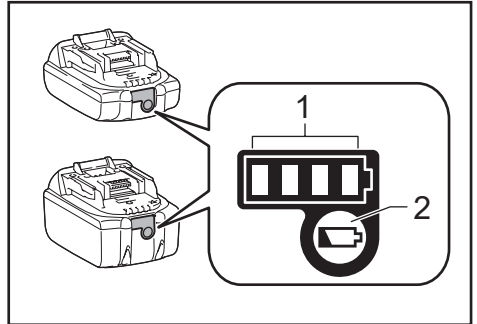
- หากใส่แบตเตอรี่ไม่แน่นพอ แบตเตอรี่อาจหลุดออกและทำให้เกิดอุบัติเหตุได้
- หากต้องการถอดแบตเตอรี่ออกจากผลิตภัณฑ์นี้ A. ใ้กดปุ่มที่ด้านหน้าของแบตเตอรี่ค้างไว้ และ B. เลื่อนแบตเตอรี่เพื่อถอดออก
- เมื่อจะใส่แบตเตอรี่ ให้วางแบตเตอรี่ตรงกับร่องในผลิตภัณฑ์ จากนั้นใส่แบตเตอรี่เข้าไปจนสุดโดยทำยอนลำดับขั้นตอน หากมองเห็นส่วนสีแดงที่ด้านบนของปุ่ม ในตอนนี้แสดงว่าแบตเตอรี่ไม่ได้ล็อกเข้าที่จนสุด ใส่แบตเตอรี่เข้าไปจนสุดอย่างถูกต้องจนกระทั่งมองไม่เห็นส่วนสีแดงทั้งหมด



▶ 1. ปุ่ม 2. ส่วนสีแดง 3. แบตเตอรี่

การแสดงความจุแบตเตอรี่ที่เหลืออยู่

เฉพาะด้ามแบตเตอรี่ที่มีไฟแสดงเท่านั้น



▶ 1. ไฟแสดง 2. ปุ่มตรวจสอบ

กดปุ่มตรวจสอบบนด้ามแบตเตอรี่เพื่อแสดงความจุแบตเตอรี่ที่เหลืออยู่ ไฟแสดงจะติดสว่างขึ้นสองสามวันาที

ไฟแสดง			ความจุที่เหลืออยู่
ติดสว่าง	ดับ	กะพริบ	
■ ■ ■ ■	□ □ □ □	▧ □ □ □	75% ถึง 100%
■ ■ ■ □	□ □ □ □	▧ □ □ □	50% ถึง 75%
■ ■ □ □	□ □ □ □	▧ □ □ □	25% ถึง 50%
■ □ □ □	□ □ □ □	▧ □ □ □	0% ถึง 25%
▧ □ □ □	□ □ □ □	▧ □ □ □	ให้ชาร์จแบตเตอรี่
■ ■ □ □	□ □ □ □	▧ □ □ □	แบตเตอรี่อาจทำงานผิดปกติได้
□ □ □ □	■ ■ ■ ■	▧ □ □ □	

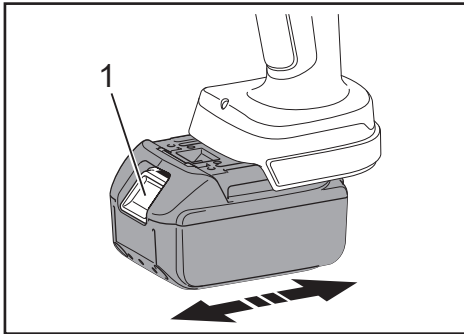
หมายเหตุ: การแสดงผลอาจแตกต่างจากความจริงเล็กน้อย ทั้งนี้ขึ้นอยู่กับสภาพของการใช้งานและอุณหภูมิแวดล้อม

หมายเหตุ: ไฟแสดงสถานะดวงแรก (ซ้ายสุด) จะกะพริบเมื่อระบบป้องกันแบตเตอรี่ทำงาน

วิธีใช้เครื่องมือ

การใส่แบตเตอรี่

1. ในขณะที่กดตัวล็อกให้ดึงแบตเตอรี่ออก หากต้องการเปลี่ยนแบตเตอรี่ ให้ดันแบตเตอรี่ใหม่เข้าที่จนแน่น
2. หลังจาก que เสียบแบตเตอรี่เข้าแล้ว ให้ตรวจสอบว่าล็อกเข้าที่จนแน่นหรือไม่โดยการดึงแบตเตอรี่เบา ๆ อยุ่กคตัวล็อกขณะที่ดึงแบตเตอรี่

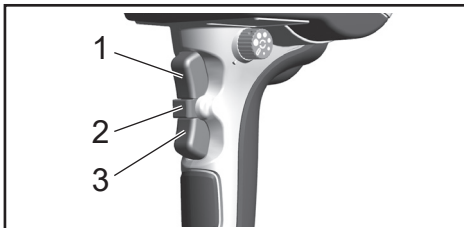


▶ 1. ตัวล็อก

การทำงานของสวิตช์

เพื่อความปลอดภัย เครื่องมือนี้มีระบบสวิตช์สองทาง

หากต้องการเปิดสวิตช์ใหม่เดิหน้า (การตัด) และสวิตช์ใหม่ถอยหลัง (ถอยหลัง) ให้กดตัวล็อกสวิตช์ก่อน แล้วจึงกดสวิตช์ใหม่เดิหน้า/ถอยหลัง



▶ 1. สวิตช์ใหม่เดิหน้า 2. ตัวล็อกสวิตช์
3. สวิตช์ใหม่ถอยหลัง

ไฟ LED ช่วยในการทำงาน

เครื่องมือนี้มีไฟ LED ที่ส่องสว่างรอบใบมีด ไฟจะติดสว่างขึ้นเมื่อเปิดสวิตช์เดิหน้าหรือถอยหลัง จากนั้นไฟจะดับลงประมาณ 10 วินาทีหลังจากปล่อยสวิตช์

⚠ ข้อควรระวัง:

- อยุ่ามองหลอดไฟ LED โดยตรง การมองหลอดไฟ LED เป็นเวลานานอาจทำให้ดวงตาของท่านเสื่อมสภาพได้

ไฟเตือนแบตเตอรี่ต่ำ

หากความจุที่เหลืออยู่ของแบตเตอรี่มีระดับต่ำ ไฟ LED จะกะพริบ 5 ครั้งเพื่อเป็นการเตือนเมื่อเปิดสวิตช์ใหม่เดิหน้า ให้ชาร์จแบตเตอรี่หรือเปลี่ยนแบตเตอรี่สำรอง

การทำงานตัด

1. [DTC102, DTC103]
เปิดสวิตช์เพื่อเปิดใบมีดเคลื่อนที่
ใช้สวิตช์ใหม่เดิหน้าและถอยหลังเพื่อดังค่าใบมีดเคลื่อนที่ให้อยู่ตำแหน่งกลาง

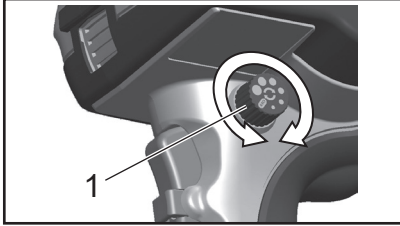
DTC102



DTC103



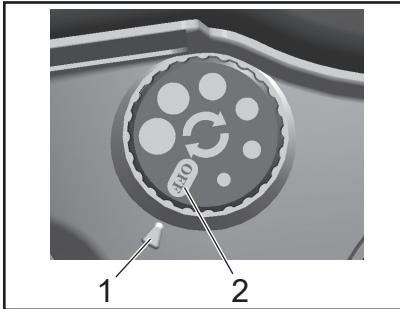
2. ใช้ปุ่มหมุนเพื่อเปิดใช้งานหรือปิดใช้งานการถอยหลังอัตโนมัติ
 เลื่อนปุ่มหมุนไปยังตำแหน่งที่ต้องการเพื่อเปิดใช้งานการถอยหลังอัตโนมัติ หรือเลื่อนปุ่มหมุนไปที่ปิดเพื่อปิดใช้งาน



▶ 1. ปุ่มหมุน

ฟังก์ชันถอยหลังอัตโนมัติ

เมื่อเปิดใช้งานการถอยหลังอัตโนมัติ มอเตอร์จะหยุดหลังจากการตัดสายไฟ เมื่อปล่อยสวิตช์โหมดเดินหน้า ใบมีดเคลื่อนที่จะกลับคืนโดยอัตโนมัติตามที่ตั้งค่าปุ่มหมุนไว้ สามารถปรับช่องเปิดได้ 6 ระดับ (ขนาดการเปิดการเปิดเป็นแนวทาง)

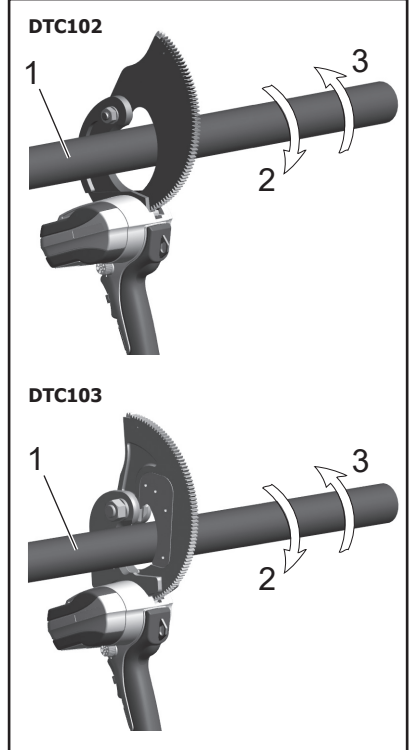


▶ 1. ขนาดการเปิด 2. ปิด (OFF)

⚠ ข้อควรระวัง:

- การถอยหลังอัตโนมัติจะไม่ทำงานหากปล่อยสวิตช์โหมดเดินหน้าก่อนที่จะตัดเสร็จ
- การถอยหลังอัตโนมัติจะไม่ทำงานกับสายไฟขนาด 60 มม.² หรือต่ำกว่า
- เส้นผ่านศูนย์กลางกลางของช่องเปิดอาจแตกต่างกันไปขึ้นอยู่กับแรงดันไฟแบตเตอรี่ที่เหลืออยู่

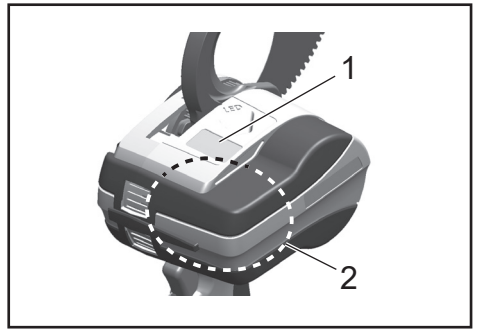
3. [DTC102, DTC103]
 ใส่สายไฟเข้าไปในช่องเปิดของใบมีดเคลื่อนที่ วางสายไฟที่จะตัดบนใบมีดที่อยู่กับที่ และปิดใบมีดเคลื่อนที่รอบสายไฟ หมุนใบมีดเคลื่อนที่ด้วยมือเพื่อให้ฟันเพื่อยึดกับกลไกขับเคลื่อนของเครื่อง



- ▶ 1. สายไฟ 2. การหมุนเพื่อการตัด 3. การหมุนถอยหลัง
4. กดสวิตช์โหมดเดินหน้าและตัดสายไฟ กดสวิตช์โหมดเดินหน้าค้างไว้จนกว่าการตัดจะเสร็จสิ้น
 5. ขจัดเศษวัสดุหลังจากการตัด หลังจากเสร็จสิ้นการตัดแล้ว ให้นำเศษวัสดุหรือเศษชิ้นส่วนบนใบมีดออก

⚠️ ข้อควรระวัง:

- การทำงานเป็นเวลานาน เพื่อเป็นการป้องกันมอเตอร์ ให้หยุดใช้เครื่องมือเมื่อบริเวณรอบ ๆ บ้ายเดือนร้อนขึ้น หากต้องการใช้เครื่องมือต่อไป ให้วางเครื่องมือเป็นเวลา 50 นาทีในบริเวณที่เย็นและมีอากาศถ่ายเทสะดวกจนกระทั่งเครื่องมือเย็นลง
- ระบบป้องกันกระแสไฟเกิน/ โหลดเกินอาจเปิดทำงานได้แม้เมื่อใช้งานเครื่องมือภายในขีดความสามารถในการตัด
- อุณหภูมิในการทำงาน ความยาวสายไฟ รวมถึงการโค้งงอ และปัจจัยอื่น ๆ จะส่งผลต่อประสิทธิภาพของเครื่องมือ
- หากไฟ LED กระพริบ 6 ครั้งขึ้นไป แสดงว่ามีข้อผิดพลาดของแผงวงจร โปรดติดต่อตัวแทนจำหน่ายของท่าน



▶ 1. บ้ายเดือน 2. พื้นที่เตือนความร้อนสูง

⚠️ ข้อควรระวัง:

- DTC102 ใช้สำหรับสายทองแดงและอะลูมิเนียมเท่านั้น อย่าใช้ DTC102 กับเหล็ก สายไฟ ACSR หรือวัสดุที่เป็นเหล็กอื่น ๆ

ฟังก์ชันป้องกันกระแสไฟเกิน

หากมีกระแสไฟเกินใช้เนื่องจากการตัดสายไฟนอกข้อกำหนด เฉพาะ ฟังก์ชันป้องกันกระแสไฟเกินจะเปิดทำงานและหยุดการทำงานของมอเตอร์ หากต้องการกู้คืน ให้ปล่อยสวิตช์ใหม่เดี๋ยวนี้

การเปลี่ยนชิ้นส่วนอะไหล่

หากต้องการเปลี่ยนตัวนำเฟืองด้วยตนเอง ให้ทำตามขั้นตอนด้านล่างนี้

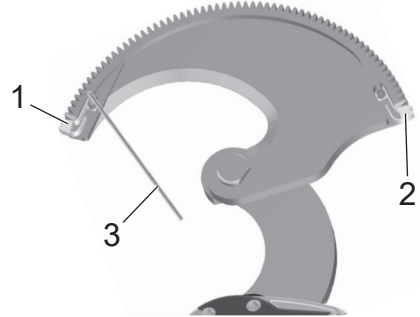
⚠️ ข้อควรระวัง:

- ตรวจสอบให้แน่ใจว่าได้ถอดแบตเตอรี่ออกจากตัวเครื่องก่อนเปลี่ยนตัวนำเฟือง
- หากตัวนำเฟืองชำรุดเสียหายหรือมีเสียงผิดปกติ ให้ทำการเปลี่ยนทันที การใช้ผลิตภัณฑ์ที่มีตัวนำเฟืองชำรุดเสียหายต่อไปอาจทำให้เฟืองภายในชำรุดเสียหายได้

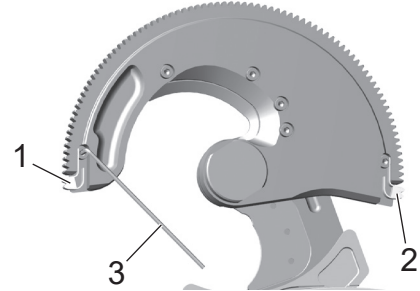
การเปลี่ยนตัวนำเฟือง

1. การถอดตัวนำเฟือง
ใช้ประแจหกเหลี่ยมคลายเกลียวโบลท์ที่มีรูกเหลี่ยม (M3 × 3) แล้วถอดตัวนำเฟือง
2. การติดตั้งตัวนำเฟือง
ติดตั้งตัวนำเฟืองอันใหม่และขันโบลท์ให้แน่น

DTC102



DTC103



▶ 1. ตัวนำเฟือง (A) 2. ตัวนำเฟือง (B)
3. ประแจหกเหลี่ยม

การเปลี่ยนชิ้นส่วนอะไหล่ (DTC103)

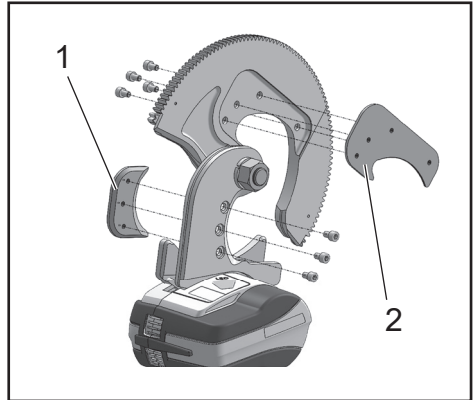
หากต้องการเปลี่ยนใบมีดด้วยตนเอง ให้ทำตามขั้นตอนด้านล่างนี้

⚠ ข้อควรระวัง:

- ตรวจสอบให้แน่ใจว่าได้ถอดแบตเตอรี่ออกจากตัวเครื่องก่อนเปลี่ยนใบมีด

การเปลี่ยนใบมีด

1. ถอดโบลท์ออกจากส่วนที่เคลื่อนที่หรือส่วนที่อยู่กับที่
2. เปลี่ยนใบมีดใหม่แล้วใส่กลับเข้าในโบลท์

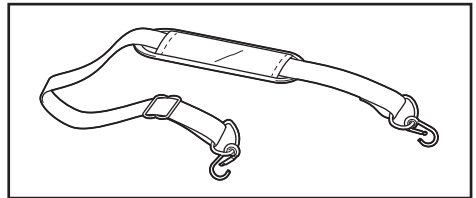


▶ 1. ใบมีดสำหรับเปลี่ยน 2. ใบมีดสำหรับเปลี่ยน

อุปกรณ์เสริมที่ไม่บังคับ

• สายคล้องไหล่ (161347-8)

สายคล้องไหล่ที่ใช้โดยดกกับสายเกี่ยวของเครื่องมือนี้



การบำรุงรักษา/การตรวจสอบ

- โปรดทราบว่าการละเลยการบำรุงรักษา/การตรวจสอบประจำวันอาจทำให้เครื่องมือทำงานผิดปกติได้
- โปรดหลีกเลี่ยงการจัดเก็บเครื่องมือในสภาพแวดล้อมที่เปียกชื้นเพื่อให้เครื่องมือทำงานได้อย่างราบรื่นและป้องกันสนิม
- หากเครื่องมือชำรุดเสียหายในระหว่างการใช้งานปกติ (การใช้งาน 10,000 ครั้งขึ้นไป การตัด 1,000 ครั้งขึ้นไป) ห้ามทำงานต่อหลังจากการเปลี่ยนเฉพาะชิ้นส่วนที่ชำรุดเสียหายเท่านั้น เนื่องจากเครื่องมือดังกล่าวได้หมดอายุการใช้งานแล้ว
- เมื่อชิ้นส่วนเริ่มสึกปรก ให้ใช้ผ้านุ่มชุบน้ำสบู่เช็ด

- เมื่อจัดเก็บแบตเตอรี่ไว้ที่ขั้วต่อเพื่อป้องกันไฟฟ้าลัดวงจร
- เราขอแนะนำให้ส่งเครื่องมือไปยังผู้ผลิตทุก ๆ สองปี (มีค่าธรรมเนียม) เพื่อการตรวจสอบความปลอดภัย ติดต่อด่วนแทนเจ้าหน้าที่ของท่านเพื่อทราบละเอียด
- ใบมีดเคลื่อนที่และใบมีดที่อยู่กับที่เป็นชิ้นส่วนที่เสื่อมสภาพได้ การรับประกันไม่ครอบคลุมชิ้นส่วนดังกล่าว

ข้อมูลจำเพาะ

เครื่องตัดสายไฟแบบไร้สาย	DTC102		DTC103
เส้นผ่านศูนย์กลางสูงสุดที่ตัดได้	วัสดุที่ไม่ใช่เหล็ก เท่านั้น (AL หรือ Cu)	เส้นลวด Cu	สายไฟ ACSR AL550 มม. ² /ST70 มม. ²
	φ 65 มม.	φ 47 มม.	
มอเตอร์ไฟฟ้า	มอเตอร์กระแสตรง		
ขนาด	117 (ลึก) × 357 (สูง) × 228 (กว้าง) (มม.)		117 (ลึก) × 356 (สูง) × 240 (กว้าง) (มม.)
น้ำหนัก	2.8 กก.		4.8 กก.

⚠️ ข้อควรระวัง:

- **DTC102** ใช้สำหรับสายทองแดงและอะลูมิเนียมเท่านั้น อย่าใช้ **DTC102** กับเหล็ก สายไฟ ACSR หรือวัสดุที่เป็นเหล็กอื่น ๆ

مشخصات فنی

DTC103	DTC102		کابل بر شارژی
ACSR ST70 mm ² /AL550 mm ²	رشته مسی	فقط مواد غیر فلزی (آلومینیوم یا مس)	حداکثر قطر قابل برش
	φ 47 mm	φ 65 mm	
موتور DC			موتور الکتریکی
(mm) (W) 240 × (H) 356 × (D) 117	(mm) (W) 228 × (H) 357 × (D) 117		ابعاد
4.8 kg	2.8 kg		وزن

احتیاط:
DTC102 فقط برای کابلهای مسی و آلومینیومی است. از DTC102 برای فولاد، ACSR یا سایر مواد فولادی استفاده نکنید.

تعویض اجزا با قطعات یدکی (DTC103)

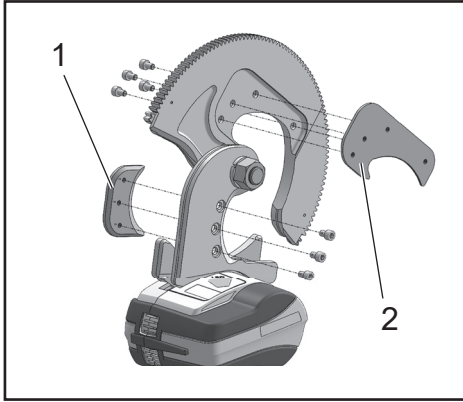
برای عوض کردن تیغه توسط خودتان، روال زیر را انجام دهید.

⚠ احتیاط:

- پیش از تعویض تیغه باید مطمئن شوید که بسته باتری را از واحد اصلی برداشته اید.

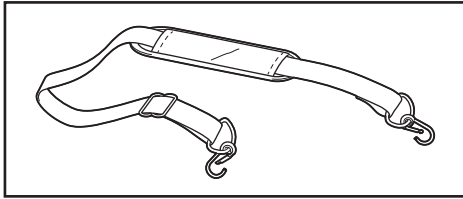
تعویض تیغه

1. پیچ ها را از قاب موتورک یا قاب ایستا باز کنید.
2. تیغه را با یک تیغه نو عوض کرده و پیچ ها را در جایشان ببندید.



1. تیغه تعویضی 2. تیغه تعویضی

متعلقات اختیاری



• بند شانه (8-161347)

این بند شانه با وصل کردن بند آویز این ابزار استفاده می شود.

تعمیر و نگهداری/بازدید

- هنگامی که بسته باتری به تنهایی در جایی نگهداری می شود، برای جلوگیری از اتصال کوتاه، حتماً در پوش پایانه متعلقات را روی پایانه قرار دهید.
- برای بازدید ایمنی، توصیه می کنیم ابزار را هر دو سال یک بار برای سازنده ارسال کنید (هزینه به همراه دارد). برای اطلاع از جزئیات با فروشنده خود تماس بگیرید.
- تیغه موتورک و تیغه ثابت جزو بخشهای مصرفی هستند. این بخشها تحت پوشش ضمانت نمی باشند.

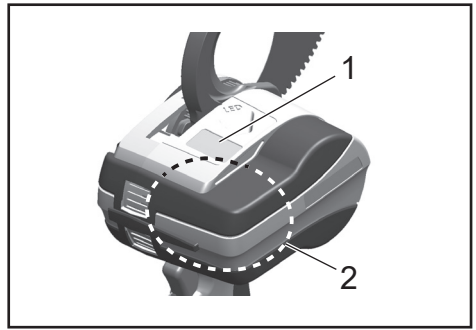
- توجه داشته باشید که سهولت نگاری در نگهداری/بازدید روزانه ممکن است باعث ایجاد اشکال در عملکرد ابزار شود.
- برای عملکرد روان ابزار و جلوگیری از زنگ زدگی، لطفاً از نگهداری آن در محیط مرطوب خودداری کنید.
- اگر ابزار حین استفاده معمولی از آن آسیب دید (10,000 بار عملیات یا بیشتر)، 1,000 بار برش یا بیشتر)، صرفاً پس از تعویض قطعه آسیب دیده کار را از سر بگیرید، چون عمر مفید ابزار آن به پایان رسیده است.
- وقتی قسمتی از رزین کثیف شده، از یک پارچه نرم نمدار شده با آب و صابون برای پاک کردن آن استفاده کنید.

احتیاط:

• **DTC102** فقط برای کابل‌های مسی و آلومینیومی است. از **DTC102** برای فولاد، **ACSR** یا سایر مواد فولادی استفاده نکنید.

عملکرد حفاظت اضافه جریان

اگر جریان اضافه بار به دلیل برش کابل خارج از مشخصات توصیه شده ایجاد شود، عملکرد حفاظت اضافه جریان فعال شده و موتور را متوقف می‌کند. برای بازیابی، سوئیچ حالت رو به جلو را رها کنید.



1. برجسب احتیاط 2. منطقه هشدار گرمای زیاد

تعویض اجزا با قطعات یدکی

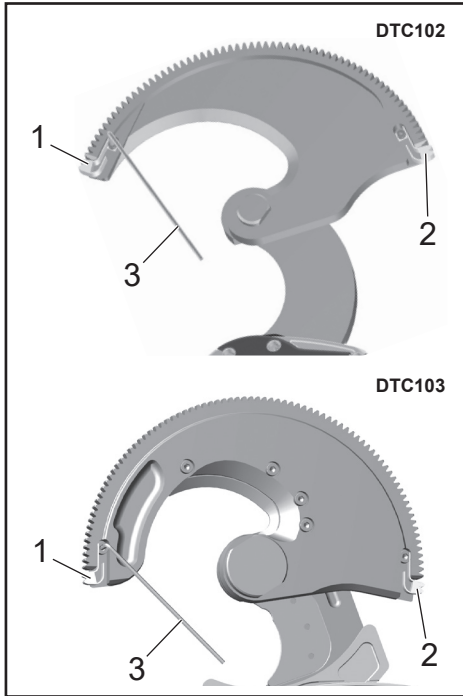
برای اینکه خوندان دنده راهنما را عوض کنید، روال زیر را انجام دهید.

احتیاط:

- قبل از تعویض دنده راهنما، مطمئن شوید که بسته باتری را از بخش اصلی ابزار جدا کرده‌اید.
- اگر دنده راهنما آسیب دیده یا صدای غیر عادی تولید می‌کند، فوراً آن را تعویض کنید. ادامه استفاده از محصول با دنده راهنما آسیب‌دیده می‌تواند به دنده‌های داخلی آسیب برساند.

تعویض دنده راهنما

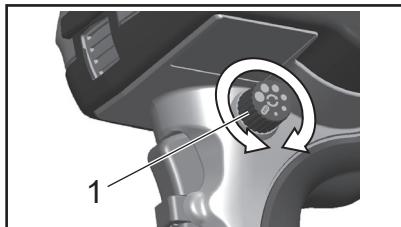
1. برداشتن دنده راهنما
از یک آچار آلن برای باز کردن مهره با سوراخ شش گوش (3 × M3) استفاده کنید و دنده راهنما را بردارید.
2. نصب دنده راهنما
دنده راهنمای جدید را سوار کنید و پیچ را محکم ببندید.



1. دنده راهنما (A) 2. دنده راهنما (B) 3. آچار آلن

برای فعال یا غیرفعال کردن حالت رو به عقب خودکار، از پیچ کنترل استفاده کنید.

برای فعال کردن حالت معکوس خودکار، پیچ کنترل را به موقعیت دلخواه ببرد یا برای غیرفعال کردن، آن را روی حالت خاموش تنظیم کنید.

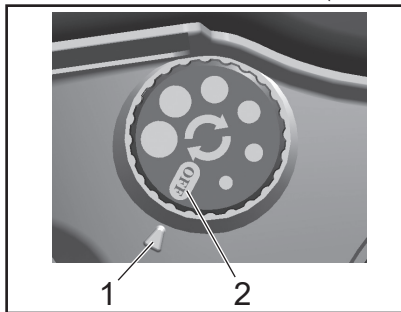


1. پیچ کنترل

عملکرد حالت معکوس خودکار

هنگامی که حالت معکوس خودکار فعال است، موتور پس از برش کابل ترمز می‌کند. هنگامی که سوییچ حالت رو به جلو آزاد شد، تیغه متحرک به طور خودکار همانطور که توسط پیچ کنترل تنظیم شده است، برمی‌گردد.

دهانه را می‌توان در 6 سطح تنظیم کرد. (اندازه دهانه به عنوان یک راهنما است.)



1. اندازه دهانه 2. خاموش

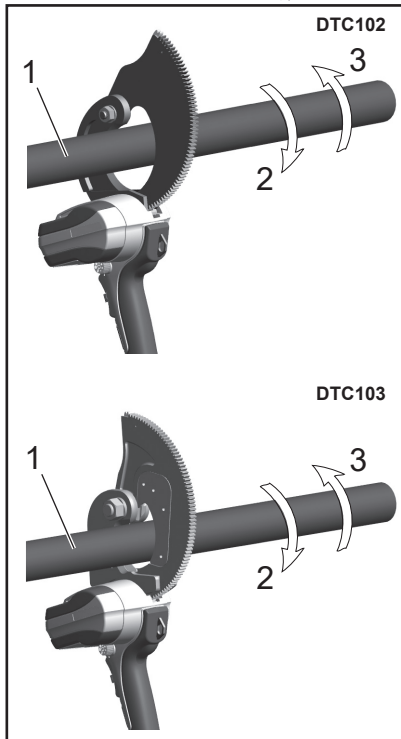
⚠ احتیاط:

- اگر سوییچ حالت رو به جلو قبل از برش کامل آزاد شود، حالت معکوس خودکار فعال نمی‌شود.
- حالت معکوس خودکار با کابل الکتریکی نازک 60 mm² یا کمتر فعال نمی‌شود.
- قطر دهانه ممکن است بسته به ولتاژ باقی مانده باتری متفاوت باشد.

[DTC103, DTC102]

قرار دادن کابل برق در دهانه تیغه متحرک

کابل مورد نظر را روی تیغه ثابت قرار دهید و تیغه متحرک را در دور کابل ببندید. تیغه متحرک را با دست تغذیه کنید تا ندانه های ابزار باعث درگیر شدن مکانیزم پیشران شوند.



1. کابل 2. چرخش برش 3. چرخش معکوس

- عملکرد سوییچ حالت رو به جلو و برش کابل برق سوییچ حالت رو به جلو را نگه دارید تا برش کامل شود.
- پاک کردن ضایعات پس از برش.
- پس از اتمام برش، هر گونه براده یا ضایعات روی تیغه را پاک کنید.

⚠ احتیاط:

- عملیات طولانی مدت
 - وقتی اطراف برجسب احتیاط داغ شد، برای محافظت از موتور، استفاده از ابزار را متوقف کنید. برای ادامه استفاده از ابزار، آن را به مدت 50 دقیقه در مکانی خنک و دارای تهویه مناسب قرار دهید تا خنک شود.
 - حتی زمانی که مطابق با ظرفیت برش با ابزار کار می‌کنید نیز امکان دارد عملکرد محافظت در برابر اضافه جریان/اضافه بار فعال شود.
 - دمای کاری، طول کابل، خمش و عوامل دیگر بر عملکرد ابزار تأثیر می‌گذارند.
- اگر چراغ LED شش بار یا بیشتر چشمک بزند، نشان دهنده خطای صفحه مدار است.
- لطفاً با فروشنده خود تماس بگیرید.

تذکر: بسته به شرایط استفاده و دمای محیطی، این امکان وجود دارد که مقادیر نشان داده شده با ظرفیت واقعی کمی متفاوت باشند.

تذکر: هنگامی که سیستم محافظت باتری کار نکند، چراغ نشانگر اول (منتهی الیه سمت چپ) چشمک خواهد زد.

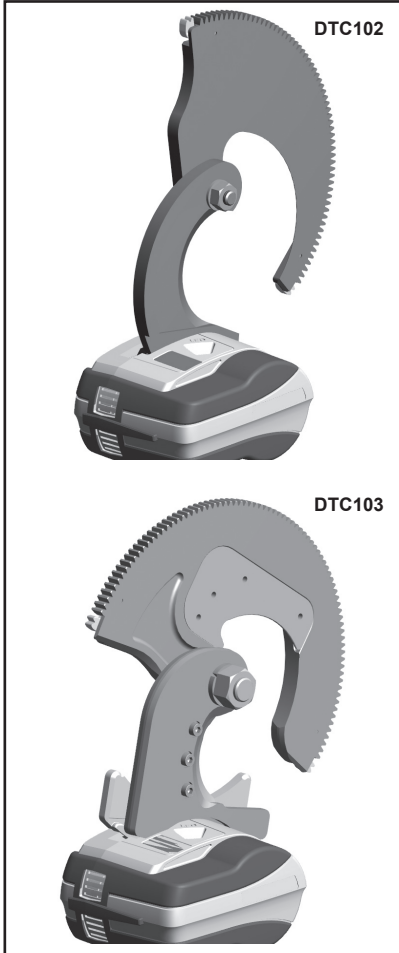
نحوه استفاده از ابزار

عملیات برش

[DTC103، DTC102] 1.

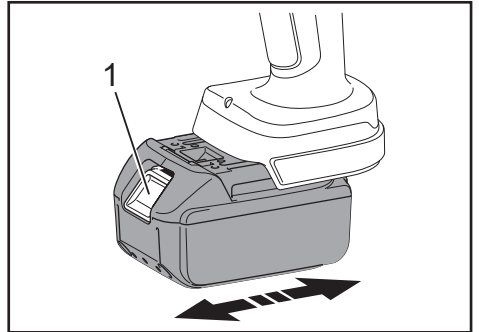
سونیچ را فعال کنید تا تیغه متحرک باز شود.

برای تنظیم تیغه متحرک روی حالت خنثی، از سونیچ حالت رو به جلو و عقب استفاده کنید.



وصل کردن بسته باتری

1. در حالی که چفت را فشار می دهید، بسته باتری را بیرون بکشید. برای تعویض بسته باتری، بسته جدید را محکم در جای خود فشار دهید.
2. پس از کشیدن بسته باتری به صورت کشویی، با بیرون کشیدن آن به آرامی بررسی کنید که آیا در جای خود محکم شده است یا خیر. هنگام کشیدن باتری به صورت کشویی، چفت را فشار ندهید.



◀ 1. چفت

عملیات سونیچ

با هدف تامین ایمنی، این ابزار دارای یک سیستم سونیچ در مرحله‌ای است. برای فعال کردن سونیچ حالت رو به جلو (برش) و حالت رو به عقب (معکوس)، ابتدا ضامن کلید را فشار داده و سپس سونیچ حالت رو به جلو/رو به عقب را بزنید.



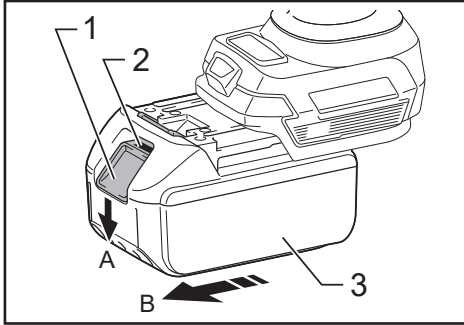
- ◀ 1. سونیچ حالت رو به جلو 2. ضامن کلید
3. سونیچ حالت رو به عقب

لامپ LED کمکی کار

این ابزار دارای یک لامپ LED است که اطراف تیغه برش دهنده را روشن می‌کند. وقتی سونیچ رو به جلو یا رو به عقب فعال باشد، این لامپ روشن، و تقریباً 10 ثانیه پس از رها کردن سونیچ خاموش می‌شود.

⚠ احتیاط:
• مستقیماً به لامپ LED نگاه نکنید. نگاه کردن به لامپ LED برای مدت طولانی ممکن است به چشم شما آسیب برساند.

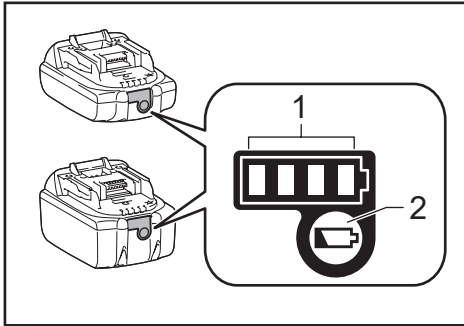
هشدار باتری کم
اگر ظرفیت باقیمانده باتری کم باشد، هنگام روشن شدن سونیچ حالت رو به جلو، چراغ LED پنج بار به عنوان هشدار چشمک می‌زند. باتری را شارژ کنید یا آن را با یک باتری یدک عوض کنید.



1. دکمه 2. قسمت قرمز 3. باتری

نمایش ظرفیت باقیمانده باتری

فقط برای کاربری های باتری دارای نشانگر



1. چراغ های نشانگر 2. دکمه بررسی

برای اینکه ظرفیت باقیمانده باتری نمایش داده شود، دکمه بررسی روی کاربری باتری را فشار دهید. چراغ های نشانگر برای چند ثانیه روشن خواهند شد.

ظرفیت باقیمانده	چراغ های نشانگر		
	چشمک زن	خاموش	روشن
75% تا 100%	■	■ ■ ■ ■	
50% تا 75%		■ ■ ■ ■	□
25% تا 50%		■ ■	□ □
0% تا 25%		■	□ □ □
باتری را شارژ کنید.	■	□ □ □ □	
باتری احتمالاً اشکال دارد.		■ ■ □ □	□ □ □ □
		↑ ↓	□ □ ■ ■

باتری

- در زمان خرید، این امکان وجود دارد که به دلیل شارژ نبودن کافی باتری، عملکرد محافظت از باتری فعال شود. (لطفاً مراقب باشید زیرا در صورت زدن کلید قطع و وصل، این محصول ممکن است شروع به کار کند.) قبل از استفاده، باتری را با شارژر سریع شارژ کنید.
- هنگامی که از محصول استفاده نمی‌کنید، قاب باتری را وصل کنید. این کار به محافظت از باتری در برابر آب و گرد و غبار کمک می‌کند.
- هنگامی که قصد ندارید برای منتهای طولانی از محصول استفاده کنید، در حالی که باتری را از دستگاه خارج کرده‌اید آن را در جایی نگهداری کنید.

برای افزایش عمر باتری

- وقتی احساس کردید که نیروی ابزار کم شده است، استفاده از آن را متوقف کرده و باتری را شارژ کنید.
- وقتی شارژر باتری کامل است، آن را شارژ نکنید.
- باتری را در دمای محیطی بین 10 تا 40 درجه سانتی گراد شارژ کنید.
- وقتی که باتری داغ شده، مثلاً بلافاصله پس از استفاده، توصیه می‌کنیم آن را در شارژر قرار دهید تا خنک و شارژر شود.
- هنگامی که باتری یون‌لیتیم برای مدت طولانی (حداقل 6 ماه) استفاده نمی‌شود، توصیه می‌کنیم آن را شارژ و سپس در جایی نگهداری کنید.

جمع‌آوری باتری‌ها

- باتری‌های استفاده شده برای بازیافت جمع‌آوری می‌شوند. لطفاً باتری را به فروشگاه‌های که محصول را از آن خریداری کرده‌اید یا به دفتر فروش ماکیتا ببرید.



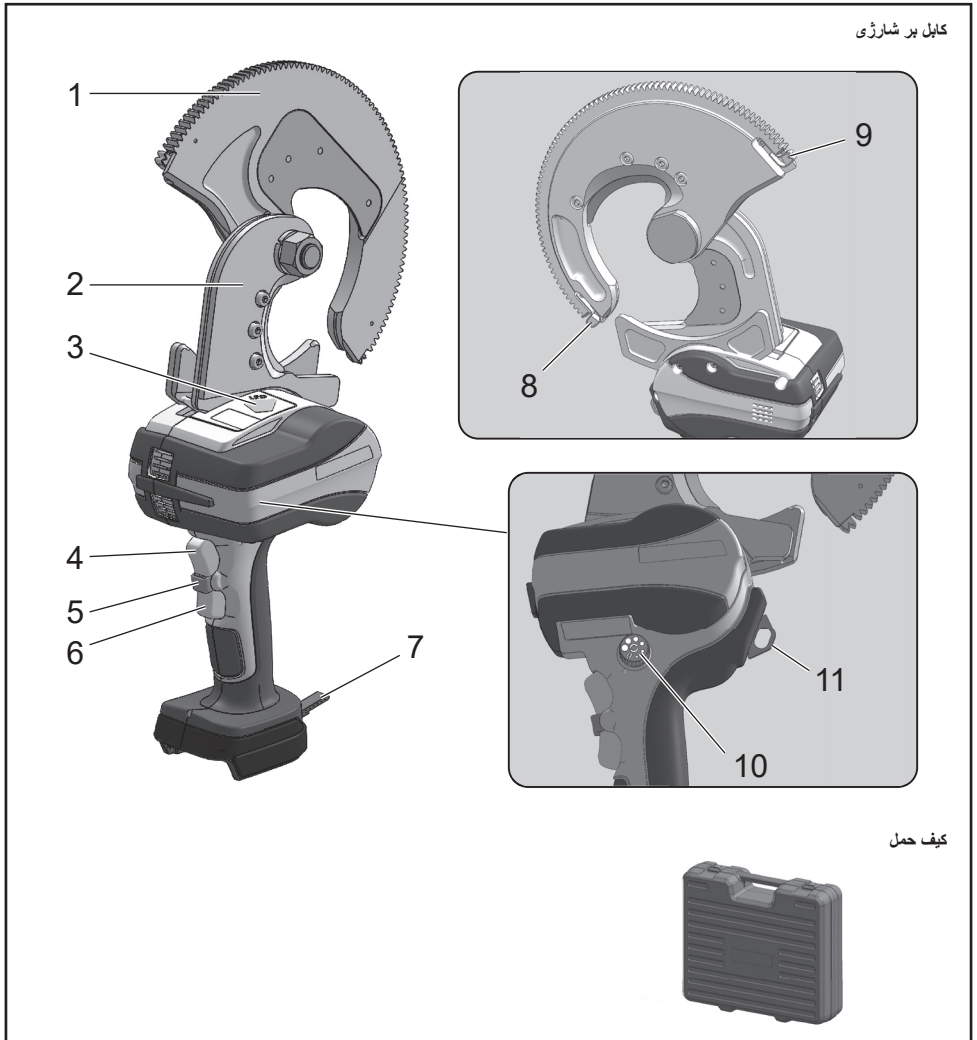
باتری یون‌لیتیم را بازیافت کنید

نحوه وصل و جدا کردن باتری

⚠ هشدار:

- باتری را به درستی در محصول قرار دهید. اگر قسمت قرمز بالای دکمه قابل مشاهده باشد، باتری به درستی در جای خود قفل نشده است. باتری را محکم قرار دهید تا قسمت قرمز دیگر دیده نشود.
- اگر باتری به درستی وارد نشده باشد، ممکن است جدا شده و باعث حادثه شود.

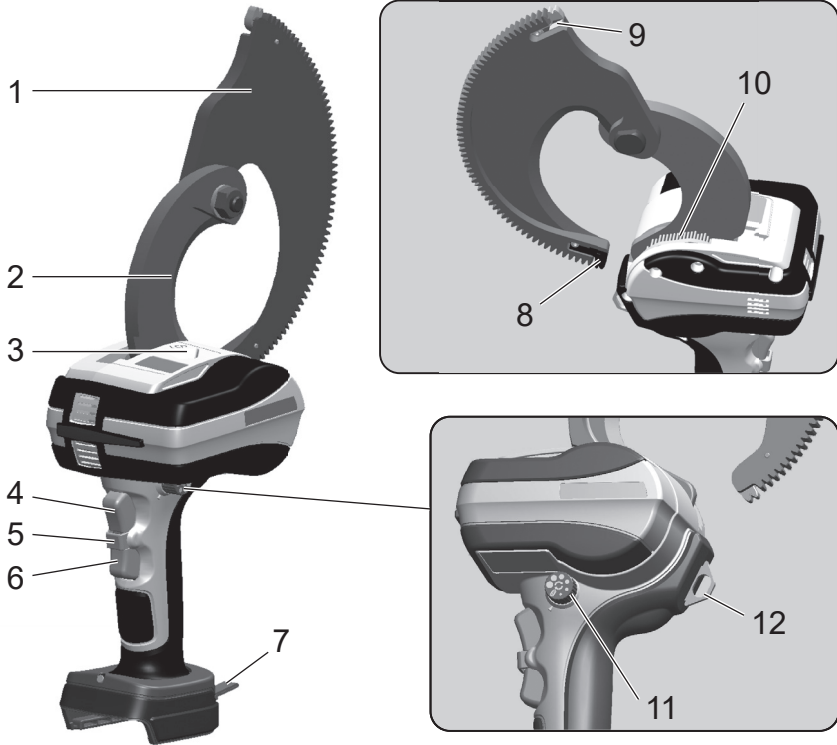
- برای جدا کردن باتری از این محصول، A. ابتدا دکمه جلوی باتری را نگه دارید و B. سپس باتری را به صورت کشویی در جهت مشخص شده بکشید تا خارج شود.
- هنگام وصل کردن باتری، آن را با شیارهای موجود در محصول هم‌تراز کنید و سپس با انجام همین کار به صورت معکوس، باتری را تا انتها وارد ابزار کنید. اگر در این زمان قسمت قرمز بالای دکمه قابل مشاهده باشد، باتری به درستی در جای خود قفل نشده است. باتری را به درستی تا انتها وارد کنید تا حدی که کل قسمت قرمز رنگ قابل مشاهده نباشد.



* این ابزار برای باتری یون‌لیتیم 18V ماکینا طراحی شده است.

بند آویز	7	تیغه متحرک	1
دنده راهنما (A)	8	تیغه ثابت	2
دنده راهنما (B)	9	چراغ کار LED	3
پیچ کنترل	10	کلید حالت-سجلو	4
حلقه آویز	11	ضامن کلید	5
—	—	کلید حالت-معکوس	6

کابل بر شارژی



کیف حمل



* این ابزار برای باتری یون لیتیوم 18V ماکیتا طراحی شده است.

1	تیغه متحرک	7	بند آویز
2	تیغه ثابت	8	دنده راهنما (A)
3	چراغ کار LED	9	دنده راهنما (B)
4	کلید حالت-جلو	10	برس (برای گردگیری)
5	ضامن کلید	11	پیچ کنترل
6	کلید حالت-معکوس	12	حلقه آویز

کارتريج باتري و شارژر قابل استفاده

BL1860B / BL1850B / BL1840B / BL1830B / BL1820B / BL1815N	کارتريج باتري
/ DC18SF / DC18SE / DC18SD / DC18RE / DC18RD / DC18RC DC18WC / DC18SH	شارژر

- بعضی از کارتريج های باتري و شارژرهای ذکر شده در بالا ممکن است بسته به منطقه محل سکونت شما در دسترس نباشند.
- برای شارژ باتري، لطفاً دفترچه راهنمای شارژر باتري را مطالعه کنید.

⚠ هشدار: فقط از کارتريج های باتري و شارژرهای ذکر شده در بالا استفاده کنید. استفاده از کارتريج های باتري و شارژرهای ديگر می تواند خطر جراحت و آليا آتش سوزی را به دنبال داشته باشد.

12. باتري ها را فقط با دستگاه های مشخص شده توسط ماکیتا استفاده کنید. قرار دادن باتري ها در دستگاه های فاقد سازگاری می تواند منجر به آتش سوزی، گرم شدن بیش از حد، انفجار، یا تشنگی الکترولیت شود.
13. اگر از ابزار برای مدت طولانی استفاده نمی شود، باید باتري را از ابزار خارج سازید.
14. کارتريج باتري ممکن است در طول استفاده و بعد از آن گرم باشد و باعث سوختگی یا سوختگی های دما پایین شود. موقع دست زدن به کارتريج های باتري داغ توجه داشته باشید.
15. درست بعد از استفاده نباید به پایانه ابزار دست بزنید چون می تواند آفتاب داغ باشد که باعث سوختگی شود.
16. اجازه ندهید تراشه ها، گرد و غبار یا خاک در پایانه ها، سوراخ ها و شیارهای کارتريج باتري جمع شوند. این امر ممکن است باعث گرم شدن، آتش گرفتن، ترکیدن و خرابی ابزار یا کارتريج باتري و در نتیجه سوختگی یا جراحت شخصی شود.
17. از کارتريج باتري در نزدیک خطوط برق فشار قوی استفاده نکنید مگر اینکه ابزار قابلیت استفاده در مجاورت خطوط برق فشار قوی را داشته باشد. این امر می تواند باعث بروز اشکالات کاری یا خرابی ابزار یا کارتريج باتري شود.
18. باتري را از دسترس کودکان خارج سازید.

این دستورالعمل ها را نگهداری کنید.



احتیاط:

- فقط از باتري های اصل ماکیتا استفاده کنید.
- استفاده کردن از باتري های غير اصل ماکیتا، یا باتري هانی که دستکاری شده اند می تواند باعث ترکیدن باتري و ایجاد آتش سوزی، جراحت شخصی و خسارت شود. همچنین گارانتی ماکیتا را برای ابزار و شارژر ماکیتا باطل خواهد کرد.

نکاتی برای به حداکثر رساندن عمر باتري

1. کارتريج باتري را پیش از اینکه کاملاً تخلیه شود شارژ کنید. اگر متوجه آفت توان ابزار شدید، همیشه باید کار با ابزار را متوقف کرده و کارتريج باتري را شارژ کنید.
2. هرگز یک کارتريج باتري که شارژ کامل دارد را دوباره شارژ نکنید. شارژ بیش از حد عمر مفید باتري را کاهش می دهد.
3. کارتريج باتري را در دمای اتاق بین 10 تا 40 درجه سانتیگراد (50 تا 104 درجه فارنهایت) شارژ کنید. اگر کارتريج باتري داغ است ابتدا بگذارید خنک شود بعد آنرا شارژ کنید.
4. هنگامی که از کارتريج باتري استفاده نمی کنید، آنرا از ابزار یا شارژر خارج کنید.
5. اگر از کارتريج باتري برای مدت طولانی استفاده نمی کنید (بیشتر از شش ماه) آنرا شارژ کنید.

راهنمایی های مهم ایمنی برای کارتريج باتري

1. پیش از اینکه از کارتريج باتري استفاده کنید، کلیه دستورالعملها و علائم هشداردهنده درج شده روی (1) شارژر باتري، (2) باتري و (3) محصول استفاده کننده از باتري را مطالعه نمایید.
2. کارتريج باتري را از هم باز نکرده یا آنرا دستکاری نکنید. این کار می تواند موجب آتش سوزی، گرمای بیش از حد یا انفجار شود.
3. اگر زمان کارکرد بیش از اندازه کوتاه شده است، فوراً کار را متوقف کنید. در این حالت خطر داغ شدن بیش از حد، سوختگی احتمالی و حتی انفجار وجود دارد.
4. اگر الکترولیت وارد چشم شما شد، با آب تمیز آنرا از چشم خود خارج کرده و فوراً به پزشک مراجعه نمایید. خطر از دست دادن بینایی وجود دارد.
5. کارتريج باتري را اتصال کوتاه نکنید:
 - (1) پایانه ها را با مواد هادی لمس نکنید.
 - (2) کارتريج باتري را نباید در کنار اشیای فلزی ديگر مانند میخ، سکه و غيره در یک جعبه یا قوطی کنار هم نگهداری کنید.
 - (3) کارتريج باتري را در معرض آب یا باران قرار ندهید.
6. اتصال کوتاه باتري می تواند باعث برقراری جریان قوی، گرم شدن بیش از حد، سوختگی احتمالی و حتی خرابی شود.
7. ابزار و کارتريج باتري را نباید در مکانی که دمای آن به 50 درجه سانتیگراد (122 درجه فارنهایت) می رسد یا از آن بالاتر می رود نگهداری و استفاده کنید.
8. کارتريج باتري را تحت هیچ شرایطی حتی اگر به شدت آسیب دیده یا بطور کامل از رده خارج شده باشد، نسوزانید. کارتريج باتري در آتش منفجر خواهد شد.
9. به کارتريج باتري میخ نزنید، آنرا نبرید، له نکنید، پرتاب نکرده و آنرا نیاندازید، یا با یک جسم سخت به کارتريج باتري ضربه وارد نکنید. این کارها می تواند موجب آتش سوزی، گرمای بیش از حد یا انفجار شود.
10. از یک باتري آسیب دیده استفاده نکنید.
11. باتري های یون لیتیوم موجود مضمون الزامات قوانین کالاهای خطرناک می باشند.
 - الزامات ویژه بسته بندی و برچسب زدن باید در حمل های تجاری، بعنوان مثال توسط طرف های ثالث و شرکت های حمل رعایت گردند.
 - برای آماده ساختن وسیله جهت حمل باید حتماً با یک متخصص مواد خطرناک مشورت کرد. در صورت وجود قوانین مشروح تر کشوری باید آنها را نیز رعایت کنید.
 - روی کنکاتک های باز نوار چسبیده یا آنها را بپوشانید و باتري را طوری بسته بندی کنید که نتواند در بسته بندی به اطراف جابجا شود.
 - هنگام دور انداختن کارتريج باتري، آنرا از ابزار خارج کرده و در مکانی امن دور بیاندازید. قوانین و مقررات محلی خود در ارتباط با دور انداختن باتري را رعایت کنید.

اقدامات احتیاطی حین استفاده از کابل بر شارژی

• هنگام استفاده از این ابزار، دستورالعمل‌های زیر را دنبال کنید:

نکات احتیاطی برای ابزار

- هرگز بیش از حداکثر ظرفیت برش ابزار، چیزی را با آن برش ندهید.
- احتیاط کنید، زیرا عدم رعایت این نکته ممکن است منجر به جراحت شود. (به صفحه 122 مراجعه کنید)
- لبه برش تیغه‌های متحرک یا ثابت را لمس نکنید.
- عدم رعایت این نکته می‌تواند به بروز جراحت منجر شود.
- هرگز سیم‌های برق‌دار (کابل‌های الکتریکی که رسانای برق هستند) را نبرید.
- ابزار را در معرض سقوط یا سایر ضربه‌های شدید قرار ندهید.
- ساختار داخلی دقیقاً به گونه‌ای ساخته شده که باعث جمع و جور و سبک بودن ابزار شود، بنابراین اگر در معرض ضربه قرار گیرد ممکن است به درستی عمل نکند.
- در پایان از ابزار استفاده نکنید.
- انجام این کار ممکن است باعث زنگ‌زدگی تیغه و کند شدن لبه برش یا منجر به آسیب شود.
- سیم‌ها را از 50 میلی‌متر یا کمتر کوتاه نکنید.
- کوتاه کردن انتهای سیم‌های CCP و سایر کابل‌ها ممکن است باعث بریده شدن داخل کابل و سایر اجزا شود.
- در حینتی که سیم را می‌برید، نیرو وارد نکنید.
- همیشه سطوح را مستقیماً برش دهید. عدم رعایت این نکته می‌تواند به تیغه برش آسیب برساند.
- ابزار را محکم نگه دارید.
- عدم رعایت این نکته می‌تواند به بروز جراحت منجر شود.
- قبل از استفاده از ابزار در مکان‌های بلند، مطمئن شوید که کسی زیر شما نیست.
- عدم رعایت این نکته ممکن است در صورت سقوط مصالح یا ابزار و غیره منجر به حادثه شود.
- قبل از استفاده از ابزار بررسی کنید که هیچ چیز غیرطبیعی نباشد.
- ترک یا شکستگی بر روی برش دهنده ممکن است به آن آسیب برساند و منجر به جراحت شود.
- حین استفاده از ابزار به آن استراحت دهید.
- برش طولانی مدت بدون وقفه، گرمای موتور را افزایش می‌دهد که ممکن است باعث گرم شدن بیش از موتور و بسته‌بندی شده و منجر به آسیب شود.
- حین استفاده از ابزار، حتماً گاه به گاه به آن استراحت دهید.
- دمای پایین محیط (10 درجه سانتیگراد یا کمتر) ممکن است باعث سفت شدن کابل برق شده و بریدن آن را دشوار کند، حتی اگر مطابق با ظرفیت برش باشد.
- بعد از هر بار استفاده، ابزار را با فشار هوا و غیره تمیز کنید.
- مراقب باشید که براده‌ها و سایر ضایعات از دهانه وارد دستگاه نشوند (پیش‌ران تیغه متحرک).
- کابل‌های برقی را که سیم به قطر 1 میلی‌متر دارند قطع نکنید.
- عدم رعایت این نکته ممکن است منجر به گیر کردن تیغه برش در کابل برق و قفل شدن آن شود.

اقدامات احتیاطی حین استفاده از بسته باتری

- هرگز باعث اتصال کوتاه پایانه‌ها نشوید.
- بسته باتری را از آب، روغن و حلال‌های آلی دور نگه دارید.
- اجزای بسته باتری را از هم جدا نکنید یا تغییر ندهید.
- اگر می‌خواهید بسته باتری را دور بیندازید، آن را در معرض شعله آتش قرار ندهید یا آن را به عنوان زباله عمومی دور بیندازید. (ما اقدام به بازیافت را ترویج می‌کنیم.)
- بسته باتری را پرتاب نکنید یا بیندازید.
- بسته باتری را برای مدت طولانی در مکانی که دمای آن 40 درجه سانتیگراد یا بالاتر است رها نکنید.
- اجازه ندهید خاک یا گرد و غبار روی پایانه‌ها جمع شود، زیرا این امر باعث ایجاد اتصال کوتاه در باتری شده و منجر به اشکال در عملکرد می‌شود. اگر پایانه دچار خوردگی شده است، از بسته باتری استفاده نکنید.
- یک عملکرد محافظتی که خروجی را متوقف می‌کند برای افزایش عمر بسته باتری در نظر گرفته شده است. وقتی که سطح باتری باقیمانده کم است، حتی زمانی که کلید عملیات در حین استفاده از این ابزار فشار داده شده باشد هم موتور ممکن است متوقف شود. در این حال، این پدیده نه به دلیل اشکال در عملکرد بلکه به دلیل عملکرد محافظتی ایجاد می‌شود. در این صورت باید فوراً باتری را شارژ کنید.

اقدامات احتیاطی برای شارژر باتری

- این شارژر باتری مجهز به یک چراغ نشانگر (LED چند رنگ) برای نشان دادن وضعیت شارژ باتری است.
- اجازه ندهید خاک یا گرد و غبار روی شکاف ورودی جمع شود، زیرا این امر باعث ایجاد اتصال کوتاه در شارژر شده و منجر به اشکال در عملکرد می‌شود. اگر پایانه فلزی دچار خوردگی شده است، از شارژر باتری استفاده نکنید.

نمادهای هشدار

پیش از استفاده از ابزار، دستورالعمل‌های این دفترچه راهنما را به دقت مطالعه کنید.



در صورتی منطقه هشدار گرمای زیاد داغ شده باشد، برای محافظت از موتور از ابزار استفاده نکنید. (به صفحه 125 مراجعه کنید)



منطقه هشدار گرمای زیاد

در طول کار نباید دست بزیند.



به چراغ کار LED خیره نشوید.

- این کار می‌تواند باعث آسیب بینایی شود.

محیط کار را در نظر بگیرید.

- در باران یا در مکان خیس یا مرطوب از ابزار، شارژر باتری یا بسته باتری استفاده نکنید. عدم رعایت این نکته می‌تواند باعث برق گرفتگی یا تولید دود شود.
- کار را در مکانی که به اندازه کافی روشن است انجام دهید. کار در مکان تاریک ممکن است باعث بروز حادثه شود.
- در مکان‌هایی که مایعات یا گازهای قابل اشتعال وجود دارد از شارژ کردن باتری یا استفاده از آن خودداری کنید. عدم رعایت این نکته می‌تواند به انفجار یا آتش سوزی منجر شود.

محیط کار را همیشه تمیز نگهدارید.

- مکان‌ها و میزهای کارگاهی نامرتب ممکن است باعث حادثه شوند.

کودکان را از ابزار دور نگه دارید.

- اجازه ندهید افرادی غیر از اپراتورها به ابزار و سیم شارژر باتری دست بزنند. افراد را از محل کار دور نگه دارید. عدم رعایت این نکته ممکن است باعث جرح شود.

هنگامی که از ابزار استفاده نمی‌شود، آن را به درستی در جای مناسب خود نگهداری کنید.

- ابزار را در مکانی که رطوبت کم است و همچنین در مکانی مرتفع که کودکان نتوانند به آن دسترسی پیدا کنند یا جایی که بتوان آن را قفل کرد نگهداری کنید. عدم رعایت این نکته می‌تواند به بروز حادثه منجر شود.
- ابزار یا بسته باتری را در مکانی که امکان افزایش دما تا 40 درجه سانتیگراد یا بیشتر وجود دارد نگهداری نکنید (مانند داخل جعبه فلزی، داخل خودرو در فصل تابستان و غیره). رعایت نکردن این امر ممکن است باعث خراب شدن بسته باتری شود که می‌تواند به تولید دود یا شعله‌ور شدن باتری منجر شود.

از ابزار به طور غیرمعمول استفاده نکنید.

- برای عملکرد ایمن و کارآمد، عملیات را متناسب با ظرفیت ابزار انجام دهید. استفاده از ابزار بیش از ظرفیت آن ممکن است باعث بروز حادثه شود.
- از ابزار به طور غیرمعمول استفاده نکنید، زیرا این کار باعث قفل شدن موتور می‌شود. عدم رعایت این نکته می‌تواند به تولید دود یا احتراق منجر شود.

از ابزار مناسب برای عملیات استفاده کنید.

- از ابزار برای انجام کارهایی غیر از موارد کاربرد مشخص شده استفاده نکنید. عدم رعایت این نکته می‌تواند به بروز جرح منجر شود.

عملیات را با لباس مناسب انجام دهید.

- از پوشیدن لباس‌های گشاد یا زیورآلات مانند گردنبند خودداری کنید. چنین چیزهایی ممکن است در یک قسمت متحرک از ابزار، یک قسمت چرخان یا جایی شبیه به اینها گیر کنند.
- وقتی که عملیات در فضای خارجی انجام می‌شود، استفاده از دستکش لاستیکی و کفش‌های ضد لغزش توصیه می‌شود. دستکش‌ها و کفش‌های لغزنده ممکن است باعث بروز جرح شوند.
- اگر موهایتان بلند است، از کلاه یا پوشش مو برای پوشاندن موهای خود استفاده کنید. عدم رعایت این نکته ممکن است باعث شود که موهایتان در یک قسمت متحرک از ابزار، یک قسمت چرخان یا جایی شبیه به اینها گیر کنند.

با حالت بدنی غیرعادی از ابزار استفاده نکنید.

- همیشه جای پای خود را محکم دارید و تعادل خود را حفظ کنید. عدم رعایت این نکته ممکن است باعث سرنگون شدن شما شود که می‌تواند به جرح منجر شود.

وقتی کار شما نیاز به توجه بالا دارد، هشیار بمانید.

- هنگام استفاده از ابزار، مراقب روش کار، نحوه عملکرد و شرایط محیط اطراف باشید و عملیات خود را با دقت انجام دهید. عدم رعایت این نکته می‌تواند به بروز حادثه یا جرح منجر شود.
- تحت تأثیر مشروبات الکلی یا ابزار کار نکنید. عدم رعایت این نکته می‌تواند به بروز حادثه یا جرح منجر شود.
- اگر وضعیت جسمانی شما نامناسب است یا ابزار کار نکنید. عدم رعایت این نکته می‌تواند به بروز حادثه یا جرح منجر شود.

با سیم شارژر باتری به شکلی خشن کار نکنید.

- هرگز از سیم برای حمل شارژر یا کشیدن آن از پریز استفاده نکنید.
- سیم را از گرما، روغن و لبه‌های تیز دور نگه دارید.
- مطمئن شوید که وقتی ابزار را شارژ می‌کنید، سیم شارژر زیر پای نمی‌ماند و پای کسی به آن گیر نمی‌کند و زمین نمی‌خورد. عدم رعایت این نکته ممکن است باعث برق گرفتگی یا اتصال کوتاه شود که می‌تواند به آتش گرفتن بیانجامد.

از یک سیم رابط مناسب برای فضای باز استفاده کنید.

- اگر از ابزار در فضای خارجی استفاده می‌کنید، از یک سیم رابط از جنس کابل با روکش لاستیکی سخت استفاده کنید.

تعمیر و نگهداری از ابزار را با دقت انجام دهید.

- هنگام تعویض قطعات بدکی، باید دفترچه راهنمای دستورالعمل را دنبال کنید. عدم رعایت این نکته می‌تواند به بروز جرح منجر شود.
- سیم شارژر باتری را به طور منظم بررسی کنید. اگر سیم آسیب دیده است، با مراکز خدمات تماس گرفته و درخواست تعمیر کنید. عدم رعایت این نکته ممکن است باعث برق گرفتگی یا اتصال کوتاه شود که می‌تواند به آتش گرفتن بیانجامد.
- اگر از سیم رابط استفاده می‌شود، وضعیت آن را به صورت منظم بررسی کنید. اگر سیم آسیب دیده است، آن را با یک سیم نو عوض کنید. عدم رعایت این نکته ممکن است باعث برق گرفتگی یا اتصال کوتاه شود که می‌تواند به آتش گرفتن بیانجامد.
- قسمت دسته ابزار را همیشه خشک و تمیز و دور از روغن و گریس نگه دارید. عدم رعایت این نکته می‌تواند به بروز جرح منجر شود.

قسمتهای آسیب دیده را کنترل کنید.

- قبل از استفاده از ابزار بررسی کنید که هیچ بخشی از آن آسیب ندیده باشد. اطمینان حاصل کنید که ابزار عملکرد عادی دارد و همه اجزا به درستی کار می‌کنند.
- هم تراز و انطباق بخشهای متحرک، آزادی حرکت بخشهای متحرک، شکستگی قطعات، نحوه استقرار و مونتاژ و هر وضعیت دیگری که می‌تواند بر عملکرد آنها تأثیر بگذارد را بررسی کنید.
- از شارژر باتری که دوشاخه یا سیم برق آن آسیب دیده یا شارژی که افتاده و سپس آسیب دیده استفاده نکنید. عدم رعایت این نکته ممکن است باعث برق گرفتگی یا اتصال کوتاه شود که می‌تواند به آتش گرفتن بیانجامد.
- اگر آسیب دیده است باید بطور اصولی توسط مراکز خدمات تعمیر یا تعویض شود مگر آنکه بنحو دیگری در این دفترچه راهنما توضیح داده شده باشد. برای تعویض کلیه‌های خراب از مراکز خدمات مجاز کمک بگیرید. اگر کلید قطع و وصل ابزار کار نمی‌کند از ابزار استفاده نکنید. چنین ابزاری ممکن است عملکرد غیرعادی داشته باشد، که ممکن است منجر به جرح شود.

برای تعمیر یا یک مرکز خدمات مجاز تماس بگیرید.

- بخش اصلی ابزار، شارژر باتری یا بسته باتری را جدا نکنید، تعمیر نکنید یا تغییر ندهید. عدم رعایت این نکته ممکن است باعث آتش گرفتن یا عملکرد غیرعادی شود که می‌تواند به جرح بیانجامد.
- اگر ابزار داغ شد یا عملکردی غیرعادی در ابزار دیده شد، خدمات بازرسی یا تعمیر را برای ابزار درخواست کنید.
- این ابزار با الزامات و معیارهای ایمنی مربوطه مطابقت دارد. سعی نکنید اجزای این محصول را از هم باز کرده یا تغییر در آن بدهید.
- تعمیر ابزار خود را به یک مرکز خدمات مجاز بسپارید. تعمیرات فقط باید توسط یک فرد واجد شرایط و با استفاده از قطعات بدکی اصلی انجام شود؛ در غیر این صورت، ممکن است حین کار، خطر قابل توجهی متوجه کاربر ابزار باشد.

- (b) اگر کلید قطع و وصل ابزار کار نمی‌کند از ابزار پر قدرت استفاده نکنید. یک ابزار پر قدرت که کنترل روشن و خاموش آن در اختیار شما نیست بسیار خطرناک بوده و باید تعمیر شود.
- (c) پیش از هرگونه تنظیم، عوض کردن متعلقات و/یا کنار گذاشتن ابزار پر قدرت باید دوشاخه آنرا از برق کشیده و یا بسته باتری آنرا خارج کنید. رعایت این نکات پیشگیرانه ایمنی از روشن شدن ناخواسته و اتفاقی ابزار پر قدرت جلوگیری خواهد کرد.
- (d) اگر از ابزار پر قدرت استفاده نمی‌کنید آنرا دور از دسترس کودکان قرار دهید. اجازه ندهید افراد ناشناختا با ابزار پر قدرت و با افرادی که این دفترچه راهنما را خوانده‌اند با ابزار پر قدرت کار کنند. کار کردن افراد ناوارد و بی تجربه با ابزارهای پر قدرت بسیار خطرناک است.
- (e) از ابزارهای پر قدرت و متعلقات بخوبی نگهداری کنید. دقت داشته باشید که بخش های متحرک هم تراز بوده یا گیر نداشته باشند، ابزار را بررسی کنید تا مطمئن شوید هیچ قسمتی از آن نشکسته باشد و یا هیچ شرایط دیگری وجود نداشته باشد که بر کار ابزار پر قدرت تاثیر بگذارد. اگر ابزار پر قدرت آسیب دیده است باید قبل از استفاده آنرا تعمیر کنید. علت رخ دادن بسیار از حوادث کاری، عدم نگهداری مناسب از ابزارهای پر قدرت است.
- (f) ابزارهای برش را تیز و تمیز نگهدارید. ابزارهای برش که بخوبی نگهداری شده اند و لبه های برش آنها تیز است، کمتر گیر می کنند و کنترل آنها آسان تر است.
- (g) هنگام کار با این ابزار پر قدرت، متعلقات، ابزارهایی که روی آن سوار می‌شود و غیره، راهنمایی های این دفترچه را دقیقاً رعایت کرده و شرایط محیط کار و نوع کار در دست انجام را مد نظر قرار دهید. استفاده کردن از ابزارهای پر قدرت در کارهایی که برای آن طراحی نشده اند می‌تواند بسیار خطرناک باشد.
- (h) دسته ها و سطوح دستگیره ها را خشک، تمیز و عاری از روغن و گریس نگه دارید. با دسته ها و سطوح دستگیره های لیز نمی توان در شرایط غیرمنتظره بطور ایمن با ابزار کار کرد و کنترل آنرا داشت.

5) استفاده و نگهداری از ابزار باتری دار

- (a) عمل شارژ را فقط با شارژری که سازنده تعیین کرده است انجام بدهید. شارژری که برای یک نوع بسته باتری مناسب باشد می‌تواند در صورت استفاده با یک بسته باتری دیگر خطر آتش سوزی ایجاد نماید.
- (b) ابزارهای پر قدرت را فقط با بسته های باتری تعیین شده اختصاصی آنها استفاده کنید. استفاده کردن از بسته های باتری دیگر می‌تواند به بروز خطر جراحات یا آتش سوزی منجر شود.
- (c) هنگامی که بسته باتری تحت استفاده نیست، آنرا از سایر اشیای فلزی مانند گیره کاغذ، سکه، کلید، میخ، پیچ یا سایر اشیای فلزی کوچک که می‌توانند باعث اتصال دو پایانه بهم شوند دور نگه دارید. اتصال کوتاه پایانه های باتری می‌تواند باعث سوختگی یا آتش سوزی شود.
- (d) در شرایط نامناسب، امکان دارد مایعی از باتری به بیرون تراوش کند؛ از تماس با آن احتراز کنید. اگر تصادفاً تماس حاصل شد، با آب بشویید. اگر این مایع با چشمان شما تماس پیدا کرد، علاوه بر آن به پزشک مراجعه کنید.
- مایعی که از باتری تراوش می‌کند می‌تواند باعث تحریک و یا سوختگی شود.
- (e) اگر ابزار با بسته باتری آسیب دیده یا اصلاح شده اند هرگز نباید از آنها استفاده کنید. باتری های آسیب دیده یا اصلاح یافته ممکن است عملکرد غیرقابل پیش بینی داشته باشند که منجر به آتش سوزی، انفجار یا بروز خطر جراحات خواهد شد.
- (f) بسته باتری یا ابزار را در معرض آتش یا دمای خیلی زیاد قرار ندهید. قرار دادن در معرض آتش یا دمای بالای 130 درجه سانتیگراد می‌تواند موجب انفجار شود.
- (g) تمام دستورالعمل های شارژ کردن را رعایت کرده و بسته باتری یا ابزار را در خارج از محدوده دمای مشخص شده در دستورالعمل ها شارژ نکنید. شارژ کردن به روش نادرست یا در دمای خارج از محدوده مشخص شده می‌تواند به باتری آسیب رسانده و خطر آتش سوزی را بالا ببرد.

6) سرویس

- (a) سرویس ابزار پر قدرت خود را به تعمیرکاران حرفه ای بسپارید و فقط از قطعات یدکی اصل استفاده کنید. توجه به این نکته تضمین کننده ایمنی ابزار پر قدرت شماست.

- (b) هرگز بسته های باتری آسیب دیده را سرویس نکنید. سرویس کردن بسته های باتری باید فقط توسط سازنده یا مراکز خدمات مجاز انجام شود.

اگر احتمال می دهید بست ها و متعلقات محکم کننده در حین کار با سیم کشی پنهان و غیراشکاز تماس پیدا کنند، ابزار پر قدرت را فقط از دسته و سطوح عایق آن بگیرد. تماس بست ها و متعلقات محکم کننده با یک سیم دارای جریان «برق» باعث می‌شود که جریان «برق» به قسمت های فلزی اشکاز ابزار پر قدرت نیز منتقل شده و باعث برق گرفتگی کاربر شوند.

از یک شارژر باتری و بسته باتری اصل ماکینا استفاده کنید.

- برای این ابزار از یک بسته باتری اصل استفاده کنید.
- بسته باتری ها را با هیچ شارژر باتری دیگری شارژ نکنید. عدم رعایت این نکته ممکن است باعث ترکیدگی باتری شود که به نوبه خود می‌تواند به بروز حادثه یا آسیب دیدگی بیانجامد.

بسته باتری را به روش صحیح شارژ کنید.

- برای اتصال شارژر باتری ارانه شده با این محصول از منبع برقی استفاده کنید که نشانگر رتبه داشته باشد.
- برای شارژ بسته باتری از منبع برق DC یا ژنراتور برق موتوری استفاده نکنید. عدم رعایت این نکته ممکن است باعث تولید گرمای بیش از حد شود که می‌تواند به آتش سوزی بیانجامد.
- وقتی دمای محیط، بسته باتری یا شارژر باتری کمتر از 0 درجه سانتیگراد یا بیشتر از 40 درجه سانتیگراد است، بسته باتری را شارژ نکنید. عدم رعایت این نکته ممکن است باعث ترکیدگی باتری یا آتش سوزی شود.
- هنگام شارژ بسته باتری، مکانی با تهویه مناسب برای شارژ انتخاب کنید.
- حین شارژ، و روی بسته باتری را با پارچه نپوشانید. عدم رعایت این نکته ممکن است باعث ترکیدگی باتری یا آتش سوزی شود.
- پس از اتمام شارژ، حتماً دوشاخه برق را جدا کنید.
- عدم رعایت این نکته می‌تواند موجب برق گرفتگی یا آتش سوزی شود.

برش دهنده را هنگام استفاده به سمت افراد نگیرید.

- عدم رعایت این نکته می‌تواند به بروز جراحات منجر شود.

از اتصال کوتاه پایانه های روی بسته باتری جلوگیری کنید.

- هنگامی که بسته باتری به تنهایی نگهداری می‌شود، برای جلوگیری از اتصال کوتاه، حتماً درپوش پایانه را روی پایانه باتری قرار دهید. اطمینان حاصل کنید که پایانه های باتری توسط سایر قطعات فلزی مانند پیچ، میخ و غیره به هم وصل نمی‌شوند.

بسته باتری را در معرض شعله ها قرار ندهید.

- عدم رعایت این نکته می‌تواند موجب ترکیدگی یا نشتی مواد خطرناک شود.

از ابزار بر روی قطعات دارای جریان برق استفاده نکنید.

- ابزار دارای عایق نیست. استفاده از ابزار در مکان های دارای جریان برق می‌تواند منجر به برق گرفتگی شود.
- با دست های خیس به دوشاخه یا بسته باتری دست نزنید. عدم رعایت این نکته می‌تواند به بروز برق گرفتگی منجر شود.

در شرایط زیر بسته باتری را از بدنه ابزار خارج کنید.

- هنگامی که از ابزار استفاده نمی‌کنید یا برای تعمیر
- هنگام تعویض قطعات یدکی
- سایر مواقع که احتمال خطر وجود دارد
- عدم رعایت این هشدارها ممکن است باعث شود که ابزار به طور تصادفی روشن شده و باعث جراحات شود.

راه اندازی غیرمنتظره ابزار.

- موقع جابجا کردن ابزار اطمینان حاصل کنید که انگشتان شما از کلید قطع و وصل فاصله کافی داشته باشند. راه اندازی غیرمنتظره ابزار می‌تواند موجب جراحات شود.

فقط از متعلقات مشخص شده استفاده کنید.

- از متعلقاتی به جز آنچه که در این راهنما یا کاتالوگ ما ذکر شده، استفاده نکنید. عدم رعایت این نکته می‌تواند به بروز حادثه یا جراحات منجر شود.

از لوازم و تجهیزات ایمنی استفاده کنید.

- در طول کار از عینک ایمنی استفاده کنید. اگر کار باعث ایجاد گرد و غبار می‌شود، از یک ماسک حفاظتی استفاده کنید. هنگام برش، قطعات کوچک ممکن است پرت شده و موجب جراحات شود.

هشدار: لطفاً تمام دستورالعمل‌ها و اطلاعات ایمنی موجود در این راهنمای دستورالعمل مخصوص اپراتورها را مطالعه کنید و مفهوم آن را به درستی درک کنید. استفاده برای کاربردهای مشخص نشده برای این ابزار، ممکن است منجر به جراحت جدی یا مرگ شود.

- از اینکه کابل بر شارژی ما را خریداری کرده‌اید سپاسگزاریم.
- لطفاً قبل از اینکه از تجهیزات استفاده کنید، این دفترچه راهنما را به طور کامل و با دقت مطالعه نمایید. پس از مطالعه این دفترچه راهنما آن را در مکانی قرار دهید که به راحتی در دسترس باشد.
- شرح
برش دهنده های مکانیکی، برش دهنده هایی هستند که با باتری کار می کنند و برای بریدن کابل‌های رایج در صنایع امروزی طراحی شده اند.

نکات احتیاطی ایمنی

هشدار: همه هشدارهای ایمنی و راهنمایی‌ها را بخوانید. بی توجهی و رعایت نکردن هشدارها و دستورالعمل‌ها می‌تواند سبب برق گرفتگی، آتش سوزی و/یا جراحت های جدی شود.

همه هشدارها و راهنمایی‌ها را برای استفاده آتی نگهداری کنید.

هشدار: در صورت استفاده نادرست از این محصول، کاربرد ممکن است کشته شود یا به شدت آسیب ببیند.

1) ایمنی محل کار

- محل کار باید کاملاً تمیز و دارای نور کافی و مناسب باشد. نامرتب بودن و یا کم نور بودن محیط کار احتمال بروز سوانح و حوادث را افزایش می دهد.
- ابزارهای پر قدرت را در محیط هایی که حاوی مایعات، گازها یا غبارهای قابل اشتعال بوده و خطر انفجار دارند، بکار نبرید. ابزارهای پر قدرت در طول کار جرقه هایی تولید می کنند که می‌تواند عبارات یا بخارها را شعله ور سازد.
- هنگام کار با یک ابزار پر قدرت، کودکان و سایر افراد را از دستگاه دور نگه دارید. اگر حواس شما پرت شود کنترل ابزار را از دست خواهید داد.

2) ایمنی الکتریکی

- دوشاخه ابزار پر قدرت باید با پریز مطابقت داشته باشد. هرگز سعی نکنید دوشاخه را اصلاح کرده یا تغییری در آن بدهید. اگر ابزار پر قدرت دارای اتصال زمین است نباید از تبدیل دوشاخه استفاده کنید. با دوشاخه های اصل و دستکاری نشده و پریزهای مناسب، خطر برق گرفتگی کاهش داده می‌شود.
- از تماس بدنی با سطوح و قطعات دارای اتصال زمین مانند لوله، سوزاق، اجاق برقی و یخچال خودداری کنید. اگر بدن شما با سطوح و قطعات دارای اتصال زمین تماس پیدا کند، خطر برق گرفتگی افزایش خواهد یافت.
- ابزارهای پر قدرت را از باران یا رطوبت دور نگهدارید. نفوذ آب به ابزار پر قدرت خطر برق گرفتگی را افزایش می دهد.
- از سیم استفاده غیر معقول نکنید. هرگز از سیم ابزار برای کارهایی چون حمل ابزار، کشیدن ابزار و یا خارج ساختن دوشاخه ابزار از پریز استفاده نکنید.
- سیم را از گرما، روغن، لبه های تیز یا اجزا و بخشهای متحرک دور نگهدارید. سیم های آسیب دیده یا گره خورده خطر برق گرفتگی را افزایش می دهند.

- در صورت کار با ابزار پر قدرت در محیط باز، از یک سیم رابط مناسب برای فضای باز استفاده کنید. استفاده از سیم مناسب برای فضای باز خطر برق گرفتگی را کاهش خواهد داد.

- اگر کار با ابزار پر قدرت در محیط مرطوب غیر قابل اجتناب است، از منبع تغذیه مجهز به کلید حفاظت در برابر جریان ناشی (RCD) استفاده کنید. استفاده از کلید حفاظت در برابر جریان ناشی (RCD) خطر برق گرفتگی را کاهش خواهد داد.

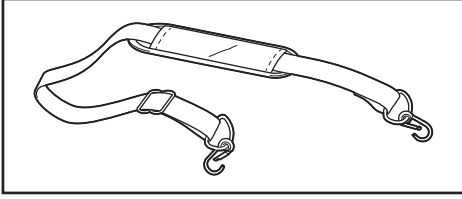
3) ایمنی شخصی

- هوشیار و دقیق باشید، به کار خود دقت کنید و با توجه و حواس جمعی کامل با ابزار پر قدرت کار کنید.
- اگر خسته هستید یا از مواد مخدر، مشروبات الکلی یا دارو استفاده کرده‌اید، نباید با یک ابزار پر قدرت کار کنید. یک لحظه غفلت و بی توجهی هنگام کار با ابزار پر قدرت می‌تواند سبب وارد آمدن جراحت های شدید شخصی شود.
- از لوازم و تجهیزات ایمنی شخصی استفاده کنید. همیشه از عینک ایمنی استفاده کنید. استفاده از تجهیزات ایمنی مانند ماسک ایمنی، کفش های ایمنی ضد لغزش، کلاه ایمنی یا گوشی ایمنی مناسب با نوع کار، خطر بروز جراحت شخصی را کاهش خواهد داد.
- مواظب باشید که ابزار پر قدرت بطور ناخواسته بکار نیفتد. قبل از زدن دوشاخه ابزار به پریز برق و/یا وصل کردن بسته باتری، برداشتن یا حمل ابزار باید همیشه دقت کنید که ابزار خاموش باشد. اگر هنگام حمل ابزار پر قدرت انگشت شما روی کلید قطع و وصل باشد یا ابزار را در حالت روشن به برق بزنید یا باتری به آن وصل کنید، بروز حادثه بسیار محتمل خواهد بود.
- هرگونه ابزار تنظیم و یا آچار را پیش از روشن کردن ابزار پر قدرت از روی آن بردارید. اگر ابزار تنظیم یا آجاری روی بخشهای دوار ابزار پر قدرت باقی بماند می‌تواند ایجاد جراحت های شخصی کند.
- بیش از اندازه بدن خود را نکشید تا به نقاط دورتر برسید. همیشه باید جایگاه و وضعیت مطمئنی برای ایستادن انتخاب کرده و تعادل خود را حفظ کنید. به این ترتیب در شرایط غیر منتظره بهتر خواهید توانست ابزار پر قدرت را کنترل کنید.
- لباس مناسب بپوشید. از پوشیدن لباس های خیلی گشاد و یا استفاده از زیورات خودداری کنید. مو، لباس و دستکش ها را از بخشهای متحرک دور نگهدارید. امکان گیر کردن لباس های خیلی گشاد، زیورات و یا موی بلند در بخش های متحرک وجود دارد.
- اگر می‌توانید وسایلی مکنش و جمع آوری گرد و غبار نصب کنید، باید مطمئن شوید که این وسایل وصل شده و به درستی از آنها استفاده می‌شود. استفاده از وسایلی جمع آوری گرد و غبار می‌تواند خطرات ناشی از گرد و غبار را کاهش دهد.
- اجازه ندهید آشنایی و تسلط حاصل از استفاده مکرر از ابزارها باعث شود احساس نیاز به رعایت قواعد نگرده و به قوانین ایمنی ابزار بی توجهی کنید. یک عمل از روی بی دقتی می‌تواند در کسری از ثانیه موجب جراحت شدید شود.

4) استفاده و نگهداری از ابزار پر قدرت

- به ابزار پر قدرت فشار بیش از حد وارد نکنید. برای هر کار از ابزار پر قدرت مناسب برای آن استفاده کنید. اگر از ابزار پر قدرت مناسب استفاده کنید، کار خیلی بهتر و با ایمنی مطابق با آنچه که برای آن طراحی شده است انجام خواهد شد.

الملحقات الاختيارية



• حزام الكتف (8-161347)

يُستخدم حزام الكتف هذا عن طريق توصيل شريط التعليق الخاص بالمعدة.

الصيانة/الفحص

- انتبه إلى أن إهمال الصيانة/الفحص اليومي قد يتسبب في حدوث خلل بالمعدة.
- يرجى تجنب تخزين المعدة في بيئة رطبة من أجل التشغيل السلس للمعدة ومنع الصدأ.
- إذا تعرضت المعدة للتلف أثناء الاستخدام العادي (10000 عملية أو أكثر، 1000 عملية قطع أو أكثر)، لا تستأنف التشغيل ببساطة بعد استبدال الجزء التالف فقط، حيث أنها تكون قد وصلت لنهاية عمرها.
- عندما يصبح جزء راتنجي متسخًا، استخدم قطعة قماش ناعمة مبللة بالماء والصابون لمسحه.
- عندما يتم تخزين مجموعة البطارية بمفردها، تأكد من وضع غطاء طرف التوصيل الإضافي على طرف التوصيل للحيلولة دون حدوث قصر بالدائرة.
- لفحص السلامة، نوصي بإرسال المعدة إلى الشركة المصنعة مرة كل عامين تقريبًا (يتم دفع رسوم). اتصل بالموزع لديك لمعرفة التفاصيل.
- الشفرة المتحركة والشفرة الثابتة هما أجزاء قابلة للاستهلاك. وتلك الأجزاء لا يغطيها الضمان.

المواصفات

DTC103	DTC102		قواطع كابلات لاسلكي
موصل الألومنيوم المقوى بالفولاذ (ACSR) AL550 مم ² /ST70 مم ²	جديلة النحاس	المواد غير الحديدية فقط (الألومنيوم أو النحاس)	أقصى قطر قابل للقطع
	47 φ مم	65 φ مم	
محرك يعمل بتيار مستمر			المحرك الكهربائي
117 (عمق) × 356 (ارتفاع) × 240 (عرض) (مم)	117 (عمق) × 357 (ارتفاع) × 228 (عرض) (مم)		الأبعاد
4.8 كجم	2.8 كجم		الوزن

⚠ تنبيه:

- DTC102 مخصص لكابلات النحاس والألومنيوم فقط. لا تستخدم DTC102 للفولاذ، لموصل الألومنيوم المقوى بالفولاذ (ACSR)، أو المواد الفولاذية الأخرى.

الاستبدال بقطع غيار

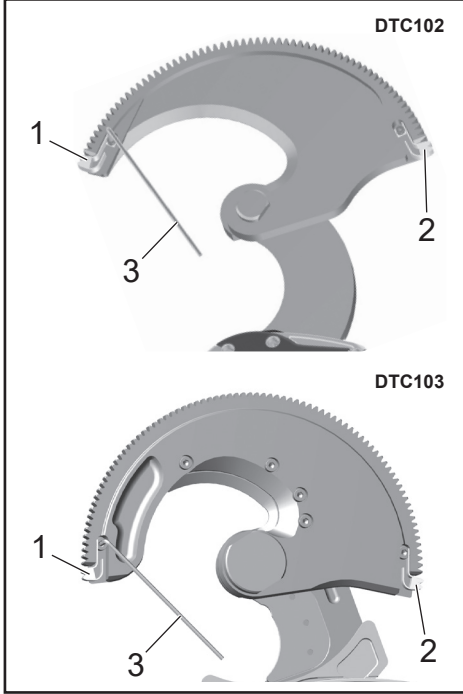
لاستبدال دليل الترس بنفسك، اتبع الإجراء الموضح أدناه.

⚠ تنبيه:

- تأكد من إزالة مجموعة البطارية من الوحدة الرئيسية قبل استبدال دليل الترس.
- إذا كان دليل الترس تالفًا أو يُصدر ضوضاء غير طبيعية، فاستبدله فورًا. قد تؤدي مواصلة استخدام المنتج مع دليل ترس تالف إلى تلف التروس الداخلية.

استبدال دليل الترس

1. إزالة دليل الترس
استخدم مفتاحًا سداسيًا لفتح البرغي ذو الفتحة السداسية (3 × M3) وقم بإزالة دليل الترس.
تركيب دليل الترس
2. قم بتركيب دليل الترس الجديد واربط البرغي بإحكام.



◀ 1. دليل الترس (A) 2. دليل الترس (B) 3. مفتاح سداسي

الاستبدال بقطع غيار (DTC103)

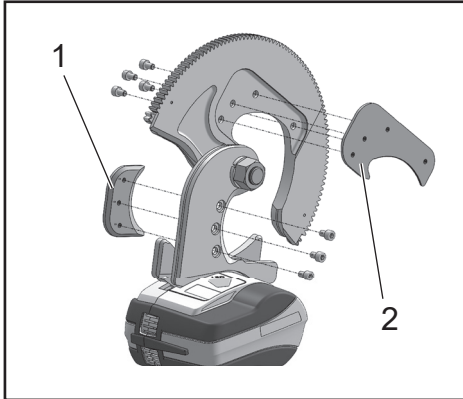
لاستبدال الشفرة بنفسك، اتبع الإجراء الموضح أدناه.

⚠ تنبيه:

- تأكد من إزالة مجموعة البطارية من الوحدة الرئيسية قبل استبدال الشفرة.

استبدال الشفرة

1. قم بإزالة البرغي من الإطار المتحرك أو الإطار الثابت.
2. استبدل الشفرة بأخرى جديدة وقم بربط البرغي.



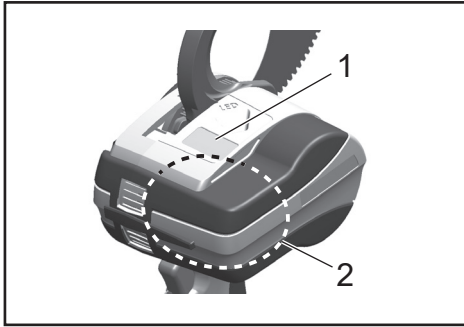
◀ 1. شفرة بديلة 2. شفرة بديلة

4. تشغيل مفتاح الوضع الأمامي وقطع الكابل الكهربائي
 5. استمرار الضغط على مفتاح الوضع الأمامي حتى اكتمال القطع.
- إزالة الحطام بعد القطع.
- بعد الانتهاء من القطع، قم بإزالة أي نفايات أو حطام على الشفرة.

⚠تنبيه:

- التشغيل لفترة طويلة
- لحماية المحرك، توقف عن استخدام المعدة عندما تصبح المنطقة المحيطة بملصق التنبيه ساخنة. لمواصلة استخدام المعدة، ضع المعدة لمدة 50 دقيقة في مكان بارد وجيد التهوية حتى تبرد.
- قد يتم أيضاً تنشيط الحماية من التيار الزائد/التحميل الزائد حتى عند تشغيل المعدة ضمن قدرة القطع.
- تؤثر درجة حرارة التشغيل، طول الكابل، وانحناءه والعوامل الأخرى على أداء المعدة.
- في حالة وميض ضوء LED 6 مرات أو أكثر، فهذا يعني عرض خطأ في لوحة الدائرة.

يرجى الاتصال بالموزع لديك.



1. ملصق التنبيه 2. منطقة التحذير من الحرارة المرتفعة

⚠تنبيه:

- DTC102 مخصص لكابلات النحاس والألومنيوم فقط لا تستخدم DTC102 للفولاذ، لموصل الألومنيوم المقوى بالفولاذ (ACSR)، أو المواد الفولاذية الأخرى.

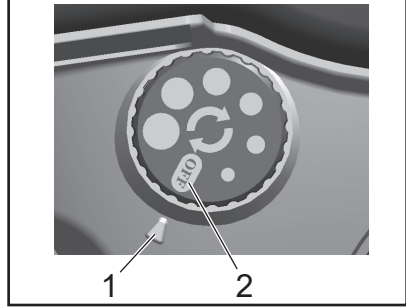
وظيفة الحماية من التيار الزائد

في حالة وجود تيار زيادة الجمل بسبب قطع كابل خارج المواصفات، فإن وظيفة الحماية من التيار الزائد تنشط وتوقف المحرك. لاستعادة الوضع الطبيعي، قم بتحرير مفتاح الوضع الأمامي.

وظيفة الرجوع التلقائي

عند تمكين الرجوع التلقائي، تتم فرملة المحرك بعد قطع الكابل. بمجرد تحرير مفتاح الوضع الأمامي، تعود الشفرة المتحركة تلقائياً كما تم ضبطها بواسطة المقبض القرصي.

يمكن ضبط الفتحة بين 6 مستويات. (مقدار الفتحة استرشادي.)



1. مقدار الفتحة 2. إيقاف التشغيل

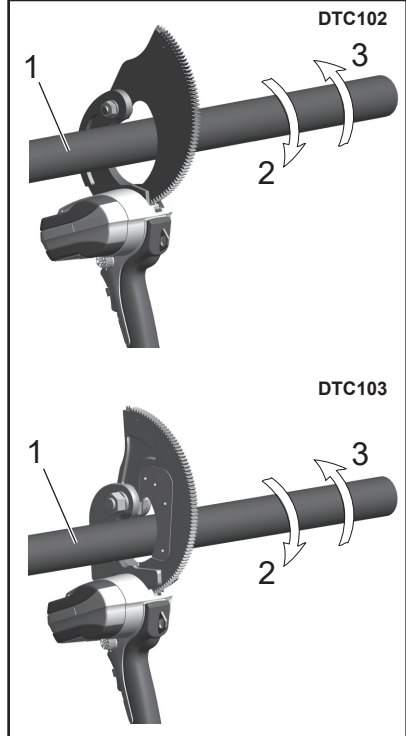
⚠تنبيه:

- لا يتم تنشيط الرجوع التلقائي إذا تم تحرير مفتاح الوضع الأمامي قبل القطع الكامل.
- لا يتم تنشيط الرجوع التلقائي مع الكابل الكهربائي الدقيق البالغ 60 مم² أو أقل.
- قد يختلف قطر الفتحة اعتماداً على جهد البطارية المتبقي.

[DTC103، DTC102]

إدخال الكابل الكهربائي في فتحة الشفرة المتحركة

ضع الكابل المراد قطعه على الشفرة الثابتة، وأغلق الشفرة المتحركة حول الكابل. قم بتعدية الشفرة المتحركة يدوياً بحيث يتم تعشيق أسنان الترس مع آلية الحركة الخاصة بالوحدة.

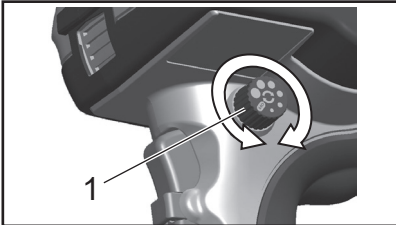


1. الكابل 2. دوران القطع 3. الدوران العكسي

كيفية استخدام المعدة



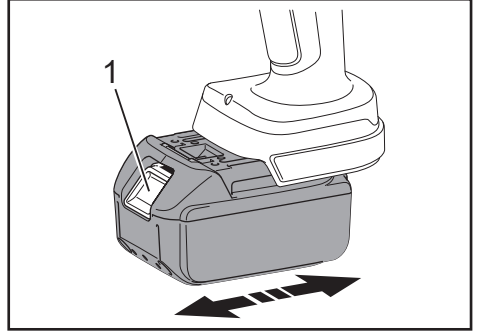
استخدام المقبض القرصي لتمكين أو تعطيل الرجوع التلقائي
قم بتحريك القرص إلى الموضع المرغوب لتمكين الرجوع التلقائي، أو قم
بتحريكه إلى وضع الإيقاف لتعطيله.



1. مقبض قرصي

تركيب مجموعة البطارية

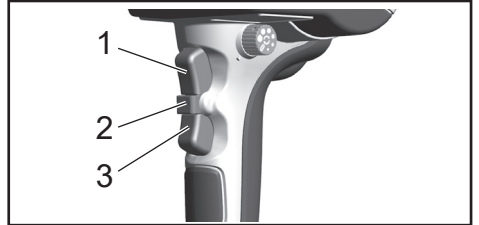
1. بينما تضغط على المزلاج، اسحب مجموعة البطارية للخارج. لاستبدال مجموعة البطارية، ادفع المجموعة الجديدة بإحكام في مكانها.
2. بعد تركيب مجموعة البطارية، تحقق مما إذا كانت مثبتة في مكانها بإحكام عن طريق سحبها برفق. لا تضغط المزلاج عند سحب البطارية.



1. مزلاج

عمليات المفتاح

لأغراض السلامة، تمتلك المعدة نظام مفتاح ذو حركتين.
لتنشيط مفتاح الوضع الأمامي (القطع) والوضع العكسي (الحركة العكسية)،
قم أولاً بالضغط على قفل المفتاح ومن ثم اضغط على مفتاح الوضع الأمامي/
العكسي.



1. مفتاح الوضع الأمامي. 2. قفل المفتاح. 3. مفتاح الوضع العكسي

مصباح LED المساعدة في العمل

تمتلك هذه المعدة مصباح LED يضيء محيط شفرة القاطع. فهو يضيء عند
تشغيل أي من المفتاح الأمامي أو العكسي، ثم ينطفئ بعد 10 ثوان تقريباً من
تحرير المفتاح.

تنبيه:

- لا تنظر مباشرة إلى مصباح LED. فالنظر إلى مصباح LED لفترة طويلة من الوقت قد يؤدي عينيك.

إنذار انخفاض البطارية

إذا كانت السعة المتبقية للبطارية منخفضة، يومض ضوء LED 5 مرات كإنذار
عند تشغيل مفتاح الوضع الأمامي. اشحن البطارية أو استبدلها بأخرى احتياطية.

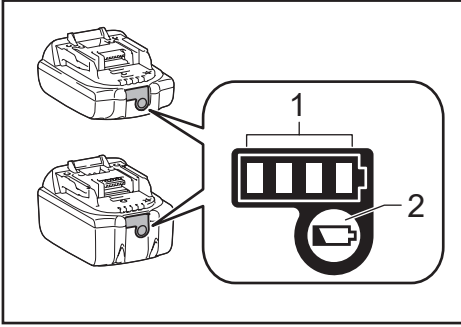
عمليات القطع

1. [DTC102، DTC103]
قم بتنشيط المفتاح لفتح الشفرة المتحركة.
استخدم مفاتيح الوضع الأمامي والعكسي لضبط الشفرة المتحركة على
الوضع المحايد.

البطارية

بيان سعة البطارية المتبقية

فقط لخراطيش البطاريات المزودة بمؤشر



◀ 1. مصابيح المؤشر 2. زر التحقق

اضغط زر التحقق الموجود على خرطوشة البطارية لبيان سعة البطارية المتبقية. تضيء مصابيح المؤشر ليضع توان.

السعة المتبقية	مصابيح المؤشر		
	تومض	مطفأة	مضاءة
100% إلى 75%	■	■	■
75% إلى 50%	■	■	□
50% إلى 25%	■	□	□
25% إلى 0%	■	□	□
اشحن البطارية.	■	□	□
قد تكون البطارية معطلة.	■	□	□

ملاحظة: اعتمادًا على ظروف الاستخدام ودرجة الحرارة المحيطة، قد يختلف المؤشر قليلاً عن السعة الفعلية.

ملاحظة: سيومض مصباح المؤشر الأول (أقصى اليسار) عندما يعمل نظام حماية البطارية.

البطارية

- وقت الشراء، قد يتم تنشيط وظيفة حماية البطارية بسبب عدم شحن البطارية بشكل كافٍ. (يرجى توخي الحذر لأن هذا المنتج قد يبدأ بالعمل إذا قُمت بتشغيل المفتاح.) اشحن البطارية بشكل صحيح باستخدام الشاحن السريع قبل الاستخدام.
- قم بتركيب غطاء البطارية عند عدم استخدام المنتج، فهو يساعد في حماية البطارية من الماء والغبار.
- عند عدم استخدام المنتج لمدة طويلة، قم بتخزينه مع إزالة البطارية.

لزيادة عمر البطارية

- عندما تشعر بأن قوة المعدة قد أصبحت ضعيفة، توقف عن الاستخدام واشحن البطارية.
- لا تُعيد شحن بطارية مشحونة بالكامل.
- اشحن البطارية في نطاق درجة حرارة محيطية من 10 درجة مئوية إلى 40 درجة مئوية.
- عندما تصبح البطارية ساخنة كما هو الحال بعد الاستخدام مباشرة، نوصي بإدراجها في الشاحن لتبرد ويتم شحنها.
- حينما لن يتم استخدام بطارية أيون الليثيوم لفترة طويلة من الزمن (6 أشهر على الأقل)، نوصي بشحنها ثم تخزينها.

تجميع البطاريات

- يتم تجميع البطاريات المستعملة لإعادة تدويرها. يرجى أخذ البطارية إلى المتجر الذي اشتريته منه المنتج أو إلى أحد مكاتب مبيعات Makita.



أعد تدوير بطارية
أيون الليثيوم

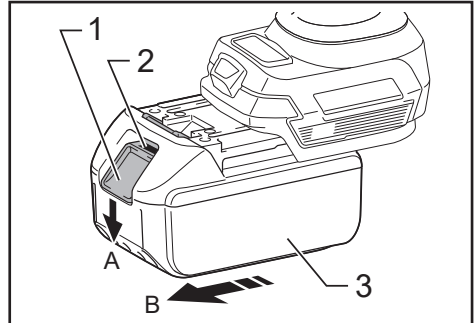
Li-ion

كيفية تركيب وفصل البطارية



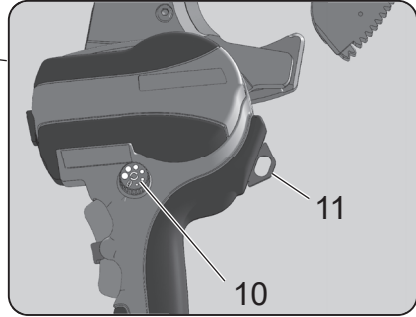
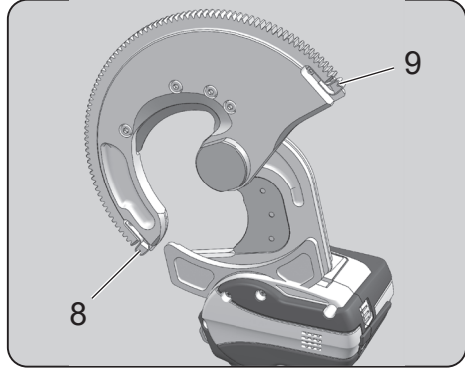
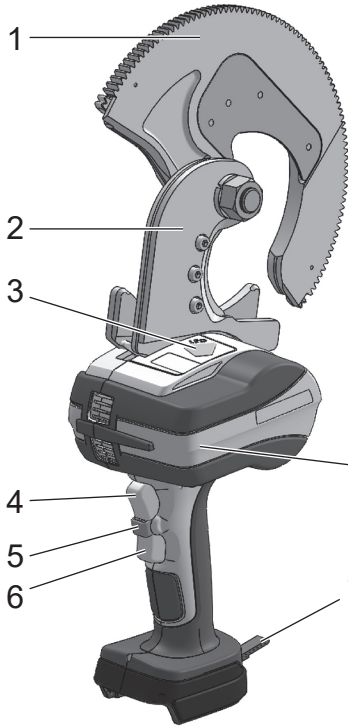
تحذير:
أدخل البطارية في المنتج بشكل صحيح. إذا كان الجزء الأحمر الموجود في أعلى الزر مرئيًا، فهذا يعني أن البطارية لم يتم تثبيتها بالكامل في مكانها. قم بإدخال البطارية بإحكام ريثما يصبح الجزء الأحمر غير مرئي تمامًا.
• في حالة عدم إدخال البطارية بشكل كافٍ، فقد تنفصل وتتسبب بحادث.

- لفصل البطارية من هذا المنتج، A. احتفظ بضغط الزر الموجود على مقدمة البطارية لأسفل و B. قم بتحريك البطارية لإزالتها.
- عند تركيب البطارية، قم بمحاذاة البطارية مع الأخاديد الموجودة في المنتج ومن ثم قم بإدخالها بالكامل عن طريق تنفيذ الخطوات بشكل عكسي. إذا كان الجزء الأحمر الموجود في أعلى الزر مرئيًا في هذا الوقت، فهذا يعني أن البطارية لم يتم تثبيتها بالكامل في مكانها. قم بإدخال البطارية بشكل صحيح بالكامل ريثما يصبح الجزء الأحمر غير مرئي تمامًا.



◀ 1. الزر 2. الجزء الأحمر 3. البطارية

قاطع كابلات لاسلكي



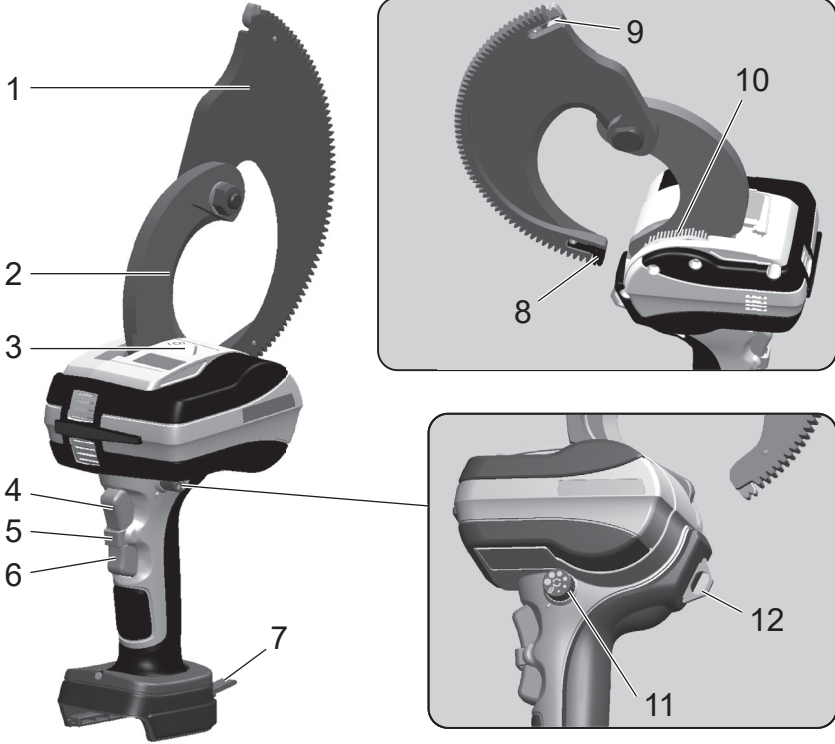
حقيبة الحمل



* تم تصميم هذه المعدة لبطارية أيون الليثيوم Makita بجهد 18 فولت.

شريط تعليق	7	الشفرة المتحركة	1
دليل الترس (A)	8	الشفرة الثابتة	2
دليل الترس (B)	9	مصباح عمل LED	3
مقبض قرصي	10	مفتاح الوضع الأمامي	4
حلقة تعليق	11	قفل المفتاح	5
—	—	مفتاح الوضع العكسي	6

قاطع كابلات لاسلكي



حقيبة الحمل



* تم تصميم هذه المعدة لبطارية أيون الليثيوم Makita بجهد 18 فولت.

شريط تعليق	7	الشفرة المتحركة	1
دليل الترس (A)	8	الشفرة الثابتة	2
دليل الترس (B)	9	مصباح عمل LED	3
فرشاة (لنفض الغبار)	10	مفتاح الوضع الأمامي	4
مقبض قرصي	11	قفل المفتاح	5
حلقة تعليق	12	مفتاح الوضع العكسي	6

خرطوشة البطارية والشاحن الملائمان

BL1860B / BL1850B / BL1840B / BL1830B / BL1820B / BL1815N	خرطوشة البطارية
/ DC18SF / DC18SE / DC18SD / DC18RE / DC18RD / DC18RC DC18WC / DC18SH	الشاحن

- قد لا تتوفر بعض خراطيش البطارية والشواحن المذكورة أعلاه اعتمادًا على منطقة إقامتك.
- لشحن البطارية، يرجى قراءة دليل التعليمات الخاص بشاحن البطارية.

تحذير: استخدم فقط خراطيش البطاريات والشواحن المذكورة أعلاه. قد يتسبب استخدام أي خراطيش بطاريات وشواحن أخرى في حدوث إصابة و/أو حريق.

14. إنشاء وبعد الاستخدام، قد تكتسب خرطوشة البطارية حرارة والتي يمكن أن تتسبب في حروق أو حروق عند درجات حرارة منخفضة. انتبه عند التعامل مع خراطيش البطاريات الساخنة.
15. لا تلمس طرف التوصيل الخاص بالمعدة بعد الاستخدام مباشرة لأنه قد يصبح ساخنًا بما فيه الكفاية لإحداث حروق.
16. لا تدع الشطابيا، الغبار، أو الاتربة تتعلق في أطراف التوصيل، الثقوب، والأخاديد الخاصة بخرطوشة البطارية. قد يؤدي ذلك إلى ارتفاع درجة الحرارة، اشتعال النيون، انفجار واختلال تشغيل المعدة أو خرطوشة البطارية، مما ينتج عنه حروق أو إصابة شخصية.
17. ما لم تكن المعدة تدعم الاستخدام بالقرب من خطوط الطاقة الكهربائية عالية الجهد، لا تستخدم خرطوشة البطارية بالقرب من خطوط الطاقة الكهربائية عالية الجهد. قد يؤدي ذلك إلى خلل بالتشغيل أو تعطل المعدة أو خرطوشة البطارية.
18. احفظ البطارية بعيدًا عن الأطفال.

احتفظ بهذه التعليمات.

تنبيه:

- استخدم فقط بطاريات Makita الأصلية.
- قد يؤدي استخدام بطاريات Makita غير أصلية، أو بطاريات تم تعديلها، إلى انفجار البطارية مما يؤدي إلى نشوب حرائق، إصابة شخصية وضرر. سيؤدي هذا أيضًا إلى إلغاء ضمان Makita الخاص بالمعدة وشاحن Makita.

نصائح للحفاظ على أقصى عمر للبطارية

1. اشحن خرطوشة البطارية قبل أن تفرغ تمامًا. دائمًا أوقف تشغيل المعدة واشحن خرطوشة البطارية عند ملاحظة نقص قدرة المعدة.
 2. لا تعيد أبدًا شحن خرطوشة بطارية مشحونة بالكامل. يُقصر الشحن الزائد عمر الخدمة للبطارية.
 3. اشحن خرطوشة البطارية في درجة حرارة الغرفة عند 10 درجة مئوية - 40 درجة مئوية (50 درجة فهرنهايت - 104 درجة فهرنهايت). دع خرطوشة البطارية الساخنة تبرد قبل شحنها.
 4. عدم استخدام خرطوشة البطارية، قم بإزالتها من المعدة أو الشاحن.
 5. اشحن خرطوشة البطارية إذا كنت لن تستخدمها لمدة طويلة (أكثر من ستة أشهر).
1. لا تلمس أطراف التوصيل بأي مادة موصلة.
 2. تجنب تخزين خرطوشة البطارية في حاوية مع أشياء معدنية أخرى مثل المسامير، العملات المعدنية، وما إلى ذلك.
 3. لا تُعرض خرطوشة البطارية للماء أو المطر.
1. يمكن أن يتسبب قصر البطارية في تدفق كبير للتيار، سخونة زائدة، احتمال حدوث حروق وحتى عطل.
 2. لا تُخزن المعدة وخرطوشة البطارية أو تستخدمهما في أماكن حيث قد تصل درجة الحرارة أو تتعدى 50 درجة مئوية (122 درجة فهرنهايت).
 3. لا تحرق خرطوشة البطارية حتى لو كانت تالفة بشدة أو بالية تمامًا. يمكن أن تنفجر خرطوشة البطارية في النار.
 4. لا تدق مسامير أو تقطع أو تسحق أو تقذف أو تُسقط خرطوشة البطارية أو تصدم جسم صلب في خرطوشة البطارية. قد يؤدي هذا التصرف إلى نشوب حريق، سخونة زائدة، أو انفجار.
 5. لا تستخدم بطارية تالفة.
 6. تخضع بطاريات أيون الليثيوم المضمنة لمتطلبات قانون البضائع الخطرة.
 7. بالنسبة لعمليات النقل التجاري على سبيل المثال بواسطة أطراف خارجية، ووكلاء الشحن، تجب مراعاة متطلبات خاصة في التغليف ووضع البطاقات التعريفية.
 8. لتجهيز البند الذي سيتم شحنه، تلمز استشارة خبير للمواد الخطرة. يرجى أيضًا مراعاة اللوائح الوطنية التي ربما تكون أكثر تفصيلاً.
 9. ضع شريطًا لاصقًا على أطراف التوصيل المفتوحة أو قم بتغطيتها وقم بتغليف البطارية بطريقة تمنعها من التحرك في العبوة.
 10. عند التخلص من خرطوشة البطارية، قم بإزالتها من المعدة وتخلص منها في مكان آمن. اتبع اللوائح المحلية لديك فيما يتعلق بالتخلص من البطارية.
 11. استخدم البطاريات فقط مع المنتجات المحددة من قبل Makita. قد يؤدي تركيب البطاريات في منتجات غير متوافقة إلى نشوب حريق، سخونة زائدة، انفجار، أو تسرب الإلكتروليت.
 12. في حالة عدم استخدام المعدة لفترة طويلة من الوقت، تجب إزالة البطارية من المعدة.

احتياطات عند استخدام قاطع الكابلات اللاسلكي

- عند استخدام هذه المعدة، اتبع التعليمات كما هو موضح أدناه:

احتياطات خاصة بالمعدة

- لا تقطع أي شيء يتجاوز الحد الأقصى لثقل القطع أبداً.
- توخ الحذر، حيث إن الإخفاق في مراعاة ذلك قد يؤدي إلى الضرر. (انظر صفحة 135)
- لا تلمس حافة القطع الخاصة بالشفرات المتحركة أو الثابتة.
- قد يؤدي الإخفاق في مراعاة ذلك إلى إصابة.
- لا تقطع أبداً أسلاك كهربية (الكابلات الكهربائية التي توصل الكهرباء).
- لا تُعرضها للسقوط أو الصدمات الشديدة الأخرى.
- تم تصنيع الهيكل الداخلي بقوة لجعله مدمجاً وخفيف الوزن، لذا فقد لا يعمل بشكل صحيح إذا تعرض لصدمة.
- لا تُستخدم في المطر.
- قد يؤدي القيام بذلك إلى صدأ الشفرة وتبلد حافة القطع أو يؤدي للتلف.
- لا تقطع الأطوال الزائدة بطول 50 مم أو أقل.
- قد يؤدي قطع الأطوال الزائدة لأطراف كابلات CCP والكابلات الأخرى بشكل قصير جداً إلى قطع الأجزاء الداخلية للكابل، وما إلى ذلك.
- لا تستخدم القوة تجاه الاتجاه الذي يتم قطعه.
- اقطع المواد دائماً بشكل مستقيم. قد يؤدي الإخفاق في مراعاة ذلك إلى تلف شفرة القاطع.
- امسك بإحكام.
- قد يؤدي الإخفاق في مراعاة ذلك إلى إصابة.
- تأكد من عدم وجود أحد أسفل منك قبل الاستخدام في مكان مرتفع.
- قد يؤدي الإخفاق في مراعاة ذلك إلى وقوع حادث في حالة سقوط المواد أو الجهاز، وما إلى ذلك.
- تحقق للتأكد من عدم وجود أي شيء غير طبيعي قبل الاستخدام.
- قد تتسبب الشقوق أو الكسور الموجود على القاطع في تلف القاطع وتؤدي إلى الإصابة.
- خذ فترات راحة أثناء الاستخدام.
- يؤدي القطع لفترات طويلة دون انقطاع إلى الاحتفاظ بحرارة المحرك المتزايدة التي قد تؤدي إلى ارتفاع درجة حرارة المحرك ومجموعة البطارية، مما يؤدي إلى التلف. تأكد من أخذ فترات راحة بين الحين والآخر أثناء الاستخدام.
- قد تتسبب درجات الحرارة المحيطة المنخفضة (10 درجة مئوية أو أقل) في تصلب كابل الكهرباء، مما يجعل من الصعب قطعه، حتى عندما يكون ضمن قدرة القطع.
- قم بالتنظيف بالهواء، وما إلى ذلك بعد كل استخدام.
- توخ الحذر لمنع دخول نواتج القطع والنفائات الأخرى إلى داخل الوحدة من الفتحة (محرك الشفرة المتحركة).
- لا تقطع الكابلات الكهربائية المحتوية على سلك بقطر 1 مم.
- قد يؤدي الإخفاق في مراعاة ذلك إلى احتشار شفرة القاطع في الكابل الكهربائي والانغلاق.

احتياطات عند استخدام مجموعة البطارية

- لا تقم أبداً بإحداث دائرة قصيرة بين أطراف التوصيل.
- احتفظ بمجموعة البطارية بعيداً عن الماء، الزيت، والمذيبات العضوية.
- لا تقم بتفكيك أو تعديل مجموعة البطارية.
- في حالة التخلص من مجموعة البطارية، فلا تُعرضها للهب أو تتخلص منها كنفايات عامة. (نحن نشجع إعادة التدوير.)
- لا تتفّظ مجموعة البطارية أو تُسقطها.
- لا تترك مجموعة البطارية في مكان تبلغ درجة الحرارة فيه 40 درجة مئوية أو أعلى لمدة طويلة.
- لا تُحدث دائرة قصيرة في البطارية عن طريق وضع أوساخ أو غبار على طرف التوصيل، حيث سيؤدي ذلك إلى حدوث خلل. في حالة تآكل طرف التوصيل، لا تستخدم مجموعة البطارية.
- تم التجهيز بوظيفة حماية توقف الخرج لإطالة عمر مجموعة البطارية. قد يتوقف المحرك عندما يكون مستوى البطارية المتبقي منخفضاً حتى حينما يكون مفتاح التشغيل مضغوط أثناء استخدام المعدة. إلا أن، هذه الظاهرة ليست ناجمة عن خلل بالتشغيل وإنما نتيجة لوظيفة الحماية. في مثل هذه الحالة، اشحن البطارية على الفور.

احتياطات خاصة بشاحن البطارية

- يحتوي شاحن البطارية هذا على مصباح مؤشر (مصباح LED متعدد الألوان) لإظهار حالة شحن البطارية.
- لا تُحدث دائرة قصيرة في الشاحن عن طريق وضع أوساخ أو غبار في فتحة الإدخال، حيث سيؤدي ذلك إلى حدوث خلل. في حالة تآكل طرف التوصيل المعدني، لا تستخدم شاحن البطارية.

الرموز التحذيرية

قبل استخدام المعدة، اقرأ التعليمات الواردة في هذا الدليل بعناية.



لحماية المحرك، لا تستخدمه إذا أصبحت منطقة التحذير من الحرارة المرتفعة ساخنة. (انظر صفحة 137)



منطقة التحذير من الحرارة المرتفعة

لا تلمسها أثناء التشغيل.



في حاله تلفه، يجب إصلاحه بشكل صحيح أو استبداله من قبل منشأة الخدمة المعتمدة ما لم يُذكر خلاف ذلك في دليل التعليمات هذا. استبدل المفاتيح المعيبة بواسطة منشأة خدمة معتمدة. لا تستخدم المُعدة إذا كان المفتاح لا يقوم بتشغيلها وإيقاف تشغيلها. قد تعمل مثل هذه المُعدة بشكل غير طبيعي، مما قد يؤدي إلى حدوث إصابة.

اطلب منشأة الخدمة المعتمدة من أجل الإصلاح.

- لا تقم بتفكيك أو إصلاح أو تعديل الوحدة الرئيسية أو شاحن البطارية أو مجموعة البطارية. قد يتسبب الإخفاق في مراعاة ذلك في حدوث اشتعال أو تشغيل غير طبيعي، مما قد يؤدي إلى إصابة.
- إذا أصبحت المُعدة ساخنة أو تم العثور على شيء غير طبيعي في المُعدة، فاطلب فحص المُعدة أو إصلاحها.
- تم بناء هذه المُعدة بالتوافق مع متطلبات السلامة ذات الصلة. لا تحاول تعديل هذا المنتج.
- قم بإصلاح المُعدة الخاصة بك بواسطة مركز خدمة معتمد. لا يجب إجراء الإصلاحات إلا بواسطة شخص مؤهل باستخدام قطع الغيار الأصلية، وإلا، قد ينتج عن ذلك خطر كبير على المستخدم.

- لا تقم بتخزين المُعدة أو مجموعة البطارية في مكان يمكن أن ترتفع درجة الحرارة فيه إلى 40 درجة مئوية أو أعلى (داخل صندوق معدني، داخل سيارة في الصيف، وما إلى ذلك). قد يؤدي الإخفاق في مراعاة ذلك إلى تدهور مجموعة البطارية، مما قد يؤدي إلى انبعاث الدخان أو الاشتعال.

لا تستخدم المُعدة بطريقة غير عقلانية.

- قم بإجراء العملية وفقاً لفكرة المُعدة من أجل التشغيل الآمن والفعال. قد يتسبب استخدام المُعدة فوق قدرتها في وقوع حادث.
- لا تستخدم المُعدة بطريقة غير عقلانية تؤدي إلى قفل المحرك. قد يتسبب الإخفاق في مراعاة ذلك في انبعاث الدخان أو الاشتعال.

استخدم مُعدة مناسبة للتشغيل.

- لا تستخدم المُعدة لغير الاستعمالات المحددة. قد يتسبب الإخفاق في مراعاة ذلك في حدوث إصابة.

قم بإجراء العمل باستخدام الملابس المناسبة.

- لا ترتدي ملابس فضفاضة أو إكسسوارات مثل القلادة. فقد تعلق مثل هذه الأشياء في جزء متحرك أو جزء دوار أو ما شابه.
- عند إجراء العمل في الهواء الطلق، يوصى باستخدام قفازات مطاطية وأذنية مضادة للتلوث. قد يتسبب القفازات والأذنية الزلقة في حدوث إصابة.
- إذا كان شعرك طويلاً، فاستخدم قبعة أو غطاء للشعر لتغطية شعرك. قد يتسبب الإخفاق في مراعاة ذلك في أن يعلق شعرك في جزء متحرك أو جزء دوار أو ما شابه.

لا تقم بتشغيل المُعدة بوضعية غير طبيعية.

- حافظ على رسوخ القدمين بشكل صحيح طوال الوقت، وحافظ على توازنك. قد يتسبب الإخفاق في مراعاة ذلك في سقوطك، مما قد يؤدي إلى إصابة.

احرص على البقاء يقظاً أثناء العمل مع الانتباه بشكل كبير.

- عند استخدام المُعدة، كن حذراً بشأن طريقة التعامل، طريقة التشغيل، والظروف المحيطة، وقم بإجراء العمل بعناية. قد يتسبب الإخفاق في مراعاة ذلك في وقوع حادث أو إصابة.
- لا تقم بتشغيل المُعدة تحت تأثير الكحول. قد يتسبب الإخفاق في مراعاة ذلك في وقوع حادث أو إصابة.
- لا تقم بتشغيل المُعدة عندما تكون في حالة بدنية سيئة. قد يتسبب الإخفاق في مراعاة ذلك في وقوع حادث أو إصابة.

لا تتعامل مع سلك شاحن البطارية بطريقة عنيفة.

- لا تحمل الشاحن من السلك أو تنتزع به بعنف لفصله من المقبس.
- أبقِ السلك بعيداً عن الحرارة، الزيت، والحواف الحادة.
- تأكد من أن بيئة الشحن خالية من الدوس على السلك والتعثر به. قد يتسبب الإخفاق في مراعاة ذلك في حدوث صدمة كهربائية أو قصر بالدائرة، مما قد يؤدي إلى اشتعال.

استخدم سلك تمديد بمواصفات خارجية.

- في حالة استخدام المُعدة في الهواء الطلق، استخدم سلك تمديد مصنوع من كابل مغلف بالمطاط المتين.

قم بإجراء الصيانة للمُعدة بعناية.

- اتبع دليل التعليمات عند استبدال قطع الغيار. قد يتسبب الإخفاق في مراعاة ذلك في حدوث إصابة.
- افحص سلك شاحن البطارية بشكل منتظم. في حالة تلف السلك، اطلب منشأة الخدمة المعتمدة لإصلاحه. قد يتسبب الإخفاق في مراعاة ذلك في حدوث صدمة كهربائية أو قصر بالدائرة، مما قد يؤدي إلى اشتعال.
- في حالة استخدام سلك تمديد، افحص السلك بشكل منتظم. إذا كان السلك تالفاً، استبدله بأخر جديد. قد يتسبب الإخفاق في مراعاة ذلك في حدوث صدمة كهربائية أو قصر بالدائرة، مما قد يؤدي إلى اشتعال.
- حافظ على القبتضة جافة ونظيفة دائماً وأبداً بعيدة عن الزيوت والشحوم. قد يتسبب الإخفاق في مراعاة ذلك في حدوث إصابة.

تحقق من الأجزاء التالفة.

- تأكد من عدم وجود أي شيء تالف قبل الاستخدام. تأكد من أن المُعدة تعمل بشكل طبيعي وأن جميع المكونات تعمل على نحو صحيح.
- تحقق من محاذاة الأجزاء المتحركة، التشغيل السلس للأجزاء المتحركة، كسر الأجزاء، التركيب وأي حالة أخرى قد تؤثر على عملها.
- لا تستخدم شاحن البطارية الذي يكون قابس أو سلك الطاقة الخاص به تالفاً أو الذي تم إسقاطه ثم أصبح تالفاً. قد يتسبب الإخفاق في مراعاة ذلك في حدوث صدمة كهربائية أو قصر بالدائرة، مما قد يؤدي إلى اشتعال.

- (f) حافظ على معدات القطع حادة ونظيفة. قمعات القطع ذات حواف القطع الحادة المصانة بشكل صحيح أقل عرضة لإعاقة الحركة وأسهل في التحكم.
- (g) استخدم المعدة الآلية، الملحقات ولقم المعدة وما إلى ذلك وفقاً لهذه التعليمات، أخذاً في الاعتبار ظروف العمل والعمل الذي يتعين القيام به. قد يؤدي استخدام المعدة الآلية لعمليات تختلف عن تلك المخصصة لها إلى مواقف خطيرة.
- (h) حافظ على أسطح المقابض والقبضات جافة، نظيفة وخالية من الزيوت والشحوم. لا تسمح لأسطح المقابض والقبضات الزلقة بالإسكاف الآمن والتحكم بالمعدة في الظروف غير المتوقعة.

5 استخدام المعدة ذات البطارية والاعتناء بها

- (a) اعد الشحن فقط باستخدام الشاحن المحدد من قبل الشركة المصنعة. قد يتسبب الشاحن المناسب لأحد أنواع مجموعة البطارية في خطر نشوب الحريق عند استخدامه مع مجموعة بطارية أخرى.
- (b) استخدم المعدات الآلية فقط مع مجموعات البطاريات المخصصة على وجه التحديد. قد يتسبب استخدام أي مجموعات بطاريات أخرى في خطر الإصابة والحريق.
- (c) عند عدم استخدام مجموعة البطارية، أبقيها بعيداً عن الأشياء المعدنية الأخرى، مثل مشابك الورق، العملات المعدنية، المفاتيح، المسامير، البراغي أو الأشياء المعدنية الصغيرة الأخرى، التي يمكن أن تصنع اتصال من أحد الأطراف إلى الأخرى. قد يتسبب قصر أطراف البطارية مغا في حدوث حروق أو نشوب حريق.
- (d) في ظل الظروف السيئة، قد يفرخ سائل من البطارية؛ فتجنب ملامسته. في حالة حدوث الملامسة بطريق الخطأ، اغسل بماء وفير. إذا لامس السائل العينين، اطلب المساعدة الطبية بالإضافة لذلك.
- (e) قد يتسبب السائل الخارج من البطارية في حدوث تهيج أو حروق. لا تستخدم مجموعة بطارية أو مُعدة تالفة أو تم تعديلها. قد تظهر البطاريات التالفة أو التي تم تعديلها سلوكاً غير متوقع مما يؤدي إلى حدوث حريق، انفجار، أو خطر الإصابة.
- (f) لا تُعرض مجموعة البطارية أو المعدة للنار أو درجة حرارة مفرطة. قد يؤدي التعرض للنار أو درجة حرارة أعلى من 130 درجة مئوية إلى حدوث انفجار.
- (g) اتبع جميع تعليمات الشحن ولا تشحن مجموعة البطارية أو المعدة خارج نطاق درجة الحرارة المحدد في التعليمات. قد يؤدي الشحن بشكل غير صحيح أو في درجات حرارة تقع خارج النطاق المحدد إلى تلف البطارية وزيادة خطر نشوب حريق.

6 الصيانة

- (a) قم بصيانة معدتك الآلية بواسطة فني إصلاح مؤهل باستخدام قطع غيار متطابقة فقط. سوف يضمن ذلك الحفاظ على سلامة المعدة الآلية.
- (b) لا تقم أبداً بصيانة مجموعات البطاريات التالفة. يجب إجراء صيانة مجموعات البطاريات فقط بواسطة الشركة المصنعة أو مقدمي الخدمة المعتمدين.

اسمك المعدة الآلية بواسطة سطوح القبط المعزولة، عند إجراء عملية قد تلامس فيها أداة الربط الأسلاك المخفية. فأدوات الربط التي تلامس سلك "مكهرب" قد تجعل الأجزاء المعدنية المشكوفة من المعدة الآلية "مكهربة" وقد تتسبب المشغل بصدمة كهربائية.

استخدم شاحن بطارية ومجموعة بطارية Makita أصليين.

- استخدم مجموعة بطارية أصلية لهذه المعدة.
- لا تشحن مجموعة البطارية باستخدام شاحن بطارية آخر. قد يتسبب الإخفاق في مراعاة ذلك في حدوث تمزق، مما قد يؤدي إلى حادث أو إصابة.

اشحن مجموعة البطارية بطريقة صحيحة.

- استخدم مصدر طاقة ذو إشارة تصنيف لتوصيل شاحن البطارية المرفق مع هذا المنتج.
- لا تستخدم مصدر طاقة ذو تيار مستمر أو مولد طاقة يعمل بمحرك لشحن مجموعة البطارية. قد يتسبب الإخفاق في مراعاة ذلك في توليد حرارة زائدة، مما قد يؤدي إلى نشوب حريق.
- عندما تكون درجة حرارة البيئة المحيطة أو مجموعة البطارية أو شاحن البطارية أقل من 0 درجة مئوية أو أكثر من 40 درجة مئوية، لا تشحن مجموعة البطارية. قد يتسبب الإخفاق في مراعاة ذلك في حدوث تمزق أو نشوب حريق.
- عند شحن مجموعة البطارية، اختر مكان جيد التهوية للشحن.

- لا تغطي مجموعة البطارية بقمات أثناء الشحن. قد يتسبب الإخفاق في مراعاة ذلك في حدوث تمزق أو نشوب حريق.
 - تأكد من فصل قابس الطاقة بعد الشحن.
 - قد يتسبب الإخفاق في مراعاة ذلك في حدوث صدمة كهربائية أو نشوب حريق.
- ### لا توجه القاطع نحو الأشخاص أثناء الاستخدام.
- قد يؤدي الإخفاق في مراعاة ذلك إلى حدوث إصابة.

لا تتسبب بحوث دائرة قصيرة بين أطراف التوصيل الموجودة في مجموعة البطارية.

- عندما يتم تخزين مجموعة البطارية بمفردها، تأكد من وضع غطاء طرف التوصيل على طرف التوصيل للحيولة دون حدوث قصر بالدائرة. تأكد من أن أطراف التوصيل الخاصة بالبطارية لا يتم قصها بواسطة الأجزاء المعدنية الأخرى مثل البراغي، المسامير، وما إلى ذلك.

لا تعرض مجموعة البطارية للهب.

- قد يتسبب الإخفاق في مراعاة ذلك في حدوث تمزق أو تسرب مادة خطيرة.

لا تستخدم على أجزاء بها كهرباء حية.

- المعدة ليست معزولة. قد يؤدي الاستخدام في أماكن مكهربة إلى حدوث صدمة كهربائية.
- لا تلمس قابس الطاقة أو مجموعة البطارية بأياد مبتلة. قد يؤدي الإخفاق في مراعاة ذلك إلى حدوث صدمة كهربائية.

قم بإزالة مجموعة البطارية من جسم المعدة في الظروف التالية.

- عند عدم الاستخدام أو من أجل الإصلاح
- عند استبدال قطع الغيار
- الأوقات الأخرى عند الاشتباه في وجود خطر
- قد يؤدي الإخفاق في مراعاة هذه التحذيرات إلى تشغيل المعدة عن طريق الخطأ والتسبب في حدوث إصابة.

بدء تشغيل المعدة على نحو مفاجئ.

- تأكد من أن الأصابع بعيدة بشكل جيد عن زناد التشغيل عند نقل المعدة. قد يتسبب بدء التشغيل المفاجئ للمعدة في حدوث إصابة.

استخدم الملحقات المحددة فقط.

- لا تستخدم أي ملحقات غير تلك المذكورة في دليل التعليمات هذا أو الكatalog الخاص بنا. قد يؤدي الإخفاق في مراعاة ذلك إلى وقوع حادث أو حدوث إصابة.

استخدم معدات الحماية.

- استخدم نظارات السلامة أثناء التشغيل. إذا كان التشغيل يؤثر الغيار، استخدم قناعاً وقائياً عند القطع، قد تتبثر قطع صغيرة وتتسبب في حدوث إصابة.

لا تحقّق في مصباح عمل LED.

- فقد يؤدي إلى تدهور البصر.

قم بمراعاة بيئة العمل.

- لا تستخدم المعدة، شاحن البطارية، أو مجموعة البطارية في المطر، أو في مكان مبلل أو رطب. قد يتسبب الإخفاق في مراعاة ذلك في حدوث صدمة كهربائية أو انبعاث دخان.
- قم بإجراء العمل في مكان مضاء بشكل كاف. قد يتسبب العمل في مكان مظلم في وقوع حادث.
- لا تستخدم أو تشحن البطارية في وجود سوائل أو غازات قابلة للاشتعال. قد يتسبب الإخفاق في مراعاة ذلك في حدوث انفجار أو حريق.

حافظ على مكان العمل نظيفاً دائماً.

- قد تتسبب الأماكن أو الطاولات التي تغطها القوضى في وقوع حادث.

احرص على بقاء الأطفال بعيداً عن المعدة.

- لا تدع أشخاصاً بخلاف المشغلين لمسون المعدة وسلك شاحن البطارية.
- احرص على بقاء الأشخاص بعيداً عن مكان العمل. قد يتسبب الإخفاق في مراعاة ذلك في حدوث إصابة.

عند عدم استخدام المعدة، قم بتخزينها بشكل صحيح.

- قم بتخزين المعدة في مكان جاف الرطوبة منخفضة وكذلك مكان مرتفع لا يمكن للأطفال الوصول إليه أو مكان يمكن إغلاقه. قد يتسبب الإخفاق في مراعاة ذلك في وقوع حادث.

تحذير: يرجى قراءة وفهم جميع التعليمات ومعلومات السلامة الواردة في دليل المشغل هذا وتعليماته. قد يؤدي الاستخدام لتطبيقات غير المقصودة إلى إصابة خطيرة أو الوفاة.

- تشرك على شراء قاطع الكابلات اللاسلكي الخاص بنا.
- يرجى قراءة دليل التعليمات هذا جيدًا وبعناية قبل الشروع في استخدام المعدة. بعد قراءة دليل التعليمات هذا، قم بتخزينه في مكان يسهل الوصول إليه.
- الوصف الميكانيكية هي قواطع تعمل بالبطارية مصممة لقطع الكابلات المستخدمة في الصناعة اليوم.

احتياطات السلامة

لا تستخدم معدة آلية حينما تكون متعب أو تحت تأثير المخدرات، الكحول أو الأدوية. قد تؤدي لحظة من عدم الانتباه أثناء تشغيل المعدات الآلية إلى إصابة شخصية خطيرة.

استخدم معدات الحماية الشخصية. احرص دائمًا على ارتداء واقي العينين. معدات الحماية مثل قناع الغبار، أحذية السلامة غير الزلقة، الخوذة، أو واقي السمع المستخدمة للظروف المناسبة سوف تقلل الإصابات الشخصية.

امنع بدء التشغيل غير المقصود. تأكد من أن المفتاح في وضعية إيقاف التشغيل قبل التوصيل بمصدر الطاقة و/أو مجموعة البطارية أو التقاط أو حمل المعدة. حمل المعدات الآلية وإصبعك على المفتاح أو توصيل التيار الكهربائي بالمعدات الآلية والمفتاح يعمل يكون مدعاة لوقوع الحوادث.

قم بإزالة أي مفتاح تعديل أو مفتاح ربط قبل تشغيل المعدة الآلية. قد يتسبب مفتاح ربط أو مفتاح تفرق معلقًا بجزء دوار من المعدة الآلية في حدوث إصابة شخصية.

لا تتابع. حافظ على رسوخ القدمين والتوازن بشكل صحيح في جميع الأوقات. يتيح هذا سيطرة أفضل على المعدة الآلية في الظروف غير المتوقعة.

ارتدي بشكل صحيح. لا ترتدي ملابس فضفاضة أو مجوهرات. ابق شعرك، ملاسك وفقاظك بعيدة عن الأجزاء المتحركة. الملابس الفضفاضة، المجوهرات أو الشعر الطويل يمكن يعلق بالأجزاء المتحركة.

في حالة توفر أجهزة لتوصيل مرفاق استخلاص وتجميع الغبار، تأكد من أن تلك الأجهزة موصولة وتستخدم بشكل صحيح. يمكن أن يقلل استخدام تجميع الغبار من المخاطر المرتبطة بالغبار.

لا تدع الألفة المكتسبة من الاستخدام المتكرر للمعدات تسمح لك بأن تتهاون وتتجاهل قواعد السلامة الخاصة بالمعدة. يمكن لتصرف طائش أن يتسبب في إصابة بالغة خلال جزء من الثانية.

4 استخدام المعدة الآلية والاعتناء بها

لا تجرب المعدة الآلية على العمل. استخدم المعدة الآلية الملائمة لاستخدامك. سوف تقوم المعدة الآلية الملائمة بالعمل على نحو أفضل وأكثر أمانًا بالمعدل الذي صممت من أجله.

لا تستخدم المعدة الآلية إذا كان المفتاح لا يقوم بتشغيلها وإيقاف تشغيلها. أي معدة آلية لا يمكن التحكم فيها باستخدام المفتاح تكون خطيرة ويجب إصلاحها.

أفضل القابس من مصدر القدرة و/أو مجموعة البطارية من المعدة الآلية قبل إجراء أي عمليات ضبط، تغيير للمحطات، أو تخزين للمعدات الآلية. تقلل تدابير السلامة الوقائية هذه من خطر بدء تشغيل المعدة الآلية عن طريق الخطأ.

قم بتخزين المعدات الآلية الخاملة بعيدًا عن متناول الأطفال ولا تسمح للأشخاص غير المعتادين على المعدة الآلية أو هذه التعليمات بتشغيل المعدة الآلية. المعدات الآلية المستخدمة خطيرة في أيدي المستخدمين غير المدربين.

صن المعدات الآلية والملحقات. تحقق من عدم محاذة أو إعاقة الأجزاء المتحركة، انكسار الأجزاء وأي حالة قد تؤثر على تشغيل المعدة الآلية. في حالة التلف، قم بإصلاح المعدة الآلية قبل الاستخدام. تحدث الكثير من الحوادث بسبب سوء صيانة المعدات الآلية.

تحذير: اقرأ جميع تحذيرات السلامة وجميع التعليمات. قد يؤدي الإخفاق في اتباع التحذيرات والتعليمات إلى صدمة كهربائية، حريق و/أو إصابة خطيرة.

احفظ جميع التحذيرات والتعليمات للرجوع إليها في المستقبل.

تحذير: قد يقلل استخدام أو يتعرض لإصابة خطيرة في حالة إساءة استخدام هذا المنتج.

1 سلامة منطقة العمل

- حافظ على منطقة العمل نظيفة ومضاءة بشكل جيد. المناطق التي تعمها الفوضى أو المظلمة تدعو لوقوع حوادث.
- لا تقم بتشغيل المعدات الآلية في الأجزاء القابلة للانفجار، مثل في وجود السوائل أو الغازات أو الغبار سريع الاشتعال. فالمعدات الآلية تنتج الشرر الذي قد يُشعل الغبار أو الأبخرة.
- احرص على بقاء الأطفال والمارة بعيدين أثناء تشغيل المعدة الآلية. فصرف الانتباه قد يؤدي إلى فقدان السيطرة.

2 السلامة الكهربائية

- يجب أن تتوافق قوايس المعدة الآلية مع منفذ التيار. لا تقم بتعديل القابس أبدًا بأي شكل من الأشكال. لا تستخدم أي قوايس مهيأنة مع المعدات الآلية ذات التأسيس (الموصولة بالأرضي). سوف تقلل القوايس غير المثبتة ومنافذ التيار المتوافقة من خطر الصدمة الكهربائية.
- تجنب ملامسة الجسم للسطوح ذات التأسيس أو الموصولة بالأرضي، مثل الأنابيب، المبردات، الموافق والثلاجات. تزيد خطورة الصدمة الكهربائية إذا كان جسمك موزع أو متصل بالأرضي.
- لا تُعرض المعدات الآلية للأمطار والظروف الرطبة. سوف تزيد المياه التي تدخل المعدة الآلية من خطر الصدمة الكهربائية.
- لا تسمي استخدام السلك. لا تستخدم السلك أبدًا لحمل، سحب أو فصل المعدة الآلية.

- حافظ على السلك بعيدًا عن الحرارة، الزيت، الحواف الحادة أو الأجزاء المتحركة. تزيد الأسلاك التالفة أو المتشابهة من خطر الصدمة الكهربائية.
- عند تشغيل معدة آلية في الهواء الطلق، استخدم سلك تمديد مناسب للاستخدام في الهواء الطلق. يقلل استخدام سلك مناسب للاستخدام في الهواء الطلق من خطر الصدمة الكهربائية.
- إذا كان تشغيل المعدة الآلية في مكان مبلل أمر لا يمكن تجنبه، استخدم مصدر إمداد محمي بقواطع التسريب الأرضي (RCD). فاستخدام قاطع التسريب الأرضي (RCD) يقلل من خطر الصدمة الكهربائية.

3 السلامة الشخصية

- ابق متباهًا، راقب ما تقوم به واستخدم الحس السليم عند تشغيل المعدة الآلية.

Makita Corporation
3-11-8, Sumiyoshi-cho,
Anjo, Aichi 446-8502 Japan
www.makita.com



219342030