



| | |
|----|---------|
| VN | VIETNAM |
|----|---------|

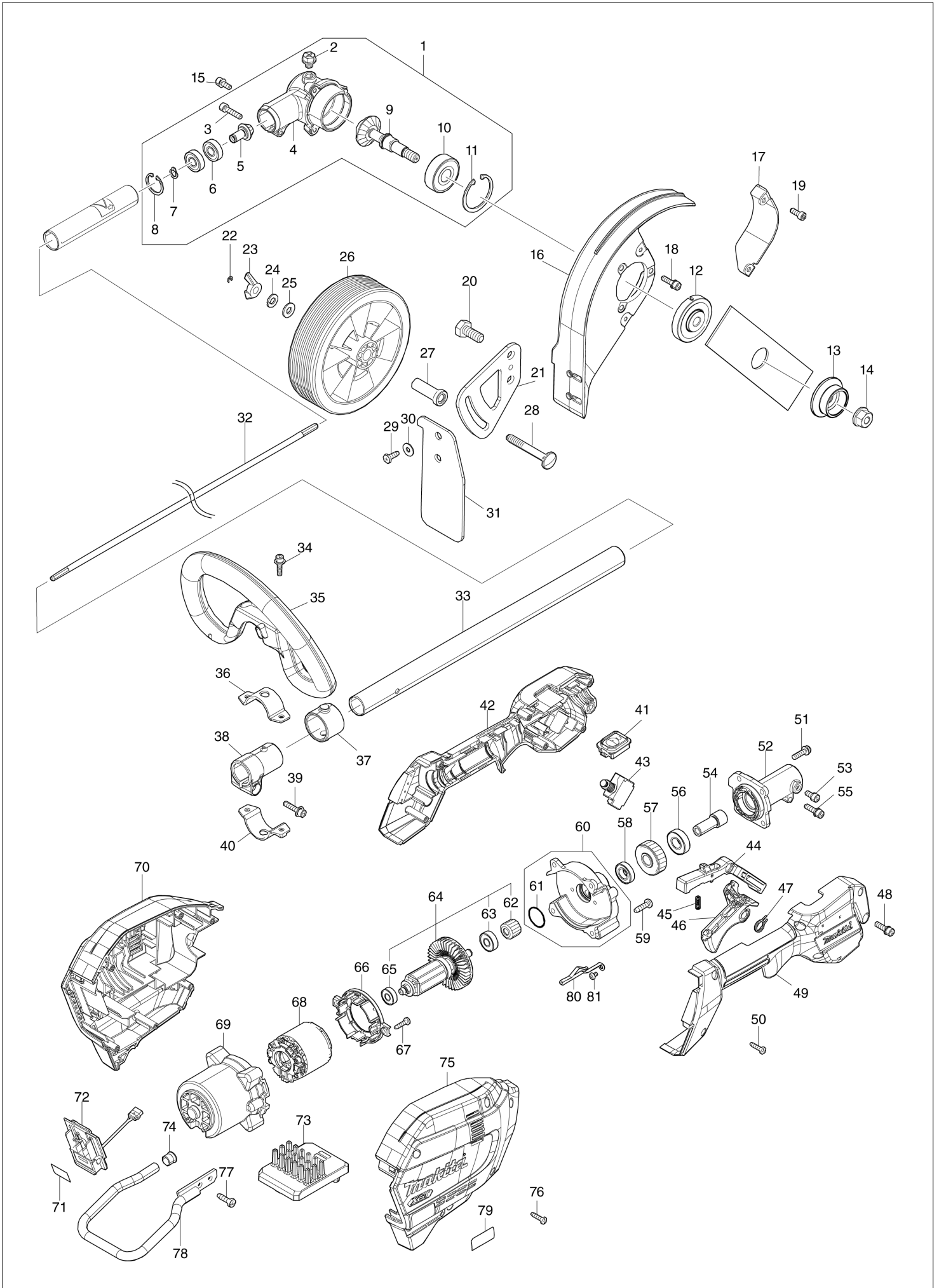
Diagram / Parts List

UE001G

CORDLESS EDGER



(VN) UE001G / CORDLESS EDGER



| | |
|-----------|----------------|
| VN | VIETNAM |
|-----------|----------------|

UE001G / CORDLESS EDGER

| Item | Sub | Parts No. | Parts Description | Qty | I/C | E/C No. | Close No. | Remark |
|------|-----|-----------|-------------------------------|-----|-----|---------|-----------|--------|
| 001 | | 126414-6 | GEAR CASE ASS'Y | 1 | | | | |
| | D10 | | INC. 2-11 | | | | | |
| 002 | | 265590-2 | +HEX.BOLT M8X10 WITH R | 1 | | | | |
| 003 | | 922241-7 | HEX. SOCKET HEAD BOLT M5X25 | 1 | | | | |
| 004 | | 319102-4 | GEAR CASE | 1 | | | | |
| 005 | | 227629-9 | SPIRAL BEVEL GEAR 14 | 1 | | | | |
| 006 | | 210049-4 | BALL BEARING 609ZZ | 2 | | | | |
| 007 | | 961005-4 | RETAINING RING S-9 | 1 | | | | |
| 008 | | 962103-7 | RETAINING RING R-24 | 1 | | | | |
| 009 | | 126415-4 | CUTTER SHAFT ASS'Y | 1 | | | | |
| 010 | | 211231-8 | BALL BEARING 6302DDW | 1 | | | | |
| 011 | | 962201-7 | RETAINING RING (INT) R-42 | 1 | | | | |
| 012 | | 326734-0 | RECEIVE WASHER | 1 | | | | |
| 013 | | 326381-7 | CLAMP | 1 | | | | |
| 014 | | 264025-0 | HEX. NUT M10-17 | 1 | | | | |
| 015 | | 922218-2 | H.S.H.BOLT M5X14 WITH WR | 1 | | | | |
| 016 | | 319103-2 | BLADE CASE | 1 | | | | |
| 017 | | 346759-8 | GUARD PLATE | 1 | | | | |
| 018 | | 922233-6 | H.S.H.BOLT M5X20 WITH WR | 3 | | | | |
| 019 | | 266874-1 | H.S.H.BOLT M5X14 | 2 | | | | |
| 020 | | 921542-0 | HEX. BOLT M10X25 | 2 | | | | |
| 021 | | 346758-0 | PLATE | 1 | | | | |
| 022 | | 234355-3 | RING SPRING 5 | 1 | | | | |
| 023 | | 934401-9 | WING NUT M8 | 1 | | | | |
| 024 | | 942201-3 | SPRING WASHER 8 | 1 | | | | |
| 025 | | 941201-0 | FLAT WASHER 8 | 1 | | | | |
| 026 | | 454843-6 | WHEEL | 1 | | | | |
| 027 | | 257821-3 | SLEEVE 8 | 1 | | | | |
| 028 | | 266937-3 | C.HEAD SQUARE NECK BOLT M8X64 | 1 | | | | |
| 029 | | 266027-2 | TAPPING SCREW CT5X16 | 2 | | | | |
| 030 | | 253804-1 | FLAT WASHER 6 | 2 | | | | |
| 031 | | 424615-3 | DEFLECTOR | 1 | | | | |
| 032 | | 327056-1 | SHAFT | 1 | | | | |
| 033 | | 1410L1-4 | SHAFT PIPE COMPLETE | 1 | | | | |
| | C10 | 819312-8 | MAKITA LOGO LABEL | 1 | | | | |
| | C20 | 8079M1-2 | CAUTION LABEL | 1 | | | | |
| 034 | | 922234-4 | H.S.H.BOLT M5X20 WITH WG | 2 | | | | |
| 035 | | 457267-5 | LOOP HANDLE | 1 | | | | |
| | C10 | 263005-3 | RUBBER PIN 6 | 1 | | | | |
| 036 | | 347113-9 | UPPER CLAMP 35 | 1 | | | | |
| 037 | | 424942-8 | DAMPER | 1 | | | | |
| 038 | | 457269-1 | PIPE HOLDER 24 | 1 | | | | |
| 039 | | 922244-1 | H.S.H.BOLT M5X25 WITH WG | 1 | | | | |
| 040 | | 347114-7 | LOWER CLAMP 35 | 1 | | | | |
| 041 | | 140X08-7 | SWITCH CIRCUIT COMPLETE | 1 | | | | |
| | C10 | 810D46-0 | SWITCH LABEL | 1 | | | | |
| 042 | | 1830W8-1 | GRIP SET | 1 | | | | |
| | D10 | | INC. 49 | | | | | |
| 043 | | 651492-2 | SWITCH C3JR-1A-PAXD3 | 1 | | | | |
| 044 | | 141X89-4 | LOCK OFF LEVER COMPLETE | 1 | | | | |
| 045 | | 233101-1 | COMPRESSION SPRING 4 | 1 | | | | |
| 046 | | 459758-2 | SWITCH LEVER | 1 | | | | |
| 047 | | 233622-3 | TORSION SPRING 12 | 1 | | | | |
| 048 | | 922233-6 | H.S.H.BOLT M5X20 WITH WR | 1 | | | | |
| 049 | | 1830W8-1 | GRIP SET | 1 | | | | |
| | D10 | | INC. 42 | | | | | |
| 050 | | 266326-2 | TAPPING SCREW 4X18 | 6 | | | | |
| 051 | | 911233-1 | PAN HEAD SCREW M5X20 | 4 | | | | |
| 052 | | 140Y38-4 | PIPE BRACKET COMPLETE | 1 | | | | |
| | C10 | 263002-9 | RUBBER PIN 4 | 1 | | | | |
| 053 | | 922211-6 | H.S.H.BOLT M5X12 WITH W | 1 | | | | |
| 054 | | 325811-5 | SPINDLE HUB | 1 | | | | |
| 055 | | 922233-6 | H.S.H.BOLT M5X20 WITH WR | 1 | | | | |
| 056 | | 211131-2 | BALL BEARING 6001DDW | 1 | | | | |
| 057 | | 227848-7 | HELICAL GEAR 33 | 1 | | | | |

A:UE001GZ(N)

Interchange
O : Yes
X : No
< : the new part can be substituted for the current.
> : the current part can be substituted for the new.
S : Interchangeable as a set.

