



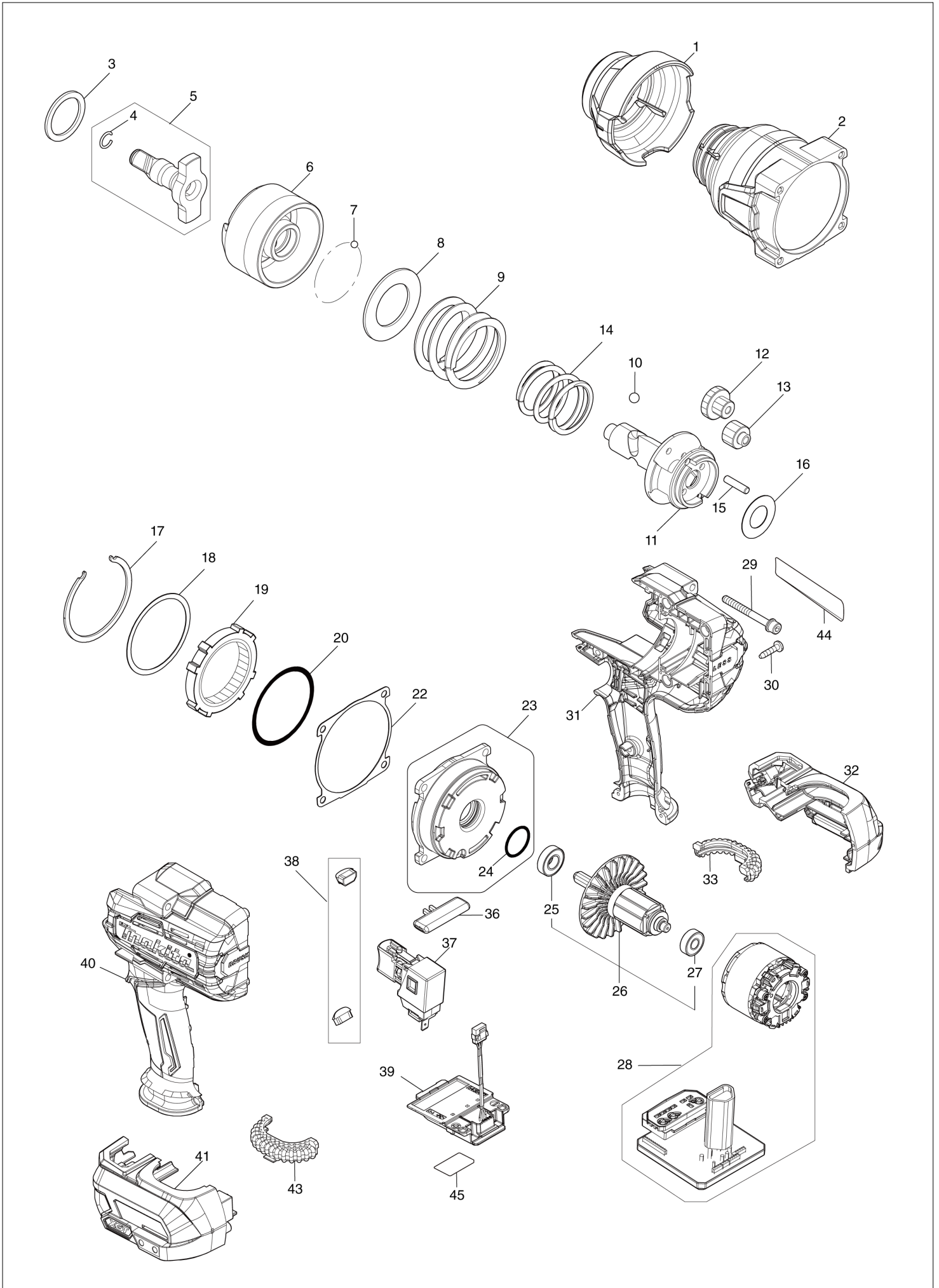
|    |         |
|----|---------|
| VN | VIETNAM |
|----|---------|

# Diagram / Parts List

**TW002G**

**CORDLESS IMPACT WRENCH**

(VN) TW002G / CORDLESS IMPACT WRENCH



|           |                |
|-----------|----------------|
| <b>VN</b> | <b>VIETNAM</b> |
|-----------|----------------|

## TW002G / CORDLESS IMPACT WRENCH

| Item  | Sub | Parts No. | Parts Description              | Qty | I/C | E/C No. | Close No. | Remark |
|-------|-----|-----------|--------------------------------|-----|-----|---------|-----------|--------|
| 001   |     | 422594-9  | BUMPER                         | 1   |     |         |           |        |
| 002   |     | 141V80-0  | HAMMER CASE COMPLETE           | 1   |     |         |           |        |
| 003   |     | 267250-2  | FLAT WASHER 30                 | 1   |     |         |           |        |
| 004   |     | 232323-0  | RING SPRING 10                 | 1   |     |         |           |        |
| 005   |     | 137152-5  | ANVIL W ASS'Y                  | 1   |     |         |           |        |
|       | D10 |           | INC. 4                         |     |     |         |           |        |
| 006   |     | 327D63-8  | HAMMER                         | 1   |     |         |           |        |
| 007   |     | 216002-8  | STEEL BALL 4.8                 | 27  |     |         |           |        |
| 008   |     | 253604-9  | FLAT WASHER 35                 | 1   |     |         |           |        |
| 009   |     | 232869-6  | COMPRESSION SPRING 46          | 1   |     |         |           |        |
| 010   |     | 216009-4  | STEEL BALL 7.1                 | 2   |     |         |           |        |
| 011   |     | 327D62-0  | SPINDLE                        | 1   |     |         |           |        |
| 012   |     | 226990-1  | SPUR GEAR 11-22                | 2   |     |         |           |        |
| 013   |     | 227935-2  | SPUR GEAR 15                   | 2   |     |         |           |        |
| 014   |     | 232870-1  | COMPRESSION SPRING 34          | 1   |     |         |           |        |
| 015   |     | 268238-5  | PIN 5                          | 4   |     |         |           |        |
| 016   |     | 267235-8  | FLAT WASHER 18                 | 1   |     |         |           |        |
| 017   |     | 346947-7  | RETAINER                       | 1   |     |         |           |        |
| 018   |     | 253479-6  | FLAT WASHER 57                 | 1   |     |         |           |        |
| 019   |     | 226991-9  | INTERNAL SPUR GEAR 50          | 1   |     |         |           |        |
| 020   |     | 213663-5  | O RING 55                      | 1   |     |         |           |        |
| 022   |     | 422595-7  | GASKET                         | 1   |     |         |           |        |
| 023   |     | 136279-8  | INTERNAL GEAR CASE ASS'Y       | 1   |     |         |           |        |
|       | D10 |           | INC. 24                        |     |     |         |           |        |
| 024   |     | 213961-7  | O RING 22                      | 1   |     |         |           |        |
| 025   |     | 210069-8  | BALL BEARING 6900DDW           | 1   |     |         |           |        |
| 026   |     | 510604-5  | ROTOR ASSY                     | 1   |     |         |           |        |
|       | D10 |           | INC. 25,27                     |     |     |         |           |        |
| 027   |     | 210169-4  | BALL BEARING 607LLB            | 1   |     |         |           |        |
| 028   |     | 520195-8  | STATOR ASSY 36V                | 1   |     |         |           |        |
|       | C10 | 8012S9-8  | SWITCH LABEL                   | 1   |     |         |           |        |
| 029   |     | 265B38-6  | H. S. HEAD BOLT M5X50 WITH WRM | 4   |     |         |           |        |
| 030   |     | 265995-6  | TAPPING SCREW 4X18             | 9   |     |         | DV256     |        |
| 030-1 |     | 265E16-4  | TAPPING SCREW 4X18             | 9   | <   | DV256   |           |        |
| 031   |     | 1830R8-6  | HOUSING SET                    | 1   |     |         | DV256     |        |
|       | D10 |           | INC. 40                        |     |     |         | DV256     |        |
| 031-1 |     | 1831B9-8  | HOUSING SET                    | 1   | <   | DV256   |           |        |
|       | D10 |           | INC. 40                        |     |     | DV256   |           |        |
| 032   |     | 183S33-5  | BATTERY HOUSING SET            | 1   |     |         |           |        |
|       | C10 | 263005-3  | RUBBER PIN 6                   | 2   |     |         |           |        |
|       | C20 | 252126-6  | HEX. LOCK NUT M4-7             | 4   |     |         |           |        |
|       | D10 |           | INC. 41                        |     |     |         |           |        |
| 033   |     | 422A55-5  | CUSHION RUBBER                 | 1   |     |         |           |        |
| 036   |     | 456268-0  | F/R CHANGE LEVER               | 1   |     |         |           |        |
| 037   |     | 141V82-6  | SWITCH COMPLETE                | 1   |     |         |           |        |
|       | C10 | 424774-3  | SWITCH COVER                   | 1   |     |         |           |        |
| 038   |     | 620N85-0  | LED CIRCUIT                    | 1   |     |         |           |        |
| 039   |     | 632P49-4  | TERMINAL UNIT                  | 1   |     |         |           |        |
| 040   |     | 1830R8-6  | HOUSING SET                    | 1   |     |         | DV256     |        |
|       | D10 |           | INC. 31                        |     |     |         | DV256     |        |
| 040-1 |     | 1831B9-8  | HOUSING SET                    | 1   | <   | DV256   |           |        |
|       | D10 |           | INC. 31                        |     |     | DV256   |           |        |
| 041   |     | 183S33-5  | BATTERY HOUSING SET            | 1   |     |         |           |        |
|       | C10 | 263005-3  | RUBBER PIN 6                   | 2   |     |         |           |        |
|       | C20 | 252126-6  | HEX. LOCK NUT M4-7             | 4   |     |         |           |        |
|       | D10 |           | INC. 32                        |     |     |         |           |        |
| 043   |     | 422A55-5  | CUSHION RUBBER                 | 1   |     |         |           |        |
| 044   |     | 8145L6-4  | TW002G NAME PLATE              | 1   |     |         |           |        |
| 045   |     | 8145L8-0  | TW002G SERIAL NO. LABEL        | 1   |     |         |           |        |
| A01   |     | 251314-2  | + SCREW M4X12                  | 2   |     |         |           |        |
| A02   |     | 346949-3  | HOOK                           | 1   |     |         |           |        |
| A03B  |     | 821551-8  | CONNECTOR PLASTIC CASE (TYPE3) | 1   |     |         |           |        |
|       | C10 | 453974-8  | LATCH                          | 4   |     |         |           |        |
| A04B  |     | 835K85-1  | INNER TRAY                     | 1   |     |         |           |        |
| A05B  |     | ***DC40RA | DC40RA FAST CHARGER            | 1   |     |         |           |        |

A:TW002GZ(N)  
B:TW002GM201(H)

Interchange  
O : Yes  
X : No  
< : the new part can be substituted for the current.  
> : the current part can be substituted for the new.  
S : Interchangeable as a set.

