



VN	VIETNAM
----	---------

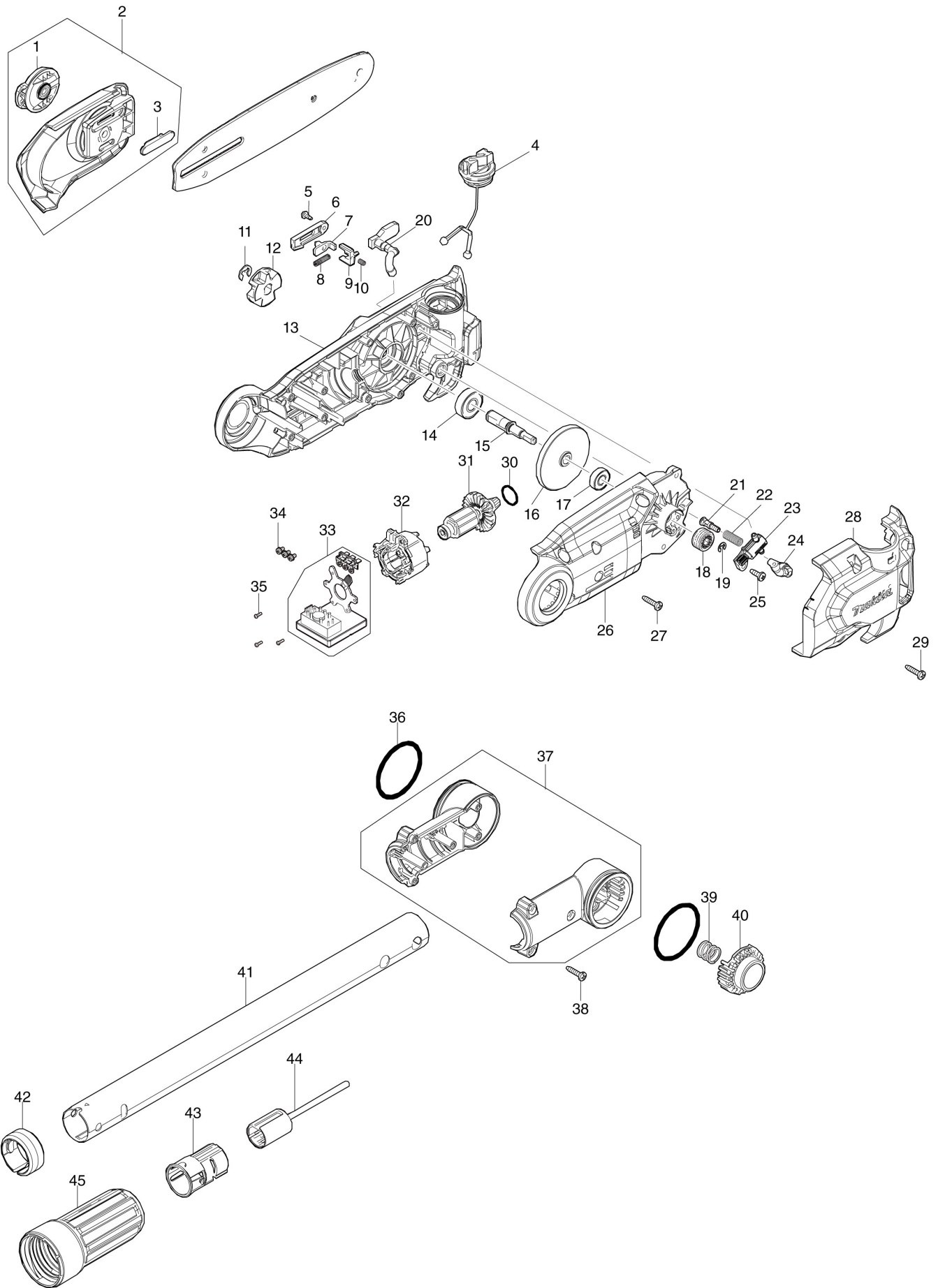
# Diagram / Parts List

**DUA200**

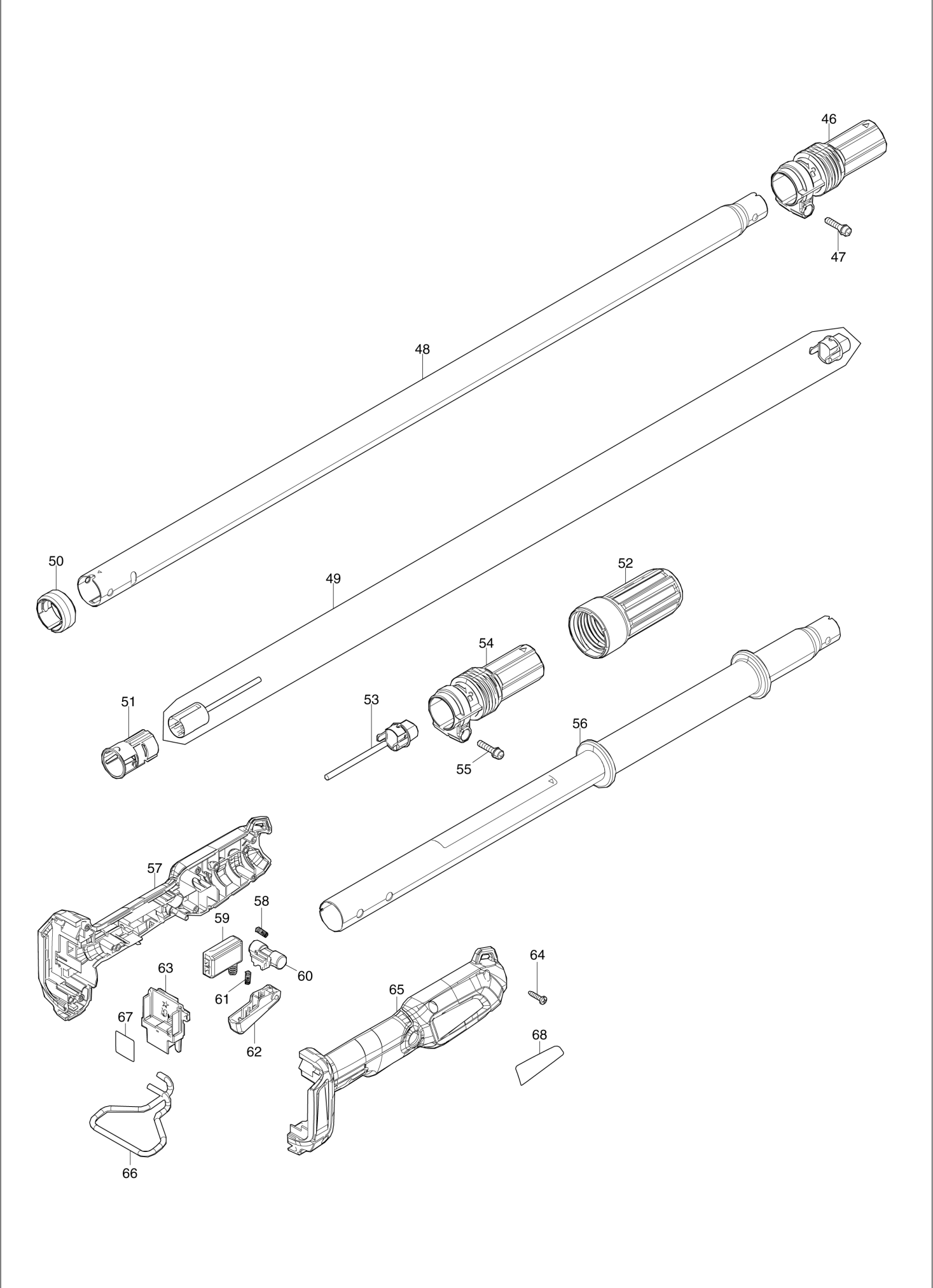
**200MM CORDLESS POLE SAW**



(VN) DUA200 / 200MM CORDLESS POLE SAW



(VN) DUA200 / 200MM CORDLESS POLE SAW



<b>VN</b>	<b>VIETNAM</b>
-----------	----------------

### DUA200 / 200MM CORDLESS POLE SAW

Item	Sub	Parts No.	Parts Description	Qty	I/C	E/C No.	Close No.	Remark
001		1410X3-4	NUT COMPLETE	1				
002		137204-2	SPROCKET COVER ASS'Y	1				
	D10		INC. 1,3					
003		422833-7	GROMMET	1				
004		162A04-7	TANK CAP COMPLETE	1				
	C10	213A11-4	O-RING 25	1				
005		266492-5	TAPPING SCREW 3X8	1				
006		413M03-7	COVER	1				
007		347A69-2	TENSION SLIDE	1				
008		232787-8	COMPRESSION SPRING 4	1				
009		413M02-9	STOPPER	1				
010		233211-4	COMPRESSION SPRING 2	1				
011		961013-5	STOP RING E-7	1				
012		227947-5	SPROCKET 7	1				
013		1830V8-4	HOUSING SET	1				
	C10	263005-3	RUBBER PIN 6	4				
	D10		INC. 26					
014		210274-7	BALL BEARING 6000DDW	1				
015		327A89-2	SPINDLE	1				
016		227B67-7	SPIRAL BEVEL GEAR 71	1				
017		211166-3	BALL BEARING 698DDW	1				
018		226884-0	WORM GEAR	1				
019		961011-9	STOP RING E-4	1				
020		422B78-9	OIL TUBE 3-67	1				
021		413L02-3	NIPPLE	1				
022		232774-7	COMPRESSION SPRING 6	1				
023		141N25-0	OIL PUMP COMPLETE	1				
024		422969-2	OIL TUBE 3-25	1				
025		266427-6	TAPPING SCREW 4X12	1				
026		1830V8-4	HOUSING SET	1				
	C10	263005-3	RUBBER PIN 6	4				
	D10		INC. 13					
027		266326-2	TAPPING SCREW 4X18	7				
028		4130P7-3	HOUSING R COVER	1				
029		266326-2	TAPPING SCREW 4X18	4				
030		213A05-9	O-RING16	1				
031		619875-2	ROTOR	1				
032		629B92-8	STATOR	1				
033		620P39-9	CONTROLLER	1				
034		652069-6	FLAT HEAD SCREW M3X6	3				
035		266490-9	TAPPING SCREW PT 2X6	3				
036		213616-4	O RING 48	2				
037		1830X0-4	PIPE HOLDER SET	1				
038		266326-2	TAPPING SCREW 4X18	5				
039		231113-8	COMPRESSION SPRING 12	1				
040		4130P6-5	LOCK OFF BUTTON B	1				
041		327D94-7	PIPE A	1				
042		4130R9-3	PIPE SLEEVE 32	1				
043		687G57-6	RETAINER	1				
044		638B00-8	LEAD UNIT A	1				
045		4130R3-5	LOCK RING	1				
046		4130R4-3	LOCK SCREW	1				
	C10	931202-6	HEX. NUT M5	1				
047		922243-3	HEX. SOCKET HEAD BOLT M5X25	1				
048		327D96-3	PIPE C	1				
049		638B02-4	LEAD UNIT C	1				
050		4130R9-3	PIPE SLEEVE 32	1				
051		687G57-6	RETAINER	1				
052		4130R3-5	LOCK RING	1				
053		638B01-6	LEAD UNIT B	1				
054		4130R4-3	LOCK SCREW	1				
	C10	931202-6	HEX. NUT M5	1				
055		922243-3	HEX. SOCKET HEAD BOLT M5X25	1				
056		1410F3-8	PIPE B COMPLETE EU	1				
	C10	8016N5-5	CAUTION LABEL	1				

A:DUA200Z01(N)

Interchange  
 O : Yes  
 X : No  
 < : the new part can be substituted for the current.  
 > : the current part can be substituted for the new.  
 S : Interchangeable as a set.

