



VN	VIETNAM
----	---------

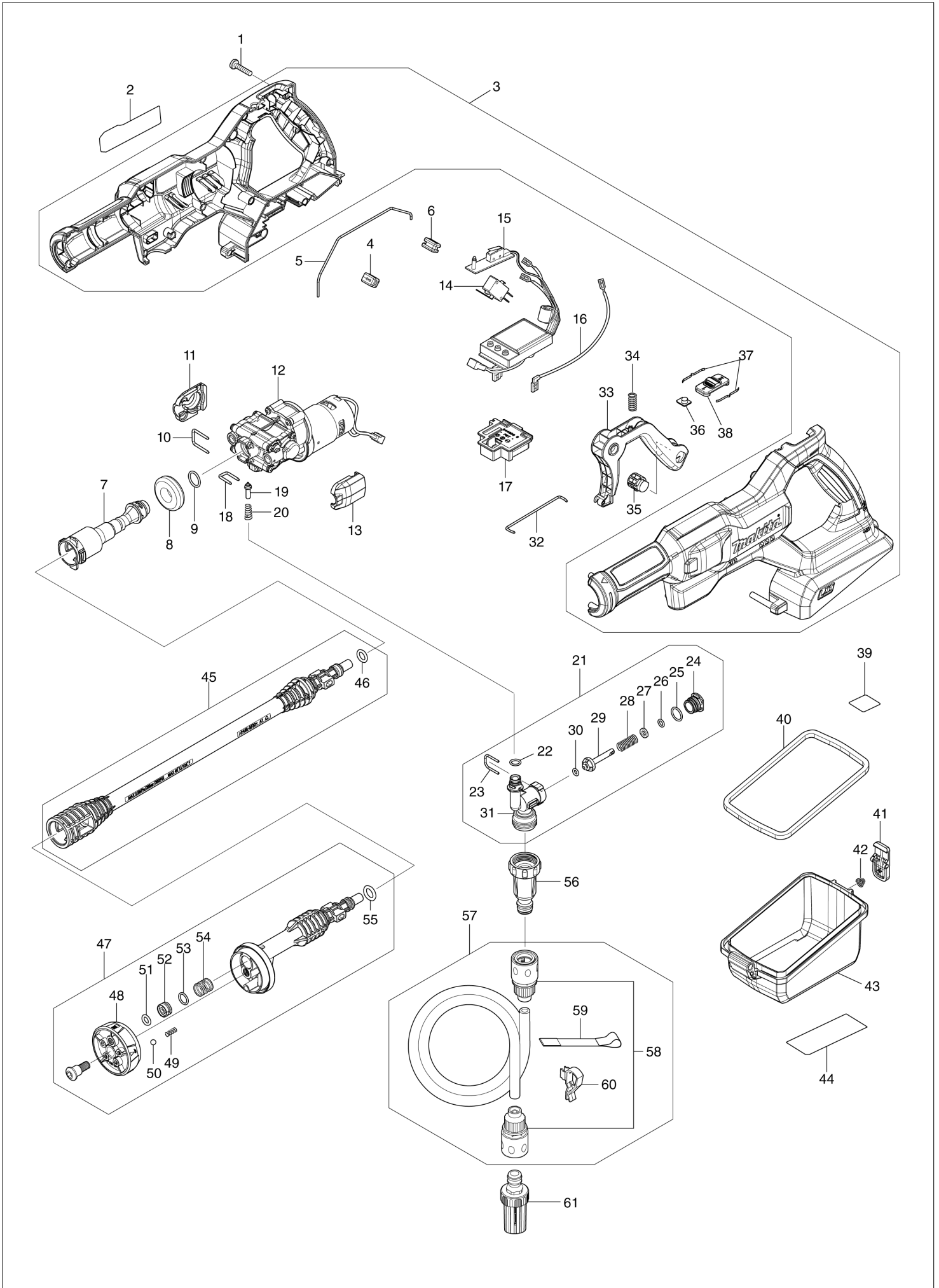
# Diagram / Parts List

**DHW180**

**CORDLESS PRESSURE WASHER**



# (VN) DHW180 / CORDLESS PRESSURE WASHER



<b>VN</b>	<b>VIETNAM</b>
-----------	----------------

## DHW180 / CORDLESS PRESSURE WASHER

Item	Sub	Parts No.	Parts Description	Qty	I/C	E/C No.	Close No.	Remark
001		LX00000005	TAPPING SCREW ST3X12	15				
002		LX00000006	NAME PLATE EU	1				
003		LX00000071	HOUSING SET	1				
	C10	263005-3	RUBBER PIN 6	2				
004		LX00000008	WIRE GROMMET 2 HOLES	1				
005		LX00000009	ROUND SEAL 2X200	1				
006		LX00000010	WIRE GROMMET 4 HOLES	1				
007		LX00000072	OUTLET PIPE COMP.	1				
008		LX00000011	SILICONE RING 17	1				
009		LX00000012	O-RING 15.5X2	1				
010		LX00000013	U TYPE PIN 2.5X18.5	1				
011		LX00000014	PUMP MOUNT PAD	1				
012		LX00000015	MOTOR & PUMP ASSY	1				
	C10	LX00000016	MOTOR WITH PINION GRAR COMP.	1				
	C20	LX00000017	PAN HEAD SCREW M4X12	2				
013		LX00000014	PUMP MOUNT PAD	1				
014		LX00000018	SWITCH	1				
015		LX00000019	CONTROLLER UNIT	1				
016		LX00000020	LEAD UNIT 18AWG 210MM RED	1				
017		644809-6	TERMINAL	1				
018		LX00000021	U TYPE PIN 2.5X11.5	1				
019		LX00000022	VALVE	1				
020		LX00000023	CONICAL SPRING 7-9X20 INOX	1				
021		LX00000073	INLET VALVE SET	1				
	D10		INC. 22-31					
022		LX00000024	O-RING 8.6X1.7	1				
023		LX00000025	U TYPE PIN 2X16	1				
024		LX00000026	INLET VALVE PLUG	1				
025		LX00000027	O-RING 12	1				
026		LX00000028	O-RING 5.3	1				
027		LX00000029	PLASTIC WASHER 6	1				
028		LX00000030	COMPRESSION SPRING8.5X39 INOX	1				
029		LX00000031	INLET VALVE STEM	1				
030		LX00000032	O-RING 4.5	1				
031		LX00000033	INLET VALVE BODY	1				
032		LX00000034	LINK ROD	1				
033		LX00000035	TRIGGER	1				
034		LX00000036	COMPRESSION SPRING7.5X25 INOX	1				
035		LX00000037	TRIGGER LOCK	1				
036		LX00000038	INDICATOR LAMP LENS	1				
037		LX00000039	LEAF SPRING INOX	2				
038		LX00000040	SPEED CHANGE LEVER	1				
039		LX00000041	SERIAL NUMBER LABEL	1				
040		LX00000043	BATTERY CASE SEAL RING	1				
041		LX00000044	BATTERY CASE LATCH	1				
042		LX00000045	CONICAL SPRING 5-10X6.3 INOX	1				
043		LX00000046	BATTERY CASE	1				
044		LX00000047	WARNING LABEL	1				
045		LX00000049	EXTENSION PIPE 350MM ASSY	1				
	D10		INC. 46					
046		LX00000076	O-RING 9.5X2.65	1				
047		LX00000050	5 PATTERNS SPLAYER NOZZLE ASSY	1				
	D10		INC. 48-55					
048		LX00000077	5 PATTERNS SPLAYER NOZZLE	1				
049		LX00000051	COMPRESSION SPRING5.2X12 INOX	1				
050		LX00000052	STEEL BALL 7/32"	1				
051		LX00000053	O-RING 7.5X2.5	1				
052		LX00000078	PLASTIC SLEEVE 6	1				
053		LX00000054	O-RING 10.5X1.8	1				
054		LX00000055	COMPRESSION SPRING 14X15 INOX	1				
055		LX00000076	O-RING 9.5X2.65	1				
056		LX00000056	FILTER ASSY	1				
057		LX00000079	HOSE ASSY 8MMX6M(5/16"X19.7FT)	1				
	D10		INC. 58-60					
058		LX00000057	HOSE END CONNECTOR 8MM(5/16")	2				

A:

Interchange  
 O : Yes  
 X : No  
 < : the new part can be substituted for the current.  
 > : the current part can be substituted for the new.  
 S : Interchangeable as a set.

