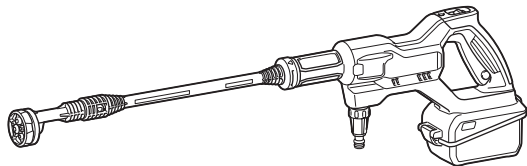




EN	Cordless Pressure Washer	INSTRUCTION MANUAL	8
ZHCN	充电式清洗机	使用说明书	20
ID	Pembersih Bertekanan Tanpa Kabel	PETUNJUK PENGGUNAAN	32
MS	Pencuci Bertekanan Tanpa Kord	MANUAL ARAHAN	45
VI	Máy Xịt Rửa Áp Lực Cầm Tay Hoạt Động Bằng Pin	TÀI LIỆU HƯỚNG DẪN	58
TH	เครื่องฉีดน้ำชนิดใช้แรงดันแบบไร้สาย	คู่มือการใช้งาน	70
ZHTW	充電式清洗機	使用說明書	84
KO	무선 세척기	취급 설명서	96
FA	شوینده پرفشار شارژی	دفترچه راهنما	115
AR	رشاش ماء مضغوط ببطارية	دليل الإرشادات	124

DHW180



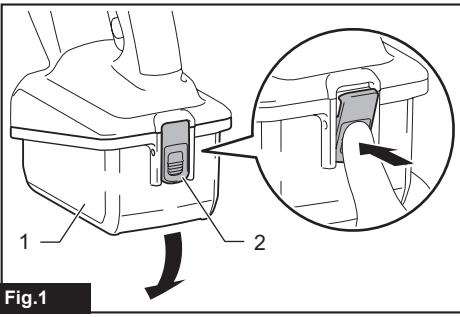


Fig.1



Fig.2

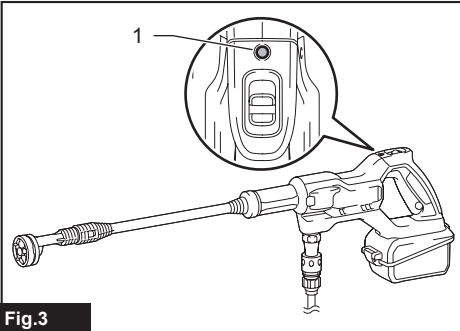


Fig.3

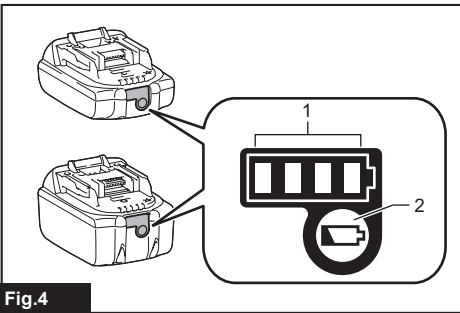


Fig.4

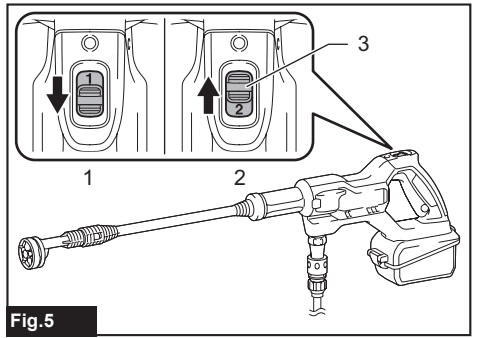


Fig.5

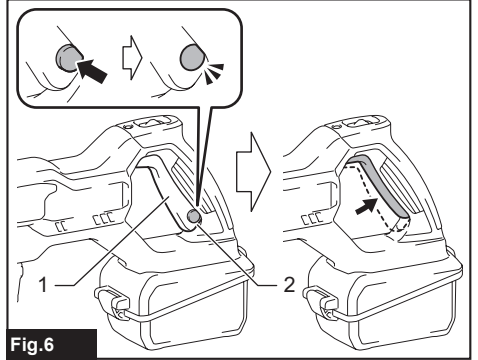


Fig.6

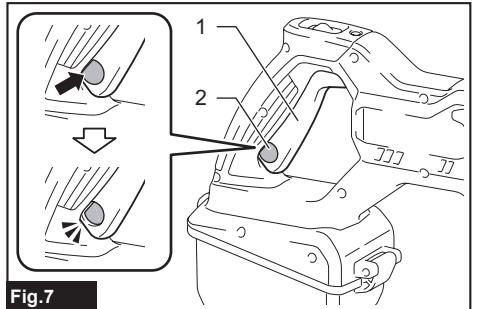


Fig.7

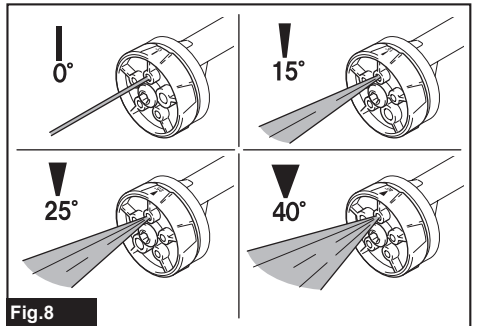


Fig.8

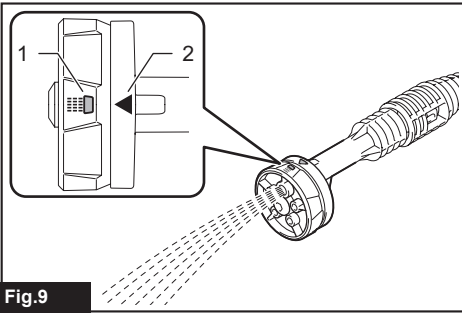


Fig.9

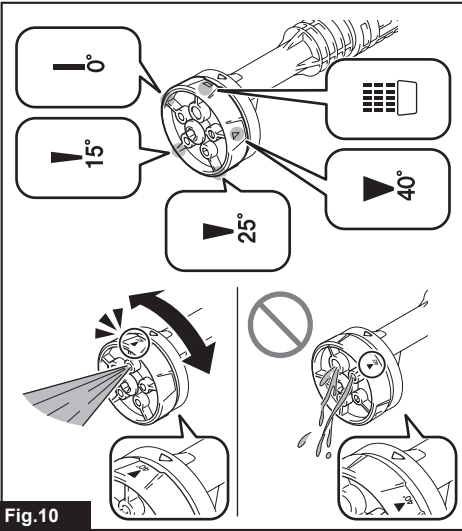


Fig.10

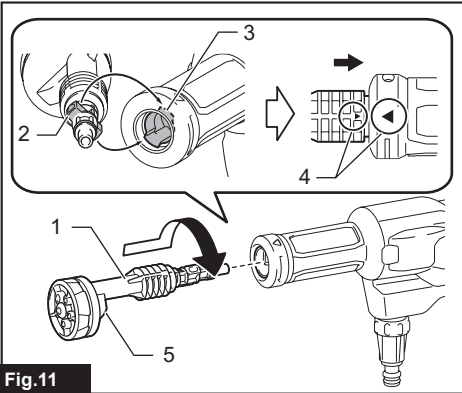


Fig.11

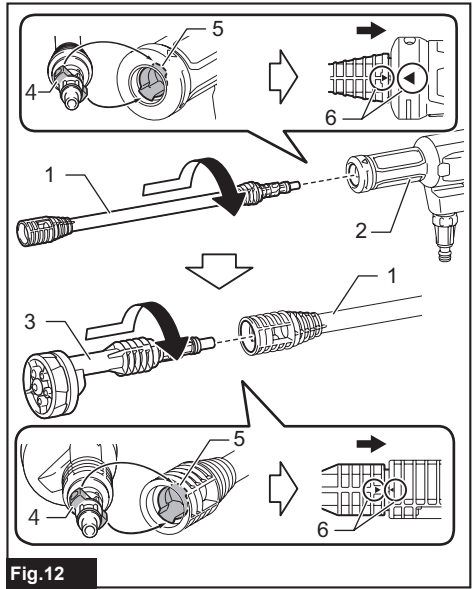


Fig.12

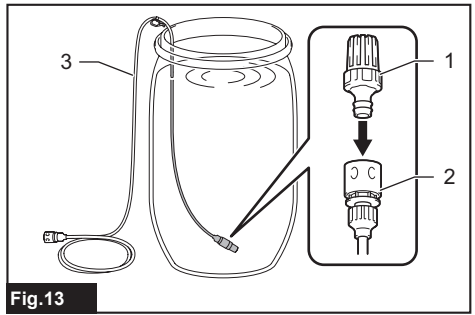


Fig.13

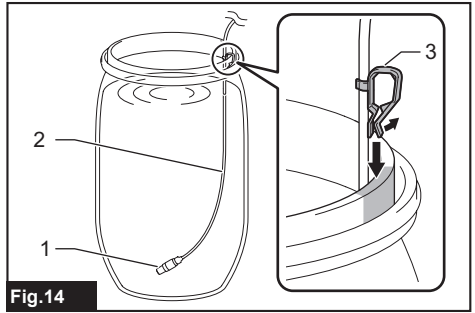
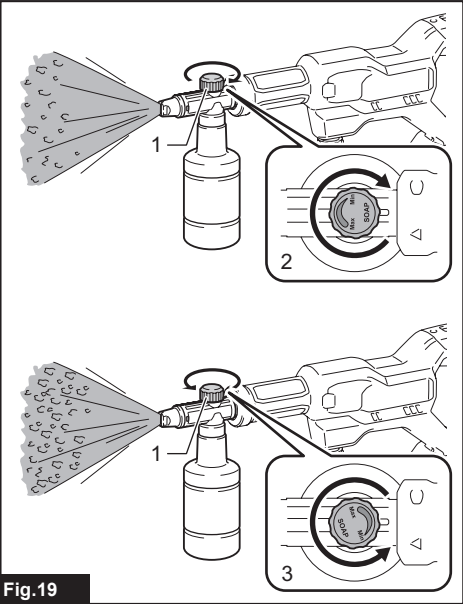
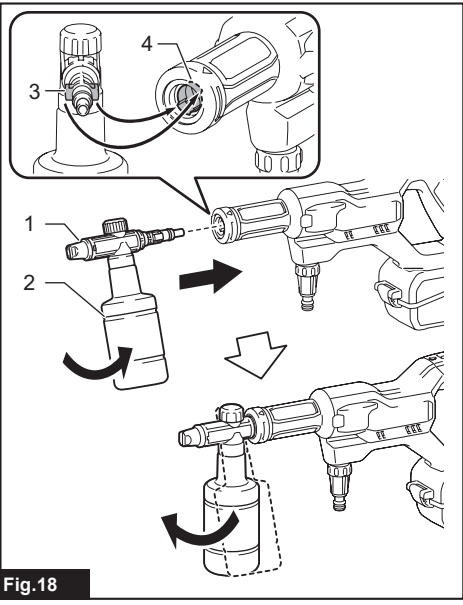
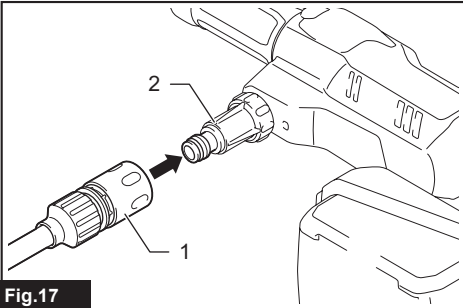
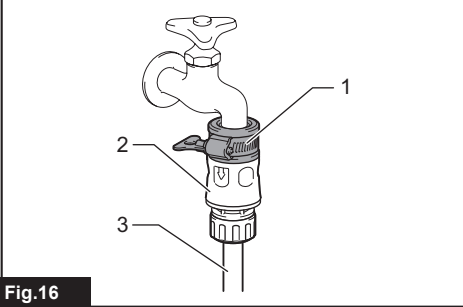
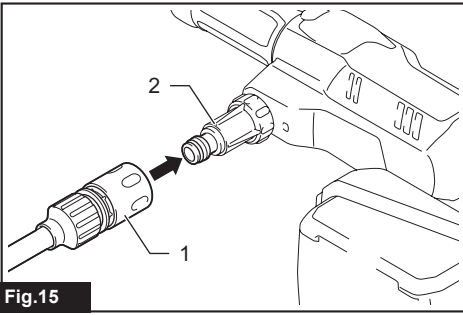


Fig.14



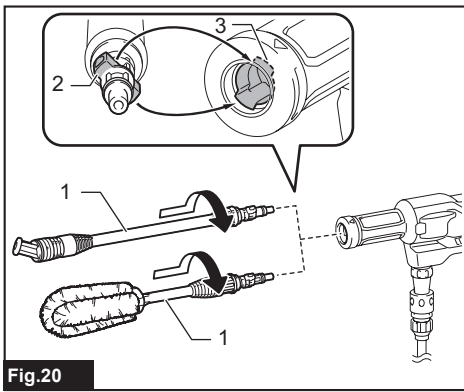


Fig.20

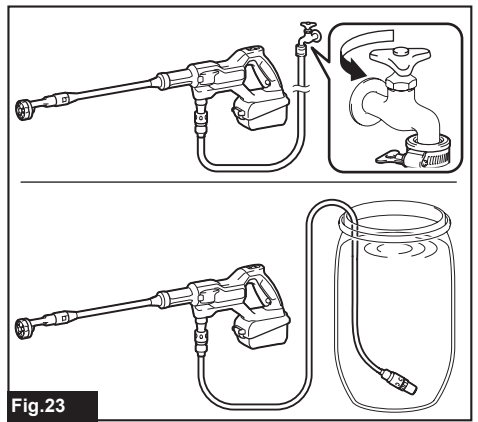


Fig.23

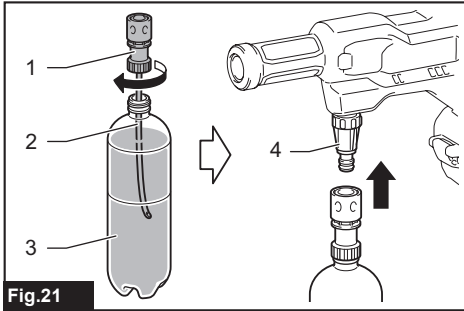


Fig.21

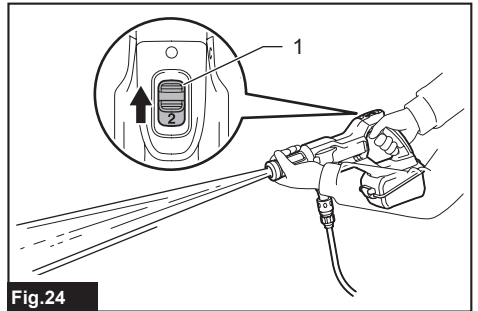


Fig.24

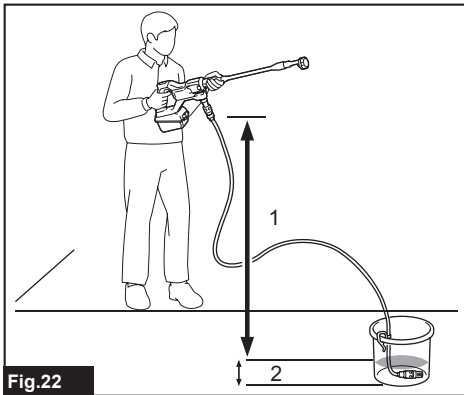


Fig.22

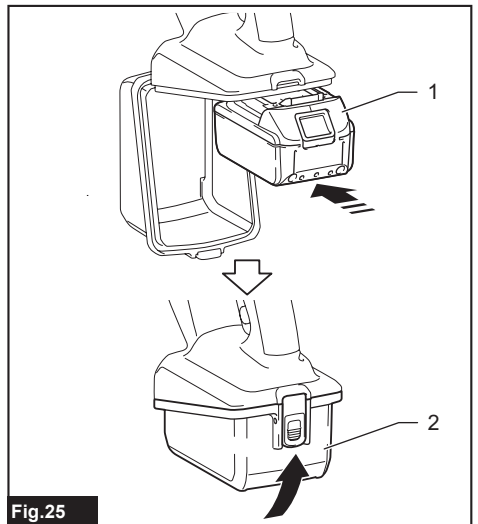


Fig.25

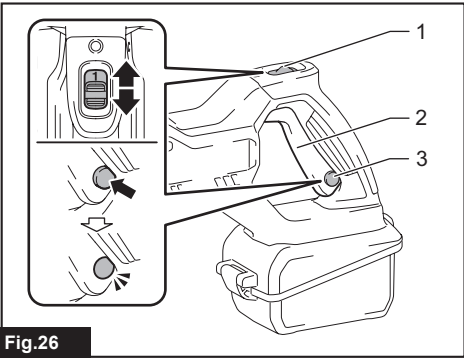


Fig.26

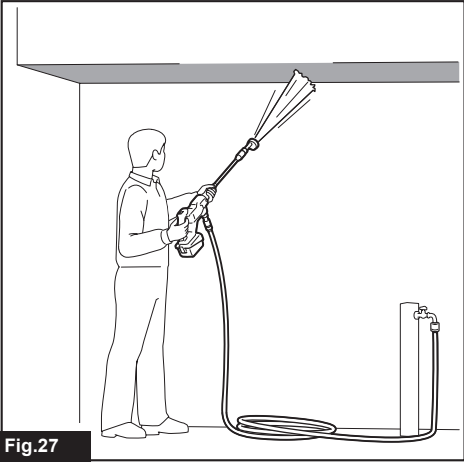


Fig.27

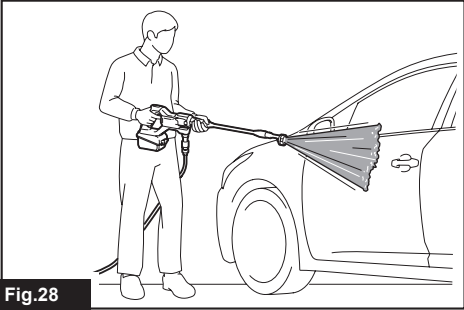


Fig.28

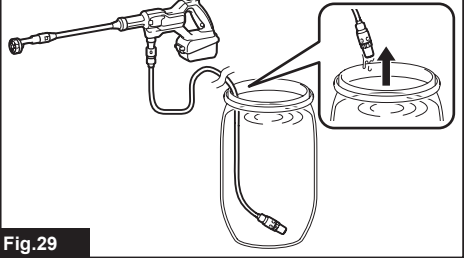
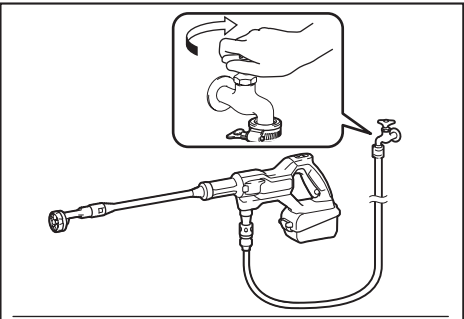


Fig.29

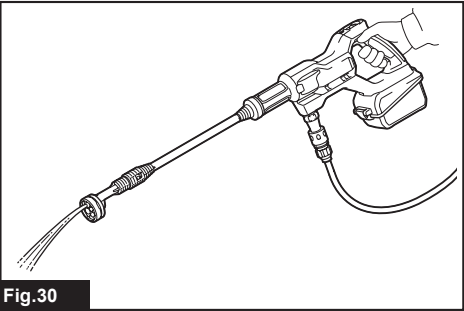


Fig.30

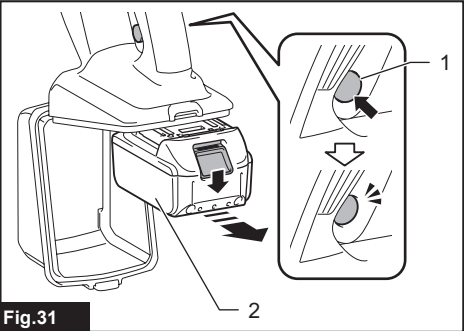
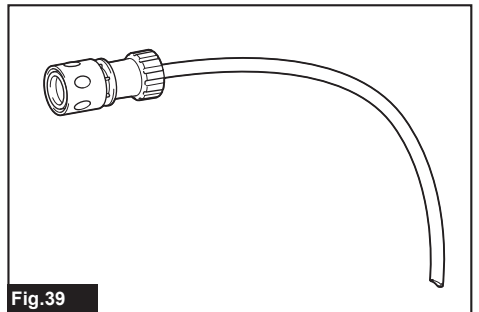
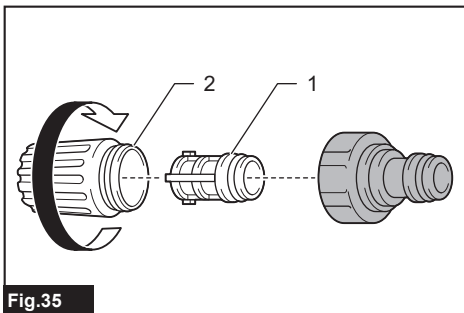
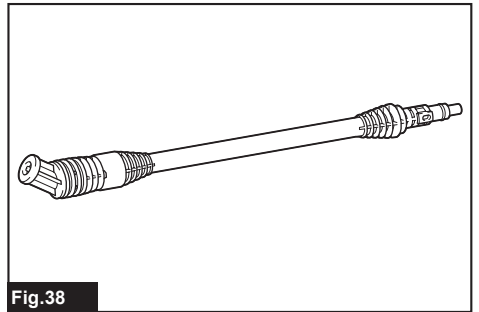
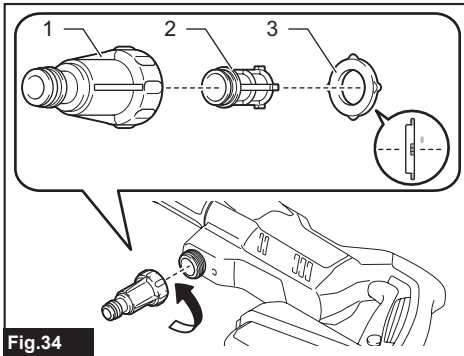
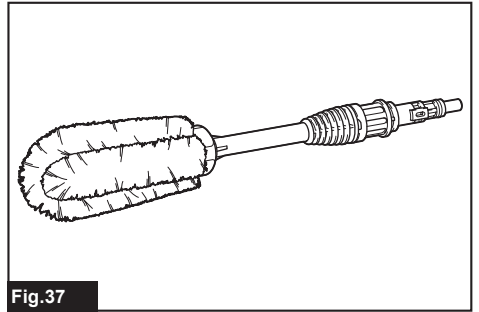
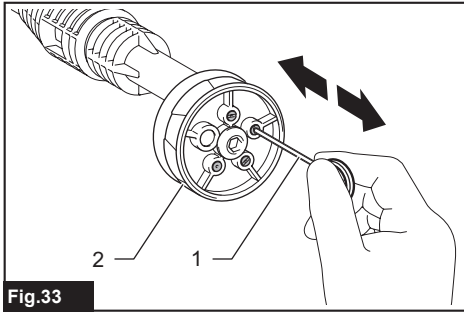
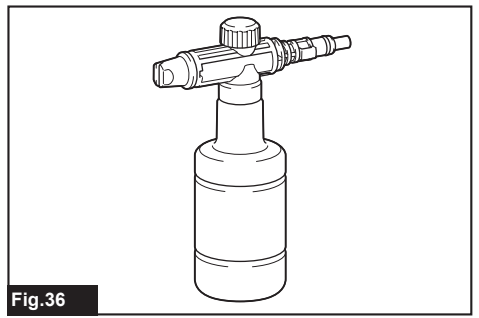
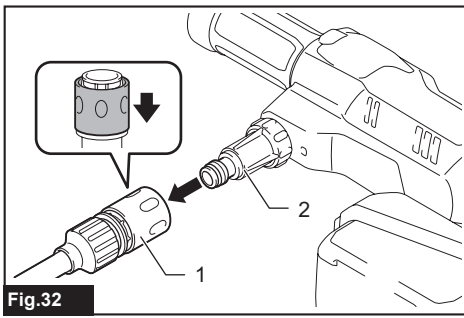


Fig.31



WARNING

- Appliance shall not be used by children. Children should be supervised to ensure that they do not play with the appliance.
- This appliance is not intended for use by persons (including children) with reduced physical, sensory or mental capabilities, or lack of experience and knowledge, unless they have been given supervision or instruction concerning use of the appliance by a person responsible for their safety.
- Pressure water must not be directed at persons, live electrical equipment or the appliance itself.
- Always be sure that the appliance is switched off and battery cartridge is removed before carrying out any work on the tool.
- Do not use the appliance if important parts of the appliance are damaged, e.g. safety devices, pressure hoses.
- Read instructions in the maintenance section for the appropriate details of precautions during user maintenance.
- Learn the normal temperature range for charging battery. Read safety instructions for battery cartridge to learn precautions of handling batteries.
- Read instructions in the assembly section for the appropriate details of precautions during installation of the appliance.
- Learn the maximum inlet water pressure. Read information in the specifications section for the appropriate details on connection to water mains.
- Always use the hose-sets supplied with the appliance. Read instructions in the assembly section to learn precautions for connection to water mains.
- The water filling aperture should not be opened during use. Follow the instructions in the assembly section to maintain water pressure.
- Do not use in swimming pools containing water.
- Comply with the requirements of the local water supply company.

- For European countries:
According to EN12729 (BA), the appliance can also be connected to the mains drinking water supply if a backflow preventer valve with drain facility is installed in the supply hose.

SPECIFICATIONS

Model:		DHW180
Max. flow rate ^{*1} [Tank water supply / Mains water supply]		3.0 / 5.3 L/min
Water flow rate ^{*2}	High mode	2.5 L/min
	Low mode	1.5 L/min
Max. working pressure		2.4 MPa
Working pressure ^{*2}	High mode [Tank water supply / Mains water supply]	2.0 / 2.2 MPa
	Low mode [Tank water supply / Mains water supply]	0.8 / 0.8 MPa
Max. feed pressure		0.5 MPa
Max. feed temperature		40°C
Max. suction height		2.0 m
Rated voltage		D.C. 18 V
Dimensions ^{*3} [L x W x H]		888 mm x 99 mm x 239 mm
Weight		2.3 - 2.7kg

*1 : Without nozzle

*2 : Spray pattern 15°

*3 : With 5in1 nozzle and extension

- Due to our continuing program of research and development, the specifications herein are subject to change without notice.
- Specifications may differ from country to country.
- The weight may differ depending on the attachment(s), including the battery cartridge. The lightest and heaviest combinations, according to EPTA-Procedure 01/2014, are shown in the table.

Applicable battery cartridge and charger

Battery cartridge	BL1815N / BL1820B / BL1830B / BL1840B / BL1850B / BL1860B
Charger	DC18RC / DC18RD / DC18RE / DC18SD / DC18SE / DC18SF / DC18SH / DC18WC

- Some of the battery cartridges and chargers listed above may not be available depending on your region of residence.

⚠ WARNING: Only use the battery cartridges and chargers listed above. Use of any other battery cartridges and chargers may cause injury and/or fire.

⚠ WARNING: Do not use a corded power supply such as battery adapter or portable power pack with this machine. The cable of such power supply may hinder the operation and result in personal injury.

Symbols

The followings show the symbols which may be used for the equipment. Be sure that you understand their meaning before use.



Read the instruction manual.



Take particular care and attention.



Only for EU countries
Due to the presence of hazardous components in the equipment, waste electrical and electronic equipment, accumulators and batteries may have a negative impact on the environment and human health. Do not dispose of electrical and electronic appliances or batteries with household waste!

In accordance with the European Directive on waste electrical and electronic equipment and on accumulators and batteries and waste accumulators and batteries, as well as their adaptation to national law, waste electrical equipment, batteries and accumulators should be stored separately and delivered to a separate collection point for municipal waste, operating in accordance with the regulations on environmental protection.

This is indicated by the symbol of the crossed-out wheeled bin placed on the equipment.



Do not connect to a potable water faucet.



Do not direct the jet at people including yourself, animals, and live electrical equipment.

Intended use

This tool is intended to clean dirt by using water jet for household use. By offering selectable spray type, the tool functions to improve your washing as well as lawn and garden watering.

SAFETY WARNINGS

IMPORTANT SAFETY WARNINGS

⚠ WARNING: Read all safety warnings and all instructions. Failure to follow the warnings and instructions may result in electric shock, fire and/or serious injury.

Save all warnings and instructions for future reference.

WARNING – When using this product, basic precautions should always be followed, including the following:

Work area safety

1. Keep operating area clear of all persons.
2. Do not overreach or stand on unstable supports. Keep good footing and balance at all times.
3. Always place the pressure washer body on a level and stable surface. Avoid areas where the ejected water will run or pool.

4. Before cleaning, check the surroundings and objects to be cleaned. Pressure jets can scrape away paint or other surface treatments including toxic chemicals. Take the preventive measures if necessary.
5. Be careful not to trip over by the hose of the pressure washer. Always be aware of the configuration of the hose during operation.
6. During use, a small amount of water will come out from the bottom of the pressure washer. Be careful not to operate the tool above the areas where you do not want them to be wet.

Personal safety

1. To protect against the jet and objects by the jet, operators should wear appropriate clothing such as safety boots, safety gloves, safety helmets with visors, hearing protection, etc.
2. Wear personal protective equipment. Depending on application, use face shield, safety goggles or safety glasses as eye protection is capable of stopping flying debris generated by various operations.
3. Do not use the pressure washer within range of persons unless they wear protective clothing.
4. To reduce the risk of injury, close supervision is necessary when the product is used near children.
5. If connection is made to a potable water system, the system shall be protected against backflow.
6. Water that has flowed through backflow preventer is considered to be non-potable.

Electrical safety

1. Never touch battery cartridges with wet hands.
2. Do not use the appliance if the important parts of the appliance are damaged, e.g. safety devices, pressure hoses.
3. Avoid dangerous environment. Don't use the tool in damp or wet locations or expose it to rain. Water entering the tool will increase the risk of electric shock.

Power tool use and care

1. Read all the instructions before using the product.
2. Know how to stop the pressure washer and bleed pressures quickly. Be thoroughly familiar with the controls.
3. Do not spray flammable and/or toxic liquids. This may cause an explosion, intoxication, or damage to the appliance.
4. Do not direct the jet against yourself or others in order to clean clothes or footwear.
5. Pressure hoses, fittings and couplings are important for the safety of the appliance. Use only hoses, fittings and couplings recommended by the manufacturer.
6. Follow the instructions when changing accessories.
7. Keep handles dry, clean, and free of oil or grease.
8. Stay alert – watch what you are doing.

9. **Do not operate the product when fatigued or under the influence of alcohol or drugs.**
10. **Do not run the pressure washer without water for longer than one minute. It will damage the motor, resulting in malfunction.**
11. **Always turn off the power and shut off the water mains when leaving the pressure washer unattended.**
12. **Be wary of the kickback. The appliance recoils when the pressure jet is ejected from the nozzle. Hold the appliance firmly to prevent accidental injuries.**
13. **Check for damaged or worn parts before use. Also make sure that the hose is properly connected and there is no leakage during operation. Operating the appliance with functional defects may cause an accident.**
14. **Do not pull the hose to move the pressure washer body. This will damage the hose and connecting parts and result in a short circuit or functional defects.**
15. **Do not put heavy objects on the hose or let vehicles drive over it.**
16. **Always discharge the residual pressure in the appliance before disconnecting the hose.**
17. **When connecting the hose to the water mains, observe the instructions of your local water-works department or company.**
18. **If the pressure washer is dropped or hits against a hard object, be sure to check for damage and crack. Using the pressure washer damaged may generate smoke, fire, or cause electric shock, which result in personal injury.**
19. **Prevent unintentional starting. Ensure the switch is in the off-position before connecting to battery pack, picking up or carrying the appliance. Carrying the appliance with your finger on the switch or energizing appliance that have the switch on invites accidents.**
20. **Disconnect the battery pack from the appliance before making any adjustments, changing accessories, or storing appliance. Such preventive safety measures reduce the risk of starting the appliance accidentally.**
21. **Do not modify or attempt to repair the appliance or the battery pack except as indicated in the instructions for use and care.**
22. **WARNING – Risk of Injection or Injury– Do Not Direct Discharge Stream At Persons.**
23. **Be sure that an object or area to be cleaned is durable against watering. Otherwise may cause damage to the item or site resulting in personal injury.**
3. **When battery pack is not in use, keep it away from other metal objects, like paper clips, coins, keys, nails, screws or other small metal objects, that can make a connection from one terminal to another. Shorting the battery terminals together may cause burns or a fire.**
4. **Under abusive conditions, liquid may be ejected from the battery; avoid contact. If contact accidentally occurs, flush with water. If liquid contacts eyes, additionally seek medical help. Liquid ejected from the battery may cause irritation or burns.**
5. **Do not use a battery pack or tool that is damaged or modified. Damaged or modified batteries may exhibit unpredictable behaviour resulting in fire, explosion or risk of injury.**
6. **Do not expose a battery pack or tool to fire or excessive temperature. Exposure to fire or temperature above 130 °C may cause explosion.**
7. **Follow all charging instructions and do not charge the battery pack or tool outside the temperature range specified in the instructions. Charging improperly or at temperatures outside the specified range may damage the battery and increase the risk of fire.**

Service

1. **Follow the maintenance instructions specified in the manual.**
2. **To ensure appliance safety, use only original spare parts from the manufacturer or approved by the manufacturer.**
3. **Have your pressure washer serviced by a qualified repair person using only identical replacement parts. This will ensure that the safety of the pressure washer is maintained.**
4. **In case of breakdown or malfunction of the pressure washer, immediately switch it off and remove the battery cartridge(s). Contact your local dealer or service center.**

Additional safety warnings

1. **Do not use the tool when there is a risk of lightning.**
2. **When you use the tool on muddy ground, wet slope, or slippery place, pay attention to your footing.**
3. **Avoid working in poor environment where increased user fatigue is expected.**
4. **Do not replace the battery in the rain.**
5. **Do not submerge the tool into a puddle.**
6. **When storing the tool, avoid direct sunlight and rain, and store it in a place where it does not get hot or humid.**
7. **After using the tool, remove the adhered dirt and dry the tool completely before storing. Depending on the season or the area, there is a risk of malfunction due to freezing.**
8. **Do not wet the terminal of battery with liquid such as water, or submerge the battery. Do not leave the battery in the rain, nor charge, use, or store the battery in a damp or wet place. If the terminal gets wet or liquid enters inside of battery, the battery may be short circuited and there is a risk of overheat, fire, or explosion.**

Battery tool use and care

1. **Recharge only with the charger specified by the manufacturer. A charger that is suitable for one type of battery pack may create a risk of fire when used with another battery pack.**
2. **Use power tools only with specifically designated battery packs. Use of any other battery packs may create a risk of injury and fire.**

9. After removing the battery from the tool or charger, be sure to attach the battery cover to the battery and store it in a dry place.
10. Do not replace the battery with wet hands.
11. If the appliance is frozen due to cold weather, contact an authorized service center for repairs.
12. Do not use a corded power supply such as battery adapter or portable power pack with this appliance. The cable of such power supply may hinder the operation and result in personal injury.
10. The contained lithium-ion batteries are subject to the Dangerous Goods Legislation requirements.
For commercial transports e.g. by third parties, forwarding agents, special requirement on packaging and labeling must be observed. For preparation of the item being shipped, consulting an expert for hazardous material is required. Please also observe possibly more detailed national regulations.
Tape or mask off open contacts and pack up the battery in such a manner that it cannot move around in the packaging.

SAVE THESE INSTRUCTIONS.

⚠ WARNING: DO NOT let comfort or familiarity with product (gained from repeated use) replace strict adherence to safety rules for the subject product.

MISUSE or failure to follow the safety rules stated in this instruction manual may cause serious personal injury.

Important safety instructions for battery cartridge

1. Before using battery cartridge, read all instructions and cautionary markings on (1) battery charger, (2) battery, and (3) product using battery.
2. Do not disassemble or tamper with the battery cartridge. It may result in a fire, excessive heat, or explosion.
3. If operating time has become excessively shorter, stop operating immediately. It may result in a risk of overheating, possible burns and even an explosion.
4. If electrolyte gets into your eyes, rinse them out with clear water and seek medical attention right away. It may result in loss of your eyesight.
5. Do not short the battery cartridge:
 - (1) Do not touch the terminals with any conductive material.
 - (2) Avoid storing battery cartridge in a container with other metal objects such as nails, coins, etc.
 - (3) Do not expose battery cartridge to water or rain.

A battery short can cause a large current flow, overheating, possible burns and even a breakdown.
6. Do not store and use the tool and battery cartridge in locations where the temperature may reach or exceed 50 °C (122 °F).
7. Do not incinerate the battery cartridge even if it is severely damaged or is completely worn out. The battery cartridge can explode in a fire.
8. Do not nail, cut, crush, throw, drop the battery cartridge, or hit against a hard object to the battery cartridge. Such conduct may result in a fire, excessive heat, or explosion.
9. Do not use a damaged battery.

11. When disposing the battery cartridge, remove it from the tool and dispose of it in a safe place. Follow your local regulations relating to disposal of battery.
12. Use the batteries only with the products specified by Makita. Installing the batteries to non-compliant products may result in a fire, excessive heat, explosion, or leak of electrolyte.
13. If the tool is not used for a long period of time, the battery must be removed from the tool.
14. During and after use, the battery cartridge may take on heat which can cause burns or low temperature burns. Pay attention to the handling of hot battery cartridges.
15. Do not touch the terminal of the tool immediately after use as it may get hot enough to cause burns.
16. Do not allow chips, dust, or soil stuck into the terminals, holes, and grooves of the battery cartridge. It may cause heating, catching fire, burst and malfunction of the tool or battery cartridge, resulting in burns or personal injury.
17. Unless the tool supports the use near high-voltage electrical power lines, do not use the battery cartridge near high-voltage electrical power lines. It may result in a malfunction or breakdown of the tool or battery cartridge.
18. Keep the battery away from children.

SAVE THESE INSTRUCTIONS.

⚠ CAUTION: Only use genuine Makita batteries. Use of non-genuine Makita batteries, or batteries that have been altered, may result in the battery bursting causing fires, personal injury and damage. It will also void the Makita warranty for the Makita tool and charger.

Tips for maintaining maximum battery life

1. Charge the battery cartridge before completely discharged. Always stop tool operation and charge the battery cartridge when you notice less tool power.
2. Never recharge a fully charged battery cartridge. Overcharging shortens the battery service life.
3. Charge the battery cartridge with room temperature at 10 °C - 40 °C (50 °F - 104 °F). Let a hot battery cartridge cool down before charging it.

4. When not using the battery cartridge, remove it from the tool or the charger.
5. Charge the battery cartridge if you do not use it for a long period (more than six months).

FUNCTIONAL DESCRIPTION

CAUTION: Always be sure that the tool is switched off and the battery cartridge is removed before adjusting or checking function on the tool.

Installing or removing battery cartridge

CAUTION: Always switch off the tool before installing or removing of the battery cartridge.

CAUTION: Hold the tool and the battery cartridge firmly when installing or removing battery cartridge. Failure to hold the tool and the battery cartridge firmly may cause them to slip off your hands and result in damage to the tool and battery cartridge and a personal injury.

CAUTION: Be careful not to pinch your fingers when opening or closing the battery cover.

Open the cover while pushing the lock lever.

► Fig.1: 1. Cover 2. Lock lever

Align the tongue on the battery cartridge with the groove in the housing and slip it into place. Insert it all the way until it locks in place with a little click. If you can see the red indicator as shown in the figure, it is not locked completely.

► Fig.2: 1. Red indicator 2. Button 3. Battery cartridge

After installing or removing the battery cartridges, be sure to close the cover.

To remove the battery cartridge, open the cover, slide the battery cartridge off the tool while pushing down the button on front, then close the cover.

CAUTION: Always install the battery cartridge fully until the red indicator cannot be seen. If not, it may accidentally fall out of the tool, causing injury to you or someone around you.

CAUTION: Do not install the battery cartridge forcibly. If the cartridge does not slide in easily, it is not being inserted correctly.

CAUTION: Be sure to lock the cover before operating.

Tool / battery protection system

The tool is equipped with a tool/battery protection system. This system automatically cuts off power to the motor to extend tool and battery life. The tool will automatically stop with indication if the tool or battery is placed under one of the following conditions:

► Fig.3: 1. Indicator

Overload protection

When the tool or battery is operated in a manner that causes it to draw an abnormally high current, the tool automatically stops and the red indicator lights up. In this situation, turn the tool off and stop the application that caused the tool to become overloaded. Then turn the tool on to restart.

Overheat protection

When the tool or battery is overheated, the tool stops automatically and the red indicator lights up. In this situation, let the tool cool down before turning the tool on again.

Overdischarge protection

When the battery capacity becomes low, the red indicator blinks. When the battery becomes close to empty, the tool stops automatically and the red indicator lights up. In this case, remove the battery from the tool and charge the battery.

Protections against other causes

Protection system is also designed for other causes that could damage the tool and allows the tool to stop automatically. Take all the following steps to clear the causes, when the tool has been brought to a temporary halt or stop in operation.

1. Turn the tool off, and then turn it on again to restart.
2. Charge the battery(ies) or replace it/them with recharged battery(ies).
3. Let the tool and battery(ies) cool down.

If no improvement can be found by restoring protection system, then contact your local Makita Service Center.

NOTICE: If the tool stops due to a cause not described above, refer to the section for troubleshooting.

Indicating the remaining battery capacity

Only for battery cartridges with the indicator

Press the check button on the battery cartridge to indicate the remaining battery capacity. The indicator lamps light up for a few seconds.

► **Fig.4:** 1. Indicator lamps 2. Check button

Indicator lamps			Remaining capacity
Lighted	Off	Blinking	
■	□	▧	75% to 100%
■ ■ ■ ■			
■ ■ ■	□		50% to 75%
■ ■	□ □		25% to 50%
■	□ □ □		0% to 25%
▧	□ □ □		Charge the battery.
■ ■	□ □		The battery may have malfunctioned.
□ □	■ ■	↑ ↓	

NOTE: Depending on the conditions of use and the ambient temperature, the indication may differ slightly from the actual capacity.

NOTE: The first (far left) indicator lamp will blink when the battery protection system works.

Pressure mode switch

Select your desired pressure mode by sliding the switch lever forwards and backwards.

Pull the lever backwards for low pressure mode so a number symbol "1" reads on the switch.

Push the lever forwards for high pressure mode so a number symbol "2" reads on the switch.

► **Fig.5:** 1. Low pressure mode (1) 2. High pressure mode (2) 3. Pressure mode switch lever

Switch trigger

The pressure washer employs a safety lock on the trigger. To release the trigger lock, depress the lock button into the trigger so the trigger surface becomes flat.

Pull the switch trigger to eject a water jet. The jet continues as long as the trigger is squeezed.

► **Fig.6:** 1. Switch trigger 2. Lock button

Push the lock button back out from inside the trigger to engage the trigger lock.

Be sure to lock the trigger when the pressure washer is not in use.

► **Fig.7:** 1. Switch trigger 2. Lock button

Nozzle functions

Multi-pattern (5-in-1) spray nozzle features a range of spray patterns that you can adjust depending on your washing needs. By combining five of the most-used spray patterns in one nozzle, no more switching from one to the next, simply dial in the right spray pattern for your task.

Simple changeover of nozzles, 0°, 15°, 25°, 40° and shower

► **Fig.8**

► **Fig.9:** 1. Spray pattern symbol 2. Triangle mark

Turn the nozzle head left or right to your desired spray pattern position. Correctly align the spray pattern symbol you want to select with the triangle mark so that the nozzle head locks with a click.

► **Fig.10**

NOTICE: Be careful not to set the nozzle head in an unclicked position. The tool may otherwise create irregular spray patterns resulting in water leaks.

CAUTION: Try not to rotate the nozzle body together as you change spray patterns. The nozzle may come off from the tool body and cause personal injury.

Safety valve

This tool is equipped with a safety valve that prevents undue overpressure.

CAUTION: Do not tamper with or adjust the safety valve setting.

ASSEMBLY

CAUTION: Always be sure that the tool is switched off and the battery cartridge is removed before carrying out any work on the tool.

Installing nozzle and lance extension

CAUTION: Always lock the switch trigger while attaching/detaching a nozzle and extension.

Nozzle

Align the guide projections on the nozzle end with the locking slots in the tool housing. Push the nozzle all the way in until the two triangle marks on the nozzle and housing face to each other. Then turn the nozzle in the direction shown in the figure to engage the lock.

Having installed the nozzle, try pulling it back to ensure it is securely held in place.

► **Fig.11:** 1. Nozzle 2. Guide projection 3. Locking slot 4. Triangle marks 5. Pelvic-fin-like outline

NOTE: Make sure to turn a pelvic-fin-like outline facing downwards.

To detach the nozzle, push and hold the nozzle towards the tool housing, and then turn it counter-wise until the two triangle marks face to each other. Pull the nozzle apart from the tool housing after it becomes unlocked.

Lance extension

Watering any hard-to-reach spots. Install the lance extension in between the tool housing and nozzle by following the same steps as described for nozzle installation.

► **Fig.12:** 1. Lance extension 2. Tool housing 3. Nozzle 4. Guide projections 5. Locking slots 6. Triangle marks

To detach the attachments, push and hold the tip attachment towards the mount attachment/housing, and then turn it counter-wise until the two triangle marks face to each other. Pull the tip attachment apart from the mount attachment/housing after it becomes unlocked.

Connecting to tank water supply

NOTICE: Always use the pressure hose and strainer supplied with this tool to supply water.

NOTICE: Always keep 2.0 m or less in height between the inlet of the pressure washer and the water surface. Otherwise, the pressure washer will be unable to take the water up into the pump.

NOTICE: Be sure to fill a water container more than 25 mm thick from the bottom and to submerge the strainer in water completely.

Water can be supplied from a tank/container/reservoir of any size.

A tank supplied watering addresses such pressure washing situations, e.g., car washing and gardening etc., where water is not available and has to be transported to the washing area or site.

1. Attach the strainer to one end of the pressure hose.

Insert the strainer outlet into the coupling sleeve and push it through until the strainer is secured in place.

► **Fig.13:** 1. Strainer 2. Coupling sleeve 3. Pressure hose

2. Leave the strainer on the bottom of the water container.

► **Fig.14:** 1. Strainer 2. Pressure hose 3. Hose hook

NOTE: Hang the hose along the opening using a supplied hose hook so that the strainer sits still at the bottom of the container.

3. Attach the other end of the hose to the water hose connector on the pressure washer.

Place the coupling sleeve over the inlet of the connector and push it through until the coupling sleeve is secured in place.

► **Fig.15:** 1. Coupling sleeve 2. Water hose connector

CAUTION: Make sure that the pressure hose is securely connected. A loose connection may blow the pressure hose off, resulting in a personal injury.

NOTICE: Introduce water into the pressure washer and hose beforehand whenever you are to lift water from a certain depth in the high pressure mode.

Connecting to mains water supply

CAUTION: Always use the pressure hose supplied with this tool to supply water.

NOTICE: If you connect to the mains for drinking water, use a backflow preventer valve which meets the regulations in your region.

NOTICE: Maintain a feed pressure of the inlet water less than 0.5 MPa for fine feed. Do not exceed the maximum feed pressure as it may cause water leaks when the tool stops working.

Water can be supplied from mains water that is available at the washing area or site.

A continuous water supply allows you not to mind refilling water and enables your efficient home cleaning and gardening, such as spot cleaning, rinsing, and watering on the vast area of lawn or vegetation.

1. Connect the pressure hose to the faucet.

Apply a suitable fitting such as water tap joint to secure the hose end with the faucet.

► **Fig.16:** 1. Water tap joint 2. Coupling sleeve 3. Pressure hose

NOTE: The type of fitting depends on the shape of the faucet to which you connect. Prepare a suitable commercially purchased fitting.

2. Attach the other end of the hose to the water hose connector on the pressure washer.

Place the coupling sleeve over the inlet of the connector and push it through until the coupling sleeve is secured in place.

► **Fig.17:** 1. Coupling sleeve 2. Water hose connector

Installing foam nozzle

Optional accessory

CAUTION: Always lock the switch trigger while attaching/detaching optional attachments.

NOTICE: Use only neutral detergents. Do not use household detergents, acid detergents, alkaline detergents, bleaches, solvents, flammable material, or industrial grade solutions, which may damage the tool or your property. Prepare cleaning solution as instructed on the solution bottle, and always test it in an inconspicuous place in advance.

NOTICE: If a highly viscous detergent is used, the nozzle is likely to clog. When using the high viscosity detergent, dilute the detergent by adding water to the bottle before use.

NOTE: When using the foam nozzle, the detergent in the bottle is diluted with the water supplied by the tool and sprayed. You do not have to dilute the concentration of detergent in the bottle more than necessary. Adjust the concentration of detergent while checking the usage conditions.

NOTE: If the foam nozzle is tipped on its side, the detergent may spill.

Prepare detergent before using the foam nozzle.

1. Fill the tank with detergent. Attach the nozzle onto the tank and securely tighten the lid.
2. Tilt the foam nozzle to align its guide projections with the locking slots in the tool housing. Push the nozzle all the way in and hold it in place. Then turn the foam nozzle in the direction shown in the figure to engage the lock.

► **Fig.18:** 1. Foam nozzle 2. Tank 3. Guide projection 4. Locking slot

Having installed the nozzle, try pulling it back to ensure it is securely held in place.

3. Turn the detergent dial to adjust the suction volume of the detergent solution.

► **Fig.19:** 1. Detergent dial 2. Dial to minimum 3. Dial to maximum

Installing optional nozzles

Optional accessory

CAUTION: Always lock the switch trigger while attaching/detaching optional attachments.

Align the guide projections on an optional nozzle with the locking slots in the tool housing. Push the nozzle all the way in and hold it in place. Then turn the nozzle in the direction shown in the figure to engage the lock. Having installed the nozzle, try pulling it back to ensure it is securely held in place.

► **Fig.20:** 1. Nozzles 2. Guide projection 3. Locking slot

To detach the nozzle, push and hold the nozzle towards the tool housing, and then turn it counter-wise to release the lock. Pull the nozzle apart from the pressure washer after it becomes unlocked.

Installing plastic bottle adapter

Optional accessory

CAUTION: Always lock the switch trigger while attaching/detaching optional attachments.

CAUTION: Be sure to attach the plastic bottle adapter securely to the pressure washer and plastic bottle. Failure to do so may cause the bottle to fall resulting in personal injury.

NOTE: A use of 2-liter (half-gallon) plastic bottle can be favored for containing water.

1. Fill water in a plastic bottle.
2. Throw the suction pipe down through the bottle opening.

3. Attach the adapter to the bottle by threading the nut of the coupling sleeve.

4. Attach the plastic bottle adapter to the water hose connector on the pressure washer.

Place the coupling sleeve over the inlet of the connector and push it through until the coupling sleeve is secured in place.

► **Fig.21:** 1. Plastic bottle adapter 2. Suction pipe 3. Plastic bottle 4. Water hose connector

OPERATION

WARNING: Do not touch the water jet or direct it toward yourself or others. The water jet is dangerous and can hurt you or others.

WARNING: When shooting the water jet, never hold the object that you are cleaning or place your hands and feet near the water jet.

CAUTION: Do not run the pressure washer without water for longer than 1 minute(s).

CAUTION: Do not operate the pressure washer for an extended period of time. This may cause overheating or fire. Also, long-term use may cause vibration disorder.

CAUTION: Be aware of the direction of the wind. If the detergent gets into your eyes or mouth, rinse with fresh water immediately and seek medical attention if necessary.

NOTICE: To protect the mechanism of the pressure washer, do not use water hotter than 40°C (104°F).

NOTICE: Do not use an untreated water supply, such as river water, pond water, and sandy or muddy water. Unfiltered dirty water may cause deposition of undesired material in the pump resulting in malfunction.

Water lifting height

A vertical height from the water source to water suction inlet of the pressure washer requires to be within 2.0 m.

Pooled water depth

Fill a water container more than 25 mm thick from the bottom.

► **Fig.22:** 1. Water lifting height 2. Pooled water depth

Steps in basic operation

1. Connect the water hose inlet to the water supply.
2. Connect the water hose outlet to the pressure washer.

► **Fig.23**

3. If the remaining water in the pressure washer has been discharged since it was last used, introduce water into the pressure hose and pressure washer.

Let water run through the hose and washer until any air in them is released.

- (1) Remove the nozzle from the pressure washer.

- (2) Install the battery cartridge into the pressure washer.
- (3) Select the high pressure mode.
- (4) Unlock the switch trigger.
- (5) Pull and hold the switch trigger until the pressure washer generates a stable water jet.

► **Fig.24:** 1. Pressure mode switch lever

After allowing air locks out of the pressure washer and hose, release the switch trigger.

Remove the battery cartridge from the pressure washer, and attach the nozzle suitable for your purpose.

4. Open the cover and install the battery cartridge into the pressure washer and then lock the cover.

► **Fig.25:** 1. Battery cartridge 2. Cover

⚠ CAUTION: Be careful not to pinch your fingers when opening or closing the battery cover.

5. Select your desired pressure mode. Then unlock the switch trigger.

► **Fig.26:** 1. Pressure mode switch lever 2. Switch trigger 3. Lock button

6. Point the nozzle head at watering area or site. Squeeze the switch trigger.

The water jet continues as long as the trigger is squeezed.

► **Fig.27**

► **Fig.28**

⚠ CAUTION: Hold the pressure washer firmly. The tool recoils when you pull the switch trigger.

⚠ CAUTION: Always hold the pressure washer by the grip and barrel when ejecting water jet.

After use

⚠ CAUTION: After operating the pressure washer, always perform the procedure described in this manual. Residual pressure in the pressure washer can cause personal injury or damage to the pump inside.

1. Release the switch trigger and lock it using the lock button.
 2. Disconnect the water hose from the water supply.
- **Fig.29**

3. Unlock the switch trigger and squeeze it until the remaining water in the pressure washer and hose is discharged.

► **Fig.30**

NOTICE: Do not run the motor for longer than 1 minute(s).

4. Release the switch trigger and lock it using the lock button. Then remove the battery from the pressure washer.

► **Fig.31:** 1. Lock button 2. Battery cartridge

5. Disconnect the pressure hose from the pressure washer.

► **Fig.32:** 1. Coupling sleeve 2. Water hose connector

NOTICE: To prevent the pressure hose from being damaged, remove the remaining water in the hose before storing.

MAINTENANCE

⚠ CAUTION: Always be sure that the tool is switched off and battery cartridge is removed before attempting to perform inspection or maintenance.

NOTICE: Never use gasoline, benzine, thinner, alcohol or the like. Discoloration, deformation or cracks may result.

To maintain product SAFETY and RELIABILITY, repairs, any other maintenance or adjustment should be performed by Makita Authorized or Factory Service Centers, always using Makita replacement parts.

Cleaning nozzles

Use the cleaner pin, a tiny file type finger, to remove clogged dirt from the nozzle openings.

► **Fig.33:** 1. Cleaner pin 2. Nozzle

NOTE: To maintain the optimal performance, clean the nozzle periodically.

NOTICE: Do not remove dirt or debris forcibly. This may result in personal injury or damage to the ejection hole causing deviated jet angles or poor performance.

Cleaning filters

Detach the water hose connector from the pressure washer. Remove dust or dirt adhered to the filter.

► **Fig.34:** 1. Water hose connector 2. Filter 3. Sealing ring

Disassemble the strainer by unthreading the filter case. Remove dust or dirt adhered to the filter.

► **Fig.35:** 1. Filter 2. Filter case

NOTE: To maintain the optimal performance, clean the filter periodically.

TROUBLESHOOTING

Before asking for repairs, conduct your own inspection first. If you find a problem that is not explained in the manual, do not attempt to dismantle the tool. Instead, ask Makita Authorized Service Centers, always using Makita replacement parts for repairs.

State of abnormality	Probable cause (malfunction)	Remedy
The washer does not start.	No electricity	Install charged battery cartridge.
	The switch trigger is locked.	Unlock the switch trigger.
	Damaged battery or electric circuit	Contact an authorized service center for repairs.
No water jet / weak water jet	No water supply	Make sure that the faucet is open. If connecting to tank water supply, introduce water into the pressure washer and hose.
	Poor water supply	Turn on the faucet.
	Poor water hose connection	Check the connection between the pressure washer and water supply.
	Deformed or worn water hose	Straighten the hose. Replace the damaged water hose with new one.
	Clogged hose or nozzle	Unclog the hose or nozzle.
	Clogged filters	Remove dust or dirt adhered to the filters in the strainer and the water hose connector.
	Waste/contaminated water	Clean the water system and refill with clean water.
	Damaged or worn nozzle	Replace the nozzle.
	Pump or valve malfunction	Contact an authorized service center for repairs.
	Loose water joint	Secure the connection between water hose and coupling sleeves.
	Leaks from water supply connection	Re-tighten the connection between the water hose and water supply.
	Insufficiently installed strainer	Submerge the strainer into the water completely.
Unstable water jet	Low pressure mode in use	Select the high pressure mode.
	Clogged nozzle	Unclog on the ejection hole of the nozzle using the cleaner pin.
	Poor water suction	Check the water hose for any leakage or clogs.
	The water is too hot.	Supply cooler water.
Abnormal sound	Valve malfunction	Contact an authorized service center for repairs.
Water leakage	The water is too hot.	Supply cooler water.
	Poor connection	Check the connection between the pressure washer and water supply.
	Poor nozzle installation	Push the nozzle all the way in. Then turn the nozzle until it is locked securely.
	Nozzle head stays in an incorrect position	Set the nozzle head in a clicked position with a spray pattern symbol clearly visible.
	Worn out sealings	Contact an authorized service center for repairs.

OPTIONAL ACCESSORIES

⚠ CAUTION: These accessories or attachments are recommended for use with your Makita tool specified in this manual. The use of any other accessories or attachments might present a risk of injury to persons. Only use accessory or attachment for its stated purpose.

If you need any assistance for more details regarding these accessories, ask your local Makita Service Center.

NOTE: Some items in the list may be included in the tool package as standard accessories. They may differ from country to country.

Foam nozzle

► Fig.36

Detergent can be sprayed as foam.

Washing brush

► Fig.37

A nozzle equipped with a brush. Useful for washing out dirt while scrubbing with brush.

Angle nozzle

► Fig.38

An angled nozzle head can rotate 360 degrees, allowing for maneuverability and coverage without any dead angles.

Plastic bottle adapter

► Fig.39

Pump bottled water and easily extract it from a plastic bottle. A water bottle can serve as a water source.

警告

- 儿童不得使用本工具。应看管好儿童，勿让其玩耍本工具。
- 本工具不适合体力、感知觉、心智不健全或缺乏经验知识的人员（包括儿童）使用，除非有对他们安全负责的人员对其进行监督或使用工具的指导。
- 加压水不得指向人、带电设备或工具自身。
- 对工具进行任何操作前，请务必关闭工具电源并取出电池组。
- 请勿使用重要部件（如安全装置、压力软管）已损坏的工具。
- 有关用户保养期间注意事项的相应详情，请阅读保养部分中的说明。
- 了解电池充电的正常温度范围。要了解操作电池的注意事项，请阅读电池组的安全注意事项。
- 有关工具安装期间注意事项的相应详情，请阅读装配部分中的说明。
- 了解最大进水压力。有关连接至给水总管的相应详情，请阅读规格部分中的信息。
- 请始终使用随工具附送的软管套件。要了解连接至给水总管的注意事项，请阅读装配部分中的说明。
- 使用期间不得打开注水孔。按照装配部分中的说明保持水压。
- 请勿在有水的游泳池中使用。
- 请遵守当地供水公司的要求。
- 对于欧洲国家：
根据**EN12729 (BA)** 要求，如果供水管中安装了带排水装置的防回流阀，该工具也可连接至生活用水供水管。

规格

型号:		DHW180
最大流量 *1 [液箱供水 / 水管供水]		3.0 / 5.3 L/min
水流量 *2	高压模式	2.5 L/min
	低压模式	1.5 L/min
最大工作压力		2.4 MPa
工作气压 *2	高压模式 [液箱供水 / 水管供水]	2.0 / 2.2 MPa
	低压模式 [液箱供水 / 水管供水]	0.8 / 0.8 MPa
最大给水压力		0.5 MPa
最大给水温度		40 °C
最大吸入高度		2.0 m
额定电压		D.C. 18 V
尺寸 *3 [长 x 宽 x 高]		888 mm x 99 mm x 239 mm
重量		2.3 - 2.7 kg

*1: 不含喷嘴

*2: 喷洒模式15°

*3: 含五合一喷嘴和延长杆

- 生产者保留变更规格不另行通知之权利。
- 规格可能因销往国家之不同而异。
- 重量因附件（包括电池组）而异。根据EPTA-Procedure 01/2014，最重与最轻的组合见表格。

适用电池组和充电器

电池组	BL1815N / BL1820B / BL1830B / BL1840B / BL1850B / BL1860B
充电器	DC18RC / DC18RD / DC18RE / DC18SD / DC18SE / DC18SF / DC18SH / DC18WC

- 部分以上所列电池组和充电器是否适用视用户所在地区而异。

⚠警告： 请仅使用以上所列电池组和充电器。使用其他类型的电池组或充电器可能会导致人身伤害和 / 或失火。

⚠警告： 请勿对此机器使用带线电源，例如电池连接转换器或者便携电源装置。此类电源电缆可能会阻碍操作并导致人员受伤。

符号

以下显示本设备可能会使用的符号。在使用工具之前，请务必理解其含义。



阅读使用说明书。



特别小心和注意。



仅限于欧盟国家
由于本设备中包含有害成分，因此废弃的电气和电子设备、蓄电池和普通电池可能会对环境和人体健康产生负面影响。请勿将电气和电子工具或电池与家庭普通废弃物放在一起处置！

根据欧洲关于废弃电气电子设备、蓄电池和普通电池的指令及其国家层面的修订法案，废弃的电气设备、普通电池和蓄电池应当单独存放并递送至城市垃圾收集点，根据环保法规进行处置。

此规定由标有叉形标志的带垃圾桶符号表示。



请勿连接至饮用水龙头。



请勿将射流指向人(包括自身)、动物和带电设备。

用途

本工具用于通过水射流进行家庭用途的污垢清除。通过提供可选喷洒类型，本工具可以改善您的清洗效果以及草坪和花园的浇灌。

安全警告

重要安全警告

警告： 阅读所有警告和所有说明。不遵照以下警告和说明会导致电击、着火和 / 或严重伤害。

保存所有警告和说明书以备查阅。

警告 - 使用本产品时，应遵循以下基本注意事项：

工作区域安全事项

1. 操作区域应无人。
2. 请勿伸得过远或站在不稳固的支撑物上。操作时请双脚站稳，始终保持平衡。
3. 务必将清洗机机身放置在水平且稳定的表面上。避免喷出的水会流动或聚集的区域。

4. 清洁前，检查要清洁的周围环境和物体。压射流会刮除油漆或其他包括有毒化学品在内的表面涂料。必要时应采取预防措施。
5. 请小心避免被清洗机的软管绊倒。操作时务必留意软管的配置。
6. 使用期间，清洗机的底部会有少量水流出。请小心，不要在不想打湿的区域上操作工具。

人身安全

1. 为避免射流对人身及物体造成伤害，操作者应穿戴合适的衣物如安全靴、安全手套、带帽舌的安全头盔和护耳装置。
2. 请穿戴个人防护装备。根据应用情况，请使用可以阻挡各种操作所产生飞溅碎片的面罩、安全护目镜或安全眼镜作为眼部保护。
3. 请勿在有未穿防护服人员的范围内使用清洗机。
4. 为降低人身伤害的风险，在儿童附近使用本产品时应密切监视。
5. 如果连接至饮用水系统，应当防止系统回流。
6. 流过回流防止器的水不可饮用。

电气安全

1. 切勿用湿手触摸电池组。
2. 请勿使用重要部件（如安全装置和压力软管）已损坏的工具。
3. 避免危险的环境。请勿在潮湿或淋雨环境下使用工具。工具受潮将增加触电的危险。

用电源驱动的电动工具的使用和保养

1. 使用本产品前请通读所有指示说明。
2. 了解快速停止清洗机和泄压的方法。需对控制装置极其熟悉。
3. 请勿喷洒易燃和 / 或有毒液体。这可能会导致爆炸、中毒或工具损坏。
4. 切勿将射流指向自身或他人来清洁衣服或鞋子。
5. 压力软管、配件和联轴器对工具的安全十分重要。请仅使用制造商推荐的软管、配件和联轴器。
6. 根据说明更换附件。
7. 保持把手干燥、清洁，无油污或润滑脂。
8. 保持警惕。注意您的操作。
9. 切勿在疲劳、饮酒或服药的情况下操作本产品。
10. 请勿在无水情况下运行清洗机超过一分钟。这会损坏电机，导致故障。

11. 清洗机无人看管时，务必关闭电源和给水总管。
12. 谨防反弹。当有喷射流从喷嘴喷出时，工具会反冲。请握紧工具以避免意外伤害。
13. 使用前检查有无损坏或磨损部件。此外，务必确保软管连接正确且操作期间无泄漏。操作有功能缺陷的工具可能会导致事故。
14. 请勿通过拉动软管来移动清洗机机身。这会损坏软管和连接部件并导致短路或功能缺陷。
15. 切勿将重物放置在软管上或允许车辆碾压过软管。
16. 务必在断开软管前释放工具内的残余压力。
17. 将软管连接至给水总管时，请遵循当地自来水厂部门或厂家的指示。
18. 如果清洗机掉落或碰撞硬物，请务必检查有无损坏或裂纹。使用损坏的清洗机可能会产生烟雾、起火或导致触电，从而导致人身伤害。
19. 防止意外启动。在连接至电池组，拿起或搬运工具之前，请确保开关处于关闭位置。搬运工具时手指放在开关上或者在开关打开的情况下给工具通电会招致意外情况发生。
20. 在进行任何调整，更换附件或存放工具之前，请断开电池组与工具的连接。这些安全防护措施可降低工具意外启动的风险。
21. 除非使用和维护说明中另有指示，否则请勿改装或尝试维修工具或电池组。
22. 警告 - 注射或受伤的风险 - 不要直接向人员排放气流。
23. 请确保要清洁物品或区域可耐水喷淋。否则，可能会损坏物品或现场并导致人身伤害。

用电池驱动的电动工具的使用和保养

1. 请仅使用制造商指定的充电器进行充电。将适用于某一种类型电池组的充电器用于其他类型的电池组时，可能会导致起火。
2. 电动工具仅可使用专门指定的电池组。使用其他类型的电池组可能会导致人身伤害或起火。
3. 不使用电池组时请将其远离纸夹、硬币、钥匙、钉子、螺丝或其他小型金属物体放置。这些物体可能会使电池端子短路。这些物体可能会使电池端子短路，引起燃烧或起火。

4. 使用过度时，电池中可能溢出液体。请避免接触。如果意外接触到电池漏液，请用水冲洗。如果液体接触到眼睛，请就医。电池漏液可能会导致过敏发炎或灼伤。
5. 不要使用损坏或改装过的电池包或工具。损坏或改装过的电池组可能呈现无法预测的结果，导致着火、爆炸或伤害。
6. 不要将电池包暴露于火或高温中。电池包暴露于火或高于 130 °C 的高温中可能导致爆炸。
7. 遵循所有充电说明。不要在说明书中指定的温度范围之外给电池包或电动工具充电。不正确或在指定的温度范围外充电可能会损坏电池和增加着火的风险。

维修服务

1. 遵循本说明书中规定的保养说明。
2. 为确保工具安全，请仅使用来自制造商或经制造商认可的原装备件。
3. 请将清洗机交由有资格的维修人员处理，仅可使用与原部件相同的更换部件。这样可确保清洗机的安全性。
4. 如果清洗机损坏或故障，应立即将其关闭并取出电池组。请联系当地经销商或维修服务中心。

附加安全警告

1. 不要在雷电天气使用工具。
2. 在泥泞地面、潮湿坡道或湿滑的地方使用工具时，请注意立足稳固。
3. 避免在可能增加用户疲劳的恶劣环境中工作。
4. 请勿在雨中更换电池。
5. 请勿将工具浸入水坑中。
6. 存放工具时，避免直射阳光和淋雨，将其存放在不会变热或变潮的位置。
7. 使用工具后，清除粘附的污垢，并在存放前彻底干燥工具。根据季节或地区的不同，存在因结冰导致功能不良的可能性。
8. 请勿用水等液体打湿电池端子，或将电池浸于水中。请勿使电池淋雨，也不得在潮湿位置给电池充电、使用或存放电池。如果电池端子被打湿或有液体进入电池，则电池可能会短路，导致过热、起火或爆炸危险。
9. 从工具或充电器取下电池后，请务必在电池上安装电池盖并将其存放在干燥处。
10. 请勿用湿手更换电池。

11. 如果工具因天气寒冷而结冰，请联系授权维修服务中心进行维修。
12. 请勿对本工具使用带线电源，例如电池连接转换器或便携电源装置。此类电源的电缆可能会阻碍操作，进而导致人员受伤。

请保留此说明书。

警告： 请勿为图方便或因对产品足够熟悉（由于重复使用而获得的经验）而不严格遵守相关产品安全规则。

使用不当或不遵循使用说明书中的安全规则会导致严重的人身伤害。

电池组的重要安全注意事项

1. 在使用电池组之前，请仔细阅读所有的说明以及 (1) 电池充电器，(2) 电池，以及 (3) 使用电池的的产品上的警告标记。
2. 切勿拆卸或改装电池组。否则可能引起火灾、过热或爆炸。
3. 如果机器运行时间变得过短，请立即停止使用。否则可能会导致过热、起火甚至爆炸。
4. 如果电解液进入您的眼睛，用清水将其冲洗干净并立即就医。否则可能会导致视力受损。
5. 请勿使电池组短路：
 - (1) 请勿使任何导电材料碰触到端子。
 - (2) 避免将电池组与其他金属物品如钉子、硬币等放置在同一容器内。
 - (3) 请勿将电池组置于水中或使其淋雨。电池短路将产生大的电流，导致过热，并可能导致起火甚至击穿。
6. 请勿在温度可能达到或超过50°C (122°F) 的场所存放以及使用工具和电池组。
7. 即使电池组已经严重损坏或完全磨损，也请勿焚烧电池组。电池组会在火中爆炸。
8. 请勿对电池组射钉，或者切削、挤压、抛掷、掉落电池组，又或者用硬物撞击电池组。否则可能引起火灾、过热或爆炸。
9. 请勿使用损坏的电池。

10. 本工具附带的锂离子电池需符合危险品法规要求。

第三方或转运代理等进行商业运输时，应遵循包装和标识方面的特殊要求。有关运输项目的准备作业，咨询危险品方面的专业人士。同时，请遵守可能更为详尽的国家法规。

请使用胶带保护且勿遮掩表面的联络信息，并牢固封装电池，使电池在包装内不可动。

11. 丢弃电池组时，需将其从工具上卸下并在安全地带进行处理。关于如何处理废弃的电池，请遵循当地法规。
12. 仅将电池用于Makita（牧田）指定的产品。将电池安装至不兼容的产品会导致起火、过热、爆炸或电解液泄漏。
13. 如长时间未使用工具，必须将电池从工具内取出。
14. 使用工具期间以及使用工具之后，电池组温度可能较高易引起灼伤或低温烫伤。处理高温电池组时请小心操作。
15. 在使用工具后请勿立即触碰工具的端子，否则可能引起灼伤。
16. 避免锯屑、灰尘或泥土卡入电池组的端子、孔口和凹槽内。否则可能会导致过热、着火、爆炸和工具/电池组故障，导致烫伤或人身伤害。
17. 除非工具支持在高压电源线路附近使用，否则请勿在高压电源线路附近使用电池组。否则可能导致工具或电池组故障或失常。
18. 确保电池远离儿童。

请保留此说明书。

小心： 请仅使用Makita（牧田）原装电池。使用非Makita（牧田）原装电池或经过改装的电池可能会导致电池爆炸，从而造成火灾、人身伤害或物品受损。同时也会导致牧田工具和充电器的牧田保修服务失效。

保持电池最大使用寿命的提示

1. 在电池组电量完全耗尽前及时充电。发现工具电量低时，请停止工具操作，并给电池组充电。
2. 请勿对已充满电的电池组重新充电。过度充电将缩短电池的使用寿命。
3. 请在10°C - 40°C (50°F - 104°F) 的室温条件下给电池组充电。请在灼热的电池组冷却后再充电。

4. 不使用电池组时，请将其从工具或充电器上拆除。
5. 如果电池组长时间（超过六个月）未使用，请给其充电。

功能描述

⚠️小心： 调节或检查工具功能之前，请务必关闭工具的电源并取出电池组。

安装或拆卸电池组

⚠️小心： 安装或拆卸电池组之前，请务必关闭工具电源。

⚠️小心： 安装或拆卸电池组时请握紧工具和电池组。否则它们可能从您的手中滑落，导致工具和电池组受损，甚至造成人身伤害。

⚠️小心： 打开或关闭电池护盖时，小心不要夹住您的手指。

在推动锁定杆的同时打开护盖。

► **图片1：** 1. 护盖 2. 锁定杆

将电池组上的舌簧与外罩上的凹槽对齐，然后将其滑入到位。将其完全插入，直至其锁定到位并发出轻微卡嗒声为止。若能看到图示中的红色指示器，则说明未完全锁紧。

► **图片2：** 1. 红色指示器 2. 按钮 3. 电池组
安装或拆卸电池组后，请务必关闭护盖。

要拆卸电池组时，请在打开护盖后，按下前侧按钮的同时，将电池组从工具中滑出，然后关闭护盖。

⚠️小心： 务必完全装入电池组，直至看不见红色指示器为止。否则，它可能会从工具中意外脱落，从而造成自身或他人受伤。

⚠️小心： 请勿强行安装电池组。如果电池组难以插入，可能是插入方法不当。

⚠️小心： 操作前务必锁定护盖。

工具 / 电池保护系统

本工具配备工具 / 电池保护系统。该系统可自动切断电机电源以延长工具和电池寿命。如果工具或电池处于以下其中一种情况，工具会自动停止运转并带有指示：

► **图片3：** 1. 指示器

过载保护

以导致异常高电流的方式操作工具或电池时，工具会自动停止运转并且红色指示器亮起。在这种情况下，请关闭工具并停止导致工具过载的应用。然后开启工具以重新启动。

过热保护

工具或电池过热时，工具会自动停止运转并且红色指示器亮起。在这种情况下，重新开启工具前请使工具冷却。

过放电保护

电池电量不足时，红色指示器闪烁。电池接近耗尽时，工具会自动停止运转并且红色指示器亮起。在这种情况下，请从工具中取出电池组并为电池充电。

其他原因防护

保护系统还适用于其他可能导致工具受损的情况，从而使工具自动停止运转。工具暂时或中途停止工作时，执行以下所有步骤以排除异常原因。

1. 关闭工具，然后再次重新启动。
2. 给电池充电或更换为充电电池。
3. 请等待工具和电池冷却。

如果保护系统恢复后仍无改善，请联络当地的Makita（牧田）维修服务中心。

注意： 如果工具因上述以外的原因停止运转，请参阅故障排除部分。

显示电池的剩余电量

仅限带指示灯的电池组

按电池组上的CHECK（查看）按钮可显示电池剩余电量。指示灯将亮起数秒。

► 图片4: 1. 指示灯 2. CHECK（查看）按钮

指示灯			剩余电量
■ 点亮	□ 熄灭	▧ 闪烁	
■ ■ ■ ■			75%至100%
■ ■ ■ □			50%至75%
■ ■ □ □			25%至50%
■ □ □ □			0%至25%
▧ □ □ □			给电池充电。
■ ■ □ □ ↑ ↓ □ □ ■ ■			电池可能出现故障。

注：在不同的使用条件及环境温度下，指示灯所示电量可能与实际情况略有不同。

注：当电池保护系统启动时，第一个（最左侧）指示灯将闪烁。

压力模式开关

通过前后滑动开关杆选择所需压力模式。向后拨杆进入低压模式，开关上显示数字符号“1”。

向前推杆进入高压模式，开关上显示数字符号“2”。

► 图片5: 1. 低压模式(1) 2. 高压模式(2) 3. 压力模式开关杆

开关扳机

清洗机的扳机采用安全锁。要释放扳机锁时，将锁定按钮按入扳机，使扳机表面变平。

扣动开关扳机喷出水射流。只要扣住扳机，即持续喷出水流。

► 图片6: 1. 开关扳机 2. 锁定按钮

将锁定按钮从扳机内推回，使扳机锁啮合。不使用清洗机时，务必锁定扳机。

► 图片7: 1. 开关扳机 2. 锁定按钮

喷嘴功能

多模式（5合1）喷嘴具有一系列喷洒模式，可根据清洗需求进行调节。将五种最常用的喷洒模式组合在一个喷嘴内，无需切换喷洒模式，只需根据任务拨到正确的喷洒模式即可。

轻松更换喷嘴，0°、15°、25°、40°和花洒

► 图片8

► 图片9: 1. 喷洒模式符号 2. 三角形标记

向左或向右转动喷嘴头至所需喷洒模式位置。将想选择的喷洒模式符号与三角形标记正确对齐，使喷嘴头锁定并发出咔嚓声。

► 图片10

注意： 请小心不要将喷嘴头设在未锁定的位置。否则工具可能会产生不当喷洒模式，从而导致漏水。

小心： 改变喷洒模式时，尽量不要一起转动喷嘴主体。喷嘴可能会从工具主体上脱落并造成人身伤害。

安全阀

本工具配备安全阀，可防止过度超压。

小心： 切勿擅自修改或调节安全阀设置。

装配

小心： 对工具进行任何装配操作前，请务必关闭工具电源，并取出电池组。

安装喷嘴和喷枪延长杆

小心： 安装 / 拆卸喷嘴和延长杆时，务必锁定开关扳机。

喷嘴

将喷嘴末端的引导凸起与工具外罩上的锁定槽对齐。将喷嘴完全推入到位，直至喷嘴和外罩上的两个三角形标记面对面。然后沿图中所示方向转动喷嘴以锁定。

安装喷嘴后，试着将其往后拉，确保已固定到位。

► 图片11: 1. 喷嘴 2. 引导凸起 3. 锁定槽 4. 三角形标记 5. 腹鳍状轮廓线

注： 请务必使腹鳍状轮廓线朝下。

若要拆卸喷嘴，朝工具外罩按住喷嘴，然后将其反方向转动，直至两个三角形标记面对面。解锁后，将喷嘴从工具外罩上拉开。

喷枪延长杆

对难以触及的位置洒水。按照与喷嘴安装中所述相同步骤，在工具外罩和喷嘴之间安装喷枪延长杆。

► **图片12:** 1. 喷枪延长杆 2. 工具外罩 3. 喷嘴 4. 引导凸起 5. 锁定槽 6. 三角形标记

若要拆卸附件，朝安装附件 / 外罩按住顶端附件，然后将其反方向转动，直至两个三角形标记面对面。解锁后，将顶端附件从安装附件 / 外罩上拉开。

连接至液箱供水

注意： 请务必使用本工具随附的压力软管和粗滤器供水。

注意： 清洗机进口与水面之间的高度差应始终为**2.0m**或以下。否则，清洗机无法将水吸入泵中。

注意： 务必将水容器加水至距离底部超过**25 mm**，使粗滤器完全浸没在水中。

可从任意尺寸的液箱 / 容器 / 储液器供水。液箱供水可解决如洗车和园艺工作等此类压力清洗的情况，在无水场所需要将水运输到清洗区域或现场。

1. 将粗滤器安装至压力软管的一端。

将粗滤器出口插入连接套筒，并将其推入，直至粗滤器固定到位。

► **图片13:** 1. 粗滤器 2. 连接套筒 3. 压力软管

2. 使粗滤器留在水容器底部。

► **图片14:** 1. 粗滤器 2. 压力软管 3. 软管挂钩

注： 使用随附的软管挂钩将软管靠开口悬挂，使粗滤器静止于容器底部。

3. 将软管另一端安装至清洗机的水管连接头。

将连接套筒套在连接头进口上，并将其推入，直至连接套筒固定到位。

► **图片15:** 1. 连接套筒 2. 水管连接头

小心： 确保高压软管已连接紧固。否则，可能会导致高压软管脱离，造成人身伤害。

注意： 在高压模式下要从一定深度提水时，请事先将水引入清洗机和软管。

连接至给水总管供水

小心： 请务必使用本工具随附的压力软管供水。

注意： 如连接至饮用水管道，请使用符合当地要求的防回流阀。

注意： 保持进水的供水压力低于**0.5MPa**以微量进给。请勿超过最大供水压力，否则工具停止工作时会导致漏水。

可在清洗区域或现场从给水总管供水。连续供水使您无需担心加水问题，可高效进行家庭清洁和园艺工作，如污迹清洁、冲洗以及在大片草坪或植物上浇水。

1. 将压力软管连接至水龙头。

使用合适的配件，如水龙头接头，固定软管端部和水龙头。

► **图片16:** 1. 水龙头接头 2. 连接套筒 3. 压力软管

注： 配件类型取决于所连接水龙头的形状。准备合适的市售配件。

2. 将软管另一端安装至清洗机的水管连接头。

将连接套筒套在连接头进口上，并将其推入，直至连接套筒固定到位。

► **图片17:** 1. 连接套筒 2. 水管连接头

安装泡沫喷嘴

选购附件

小心： 安装 / 拆卸选购附件时，务必锁定开关扳机。

注意： 仅使用中性清洁剂。请勿使用家用清洁剂、酸性清洁剂、碱性清洁剂、漂白剂、溶剂、易燃材料或工业级溶液，否则会损坏工具或您的财物。按照溶液瓶上的指示准备清洁溶液，并务必预先在不显眼的位置对其进行测试。

注意： 如果使用高粘度清洁剂，喷嘴很可能会堵塞。使用高粘度清洁剂时，请在使用前通过加水至瓶内稀释清洁剂。

注： 使用泡沫喷嘴时，用工具提供的水稀释瓶内的清洁剂并喷洒。无需将瓶内的清洁剂浓度稀释到超出必要的程度。确认使用条件，同时调整清洁剂浓度。

注： 如果泡沫喷嘴向其一侧倾斜，清洁剂可能会溢出。

使用泡沫喷嘴前准备清洁剂。

1. 向液箱加清洁剂。将喷嘴安装至液箱并牢牢拧紧封盖。

2. 倾斜泡沫喷嘴，将其引导凸起与工具外罩上的锁定槽对齐。将喷嘴完全推入并将其固定到位。然后沿图中所示方向转动泡沫喷嘴以锁定。

► **图片18：** 1. 泡沫喷嘴 2. 液箱 3. 引导凸起 4. 锁定槽

安装喷嘴后，试着将其往后拉，确保已固定到位。

3. 转动清洁剂转盘调节清洁剂溶液的吸取量。

► **图片19：** 1. 清洁剂转盘 2. 转至最小 3. 转至最大

安装选购喷嘴

选购附件

⚠️小心： 安装 / 拆卸选购附件时，务必锁定开关扳机。

将选购喷嘴的引导凸起与工具外罩上的锁定槽对齐。将喷嘴完全推入并将其固定到位。然后沿图中所示方向转动喷嘴以锁定。

安装喷嘴后，试着将其往后拉，确保已固定到位。

► **图片20：** 1. 喷嘴 2. 引导凸起 3. 锁定槽

若要拆卸喷嘴，朝工具外罩按住喷嘴，然后将其反方向转动以释放锁定。解锁后，将喷嘴从清洗机上拉开。

安装塑料瓶转接头

选购附件

⚠️小心： 安装 / 拆卸选购附件时，务必锁定开关扳机。

⚠️小心： 请务必将塑料瓶转接头牢固安装至清洗机和塑料瓶。否则可能会导致瓶掉落，从而造成人身伤害。

注： 可使用2升（半加仑）塑料瓶装水。

1. 在塑料瓶内加水。
2. 将吸入管从瓶口扔下去。
3. 通过拧动连接套筒的螺母将转接头安装至瓶上。
4. 将塑料瓶转接头安装至清洗机的水管连接头。

将连接套筒套在连接头进口上，并将其推入，直至连接套筒固定到位。

► **图片21：** 1. 塑料瓶转接头 2. 吸入管 3. 塑料瓶 4. 水管连接头

操作

⚠️警告： 切勿触摸水射流或将其指向自身或他人。水射流很危险，可伤及自身或他人。

⚠️警告： 喷射水射流时，切勿握住正在清洁的物体或将手和脚放在水射流附近。

⚠️小心： 请勿在无水情况下运行清洗机超过1分钟。

⚠️小心： 请勿长时间操作清洗机。这可能会导致过热或起火。同时，长时间使用可能会导致振动失谐。

⚠️小心： 注意风向。如清洁剂进入眼睛或嘴中，立即用清水冲洗并在必要时就医。

注意： 为保护清洗机机构，请勿使用超过40°C (104°F) 的水。

注意： 请勿使用未经处理的水源，如河水、池水和含沙或泥的水。未经过滤的脏水可能会使不需要的物质在泵中沉积，从而导致故障。

水提升高度

从水源至清洗机吸水口的垂直高度需要在2.0 m以内。

蓄水深度

将水容器加水至距离底部超过25 mm。

► **图片22：** 1. 水提升高度 2. 蓄水深度

基本操作步骤

1. 将水管进口连接至水源。
2. 将水管出口连接至清洗机。

► **图片23**

3. 如果清洗机中的残留水在上次使用后已排出，请将水引入压力软管和清洗机。

使水流过软管和清洗机，直至其内的所有空气均被释放。

- (1) 从清洗机上拆下喷嘴。
- (2) 将电池组装入至清洗机。
- (3) 选择高压模式。
- (4) 解锁开关扳机。
- (5) 扣住开关扳机，直至清洗机产生稳定的水射流。

► **图片24:** 1. 压力模式开关杆

使气锁排出清洗机和软管后，松开开关扳机。

从清洗机中取出电池组后，安装适合所需用途的喷嘴。

4. 打开护盖并将电池组安装到清洗机内，然后锁定护盖。

► **图片25:** 1. 电池组 2. 护盖

⚠小心: 打开或关闭电池护盖时，小心不要夹住您的手指。

5. 选择所需压力模式。然后解锁开关扳机。

► **图片26:** 1. 压力模式开关杆 2. 开关扳机 3. 锁定按钮

6. 将喷嘴头指向浇水区域或现场。扣住开关扳机。

只要扣住扳机，即持续喷出水射流。

► **图片27**

► **图片28**

⚠小心: 握紧清洗机。扣动开关扳机时，工具会反冲。

⚠小心: 喷出水射流时，务必握住清洗机的把手和枪管。

使用后

⚠小心: 操作清洗机后，务必执行本说明书中的步骤。清洗机内的剩余压力可能会导致人身伤害或内部泵损坏。

1. 松开开关扳机并使用锁定按钮将其锁定。

2. 将水管从水源断开。

► **图片29**

3. 解锁开关扳机后将其扣住，直至清洗机和软管中的残留水排出。

► **图片30**

注意: 请勿运行电机超过1分钟。

4. 松开开关扳机并使用锁定按钮将其锁定。然后从清洗机上拆下电池。

► **图片31:** 1. 锁定按钮 2. 电池组

5. 从清洗机上断开压力软管。

► **图片32:** 1. 连接套筒 2. 水管接头

注意: 为防止压力软管损坏，存放前应清除软管内的残留水。

保养

⚠小心: 检查或保养工具之前，请务必关闭工具电源并取出电池组。

注意: 切勿使用汽油、苯、稀释剂、酒精或类似物品清洁工具。否则可能会导致工具变色、变形或出现裂缝。

为了保证产品的安全与可靠性，维修、任何其他维修保养或调节需由Makita（牧田）授权的或工厂维修服务中心完成。务必使用Makita（牧田）的替换部件。

清洁喷嘴

使用清洁剂销（小锉刀式指状物）清除喷嘴开口处的堵塞污垢。

► **图片33:** 1. 清洁剂销 2. 喷嘴

注: 为保持最佳性能，请定期清洁喷嘴。

注意: 切勿强行清除污垢或碎片。这可能会导致人身伤害或损坏射孔，导致喷射角偏离或降低性能。

清洁过滤器

从清洗机拆下水管接头。清除过滤器上附着的灰尘或污垢。

► **图片34:** 1. 水管接头 2. 过滤器 3. 密封环

松开过滤器盒的螺纹，拆下粗滤器。清除过滤器上附着的灰尘或污垢。

► **图片35:** 1. 过滤器 2. 过滤器盒

注: 为保持最佳性能，请定期清洁过滤器。

故障排除

请求维修前，请首先自行检查。如果您发现本手册中未作说明的问题，请勿拆解工具。而请联络Makita（牧田）授权维修服务中心，务必使用Makita（牧田）的替换部件进行修复。

异常状态	可能原因（故障）	纠正措施
清洗机无法启动。	无电	安装已充电的电池组。
	开关扳机已锁定。	解锁开关扳机。
	电池或电路受损	联系授权维修服务中心进行维修。
无水射流 / 水射流较弱	无供水	确保水龙头已打开。如果连接至液箱供水，请将水引入清洗机和软管。
	供水不良	打开水龙头。
	水管连接不良	检查清洗机和供水装置之间的连接。
	水管变形或磨损	伸直软管。用新管更换损坏的水管。
	软管或喷嘴堵塞	清除软管或喷嘴内的堵塞物。
	过滤器堵塞	清除粗滤器和水管连接头内过滤器上附着的灰尘或污垢。
	有废水/污水	清洁水系统后重新加入干净的水。
	喷嘴受损或磨损	更换喷嘴。
	泵或阀门故障	联系授权维修服务中心进行维修。
	水接头松动	牢固连接水管和连接套筒。
	供水连接处漏水	重新紧固水管和供水装置之间的连接。
	粗滤器安装不当	将粗滤器完全浸没在水中。
	正在使用低压模式	选择高压模式。
水射流不稳定	喷嘴堵塞	使用清洁剂销清除喷嘴射孔上的堵塞物。
	水吸力不良	检查水管是否有泄漏或堵塞。
	水过热。	供入较冷的水。
	阀门故障	联系授权维修服务中心进行维修。
声音异常	水过热。	供入较冷的水。
漏水	连接不良	检查清洗机和供水装置之间的连接。
	喷嘴安装不良	将喷嘴完全推入。然后转动喷嘴，直至其牢固锁定。
	喷嘴头停留在不正确位置	将喷嘴头设在锁定位置，使喷洒模式符号清晰可见。
	密封件磨损	联系授权维修服务中心进行维修。

选购附件

⚠小心： 这些附件或装置专用于本说明书所列的**Makita（牧田）**工具。如使用其他厂牌附件或装置，可能导致人身伤害。仅可将附件或装置用于规定目的。

如您需要了解更多关于这些选购附件的信息，请咨询当地的**Makita（牧田）**维修服务中心。

注： 本列表中的一些部件可能作为标准配件包含于工具包装内。它们可能因销往国家之不同而异。

泡沫喷嘴

► 图片36

清洁剂可以泡沫的形式喷洒。

清洗刷

► 图片37

喷嘴安装有刷子。在用刷子清洁时洗掉污垢。

倾斜喷嘴

► 图片38

带角度的倾斜喷嘴头可**360度**旋转，拥有无死角的灵活性和覆盖范围。

塑料瓶转接头

► 图片39

可泵送瓶装水，并可从塑料瓶中轻松提取。可将水瓶作为水源。

PERINGATAN

- Peralatan tidak boleh digunakan oleh anak-anak. Awasi anak-anak untuk memastikan mereka tidak bermain-main dengan peralatan ini.
- Peralatan ini tidak ditujukan untuk digunakan oleh orang (termasuk anak-anak) dengan kekurangan kemampuan fisik, indra, atau jiwa, atau memiliki pengalaman dan pengetahuan yang kurang, kecuali mereka telah mendapatkan pengawasan atau panduan yang berkaitan dengan penggunaan peralatan dari orang yang bertanggung jawab terhadap keselamatan mereka.
- Air bertekanan tidak boleh diarahkan pada orang, peralatan listrik hidup atau peralatan itu sendiri.
- Selalu pastikan bahwa peralatan dimatikan dan kartrid baterai dilepas sebelum melakukan pekerjaan apa pun pada alat.
- Jangan gunakan peralatan jika bagian penting dari peralatan rusak, misalnya alat pengaman, selang tekanan.
- Baca instruksi di bagian perawatan untuk mengetahui detail tindakan pencegahan yang sesuai selama perawatan oleh pengguna.
- Pahami rentang suhu normal untuk pengisian daya baterai. Baca instruksi keselamatan kartrid baterai untuk mempelajari tindakan pencegahan dalam menangani baterai.
- Baca instruksi di bagian perakitan untuk mengetahui detail tindakan pencegahan yang sesuai selama pemasangan peralatan.
- Pahami tekanan air saluran masuk maksimum. Baca informasi di bagian spesifikasi untuk mengetahui detail sambungan ke saluran air yang sesuai.
- Selalu gunakan set selang yang disertakan dengan peralatan. Baca instruksi di bagian perakitan guna mempelajari tindakan pencegahan untuk sambungan ke saluran air.
- Buka pengisian air tidak boleh dibuka selama penggunaan. Ikuti instruksi di bagian perakitan untuk menjaga tekanan air.
- Jangan gunakan peralatan di kolam renang yang berisi air.

- Patuhi peraturan perusahaan suplai air setempat.
- Untuk negara-negara di Eropa:
Sesuai dengan EN12729 (BA), peralatan juga dapat disambungkan dengan suplai air minum utama jika katup penahan aliran belakang dengan fasilitas penguras dipasang di selang suplai.

SPEKIFIKASI

Model:		DHW180
Laju maks. yang mengalir *1 [Suplai air tangki / Suplai air saluran]		3,0 / 5,3 L/min
Laju air yang mengalir *2	Mode tinggi	2,5 L/min
	Mode rendah	1,5 L/min
Tekanan kerja maksimal		2,4 MPa
Tekanan kerja *2	Mode tinggi [Suplai air tangki / Suplai air saluran]	2,0 / 2,2 MPa
	Mode rendah [Suplai air tangki / Suplai air saluran]	0,8 / 0,8 MPa
Tekanan umpan maksimal		0,5 MPa
Suhu umpan yang diizinkan		40°C
Ketinggian pengisian maksimal		2,0 m
Tegangan terukur		D.C. 18 V
Dimensi *3 [P x L x T]		888 mm x 99 mm x 239 mm
Berat		2,3 - 2,7 kg

*1 : Tanpa nosel

*2 : Pola semprot 15°

*3 : Dengan nosel 5in1 dan ekstensi

- Karena kesinambungan program penelitian dan pengembangan kami, spesifikasi yang disebutkan di sini dapat berubah tanpa pemberitahuan.
- Spesifikasi dapat berbeda dari satu negara ke negara lainnya.
- Berat alat mungkin berbeda tergantung perangkat tambahan yang dipasang, termasuk kartrid baterai. Kombinasi alat terberat dan teringan, sesuai Prosedur EPTA 01/2014, ditunjukkan pada tabel.

Kartrid dan pengisi daya baterai yang dapat digunakan

Kartrid baterai	BL1815N / BL1820B / BL1830B / BL1840B / BL1850B / BL1860B
Pengisi daya	DC18RC / DC18RD / DC18RE / DC18SD / DC18SE / DC18SF / DC18SH / DC18WC

- Beberapa kartrid baterai dan pengisi daya yang tercantum di atas mungkin tidak tersedia, tergantung wilayah tempat tinggal Anda.

⚠ PERINGATAN: Hanya gunakan kartrid dan pengisi daya baterai yang tercantum di atas. Penggunaan kartrid dan pengisi daya baterai lain dapat menimbulkan risiko cedera dan/atau kebakaran.

⚠ PERINGATAN: Jangan menggunakan suplai daya berkabel seperti adaptor baterai atau paket daya portabel dengan mesin ini. Kabel suplai daya dapat menghalangi pengoperasian dan mengakibatkan cedera pribadi.

Simbol

Berikut ini adalah simbol-simbol yang dapat digunakan pada peralatan ini. Pastikan Anda memahami arti masing-masing simbol sebelum menggunakan peralatan.



Baca petunjuk penggunaan.



Berhati-hatilah dan pusatkan perhatian Anda.



Hanya untuk negara-negara UE
Akibat adanya komponen berbahaya dalam peralatan, limbah peralatan listrik dan elektronik, aki dan baterai dapat memiliki dampak negatif pada lingkungan dan kesehatan manusia.
Jangan buang peralatan listrik dan elektronik atau baterai bersama limbah rumah tangga!
Sesuai dengan Petunjuk Eropa tentang limbah peralatan listrik dan elektronik dan tentang aki dan baterai serta penyesuaiannya terhadap undang-undang nasional, limbah peralatan listrik, baterai dan aki harus disimpan secara terpisah dan dikirim ke tempat pengumpulan terpisah untuk sampah kota, beroperasi sesuai dengan peraturan tentang perlindungan lingkungan.
Hal ini ditunjukkan dengan simbol tempat sampah bersilang yang ditempatkan pada peralatan.



Jangan menyambungkan ke keran air minum.



Jangan arahkan jet pada orang termasuk diri Anda, binatang, dan peralatan listrik hidup.

Penggunaan

Alat ini digunakan untuk membersihkan kotoran menggunakan semprotan jet air untuk penggunaan rumah tangga. Dengan adanya jenis penyemprotan yang bisa dipilih, alat ini berfungsi untuk meningkatkan kualitas pembersihan serta penyiraman rumput dan taman.

PERINGATAN KESELAMATAN

PERINGATAN KESELAMATAN PENTING

⚠️ PERINGATAN: Bacalah semua peringatan keselamatan dan semua petunjuk. Kelalaian mematuhi peringatan dan petunjuk dapat menyebabkan sengatan listrik, kebakaran dan/atau cedera serius.

Simpanlah semua peringatan dan petunjuk untuk acuan di masa depan.

PERINGATAN – Saat menggunakan produk ini, tindakan pencegahan dasar harus selalu dilakukan, termasuk hal-hal berikut:

Keselamatan tempat kerja

1. Jauhkan daerah operasi bebas dari semua orang.
2. Jangan menggunakan mesin pada posisi yang sulit atau berdiri pada penahan yang tidak stabil. Pastikan pijakan yang digunakan kokoh dan keseimbangan tetap terjaga.
3. Selalu letakkan badan pembersih bertekanan pada permukaan yang datar dan stabil. Hindari area di mana air yang terbuang akan mengalir atau menggenang.
4. Sebelum membersihkan, periksa keadaan sekitar dan objek yang dibersihkan. Semprotan jet air bertekanan dapat mengikis cat atau perawatan permukaan lainnya termasuk bahan kimia beracun. Ambil langkah preventif bila perlu.
5. Berhati-hatilah untuk tidak tersandung selang pembersih bertekanan. Selalu perhatikan konfigurasi selang selama pengoperasian.
6. Selama penggunaan, air dalam jumlah yang sedikit akan keluar dari bagian bawah pembersih bertekanan. Berhati-hatilah untuk tidak mengoperasikan alat di atas area yang ingin Anda jaga agar tetap kering.

Keselamatan diri

1. Untuk melindungi dari jet dan benda dari jet, operator harus menggunakan pakaian yang tepat seperti sepatu bot pengaman, sarung tangan pengaman, helm pengaman dengan kaca, pelindung pendengaran, dll.
2. Kenakan alat pelindung diri. Tergantung penggunaannya, gunakan pelindung muka, kacamata pelindung atau kacamata pengaman karena pelindung mata mampu menghentikan serpihan beterbangan yang dihasilkan oleh berbagai pengoperasian.
3. Jangan gunakan pembersih bertekanan dalam jangkauan orang kecuali mereka menggunakan pakaian pelindung.
4. Untuk mengurangi risiko cedera, pengawasan ketat sangat perlu ketika mesin sedang digunakan dekat anak-anak.
5. Jika tersambung ke sistem air minum, sistem harus terlindungi dari aliran balik.
6. Air yang mengalir melalui penahan aliran belakang dianggap bukan air minum.

Keamanan kelistrikan

1. Jangan pernah menyentuh kartrid baterai dengan tangan basah.
2. Jangan gunakan peralatan jika bagian penting dari peralatan rusak, misalnya perangkat pengaman, selang tekanan.

3. **Hindari lingkungan berbahaya. Jangan gunakan mesin di lokasi yang lembap dan basah, atau membiarkannya terkena hujan. Air yang masuk ke dalam mesin akan meningkatkan risiko sengatan listrik.**
19. **Cegah penyalaan yang tidak disengaja. Pastikan bahwa sakelar berada dalam posisi mati sebelum menyambungkan ke paket baterai, mengangkat atau membawa peralatan.** Membawa peralatan dengan jari berada di sakelar atau mengalirkan listrik pada peralatan dengan sakelar hidup akan meningkatkan potensi kecelakaan.

Penggunaan dan pemeliharaan mesin listrik

1. **Bacalah semua petunjuk sebelum menggunakan mesin.**
2. **Ketahui bagaimana menghentikan pembersih bertekanan dan mengeluarkan tekanan dengan cepat. Pahami kendali secara menyeluruh.**
3. **Jangan menyemprotkan bahan mudah terbakar dan/atau cairan beracun. Hal ini dapat menyebabkan ledakan, keracunan, atau kerusakan pada peralatan.**
4. **Jangan arahkan jet pada diri Anda atau orang lain untuk membersihkan pakaian atau alas kaki.**
5. **Selang, dudukan, dan kopling tekanan sangatlah penting untuk keamanan peralatan. Gunakan selang, dudukan, dan kopling yang hanya disarankan oleh produsen.**
6. **Ikuti petunjuk saat mengubah aksesor.**
7. **Jagalah agar gagang kering, bersih, serta bebas dari minyak atau pelumas.**
8. **Jaga kewaspadaan – perhatikan pekerjaan Anda.**
9. **Jangan mengoperasikan mesin saat lelah atau dalam pengaruh alkohol atau obat-obatan.**
10. **Jangan nyalakan pembersih bertekanan tanpa air selama lebih dari satu menit. Hal tersebut akan merusak motor, yang akan menyebabkan malafungsi.**
11. **Selalu matikan daya dan matikan saluran air saat meninggalkan pembersih bertekanan tanpa pengawasan.**
12. **Berhati-hatilah pada hentakan balik. Peralatan terpental saat semprotan jet air bertekanan dibuang dari nosel. Pegang peralatan dengan kuat untuk mencegah cedera tanpa disengaja.**
13. **Periksa apakah ada bagian yang rusak atau aus sebelum digunakan. Selain itu, pastikan selang terhubung dengan tepat dan tidak ada kebocoran selama pengoperasian. Mengoperasikan peralatan dengan kecacatan fungsi dapat mengakibatkan kecelakaan.**
14. **Jangan tarik selang untuk memindahkan badan pembersih bertekanan. Hal ini akan merusak selang serta bagian penghubung, dan menyebabkan korsleting atau kecacatan fungsi.**
15. **Jangan letakkan benda berat di atas selang atau biarkan kendaraan melintasinya.**
16. **Selalu kosongkan tekanan residual pada peralatan sebelum melepas selang.**
17. **Saat menghubungkan selang pada steker air, perhatikan petunjuk dari dinas atau perusahaan pengairan setempat.**
18. **Jika pembersih bertekanan jatuh atau mengenai objek yang keras, pastikan diperiksa apakah ada kerusakan dan retakan. Menggunakan pembersih bertekanan yang rusak dapat menyebabkan asap, api, atau sengatan listrik, yang berakibat cedera badan.**
20. **Putuskan sambungan paket baterai dari peralatan sebelum melakukan penyetelan, mengganti aksesor, atau menyimpan peralatan. Langkah keselamatan preventif tersebut mengurangi risiko hidupnya peralatan secara tidak sengaja.**
21. **Jangan memodifikasi atau mencoba memperbaiki peralatan atau paket baterai selain seperti yang ditunjukkan dalam petunjuk penggunaan dan perawatan.**
22. **PERINGATAN – Risiko Injeksi atau Cedera – Jangan Mengarahkan Aliran Pembuangan ke Orang.**
23. **Pastikan objek atau area yang akan dibersihkan tahan terhadap penyiraman. Jika tidak, tindakan ini dapat merusak benda atau tempat yang dapat mengakibatkan cedera pribadi.**

Penggunaan dan pemeliharaan mesin bertenaga baterai

1. **Isi ulang baterai hanya dengan pengisi daya yang ditentukan oleh pabrikannya. Pengisi daya yang cocok untuk satu jenis paket baterai dapat menimbulkan risiko kebakaran ketika digunakan untuk paket baterai yang lain.**
2. **Gunakan mesin listrik hanya dengan paket baterai yang telah ditentukan secara khusus. Penggunaan paket baterai lain dapat menimbulkan risiko cedera dan kebakaran.**
3. **Ketika paket baterai tidak digunakan, jauhkan dari benda logam lain, seperti penjepit kertas, uang logam, kunci, paku, sekrup atau benda logam kecil lainnya, yang dapat menghubungkan satu terminal ke terminal lain. Hubungan singkat terminal baterai dapat menyebabkan luka bakar atau kebakaran.**
4. **Pemakaian yang salah, dapat menyebabkan keluarnya cairan dari baterai; hindari kontak. Jika terjadi kontak secara tidak sengaja, bilas dengan air. Jika cairan mengenai mata, cari bantuan medis. Cairan yang keluar dari baterai bisa menyebabkan iritasi atau luka bakar.**
5. **Jangan menggunakan paket baterai atau mesin yang sudah rusak atau telah diubah. Baterai yang rusak atau telah diubah dapat menyebabkan hal-hal yang tidak dapat diprediksi yang dapat menyebabkan kebakaran, ledakan atau risiko cedera.**
6. **Jangan membiarkan paket baterai atau mesin dekat dengan api atau suhu yang berlebihan. Paparan api atau suhu di atas 130 °C dapat menyebabkan ledakan.**

- Ikuti semua petunjuk pengisian daya dan jangan mengisi daya paket baterai atau mesin di luar rentang suhu yang ditentukan di panduan. Mengisi daya secara tidak tepat atau pada suhu di luar rentang yang ditentukan dapat merusak baterai dan meningkatkan risiko kebakaran.

Servis

- Ikuti petunjuk perawatan yang ditentukan dalam buku petunjuk.
- Untuk memastikan keamanan peralatan, gunakan suku cadang asli dari produsen atau yang disetujui oleh produsen.
- Pastikan pembersih bertekanan untuk diperbaiki oleh teknisi yang berkualifikasi dan menggunakan hanya suku cadang pengganti yang serupa. Hal ini akan menjamin terjaminnya keamanan pembersih bertekanan.
- Apabila terdapat kerusakan atau malafungsi pada pembersih bertekanan, segera matikan dan lepaskan kartrid baterai. Hubungi pusat layanan atau dealer setempat.

Peringatan keselamatan tambahan

- Jangan gunakan mesin ketika ada risiko tersambar petir.
- Ketika Anda menggunakan mesin di permukaan berlumpur, lereng basah, atau tempat yang licin, perhatikan pijakan Anda dengan saksama.
- Hindari bekerja di lingkungan buruk yang dapat mengakibatkan kelelahan berlebih pada pengguna.
- Jangan ganti baterai dalam kondisi hujan.
- Jangan biarkan mesin terendam genangan air.
- Ketika menyimpan mesin, hindari terkena cahaya matahari dan hujan langsung, dan simpan di tempat yang jauh dari panas atau lembap.
- Setelah menggunakan mesin, bersihkan kotoran yang menempel dan keringkan mesin sepenuhnya sebelum disimpan. Tergantung pada musim atau tempat, terdapat risiko gangguan fungsi akibat pembekuan.
- Jangan membasahi terminal baterai dengan cairan seperti air, atau merendam baterai. Jangan tinggalkan baterai saat hujan, atau mengisi daya, menggunakan, atau menyimpan baterai di tempat yang lembap atau basah. Jika terminal basah atau cairan masuk ke dalam baterai, mungkin dapat terjadi hubungan singkat dan terdapat risiko kelebihan panas, terbakar, atau meledak.
- Setelah melepas baterai dari mesin atau pengisi daya, pastikan Anda memasang penutup ke baterai dan simpan di tempat kering.
- Jangan ganti baterai dengan tangan basah.
- Jika peralatan membeku karena cuaca dingin, hubungi pusat layanan resmi untuk memperbaikinya.

- Jangan menggunakan suplai daya berkabel seperti adaptor baterai atau paket daya portabel dengan peralatan ini. Kabel suplai daya tersebut dapat menghalangi pengoperasian dan mengakibatkan cedera.

SIMPAN PETUNJUK INI.

PERINGATAN: JANGAN biarkan kenyamanan atau terbiasanya Anda dengan produk (karena penggunaan berulang) mengurangi kepatuhan yang ketat terhadap aturan keselamatan untuk produk yang terkait.

PENYALAHGUNAAN atau kelalaian mematuhi kaidah keselamatan yang tertera dalam petunjuk ini dapat menyebabkan cedera badan serius.

Petunjuk keselamatan penting untuk kartrid baterai

- Sebelum menggunakan kartrid baterai, bacalah semua petunjuk dan penandaan pada (1) pengisi daya baterai, (2) baterai, dan (3) produk yang menggunakan baterai.
- Jangan membongkar atau memodifikasi kartrid baterai. Tindakan tersebut dapat menimbulkan api, panas berlebih, atau ledakan.
- Jika waktu beroperasinya menjadi sangat singkat, segera hentikan penggunaan. Hal tersebut dapat menimbulkan risiko panas berlebih, kemungkinan mengalami luka bakar atau bahkan terjadi ledakan.
- Jika elektrolit mengenai mata Anda, basuh dengan air bersih dan segera cari pertolongan medis. Hal tersebut dapat mengakibatkan hilangnya kemampuan penglihatan Anda.
- Jangan menghubungkan terminal kartrid baterai:
 - Jangan menyentuh terminal dengan bahan penghantar listrik apa pun.
 - Hindari menyimpan kartrid baterai pada wadah yang berisi benda logam lain seperti paku, uang logam, dsb.
 - Jangan membiarkan baterai terkena air atau kehujanan. Hubungan singkat baterai dapat menyebabkan aliran arus listrik yang besar, panas berlebih, kemungkinan mengalami luka bakar dan bahkan kerusakan pada baterai.
- Jangan menyimpan dan menggunakan mesin dan kartrid baterai pada lokasi dengan suhu yang bisa mencapai atau melebihi 50 °C (122 °F).
- Jangan membuang kartrid baterai di tempat pembakaran sampah walaupun benar-benar rusak atau tidak bisa digunakan sama sekali. Kartrid baterai bisa meledak jika terbakar.
- Jangan memaku, memotong, menghancurkan, melempar, menjatuhkan kartrid baterai, atau memukulkan benda keras ke kartrid baterai. Tindakan tersebut dapat menimbulkan api, panas berlebih, atau ledakan.
- Jangan menggunakan baterai yang rusak.

10. **Baterai litium-ion yang disertakan sesuai dengan persyaratan Perundangan Makanan Berbahaya.**
Harus ada pengawasan untuk pengangkutan komersial misalnya oleh pihak ketiga, ekspeditor, persyaratan khusus terhadap pengemasan dan pelabelan.
Diperlukan adanya konsultasi dengan ahli mengenai material berbahaya untuk persiapan barang yang akan dikirimkan. Perhatikan pula peraturan nasional yang lebih terperinci yang mungkin ada.
Beri perekat atau tutupi bagian yang terbuka dan kemasi baterai dengan cara yang tidak akan menimbulkan pergeseran dalam pengemasan.
11. **Ketika membuang kartrid baterai, lepaskan dari mesin dan buang ke tempat yang aman. Patuhi peraturan setempat yang berkaitan dengan pembuangan baterai.**
12. **Gunakan baterai hanya dengan produk yang ditentukan oleh Makita.** Memasang baterai pada produk yang tidak sesuai dapat menyebabkan kebakaran, kelebihan panas, ledakan, atau kebocoran elektrolit.
13. **Jika mesin tidak digunakan dalam jangka waktu yang lama, baterai harus dilepas dari mesin.**
14. **Selama dan setelah digunakan, kartrid baterai mungkin menyimpan panas yang dapat menyebabkan luka bakar atau luka bakar suhu rendah.** Perhatikan cara memegang kartrid baterai yang masih panas.
15. **Jangan langsung menyentuh terminal mesin setelah digunakan karena suhunya mungkin cukup panas untuk menyebabkan luka bakar.**
16. **Jangan biarkan serpihan, debu, atau tanah menempel di terminal, lubang, dan alur kartrid baterai.** Hal tersebut dapat menyebabkan pemanasan, kebakaran, ledakan, dan kegagalan fungsi mesin atau kartrid baterai, yang mengakibatkan luka bakar atau cedera diri.
17. **Kecuali jika mesin mendukung penggunaan di dekat saluran listrik bertegangan tinggi, jangan gunakan kartrid baterai di dekat saluran listrik bertegangan tinggi.** Hal tersebut dapat mengakibatkan kegagalan fungsi atau kerusakan mesin maupun kartrid baterai.
18. **Jauhkan baterai dari jangkauan anak-anak.**

SIMPAN PETUNJUK INI.

⚠️PERHATIAN: Gunakan baterai asli Makita. Penggunaan baterai Makita yang tidak asli, atau baterai yang sudah diubah, akan mengakibatkan baterai mudah terbakar, cedera dan kerusakan. Akan menghilangkan garansi Makita pada pengisi daya dan alat Makita.

Tip untuk menjaga agar umur pemakaian baterai maksimum

1. **Isi ulang kartrid baterai sebelum habis sama sekali.** Selalu hentikan penggunaan mesin dan ganti kartrid baterai jika Anda melihat bahwa mesin kurang tenaga.
2. **Jangan pernah mengisi ulang kartrid baterai yang sudah diisi penuh.** Pengisian ulang yang berlebih memperpendek umur pemakaian baterai.
3. **Isi ulang kartrid baterai pada suhu ruangan 10 °C - 40 °C.** Biarkan kartrid baterai yang panas menjadi dingin terlebih dahulu sebelum diisi ulang.
4. **Saat kartrid baterai tidak digunakan, lepaskan dari mesin atau pengisi daya.**
5. **Isi ulang daya kartrid baterai jika Anda tidak menggunakannya untuk jangka waktu yang lama (lebih dari enam bulan).**

DESKRIPSI FUNGSI

⚠️PERHATIAN: Selalu pastikan bahwa mesin dimatikan dan kartrid baterai dilepas sebelum menyatel atau memeriksa kerja mesin.

Memasang atau melepas baterai

⚠️PERHATIAN: Selalu matikan mesin sebelum memasang atau melepas kartrid baterai.

⚠️PERHATIAN: Pegang mesin dan kartrid baterai kuat-kuat saat memasang atau melepas kartrid baterai. Kelalaian untuk memegang mesin dan kartrid baterai kuat-kuat bisa menyebabkan keduanya tergelincir dari tangan Anda dan mengakibatkan kerusakan pada mesin dan kartrid baterai dan cedera diri.

⚠️PERHATIAN: Berhati-hatilah agar jari Anda tidak terjepit saat membuka atau menutup penutup baterai.

Buka penutup sembari menekan tuas kunci.

► **Gbr.1:** 1. Penutup 2. Tuas kunci

Sejajarkan lidah kartrid baterai dengan alur pada rumah dan masukkan ke dalam tempatnya. Masukkan seluruhnya sampai terkunci pada tempatnya dan terdengar bunyi klik kecil. Jika Anda bisa melihat indikator berwarna merah seperti yang ditunjukkan pada gambar, ini artinya tidak terkunci sempurna.

► **Gbr.2:** 1. Indikator berwarna merah 2. Tombol 3. Kartrid baterai

Setelah memasang atau melepas kartrid baterai, pastikan untuk menutup penutupnya.

Untuk melepaskan kartrid baterai, buka penutup, geser kartrid baterai keluar dari alat sambil menekan tombol di depan, lalu tutup penutupnya.

⚠️ PERHATIAN: Selalu pasang kartrid baterai sepenuhnya sampai indikator berwarna merah tidak terlihat. Jika tidak, bisa terlepas dari mesin secara tidak sengaja, menyebabkan luka pada Anda atau orang di sekitar Anda.

⚠️ PERHATIAN: Jangan memasang kartrid baterai secara paksa. Jika kartrid tidak bergeser dengan mudah, berarti tidak dimasukkan dengan benar.

⚠️ PERHATIAN: Pastikan untuk mengunci penutup sebelum mengoperasikan.

PEMBERITAHUAN: Jika mesin berhenti karena penyebab yang tidak dijelaskan di atas, lihat bagian pemecahan masalah.

Mengindikasikan kapasitas baterai yang tersisa

Hanya untuk kartrid baterai dengan indikator

Tekan tombol pemeriksaan pada kartrid baterai untuk melihat kapasitas baterai yang tersisa. Lampu indikator menyala selama beberapa detik.

► **Gbr.4:** 1. Lampu indikator 2. Tombol pemeriksaan

Sistem perlindungan mesin / baterai

Alat ini dilengkapi dengan sistem perlindungan alat/baterai. Sistem ini memutuskan aliran daya ke motor secara otomatis untuk memperpanjang masa pakai alat dan baterai. Alat akan berhenti secara otomatis dengan indikasi jika alat atau baterai mengalami salah satu dari kondisi berikut ini:

► **Gbr.3:** 1. Indikator

Perlindungan kelebihan beban

Jika alat atau baterai digunakan sedemikian rupa sehingga alat menarik arus terlalu tinggi, alat akan berhenti secara otomatis dan indikator merah akan menyala. Dalam situasi ini, matikan alat dan hentikan pekerjaan yang menyebabkan alat mengalami kelebihan beban. Kemudian, nyalakan alat untuk kembali melanjutkan pekerjaan.

Perlindungan panas berlebih

Apabila alat atau baterai terlalu panas, alat akan berhenti secara otomatis dan indikator merah akan menyala. Untuk situasi ini, biarkan alat menjadi dingin sebelum menyalakan alat lagi.

Perlindungan pengisian daya berlebih

Ketika kapasitas baterai melemah, indikator merah akan berkedip. Ketika baterai hampir habis, alat akan berhenti secara otomatis dan indikator merah akan menyala. Dalam kondisi ini, lepaskan baterai dari alat dan isi ulang daya baterai.

Perlindungan terhadap penyebab lain

Sistem perlindungan juga dirancang untuk penyebab lain yang dapat merusak mesin dan memungkinkan mesin untuk berhenti secara otomatis. Lakukan semua langkah berikut ini untuk mengatasi penyebabnya, saat mesin dihentikan sementara atau berhenti beroperasi.

1. Matikan mesin, dan kemudian hidupkan kembali untuk memulai ulang.
2. Isi baterai atau ganti dengan baterai yang sudah diisi ulang.
3. Biarkan mesin dan baterai menjadi dingin.

Jika tidak ada peningkatan yang dapat ditemukan dengan memulihkan sistem perlindungan, hubungi Pusat Servis Makita setempat Anda.

Lampu indikator			Kapasitas yang tersisa
Menyala	Mati	Berkedip	
■ ■ ■ ■	□ □ □ □	▩ ▩ ▩ ▩	75% hingga 100%
■ ■ ■ □	□ □ □ □	▩ ▩ ▩ ▩	50% hingga 75%
■ ■ □ □	□ □ □ □	▩ ▩ ▩ ▩	25% hingga 50%
■ □ □ □	□ □ □ □	▩ ▩ ▩ ▩	0% hingga 25%
▩ □ □ □	□ □ □ □	▩ ▩ ▩ ▩	Isi ulang baterai.
■ □ □ □	□ □ □ □	▩ ▩ ▩ ▩	Baterai mungkin sudah rusak.
□ □ □ ■	□ □ □ □	▩ ▩ ▩ ▩	

CATATAN: Tergantung kondisi penggunaan dan suhu lingkungannya, penunjukkan mungkin saja sedikit berbeda dari kapasitas sebenarnya.

CATATAN: Lampu indikator pertama (ujung kiri) akan berkedip ketika sistem perlindungan mesin bekerja.

Sakelar mode tekanan

Pilih mode tekanan yang Anda inginkan dengan menggeser tuas sakelar ke depan dan ke belakang. Tarik tuas ke belakang untuk mode tekanan rendah sehingga simbol angka "1" terbac di sakelar. Dorong tuas ke depan untuk mode tekanan tinggi sehingga simbol angka "2" terbac di sakelar.

► **Gbr.5:** 1. Mode tekanan rendah (1) 2. Mode tekanan tinggi (2) 3. Tuas sakelar mode tekanan

Pelatuk sakelar

Pembersih bertekanan menggunakan kunci pengaman pada pelatuknya. Untuk melepaskan kunci pelatuk, tekan tombol kunci pada pelatuk sehingga permukaan pelatuk menjadi rata.

Tarik pelatuk sakelar untuk melepaskan semprotan jet air. Semprotan jet akan dilanjutkan selama pelatuk ditekan.

► **Gbr.6:** 1. Pelatuk sakelar 2. Tombol kunci

Tekan kembali tombol kunci dari dalam pelatuk untuk mengaktifkan kunci pelatuk.

Pastikan untuk mengunci pelatuk saat pembersih bertekanan tidak digunakan.

► **Gbr.7:** 1. Pelatuk sakelar 2. Tombol kunci

Fungsi nosel

Nosel semprot multi-pola (5-in-1) dilengkapi dengan berbagai pola semprotan yang dapat Anda sesuaikan tergantung kebutuhan pembersihan Anda. Dengan menggabungkan lima pola penyemprotan yang paling sering digunakan dalam satu nosel, tidak perlu lagi berganti-ganti nosel, cukup gunakan pola penyemprotan yang tepat untuk keperluan Anda.

Pergantian mode nosel yang sederhana, 0°, 15°, 25°, 40° dan pancuran

► **Gbr.8**

► **Gbr.9:** 1. Simbol pola semprot 2. Tanda segitiga

Putar kepala nosel ke kiri atau kanan ke posisi pola semprotan yang Anda inginkan. Sejajarkan secara benar simbol pola semprotan yang ingin Anda pilih dengan tanda segitiga sehingga kepala nosel terkunci dengan bunyi klik.

► **Gbr.10**

PEMBERITAHUAN: Berhati-hatilah untuk tidak mengatur kepala nosel pada posisi tidak terkunci. Jika tidak, kepala nosel dapat menghasilkan pola semprotan tidak teratur yang mengakibatkan kebocoran air.

⚠PERHATIAN: Usahakan untuk tidak memutar badan nosel secara bersamaan saat Anda mengganti pola semprotan. Nosel bisa saja terlepas dari badan alat dan mengakibatkan cedera badan.

Katup keamanan

Alat ini dilengkapi dengan katup keamanan yang mencegah kelebihan tekanan yang tidak semestinya.

⚠PERHATIAN: Jangan memodifikasi dengan atau menyetel pengaturan katup keamanan.

PERAKITAN

⚠PERHATIAN: Selalu pastikan bahwa mesin dimatikan dan kartrid baterai dilepas sebelum melakukan pekerjaan apa pun pada mesin.

Memasang nosel dan ekstensi tombak

⚠PERHATIAN: Selalu kunci pelatuk sakelar saat memasang/melepas nosel dan ekstensi.

Nosel

Sejajarkan proyeksi pemandu pada ujung nosel dengan slot pengunci pada rumahan alat. Dorong nosel sepenuhnya hingga dua tanda segitiga pada nosel dan rumahan saling berhadapan. Kemudian putar nosel ke arah yang ditunjukkan pada gambar untuk melakukan penguncian.

Setelah memasang nosel, coba tarik kembali untuk memastikan nosel terpasang dengan aman di tempatnya.

► **Gbr.11:** 1. Nosel 2. Proyeksi pemandu 3. Slot pengunci 4. Tanda segitiga 5. Tonjolan mirip sirip panggul

CATATAN: Pastikan tonjolan mirip sirip panggul menghadap ke bawah.

Untuk melepas nosel, dorong dan tahan nosel ke arah rumahan alat, lalu putar nosel berlawanan arah hingga kedua tanda segitiga saling berhadapan. Tarik nosel dari rumahan alat setelah tidak terkunci.

Ekstensi tombak

Menyiram tempat-tempat yang sulit dijangkau. Pasang ekstensi tombak di antara rumahan alat dan nosel dengan mengikuti langkah yang sama seperti yang dijelaskan untuk pemasangan nosel.

► **Gbr.12:** 1. Ekstensi tombak 2. Rumahan alat 3. Nosel 4. Proyeksi pemandu 5. Slot pengunci 6. Tanda segitiga

Untuk melepas alat tambahan, dorong dan tahan ujung alat tambahan ke arah dudukan alat tambahan/rumahan, lalu putar nosel berlawanan arah hingga kedua tanda segitiga saling berhadapan. Tarik ujung alat tambahan dari dudukan alat tambahan/rumahan setelah tidak terkunci.

Menghubungkan ke suplai air tangki

PEMBERITAHUAN: Selalu gunakan selang tekanan dan saringan yang disertakan dengan alat ini untuk mengalirkan air.

PEMBERITAHUAN: Selalu jaga ketinggian 2,0 m atau kurang di antara saluran masuk pembersih bertekanan dan permukaan air. Jika tidak, pembersih bertekanan tidak akan mampu mengambil air ke dalam pompa.

PEMBERITAHUAN: Pastikan untuk mengisi wadah air dengan isian lebih dari 25 mm dari bawah dan telah merendam saringan di dalam air sepenuhnya.

Air dapat dipasok dari tangki/wadah/tandon dengan berbagai ukuran.

Penyiraman dengan air yang dipasok dari tangki dapat mengatasi situasi pembersihan bertekanan, seperti misalnya pencucian mobil dan penyiraman taman, dll., di mana air tidak tersedia dan harus diangkut ke area atau lokasi pencucian.

1. Pasang saringan ke salah satu ujung selang tekanan.

Masukkan saluran keluar saringan ke dalam selongsong kopling dan dorong hingga saringan terpasang dengan benar pada tempatnya.

► **Gbr.13:** 1. Saringan 2. Selongsong kopling 3. Selang tekanan

2. Biarkan saringan berada di dasar wadah air.
► **Gbr.14:** 1. Saringan 2. Selang tekanan 3. Kait selang

CATATAN: Gantungkan selang di sepanjang bukaan dengan menggunakan kait selang yang disertakan sehingga saringan tetap berada di dasar wadah.

3. Pasang ujung selang lainnya ke konektor selang air pada pembersih bertekanan.

Tempatkan selongsong kopling di atas saluran masuk konektor dan dorong hingga selongsong kopling terpasang dengan benar pada tempatnya.

- **Gbr.15:** 1. Selongsong kopling 2. Konektor selang air

PERHATIAN: Pastikan selang tekanan tinggi terpasang dengan benar. Penghubung yang kendur bisa saja meledakkan selang tekanan tinggi, yang dapat berujung pada cedera fisik.

PEMBERITAHUAN: Masukkan air ke dalam pembersih bertekanan dan selang terlebih dahulu setiap kali Anda ingin mengangkat air dari kedalaman tertentu dalam mode tekanan tinggi.

Menghubungkan ke suplai air saluran

PERHATIAN: Selalu gunakan selang tekanan yang disertakan dengan alat ini untuk mengalirkan air.

PEMBERITAHUAN: Jika Anda menghubungkan pada steker sebagai air minum, gunakan katup penahan aliran belakang yang sesuai dengan peraturan di kawasan Anda.

PEMBERITAHUAN: Pertahankan agar tekanan air saluran masuk kurang dari 0,5 MPa untuk pengumpanan yang halus. Jangan melebihi tekanan pengumpanan maksimum karena hal tersebut dapat menyebabkan kebocoran air saat alat berhenti bekerja.

Air dapat dipasok dari air saluran yang tersedia di area atau lokasi pembersihan.

Suplai air yang terus-menerus memungkinkan Anda untuk tidak perlu repot mengisi ulang air sehingga memungkinkan pembersihan rumah dan penyiraman taman menjadi efisien, seperti membersihkan suatu spot, membasuh, dan menyiram area rumput atau tumbuh-tumbuhan yang luas.

1. Sambungkan selang tekanan ke keran.

Letakkan dudukan sambungan keran air leding yang sesuai untuk menahan ujung selang dengan keran.

- **Gbr.16:** 1. Sambungan keran air leding
2. Selongsong kopling 3. Selang tekanan

CATATAN: Jenis dudukan sambungan tergantung pada bentuk keran yang Anda sambungkan. Persiapkan dudukan sambungan yang sudah dibeli dengan sesuai.

2. Pasang ujung selang lainnya ke konektor selang air pada pembersih bertekanan.

Tempatkan selongsong kopling di atas saluran masuk konektor dan dorong hingga selongsong kopling terpasang dengan benar pada tempatnya.

- **Gbr.17:** 1. Selongsong kopling 2. Konektor selang air

Memasang nosel busa

Pilihan Aksesori

PERHATIAN: Selalu kunci pelatuk sakelar saat memasang/melepas alat tambahan opsional.

PEMBERITAHUAN: Hanya gunakan detergen netral. Jangan gunakan detergen rumah tangga, detergen asam, detergen basa, pemutih, pelarut, bahan yang mudah terbakar, atau larutan grade industri, yang dapat merusak alat atau properti Anda. Siapkan larutan pembersih seperti yang diinstruksikan pada botol larutan, dan selalu uji terlebih dahulu di tempat yang tidak menarik perhatian orang.

PEMBERITAHUAN: Jika deterjen yang digunakan sangat kental, nosel kemungkinan akan tersumbat. Saat menggunakan deterjen dengan kekentalan tinggi, encerkan deterjen dengan menambahkan air ke dalam botol sebelum digunakan.

CATATAN: Saat menggunakan nosel busa, deterjen di dalam botol diencerkan dengan air yang disuplai oleh alat dan disemprotkan. Anda tidak perlu mengencerkan konsentrasi deterjen di dalam botol lebih dari yang diperlukan. Sesuaikan konsentrasi deterjen sambil memeriksa kondisi penggunaan.

CATATAN: Jika nosel busa miring ke samping, deterjen dapat tumpah.

Persiapkan deterjen sebelum menggunakan nosel busa.

1. Isi tangki dengan deterjen. Pasang nosel ke tangki dan kencangkan penutupnya.
2. Miringkan nosel busa untuk menyebarkan proyeksi pemandunya dengan slot pengunci pada rumahan alat. Dorong nosel sepenuhnya dan tahan di tempatnya. Kemudian putar nosel busa ke arah yang ditunjukkan pada gambar untuk melakukan penguncian.
► **Gbr.18:** 1. Nosel busa 2. Tangki 3. Proyeksi pemandu 4. Slot pengunci

Setelah memasang nosel, coba tarik kembali untuk memastikan nosel terpasang dengan aman di tempatnya.

3. Putar penyetel deterjen untuk mengatur volume isap larutan deterjen.

- **Gbr.19:** 1. Penyetel deterjen 2. Menyetel ke minimum 3. Menyetel ke maksimum

Memasang nosel opsional

Pilihan Aksesori

PERHATIAN: Selalu kunci pelatuk sakelar saat memasang/melepas alat tambahan opsional.

Sejajarkan proyeksi pemandu pada nosel opsional dengan slot pengunci pada rumah alat. Dorong nosel sepenuhnya dan tahan di tempatnya. Kemudian putar nosel ke arah yang ditunjukkan pada gambar untuk melakukan penguncian.

Setelah memasang nosel, coba tarik kembali untuk memastikan nosel terpasang dengan aman di tempatnya.

► **Gbr.20:** 1. Nosel 2. Proyeksi pemandu 3. Slot pengunci

Untuk melepas nosel, dorong dan tahan nosel ke arah rumah alat, lalu putar nosel berlawanan arah untuk melepaskan kuncinya. Tarik nosel dari pembersih bertekanan setelah tidak terkunci.

Memasang adaptor botol plastik

Pilihan Aksesori

PERHATIAN: Selalu kunci pelatuk sakelar saat memasang/melepas alat tambahan opsional.

PERHATIAN: Pastikan untuk memasang adaptor botol plastik dengan erat ke pembersih bertekanan dan botol plastik. Kelalaian untuk melakukannya dapat menyebabkan terjatuhnya botol yang mengakibatkan cedera diri.

CATATAN: Untuk menampung air, lebih disarankan menggunakan botol plastik berukuran 2 liter (setengah galon).

1. Isi air dalam botol plastik.
2. Masukkan dan arahkan pipa pengisap ke bawah melalui lubang botol.
3. Pasang adaptor ke botol dengan memutar mur selongsong kopling.
4. Pasang adaptor botol plastik ke konektor selang air pada pembersih bertekanan.

Tempatkan selongsong kopling di atas saluran masuk konektor dan dorong hingga selongsong kopling terpasang dengan benar pada tempatnya.

► **Gbr.21:** 1. Adaptor botol plastik 2. Pipa pengisap 3. Botol plastik 4. Konektor selang air

PENGUNAAN

PERINGATAN: Jangan sentuh jet air atau arahnya pada diri sendiri atau orang lain. Jet air sangat berbahaya dan dapat melukai Anda atau orang lain.

PERINGATAN: Saat menembakkan jet air, jangan pernah memegang benda yang Anda bersihkan atau meletakkan tangan dan kaki Anda di dekat jet air.

PERHATIAN: Jangan nyalakan pembersih bertekanan tanpa air selama lebih dari 1 menit.

PERHATIAN: Jangan menggunakan pembersih bertekanan dalam waktu lama. Hal ini bisa mengakibatkan panas yang berlebihan atau kebakaran. Juga, penggunaan dalam masa yang lama mengakibatkan getaran yang kacau.

PERHATIAN: Perhatikan arah angin. Jika detergen mengenai mata atau mulut Anda, basuh dengan air bersih secepatnya dan cari pertolongan medis jika perlu.

PEMBERITAHUAN: Untuk melindungi mekanisme pembersih bertekanan, jangan gunakan air yang panasnya lebih dari 40°C (104°F).

PEMBERITAHUAN: Jangan menggunakan sumber air yang tidak diolah, seperti air sungai, air kolam, dan air yang berpasir atau berlumpur. Air kotor yang tidak disaring dapat menyebabkan pengendapan bahan yang tidak diinginkan di dalam pompa sehingga mengakibatkan malafungsi.

Ketinggian pengangkatan air

Ketinggian vertikal dari sumber air ke saluran masuk isap air pada pembersih bertekanan harus berada kurang dari 2,0 m.

Kedalaman air yang menggenang

Isi wadah air dengan ketinggian genangan lebih dari 25 mm dari bawah wadah.

- **Gbr.22:** 1. Ketinggian pengangkatan air
2. Kedalaman air yang menggenang

Langkah-langkah pengoperasian dasar

1. Hubungkan saluran masuk selang air ke suplai air.
2. Hubungkan saluran keluar selang air ke pembersih bertekanan.
► **Gbr.23**

3. Jika sisa air di dalam pembersih bertekanan telah habis sejak terakhir kali digunakan, masukkan air ke dalam selang tekanan dan pembersih bertekanan.

Biarkan air mengalir melalui selang dan pembersih hingga udara di dalamnya keluar.

- (1) Lepaskan nosel dari pembersih bertekanan.
- (2) Pasang kartrid baterai ke pembersih bertekanan.
- (3) Pilih mode tekanan tinggi.
- (4) Buka kunci pelatuk sakelar.
- (5) Tarik dan tahan pelatuk sakelar hingga pembersih bertekanan menghasilkan semprotan jet air yang stabil.
► **Gbr.24:** 1. Tuas sakelar mode tekanan

Setelah mengeluarkan udara yang terjebak di pembersih bertekanan dan selang, lepaskan pelatuk sakelar.

Lepaskan kartrid baterai dari pembersih bertekanan, dan pasang nosel yang sesuai dengan kebutuhan Anda.

4. Buka penutup dan pasang kartrid baterai ke dalam pembersih bertekanan, kemudian kunci penutupnya.
► **Gbr.25:** 1. Kartrid baterai 2. Penutup

PERHATIAN: Berhati-hatilah agar jari Anda tidak terjepit saat membuka atau menutup penutup baterai.

- Pilih mode tekanan yang Anda inginkan. Kemudian buka kunci pelatuk sakelar.
▶ **Gbr.26:** 1. Tuas sakelar mode tekanan 2. Pelatuk sakelar 3. Tombol kunci
- Arahkan kepala nosel ke area atau lokasi penyiraman. Remas pelatuk sakelar.
Semprotan jet air akan terus berlanjut selama pelatuk diremas.
▶ **Gbr.27**
▶ **Gbr.28**

PERHATIAN: Pegang pembersih bertekanan dengan kuat. Alat akan terpelekat saat Anda menarik pelatuk sakelar.

PERHATIAN: Selalu pegang gagang pembersih bertekanan dan silinder saat mengeluarkan semprotan jet air.

Setelah penggunaan

PERHATIAN: Setelah mengoperasikan pembersih bertekanan, selalu lakukan prosedur seperti yang dijelaskan dalam buku petunjuk ini. Tekanan residual dalam pembersih bertekanan bisa mengakibatkan cedera badan atau kerusakan pada pompa di dalam.

- Lepaskan pelatuk sakelar dan kunci pelatuk menggunakan tombol kunci.
- Copot selang air dari suplai air.
▶ **Gbr.29**
- Buka kunci pelatuk sakelar dan remas pelatuk hingga sisa air dalam pembersih bertekanan dan selang habis.
▶ **Gbr.30**

PEMBERITAHUAN: Jangan nyalakan motor selama lebih dari 1 menit.

- Lepaskan pelatuk sakelar dan kunci pelatuk menggunakan tombol kunci. Kemudian lepaskan baterai dari pembersih bertekanan.
▶ **Gbr.31:** 1. Tombol kunci 2. Kartrid baterai
- Lepaskan selang tekanan dari pembersih bertekanan.
▶ **Gbr.32:** 1. Selongsong kopling 2. Konektor selang air

PEMBERITAHUAN: Untuk mencegah kerusakan pada selang tekanan, hilangkan air yang tersisa dalam selang sebelum disimpan.

PERAWATAN

PERHATIAN: Selalu pastikan bahwa mesin dimatikan dan kartrid baterai dilepas sebelum melakukan pemeriksaan atau perawatan.

PEMBERITAHUAN: Jangan sekali-kali menggunakan bensin, tiner, alkohol, atau bahan sejenisnya. Penggunaan bahan demikian dapat menyebabkan perubahan warna, perubahan bentuk atau timbulnya retakan.

Untuk menjaga KEAMANAN dan KEANDALAN mesin, perbaikan, perawatan atau penyetulan lainnya harus dilakukan oleh Pusat Layanan Resmi atau Pabrik Makita; selalu gunakan suku cadang pengganti buatan Makita.

Membersihkan nosel

Gunakan pasak pembersih, jeruji kecil berbentuk kikir, untuk menghilangkan kotoran yang tersumbat dari bukaan nosel.

- ▶ **Gbr.33:** 1. Pasak pembersih 2. Nosel

CATATAN: Untuk menjaga performa optimal, bersihkan nosel secara berkala.

PEMBERITAHUAN: Jangan menghilangkan kotoran atau serpihan dengan paksaan. Hal ini bisa mengakibatkan cedera badan atau kerusakan pada lubang pengeluaran yang mengakibatkan sudut jet menyimpang atau performa yang buruk.

Membersihkan saringan

Lepaskan konektor selang air dari pembersih bertekanan. Bersihkan debu atau kotoran yang menempel pada saringan.

- ▶ **Gbr.34:** 1. Konektor selang air 2. Saringan 3. Cincin penyegel

Bongkar saringan dengan melepas wadah saringan. Bersihkan debu atau kotoran yang menempel pada saringan.

- ▶ **Gbr.35:** 1. Saringan 2. Wadah saringan

CATATAN: Untuk menjaga performa optimal, bersihkan saringan secara berkala.

PEMECAHAN MASALAH

Sebelum meminta perbaikan, lakukan pemeriksaan mandiri terlebih dahulu. Jika Anda menemukan masalah yang tidak dijelaskan dalam buku petunjuk ini, jangan coba membongkar mesin. Sebaliknya, hubungi Pusat Servis Resmi Makita, dan selalu gunakan suku cadang pengganti Makita untuk perbaikan.

Kondisi Tidak Normal	Kemungkinan penyebab (kerusakan fungsi)	Perbaikan
Cincin penutup tidak menyala.	Tidak ada listrik	Pasang kartrid baterai yang terisi daya.
	Pelatuk sakelar terkunci.	Buka kunci pelatuk sakelar.
	Kerusakan baterai atau rangkaian listrik	Hubungi pusat layanan resmi untuk memperbaikinya.
Tidak ada jet air / jet air lemah	Tidak ada suplai air	Pastikan bahwa keran terbuka. Jika menghubungkan ke suplai air tangki, masukkan air terlebih dahulu ke dalam pembersih bertekanan dan selang.
	Suplai air yang buruk	Hidupkan keran.
	Penghubung selang air yang buruk	Periksa sambungan antara pembersih bertekanan dan suplai air.
	Selang air yang mengalami deformasi atau aus	Luruskan selang. Ganti selang air yang rusak dengan yang baru.
	Selang atau nosel yang tersumbat	Bersihkan sumbatan selang atau nosel.
	Penyaring yang tersumbat	Bersihkan debu atau kotoran yang menempel di penyaring pada saringan dan konektor selang air.
	Air buangan/terkontaminasi	Bersihkan sistem air dan isi ulang dengan air bersih.
	Nosel yang rusak atau aus	Ganti nosel.
	Kerusakan pompa atau katup	Hubungi pusat layanan resmi untuk memperbaikinya.
	Sambungan air yang longgar	Kencangkan sambungan antara selang air dan selongsong kopling.
	Kebocoran dari sambungan suplai air	Kencangkan kembali sambungan antara selang air dan suplai air.
	Saringan yang dipasang secara kurang tepat	Rendamkan saringan ke dalam air sepenuhnya.
Mode tekanan air rendah		Pilih mode tekanan tinggi.
Jet air tidak stabil	Nosel yang tersumbat	Buka sumbat pada lubang pengeluaran nosel menggunakan pasak pembersih.
	Pengisapan air yang buruk	Periksa selang air apakah ada kebocoran atau tersumbat.
	Air terlalu panas.	Gunakan air yang lebih dingin.
	Kerusakan katup	Hubungi pusat layanan resmi untuk memperbaikinya.
Suara yang tidak normal	Air terlalu panas.	Gunakan air yang lebih dingin.
Kebocoran air	Penghubung yang buruk	Periksa sambungan antara pembersih bertekanan dan suplai air.
	Pemasangan nosel yang buruk	Dorong nosel sepenuhnya. Kemudian putar nosel hingga terkunci dengan kuat.
	Kepala nosel selalu berada pada posisi yang salah	Atur kepala nosel pada posisi terklik dengan simbol pola semprotan yang terlihat jelas.
	Penyegel yang aus	Hubungi pusat layanan resmi untuk memperbaikinya.

AKSESORI PILIHAN

⚠️ PERHATIAN: Dianjurkan untuk menggunakan aksesoris atau perangkat tambahan ini dengan mesin Makita Anda yang ditentukan dalam petunjuk ini. Penggunaan aksesoris atau perangkat tambahan lain bisa menyebabkan risiko cedera pada manusia. Hanya gunakan aksesoris atau perangkat tambahan sesuai dengan peruntukannya.

Jika Anda memerlukan bantuan lebih rinci berkenaan dengan aksesoris ini, tanyakan pada Pusat Layanan Makita terdekat.

CATATAN: Beberapa item dalam daftar tersebut mungkin sudah termasuk dalam paket mesin sebagai aksesoris standar. Hal tersebut dapat berbeda dari satu negara ke negara lainnya.

Nosel busa

► Gbr.36

Detergen bisa disemprotkan menjadi busa.

Sikat pencuci

► Gbr.37

Nosel dilengkapi dengan sikat. Sangat berguna untuk membersihkan kotoran dengan menyikat.

Nosel bersudut

► Gbr.38

Kepala nosel bersudut dapat berputar 360 derajat, memungkinkan kemampuan pergantian arah dan jangkauan tanpa sudut mati.

Adaptor botol plastik

► Gbr.39

Pompa air dalam botol dan dikeluarkan dengan mudah dari botol plastik. Botol air dapat berfungsi sebagai sumber air.

AMARAN

- Peralatan tidak boleh digunakan oleh kanak-kanak. Kanak-kanak harus diselia untuk memastikan mereka tidak bermain dengan peralatan ini.
- Peralatan ini tidak bertujuan untuk digunakan oleh orang (termasuk kanak-kanak) yang mempunyai kekurangan fizikal, deria atau kebolehan mental, atau kurang pengalaman dan pengetahuan, melainkan mereka telah diberikan penyeliaan dan arahan berkenaan penggunaan peralatan oleh orang yang bertanggungjawab ke atas keselamatan mereka.
- Air tekanan tidak boleh dihalakan kepada orang, peralatan elektrik hidup atau peralatan sendiri.
- Sentiasa pastikan peralatan dimatikan dan kartrij bateri dikeluarkan sebelum menjalankan sebarang kerja pada alat.
- Jangan gunakan peralatan jika bahagian penting peralatan rosak, contohnya peranti keselamatan dan hos tekanan.
- Baca arahan dalam bahagian penyelenggaraan untuk mendapatkan butiran langkah berjaga-jaga yang sesuai semasa penyelenggaraan pengguna.
- Ketahui julat suhu biasa untuk mengecas bateri. Baca arahan keselamatan bagi kartrij bateri untuk mengetahui langkah berjaga-jaga mengendalikan bateri.
- Baca arahan dalam bahagian pemasangan untuk mendapatkan butiran langkah berjaga-jaga yang sesuai semasa pemasangan peralatan.
- Ketahui tekanan salur masuk air maksimum. Baca maklumat dalam bahagian spesifikasi untuk mendapatkan butiran yang sesuai tentang sambungan ke sesalur air.
- Sentiasa gunakan set hos yang dibekalkan bersama-sama peralatan. Baca arahan dalam bahagian pemasangan untuk mengetahui langkah berjaga-jaga untuk sambungan ke sesalur air.
- Apertur pengisian air tidak boleh dibuka semasa digunakan. Ikut arahan dalam bahagian pemasangan untuk mengekalkan tekanan air.

- Jangan gunakan di dalam kolam renang yang mengandungi air.
- Patuhi keperluan syarikat bekalan air tempatan.
- Untuk negara Eropah:
Menurut kepada EN12729 (BA), perkakasan juga boleh disambungkan ke bekalan air minuman utama jika injap pencegah aliran balik dengan kemudahan longkang dipasang di hos bekalan.

SPEKIFIKASI

Model:		DHW180
Kadar aliran maks. ^{*1} [Bekalan air tangki / Bekalan air utama]		3.0 / 5.3 L/min
Kadar aliran air ^{*2}	Mod tinggi	2.5 L/min
	Mod rendah	1.5 L/min
Maksimum tekanan kerja		2.4 MPa
Tekanan bekerja ^{*2}	Mod tinggi [Bekalan air tangki / Bekalan air utama]	2.0 / 2.2 MPa
	Mod rendah [Bekalan air tangki / Bekalan air utama]	0.8 / 0.8 MPa
Maksimum tekanan suapan		0.5 MPa
Maksimum suhu suapan		40°C
Maksimum ketinggian sedutan		2.0 m
Voltan terkadar		D.C. 18 V
Dimensi ^{*3} [P x L x T]		888 mm x 99 mm x 239 mm
Berat		2.3 - 2.7 kg

*1 : Tanpa muncung

*2 : Corak semburan 15°

*3 : Dengan muncung 5 dalam 1 dan sambungan

- Disebabkan program penyelidikan dan pembangunan kami yang berterusan, spesifikasi yang terkandung di dalam ini adalah tertakluk kepada perubahan tanpa notis.
- Spesifikasi mungkin berbeza mengikut negara.
- Berat mungkin berbeza bergantung kepada pemasangan, termasuk kartrij bateri. Kombinasi paling ringan dan paling berat, mengikut Prosedur EPTA 01/2014, ditunjukkan di dalam jadual.

Kartrij bateri dan pengecas yang boleh digunakan

Kartrij bateri	BL1815N / BL1820B / BL1830B / BL1840B / BL1850B / BL1860B
Pengecas	DC18RC / DC18RD / DC18RE / DC18SD / DC18SE / DC18SF / DC18SH / DC18WC

- Sesetengah kartrij bateri dan pengecas yang disenaraikan di atas mungkin tidak tersedia bergantung pada kawasan kediaman anda.

⚠️ AMARAN: Hanya menggunakan kartrij bateri dan pengecas yang disenaraikan di atas. Penggunaan mana-mana kartrij bateri dan pengecas lain boleh menyebabkan kecederaan dan/atau kebakaran.

⚠️ AMARAN: Tidak menggunakan bekalan kuasa yg dikodkan dgn tali seperti penyesuai bateri atau pek kuasa mudah alih dengan mesin ini. Kabel bekalan kuasa mungkin menghalang pengendalian dan mengakibatkan kecederaan peribadi.

Simbol

Berikut menunjukkan simbol-simbol yang boleh digunakan untuk alat ini. Pastikan anda memahami maksudnya sebelum menggunakan.



Baca manual arahan.



Sila gunakan dengan berhati-hati dan penuh perhatian.



Ni-MH
Li-ion

Hanya untuk negara-negara EU
Disebabkan kehadiran komponen berbahaya dalam peralatan, sisa peralatan elektrik dan elektronik, akumulator dan bateri boleh memberi kesan negatif terhadap persekitaran dan kesihatan manusia.

Jangan buang alat elektrik dan elektronik atau bateri bersama dengan bahan buangan isi rumah!

Mengikuti Arahan Eropah mengenai sisa peralatan elektrik dan elektronik dan mengenai akumulator dan bateri dan sisa akumulator dan bateri serta penyesuaian dengan undang-undang negara, sisa peralatan elektrik, bateri dan akumulator hendaklah disimpan secara berasingan dan dihantar ke tempat pengumpulan berasingan untuk sisa perbandaran, beroperasi mengikut peraturan perlindungan persekitaran. Ini ditunjukkan oleh simbol tong sampah beroda yang bersilang pada peralatan.



Jangan sambungkan ke kepala paip air yang boleh diminum.



Jangan halakan jet kepada orang termasuk diri sendiri, haiwan dan peralatan elektrik hidup.

Tujuan penggunaan

Alat ini bertujuan untuk membersihkan kotoran dengan menggunakan jet air untuk kegunaan rumah. Dengan menawarkan jenis semburan yang boleh dipilih, alat ini berfungsi untuk menambah baik pencucian anda serta penyiraman rumput dan taman.

AMARAN KESELAMATAN

AMARAN KESELAMATAN PENTING

⚠️ AMARAN: Baca semua amaran keselamatan dan semua arahan. Kegagalan mematuhi amaran dan arahan boleh menyebabkan kejutan elektrik, kebakaran dan/atau kecederaan serius.

Simpan semua amaran dan arahan untuk rujukan masa depan.

AMARAN – Apabila menggunakan produk, langkah berjaga-jaga asas hendaklah sentiasa diikuti termasuk yang berikut:

Keselamatan kawasan kerja

1. Jauhkan kawasan operasi daripada semua orang.
2. Jangan terlebih jangkau atau berdiri pada sokongan yang tidak stabil. Pastikan pijakan dan keseimbangan yang baik pada setiap masa.
3. Sentiasa letakkan badan pencuci bertekanan pada paras dan permukaan yang stabil. Elakkan kawasan bagi air yang dikeluarkan akan mengalir atau bertakung.
4. Sebelum membersihkan, periksa persekitaran dan objek yang hendak dibersihkan. Jet bertekanan mengikis cat atau rawatan permukaan lain termasuk bahan kimia toksik. Ambil langkah pencegahan jika perlu.
5. Berhati-hati agar tidak tersadung hos pencuci bertekanan. Sentiasa ambil tahu tentang konfigurasi hos semasa operasi.
6. Semasa penggunaan, sedikit air akan keluar daripada bahagian bawah pencuci bertekanan. Berhati-hati agar tidak mengendalikan alat di atas kawasan yang anda tidak mahu kawasan tersebut basah.

Keselamatan diri

1. Untuk melindungi daripada jet dan objek oleh jet, pengendali hendaklah memakai pakaian yang sesuai seperti but keselamatan, sarung tangan keselamatan, topi keledar keselamatan dengan visor, pelindung pendengaran dan sebagainya.
2. Pakai kelengkapan perlindungan diri. Bergantung pada penggunaan, gunakan pelindung muka, gogal keselamatan atau cermin mata keselamatan kerana pelindung mata mampu menghentikan serpihan terbang yang dihasilkan oleh pelbagai operasi.
3. Jangan gunakan pencuci bertekanan dalam lingkungan orang melainkan mereka memakai pakaian pelindung.
4. Untuk mengurangkan risiko kecederaan, pengawasan yang ketat diperlukan semasa produk digunakan berdekatan kanak-kanak.
5. Jika sambungan dibuat kepada sistem air boleh diminum, sistem hendaklah dilindungi daripada aliran balik.
6. Air yang telah mengalir melalui penghalang aliran balik dianggap tidak boleh diminum.

Keselamatan elektrik

1. Jangan sekali-kali menyentuh kartrij bateri dengan tangan yang basah.
2. Jangan gunakan peralatan jika bahagian penting peralatan rosak, contohnya peranti keselamatan dan hos tekanan.
3. Elakkan persekitaran yang bahaya. Jangan gunakan alat dalam lokasi lembap atau basah atau mendedahkannya kepada hujan. Air yang memasuki alat akan meningkatkan risiko kejutan elektrik.

Penggunaan dan penjagaan alat kuasa

1. Baca semua arahan sebelum menggunakan produk.

2. **Ketahui cara menghentikan pencuci bertekanan dan pengaliran tekanan dengan cepat. Biasakan diri dengan kawalan.**
 3. **Jangan sembur cecair mudah terbakar dan/ atau toksik. Ini boleh mengakibatkan letupan, intoksikasi atau kerosakan pada peralatan.**
 4. **Jangan halakan jet pada diri sendiri atau yang lain untuk membersihkan pakaian atau kasut.**
 5. **Hos tekanan, perlengkapan dan gandingan penting untuk keselamatan peralatan. Gunakan hanya hos, perlengkapan dan gandingan yang disyorkan oleh pengilang.**
 6. **Ikuti arahan apabila menukar aksesori.**
 7. **Pastikan pemegang kering, bersih dan bebas daripada minyak dan gris.**
 8. **Sentiasa berwaspada – perhatikan perkara yang anda sedang lakukan.**
 9. **Jangan kendalikan produk dalam keadaan letih atau di bawah pengaruh alkohol atau dadah.**
 10. **Jangan jalankan pencuci bertekanan tanpa air selama lebih daripada satu minit. Operasi ini akan merosakkan motor dan mengakibatkan pincang tugas.**
 11. **Sentiasa matikan kuasa dan matikan sesalur air apabila meninggalkan pencuci bertekanan tanpa pengawasan.**
 12. **Berhati-hati dengan tolak keluar. Peralatan tersentak apabila jet bertekanan dikeluarkan daripada muncung. Pegang peralatan dengan kuat untuk mengelakkan kecederaan yang tidak disengajakan.**
 13. **Periksa bahagian yang rosak atau haus sebelum digunakan. Pastikan juga hos disambungkan dengan betul dan tiada kebocoran semasa operasi. Mengendalikan peralatan dengan kecacatan fungsian boleh menyebabkan kemalangan.**
 14. **Jangan tarik hos untuk menggerakkan badan pencuci bertekanan. Ini akan merosakkan hos serta bahagian penyambung dan mengakibatkan litar pintas atau kecacatan fungsian.**
 15. **Jangan letakkan objek berat pada hos atau biarkan kenderaan memandu di atasnya.**
 16. **Sentiasa keluarkan tekanan sisa di dalam peralatan sebelum memutuskan sambungan hos.**
 17. **Apabila menyambungkan hos ke sesalur air, patuhi arahan jabatan atau syarikat kerja air tempatan anda.**
 18. **Jika pencuci bertekanan terjatuh atau terkena objek keras, pastikan anda memeriksa kerosakan dan keretakan. Menggunakan pencuci bertekanan yang rosak boleh menghasilkan asap, kebakaran, atau menyebabkan kejutan elektrik yang mengakibatkan kecederaan diri.**
 19. **Elakkan permulaan yang tidak disengajakan. Pastikan suis berada dalam kedudukan tertutup sebelum menyambung kepada pek bateri, mengangkat atau membawa alat. Membawa peralatan dengan jari anda pada suis atau mentenagakan peralatan dengan suis dalam kedudukan hidup mengundang kemalangan.**
 20. **Cabut sambungan pek bateri dari peralatan sebelum membuat apa-apa pelarasan, menukar aksesori, atau menyimpan peralatan. Langkah-langkah keselamatan pencegahan sedemikian mengurangkan risiko memulakan peralatan secara tidak sengaja.**
 21. **Jangan ubah suai atau cuba membaiki perkakas atau pek bateri kecuali seperti yang dinyatakan dalam arahan untuk penggunaan dan penjagaan.**
 22. **AMARAN – Risiko Suntikan atau Kecederaan–Jangan Halakan Aliran Pelepasan Pada Orang.**
 23. **Pastikan objek atau kawasan yang hendak dibersihkan tahan terhadap penyiraman. Jika tidak, kerosakan pada item atau tapak boleh berlaku dan mengakibatkan kecederaan diri.**
- Penggunaan dan penjagaan alat bateri**
1. **Cas semula dengan pengecas yang ditentukan oleh pengeluar sahaja. Pengecas yang sesuai untuk satu jenis pek bateri mungkin menimbulkan risiko kebakaran apabila digunakan dengan pek bateri lain.**
 2. **Gunakan alat kuasa dengan pek bateri yang ditentukan secara khusus sahaja. Penggunaan mana-mana pek bateri lain mungkin menimbulkan risiko kecederaan dan kebakaran.**
 3. **Apabila pek bateri tidak digunakan, jauhkannya daripada objek logam lain, seperti klip kertas, duit syiling, kunci, paku, skru atau objek logam kecil lain, yang boleh membuat sambungan dari satu terminal ke terminal yang lain. Memintas terminal bateri bersama-sama mungkin menyebabkan lecuran atau kebakaran.**
 4. **Dalam keadaan kasar, cecair mungkin dikeluarkan daripada bateri; elakkan sentuhan. Jika tersentuh secara tidak sengaja, siram dengan air. Jika cecair terkena mata, dapatkan bantuan perubatan di samping siraman air. Cecair yang dikeluarkan dari bateri mungkin menyebabkan kegatalan atau luka kebakaran.**
 5. **Jangan gunakan pek bateri atau alat yang rosak atau diubah suai. Bateri yang rosak atau diubah suai mungkin menunjukkan tingkah laku yang tidak dijangka menyebabkan kebakaran, letupan atau risiko kecederaan.**
 6. **Jangan dedahkan pek bateri atau alat kepada api atau suhu yang berlebihan. Pendedahan kepada api atau suhu melebihi 130 °C mungkin menyebabkan letupan.**
 7. **Ikut semua arahan pengecasan dan jangan cas pek bateri atau alat di luar julat suhu yang ditetapkan dalam arahan. Mengecas dengan tidak betul atau pada suhu di luar julat yang ditetapkan mungkin merosakkan bateri dan meningkatkan risiko kebakaran.**
- Servis**
1. **Ikuti arahan penyelenggaraan yang dinyatakan dalam manual.**
 2. **Untuk memastikan keselamatan peralatan, gunakan hanya alat ganti yang tulen daripada pengilang atau diluluskan oleh pengilang.**

3. Pastikan pencuci bertekanan anda diservis oleh pembalik pulih yang berkelayakan dengan hanya menggunakan alat ganti yang sama. Ini akan memastikan keselamatan pencuci bertekanan dapat dikekalkan.
4. Sekiranya berlaku kerosakan atau pincang tugas pada pencuci bertekanan, segera matikan pencuci bertekanan tersebut dan keluarkan kartrij bateri. Hubungi pengedar atau pusat servis tempatan anda.

Amaran keselamatan tambahan

1. Jangan gunakan alat apabila terdapat risiko kilat.
2. Apabila anda menggunakan alat di tanah berlumpur, cerun basah, atau tempat yang licin, beri perhatian kepada pijakan anda.
3. Elakkan bekerja di persekitaran teruk di mana meningkatkan keletihan pengguna.
4. Jangan menggantikan bateri dalam hujan.
5. Jangan menenggelamkan alat ke dalam lokap.
6. Apabila menyimpan alat, elakkan cahaya matahari langsung dan hujan, dan simpan di tempat yang tidak panas atau lembap.
7. Selepas menggunakan alat, tanggalkan kotoran yang melekat dan keringkan mesin sepenuhnya sebelum menyimpan. Bergantung kepada musim atau kawasan, terdapat risiko kerosakan akibat pembekuan.
8. Jangan basuh terminal bateri dengan cecair seperti air, atau menenggelamkan bateri. Jangan biarkan bateri yang dalam hujan, atau caj, penggunaan, atau simpan bateri di tempat yang lembap atau basah. Jika terminal basah atau cecair masuk ke dalam bateri, bateri boleh litar pintas terdapat risiko terlalu panas, terbakar, atau letupan.
9. Selepas mengeluarkan bateri dari alat atau pengecas, pastikan memasang penutup bateri pada bateri dan simpannya di tempat yang kering.
10. Jangan ganti bateri dengan tangan basah.
11. Jika peralatan beku kerana cuaca sejuk, hubungi pusat servis yang diiktiraf untuk dibaikakan.
12. Jangan gunakan bekalan kuasa yang dikodkan seperti penyesuai bateri atau pek kuasa mudah alih dengan peralatan ini. Kabel bekalan kuasa mungkin menghalang pengendalian dan mengakibatkan kecederaan peribadi.

SIMPAN ARAHAN INI.

⚠️AMARAN: JANGAN biarkan keselesaan atau kebiasaan dengan produk (daripada penggunaan berulang) menggantikan pematuhan ketat terhadap peraturan keselamatan untuk produk yang ditetapkan.

SALAH GUNA atau kegagalan mematuhi peraturan-peraturan keselamatan yang dinyatakan dalam manual arahan ini boleh menyebabkan kecederaan diri yang serius.

Arahan keselamatan penting untuk kartrij bateri

1. Sebelum menggunakan kartrij bateri, baca semua arahan dan tanda amaran pada (1) pengecas bateri, (2) bateri, dan (3) produk menggunakan bateri.
2. Jangan buka atau cabut kartrij bateri. Ia boleh mengakibatkan kebakaran, haba berlebihan, atau letupan.
3. Jika masa operasi menjadi sangat pendek, berhenti operasi serta merta. Ia mungkin menyebabkan risiko pemanasan lampau, melecur bahkan letupan.
4. Jika elektrolit masuk ke dalam mata anda, bilas mata dengan air jernih dan dapatkan rawatan perubatan serta merta. Ia mungkin menyebabkan kehilangan penglihatan.
5. Jangan pintaskan kartrij bateri:
 - (1) Jangan sentuh terminal dengan bahan berkonduksi.
 - (2) Elakkan menyimpan kartrij bateri dalam bekas bersama-sama objek besi lain seperti paku, duit syiling, dll.
 - (3) Jangan dedahkan kartrij bateri kepada air atau hujan.

Pintasan bateri boleh menyebabkan aliran kuasa yang besar, pemanasan lampau, melecur dan juga kerosakan.
6. Jangan simpan dan gunakan alat dan kartrij bateri di lokasi yang suhunya mungkin mencapai atau melebihi 50 °C (122 °F).
7. Jangan bakar kartrij bateri walaupun jika ia rosak teruk atau haus sepenuhnya. Kartrij bateri boleh meletup dalam kebakaran.
8. Jangan paku, potong, pecahkan, buang, jatuhkan kartrij bateri, atau tekan objek keras pada kartrij bateri. Perbuatan sedemikian boleh mengakibatkan kebakaran, haba berlebihan, atau letupan.
9. Jangan gunakan bateri yang rosak.
10. Bateri litium ion yang terkandung adalah tertakluk kepada keperluan Perundangan Barangan Berbahaya. Bagi pengangkutan komersil cth. oleh pihak ketiga, ejen penghantar, keperluan khas pada pembungkusan dan pelabelan mestilah diperhatikan. Bagi persediaan item yang dihantar, berunding dengan pakar bahan berbahaya adalah diperlukan. Sila juga perhatikan sebolehnya peraturan kebangsaan yang lebih terperinci. Lekatkan atau balut bahagian terbuka dan pek bateri supaya ia tidak bergerak dalam pembungkusan.
11. Apabila melupuskan kartrij bateri, keluarkan ia daripada alat dan lupuskan ia di tempat selamat. Ikut peraturan tempatan anda mengenai pelupusan bateri.
12. Gunakan bateri hanya dengan produk yang ditentukan oleh Makita. Memasang bateri kepada produk yang tidak patuh mungkin menyebabkan kebakaran, pemanasan lampau, atau kebocoran elektrolit.

13. Jika alat tidak digunakan untuk tempoh masa yang lama, bateri mesti dikeluarkan daripada alat.
14. Semasa dan selepas penggunaan, kartrij bateri mungkin ada haba yang boleh menyebabkan terbakar atau suhu rendah terbakar. Beri perhatian kepada pengendalian kartrij bateri yang panas.
15. Jangan sentuh terminal alat itu selepas digunakan kerana ia mungkin panas menyebabkan terbakar.
16. Jangan biarkan cip, habuk, atau tanah terperangkap ke dalam terminal, lubang, dan alur cahaya kartrij bateri. Ia mungkin menyebabkan pemanasan, terbakar, meletup dan pincang tugas alat atau kartrij bateri, seterusnya menyebabkan lecur atau kecederaan diri.
17. Melainkan alat ini menyokong penggunaan yang hampir dari talian kuasa elektrik voltan tinggi, jangan gunakan kartrij bateri berhampiran talian kuasa elektrik voltan tinggi. Ia mungkin menyebabkan kerosakan atau pecah pada alat atau kartrij bateri.
18. Jauhkan bateri daripada kanak-kanak.

SIMPAN ARAHAN INI.

⚠PERHATIAN: Hanya gunakan bateri asli Makita. Penggunaan bateri tidak asli Makita, atau bateri yang telah diubah suai, mungkin menyebabkan bateri meletup menyebabkan kebakaran, kecederaan diri dan kerosakan. Ia juga membatalkan jaminan Makita untuk alat Makita dan pengecas.

Tip untuk mengekalkan hayat bateri maksimum

1. Cas kartrij bateri sebelum ternyahcas sepenuhnya. Sentiasa hentikan operasi alat dan cas kartrij bateri apabila anda menyedari kurang kuasa alat.
2. Jangan cas semula kartrij bateri yang dicas sepenuhnya. Terlebih cas memendekkan hayat servis bateri.
3. Cas kartrij bateri dengan suhu bilik pada 10 °C - 40 °C (50 °F - 104 °F). Biarkan kartrij bateri yang panas menyejuk sebelum mengecasnya.
4. Apabila tidak menggunakan kartrij bateri, tanggalkannya dari alat atau pengecas.
5. Cas kartrij bateri jika anda tidak menggunakannya untuk tempoh yang lama (lebih daripada enam bulan).

KETERANGAN FUNGSI

⚠PERHATIAN: Sentiasa pastikan alat dimatikan dan kartrij bateri dikeluarkan sebelum menyelaras atau menyemak fungsi pada alat.

Memasang atau mengeluarkan kartrij bateri

⚠PERHATIAN: Sentiasa matikan alat sebelum memasang atau mengeluarkan kartrij bateri.

⚠PERHATIAN: Pegang alat dan kartrij bateri dengan kukuh apabila memasang atau mengeluarkan kartrij bateri. Gagal untuk memegang alat dan kartrij bateri dengan kukuh mungkin menyebabkan mereka terlepas daripada tangan anda dan mengakibatkan kerosakan kepada alat dan kartrij bateri dan kecederaan peribadi.

⚠PERHATIAN: Berhati-hati supaya tidak tersepit jari anda semasa membuka atau menutup penutup bateri.

Buka penutup apabila menolak tuil kunci.

► **Rajah1:** 1. Penutup 2. Tuil kunci

Sejajarkan lidah pada kartrij bateri dengan alur pada perumahan dan selitkan ke tempatnya. Masukkan sepenuhnya sehingga ia terkunci di tempatnya dengan klik kecil. Jika anda boleh melihat penunjuk merah seperti yang ditunjukkan dalam rajah, ia tidak dikunci sepenuhnya.

► **Rajah2:** 1. Penunjuk merah 2. Butang 3. Kartrij bateri

Selepas memasang atau mengeluarkan kartrij bateri, pastikan penutup ditutup.

Untuk mengeluarkan kartrij bateri, buka penutup, luncurkan kartrij bateri daripada alat sambil menolak butang di hadapan ke bawah, kemudian tutup penutup.

⚠PERHATIAN: Sentiasa pasang kartrij bateri sepenuhnya sehingga penunjuk merah tidak boleh dilihat. Jika tidak, ia mungkin jatuh tanpa sengaja daripada alat, menyebabkan kecederaan kepada anda atau seseorang di sekeliling anda.

⚠PERHATIAN: Jangan pasang kartrij bateri secara paksa. Jika kartrij tidak meluncur dengan mudah, ia tidak dimasukkan dengan betul.

⚠PERHATIAN: Pastikan untuk mengunci penutup sebelum beroperasi.

Sistem perlindungan alat / bateri

Alat dilengkapi dengan sistem perlindungan alat/bateri. Sistem ini memutuskan kuasa motor secara automatik untuk memanjakan hayat alat dan bateri. Alat akan berhenti secara automatik dengan penunjuk jika alat atau bateri diletakkan di bawah salah satu keadaan berikut:

► **Rajah3:** 1. Penunjuk

Perlindungan lebih beban

Apabila alat atau bateri beroperasi dengan cara yang menyebabkan ia menarik arus tinggi yang luar biasa, alat akan terhenti secara automatik dan penunjuk merah bernyala. Dalam situasi ini, matikan alat dan hentikan penggunaan yang menyebabkan alat menjadi terlebih beban. Kemudian, hidupkan alat untuk mula semula.

Perlindungan pemanasan lampau

Apabila alat atau bateri terlampau panas, alat akan terhenti secara automatik dan penunjuk merah menyala. Dalam situasi ini, biarkan alat sejuk sebelum menghidupkan semula alat.

Perlindungan lebih nyahcas

Apabila kapasiti bateri menjadi rendah, penunjuk merah berkelip. Apabila bateri hampir kosong, alat akan terhenti secara automatik dan penunjuk merah menyala. Dalam situasi ini, keluarkan bateri daripada alat dan cas bateri.

Perlindungan terhadap punca lain

Sistem perlindungan juga direka bentuk untuk punca lain yang boleh merosakkan alat dan membolehkan alat berhenti secara automatik. Ambil semua langkah berikut untuk membuang punca, apabila alat telah dibawa kepada berhenti sementara atau berhenti beroperasi.

1. Matikan alat dan kemudian hidupkan alat lagi untuk mula semula.
2. Cas bateri atau gantikan bateri dengan bateri yang telah dicas.
3. Biarkan alat dan bateri menyejuk.

Jika tiada penambahbaikan boleh didapati melalui pemulihan sistem perlindungan, maka hubungi Pusat Servis Makita tempatan anda.

NOTIS: Jika alat berhenti kerana sebab yang tidak diterangkan di atas, rujuk bahagian penyelesaian masalah.

Menunjukkan kapasiti bateri yang tinggal

Hanya untuk kartrij bateri dengan penunjuk

Tekan butang semak pada kartrij bateri untuk menunjukkan kapasiti bateri yang tinggal. Lampu penunjuk menyala untuk beberapa saat.

► **Rajah4:** 1. Lampu penunjuk 2. Butang semak

Lampu penunjuk			Kapasiti yang tinggal
Dinyalakan	Mati	Berkelip	
			75% hingga 100%
			50% hingga 75%
			25% hingga 50%
			0% hingga 25%
			Cas bateri.
			Bateri mungkin telah rosak.

NOTA: Bergantung kepada keadaan penggunaan dan suhu persekitaran, penunjuk mungkin berbeza sedikit daripada kapasiti sebenar.

NOTA: Lampu penunjuk (kiri jauh) pertama akan berkelip apabila sistem perlindungan bateri berfungsi.

Suis mod tekanan

Pilih mod tekanan yang anda inginkan dengan meluncurkan tuis suis ke hadapan dan ke belakang. Tarik tuis ke belakang untuk mod tekanan rendah supaya simbol nombor "1" dibaca pada suis. Tolak tuis ke hadapan untuk mod tekanan tinggi supaya simbol nombor "2" dibaca pada suis.

► **Rajah5:** 1. Mod tekanan rendah (1) 2. Mod tekanan tinggi (2) 3. Tuis suis mod tekanan

Pemacu suis

Pencuci bertekanan menggunakan kunci keselamatan pada pemacu. Untuk melepaskan kunci pemacu, tekan butang kunci ke dalam pemacu supaya permukaan pemacu menjadi rata.

Tarik pemacu suis untuk mengeluarkan jet air. Jet berfungsi selagi pemacu ditekan.

► **Rajah6:** 1. Pemacu suis 2. Butang kunci

Tolak butang kunci keluar dari dalam pemacu untuk menggunakan kunci pemacu.

Pastikan anda mengunci pemacu apabila pencuci bertekanan tidak digunakan.

► **Rajah7:** 1. Pemacu suis 2. Butang kunci

Fungsi muncung

Muncung semburan berbilang corak (5 dalam 1) menampilkan pelbagai corak semburan yang boleh anda laraskan bergantung pada keperluan mencuci anda. Dengan menggabungkan lima corak semburan yang paling banyak digunakan dalam satu muncung, tiada lagi peralihan daripada satu muncung ke muncung yang lain, hanya dail dalam corak semburan yang betul untuk tugas anda.

Penukaran mudah muncung, 0°, 15°, 25°, 40° dan pancuran mandian

► **Rajah8**

► **Rajah9:** 1. Simbol corak semburan 2. Tanda segi tiga

Pusingkan kepala muncung ke kiri atau kanan ke kedudukan corak semburan yang anda inginkan. Jajarkan dengan betul simbol corak semburan yang anda ingin pilih dengan tanda segi tiga supaya kepala muncung terkunci dengan satu klik.

► **Rajah10**

NOTIS: Berhati-hati untuk tidak menetapkan kepala muncung pada kedudukan yang tidak dinyahklik. Jika tidak, alat ini boleh mencipta corak semburan yang tidak teratur yang mengakibatkan kebocoran air.

⚠PERHATIAN: Cuba untuk tidak memutar badan muncung bersama-sama semasa anda menukar corak semburan. Muncung mungkin terkeluar daripada badan alat dan menyebabkan kecederaan diri.

Injap keselamatan

Alat ini dilengkapi dengan injap keselamatan yang menghalang tekanan berlebihan yang tidak wajar.

⚠PERHATIAN: Jangan usik atau laraskan tetapan injap keselamatan.

PEMASANGAN

⚠PERHATIAN: Sentiasa pastikan alat dimatikan dan kartrij bateri dikeluarkan sebelum menjalankan sebarang kerja pada alat.

Memasang sambungan muncung dan batang

⚠PERHATIAN: Sentiasa kunci pemacu suis semasa memasang/menanggalkan muncung dan sambungan.

Muncung

Selaraskan unjuran panduan pada hujung muncung dengan slot pengunci dalam perumah alat. Tolak muncung sepenuhnya ke dalam sehingga dua tanda segi tiga pada muncung dan perumah menghadap satu sama lain. Kemudian, pusingkan muncung ke arah yang ditunjukkan dalam rajah untuk memasukkan kunci.

Setelah muncung dipasang, cuba tarik kembali untuk memastikan muncung dipasang dengan kukuh di tempatnya.

► **Rajah11:** 1. Muncung 2. Unjuran panduan 3. Slot pengunci 4. Tanda segi tiga 5. Garis kasar seperti sirip pelvis

NOTA: Pastikan anda memusingkan garis kasar seperti sirip pelvis menghadap ke bawah.

Untuk menanggalkan muncung, tolak dan tahan muncung ke arah perumah alat, kemudian pusingkan muncung secara berlawanan arah sehingga dua tanda segi tiga menghadap satu sama lain. Tarik muncung daripada perumah alat selepas muncung tidak berkunci.

Sambungan batang

Menyiram mana-mana tempat yang sukar dicapai. Pasang sambungan batang di antara perumah alat dengan muncung mengikut langkah yang sama seperti yang diterangkan untuk pemasangan muncung.

► **Rajah12:** 1. Sambungan batang 2. Perumah alat 3. Muncung 4. Unjuran panduan 5. Slot pengunci 6. Tanda segi tiga

Untuk menanggalkan pemasangan, tolak dan tahan hujung pemasangan ke arah pemasangan/perumah pelepas, kemudian pusingkan pelepas secara berlawanan arah sehingga dua tanda segi tiga menghadap satu sama lain. Tarik hujung pemasangan daripada pemasangan/perumah pelepas selepas pelepas tidak berkunci.

Menyambung kepada bekalan tangki air

NOTIS: Sentiasa gunakan hos tekanan dan penyaring yang dibekalkan dengan alat ini untuk membekalkan air.

NOTIS: Sentiasa pastikan ketinggian 2.0 m atau kurang di antara salur masuk pencuci bertekanan dengan permukaan air. Jika tidak, pencuci bertekanan tidak akan dapat membawa air naik ke dalam pam.

NOTIS: Pastikan anda mengisi bekas air dengan ketebalan lebih daripada 25 mm dari bahagian bawah dan tenggelamkan penyaring di dalam air sepenuhnya.

Air boleh dibekalkan daripada tangki/bekas/takungan sebarang saiz.

Penyiraman yang dibekalkan oleh tangki menangani situasi pencucian bertekanan yang sedemikian, contohnya mencuci kereta dan berkebun, dll., yang air tidak tersedia dan perlu diangkut ke kawasan atau tapak cucian.

1. Pasang penyaring pada satu hujung hos tekanan.

Masukkan salur keluar penyaring ke dalam lengan gandingan dan tolak sehingga penyaring berada kukuh pada tempatnya.

► **Rajah13:** 1. Penyaring 2. Lengan gandingan 3. Hos tekanan

2. Biarkan penyaring di bahagian bawah bekas air.

► **Rajah14:** 1. Penyaring 2. Hos tekanan 3. Cangkuk hos

NOTA: Gantungkan hos di sepanjang bukaan menggunakan cangkuk hos yang dibekalkan supaya penyaring tetap berada di bahagian bawah bekas.

3. Pasang hujung hos yang satu lagi ke penyambung hos air pada pencuci bertekanan.

Letakkan lengan gandingan di atas salur masuk penyambung dan tolak sehingga lengan gandingan berada kukuh pada tempatnya.

- **Rajah15:** 1. Lengan gandingan 2. Penyambung hos air

PERHATIAN: Pastikan hos bertekanan tinggi disambungkan dengan selamat. Sambungan yang longgar boleh meletupkan hos bertekanan tinggi mengakibatkan kecederaan diri.

NOTIS: Masukkan air ke dalam pencuci bertekanan dan hos terlebih dahulu apabila anda hendak mengangkat air dari kedalaman tertentu dalam mod tekanan tinggi.

Menyambungkan ke bekalan air utama

PERHATIAN: Sentiasa gunakan hos tekanan yang dibekalkan dengan alat ini untuk membekalkan air.

NOTIS: Jika anda menyambung ke sesalur untuk air minuman, gunakan injap pencegah aliran balik yang memenuhi peraturan di rantau anda.

NOTIS: Kekalkan tekanan suapan salur masuk air kurang daripada 0.5 MPa untuk suapan halus. Jangan melebihi tekanan suapan maksimum kerana keadaan itu boleh menyebabkan kebocoran air apabila alat berhenti berfungsi.

Air boleh dibekalkan daripada air utama yang terdapat di kawasan atas tapak cucian.

Bekalan air yang berterusan membolehkan anda tidak keberatan untuk mengisi semula air dan menjadikan pembersihan rumah dan berkebun anda cekap, seperti pembersihan tempat, pembilasan dan penyiraman di kawasan rumput atau tumbuh-tumbuhan yang luas.

1. Sambungkan hos tekanan ke kepala paip.

Pasang perlengkapan yang sesuai seperti sambungan paip air untuk mengikat hujung hos dengan kepala paip.

- **Rajah16:** 1. Paip air sambung bersama 2. Lengan gandingan 3. Hos tekanan

NOTA: Jenis perlengkapan bergantung pada bentuk kepala paip yang anda sambungkan. Sediakan perlengkapan yang sesuai dan dibeli secara komersial.

2. Pasang hujung hos yang satu lagi ke penyambung hos air pada pencuci bertekanan.

Letakkan lengan gandingan di atas salur masuk penyambung dan tolak sehingga lengan gandingan berada kukuh pada tempatnya.

- **Rajah17:** 1. Lengan gandingan 2. Penyambung hos air

Memasang muncung buih

Aksesori pilihan

PERHATIAN: Sentiasa kunci pemicu suis semasa memasang/menanggalkan pemasangan pilihan.

NOTIS: Gunakan detergen semula jadi sahaja. Jangan gunakan detergen rumah, detergen asid, detergen alkali, peluntur, pelarut, bahan mudah terbakar atau larutan gred industri, yang boleh merosakkan alat atau harta benda anda. Sediakan larutan pembersihan seperti yang diarahkan pada botol larutan, dan sentiasa uji larutan di tempat yang tersorok terlebih dahulu.

NOTIS: Jika detergen yang sangat likat digunakan, muncung berkemungkinan tersumbat. Apabila menggunakan detergen berkelikatan tinggi, cairkan detergen dengan menambahkan air ke dalam botol sebelum digunakan.

NOTA: Apabila menggunakan muncung buih, detergen dalam botol dicairkan dengan air yang dibekalkan oleh alat dan disembur. Anda tidak perlu mencairkan kepekatan detergen di dalam botol lebih daripada yang diperlukan. Sesuaikan kepekatan detergen sambil memeriksa keadaan penggunaan.

NOTA: Jika muncung buih condong ke sisi, detergen mungkin tumpah.

Sediakan detergen sebelum menggunakan muncung buih.

1. Isi tangki dengan detergen. Pasang muncung pada tangki dan ketatkan penutup dengan kukuh.
 2. Condongkan muncung buih untuk menajarkan unjuran panduan muncung dengan slot pengunci di dalam perumah alat. Tolak muncung sepenuhnya ke dalam dan tahan di tempatnya. Kemudian, pusingkan muncung buih ke arah yang ditunjukkan dalam rajah untuk memasukkan kunci.
- **Rajah18:** 1. Muncung buih 2. Tangki 3. Unjuran panduan 4. Slot pengunci

Setelah muncung dipasang, cuba tarik kembali untuk memastikan muncung dipasang dengan kukuh di tempatnya.

3. Putar dail detergen untuk melaraskan isi padu sedutan larutan detergen.

- **Rajah19:** 1. Dail detergen 2. Dail ke minimum 3. Dail ke maksimum

Memasang muncung pilihan

Aksesori pilihan

PERHATIAN: Sentiasa kunci pemicu suis semasa memasang/menanggalkan pemasangan pilihan.

Selaraskan unjuran panduan pada muncung pilihan dengan slot pengunci di dalam perumah alat. Tolak muncung sepenuhnya ke dalam dan tahan di tempatnya. Kemudian, pusingkan muncung ke arah yang ditunjukkan dalam rajah untuk memasukkan kunci.

Setelah muncung dipasang, cuba tarik kembali untuk memastikan muncung dipasang dengan kukuh di tempatnya.

► **Rajah20:** 1. Muncung 2. Unjuran panduan 3. Slot pengunci

Untuk menanggalkan muncung, tolak dan tahan muncung ke arah perumah alat, kemudian pusingkan muncung secara berlawanan untuk melepaskan kunci. Tarik muncung daripada pencuci bertekanan selepas muncung tidak berkunci.

Memasang penyesuai botol plastik

Aksesori pilihan

⚠PERHATIAN: Sentiasa kunci pemacu suis semasa memasang/menanggalkan pemasangan pilihan.

⚠PERHATIAN: Pastikan anda memasang penyesuai botol plastik dengan selamat pada pencuci bertekanan dan botol plastik. Kegagalan berbuat demikian boleh menyebabkan botol terjatuh dan mengakibatkan kecederaan diri.

NOTA: Penggunaan botol plastik 2 liter (setengah gelen) boleh diutamakan untuk mengisi air.

1. Isikan air di dalam botol plastik.
2. Buang paip sedutan ke bawah melalui bukaan botol.
3. Pasang penyesuai pada botol dengan mengulir nat lengan gandingan.
4. Pasang penyesuai botol plastik pada penyambung hos air pada pencuci bertekanan.

Letakkan lengan gandingan di atas salur masuk penyambung dan tolak sehingga lengan gandingan berada kukuh pada tempatnya.

► **Rajah21:** 1. Penyesuai botol plastik 2. Paip sedutan 3. Botol plastik 4. Penyambung hos air

OPERASI

⚠AMARAN: Jangan sentuh jet air atau halakan ke arah diri sendiri atau orang lain. Jet air adalah berbahaya dan boleh mencederakan anda dan yang lain.

⚠AMARAN: Semasa menyembur jet air, jangan sekali-kali pegang objek yang anda bersihkan atau letakkan tangan dan kaki anda berhampiran jet air.

⚠PERHATIAN: Jangan jalankan pencuci bertekanan tanpa air selama lebih daripada 1 minit.

⚠PERHATIAN: Jangan kendalikan pencuci bertekanan untuk jangka masa yang lama. Ini boleh menyebabkan terlalu panas atau kebakaran. Penggunaan jangka masa panjang juga boleh menyebabkan gangguan getaran.

⚠PERHATIAN: Berhati-hati dengan arah angin. Jika detergen masuk ke dalam mata atau mulut anda, segera bilas dengan air bersih dan dapatkan rawatan perubatan jika perlu.

NOTIS: Untuk melindungi mekanisme pencuci bertekanan, jangan gunakan air yang lebih panas daripada 40°C (104°F).

NOTIS: Jangan gunakan bekalan air yang tidak dirawat, seperti air sungai, air kolam dan air berpasir atau berlumpur. Air kotor yang tidak ditapis boleh menyebabkan pemendapan bahan yang tidak diingini dalam pam yang mengakibatkan kerosakan.

Ketinggian mengangkat air

Ketinggian menaik daripada sumber air ke salur masuk sedutan air pencuci bertekanan perlu berada dalam lingkungan 2.0 m.

Kedalaman air bertakung

Isi bekas air dengan ketebalan lebih daripada 25 mm dari bahagian bawah.

► **Rajah22:** 1. Ketinggian mengangkat air 2. Kedalaman air bertakung

Langkah dalam pengendalian asas

1. Sambungkan salur masuk hos air ke bekalan air.
2. Sambungkan salur keluar hos air ke pencuci bertekanan.
- **Rajah23**
3. Jika baki air di dalam pencuci bertekanan telah dikeluarkan sejak kali terakhir digunakan, masukkan air ke dalam hos tekanan dan pencuci bertekanan.

Biarkan air mengalir melalui hos dan pencuci sehingga sebarang udara di dalam hos dan pencuci tersebut dilepaskan.

- (1) Keluarkan muncung daripada pencuci bertekanan.
- (2) Pasang kartrij bateri ke dalam pencuci bertekanan.
- (3) Pilih mod tekanan tinggi.
- (4) Buka kunci pemacu suis.
- (5) Tarik dan tahan pemacu suis sehingga pencuci bertekanan menghasilkan jet air yang stabil.

► **Rajah24:** 1. Tuil suis mod tekanan

Selepas membenarkan udara terkunci keluar daripada pencuci bertekanan dan hos, lepaskan pemacu suis.

Keluarkan kartrij bateri daripada pencuci bertekanan, dan pasang muncung yang sesuai untuk tujuan anda.

4. Buka penutup dan pasang kartrij bateri ke dalam pencuci bertekanan, kemudian kunci penutup.

► **Rajah25:** 1. Kartrij bateri 2. Penutup

⚠️PERHATIAN: Berhati-hati supaya tidak tersepit jari anda semasa membuka atau menutup penutup bateri.

5. Pilih mod tekanan yang anda inginkan. Kemudian, buka kunci pemacu suis.

► **Rajah26:** 1. Tuil suis mod tekanan 2. Pemacu suis 3. Butang kunci

6. Halakan kepala muncung ke kawasan atau kawasan tapak penyiraman. Picit pemacu suis.

Jet air secara berterusan selagi pemacu ditekan.

► **Rajah27**

► **Rajah28**

⚠️PERHATIAN: Pegang pencuci bertekanan dengan kuat. Alat tersentak apabila anda menarik pemacu suis.

⚠️PERHATIAN: Sentiasa pegang pencuci bertekanan dengan menggenggam dan laras apabila mengeluarkan jet air.

Selepas menggunakan

⚠️PERHATIAN: Selepas mengendalikan pencuci bertekanan, sentiasa lakukan prosedur yang diterangkan dalam manual ini. Tekanan sisa dalam pencuci bertekanan boleh menyebabkan kecederaan diri atau kerosakan pada pam di dalam pencuci bertekanan.

1. Lepaskan dan kunci pemacu suis menggunakan butang kunci.

2. Putuskan sambungan hos air daripada bekalan air.

► **Rajah29**

3. Buka kunci pemacu suis dan picit sehingga baki air di dalam pencuci bertekanan dan hos dikeluarkan.

► **Rajah30**

NOTIS: Jangan jalankan motor lebih daripada 1 minit.

4. Lepaskan dan kunci pemacu suis menggunakan butang kunci. Keluarkan bateri dari pencuci bertekanan.

► **Rajah31:** 1. Butang kunci 2. Kartrij bateri

5. Putuskan sambungan hos tekanan dari pencuci bertekanan.

► **Rajah32:** 1. Lengan gandingan 2. Penyambung hos air

NOTIS: Untuk mengelakkan hos tekanan daripada rosak, keluarkan baki air di dalam hos sebelum disimpan.

PENYELENGGARAAN

⚠️PERHATIAN: Sentiasa pastikan alat dimatikan dan kartrij bateri dikeluarkan sebelum cuba menjalankan pemeriksaan atau penyelenggaraan.

NOTIS: Jangan gunakan petrol, benzin, pencair, alkohol atau bahan yang serupa. Ia boleh menyebabkan perubahan warna, bentuk atau keretakan.

Untuk mengekalkan KESELAMATAN dan KEBOLEHPERCAYAAN produk, pembaikan, apa-apa penyelenggaraan atau penyesuaian lain perlu dilakukan oleh Kilang atau Pusat Servis Makita yang Diiktiraf, sentiasa gunakan alat ganti Makita.

Membersihkan muncung

Gunakan pin pembersih, jari jenis fail kecil, untuk mengeluarkan kotoran yang tersumbat dari bukaan muncung.

► **Rajah33:** 1. Pin pembersih 2. Muncung

NOTA: Untuk mengekalkan prestasi optimum, bersihkan muncung secara berkala.

NOTIS: Jangan keluarkan kotoran atau serpihan secara paksa. Ini boleh mengakibatkan kecederaan diri atau kerosakan pada lubang lenting yang menyebabkan sudut jet terpesong atau prestasi buruk.

Membersihkan penapis

Tanggalkan penyambung hos air dari pencuci bertekanan. Keluarkan habuk atau kotoran yang melekat pada penapis.

► **Rajah34:** 1. Penyambung hos air 2. Penapis 3. Gelang sendal

Nyahpasangkan penyaring dengan menyahulir bekas penapis. Keluarkan habuk atau kotoran yang melekat pada penapis.

► **Rajah35:** 1. Penapis 2. Bekas penapis

NOTA: Untuk mengekalkan prestasi optimum, bersihkan penapis secara berkala.

PENYELESAIAN MASALAH

Sebelum meminta pembaikan, jalankan pemeriksaan sendiri terlebih dahulu. Jika anda mendapati masalah tidak diterangkan dalam manual, jangan cuba untuk menanggalkan alat. Sebaliknya, tanya Pusat Servis Sah Makita, sentiasa gunakan alat ganti Makita untuk pembaikan.

Kedaaan keabnormalan	Sebab yang mungkin (kerosakan)	Remedi
Pencuci tidak dapat dimulakan.	Tiada kuasa elektrik	Pasang kartrij bateri yang telah dicas.
	Pemicu suis dikunci.	Buka kunci pemicu suis.
	Bateri atau litar elektrik rosak	Hubungi pusat servis yang diiktiraf untuk pembaikan.
Tiada jet air/jet air lemah	Tiada bekalan air	Pastikan kepala paip dibuka. Jika menyambung kepada bekalan tangki air, masukkan air ke dalam pencuci bertekanan dan hos.
	Bekalan air teruk	Hidupkan kepala paip.
	Sambungan hos air teruk	Periksa sambungan antara pencuci bertekanan dengan bekalan air.
	Hos air yang berubah bentuk atau haus	Luruskan hos. Gantikan hos air yang rosak dengan yang baharu.
	Hos atau muncung tersumbat	Buang sumbatan pada hos atau muncung.
	Penapis tersumbat	Keluarkan habuk atau kotoran yang melekat pada penapis yang terletak di dalam penyaring dan penyambung hos air.
	Air buangan/tercemar	Bersihkan sistem air dan isi semula dengan air bersih.
	Muncung rosak atau haus	Gantikan muncung.
	Pam dan injap pincang tugas	Hubungi pusat servis yang diiktiraf untuk pembaikan.
	Sambungan air longgar	Kukuhkan sambungan antara hos air dengan lengan gandingan.
	Kebocoran daripada sambungan bekalan air	Ketatkan semula sambungan antara hos air dengan bekalan air.
	Penyaring yang tidak dipasang dengan mencukupi	Tenggelamkan penyaring ke dalam air sepenuhnya.
	Mod tekanan rendah sedang digunakan	Pilih mod tekanan tinggi.
Jet air tidak stabil	Muncung tersumbat	Buka sumbat pada lubang lenting muncung menggunakan pin pembersih.
	Sedutan air teruk	Periksa hos air untuk sebarang kebocoran atau tersumbat.
	Air terlalu panas.	Bekalkan air yang lebih sejuk.
	Pincang tugas injap	Hubungi pusat servis yang diiktiraf untuk pembaikan.
Bunyi tidak normal	Air terlalu panas.	Bekalkan air yang lebih sejuk.
Kebocoran air	Sambungan teruk	Periksa sambungan antara pencuci bertekanan dengan bekalan air.
	Pemasangan muncung yang lemah	Tolak muncung ke dalam sepenuhnya. Kemudian, putar muncung sehingga muncung terkunci dengan kukuh.
	Kepala muncung kekal di kedudukan yang salah	Tetapkan kepala muncung di kedudukan yang diklik dengan simbol corak semburan boleh dilihat dengan jelas.
	Pendedap haus	Hubungi pusat servis yang diiktiraf untuk pembaikan.

AKSESORI PILIHAN

⚠️ PERHATIAN: Aksesori-aksesori atau lampiran-lampiran ini adalah disyorkan untuk digunakan dengan alat Makita anda yang ditentukan dalam manual ini. Penggunaan mana-mana aksesori-aksesori atau lampiran-lampiran lain mungkin mengakibatkan risiko kecederaan kepada orang. Hanya gunakan aksesori atau lampiran untuk tujuan yang dinyatakannya.

Jika anda memerlukan sebarang bantuan untuk maklumat lebih lanjut mengenai aksesori ini, tanya Pusat Perkhidmatan Makita tempatan anda.

NOTA: Beberapa item dalam senarai mungkin disertakan dalam pakej alat sebagai aksesori standard. Item mungkin berbeza mengikut negara.

Muncung buih

► Rajah36

Detergen boleh disembur sebagai buih.

Berus basuh

► Rajah37

Muncung dilengkapi dengan berus. Berguna untuk mencuci kotoran semasa menyental dengan berus.

Muncung sudut

► Rajah38

Kepala muncung bersudut boleh berputar 360 darjah, membolehkan keboleholahgerakan dan liputan tanpa sebarang sudut mati.

Penyesuai botol plastik

► Rajah39

Pam air botol dan keluarkan ia daripada botol plastik dengan mudah. Botol air boleh berfungsi sebagai sumber air.

CẢNH BÁO

- Trẻ em không được sử dụng thiết bị này. Cần giám sát trẻ em để đảm bảo rằng chúng sẽ không nghịch thiết bị.
- Thiết bị này không dành cho những người (bao gồm cả trẻ em) suy giảm thể chất, giác quan hoặc khả năng trí óc, hoặc thiếu kinh nghiệm và kiến thức sử dụng, trừ khi họ được giám sát hoặc hướng dẫn sử dụng thiết bị bởi người có trách nhiệm cho sự an toàn của họ.
- Không được hướng tia nước áp lực vào người, thiết bị điện đang hoạt động hoặc chính thiết bị.
- Luôn đảm bảo rằng đã tắt thiết bị và tháo hộp pin ra trước khi thực hiện bất cứ công việc nào trên dụng cụ.
- Không sử dụng thiết bị nếu các bộ phận quan trọng của thiết bị bị hư hỏng, ví dụ các thiết bị an toàn, ống dẫn áp.
- Đọc hướng dẫn trong phần bảo trì để biết các chi tiết thích hợp về các biện pháp phòng ngừa trong quá trình bảo trì của người dùng.
- Tìm hiểu phạm vi nhiệt độ bình thường để sạc pin. Đọc hướng dẫn an toàn cho hộp pin để biết các biện pháp phòng ngừa khi xử lý pin.
- Đọc hướng dẫn trong phần lắp ráp để biết chi tiết thích hợp về các biện pháp phòng ngừa trong quá trình lắp đặt thiết bị.
- Tìm hiểu áp lực nước đầu vào tối đa. Đọc thông tin trong phần thông số kỹ thuật để biết thông tin chi tiết thích hợp về kết nối với nguồn nước.
- Luôn sử dụng bộ ống đi kèm với thiết bị. Đọc hướng dẫn trong phần lắp ráp để tìm hiểu các biện pháp phòng ngừa khi kết nối với nguồn nước.
- Không nên mở khẩu độ làm đầy nước trong khi sử dụng. Làm theo các hướng dẫn trong phần lắp ráp để duy trì áp lực nước.
- Không sử dụng trong hồ bơi có chứa nước.
- Tuân thủ các yêu cầu của công ty cấp nước địa phương.

- Đối với các quốc gia Châu Âu:
Theo EN12729 (BA), thiết bị này cũng có thể được kết nối với nguồn cấp nước uống nếu có van ngăn chảy ngược với thiết bị tiêu nước được cài đặt trong ống dẫn nước.

THÔNG SỐ KỸ THUẬT

Kiểu máy:		DHW180
Lưu lượng tối đa ^{*1} [Nguồn cấp nước bình chứa / Nguồn cấp nước chính]		3,0 / 5,3 L/phút
Lưu lượng nước ^{*2}	Chế độ cao	2,5 L/phút
	Chế độ thấp	1,5 L/phút
Áp lực vận hành tối đa		2,4 MPa
Áp lực vận hành ^{*2}	Chế độ cao [Nguồn cấp nước bình chứa / Nguồn cấp nước chính]	2,0 / 2,2 MPa
	Chế độ thấp [Nguồn cấp nước bình chứa / Nguồn cấp nước chính]	0,8 / 0,8 MPa
Áp lực nước cấp vào tối đa		0,5 MPa
Nhiệt độ nước cấp vào tối đa		40°C
Chiều cao hút tối đa		2,0 m
Điện áp định mức		18 V một chiều
Kích thước ^{*3} [D x R x C]		888 mm x 99 mm x 239 mm
Khối lượng		2,3 - 2,7 kg

*1: Không có vòi phun

*2: Kiểu phun 15°

*3: Vòi vòi phun 5 trong 1 và ống nối dài

- Do chương trình nghiên cứu và phát triển liên tục của chúng tôi nên các thông số kỹ thuật trong đây có thể thay đổi mà không cần thông báo trước.
- Các thông số kỹ thuật có thể thay đổi tùy theo từng quốc gia.
- Khối lượng có thể khác nhau tùy thuộc vào (các) phụ kiện, bao gồm cả hộp pin. Tổ hợp nhẹ nhất và nặng nhất, theo Quy trình EPTA 01/2014, được trình bày trong bảng.

Hộp pin và sạc pin có thể áp dụng

Hộp pin	BL1815N / BL1820B / BL1830B / BL1840B / BL1850B / BL1860B
Bộ sạc	DC18RC / DC18RD / DC18RE / DC18SD / DC18SE / DC18SF / DC18SH / DC18WC

- Một số hộp pin và sạc pin được nêu trong danh sách ở trên có thể không khả dụng tùy thuộc vào khu vực cư trú của bạn.

⚠ CẢNH BÁO: Chỉ sử dụng hộp pin và sạc pin được nêu trong danh sách ở trên. Việc sử dụng bất cứ hộp pin và sạc pin nào khác có thể gây ra thương tích và/hoặc hỏa hoạn.

⚠ CẢNH BÁO: Không sử dụng nguồn điện có dây chằng hạn như bộ chuyển đổi pin hoặc bộ cấp nguồn di động đeo vai cho máy này. Cấp của nguồn cấp điện đó có thể cản trở vận hành và gây thương tích cá nhân.

Ký hiệu

Phần dưới đây cho biết các ký hiệu có thể được dùng cho thiết bị. Đảm bảo rằng bạn hiểu rõ ý nghĩa của các ký hiệu này trước khi sử dụng.



Đọc tài liệu hướng dẫn.



Hãy cẩn thận và đặc biệt chú ý.



Ni-MH
Li-Ion

Chỉ dành cho các quốc gia EU
Do có các thành phần nguy hiểm bên trong thiết bị điện và điện tử, ắc quy và pin thải bỏ nên có thể có tác động không tốt đến môi trường và sức khỏe con người. Không vứt bỏ các thiết bị điện và điện tử hoặc pin với rác thải sinh hoạt!
Theo Chỉ thị của Châu Âu về thiết bị điện và điện tử thải bỏ và về pin và ắc quy và pin và ắc quy thải bỏ, cũng như sự thích ứng của chúng với luật pháp quốc gia, các thiết bị điện, pin và ắc quy thải phải được cất giữ riêng biệt và chuyển đến một điểm thu gom rác thải đô thị riêng, hoạt động theo các quy định về bảo vệ môi trường. Điều này được biểu thị bằng biểu tượng thùng rác có bánh xe gạch chéo được đặt trên thiết bị.



Không kết nối với vòi nước uống được.



Không hướng tia nước trực tiếp vào người bao gồm cả chính bạn, động vật, và các thiết bị điện đang hoạt động.

Mục đích sử dụng

Dụng cụ này được thiết kế nhằm làm sạch bụi bẩn bằng cách sử dụng tia nước dùng trong gia đình. Bằng cách cung cấp kiểu phun có thể lựa chọn, dụng cụ này có chức năng giúp cải thiện việc giặt giũ cũng như tưới cỏ và làm vườn.

CẢNH BÁO AN TOÀN

CẢNH BÁO AN TOÀN QUAN TRỌNG

▲ CẢNH BÁO: Đọc tất cả các cảnh báo an toàn và tất cả hướng dẫn. Việc không tuân theo các cảnh báo và hướng dẫn có thể dẫn đến điện giật, hỏa hoạn và/hoặc thương tích nghiêm trọng.

Lưu giữ tất cả cảnh báo và hướng dẫn để tham khảo sau này.

CẢNH BÁO – Khi sử dụng sản phẩm này, luôn thực hiện các biện pháp phòng ngừa cơ bản, bao gồm các điều sau:

An toàn tại khu vực làm việc

1. Giữ cho khu vực vận hành máy không có người.

2. Không với quá cao hoặc đứng trên bề đỡ không chắc chắn. Luôn giữ thăng bằng và chổ để chân tốt tại mọi thời điểm.
3. Luôn luôn đặt thân máy xịt rửa áp lực trên một bề mặt phẳng và cố định. Tránh những khu vực mà nước phun ra bị chảy mất hoặc hồ bơi.
4. Tránh khi xịt rửa, hãy kiểm tra môi trường xung quanh và đồ vật phải xịt rửa. Tia nước áp lực có thể làm trơn sơn hoặc các tác động bề mặt khác bao gồm hóa chất độc hại. Hãy thực hiện các biện pháp phòng ngừa nếu cần thiết.
5. Cẩn thận không dẫm lên ống dẫn của máy xịt rửa áp lực. Luôn chú ý đến hình dạng ống dẫn trong quá trình vận hành.
6. Trong quá trình sử dụng, một lượng nhỏ nước sẽ chảy ra từ phía dưới máy xịt rửa áp lực. Cẩn thận không vận hành dụng cụ ở trên những khu vực mà bạn không muốn chúng bị ướt.

An toàn cá nhân

1. Để bảo vệ bản thân khỏi tia nước và các vật trong tia nước, người vận hành máy phải mặc quần áo phù hợp như giày bảo hộ, găng tay bảo hộ, mũ bảo hộ có kính che mặt, đồ bảo vệ tai, v.v...
2. Mang thiết bị bảo hộ cá nhân. Tùy thuộc vào cách ứng dụng bạn muốn, hãy dùng mặt nạ che mặt, kính bảo hộ hoặc kính an toàn làm thiết bị bảo vệ mắt, vì những vật dụng này có khả năng ngăn chặn những mảnh vụn bay do các hoạt động khác nhau tạo ra.
3. Không sử dụng máy xịt rửa áp lực trong phạm vi có người trừ khi họ mặc quần áo bảo hộ.
4. Để giảm nguy cơ chấn thương, cần giám sát chặt chẽ khi sử dụng sản phẩm gần trẻ em.
5. Nếu kết nối với hệ thống nước uống được, hệ thống sẽ được bảo vệ khỏi hiện tượng chảy ngược.
6. Nước chảy qua bộ phận ngăn chảy ngược được coi là không sạch.

An toàn về điện

1. Tuyệt đối không chạm vào hộp pin bằng tay ướt.
2. Không sử dụng thiết bị nếu các bộ phận quan trọng của thiết bị bị hư hỏng, ví dụ các thiết bị an toàn, ống dẫn áp.
3. Tránh môi trường nguy hiểm. Không được sử dụng dụng cụ tại những nơi ẩm thấp hoặc ẩm ướt, hoặc để chúng tiếp xúc với mưa. Nước lọt vào dụng cụ sẽ làm tăng nguy cơ điện giật.

Sử dụng và bảo quản dụng cụ máy

1. Đọc tất cả các hướng dẫn trước khi sử dụng sản phẩm.
2. Biết cách dừng máy xịt rửa áp lực và xả áp lực nhanh chóng. Hãy làm quen với các bộ phận điều khiển thật kỹ.
3. Không phun chất lỏng dễ cháy và/hoặc độc hại. Làm như vậy có thể gây cháy nổ, ngộ độc hoặc hư hỏng thiết bị.
4. Không trực tiếp hướng tia nước vào chính mình hoặc người khác để làm sạch quần áo hoặc giày.

5. Các ống dẫn áp, ống nối và khớp nối rất quan trọng để đảm bảo an toàn cho thiết bị. Chỉ sử dụng các ống dẫn, ống nối và khớp nối được khuyến dùng bởi nhà sản xuất.
6. Tuân theo các hướng dẫn khi thay phụ tùng.
7. Giữ tay cầm khô, sạch, không dính dầu hoặc mỡ.
8. Luôn cẩn trọng - để ý những gì bạn đang thực hiện.
9. Không sử dụng sản phẩm khi mệt mỏi hoặc đang chịu ảnh hưởng của rượu hay ma túy.
10. Không chạy máy xịt rửa áp lực khi không có nước lâu hơn một phút. Làm như vậy sẽ làm hỏng động cơ, dẫn đến trục trặc.
11. Luôn luôn tắt nguồn điện và tắt nguồn nước khi rời khỏi máy xịt rửa áp lực mà không giám sát.
12. Cẩn thận với lực đẩy ngược. Thiết bị sẽ bật ngược lại khi tia nước phụt ra từ vòi phun. Giữ chặt thiết bị để tránh bị thương bất ngờ.
13. Kiểm tra các bộ phận bị hỏng hoặc mòn trước khi sử dụng. Bạn cũng phải chắc chắn rằng các ống dẫn được nối đúng và không bị rò rỉ trong quá trình vận hành. Vận hành thiết bị khi có sai sót về chức năng có thể gây tai nạn.
14. Không kéo ống dẫn để di chuyển thân máy xịt rửa áp lực. Làm như vậy sẽ làm hỏng ống dẫn cũng như các phụ tùng kết nối và dẫn đến đoàn mạch hoặc sai sót về chức năng.
15. Không đặt vật nặng trên ống dẫn hoặc để xe cộ chạy qua ống.
16. Luôn xả áp suất dư trong thiết bị trước khi ngắt kết nối ống dẫn.
17. Khi nối ống dẫn với nguồn nước, hãy xem kỹ các hướng dẫn của đơn vị cung cấp nước ở địa phương hoặc công ty của bạn.
18. Nếu máy xịt rửa áp lực bị rơi hoặc va vào vật cứng, hãy nhớ kiểm tra xem có hư hỏng và nứt không. Sử dụng máy xịt rửa áp lực đã hỏng có thể tạo ra khói, lửa hoặc gây ra điện giật, dẫn đến thương tích cá nhân.
19. Tránh vô tình khởi động dụng cụ máy. Đảm bảo công tắc ở vị trí tắt trước khi kết nối với bộ pin, cầm hoặc mang thiết bị. Việc di chuyển thiết bị khi đang đặt ngón tay ở vị trí công tắc hoặc cấp điện cho thiết bị đang bật thường dễ gây ra tai nạn.
20. Ngắt kết nối bộ pin khỏi thiết bị trước khi thực hiện bất kỳ điều chỉnh nào, thay đổi phụ kiện hoặc bảo quản thiết bị. Những biện pháp an toàn phòng ngừa này có thể giảm nguy cơ vô tình khởi động thiết bị.
21. Không sửa đổi hoặc cố sửa chữa thiết bị hay bộ pin ngoại trừ trường hợp được thể hiện trong hướng dẫn sử dụng và bảo quản.
22. **CẢNH BÁO** – Rủi ro của việc Bơm vào hoặc Thương tích – Không Hướng Dồn xả vào Người.
23. Đảm bảo vật thể hoặc khu vực cần làm sạch có khả năng chống thấm nước. Nếu không có thể gây hư hại cho đồ vật hoặc địa điểm dẫn đến thương tích cá nhân.

Sử dụng và bảo quản dụng cụ dùng pin

1. Chỉ sạc pin lại với bộ sạc do nhà sản xuất quy định. Bộ sạc phù hợp với một loại bộ pin này có thể gây ra nguy cơ hỏa hoạn khi được dùng cho một bộ pin khác.
2. Chỉ sử dụng các dụng cụ máy với các bộ pin được quy định cụ thể. Việc sử dụng bất cứ bộ pin nào khác có thể gây ra thương tích và hỏa hoạn.
3. Khi không sử dụng bộ pin, hãy giữ tránh xa các đồ vật khác bằng kim loại, chẳng hạn như kẹp giấy, tiền xu, chìa khóa, đinh, ốc vít hoặc các vật nhỏ bằng kim loại mà có thể làm nối tắt các đầu cực pin. Các đầu cực pin bị đoản mạch có thể gây cháy hoặc hỏa hoạn.
4. Trong điều kiện sử dụng quá mức, pin có thể bị cháy nước; hãy tránh tiếp xúc. Nếu vô tình tiếp xúc với pin bị cháy nước, hãy rửa sạch bằng nước. Nếu dung dịch từ pin tiếp xúc với mắt, cần đi khám bác sĩ thêm. Dung dịch chảy ra từ pin có thể gây rát da hoặc bỏng.
5. Không sử dụng bộ pin hoặc dụng cụ bị hư hỏng hoặc đã bị sửa đổi. Pin đã bị hư hỏng hoặc đã bị sửa đổi có thể hành động theo cách không thể đoán trước dẫn đến cháy, nổ hoặc nguy cơ chấn thương.
6. Không để bộ pin hoặc dụng cụ tiếp xúc với lửa hoặc nhiệt độ quá cao. Tiếp xúc với lửa hoặc nhiệt độ trên 130 °C có thể gây ra cháy nổ.
7. Làm theo tất cả các hướng dẫn sạc pin và không dung sạc bộ pin hoặc dụng cụ vượt giới hạn nhiệt độ quy định trong hướng dẫn. Sạc pin không đúng hoặc ở nhiệt độ vượt giới hạn nhiệt độ có thể gây hư hỏng cho pin và làm tăng nguy cơ cháy.

Bảo trì

1. Tuân thủ hướng dẫn bảo trì đã quy định trong hướng dẫn sử dụng.
2. Để đảm bảo an toàn cho thiết bị, chỉ sử dụng các phụ tùng thay thế chính hãng từ nhà sản xuất hoặc được chấp thuận bởi nhà sản xuất.
3. Máy xịt rửa áp lực phải do nhân viên sửa chữa đủ trình độ bảo trì và chỉ sử dụng các bộ phận thay thế đồng nhất. Điều này sẽ đảm bảo duy trì được độ an toàn của máy xịt rửa áp lực.
4. Trong trường hợp máy xịt rửa áp lực có hư hỏng hoặc trục trặc, phải lập tức tắt máy và tháo (các) hộp pin ra. Hãy liên hệ với đại lý địa phương hoặc trung tâm dịch vụ của bạn.

Cảnh báo an toàn bổ sung

1. Không sử dụng dụng cụ khi có nguy cơ sấm sét.
2. Khi bạn sử dụng dụng cụ trên mặt đất bùn lầy, sườn dốc ẩm ướt, hoặc nơi trơn trượt, hãy chú ý đến chỗ để chân của bạn.
3. Tránh làm việc trong môi trường có điều kiện không tốt, nơi người dùng dễ cảm thấy mệt mỏi hơn.
4. Không thay pin dưới trời mưa.
5. Không nhúng dụng cụ vào vùng nước.
6. Khi cất giữ dụng cụ, tránh ánh nắng trực tiếp và mưa, cất giữ ở nơi không nóng hoặc ẩm ướt.

7. Sau khi sử dụng dụng cụ, hãy loại bỏ bụi bẩn dính vào và làm khô dụng cụ hoàn toàn trước khi cất giữ. Tùy thuộc vào mùa hoặc khu vực, dụng cụ có nguy cơ trực trặc do đóng băng.
8. Không làm ướt điện cực của pin bằng chất lỏng ví dụ như nước, hoặc nhấn chìm pin. Không để pin dưới trời mưa, không sặc, sử dụng, hoặc cất giữ pin ở nơi ẩm hoặc ướt. Nếu điện cực bị ướt hoặc có chất lỏng lọt vào bên trong pin, pin có thể bị đoản mạch và có nguy cơ quá nhiệt, cháy hoặc nổ.
9. Sau khi tháo pin ra khỏi dụng cụ hoặc bộ sạc, hãy đảm bảo đã gắn nắp đậy pin vào pin và cất giữ ở nơi khô ráo.
10. Không thay pin bằng tay ướt.
11. Nếu thiết bị bị đóng băng do thời tiết lạnh, hãy liên hệ với trung tâm dịch vụ được ủy quyền để sửa chữa.
12. Không sử dụng nguồn cấp điện có dây như bộ chuyển đổi pin hoặc bộ cấp nguồn di động đeo vai với thiết bị này. Cấp của nguồn cấp điện này có thể cản trở vận hành và dẫn đến thương tích cá nhân.
6. Không cất giữ cũng như sử dụng dụng cụ và hộp pin ở nơi nhiệt độ có thể lên tới hoặc vượt quá 50 °C (122 °F).
7. Không đốt hộp pin ngay cả khi hộp pin đã bị hư hại nặng hoặc hư hỏng hoàn toàn. Hộp pin có thể nổ khi tiếp xúc với lửa.
8. Không đóng đinh, cắt, nghiền nát, ném, làm rơi hộp pin hoặc va vật cứng vào hộp pin. Làm như thế có thể dẫn đến hỏa hoạn, quá nhiệt hoặc nổ.
9. Không sử dụng pin đã hỏng.
10. Pin nén lithium-ion là đối tượng có yêu cầu bắt buộc theo Luật Hàng hoá Nguy hiểm. Đối với vận tải thông mại, ví dụ như vận tải do bên thứ ba, đại lý giao nhận, thì yêu cầu đặc biệt về đóng gói và nhãn ghi phải được giám sát. Để chuẩn bị cho mặt hàng cần vận chuyển, cần phải tham khảo ý kiến chuyên gia về vật liệu nguy hiểm. Nếu được, vui lòng tuân thủ các quy định quốc gia chi tiết hơn. Buộc hoặc niêm phong các tiếp điểm mở và đóng gói pin theo cách đó để nó không thể di chuyển trong bao bì.

LƯU GIỮ CÁC HƯỚNG DẪN NÀY.

⚠CẢNH BÁO: KHÔNG vì đã thoải mái hay quen thuộc với sản phẩm (có được do sử dụng nhiều lần) mà không tuân thủ nghiêm ngặt các quy định về an toàn dành cho sản phẩm này.

VIỆC DÙNG SAI hoặc không tuân theo các quy định về an toàn được nêu trong tài liệu hướng dẫn này có thể dẫn đến thương tích cá nhân nghiêm trọng.

Hướng dẫn quan trọng về an toàn dành cho hộp pin

1. Trước khi sử dụng hộp pin, hãy đọc kỹ tất cả các hướng dẫn và dấu hiệu cảnh báo trên (1) bộ sạc pin, (2) pin và (3) sản phẩm sử dụng pin.
2. Không tháo rời hoặc làm thay đổi hộp pin. Việc này có thể dẫn đến hỏa hoạn, quá nhiệt hoặc nổ.
3. Nếu thời gian vận hành ngắn hơn quá mức, hãy ngừng vận hành ngay lập tức. Điều này có thể dẫn đến rùi ro quá nhiệt, có thể gây bỏng và thậm chí là nổ.
4. Nếu chất điện phân rơi vào mắt, hãy rửa sạch bằng nước sạch và đến cơ sở y tế ngay lập tức. Chất này có thể khiến bạn giảm thị lực.
5. Không để hộp pin ở tình trạng đoản mạch:
 - (1) Không chạm vào cực pin bằng vật liệu dẫn điện.
 - (2) Tránh cất giữ hộp pin trong hộp có các vật kim loại khác như đinh, tiền xu, v.v...
 - (3) Không được để hộp pin tiếp xúc với nước hoặc mưa.

Đoản mạch pin có thể gây ra dòng điện lớn, quá nhiệt, có thể gây bỏng và thậm chí là hỏng hóc.
11. Khí vút bỏ hộp pin, hãy tháo chúng khỏi dụng cụ và thái bỏ ở nơi an toàn. Phải tuân thủ theo các quy định của địa phương liên quan đến việc thái bỏ pin.
12. Chỉ sử dụng pin cho các sản phẩm Makita chỉ định. Lắp pin vào sản phẩm không thích hợp có thể gây ra hỏa hoạn, quá nhiệt, nổ, hoặc rò chất điện phân.
13. Nếu dụng cụ không được sử dụng trong một thời gian dài, cần phải tháo pin ra khỏi dụng cụ.
14. Trong và sau khi sử dụng, hộp pin có thể bị nóng, có thể gây bỏng hoặc bỏng ở nhiệt độ thấp. Chú ý xử lý hộp pin nóng.
15. Không chạm vào điện cực của dụng cụ ngay sau khi sử dụng vì điện cực đủ nóng để gây bỏng.
16. Không để vụn bào, bụi hoặc đất bám vào các điện cực, lỗ và rãnh của hộp pin. Điều này có thể làm nóng, bắt lửa, nổ và gây trực trặc cho dụng cụ hoặc hộp pin, dẫn đến bỏng hoặc thương tích cá nhân.
17. Trừ khi dụng cụ hỗ trợ sử dụng gần đường dây điện cao thế, không sử dụng hộp pin gần đường dây điện cao thế. Việc này có thể dẫn đến trực trặc hoặc hỏng hóc dụng cụ hay hộp pin.
18. Giữ pin tránh xa trẻ em.

LƯU GIỮ CÁC HƯỚNG DẪN NÀY.

⚠THẬN TRỌNG: Chỉ sử dụng pin Makita chính hãng. Việc sử dụng pin không chính hãng Makita, hoặc pin đã được sửa đổi, có thể dẫn đến nổ pin gây ra cháy, thương tích và thiệt hại cá nhân. Nó cũng sẽ làm mất hiệu lực bảo hành của Makita dành cho dụng cụ của Makita và bộ sạc.

Mẹo duy trì tuổi thọ tối đa cho pin

1. Sạc hộp pin trước khi pin bị xả điện hoàn toàn. Luôn dừng việc vận hành dụng cụ và sạc pin khi bạn nhận thấy công suất dụng cụ bị giảm.
2. Không được phép sạc lại một hộp pin đã được sạc đầy. Sạc quá mức sẽ làm giảm tuổi thọ của pin.
3. Sạc pin ở nhiệt độ phòng 10°C - 40°C. Để cho hộp pin nóng nguội lại dần trước khi sạc pin.
4. Khi không sử dụng hộp pin, hãy tháo hộp pin ra khỏi dụng cụ hoặc bộ sạc.
5. Sạc pin sau tháng một lần nếu bạn không sử dụng dụng cụ trong một thời gian dài (hơn sáu tháng).

MÔ TẢ CHỨC NĂNG

⚠ THẬN TRỌNG: Luôn đảm bảo rằng đã tắt dụng cụ và tháo hộp pin ra trước khi thực hiện việc điều chỉnh hoặc kiểm tra chức năng trên dụng cụ.

Lắp hoặc tháo hộp pin

⚠ THẬN TRỌNG: Luôn tắt dụng cụ trước khi lắp hoặc tháo hộp pin.

⚠ THẬN TRỌNG: Giữ dụng cụ và hộp pin thật chắc khi lắp hoặc tháo hộp pin. Không giữ dụng cụ và hộp pin thật chắc có thể làm trượt chúng khỏi tay và làm hư hỏng dụng cụ và hộp pin hoặc gây thương tích cá nhân.

⚠ THẬN TRỌNG: Cần thận trọng kẹp ngón tay của bạn khi mở hoặc đóng nắp pin.

Mở nắp trong khi đẩy cần khóa.

► **Hình1:** 1. Nắp che 2. Cần khóa

Đặt thẳng hàng phần chốt nhô ra của hộp pin vào phần rãnh nằm trên vỏ và trượt hộp pin vào vị trí. Đưa hộp pin vào hết mức cho đến khi chốt khóa vào đúng vị trí với một tiếng cách nhẹ. Nếu bạn có thể nhìn thấy chỉ báo màu đỏ như thể hiện trong hình, điều đó có nghĩa vẫn chưa được khóa hoàn toàn.

► **Hình2:** 1. Chỉ báo màu đỏ 2. Nút 3. Hộp pin

Sau khi lắp hoặc tháo hộp pin, đảm bảo đóng nắp lại.

Để tháo hộp pin, hãy mở nắp, trượt hộp pin ra khỏi dụng cụ trong khi nhấn nút ở phía trước, sau đó đóng nắp lại.

⚠ THẬN TRỌNG: Luôn lắp hộp pin khớp hoàn toàn vào vị trí cho đến khi không thể nhìn thấy chỉ báo màu đỏ. Nếu không, hộp pin có thể vô tình rơi ra khỏi dụng cụ, gây thương tích cho bạn hoặc người khác xung quanh.

⚠ THẬN TRỌNG: Không được dùng sức lắp hộp pin. Nếu hộp pin không nhẹ nhàng trượt vào vị trí, có nghĩa là pin vẫn chưa được lắp đúng.

⚠ THẬN TRỌNG: Đảm bảo khóa nắp che trước khi vận hành.

Hệ thống bảo vệ dụng cụ / pin

Dụng cụ này được trang bị hệ thống bảo vệ dụng cụ / pin. Hệ thống này sẽ tự động ngắt nguồn điện động cơ để kéo dài tuổi thọ dụng cụ và pin. Dụng cụ sẽ tự động dừng lại để chỉ báo nếu dụng cụ hoặc pin ở một trong những trường hợp sau đây:

► **Hình3:** 1. Đèn chỉ báo

Bảo vệ quá tải

Khi vận hành dụng cụ hoặc pin trong điều kiện làm máy tiêu tốn dòng cao bất thường, dụng cụ sẽ tự động dừng và đèn chỉ báo màu đỏ sẽ sáng lên. Trong trường hợp này, hãy tắt dụng cụ và ngừng việc sử dụng để làm cho dụng cụ trở nên quá tải. Sau đó bật dụng cụ lên để khởi động lại.

Bảo vệ quá nhiệt

Khi dụng cụ hoặc pin bị quá nhiệt, dụng cụ sẽ tự động dừng và đèn chỉ báo màu đỏ sẽ sáng lên. Trong tình huống này, hãy để dụng cụ nguội lại trước khi bật dụng cụ một lần nữa.

Bảo vệ xả điện quá mức

Khi dung lượng pin yếu, đèn chỉ báo màu đỏ sẽ nhấp nháy. Khi pin gần hết, dụng cụ sẽ tự động dừng lại và đèn chỉ báo màu đỏ sẽ sáng lên. Trong trường hợp này, hãy tháo pin khỏi dụng cụ và sạc pin lại.

Bảo vệ chống lại các nguyên nhân khác

Hệ thống bảo vệ cũng được thiết kế để chống lại các nguyên nhân khác có thể làm hỏng dụng cụ và cho phép dụng cụ tự động dừng. Thực hiện tất cả các bước sau đây để loại bỏ các nguyên nhân, khi dụng cụ đã được tạm dừng hoặc ngừng hoạt động.

1. Tắt dụng cụ, sau đó bật lại lần nữa để khởi động lại.
2. Sạc (các) pin hoặc thay pin/các pin bằng (các) pin đã sạc.
3. Để dụng cụ và (các) pin nguội dần.

Nếu không thấy cải thiện bằng cách khôi phục hệ thống bảo vệ, hãy liên hệ với Trung tâm Dịch vụ Makita tại địa phương của bạn.

CHÚ Ý: Nếu dụng cụ dừng vì nguyên nhân không được mô tả bên trên, hãy tham khảo phần xử lý sự cố.

Chỉ báo dung lượng pin còn lại

Chỉ dành cho hộp pin có đèn chỉ báo

Ấn nút check (kiểm tra) trên hộp pin để chỉ báo dung lượng pin còn lại. Các đèn chỉ báo bật sáng lên trong vài giây.

► **Hình4:** 1. Các đèn chỉ báo 2. Nút Check (kiểm tra)

Các đèn chỉ báo			Dung lượng còn lại
Bật sáng	Tắt	Nhấp nháy	
			75% đến 100%
			50% đến 75%
			25% đến 50%
			0% đến 25%
			Sạc pin.
			Pin có thể đã bị hỏng.

LƯU Ý: Tùy thuộc vào các điều kiện sử dụng và nhiệt độ xung quanh, việc chỉ báo có thể khác biệt một chút so với dung lượng thực sự.

LƯU Ý: Đèn chỉ báo (phía xa bên trái) đầu tiên sẽ nhấp nháy khi hệ thống bảo vệ pin hoạt động.

Công tắc chế độ áp suất

Chọn chế độ áp suất mong muốn bằng cách trượt cần công tắc về phía trước và phía sau.

Kéo cần về phía sau cho chế độ áp suất thấp để biểu tượng số "1" hiển thị trên công tắc.

Đẩy cần về phía trước để chuyển sang chế độ áp suất cao sao cho biểu tượng số "2" hiển thị trên công tắc.

► **Hình5:** 1. Chế độ áp suất thấp (1) 2. Chế độ áp suất cao (2) 3. Cần công tắc chế độ áp suất

Cần khởi động công tắc

Máy xịt rửa áp lực sử dụng khóa an toàn trên cần khởi động. Để nhả khóa cần khởi động, nhấn nút khóa vào cần khởi động để bề mặt cần khởi động trở nên phẳng.

Kéo cần khởi động công tắc để phun tia nước. Tia nước sẽ được phun ra liên tục khi giữ cò.

► **Hình6:** 1. Cần khởi động công tắc 2. Nút khóa

Đẩy nút khóa trở lại từ bên trong cần khởi động để kích hoạt khóa cần khởi động.

Hãy chắc chắn khóa cần khởi động khi không sử dụng máy xịt rửa áp lực.

► **Hình7:** 1. Cần khởi động công tắc 2. Nút khóa

Các chức năng của vòi phun

Vòi phun đa kiểu (5 trong 1) có nhiều kiểu phun mà bạn có thể điều chỉnh tùy theo nhu cầu rửa của mình. Bằng cách kết hợp năm kiểu phun được sử dụng nhiều nhất trong một vòi phun, không còn phải chuyển từ loại này sang loại tiếp theo, chỉ cần chọn kiểu phun phù hợp cho nhiệm vụ của bạn.

Chuyển đổi vòi phun đơn giản, 0°, 15°, 25°, 40° và vòi hoa sen

► **Hình8**

► **Hình9:** 1. Biểu tượng kiểu phun 2. Dấu hình tam giác

Xoay đầu vòi phun sang trái hoặc phải đến vị trí kiểu phun mong muốn. Căn chỉnh chính xác biểu tượng kiểu phun mà bạn muốn chọn bằng dấu hình tam giác sao cho đầu vòi phun được khóa với một tiếng cách.

► **Hình10**

CHÚ Ý: Cẩn thận không để đầu vòi phun ở vị trí không nghe tiếng cách. Nếu không, dụng cụ có thể tạo ra các kiểu phun bất thường dẫn đến rò rỉ nước.

⚠ THẬN TRỌNG: Cố gắng không xoay thân vòi phun khi bạn thay đổi kiểu phun. Vòi phun có thể rơi ra khỏi thân dụng cụ và gây thương tích cá nhân.

Van an toàn

Dụng cụ này được trang bị một van an toàn để ngăn chặn áp suất quá mức.

⚠ THẬN TRỌNG: Không được làm thay đổi hoặc điều chỉnh cài đặt van an toàn.

LẮP RÁP

⚠ THẬN TRỌNG: Luôn đảm bảo rằng đã tắt dụng cụ và tháo hộp pin ra trước khi thực hiện bất cứ thao tác nào trên dụng cụ.

Lắp đặt vòi phun và ống nối dài súng phun

⚠ THẬN TRỌNG: Luôn khóa cần khởi động công tắc trong khi gắn/tháo vòi phun và ống nối dài.

Vòi phun

Căn chỉnh các phần nhô ra dẫn hướng trên đầu vòi phun với các khe khóa trên vỏ dụng cụ. Đẩy vòi phun hết mức cho đến khi hai đầu hình tam giác trên vòi phun và mặt bên ngoài đối diện nhau. Sau đó xoay vòi phun theo hướng được thể hiện trong hình để giải khóa. Sau khi đã lắp vòi phun, hãy thử kéo trở lại để đảm bảo vòi phun được giữ chặt tại chỗ.

► **Hình11:** 1. Vòi phun 2. Phần nhô ra dẫn hướng 3. Khe khóa 4. Dấu hình tam giác 5. Đường viền dạng chấu vặn

LƯU Ý: Hãy đảm bảo rằng bạn xoay đường viền dạng chiếc vây hướng xuống dưới.

Đề tháo vòi phun, đẩy và giữ vòi phun về phía vỏ dụng cụ, sau đó xoay ngược lại cho đến khi hai dấu hình tam giác hướng vào nhau. Kéo vòi phun ra khỏi vỏ dụng cụ sau khi vòi phun được mở khóa.

Nối dài súng phun

Tưới nước ở những nơi khó tiếp cận. Lắp đặt ống nối dài súng phun vào giữa vỏ dụng cụ và vòi phun bằng cách làm theo các bước giống như mô tả để lắp đặt với phun.

► **Hình12:** 1. Nối dài súng phun 2. Vỏ dụng cụ 3. Vòi phun 4. Phần nhô ra dẫn hướng 5. Khe khóa 6. Dấu hình tam giác

Để tháo các phụ tùng, đẩy và giữ phụ tùng đầu mũi về phía phụ tùng/vỏ, và sau đó xoay ngược lại cho đến khi hai dấu hình tam giác đối diện với nhau. Kéo phụ tùng đầu ra khỏi phụ tùng gắn/gỗ sau khi được mở khóa.

Kết nối với nguồn cấp nước bình chứa

CHÚ Ý: Luôn sử dụng ống dẫn áp và lưới lọc được cung cấp kèm theo dụng cụ này để cấp nước.

CHÚ Ý: Luôn giữ độ cao từ 2,0 m trở xuống giữa đầu vào của máy xịt rửa áp lực và bề mặt nước. Nếu không, máy xịt rửa áp lực sẽ không thể để hút nước vào máy bơm.

CHÚ Ý: Hãy đảm bảo độ dày bình chứa nước dày hơn 25 mm từ phía đáy và nhúng hoàn toàn lưới lọc vào nước.

Nước có thể được cấp từ bình/thùng/bể chứa nước có kích thước bất kỳ.

Một bình nước được cung cấp nước như các tình huống rửa áp, ví dụ như rửa xe và làm vườn, v.v..., nơi không có nước và phải được vận chuyển đến khu vực hoặc địa điểm rửa.

1. Gắn lưới lọc vào một đầu của ống dẫn áp.

Lắp ngõ ra lưới lọc vào trụ ngoài khớp nối và đẩy nó qua cho đến khi lưới lọc được cố định vào đúng vị trí.

► **Hình13:** 1. Lưới lọc 2. Trụ ngoài khớp nối 3. Ống dẫn áp

2. Để lưới lọc ở đáy bể chứa nước.

► **Hình14:** 1. Lưới lọc 2. Ống dẫn áp 3. Móc treo ống

LƯU Ý: Treo ống dẫn dọc theo lỗ hờ bằng cách sử dụng móc treo ống được cung cấp sao cho bọc lọc nằm yên ở đáy bể chứa.

3. Gắn đầu còn lại của ống dẫn vào đầu nối ống dẫn nước trên máy xịt rửa áp lực.

Đặt trụ ngoài khớp nối lên trên đầu vào của đầu nối và đẩy nó qua cho đến khi trụ ngoài khớp nối được cố định đúng vị trí.

► **Hình15:** 1. Trụ ngoài khớp nối 2. Đầu nối ống dẫn nước

⚠ THẬN TRỌNG: Hãy đảm bảo rằng ống dẫn cao áp đã được nối chắc chắn. Mối nối lỏng có thể làm thổi bay ống dẫn cao áp gây ra thương tích cá nhân.

CHÚ Ý: Đưa nước vào máy xịt rửa áp lực và ống dẫn trước bất cứ khi nào bạn muốn nâng nước từ độ sâu nhất định trong chế độ áp lực cao.

Kết nối với nguồn cấp nước chính

⚠ THẬN TRỌNG: Luôn sử dụng ống dẫn áp được cung cấp kèm theo dụng cụ này để cấp nước.

CHÚ Ý: Nếu bạn nối ống vào nguồn nước uống, sử dụng van ngăn chảy ngược theo quy định tại địa phương của bạn.

CHÚ Ý: Duy trì áp suất cấp nước vào thấp hơn 0,5 MPa để cấp nước ổn định. Không vượt quá áp suất cấp tối đa vì có thể gây rò rỉ nước khi dụng cụ ngừng hoạt động.

Có thể cấp nước từ nguồn nước chính có sẵn tại khu vực hoặc địa điểm cần làm sạch.

Việc cung cấp nước liên tục cho phép bạn không cần đổ đầy nước và giúp bạn làm sạch nhà và làm vườn hiệu quả, chẳng hạn như làm sạch tại chỗ, rửa sạch và tưới nước trên khu vực bãi cỏ hoặc khu vực cây cối.

1. Nối ống dẫn áp vào vòi nước.

Sử dụng ống nối thích hợp như khớp nối khóa nước để vận chuyển phần cuối ống dẫn vào vòi nước.

► **Hình16:** 1. Khớp nối khóa nước 2. Trụ ngoài khớp nối 3. Ống dẫn áp

LƯU Ý: Loại ống nối phụ thuộc vào hình dạng của vòi nước mà bạn nối vào. Chuẩn bị ống nối đã mua phù hợp.

2. Gắn đầu còn lại của ống dẫn vào đầu nối ống dẫn nước trên máy xịt rửa áp lực.

Đặt trụ ngoài khớp nối lên trên đầu vào của đầu nối và đẩy nó qua cho đến khi trụ ngoài khớp nối được cố định đúng vị trí.

► **Hình17:** 1. Trụ ngoài khớp nối 2. Đầu nối ống dẫn nước

Lắp đặt vòi phun bọt

Phụ kiện tùy chọn

⚠ THẬN TRỌNG: Luôn khóa cần khởi động công tắc trong khi gắn/tháo phụ tùng tùy chọn.

CHÚ Ý: Chỉ sử dụng chất tẩy rửa trung tính. Không sử dụng chất tẩy rửa gia dụng, chất tẩy rửa axit, chất tẩy rửa kiềm, chất tẩy trắng, dung môi, vật liệu dễ cháy hoặc dung dịch loại công nghiệp có thể làm hỏng dụng cụ hoặc tài sản của bạn. Chuẩn bị dung dịch vệ sinh theo hướng dẫn trên bình dung dịch và luôn kiểm tra trước ở nơi ít bị chú ý.

CHÚ Ý: Nếu sử dụng chất tẩy rửa có độ nhớt cao, vòi phun có khả năng bị tắc. Khi sử dụng chất tẩy rửa có độ nhớt cao, hãy pha loãng chất tẩy rửa bằng cách thêm nước vào chai trước khi sử dụng.

LƯU Ý: Khi sử dụng vòi phun bọt, chất tẩy rửa trong chai được pha loãng với nước do thiết bị cung cấp và phun ra. Bạn không cần phải pha loãng nồng độ chất tẩy rửa trong chai quá mức cần thiết. Điều chỉnh nồng độ chất tẩy rửa trong khi kiểm tra các điều kiện sử dụng.

LƯU Ý: Nếu vòi phun bọt bị nghiêng sang một bên, chất tẩy rửa có thể tràn ra.

Chuẩn bị chất tẩy rửa trước khi sử dụng vòi phun bọt.

1. Đổ đầy chất tẩy rửa vào bình chứa. Gắn vòi phun vào bình chứa và vặn chặt nắp.

2. Nghiêng vòi phun bọt để căn chỉnh phần nhô ra dẫn hướng của nó với các khe khóa trên vỏ dụng cụ. Đẩy vòi phun hết mức vào trong và giữ vòi phun đứng vị trí. Sau đó vặn vòi phun bọt theo hướng như thể hiện trong hình để gài khóa.

► **Hình18:** 1. Vòi phun bọt 2. Bình chứa 3. Phần nhô ra dẫn hướng 4. Khe khóa

Sau khi đã lắp vòi phun, hãy thử kéo trở lại để đảm bảo vòi phun được giữ chặt tại chỗ.

3. Xoay đĩa xoay chất tẩy rửa để điều chỉnh lượng hút của dung dịch tẩy rửa.

► **Hình19:** 1. Đĩa xoay chất tẩy rửa 2. Đĩa xoay đến tối thiểu 3. Đĩa xoay đến tối đa

Lắp đặt vòi phun tùy chọn

Phụ kiện tùy chọn

⚠ THẬN TRỌNG: Luôn khóa cần khởi động công tắc trong khi gắn/tháo phụ tùng tùy chọn.

Căn chỉnh các phần nhô ra dẫn hướng trên vòi phun tùy chọn với các khe khóa trên vỏ dụng cụ. Đẩy vòi phun hết mức vào trong và giữ vòi phun đứng vị trí. Sau đó xoay vòi phun theo hướng được thể hiện trong hình để gài khóa.

Sau khi đã lắp vòi phun, hãy thử kéo trở lại để đảm bảo vòi phun được giữ chặt tại chỗ.

► **Hình20:** 1. Vòi phun 2. Phần nhô ra dẫn hướng 3. Khe khóa

Đề tháo vòi phun, đẩy và giữ vòi phun về phía vỏ dụng cụ, sau đó xoay ngược lại để nhả khóa. Kéo vòi phun ra khỏi máy xịt rửa áp lực sau khi vòi được mở khóa.

Lắp đặt bộ chuyển đổi chai nhựa

Phụ kiện tùy chọn

⚠ THẬN TRỌNG: Luôn khóa cần khởi động công tắc trong khi gắn/tháo phụ tùng tùy chọn.

⚠ THẬN TRỌNG: Đảm bảo đã gắn chặt bộ chuyển đổi chai nhựa vào máy xịt rửa áp lực và chai nhựa. Nếu không làm như vậy có thể khiến chai bị rơi dẫn đến thương tích cá nhân.

LƯU Ý: Bạn có thể ưu tiên sử dụng chai nhựa 2 lít (nửa gallon) để đựng nước.

1. Đổ đầy nước vào chai nhựa.
2. Cắm ống hút xuống qua miệng chai.
3. Gắn ống nối vào chai bằng cách luồn đai ốc của trụ ngoài khớp nối.
4. Gắn bộ chuyển đổi chai nhựa vào đầu nối ống dẫn nước trên máy xịt rửa áp lực.

Đặt trụ ngoài khớp nối lên trên đầu vào của đầu nối và đẩy nó qua cho đến khi trụ ngoài khớp nối được cố định đúng vị trí.

► **Hình21:** 1. Bộ chuyển đổi chai nhựa 2. Ống hút 3. Chai nhựa 4. Đầu nối ống dẫn nước

VẬN HÀNH

⚠ CẢNH BÁO: Không chạm vào tia nước hoặc hướng tia nước vào chính bạn hoặc người khác. Tia nước rất nguy hiểm và có thể làm tổn thương bạn hoặc người khác.

⚠ CẢNH BÁO: Khi phun tia nước, không bao giờ cầm giữ vật thể bạn đang làm sạch hoặc để tay hoặc chân của bạn gần tia nước.

⚠ THẬN TRỌNG: Không chạy máy xịt rửa áp lực khi không có nước lâu hơn từ 1 phút trở lên.

⚠ THẬN TRỌNG: Không vận hành máy xịt rửa áp lực trong khoảng thời gian dài. Điều này có thể làm máy bị quá nhiệt hoặc cháy. Ngoài ra, sử dụng trong thời gian dài có thể gây ra chấn thương do rung.

⚠ THẬN TRỌNG: Phải lưu ý hướng gió. Nếu chất tẩy rửa dính mắt hoặc miệng của bạn, rửa sạch với nước sạch ngay lập tức và tìm trợ giúp chăm sóc y tế nếu cần thiết.

CHÚ Ý: Để bảo vệ máy móc của máy xịt rửa áp lực, không sử dụng nước nóng hơn 40°C (104°F).

CHÚ Ý: Không sử dụng nguồn cấp nước chưa xử lý, chẳng hạn như nước sông, nước ao, và nước có cát hoặc bùn. Nước bẩn chưa được lọc có thể làm lắng đọng các vật chất không mong muốn trong máy bơm dẫn đến hư hỏng.

Chiều cao nâng nước

Chiều cao thẳng đứng từ nguồn nước đến ngõ vào đầu hút nước của máy xịt rửa áp lực cần phải nằm trong khoảng 2,0 m.

Độ sâu nước trữ

Đồ đầy nước dày hơn 25 mm từ đáy lên.

► **Hình22:** 1. Chiều cao nâng nước 2. Độ sâu nước trữ

Các bước trong vận hành cơ bản

1. Nối ống dẫn nước vào nguồn cấp nước.
2. Nối ngõ ra ống dẫn nước vào máy xịt rửa áp lực.
► **Hình23**
3. Nếu nước còn lại trong máy xịt rửa áp lực đã được xả hết kể từ lần sử dụng lần cuối, đưa nước vào vòi dẫn áp và máy xịt rửa áp lực.

Để nước chảy qua ống dẫn và máy xịt rửa cho đến khi thoát ra hết không khí trong đó.

- (1) Tháo vòi ra khỏi máy xịt rửa áp lực.
- (2) Lắp hộp pin vào máy xịt rửa áp lực.
- (3) Chọn chế độ áp suất cao.
- (4) Mở khóa cần khởi động công tắc.
- (5) Kéo và giữ cần khởi động công tắc cho đến khi máy xịt rửa áp lực tạo được tia nước ổn định.

► **Hình24:** 1. Cần công tắc chế độ áp suất

Sau khi để không khí ra khỏi máy xịt rửa áp lực và ống dẫn, hãy nhả cần khởi động công tắc.

Tháo hộp pin khỏi máy xịt rửa áp lực và gắn vòi phun phù hợp với mục đích sử dụng của bạn.

4. Mở nắp che và lắp hộp pin vào máy xịt rửa áp lực rồi khóa nắp che.

► **Hình25:** 1. Hộp pin 2. Nắp che

⚠ THẬN TRỌNG: Cần thận trọng kẹp ngón tay của bạn khi mở hoặc đóng nắp pin.

5. Chọn chế độ áp suất mong muốn của bạn. Sau đó mở khóa cần khởi động công tắc.

► **Hình26:** 1. Cần công tắc chế độ áp suất 2. Cần khởi động công tắc 3. Nút khóa

6. Hướng đầu vòi phun vào khu vực hoặc vị trí tưới nước. Bóp cần khởi động công tắc.

Tia nước sẽ được phun ra liên tục khi giữ cần khởi động công tắc.

► **Hình27**

► **Hình28**

⚠ THẬN TRỌNG: Giữ chặt máy xịt rửa áp lực. Dụng cụ sẽ giật lại khi bạn kéo cần khởi động công tắc.

⚠ THẬN TRỌNG: Luôn giữ máy xịt rửa áp lực bằng tay cầm và thùng khi phun tia nước.

Sau khi sử dụng

⚠ THẬN TRỌNG: Sau khi vận hành máy xịt rửa áp lực, luôn thực hiện theo quy trình được mô tả trong hướng dẫn này. Áp lực còn lại trong máy xịt rửa áp lực có thể gây ra thương tích cá nhân hoặc làm hỏng máy bơm bên trong.

1. Nhả cần khởi động công tắc ra và khóa lại bằng cách sử dụng nút khóa.

2. Ngắt kết nối ống dẫn nước khỏi nguồn cấp nước.

► **Hình29**

3. Mở khóa cần khởi động công tắc và siết chặt nó cho đến khi nước còn lại trong máy xịt rửa áp lực và ống dẫn được xả ra.

► **Hình30**

CHÚ Ý: Không chạy động cơ lâu hơn 1 phút.

4. Nhả cần khởi động công tắc ra và khóa lại bằng cách sử dụng nút khóa. Sau đó tháo pin ra khỏi máy xịt rửa áp lực.

► **Hình31:** 1. Nút khóa 2. Hộp pin

5. Tháo ống dẫn áp khỏi máy xịt rửa áp lực.

► **Hình32:** 1. Trụ ngoài khớp nối 2. Đầu nối ống dẫn nước

CHÚ Ý: Để ngăn ngừa ống dẫn áp khỏi bị hư hỏng, hãy xả hết nước còn lại trong ống trước khi cất giữ.

BẢO TRÌ

⚠ THẬN TRỌNG: Luôn đảm bảo rằng dụng cụ đã được tắt và hộp pin đã được tháo ra trước khi cố gắng thực hiện việc kiểm tra hay bảo dưỡng.

CHÚ Ý: Không được phép dùng xăng, ét xăng, dung môi, cồn hoặc hóa chất tương tự. Có thể xảy ra hiện tượng mất màu, biến dạng hoặc nứt vỡ.

Để đảm bảo ĐỘ AN TOÀN và ĐỘ TIN CẬY của sản phẩm, việc sửa chữa hoặc bất cứ thao tác bảo trì, điều chỉnh nào đều phải được thực hiện bởi các Trung tâm Dịch vụ Nhà máy hoặc Trung tâm được Makita Ủy quyền và luôn sử dụng các phụ tùng thiết bị thay thế của Makita.

Vệ sinh vòi phun

Sử dụng kim làm sạch, loại que nhỏ, để loại bỏ bụi bẩn bị tắc khỏi các lỗ vòi phun.

► **Hình33:** 1. Kim làm sạch 2. Vòi phun

LƯU Ý: Để duy trì hiệu suất tối ưu, làm sạch bộ vòi hút định kỳ.

CHÚ Ý: Không được loại bỏ bụi bẩn hoặc mảnh vụn một cách quá mạnh. Điều này có thể dẫn đến thương tích cá nhân hoặc gây hư hỏng lỗ phun dẫn đến tia bị lệch hoặc hiệu suất kém.

Làm sạch bộ lọc

Tháo đầu nối ống dẫn nước ra khỏi máy xịt rửa áp lực. Loại bỏ bụi hoặc bụi dính vào túi chứa bụi.

► **Hình34:** 1. Đầu nối ống dẫn nước 2. Bộ lọc 3. Vòng đệm kín

Tháo rời bộ lọc bằng cách tháo hộp bộ lọc. Loại bỏ bụi hoặc bụi dính vào túi chứa bụi.

► **Hình35:** 1. Bộ lọc 2. Ống lọc

LƯU Ý: Để duy trì hiệu suất tối ưu, làm sạch bộ lọc định kỳ.

XỬ LÝ SỰ CỐ

Trước khi yêu cầu sửa chữa, đầu tiên hãy tự tiến hành kiểm tra của riêng bạn. Nếu bạn phát hiện vấn đề nào đó không được giải thích trong sách hướng dẫn sử dụng này, đừng cố tháo dỡ dụng cụ. Thay vào đó, hãy nhờ Trung tâm dịch vụ Makita được ủy quyền, luôn sử dụng bộ phận thay thế của Makita để sửa chữa.

Tình trạng bất thường	Nguyên nhân tiềm tàng (sự cố hồng học)	Biện pháp khắc phục
Máy xịt rửa không khởi động.	Không có điện	Lắp hộp pin đã được sạc đầy.
	Cần khởi động công tắc bị khóa.	Mở khóa cần khởi động công tắc.
	Pin hoặc mạch điện bị hư hỏng	Liên hệ trung tâm dịch vụ được ủy quyền để yêu cầu sửa chữa.
Không có tia nước / tia nước yếu	Không có nguồn cấp nước	Đảm bảo rằng vòi nước đang mở. Nếu nối với nguồn cấp nước bình chứa, đưa nước vào máy xịt rửa áp lực và ống dẫn.
	Nguồn cấp nước yếu	Bật vòi nước.
	Đầu nối ống dẫn nước yếu	Kiểm tra kết nối giữa máy xịt rửa áp lực và nguồn cấp nước.
	Ống dẫn nước bị biến dạng hoặc bị mòn	Giữ thẳng ống. Thay thế ống dẫn nước bị hư hỏng bằng ống mới.
	Ống dẫn hoặc vòi phun bị tắc	Thông tắc ống dẫn hoặc vòi phun.
	Bộ lọc bị tắc	Loại bỏ bụi hoặc bụi bám vào bộ lọc trong lưới lọc và đầu nối ống dẫn nước.
	Chất thải/nước nhiễm bẩn	Làm sạch hệ thống nước và đổ đầy nước sạch.
	Vòi phun bị hư hỏng hoặc mòn	Thay thế vòi phun.
	Máy bơm hoặc van bị trục trặc	Liên hệ trung tâm dịch vụ được ủy quyền để yêu cầu sửa chữa.
	Mối nối nước bị lỏng	Cố định kết nối giữa ống dẫn nước và trụ ngoài khớp nối.
	Rò rỉ từ đầu nối cấp nước	Siết chặt lại kết nối giữa ống nước và nguồn cấp nước.
	Lưới lọc được lắp không đầy đủ	Nhúng lưới lọc vào nước hoàn toàn.
Chế độ áp suất thấp đang sử dụng	Chọn chế độ áp suất cao.	
Tia nước không ổn định	Vòi phun bị tắc	Thông tắc lỗ phun của vòi phun bằng kim làm sạch.
	Hút nước yếu	Kiểm tra xem ống dẫn nước có bị rò rỉ hoặc tắc không.
	Nước quá nóng.	Cấp nước mát.
	Van bị trục trặc	Liên hệ trung tâm dịch vụ được ủy quyền để yêu cầu sửa chữa.
Âm thanh bất thường	Nước quá nóng.	Cấp nước mát.
Rò rỉ nước	Kết nối kém	Kiểm tra kết nối giữa máy xịt rửa áp lực và nguồn cấp nước.
	Lắp đặt vòi phun chưa đạt	Đẩy vòi phun hết mức vào trong. Sau đó xoay vòi phun cho đến khi vòi phun được khóa chặt.
	Đầu vòi phun nằm ở vị trí không chính xác	Cài đặt đầu vòi phun vào vị trí phát ra tiếng cách với biểu tượng kiểu phun có thể nhìn thấy rõ ràng.
	Vòng đệm bị mòn	Liên hệ trung tâm dịch vụ được ủy quyền để yêu cầu sửa chữa.

PHỤ KIỆN TỰY CHỌN

⚠ THẬN TRỌNG: Các phụ kiện hoặc phụ tùng gắn thêm này được khuyến cáo sử dụng với dụng cụ Makita của bạn theo như quy định trong hướng dẫn này. Việc sử dụng bất cứ phụ kiện hoặc phụ tùng gắn thêm nào khác đều có thể gây ra rủi ro thương tích cho người. Chỉ sử dụng phụ kiện hoặc phụ tùng gắn thêm cho mục đích đã quy định sẵn của chúng.

Nếu bạn cần bất kỳ sự hỗ trợ nào để biết thêm chi tiết về các phụ tùng này, hãy hỏi Trung tâm Dịch vụ của Makita tại địa phương của bạn.

LƯU Ý: Một số mục trong danh sách có thể được bao gồm trong gói dụng cụ làm phụ kiện tiêu chuẩn. Các mục này ở mỗi quốc gia có thể khác nhau.

Vòi phun bọt

► Hình36

Có thể phun chất tẩy rửa dưới dạng bọt.

Bàn chải cọ rửa

► Hình37

Vòi phun được trang bị một bàn chải. Có tác dụng làm sạch bụi bẩn khi chà bằng bàn chải.

Vòi phun góc

► Hình38

Đầu vòi phun góc có thể xoay 360 độ, cho phép khả năng cơ động và bao phủ mà không có bất kỳ góc chết nào.

Bộ chuyển đổi chai nhựa

► Hình39

Bơm nước vào chai và dễ dàng hút nước ra khỏi chai nhựa. Có thể dùng chai nước làm nguồn nước.

คำเตือน

- ไม่ควรให้เด็กใช้อุปกรณ์นี้ ควรดูแลเด็กอย่างใกล้ชิดเพื่อป้องกันไม่ให้เด็กเล่นอุปกรณ์นี้
- อุปกรณ์นี้ไม่ได้ออกแบบมาเพื่อให้บุคคล (รวมถึงเด็ก) ที่มีความบกพร่องทางร่างกาย การรับรู้สัมผัส หรือทางจิตใจ หรือขาดประสบการณ์และความรู้เกี่ยวกับการใช้งานใช้ เว้นแต่ได้รับคำแนะนำการใช้งานอย่างปลอดภัยโดยบุคคลที่รับผิดชอบความปลอดภัยของพวกเขา
- อย่าฉีดน้ำที่มีแรงดันไปที่บุคคลอื่น อุปกรณ์ไฟฟ้าที่มีกระแสไฟไหลผ่าน หรือตัวอุปกรณ์เอง
- ตรวจสอบให้แน่ใจอยู่เสมอว่าปิดสวิตช์อุปกรณ์และถอดด้ามแบตเตอรี่ก่อนดำเนินการใดๆ กับเครื่องมือ
- อย่าใช้งานอุปกรณ์หากชิ้นส่วนสำคัญของอุปกรณ์เสียหาย เช่น อุปกรณ์นิรภัย สายยางแรงดัน
- โปรดอ่านคำแนะนำในส่วนการบำรุงรักษาสำหรับรายละเอียดข้อควรระวังในระหว่างการซ่อมบำรุง
- เรียนรู้เกี่ยวกับช่วงอุณหภูมิปกติสำหรับการชาร์จแบตเตอรี่ โปรดอ่านคำแนะนำด้านความปลอดภัยสำหรับด้ามแบตเตอรี่เพื่อเรียนรู้ถึงข้อพึงระวังในการจัดการแบตเตอรี่
- โปรดอ่านคำแนะนำในส่วนการประกอบสำหรับรายละเอียดข้อควรระวังที่เหมาะสมในระหว่างการติดตั้งอุปกรณ์
- เรียนรู้เกี่ยวกับแรงดันน้ำเข้าสูงสุด โปรดอ่านข้อมูลในส่วนข้อมูลจำเพาะสำหรับรายละเอียดที่เหมาะสมเกี่ยวกับการเชื่อมต่อกับแหล่งจ่ายน้ำหลัก
- ใช้ชุดสายยางที่มีมาให้พร้อมกับอุปกรณ์เสมอ โปรดอ่านคำแนะนำในส่วนการประกอบเพื่อเรียนรู้เกี่ยวกับข้อพึงระวังสำหรับการเชื่อมต่อกับแหล่งจ่ายน้ำหลัก
- ไม่ควรเปิดช่องเติมน้ำไว้ในระหว่างใช้งาน โปรดปฏิบัติตามคำแนะนำในส่วนการประกอบเพื่อรักษาแรงดันน้ำ
- อย่าใช้สระว่ายน้ำที่มีน้ำอยู่
- ปฏิบัติตามข้อกำหนดขององค์การประปาส่วนท้องถิ่น

- สำหรับประเทศในทวีปยุโรป:
ตาม EN12729 (BA) เครื่องมือนี้สามารถเชื่อมต่อกับน้ำประปาสำหรับดื่มได้หากมีการติดตั้งวาล์วป้องกันการไหลย้อนกลับพร้อมอุปกรณ์ระบายน้ำในท่อจ่ายน้ำ

ข้อมูลจำเพาะ

รุ่น:	DHW180	
อัตราการไหลสูงสุด ^{*1} [แหล่งจ่ายน้ำจากแทงก์ / แหล่งจ่ายน้ำหลัก]	3.0 / 5.3 L/min	
อัตราการไหล ของน้ำ ^{*2}	โหมดระดับสูง	2.5 L/min
	โหมดระดับต่ำ	1.5 L/min
แรงดันในการทำงานสูงสุด	2.4 MPa	
แรงดันในการทำงาน ^{*2}	โหมดระดับสูง [แหล่งจ่ายน้ำจากแทงก์ / แหล่งจ่ายน้ำหลัก]	2.0 / 2.2 MPa
	โหมดระดับต่ำ [แหล่งจ่ายน้ำจากแทงก์ / แหล่งจ่ายน้ำหลัก]	0.8 / 0.8 MPa
แรงดันการป้อนน้ำสูงสุด	0.5 MPa	
อุณหภูมิการป้อนน้ำสูงสุด	40°C	
ความสูงสูงสุดในการสูบน้ำ	2.0 m	
แรงดันไฟฟ้าสูงสุด	D.C. 18 V	
ขนาด ^{*3} [ยาว x กว้าง x สูง]	888 mm x 99 mm x 239 mm	
น้ำหนัก	2.3 - 2.7 kg	

*1 : ไม่มีหัวฉีด

*2 : รูปแบบการผัน 15°

*3 : มีหัวฉีดแบบ 5อิน1 และด้ามต่อ

- เนื่องจากการค้นคว้าวิจัยและพัฒนาอย่างต่อเนื่อง ข้อมูลจำเพาะในเอกสารฉบับนี้อาจเปลี่ยนแปลงได้โดยไม่ต้องแจ้งให้ทราบล่วงหน้า
- ข้อมูลจำเพาะอาจแตกต่างกันไปในแต่ละประเทศ
- น้ำหนักอาจแตกต่างกันไปตามอุปกรณ์เสริม รวมถึงตัล็บแบตเตอรี่ การติดอุปกรณ์เสริมที่เบาที่สุดและหนักที่สุดตามข้อบังคับของ EPTA 01/2014 มีแสดงอยู่ในตาราง

ดัลับแบตเตอรี่และเครื่องชาร์จที่ใช้ได้

ดัลับแบตเตอรี่	BL1815N / BL1820B / BL1830B / BL1840B / BL1850B / BL1860B
เครื่องชาร์จ	DC18RC / DC18RD / DC18RE / DC18SD / DC18SE / DC18SF / DC18SH / DC18WC

- ดัลับแบตเตอรี่และเครื่องชาร์จบางรายการที่แสดงอยู่ด้านบนอาจไม่มีวางจำหน่ายขึ้นอยู่กับภูมิภาคที่คุณอาศัยอยู่

คำเตือน: ใช้ดัลับแบตเตอรี่และเครื่องชาร์จที่ระบุไว้ข้างบนเท่านั้น การใช้ดัลับแบตเตอรี่และเครื่องชาร์จประเภทอื่นอาจก่อให้เกิดความเสี่ยงที่จะได้รับบาดเจ็บและ/หรือเกิดไฟไหม้

คำเตือน: อย่าใช้แหล่งจ่ายไฟที่มีสาย เช่น อะแดปเตอร์แบตเตอรี่ หรือชุดต้นกำลังแบบพกพา กับเครื่องนี้ สายไฟของแหล่งจ่ายไฟดังกล่าวอาจเกิดขวางการทำงานและส่งผลให้ได้รับบาดเจ็บได้

สัญลักษณ์

ต่อไปนี้เป็นสัญลักษณ์ที่อาจใช้สำหรับอุปกรณ์ โปรดศึกษาความหมายของสัญลักษณ์ให้เข้าใจก่อนการใช้งาน



อ่านคู่มือการใช้งาน



ใช้ความระมัดระวังและความสนใจเป็นพิเศษ



สำหรับประเทศในสหภาพยุโรปเท่านั้น เนื่องจากในอุปกรณ์มีส่วนประกอบอันตราย ชยะจำพวกอุปกรณ์ไฟฟ้าและอิเล็กทรอนิกส์ แบตเตอรี่ และหม้อแบตเตอรี่จึงอาจส่งผลต่อสิ่งแวดล้อมและสุขภาพของมนุษย์ในเชิงลบ

อย่าทิ้งเครื่องใช้ไฟฟ้าและอิเล็กทรอนิกส์ หรือแบตเตอรี่ร่วมกับวัสดุเหลือทิ้งในครัวเรือน!

เพื่อให้เป็นไปตามกฎระเบียบของยุโรปว่าด้วยขยะจำพวกอุปกรณ์ไฟฟ้าและอิเล็กทรอนิกส์ และหม้อสะสมไฟฟ้าและแบตเตอรี่ และขยะจำพวกหม้อสะสมไฟฟ้าและแบตเตอรี่ รวมถึงการบังคับใช้ตามกฎหมายภายในประเทศ ควรมีการจัดเก็บขยะจำพวกอุปกรณ์ไฟฟ้า แบตเตอรี่ และหม้อสะสมไฟฟ้าแยกต่างหากและส่งไปยังจุดรับขยะต่างหากในเขตเทศบาลซึ่งมีการดำเนินการตามระเบียบว่าด้วยการดูแลสิ่งแวดล้อม

โดยระบุด้วยสัญลักษณ์เส้นคาดขวางรูปถังขยะแบบมีล้อไว้บนอุปกรณ์



อย่าเชื่อมต่อเข้ากับก้านสำหรับบริโภค



อย่าหันหัวฉีดไปทางบุคคลอื่น รวมถึงตัวเอง สัตว์ และอุปกรณ์ไฟฟ้าที่มีกระแสไฟไหลผ่าน

จุดประสงค์การใช้งาน

ใช้เครื่องมือนี้เพื่อทำความสะอาดสิ่งสกปรกโดยใช้น้ำแรงดันสูงสำหรับใช้ในครัวเรือน เครื่องมือนี้จะช่วยให้การล้างของคุณดีขึ้น เช่นเดียวกับการรดน้ำสนามหญ้าและสวนด้วยชนิดการพ่นที่สามารถเลือกเองได้

คำเตือนด้านความปลอดภัย

คำเตือนด้านความปลอดภัยที่สำคัญ

คำเตือน: อ่านคำเตือนด้านความปลอดภัยและคำแนะนำทั้งหมด การไม่ปฏิบัติตามคำเตือนและคำแนะนำดังกล่าวอาจส่งผลให้ไฟฟ้าช็อต ไฟไหม้ และ/หรือได้รับบาดเจ็บร้ายแรง

เก็บรักษาคำเตือนและคำแนะนำทั้งหมดไว้เป็นข้อมูลอ้างอิงในอนาคต

คำเตือน — เมื่อใช้เครื่องใช้ไฟฟ้านี้ โปรดปฏิบัติตามข้อควรระวังพื้นฐาน ซึ่งรวมถึงคำแนะนำดังต่อไปนี้:

ความปลอดภัยของพื้นที่ทำงาน

- อย่าให้บุคคลอื่นเข้าใกล้บริเวณปฏิบัติงาน
- อย่าใช้งานเครื่องมือแบบสูดเอื้อมหรือยึบนฐานที่ไม่มั่นคง จัดทำยึบนและทรงตัวให้เหมาะสมตลอดเวลาที่ใช้งานเครื่องมือ
- วางตัวเครื่องฉีดน้ำชนิดใช้แรงดันไว้บนพื้นผิวราบเรียบและมั่นคงเสมอ หลีกเลี่ยงพื้นที่ที่น้ำจะไหลหรือซัง
- ก่อนทำความสะอาด ให้ตรวจสอบสภาพแวดล้อมและวัตถุที่ต้องการทำความสะอาด หัวฉีดที่ใช้แรงดันอาจทำให้สีหรือสารเคลือบพื้นผิวต่างๆ รวมถึงสารเคมีที่เป็นพิษหลุดลอกได้ ใช้มาตรการป้องกันหากจำเป็น

5. ระวังอย่าสะดุดสายของเครื่องฉีดน้ำที่ใช้แรงดัน ระวังรูปทรงของสายในระหว่างการทำงานเสมอ
6. ระหว่างการใช้งาน จะมีน้ำไหลออกจากด้านล่างของเครื่องฉีดน้ำชนิดใช้แรงดันเล็กน้อย ระวังอย่าใช้เครื่องมือเหนือบริเวณที่คุณไม่ต้องการให้เปียกน้ำ

ความปลอดภัยส่วนบุคคล

1. เพื่อป้องกันตัวจากน้ำแรงดันสูงและวัตถุ ที่เกิดจากการฉีด ผู้ปฏิบัติงานควรสวมใส่เสื้อผ้าที่เหมาะสม เช่น รองเท้าบูทกันภัย ถุงมือกันภัย หมวกกันน็อกที่มีกระบังหน้า อุปกรณ์ป้องกันหู ฯลฯ
2. สวมอุปกรณ์ป้องกันส่วนบุคคล ใช้หน้ากากป้องกันใบหน้า แวนครอบตากันภัย หรือแว่นตาชนิดกันภัย โดยขึ้นอยู่กับการใช้งาน เนื่องจากอุปกรณ์ป้องกันดวงตาสามารถป้องกันเศษต่างๆ ที่กระเด็นออกมาจากการใช้งานได้
3. อย่าใช้เครื่องฉีดน้ำที่ใช้แรงดันภายในขอบเขตที่บุคคลอื่นอยู่ นอกจากบุคคลนั้นสวมใส่ชุดป้องกัน
4. ควรระมัดระวังเป็นพิเศษหากใช้ผลิตภัณฑ์ที่ใกล้เด็ก เพื่อลดความเสี่ยงที่จะทำให้ได้รับบาดเจ็บ
5. หากเชื่อมต่อกับระบบน้ำสำหรับบริโภค ระบบจะป้องกันการไหลย้อนกลับ
6. น้ำที่ไหลผ่านอุปกรณ์ป้องกันการไหลย้อนกลับไม่ควรนำไปบริโภค

ความปลอดภัยด้านไฟฟ้า

1. ห้ามสัมผัสสลับแบตเตอรี่ด้วยมือที่เปียก
2. อย่าใช้งานอุปกรณ์หากชิ้นส่วนสำคัญของอุปกรณ์เสียหาย เช่น อุปกรณ์กันภัย สายยางแรงดัน
3. หลีกเลี่ยงสภาพแวดล้อมที่อันตราย อย่าใช้เครื่องมือในสถานที่ที่เปียกหรือชื้น หรือให้เครื่องมือโดนน้ำฝน น้ำที่ไหลเข้าไปในเครื่องมือจะเพิ่มความเสี่ยงของการเกิดไฟฟ้าช็อต

การใช้งานและดูแลเครื่องมือไฟฟ้า

1. อ่านคำแนะนำทั้งหมดก่อนใช้งานผลิตภัณฑ์นี้
2. เรียนรู้วิธีการหยุดเครื่องฉีดน้ำที่ใช้แรงดันและไล่แรงดันอย่างรวดเร็ว ฝึกการควบคุมต่างๆ จนคุ้นเคยเป็นอย่างดี
3. อย่าดีดพ่นของเหลวไวไฟและ/หรือเป็นพิษ เนื่องจากอาจก่อให้เกิดการระเบิด ภาวะเป็นพิษ หรือทำให้อุปกรณ์เสียหายได้
4. อย่าหันหัวฉีดเข้าหาตัวเองหรือบุคคลอื่นโดยตรงเพื่อที่จะทำความสะอาดเสื้อผ้าหรือรองเท้า

5. สายยางที่ใช้แรงดัน อุปกรณ์ และข้อต่อมีความสำคัญสำหรับความปลอดภัยของอุปกรณ์ ใช้สายยาง อุปกรณ์ และข้อต่อที่ได้รับการแนะนำโดยผู้ผลิตเท่านั้น
6. ปฏิบัติตามคำแนะนำเมื่อมีการเปลี่ยนอุปกรณ์เสริม
7. ดูแลเมื่อจับให้แห้ง สะอาด และปราศจากน้ำมันหรือจาระบี
8. ระมัดระวังอยู่เสมอ มีสมาธิจดจ่อกับสิ่งที่กำลังทำอยู่
9. อย่าใช้งานผลิตภัณฑ์เมื่อรู้สึกอ่อนเพลีย หรืออยู่ในสภาวะเมินมาจากแอลกอฮอล์หรือยาเสพติด
10. อย่าใช้งานเครื่องฉีดน้ำที่ใช้แรงดันโดยไม่มีน้ำหนักวางหนึ่งนати เนื่องจากจะทำให้มอเตอร์เสียหาย และส่งผลให้เครื่องทำงานผิดปกติ
11. ปิดสวิตช์เครื่องและแหล่งจ่ายน้ำหลักเมื่อไม่ใช้งานเครื่องฉีดน้ำที่ใช้แรงดัน
12. ระวังแรงสะท้อนกลับ อุปกรณ์จะสะท้อนกลับเมื่อหัวฉีดปล่อยน้ำที่มีแรงดัน คืออุปกรณ์ไว้ให้มันเพื่อป้องกันการบาดเจ็บจากอุบัติเหตุ
13. ตรวจสอบชิ้นส่วนที่ชำรุด หรือเสื่อมสภาพก่อนการใช้งาน ตรวจสอบให้แน่ใจว่าเชื่อมต่อสายฉีดอย่างถูกต้องและไม่มีการรั่วไหลขณะใช้งาน การใช้งานอุปกรณ์ที่ขัดข้องอาจทำให้เกิดอุบัติเหตุได้
14. อย่าดึงสายเพื่อเคลื่อนย้ายตัวเครื่องฉีดน้ำที่ใช้แรงดัน เนื่องจากจะทำให้สายและส่วนที่เชื่อมต่อเสียหาย และส่งผลให้เกิดการลัดวงจรหรือการทำงานขัดข้องได้
15. อย่าวางวัตถุที่มีน้ำหนักมากบนสายยาง หรือขั้วรับทับบสายยาง
16. ไล่แรงดันที่เหลือค้างในอุปกรณ์ออกให้หมดก่อนถอดสายยาง
17. เมื่อเชื่อมต่อสายยางกับแหล่งจ่ายน้ำหลัก โปรดปฏิบัติตามคำแนะนำของหน่วยงานการประปาในประเทศหรือบริษัทของคุณ
18. หากเครื่องฉีดน้ำที่ใช้แรงดันหล่นหรือกระแทกกับวัตถุแข็ง ให้ตรวจสอบความเสียหายและรอยแตก การใช้เครื่องฉีดน้ำที่ใช้แรงดันที่ชำรุดอาจทำให้เกิดควัน ไฟใหม่ หรือเกิดไฟฟ้าช็อต ซึ่งส่งผลให้เกิดการบาดเจ็บได้
19. ป้องกันไม่ให้เกิดการใช้งานโดยไม่ตั้งใจ ตรวจสอบให้แน่ใจว่าสวิตช์อยู่ในตำแหน่งปิดก่อนติดตั้งชุดแบตเตอรี่หรือทำการยกหรือเคลื่อนย้ายเครื่องมือ การเคลื่อนย้ายเครื่องมือโดยที่นิ้วมือของคุณอยู่บนสวิตช์หรือการจ่ายไฟแก่เครื่องมือโดยที่สวิตช์เปิดอยู่จะทำให้เกิดอุบัติเหตุได้

20. ถอดชุดแบตเตอรี่ออกจากเครื่องก่อนทำการปรับ เปลี่ยน เปลี่ยนอุปกรณ์เสริม หรือจัดเก็บเครื่องใช้ ไฟฟ้า มาตรการความปลอดภัยซึ่งป้องกันดังกล่าวจะ ลดความเสี่ยงในการเริ่มใช้งานเครื่องมือโดยไม่ตั้งใจ
21. ห้ามตัดแปลงหรือพยายามซ่อมเครื่องมือหรือชุด แบตเตอรี่ด้วยตนเอง ยกเว้นทำตามคำแนะนำในการ ใช้งานและการดูแลรักษาที่ระบุไว้ในคู่มือการใช้และ การดูแลรักษา
22. คำเตือน — ความเสี่ยงของการฉีดเข้าร่างกายหรือ ได้รับบาดเจ็บ — ห้ามปล่อยกระแสไฟฟ้าไปยังบุคคล โดยตรง
23. ตรวจสอบให้แน่ใจว่าวัตถุหรือบริเวณที่จะต้องทำความ สะอาดสามารถทนน้ำได้ ไม่เช่นนั้นอาจทำให้สินค้า หรือสถานที่เสียหายซึ่งจะส่งผลให้ได้รับบาดเจ็บได้

การใช้งานและดูแลเครื่องมือที่ใช้แบตเตอรี่

1. ชาร์จไฟใหม่ด้วยเครื่องชาร์จที่ระบุโดยผู้ผลิตเท่านั้น เครื่องชาร์จที่เหมาะสมสำหรับชุดแบตเตอรี่ประเภทหนึ่ง อาจเสี่ยงที่จะเกิดไฟไหม้หากนำไปใช้กับชุดแบตเตอรี่ อีกประเภทหนึ่ง
2. ใช้เครื่องมือไฟฟ้ากับชุดแบตเตอรี่ที่กำหนดมาโดย เฉพาะเท่านั้น การใช้ชุดแบตเตอรี่ประเภทอื่นอาจ ทำให้เสี่ยงที่จะได้รับบาดเจ็บและเกิดไฟไหม้
3. เมื่อไม่ใช้งานชุดแบตเตอรี่ ให้เก็บห่างจากวัตถุที่เป็น โลหะอื่นๆ เช่น คลิปหนีบกระดาษ เหรียญ กุญแจ กรรไกรตัดเล็บ สกรู หรือวัตถุที่เป็นโลหะขนาดเล็ก อื่นๆ ที่สามารถเชื่อมต่อชั่วคราวกับอีกขั้วหนึ่งได้ การ ลัดวงจรขั้วแบตเตอรี่อาจทำให้ร้อนจัดหรือเกิดไฟไหม้
4. ในกรณีที่ใช้งานไม่ถูกต้อง อาจมีของเหลวไหลออก จากแบตเตอรี่ ให้หลีกเลี่ยงการสัมผัส หากสัมผัส โดนของเหลวโดยไม่ตั้งใจ ให้ล้างออกด้วยน้ำ หาก ของเหลวกระเด็นเข้าตา ให้รีบไปพบแพทย์ ของเหลว ที่ไหลออกจากแบตเตอรี่อาจทำให้ผิวหนังระคายเคือง หรือไหม้
5. ห้ามใช้ชุดแบตเตอรี่หรือเครื่องมือที่ชำรุดหรือมีการ แก่ไข แบตเตอรี่ที่เสียหายหรือมีการแก้ไขอาจทำให้ เกิดสิ่งที่ไม่ดีได้ เช่น ไฟไหม้ ระเบิด หรือเสี่ยง ต่อการบาดเจ็บ
6. ห้ามใช้ชุดแบตเตอรี่อยู่ใกล้ไฟ หรือบริเวณที่มีอุณหภูมิ สูงเกิน หากโดนไฟ หรืออุณหภูมิสูงเกิน 130 °C อาจ ก่อให้เกิดการระเบิดได้

7. กรุณาปฏิบัติตามคำแนะนำสำหรับการชาร์จไฟ และ ห้ามชาร์จแบตเตอรี่หรือเครื่องมือในบริเวณที่มี อุณหภูมิภายนอกเหนือไปจากที่ระบุในคำแนะนำ การ ชาร์จไฟที่ไม่เหมาะสม หรืออุณหภูมิภายนอกเหนือไปจาก ช่วงอุณหภูมิที่ระบุในคำแนะนำอาจทำให้แบตเตอรี่เสีย หายและเป็นการเพิ่มความเสี่ยงในการเกิดไฟไหม้

การซ่อมบำรุง

1. ปฏิบัติตามคำแนะนำเกี่ยวกับการบำรุงรักษาที่ระบุไว้ ในคู่มือนี้
2. เพื่อความปลอดภัยของอุปกรณ์ ควรใช้อะไหล่จากผู้ ผลิตหรือที่ผ่านการรับรองโดยผู้ผลิตแล้วเท่านั้น
3. นำเครื่องฉีดน้ำที่ใช้แรงดันเข้ารับการซ่อมกับช่างซ่อม ที่ผ่านการรับรองโดยใช้ชิ้นส่วนทดแทนแบบเดียวกับ ของเดิมเท่านั้น ซึ่งจะเป็นการรับรองความปลอดภัย ของเครื่องฉีดน้ำที่ใช้แรงดัน
4. ในกรณีที่เครื่องฉีดน้ำที่ใช้แรงดันเสียหรือทำงานผิดปกติ ให้ปิดสวิทช์ทันที แล้วนำด้ามแบตเตอรี่ออก ติดต่อด่วนเจ้าหน้าที่ศูนย์บริการในประเทศ ของคุณ

คำเตือนด้านความปลอดภัยเพิ่มเติม

1. อย่าใช้เครื่องมือเมื่อมีความเสี่ยงที่จะเกิดฟ้าผ่า
2. เมื่อคุณใช้เครื่องมือบนพื้นที่เป็นโคลน ทางลาดที่เปียก หรือสถานที่ที่ลื่น ให้ระวังการลื่นของคุณ
3. หลีกเลี่ยงการทำงานในสภาพแวดล้อมที่อาจทำให้ผู้ใช้ งานเหนื่อยล้ามากขึ้น
4. อย่าเปลี่ยนแบตเตอรี่กลางฝน
5. อย่าจุ่มเครื่องมือลงไปในแอ่งน้ำ
6. เมื่อจัดเก็บเครื่องมือ ให้หลีกเลี่ยงแสงแดดโดยตรงและ ฝน และจัดเก็บเครื่องมือไว้ในที่ที่จะไม่เกิดความร้อน หรือความชื้น
7. หลังจากใช้เครื่องมือแล้ว ให้ทำความสะอาดสิ่งสกปรก ที่ติดอยู่ออก และปล่อยให้เครื่องมือแห้งสนิทก่อน นำไปจัดเก็บ มีความเสี่ยงที่เครื่องมือจะทำงานผิดปกติ เนื่องจากการเป็นน้ำแข็ง โดยขึ้นอยู่กับฤดูกาลหรือ พื้นที่
8. อย่าให้ขั้วแบตเตอรี่เปียกของเหลว เช่น น้ำ หรืออย่า ให้แบตเตอรี่แช่ในน้ำ อย่างที่แบตเตอรี่ไว้กลางฝน และไม่ชาร์จ ใช้ หรือเก็บแบตเตอรี่ในสถานที่ที่ชื้น หรือเปียก หากขั้วเปียกหรือของเหลวเข้าไปด้านใน แบตเตอรี่ แบตเตอรี่อาจลัดวงจร และมีความเสี่ยงที่จะ เกิดความร้อนสูง ไฟไหม้ หรือระเบิดได้
9. หลังถอดแบตเตอรี่ออกจากเครื่องมือหรือเครื่องชาร์จ ตรวจสอบให้แน่ใจว่าได้ติดตั้งฝาครอบแบตเตอรี่เข้ากับแบตเตอรี่และเก็บไว้ในที่แห้งแล้ว

- อย่าเปลี่ยนแบตเตอรี่ด้วยมือที่เปียก
- หากอุปกรณ์แข็งเนื่องจากสภาพอากาศหนาว ให้ติดต่อศูนย์บริการที่ได้รับการรับรองเพื่อรับการซ่อม
- อย่าใช้แหล่งจ่ายไฟที่มีสายเช่นอะแดปเตอร์แบตเตอรี่ หรือชุดต้นกำลังแบบพกพากับเครื่องใช้นี้ สายของแหล่งจ่ายไฟดังกล่าวอาจเข้าไปขวางการทำงานของเครื่องและทำให้เกิดอันตรายแก่ตัวผู้ใช้ได้

ปฏิบัติตามคำแนะนำเหล่านี้

คำเตือน: อย่าให้ความไม่ระมัดระวังหรือความคุ้นเคยกับผลิตภัณฑ์ (จากการใช้งานซ้ำหลายครั้ง) อยู่เหนือการปฏิบัติตามกฎเกณฑ์ด้านความปลอดภัยในการใช้งานผลิตภัณฑ์อย่างเคร่งครัด

การใช้งานอย่างไม่เหมาะสมหรือการไม่ปฏิบัติตามกฎเกณฑ์ด้านความปลอดภัยในคู่มือการใช้งานนี้อาจทำให้ได้รับบาดเจ็บรุนแรง

คำแนะนำเพื่อความปลอดภัยที่สำคัญสำหรับดัลลิบแบตเตอรี่

- ก่อนใช้งานดัลลิบแบตเตอรี่ให้อ่านคำแนะนำและเครื่องหมายเตือนทั้งหมดบน (1) เครื่องชาร์จแบตเตอรี่ (2) แบตเตอรี่ และ (3) ตัวผลิตภัณฑ์ที่ใช้แบตเตอรี่
- อย่าถอดแยกชิ้นส่วนหรือทำการดัดแปลงดัลลิบแบตเตอรี่ เนื่องจากอาจทำให้เกิดไฟไหม้ ความร้อนที่สูงเกินไป หรือระเบิดได้
- หากระยะเวลาที่เครื่องทำงานสั้นเกินไป ให้หยุดใช้งานทันที เนื่องจากอาจมีความเสี่ยงที่จะร้อนจัด ไหม้หรือระเบิดได้
- หากสารละลายอิเล็กโทรไลต์กระเด็นเข้าตา ให้ล้างออกด้วยน้ำเปล่าและรีบไปพบแพทย์ทันที เนื่องจากอาจทำให้ตาบอด
- ห้ามลัดวงจรดัลลิบแบตเตอรี่:
 - ห้ามแตะขั้วกับวัตถุที่เป็นสื่อนำไฟฟ้าใดๆ
 - หลีกเลี่ยงการเก็บดัลลิบแบตเตอรี่ไว้ในภาชนะร่วมกับวัตถุที่เป็นโลหะ เช่น กรรไกรตัดเล็บ เหรียญ ฯลฯ
 - อย่าให้ดัลลิบแบตเตอรี่ถูกน้ำหรือฝน แบตเตอรี่ลัดวงจรอาจทำให้เกิดการไหลของกระแสไฟฟ้า ร้อนจัด ไหม้หรือเสียหายได้
- ห้ามเก็บและใช้เครื่องมือและดัลลิบแบตเตอรี่ไว้ในสถานที่ที่มีอุณหภูมิสูงถึงหรือเกิน 50 °C (122 °F)

- ห้ามเผาตลับแบตเตอรี่ทิ้ง แม้ว่าแบตเตอรี่จะเสียหายจนใช้การไม่ได้หรือเสื่อมสภาพแล้ว ตลับแบตเตอรี่อาจจะระเบิดในกองไฟ
- อย่าตอตะปู ตัด บด ข้าง หรือทำดัลลิบแบตเตอรี่หล่นพื้น หรือกระทบตลับแบตเตอรี่กับวัตถุของแข็ง การกระทำดังกล่าวอาจส่งผลให้เกิดไฟไหม้ ความร้อนที่สูงเกินไป หรือระเบิดได้
- ห้ามใช้แบตเตอรี่ที่เสียหาย
- แบตเตอรี่ลิเทียมไอออนที่มีมาให้ห็นเป็นไปตามข้อกำหนดของ Dangerous Goods Legislation สำหรับการขนส่งเพื่อการพาณิชย์ เช่น โดยบุคคลที่สาม ตัวแทนขนส่งสินค้า จะต้องตรวจสอบข้อกำหนดพิเศษในด้านการบรรจุหีบห่อหรือการติดป้ายสินค้าในการเตรียมสินค้าที่จะขนส่ง ให้ปรึกษาผู้เชี่ยวชาญด้านวัตถุอันตราย โปรดตรวจสอบข้อกำหนดในประเทศที่อาจมีรายละเอียดอื่น ๆ เพิ่มเติม ให้ติดเทปหรือปิดหน้าสัมผัสและห่อแบตเตอรี่ในลักษณะที่แบตเตอรี่จะไม่เคลื่อนที่ไปมาในหีบห่อ
- เมื่อกำจัดดัลลิบแบตเตอรี่ ให้ถอดดัลลิบแบตเตอรี่ออกจากเครื่องมือและกำจัดในสถานที่ที่ปลอดภัย ปฏิบัติตามข้อบังคับในท้องถิ่นที่เกี่ยวกับการกำจัดแบตเตอรี่
- ใช้แบตเตอรี่กับผลิตภัณฑ์ที่ระบุโดย Makita เท่านั้น การติดตั้งแบตเตอรี่ในผลิตภัณฑ์ที่ไม่ใช่ตามที่ระบุอาจทำให้เกิดไฟไหม้ ความร้อนสูง ระเบิด หรืออิเล็กทรอนิกส์ไหลได้
- หากไม่ใช่เครื่องมือเป็นระยะเวลานาน จะต้องถอดแบตเตอรี่ออกจากเครื่องมือ
- ในระหว่างและหลังการใช้งาน ดัลลิบแบตเตอรี่อาจร้อนซึ่งอาจลวกผิวหรือทำให้ผิวไหม้ที่อุณหภูมิทำได้ โปรดระมัดระวังในการจัดการกับแบตเตอรี่ที่ร้อน
- อย่าสัมผัสขั้วของเครื่องมือทันทีหลังจากการใช้งาน เนื่องจากอาจมีความร้อนพอที่จะทำให้ผิวไหม้ได้
- อย่าปล่อยให้เศษวัสดุ ฝุ่นผง หรือดินเข้าไปติดอยู่ในขั้ว รู และร่องของดัลลิบแบตเตอรี่ เนื่องจากอาจทำให้เกิดความร้อน ไฟไหม้ ระเบิด และทำให้เครื่องมือหรือดัลลิบแบตเตอรี่ทำงานผิดปกติ ส่งผลให้โดนลวกหรือเกิดการบาดเจ็บได้
- หากเครื่องมือไม่รองรับสายไฟแรงดันสูง อย่าใช้ดัลลิบแบตเตอรี่ใกล้กับสายไฟแรงดันสูง เนื่องจากเครื่องมือหรือดัลลิบแบตเตอรี่อาจทำงานผิดปกติหรือเสียหายได้
- เก็บแบตเตอรี่ให้ห่างจากเด็ก

ปฏิบัติตามคำแนะนำเหล่านี้

⚠ ข้อควรระวัง: ใช้แบตเตอรี่ของแท้จาก Makita เท่านั้น การใช้แบตเตอรี่ Makita ที่ไม่แท้ หรือแบตเตอรี่ที่ถูกเปลี่ยน อาจทำให้แบตเตอรี่ระเบิด ก่อให้เกิดเพลิงลุกไหม้ การบาดเจ็บ และความเสียหายได้ และจะทำให้การรับประกันของ Makita สำหรับเครื่องมือและแท่นชาร์จของ Makita เป็นโมฆะด้วย

เคล็ดลับในการรักษาอายุการใช้งานของแบตเตอรี่ให้ยาวนานที่สุด

1. ชาร์จตัวแบตเตอรี่ก่อนที่ไฟจะหมด หยุดการใช้งานแล้วชาร์จประจุไฟฟ้าใหม่ทุกครั้งเมื่อคุณรู้สึกว่าการปฏิบัติงานกำลังลดลง
2. อย่าชาร์จตัวแบตเตอรี่ที่มีไฟเต็มแล้ว การชาร์จประจุไฟฟ้ามากเกินไปอาจจะทำให้อายุการใช้งานของตัวแบตเตอรี่สั้นลง
3. ชาร์จประจุไฟฟ้าตัวแบตเตอรี่ในห้องที่มีอุณหภูมิระหว่าง 10 °C - 40 °C ปล่อยให้ตัวแบตเตอรี่เย็นลงก่อนที่จะชาร์จไฟ
4. เมื่อไม่ใช่ตัวแบตเตอรี่ ให้ถอดออกจากเครื่องมือหรือเครื่องชาร์จ
5. ชาร์จไฟตัวแบตเตอรี่หากคุณไม่ต้องการใช้เป็นเวลานาน (เกินกว่าหกเดือน)

คำอธิบายการทำงาน

⚠ ข้อควรระวัง: ตรวจสอบให้แน่ใจว่าได้ปิดสวิตช์เครื่องมือและถอดตัวแบตเตอรี่ออกก่อนปรับตั้งหรือตรวจสอบการทำงานของเครื่องมือ

การใส่หรือการถอดตัวแบตเตอรี่

⚠ ข้อควรระวัง: ปิดสวิตช์เครื่องมือก่อนทำการติดตั้งหรือการถอดตัวแบตเตอรี่ทุกครั้ง

⚠ ข้อควรระวัง: ถือเครื่องมือและตัวแบตเตอรี่ให้แน่นในระหว่างการติดตั้งหรือการถอดตัวแบตเตอรี่ หากไม่ถือเครื่องมือและตัวแบตเตอรี่ให้แน่น อาจทำให้ตัวแบตเตอรี่และเครื่องมือลื่นหลุดมือ และทำให้เครื่องมือและตัวแบตเตอรี่เสียหายหรือได้รับบาดเจ็บได้

⚠ ข้อควรระวัง: ระวังอย่าให้หมับนิ้วขณะเปิดหรือปิดฝาครอบแบตเตอรี่

เปิดฝาครอบในขณะที่กดก้านล๊อคลง

- ▶ **หมายเลข 1:** 1. ฝาครอบ 2. ก้านล๊อค

จัดให้ลิ้นบนตัวแบตเตอรี่ตรงกับร่องในช่องใส่ แล้วเลื่อนตัวแบตเตอรี่เข้าไป ใส่เข้าไปจนล๊อคเข้าที่ซึ่งจะได้ยินเสียงคลิกเบาๆ หากยังเห็นซีลสีแดงตามที่แสดงในภาพ แสดงว่าตัวแบตเตอรี่ยังไม่ล๊อคเข้าที่

▶ **หมายเลข 2:** 1. ซีลสีแดง 2. ปุ่ม 3. ตัวแบตเตอรี่ หลังจากใส่หรือถอดตัวแบตเตอรี่ ตรวจสอบให้แน่ใจว่าปิดฝาครอบแล้ว

การถอดตัวแบตเตอรี่ ให้เปิดฝาครอบ เลื่อนตัวแบตเตอรี่ออกจากเครื่องมือพร้อมกับกดปุ่มที่อยู่ด้านหน้าลง จากนั้นให้ปิดฝาครอบ

⚠ ข้อควรระวัง: ให้ดึงตัวแบตเตอรี่เข้าจนสุดจนไม่เห็นซีลสีแดงอีก ไม่เช่นนั้น ตัวแบตเตอรี่อาจหลุดออกจากเครื่องมือทำให้คุณหรือคนรอบข้างได้รับบาดเจ็บ

⚠ ข้อควรระวัง: อย่าฝืนติดตั้งตัวแบตเตอรี่โดยใช้แรงมากเกินไป หากตัวแบตเตอรี่ไม่เลื่อนเข้าไปโดยง่าย แสดงว่าใส่ไม่ถูกต้อง

⚠ ข้อควรระวัง: ตรวจสอบให้แน่ใจว่าได้ล๊อคฝาครอบแล้วก่อนทำงาน

ระบบป้องกันเครื่องมือ/แบตเตอรี่

เครื่องมือนี้จะมีระบบป้องกันเครื่องมือ/แบตเตอรี่ ระบบนี้จะตัดไฟที่ส่งไปยังมอเตอร์โดยอัตโนมัติเพื่อยืดอายุการใช้งานเครื่องมือและแบตเตอรี่ เครื่องมือจะหยุดทำงานพร้อมกับไฟแสดงสถานะโดยอัตโนมัติ หากเครื่องมือหรือแบตเตอรี่อยู่ภายใต้สถานการณ์ต่อไปนี้:

- ▶ **หมายเลข 3:** 1. ไฟบ่งชี้

การป้องกันโอเวอร์โหลด

เมื่อเครื่องมือหรือแบตเตอรี่ทำงานในลักษณะที่ตึงกระแสวิงไฟฟ้าสูงผิดปกติ เครื่องมือจะหยุดทำงานโดยอัตโนมัติและไฟบ่งชี้สีแดงติดสว่าง ในสถานการณ์เช่นนี้ ให้ปิดเครื่องมือและหยุดการใช้งานที่ทำให้เครื่องมือทำงานหนักเกินไป จากนั้นเปิดเครื่องมือเพื่อเริ่มการทำงานอีกครั้ง

การป้องกันความร้อนสูงเกิน

เมื่อแบตเตอรี่เกิดความร้อนสูงเกินไป เครื่องมือจะหยุดทำงานโดยอัตโนมัติและไฟบ่งชี้สีแดงติดสว่าง ในกรณีนี้ ให้ปล่อยเครื่องมือให้เย็นลงก่อนแล้วเปิดเครื่องมืออีกครั้ง

การป้องกันไฟหมด

เมื่อความจุแบตเตอรี่มีระดับพลังงานต่ำ ไฟบ่งชี้สีแดงจะกะพริบ เมื่อแบตเตอรี่ใกล้จะหมด เครื่องมือจะหยุดทำงานโดยอัตโนมัติและไฟบ่งชี้สีแดงจะกะพริบ ในกรณีนี้ ให้ถอดแบตเตอรี่ออกจากเครื่องมือและนำแบตเตอรี่ไปชาร์จไฟ

การป้องกันจากสาเหตุอื่นๆ

ระบบป้องกันได้รับการออกแบบมาเพื่อสาเหตุอื่นๆ ที่อาจสร้างความเสียหายต่อเครื่องมือและทำให้เครื่องมือหยุดทำงานโดยอัตโนมัติ ดำเนินการตามขั้นตอนดังต่อไปนี้ทุกขั้นตอนเพื่อกำจัดสาเหตุออกไป เมื่อเครื่องมือหยุดทำงานชั่วคราวหรือหยุดทำงาน

1. ปิดเครื่องมือ แล้วเปิดใหม่เพื่อเริ่มใช้งานอีกครั้ง
2. ชาร์จหรือเปลี่ยนแบตเตอรี่โดยนำแบตเตอรี่ที่ชาร์จแล้วมาใช้แทน
3. ปลดปล่อยเครื่องมือและแบตเตอรี่เย็นลง

หากอาการไม่ดีขึ้นเมื่อเปิดระบบป้องกันอีกครั้ง ให้ติดต่อศูนย์บริการ Makita ใกล้บ้านคุณ

ข้อสังเกต: หากเครื่องมือหยุดทำงานเนื่องจากสาเหตุที่ไม่ได้อธิบายไว้ข้างต้น โปรดดูส่วนการแก้ไขปัญหา

การระบุระดับพลังงานแบตเตอรี่ที่เหลืออยู่

สำหรับดัลบีแบตเตอรี่ที่มีตัวแสดงสถานะเท่านั้น

กดปุ่ม ตรวจสอบ บนดัลบีแบตเตอรี่เพื่อดูปริมาณแบตเตอรี่ที่เหลือ ไฟแสดงสถานะจะสว่างขึ้นเป็นเวลาสองสามวินาที

- **หมายเลข 4:** 1. ไฟแสดงสถานะ 2. ปุ่มตรวจสอบ

ไฟแสดงสถานะ			แบตเตอรี่ที่เหลือ
ไฟสว่าง	ดับ	กะพริบ	
			75% ถึง 100%
			50% ถึง 75%
			25% ถึง 50%
			0% ถึง 25%
			ชาร์จไฟแบตเตอรี่
			แบตเตอรี่อาจจะเสีย

หมายเหตุ: ขึ้นอยู่กับสภาพการใช้งานและอุณหภูมิโดยรอบ การแสดงสถานะอาจจะแตกต่างจากปริมาณแบตเตอรี่จริงเล็กน้อย

หมายเหตุ: ไฟแสดงสถานะดวงแรก (ซ้ายสุด) จะกะพริบเมื่อระบบป้องกันแบตเตอรี่ทำงาน

สวิตช์โหมดแรงดัน

เลือกโหมดแรงดันที่ต้องการของคุณด้วยการเลื่อนก้านสวิตช์ไปยังข้างหน้าและข้างหลัง

ดึงก้านไปข้างหน้าหลังสำหรับโหมดแรงดันต่ำเพื่ออ่านสัญลักษณ์หมายเลข "1" บนสวิตช์

ดึงก้านไปข้างหน้าสำหรับโหมดแรงดันสูงเพื่ออ่านสัญลักษณ์หมายเลข "2" บนสวิตช์

- **หมายเลข 5:** 1. โหมดแรงดันต่ำ (1) 2. โหมดแรงดันสูง (2) 3. ก้านสวิตช์โหมดแรงดัน

สวิตช์สั่งงาน

เครื่องฉีดน้ำที่ใช้แรงดันมีล็อกนิรภัยบนไกปืน การปลดล็อกสวิตช์สั่งงาน ให้กดปุ่มล๊อคลงบนไกปืนเพื่อให้ผิวหน้าของไกสั่งงานเรียบ

ดึงสวิตช์สั่งงานเพื่อฉีดน้ำ น้ำจะพุ่งออกมาอย่างต่อเนื่อง หากบีบไกปืนค้างไว้

- **หมายเลข 6:** 1. สวิตช์สั่งงาน 2. ปุ่มล๊อค

กดปุ่มล๊อคให้กลับออกจากด้านในไกปืนเพื่อล๊อคไกปืน ต้องแน่ใจว่าได้ล๊อคคอปปีนเมื่อไม่ได้ใช้งานเครื่องฉีดน้ำที่ใช้แรงดัน

- **หมายเลข 7:** 1. สวิตช์สั่งงาน 2. ปุ่มล๊อค

ฟังก์ชันหัวฉีด

หัวฉีดแบบบอเนกประสงค์ (5-อิน-1) มีรูปแบบสเปรย์ที่หลากหลายเพื่อให้คุณสามารถปรับได้ตามความต้องการในการทำความสะอาดของคุณ ด้วยการรวมรูปแบบการฉีดพ่นห้ารูปแบบที่ใช้บ่อยที่สุดที่มีอยู่ในหัวฉีดเดียวจึงไม่จำเป็นต้องเปลี่ยนจากรูปแบบหนึ่งไปยังอีกรูปแบบหนึ่งอีกต่อไป เพียงแค่หมุนรูปแบบสเปรย์ที่เหมาะสมกับงานของคุณ

การเปลี่ยนหัวฉีดแบบง่าย 0°, 15°, 25°, 40° และฝักบัว

- **หมายเลข 8**

- **หมายเลข 9:** 1. สัญลักษณ์รูปแบบการพ่น 2. เครื่องหมายสามเหลี่ยม

หมุนหัวฉีดไปทางซ้ายหรือขวาไปตามตำแหน่งรูปแบบสเปรย์ที่คุณต้องการ จัดเรียงสัญลักษณ์รูปแบบการพ่นที่คุณต้องการเลือกให้ตรงกับเครื่องหมายสามเหลี่ยมเพื่อให้หัวฉีดล็อกด้วยเสียงคลิก

- **หมายเลข 10**

ข้อสังเกต: ระวังอย่าตั้งหัวฉีดไว้ในตำแหน่งที่ไม่ล๊อค ไม่เช่นนั้นเครื่องมืออาจสร้างรูปแบบการสเปรย์ที่ผิดปกติจนทำให้น้ำรั่วไหลได้

⚠ ข้อควรระวัง: พยายามอย่าหมุนตัวหัวฉีดเข้าหากัน เมื่อคุณเปลี่ยนรูปแบบการสเปรย์ หัวฉีดอาจหลุดจากตัวเครื่องและทำให้ได้รับบาดเจ็บได้

วาล์วนิรภัย

เครื่องมือนี้ติดตั้งวาล์วนิรภัยเพื่อป้องกันแรงดันที่มากเกินไป

⚠ ข้อควรระวัง: อย่าเปลี่ยนหรือปรับการตั้งค่าวาล์วนิรภัย

การประกอบ

⚠ ข้อควรระวัง: ตรวจสอบให้แน่ใจว่าได้ปิดสวิตช์เครื่องมือและถอดด้ามเบดเตอร์ออกก่อนดำเนินการใดๆ กับเครื่องมือ

การติดตั้งหัวฉีดและท่อต่อ

⚠ ข้อควรระวัง: ล็อคสวิตช์สั่งงานขณะทำการติดตั้ง/ทำการถอดหัวฉีดและท่อต่อทุกครั้ง

หัวฉีด

ปรับก้านนำบนหัวฉีดให้ตรงกับช่องล็อกในปลายหัวฉีด ดันหัวฉีดเข้าไปจนสุดจนกระทั่งเครื่องหมายสามเหลี่ยมสองอันบนหัวฉีดและตัวหัวฉีดหันหน้าเข้าหากัน จากนั้นหมุนหัวฉีดไปตามทิศทางที่แสดงในภาพเพื่อล็อกให้เข้าตำแหน่ง เมื่อติดตั้งหัวฉีดแล้ว ให้ลองดึงหัวฉีด เพื่อตรวจสอบว่าหัวฉีดยึดเข้าที่แน่นดีแล้วหรือไม่

- ▶ **หมายเลข 11:** 1. หัวฉีด 2. ก้านนำ 3. ช่องล็อก 4. เครื่องหมายสามเหลี่ยม 5. โครจรงคัลลายครีบนำห้อง

หมายเหตุ: ตรวจสอบให้แน่ใจว่าได้หันโครจรงคัลลายครีบนำห้องลงด้านล่าง

การถอดหัวฉีด ให้ดันหัวฉีดไปหาตัวเครื่องมือค้างไว้ จากนั้นหมุนในลักษณะทวนเข็มนาฬิกาจนกระทั่งเครื่องหมายสามเหลี่ยมทั้งสองด้านหันหน้าเข้าหากัน ดึงหัวฉีดออกจากตัวเครื่องมือหลังจากปลดล็อกแล้ว

ท่อต่อ

การฉีดน้ำลงในจุดที่เข้าถึงได้ยาก ให้ติดตั้งท่อต่อลงในระหว่างตัวเครื่องมือและหัวฉีดด้วยการปฏิบัติตามขั้นตอนที่เหมือนกันกับที่ได้อธิบายไว้สำหรับการติดตั้งหัวฉีด

- ▶ **หมายเลข 12:** 1. ท่อต่อ 2. ตัวเครื่องมือ 3. หัวฉีด 4. ก้านนำ 5. ช่องล็อก 6. เครื่องหมายสามเหลี่ยม

การถอดอุปกรณ์ต่อพ่วง ให้ดันอุปกรณ์ต่อพ่วงส่วนหัวไปหาตัวเครื่อง/อุปกรณ์ต่อพ่วงสำหรับยึดค้างไว้ จากนั้นหมุนในลักษณะทวนเข็มนาฬิกาจนกระทั่งเครื่องหมายสามเหลี่ยมทั้งสองด้านหันหน้าเข้าหากัน ดึงอุปกรณ์ต่อพ่วงส่วนหัวออกจากตัวเครื่อง/อุปกรณ์ต่อพ่วงสำหรับยึดหลังจากปลดล็อกแล้ว

การเชื่อมต่อกับแหล่งจ่ายน้ำจากแทงก์

ข้อสังเกต: ใช้สายยางแรงดันและที่กรองที่ให้มาพร้อมกับเครื่องมือนี้เพื่อจ่ายน้ำทุกครั้ง

ข้อสังเกต: รักษาระดับความสูงระหว่างช่องรับน้ำของเครื่องฉีดน้ำที่ใช้แรงดันกับผิวน้ำให้เท่ากับ 2.0 m หรือน้อยกว่า ไม่เช่นนั้นเครื่องฉีดน้ำที่ใช้แรงดันอาจไม่สามารถดึงน้ำเข้าสู่ปั๊มได้

ข้อสังเกต: อย่าลืมนใส่ภาชนะใส่น้ำที่มีความหนามากกว่า 25 mm จากด้านล่างและให้จุ่มที่กรองลงในน้ำจนมิด

สามารถจ่ายน้ำจากแทงก์/ภาชนะบรรจุถังเก็บน้ำขนาดใดก็ได้

แทงก์ที่จ่ายน้ำจะสามารถจัดการกับสถานที่ที่ความสะอาดที่ใช้แรงดันดังกล่าวได้ เช่น การล้างรถและการทำสวน เป็นต้น ซึ่งไม่มีน้ำและต้องขนน้ำไปยังบริเวณหรือสถานที่ที่ทำความสะอาด

1. ดัดที่กรองที่ปลายสายยางแรงดันด้านใดด้านหนึ่งใส่ที่กรองลงในปลอกพวงแล้วดันเข้าไปจนกระทั่งที่กรองเข้าตำแหน่ง

▶ **หมายเลข 13:** 1. ที่กรอง 2. ปลอกพวง 3. สายยางแรงดัน

2. ทิ้งที่กรองไว้ที่ด้านล่างของภาชนะใส่น้ำ

▶ **หมายเลข 14:** 1. ที่กรอง 2. สายยางแรงดัน 3. ตะขอบนท่อดูด

หมายเหตุ: แขนงสายยางไว้ตามช่องเปิดโดยใช้ตะขอสำหรับสายยางที่ให้มาเพื่อให้ที่กรองอยู่ที่ด้านล่างของภาชนะ

3. ต่อปลายอีกด้านของสายยางเข้ากับตัวเชื่อมต่อสายจ่ายน้ำบนเครื่องฉีดน้ำที่ใช้แรงดัน

วางปลอกพวงไว้บนช่องรับน้ำของตัวเชื่อมต่อและดันเข้าไปจนกระทั่งปลอกพวงยึดเข้ากับตำแหน่ง

▶ **หมายเลข 15:** 1. ปลอกพวง 2. ตัวเชื่อมต่อสายจ่ายน้ำ

⚠ ข้อควรระวัง: ตรวจสอบให้แน่ใจว่าเชื่อมต่อสายยางแรงดันสูงแน่นหนาดีแล้ว หากการเชื่อมต่อหลวม สายยางแรงดันสูงอาจหลุดกระเด็นออกจากเครื่องทำให้ได้รับบาดเจ็บได้

ข้อสังเกต: เติมน้ำลงในเครื่องฉีดน้ำและสายยางที่ใช้แรงดันไว้ล่วงหน้าเมื่อใดก็ตามที่คุณต้องการเพิ่มระดับน้ำจากความลึกที่กำหนดในโหมดแรงดันสูง

การเชื่อมต่อกับแหล่งจ่ายน้ำหลัก

⚠ ข้อควรระวัง: ใช้สายยางแรงดันที่ห้ามพร้อมทั้งเครื่องมือนี้เพื่อจ่ายน้ำทุกครั้ง

ข้อสังเกต: หากคุณเชื่อมต่อแหล่งจ่ายน้ำหลักสำหรับน้ำดื่ม ให้ใช้วาล์วป้องกันการไหลย้อนกลับที่เป็นไปตามข้อบังคับในภูมิภาคของคุณ

ข้อสังเกต: รักษาแรงดันในการเติมน้ำในช่องรับน้ำไว้ต่ำกว่า 0.5 MPa สำหรับการเติมน้ำที่เหมาะสม อย่าให้เกินแรงดันการเติมน้ำสูงสุดเนื่องอาจทำให้น้ำรั่วเมื่อเครื่องมือหยุดการทำงาน

สามารถจ่ายน้ำจากเครื่องจ่ายน้ำหลักที่มีอยู่ในบริเวณหรือสถานที่ที่ทำความสะอาดได้ การจ่ายน้ำอย่างต่อเนื่องช่วยให้คุณไม่ต้องกังวลกับการเติมน้ำ และทำให้การทำทำความสะอาดบ้านและการทำสวนของคุณมีประสิทธิภาพ เช่น การทำความสะอาดเฉพาะจุด การชะล้าง และการรดน้ำบนสนามหญ้าหรือสวนผักที่มีขนาดใหญ่ได้

1. เชื่อมต่อสายยางแรงดันเข้ากับก๊อกน้ำ

ใช้อุปกรณ์เชื่อมต่อที่เหมาะสม เช่น ข้อต่อก๊อกน้ำ เพื่อยึดปลายสายเข้ากับก๊อกน้ำ

▶ **หมายเลข 16:** 1. ข้อต่อก๊อกน้ำ 2. ปลอกฟอง 3. สายยางแรงดัน

หมายเหตุ: ประเภทของอุปกรณ์เชื่อมต่อที่ใช้ขึ้นอยู่กับรูปร่างของก๊อกน้ำที่คุณเชื่อมต่อ เตรียมอุปกรณ์เชื่อมต่อที่ซื้อมาให้เหมาะสม

2. ต่อกว้างด้านของสายยางเข้ากับตัวเชื่อมต่อสายจ่ายน้ำบนเครื่องฉีดน้ำที่ใช้แรงดัน

วางปลอกฟองไว้บนช่องรับน้ำของตัวเชื่อมต่อและดันเข้าไปจนกระทั่งปลอกฟองยึดเข้ากับตำแหน่ง

▶ **หมายเลข 17:** 1. ปลอกฟอง 2. ตัวเชื่อมต่อสายจ่ายน้ำ

การติดตั้งหัวฉีดโฟม

อุปกรณ์เสริม

⚠ ข้อควรระวัง: ล็อคสวิตช์สั่งงานขณะทำการติดตั้ง/ทำการถอดอุปกรณ์ต่อพ่วงเสริมทุกครั้ง

ข้อสังเกต: ใช้เฉพาะน้ำยาทำความสะอาดที่มีค่าเป็นกลางเท่านั้น อย่าใช้น้ำยาทำความสะอาดในครัวเรือน น้ำยาทำความสะอาดที่เป็นกรด น้ำยาทำความสะอาดที่เป็นด่าง สารฟอกขาว ตัวทำละลาย วัสดุไวไฟ หรือสารละลายกรดอุตสาหกรรม ซึ่งอาจทำให้เครื่องมือหรือทรัพย์สินของคุณเสียหายได้ เตรียมสารละลายทำความสะอาดตามที่ระบุบนขวดสารละลาย และทดสอบล่วงหน้าในสถานที่ที่ไม่สะดวกตามเสมอ

ข้อสังเกต: หากน้ำยาทำความสะอาดมีความหนืดสูง หัวฉีดอาจอุดตันได้ เมื่อใช้น้ำยาทำความสะอาดที่มีความหนืดสูง ให้เจือจางโดยการเติมน้ำในขวดก่อนใช้

หมายเหตุ: เมื่อใช้หัวฉีดโฟม จะต้องเจือจางน้ำยาทำความสะอาดในขวดด้วยน้ำที่ห้ามพร้อมทั้งเครื่องมือแล้วจึงฉีดพ่น คุณไม่จำเป็นต้องเจือจางน้ำยาทำความสะอาดที่เข้มข้นในขวดเกินความจำเป็น ปรับความเข้มข้นของน้ำยาทำความสะอาดโดยตรวจสอบเงื่อนไขการใช้งาน

หมายเหตุ: หากหัวฉีดโฟมเอียงข้าง น้ำยาทำความสะอาดอาจหกออกมาได้

เตรียมน้ำยาทำความสะอาดก่อนใช้หัวฉีดโฟม

1. เติมน้ำยาทำความสะอาดลงในถัง ต่อกับหัวฉีดเข้ากับแทงก์และบิดฝาให้แน่น
2. เอียงหัวฉีดโฟมเพื่อปรับก้านนำกับช่องลีดในตัวเครื่องมือให้ตรงกัน ดันหัวฉีดเข้าไปจนสุดและจับให้เข้าตำแหน่ง จากนั้นหมุนหัวฉีดโฟมไปตามทิศทางที่แสดงในภาพเพื่อลีดให้เข้าตำแหน่ง

▶ **หมายเลข 18:** 1. หัวฉีดโฟม 2. ถัง 3. ก้านนำ 4. ช่องลีด

เมื่อติดตั้งหัวฉีดแล้ว ให้ลองดึงหัวฉีด เพื่อตรวจสอบว่าหัวฉีดยึดเข้าที่แน่นดีแล้วหรือไม่

3. หมุนแป้นน้ำยาทำความสะอาดเพื่อปรับปริมาณการดูดของน้ำยาทำความสะอาด

▶ **หมายเลข 19:** 1. แป้นน้ำยาทำความสะอาด 2. หมุนแป้นไปต่ำสุด 3. หมุนไปสูงสุด

การติดตั้งหัวฉีดเสริม

อุปกรณ์เสริม

▲ ข้อควรระวัง: ล็อคสวิตช์ซึ่งงานขณะทำการติดตั้ง/ทำการถอดอุปกรณ์ต่อพ่วงเสริมทุกครั้ง

ปรับก้านนำบนหัวฉีดเสริมให้ตรงกับช่องล็อคในตัวเครื่องมือดันหัวฉีดเข้าไปจนสุดและจับให้เข้าตำแหน่ง จากนั้นหมุนหัวฉีดไปตามทิศทางที่แสดงในภาพเพื่อล็อคให้เข้าตำแหน่ง เมื่อติดตั้งหัวฉีดแล้ว ให้ลองดึงหัวฉีด เพื่อตรวจสอบว่าหัวฉีดยึดเข้าที่แน่นดีแล้วหรือไม่

▶ **หมายเลข 20:** 1. หัวฉีด 2. ก้านนำ 3. ช่องล็อค

การถอดหัวฉีด ให้ดันหัวฉีดไปหาตัวเครื่องมือค้างไว้ จากนั้นหมุนในลักษณะทวนเข็มนาฬิกาเพื่อปลดล็อค ดึงหัวฉีดออกจากเครื่องฉีดน้ำที่ใช้แรงดันหลังจากปลดล็อคแล้ว

การติดตั้งข้อต่อขวดพลาสติก

อุปกรณ์เสริม

▲ ข้อควรระวัง: ล็อคสวิตช์ซึ่งงานขณะทำการติดตั้ง/ทำการถอดอุปกรณ์ต่อพ่วงเสริมทุกครั้ง

▲ ข้อควรระวัง: ต้องแน่ใจว่าได้ยึดข้อต่อขวดพลาสติกเข้ากับเครื่องฉีดน้ำที่ใช้แรงดันและขวดพลาสติกจนแน่น หากไม่ปฏิบัติตามอาจทำให้ขวดน้ำแตกจนทำให้เกิดการบาดเจ็บได้

หมายเหตุ: สามารถใช้ขวดพลาสติกขนาด 2 ลิตร (ครึ่งแกลลอน) สำหรับใส่น้ำได้

1. เติมน้ำลงในขวดพลาสติก
2. ใส่สายดูดลงในขวดผ่านช่องเปิด
3. ยึดข้อต่อเข้ากับขวดด้วยการหมุนเกลียวของน็อตของปลอกฟอง
4. ยึดข้อต่อขวดพลาสติกเข้ากับตัวเชื่อมต่อสายจ่ายน้ำบนเครื่องฉีดน้ำที่ใช้แรงดัน

วางปลอกฟองไว้บนช่องรับน้ำของตัวเชื่อมต่อและดันเข้าไปจนกระทั่งปลอกฟองยึดเข้ากับตำแหน่ง

▶ **หมายเลข 21:** 1. ข้อต่อขวดพลาสติก 2. สายดูด 3. ขวดพลาสติก 4. ตัวเชื่อมต่อสายจ่ายน้ำ

การใช้งาน

▲ คำเตือน: อย่าสัมผัสส่วนแรงดันสูงหรือหันหัวฉีดเข้าหาตัวเองหรือผู้อื่น น้ำแรงดันสูงอันตรายและสามารถทำให้คุณและผู้อื่นบาดเจ็บได้

▲ คำเตือน: เมื่อฉีดน้ำแรงดันสูง อย่าถือวัตถุที่คุณทำความสะอาดด้วยมือหรือวางมือและเท้าใกล้กับน้ำแรงดันสูง

▲ ข้อควรระวัง: อย่าใช้งานเครื่องฉีดน้ำที่ใช้แรงดันโดยไม่ใช้น้ำนานกว่า 1 นาที

▲ ข้อควรระวัง: อย่าใช้งานเครื่องฉีดน้ำที่ใช้แรงดันนานเกินไป เนื่องจากอาจทำให้เครื่องร้อนเกินไปหรือไฟไหม้ได้ นอกจากนี้ การใช้งานเป็นระยะเวลานานอาจทำให้เครื่องสันผิตปกติ

▲ ข้อควรระวัง: ระวังทิศทางลม ถ้าน้ำยาทำความสะอาดเข้าตาหรือปาก ให้ล้างด้วยน้ำสะอาดทันที และไปพบแพทย์หากจำเป็น

ข้อสังเกต: การป้องกันกลไกของเครื่องฉีดน้ำที่ใช้แรงดัน อย่าใช้น้ำที่ร้อนกว่า 40°C (104°F)

ข้อสังเกต: ไม่ใช้น้ำดิบ เช่น น้ำจากแม่น้ำ น้ำบ่อ และน้ำที่มีทรายหรือโคลน น้ำสกปรกที่ไม่ได้ผ่านการกรองอาจทำให้เกิดการตกตะกอนของวัสดุที่ไม่พึงประสงค์ในปั๊ม ซึ่งอาจทำให้ทำงานผิดพลาด

ความสูงในการเพิ่มระดับน้ำ

ความสูงแนวตั้งจากแหล่งน้ำจนถึงช่องดูดน้ำของเครื่องฉีดน้ำที่ใช้แรงดันต้องอยู่ในระดับ 2.0 m

ความลึกของน้ำทั้งหมด

ใส่ภาชนะบรรจุน้ำที่มีความหนาแน่นกว่า 25 mm จากด้านล่าง

- ▶ **หมายเลข 22:** 1. ความสูงในการเพิ่มระดับน้ำ 2. ความลึกของน้ำทั้งหมด

ขั้นตอนการดำเนินงานพื้นฐาน

1. ต่อช่องรับน้ำของสายจ่ายน้ำเข้ากับแหล่งจ่ายน้ำ
2. ต่อช่องจ่ายน้ำของสายจ่ายน้ำเข้ากับเครื่องฉีดน้ำที่ใช้แรงดัน

▶ **หมายเลข 23**

3. หากมีการระบายน้ำเหลืออยู่ในเครื่องฉีดน้ำที่ใช้แรงดันออกไปตั้งแต่ใช้งานครั้งล่าสุด ให้เติมน้ำลงในสายง่าที่ใช้แรงดันและเครื่องฉีดน้ำที่ใช้แรงดัน

ระบายน้ำออกผ่านสายง่าและเครื่องฉีดน้ำจนกว่าจะมีอากาศระบายออกมา

- (1) ถอดหัวฉีดออกจากเครื่องฉีดน้ำที่ใช้แรงดัน
 - (2) ใส่ดัลป์แบบเตอรัลลงในเครื่องฉีดน้ำที่ใช้แรงดัน
 - (3) เลือกโหมดแรงดันสูง
 - (4) คลายล๊อคสวิทซ์สั่งงาน
 - (5) ดึงสวิทซ์สั่งงานค้างไว้จนกระทั่งเครื่องฉีดน้ำที่ใช้แรงดันสร้างแรงดันน้ำได้อย่างสม่ำเสมอ
- ▶ **หมายเลข 24:** 1. ก้านสวิทซ์โหมดแรงดัน

หลังจากระบายอากาศที่ค้างอยู่ด้านในออกจากเครื่องฉีดน้ำที่ใช้แรงดันและสายยางแล้ว ให้คลายสวิทซ์สั่งงาน

ถอดดัลป์แบบเตอรัลออกจากเครื่องฉีดน้ำที่ใช้แรงดัน และติดหัวฉีดที่เหมาะสมกับวัตถุประสงค์ในการใช้งานของคุณ

4. เปิดฝาครอบและใส่ดัลป์แบบเตอรัลลงในเครื่องฉีดน้ำที่ใช้แรงดัน จากนั้นล๊อคฝาครอบ
- ▶ **หมายเลข 25:** 1. ดัลป์แบบเตอรัล 2. ฝาครอบ

⚠ ข้อควรระวัง: ระวังอย่าให้หมีบนิ้วขณะเปิดหรือปิดฝาครอบแบบเตอรัล

5. เลือกโหมดแรงดันที่ต้องการของคุณ จากนั้นคลายสวิทซ์สั่งงาน
- ▶ **หมายเลข 26:** 1. ก้านสวิทซ์โหมดแรงดัน 2. สวิทซ์สั่งงาน 3. ปุ่มล๊อค

6. ให้หัวฉีดชี้ไปที่บริเวณหรือสถานที่ฉีดน้ำ บีบสวิทซ์สั่งงาน

น้ำที่ไหลจะพุ่งออกมาอย่างต่อเนื่องหากหมีบไปกินค้างไว้

▶ **หมายเลข 27**

▶ **หมายเลข 28**

⚠ ข้อควรระวัง: จับเครื่องฉีดน้ำที่ใช้แรงดันให้มั่นคง เครื่องมือจะสะท้อนกลับเมื่อคุณดึงสวิทซ์สั่งงาน

⚠ ข้อควรระวัง: จับเครื่องฉีดน้ำที่ใช้แรงดันที่มีมือจับและล้ากล้องปืนเมื่อฉีดน้ำ

หลังการใช้งาน

⚠ ข้อควรระวัง: หลังจากใช้เครื่องฉีดน้ำที่ใช้แรงดันแล้ว ให้ดำเนินการตามขั้นตอนที่ได้ระบุไว้ในคู่มือนี้ แรงดันที่เหลือค้างอยู่ในเครื่องฉีดน้ำที่ใช้แรงดันอาจทำให้เกิดการบาดเจ็บหรือสร้างความเสียหายแก่บีมด้านในได้

1. คลายสวิทซ์สั่งงานแล้วล๊อคโดยใช้ปุ่มล๊อค
 2. ถอดสายจ่ายน้ำออกจากแหล่งจ่ายน้ำ
- ▶ **หมายเลข 29**

3. คลายล๊อคสวิทซ์สั่งงานและบีบไว้จนกว่าน้ำที่เหลือในเครื่องฉีดน้ำที่ใช้แรงดันและสายยางจะระบายออกจนหมด

▶ **หมายเลข 30**

ข้อสังเกต: อย่าให้มอเตอร์ทำงานนานกว่า 1 นาที

4. คลายสวิทซ์สั่งงานแล้วล๊อคโดยใช้ปุ่มล๊อค จากนั้นให้ถอดแบบเตอรัลออกจากเครื่องฉีดน้ำที่ใช้แรงดัน

▶ **หมายเลข 31:** 1. ปุ่มล๊อค 2. ดัลป์แบบเตอรัล

5. ถอดสายยางที่ใช้แรงดันออกจากเครื่องฉีดน้ำที่ใช้แรงดัน

▶ **หมายเลข 32:** 1. ปลอกฟุ้ง 2. ตัวเชื่อมต่อสายจ่ายน้ำ

ข้อสังเกต: การป้องกันไม่ให้สายยางที่ใช้แรงดันเกิดความเสียหาย ให้ใส่ที่เหลือน้ำที่เหลือน้ำค้างอยู่ในสายออกก่อนการเก็บรักษา

การบำรุงรักษา

⚠ ข้อควรระวัง: ตรวจสอบให้แน่ใจว่าได้ปิดสวิทซ์เครื่องมือและถอดดัลป์แบบเตอรัลออกแล้วก่อนดำเนินการตรวจสอบหรือบำรุงรักษา

ข้อสังเกต: อย่าใช้น้ำมันเชื้อเพลิง เบนซิน ทินเนอร์ แอลกอฮอล์ หรือวัสดุประเภทเดียวกัน เนื่องจากอาจทำให้ลีสซิดจาง เสียรูป หรือแตกร้าวได้

เพื่อความปลอดภัยและนำเชื้อถือของผลิตภัณฑ์ ควรให้ศูนย์บริการหรือโรงงานที่ผ่านการรับรองจาก Makita เป็นผู้ดำเนินการซ่อมแซม บำรุงรักษาและทำการปรับตั้งอื่นๆ นอกจากนี้ให้ใช้อะไหล่ของแท้จาก Makita เสมอ

การทำความสะอาดหัวฉีด

ใช้แท่งทำความสะอาด, หมุดทำความสะอาด เพื่อขจัดสิ่งสกปรกที่อุดตันออกจากช่องเปิดของหัวฉีด

▶ **หมายเลข 33:** 1. แท่งทำความสะอาด 2. หัวฉีด

หมายเหตุ: ทำความสะอาดหัวฉีดเป็นระยะๆ เพื่อคงประสิทธิภาพที่ดีที่สุด

ข้อสังเกต: อย่าฝึมน้ำสิ่งสกปรกหรือเศษต่างๆ ออกเนื่องจากอาจทำให้ได้รับบาดเจ็บหรือเกิดความเสียหายกับรูฉีดน้ำ และทำให้หมูดัดน้ำคลาดเคลื่อนหรือประสิทธิภาพในการทำงานลดลง

การทำความสะอาดตัวกรอง

ถอดตัวเชื่อมต่อสายจ่ายน้ำออกจากเครื่องฉีดน้ำที่ใช้แรงดัน
ขจัดฝุ่นหรือสิ่งสกปรกที่ติดกับตัวกรองออก

- **หมายเลข 34:** 1. ตัวเชื่อมต่อสายจ่ายน้ำ 2. ตัวกรอง
3. แหวนกันรั่ว

แยกชิ้นส่วนของที่กรองออกด้วยการคลายเกลียวปลอกตัว
กรอง ขจัดฝุ่นหรือสิ่งสกปรกที่ติดกับตัวกรองออก

- **หมายเลข 35:** 1. ตัวกรอง 2. ปลอกตัวกรอง

หมายเหตุ: ทำความสะอาดตัวกรองเป็นระยะๆ เพื่อคง
ประสิทธิภาพที่ดีที่สุด

การแก้ไขปัญหา

ก่อนนำไปซ่อม ให้ทำการตรวจสอบด้วยตัวเองก่อน หากพบปัญหาที่ไม่มีอธิบายในคู่มือการใช้งาน อย่าพยายามถอดแยก
เครื่องมือ แต่ให้นำไปซ่อมที่ศูนย์บริการหรือโรงงานที่ผ่านการรับรองจาก Makita และใช้ชิ้นส่วนอะไหล่ของ Makita

สภาวะความผิดปกติ	สาเหตุที่เป็นไปได้ (การทำงานผิดปกติ)	การแก้ไข
เครื่องฉีดน้ำไม่ทำงาน	ไม่มีไฟฟ้า	ติดตั้งปลั๊กแบตเตอรี่ที่ชาร์จแล้ว
	สวิตช์สั่งงานล๊อคอยู่	คลายล๊อคสวิตช์สั่งงาน
	แบตเตอรี่หรือวงจรไฟฟ้าเสียหาย	ติดต่อศูนย์บริการที่ผ่านการรับรองเพื่อรับการซ่อม
น้ำไม่ไหล/น้ำไหลเบา	น้ำไม่ไหล	ตรวจสอบให้แน่ใจว่าก๊อกน้ำเปิดอยู่ หากมีการต่อกับ แหล่งจ่ายน้ำจากแทงก์ ให้เติมน้ำลงในเครื่องฉีดน้ำ ที่ใช้แรงดันหรือสายยาง
	น้ำไหลเบา	เปิดก๊อกน้ำ
	การเชื่อมต่อสายยางไม่ดี	ตรวจสอบการเชื่อมต่อระหว่างเครื่องฉีดน้ำที่ใช้แรง ดันและแหล่งจ่ายน้ำ
	สายจ่ายน้ำเสียรูปทรงหรือลึกรอ	ยืดสายยางให้ตรง เปลี่ยนสายจ่ายน้ำที่เสียหายใหม่
	สายจ่ายน้ำหรือหัวฉีดอุดตัน	ทำความสะอาดสายจ่ายน้ำหรือหัวฉีดที่อุดตัน
	ตัวกรองอุดตัน	ขจัดฝุ่นหรือสิ่งสกปรกที่ติดกับตัวกรองที่อยู่ในที่ กรองและตัวเชื่อมต่อสายจ่ายน้ำออก
	น้ำเสียน้ำที่มีกรปนเปื้อน	ทำความสะอาดระบบน้ำและเติมน้ำสะอาดลงไปใหม่
	หัวฉีดชำรุดหรือเสื่อมสภาพ	เปลี่ยนหัวฉีด
	ปั๊มหรือวาล์วทำงานผิดปกติ	ติดต่อศูนย์บริการที่ผ่านการรับรองเพื่อรับการซ่อม
	ข้อต่อน้ำหลวม	ยึดการต่อระหว่างสายจ่ายน้ำกับปลอกพวงให้แน่น
	เกิดการรั่วจากการต่อของแหล่งจ่ายน้ำ	หมุนการต่อระหว่างสายจ่ายน้ำกับแหล่งจ่ายน้ำให้ แน่นอีกครั้ง
	ที่กรองที่ติดตั้งไว้ไม่มีประสิทธิภาพ	จุ่มที่กรองลงในน้ำจนมิด
	ใช้งานโหมดแรงดันต่ำอยู่	เลือกโหมดแรงดันสูง
น้ำแรงดันสูงไม่สม่ำเสมอ	หัวฉีดอุดตัน	ทำความสะอาดรูของหัวฉีดที่อุดตันโดยใช้แปรง ทำความสะอาด
	การสูบน้ำไม่ดี	ตรวจสอบสายจ่ายน้ำว่าเกิดรอยรั่วหรืออุดตันหรือไม่
	น้ำร้อนเกินไป	จ่ายน้ำเย็น
	วาล์วทำงานผิดปกติ	ติดต่อศูนย์บริการที่ผ่านการรับรองเพื่อรับการซ่อม

สภาวะความผิดปกติ	สาเหตุที่เป็นไปได้ (การทำงานผิดปกติ)	การแก้ไข
เสียงผิดปกติ	น้ำร้อนเกินไป	จ่ายน้ำเย็น
น้ำรั่ว	การเชื่อมต่อไม่ดี	ตรวจสอบการเชื่อมต่อระหว่างเครื่องฉีดน้ำที่ใช้แรงดันและแหล่งจ่ายน้ำ
	การติดตั้งหัวฉีดไม่ดี	ดันหัวฉีดเข้าไปจนสุด จากนั้นหมุนหัวฉีดจนกระทั่งล็อกเข้าตำแหน่ง
	หัวฉีดยังคงอยู่ในตำแหน่งที่ไม่ถูกต้อง	ตั้งหัวฉีดให้อยู่ในตำแหน่งล็อกโดยมีสัญลักษณ์รูปแบบสเปร์ย์ที่สามารถมองเห็นได้อย่างชัดเจน
	ตัวกันรั่วเสื่อมสภาพ	ติดต่อศูนย์บริการที่ผ่านการรับรองเพื่อรับการซ่อม

อุปกรณ์เสริม

⚠ ข้อควรระวัง: ขอแนะนำให้ใช้เฉพาะอุปกรณ์เสริมหรืออุปกรณ์ต่อพ่วงเหล่านี้กับเครื่องมือ Makita ที่ระบุในคู่มือการใช้ อุปกรณ์เสริมหรืออุปกรณ์ต่อพ่วงอื่นๆ อาจมีความเสี่ยงที่จะได้รับบาดเจ็บ ใช้ อุปกรณ์เสริมหรืออุปกรณ์ต่อพ่วงตามวัตถุประสงค์ที่ระบุไว้เท่านั้น

หากต้องการทราบรายละเอียดเพิ่มเติมเกี่ยวกับอุปกรณ์เสริมเหล่านี้ โปรดสอบถามศูนย์บริการ Makita ใกล้บ้านคุณ

หมายเหตุ: อุปกรณ์บางรายการอาจรวมอยู่ในชุดเครื่องมือเป็นอุปกรณ์มาตรฐาน ซึ่งอาจแตกต่างกันไปในแต่ละประเทศ

หัวฉีดโฟม

► หมายเลข 36

จะพ่นน้ำยาทำความสะอาดออกมาเป็นโฟม

แปรงทำความสะอาด

► หมายเลข 37

หัวฉีดมาพร้อมกับแปรง สำหรับการล้างฝุ่นด้วยน้ำไปพร้อมๆ กับขัดด้วยแปรง

หัวฉีดแบบเข้ามุม

► หมายเลข 38

หัวฉีดแบบเข้ามุมจะสามารถหมุนได้ 360 องศา ทำให้เข้าถึงมุมอับได้อย่างง่ายและเข้าถึงได้ทั้งหมด

ข้อต่อขวดพลาสติก

► หมายเลข 39

เติมน้ำลงในขวดและแยกออกจากขวดพลาสติกได้ง่าย สามารถใช้ขวดน้ำเป็นแหล่งจ่ายน้ำได้

警告

- 禁止兒童使用本器具。應監督兒童，確保他們不會將本器具當成玩具。
- 本器具不適用於身體、感官或智力缺陷者，或缺乏使用經驗與知識者（包括兒童），除非由負責這些人員安全的監護人監督或指導如何安全使用器具。
- 壓力水不得朝向人、通電設備或器具本身。
- 在工具上進行任何作業前，請務必關閉器具電源開關並取下電池組。
- 若器具重要零件受損，例如安全裝置、壓力軟管，請勿使用器具。
- 如需保養工作期間相關注意事項的詳細資料，請閱讀「保養」章節中的說明。
- 瞭解充電電池的正常溫度範圍。閱讀電池組的安全須知，以瞭解處理電池的注意事項。
- 如需器具安裝期間相關注意事項的詳細資料，請閱讀組裝章節中的說明。
- 瞭解最大入口水壓。如需供水管道連接的詳細資料，請閱讀規格章節中的說明。
- 務必使用器具隨附的軟管組。閱讀組裝章節中的說明，以瞭解供水管道連接的注意事項。
- 使用期間注水口不應開啟。依組裝章節中的說明維持水壓。
- 請勿在有水的游泳池中使用。
- 遵守當地自來水公司規定。
- 歐洲地區：
依據 EN12729 (BA)，若供水軟管內安裝具有排水功能的防止回流閥，則本器具亦可連接飲用水管道。

規格

型號：	DHW180	
最大水流速率 ^{*1} [供水箱／主供水器]	3.0 / 5.3 L/min	
水流速率 ^{*2}	高壓模式	2.5 L/min
	低壓模式	1.5 L/min
最大工作壓力	2.4 MPa	
工作壓力 ^{*2}	高壓模式 [供水箱／主供水器]	2.0 / 2.2 MPa
	低壓模式 [供水箱／主供水器]	0.8 / 0.8 MPa
最大給料壓力	0.5 MPa	
最大給料溫度	40°C	
最大抽吸高度	2.0 m	
額定電壓	D.C. 18 V	
尺寸 ^{*3} [長 x 寬 x 高]	888 mm x 99 mm x 239 mm	
重量	2.3 - 2.7kg	

*1：不含噴嘴

*2：噴灑模式 15°

*3：含 5 合 1 噴嘴與延伸管

- 生產者保留變更規格不另行通知之權利。
- 規格可能因銷往國家之不同而異。
- 重量可能有所不同，視附件（包含電池組）而定。上表顯示符合EPTA-Procedure 01/2014的最輕及最重組合。

適用的電池組與充電器

電池組	BL1815N / BL1820B / BL1830B / BL1840B / BL1850B / BL1860B
充電器	DC18RC / DC18RD / DC18RE / DC18SD / DC18SE / DC18SF / DC18SH / DC18WC

- 上述某些電池組與充電器可能會因居住地區而無法使用。

⚠警告：務必使用上述的電池組與充電器。使用任何其他電池組與充電器可能會導致人員受傷和／或火災。

⚠警告：本機器請勿搭配腰掛式電池轉接座或背負式電池搭載器等有線電源使用。有線電源的纜線可能會阻礙操作，並導致人員受傷。

符號

以下顯示本設備可能使用的符號。在使用工具前，請務必理解其涵義。



請仔細閱讀使用說明書。



特別小心和注意。



僅用於歐盟國家

由於本設備中存有危險組件，廢棄電氣與電子設備、蓄電池與電池可能會對環境與人體健康產生負面影響。

請勿將電氣與電子器具或電池和家庭廢棄物一同處理！

根據針對廢棄電氣與電子設備、蓄電池與電池及廢棄蓄電池與電池制訂的歐洲指令及其對本國法律的修改版，應依照環境保護法規個別存放廢棄電氣設備、電池與蓄電池，並將其送至都市垃圾獨立回收點。

這類設備會在設備上以打叉的滑輪垃圾桶作為符號標示。



請勿連接至飲用水龍頭。



請勿將噴槍朝向人，包括您自己、動物和通電的設備。

用途

此工具適用於透過噴射水柱清潔髒汙，供居家使用。工具可供選擇噴灑類型，能改善您的清洗及草坪和花園灑水效果。

安全警告

重要安全警告

警告：請仔細讀完下列安全警告以及安全事項。未按照以下列舉的警告和安全事項而使用或操作可能導致觸電、火災和/或嚴重傷害。

妥善保存所有的警告和安全事項說明以備將來參考。

警告 – 使用本產品時，請務必遵守下列基本安全注意事項：

工作場地安全

1. 確保操作區域無人。
2. 請勿延伸過長或站立在不平穩的支撐物上。使用時請雙腳站穩，隨時保持平衡。
3. 請務必將清洗機置於平穩的表面上。請避開在噴水會流經或溢流的區域。

4. 在清潔之前，請確認周圍是否有多餘物品。噴射水流可擦除油漆或其他表面處理物，包括毒性化學物質。如有必要，請採取預防措施。
5. 請小心切勿被清洗機的軟管絆倒。操作期間，請務必注意軟管的配置。
6. 在使用期間，會有少量的水從清洗機底部流出。請注意，不要在您不想弄濕的區域操作工具。

人身安全

1. 保護噴射頭及物品，操作人員應穿戴適當的衣物，如安全靴、安全手套、含面罩的安全帽、耳朵防護裝備等。
2. 請穿戴個人安全裝備。根據應用情況，請使用防護面具、安全護鏡或護目鏡，保護眼睛防止各種操作所產生的飛濺碎片。
3. 除非人員皆穿戴防護裝備，否則請勿在有人的範圍內使用清洗機。
4. 若要減少受傷的風險，在兒童附近使用產品時，請務必確實執行監督。
5. 如果連接至飲用水系統，應對系統進行回流保護。
6. 經由防止回流設備流出的水，視為非飲用水。

電氣安全

1. 切勿用濕手觸摸電池組。
2. 若器具重要零件受損，例如安全裝置、壓力軟管，請勿使用器具。
3. 避免危險的環境。請勿在潮濕或淋雨環境中使用工具。若有水進入工具將增加觸電危險。

電動工具使用和注意事項

1. 使用產品前，請詳閱所有說明。
2. 瞭解如何停止清洗機及快速洩壓。請徹底熟悉控制方式。
3. 請勿噴灑易燃及/或毒性液體。否則會造成爆炸、中毒或器具損壞。
4. 請勿將噴射水流朝向您或他人，以清潔衣物或鞋子。
5. 壓力軟管、接頭和聯結器都是確保器具安全的重要零件。僅限使用製造商建議的軟管、接頭和聯結器。
6. 更換配件時，請遵循說明。
7. 把手務必保持乾燥、清潔，且不沾油脂。
8. 保持警覺 – 注意您現在的動作。
9. 請勿在疲倦或受酒精或藥物影響下操作產品。
10. 請勿在沒水時，操作清洗機超過一分鐘。這會破壞馬達，而導致故障。

11. 請務必在不使用清洗機時，關閉電源並關閉供水管道。
12. 請小心反作用力。壓力噴射水流從噴嘴噴出時，器具會反彈。請緊握器具，以防止意外受傷。
13. 先檢查零件是否受損或磨損後再使用。另請確定軟管是否正確連接，且在操作期間未出現洩漏情形。操作功能故障的器具可能會發生意外。
14. 請勿拉扯軟管移動清洗機本體。這會破壞軟管及連接零件，並導致短路或功能故障。
15. 請勿在軟管上擺放重物或讓車輛碾壓。
16. 請務必先洩放器具中的殘留壓力，再中斷連接軟管。
17. 連接軟管至供水管道時，請遵守您當地水利工程部門或水公司的指示。
18. 如果清洗機摔落或撞到堅硬物體，務必檢查是否損壞及破裂。使用受損的清洗機可能會造成冒煙、起火或引起觸電，而導致人員受傷。
19. 避免意外起動。在接上電池組及拿起或搬運器具之前，請先確保開關位於關閉位置。搬運器具時手指放在開關上，或在開關處於開啟位置時將器具通電，皆可能會引發事故。
20. 在進行任何調整、更換配件或存放器具之前，請將電池組從器具上取下。此類防護性安全措施會降低器具意外起動的風險。
21. 除使用及注意事項說明指示外，請勿改裝或嘗試維修器具或電池組。
22. 警告 – 有噴射或受傷的風險 – 請勿將排放水流朝向人。
23. 確定要清潔的物體或區域能夠承受灑水。否則可能會造成物品或場所損壞，而導致人員受傷。
4. 使用過度時，電池中可能溢出液體；請避免接觸。如果意外接觸到電池漏液，請用水沖洗。如果液體接觸到眼睛，請就醫。電池漏液可能會導致過敏發炎或灼傷。
5. 請勿使用損壞或經修改過的電池組或工具。損壞或經修改過的電池可能會出現無法預料的運作情形，而引發火災、爆炸或人員受傷風險。
6. 請勿將電池組或工具暴露於火源或高溫環境。暴露於火源或 130 °C 以上的高溫可能會發生爆炸。
7. 請遵守所有充電說明，並勿於說明中指定之溫度範圍外進行電池組或工具充電。以錯誤的方式或於指定之溫度範圍外進行充電，可能會損壞電池，並增加火災風險。

維修

1. 遵守手冊中指定的保養說明。
2. 為確保器具安全，僅限使用原廠或經製造商認可的備用零件。
3. 請將清洗機送交專業維修人員修理，且必須使用相同的備件進行更換。這樣將確保所維修的清洗機的安全性。
4. 如清洗機發生破損或故障，請立即關閉電源並取下電池組。請聯絡當地經銷商或維修中心。

附加安全警告

1. 請勿在有雷擊的風險下，使用本工具。
2. 在泥濘地面、潮濕斜坡或濕滑地點使用本工具時，請格外注意立足點。
3. 避免在預期會增加使用者疲勞的不良環境中作業。
4. 請勿在雨中更換電池。
5. 請勿將本工具浸泡在水坑中。
6. 存放機器時，請避免直接暴露於陽光及雨水，並存放在不會過熱或潮濕的場所。
7. 使用本工具後，請清除附著的泥土，並待其徹底乾燥後再進行存放。視季節或地區而定，可能有因結冰而發生故障的風險。
8. 請勿使水等液體弄濕電池端子，或將電池浸泡在液體中。請勿將電池置於雨中，或在潮濕的環境充電、使用或存放電池。若電池端子潮濕或液體滲入電池內部，電池可能會短路並發生過熱、起火或爆炸危險。
9. 取出工具或充電器中的電池後，請確定裝上電池蓋並存放在乾燥的場所。
10. 請勿用濕手更換電池。

用電池驅動的電動工具的使用和注意事項

1. 僅使用製造商指定的充電器進行充電。使用適用於某一類型電池組的充電器給其他電池組充電可能會引起火災。
2. 僅使用專門設計的電池組給電動工具供電。使用任何其他電池組可能會造成人身傷害及火災。
3. 不使用電池組時請將其遠離紙夾、硬幣、鑰匙、釘子、螺絲或其他小型金屬物體放置。這些物體可能會使電池端子短路。短接電池端子可能會引起燃燒或起火。

11. 如果器具因天氣寒冷而凍結，請聯絡授權服務中心進行維修。
12. 本器具請勿搭配腰掛式電池轉接座或背負式電池搭載器等有線電源使用。此類有線電源的纜線可能會阻礙操作，並導致人員受傷。
11. 廢棄電池須移出工具並安全地棄置。關於如何處理廢棄的電池，請遵循當地法規。
12. 電池僅可用於 **Makita**（牧田）規定產品。將電池裝入非相容產品中可能會導致起火、過熱、爆炸或電解液滲漏情形。
13. 若工具長期間不使用，電池須從工具移出。

妥善保存這些手冊。

警告：請勿為圖方便或因對產品足夠熟悉（因重複的使用）而不嚴格遵循產品的安全規則。

使用不當或不遵循本說明書中的安全規則會導致嚴重的人身傷害。

電池組的重要安全須知

1. 使用電池組之前，請閱讀（1）充電器、（2）電池和（3）使用電池的產品上的所有指示說明和注意標識。
2. 請勿拆解或改裝電池組。以免引發火災、過熱或爆炸。
3. 如果工具運行時間極短，請立即停止使用。否則可能會導致過熱、起火甚至爆炸。
4. 如果電解液進入眼睛，請立即用清水沖洗並就醫。這種情況可能會導致失明。
5. 請勿短接電池組：
 - (1) 請勿用任何導電材料觸碰電池端子。
 - (2) 避免將電池組與釘子、硬幣等金屬物品存放在同一容器中。
 - (3) 請勿將電池組置於水中或使其淋雨。電池短路會產生較大的電流、導致過熱並可能引起起火甚至擊穿。
6. 請勿在溫度可能達到或超過 50°C 的場所存放或使用工具和電池組。
7. 請勿焚燒電池組，即使其已嚴重損壞或徹底磨損。電池組會在火中爆炸。
8. 請勿釘牢、切割、輾壓、丟擲、摔落電池組，或使電池組撞擊硬物。這類行為可能會引發火災、過熱或爆炸。
9. 請勿使用損壞的電池。
10. 本工具附帶的鋰離子電池需符合危險品法規要求。

第三方或轉運代理在進行商業運輸時，應遵循包裝和標識方面的特殊要求。有關運輸項目的準備作業，諮詢危險品方面的專業人士。同時，請遵守可能更詳盡的國家法規。請使用膠帶保護且勿遮掩表面的聯絡資訊，並牢固封裝電池，使電池在包裝內不可動。

14. 使用期間和之後，電池組可能會發燙，因而造成燙傷或低溫灼傷。處理發燙的電池組時，請多加小心。
15. 使用後請勿立即觸碰工具的端子，因為端子溫度極高，足以造成燙傷。
16. 請勿讓碎屑或塵土卡在電池組的端子、孔洞和溝槽。否則可能會造成工具或電池組過熱、起火、爆炸及故障，導致燙傷或人員受傷。
17. 除非工具支援在高電壓電氣線路附近使用，否則請勿在高電壓電氣線路附近使用電池組。以免造成工具或電池組失常或故障。

18. 將電池置於孩童無法觸及之處。

妥善保存這些手冊。

小心：請僅使用原裝 **Makita**（牧田）電池。使用非原裝 **Makita**（牧田）電池或經過改裝的電池可能會導致電池爆炸，從而造成火災、人身傷害或物品受損。同時也會導致牧田工具和充電器的牧田保修服務失效。

保持電池最大使用壽命的提示

1. 要在電池組完全放電前對其充電。當發現工具動力不足時，一定要停止使用工具並對電池組進行充電。
2. 切勿對已經充滿的電池組再次充電。過度充電會縮短電池的使用壽命。
3. 要在室溫為 10°C – 40°C 的條件下對電池組充電。請在充電前使處於發熱狀態的電池組冷卻。
4. 不使用電池組時，請將其從工具或充電器取下。
5. 如果電池組長時間（超過六個月）未使用，請給其充電。

功能描述

小心：調節或檢查工具功能之前，請務必關閉工具電源開關並取下電池組。

安裝或拆卸電池組

⚠️ 小心： 安裝或拆卸電池組前，請務必關閉工具電源。

⚠️ 小心： 安裝或拆卸電池組時請握緊工具和電池組。未握緊工具和電池組可能會導致它們從您的手中滑落，損壞工具和電池組，造成人身傷害。

⚠️ 小心： 開啟或關閉電池蓋時，請小心不要夾傷手指。

在推動鎖定桿的同時開啟護蓋。

► **圖片1：** 1. 外蓋 2. 鎖定桿

將電池組上的舌片對準外殼上的槽溝並滑入。將其插到底，直到聽見喀嗒聲鎖入定位為止。如果您能看見圖中所示的紅色指示器，則表示尚未完全鎖定。

► **圖片2：** 1. 紅色指示器 2. 按鈕 3. 電池組安裝或取下電池組後，務必關上外蓋。

若要取下電池組，請打開護蓋、從工具滑出電池組同時按壓前方的按鈕，然後關上護蓋。

⚠️ 小心： 務必將電池組完全插入，直至看不見紅色指示器為止。否則其可能會意外從工具中脫落出來從而造成自身或他人受傷。

⚠️ 小心： 請勿過度用力安裝電池組。如果電池組滑動不平滑，可能是插入不當。

⚠️ 小心： 開始操作前，務必鎖上外蓋。

工具／電池組保護系統

本工具配備工具／電池保護系統。此系統可自動切斷馬達電源，延長工具和電池使用壽命。若本工具或電池出現下列任一情況，工具將自動停止運轉並顯示指示：

► **圖片3：** 1. 指示燈

過載保護

以導致電流異常增高的情形下操作工具或電池時，工具會自動停止且紅色指示器會亮起。在此情況下，請關閉工具電源並停止會導致工具過載的操作方式。之後再開啟工具電源，重新啟動工具。

過熱保護

工具或電池過熱時，工具會自動停止運轉，且紅色指示器會亮起。在此情況下，請待工具冷卻後，再重新開啟工具電源。

過放電保護

電池電量變低時，紅色指示器會閃爍。電池快要沒電時，工具會自動停止運轉且紅色指示器會亮起。此時，請取出工具中的電池並進行充電。

其他原因保護

保護系統也設計用於防止可能損壞工具的其他原因，並可讓工具自動停止運轉。當工具暫時停止或停止運作時，請執行所有下列步驟以解決原因。

1. 關閉工具電源並重新開啟，以重新啟動。
2. 對電池進行充電，或更換為已充電的電池。
3. 等待工具和電池冷卻。

如果恢復保護系統運作後，情況沒有任何改善，請洽詢當地 Makita（牧田）維修服務中心。

注意： 如果工具因非上述原因而停止，請參閱故障排除章節。

顯示電池的剩餘電量

僅適用於帶指示燈的電池組

按下電池組上的檢查按鈕顯示剩餘電池電量。指示燈將亮起數秒。

► **圖片4：** 1. 指示燈 2. 檢查按鈕

指示燈			剩餘電量
亮起	關閉	閃爍	
■	□	▧	75%至100%
■ ■ ■ ■			
■ ■ ■ □			50%至75%
■ ■ □ □			25%至50%
■ □ □ □			0%至25%
▧ □ □ □			請對電池進行充電。
■ ■ □ □			電池可能存在故障。
□ □ ■ ■			

注： 根據使用條件和環境溫度，指示電量可能於實際電量有稍許不同。

注： 電池保護系統運作時，第一個(最左側)指示燈將閃爍。

壓力模式開關

將開關桿前後滑動，選擇所需的壓力模式。將桿往後拉為低壓模式，開關上顯示數字符號「1」。

將桿往前推為高壓模式，開關上顯示數字符號「2」。

▶ **圖片5:** 1. 低壓模式 (1) 2. 高壓模式 (2) 3. 壓力模式開關桿

開關扳機

清洗機的扳機有配置安全鎖。若要釋放扳機鎖，請將鎖定按鈕壓入扳機，使扳機表面變平。

扣動開關扳機噴射水柱。只要緊壓扳機將一直噴射水柱。

▶ **圖片6:** 1. 開關扳機 2. 鎖定按鈕

將鎖定按鈕從扳機內推出可接合扳機鎖。不使用清洗機時，務必鎖定扳機。

▶ **圖片7:** 1. 開關扳機 2. 鎖定按鈕

噴嘴功能

多模式 (5 合 1) 噴嘴提供多種噴灑模式，可視您的清洗需求調整。單一噴嘴整合了五種最常使用的噴灑模式，無須再更換噴嘴，只需根據您的工作切換適合的噴灑模式即可。

輕鬆切換噴嘴，0°、15°、25°、40° 及淋浴

▶ **圖片8**

▶ **圖片9:** 1. 噴灑模式符號 2. 三角形標誌

將噴嘴頭往左或往右轉到所需的噴灑模式位置。將要選擇使用的噴灑模式符號與三角形標誌對齊，使噴嘴頭發出喀嗒聲鎖定定位。

▶ **圖片10**

注意： 小心不要將噴嘴頭切換到未卡入的位置。否則工具可能出現不規律的噴灑模式，而導致漏水。

小心： 變更噴灑模式時，盡量不要同時轉動噴嘴本體。噴嘴可能會脫離工具機身並造成人員受傷。

安全閥

本工具配備安全閥，可防止不正常的過大壓力。

小心： 請勿竄改或調整安全閥設定。

裝配

小心： 在對工具進行任何裝配操作之前，請務必關閉工具電源開關並取下電池組。

安裝噴嘴和延伸管

小心： 安裝／拆卸噴嘴和延伸管時，務必鎖定開關扳機。

噴嘴

將噴嘴末端的導板突出部分對齊工具外殼的鎖定槽。將噴嘴推入到底，直到噴嘴和外殼上的兩個三角形標誌彼此相對。然後依圖示方向轉動噴嘴接合鎖扣。

安裝噴嘴後，試圖將其拉回，確保其可確實固定於定位。

▶ **圖片11:** 1. 噴嘴 2. 導板突出部分 3. 鎖定槽 4. 三角形標誌 5. 腹鰭狀輪廓

注： 確定將腹鰭狀輪廓朝下。

若要拆開噴嘴，請將噴嘴朝向工具外殼推動並按住，然後逆時針轉動，直到兩個三角形標誌彼此相對。解鎖後，請將噴嘴拉出工具外殼。

延伸管

在任何難以接觸的區域灑水。依照噴嘴安裝所述的相同步驟，在工具外殼與噴嘴之間安裝延伸管。

▶ **圖片12:** 1. 延伸管 2. 工具外殼 3. 噴嘴 4. 導板突出部分 5. 鎖定槽 6. 三角形標誌

若要拆開附件，請將尖端附件朝向安裝附件／外殼推動並按住，然後逆時針轉動，直到兩個三角形標誌彼此相對。解鎖後，請將尖端附件拉出安裝附件／外殼。

連接供水箱

注意：務必使用本工具隨附的壓力軟管和過濾器供水。

注意：清洗機入口與水面之間的高度務必維持在 **2.0 m** 以下。否則清洗機將無法讓水進入泵浦。

注意：請確保水容器的水位距離底部至少 **25 mm** 以上，並將過濾器完全浸入水中。

可從任何尺寸的水箱／容器／水槽供水。供水箱用於解決像是洗車、園藝澆灌等壓力清洗情況，這些情況下用水不便，需要將水運送到清洗區域或現場。

1. 將過濾器安裝至壓力軟管的一端。

將過濾器出口插入連接套筒並穿過，直到過濾器卡入定位。

► **圖片13:** 1. 過濾器 2. 連接套筒 3. 壓力軟管

2. 將過濾器保持在水容器的底部。

► **圖片14:** 1. 過濾器 2. 壓力軟管 3. 軟管掛鉤

注：使用隨附的軟管掛鉤將軟管掛在開口，使過濾器保持在容器的底部。

3. 將軟管的另一端裝到清洗機上的水管接頭。

將連接套筒置於接頭入口上並穿過，直到連接套筒卡入定位。

► **圖片15:** 1. 連接套筒 2. 水管接頭

⚠小心：確定高壓軟管已確實連接。鬆脫的連線可能會噴出高壓軟管，導致人員受傷。

注意：每當您準備在高壓模式下從一定深度提水時，請事先將水導入清洗機和軟管。

連接主供水器

⚠小心：務必使用本工具隨附的壓力軟管供水。

注意：若您連接至飲用水管道，請使用符合您所在地區規範的防止回流閥。

注意：將入口的進水壓力保持在低於**0.5MPa**，確保精確給水。不可超過最大給水壓力，否則工具停止運作時可能導致漏水。

可從可用於清洗區域或現場的供水管道供水。持續供水讓您不必擔心補水，並可實現高效的家居清潔和園藝澆灌，例如局部清潔、沖洗以及在廣闊的草坪或植被上灑水。

1. 將壓力軟管連接至水龍頭。

套用適當的接頭，如水龍頭接頭，以固定軟管末端與水龍頭。

► **圖片16:** 1. 水龍頭接頭 2. 連接套筒 3. 壓力軟管

注：接頭類型視您連接水龍頭的形狀而定。備妥適用的市售接頭。

2. 將軟管的另一端裝到清洗機上的水管接頭。

將連接套筒置於接頭入口上並穿過，直到連接套筒卡入定位。

► **圖片17:** 1. 連接套筒 2. 水管接頭

安裝泡沫噴嘴

選購配件

⚠小心：安裝／拆卸選購附件時，務必鎖定開關扳機。

注意：務必使用中性和清潔劑。請勿使用家庭清潔劑、酸性清潔劑、鹼性清潔劑、漂白水、溶劑、可燃性物質或工業級溶液，這類物質可能會損壞工具或您的財產。依照溶液瓶上的指示準備清潔溶液，且務必事先在不顯眼的地方進行測試。

注意：若使用高黏度清潔劑，噴嘴很可能會堵塞。使用高黏度清潔劑時，應在使用前加水至瓶中稀釋清潔劑。

注：使用泡沫噴嘴時，瓶中的清潔劑會利用工具提供的水稀釋後再噴出。您不必將瓶中清潔劑的濃度過度稀釋。確認使用狀況，同時調整清潔劑濃度。

注：若泡沫噴嘴的側邊傾斜，清潔劑可能會溢出。

使用泡沫噴嘴前，請先備妥清潔劑。

1. 請以清潔劑充填儲液箱。將噴嘴裝到儲液箱並確實鎖緊蓋子。

2. 傾斜泡沫噴嘴，將其導板突出部分對齊工具外殼中的鎖定槽。將噴嘴推入到底並固定於定位。然後依圖示方向轉動泡沫噴嘴接合鎖扣。

► **圖片18:** 1. 泡沫噴嘴 2. 集塵槽 3. 導板突出部分 4. 鎖定槽

安裝噴嘴後，試圖將其拉回，確保其可確實固定於定位。

3. 轉動清潔劑旋鈕，調整清潔劑溶液的吸入量。

► **圖片19:** 1. 清潔劑旋鈕 2. 轉到最小 3. 轉到最大

安裝選購噴嘴

選購配件

⚠️小心： 安裝／拆卸選購附件時，務必鎖定開關扳機。

將選購噴嘴上的導板突出部分對齊工具外殼的鎖定槽。將噴嘴推入到底並固定於定位。然後依圖示方向轉動噴嘴接合鎖扣。安裝噴嘴後，試圖將其拉回，確保其可確實固定於定位。

► **圖片20:** 1. 噴嘴 2. 導板突出部分 3. 鎖定槽

若要拆開噴嘴，請將噴嘴朝向工具外殼推動並按住，然後逆時針轉動解鎖扣。解鎖後，請將噴嘴拉出清洗機。

安裝塑膠瓶轉接頭

選購配件

⚠️小心： 安裝／拆卸選購附件時，務必鎖定開關扳機。

⚠️小心： 務必將塑膠瓶轉接頭確實安裝至清洗機和塑膠瓶。否則可能會造成瓶罐掉落，而造成人員受傷。

注： 建議使用 2 公升 (0.5 加侖) 的塑膠瓶盛裝水。

1. 將水注入塑膠瓶內。
2. 將吸管從瓶口放入瓶中。
3. 鎖上連接套筒的螺帽，將轉接頭裝到塑膠瓶上。
4. 將塑膠瓶轉接頭裝到清洗機上的水管接頭。

將連接套筒置於接頭入口上並穿過，直到連接套筒卡入定位。

► **圖片21:** 1. 塑膠瓶轉接頭 2. 吸管 3. 塑膠瓶 4. 水管接頭

操作

⚠️警告： 請勿觸碰噴頭，或直接朝您或他人的方向噴灑。噴頭十分危險，並會造成您或他人受傷。

⚠️警告： 噴水時，切勿抓住您正在清潔的物品，或靠近您的雙手和雙腳。

⚠️小心： 請勿在沒水時，操作清洗機超過 1 分鐘。

⚠️小心： 請勿長時間操作清洗機。這可能會造成機器過熱或起火。此外，長時間使用會造成震動失調。

⚠️小心： 請注意風向。若清潔劑進入您的眼中或口中，請立即用清水沖洗並視需要就醫。

注意： 若要保護清洗機的機械裝置，請勿使用水溫超過 40°C (104°F) 的水。

注意： 請勿使用未經處理的水源，如河水、池塘水以及含有沙子或泥土的水。未經過濾的髒水可能會在泵浦內沉積不必要的物質而造成故障。

提水高度

從水源到清洗機吸水入口的垂直高度需在 2.0 m 以內。

集水深度

水容器的水位距離底部至少 25 mm 以上。

► **圖片22:** 1. 提水高度 2. 集水深度

基本操作的步驟

1. 將水管入口連接至供水系統。

2. 將水管出口連接至清洗機。

► **圖片23**

3. 如果自上次使用之後清洗機中剩餘的水已經排出，請將水導入壓力軟管和清洗機。讓水通過軟管和清洗機，直到釋放任何空氣。

(1) 將噴嘴從清洗機拆下。

(2) 將電池組安裝至清洗機。

(3) 選擇高壓模式。

(4) 解鎖開關扳機。

(5) 扣住開關扳機，直到清洗機產生穩定水柱。

► **圖片24:** 1. 壓力模式開關桿

排出清洗機和軟管中的空氣後，鬆開開關扳機。

從清洗機取出電池組，並根據用途安裝適合的噴嘴。

4. 打開外蓋並將電池組安裝至清洗機，然後鎖上外蓋。

▶ 圖片25: 1. 電池組 2. 外蓋

小心： 開啟或關閉電池蓋時，請小心不要夾傷手指。

5. 選擇所需的壓力模式。接著解鎖開關扳機。

▶ 圖片26: 1. 壓力模式開關桿 2. 開關扳機 3. 鎖定按鈕

6. 將噴嘴頭指向清洗區域或現場。按壓開關扳機。

只要緊壓扳機將一直噴射水柱。

▶ 圖片27

▶ 圖片28

小心： 緊握清洗機。工具會在扣動開關扳機時反彈。

小心： 請務必在噴水時，緊握清洗機握把與圓筒。

使用後

小心： 在操作清洗機後，請務必執行本手冊中說明的程序。清洗機中的殘留壓力會造成人員受傷或內部泵浦受損。

1. 釋放開關扳機並使用鎖定按鈕將其鎖定。

2. 從供水系統拆開水管。

▶ 圖片29

3. 解鎖開關扳機並按壓，直到清洗機和軟管中剩餘的水排出為止。

▶ 圖片30

注意： 請勿在沒水時，運轉馬達超過 1 分鐘。

4. 釋放開關扳機並使用鎖定按鈕將其鎖定。然後將電池從清洗機拆下。

▶ 圖片31: 1. 鎖定按鈕 2. 電池組

5. 中斷連接清洗機的壓力軟管。

▶ 圖片32: 1. 連接套筒 2. 水管接頭

注意： 若要防止壓力軟管受損，請先清除軟管中的殘餘水分再存放。

保養

小心： 檢查或保養工具之前，請務必關閉工具電源開關並拆下電池組。

注意： 切勿使用汽油、苯、稀釋劑、酒精或類似物品清潔工具。否則可能會導致工具變色、變形或出現裂縫。

為了保證產品的安全與可靠性，任何維修或其他維修保養工作需由Makita（牧田）授權的或工廠維修服務中心來進行。務必使用Makita（牧田）的更換部件。

清潔噴嘴

使用清潔銷，一種小型的銼刀型手指工具，清除噴嘴開口堵塞的髒汙。

▶ 圖片33: 1. 清潔銷 2. 噴嘴

注： 若要維持最佳性能，請定期清潔噴嘴。

注意： 請勿用力清除污垢或碎屑。這會導致人員受傷或噴孔受損，造成噴射角度偏移或性能下降。

清潔濾清器

拆開清洗機的水管接頭。清除附著在濾清器上的灰塵或髒汙。

▶ 圖片34: 1. 水管接頭 2. 濾網 3. 密封環

旋開濾清器外殼，拆開過濾器。清除附著在濾清器上的灰塵或髒汙。

▶ 圖片35: 1. 濾網 2. 濾清器外殼

注： 若要維持最佳性能，請定期清潔濾網。

故障排除

請求維修之前先自行檢查。如果您發現本手冊中未作說明的問題，請勿拆解工具。應詢問 Makita（牧田）授權的維修服務中心。務必使用 Makita（牧田）的更換部件進行維修。

異常狀態	可能原因（故障）	糾正措施
清洗機無法啟動。	沒電	安裝充滿電的電池組。
	開關扳機鎖定。	解鎖開關扳機。
	電池或電路受損	請聯絡授權維修服務中心進行維修。
沒有噴水 / 噴水力道微弱	無供水	確定水龍頭打開。如果連接供水箱，請將水導入清洗機和軟管。
	供水情形不良	請打開水龍頭。
	水管連線不良	檢查清洗機與供水系統之間的連接。
	水管變形或磨損	拉直軟管。將受損的水管換新。
	軟管或噴嘴阻塞	清除軟管或噴嘴阻塞。
	濾清器阻塞	清除附著在過濾器和水管接頭的濾清器中的灰塵或髒汙。
	廢水／汙水	清潔供水系統並添加乾淨的水。
	噴嘴受損或磨損	更換噴嘴。
	泵浦或閥故障	請聯絡授權維修服務中心進行維修。
	水接頭鬆動	固定水管與連接套筒之間的連接。
	供水系統連接漏水	重新鎖緊水管與供水系統之間的連接。
	過濾器安裝不當	將過濾器完全浸入水中。
	使用低壓模式	選擇高壓模式。
噴水不穩定	噴嘴阻塞	使用清潔劑清除噴嘴噴出孔中的阻塞物。
	抽水情形不佳	檢查水管是否有任何漏水或阻塞情形。
	水溫過高。	請降低水溫。
	閥故障	請聯絡授權維修服務中心進行維修。
有異音	水溫過高。	請降低水溫。
漏水	連線不佳	檢查清洗機與供水系統之間的連接。
	噴嘴安裝不良	將噴嘴推入到底。然後轉動噴嘴直到確實鎖定為止。
	噴嘴頭的位置錯誤	將噴嘴頭切換到卡入位置，並確保能清楚看見噴灑模式符號。
	密封磨損	請聯絡授權維修服務中心進行維修。

選購附件

⚠️小心：這些附件或裝置建議使用於本說明書所指定的**Makita**（牧田）工具。如使用其他廠牌附件或裝置，可能導致傷人的危險。僅可將選購附件或裝置用於規定目的。

如您需要瞭解更多關於這些選購附件的信息，請諮詢當地的**Makita**（牧田）維修服務中心。

注：本列表中的一些部件可能作為標準配件包含於工具包裝內。規格可能因銷往國家之不同而異。

泡沫噴嘴

► 圖片36

可將清潔劑當成泡沫噴灑。

清洗刷

► 圖片37

配備有刷子的噴嘴。適合用於清洗污垢，同時透過刷子刷洗。

彎曲噴嘴

► 圖片38

彎曲噴嘴頭可旋轉 360 度，提升了操作性與涵蓋範圍，而且不具任何死角。

塑膠瓶轉接頭

► 圖片39

汲取瓶裝水，且可輕鬆將其從塑膠瓶中抽取。水瓶可當作水源。

台灣RoHS限用物質含有量標示
請掃描右方QR Code或參考下列網址；
<https://makita.com.tw/rohs/>



生產製造商名稱：**Makita Corporation**

進口商名稱：台灣牧田股份有限公司

電話：02-8601-9898

傳真機：02-8601-2266

地址：新北市 24459 林口區文化三路二段 798 號

경고

- 어린이가 기기를 사용하지 않도록 하십시오. 어린이가 본 기기를 가지고 놀지 못하도록 반드시 단속해야 합니다.
- 본 기기는 신체적, 감각적 또는 정신적 능력이 저하되거나 경험과 지식이 부족한 사람(어린이 포함)은 사용하지 마십시오. 단, 안전 책임자의 감독 또는 사용 지침을 받은 경우에는 사용할 수 있습니다.
- 압력수가 사람, 전기가 흐르는 장비 또는 기기 자체를 향하지 않도록 해야 합니다.
- 기기에 무언가 작업을 하기 전, 항상 기기의 스위치가 꺼져 있고 배터리 카트리지가 제거되어 있는지를 확인하여 주십시오.
- 기기의 중요 부품(예: 안전 장치, 압력 호스)이 손상된 경우 기기를 사용하지 마십시오.
- 사용자 유지보수 작업 시의 적절한 주의사항에 대한 자세한 내용은 유지보수 부분의 지침을 읽어 주십시오.
- 배터리 충전을 위한 정상 온도 범위를 숙지하십시오. 배터리 취급 시 주의사항을 확인하려면 배터리 카트리지 안전 지침을 읽어 주십시오.
- 기기 설치 작업 시의 적절한 주의사항에 대한 자세한 내용은 조립 부분의 지침을 읽어 주십시오.
- 최대 유입 수압을 숙지하십시오. 급수 본관 연결에 관한 자세한 내용은 사양 부분의 정보를 읽어 주십시오.
- 항상 기기와 함께 제공된 호스 세트를 사용하십시오. 급수 본관 연결에 대한 주의사항을 알아보려면 조립 부분의 지침을 읽어 주십시오.
- 사용 중에 물 채우는 구멍을 열어서는 안 됩니다. 수압을 유지하려면 조립 부분의 지침을 따라 주십시오.
- 물이 들어있는 수영장에서 사용하지 마십시오.
- 지역 급수 회사의 요구사항을 준수하십시오.
- 유럽 국가의 경우:
EN12729 (BA)에 따라, 배수 시설이 있는 역류 방지 밸브가 공급 호스에 설치되어 있는 경우에는 기기를 수도 급수관에 연결할 수 있습니다.

사양

모델:	DHW180	
최대 토출량 ^{*1} [탱크 급수장치/본관 급수장치]	3.0/5.3L/min	
토출량 ^{*2}	고압 모드	2.5L/min
	저압 모드	1.5L/min
최대 작업 압력	2.4MPa	
작동 압력 ^{*2}	고압 모드 [탱크 급수장치/본관 급수장치]	2.0/2.2MPa
	저압 모드 [탱크 급수장치/본관 급수장치]	0.8/0.8MPa
최대 급수 압력	0.5 MPa	
최대 급수 온도	40°C	
최대 흡입 높이	2.0m	
정격 전압	D.C. 18V	
치수 ^{*3} [L x W x H]	888mm x 99mm x 239mm	
중량	2.3~2.7kg	

*1: 노즐 없음

*2: 분사 패턴 15°

*3: 5in1 노즐 및 연장관 포함

- 지속적인 연구, 개발로 인해 여기에 기재된 사양은 예고 없이 변경될 수 있습니다.
- 사양은 국가별로 상이할 수 있습니다.
- 배터리 카트리지를 포함한 부착품에 따라 무게가 달라질 수 있습니다. 유럽 전동공구 협회에서 2014년 1월에 정의한 절차에 따른 가장 가벼운 조합과 가장 무거운 조합이 표에 나와 있습니다.

사용 가능한 배터리 카트리지와 충전기

배터리 카트리지	BL1815N / BL1820B / BL1830B / BL1840B / BL1850B / BL1860B
충전기	DC18RC / DC18RD / DC18RE / DC18SD / DC18SE / DC18SF / DC18SH / DC18WC

- 위에 기재된 일부 배터리 카트리지와 충전기는 거주 지역에 따라 이용할 수 없는 경우가 있습니다.

⚠경고: 배터리 카트리지와 충전기는 위에 기재된 것만 사용하셔야 합니다. 다른 배터리 및 충전기를 사용하면 대인 상해 및/또는 화재의 위험이 야기될 수 있습니다.

⚠경고: 이 기계에는 배터리 어댑터 또는 휴대용 배터리 팩 등과 유선 전원을 사용하지 마십시오. 이와 같은 전원 공급 케이블이 작동을 방해해 대인 상해를 일으킬 수 있습니다.

기호

다음은 본 공구에 사용된 기호를 나타냅니다. 사용하시기 전에 그 의미를 숙지하여 주십시오.



취급 설명서를 참조하여 주십시오.



특별히 주의하여 주십시오.



EU 국가만 해당 장비에는 위험한 부품이 존재하기 때문에 전기 및 전자 장비, 축전지, 배터리 폐기물은 환경과 인체 건강에 부정적인 영향을 미칠 수 있습니다. 전기 및 전자 가전제품 또는 배터리는 가정용 쓰레기와 함께 폐기하지 마십시오! 전기 및 전자 장비 폐기물, 축전지 및 배터리와 축전지 및 배터리 폐기물에 대한 유럽 지침과 이에 따른 국내법에 따라, 전기 장비, 배터리, 축전지 폐기물은 따로 수거하여 환경 보호 규정에 따라 운영되는 별도의 자치체 폐기물 수거 장소로 전달해야 합니다. 장비에 있는 X자 표시된 바퀴 달린 쓰레기통 기호가 이를 나타냅니다.



식수 수도꼭지에 연결하지 마십시오.



고압 분사기가 본인을 포함한 사람, 동물, 전기가 흐르는 장비 쪽으로 향하게 하지 마십시오.

용도

본 공구는 가정용 고압수를 사용하여 오염물을 청소하는 용도로 제조되었습니다. 본 공구는 분사 타입을 선택할 수 있어 세척은 물론 잔디와 정원에 물을주는 작업까지도 개선하는 기능을 합니다.

안전 경고

중요 안전 경고

⚠경고: 경고와 사용설명을 숙지하여 주십시오. 경고와 사용방법을 따르지 않으면 감전, 화재 또는 상해의 원인이 됩니다.

본 경고와 사용설명서를 잘 보관하여 주십시오.

경고 - 이 제품을 사용할 경우 다음 내용을 포함해 항상 기본적인 주의사항을 준수해야 합니다.

작업장의 안전

1. 작동 영역에 사람들이 접근하지 못하게 하십시오.
2. 무리하게 팔을 뻗거나 불안정한 지지대 위에 서지 마십시오. 항상 양다리를 고정시켜 균형을 유지하여 주십시오.
3. 항상 평평하고 안정적인 표면에 세척기 본체를 놓으십시오. 분출된 물이 흐르거나 고이는 곳을 피하십시오.
4. 청소하기 전에 주변을 살펴 물건이 없는지 확인하십시오. 분사기를 사용하면 페인트 또는 유독한 화학물질을 포함한 기타 표면 처리제를 긁어낼 수 있습니다. 필요한 경우 예방 조치를 취하십시오.
5. 세척기의 호스에 걸려 넘어지지 않도록 주의하십시오. 작업할 때는 항상 호스의 배열에 유의하십시오.
6. 사용하는 동안 세척기 바닥에서 소량의 물이 흘러 나옵니다. 젖으면 안 되는 구역에서 공구를 작동하지 않도록 주의하십시오.

작업자 안전

1. 분사기와 분사기로 제거되는 물체로부터 보호하기 위해 작업자는 안전화, 안전 장갑, 얼굴 보호대가 장착된 안전모, 청력 보호장치 등과 같은 적절한 복장을 착용해야 합니다.
2. 개인 보호 장비를 사용하여 주십시오. 눈 보호 장비는 여러 작업을 하면서 생기는 날아오는 파편을 막을 수 있습니다. 용도에 따라 얼굴 보호대, 보호용 고글, 보안경을 사용하여 주십시오.
3. 보호복을 착용하지 않은 사람이 있는 근처에서 세척기를 사용하지 마십시오.
4. 부상의 위험을 줄이기 위해 어린이가 근처에서 제품을 사용할 경우 면밀한 감독이 필요합니다.
5. 식수 시스템에 연결하는 경우, 역류로부터 해당 시스템을 보호해야 합니다.
6. 역류 방지장치를 판유하는 물은 마실 수 없는 물로 간주됩니다.

전기 안전

1. 젖은 손으로 배터리 카트리지를 절대로 만지지 마십시오.
2. 기기의 중요 부품(예: 안전 장치, 압력 호스)이 손상된 경우 기기를 사용하지 마십시오.
3. 위험한 환경을 피하여 주십시오. 공구를 축축하거나 젖은 장소에서 사용하거나 비에 젖지 않도록 하십시오. 물이 공구에 들어갈 경우 감전의 위험이 증가합니다.

전동공구의 사용 및 관리

1. 제품을 사용하기 전에 모든 지침을 읽어 주십시오.
2. 세척기를 중지하고 압력을 빠르게 배출하는 방법을 파악하십시오. 조작부를 숙지하십시오.
3. 가연성 액체 및/또는 유독성 액체를 분사하지 마십시오. 폭발, 중독 또는 기기 손상을 유발할 수 있습니다.
4. 고압 분사기가 옷이나 신발을 세척하기 위해 본인 또는 다른 사람들 쪽으로 향하게 하지 마십시오.
5. 압력 호스, 피팅 및 커플링은 기기의 안전에 중요합니다. 제조업체에서 권장하는 호스, 피팅 및 커플링만 사용하십시오.
6. 부속품의 교환 시에는 취급 설명서의 지시를 따라 주십시오.
7. 손잡이 부분이 항상 건조하고 깨끗한 상태를 유지하고, 기름 또는 윤활유가 묻지 않도록 주의하여 주십시오.
8. 충분히 주의하여 작업하여 주십시오. 현재 본인이 하고 있는 작업에 주의를 기울여 주십시오.
9. 피로하거나 술을 마셨거나 약을 먹었을 때는 절대로 제품을 사용하지 마십시오.
10. 세척기를 물이 없는 상태로 1분 이상 작동하지 마십시오. 모터가 손상되어 고장 날 수 있습니다.
11. 세척기를 두고 자리를 비울 경우 항상 전원을 끄고 급수 본관을 차단하십시오.
12. 반동을 주의하십시오. 압력수가 노즐에서 분출될 때 기기에 반동이 발생할 수 있습니다. 돌발적인 사고를 방지하기 위해 기기를 단단히 잡으십시오.
13. 사용하기 전에 손상되거나 마모된 부품이 있는지 확인하십시오. 또한 호스가 올바르게 연결되어 있고 작동 중에 누출이 없는지 확인하십시오. 기능적으로 결함이 있는 상태에서 기기를 작동하면 사고가 발생할 수 있습니다.
14. 세척기 본체를 움직이기 위해 호스를 당기지 마십시오. 호스 및 연결 부품이 손상되어 단락 또는 기능 결함이 발생할 수 있습니다.
15. 호스 위에 무거운 물체를 올려 놓거나 호스 위로 차량이 지나가게 하지 마십시오.
16. 호스를 분리하기 전에 항상 기기의 잔류 압력을 배출하십시오.
17. 호스를 급수 본관에 연결할 때 현지 수도국 또는 급수 회사의 지침을 준수하십시오.
18. 세척기를 떨어뜨리거나 단단한 물체에 부딪힌 경우에는 손상과 균열이 없는지 점검하십시오. 손상된 세척기를 사용하면 연기, 화재 또는 감전 사고가 발생하여 부상을 당할 수 있습니다.
19. 실수로 기동되지 않도록 하십시오. 배터리 팩에 연결하거나, 기기를 들어 올리거나 운반하기 전에 스위치가 꺼져 있는지 반드시 확인하십시오. 기기의 스위치에 손가락을 넣은 상태로 이동하거나 스위치가 켜진 상태에서 기기의 전원을 공급하면 사고가 날 수 있습니다.

20. 기기 조정, 부속품 교환 또는 기기를 보관하기 전에 기기에서 배터리 팩을 먼저 분리하십시오. 이러한 안전 조치는 기기가 예기치 않게 작동하는 위험을 줄여 줍니다.
21. 사용 및 관리에 관한 취급에서 설명한 경우를 제외하고 기기나 배터리 팩을 개조하거나 수리하지 마십시오.
22. 경고 - 분사 또는 부상의 위험 - 사람을 향해 방출하지 마십시오.
23. 세척할 물건이나 구역이 물에 강한지 확인하십시오. 그렇지 않으면 물건이나 구역에 손상이 생겨 부상을 당할 수 있습니다.

배터리 공구의 사용 및 관리

1. 제조자가 지정한 충전기roman 충전하여 주십시오. 한 가지 형태의 배터리 팩에 적합한 충전기는 다른 배터리 팩과 함께 사용하면 위험을 야기할 수 있습니다.
2. 지정된 배터리 팩으로만 전동공구를 사용하여 주십시오. 다른 배터리 팩을 사용하면 대인 상해 및 화재의 위험이 야기될 수 있습니다.
3. 배터리 팩을 사용하지 않을 때는 양 전극이 통하도록 하는 종이 클립, 동전, 열쇠, 못, 나사 및 기타 소형 금속 물질을 주변에 두지 마십시오. 배터리 전극을 단락시켜 화상이나 화재가 일어날 수 있습니다.
4. 험한 환경에서 사용할 경우 배터리에서 배터리 액이 누출될 수 있으므로 몸에 닿지 않도록 주의하십시오. 실수로 접촉한 경우에는 물로 씻어 주십시오. 액체가 눈에 들어간 경우에는 의사를 찾아가십시오. 배터리에서 흘러나온 액체는 염증이나 화상을 일으킬 수 있습니다.
5. 손상되거나 개조된 배터리 팩 혹은 공구를 사용하지 마십시오. 손상되거나 개조된 배터리는 예기치 못한 현상으로 화재, 폭발 또는 부상으로 이어질 수 있습니다.
6. 배터리 팩이나 공구를 볼 또는 너무 높은 온도에 노출시키지 마십시오. 불이나 130°C 이상의 높은 온도에 노출시키면 폭발의 원인이 될 수 있습니다.
7. 충전에 관한 모든 지시를 따르고, 설명서에 지정된 온도 범위 밖에서 배터리 팩 혹은 공구를 충전하지 마십시오. 지정된 온도 범위 밖 또는 부적절한 충전은 배터리에 손상을 주고 화재의 위험을 높일 수 있습니다.

서비스

1. 설명서에 명시된 유지보수 지침을 따르십시오.
2. 기기 안전을 보장하기 위해 제조업체에서 공급하거나 승인한 정품 예비 부품만 사용하십시오.
3. 자격을 갖춘 수리 전문가가 Makita 조정부품을 사용하여 세척기를 수리하도록 하여 주십시오. 그러면 세척기를 안전하게 사용할 수 있습니다.
4. 세척기가 고장 나거나 오작동할 경우, 즉시 스위치를 끄고 배터리 카트리지를 분리해 주십시오. 가까운 대리점 또는 서비스 센터에 연락하여 주십시오.

기타 안전 경고

1. 번개의 위험이 있을 때는 공구를 사용하지 마십시오.
2. 진흙탕, 젖은 경사면, 미끄러운 장소에서 공구 사용하는 경우에는 발을 디딜 때 주의해 주십시오.
3. 사용자의 피로가 증가할 것으로 예상되는 열악한 환경에서는 작업하지 마십시오.
4. 빗속에서 배터리를 교체하지 마십시오.
5. 공구를 물웅덩이에 담그지 마십시오.
6. 공구를 보관할 때는 직사광선과 비를 피해야 하며 덥지 않고 습기가 없는 장소에 보관해 주십시오.

7. 공구를 사용한 후에는 공구에 달라붙은 오염 물질을 제거하고 보관하기 전에 공구를 완전히 말리십시오. 계절이나 지역에 따라 영하의 기온으로 내려가면 오작동의 위험이 있습니다.
8. 물과 같은 액체로 배터리의 단자를 적시거나 배터리를 물에 담그지 마십시오. 빗속에서 배터리를 두지 마십시오. 축축하거나 젖은 장소에서 배터리를 충전, 사용, 보관하지 마십시오. 배터리 단자가 젖거나 액체가 배터리 안으로 들어가면 배터리가 단락될 수 있으며 과열, 화재, 폭발의 위험이 있습니다.
9. 공구나 충전기에서 배터리를 분리한 후에는 반드시 배터리 커버를 배터리에 부착하고 건조한 장소에 보관해 주십시오.
10. 젖은 손으로 배터리를 교체하지 마십시오.
11. 추운 날씨로 인해 기기가 얼었을 경우, 공인 서비스 센터에 수리를 의뢰하여 주십시오.
12. 이 기기에는 배터리 여덟 또는 4구 배부식 배터리와 같은 유선 전원을 사용하지 마십시오. 이러한 전원 공급의 케이블은 작동에 방해해 대인 상해를 일으킬 수 있습니다.

본 취급 설명서를 잘 보관하여 주십시오.

⚠경고: 여러 번 사용해 익숙해졌다 해도 후장을 늦추지 말고 항상 안전수칙을 지켜주시기 바랍니다.

본 취급 설명서의 안전 수칙을 따르지 않거나 잘못 사용하면 심각한 대인 상해가 일어날 수 있습니다.

배터리 카트리지에 대한 중요한 안전 규칙

1. 배터리 카트리지를 사용하기 전에 (1) 배터리 충전기 (2) 배터리 (3) 배터리를 사용하는 제품에 관한 모든 지시사항 및 주의 표시를 숙지하여 주십시오.
2. 배터리 카트리지를 분해하거나 개조하지 마십시오. 화재, 과열, 폭발을 유발할 수 있습니다.
3. 작동 시간이 지나치게 짧아진 경우에는 작동을 즉시 멈춰 주십시오. 과열이나 화상 혹은 폭발할 위험이 있습니다.
4. 전해질이 눈에 들어간 경우에는 깨끗한 물로 씻어낸 다음 즉시 치료를 받으십시오. 시력을 잃을 수 있습니다.
5. 배터리 카트리지를 단락시키지 마십시오:
 - (1) 전도성 물질을 단자에 대지 마십시오.
 - (2) 못, 동전 등과 같은 금속 물질이 들어 있는 용기에 배터리 카트리지를 보관하지 마십시오.
 - (3) 배터리 카트리지를 물이나 비에 노출시키지 마십시오.
6. 배터리가 단락되어 과전류, 과열, 화상 및 고장이 일어날 수 있습니다.
7. 온도가 50°C 이상 되는 곳에서 공구와 배터리 카트리지를 보관하거나 사용하지 마십시오.
7. 심하게 손상되었거나 완전히 닳은 경우라도 배터리 카트리지를 태우지 마십시오. 배터리 카트리지가 폭발할 수 있습니다.
8. 배터리 카트리지를 못으로 박거나 자르거나 부수거나 던지거나 떨어뜨리지 말고 딱딱한 물건으로 배터리 카트리지를 두드리지 마십시오. 화재, 과열, 폭발을 유발할 수 있습니다.
9. 손상된 배터리를 사용하지 마십시오.

- 포함된 리튬이온 배터리는 위험물 규정 요건을 따릅니다.
제3자, 포워딩 업체와 같은 상업적 운송을 이용할 때는 포장 및 라벨에 대한 특별 요건이 반드시 준수되어야 합니다.
그 품목의 운송 준비에는 위험 물질 전문가에게 상담하십시오. 또한 좀 더 세부적인 것은 각 국가 규정에 따르십시오.
테이프를 붙이거나 개방 접점을 가린 상태로 포장을 해서 운송용 상자 안에서 배터리가 움직이지 못하도록 하십시오.
- 배터리 카트리지를 폐기할 때는 공구에서 배터리를 꺼내 안전한 장소에 폐기하십시오. 배터리 처리에 관해서는 지역 규정에 따르십시오.
- 배터리는 마끼다가 지정한 제품에만 사용하십시오. 배터리를 호환성이 없는 제품에 설치하면 화재, 과열, 폭발 또는 전해질 누출을 유발할 수 있습니다.
- 공구를 잠시만 사용하지 않으면 공구에서 배터리를 제거해야 합니다.
- 사용 중 및 사용 후에는 배터리 카트리지에 열이 가해져 화상이나 저온 화상을 유발할 수 있습니다. 뜨거운 배터리 카트리지를 다룰 때는 취급에 주의하십시오.
- 사용 직후에는 화상을 입을 정도로 뜨거워질 수 있으므로 공구의 단자를 만지지 마십시오.
- 배터리 카트리지의 단자, 구멍, 홈에 부스르기, 먼지 또는 흙이 들어가지 않도록 주의하여 주십시오. 공구나 배터리 카트리지의 발열, 발화, 파열, 오작동을 일으켜 화상이나 부상을 입을 수 있습니다.
- 공구가 고전압 전력선 근처에서의 사용을 지원하지 않는다면 배터리 카트리지를 고전압 전력선 근처에서 사용하지 마십시오. 공구 또는 배터리 카트리지 가 오작동하거나 고장 날 수 있습니다.
- 어린이의 손이 닿지 않는 곳에 배터리를 보관하십시오.

본 취급 설명서를 잘 보관하여 주십시오.

▲주의: 정품 마끼다 배터리만 사용하십시오. 순정품이 아닌 마끼다 배터리 또는 개조된 배터리를 사용하면 배터리 폭발이 발생하여 화재, 개인 부상 및 손상의 원인이 될 수 있습니다. 또한, 마끼다 공구 및 충전기에 대한 마끼다 보증이 무효가 됩니다.

배터리 수명을 최대로 유지하는 방법

- 완전히 방전되기 전에 배터리 카트리지를 충전합니다. 공구의 힘이 약해진 것을 감지했을 때 공구의 작동을 멈추고 배터리 카트리지를 충전합니다.
- 완전히 충전된 배터리 카트리지를 재충전하지 마십시오. 과충전은 배터리의 수명을 단축시킵니다.
- 실내 온도 **10°C~40°C**에서 배터리 카트리지를 충전합니다. 충전하기 전에 뜨거운 배터리 카트리지를 식힙니다.
- 배터리 카트리지를 사용하지 않을 때는 공구 또는 충전기에서 배터리를 제거하십시오.
- 6개월 이상** 장기간 배터리 카트리지를 사용하지 않을 때는 충전한 다음 보관해 주십시오.

기능 설명

▲주의: 공구의 기능을 조정하거나 점검하기 전에는 항상 공구의 스위치가 꺼져 있고 배터리가 분리되어 있는지 확인해 주십시오.

배터리 카트리치 설치 및 제거

▲주의: 배터리 카트리치를 장착하거나 제거하기 전에는 반드시 공구의 스위치를 끕니다.

▲주의: 배터리 카트리치를 장착하거나 제거할 때 공구와 배터리 카트리치를 단단히 잡아 주십시오. 공구와 배터리 카트리치를 단단히 잡지 않으면 손에서 미끄러져 공구와 배터리 카트리지에 손상이 생기고 대인 상해 또한 일어날 수 있습니다.

▲주의: 배터리 커버를 열거나 닫을 때 손가락이 끼지 않도록 주의하십시오.

잠금 레버를 누른 상태에서 커버를 엽니다.

▶ **그림 1:** 1. 커버 2. 잠금 레버

하우징의 홈에 배터리 카트리지의 돌출부를 맞추어 밀어 넣습니다. 딸각 소리가 나면서 제자리에 들어가 잠길 때까지 쪽 밀어 넣습니다. 그림과 같이 적색 표시기가 보이면 완전히 잠긴 것이 아닙니다.

▶ **그림 2:** 1. 적색 표시기 2. 버튼 3. 배터리 카트리치

배터리 카트리치를 설치하거나 분리한 후에는 커버를 반드시 닫아 주십시오.

배터리 카트리치를 분리하려면 커버를 열고 전면에 있는 버튼을 누른 상태에서 배터리 카트리지를 공구에서 밀어낸 다음 커버를 닫습니다.

▲주의: 적색 표시기가 보이지 않을 때까지 배터리 카트리지를 완전히 장착합니다. 그렇지 않으면 공구에서 분리되어 작업자나 주변 사람에게 상해를 입힐 수 있습니다.

▲주의: 배터리 카트리치를 힘으로 장착하지 마십시오. 카트리치가 쉽게 들어가지 않으면 정확하게 삽입한 것이 아닙니다.

▲주의: 작동하기 전에 커버가 잠겨 있는지 확인하십시오.

공구/배터리 보호 시스템

공구에는 공구/배터리 보호 시스템이 장착되어 있습니다. 이 시스템은 자동으로 모터의 전원을 차단해 공구와 배터리 수명을 연장합니다. 공구나 배터리가 다음 중 한 가지 상황이 되면 표시와 함께 공구가 자동으로 작동을 멈춥니다.

▶ **그림 3:** 1. 표시기

과부하 방지

비정상적으로 높은 전류를 발생시키는 방식으로 공구 또는 배터리가 작동되는 경우 공구가 자동으로 멈추고 적색 표시기가 켜집니다. 이런 경우에는 공구를 끄고 공구에 과부하를 일으키는 원인이 된 작업을 중단하십시오. 그런 다음 공구를 켜고 다시 시작하십시오.

과열 방지

공구 또는 배터리가 과열되면 공구가 자동으로 멈추고 적색 표시기가 켜집니다. 이런 경우에는 공구를 다시 켜기 전에 공구가 식을 때까지 기다리십시오.

과방전 방지

배터리 용량이 부족해지면 적색 표시기가 깜박입니다. 배터리가 거의 방전되면 공구가 자동으로 멈추고 적색 표시기가 켜집니다. 이런 경우는 공구에서 배터리를 분리하여 충전하십시오.

기타 원인에 대한 보호 장치

보호시스템은 공구를 손상할 수 있는 기타 원인에 대해서도 설계되어 있어 공구를 자동으로 정지시킬 수 있습니다. 공구가 일시적으로 중지되거나 작동을 멈춘 경우는 다음 단계를 모두 수행하여 원인을 제거하십시오.

1. 공구의 전원을 껐다가 다시 켜서 재시작하십시오.
2. 배터리를 충전하거나 충전된 배터리로 교체하십시오.
3. 공구 및 배터리의 열기를 식하십시오.

보호 시스템을 복구해도 증상이 개선되지 않으면 현지 Makita 서비스 센터로 문의하십시오.














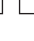


유의사항: 위에서 설명하지 않은 원인으로 인해 공구가 중지되는 경우 문제 해결을 위한 섹션을 참조하십시오.

남아 있는 배터리 용량 표시

이 표시기가 있는 배터리 카드리지 전용

배터리 카드리지에 있는 확인 버튼을 눌러 배터리의 남은 용량을 표시합니다. 표시기 램프가 몇 초간 켜집니다.

▶ **그림4:** 1. 표시기 램프 2. 확인 버튼

표시기 램프			남은 용량
 켜짐	 꺼짐	 깜박임	
			75% - 100%
			50% - 75%
			25% - 50%
			0% - 25%
			배터리를 충전합니다
			배터리가 고장일 수 있습니다.
			

참고: 사용 상태와 주변의 온도에 따라 실제 용량보다 조금 다르게 표시될 수 있습니다.

참고: 배터리 보호 시스템이 작동하면 첫 번째(맨 왼쪽) 표시기 램프가 깜박입니다.

압력 모드 스위치

스위치 레버를 앞뒤로 밀어 원하는 압력 모드를 선택합니다.

저압 모드의 경우 레버를 뒤로 당기면 스위치에 숫자 기호 '1' 이 표시됩니다.
고압 모드의 경우 레버를 앞으로 밀면 스위치에 숫자 기호 '2' 가 표시됩니다.

▶ **그림5:** 1. 저압 모드(1) 2. 고압 모드(2) 3. 압력 모드 전환 레버

스위치 트리거

세척기는 트리거에 안전 잠금장치를 사용합니다. 트리거 잠금을 해제하려면 잠금 버튼을 트리거 안쪽으로 눌러 트리거 표면이 평평해지도록 합니다.

스위치 트리거를 당겨서 고압수를 배출합니다. 트리거를 누르고 있는 한 분사가 계속됩니다.

▶ **그림6:** 1. 스위치 트리거 2. 잠금 버튼

트리거 잠금을 걸려면 잠금 버튼을 트리거 안쪽에서 바깥쪽으로 다시 밀어냅니다.

세척기를 사용하지 않을 때는 반드시 트리거를 잠가야 합니다.

▶ **그림7:** 1. 스위치 트리거 2. 잠금 버튼

노즐 기능

다중 패턴(5-in-1) 분사 노즐은 다양한 분사 패턴을 갖추고 있어 세척 조건에 따라 조정할 수 있습니다. 가장 많이 사용하는 분사 패턴 5개를 하나의 노즐에 통합함으로써 다른 것으로 바꿔 끼울 필요 없이 작업에 적합한 분사 패턴에 다이얼을 맞추기만 하면 됩니다.

노즐의 간단한 전환(0°, 15°, 25°, 40°, 샤워)

▶ **그림8**

▶ **그림9:** 1. 분사 패턴 기호 2. 삼각형 표시

노즐 헤드를 왼쪽이나 오른쪽으로 원하는 분사 패턴 위치까지 돌립니다. 선택하려는 분사 패턴 기호를 삼각형 표시와 올바르게 맞춰 노즐 헤드가 딸깍 소리와 함께 잠기게 합니다.

▶ **그림10**

유의사항: 노즐 헤드를 고정되지 않은 위치에 맞추지 않도록 주의하십시오. 그렇지 않으면 공구가 잘못된 분사 패턴을 만들어 물이 썰 수 있습니다.

⚠주의: 분사 패턴을 변경할 때 노즐 본체를 함께 돌리지 마십시오. 노즐이 공구 본체에서 빠져나와 부상을 당할 수 있습니다.

안전 밸브

이 공구에는 과도한 압력을 방지하는 안전 밸브가 장착되어 있습니다.

⚠주의: 안전 밸브 설정을 변경하거나 조정하지 마십시오.

조립

▲주의: 공구에 무언가 작업을 하기 전에는 항상 공구 스위치가 꺼져 있고 배터리가 제거되어 있는지를 확인하여 주십시오.

노즐 및 분무관 연장 파이프 설치

▲주의: 노즐과 연장 파이프를 부착/분리하는 동안에는 항상 스위치 트리거를 잠그십시오.

노즐

노즐 끝의 가이드 돌출부를 공구 하우징의 잠금 슬롯에 맞춥니다. 노즐과 하우징에 있는 두 개의 삼각형 표시가 서로 마주할 때까지 노즐을 끝까지 밀어 넣습니다. 그런 다음 노즐을 그림에 표시된 방향으로 돌려 잠금을 겁니다.

노즐을 설치한 후 뒤로 당겨서 제자리에 단단히 고정되었는지 확인하십시오.

▶ **그림11:** 1. 노즐 2. 가이드 돌출부 3. 잠금 슬롯 4. 삼각형 표시 5. 배지느러미 모양의 윤곽

참고: 배지느러미 모양의 윤곽이 아래를 향하도록 돌려야 합니다.

노즐을 분리하려면 노즐을 공구 하우징 쪽으로 밀고 누른 다음 두 개의 삼각형 표시가 서로 마주할 때까지 시계 반대 방향으로 돌립니다. 잠금이 풀린 후 공구 하우징에서 노즐을 당겨 분리합니다.

분무관 연장 파이프

접근하기 어려운 곳에 물을 줍니다. 노즐 설치에 대해 설명한 것과 동일한 단계에 따라 공구 하우징과 노즐 사이에 분무관 연장 파이프를 설치합니다.

▶ **그림12:** 1. 분무관 연장 파이프 2. 공구 하우징 3. 노즐 4. 가이드 돌출부 5. 잠금 슬롯 6. 삼각형 표시

부착장치를 분리하려면 팁 부착장치를 장착 부착장치/하우징 쪽으로 밀고 누른 다음 두 개의 삼각형 표시가 서로 마주할 때까지 시계 반대 방향으로 돌립니다. 잠금이 해제된 후 장착 부착장치/하우징에서 팁 부착장치를 당겨 분리합니다.

탱크 급수장치에 연결

유의 사항: 항상 이 공구와 함께 제공된 압력 호스와 스트레이너를 사용하여 물을 공급하십시오.

유의 사항: 항상 세척기의 주입구와 수면 사이의 높이를 **2.0m** 이하로 유지하십시오. 그렇지 않으면 세척기가 펌프로 물을 끌어 올릴 수 없게 됩니다.

유의 사항: 물을 밑에서부터 **25mm** 이상 두께로 채우고 스트레이너를 물에 완전히 담그십시오.

물은 모든 크기의 탱크/통/저수조에서 공급할 수 있습니다.

탱크를 통한 급수는 예를 들어, 물을 사용할 수 없어 세척 구역 또는 현장에서 운반해야 하는 세차, 정원 가꾸기 등의 상황에서 압력 세척 상황을 해결합니다.

1. 압력 호스의 한쪽 끝을 스트레이너를 부착합니다. 스트레이너 배출구를 커플링 슬리브에 삽입하고 스트레이너가 제자리에 고정될 때까지 밀어 넣습니다.

▶ **그림13:** 1. 스트레이너 2. 커플링 슬리브 3. 압력 호스

2. 물통 바닥에 스트레이너를 남겨둡니다.

▶ **그림14:** 1. 스트레이너 2. 압력 호스 3. 호스 훅

참고: 제공된 호스 훅을 사용하여 입구에 호스를 걸어 스트레이너가 통 바닥에 내려앉도록 하십시오.

3. 호스의 다른 쪽 끝을 세척기의 급수 호스 커넥터에 연결합니다.

커플링 슬리브를 커넥터 입구 위에 놓고 커플링 슬리브가 제자리에 고정될 때까지 밀어 넣습니다.

▶ **그림15:** 1. 커플링 슬리브 2. 급수 호스 커넥터

▲주의: 고압 호스가 단단히 연결되었는지 확인하십시오. 연결이 헐거울 경우 고압 호스가 빠져 나와 대인 상해가 일어날 수 있습니다.

유의 사항: 고압 모드로 일정 깊이에서 물을 끌어 올릴 때마다 미리 세척기와 호스에 물을 넣어 주십시오.

분관 급수장치에 연결

▲주의: 항상 이 공구와 함께 제공된 압력 호스를 사용하여 물을 공급하십시오.

유의 사항: 음용수로 사용하기 위해 분관에 연결할 경우 해당 지역의 규정을 충족하는 역류 방지기 밸브를 사용하십시오.

유의 사항: 미세 공급을 위해서는 유입수의 공급 압력을 **0.5MPa** 이하로 유지하십시오. 공구가 작동할 때 누수가 발생할 수 있으니 최대 공급 압력을 초과하지 마십시오.

물은 세척 구역이나 현장에서 사용 가능한 분관 급수장치를 통해 공급할 수 있습니다.

물이 지속해서 공급되면 물 보충에 신경 쓰지 않고 효율적으로 집안 청소를 하거나 넓은 잔디나 초목을 부분 세척하고 행구고 물을 주는 등 정원 가꾸기 작업을 할 수 있습니다.

1. 압력 호스를 급수전에 연결합니다.

수도꼭지 조인트와 같은 적절한 피팅을 사용하여 호스 끝을 급수전에 고정합니다.

▶ **그림16:** 1. 수도꼭지 조인트 2. 커플링 슬리브 3. 압력 호스

참고: 피팅 유형은 연결할 급수전의 형태에 따라 다릅니다. 시중에서 구매 가능한 적절한 부품을 준비하십시오.

2. 호스의 다른 쪽 끝을 세척기의 급수 호스 커넥터에 연결합니다.

커플링 슬리브를 커넥터 입구 위에 놓고 커플링 슬리브가 제자리에 고정될 때까지 밀어 넣습니다.

▶ **그림17:** 1. 커플링 슬리브 2. 급수 호스 커넥터

거품용 노즐 설치

별매품

▲주의: 옵션 부착장치를 부착/분리하는 동안에는 항상 스위치 트리거를 잠그십시오.

유의사항: 증정세제만 사용하십시오. 가정용 세제, 산성 세제, 알칼리성 세제, 표백제, 용제, 인화성 물질 또는 산업용 등급 용액을 사용하지 마십시오. 공구나 사용자의 재산을 손상시킬 수 있습니다. 세제통의 지침대로 세제를 준비하고 눈에 잘 띄지 않는 부분에 반드시 미리 테스트해 보도록 합니다.

유의사항: 정성이 높은 세제를 사용하면 노즐이 막힐 수 있습니다. 정성이 높은 세제를 사용할 경우는 세제통에 물을 넣어 희석하여 사용하십시오.

참고: 거품용 노즐을 사용할 때는 세제통 속의 세제가 공구에서 공급되는 물에 희석되어 분사됩니다. 세제통 속의 세제 농도를 필요 이상으로 희석할 필요가 없습니다. 사용 조건을 확인하면서 세제 농도를 조절합니다.

참고: 거품용 노즐이 옆으로 기울어지면 세제가 쏟아질 수 있습니다.

거품용 노즐을 사용하기 전에 세제를 준비하십시오.

1. 탱크에 세제를 채웁니다. 노즐을 탱크에 부착하고 뚜껑을 단단히 조입니다.

2. 거품용 노즐을 기울여 가이드 돌출부를 공구 하우징의 잠금 슬롯에 맞춥니다. 노즐을 끝까지 밀어 넣고 제자리에 고정합니다. 그런 다음 거품용 노즐을 그림에 표시된 방향으로 돌려 잠금을 겁니다.

▶ **그림18:** 1. 거품용 노즐 2. 탱크 3. 가이드 돌출부 4. 잠금 슬롯

노즐을 설치한 후 뒤로 당겨서 제자리에 단단히 고정되었는지 확인하십시오.

3. 세제 다이얼을 돌려 세제 용액 흡입량을 조절합니다.

▶ **그림19:** 1. 세제 다이얼 2. 최소 다이얼 3. 최대 다이얼

옵선 노즐 설치

별매품

▲주의: 옵선 부착장치를 부착/분리하는 동안에는 항상 스위치 트리거를 잠그십시오.

옵선 노즐의 가이드 돌출부를 공구 하우징의 잠금 슬롯에 맞춥니다. 노즐을 끝까지 밀어 넣고 제자리에 고정합니다. 그런 다음 노즐을 그림에 표시된 방향으로 돌려 잠금을 겁니다.

노즐을 설치한 후 뒤로 당겨서 제자리에 단단히 고정되었는지 확인하십시오.

▶ **그림20:** 1. 노즐 2. 가이드 돌출부 3. 잠금 슬롯

노즐을 분리하려면 노즐을 공구 하우징 쪽으로 밀고 누른 다음 시계 반대 방향으로 돌려 잠금을 풉니다. 잠금이 풀린 후 세척기에서 노즐을 당겨 분리합니다.

플라스틱병 어댑터 설치

별매품

▲주의: 옵선 부착장치를 부착/분리하는 동안에는 항상 스위치 트리거를 잠그십시오.

▲주의: 플라스틱병 어댑터는 세척기와 플라스틱병에 단단히 부착해야 합니다. 그렇게 하지 않으면 병이 떨어져 부상을 당할 수 있습니다.

참고: 물을 담는 데는 2리터(0.5갤런) 플라스틱병을 사용하는 것이 좋습니다.

1. 플라스틱병에 물을 채웁니다.
2. 병 입구를 통해 흡입 파이프를 아래로 넣습니다.
3. 커플링 슬리브의 너트를 끼워서 어댑터를 병에 부착합니다.
4. 플라스틱병 어댑터를 세척기의 급수 호스 커넥터에 연결합니다.

커플링 슬리브를 커넥터 입구 위에 놓고 커플링 슬리브가 제자리에 고정될 때까지 밀어 넣습니다.

▶ **그림21:** 1. 플라스틱병 어댑터 2. 흡입 파이프 3. 플라스틱병 4. 급수 호스 커넥터

작동

▲경고: 고압수를 만지거나 본인 또는 다른 사람들을 향하게 하지 마십시오. 고압수는 위험하며 사용자나 다른 사람들에게 부상을 입힐 수 있습니다.

▲경고: 고압수를 분사할 때는 청소하는 물체를 잡거나 고압수 근처에 손이나 발을 두지 마십시오.

▲주의: 세척기를 물이 없는 상태로 1분 이상 작동하지 마십시오.

▲주의: 세척기를 장시간 사용하지 마십시오. 과열되거나 화재가 일어날 수 있습니다. 또한 장시간 사용할 경우 진동 이상이 발생할 수 있습니다.

▲주의: 바람의 방향에 주의하십시오. 세제가 눈이나 입에 들어간 경우 즉시 깨끗한 물로 씻어낸 다음 필요한 경우 진료를 받으십시오.

유의사항: 세척기의 메커니즘을 보호하려면 40°C(104°F) 이상의 뜨거운 물을 사용하지 마십시오.

유의사항: 강물, 연못물, 모래나 진흙이 섞인 물 등 정화되지 않은 물은 사용하지 마십시오. 여과되지 않은 더러운 물은 사용하면 펌프에 원치 않는 물질이 쌓여 오작동을 일으킬 수 있습니다.

물 상승 높이
물 공급원에서 세척기의 흡입구까지의 수직 높이는 2.0m 이내여야 합니다.

담긴 물 깊이
물통을 밑에서부터 25mm 이상 두께로 채웁니다.

▶ **그림22:** 1. 물 상승 높이 2. 담긴 물 깊이

기본 조작 단계

1. 급수 호스 주입구를 급수장치에 연결합니다.

2. 급수 호스 배출구를 세척기에 연결합니다.

▶ **그림23**

3. 마지막 사용 후 세척기에 남아있는 물을 배출한 경우 압력 호스와 세척기에 물을 넣어주십시오.

호스와 와셔에 있는 공기가 모두 빠져나갈 때까지 물이 호스와 와셔를 통해 흐르게 합니다.

(1) 세척기에서 노즐을 제거합니다.

(2) 세척기에 배터리 카트리지를 설치합니다.

(3) 고압 모드를 선택합니다.

(4) 스위치 트리거의 잠금을 해제합니다.

(5) 세척기에서 고압수가 안정적으로 나올 때까지 스위치 트리거를 당긴 채로 유지합니다.

▶ **그림24:** 1. 압력 모드 전환 레버

세척기와 호스에서 공기를 빼낸 후 스위치 트리거를 놓습니다.

세척기에서 배터리 카트리지를 분리한 후, 용도에 맞는 노즐을 부착합니다.

4. 커버를 열고 세척기에 배터리 카트리지를 설치한 다음 커버를 잠급니다.

▶ **그림25: 1. 배터리 카트리지 2. 커버**

▲주의: 배터리 커버를 열거나 닫을 때 손가락이 끼지 않도록 주의하십시오.

5. 원하는 압력 모드를 선택합니다. 그리고 스위치 트리거의 잠금을 해제합니다.

▶ **그림26: 1. 압력 모드 전환 레버 2. 스위치 트리거 3. 잠금 버튼**

6. 노즐 헤드가 급수할 구역 또는 현장을 향하게 하십시오. 스위치 트리거를 누릅니다.

트리거를 누르고 있는 한 고압수가 계속 나옵니다.

▶ **그림27**

▶ **그림28**

▲주의: 세척기를 단단히 잡으십시오. 스위치 트리거를 당기면 공구에 반동이 발생합니다.

▲주의: 고압수를 분사할 때는 항상 그림과 배열로 세척기를 잡으십시오.

사용 후

▲주의: 세척기를 작동한 후에는 항상 본 설명서에 설명된 절차를 수행하십시오. 세척기의 잔류 압력으로 인해 부상을 당하거나 펌프 내부를 손상시킬 수 있습니다.

1. 스위치 트리거를 풀고 잠금 버튼을 사용하여 잠급니다.

2. 급수 호스를 급수장치에서 분리합니다.

▶ **그림29**

3. 스위치 트리거의 잠금을 풀고 세척기와 호스에 남아 있는 물이 배출될 때까지 꼭 집니다.

▶ **그림30**

유의사항: 모터를 1분 이상 작동하지 마십시오.

4. 스위치 트리거를 풀고 잠금 버튼을 사용하여 잠급니다. 그런 다음 세척기에서 배터리를 제거합니다.

▶ **그림31: 1. 잠금 버튼 2. 배터리 카트리지**

5. 세척기에서 압력 호스를 분리합니다.

▶ **그림32: 1. 커플링 슬리브 2. 급수 호스 커넥터**

유의사항: 압력 호스가 손상되는 것을 방지하기 위해 보관하기 전에 호스에 남아 있는 물을 제거하십시오.

유지 보수

▲주의: 점검 또는 유지 보수 작업을 하기 전에는 항상 공구의 스위치가 꺼져 있고 배터리 카트리지가 분리되어 있는지 확인해 주십시오.

유의사항: 휘발유, 벤진, 시너, 알코올 등은 사용하지 마십시오. 변색 또는 변형되거나 금이 갈 수 있습니다.

제품의 안전과 신뢰성을 유지하기 위해, 수리 및 기타 유지 보수 또는 조정 시에는 항상 마끼다 순정 부품을 사용하는 마끼다 공인 서비스 센터나 공장 서비스 센터를 이용하여 주십시오.

노즐 청소

작은 줄 형태의 긴 공구인 집진기 핀을 사용하여 노즐 입구에 막힌 먼지를 제거합니다.

▶ **그림33: 1. 집진기 핀 2. 노즐**

참고: 최적의 성능을 유지하려면 노즐을 정기적으로 청소하십시오.

유의사항: 오염물 또는 부스러기를 무리하게 제거하지 마십시오. 대인 상해가 일어나거나 배출 구멍이 손상되어 분사 각도가 어긋나거나 성능이 저하될 수 있습니다.

필터 청소

세척기에서 급수 호스 커넥터를 분리합니다. 필터에 붙어 있는 먼지나 오염물을 제거합니다.

▶ **그림34: 1. 급수 호스 커넥터 2. 필터 3. 봉합 링**

필터 케이스를 풀어 스트레이너를 분해합니다. 필터에 붙어 있는 먼지나 오염물을 제거합니다.

▶ **그림35: 1. 필터 2. 필터 케이스**

참고: 최적의 성능을 유지하기 위해 필터를 정기적으로 청소하십시오.

문제 해결

수리를 의뢰하기 전에 먼저 직접 검사하여 주십시오. 설명서에 설명되지 않은 문제를 발견한 경우 공구를 분해하지 마십시오. 항상 마끼다 수리용 교체 부품을 사용하는 마끼다 공인 서비스 센터에 연락하여 주십시오.

이상 상태	개연성 있는 원인(고장)	해결책
세척기가 시동되지 않습니다.	전기 공급 없음	충전된 배터리 카트리지를 장착하십시오.
	스위치 트리거가 잠겨 있습니다.	스위치 트리거의 잠금을 해제합니다.
	손상된 배터리 또는 전기 회로	공인 서비스 센터에 수리를 의뢰하여 주십시오.
고압수 없음/약한 고압수	물 공급 없음	급수전이 열려 있는지 확인하십시오. 탱크 급수장치에 연결하는 경우 세척기와 호스에 물을 넣으십시오.
	급수 불량	급수전을 여십시오.
	급수 호스 연결 불량	세척기와 급수장치 사이의 연결을 점검하십시오.
	급수 호스가 변형되거나 마모됨	호스를 곧게 펴십시오. 손상된 급수 호스를 새것으로 교체하여 주십시오.
	호스 또는 노즐 막힘	호스 또는 노즐 막힘을 뚫으십시오.
	막힌 필터	스트레이너의 필터와 급수 호스 커넥터에 붙어 있는 먼지나 오염물을 제거하십시오.
	폐기물/오염수	급수 시스템을 청소하고 깨끗한 물을 다시 채우십시오.
	노즐 손상 또는 마모	노즐을 교체하십시오.
	펌프 또는 밸브 고장	공인 서비스 센터에 수리를 의뢰하여 주십시오.
	느슨한 수도꼭지 조인트	급수 호스와 커플링 슬리브 사이의 연결을 고정하십시오.
	급수 연결부 누수	급수 호스와 급수장치 사이의 연결을 다시 조이십시오.
	스트레이너가 제대로 설치되지 않음	스트레이너를 물에 완전히 담그십시오.
	저압 모드 사용 중	고압 모드를 선택합니다.
고압수가 불안정	노즐 막힘	집진기 핀을 사용하여 노즐의 배출 구멍에서 막힘을 제거하십시오.
	급수 흡입 불량	급수 호스에 누수나 막힘이 있는지 확인하십시오.
	물이 너무 뜨겁습니다.	더 차가운 물을 공급하십시오.
	밸브 고장	공인 서비스 센터에 수리를 의뢰하여 주십시오.
비정상적인 소음이 발생합니다.	물이 너무 뜨겁습니다.	더 차가운 물을 공급하십시오.
물이 누출됩니다.	연결 불량	세척기와 급수장치 사이의 연결을 점검하십시오.
	노즐 설치 불량	노즐을 끝까지 밀어 넣으십시오. 그런 다음 노즐이 단단히 잠길 때까지 돌리십시오.
	노즐 헤드 위치가 잘못됨	분사 패턴 기호가 명확하게 보이는 고정 위치에 노즐 헤드를 맞추십시오.
	봉합 마모	공인 서비스 센터에 수리를 의뢰하여 주십시오.

احتیاط: این لوازم جانبی یا متعلقات برای استفاده با ابزار ماکینتای شرح داده شده در این دفترچه راهنما مناسب هستند. استفاده از لوازم جانبی یا متعلقات متفرقه، خطر بروز جراحت برای افراد را به دنبال خواهد داشت. لوازم جانبی و یا متعلقات را فقط برای کاربری تعیین شده آنها استفاده کنید.

اگر درباره هر یک از این لوازم جانبی به اطلاعات بیشتری نیاز داشتید، با مرکز محلی خدمات ماکینتا تماس بگیرید.

توجه: برخی از اقلام فهرست ممکن است بعنوان وسایل و متعلقات استاندارد در بسته ابزار قرار داده شده باشند. اینها ممکن است بر حسب کشور محل عرضه محصول متفاوت باشند.

نازل کف

◀ شکل 36

شوینده را می توان بصورت کف پاشید.

برس شستشو

◀ شکل 37

نازل مجهز به یک برس می باشد. برس برای پاک کردن خاک و آشنغال قابل استفاده می باشد.

نازل زاویه دار

◀ شکل 38

یک نازل زاویه دار می تواند 360 درجه بچرخد و امکان مانور حرکتی و پوشش بدون زوایای مرده را به شما می بخشد.

تبدیل بطری پلاستیکی

◀ شکل 39

آب بطری را پمپ کرده و براحتی از یک بطری پلاستیکی خارج کنید. یک بطری آب می تواند بعنوان منبع آب استفاده شود.

تذکر: برای جلوگیری از آسیب دیدن شلنگ فشار قوی، آب باقیمانده در شلنگ را پیش از قرار دادن در محل نگهداری تخلیه کنید.

تمیز کردن نازل ها

از بین تمیزکننده که سوهان کوچک انگشتی است برای خارج کردن آلودگی های گیر کرده در بازشدگی های نازل استفاده کنید.
شکل 33: 1. بین تمیزکننده **2.** نازل

توجه: برای حفظ عملکرد بهینه، باید نازل را در فواصل منظم تمیز کنید.

تذکر: خاک یا آشغال ها را با زور پاک نکنید. این کار می تواند موجب بروز جراحت شخصی یا آسیب دیدن سوراخ خروجی شود که باعث منحرف شدن زوایای جت یا عملکرد ضعیف خواهد شد.

تمیز کردن فیلترها

رابط شلنگ آب را از شوینده پرفشار جدا کنید. گرد و غبار یا آلودگی های چسبیده به فیلتر را پاک کنید.
شکل 34: 1. رابط شلنگ آب **2.** فیلتر **3.** حلقه آب بندی

با باز کردن قاب فیلتر، صافی را جدا کنید. گرد و غبار یا آلودگی های چسبیده به فیلتر را پاک کنید.
شکل 35: 1. فیلتر **2.** قاب فیلتر

توجه: برای حفظ عملکرد بهینه، باید فیلتر را در فواصل منظم تمیز کنید.

عیب یابی

پیش از درخواست تعمیرات، لطفاً ابتدا بازبینی های خود را انجام دهید. اگر مشکلی باقیبند که در این راهنما دربراه آن توضیح داده نشده است، سعی نکنید ابزار را از هم باز کنید. در عوض، از مراکز خدمات مجاز ماکیتا بخواهید که کارهای لازم را برای شما انجام دهند، و همیشه از قطعات جایگزین اصل ماکیتا در تعمیرات استفاده کنید.

وضعیت غیرعادی	علت احتمالی (اشکال کاری)	راه حل
دستگاه شوینده شروع به کار نمی کند.	برق در دستگاه نیست	کارت ریج باتری شارژ شده نصب کنید.
	کلید قطع و وصل قفل است.	قفل کلید قطع و وصل را باز کنید.
	باتری یا مدار الکتریکی آسیب دیده اند	برای تعمیر با یک مرکز خدمات مجاز تماس بگیرید.
جت آب موجود نیست / جت آب ضعیف است	آب تغذیه نمی شود	مطمئن شوید که شیر آب باز باشد. اگر آب تغذیه مخزن را وصل می کنید، آب وارد شوینده پرفشار و شلنگ کنید.
	آب تغذیه ضعیف است	شیر آب را باز کنید.
	اتصال شلنگ آب ضعیف است	اتصال میان شوینده پرفشار و آب تغذیه را کنترل کنید.
	شلنگ آب تغییر شکل یافته یا فرسوده	شلنگ را صاف کنید. شلنگ آب آسیب دیده را با یک شلنگ نو عوض کنید.
	گرفتگی شلنگ یا نازل	گرفتگی شلنگ یا نازل را رفع کنید.
	گرفتگی فیلترها	گرد و غبار یا آلودگی های چسبیده به فیلترها در صافی و رابط شلنگ آب را بردارید.
	فاضلاب/آب آلوده	سیستم آب را تمیز کرده و با آب تمیز پر کنید.
	نازل آسیب دیده یا مستهلک شده است	نازل را تعویض کنید.
	اشکال کاری پمپ یا سوپاپ	برای تعمیر با یک مرکز خدمات مجاز تماس بگیرید.
	شل بودن رابط اتصال آب	اتصال میان شلنگ آب و ماسوره های کوپلینگ را سفت کنید.
	نشتی از اتصال آب تغذیه	اتصال میان شلنگ آب و آب تغذیه را دوباره سفت کنید.
	نصب نادرست صافی	صافی را کامل در آب غوطه ور کنید.
	حالت فشار ضعیف تحت استفاده است	حالت فشار قوی را انتخاب کنید.
جت آب پادار نیست	نازل گرفته است	گرفتگی سوراخ خروجی نازل را با استفاده از بین تمیزکننده رفع کنید.
	قدرت مکش آب ضعیف است	شلنگ را برای بافتن هرگونه نشتی یا گرفتگی کنترل کنید.
	آب خیلی گرم است.	آب خنک تر تغذیه کنید.
	اشکال کاری سوپاپ	برای تعمیر با یک مرکز خدمات مجاز تماس بگیرید.
	آب خیلی گرم است.	آب خنک تر تغذیه کنید.
صدای غیرعادی به گوش می رسد	اتصال نامناسب	اتصال میان شوینده پرفشار و آب تغذیه را کنترل کنید.
آب نشت می کند	نصب نامناسب نازل	نازل را تا آخر فشار دهید. سپس نازل را بچرخانید تا محکم قفل شود.
	سر نازل در موقعیت نادرست باقی می ماند	سر نازل را در موقعیت کلیک شده با علامت الگوی اسپری کاملاً واضح تنظیم کنید.
	درزهای آب بندی مستهلک شده	برای تعمیر با یک مرکز خدمات مجاز تماس بگیرید.

نصب تبدیل بطری پلاستیکی

وسیله جانبی اختیاری

⚠ احتیاط: همیشه هنگام وصل/جدا کردن ضمیمه های اختیاری باید کلید قطع و وصل را قفل کنید.

⚠ احتیاط: مطمئن شوید که تبدیل بطری پلاستیکی را محکم به شوینده پرفشار و بطری پلاستیکی وصل می کنید. عدم رعایت این امر می تواند باعث افتادن بطری شده و منجر به جراثیم شخصی خواهد شد.

توجه: استفاده کردن از یک بطری پلاستیکی 2 لیتری (نیم گالن) برای نگهداری آب ترجیح داده می شود.

3. اگر آب باقیمانده در شوینده پرفشار از آخرین بار استفاده تخلیه شده است، آب وارد شلنگ پرفشار و شوینده پرفشار کنید.

بگذارید آب از شلنگ و شوینده عبور کند تا هرگونه هوای موجود در آنها تخلیه شود.

(1) نازل را از شوینده پرفشار جدا کنید.

(2) کارتریج باتری را در شوینده پرفشار نصب کنید.

(3) حالت فشار قوی را انتخاب کنید.

(4) قفل کلید قطع و وصل را باز کنید.

(5) کلید قطع و وصل را فشار داده و نگاه دارید تا شوینده پرفشار یک جت آب پایدار تولید کند.

◀ شکل 24: 1. اهرم قطع و وصل حالت فشار

بعد از اینکه قفل های هوایی را از شوینده پرفشار و شلنگ بیرون راندید، کلید قطع و وصل را رها کنید.

کارتریج باتری را از شوینده پرفشار جدا کرده و نازل مناسب برای کاربرد خود را وصل کنید.

4. قاب را باز کرده و کارتریج های باتری را در شوینده پرفشار قرار دهید، سپس قاب را قفل کنید.

◀ شکل 25: 1. کارتریج باتری 2. قاب

⚠ احتیاط: موقع باز کردن یا بستن قاب باتری مراقب باشید انگشتان شما گیر نکنند.

5. حالت فشار دلخواه خود را انتخاب کنید. سپس قفل کلید قطع و وصل را باز کنید.

◀ شکل 26: 1. اهرم قطع و وصل حالت فشار 2. کلید قطع و وصل 3. کلید قفل

6. سر نازل را به سمت محیط آب دادن یا محل بکنید. کلید قطع و وصل را فشار دهید.

مادامی که ماشه را فشار دهید، جت آب ادامه خواهد داشت.

◀ شکل 27

◀ شکل 28

⚠ احتیاط: شوینده پرفشار را محکم بگیرد. ابزار با فشار دادن کلید قطع و وصل پس خواهد زد.

⚠ احتیاط: موقع خروج جت آب باید همیشه شوینده پرفشار را از دسته و بدنه آن بگیرد.

بعد از استفاده

⚠ احتیاط: بعد از کار با شوینده پرفشار، همیشه روال شرح داده شده در این دفترچه راهنما را انجام دهید. فشار باقیمانده در شوینده پرفشار می تواند باعث بروز جراثیم شخصی یا آسیب دیدن داخل پمپ شود.

1. کلید قطع و وصل را رها کرده و آن را با استفاده از کلید قفل، قفل نمایید.

2. شلنگ آب را از باتری جدا کنید.

◀ شکل 29

3. قفل کلید قطع و وصل را باز کرده و آن را فشار دهید تا آب باقیمانده در شوینده پرفشار و شلنگ خارج شود.

◀ شکل 30

تذکر: موتور را برای بیش از 1 دقیقه بکار نیندازید.

4. کلید قطع و وصل را رها کرده و آن را با استفاده از کلید قفل، قفل نمایید. سپس باتری را از شوینده پرفشار جدا کنید.

◀ شکل 31: 1. کلید قفل 2. کارتریج باتری

5. شلنگ فشار قوی را از شوینده پرفشار جدا کنید.

◀ شکل 32: 1. ماسوره کوپلینگ 2. رابط شلنگ آب

طرز کار با دستگاه

⚠ هشدار: به جت آب دست نزنید یا آنرا به سمت خود یا دیگران نگیرید. جت آب خطرناک است و می تواند به شما یا دیگران آسیب برساند.

⚠ هشدار: هنگام شلیک جت آب، هرگز جسمی که می خواهید تمیز کنید را نگرفته و یا دست ها و پاهای خود را نزدیک جت آب نگیرید.

⚠ احتیاط: شوینده پرفشار را بدون آب برای بیش از 1 دقیقه بکار نیندازید.

⚠ احتیاط: از شوینده پرفشار برای مدت زمان طولانی استفاده نکنید. این کار ممکن است باعث گرم شدن بیش از حد یا آتش سوزی شود. همچنین، استفاده بلندمدت می تواند باعث بروز اختلال لرزش شود.

⚠ احتیاط: مراقب جهت باد باشید. اگر شوینده وارد چشم ها یا دهان شما شد، فوراً با آب تمیز شسته و در صورت لزوم به پزشک مراجعه نمایید.

تذکر: برای محافظت از مکانیسم شوینده پرفشار، از آب گرم تر از 40°C (104°F) استفاده نکنید.

تذکر: از منابع آب تصفیه نشده مانند آب رودخانه، آب حوضچه ها و آب گل آلود یا شن دار استفاده نکنید. آب کثیف فیلتر شده می تواند باعث رسوب کردن مواد نامطلوب در داخل پمپ شده و نتیجه آن بروز اشکالات کاری است.

ارتفاع بالا آوردن آب
یک ارتفاع عمودی از منبع آب تا ورودی مکش آب شوینده پرفشار باید در محدوده 2.0 m باشد.

عمق آب جمع شده
یک مخزن آب با ضخامت بیش از 25 mm از کف را با آب پر کنید.

◀ شکل 22: 1. ارتفاع بالا آوردن آب 2. عمق آب جمع شده

مراحل در عملیات پایه

1. ورودی شلنگ آب را به آب تغذیه وصل کنید.

2. خروجی شلنگ آب را به شوینده پرفشار وصل کنید.

◀ شکل 23

وصل کردن به آب تغذیه مخزن

تذکر: همیشه برای تغذیه آب از شلنگ پرفشار و صافی ارائه شده همراه این ابزار استفاده کنید.

تذکر: همیشه 2.0 m یا کمتر ارتفاع بین ورودی شوینده پرفشار و سطح آب حفظ کنید. در غیر اینصورت، شوینده پرفشار نمی تواند آب را به پمپ بالا بکشد.

تذکر: اطمینان حاصل کنید که یک مخزن آب را که ضخامت انتهایی آن بیش از 25 mm را با آب پر کرده و صافی را کامل در آب غوطه ور کنید.

آب می تواند از یک مخزن/طرف/ذخیره از هر اندازه ای تامین کرد. تغذیه آب با مخزن می تواند به مسائلی چون وضعیت های شستشو با فشار، مانند شستن ماشین و باغبانی و غیره که آب در محل موجود نیست و باید به محیط شستشو یا محل آورده شود، رسیدگی کند.

1. یک صافی را به یک انتهایی شلنگ پرفشار وصل کنید.

خروجی صافی را در ماسوره کوپلینگ قرار داده و آنرا به داخل فشار دهید تا صافی در جای خود ثابت شود.

شکل 13: 1. صافی 2. ماسوره کوپلینگ 3. شلنگ پرفشار

2. بگذارید صافی را در پایین مخزن آب بماند.

شکل 14: 1. صافی 2. شلنگ پرفشار 3. قلاب شلنگ

توجه: شلنگ را با استفاده از قلاب ارائه به بازشدگی آویزان کنید بطوریکه صافی در پایین مخزن بی حرکت بماند.

3. انتهایی دیگر شلنگ را به رابط شلنگ آب در شوینده پرفشار وصل کنید.

ماسوره کوپلینگ را روی ورودی رابط قرار داده و آنرا به داخل فشار دهید تا ماسوره کوپلینگ در جای خود ثابت شود.

شکل 15: 1. ماسوره کوپلینگ 2. رابط شلنگ آب

احتیاط: مطمئن شوید که شلنگ فشار قوی محکم وصل شده باشد. اتصال نشل می تواند شلنگ فشار قوی را جدا کرده و باعث جراحت شخصی شود.

تذکر: هرگاه می خواهید آب را از عمق خاصی در حالت فشار قوی بالا بیاورید باید از قبل آب را وارد شوینده پرفشار و شلنگ کرده باشید.

وصل کردن به منبع تغذیه آب

احتیاط: همیشه برای تغذیه آب از شلنگ پرفشار ارائه شده همراه این ابزار استفاده کنید.

تذکر: اگر به شیری وصل می کنید که برای آب شرب استفاده می شود، از یک شیر بازدارنده جریان برگشتی استفاده کنید که با مفررات منطقه شما هماهنگی داشته باشد.

تذکر: برای تغذیه مناسب باید فشار تغذیه آب ورودی را کمتر از 0.5 MPa حفظ کنید. از حداکثر فشار تغذیه خطی تغذیه زیرا باعث نشت آب در زمان توقف ابزار می شود.

آب می تواند از لوله اصلی آب که در ناحیه شستشو یا محل موجود است تامین شود.

یک تغذیه پیوسته آب به شما اجازه می دهد تا نه تنها نگران پر کردن دوباره آب نباشید بلکه امکان شستشوی موثر خانه و امور باغبانی، مانند تمیز کردن نقاط آبکشی و آب دادن قسمت های بزرگ چمن یا گیاهان را انجام دهید.

1. شلنگ پرفشار را به شیر آب وصل کنید.

یک اتصال مناسب مانند بوش شیر آب وصل کنید تا سر شلنگ محکم به شیر آب وصل شود.

شکل 16: 1. بوش شیر آب 2. ماسوره کوپلینگ 3. شلنگ پرفشار

توجه: نوع اتصال به شکل شیر آب که می خواهید به آن وصل کنید بستگی دارد. یک اتصال مناسب که خریداری کرده اید را آماده کنید.

2. انتهایی دیگر شلنگ را به رابط شلنگ آب در شوینده پرفشار وصل کنید.

ماسوره کوپلینگ را روی ورودی رابط قرار داده و آنرا به داخل فشار دهید تا ماسوره کوپلینگ در جای خود ثابت شود.

شکل 17: 1. ماسوره کوپلینگ 2. رابط شلنگ آب

نصب نازل کف

وسيله جانبی اختیاری

احتیاط: همیشه هنگام وصل/جدا کردن ضمیمه های اختیاری باید کف قطع و وصل را قفل کنید.

تذکر: فقط از شوینده های خشنی استفاده کنید. از شوینده های خانگی، شوینده های اسیدی، شوینده های قلیایی، سفیدکننده ها، حلال ها، مواد قابل اشتعال یا محلول های درجه صنعتی که می توانند به ابزار یا اموال شما آسیب بزنند استفاده نکنید. محلول شستشو را مطابق با دستورالعمل روی بطری محلول آماده کرده و همیشه از قبل از یک نقطه ای که جلب توجه نمی کند امتحان کنید.

تذکر: اگر از یک شوینده بسیار لزج استفاده شود، نازل به احتمال زیاد دچار گرفتگی خواهد شد. در صورت استفاده از یک شوینده بسیار لزج، پیش از استفاده مقداری آب به شوینده اضافه کرده و آنرا رقیق کنید.

توجه: هنگام استفاده از نازل کف، شوینده داخل بطری با آب تغذیه شده توسط ابزار رقیق شده و اسپری می شود. شما لازم نیست غلظت شوینده داخل بطری را بیشتر از حد نیاز رقیق کنید. غلظت شوینده را موقع کنترل شرایط استفاده تنظیم کنید.

توجه: اگر نازل کف به یک طرف خود متمایل شود امکان ریختن ماده شوینده وجود دارد.

پیش از استفاده از نازل کف باید شوینده را آماده کنید.

1. مخزن را با شوینده پر کنید. نازل را به مخزن وصل کرده و درپوش را محکم سفت کنید.

2. نازل کف را کج کنید تا پیش آمدگی های راهنمای آن با شکاف های قفل کردن در محفظه ابزار میزان شوند. نازل را تا آخر فشار دهید و آنرا در جایش نگه دارید. سپس نازل کف را در جهت نشان داده شده در شکل بچرخانید تا قفل درگیر شود.

شکل 18: 1. نازل کف 2. مخزن 3. پیش آمدگی راهنما 4. شکاف قفل

بعد از نصب نازل، برای اینکه از محکم قرار گرفتن آن در جای خود اطمینان حاصل کنید سعی کنید آنرا بیرون بکشید.

3. کلید گردان شوینده را برای تنظیم حجم مکش محلول شوینده بچرخانید. شکل 19: 1. کلید گردان شوینده 2. روی حداقل بچرخانید 3. روی حداکثر بچرخانید

نصب نازل های اختیاری

وسيله جانبی اختیاری

احتیاط: همیشه هنگام وصل/جدا کردن ضمیمه های اختیاری باید کف قطع و وصل را قفل کنید.

پیش آمدگی های راهنمای روی نازل اختیاری را با شکاف های قفل کردن در محفظه ابزار میزان کنید. نازل را تا آخر فشار دهید و آنرا در جایش نگه دارید. سپس نازل را در جهت نشان داده شده در شکل بچرخانید تا قفل درگیر شود.

بعد از نصب نازل، برای اینکه از محکم قرار گرفتن آن در جای خود اطمینان حاصل کنید سعی کنید آنرا بیرون بکشید.

شکل 20: 1. نازل ها 2. پیش آمدگی راهنما 3. شکاف قفل

برای جدا کردن نازل، نازل را به سمت محفظه ابزار فشار داده و نگه دارید و آنرا در جهت خلاف بچرخانید تا قفل آزاد شود. بعد از اینکه قفل نازل باز شد آن را از شوینده پرفشار بیرون بکشید.

ظرفیت باقیمانده	چراغ های نشانگر		
	روشن	خاموش	چشمک زن
75% تا 100%	■ ■ ■ ■		
50% تا 75%	■ ■ ■	□	
25% تا 50%	■ ■	□ □	
0% تا 25%	■	□ □ □ □	
باتری را شارژ کنید.	■ □ □ □		□ □ □ □
باتری احتمالاً اشکال دارد.	■ ■ □ □	↑ ↓	□ □ ■ ■

توجه: بسته به شرایط استفاده و دمای محیطی، این امکان وجود دارد که مقادیر نشان داده شده با ظرفیت واقعی کمی متفاوت باشند.

توجه: هنگامی که سیستم محافظت باتری کار بکند، چراغ نشانگر اول (منتهی الیه سمت چپ) چشمک خواهد زد.

دکمه حالت فشار

حالت فشار دلخواه را با لغزاندن اهرم قطع و وصل به جلو و عقب انتخاب کنید.

برای حالت فشار ضعیف اهرم را به عقب بکشید تا علامت عدد «1» روی کلید دیده شود.
برای حالت فشار بالا اهرم را به جلو بکشید تا علامت عدد «2» روی کلید دیده شود.

◀ **شکل 5:** 1. حالت فشار ضعیف (1) 2. حالت فشار قوی (2) 3. اهرم قطع و وصل حالت فشار

کلید قطع و وصل

شوینده پرفشار از یک قفل ایمنی روی ماشه استفاده می کند. برای آزاد کردن قفل ماشه، کلید قفل را روی ماشه فشار دهید تا سطح ماشه تخت شود.

برای بیرون راندن یک جت آب، کلید قطع و وصل را فشار دهید. مادامی که ماشه را فشار دهید، جت ادامه خواهد داشت.

◀ **شکل 6:** 1. کلید قطع و وصل 2. کلید قفل

کلید قفل را دوباره از داخل ماشه بیرون بکشید تا قفل ماشه درگیر شود. مطمئن شوید زمانی که شوینده پرفشار تحت استفاده نیست، ماشه را قفل کنید.

◀ **شکل 7:** 1. کلید قطع و وصل 2. کلید قفل

عملکردهای نازل

نازل اسپری چند الگو (5 در 1) دارای الگوهای متنوع اسپری است که می توانید آنها را بر اساس نیازهای شستشوی خود تنظیم کنید. با ترکیب کردن پنج پرکاربردترین الگوی اسپری در یک نازل، دیگر نیازی به جابجا کردن آنها نیست، بلکه کافیست که الگوی اسپری صحیح برای کار خود را انتخاب کنید.

◀ **جابجایی آسان نازل ها، 0°، 15°، 25°، 40° دوش**

◀ **شکل 8**

◀ **شکل 9:** 1. علامت الگوی اسپری 2. علامت مثلث

سر نازل را به چپ یا راست روی الگوی اسپری دلخواه خود بچرخانید. علامت الگوی اسپری که می خواهید انتخاب کنید را درست با علامت مثلث میزان کنید تا سر نازل با یک صدای کلیک قفل شود.

◀ **شکل 10**

تذکر: مراقب باشید که سر نازل را در وضعیت بدون کلیک تنظیم نکنید. در غیر این صورت ابزار ممکن است الگوهای اسپری غیرعادی تولید کند که منجر به نشت آب خواهد شد.

احتیاط: سعی نکنید بدنه نازل را همزمان با تغییر الگوی اسپری بچرخانید. امکان دارد نازل از بدنه ابزار جدا شده و باعث جراحت شخصی شود.

سوپاپ ایمنی

این ابزار مجهز به یک سوپاپ ایمنی است که از افزایش غیرضروری و بیش از حد فشار جلوگیری می کند.

احتیاط: هرگز نباید سوپاپ ایمنی را دستکاری کرده یا تنظیمات سوپاپ ایمنی را تغییر دهید.

نصب

احتیاط: پیش از انجام هرگونه کار بر روی ابزار، باید همیشه اطمینان حاصل کنید که ابزار خاموش بوده و کارتریج باتری آن خارج شده باشد.

نصب نازل و میله رابط

احتیاط: همیشه هنگام وصل/جدا کردن یک نازل و لوله رابط باید کلید قطع و وصل را قفل کنید.

نازل

پیش آمدگی های راهنمای روی انتهای نازل را با شکاف های قفل کردن در محفظه ابزار میزان کنید. نازل را تا انتها به داخل فشار دهید تا دو علامت مثلثی روی نازل و محفظه روبروی هم قرار گیرند. سپس نازل را در جهت نشان داده شده در شکل بچرخانید تا قفل درگیر شود.

بعد از نصب نازل، برای اینکه از محکم قرار گرفتن آن در جای خود اطمینان حاصل کنید سعی کنید آنرا بیرون بکشید.

◀ **شکل 11:** 1. نازل 2. پیش آمدگی راهنما 3. شکاف قفل 4. علامت های مثلث 5. قسمت دارای طرح باله مانند

توجه: اطمینان حاصل کنید که قسمت دارای طرح باله مانند به سمت پایین باشد.

برای جدا کردن نازل، نازل را به سمت محفظه ابزار فشار داده و نگاه دارید و آنرا در جهت خلاف بچرخانید تا دو علامت مثلث شکل روبروی هم قرار گیرند. بعد از اینکه قفل نازل باز شد آن را از محفظه ابزار بیرون بکشید.

میله رابط

آب رساندن به نقاطی که دسترسی به آنها دشوار است. با دنبال کردن همان مراحل شرح داده شده برای نصب نازل، میله رابط را بین محفظه ابزار و نازل نصب کنید.

◀ **شکل 12:** 1. میله رابط 2. محفظه ابزار 3. نازل 4. پیش آمدگی های راهنما 5. شکاف های قفل 6. علامت های مثلث

برای جدا کردن ضمیمه ها، ضمیمه نوک را به سمت قسمت سوار کردن/محفظه فشار داده و نگاه دارید و آنرا در جهت خلاف بچرخانید تا دو علامت مثلث شکل روبروی هم قرار گیرند. نوک ضمیمه را بعد از اینکه قفل آن باز شد از قسمت سوار کردن/محفظه بیرون بکشید.

15. درست بعد از استفاده نباید به پایانه ابزار دست بزیند چون می تواند آتقدرد داغ باشد که باعث سوختگی شود.
16. اجازه ندهید تراشه ها، گرد و غبار یا خاک در پایانه ها، سوراخ ها و شیارهای کارتتریج باتری جمع شوند. این می تواند موجب گرم شدن، آتش گرفتن، ترکیب یا بروز اشکالات کاری در ابزار یا کارتتریج باتری شده و باعث سوختگی یا جراحات شخصی شود.
17. از کارتتریج باتری در نزدیک خطوط برقی فشار قوی استفاده نکنید مگر اینکه ابزار قابلیت استفاده در مجاورت خطوط برق فشار قوی را داشته باشد. این امر می تواند باعث بروز اشکالات کاری یا خرابی ابزار یا کارتتریج باتری شود.
18. باتری را از دسترس کودکان خارج سازید.

این راهنمایی ها را نگهداری کنید.

احتیاط: فقط از باتری های اصل ماکیتا استفاده کنید. استفاده کردن از باتری های غیر اصل ماکیتا، یا باتری هایی که دستکاری شده اند می توانند باعث ترکیب باتری و ایجاد آتش سوزی، جراحات شخصی و یا خسارت شوند. همچنین گرانتهی ماکیتا را برای ابزار و شارژر ماکیتا باطل خواهد کرد.

نکاتی برای به حداکثر رساندن عمر باتری

1. کارتتریج باتری را پیش از اینکه کاملاً تخلیه شود شارژ کنید. اگر متوجه افت توان ابزار شدید، همیشه باید کار با ابزار را متوقف کرده و کارتتریج باتری را شارژ کنید.
2. هرگز یک کارتتریج باتری را که شارژ کامل دارد دوباره شارژ نکنید. شارژ بیش از حد عمر مفید باتری را کاهش می دهد.
3. کارتتریج باتری را در دمای اتاق بین 10 تا 40 درجه سانتیگراد (50 تا 104 درجه فارنهایت) شارژ کنید. اگر کارتتریج باتری داغ است ابتدا بگذارید خنک شود بعد آنرا شارژ کنید.
4. هنگامی که از کارتتریج باتری استفاده نمی کنید، آنرا از ابزار یا شارژر خارج کنید.
5. اگر از کارتتریج باتری برای مدت طولانی استفاده نمی کنید (بیشتر از شش ماه) آنرا شارژ کنید.

تشریح عملکرد دستگاه

احتیاط: پیش از تنظیم کردن ابزار با بررسی قابلیت های مختلف آن باید دقت کنید که همیشه ابزار را خاموش کرده و کارتتریج باتری آنرا جدا کرده باشید.

قرار دادن یا برداشتن کارتتریج باتری

احتیاط: همیشه پیش از قرار دادن یا برداشتن کارتتریج باتری باید ابزار را خاموش کنید.

احتیاط: هنگام قرار دادن یا برداشتن کارتتریج باتری، ابزار و کارتتریج باتری را محکم نگه دارید. محکم نگرفتن ابزار و کارتتریج باتری باعث می شود از دست شما بیفتند و در نتیجه با صدمه دیدگی ابزار و کارتتریج باتری و جراحات های شخصی روبرو خواهید شد.

احتیاط: موقع باز کردن یا بستن قاب باتری مراقب باشید انگشتان شما گیر نکنند.

قاب را در ضمن فشار دادن اهرم قفلی باز کنید.

شکل 1: 1. قاب 2. اهرم قفلی

زبانه روی کارتتریج باتری را با شیار جایگاه هماهنگ کرده و آنرا در جای خود بلغزانید. آنرا تا انتها وارد کنید تا با یک صدای کلیک خفیف در جای خود قفل شود. اگر نشانگر قرمز را مطابق شکل می بینید بدین معنی است که بطور کامل قفل نشده است.

شکل 2: 1. نشانگر قرمز 2. دکمه 3. کارتتریج باتری

بعد از نصب یا برداشتن کارتتریج های باتری، باید حتماً قاب را ببندید. برای برداشتن کارتتریج باتری، قاب را باز کنید، در حالی که دکمه واقع در جلو را فشار می دهید کارتتریج باتری را از روی ابزار لغزانده و بردارید و سپس قاب را ببندید.

احتیاط: همیشه کارتتریج باتری را بطور کامل قرار دهید تا نشانگر قرمز دیگر دیده نشود. چون در غیراینصورت امکان دارد که تصادفاً از ابزار جدا شده و بیفتد و شما یا اطرافیان شما را مجروح کند.

احتیاط: کارتتریج باتری را با توسل به زور قرار ندهید. اگر کارتتریج باتری براحتی در جای خود قرار نمی گیرد، روش قرار دادن صحیح نیست.

احتیاط: اطمینان حاصل کنید که قبل از کار، قاب را قفل می کنید.

سیستم محافظت ابزار ایلاتری

ابزار مجهز به یک سیستم محافظت ابزار ایلاتری است. این سیستم به منظور بیشتر کردن عمر ابزار و باتری، توان ورودی به موتور را بطور خودکار قطع می کند. اگر ابزار یا باتری در یکی از شرایط زیر قرار بگیرند، کارکرد ابزار بطور خودکار متوقف خواهد شد و نشانگر مربوطه فعال می شود:

شکل 1: 1. نشانگر

محافظت در برابر اضافه بار

اگر به گونه ای با ابزار یا باتری کار شود که بیش از حد و بطور غیرعادی جریان بکشد، ابزار بطور خودکار متوقف شده و نشانگر قرمز روشن می شود. در این حالت، ابزار را خاموش کرده و کاری که باعث وارد آمدن اضافه بار به ابزار شده است را متوقف نمایید. سپس برای شروع دوباره ابزار را روشن کنید.

محافظت در برابر گرم شدن بیش از حد

هنگامی که ابزار یا باتری بیش از حد گرم شود، ابزار بطور خودکار متوقف شده و نشانگر قرمز روشن می شود. در این حالت، پیش از روشن کردن دوباره ابزار اجازه دهید ابزار خنک شود.

محافظت در برابر تخلیه بیش از حد

اگر ظرفیت باتری کم شود، نشانگر قرمز چشمک خواهد زد. هنگامی باتری نزدیک به خالی شدن باشد، ابزار بطور خودکار متوقف شده و نشانگر قرمز روشن می شود. در این حالت، باتری را از ابزار جدا کرده و باتری را شارژ کنید.

محافظت در برابر سایر دلایل

سیستم محافظت همچنین برای سایر دلایلی هم طراحی شده است که می توانند به ابزار آسیب برسانند و به ابزار امکان می دهد که بطور خودکار متوقف شود. اگر ابزار دچار وقفه موقت یا قطع کار شده است، تمام مراحل زیر را برای رفع دلایل دنبال کنید.

1. ابزار را خاموش کنید، سپس آنرا دوباره روشن کنید تا از نو راه اندازی شود.
2. باتری (ها) را شارژ کنید یا با باتری (های) شارژ شده تعویض کنید.
3. اجازه دهید ابزار و باتری (ها) خنک شوند.

اگر با زیبایی سیستم محافظت بهبودی حاصل نشد باید سپس با مرکز خدمات محلی ماکیتا تماس بگیرید.

تذکر: اگر ابزار به دلیلی که در بالا ذکر نشده است متوقف گردید، به بخش عیب یابی رجوع کنید.

نمایش ظرفیت باقیمانده باتری

فقط برای کارتتریج های باتری دارای نشانگر

برای اینکه ظرفیت باقیمانده باتری نمایش داده شود، دکمه بررسی روی کارتتریج باتری را فشار دهید. چراغ های نشانگر برای چند ثانیه روشن خواهند شد.

شکل 4: 1. چراغ های نشانگر 2. دکمه بررسی

2. ابزارهای الکتریکی را فقط با بسته های باتری تعیین شده اختصاصی آنها استفاده کنید. استفاده کردن از بسته های باتری دیگر می تواند به بروز خطر جراحت یا آتش سوزی منجر شود.
3. هنگامی که بسته باتری تحت استفاده نیست، آنرا از سایر اشیای فلزی مانند گیره کاغذ، سکه، کلید، میخ، پیچ یا سایر اشیای فلزی کوچک که می توانند باعث اتصال دو پایانه بهم شوند دور نگه دارید. اتصال کوتاه پایانه های باتری می تواند باعث سوختگی یا آتش سوزی شود.

4. در شرایط نامناسب، امکان دارد مایعی از باتری به بیرون تراوش کند؛ از تماس با آن احتراز کنید. اگر تصادفاً تماس حاصل شد، با آب بشویید. اگر این مایع با چشمان شما تماس پیدا کرد به پزشک نیز مراجعه کنید. مایعی که از باتری تراوش می کند می تواند باعث تحریک و یا سوختگی شود.

5. اگر ابزار یا بسته باتری آسیب دیده یا اصلاح شده اند هرگز نباید از آنها استفاده کنید. باتری های آسیب دیده یا اصلاح یافته ممکن است عملکرد غیر قابل پیش بینی داشته باشند که منجر به آتش سوزی، انفجار یا بروز خطر جراحت خواهد شد.
6. بسته باتری یا ابزار را در معرض آتش یا دمای خیلی زیاد قرار ندهید. قرار دادن در معرض آتش یا دمای بالای 130 درجه سانتیگراد می تواند موجب انفجار شود.
7. تمام دستورالعمل های شارژ کردن را رعایت کرده و بسته باتری یا ابزار را در خارج از محدوده دمای مشخص شده در دستورالعمل ها شارژ نکنید. شارژ کردن به روش نادرست یا در دمای خارج از محدوده مشخص شده می تواند به باتری آسیب رسانده و خطر آتش سوزی را بالا ببرد.

سرویس

1. دستورالعمل های نگهداری فید شده در این دفترچه راهنما را دنبال کنید.
2. برای تضمین ایمنی دستگاه، فقط از قطعات بدکی اصلی از سازنده یا قطعات بدکی مورد تایید سازنده استفاده کنید.
3. سرویس شوینده پرفشار خود را به تعمیرکاران مجرب بسپارید و فقط از قطعات بدکی اصل استفاده کنید. توجه به این نکته تضمین کننده حفظ ایمنی شوینده پرفشار شماست.
4. در صورت خرابی یا بروز اشکال کاری برای شوینده پرفشار، فوراً آنرا خاموش کرده و کارتریج (های) باتری را بردارید. با فروشگاه یا مرکز خدمات محلی تماس بگیرید.

هشدارهای ایمنی تکمیلی

1. اگر خطر رعد و برق وجود دارد از ابزار استفاده نکنید.
2. هنگامی که از ابزار در زمین گل، شیب خیس یا مکانی لغزنده استفاده می کنید باید به جای پای خود توجه داشته باشید.
3. از کار کردن در محیط های نامناسب که انتظار خستگی بیش از حد کاربر می رود خودداری کنید.
4. باتری را در باران عوض نکنید.
5. ابزار را در چاله های آب فرو نبرید.
6. هنگام قرار دادن ابزار در محل نگهداری، باید آنرا از نور خورشید و باران دور نگاه داشته و در مکانی نگهداری کنید که گرم یا مرطوب نمی شود.
7. بعد از اینکه ابزار را استفاده کردید، خاک های چسبیده را پاک کنید و ابزار را پیش از قرار دادن در محل نگهداری کاملاً خشک کنید. بسته به فصل یا منطقه، خطر بروز اشکالات کاری بر اثر یخ زدگی وجود خواهد داشت.
8. پایانه باتری را با مایعاتی مانند آب خیس نکرده و یا باتری را در مایعات فرو نبرید. باتری را در باران رها نکنید، و باتری را در مکان های مرطوب یا خیس شارژ، استفاده یا نگهداری نکنید. اگر پایانه خیس شده یا مایعات وارد قسمت های داخلی باتری بشوند، امکان اتصال کوتاه باتری وجود داشته و خطر گرم شدن بیش از حد، آتش یا انفجار وجود خواهد آمد.
9. بعد از برداشتن باتری از ابزار یا شارژر، باید کاملاً قفای باتری را به باتری وصل کرده و آنرا در مکانی خشک نگهداری کنید.
10. با دست های خیس نباید باتری را عوض کنید.
11. اگر دستگاه به دلیل هوای سرد یخ زده است، برای تعمیر آن با یک مرکز مجاز خدمات تماس بگیرید.

12. نباید با این دستگاه از منابع تغذیه توان سیم دار مانند ادپتور باتری یا بسته سیمار توان استفاده کرد. سیم این قبیل منابع تغذیه توان ممکن است عملیات را مختل کرده و موجب جراحت شخصی گردد.

این راهنمایی ها را نگهداری کنید.

هشدار: اجازه ندهید سطح آشنایی و یا راحتی شما با محصول (که پس از استفاده های مکرر پدید می آید) شما را از رعایت دقیق و همه جانبه قوانین ایمنی محصول مورد بحث باز بدارد.

استفاده نادرست یا عدم رعایت قوانین ایمنی ذکر شده در این دفترچه راهنما می تواند به بروز جراحت های شخصی شدید منجر شود.

راهنمایی های مهم ایمنی برای کارتریج باتری

1. پیش از اینکه از کارتریج باتری استفاده کنید، کلیه دستورالعملها و علائم هشداردهنده درج شده روی (1) شارژر باتری، و (2) باتری و (3) دستورالعمل استفاده کننده از باتری را مطالعه نمایید.
2. کارتریج باتری را باز نکرده یا دستکاری نکنید. این کار می تواند موجب آتش سوزی، گرمای بیش از حد یا انفجار شود.
3. اگر زمان کارکرد بیش از اندازه کوتاه شده است، فوراً کار را متوقف کنید. در این حالت خطر داغ شدن بیش از حد، سوختگی احتمالی و حتی انفجار وجود دارد.
4. اگر الکترولیت وارد چشم شما شد، با آب تمیز آنرا از چشم خود خارج کرده و فوراً به پزشک مراجعه نمایید. خطر از دست دادن بینایی وجود دارد.
5. کارتریج باتری را اتصال کوتاه نکنید:
 - (1) پایانه ها را با مواد هادی لمس نکنید.
 - (2) کارتریج باتری را نباید در کنار اشیای فلزی دیگر مانند میخ، سکه و غیره در یک جعبه یا قوطی کنار هم نگهداری کنید.
 - (3) کارتریج باتری را در معرض آب یا باران قرار ندهید. اتصال کوتاه باتری می تواند باعث برقراری جریان قوی، گرم شدن بیش از حد، سوختگی احتمالی و حتی خرابی شود.
6. ابزار و کارتریج باتری را نباید در مکانی که دمای آن به 50 درجه سانتیگراد (122 درجه فارنهایت) می رسد یا از آن بالاتر می رود نگهداری و استفاده کنید.
7. کارتریج باتری را تحت هیچ شرایطی حتی اگر به شدت آسیب دیده یا بطور کامل از رده خارج شده باشد، نسوزانید. کارتریج باتری در آتش منفجر خواهد شد.
8. با کارتریج باتری میخ نزنید، آنرا نبرید، له نکنید، پرتاب نکرده و آنرا نیاندازید. یا با یک جسم سخت به کارتریج باتری ضربه وارد نکنید. این کارها می تواند موجب آتش سوزی، گرمای بیش از حد یا انفجار شود.
9. از یک باتری آسیب دیده استفاده نکنید.
10. باتری های یون-لیتیوم موجود مشمول الزامات قوانین کالاهای خطرناک می باشند.

الزامات ویژه بسته بندی و برچسب زدن باید در حمل های تجاری، بعنوان مثال توسط طرف های ثالث و شرکت های حمل رعایت گردند. برای آماده ساختن وسیله جهت حمل باید حتماً با یک متخصص مواد خطرناک مشورت کرد. در صورت وجود قوانین مشروح تر کشوری باید آنها را نیز رعایت کنید.

روی کنتاکت ها نوار چسبیده یا آنها را بپوشانید و باتری را طوری بسته بندی کنید که نتواند در بسته بندی به اطراف جابجا شود.
11. هنگام دور انداختن کارتریج باتری، آنرا از ابزار خارج کرده و در مکانی امن دور بیندازید. قوانین و مقررات محلی خود در ارتباط با دور انداختن باتری را رعایت کنید.
12. باتری ها را فقط با دستگاه های مشخص شده توسط ماکیتا استفاده کنید. قرار دادن باتری ها در دستگاه های فاقد سازگاری می تواند منجر به آتش سوزی، گرم شدن بیش از حد، انفجار، یا نشتی الکترولیت شود.
13. اگر از ابزار برای مدت طولانی استفاده نمی شود، باید باتری را از ابزار خارج سازید.
14. کارتریج باتری ممکن است در طول استفاده و بعد از آن گرم باشد و باعث سوختگی یا سوختگی های دما پایین شود. موقع دست زدن به کارتریج های باتری داغ توجه داشته باشید.

این ابزار برای تمیز کردن الودگی ها با استفاده از جت آب در مصارف خانگی طراحی شده است. با ارائه امکان انتخاب نوع اسپری، ابزار می تواند کیفیت شستشو را ارتقا داد و همزمان برای آبیاری و چمن و باغچه نیز استفاده شود.

هشدارهای ایمنی

هشدارهای مهم ایمنی

⚠ هشدار: همه هشدارهای ایمنی و همه راهنمایی ها را بخوانید. بی توجهی و رعایت نکردن هشدارها و دستورالعمل ها می تواند سبب برق گرفتگی، آتش سوزی و/یا جراحت های شدید شود.

همه هشدارها و راهنمایی ها را برای مراجعه آتی نگهداری کنید.

هشدار - هنگام استفاده از این محصول باید همیشه نکات ایمنی پایه شامل موارد زیر را رعایت کنید:

ایمنی محل کار

- هیچ فردی نباید در محل کار حضور داشته باشند.
- بیش از اندازه بدن خود را نکشید یا روی تکیه گاه های نامتعادل نایستید. همیشه باید جایگاه و وضعیت مطمئنی برای ایستادن انتخاب کرده و تعادل خود را حفظ کنید.
- همیشه بدنه شوینده پرفشار را روی یک سطح تخت و مستحکم قرار دهید. از ناحیه هایی که آب بیرون آمده جاری می شود یا جمع می شود احتراز کنید.
- پیش از تمیز کردن، محیط اطراف و اشیایی که می خواهید تمیز کنید را بررسی نمایید. جت های فشار قوی می توانند رنگ یا سایر پوشش های سطوح، شامل مواد شیمیایی سمی را جدا کنند. در صورت لزوم اقدامات احتیاطی بعمل آورید.
- مراقب باشید پای شما به شلنگ شوینده پرفشار گیر نکند و نیافتید. در طول کار همیشه به آرایش شلنگ توجه داشته باشید.
- در هنگام استفاده، مقدار کمی آب از زیر شوینده پرفشار بیرون خواهد آمد. دقت کنید که ابزار در بالای نقاطی که نمی خواهید خیس شوند بکار نبرید.

ایمنی شخصی

- برای محافظت در برابر جت و اشیای پرتاب شده توسط جت، کاربران باید پوشاک مناسب مانند جکمه ایمنی، دستکش ایمنی، کلاه ایمنی یا درچه دید، محافظ شنوایی و غیره داشته باشند.
- از لوازم و تجهیزات ایمنی شخصی استفاده کنید. بسته به کاربرد، استفاده از محافظ صورت و عینک ایمنی برای محافظت از چشم می تواند جلوی ذرات پرتاب شده در اکثر کارها را بگیرد.
- اگر افراد دیگری در نزدیکی هستند از شوینده پرفشار استفاده نکنید مگر اینکه آنها پوشاک محافظی داشته باشند.
- برای کاستن از خطر جراحت، هنگامی که از دستگاه نزدیک کودکان استفاده می شود نیاز به نظارت و سرپرستی دقیق می باشد.
- اگر اتصال به سیستم آب شرب برقرار گردد، سیستم در برابر جریان برگشتی محافظت خواهد شد.
- آبی که از بازدارنده جریان برگشتی عبور کرده است غیرقابل شرب محسوب می شود.

ایمنی الکتریکی

- هرگز با دستهای خیس به کارتریج های باتری دست نزنید.
- اگر بخش های مهم دستگاه مانند تجهیزات ایمنی، شلنگ های فشار قوی، آسیب دیده اند نباید از دستگاه استفاده کنید.
- از محیط های خطرناک دوری کنید. ابزار را در محیط های مرطوب یا خیس استفاده نکرده و یا آنرا در معرض باران قرار ندهید. نفوذ آب به ابزار خطر برق گرفتگی را افزایش می دهد.

استفاده و نگهداری از ابزار الکتریکی

- کلیه راهنمایی ها را پیش از استفاده از این دستگاه مطالعه کنید.
- از نحوه متوقف کردن سریع شوینده پرفشار و تخلیه فشارها با آگاه باشید. بطور کامل بر کنترل ها تسلط داشته باشید.
- از پاشیدن مایعات قابل اشتعال و/یا مایعات سمی خودداری کنید. این کار باعث انفجار، مسمومیت، یا آسیب دیدن دستگاه خواهد شد.
- برای تمیز کردن لباس یا کفش، جت را به سمت خود یا دیگران نگویید.
- شلنگ های فشار قوی، اتصالات و کوپلینگ ها برای ایمنی دستگاه مهم هستند. فقط از شلنگ ها، اتصالات و کوپلینگ های توصیه شده توسط سازنده استفاده کنید.
- هنگام عوض کردن متعلقات، راهنمایی ها را دنبال کنید.
- دسته ها را خشک، تمیز و عاری از روغن یا گریس نگه دارید.
- هشیار باشید - به کاری که انجام می دهید دقت کنید.
- موقفی که خسته یا تحت تاثیر نوشیدنی های الکلی یا سایر داروها و مواد هشیار با دستگاه کار نکنید.
- شوینده پرفشار را بدون آب برای بیش از یک دقیقه بکار نیندازید. این کار باعث آسیب دیدن موتور شده و منجر به اشکالات کاری خواهد شد.
- هنگامی که شوینده پرفشار را بدون نظارت و سرپرستی رها می کنید باید همیشه آنرا خاموش کرده و شیر آب را ببندید.
- مراقب پس زدن باشید. هنگامی که جت فشار قوی از نازل بیرون می باشد، دستگاه به عقب پس خواهد زد. دستگاه را محکم بگیرد یا تا از بروز جراحات های اتفاقی جلوگیری شود.
- قبل از استفاده کنترل کرده و به دنبال قطعات آسیب دیده و مستهلک بگردید. همچنین اطمینان حاصل کنید که شلنگ درست وصل شده و در طول کار نشستی وجود نداشته باشد. کار کردن با دستگاهی که اشکالات عملکردی دارد می تواند حادثه ساز شود.
- برای جابجا کردن بدنه شوینده پرفشار نباید شلنگ را بکشید. این کار به شلنگ و قطعات متصل کننده آسیب رسانده و منجر به اتصال کوتاه یا نقصان کارکردی خواهد شد.
- اجسام سنگین روی شلنگ قرار نداده یا اجازه ندهید خودرها از روی آن عبور کنند.
- پیش از جدا کردن شلنگ باید همیشه فشار باقیمانده در دستگاه را تخلیه کنید.
- هنگام وصل کردن شلنگ به شیر آب، دستورالعمل های شرکت یا سازمان آب محلی خود را رعایت کنید.
- اگر دستگاه شوینده پرفشار به زمین افتاده یا با جسم سختی برخورد کرده است، حتماً آنرا برای یافتن نشانه های آسیب دیدگی و ترک خوردگی کنترل کنید. استفاده کردن از یک دستگاه شوینده پرفشار آسیب دیده می تواند باعث تولید دود، آتش شده و یا موجب برق گرفتگی شود که منجر به جراحت شخصی می شود.
- از شروع بکار ناخاسته جلوگیری کنید. قبل از وصل کردن به پسته باتری، بلند کردن یا حمل دستگاه باید همیشه دقت کنید که کلید در وضعیت خاموش باشد. اگر هنگام حمل، دستگاه در حالت فعال بوده یا انگشت شما روی کلید باشد، احتمال رخ دادن حادثه بسیار زیاد خواهد بود.
- قبل از انجام هرگونه تنظیمات، عوض کردن متعلقات یا قرار دادن دستگاه در محل نگهداری باید پسته باتری را از دستگاه جدا کنید. رعایت این نکات پیشگیرانه ایمنی از روشن شدن ناخاسته و اتفاقی دستگاه جلوگیری خواهد کرد.
- سعی نکنید دستگاه یا پسته باتری را دستکاری یا تعمیر کنید مگر در مواردی که در دستورالعمل های استفاده و نگهداری ذکر شده است.
- هشدار - خطل تزریق یا جراحت - جریان خروجی را مستقیماً به سمت افراد نگویید.
- مطمئن شوید که شی یا ناحیه ای که می خواهید تمیز کنید در برابر آب مقاوم باشد. در غیراینصورت ممکن است به شی یا محل آسیب برسد و باعث جراحت شخصی شود.

استفاده و نگهداری از ابزار شارژی

- عمل شارژ را فقط با شارژری که سازنده معین کرده است انجام دهید. شارژری که برای یک نوع بسته باتری مناسب باشد می تواند در صورت استفاده با یک بسته باتری دیگر خطر آتش سوزی ایجاد نماید.

مدل:		DHW180
نرخ حجمی حداکثر ^{1*} [آب تغذیه مخزن / آب تغذیه اصلی]	3.0 / 5.3 L/min	
نرخ حجمی آب ^{2*}	حالت قوی	2.5 L/min
	حالت ضعیف	1.5 L/min
حداکثر فشار کاری		
فشار کاری ^{2*}	حالت قوی [آب تغذیه مخزن / آب تغذیه اصلی]	2.0 / 2.2 MPa
	حالت ضعیف [آب تغذیه مخزن / آب تغذیه اصلی]	0.8 / 0.8 MPa
حداکثر فشار تغذیه		
0.5 MPa		
حداکثر دمای تغذیه		
40°C		
حداکثر ارتفاع مکش		
2.0 m		
ولتاژ اسمی		
جریان مستقیم 18 ولت		
ابعاد ^{3*} [H x W x L]		
239 mm x 99 mm x 888 mm		
وزن		
2.3 - 2.7kg		

1* بدون نازل

2* الگوی پاشش 15°

3* یا نازل 5 در 1 و لوله رابط

- به دلیل اجرای برنامه های مستمر تحقیقات و توسعه امکان دارد مشخصات فنی ذکر شده بدون اعلام قبلی تغییر یابند.
- مشخصات فنی ممکن است بر حسب کشور محل عرضه محصول متفاوت باشد.
- وزن می تواند بسته به ملحقات، شامل کارت ریج باتری، متفاوت باشد. سبک ترین و سنگین ترین آرایش مطابق با روال EPTA شماره 2014/01 در جدول نشان داده شده اند.

کارت ریج باتری و شارژر قابل استفاده

کارت ریج باتری	BL1860B / BL1850B / BL1840B / BL1830B / BL1820B / BL1815N
شارژر	/ DC18SF / DC18SE / DC18SD / DC18RE / DC18RD / DC18RC / DC18WC / DC18SH

- بعضی از کارت ریج های باتری و شارژرهای ذکر شده در بالا ممکن است بسته به منطقه محل سکونت شما در دسترس نباشند.

⚠ هشدار: فقط از کارت ریج های باتری و شارژرهای ذکر شده در بالا استفاده کنید. استفاده از کارت ریج های باتری و شارژرهای دیگر می تواند خطر جراحت و/یا آتش سوزی را به دنبال داشته باشد.

⚠ هشدار: نباید با این دستگاه از منابع تغذیه توان سیم دار مانند آداپتور باتری یا بسته سیار توان استفاده کرد. سیم این قبیل منابع تغذیه توان ممکن است عملیات را مختل کرده و موجب جراحت شخصی گردد.

علامت و نشانه ها

در اینجا علامت و نشانه هایی را مشاهده خواهید کرد که ممکن است برای این دستگاه بکار رفته باشند. پیش از استفاده باید حتماً از معنی آنها آگاه باشید.

دفعتره راهنما را مطالعه کنید.



دقت و مراقبت ویژه الزامی است.



فقط برای کشورهای عضو اتحادیه اروپا (EU) به دلیل وجود اجزای خطرناک در این دستگاه، لوازم مستعمل الکتریکی و الکترونیکی، انباره ها و باتری ها می توانند در محیط زیست و سلامتی انسانها اثر منفی داشته باشند.
لوازم الکتریکی و الکترونیکی یا باتری ها را همراه با ضایعات و زباله های خانگی دور نیندازید!
در تطابق با مصوبه اروپایی درباره لوازم مستعمل الکتریکی و الکترونیکی و انباره ها و باتری ها و انباره ها و باتری های مستعمل، و اجرای آنها با توجه به مقررات و قوانین کشوری، لوازم مستعمل الکتریکی و انباره ها و باتری ها و انباره ها و باتری های مستعمل باید جداگانه نگهداری شده و به یک محل جمع آوری مجزا برای ضایعات شهری که مطابق با قوانین و مقررات محافظت از محیط زیست کار می کند، تحویل شوند.
این موضوع با علامت سطل زباله چرخدار ضربدر خورده روی دستگاه مشخص گردیده است.

به شیر آب شرب وصل نکنید.



جت را به سمت افراد، منجمله خوردن، حیوانات، و تجهیزات برقی متصل به برق نگیرید.



هشدار

- کودکان نباید از دستگاه استفاده کنند. کودکان باید همواره تحت سرپرستی باشند تا مطمئن شوید با وسیله بازی نمی کنند.
- این وسیله برای استفاده افراد (شامل کودکان) دارای ناتوانی های جسمانی، حسی یا ذهنی، و یا افرادی که فاقد تجربه و دانش لازم هستند مناسب نیست، مگر آنکه تحت نظارت با وسیله کار کنند و یا فردی که مسئول ایمنی آنهاست تعلیمات لازم را در خصوص استفاده از وسیله به آنها بدهد.
- فشار آب نباید به سمت افراد، تجهیزات برقی متصل به برق یا خود دستگاه گرفته شود.
- پیش از انجام هرگونه کار بر روی ابزار، باید همیشه دستگاه را خاموش کرده و کارتریج باتری آنرا خارج ساخته باشید.
- اگر بخش های مهم دستگاه مانند تجهیزات ایمنی، شلنگ های فشار قوی، آسیب دیده اند نباید از دستگاه استفاده کنید.
- برای مطالعه شرح متناسب نکات احتیاطی که باید در طول اجرای عملیات نگهداری توسط کاربران رعایت شوند دستورالعمل های بخش نگهداری را مطالعه کنید.
- دمای عادی برای شارژ باتری را بدانید. دستورالعمل های ایمنی برای کارتریج باتری را مطالعه کنید تا نکات احتیاطی کار با باتری ها را بدانید.
- برای مطالعه شرح متناسب نکات احتیاطی که باید در طول اجرای نصب دستگاه توسط کاربران رعایت شوند دستورالعمل های بخش نصب را مطالعه کنید.
- حداکثر فشار آب ورودی را بدانید. برای آگاهی از جزئیات صحیح اتصال به لوله های آب اطلاعات مندرج در بخش مشخصات فنی را مطالعه کنید.
- همیشه از مجموعه شلنگ های ارائه شده همراه دستگاه استفاده کنید. برای آگاهی از نکات احتیاطی اتصال به لوله های آب دستورالعمل های بخش نصب را مطالعه کنید.
- دهانه پر کردن آن نباید در حین استفاده باز باشد. برای حفظ فشار آب دستورالعمل های بخش نصب را دنبال کنید.
- در استخرهای شنای محتوی آب استفاده نکنید.
- الزامات مطرح شده توسط شرکت محلی تأمین آب را رعایت کنید.
- برای کشورهای اروپایی:
- بر اساس EN12729 (BA)، در صورت نصب یک شیر جلوگیری کننده از جریان برگشتی با امکان تخلیه روی شلنگ تغذیه، می توان دستگاه را به لوله های اصلی آب آشامیدنی هم وصل نمود.

استكشاف الأعطال وإصلاحها

قم بتنفيذ الفحص بنفسك أولاً قبل طلب تنفيذ الإصلاحات. لا تحاول تفكيك المنشار إذا اكتشفت وجود مشكلة ليس لها تفسير في هذا الدليل. وبدلاً من هذا، استفسر عن ذلك من مراكز الخدمة المعتمدة من Makita، مع استخدام قطع غيار من إنتاج Makita دانماً.

حالة الخلل	السبب المحتمل (خلل)	العلاج
لا يبدأ تشغيل الفلكتة.	لا توجد كهرباء	رُكب صندوق البطارية المشحون.
	زناد التشغيل مقفل.	افتح قفل زناد التشغيل.
	بطارية أو دائرة كهربائية تالفة	اتصل بمركز خدمة معتمد لإجراء الإصلاحات.
لا يوجد نفث الماء / نفث الماء ضعيف	لا يوجد مصدر الإمداد بالماء	تأكد من فتح الصنوبر. في حالة توصيل الصنوبر بمصدر إمداد الماء من الخزان، أدخِل الماء في رشاش الماء المضغوط والخراطوم.
	مصدر ضعيف لإمداد الماء	قم بتشغيل الصنوبر.
	وصلة خرطوم الماء ضعيفة	افحص الوصلة بين رشاش الماء المضغوط وإمداد الماء.
	خرطوم الماء مشوه أو متآكل	افرد الخرطوم. استبدل خرطوم الماء التالف بأخر جديد.
	الخرطوم أو الفوهة بهما انسداد	أزل انسداد الخرطوم أو الفوهة.
	الفلتر مسدود	أزل الغبار أو الأوساخ الموجودة في الفلتر التي توجد في المصفاة وموصل خرطوم الماء.
	ماء الصرف الصحي/الماء ملوث	نظف نظام الماء وأعد ملأه بماء نظيف.
	فوهة تالفة أو بالية	استبدل الفوهة.
	عطل بالمضخة أو الصمام	اتصل بمركز خدمة معتمد لإجراء الإصلاحات.
	وصلة الماء مرتخية	ثبّت الوصلة بين خرطوم الماء وجانب التوصيل.
	تسريب في وصلة إمداد الماء	أعد ربط الوصلة بين خرطوم الماء وإمداد الماء.
	المصفاة غير مركبة بإحكام	اغمر المصفاة في الماء تمامًا.
	استخدام وضع الضغط المنخفض	اختر وضع الضغط العالي.
نفث الماء غير الثابت	فوهة مسدودة	افتح انسداد فتحة الإخراج بالفوهة باستخدام مسمار المنظف.
	شغط ضعيف لإمداد الماء	افحص خرطوم الماء بحثاً عن أي تسرب أو انسدادات.
	الماء ساخن جدًا.	ماء مبرد الإمداد.
	عطل بالصمام	اتصل بمركز خدمة معتمد لإجراء الإصلاحات.
	الماء ساخن جدًا.	ماء مبرد الإمداد.
صوت غير طبيعي	وصلة ضعيفة	افحص الوصلة بين رشاش الماء المضغوط وإمداد الماء.
تسرب الماء	الفوهة ليست مركبة جيدًا	اندفع الفوهة إلى الداخل، ثم أدرها حتى تستقر في مكانها بإحكام.
	يظل رأس الفوهة في موضع غير صحيح	اضبط رأس الفوهة في وضع مقفل يسمح باستقرارها في مكانها مع صدور صوت طقطقة وظهور رمز نمط الرش بوضوح.
	موانع التسرب البالية	اتصل بمركز خدمة معتمد لإجراء الإصلاحات.

فوهة الرش بزواوية

الشكل 38

يمكن لرأس فوهة الرش بزواوية الاستدارة بمقدار 360 درجة، مما يسمح بالمنورة والتغطية دون ترك أي مناطق غير مغطاة.

مهاين العبوة البلاستيكية

الشكل 39

ضخ الماء المعيا واستخرجها بسهولة من العبوة البلاستيكية. يمكن استخدام عبوة الماء كمصدر للماء (الإمداد الجهاز بالماء).

الملحقات الاختيارية

تنبيه: يوصى باستعمال هذه الملحقات أو المستلزمات مع أداة Makita المحددة في هذا الدليل. فاستعمال أية ملحقات أو مستلزمات أخرى قد يعرض الأشخاص لخطر الإصابة. ولا تستعمل أية ملحقات أو مستلزمات إلا للعرض المعين لها.

إذا كنت بحاجة إلى أي مساعدة للحصول على مزيد من التفاصيل حول هذه الملحقات، فالرجاء الاستفسار من مركز خدمة Makita المحلي.

ملاحظة: قد تكون بعض العناصر الواردة بهذه القائمة مرفقة داخل عبوة الأداة كملحقات قياسية. وقد تختلف من بلد لآخر.

فوهة الرغاوي

الشكل 36

يمكن رش المنظف على شكل رغاوي.

فرشاة الغسيل

الشكل 37

فوهة مزودة بفرشاة. تفيد في إزالة الأوساخ أثناء الكشط بالفرشاة.

ارتفاع رفع الماء

يجب أن يكون الارتفاع الرأسي من مصدر الماء إلى منفذ شطف الماء لرشاش الماء المضغوط في نطاق مقداره 2.0 m.

عمق الماء الراكد

املا حاوية الماء بسمك يزيد عن 25 mm من القاع.

الشكل 22: 1. ارتفاع رفع الماء 2. عمق الماء الراكد

الخطوات المطلوبة للمهام الأساسية

1. صل مدخل خرطوم الماء بمصدر الإمداد بالماء.

2. صل مخرج خرطوم الماء برشاش الماء المضغوط.

الشكل 23

3. في حالة خروج الماء المتبقي في رشاش الماء المضغوط منذ آخر استخدام له، أدخل الماء إلى خرطوم الضغط ورشاش الماء المضغوط.

دع الماء يتدفق عبر الخرطوم ورشاش الماء المضغوط حتى يخرج أي هواء موجود داخلهما.

(1) أزل الفوهة من رشاش الماء المضغوط.

(2) ركب صندوق البطارية في رشاش الماء المضغوط.

(3) اختر وضع الضغط العالي.

(4) افتح قفل زناد التشغيل.

(5) اسحب زناد التشغيل مع الاستمرار حتى يرش رشاش الماء المضغوط الماء بنمط ثابت.

الشكل 24: 1. ذراع تشغيل وضع الضغط

بعد تنفيس الهواء المحبوس من رشاش الماء المضغوط والخرطوم، حرّز زناد التشغيل.

أزل صندوق البطارية من رشاش الماء المضغوط، ثم صل الفوهة المناسبة للمهمة.

4. افتح الغطاء وركب صندوق البطارية في رشاش الماء المضغوط، ثم أغلق الغطاء.

الشكل 25: 1. صندوق البطارية 2. الغطاء

تنبيه: احرص على عدم تعرض أصابعك للقرص عند فتح غطاء البطارية أو إغلاقه.

5. اختر وضع الضغط المطلوب. وبعد ذلك، افتح قفل زناد التشغيل. الشكل 26: 1. ذراع تشغيل وضع الضغط 2. زناد التشغيل 3. زر القفل

6. وجه رأس الفوهة نحو مكان أو منطقة رش الماء. اضغط على زناد التشغيل.

يستمر رش الماء بينما تضغط على زناد التشغيل.

الشكل 27

الشكل 28

تنبيه: أمسك رشاش الماء المضغوط بإحكام. تردد الأداة عند سحب زناد التشغيل.

تنبيه: احرص دائماً على الإمساك برشاش الماء المضغوط من المقبض والأسطوانة عند رش الماء المضغوط.

بعد الاستخدام

تنبيه: بعد تشغيل رشاش الماء المضغوط، احرص دائماً على تنفيذ الإجراء الموضح في هذا الدليل، قد يتسبب الضغط المتبقي في رشاش الماء المضغوط في حدوث إصابة جسدية أو تلف المضخة من الداخل.

1. حرّز زناد التشغيل، واقفله باستخدام زر القفل.

2. افصل خرطوم الماء من مصدر الإمداد بالماء. الشكل 29

3. افتح قفل زناد التشغيل واستمر في الضغط عليه حتى يتم إخراج الماء المتبقي في رشاش الماء المضغوط والخرطوم.

الشكل 30

إشعار: لا تشغيل المحرك لأكثر من 1 دقيقة.

4. حرّز زناد التشغيل، واقفله باستخدام زر القفل. وبعد ذلك، أزل البطارية من رشاش الماء المضغوط.

الشكل 31: 1. زر القفل 2. صندوق البطارية

5. افصل خرطوم الضغط من رشاش الماء المضغوط. الشكل 32: 1. جلبة التوصيل 2. موصل خرطوم الماء

إشعار: لمنع تلف خرطوم الضغط، أزل الماء المتبقي في الخرطوم قبل تخزينه.

الصيانة

تنبيه: تأكد دائماً من إيقاف تشغيل الأداة وإزالة صندوق البطارية قبل محاولة إجراء فحص أو صيانة.

إشعار: تجنب استخدام الجازولين أو البنزين أو التتر أو الكحول أو ما شابه. فقد ينتج عن ذلك تغير لون الجهاز أو تشوه شكله أو تشققه.

للحفاظ على سلامة المنتج وموثوقيته، يجب إجراء أية عمليات إصلاح أو أية إجراءات صيانة أو ضبط أخرى لدى مراكز خدمة المصنع أو Makita المعتمدة، ونوصي دوماً باستعمال قطع غيار من إنتاج Makita.

تنظيف الفوهات

استخدم مسمار المنظف، أداة صغيرة جداً للتنظيف، لإزالة الأوساخ المتراكمة من فتحات الفوهة.

الشكل 33: 1. مسمار المنظف 2. الفوهة

ملاحظة: للحفاظ على الأداء الأمثل، احرص على تنظيف الفوهة بشكل دوري.

إشعار: لا تقم بإزالة الأوساخ أو الحطام بالفوهة. فقد يؤدي ذلك إلى وقوع إصابة شخصية أو تلف في فتحة الإخراج أو ضعف الأداء.

تنظيف الفلاتر

فك موصل خرطوم الماء من رشاش الماء المضغوط. أزل الغبار أو الأوساخ الموجودة في الفلتر.

الشكل 34: 1. موصل خرطوم الماء 2. الفلتر 3. حلقة منع التسرب

فك المصفاة عن طريق فك صندوق الفلتر. أزل الغبار أو الأوساخ الموجودة في الفلتر.

الشكل 35: 1. الفلتر 2. صندوق الفلتر

ملاحظة: للحفاظ على الأداء الأمثل، قم بتنظيف الفلتر بشكل دوري.

التوصيل بالمصدر الرئيسي للإمداد بالماء

⚠ تنبيه: احرص دائماً على استخدام خرطوم الضغط المرفق مع الأداة للإمداد بالماء.

إشعار: إذا قمت بالتوصيل إلى المصدر الرئيسي لماء الشرب، فاستخدم صمام مانع التدفق الخلفي الذي يتوافق مع لوائح المنطقة.

إشعار: حافظ على تغذية ضغط الماء الذي تم إدخاله بحيث يكون أقل من 0.5 MPa لضمان التغذية السليمة. لا تتجاوز الحد الأقصى للتغذية، حيث قد يتسبب ذلك في حدوث تسربات للماء عند توقف الأداة عن العمل.

يمكن استخدام مصدر الماء الرئيسي المتوفر في موقع أو مكان الضيول. يتيح لك إمداد الجهاز بالماء المستمر عدم التفكير والإشغال بإعادة تعبئة الماء، كما يمكنك من تنظيف المنزل وري البستان بكفاءة، مثل تنظيف البقع والشطف وري مساحة واسعة من العشب أو النباتات.

1. صل خرطوم الضغط بالصنوبر.

استخدم قطعة التوصيل المناسبة، وصلة صنوبر الماء مثلاً، لتثبيت طرف الخرطوم بالصنوبر بإحكام.

الشكل 16: 1. وصلة صنوبر الماء، 2. جلبة توصيل، 3. خرطوم الضغط

ملاحظة: يعتمد نوع قطعة التوصيل على شكل الصنوبر المستخدم. جُزّج قطعة توصيل مناسبة، مثلاً شراؤها من السوق.

2. صل الطرف الآخر من الخرطوم بموصل خرطوم الماء في رشاش الماء المضغوط.

ضع جلبة التوصيل على مدخل الموصل واستمر في دفعها حتى تستقر في مكانها.

الشكل 17: 1. جلبة توصيل، 2. موصل خرطوم الماء

تركيب فوهة الرغوي

ملحق اختياري

⚠ تنبيه: احرص دائماً على قفل زناد التشغيل أثناء تركيب فوهة الملحقات الاختيارية.

إشعار: لا تستخدم إلا منظفات محايدة. لا تستخدم المنظفات المنزلية أو المنظفات الحمضية أو المنظفات القلوية أو المبيضات أو المذيبات أو المواد القابلة للاشتعال أو المحاليل الصناعية التي قد تلحق التلف بالأداة أو الممتلكات. جُزّج محلول التنظيف وفقاً للتعليمات المبينة على عبوة المحلول، واختبره دائماً في مكان غير واضح قبل استخدامه.

إشعار: إذا تم استخدام منظف شديد اللزوجة، فمن المرجح أن تتعرض الفوهة للانسداد. عند استخدام منظف شديد اللزوجة، قم بتخفيف المنظف بإضافة الماء إلى العبوة قبل استخدامها.

ملاحظة: عند استخدام فوهة الرغوي، يتم تخفيف المنظف الموجود في العبوة بالماء الذي توفره الأداة وترشسه. لا ينبغي الإفراط في تخفيف تركيز المنظف في العبوة. اضبط تركيز المنظف بينما تتحقق من ظروف الاستخدام. **ملاحظة:** قد يتسبب المنظف إذا كانت فوهة الرغوي مائلة على جانبيه.

قم بتجهيز منظف قبل استخدام فوهة الرغوي.

1. املا الخزان بالمنظف. صل الفوهة بالخزان واربط الغطاء بإحكام.
2. أمل فوهة الرغوي لمحاذاة التيارات التوجيهية مع فتحات القفل الموجودة على مبيت الأداة. ادفع الفوهة إلى الداخل وثبتها في مكانها. وبعد ذلك، أدر فوهة الرغوي في الاتجاه الموضح في الشكل لتعشيق القفل.
الشكل 18: 1. فوهة الرغوي، 2. الخزان، 3. التيارات التوجيهية، 4. فتحة القفل

بعد تركيب الفوهة، جُزّب سحباها للخلف للتأكد من تثبيتها بإحكام في مكانها.

3. أدر قرص المنظف لضبط حجم شطف محلول المنظف.
الشكل 19: 1. قرص المنظف، 2. القرص عند علامة الحد الأدنى، 3. القرص عند علامة الحد الأقصى

تركيب فوهات اختيارية

ملحق اختياري

⚠ تنبيه: احرص دائماً على قفل زناد التشغيل أثناء تركيب فوهة الملحقات الاختيارية.

حاذِ التيارات التوجيهية الموجودة على الفوهة الاختيارية مع فتحات القفل الموجودة على مبيت الأداة. ادفع الفوهة إلى الداخل وثبتها في مكانها. وبعد ذلك، أدر الفوهة في الاتجاه الموضح في الشكل لتعشيق القفل. بعد تركيب الفوهة، جُزّب سحباها للخلف للتأكد من تثبيتها بإحكام في مكانها.
الشكل 20: 1. الفوهات، 2. التيارات التوجيهية، 3. فتحة القفل

لفك الفوهة، ادفع الفوهة مع الاستمرار باتجاه مبيت الأداة، ثم أدرها عكس عقارب الساعة لتحرير القفل. اسحب الفوهة بعيداً عن رشاش الماء المضغوط بعد فتح القفل.

تركيب مهائى العبوة البلاستيكية

ملحق اختياري

⚠ تنبيه: احرص دائماً على قفل زناد التشغيل أثناء تركيب فوهة الملحقات الاختيارية.

⚠ تنبيه: تأكد من توصيل مهائى العبوة البلاستيكية بإحكام برشاش الماء المضغوط والعبوة البلاستيكية. قد يؤدي عدم اتباع ذلك إلى سقوط العبوة، ومن ثم وقوع إصابة جسدية.

ملاحظة: يُفضل استخدام عبوة بلاستيكية سعة 2 لتر (نصف جالون) لتخزين الماء.

1. املا العبوة البلاستيكية بالماء.

2. ألقِ أنبوية الشطف لأسفل عبر فتحة العبوة.

3. صل المهائى بالعبوة باستخدام صامولة جلبة التوصيل.

4. صل مهائى العبوة البلاستيكية بموصل خرطوم الماء في رشاش الماء المضغوط.

ضع جلبة التوصيل على مدخل الموصل واستمر في دفعها حتى تستقر في مكانها.

الشكل 21: 1. مهائى العبوة البلاستيكية، 2. أنبوب الشطف، 3. العبوة البلاستيكية، 4. موصل خرطوم الماء

التشغيل

⚠ تحذير: لا تلمس نفاث الماء أو توجه نحوك أو نحو الآخرين. إن نفاث الهواء خطير ويمكن أن يسبب لك ضرراً أو لآخرين.

⚠ تحذير: عند توجيه نفاث الماء، لا تمسك الشيء الذي تقوم بتنظيفه أو ضع يديك وقدميك بالقرب من نفاث الماء.

⚠ تنبيه: لا تشغل رشاش الماء المضغوط بدون ماء لأكثر من 1 دقيقة.

⚠ تنبيه: لا تشغل رشاش الماء المضغوط لفترة زمنية طويلة. قد يؤدي ذلك إلى السخونة الزائدة أو نشوب حريق. قد يتسبب الاستخدام طويل المدى أيضاً في مشكلات الاهتزاز.

⚠ تنبيه: انتبه إلى اتجاه الرياح. في حالة دخول المنظف داخل العينين أو الفم، اشطفهما بماء عذب على الفور واحصل على الرعاية الطبية إذا لزم الأمر.

إشعار: لحماية آلية رشاش الماء المضغوط، لا تستخدم ماء حرارته أعلى من 40°C (104°F).

إشعار: لا تستخدم مصدر مياه غير معالج، كمياه الأنهار ومياه البرك والمياه الرملية أو الموحلة. قد تتسبب المياه المتسخة غير المفلترة في ترسب مواد غير مرغوب فيها في المضخة، مما يؤدي إلى حدوث عطل.

مفتاح وضع الضغط

- حدد وضع الضغط المطلوب بتحريك ذراع التشغيل إلى الأمام والخلف.
- اسحب الذراع إلى الخلف لتفعيل وضع الضغط المنخفض حتى ترى رمز الرقم "1" على المفتاح.
- ادفع الذراع إلى الأمام لتفعيل وضع الضغط العالي حتى ترى رمز الرقم "2" على المفتاح.
- ◀ الشكل: 5: 1. وضع الضغط المنخفض (1) 2. وضع الضغط العالي (2) 3. ذراع تشغيل وضع الضغط

زناد التشغيل

- يستخدم رشاش الماء المضغوط قفلاً للسلامة في زناد التشغيل. لتحرير قفل الزناد، اضغط على زر القفل داخل الزناد حتى يصبح سطح الزناد مستويًا.
- اسحب زناد التشغيل لرش الماء. يستمر رش الماء أثناء الضغط على زناد التشغيل.
- ◀ الشكل: 6: 1. زناد التشغيل 2. زر القفل
- حزك زر القفل من موضعه الحالي داخل الزناد إلى موضعه الأصلي لتعشيق قفل الزناد.
- تأكد من قفل زناد التشغيل عند عدم استخدام رشاش الماء المضغوط.
- ◀ الشكل: 7: 1. زناد التشغيل 2. زر القفل

وظائف الفوهة

تتيح لك فوهة الرش متعددة الأنماط (5 في 1) مجموعة من أنماط الرش التي يمكنك ضبطها وفقًا لاحتياجك. وبالجمبع بين خمسة من أكثر أنماط الري استخدامًا في فوهة واحدة، لن تضطر إلى التبديل بين الفوهات؛ فما عليك سوى اختيار نمط الرش المناسب للمهمة.

تغيير بسيط لزاوية الفوهات، 0°، 15°، 25°، 40° والرشاش

◀ الشكل: 8

◀ الشكل: 9: 1. رمز نمط الرش 2. علامة المثلث

أدر رأس الفوهة إلى اليسار أو اليمين باتجاه موضع نمط الرش المطلوب. حاذِ رمز نمط الرش المطلوب تحديده بشكل صحيح مع علامة المثلث، بحيث تستقر رأس الفوهة في مكانها مصدرة صوت نقره.

◀ الشكل: 10

إشعار: احرص على عدم تثبيت رأس الفوهة في موضع لا يصدر معه أي صوت قفظة. وإلا فسينتج عن ذلك أنماط رش غير منتظمة، مما يؤدي إلى حدوث تسربات للماء.

⚠ تنبيه: احرص على عدم تدوير جسم الفوهة مع رأس الفوهة أثناء تغيير أنماط الرش. قد تقع الفوهة من جسم الأداة، مما يتسبب في إصابة جسدية.

صمام السلامة

هذه الأداة مزودة بصمام للسلامة لمنع الضغط الزائد غير الضروري.

⚠ تنبيه: لا تعبت بإعداد صمام السلامة أو تقم بضبطه.

التجميع

⚠ تنبيه: تأكد دائمًا من إيقاف تشغيل الأداة وإزالة صندوق البطارية قبل تنفيذ أي عمل في الأداة.

تركيب الفوهة ووصلة التطويل التي على شكل حربة

⚠ تنبيه: احرص دائمًا على قفل زناد التشغيل أثناء تركيب/فك فوهة ووصلة تطويل على شكل حربة.

الفوهة

حاذِ التواءات التوجيهية الموجودة على طرف الفوهة مع فتحات القفل الموجودة على مبيت الأداة. ادفع الفوهة إلى الداخل حتى تصبح علامة المثلث الموجودتان على الفوهة ومبيت الأداة في مواجهة بعضهما. وبعد ذلك، أدر الفوهة في الاتجاه الموضح في الشكل لتعشيق القفل.

بعد تركيب الفوهة، حزب سحبها للخلف للتأكد من تثبيتها بإحكام في مكانها.

◀ الشكل: 11: 1. الفوهة 2. التواءات التوجيهية 3. فتحة القفل 4. العلامات المثلثة 5. مخطط على شكل زعانف حوضية

ملاحظة: تأكد من إدارة المخطط الذي على شكل زعانف حوضية حتى يصبح المخطط متجهًا لأسفل.

لفك الفوهة، ادفع الفوهة مع الاستمرار باتجاه مبيت الأداة، ثم أدرها عكس عقارب الساعة حتى تصبح علامتا المثلث في مواجهة بعضهما. اسحب الفوهة بعيدًا عن مبيت الأداة بعد أن يتم فتح قفلها.

وصلة التطويل التي على شكل حربة

رش المياه على أي مكان يصعب الوصول إليه. ركب وصلة التطويل التي على شكل حربة بين مبيت الأداة والفوهة باتباع الخطوات نفسها المبينة في تركيب الفوهة.

- ◀ الشكل: 12: 1. وصلة التطويل التي على شكل حربة 2. مبيت الأداة 3. الفوهة 4. التواءات التوجيهية 5. فتحات القفل 6. العلامات المثلثة

لفك الملحقات، ادفع طرف الملحق مع الاستمرار باتجاه مبيت/ملحق الحامل، ثم أدره عكس عقارب الساعة حتى تصبح علامتا المثلث في مواجهة بعضهما. اسحب طرف الملحق بعيدًا عن مبيت/ملحق الحامل بعد فتح قفله.

التوصيل بمصدر إمداد ماء الخزان

إشعار: احرص دائمًا على استخدام خرطوم الضغط والمصفاة المرفقين مع الأداة للإمداد بالماء.

إشعار: اترك دائمًا مسافة 2.0 m أو أقل في الارتفاع بين مدخل رشاش الماء المضغوط وسطح الماء. وإلا، فلن يتمكن رشاش الماء المضغوط من رفع الماء داخل المصخة.

إشعار: تأكد من ملء حاوية الماء بما يزيد عن سمك 25 mm من القاع، وتأكد من غمر المصفاة في الماء تمامًا.

يمكنك الإمداد بالماء من أي خزان/حاوية/مستودع بغض النظر عن حجمه. يُستخدم رش المياه المعتمد على الإمداد بالماء من الخزان في الحالات التي تتطلب الرش بالماء المضغوط، كغسل السيارة وري البساتين، وما إلى ذلك، حيث لا يتوفر الماء ويتعين نقله إلى موقع أو مكان التشغيل.

1. صيل المصفاة بأحد طرفي خرطوم الضغط.
ركب مخرج المصفاة في جلبة التوصيل واستمر في دفعه حتى تستقر المصفاة في مكانها.

◀ الشكل: 13: 1. المصفاة 2. جلبة التوصيل 3. خرطوم الضغط

2. اترك المصفاة في قاع حاوية الماء.
◀ الشكل: 14: 1. المصفاة 2. خرطوم الضغط 3. خطاف الخرطوم

ملاحظة: علّق الخرطوم على الفتحة باستخدام خطاف الخرطوم المرفق مع الجهاز حتى تظل المصفاة في قاع الحاوية.

3. صبل الطرف الآخر من الخرطوم بموصل خرطوم الماء في رشاش الماء المضغوط.

ضع جلبة التوصيل على مدخل الموصل واستمر في دفعها حتى تستقر في مكانها.

◀ الشكل: 15: 1. جلبة التوصيل 2. موصل خرطوم الماء

⚠ تنبيه: تأكد من توصيل خرطوم الضغط العالي بإحكام. قد تؤدي الوصلة المرترخية إلى نفخ خرطوم الضغط العالي، مما يؤدي إلى الإصابة الشخصية.

إشعار: املا رشاش الماء المضغوط والخرطوم بالماء مسبقًا، إذا كانت المهمة تتطلب رفع الماء من عمق محدد أثناء تفعيل وضع الضغط العالي.

نصائح للحصول على أطول فترة تشغيل ممكنة للبطارية

1. اشحن صندوق البطارية قبل نفاذ شحنها تمامًا. وأوقف دائمًا تشغيل الأداة واشحن صندوق البطارية عند ملاحظة انخفاض طاقة الأداة.
2. تجنب إعادة شحن بطارية مشحونة تمامًا. فقد يؤدي الشحن الزائد إلى تقصير فترة تشغيل البطارية.
3. اشحن صندوق البطارية في درجة حرارة الغرفة التي تتراوح من 10 درجات - 40 درجة مئوية. اترك صندوق البطارية الساخن يبرد قبل شحنها.
4. عند عدم استخدام صندوق البطارية، قم بإزالته من الأداة أو الشاحن.
5. اشحن صندوق البطارية إذا لم تكن تستخدمه لفترة طويلة (أكثر من ستة أشهر).

الحماية من زيادة السخونة

عندما تنسخن الأداة أو البطارية بشكل زائد، تتوقف الأداة تلقائيًا وتضيء العلامة الحمراء. وفي هذه الحالة، اترك الأداة تبرد قبل تشغيلها مجددًا.

الحماية من فرط تفريغ الشحنات

عندما تنخفض سعة البطارية، ستومض العلامة الحمراء. عندما يوشك شحن البطارية على النفاذ، تتوقف الأداة عن العمل تلقائيًا وتضيء العلامة الحمراء. وفي هذه الحالة، أزل البطارية من الأداة واشحنها.

الحماية من العوامل الأخرى

صُمم نظام الحماية أيضًا لأسباب أخرى قد تؤدي إلى تلف الأداة والسماح لها بالتوقف عن العمل تلقائيًا. اتخذ كل الخطوات التالية للتخلص من الأسباب التي أدت إلى توقف الأداة مؤقتًا أو إيقافها عن التشغيل.

1. أوقف تشغيل الأداة، ثم أعد تشغيلها.
2. اشحن البطارية (البطاريات) أو استبدلها بأخرى أعد شحنها.
3. اترك الأداة والبطارية (البطاريات) ليبرد.

إذا لم يحدث تحسن نتيجة استعادة نظام الحماية، فواصل بمركز خدمة Makita المحلي لديك.

إشعار: إذا توقفت الأداة لسبب غير مبيّن أعلاه، فراجع قسم استكشاف الأعطال وإصلاحها.

الإشارة إلى سعة شحن البطارية المتبقية

لصناديق البطارية المزودة بالمؤشر فقط

اضغط على زر الفحص الموجود بصندوق البطارية لعرض السعة المتبقية من شحن البطارية. تُضيء مصابيح المؤشر ليضع تونان. الشكل: 4: 1. مصابيح المؤشر 2. زر الفحص

السعة المتبقية	مصابيح المؤشر			
	مضيء	إيقاف التشغيل	وامض	
75% إلى 100%	■	■	■	■
50% إلى 75%	■	■	■	□
25% إلى 50%	■	■	□	□
0% إلى 25%	■	□	□	□
اشحن البطارية.	■	□	□	□
قد يكون بالبطارية خلل وظيفي.	■	■	□	□
		↑ ↓	■	■

ملاحظة: قد تختلف الإشارة الدالة على سعة البطارية اختلافًا طفيفًا عن السعة الفعلية، وذلك اعتمادًا على ظروف الاستخدام ودرجة حرارة البيئة المحيطة.

ملاحظة: يومض مصباح المؤشر الأول (أقصى اليسار) عند تشغيل نظام حماية البطارية.

الوصف الوظيفي

⚠ تنبيه: تأكد دائمًا من إيقاف تشغيل الأداة وإزالة صندوق البطارية قبل ضبط أي وظيفة بالأداة أو فحصها.

تركيب صندوق البطارية أو إزالته

⚠ تنبيه: أوقف دائمًا تشغيل الأداة قبل تركيب صندوق البطارية أو إزالته.

⚠ تنبيه: أمسك الأداة وصندوق البطارية بإحكام عند تركيب صندوق البطارية أو إزالته. قد يؤدي عدم الإمساك بالأداة وصندوق البطارية بإحكام إلى انزلاقهما وسقوطهما من يديك مما يؤدي إلى تلف الأداة وصندوق البطارية ووقوع إصابة شخصية.

⚠ تنبيه: احرص على عدم تعرض أصابعك للقرص عند فتح غطاء البطارية أو إغلاقه.

افتح الغطاء بينما تدفع ذراع القفل.

الشكل: 1. الغطاء 2. ذراع القفل

حاذ اللسان الموجود على صندوق البطارية مع التحويف الموجود في المبيت ثم حرّكه لينزلق في مكانه. ركبّه كله حتى يستقر في مكانه مصدرًا صوت طقطقة بسيطًا. إذا كنت تستطيع رؤية العلامة الحمراء، كما في الشكل، فهذا يعني أنه لم يستقر مكانه بشكل كامل.

الشكل: 2: 1. العلامة الحمراء 2. الزر 3. صندوق البطارية

بعد تركيب صناديق البطارية أو إزالتها، احرص على إغلاق الغطاء.

إزالة صندوق البطارية، افتح الغطاء وأزل صندوق البطارية من الأداة بينما تضغط على الزر الموجود بالجانب الأمامي، ثم أغلق الغطاء.

⚠ تنبيه: قد دائما بتركيب صندوق البطارية بالكامل حتى تتعذر رؤية العلامة الحمراء. وإذا لم يحدث ذلك، فقد يسقط فجأة خارج الأداة، مما يتسبب في إصابتك أو إصابة شخص بجوارك.

⚠ تنبيه: لا تقم بتركيب صندوق البطارية عنوة. إذا لم ينزلق صندوق البطارية بسهولة، فذلك يعني إدخاله بشكل خاطئ.

⚠ تنبيه: احرص على قفل الغطاء قبل التشغيل.

نظام حماية الأداة / البطارية

هذه الأداة مزودة بنظام لحماية الأداة/البطارية. يفضل هذا النظام الطاقة عن المحرك بشكل تلقائي لإطالة عمر الأداة والبطارية. تتوقف هذه الأداة تلقائيًا عن التشغيل وتبين العلامات ما إذا كانت الأداة أو البطارية قد تعرضت لإحدى الحالات التالية:

الشكل: 3: 1. العلامة

الحماية من الحمولة الزائدة

عند تشغيل الأداة أو البطارية بطريقة تتسبب في استهلاك التيار بشكل أكثر من المعتاد، تتوقف الأداة تلقائيًا وتضيء العلامة الحمراء. وفي هذه الحالة، أوقف تشغيل الأداة وأوقف المهمة التي تسببت في زيادة حمولة الأداة. وبعد ذلك، أعد تشغيل الأداة.

إرشادات سلامة هامة خاصة بصندوق البطارية

1. قبل استعمال صندوق البطارية، اقرأ جميع الإرشادات والرموز التحذيرية الموجودة على (1) شاحن البطارية و(2) البطارية و(3) المنتج الذي يعمل باستخدام البطارية.
2. لا تترك صندوق البطارية أو تعبت به. فقد يؤدي ذلك إلى نشوب حريق أو تولد حرارة زائدة أو حدوث انفجار.
3. إذا أصبحت فترة التشغيل أقصر بنسبة كبيرة للغاية، فأوقف التشغيل فوراً. قد يؤدي ذلك إلى خطر زيادة سخونة والحروق المحتملة بل وإلى وقوع انفجار.
4. إذا لامس الإلكترونيات عيناك، فاشطفهما بالماء النظيف واطلب المساعدة الطبية فوراً. فقد يؤدي ذلك إلى أن تفقد بصرك.
5. لا تقم بإحداث دائرة قصر في صندوق البطارية:
 - (1) لا تلمس أطراف التوصيل بأي مواد موصلة للتيار.
 - (2) تجنب تخزين صندوق البطارية في حاوية بها أجسام معدنية أخرى مثل المسامير والعملات وما إلى ذلك.
 - (3) لا تعرض صندوق البطارية للماء أو المطر.
6. قد يتسبب إحداث دائرة قصر في البطارية في تدفق كمية كبيرة من التيار وزيادة السخونة وحروق محتملة، بل والتلطل أيضاً.
7. لا تخزن الأداة وصندوق البطارية ولا تستخدمهما في الأماكن التي قد تبلغ درجة الحرارة فيها 50°C (122°F) أو تزيد عنها.
8. لا تحرق صندوق البطارية حتى في حالة تعرضه لتلف شديد أو تآكله تماماً. فقد ينفجر صندوق البطارية ويتسبب في حدوث حريق.
9. لا تقم بفتح صندوق البطارية أو قطعه أو كسره أو قذفه أو إسقاطه أو الطرق بجسم صلب على صندوق البطارية. فقد يؤدي القيام بذلك إلى نشوب حريق أو تولد حرارة زائدة أو حدوث انفجار.
10. لا تستخدم بطارية تالفة.
11. تخضع بطاريات أيون الليثيوم المرفقة لمتطلبات التشريع الخاصة بالضرر بالخطرة.
12. فيما يتعلق بعمليات النقل التجارية، كالتي تجربها الجهات الخارجية أو وكلاء الشحن، يجب الالتزام بمتطلبات خاصة بالتغليف والتصنيف. تجنب استشارة خبير بالمواد الخطرة حال التحضير لشحن أي منها. يرجى كذلك مراعاة اللوائح المحلية التي قد تكون أكثر تفصيلاً. قم بتثبيت وصلات المفتوحة وتغليفها وتغليف البطارية بطريقة لا تسمح لها بالحركة داخل العبوة.
13. عند التخلص من صندوق البطارية، قم بإزالته من الأداة وتخلص منه في مكان آمن. اتبع القوانين المحلية المتعلقة بالتخلص من البطارية.
14. لا تستخدم سوى البطاريات المرفقة مع المنتجات التي تصنعها Makita. فتركيب البطاريات بمنتجات غير متوافقة ربما يؤدي إلى نشوب حريق أو توليد حرارة زائدة أو حدوث انفجار أو تسريب إلكتروني.
15. في حالة عدم استخدام هذه الأداة لفترة زمنية طويلة، ينبغي إزالة البطارية منها.
16. أثناء الاستخدام وبعده، قد يتعرض صندوق البطارية للحرارة، الأمر الذي قد يؤدي إلى الإصابة بحروق أو حروق منخفضة الحرارة. توخ الحذر عند التعامل مع صندوق البطارية.
17. لا تلمس طرف الأداة عقب استخدامها؛ فربما تكون ساخنة بدرجة تؤدي إلى الإصابة بحروق.
18. لا تسمح بوصول للفظاظ أو الغبار أو الأتربة المتلصقة بالأطراف والتقويع والتجاويف إلى صندوق البطارية؛ فقد يؤدي ذلك إلى سخونته أو نشوب حريق أو وقوع انفجار وتعطل الأداة أو صندوق البطارية، ومن ثم الإصابة بحروق أو إصابة جسدية.
19. إذا كانت الأداة لا تدعم الاستخدام بالقرب من خطوط الكهرباء ذات الفولطية العالية، فلا تستخدم صندوق البطارية بالقرب منها. فقد يؤدي ذلك إلى حدوث عطل أو تلف بالأداة أو صندوق البطارية.
20. احتفظ بالبطارية بعيداً عن متناول الأطفال.

احتفظ بهذه الإرشادات.

⚠تنبيه: لا تستخدم سوى بطاريات Makita الأصلية؛ حيث أن استخدام بطاريات غير أصلية أو بطاريات معقدة قد ينتج عنه انفجار يتسبب في اندلاع حرائق وإصابات شخصية وتلف. وسيحول ذلك دون استفادتك من ضمان Makita الخاص بالأدوات والشواحن.

4. قد يتدفق السائل من البطارية في حالة الاستعمال التصفي، وعندئذ تجنب ملامسته. إذا لامست هذا السائل دون قصد، فاشطف المنطقة المتأثرة بالماء. واطلب المساعدة الطبية أيضاً إذا لامس هذا السائل العينين. فقد يتسبب السائل المتسرب من البطارية في حدوث تهييج أو حروق.
5. لا تستخدم مجموعة بطارية أو أداة تالفة أو معقدة؛ فقد تظهر الطاريات التالفة أو المعقدة سلوكاً غير متوقع ينتج عنه حريق أو انفجار أو التعرض لإصابة.
6. لا تعرض مجموعة البطارية أو الأداة لحريق أو حرارة مفرطة؛ حيث إن تعريض أي منهما لحريق أو درجة حرارة تزيد عن 130 درجة مئوية قد يتسبب في حدوث انفجار.
7. اتبع جميع إرشادات الشحن ولا تشحن مجموعة البطارية أو الأداة خارج نطاق درجة الحرارة المحدد في الإرشادات؛ فالشحن بطريقة غير مناسبة أو في درجات حرارة خارج النطاق المحدد قد يتسبب في تلف البطارية وزيادة خطر اندلاع حريق.

الخدمة

1. اتبع إرشادات الصيانة المحددة في الدليل.
2. لضمان سلامة الجهاز، لا تستخدم إلا قطع الغيار الأصلية المقدمة من جهة التصنيع أو المعتمدة من جهة التصنيع.
3. تنبغي صيانة رشاش الماء المضغوط لدى فني إصلاح موهل، على ألا يكون ذلك إلا باستخدام قطع غير أصلية مطابقة. سيضمن هذا الحفاظ على سلامة رشاش الماء المضغوط.
4. في حالة كسر رشاش الماء المضغوط أو تعطله، أوقف تشغيله فوراً وأزل صندوق (صناديق) البطارية. اتصل بالوكيل أو مركز الخدمة المحلي.
5. تحذيرات أمان إضافية
 1. لا تستخدم الأداة عند وجود خطر الصعق.
 2. عند استخدام الأداة على أرضية طينية أو منحدر مبلل أو مكان منزلق، انتبه لحركة قدميك.
 3. تجنب العمل في ظروف غير مناسبة، حيث يكون المستخدم أكثر عرضة للشعور بالتعب.
 4. لا تستبدل البطارية أثناء المطر.
 5. لا تعمر الأداة في بركة.
 6. عند تخزين الأداة، تجنب تعرضها لأشعة الشمس المباشرة والمطر، واحرص على تخزينها في مكان غير حار أو رطب.
 7. بعد استخدام الأداة، أزل الغيار المتلصق بها وجففها تماماً قبل تخزينها. بناء على الموسم أو المنطقة، هناك خطر حدوث عطل بسبب البرد الشديد.
 8. لا تعرض طرف توصيل البطارية للبلل بمسائل مثل المياه، ولا تعمر البطارية في المياه. لا تترك البطارية في مكان ممطر، ولا تشحنها أو تستخدمها أو تخزينها في مكان مبلل أو رطب. إذا تعرضت أطراف التوصيل للبلل أو إذا وصلت المياه إلى داخل البطارية، فقد يحدث دائرة قصر بالبطارية، الأمر الذي يؤدي خطر ارتفاع الحرارة بشكل زائد أو نشوب حريق أو حدوث انفجار.
 9. بعد إزالة البطارية من الأداة أو الشاحن، تأكد من تركيب غطاء البطارية بالبطارية أو تخزينه في مكان جاف.
 10. لا تستبدل البطارية بأيدي مبللة.
 11. إذا تجمد الجهاز بسبب الطقس البارد، فافتصل بمركز خدمة معتمد لإجراء الإصلاحات.
 12. لا تستخدم مصدر إمداد بالطاقة سلكي، مهابن البطارية أو وحدة التزويد بالطاقة المحمولة مثلاً، مع هذا الجهاز. فقد يؤدي مصدر الإمداد بالطاقة هذا إلى إعاقة عملية التشغيل والتعرض لإصابة جسدية.

احتفظ بهذه الإرشادات.

⚠تحذير: لا تعتمد على معرفتك بالمنتج أو إجادة استعماله (نتيجة استخدامه بشكل متكرر) في عدم الالتزام بالصارم بقواعد السلامة الخاصة بالمنتج الذي تستخدمه.

قد تؤدي إساءة الاستعمال أو عدم اتباع قواعد السلامة المذكورة في دليل الإرشادات هذا إلى حدوث إصابة جسدية خطيرة.

هذه الأداة مصممة لتنظيف الأوساخ باستخدام رشاش المياه المخصص للاستخدام المنزلي. ومع إمكانية انتقاء نوع الرش، فإن الأداة تحسن تجربة الغسيل، كما تحسن ري البساتين والحدائق.

تحذيرات السلامة

تحذيرات السلامة الهامة

تحذير: اقرأ جميع التحذيرات والإرشادات المتعلقة بالسلامة. فقد يتسبب عدم اتباع الإرشادات والتحذيرات في التعرض لصدمة كهربائية و/أو نشوب حريق و/أو إصابة بالغة.

احفظ بجميع التحذيرات والإرشادات للرجوع إليها مستقبلاً.

تحذير- عند استخدام هذا المنتج، احرص دائماً على اتباع الاحتياطات الأساسية، بما في ذلك:

السلامة في منطقة العمل

1. احرص على أن تكون منطقة التشغيل خالية من الأشخاص.
2. لا تمش فوق الجهاز أو تقف على دعائم غير ثابتة. احفظ توازنك وقدميك في وضعية جيدة طوال الوقت.
3. احرص دائماً على وضع هيكل رشاش الماء المضغوط على سطح مسطح وثابت. تجنب الأمان التي يمكن أن تجري فيها المياه المتدفقة أو تتجمع خلالها.
4. قبل التنظيف، تحقق من تنظيف الأجسام والأماكن المحيطة. قد تؤدي رشاشات الماء المضغوط إلى كسح الطلاء أو غيره من مواد معالجة الأسطح، بما في ذلك المواد الكيميائية السامة. اتخذ الإجراءات الوقائية إذا لزم الأمر.
5. احرص على عدم التعرّض في خرطوم رشاش الماء المضغوط. تعرف دائماً على تهيئة الخرطوم أثناء التشغيل.
6. أثناء الاستخدام، ستدفع كمية صغيرة من المياه من الجزء السفلي من رشاش الماء المضغوط. احرص على عدم تشغيل الأداة فوق المناطق التي لا تريد بلها.

السلامة البدنية

1. للحماية من النفايات والأجسام بجوار النفاث، يجب على المشغلين ارتداء الملابس الملائمة مثل أذنية السلامة الطويلة، وقفازات السلامة وخوذ السلامة ذات الأفتحة وأقيات السمع، وغيرها.
2. ارتد معدات الوقاية الشخصية، وفقاً للمهمة، ارتد واقي الوجه أو نظارات السلامة أو النظارات الواقية؛ فادوات حماية العين يمكنها التصدي للشظايا المتطايرة أثناء تنفيذ المهام المختلفة.
3. لا تستخدم رشاش الماء المضغوط في منطقة بها أشخاص إلا في حالة ارتدائهم ملابس واقية.
4. لتقليل خطر الإصابة، يلزم الإشراف عن قرب في حالة استخدام المنتج بالقرب من الأطفال.
5. إذا تم التوصيل بنظام مياه محمول، فينبغي حماية النظام من الارتداد للخلف.
6. سيتم اعتبار الماء الذي تدفق من خلال مانع التدفق الخلفي غير صالح للشرب.

السلامة من الكهرباء

1. لا تلمس صناديق البطارية بأيدي مبلّلة.
2. لا تستخدم الجهاز في حالة تلف أجزاء مهمة بالجهاز، كأجهزة الأمان وخرطوم الضغط.
3. تجنب العمل في بيئة خطيرة. فلا تستخدم الأداة في المواقع الرطبة أو المبلّلة ولا تعرضها للمطر. حيث سيؤدي الماء الذي يتسرب إلى الأداة من خطر حدوث صدمة كهربائية.

استخدام الأداة الكهربائية والعناية بها

1. اقرأ جميع الإرشادات قبل استخدام المنتج.
2. تعرّف على كيفية إيقاف رشاش الماء المضغوط وتنقيس الضغط بسرعة. تعرف جيداً على أدوات التحكم.
3. لا تقم برش السوائل القابلة للاشتعال و/أو السامة. قد يتسبب ذلك في حدوث انفجار، أو التسمم، أو تلف الجهاز.
4. لا تقم بتوجيه النفاث نحو نفسك أو الآخرين لتنظيف الملابس أو الأحذية.
5. خراطيم الضغط وقطع التوصيل والوصلات من العناصر المهمة للحفاظ على سلامة الجهاز. لا تستخدم إلا الخراطيم وقطع التوصيل والوصلات التي توصي بها جهة التصنيع.
6. اتبع الإرشادات المتعلقة عند تغيير الملحقات.
7. حافظ على المقابض جافة ونظيفة وخالية من الزيوت أو الشحم.
8. كن متيقظاً - انتبه إلى ما تقوم به.
9. لا تقم بتشغيل المنتج عند الشعور بالتعب أو تحت تأثير الكحول أو المخدرات.

10. لا تشغل رشاش الماء المضغوط بدون ماء لأكثر من دقيقة واحدة. سيؤدي ذلك إلى تلف المحرك، مما ينتج عنه حدوث عطل.
11. احرص دائماً على إيقاف تشغيل الطاقة وإغلاق مصدر الماء الرئيسي عند ترك رشاش الماء المضغوط دون مراقبة.
12. كن حذراً من الارتداد. يرتد الجهاز عند خروج الماء المضغوط من الفوهة. أمسك الجهاز بإحكام لمنع الإصابات العرضية.
13. تفصل بحثاً عن الأجزاء التالفة أو البالية قبل الاستخدام. تأكد أيضاً من توصيل الخرطوم بشكل صحيح ومن عدم وجود تسرب أثناء التشغيل. قد يتسبب تشغيل الجهاز مع وجود عيوب وظيفية إلى وقوع حادث.
14. لا تسحب الخرطوم لتحريك هيكل رشاش الماء المضغوط. يؤدي ذلك إلى تلف الخرطوم والأجزاء المتصلة وتؤدي إلى قصر الدائرة الكهربائية أو عيوب وظيفية.
15. لا تضع اجساماً ثقيلة على الخرطوم أو تترك المركبات تسير عليها.
16. احرص دائماً على تفريغ الضغط المتبقي في الجهاز قبل فصل الخرطوم.
17. عند توصيل الخرطوم بمصدر الماء الرئيسي، قم بمراعاة إرشادات قسم الأعمال المائية أو الشركة.
18. في حالة سقوط رشاش الماء المضغوط أو اصطدامه بجسم صلب، احرص على فحصه بحثاً عن تلف أو كسر. قد يؤدي استخدام رشاش ماء مضغوط به تلف إلى انبعاث دخان أو نشوب حريق أو الصق بالكهرباء، ومن ثم التعرض لإصابة جسدية.
19. تجنب بدء التشغيل غير المقصود. تأكد من أن المفتاح في وضع إيقاف التشغيل قبل توصيل حزمة البطارية، وذلك عند رفع الجهاز أو حملة. قد يتسبب حمل الجهاز مع وضع إصبعك على المفتاح أو توصيل جهاز بالطاقة في وقوع حوادث.
20. افصل حزمة البطارية من الجهاز قبل إجراء أية عمليات ضبط أو تغيير الملحقات أو تخزين الجهاز. فقد تؤدي إجراءات السلامة الوقائية هذه الحد من خطر بدء تشغيل الجهاز بدون قصد.
21. لا تقم بتعديل/محاولة إصلاح الجهاز أو حزمة البطارية إلا وفقاً للإرشادات المبيّنة للاستخدام والعناية.
22. تحذير - خطر الحقن أو الإصابة - لا توجه تدفق التصريف نحو الأشخاص مباشرةً.
23. تأكد من أن الشيء أو المكان الذي تستخدم الجهاز لتنظيفه متين ويمكنه تحمل رشه بالماء. وإلا، فقد يؤدي ذلك إلى تلف هذا الشيء أو المكان، ومن ثم التعرض لإصابة جسدية.

استعمال البطارية والعناية بها

1. لا تقم بإعادة الشحن إلا باستخدام الشاحن الذي حددته شركة التصنيع. فقد يؤدي استخدام شاحن مناسب لنوع معين من البطاريات مع بطارية أخرى إلى خطر نشوب الحريق.
2. لا تستخدم الأدوات الكهربائية إلا مع حزم البطاريات المصنعة لها خصيصاً. فقد يؤدي استخدام حزم بطاريات أخرى إلى خطر وقوع إصابة أو نشوب حريق.
3. عند عدم استخدام حزمة البطارية، احفظ بها بعيداً عن باقي الأجسام المعدنية مثل مشابك الورق أو العملات أو المفاتيح أو المسامير أو البراغي أو أي أجسام معدنية صغيرة أخرى قد تنشئ وصلة من طرف إلى آخر. قد يؤدي حدوث قصر في أطراف توصيل البطارية إلى الإصابة بالحروق أو نشوب حريق.

الطرز:		DHW180
الحد الأقصى لمعدل التدفق ^{1*} [الإمداد بالماء من الخزان / الإمداد بالماء من المصدر الرئيسي]		3.0 / 5.3 L/min
معدل تدفق الماء ^{2*}	الوضع العالي	2.5 L/min
	الوضع المنخفض	1.5 L/min
الحد الأقصى لضغط العمل		2.4 MPa
ضغط العمل ^{2*}	الوضع العالي [الإمداد بالماء من الخزان / الإمداد بالماء من المصدر الرئيسي]	2.0 / 2.2 MPa
	الوضع المنخفض [الإمداد بالماء من الخزان / الإمداد بالماء من المصدر الرئيسي]	0.8 / 0.8 MPa
الحد الأقصى للتغذية		0.5 MPa
الحد الأقصى لدرجة حرارة التغذية		40°C
الحد الأقصى لارتفاع الشفط		2.0 m
الجهد الكهربائي المقدر		تيار مباشر بجهد 18 فولت
الأبعاد ^{3*} [الطول x العرض x الارتفاع]		239 mm x 99 mm x 888 mm
الوزن		2.3 - 2.7kg

*1: بدون فوهة

*2: نمط الرش 15°

*3: مع الفوهة متعددة الأنماط (5 في 1) ووصلة التطويل

- نظرًا لما يقدمه برنامج البحث والتطوير لدينا بشكل مستمر، فإن المواصفات الواردة في هذا الدليل عرضة للتغيير دون إخطار.
- قد تختلف المواصفات من بلد لآخر.
- قد يختلف الوزن وفقًا للملحق (الملحقات)، بما في ذلك صندوق البطارية. أخف تركيبة وأقلها، حسب المعيار EPTA-Procedure 01/2014، موضحة في الجدول.

صندوق البطارية والشاحن الملائمان

صندوق البطارية	الشاحن
BL1860B / BL1850B / BL1840B / BL1830B / BL1820B / BL1815N	DC18SF / DC18SE / DC18SD / DC18RE / DC18RD / DC18RC / DC18WC / DC18SH

- بعض صناديق البطارية وأجهزة الشحن المذكورة أعلاه ربما لا تكون متوفرة بناءً على المنطقة التي تقيم بها.

تحذير: لا تستخدم إلا صناديق البطارية والشواحن المذكورة أعلاه. فقد يؤدي استخدام أي صناديق بطارية وشواحن أخرى إلى وقوع إصابة و/أو نشوب حريق.

تحذير: لا تستخدم مصدر طاقة سلكي، مهايئ البطارية أو وحدة التزويد بالطاقة المحمولة، مثلًا، مع هذه الماكينة. فقد يؤدي كابل وحدة التزويد بالطاقة هذا إلى إعاقة عملية التشغيل والتسبب في إصابة جسدية.

خاص بدول الاتحاد الأوروبي فقط
بسبب وجود مكونات خطيرة في المعدات، قد يكون لنفايات المعدات الكهربائية والكهربائية والإلكترونية والمراكمات والبطاريات تأثير سلبي على البيئة وصحة الإنسان.
ولا تتخلص من الأجهزة الكهربائية والإلكترونية أو البطاريات مع النفايات المنزلية!
ووفقًا للتوجيه الأوروبي حول نفايات المعدات الكهربائية والإلكترونية والمراكمات والبطاريات وتوافقها مع القانون الوطني، يجب تجميع نفايات المعدات الكهربائية والإلكترونية والبطاريات والمراكمات على نحو منفصل وتسليمها إلى نقطة تجميع نفايات البلدية، التي تعمل وفقًا للوائح حماية البيئة. ويُشار إلى هذا برمز سلة ذات عجلات عليها علامة X موضوعة على المعدات.

Ni-MH
Li-Ion



لا تقم بالتوصيل بصنوبر مياه محمول.



لا توجه النفايات على الأشخاص بما في ذلك نفسك، والحيوانات والأجهزة الكهربائية المباشرة.



الرموز

فيما يلي عرض للرموز التي يمكن استخدامها مع هذا الجهاز. فتأكد من فهم معناها قبل الاستعمال.

اقرأ دليل الإرشادات.



توخ الحرص والحذر الشديدتين.



تحذير

- يحظر استخدام الجهاز بواسطة الأطفال. تجنب مراقبة الأطفال الصغار للتأكد من أنهم لا يعيئون بالجهاز.
- هذا الجهاز غير مُعد للاستخدام بواسطة الأشخاص (بما في ذلك الأطفال) ذوي الإعاقات البدنية أو الحسية أو العقلية أو الذين يفتقرون إلى الخبرة والمعرفة إلا في حالة الإشراف عليهم أو تلقيهم التعليمات المتعلقة باستخدام هذا الجهاز من شخص مسؤول عن سلامتهم.
- لا توجّه الماء المضغوط نحو الأشخاص أو المعدات الكهربائية الموصولة بالتيار أو الجهاز نفسه.
- تأكد دائمًا من إيقاف تشغيل الجهاز وإزالة صندوق البطارية قبل تنفيذ أي عمل على الأداة.
- لا تستخدم الجهاز في حالة تلف أجزاء مهمة بالجهاز، كأجهزة الأمان وخرائط الضغط.
- اقرأ الإرشادات الواردة في قسم الصيانة للتعرف على التفاصيل ذات الصلة بالاحتياجات أثناء قيام المستخدم بالصيانة.
- تعرّف على نطاق درجة الحرارة الطبيعية لشحن البطارية. اقرأ إرشادات السلامة المتعلقة بصندوق البطارية للتعرف على احتياطات التعامل مع البطاريات.
- اقرأ الإرشادات الواردة في قسم التجميع للتعرف على التفاصيل ذات الصلة بالاحتياجات أثناء تركيب الجهاز.
- تعرّف على الحد الأقصى لضغط الماء عند المدخل. اقرأ المعلومات الواردة في قسم المواصفات للتعرف على التفاصيل ذات الصلة بالتوصيل بمصدر الماء الرئيسي.
- احرص دائمًا على استخدام مجموعات الخراطيم المرفقة مع الجهاز. اقرأ الإرشادات الواردة في قسم التجميع للتعرف على الاحتياطات ذات الصلة بالتوصيل بمصدر الماء الرئيسي.
- لا ينبغي فتح فتحة ملاء الماء أثناء الاستخدام. اتبع الإرشادات المبينة في قسم التجميع للحفاظ على ضغط الماء.
- لا يُستخدم في حمامات سباحة بها مياه.
- التزم بمتطلبات الشركة المحلية للإمداد بالمياه.
- للدول الأوروبية:
- وفقًا لـ EN12729 (BA)، يمكن أيضًا توصيل الجهاز بالمصدر الرئيسي لإمداد بمياه الشرب إذا كان صمام منع التدفق العكسي المزود بأداة تصريف مثبتًا في خرطوم الإمداد.

Makita Corporation
3-11-8, Sumiyoshi-cho,
Anjo, Aichi 446-8502 Japan
www.makita.com

DHW180-SEA6-
CS-CT-KR-AR-
PER-2402
EN, ZHCN, ID, MS,
VI, TH, ZHTW, KO,
FA, AR
20240514