



VN	VIETNAM
----	---------

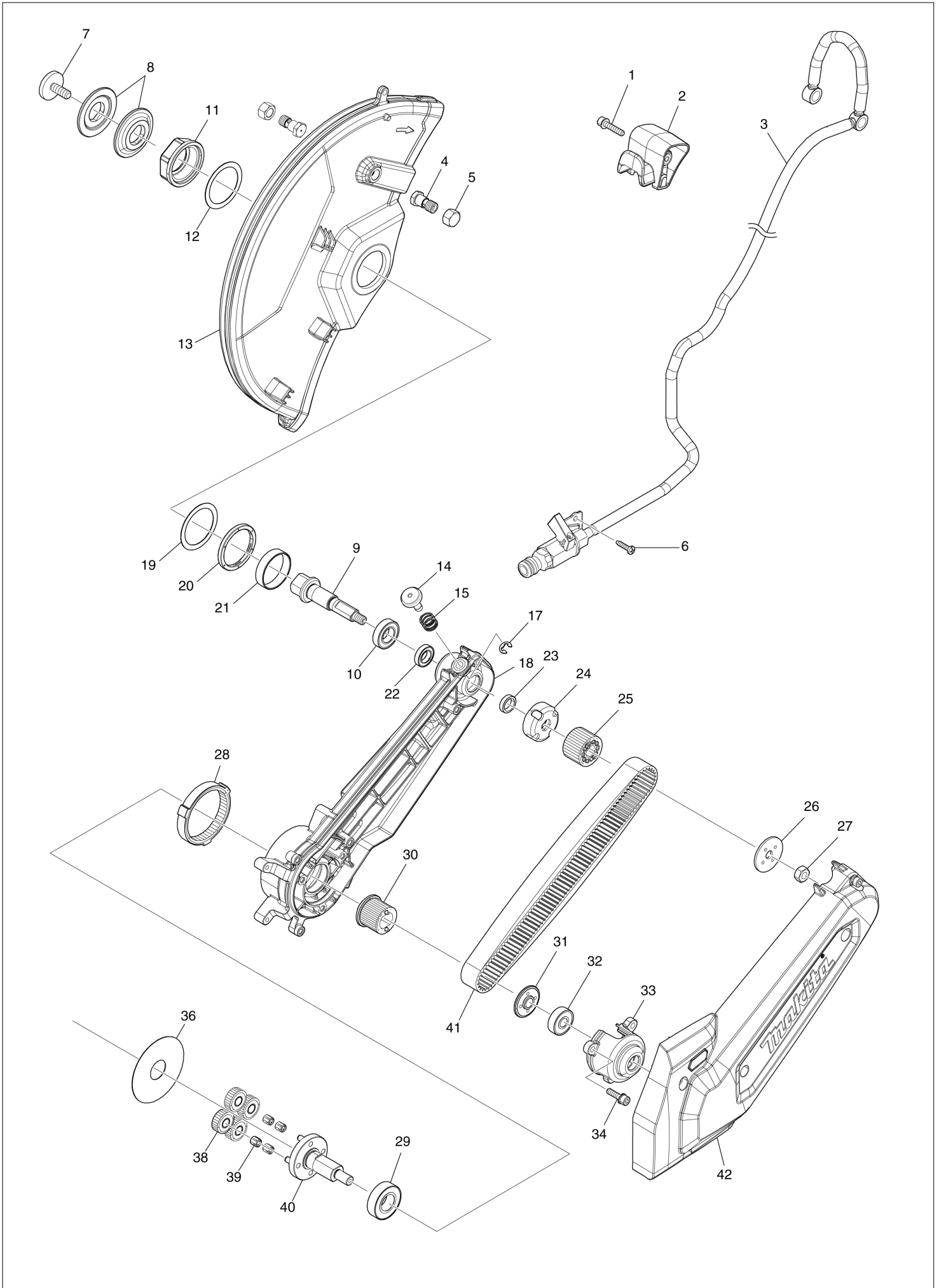
Diagram / Parts List

CE004G

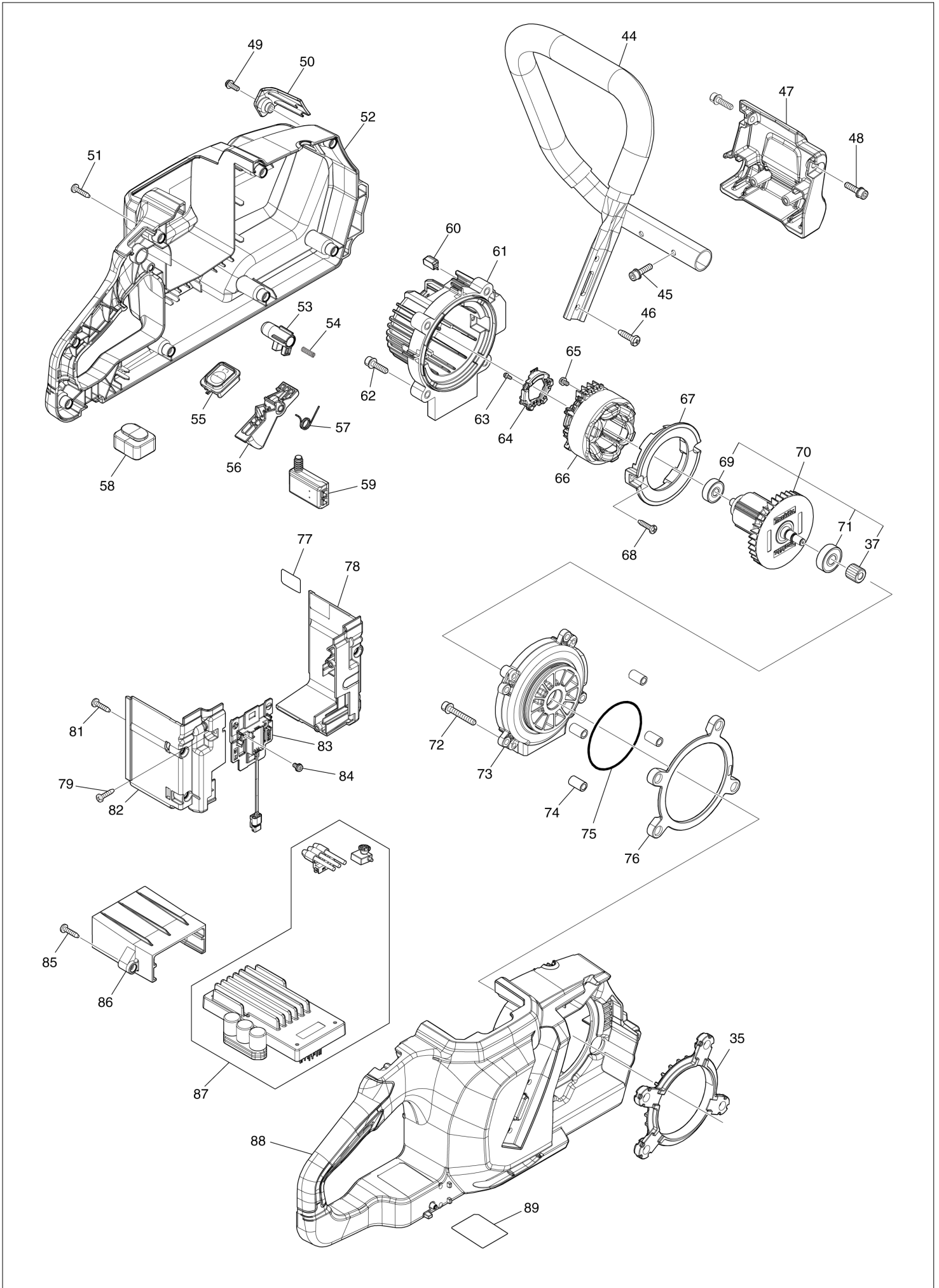
305MM CORDLESS POWER CUTTER



(VN) CE004G / 305MM CORDLESS POWER CUTTER



(VN) CE004G / 305MM CORDLESS POWER CUTTER



VN	VIETNAM
-----------	----------------

CE004G / 305MM CORDLESS POWER CUTTER

Item	Sub	Parts No.	Parts Description	Qty	I/C	E/C No.	Close No.	Remark
001		922243-3	HEX. SOCKET HEAD BOLT M5X25	1				
002		413Y26-7	WHEEL COVER GRIP	1				
003		122G30-4	HOSE ASSEMBLY	1				
004		265C26-9	HEX.BOLT M10X21	2				
005		252306-4	HEX.NUT M10	2				
006		266326-2	TAPPING SCREW 4X18	2				
007		266976-3	HEX. BOLT M8X25	1				
008		224635-5	FLANGE 50	2				
009		327D39-5	SPINDLE	1				
010		211244-9	BALL BEARING 6902LLU	1				
011		312F61-7	BEARING RETAINER	1				
012		261178-6	POLYACETAL WASHER 38	1				
013		312F06-5	WHEEL COVER 305	1				
014		137186-8	PIN CAP ASS'Y	1				
015		233089-5	COMPRESSION SPRING 12	1				
017		961012-7	STOP RING E-6	1				
018		312F05-7	CUTTING DEVICE	1				
019		261178-6	POLYACETAL WASHER 38	1				
020		422B46-2	RUBBER RING 39	1				
021		257A32-6	RING 35	1				
022		210245-4	BALL BEARING 6801LLU	1				
023		257A31-8	RING 12	1				
024		347C25-4	PULLY BOTTOM PLATE	1				
025		222212-7	PULLEY 21-30.7	1				
026		347C26-2	PULLEY PLATE 36	1				
027		931402-8	HEX. NUT M8	1				
028		227B48-1	INTERNAL GEAR 72	1				
029		210301-0	BALL BEARING 6003DDW	1				
030		222213-5	PULLEY 21-27.5	1				
031		327D38-7	PULLEY PLATE 32	1				
032		211092-6	BALL BEARING 629DDW	1				
033		312F02-3	PULLEY COVER	1				
034		922233-6	H.S.H.BOLT M5X20 WITH WR	3				
035		422B44-6	DAMPER A	1				
036		253599-6	FLAT WASHER 20	1				
037		227B46-5	SPUR GEAR 16	1				
038		227B47-3	SPUR GEAR 27	4				
039		212265-4	NEEDLE CAGE 508	4				
040		141V25-8	CARRIER COMPLETE	1				
041		225112-0	SYNCHRO BELT 20-575	1				
042		137119-3	BELT COVER ASSEMBLY	1				
	C10	265B09-3	H.S. HEAD BOLT M5X30 WITH WR	5				
044		327D37-9	FRONT GRIP 26	1				
045		922233-6	H.S.H.BOLT M5X20 WITH WR	2				
046		266420-0	TAPPING SCREW 5X20	2				
047		312F04-9	STAND SUPPORT	1				
048		922233-6	H.S.H.BOLT M5X20 WITH WR	2				
049		911118-1	PAN HEAD SCREW M4X12	1				
050		413Y18-6	LENS	1				
051		266326-2	TAPPING SCREW 4X18	8				
052		1830N5-4	HOUSING SET	1				
	D10		INC. 88					
053		413Y21-7	LOCK OFF BUTTON	1				
054		232444-8	COMPRESSION SPRING 4	1				
055		141V21-6	SWITCH CIRCUIT COMPLETE	1				
056		413Y20-9	SWITCH LEVER	1				
057		232854-9	TORSION SPRING 10	1				
058		422823-0	REAR FOOT	1				
059		632V44-0	SWITCH UNIT	1				
060		620N97-3	LED CIRCUIT	1				
061		413Y19-4	MOTOR HOUSING	1				
062		922233-6	H.S.H.BOLT M5X20 WITH WR	4				
063		652119-7	PAN HEAD SCREW M2X6	3				
064		620P38-1	SENSOR UNIT	1				
065		652069-6	FLAT HEAD SCREW M3X6	3				

A:CE004GZ(N)

Interchange
 O : Yes
 X : No
 < : the new part can be substituted for the current.
 > : the current part can be substituted for the new.
 S : Interchangeable as a set.

