



VN	VIETNAM
----	---------

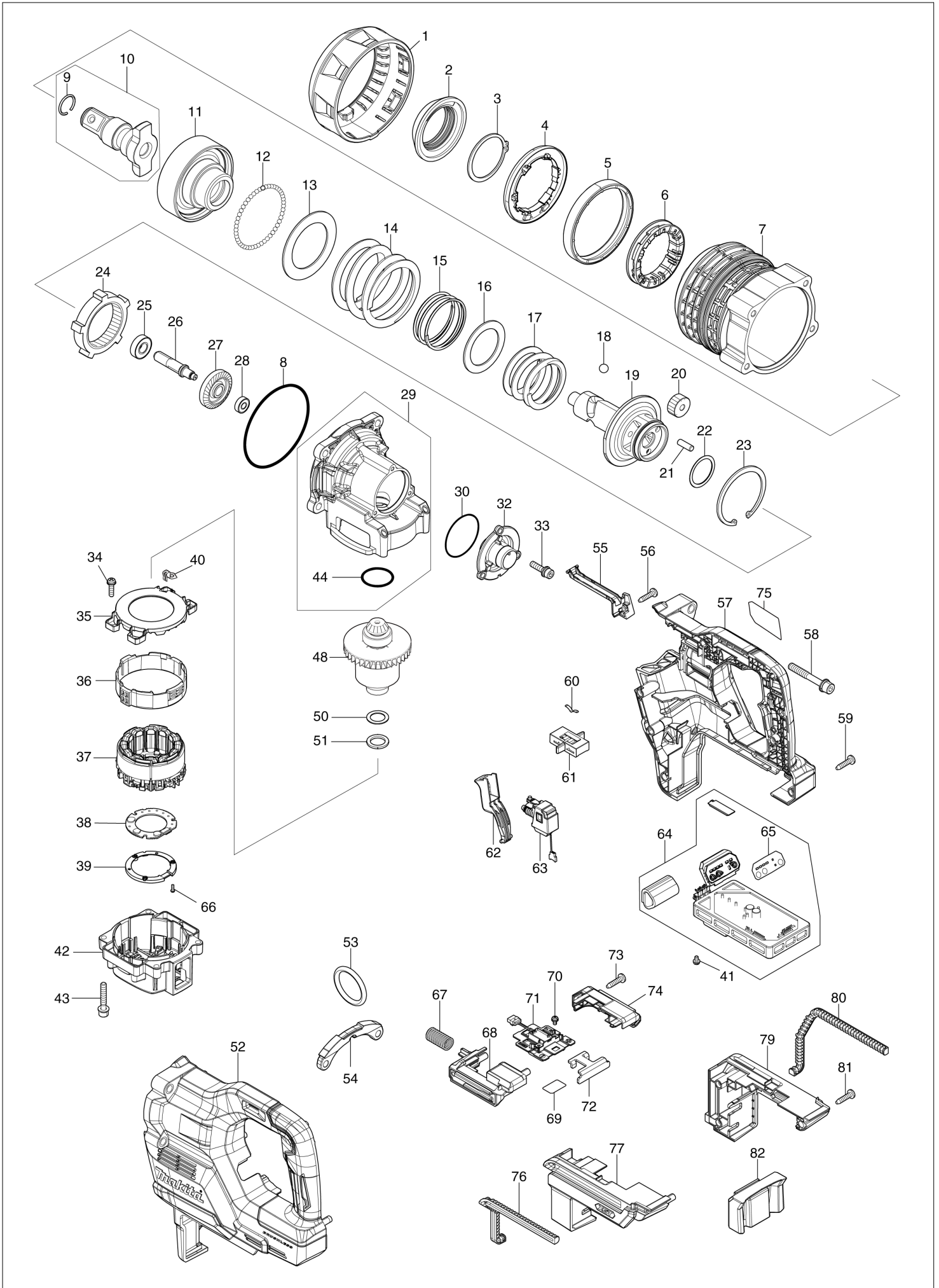
Diagram / Parts List

TW009G

CORDLESS IMPACT WRENCH



(VN) TW009G / CORDLESS IMPACT WRENCH



VN	VIETNAM
-----------	----------------

TW009G / CORDLESS IMPACT WRENCH

Item	Sub	Parts No.	Parts Description	Qty	I/C	E/C No.	Close No.	Remark
001		422B73-9	BUMPER A	1				
002		422B66-6	BUMPER B	1				
003		961254-3	RETAINING RING (EXT) S-58	1				
004		620P36-5	LED CIRCUIT	1				
005		422B71-3	BUFFER RUBBER A	1				
006		422B72-1	BUFFER RUBBER B	1				
007		141W72-5	HAMMER CASE COMPLETE	1				
008		213914-6	O-RING 100	1				
009		231921-7	RING SPRING 22	1				
010		137143-6	ANVIL E ASS'Y	1				
	D10		INC. 9					
011		327D89-0	HAMMER	1				
012		216018-3	STEEL BALL 5.0	49				
013		253609-9	FLAT WASHER 60A	1				
014		232874-3	COMPRESSION SPRING 71	1				
015		232875-1	COMPRESSION SPRING 61	1				
016		253610-4	FLAT WASHER 48	1				
017		232873-5	COMPRESSION SPRING51	1				
018		216010-9	STEEL BALL 10.3	2				
019		327D88-2	SPINDLE	1				
020		227B64-3	SPUR GEAR 24	3				
021		256197-5	PIN 7	3				
022		267039-8	FLAT WASHER 32	1				
023		962352-6	RETAINING RING R-75	1				
024		227B58-8	INTERNAL GEAR 57	1				
025		211131-2	BALL BEARING 6001DDW	1				
026		227B63-5	SPUR GEAR 9	1				
027		227B61-9	SPIRAL BEVEL GEAR 31	1				
028		211021-9	BALL BEARING 607LLB	1				
029		137146-0	INTERNAL GEAR CASE ASSY	1				
	C10	263002-9	RUBBER PIN 4	1				
	D10		INC. 44					
030		213604-1	O RING 50	1				
032		137161-4	BEARING COVER ASSEMBLY	1				
	C10	263002-9	RUBBER PIN 4	1				
033		266903-0	HEX.S.HEAD BOLT M5X20 WITH WR	3				
034		911128-8	P.H.SCREW M4X16 WITH WR	4				
035		4130L1-7	BUFFLE PLATE	1				
036		4130L0-9	MOTOR HOUSING INNER	1				
037		629C72-0	STATOR	1				
038		620P37-3	CONTROLLER B	1				
039		687B69-9	STOPPER	1				
041		652031-1	PAN HEAD SCREW M3X6	3				
042		312F54-4	MOTOR HOUSING	1				
043		265D24-9	H. S. H. BOLT M5X30 WITH WRM	4				
044		213460-9	O RING 35	1				
048		519860-4	ROTOR ASS'Y	1				
050		253198-4	FLAT WASHER 18	1				
051		261129-9	URETHANE WASHER 18	1				
052		1830L3-4	HOUSING SET	1				
	D10		INC. 57					
053		282022-4	RING 40	1				
054		162D36-2	BRACKET	1				
055		4130L2-5	LEAD COVER	1				
056		266326-2	TAPPING SCREW 4X18	1				
057		1830L3-4	HOUSING SET	1				
	D10		INC. 52					
058		265D71-0	H.S.H.BOLT M8X60 WITH WRM	4				
059		266326-2	TAPPING SCREW 4X18	12				
060		232872-7	LEAF SPRING	1				
061		141W75-9	F/R CHANGE LEVER COMPLETE	1				
062		4130L3-3	SWITCH LEVER	1				
063		141W69-4	SWITCH COMPLETE	1				
064		137160-6	CONTROLLER ASS'Y	1				
	D10		INC. 65					

A:TW009GZ(N)
B:TW009GT201(H)

Interchange
O : Yes
X : No
< : the new part can be substituted for the current.
> : the current part can be substituted for the new.
S : Interchangeable as a set.

