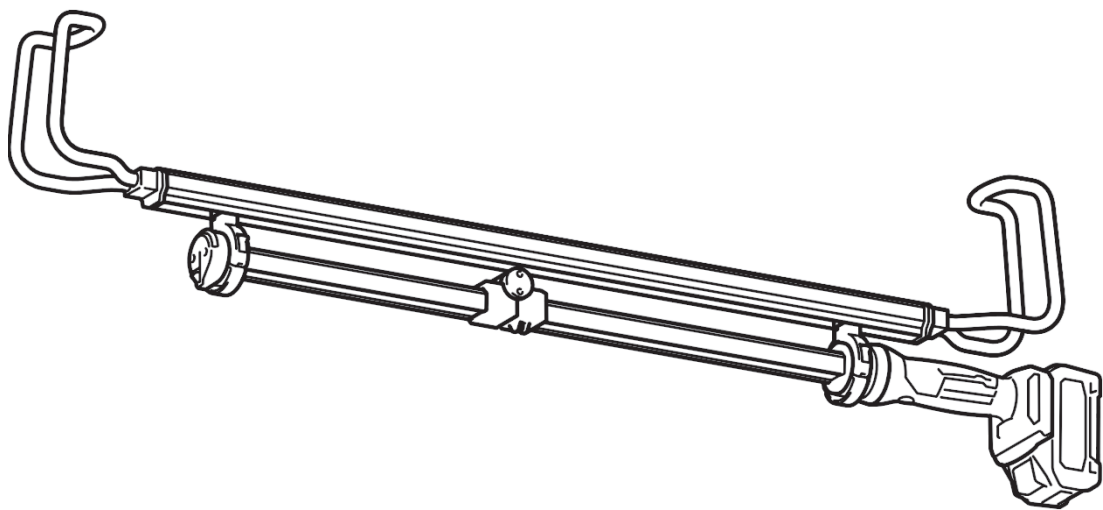
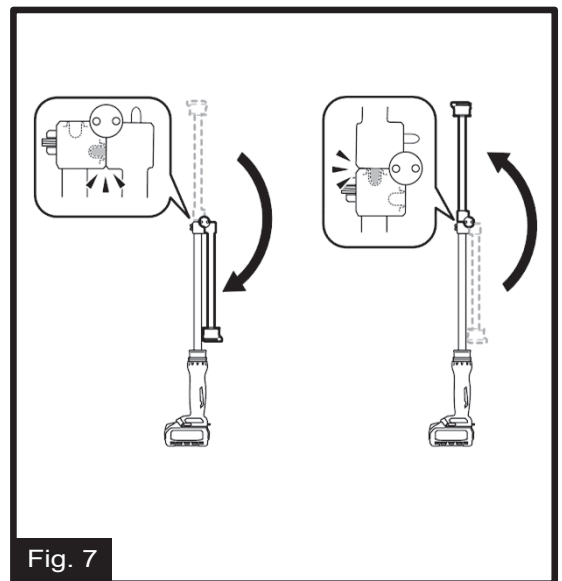
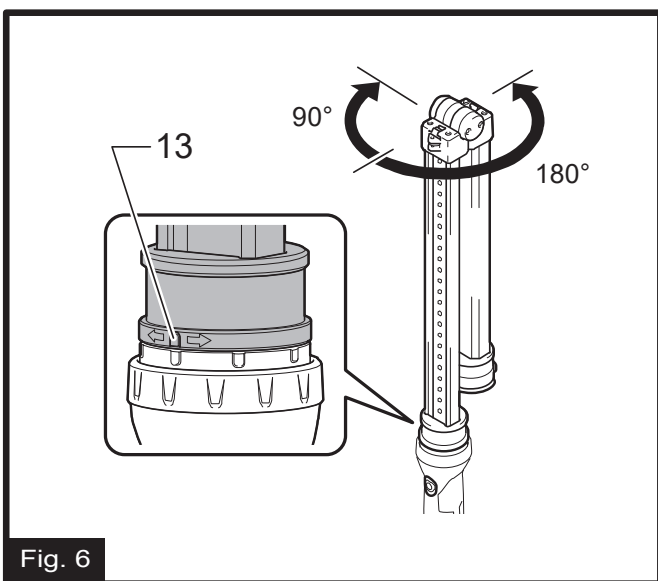
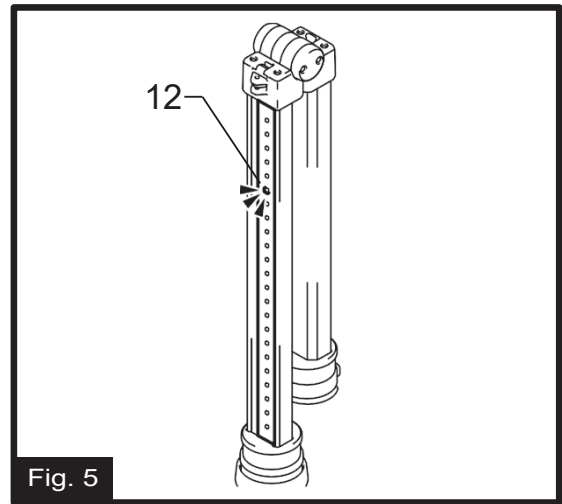
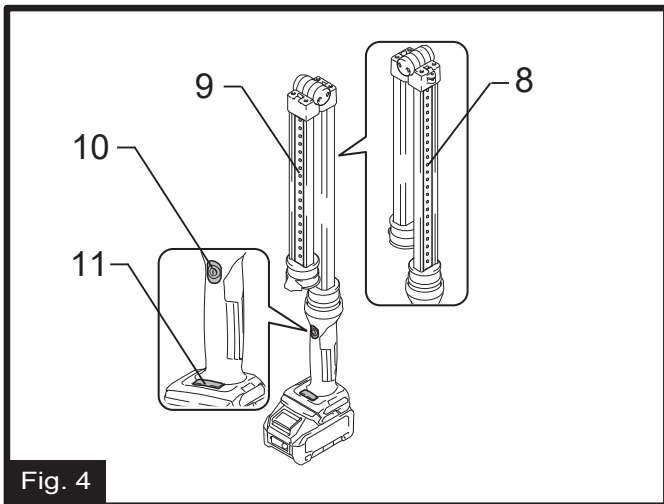
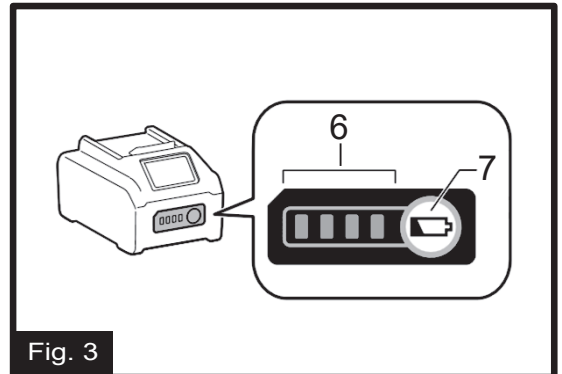
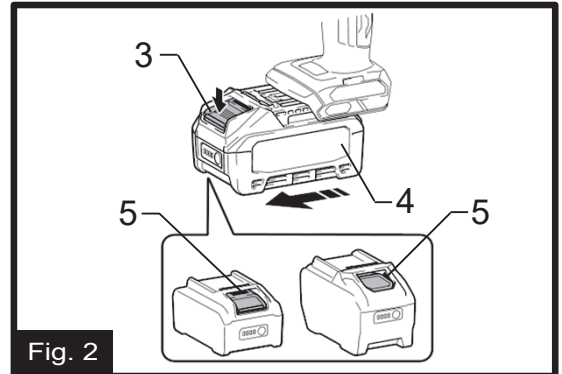
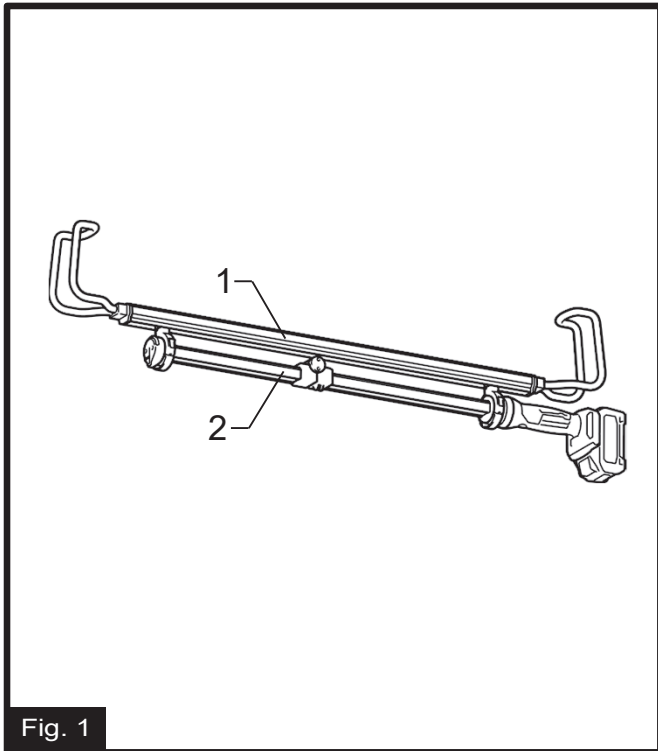
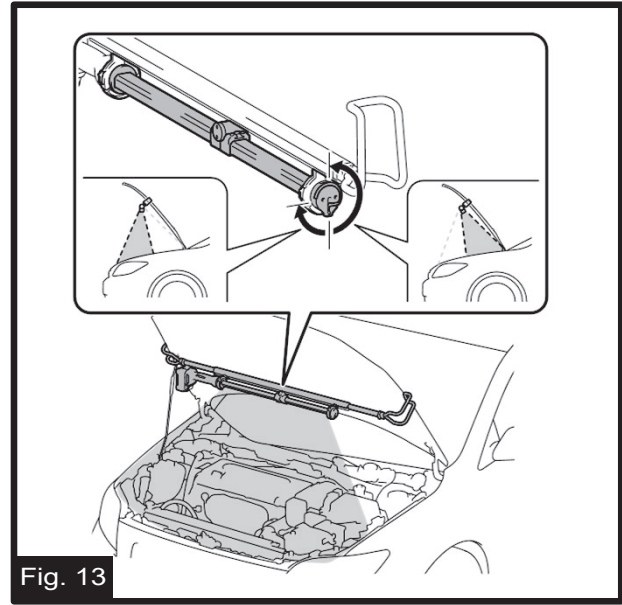
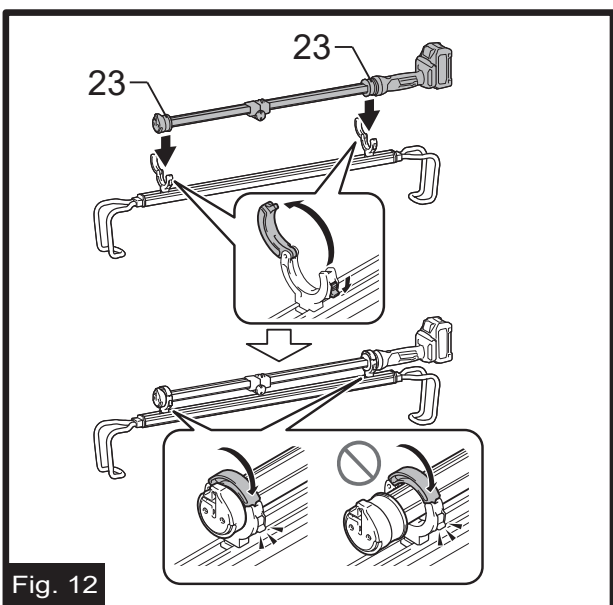
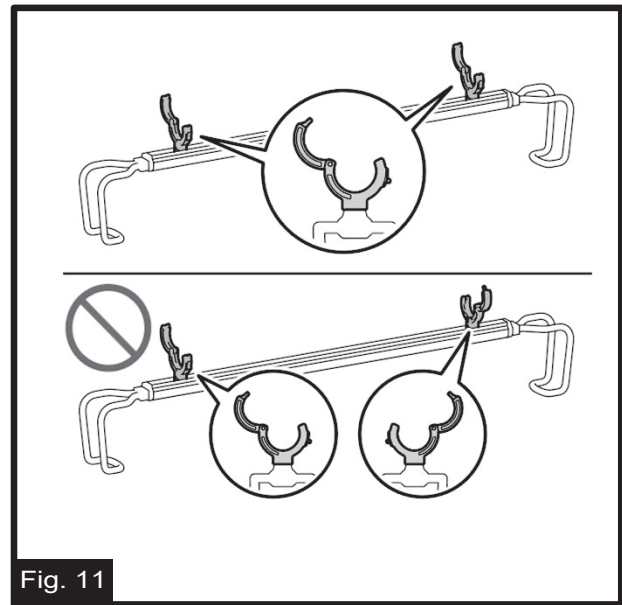
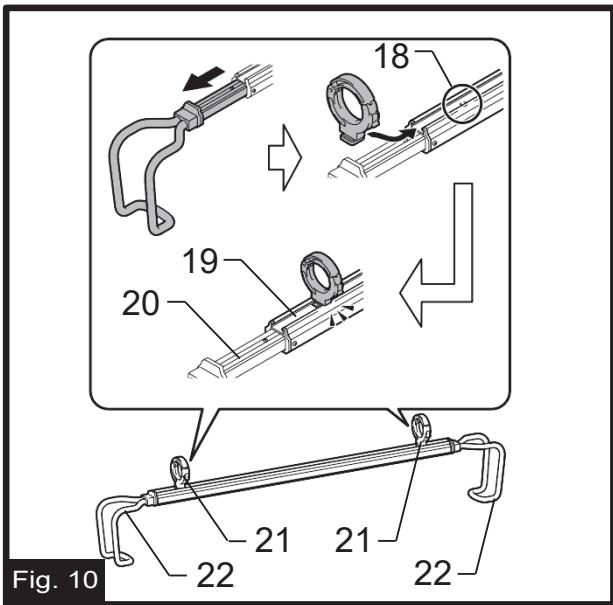
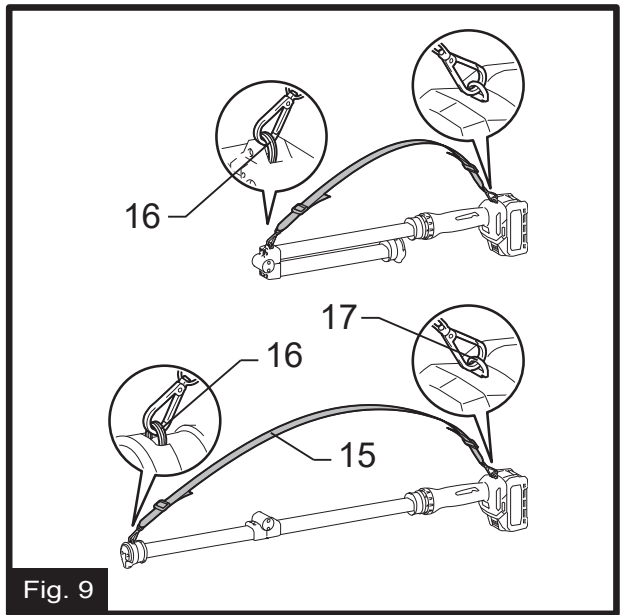
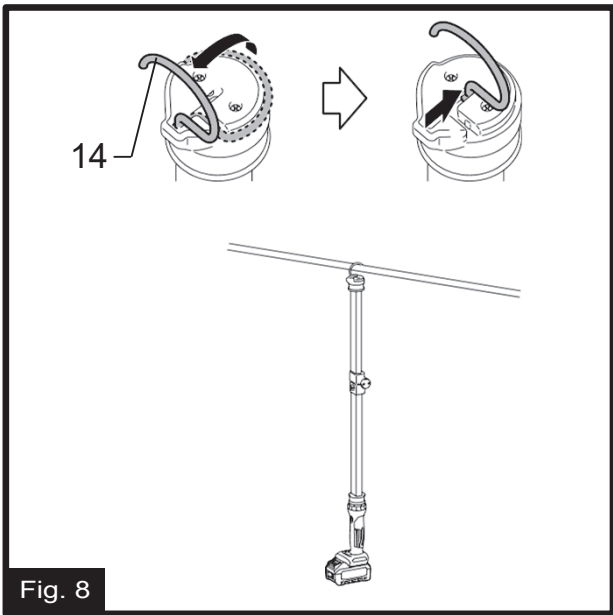


EN	Cordless Bar Light	INSTRUCTION MANUAL	4
PTBR	Lanterna LED a Bateria	MANUAL DE INSTRUÇÕES	9
ESMX	Linterna de Barra Inalámbrica	MANUAL DE INSTRUCCIONES	14
ZHCN	充电式条形灯	使用说明书	19
ZHTW	充電式直形工作燈	使用說明書	24
ID	Lampu Bilah Tak Berkabel	PETUNJUK PENGGUNAAN	29
MS	Lampu Palang Tanpa Wayar	MANUAL ARAHAN	34
VI	Đèn Công Trường Dạng Thanh Cầm Tay Hoạt Động Bằng Pin	TÀI LIỆU HƯỚNG DẪN	39
TH	กระบอกไฟแบบชาร์จไฟ	คู่มือการใช้งาน	44
KO	무선 바형 라이트	취급 설명서	49
AR	مصباح على شكل شريط قابل لإعادة الشحن	دفترچه راهنمای دستور العمل	58
FA	چراغ لایت بار باطری دار	دلیل الإرشادات	63







ENGLISH (Original instructions)

1	Telescopic hook	2	LED light bar	3	Button	4	Battery cartridge	5	Red indicator	6	Indicator lamp	7	Check button	8	Fixed light part (LED-24 pcs)
9	Foldable light part (LED-18 pcs)	10	Switch	11	Mode selector	12	Low battery indicator	13	Movable part	14	Metal hook	15	Strap	16	Ring
17	Strap hole	18	Carrier clip positioning hole	19	Main bar	20	Inner bar	21	Carrier clip	22	Holder hook	23	Clipped position		

SPECIFICATIONS

Model:		ML012G
Light	Luminous flux (H/M/L)	1,700 lm / 800 lm / 400 lm
	Dimensions (L × W × H) (without battery cartridge)	972 mm × 85 mm × 100 mm
	Rated voltage	D.C. 36 V - 40 V max
	Net weight (without battery cartridge)	1.1 kg
Telescopic hook	Dimensions (L × W × H) (with clips)	1,181 mm × 99 mm × 259 mm
	Net weight (with clips)	1.5 kg
	Available width *	1,130 mm - 1,900 mm

- Specifications may differ from country to country.
- Due to our continuing program of research and development, the specifications herein are subject to change without notice.
- * Actual available width may differ depending on the location and shape.

Applicable battery cartridge and charger

Battery cartridge	BL4020 / BL4025 / BL4040 / BL4040F / BL4050F / BL4080F
Charger	DC40RA / DC40RB / DC40RC / DC40WA

- Some of the battery cartridges listed above may not be available depending on your region of residence.

⚠ WARNING: Only use the battery cartridges listed above. Use of any other battery cartridges may cause injury and/or fire.

Operating time

Applicable battery cartridge	Operating time (Approximately)		
	Whole light (LED-42 pcs)		
	High	Medium	Low
BL4020	3.5 hours	7.5 hours	16 hours
BL4025	4.5 hours	9.5 hours	20 hours
BL4040/BL4040F	7.0 hours	15 hours	32 hours
BL4050F	8.5 hours	19 hours	40 hours
BL4080F	14 hours	31 hours	65 hours

- The operating times in the above table are a rough guideline. They may differ from actual operating times.
- Battery cartridge may differ from country to country.
- Operating times may differ depending on battery type, charging status, and usage condition.

Symbols

The following show the symbols which may be used for the equipment. Be sure that you understand their meaning before use.



- Read instruction manual.



- Only for EU countries Due to the presence of hazardous components in the equipment, waste electrical and electronic equipment, accumulators and batteries may have a negative impact on the environment and human health. Do not dispose of electrical and electronic appliances or batteries with household waste! In accordance with the European Directive on waste electrical and electronic equipment and on accumulators and batteries and waste accumulators and batteries, as well as their adaptation to national law, waste electrical equipment, batteries and accumulators should be stored separately and delivered to a separate collection point for municipal waste, operating in accordance with the regulations on environmental protection. This is indicated by the symbol of the crossed-out wheeled bin placed on the equipment.



- Optical Radiation (UV and IR). Minimize exposure to eyes or skin.



- Do not stare at operating lamp.



- Use appropriate shielding or eyes protection.



- Take particular care and attention!



- For indoor use only

IMPORTANT SAFETY INSTRUCTIONS

WARNING:

To reduce the risk of injury, do not stare at operating appliances. Serious eye injury could occur.

CAUTION:

When using appliances, basic safety precautions should always be followed to reduce the risk of fire, electric shock, and personal injury, including the following:

READ ALL INSTRUCTIONS.

1. To reduce the risk of injury, close supervision is necessary when the appliance is used near children.
2. To reduce the risk of electrical shock, do not put the appliance in water or other liquid. Do not place or store the appliance where it can fall or be pulled into a tub or sink.
3. Do not cover the appliance with cloth or carton, etc. Otherwise it may cause a flame.
4. Do not touch the inside of the appliance with tweezers, metal tools, etc.
5. Do not expose the appliance to rain or snow. Do not wash it in water.
6. Do not touch the inside of the appliance with tweezers, metal tools, etc.
7. Do not contact hot parts.
8. When the appliance is not in use, always switch off and remove the battery cartridge from the appliance.
9. Do not give the appliance a shock by dropping, striking, etc.
10. Only use attachments recommended or sold by the manufacturer.
11. Store product indoors when not in use. Keep out of reach of children.
12. Safety information for portable luminaires with batteries.
 - Battery disposal should be in compliance with your local regulations that address the disposal of hazardous materials.
 - Do not incinerate the battery.
13. Additional information for luminaires.
 - The light source of this luminaire is not replaceable; when the light source reaches its end of life the whole luminaire shall be replaced.
14. Battery tool use and care.
 - **WARNING:** Read all safety warnings and instructions. Failure to follow the warnings and instructions may result in electric shock, fire and/or serious injury.
 - Prevent unintentional starting. Ensure the switch is in the off-position before connecting to battery pack, picking up or carrying the appliance. Carrying the appliance with your finger on the switch or energizing appliance that have the switch on invites accidents.
 - Disconnect the battery pack from the appliance before making any adjustments, changing accessories, or storing appliance. Such preventive safety measures reduce the risk of starting the appliance accidentally.
 - Recharge only with the charger specified by the manufacturer. A charger that is suitable for one type of battery pack may create a risk of fire when used with another battery pack.
 - Use appliances only with specifically designated battery packs. Use of any other battery packs may create a risk of injury and fire.
 - When battery pack is not in use, keep it away from other metal objects, like paper clips, coins, keys, nails, screws or other small metal objects, that can make a connection from one terminal to another. Shorting the battery terminals together may cause burns or a fire.
 - Under abusive conditions, liquid may be ejected from the battery; avoid contact. If contact accidentally occurs, flush with water. If liquid contacts eyes, additionally seek medical help. Liquid ejected from the battery may cause irritation or burns.
 - Do not use a battery pack or appliance that is damaged or modified. Damaged or modified batteries may exhibit unpredictable behavior resulting in fire, explosion or risk of injury.
 - Do not expose a battery pack or appliance to fire or excessive temperature. Exposure to fire or temperature above 130 °C (265 °F) may cause explosion.
 - Follow all charging instructions and do not charge the battery pack or appliance outside of the temperature range specified in the instructions. Charging improperly or at temperatures outside of the specified range may damage the battery and increase the risk of fire.
 - Have servicing performed by a qualified repair person using only identical replacement parts. This will ensure that the safety of the product is maintained.

- Do not modify or attempt to repair the appliance or the battery pack except as indicated in the instructions for use and care.
15. Important safety instructions for battery cartridge.
- Before using battery cartridge, read all instructions and cautionary markings on (1) battery charger, (2) battery, and (3) product using battery.
 - Do not disassemble or tamper with the battery cartridge. It may result in a fire, excessive heat, or explosion.
 - If operating time has become excessively shorter, stop operating immediately. It may result in a risk of overheating, possible burns and even an explosion.
 - If electrolyte gets into your eyes, rinse them out with clear water and seek medical attention right away. It may result in loss of your eyesight.
 - Do not short the battery cartridge.
 - Do not store and use the tool and battery cartridge in locations where the temperature may reach or exceed 50 °C (122 °F).
 - Do not incinerate the battery cartridge even if it is severely damaged or is completely worn out. The battery cartridge can explode in a fire.
 - Do not nail, cut, crush, throw, drop the battery cartridge, or hit against a hard object to the battery cartridge. Such conduct may result in a fire, excessive heat, or explosion.
 - Do not use a damaged battery.
 - The contained lithium-ion batteries are subject to the Dangerous Goods Legislation requirements. For commercial transports e.g. by third parties, forwarding agents, special requirement on packaging and labeling must be observed. For preparation of the item being shipped, consulting an expert for hazardous material is required. Please also observe possibly more detailed national regulations. Tape or mask off open contacts and pack up the battery in such a manner that it cannot move around in the packaging.
 - Use the batteries only with the products specified by Makita. Installing the batteries to non-compliant products may result in a fire, excessive heat, explosion, or leak of electrolyte.
 - If the tool is not used for a long period of time, the battery must be removed from the tool.
 - During and after use, the battery cartridge may take on heat which can cause burns or low temperature burns. Pay attention to the handling of hot battery cartridges.
 - Do not touch the terminal of the tool immediately after use as it may get hot enough to cause burns.
 - Do not allow chips, dust, or soil stuck into the terminals, holes, and grooves of the battery cartridge. It may result in poor performance or breakdown of the tool or battery cartridge.
 - Unless the tool supports the use near high-voltage electrical power lines, do not use the battery cartridge near high-voltage electrical power lines. It may result in a malfunction or breakdown of the tool or battery cartridge.
 - Keep the battery away from children.

SAVE THESE INSTRUCTIONS.

⚠ CAUTION: Only use genuine Makita batteries. Use of non-genuine Makita batteries, or batteries that have been altered, may result in the battery bursting causing fires personal injury and damage. It will also void the Makita warranty for the Makita tool and charger.

16. Tips for maintaining maximum battery life.
- Charge the battery cartridge before completely discharged.
Always stop tool operation and charge the battery cartridge when you notice less tool power.
 - Never recharge a fully charged battery cartridge. Overcharging shortens the battery service life.
 - Charge the battery cartridge with room temperature at 10 °C - 40 °C (50 °F - 104 °F). Let a hot battery cartridge cool down before charging it.
 - When not using the battery cartridge, remove it from the tool or the charger.
 - Charge the battery cartridge if you do not use it for a long period (more than six months).

FUNCTIONAL DESCRIPTION

⚠ CAUTION:
Always be sure that the appliance is switched off, and the battery cartridge is removed before adjusting or checking function on the appliance.

Installing or removing battery cartridge (Fig. 2)

⚠ CAUTION:
Always switch off the appliance before installing or removing the battery cartridge.

⚠ CAUTION:
Hold the appliance and the battery cartridge firmly when installing or removing battery cartridge.
Failure to hold the appliance and the battery cartridge firmly may cause them to slip off your hands and result in damage to the appliance and battery cartridge and a personal injury.

To install the battery cartridge, align the tongue on the battery cartridge with the groove in the housing and slip it into place. Insert it all the way until it locks in place with a little click. If you can see the red indicator as shown in the figure, it is not locked completely. To remove the battery cartridge, slide it from the appliance while sliding the button on the front of the cartridge.

⚠ CAUTION:
Always install the battery cartridge fully until the red indicator cannot be seen. If not, it may accidentally fall out of the appliance, causing injury to you or someone around you.

⚠ CAUTION:
Do not install the battery cartridge forcibly. If the cartridge does not slide in easily, it is not being inserted correctly.

Indicating the remaining battery capacity (Fig. 3)

Press the check button on the battery cartridge to indicate the remaining battery capacity. The indicator lamps light up for a few seconds.

Indicator lamps			Remaining capacity
Lighted	Off	Blinking	
■	□	▬	75% to 100%
■	■	■	
■	■	□	50% to 75%
■	□	□	25% to 50%
■	□	□	0% to 25%
▬	□	□	Charge the battery.
■	■	□	The battery may have malfunctioned.
□	□	■	

NOTE:

Depending on the conditions of use and the ambient temperature, the indication may differ slightly from the actual capacity.

NOTE:

The first (far left) indicator lamp will blink when the battery protection system works.

Appliance / battery protection system

The appliance is equipped with the protection system, which automatically cuts off the output power for long service life.

Overdischarge protection

When the battery capacity is not enough, the appliance stops automatically. In this case, remove the battery from the appliance and charge the battery.

Protections against other causes

Protection system is also designed for other causes that could damage the appliance and allows the appliance to stop automatically. Take all the following steps to clear the causes, when the appliance has been brought to a temporary halt or stop in operation.

1. Turn the appliance off, and then turn it on again to restart.
2. Charge the battery(ies) or replace it/them with recharged battery(ies).
3. Let the appliance and battery(ies) cool down.

If no improvement can be found by restoring protection system, then contact your local Makita Service Center.

Turning on the light and brightness mode selection (Fig. 4)

⚠ CAUTION:

Do not look in the light or see the source of light directly.

1. Switch: Brightness sequence is: High mode(On) / Medium mode / Low mode / Off for each press.
2. Mode selector: Light up sequence is: Whole Light/ Fixed light part / Foldable light part for each press when the switch is on.

NOTE:

When you switch on the appliance, it will be turned on the same light mode as the last time you use.

Low battery indicator (Fig. 5)

When the battery becomes low, the LED lights go out except one LED light as illustrated. Then approximately five to ten minutes later, the appliance automatically turns off.

OPERATION

⚠ CAUTION:

Rotate the LED light bar and fold down the foldable light part to stabilise the balance of the appliance when you put the appliance in upright position as shown in fig.4. Otherwise, the appliance may fall over and personal injury occur.

LED light bar angle (Fig. 6, Fig. 7)

⚠ CAUTION:

Take care not to trap finger(s) when adjusting the angle of the light.

⚠ CAUTION:

Make sure the fixed and foldable light part to be locked together firmly in folding and unfolding positions respectively.

The LED light bar can be rotated in seven stages for every 45°. (90° to the right and 180° to the left)
The foldable light part can be bent to 0° or 180°.

Metal hook (Fig. 8)

Raise and slide the metal hook to center position when using the metal hook.

Strap (Fig. 9)

⚠ CAUTION:

Do not use the ring and strap hole for any purpose other than installing the strap. Otherwise personal injury may occur.

Install the strap on the appliance as illustrated.

Installing carrier clips into telescopic hook (Fig. 10, Fig. 11)

CAUTION:

Take care not to pinch finger(s) when installing the carrier clips into telescopic hook.

Install the carrier clips into telescopic hook as illustrated.

NOTE:

Make sure each carrier clip is slid to the carrier clip positioning hole on the main bar.

NOTE:

Make sure the two carrier clips in the same direction installation.

Installing appliance on telescopic hook (Fig. 12)

Install the appliance on the telescopic hook by the carrier clips as illustrated.

NOTE:

Make sure each carrier clip holds the clipped position of the appliance.

Mounting telescopic hook (Fig. 13)

CAUTION:

Do not hang anything other than the appliance on the telescopic hook. Otherwise the holder hooks would be damaged and personal injury may occur.

CAUTION:

Make sure every part is fixed securely before use.

CAUTION:

Operate by holding the main bar and the holder hooks when mounting the telescopic hook. Take care not to pinch your hands and fingers because the inner bar is returned to its original position by the force of the springs.

Hold one holder hook to mount it onto where you want.

Hold another one of holder hook while extending the telescopic hook to mount it onto the desired location(another side).

Switch on the appliance and adjust the illumination angle of the appliance to illuminate the desired location as illustrated.

NOTICE:

If you use the heavy battery, rotate only the LED light bar for adjustment of illumination angle.

MAINTENANCE

CAUTION:

Always be sure that the appliance is switched off, and the battery cartridge is removed before attempting to perform inspection or maintenance.

NOTICE:

Never use gasoline, benzine, thinner, alcohol or the like. Discoloration, deformation or cracks may result.

To maintain product SAFETY and RELIABILITY, repairs, any other maintenance or adjustment should be performed by Makita Authorized or Factory Service Centers, always using Makita replacement parts.

Cleaning

CAUTION:

Never wash the appliance in water.
From time to time wipe off the outside of the appliance (appliance body) using a cloth dampened in soapywater.

OPTIONAL ACCESSORIES

CAUTION:

These accessories or attachments are recommended for use with your Makita appliance specified in this manual. The use of any other accessories or attachments might present a risk of injury to persons. Only use accessory or attachment for its stated purpose.

If you need any assistance for more details regarding these accessories, ask your local Makita service center.

- Makita genuine battery and charger

NOTE:

Some items in the list may be included in the appliance package as standard accessories. They may differ from country to country.

PORTUGUÊS DO BRASIL (Instruções originais)

1	Gancho telescópico	2	Barra de lanterna LED	3	Botão	4	Cartucho de bateria	5	Indicador vermelho	6	Lâmpadas do indicador	7	Botão de verificação	8	Parte de lanterna fixa (LED-24 unidades)
9	Parte de lanterna dobrável (LED-18 unidades)	10	Chave	11	Seletor de modo	12	Indicador de bateria fraca	13	Parte móvel	14	Gancho metálico	15	Alça	16	Anel
17	Orifício da alça	18	Orifício de posicionamento do clipe de suporte	19	Barra principal	20	Barra interna	21	Clipe de suporte	22	Gancho de suporte	23	Posição de clipe		

ESPECIFICAÇÕES

Modelo:		ML012G
lanterna	Fluxo luminoso (H/M/L)	1.700 lm / 800 lm / 400 lm
	Dimensões (C × L × A) (sem cartucho da bateria)	972 mm × 85 mm × 100 mm
	Voltagem nominal	CC 36 V - 40 V máx.
	Peso líquido (sem cartucho da bateria)	1,1 kg
Gancho telescópico	Dimensões (C × L × A) (com cliques)	1.181 mm × 99 mm × 259 mm
	Peso líquido (com cliques)	1,5 kg
	Largura disponível *	1.130 mm - 1.900 mm

- As especificações podem ser diferentes de acordo com o país.
- Devido ao nosso programa contínuo de pesquisa e desenvolvimento, as especificações neste documento estão sujeitas a alterações sem aviso prévio.
- * A largura real disponível pode variar dependendo da localização e do formato.

Cartucho de bateria e carregador aplicáveis

Cartucho de bateria	BL4020 / BL4025 / BL4040 / BL4040F / BL4050F / BL4080F
Carregador	DC40RA / DC40RB / DC40RC / DC40WA

- Alguns dos cartuchos de baterias listados acima podem não estar disponíveis dependendo do seu local de residência.

⚠ AVISO: Use apenas os cartuchos de bateria listados acima. O uso de qualquer outro cartucho de bateria pode causar acidentes e/ou incêndio.

Tempo de operação

Cartucho de bateria aplicável	Tempo de operação (aproximadamente)		
	Lanterna inteira (LED-42 unidades)		
	Alto	Médio	Baixo
BL4020	3,5 horas	7,5 horas	16 horas
BL4025	4,5 horas	9,5 horas	20 horas
BL4040/BL4040F	7,0 horas	15 horas	32 horas
BL4050F	8,5 horas	19 horas	40 horas
BL4080F	14 horas	31 horas	65 horas

- Os tempos de operação na tabela acima são apenas uma indicação genérica. Eles podem diferir dos tempos de operação reais.
- O cartucho de bateria pode diferir de um país para outro.
- Os tempos de operação podem ser diferentes dependendo do tipo de bateria, estado de carga e condição de uso.

Símbolos

A seguir encontram-se os símbolos que podem ser usados para o equipamento. Certifique-se de compreender seu significado antes do uso.



- Leia o manual de instruções.



- Aplicável apenas a países de União Europeia. Devido à existência de componentes perigosos no equipamento, tais como resíduos de equipamento elétrico e eletrônico, acumuladores e baterias podem ter um impacto negativo no meio ambiente e na saúde humana. Não são permitidos descartar aparelhos elétricos e eletrônicos ou baterias no lixo doméstico! Conforme a Diretiva Europeia referente a resíduos de equipamentos elétricos e eletrônicos e acumuladores e baterias e resíduos de acumuladores e baterias, bem como sua adaptação à legislação nacional, os resíduos de equipamento elétrico, baterias e acumuladores devem ser armazenados separadamente e entregues num ponto separado de coleta para resíduos municipais, suas operações devem estar de acordo com as regulamentações de proteção ambiental. Isto é indicado pelo símbolo do contentor de lixo barrado com uma cruz colocado no equipamento.



- Radiação Óptica (UV e IR). Minimizar a exposição aos olhos ou à pele.



- Não olhe direto para a lâmpada em operação.



- Use escudo ou protetor ocular apropriado.



- Tenha muito cuidado e atenção!



- Apenas para uso interno

INSTRUÇÕES IMPORTANTES DE SEGURANÇA

⚠ AVISO:

Para reduzir o risco de ferimentos, não olhe fixamente para os aparelhos em funcionamento. Podem ocorrer ferimentos oculares graves.

⚠ CUIDADO:

Ao usar aparelhos, as precauções básicas de segurança sempre devem ser seguidas para reduzir o risco de incêndio, choque elétrico e acidentes pessoais, incluindo as seguintes:

LEIA TODAS AS INSTRUÇÕES.

1. Para reduzir o risco de ferimentos, é necessária supervisão cuidadosa quando o aparelho for usado perto de crianças.
2. Para reduzir o risco de choque elétrico, não coloque o aparelho em água ou outro líquido. Não coloque ou guarde o aparelho onde ele possa cair ou ser puxado para dentro de uma banheira ou pia.
3. Não cubra o aparelho com pano ou papelão, etc. Caso contrário, poderá causar chamas.
4. Não toque na parte interna do aparelho com pinças, ferramentas metálicas, etc.
5. Não exponha o aparelho à chuva ou à neve. Não lave-a com água.
6. Não toque na parte interna do aparelho com pinças, ferramentas metálicas, etc.
7. Não entre em contato com peças quentes.
8. Quando o aparelho não estiver em uso, sempre desligue-o e remova o cartucho de bateria.
9. Não exponha o aparelho a choques como quedas, impactos, etc.
10. Use apenas acessórios recomendados ou vendidos pelo fabricante.
11. Armazene o produto dentro de casa quando não estiver em uso. Mantenha fora do alcance de crianças.
12. Informações de segurança sobre luminárias portáteis com bateria.
 - O descarte de bateria deve ser feito seguindo os regulamentos locais que tratam da eliminação de materiais perigosos.
 - Não jogue a bateria no fogo.
13. Informações adicionais para luminárias.
 - A fonte de luz desta luminária não é substituível; quando a fonte de luz chegar ao fim da vida útil, toda a luminária deve ser substituída.
14. Uso e cuidados com a bateria.
 - AVISO: Leia todos os avisos de segurança e todas as instruções. A falha em seguir os avisos e instruções pode resultar em choque elétrico, incêndio e/ou ferimentos graves
 - Evite o acionamento acidental. Certifique-se de que a chave esteja na posição desligada antes de conectar à bateria, levantar ou carregar o aparelho. Carregar o aparelho com seu dedo na chave ou energizar o aparelho com a chave na posição ligada é um convite a acidentes.
 - Desconecte o pacote de bateria do aparelho antes de fazer quaisquer ajustes, trocar acessórios, ou armazenar o aparelho. Essas medidas preventivas de segurança reduzem o risco do acionamento acidental do aparelho.
 - Recarregue somente com o carregador especificado pelo fabricante. Um carregador adequado para um tipo de bateria pode criar riscos de incêndio quando usado com outra bateria.
 - Use os aparelhos apenas com as baterias designadas especificamente. O uso de qualquer outra bateria pode causar acidentes e incêndio.
 - Quando a bateria não estiver em uso, mantenha-a afastada de objetos metálicos, como cliques de papel, moedas, chaves, pregos, parafusos ou qualquer outro objeto metálico pequeno que possa fazer uma conexão de um terminal ao outro. O curto-circuito entre os terminais da bateria juntos pode causar queimaduras ou incêndio.
 - Em condições extremas, o líquido pode ser ejetado da bateria. Evite contato. Se o contato ocorrer acidentalmente, enxágue com água. Se o líquido entrar em contato com os olhos, busque assistência médica. O líquido ejetado da bateria pode causar irritação ou queimaduras.
 - Não use uma bateria ou aparelho que esteja danificado ou modificado. Baterias danificadas ou modificadas podem apresentar comportamento imprevisível que resulta em fogo, explosão ou risco de lesões.
 - Não exponha uma bateria ou aparelho a fogo ou temperaturas excessivas. A exposição ao fogo ou temperatura acima de 130 °C (265 °F) podem causar explosão.
 - Siga todas as instruções de carregamento e não carregue a bateria ou aparelho fora do intervalo de temperatura especificado nas instruções. Carregar inadequadamente ou em temperaturas fora do intervalo especificado pode danificar a bateria e aumentar o risco de incêndio.
 - Solicite assistência técnica prestada somente por uma pessoa qualificada para manutenção usando apenas peças de reposição idênticas. Isso garantirá a manutenção de segurança do produto.

- Não modifique ou tente reparar o aparelho ou a bateria, exceto conforme indicado nas instruções de uso e cuidado.
15. Instruções de segurança importantes para a bateria.
- Antes de usar o cartucho de bateria, leia todas as instruções e marcas de atenção (1) no carregador da bateria, (2) na bateria e (3) no produto que usa a bateria.
 - Não desmonte nem viole o cartucho de bateria. Isso pode resultar em incêndio, calor excessivo ou explosão.
 - Se o tempo de operação se tornar excessivamente mais curto, interrompa imediatamente a operação. Isso pode resultar em risco de sobreaquecimento, possíveis queimaduras e até mesmo explosão.
 - Se os eletrólitos entrarem em seus olhos, lave-os com água limpa e busque assistência médica imediatamente. Isso pode resultar na perda de sua visão.
 - Não provoque curto-circuito no cartucho de bateria.
 - Não armazene nem use a ferramenta e o cartucho de bateria em locais onde a temperatura possa alcançar ou exceder 50 °C (122 °F).
 - Não incinere o cartucho de bateria, mesmo se estiver gravemente danificado ou completamente desgastado. O cartucho de bateria pode explodir e provocar incêndio.
 - Não pregue, corte, esmague, arremesse, deixe o cartucho de bateria cair nem bata nele com um objeto sólido. Isso pode resultar em incêndio, gerar calor excessivo ou explosão.
 - Não use uma bateria danificada.
 - As baterias que contêm íons de lítio estão sujeitas às exigências da Legislação de Produtos Perigosos. Para transportes comerciais, por exemplo, por terceiros, agentes de frete, devem ser observadas exigências especiais de embalagem e rotulagem. Para preparação do item a ser enviado, é necessário consultar um especialista em materiais perigosos. Observe também as regulamentações nacionais possivelmente mais detalhadas. Proteja com fita ou máscara os contatos abertos e embale a bateria de forma que não possa se mover na embalagem.
 - Use as baterias somente com produtos especificados pela Makita. Instalar as baterias em produtos que não estejam em conformidade pode resultar em incêndio, aquecimento excessivo, explosão ou vazamento de eletrólitos.
 - Se a ferramenta não for usada por um longo período de tempo, a bateria deve ser removida da ferramenta.
 - Durante e após o uso, o cartucho da bateria pode acumular calor, o que pode causar queimaduras por alta ou baixa temperatura. Preste atenção no manuseio de cartuchos de bateria quentes.
 - Não toque no terminal da ferramenta imediatamente após o uso, uma vez que pode ficar quente o suficiente para causar queimaduras.
 - Não deixe que lascas, pó ou sujeira obstruam os terminais, orifícios e ranhuras do cartucho da bateria. Isso pode resultar em baixo desempenho ou quebrar a ferramenta ou cartucho da bateria.
 - Exceto se a ferramenta for compatível com o uso próximo a linhas de energia de alta tensão, não utilize o cartucho de bateria próximo a linhas de alta tensão. Isso pode resultar em problemas de funcionamento ou quebrar a ferramenta ou cartucho da bateria.
 - Mantenha a bateria longe de crianças.

GUARDE ESSAS INSTRUÇÕES.

⚠ CUIDADO: Use apenas baterias genuínas da Makita. O uso de baterias Makita não originais ou de baterias que tenham sido alteradas pode resultar na explosão da bateria, causando incêndio, lesões pessoais e danos. Isso também anula a garantia da Makita com relação à ferramenta e o carregador Makita

16. Dicas de manutenção para a vida máxima da bateria
- Carregue o cartucho de bateria antes de descarregar completamente. Sempre interrompa a operação da ferramenta e carregue o cartucho da bateria ao observar menos potência do dispositivo.
 - Nunca recarregue um cartucho de bateria completamente carregado. Sobrecarregar encurta a vida útil da bateria.
 - Carregue o cartucho de bateria em temperatura ambiente a 10 °C - 40 °C (50 °F - 104 °F). Espere um cartucho de bateria quente esfriar antes de carregá-lo.
 - Quando não estiver usando o cartucho da bateria, remova-o da ferramenta ou do carregador.
 - Carregue o cartucho de bateria se não usá-lo por um longo período (mais de seis meses).

DESCRIÇÃO FUNCIONAL

⚠ CUIDADO: Sempre se certifique de que o aparelho esteja desligado da tomada e que o cartucho de bateria seja removido antes de ajustar ou verificar o funcionamento do aparelho.

Instalação ou remoção do cartucho da bateria (Fig. 2)

⚠ CUIDADO: Desligue sempre o aparelho antes de instalar ou remover a bateria.

⚠ CUIDADO: **Segure o aparelho e o cartucho de bateria firmemente ao instalar ou remover o cartucho de bateria.** A falha ao segurar o aparelho e o cartucho de bateria firmemente pode fazer com que escorreguem de suas mãos e resultar em danos ao aparelho e ao cartucho de bateria e em lesão pessoal.

Para instalar o cartucho da bateria, alinhe a lingueta ao cartucho da bateria com a ranhura no compartimento e deslize-o até encaixar corretamente. Insira até travar com um pequeno clique. Se puder ver o indicador vermelho conforme mostrado na figura, significa que ele não está completamente bloqueado. Para remover o cartucho de bateria, deslize-o para fora do aparelho, deslizando o botão na frente do cartucho.

⚠ CUIDADO: Sempre instale o cartucho de bateria completamente até que o indicador vermelho não possa ser visto. Se não, pode cair acidentalmente do aparelho, causando lesões a você ou a pessoas próximas.

⚠ CUIDADO: Não instale o cartucho de bateria à força. Se o cartucho não deslizar facilmente, não está sendo inserido corretamente.

Indicação da potência restante da bateria (Fig. 3)

Pressione o botão de verificação no cartucho de bateria para indicar a capacidade restante da bateria. As lâmpadas do indicador piscam por alguns segundos.

Lâmpadas do indicador			Capacidade restante
Acesas	Apagadas	Piscando	
■ ■ ■ ■			75% a 100%
■ ■ ■ □			50% a 75%
■ ■ □ □			25% a 50%
■ □ □ □			0% a 25%
▣ □ □ □			Carregue a bateria.
■ ■ □ □			A bateria pode ter apresentado defeito.
□ □ ■ ■			

OBSERVAÇÃO:

Dependendo das condições de uso e da temperatura ambiente, a indicação pode diferir levemente da capacidade real.

OBSERVAÇÃO:

A primeira lâmpada indicadora (esquerda) piscará quando o sistema de proteção da bateria funcionar.

Sistema de proteção do aparelho e bateria

A ferramenta está equipada com um sistema de proteção, que automaticamente corta a força de saída para economizar o ciclo de vida do equipamento.

Proteção contra sobrecarga

Quando a capacidade da bateria não for suficiente, o aparelho parará automaticamente. Nesse caso, remova a bateria do aparelho e a carregue.

Proteções contra outras causas

O sistema de proteção também é projetado para outras causas que podem danificar o aparelho e permitem que o aparelho pare automaticamente. Siga todas as etapas a seguir para eliminar as possíveis causas de quando o aparelho parou de funcionar ou tenha sido interrompido temporariamente.

1. Desligue o aparelho e ligue-o novamente para reiniciá-lo.
2. Carregue as baterias ou substitua-as por baterias recarregadas.
3. Deixe o aparelho e as baterias esfriarem.

Se nenhum melhoramento puder ser encontrado com a restauração do sistema de proteção, entre em contato com o Centro de Serviços Makita local.

Ativando a seleção de modo de luz e brilho (Fig. 4)

⚠ CUIDADO:

Não olhe diretamente para a luz ou para a fonte de luz diretamente.

1. Chave: A sequência de brilho é: Modo alto (ligado) / modo médio / modo baixo / desligar para cada toque.
2. Seletor de modo: A sequência de iluminação é: lanterna inteira/parte de lanterna fixa/parte de lanterna dobrável para cada pressão quando o interruptor está ligado.

OBSERVAÇÃO:

Ao ligar o aparelho, será ativado o mesmo modo de lanterna da última vez que o utilizou.

Indicador de bateria fraca (Fig. 5)

Quando a bateria fica fraca, as lanternas LED apagam-se, exceto uma lanterna LED, conforme ilustrado. Então, aproximadamente cinco a dez minutos depois, o aparelho desliga automaticamente.

OPERAÇÃO

⚠ CUIDADO:

Gire a barra de lanterna LED e dobre a parte dobrável da lanterna para estabilizar o equilíbrio do aparelho ao colocá-lo na posição vertical, conforme mostrado na Fig.4. Caso contrário, o aparelho poderá cair e ferimentos pessoais ocorrem.

Ângulo da barra de lanterna LED (Fig. 6, Fig. 7)

⚠ CUIDADO:

Tome cuidado para não prender o(s) dedo(s) ao ajustar o ângulo de luz.

⚠ CUIDADO:

Certifique-se de que a parte da lanterna fixa e dobrável esteja travada firmemente nas posições de dobramento e desdobramento, respectivamente.

A barra de lanterna LED pode ser girada em sete estágios para cada 45°. (90° para a direita e 180° para a esquerda)

A parte leve dobrável pode ser dobrada em 0° ou 180°.

Gancho de Metal (Fig. 8)

Levante e deslize o gancho de metal para a posição central ao usar o gancho de metal.

Alça (Fig. 9)

⚠ CUIDADO:

Não use o orifício do anel e da tira para qualquer finalidade que não seja a instalação da tira. Caso contrário, podem provocar ferimentos.

Instale a alça no aparelho conforme ilustrado.

Instalando cliques de suporte no gancho telescópico (Fig. 10, Fig. 11)

CUIDADO:

Tenha cuidado para não prender o(s) dedo(s) ao instalar os cliques de suporte no gancho telescópico.

Instale os cliques de suporte no gancho telescópico conforme ilustrado.

OBSERVAÇÃO:

Certifique-se de que cada clipe de suporte seja deslizado até o orifício de posicionamento do clipe de suporte na barra principal.

OBSERVAÇÃO:

Certifique-se de que os dois cliques de suporte estejam na mesma direção de instalação.

Instalação do aparelho no gancho telescópico (Fig. 12)

Instale o aparelho no gancho telescópico pelos cliques de suporte conforme ilustrado.

OBSERVAÇÃO:

Certifique-se de que cada clipe de suporte mantenha na posição de clipe do aparelho.

Montagem do gancho telescópico (Fig. 13)

CUIDADO:

Não pendure nada além do aparelho no gancho telescópico. Caso contrário, os ganchos do suporte seriam danificados e poderão ocorrer ferimentos.

CUIDADO:

Certifique-se de que todas as peças estejam fixadas com segurança antes de usar.

CUIDADO:

Opere segurando a barra principal e os ganchos de suporte ao montar o gancho telescópico. Tenha cuidado para não prender as mãos e os dedos, pois a barra interna retorna à sua posição original pela força das molas.

Segure um gancho de suporte para montá-lo onde desejar.

Segure outro gancho de suporte enquanto estende o gancho telescópico para montá-lo no local desejado (outro lado).

Ligue o aparelho e ajuste o ângulo de iluminação do aparelho para iluminar o local desejado conforme ilustrado.

OBSERVAÇÃO:

Se você usar bateria pesada, gire apenas a barra de lanterna LED para ajustar o ângulo de iluminação.

MANUTENÇÃO

CUIDADO:

Sempre verifique se o aparelho está desligado e se o cartucho da bateria foi retirado antes de tentar realizar inspeção ou manutenção.

OBSERVAÇÃO:

Nunca use gasolina, benzina, diluente, álcool ou similares. Pode ocorrer descoloração, deformação ou rachaduras.

Para manter o produto de forma SEGURA e com CONFIANÇA, os consertos, manutenções ou ajustes devem ser feitos por pessoal autorizado da Makita ou pelos Centros de Manutenção de Fábrica, sempre usando peças de reposição da Makita.

Limpeza

CUIDADO:

Nunca lave o aparelho com água.

De vez em quando, limpe a parte externa do aparelho (corpo do aparelho) com um pano umedecido em água com sabão.

ACESSÓRIOS OPCIONAIS

CUIDADO:

Esses acessórios ou fixações são recomendados para uso com seu aparelho Makita especificado neste manual. O uso de outros acessórios ou fixações pode representar risco de lesões a pessoas. Use acessórios e fixações somente para seus fins determinados.

Se precisar de auxílio para mais detalhes relacionados a esses acessórios, peça ao seu centro de assistência técnica Makita local.

- Bateria e carregador originais Makita

OBSERVAÇÃO:

Alguns itens da lista podem estar incluídos na embalagem do aparelho como acessórios padrão. Esses itens podem variar de acordo com o país.

ESPAÑOL (Instrucciones originales)

1	Gancho telescópico	2	Barra de luz LED	3	Botón	4	Cartucho de batería	5	Indicador rojo	6	Lámparas indicadoras	7	Botón de verificación	8	Parte de luz fija (LED-24 piezas)
9	Parte de luz plegable (LED-18 piezas)	10	Interruptor	11	Selector de modo	12	Indicador de batería baja	13	Parte móvil	14	Gancho metálico	15	Correa	16	Aro
17	Orificio para correa	18	Orificio de posicionamiento del clip de soporte	19	Barra principal	20	Barra interior	21	Clip de soporte	22	Gancho de sujeción	23	Posición de recorte		

ESPECIFICACIONES

Modelo:		ML012G
Luz	Flujo luminoso (H/M/L)	1,700 lm / 800 lm / 400 lm
	Medidas (largo × ancho × altura) (sin cartucho de batería)	972 mm × 85 mm × 100 mm
	Tensión nominal	CC 36 V - 40 V máx.
	Peso neto (sin cartucho de batería)	1,1 kg
Gancho telescópico	Medidas (largo × ancho × altura) (sin clips)	1,181 mm × 99 mm × 259 mm
	Peso neto (sin clips)	1,5 kg
	Ancho disponible *	1,130 mm - 1,900 mm

- Las especificaciones pueden diferir de un país a otro.
- Debido a nuestro programa continuo de investigación y desarrollo, las especificaciones en este documento están sujetas a cambios sin previo aviso.
- * El ancho disponible podría variar dependiendo de la localización y de la forma.

Cargador y cartucho de batería correspondientes

Cartucho de batería	BL4020 / BL4025 / BL4040 / BL4040F / BL4050F / BL4080F
Cargador	DC40RA / DC40RB / DC40RC / DC40WA

- Es posible que algunos de los cartuchos de batería mencionados anteriormente no estén disponibles según su área de residencia.

⚠ ADVERTENCIA: utilice únicamente los cartuchos de batería mencionados anteriormente. El uso de cualquier otro cartucho de batería puede causar lesiones y/o incendio.

Tiempo de funcionamiento

Cartucho de batería correspondiente	Tiempo de funcionamiento (aproximadamente)		
	Luz completa (LED-42 piezas)		
	Alto	Mediano.	Bajo
BL4020	3,5 horas	7,5 horas	16 horas
BL4025	4,5 horas	9,5 horas	20 horas
BL4040/BL4040F	7,0 horas	15 horas	32 horas
BL4050F	8,5 horas	19 horas	40 horas
BL4080F	14 horas	31 horas	65 horas

- Los tiempos de funcionamiento en la tabla anterior son una guía aproximada. Pueden diferir de los tiempos de funcionamiento reales.
- El cartucho de la batería puede diferir de un país a otro.
- Los tiempos de funcionamiento pueden variar según el tipo de batería, el estado de la carga y las condiciones de uso.

Símbolos

A continuación se muestran los símbolos que serán utilizados con el equipo. Asegúrese de entender su significado antes de su uso.



- Lea el manual de instrucciones.



- Sólo para países de la UE, debido a la presencia de componentes peligrosos en el equipo, de residuos eléctricos y equipo eléctrico, de acumuladores y baterías que pueden tener un impacto negativo en el medio ambiente y en la salud humana. ¡No deseche los aparatos eléctricos y electrónicos o baterías con la basura doméstica! De acuerdo con la Directiva Europea los residuos eléctricos y equipo electrónico y sobre los acumuladores y baterías y acumuladores de residuos y baterías, así como la adaptación a la ley nacional, los residuos de equipos eléctricos, baterías y acumuladores deben almacenarse por separado y ser entregados en un punto de recogida independiente, para residuos municipales, operando de acuerdo con la regulaciones de protección ambiental. Esto es indicado por el símbolo de tachado del contenedor con ruedas colocado en el equipo.



- Radiación óptica (UV e IR). Minimice la exposición a los ojos o la piel.



- No mire fijamente la lámpara cuando esté en funcionamiento.



- Utilice protección adecuada o protección ocular.



- ¡Preste especial atención!



- Para uso en interiores únicamente

INSTRUCCIONES DE SEGURIDAD IMPORTANTES

⚠ ADVERTENCIA:

Para reducir el riesgo de una lesión, no se quede mirando mientras el equipo esté en uso. Podría ocurrir una lesión grave en sus ojos.

⚠ PRECAUCIÓN:

cuando utilice aparatos electrodomésticos, siempre se deben seguir las precauciones básicas de seguridad para reducir el riesgo de incendio, descarga eléctrica y lesiones personales, incluyendo lo siguiente:

LEA TODAS LAS INSTRUCCIONES.

1. Para reducir el riesgo de una lesión, es necesaria la supervisión próxima cuando el equipo se use en presencia de niños.
2. Para reducir el riesgo de una descarga eléctrica, no coloque el equipo en agua o en algún otro líquido. No coloque o almacene el equipo en un lugar en el que podría caer o ser jalado dentro de una bañera o lavabo.
3. No cubra el equipo con telas o cartones, etc. De otro modo, podría provocarse un incendio.
4. No toque el interior del aparato con pinzas, herramientas metálicas, etc.

5. No exponga el aparato a la lluvia o la nieve. No la lave con agua.
6. No toque el interior del aparato con pinzas, herramientas metálicas, etc.
7. No entre en contacto con partes calientes.
8. Cuando el aparato no esté en uso, apáguelo siempre y desconecte/retire el cartucho de batería del aparato.
9. No permita que el aparato se caiga, se golpee, etcétera.
10. Use únicamente partes recomendadas o vendidas por el fabricante.
11. Almacene el equipo en interiores cuando no esté en uso. Manténgase fuera del alcance de los niños.
12. Información de seguridad para luminarias portátiles con baterías.
 - Deseche las baterías en conformidad con las reglas locales de eliminación de materiales peligrosos.
 - No queme la batería.
13. Información adicional para luminarias.
 - La fuente de luz de esta luminaria no es reemplazable; cuando la fuente de luz llegue al final de su vida útil, se deberá sustituir toda la luminaria.
 - 14. Usos y cuidados de la herramienta a batería.
- **ADVERTENCIA:** Lea todas las precauciones y las instrucciones de seguridad. No seguir las precauciones y las instrucciones podría dar como resultado una descarga eléctrica, un incendio y/o una lesión grave.
- Evite el encendido involuntario. Asegúrese de que el interruptor esté en posición de apagado antes de conectar el paquete de baterías, recoger o transportar el aparato. Transportar el aparato con el dedo en el interruptor, o alimentar el aparato con el interruptor encendido puede causar accidentes.
- Desconecte la batería del aparato antes de realizar cualquier ajuste, cambiar accesorios o almacenarlo. Estas medidas de seguridad preventivas reducen el riesgo de encender el aparato accidentalmente.
- Recárguelo solo con el cargador especificado por el fabricante. Un cargador que es adecuado para determinado tipo de batería puede crear un riesgo de incendio cuando se utiliza con otra batería.
- Utilice aparatos solo con baterías indicadas específicamente. El uso de cualquier otro paquete de baterías puede conllevar riesgo de lesiones e incendio.
- Cuando la batería no esté en uso, manténgala alejada de otros objetos metálicos, como clips de papel, monedas, llaves, clavos, tornillos u otros objetos metálicos pequeños, que puedan crear una conexión de un terminal a otro. El cortocircuito de los terminales de la batería puede causar quemaduras o un incendio.
- En condiciones de mal uso, de la batería puede salir líquido; evite el contacto. Si se produce un contacto accidental, enjuáguese con agua. Si el líquido entra en contacto con los ojos, busque además ayuda médica. El líquido que sale de la batería puede causar irritación o quemaduras.
- No utilice una batería o un aparato que esté dañado o modificado. Las baterías dañadas o modificadas pueden tener un comportamiento impredecible que resulte en incendio, explosión o riesgo de lesiones.
- No exponga una batería o un aparato al fuego o a una temperatura excesiva. La exposición al fuego o a una temperatura por encima de 130 °C (265 °F) puede causar una explosión.
- Siga todas las instrucciones de carga y no cargue la batería o el aparato cuando se exceda el rango de temperatura especificado en las instrucciones. La carga incorrecta o a temperaturas fuera del rango especificado puede dañar la batería y aumentar el riesgo de incendio.

- El mantenimiento debe ser realizado por un técnico calificado utilizando solo piezas de repuesto idénticas. Esto garantizará que se respete la seguridad del producto.
 - No modifique ni intente reparar el aparato o la batería, excepto como se indica en las instrucciones de uso y de cuidados.
15. Instrucciones de seguridad importantes para el cartucho de batería.
- Antes de usar el cartucho de batería, lea todas las instrucciones y marcas de precaución en (1) el cargador de la batería, (2) la batería y (3) el producto que usa la batería.
 - No desensamble o manipule el cartucho de la batería. Podría dar como resultado un incendio, calor excesivo o una explosión.
 - Si el tiempo de funcionamiento se ha vuelto excesivamente más corto, deje de operar el aparato de inmediato. Puede haber un riesgo de sobrecalentamiento, posibles quemaduras e incluso una explosión.
 - Si el electrolito le entra en los ojos, enjuáguelos con agua limpia y busque atención médica de inmediato. Podría producirse pérdida de la visión.
 - No provoque cortocircuitos en el cartucho de la batería.
 - No almacene la herramienta ni el cartucho de la batería en lugares donde la temperatura pueda alcanzar o superar los 50 °C (122 °F).
 - No incinere el cartucho de la batería aunque esté gravemente dañado o esté completamente desgastado. El cartucho de la batería puede explotar en caso de incendio.
 - No clave, corte, apriete, arroje, deje caer el cartucho de la batería o golpee contra un objeto duro. Podría dar como resultado un incendio, calor excesivo o una explosión.
 - No utilice una batería dañada.
 - Las baterías de iones de litio contenidas están sujetas a los requisitos de la legislación sobre mercancías peligrosas. En los transportes comerciales, por ejemplo, por terceros, deben observarse requisitos especiales en el embalaje y el etiquetado. Para la preparación del artículo que se transporta, se requiere consultar a un experto en materiales peligrosos. Por favor, observe también las regulaciones nacionales que, posiblemente, sean más detalladas. Tape o enmascare los contactos abiertos y empaque la batería de tal manera que no pueda moverse en el embalaje.
 - Utilice las baterías únicamente con los productos especificados por Makita. La instalación de las baterías en productos que incumplan las normas puede provocar incendios, calor excesivo, una explosión o una fuga de electrolitos.
 - Si el aparato no se utiliza durante un largo período, la batería debe retirarse del aparato.
 - Durante y después del uso, el cartucho de la batería podría calentarse y causar quemaduras o quemaduras de bajas temperaturas. Preste atención a la manipulación de cartuchos de baterías calientes.
 - No toque el terminal de la herramienta inmediatamente después de usarla, porque podría estar suficientemente caliente como para quemar lo.
 - No permita astillas, polvo o tierra atascada en los terminales, los orificios y las ranuras del cartucho de la batería. Podría dar como resultado bajo rendimiento o avería de la herramienta o el cartucho de la batería.
 - A menos que la herramienta sea compatible con el uso cercano de líneas eléctricas de alto voltaje, no use el cartucho de la batería cerca de las líneas eléctricas de alto voltaje. Podría dar como resultado una falla o una avería de la herramienta o el cartucho de la batería.
 - Mantenga la batería fuera del alcance de los niños.

GUARDE ESTAS INSTRUCCIONES.

⚠ PRECAUCIÓN: Use únicamente las baterías originales Makita. El uso de baterías Makita no originales, o de baterías que se hayan alterado, puede causar la explosión de la batería, incendios, lesiones personales y daños. También anulará la garantía de Makita para la herramienta y el cargador.

16. Consejos para conservar la máxima duración de la batería.
- Cargue el cartucho de la batería antes de que se descargue por completo. Detenga siempre el funcionamiento de la herramienta y cargue el cartucho de la batería cuando observe menos potencia en la herramienta.
 - Nunca recargue un cartucho de batería completamente cargado. La sobrecarga acorta la vida útil de la batería.
 - Cargue el cartucho de la batería a temperatura ambiente a 10 °C - 40 °C (50 °F - 104 °F). Si el cartucho de batería está caliente permita que se enfríe antes de cargarlo.
 - Cuando no use el cartucho de la batería, retírelo de la herramienta o el cargador.
 - Cargue el cartucho de batería si no lo utiliza durante un período prolongado (más de seis meses).

DESCRIPCIÓN FUNCIONAL

⚠ PRECAUCIÓN: Asegúrese siempre de que el aparato esté apagado y de que el cartucho de la batería se haya extraído antes de ajustar o comprobar la función del aparato.

Instalación o extracción del cartucho de la batería (Fig. 2)

⚠ PRECAUCIÓN: Siempre apague el equipo antes de colocar o remover el cartucho de la batería.

⚠ PRECAUCIÓN: **Sujete firmemente el aparato y el cartucho de batería al instalar o extraer el cartucho de batería.** Si no se sujeta el aparato y el cartucho de la batería firmemente, es posible que se les escape de las manos y se dañen el aparato y el cartucho de la batería y se produzca una lesión personal.

Para instalar el cartucho de batería, alinee la lengüeta del cartucho de batería con la ranura de la carcasa y deslícela hasta que quede en su lugar. Insértela hasta que quede fija en su lugar y escuche un breve clic. En caso de que pueda ver el indicador rojo tal como se muestra en la figura, quiere decir que no está cerrado por completo. Para extraer el cartucho de batería, deslícelo del aparato mientras desliza el botón en la parte frontal del cartucho.

⚠ PRECAUCIÓN: instale siempre el cartucho de batería completamente hasta que no se pueda ver el indicador rojo. Si no es así, puede caerse accidentalmente del aparato, lo que le causará lesiones a usted o a alguien cercano.

⚠ PRECAUCIÓN: No instale el cartucho de batería por la fuerza. Si el cartucho no se desliza fácilmente, no se está insertando correctamente.

Indicación de la capacidad restante de la batería (Fig. 3)

Pulse el botón de verificación del cartucho de batería para indicar la capacidad restante de la batería. Las luces indicadoras se encienden durante unos segundos.

Lámparas indicadoras			Capacidad restante
Iluminado	Apagado	Parpadeando	
■	□	▧	
■ ■ ■ ■			75 % a 100 %
■ ■ ■ □			50 % a 75 %
■ ■ □ □			25 % a 50 %
■ □ □ □			0 % a 25 %
▧ □ □ □			Cargue la batería.
■ ■ □ □ ↑ ↓	□ □ ■ ■		Es posible que la batería no haya funcionado correctamente.

NOTA:

Dependiendo de las condiciones de uso y la temperatura ambiente, la indicación puede diferir levemente de la capacidad real.

NOTA:

La primera lámpara indicadora (en el extremo izquierdo) parpadeará cuando funcione el sistema de protección de la batería.

Equipo / Sistema de protección del aparato.

El equipo cuenta con un sistema de protección que corta de manera automática la fuente de poder a fin de alargar el tiempo de vida del equipo.

Protección contra descargas excesivas

Cuando la capacidad de la batería no es suficiente, el aparato se detiene automáticamente. En este caso, extraiga la batería del aparato y cargue la batería.

Protecciones contra otras causas.

El sistema de protección está también diseñado contra otras causas que podrían dañar el dispositivo y que permite que el dispositivo se apague en automático. Siga los siguientes pasos para quitar las causas cuando el dispositivo se haya detenido temporalmente durante la operación.

1. Apague el dispositivo y enseguida enciéndalo de nuevo para que se reinicie.
2. Cargue la batería o baterías y reemplácelas con baterías cargadas.
3. Permita que las baterías del dispositivo se enfríen.

En caso de que no haya mejoría al reestablecer el sistema de protección, contacte a su Centro de Servicio Makita local.

Encendido de la luz y selección del modo de brillo (Fig. 4)

⚠ PRECAUCIÓN:

No mire a la luz ni a la fuente de luz directamente.

1. Interruptor: La secuencia de brillo es: Modo alto (encendido) / Modo medio / Modo Bajo / Apagado por cada vez que oprima.
2. Selector de modo: La secuencia de encendido es: Luz completa / Pare de luz fija / Parte de luz plegable oprimiendo una vez por cada uno cuando el interruptor esté encendido.

NOTA:

Cuando encienda el equipo, éste se encenderá en el mismo modo de luz que se utilizó la última vez.

Indicador de batería baja (Fig. 5)

Cuando la batería esté baja, las luces LED se apagarán a excepción de la luz LED que aparece en la ilustración. Transcurridos aproximadamente de 5 a 10 minutos, el equipo de apagará de manera automática.

OPERACIÓN

⚠ PRECAUCIÓN:

Gire la barra de luz LED y doble hacia abajo la parte de la luz plegable para estabilizar el equilibrio del equipo cuando coloque el equipo en una posición vertical tal como se muestra en la fig. 4. De otro modo el equipo podría caer y causar una lesión a su persona.

Ángulo de la barra de luz LED (Fig. 6, Fig. 7)

⚠ PRECAUCIÓN:

tenga cuidado de no quedar con los dedos atrapados al ajustar el ángulo de la luz.

⚠ PRECAUCIÓN:

Asegúrese de que las partes de luz fija y plegable estén aseguradas juntas de manera firme y posiciones de doblar y desdoblar respectivamente.

La barra de luz LED puede girar en 7 etapas cada 45°. (90° hacia la derecha y 180° hacia la izquierda)
La parte de luz plegable puede doblarse a 0° o a 180°.

Gancho metálico (Fig. 8)

Levante y deslice el gancho metálico para centrar la posición cuando utilice el gancho metálico.

Correa (Fig. 9)

⚠ PRECAUCIÓN:

No utilice el anillo ni el orificio de la correa para otro propósito que no sea el de instalar la correa. De lo contrario, podría ocurrir una lesión personal.

Instale la correa sobre la aplicación tal como está ilustrado.

Instalación de los clips de soporte dentro del gancho telescópico (Fig. 10, Fig. 11)

⚠ PRECAUCIÓN:

Tenga cuidado de no machucarse los dedos cuando instale los clips de soporte dentro del gancho telescópico.

Instale los clips de soporte dentro del gancho telescópico tal como está ilustrado.

NOTA:

Asegúrese de que cada clip de soporte se deslice hasta el orificio de posicionamiento de la barra principal.

NOTA:

Asegúrese de que los clips de soporte estén instalados hacia la misma dirección.

Instalación del gancho telescópico del equipo (Fig. 12)

Instale el equipo sobre el gancho telescópico junto a los clips de soportes tal como se ilustra.

NOTA:

Asegúrese de que cada clip de soporte mantenga la posición de recorte de la aplicación.

Colocación del gancho telescópico (Fig. 13)

⚠ PRECAUCIÓN:

No cuelgue ninguna otra cosa aparte del equipo sobre el gancho telescópico. De otro modo los ganchos de sujeción podrían dañarse y causar una lesión a su persona.

⚠ PRECAUCIÓN:

Asegúrese de que cada parte esté bien fijada antes de usarse.

⚠ PRECAUCIÓN:

Opere sujetando la abarra principal y los ganchos de sujeción cuando coloque el gancho telescópico. Tenga cuidado de no machucarse las manos ni los dedos porque la barra interior esté nuevamente colocada en su posición original por la fuerza de los muelles.

Sostenga uno de los ganchos de sujeción para colocarlo donde desee.

Sostenga otro de los ganchos de sujeción mientras extiende el gancho telescópico para colocarlo en la ubicación deseada (del otro lado).

Encienda el equipo y ajuste el ángulo de iluminación del equipo para iluminar la ubicación deseada tal como está ilustrado.

AVISO:

Si utiliza una batería pesada, rote únicamente la barra de luz LED para ajustar el ángulo de iluminación.

MANTENIMIENTO

⚠ PRECAUCIÓN:

Asegúrese siempre de que el aparato esté apagado y de que el cartucho de batería se retire antes de intentar realizar una inspección o mantenimiento.

AVISO:

Nunca use gasolina, benceno, diluyente, alcohol o productos similares. Pueden producirse decoloración, deformación o grietas.

Para mantener la SEGURIDAD y la CONFIABILIDAD del producto, las reparaciones y cualquier otro mantenimiento o ajuste deben ser realizados por los Centros autorizados o de Servicio de fábrica de Makita, siempre usando piezas de reemplazo de Makita.

Limpieza

⚠ PRECAUCIÓN:

nunca lave el aparato con agua.
De tiempo en tiempo limpie la parte exterior del equipo (el cuerpo del equipo) usando tela humedecida en agua con jabón.

ACCESORIOS OPCIONALES

⚠ PRECAUCIÓN:

estos accesorios se recomiendan para su uso con su aparato Makita especificado en este manual. El uso de cualquier otro accesorio o elemento anexo podría presentar un riesgo de lesiones para las personas. Utilice únicamente los accesorios para el propósito indicado.

Si necesita ayuda para obtener más detalles con respecto a estos accesorios, pregunte a su centro de servicio local de Makita.

- Batería y cargador genuinos de Makita

NOTA:

Algunos ítems de la lista podrían estar incluidos en el paquete del equipo como accesorios estándar. Pueden diferir de un país a otro.

中文简体 (原本)

1	伸缩钩	2	LED 灯条	3	按钮	4	电池盒	5	红色指示灯	6	指示灯	7	检查按钮	8	固定灯部分 (LED-24 个)
9	可折叠灯部分 (LED-18 个)	10	开关	11	模式选择器	12	低电量指示灯	13	活动部分	14	金属钩	15	带子	16	环
17	带孔	18	托架定位孔	19	主杆	20	内杆	21	托架夹	22	夹钩	23	夹紧位置		

规格

型号:		ML012G
灯	光通量 (H/M/L)	1,700 lm / 800 lm / 400 lm
	尺寸 (长 × 宽 × 高) (不含电池盒)	972 mm × 85 mm × 100 mm
	额定电压	D.C. 36 V - 40 V 最大值
	净重 (不含电池盒)	1.1kg
伸缩钩	尺寸 (长 × 宽 × 高) (带夹子)	1,181 mm × 99 mm × 259 mm
	净重 (带夹子)	1.5 kg
	可用宽度 *	1,130 mm - 1,900 mm

- 规格可能因国家 / 地区而有所不同。
- 由于我们仍在持续研发，本说明书中的规格如有变更，恕不另行通知。
- * 实际可用宽度因位置和形状而不同。

适用的电池盒和充电器

电池盒	BL4020 / BL4025 / BL4040 / BL4040F / BL4050F / BL4080F
充电器	DC40RA / DC40RB / DC40RC / DC40WA

- 根据您所在居住地，上面列出的一些电池盒可能不可用。

⚠ 警告：仅允许使用上文所列的电池盒。使用任何其他电池盒可能造成人身伤害和 / 或火灾。

使用时间

适用的电池盒	使用时间 (大约)		
	整个灯具 (LED-42 个)		
	高	中	低
BL4020	3.5 小时	7.5 小时	16 小时
BL4025	4.5 小时	9.5 小时	20 小时
BL4040/BL4040F	7.0 小时	15 小时	32 小时
BL4050F	8.5 小时	19 小时	40 小时
BL4080F	14 小时	31 小时	65 小时

- 上表中的使用时间是一个大致的参考。它们可能与实际使用时间不同。
- 电池盒可能因国家 / 地区而有所不同。
- 根据电池类型、充电状态和使用情况，使用时间可能有所不同。

符号

以下显示了可能用于设备的符号。使用前请确保您已了解其含义。



- 阅读说明手册。



- 仅适用于欧盟国家。设备、废弃电气和电子设备、蓄电池及电池中存在有害成分，可能会对环境和人体健康产生负面影响。请勿将电气及电子设备或电池与生活垃圾一起丢弃！根据《关于废弃电气和电子设备、蓄电池和电池以及废弃蓄电池和电池的欧盟指令》及适用的相关国家法律，废弃电气设备，电池和蓄电池应分开储存，并投放至单独的城市废物收集点，按照环境保护法规进行处理。上述要求用设备上的垃圾桶画叉符号表示。



- 光辐射（UV 和 IR）。
尽量避免接触眼睛或皮肤。



- 请勿直视亮起的工作灯。



- 采用适当的防护或眼睛保护措施。



- 请特别小心注意！



- 仅供室内使用

重要安全说明

⚠ 警告：

为了减少受伤风险，切勿长时间凝视运行中的设备。否则，可能造成严重的眼部损伤。

⚠ 注意：

在使用设备时，应始终遵循基本的安全预防措施，以降低火灾、电击和人身伤害风险，包括：

阅读所有说明。

1. 为了减少受伤风险，当设备在儿童附近使用时，须密切监督。
2. 为了减少触电危险，切勿将设备置于水或其他液体中。切勿将设备放置或存放在可能掉落或被拖进浴缸或水槽的地方。
3. 不得用布或纸箱等覆盖设备，否则可能引发火灾。
4. 不要用镊子、金属工具等接触设备的内部。

5. 不要将设备暴露在雨雪中。不要在水中清洗。
6. 不要用镊子、金属工具等接触设备的内部。
7. 请勿触碰发热部件。
8. 当设备不使用时，请始终关闭，并从设备中卸下电池盒。
9. 不要掉落或击打设备等使其震动。
10. 仅允许使用制造商推荐或出售的附件。
11. 不使用时，请将产品置于室内保存。请将其放在儿童不能接触到的地方。
12. 带电池的便携灯具的安全信息。
 - 电池处置应符合当地有关危险品处理的规定。
 - 不要焚烧电池。
13. 灯具的附加信息。
 - 该灯具的光源不可更换；当光源达到其使用寿命时，应更换整个灯具。
14. 电池工具的使用和维护。
 - 警告：阅读所有安全警告和说明。若不遵循警告和说明，则可能导致电击、起火和 / 或严重的人身伤害。
 - 防止意外启动。在连接电池组、拿起或搬运设备之前，确保开关处于关闭位置。搬运设备时手指放在开关上，或对打开设备的通电开关会引发事故。
 - 在进行任何调节、更换附件或贮存设备之前，必须从设备上拔掉电池组。这种防护性的安全措施降低了设备意外起动的风险。
 - 仅使用制造商指定的充电器重新充电。将适用于某种类型电池组的充电器与其他电池组一起使用时可能会产生火灾危险。
 - 设备只能与指定的电池组一起使用。使用任何其他电池组可能会造成人身伤害和火灾的危险。
 - 当电池组不使用时，请使其远离其他金属物品，如回形针、硬币、钥匙、钉子、螺丝或其他小金属物，这些金属物可以连通一个端子与另一个端子。将电池端子短接在一起可能导致灼伤或火灾。
 - 在恶劣条件下，液体可能会从电池中喷出，请不要接触。如果意外接触，请用水冲洗。如果液体接触眼睛，请另外寻求医疗帮助。从电池中喷出的液体可能会引起刺激或灼伤。
 - 不要使用损坏或改装的电池组或设备。损坏或改装的电池可能表现出不可预测的特性，导致火灾、爆炸或受伤的危险。
 - 不要将电池组或设备暴露于火中或温度过高的环境下。暴露在火中或 130 °C (265 °F) 以上的温度下会引起爆炸。
 - 请遵循所有充电指示，不要在说明书规定的温度范围之外为电池组或设备充电。充电不当或温度超出规定范围可能会损坏电池并增加火灾风险。
 - 由专业维修人员使用同样的备件进行修理。这样将确保所维修的产品的安全性。
 - 除非使用和注意事项中另有说明，否则不要改装或尝试修理设备或电池组。

15. 电池盒的重要安全说明。

- 在使用电池盒之前，请阅读 (1) 电池充电器、(2) 电池和 (3) 使用电池的产品上的所有说明和警告标记。
- 请勿拆卸或篡改电池盒。否则可能导致火灾、过热或爆炸。
- 如果使用时间变得过短，请立即停止使用。它可能导致过热、可能造成灼伤甚至爆炸的危险。
- 如果电解液进入眼睛，用清水冲洗，然后立即寻求医疗帮助。它可能会导致视力丧失。
- 不要使电池盒短路。
- 不要在温度可能达到或超过 50 °C (122 °F) 的地方存放和使用工具和电池盒。
- 即使电池盒严重损坏或完全磨损，也不要焚烧电池盒。电池盒在火中会爆炸。
- 不要钉钉子、切割、挤压、投掷、掉落电池盒或用硬物撞击电池盒。此类行为可能导致火灾、过热或爆炸。
- 不要使用损坏的电池。
- 所含锂离子电池须符合危险品法规要求。对于第三方、货运代理等商业运输，必须遵守包装和标签方面的特殊要求。准备装运物品时，请咨询危险品专家。另外，请遵守可能更详细的国家条例。用胶带粘上或盖住开口的触点，并将电池打包，使其不能在包装中移动。
- 电池只能与牧田公司指定的产品一起使用。将电池安装到不符合要求的产品中，可能会导致火灾、过热、爆炸或电解液泄漏。
- 如果很长时间不使用工具，则必须将电池从工具中取出。
- 在使用期间和使用后，电池盒可能变热，导致灼伤或低温灼伤。请小心处理热电池盒。
- 在使用工具后，不要直接触摸工具端子，否则可能因过热而导致灼伤。
- 不要让碎屑、灰尘或尘土堆积在电池盒的端子、孔或凹槽中，否则可能导致工具或电池盒性能不佳或击穿。
- 除非工具能够支持在高压电源线附近使用，否则不得在高压电源线附近使用电池盒。否则可能导致工具或电池盒故障或击穿。
- 将电池保存在远离儿童的地方。

保存这些说明。

⚠ 注意：必须使用原装的牧田电池。使用非原装的牧田电池或经过改装的电池可能导致电池爆裂，造成火灾、人身伤害和损坏。它还将使牧田工具和充电器的保修服务失效。

16. 电池保持最长使用寿命的技巧。

- 在电池盒完全放电之前给电池盒充电。
当注意到工具电量较低时，务必停止工具操作并给电池盒充电。
- 切勿对充满电的电池盒重新充电。
过充会缩短电池的使用寿命。
- 在 10 °C-40 °C (50 °F-104 °F) 的室温下给电池盒充电。充电前让热电池盒冷却。
- 在不使用电池盒时，请从工具或充电器上拆下电池盒。
- 如果长时间不使用电池盒（超过六个月），请给电池盒充电。

功能描述

⚠ 注意：
在调整或检查设备的功能之前，请务必确保设备关闭并卸下电池盒。

安装或卸下电池盒 (Fig. 2)

⚠ 注意：
安装或拆卸电池盒之前，请务必关闭设备。

⚠ 注意：
安装或卸下电池盒时，请牢牢握住设备和电池盒。
如果没有牢牢握住设备和电池盒，可能会导致它们从手上滑落，从而损坏设备和电池盒并造成人身伤害。

要安装电池盒，请将电池盒上的舌片与外壳中的凹槽对齐，并将其滑入到位。将其全部插入，直到轻轻一按锁定到位。如果可以看到图上所示的红色指示灯，则表示其未完全锁紧。

要卸下电池盒，请将其从设备中滑出，同时滑动电池盒前面的按钮。

⚠ 注意：
务必完全安装好电池盒，直到红色指示灯不再亮起。否则，电池盒可能会意外从设备中掉出，对您或您周围的人造成人身伤害。

⚠ 注意：
不要强行安装电池盒。如果电池很难滑入，则说明没有正确插入。

电池剩余容量指示 (Fig. 3)

按下电池盒上的检查按钮可显示剩余的电池容量。指示灯会亮几秒钟。

指示灯			剩余容量
亮起	关闭	闪烁	
■	□	▣	
■ ■ ■ ■			75% - 100%
■ ■ ■ □			50% - 75%
■ ■ □ □			25% - 50%
■ □ □ □			0% - 25%
▣ □ □ □			给电池充电。
■ ■ □ □			电池可能有故障。
□ □ ■ ■			

注：
根据使用条件和环境 温度，指示信息可能与 实际容量略有不同。

注：
在电池保护系统工作时，第一个（最左边）指示灯将闪烁。

设备 / 电池保护系统

设备带有保护系统，可自动切断输出电源，延长使用寿命。

过放电保护

在电池电量不足时，设备会自动停止。在这种情况下，从设备中拆下电池并给电池充电。

防止其他原因

保护系统的设计还应考虑可能损害设备的其他原因，并允许设备自动停止。当设备在运行过程中发生暂停或停止时，采取以下各项步骤清除原因。

1. 关停设备，然后再次打开开关进行重启。
2. 给电池充电或更换为已充电电池。
3. 让设备和电池冷却。

如果恢复保护系统无改善，请联系当地的 Makita 服务中心。

开灯及亮度模式选择 (Fig. 4)

⚠ 注意：
不要直视光线或光源。

1. 开关：亮度顺序为：每按一次为高模式（开）/ 中模式 / 低模式 / 关。
2. 模式选择器：点亮顺序为：开关打开时每次按压一次为整灯 / 固定灯部分 / 可折叠灯部分。

注：
打开设备时，将延续您上次使用的亮灯模式。

低电量指示灯 (Fig. 5)

当电池电量不足时，除如图所示的一个 LED 灯之外，其余 LED 灯均熄灭。随后大约五到十分钟后，设备自动关闭。

操作

⚠ 注意：
如图 4 所示，当设备为直立放置时，旋转 LED 灯条并将可折叠灯部分向下折叠，可以实现设备平衡稳定。否则，设备可能会翻倒并造成人身伤害。

LED 灯条角度 (Fig. 6, Fig. 7)

⚠ 注意：
在调整灯光的角度时，注意不要夹住手指。

⚠ 注意：
确保固定灯和可折叠灯部分分别在折叠和展开位置锁紧。

LED 灯条每 45° 可旋转 7 个阶段。（向右 90°，向左 180°）
可折叠灯部分可以弯曲至 0° 或 180°。

钩子 (Fig. 8)

使用金属钩时，需将金属钩抬起并滑动至中心位置。

皮带 (Fig. 9)

⚠ 注意：
不得将环状孔和带孔用于安装绑带之目的外的任何目的。否则，可能造成人身伤害。

如图所示，将皮带安装到设备上。

将托架夹安装到伸缩钩内 (Fig. 10, Fig. 11)

注意：
将托架夹安装到伸缩钩内时，应小心操作避免夹到手指。

如图所示，将托架夹安装到伸缩钩内。

注：
确保每个托架夹都滑动到主灯条上的托架夹定位孔处。
注：
确保两个托架夹的安装方向一致。

将设备安装到伸缩钩上 (Fig. 12)

如图所示，通过托架夹将设备安装到伸缩钩上。

注：
确保每个托架夹均夹在设备的夹紧位置。

安装伸缩钩 (Fig. 13)

注意：
切勿在伸缩钩上悬挂除设备以外的任何物品。否则，可能损坏托钩并造成人身伤害。

注意：
使用前请确保各部件均固定牢固。

注意：
安装伸缩钩时，握住主杆和托钩进行操作。务必小心操作，避免手指夹伤，因为内杆在弹簧的作用下会返回初始位置。

握住托钩，将其安装到预期位置。

在张开伸缩钩时，握住另一托钩，将其安装到预期位置（另一侧）。

启动设备并调整设备的照明角度，确保其照射如图所示的预定位置。

注意：
如果使用重型电池，只需旋转 LED 灯条，即可调节照明角度。

维护

注意：
在进行检查或维护之前，请务必确保关闭设备，并卸下电池盒。

注意：
请勿使用汽油、稀释剂、酒精等。否则可能导致变色、变形或裂纹。

为了维护产品的安全性和可靠性，维修、任何其他维护或调整均应由牧田公司授权的服务中心或工厂服务中心执行，且始终使用牧田备件。

清洁

注意：
切勿在水中清洗设备。
使用浸湿肥皂水的布不时地擦拭设备外部（设备主体）。

可选附件

注意：
建议这些附件配合本手册中指定的牧田设备一起使用。使用任何其他附件都可能会对人员造成伤害。这些附件只能用于其指定用途。

如果您需要更多有关这些附件的详细信息，请咨询当地的牧田公司服务中心。

- 牧田原装电池和充电器

注：
清单中的部分项目可能作为标准附件包含于设备套件中。这些物品可能因国家 / 地区而有所不同。

中文繁體 (原本)

1	伸縮鉤	2	LED 燈條	3	按鈕	4	電池盒	5	紅色指示燈	6	指示燈	7	檢查按鈕	8	固定燈部分 (LED-24 個)
9	可折疊燈部分 (LED-18 個)	10	開關	11	模式選擇器	12	低電量指示燈	13	活動部分	14	金屬鉤	15	肩帶	16	扣環
17	吊帶孔	18	托架定位孔	19	主桿	20	內桿	21	托架夾	22	夾鉤	23	夾緊位置		

規格

型號 :		ML012G
燈	光通量 (H/M/L)	1,700 lm / 800 lm / 400 lm
	尺寸 (長 × 寬 × 高) (不含電池盒)	972 mm × 85 mm × 100 mm
	額定電壓	D.C. 36 V - 40 V 上限
	淨重 (不含電池盒)	1.1 kg
伸縮鉤	尺寸 (長 × 寬 × 高) (帶夾子)	1,181 mm × 99 mm × 259 mm
	淨重 (帶夾子)	1.5 kg
	可用寬度 *	1,130 mm - 1,900 mm

- 各國家 / 地區的規格可能不同。
- 由於我們持續進行研發計畫，上述規格如有變更，恕不另行通知。
- * 實際可用寬度因位置和形狀而不同。

適用的電池盒與充電器

電池盒	BL4020 / BL4025 / BL4040 / BL4040F / BL4050F / BL4080F
充電器	DC40RA / DC40RB / DC40RC / DC40WA

- 您所在的區域可能無法取得上述的部分電池盒。

⚠ 警告： 僅允許使用上文所列的電池盒。使用其他電池盒可能會導致受傷和 / 或火災。

運作時間

適用的電池盒	運作時間 (估計值)		
	整個燈具 (LED-42 個)		
	高	中	低
BL4020	3.5 小時	7.5 小時	16 小時
BL4025	4.5 小時	9.5 小時	20 小時
BL4040/BL4040F	7.0 小時	15 小時	32 小時
BL4050F	8.5 小時	19 小時	40 小時
BL4080F	14 小時	31 小時	65 小時

- 上表所示的運作時間僅提供約略的參考。可能與實際運作時間有所差異。
- 各國家 / 地區的電池盒可能不同。
- 運作時間可能會因電池類型、充電狀態及使用情況而有不同。

符號

以下顯示了可能用於設備的符號。在使用前請務必了解這些符號的意義。



- 閱讀使用說明書。



- 僅適用於歐盟國家。設備、廢棄電氣和電子設備、蓄電池及電池中存在有害成分，可能會對環境和人體健康產生負面影響。請勿將電氣及電子設備或電池與生活垃圾一起丟棄！根據《關於廢棄電氣和電子設備、蓄電池和電池以及廢棄蓄電池和電池的歐盟指令》及適用的相關國家法律，廢棄電氣設備，電池和蓄電池應分開儲存，並投放至單獨的城市廢物收集點，按照環境保護法規進行處理。上述要求用設備上的垃圾桶畫叉符號表示。



- 光輻射（UV 和 IR），盡量避免接觸眼睛或皮膚。



- 請勿凝視運作中的燈具。



- 請使用適合的防護或護眼裝備。



- 請特別小心並注意！



- 僅供室內使用

重要安全指示

警告：

爲了減少受傷風險，切勿長時間凝視運行中的設備。否則，可能造成嚴重的眼部損傷。

注意：

使用設備時應確實遵守基本安全預防措施，以減少火災、電擊及人身傷害的危險，包括以下項目：

閱讀所有說明。

1. 爲了減少受傷風險，當設備在兒童附近使用時，須密切監督。
2. 爲了減少觸電危險，切勿將設備置於水或其他液體中。切勿將設備放置或存放在可能掉落或被拖進浴缸或水槽的地方。
3. 不得用布或紙箱等覆蓋設備，否則可能引發火災。
4. 請勿以鑷子、金屬工具等觸碰設備內部。

5. 請勿讓本設備曝露在雨中或雪中。請勿以水清洗本設備。
6. 請勿以鑷子、金屬工具等觸碰設備內部。
7. 請勿觸碰發熱部件。
8. 不使用本設備時，務必關閉電源並從設備中取出電池盒。
9. 請勿使本設備因墜落、撞擊等而受到衝擊。
10. 僅允許使用製造商推薦或出售的附件。
11. 不使用時，請將產品置於室內保存。請將其放在兒童不能接觸到的地方。
12. 帶有燈具的可攜式燈具安全資訊。
 - 處置電池時應遵守當地有關處理危險物質的法規。
 - 請勿焚燒電池。
13. 燈具的其他資訊。
 - 該燈具的光源不可更換；當光源達到其使用壽命時，應更換整個燈具。
14. 電池設備的使用和保養。
 - 警告：請閱讀所有安全警告和指示。若未遵循所有警告和指示，可能會造成觸電、火災和 / 或嚴重傷害。
 - 防止意外啓動。在連接電池組、拿起或搬運設備之前，請確認開關位於關閉位置。搬運設備時如果將手指放在開關上，或在開關位於開啓位置時供電給設備，都可能會導致發生意外。
 - 進行任何調整、更換配件或存放設備之前，請從設備上斷開電池組的連接。上述預防性安全措施可降低意外啓動設備的風險。
 - 請務必以製造商指定的充電器進行充電。適用於特定類型電池組的充電器如果用於其它類型電池組，可能會有發生火災的風險。
 - 請務必使用專爲本設備設計的電池組。使用其他電池組可能會導致受傷和火災。
 - 電池組未使用時，請使其遠離金屬物體，例如迴紋針、硬幣、鑰匙、釘子、螺絲或其他小型金屬物體，這些物體可能會導致兩個端子連通。電池端子如果短路，可能會導致燃燒或火災。
 - 在惡劣的條件下，液體可能會從電池中噴出；請避免接觸。如果意外接觸到，請用水沖洗。如果液體接觸到眼睛，請另行尋求醫療協助。從電池中噴出的液體可能會造成刺激或灼傷。
 - 請勿使用已損壞或改裝的電池組或設備。已損壞或改裝的電池可能出現不可預知的結果，進而導致起火、爆炸或受傷等風險。
 - 請勿使電池組或設備曝露於火焰中或使其過熱。曝露於火焰中或高於 130 °C (265 °F) 的溫度可能會引起爆炸。
 - 請遵守所有充電說明，並且請勿在說明書中指定的溫度範圍之外爲電池組或設備充電。不正確的充電或在規定範圍之外的溫度下充電，可能會損壞電池並增加起火的危險。
 - 請由合格的維修人員進行維修，並且僅使用相同的替換零件。如此可確保產品的安全性。
 - 除了使用和保養說明中所述的項目之外，請勿修改或嘗試修理本產品或電池組。

15. 電池盒的重要安全指示。

- 在使用電池盒之前，請閱讀 (1) 電池充電器、(2) 電池和 (3) 使用電池的產品上的所有說明和警告標誌。
- 請勿拆卸或篡改電池盒。否則可能會導致起火、過熱或爆炸。
- 如果可運作的時間變得非常短，請立即停止操作。否則可能會導致過熱、燒傷，甚至爆炸的風險。
- 如果電解液進入眼睛，請用清水沖洗並立即就醫。這種情況可能會導致喪失視力。
- 請勿使電池盒短路。
- 請勿將設備和電池盒存放在溫度可能達到或超過 50 °C (122 °F) 的位置，也請勿在上述環境中使用。
- 即使電池盒已嚴重損壞或電力完全用盡，也不要將其焚燒。電池盒可能會著火爆炸。
- 請勿對電池盒打釘、切割、擠壓、拋擲或摔落，或以堅硬物體撞擊電池盒，這類行為可能導致起火、過熱或爆炸。
- 請勿使用損壞的電池。
- 隨附的鋰離子電池符合「危險物品法規」的要求。若要進行商業運輸，例如第三方、貨運承攬商，必須注意包裝和標籤的特殊要求。準備將要運輸的物品時，必須諮詢危險物質專家，並請遵守可能更詳細的國家法規。用膠帶黏住或遮蓋曝露的接點，並包裹電池使其不會在包裝內移動。
- 請務必僅將電池用於 Makita 指定的產品。將電池安裝至不相容的產品上，可能會導致起火、過熱、爆炸或電解液洩漏。
- 如果長時間不使用設備，必須從設備中取出電池。
- 使用期間和使用之後，電池盒可能會發熱，這可能會導致燙傷或低溫灼傷。處理高溫的電池盒時，請特別小心。
- 請勿在使用之後立即觸碰設備的端子，因為其溫度可能會很高而導致燙傷。
- 請勿讓碎屑、灰塵或泥土卡在電池盒的端子、孔洞和凹槽中，否則可能會導致性能下降或造成設備或電池盒損壞。
- 除非設備支援在高壓電源線附近使用，否則請勿在高壓電源線附近使用電池盒，否則可能會導致工具或電池盒故障或損壞。
- 請將電池放置於兒童接觸不到的地方。

請保存以下指示。

⚠ 警告：請務必僅使用 Makita 原廠電池。使用非原廠的 Makita 電池或改造過的電池可能會導致電池爆炸，引起火災、人身傷害和損壞。這也將使 Makita 設備和充電器的 Makita 保固失效。

16. 有關維持最長電池壽命的提示。

- 在電池完全放電之前，請為電池盒充電。
發現設備電量不足時，請務必停止設備運作並為電池盒充電。
- 請勿為已充滿電的電池盒充電。
過度充電會縮短電池的使用壽命。
- 請在 10 °C - 40 °C (50 °F - 104 °F) 的室溫中為電池盒充電。請讓高溫的電池盒冷卻後再充電。
- 不使用電池盒時，務必將電池盒從設備或充電器中取出。
- 如果電池盒將會長時間不使用（超過六個月），請將其充電。

功能說明

⚠ 警告：
調整或檢查設備功能之前，請務必確認設備電源已關閉，並已取出電池盒。

安裝或取出電池盒 (Fig. 2)

⚠ 警告：
安裝或拆卸電池盒之前，請務必關閉設備。

⚠ 注意：
安裝或取出電池盒時，請確實握住設備和電池盒。
若未確實握住設備和電池盒，可能會從手中滑落，損壞設備和電池盒並造成人身傷害。

若要安裝電池盒，請將電池盒上的榫片對準外殼上的凹槽，然後將其滑入到位。將它完全插入，直到鎖定到位並發出咔嚓聲。如果可以看到圖上所示的紅色指示燈，則表示其未完全鎖緊。

若要取出電池盒，請滑動電池盒正面的按鈕，同時將電池盒從設備上滑出。

⚠ 注意：
請務必將電池盒完全裝入，直到看不見紅色指示燈為止。否則，它可能會意外掉出設備，對您或周圍的人造成傷害。

⚠ 注意：
請勿強行安裝電池盒。如果無法輕易滑入電池盒，表示電池盒未正確插入。

指示剩餘電池容量 (Fig. 3)

按下電池盒上的檢查按鈕以顯示剩餘的電池容量。指示燈會亮起幾秒鐘。

指示燈			剩餘容量
亮起	熄滅	閃爍	
■	□	▧	
■ ■ ■ ■			75% 至 100%
■ ■ ■ □			50% 至 75%
■ ■ □ □			25% 至 50%
■ □ □ □			0% 至 25%
▧ □ □ □			為電池充電。
■ ■ □ □	↑ ↓	□ □ ■ ■	電池可能已經故障。

注：

依據使用條件和環境溫度，指示的容量可能與實際容量略有不同。

注：

當電池保護系統運作時，第一個（最左邊）指示燈將會閃爍。

設備 / 電池保護系統

設備帶有保護系統，可自動切斷輸出電源，延長使用壽命。

過放電保護

當電池容量不足時，設備會自動停止。此時請從設備中取出電池，並為電池充電。

防止其他原因

保護系統的設計還應考慮可能損害設備的其他原因，並允許設備自動停止。當設備在運行過程中發生暫停或停止時，採取以下各項步驟清除原因。

1. 關停設備，然後再次打開開關進行重啓。
2. 給電池充電或更換為已充電電池。
3. 讓設備和電池冷卻。

如果恢復保護系統無改善，請聯繫當地的 Makita 服務中心。

打開燈光和亮度模式選擇 (Fig. 4)

⚠ 注意：

請勿直視燈光或直視燈源。

1. 開關：亮度順序為：每按一次為高模式（開）/ 中模式 / 低模式 / 關。
2. 模式選擇器：點亮順序為：開關打開時每次按壓一次為整燈 / 固定燈部分 / 可折疊燈部分。

注：

打開設備時，將延續您上次使用的亮燈模式。

低電量指示燈 (Fig. 5)

當電池電量不足時，除如圖所示的一個 LED 燈之外，其餘 LED 燈均熄滅。隨後大約五到十分鐘後，設備自動關閉。

操作

⚠ 注意：

如 fig. 4 所示，當設備為直立放置時，旋轉 LED 燈條並將可折疊燈部分向下折疊，可以實現設備平衡穩定。否則，設備可能會翻倒並造成人身傷害。

LED 燈條角度 (Fig. 6, Fig. 7)

⚠ 注意：

調整光線角度時，請注意不要夾住手指。

⚠ 注意：

確保固定燈和可折疊燈部分分別在折疊和展開位置鎖緊。

LED 燈條每 45° 可旋轉 7 個階段。（向右 90°，向左 180°）

可折疊燈部分可以彎曲至 0° 或 180°。

掛鉤 (Fig. 8)

使用金屬鉤時，需將金屬鉤抬起並滑動至中心位置。

皮帶 (Fig. 9)

⚠ 注意：

不得將環狀孔和帶孔用於安裝綁帶之目的外的任何目的。否則，可能造成人身傷害。

如圖所示，將皮帶安裝到設備上。

將托架夾安裝到伸縮鉤內 (Fig. 10, Fig. 11)

⚠ 注意：
將托架夾安裝到伸縮鉤內時，應小心操作避免夾到手指。

如圖所示，將托架夾安裝到伸縮鉤內。

注：
確保每個托架夾都滑動到主燈條上的托架夾定位孔處。
注：
確保兩個托架夾的安裝方向一致。

將設備安裝到伸縮鉤上 (Fig. 12)

如圖所示，通過托架夾將設備安裝到伸縮鉤上。

注：
確保每個托架夾均夾在設備的夾緊位置。

安裝伸縮鉤 (Fig. 13)

⚠ 注意：
切勿在伸縮鉤上懸掛除設備以外的任何物品。否則，可能損壞托鉤並造成人身傷害。

⚠ 注意：
使用前請確保各部件均固定牢固。

⚠ 注意：
安裝伸縮鉤時，握住主桿和托鉤進行操作。務必小心操作，避免手指夾傷，因為內桿在彈簧的作用下會返回初始位置。

握住托鉤，將其安裝到預期位置。

在張開伸縮鉤時，握住另一托鉤，將其安裝到預期位置（另一側）。

啓動設備並調整設備的照明角度，確保其照射如圖所示的預定位置。

須知：
如果使用重型電池，只需旋轉 LED 燈條，即可調節照明角度。

維護

⚠ 注意：
嘗試進行檢查或維護之前，請務必確認設備電源已關閉，並已取出電池盒。

須知：
切勿使用汽油、石油醚、稀釋劑、酒精或類似物品，否則可能會導致變色、變形或破裂。

為維持本產品的安全與可靠性，維護或調整以外的任何維修作業，皆必須由經過 Makita 授權者或工廠服務中心執行，並且應一律使用 Makita 替換零件。

清潔

⚠ 警告：
切勿在水中清洗設備。
使用浸濕肥皂水的布不時地擦拭設備外部（設備主體）。

選購配件

⚠ 注意：
建議將這些配件或附件搭配本手冊中指定的 Makita 設備一起使用。使用其他配件或附件可能會導致人員受傷。請務必將配件或附件用於其指定用途。

如需協助以取得有關這些配件的詳細資訊，請諮詢當地的 Makita 服務中心。

- Makita 原廠電池和充電器

注意：
清單中的部分專案可能作為標準附件包含於設備套件中。各國家 / 地區的配件可能不同。

台灣RoHS限用物質含有量標示
請掃描右方QR Code或參考下列網址：
<https://makita.com.tw/rohs/>



生產製造商名稱：Makita Corporation
進口商名稱：台灣牧田股份有限公司

電話：02-8601-9898 傳真機：02-8601-2266
地址：新北市24459 林口區文化三路二段 798 號

BAHASA INDONESIA (Petunjuk Asli)

1	Kait teleskopis	2	Bilah lampu LED	3	Tombol	4	Kartirj baterai	5	Indikator merah	6	Lampu indikator	7	Tombol pemeriksaan	8	Komponen lampu tetap (LED-24 pcs)
9	Komponen lampu yang bisa dilipat (LED-18 pcs)	10	Sakelar	11	Pemilih mode	12	Indikator baterai lemah	13	Komponen yang bisa dipindahkan	14	Kait logam	15	Tali	16	Ring
17	Lubang tali	18	Lubang pemosisi penjepit pembawa	19	Bilah utama	20	Bilah dalam	21	Penjepit pembawa	22	Kait pemegang	23	Posisi penjepitan		

SPESIFIKASI

Model:		ML012G
Cahaya	Arus cahaya (H/M/L)	1.700 lm / 800 lm / 400 lm
	Dimensi (P × L × T) (tanpa kartirj baterai)	972 mm × 85 mm × 100 mm
	Tegangan nominal	D.C. 36 V - 40 V maks
	Berat bersih (tanpa kartirj baterai)	1,1 kg
Kait teleskopis	Dimensi (P × L × T) (dengan penjepit)	1.181 mm × 99 mm × 259 mm
	Berat bersih (dengan penjepit)	1,5 kg
	Lebar tersedia *	1.130 mm - 1.900 mm

- Spesifikasi mungkin berbeda-beda di setiap negara.
- Karena program riset dan pengembangan kami yang berkelanjutan, spesifikasi di sini dapat berubah tanpa pemberitahuan.
- * Lebar tersedia yang sesungguhnya mungkin berbeda tergantung lokasi dan bentuk.

Kartirj baterai dan pengisi daya yang sesuai

Kartirj baterai	BL4020 / BL4025 / BL4040 / BL4040F / BL4050F / BL4080F
Pengisi daya	DC40RA / DC40RB / DC40RC / DC40WA

- Beberapa kartirj baterai yang tercantum di atas mungkin tidak tersedia tergantung wilayah domisili Anda.

⚠ PERINGATAN: Gunakan hanya kartirj baterai yang tercantum di atas. Penggunaan kartirj baterai lainnya dapat menyebabkan cedera dan/atau kebakaran.

Waktu pengoperasian

Kartirj baterai yang berlaku	Waktu pengoperasian (Perkiraan)		
	Lampu keseluruhan (LED-42 pcs)		
	Tinggi	Sedang	Rendah
BL4020	3,5 jam	7,5 jam	16 jam
BL4025	4,5 jam	9,5 jam	20 jam
BL4040/BL4040F	7,0 jam	15 jam	32 jam
BL4050F	8,5 jam	19 jam	40 jam
BL4080F	14 jam	31 jam	65 jam

- Waktu pengoperasian di tabel di atas merupakan pedoman kasar. Waktu tersebut mungkin berbeda dari waktu pengoperasian aktual.
- Kartirj baterai mungkin berbeda-beda di setiap negara.
- Waktu pengoperasian mungkin berbeda tergantung tipe baterai, status pengisian daya, dan kondisi pemakaian.

Simbol

Berikut ini menunjukkan simbol-simbol yang mungkin digunakan oleh peralatan. Pastikan bahwa Anda memahami artinya sebelum menggunakan.



- Baca pedoman petunjuk.



- Hanya untuk negara UE. Karena adanya komponen berbahaya di dalam peralatan, limbah peralatan listrik dan elektronik, akumulator, dan baterai dapat berdampak negatif pada lingkungan dan kesehatan manusia. Jangan membuang peralatan listrik dan elektronik atau baterai dengan sampah rumah tangga! Sesuai dengan Arahan Eropa mengenai limbah peralatan listrik dan elektronik, dan akumulator, baterai, dan limbah akumulator dan baterai, serta adaptasinya dengan undang-undang negara, limbah peralatan listrik, baterai, dan akumulator harus disimpan secara terpisah dan dikirimkan ke titik pengumpulan yang terpisah untuk limbah kota, yang beroperasi sesuai dengan regulasi perlindungan lingkungan. Ini diindikasikan dengan simbol tempat sampah beroda yang disilang yang ada pada peralatan.



- Radiasi Optikal (UV dan IR). Kurangi paparan pada mata atau kulit.



- Jangan menatap lampu yang sedang menyala.



- Gunakan pelindung mata yang sesuai.



- Berhati-hatilah!



- Hanya untuk penggunaan dalam ruangan

PETUNJUK KESELAMATAN PENTING

⚠ PERINGATAN:

Untuk mengurangi risiko cedera, jangan menatap peralatan yang beroperasi. Dapat mengakibatkan cedera mata serius.

⚠ PERHATIAN:

Saat menggunakan peralatan, pencegahan untuk keselamatan dasar harus selalu dipatuhi guna mengurangi risiko kebakaran, sengatan listrik, dan cedera pribadi, termasuk yang berikut ini:

BACA SEMUA PETUNJUK.

1. Untuk mengurangi risiko cedera, diperlukan pengawasan ketat ketika peralatan digunakan di dekat anak-anak.
2. Untuk mengurangi risiko sengatan listrik, jangan letakkan peralatan di dalam air atau cairan lainnya. Jangan tempatkan atau simpan peralatan di tempat yang menyebabkan mudah jatuh atau bisa tertarik ke dalam bak mandi atau wastafel.
3. Jangan tutupi peralatan dengan kain atau karton dan sebagainya. Jika tidak, itu mungkin menyebabkan kebakaran.
4. Jangan menyentuh bagian dalam peralatan dengan penjepit, alat logam, dll.
5. Jangan paparkan peralatan pada hujan atau salju. Jangan mencuci alat dengan air.
6. Jangan menyentuh bagian dalam peralatan dengan penjepit, alat logam, dll.
7. Jangan menyentuh komponen yang panas.
8. Saat peralatan tidak digunakan, selalu matikan dan lepaskan kartrij baterai dari peralatan.
9. Jangan guncang peralatan dengan menjatuhkannya, memukulnya, dll.
10. Hanya gunakan pelengkap yang direkomendasikan atau dijual oleh produsen.
11. Simpan produk di dalam ruangan ketika tidak digunakan. Jauhkan dari jangkauan anak-anak.
12. Informasi keamanan untuk luminer portabel dengan baterai.
 - Pembuangan baterai harus sesuai dengan aturan setempat yang mengatur tentang pembuangan bahan berbahaya.
 - Jangan menghancurkan baterai dengan cara membakarnya.
13. Informasi tambahan untuk luminer.
 - Sumber cahaya dari luminer ini tidak dapat diganti; ketika sumber cahaya telah mencapai akhir masa pakainya, luminer harus diganti.
14. Penggunaan dan perawatan baterai alat.
 - **PERINGATAN:** Baca semua peringatan dan petunjuk keselamatan. Kelalaian untuk mematuhi peringatan dan petunjuk dapat menyebabkan sengatan listrik, kebakaran, dan/atau cedera serius.
 - Hindari menyalakan lampu secara tidak sengaja. Pastikan sakelar dalam posisi mati sebelum menyambungkan ke rangkaian baterai, mengangkat atau membawa peralatan. Membawa peralatan dengan jari Anda pada sakelar atau memberi energi pada peralatan yang sudah menyala dapat memicu kecelakaan.
 - Lepaskan rangkaian baterai dari peralatan sebelum melakukan penyesuaian, mengganti aksesori, atau menyimpan peralatan. Langkah keselamatan preventif tersebut mengurangi risiko hidupnya peralatan secara tidak disengaja.
 - Isi daya hanya dengan pengisi daya yang ditentukan produsen. Pengisi daya yang sesuai untuk suatu tipe rangkaian baterai dapat memunculkan risiko kebakaran jika digunakan dengan rangkaian baterai lain.
 - Gunakan peralatan hanya dengan rangkaian baterai yang dirancang khusus. Penggunaan rangkaian baterai lainnya dapat memunculkan risiko cedera dan kebakaran.
 - Saat rangkaian baterai tidak digunakan, jauhkan dari benda logam lainnya, seperti penjepit kertas, koin, kunci, paku, sekrup, atau benda logam kecil lainnya, yang dapat menyambungkan dari satu terminal ke terminal lain. Korsleting pada terminal baterai secara bersamaan dapat menyebabkan luka bakar atau kebakaran.
 - Dalam kondisi yang tidak semestinya, cairan bisa keluar dari baterai; hindari kontak. Jika terjadi sentuhan yang tidak disengaja, bilas dengan air. Jika air mengenai mata, carilah bantuan medis juga. Cairan yang keluar dari baterai dapat menyebabkan iritasi atau luka bakar.
 - Jangan gunakan rangkaian baterai atau peralatan yang rusak atau dimodifikasi. Baterai yang rusak atau dimodifikasi dapat memunculkan reaksi yang tak terduga sehingga menyebabkan kebakaran, ledakan, atau risiko cedera.
 - Jangan paparkan rangkaian baterai atau peralatan terhadap api atau suhu berlebih. Paparan terhadap api atau suhu di atas 130 °C (265 °F) dapat menyebabkan ledakan.
 - Ikuti semua petunjuk pengisian daya dan jangan isi daya rangkaian baterai atau peralatan di luar rentang suhu yang ditentukan dalam petunjuk. Mengisi daya secara tidak tepat atau pada suhu di luar rentang yang ditentukan dapat merusak baterai dan meningkatkan risiko kebakaran.
 - Mintalah teknisi yang berkualifikasi untuk melakukan servis menggunakan hanya suku cadang pengganti yang serupa. Hal ini akan menjamin terjaganya keselamatan produk.

- Jangan memodifikasi atau mencoba memperbaiki peralatan atau rangkaian baterai kecuali sebagaimana dinyatakan dalam petunjuk penggunaan dan perawatan.
- 15. Petunjuk keselamatan penting untuk kartrij baterai.
- Sebelum menggunakan kartrij baterai, baca semua petunjuk dan tanda perhatian pada (1) pengisi daya baterai, (2) baterai, dan (3) produk yang menggunakan baterai.
- Jangan bongkar atau rusak kartrij baterai. Tindakan ini dapat menyebabkan kebakaran, panas berlebihan, atau ledakan.
- Jika waktu pengoperasian menjadi terlalu pendek, segera hentikan pengoperasian. Risiko panas berlebih, kemungkinan luka bakar, dan bahkan ledakan bisa muncul.
- Jika elektrolit masuk ke mata Anda, basuh dengan air bersih dan segera cari perawatan medis. Kemungkinan akibatnya adalah hilangnya pandangan Anda.
- Jangan melakukan hubung singkat pada kartrij baterai.
- Jangan simpan dan gunakan alat serta kartrij baterai di tempat yang suhunya dapat mencapai atau melebihi 50 °C (122 °F).
- Jangan bakar kartrij baterai meskipun mengalami rusak parah atau aus sepenuhnya. Kartrij baterai bisa meledak dalam kebakaran.
- Jangan kikis, potong, hancurkan, lempar, jatuhkan kartrij baterai, atau memukulkannya pada benda keras. Tindakan tersebut dapat menyebabkan kebakaran, panas berlebihan, atau ledakan.
- Jangan gunakan baterai yang rusak.
- Baterai litium-ion yang disertakan tunduk pada persyaratan Peraturan Barang Berbahaya. Untuk transportasi komersial, seperti oleh pihak ketiga, agen pengiriman, persyaratan khusus tentang pengemasan dan pelabelan harus dipatuhi. Untuk menyiapkan item yang sedang dikirimkan, berkonsultasi dengan ahli tentang bahan berbahaya harus dilakukan. Patuhi juga peraturan nasional yang mungkin lebih terperinci. Plester atau selubungi bagian yang terbuka dan kemas baterai dengan cara yang tidak memungkinkan baterai bergerak di dalam kemasan.
- Gunakan baterai hanya dengan produk yang ditentukan oleh Makita. Memasang baterai ke produk yang tidak sesuai dapat mengakibatkan kebakaran, panas berlebih, ledakan, atau bocornya elektrolit.
- Jika alat tidak digunakan dalam waktu lama, baterai harus dilepas dari alat.
- Selama dan setelah penggunaan, kartrij baterai dapat mengandung panas yang bisa menyebabkan luka bakar atau luka bakar ringan. Perhatikan penanganan kartrij baterai panas.
- Jangan sentuh terminal alat tepat setelah penggunaan karena terminal menjadi cukup panas dan dapat menyebabkan luka bakar.
- Jangan sampai ada kepingan, debu, atau tanah masuk dalam terminal, lubang, dan lekukan kartrij baterai. Hal ini dapat mengakibatkan kinerja yang buruk atau kerusakan alat atau kartrij baterai.
- Kecuali alat mendukung penggunaan di dekat kabel listrik tegangan tinggi, jangan gunakan kartrij baterai di dekat kabel listrik tegangan tinggi. Hal ini dapat mengakibatkan malafungsi atau kerusakan alat atau kartrij baterai.
- Jauhkan baterai dari anak-anak.

SIMPAN PETUNJUK INI.

⚠ PERHATIAN: Hanya gunakan baterai Makita asli. Penggunaan baterai Makita palsu, atau baterai yang sudah diubah, dapat menyebabkan baterai meletup, kebakaran, cedera pribadi, dan kerusakan. Selain itu, garansi Makita untuk alat dan pengisi daya Makita akan batal.

- 16. Saran untuk mempertahankan masa pakai baterai tetap maksimal.
- Isi daya kartrij baterai sebelum benar-benar habis. Selalu hentikan pengoperasian alat dan isi daya kartrij baterai saat Anda mendapati kekuatan alat yang lemah.
- Jangan sekali-kali mengisi daya kartrij baterai yang penuh. Pengisian daya berlebihan mengurangi masa pakai baterai.
- Isi daya kartrij baterai dengan suhu ruang di 10 °C - 40 °C (50 °F - 104 °F). Biarkan kartrij baterai yang panas berkurang suhunya sebelum diisi daya.
- Saat tidak menggunakan kartrij baterai, lepaskan dari peralatan atau pengisi daya.
- Isi daya kartrij baterai jika Anda tidak menggunakannya untuk waktu lama (lebih dari enam bulan).

DESKRIPSI FUNGSIONAL

⚠ PERHATIAN: Selalu pastikan apakah peralatan dimatikan dan kartrij baterai dilepaskan sebelum menyesuaikan atau memeriksa fungsi peralatan.

Memasang atau melepas kartrij baterai (Fig. 2)

⚠ PERHATIAN: Selalu matikan peralatan sebelum dipasang atau lepaskan kartrij baterai.

⚠ PERHATIAN: **Pegang erat-erat peralatan dan kartrij baterai saat memasang atau melepas kartrij baterai.** Kegagalan memegang erat-erat peralatan dan kartrij baterai dapat menyebabkan keduanya terlepas dari tangan Anda sehingga mengalami kerusakan dan Anda mengalami cedera.

Untuk memasang kartrij baterai, sejajarkan lidah kartrij baterai dengan alur dalam tempatnya lalu pasang di posisinya. Masukkan terus hingga terkunci di posisinya dengan klik pelan. Jika Anda dapat melihat indikator merah seperti yang ditunjukkan pada gambar, itu berarti perangkat tidak terkunci sepenuhnya. Untuk melepas kartrij baterai, geser dari peralatan sambil menggeser tombol di depan kartrij.

⚠ PERHATIAN: Selalu pasang kartrij baterai sepenuhnya hingga indikator merah tidak terlihat. Jika tidak, kartrij baterai dapat terlepas dari peralatan dan melukai Anda atau orang lain di sekitar Anda.

⚠ PERHATIAN: Jangan pasang kartrij baterai secara paksa. Jika kartrij sulit dimasukkan berarti tidak dipasang dengan benar.

Menunjukkan sisa kapasitas baterai (Fig. 3)

Tekan tombol pemeriksaan pada kartrij baterai untuk menunjukkan sisa kapasitas baterai. Lampu indikator menyala selama beberapa detik.

Lampu indikator			Kapasitas sisa
Menyala	Mati	Berkedip	
■	■	■	75% sampai 100%
■	■	□	50% sampai 75%
■	□	□	25% sampai 50%
■	□	□	0% sampai 25%
◐	□	□	Isi daya baterai.
■	■	□	Baterai mungkin mengalami gangguan fungsi.
□	□	■	

CATATAN:

Bergantung pada kondisi penggunaan dan suhu di sekitarnya, indikasi mungkin sedikit berbeda dari kapasitas sebenarnya.

CATATAN:

Lampu indikator pertama (paling kiri) akan berkedip saat sistem perlindungan baterai bekerja.

Sistem perlindungan peralatan/baterai

Peralatan ini dilengkapi dengan sistem perlindungan yang akan secara otomatis memutus daya keluar untuk memperpanjang masa pakainya.

Perlindungan pengisian daya berlebihan

Saat kapasitas baterai tidak cukup, peralatan akan berhenti secara otomatis. Jika hal ini terjadi, lepaskan baterai dari peralatan dan isi daya baterai.

Perlindungan terhadap penyebab lain

Sistem perlindungan juga dirancang untuk penyebab lain yang dapat merusak peralatan dan membuat peralatan berhenti secara otomatis. Lakukan semua langkah-langkah berikut untuk menghilangkan penyebab, ketika peralatan telah dihentikan sementara atau berhenti beroperasi.

1. Matikan peralatan dan kemudian nyalakan lagi.
2. Isi daya baterai atau ganti dengan baterai yang dayanya telah terisi.
3. Biarkan suhu peralatan dan baterai menjadi dingin.

Jika tidak ada perbaikan yang terjadi setelah memulihkan sistem perlindungan, hubungi Pusat Layanan Makita setempat.

Menyalakan lampu dan pemilihan mode kecerahan (Fig. 4)

⚠ PERHATIAN:

Jangan melihat ke lampu atau sumber cahaya secara langsung.

1. Beralih: Urutan kecerahan adalah: Mode tinggi (Menyala)/ Mode medium/ Mode rendah/ Mati untuk tiap kali menekan.
2. Pilih mode: Urutan menyala adalah: Seluruh Lampu/ Komponen lampu tetap/ Bagian lampu yang bisa dilipat untuk setiap penekanan ketika dinyalakan

CATATAN:

Ketika Anda menyalakan peralatan, ia akan menyalakan mode lampu yang sama dengan yang terakhir Anda gunakan.

Indikator baterai lemah (Fig. 5)

Ketika baterai lemah, lampu LED mati kecuali satu lampu LED seperti yang diilustrasikan. Tepat lima sampai sepuluh menit kemudian, peralatan akan mati secara otomatis.

PENGOPERASIAN

⚠ PERHATIAN:

Putar bilah lampu LED dan lipat bagian lampu yang bisa dilipat ke bawah untuk menstabilkan keseimbangan peralatan ketika Anda meletakkan peralatan dalam posisi tegak lurus seperti ditunjukkan di fig. 4. Jika tidak, peralatan mungkin akan jatuh dan menyebabkan cedera diri.

Sudut bilah lampu LED (Fig. 6, Fig. 7)

⚠ PERHATIAN:

Berhati-hatilah agar tangan tidak terjepit saat menyesuaikan sudut lampu.

⚠ PERHATIAN:

Pastikan bagian lampu tetap dan bisa dilipat telah dikunci bersama dengan kuat posisi melipat dan membuka lipatannya.

Bilah lampu LED dapat diputar sebanyak tujuh tingkat untuk setiap sudut 45°. (90° ke kanan dan 180° ke kiri) Bagian lampu yang bisa dilipat dapat ditekuk ke sudut 0° atau 180°.

Kait Logam (Fig. 8)

Angkat dan geser kait logam ke posisi tengah ketika menggunakan kait logam.

Tali (Fig. 9)

⚠ PERHATIAN:

Jangan gunakan ring dan lubang tali untuk tujuan lain kecuali untuk memasang tali. Jika tidak, cedera pribadi dapat terjadi.

Pasang tali di peralatan sesuai ilustrasi.

Memasang jepitan pembawa ke kait teleskopis (Fig. 10, Fig. 11)

PERHATIAN:

Perhatikan agar tidak menjepit jari(-jari) ketika memasang jepitan pembawa ke kait teleskopis.

Pasang jepitan pembawa ke kait teleskopis sesuai ilustrasi.

CATATAN:

Pastikan tiap jepitan pembawa digeser ke lubang pemosisi jepitan pembawa di bilah utama.

CATATAN:

Pastikan dua jepitan pembawa ada di arah pemasangan yang sama.

Memasang kait teleskopis pada peralatan (Fig. 12)

Pasang peralatan di kait teleskopis dengan jepitan pembawa sesuai ilustrasi.

CATATAN:

Pastikan tiap jepitan pembawa menahan posisi peralatan yang dijepit.

Memasang kait teleskopis (Fig. 13)

PERHATIAN:

Jangan menggantung benda selain peralatan di kait teleskopis. Jika tidak, kait penahan akan rusak dan mungkin mengakibatkan cedera diri.

PERHATIAN:

Pastikan setiap bagian telah dipasang dengan baik sebelum digunakan.

PERHATIAN:

Operasikan dengan memegang bilah utama dan kait penahan ketika memasang kait teleskopis. Perhatikan agar tidak menjepit tangan dan jari Anda karena bilah dalam dikembalikan ke posisi awalnya oleh kekuatan pegas.

Tahan satu kait penahan untuk memasangnya ke tempat yang Anda inginkan.

Tahan kait penahan lainnya sambil memanjangkan kait teleskopis untuk memasangnya ke lokasi yang diinginkan (sisi lainnya).

Nyalakan peralatan dan sesuaikan sudut pencahayaan peralatan untuk menyinari lokasi yang diinginkan sesuai ilustrasi.

PEMBERITAHUAN:

Jika Anda menggunakan baterai berat, putar hanya bar cahaya LED untuk penyesuaian sudut pencerahan.

PEMELIHARAAN

PERHATIAN:

Selalu pastikan apakah peralatan dimatikan dan kartrij baterai dilepaskan sebelum mencoba melakukan pemeriksaan atau pemeliharaan.

PEMBERITAHUAN:

Jangan sekali-kali gunakan bensin, tiner, alkohol, atau semacamnya. Perubahan warna, perubahan bentuk, atau keretakan bisa terjadi.

Untuk menjaga KEAMANAN dan KEANDALAN produk, perbaikan, setiap perawatan lain, atau penyesuaian, harus dijalankan oleh Pusat Servis Resmi atau Pabrik Makita, yang selalu menggunakan komponen pengganti dari Makita.

Pembersihan

PERHATIAN:

Jangan sekali-kali mencuci peralatan dengan air. Sesekali lap bagian luar peralatan (badan peralatan) dengan menggunakan kain yang dibasahi air sabun.

AKSESORI OPSIONAL

PERHATIAN:

Aksesori atau pelengkap ini disarankan untuk digunakan dengan peralatan Makita Anda yang disebutkan dalam pedoman ini. Penggunaan aksesori atau pelengkap lainnya dapat memunculkan risiko cedera pada pengguna. Gunakan hanya aksesori atau pelengkap untuk tujuan yang telah ditentukan.

Jika membutuhkan bantuan untuk detail lebih lanjut tentang aksesori ini, tanyakan pusat layanan Makita terdekat.

- Baterai dan pengisi daya asli Makita

CATATAN:

Beberapa item di daftar mungkin termasuk dalam paket peralatan sebagai aksesoris standar. Item tersebut mungkin berbeda-beda di setiap negara.

BAHASA MELAYU (Arahan asal)

1	Cangkuk boleh disorong tarik	2	Lampu palang LED	3	Butang	4	Kartrij bateri	5	Penunjuk merah	6	Lampu penunjuk	7	Butang semak	8	Bahagian lampu tetap (24 biji LED)
9	Bahagian lampu boleh dilipat (18 biji LED)	10	Suis	11	Pemilih mod	12	Penunjuk bateri lemah	13	Bahagian bergerak	14	Cangkuk Logam	15	Pengikat	16	Gelang
17	Lubang tali	18	Lubang penentududukan klip pemegang	19	Palang utama	20	Palang dalam	21	Klip pemegang	22	Cangkuk	23	Posisi terklip		

SPEKIFIKASI

Model:		ML012G
Lampu	Fluks berkilau (Tinggi/Sederhana/Rendah)	1,700 lm / 800 lm / 400 lm
	Dimensi (P × L × T) (tanpa kartrij bateri)	972 mm × 85 mm × 100 mm
	Voltan terkadar	D.C. 36 V - 40 V maks
	Berat bersih (tanpa kartrij bateri)	1.1 kg
Cangkuk boleh disorong tarik	Dimensi (P × L × T) (dengan klip)	1,181 mm × 99 mm × 259 mm
	Berat bersih (dengan klip)	1.5 kg
	Lebar tersedia *	1,130 mm – 1,900 mm

- Spesifikasi mungkin berbeza mengikut negara.
- Disebabkan program penyelidikan dan pembangunan kami yang berterusan, spesifikasi yang terkandung di dalam ini adalah tertakluk kepada perubahan tanpa notis.
- * Lebar tersedia yang sebenar mungkin berbeza bergantung kepada lokasi dan bentuk.

Kartrij dan pengecas bateri yang boleh digunakan

Kartrij bateri	BL4020 / BL4025 / BL4040 / BL4040F / BL4050F / BL4080F
Pengecas	DC40RA / DC40RB / DC40RC / DC40WA

- Sesetengah kartrij bateri yang disenaraikan di atas mungkin tidak tersedia bergantung pada kawasan kediaman anda.

⚠️ AMARAN: Gunakan hanya kartrij bateri yang disenaraikan di atas. Penggunaan mana-mana kartrij bateri yang lain mungkin menyebabkan kecederaan dan/atau kebakaran.

Masa operasi

Kartrij bateri yang boleh digunakan	Masa operasi (Lebih kurang)		
	Lampu keseluruhan (42 biji LED)		
	Tinggi	Sederhana	Rendah
BL4020	3.5 jam	7.5 jam	16 jam
BL4025	4.5 jam	9.5 jam	20 jam
BL4040/BL4040F	7.0 jam	15 jam	32 jam
BL4050F	8.5 jam	19 jam	40 jam
BL4080F	14 jam	31 jam	65 jam

- Masa operasi dalam jadual di atas adalah garis panduan kasar. Ia mungkin berbeza daripada masa operasi sebenar.
- Kartrij bateri mungkin berbeza mengikut negara.
- Masa operasi mungkin berbeza bergantung pada jenis bateri, status pengecasan dan keadaan penggunaan.

Simbol

Berikut adalah simbol-simbol yang boleh digunakan untuk peralatan ini. Pastikan anda memahami maksudnya sebelum menggunakan.



- Baca manual arahan.



- Hanya berlaku untuk negara-negara Kesatuan Eropah. Sisa peralatan elektrik dan elektronik, akumulator dan bateri mungkin memberikan kesan negatif terhadap alam sekitar dan kesihatan manusia kerana adanya komponen yang berbahaya. Jangan buang peralatan elektrik atau elektronik atau bateri bersama dengan buangan isi rumah! Sesuai dengan Arahan Eropah mengenai sisa peralatan elektrik dan elektronik, akumulator dan bateri, serta sisa akumulator dan bateri, dan penyesuaiannya menurut undang-undang nasional, sisa peralatan elektrik, bateri dan akumulator harus disimpan secara berasingan dan dikirim ke tempat pengumpulan sampah kota yang terpisah, dan dilupuskan sesuai dengan peraturan perlindungan alam sekitar. Ini ditunjukkan dengan simbol sebuah tong sampah diberikan tanda silang yang diletakkan pada peralatan.



- Sinaran Optik (UV dan IR).
Minimumkan pendedahan pada mata atau kulit.



- Jangan renung pada lampu yang beroperasi.



- Gunakan pengadang atau pelindung mata yang betul.



- Sila gunakan dengan berhati-hati dan penuh perhatian!



- Untuk kegunaan tertutup sahaja

ARAHAN KESELAMATAN PENTING

⚠️ AMARAN:

Untuk mengurangkan risiko kecederaan, jangan menatap peralatan yang sedang beroperasi. Kecederaan mata yang serius boleh berlaku.

⚠️ PERHATIAN:

Semasa menggunakan alat, langkah berjaga-jaga keselamatan asas harus sentiasa diikuti untuk mengurangkan risiko kebakaran, kejutan elektrik dan kecederaan peribadi, termasuk yang berikut:

BACA SEMUA ARAHAN.

1. Untuk mengurangkan risiko kecederaan, pengawasan ketat diperlukan apabila peralatan digunakan berdekatan dengan kanak-kanak.
2. Untuk mengurangkan risiko kejutan elektrik, jangan meletakkan peralatan dalam air atau cecair lain. Jangan meletakkan atau menyimpan peralatan di tempat di mana ia boleh jatuh atau ditarik ke dalam tab mandi atau sinki.
3. Jangan tutup peralatan dengan kain atau kotak, dll. Kalau tidak ia mungkin boleh menyebabkan api.
4. Jangan sentuh bahagian dalam alat dengan penyepit kecil, alat logam, dll.
5. Jangan dedahkan alat kepada hujan atau salji. Jangan basuh ia di dalam air.
6. Jangan sentuh bahagian dalam alat dengan penyepit kecil, alat logam, dll.
7. Jangan sentuh bahagian panas.
8. Apabila alat tidak digunakan, sentiasa matikan dan tanggalkan kartrij bateri daripada alat.
9. Jangan kenakan kejutan pada alat dengan menjatuhkan, memukul, dll.
10. Hanya menggunakan alat tambahan yang disyorkan atau dijual oleh pengeluar.
11. Simpan produk di dalam bangunan apabila tidak digunakan. Jauhkan dari jangkauan kanak-kanak.
12. Maklumat keselamatan untuk lampu elektrik mudah alih dengan bateri.
 - Pelupusan bateri harus menurut peraturan setempat anda yang khusus untuk pelupusan bahan berbahaya.
 - Jangan bakar bateri.
13. Maklumat tambahan untuk lampu elektrik.
 - Sumber cahaya sistem lampu ini tidak boleh diganti. Seluruh sistem lampu hendaklah diganti apabila hayat sumber cahaya berakhir.
14. Penggunaan dan penjagaan alat bateri.
 - **AMARAN:** Baca semua amaran dan arahan keselamatan. Kegagalan mematuhi amaran dan arahan boleh mengakibatkan renjatan elektrik, kebakaran dan/atau kecederaan serius.
 - Elakkan permulaan yang tidak disengajakan. Pastikan suis dalam keadaan tutup sebelum menyambung kepada pek bateri, semasa mengangkat atau membawa alat. Membawa alat dengan jari anda pada suis atau mentenagakan alat dengan suis pada kedudukan hidup mengundang kemalangan.
 - Putuskan sambungan pek bateri daripada alat sebelum melakukan sebarang pelarasan, penukaran aksesori atau penyimpanan alat. Langkah-langkah keselamatan pencegahan sedemikian mengurangkan risiko memulakan alat secara tidak sengaja.
 - Cas semula dengan pengecas yang ditentukan oleh pengeluar sahaja. Pengecas yang sesuai untuk satu jenis pek bateri mungkin menimbulkan risiko kebakaran apabila digunakan dengan pek bateri lain.
 - Gunakan alat dengan pek bateri yang ditentukan secara khusus sahaja. Penggunaan mana-mana pek bateri lain mungkin menimbulkan risiko kecederaan dan kebakaran.
 - Apabila pek bateri tidak digunakan, jauhkannya daripada objek logam lain, seperti klip kertas, duit syiling, kunci, paku, skru atau objek logam kecil lain, yang boleh membuat sambungan dari satu terminal ke terminal yang lain. Memintas terminal bateri bersama-sama mungkin menyebabkan lecuran atau kebakaran.
 - Di bawah keadaan kasar, cecair mungkin terkeluar daripada bateri; elakkan sentuhan. Jika tersentuh secara tidak sengaja, siram dengan air. Jika cecair terkena mata, dapatkan bantuan perubatan di samping siraman air. Cecair yang terkeluar dari bateri mungkin menyebabkan kegatalan atau lecuran.
 - Jangan gunakan pek bateri atau alat yang rosak atau diubah suai. Bateri yang rosak atau diubah suai mungkin menunjukkan perilaku yang tidak dijangka menyebabkan kebakaran, letupan atau risiko kecederaan.
 - Jangan dedahkan pek bateri atau alat kepada api atau suhu yang berlebihan. Pendedahan kepada api atau suhu melebihi 130 °C (265 °F) mungkin menyebabkan letupan.
 - Ikut semua arahan pengecasan dan jangan cas pek bateri atau alat di luar julat suhu yang ditetapkan dalam arahan. Mengecas dengan tidak betul atau pada suhu di luar julat yang dinyatakan mungkin merosakkan bateri dan meningkatkan risiko kebakaran.

- Pastikan alat anda diservis oleh orang yang berkelayakan dengan hanya menggunakan alat ganti yang sama. Ini akan memastikan keselamatan produk dapat dikekalkan.
 - Jangan ubah suai atau cuba membaiki alat atau pek bateri kecuali seperti yang dinyatakan dalam arahan untuk penggunaan dan penjagaan.
15. Arahan keselamatan penting untuk kartrij bateri.
- Sebelum menggunakan kartrij bateri, baca semua arahan dan tanda amaran pada (1) pengecas bateri, (2) bateri, dan (3) produk menggunakan bateri.
 - Jangan menyahhimpun atau menghentak kartrij bateri. Ia boleh mengakibatkan kebakaran, suhu berlebihan atau letupan.
 - Jika masa operasi menjadi sangat pendek, berhenti operasi serta merta. Ia mungkin menyebabkan risiko pemanasan lampau, melecur bahkan letupan.
 - Jika elektrolit masuk ke dalam mata anda, bilas mata dengan air jernih dan dapatkan rawatan perubatan serta merta. Ia mungkin menyebabkan kehilangan penglihatan.
 - Jangan pintaskan kartrij bateri.
 - Jangan simpan dan gunakan alat dan kartrij bateri di lokasi yang suhunya boleh mencapai atau melebihi 50 °C (122 °F).
 - Jangan bakar kartrij bateri walaupun jika ia rosak teruk atau haus sepenuhnya. Kartrij bateri boleh meletup dalam kebakaran.
 - Jangan memaku, memotong, menghancurkan, membuang, menjatuhkan kartrij bateri atau memukul objek keras pada kartrij bateri. Perbuatan sedemikian boleh mengakibatkan kebakaran, suhu berlebihan, atau letupan.
 - Jangan gunakan bateri yang rosak.
 - Bateri litium-ion yang terkandung adalah tertakluk kepada keperluan Perundangan Barangan Berbahaya. Bagi pengangkutan komersial, cth, oleh pihak ketiga, ejen penghantar, keperluan khas pada pembungkusan dan pelabelan mestilah dipatuhi. Bagi penyediaan item yang dihantar, rundingan dengan pakar bagi bahan berbahaya adalah diperlukan. Sila ambil perhatian juga tentang peraturan negara yang lebih terperinci. Lekatkan atau balut bahagian terbuka dan bungkus bateri supaya ia tidak bergerak dalam pembungkusan.
 - Gunakan bateri hanya dengan produk yang ditentukan oleh Makita. Memasang bateri kepada produk yang tidak patuh mungkin menyebabkan kebakaran, pemanasan lampau, atau kebocoran elektrolit.
 - Jika alat tidak digunakan untuk tempoh masa yang lama, bateri mesti dikeluarkan daripada alat.
 - Semasa dan selepas digunakan, kartrij bateri mungkin menjadi panas yang boleh menyebabkan luka terbakar atau luka terbakar pada suhu rendah. Ambil perhatian terhadap pengendalian kartrij bateri panas.
 - Jangan sentuh terminal alat sebaik sahaja digunakan kerana ia boleh mencapai kepanasan yang boleh menyebabkan luka terbakar.
 - Jangan biarkan serpihan, habuk, atau tanah tersekat di dalam terminal, lubang dan alur kartrij bateri. Ini boleh mengakibatkan prestasi yang buruk atau kerosakan alat atau kartrij bateri.
 - Jangan gunakan kartrij bateri berhampiran talian kuasa elektrik voltan tinggi melainkan alat ini menyokong penggunaan talian kuasa elektrik voltan tinggi. Ia boleh mengakibatkan pincang tugas atau kerosakan alat atau kartrij bateri.
 - Jauhkan bateri daripada kanak-kanak.

SIMPAN ARAHAN INI.

⚠ PERHATIAN: Hanya gunakan bateri asli Makita. Penggunaan bateri Makita yang tidak asli atau bateri yang telah diubah boleh mengakibatkan bateri pecah yang menyebabkan kebakaran, kecederaan diri dan kerosakan. Ia juga membatalkan jaminan Makita untuk alat Makita dan pengecas.

16. Petua untuk mengekalkan hayat bateri maksimum.
- Cas kartrij bateri sebelum ternyahcas sepenuhnya. Sentiasa hentikan operasi alat dan cas kartrij bateri apabila anda menyedari kurang kuasa alat.
 - Jangan cas semula kartrij bateri yang dicas sepenuhnya. Terlalu cas memendekkan hayat servis bateri.
 - Cas kartrij bateri dengan suhu bilik pada 10 °C - 40 °C (50 °F - 104 °F). Biarkan kartrij bateri yang panas menyejuk sebelum mengecasnya.
 - Apabila tidak menggunakan kartrij bateri, tanggalkan daripada alat atau pengecas.
 - Cas kartrij bateri jika anda tidakgunakannya untuk tempoh yang lama (lebih daripada enam bulan).

KETERANGAN FUNGSI

⚠ PERHATIAN: Sentiasa pastikan bahawa alat dimatikan dan kartrij bateri ditanggalkan sebelum melaraskan atau menyemak fungsi pada alat.

Memasang atau mengeluarkan kartrij bateri (Fig. 2)

⚠ PERHATIAN: Sentiasa matikan peralatan sebelum memasang atau mengeluarkan kartrij bateri.

⚠ PERHATIAN: Pegang alat dan kartrij bateri dengan kukuh semasa memasang atau mengeluarkan kartrij bateri. Kegagalan untuk memegang alat dan kartrij bateri dengan kukuh boleh menyebabkan ia terlepas daripada tangan anda dan mengakibatkan kerosakan kepada alat dan kartrij bateri serta kecederaan diri.

Untuk memasang kartrij bateri, selaraskan lidah pada kartrij bateri dengan alur pada perumahan dan gelincirkan ia ke tempatnya. Masukkan ia sepenuhnya sehingga ia terkunci di tempatnya dengan klik kecil. Jika anda dapat melihat penunjuk merah seperti yang ditunjukkan dalam rajah, ia tidak dikunci sepenuhnya. Untuk menanggalkan kartrij bateri, longsorkan daripada alat di samping melongsorkan butang di bahagian depan kartrij.

⚠ PERHATIAN: Sentiasa pasang kartrij bateri sepenuhnya sehingga penunjuk merah tidak boleh dilihat. Jika tidak, ia mungkin jatuh daripada alat tanpa sengaja, menyebabkan kecederaan kepada anda atau individu di sekeliling anda.

⚠ PERHATIAN: Jangan pasang kartrij bateri secara paksa. Jika kartrij tidak meluncur dengan mudah, ia tidak dimasukkan dengan betul.

Menunjukkan kapasiti bateri yang tinggal (Fig. 3)

Tekan butang semak pada kartrij bateri untuk menunjukkan kapasiti bateri yang tinggal. Lampu penunjuk menyala untuk beberapa saat.

Lampu penunjuk			Kapasiti yang tinggal
Menyala	Mati	Berkelip	
■	□	◐	75% hingga 100%
■	■	□	50% hingga 75%
■	□	□	25% hingga 50%
□	□	□	0% hingga 25%
◐	□	□	Cas bateri.
■	■	□	Bateri mungkin telah pincang tugas.
□	□	■	

NOTA:

Bergantung kepada keadaan penggunaan dan suhu persekitaran, petunjuk mungkin berbeza sedikit daripada kapasiti sebenar.

NOTA:

Lampu penunjuk pertama (paling kiri) akan berkelip apabila sistem perlindungan bateri berfungsi.

Sistem perlindungan alat/bateri

Alat ini dilengkapi dengan sistem perlindungan, yang secara automatik memutuskan kuasa keluaran untuk hayat perkhidmatan yang panjang.

Perlindungan nyahcas lampu

Apabila kapasiti bateri tidak mencukupi, alat terhenti secara automatik. Dalam keadaan ini, tanggalkan bateri daripada alat dan cas bateri.

Perlindungan terhadap sebab-sebab lain

Sistem perlindungan juga dirancang untuk sebab-sebab lain yang dapat merusak alat dan memungkinkan alat berhenti secara automatik. Apabila alat berhenti untuk sementara atau berhenti beroperasi, lakukan semua langkah berikut untuk menghapuskan penyebabnya.

1. Matikan alat, kemudian hidupkannya untuk memulakan semula.
2. Cas bateri atau gantinya dengan bateri yang telah dicas semula.
3. Biarkan alat dan bateri menjadi sejuk.

Sekiranya tidak diperbaiki setelah pemulihan sistem perlindungan, sila hubungi Pusat Perkhidmatan Makita tempatan.

Menghidupkan lampu dan pemilihan mod kecerahan (Fig. 4)

⚠ PERHATIAN:

Jangan lihat ke dalam cahaya atau lihat sumber cahaya secara langsung.

1. Suis: Urutan kecerahan adalah: Mod tinggi (Hidup) / Mod sederhana / Mod rendah / Mati bagi setiap tekanan.
2. Pilih mod: Urutan pencahayaan adalah: Lampu keseluruhan / Bahagian lampu kekal / Bahagian lampu boleh dilipat bagi setiap tekanan apabila suis adalah dihidupkan.

NOTA:

Apabila anda menghidupkan peralatan, ia akan dinyalakan dalam mod lampu yang sama seperti kali terakhir anda menggunakannya.

Penunjuk bateri lemah (Fig. 5)

Apabila bateri menjadi lemah, lampu LED akan padam kecuali satu lampu LED seperti yang digambarkan. Kira-kira lima hingga sepuluh minit kemudian, peralatan akan dimatikan secara automatik.

OPERASI

⚠ PERHATIAN:

Putarkan palang lampu LED dan lipat bahagian lampu boleh dilipat ke bawah untuk menstabilkan peralatan apabila anda meletakkan peralatan dalam kedudukan menegak seperti yang ditunjukkan dalam fig. 4. Kalau tidak, peralatan boleh jatuh dan menyebabkan kecederaan peribadi.

Sudut palang lampu LED (Fig. 6, Fig. 7)

⚠ PERHATIAN:

Berhati-hati supaya tidak terkepit jari semasa melaraskan sudut lampu.

⚠ PERHATIAN:

Pastikan bahagian lampu boleh dilipat dan kekal dikunci bersama-sama dengan kukuh dalam kedudukan terlipat dan terbuka masing-masing.

Palang lampu LED boleh diputar dalam tujuh peringkat bagi setiap 45°. (90° ke kanan dan 180° ke kiri) Bahagian lampu boleh dibengkokkan ke 0° atau 180°.

Cangkuk Logam (Fig. 8)

Naikkan dan geserkan cangkuk logam ke kedudukan tengah apabila cangkuk logam digunakan.

Tali (Fig. 9)

⚠ PERHATIAN:

Jangan gunakan gelang dan lubang tali untuk tujuan lain selain memasang pengikat. Jika tidak, kecederaan diri mungkin berlaku.

Pasangkan pengikat pada peralatan seperti yang digambarkan.

Pasangkan klip pemegang ke cangkuk boleh disorong tarik (Fig. 10, Fig. 11)

⚠ PERHATIAN:

Berhati-hati untuk tidak tersepit jari apabila memasang klip pemegang ke cangkuk boleh disorong tarik.

Pasangkan klip pemegang ke cangkuk boleh disorong tarik seperti yang digambarkan.

NOTA:

Pastikan setiap klip pemegang dimasukkan ke dalam lubang penentududukan klip pemegang pada palang utama.

NOTA:

Pastikan kedua klip pemegang berada dalam arah pemasangan yang sama.

Memasangkan peralatan pada cangkuk boleh disorong tarik (Fig. 12)

Pasangkan peralatan pada cangkuk boleh disorong tarik seperti yang digambarkan.

NOTA:

Pastikan setiap klip pemegang memegang pada posisi terklip peralatan.

Mencagakkan cangkuk boleh disorong tarik (Fig. 13)

⚠ PERHATIAN:

Jangan menggantung apa-apa selain peralatan pada cangkuk boleh disorong tarik. Kalau tidak, cangkuk pemegang boleh rosak dan kecederaan peribadi boleh berlaku.

⚠ PERHATIAN:

Pastikan semua bahagian dipasang dengan selamat sebelum digunakan.

⚠ PERHATIAN:

Pegang pada palang utama dan cangkuk pemegang apabila memasang cangkuk boleh disorong tarik. Berhati-hati untuk tidak tersepit tangan dan jari anda kerana palang dalam akan kembali ke kedudukan asalnya oleh daya spring.

Pegang satu cangkuk pemegang untuk pasangannya ke tempat yang anda inginkan.

Pegang cangkuk pemegang yang satu lagi sambil memanjangkan cangkuk boleh disorong tarik untuk dipasangkan pada lokasi yang diinginkan (sisi lain).

Hidupkan dan laraskan sudut pencahayaan peralatan untuk menerangi lokasi yang diinginkan seperti yang digambarkan.

NOTIS:

Jika anda menggunakan bateri berat, hanya putarkan palang lampu LED untuk melaraskan sudut pencahayaan.

PENYELENGGARAAN

⚠ PERHATIAN:

Sentiasa pastikan bahawa alat dimatikan dan kartrij bateri ditanggalkan sebelum anda cuba melakukan pemeriksaan atau penyelenggaraan.

NOTIS:

Jangan gunakan gasolin, benzin, pencair, alkohol atau bahan yang serupa. Ia boleh menyebabkan perubahan warna, bentuk atau keretakan.

Untuk mengekalkan KESELAMATAN dan KEBOLEHPERCAYAAN produk, pembaikan, apa-apa penyelenggaraan atau penyesuaian lain perlu dilakukan oleh Kilang atau Pusat Servis Makita yang Diiktiraf, sentiasa gunakan alat ganti Makita.

Pembersihan

⚠ PERHATIAN:

Jangan basuh alat menggunakan air. Lapkan permukaan luar peralatan (badan peralatan) dari semasa ke semasa dengan menggunakan kain yang dilembapkan dengan air sabun.

AKSESORI PILIHAN

⚠ PERHATIAN:

Aksesori atau alat tambahan ini adalah disyorkan untuk digunakan dengan alat Makita anda yang dinyatakan dalam manual ini. Penggunaan mana-mana aksesori atau alat tambahan lain mungkin mengakibatkan risiko kecederaan kepada orang. Hanya gunakan aksesori atau alat tambahan untuk tujuan yang dinyatakannya.

Jika anda memerlukan sebarang bantuan untuk maklumat lebih lanjut mengenai aksesori ini, tanya Pusat Servis Makita tempatan anda.

- Bateri dan pengecas asli Makita

NOTA:

Sebahagian barang dalam senarai mungkin disertakan dalam bungkusan peralatan sebagai aksesori standard. Item mungkin berbeza mengikut negara.

TIẾNG VIỆT (Hướng dẫn gốc)

1	Móc co đuối	2	Thanh đèn LED	3	Nút	4	Băng pin	5	Đèn chỉ báo màu đỏ	6	Đèn chỉ báo	7	Nút kiểm tra	8	Bộ phận đèn cố định (LED-24 cái)
9	Bộ phận đèn có thể gập (LED-18 cái)	10	Công tắc	11	Bộ chọn chế độ	12	Chỉ báo pin yếu	13	Bộ phận di chuyển	14	Móc	15	Dây đai	16	Vòng đệm
17	Lỗ dây đeo	18	Lỗ định vị của kẹp gắn	19	Thanh chính	20	Thanh trong	21	Kẹp gắn	22	Móc giữ	23	Vị trí kẹp		

THÔNG SỐ KỸ THUẬT

Mẫu máy		ML012G
Đèn	Quang thông (C/TB/T)	1.700 lm / 800 lm / 400 lm
	Kích thước (D×R×C) (không có băng pin)	972 mm × 85 mm × 100 mm
	Điện áp định mức	D.C. 36 V - 40 V tối đa
	Trọng lượng tịnh (không có băng pin)	1,1 kg
Móc co đuối	Kích thước (D×R×C) (có kẹp)	1.181 mm × 99 mm × 259 mm
	Khối lượng tịnh (có kẹp)	1,5 kg
	Rộng khả dụng *	1.130 mm - 1.900 mm

- Các thông số kỹ thuật có thể thay đổi tùy theo từng quốc gia.
- Do chương trình nghiên cứu và phát triển liên tục của chúng tôi, các thông số kỹ thuật ở đây có thể thay đổi mà không cần thông báo trước.
- * Chiều rộng khả dụng thực tế có thể khác tùy vào vị trí và hình dạng.

Băng pin phù hợp và bộ sạc

Băng pin	BL4020 / BL4025 / BL4040 / BL4040F / BL4050F / BL4080F
Bộ sạc	DC40RA / DC40RB / DC40RC / DC40WA

- Một số băng pin được liệt kê ở trên có thể không có sẵn tùy thuộc vào khu vực mà bạn cư trú.

⚠ CẢNH BÁO: Bạn chỉ được sử dụng các loại băng pin được liệt kê ở trên. Bạn có thể bị thương và/hoặc gây ra hỏa hoạn nếu sử dụng bất kỳ loại băng pin nào khác.

Thời gian hoạt động

Băng pin phù hợp	Thời gian hoạt động (Xấp xỉ)		
	Toàn bộ đèn (LED-42 cái)		
	Cao	Trung bình	Thấp
BL4020	3,5 giờ	7,5 giờ	16 giờ
BL4025	4,5 giờ	9,5 giờ	20 giờ
BL4040/BL4040F	7,0 giờ	15 giờ	32 giờ
BL4050F	8,5 giờ	19 giờ	40 giờ
BL4080F	14 giờ	31 giờ	65 giờ

- Thời gian hoạt động trong bảng trên là hướng dẫn sơ bộ. Thời gian này có thể khác với thời gian hoạt động thực tế.
- Băng pin có thể khác nhau tùy vào quốc gia.
- Thời gian hoạt động có thể khác nhau tùy thuộc vào loại pin, trạng thái sạc và tình trạng sử dụng.

Các biểu tượng

Bên dưới hiển thị các ký hiệu có thể được sử dụng cho thiết bị. Đảm bảo rằng bạn hiểu rõ ý nghĩa của các biểu tượng sau đây trước khi sử dụng thiết bị.



- Hãy đọc tài liệu hướng dẫn sử dụng.



- Chỉ đối với quốc gia thuộc EU Do chứa thành phần nguy hại trong thiết bị, chất thải điện và điện tử, ắc quy và pin có thể ảnh hưởng tiêu cực đến môi trường và sức khỏe con người. Không để thiết bị điện và điện tử hoặc pin cùng với rác thải sinh hoạt! Theo Chỉ thị Châu Âu về rác thải điện và điện tử, rác thải pin, ắc quy cũng như sự phù hợp với luật quốc gia, rác thải điện, điện tử và pin, ắc quy phải được lưu trữ riêng và vận chuyển đến điểm thu gom riêng đối với rác thải đô thị, hoạt động tuân thủ theo quy định về bảo vệ môi trường. Điều này được thể hiện bằng biểu tượng dấu gạch chéo ngang thùng rác có bánh xe trên thiết bị.



- Bức xạ Quang học (UV và IR). Giảm thiểu tiếp xúc với mắt hoặc da.



- Không nhìn lâu vào đèn đang hoạt động.



- Sử dụng các phương tiện che chắn hoặc bảo vệ mắt thích hợp.



- Đặc biệt đề phòng và chú ý!



- Chỉ sử dụng trong nhà

HƯỚNG DẪN AN TOÀN QUAN TRỌNG

⚠ CẢNH BÁO:

Để giảm nguy cơ bị thương, vui lòng không nhìn chăm chú vào thiết bị đang hoạt động. Có thể xảy ra chấn thương nghiêm trọng cho mắt.

⚠ THẬN TRỌNG:

Khi sử dụng thiết bị, phải luôn tuân thủ các biện pháp phòng ngừa an toàn cơ bản để giảm các nguy cơ hỏa hoạn, điện giật và gây thương tích cá nhân, bao gồm các biện pháp sau:

ĐỌC TẤT CẢ CÁC HƯỚNG DẪN.

1. Để giảm nguy cơ bị thương, cần có sự giám sát chặt chẽ khi thiết bị được sử dụng gần trẻ em.
2. Để giảm nguy cơ bị giật điện, vui lòng không đặt thiết bị vào nước hoặc chất lỏng khác. Không đặt hoặc bảo quản thiết bị ở nơi mà thiết bị có thể rơi xuống hoặc bị kéo vào bồn hoặc lavabo.
3. Không che phủ thiết bị bằng vải hoặc thùng carton, v.v. Nếu không, nó có thể gây cháy.
4. Không chạm vào bên trong thiết bị bằng nhíp, các dụng cụ kim loại, v.v.

5. Không để thiết bị dưới trời mưa hoặc tuyết. Không rửa dụng cụ bằng nước.
6. Không chạm vào bên trong thiết bị bằng nhíp, các dụng cụ kim loại, v.v.
7. Không tiếp xúc với các bộ phận nóng.
8. Khi không sử dụng thiết bị, luôn tắt và tháo bộ pin ra khỏi thiết bị.
9. Không gây va đập cho thiết bị bằng cách làm rơi, đập, v.v.
10. Chỉ sử dụng các phụ kiện được khuyến nghị hoặc bán bởi nhà sản xuất.
11. Khi không sử dụng, hãy bảo quản sản phẩm trong nhà. Tránh xa tầm tay trẻ em.
12. Thông tin an toàn cho bộ đèn cầm tay có pin.
 - Việc tháo bộ pin phải tuân thủ các quy định tại địa phương của bạn về việc xử lý các vật liệu nguy hiểm.
 - Không đốt pin.
13. Thông tin bổ sung cho bộ đèn.
 - Nguồn sáng của bộ đèn này không thể thay thế; khi nguồn sáng đèn hết tuổi thọ sử dụng thì tất cả bộ đèn sẽ được thay thế.
14. Sử dụng và bảo quản dụng cụ pin.
 - **CẢNH BÁO:** Hãy đọc tất cả các cảnh báo an toàn và hướng dẫn đi kèm. Việc không tuân theo các cảnh báo và hướng dẫn có thể dẫn đến điện giật, hỏa hoạn và/hoặc thương tích nghiêm trọng.
 - Tránh vô tình khởi động thiết bị. Đảm bảo công tắc ở vị trí tắt trước khi kết nối với bộ pin và trước khi nhấc thiết bị lên hoặc di chuyển thiết bị. Tai nạn có thể xảy ra nếu bạn di chuyển thiết bị trong khi để ngón tay trên công tắc, hoặc cung cấp năng lượng cho thiết bị trong khi công tắc đang bật.
 - Tháo bộ pin ra khỏi thiết bị trước khi thực hiện bất kỳ công việc điều chỉnh, thay phụ kiện, hay cất giữ thiết bị nào. Những biện pháp an toàn phòng ngừa này sẽ giảm nguy cơ khởi động thiết bị không mong muốn.
 - Chỉ sạc lại bằng bộ sạc được nhà sản xuất chỉ định. Một bộ sạc phù hợp với một loại bộ pin có thể gây ra rủi ro cháy khi được sử dụng với một bộ pin khác.
 - Chỉ sử dụng các thiết bị với các bộ pin được chỉ định cụ thể. Bạn có thể có nguy cơ bị thương và gây ra hỏa hoạn nếu sử dụng bất kỳ bộ pin nào khác.
 - Khi không sử dụng bộ pin, để nó cách xa các vật kim loại khác như: kẹp giấy, đồng xu, chìa khóa, đinh, vít, hoặc những vật kim loại nhỏ có thể kết nối từ điện cực này sang điện cực khác. Làm đoản mạch các điện cực của pin có thể gây bỏng hoặc hỏa hoạn.
 - Trong những điều kiện lạm dụng, chất lỏng có thể rỉ ra từ pin; hãy tránh tiếp xúc với nó. Nếu vô tình tiếp xúc, hãy xả với nước. Nếu chất lỏng tiếp xúc với mắt, ngoài ra còn phải tìm sự giúp đỡ y tế. Chất lỏng chảy ra từ pin có thể gây kích ứng hoặc bỏng.
 - Không sử dụng bộ pin hoặc thiết bị đã hư hỏng hoặc bị sửa đổi. Pin đã hư hỏng hoặc bị sửa đổi có thể hoạt động bất thường, dẫn đến cháy, nổ hoặc nguy cơ bị thương.
 - Không để bộ pin hoặc thiết bị tiếp xúc với lửa hoặc nhiệt độ quá cao. Tiếp xúc với lửa hoặc nhiệt độ trên 130 °C (265 °F) có thể gây nổ.
 - Làm theo tất cả các hướng dẫn sạc và không sạc bộ pin hoặc thiết bị ngoài phạm vi nhiệt độ được chỉ định trong hướng dẫn. Sạc không đúng cách hoặc ở nhiệt độ ngoài phạm vi quy định có thể làm hỏng pin và tăng nguy cơ hỏa hoạn.
 - Việc bảo dưỡng thiết bị phải được thực hiện bởi thợ sửa chữa có trình độ và chỉ sử dụng các bộ phận thay thế đồng nhất. Việc này sẽ đảm bảo duy trì an toàn cho sản phẩm.

- Không sửa đổi hoặc cố gắng sửa chữa thiết bị hoặc bộ pin trừ khi điều này được chỉ định trong tài liệu hướng dẫn sử dụng và chăm sóc.
15. Hướng dẫn an toàn quan trọng cho băng pin.
- Trước khi sử dụng băng pin, hãy đọc tất cả các hướng dẫn và nhãn cảnh báo về (1) bộ sạc pin, (2) pin và (3) sản phẩm sử dụng pin.
 - Không tháo rời hoặc làm xáo trộn băng pin. Làm vậy có thể gây ra hỏa hoạn, nhiệt độ quá cao hoặc nổ.
 - Nếu thời gian vận hành của băng pin còn quá ít, hãy ngừng vận hành ngay lập tức. Thời gian vận hành của băng pin còn quá ít có thể dẫn đến nguy cơ băng pin trở nên quá nóng, có thể khiến bạn bị bỏng và thậm chí gây nổ.
 - Nếu chất điện phân vào trong mắt bạn, hãy xối rửa chúng ra khỏi mắt với nước sạch và tìm sự chăm sóc y tế ngay lập tức. Nó có thể gây mất thị giác.
 - Không làm đoản mạch băng pin.
 - Không bảo quản và dùng dụng cụ và băng pin ở những nơi có nhiệt độ có thể lên đến hoặc vượt quá 50 °C (122 °F).
 - Không đốt băng pin kể cả khi nó bị hư hỏng nghiêm trọng hoặc đã hao mòn hoàn toàn. Băng pin có thể nổ khi tiếp xúc với lửa.
 - Không đóng đinh, cắt, nghiền, ném, làm rơi băng pin hoặc va vật cứng vào băng pin. Hành vi như vậy có thể gây ra hỏa hoạn, nhiệt độ quá cao hoặc nổ.
 - Không sử dụng pin đã hư hỏng.
 - Các pin có chứa lithium-ion phải được xử lý theo các yêu cầu của Quy định về hàng hóa nguy hiểm. Khi được vận chuyển thương mại, ví dụ như bởi bên thứ ba, các đại lý giao nhận, phải tuân thủ yêu cầu đặc biệt về bao bì và nhãn dán. Trước khi vận chuyển sản phẩm, cần phải có sự tư vấn của chuyên gia về vật liệu nguy hiểm. Đồng thời, vui lòng tuân thủ các quy định quốc gia có thể chi tiết hơn. Dán băng dính hoặc che phủ các bề mặt hở và đóng gói pin sao cho nó không bị xô đẩy trong bao bì.
 - Chỉ sử dụng pin với các sản phẩm được chỉ định bởi Makita. Sử dụng pin cho các sản phẩm không được chỉ định có thể dẫn đến hỏa hoạn, nhiệt độ quá cao, nổ hoặc rò rỉ chất điện phân.
 - Tháo pin ra khỏi thiết bị nếu không sử dụng thiết bị trong một thời gian dài.
 - Trong và sau khi sử dụng, băng pin có thể bị nóng và gây bỏng hoặc bỏng ở nhiệt độ thấp. Hãy chú ý đến việc xử lý các băng pin nóng.
 - Không chạm vào điện cực của dụng cụ ngay sau khi sử dụng vì nó có thể đủ nóng để gây bỏng.
 - Không để mảnh vỡ, bụi hoặc đất dính vào các điện cực, lỗ và rãnh của băng pin. Nó có thể dẫn đến hiệu suất kém hoặc làm hư hỏng dụng cụ hoặc băng pin.
 - Trừ khi dụng cụ hỗ trợ việc sử dụng gần các đường dây điện cao thế, không sử dụng băng pin gần đường dây điện cao thế. Nó có thể dẫn sự cố hoặc làm hư hỏng dụng cụ hoặc băng pin.
 - Giữ pin tránh xa trẻ em.

HÃY LƯU LẠI NHỮNG HƯỚNG DẪN.

⚠ THẬN TRỌNG: Chỉ sử dụng pin Makita chính hãng. Việc sử dụng pin Makita không chính hãng hoặc pin đã bị sửa đổi có thể khiến pin bị vỡ, gây ra hỏa hoạn, thương tích cá nhân và hư hỏng. Điều đó cũng sẽ làm mất hiệu lực bảo hành của Makita đối với thiết bị và bộ sạc Makita.

16. Mẹo để duy trì tuổi thọ pin tối đa.
- Sạc băng pin trước khi xả pin hoàn toàn. Luôn dừng hoạt động của dụng cụ và sạc băng pin khi bạn nhận thấy dụng cụ có ít điện năng hơn.
 - Không bao giờ sạc lại một băng pin đã được sạc đầy. Sạc quá thời gian khiến tuổi thọ pin giảm.
 - Sạc băng pin với nhiệt độ phòng ở 10 °C - 40 °C (50 °F - 104 °F). Để một băng pin nóng nguội bớt trước khi sạc nó.
 - Khi không sử dụng băng pin, hãy tháo nó ra khỏi dụng cụ hoặc bộ sạc.
 - Sạc băng pin nếu bạn không sử dụng nó trong một thời gian dài (hơn sáu tháng).

MÔ TẢ CHỨC NĂNG

⚠ THẬN TRỌNG: Luôn đảm bảo rằng bạn đã tắt thiết bị và tháo băng pin trước khi điều chỉnh hoặc kiểm tra chức năng trên thiết bị.

Lắp hoặc tháo băng pin (Fig. 2)

⚠ THẬN TRỌNG: Luôn tắt thiết bị trước khi lắp đặt hoặc tháo băng pin.

⚠ THẬN TRỌNG: **Giữ chắc thiết bị và băng pin khi lắp đặt hoặc tháo băng pin.** Không giữ chắc thiết bị và băng pin có thể khiến chúng tuột khỏi tay bạn và dẫn đến thiết bị và băng pin hư hỏng và gây thương tích cá nhân.

Để lắp băng pin, căn thẳng chóp trên băng pin với rãnh trong vỏ và trượt nó vào vị trí. Đẩy hết băng pin cho đến khi nó được khóa đúng vị trí với một tiếng cạch nhỏ. Nếu bạn nhìn thấy đèn chỉ báo màu đỏ như trong hình, có nghĩa là không được khóa hoàn toàn. Để tháo băng pin, trượt nó khỏi thiết bị đồng thời nhấn nút ở mặt trước băng pin.

⚠ THẬN TRỌNG: Luôn lắp băng pin hoàn chỉnh cho đến khi đèn báo màu đỏ biến mất. Nếu không, nó có thể vô tình rơi ra ngoài thiết bị, gây chấn thương cho bạn hoặc những người xung quanh bạn.

⚠ THẬN TRỌNG: Không sử dụng lực mạnh khi lắp băng pin. Nếu băng pin không trượt vào dễ dàng tức nó đã không được lắp đúng cách.

Cho biết dung lượng pin còn lại (Fig. 3)

Nhấn nút kiểm tra trên bảng pin để xem dung lượng pin còn lại. Đèn chỉ báo sáng lên trong vài giây.

Đèn báo			Dung lượng pin còn lại
Sáng	Tắt	Nhấp nháy	
■ ■ ■ ■			75% đến 100%
■ ■ ■ □			50% đến 75%
■ ■ □ □			25% đến 50%
■ □ □ □			0% đến 25%
▣ □ □ □			Sạc pin.
■ ■ □ □			Pin có thể đã hư hỏng.
□ □ ■ ■			

CHÚ Ý:

Phụ thuộc vào các điều kiện sử dụng và nhiệt độ môi trường, đèn báo có thể hơi sai khác so với dung lượng thực tế.

CHÚ Ý:

Đèn báo đầu tiên (ngoài cùng bên trái) sẽ bật sáng khi hệ thống bảo vệ pin hoạt động.

Hệ thống bảo vệ pin / thiết bị

Thiết bị được trang bị hệ thống bảo vệ, tự động ngắt nguồn đầu ra để gia tăng tuổi thọ sử dụng.

Bảo vệ ngắt nguồn

Khi dung lượng pin không đủ, thiết bị sẽ tự động dừng. Trong trường hợp này, hãy tháo pin ra khỏi thiết bị và sạc pin.

Bảo vệ khỏi các nguyên nhân khác

Hệ thống bảo vệ cũng được thiết kế để đối phó với những nguyên nhân khác có thể gây hư hỏng thiết bị và cho phép thiết bị tự động dừng. Thực hiện tất cả các bước sau để khắc phục nguyên nhân khi thiết bị đã tạm ngừng hoặc dừng hoạt động.

1. Tắt thiết bị, sau đó bật lại để khởi động lại.
2. Sạc (các) pin hoặc thay thế (các) pin đã sạc.
3. Hãy để thiết bị và (các) pin nguội xuống.

Nếu không có sự cải thiện sau khi khôi phục hệ thống bảo vệ, hãy liên hệ với Trung tâm Dịch vụ Makita ở địa phương bạn.

Bật đèn và chọn chế độ sáng (Fig. 4)

⚠ THẬN TRỌNG:

Không nhìn vào đèn hoặc nhìn nguồn chiếu đèn trực tiếp.

1. Công tắc: Thứ tự sáng là: Chế độ cao (Bật) / Chế độ trung bình / Chế độ thấp / Tắt cho mỗi lần nhấn.
2. Bộ chọn chế độ: Thứ tự sáng lên là: Toàn bộ đèn/Bộ phận đèn cố định/Bộ phận đèn có thể gập cho mỗi lần nhấn khi bật công tắc.

CHÚ Ý:

Khi bạn bật thiết bị, nó sẽ được bật ở chế độ ánh sáng giống như lần cuối bạn đã sử dụng.

Chỉ báo pin yếu (Fig. 5)

Khi pin bắt đầu yếu, các đèn LED sẽ tắt, ngoại trừ một đèn LED như được minh họa. Khoảng năm đến mười phút sau, thiết bị sẽ tự động tắt.

VẬN HÀNH

⚠ THẬN TRỌNG:

Xoay thanh đèn LED và gập xuống bộ phận đèn có thể gập để ổn định cân bằng thiết bị khi bạn đặt thiết bị ở vị trí đứng như được thể hiện trong fig. 4. Nếu không, thiết bị có thể bị đổ và gây thương tích cá nhân.

Góc thanh đèn LED (Fig. 6, Fig. 7)

⚠ THẬN TRỌNG:

Cẩn thận không kẹt (các) ngón tay khi điều chỉnh góc của đèn.

⚠ THẬN TRỌNG:

Đảm bảo rằng bộ phận đèn cố định và bộ phận đèn có thể gập được khóa chặt ở vị trí gập và mở tương ứng.

Thanh đèn LED có thể được xoay trong bảy cấp độ cho mỗi 45°. (90° ở bên phải và 180° ở bên trái)
Bộ phận đèn có thể gập có thể được uốn ở góc 0° hoặc 180°.

Móc (Fig. 8)

Nâng lên và trượt móc kim loại vào vị trí giữa khi sử dụng móc kim loại.

Dây đeo (Fig. 9)

⚠ THẬN TRỌNG:

Không sử dụng vòng và lỗ dây đeo cho bất kỳ mục đích nào khác ngoài việc lắp đặt dây đeo. Nếu không có thể xảy ra thương tích cá nhân.

Lắp đặt dây đeo vào thiết bị như minh họa.

Lắp đặt kẹp gắn vào móc co duỗi (Fig. 10, Fig. 11).

THẬN TRỌNG:

Cẩn thận để không kẹp ngón tay khi lắp đặt kẹp gắn vào móc co duỗi.

Lắp đặt kẹp gắn vào móc co duỗi như hình minh họa.

CHÚ Ý:

Đảm bảo rằng mỗi kẹp gắn đã được trượt vào lỗ định vị kẹp gắn trên thanh chính.

CHÚ Ý:

Đảm bảo rằng hai kẹp gắn được lắp cùng hướng.

Lắp đặt thiết bị trên móc co duỗi (Fig. 12).

Lắp đặt thiết bị trên móc co duỗi bằng các kẹp gắn như hình minh họa.

CHÚ Ý:

Đảm bảo rằng mỗi kẹp gắn giữ đúng vị trí kẹp của thiết bị.

Gắn móc co duỗi (Fig. 13)

THẬN TRỌNG:

Không treo bất cứ thứ gì khác ngoài thiết bị lên móc co duỗi. Nếu không, các móc giữ có thể bị hỏng và có thể xảy ra thương tích cá nhân.

THẬN TRỌNG:

Hãy đảm bảo rằng mọi bộ phận đã được gắn chặt trước khi sử dụng.

THẬN TRỌNG:

Thao tác bằng cách nắm thanh chính và các móc giữ khi lắp đặt móc co duỗi. Hãy chú ý để phòng không bị kẹp tay và ngón tay vì thanh trong sẽ tự động trở về vị trí ban đầu do sức căng của lò xo.

Giữ một móc giữ để lắp nó vào vị trí bạn muốn.

Giữ một móc giữ khác trong khi kéo móc co duỗi để lắp nó vào vị trí mong muốn (mặt bên kia).

Bật thiết bị và điều chỉnh góc chiếu sáng của thiết bị để chiếu sáng vị trí mong muốn như đã minh họa.

LƯU Ý:

Nếu bạn sử dụng pin nặng, chỉ xoay thanh đèn LED để điều chỉnh góc chiếu sáng.

BẢO TRÌ

THẬN TRỌNG:

Luôn chắc chắn rằng thiết bị đã tắt và bằng pin đã được tháo ra trước khi cố gắng thực hiện kiểm tra hoặc bảo trì.

LƯU Ý:

Không bao giờ sử dụng xăng, ét-xăng, chất pha loãng, cồn hoặc các chất tương tự. Việc đó có thể dẫn đến thiết bị đổi màu, biến dạng hoặc có các vết nứt.

Để duy trì ĐỘ AN TOÀN và TIN CẬY của sản phẩm, các hoạt động sửa chữa, bảo trì hoặc điều chỉnh phải được thực hiện bởi Trung tâm được Ủy quyền hoặc Trung tâm Dịch vụ Nhà máy của Makita, luôn sử dụng các bộ phận thay thế của Makita.

Vệ sinh

THẬN TRỌNG:

Không bao giờ rửa thiết bị trong nước. Thường xuyên lau sạch bề ngoài của thiết bị (thân thiết bị) bằng khăn ẩm thấm nước xà phòng.

PHỤ KIỆN TỰ CHỌN

THẬN TRỌNG:

Những phụ kiện hoặc linh kiện này được khuyến nghị sử dụng với thiết bị Makita của bạn được chỉ định trong hướng dẫn sử dụng này. Việc sử dụng bất kỳ phụ kiện hoặc linh kiện nào khác có thể gây nguy cơ thương tích cho người. Chỉ sử dụng phụ kiện hoặc linh kiện cho mục đích được chỉ định của phụ kiện hoặc linh kiện đó.

Nếu bạn cần bất kỳ sự trợ giúp nào để biết thêm chi tiết về các phụ kiện này, hãy liên hệ với trung tâm dịch vụ của Makita tại địa phương của bạn.

- Pin và bộ sạc chính hãng Makita

CHÚ Ý:

Một số mục trong danh sách có thể được bao gồm trong gói thiết bị như các phụ kiện tiêu chuẩn. Các mặt hàng này có thể thay đổi tùy theo từng quốc gia.

ภาษาไทย (คำแนะนำเดิม)

1	ตะขอส่องทางไกล	2	ไฟสปอร์ตไลท์ LED	3	ปุ่ม	4	ตลับแบตเตอรี่	5	ตัวบ่งชี้สีแดง	6	หลอดไฟแสดงสถานะ	7	ปุ่มตรวจสอบ	8	ส่วนไฟคงที่ (LED-24 pcs)
9	ส่วนไฟพับเก็บได้ (LED-18 pcs)	10	สวิตช์	11	ตัวเลือกโหมด	12	ไฟแสดงสถานะแบตเตอรี่ต่ำ	13	ส่วนเคลื่อนที่ได้	14	ตัวเกี่ยวเหล็ก	15	สายรัด	16	วงแหวน
17	รูปปรับสายรัด	18	รูวางตำแหน่งคลิปยานพาหนะ	19	ก้านหลัก	20	ก้านด้านใน	21	คลิปผู้ให้บริการ	22	ตะขอแขวน	23	ตำแหน่งการติดตั้ง		

คุณลักษณะ

รุ่น:		ML012G
แสง	ฟลักซ์ส่องสว่าง (H/M/L)	1,700 lm / 800 lm / 400 lm
	ขนาด (ยาว × กว้าง × สูง) (ไม่รวมตลับแบตเตอรี่)	972 mm × 85 mm × 100 mm
	แรงดันไฟฟ้า	กำลังไฟสูงสุด D.C. 36 V - 40 V
	น้ำหนักสุทธิ (ไม่รวมตลับแบตเตอรี่)	1.1 kg
ตะขอส่องทางไกล	ขนาด (ยาว × กว้าง × สูง) (มีคลิป)	1,181 mm × 99 mm × 259 mm
	น้ำหนักสุทธิ (มีคลิป)	1.5 kg
	ความกว้างที่ใช้ได้*	1,130 mm - 1,900 mm

- คุณลักษณะอาจแตกต่างกันไปในแต่ละประเทศ
- เนื่องจากโครงการวิจัยและพัฒนาที่กำลังดำเนินอยู่ของเรา อาจมีการเปลี่ยนแปลงคุณลักษณะในที่นี่โดยไม่มีการแจ้งให้ทราบล่วงหน้า
- * ความกว้างที่ใช้ได้จริงอาจแตกต่างกันไปขึ้นอยู่กับตำแหน่งและรูปร่าง

ตลับแบตเตอรี่และที่ชาร์จแบตเตอรี่ที่ใช้ได้

ตลับแบตเตอรี่	BL4020 / BL4025 / BL4040 / BL4040F / BL4050F / BL4080F
ที่ชาร์จแบตเตอรี่	DC40RA / DC40RB / DC40RC / DC40WA

- ตลับแบตเตอรี่บางรายการที่ระบุข้างต้นอาจไม่พร้อมให้บริการ ขึ้นอยู่กับประเทศและภูมิภาคของคุณ

⚠ คำเตือน: ใช้เฉพาะตลับแบตเตอรี่ที่ระบุไว้ข้างต้นเท่านั้น การใช้ตลับแบตเตอรี่นอกเหนือจากที่ระบุไว้ อาจทำให้เกิดการบาดเจ็บและ/หรือไฟไหม้

ระยะเวลาในการทำงาน

ตลับแบตเตอรี่ที่ใช้	ระยะเวลาในการทำงาน (โดยประมาณ)		
	ไฟทั้งหมด (LED-42 pcs)		
	สูง	กลาง	ต่ำ
BL4020	3.5 ชั่วโมง	7.5 ชั่วโมง	16 ชั่วโมง
BL4025	4.5 ชั่วโมง	9.5 ชั่วโมง	20 ชั่วโมง
BL4040/BL4040F	7.0 ชั่วโมง	15 ชั่วโมง	32 ชั่วโมง
BL4050F	8.5 ชั่วโมง	19 ชั่วโมง	40 ชั่วโมง
BL4080F	14 ชั่วโมง	31 ชั่วโมง	65 ชั่วโมง

- ระยะเวลาในการทำงานในตารางข้างต้นเป็นเพียงแนวทางคร่าวๆ ซึ่งอาจแตกต่างออกไปจากระยะเวลาในการทำงานตามจริง
- ตลับแบตเตอรี่อาจแตกต่างออกไปในแต่ละประเทศ
- ระยะเวลาในการทำงานนี้อาจแตกต่างออกไป ขึ้นอยู่กับประเภทของแบตเตอรี่ สถานะการชาร์จ และสภาพการใช้งาน

สัญลักษณ์

รายการต่อไปนี้แสดงสัญลักษณ์ที่อาจใช้สำหรับอุปกรณ์ ตรวจสอบให้แน่ใจว่าคุณเข้าใจความหมายของสัญลักษณ์เหล่านี้ก่อนการใช้งาน



- อ่านคู่มือการใช้งาน



- สำหรับประเทศในสหภาพยุโรปเท่านั้น เนื่องจากชิ้นส่วนอันตรายในอุปกรณ์เครื่องมือ ในเครื่องใช้ไฟฟ้าและอุปกรณ์เครื่องใช้ไฟฟ้าที่ไม่ใช้งาน ในที่เก็บพลังงานและแบตเตอรี่ อาจจะมีผลกระทบต่อสุขภาพแวดล้อมและสุขภาพของมนุษย์ได้ อย่าทิ้งเครื่องใช้ไฟฟ้าและอุปกรณ์เครื่องใช้ไฟฟ้าหรือแบตเตอรี่ร่วมกับขยะในบ้าน ตามระเบียบของยุโรปเกี่ยวกับการทิ้งเครื่องใช้ไฟฟ้ากับอุปกรณ์เครื่องใช้ไฟฟ้าและระเบียบเกี่ยวกับที่เก็บพลังงานกับแบตเตอรี่ และการทิ้งที่เก็บพลังงานกับแบตเตอรี่ รวมถึงระเบียบที่สอดคล้องกับกฎหมายนานาชาติ การทิ้งอุปกรณ์เครื่องใช้ไฟฟ้า แบตเตอรี่ และที่เก็บพลังงาน ควรจะแยกต่างหากและส่งไปยังจุดเก็บคัดแยกขยะในเมืองเพื่อดำเนินการตามการกฎระเบียบการป้องกันด้านสภาพแวดล้อม ซึ่งจะแสดงเป็นสัญลักษณ์รูปถังขยะติดล้อที่ถูกกากบาทบนเครื่องมืออุปกรณ์



- ระวังแสงเข้าตา (UV หรือ IR) ลดการสัมผัสกับดวงตาหรือผิวหนัง



- อย่ามองที่ไฟซึ่งกำลังทำงานอยู่



- ใช้ตัวป้องกันหรืออุปกรณ์ป้องกันสายตาที่เหมาะสม



- ดูแลและเอาใจใส่เป็นพิเศษ!



- สำหรับใช้ภายในอาคารเท่านั้น

คำแนะนำด้านความปลอดภัยที่สำคัญ

คำเตือน:

เพื่อลดความเสี่ยงต่อการบาดเจ็บอย่างฉับพลันที่อุปกรณ์วิ่ง อาจทำให้เกิดความเสียหายร้ายแรงต่อดวงตา

ข้อควรระวัง:

เมื่อใช้งาน ควรปฏิบัติตามคำแนะนำด้านความปลอดภัยทุกครั้งเพื่อลดความเสี่ยงในการเกิดอัคคีภัย ไฟฟ้าช็อต และการบาดเจ็บของบุคคล รวมถึงเรื่องต่อไปนี้:

อ่านคำแนะนำทั้งหมด

1. เพื่อลดความเสี่ยงของการบาดเจ็บจำเป็นต้องใช้ความระมัดระวังอย่างใกล้ชิดเมื่อใช้อุปกรณ์นี้ใกล้กับเด็ก
2. เพื่อลดความเสี่ยงจากไฟฟ้าช็อตอย่างรุนแรงในหน้าหรือของเหลวอื่น ๆ อย่างวางหรือเก็บอุปกรณ์ในที่ที่อาจหล่นหรือลากเข้าไปในอ่างอาบน้ำหรืออ่างล้างจาน
3. อย่าคลุมเครื่องด้วยผ้าหรือกล่องกระดาษแข็ง ฯลฯ หากไม่ทำเช่นนั้นอาจทำให้เกิดไฟไหม้ได้
4. ย่อนำคีมหนีบ เครื่องมือโลหะ ฯลฯ ไปสัมผัสด้านในของอุปกรณ์นี้

5. ห้ามไม่ให้เครื่องมือสัมผัสกับฝนหรือหิมะ อย่าล้างเครื่องมือในน้ำ
 6. ย่อนำคีมหนีบ เครื่องมือโลหะ ฯลฯ ไปสัมผัสด้านในของอุปกรณ์นี้
 7. อย่าสัมผัสชิ้นส่วนที่ร้อน
 8. เมื่อไม่ได้ใช้งานอุปกรณ์ ให้ปิดสวิตช์ และถอดด้ามแบตเตอรี่ออกจากอุปกรณ์ทุกครั้ง
 9. อย่าให้อุปกรณ์ช็อคจากการทำหล่น กระแทก ฯลฯ
 10. ใช้เฉพาะอุปกรณ์เสริมที่แนะนำหรือจำหน่ายโดยผู้ผลิตเท่านั้น
 11. เมื่อไม่ได้ใช้งานให้เก็บผลิตภัณฑ์ไว้ในบ้าน เก็บให้พ้นมือเด็ก
 12. ข้อมูลเพื่อความปลอดภัยสำหรับดวงไฟพกพาพร้อมแบตเตอรี่
- การกำจัดแบตเตอรี่ควรปฏิบัติตามข้อกำหนดในท้องถิ่นของคุณว่าด้วยการกำจัดวัตถุอันตราย
 - ห้ามเผาแบตเตอรี่
13. ข้อมูลเพิ่มเติมเกี่ยวกับดวงไฟ
 14. การใช้งานและการดูแลรักษาแบตเตอรี่
- แหล่งกำเนิดแสงของโคมไฟนี้ไม่สามารถทำการเปลี่ยนได้ เมื่อแหล่งกำเนิดแสงถึงอายุการใช้งานจะต้องเปลี่ยนโคมไฟทั้งดวง
 - คำเตือน: อ่านคำเตือนและคำแนะนำด้านความปลอดภัยทั้งหมด การไม่ปฏิบัติตามคำเตือนและคำแนะนำอาจทำให้เกิดไฟฟ้าช็อตไฟไหม้ และ/หรือได้รับบาดเจ็บสาหัส
 - ป้องกันการเปิดใช้งานเครื่องมือโดยไม่ตั้งใจ ตรวจสอบให้แน่ใจว่าสวิตช์เครื่องมืออยู่ในตำแหน่งปิดก่อนที่จะเชื่อมต่อกับชุดแบตเตอรี่ก่อนหยิบหรือเคลื่อนย้ายเครื่องมือ การถือเครื่องมือโดยวางนิ้วอยู่บนสวิตช์หรือถือเครื่องมือที่มีการจ่ายกระแสไฟฟ้าที่เปิดสวิตช์อยู่ อาจทำให้เกิดอุบัติเหตุได้
 - ปลดชุดแบตเตอรี่ออกจากเครื่องมือก่อนที่จะทำการปรับแต่ง เปลี่ยนเครื่องมือ หรือจัดเก็บ มาตรการรักษาความปลอดภัยเชิงป้องกันดังกล่าวจะช่วยลดความเสี่ยงในการเปิดใช้งานเครื่องมือโดยไม่ตั้งใจ
 - ชาร์จแบตเตอรี่ด้วยเครื่องชาร์จที่ผู้ผลิตระบุเท่านั้น เครื่องชาร์จที่เหมาะสมสำหรับชุดแบตเตอรี่ประเภทหนึ่งอาจสร้างความเสี่ยงต่อการเกิดไฟไหม้หากนำไปใช้กับชุดแบตเตอรี่อีกประเภท
 - ใช้ชุดแบตเตอรี่ที่กำหนดมาให้ใช้กับเครื่องมือเท่านั้น การใช้ชุดแบตเตอรี่อื่นอาจสร้างความเสี่ยงต่อการบาดเจ็บหรือการเกิดไฟไหม้
 - เมื่อไม่ได้ใช้งานชุดแบตเตอรี่ ให้เก็บชุดแบตเตอรี่ให้ห่างจากวัตถุโลหะอื่นๆ เช่นคลิปหนีบกระดาษ เหรียญ กุญแจ ตะปู สกรู หรือวัตถุโลหะขนาดเล็กอื่นๆ ที่สามารถเชื่อมต่อขั้วแบตเตอรี่ขั้วหนึ่งเข้ากับอีกขั้วหนึ่ง การลัดวงจรขั้วแบตเตอรี่พร้อมกันกันอาจทำให้เกิดการไหม้หรือไฟไหม้ได้
 - ภายใต้งี๋ร้อนโซ่ที่เป็นอันตราย อาจมีของเหลวไหลออกมาจากแบตเตอรี่ ให้หลีกเลี่ยงการสัมผัสกับของเหลวนั้น หากสัมผัสกับของเหลวดังกล่าวโดยไม่ได้ตั้งใจ ให้ล้างออกด้วยน้ำ หากของเหลวเข้าตา ให้ติดต่อเพื่อรับความช่วยเหลือทางการแพทย์เพิ่มเติม ของเหลวที่ไหลออกมาจากแบตเตอรี่อาจก่อให้เกิดการระคายเคืองหรือการไหม้
 - ห้ามใช้ชุดแบตเตอรี่หรือเครื่องมือที่เสียหาย หรือถูกปรับแต่ง แบตเตอรี่ที่เสียหายหรือถูกปรับแต่งอาจแสดงพฤติกรรมที่คาดเดาไม่ได้ ซึ่งส่งผลให้เกิดไฟไหม้ การระเบิด หรือความเสี่ยงต่อการบาดเจ็บ
 - ห้ามนำชุดแบตเตอรี่หรือเครื่องมือไปสัมผัสกับไฟหรืออุณหภูมิที่สูงเกินไป การสัมผัสกับไฟหรืออุณหภูมิที่สูงกว่า 130 °C (265 °F) อาจทำให้เกิดการระเบิด
 - ปฏิบัติตามคำแนะนำในการชาร์จทั้งหมด และอย่าเปลี่ยนแบตเตอรี่หรือเครื่องมือจนกระทั่งอุณหภูมิที่ระบุไว้ในคำแนะนำ การชาร์จอย่างไม่เหมาะสมหรือการชาร์จจนกระทั่งอุณหภูมิที่ระบุไว้ อาจสร้างความเสียหายต่อแบตเตอรี่และเพิ่มความเสี่ยงในการเกิดไฟไหม้

- ทำการซ่อมแซมโดยช่างซ่อมที่มีคุณสมบัติและใช้ชิ้นส่วนอะไหล่ที่เหมือนกันเท่านั้น เพื่อให้มั่นใจว่าผลิตภัณฑ์ได้รับการรักษาความปลอดภัย
 - ห้ามปรับแต่งหรือซ่อมแซมเครื่องมือหรือชุดแบตเตอรี่ยกเว้นตามที่ระบุในคำแนะนำสำหรับการใช้งานและการดูแลรักษา
15. คำแนะนำด้านความปลอดภัยที่สำคัญสำหรับตลับแบตเตอรี่
- ก่อนที่จะใช้ตลับแบตเตอรี่ให้อ่านคำแนะนำและเครื่องหมายเตือนทั้งหมดที่ (1) เครื่องชาร์จแบตเตอรี่ (2) แบตเตอรี่ และ (3) ผลิตภัณฑ์ที่ใช้แบตเตอรี่
 - ห้ามถอดชิ้นส่วนหรืออัดแรงตลับแบตเตอรี่ เพราะอาจทำให้เกิดไฟไหม้ ความร้อนสูงเกิน หรือระเบิดได้
 - หากระยะเวลาในการทำงานสั้นลงมาก ให้หยุดใช้งานทันที เนื่องจากอาจส่งผลให้เกิดความเสี่ยงจากการมีความร้อนสูงเกินไป การเผาไหม้ หรือแม้แต่การระเบิด
 - หากอิเล็กโทรไลต์เข้าตา ให้ล้างออกด้วยน้ำสะอาดและไปพบแพทย์ทันที มิฉะนั้นอาจดวงตาของคุณอาจสูญเสียการมองเห็น
 - ห้ามลัดวงจรแบตเตอรี่
 - อย่าจัดเก็บและใช้เครื่องมือและตลับแบตเตอรี่ไว้ในสถานที่อุณหภูมิอาจสูงถึงหรือเกินกว่า 50 °C (122 °F)
 - ห้ามเผาตลับแบตเตอรี่แม้ว่าจะได้รับความเสียหายอย่างรุนแรงหรือเสื่อมสภาพอย่างสมบูรณ์ ตลับแบตเตอรี่สามารถระเบิดได้ในกองไฟ
 - ห้ามตอกตะปู ตัด อัด ขว้าง ทำตลับแบตเตอรี่ตกหรือทุบตีตลับแบตเตอรี่ด้วยของแข็ง การทำเช่นนั้นอาจทำให้เกิดไฟไหม้ ความร้อนสูงเกิน หรือระเบิดได้
 - ห้ามใช้แบตเตอรี่ที่เสียหาย
 - แบตเตอรี่ลิเธียมไอออนที่ใช้ อยู่ภายใต้ข้อกำหนดของกฎหมายว่าด้วยสินค้าอันตราย สำหรับการขนส่งเชิงพาณิชย์เช่น โดยบุคคลที่สาม ตัวแทนในการส่งออก ต้องปฏิบัติตามข้อกำหนดพิเศษเกี่ยวกับบรรจุภัณฑ์และการติดฉลาก สำหรับการเตรียมการจัดส่ง จำเป็นต้องปรึกษาผู้เชี่ยวชาญถึงเรื่องวัสดุที่เป็นอันตราย โปรดศึกษาข้อบังคับของประเทศอย่างละเอียดมากขึ้น ดิตเทปหรือปิดจุดสัมผัสที่เปิดอยู่ และและบรรจุแบตเตอรี่ในลักษณะที่ไม่สามารถเคลื่อนที่ไปมาได้บรรจุภัณฑ์
 - ใช้แบตเตอรี่เฉพาะกับผลิตภัณฑ์ที่ Makita กำหนดไว้เท่านั้น การติดตั้งแบตเตอรี่ลงในผลิตภัณฑ์ที่ไม่สอดคล้องกัน อาจทำให้เกิดไฟไหม้ ความร้อนสูงเกิน การระเบิด หรือการรั่วไหลของอิเล็กโทรไลต์
 - หากไม่ได้ใช้เครื่องมือเป็นระยะเวลานาน ต้องถอดแบตเตอรี่ออกจากเครื่องมือ
 - ระหว่างและหลังการใช้งาน ตลับแบตเตอรี่อาจมีความร้อนสูงซึ่งอาจทำให้เกิดแผลไหม้หรือการเผาไหม้ที่อุณหภูมิต่ำได้ ระวังเมื่อต้องสัมผัสกับตลับแบตเตอรี่ที่ร้อนจัด
 - ห้ามสัมผัสกับขั้วของเครื่องมือทันทีหลังการใช้งานเพราะมันอาจร้อนมากพอจะทำให้เกิดแผลไหม้ได้
 - อย่าให้มีสะเก็ด ผุ่นผง หรือเศษดินติดอยู่ในขั้ว รู และร่องของตลับแบตเตอรี่ เพราะอาจทำให้เครื่องมือหรือตลับแบตเตอรี่เสียหายหรือไม่มีประสิทธิภาพได้
 - อย่าใช้ตลับแบตเตอรี่ใกล้กับสายไฟแรงดันสูง ยกเว้นหากเครื่องมือนั้นรองรับการใช้ใกล้กับสายไฟแรงดันสูง เพราะอาจทำให้เครื่องมือหรือตลับแบตเตอรี่เสียหายหรือทำงานผิดปกติได้
 - เก็บแบตเตอรี่ให้พ้นมือเด็ก

จดจำคำแนะนำเหล่านี้

⚠ ข้อควรระวัง: ใช้แบตเตอรี่ของแท้จากมากิตะเท่านั้น การใช้แบตเตอรี่ที่ไม่ใช่ของ Makita หรือแบตเตอรี่ที่ได้รับการดัดแปลง อาจส่งผลให้แบตเตอรี่ระเบิดและทำให้เกิดไฟไหม้ รวมถึงการบาดเจ็บและความเสียหายต่อบุคคล และยังทำให้การรับประกันสำหรับเครื่องมือและเครื่องชาร์จของ Makita ลินสุดลง

16. เคล็ดลับสำหรับการรักษาอายุการใช้งานสูงสุดของแบตเตอรี่
- ชาร์จตลับแบตเตอรี่ก่อนที่แบตเตอรี่จะหมดโดยสมบูรณ์ หยุดการทำงานของเครื่องมือและชาร์จตลับแบตเตอรี่ทุกครั้งเมื่อคุณสังเกตเห็นว่ากำลังของเครื่องมือน้อยลง
 - ไม่นำตลับแบตเตอรี่ที่ชาร์จเต็มแล้วกลับไปชาร์จใหม่ การชาร์จมากเกินไปเป็นการทำให้อายุของแบตเตอรี่สั้นลง
 - ชาร์จตลับแบตเตอรี่ในอุณหภูมิห้องที่ 10 °C - 40 °C (50 °F - 104 °F) ทิ้งตลับแบตเตอรี่ที่ร้อนให้เย็นลงก่อนที่จะทำการชาร์จ
 - เมื่อไม่ใช้ตลับแบตเตอรี่ ให้ถอดออกจากเครื่องมือหรือที่ชาร์จ
 - เปลี่ยนตลับแบตเตอรี่หากคุณไม่ได้ใช้มาเป็นเวลานาน (มากกว่าหกเดือน)

รายละเอียดการทำงาน

⚠ ข้อควรระวัง: ตรวจสอบให้แน่ใจว่าอุปกรณ์ปิดสวิตช์อยู่และตลับแบตเตอรี่ถูกถอดออกไปแล้วก่อนที่จะทำการปรับแต่งหรือตรวจสอบการทำงานของอุปกรณ์

การติดตั้งหรือการถอดตลับแบตเตอรี่ (Fig. 2)

⚠ ข้อควรระวัง: ปิดอุปกรณ์ทุกครั้งก่อนติดตั้งหรือถอดช่องใส่แบตเตอรี่

⚠ ข้อควรระวัง: จับเครื่องมือและตลับแบตเตอรี่ให้มั่นคงเมื่อติดตั้งหรือถอดตลับแบตเตอรี่

การจับอุปกรณ์และตลับแบตเตอรี่อย่างไม่มั่นคงอาจทำให้เกิดการหลุดออกจากมือ และสร้างความเสียหายต่อเครื่องมือและตลับแบตเตอรี่ และทำให้ได้รับบาดเจ็บ

วิธีในการติดตั้งตลับแบตเตอรี่ ให้จัดลิ้นบนตลับแบตเตอรี่ให้ตรงกับร่องในตัวเรือนและสอดเข้าที่ ใส่ตลับแบตเตอรี่ทั้งหมดจนล็อกเข้าที่ด้วยการคลิกเพียงเล็กน้อย หากคุณเห็นไฟแสดงสถานะสีแดงดังแสดงในรูปหมายความว่ายังไม่ได้ล็อกสนิท

วิธีในการถอดตลับแบตเตอรี่ ให้เลื่อนตลับแบตเตอรี่ออกจากอุปกรณ์ในขณะที่เลื่อนปุ่มที่ด้านหน้าของตลับ

⚠ ข้อควรระวัง: ติดตั้งตลับแบตเตอรี่ให้สมบูรณ์จนกระทั่งมองไม่เห็นตัววงขี้สีแดง มิฉะนั้น ตลับแบตเตอรี่อาจร่วงออกมาจากเครื่องมือ ทำให้เกิดการบาดเจ็บต่อคุณหรือคนที่อยู่รอบๆ

⚠ ข้อควรระวัง: อย่าติดตั้งตลับแบตเตอรี่โดยใช้กำลังบังคับ หากไม่สามารถเลื่อนตลับได้อย่างง่ายดาย แสดงว่าใส่ตลับไม่ถูกต้อง

การระบุความจุของแบตเตอรี่ที่เหลืออยู่ (Fig. 3)

กดปุ่มตรวจสอบบนตัวแบตเตอรี่เพื่อดูความจุของแบตเตอรี่ที่เหลือ ไฟแสดงสถานะจะติดสว่างเป็นเวลา 2-3 วินาที

ไฟแสดงสถานะ			ความจุที่เหลือ
■ ติดสว่าง	□ ปิด	▣ กะพริบ	
■ ■ ■ ■			75% ถึง 100%
■ ■ ■ □			50% ถึง 75%
■ ■ □ □			25% ถึง 50%
■ □ □ □			0% ถึง 25%
▣ □ □ □			ชาร์จแบตเตอรี่
■ ■ □ □			แบตเตอรี่อาจชาร์จ
□ □ ■ ■	↑ ↓		

หมายเหตุ:

ขึ้นอยู่กับเงื่อนไขการใช้งานและอุณหภูมิโดยรอบ ข้อมูลของตัวบ่งชี้ อาจแตกต่างจากความจุจริงเล็กน้อย

หมายเหตุ:

ไฟแสดงสถานะดวงแรก (ซ้ายไกล) จะกะพริบเมื่อระบบป้องกัน แบตเตอรี่ทำงาน

ระบบป้องกันเครื่องมือ / แบตเตอรี่

เครื่องใช้มีการติดตั้งระบบป้องกัน ซึ่งจะตัดกระแสไฟออกโดยอัตโนมัติเพื่ออายุการใช้งานที่ยาวนาน

การป้องกันการใช้ไฟในระดับโวลต์ที่ต่ำกว่ากำหนด

เมื่อความจุแบตเตอรี่ไม่เพียงพอ อุปกรณ์จะหยุดทำงานอัตโนมัติ ในกรณีนี้ ให้ถอดแบตเตอรี่ออกจากอุปกรณ์ และชาร์จแบตเตอรี่

การป้องกันในกรณีอื่น

ระบบป้องกันถูกออกแบบมาเพื่อกรณีอื่น ๆ ที่สามารถทำความเสียหายต่อเครื่องมือด้วยเช่นกันและทำให้เครื่องมือหยุดทำงานโดยอัตโนมัติ ทำตามขั้นตอนต่อไปเพื่อแก้ไขสาเหตุต่าง ๆ ที่ทำให้เครื่องมือหยุดทำงานทั้งระยะนานและชั่วคราว

1. ปิดเครื่องมือ จากนั้นเปิดเครื่องใหม่เพื่อทำการรีเซ็ต
2. ชาร์จแบตเตอรี่หรือเปลี่ยนใส่แบตเตอรี่ที่ชาร์จแล้ว
3. ทิ้งเครื่องมือและแบตเตอรี่ให้เย็นลง

หากระบบป้องกันเกิดขึ้นไม่ทำให้ดีขึ้น กรุณาติดต่อศูนย์บริการลูกค้าในท้องถิ่นของคุณ

การเปิดไฟและการเลือกโหมดความสว่าง (Fig. 4)

⚠️ ข้อควรระวัง:

อย่ามองที่แสงไฟหรือมองที่แหล่งกำเนิดแสงโดยตรง

1. โสวิตช์ หมุดสูง (เปิด)/โหมดกลาง/โหมดต่ำปิดสำหรับการกดแต่ละครั้ง
2. ตัวเลือกโหมด: เมื่อเปิดสวิตช์ ลำดับไฟของแต่ละปุ่มคือ: ไฟเต็ม/ ส่วนไฟคงที่/ส่วนไฟพับ

หมายเหตุ:

เมื่อคุณเปิดเครื่องจะเปิดโหมดแสงเดียวกันกับครั้งล่าสุดที่คุณใช้

ไฟแสดงสถานะแบตเตอรี่ต่ำ (Fig. 5)

เมื่อแบตเตอรี่เหลือน้อยไฟ LED ทั้งหมดยกเว้นดวงเดียวจะดับลงดังที่แสดงในรูป หลังจากผ่านไปประมาณห้าถึงสิบนาทีอุปกรณ์จะปิดโดยอัตโนมัติ

การใช้งาน

⚠️ ข้อควรระวัง:

หมุนแถบ LED และพับส่วนแสงที่พับได้ลงเพื่อรักษาสมดุลเมื่อวางผลิตภัณฑ์นี้ตั้งตรงดังแสดงในfig.4. มิฉะนั้นอุปกรณ์อาจพลิกคว่ำและทำให้เกิดการบาดเจ็บส่วนบุคคล

หมุนแถบ LED (Fig. 6, Fig. 7)

⚠️ ข้อควรระวัง:

ระวังอย่าให้นิ้วไปติดเมื่อทำการปรับมุมแสง

⚠️ ข้อควรระวัง:

ตรวจสอบให้แน่ใจว่าชิ้นส่วนแสงคงที่และพับเก็บได้ถูกล็อกเข้าด้วยกันอย่างแน่นหนาในตำแหน่งพับและกางออกตามลำดับ

แถบ LED สามารถหมุนได้เจ็ดขั้นตอนทุกๆ 45° (ไปทางขวา 90°, ไปทางซ้าย 180°)

ส่วนหลอดไฟพับเก็บได้สามารถองได้ถึง 0° หรือ 180°

ตัวเกี่ยวเหล็ก (Fig. 8)

เมื่อใช้ตะขอโลหะให้ยกตะขอโลหะขึ้นและเลื่อนไปที่ตำแหน่งตรงกลาง

สายรัด (Fig. 9)

⚠️ ข้อควรระวัง:

อย่าใช้แหวนและรูเข็มขัดเพื่อรัดอุปกรณ์อื่นนอกเหนือจากการติดตั้งสายพาน ไม่เช่นนั้นอาจเป็นอันตรายต่อบุคคลได้

ติดตั้งสายรัดบนอุปกรณ์ตามที่แสดง

การติดตั้งคลิปยึดเข้ากับตะขอยึดไสลด์ (Fig. 10, Fig. 11)

⚠️ ข้อควรระวัง:

เมื่อติดตั้งคลิปเข้ากับตะขอยึดไสลด์ระวังอย่าบีบนิ้วของคุณ

ติดตั้งคลิปผู้ให้บริการลงในตะขอยึดไสลด์ตามที่แสดง

หมายเหตุ:

ตรวจสอบให้แน่ใจว่าคลิปพาหะแต่ละตัวเลื่อนไปที่รูวางตำแหน่งแคลมป์ยึดบนแกนหลัก

หมายเหตุ:

ตรวจสอบให้แน่ใจว่าได้ติดตั้งคลิปหนีบทั้งสองไว้ในแนวเดียวกัน

ติดตั้งอุปกรณ์บนตะขอยึดไสลด์ (Fig. 12)

ดังที่แสดงให้ติดตั้งอุปกรณ์บนตะขอยึดไสลด์ผ่านแคลมป์ยึด

หมายเหตุ:

ตรวจสอบให้แน่ใจว่าแคลมป์ยึดแต่ละอันยึดตำแหน่งการจับยึดของอุปกรณ์

ติดตั้งตะขอยึดไสลด์ (Fig. 13)

⚠️ ข้อควรระวัง:

อย่าแขวนสิ่งอื่นใดนอกจากอุปกรณ์บนตะขอยึดไสลด์ มิฉะนั้นตะขอยึดจะเสียหายและอาจทำให้เกิดการบาดเจ็บได้

⚠️ ข้อควรระวัง:

ตรวจสอบให้แน่ใจว่ายึดชิ้นส่วนแต่ละชิ้นอย่างแน่นหนา ก่อนใช้งาน

⚠️ ข้อควรระวัง:

เมื่อติดตั้งตะขอยึดไสลด์ให้จับแกนหลักและตะขอยึดไว้เพื่อใช้งาน ระวังอย่าหนีมือและนิ้วเนื่องจากแกนด้านในจะกลับสู่ตำแหน่งเดิมภายใต้แรงของสปริง

ถือตะขอยึดยึดในตำแหน่งที่คุณต้องการ

จับตะขอยึดอีกอันหนึ่งในขณะที่ยื่นตะขอยึดไสลด์เพื่อยึดเข้ากับตำแหน่งที่ต้องการ (อีกด้านหนึ่ง)

เปิดเครื่องปรับมุมแสงของเครื่องส่องสว่างตำแหน่งที่ต้องการติดตั้งแสดงในรูปแบบ

ข้อสังเกต:

หากใช้แบตเตอรี่ที่มีน้ำหนักมากเพียงหมุนแถบ LED เพื่อปรับมุมแสง

การบำรุงรักษา

⚠️ ข้อควรระวัง:

ตรวจสอบให้แน่ใจเสมอว่าปิดอุปกรณ์แล้วและถอดปลั๊กแบตเตอรี่ออกก่อนที่จะทำการตรวจสอบหรือบำรุงรักษา

ข้อสังเกต:

ห้ามใช้น้ำมันเบนซิน ทินเนอร์ แอลกอฮอล์ หรือสารใกล้เคียง อาจส่งผลให้เกิดการเปลี่ยนสี เปลี่ยนรูป หรือแตกกร้าว

เพื่อรักษาความปลอดภัยและความน่าเชื่อถือของผลิตภัณฑ์ การซ่อมแซม บำรุงรักษา หรือปรับแต่งควรดำเนินการโดยศูนย์บริการหรือโรงงานที่ได้รับอนุญาตจาก Makita เท่านั้น และใช้อะไหล่ของ Makita ทุกครั้ง

การทำความสะอาด

⚠️ ข้อควรระวัง:

อย่าล้างเครื่องมือในน้ำ

เช็ดด้านนอกของเครื่องใช้ (ตัวเครื่อง) ด้วยผ้าจุ่มลงในน้ำสบู่เป็นครั้งคราว

อุปกรณ์เสริม

⚠️ ข้อควรระวัง:

แนะนำให้ใช้อุปกรณ์เสริมหรือเครื่องมือต่อพ่วงเหล่านี้กับเครื่องมือของ Makita ของคุณที่ระบุไว้ในคู่มือนี้ การใช้อุปกรณ์เสริมหรืออุปกรณ์ต่อพ่วงอื่นๆ อาจมีความเสี่ยงต่อการบาดเจ็บต่อบุคคล ใช้อุปกรณ์เสริมหรืออุปกรณ์ต่อพ่วงตามจุดประสงค์ที่ระบุไว้เท่านั้น

หากคุณต้องการความช่วยเหลือสำหรับรายละเอียดเพิ่มเติมเกี่ยวกับอุปกรณ์เสริมเหล่านี้ โปรดสอบถามศูนย์บริการของ Makita ในพื้นที่ของคุณ

- แบตเตอรี่และเครื่องชาร์จแท้ของ Makita

หมายเหตุ:

สิ่งของบางอย่างในรายการอาจไม่ได้รวมอยู่ในชุดเครื่องมือเพื่อใช้เป็นอุปกรณ์มาตรฐาน อุปกรณ์ดังกล่าวอาจแตกต่างกันไปในแต่ละประเทศ

한국어 (원본 취급 설명서)

1	텔레스코픽 후크	2	LED 라이트바	3	버튼	4	배터리 카트리지	5	빨간 표시	6	표시등	7	확인 버튼	8	고정 라이트부 (LED-24 pcs)
9	접는 라이트부 (LED-18 pcs)	10	스위치	11	모드 선택기	12	배터리 부족 표시등	13	가동부	14	금속 후크	15	어깨 끈	16	고리
17	스트랩 구멍	18	캐리어 클립 위치 고정 홀	19	메인 바	20	내부 바	21	캐리어 클립	22	홀더 후크	23	클립 위치		

사양

모델:		ML012G
라이트	광속(H/M/L)	1,700 lm / 800 lm / 400 lm
	크기(L × W × H) (배터리 카트리지 제외)	972 mm × 85 mm × 100 mm
	정격 전압	D.C. 36 V - 40 V(최대)
	순 중량 (배터리 카트리지 제외)	1.1 kg
텔레스코픽 후크	크기(L × W × H) (클립 포함)	1,181 mm × 99 mm × 259 mm
	순 중량 (클립 포함)	1.5 kg
	사용가능한 폭 *	1,130 mm - 1,900 mm

- 사양은 나라마다 다를 수 있습니다.
- 당사의 지속적인 연구개발로 인해 사양은 예고 없이 변경될 수 있습니다.
- * 실제 사용 가능한 폭은 위치와 모양에 따라 다를 수 있습니다.

사용 가능한 배터리 카트리지 및 충전기

배터리 카트리지	BL4020 / BL4025 / BL4040 / BL4040F / BL4050F / BL4080F
충전기	DC40RA / DC40RB / DC40RC / DC40WA

- 위에 나열된 배터리 카트리지 중 일부는 지역에 따라 판매되지 않을 수 있습니다.

⚠ 경고: 위에 나열된 배터리 카트리지만 사용하십시오. 다른 배터리 카트리지를 사용하면 부상 및/또는 화재를 초래할 수 있습니다.

사용 시간

사용 가능한 배터리 카트리지	사용 시간(대략)		
	전체 라이트 (LED-42 pcs)		
	높음	미디엄	낮음
BL4020	3.5 시간	7.5 시간	16 시간
BL4025	4.5 시간	9.5 시간	20 시간
BL4040/BL4040F	7.0 시간	15 시간	32 시간
BL4050F	8.5 시간	19 시간	40 시간
BL4080F	14 시간	31 시간	65 시간

- 위 표에 표시된 사용 시간은 대략적인 지침입니다. 실제 사용 시간과 다를 수 있습니다.
- 배터리 카트리지는 나라마다 다를 수 있습니다.
- 사용 시간은 배터리 종류, 충전 상태 및 사용 조건에 따라 달라질 수 있습니다.

기호

다음 기호는 기기에 사용되는 기호를 표시한 겁니다. 사용하기 전에 각 기호의 의미를 숙지하십시오.



• 사용 설명서를 읽으십시오.



• EU국가에서만 해당 장비, 전기 및 전자 장비 폐기물, 축전지 및 배터리에 위험한 부품이 존재하기 때문에 환경과 인체 건강에 부정적인 영향을 미칠 수 있다고 주장합니다. 전기 및 전자 기기 또는 배터리는 절대 생활 폐기물과 함께 폐기하지 마십시오! 전기 및 전자 장비 폐기물, 축전지, 배터리, 축전지 및 배터리 폐기물에 관한 유럽 지침과 적용 국가 국내법에 따라 전기 장비 폐기물, 배터리 및 축전지는 별도로 보관하고 환경 보호 규정에 따라 운영되는 도시 폐기물 수거 장소에 따로 인도해야 합니다. 이에 관하여 장비에서는 X표시가 있는 바퀴 달린 쓰레기통 기호로 표시해 놓았습니다.



• 광 방사(UV 및 IR). 눈이나 피부에의 노출을 최소화하십시오.



• 작동 중인 램프를 응시하지 마십시오.



• 적절한 보호구 또는 보안경을 사용하십시오.



• 특별한 주의를 기울이십시오!



• 실내에서만 사용할 수 있습니다

중요한 안전 지침

⚠ 경고:

손상이 없도록 조작 기기를 적시하지 마십시오. 눈에 심각한 손상을 입을 수 있습니다.

⚠ 주의:

기기를 사용할 때 화재, 감전 및 부상의 위험을 줄이기 위해 다음과 같은 기본적인 안전 수칙을 준수해야 합니다.

모든 지침을 반드시 읽어주십시오.

1. 다치는 일이 없도록 어린이 근처에서 기기를 사용할 때 세심한 관리가 필요합니다.
2. 전기 충격의 위험이 있으므로 기기를 물이나 다른 액체에 넣으면 절대 안됩니다. 욕조나 싱크대 등 기기가 떨어질 수 있거나 당겨질 수 있는 곳에 방치하거나 보관하지 마십시오.
3. 천이나 판지 등으로 램프를 덮지 마십시오. 불이 붙을 수 있습니다.
4. 기기의 내부를 핀셋, 금속 공구 등으로 접촉하지 마십시오.

5. 기기를 비 또는 눈에 노출시키지 마십시오. 물에 넣고 닦지 마십시오.
6. 기기의 내부를 핀셋, 금속 공구 등으로 접촉하지 마십시오.
7. 뜨거운 부품은 절대 만지지 마십시오.
8. 기기를 사용하지 않을 때는 항상 전원을 끄고 기기에서 배터리 카트리지를 제거하십시오.
9. 본 기기를 떨어뜨리거나 부딪쳐서 충격을 주지 마십시오.
10. 제조업체에서 권장하거나 판매하는 부속품만 사용하십시오.
11. 제품을 사용하지 않을 경우에는 실내에 보관하셔야 합니다. 어린이들의 손에 닿는 곳에 두지 마십시오.
12. 배터리를 사용하는 휴대용 조명기기에 대한 안전 정보.
 - 배터리 폐기는 유해 물질 폐기에 관한 현지 규제를 준수해야 합니다.
 - 배터리를 소각하지 마십시오.
13. 조명기기에 대한 추가 정보.
 - 이 조명기구의 광원은 교체할 수 없고, 광원의 수명이 다되면 조명기구 전체를 교체해야 합니다.
14. 배터리 공구의 사용 및 관리.
 - 경고: 모든 안전 경고와 지침을 읽어주십시오. 경고와 지침을 준수하지 않으면 감전, 화재 및/또는 심각한 부상을 초래할 수 있습니다.
 - 기기가 우발적으로 작동되지 않도록 주의하십시오. 배터리 팩을 설치하거나, 기기를 집어올리거나 운반하기 전에 스위치가 꺼짐 위치에 있는지 확인하십시오. 손가락을 스위치 위에 올리고 기기를 옮기거나 스위치가 켜진 상태에서 기기에 전원을 공급하면 사고를 초래할 수 있습니다.
 - 기기를 조정하거나, 부속품을 교체하거나, 보관하기 전에 기기에서 배터리 팩을 분리하십시오. 이러한 예방적 안전 조치는 기기가 우발적으로 작동되는 위험을 줄입니다.
 - 제조업체에서 지정한 충전기만 사용하여 충전하십시오. 한 종류의 배터리 팩에만 적합한 충전기에 다른 배터리 팩을 사용하면 화재의 위험을 초래할 수 있습니다.
 - 기기에 지정된 배터리 팩만 사용하십시오. 다른 배터리 팩을 사용하면 부상 및 화재의 위험을 초래할 수 있습니다.
 - 배터리 팩을 사용하지 않을 때는 배터리의 단자를 연결시킬 수 있는 금속의 종이 클립, 동전, 열쇠, 못, 나사 또는 기타 작은 금속 물체를 가까이 두지 마십시오. 배터리 단자가 단락되면 화상 또는 화재를 초래할 수 있습니다.
 - 배터리 오용 시 누액이 발생할 수 있습니다. 이 액체에 접촉하지 마십시오. 우발적으로 접촉한 경우에는 물로 씻어내십시오. 눈에 들어간 경우에는 의사의 진료를 받으십시오. 배터리 누액은 피부 염증 또는 화상을 초래할 수 있습니다.
 - 손상되거나 개조된 배터리 팩 또는 기기를 사용하지 마십시오. 손상되거나 개조된 배터리는 예기치 않은 반응을 일으켜 화재, 폭발 또는 부상의 위험을 초래할 수 있습니다.
 - 배터리 팩 또는 기기를 불이나 극심한 온도에 노출시키지 마십시오. 불 또는 130 °C (265 °F)가 넘는 온도에 노출시키면 폭발할 수 있습니다.
 - 모든 충전 지침을 준수하고 배터리 팩 또는 기기를 지침에 명시된 온도 범위 밖에서 충전하지 마십시오. 적절하지 않게 충전하거나 지정된 온도 범위 밖에서 충전하면 배터리가 손상되고 화재의 위험이 증가할 수 있습니다.
 - 반드시 동일한 교체 부품을 사용하여, 자격을 갖춘 수리 기사에게 기기를 서비스 받으십시오. 이 경우에만 제품의 안전을 보장할 수 있습니다.

- 사용 및 관리 지침에 설명된 경우를 제외하고 기기 또는 배터리 팩을 개조하거나 수리하려고 하지 마십시오.

15. 배터리 카트리지에 대한 중요한 안전 지침.

- 배터리 카트리지를 사용하기 전에 모든 지침과 (1) 배터리 충전기, (2) 배터리 및 (3) 배터리를 사용하는 제품의 주의 표시를 모두 읽어주십시오.
- 배터리 카트리지를 해체하거나 개조하지 마십시오. 화재, 과열 또는 폭발을 초래할 수 있습니다.
- 사용 시간이 크게 줄어들면 즉시 사용을 중지하십시오. 과열의 위험이 있어 화상을 입거나 심각할 경우 폭발로 이어질 수 있습니다.
- 전해액이 눈에 들어간 경우에는 즉시 깨끗한 물로 씻고 의사의 진료를 받으십시오. 시력을 잃게 될 수도 있습니다.
- 배터리 카트리지를 단락시키지 마십시오.
- 기기 및 배터리 카트리지를 온도가 50 °C (122 °F) 이상으로 올라갈 수 있는 곳에 보관하거나 이러한 환경에서 사용하지 마십시오.
- 배터리 카트리가 심각하게 손상되거나 완전히 소모된 경우라도 소각하지 마십시오. 배터리 카트리가 불속에서 폭발할 수 있습니다.
- 배터리 카트리지를 못으로 고정하거나, 자르거나, 부수거나, 떨어뜨리지 마십시오. 단단한 물체로 배터리 카트리에 충격을 가하지 마십시오. 이러한 행동은 화재, 과열 또는 폭발을 초래할 수 있습니다.
- 손상된 배터리를 사용하지 마십시오.
- 포함된 리튬이온 배터리는 위험물안전관리법의 요구 사항이 적용됩니다. 예를 들어 제3자 운송업체의 상업용 운송 수단을 이용할 경우, 포장 및 라벨링에 대한 특정 요구 사항을 준수해야 합니다. 운송할 물품의 준비에 대한 사항은 위험 물질 전문가와 상담해야 합니다 좀 더 구체적인 수 있는 국가 규정도 준수해야 합니다. 개방 접점에 테이프를 붙이거나 가리고 포장 안에서 움직이지 않도록 배터리를 포장해야 합니다.
- Makita에서 지정한 제품에만 배터리를 사용하십시오. 배터리를 호환되지 않는 제품에 설치하면 화재, 과열, 폭발 또는 전해액 누액을 초래할 수 있습니다.
- 기기를 장기간 사용하지 않을 경우에는 기기에서 배터리를 제거해야 합니다.
- 사용하는 동안과 사용한 후에 배터리 카트리는 뜨거워질 수 있으며 이로 인해 화상 또는 저온 화상을 입을 수 있습니다. 배터리 카트리지를 주의해서 취급하십시오.
- 사용 직후에는 기기의 단자가 화상을 입을 정도로 뜨거워질 수 있으니 만지지 마십시오.
- 배터리 카트리의 단자, 구멍 및 홈에 부스러기, 먼지 또는 흙이 끼지 않게 하십시오. 기기 또는 배터리 카트리의 성능이 저하되거나 고장을 초래할 수 있습니다.
- 기기가 고전압 전력선 근처에서의 사용을 지원하지 않으면 배터리 카트리지를 고전압 전력선 근처에서 사용하지 마십시오. 기기 또는 배터리 카트리의 오작동 또는 고장을 초래할 수 있습니다.
- 배터리를 어린이 손이 닿는 곳에 두지 마십시오.

본 지침을 보관하십시오.

⚠ 주의: 정품 Makita 배터리만 사용하십시오. 정품이 아닌 Makita 배터리 또는 개조된 배터리를 사용하면 배터리 파열로 인해 화재, 부상 및 손상을 초래할 수 있습니다. 이 경우에는 Makita 기기 및 충전기에 대한 Makita 보증이 적용되지 않습니다.

16. 배터리 수명을 최대로 유지하는 방법.

- 배터리 카트리가 완전히 방전되기 전에 충전하십시오. 기기의 전원이 부족한 것 같으면 기기의 사용을 중지하고 배터리 카트리지를 충전하십시오.
- 완전히 충전된 배터리 카트리지를 재충전하지 마십시오. 과충전은 배터리의 수명을 단축시킵니다.
- 배터리 카트리지를 10 °C - 40 °C (50 °F - 104 °F)의 실온에서 충전하십시오. 뜨거운 배터리 카트리는 식힌 후에 충전하십시오.
- 배터리 카트리지를 사용하지 않을 때는 기기 또는 충전기에서 제거하십시오.
- 배터리 카트리지를 장기간(6개월 이상) 사용하지 않을 경우에는 충전해서 보관하십시오.

기능 설명

⚠ 주의: 기기의 기능을 조정하거나 확인하기 전에 기기가 꺼져 있고 배터리 카트리가 제거되어 있는지 확인하십시오.

배터리 카트리지 설치 또는 제거 (Fig. 2)

⚠ 주의: 배터리 카트리지를 장착하거나 제거하기 전에 항상 기기의 전원을 꺼주십시오.

⚠ 주의: 배터리 카트리지를 설치하거나 제거할 때 기기와 배터리 카트리지를 단단히 잡으십시오. 기기와 배터리 카트리지를 단단히 잡지 않으면 손에서 미끄러져 기기와 배터리 카트리가 손상되고 부상을 입을 수 있습니다

배터리 카트리지를 설치하려면 배터리 카트리의 돌기를 하우징의 홈에 맞추고 그대로 밀어 넣으십시오. 찰작하는 작은 소리가 들리고 제자리에 고정될 때까지 끝까지 삽입하십시오. 그림과 같이 빨간색 표시등이 점등하면 완전히 잠기지 않은 상태입니다. 배터리 카트리지를 제거하려면 카트리의 앞면에 있는 버튼을 민 상태에서 기기에서 빼내십시오.

⚠ 주의: 빨간 표시가 보이지 않을 때까지 배터리 카트리지를 완전히 설치하십시오. 그러지 않으면 배터리 카트리가 우발적으로 기기에서 떨어져나와 사용자나 주변에 있는 사람이 부상을 입을 수 있습니다.

⚠ 주의: 배터리 카트리지를 강제적으로 설치하지 마십시오. 카트리가 쉽게 들어가지 않으면 제대로 삽입되지 않은 것입니다.

배터리 잔량 표시 (Fig. 3)

배터리 카트리지의 확인 버튼을 누르면 배터리 잔량이 표시됩니다. 표시등이 몇 초간 점등됩니다.

표시등			배터리 잔량
점등	꺼짐	점멸	
■ ■ ■ ■			75% ~ 100%
■ ■ ■ □			50% ~ 75%
■ ■ □ □			25% ~ 50%
■ □ □ □			0% ~ 25%
▣ □ □ □			배터리를 충전하십시오.
■ ■ □ □	↓	↑	배터리 고장일 수 있습니다.

참고:

사용 조건 및 주변 온도에 따라 표시가 실제 배터리 잔량과 약간 다를 수 있습니다.

참고:

배터리 보호 시스템이 작동하면 첫 번째(맨 왼쪽) 표시등이 깜박입니다.

기기/배터리 보호 시스템

기기에는 긴 서비스 수명을 위해 출력 전력을 자동으로 차단하는 보호 시스템이 장착되어 있습니다.

과방전 보호

배터리 용량이 충분하지 않으면 기기가 자동으로 중지됩니다. 이 경우에는 기기에서 배터리를 제거하여 배터리를 충전하십시오.

다른 원인으로부터의 보호

보호 시스템은 기기를 손상시킬 수 있는 다른 원인에 대해서도 고려되었으며 기기가 자동으로 정지될 수 있도록 설계되었습니다. 장치가 일시정지 또는 정지되었을 때 문제를 해결하기 위해 아래의 단계에 따르십시오.

1. 기기를 껐다가 다시 켜보십시오.
2. 배터리를 충전하거나 충전된 배터리로 교체하십시오.
3. 기기와 배터리를 식혀주십시오.

보호 시스템을 복원해도 개선이 안될 경우 가까운 Makita 서비스 센터에 문의하십시오.

표시등 켜기 및 밝기 모드 선택 (Fig. 4)

⚠ 주의:

조명을 들여다보거나 광원을 정면으로 보지 마십시오.

1. 스위치: 밝기 조절 순서는 다음과 같습니다: 한번 누를 때마다 High mode(On) / Medium mode / Low mode / Off순으로 바꿉니다.
2. 모드 선택기: 라이트 업 순서는 다음과 같습니다: 전원이 켜진 상태에서 한번 누를 때마다 Whole Light / Fixed light part / Foldable light part순으로 바꿉니다.

참고:

기기의 전원을 켜면 마지막 사용할 때와 동일한 라이트 모드로 켜집니다.

배터리 부족 표시등(Fig. 5)

배터리가 부족해지면 LED 1개만 제외하고 나머지 LED는 다 꺼집니다. 그리고 5분에서 10분 후에 기기가 자동으로 꺼집니다.

사용

⚠ 주의:

LED 라이트 바를 돌리고 접이식 라이트부를 아래로 접으면 fig. 4와 같이 기기가 똑바로 세워지고 기기의 균형을 잡을 수 있습니다. 그리 하지 않을 경우 기기가 넘어짐으로 부상을 입을 수 있습니다.

LED 라이트바 각도(Fig. 6, Fig. 7)

⚠ 주의:

조명의 각도를 조정할 때 손가락이 끼지 않도록 주의하십시오.

⚠ 주의:

고정부와 접는 라이트부가 접고 펴는 위치에서 단단히 잠겨지도록 하십시오.

LED 라이트 바는 45°마다 7단 회전이 가능합니다. (90°는 오른쪽, 180°는 왼쪽)
접는 라이트부는 0° 또는 180°까지 구부릴 수 있습니다.

금속 후크 (Fig. 8)

금속 후크를 사용할 때는 금속 후크를 올려 중간 위치로 밀어 넣습니다.

스트랩 (Fig. 9)

⚠ 주의:

스트랩 고리와 스트랩 구멍을 스트랩 장착 이외의 다른 용도로 사용하지 마십시오. 그렇게 하지 않으면 부상을 입을 수도 있습니다.

도시된 바와 같이 스트랩을 기기에 장착합니다.

캐리어 클립을 텔레스코픽 후크에 장착(Fig. 10, Fig. 11)

⚠ 주의:

캐리어 클립을 텔레스코픽 후크에 장착할 때 손가락이 끼우지 않도록 조심하십시오.

도시된 바와 같이 캐리어 클립을 텔레스코픽 후크에 장착합니다.

참고:

각 캐리어 클립을 메인 바의 캐리어 클립 위치고정 홀에 밀어 넣었는지 확인하십시오.

참고:

캐리어 클립 2개가 동일한 방향으로 장착되었는지 확인하십시오.

기기에 텔레스코픽 후크 장착(Fig. 12)

도시된 바와 같이 캐리어 클립으로 텔레스코픽 후크에 기기를 장착합니다.

참고:

각 캐리어 클립이 기기의 클립 위치에 유지되고 있는지 확인하십시오.

텔레스코픽 후크 장착(Fig. 13)

⚠ 주의:

기기와 다른 물건을 텔레스코픽 후크에 걸어두지 마십시오. 그렇지 않을 경우 홀더 후크가 손상되고 부상을 입을 수 있습니다.

⚠ 주의:

사용하시기 전에 모든 부품이 단단히 고정되어 있는지 확인해 주십시오.

⚠ 주의:

텔레스코픽 후크를 장착할 때 메인 바와 홀더 후크를 잡고 하십시오. 내부 바는 스프링의 힘에 의해 원위치로 되돌아갈 수 있기 때문에 손과 손가락이 끼우지 않도록 조심하셔야 합니다.

홀더 후크 하나를 잡아당겨 원하시는 위치에 장착합니다.

텔레스코픽 후크를 풀어 홀더 후크 중 하나를 더 잡아당겨 원하시는 위치(반대 쪽)에 장착합니다.

기기의 전원을 켜고 기기의 조명 각도를 조정하여 Fig.과 같이 원하시는 위치를 비춥니다.

공지:

무거운 배터리를 사용하는 경우 조명 각도를 조정하기 위해 LED 라이트 바만 돌리면 됩니다.

유지관리

⚠ 주의:

기기를 점검하거나 정비하기 전에 기기가 꺼져 있고 배터리 카트리지가 제거되어 있는지 확인하십시오.

공지:

휘발유, 벤진, 희석제, 알코올 등을 절대 사용하지 마십시오. 변색, 변형 또는 균열이 발생할 수 있습니다.

제품의 안전성과 신뢰성을 유지하기 위해 수리, 기타 유지관리 또는 조정 작업은 Makita 공인 서비스 센터 또는 공장 서비스 센터에서 Makita 교체 부품을 사용하여 수행되어야 합니다.

청소

⚠ 주의:

기기를 절대 물에 넣고 닦지 마십시오. 비눗물에 적신 천을 사용하여 자주 기기 외부(기기 본체)를 닦아주십시오.

옵션 부속품

⚠ 주의:

이러한 부속품 또는 부착물을 이 설명서에 지정된 Makita 기기에 사용할 것을 권장합니다. 다른 부속품 또는 부착물을 사용할 경우 부상의 위험이 있습니다. 부속품 또는 부착물을 명시된 용도로만 사용하십시오.

부속품에 대한 자세한 지원이 필요하면 로컬 Makita 서비스 센터에 문의하십시오.

- Makita 정품 배터리 및 충전기

참고:

리스트의 일부 항목은 표준 부품으로 기기 패키지에 포함될 수 있습니다.

이것은 나라마다 다를 수 있습니다.

الصيانة

⚠️ تنبيه:

تأكد دومًا من إيقاف تشغيل الجهاز وإزالة خرطوشة البطارية قبل محاولة الفحص أو الصيانة.

ملاحظة:

لا تستخدم الغازولين أو البنزين أو مخفف الطلاء أو الكحول أو ما شابه ذلك. فقد يحدث تغيير في اللون أو تشوه أو تصدع.

للحفاظ على سلامة المنتج وموثوقيته، يجب أن تجرى الإصلاحات وأي حالات صيانة أو ضبط أخرى على يد وكيل Makita المعتمد أو مراكز خدمة المصنع، استخدم دومًا قطع غيار من إنتاج Makita.

التنظيف

⚠️ تنبيه:

لا تغسل الجهاز في الماء. امسح الجزء الخارجي من الجهاز (جسم الجهاز) بين الحين والآخر باستخدام قطعة قماش مبللة بالماء والصابون.

الملحقات الاختيارية

⚠️ تنبيه:

يُوصى باستخدام هذه الملحقات أو المرفقات مع جهاز Makita الخاص بك المحدد في هذا الدليل. وقد يتسبب استخدام أي ملحقات أو مرفقات أخرى في خطر إصابة الأشخاص. لا تستخدم الملحقات أو المرفقات إلا للغرض المذكور له.

إذا كنت في حاجة إلى مساعدة أو المزيد من التفاصيل بخصوص هذه الملحقات، فارجع إلى مركز خدمة Makita المحلي القريب منك.

- بطارية وشاحن Makita الأصليين

ملاحظة:

قد تكون بعض العناصر في القائمة متضمنة في عبوة الجهاز كملحقات قياسية. وقد تختلف من بلد لآخر.

تثبيت مشابك الحمل في الخطاف التلسكوبي (Fig. 11، Fig. 10)

⚠️ تنبيه:

احرص على عدم قرص إصبعك (أصابعك) عند تثبيت مشابك الحمل في الخطاف التلسكوبي.

قم بتثبيت مشابك الحمل في الخطاف التلسكوبي كما هو موضح.

ملاحظة:

تأكد من انزلاق كل مشبك حمل إلى فتحة تحديد موضع مشبك الحمل على الشريط الرئيسي.

ملاحظة:

تأكد من تثبيت المشبكين الحاملين في نفس اتجاه التثبيت.

تثبيت الجهاز على الخطاف التلسكوبي (Fig. 12)

قم بتثبيت الجهاز على الخطاف التلسكوبي بواسطة مشابك الحمل كما هو موضح.

ملاحظة:

تأكد من أن كل مشبك حمل يحمل وضعه تثبيت الجهاز.

تركيب الخطاف التلسكوبي (Fig. 13)

⚠️ تنبيه:

لا تعلق أي شيء آخر غير الجهاز على الخطاف التلسكوبي. خلاف ذلك، قد تتعرض خطافات الحامل للتلف وقد تحدث إصابة شخصية.

⚠️ تنبيه:

تأكد من تثبيت كل جزء بإحكام قبل الاستخدام.

⚠️ تنبيه:

قم بالتشغيل عن طريق الإمساك بالشريط الرئيسي وخطافات الحامل عند تركيب الخطاف التلسكوبي. احرص على عدم قرص يديك وأصابعك لأن الشريط الداخلي يعود إلى موضعه الأصلي بقوة الزنبركات.

امسك خطاف حامل واحد لتثبيته على المكان الذي تريده. امسك خطاف الحامل الآخر أثناء تمديد الخطاف التلسكوبي لتركيبه في الموقع المرغوب (الجانب الآخر).
قم بتشغيل الجهاز واضبط زاوية إضاءة الجهاز لإنارة الموقع المرغوب كما هو موضح.

ملاحظة:

إذا كنت تستخدم بطارية ثقيلة، فقم بتدوير شريط الإضاءة LED فقط لضبط زاوية الإضاءة.

الإشارة إلى السعة المتبقية للبطارية (Fig. 3)

اضغط على زر التحقق الموجود في خرطوشة البطارية للإشارة إلى طاقة البطارية المتبقية. تضيء مصابيح المؤشر لوضع ثوانٍ.

الطاقة المتبقية	مصابيح المؤشر		
	يومض	مطفأ	مضيء
75% إلى 100%	■	■	■
50% إلى 75%	■	■	■
25% إلى 50%	■	■	■
0% إلى 25%	■	■	■
اشحن البطارية.	■	■	■
قد تكون البطارية معطلة.	■	■	■

ملاحظة:

بناءً على ظروف الاستخدام ودرجة الحرارة المحيطة، قد تختلف الإشارة قليلاً عن الطاقة الفعلية.

ملاحظة:

سيومض مصباح المؤشر الأول (في أقصى الجانب الأيسر) عندما يعمل نظام حماية البطارية.

تشغيل المصباح وتحديد وضع السطوع (Fig. 4)

تنبيه:

لا تنظر إلى المصباح مباشرة أو تحاول رؤية مصدر الضوء.

- المفتاح: تسلسل السطوع هو: الوضع العالي (تشغيل) / الوضع المتوسط / الوضع المنخفض / إيقاف التشغيل مع كل ضغط.
- محدد الوضع: تسلسل الإضاءة هو: الإضاءة الكاملة/ جزء الإضاءة الثابت/ جزء الإضاءة القابل للطي مع كل ضغط عندما يكون المفتاح قيد التشغيل.

ملاحظة:

عند تشغيل الجهاز، سيتم تشغيله بنفس وضع الإضاءة الذي استخدمته في آخر مرة.

مؤشر انخفاض البطارية (Fig. 5)

عندما تصبح البطارية منخفضة، تنطفئ مصابيح LED باستثناء مصباح LED واحد كما هو موضح. ثم ينطفئ الجهاز تلقائياً بعد حوالي خمس إلى عشر دقائق.

التشغيل

تنبيه:

قم بتدوير شريط الإضاءة LED وطي الجزء القابل للطي من الإضاءة لتثبيت توازن الجهاز عندما تضعه في وضعية رأسية كما هو موضح في الشكل fig.4. خلاف ذلك، قد يسقط الجهاز وتحدث إصابة شخصية.

زاوية شريط إضاءة ليد (Fig.6, Fig.7)

تنبيه:

احرص ألا تعلق الأصابع عند ضبط زاوية المصباح.

تنبيه:

تأكد من قفل وتأمين الجزء الثابت والجزء القابل للطي معاً بإحكام في وضعي الطي والفتح على التوالي.

يمكن تدوير شريط الإضاءة LED في سبع مراحل لكل 45 درجة. (90 درجة إلى اليمين و180 درجة إلى اليسار) يمكن ثني الجزء القابل للطي من الإضاءة إلى 0 درجة أو 180 درجة.

الخطاف المعدني (Fig. 8)

قم برفع وتميرير الخطاف المعدني إلى موضع الوسط عند استخدامه.

الحزام (Fig. 9)

تنبيه:

لا تستخدم الحلقة وفتحة الحزام لأي غرض آخر غير تثبيت الحزام. خلاف ذلك فإن حدوث إصابة شخصية قد تكون ممكنة.

قم بتثبيت الحزام على الجهاز كما هو موضح.

نظام حماية الجهاز / البطارية

الجهاز مزود بنظام حماية يفصل خرج القدرة تلقائياً لإطالة عمر الخدمة.

الحماية من فرط الشحن

عندما لا تكفي طاقة البطارية، سيتوقف الجهاز تلقائياً. في هذه الحالة، أخرج البطارية من الجهاز واشحنها.

الحماية من المسببات الأخرى

هذا النظام مصمم أيضاً للحماية من المسببات الأخرى التي قد تؤدي إلى إلحاق الضرر بالجهاز، حيث أنه يسمح للجهاز بالتوقف تلقائياً عند تعليق الجهاز أو توقفه عن العمل، اتبع الخطوات التالية لإزالة الخطأ.

- قم بإيقاف تشغيل الجهاز، ثم قم بتشغيله مجدداً لإعادة التشغيل.
- قم بشحن البطارية (البطاريات) أو قم باستبدالها ببطارية (بطاريات) مشحونة مسبقاً.
- اترك الجهاز والبطارية (البطاريات) حتى يبردان.

إذا لم يكن هناك أي تحسن من خلال استعادة نظام الحماية، فقم بالتواصل بأقرب مركز لك من مراكز خدمات ماكيتا.

احتفظ بهذه التعليمات.

⚠ تنبيه: استخدم فقط بطاريات ماكيثا الأصلية. قد يتسبب استخدام بطاريات Makita غير أصلية، أو بطاريات تم تعديلها، في انفجار البطارية مما يسبب الحرائق والإصابات الشخصية والتلفيات. كما سييبل ضمان Makita الخاص بأدوات وشواحن Makita.

16. نصائح للحفاظ على أقصى عمر افتراضي للبطارية.
 - اشحن خرطوشة البطارية قبل أن يفرغ شحنها تمامًا.
 - أوقف دومًا تشغيل الأداة واشحن خرطوشة البطارية عندما تلاحظ طاقة أقل للأداة.
 - لا تكرر شحن خرطوشة بطارية مشحونة تمامًا.
 - الإفراط في الشحن يقلل العمر الافتراضي لخدمة البطارية.
 - اشحن خرطوشة البطارية في درجة حرارة غرفة تتراوح من 10 درجات مئوية إلى 40 درجة مئوية (50 - 104 درجة فهرنهايت). اترك خرطوشة البطارية الساخنة تبرد قبل شحنها.
 - عند عدم استخدام الجهاز، أزل خرطوشة البطارية من الأداة أو الشاحن.
 - اشحن خرطوشة البطارية في حال عدم استخدامها لفترة طويلة (أكثر من ستة أشهر).

الوصف الوظيفي

⚠ تنبيه: تأكد دائمًا من إيقاف تشغيل الجهاز وإزالة خرطوشة البطارية قبل ضبط إحدى وظائف الجهاز أو التحقق منها.

تركيب أو إزالة خرطوشة البطارية (Fig. 2)

⚠ تنبيه: قم دائمًا بإيقاف تشغيل الجهاز قبل تركيب أو إزالة خرطوشة البطارية.

⚠ تنبيه: أمسك الجهاز وخرطوشة البطارية بإحكام عند تركيب أو إزالة خرطوشة البطارية.

قد يتسبب الإخفاق في الإمساك بالجهاز وخرطوشة البطارية في انزلاقهم من يديك مما يؤدي إلى تلف الجهاز وخرطوشة البطارية والإصابة الشخصية.

لتركيب خرطوشة البطارية، قم بمحاذاة اللسان الموجود على خرطوشة البطارية مع التجويف الموجود في المبيت وادفعه برفق حتى يستقر في مكانه. أدخل البطارية تمامًا إلى أن يثبت في مكانه بنقرة صغيرة. إذا أمكنك مشاهدة المؤشر الأحمر كما هو موضح في الشكل، فلم يتم قفلها تمامًا.

لإزالة خرطوشة البطارية، أخرجها من الجهاز أثناء تحريك الزر الموجود في مقدمة الخرطوشة.

⚠ تنبيه: قم دائمًا بتركيب خرطوشة البطارية تمامًا إلى أن تتعذر مشاهدة المؤشر الأحمر. في حال عدم القيام بذلك، قد تسقط خرطوشة البطارية من الجهاز دون قصد، مما يؤدي إلى إصابتك أو إصابة شخص ممن حولك.

⚠ تنبيه: لا تقم بتركيب خرطوشة البطارية بالقوة. إذا لم تدخل البطارية بسهولة، فإنك لم تدخلها بالطريقة الصحيحة.

- لا تقم بتعديل أو محاولة إصلاح الجهاز أو مجموعة البطارية إلا على النحو المشار إليه في تعليمات الاستخدام والعناية.
- 15. تعليمات مهمة خاصة بالسلامة بالنسبة لمجموعة البطارية.
- قبل استخدام خرطوشة البطارية، اقرأ كل التعليمات والعلامات التحذيرية الموجودة على (1) شاحن البطارية و(2) البطارية و(3) المنتج الذي يستخدم البطارية.
- لا تفكك خرطوشة البطارية أو تعبث بها. قد يؤدي ذلك إلى نشوب حريق أو توليد حرارة زائدة أو حدوث انفجار.
- إذا أصبح وقت التشغيل أقصر بشكل كبير، فأوقف التشغيل على الفور. قد يؤدي ذلك إلى خطر ارتفاع درجة الحرارة والحروق المحتملة والانفجار.
- إذا دخل الإلكتروليت في عينيك، فاغسلها بماء نقي واطلب الرعاية الطبية على الفور. وإلا، فقد يتسبب ذلك في فقد بصرك.
- لا تحدث قصرًا في خرطوشة البطارية.
- لا تخزن أو تستخدم الأداة وخرطوشة البطارية في الأماكن التي يمكن أن تصل فيها درجات الحرارة إلى 50 درجة مئوية (122 فهرنهايت) أو تتجاوزها.
- لا تحرق مجموعة البطارية حتى إذا كانت تالفة بدرجة بالغة أو بالية تمامًا. قد تنفجر خرطوشة البطارية في النار.
- لا تطرق على خرطوشة البطارية أو تقطعها أو تحطمها أو تقذفها أو تسقطها أو تصدمها بشيء صلب. قد يؤدي مثل هذا الإجراء إلى نشوب حريق أو توليد حرارة زائدة أو حدوث انفجار.
- لا تستخدم بطارية تالفة.
- تخضع بطاريات الليثيوم أيون المضمنة لمتطلبات قوانين البضائع الخطرة. بالنسبة لعمليات النقل التجارية عبر جهات خارجية أو وكلاء الشحن على سبيل المثال، يجب الالتزام بالمتطلبات الخاصة على مواد التعبئة والملصقات لإعداد السلعة الجاري شحنها، يلزم الرجوع إلى خبير في المواد الخطرة. يُرجى أيضًا مراعاة اللوائح الوطنية التي قد تكون أكثر تفصيلاً. قم بربط أو تغطية الملابس المكشوفة وتعبئة البطارية بطريقة تمنع حركتها داخل مواد التعبئة.
- لا تستخدم البطاريات إلا مع المنتجات المحددة من Makita. قد يتسبب تركيب البطاريات في منتجات غير متوافقة في حريق أو حرارة مفرطة أو انفجار أو تسرب الإلكتروليت.
- في حال عدم استخدام الأداة لفترة زمنية طويلة، يجب إزالة البطارية من الأداة.
- يمكن أن تسخن خرطوشة البطارية أثناء وبعد الانتهاء من استخدامها وتتسبب في حدوث حروق أو حروق درجات الحرارة المنخفضة. يجب الانتباه أثناء محاولة خراطيش البطاريات الساخنة.
- لا تلمس طرف الأداة مباشرة بعد الاستخدام حيث إنها قد تكون ساخنة وتسبب حروقًا.
- لا تسمح بتراكم الشظايا أو الغبار أو الملوثات على أطراف وداخل فتحات وحزوز خرطوشة البطارية. يمكن أن يؤدي ذلك إلى انخفاض الأداء أو تعطل الأداة أو خرطوشة البطارية.
- ما لم تكن الأداة تدعم الاستخدام بالقرب من خطوط الكهرباء عالية الجهد، فلا تستخدم خرطوشة البطارية بجانب خطوط الكهرباء عالية الجهد. يمكن أن يؤدي ذلك إلى حدوث خلل أو تعطل الأداة أو خرطوشة البطارية.
- احفظ البطارية بعيدًا عن الأطفال.

يوضح ما يلي الرموز التي يمكن استخدامها للجهاز. تأكد من فهم معانيها قبل الاستخدام.



• اقرأ دليل التعليمات.



• فقط لدول الإتحاد الأوروبي ، بسبب وجود مكونات ضارة في الجهاز ، فإن نفايات الأجهزة الكهربائية والإلكترونية ، والمجمعات الكهربائية والبطاريات قد يكون لها أثر سلبي على البيئة وصحة الإنسان. لا تقم بالتخلص من نفايات الأجهزة الكهربائية والإلكترونية أو البطاريات مع النفايات المنزلية! وفقاً للإرشادات الأوروبية فيما يتعلق بنفايات الأجهزة الكهربائية والإلكترونية وفيما يتعلق بالمجمعات الكهربائية والبطاريات ونفايات المجمعات الكهربائية والبطاريات، وبالإضافة إلى تكيفها مع القانون الوطني ، فإنه يجب تخزين نفايات الأجهزة الكهربائية ، والبطاريات والمجمعات الكهربائية بشكل منفصل ونقلها إلى نقطة تجميع نفايات بلدية منفصلة ، والتي تعمل وفق لوائح حماية البيئة. وهذا مشار إليه من خلال رمز سلة المهملات المشطوب عليها والمتواجد على الجهاز الكهربائي.



• الإشعاع البصري (لأشعة فوق البنفسجية وتحت الحمراء) قلل التعرض للعينين والبشرة.



• لا تحقّق في مصباح التشغيل.



• استخدم الحماية المناسبة أو واقياً للعينين.



• ينبغي إيلاء العناية الواجبة وتوفير الاهتمام المطلوب!



• للاستخدام الداخلي فقط



تعليمات السلامة المهمة

⚠ تحذير:

للحد من خطر الإصابة، لا تحقّق بالأجهزة أثناء التشغيل. قد تحدث إصابة خطيرة في العين.

⚠ تنبيه:

عند استخدام الأجهزة، ينبغي اتباع احتياطات السلامة الأساسية دائماً لتقليل خطر الحريق والصدمة الكهربائية والإصابة الشخصية، بما في ذلك ما يلي:

اقرأ كل التعليمات:

1. لتقليل خطر الإصابة، من الضروري الإشراف الدقيق عند استخدام الجهاز بالقرب من الأطفال.
2. للحد من خطر التعرض للصدمة الكهربائية، لا تضع الجهاز في الماء أو سائل آخر. لا تضع أو تخزن الجهاز حيث يمكن أن يسقط أو يتم سحبه إلى حوض أو حوض غسيل.
3. لا تغطي الجهاز بقطعة قماش أو كرتون أو ما إلى ذلك، وإلا فقد يتسبب ذلك في نشوب حريق.
4. لا تلمس الجهاز من الداخل باستخدام الملاقيط أو الأدوات المعدنية، إلخ.

5. لا تعرض الجهاز للأمطار أو الثلوج. لا تنظف الجهاز بالماء.
6. لا تلمس الجهاز من الداخل باستخدام الملاقيط أو الأدوات المعدنية، إلخ.
7. لا تلمس الأجزاء الساخنة.
8. عند عدم استخدام الجهاز ، قم دائماً بإيقاف تشغيله وإزالة خرطوشة البطارية من الجهاز.
9. لا تعرض الجهاز للصدمة بإسقاطه أو صدمه بشيء، إلخ.
10. لا تستخدم إلا المرفقات الموصى بها أو المبيعة من قبل الشركة المصنعة فقط.
11. قم بتخزين المنتج في الداخل عند عدم استخدامه. احفظه بعيداً عن متناول الأطفال.
12. معلومات السلامة الخاصة بوحدة الإضاءة المحمولة التي يتم تشغيلها باستخدام البطاريات.
- يجب أن يتم التخلص من البطارية وفقاً للوائح المحلية لديك المتعلقة بالتخلص من المواد الخطرة.
- لا تحرق البطارية.
13. معلومات إضافية خاصة بوحدة الإضاءة.
- إن مصدر ضوء هذا المصباح غير قابل للاستبدال ؛ وعندما يصل إلى نهاية عمره الافتراضي ، فإنه يجب استبدال المصباح بالكامل.
14. استخدام أداة البطارية والعناية بها.
- تحذير: اقرأ جميع تحذيرات وتعليمات السلامة. قد يؤدي عدم اتباع التعليمات والتحذيرات إلى صدمة كهربائية وحرق وإصابة بالغة أو وقوع أي من هذه الحوادث.
- امنع بدء التشغيل غير المقصود. تأكد من وجود المفتاح في موضع إيقاف التشغيل قبل التوصيل بمجموعة البطارية أو نقل أو حمل الجهاز. حمل الجهاز وأصبعك فوق المفتاح أو تزويد الجهاز بالطاقة والمفتاح في موضع التشغيل يتسبب في وقوع الحوادث.
- أفضل مجموعة البطارية عن الجهاز قبل إجراء أي تعديلات أو تغيير الملحقات أو تخزين الجهاز. تقلل إجراءات السلامة الوقائية هذه من خطر بدء تشغيل الجهاز بشكل عرضي.
- لا تقم بإعادة الشحن إلا باستخدام الشاحن المحدد من جهة التصنيع. قد يؤدي الشاحن المناسب لنوع واحد من مجموعات البطاريات إلى خطر الحريق عند استخدامه مع مجموعة بطارية أخرى.
- لا تستخدم الأجهزة إلا مع مجموعات البطاريات المخصصة لها تحديداً. قد يتسبب استخدام أي مجموعات بطاريات أخرى في خطر الإصابة والحرق.
- عند عدم استخدام مجموعة البطارية، أبعدها عن الأجسام المعدنية الأخرى، مثل مشابك الورق أو العملات أو المفاتيح أو المسامير أو البراغي أو غيرها من الأجسام المعدنية، لأن ذلك قد يؤدي إلى التوصيل من طرف لآخر. إحداث قصر في طرفي البطارية معاً قد يتسبب في حدوث حروق أو إشعال حريق.
- في ظل ظروف سوء الاستخدام، قد يخرج سائل من البطارية؛ تجنب ملامسته. وفي حال ملامسته دون قصد، فأغسله بالماء. وإذا لامس السائل العينين، يجب طلب المساعدة الطبية أيضاً. السائل الخارج من البطارية قد يسبب التهيج أو الحروق.
- لا تستخدم مجموعة البطارية أو الأجهزة التالفة أو المعدلة. البطاريات التالفة قد تبدي سلوكاً غير متوقع مما يؤدي إلى حريق أو انفجار أو خطر الإصابة.
- لا تعرض مجموعة البطارية أو الجهاز للنار أو درجة الحرارة المفرطة. فقد يؤدي التعرض للنار أو درجة الحرارة الزائدة عن 130 درجة مئوية (265 فهرنهايت) إلى حدوث انفجار.
- اتبع كل تعليمات الشحن ولا تشحن مجموعة البطارية أو الجهاز خارج نطاق درجة الحرارة المحدد في التعليمات. قد يتسبب الشحن بشكل غير صحيح أو في درجات حرارة خارج النطاق المحدد في تلف البطارية وزيادة خطر الحريق.
- اطلب تنفيذ الخدمة بواسطة فني الإصلاح المؤهل وباستخدام قطع غيار بديلة مطابقة فقط. سيضمن ذلك الحفاظ على سلامة المنتج.

العربية (التعليمات الأصلية)

1	الخطاف التلسكوبي	2	شريط إضاءة LED	3	زر	4	خرطوشة البطارية	5	المؤشر الأحمر	6	مصابيح المؤشر	7	زر التحقق	8	جزء الإضاءة الثابت (24-قطعة LED)
9	جزء الإضاءة القابل للطي (18-قطعة LED)	10	مفتاح	11	محدد الوضع	12	مؤشر انخفاض البطارية	13	جزء قابل للتحرك	14	خطاف معدني	15	رباط	16	حلقة
17	فتحة الرباط	18	فتحة تحديد موضع مشبك الحمل	19	شريط رئيسي	20	شريط داخلي	21	مشبك الحمل	22	خطاف الحامل	23	موضع التثبيت		

المواصفات

ML012G	الطراز:
1,700 لومن / 800 لومن / 400 لومن	التدفق الضوئي (عالي / متوسط / منخفض)
972 ملم × 85 ملم × 100 ملم	الأبعاد (طول × عرض × ارتفاع) (بدون خرطوشة البطارية)
تيار مستمر من 36 إلى 40 فولت كحد أقصى	الجهد الكهربائي المقدر
1.1 كجم	الوزن الصافي (بدون خرطوشة البطارية)
1,181 ملم × 99 ملم × 259 ملم	الأبعاد (طول × عرض × ارتفاع) (مع المشابك)
1.5 كجم	الوزن الصافي (مع المشابك)
1,130 ملم - 1,900 ملم	العرض المتاح *

- قد تختلف المواصفات من بلد لآخر.
- بسبب برنامج البحث والتطوير المستمر الخاص بنا، تخضع المواصفات الواردة هنا للتغيير دون إخطار.
- * قد يختلف العرض المتاح الفعلي اعتماداً على الموقع والشكل.

خرطوشة البطارية والشاحن المستخدمان

BL4020 / BL4025 / BL4040 / BL4040F / BL4050F / BL4080F	خرطوشة البطارية
DC40RA / DC40RB / DC40RC / DC40WA	الشاحن

- قد لا تتوفر بعض خراطيش البطاريات المذكورة أعلاه تبعاً لمنطقة إقامتك.

⚠ تحذير: لا تستخدم إلا خراطيش البطاريات المذكورة أعلاه. قد يتسبب استخدام خراطيش بطاريات أخرى في حدوث إصابة و/أو حريق.

وقت التشغيل

وقت التشغيل (تقريباً)			خرطوشة البطارية المستخدمة
الإضاءة الكاملة (42-قطعة LED)			
منخفض	متوسط	مرتفع	
16 ساعة	7.5 ساعة	3.5 ساعة	BL4020
20 ساعة	9.5 ساعة	4.5 ساعة	BL4025
32 ساعة	15 ساعة	7.0 ساعة	BL4040/BL4040F
40 ساعة	19 ساعة	8.5 ساعة	BL4050F
65 ساعة	31 ساعة	14 ساعة	BL4080F

- تعد أوقات التشغيل المبينة في الجدول أعلاه مجرد توجيهات مبدئية. وقد تختلف عن أوقات التشغيل الفعلية.
- يمكن أن تختلف خرطوشة البطارية من بلد إلى آخر.
- قد تختلف أوقات التشغيل تبعاً لنوع البطارية وحالة الشحن وظروف الاستخدام.

نگهداری

⚠ احتیاط:

همیشه قبل از تلاش برای انجام بازرینی و نگهداری، حتماً دستگاه را خاموش کنید، و کارتریج باتری را در بیآورید.

⚠ اخطار:

هرگز از بنزین، تینر، الکل یا مواد مشابه استفاده نکنید. استفاده از این مواد ممکن است موجب تغییر رنگ، تغییر شکل یا ترک خوردگی شود.

برای حفظ «ایمنی» و «قابلیت اطمینان» محصول، تعمیرات، هرگونه تعمیر و نگهداری یا تنظیم دیگر باید توسط مراکز خدماتی مجاز یا کارخانه Makita انجام شود، که همیشه از قطعات بدکی Makita استفاده می‌کنند.

تمیزکاری

⚠ احتیاط:

هرگز دستگاه را در آب نشویید. با استفاده از پارچه ای مرطوب شده از صابون بدنه ی دستگاه را تمیز کند. (بدنه ی اصلی دستگاه)

لوازم جانبی اختیاری

⚠ احتیاط:

این لوازم جانبی یا ملحقات برای استفاده با دستگاه Makita شما که در این دفترچه راهنما مشخص شده است توصیه می‌شود. استفاده از لوازم جانبی یا ملحقات دیگر ممکن است خطر آسیب دیدگی افراد را به همراه داشته باشد. از لوازم جانبی یا ملحقات فقط برای اهداف تعیین شده استفاده کنید.

اگر در خصوص این لوازم جانبی به کمک یا اطلاعات بیشتری نیاز داشتید، از مرکز خدمات محلی Makita خود سؤال کنید.
• باتری و شارژر اصلی Makita

توجه:

برخی از موارد موجود در فهرست ممکن است به عنوان لوازم جانبی استاندارد در بسته دستگاه قرار بگیرد. این موارد ممکن است در کشورهای مختلف متفاوت باشد.

گیره ی براکت را در داخل قلاب جمع شو نصب کند (Fig. 10، Fig. 11)

⚠ احتیاط:

هنگام که نصب گیره ی براکت به قلاب جمع شو باید مواظب باشد تا انگوشت را نیندند.

همانند نقشه گیره ی براکت را بر قلاب جمع شو نصب کند.

توجه:

باید همه ی گیره ی براکت تا به محل سوراخ چراغ نواری موقعیت گیره ی براکت حرکت کند.

توجه:

باید جهت نصب گیره ی براکت همانند باشد.

دستگاه را بر قلاب جمع شو نصب کند (Fig. 12).

مانند نشان دادن نقشه با گیره ی براکت دستگاه ی بر قلاب جمع شو نصب کند.

توجه:

باید همه ی گیره ی براکت به محل بستن دستگاه ببندد.

نصب قلاب جمع شو (Fig. 13)

⚠ احتیاط:

نباید بر قلاب جمع شو چیز غیر از دستگاه آویزان شود. وگرنه شاید قلاب کش خراب شود و به انسان ضرر رساند.

⚠ احتیاط:

قبل از استفاده باید همه ی قطعات محکم نصب شده باشد.

⚠ احتیاط:

هنگام نصب قلاب جمع شو میله ی اصلی و قلاب کش را بگیرد و کار کند باید موقع کار مواظب باشد تا انگوشت را نیندند چون میله ی اصلی بخاطر فنر به محل ابتدا بر می گردد.

قلاب کش را بگیرد و در محل احتمالی نصب کند.

هنگام باز کردن قلاب جمع شو قلاب کش دیگر را بگیرد و آن را در محل احتمالی نصب کند(طرف دیگر).

دستگاه را روشن کند و زانویه ی چراغ را تنظیم کند تا تابش چراغ به محل احتمالی نقشه بخورد.

⚠ اخطار:

اگر از باتری سنگین استفاده کند فقط با چرخ چراغ نواری زاویه ی چراغ را تنظیم کند.

نشانگر ظرفیت باقیمانده باتری (Fig. 3)

دکمه بررسی روی کارتریج باتری را فشار دهید تا ظرفیت باقیمانده باتری نشان داده شود. چراغ‌های نشانگر برای چند ثانیه روشن می‌شوند.

ظرفیت باقیمانده	چراغ‌های نشانگر		
	روشن	خاموش	در حال چشمک زدن
75% تا 100%	■ ■ ■ ■		
50% تا 75%	■ ■ ■ □		
25% تا 50%	■ ■ □ □		
0% تا 25%	■ □ □ □		
باتری را شارژ کنید.	□ □ □ □	■	
باتری ممکن است خراب شده باشد.	□ □ □ □	■ ■	□ □

توجه:

بسته به شرایط استفاده و دمای محیط، این نشانه ممکن است کمی با ظرفیت واقعی متفاوت باشد.

توجه:

چراغ نشانگر اول (سمت چپ) موقع کار کردن سیستم محافظت از باتری، چشمک می‌زند.

سیستم محافظت از دستگاه/باتری

این ابزار مجهز به سیستم محافظتی است، که به‌طور خودکار توان خروجی را به‌منظور طولانی شدن عمر مفید دستگاه قطع می‌کند.

محافظت در برابر تخلیه بیش از حد

هنگامی که ظرفیت باتری کافی نباشد، دستگاه به‌طور خودکار از کار می‌افتد. در این حالت باتری را از دستگاه خارج کنید و به شارژ بزنید.

محافظت در برابر علل دیگر

سیستم حفاظتی همچنین برای دلایل دیگری که می‌تواند به دستگاه آسیب برساند، طراحی شده است و به دستگاه اجازه می‌دهد تا به‌طور خودکار متوقف شود. هنگامی که دستگاه یا عملکرد آن متوقف شد، تمام مراحل زیر را برای از بین بردن دلایل انجام دهید.

1. دستگاه را خاموش کنید و سپس دوباره روشن کنید تا راه اندازی مجدد شود.
2. باتری (ها) را شارژ کنید یا آن را با باتری (ها) شارژ شده جایگزین کنید.
3. اجازه دهید دستگاه و باتری (ها) خنک شوند.

اگر هیچ بهبودی با بازگرداندن سیستم حفاظتی یافت نشد، با مرکز خدمات ماکیتا محلی خود تماس بگیرید.

روشن کردن چراغ و انتخاب حالت روشنایی (Fig. 4)

احتیاط:

به چراغ خیره نشوید و مستقیماً به منبع نور نگاه نکنید.

1. کلید: ترتیب روشنایی عبارت است از: حالت قوی (روشن) // حالت متوسط / حالت ضعیف / خاموش هر دفعه دکمه بزنند.
2. انتخابگر حالت: مراتب روشن کل چراغ / قطعات ثابت / بخش چراغ قابل انعطافی هر دفعه دکمه بزنند.

توجه:

هنگامی که دستگاه روشن کنی حالت نور که بار قبل استفاده کرده بودی باز می‌شود.

چراغ نشانگر کم باتری (Fig. 5)

همانند نقشه هنگامی که باتری کم باشد بجز یک چراغ ال ای ددی سایر چراغ ال ای دی خاموش می‌شود. بعد از آن دستگاه بعد از پنج یا ده دقیقه به خود خاموش می‌شود.

عملیات

احتیاط:

همانند fig.4 هنگامی که دستگاه به افقی قرار دهد چراغ ال ای دی را بچرخ و بخش قابل انعطافی چراغ را به سمت پایین خم دهد تا دستگاه ثابت باشد. وگرنه دستگاه احتمال واژگون دارد و به انسان ضرر می‌رساند.

زاویه ی چراغ نواری ال ای دی (Fig. 6، Fig. 7)

احتیاط:

مواظب باشید هنگام تنظیم زاویه نور، انگشت (تان) گیر نکند.

احتیاط:

باید بخش محکم کردن چراغ و بخش چراغ قابل انعطافی بر محل توسع ببندد.

چراغ نواری ال ای دی هر 45° می‌تواند به 7 مرحله بچرخد. به سمت راست 90° و به سمت چپ 180° بخش قابل اعطافی چراغ می‌تواند از 0° تا 180° خم شود.

قلاب فلزی (Fig. 8)

هنگام استفاده از قلاب فلزی باید قلاب فلزی رل بالا بیارد و به محل مرکزی حرکت دهد.

بند (Fig. 9)

احتیاط:

نباید سوراخ اتصال بند را هدف غیر از نصب بست استفاده شود. در غیر این صورت ممکن است آسیب شخصی رخ دهد.

همانند نقشه تسمه را بر دستگاه نصب کند.

از این دستورالعمل‌ها نگهداری کنید.

احتیاط: فقط از باتری‌های اصلی Makita استفاده کنید. استفاده از باتری‌های غیر اصلی Makita با باتری‌هایی که تغییر کرده‌اند ممکن است باعث ترکیدن باتری شود و به آتش‌سوزی، آسیب شخصی و خسارت بیانجامد. این اتفاق همچنین ضمانت Makita را برای ابزار و شارژر Makita بی‌اعتبار می‌کند.

16. نکاتی برای حفظ حداکثر عمر باتری.
 - قبل از تخلیه کامل، کارتریج باتری را شارژ کنید.
 - هر وقت متوجه شدید برق باتری ابزار کم است، همیشه کار با ابزار را متوقف کنید و کارتریج باتری را شارژ نمایید.
 - هرگز کارتریج باتری کاملاً شارژ شده را شارژ نکنید.
 - شارژر بیش از حد، طول عمر باتری را کوتاه می‌کند.
 - کارتریج باتری را در درجه حرارت اتاق یعنی در دمای 10 تا 40 درجه سانتی‌گراد (50 تا 104 درجه فارنهایت) شارژ کنید. قبل از شارژ، بگذارید کارتریج باتری داغ خنک شود.
 - هنگام استفاده نکردن از کارتریج باتری، آن را از ابزار یا شارژر جدا کنید. در صورت عدم استفاده از کارتریج باتری برای مدت طولانی (بیش از شش ماه)، آن را شارژ کنید.

توضیحات کاربردی

احتیاط:

همیشه قبل از تنظیم یا بررسی عملکرد دستگاه، حتماً دستگاه را خاموش کنید، و کارتریج باتری را در بیورید.

نصب یا خارج کردن کارتریج باتری (Fig. 2)

احتیاط:

قبل از نصب و خارج کردن کارتریج باید دستگاه را خاموش کند.

احتیاط:

هنگام نصب یا خارج کردن کارتریج باتری، دستگاه و کارتریج باتری را محکم نگهدارید.

محکم نگه نداشتن دستگاه و کارتریج باتری ممکن است باعث شود که آنها از دستتان لیز بخورند و به آسیب دیدن دستگاه و کارتریج باتری و آسیب‌دیدگی شخصی منجر شوند.

برای نصب کارتریج باتری، زبانه موجود روی کارتریج باتری را با شیار داخل محفظه تراز کنید و بلغزانید تا در جای خود قرار بگیرد. آن را تا آخر فشار دهید تا اینکه با صدای خفیف تق در محل خود قفل شود. اگر چراغ راهنمای قرمزی که نشان داده شده در نقشه دیده شود نشان می‌دهد که آن کاملاً قفل شده است.

برای خارج کردن کارتریج باتری، همزمان با کشیدن دکمه موجود در جلوی کارتریج، آن را از دستگاه بیرون بکشید.

احتیاط:

همیشه کارتریج باتری را بطور کامل جا ببندازید بطوریکه نشانگر قرمز مشاهده نشود. در غیر این صورت، ممکن است بطور تصادفی از دستگاه بیرون بیفتند، و باعث آسیب رسیدن به شما یا افراد حاضر در اطرافتان شود.

احتیاط:

کارتریج باتری را با زور و فشار زیاد نصب نکنید. اگر کارتریج به راحتی در جای خود نلغزد، به این معنی است که به درستی جاگذاری نشده است.

- دستگاه یا مجموعه باتری را دستکاری نکنید یا سعی نکنید که آن را تعمیر نمایید، مگر اینکه دستورالعمل‌های مربوط به استفاده و مراقبت را رعایت کنید.
- 15. دستورالعمل‌های ایمنی مهم برای کارتریج باتری.
 - قبل از استفاده از کارتریج باتری، تمام دستورالعمل‌ها و علائم هشداردهنده روی (1) شارژر باتری، (2) باتری و (3) محصولی که از باتری استفاده می‌کند را بخوانید.
 - کارتریج باتری را باز یا دستکاری نکنید. این کار ممکن است منجر به آتش‌سوزی، گرمای بیش از حد، یا انفجار شود.
 - اگر زمان بهره‌برداری نسبت به قبل بیش از حد کوتاه شده باشد، بلافاصله دستگاه را متوقف کنید. این کار ممکن است به داغ شدن، سوختگی احتمالی و حتی انفجار منجر شود.
 - اگر الکترولیت به چشم شما رفت، آن را با آب تمیز بشویید و سریعاً به پزشک مراجعه کنید. این مواد ممکن است باعث از بین رفتن بینایی شما شود.
 - از اتصال کوتاه کارتریج باتری پرهیز کنید.
 - از نگهداری و استفاده ابزار و کارتریج باتری در مکان‌هایی که درجه حرارت ممکن است به بیش از 50 درجه سانتی‌گراد (122 درجه فارنهایت) برسد، خودداری کنید.
 - از انداختن کارتریج باتری در آتش حتی در صورت آسیب‌دیدگی شدید یا فرسودگی کامل آن جداً خودداری کنید. کارتریج باتری می‌تواند داخل آتش منفجر شود.
 - از ناخن زدن، برش دادن، خرد کردن، پرتاب کردن، رها کردن کارتریج باتری، یا کوبیدن کارتریج باتری به یک جسم سخت اجتناب کنید. چنین رفتاری ممکن است منجر به آتش‌سوزی، گرمای بیش از حد، یا انفجار شود.
 - از باتری آسیب‌دیده استفاده نکنید.
 - استفاده از باتری‌های لیتیوم یون عرضه شده در محصول تابع الزامات «قانون کالاهای خطرناک» است. برای حمل و نقل تجاری مثلاً توسط اشخاص ثالث، و نمایندگی‌های حمل و نقل، الزامات ویژه بستهبندی و برچسب‌گذاری باید رعایت شود. برای آماده‌سازی کالایی که حمل می‌شود، مشورت کردن با متخصص مواد خطرناک الزامی است. لطفاً تا حد امکان مقررات ملی دقیق‌تر را نیز رعایت کنید. اتصالات رو باز را نوار چسب ببندید یا بپوشانید و باتری را به گونه‌ای به هم ببندید که در بستهبندی تکان نخورد.
 - باتری‌ها را فقط با محصولاتی که توسط Makita مشخص شده است به کار ببرید. نصب باتری‌های روی محصولات غیر سازگار ممکن است به آتش‌سوزی، گرمای بیش از حد، انفجار یا نشت الکترولیت منجر شود.
 - اگر قرار است از این ابزار برای مدت طولانی استفاده نشود، باید باتری از ابزار خارج شود.
 - در حین استفاده و پس از آن، کارتریج باتری ممکن است گرم شود که همین موضوع می‌تواند باعث سوختگی یا سوختگی با دمای پایین شود. هنگام دست زدن به کارتریج‌های باتری داغ حواستان را جمع کنید.
 - بلافاصله پس از استفاده، پایانه ابزار را لمس نکنید زیرا ممکن است به اندازه‌های داغ شده باشد که باعث ایجاد سوختگی شود.
 - اجازه ندهید براده، گرد و غبار یا خاک در داخل پایانه‌ها، سوراخ‌ها و شیارهای کارتریج باتری گیر کنند. این موضوع ممکن است به عملکرد ضعیف یا خراب شدن ابزار یا کارتریج باتری منجر شود.
 - از کارتریج باتری در نزدیکی کابل‌های فشار قوی استفاده نکنید، مگر در مواردی که این ابزار از استفاده در نزدیکی کابل برق فشار قوی پشتیبانی کند. این موضوع ممکن است به نقص در عملکرد یا خراب شدن ابزار یا کارتریج باتری منجر شود.
 - باتری را از دسترس کودکان دور نگهدارید.

در ذیل نماد دستگاههایی قابل استفاده نشان داده شده است. حتماً معنی و مفهوم آنها را قبل از استفاده درک کنید.



• دفترچه راهنمای دستورالعمل را بخوانید.



• فقط برای کشورهای اتحادیه اروپا. به دلیل وجود اجزای خطرناک در تجهیزات، ضایعات تجهیزات الکتریکی و الکترونیکی، ذخایر و باتری ها ممکن است تأثیر منفی بر محیط زیست و سلامت انسان داشته باشد. وسایل برقی و الکترونیکی یا باتری ها را با زباله های خانگی به دور ناندازید! طابق با دستورالعمل اروپا در مورد ضایعات تجهیزات الکتریکی و الکترونیکی و انباشته‌کننده‌ها و باتری‌ها و ضایعات انباشته‌کننده‌ها و باتری‌ها و همچنین انطباق آنها با قوانین ملی، نسبت به زباله های شهری که مطابق با مقررات حفاظت از محیط زیست عمل می کند، ضایعات تجهیزات الکتریکی، باتری‌ها و انباشته‌ها باید به طور جداگانه ذخیره شده و به یک نقطه جمع‌آوری جداگانه تحویل داده شوند. این با نماد سطل زباله چرخدار خط خورده که روی تجهیزات قرار داده شده است نشان داده می شود.



• تابش نوری (UV و IR).

تا حد امکان چشم یا پوستتان را کمتر در معرض نور قرار دهید.



• به چراغ روشن خیره نشوید.



• از عینک یا محافظ چشم مناسب استفاده کنید.



• دقت و توجه ویژه‌ای به خرج دهید!



• فقط در داخل استفاده شود



دستورالعمل‌های ایمنی مهم

⚠ هشدار:

بخاطر کاهش خطرات زحمی نباید طول وقت به دستگاه در حال حرکت را نگاه کند. و گرنه احتمال زحمی چشم دارد.

⚠ احتیاط:

هنگام استفاده از دستگاه‌ها، باید اقدامات احتیاطی و ایمنی اولیه را همواره رعایت کنید تا خطر آتش‌سوزی، برق‌گرفتگی و آسیب شخصی کاهش یابد، از جمله موارد زیر:

تمام دستورالعمل‌ها را بخوانید.

1. بخاطر کاهش خطرات زحمی هنگامی که دستگاه در کنار بچه استفاده باشد باید نظارت داشته باشد.
2. بخاطر کاهش خطرات اتصال برقی نباید دستگاه را در آب و یا سایر مایع قرار دهد. نباید دستگاه را در محل امکان سقوط یا در محل انتقال به وان حمام و یا در محل فلوم قرار دهد.
3. نباید دستگاه را به پارچه یا کارتن پوشش دهد و گرنه باعث آتش‌گرفتگی می شود.
4. از لمس کردن قسمت داخلی دستگاه با موچین، ابزارهای فلزی و غیره خودداری کنید.

5. دستگاه را در معرض باران و برف قرار ندهید. آن را در آب نشویید.
6. از لمس کردن قسمت داخلی دستگاه با موچین، ابزارهای فلزی و غیره خودداری کنید.
7. نباید به قطعات حرارتی دست دهد.
8. هنگامی که دستگاه در حال استفاده نیست، آن را همیشه خاموش کنید و کارتریج باتری را از دستگاه جدا کنید.
9. با رها کردن دستگاه، ضربه زدن به آن و کارهایی از این دست به آن شوک وارد نکنید.
10. فقط می تواند از قطعاتی توصیه شده ی و قطعات فروشی تولد کننده استفاده شود.
11. نباید کارتریج را خارج و تغییر کند. در محل دور از دسترسی بچه قرار دهد.
12. اطلاعات ایمنی برای نورافکن‌های قابل حمل دارای باتری.
- دفع باتری باید مطابق با مقررات محلی شما در رابطه با دفع مواد خطرناک انجام شود.
- باتری را آتش نزنید.
13. اطلاعات اضافی برای نورافکن‌ها.
- منبع نور این لامپ قابل تعویض نیست. هنگامی که منبع نور به پایان عمر خود رسید، کل لامپ باید تعویض شود.
14. استفاده و مراقبت از ابزار باتری.
- هشدار: تمام هشدارها و دستورالعمل‌های ایمنی را بخوانید. عدم رعایت هشدارها و دستورالعمل‌های ذکر شده در فهرست زیر ممکن است منجر به برق‌گرفتگی، آتش‌سوزی و/یا آسیب جدی شود.
- از راه‌اندازی غیر عمدی دستگاه جلوگیری کنید. قبل از اتصال دستگاه به مجموعه باتری، برداشتن یا حمل کردن آن، اطمینان حاصل کنید که کلید در حالت خاموش باشد. حمل دستگاه هنگام قرار داشتن انگشت روی کلید یا به برق زدن دستگاه موقع روشن بودن کلید آن باعث بروز حادثه می‌شود.
- قبل از انجام هرگونه تنظیم، تعویض لوازم جانبی یا نگهداری دستگاه در انبار، مجموعه باتری را از دستگاه جدا کنید. انجام اقدامات ایمنی و پیشگیرانه این چنینی خطر روشن شدن تصادفی دستگاه را کاهش می‌دهد.
- دستگاه را فقط با شارژر مخصوص مشخص‌شده توسط سازنده شارژ کنید. شارژر مناسب برای یک نوع مجموعه باتری ممکن است هنگام استفاده با مجموعه باتری دیگر منجر به بروز خطر آتش‌سوزی شود.
- از دستگاه‌ها فقط با مجموعه‌های باتری مخصوص استفاده کنید. استفاده از مجموعه باتری دیگر ممکن است به آسیب‌دیدگی و آتش‌سوزی منجر شود.
- در صورت عدم استفاده از مجموعه باتری، آن را از دیگر اشیاء فلزی مانند گیره کاغذ، سکه، کلید، میخ، پیچ یا سایر اشیاء فلزی کوچک، که ممکن است باعث اتصال یک پایانه به پایانه دیگر شود دور نگه دارید. اتصال کوتاه پایانه‌های باتری ممکن است باعث سوختگی یا آتش‌سوزی شود.
- در شرایط استفاده نادرست، ممکن است مایعی از باتری خارج شود؛ به آن دست نزنید. اگر به‌طور تصادفی با بدن‌تان تماس پیدا کرد، با آب فراوان بشویید. در صورت تماس مایع با چشم، علاوه بر این کار به پزشک نیز مراجعه کنید. مایع خارج شده از باتری ممکن است باعث سوزش یا سوختگی شود.
- از مجموعه باتری یا دستگاه آسیب‌دیده یا دستکاری‌شده استفاده نکنید. باتری‌های آسیب‌دیده یا دستکاری‌شده ممکن است رفتار غیرقابل پیش‌بینی داشته باشند و در نتیجه منجر به آتش‌سوزی، انفجار یا آسیب جسمی شوند.
- پک باتری یا دستگاه را در معرض آتش یا دمای بیش از حد قرار ندهید. قرار دادن آنها در معرض آتش یا دمای بالاتر از 130 درجه سانتی‌گراد (265 درجه فارنهایت) ممکن است باعث انفجار شود.
- تمام دستورالعمل‌های شارژ کردن را دنبال کنید و پک باتری یا دستگاه را خارج از محدوده دمایی مشخص‌شده در دستورالعمل‌ها شارژ نکنید. شارژ نادرست دستگاه یا شارژ کردن آن در دمای خارج از محدوده مشخص‌شده ممکن است به باتری آسیب بزند و خطر آتش‌سوزی را افزایش دهد.
- سرویس کردن دستگاه را به یک تعمیرکار واجد شرایط بسپارید که فقط از قطعات یدکی یکسان استفاده می‌کند. این کار باعث می‌شود که ایمنی محصول حفظ شود.

فارسی (دستورالعمل های اصلی)

بخش ثابت کردن چراغ (ال ای دی 24 عدد)	8	دکمه بررسی	7	چراغ های نشانگر	6	نشانگر قرمز	5	کارت ریج باتری	4	دکمه	3	لامپ نواری ال ای دی	2	قلاب جمع شو	1
حلقه	16	قلاب	15	قلاب فلزی	14	بخش قابل جابه جایی	13	نشانگر کم باتری	12	انتخابگر حالت	11	کلید	10	بخش چراغ قابل انعطاف (ال ای دی 18 عدد)	9
		محل بستن	23	قلاب هولدر	22	گیره ی براکت	21	میله ی داخلی	20	میله ی اصلی	19	سوراخ موقعیت براکت	18	سوراخ اتصال بند	17

مشخصات

مدل:	ML012G
شار نوری (H/M/L)	1.700 lm / 800 lm / 400 lm
ابعاد (طول × عرض × ارتفاع) (بدون کارت ریج باتری)	972 mm × 85 mm × 100 mm
ولتاژ اسمی	جریان مستقیم 36 ولت - ولت حداکثر 40
وزن خالص (بدون کارت ریج باتری)	1.1 kg
ابعاد (طول × عرض × ارتفاع) (همراه با گیره)	1.181 mm × 99 mm × 259 mm
وزن خالص (همراه با گیره)	1.5 kg
عرضی قابل استفاده *	1.130 mm - 1.900 mm

- مشخصات ممکن است در کشورهای مختلف متفاوت باشد.
- با توجه به ادامه برنامه تحقیق و توسعه ما، مشخصات موجود در این دفترچه ممکن است بدون اطلاع قبلی تغییر یابد.
- * عرضی قابل استفاده ی حقیقی بخاطر موقعیت و شکل فرق می کند.

کارت ریج باتری و شارژر قابل استفاده

BL4020 / BL4025 / BL4040 / BL4040F / BL4050F / BL4080F	کارت ریج باتری
DC40RA / DC40RB / DC40RC / DC40WA	شارژر

- بسته به منطقه سکونت شما، ممکن است برخی از کارت ریج های باتری ذکر شده در فهرست بالا موجود نباشد.

⚠ هشدار: فقط از کارت ریج های باتری ذکر شده در فهرست بالا استفاده کنید. استفاده از کارت ریج های باتری دیگر ممکن است باعث آسیب دیدگی و/یا آتش سوزی شود.

زمان کارکرد

زمان کارکرد (تقریبی)			کارت ریج باتری قابل استفاده
پایین	متوسط	بالا	
16 ساعت	7.5 ساعت	3.5 ساعت	BL4020
20 ساعت	9.5 ساعت	4.5 ساعت	BL4025
32 ساعت	15 ساعت	7.0 ساعت	BL4040/BL4040F
40 ساعت	19 ساعت	8.5 ساعت	BL4050F
65 ساعت	31 ساعت	14 ساعت	BL4080F

- زمان کارکرد ارائه شده در جدول فوق دستورالعملی تقریبی است. این مقادیر ممکن است با زمان کارکرد واقعی متفاوت باشد.
- کارت ریج باتری ممکن است از کشوری به کشور دیگر متفاوت باشد.
- بسته به نوع باتری، وضعیت شارژ و وضعیت استفاده ممکن است زمان کارکرد متفاوت باشد.

Makita Corporation
3-11-8, Sumiyoshi-cho,
Anjo, Aichi 446-8502 Japan
www.makita.com

ML012G-BZ-MX-SEA6-CT-KR-AR-PER-2402
GER/CRE