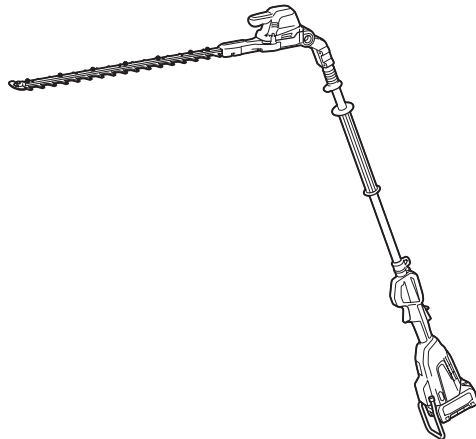




EN	Cordless Pole Hedge Trimmer	INSTRUCTION MANUAL	10
ZHCN	充电式高枝绿篱机	使用说明书	24
ID	Alat Pemotong Tanaman Pagar Tanpa Kabel	PETUNJUK PENGGUNAAN	38
MS	Pemangkas Tanaman Pagar Tiang Tanpa Kord	MANUAL ARAHAN	53
VI	Máy Cắt Tia Hàng Rào Cắm Tay Hoạt Động Bằng Pin	TÀI LIỆU HƯỚNG DẪN	68
TH	เครื่องตัดแต่งพุ่มไม้สูงไร้สาย	คู่มือการใช้งาน	82

UN001G



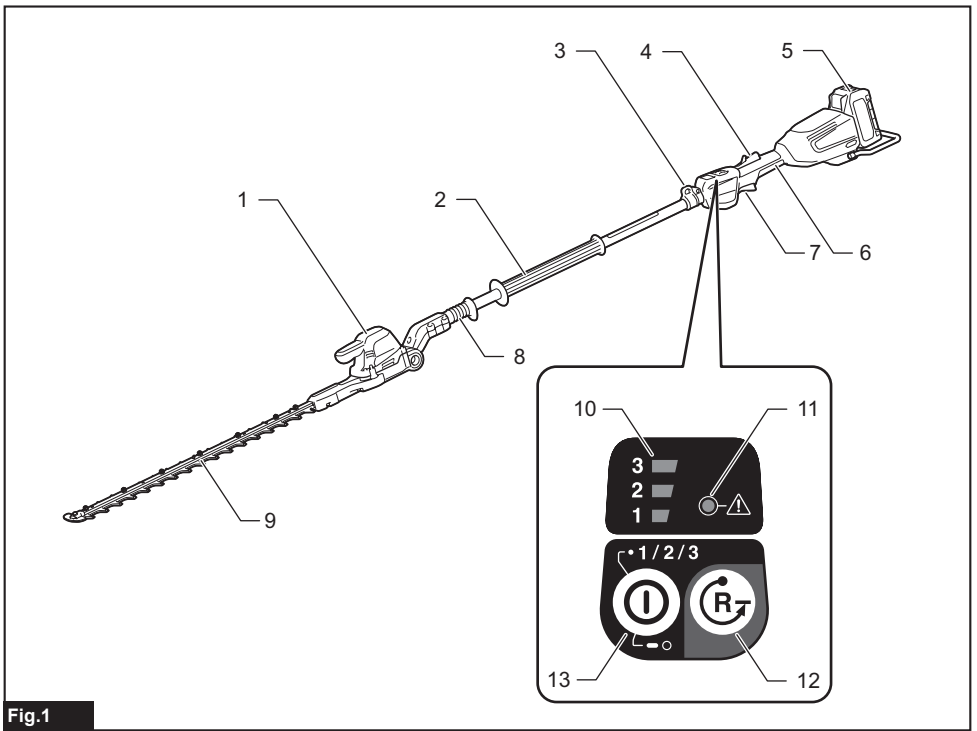


Fig.1

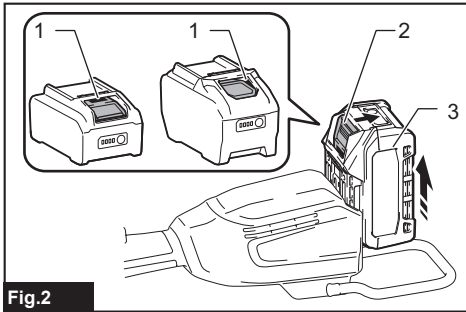


Fig.2

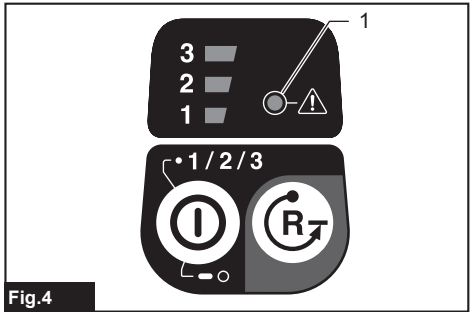


Fig.4

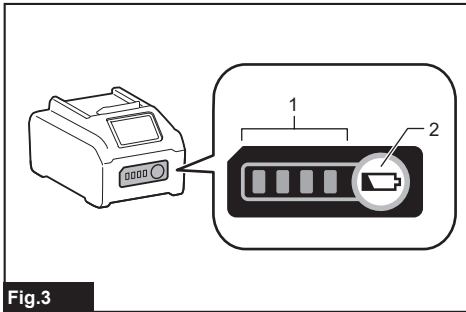


Fig.3

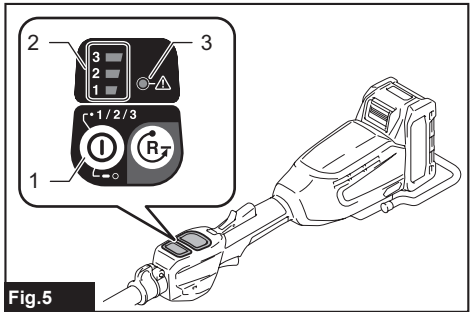


Fig.5

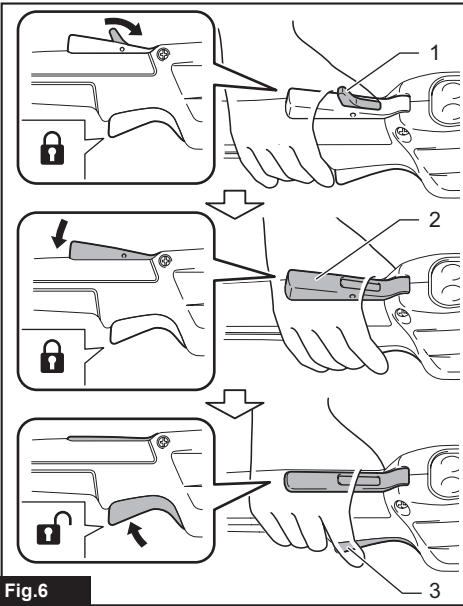


Fig.6

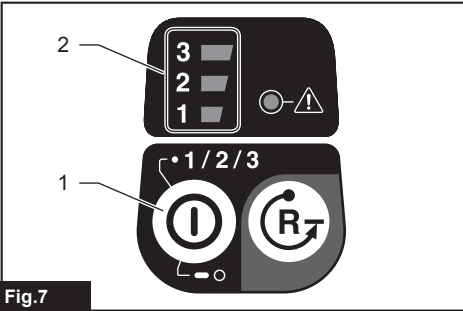


Fig.7

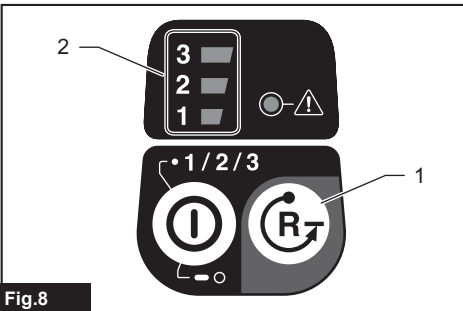


Fig.8

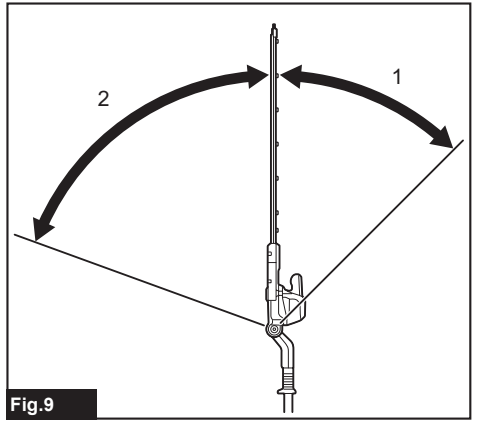


Fig.9

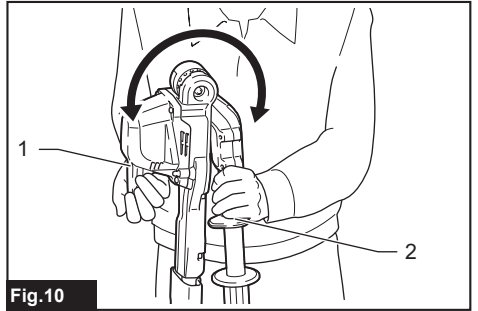


Fig.10

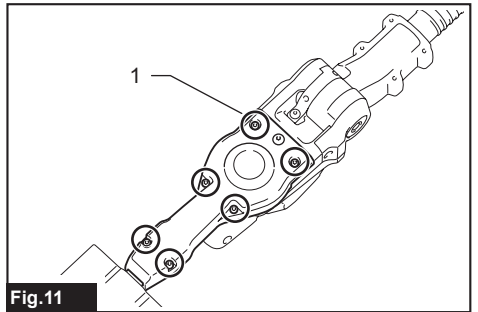
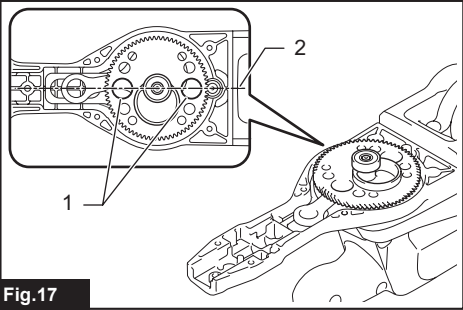
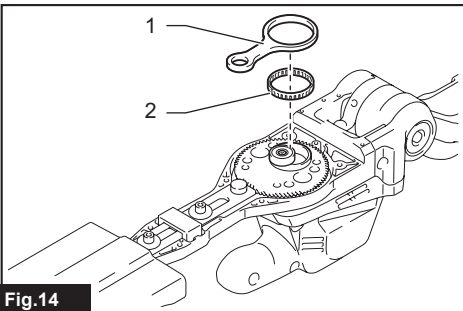
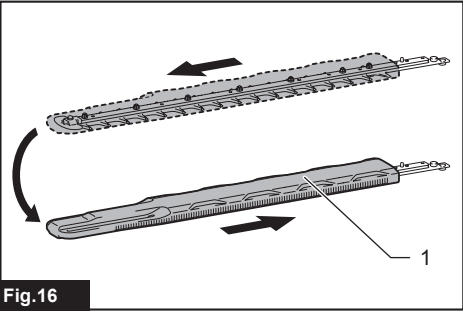
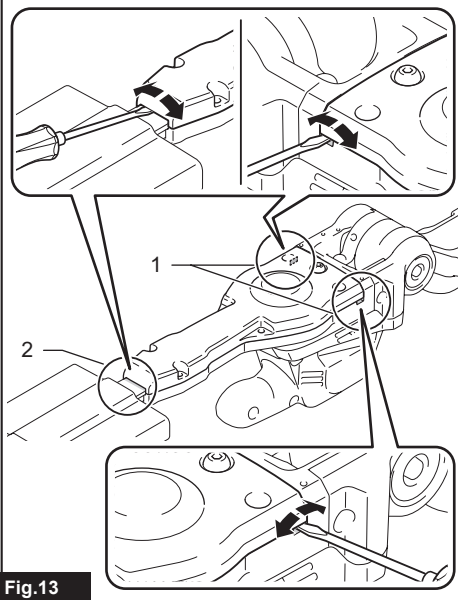
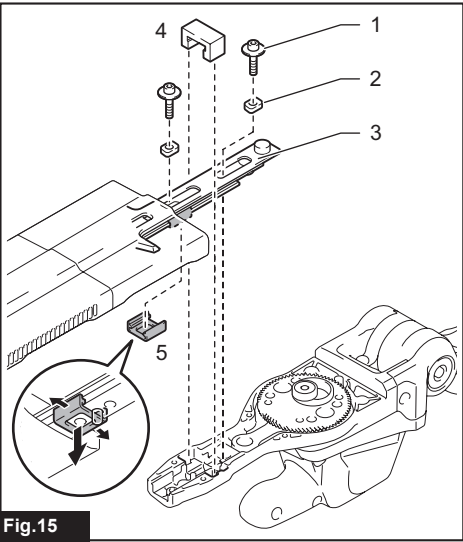
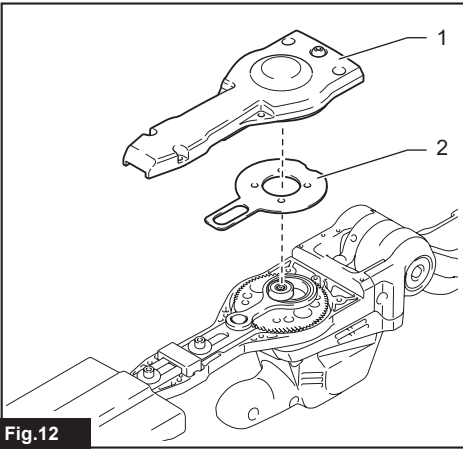


Fig.11



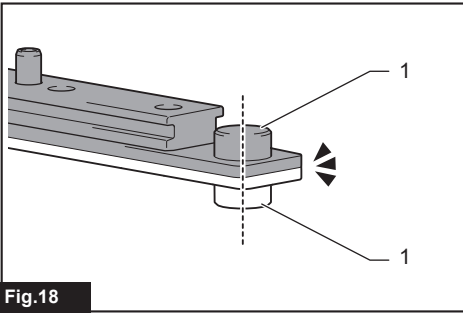


Fig.18

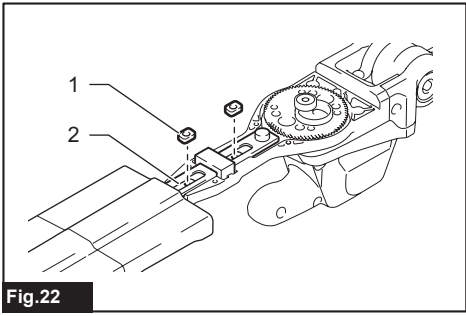


Fig.22

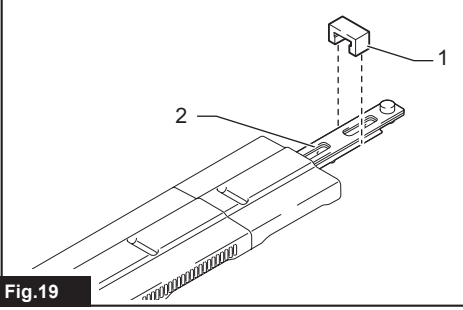


Fig.19

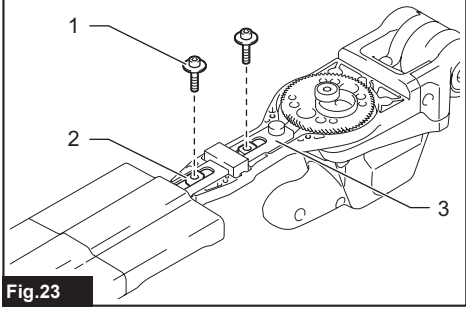


Fig.23

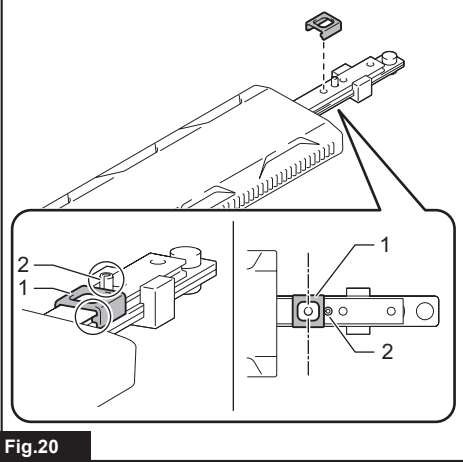


Fig.20

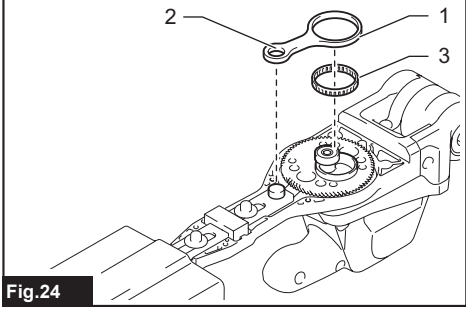


Fig.24

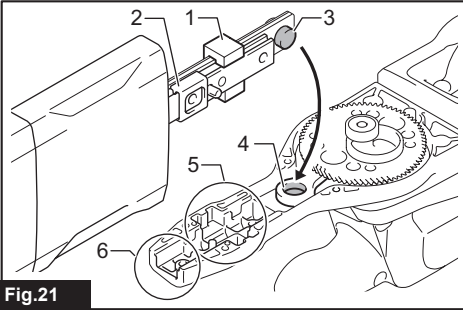


Fig.21

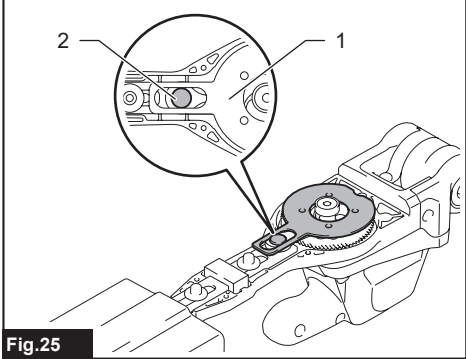


Fig.25

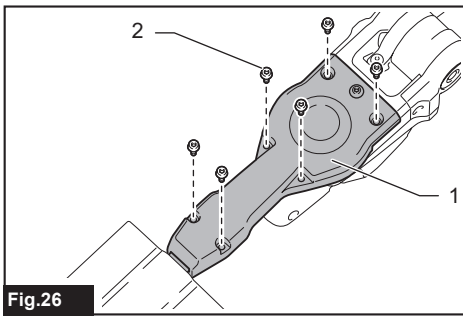


Fig.26

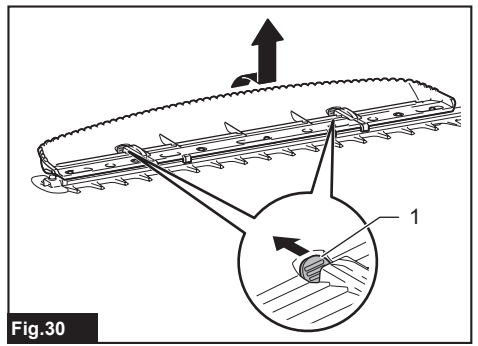


Fig.30

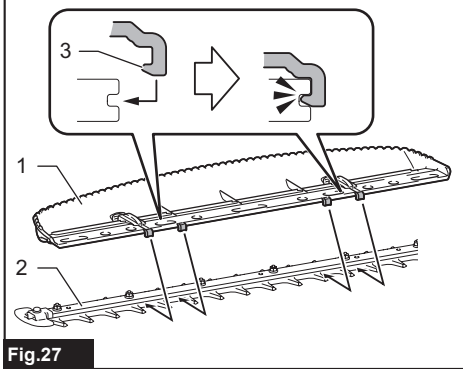


Fig.27

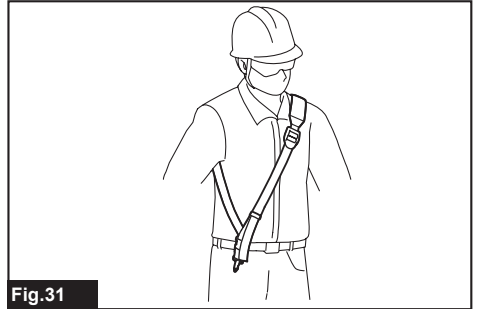


Fig.31

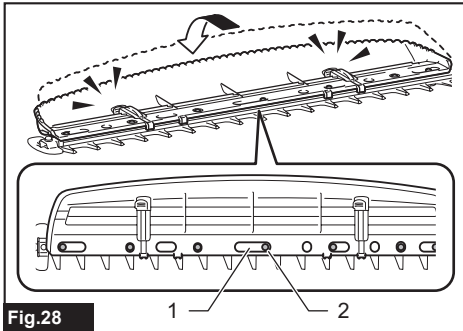


Fig.28

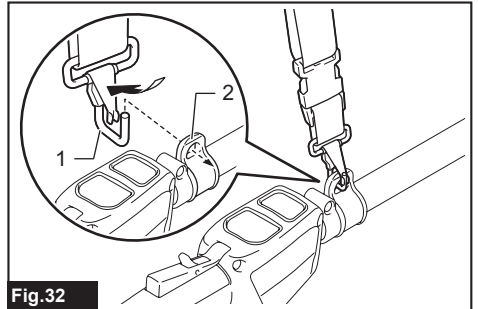


Fig.32

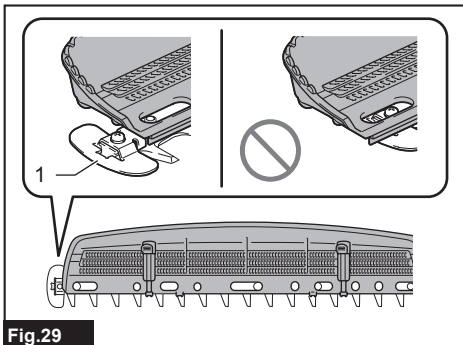


Fig.29

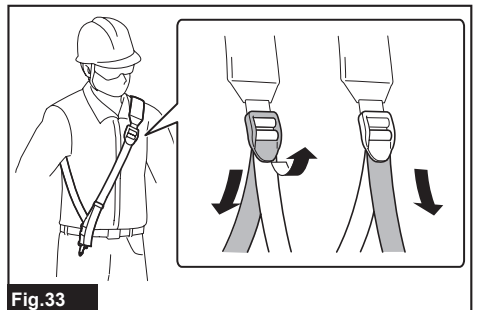


Fig.33

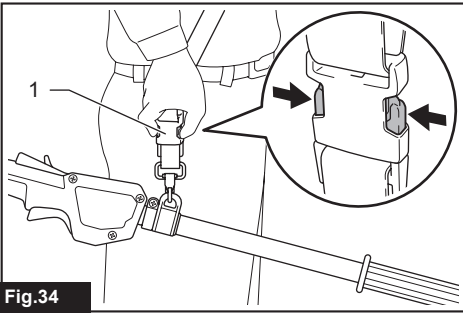


Fig.34

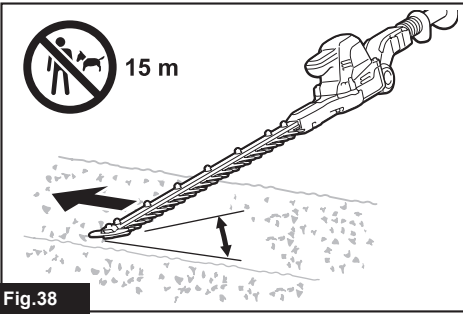


Fig.38

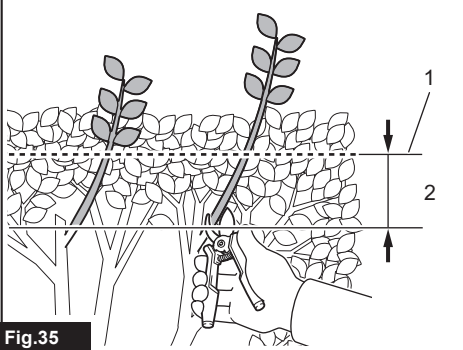


Fig.35

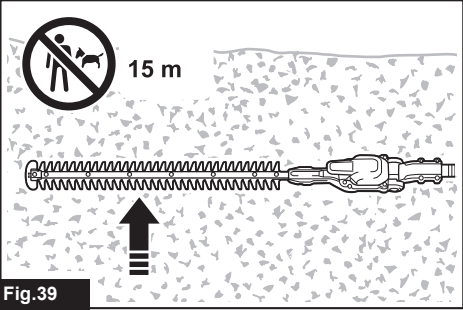


Fig.39

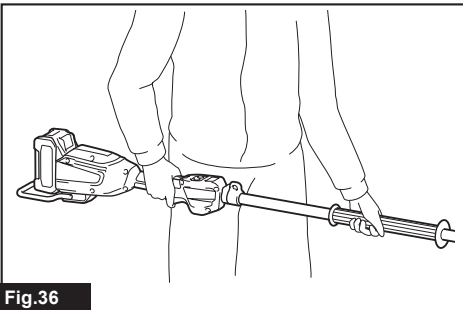


Fig.36

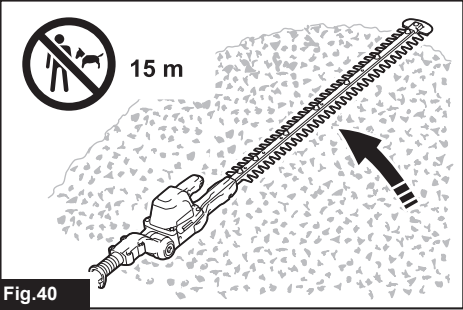


Fig.40

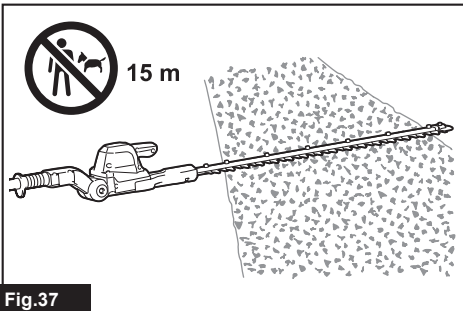


Fig.37

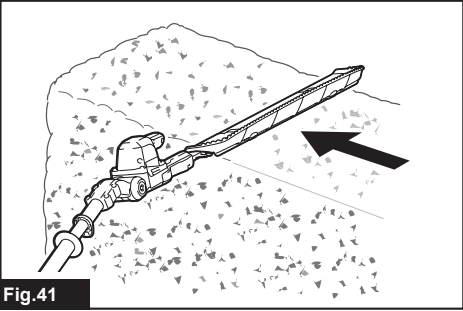
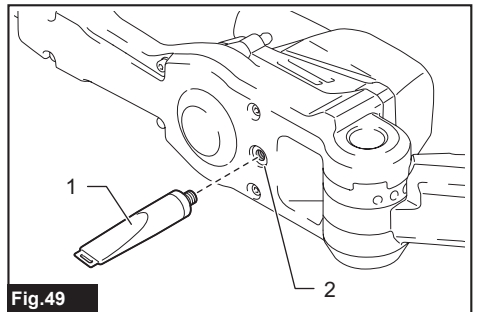
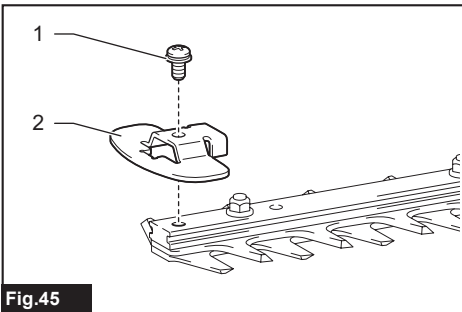
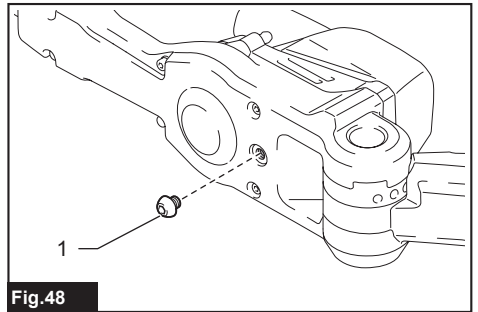
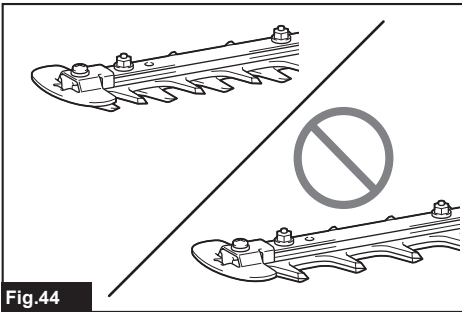
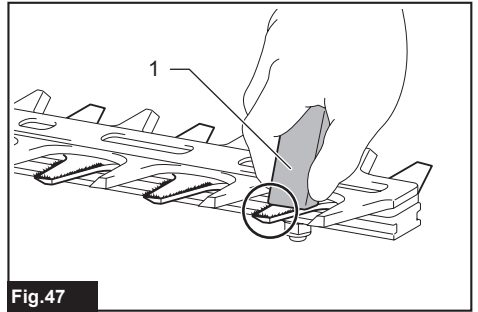
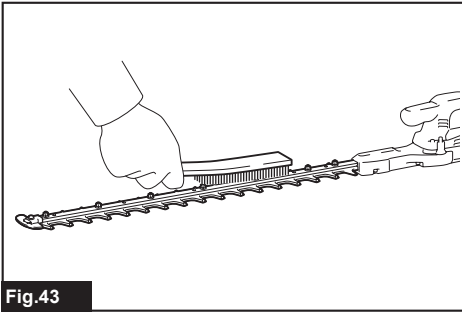
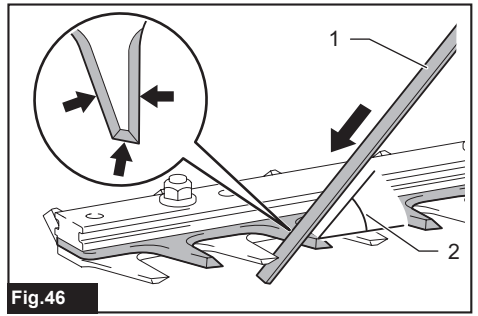
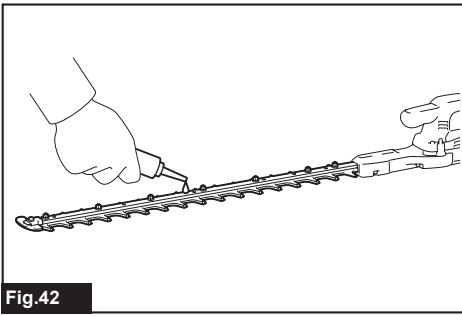


Fig.41



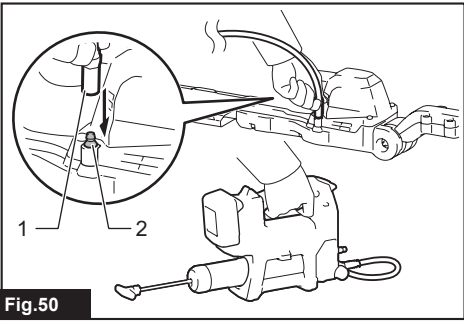


Fig.50

SPECIFICATIONS

Model:		UN001G
Blade length		600 mm
Strokes per minute		2,000 / 3,000 / 4,000 min ⁻¹
Cutting blade angle		115° (up 45°, down 70°)
Overall length		2,268 mm
Rated voltage		D.C. 36 V - 40 V max
Net weight	*1	4.0 kg
	*2	4.7 - 5.9 kg
Protection degree		IPX4

- Due to our continuing program of research and development, the specifications herein are subject to change without notice.
 - Specifications may differ from country to country.
- *1: Weight without any accessories or battery cartridge(s)
 *2: The weight may differ depending on the attachment(s), including the battery cartridge. The lightest and heaviest combinations, according to EPTA-Procedure 01/2014, are shown in the table.

Applicable battery cartridge and charger

Battery cartridge	BL4020 / BL4025 / BL4040 / BL4040F / BL4050F / BL4080F
Charger	DC40RA / DC40RB / DC40RC / DC40WA

- Some of the battery cartridges and chargers listed above may not be available depending on your region of residence.

⚠ WARNING: Only use the battery cartridges and chargers listed above. Use of any other battery cartridges and chargers may cause injury and/or fire.






Recommended cord connected power source

Portable power pack	PDC01 / PDC1200 / PDC1500
---------------------	---------------------------

- The cord connected power source(s) listed above may not be available depending on your region of residence.
- Before using the cord connected power source, read instruction and cautionary markings on them.

Symbols

The followings show the symbols which may be used for the equipment. Be sure that you understand their meaning before use.

	Read instruction manual.
	Wear a helmet, goggles and ear protection.
	DANGER - Keep hands away from blade.
	Beware of electrical lines, risk of electrical shock.
	Keep distance at least 15 m.



Only for EU countries
 Due to the presence of hazardous components in the equipment, waste electrical and electronic equipment, accumulators and batteries may have a negative impact on the environment and human health. Do not dispose of electrical and electronic appliances or batteries with household waste!
 In accordance with the European Directive on waste electrical and electronic equipment and on accumulators and batteries and waste accumulators and batteries, as well as their adaptation to national law, waste electrical equipment, batteries and accumulators should be stored separately and delivered to a separate collection point for municipal waste, operating in accordance with the regulations on environmental protection.
 This is indicated by the symbol of the crossed-out wheeled bin placed on the equipment.



Guaranteed sound power level according to EU Outdoor Noise Directive.



Intended use

The tool is intended for trimming hedges.

SAFETY WARNINGS

General power tool safety warnings

⚠WARNING Read all safety warnings, instructions, illustrations and specifications provided with this power tool. Failure to follow all instructions listed below may result in electric shock, fire and/or serious injury.

Save all warnings and instructions for future reference.

The term "power tool" in the warnings refers to your mains-operated (corded) power tool or battery-operated (cordless) power tool.

Work area safety

1. **Keep work area clean and well lit.** Cluttered or dark areas invite accidents.
2. **Do not operate power tools in explosive atmospheres, such as in the presence of flammable liquids, gases or dust.** Power tools create sparks which may ignite the dust or fumes.
3. **Keep children and bystanders away while operating a power tool.** Distractions can cause you to lose control.

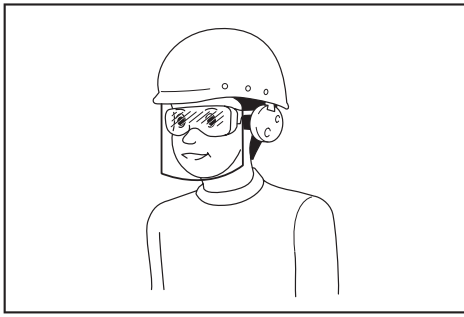
Electrical safety

1. **Power tool plugs must match the outlet. Never modify the plug in any way. Do not use any adapter plugs with earthed (grounded) power tools.** Unmodified plugs and matching outlets will reduce risk of electric shock.
2. **Avoid body contact with earthed or grounded surfaces, such as pipes, radiators, ranges and refrigerators.** There is an increased risk of electric shock if your body is earthed or grounded.
3. **Do not operate the machine in rain or wet conditions.** Water entering the machine may increase the risk of electric shock or malfunction that could result in personal injury.
4. **Do not abuse the cord. Never use the cord for carrying, pulling or unplugging the power tool. Keep cord away from heat, oil, sharp edges or moving parts.** Damaged or entangled cords increase the risk of electric shock.
5. **When operating a power tool outdoors, use an extension cord suitable for outdoor use.** Use of a cord suitable for outdoor use reduces the risk of electric shock.
6. **If operating a power tool in a damp location is unavoidable, use a residual current device (RCD) protected supply.** Use of an RCD reduces the risk of electric shock.

7. **Power tools can produce electromagnetic fields (EMF) that are not harmful to the user.** However, users of pacemakers and other similar medical devices should contact the maker of their device and/or doctor for advice before operating this power tool.

Personal safety

1. **Stay alert, watch what you are doing and use common sense when operating a power tool. Do not use a power tool while you are tired or under the influence of drugs, alcohol or medication.** A moment of inattention while operating power tools may result in serious personal injury.
2. **Use personal protective equipment. Always wear eye protection.** Protective equipment such as a dust mask, non-skid safety shoes, hard hat or hearing protection used for appropriate conditions will reduce personal injuries.
3. **Prevent unintentional starting. Ensure the switch is in the off-position before connecting to power source and/or battery pack, picking up or carrying the tool.** Carrying power tools with your finger on the switch or energising power tools that have the switch on invites accidents.
4. **Remove any adjusting key or wrench before turning the power tool on.** A wrench or a key left attached to a rotating part of the power tool may result in personal injury.
5. **Do not overreach. Keep proper footing and balance at all times.** This enables better control of the power tool in unexpected situations.
6. **Dress properly. Do not wear loose clothing or jewellery. Keep your hair and clothing away from moving parts.** Loose clothes, jewellery or long hair can be caught in moving parts.
7. **If devices are provided for the connection of dust extraction and collection facilities, ensure these are connected and properly used.** Use of dust collection can reduce dust-related hazards.
8. **Do not let familiarity gained from frequent use of tools allow you to become complacent and ignore tool safety principles.** A careless action can cause severe injury within a fraction of a second.
9. **Always wear protective goggles to protect your eyes from injury when using power tools. The goggles must comply with ANSI Z87.1 in the USA, EN 166 in Europe, or AS/NZS 1336 in Australia/New Zealand. In Australia/New Zealand, it is legally required to wear a face shield to protect your face, too.**



It is an employer's responsibility to enforce the use of appropriate safety protective equipments by the tool operators and by other persons in the immediate working area.

Power tool use and care

1. **Do not force the power tool. Use the correct power tool for your application.** The correct power tool will do the job better and safer at the rate for which it was designed.
2. **Do not use the power tool if the switch does not turn it on and off.** Any power tool that cannot be controlled with the switch is dangerous and must be repaired.
3. **Disconnect the plug from the power source and/or remove the battery pack, if detachable, from the power tool before making any adjustments, changing accessories, or storing power tools.** Such preventive safety measures reduce the risk of starting the power tool accidentally.
4. **Store idle power tools out of the reach of children and do not allow persons unfamiliar with the power tool or these instructions to operate the power tool.** Power tools are dangerous in the hands of untrained users.
5. **Maintain power tools and accessories. Check for misalignment or binding of moving parts, breakage of parts and any other condition that may affect the power tool's operation. If damaged, have the power tool repaired before use.** Many accidents are caused by poorly maintained power tools.
6. **Keep cutting tools sharp and clean.** Properly maintained cutting tools with sharp cutting edges are less likely to bind and are easier to control.
7. **Use the power tool, accessories and tool bits etc. in accordance with these instructions, taking into account the working conditions and the work to be performed.** Use of the power tool for operations different from those intended could result in a hazardous situation.
8. **Keep handles and grasping surfaces dry, clean and free from oil and grease.** Slippery handles and grasping surfaces do not allow for safe handling and control of the tool in unexpected situations.
9. **When using the tool, do not wear cloth work gloves which may be entangled.** The entanglement of cloth work gloves in the moving parts may result in personal injury.

Battery tool use and care

1. **Recharge only with the charger specified by the manufacturer.** A charger that is suitable for one type of battery pack may create a risk of fire when used with another battery pack.
2. **Use power tools only with specifically designed battery packs.** Use of any other battery packs may create a risk of injury and fire.
3. **When battery pack is not in use, keep it away from other metal objects, like paper clips, coins, keys, nails, screws or other small metal objects, that can make a connection from one terminal to another.** Shorting the battery terminals together may cause burns or a fire.
4. **Under abusive conditions, liquid may be ejected from the battery; avoid contact. If contact accidentally occurs, flush with water. If liquid contacts eyes, additionally seek medical help.** Liquid ejected from the battery may cause irritation or burns.
5. **Do not use a battery pack or tool that is damaged or modified.** Damaged or modified batteries may exhibit unpredictable behaviour resulting in fire, explosion or risk of injury.
6. **Do not expose a battery pack or tool to fire or excessive temperature.** Exposure to fire or temperature above 130 °C may cause explosion.
7. **Follow all charging instructions and do not charge the battery pack or tool outside the temperature range specified in the instructions.** Charging improperly or at temperatures outside the specified range may damage the battery and increase the risk of fire.

Service

1. **Have your power tool serviced by a qualified repair person using only identical replacement parts.** This will ensure that the safety of the power tool is maintained.
2. **Never service damaged battery packs.** Service of battery packs should only be performed by the manufacturer or authorized service providers.
3. **Follow instruction for lubricating and changing accessories.**

Cordless pole hedge trimmer safety warnings

Cordless hedge trimmer safety warnings:

1. **Do not use the hedge trimmer in bad weather conditions, especially when there is a risk of lightning.** This decreases the risk of being struck by lightning.
2. **Keep all power cords and cables away from cutting area.** Power cords or cables may be hidden in hedges or bushes and can be accidentally cut by the blade.
3. **Wear ear protection.** Adequate protective equipment will reduce the risk of hearing loss.
4. **Hold the hedge trimmer by insulated gripping surfaces only, because the blade may contact hidden wiring.** Blades contacting a "live" wire may make exposed metal parts of the hedge trimmer "live" and could give the operator an electric shock.

5. **Keep all parts of the body away from the blade. Do not remove cut material or hold material to be cut when blades are moving.** Blades continue to move after the switch is turned off. A moment of inattention while operating the hedge trimmer may result in serious personal injury.
6. **When clearing jammed material or servicing the hedge trimmer, make sure all power switches are off and the battery pack is removed or disconnected.** Unexpected actuation of the hedge trimmer while clearing jammed material or servicing may result in serious personal injury.
7. **Carry the hedge trimmer by the handle with the blade stopped and taking care not to operate any power switch.** Proper carrying of the hedge trimmer will decrease the risk of inadvertent starting and resultant personal injury from the blades.
8. **When transporting or storing the hedge trimmer, always use the blade cover.** Proper handling of the hedge trimmer will decrease the risk of personal injury from the blades.
8. **Before operation, examine the work area for wire fences, stones, or other solid objects. They can damage the blades.**
9. **Use the tool only if you are in good physical condition.** If you are tired, your attention will be reduced. Be especially careful at the end of a working day. Perform all work calmly and carefully. The user is responsible for all damages to third parties.
10. **Before starting work, check to make sure that the tool is in good and safe working order. Ensure guards are fitted properly. The tool must not be used unless fully assembled.**
11. **Avoid dangerous environment. Do not use the tool in damp or wet locations or expose it to rain. Water entering the tool will increase the risk of electric shock.**

Cordless pole hedge trimmer safety warnings:

1. **Always use head protection when operating the pole hedge trimmer overhead.** Falling debris can result in serious personal injury.
2. **Always use two hands when operating the pole hedge trimmer.** Hold the pole hedge trimmer with both hands to avoid loss of control.
3. **To reduce the risk of electrocution, never use the pole hedge trimmer near any electrical power lines.** Contact with or use near power lines may cause serious injury or electric shock resulting in death.

Additional Safety Warnings

Preparation

1. **THIS HEDGE TRIMMER CAN CAUSE SERIOUS INJURIES.** Read the instructions carefully for the correct handling, preparation, maintenance, starting and stopping of the tool. Become familiar with all controls and the proper use of the tool.
2. **Check the hedges and bushes for foreign objects, such as wire fences or hidden wiring before operating the tool.**
3. **The tool must not be used by children or young persons under 18 years of age.** Young persons over 16 years of age may be exempted from this restriction if they are undergoing training under the supervision of an expert.
4. **In the event of an emergency, switch off the tool and remove the battery cartridge immediately.**
5. **DANGER - Keep hands away from blade.** Contact with blade will result in serious personal injury.
6. **Only use with handle and guard properly assembled to the tool.** The use of the tool without the proper guard or handle provided may result in serious personal injury.
7. **First-time users should have an experienced user show them how to use the tool.**

Personal protective equipment

1. **Work gloves of stout leather are part of the basic equipment of the tool and must always be worn when working with it. Also wear sturdy shoes with anti-skid soles.**
2. **Wear ear protection such as ear muffs to prevent hearing loss.**
3. **Wear protective goggles, safety helmet and protective gloves to protect yourself from flying debris or falling objects.**
4. **When touching blades or adjusting the blade angle, wear protective gloves.** Blades can cut bare hands severely.

Operation

1. **Always use two hands to operate the tool fitted with two handles.** Using one hand could cause loss of control and result in serious personal injury.
2. **While operating the tool, always ensure that the operating position is safe and secure. Overreaching with the tool, particularly from a ladder, is extremely dangerous. Do not work from anything wobbly or infirm.**
3. **Do not simultaneously wear multiple belt harnesses and/or shoulder harnesses when operating the tool.**
4. **During operation, keep bystanders or animals at least 15 m away from the tool. Stop the tool as soon as someone approaches.**
5. **If cutting tool strikes any object or the tool starts making unusual noise or vibration, switch off the tool and remove the battery cartridge immediately and allow the tool to stop. And then take the following steps:**
 - inspect for damage
 - check for, and tighten, any loose parts
 - have any damaged parts replaced or repaired with genuine spare parts.
6. **Only use the tool for its intended purpose. Do not use the tool for any other purpose.**

7. **Switch off the tool and remove the battery cartridge before:**
 - cleaning or when clearing a blockage,
 - checking, carrying out maintenance or working on the tool,
 - adjusting the working position of the shear blades,
 - leaving the tool unattended.
8. **Ensure that the tool is correctly located in a designated working position before starting the tool.**
9. **Do not operate the tool with a damaged or excessively worn shear blades.**
10. **Always ensure that all handles and guards are fitted when using the tool. Never attempt to use an incomplete tool or one fitted with an unauthorized modification.**
11. **Always be aware of your surroundings and stay alert for possible hazards of which you may not be aware due to the noise of the tool.**
12. **Be careful not to accidentally contact a metal fence or other hard objects during operation.** The blade will break and may cause serious injury.
13. **Avoid unintentional starting. Do not carry the tool when the battery cartridge is installed and with finger on the switch. Make sure that the switch is off when installing the battery cartridge.**
14. **Do not grasp the exposed cutting blades or cutting edges when picking up or holding the tool.**
15. **Do not force the tool.** It will do the job better and with less likelihood of a risk of injury at the rate for which it was designed.
16. **Do not use the tool in the rain or in wet or very damp conditions.** The electric motor is not waterproof.
17. **Hold the tool firmly when using the tool.**
18. **Do not operate the tool at no-load unnecessarily.**
19. **Before checking the shear blades, taking care of faults, or removing foreign objects caught in the shear blades, always switch off the tool and remove the battery cartridge.**
20. **Never point the shear blades to yourself or others.**
21. **If the blades stop moving due to the stuck of foreign objects between the blades during operation, switch off the tool and remove the battery cartridge, and then remove the foreign objects using tools such as pliers.** Removing the foreign objects by hand may cause an injury for the reason that the blades may move in reaction to removing the foreign objects.
22. **Make sure there are no electrical cables, water pipes, gas pipes etc. that could cause a hazard if damaged by use of the tool.**
23. **Do not touch the metal parts or hot surfaces of the tool during use or immediately after operation; they may be extremely hot and could burn your skin.** Let the tool cool down before carrying out any work on the tool.
24. **Do not use the tool on soft/unstable/slippery ground or steep inclines. Avoid working on ladders or at heights.** Doing otherwise may cause a risk of falling, resulting in personal injury.
25. **Do not use the tool in bad weather or at night where visibility is limited.** Failure to do so may cause fall or incorrect operation due to low visibility.
26. **Avoid working in poor environment where increased user fatigue is expected.**
27. **Do not submerge the tool into a puddle.**
28. **Do not leave the tool unattended outdoors in the rain.**
29. **When wet leaves or dirt adhere to the suction mouth (ventilation window) due to rain, remove them.**
30. **Do not use the tool in the snow.**

Electrical and battery safety

1. **Do not dispose of the battery(ies) in a fire.** The cell may explode. Check with local codes for possible special disposal instructions.
2. **Do not open or mutilate the battery(ies).** Released electrolyte is corrosive and may cause damage to the eyes or skin. It may be toxic if swallowed.
3. **Do not charge battery in rain, or in wet locations.**
4. **Do not charge the battery outdoors.**
5. **Do not handle charger, including charger plug, and charger terminals with wet hands.**
6. **Do not replace the battery with wet hands.**
7. **Do not replace the battery in the rain.**
8. **Do not wet the terminal of battery with liquid such as water, or submerge the battery.** Do not leave the battery in the rain, nor charge, use, or store the battery in a damp or wet place. If the terminal gets wet or liquid enters inside of battery, the battery may be short circuited and there is a risk of overheat, fire, or explosion.
9. **After removing the battery from the tool or charger, be sure to attach the battery cover to the battery and store it in a dry place.**
10. **If the battery cartridge gets wet, drain the water inside and then wipe it with a dry cloth. Dry the battery cartridge completely in a dry place before use.**

Maintenance and storage

1. **When the tool is stopped for servicing, inspection or storage, switch off the tool and remove the battery cartridge, and make sure all moving parts have come to a stop. Allow the tool to cool before making any inspections, adjustment, etc.**
2. **Always allow the tool to cool down before storing.**
3. **When not in use, attach the blade cover to the tool and store the tool indoors in dry, and high locked-up place, out of reach of children.**

4. **Maintain the tool with care.** Keep cutting edge sharp and clean for best performance and to reduce the risk of injury. Follow instructions for lubricating and changing accessories. Keep handles dry, clean, and free from oil and grease.
5. **Check damaged parts.** Before further use of the tool, any part which is damaged should be carefully checked to determine that it will operate properly and perform its intended function. Check for alignment of moving parts, binding of moving parts, breakage of parts, mounting and any other condition that may affect its operation. A guard or other part that is damaged should be properly repaired or replaced by your authorized service center.
6. **Use genuine spare parts only.**
7. **When moving the tool to another location, including during work, always remove the battery cartridge and put the blade cover on the shear blades.** Never carry or transport the tool with the blades running. Never grasp the blades with your hands.
8. **Clean the tool and especially the shear blades after use, and before putting the tool into storage for extended periods.** Lightly oil the shear blades and put on the blade cover.
9. **Do not wash the tool with high pressure water.**
10. **When washing the tool, do not let water enter the electrical mechanism such as battery, motor, and terminals.**
11. **Perform inspection or maintenance in a place where rain can be avoided.**
12. **After using the tool, remove the adhered dirt and dry the tool completely before storing.** Depending on the season or the area, there is a risk of malfunction due to freezing.
13. **When storing the tool, avoid direct sunlight and rain, and store it in a place where it does not get hot or humid.**
4. **If electrolyte gets into your eyes, rinse them out with clear water and seek medical attention right away.** It may result in loss of your eyesight.
5. **Do not short the battery cartridge:**
 - (1) **Do not touch the terminals with any conductive material.**
 - (2) **Avoid storing battery cartridge in a container with other metal objects such as nails, coins, etc.**
 - (3) **Do not expose battery cartridge to water or rain.**

A battery short can cause a large current flow, overheating, possible burns and even a breakdown.
6. **Do not store and use the tool and battery cartridge in locations where the temperature may reach or exceed 50 °C (122 °F).**
7. **Do not incinerate the battery cartridge even if it is severely damaged or is completely worn out.** The battery cartridge can explode in a fire.
8. **Do not nail, cut, crush, throw, drop the battery cartridge, or hit against a hard object to the battery cartridge.** Such conduct may result in a fire, excessive heat, or explosion.
9. **Do not use a damaged battery.**
10. **The contained lithium-ion batteries are subject to the Dangerous Goods Legislation requirements.**

For commercial transports e.g. by third parties, forwarding agents, special requirement on packaging and labeling must be observed. For preparation of the item being shipped, consulting an expert for hazardous material is required. Please also observe possibly more detailed national regulations.

Tape or mask off open contacts and pack up the battery in such a manner that it cannot move around in the packaging.
11. **When disposing the battery cartridge, remove it from the tool and dispose of it in a safe place.** Follow your local regulations relating to disposal of battery.
12. **Use the batteries only with the products specified by Makita.** Installing the batteries to non-compliant products may result in a fire, excessive heat, explosion, or leak of electrolyte.
13. **If the tool is not used for a long period of time, the battery must be removed from the tool.**
14. **During and after use, the battery cartridge may take on heat which can cause burns or low temperature burns.** Pay attention to the handling of hot battery cartridges.
15. **Do not touch the terminal of the tool immediately after use as it may get hot enough to cause burns.**
16. **Do not allow chips, dust, or soil stuck into the terminals, holes, and grooves of the battery cartridge.** It may cause heating, catching fire, burst and malfunction of the tool or battery cartridge, resulting in burns or personal injury.

SAVE THESE INSTRUCTIONS.

⚠WARNING: DO NOT let comfort or familiarity with product (gained from repeated use) replace strict adherence to safety rules for the subject product. MISUSE or failure to follow the safety rules stated in this instruction manual may cause serious personal injury.

Important safety instructions for battery cartridge

1. **Before using battery cartridge, read all instructions and cautionary markings on (1) battery charger, (2) battery, and (3) product using battery.**
2. **Do not disassemble or tamper with the battery cartridge.** It may result in a fire, excessive heat, or explosion.
3. **If operating time has become excessively shorter, stop operating immediately.** It may result in a risk of overheating, possible burns and even an explosion.

17. Unless the tool supports the use near high-voltage electrical power lines, do not use the battery cartridge near high-voltage electrical power lines. It may result in a malfunction or breakdown of the tool or battery cartridge.
18. Keep the battery away from children.

SAVE THESE INSTRUCTIONS.

⚠ CAUTION: Only use genuine Makita batteries. Use of non-genuine Makita batteries, or batteries that have been altered, may result in the battery bursting causing fires, personal injury and damage. It will also void the Makita warranty for the Makita tool and charger.

Tips for maintaining maximum battery life

1. Charge the battery cartridge before completely discharged. Always stop tool operation and charge the battery cartridge when you notice less tool power.
2. Never recharge a fully charged battery cartridge. Overcharging shortens the battery service life.
3. Charge the battery cartridge with room temperature at 10 °C - 40 °C (50 °F - 104 °F). Let a hot battery cartridge cool down before charging it.
4. When not using the battery cartridge, remove it from the tool or the charger.
5. Charge the battery cartridge if you do not use it for a long period (more than six months).

PARTS DESCRIPTION

► Fig.1

1	Head	2	Front grip	3	Hanger	4	Lock-off lever
5	Battery cartridge	6	Rear grip	7	Switch lever	8	Slide sleeve
9	Shear blades	10	Speed indicator	11	Caution lamp	12	Reverse button
13	Main power button	-	-	-	-	-	-

FUNCTIONAL DESCRIPTION

⚠ CAUTION: Always be sure that the tool is switched off and the battery cartridge is removed before adjusting or checking function on the tool.

Installing or removing battery cartridge

⚠ CAUTION: Always switch off the tool before installing or removing of the battery cartridge.

⚠ CAUTION: Hold the tool and the battery cartridge firmly when installing or removing battery cartridge. Failure to hold the tool and the battery cartridge firmly may cause them to slip off your hands and result in damage to the tool and battery cartridge and a personal injury.

To install the battery cartridge, align the tongue on the battery cartridge with the groove in the housing and slip it into place. Insert it all the way until it locks in place with a little click. If you can see the red indicator as shown in the figure, it is not locked completely.

To remove the battery cartridge, slide it from the tool while sliding the button on the front of the cartridge.

► Fig.2: 1. Red indicator 2. Button 3. Battery cartridge

⚠ CAUTION: Always install the battery cartridge fully until the red indicator cannot be seen. If not, it may accidentally fall out of the tool, causing injury to you or someone around you.

⚠ CAUTION: Do not install the battery cartridge forcibly. If the cartridge does not slide in easily, it is not being inserted correctly.

Indicating the remaining battery capacity

Press the check button on the battery cartridge to indicate the remaining battery capacity. The indicator lamps light up for a few seconds.

► Fig.3: 1. Indicator lamps 2. Check button

Indicator lamps			Remaining capacity
Lighted	Off	Blinking	
■ ■ ■ ■	□ □ □ □	▧	75% to 100%
■ ■ ■ □	□ □ □ □	▧	50% to 75%
■ ■ □ □	□ □ □ □	▧	25% to 50%
■ □ □ □	□ □ □ □	▧	0% to 25%
▧ □ □ □	□ □ □ □	▧	Charge the battery.
■ ■ □ □	□ □ □ □	▧	The battery may have malfunctioned.
□ □ □ ■	□ □ □ □	▧	

NOTE: Depending on the conditions of use and the ambient temperature, the indication may differ slightly from the actual capacity.

NOTE: The first (far left) indicator lamp will blink when the battery protection system works.

Tool / battery protection system

The tool is equipped with tool/battery protection system. This system automatically cuts off power to the motor to extend tool and battery life. The tool will automatically stop during operation if the tool or battery is placed under one of the following conditions:

► Fig.4: 1. Caution lamp

Caution lamp		Status
Color	● On ● Blinking	
Green	●	Overload
Red	● (tool) / ● (battery)	Overheat
Red	●	Over discharge

NOTICE: Depending on the usage conditions, the tool automatically stops without any indication if the branches or debris are entangled in the tool. In this case, switch off the tool and remove the battery cartridge, and then remove entangled branches or debris using tools such as pliers. After removing the branches or debris, install the battery cartridge and turn on the tool again.

Overload protection

If the tool or battery is overloaded by entangled branches or other debris, the tool automatically stops and the caution lamp starts blinking in green. In this situation, turn the tool off and stop the application that caused the tool to become overloaded. Then turn the tool on to restart.

Overheat protection for tool or battery

If the tool or battery cartridge is overheated, the tool stops automatically. When the tool is overheated, the caution lamp lights up in red. When the battery cartridge is overheated, the caution lamp blinks in red. Let the tool and/or battery cool down before turning the tool on again.

Overdischarge protection

When the battery capacity becomes low, the tool stops automatically and the caution lamp starts blinking in red. If the tool does not operate even when the switches are operated, remove the battery cartridge from the tool and charge it.

Protections against other causes

Protection system is also designed for other causes that could damage the tool and allows the tool to stop automatically. Take all the following steps to clear the causes, when the tool has been brought to a temporary halt or stop in operation.

1. Turn the tool off, and then turn it on again to restart.
2. Charge the battery(ies) or replace it/them with recharged battery(ies).
3. Let the machine and battery(ies) cool down.

If no improvement can be found by restoring protection system, then contact your local Makita Service Center.

Power switch action

⚠WARNING: For your safety, this tool is equipped with lock-off switch which prevents the tool from unintended starting. NEVER use the tool if it runs when you simply pull the switch lever without pressing the lock-off lever. Return the tool to our authorized service center for proper repairs BEFORE further usage.

⚠WARNING: NEVER tape down or defeat purpose and function of lock-off lever.

⚠CAUTION: Before installing the battery cartridge in the tool, always check to see that the switch lever actuates properly and returns to the "OFF" position when released. Operating a tool with a switch that does not actuate properly can lead to loss of control and serious personal injury.

⚠CAUTION: Never put your finger on the switch when carrying. The tool may start unintentionally and cause injury.

NOTICE: Do not pull the switch lever hard without pressing the lock-off lever. This can cause switch breakage.

Press the main power button to turn on the tool. To turn off the tool, press and hold the main power button until the speed indicator goes off.

► **Fig.5:** 1. Main power button 2. Speed indicator 3. Caution lamp

NOTE: The caution lamp blinks in green if the switch lever is pulled under unoperable conditions as follows:

- Turning on the main power switch while holding down the lock-off lever and the switch lever.
- Pulling the switch lever with the lock-off lever being held down while folding the tool head.

NOTE: This tool employs the auto power-off function. The main power switch will automatically shut down if the tool is not operated for approximately 5 minute(s).

NOTE: The auto power-off function can be served when the tool stops due to protection system operation. The main power switch will automatically shut down approximately 5 minute(s) after the motor automatically stops and no corrective action is taken against tool protection.










To prevent the switch lever from being accidentally pulled, a double lock-off switch is provided for safety. To start the tool, push the lock lever down forward past its normal position using the web of your hand (i.e., the part between thumb and index finger) and squeeze the lock-off lever with your palm. Then pull the switch lever with the lock-off lever being held. Release the switch lever to stop.

► **Fig.6:** 1. Lock lever 2. Lock-off lever 3. Switch lever

Speed adjusting

You can adjust the tool speed by pressing the main power button. Each time you press the main power button, the level of speed changes.

► **Fig.7:** 1. Main power button 2. Speed indicator

Indicator	Mode	Stroke speed
  	High	4,000 min ⁻¹
  	Medium	3,000 min ⁻¹
  	Low	2,000 min ⁻¹

NOTE: The tool starts in the same mode as the last operation. If you remove the battery while the motor is running after the shutdown, the tool may not start in the same mode as the last operation.

Reverse button for debris removal

WARNING: If the entangled branches or debris cannot be removed by the reverse function, switch off the tool and remove the battery cartridge, and then remove the entangled branches or debris using tools such as pliers. Failure to switch off the tool and remove the battery cartridge may result in serious personal injury from accidental start-up. Removing the entangled branches or debris by hand may cause an injury, since the shear blades may move in reaction to removing them.

This tool has a reverse button to change the direction of shear blades movement. It is only for removing branches and debris entangled in the tool.

To reverse the shear blades movement, press the reverse button when the shear blades have stopped, and then pull the switch lever while pressing the lock-off lever. The speed indicator starts blinking, and the shear blades move in reverse direction.

When entangled branches and debris are removed, the tool returns to the regular movement and the speed indicator stops blinking and lights up.

► **Fig.8:** 1. Reverse button 2. Speed indicator

NOTE: If the entangled branches or debris cannot be removed, release the switch lever, then press the reverse button, and then pull the switch lever until they are removed.

NOTE: If you press the reverse button while the shear blades are still moving, the tool comes to stop and to be ready for reverse movement.

Adjusting the cutting angle

CAUTION: Always be sure that the tool is switched off before folding or unfolding the head.

CAUTION: When folding the head for carrying the tool or after using the tool, be sure to attach the blade cover before folding the head.

CAUTION: When folding the head, be careful not to pinch your fingers between the head and the slide sleeve.

The angle of the head can be adjusted in 6 steps at between 45° upward and 70° downward. To change the angle of the head, follow the steps below.

► **Fig.9:** 1. Upward head angles 2. Downward head angles

1. Hold the head and the slide sleeve as shown in the figure.

► **Fig.10:** 1. Head 2. Slide sleeve

2. Move the head while holding down the slide sleeve, and then release the slide sleeve.

3. Move the head slightly until it is locked with a click.

NOTE: Make sure that the head is securely locked before operating the tool.

Electronic function

The tool is equipped with the electronic functions for easy operation.

- **Constant speed control**
The speed control function provides the constant rotation speed regardless of load conditions.
- **Electric brake**
This tool is equipped with an electric brake. If the tool consistently fails to stop the shear blades quickly after the switch lever is released, have the tool serviced at Makita Authorized Service Center.
- **Accidental re-start preventive function**
When you turn on the tool while pulling the switch lever, the tool does not start and the caution lamp blinks in green. To start the tool, first release the switch lever and then turn on the tool.

ASSEMBLY

⚠ CAUTION: Always be sure that the tool is switched off and the battery cartridge is removed before carrying out any work on the tool.

⚠ CAUTION: When replacing the shear blades, always wear gloves so that your hands do not directly contact the blades.

Installing or removing the shear blades

⚠ CAUTION: Attach the blade cover before removing or installing the shear blades.

NOTICE: When replacing the shear blades, do not wipe off grease from the gear and crank.

NOTE: Before installing or removing the shear blades, unfold the head of the tool so that the head is straight to the tool body.

1. Place the tool upside down, and then remove the 6 bolts.

▶ Fig.11: 1. Bolt

2. Remove the cover and the plate.

▶ Fig.12: 1. Cover 2. Plate

Use a slotted screwdriver to pry the cover open if you find it hard to open the cover.

Insert the slotted screwdriver into one or more of the opening and cutouts on the tool housing, and then lift the cover out of the housing.

- ▶ Fig.13: 1. Cutouts (on both sides of housing)
2. Opening (between cover and shear blades)

NOTE: The plate may remain inside the cover.

3. Remove the connecting rod and the bearing.

▶ Fig.14: 1. Connecting rod 2. Bearing

NOTE: The connecting rod and the bearing may remain inside the cover.

4. Remove the 2 bolts and the 2 sleeves from the shear blades. Disassemble the shear blades from the tool body. Then detach the felt pad and the rubber dust seal from the shear blades.

▶ Fig.15: 1. Bolt 2. Sleeve 3. Shear blades 4. Felt pad 5. Dust seal

NOTICE: Be careful not to lose pieces of component parts as they will be reused for reassembly.

5. Remove the blade cover, and then attach it to the new shear blades.

▶ Fig.16: 1. Blade cover

6. Adjust the crank so that 2 holes are lined up on the alignment line.

▶ Fig.17: 1. Holes 2. Alignment line

7. Align the protruding parts on both sides of the shear blades.

▶ Fig.18: 1. Protruding parts

8. Hold the shear blades with their sleeve holes facing upwards. Attach the felt pad to the shear blades as its arms wrap around the shear blades.

▶ Fig.19: 1. Felt pad 2. Sleeve hole

9. Turn the shear blades upside down. Attach the rubber dust seal to the shear blades. Adjust its position so the one end of the dust seal touches with the protruding part of the shear blades.

▶ Fig.20: 1. Dust seal 2. Protruding part

10. Turn the shear blades with the felt pad facing upwards. Align the protruding part of the shear blades with the small end hole in the connecting rod. Assemble the shear blades back in place.

▶ Fig.21: 1. Felt pad 2. Dust seal 3. Protruding part
4. Small end hole 5. Cutouts for felt pad
6. Cutouts for dust seal

NOTICE: Make sure to fit the felt pad and the rubber dust seal well into the cutouts on the blade housing.

NOTICE: Apply a small amount of grease to the inner periphery of the small end hole in the connecting rod.

11. Place new sleeves into the sleeve holes in the shear blades.

▶ Fig.22: 1. Sleeve 2. Sleeve hole

NOTICE: Be careful not to lose the sleeves.

12. Align the holes in the sleeves, those in the shear blades and those in the blade housing together along a line. Then tighten the 2 bolts to secure the shear blades.

▶ Fig.23: 1. Bolt 2. Sleeve 3. Shear blades

13. Attach the bearing and the connecting rod.

▶ Fig.24: 1. Connecting rod 2. Small end hole
3. Bearing

NOTICE: Apply a small amount of grease to the inner periphery of the small end hole in the connecting rod.

NOTICE: Make sure to fit the protruding part of the shear blades well into the small end hole in the connecting rod.

14. Assemble the plate back in place.

► Fig.25: 1. Plate 2. Protruding part

NOTICE: Make sure to fit the protruding part of the shear blades well into the hole in the plate.

15. Attach the cover, and then tighten the 6 bolts.

► Fig.26: 1. Cover 2. Bolt

NOTICE: If the shear blades do not move smoothly, the shear blades are not engaged with the connecting rods properly. Install the shear blades again.

NOTICE: If the parts other than the shear blades such as the connecting rods are worn out, ask Makita Authorized Service Centers for parts replacement or repairs.

Installing or removing the chip receiver

Optional accessory

CAUTION: When installing or removing the chip receiver, always wear gloves so that your hands do not directly contact the shear blades.

NOTICE: The blade cover cannot be installed if the chip receiver is installed on the tool. Before carrying or storing the tool, uninstall the chip receiver, and then install the blade cover to avoid blade exposure.

NOTICE: Be sure to remove the blade cover before installing the chip receiver.

The chip receiver gathers discarded leaves and makes clean-up afterward much easier. It can be installed on either side of the tool.

1. Hook the claws of the chip receiver to the shear blades.

► Fig.27: 1. Chip receiver 2. Shear blades 3. Claw

2. Align the holes on the chip receiver with the screws on the shear blades, and then attach the chip receiver to the shear blades securely.

► Fig.28: 1. Hole 2. Screw

NOTICE: Make sure that the chip receiver does not overlap the branch catcher.

► Fig.29: 1. Branch catcher

To remove the chip receiver, press the levers to release the claws.

► Fig.30: 1. Lever

NOTICE: Never try to remove the chip receiver by an excessive force with its hooks locked in the grooves of the shear blades.

OPERATION

Attaching the shoulder harness

CAUTION: Before operation, make sure that the shoulder harness is properly attached to the hanger on the tool.

CAUTION: When you use the tool in combination of the backpack-type power supply such as portable power pack, do not use the shoulder harness included in the tool package, but use the hanging band recommended by Makita.

If you put on the shoulder harness included in the tool package and the shoulder harness of the backpack-type power supply at the same time, removing the tool or backpack-type power supply is difficult in case of an emergency, and it may cause an accident or injury. For the recommended hanging band, ask Makita Authorized Service Centers.

NOTE: Use the shoulder harness attached to the tool. Before operation, adjust the shoulder harness according to the user size to prevent fatigue.

1. Wear the shoulder harness on your shoulder.
► Fig.31

2. Clasp the hook on the shoulder harness to the tool's hanger.
► Fig.32: 1. Hook 2. Hanger

3. Adjust the shoulder harness to a comfortable working position.
► Fig.33

The shoulder harness features a means of quick release.

Simply squeeze the sides of the buckle to release the tool from the shoulder harness.

► Fig.34: 1. Buckle

Operating the tool

WARNING: Do not use the tool near any electrical power lines. Contacting with power lines or using the tool near power lines may cause serious injury or electric shock resulting in death.

WARNING: Keep hands away from shear blades.

WARNING: Be extremely careful to maintain control of the tool at all times. Do not allow the tool to be deflected toward you or anyone in the work vicinity. Failure to keep control of the tool could result in serious injury to the bystander and the operator.

⚠ CAUTION: Avoid operating the tool in very hot weather as much as practicable. When operating the tool, be careful of your physical condition.

⚠ CAUTION: Be careful not to accidentally contact a metal fence or other hard objects while trimming. The shear blades may break and cause an injury.

⚠ CAUTION: Be careful not to allow the shear blades to contact the ground. The tool may recoil and cause an injury.

⚠ CAUTION: Overreaching with a hedge trimmer, particularly from a ladder, is extremely dangerous. Do not work while standing on anything wobbly or infirm.

NOTICE: Do not attempt to cut branches thicker than 10 mm in diameter with the tool. Cut branches to 10 cm lower than the cutting height using branch cutters before using the tool.

► Fig.35: 1. Cutting height 2. 10 cm

NOTICE: Do not cut down dead trees or similar hard objects. Doing so may damage the tool.

NOTICE: Do not trim the grass or weeds while using the shear blades. The shear blades may become tangled in the grass or weeds.

Hold the tool with both hands.

► Fig.36

Pull the switch lever while pressing and holding the lock-off lever, and then prepare the tool for trimming.

► Fig.37

For basic operation, tilt the shear blades toward the trimming direction and move it calmly and slowly at the speed rate of 3 to 4 seconds per meter.

► Fig.38

To cut a hedge side evenly, cut from the bottom to top.

► Fig.39

When trimming to make a round shape (trimming boxwood or rhododendron, etc.), trim from the root to the top for a beautiful finish.

► Fig.40

If the chip receiver is attached to the shear blades, it gathers discarded leaves and makes clean-up afterward much easier.

► Fig.41

MAINTENANCE

⚠ CAUTION: Always be sure that the tool is switched off and the battery cartridge is removed before attempting to perform inspection or maintenance.

⚠ CAUTION: When inspecting or maintaining the tool, always put the tool down. Assembling or adjusting the tool in an upright position may result in serious injury.

To maintain product SAFETY and RELIABILITY, repairs, any other maintenance or adjustment should be performed by Makita Authorized or Factory Service Centers, always using Makita replacement parts.

Cleaning the tool

Clean the tool by wiping off dust with a dry cloth or one dipped in soapy water and wrung out.

NOTICE: Never use gasoline, benzine, thinner, alcohol or the like. Discoloration, deformation or cracks may result.

Shear blades maintenance

Before the operation or once per hour during operation, apply low-viscosity oil (machine oil, or spray-type lubricating oil) to the shear blades.

► Fig.42

After operation, remove dust from both sides of the shear blades with a wire brush, wipe it off with a cloth and then apply low-viscosity oil (machine oil, or spray-type lubricating oil) to the shear blades.

► Fig.43

NOTICE: Do not wash the shear blades in water. Doing so may cause rust or damage to the tool.

NOTICE: Dirt and corrosion cause excessive blade friction and shorten the operating time per battery charge.

Storage

Attach the blade cover to the shear blades so that the blades are not exposed. Store the tool out of the reach of children. Store the tool in a place not exposed to moisture or rain.

Grinding the shear blades

NOTICE: If the shear blades have considerably deformed by grinding, replace the shear blades with new ones.

1. Install the battery cartridge to the tool.
2. Turn on and start the tool so that the upper blade and lower blade are positioned shifted to each other.
► Fig.44
3. Turn off the tool and remove the battery cartridge from the tool.
4. Remove the screw, and then remove the branch catcher.
► Fig.45: 1. Screw 2. Branch catcher
5. Set the angle of a file to 50°, and grind the upper blade with the file in exactly the three edge directions.
► Fig.46: 1. File 2. 50°

⚠ CAUTION: Before grinding the shear blades, make sure that the tool is switched off and the battery cartridge is removed from the tool.

6. Place the tool upside down, and then remove the burrs from the shear blade with the dressing stone.
▶ **Fig.47:** 1. Dressing stone
7. Set the angle of the file to 50°, and grind the lower blade with the file in exactly the three edge directions.
8. Return the tool to normal position, and then remove the burrs from the shear blade with the dressing stone.
9. Attach the branch catcher by tightening the screw.

Grease lubrication

Interval of lubrication: Every 50 operating hours

Using oil hole for lubrication

1. Remove the bolt from the hole for lubrication.
▶ **Fig.48:** 1. Bolt
2. Remove the cap from the grease vessel. Align the outlet of the grease vessel with the hole on the cover, and then press the outlet of the grease vessel onto the hole.
▶ **Fig.49:** 1. Grease vessel 2. Hole

3. Apply the grease to the tool (Approximately 5 g as a guide).
4. Tighten the bolt.

Using grease nipple

The nipple connector helps to connect a grease gun with a positive fit.

1. Prepare a grease gun for use.
2. Connect the adapter of the grease gun to the grease nipple on the tool.
▶ **Fig.50:** 1. Grease gun adapter 2. Grease nipple
3. Apply the grease to the tool (Approximately 5 g as a guide).
4. Tilt the adapter slightly to release internal pressure, and then remove the adapter from the grease nipple.
Wipe off the grease from the adapter and the grease nipple.

TROUBLESHOOTING

Before asking for repairs, conduct your own inspection first. If you find a problem that is not explained in the manual, do not attempt to dismantle the tool. Instead, ask Makita Authorized Service Centers, always using Makita replacement parts for repairs.

State of abnormality	Probable cause (malfunction)	Remedy
Motor does not run.	Battery cartridge is not installed.	Install the battery cartridge.
	Battery problem (under voltage)	Recharge the battery. If recharging is not effective, replace battery.
	The drive system does not work correctly.	Ask your local authorized service center for repair.
Motor stops running after a little use.	Battery's charge level is low.	Recharge the battery. If recharging is not effective, replace battery.
	Overheating.	Stop using of tool to allow it to cool down.
Tool does not reach maximum RPM.	Battery is installed improperly.	Install the battery cartridge as described in this manual.
	Battery power is dropping.	Recharge the battery. If recharging is not effective, replace battery.
	The drive system does not work correctly.	Ask your local authorized service center for repair.
Shear blades do not move: ⇒ stop the machine immediately!	Inappropriate angle of shear blades.	Make sure that the head is properly fixed in the operational angle.
	Foreign objects are caught between the shear blades.	1. Use the reverse button. 2. Switch off the tool and remove the battery cartridge, and then remove the foreign objects using tools such as pliers.
	The drive system does not work correctly.	Ask your local authorized service center for repair.
Abnormal vibration: ⇒ stop the machine immediately!	Shear blades are broken, bent or worn.	Replace the shear blades.
	The drive system does not work correctly.	Ask your local authorized service center for repair.
Shear blades and motor cannot stop: ⇒ Remove the battery immediately!	Electric malfunction.	Remove the battery and ask your local authorized service center for repair.

OPTIONAL ACCESSORIES

⚠ CAUTION: These accessories or attachments are recommended for use with your Makita tool specified in this manual. The use of any other accessories or attachments might present a risk of injury to persons. Only use accessory or attachment for its stated purpose.

If you need any assistance for more details regarding these accessories, ask your local Makita Service Center.

- Shear blades assembly
- Chip receiver
- Grease vessel
- Makita genuine battery and charger

NOTE: Some items in the list may be included in the tool package as standard accessories. They may differ from country to country.

规格

型号:	UN001G	
刀片长度	600 mm	
冲程速度	2,000 / 3,000 / 4,000 /min	
刀片角度	115° (向上45°, 向下70°)	
总长度	2,268 mm	
额定电压	D.C. 36 V - 40 V (最大)	
净重	*1	4.0 kg
	*2	4.7 - 5.9 kg
防护等级	IPX4	

- 生产者保留变更规格不另行通知之权利。
- 规格可能因销往国家之不同而异。

*1: 重量不含附件或电池组

*2: 重量因附件 (包括电池组) 而异。根据EPTA-Procedure 01/2014, 最轻与最重的组合见表格。

适用电池组和充电器

电池组	BL4020 / BL4025 / BL4040 / BL4040F / BL4050F / BL4080F
充电器	DC40RA / DC40RB / DC40RC / DC40WA

- 部分以上所列电池组和充电器是否适用视用户所在地区而异。

警告： 请仅使用以上所列电池组和充电器。使用其他类型的电池组或充电器可能会导致人身伤害和/或失火。

推荐的用电源线连接的电源

便携电源装置	PDC01 / PDC1200 / PDC1500
--------	---------------------------

- 以上所列的用电源线连接的电源是否适用取决于用户所在地区。
- 在使用用电源线连接的电源之前, 请先阅读使用说明书和了解相关警示标识。

符号

以下显示本设备可能会使用的符号。在使用工具之前, 请务必理解其含义。



阅读使用说明书。



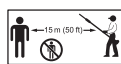
佩戴安全帽、护目镜和耳罩。



危险 - 手应远离刀片。



与电力线路保持足够的距离。



保持最少15 m的距离。



仅限于欧盟国家

由于本设备中包含有害成分，因此废弃的电气和电子设备、蓄电池和普通电池可能会对环境和人体健康产生负面影响。请勿将电气和电子工具或电池与家庭普通废弃物放在一起处置！

根据欧洲关于废弃电气电子设备、蓄电池和普通电池的指令及其国家层面的修订法案，废弃的电气设备、普通电池和蓄电池应当单独存放并递送至城市垃圾收集点，根据环保法规进行处置。

此规定由标有叉形标志的带垃圾桶符号表示。



保证声功率级别符合欧盟室外噪音指令。



声功率级别符合澳大利亚 NSW 噪音控制规定

用途

本工具用于修剪树篱。

安全警告

电动工具通用安全警告

警告 阅读随电动工具提供的所有安全警告、说明、图示和规定。不遵照以下所列说明会导致电击、着火和 / 或严重伤害。

保存所有警告和说明书以备查阅。

警告中的术语“电动工具”是指市电驱动（有线）电动工具或电池驱动（无线）电动工具。

工作场地的安全

- 保持工作场地清洁和明亮。杂乱和黑暗的场地会引发事故。
- 不要在易爆环境，如有易燃液体、气体或粉尘的环境下操作电动工具。电动工具产生的火花会点燃粉尘或气体。
- 操作电动工具时，远离儿童和旁观者。注意力不集中会使你失去对工具的控制。

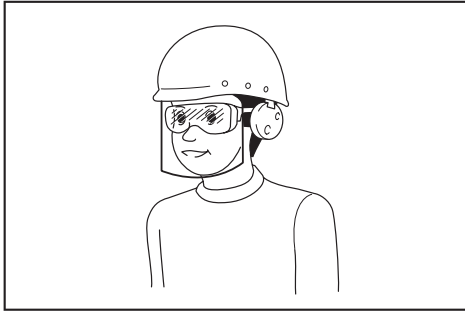
电气安全

- 电动工具插头必须与插座相配。绝不能以任何方式改装插头。需接地的电动工具不能使用任何转换插头。未经改装的插头和相配的插座将降低电击风险。
- 避免人体接触接地表面，如管道、散热片和冰箱。如果你身体接触接地表面会增加电击风险。
- 请勿在雨水或潮湿的环境中操作机器。水进入机器可能会增加触电或故障的风险，从而导致人身伤害。
- 不得滥用软线。绝不能用软线搬运、拉动电动工具或拔出其插头。使软线远离热源、油、锐边或运动部件。受损或缠绕的软线会增加电击风险。
- 当在户外使用电动工具时，使用适合户外使用的延长线。适合户外使用的电线将降低电击风险。
- 如果无法避免在潮湿环境中操作电动工具，应使用带有剩余电流装置（RCD）保护的电源。RCD 的使用可降低电击风险。
- 电动工具会产生对用户无害的电磁场（EMF）。但是，起搏器和其他类似医疗设备的用户应在操作本电动工具前咨询其设备的制造商和 / 或医生寻求建议。

人身安全

- 保持警觉，当操作电动工具时关注所从事的操作并保持清醒。当你感到疲倦，或在有药物、酒精或治疗反应时，不要操作电动工具。在操作电动工具时瞬间的疏忽会导致严重人身伤害。
- 使用个人防护装置。始终佩戴护目镜。防护装置，诸如适当条件下使用防尘面具、防滑安全鞋、安全帽、听力防护等装置能减少人身伤害。
- 防止意外起动。在连接电源和/或电池包、拿起或搬运工具前确保开关处于关断位置。手指放在开关上搬运工具或开关处于接通时通电会导致危险。
- 在电动工具接通之前，拿掉所有调节钥匙或扳手。遗留在电动工具旋转零件上的扳手或钥匙会导致人身伤害。
- 手不要过分伸展。时刻注意立足点和身体平衡。这样能在意外情况下能更好地控制住电动工具。
- 着装适当。不要穿宽松衣服或佩戴饰品。让你的头发和衣服远离运动部件。宽松衣服、佩饰或长发可能会卷入运动部件。

7. 如果提供了与排屑、集尘设备连接用的装置，要确保其连接完好且使用得当。使用集尘装置可降低尘屑引起的危险。
8. 不要因为频繁使用工具而产生的熟悉感而掉以轻心，忽视工具的安全准则。某个粗心的动作可能在瞬间导致严重的伤害。
9. 使用电动工具时请始终佩带护目镜以免伤害眼睛。护目镜须符合美国ANSIZ87.1、欧洲EN 166或者澳大利亚 / 新西兰的AS/NZS 1336的规定。在澳大利亚 / 新西兰，法律要求佩带面罩保护脸部。
6. 保持切削刀具锋利和清洁。维护良好地有锋利切削刃的刀具不易卡住而且容易控制。
7. 按照使用说明书，并考虑作业条件和要进行的作业来选择电动工具、附件和工具的刀头等。将电动工具用于那些与其用途不符的操作可能会导致危险情况。
8. 保持手柄和握持表面干燥、清洁，不得沾有油脂。在意外的情况下，湿滑的手柄不能保证握持的安全和对工具的控制。
9. 使用本工具时，请勿佩戴可能会缠绕的布质工作手套。布质工作手套卷入移动部件可能会造成人身伤害。



雇主有责任监督工具操作者和其他近工作区域人员佩带合适的安全防护设备。

电动工具使用和注意事项

1. 不要勉强使用电动工具，根据用途使用合适的电动工具。选用合适的按照额定值设计的电动工具会使你工作更有效、更安全。
2. 如果开关不能接通或关断电源，则不能使用该电动工具。不能通过开关来控制的电动工具是危险的且必须进行修理。
3. 在进行任何调节、更换附件或贮存电动工具之前，必须从电源上拔掉插头和/或卸下电池包（如可拆卸）。这种防护性的安全措施降低了电动工具意外起动的风险。
4. 将闲置不用的电动工具贮存在儿童所及范围之外，并且不允许不熟悉电动工具和不了解这些说明的人操作电动工具。电动工具在未经培训的使用者手中是危险的。
5. 维护电动工具及其附件。检查运动部件是否调整到位或卡住，检查零件破损情况和影响电动工具运行的其他状况。如有损坏，应在使用前修理好电动工具。许多事故是由维护不良的电动工具引发的。

电池式工具使用和注意事项

1. 仅使用生产者规定的充电器充电。将适用于某种电池包的充电器用到其他电池包时可能会发生着火危险。
2. 仅使用配有专用电池包的电动工具。使用其他电池包可能会产生伤害和着火危险。
3. 当电池包不用时，将它远离其他金属物体，例如回形针、硬币、钥匙、钉子、螺钉或其他小金属物体，以防电池包一端与另一端连接。电池组端部短路可能会引起燃烧或着火。
4. 在滥用条件下，液体可能会从电池组中溅出；应避免接触。如果意外碰到液体，用水冲洗。如果液体碰到了眼睛，还应寻求医疗帮助。从电池中溅出的液体可能会发生腐蚀或燃烧。
5. 不要使用损坏或改装过的电池包或工具。损坏或改装过的电池组可能呈现无法预测的结果，导致着火、爆炸或伤害。
6. 不要将电池包暴露于火或高温中。电池包暴露于火或高于130 °C的高温中可能导致爆炸。
7. 遵循所有充电说明。不要在说明书中指定的温度范围之外给电池包或电动工具充电。不正确或在指定的温度范围外充电可能会损坏电池和增加着火的风险。

维修

1. 让专业维修人员使用相同的备件维修电动工具。这将保证所维修的电动工具的安全。
2. 决不能维修损坏的电池包。电池包仅能由生产者或其授权的维修服务商进行维修。
3. 上润滑油及更换附件时请遵循本说明书指示。

充电式高枝绿篱机使用安全警告

充电式绿篱机使用安全警告：

1. 请勿在恶劣天气尤其是雷电天气条件下使用绿篱机。这可降低雷击风险。
2. 确保所有电源线和电缆远离切割区域。电源线或电缆可能会隐藏在绿篱和灌木中，因此操作时有可能被刀片意外割断。
3. 佩戴护耳装置。穿戴足够的防护装备可降低听力受损的风险。
4. 因为刀片可能会接触到隐藏的电线，操作绿篱机时仅可抓握绝缘把手。刀片接触到“带电”的电线时，绿篱机上暴露的金属部分可能也会“带电”，并使操作者触电。
5. 使身体各部位与刀片保持一定距离。当刀片正在移动时，请勿移开切割材料或按住要切割的材料。关闭开关后刀片仍会继续旋转。在操作绿篱机期间，分心可能会导致严重的人身伤害。
6. 在清除卡住的材料或维修绿篱机时，请确保所有电源开关均已关闭，并且电池组已取出或已断开连接。清除卡住的材料或维修时，若绿篱机意外启动可能会造成严重的人身伤害。
7. 在刀片停止后握住把手搬运绿篱机，同时注意避免操作任何电源开关。正确搬运绿篱机可降低因机器意外启动以及由刀片造成人身伤害的风险。
8. 运输或存放绿篱机时，请务必使用刀片罩。正确操作绿篱机可降低由刀片造成的人身伤害风险。

充电式高枝绿篱机使用安全警告：

1. 在头部上方位置操作高枝绿篱机时，请务必使用头部保护装置。跌落碎片可能会造成严重的人身伤害。
2. 请务必双手操作高枝绿篱机。双手握持高枝绿篱机以避免其失控。
3. 为降低触电风险，切勿在任何电源线附近使用高枝绿篱机。接触或在电源线附近使用可能会造成严重的人身伤害或触电致死。

附加安全警告

准备

1. 此篱笆修剪机可能会造成严重伤害。请仔细阅读说明，了解如何正确搬运、准备、保养、启动和停止工具。熟悉控制和本工具的正确操作。

2. 操作工具前，检查绿篱和灌木是否有铁丝网或隐藏电线等异物。
3. 儿童或不满18岁的少年不得使用绿篱机。超过16岁的少年如果在专业人士的监管下接受过培训则可以免受该限制。
4. 出现紧急状况时，请立刻关闭本工具并取出电池组。
5. 危险：手应远离刀片。接触刀片将会造成严重的人身伤害。
6. 只能使用已正确装配把手和保护罩的工具。使用未装配保护罩和把手的工具可能造成严重的人员伤害。
7. 用户首次使用时，应委托有经验的用户为其展示如何使用本工具。
8. 操作前，请检查工作区域是否有铁丝网、石子或其他坚硬物体。此类物体会损伤刀片。
9. 请仅在身体状态良好的情况下使用绿篱机。疲惫会导致使用者注意力降低。在一天的工作快结束时应特别注意这一点。应镇定、谨慎地完成所有工作。给第三方造成的所有损失由用户负责。
10. 开始工作之前，请检查确认绿篱机处于良好和安全的工作状态。确保保护罩安装到位。在完全安装到位前不得使用绿篱机。
11. 避免危险的环境。请勿在潮湿或淋雨环境下使用工具。工具受潮将增加触电的危险。

个人防护设备

1. 结实的皮革工作手套是操作绿篱机时的基本装备之一，在操作绿篱机时必须始终佩戴。同时应穿戴具有防滑底的结实靴。
2. 请佩戴耳罩等护耳设备以免听力受损。
3. 请佩戴护目镜、安全头盔和防护手套以免受飞溅碎片或掉落物体的伤害。
4. 接触刀片或调节刀片角度时，请佩戴防护手套。裸手操作时，会被刀片严重割伤。

操作

1. 请始终用双手操作工具的两个把手。单手操作会导致失控并造成严重的人身伤害。
2. 操作工具时，应始终确保操作位置安全可靠。抓握工具探身修剪难以触及的物体（特别是在梯子上的时候）会相当危险。请勿在摇晃或不稳的物体上工作。
3. 操作本工具时，请勿同时佩戴多条腰带和/或肩带。

4. 操作期间，请使旁观者或动物远离工具至少**15 m**的距离。有人接近时，请立即停止工具。
5. 若切割工具与某物体碰撞或者工具出现异常噪音或震动，请立即关闭工具并取出电池组，使工具停止运转。然后执行以下操作步骤：
 - 检查损伤
 - 检查并拧紧松散的部件
 - 维修或者使用原厂备件更换已损坏的部件。
6. 只能将本工具用于其预期用途。请勿用于其他用途。
7. 在进行以下操作之前，请关闭工具并取下电池组：
 - 清洁或清除堵塞物，
 - 对工具进行检查、保养或操作，
 - 调节刀片的工作位置，
 - 将工具置于无人照看的区域。
8. 启动工具之前，确保工具正确位于指定的工作位置。
9. 请勿使用刀片已损坏或过度磨损的工具。
10. 使用工具时，确保已安装所有把手和保护罩。切勿尝试使用不完整的工具或非授权改装的工具。
11. 请时刻注意周围情况，对于因受工具噪音干扰可能无法察觉的危险应保持警惕。
12. 操作期间请小心不要意外接触金属围栏或其他硬物。否则刀片会断裂并可能造成严重的人身伤害。
13. 避免意外启动。安装电池组且手指放置于开关上时请勿搬运工具。安装电池组时，请确保开关处于关闭状态。
14. 拾起或握住工具时，请勿抓握外露的刀片或刀刃。
15. 不要强力按压工具。在设计额定功率下使用设备可更好地完成工作并能降低人身伤害风险。
16. 请勿在雨中、水中或十分潮湿的环境下使用本工具。电机不防水。
17. 使用工具时将其握牢。
18. 如无必要，请勿在空载状态下操作工具。
19. 检查刀片、处理故障或取出卡在刀片上的异物之前，请务必关闭工具并取出电池组。
20. 切勿将刀片对准自身或其他人员。
21. 倘若在操作时因刀片之间卡入异物导致刀片停止运转，应关闭工具并取下电池组，然后使用钳子等工具清除异物。用手清除异物可能会造成人身伤害，因在清除异物时刀片可能会移动。
22. 请确保不存在电缆、水管、煤气管道等，如果其因使用本工具而受损，可能会引起危险。
23. 请勿在使用期间或操作之后立刻触摸工具的金属部分或灼热表面，因其可能会非常烫而导致烫伤皮肤。对工具执行任何操作前，请先使工具冷却。
24. 请勿在松软/不稳定/湿滑地面或陡坡上使用工具。避免在梯子上或高处作业。否则可能会有坠落的风险，从而造成人身伤害。
25. 请勿在能见度有限的恶劣天气下或晚上使用工具。否则可能会因低能见度而导致跌倒或不正确的操作。
26. 避免在可能增加用户疲劳的恶劣环境中工作。
27. 请勿将工具浸入水坑中。
28. 请勿在雨天将工具置于室外无人看管。
29. 当因下雨导致潮湿树叶或污垢粘附在吸嘴（通风窗）上时，请清除它们。
30. 请勿在雪中使用工具。

电气和电池安全

1. 请勿将电池弃于火中。否则会引起电池爆炸。请查阅当地法规了解适当的特殊处理说明。
2. 请勿打开或拆解电池。溢出的电解质具有腐蚀性，可能会对眼睛或皮肤造成损伤。吞服则有致毒危险。
3. 请勿在雨中或潮湿的地方充电。
4. 勿在室外对电池充电。
5. 请勿用湿手操作充电器，包括充电器插头和充电器端子。
6. 请勿用湿手更换电池。
7. 请勿在雨中更换电池。
8. 请勿用水等液体打湿电池端子，或将电池浸于水中。请勿使电池淋雨，也不得在潮湿位置给电池充电、使用或存放电池。如果电池端子被打湿或有液体进入电池，则电池可能会短路，导致过热、起火或爆炸危险。
9. 从工具或充电器取下电池后，请务必在电池上安装电池盖并将其存放在干燥处。

10. 如果电池组被打湿，请排空其中的水分，再用干布擦拭干净。使用前在干燥处彻底干燥电池组。

保养和存放

1. 将工具停止以对其维修、检查或存放时，请关闭工具并取出电池组，同时确保所有运动部件均已停止移动。在进行检查、调整等操作之前，请等待工具冷却。
2. 存放工具前，务必使工具冷却。
3. 不使用工具时，请将刀片罩安装在工具上，然后将工具存放在室内干燥的高处并加锁，避免儿童接触。
4. 小心保养工具。保持刀刃锋利、清洁以达到最佳切削效果，并降低受伤风险。根据说明进行润滑和更换附件。保持把手干燥、清洁，无油污和润滑脂。
5. 检查有无损坏部件。在进一步使用本工具之前，应仔细检查有无部件损坏，以确定工具可正常运转并执行其预期功能。检查运动部件是否有错位或粘连、破损，安装是否妥当以及其他可能会影响工具运行的情况。受损的保护罩或其他部件应由授权维修中心进行修复或更换。
6. 只能使用原厂备件。
7. 将本工具移至另一个位置时（包括工作期间），请务必拆下电池组并为刀片盖上刀片罩。切勿在刀片运转的情况下移动或搬运本工具。切勿用手抓握刀片。
8. 使用本工具之后以及需要长期存放本工具之前，请清洁本工具（特别是刀片）。在刀片上涂抹少量的油，然后盖上刀片罩。
9. 请勿用高压水清洗工具。
10. 清洗工具时，请勿让电池、电机和端子等电气机构进水。
11. 在不会淋雨的位置执行检查或保养。
12. 使用工具后，清除粘附的污垢，并在存放前彻底干燥工具。根据季节或地区的不同，存在因结冰导致功能不良的可能性。
13. 存放工具时，避免直射阳光和淋雨，将其存放在不会变热或变潮的位置。

请保留此说明书。

警告： 请勿为图方便或因对产品足够熟悉（由于重复使用而获得的经验）而不严格遵循相关产品安全规则。使用不当或不遵循使用说明书中的安全规则会导致严重的人身伤害。

电池组的重要安全注意事项

1. 在使用电池组之前，请仔细阅读所有的说明以及（1）电池充电器，（2）电池，以及（3）使用电池的产品上的警告标记。
2. 切勿拆卸或改装电池组。否则可能引起火灾、过热或爆炸。
3. 如果机器运行时间变得过短，请立即停止使用。否则可能会导致过热、起火甚至爆炸。
4. 如果电解液进入您的眼睛，请用清水将其冲洗干净并立即就医。否则可能会导致视力受损。
5. 请勿使电池组短路：
 - （1）请勿使任何导电材料碰到端子。
 - （2）避免将电池组与其他金属物品如钉子、硬币等放置在同一容器内。
 - （3）请勿将电池组置于水中或使其淋雨。电池短路将产生大的电流，导致过热，并可能导致起火甚至击穿。
6. 请勿在温度可能达到或超过50°C (122°F)的场所存放以及使用工具和电池组。
7. 即使电池组已经严重损坏或完全磨损，也请勿焚烧电池组。电池组会在火中爆炸。
8. 请勿对电池组射钉，或者切削、挤压、抛掷、掉落电池组，又或者用硬物撞击电池组。否则可能引起火灾、过热或爆炸。
9. 请勿使用损坏的电池。
10. 本工具附带的锂离子电池需符合危险品法规要求。

第三方或转运代理等进行商业运输时，应遵循包装和标识方面的特殊要求。有关运输项目的准备作业，咨询危险品方面的专业人士。同时，请遵守可能更为详尽的国家法规。

请使用胶带保护且勿遮掩表面的联络信息，并牢固封装电池，使电池在包装内不可动。
11. 丢弃电池组时，需将其从工具上卸下并在安全地带进行处理。关于如何处理废弃的电池，请遵循当地法规。
12. 仅将电池用于Makita（牧田）指定的产品。将电池安装至不兼容的产品会导致起火、过热、爆炸或电解液泄漏。
13. 如长时间未使用工具，必须将电池从工具内取出。

14. 使用工具期间以及使用工具之后，电池组温度可能较高易引起灼伤或低温烫伤。处理高温电池组时请小心操作。
15. 在使用工具后请勿立即触碰工具的端子，否则可能引起灼伤。
16. 避免锯屑、灰尘或泥土卡入电池组的端子、孔口和凹槽内。否则可能会导致过热、着火、爆炸和工具/电池组故障，导致烫伤或人身伤害。
17. 除非工具支持在高压电源线路附近使用，否则请勿在高压电源线路附近使用电池组。否则可能导致工具或电池组故障或失常。
18. 确保电池远离儿童。

请保留此说明书。

⚠️小心： 请仅使用Makita（牧田）原装电池。使用非Makita（牧田）原装电池或经过改装的电池可能会导致电池爆炸，从而造成火灾、人身伤害或物品受损。同时也会导致牧田工具和充电器的牧田保修服务失效。

保持电池最大使用寿命的提示

1. 在电池组电量完全耗尽前及时充电。发现工具电量低时，请停止工具操作，并给电池组充电。
2. 请勿对已充满电的电池组重新充电。过度充电将缩短电池的使用寿命。
3. 请在10 °C - 40 °C (50 °F - 104 °F) 的室温条件下给电池组充电。请在灼热的电池组冷却后再充电。
4. 不使用电池组时，请将其从工具或充电器上拆除。
5. 如果电池组长时间（超过六个月）未使用，请给其充电。

部件说明

► 图片1

1	工具头	2	前把手	3	吊扣	4	锁定杆
5	电池组	6	后把手	7	开关柄	8	滑套
9	刀片	10	速度指示灯	11	注意指示灯	12	反转按钮
13	主电源按钮	-	-	-	-	-	-

功能描述

⚠️小心： 调节或检查工具功能之前，请务必关闭工具的电源并取出电池组。

安装或拆卸电池组

⚠️小心： 安装或拆卸电池组之前，请务必关闭工具电源。

⚠️小心： 安装或拆卸电池组时请握紧工具和电池组。否则它们可能从您的手中滑落，导致工具和电池组受损，甚至造成人身伤害。

安装电池组时，要将电池组上的舌簧与外罩上的凹槽对齐，然后推滑到位。将其完全插入到位，直到锁定并发出咔哒声为止。若能看到图示中的红色指示器，则说明未完全锁紧。

拆卸电池组时，按下电池组前侧的按钮，同时将电池组从工具中抽出。

► **图片2：** 1. 红色指示器 2. 按钮 3. 电池组

⚠️小心： 务必完全装入电池组，直至看不见红色指示器为止。否则，它可能会从工具中意外脱落，从而造成自身或他人受伤。

⚠️小心： 请勿强行安装电池组。如果电池组难以插入，可能是插入方法不当。

显示电池的剩余电量

按电池组上的CHECK（查看）按钮可显示电池剩余电量。指示灯将亮起数秒。

► **图片3：** 1. 指示灯 2. CHECK（查看）按钮

指示灯			剩余电量
■ 点亮	□ 熄灭	▧ 闪烁	
■ ■ ■ ■			75%至100%
■ ■ ■ □			50%至75%
■ ■ □ □			25%至50%
■ □ □ □			0%至25%
▧ □ □ □			给电池充电。
■ ■ □ □ ↑ ↓ □ □ ■ ■			电池可能出现故障。

注： 在不同的使用条件及环境温度下，指示灯所示电量可能与实际情况略有不同。

注： 当电池保护系统启动时，第一个（最左侧）指示灯将闪烁。

工具 / 电池保护系统

本工具配备工具 / 电池保护系统。该系统可自动切断电机电源以延长工具和电池寿命。操作期间如果工具或电池处于以下其中一种情况，工具将会自动停止运转：

► **图片4： 1.** 注意指示灯

颜色	注意指示灯		状态
	● 亮起	● 闪烁	
绿色		●	过载
红色	● (工具) / ● (电池)		过热
红色		●	过度放电

注意： 根据使用情况，如果树枝或碎片缠结在工具中，工具会自动停止而无任何指示。在这种情况下，应关闭工具并取下电池组，然后使用虎钳等工具清除缠结的树枝或碎片。清除树枝或碎片后，安装电池组并再次打开工具。

过载保护

如果工具或电池由于缠结的树枝或其他碎片而过载，工具会自动停止运转且注意指示灯开始呈绿色闪烁。

在这种情况下，请关闭工具并停止导致工具过载的应用操作。然后开启工具重新启动。

工具或电池过热保护

若工具或电池组过热，工具会自动停止运转。当工具过热时，注意指示灯呈红色亮起。当电池组过热时，注意指示灯呈红色闪烁。请等待工具和 / 或电池冷却后再重新开启工具。

过放电保护

电池组电量不足时，工具会自动停止运转并且注意指示灯将呈红色闪烁。

如果开启开关仍不能使工具运转，请从工具上取出电池组并予以充电。

其他原因防护

保护系统还适用于其他可能导致工具受损的情况，从而使工具自动停止运转。工具暂时或中途停止工作时，执行以下所有步骤以排除异常原因。

1. 关闭工具，然后再次重新启动。
2. 给电池充电或更换为充电电池。
3. 请等待机器和电池冷却。

如果保护系统恢复后仍无改善，请联络当地的Makita（牧田）维修服务中心。

电源开关的操作

警告： 为保证您的安全，本工具配备有防止工具误启动的锁定开关。当您只是扣动开关柄而没有按下锁定杆时，如果工具开始运行，则切勿使用该工具。在继续使用之前，请将工具送至授权维修服务中心进行适当维修。

警告： 切勿封住锁定杆或废除其用途和功能。

小心： 将电池组安装至工具之前，请务必确认开关柄能够正常工作，松开时能回到“OFF”（关闭）位置。操作开关无法正常工作的工具会导致工具失控，并造成严重的人身伤害。

小心： 搬运时，请勿将手指放在开关上。因为工具可能会意外启动并且导致人身伤害。

注意：在没有按下锁定杆的情况下，请勿用力扣动开关柄。否则会导致开关破损。

按下主电源按钮以打开工具。要关闭工具，请按住主电源按钮直至速度指示灯熄灭。

- **图片5：** 1. 主电源按钮 2. 速度指示灯 3. 注意指示灯

注：如果在以下不可操作的情况下扣动开关柄，注意指示灯将呈绿色闪烁：

- 在按住锁定杆和开关柄的同时打开主电源开关。
- 折叠工具头时，在锁定杆被按下的状态下扣动开关柄。

注：本工具采用自动关机功能。如果持续约5分钟未操作工具，主电源开关将自动关闭。

注：工具由于保护系统运行而停止时，自动关机功能会起作用。电机自动停止并且未采取纠正措施应对工具保护后约5分钟，主电源开关将自动关闭。

为避免开关柄被意外扣动，本工具配置有双锁定开关以保证安全。

要启动工具时，用手的虎口（即拇指和食指之间的部分）将锁杆向前下推超过其正常位置，并用手掌将锁定杆压入。然后在锁定杆被按住的状态下扣动开关柄。










松开开关柄即可停止。

- **图片6：** 1. 锁杆 2. 锁定杆 3. 开关柄

速度调节

可通过按下主电源按钮调节工具速度。每次按下主电源按钮时，速度都会相应变化。

- **图片7：** 1. 主电源按钮 2. 速度指示灯

指示灯	模式	行程速度
  	高	4,000 r/min
  	中	3,000 r/min
  	低	2,000 r/min

注：工具以与上次操作相同的模式启动。如果在关机后电机仍在运行时拆下电池，工具可能不会以与上次操作时相同的模式启动。

用于清除碎片的反转按钮

警告：如果使用反转功能无法清除缠结的树枝或碎片，请关闭工具并取下电池组，然后使用虎钳等工具清除缠结的树枝或碎片。未关闭工具并取出电池组可能会产生意外启动，导致严重的人身伤害。由于刀片可能会在进行清理时移动，用手清除缠结的树枝或碎片可能会导致受伤。

本工具设有反转按钮，可改变刀片移动方向。仅可用于清除工具中缠结的树枝和碎片。

要反向移动刀片，请在刀片已停止时按下反转按钮，然后在按下锁定杆的同时扣动开关柄。速度指示灯开始闪烁，刀片反向移动。缠结的树枝和碎片被清除后，工具返回到正常移动状态，速度指示灯停止闪烁并亮起。

- **图片8：** 1. 反转按钮 2. 速度指示灯

注：如果无法清除缠结的树枝或碎片，请松开开关柄，然后按下反转按钮，再扣动开关柄直至树枝或碎片被清除为止。

注：如果在刀片仍在移动时按下反转按钮，工具会停止并准备反向移动。

调节切割角度

小心：折叠或展开工具头之前，请务必确认工具处于关闭状态。

小心：在折叠工具头以搬运工具时或者在使用工具之后，请务必先安装刀片罩，再折叠工具头。

小心：当折叠工具头时，请注意避免手指夹在工具头和滑套之间。

工具头角度可在向上45°和向下70°之间分6个档位进行调整。请按以下步骤改变工具头角度。

- **图片9：** 1. 工具头向上角度 2. 工具头向下角度

1. 如图所示，紧握工具头和滑套。

- **图片10：** 1. 工具头 2. 滑套

2. 按住滑套的同时移动工具头，然后释放滑套。

3. 略微移动工具头直至听到咔哒声确定工具头锁闭为止。

注：在操作工具之前确保工具头已锁定牢固。

电子功能

本工具配备了电子功能以提高操作便利性。

- 恒速控制
速度控制功能可保持转速恒定，而无论负载如何。
- 电动制动器
本工具配备电动制动器。如果在松开开关柄后，工具始终无法快速停止刀片，则须交由Makita（牧田）授权的维修服务中心进行维修。
- 防止意外重启功能
在扣动开关柄的同时打开工具时，工具不启动并且注意指示灯呈绿色闪烁。要启动工具时，请先松开开关柄，然后再打开工具。

装配

⚠小心： 对工具进行任何装配操作前，请务必关闭工具电源，并取出电池组。

⚠小心： 更换刀片时，请务必佩戴手套，以免手部直接接触刀片。

安装或拆卸刀片

⚠小心： 拆卸或安装刀片之前，请安装刀片罩。

注意： 更换刀片时，请勿擦掉齿轮和曲柄上的油脂。

注： 在安装或拆卸刀片之前，请展开工具头以使工具头朝向工具主体。

1. 将工具倒置，然后拆下6个螺栓。

▶ **图片11：** 1. 螺栓

2. 拆下护罩和盖板。

▶ **图片12：** 1. 护罩 2. 盖板

如果发现难以打开护罩，请使用一字螺丝刀撬开护罩。

将一字螺丝刀插入工具外壳上的一个或多个开口和切口，然后将护盖从外壳中提起。

▶ **图片13：** 1. 切口（外壳两侧） 2. 开口（护盖和剪切刀片之间）

注： 盖板可能会留在护罩中。

3. 将连杆和轴承拆下。

▶ **图片14：** 1. 连杆 2. 轴承

注： 连杆和轴承可能会留在护罩中。

4. 从刀片上拆下2个螺栓和2个套筒。从工具主体上拆下刀片。然后从刀片上取下毛毡垫和橡胶防尘密封件。

▶ **图片15：** 1. 螺栓 2. 套筒 3. 刀片 4. 毛毡垫 5. 防尘密封件

注意： 请小心不要丢失组合零件的小配件，因其在重新装配时需要再使用。

5. 拆下刀片罩，然后将其安装到新的刀片上。

▶ **图片16：** 1. 刀片罩

6. 调整曲柄，使2个孔在对齐线上。

▶ **图片17：** 1. 孔 2. 对齐线

7. 将刀片两侧的凸出部分对齐。

▶ **图片18：** 1. 凸出部分

8. 握住刀片，使其套筒孔朝上。将毛毡垫安装到刀片上，使其卡臂围住刀片。

▶ **图片19：** 1. 毛毡垫 2. 套筒孔

9. 将刀片翻转。将橡胶防尘密封件安装到刀片上。调整其位置，使防尘密封件的一端与刀片的凸出部分接触。

▶ **图片20：** 1. 防尘密封件 2. 凸出部分

10. 转动刀片，使毛毡垫朝上。将刀片的凸出部分与连杆上的小端孔对齐。将刀片重新组装到位。

▶ **图片21：** 1. 毛毡垫 2. 防尘密封件 3. 凸出部分 4. 小端孔 5. 毛毡垫用切口 6. 防尘密封件用切口

注意： 请务必使毛毡垫和橡胶防尘密封件与刀片外罩上的切口完全吻合。

注意： 在连杆上的小端孔内部涂抹少量润滑油。

11. 将新套筒放入刀片上的套筒孔内。

▶ **图片22：** 1. 套筒 2. 套筒孔

注意： 请小心不要丢失套筒。

12. 将套筒和刀片以及刀片外罩上的孔沿一条线对齐。然后拧紧2个螺栓以固定刀片。

▶ **图片23：** 1. 螺栓 2. 套筒 3. 刀片

13. 安装轴承和连杆。

▶ **图片24：** 1. 连杆 2. 小端孔 3. 轴承

注意：在连杆上的小端孔内部涂抹少量润滑脂。

注意：请务必使刀片的凸出部分与连杆上的小端孔完全吻合。

14. 将盖板重新组装到位。

► **图片25：** 1. 盖板 2. 凸出部分

注意：请务必使刀片的凸出部分与盖板上的孔完全吻合。

15. 安装护罩，然后拧紧6个螺栓。

► **图片26：** 1. 护罩 2. 螺栓

注意：如果刀片移动不顺畅，则表示刀片没有与连杆正确啮合。请重新安装刀片。

注意：如果连杆等非刀片部件磨损，请联系Makita（牧田）授权的维修服务中心更换部件或进行维修。

安装或拆卸碎屑接收器

选购附件

⚠小心：安装或拆卸碎屑接收器时，请务必佩戴手套，以免手部直接接触刀片。

注意：如果工具上安装了碎屑接收器，则不可再安装刀片罩。搬运或存放工具之前，请拆卸碎屑接收器，然后安装刀片罩以免刀片暴露在外面。

注意：安装碎屑接收器之前，请务必拆下刀片罩。

碎屑接收器收集丢弃的叶子，方便后续清扫。可安装在工具的任一侧。

1. 将碎屑接收器的卡爪钩到刀片上。

► **图片27：** 1. 碎屑接收器 2. 刀片 3. 卡爪

2. 将碎屑接收器上的孔和刀片上的螺丝对齐，然后将碎屑接收器牢固连接到刀片上。

► **图片28：** 1. 孔 2. 螺丝

注意：确保碎屑接收器未覆盖树枝夹持器。

► **图片29：** 1. 树枝夹持器

若要拆卸碎屑接收器，请按下杆将卡爪松开。

► **图片30：** 1. 杆

注意：在碎屑接收器的挂钩锁定在刀片的凹槽中时，切勿强行拆卸碎屑接收器。

操作

安装肩带

⚠小心：操作前，确保肩带被正确安装到工具上的吊扣。

⚠小心：将工具与便携电源装置等背负式电源组合使用时，请勿使用工具包装中附送的肩带，而应使用Makita（牧田）推荐的悬挂束带。

若同时佩戴工具包装中附送的肩带和背负式电源肩带，遭遇紧急情况时将难以卸下工具或背负式电源，由此可能会发生意外或导致人身伤害。有关推荐的悬挂束带，请咨询Makita（牧田）授权的维修服务中心。

注：使用随工具附带的肩带。操作前，将肩带调整到适合用户穿戴的长度以防止疲劳。

1. 将肩带挂在肩膀上。

► **图片31**

2. 将肩带上的挂钩扣到工具的吊扣上。

► **图片32：** 1. 挂钩 2. 吊扣

3. 将肩带调整到舒适的工作位置。

► **图片33**

用户可快速解开肩带。

只需挤压带扣两侧即可使工具脱离肩带。

► **图片34：** 1. 带扣

操作工具

⚠警告：请勿在电线附近使用工具。接触电源线或在电源线附近使用工具可能会造成严重的人身伤害或触电致死。

⚠警告：手应远离刀片。

⚠警告：任何时候必须特别小心地控制工具。切勿使工具偏向自身或工作区域的任何人员。未能小心控制机器则可能使工具操作者或邻近人员受到严重伤害。

小心： 尽可能避免在酷热天气下操作工具。操作工具时，请注意您的身体状态。

小心： 修剪时请小心不要意外接触金属围栏或其他硬物。否则刀片可能会断裂并造成人身伤害。

小心： 注意不要使刀片接触地面。否则工具可能会回弹并导致人身伤害。

小心： 拿着绿篱机够着去修剪难以触及的物体（特别是在梯子上的时候）会相当危险。请勿站在摇晃或不稳的物体上工作。

注意： 请勿尝试用本工具剪切直径超过10 mm的树枝。使用本工具前，请使用树枝剪将树枝修剪至低于切割高度10 cm。

► **图片35：** 1. 切割高度 2. 10 cm

注意： 请勿砍倒死树或类似的硬物。这样做可能会损坏工具。

注意： 使用刀片时请勿修剪草。否则刀片会缠结在草中。

请用双手握住工具。

► **图片36**

在按住锁定杆的同时扣动开关柄，然后准备工具以用于修剪。

► **图片37**

对于基本操作，将刀片倾斜至修剪方向，然后稳定、缓慢地以3至4秒每米的速度移动工具。

► **图片38**

要均匀剪切绿篱侧面时，可从底部朝上剪切。

► **图片39**

修剪成圆形时（修剪黄杨或杜鹃花等），可从根部朝上修剪，作为完美的收梢。

► **图片40**

如果刀片上安装了碎屑接收器，其收集丢弃的树叶，方便后续清扫。

► **图片41**

保养

小心： 检查或保养工具之前，请务必关闭工具电源并取出电池组。

小心： 对工具进行检查或维护时，请将工具放下。组装或调节直立放置的工具时，可能导致严重的人身伤害。

为了保证产品的安全与可靠性，维修、任何其他维修保养或调节需由Makita（牧田）授权的或工厂维修服务中心完成。务必使用Makita（牧田）的替换部件。

清洁工具

用干布或浸有肥皂水的布清洁工具并拧干。

注意： 切勿使用汽油、苯、稀释剂、酒精或类似物品清洁工具。否则可能会导致工具变色、变形或出现裂缝。

刀片保养

操作前或操作中每隔一小时，在刀片上涂抹低粘度油（例如机油或喷淋式润滑油）。

► **图片42**

操作后，请用钢丝刷清除刀片两侧的灰尘，用抹布进行擦拭，然后涂抹低粘度油（机油或喷淋式润滑油）。

► **图片43**

注意： 请勿在水中清洗刀片。否则可能会导致工具生锈或受损。

注意： 污垢和腐蚀可导致过度的刀片摩擦，并缩短每次电池充电后的操作时间。

存放

将刀片罩装在刀片上，以免刀片暴露在外。将工具存放在儿童无法触及的地方。将工具存放于不会暴露在湿气或雨水中的地方。

打磨刀片

注意： 如果刀片因打磨而严重变形，请更换新的刀片。

1. 安装电池组到工具。
2. 打开并启动工具，使上部刀片和下部刀片互相错位。
► **图片44**
3. 关闭工具并从工具取下电池组。

4. 拆下螺丝，然后拆下树枝夹持器。

► **图片45:** 1. 螺丝 2. 树枝夹持器

5. 使锉刀角度为50°，用锉刀沿三个刀刃方向打磨上部刀片。

► **图片46:** 1. 锉刀 2. 50°

小心： 在打磨刀片之前，请务必关闭工具电源并从工具取出电池组。

6. 将工具倒置，然后使用磨刀石去除刀片上的毛刺。

► **图片47:** 1. 磨刀石

7. 使锉刀角度为50°，用锉刀沿三个刀刃方向打磨下部刀片。

8. 将工具恢复到正常位置，然后使用磨刀石去除刀片上的毛刺。

9. 拧紧螺丝，安装树枝夹持器。

润滑脂润滑

润滑间隔：每隔50个工作时

使用油孔进行润滑

1. 拆下孔中的螺栓进行润滑。

► **图片48:** 1. 螺栓

2. 从润滑脂管中取出盖子。将润滑脂管出口与护罩上的孔对齐，然后将润滑脂管出口按入孔内。

► **图片49:** 1. 润滑脂管 2. 孔

3. 将润滑脂涂抹到工具上（作为参考，约5g）。

4. 拧紧螺栓。

使用润滑脂注嘴

注嘴适配器有助于连接带正配合的润滑脂枪。

1. 准备润滑脂枪以备使用。

2. 将润滑脂枪适配器连接至工具上的润滑脂注嘴。

► **图片50:** 1. 润滑脂枪适配器 2. 润滑脂注嘴

3. 将润滑脂涂抹到工具上（作为参考，约5g）。

4. 略微倾斜适配器以释放内部压力，然后将适配器从润滑脂注嘴上拆除。

擦去适配器和润滑脂注嘴上的润滑脂。

故障排除

请求维修前，请首先自行检查。如果您发现本手册中未作说明的问题，请勿拆解工具。而请联系Makita（牧田）授权维修服务中心，务必使用Makita（牧田）的替换部件进行修复。

异常状态	可能原因（故障）	纠正措施
电机不旋转。	未安装电池组。	安装电池组。
	电池故障（欠压）	请给电池充电。如果充电无效，则更换电池。
	驱动系统未正常工作。	请当地授权的维修服务中心进行维修。
使用一段时间后电机不旋转。	电池电量低。	请给电池充电。如果充电无效，则更换电池。
	过热。	停止使用工具使之冷却。
工具无法达到最大转速。	电池安装不当。	按本手册所述安装电池组。
	电池电力下降。	请给电池充电。如果充电无效，则更换电池。
	驱动系统未正常工作。	请当地授权的维修服务中心进行维修。

异常状态	可能原因（故障）	纠正措施
刀片无法移动： ⇒ 立即停止机器！	刀片角度不当。	确保工具头正确固定在操作角度。
	刀片之间卡入异物。	1.使用反转按钮。 2.关闭工具并取下电池组，然后使用虎钳等工具清除异物。
	驱动系统未正常工作。	请当地授权的维修服务中心进行维修。
异常振动： ⇒ 立即停止机器！	刀片折断、弯曲或磨损。	更换刀片。
	驱动系统未正常工作。	请当地授权的维修服务中心进行维修。
刀片和电机无法停止： ⇒ 立即卸下电池！	电子元件故障。	拆下电池并请当地授权的维修服务中心进行修复。

选购附件

⚠小心： 这些附件或装置专用于本说明书所列的**Makita（牧田）工具**。如使用其他厂牌附件或装置，可能导致人身伤害。仅可将附件或装置用于规定目的。

如您需要了解更多关于这些选购附件的信息，请咨询当地的**Makita（牧田）**维修服务中心。

- 刀片组件
- 碎屑接收器
- 润滑脂管
- **Makita（牧田）**原装电池和充电器

注： 本列表中的一些部件可能作为标准配件包含于工具包装内。它们可能因销往国家之不同而异。

SPEKIFIKASI

Model:	UN001G	
Panjang mata pisau	600 mm	
Langkah per menit	2.000 / 3.000 / 4.000 min ⁻¹	
Sudut mata pisau pemotong	115° (atas 45°, bawah 70°)	
Panjang keseluruhan	2.268 mm	
Tegangan terukur	D.C. 36 V - 40 V maks	
Berat bersih	*1	4,0 kg
	*2	4,7 - 5,9 kg
Derajat perlindungan	IPX4	

- Karena kesinambungan program penelitian dan pengembangan kami, spesifikasi yang disebutkan di sini dapat berubah tanpa pemberitahuan.
 - Spesifikasi dapat berbeda dari satu negara ke negara lainnya.
- *1: Berat tanpa aksesoris atau kartrid baterai
 *2: Berat alat mungkin berbeda tergantung perangkat tambahan yang dipasang, termasuk kartrid baterai. Kombinasi alat teringan dan terberat, sesuai Prosedur EPTA 01/2014, ditunjukkan pada tabel.

Kartrid dan pengisi daya baterai yang dapat digunakan

Kartrid baterai	BL4020 / BL4025 / BL4040 / BL4040F / BL4050F / BL4080F
Pengisi daya	DC40RA / DC40RB / DC40RC / DC40WA

- Beberapa kartrid baterai dan pengisi daya yang tercantum di atas mungkin tidak tersedia, tergantung wilayah tempat tinggal Anda.

⚠️ PERINGATAN: Hanya gunakan kartrid dan pengisi daya baterai yang tercantum di atas. Penggunaan kartrid dan pengisi daya baterai lain dapat menimbulkan risiko cedera dan/atau kebakaran.

Sumber daya terhubung kabel yang direkomendasikan

Paket daya portabel	PDC01 / PDC1200 / PDC1500
---------------------	---------------------------

- Sumber daya terhubung kabel yang tercantum di atas mungkin tidak tersedia, bergantung pada wilayah tempat tinggal Anda.
- Sebelum menggunakan sumber daya terhubung kabel, baca petunjuk dan perhatian yang ditandai padanya.

Simbol

Berikut ini adalah simbol-simbol yang dapat digunakan pada peralatan ini. Pastikan Anda memahami arti masing-masing simbol sebelum menggunakan peralatan.



Baca petunjuk penggunaan.



Gunakan helm, kaca mata pelindung, dan pelindung telinga.



BAHAYA - Jauhkan tangan dari mata pisau.



Waspadalah terhadap saluran listrik, risiko sengatan listrik.



Jaga jarak setidaknya 15 m.



Hanya untuk negara-negara UE
Akibat adanya komponen berbahaya dalam peralatan, limbah peralatan listrik dan elektronik, aki dan baterai dapat memiliki dampak negatif pada lingkungan dan kesehatan manusia.

Jangan buang peralatan listrik dan elektronik atau baterai bersama limbah rumah tangga!

Sesuai dengan Petunjuk Eropa tentang limbah peralatan listrik dan elektronik dan tentang aki dan baterai serta limbah aki dan baterai, serta penyesuaiannya terhadap undang-undang nasional, limbah peralatan listrik, baterai dan aki harus disimpan secara terpisah dan dikirim ke tempat pengumpulan terpisah untuk sampah kota, beroperasi sesuai dengan peraturan tentang perlindungan lingkungan.

Hal ini ditunjukkan dengan simbol tempat sampah bersilang yang ditempatkan pada peralatan.



Level kekuatan suara terjamin sesuai dengan Petunjuk Kebisingan Di Luar Ruang Uni Eropa.



Level kekuatan suara sesuai dengan Peraturan Kontrol Kebisingan NSW Australia

Penggunaan

Mesin ini digunakan untuk memotong tanaman pagar.

PERINGATAN KESELAMATAN

Peringatan keselamatan umum mesin listrik

⚠️ PERINGATAN Bacalah semua peringatan keselamatan, petunjuk, ilustrasi dan spesifikasi yang disertakan bersama mesin listrik ini. Kelalaian untuk mematuhi semua petunjuk yang tercantum di bawah ini dapat menyebabkan sengatan listrik, kebakaran dan/atau cedera serius.

Simpanlah semua peringatan dan petunjuk untuk acuan di masa depan.

Istilah "mesin listrik" dalam semua peringatan mengacu pada mesin listrik yang dijalankan dengan sumber listrik jala-jala (berkabel) atau baterai (tanpa kabel).

Keselamatan tempat kerja

1. **Jaga tempat kerja selalu bersih dan berpenerangan cukup.** Tempat kerja yang berantakan dan gelap mengundang kecelakaan.
2. **Jangan gunakan mesin listrik dalam lingkungan yang mudah meledak, misalnya jika ada cairan, gas, atau debu yang mudah menyala.** Mesin listrik menimbulkan bunga api yang dapat menyalaakan debu atau uap tersebut.

3. **Jauhkan anak-anak dan orang lain saat menggunakan mesin listrik.** Bila perhatian terpecah, anda dapat kehilangan kendali.

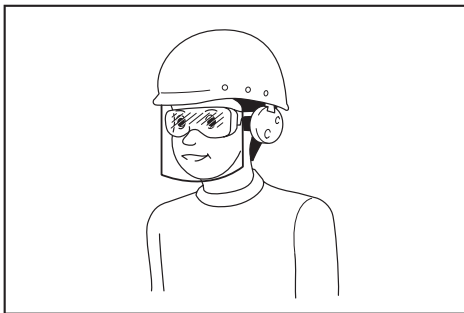
Keamanan Kelistrikan

1. **Steker mesin listrik harus cocok dengan stopkontak. Jangan sekali-kali mengubah steker dengan cara apa pun. Jangan menggunakan steker adaptor dengan mesin listrik terbumi (dibumikan).** Steker yang tidak diubah dan stopkontak yang cocok akan mengurangi risiko sengatan listrik.
2. **Hindari sentuhan tubuh dengan permukaan terbumi atau yang dibumikan seperti pipa, radiator, kompor, dan kulkas.** Risiko sengatan listrik bertambah jika tubuh Anda terbumikan atau dibumikan.
3. **Jangan mengoperasikan mesin saat hujan atau kondisi basah.** Air yang memasuki mesin dapat meningkatkan risiko sengatan listrik atau malafungsi yang dapat mengakibatkan cedera pribadi.
4. **Jangan menyalahgunakan kabel. Jangan sekali-kali menggunakan kabel untuk membawa, menarik, atau mencabut mesin listrik dari stopkontak. Jauhkan kabel dari panas, minyak, tepian tajam, atau bagian yang bergerak.** Kabel yang rusak atau kusut memperbesar risiko sengatan listrik.
5. **Bila menggunakan mesin listrik di luar ruangan, gunakan kabel ekstensi yang sesuai untuk penggunaan di luar ruangan.** Penggunaan kabel yang sesuai untuk penggunaan luar ruangan mengurangi risiko sengatan listrik.
6. **Jika mengoperasikan mesin listrik di lokasi lembap tidak terhindarkan, gunakan pasokan daya yang dilindungi peranti imbasan arus (residual current device - RCD).** Penggunaan RCD mengurangi risiko sengatan listrik.
7. **Mesin listrik dapat menghasilkan medan magnet (EMF) yang tidak berbahaya bagi pengguna.** Namun, pengguna alat pacu jantung atau peralatan medis sejenisnya harus berkonsultasi dengan produsen peralatan tersebut dan/atau dokter mereka sebelum mengoperasikan mesin listrik ini.

Keselamatan Diri

1. **Jaga kewaspadaan, perhatikan pekerjaan Anda dan gunakan akal sehat bila menggunakan mesin listrik. Jangan menggunakan mesin listrik saat Anda lelah atau di bawah pengaruh obat bias, alkohol, atau obat.** Sekejap saja lalai saat menggunakan mesin listrik dapat menyebabkan cedera badan serius.
2. **Gunakan alat pelindung diri. Selalu gunakan pelindung mata.** Peralatan pelindung seperti masker debu, sepatu pengaman anti-selip, helm pengaman, atau pelindung telinga yang digunakan untuk kondisi yang sesuai akan mengurangi risiko cedera badan.

3. **Cegah penyalaan yang tidak disengaja.** Pastikan bahwa sakelar berada dalam posisi mati (off) sebelum menghubungkan mesin ke sumber daya dan/atau paket baterai, atau mengangkat atau membawanya. Membawa mesin listrik dengan jari Anda pada sakelarnya atau mengalirkan listrik pada mesin listrik yang sakelarnya hidup (on) akan mengundang kecelakaan.
4. **Lepaskan kunci-kunci penyetel sebelum menghidupkan mesin listrik.** Kunci-kunci yang masih terpasang pada bagian mesin listrik yang berputar dapat menyebabkan cedera.
5. **Jangan meraih terlalu jauh. Jagalah pijakan dan keseimbangan sepanjang waktu.** Hal ini memungkinkan kendali yang lebih baik atas mesin listrik dalam situasi yang tidak diharapkan.
6. **Kenakan pakaian yang memadai. Jangan memakai pakaian yang longgar atau perhiasan.** Jaga jarak antara rambut dan pakaian Anda dengan komponen mesin yang bergerak. Pakaian yang longgar, perhiasan, atau rambut yang panjang dapat tersangkut pada komponen yang bergerak.
7. **Jika tersedia fasilitas untuk menghisap dan mengumpulkan debu, pastikan fasilitas tersebut terhubung listrik dan digunakan dengan baik.** Penggunaan pembersih debu dapat mengurangi bahaya yang terkait dengan debu.
8. **Jangan sampai Anda lengah dan mengabaikan prinsip keselamatan mesin ini hanya karena sudah sering mengoperasikannya dan sudah merasa terbiasa.** Tindakan yang lalai dapat menyebabkan cedera berat dalam sepersekian detik saja.
9. **Selalu kenakan kacamata pelindung untuk melindungi mata dari cedera saat menggunakan mesin listrik.** Kacamata harus sesuai dengan ANSI Z87.1 di Amerika Serikat, EN 166 di Eropa, atau AS/NZS 1336 di Australia/Selandia Baru. Di Australia/Selandia Baru, secara hukum Anda juga diwajibkan mengenakan pelindung wajah untuk melindungi wajah Anda.



Menjadi tanggung jawab atasannya untuk menerapkan penggunaan alat pelindung keselamatan yang tepat bagi operator mesin dan orang lain yang berada di area kerja saat itu.

Penggunaan dan pemeliharaan mesin listrik

1. **Jangan memaksa mesin listrik. Gunakan mesin listrik yang tepat untuk keperluan Anda.** Mesin listrik yang tepat akan menuntaskan pekerjaan dengan lebih baik dan aman pada kecepatan sesuai rancangannya.
2. **Jangan gunakan mesin listrik jika sakelar tidak dapat menyala dan mematakannya.** Mesin listrik yang tidak dapat dikendalikan dengan sakelarnya adalah berbahaya dan harus diperbaiki.
3. **Cabut steker dari sumber listrik dan/atau lepas paket baterai, jika dapat dilepas, dari mesin listrik sebelum melakukan penyetelan apa pun, mengganti aksesoris, atau menyimpan mesin listrik.** Langkah keselamatan preventif tersebut mengurangi risiko hidupnya mesin secara tak sengaja.
4. **Simpan mesin listrik jauh dari jangkauan anak-anak dan jangan biarkan orang yang tidak paham mengenai mesin listrik tersebut atau petunjuk ini menggunakan mesin listrik.** Mesin listrik sangat berbahaya di tangan pengguna yang tak terlatih.
5. **Rawatlah mesin listrik dan aksesoris. Periksa apakah ada komponen bergerak yang tidak lurus atau macet, komponen yang pecah, dan kondisi-kondisi lain yang dapat memengaruhi pengoperasian mesin listrik. Jika rusak, perbaiki mesin listrik terlebih dahulu sebelum digunakan.** Banyak kecelakaan disebabkan oleh kurangnya pemeliharaan mesin listrik.
6. **Jaga agar mesin pemotong tetap tajam dan bersih.** Mesin pemotong yang terawat baik dengan mata pemotong yang tajam tidak mudah macet dan lebih mudah dikendalikan.
7. **Gunakan mesin listrik, aksesoris, dan mata mesin, dll. sesuai dengan petunjuk ini, dengan memperhitungkan kondisi kerja dan jenis pekerjaan yang dilakukan.** Penggunaan mesin listrik untuk penggunaan yang lain dari peruntukan dapat menimbulkan situasi berbahaya.
8. **Jagalah agar gagang dan permukaan pegangan tetap kering, bersih, dan bebas dari minyak dan pelumas.** Gagang dan permukaan pegangan yang licin tidak mendukung keamanan penanganan dan pengendalian mesin dalam situasi-situasi tak terduga.
9. **Ketika menggunakan mesin, jangan menggunakan sarung tangan kain yang dapat tersangkut.** Sarung tangan kain yang tersangkut pada komponen bergerak dapat mengakibatkan cedera pada pengguna.

Penggunaan dan pemeliharaan mesin bertenaga baterai

1. **Isi ulang baterai hanya dengan pengisi daya yang ditentukan oleh pabrikan.** Pengisi daya yang cocok untuk satu jenis paket baterai dapat menimbulkan risiko kebakaran ketika digunakan untuk paket baterai yang lain.
2. **Gunakan mesin listrik hanya dengan paket baterai yang telah ditentukan secara khusus.** Penggunaan paket baterai lain dapat menimbulkan risiko cedera dan kebakaran.

3. **Ketika paket baterai tidak digunakan, jauhkan dari benda logam lain, seperti penjepit kertas, uang logam, kunci, paku, sekrup atau benda logam kecil lainnya, yang dapat menghubungkan satu terminal ke terminal lain.** Hubungan singkat terminal baterai dapat menyebabkan luka bakar atau kebakaran.
4. **Pemakaian yang salah, dapat menyebabkan keluarnya cairan dari baterai; hindari kontak. Jika terjadi kontak secara tidak sengaja, bilas dengan air. Jika cairan mengenai mata, cari bantuan medis.** Cairan yang keluar dari baterai bisa menyebabkan iritasi atau luka bakar.
5. **Jangan menggunakan paket baterai atau mesin yang sudah rusak atau telah diubah.** Baterai yang rusak atau telah diubah dapat menyebabkan hal-hal yang tidak dapat diprediksi yang dapat menyebabkan kebakaran, ledakan atau risiko cedera.
6. **Jangan membiarkan paket baterai atau mesin dekat dengan api atau suhu yang berlebihan.** Paparan api atau suhu di atas 130 °C dapat menyebabkan ledakan.
7. **Ikuti semua petunjuk pengisian daya dan jangan mengisi daya paket baterai atau mesin di luar rentang suhu yang ditentukan di panduan.** Mengisi daya secara tidak tepat atau pada suhu di luar rentang yang ditentukan dapat merusak baterai dan meningkatkan risiko kebakaran.
4. **Pegang alat pemotong tanaman hanya pada permukaan genggam yang terisolasi, karena bilah pisau mungkin bersentuhan dengan kawat atau kabel tersembunyi.** Bilah pisau yang menyentuh kawat “beraliran listrik” dapat menyebabkan bagian logam pada alat pemotong tanaman teraliri arus listrik dan menyengat pengguna.
5. **Jauhkan bagian tubuh Anda dari bilah pisau. Jangan ambil material pemotongan atau penahan saat bilah pisau bergerak.** Bilah pisau masih tetap berputar setelah sakelar dimatikan. Cedera serius dapat terjadi meskipun sesaat saja Anda lalai ketika menggunakan alat pemotong tanaman.
6. **Saat membersihkan material yang macet atau memperbaiki alat pemotong tanaman, pastikan semua sakelar daya mati dan baterai dilepas atau diputus sambungannya.** Pergerakan tak terduga dari alat pemotong tanaman saat membersihkan material yang macet atau perbaikan dapat mengakibatkan cedera pribadi yang serius.
7. **Bawa alat pemotong tanaman dengan gagangnya dengan kondisi bilah pisau berhenti dan hati-hatilah, jangan sampai Anda mengaktifkan sakelar daya apa pun.** Membawa alat pemotong tanaman dengan benar akan mengurangi risiko awal akibat kelalaian dan cedera pribadi yang diakibatkan oleh bilah pisau.
8. **Ketika membawa atau menyimpan alat pemotong tanaman, selalu gunakan penutup mata pisau.** Penanganan alat pemotong tanaman dengan benar akan mengurangi risiko cedera pribadi yang diakibatkan oleh mata pisau.

Servis

1. **Berikan mesin listrik untuk diperbaiki hanya kepada oleh teknisi yang berkualifikasi dengan menggunakan hanya suku cadang pengganti yang serupa.** Hal ini akan menjamin terjaganya keamanan mesin listrik.
2. **Jangan pernah memperbaiki paket baterai yang sudah rusak.** Perbaikan paket baterai harus dilakukan hanya oleh produsen atau penyedia servis resmi.
3. **Patuhi petunjuk pelumasan dan penggantian aksesoris.**

Peringatan Keselamatan Alat Pemotong Tanaman Pagar Tanpa Kabel

Peringatan keselamatan alat pemotong tanaman berdaya baterai:

1. **Jangan gunakan alat pemotong tanaman saat kondisi cuaca buruk, terutama jika terdapat risiko sambaran petir.** Hal ini akan mengurangi risiko disambar petir.
2. **Jauhkan semua kabel daya dan kabel dari area pemotongan.** Kabel daya atau kabel bisa jadi tersembunyi di pagar atau semak-semak dan dapat terpotong secara tidak sengaja oleh bilah pisau.
3. **Gunakan pelindung telinga.** Peralatan pelindung yang memadai akan mengurangi risiko hilangnya pendengaran.

Peringatan keselamatan alat pemotong tanaman pagar tanpa kabel:

1. **Selalu gunakan pelindung kepala saat mengoperasikan alat pemotong tanaman pagar dengan perpanjangan jangkauan di atas kepala.** Serpihan yang jatuh dapat mengakibatkan cedera serius.
2. **Selalu gunakan dua tangan saat mengoperasikan alat pemotong tanaman pagar.** Pegang alat pemotong tanaman pagar dengan kedua tangan untuk menghindari hilangnya kendali.
3. **Untuk mengurangi risiko tersengat listrik, jangan gunakan alat pemotong tanaman pagar di dekat saluran listrik.** Kontak dengan atau menggunakan alat di dekat saluran listrik dapat menyebabkan cedera serius atau sengatan listrik yang mengakibatkan kematian.

Peringatan Keselamatan Tambahan

Persiapan

1. **ALAT PEMOTONG TANAMAN INI DAPAT MENYEBABKAN CEDERA SERIUS.** Baca petunjuk dengan saksama untuk penanganan, persiapan, pemeliharaan, memulai dan menghentikan mesin yang benar. Pahami semua kontrol dan cara penggunaan mesin yang benar.

2. Periksa tanaman pagar dan belukar apakah ada benda asing di dalamnya, seperti pagar kawat atau kawat yang tersembunyi sebelum mengoperasikan alat.
3. Alat pemotong tanaman tidak boleh digunakan oleh anak-anak atau usia di bawah 18 tahun. Orang dengan berusia di atas 16 tahun diperbolehkan menggunakan alat ini hanya jika telah menjalani pelatihan dengan pengawasan ahli.
4. Dalam keadaan darurat, segera matikan mesin dan lepaskan kartrid baterai.
5. **BAHAYA:** Jauhkan tangan Anda dari mata pisau. Sentuhan dengan mata pisau dapat mengakibatkan cedera badan serius.
6. Hanya gunakan dengan pegangan dan pelindung yang terpasang dengan benar pada mesin ini. Penggunaan mesin tanpa pelindung atau pegangan yang tepat dapat mengakibatkan cedera pribadi yang serius.
7. Pengguna awam harus meminta bantuan orang yang berpengalaman dalam penggunaan mesin.
8. Sebelum pengoperasian, periksa area kerja untuk pagar kawat, batu, atau objek keras lainnya. Itu semua dapat merusak mata pisau.
9. Hanya gunakan alat pemotong tanaman ketika kondisi fisik Anda memadai. Apabila Anda lelah, perhatian Anda mungkin dapat menurun. Berhati-hatilah ketika pekerjaan hampir selesai. Lakukan semua pekerjaan dengan tenang dan hati-hati. Pengguna bertanggung jawab atas semua kerusakan yang terjadi pada pihak ketiga.
10. Sebelum memulai kerja, periksa dan pastikan pemotong berada pada kondisi yang baik dan aman. Pastikan seluruh pelindung terpasang dengan benar. Alat pemotong tanaman tidak boleh digunakan kecuali telah terpasang dengan lengkap.
11. Hindari lingkungan berbahaya. Jangan gunakan mesin di lokasi yang lembap dan basah, atau membiarkannya terkena hujan. Air yang masuk ke dalam mesin akan meningkatkan risiko sengatan listrik.

Alat pelindung diri

1. Sarung tangan kerja dengan bahan kulit merupakan alat standar untuk alat pemotong tanaman dan harus selalu dikenakan ketika menggunakan pemotong. Kenakan juga sepatu yang kuat dengan sol anti-selip.
2. Gunakan pelindung telinga seperti sarung telinga untuk mencegah gangguan pendengaran.
3. Gunakan kacamat pelindung, helm pengaman dan sarung tangan pelindung untuk melindungi diri dari serpihan yang terbang atau benda jatuh.
4. Ketika menyentuh atau mengarahkan mata pisau, pakailah sarung tangan. Mata pisau dapat melukai tangan kosong dengan parah.

Pengoperasian

1. Selalu gunakan dua tangan untuk mengoperasikan mesin yang dilengkapi dengan dua pegangan. Mengoperasikan mesin dengan satu tangan dapat menyebabkan hilangnya kendali dan mengakibatkan cedera serius.
2. Saat mengoperasikan mesin, selalu pastikan bahwa posisi operasi aman dan terlindungi. Berusaha menjangkau mesin terlalu jauh terutama menggunakan tangga sangatlah berbahaya. Jangan lakukan pekerjaan dengan pijakan yang mudah goyah atau tidak kuat.
3. Jangan sekaligus memakai beberapa sabuk pengaman dan/atau sabuk bahu saat mengoperasikan mesin.
4. Saat pengoperasian, pastikan orang lain atau binatang berada setidaknya 15 m dari mesin. Segera matikan mesin jika ada seseorang yang mendekati.
5. Jika alat pemotong mengenai benda apa pun atau mesin mulai mengeluarkan bunyi atau getaran yang tidak biasa, matikan mesin dan segera lepaskan kartrid baterai dan biarkan mesin berhenti. Dan kemudian lakukan langkah-langkah berikut:
 - periksa apakah ada kerusakan
 - periksa, dan kencangkan, semua komponen yang kendur
 - ganti suku cadang yang rusak atau perbaiki dengan suku cadang asli.
6. Hanya gunakan mesin untuk tujuan yang dimaksudkan. Jangan gunakan mesin untuk keperluan lainnya.
7. Matikan mesin dan lepaskan kartrid baterai sebelum:
 - membersihkan atau saat membersihkan penyumbatan,
 - memeriksa, melakukan pemeliharaan atau sedang bekerja dengan mesin,
 - menyesuaikan posisi kerja bilah pisau pemangkas,
 - meninggalkan mesin tanpa pengawasan.
8. Pastikan mesin berada di posisi kerja yang benar sebelum menyalakan mesin.
9. Jangan mengoperasikan mesin dengan bilah pisau pemangkas yang rusak atau aus berlebihan.
10. Selalu pastikan bahwa semua pegangan dan pelindung dipasang saat menggunakan mesin. Jangan pernah mencoba menggunakan mesin yang tidak lengkap atau yang dilengkapi dengan modifikasi yang tidak resmi.
11. Selalu waspada terhadap lingkungan Anda dan tetap waspada terhadap kemungkinan bahaya yang mungkin tidak Anda sadari karena kebisingan mesin ini.
12. Berhati-hatilah agar tidak menyentuh pagar besi atau benda keras lainnya selama pengoperasian. Mata pisau dapat pecah dan dapat menimbulkan cedera serius.

13. **Hindari penyalaan yang tidak disengaja.** Jangan membawa mesin saat kartrid baterai dipasang dan dengan jari di sakelar. Pastikan sakelar dimatikan saat memasang kartrid baterai.
14. **Saat mengangkat atau memegang mesin, jangan menggenggam mata pisau pemotong atau tepian pemotong yang terlihat.**
15. **Jangan memaksa mesin listrik.** Mesin akan lebih baik dan dengan risiko cedera yang lebih kecil jika sesuai rancangan kegunaannya.
16. **Jangan menggunakan mesin saat hujan atau kondisi basah dan lembap.** Motor listrik tidak tahan air.
17. **Pegang mesin dengan kuat saat menggunakannya.**
18. **Jangan mengoperasikan mesin tanpa beban yang tidak diperlukan.**
19. **Sebelum memeriksa bilah pisau pemangkas, perbaiki kerusakan, atau bersihkan benda asing yang tersangkut pada bilah pisau pemangkas, selalu matikan mesin dan lepaskan kartrid baterai.**
20. **Jangan arahkan bilah pisau pemangkas ke diri sendiri atau orang lain.**
21. **Jika Jika pisau berhenti bergerak karena benda asing tersangkut di antara bilah pisau selama pengoperasian, matikan mesin dan lepaskan kartrid baterai, lalu keluarkan benda asing menggunakan alat seperti tang.** Mengeluarkan benda asing dengan tangan dapat menyebabkan cedera karena bilah pisau dapat bergerak sebagai akibat dari dikeluarkannya benda asing tersebut.
22. **Pastikan tidak ada kabel listrik, pipa air, pipa gas, dll. yang dapat menyebabkan bahaya jika mengalami kerusakan akibat penggunaan mesin.**
23. **Jangan menyentuh bagian logam atau permukaan panas pada alat selama penggunaan atau segera setelah pengoperasian; suhunya mungkin masih sangat panas dan dapat membakar kulit Anda.** Biarkan alat menjadi dingin sebelum melakukan pekerjaan apa pun pada alat.
24. **Jangan menggunakan alat ini di tanah yang lunak/tidak stabil/licin atau di kemiringan yang curam.** Hindari bekerja di tangga atau di ketinggian. Melakukan hal sebaliknya dapat menyebabkan risiko terjatuh yang mengakibatkan cedera pribadi.
25. **Jangan menggunakan alat di cuaca yang buruk atau di saat malam hari dengan jarak penglihatan yang terbatas.** Jika Anda tidak mengikutinya, Anda dapat terjatuh atau pengoperasian dapat salah akibat jarak penglihatan yang rendah.
26. **Hindari bekerja di lingkungan buruk yang dapat mengakibatkan kelelahan berlebihan pada pengguna.**
27. **Jangan biarkan mesin terendam genangan air.**
28. **Jangan meninggalkan mesin tanpa pengawasan di luar saat hujan.**
29. **Saat daun yang basah atau kotoran menempel pada mulut penyedot (jendela ventilasi) akibat hujan, bersihkan.**
30. **Jangan menggunakan mesin dalam kondisi bersalju.**

Keamanan listrik dan baterai

1. **Jangan buang baterai ke dalam api.** Sel dapat meledak. Periksa ketentuan lokal untuk petunjuk pembuangan khusus.
2. **Jangan membuka atau membongkar baterai.** Elektrolit yang terlepas bersifat korosif dan dapat menyebabkan iritasi pada mata atau kulit. Elektrolit yang terlepas beracun jika tertelan.
3. **Jangan mengisi daya baterai saat hujan, atau di lokasi yang basah.**
4. **Jangan mengisi daya baterai di luar ruangan.**
5. **Jangan memegang pengisi daya, termasuk steker pengisi daya, dan terminal pengisi daya dengan tangan basah.**
6. **Jangan ganti baterai dengan tangan basah.**
7. **Jangan ganti baterai dalam kondisi hujan.**
8. **Jangan membasahi terminal baterai dengan cairan seperti air, atau merendam baterai.** Jangan tinggalkan baterai saat hujan, atau mengisi daya, menggunakan, atau menyimpan baterai di tempat yang lembap atau basah. Jika terminal basah atau cairan masuk ke dalam baterai, mungkin dapat terjadi hubungan singkat dan terdapat risiko kelebihan panas, terbakar, atau meledak.
9. **Setelah melepas baterai dari mesin atau pengisi daya, pastikan Anda memasang penutup ke baterai dan simpan di tempat kering.**
10. **Jika kartrid baterai basah, keringkan air di dalamnya kemudian usap dengan kain kering.** Biarkan kartrid baterai benar-benar kering di tempat kering sebelum digunakan.

Perawatan dan penyimpanan

1. **Saat mesin berhenti untuk servis, pemeriksaan atau penyimpanan, matikan mesin dan lepaskan kartrid baterai, dan pastikan semua komponen yang bergerak berhenti.** Biarkan mesin menjadi dingin sebelum melakukan inspeksi, penyesuaian, dll.
2. **Selalu biarkan mesin mendingin sebelum disimpan.**
3. **Saat tidak digunakan, pasang penutup mata pisau ke mesin dan simpan mesin di dalam ruangan kering, dan tinggi ruangan yang terkunci, jauh dari jangkauan anak-anak.**
4. **Rawatlah mesin dengan baik.** Jaga agar tepi pemotongan tetap tajam dan bersih untuk kinerja terbaik dan untuk mengurangi risiko cedera. Patuhi petunjuk pelumasan dan penggantian aksesoris. Jagalah agar gagang kering, bersih, serta bebas dari minyak dan gemuk.

5. Periksa komponen yang rusak. Sebelum terus menggunakan mesin, bagian apa pun yang rusak harus diperiksa secara cermat untuk menentukan apakah mesin akan bekerja dengan baik dan berfungsi sesuai yang diharapkan. Periksa kesejajaran komponen yang berputar, macetnya gerakan bagian yang berputar, kerusakan komponen, kondisi pemasangan dan hal lain yang dapat memengaruhi pengoperasian. Pelindung atau bagian lain yang rusak harus diperbaiki atau diganti dengan benar oleh pusat servis resmi Anda.
6. Hanya gunakan suku cadang asli.
7. Ketika memindahkan mesin ke lokasi lain, termasuk selama melakukan pekerjaan, selalu lepaskan kartrid baterai dan pasang penutup mata pisau pada bilah pisau pemangkas. Jangan pernah membawa atau memindahkan mesin dengan mata pisau yang masih beroperasi. Jangan pernah genggam pisau mata menggunakan tangan Anda.
8. Bersihkan mesin khususnya mata pisau pemangkas setelah digunakan, dan sebelum menyimpan mesin dalam waktu yang lama. Sedikit lumasi mata pisau pemangkas dan masukkan ke dalam penutupnya.
9. Jangan cuci mesin dengan air bertekanan tinggi.
10. Saat mencuci mesin, jangan biarkan air masuk ke dalam mekanisme listrik seperti baterai, motor, dan terminal.
11. Lakukan pemeriksaan atau pemeliharaan di tempat yang terhindar dari hujan.
12. Setelah menggunakan mesin, bersihkan kotoran yang menempel dan keringkan mesin sepenuhnya sebelum disimpan. Tergantung pada musim atau tempat, terdapat risiko gangguan fungsi akibat pembekuan.
13. Ketika menyimpan mesin, hindari terkena cahaya matahari dan hujan langsung, dan simpan di tempat yang jauh dari panas atau lembap.
3. Jika waktu beroperasinya menjadi sangat singkat, segera hentikan penggunaan. Hal tersebut dapat menimbulkan risiko panas berlebih, kemungkinan mengalami luka bakar atau bahkan terjadi ledakan.
4. Jika elektrolit mengenai mata Anda, basuh dengan air bersih dan segera cari pertolongan medis. Hal tersebut dapat mengakibatkan hilangnya kemampuan penglihatan Anda.
5. Jangan menghubungkan terminal kartrid baterai:
 - (1) Jangan menyentuh terminal dengan bahan penghantar listrik apa pun.
 - (2) Hindari menyimpan kartrid baterai pada wadah yang berisi benda logam lain seperti paku, uang logam, dsb.
 - (3) Jangan membiarkan baterai terkena air atau kehujanan.
 Hubungan singkat baterai dapat menyebabkan aliran arus listrik yang besar, panas berlebih, kemungkinan mengalami luka bakar dan bahkan kerusakan pada baterai.
6. Jangan menyimpan dan menggunakan mesin dan kartrid baterai pada lokasi dengan suhu yang bisa mencapai atau melebihi 50 °C (122 °F).
7. Jangan membuang kartrid baterai di tempat pembakaran sampah walaupun benar-benar rusak atau tidak bisa digunakan sama sekali. Kartrid baterai bisa meledak jika terbakar.
8. Jangan memaku, memotong, menghancurkan, melempar, menjatuhkan kartrid baterai, atau memukulkan benda keras ke kartrid baterai. Tindakan tersebut dapat menimbulkan api, panas berlebih, atau ledakan.
9. Jangan menggunakan baterai yang rusak.
10. **Baterai litium-ion yang disertakan sesuai dengan persyaratan Perundangan Makanan Berbahaya.**
 Harus ada pengawasan untuk pengangkutan komersial misalnya oleh pihak ketiga, ekspeditor, persyaratan khusus terhadap pengemasan dan pelabelan. Diperlukan adanya konsultasi dengan ahli mengenai material berbahaya untuk persiapan barang yang akan dikirimkan. Perhatikan pula peraturan nasional yang lebih terperinci yang mungkin ada.
 Beri perekat atau tutupi bagian yang terbuka dan kemasi baterai dengan cara yang tidak akan menimbulkan pergeseran dalam pengemasan.

SIMPAN PETUNJUK INI.

⚠️ PERINGATAN: JANGAN biarkan kenyamanan atau terbiasanya Anda dengan produk (karena penggunaan berulang) mengurangi kepatuhan yang ketat terhadap aturan keselamatan untuk produk yang terkait. PENYALAHGUNAAN atau kelalaian mematuhi kaidah keselamatan yang tertera dalam petunjuk ini dapat menyebabkan cedera badan serius.

Petunjuk keselamatan penting untuk kartrid baterai

1. Sebelum menggunakan kartrid baterai, bacalah semua petunjuk dan penandaan pada (1) pengisi daya baterai, (2) baterai, dan (3) produk yang menggunakan baterai.
2. Jangan membongkar atau memodifikasi kartrid baterai. Tindakan tersebut dapat menimbulkan api, panas berlebih, atau ledakan.
11. Ketika membuang kartrid baterai, lepaskan dari mesin dan buang ke tempat yang aman. Patuhi peraturan setempat yang berkaitan dengan pembuangan baterai.
12. Gunakan baterai hanya dengan produk yang ditentukan oleh Makita. Memasang baterai pada produk yang tidak sesuai dapat menyebabkan kebakaran, kelebihan panas, ledakan, atau kebocoran elektrolit.
13. Jika mesin tidak digunakan dalam jangka waktu yang lama, baterai harus dilepas dari mesin.

14. Selama dan setelah digunakan, kartrid baterai mungkin menyimpan panas yang dapat menyebabkan luka bakar atau luka bakar suhu rendah. Perhatikan cara memegang kartrid baterai yang masih panas.
15. Jangan langsung menyentuh terminal mesin setelah digunakan karena suhunya mungkin cukup panas untuk menyebabkan luka bakar.
16. Jangan biarkan serpihan, debu, atau tanah menempel di terminal, lubang, dan alur kartrid baterai. Hal tersebut dapat menyebabkan pemanasan, kebakaran, ledakan, dan kegagalan fungsi mesin atau kartrid baterai, yang mengakibatkan luka bakar atau cedera diri.
17. Kecuali jika mesin mendukung penggunaan di dekat saluran listrik bertegangan tinggi, jangan gunakan kartrid baterai di dekat saluran listrik bertegangan tinggi. Hal tersebut dapat mengakibatkan kegagalan fungsi atau kerusakan mesin maupun kartrid baterai.
18. Jauhkan baterai dari jangkauan anak-anak.

SIMPAN PETUNJUK INI.

⚠PERHATIAN: Gunakan baterai asli Makita. Penggunaan baterai Makita yang tidak asli, atau baterai yang sudah diubah, akan mengakibatkan baterai mudah terbakar, cedera dan kerusakan. Akan menghilangkan garansi Makita pada pengisi daya dan alat Makita.

Tip untuk menjaga agar umur pemakaian baterai maksimum

1. Isi ulang kartrid baterai sebelum habis sama sekali. Selalu hentikan penggunaan mesin dan ganti kartrid baterai jika Anda melihat bahwa mesin kurang tenaga.
2. Jangan pernah mengisi ulang kartrid baterai yang sudah diisi penuh. Pengisian ulang yang berlebih memperpendek umur pemakaian baterai.
3. Isi ulang kartrid baterai pada suhu ruangan 10 °C - 40 °C. Biarkan kartrid baterai yang panas menjadi dingin terlebih dahulu sebelum diisi ulang.
4. Saat kartrid baterai tidak digunakan, lepaskan dari mesin atau pengisi daya.
5. Isi ulang daya kartrid baterai jika Anda tidak menggunakannya untuk jangka waktu yang lama (lebih dari enam bulan).

DESKRIPSI BAGIAN-BAGIAN MESIN

► Gbr.1

1	Kepala	2	Gagang depan	3	Gantungan	4	Tuas buka kunci
5	Kartrid baterai	6	Gagang belakang	7	Tuas sakelar	8	Selongsong geser
9	Bilah pisau pemangkas	10	Indikator kecepatan	11	Lampu perhatian	12	Tombol pembalik arah
13	Tombol daya utama	-	-	-	-	-	-

DESKRIPSI FUNGSI

⚠PERHATIAN: Selalu pastikan bahwa mesin dimatikan dan kartrid baterai dilepas sebelum menyetel atau memeriksa kerja mesin.

Memasang atau melepas baterai

⚠PERHATIAN: Selalu matikan mesin sebelum memasang atau melepas kartrid baterai.

⚠PERHATIAN: Pegang mesin dan kartrid baterai kuat-kuat saat memasang atau melepas kartrid baterai. Kelalaian untuk memegang mesin dan kartrid baterai kuat-kuat bisa menyebabkan keduanya tergelincir dari tangan Anda dan mengakibatkan kerusakan pada mesin dan kartrid baterai dan cedera diri.

Untuk memasang kartrid baterai, sejajarkan lidah kartrid baterai dengan alur pada rumah dan masukkan ke dalam tempatnya. Masukkan seluruhnya sampai terkunci pada tempatnya dan terdengar bunyi klik kecil. Jika Anda bisa melihat indikator berwarna merah seperti yang ditunjukkan pada gambar, ini artinya kartrid baterai tidak terkunci sempurna.

Untuk melepas kartrid baterai, geser dari mesin sambil menggeser tombol pada bagian depan kartrid.

► Gbr.2: 1. Indikator berwarna merah 2. Tombol 3. Kartrid baterai

⚠PERHATIAN: Selalu pasang kartrid baterai sepenuhnya sampai indikator berwarna merah tidak terlihat. Jika tidak, bisa terlepas dari mesin secara tidak sengaja, menyebabkan luka pada Anda atau orang di sekitar Anda.

⚠PERHATIAN: Jangan memasang kartrid baterai secara paksa. Jika kartrid tidak bergeser dengan mudah, berarti tidak dimasukkan dengan benar.

Mengindikasikan kapasitas baterai yang tersisa

Tekan tombol pemeriksaan pada kartrid baterai untuk melihat kapasitas baterai yang tersisa. Lampu indikator menyala selama beberapa detik.

► **Gbr.3:** 1. Lampu indikator 2. Tombol pemeriksaan

Lampu indikator			Kapasitas yang tersisa
Menyala	Mati	Berkedip	
■	□	◐	75% hingga 100%
■ ■ ■ ■			
■ ■ ■	□		50% hingga 75%
■ ■	□ □		25% hingga 50%
■	□ □ □		0% hingga 25%
◐	□ □ □ □		Isi ulang baterai.
■ ■	□ □	↑ ↓	Baterai mungkin sudah rusak.

CATATAN: Tergantung kondisi penggunaan dan suhu lingkungannya, penunjukkan mungkin saja sedikit berbeda dari kapasitas sebenarnya.

CATATAN: Lampu indikator pertama (ujung kiri) akan berkedip ketika sistem perlindungan mesin bekerja.

Sistem perlindungan mesin / baterai

Alat ini dilengkapi dengan sistem perlindungan alat/baterai. Sistem ini memutus aliran daya ke motor secara otomatis untuk memperpanjang masa pakai alat dan baterai. Alat akan berhenti secara otomatis saat dioperasikan jika alat atau baterai mengalami salah satu dari kondisi berikut ini:

► **Gbr.4:** 1. Lampu perhatian

Warna	Lampu perhatian		Status
	● Menyala	◐ Berkedip	
Hijau		◐	Kelebihan beban
Merah	● (mesin) / ● (baterai)		Panas berlebih
Merah		◐	Pengosongan daya berlebih

PEMBERITAHUAN: Bergantung pada kondisi penggunaan, mesin otomatis berhenti tanpa indikasi apa pun jika ranting dan serpihan tersangkut di mesin. Dalam kasus ini, matikan mesin dan lepaskan kartrid baterai, kemudian singkirkan ranting atau serpihan yang tersangkut menggunakan alat seperti tang. Setelah menyingkirkan cabang atau serpihan, pasang kartrid baterai dan nyalakan mesin kembali.

Perlindungan kelebihan beban

Jika mesin atau baterai mengalami kelebihan beban akibat semak atau serpihan lain yang tersangkut, mesin atau baterai akan berhenti secara otomatis dan lampu perhatian mulai berkedip dengan warna hijau. Untuk situasi ini, matikan mesin dan hentikan pekerjaan yang menyebabkan mesin mengalami kelebihan beban. Kemudian, nyalakan mesin untuk kembali memulai pekerjaan.

Perlindungan kelebihan panas untuk mesin atau baterai

Jika alat atau kartrid baterai terlalu panas, mesin akan berhenti secara otomatis. Saat mesin mengalami kelebihan panas, lampu perhatian akan menyala merah. Saat kartrid baterai mengalami kelebihan panas, lampu perhatian akan berkedip merah. Biarkan suhu mesin dan/atau baterai turun sebelum dinyalakan kembali.

Perlindungan pengisian daya berlebih

Apabila kapasitas baterai menurun, mesin akan berhenti secara otomatis dan lampu perhatian mulai berkedip dengan warna merah. Jika mesin tidak beroperasi bahkan ketika sakelar dioperasikan, lepaskan kartrid baterai dari mesin dan isi dayanya.

Perlindungan terhadap penyebab lain

Sistem perlindungan juga dirancang untuk penyebab lain yang dapat merusak mesin dan memungkinkan mesin untuk berhenti secara otomatis. Lakukan semua langkah berikut ini untuk mengatasi penyebabnya, saat mesin dihentikan sementara atau berhenti beroperasi.

1. Matikan mesin, dan kemudian hidupkan kembali untuk memulai ulang.
2. Isi baterai atau ganti dengan baterai yang sudah diisi ulang.
3. Biarkan mesin dan baterai menjadi dingin.

Jika tidak ada peningkatan yang dapat ditemukan dengan memulihkan sistem perlindungan, hubungi Pusat Servis Makita setempat Anda.

Kerja sakelar daya

⚠PERINGATAN: Untuk keselamatan Anda, alat ini dilengkapi sakelar buka kunci untuk mencegah hidupnya alat secara tidak disengaja. **JANGAN PERNAH** menggunakan alat jika alat tersebut menyala ketika Anda hanya menarik tuas sakelarnya tanpa menekan tuas buka kunci. Kembalikan alat ke pusat layanan resmi kami untuk diperbaiki dengan benar **SEBELUM** menggunakannya lebih lanjut.

⚠PERINGATAN: **JANGAN PERNAH** melakban atau mengurangi kegunaan dan fungsi tuas buka kunci.

⚠PERHATIAN: Sebelum memasang kartrid baterai pada alat, selalu periksa untuk melihat bahwa tuas sakelar berfungsi dengan baik dan kembali ke posisi "OFF" (MATI) saat dilepas. Penggunaan alat dengan sakelar yang tidak berfungsi dengan baik dapat menyebabkan kehilangan kontrol dan cedera serius.

⚠PERHATIAN: Jangan pernah meletakkan jari Anda pada sakelar saat memindahkan alat. Mesin mungkin akan menyala tanpa disengaja dan menyebabkan cedera.

PEMBERITAHUAN: Jangan menarik dalam-dalam tuas sakelar tanpa menekan tuas buka kunci. Hal ini bisa merusak sakelar.

Tekan tombol daya utama untuk menghidupkan alat. Untuk mematikan alat, tekan dan tahan tombol daya utama hingga indikator kecepatan mati.

► **Gbr.5:** 1. Tombol daya utama 2. Indikator kecepatan 3. Lampu perhatian

CATATAN: Lampu perhatian akan berkedip hijau jika tuas sakelar ditarik dalam kondisi yang tidak layak untuk pengoperasian seperti berikut:

- Menyalakan sakelar daya utama sambil menahan tuas buka kunci dan tuas sakelar.
- Menarik tuas sakelar dengan menahan tuas buka kunci sambil melipat kepala alat.

CATATAN: Alat ini menggunakan fungsi pemutus daya otomatis. Sakelar daya utama akan mati secara otomatis jika alat tidak digunakan selama kurang lebih 5 menit.

CATATAN: Fungsi mati otomatis dapat dilakukan jika alat berhenti akibat penggunaan sistem perlindungan. Sakelar daya utama akan mati secara otomatis kurang lebih 5 menit setelah motor berhenti secara otomatis dan tidak ada tindakan pembenaran yang dilakukan terhadap perlindungan alat.

Untuk mencegah tuas sakelar tertarik dengan tidak sengaja, tersedia sakelar buka kunci ganda untuk keamanan.

Untuk menghidupkan alat, tekan tuas kunci ke depan melewati posisi normalnya menggunakan jaring tangan Anda (bagian di antara ibu jari dan jari telunjuk) dan remas tuas buka kunci dengan telapak tangan Anda. Kemudian tarik tuas sakelar dengan menahan tuas buka kunci.







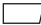


Lepaskan tuas sakelar untuk berhenti.

► **Gbr.6:** 1. Tuas kunci 2. Tuas buka kunci 3. Tuas sakelar

Penyetel kecepatan

Anda dapat menyesuaikan kecepatan mesin dengan menekan tombol daya utama. Setiap kali Anda menekan tombol daya utama, tingkat kecepatan berubah.

► **Gbr.7:** 1. Tombol daya utama 2. Indikator kecepatan

Indikator	Mode	Kecepatan langkah
3  2  1 	Tinggi	4.000 min ⁻¹
3  2  1 	Sedang	3.000 min ⁻¹
3  2  1 	Rendah	2.000 min ⁻¹

CATATAN: Alat memulai dengan mode yang sama dengan pengoperasian terakhir. Jika Anda melepas baterai ketika motor sedang berjalan setelah dimatikan, alat mungkin tidak akan bekerja dalam mode yang sama seperti pengoperasian terakhir.

Tombol pembalik arah untuk penghilangan serpihan

⚠PERINGATAN: Jika ranting atau serpihan yang tersangkut tidak dapat disingkirkan dengan fungsi terbalik, matikan mesin dan lepaskan kartrid baterai, kemudian singkirkan ranting atau serpihan yang tersangkut menggunakan alat seperti tang. Kelalaian dalam mematikan mesin dan melepaskan kartrid baterai dapat mengakibatkan cedera badan yang serius akibat penyalaaan yang tidak disengaja. Melepaskan ranting dan serpihan yang tersangkut menggunakan tangan dapat menyebabkan cedera, karena bilah pisau pemangkas dapat bergerak saat Anda menyingkirkannya.

Mesin ini memiliki tombol pembalik arah untuk mengubah arah gerakan bilah pisau pemangkas. Ini hanya berfungsi untuk menyingkirkan ranting dan serpihan yang tersangkut pada mesin. Untuk membalikkan pergerakan bilah pisau pemangkas, tekan tombol pembalik arah ketika bilah pisau pemangkas sudah berhenti, dan kemudian tarik tuas sakelar sambil menekan tuas buka kunci. Indikator kecepatan mulai berkedip dan bilah pisau pemangkas bergerak dengan arah terbalik.

Apabila ranting dan serpihan yang tersangkut telah disingkirkan, alat akan kembali ke pergerakan normalnya, dan indikator kecepatan berhenti berkedip dan menyala.

► **Gbr.8:** 1. Tombol pembalik arah 2. Indikator kecepatan

CATATAN: Jika ranting dan serpihan yang tersangkut tidak dapat disingkirkan, lepaskan tuas sakelar, kemudian tekan tombol pembalik, dan kemudian tarik tuas sakelar hingga ranting dan serpihan yang tersangkut dapat disingkirkan.

CATATAN: Jika Anda menekan tombol pembalik saat bilah pisau pemangkas masih bergerak, alat akan berhenti dan siap untuk pergerakan terbalik.

Menyetel sudut pemotongan

⚠️ PERHATIAN: Selalu pastikan bahwa mesin sudah dimatikan dan melipat atau membuka lipatan kepala.

⚠️ PERHATIAN: Saat melipat kepala untuk membawa mesin atau setelah menggunakan mesin, pastikan untuk memasang penutup mata pisau sebelum melipat kepala.

⚠️ PERHATIAN: Saat melipat kepala, berhati-hatilah agar jangan sampai jari Anda terjepit di antara kepala dan selongsong geser.

Sudut kepala dapat disesuaikan dalam 6 tahap antara 45° ke atas dan 70° ke bawah. Untuk mengubah sudut kepala, ikuti langkah-langkah di bawah ini.

► **Gbr.9:** 1. Sudut kepala ke atas 2. Sudut kepala ke bawah

1. Tahan kepala dan selongsong geser seperti ditunjukkan pada gambar.

► **Gbr.10:** 1. Kepala 2. Selongsong geser

2. Gerakan kepala sembari menahan selongsong geser, lalu lepaskan selongsong geser.

3. Gerakan kepala sedikit hingga terkunci dengan bunyi klik.

CATATAN: Pastikan bawah kepala terkunci dengan kencang sebelum mengoperasikan mesin.

Fungsi elektronik

Mesin ini dilengkapi dengan fungsi elektronik untuk pengoperasian yang mudah.

- Kontrol kecepatan konstan
Fungsi kontrol kecepatan memberikan kecepatan rotasi yang konstan terlepas dari kondisi muatan.
- Rem elektrik
Alat ini dilengkapi dengan rem elektrik. Jika alat selalu gagal untuk menghentikan bilah pisau pemangkas dengan cepat setelah tuas sakelar dilepaskan, servis alat di Pusat Servis Resmi Makita.
- Fungsi pencegah penyalaaan ulang secara tidak sengaja
Saat Anda menghidupkan alat sambil menarik tuas sakelar, alat tidak menyala dan lampu perhatian berkedip hijau. Untuk menghidupkan alat, terlebih dahulu lepaskan tuas sakelar, lalu nyalakan alat.

PERAKITAN

⚠️ PERHATIAN: Selalu pastikan bahwa mesin dimatikan dan kartrid baterai dilepas sebelum melakukan pekerjaan apa pun pada mesin.

⚠️ PERHATIAN: Ketika mengganti bilah pisau pemangkas, selalu kenakan sarung tangan agar tangan Anda tidak menyentuh mata pisau secara langsung.

Memasang atau melepas bilah pisau pemangkas

⚠️ PERHATIAN: Pasang penutup pisau sebelum melepas atau memasang bilah pisau pemangkas.

PEMBERITAHUAN: Ketika mengganti bilah pisau pemangkas, jangan bersihkan gemuk pada gir dan engkol.

CATATAN: Sebelum memasang atau melepas bilah pisau pemangkas, buka lipatan kepala mesin sehingga kepala lurus terhadap bodi mesin.

1. Hadapkan alat ke bawah, kemudian lepaskan 6 baut.

► **Gbr.11:** 1. Baut

2. Lepaskan penutup dan pelat.

► **Gbr.12:** 1. Tutup 2. Pelat

Gunakan obeng minus untuk membuka penutup jika Anda mengalami kesulitan saat membuka penutup.

Masukkan obeng slot ke dalam satu atau lebih bukaan dan potongkan pada rumahan alat, dan kemudian angkat penutup hingga keluar dari rumahan.

► **Gbr.13:** 1. Potongan (pada kedua sisi rumahan) 2. Bukaan (antara penutup dan bilah geser)

CATATAN: Pelat mungkin tetap berada di dalam penutup.

3. Lepaskan batang penghubung dan bantalan poros.

► **Gbr.14:** 1. Batang penghubung 2. Bantalan poros

CATATAN: Batang penghubung dan bantalan poros mungkin tetap berada di dalam penutup.

4. Lepaskan 2 baut dan 2 selongsong dari bilah pisau pemangkas. Bongkar bilah pisau pemangkas dari badan alat. Kemudian lepaskan bantalan bulu kempa dan segel debu karet dari bilah pisau pemangkas.

► **Gbr.15:** 1. Baut 2. Selongsong 3. Bilah pisau pemangkas 4. Bantalan bulu kempa 5. Segel debu

PEMBERITAHUAN: Berhati-hatilah agar tidak kehilangan bagian-bagian komponen karena benda tersebut akan digunakan kembali dalam perakitan ulang.

5. Lepaskan penutup mata pisau, dan kemudian pasang pada bilah pisau pemangkas yang baru.

► **Gbr.16:** 1. Penutup mata pisau

6. Setel engkol sehingga 2 lubangnya sejajar pada garis.

► **Gbr.17:** 1. Lubang 2. Garis sejajar

7. Sejajarkan bagian yang menonjol pada kedua sisi bilah pisau pemangkas.

► **Gbr.18:** 1. Bagian yang menonjol

8. Pegang bilah pisau pemangkas dengan posisi lubang selongsongnya menghadap ke atas. Pasang bantalan bulu kempa ke bilah pisau pemangkas dengan lengannya yang melilit bilah pisau pemangkas.

► **Gbr.19:** 1. Bantalan bulu kempa 2. Lubang selongsong

9. Balikkan bilah pisau pemangkas. Pasang segel debu karet ke bilah pisau pemangkas. Sesuaikan posisinya sehingga salah satu ujung segel debu bersentuhan dengan bagian bilah pisau pemangkas yang menonjol.

► **Gbr.20:** 1. Segel debu 2. Bagian yang menonjol

10. Putar bilah pisau pemangkas dengan bantalan bulu kempa menghadap ke atas. Sejajarkan bagian bilah pisau pemangkas yang menonjol dengan lubang ujung kecil pada batang penghubung. Pasang kembali bilah pisau pemangkas pada tempatnya.

► **Gbr.21:** 1. Bantalan bulu kempa 2. Segel debu 3. Bagian yang menonjol 4. Lubang ujung kecil 5. Potongan untuk bantalan bulu kempa 6. Potongan untuk segel debu

PEMBERITAHUAN: Pastikan bantalan bulu kempa dan segel debu karet terpasang dengan baik ke dalam potongan pada rumahan bilah pisau.

PEMBERITAHUAN: Berikan sedikit gemuk pada periferi dalam dari lubang ujung kecil pada batang penghubung.

11. Letakkan selongsong baru ke dalam lubang selongsong pada bilah pisau pemangkas.

► **Gbr.22:** 1. Selongsong 2. Lubang selongsong

PEMBERITAHUAN: Jangan sampai menderunkan selongsong.

12. Sejajarkan lubang pada selongsong, lubang pada bilah pisau pemangkas, dan lubang pada rumahan bilah pisau di satu garis lurus. Kemudian kencangkan 2 baut untuk mengencangkan bilah pisau pemangkas.

► **Gbr.23:** 1. Baut 2. Selongsong 3. Bilah pisau pemangkas

13. Pasang bantalan poros dan batang penghubung.

► **Gbr.24:** 1. Batang penghubung 2. Lubang ujung kecil 3. Bantalan poros

PEMBERITAHUAN: Berikan sedikit gemuk pada periferi dalam dari lubang ujung kecil pada batang penghubung.

PEMBERITAHUAN: Pastikan bagian bilah pisau pemangkas yang menonjol terpasang dengan baik ke dalam lubang ujung kecil pada batang penghubung.

14. Pasang kembali pelat pada tempatnya.

► **Gbr.25:** 1. Pelat 2. Bagian yang menonjol

PEMBERITAHUAN: Pastikan bagian bilah pisau pemangkas yang menonjol terpasang dengan baik ke dalam lubang pada pelat.

15. Pasang penutup, dan kemudian kencangkan 6 baut.

► **Gbr.26:** 1. Tutup 2. Baut

PEMBERITAHUAN: Jika bilah pisau pemangkas tidak bergerak dengan lancar, berarti bilah pisau pemangkas tidak terpasang pada batang penghubung dengan benar. Pasang bilah pisau pemangkas kembali.

PEMBERITAHUAN: Jika bagian selain bilah pisau pemangkas, misalnya batang penghubung, telah aus, hubungi Pusat Servis Resmi Makita untuk penggantian atau perbaikan suku cadang.

Memasang atau melepas pengumpul serpihan

Pilihan aksesoris

PERHATIAN: Ketika memasang atau melepas pengumpul serpihan, selalu kenakan sarung tangan agar tangan Anda tidak menyentuh bilah pisau pemangkas secara langsung.

PEMBERITAHUAN: Penutup mata pisau tidak dapat terpasang jika pengumpul serpihan terpasang pada mesin. Sebelum membawa atau menyimpan mesin, lepaskan pengumpul serpihan dan pasang penutup mata pisau untuk mencegah mata pisau terpajan.

PEMBERITAHUAN: Pastikan penutup mata pisau telah dilepaskan sebelum memasang pengumpul serpihan.

Pengumpul serpihan mengumpulkan daun yang terbuang dan membuat pembersihan selanjutnya lebih mudah. Dapat dipasang pada salah satu sisi mesin.

1. Kaitkan penjepit pengumpul serpihan ke bilah pisau pemangkas.

► **Gbr.27:** 1. Pengumpul serpihan 2. Bilah pisau pemangkas 3. Penjepit

2. Sejajarkan lubang di pengumpul serpihan dengan sekrup pada bilah pisau pemangkas, lalu pasang pengumpul serpihan ke bilah pisau pemangkas dengan kencang.

► **Gbr.28:** 1. Lubang 2. Sekrup

PEMBERITAHUAN: Pastikan bahwa pengumpul serpihan tidak melebihi penangkap ranting.

► **Gbr.29:** 1. Penangkap ranting

Untuk melepas pengumpul serpihan, tekan tuas untuk melepas penjepit.

► **Gbr.30:** 1. Tuas

PEMBERITAHUAN: Jangan pernah melepas pengumpul serpihan dengan paksa saat kaitnya masih terkunci pada alur bilah pisau pemangkas.

PENGUNAAN

Memasang harness bahu

⚠️PERHATIAN: Sebelum mengoperasikan, pastikan harness bahu terpasang dengan benar ke gantungan pada mesin.

⚠️PERHATIAN: Saat Anda menggunakan mesin bersama dengan pasokan daya tipe ransel seperti paket daya portabel, jangan gunakan harness bahu yang disertakan dalam paket mesin, tetapi gunakan pita penggantung yang direkomendasikan oleh Makita.

Jika Anda mengenakan harness bahu yang disertakan dalam paket mesin dan harness bahu dari pasokan daya tipe ransel pada saat yang bersamaan, melepas mesin atau pasokan daya tipe ransel akan sulit jika terjadi keadaan darurat sehingga dapat menyebabkan kecelakaan atau cedera. Untuk pita penggantung yang direkomendasikan, tanyakan ke Pusat Layanan Resmi Makita.

CATATAN: Gunakan harness bahu yang terpasang pada mesin. Sebelum mengoperasikan, setel harness bahu sesuai dengan ukuran pengguna untuk mencegah kelelahan.

1. Kenakan harness bahu di bahu Anda.
▶ **Gbr.31**
2. Jepit kait pada harness bahu ke gantungan mesin.
▶ **Gbr.32:** 1. Kait 2. Gantungan
3. Sesuaikan harness bahu ke posisi yang nyaman untuk bekerja.
▶ **Gbr.33**

Harness bahu dilengkapi dengan metode pelepasan cepat.

Cukup tekan sisi gesper untuk melepas mesin dari harness bahu.

- ▶ **Gbr.34:** 1. Gesper pengencang

Mengoperasikan mesin

⚠️PERINGATAN: Jangan gunakan mesin di dekat saluran listrik. Kontak dengan saluran listrik atau menggunakan mesin di dekat saluran listrik dapat menyebabkan cedera serius atau sengatan listrik yang mengakibatkan kematian.

⚠️PERINGATAN: Jauhkan tangan Anda dari bilah pisau pemangkas.

⚠️PERINGATAN: Selalu berhati-hatilah dalam menjaga kendali mesin. Jangan biarkan mesin berbelok ke arah Anda atau siapa saja di lingkungan pengerjaan. Kelalaian dalam menjaga kendali mesin dapat mengakibatkan cedera serius pada orang sekitar dan operator.

⚠️PERHATIAN: Hindari penggunaan alat dalam kondisi cuaca yang sangat panas jika memungkinkan. Saat menggunakan alat, jaga kondisi fisik Anda.

⚠️PERHATIAN: Berhati-hatilah agar tidak menyentuh pagar besi atau benda keras lainnya selama pemotongan. Bilah pisau pemangkas dapat pecah dan dapat menimbulkan cedera.

⚠️PERHATIAN: Berhati-hatilah agar bilah pisau pemangkas tidak bersentuhan dengan tanah. Mesin dapat terpelantak dan dapat menimbulkan cedera.

⚠️PERHATIAN: Berusaha menjangkau alat pemotong tanaman terlalu jauh terutama menggunakan tangga sangatlah berbahaya. Jangan bekerja di atas pijakan yang goyah atau tidak kuat.

PEMBERITAHUAN: Jangan mencoba memotong ranting dengan diameter yang lebih tebal dari 10 mm dengan alat ini. Potong cabang besar hingga 10 cm lebih rendah dibanding ketinggian pemotongan menggunakan pemotong cabang sebelum menggunakan alat ini.

- ▶ **Gbr.35:** 1. Ketinggian pemotongan 2. 10 cm

PEMBERITAHUAN: Jangan potong pohon yang sudah mati atau benda keras lainnya. Jika dilakukan dapat mengakibatkan kerusakan mesin.

PEMBERITAHUAN: Jangan memotong rumput atau semak saat menggunakan bilah pisau pemangkas. Bilah pisau pemangkas dapat tersangkut di rumput atau semak.

Pegang mesin dengan kedua tangan.

- ▶ **Gbr.36**

Tarik tuas sakelar sembari menekan dan menahan tuas buka kunci, lalu siapkan alat untuk pemangkas.

- ▶ **Gbr.37**

Untuk pengoperasian dasar, miringkan bilah pisau sesuai arah pemotongan lalu gerakkan dengan tenang dan perlahan dengan kecepatan rata-rata 3 hingga 4 detik per meter.

- ▶ **Gbr.38**

Untuk memotong bagian sisi tanaman dengan rata, potonglah dari bawah ke atas.

- ▶ **Gbr.39**

Ketika memotong untuk membuat bentuk bulat (memotong semak atau rhododendron, dll), potong dari bagian akar ke atas untuk hasil yang indah.

- ▶ **Gbr.40**

Jika pengumpul serpihan terpasang pada bilah pisau pemangkas, alat ini akan mengumpulkan daun yang terbuang dan membuat pembersihan selanjutnya lebih mudah.

- ▶ **Gbr.41**

PERAWATAN

⚠️PERHATIAN: Selalu pastikan bahwa mesin dimatikan dan kartrid baterai dilepas sebelum melakukan pemeriksaan atau perawatan.

⚠️PERHATIAN: Ketika memeriksa dan merawat mesin, selalu letakkan mesin bawah. Merakit dan menyetel mesin pada posisi tegak lurus dapat mengakibatkan cedera serius.

Untuk menjaga KEAMANAN dan KEANDALAN mesin, perbaikan, perawatan atau penyetelan lainnya harus dilakukan oleh Pusat Layanan Resmi atau Pabrik Makita; selalu gunakan suku cadang pengganti buatan Makita.

Membersihkan mesin

Bersihkan mesin dari debu menggunakan kain kering atau dicelupkan di air sabun dan diperas.

PEMBERITAHUAN: Jangan sekali-kali menggunakan bensin, tiner, alkohol, atau bahan sejenisnya. Penggunaan bahan demikian dapat menyebabkan perubahan warna, perubahan bentuk atau timbulnya retakan.

Perawatan bilah pisau pemangkas

Sebelum mengoperasikan atau satu jam sekali saat mengoperasikan, oleskan oli dengan viskositas rendah (oli mesin atau oli pelumas jenis semprot) pada bilah pisau pemangkas.

► **Gbr.42**

Setelah pengoperasian, bersihkan debu pada kedua sisi bilah pisau pemangkas menggunakan sikat kawat, bersihkan dengan kain, lalu oleskan oli dengan viskositas rendah (oli mesin atau oli pelumas jenis semprot) pada bilah pisau pemangkas.

► **Gbr.43**

PEMBERITAHUAN: Jangan cuci bilah pisau pemangkas dengan air. Mencuci bilah pisau dengan air dapat mengakibatkan karat atau kerusakan mesin.

PEMBERITAHUAN: Debu dan korosi menyebabkan gesekan pisau berlebihan dan mengurangi waktu operasi tiap pengisian daya baterai.

Penyimpanan

Pasang penutup bilah pisau pada bilah pisau agar bilah pisau tidak dalam keadaan tidak terlindung. Simpan mesin jauh dari jangkauan anak-anak. Simpan mesin di tempat yang terlindung dari kelembapan atau hujan.

Menggerinda bilah pisau pemangkas

PEMBERITAHUAN: Jika bilah pisau pemangkas sudah sangat rusak dikarenakan penggerindaan, ganti bilah pisau pemangkas dengan yang baru.

1. Pasang unit kartrid baterai ke mesin.

2. Nyalakan dan mulai alat sehingga bilah pisau atas dan bawah diposisikan beralih satu sama lain.

► **Gbr.44**

3. Matikan mesin dan lepaskan kartrid baterai dari mesin.

4. Lepaskan sekrup, kemudian lepaskan penangkap ranting.

► **Gbr.45:** 1. Sekrup 2. Penangkap ranting

5. Atur sudut kikir sebesar 50°, dan gerinda bilah pisau atas dengan kikir tepat pada tiga arah tepinya.

► **Gbr.46:** 1. Kikir 2. 50°

⚠️PERHATIAN: Sebelum menggerinda bilah pisau pemangkas, pastikan bahwa mesin dimatikan dan kartrid baterai dilepaskan dari mesin.

6. Letakkan alat dengan sisi atasnya berada di bawah, kemudian bersihkan gerigis dari bilah pisau pemangkas dengan batu asahan.

► **Gbr.47:** 1. Batu asahan

7. Atur sudut kikir sebesar 50°, dan gerinda bilah pisau bawah dengan kikir tepat pada tiga arah tepinya.

8. Kembali alat ke posisi normal, kemudian bersihkan gerigis dari bilah pisau pemangkas dengan batu asahan.

9. Pasang penangkap ranting dengan mengencangkan sekrup.

Pelumasan dengan gemuk

Interval pelumasan: Setiap 50 jam pengoperasian

Menggunakan lubang oli untuk pelumasan

1. Lepaskan baut dari lubang untuk pelumasan.

► **Gbr.48:** 1. Baut

2. Lepas tutup dari wadah gemuk. Sejajarkan outlet wadah gemuk dengan lubang pada penutup, dan kemudian tekan outlet wadah gemuk ke dalam lubang.

► **Gbr.49:** 1. Wadah gemuk 2. Lubang

3. Berikan gemuk ke alat (Sekitar 5 g seperti pada panduan).

4. Kencangkan baut.

Menggunakan nipel gemuk

Konektor nipel membantu menghubungkan pistol gemuk dengan fit positif.

1. Siapkan pistol gemuk untuk digunakan.

2. Hubungkan adaptor pistol gemuk ke nipel gemuk pada alat.

► **Gbr.50:** 1. Adaptor pistol gemuk 2. Nipel gemuk

3. Berikan gemuk ke alat (Sekitar 5 g seperti pada panduan).

4. Miringkan adaptor sedikit untuk melepaskan tekanan internal, lalu lepaskan adaptor dari nipel gemuk.

Bersihkan gemuk dari adaptor dan nipel gemuk.

PEMECAHAN MASALAH

Sebelum meminta perbaikan, lakukan pemeriksaan mandiri terlebih dahulu. Jika Anda menemukan masalah yang tidak dijelaskan dalam buku petunjuk ini, jangan coba membongkar mesin. Sebaliknya, hubungi Pusat Servis Resmi Makita, dan selalu gunakan suku cadang pengganti Makita untuk perbaikan.

Kondisi Tidak Normal	Kemungkinan penyebab (kerusakan fungsi)	Perbaikan
Motor tidak berjalan.	Kartrid baterai tidak terpasang.	Pasang kartrid baterai.
	Masalah baterai (kekurangan tegangan)	Isi ulang daya baterai. Jika pengisian ulang daya tidak berhasil, gantilah baterai.
	Sistem penggerak tidak bekerja secara benar.	Mintalah pusat servis resmi setempat untuk melakukan perbaikan.
Motor berhenti setelah digunakan sebentar.	Daya baterai rendah.	Isi ulang daya baterai. Jika pengisian ulang daya tidak berhasil, gantilah baterai.
	Panas berlebih.	Hentikan penggunaan mesin untuk memungkinkannya mendingin.
Mesin tidak mencapai RPM maksimum.	Baterai dipasang secara tidak tepat.	Pasang kartrid baterai sebagaimana diuraikan dalam buku petunjuk ini.
	Daya baterai menurun.	Isi ulang daya baterai. Jika pengisian ulang daya tidak berhasil, gantilah baterai.
	Sistem penggerak tidak bekerja secara benar.	Mintalah pusat servis resmi setempat untuk melakukan perbaikan.
Bilah pisau pemangkas tidak bergerak: ⇒ segera hentikan mesin!	Sudut bilah pisau pemangkas tidak tepat.	Pastikan bahwa kepala terkunci dengan kuat dalam sudut operasional.
	Benda asing tersangkut di antara bilah pisau pemangkas.	1. Gunakan tombol balik. 2. Matikan mesin dan lepaskan kartrid baterai, dan kemudian singkirkan benda asing yang tersangkut menggunakan alat seperti tang.
	Sistem penggerak tidak bekerja secara benar.	Mintalah pusat servis resmi setempat untuk melakukan perbaikan.
Getaran tidak normal: ⇒ segera hentikan mesin!	Bilah pisau pemangkas rusak, tertekuk atau aus.	Ganti bilah pisau pemangkas.
	Sistem penggerak tidak bekerja secara benar.	Mintalah pusat servis resmi setempat untuk melakukan perbaikan.
Bilah pisau pemangkas dan motor tidak dapat berhenti: ⇒ Segera lepaskan baterai!	Kerusakan listrik.	Lepas baterai dan mintalah pusat servis resmi setempat untuk melakukan perbaikan.

AKSESORI PILIHAN

⚠ PERHATIAN: Dianjurkan untuk menggunakan aksesoris atau perangkat tambahan ini dengan mesin Makita Anda yang ditentukan dalam petunjuk ini. Penggunaan aksesoris atau perangkat tambahan lain bisa menyebabkan risiko cedera pada manusia. Hanya gunakan aksesoris atau perangkat tambahan sesuai dengan peruntukannya.

Jika Anda memerlukan bantuan lebih rinci berkenaan dengan aksesoris ini, tanyakan pada Pusat Layanan Makita terdekat.

- Rakitan bilah pisau pemangkas
- Pengumpul serpihan
- Wadah gemuk
- Baterai dan pengisi daya asli Makita

CATATAN: Beberapa item dalam daftar tersebut mungkin sudah termasuk dalam paket mesin sebagai aksesoris standar. Hal tersebut dapat berbeda dari satu negara ke negara lainnya.

SPEKIFIKASI

Model:	UN001G	
Panjang bilah	600 mm	
Strok seminit	2,000 / 3,000 / 4,000 min ⁻¹	
Sudut bilah pemotong	115° (atas 45°, bawah 70°)	
Panjang keseluruhan	2,268 mm	
Voltan terkadar	D.C. 36 V - 40 V maks	
Berat bersih	*1	4.0 kg
	*2	4.7 - 5.9 kg
Tahap perlindungan	IPX4	

- Disebabkan program penyelidikan dan pembangunan kami yang berterusan, spesifikasi yang terkandung di dalam ini adalah tertakluk kepada perubahan tanpa notis.
 - Spesifikasi mungkin berbeza mengikut negara.
- *1: Berat tanpa sebarang aksesori atau kartrij bateri
 *2: Berat mungkin berbeza bergantung pada pemasangan, termasuk kartrij bateri. Kombinasi paling ringan dan paling berat, mengikut Prosedur EPTA 01/2014, ditunjukkan di dalam jadual.

Kartrij bateri dan pengecas yang boleh digunakan

Kartrij bateri	BL4020 / BL4025 / BL4040 / BL4040F / BL4050F / BL4080F
Pengecas	DC40RA / DC40RB / DC40RC / DC40WA

- Sesetengah kartrij bateri dan pengecas yang disenaraikan di atas mungkin tidak tersedia bergantung pada kawasan kediaman anda.

⚠️ AMARAN: Gunakan hanya kartrij bateri dan pengecas yang disenaraikan di atas. Penggunaan mana-mana kartrij bateri dan pengecas yang lain mungkin menyebabkan kecederaan dan/atau kebakaran.






Sumber kuasa bersambung kord yang disyorkan

Pek kuasa mudah alih	PDC01 / PDC1200 / PDC1500
----------------------	---------------------------

- Sumber kuasa bersambung kord yang disenaraikan di atas mungkin tidak tersedia bergantung pada kawasan kediaman anda.
- Sebelum menggunakan sumber kuasa bersambung kord, baca arahan dan tanda peringatan.

Simbol

Berikut menunjukkan simbol-simbol yang boleh digunakan untuk alat ini. Pastikan anda memahami maksudnya sebelum menggunakan.

	Baca manual arahan.
	Pakai topi keledar, gogal dan pelindung telinga.
	BAHAYA - Jauhkan tangan daripada bilah.
	Berhati-hati dengan wayar elektrik, risiko kejutan elektrik.
	Kekalkan jarak sekurang-kurangnya 15 m.



Hanya untuk negara-negara EU
 Disebabkan kehadiran komponen berbahaya dalam peralatan, sisa peralatan elektrik dan elektronik, akumulator dan bateri boleh memberi kesan negatif terhadap persekitaran dan kesihatan manusia.
 Jangan buang alat elektrik dan elektronik atau bateri bersama dengan bahan buangan isi rumah!
 Mengikut Arahan Eropah mengenai sisa peralatan elektrik dan elektronik dan mengenai akumulator dan bateri dan sisa akumulator dan bateri serta penyesuaian dengan undang-undang negara, sisa peralatan elektrik, bateri dan akumulator hendaklah disimpan secara berasingan dan dihantar ke tempat pengumpulan berasingan untuk sisa perbandaran, beroperasi mengikut peraturan perlindungan persekitaran.
 Ini ditunjukkan oleh simbol tong sampah beroda yang bersilang pada peralatan.



Aras kuasa bunyi terjamin menurut Arahan Redam Di Luar Kesatuan Eropah.



Aras kuasa bunyi menurut Peraturan Kawalan Redam NSW, Australia

Tujuan penggunaan

Alat ini bertujuan untuk memangkas tanaman pagar.

AMARAN KESELAMATAN

Amaran keselamatan umum alat kuasa

AMARAN Baca semua amaran keselamatan, arahan, ilustrasi dan spesifikasi yang disediakan dengan alat kuasa ini. Kegagalan untuk mematuhi semua arahan yang disenaraikan di bawah boleh menyebabkan kejutan elektrik, kebakaran dan/atau kecederaan serius.

Simpan semua amaran dan arahan untuk rujukan masa depan.

Istilah "alat kuasa" dalam amaran merujuk kepada alat kuasa yang menggunakan tenaga elektrik (kabel) atau alat kuasa yang menggunakan bateri (tanpa kord).

Keselamatan kawasan kerja

1. **Pastikan kawasan kerja bersih dan terang.** Kawasan berselerak atau gelap mengundang kemalangan.
2. **Jangan kendalikan alat kuasa dalam keadaan yang mudah meletup, seperti dalam kehadiran cecair, gas atau habuk yang mudah terbakar.** Alat kuasa menghasilkan percikan api yang boleh menyalakan debu atau wasap.
3. **Jauhkan kanak-kanak dan orang ramai semasa mengendalikan alat kuasa.** Gangguan boleh menyebabkan anda hilang kawalan.

Keselamatan elektrik

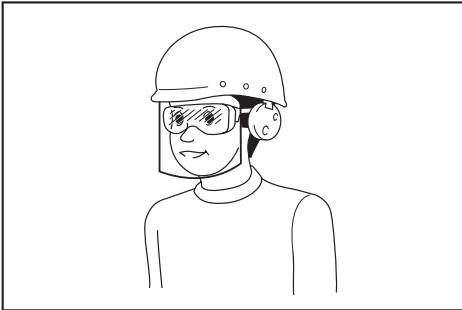
1. **Palam alat kuasa mesti sepadan dengan soket. Jangan ubah suai palam dalam apa cara sekalipun. Jangan gunakan sebarang palam penyesuai dengan alat kuasa terbumi.** Palam yang tidak diubah suai dan soket yang sepadan akan mengurangkan risiko kejutan elektrik.
2. **Elakkan sentuhan badan dengan permukaan terbumi, seperti paip, radiator, dapur dan peti sejuk.** Terdapat peningkatan risiko kejutan elektrik jika elektrik terkena badan anda.
3. **Jangan kendalikan mesin dalam keadaan hujan atau basah.** Air yang memasuki mesin boleh meningkatkan risiko kejutan elektrik atau pincang tugas yang boleh mengakibatkan kecederaan diri.

4. **Jangan salah gunakan kord. Jangan gunakan kord untuk membawa, menarik atau mencabut palam alat kuasa. Jauhkan kord dari haba, minyak, bucu tajam atau bahagian yang bergerak.** Kord yang rosak atau tersimpul meningkatkan risiko kejutan elektrik.
5. **Semasa mengendalikan alat kuasa di luar, gunakan kord sambungan yang bersesuaian untuk kegunaan luar.** Penggunaan kord yang sesuai untuk kegunaan luar mengurangkan risiko kejutan elektrik.
6. **Sekiranya pengendalian alat kuasa di lokasi lembap tidak dapat dielakkan, gunakan bekalan peranti arus sisa (RCD) yang dilindungi.** Penggunaan RCD mengurangkan risiko kejutan elektrik.
7. **Alat kuasa boleh menghasilkan medan elektromagnetik (EMF) yang tidak berbahaya kepada pengguna.** Walau bagaimanapun, pengguna perentak jantung atau peranti perubatan yang serupa harus menghubungi pembuat peranti mereka dan/atau doktor untuk nasihat sebelum mengendalikan alat kuasa ini.

Keselamatan diri

1. **Sentiasa berwaspada, perhatikan apa yang anda lakukan dan guna akal budi semasa mengendalikan alat kuasa. Jangan gunakan alat kuasa semasa anda letih atau di bawah pengaruh dadah, alkohol atau ubat.** Kelekaan seketika semasa mengendalikan alat kuasa boleh menyebabkan kecederaan diri yang serius.
2. **Gunakan peralatan pelindung diri. Sentiasa pakai pelindung mata.** Peralatan pelindung seperti topeng debu, kasut keselamatan tak mudah tergelincir, topi keselamatan atau pelindung pendengaran yang digunakan untuk keadaan yang sesuai akan mengurangkan kecederaan diri.
3. **Elakkan permulaan yang tidak disengajakan. Pastikan suis ditutup sebelum menyambung kepada sumber kuasa dan/atau pek bateri, semasa mengangkat atau membawa alat.** Membawa alat kuasa dengan jari anda pada suis atau menahan alat kuasa dengan suis pada kedudukan hidup mengundang kemalangan.
4. **Alihkan sebarang kunci atau sepana pelaras sebelum menghidupkan alat kuasa.** Sepana atau kunci yang ditinggalkan pada bahagian berputar alat kuasa boleh menyebabkan kecederaan diri.
5. **Jangan lampau jangkau. Jaga pijakan dan keseimbangan yang betul pada setiap masa.** Ini membolehkan kawalan alat kuasa yang lebih baik dalam situasi yang tidak dijangka.
6. **Berpakaian dengan betul. Jangan pakai pakaian yang longgar atau barang kemas. Jauhkan rambut dan pakaian anda dari bahagian yang bergerak.** Pakaian longgar, barang kemas atau rambut yang panjang boleh terperangkap dalam bahagian yang bergerak.
7. **Jika peranti disediakan untuk sambungan kemudahan pengekstrakan dan pengumpulan habuk, pastikan ia disambung dan digunakan dengan betul.** Penggunaan pengumpulan habuk boleh mengurangkan bahaya berkaitan habuk.

8. **Jangan biarkan kebiasaan daripada kekerapan penggunaan alat membuatkan anda berpuas hati dan mengabaikan prinsip keselamatan alat.** Kecuaian boleh menyebabkan kecederaan serius dalam sekelip mata.
9. **Sentiasa pakai gogal pelindung untuk melindungi mata anda daripada kecederaan apabila menggunakan alat kuasa.** Gogal mestilah mematuhi ANSI Z87.1 di AS, EN 166 di Eropah, atau AS/NZS 1336 di Australia/ New Zealand. Di Australia/New Zealand, undang-undang mengarahkan untuk memakai pelindung muka bagi melindungi muka anda, juga.
6. **Pastikan alat pemotong tajam dan bersih.** Alat pemotong yang dijaga dengan betul dengan hujung pemotong yang tajam mempunyai kemungkinan yang rendah untuk terikat dan lebih mudah dikendalikan.
7. **Gunakan alat kuasa, aksesori dan alat bit dan sebagainya mengikut arahan ini dengan mengambil kira keadaan kerja dan kerja yang perlu dilakukan.** Penggunaan alat kuasa untuk operasi yang berbeza dari yang dimaksudkan boleh menyebabkan keadaan berbahaya.
8. **Pastikan pemegang dan permukaan pegangan kering, bersih dan bebas dari minyak dan gris.** Pemegang dan permukaan pegangan yang licin tidak membolehkan pengendalian dan kawalan selamat bagi alat dalam situasi yang tidak dijangka.
9. **Apabila menggunakan alat, jangan pakai sarung tangan kerja kain yang mungkin boleh kusut.** Kekusutan sarung tangan kerja kain pada bahagian yang bergerak boleh menyebabkan kecederaan diri.



Menjadi tanggungjawab majikan untuk menguatkuasa penggunaan peralatan perlindungan keselamatan yang bersesuaian oleh pengendali alat dan oleh orang lain dalam kawasan bekerja semasa.

Penggunaan dan penjagaan alat kuasa

1. **Jangan gunakan alat kuasa dengan kasar.** Gunakan alat kuasa yang betul untuk penggunaan anda. Alat kuasa yang betul akan melakukan tugas dengan lebih baik dan lebih selamat pada kadar mana ia direka cipta.
2. **Jangan gunakan alat kuasa jika suis tidak berfungsi untuk menghidupkan dan mematikannya.** Alat kuasa yang tidak dapat dikawal dengan suis adalah berbahaya dan mesti dibaiki.
3. **Cabut palam dari sumber kuasa dan/atau keluarkan pek bateri, jika boleh ditanggalkan, dari alat kuasa sebelum membuat sebarang pelarasan, menukar aksesori, atau menyimpan alat kuasa.** Langkah-langkah keselamatan pencegahan sedemikian mengurangkan risiko memulakan alat kuasa secara tidak sengaja.
4. **Simpan alat kuasa yang tidak digunakan jauh dari jangkauan kanak-kanak dan jangan biarkan orang yang tidak biasa dengan alat kuasa atau arahan ini untuk mengendalikan alat kuasa.** Alat kuasa adalah berbahaya di tangan pengguna yang tidak terlatih.
5. **Menyelenggara alat kuasa dan aksesori.** Periksa salah jajaran atau ikatan pada bahagian yang bergerak, bahagian yang pecah dan apa-apa keadaan lain yang boleh menjejaskan operasi alat kuasa. Jika rosak, baiki alat kuasa sebelum digunakan. Kebanyakan kemalangan adalah disebabkan oleh alat kuasa yang tidak dijaga dengan baik.
1. **Cas semula dengan pengecas yang ditentukan oleh pengeluar sahaja.** Pengecas yang sesuai untuk satu jenis pek bateri mungkin menimbulkan risiko kebakaran apabila digunakan dengan pek bateri lain.
2. **Gunakan alat kuasa dengan pek bateri yang ditentukan secara khusus sahaja.** Penggunaan mana-mana pek bateri lain mungkin menimbulkan risiko kecederaan dan kebakaran.
3. **Apabila pek bateri tidak digunakan, jauhkannya daripada objek besi lain, seperti klip kertas, duit syiling, paku, skru atau objek besi kecil lain, yang boleh membuat sambungan dari satu terminal ke yang lain.** Memintas terminal bateri bersama-sama mungkin menyebabkan lecuran atau kebakaran.
4. **Di bawah keadaan kasar, cecair mungkin dikeluarkan daripada bateri; elakkan sentuhan. Jika tersentuh secara tidak sengaja, siram dengan air. Jika cecair terkena mata, dapatkan bantuan perubatan di samping siraman air.** Cecair yang dikeluarkan dari bateri mungkin menyebabkan kegalatan atau lecuran.
5. **Jangan gunakan pek bateri atau alat yang rosak atau diubah suai.** Bateri yang rosak atau diubah suai mungkin menunjukkan perilaku yang tidak dijangka menyebabkan kebakaran, letupan atau risiko kecederaan.
6. **Jangan dedahkan pek bateri atau alat kepada api atau suhu yang berlebihan.** Pendedahan kepada api atau suhu melebihi 130 °C mungkin menyebabkan letupan.
7. **Ikut semua arahan pengecasan dan jangan cas pek bateri atau alat di luar julat suhu yang ditetapkan dalam arahan.** Mengecas dengan tidak betul atau pada suhu di luar julat yang dinyatakan mungkin merosakkan bateri dan meningkatkan risiko kebakaran.

Servis

1. **Pastikan alat kuasa anda diservis oleh orang yang berkelayakan dengan hanya menggunakan alat ganti yang sama.** Ini akan memastikan keselamatan alat kuasa dapat dikekalkan.
2. **Jangan servis pek bateri yang telah rosak.** Servis pek bateri hanya boleh dilakukan oleh pengeluar atau penyedia servis yang sah.
3. **Ikut arahan untuk melincir dan menukar aksesori.**

Amaran keselamatan pemangkas tanaman pagar tiang tanpa kord

Amaran keselamatan pemangkas tanaman pagar tanpa kord:

1. **Jangan gunakan pemangkas tanaman pagar ini dalam keadaan cuaca yang buruk terutamanya apabila terdapat risiko kilat.** Ini mengurangkan risiko disambar petir.
2. **Jauhkan semua kord dan kabel kuasa dari kawasan pemotongan.** Kord dan kabel kuasa mungkin tersembunyi dalam tanaman pagar dan semak dan boleh terpotong secara tidak sengaja.
3. **Pakai pelindung telinga.** Peralatan pelindung yang mencukupi akan mengurangkan risiko kehilangan pendengaran.
4. **Pegang pemangkas tanaman pagar dengan permukaan mencengkam terbebat sahaja, kerana bilah boleh tersentuh wayar tersembunyi.** Bilah bersentuh wayar "hidup" mungkin menyebabkan bahagian logam terdedah pemangkas tanaman pagar "hidup" dan boleh memberi kejutan elektrik kepada pengendali.
5. **Jauhkan semua anggota tubuh badan daripada bilah.** Jangan keluarkan bahan yang dipotong atau pegang bahan yang hendak dipotong semasa bilah sedang bergerak. Bilah terus berputar selepas suis dimatikan. Kelekaan seketika semasa mengendalikan pemangkas tanaman pagar boleh menyebabkan kecederaan diri yang serius.
6. **Semasa membersihkan bahan yang tersangkut atau melakukan servis pada pemangkas tanaman pagar, pastikan semua suis kuasa dimatikan dan pek bateri dikeluarkan atau diputuskan sambungan.** Penggerakan pemangkas tanaman pagar yang tidak dijangka semasa membersihkan bahan yang tersangkut atau melakukan servis boleh mengakibatkan kecederaan diri yang serius.
7. **Bawa pemangkas tanaman pagar dengan memegang pemegang dan bilah dihentikan dan berhati-hati agar tidak mengoperasikan sebarang suis kuasa.** Membawa pemangkas tanaman pagar dengan betul akan mengurangkan risiko permulaan yang tidak disengajakan dan kecederaan diri yang diakibatkan oleh bilah.
8. **Apabila mengangkut atau menyimpan pemangkas tanaman pagar, sentiasa gunakan penutup bilah.** Pengendalian pemangkas tanaman pagar yang betul akan mengurangkan kecederaan diri yang diakibatkan oleh bilah.

Amaran keselamatan pemangkas tanaman pagar tiang tanpa kord:

1. **Sentiasa gunakan pelindung kepala semasa mengendalikan pemangkas tanaman pagar tiang di atas kepala.** Serpihan yang jatuh boleh mengakibatkan kecederaan diri yang serius.
2. **Sentiasa gunakan dua tangan semasa mengendalikan pemangkas tanaman pagar tiang.** Pegang pemangkas tanaman pagar tiang dengan kedua-dua tangan untuk mengelakkan daripada hilang kawalan.
3. **Untuk mengurangkan risiko renjatan elektrik, jangan sekali-kali menggunakan pemangkas tanaman pagar tiang berdekatan dengan mana-mana talian kuasa elektrik.** Bersentuhan dengan atau menggunakan alat berdekatan dengan talian kuasa boleh menyebabkan kecederaan serius atau kejutan elektrik yang mengakibatkan kematian.

Amaran Keselamatan Tambahan

Penyediaan

1. **PEMANGKAS TANAMAN PAGAR INI BOLEH MENYEBABKAN KECEDEeraan YANG SERIUS.** Baca manual arahan dengan teliti untuk pengendalian, penyediaan, penyelenggaraan, memulakan dan menghentikan alat dengan betul. Biasakan diri dengan semua kawalan dan penggunaan alat yang betul.
2. **Periksa objek asing dalam tanaman pagar atau semak, seperti pagar wayar atau wayar tersembunyi sebelum mengendalikan alat.**
3. **Alat mestilah tidak digunakan oleh kanak-kanak atau individu muda yang berumur di bawah 18 tahun.** Orang muda yang berumur melebihi 16 tahun mungkin boleh dikecualikan daripada sekatan ini jika mereka telah melalui latihan di bawah penyeliaan pakar.
4. **Jika berlaku kecemasan, matikan alat ini dan keluarkan kartrij bateri dengan segera.**
5. **BAHAYA - Jauhkan tangan daripada bilah.** Sentuhan dengan bilah akan menyebabkan kecederaan diri yang serius.
6. **Hanya gunakan dengan pemegang dan pengadang yang dipasang dengan betul pada alat.** Penggunaan alat tanpa pengadang atau pemegang yang betul dan dibekalkan boleh mengakibatkan kecederaan diri yang serius.
7. **Pengguna kali pertama perlu mendapatkan pengguna yang berpengalaman untuk menunjukkan mereka cara menggunakan alat.**
8. **Sebelum operasi, periksa kawasan kerja terdapat pagar dawai, batu atau objek keras yang lain.** Perkara tersebut boleh merosakkan bilah.
9. **Gunakan alat hanya jika anda berada dalam keadaan fizikal yang baik.** Jika anda penat, tumpuan anda akan berkurang. Lebih berhati-hati pada penghujung hari bekerja. Lakukan semua kerja dengan tenang dan berhati-hati. Pengguna bertanggungjawab bagi semua kerosakan kepada pihak ketiga.

10. Sebelum memulakan kerja, periksa untuk memastikan alat berfungsi dengan baik dan selamat. Pastikan pengadang dipasang dengan betul. Alat mestilah tidak digunakan melainkan telah dipasang sepenuhnya.
 11. Elakkan persekitaran yang berbahaya. Jangan gunakan alat di lokasi yang lembap atau basah atau mendedahkan alat kepada hujan. Air yang memasuki alat akan meningkatkan risiko kejutan elektrik.
- Peralatan pelindung diri**
1. Sarung tangan kulit yang kukuh adalah sebahagian daripada peralatan asas alat dan mestilah sentiasa dipakai apabila bekerja dengan alat tersebut. Pakai juga kasut yang tegap dengan tapak antigelincir.
 2. Pakai pelindung telinga seperti pendedap bunyi untuk mengelakkan hilang pendengaran.
 3. Pakai gogal pelindung, topi keledar keselamatan dan sarung tangan pelindung untuk melindungi diri anda daripada serpihan yang terpelanting atau objek yang jatuh.
 4. Apabila menyentuh bilah atau melaraskan sudut bilah, pakai sarung tangan perlindungan. Bilah boleh memotong tangan tanpa pelindung dengan teruk.
- Operasi**
1. Sentiasa gunakan dua tangan untuk mengendalikan alat yang dipasang dengan dua pemegang. Menggunakan satu tangan boleh menyebabkan hilang kawalan dan mengakibatkan kecederaan diri yang serius.
 2. Semasa mengendalikan alat, sentiasa pastikan kedudukan operasi adalah selamat dan kukuh. Mencapai secara berlebihan dengan alat, terutamanya dari tangga adalah sangat berbahaya. Jangan kendalikan alat dari tempat yang bergoyang-goyang atau tidak kukuh.
 3. Jangan pakai abah-abah tali pinggang dan/ atau abah-abah bahu secara serentak semasa mengendalikan alat.
 4. Semasa operasi, pastikan pemerhati atau haiwan sekurang-kurangnya 15 m jauh dari alat tersebut. Hentikan alat itu sebaik sahaja seseorang mendekati.
 5. Jika alat pemotong terkena mana-mana objek atau alat mula mengeluarkan bunyi atau getaran yang luar biasa, matikan alat dan keluarkan kartrij bateri dengan segera dan biarkan alat berhenti. Dan kemudian ambil langkah berikut:
 - periksa kerosakan
 - periksa dan ketatkan mana-mana bahagian yang longgar
 - ganti ataubaiki mana-mana bahagian yang rosak dengan alat ganti asli.
 6. Hanya gunakan alat untuk tujuan yang dimaksudkan. Jangan gunakan alat untuk mana-mana tujuan lain.
7. Matikan alat dan keluarkan kartrij bateri sebelum:
 - membersihkan atau apabila mengeluarkan sumbatan,
 - memeriksa, menjalankan penyelenggaraan atau menggunakan alat,
 - melaraskan kedudukan kerja bilah ricih,
 - meninggalkan alat tanpa pengawasan.
 8. Pastikan alat diletakkan dengan betul di kedudukan kerja yang ditentukan sebelum memulakan alat.
 9. Jangan kendalikan alat dengan bilah ricih yang rosak atau terlebih haus.
 10. Sentiasa pastikan yang semua pemegang dan pengadang dipasang apabila menggunakan alat. Jangan sekali-kali cuba menggunakan alat yang tidak lengkap atau yang dipasang dengan pengubahsuaian yang tidak dibenarkan.
 11. Sentiasa peka dengan keadaan sekeliling anda dan berhati-hati dengan kemungkinan bahaya yang mungkin anda tidak ambil perhatian disebabkan bunyi alat.
 12. Berhati-hati agar tidak menyentuh pagar besi atau objek keras yang lain tanpa sengaja semasa operasi. Bilah akan patah dan boleh menyebabkan kecederaan yang serius.
 13. Elakkan permulaan yang tidak disengajakan. Jangan bawa alat apabila kartrij bateri dipasang dan dengan jari berada pada suis. Pastikan alat dimatikan semasa memasang kartrij bateri.
 14. Jangan genggam bilah pemotong yang terdedah atau tepi pemotongan semasa mengutip atau memegang alat.
 15. Jangan paksa alat. Ia akan berfungsi dengan lebih baik dan risiko kecederaan akan kurang berlaku pada kadar ia direka bentuk.
 16. Jangan gunakan alat dalam hujan atau dalam keadaan basah atau sangat lembap. Motor elektrik tidak kalis air.
 17. Pegang alat dengan kukuh apabila menggunakan alat.
 18. Jangan kendalikan alat tanpa beban tanpa keperluan.
 19. Sebelum memeriksa bilah ricih, uruskan kerosakan atau keluarkan objek asing yang tersekat pada bilah ricih, sentiasa matikan alat dan keluarkan kartrij bateri.
 20. Jangan sekali-kali halakan bilah ricih pada diri anda atau orang lain.
 21. Jika bilah berhenti bergerak akibat objek asing yang tersangkut di antara bilah semasa operasi, matikan alat dan keluarkan kartrij bateri, dan kemudian keluarkan objek asing menggunakan alat seperti player. Mengeluarkan objek asing menggunakan tangan boleh menyebabkan kecederaan oleh sebab bilah mungkin bergerak sebagai tindak balas mengeluarkan objek asing.
 22. Pastikan tiada kabel elektrik, paip air, paip gas dan sebagainya yang boleh menyebabkan bahaya jika rosak dengan menggunakan alat ini.

23. **Jangan sentuh bahagian logam atau permukaan panas alat semasa menggunakan atau serta-merta selepas operasi; ia mungkin sangat panas dan boleh melecurkan kulit anda.** Biarkan alat itu sejuk sebelum menjalankan sebarang kerja pada alat.
24. **Jangan gunakan alat di atas tanah yang lembut/tidak stabil/licin atau cerun yang condong. Elakkan bekerja di atas tangga atau di tempat tinggi.** Melakukan sebaliknya boleh menyebabkan risiko terjatuh, yang mengakibatkan kecederaan diri.
25. **Jangan gunakan alat dalam cuaca buruk atau pada waktu malam apabila jarak penglihatan terhad.** Kegagalan berbuat demikian boleh menyebabkan pengendalian jatuh atau tidak betul kerana jarak penglihatan yang rendah.
26. **Elakkan bekerja di persekitaran teruk di mana meningkatkan keletihan pengguna.**
27. **Jangan menenggelamkan alat ke dalam lopak.**
28. **Jangan biarkan alat di luar rumah tanpa pengawasan di dalam hujan.**
29. **Apabila daun atau kotoran basah melekat pada mulut sedutan (tetingkap pengudaraan) akibat hujan, keluarkannya.**
30. **Jangan gunakan alat dalam salji.**

Keselamatan elektrik dan bateri

1. **Jangan lupuskan bateri dengan membakar bateri tersebut. Sel mungkin meletup. Periksa dengan kod tempatan untuk kemungkinan arahan pelupusan khas.**
2. **Jangan buka atau merosakkan bateri. Elektrolit yang dibebaskan adalah menghakis dan boleh menyebabkan kerosakan pada mata atau kulit. Ia mungkin toksik jika tertelan.**
3. **Jangan cas bateri dalam hujan, atau di lokasi yang basah.**
4. **Jangan cas bateri di luar.**
5. **Jangan kendalikan pengecas, termasuk palam pengecas, dan terminal pengecas dengan tangan yang basah.**
6. **Jangan ganti bateri dengan tangan basah.**
7. **Jangan menggantikan bateri dalam hujan.**
8. **Jangan basuh terminal bateri dengan cecair seperti air, atau menenggelamkan bateri. Jangan biarkan bateri yang dalam hujan, atau caj, penggunaan, atau simpan bateri di tempat yang lembap atau basah. Jika terminal basah atau cecair masuk ke dalam bateri, bateri boleh litar pintas terdapat risiko terlalu panas, terbakar, atau letupan.**
9. **Selepas mengeluarkan bateri dari alat atau pengecas, pastikan memasang penutup bateri pada bateri dan simpannya di tempat yang kering.**
10. **Jika kartrij bateri basah, buang air di dalamnya dan kemudian lap dengan kain kering. Keringkan kartrij bateri sepenuhnya di tempat kering sebelum digunakan.**

Penyelenggaraan dan penyimpanan

1. **Apabila alat dihentikan untuk penservisan, pemeriksaan atau penyimpanan, matikan alat dan keluarkan kartrij bateri dan pastikan semua bahagian yang bergerak telah berhenti. Biarkan alat menyejuk sebelum membuat pemeriksaan, pelarasan dan sebagainya.**
2. **Sentiasa biarkan alat menyejuk sebelum menyimpan.**
3. **Apabila tidak digunakan, pasang penutup bilah pada alat dan simpan alat di dalam bangunan di tempat yang kering dan tinggi serta terkunci, jauh daripada jangkauan kanak-kanak.**
4. **Selenggara alat dengan berhati-hati. Pastikan tepi pemotong tajam dan bersih untuk prestasi yang terbaik dan untuk mengurangkan risiko kecederaan. Ikut arahan untuk melincir dan menukar aksesori. Pastikan pemegang sentiasa kering, bersih dan bebas daripada minyak dan gris.**
5. **Periksa bahagian yang rosak. Sebelum menggunakan alat dengan lebih lanjut, mana-mana bahagian yang rosak harus diperiksa dengan berhati-hati untuk menentukan yang alat beroperasi dengan betul dan berfungsi seperti yang dimaksudkan. Periksa penajajaran bahagian yang bergerak, keterikatan bahagian yang bergerak, bahagian yang pecah, pemasangan dan sebarang keadaan lain yang boleh menjejaskan operasi alat. Pengadang atau bahagian lain yang rosak harus dibaiki dengan betul atau diganti oleh pusat servis anda yang diiktiraf.**
6. **Gunakan alat ganti asli sahaja.**
7. **Apabila memindahkan alat ke lokasi lain, termasuklah ketika bekerja, sentiasa keluarkan kartrij bateri dan pasang penutup bilah pada bilah ricih. Jangan sekali-kali membawa atau mengangkut alat semasa bilah berjalan. Jangan sekali-kali pegang bilah dengan tangan anda.**
8. **Bersihkan alat dan terutamanya bilah ricih selepas digunakan dan sebelum meletakkan alat ke dalam tempat simpanan untuk masa yang lama. Letakkan sedikit minyak pada bilah ricih dan pasang penutup bilah.**
9. **Jangan basuh alat dengan air yang bertekanan tinggi.**
10. **Semasa mencuci alat, jangan biarkan air memasuki mekanisme elektrik seperti bateri, motor, dan terminal.**
11. **Melakukan pemeriksaan atau penyelenggaraan di tempat di mana hujan dapat dielakkan.**
12. **Selepas menggunakan alat, tanggalkan kotoran yang melekat dan keringkan mesin sepenuhnya sebelum menyimpan. Bergantung kepada musim atau kawasan, terdapat risiko kerosakan akibat pembekuan.**
13. **Apabila menyimpan alat, elakkan cahaya matahari langsung dan hujan, dan simpan di tempat yang tidak panas atau lembap.**

SIMPAN ARAHAN INI.

AMARAN: JANGAN biarkan keselesaan atau kebiasaan dengan produk (diperoleh dari kegunaan berulang) menggantikan pematuhan ketat terhadap peraturan keselamatan untuk produk yang ditetapkan. SALAH GUNA atau kegagalan mematuhi peraturan-peraturan keselamatan yang dinyatakan dalam manual arahan ini boleh menyebabkan kecederaan diri yang serius.

Arahan keselamatan penting untuk kartrij bateri

1. Sebelum menggunakan kartrij bateri, baca semua arahan dan tanda amaran pada (1) pengecas bateri, (2) bateri, dan (3) produk menggunakan bateri.
2. Jangan buka atau cabut kartrij bateri. Ia boleh mengakibatkan kebakaran, haba berlebihan, atau letupan.
3. Jika masa operasi menjadi sangat pendek, berhenti operasi serta merta. Ia mungkin menyebabkan risiko pemanasan lampau, melecur bahkan letupan.
4. Jika elektrolit masuk ke dalam mata anda, bilas mata dengan air jernih dan dapatkan rawatan perubatan serta merta. Ia mungkin menyebabkan kehilangan penglihatan.
5. Jangan pintaskan kartrij bateri:
 - (1) Jangan sentuh terminal dengan bahan berkonduksi.
 - (2) Elakkan menyimpan kartrij bateri dalam bekas bersama-sama objek besi lain seperti paku, duit syiling, dll.
 - (3) Jangan dedahkan kartrij bateri kepada air atau hujan.Pintasan bateri boleh menyebabkan aliran kuasa yang besar, pemanasan lampau, melecur dan juga kerosakan.
6. Jangan simpan dan gunakan alat dan kartrij bateri di lokasi yang suhunya mungkin mencapai atau melebihi 50 °C (122 °F).
7. Jangan bakar kartrij bateri walaupun jika ia rosak teruk atau haus sepenuhnya. Kartrij bateri boleh meletup dalam kebakaran.
8. Jangan paku, potong, pecahkan, buang, jatuhkan kartrij bateri, atau tekan objek keras pada kartrij bateri. Perbuatan sedemikian boleh mengakibatkan kebakaran, haba berlebihan, atau letupan.
9. Jangan gunakan bateri yang rosak.

10. **Bateri litium ion yang terkandung adalah tertakluk kepada keperluan Perundangan Barangan Berbahaya.**
Bagi pengangkutan komersil cth. oleh pihak ketiga, ejen penghantar, keperluan khas pada pembungkusan dan pelabelan mestilah diperhatikan.
Bagi persediaan item yang dihantar, berunding dengan pakar bahan berbahaya adalah diperlukan. Sila juga perhatikan sebolehnya peraturan kebangsaan yang lebih terperinci. Lekatkan atau balut bahagian terbuka dan pek bateri supaya ia tidak bergerak dalam pembungkusan.
11. **Apabila melupuskan kartrij bateri, keluarkan ia daripada alat dan lupuskan ia di tempat selamat. Ikut peraturan tempatan anda mengenai pelupusan bateri.**
12. **Gunakan bateri hanya dengan produk yang ditentukan oleh Makita.** Memasang bateri kepada produk yang tidak patuh mungkin menyebabkan kebakaran, pemanasan lampau, atau kebocoran elektrolit.
13. **Jika alat tidak digunakan untuk tempoh masa yang lama, bateri mesti dikeluarkan daripada alat.**
14. **Semasa dan selepas penggunaan, kartrij bateri mungkin ada haba yang boleh menyebabkan terbakar atau suhu rendah terbakar. Beri perhatian kepada pengendalian kartrij bateri yang panas.**
15. **Jangan sentuh terminal alat itu selepas digunakan kerana ia mungkin panas menyebabkan terbakar.**
16. **Jangan biarkan cip, habuk, atau tanah terperangkap ke dalam terminal, lubang, dan alur cahaya kartrij bateri.** Ia mungkin menyebabkan pemanasan, terbakar, meletup dan pincang tugas alat atau kartrij bateri, seterusnya menyebabkan lecur atau kecederaan diri.
17. **Melainkan alat ini menyokong penggunaan yang hampir dari talian kuasa elektrik voltan tinggi, jangan gunakan kartrij bateri berhampiran talian kuasa elektrik voltan tinggi.** Ia mungkin menyebabkan kerosakan atau pecah pada alat atau kartrij bateri.
18. **Jauhkan bateri daripada kanak-kanak.**

SIMPAN ARAHAN INI.

PERHATIAN: Hanya gunakan bateri asli Makita. Penggunaan bateri tidak asli Makita, atau bateri yang telah diubah suai, mungkin menyebabkan bateri meletup menyebabkan kebakaran, kecederaan diri dan kerosakan. Ia juga membatalkan jaminan Makita untuk alat Makita dan pengecas.

Tip untuk mengekalkan hayat bateri maksimum

1. **Cas kartrij bateri sebelum ternyata habis sepenuhnya. Sentiasa hentikan operasi alat dan cas kartrij bateri apabila anda menyedari kurang kuasa alat.**

- Jangan cas semula kartrij bateri yang dicas sepenuhnya. Terlebih cas memendekkan hayat servis bateri.
- Cas kartrij bateri dengan suhu bilik pada 10 °C - 40 °C (50 °F - 104 °F). Biarkan kartrij bateri yang panas menyejuk sebelum mengecasnya.
- Apabila tidak menggunakan kartrij bateri, tanggalkannya dari alat atau pengecas.
- Cas kartrij bateri jika anda tidak gunakannya untuk tempoh yang lama (lebih daripada enam bulan).

KETERANGAN BAHAGIAN

► Rajah1

1	Kepala	2	Genggaman depan	3	Penggantung	4	Tuil buka kunci
5	Kartrij bateri	6	Genggaman belakang	7	Tuil suis	8	Sarung gelangсар
9	Bilah rich	10	Penunjuk kelajuan	11	Lampu amaran	12	Butang pembalik
13	Butang kuasa utama	-	-	-	-	-	-

KETERANGAN FUNGSI

⚠ PERHATIAN: Sentiasa pastikan alat dimatikan dan kartrij bateri dikeluarkan sebelum menyelaras atau menyemak fungsi pada alat.

Memasang atau mengeluarkan kartrij bateri

⚠ PERHATIAN: Sentiasa matikan alat sebelum memasang atau mengeluarkan kartrij bateri.

⚠ PERHATIAN: Pegang alat dan kartrij bateri dengan kukuh apabila memasang atau mengeluarkan kartrij bateri. Gagal untuk memegang alat dan kartrij bateri dengan kukuh mungkin menyebabkan mereka terlepas daripada tangan anda dan mengakibatkan kerosakan kepada alat dan kartrij bateri dan kecederaan peribadi.

Untuk memasang kartrij bateri, selaraskan lidah pada kartrij bateri dengan alur pada perumahan dan gelincirkan ia ke tempatnya. Masukkan ia sepenuhnya sehingga ia terkunci di tempatnya dengan klik kecil. Jika anda boleh melihat penunjuk merah seperti yang ditunjukkan dalam rajah, ia tidak dikunci sepenuhnya.

Untuk mengeluarkan kartrij bateri, luncurkan ia daripada alat apabila meluncurkan butang di hadapan kartrij.

► **Rajah2:** 1. Penunjuk merah 2. Butang 3. Kartrij bateri

⚠ PERHATIAN: Sentiasa pasang kartrij bateri sepenuhnya sehingga penunjuk merah tidak boleh dilihat. Jika tidak, ia mungkin jatuh tanpa sengaja daripada alat, menyebabkan kecederaan kepada anda atau seseorang di sekeliling anda.

⚠ PERHATIAN: Jangan pasang kartrij bateri secara paksa. Jika kartrij tidak meluncur dengan mudah, ia tidak dimasukkan dengan betul.

Menunjukkan kapasiti bateri yang tinggal

Tekan butang semak pada kartrij bateri untuk menunjukkan kapasiti bateri yang tinggal. Lampu penunjuk menyala untuk beberapa saat.

► **Rajah3:** 1. Lampu penunjuk 2. Butang semak

Lampu penunjuk			Kapasiti yang tinggal
Dinyalakan	Mati	Berkelip	
			75% hingga 100%
			50% hingga 75%
			25% hingga 50%
			0% hingga 25%
			Cas bateri.
			Bateri mungkin telah rosak.







NOTA: Bergantung kepada keadaan penggunaan dan suhu persekitaran, penunjuk mungkin berbeza sedikit daripada kapasiti sebenar.

NOTA: Lampu penunjuk (kiri jauh) pertama akan berkedip apabila sistem perlindungan bateri berfungsi.

Sistem perlindungan alat / bateri

Alat dilengkapi dengan sistem perlindungan alat/bateri. Sistem ini memutuskan kuasa motor secara automatik untuk memanjangkan hayat alat dan bateri. Alat akan berhenti secara automatik ketika operasi jika alat atau bateri diletakkan di bawah salah satu keadaan berikut:

► **Rajah4:** 1. Lampu amaran

Lampu amaran			Status
Warna	 Hidup	 Berkelip	
Hijau			Terlebih beban
Merah	 (alat) /  (bateri)		Terlalu panas
Merah			Terlebih cas

NOTIS: Bergantung pada keadaan penggunaan, alat berhenti secara automatik tanpa sebarang petunjuk jika dahan atau serpihan tersangkut pada alat. Dalam situasi ini, matikan alat dan keluarkan katrij bateri dan kemudian keluarkan dahan atau serpihan yang tersangkut dengan menggunakan alat seperti player. Selepas mengeluarkan dahan atau serpihan, pasang katrij bateri dan hidupkan semula alat.

Perlindungan lebih beban

Jika alat atau bateri terlebih beban kerana dahan atau serpihan lain yang tersangkut, alat akan berhenti secara automatik dan lampu amaran mula berkelip hijau.

Dalam situasi ini, matikan alat dan hentikan penggunaan yang menyebabkan alat menjadi terlebih beban. Kemudian hidupkan alat untuk mula semula.

Perlindungan terlalu panas untuk alat atau bateri

Jika alat atau katrij bateri terlalu panas, alat itu berhenti secara automatik. Apabila alat terlampau panas, lampu amaran menyala dengan warna merah. Apabila katrij bateri terlampau panas, lampu amaran menyala dengan warna merah. Biarkan alat dan/atau bateri sejuk sebelum menghidupkan semula alat.

Perlindungan lebih nyahcas

Apabila kapasiti bateri menjadi rendah, alat akan berhenti secara automatik dan lampu amaran mula berkelip dengan cahaya merah.

Jika alat tidak beroperasi walaupun suis telah dioperasikan, keluarkan katrij bateri daripada alat dan casnya.

Perlindungan terhadap punca lain

Sistem perlindungan juga direka bentuk untuk punca lain yang boleh merosakkan alat dan membolehkan alat berhenti secara automatik. Ambil semua langkah berikut untuk membuang punca, apabila alat telah dibawa kepada berhenti sementara atau berhenti beroperasi.

1. Matikan alat dan kemudian hidupkan alat lagi untuk mula semula.

2. Cas bateri atau gantikan bateri dengan bateri yang telah dicas.
3. Biarkan mesin dan bateri menyejuk.

Jika tiada penambahbaikan boleh didapati melalui pemulihan sistem perlindungan, maka hubungi Pusat Servis Makita tempatan anda.

Tindakan suis kuasa

AMARAN: Untuk keselamatan anda, alat ini dilengkapi dengan suis buka kunci yang mengelakkan alat daripada bermula secara tidak sengaja. **JANGAN SEKALI-KALI** gunakan alat jika ia berjalan apabila anda hanya menarik tuil suis tanpa menekan tuil buka kunci. Pulangkan alat kepada pusat servis kami yang diiktiraf untuk pembaikan yang betul **SEBELUM** penggunaan seterusnya.

AMARAN: **JANGAN SEKALI-KALI** melekatkan atau ingkar kepada tujuan dan fungsi tuil buka kunci.

PERHATIAN: Sebelum memasang katrij bateri ke dalam alat, sentiasa periksa untuk melihat tuil suis bergerak dengan betul dan kembali ke posisi "OFF" apabila dilepaskan. Mengendalikannya dengan suis yang tidak bergerak dengan betul boleh menyebabkan hilang kawalan dan kecederaan diri yang serius.

PERHATIAN: Jangan sekali-kali meletakkan jari anda pada suis apabila membawa. Alat mungkin mula secara tidak sengaja dan menyebabkan kecederaan.

NOTIS: Jangan tarik tuil suis dengan kuat tanpa menekan tuil buka kunci. Ini boleh menyebabkan suis rosak.

Tekan butang kuasa utama untuk menghidupkan alat. Untuk mematikan alat, tekan dan tahan butang kuasa hingga penunjuk kelajuan mati.

► **Rajah5:** 1. Butang kuasa utama 2. Penunjuk kelajuan 3. Lampu amaran

NOTA: Lampu amaran berkelip hijau jika tuil suis ditarik semasa keadaan tidak boleh beroperasi seperti berikut:

- Menghidupkan suis kuasa utama sambil menahan tuil buka kunci dan tuil suis ke bawah.
- Menarik tuil suis dengan tuil buka kunci ditekan ke bawah sambil melipat kepala alat.

NOTA: Alat ini mempunyai fungsi padam secara automatik. Suis kuasa utama akan dimatikan secara automatik jika alat tidak dikendalikan selama lebih kurang 5 minit.

NOTA: Fungsi padam secara automatik boleh berfungsi apabila alat berhenti disebabkan oleh operasi sistem perlindungan. Suis kuasa utama akan dimatikan secara automatik lebih kurang 5 minit selepas motor berhenti secara automatik dan tiada tindakan pembedahan diambil terhadap perlindungan alat.

Untuk mengelakkan tuil suis daripada ditarik secara tidak sengaja, suis buka kunci berganda disediakan untuk keselamatan.










Untuk memulakan alat, tolak tuil kunci ke bawah hadapan melepasi kedudukan normal dengan menggunakan jaringan tangan anda (iaitu, bahagian antara ibu jari dengan jari telunjuk) dan picit tuil buka kunci dengan tapak tangan anda. Kemudian, tarik tuil suis dengan tuil buka kunci dipegang. Lepaskan tuil suis untuk berhenti.

► **Rajah6:** 1. Tuil kunci 2. Tuil buka kunci 3. Tuil suis

Pelarasan kelajuan

Anda boleh melaraskan kelajuan alat dengan menekan butang kuasa utama. Setiap kali anda menekan butang kuasa utama, tahap kelajuan akan berubah.

► **Rajah7:** 1. Butang kuasa utama 2. Penunjuk kelajuan

Penunjuk	Mod	Kelajuan pukulan
  	Tinggi	4,000 min ⁻¹
  	Sederhana	3,000 min ⁻¹
  	Rendah	2,000 min ⁻¹

NOTA: Alat bermula dalam mod yang sama seperti operasi terakhir. Jika anda mengeluarkan bateri semasa motor sedang berjalan selepas penutupan, alat mungkin tidak bermula dalam mod yang sama seperti operasi terakhir.

Butang pembalik untuk mengeluarkan serpihan

AMARAN: Jika dahan atau serpihan yang tersangkut tidak boleh ditanggalkan dengan fungsi terbalik, matikan alat serta tanggalkan karterij bateri dan kemudian tanggalkan dahan atau serpihan yang tersangkut menggunakan alat seperti *player*. Kegagalan untuk mematikan alat dan menanggalkan karterij bateri mungkin menyebabkan kecederaan diri yang serius daripada permulaan tanpa sengaja. Menanggalkan dahan atau serpihan yang tersangkut menggunakan tangan mungkin menyebabkan kecederaan kerana bilah ricih mungkin bergerak sebagai tindak balas untuk menanggalkan dahan atau serpihan.

Alat ini mempunyai butang pembalik untuk mengubah arah pergerakan bilah ricih. Ia hanya untuk menanggalkan dahan dan serpihan yang tersangkut dalam alat.

Untuk membalikkan pergerakan bilah ricih, tekan butang pembalik apabila bilah ricih berhenti, dan kemudian tarik tuil suis semasa menekan tuil buka kunci. Penunjuk kelajuan mula berkelip dan bilah ricih bergerak dalam arah terbalik.

Apabila dahan atau serpihan yang tersangkut telah ditanggalkan, alat akan kembali kepada pergerakan biasa dan penunjuk kelajuan akan berhenti berkelip dan menyala.

► **Rajah8:** 1. Butang pembalik 2. Penunjuk kelajuan

NOTA: Jika dahan dan serpihan yang tersangkut tidak boleh ditanggalkan, lepaskan tuil suis, kemudian tekan butang pembalik dan kemudian tarik tuil suis sehingga ia ditanggalkan.

NOTA: Jika anda tekan butang pembalik semasa bilah ricih masih bergerak, alat akan berhenti dan bersedia untuk pergerakan terbalik.

Melaraskan sudut pemotongan

PERHATIAN: Sentiasa pastikan alat dimatikan sebelum melipat atau membuka lipatan kepala.

PERHATIAN: Apabila melipat kepala untuk membawa alat atau selepas menggunakan alat, pastikan untuk memasang penutup bilah sebelum melipat kepala.

PERHATIAN: Apabila melipat kepala, berhati-hati agar jari anda tidak terserpi di antara kepala dengan sarung gelangсар.

Sudut kepala boleh dilaraskan dalam 6 langkah di antara 45° ke atas dan 70° ke bawah. Untuk menukarkan sudut kepala, ikut langkah di bawah.

► **Rajah9:** 1. Sudut kepala ke atas 2. Sudut kepala ke bawah

1. Pegang kepala dan sarung gelangсар seperti yang ditunjukkan dalam rajah.

► **Rajah10:** 1. Kepala 2. Sarung gelangсар

2. Gerakkan kepala sambil menahan sarung gelangсар ke bawah, dan kemudian lepaskan sarung gelangсар.

3. Gerakkan sedikit kepala sehingga kepala terkunci dengan bunyi klik.

NOTA: Pastikan kepala dikunci dengan kukuh sebelum mengendalikan alat.

Fungsi elektronik

Alat ini dilengkapi dengan fungsi elektronik untuk memudahkan operasi.

- Kawalan kelajuan malar
Fungsi kawalan kelajuan memberikan kelajuan putaran malar tanpa mengira keadaan beban.
- Brek elektrik
Alat ini dilengkapi dengan brek elektrik. Jika alat ini secara konsisten gagal untuk menghentikan bilah ricih dengan cepat selepas tuil suis dilepaskan, servis alat di Pusat Servis Makita dengan Diiktiraf.

- Fungsi pencegahan mula semula secara tidak sengaja
Apabila anda menghidupkan alat sambil menarik tuil suis, mesin tidak bermula dan lampu amaran berkelip hijau. Untuk memulakan alat, pertama sekali lepaskan tuil suis dan kemudian hidupkan alat.

PEMASANGAN

⚠PERHATIAN: Sentiasa pastikan alat dimatikan dan kartrij bateri dikeluarkan sebelum menjalankan sebarang kerja pada alat.

⚠PERHATIAN: Apabila menggantikan bilah ricih, sentiasa pakai sarung tangan supaya tangan anda tidak tersentuh secara langsung dengan bilah.

Memasang atau mengeluarkan bilah ricih

⚠PERHATIAN: Pasangkan penutup bilah ricih sebelum mengeluarkan atau memasang bilah ricih.

NOTIS: Apabila menggantikan bilah ricih, jangan lap gris daripada gear dan engkol.

NOTA: Sebelum memasang atau mengeluarkan bilah ricih, buka lipatan kepala alat supaya kepala lurus ke badan alat.

1. Letakkan alat secara terbalik dan kemudian tanggalkan 6 bolt.

► **Rajah11:** 1. Bolt

2. Tanggalkan penutup dan plat.

► **Rajah12:** 1. Penutup 2. Plat

Gunakan pemutar skru beralur untuk membuka penutup jika anda sukar untuk membuka penutup.

Masukkan pemutar skru beralur ke dalam satu atau lebih bukaan dan potongan pada perumahan alat, kemudian angkat penutup keluar dari perumahan.

- **Rajah13:** 1. Potongan (pada kedua-dua sisi perumahan) 2. Bukaan (antara penutup dengan bilah ricih)

NOTA: Plat mungkin tertinggal di dalam penutup.

3. Tanggalkan rod penyambung dan galas.

► **Rajah14:** 1. Rod penyambung 2. Galas

NOTA: Rod penyambung dan galas mungkin tertinggal di dalam penutup.

4. Tanggalkan 2 bolt dan 2 sarung daripada bilah ricih. Pisahkan bilah ricih daripada badan alat. Kemudian tanggalkan pad langkan dan pendedap habuk getah daripada bilah ricih.

► **Rajah15:** 1. Bolt 2. Lengan 3. Bilah ricih 4. Pad langkan 5. Pendedap habuk

NOTIS: Berhati-hati agar tidak kehilangan bahagian komponen kerana bahagian akan digunakan semula untuk pemasangan semula.

5. Keluarkan penutup bilah, kemudian pasang penutup bilah pada bilah ricih baharu.

► **Rajah16:** 1. Penutup bilah

6. Laraskan engkol supaya 2 lubang dibariskan pada garis penjarangan.

► **Rajah17:** 1. Lubang 2. Garis penjarangan

7. Jajarkan bahagian terjulur pada kedua-dua sisi bilah ricih.

► **Rajah18:** 1. Bahagian terjulur

8. Pegang bilah ricih dengan lubang sarung menghadap ke atas. Pasang pad langkan pada bilah ricih sambil lengan ia melilit bilah ricih.

► **Rajah19:** 1. Pad langkan 2. Lubang sarung

9. Pusing bilah ricih secara terbalik. Pasangkan pendedap getah habuk pada bilah ricih. Laraskan kedudukan supaya satu hujung pendedap habuk bersentuhan dengan bahagian terjulur pada bilah ricih.

► **Rajah20:** 1. Pendedap habuk 2. Bahagian terjulur

10. Pusingkan bilah ricih dengan pad langkan menghadap ke atas. Jajarkan bahagian terjulur pada bilah ricih dengan lubang hujung kecil dalam rod penyambung. Pasang kembali bilah ricih di tempatnya.

► **Rajah21:** 1. Pad langkan 2. Pendedap habuk 3. Bahagian terjulur 4. Lubang hujung kecil 5. Potongan untuk pad langkan 6. Potongan untuk pendedap habuk

NOTIS: Pastikan untuk memuatkan pad langkan dan pendedap habuk getah dengan baik ke dalam potongan pada perumahan bilah.

NOTIS: Sapukan sedikit gris pada pinggir dalam lubang hujung kecil dalam rod penyambung.

11. Letakkan sarung baharu ke dalam lubang sarung dalam bilah ricih.

► **Rajah22:** 1. Sarung 2. Lubang sarung

NOTIS: Berhati-hati supaya tidak menghilangkan sarung.

12. Laraskan lubang dalam sarung, lubang pada bilah ricih dan lubang pada perumahan bilah bersama-sama sepanjang garis. Kemudian, ketatkan 2 bolt untuk mengukuhkan bilah ricih.

► **Rajah23:** 1. Bolt 2. Sarung 3. Bilah ricih

13. Pasangkan galas dan rod penyambung.

► **Rajah24:** 1. Rod penyambung 2. Lubang hujung kecil 3. Galas

NOTIS: Sapukan sedikit gris pada pinggir dalam lubang hujung kecil dalam rod penyambung.

NOTIS: Pastikan untuk memasukkan bahagian terjulur pada bilah ricih dengan baik ke dalam lubang hujung kecil dalam rod penyambung.

14. Pasang kembali plat di tempatnya.

► **Rajah25:** 1. Plat 2. Bahagian terjulur

NOTIS: Pastikan untuk memasukkan bahagian terjulang pada bilah ricih dengan baik ke dalam lubang dalam plat.

15. Pasangkan penutup dan kemudian ketatkan 6 bolt.

► **Rajah26:** 1. Penutup 2. Bolt

NOTIS: Jika bilah ricih tidak bergerak dengan lancar, bilah ricih tidak bersambung dengan rod penyambung dengan betul. Pasang bilah ricih semula.

NOTIS: Jika bahagian selain daripada bilah ricih seperti rod penyambung telah haus, minta Pusat Servis Makita yang Diiktiraf untuk penggantian bahagian atau pembaikan.

Memasang atau mengeluarkan penadah serpihan

Aksesori pilihan

PERHATIAN: Apabila memasang atau mengeluarkan penadah serpihan, sentiasa pakai sarung tangan supaya tangan tidak tersentuh secara langsung dengan bilah ricih.

NOTIS: Penutup bilah tidak boleh dipasang jika penadah serpihan dipasang pada alat. Sebelum membawa atau menyimpan alat, nyahpasang penadah serpihan dan kemudian pasang penutup bilah bagi mengelakkan bilah terdedah.

NOTIS: Pastikan untuk menanggalkan penutup bilah sebelum memasang penadah serpihan.

Penadah serpihan mengumpulkan daun yang dipotong dan menjadikan pembersihan selepas pemotongan lebih mudah. Ia boleh dipasang pada mana-mana sisi alat.

1. Cangkuk pencakar penadah serpihan ke bilah ricih.

► **Rajah27:** 1. Penadah serpihan 2. Bilah ricih
3. Pencakar

2. Jajarkan lubang penadah serpihan dengan skru pada bilah ricih dan kemudian pasang penadah serpihan ke bilah ricih dengan kukuh.

► **Rajah28:** 1. Lubang 2. Skru

NOTIS: Pastikan penadah serpihan tidak menindih penangkap dahan.

► **Rajah29:** 1. Penangkap dahan

Untuk mengeluarkan penadah serpihan, tekan tuil untuk melepaskan pencakar.

► **Rajah30:** 1. Tuil

NOTIS: Jangan sekali-kali mengeluarkan penadah serpihan dengan daya berlebihan dengan cangkuk terkunci pada alur bilah ricih.

OPERASI

Memasang abah-abah bahu

PERHATIAN: Sebelum beroperasi, pastikan abah-abah bahu dipasang dengan betul pada penyangkut alat itu.

PERHATIAN: Apabila anda menggunakan alat dengan gabungan bekalan kuasa jenis beg galas seperti pek kuasa mudah alih, jangan gunakan abah-abah bahu yang disertakan di dalam pakej alat, tetapi gunakan tali gantung yang disyorkan oleh Makita.

Sekiranya anda memakai abah-abah bahu yang disertakan di dalam pakej alat dan abah-abah bahu bekalan kuasa jenis beg galas pada masa yang sama, menanggalkan alat atau bekalan kuasa jenis beg galas adalah sukar ketika kecemasan dan ini mungkin menyebabkan kemalangan atau kecederaan. Untuk tali gantung yang disyorkan, tanya Pusat Servis Makita yang Diiktiraf.

NOTA: Gunakan abah-abah bahu yang dipasangkan pada alat itu. Sebelum beroperasi, laraskan abah-abah bahu mengikut saiz pengguna untuk mengelakkan kepenatan.

1. Pakai abah-abah bahu pada bahu anda.

► **Rajah31**

2. Kancing cangkuk pada abah-abah bahu ke penggantung alat.

► **Rajah32:** 1. Cangkuk 2. Penggantung

3. Laraskan abah-abah bahu kepada kedudukan bekerja yang selesai.

► **Rajah33**

Abah-abah bahu mempunyai tujuan untuk pelepasan segera.

Hanya himpit sisi kancing untuk melepaskan alat dari abah-abah bahu.

► **Rajah34:** 1. Kancing

Mengendalikan alat

AMARAN: Jangan gunakan alat berdekatan dengan mana-mana talian kuasa elektrik. Bersentuhan dengan talian kuasa atau menggunakan alat berdekatan dengan talian kuasa boleh menyebabkan kecederaan serius atau kejutan elektrik yang mengakibatkan kematian.

AMARAN: Jauhkan tangan daripada bilah ricih.

AMARAN: Berhati-hati untuk mengekalkan kawalan alat pada setiap masa. Jangan biarkan alat itu terpesong ke arah anda atau sesiapa sahaja dalam persekitaran kerja. Kegagalan untuk mengawal alat ini boleh mengakibatkan kecederaan serius kepada individu di sekeliling dan pengendali.

PERHATIAN: Elakkan mengendalikan alat semasa cuaca panas selagi boleh dipraktikkan. Apabila mengendalikan alat, berhati-hati dengan keadaan fizikal anda.

PERHATIAN: Berhati-hati supaya tidak menyentuh pagar besi atau objek keras yang lain tanpa sengaja semasa memangkas. Bilah ricih boleh patah dan menyebabkan kecederaan.

PERHATIAN: Berhati-hati supaya tidak membenarkan bilah ricih terkena tanah. Alat mungkin menyentak dan menyebabkan kecederaan.

PERHATIAN: Mencapai secara berlebihan dengan pemangkas tanaman pagar, terutamanya dari tangga adalah sangat berbahaya. Jangan bekerja sambil berdiri di atas apa-apa yang bergoyang atau tidak kukuh.

NOTIS: Jangan cuba memotong dahan berdiameter lebih tebal daripada 10 mm dengan alat. Potong dahan kepada 10 cm lebih rendah daripada ketinggian pemotongan menggunakan pemotong dahan sebelum menggunakan alat.

► **Rajah35:** 1. Ketinggian pemotongan 2. 10 cm

NOTIS: Jangan tebang pokok yang mati atau objek keras yang serupa. Melakukan hal tersebut boleh merosakkan alat.

NOTIS: Jangan pangkas rumput atau rumpai semasa menggunakan bilah ricih. Bilah ricih mungkin tersangkut pada rumput atau rumpai.

Pegang alat dengan kedua-dua tangan.

► **Rajah36**

Tarik tuil suis sambil menekan dan menahan tuil buka kunci, dan kemudian sediakan alat untuk memangkas.

► **Rajah37**

Untuk operasi asas, condongkan bilah ricih ke arah pemangkasan dan gerakkan ia dengan tenang dan perlahan pada kadar kelajuan 3 hingga 4 saat semeter.

► **Rajah38**

Untuk memotong sisi tanaman pagar dengan sama rata, potong dari bawah ke atas.

► **Rajah39**

Apabila memangkas untuk membuat bentuk bulat (memangkas kayu pak atau rhododendron, dsb.), pangkas dari akar ke atas untuk hasil yang cantik.

► **Rajah40**

Jika penadah serpihan dipasang pada bilah ricih, ia mengumpulkan daun yang dipotong dan menjadikan pembersihan selepas pemotongan lebih mudah.

► **Rajah41**

PENYELENGGARAAN

PERHATIAN: Sentiasa pastikan alat dimatikan dan kartrij bateri dikeluarkan sebelum cuba menjalankan pemeriksaan atau penyelenggaraan.

PERHATIAN: Semasa memeriksa atau menyelenggara alat, sentiasa letakkan alat di bawah. Pemasangan atau pelarasan alat dalam kedudukan menegak boleh mengakibatkan kecederaan serius.

Untuk mengekalkan KESELAMATAN dan KEBOLEHPERCAYAAN produk, pembaikan, apa-apa penyelenggaraan atau penyesuaian lain perlu dilakukan oleh Kilang atau Pusat Servis Makita yang Diiktiraf, sentiasa gunakan alat ganti Makita.

Membersihkan alat

Bersihkan alat dengan menyapu habuk dengan kain kering atau kain yang dicelup dalam air sabun dan diperah.

NOTIS: Jangan gunakan petrol, benzin, pencair, alkohol atau bahan yang serupa. Ia boleh menyebabkan perubahan warna, bentuk atau keretakan.

Penyelenggaraan bilah ricih

Sebelum operasi atau sejam sekali semasa operasi, sapukan minyak berkelikatan rendah (minyak mesin, atau minyak pelincir jenis semburan) pada bilah ricih.

► **Rajah42**

Selepas operasi, keluarkan habuk daripada kedua-dua belah bilah ricih dengan berus berwayar, lapkannya dengan kain dan kemudian sapukan minyak berkelikatan rendah (minyak mesin, atau minyak pelincir jenis semburan) pada bilah ricih.

► **Rajah43**

NOTIS: Jangan basuh bilah ricih dengan air. Melakukan hal tersebut boleh menyebabkan karat atau merosakkan alat.

NOTIS: Kotoran dan karatan menyebabkan geseran berlebihan bilah dan memendekkan masa pengendalian bagi setiap pengecasan bateri.

Penyimpanan

Pasangkan penutup bilah pada bilah ricih supaya bilah tidak terdedah. Simpan alat jauh daripada kanak-kanak. Simpan alat di tempat yang tidak terdedah kepada kelembapan atau hujan.

Pengisaran bilah ricih

NOTIS: Jika bilah ricih telah berubah bentuk disebabkan oleh pengisaran, gantikan bilah ricih dengan yang baharu.

1. Pasang kartrij bateri pada alat.
2. Hidupkan dan mulakan alat supaya bilah atas dan bilah bawah berada dalam kedudukan berselang-seli antara satu sama lain.
▶ **Rajah44**
3. Matikan alat dan tanggalkan kartrij bateri daripada alat.
4. Tanggalkan skru dan kemudian penangkap dahan.
▶ **Rajah45:** 1. Skru 2. Penangkap dahan
5. Tetapkan sudut kikir kepada 50°, dan kisar bilah atas dengan kikir mengikut tiga arah tepi dengan tepat.
▶ **Rajah46:** 1. Kikir 2. 50°

PERHATIAN: Sebelum mengisar bilah ricih, pastikan alat dimatikan dan kartrij bateri ditanggalkan daripada alat.

6. Letakkan alat secara terbalik dan kemudian tanggalkan gerigis daripada bilah ricih dengan batu sagat.
▶ **Rajah47:** 1. Batu sagat
7. Tetapkan sudut kikir kepada 50°, dan kisar bilah bawah dengan kikir mengikut tiga arah tepi dengan tepat.
8. Kembalikan alat kepada kedudukan normal dan kemudian tanggalkan gerigis daripada bilah ricih dengan batu sagat.
9. Pasangkan penangkap dahan dengan mengetatkan skru.

Pelinciran gris

Selang pelinciran: Setiap 50 jam operasi

Menggunakan lubang minyak untuk pelinciran

1. Tanggalkan bolt daripada lubang untuk pelinciran.
▶ **Rajah48:** 1. Bolt
2. Tanggalkan penutup daripada saluran gris. Jajarkan salur keluar bekas gris dengan lubang pada penutup dan kemudian tekan salur keluar bekas gris ke dalam lubang.
▶ **Rajah49:** 1. Bekas gris 2. Lubang
3. Sapukan gris pada alat (Lebih kurang 5 g sebagai panduan).
4. Ketatkan bolt.

Menggunakan puting gris

Penyambung puting membantu menyambungkan penembak gris dengan kesesuaian yang positif.

1. Menyediakan penembak gris untuk digunakan.
 2. Sambungkan penyesuai penembak gris ke puting gris pada alat.
▶ **Rajah50:** 1. Penyesuai penembak gris 2. Puting gris
 3. Sapukan gris pada alat (Lebih kurang 5 g sebagai panduan).
 4. Sengetkan penyesuai sedikit untuk melepaskan tekanan dalaman, dan kemudian tanggalkan penyesuai daripada puting gris.
- Lap gris dari penyesuai dan puting gris.

PENYELESAIAN MASALAH

Sebelum meminta pembaikan, jalankan pemeriksaan sendiri terlebih dahulu. Jika anda mendapati masalah tidak diterangkan dalam manual, jangan cuba untuk menanggalkan alat. Sebaliknya, tanya Pusat Servis Sah Makita, sentiasa gunakan alat ganti Makita untuk pembaikan.

Kedaaan keabnormalan	Sebab yang mungkin (pincang tugas)	Remedi
Motor tidak berjalan.	Kartrij bateri tidak dipasang.	Pasang kartrij bateri.
	Masalah bateri (voltan rendah)	Cas semula bateri. Jika mengecas tidak berkesan, gantikan bateri.
	Sistem pacuan tidak berfungsi dengan betul.	Tanya pusat servis tempatan anda yang diiktiraf untuk pembaikan.
Motor berhenti berfungsi selepas digunakan seketika.	Tahap cas bateri terlalu rendah.	Cas semula bateri. Jika mengecas tidak berkesan, gantikan bateri.
	Pemanasan melampau.	Berhenti menggunakan alat untuk membenarkan ia sejuk.
Alat tidak mencapai RPM maksimum.	Bateri tidak dipasang dengan betul.	Pasang kartrij bateri seperti yang diterangkan dalam manual ini.
	Kuasa bateri berkurangan.	Cas semula bateri. Jika mengecas tidak berkesan, gantikan bateri.
	Sistem pacuan tidak berfungsi dengan betul.	Tanya pusat servis tempatan anda yang diiktiraf untuk pembaikan.

Kedaaan keabnormalan	Sebab yang mungkin (pincang tugas)	Remedi
Bilah ricih tidak bergerak: ⇒ hentikan mesin serta-merta!	Sudut bilah ricih yang tidak betul.	Pastikan kepala dipasang dengan betul pada sudut operasi.
	Objek asing tersekat di antara bilah ricih.	1. Gunakan butang pembalik. 2. Matikan alat dan keluarkan kartrij bateri dan kemudian keluarkan objek asing dengan menggunakan alat seperti playar.
	Sistem pacuan tidak berfungsi dengan betul.	Tanya pusat servis tempatan anda yang diiktiraf untuk pembaikan.
Getaran tidak normal: ⇒ hentikan mesin serta-merta!	Bilah ricih patah, bengkok atau haus.	Gantikan bilah ricih.
	Sistem pacuan tidak berfungsi dengan betul.	Tanya pusat servis tempatan anda yang diiktiraf untuk pembaikan.
Bilah ricih dan motor tidak boleh berhenti: ⇒ Keluarkan bateri serta-merta!	Pincang tugas elektrik.	Keluarkan bateri dan tanya pusat servis sah setempat anda untuk pembaikan.

AKSESORI PILIHAN

⚠PERHATIAN: Aksesori-aksesori atau lampiran-lampiran ini adalah disyorkan untuk digunakan dengan alat Makita anda yang ditentukan dalam manual ini. Penggunaan mana-mana aksesori-aksesori atau lampiran-lampiran lain mungkin mengakibatkan risiko kecederaan kepada orang. Hanya gunakan aksesori atau lampiran untuk tujuan yang dinyatakan.

Jika anda memerlukan sebarang bantuan untuk maklumat lebih lanjut mengenai aksesori ini, tanya Pusat Perkhidmatan Makita tempatan anda.

- Pemasangan bilah ricih
- Penadah serpihan
- Bekas gris
- Bateri dan pengecas tulen Makita

NOTA: Beberapa item dalam senarai mungkin disertakan dalam pakej alat sebagai aksesori standard. Item mungkin berbeza mengikut negara.

THÔNG SỐ KỸ THUẬT

Kiểu máy:	UN001G	
Chiều dài lưỡi cắt	600 mm	
Số nhát cắt trên một phút	2.000 / 3.000 / 4.000 min ⁻¹	
Góc lưỡi cắt	115° (lên 45°, xuống 70°)	
Chiều dài tổng thể	2.268 mm	
Điện áp định mức	D.C. 36 V - tối đa 40 V	
Khối lượng tịnh	*1	4,0 kg
	*2	4,7 - 5,9 kg
Cấp bảo vệ	IPX4	

- Do chương trình nghiên cứu và phát triển liên tục của chúng tôi nên các thông số kỹ thuật trong đây có thể thay đổi mà không cần thông báo trước.
 - Các thông số kỹ thuật có thể thay đổi tùy theo từng quốc gia.
- *1: Khối lượng không có bất kỳ phụ kiện hoặc (các) hộp pin nào
 *2: Khối lượng có thể khác nhau tùy thuộc vào (các) phụ kiện, bao gồm cả hộp pin. Các kiểu kết hợp nhẹ nhất và nặng nhất, theo Quy trình EPTA 01/2014, được thể hiện trong bảng.

Hộp pin và sạc pin có thể áp dụng

Hộp pin	BL4020 / BL4025 / BL4040 / BL4040F / BL4050F / BL4080F
Bộ sạc	DC40RA / DC40RB / DC40RC / DC40WA

- Một số hộp pin và sạc pin được nêu trong danh sách ở trên có thể không khả dụng tùy thuộc vào khu vực cư trú của bạn.

⚠ CẢNH BÁO: Chỉ sử dụng hộp pin và sạc pin được nêu trong danh sách ở trên. Việc sử dụng bất cứ hộp pin và sạc pin nào khác có thể gây ra thương tích và/hoặc hỏa hoạn.

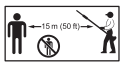
Nguồn điện kết nối bằng dây được khuyến dùng

Bộ cấp nguồn di động đeo vai	PDC01 / PDC1200 / PDC1500
------------------------------	---------------------------

- (Các) Nguồn điện kết nối bằng dây được nêu trong danh sách ở trên có thể không khả dụng tùy thuộc vào khu vực cư trú của bạn.
- Trước khi sử dụng nguồn điện kết nối bằng dây, hãy đọc hướng dẫn và nhãn cảnh báo có trên chúng.

Ký hiệu

Phần dưới đây cho biết các ký hiệu có thể được dùng cho thiết bị. Đảm bảo rằng bạn hiểu rõ ý nghĩa của các ký hiệu này trước khi sử dụng.

	Đọc tài liệu hướng dẫn.
	Đội mũ bảo hộ, kính an toàn và thiết bị bảo vệ tai.
	NGUY HIỂM - Giữ tay tránh xa lưỡi cắt.
	Hãy cẩn thận với các đường dây điện, nguy cơ điện giật.
	Giữ khoảng cách tối thiểu là 15 m.



Chỉ dành cho các quốc gia EU
 Do có các thành phần nguy hiểm bên trong thiết bị điện và điện tử, ắc quy và pin thải bỏ nên có thể có tác động không tốt đến môi trường và sức khỏe con người. Không vứt bỏ các thiết bị điện và điện tử hoặc pin với rác thải sinh hoạt!
 Theo Chỉ thị của Châu Âu về thiết bị điện và điện tử thải bỏ và về pin và ắc quy và pin và ắc quy thải bỏ, cũng như sự thích ứng của chúng với luật pháp quốc gia, các thiết bị điện, pin và ắc quy thải phải được cất giữ riêng biệt và chuyển đến một điểm thu gom rác thải đô thị riêng, hoạt động theo các quy định về bảo vệ môi trường. Điều này được biểu thị bằng biểu tượng thùng rác có bánh xe gạch chéo được đặt trên thiết bị.



Mức công suất âm thanh được đảm bảo theo Chỉ thị về tiếng ồn ngoài trời của EU.



Mức công suất âm thanh theo Quy định kiểm soát tiếng ồn NSW của Úc

Mục đích sử dụng

Dụng cụ này được dùng để tỉa hàng rào.

CẢNH BÁO AN TOÀN

Cảnh báo an toàn chung dành cho dụng cụ máy

⚠CẢNH BÁO Vui lòng đọc tất cả các cảnh báo an toàn, hướng dẫn, minh họa và thông số kỹ thuật đi kèm với dụng cụ máy này. Việc không tuân theo tất cả các hướng dẫn được liệt kê dưới đây có thể dẫn đến điện giật, hỏa hoạn và/hoặc thương tích nghiêm trọng.

Lưu giữ tất cả cảnh báo và hướng dẫn để tham khảo sau này.

Thuật ngữ “dụng cụ máy” trong các cảnh báo đề cập đến dụng cụ máy (có dây) được vận hành bằng nguồn điện chính hoặc dụng cụ máy (không dây) được vận hành bằng pin của bạn.

An toàn tại nơi làm việc

1. **Giữ nơi làm việc sạch sẽ và có đủ ánh sáng.** Nơi làm việc bừa bộn hoặc tối thường dễ gây ra tai nạn.
2. **Không vận hành dụng cụ máy trong môi trường cháy nổ, ví dụ như môi trường có sự hiện diện của các chất lỏng, khí hoặc bụi dễ cháy.** Các dụng cụ máy tua lửa điện có thể làm bụi hoặc khí bốc cháy.
3. **Giữ trẻ em và người ngoài tránh xa nơi làm việc khi đang vận hành dụng cụ máy.** Sự xao lãng có thể khiến bạn mất khả năng kiểm soát.

An toàn về Điện

1. **Phích cắm của dụng cụ máy phải khớp với ổ cắm.** Không được sửa đổi phích cắm theo bất kỳ cách nào. Không sử dụng bất kỳ phích chuyển đổi nào với các dụng cụ máy được nối đất (tiếp đất). Các phích cắm còn nguyên vẹn và ổ cắm phù hợp sẽ giảm nguy cơ điện giật.
2. **Tránh để cơ thể tiếp xúc với các bề mặt nóng đất hoặc tiếp đất như đường ống, bộ tản nhiệt, bếp ga và tủ lạnh.** Nguy cơ bị điện giật sẽ tăng lên nếu cơ thể bạn được nối đất hoặc tiếp đất.
3. **Không vận hành máy trong mưa hoặc trong điều kiện ẩm ướt.** Nước lọt vào máy sẽ làm tăng nguy cơ điện giật hoặc trực tiếp có thể dẫn đến thương tích cá nhân.
4. **Không lạm dụng dây điện.** Không được phép sử dụng dây để mang, kéo hoặc tháo phích cắm dụng cụ máy. Giữ dây tránh xa nguồn nhiệt, dầu, các mép sắc hoặc các bộ phận chuyển động. Dây bị hỏng hoặc bị rối sẽ làm tăng nguy cơ điện giật.
5. **Khi vận hành dụng cụ máy ngoài trời, hãy sử dụng dây kéo dài phù hợp cho việc sử dụng ngoài trời.** Việc dùng dây phù hợp cho việc sử dụng ngoài trời sẽ giảm nguy cơ điện giật.

6. **Nếu bắt buộc phải vận hành dụng cụ máy ở nơi ẩm ướt, hãy sử dụng nguồn cấp điện được bảo vệ bằng thiết bị ngắt dòng điện rò (RCD).** Việc sử dụng RCD sẽ làm giảm nguy cơ điện giật.
7. **Các dụng cụ máy có thể tạo ra từ trường điện (EMF) có hại cho người dùng.** Tuy nhiên, người dùng máy trợ tim và những thiết bị y tế tương tự khác nên liên hệ với nhà sản xuất thiết bị và/hoặc bác sỹ để được tư vấn trước khi vận hành dụng cụ này.

An toàn Cá nhân

1. **Luôn tỉnh táo, quan sát những việc bạn đang làm và sử dụng những phán đoán theo kinh nghiệm khi vận hành dụng cụ máy.** Không sử dụng dụng cụ máy khi bạn đang mệt mỏi hoặc chịu ảnh hưởng của ma túy, rượu hay thuốc. Chỉ một khoảnh khắc không tập trung khi đang vận hành dụng cụ máy cũng có thể dẫn đến thương tích cá nhân nghiêm trọng.
2. **Sử dụng thiết bị bảo hộ cá nhân.** Luôn đeo thiết bị bảo vệ mắt. Các thiết bị bảo hộ như mặt nạ chống bụi, giày an toàn chống trượt, mũ bảo hộ hay thiết bị bảo vệ thính giác được sử dụng trong các điều kiện thích hợp sẽ giúp giảm thương tích cá nhân.
3. **Tránh vô tình khởi động dụng cụ máy.** Đảm bảo công tắc ở vị trí off (tắt) trước khi nối nguồn điện và/hoặc bộ pin, cầm hoặc di chuyển dụng cụ máy. Việc di chuyển dụng cụ máy khi đang đặt ngón tay ở vị trí công tắc hoặc cấp điện cho dụng cụ máy đang bật thường dễ gây ra tai nạn.
4. **Tháo tất cả các khóa hoặc cờ lê điều chỉnh trước khi bật dụng cụ máy.** Việc cờ lê hoặc khóa vẫn còn gắn vào bộ phận quay của dụng cụ máy có thể dẫn đến thương tích cá nhân.
5. **Không vịn quá cao.** Luôn giữ thăng bằng tốt và có chỗ để chân phù hợp. Điều này cho phép điều khiển dụng cụ máy tốt hơn trong những tình huống bất ngờ.
6. **Ăn mặc phù hợp.** Không mặc quần áo rộng hay đeo đồ trang sức. Giữ tóc và quần áo tránh xa các bộ phận chuyển động. Quần áo rộng, đồ trang sức hay tóc dài có thể mắc vào các bộ phận chuyển động.
7. **Nếu các thiết bị được cung cấp để kết nối các thiết bị thu gom và hút bụi, hãy đảm bảo chúng được kết nối và sử dụng hợp lý.** Việc sử dụng thiết bị thu gom bụi có thể làm giảm những mối nguy hiểm liên quan đến bụi.
8. **Không vì quen thuộc do thường xuyên sử dụng các dụng cụ mà cho phép bạn trở nên tự mãn và bỏ qua các nguyên tắc an toàn dụng cụ.** Một hành động bất cẩn có thể gây ra thương tích nghiêm trọng trong một phần của một giây.
9. **Luôn luôn mang kính bảo hộ để bảo vệ mắt khỏi bị thương khi đang sử dụng các dụng cụ máy.** Kính bảo hộ phải tuân thủ ANSI Z87.1 ở Mỹ, EN 166 ở Châu Âu, hoặc AS/NZS 1336 ở Úc/New Zealand. Tại Úc/New Zealand, theo luật pháp, bạn cũng phải mang mặt nạ che mặt để bảo vệ mặt.



Trách nhiệm của chủ lao động là bắt buộc người vận hành dụng cụ và những người khác trong khu vực làm việc cảnh đó phải sử dụng các thiết bị bảo hộ an toàn thích hợp.

Sử dụng và bảo quản dụng cụ máy

1. **Không dùng lực đối với dụng cụ máy. Sử dụng đúng dụng cụ máy cho công việc của bạn.** Sử dụng đúng dụng cụ máy sẽ giúp thực hiện công việc tốt hơn và an toàn hơn theo giá trị định mức được thiết kế của dụng cụ máy đó.
2. **Không sử dụng dụng cụ máy nếu công tắc không bật và tắt được dụng cụ máy đó.** Mọi dụng cụ máy không thể điều khiển được bằng công tắc đều rất nguy hiểm và phải được sửa chữa.
3. **Rút phích cắm ra khỏi nguồn điện và/hoặc tháo kết nối bộ pin khỏi dụng cụ máy, nếu có thể tháo rời trước khi thực hiện bất kỳ công việc điều chỉnh, thay đổi phụ tùng hay cất giữ dụng cụ máy nào.** Những biện pháp an toàn phòng ngừa này sẽ giảm nguy cơ vô tình khởi động dụng cụ máy.
4. **Cất giữ các dụng cụ máy không sử dụng ngoài tầm với của trẻ em và không cho bất kỳ người nào không có hiểu biết về dụng cụ máy hoặc các hướng dẫn này vận hành dụng cụ máy.** Dụng cụ máy sẽ rất nguy hiểm nếu được sử dụng bởi những người dùng chưa qua đào tạo.
5. **Bảo dưỡng dụng cụ máy và các phụ kiện.** Kiểm tra tình trạng lệch trục hoặc bó kẹt của các bộ phận chuyên động, hiện tượng nứt vỡ của các bộ phận và mọi tình trạng khác mà có thể ảnh hưởng đến hoạt động của dụng cụ máy. Nếu có hỏng hóc, hãy sửa chữa dụng cụ máy trước khi sử dụng. Nhiều tai nạn xảy ra là do không bảo quản tốt dụng cụ máy.
6. **Luôn giữ cho dụng cụ cắt được sắc bén và sạch sẽ.** Những dụng cụ cắt được bảo quản tốt có mép cắt sắc sẽ ít bị kẹt hơn và dễ điều khiển hơn.
7. **Sử dụng dụng cụ máy, phụ tùng và đầu dụng cụ cắt, v.v... theo các hướng dẫn này, có tính đến điều kiện làm việc và công việc được thực hiện.** Việc sử dụng dụng cụ máy cho các công việc khác với công việc dự định có thể gây nguy hiểm.
8. **Giữ tay cầm và bề mặt tay cầm khô, sạch, không dính dầu và mỡ.** Tay cầm trơn trượt và bề mặt tay cầm không cho phép xử lý an toàn và kiểm soát dụng cụ trong các tình huống bất ngờ.

9. **Khi sử dụng dụng cụ, không được đi giày tay lao động bằng vải, có thể bị vướng.** Việc giày tay lao động bằng vải vướng vào các bộ phận chuyên động có thể gây ra thương tích cá nhân.

Sử dụng và bảo quản dụng cụ dùng pin

1. **Chỉ sạc pin lại với bộ sạc do nhà sản xuất quy định.** Bộ sạc phù hợp với một loại bộ pin này có thể gây ra nguy cơ hỏa hoạn khi được dùng cho một bộ pin khác.
2. **Chỉ sử dụng các dụng cụ máy với các bộ pin được quy định cụ thể.** Việc sử dụng bất cứ bộ pin nào khác có thể gây ra thương tích và hỏa hoạn.
3. **Khi không sử dụng bộ pin, hãy giữ tránh xa các đồ vật khác bằng kim loại, chẳng hạn như kẹp giấy, tiền xu, chìa khóa, đinh, ốc vít hoặc các vật nhỏ bằng kim loại mà có thể làm nối tắt các đầu cực pin.** Các đầu cực pin bị đoản mạch có thể gây cháy hoặc hỏa hoạn.
4. **Trong điều kiện sử dụng quá mức, pin có thể bị cháy nước; hãy tránh tiếp xúc.** Nếu vô tình tiếp xúc với pin bị cháy nước, hãy rửa sạch bằng nước. Nếu dung dịch từ pin tiếp xúc với mắt, cần đi khám bác sĩ thêm. Dung dịch chảy ra từ pin có thể gây rát da hoặc bỏng.
5. **Không sử dụng bộ pin hoặc dụng cụ bị hư hỏng hoặc đã bị sửa đổi.** Pin đã bị hư hỏng hoặc đã bị sửa đổi có thể hành động theo cách không thể đoán trước dẫn đến cháy, nổ hoặc nguy cơ chấn thương.
6. **Không để bộ pin hoặc dụng cụ tiếp xúc với lửa hoặc nhiệt độ quá cao.** Tiếp xúc với lửa hoặc nhiệt độ trên 130 °C có thể gây ra cháy nổ.
7. **Làm theo tất cả các hướng dẫn sạc pin và không được sạc bộ pin hoặc dụng cụ vượt giới hạn nhiệt độ quy định trong hướng dẫn.** Sạc pin không đúng hoặc ở nhiệt độ vượt giới hạn nhiệt độ có thể gây hư hỏng cho pin và làm tăng nguy cơ cháy.

Bảo dưỡng

1. **Đề nghị viên sửa chữa đủ trình độ bảo dưỡng dụng cụ máy của bạn và chỉ sử dụng các bộ phụ tùng thay thế đồng nhất.** Việc này sẽ đảm bảo phụ trì được độ an toàn của dụng cụ máy.
2. **Không bao giờ sử dụng bộ pin đã hỏng.** Dịch vụ bảo hành bộ pin chỉ nên thực hiện bởi nhà sản xuất hoặc các nhà cung cấp dịch vụ được ủy quyền.
3. **Tuân theo hướng dẫn dành cho việc bôi trơn và thay phụ tùng.**

Cảnh Báo An Toàn Đối Với Máy Cắt Tia Hàng Rào Cầm Tay Hoạt Động Bằng Pin

Cảnh báo an toàn đối với máy tia hàng rào cầm tay hoạt động bằng pin:

1. **Không sử dụng máy tia hàng rào trong điều kiện thời tiết xấu, đặc biệt là khi có nguy cơ sấm sét.** Việc này sẽ làm giảm được nguy cơ bị sét đánh.

- Giữ tất cả dây nguồn và cáp cách xa khỏi khu vực cắt. Dây nguồn hoặc cáp có thể bị khuất trong hàng rào hoặc bụi cây và vô tình bị lưỡi dao cắt trúng.
- Đeo thiết bị bảo vệ tai. Thiết bị bảo hộ đầy đủ sẽ làm giảm nguy cơ mất thính lực.
- Giữ máy tia hàng rào chỉ bằng các bề mặt kép cách điện, vì lưỡi cắt có thể tiếp xúc với dây dẫn kín. Lưỡi cắt tiếp xúc với dây dẫn "có điện" có thể khiến các bộ phận kim loại bị hở của máy tia hàng rào "có điện" và khiến người vận hành bị điện giật.
- Giữ tất cả các bộ phận cơ thể tránh xa lưỡi cắt. Không gỡ vật liệu bị cắt hoặc giữ vật liệu được cắt khi các lưỡi cắt đang chuyển động. Lưỡi cắt sẽ tiếp tục chuyển động sau khi tắt công tắc. Chỉ một khoảnh khắc không tập trung khi đang vận hành máy tia hàng rào cũng có thể dẫn đến thương tích cá nhân nghiêm trọng.
- Khi loại bỏ vật liệu bị kẹt hoặc bảo dưỡng máy tia hàng rào, đảm bảo đã tắt tất cả các công tắc nguồn và tháo hoặc ngắt kết nối bộ pin. Vô tình vận hành máy tia hàng rào trong khi đang loại bỏ vật liệu bị kẹt hoặc bảo dưỡng có thể dẫn đến thương tích cá nhân nghiêm trọng.
- Cầm máy tia hàng rào bằng tay cầm với lưỡi cắt đã dừng và chú ý không vận hành bất kỳ công tắc nguồn nào. Cầm máy tia hàng rào đúng cách sẽ làm giảm nguy cơ vô ý khởi động và thương tích cá nhân phát sinh từ lưỡi cắt.
- Khi vận chuyển hay cất giữ máy tia hàng rào, luôn sử dụng nắp đậy lưỡi dao. Xử lý máy tia hàng rào đúng cách sẽ làm giảm nguy cơ thương tích cá nhân từ lưỡi cắt.

Cảnh báo an toàn đối với máy cắt tia hàng rào cầm tay hoạt động bằng pin:

- Luôn sử dụng thiết bị bảo vệ đầu khi vận hành máy tia hàng rào hoạt động bằng động cơ điện hoặc qua đầu. Các mảnh vỡ rơi xuống có thể sẽ dẫn đến thương tích cá nhân nghiêm trọng.
- Luôn sử dụng hai tay khi vận hành máy tia hàng rào hoạt động bằng động cơ điện. Giữ máy tia hàng rào hoạt động bằng động cơ điện bằng cả hai tay để tránh mất kiểm soát.
- Để giảm nguy cơ bị điện giật, tuyệt đối không sử dụng máy tia hàng rào hoạt động bằng động cơ điện gần bất kỳ đường dây điện nào. Tiếp xúc hoặc sử dụng dụng cụ ở gần đường dây điện có thể sẽ gây ra thương tích nghiêm trọng hoặc bị điện giật dẫn đến tử vong.

Cảnh báo An toàn Bổ sung

Chuẩn bị

- MÁY TIA HÀNG RÀO ĐIỀU KHIỂN TAY HOẠT ĐỘNG BẰNG ĐỘNG CƠ ĐIỆN NÀY CÓ THỂ GÂY RA THƯƠNG TÍCH NGHIÊM TRỌNG.** Đọc hướng dẫn cẩn thận để xử lý, chuẩn bị, bảo dưỡng, khởi động và dừng dụng cụ đúng cách. Làm quen với tất cả việc điều khiển và sử dụng dụng cụ đúng cách.
- Kiểm tra các vật lạ trên hàng rào và chổi, chẳng hạn như các hàng rào kim loại hoặc dây dẫn kín trước khi vận hành dụng cụ.

- Trẻ em hoặc thanh thiếu niên dưới 18 tuổi không được sử dụng máy tia hàng rào này. Thanh thiếu niên trên 16 tuổi có thể được miễn hạn chế này nếu được đào tạo dưới sự giám sát của chuyên gia.
- Trong trường hợp khẩn cấp, hãy tắt dụng cụ và tháo hộp pin ngay lập tức.
- NGUY HIỂM: Giữ tay tránh xa lưỡi cắt. Tiếp xúc với lưỡi cắt có thể dẫn tới thương tích cá nhân nghiêm trọng.
- Chỉ sử dụng với tay cầm và phần bảo vệ được lắp ráp đúng cách vào dụng cụ. Việc sử dụng dụng cụ không có phần bảo vệ hoặc tay cầm thích hợp được cung cấp có thể dẫn đến thương tích cá nhân nghiêm trọng.
- Người mới sử dụng lần đầu nên có người biết sử dụng hướng dẫn họ cách sử dụng dụng cụ.
- Trước khi vận hành, kiểm tra hàng rào kim loại, đá, hoặc những vật cứng khác trong khu vực làm việc. Chúng có thể làm hỏng lưỡi cưa.
- Sử dụng máy tia hàng rào chỉ khi bạn đang ở trong điều kiện thể chất tốt. Nếu bạn đang mệt mỏi, khả năng chú ý của bạn sẽ bị giảm đi. Đặc biệt cẩn thận khi kết thúc một ngày làm việc. Thực hiện tất cả công việc một cách bình tĩnh và cẩn thận. Người sử dụng phải chịu trách nhiệm về mọi thiệt hại cho bên thứ ba.
- Trước khi bắt đầu công việc, kiểm tra xem máy tia có trong tình trạng làm việc tốt và an toàn không. Đảm bảo các phần bảo vệ được lắp đúng cách. Không được sử dụng máy tia hàng rào trừ khi nó đã được lắp ráp hoàn chỉnh.
- Tránh môi trường nguy hiểm. Không được sử dụng dụng cụ tại những nơi ẩm thấp hoặc ẩm ướt, hoặc để chúng tiếp xúc với mưa. Nước lọt vào dụng cụ sẽ làm tăng nguy cơ điện giật.

Thiết bị bảo hộ cá nhân

- Găng tay làm việc bằng da dày là một phần của thiết bị cơ bản của máy tia hàng rào và phải luôn mang theo khi làm việc với máy. Cũng nên mang giày ủng cứng có đế chống trượt.
- Mang thiết bị bảo vệ tai như đồ chụp tai để tránh mất thính lực.
- Đeo kính bảo hộ, đội mũ bảo hộ, và găng tay bảo hộ để bảo vệ bản thân khỏi các mảnh vụn bay ra hoặc các vật rơi xuống.
- Khi chạm vào lưỡi cưa hoặc điều chỉnh góc lưỡi cắt, phải mang găng tay bảo hộ. Để tay trần có thể bị lưỡi cưa cắt rất nghiêm trọng.

Vận hành

- Luôn sử dụng hai tay để vận hành dụng cụ được lắp hai tay cầm. Sử dụng một tay có thể sẽ dẫn đến mất kiểm soát và thương tích cá nhân nghiêm trọng.
- Trong khi vận hành dụng cụ, luôn đảm bảo vị trí vận hành an toàn và chắc chắn. Với quá cao bằng dụng cụ, đặc biệt là từ thang, rất nguy hiểm. Không được làm việc khi bất cứ thứ gì lung lay hoặc không chắc chắn.
- Không đồng thời đeo nhiều dây nịt lưng và/hoặc dây nịt vai khi vận hành dụng cụ.
- Trong khi vận hành, giữ dụng cụ tránh xa những người xung quanh và động vật ít nhất 15 m. Ngừng dụng cụ ngay khi có ai đó lại gần.

5. Nếu dụng cụ cắt và phải bất kỳ vật thể nào hoặc dụng cụ bắt đầu tạo ra tiếng ồn hoặc rung khác thường, hãy tắt dụng cụ và tháo hộp pin ngay lập tức và để dụng cụ đứng lại. Sau đó thực hiện các bước sau đây:
 - kiểm tra hư hỏng
 - kiểm tra và vận chặt bất kỳ bộ phận nào bị lỏng
 - thực hiện thay thế hoặc sửa chữa bất kỳ bộ phận nào bị hỏng với phụ tùng thay thế chính hãng.
6. Chỉ sử dụng dụng cụ vào mục đích thiết kế của dụng cụ. Không sử dụng dụng cụ vào bất kỳ mục đích nào khác.
7. Tắt dụng cụ và tháo hộp pin ra trước khi:
 - vệ sinh hoặc khi làm thông chỗ tắc nghẽn,
 - kiểm tra, thực hiện bảo dưỡng hoặc làm việc trên dụng cụ,
 - điều chỉnh vị trí làm việc của các lưỡi cắt,
 - rời khỏi dụng cụ mà không giám sát.
8. Đảm bảo rằng dụng cụ được đặt chính xác ở vị trí làm việc được chỉ định trước khi khởi động dụng cụ.
9. Không vận hành dụng cụ với các lưỡi cắt bị hỏng hoặc bị mòn quá mức.
10. Luôn đảm bảo lắp tất cả tay cầm và phần bảo vệ khi sử dụng dụng cụ. Tuyệt đối không cố sử dụng dụng cụ không hoàn chỉnh hoặc dụng cụ được trang bị với sửa chữa trái phép.
11. Luôn chú ý đến môi trường xung quanh và cẩn trọng với những nguy hiểm có thể xảy ra mà bạn có thể không nhận thức được do tiếng ồn của dụng cụ.
12. Cẩn thận để không vô tình tiếp xúc với hàng rào kim loại hoặc các vật cứng khác trong quá trình vận hành. Lưỡi cắt sẽ bị vỡ và có thể gây ra thương tích nghiêm trọng.
13. Tránh vô tình khởi động dụng cụ máy. Không mang dụng cụ đi khi lắp hộp pin và để ngón tay trên công tắc. Đảm bảo rằng công tắc đã tắt khi lắp hộp pin.
14. Không cầm nắm lưỡi cắt lộ ra hoặc cạnh cắt khi nhắc lên hoặc cầm dụng cụ.
15. Không dùng lực đối với dụng cụ. Điều này sẽ giúp thực hiện công việc tốt hơn và với ít khả năng xảy ra nguy cơ chấn thương hơn theo giá trị định mức được thiết kế của dụng cụ đó.
16. Không sử dụng dụng cụ dưới trời mưa hoặc trong điều kiện ướt hoặc rất ẩm thấp. Mô tơ điện không chống nước.
17. Cầm chắc dụng cụ khi sử dụng.
18. Không vận hành dụng cụ không tải một cách không cần thiết.
19. Trước khi kiểm tra lưỡi dao, hãy xem xét các lỗi hoặc loại bỏ ngoại vật bị kẹt trong lưỡi dao, luôn tắt dụng cụ và tháo hộp pin.
20. Không bao giờ hướng lưỡi kéo vào người chính bạn hoặc người khác.
21. Nếu các lưỡi dao ngừng di chuyển do các vật lạ ở tắc nghẽn giữa các lưỡi dao trong quá trình vận hành, hãy tắt dụng cụ và tháo hộp pin, rời khỏi các vật lạ bằng các dụng cụ như kim. Dùng tay gỡ các vật lạ có thể gây ra thương tích, vì lý do mà các lưỡi dao có thể di chuyển khi gỡ các vật lạ.
22. Đảm bảo rằng không có cáp điện, ống nước, ống gas, v.v... nào có thể gây nguy hiểm nếu bị hư hỏng do sử dụng dụng cụ.
23. Không chạm vào các bộ phận kim loại hay bề mặt nóng của dụng cụ trong khi sử dụng hoặc ngay sau khi vận hành; chúng có thể rất nóng và có thể gây bỏng da. Hãy để dụng cụ nguội lại dần trước khi thực hiện bất kỳ công việc nào trên dụng cụ.
24. Không sử dụng dụng cụ trên nền đất mềm/ không ổn định/trơn trượt hoặc dốc đứng. Tránh làm việc trên thang hoặc trên cao. Nếu không có thể gây nguy cơ té ngã, dẫn đến thương tích cá nhân.
25. Không sử dụng dụng cụ trong thời tiết xấu hoặc vào ban đêm nơi tầm nhìn bị hạn chế. Nếu không làm như vậy có thể gây ra té ngã hoặc vận hành không chính xác do tầm nhìn thấp.
26. Tránh làm việc trong môi trường có điều kiện không tốt, nơi người dùng dễ cảm thấy mệt mỏi hơn.
27. Không nhúng dụng cụ vào vũng nước.
28. Không để dụng cụ ngoài trời mà không có người giám sát dưới trời mưa.
29. Khi lá ướt hoặc bụi bẩn dính vào đầu hút (lỗ thông gió) do mưa, hãy loại bỏ những vật đó.
30. Không sử dụng dụng cụ dưới trời tuyết.

An toàn về điện và pin

1. Không bỏ pin (các pin) vào lửa. Các viên pin có thể phát nổ. Kiểm tra mà vùng để được hướng dẫn xử lý đặc biệt khi có thể.
2. Không mở hoặc làm hư hỏng pin (các pin). Chất điện phân thoát ra sẽ ăn mòn và có thể gây thiệt hại cho da hoặc mắt. Nó có thể độc hại nếu nuốt phải.
3. Không sạc pin trong mưa, hoặc nơi ẩm ướt.
4. Không sạc pin ở ngoài trời.
5. Không thao tác bộ sạc, bao gồm phích cắm của bộ sạc, và điện cực của bộ sạc bằng tay ướt.
6. Không thay pin bằng tay ướt.
7. Không thay pin dưới trời mưa.
8. Không làm ướt điện cực của pin bằng chất lỏng ví dụ như nước, hoặc nhấn chìm pin. Không để pin dưới trời mưa, không sạc, sử dụng, hoặc cất giữ pin ở nơi ẩm hoặc ướt. Nếu điện cực bị ướt hoặc có chất lỏng lọt vào bên trong pin, pin có thể bị đoản mạch và có nguy cơ quá nhiệt, cháy hoặc nổ.
9. Sau khi tháo pin ra khỏi dụng cụ hoặc bộ sạc, hãy đảm bảo đã gắn nắp đậy pin vào pin và cất giữ ở nơi khô ráo.
10. Nếu hộp pin bị ướt, xả nước bên trong hộp pin sau đó lau bằng vải khô. Làm khô hộp pin hoàn toàn ở nơi khô ráo trước khi sử dụng.

Bảo dưỡng và cất giữ

1. Khi dừng dụng cụ để bảo dưỡng, kiểm tra hoặc cất giữ, hãy tắt dụng cụ rồi tháo hộp pin và đảm bảo tất cả các bộ phận chuyển động đã dừng lại. Để dụng cụ nguội trước khi thực hiện bất kỳ kiểm tra, điều chỉnh nào, v.v...
2. Luôn để dụng cụ nguội đi trước khi cất giữ.
3. Khi không sử dụng, gắn nắp đậy lưỡi cắt vào dụng cụ và cất giữ dụng cụ trong nhà ở nơi khô ráo và cao được khóa lại, ngoài tầm với của trẻ em.
4. Bảo dưỡng dụng cụ cẩn thận. Giữ mép cắt sắc và sạch sẽ để có hiệu suất tốt nhất và để giảm nguy cơ chấn thương. Tuân theo các hướng dẫn dành cho việc bôi trơn và thay phụ tùng. Giữ tay cầm khô, sạch, không dính dầu và mỡ.
5. Kiểm tra các bộ phận bị hư hỏng. Trước khi sử dụng tiếp dụng cụ, cần phải kiểm tra kỹ lưỡng bất kỳ bộ phận nào bị hỏng để xác định rằng dụng cụ sẽ vận hành bình thường và thực hiện đúng chức năng như được thiết kế. Kiểm tra cẩn chỉnh các bộ phận chuyển động, chỗ nứt vỡ các bộ phận, chỗ gán và bất kỳ điều kiện nào khác có thể ảnh hưởng đến việc vận hành. Phần bảo vệ hoặc bộ phận khác bị hỏng cần phải được sửa chữa hoặc thay thế đúng cách bởi trung tâm dịch vụ được ủy quyền của bạn.
6. Chỉ sử dụng phụ tùng thay thế chính hãng.
7. Khi di chuyển dụng cụ đến một vị trí khác, kể cả khi đang vận hành, phải luôn tháo hộp pin và gắn nắp đậy lưỡi cắt lên các lưỡi dao. Tuyệt đối không mang hoặc vận chuyển dụng cụ có lưỡi cắt đang chạy. Tuyệt đối không nắm các lưỡi dao bằng tay.
8. Vệ sinh dụng cụ và đặc biệt là các lưỡi dao sau khi sử dụng và trước khi đưa dụng cụ vào kho cất giữ trong khoảng thời gian dài. Tra một ít dầu lên các lưỡi dao và đậy nắp che lưỡi cắt lại.
9. Không rửa dụng cụ bằng nước với áp suất cao.
10. Khi rửa dụng cụ, không để nước lọt vào cơ cấu điện như pin, động cơ, và các cực.
11. Thực hiện kiểm tra hoặc bảo dưỡng ở nơi có thể tránh mưa.
12. Sau khi sử dụng dụng cụ, hãy loại bỏ bụi bẩn dính vào và làm khô dụng cụ hoàn toàn trước khi cất giữ. Tùy thuộc vào mùa hoặc khu vực, dụng cụ có nguy cơ trực tiếp do đóng băng.
13. Khi cất giữ dụng cụ, tránh ánh nắng trực tiếp và mưa, cất giữ ở nơi không nóng hoặc ẩm ướt.

LƯU GIỮ CÁC HƯỚNG DẪN NÀY.

⚠ CẢNH BÁO: KHÔNG vì đã thoải mái hay quen thuộc với sản phẩm (có được do sử dụng nhiều lần) mà không tuân thủ nghiêm ngặt các quy định về an toàn dành cho sản phẩm này. VIỆC DÙNG SAI hoặc không tuân theo các quy định về an toàn được nêu trong tài liệu hướng dẫn này có thể dẫn đến thương tích cá nhân nghiêm trọng.

Hướng dẫn quan trọng về an toàn dành cho hộp pin

1. Trước khi sử dụng hộp pin, hãy đọc kỹ tất cả các hướng dẫn và dấu hiệu cảnh báo trên (1) bộ sạc pin, (2) pin và (3) sản phẩm sử dụng pin.
2. Không tháo rời hoặc làm thay đổi hộp pin. Việc này có thể dẫn đến hỏa hoạn, quá nhiệt hoặc nổ.
3. Nếu thời gian vận hành ngắn hơn quá mức, hãy ngừng vận hành ngay lập tức. Điều này có thể dẫn đến rùi rò quá nhiệt, có thể gây bỏng và thậm chí là nổ.
4. Nếu chất điện phân rơi vào mắt, hãy rửa sạch bằng nước sạch và đến cơ sở y tế ngay lập tức. Chất này có thể khiến bạn giảm thị lực.
5. Không để hộp pin ở tình trạng đoản mạch:
 - (1) Không chạm vào cực pin bằng vật liệu dẫn điện.
 - (2) Tránh cất giữ hộp pin trong hộp có các vật kim loại khác như đinh, tiền xu, v.v...
 - (3) Không được để hộp pin tiếp xúc với nước hoặc mưa.Đoản mạch pin có thể gây ra dòng điện lớn, quá nhiệt, có thể gây bỏng và thậm chí là hỏng hóc.
6. Không cất giữ cũng như sử dụng dụng cụ và hộp pin ở nơi nhiệt độ có thể lên tới hoặc vượt quá 50 °C (122 °F).
7. Không đốt hộp pin ngay cả khi hộp pin đã bị hư hại nặng hoặc hư hỏng hoàn toàn. Hộp pin có thể nổ khi tiếp xúc với lửa.
8. Không đóng đinh, cắt, nghiền nát, ném, làm rơi hộp pin hoặc va vật cứng vào hộp pin. Làm như thế có thể dẫn đến hỏa hoạn, quá nhiệt hoặc nổ.
9. Không sử dụng pin đã hỏng.
10. Pin nén lithium-ion là đối tượng có yêu cầu bắt buộc theo Luật Hàng hoá Nguy hiểm. Đối với vận tải thương mại, ví dụ như vận tải do bên thứ ba, đại lý giao nhận, thì yêu cầu đặc biệt về đóng gói và nhãn ghi phải được giám sát. Để chuẩn bị cho mặt hàng cần vận chuyển, cần phải tham khảo ý kiến chuyên gia về vật liệu nguy hiểm. Nếu được, vui lòng tuân thủ các quy định quốc gia chi tiết hơn. Buộc hoặc niêm phong các tiếp điểm mở và đóng gói pin theo cách đó để nó không thể di chuyển trong bao bì.
11. Khi vứt bỏ hộp pin, hãy tháo chúng khỏi dụng cụ và thái bỏ ở nơi an toàn. Phải tuân thủ theo các quy định của địa phương liên quan đến việc thái bỏ pin.
12. Chỉ sử dụng pin cho các sản phẩm Makita chi định. Lắp pin vào sản phẩm không thích hợp có thể gây ra hỏa hoạn, quá nhiệt, nổ, hoặc rò chất điện phân.
13. Nếu dụng cụ không được sử dụng trong một thời gian dài, cần phải tháo pin ra khỏi dụng cụ.
14. Trong và sau khi sử dụng, hộp pin có thể bị nóng, có thể gây bỏng hoặc bỏng ở nhiệt độ thấp. Chú ý xử lý hộp pin nóng.

15. Không chạm vào điện cực của dụng cụ ngay sau khi sử dụng vì điện cực đủ nóng để gây bỏng.
16. Không để vụn bào, bụi hoặc đất bám vào các điện cực, lỗ và rãnh của hộp pin. Điều này có thể làm nóng, bắt lửa, nổ và gây trục trặc cho dụng cụ hoặc hộp pin, dẫn đến bỏng hoặc thương tích cá nhân.
17. Trừ khi dụng cụ hỗ trợ sử dụng gần đường dây điện cao thế, không sử dụng hộp pin gần đường dây điện cao thế. Việc này có thể dẫn đến trục trặc hoặc hỏng hóc dụng cụ hay hộp pin.
18. Giữ pin tránh xa trẻ em.

LƯU GIỮ CÁC HƯỚNG DẪN NÀY.

⚠ THẬN TRỌNG: Chỉ sử dụng pin Makita chính hãng. Việc sử dụng pin không chính hãng Makita, hoặc pin đã được sửa đổi, có thể dẫn đến nổ pin gây ra cháy, thương tích và thiệt hại cá nhân. Nó cũng sẽ làm mất hiệu lực bảo hành của Makita dành cho dụng cụ của Makita và bộ sạc.

Mẹo duy trì tuổi thọ tối đa cho pin

1. Sạc hộp pin trước khi pin bị xả điện hoàn toàn. Luôn dừng việc vận hành dụng cụ và sạc pin khi bạn nhận thấy công suất dụng cụ bị giảm.
2. Không được phép sạc lại một hộp pin đã được sạc đầy. Sạc quá mức sẽ làm giảm tuổi thọ của pin.
3. Sạc pin ở nhiệt độ phòng 10°C - 40°C. Để cho hộp pin nóng nguội lại dần trước khi sạc pin.
4. Khi không sử dụng hộp pin, hãy tháo hộp pin ra khỏi dụng cụ hoặc bộ sạc.
5. Sạc pin sáu tháng một lần nếu bạn không sử dụng dụng cụ trong một thời gian dài (hơn sáu tháng).

MÔ TẢ CÁC BỘ PHẬN

► Hình 1

1	Phần đầu	2	Tay cầm trước	3	Móc gắn	4	Cần nhả khóa
5	Hộp pin	6	Tay cầm sau	7	Cần công tắc	8	Trụ ngoài trượt
9	Các lưỡi dao	10	Đèn chỉ báo tốc độ	11	Đèn cảnh báo	12	Nút đảo chiều
13	Nút nguồn chính	-	-	-	-	-	-

MÔ TẢ CHỨC NĂNG

⚠ THẬN TRỌNG: Luôn đảm bảo rằng đã tắt dụng cụ và tháo hộp pin ra trước khi thực hiện việc điều chỉnh hoặc kiểm tra chức năng trên dụng cụ.

Lắp hoặc tháo hộp pin

⚠ THẬN TRỌNG: Luôn tắt dụng cụ trước khi lắp hoặc tháo hộp pin.

⚠ THẬN TRỌNG: Giữ dụng cụ và hộp pin thật chắc khi lắp hoặc tháo hộp pin. Không giữ dụng cụ và hộp pin thật chắc có thể làm trượt chúng khỏi tay và làm hư hỏng dụng cụ và hộp pin hoặc gây thương tích cá nhân.

Để lắp hộp pin, đặt thẳng hàng phần chốt nhô ra của hộp pin vào phần rãnh nằm trên vỏ và trượt hộp pin vào vị trí. Đưa hộp pin vào hết mức cho đến khi chốt khóa vào đúng vị trí với một tiếng cách nhẹ. Nếu bạn có thể nhìn thấy chỉ báo màu đỏ như thể hiện trong hình, điều đó có nghĩa vẫn chưa được khóa hoàn toàn.

Để tháo hộp pin, vừa trượt pin ra khỏi dụng cụ vừa đẩy trượt nút ở phía trước hộp pin.

► **Hình 2:** 1. Chỉ báo màu đỏ 2. Nút 3. Hộp pin

⚠ THẬN TRỌNG: Luôn lắp hộp pin khớp hoàn toàn vào vị trí cho đến khi không thể nhìn thấy chỉ báo màu đỏ. Nếu không, hộp pin có thể vô tình rơi ra khỏi dụng cụ, gây thương tích cho bạn hoặc người khác xung quanh.

⚠ THẬN TRỌNG: Không được dùng sức lắp hộp pin. Nếu hộp pin không nhẹ nhàng trượt vào vị trí, có nghĩa là pin vẫn chưa được lắp đúng.

Chỉ báo dung lượng pin còn lại

Ấn nút check (kiểm tra) trên hộp pin để chỉ báo dung lượng pin còn lại. Các đèn chỉ báo bật sáng lên trong vài giây.

► **Hình 3:** 1. Các đèn chỉ báo 2. Nút Check (kiểm tra)

Các đèn chỉ báo			Dung lượng còn lại
Bật sáng	Tắt	Nhấp nháy	
			75% đến 100%
			50% đến 75%
			25% đến 50%
			0% đến 25%
			Sạc pin.
			Pin có thể đã bị hỏng.

LƯU Ý: Tùy thuộc vào các điều kiện sử dụng và nhiệt độ xung quanh, việc chỉ báo có thể khác biệt một chút so với dung lượng thực sự.

LƯU Ý: Đèn chỉ báo (phía xa bên trái) đầu tiên sẽ nhấp nháy khi hệ thống bảo vệ pin hoạt động.

Hệ thống bảo vệ dụng cụ / pin

Dụng cụ này được trang bị hệ thống bảo vệ dụng cụ / pin. Hệ thống này sẽ tự động ngắt nguồn điện động cơ để kéo dài tuổi thọ dụng cụ và pin. Dụng cụ sẽ tự động dừng vận hành khi dụng cụ hoặc pin ở một trong những trường hợp sau đây:

► **Hình4: 1.** Đèn cảnh báo

Đèn cảnh báo			Tình trạng
Màu	Bật	Nhấp nháy	
Màu xanh lá			Quá tải
Màu đỏ	(dụng cụ) / (pin)		Quá nhiệt
Màu đỏ			Xả kiệt

CHÚ Ý: Tùy thuộc vào điều kiện sử dụng, dụng cụ sẽ tự động dừng mà không có bất cứ dấu hiệu nào nếu các nhánh cây hoặc mảnh vụn bị vướng vào dụng cụ. Trong trường hợp này, hãy tắt dụng cụ và tháo hộp pin, sau đó tháo các nhánh cây hoặc mảnh vụn bị vướng vào bằng các dụng cụ như kim. Sau khi tháo các nhánh cây hoặc mảnh vụn, lắp hộp pin và bật dụng cụ lại lần nữa.

Bảo vệ quá tải

Nếu dụng cụ hoặc pin bị quá tải do nhánh cây hoặc các mảnh vụn khác vướng vào, dụng cụ sẽ tự động dừng lại và đèn cảnh báo bắt đầu nhấp nháy màu xanh lá. Trong trường hợp này, hãy tắt dụng cụ và ngừng ứng dụng làm cho dụng cụ trở nên quá tải. Sau đó bật dụng cụ lên để khởi động lại.

Bảo vệ quá nhiệt cho dụng cụ hoặc pin

Khi dụng cụ hoặc hộp pin bị quá nhiệt, dụng cụ sẽ tự động dừng. Khi dụng cụ bị quá nhiệt, đèn cảnh báo sẽ sáng lên màu đỏ. Khi hộp pin bị quá nhiệt, đèn cảnh báo sẽ nhấp nháy màu đỏ. Hãy để dụng cụ và/hoặc pin nguội dần trước khi bật dụng cụ một lần nữa.

Bảo vệ xả điện quá mức

Khi dung lượng pin yếu, dụng cụ sẽ tự động dừng và đèn cảnh báo bắt đầu nhấp nháy màu đỏ. Nếu dụng cụ không vận hành ngay cả khi đã bật công tắc, hãy tháo hộp pin ra khỏi dụng cụ và sạc pin.

Bảo vệ chống lại các nguyên nhân khác

Hệ thống bảo vệ cũng được thiết kế để chống lại các nguyên nhân khác có thể làm hỏng dụng cụ và cho phép dụng cụ tự động dừng. Thực hiện tất cả các bước sau đây để loại bỏ các nguyên nhân, khi dụng cụ đã được tạm dừng hoặc ngừng hoạt động.

1. Tắt dụng cụ, sau đó bật lại lần nữa để khởi động lại.
2. Sạc (các) pin hoặc thay pin/các pin bằng (các) pin đã sạc.
3. Để máy và (các) pin nguội dần.

Nếu không thấy cải thiện bằng cách khôi phục hệ thống bảo vệ, hãy liên hệ với Trung tâm Dịch vụ Makita tại địa phương của bạn.

Hoạt động công tắc nguồn

⚠CẢNH BÁO: Để bạn được an toàn, dụng cụ này được trang bị công tắc nhà khóa nhằm ngăn ngừa dụng cụ vô ý khởi động. **TUYỆT ĐỐI KHÔNG** sử dụng dụng cụ nếu dụng cụ hoạt động khi bạn chỉ kéo cần công tắc mà không nhấn cần nhà khóa. Hãy trả dụng cụ lại cho trung tâm dịch vụ được ủy quyền của chúng tôi để sửa chữa phù hợp **TRƯỚC KHI** sử dụng tiếp sau này.

⚠CẢNH BÁO: KHÔNG BAO GIỜ dán chặt xuống hoặc vô hiệu mục đích và chức năng của cần nhà khóa.

⚠THẬN TRỌNG: Trước khi lắp đặt hộp pin vào dụng cụ, luôn luôn kiểm tra xem cần công tắc có hoạt động bình thường hay không và trả về vị trí “OFF” (TẮT) khi nhả ra. Vận hành dụng cụ bằng công tắc không khởi động đúng có thể dẫn đến mất kiểm soát và thường tích cả nhân nghiêm trọng.

⚠THẬN TRỌNG: Dừng bao giờ đặt ngón tay trên công tắc khi di chuyển. Dụng cụ có thể khởi động ngoài ý muốn và gây ra chấn thương.

CHÚ Ý: Không kéo mạnh cần công tắc mà không nhấn cần nhà khóa. Điều này có thể làm hỏng công tắc.

Nhấn nút nguồn chính để bật dụng cụ. Để tắt dụng cụ, bấm và giữ nút nguồn chính cho đến khi đèn chỉ báo tắt.

- **Hình5:** 1. Nút nguồn chính 2. Đèn chỉ báo tốc độ 3. Đèn cảnh báo

LƯU Ý: Đèn cảnh báo sẽ nhấp nháy màu xanh lá cây nếu cần công tắc bị kéo trong tình trạng không hoạt động như sau:

- Bật công tắc nguồn chính khi giữ cần nhả khóa và cần công tắc.
- Kéo cần công tắc đồng thời giữ cần nhả khóa trong khi gập đầu dụng cụ.

LƯU Ý: Dụng cụ này sử dụng chức năng tắt nguồn tự động. Công tắc nguồn chính sẽ tự động tắt nếu không vận hành dụng cụ trong khoảng 5 phút.

LƯU Ý: Máy có thể bật chức năng tắt nguồn tự động khi dụng cụ dừng do vận hành hệ thống bảo vệ. Công tắc nguồn chính sẽ tự động tắt sau khoảng 5 phút sau khi động cơ tự động dừng và không có hành động khắc phục nào được thực hiện để bảo vệ dụng cụ.

Để ngăn ngừa vô tình kéo cần công tắc, dụng cụ được trang bị công tắc nhả khóa kép để đảm bảo an toàn. Để khởi động dụng cụ, đẩy cần khóa xuống đi qua vị trí bình thường của nó bằng cách sử dụng lòng của tay bạn (tức là phần giữa ngón cái và ngón trỏ) và dùng lòng bàn tay của bạn bóp cần nhả khóa. Sau đó kéo cần công tắc khi giữ cần nhả khóa.




Nhả cần công tắc ra để dừng.

- **Hình6:** 1. Cần khóa 2. Cần nhả khóa 3. Cần công tắc

Điều chỉnh tốc độ

Bạn có thể điều chỉnh tốc độ dụng cụ bằng cách nhấn nút nguồn chính. Mỗi lần bạn nhấn nút nguồn chính, mức tốc độ sẽ thay đổi.

- **Hình7:** 1. Nút nguồn chính 2. Đèn chỉ báo tốc độ

Đèn chỉ báo	Chế độ	Tốc độ nhất cắt
 <p>3 2 1</p>	Cao	4.000 min ⁻¹
 <p>3 2 1</p>	Vừa phải	3.000 min ⁻¹
 <p>3 2 1</p>	Thấp	2.000 min ⁻¹

LƯU Ý: Dụng cụ khởi động ở chế độ tương tự như lần vận hành cuối cùng. Nếu bạn tháo pin trong khi động cơ đang chạy sau khi tắt máy, dụng cụ có thể không khởi động ở cùng chế độ với lần vận hành cuối cùng.

Nút đảo ngược để loại bỏ các mảnh vụn

⚠CẢNH BÁO: Nếu không thể tháo các nhánh cây hoặc mảnh vụn bám vào bằng chức năng đảo chiều, hãy tắt dụng cụ và tháo hộp pin, sau đó tháo các nhánh cây hoặc mảnh vụn bám vào bằng các dụng cụ như kim. Không tắt dụng cụ và tháo hộp pin có thể dẫn đến các thương tích cá nhân nghiêm trọng do vô tình khởi động máy. Tháo các nhánh cây hoặc mảnh vụn bám vào bằng tay có thể gây ra thương tích, vì các lưỡi kéo có thể di chuyển khi tháo các nhánh cây hoặc mảnh vụn.

Dụng cụ này có một nút đảo chiều để thay đổi chiều chuyển động của lưỡi kéo. Nút này chỉ dùng để tháo các nhánh cây và mảnh vụn bám vào dụng cụ. Để đảo chuyển động của lưỡi dao, nhấn nút đảo chiều khi lưỡi dao đã dừng lại, sau đó kéo cần công tắc trong khi nhấn cần nhả khóa. Đèn chỉ báo tốc độ bắt đầu nhấp nháy, và lưỡi dao chuyển động theo hướng ngược lại.

Khi các nhánh cây và mảnh vụn bám vào được tháo bỏ, dụng cụ quay lại chuyển động bình thường và đèn chỉ báo tốc độ sẽ dừng nhấp nháy và sáng lên.

- **Hình8:** 1. Nút đảo chiều 2. Đèn chỉ báo tốc độ

LƯU Ý: Nếu không thể tháo bỏ các nhánh cây hoặc mảnh vụn bám vào, hãy nhả cần công tắc, sau đó nhấn nút đảo chiều rồi kéo cần công tắc cho đến khi chúng được tháo bỏ.

LƯU Ý: Nếu bạn nhấn nút đảo chiều trong khi lưỡi dao vẫn đang di chuyển, dụng cụ sẽ dừng lại và sáng sáng chuyển động đảo chiều.

Điều chỉnh góc cắt

⚠THẬN TRỌNG: Luôn đảm bảo đã tắt dụng cụ trước khi gập hoặc mở phần đầu.

⚠THẬN TRỌNG: Khi gập phần đầu để mang dụng cụ đi hoặc sau khi sử dụng dụng cụ, đảm bảo đã gắn nắp đậy lưỡi cắt trước khi gập phần đầu.

⚠THẬN TRỌNG: Khi gập phần đầu, hãy cẩn thận không để ngón tay bạn bị kẹt giữa phần đầu và trụ ngoài trượt.

Có thể điều chỉnh góc của phần đầu trong 6 bước ở khoảng hướng lên 45° và hướng xuống 70°. Để thay đổi góc của phần đầu, hãy làm theo các bước bên dưới.

- **Hình9:** 1. Góc của đầu máy hướng lên 2. Góc của đầu máy hướng xuống

1. Giữ phần đầu và trụ ngoài trượt như thể hiện trong hình.

- **Hình10:** 1. Phần đầu 2. Trụ ngoài trượt

2. Di chuyển phần đầu trong khi giữ trụ ngoài trượt, sau đó nhả trụ ngoài trượt.

3. Di chuyển phần đầu một chút cho đến khi phần đầu được khóa lại với một tiếng cách.

LƯU Ý: Đảm bảo phần đầu được khóa chắc chắn trước khi vận hành dụng cụ.

Chức năng điện tử

Dụng cụ này được trang bị các chức năng điện tử để dễ dàng vận hành.

- Điều khiển tốc độ không đổi
Chức năng điều khiển tốc độ cung cấp tốc độ quay không đổi bất kể điều kiện tải.
- Phanh điện tử
Dụng cụ này được trang bị một phanh điện tử. Nếu dụng cụ không thể dừng nhanh lưỡi dao sau khi nhà cần công tắc ra, hãy đem dụng cụ đến Trung tâm dịch vụ được ủy quyền của Makita để được bảo dưỡng.
- Chức năng phòng ngừa vô tình khởi động lại
Khi bạn bật dụng cụ trong khi kéo cần công tắc, dụng cụ sẽ không khởi động và đèn cảnh báo sẽ nhấp nháy màu xanh lá cây. Để khởi động dụng cụ, đầu tiên nhà cần công tắc ra và sau đó bật dụng cụ.

LẮP RÁP

⚠ THẬN TRỌNG: Luôn đảm bảo rằng đã tắt dụng cụ và tháo hộp pin ra trước khi thực hiện bất cứ thao tác nào trên dụng cụ.

⚠ THẬN TRỌNG: Khi thay thế lưỡi kéo, luôn đeo găng tay để tay không tiếp xúc trực tiếp với lưỡi dao.

Lắp hoặc tháo các lưỡi kéo

⚠ THẬN TRỌNG: Gắn nắp đậy lưỡi dao trước khi tháo gỡ hoặc lắp đặt lưỡi dao.

CHÚ Ý: Khi thay thế các lưỡi dao, không lau sạch dầu mỡ khỏi bánh răng và tay quay.

LƯU Ý: Trước khi lắp hoặc tháo các lưỡi dao, hãy mở phần đầu của dụng cụ sao cho phần đầu thẳng với thân dụng cụ.

1. Đặt dụng cụ úp ngược xuống, sau đó tháo 6 bu-lông.

► **Hình11:** 1. Bu-lông

2. Tháo nắp che và tấm.

► **Hình12:** 1. Nắp che 2. Tấm

Sử dụng tuốc-nơ-vít mũi dẹp để cạy mở nắp che nếu bạn thấy khó mở nắp che.

Đưa tuốc-nơ-vít mũi dẹp vào một hoặc nhiều khoảng hở và phần cắt rời trên vỏ dụng cụ, sau đó nhấc nắp ra khỏi vỏ.

► **Hình13:** 1. Phần cắt rời (ở cả hai bên của vỏ)
2. Khoảng hở (giữa nắp đậy và lưỡi dao)

LƯU Ý: Tấm có thể vẫn còn bên trong nắp.

3. Tháo thanh nối và ổ đệm.

► **Hình14:** 1. Thanh nối 2. Ổ đệm

LƯU Ý: Thanh nối và ổ đệm có thể vẫn còn bên trong nắp che.

4. Tháo 2 bu-lông và 2 trụ ngoài ra khỏi lưỡi dao. Tháo rời lưỡi dao ra khỏi thân dụng cụ. Sau đó tháo tấm ni và nắp chắn bụi cao su ra khỏi lưỡi dao.

► **Hình15:** 1. Bu-lông 2. Trụ ngoài 3. Các lưỡi kéo
4. Tấm ni 5. Nắp chắn bụi

CHÚ Ý: Cẩn thận không làm mất các mảnh linh kiện vì chúng sẽ được tái sử dụng để lắp ráp lại.

5. Tháo nắp đậy lưỡi dao, sau đó gắn nó vào lưỡi dao mới.

► **Hình16:** 1. Nắp đậy lưỡi dao

6. Điều chỉnh tay quay sao cho 2 lỗ xếp thẳng hàng trên trục căn chỉnh.

► **Hình17:** 1. Lỗ 2. Trục căn chỉnh

7. Căn chỉnh các bộ phận nhỏ ra ở cả hai bên lưỡi dao.

► **Hình18:** 1. Các bộ phận nhỏ ra

8. Giữ lưỡi dao với các lỗ trụ ngoài hướng lên trên. Gắn tấm ni vào lưỡi dao sao cho các mẫu của nó bọc quanh lưỡi dao.

► **Hình19:** 1. Tấm ni 2. Lỗ trụ ngoài

9. Xoay lưỡi dao ngược xuống. Gắn nắp chắn bụi cao su vào lưỡi dao. Điều chỉnh vị trí của nó để một đầu của nắp chắn bụi chạm vào bộ phận nhỏ ra của lưỡi dao.

► **Hình20:** 1. Nắp chắn bụi 2. Bộ phận nhỏ ra

10. Xoay lưỡi dao với tấm ni hướng lên trên. Căn chỉnh bộ phận nhỏ ra của lưỡi dao thẳng hàng với lỗ đầu nhỏ trên thanh nối. Lắp ráp lưỡi dao lại đúng vị trí.

► **Hình21:** 1. Tấm ni 2. Nắp chắn bụi 3. Bộ phận nhỏ ra 4. Lỗ đầu nhỏ 5. Phần cắt rời của tấm ni
6. Phần cắt rời của nắp chắn bụi

CHÚ Ý: Đảm bảo đã gắn chặt tấm ni và nắp chắn bụi cao su vào các phần cắt rời trên vỏ lưỡi dao.

CHÚ Ý: Bôi một lượng nhỏ mỡ bôi trơn lên phần biên trong của lỗ đầu nhỏ trên thanh nối.

11. Đặt trụ ngoài mới vào các lỗ trụ ngoài trên lưỡi dao.

► **Hình22:** 1. Trụ ngoài 2. Lỗ trụ ngoài

CHÚ Ý: Cẩn thận không làm mất các trụ ngoài.

12. Căn chỉnh các lỗ trong trụ ngoài, các lỗ trên lưỡi dao và các lỗ trên vỏ lưỡi dao thẳng hàng với nhau. Sau đó vận chặt 2 bu-lông để cố định lưỡi dao.

► **Hình23:** 1. Bu-lông 2. Trụ ngoài 3. Lưỡi dao

13. Gắn ổ đệm và thanh nối.

► **Hình24:** 1. Thanh nối 2. Lỗ đầu nhỏ 3. Ổ đệm

CHÚ Ý: Bôi một lượng nhỏ mỡ bôi trơn lên phần biên trong của lỗ đầu nhỏ trên thanh nối.

CHÚ Ý: Đảm bảo đã gắn chặt bộ phận nhỏ ra của lưỡi dao khớp với lỗ đầu nhỏ trên thanh nối.

14. Lắp ráp tấm lại đúng vị trí.

► **Hình25:** 1. Tấm 2. Bộ phận nhỏ ra

CHÚ Ý: Đảm bảo đã gắn chặt bộ phận nhỏ ra của lưỡi dao khớp với lỗ trên tấm.

15. Gắn nắp che, sau đó vặn chặt 6 bu-lông.

► **Hình26:** 1. Nắp che 2. Bu-lông

CHÚ Ý: Nếu lưỡi dao không di chuyển dễ dàng thì là do lưỡi dao đang không được gắn vào thanh nối đúng cách. Lắp lưỡi dao lại lần nữa.

CHÚ Ý: Nếu các bộ phận khác ngoài lưỡi dao như thanh nối bị mòn, hãy nhờ Trung tâm dịch vụ Makita được ủy quyền thay thế hoặc sửa chữa.

Lắp đặt hoặc tháo gỡ bộ nhận vô bảo

Phụ kiện tùy chọn

⚠THẬN TRỌNG: Khi lắp hoặc tháo bộ nhận vô bảo, luôn đeo găng tay để tay không tiếp xúc trực tiếp với lưỡi kéo.

CHÚ Ý: Không thể lắp nắp đẩy lưỡi dao nếu bộ nhận vô bảo được lắp trên dụng cụ. Trước khi mang đi hoặc cất giữ dụng cụ, tháo rời bộ nhận vô bảo rồi gắn nắp đẩy lưỡi dao để tránh cho lưỡi dao lộ ra ngoài.

CHÚ Ý: Đảm bảo rằng đã tháo nắp đẩy lưỡi dao ra trước khi lắp bộ nhận vô bảo.

Bộ nhận vô bảo thu gom lá bô và giúp việc làm sạch sau đó trở nên dễ dàng hơn. Móc treo có thể được lắp ở cả hai bên của dụng cụ.

1. Móc các mấu của bộ nhận vô bảo vào lưỡi cắt.

► **Hình27:** 1. Bộ nhận vô bảo 2. Lưỡi dao 3. Mấu

2. Căn chỉnh các lỗ trên bộ nhận vô bảo với các vít trên lưỡi cắt, sau đó gắn chặt bộ nhận vô bảo vào lưỡi cắt.

► **Hình28:** 1. Lỗ 2. Vít

CHÚ Ý: Đảm bảo rằng bộ nhận vô bảo không chông chéo lên bộ cắt nhánh.

► **Hình29:** 1. Bộ cắt nhánh

Đề tháo bộ nhận vô bảo, hãy nhấn cần để nhả các mấu.

► **Hình30:** 1. Cần

CHÚ Ý: Không được cố tháo bộ nhận vô bảo bằng cách dùng quá nhiều lực trên các móc treo đã được gắn cố định vào các rãnh của lưỡi kéo.

VẬN HÀNH

Lắp dây nịt vai

⚠THẬN TRỌNG: Trước khi vận hành, đảm bảo rằng dây nịt vai được gắn đúng cách vào móc treo trên dụng cụ.

⚠THẬN TRỌNG: Khi bạn sử dụng dụng cụ kết hợp với nguồn điện kiểu đeo trên vai như bộ cấp nguồn di động đeo vai, không sử dụng dây nịt vai có trong thùng đóng gói của dụng cụ mà hãy sử dụng băng treo được Makita khuyến dùng.

Nếu bạn đeo dây nịt vai có trong thùng đóng gói của dụng cụ và dây nịt vai của nguồn điện kiểu đeo trên vai cùng một lúc, việc tháo dụng cụ hoặc nguồn điện kiểu đeo trên vai sẽ rất khó khăn trong trường hợp khẩn cấp và có thể gây ra tai nạn hoặc thương tích. Đối với băng treo được khuyến dùng, hãy hỏi Trung tâm dịch vụ được ủy quyền của Makita.

LƯU Ý: Sử dụng dây nịt vai được gắn vào dụng cụ. Trước khi vận hành, điều chỉnh dây nịt vai theo kích thước cơ thể người sử dụng để tránh bị mệt mỏi.

1. Đeo dây nịt vai trên vai của bạn.

► **Hình31**

2. Cài móc treo trên dây nịt vai vào móc gắn của dụng cụ.

► **Hình32:** 1. Móc treo 2. Móc gắn

3. Điều chỉnh dây nịt vai tới vị trí làm việc thoải mái.

► **Hình33**

Dây nịt vai được trang bị để nhả nhanh.

Chỉ cần bóp hai bên nịt để nhả dụng cụ khỏi dây nịt vai.

► **Hình34:** 1. Nịt

Vận hành dụng cụ

⚠CẢNH BÁO: Không sử dụng dụng cụ gần bất kỳ đường dây điện nào. Tiếp xúc với đường dây điện hoặc sử dụng dụng cụ gần đường dây điện có thể gây ra thương tích nghiêm trọng hoặc bị điện giật dẫn đến tử vong.

⚠CẢNH BÁO: Giữ tay tránh xa lưỡi kéo.

⚠CẢNH BÁO: Cần phải hết sức cẩn thận để duy trì kiểm soát dụng cụ mọi lúc. Không để dụng cụ bị lệch về phía bạn hay bất cứ ai trong vùng lân cận. Không duy trì kiểm soát dụng cụ có thể dẫn đến thương tích nghiêm trọng cho người đi đường và người vận hành.

⚠ THẬN TRỌNG: Tránh vận hành dụng cụ trong thời tiết nóng càng nhiều càng tốt. Khi vận hành dụng cụ, hãy cẩn thận điều kiện thể chất của bạn.

⚠ THẬN TRỌNG: Cẩn thận để không vô tình tiếp xúc với hàng rào sắt hoặc các vật cứng khác khi đang cắt tia. Lưỡi kéo có thể bị gãy và gây chấn thương.

⚠ THẬN TRỌNG: Hãy cẩn thận không để lưỡi dao tiếp xúc với mặt đất. Dụng cụ có thể bị bật lên và gây chấn thương.

⚠ THẬN TRỌNG: Dùng máy tia hàng rào ở tầm cao quá mức, đặc biệt nếu sử dụng thang, là rất nguy hiểm. Không làm việc trong khi đứng trên bất cứ thứ gì lung lay hoặc không chắc chắn.

CHÚ Ý: Không cố gắng cắt các cành cây có đường kính dày hơn 10 mm bằng dụng cụ này. Cắt cành thấp hơn 10 cm so với chiều cao cắt bằng cách sử dụng dụng cụ cắt cành trước khi dùng dụng cụ này.

► **Hình35:** 1. Chiều cao cắt 2. 10 cm

CHÚ Ý: Không được cắt cây chết khô hoặc các vật cứng tương tự. Điều này có thể làm hư hỏng thiết bị.

CHÚ Ý: Không cắt tia có hoặc có dại trong khi sử dụng lưỡi dao. Lưỡi kéo có thể bị rơi trong cỏ hoặc có dại.

Cầm dụng cụ bằng cả hai tay.

► **Hình36**

Kéo cần công tắc trong khi nhấn và giữ cần nhà khóa, sau đó chuẩn bị dụng cụ để cắt tia.

► **Hình37**

Ở chế độ vận hành cơ bản, nghiêng lưỡi kéo theo hướng cắt tia và di chuyển cẩn thận, từ từ với tốc độ 3 đến 4 giây mỗi mét.

► **Hình38**

Đề cắt một bên hàng rào được đều, hãy cắt từ dưới lên trên.

► **Hình39**

Khi cắt tia thành một hình tròn (cắt gỗ hoàng dương hay đồ quỳên, v.v...), hãy cắt từ gốc lên ngọn để tạo thành phẩm đẹp.

► **Hình40**

Nếu bộ nhận vô bào được gắn vào lưỡi kéo, nó sẽ thu gom lá cỏ và giúp việc làm sạch sau đó trở nên dễ dàng hơn.

► **Hình41**

BẢO TRÌ

⚠ THẬN TRỌNG: Hãy luôn chắc chắn rằng dụng cụ đã được tắt và hộp pin đã được tháo ra trước khi cố gắng thực hiện việc kiểm tra hay bảo dưỡng.

⚠ THẬN TRỌNG: Khi kiểm tra hoặc bảo dưỡng thiết bị, luôn đặt thiết bị nằm xuống. Lắp ráp hoặc điều chỉnh dụng cụ ở vị trí thẳng đứng có thể dẫn đến thương tích nghiêm trọng.

Để đảm bảo ĐỘ AN TOÀN và ĐỘ TIN CẬY của sản phẩm, việc sửa chữa hoặc bất cứ thao tác bảo trì, điều chỉnh nào đều phải được thực hiện bởi các Trung tâm Dịch vụ Nhà máy hoặc Trung tâm được Makita Ủy quyền và luôn sử dụng các phụ tùng thiết bị thay thế của Makita.

Làm sạch dụng cụ

Làm sạch dụng cụ bằng cách lau hết bụi bằng vải khô hoặc vải nhúng vào nước xà phòng và vắt khô.

CHÚ Ý: Không được phép dùng xăng, ét xăng, dung môi, cồn hoặc hóa chất tương tự. Có thể xảy ra hiện tượng mất màu, biến dạng hoặc nứt vỡ.

Bảo dưỡng lưỡi dao

Trước khi vận hành hoặc cứ mỗi giờ một lần trong thời gian vận hành, hãy bôi dầu có độ nhớt thấp (dầu máy, hoặc dầu bôi trơn loại phun) lên lưỡi kéo.

► **Hình42**

Sau khi sử dụng, loại bỏ bụi khỏi hai bên lưỡi kéo bằng chổi kim loại, lau sạch nó bằng một miếng vải rồi bôi dầu có độ nhớt thấp (dầu máy hoặc dầu bôi trơn loại phun) lên lưỡi kéo.

► **Hình43**

CHÚ Ý: Không rửa lưỡi kéo với nước. Điều này có thể làm gỉ sét hoặc hỏng dụng cụ.

CHÚ Ý: Bụi bẩn và ăn mòn gây ra ma sát lưỡi dao quá mức và làm giảm bớt thời gian vận hành máy cho mỗi lần sạc pin.

Cắt giữ

Đặt nắp đậy lưỡi dao lên lưỡi dao sao cho lưỡi dao không bị hở. Cắt giữ dụng cụ ngoài tầm với trẻ em. Cắt giữ dụng cụ ở địa điểm không tiếp xúc với hơi ẩm hoặc mưa.

Mài lưỡi kéo

CHÚ Ý: Nếu lưỡi kéo đã bị biến dạng đáng kể do mài, hãy thay lưỡi kéo bằng lưỡi mới.

1. Lắp hộp pin vào dụng cụ.
2. Bật và khởi động dụng cụ sao cho lưỡi bên trên và lưỡi bên dưới so le với nhau.

► **Hình44**

3. Tắt dụng cụ và tháo hộp pin ra khỏi dụng cụ.

4. Tháo vít, sau đó tháo bộ cắt nhánh.
▶ **Hình45:** 1. Vít 2. Bộ cắt nhánh
5. Đặt góc của giữa ở vị trí 50°, và mài lưỡi bên trên bằng giữa theo đúng ba hướng của cạnh dao.
▶ **Hình46:** 1. Giữa 2. 50°

⚠ THẬN TRỌNG: Trước khi mài lưỡi kéo, đảm bảo rằng đã tắt dụng cụ và tháo hộp pin khỏi dụng cụ.

6. Đặt dụng cụ úp ngược xuống, sau đó loại bỏ các bavia khỏi lưỡi dao bằng đá mài.
▶ **Hình47:** 1. Đá mài
7. Đặt góc của giữa ở vị trí 50°, và mài lưỡi bên dưới bằng giữa theo đúng ba hướng của cạnh dao.
8. Trả dụng cụ về vị trí bình thường, sau đó loại bỏ các bavia khỏi lưỡi dao bằng đá mài.
9. Gắn bộ cắt nhánh bằng cách vặn chặt vít.

Bôi mỡ bôi trơn

Khoảng thời gian bôi trơn: Mỗi 50 giờ vận hành

Sử dụng lỗ dầu để bôi trơn

1. Tháo bu-lông ra khỏi lỗ để bôi trơn.
▶ **Hình48:** 1. Bu-lông

2. Tháo nắp tuýp mỡ bôi trơn. Căn chỉnh đầu ra của tuýp mỡ bôi trơn thẳng hàng với lỗ trên nắp, sau đó ấn đầu ra của tuýp mỡ bôi trơn vào lỗ.
▶ **Hình49:** 1. Tuýp mỡ bôi trơn 2. Lỗ
3. Thoa mỡ bôi trơn lên dụng cụ (Xấp xỉ 5 g như hướng dẫn).
4. Vặn chặt bu-lông.

Sử dụng ống bơm mỡ

Đầu nối ống bơm giúp kết nối máy bơm mỡ với khớp bơm.

1. Chuẩn bị máy bơm mỡ để sử dụng.
2. Nối bộ chuyển đổi của máy bơm mỡ vào ống bơm mỡ trên dụng cụ.
▶ **Hình50:** 1. Bộ chuyển đổi máy bơm mỡ 2. Ống bơm mỡ
3. Thoa mỡ bôi trơn lên dụng cụ (Xấp xỉ 5 g như hướng dẫn).
4. Nghiêng nhẹ bộ chuyển đổi để nhả áp suất bên trong, và sau đó tháo bộ chuyển đổi khỏi ống bơm mỡ. Lau sạch mỡ bôi trơn từ bộ chuyển đổi và ống bơm mỡ.

XỬ LÝ SỰ CỐ

Trước khi yêu cầu sửa chữa, đầu tiên hãy tự tiến hành kiểm tra của riêng bạn. Nếu bạn phát hiện vấn đề nào đó không được giải thích trong sách hướng dẫn sử dụng này, đừng cố tháo dỡ dụng cụ. Thay vào đó, hãy nhờ Trung tâm dịch vụ Makita được ủy quyền, luôn sử dụng bộ phận thay thế của Makita để sửa chữa.

Tình trạng bất thường	Nguyên nhân tiềm tàng (sự cố hồng học)	Biện pháp khắc phục
Động cơ không chạy.	Không lắp hộp pin.	Lắp hộp pin.
	Vấn đề pin (điện áp thấp)	Sạc lại pin. Nếu sạc pin lại không hiệu quả, hãy thay thế pin.
	Hệ thống truyền động không làm việc đúng cách.	Nhờ trung tâm bảo trì được ủy quyền ở địa phương sửa chữa.
Động cơ ngừng chạy sau khi ít sử dụng đến.	Mức sạc pin thấp.	Sạc lại pin. Nếu sạc pin lại không hiệu quả, hãy thay thế pin.
	Quá nhiệt.	Ngừng sử dụng dụng cụ để nó nguội dần.
Dụng cụ không đạt RPM tối đa.	Pin được lắp đúng cách.	Lắp hộp pin như mô tả trong sách hướng dẫn này.
	Nguồn pin bị tụt áp.	Sạc lại pin. Nếu sạc pin lại không hiệu quả, hãy thay thế pin.
	Hệ thống truyền động không làm việc đúng cách.	Nhờ trung tâm bảo trì được ủy quyền ở địa phương sửa chữa.
Các lưỡi dao không di chuyển: ⇒ ngừng máy ngay lập tức!	Góc lưỡi dao không phù hợp.	Đảm bảo phần đầu được cố định đúng cách ở góc vận hành.
	Ngoại vật bị kẹt giữa các lưỡi dao.	1. Sử dụng nút đảo chiều. 2. Tắt dụng cụ và tháo hộp pin, sau đó loại bỏ ngoại vật bằng các dụng cụ như kim.
	Hệ thống truyền động không làm việc đúng cách.	Nhờ trung tâm bảo trì được ủy quyền ở địa phương sửa chữa.
Rung bất thường: ⇒ ngừng máy ngay lập tức!	Lưỡi dao bị gãy, cong hoặc mòn.	Thay thế các lưỡi dao.
	Hệ thống truyền động không làm việc đúng cách.	Nhờ trung tâm bảo trì được ủy quyền ở địa phương sửa chữa.

Tình trạng bất thường	Nguyên nhân tiềm tàng (sự cố hồng hóc)	Biện pháp khắc phục
Lưỡi dao và động cơ không thể dừng lại: ⇒ Tháo hộp pin ngay lập tức!	Trục trục về điện.	Tháo pin và nhờ trung tâm bảo trì được ủy quyền ở địa phương sửa chữa.

PHỤ KIỆN TỰ CHỌN

⚠ THẬN TRỌNG: Các phụ kiện hoặc phụ tùng gắn thêm này được khuyến cáo sử dụng với dụng cụ Makita của bạn theo như quy định trong hướng dẫn này. Việc sử dụng bất cứ phụ kiện hoặc phụ tùng gắn thêm nào khác đều có thể gây ra rủi ro thương tích cho người. Chỉ sử dụng phụ kiện hoặc phụ tùng gắn thêm cho mục đích đã quy định sẵn của chúng.

Nếu bạn cần bất kỳ sự hỗ trợ nào để biết thêm chi tiết về các phụ tùng này, hãy hỏi Trung tâm Dịch vụ của Makita tại địa phương của bạn.

- Bộ lắp ráp lưỡi dao
- Bộ nhận vỏ bảo
- Tuýp mỡ bôi trơn
- Pin và bộ sạc chính hãng của Makita

LƯU Ý: Một số mục trong danh sách có thể được bao gồm trong gói dụng cụ làm phụ kiện tiêu chuẩn. Các mục này ở mỗi quốc gia có thể khác nhau.

ข้อมูลจำเพาะ

รุ่น:	UN001G	
ความยาวของใบเลื่อย	600 mm	
ระยะชักต่อนาที	2,000 / 3,000 / 4,000 min ⁻¹	
มุมใบมีดตัด	115° (ขึ้น 45°, ลง 70°)	
ความยาวโดยรวม	2,268 mm	
แรงดันไฟฟ้าที่กำหนด	D.C. 36 V - 40 V สูงสุด	
น้ำหนักสุทธิ	*1	4.0 kg
	*2	4.7 - 5.9 kg
ระดับการป้องกัน	IPX4	

- เนื่องจากการค้นคว้าวิจัยและพัฒนาอย่างต่อเนื่อง ข้อมูลจำเพาะในเอกสารฉบับนี้อาจเปลี่ยนแปลงได้โดยไม่ต้องแจ้งให้ทราบล่วงหน้า
- ข้อมูลจำเพาะอาจแตกต่างกันไปในแต่ละประเทศ
- *1: น้ำหนักไม่รวมอุปกรณ์เสริมหรือดัลบ์แบตเตอรี่
- *2: น้ำหนักอาจแตกต่างกันไปตามอุปกรณ์เสริม รวมถึงดัลบ์แบตเตอรี่ การใช้งานอุปกรณ์ร่วมกันที่น้ำหนักเบาที่สุดและหนักที่สุดตาม EPTA-Procedure 01/2014 แสดงอยู่ในตาราง

ดัลบ์แบตเตอรี่และเครื่องชาร์จที่ใช้ได้

ดัลบ์แบตเตอรี่	BL4020 / BL4025 / BL4040 / BL4040F / BL4050F / BL4080F
เครื่องชาร์จ	DC40RA / DC40RB / DC40RC / DC40WA

- ดัลบ์แบตเตอรี่และเครื่องชาร์จบางรายการที่แสดงอยู่ด้านบนอาจไม่มีวางจำหน่ายขึ้นอยู่กับภูมิภาคที่คุณอาศัยอยู่

คำเตือน: ใช้ดัลบ์แบตเตอรี่และเครื่องชาร์จที่ระบุไว้ข้างบนเท่านั้น การใช้ดัลบ์แบตเตอรี่และเครื่องชาร์จประเภทอื่นอาจก่อให้เกิดความเสี่ยงที่จะได้รับบาดเจ็บและ/หรือเกิดไฟไหม้

แหล่งจ่ายไฟแบบเชื่อมต่อสายไฟที่แนะนำ

ชุดต้นกำลังแบบพกพา	PDC01 / PDC1200 / PDC1500
--------------------	---------------------------

- แหล่งจ่ายไฟแบบเชื่อมต่อสายไฟตามรายการด้านบนอาจไม่มีจำหน่ายขึ้นอยู่กับภูมิภาคที่คุณอยู่
- ก่อนใช้งานแหล่งจ่ายไฟแบบเชื่อมต่อสายไฟให้อ่านคำแนะนำและเครื่องหมายเตือนที่ติดอยู่

สัญลักษณ์

ต่อไปนี้เป็นสัญลักษณ์ที่อาจใช้สำหรับอุปกรณ์ โปรดศึกษาความหมายของสัญลักษณ์ให้เข้าใจก่อนการใช้งาน



อ่านคู่มือการใช้งาน



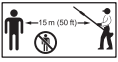
สวมหมวกกันน็อก แว่นตานิรภัย และอุปกรณ์ป้องกันเสียง



อันตราย - ดูแลให้มีอยู่ห่างจากใบเลื่อย



ระวังสายไฟและความเสี่ยงที่จะถูกไฟช็อต



รักษาระยะห่างอย่างน้อย 15 m



สำหรับประเทศในสหภาพยุโรปเท่านั้น เนื่องจากในอุปกรณ์มีส่วนประกอบอันตราย ชยะจำพวกอุปกรณ์ไฟฟ้า และอิเล็กทรอนิกส์ แบตเตอรี่ และหม้อแบตเตอรี่จึงอาจส่งผลกระทบต่อสิ่งแวดล้อมและสุขภาพของมนุษย์ในเชิงลบ อย่างไรก็ตามการใช้ไฟฟ้าและอิเล็กทรอนิกส์หรือแบตเตอรี่ร่วมกับวัสดุเหลือทิ้งในครัวเรือน!

เพื่อให้เป็นไปตามกฎระเบียบของยุโรปว่าด้วยชยะจำพวกอุปกรณ์ไฟฟ้าและอิเล็กทรอนิกส์ และหม้อสะสมไฟฟ้าและแบตเตอรี่ และชยะจำพวกหม้อสะสมไฟฟ้าและแบตเตอรี่ รวมถึงการบังคับใช้ตามกฎหมายภายในประเทศ ควรมีการจัดเก็บชยะจำพวกอุปกรณ์ไฟฟ้า แบตเตอรี่ และหม้อสะสมไฟฟ้าแยกต่างหากและส่งไปยังจุดรับชยะต่างหากในเขตเทศบาลซึ่งมีการดำเนินการตามระเบียบว่าด้วยการดูแลสิ่งแวดล้อม โดยระบุด้วยสัญลักษณ์เส้นคาดขวางรูปถังชยะแบบมีล้อไว้บนอุปกรณ์



ผ่านการรับรองระดับพลังงานเสียงตามกฎหมายระบุว่าด้วยเสียงรบกวนภายนอกของสหภาพยุโรป



ระดับพลังงานเสียงตามข้อบังคับการควบคุมเสียงรบกวนของรัฐนิวเซาท์เวลส์ ประเทศออสเตรเลีย

จุดประสงค์การใช้งาน

เครื่องมือนี้ใช้สำหรับตัดแต่งพุ่มไม้

คำเตือนด้านความปลอดภัย

คำเตือนด้านความปลอดภัยของเครื่องมือไฟฟ้าทั่วไป

! คำเตือน อ่านคำเตือนด้านความปลอดภัย คู่มือ ภาพ และข้อมูลจำเพาะที่มีมาให้พร้อมกับเครื่องมือไฟฟ้านี้ หากไม่ปฏิบัติตามคำเตือนทั้งหมดด้านล่างนี้อาจส่งผลกระทบต่อชีวิต ไฟไหม้ และ/หรือได้รับบาดเจ็บสาหัสได้

เก็บรักษา ค่าเตือน และคำแนะนำทั้งหมดไว้ เป็นข้อมูลอ้างอิงในอนาคต

คำว่า “เครื่องมือไฟฟ้า” ในคำเตือนนี้หมายถึงเครื่องมือไฟฟ้า (มีสาย) ที่ทำงานโดยใช้กระแสไฟฟ้าหรือเครื่องมือไฟฟ้า (ไร้สาย) ที่ทำงานโดยใช้แบตเตอรี่

ความปลอดภัยของพื้นที่ทำงาน

1. ดูแลพื้นที่ทำงานให้มีความสะอาดและมีแสงไฟสว่าง พื้นที่รกร้างหรือมีเศษหรือมีดที่บอบช้ำนำไปสู่การเกิดอุบัติเหตุได้
2. อย่าใช้งานเครื่องมือไฟฟ้าในสภาพที่อาจเกิดการระเบิด เช่น ในสถานที่ที่มีสิ่งของเหลว ก๊าซ หรือฝุ่นผงที่มีคุณสมบัติไวไฟ เครื่องมือไฟฟ้าอาจสร้างประกายไฟและจุดชนวนฝุ่นผงหรือก๊าซดังกล่าว
3. ดูแลไม่ให้มีเด็ก ๆ หรือบุคคลอื่นอยู่ในบริเวณที่กำลังใช้เครื่องมือไฟฟ้า การมีสิ่งรบกวนสมาธิอาจทำให้คุณสูญเสียการควบคุม

ความปลอดภัยด้านไฟฟ้า

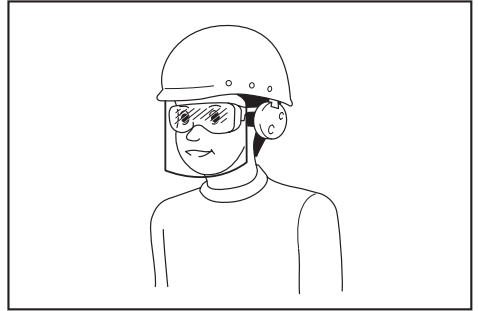
1. ปลั๊กของเครื่องมือไฟฟ้าต้องพอดีกับเต้ารับ อย่าดัดแปลงปลั๊กไม่ว่ากรณีใดๆ อย่าใช้ปลั๊กอะแดปเตอร์กับเครื่องมือไฟฟ้าที่ต่อสายดิน ปลั๊กที่ไม่ถูกดัดแปลงและเต้ารับที่เข้ากันพอดีจะช่วยลดความเสี่ยงของการเกิดไฟฟ้าช็อต
2. ระวังอย่าให้ร่างกายสัมผัสกับพื้นผิวที่ต่อสายดิน เช่น ท่อ เครื่องนำความร้อน เตาหุงต้ม และตู้เย็น มีความเสี่ยงที่จะเกิดไฟฟ้าช็อตสูงขึ้น หากร่างกายของคุณสัมผัสกับพื้น
3. อย่าใช้งานเครื่องกลางฝนหรือในสภาวะที่เปียก น้ำที่เข้าสู่เครื่องอาจเพิ่มความเสี่ยงต่อการเกิดไฟฟ้าช็อตหรือการทำงานที่ผิดปกติที่ทำให้ได้รับบาดเจ็บได้
4. อย่าใช้สายไฟอย่างไม่เหมาะสม อย่าใช้สายไฟเพื่อยก ดึง หรือถอดปลั๊กเครื่องมือไฟฟ้า เก็บสายไฟให้ห่างจากความร้อน น้ำมัน ของมีคม หรือชิ้นส่วนที่เคลื่อนที่ สายที่ชำรุดหรือพันกันจะเพิ่มความเสี่ยงของการเกิดไฟฟ้าช็อต
5. ขณะที่ใช้งานเครื่องมือไฟฟ้านอกอาคาร ควรใช้สายต่อพ่วงที่เหมาะสมกับงานภายนอกอาคาร การใช้สายที่เหมาะสมกับงานภายนอกอาคารจะลดความเสี่ยงของการเกิดไฟฟ้าช็อต
6. หากต้องใช้งานเครื่องมือไฟฟ้าในสถานที่เปียกชื้น ให้ใช้อุปกรณ์ป้องกันกระแสไฟรั่ว (RCD) การใช้ RCD จะลดความเสี่ยงของการเกิดไฟฟ้าช็อต

- เครื่องมือไฟฟ้าอาจสร้างสนามแม่เหล็ก (EMF) ที่ไม่เป็นอันตรายต่อผู้ใช้ อย่างไรก็ตาม ผู้ใช้ที่ใส่เครื่องกระตุ้นหัวใจและอุปกรณ์ทางการแพทย์ที่คล้ายกันนี้ควรติดต่อผู้ผลิตอุปกรณ์และ/หรือแพทย์เพื่อรับคำแนะนำก่อนใช้งานเครื่องมือไฟฟ้านี้

ความปลอดภัยส่วนบุคคล

- ให้ระมัดระวังและมีสติอยู่เสมอขณะใช้งานเครื่องมือไฟฟ้า อย่าใช้งานเครื่องมือไฟฟ้าในขณะที่คุณกำลังเหนื่อย หรือในสภาพที่มีเมฆจากยาเสพติด เครื่องดื่ม แอลกอฮอล์ หรือการเข้ายา ช่วงเวลาที่ขาดความระมัดระวังเมื่อกำลังใช้งานเครื่องมือไฟฟ้าอาจทำให้ได้รับบาดเจ็บร้ายแรง
- ใช้อุปกรณ์ป้องกันส่วนบุคคล สวมแว่นตาป้องกันเสมอ อุปกรณ์ป้องกัน เช่น หน้ากากกันฝุ่น รองเท้านิรภัยกันลื่น หมวกนิรภัย หรือเครื่องป้องกันการได้ยินที่ใช้ในสภาพที่เหมาะสมจะช่วยลดการบาดเจ็บ
- ป้องกันไม่ให้เกิดการเปิดใช้งานโดยไม่ตั้งใจ ตรวจสอบให้แน่ใจว่าสวิตช์ปิดอยู่ก่อนที่จะเชื่อมต่อกับแหล่งจ่ายไฟ และ/หรือชุดแบตเตอรี่ รวมทั้งตรวจสอบก่อนการยกหรือเคลื่อนย้ายเครื่องมือ การสอดนิ้วมือบริเวณสวิตช์เพื่อถือเครื่องมือไฟฟ้า หรือการชาร์จไฟเครื่องมือไฟฟ้าในขณะที่เปิดสวิตช์อยู่อาจนำไปสู่การเกิดอุบัติเหตุ
- นำกฎฉบับปรับปรุงหรือประแจออกก่อนที่จะเปิดเครื่องมือไฟฟ้า ประแจหรือกฎฉบับที่เสียค้างอยู่ในชิ้นส่วนที่หมุนได้ของเครื่องมือไฟฟ้าอาจทำให้ได้รับบาดเจ็บ
- อย่าทำงานในระยะที่สูดเอื้อม จัดท่าการยืนและการทรงตัวให้เหมาะสมตลอดเวลา เพราะจะทำให้ควบคุมเครื่องมือไฟฟ้าได้ดีขึ้นในสถานการณ์ที่ไม่คาดคิด
- แต่งกายให้เหมาะสม อย่าสวมเครื่องแต่งกายที่หลวมเกินไป หรือสวมเครื่องประดับ ดูแลไม่ให้เส้นผมและเสื้อผ้าอยู่ใกล้ชิ้นส่วนที่เคลื่อนที่ เสื้อผ้า ร่ม ร่ม เครื่องประดับ หรือผมที่มีความยาวอาจเข้าไปติดในชิ้นส่วนที่เคลื่อนที่
- หากมีการจัดอุปกรณ์สำหรับตัดและจัดเก็บฝุ่นไว้ในสถานที่ ให้ตรวจสอบว่าได้เชื่อมต่อและใช้งานอุปกรณ์นั้นอย่างเหมาะสม การใช้เครื่องดูดและจัดเก็บฝุ่นจะช่วยลดอันตรายที่เกิดจากฝุ่นผงได้
- อย่าให้ความคุ้นเคยจากการใช้งานเครื่องมือเป็นประจำทำให้คุณทำตัวตามสบายและละเลยหลักการเพื่อความปลอดภัยในการใช้เครื่องมือ การกระทำที่ไม่ระมัดระวังอาจทำให้เกิดการบาดเจ็บร้ายแรงภายในเสี้ยววินาที

- สวมใส่แว่นครอบตานิรภัยเพื่อปกป้องดวงตาของคุณจากการบาดเจ็บเมื่อใช้เครื่องมือไฟฟ้า แว่นครอบตาจะต้องได้มาตรฐาน ANSI Z87.1 ในสหรัฐอเมริกา, EN 166 ในยุโรป หรือ AS/NZS 1336 ในออสเตรเลีย/นิวซีแลนด์ ในออสเตรเลีย/นิวซีแลนด์ จะต้องสวมเกราะป้องกันใบหน้าเพื่อปกป้องใบหน้าของคุณอย่างถูกต้องตามกฎหมายด้วย



ผู้ว่าจ้างมีหน้าที่รับผิดชอบในการบังคับผู้ใช้งานเครื่องมือและบุคคลอื่น ๆ ที่อยู่ในบริเวณที่ปฏิบัติงานให้ใช้อุปกรณ์ป้องกันที่เหมาะสม

การใช้และดูแลเครื่องมือไฟฟ้า

- อย่าฝืนใช้เครื่องมือไฟฟ้า ใช้เครื่องมือไฟฟ้าที่เหมาะสมกับการใช้งานของคุณ เครื่องมือไฟฟ้าที่เหมาะสมจะทำให้ได้งานที่มีประสิทธิภาพและปลอดภัยกว่าตามขีดความสามารถของเครื่องที่ได้รับการออกแบบมา
- อย่าใช้เครื่องมือไฟฟ้า หากสวิตช์ไม่สามารถเปิดปิดได้ เครื่องมือไฟฟ้าที่ควบคุมด้วยสวิตช์ไม่ได้เป็นสิ่งอันตรายและต้องได้รับการซ่อมแซม
- ถอดปลั๊กจากแหล่งจ่ายไฟ และ/หรือชุดแบตเตอรี่ออกจากเครื่องมือไฟฟ้าก่อนทำการปรับตั้ง เปลี่ยนอุปกรณ์เสริม หรือจัดเก็บเครื่องมือไฟฟ้า วิธีการป้องกันด้านความปลอดภัยดังกล่าวจะช่วยลดความเสี่ยงในการเปิดใช้งานเครื่องมือไฟฟ้าโดยไม่ตั้งใจ
- จัดเก็บเครื่องมือไฟฟ้าที่ไม่ได้ใช้งานให้ห่างจากมือเด็ก และอย่าอนุญาตให้บุคคลที่ไม่คุ้นเคยกับเครื่องมือไฟฟ้าหรือคำแนะนำเหล่านี้ใช้งานเครื่องมือไฟฟ้า เครื่องมือไฟฟ้าจะเป็นอันตรายเมื่ออยู่ในมือของผู้ที่ไม่ได้รับการฝึกอบรม

- บำรุงรักษาเครื่องมือไฟฟ้าและอุปกรณ์เสริม ตรวจสอบการประกอบที่ไม่ถูกต้องหรือการเชื่อมต่อของชิ้นส่วนที่เคลื่อนที่ การแตกหักของชิ้นส่วนหรือสภาพอื่น ๆ ที่อาจส่งผลกระทบต่อการทำงานของเครื่องมือไฟฟ้า หากมีความเสียหาย ให้นำเครื่องมือไฟฟ้าไปซ่อมแซมก่อนการใช้งาน อุบัติเหตุจำนวนมากเกิดจากการดูแลรักษาเครื่องมือไฟฟ้าอย่างไม่ถูกต้อง
- ทำความเข้าใจความสะอาดเครื่องมือตัดและลับให้คมอยู่เสมอ เครื่องมือการตัดที่มีการดูแลอย่างถูกต้องและมีขอบการตัดคมมักจะมีปัญหาติดขัดน้อยและควบคุมได้ง่ายกว่า
- ใช้เครื่องมือไฟฟ้า อุปกรณ์เสริม และวัสดุสิ้นเปลือง ฯลฯ ตามคำแนะนำดังกล่าว พิจารณาสภาพการทำงานและงานที่จะลงมือทำ การใช้เครื่องมือไฟฟ้าเพื่อทำงานอื่นนอกเหนือจากที่กำหนดไว้อาจทำให้เกิดอันตราย
- ดูแลมือจับและบริเวณมือจับให้แห้ง สะอาด และไม่มีน้ำมันและจาระบีเปื้อน มือจับและบริเวณมือจับที่ลื่นจะทำให้ไม่สามารถจับและควบคุมเครื่องมือได้อย่างปลอดภัยในสถานการณ์ที่ไม่คาดคิด
- ขณะใช้งานเครื่องมือ อย่าสวมใส่ถุงมือผ้าที่อาจเข้าไปติดในเครื่องมือได้ หากถุงมือผ้าเข้าไปติดในชิ้นส่วนที่กำลังเคลื่อนที่อยู่อาจทำให้ได้รับบาดเจ็บ

การใช้งานและดูแลเครื่องมือที่ใช้แบตเตอรี่

- ชาร์จไฟใหม่ด้วยเครื่องชาร์จที่ระบุโดยผู้ผลิตเท่านั้น เครื่องชาร์จที่เหมาะสมสำหรับชุดแบตเตอรี่ประเภทหนึ่ง อาจเสี่ยงที่จะเกิดไฟไหม้หากนำไปใช้กับชุดแบตเตอรี่อีกประเภทหนึ่ง
- ใช้เครื่องมือไฟฟ้ากับชุดแบตเตอรี่ที่กำหนดมาโดยเฉพาะเท่านั้น การใช้ชุดแบตเตอรี่ประเภทอื่นอาจทำให้เสี่ยงที่จะได้รับบาดเจ็บและเกิดไฟไหม้
- เมื่อไม่ใช้งานชุดแบตเตอรี่ ให้เก็บห่างจากรถที่เป็นโลหะอื่น ๆ เช่น คลิปหนีบกระดาษ เหรียญ กุญแจ กรรไกรตัดเล็บ สกรู หรือวัตถุที่เป็นโลหะขนาดเล็กอื่น ๆ ที่สามารถเชื่อมต่อชั่วคราวกับอีกขั้วหนึ่งได้ การลัดวงจรขั้วแบตเตอรี่อาจทำให้ร้อนจัดหรือเกิดไฟไหม้
- ในกรณีที่ใช้งานไม่ถูกต้อง อาจมีของเหลวไหลออกจากแบตเตอรี่ ให้หลีกเลี่ยงการสัมผัส หากสัมผัสโดนของเหลวโดยไม่ตั้งใจ ให้ล้างออกด้วยน้ำ หากของเหลวกระเด็นเข้าตา ให้รีบไปพบแพทย์ ของเหลวที่ไหลออกจากแบตเตอรี่อาจทำให้ผิวหนังระคายเคืองหรือไหม้

- ห้ามใช้ชุดแบตเตอรี่หรือเครื่องมือที่ชาร์จหรือมีการแก้ไข แบตเตอรี่ที่เสียหายหรือมีการแก้ไขอาจทำให้เกิดสิ่งที่ไม่ดีได้ เช่น ไฟไหม้ ระเบิด หรือเสี่ยงต่อการบาดเจ็บ
- ห้ามให้ชุดแบตเตอรี่อยู่ใกล้ไฟ หรือบริเวณที่มีอุณหภูมิสูงเกิน หากโดนไฟ หรืออุณหภูมิสูงเกิน 130 °C อาจก่อให้เกิดการระเบิดได้
- กรุณาปฏิบัติตามคำแนะนำสำหรับชาร์จไฟ และห้ามชาร์จแบตเตอรี่หรือเครื่องมือในบริเวณที่มีอุณหภูมินอกเหนือไปจากที่ระบุในคำแนะนำ การชาร์จไฟที่ไม่เหมาะสม หรืออุณหภูมินอกเหนือไปจากช่วงอุณหภูมิที่ระบุในคำแนะนำอาจทำให้แบตเตอรี่เสียหายและเป็นการเพิ่มความเสี่ยงในการเกิดไฟไหม้

การซ่อมบำรุง

- นำเครื่องมือไฟฟ้าเข้ารับบริการจากช่างซ่อมที่ผ่านการรับรองโดยช่างซ่อมแบบเดียวกันเท่านั้น เพราะจะทำให้การใช้เครื่องมือไฟฟ้ามีความปลอดภัย
- ห้ามใช้ชุดแบตเตอรี่ที่เสียหาย ชุดแบตเตอรี่ที่ใช้ควรเป็นชุดที่มาจากผู้ผลิต หรือผู้ให้บริการที่ได้รับอนุญาตเท่านั้น
- ปฏิบัติตามคำแนะนำในการหล่อลื่นและการเปลี่ยนอุปกรณ์เสริม

คำเตือนด้านความปลอดภัยของเครื่องตัดแต่งพุ่มไม้สูงไร้สาย

คำเตือนด้านความปลอดภัยของเครื่องตัดแต่งพุ่มไม้ไร้สาย:

- อย่าใช้เครื่องตัดแต่งพุ่มไม้ในสภาพอากาศที่ไม่ดี โดยเฉพาะเมื่อมีความเสี่ยงที่จะเกิดฟ้าผ่า ซึ่งจะเพิ่มความเสี่ยงในการถูกฟ้าผ่า
- ให้สายไฟและสายเคเบิลทุกเส้นอยู่ห่างจากพื้นที่ตัดสายไฟและสายเคเบิลอาจซ่อนอยู่ในแนวต้นไม้เตี้ยหรือพุ่มไม้และอาจถูกใบมีดตัดขาดโดยไม่ตั้งใจได้
- สวมอุปกรณ์ป้องกันใบหู สวมอุปกรณ์ป้องกันที่เหมาะสมจะช่วยลดความเสี่ยงต่อการสูญเสียการได้ยิน
- ถือเครื่องตัดแต่งพุ่มไม้โดยจับพื้นผิวส่วนที่ห่อหุ้มด้วยฉนวนไฟฟ้าเท่านั้น เนื่องจากใบเลื่อยอาจสัมผัสกับสายไฟที่ซ่อนอยู่ ใบเลื่อยที่สัมผัสกับสายไฟที่ “มีกระแสไฟฟ้าไหลผ่าน” อาจทำให้ส่วนที่เป็นโลหะของเครื่องตัดแต่งพุ่มไม้ที่ไม่มีฉนวนหุ้ม “มีกระแสไฟฟ้าไหลผ่าน” และทำให้ผู้ปฏิบัติงานถูกไฟฟ้าช็อตได้

- ดูแลให้ทุกส่วนของร่างกายอยู่ห่างจากใบเลื่อย อย่างนำวัสดุที่ตัดแล้วออกหรือจับวัสดุเพื่อทำการตัดในขณะที่ใบเลื่อยกำลังทำงานอยู่ ใบเลื่อยจะยังคงเคลื่อนไหวต่อไปแม้ว่าจะปิดสวิทช์แล้วก็ตาม ช่วงขณะที่ขาดความระมัดระวังในขณะที่ใช้งานเครื่องตัดแต่งพุ่มไม้อาจส่งผลให้ได้รับบาดเจ็บสาหัสได้
- เมื่อต้องการกำจัดสิ่งกีดขวางหรือทำการบำรุงรักษาเครื่องตัดแต่งพุ่มไม้ ให้ตรวจสอบว่าได้ปิดสวิทช์ไฟทุกอันและถอดหรือตัดการเชื่อมต่อชุดแบตเตอรี่ออกแล้ว การที่เครื่องตัดแต่งพุ่มไม้ทำงานขึ้นมาโดยไม่คาดคิดขณะที่กำลังกำจัดสิ่งกีดขวางหรือทำการบำรุงรักษาเครื่องมืออาจทำให้เกิดการบาดเจ็บร้ายแรงได้
- ถือเครื่องตัดแต่งพุ่มไม้โดยจับที่มีฉับ ใบเลื่อยหยุดนิ่งแล้ว และระวังอย่าใช้งานสวิทช์ไฟใดๆ การถือเครื่องตัดแต่งพุ่มไม้ไม่เหมาะสมจะช่วยลดความเสี่ยงในการสทาร์ทเครื่องโดยไม่ตั้งใจและการบาดเจ็บจากใบเลื่อยที่เกิดขึ้นหลังจากนั้นได้
- ขณะเคลื่อนย้ายหรือจัดเก็บเครื่องตัดแต่งพุ่มไม้ ให้ใช้ฝากรอบใบเลื่อยเสมอ การจัดการเครื่องตัดแต่งพุ่มไม้ไม่เหมาะสมจะช่วยลดความเสี่ยงในการบาดเจ็บจากใบเลื่อยได้

คำเตือนด้านความปลอดภัยของเครื่องตัดแต่งพุ่มไม้สูงไร้สาย:

- ใช้ที่ป้องกันศีรษะเสมอเมื่อใช้งานเครื่องตัดแต่งพุ่มไม้สูงเหนือศีรษะ เศษต่างๆ ที่ร่วงหล่นลงมาอาจทำให้ได้รับบาดเจ็บสาหัสได้
- ใช้มือสองข้างเสมอเมื่อใช้งานเครื่องตัดแต่งพุ่มไม้สูงถือเครื่องตัดแต่งพุ่มไม้สูงด้วยมือทั้งสองข้างเพื่อหลีกเลี่ยงการสูญเสียการควบคุม
- เพื่อลดความเสี่ยงจากการเสียชีวิตจากฟ้าผ่า ห้ามใช้เครื่องตัดแต่งพุ่มไม้สูงใกล้กับสายไฟฟ้าใดๆ การสัมผัสหรือใช้เครื่องมือใกล้กับสายไฟฟ้าอาจทำให้ได้รับบาดเจ็บสาหัสหรือไฟฟ้าช็อตจนถึงแก่ชีวิตได้
- ห้ามให้เด็กหรือเยาวชนอายุต่ำกว่า 18 ปีใช้งานเครื่องตัดแต่งพุ่มไม้ โดยอายุเกินข้อจำกัดนี้ให้แก่เยาวชนที่มีอายุเกิน 16 ปีหากเยาวชนดังกล่าวได้ผ่านการฝึกอบรมภายใต้การควบคุมดูแลของผู้เชี่ยวชาญแล้ว
- ในกรณีฉุกเฉิน ให้ปิดสวิทช์เครื่องมือและถอดแบตเตอรี่หรือถอดออกทันที
- อันตราย - อย่างนำมือเข้าไปใกล้ใบเลื่อย การสัมผัสกับใบเลื่อยอาจทำให้ได้รับบาดเจ็บสาหัสได้
- ใช้งานเมื่อเครื่องมือติดตั้งมีฉับและที่ป้องกันอย่างเหมาะสมเท่านั้น การใช้งานเครื่องมือโดยไม่มีมีฉับและที่ป้องกันที่เหมาะสมติดอยู่อาจทำให้เกิดการบาดเจ็บร้ายแรงได้
- ผู้ที่ใช้งานอุปกรณ์เป็นครั้งแรกควรให้ผู้ใช้งานที่มีประสบการณ์แสดงวิธีใช้งานเครื่องมือให้ดู
- ก่อนทำงาน ให้ตรวจสอบรีวลวด ก้อนหิน หรือวัตถุที่แข็งอื่นๆ บริเวณพื้นที่ทำงาน เนื่องจากอาจทำให้ใบเลื่อยเสียหายได้
- ใช้เครื่องตัดแต่งพุ่มไม้เมื่อมีสภาพร่างกายสมบูรณ์เท่านั้น หากรู้สึกเหนื่อย สามารถลดลง โปรดใช้ความระมัดระวังเป็นพิเศษในช่วงท้ายของวันทำงาน ทำงานอย่างใจเย็นและใช้ความระมัดระวังทุกครั้ง ผู้ใช้ต้องรับผิดชอบต่อความเสียหายทั้งหมดที่เกิดขึ้นต่อบุคคลที่สาม
- ก่อนเริ่มทำงาน ให้ตรวจสอบเพื่อให้แน่ใจว่าเครื่องตัดแต่งสามารถทำงานได้อย่างดีและปลอดภัย ตรวจสอบให้แน่ใจว่าได้ติดตั้งที่ป้องกันแล้วอย่างเหมาะสม ห้ามใช้งานเครื่องตัดแต่งพุ่มไม้ที่ไม่ได้ประกอบอย่างสมบูรณ์
- หลีกเลี่ยงสภาพแวดล้อมที่อันตราย อย่านำเครื่องมือในสถานที่ที่เปียกหรือชื้น หรือให้เครื่องมือโดนน้ำฝน น้ำที่ไหลเข้าไปในเครื่องมือจะเพิ่มความเสี่ยงของการเกิดไฟฟ้าช็อต

อุปกรณ์ป้องกันส่วนบุคคล

คำเตือนด้านความปลอดภัยเพิ่มเติม

การเตรียมความพร้อม

- เครื่องตัดแต่งพุ่มไม้ไม่อาจก่อให้เกิดการบาดเจ็บร้ายแรงได้ อ่านคำแนะนำอย่างละเอียดเพื่อดูการจัดการเตรียมการ การบำรุงรักษา การเริ่ม และการหยุดการทำงานของเครื่องมือที่ถูกต้อง ทำความคุ้นเคยกับการควบคุมและการใช้งานเครื่องมือทั้งหมดอย่างเหมาะสม
- ตรวจสอบว่าแนวพุ่มไม้และพุ่มไม้มีวัตถุแปลกปลอมหรือไม่ เช่น รีวลวด หรือการเดินสายไฟที่ซ่อนอยู่ ก่อนใช้งานเครื่องมือ
- ถุงมือหนักรูปทรงเป็นหนึ่งในอุปกรณ์พื้นฐานของเครื่องตัดแต่งพุ่มไม้และจะต้องใส่ทุกครั้งที่ใช้งานเครื่องตัด และสวมรองเท้าแข็งแรงที่มีพื้นกันลื่น
- สวมอุปกรณ์ป้องกันหู เช่น ที่ครอบหู เพื่อป้องกันการสูญเสียการได้ยิน
- สวมแว่นตาป้องกัน หมวกกันน็อก และถุงมือป้องกันเพื่อป้องกันตัวเองจากเศษวัสดุกระเด็นหรือวัตถุที่ตกลงมา
- เมื่อสัมผัสใบเลื่อยหรือทำการปรับมุมใบเลื่อย ให้สวมถุงมือป้องกัน ใบเลื่อยอาจบาดเจ็บปล่างขนาดเจ็บสาหัส

การใช้งาน

- ใช้งานเครื่องมือที่ติดตั้งตามจับสองอันด้วยทั้งสองมือเสมอ การใช้มือข้างเดียวอาจทำให้สูญเสียการควบคุมและส่งผลให้ได้รับบาดเจ็บสาหัสได้
- ขณะใช้งานเครื่องมือ ตรวจสอบว่าตำแหน่งการทำงานมีความปลอดภัยและมั่นคง การเอื้อมตัดด้วยเครื่องมือ โดยเฉพาะการเอื้อมจากบันไดถือเป็นการกระทำที่อันตรายมาก อย่าทำงานโดยยืนอยู่บนสิ่งที่ยกแยกไปมาได้หรือไม่มั่นคง
- อย่าสวมเข็มขัดและ/หรือสายสะพายไหล่พร้อมกันหลายเส้นขณะใช้งานเครื่องมือ
- ในระหว่างการใช้งาน ดูแลให้ผู้ที่อยู่ใกล้เคียงหรือสัตว์อยู่ห่างจากเครื่องมืออย่างน้อย 15 m หยุดใช้เครื่องมือทันทีที่มีผู้เข้ามาใกล้
- หากเครื่องมือติดชนกับวัตถุใดๆ หรือเครื่องมือเริ่มเกิดเสียงหรือสั่นสะเทือนผิดปกติ ให้ปิดสวิทช์เครื่องมือและถอดด้ามแบตเตอรี่ออกทันทีและปล่อยให้เครื่องมือหยุด แล้วทำตามขั้นตอนดังต่อไปนี้:
 - สืบหาสาเหตุ
 - ตรวจสอบชิ้นส่วนที่หลวมและขันให้แน่น
 - เปลี่ยนหรือซ่อมแซมชิ้นส่วนที่เสียหายด้วยอะไหล่ของแท้
- ใช้เครื่องมือตามวัตถุประสงค์ที่ระบุไว้เท่านั้น อย่าใช้เครื่องมืออื่นเพื่อวัตถุประสงค์อื่น
- ปิดสวิทช์เครื่องมือและถอดด้ามแบตเตอรี่ก่อน
 - ทำความสะอาดหรือเมื่อกำจัดสิ่งกีดขวาง
 - ตรวจสอบ ทำการบำรุงรักษา หรือดูแลเครื่องมือ
 - ปรับตำแหน่งการทำงานของใบมีดตัด
 - ทิ้งเครื่องมือไว้โดยไม่ผู้ดูแล
- ตรวจสอบว่าเครื่องมือถูกจัดตำแหน่งไว้อย่างเหมาะสมในตำแหน่งการทำงานที่กำหนดไว้ก่อนเริ่มใช้งานเครื่องมือ
- อย่าใช้งานเครื่องมือที่มีใบมีดตัดเสียหายหรือสึกหรอเกินควร
- ตรวจสอบว่าได้ติดตั้งมือจับและที่ป้องกันทุกชิ้นเมื่อใช้งานเครื่องมือ ห้ามพยายามใช้งานเครื่องมือที่ไม่สมบูรณ์หรือติดตั้งอุปกรณ์ตัดแปลงที่ไม่ได้รับอนุญาต
- โปรดระวังรอบๆ ตัวคุณและระวังอันตรายที่อาจเกิดขึ้นอยู่รอบๆ ตัวคุณอาจไม่ตระหนักถึงเนื่องจากเสียงรบกวนจากเครื่องมือ
- ระวังอย่าสัมผัสกับรั้วโลหะหรือของแข็งอื่นๆ โดยไม่ได้ตั้งใจขณะทำงาน ใบเลื่อยจะหักและอาจทำให้เกิดการบาดเจ็บร้ายแรงได้
- หลีกเลี่ยงไม่ให้เปิดใช้งานโดยไม่ตั้งใจ อย่าถือเครื่องมือขณะที่ด้ามแบตเตอรี่ตั้งอยู่และวางนิ้วมือไว้ที่สวิทช์ ตรวจสอบว่าปิดสวิทช์แล้วขณะติดตั้งด้ามแบตเตอรี่
- อย่าจับใบมีดตัดเปล่าหรือขอบตัดขณะหยิบหรือจับเครื่องมือ
- อย่าฝืนใช้เครื่องมือ เครื่องมือจะทำงานได้ดีกว่าและมีแนวโน้มเสี่ยงต่อการบาดเจ็บน้อยกว่าในอัตราการการทำงานที่กำหนดไว้
- อย่าใช้เครื่องมือขณะฝนตกหรือในสภาพเปียกหรือมีความชื้นมาก มอเตอร์ไฟฟ้าไม่สามารถกันน้ำได้
- ถือเครื่องมือไว้ให้มั่นคงขณะใช้งาน
- อย่าใช้เครื่องมือโดยเปิดเครื่องทิ้งไว้เฉยๆ โดยไม่จำเป็น
- ก่อนตรวจสอบใบมีดตัด แก๊วไขความบกพร่อง หรือนำสิ่งแปลกปลอมที่ติดอยู่ในใบมีดตัดออก ให้ปิดสวิทช์เครื่องมือและถอดด้ามแบตเตอรี่ออก
- ห้ามหันใบเลื่อยตัดเข้าหาตัวเองหรือผู้อื่น
- หากใบเลื่อยหยุดหมุนเนื่องจากมีวัตถุแปลกปลอมเข้ามาติดระหว่างการทำงาน ให้ปิดสวิทช์เครื่องมือและถอดด้ามแบตเตอรี่ จากนั้นนำวัตถุแปลกปลอมออกโดยใช้เครื่องมือ เช่น คีม การนำวัตถุแปลกปลอมออกด้วยมือเปล่าอาจทำให้ได้รับบาดเจ็บ เนื่องจากใบเลื่อยอาจเคลื่อนที่ซึ่งเป็นปฏิกิริยาตอบกลับเพื่อนำวัตถุแปลกปลอมออก
- ตรวจสอบให้แน่ใจว่าไม่มีสายไฟ ท่อส่งน้ำ ท่อส่งก๊าซ และอื่นๆ ซึ่งอาจก่อให้เกิดอันตรายหากเสียหายเนื่องจากการใช้งานเครื่องมือนี้
- อย่าสัมผัสบริเวณที่เป็นโลหะหรือพื้นผิวที่ร้อนของเครื่องมือขณะใช้งานหรือทันทีที่ทำงานเสร็จ บริเวณดังกล่าวนั้นอาจมีความร้อนสูงและไหม้ผิวหนังของคุณได้ ปล่อยให้เครื่องมือให้เย็นก่อนการเริ่มดำเนินการใดๆ กับเครื่องมือ
- อย่าใช้เครื่องมือบนพื้นนุ่ม/ไม่มั่นคง/ลื่นหรือทางลาดชัน หลีกเลี่ยงการทำงานบนบันไดหรือพื้นที่สูง การทำเช่นนั้นอาจเสี่ยงต่อการพลัดตกซึ่งทำให้เกิดการบาดเจ็บได้
- อย่าใช้เครื่องมือในสภาพอากาศไม่ดีหรือตอนกลางคืน ซึ่งทัศนวิสัยจำกัด หากไม่ทำเช่นนั้น อาจทำให้หกล้มหรือทำงานได้ไม่ถูกต้องเนื่องจากทัศนวิสัยไม่ดี
- หลีกเลี่ยงการทำงานในสภาพแวดล้อมที่อาจทำให้ผู้ใช้ทำงานเหนื่อยล้ามากขึ้น
- อย่าจุ่มเครื่องมือลงในแอ่งน้ำ
- อย่าวางเครื่องมือทิ้งไว้นอกอาคารกลางฝน

29. เมื่อไปไม่เปียกหรือเศษสิ่งสกปรกติดอยู่กับปากดูด (ช่องระบายอากาศ) เนื่องจากฝน ให้เอาออก
30. อย่าใช้เครื่องมือท่ามกลางหิมะ

ความปลอดภัยทางไฟฟ้าและแบตเตอรี่

1. อย่างทั้งแบตเตอรี่ในกองไฟ เซลล์แบตเตอรี่อาจระเบิดได้ ตรวจสอบหลักเกณฑ์ในท้องถิ่นเพื่อค้นหาคำแนะนำในการกำจัดที่อาจต้องทำเป็นพิเศษ
2. อย่าแกะหรือทำลายแบตเตอรี่ สารละลายอิเล็กโทรไลต์ที่รั่วออกมามีฤทธิ์กัดกร่อนและสามารถทำให้เกิดอันตรายต่อดวงตาหรือผิวหนัง อาจเป็นพิษได้หากกลืนลงไป
3. อย่าชาร์จแบตเตอรี่กลางฝนหรือในสถานที่ที่เปียก
4. ห้ามชาร์จไฟนอกบ้าน หรือกลางแจ้ง
5. ห้ามจับอุปกรณ์ชาร์จรวมถึงปลั๊กเครื่องชาร์จและขั้วอุปกรณ์ชาร์จด้วยมือที่เปียก
6. อย่าเปลี่ยนแบตเตอรี่ด้วยมือที่เปียก
7. อย่าเปลี่ยนแบตเตอรี่กลางฝน
8. อย่าให้ขั้วแบตเตอรี่เปียกของเหลว เช่น น้ำ หรืออย่าให้แบตเตอรี่แช่ในน้ำ อย่าทิ้งแบตเตอรี่ไว้กลางฝนและไม่ชาร์จ ใช้ หรือเก็บแบตเตอรี่ในสถานที่ที่ชื้นหรือเปียก หากขั้วเปียกหรือของเหลวเข้าไปด้านในแบตเตอรี่ แบตเตอรี่อาจลัดวงจร และมีความเสี่ยงที่จะเกิดความร้อนสูง ไฟไหม้ หรือระเบิดได้
9. หลังถอดแบตเตอรี่ออกจากเครื่องมือหรือเครื่องชาร์จ ตรวจสอบให้แน่ใจว่าได้ติดตั้งฝาครอบแบตเตอรี่เข้ากับแบตเตอรี่และเก็บไว้ในที่แห้งแล้ว
10. หากดลั้มแบตเตอรี่เปียก ให้ระบายน้ำภายในออกแล้วเช็ดด้วยผ้าแห้ง ปล่อยให้ดลั้มแบตเตอรี่แห้งสนิทในที่แห้งก่อนใช้งาน

การบำรุงรักษาและการเก็บรักษา

1. เมื่อหยุดเครื่องมือเพื่อทำการบำรุงรักษา ตรวจสอบหรือเก็บรักษา ให้ปิดสวิตช์เครื่องมือและถอดดลั้มแบตเตอรี่ออก และตรวจสอบว่าชิ้นส่วนเคลื่อนไหวกังหมดหยุดนิ่งแล้ว ปล่อยให้เครื่องมือไว้ให้เย็นลงก่อนทำการตรวจสอบ ปรับแต่ง และอื่นๆ
2. ปล่อยให้เครื่องมือไว้ให้เย็นลงก่อนทำการจัดเก็บเสมอ
3. เมื่อไม่ใช้งาน ให้ติดฝาครอบใบมีดไว้กับเครื่องมือและจัดเก็บเครื่องมือไว้ในที่ร่มที่แห้งและบนที่สูงที่มีการปิดล็อก โดยให้พ้นจากมือเด็ก

4. ดูแลรักษาเครื่องมือด้วยความใส่ใจ รักษาปลายตัดให้คมและสะอาดอยู่เสมอเพื่อประสิทธิภาพการทำงานที่ดีที่สุดและเพื่อลดความเสี่ยงในการเกิดการบาดเจ็บ ปฏิบัติตามคำแนะนำในการหล่อลื่นและการเปลี่ยนอุปกรณ์เสริม ดูแลมือจับให้แห้ง สะอาด และไม่มีน้ำมันและจาระบีเปื้อน
5. ตรวจสอบส่วนที่เสียหาย ก่อนใช้งานเครื่องมือ ต้องตรวจสอบชิ้นส่วนที่เสียหายอย่างละเอียด เพื่อพิจารณาว่าสามารถใช้งานเครื่องมือได้อย่างเหมาะสมตามจุดประสงค์การใช้งานหรือไม่ ตรวจสอบการวางแนวของชิ้นส่วนเคลื่อนที่ การติดตั้งของชิ้นส่วนเคลื่อนที่ ความเสียหายของชิ้นส่วน การติดตั้ง และสภาพอื่นๆ ที่อาจส่งผลต่อการทำงานของเครื่อง ควรซ่อมแซมหรือเปลี่ยนแปลงอุปกรณ์ป้องกันหรือส่วนอื่นๆ ที่เสียหายโดยศูนย์บริการที่ได้รับอนุญาตของเรา
6. ใช้อะไหล่ของแท้เท่านั้น
7. ขณะย้ายเครื่องมือไปที่อื่น รวมถึงในระหว่างทำงาน ให้ถอดดลั้มแบตเตอรี่ออกและใส่ฝาครอบใบเลื่อยบนใบมีดติดตั้งเสมอ ห้ามถือหรือขนย้ายเครื่องมือโดยที่ใบมีดกำลังทำงานอยู่ ห้ามจับใบมีดด้วยมือเด็ดขาด
8. ทำความสะอาดเครื่องมือและโดยเฉพาะใบมีดหลังใช้งาน และก่อนเก็บเครื่องมือเป็นระยะเวลานาน ทาน้ำมันบางๆ บนใบมีดหัวตัดและใส่ฝาครอบใบมีด
9. อยาล้างเครื่องมือด้วยน้ำแรงดันสูง
10. เมื่อล้างทำความสะอาดเครื่องมือ อยาล้างน้ำเข้าไปด้านในกลไกไฟฟ้า เช่น แบตเตอรี่ มอเตอร์ และขั้วต่อต่างๆ

11. ทำการตรวจสอบหรือบำรุงรักษาในสถานที่ที่สามารถหลีกเลี่ยงฝนได้
12. หลังจากใช้เครื่องมือแล้ว ให้ทำความสะอาดสิ่งสกปรกที่ติดอยู่ออก และปล่อยให้เครื่องมือแห้งสนิทก่อนนำไปจัดเก็บ มีความเสี่ยงที่เครื่องจะทำงานผิดปกติเนื่องจากการเป็นน้ำแข็ง โดยขึ้นอยู่กับฤดูกาลหรือพื้นที่
13. เมื่อจัดเก็บเครื่องมือ ให้หลีกเลี่ยงแสงแดดโดยตรงและฝน และจัดเก็บเครื่องมือไว้ในที่ที่จะไม่เกิดความร้อนหรือความชื้น

ปฏิบัติตามคำแนะนำเหล่านี้

คำเตือน: อย่าให้ความไม่ระมัดระวังหรือความคุ้นเคยกับผลิตภัณฑ์ (จากการใช้งานซ้ำหลายครั้ง) อยู่เหนือการปฏิบัติตามกฎเกณฑ์ด้านความปลอดภัยในการใช้งานผลิตภัณฑ์อย่างเคร่งครัด การใช้งานอย่างไม่เหมาะสมหรือการไม่ปฏิบัติตามกฎเกณฑ์ด้านความปลอดภัยในคู่มือการใช้งานนี้อาจทำให้ได้รับบาดเจ็บร้ายแรง

คำแนะนำเพื่อความปลอดภัยที่สำคัญสำหรับดัลล์แบตเตอรี่

- ก่อนใช้งานดัลล์แบตเตอรี่ให้อ่านคำแนะนำและเครื่องหมายเตือนทั้งหมดบน (1) เครื่องชาร์จแบตเตอรี่ (2) แบตเตอรี่ และ (3) ตัวผลิตภัณฑ์ที่ใช้แบตเตอรี่
- อย่าถอดแยกชิ้นส่วนหรือทำการดัดแปลงดัลล์แบตเตอรี่ เนื่องจากอาจทำให้เกิดไฟไหม้ ความร้อนที่สูงเกินไป หรือระเบิดได้
- หากระยะเวลาที่เครื่องทำงานสั้นเกินไป ให้หยุดใช้งานทันที เนื่องจากอาจมีความเสี่ยงที่จะร้อนจัดไหม้หรือระเบิดได้
- หากสารละลายอิเล็กโทรไลต์กระเด็นเข้าตา ให้ล้างออกด้วยน้ำเปล่าและรีบไปพบแพทย์ทันที เนื่องจากอาจทำให้ตาบอด
- ห้ามลัดวงจรดัลล์แบตเตอรี่:
 - ห้ามแตะขั้วกับวัตถุที่เป็นสื่อนำไฟฟ้าใดๆ
 - หลีกเลี่ยงการเก็บดัลล์แบตเตอรี่ไว้ในภาชนะร่วมกับวัตถุที่เป็นโลหะ เช่น กรรไกรตัดเล็บ เหรียญ ฯลฯ
 - อย่าให้ดัลล์แบตเตอรี่ถูกน้ำหรือฝน แบตเตอรี่ลัดวงจรอาจทำให้เกิดการไหลของกระแสไฟฟ้า ร้อนจัดไหม้หรือเสียหายได้
- ห้ามเก็บและใช้เครื่องมือและดัลล์แบตเตอรี่ไว้ในสถานที่ที่มีอุณหภูมิสูงถึงหรือเกิน 50 °C (122 °F)
- ห้ามเผาดัลล์แบตเตอรี่ทิ้ง แม้ว่าแบตเตอรี่จะเสียหายจนใช้การไม่ได้หรือเสื่อมสภาพแล้ว ดัลล์แบตเตอรี่อาจจะระเบิดในกองไฟ
- อย่าดองตะปู ตัด บด ขั้ว หรือทำดัลล์แบตเตอรี่หล่นพื้น หรือกระแทกดัลล์แบตเตอรี่กับวัตถุของแข็ง การกระทำดังกล่าวอาจส่งผลให้เกิดไฟไหม้ ความร้อนที่สูงเกินไป หรือระเบิดได้
- ห้ามใช้แบตเตอรี่ที่เสียหาย

- แบตเตอรี่ลิเทียมไอออนที่มีมาให้เป็นไปตามข้อกำหนดของ Dangerous Goods Legislation สำหรับการขนส่งเพื่อการพาณิชย์ เช่น โดยบุคคลที่สาม ตัวแทนขนส่งสินค้า จะต้องตรวจสอบข้อกำหนดพิเศษในด้านการบรรจุหีบห่อหรือการติดป้ายสินค้าในการเตรียมสินค้าที่จะขนส่ง ให้บริษัทผู้เชี่ยวชาญด้านวัตถุอันตราย โปรดตรวจสอบข้อกำหนดในประเทศที่อาจมีรายละเอียดอื่น ๆ เพิ่มเติม ให้ติดเทปหรือปิดหน้าสัมผัสและห่อแบตเตอรี่ในลักษณะที่แบตเตอรี่จะไม่เคลื่อนที่ไปมาในหีบห่อ
- เมื่อกำจัดดัลล์แบตเตอรี่ ให้ถอดดัลล์แบตเตอรี่ออกจากเครื่องมือและกำจัดในสถานที่ที่ปลอดภัย ปฏิบัติตามข้อบังคับในท้องถิ่นที่เกี่ยวกับการกำจัดแบตเตอรี่
- ใช้แบตเตอรี่กับผลิตภัณฑ์ที่ระบุโดย Makita เท่านั้น การติดตั้งแบตเตอรี่ในผลิตภัณฑ์ที่ไม่ใช่ตามที่ระบุอาจทำให้เกิดไฟไหม้ ความร้อนสูง ระเบิด หรืออิเล็กทรอนิกส์ตัวรับโหลดได้
- หากไม่ใช่เครื่องมือเป็นระยะเวลานาน จะต้องถอดแบตเตอรี่ออกจากเครื่องมือ
- ในระหว่างและหลังการใช้งาน ดัลล์แบตเตอรี่อาจร้อนซึ่งอาจลวกผิวหรือทำให้ผิวไหม้ที่อุณหภูมิต่ำได้ โปรดระมัดระวังในการจัดการกับแบตเตอรี่ที่ร้อน
- อย่าสัมผัสขั้วของเครื่องมือทันทีหลังจากการใช้งาน เนื่องจากอาจมีความร้อนพอที่จะทำให้ผิวไหม้ได้
- อย่าปล่อยให้เศษวัสดุ ฝุ่นผง หรือดินเข้าไปติดอยู่ในขั้ว รู และร่องของดัลล์แบตเตอรี่ เนื่องจากอาจทำให้เกิดความร้อน ไฟไหม้ ระเบิด และทำให้เครื่องมือหรือดัลล์แบตเตอรี่ทำงานผิดปกติ ส่งผลให้โดนลวกหรือเกิดการบาดเจ็บได้
- หากเครื่องมือไม่รองรับสายไฟแรงดันสูง อย่าใช้ดัลล์แบตเตอรี่ใกล้กับสายไฟแรงดันสูง เนื่องจากเครื่องมือหรือดัลล์แบตเตอรี่อาจทำงานผิดปกติหรือเสียหายได้
- เก็บแบตเตอรี่ให้ห่างจากเด็ก

ปฏิบัติตามคำแนะนำเหล่านี้

คำเตือน: ใช้แบตเตอรี่ของแท้จาก Makita เท่านั้น การใช้แบตเตอรี่ Makita ที่ไม่แท้ หรือแบตเตอรี่ที่ถูกเปลี่ยน อาจทำให้แบตเตอรี่ระเบิด ก่อให้เกิดเพลิงลุกไหม้ การบาดเจ็บ และความเสียหายได้ และจะทำให้การรับประกันของ Makita สำหรับเครื่องมือและแท่นชาร์จของ Makita เป็นโมฆะด้วย

เคล็ดลับในการรักษาอายุการใช้งาน

ของแบตเตอรี่ให้ยาวนานที่สุด

1. ชาร์จตลับแบตเตอรี่ก่อนที่ไฟจะหมด หยุดการใช้งานแล้วชาร์จประจุไฟฟ้าใหม่ทุกครั้งเมื่อคุณรู้สึกว่าคุณปรารถนามีกำลังลดลง
2. อย่าชาร์จตลับแบตเตอรี่ที่มีไฟเต็มแล้ว การชาร์จประจุไฟฟ้ามากเกินไปอาจจะทำให้อายุการใช้งานของตลับแบตเตอรี่สั้นลง

3. ชาร์จประจุไฟฟ้าตลับแบตเตอรี่ในห้องที่มีอุณหภูมิระหว่าง 10 °C - 40 °C ปล่อยให้ตลับแบตเตอรี่เย็นลงก่อนที่จะชาร์จไฟ
4. เมื่อไม่ใช้ตลับแบตเตอรี่ ให้ถอดออกจากเครื่องมือหรือเครื่องชาร์จ
5. ชาร์จไฟตลับแบตเตอรี่หากคุณไม่ต้องการใช้เป็นเวลานาน (เกินกว่าหกเดือน)

คำอธิบายชิ้นส่วนต่างๆ

► หมายเลข 1

1	ส่วนหัว	2	ด้ามจับด้านหน้า	3	ที่แขวน	4	ก้านปลดล็อก
5	ตลับแบตเตอรี่	6	ด้ามจับด้านหลัง	7	ก้านสวิตช์	8	ปลอกเลื่อน
9	ใบมีดตัด	10	ตัวบ่งชี้ความเร็ว	11	ไฟเตือน	12	ปุ่มเปลี่ยนทิศทาง
13	ปุ่มไฟหลัก	-	-	-	-	-	-

คำอธิบายการทำงาน

⚠ ข้อควรระวัง: ตรวจสอบให้แน่ใจว่าได้ปิดสวิตช์เครื่องมือและถอดตลับแบตเตอรี่ออกก่อนปรับตั้งหรือตรวจสอบการทำงานของเครื่องมือ

การใส่หรือการถอดตลับแบตเตอรี่

⚠ ข้อควรระวัง: ปิดสวิตช์เครื่องมือก่อนทำการติดตั้งหรือการถอดตลับแบตเตอรี่ทุกครั้ง

⚠ ข้อควรระวัง: ถือเครื่องมือและตลับแบตเตอรี่ให้แน่นในระหว่างการติดตั้งหรือการถอดตลับแบตเตอรี่ หากไม่ถือเครื่องมือและตลับแบตเตอรี่ให้แน่น อาจทำให้ตลับแบตเตอรี่และเครื่องมือเสียหายหรือได้รับบาดเจ็บได้

การติดตั้งตลับแบตเตอรี่ ให้จัดตำแหน่งลิ้นของตลับแบตเตอรี่ให้ตรงกับร่องของเครื่อง แล้วเลื่อนเข้าที่ ใส่ตลับแบตเตอรี่เข้าจนสุดจนกระทั่งได้ยินเสียงคลิกล็อคเข้าที่ หากยังเห็นซีลสีแดงตามที่แสดงในภาพ แสดงว่าตลับแบตเตอรี่ยังไม่ล็อคเข้าที่

เมื่อต้องการถอดตลับแบตเตอรี่ ให้เลื่อนปุ่มที่ด้านหน้าของตลับแล้วดึงออกจากเครื่องมือ

► หมายเลข 2: 1. ซีลสีแดง 2. ปุ่ม 3. ตลับแบตเตอรี่

⚠ ข้อควรระวัง: ให้ดันตลับแบตเตอรี่เข้าจนสุดจนไม่เห็นซีลสีแดงอีก ไม่เช่นนั้น ตลับแบตเตอรี่อาจหลุดออกจากเครื่องมือทำให้คุณหรือคนรอบข้างได้รับบาดเจ็บ


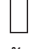



⚠ ข้อควรระวัง: อย่าฝืนติดตั้งตลับแบตเตอรี่โดยใช้แรงมากเกินไป หากตลับแบตเตอรี่ไม่เลื่อนเข้าไปโดยง่าย แสดงว่าใส่ไม่ถูกต้อง

การระบุระดับพลังงานแบตเตอรี่ที่เหลืออยู่

กดปุ่ม ตรวจสอบ บนตลับแบตเตอรี่เพื่อดูปริมาณแบตเตอรี่ที่เหลือ ไฟแสดงสถานะจะสว่างขึ้นเป็นเวลาสองสามวินาที

► หมายเลข 3: 1. ไฟแสดงสถานะ 2. ปุ่มตรวจสอบ

ไฟแสดงสถานะ			แบตเตอรี่ที่เหลือ
ไฟสว่าง	ดับ	กะพริบ	
■ ■ ■ ■	□ □ □ □	■ □ □ □	75% ถึง 100%
■ ■ ■ □	■ □ □ □	■ □ □ □	50% ถึง 75%
■ ■ □ □	■ □ □ □	■ □ □ □	25% ถึง 50%
■ □ □ □	■ □ □ □	■ □ □ □	0% ถึง 25%
■ □ □ □	■ □ □ □	■ □ □ □	ชาร์จไฟแบตเตอรี่

ไฟแสดงสถานะ			แบตเตอรี่ที่
			เหลือ
  ↑ ↓			แบตเตอรี่อาจ จะเสีย


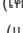
หมายเหตุ: ขึ้นอยู่กับสภาพการใช้งานและอุณหภูมิ โดยรอบ การแสดงสถานะอาจจะแตกต่างจากปริมาณแบตเตอรี่จริงเล็กน้อย

หมายเหตุ: ไฟแสดงสถานะดวงแรก (ซ้ายสุด) จะกะพริบเมื่อระบบป้องกันแบตเตอรี่ทำงาน

ระบบป้องกันเครื่องมือ/แบตเตอรี่

เครื่องมือนี้มียระบบป้องกันเครื่องมือ/แบตเตอรี่ ระบบนี้จะตัดไฟที่ส่งไปยังมอเตอร์โดยอัตโนมัติเพื่อยืดอายุการใช้งานเครื่องมือและแบตเตอรี่ เครื่องมือจะหยุดทำงานระหว่างการใช้งานโดยอัตโนมัติ หากเครื่องมือหรือแบตเตอรี่อยู่ภายใต้สถานการณ์ต่อไปนี้:

- ▶ **หมายเลข 4:** 1. ไฟเตือน

ไฟเตือน			สถานะ
สี	 สว่าง	 กะพริบ	
สีเขียว			ทำงานหนักเกินไป
สีแดง	 (เครื่องมือ) /  (แบตเตอรี่)		ความร้อนสูงเกินไป
สีแดง			พลังงานแบตเตอรี่รั่วไหล

ข้อสังเกต: เครื่องมือจะหยุดทำงานอัตโนมัติโดยไม่มีสัญญาณเตือนโดยขึ้นอยู่กับสภาพการใช้งาน หากกึ่งไม้หรือเศษต่างๆ เข้าไปติดในเครื่องมือ ในกรณีนี้ ให้ปิดสวิตช์เครื่องมือและถอดแบตเตอรี่ออก จากนั้นนำกึ่งไม้หรือเศษอื่นๆ ออกโดยใช้เครื่องมือ เช่น คีม หลังจากนำกึ่งไม้หรือเศษอื่นๆ ออกแล้ว ให้ใส่ด้ามแบตเตอรี่แล้วเปิดเครื่องมืออีกครั้ง

การป้องกันโอเวอร์โหลด

หากเครื่องมือหรือแบตเตอรี่ทำงานหนักเกินไปเนื่องจากมีกึ่งไม้หรือเศษอื่นๆ เข้าไปติด เครื่องมือจะหยุดทำงานโดยอัตโนมัติและไฟเตือนจะเริ่มกะพริบเป็นสีเขียว

ในกรณีนี้ ให้ปิดเครื่องมือและหยุดการใช้งานในลักษณะที่อาจทำให้เครื่องมือทำงานหนักเกินไป แล้วเปิดเครื่องมือเพื่อเริ่มทำงานอีกครั้ง

การป้องกันความร้อนสูงเกินไปสำหรับเครื่องมือหรือแบตเตอรี่

หากเครื่องมือหรือด้ามแบตเตอรี่เกิดความร้อนสูงเกินไป เครื่องมือจะหยุดทำงานโดยอัตโนมัติ เมื่อเครื่องมือเกิดความร้อนสูงเกินไป ไฟเตือนจะสว่างเป็นสีแดง เมื่อด้ามแบตเตอรี่เกิดความร้อนสูงเกินไป ไฟเตือนจะกะพริบเป็นสีแดง ปล่อยให้เครื่องมือและ/หรือแบตเตอรี่เย็นลงก่อนที่จะเปิดเครื่องมืออีกครั้ง

การป้องกันไฟหมด

เมื่อความจุแบตเตอรี่เหลือน้อย เครื่องมือจะหยุดทำงานโดยอัตโนมัติและไฟเตือนจะเริ่มกะพริบเป็นสีแดง หากเครื่องมือไม่ทำงานแม้ว่าจะกดสวิตช์แล้ว ให้ถอดด้ามแบตเตอรี่ออกจากเครื่องมือแล้วนำไปชาร์จ

การป้องกันจากสาเหตุอื่นๆ

ระบบป้องกันได้รับการออกแบบมาเพื่อสาเหตุอื่นๆ ที่อาจสร้างความเสียหายต่อเครื่องมือและทำให้เครื่องมือหยุดทำงานโดยอัตโนมัติ ดำเนินการตามขั้นตอนดังต่อไปนี้ทุกขั้นตอนเพื่อกำจัดสาเหตุออกไป เมื่อเครื่องมือหยุดทำงานชั่วคราวหรือหยุดทำงาน

1. ปิดเครื่องมือ แล้วเปิดใหม่เพื่อเริ่มใช้งานอีกครั้ง
2. ชาร์จหรือเปลี่ยนแบตเตอรี่โดยนำแบตเตอรี่ที่ชาร์จแล้วมาใช้แทน
3. ทิ้งให้เครื่องจักรและแบตเตอรี่เย็นลง

หากอาการไม่ดีขึ้นเมื่อเปิดระบบป้องกันอีกครั้ง ให้ติดต่อศูนย์บริการ Makita ใกล้บ้านคุณ

การทำงานของสวิตช์ไฟ

คำเตือน: เพื่อความปลอดภัยของคุณ เครื่องมือนี้มีส่วนปลดล็อกติดตั้งมาด้วยซึ่งจะช่วยป้องกันไม่ให้เครื่องมือเริ่มทำงานโดยไม่ได้ตั้งใจ ห้ามใช้เครื่องมือหากเครื่องมือสามารถทำงานได้เมื่อคุณดึงก้านสวิตช์ทำงานโดยไม่ได้กดก้านปลดล็อก นำเครื่องมือส่งศูนย์บริการที่ได้รับการรับรองของเราเพื่อทำการซ่อมแซมก่อนการใช้งาน

คำเตือน: ห้ามพันเทปหรือขัดขวางการทำงานของก้านปลดล็อก

⚠️ ข้อควรระวัง: ก่อนติดตั้งตัวปรับความเร็วเครื่องมือ ให้ตรวจสอบเสมอเพื่อดูว่าก้านสวิตช์ทำงานได้อย่างเหมาะสมและกลับไปตำแหน่ง "ปิด" เมื่อปล่อย การใช้งานเครื่องมือที่สวิตช์ทำงานได้อย่างไม่ถูกต้องอาจนำไปสู่การสูญเสียการควบคุมและทำให้ได้รับบาดเจ็บสาหัสได้

⚠️ ข้อควรระวัง: ห้ามวางนิ้วมือนบนสวิตช์ขณะถือ เครื่องมืออาจเริ่มทำงานโดยไม่ตั้งใจและทำให้เกิดการบาดเจ็บได้

ข้อสังเกต: อย่าดึงก้านสวิตช์แรงๆ โดยไม่ได้กีดกั้นปลดล๊อค การทำเช่นนี้อาจทำให้สวิตช์เสียหายได้

กดที่ปุ่มไฟหลักเพื่อเปิดเครื่องมือ การปิดเครื่องมือ ให้กดปุ่มไฟหลักค้างไว้จนกระทั่งไฟบ่งชี้ความเร็วดับลง

▶ **หมายเลข 5:** 1. ปุ่มเปิดปิดหลัก 2. ไฟบ่งชี้ความเร็ว 3. ไฟเตือน

หมายเหตุ: ไฟเตือนจะกะพริบเป็นสีเขียวเมื่อก้านสวิตช์ถูกกดภายใต้สภาวะที่ไม่สามารถทำงานได้ต่อไปนี้:

- การเปิดสวิตช์ไฟหลักขณะกดก้านปลดล๊อคและก้านสวิตซ์ล่ง
- การดึงก้านสวิตซ์ที่มีก้านปลดล๊อคค้างไว้ขณะพับหัวเครื่องมือ

หมายเหตุ: เครื่องมือนี้มีฟังก์ชันการปิดแบบอัตโนมัติ สวิตซ์ไฟหลักจะดับอัตโนมัติหากไม่ได้ใช้งานเครื่องมือเป็นระยะเวลาประมาณ 5 นาที

หมายเหตุ: สามารถใช้ฟังก์ชันปิดเครื่องอัตโนมัติได้เมื่อเครื่องมือหยุดทำงานเนื่องจากการทำงานของระบบป้องกัน สวิตซ์ไฟหลักจะดับอัตโนมัติประมาณ 5 นาทีหลังจากมอเตอร์หยุดทำงานอัตโนมัติและไม่ได้ดำเนินการแก้ไขกับอุปกรณ์ป้องกันเครื่องมือ

เพื่อป้องกันก้านสวิตซ์จากการถูกกดโดยไม่ตั้งใจ จึงมีสวิตซ์ปลดล๊อคสองชั้นติดตั้งมาเพื่อความปลอดภัย การเริ่มใช้เครื่องมือ ให้ดันก้านล๊อคลงไปยังหน้าผานตำแหน่งปกติโดยใช้ส่วนของฝ่ามือ (นั่นคือ ส่วนระหว่างนิ้วหัวแม่มือและนิ้วชี้) และบีบก้านปลดล๊อคด้วยมือของคุณ จากนั้นให้กดก้านสวิตซ์ด้วยการจับก้านปลดล๊อคไว้ ปล่อยให้ก้านสวิตซ์เพื่อหยุดทำงาน

▶ **หมายเลข 6:** 1. ก้านล๊อค 2. ก้านปลดล๊อค 3. ก้านสวิตซ์

การปรับความเร็ว

คุณสามารถปรับเลือกความเร็วของเครื่องมือได้โดยการกดที่ปุ่มไฟหลัก ในแต่ละครั้งที่คุณกดปุ่มไฟหลัก ระดับความเร็วจะเปลี่ยนแปลง

▶ **หมายเลข 7:** 1. ปุ่มเปิดปิดหลัก 2. ไฟบ่งชี้ความเร็ว

ตัวบ่งชี้	โหมด	ความเร็วการชักใบเลื่อย
3	สูง	4,000 min ⁻¹
2	ปานกลาง	3,000 min ⁻¹
1	ต่ำ	2,000 min ⁻¹

หมายเหตุ: เครื่องมือจะเริ่มทำงานในโหมดเดียวกันกับการทำงานครั้งล่าสุด หากคุณถอดแบตเตอรี่ออกในขณะที่มอเตอร์ทำงานอยู่หลังจากปิดเครื่องแล้ว เครื่องมืออาจไม่เริ่มทำงานในโหมดเดียวกันกับการทำงานครั้งล่าสุด

ปุ่มเปลี่ยนทิศทางสำหรับการกำจัดสิ่งสกปรก

⚠️ คำเตือน: หากไม่สามารถนำกิ่งไม้หรือเศษอื่นๆ ที่ติดอยู่ออกมาได้ด้วยฟังก์ชันย้อนกลับ ให้ปิดสวิตซ์เครื่องมือและถอดตัวปรับความเร็วออก จากนั้นนำกิ่งไม้หรือเศษอื่นๆ ที่ติดอยู่ออกด้วยเครื่องมือ เช่น คีม การไม่ปิดสวิตซ์เครื่องมือและถอดตัวปรับความเร็วออกอาจทำให้ได้รับบาดเจ็บสาหัสเนื่องจากการเริ่มทำงานโดยไม่ตั้งใจได้ การนำกิ่งไม้หรือเศษอื่นๆ ที่ติดอยู่ออกด้วยมืออาจทำให้ได้รับบาดเจ็บ เนื่องจากใบเลื่อยตัดอาจเคลื่อนที่ด้วยปฏิกิริยาตอบโต้ในการนำสิ่งที่ติดอยู่ออก

เครื่องมือนี้มีปุ่มเปลี่ยนทิศทางเพื่อใช้เปลี่ยนทิศทาง การเคลื่อนที่ของใบเลื่อยตัด ปุ่มนี้มีไว้สำหรับการนำกิ่งไม้และเศษอื่นๆ ที่ติดอยู่ในเครื่องมือออกเท่านั้น การทำให้ใบมีดตัดเคลื่อนที่ย้อนกลับ ให้กดปุ่มเปลี่ยนทิศทางเมื่อใบมีดตัดหยุดนิ่งแล้ว จากนั้นให้ดึงก้านสวิตซ์ในขณะที่กดก้านปลดล๊อคไว้ ไฟบ่งชี้ความเร็วจะเริ่มกะพริบและใบมีดตัดจะเคลื่อนที่ในทิศทางตรงกันข้าม เมื่อทำการนำกิ่งไม้หรือเศษอื่นๆ ออก เครื่องมือจะกลับสู่ทิศทางปกติและไฟบ่งชี้ความเร็วจะหยุดกะพริบและสว่างขึ้น

▶ **หมายเลข 8:** 1. ปุ่มเปลี่ยนทิศทาง 2. ไฟบ่งชี้ความเร็ว

หมายเหตุ: หากไม่สามารถนำกิ่งไม้หรือเศษอื่นๆ ออกได้ ให้ปล่อยก้านสวิตช์และกดปุ่มเปลี่ยนทิศทาง จากนั้นให้ดึงก้านสวิตช์จนกระทั่งสิ่งที่ติดอยู่หลุดออก

หมายเหตุ: หากคุณกดปุ่มเปลี่ยนทิศทางในขณะที่ใบมีดติดกำลังหมุนอยู่ เครื่องมือจะหยุดและเตรียมพร้อมสำหรับการเคลื่อนที่แบบย้อนกลับ

การปรับมุมการตัด

⚠ ข้อควรระวัง: ตรวจสอบให้แน่ใจว่าได้ปิดสวิตช์เครื่องมือก่อนพับหรือกางหัว

⚠ ข้อควรระวัง: เมื่อพับหัวเพื่อถือเครื่องมือหรือหลังจากใช้งานเครื่องมือ ให้ติดตั้งฝาครอบใบมีดก่อนพับหัว

⚠ ข้อควรระวัง: เมื่อพับหัวเครื่องมือ ระวังอย่าบีบนิ้วระหว่างหัวกับปลอกเลื่อน

มุมของหัวสามารถปรับได้ 6 ระดับระหว่างขึ้นด้านบน 45° และลงด้านล่าง 70° การเปลี่ยนมุมของหัว ให้ปฏิบัติตามขั้นตอนด้านล่างนี้

▶ **หมายเลข 9:** 1. ดันหัวโค้งขึ้นด้านบน 2. กดหัวโค้งลงด้านล่าง

1. ถือหัวเครื่องมือและปลอกเลื่อนตามที่แสดงในภาพ

▶ **หมายเลข 10:** 1. ส่วนหัว 2. ปลอกเลื่อน

2. ปรับหัวเครื่องมือขณะกดปลอกเลื่อน จากนั้นจึงปล่อยปลอกเลื่อน

3. ปรับหัวเล็กน้อยจนกระทั่งหัวล็อกด้วยเสียงคลิก

หมายเหตุ: ตรวจสอบให้แน่ใจว่าหัวเพลากลูกเบี้ยวอย่างปลอดภัยแล้วก่อนใช้งานเครื่องมือ

ฟังก์ชันอิเล็กทรอนิกส์

อุปกรณ์ถูกติดตั้งด้วยระบบไฟฟ้าเพื่อให้ใช้งานได้ง่าย

- ระบบควบคุมความเร็วคงที่ ระบบควบคุมความเร็วช่วยให้ระบบควบคุมความเร็วคงที่ได้ไม่ว่าจะอยู่ในสภาวะการทำงานใดๆ
- เบรกไฟฟ้า เครื่องมือนี้มีเบรกไฟฟ้า หากเครื่องมือไม่สามารถหยุดใบมีดตัดได้อย่างรวดเร็วหลังจากปล่อยก้านสวิตช์ให้นำเครื่องมือไปรับการซ่อมที่ศูนย์บริการที่ผ่านการรับรองของ Makita
- ฟังก์ชันป้องกันการรีสตาร์ทโดยไม่ตั้งใจ เมื่อคุณเปิดเครื่องมือในขณะที่กดก้านสวิตช์ เครื่องมือจะไม่เริ่มทำงานและไฟเตือนจะกะพริบเป็นสีเขียว การเริ่มใช้งานเครื่องมือ ขึ้นแรกให้ปล่อยก้านสวิตช์ แล้วเปิดเครื่องมือ

การประกอบ

⚠ ข้อควรระวัง: ตรวจสอบให้แน่ใจว่าได้ปิดสวิตช์เครื่องมือและถอดปลอกแบตเตอรี่ออกก่อนดำเนินการใดๆ กับเครื่องมือ

⚠ ข้อควรระวัง: เมื่อเปลี่ยนใบเลื่อยตัด ให้สวมถุงมือเสมอเพื่อไม่ให้มือสัมผัสกับใบเลื่อยโดยตรง

การติดตั้งหรือการถอดใบเลื่อยตัด

⚠ ข้อควรระวัง: ติดตั้งฝาครอบใบเลื่อยก่อนถอดหรือติดตั้งใบมีดตัด

ข้อสังเกต: เมื่อเปลี่ยนใบมีดตัด อย่าใช้จาระบืออกจากเฟืองและข้อเหวี่ยง

หมายเหตุ: ก่อนติดตั้งหรือถอดใบมีดตัด ให้พับหัวของเครื่องมือเพื่อให้หัวอยู่ในแนวตรงกับตัวเครื่องมือ

1. วางเครื่องมือโดยพลิกเอาด้านบนลงด้านล่าง จากนั้นถอนสลักเกลียว 6 ตัวออก

▶ **หมายเลข 11:** 1. สลักเกลียว

2. ถอดฝาครอบและแผ่นโลหะออก

▶ **หมายเลข 12:** 1. ฝาครอบ 2. แผ่นโลหะ

ใช้ไขควงหัวแบนเพื่อจัดฝาครอบให้เปิดออก หากฝาครอบเปิดยากเกินไป

เสียบไขควงหัวแบนลงในช่องว่างและร่อนดัดบนตัวกล่องเครื่องมืออย่างน้อยหนึ่งช่อง จากนั้นยกฝาครอบออกจากตัวกล่อง

▶ **หมายเลข 13:** 1. ร่องตัด (ทั้งสองด้านของตัวเครื่องมือ) 2. ช่องว่าง (ระหว่างฝาครอบกับใบเลื่อยตัด)

หมายเหตุ: แผ่นโลหะอาจค้างอยู่ด้านบนของฝาครอบ

3. ถอดก้านสูบและตั้บลูกปืนออก

▶ **หมายเลข 14:** 1. ก้านสูบ 2. ตั้บลูกปืน

หมายเหตุ: ก้านสูบหรือตั้บลูกปืนอาจค้างอยู่ด้านบนของฝาครอบ

4. ถอนสลักเกลียว 2 ตัวและปลอก 2 ชิ้นออกจากใบเลื่อยตัด แยกชิ้นส่วนของใบเลื่อยตัดออกจากตัวเครื่องมือ จากนั้นให้ถอดแผ่นขัดผ้าสักหลาดและซีลกันฝุ่นจากจากใบเลื่อยตัด

▶ **หมายเลข 15:** 1. สลักเกลียว 2. ปลอก 3. ใบเลื่อยตัด 4. แผ่นขัดผ้าสักหลาด 5. ซีลกันฝุ่น

ข้อสังเกต: ระวังอย่าให้ชิ้นส่วนประกอบต่างๆ สูดหาย เนื่องจากจะต้องนำชิ้นส่วนเหล่านั้นนำมาประกอบกลับคืน

5. ถอดฝาครอบใบมีดออก จากนั้นใส่เข้ากับใบมีดตัดอันใหม่

▶ **หมายเลข 16:** 1. ฝาครอบใบมีด

6. ปรับข้อเหวี่ยงให้รู 2 รุดตรงกับเส้นจัดแนว

▶ **หมายเลข 17:** 1. รู 2. เส้นจัดแนว

7. จัดตำแหน่งชิ้นส่วนที่ยื่นออกมาทั้งสองด้านของใบเลื่อยตัด

▶ **หมายเลข 18:** 1. ชิ้นส่วนที่ยื่น

8. จับใบเลื่อยตัดกับรูปลอกของใบเลื่อยตัดหงายขึ้น ติดแผ่นขัดผ้าสักหลาดเข้ากับใบเลื่อยตัดโดยให้แขนยึดของแผ่นขัดผ้าสักหลาดยึดรอบใบเลื่อยตัด

▶ **หมายเลข 19:** 1. แผ่นขัดผ้าสักหลาด 2. รูปลอก

9. พลิกใบเลื่อยตัดคว่ำลง ติดซีลกันฝุ่นยางเข้ากับใบเลื่อยตัด ปรับให้อยู่ในตำแหน่งโดยให้ปลายของซีลกันฝุ่นด้านหนึ่งสัมผัสกับชิ้นส่วนที่ยื่นออกมาของใบเลื่อยตัด

▶ **หมายเลข 20:** 1. ซีลกันฝุ่น 2. ชิ้นส่วนที่ยื่น

10. พลิกใบเลื่อยตัดกับแผ่นขัดผ้าสักหลาดของใบมีดตัดหงายขึ้น จัดตำแหน่งชิ้นส่วนที่ยื่นของใบเลื่อยตัดกับปลายด้านรูเล็กในก้านสูบ ประกอบใบเลื่อยตัดกลับเข้าที่

▶ **หมายเลข 21:** 1. แผ่นขัดผ้าสักหลาด 2. ซีลกันฝุ่น
3. ชิ้นส่วนที่ยื่น 4. ปลายด้านรูเล็ก
5. คัทเอาต์สำหรับแผ่นขัดผ้าสักหลาด
6. คัทเอาต์สำหรับซีลกันฝุ่น

ข้อสังเกต: ต้องแน่ใจว่าแผ่นขัดผ้าสักหลาดและซีลกันฝุ่นยางพอดีกับคัทเอาต์บนตัวใบมีด

ข้อสังเกต: ทาจาระบีเล็กน้อยที่เส้นรอบวงด้านในของปลายด้านรูเล็กในก้านสูบ

11. วางปลอกอันใหม่ลงในรูปลอกในใบเลื่อยตัด

▶ **หมายเลข 22:** 1. ปลอก 2. รูปลอก

ข้อสังเกต: ระวังตัววางอย่างทำปลอกสูดหาย

12. จัดตำแหน่งรูในปลอก ให้รูต่างๆ ที่อยู่ใบบใบเลื่อยตัด และที่อยู่ในตัวใบเลื่อยอยู่ชิดกันตามแนวเส้น จากนั้นให้ชิ้นสลักเกลียว 2 ตัวให้แน่นเพื่อยึดใบเลื่อยตัด

▶ **หมายเลข 23:** 1. สลักเกลียว 2. ปลอก 3. ใบเลื่อยตัด

13. ติดตั้งถลับลูกปืนและก้านสูบ

▶ **หมายเลข 24:** 1. ก้านสูบ 2. ปลายด้านรูเล็ก 3. ถลับลูกปืน

ข้อสังเกต: ทาจาระบีเล็กน้อยที่เส้นรอบวงด้านในของปลายด้านรูเล็กในก้านสูบ

ข้อสังเกต: ต้องแน่ใจว่าชิ้นส่วนที่ยื่นออกมาของใบเลื่อยตัดพอดีกับปลายด้านรูเล็กในก้านสูบ

14. ประกอบแผ่นโลหะกลับเข้าที่

▶ **หมายเลข 25:** 1. แผ่นโลหะ 2. ชิ้นส่วนที่ยื่น

ข้อสังเกต: ตรวจสอบให้แน่ใจว่าชิ้นส่วนที่ยื่นออกมาของใบเลื่อยตัดพอดีกับรูในแผ่นโลหะ

15. ใส่ฝาครอบ จากนั้นขันสลักเกลียว 6 ตัวให้แน่น

▶ **หมายเลข 26:** 1. ฝาครอบ 2. สลักเกลียว

ข้อสังเกต: หากใบเลื่อยตัดทำงานไม่ราบรื่น แสดงว่าใบเลื่อยตัดไม่ได้ถูกติดตั้งเข้ากับก้านสูบอย่างถูกต้อง ติดตั้งใบเลื่อยตัดอีกครั้ง

ข้อสังเกต: หากชิ้นส่วนอื่นที่นอกเหนือจากใบเลื่อยตัด เช่น ก้านสูบเสื่อมสภาพ ให้สอบถามศูนย์บริการที่ได้รับ การรับรองของ Makita เพื่อเปลี่ยนชิ้นส่วนใหม่และรับการซ่อมแซม

การติดตั้งหรือการถอดที่รับเศษใบไม้

อุปกรณ์เสริม

▲ ข้อควรระวัง: เมื่อติดตั้งหรือถอดที่รับเศษใบไม้ ให้สวมถุงมือเสมอ เพื่อไม่ให้มือสัมผัสกับใบเลื่อยตัดโดยตรง

ข้อสังเกต: จะไม่สามารถใส่ฝาครอบใบเลื่อยได้หากไม่ได้ติดตั้งที่รับเศษใบไม้บนเครื่องมือ ก่อนถือหรือจัดเก็บเครื่องมือ ให้ถอดที่รับเศษใบไม้ แล้วใส่ฝาครอบใบเลื่อยเพื่อให้ใบเลื่อยมีสิ่งห่อหุ้ม

ข้อสังเกต: ตรวจสอบให้แน่ใจว่าได้ถอดฝาครอบใบเลื่อยออกแล้วก่อนติดตั้งที่รับเศษใบไม้

ที่รับเศษใบไม้จะเก็บใบไม้ที่ถูกทิ้งออกมาและทำการเก็บกวาดในภายหลังทำได้ง่ายขึ้น ซึ่งสามารถติดตั้งไว้ที่ด้านใดด้านหนึ่งของเครื่องมือ

1. เกี่ยวเขี้ยวของที่รับเศษใบไม้เข้ากับใบเลื่อยตัด

▶ **หมายเลข 27:** 1. ที่รับเศษใบไม้ 2. ใบเลื่อยตัด
3. เขี้ยว

2. จัดให้รูบนที่รับเศษใบไม้ตรงกับสกรูบนใบเลื่อยตัด จากนั้นให้ติดตั้งที่รับเศษใบไม้เข้ากับใบเลื่อยตัดให้แน่น

▶ **หมายเลข 28:** 1. รู 2. สกรู

ข้อสังเกต: ตรวจสอบให้แน่ใจว่าที่รับเศษใบไม้ไม่ได้ซ้อนทับกับที่รับกิ่งไม้

▶ หมายเลข 29: 1. ที่รับกิ่งไม้

หากต้องการถอดที่รับเศษใบไม้ออก ให้กดก้านเพื่อปล่อยเช็ว

▶ หมายเลข 30: 1. ก้าน

ข้อสังเกต: ห้ามพยายามถอดที่รับเศษใบไม้ออกด้วยการฝืนใช้แรงมากเกินไปโดยที่ขอยังล็อกอยู่กับร่องของใบเลื่อยตัด

การใช้งาน

การใส่สายสะพายไหล่

ข้อควรระวัง: ก่อนใช้งาน ตรวจสอบให้แน่ใจว่าสายสะพายไหล่ถูกติดตั้งเข้ากับที่แขวนเครื่องมืออย่างเหมาะสมแล้ว

ข้อควรระวัง: เมื่อคุณใช้เครื่องมือร่วมกับแหล่งจ่ายไฟแบบสะพายหลัง เช่น ชุดต้นก้านแบบพกพา อย่าใช้สายสะพายที่รวมอยู่ในชุดเครื่องมือ แต่ให้ใช้สายแขวนที่ Makita แนะนำ

หากคุณใช้สายสะพายไหล่ที่แนบในชุดเครื่องมือและสายสะพายไหล่ของแหล่งจ่ายไฟแบบสะพายหลังพร้อมกัน การถอดเครื่องมือหรือแหล่งจ่ายไฟแบบสะพายหลังจะทำให้ยากในกรณีฉุกเฉิน และอาจก่อให้เกิดอุบัติเหตุหรือการบาดเจ็บ สำหรับสายแขวนที่แนะนำ ให้สอบถามศูนย์บริการที่ได้รับบริการรับรองจาก Makita

หมายเหตุ: ใช้สายสะพายไหล่ที่ติดตั้งไว้กับเครื่องมือก่อนใช้งาน ให้ปรับสายสะพายไหล่ตามขนาดร่างกายของผู้ใช้เพื่อป้องกันความเมื่อยล้า

1. สะพายสายสะพายไหล่บนไหล่ของคุณ

▶ หมายเลข 31

2. เกี่ยวขอยกยวนสายสะพายไหล่เข้ากับที่แขวนเครื่องมือ

▶ หมายเลข 32: 1. ขอยกยวน 2. ที่แขวน

3. ปรับสายสะพายไหล่ในตำแหน่งที่ทำให้ทำงานได้อย่างสะดวก

▶ หมายเลข 33

สายสะพายไหล่มีคุณสมบัติที่ปลดออกได้อย่างรวดเร็ว บีบที่ด้านข้างของหัวเข็มขัดเพื่อปลดเครื่องมือออกจากสายสะพายไหล่

▶ หมายเลข 34: 1. หัวเข็มขัด

การใช้งานเครื่องมือ

คำเตือน: อย่าใช้เครื่องมือใกล้กับสายไฟฟ้า การสัมผัสสายไฟฟ้าหรือการใช้งานเครื่องมือใกล้กับสายไฟฟ้าอาจทำให้ได้รับบาดเจ็บสาหัสหรือไฟฟ้าช็อตจนถึงแก่ชีวิตได้

คำเตือน: ระวังอย่าให้มืออยู่ใกล้กับใบเลื่อยตัด

คำเตือน: โปรดระมัดระวังอย่างมากในการรักษาความปลอดภัยเครื่องมือตลอดเวลา อย่าให้เครื่องมือเบนเข้าหาตัวหรือคนอื่นในบริเวณที่ทำงาน การไม่สามารถควบคุมเครื่องมือได้จะทำให้เกิดการบาดเจ็บร้ายแรงต่อผู้ที่อยู่ข้างเคียงและผู้ปฏิบัติงาน

ข้อควรระวัง: หลีกเลี่ยงการใช้งานเครื่องมือในสภาพอากาศที่ร้อนจัดเท่าที่สามารถทำได้ ขณะใช้งานเครื่องมือ ให้ระวังสภาพทางกายภาพ

ข้อควรระวัง: ระวังอย่าสัมผัสกับรั้วโลหะหรือของแข็งอื่นๆ โดยไม่ได้ตั้งใจขณะทำการตัดแต่ง ใบเลื่อยตัดอาจหักและทำให้ได้รับบาดเจ็บได้

ข้อควรระวัง: ระวังอย่าให้ใบมีดตัดสัมผัสกับพื้น เครื่องมืออาจถอยกลับและอาจทำให้เกิดการบาดเจ็บได้

ข้อควรระวัง: การเอื้อมตัดด้วยเครื่องตัดแต่งพุ่มไม้ โดยเฉพาะการเอื้อมจากบันไดถือเป็นการกระทำที่อันตรายมาก อย่าทำงานขณะยืนอยู่บนสิ่งที่ยกแยกไปมาได้หรือไม่มั่นคง

ข้อสังเกต: อย่าพยายามตัดกิ่งไม้ที่มีความหนาของเส้นผ่านศูนย์กลางมากกว่า 10 mm โดยใช้เครื่องมือนี้ ตัดกิ่งไม้ให้มีความสูงในการตัดต่ำกว่า 10 cm โดยใช้หัวตัดกิ่งไม้ก่อนใช้เครื่องมือนี้

▶ หมายเลข 35: 1. ความสูงในการตัด 2. 10 cm

ข้อสังเกต: อย่าตัดต้นไม้ที่ตายแล้วหรือของแข็งอื่นๆ ที่คล้ายกัน การทำเช่นนั้นอาจทำให้เครื่องมือเสียหายได้

ข้อสังเกต: อย่าตัดแต่งหญ้าหรือวัชพืชขณะใช้ใบเลื่อยตัด เนื่องจากใบเลื่อยตัดอาจพันกับหญ้าหรือวัชพืชได้

จับเครื่องมือด้วยมือทั้งสองข้าง

▶ หมายเลข 36

ตั้งก้านสวิตช์ขณะกดก้านปลดล๊อคค้างไว้ จากนั้นให้เตรียมเครื่องมือสำหรับการตัดแต่ง

► **หมายเลข 37**

วิธีการใช้งานพื้นฐาน ให้เอียงไปเลื่อยตัดตามทิศทางการตัดแต่งและขยับเครื่องอย่างหนึ่งๆ และซ้ำๆ ด้วยอัตราความเร็ว 3 ถึง 4 วินาทีต่อเมตร

► **หมายเลข 38**

หากต้องการตัดด้านข้างของฟุ่ไม้ให้เสมอกัน ควรตัดจากส่วนล่างขึ้นบน

► **หมายเลข 39**

ขณะตัดแต่งเพื่อทำให้เป็นทรงกลม (การตัดแต่งต้นบ๊อคซูดหรือกุหลาบพันธุ์และอื่นๆ) ให้ตัดจากรากขึ้นไปถึงยอดจะทำให้ดูสวยงาม

► **หมายเลข 40**

หากติดตั้งที่รับเศษใบไม้เข้ากับไปเลื่อยตัด ที่รับเศษใบไม้จะช่วยเก็บใบไม้ที่ถูกทิ้งออกมาและทำให้การเก็บกวาดในภายหลังทำได้ง่ายขึ้น

► **หมายเลข 41**

การบำรุงรักษา

⚠ ข้อควรระวัง: ตรวจสอบให้แน่ใจว่าได้ปิดสวิตช์เครื่องมือและถอดดัลล์แบตเตอรี่ออกก่อนทำการตรวจสอบหรือบำรุงรักษา

⚠ ข้อควรระวัง: ขณะทำการตรวจสอบหรือบำรุงรักษาเครื่องมือ ใหวางเครื่องมือลงเสมอ การประกอบหรือปรับเครื่องมือในตำแหน่งตั้งขึ้นอาจทำให้ได้รับบาดเจ็บสาหัสได้

เพื่อความปลอดภัยและน่าเชื่อถือของผลิตภัณฑ์ ควรให้ศูนย์บริการหรือโรงงานที่ผ่านการรับรองจาก Makita เป็นผู้ดำเนินการซ่อมแซม บำรุงรักษาและทำการปรับตั้งอื่นๆ นอกจากนี้ให้ซื้ออะไหล่ของแท้จาก Makita เสมอ

การทำความสะอาดเครื่องมือ

ทำความสะอาดเครื่องมือโดยเช็ดฝุ่นออกด้วยผ้าแห้งหรือผ้าชุบน้ำสบู่บิดหมาด

ข้อสังเกต: อย่าใช้น้ำมันเชื้อเพลิง เบนซิน ทินเนอร์ แอลกอฮอล์ หรือวัสดุประเภทเดียวกัน เนื่องจากอาจทำให้สีซีดจาง เสียรูป หรือแตกร้าวได้

การบำรุงรักษาใบเลื่อยตัด

ก่อนการใช้งานหรือทุกชั่วโมงในระหว่างการใช้งาน ให้ทาน้ำมันความหนืดต่ำ (น้ำมันเครื่องหรือน้ำมันหล่อลื่นแบบสเปรย์) ที่ใบเลื่อยตัด

► **หมายเลข 42**

หลังการใช้งาน ให้ขจัดฝุ่นออกจากใบเลื่อยตัดทั้งสองด้านด้วยแปรงลวด เช็ดออกด้วยผ้าแล้วทาน้ำมันความหนืดต่ำ (น้ำมันเครื่องหรือน้ำมันหล่อลื่นแบบสเปรย์) ที่ใบเลื่อยตัด

► **หมายเลข 43**

ข้อสังเกต: อย่าล้างใบเลื่อยตัดในน้ำ การทำเช่นนั้นอาจทำให้เครื่องมือเกิดสนิมหรือเสียหายได้

ข้อสังเกต: สิ่งสกปรกและการสึกร่อนจะทำให้ใบเลื่อยมีแรงเสียดทานมากเกินไปและทำให้อายุการใช้งานต่อการชาร์จแบตเตอรี่แต่ละครั้งสั้นลง

การเก็บรักษา

ติดผ้าครอบเข้ากับมีดตัดเพื่อให้ใบเลื่อยมีสิ่งห่อหุ้ม เก็บเครื่องมือโดยให้ห่างจากมือเด็ก เก็บเครื่องมือในที่ที่ไม่ถูกความชื้นหรือฝน

การลับใบเลื่อยตัด

ข้อสังเกต: หากใบเลื่อยตัดผิดรูปจากการลับ ให้เปลี่ยนใบเลื่อยตัดใบใหม่

1. ใส่ดัลล์แบตเตอรี่ในเครื่องมือ
 2. เปิดและเริ่มใช้งานเครื่องมือโดยวางใบเลื่อยด้านบนและใบเลื่อยด้านล่างในตำแหน่งที่เลื่อนเข้าหากัน
- **หมายเลข 44**
3. ปิดเครื่องมือและถอดดัลล์แบตเตอรี่ออกจากเครื่องมือ
 4. ถอดสกรู จากนั้นนำที่รับกึ่งไม้ออก
- **หมายเลข 45:** 1. สกรู 2. ที่รับกึ่งไม้
5. ตั้งมุมของตะใบเป็น 50° และลับใบเลื่อยด้านบนด้วยตะใบในแนวขอบสามแนวเท่านั้น
- **หมายเลข 46:** 1. ตะใบ 2. 50°

⚠ ข้อควรระวัง: ตรวจสอบให้แน่ใจว่าได้ปิดสวิตช์เครื่องมือและถอดดัลล์แบตเตอรี่ออกแล้วก่อนลับใบเลื่อยตัด

6. วางเครื่องมือโดยพลิกด้านบนลงด้านล่าง จากนั้นกำจัดหนามแหลมออกจากใบเลื่อยตัดด้วยหินลับมีด
- **หมายเลข 47:** 1. หินลับมีด
7. ตั้งมุมของตะใบเป็น 50° และลับใบเลื่อยด้านล่างด้วยตะใบในแนวขอบสามแนวเท่านั้น

8. พลิกเครื่องมือกลับสู่ตำแหน่งปกติ จากนั้นกำจัดหนามแหลมจากใบเลื่อยตัดด้วยหินลับมีด

9. ติดตั้งที่รับกึ่งไม้โดยการขันสกรูให้แน่น

การหล่อลื่นด้วยจาระบี

ระยะของการหล่อลื่น: ทุกๆ การใช้งาน 50 ชั่วโมง

ใช้น้ำมันทาเพื่อทำการหล่อลื่น

1. ถอดสลักเกลียวออกจากกรูเพื่อทำการหล่อลื่น

▶ **หมายเลข 48:** 1. สลักเกลียว

2. ถอดฝาปิดออกจากหลอดจาระบี จัดช่องหลอดจาระบี

ให้ตรงกับรูบนฝาครอบ จากนั้นให้กดช่องหลอดจาระบีเข้ากับรู

▶ **หมายเลข 49:** 1. หลอดจาระบี 2. รู

3. ทาจาระบีบนเครื่องมือ (ประมาณ 5 g ตามคำแนะนำ)

4. ขันสลักเกลียว

การใช้หัวอัดจาระบี

หัวต่อหัวอัดจะช่วยให้เชื่อมเป็นจาระบีให้เข้าตำแหน่งได้พอดี

1. เตรียมปืนจาระบีสำหรับใช้งาน

2. ต่ออะแดปเตอร์ของปืนจาระบีกับหัวอัดจาระบีบนเครื่องมือ

▶ **หมายเลข 50:** 1. อะแดปเตอร์ของปืนจาระบี 2. หัวอัดจาระบี

3. ทาจาระบีบนเครื่องมือ (ประมาณ 5 g ตามคำแนะนำ)

4. เอียงอะแดปเตอร์เล็กน้อยเพื่อระบายแรงดันภายในออก จากนั้นให้ถอดอะแดปเตอร์ออกจากหัวอัดจาระบี

เช็ดจาระบีออกจากอะแดปเตอร์และหัวอัดจาระบี

การแก้ไขปัญหา

ก่อนนำไปซ่อม ให้ทำการตรวจสอบด้วยตัวเองก่อน หากพบปัญหาที่ไม่มีอธิบายในคู่มือการใช้งาน อย่าพยายามถอดแยกเครื่องมือ แต่ให้นำไปซ่อมที่ศูนย์บริการหรือโรงงานที่ผ่านการรับรองจาก Makita และใช้ชิ้นส่วนอะไหล่ของ Makita

สภาวะความผิดปกติ	สาเหตุที่เป็นไปได้ (การทำงานผิดปกติ)	การแก้ไข
มอเตอร์ไม่ทำงาน	ไม่ได้ติดตั้งลับแบตเตอรี่	ติดตั้งลับแบตเตอรี่
	ปัญหาแบตเตอรี่ (ไฟต่ำ)	ชาร์จแบตเตอรี่ใหม่ หากการชาร์จแบตเตอรี่ใหม่ไม่ได้ผล ให้เปลี่ยนแบตเตอรี่
	ระบบขับเคลื่อนไม่ทำงานอย่างถูกต้อง	สอบถามศูนย์บริการที่ผ่านการรับรองจาก Makita ในท้องถิ่นให้ทำการซ่อมแซมให้
มอเตอร์หยุดทำงานหลังจากใช้งานไปได้เล็กน้อย	ระดับการชาร์จของแบตเตอรี่ต่ำ	ชาร์จแบตเตอรี่ใหม่ หากการชาร์จแบตเตอรี่ใหม่ไม่ได้ผล ให้เปลี่ยนแบตเตอรี่
	ความร้อนสูงเกิน	หยุดใช้งานเครื่องมือเพื่อให้เครื่องมือเย็นลง
เครื่องมือหมุนด้วยรอบความเร็วสูงสุดไม่ได้	แบตเตอรี่ติดตั้งอย่างไม่ถูกต้อง	ติดตั้งลับแบตเตอรี่ตามที่อธิบายในคู่มือการใช้งานนี้
	กำลังของแบตเตอรี่ต่ำลง	ชาร์จแบตเตอรี่ใหม่ หากการชาร์จแบตเตอรี่ใหม่ไม่ได้ผล ให้เปลี่ยนแบตเตอรี่
	ระบบขับเคลื่อนไม่ทำงานอย่างถูกต้อง	สอบถามศูนย์บริการที่ผ่านการรับรองจาก Makita ในท้องถิ่นให้ทำการซ่อมแซมให้

สภาวะความผิดปกติ	สาเหตุที่เป็นไปได้ (การทำงานผิดปกติ)	การแก้ไข
ใบมีดตัดไม่ขยับ: ⇒ หยุดเครื่องมือทันที!	มุมที่ไม่เหมาะสมของใบมีดตัด	ตรวจสอบให้แน่ใจว่ายึดหัวไว้อย่างถูกต้องในมุมทำงาน
	สิ่งแปลกปลอมติดอยู่ระหว่างใบมีดตัด	1. ใช้ปูนเปลี่ยนทิศทาง 2. ปิดสวิตช์เครื่องมือและถอดกลับแบตเตอรี่ออกจากนั้นนำสิ่งแปลกปลอมออกโดยใช้เครื่องมือ เช่น คีม
	ระบบขับเคลื่อนไม่ทำงานอย่างถูกต้อง	สอบถามศูนย์บริการที่ผ่านการรับรองจาก Makita ในท้องถิ่นให้ทำการซ่อมแซมให้
การสั่นสะเทือนผิดปกติ ⇒ หยุดเครื่องมือทันที!	ใบมีดตัดหัก งอ หรือสึกหรอ	เปลี่ยนใบมีดตัด
	ระบบขับเคลื่อนไม่ทำงานอย่างถูกต้อง	สอบถามศูนย์บริการที่ผ่านการรับรองจาก Makita ในท้องถิ่นให้ทำการซ่อมแซมให้
หยุดใบมีดตัดและมอเตอร์ไม่ได้ ⇒ ถอดแบตเตอรี่ทันที!	การทำงานผิดปกติด้านไฟฟ้า	ถอดแบตเตอรี่และสอบถามศูนย์บริการที่ผ่านการรับรองจาก Makita ในท้องถิ่นให้ทำการซ่อมแซมให้

อุปกรณ์เสริม

⚠ ข้อควรระวัง: ขอแนะนำให้ใช้เฉพาะอุปกรณ์เสริมหรืออุปกรณ์ต่อพ่วงเหล่านี้กับเครื่องมือ Makita ที่ระบุในคู่มือการใช้อุปกรณ์เสริมหรืออุปกรณ์ต่อพ่วงอื่นๆ อาจมีความเสี่ยงที่จะได้รับบาดเจ็บ ใช้อุปกรณ์เสริมหรืออุปกรณ์ต่อพ่วงตามวัตถุประสงค์ที่ระบุไว้เท่านั้น

หากต้องการทราบรายละเอียดเพิ่มเติมเกี่ยวกับอุปกรณ์เสริมเหล่านี้ โปรดสอบถามศูนย์บริการ Makita ใกล้บ้านคุณ

- ชุดโบเลื่อย
- ที่รับเศษใบไม้
- หลอดจาระบี
- แบตเตอรี่และเครื่องชาร์จ Makita ของแท้

หมายเหตุ: อุปกรณ์บางรายการอาจจะรวมอยู่ในชุดเครื่องมือเป็นอุปกรณ์มาตรฐาน ซึ่งอาจแตกต่างกันไปในแต่ละประเทศ

Makita Corporation
3-11-8, Sumiyoshi-cho,
Anjo, Aichi 446-8502 Japan
www.makita.com

885A66-372
EN, ZHCN, ID, MS,
VI, TH
20240222