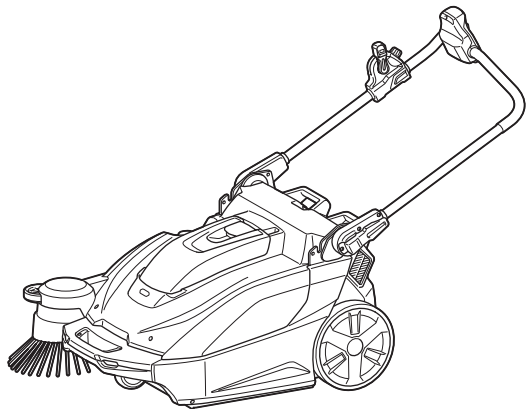




EN	Cordless Vacuum Sweeper	INSTRUCTION MANUAL	12
ZHCN	充电式手推扫地机	使用说明书	25
ID	Penyapu Isap Tanpa Kabel	PETUNJUK PENGGUNAAN	38
MS	Pembersih Hampagas Tanpa Kod	MANUAL ARAHAN	52
VI	Máy Quét Rác Đẩy Hoạt Động Bằng Pin	TÀI LIỆU HƯỚNG DẪN	66
TH	เครื่องกวาดไฟฟ้าไร้สาย	คู่มือการใช้งาน	79

VS001G



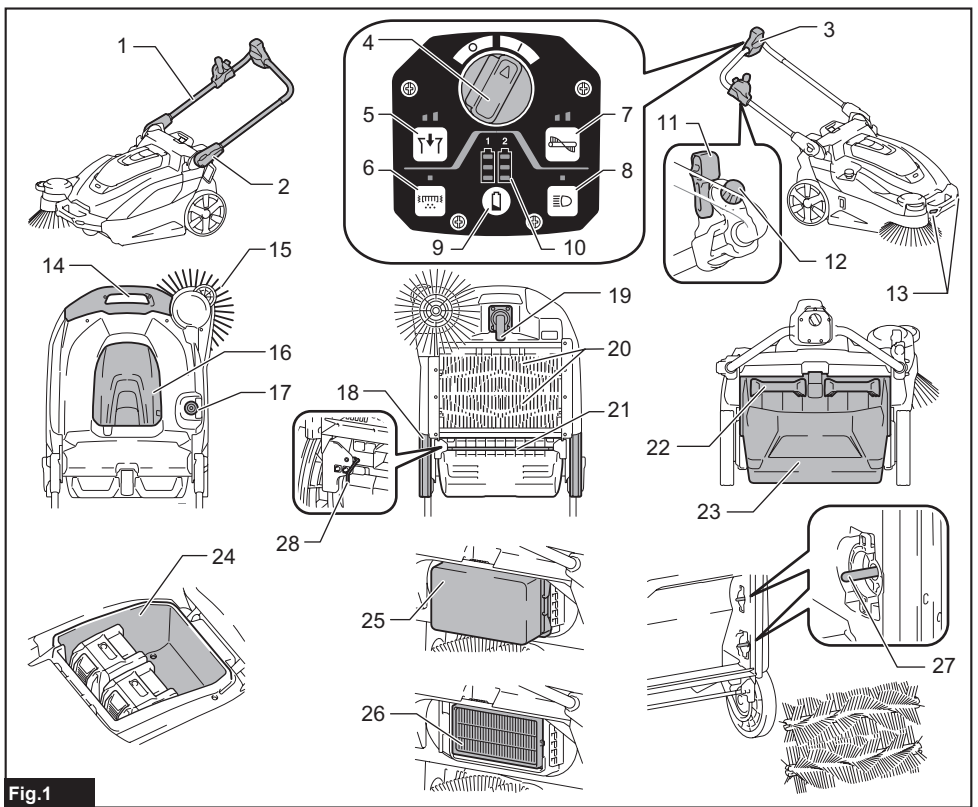


Fig. 1

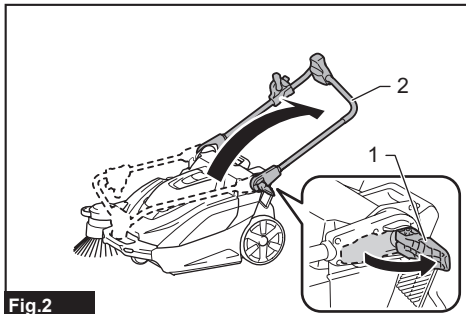


Fig. 2

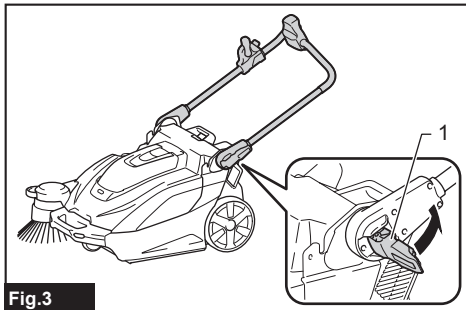


Fig. 3

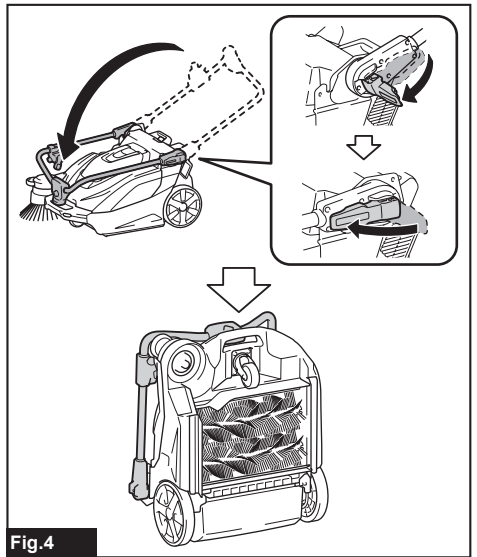


Fig. 4

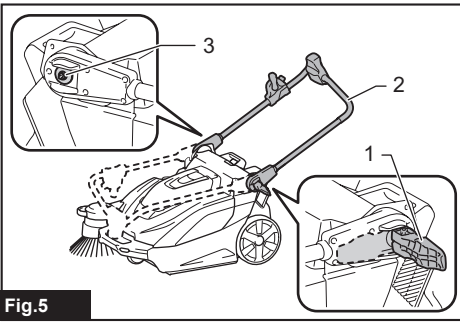


Fig.5

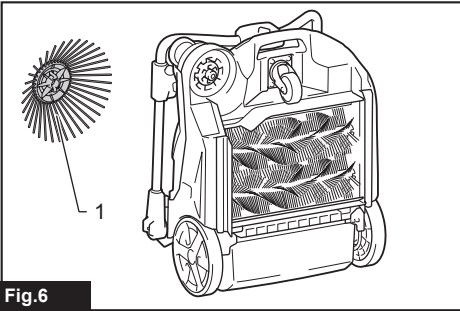


Fig.6

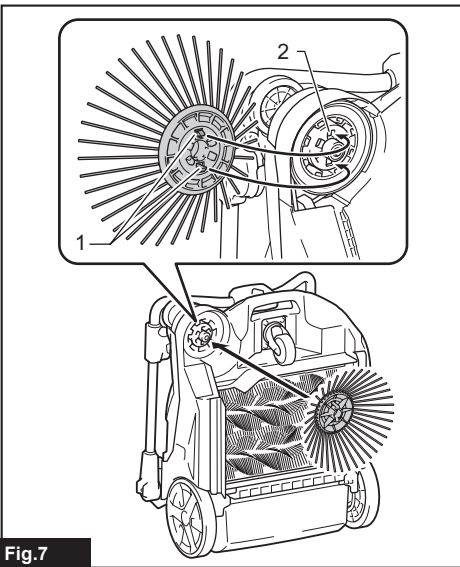


Fig.7

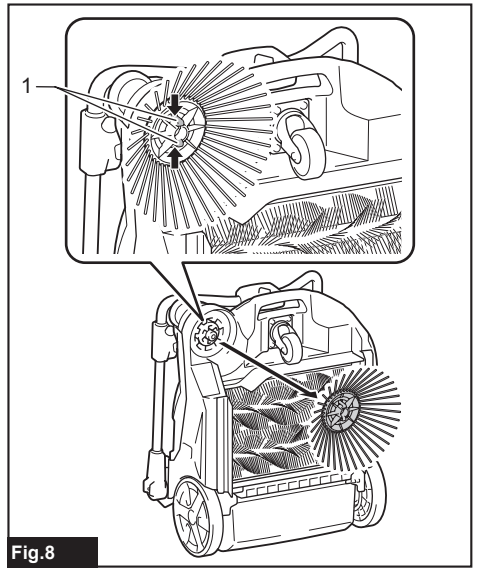


Fig.8

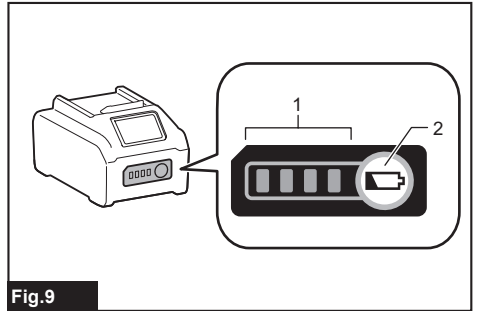


Fig.9

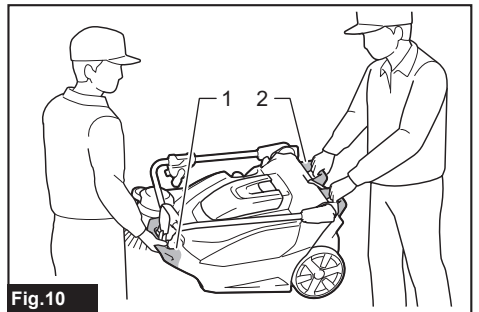


Fig.10

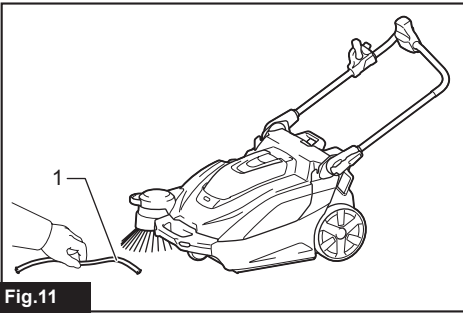


Fig.11

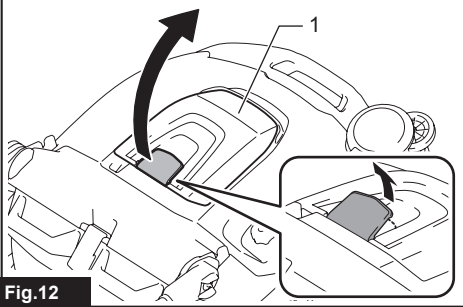


Fig.12

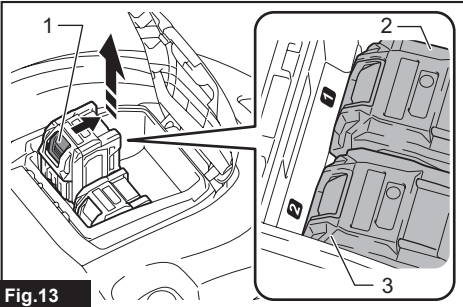


Fig.13

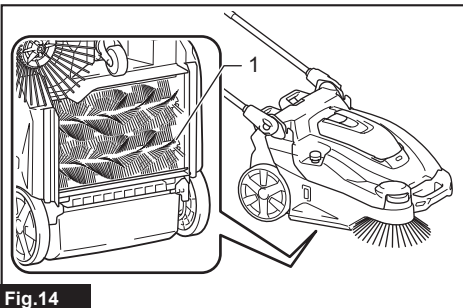


Fig.14

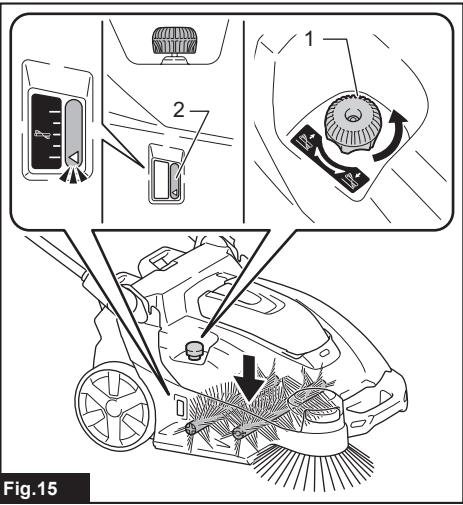


Fig.15

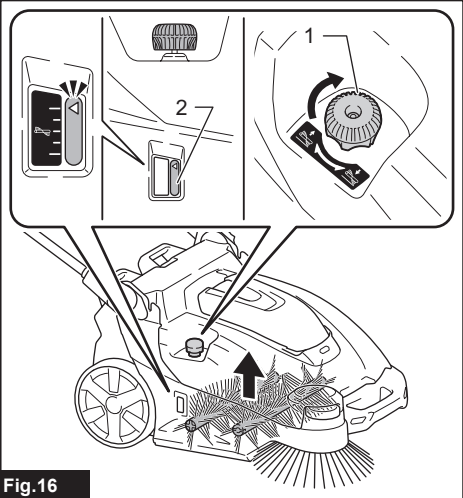


Fig.16

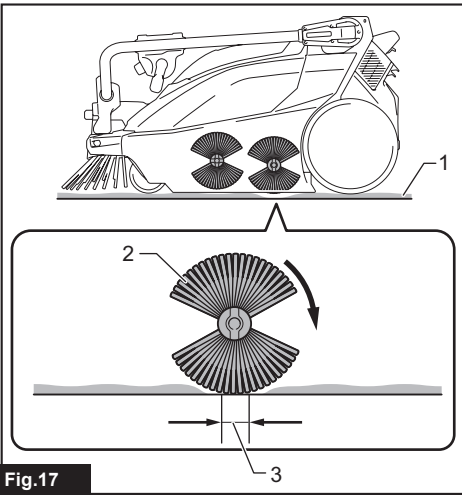


Fig.17

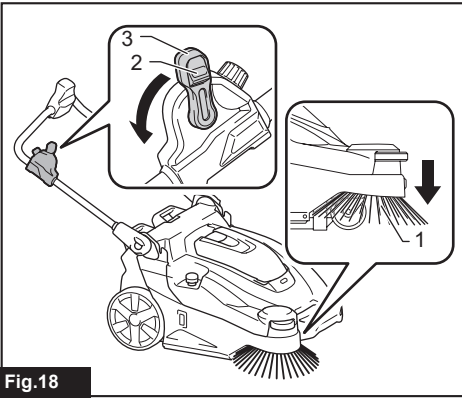


Fig.18

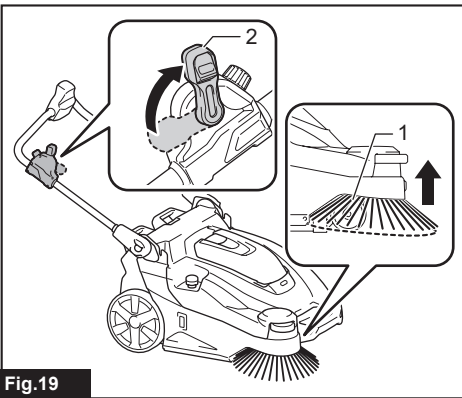


Fig.19

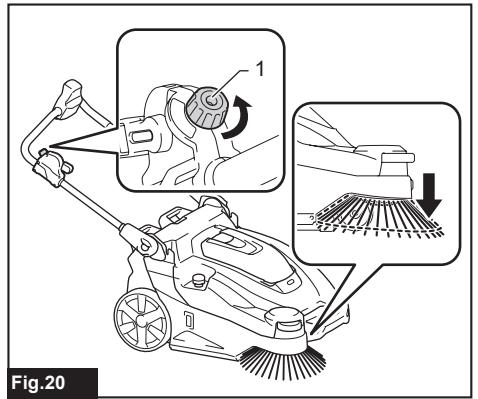


Fig.20

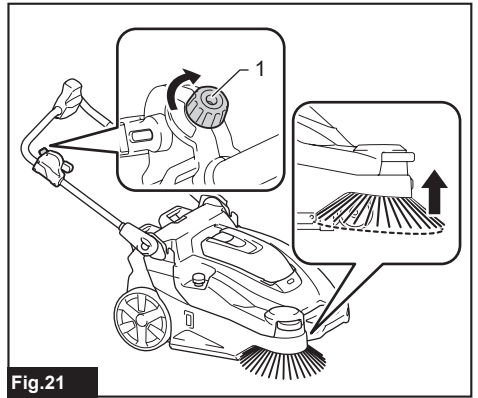


Fig.21

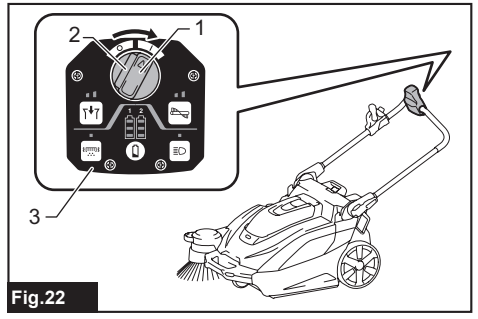
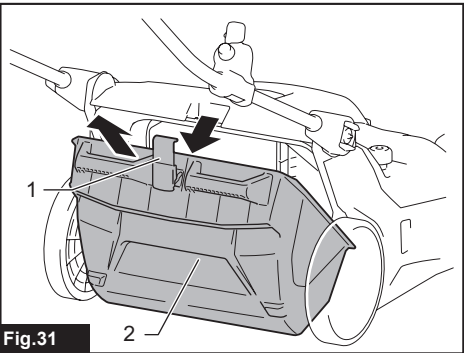
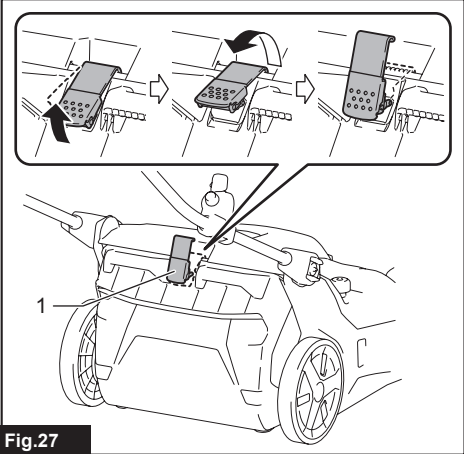
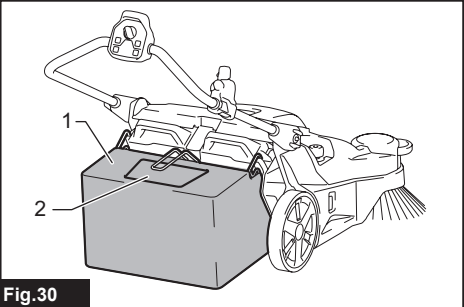
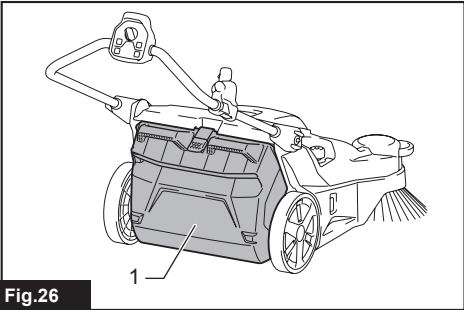
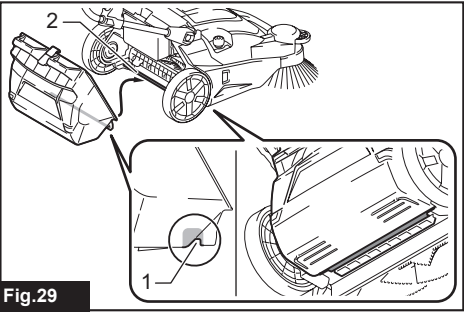
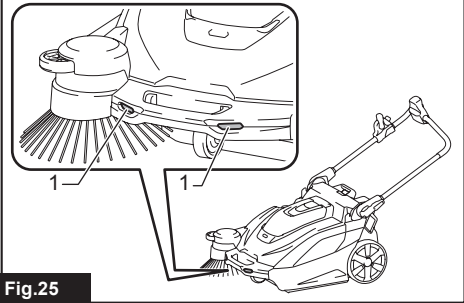
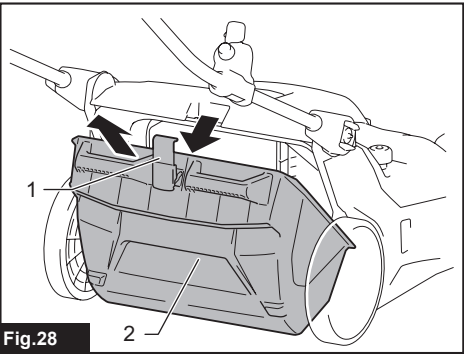
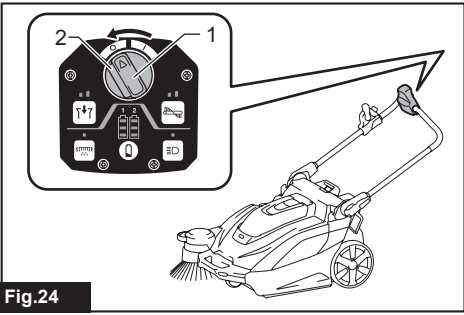


Fig.22



Fig.23



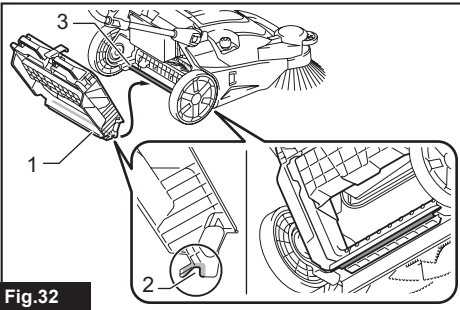


Fig. 32

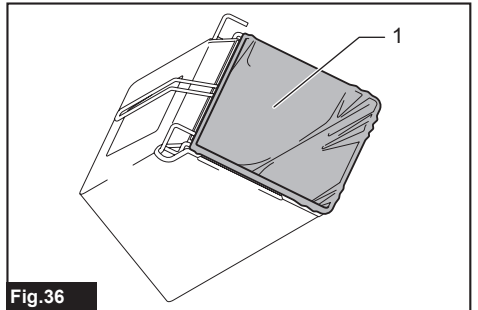


Fig. 36

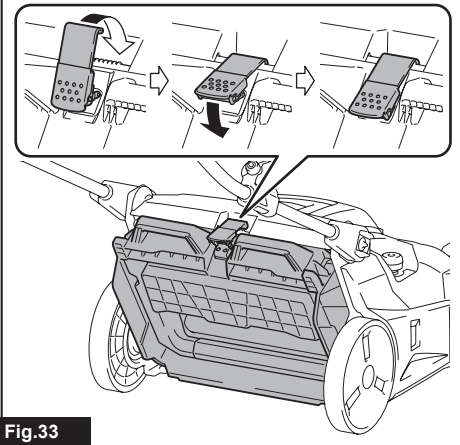


Fig. 33

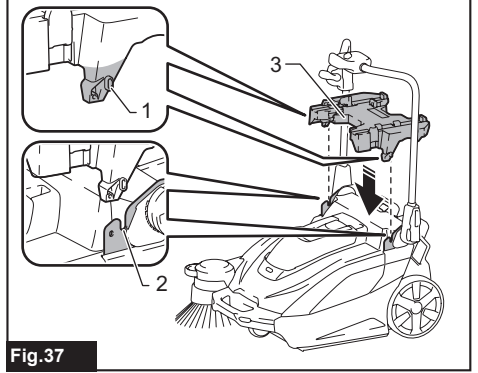


Fig. 37

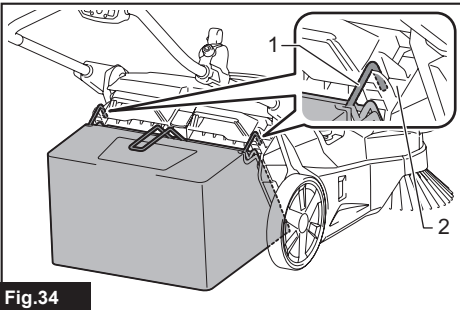


Fig. 34

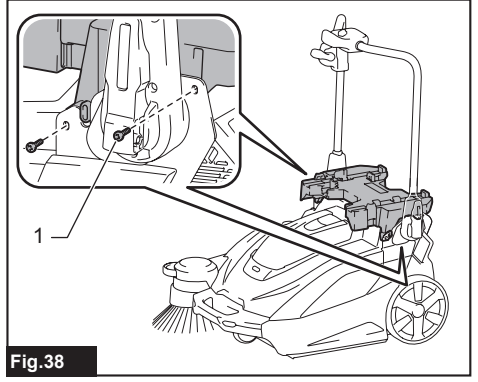


Fig. 38

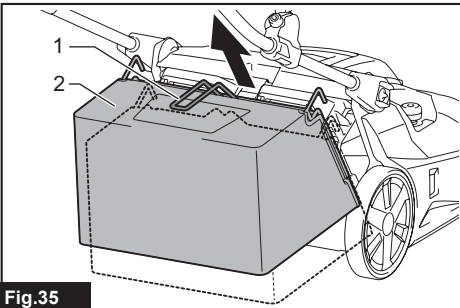


Fig. 35

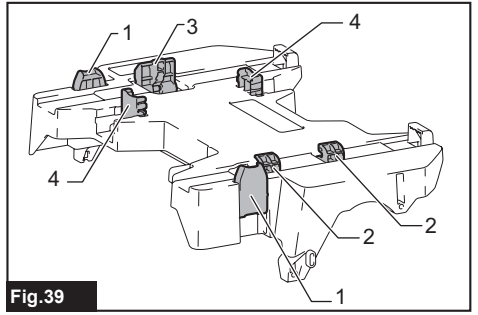


Fig. 39

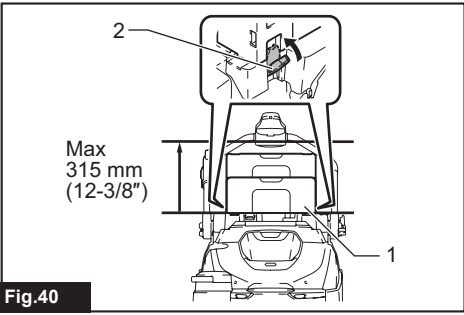


Fig.40

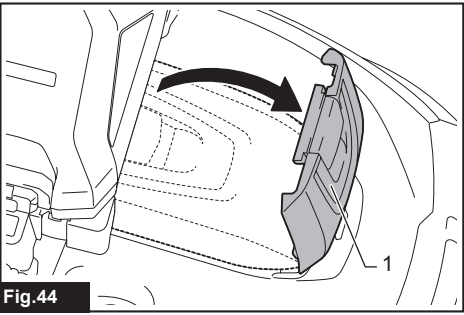


Fig.44

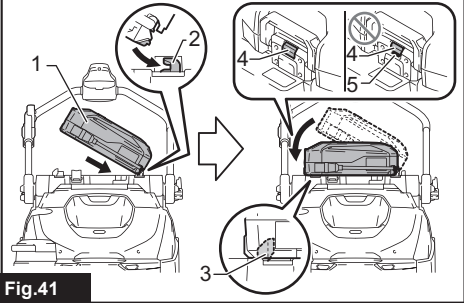


Fig.41

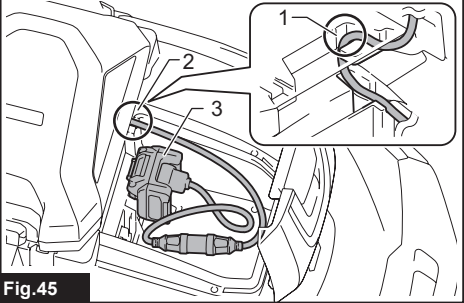


Fig.45

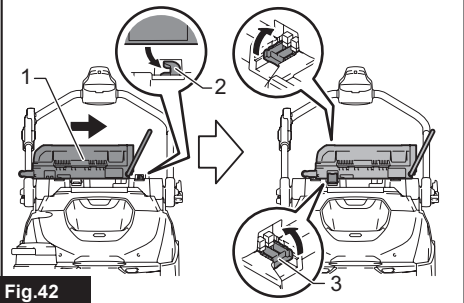


Fig.42

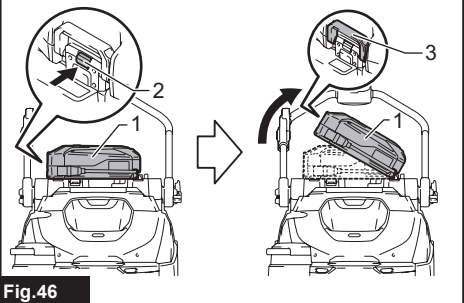


Fig.46

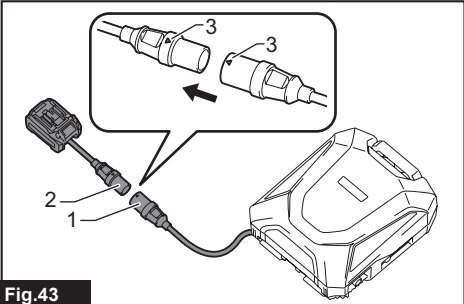


Fig.43

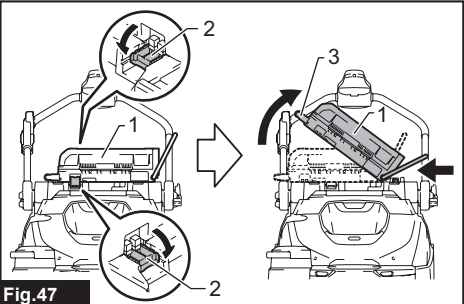


Fig.47

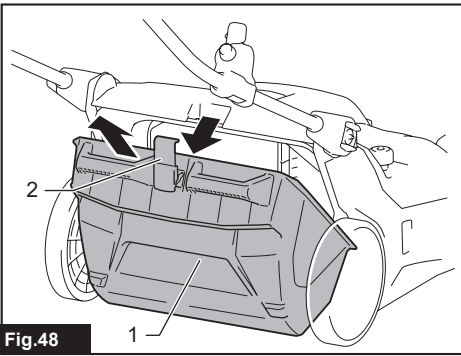


Fig.48

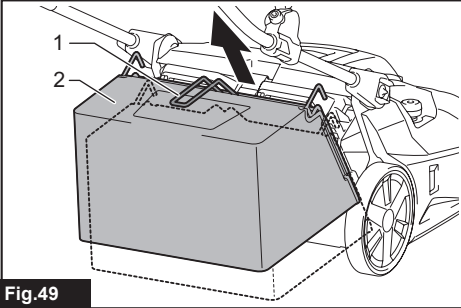


Fig.49

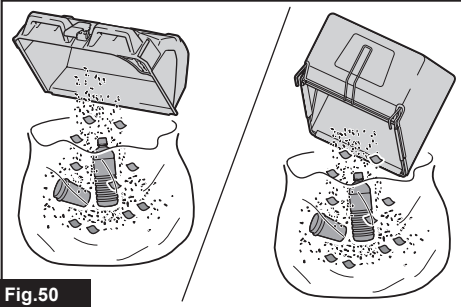


Fig.50

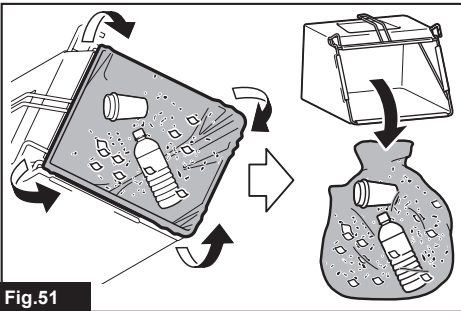


Fig.51

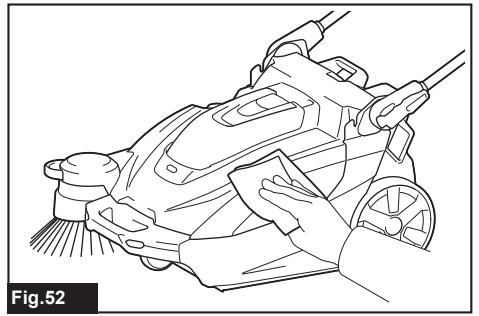


Fig.52

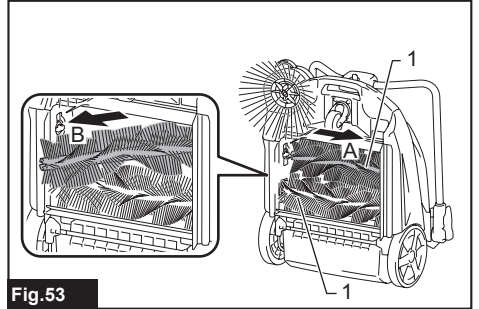


Fig.53

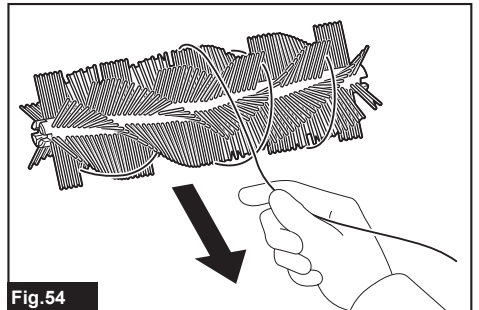


Fig.54

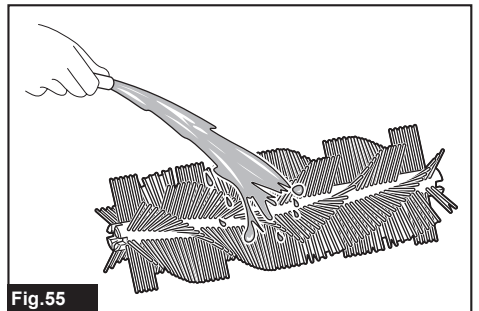


Fig.55

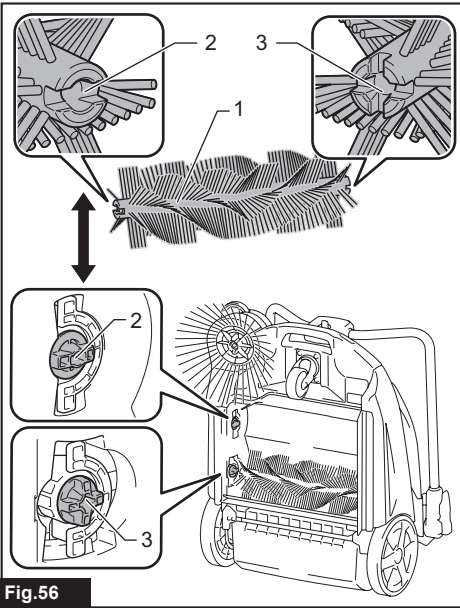


Fig. 56

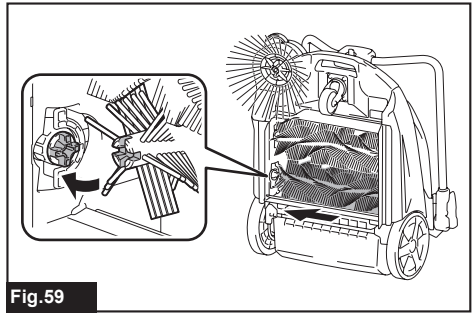


Fig. 59

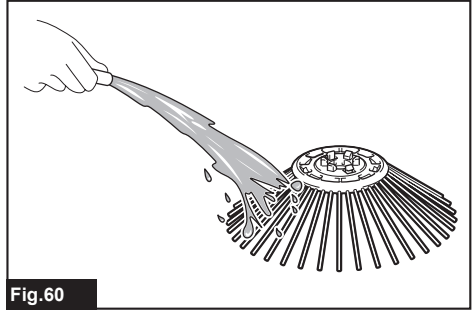


Fig. 60

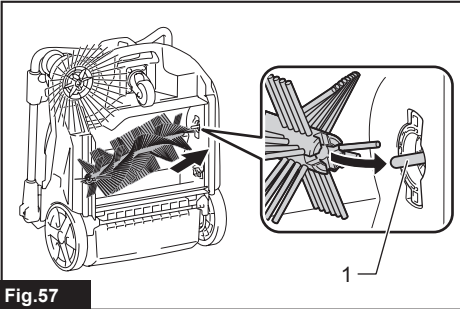


Fig. 57

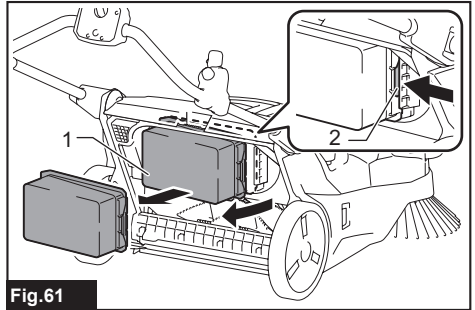


Fig. 61

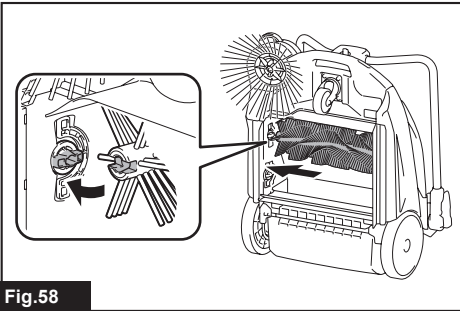


Fig. 58

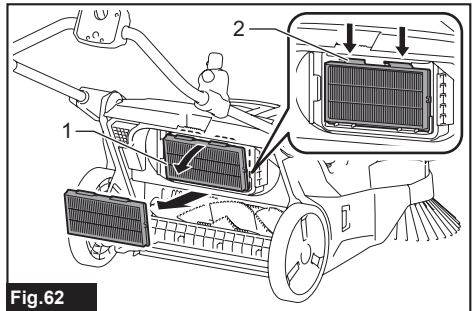


Fig. 62

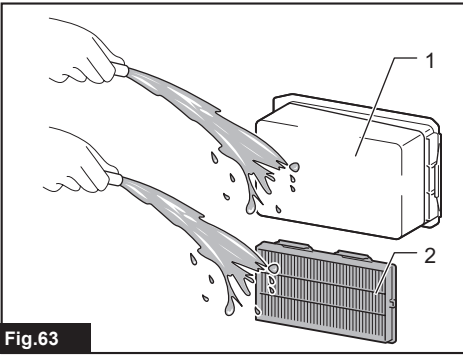


Fig.63

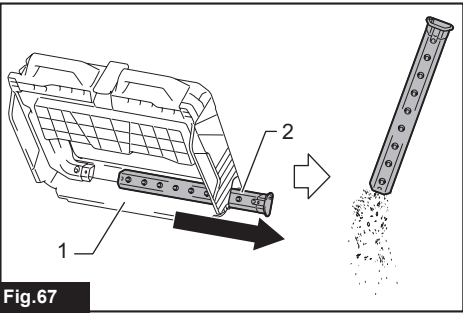


Fig.67

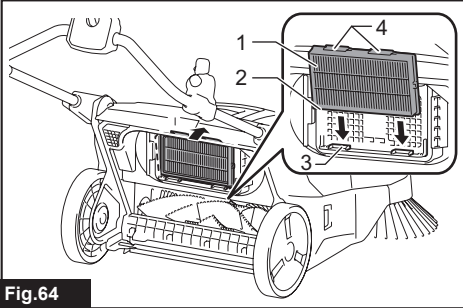


Fig.64

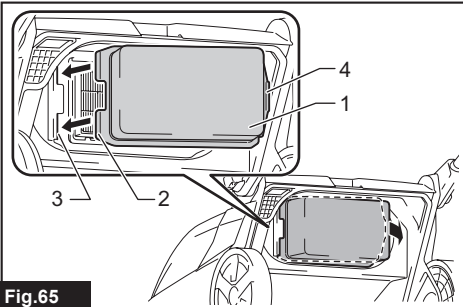


Fig.65

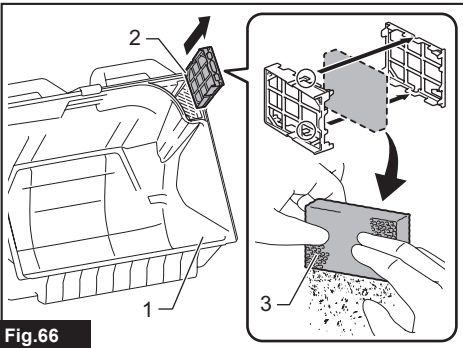


Fig.66

WARNING

- This appliance is not intended for use by persons (including children) with reduced physical, sensory or mental capabilities, or lack of experience and knowledge.
- For users in Europe:
Children shall not play with the appliance. Cleaning and user maintenance shall not be made by children without supervision.
- For users in areas other than Europe:
Children should be supervised to ensure that they do not play with the appliance.
- CAUTION: Before carrying out any maintenance operation, disconnect the appliance from the power supply. Perform maintenance on the appliance periodically.
- Rechargeable batteries must be removed from the device before charging.
- To remove or install the battery, first open the battery cover then slide the cartridge out of the tool while pressing the button on the front of the cartridge.
- Exhausted batteries must be removed from the device and disposed of safely. Follow local regulations regarding battery disposal.
- If the device is to be stored unused for a long period, the batteries should be removed.
- The power terminals must not be short-circuited.

INTRODUCTION

Specifications

Model:		VS001G
Waste container capacity		15.6 L
Cleaning capability *1	Side brush not used	1,920 m ² /h
	Side brush used	2,600 m ² /h
Cleaning width	Side brush not used	480 mm
	Side brush used	650 mm
Rated voltage		D.C. 36 V - 40 V max
Dimensions (L x W x H)	Handle vertical	830 mm x 677 mm x 1,146 mm
	Handle folded	830 mm x 677 mm x 467 mm
Allowable overall weight (GVW)		max. 44.0 kg
Net weight (transportation weight) (with BL4025 x1)		29.9 kg
Protection degree		IPX4

*1 Assuming a walking speed of 4 km/h.

- Due to our continuing program of research and development, the specifications herein are subject to change without notice.
- Specifications and battery cartridge may differ from country to country.

Applicable battery cartridge and charger

Battery cartridge	BL4020 / BL4025 / BL4040 / BL4040F / BL4050F / BL4080F
Charger	DC40RA / DC40RB / DC40RC / DC40WA

- Some of the battery cartridges and chargers listed above may not be available depending on your region of residence.

⚠WARNING: Only use the battery cartridges and chargers listed above. Use of any other battery cartridges and chargers may cause injury and/or fire.



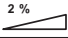







Recommended cord connected power source

Portable power pack	PDC01 / PDC1200 / PDC1500
---------------------	---------------------------

- The cord connected power source(s) listed above may not be available depending on your region of residence.
- Before using the cord connected power source, read instruction and cautionary markings on them.

Symbols

The followings show the symbols which may be used for the equipment. Be sure that you understand their meaning before use.

	Read instruction manual.
	Take particular care and attention.
	Do not use on a slope of more than 2%.
	Do not step onto the appliance.
	Do not place objects weighing 20 kg (44 lbs) or more on top of the appliance.
	To prevent accidents or injury, make sure to switch the appliance off and remove the batteries before maintaining the brushes or performing repairs.
	A representative battery applicable to this appliance.
	Only for EU countries Due to the presence of hazardous components in the equipment, waste electrical and electronic equipment, accumulators and batteries may have a negative impact on the environment and human health. Do not dispose of electrical and electronic appliances or batteries with household waste! In accordance with the European Directive on waste electrical and electronic equipment and on accumulators and batteries and waste accumulators and batteries, as well as their adaptation to national law, waste electrical equipment, batteries and accumulators should be stored separately and delivered to a separate collection point for municipal waste, operating in accordance with the regulations on environmental protection. This is indicated by the symbol of the crossed-out wheeled bin placed on the equipment.
	Guaranteed sound power level according to EU Outdoor Noise Directive.
	Sound power level according to Australia NSW Noise Control Regulation.

Intended use

The appliance is intended for collecting dry debris. The appliance is suitable for commercial use, for example in hotels, schools, hospitals, factories, shops, offices and rental businesses.

Safety precautions

Cordless vacuum sweeper safety warnings

1. **Operators shall be adequately instructed on the use of the vacuum sweeper.**
2. **This vacuum sweeper is for dry use only.**
3. **When not in use, always store the vacuum sweeper indoors.**
4. **Do not use for cleaning purposes on surfaces having a gradient exceeding that marked on the appliance.**
5. **Do not let children play with rechargeable appliance.**
6. **When store the appliance, place the appliance on a flat and stable surface. Store the appliance out of the reach of children.**
7. **Always place the appliance on a flat surface when the appliance will be stood on its end.**
8. **Keep the work location neat and tidy. Also, make sure it is well lit and always kept clean.** Failure to do so may cause accidents.
9. **Wear appropriate work attire.**
10. **Do not use battery adapter.**
11. **Do not touch the battery area with wet hands.** Otherwise, electric shock may result.
12. **Do not use the filter in a wet.** Motor burnout or a breakdown may result.
13. **Do not use the appliance when it is raining or when the road surface is wet. Also, do not pick up refuse containing liquid or foam.** Motor burnout or a breakdown may result.
14. **Do not collect string-like refuse such as cord, string, or wire. These refuse may get entangled in the brushes. Remove the refuse before cleaning operation.** Otherwise a breakdown may result.
15. **Do not disconnect the earthing line.**
16. **Do not attempt to clean the exterior or interior with benzine, thinner or cleaning chemicals. Cracks and discoloration may be caused.**
17. **Wear appropriate protective equipment such as goggles and a dust mask when cleaning dusty location, performing maintenance or disposing of refuse.**
18. **Mount filters properly.** Using the appliance with no filter attached, attached in the wrong position, or in a damaged state could cause motor burnout or a breakdown.

19. **Do not disassemble the appliance.** Doing so may cause a breakdown.
20. **If you notice anything that seems abnormal, halt the appliance and remove the batteries immediately.**
21. **Before using the appliance, check to make sure there are no damaged parts and that each part is operating correctly.** If there is a damaged part, have it replaced or repaired, as appropriate, by an authorized dealer unless specifically indicated otherwise in the instruction manual.
22. **There is a risk of being squeezed, caught or injured by the drive belt, main brushes, side brush, handle or rear wheel.**
23. **Do not use the appliance to collect toxic substances such as asbestos.**
24. **Do not use the side brush when cleaning contaminated or dusty location.**
25. **Do not use the appliance in a location where hazardous materials or open flame are present.** Doing so may cause a fire or explosion.
26. **Do not use the appliance in an explosive and flammable location.**

Battery tool use and care

1. **Recharge only with the charger specified by the manufacturer.** A charger that is suitable for one type of battery pack may create a risk of fire when used with another battery pack.
 2. **Use power tools only with specifically designated battery packs.** Use of any other battery packs may create a risk of injury and fire.
 3. **When battery pack is not in use, keep it away from other metal objects, like paper clips, coins, keys, nails, screws or other small metal objects, that can make a connection from one terminal to another.** Shorting the battery terminals together may cause burns or a fire.
 4. **Under abusive conditions, liquid may be ejected from the battery; avoid contact. If contact accidentally occurs, flush with water. If liquid contacts eyes, additionally seek medical help.** Liquid ejected from the battery may cause irritation or burns.
 5. **Do not use a battery pack or tool that is damaged or modified.** Damaged or modified batteries may exhibit unpredictable behaviour resulting in fire, explosion or risk of injury.
 6. **Do not expose a battery pack or tool to fire or excessive temperature.** Exposure to fire or temperature above 130 °C may cause explosion.
 7. **Follow all charging instructions and do not charge the battery pack or tool outside the temperature range specified in the instructions.** Charging improperly or at temperatures outside the specified range may damage the battery and increase the risk of fire.
2. **Do not disassemble or tamper with the battery cartridge.** It may result in a fire, excessive heat, or explosion.
 3. **If operating time has become excessively shorter, stop operating immediately.** It may result in a risk of overheating, possible burns and even an explosion.
 4. **If electrolyte gets into your eyes, rinse them out with clear water and seek medical attention right away.** It may result in loss of your eyesight.
 5. **Do not short the battery cartridge:**
 - (1) **Do not touch the terminals with any conductive material.**
 - (2) **Avoid storing battery cartridge in a container with other metal objects such as nails, coins, etc.**
 - (3) **Do not expose battery cartridge to water or rain.**

A battery short can cause a large current flow, overheating, possible burns and even a breakdown.
 6. **Do not store and use the tool and battery cartridge in locations where the temperature may reach or exceed 50 °C (122 °F).**
 7. **Do not incinerate the battery cartridge even if it is severely damaged or is completely worn out.** The battery cartridge can explode in a fire.
 8. **Do not nail, cut, crush, throw, drop the battery cartridge, or hit against a hard object to the battery cartridge.** Such conduct may result in a fire, excessive heat, or explosion.
 9. **Do not use a damaged battery.**
 10. **The contained lithium-ion batteries are subject to the Dangerous Goods Legislation requirements.**

For commercial transports e.g. by third parties, forwarding agents, special requirement on packaging and labeling must be observed. For preparation of the item being shipped, consulting an expert for hazardous material is required. Please also observe possibly more detailed national regulations.

Tape or mask off open contacts and pack up the battery in such a manner that it cannot move around in the packaging.
 11. **When disposing the battery cartridge, remove it from the tool and dispose of it in a safe place. Follow your local regulations relating to disposal of battery.**
 12. **Use the batteries only with the products specified by Makita.** Installing the batteries to non-compliant products may result in a fire, excessive heat, explosion, or leak of electrolyte.
 13. **If the tool is not used for a long period of time, the battery must be removed from the tool.**
 14. **During and after use, the battery cartridge may take on heat which can cause burns or low temperature burns. Pay attention to the handling of hot battery cartridges.**
 15. **Do not touch the terminal of the tool immediately after use as it may get hot enough to cause burns.**

Important safety instructions for battery cartridge

1. **Before using battery cartridge, read all instructions and cautionary markings on (1) battery charger, (2) battery, and (3) product using battery.**

16. **Do not allow chips, dust, or soil stuck into the terminals, holes, and grooves of the battery cartridge.** It may cause heating, catching fire, burst and malfunction of the tool or battery cartridge, resulting in burns or personal injury.
17. **Unless the tool supports the use near high-voltage electrical power lines, do not use the battery cartridge near high-voltage electrical power lines.** It may result in a malfunction or breakdown of the tool or battery cartridge.
18. **Keep the battery away from children.**

SAVE THESE INSTRUCTIONS.

⚠ CAUTION: Only use genuine Makita batteries. Use of non-genuine Makita batteries, or batteries that have been altered, may result in the battery bursting causing fires, personal injury and damage. It will also void the Makita warranty for the Makita tool and charger.

Tips for maintaining maximum battery life

1. **Charge the battery cartridge before completely discharged. Always stop tool operation and charge the battery cartridge when you notice less tool power.**
2. **Never recharge a fully charged battery cartridge. Overcharging shortens the battery service life.**
3. **Charge the battery cartridge with room temperature at 10 °C - 40 °C (50 °F - 104 °F). Let a hot battery cartridge cool down before charging it.**
4. **When not using the battery cartridge, remove it from the tool or the charger.**
5. **Charge the battery cartridge if you do not use it for a long period (more than six months).**

Names of parts

► Fig.1

1	Handle	2	Handle lock lever	3	Control panel	4	ON/OFF switch
5	Suction button	6	Filter shake button	7	Main brush button	8	Lamp button
9	Check button	10	Indicator lamps	11	Side brush ON/OFF lever	12	Side brush height adjusting knob
13	Lamp	14	Grip	15	Side brush	16	Battery box cover
17	Main brush height adjusting knob	18	Rear wheel	19	Front wheel	20	Main brushes
21	Waste container shaft	22	Grip (waste container part)	23	Waste container	24	Battery box
25	Prefilter	26	HEPA filter	27	Brush shaft	28	Earthing line

Introduction of separately sold items

⚠ CAUTION: These accessories or attachments are recommended for use with your Makita tool specified in this manual. The use of any other accessories or attachments might present a risk of injury to persons. Only use accessory or attachment for its stated purpose.

For details of separately sold items, refer to the catalog or contact the dealer or our sales office.

- Multifunction adapter
- Dust bag
- Makita genuine battery and charger

NOTE: Some items in the list may be included in the tool package as standard accessories. They may differ from country to country.

PREPARATIONS FOR USE

Assembly

⚠ CAUTION: Before operating the appliance, make sure the ON/OFF switch is turned off and the batteries have been removed.

Handle angle adjustment

You can adjust the angle of the handle to make it easier to operate the appliance. At the factory shipment, the handle is folded down.

⚠ CAUTION: Properly engage the handle lock lever. If the handle collapses or falls over, there is a danger of injury.

1. Release the lock of the handle lock lever.
2. Adjust the handle to the desired angle.
► Fig.2: 1. Handle lock lever 2. Handle
3. Engage the handle lock lever.
► Fig.3: 1. Handle lock lever

Folding down the handle

When you stand the appliance on its end for storage/ inspection or when you transport the appliance by lifting the appliance, fold down the handle.

► **Fig.4**

If the handle is loose and rattles

If the handle is loose and rattles even though the handle lock lever is properly locked, adjust it by tightening the nut opposite the handle lock lever. If the appliance is used when the handle is loose and rattles, there is a danger of collapse or fall over of the handle, possibly causing injury.

► **Fig.5:** 1. Handle lock lever 2. Handle 3. Tightening nut (for adjusting looseness)

Attaching and removing the side brush

The side brush can be used to extend the cleaning width and also used to clean the areas along walls.

CAUTION: Attach the side brush correctly. If the brush comes loose, it may contact with persons, possibly causing injury.

Attachment

1. Extend the side brush and stand the appliance on its end as shown in the figure.

► **Fig.6:** 1. Side brush

2. Align the hooks (2 locations) of the side brush with the mounting holes and attach the side brush.

The hooks (2 locations) of the side brush can be aligned with any of the 6 holes.

► **Fig.7:** 1. Hooks (2 locations) 2. Holes (6 locations)

NOTE: To make it easier to engage the hooks and holes, rotate the side brush counterclockwise while the side brush lever is lowered.

Removal

While pinching inward on the grips of the hooks, remove the side brush.


















► **Fig.8:** 1. Grips of hooks

Charging the batteries

Indicating the remaining battery capacity

Press the check button on the battery cartridge to indicate the remaining battery capacity. The indicator lamps light up for a few seconds.

► **Fig.9:** 1. Indicator lamps 2. Check button








Indicator lamps			Remaining capacity
 Lighted	 Off	 Blinking	
			75% to 100%
			50% to 75%
			25% to 50%
			0% to 25%
			Charge the battery.
			The battery may have malfunctioned.
			

NOTE: Depending on the conditions of use and the ambient temperature, the indication may differ slightly from the actual capacity.

NOTE: The first (far left) indicator lamp will blink when the battery protection system works.

Remaining battery capacity indication (control panel)

You can also check the remaining battery capacity on the control panel. The remaining battery capacity is displayed when the ON/OFF switch is turned on or off, or when the check button is pressed. The battery indicator lamps light up for 3 seconds.

Indicator lamps			Remaining battery capacity
 On	 Off	 Blinking	
			50% to 100%
			20% to 50%
			0% to 20%
			Charge the battery

Things to know before use

Transporting the appliance

CAUTION: Before transporting the appliance, make sure the ON/OFF switch is turned off and the batteries have been removed.

CAUTION: Empty the waste container and make sure that the waste container is properly locked by the hook before lifting and transporting the appliance. Failure to lock the hook could result in injury.

CAUTION: Lifting and transporting the appliance should always be performed by at least two persons using a safe carrying posture. Transporting the appliance in an unsafe manner could result in injury.

CAUTION: When loading and unloading the appliance in slope, be careful not to let the wheels fall off.

Two persons should transport the appliance, one holding the grip and the other holding the grip (waste container part).

► **Fig.10:** 1. Grip 2. Grip (waste container part)







Work environment

If there is string-like refuse such as cords or wire in the location to be cleaned, clear it away before proceeding. The string-like refuse may become tangled in the main brushes and the side brush.

► **Fig.11:** 1. String-like refuse

Protection function

This appliance is equipped with a protection function. When one of the following conditions occurs, the protection function automatically stops all motors. The lamps on the control panel indicates the error state.

Illumination state			Error state	Action
On	Off	Blinking		
			Battery error	Charge the batteries.
			Appliance temperature is high	Allow the appliance to cool down.
			Brush overload	Stop use of the brush and remove the source of the overload.
			Suction overload	Stop use of the suction mode and remove the source of the overload.
			Filter shake overload	Stop use of the filter shake function and remove the source of the overload.
			Restart prevention	Switch off the ON/OFF switch.

Restart prevention

This appliance is equipped with a restart prevention function. If the batteries are inserted while the ON/OFF switch is turned on, or if the appliance recovers from low-power mode* while the ON/OFF switch is turned on, the restart prevention function prevents an unexpected restart. When the ON/OFF switch is turned off, the error indication disappears. When the ON/OFF switch is turned on afterwards, the appliance starts.

* Low-power mode: When all of the following conditions apply, the appliance turns low-power mode to save the battery capacity.

- No motors operate.
- The front lamps are off.
- No button has been pressed for one minute.

This mode cuts off power to some electronic circuits.

NOTE: To cancel an error indication other than restart prevention, turn off the ON/OFF switch and perform one of the following three actions.

- Turn on the ON/OFF switch.
- Press a button on the control panel.
- Perform no operation for one minute.

NOTE: Regardless of whether or not an error has occurred, you can turn on or off the lamps.

NOTE: If no operation is performed for one minute after an error has occurred while the ON/OFF switch is on, all control panel indications turn off, but the error has not been cleared.

- If the lamps are on: Press any button on the control panel to redisplay the error indication.
- If the lamps are off: The appliance is in low-power mode, so pressing a button on the control panel triggers the restart prevention.

Protections against other causes

Protection system is also designed for other causes that could damage the appliance and allows the appliance to stop automatically. Take all the following steps to clear the causes, when the appliance has been brought to a temporary halt or stop in operation.

1. Turn the appliance off, and then turn it on again to restart.
2. Charge the battery(ies) or replace it/them with recharged battery(ies).
3. Let the appliance and battery(ies) cool down.

If no improvement can be found by restoring protection system, then contact your local Makita Service Center.

USAGE

Mounting/removing the batteries

CAUTION: Make sure the ON/OFF switch is turned off before mounting or removing the batteries.

CAUTION: Be careful not to get your fingers caught when opening and closing the battery box cover. There is a danger of injury.

Mounting the batteries

Open the battery box cover. Align the battery with the groove, and insert it until it clicks into place. Close the battery box cover.

► Fig.12: 1. Battery box cover

Removing the batteries

While holding down the button on the battery, lift the battery out of the battery box.

► Fig.13: 1. Button 2. Battery "1" 3. Battery "2"

The appliance will operate with either one or two batteries mounted.

- **Mounting two batteries**
With two batteries mounted side by side, battery "1" is used first. When battery "1" is exhausted, the appliance automatically switches to battery "2" without a pause in operation.

NOTE: Even if battery "1" is mounted, when battery "2" is being used, the appliance does not switch to battery "1" unless battery "2" is exhausted or the ON/OFF switch is turned off.

- **Mounting one battery**
The mounted battery is detected automatically.

Operating the appliance

Main brush height adjustment

The height of the main brush (rear side only) at the bottom of the appliance is adjustable. Adjust appropriately depending on the condition of the floor to be cleaned, the length of the main brush, etc.

► Fig.14: 1. Main brush (rear side)

Turn the main brush height adjusting knob to adjust the height of the main brush.

Turn the knob in the direction indicated by the arrow to reduce the height of the main brush (to adjust towards more contact with the floor).

► Fig.15: 1. Main brush height adjusting knob 2. Main brush height

Turn the knob in the direction indicated by the arrow to increase the height of the main brush (to adjust towards less contact with the floor).

► Fig.16: 1. Main brush height adjusting knob 2. Main brush height

NOTE: The main brushes become worn down. Check and adjust the height of the main brushes regularly. If it is not possible to adjust the brushes sufficiently, replace them.

How to check the appropriate main brush height

NOTICE: Observe the appropriate height. Too much pressure on the main brush accelerates the wear of the main brush and shorten run-time.

A main brush track width indicates the appropriate height of the main brush.

1. Raise up the front of the appliance by holding the grip or handle. Move the appliance to a flat surface covered with the following materials, and then gently lower the appliance onto the surface.

- Layer of dust
- Layer of chalk

2. Turn on the ON/OFF switch and rotate the main brushes approx. 15 - 30 seconds.

3. Turn off the ON/OFF switch. Raise the front of the appliance to prevent the main brush from contacting the surface and move the appliance to another area.

Check that the main brush track is evenly rectangular, 25 - 40 mm (1" - 1-9/16") wide.

Readjust the height by using the main brush height adjusting knob if the track shape is inappropriate.

► Fig.17: 1. Layer of dust or chalk 2. Main brush (rear side) 3. Track

Turning the side brush on or off

The side brush can be used to extend the cleaning width and also used to clean the areas along walls.

To use the side brush, hold down the lock off button and lower the side brush ON/OFF lever.

The side brush is lowered to the floor surface. When the side brush is on, it rotates in conjunction with the main brushes.

► Fig.18: 1. Side brush 2. Lock off button 3. Side brush ON/OFF lever

Raise the side brush ON/OFF lever when the side brush is not in use.

The side brush is raised from the floor surface. When the side brush is off, it does not rotate.

► Fig.19: 1. Side brush 2. Side brush ON/OFF lever

Side brush height adjustment

When the side brush is on, the height is adjustable. Adjust appropriately depending on the condition of the floor to be cleaned, the length of the side brush, etc.

Turn the side brush height adjusting knob to adjust the height of the side brush.

Turn the knob in the direction indicated by the arrow to reduce the height of the side brush (to adjust towards more contact with the floor).

► **Fig.20:** 1. Side brush height adjusting knob

Turn the knob in the direction indicated by the arrow to increase the height of the side brush (to adjust towards less contact with the floor).

► **Fig.21:** 1. Side brush height adjusting knob

NOTE: The side brush becomes worn down. Check and adjust the height of the side brush regularly. If it is not possible to adjust the brush sufficiently, replace it.

Starting cleaning

CAUTION: Hold the appliance firmly during use. Also, do not leave the appliance unattended regardless of whether the appliance is on a slope or not. The appliance may move and cause an accident.

CAUTION: Do not rotate the brushes or start the filter shake function when the waste container or dust bag are not attached to the appliance.

CAUTION: Do not touch rotating brushes. There is a danger of injury.

CAUTION: Do not use the appliance to collect items that could become tangled in the brushes, such as cords, string, or wire. Doing so may cause a breakdown. Clear away string-like refuse beforehand.

CAUTION: Do not use the appliance in unstable places such as locations where the floor has a steep slope or is very slippery. There is a danger that operation could be unstable or the appliance could tip over.

CAUTION: Wear protective equipment such as a mask, glasses and gloves when cleaning in a dusty environment.

Cleaning

NOTICE: Do not turn the ON/OFF switch forcibly without pressing the lock off button.

1. Turn the ON/OFF switch with pressing the lock off button to the "I" position to turn on power.

► **Fig.22:** 1. ON/OFF switch 2. Lock off button 3. Control panel

2. If necessary, change settings by pressing the function switches on the control panel. (Refer to "Control panel operations.")

3. Push the handle to start cleaning.

► **Fig.23**

NOTE: For how to turn the side brush on or off, refer to "Turning the side brush on or off."



4. Turn the ON/OFF switch with pressing the lock off button to the "O" position to turn off power.

► **Fig.24:** 1. ON/OFF switch 2. Lock off button

Control panel operations

Changing the main brush rotation speed

When power is turned on, each press of the [main brush button] switches the brush rotation speed mode.




Button/LED indication	Mode	Function
	Standard mode	The brush rotation speed is standard. This is optimal for when there is a lot of dirt.
	Quiet mode	This is optimal for when you want to clean quietly or when you want to clean for a long time.

NOTE: The rotation speed of the side brush is linked to the rotation speed of the main brushes.

NOTE: When power is turned on, operation starts in the mode being used when power was previously turned off.

Changing the suction mode

When power is turned on, each press of the [suction button] switches the suction power mode.



Button/LED indication	Mode	Function
	Standard mode	The suction power is standard. This is optimal for cleaning in a dusty environment.
	Quiet mode	This is optimal for quiet and long cleaning.
	Off	This is optimal for when suction is not needed, as well as quieter and longer cleaning than quiet mode.

NOTE: When power is turned on, operation starts in the mode being used when power was previously turned off.

NOTE: If the filter shake function is turned on while the suction fan is in use, the suction fan stops temporarily and then restarts when filter shake stops.



Turns the filter shake function on or off

Pressing the [filter shake button] toggles the filter shake function between on and off.

Button/LED indication	Mode	Function
	On	Turns on the filter shake function. When the filter shake function is operating, dust is removed from the filter automatically to eliminating the clogging. It turns off automatically after about 15 seconds.
	Off	Turns off the filter shake function.

Turns the lamps on or off

Pressing the [lamp button] toggles the lamps between on and off.

Button/LED indication	Mode	Function
	On	Turns the lamps on.
	Off	Turns the lamps off.

► **Fig.25:** 1. Lamp

Lamp auto-off function

The lamps turn off automatically if the following two conditions continue for 30 minutes.

- None of the motors (main brushes, suction, and filter shake) is operating.
- No button has been pressed.

Showing the remaining battery capacity

Press the [check button] to display the remaining battery capacity.

Using the waste container

► **Fig.26:** 1. Waste container

- The refuse is collecting in the waste container.
- For details of the cleaning procedure, refer to "Starting cleaning."

Removal

1. Raise the hook of the waste container.
2. Remove the hook from the appliance.
► **Fig.27:** 1. Hook
3. Remove the waste container from the appliance.
► **Fig.28:** 1. Hook 2. Waste container

Attachment

1. Attach the groove of the waste container to the waste container shaft of the appliance.
► **Fig.29:** 1. Groove 2. Waste container shaft
2. Fit the hook onto the appliance and lower the hook to secure the waste container in place.

Using the dust bag

Optional accessory

► **Fig.30:** 1. Dust bag 2. Transparent window

- The dust bag has a large capacity, making it suitable for collecting bulky refuse such as fallen leaves.
- You can check how much refuse has been collected by looking through the transparent window on the top.
- Use the waste container when suction dust. The dust bag is not as airtight as the waste container.
- For details of the cleaning procedure, refer to "Starting cleaning."

NOTE: When collecting light refuse such as fallen leaves, using suction mode is recommended. Using suction mode helps to collect more refuse than when the mode is off.

Attachment

1. Remove the waste container from the appliance.
► **Fig.31:** 1. Hook 2. Waste container
2. Attach the groove of the dust bag frame to the waste container shaft of the appliance.
► **Fig.32:** 1. Dust bag frame 2. Groove 3. Waste container shaft
3. Fit the hook onto the appliance and lower the hook to secure the dust bag frame in place.
► **Fig.33**
4. Attach the dust bag by hanging the hooks on the left and right of the dust bag on the attaching grooves.
► **Fig.34:** 1. Hook 2. Groove

Removal

Reverse the steps of the attachment procedure.

Attaching a polyethylene bag

NOTICE: When attaching a polyethylene bag, it may be difficult to see inside of the dust bag.

Attaching a polyethylene bag to the dust bag gives you the convenience when it is time to discard refuse, because discarding work can be completed by simply removing and throwing away the polyethylene bag with its contents.

1. Lift up the grip (for the dust bag) and remove the dust bag.
► **Fig.35:** 1. Grip (for the dust bag) 2. Dust bag
2. Attach a polyethylene bag (commercial appliance, bag opening perimeter is over 1,600 mm (63")) to the dust bag.
► **Fig.36:** 1. Polyethylene bag
3. Attach the dust bag by hanging the hooks on the left and right of the dust bag on the attaching grooves.

Using a multifunction adapter

Optional accessory

Attaching a multifunction adapter makes it possible to mount a Makpac or portable power pack.

CAUTION: Properly secure the multifunction adapter in place using the supplied screws.

CAUTION: Properly secure the Makpac or portable power pack in place by using the latches or hooks on the multifunction adapter.

CAUTION: Do not place objects weighting more than 20 kg (44 lbs) or more on the multifunction adapter.

CAUTION: Do not use the handle of a Makpac or portable power pack mounted on the multifunction adapter to transport or operate the appliance. Doing so may cause accidents.

CAUTION: Do not stand the appliance on its end when a Makpac or portable power pack is mounted on the multifunction adapter. Doing so may damage the locking mechanism of the multifunction adapter, and the Makpac or portable power pack may fall off.

Attaching the multifunction adapter

1. Align the protrusions on the left and right of the multifunction adapter with the mounting grooves on the appliance and attach the multifunction adapter.

► **Fig.37:** 1. Protrusion 2. Groove 3. Multifunction adapter

If it is difficult to mount the multifunction adapter, loosen the handle lock lever on the appliance. When loosen the handle lock lever, fold down the handle to prevent the handle from falling over, and then mount the multifunction adapter.

2. Tighten the four screws to secure the multifunction adapter in place.

► **Fig.38:** 1. Screws

Removing the multifunction adapter

Reverse the steps of the attachment procedure.

Names of parts of multifunction adapter

► **Fig.39:** 1. Securing latch (for Makpac) 2. Hooks A (for PDC01 / PDC1200 / PDC1500) 3. Hook B (for PDC1200 / PDC1500) 4. Hooks C (for PDC01)

Mounting a Makpac

CAUTION: Do not exceed the height 315 mm (12-3/8") when mounting the Makpac.

Firmly fit the two securing latches on the left and right into the mounting notches of the Makpac to secure the Makpac in place.

► **Fig.40:** 1. Makpac 2. Securing latches

Removing a Makpac

Disengage the two securing latches on the left and right and remove the Makpac.

Mounting a portable power pack

CAUTION: Do not use the appliance with the portable power pack on your back.

CAUTION: When mounting a portable power pack on the multifunction adapter, make sure the cord of the portable power pack is arranged properly. Otherwise sagging cord may be scraped by the floor and disconnection, smoke, or fire result.

1. Fit the bottom edge of the portable power pack onto hooks A and secure it in place with hook B or hook C. Confirm that the portable power pack does not detach from the appliance by lifting up the handle of the portable power pack lightly.

• PDC1200 / PDC1500

Fit the bottom edge of the portable power pack onto hooks A and secure it in place with hook B. Confirm that the portable power pack does not detach from the appliance by lifting up the handle of the portable power pack lightly.

If the red indicator of the lock button is visible, the portable power pack is not completely locked.

► **Fig.41:** 1. Portable power pack 2. Hooks A 3. Hook B 4. Lock button 5. Red indicator

• PDC01

Fit the bottom edge of the portable power pack onto hooks A and secure it in place with hooks C. Hook B is not used.

► **Fig.42:** 1. Portable power pack 2. Hooks A 3. Hooks C

2. Align the triangle marks on the socket of the portable power pack and the plug of the adapter (for the XGT battery) and fit them together firmly as far as they will go.

► **Fig.43:** 1. Socket of portable power pack 2. Plug of adapter (for XGT battery) 3. Triangle marks

3. Open the battery box cover.

► **Fig.44:** 1. Battery box cover

4. As shown in the figure, arrange the cord so it passes through the groove in the multifunction adapter and the battery box. Align the adapter (for the XGT battery) with the groove in the battery insertion opening, and insert the adapter until it clicks into place.

► **Fig.45:** 1. Groove in multifunction adapter 2. Groove in battery box 3. Adapter (for XGT battery)

5. Close the battery box cover.

Removing a portable power pack

PDC1200 / PDC1500

1. Remove the plug of the adapter (for the XGT battery) from the socket of the portable power pack and remove the cord.

NOTICE: Do not pull the cord when removing from the plug of adapter. Also, do not carry the portable power pack by holding only the cord.

The cord may break or otherwise be damaged.

2. While holding down the lock button of the portable power pack, raise the handle of the portable power pack.

► **Fig.46:** 1. Portable power pack 2. Lock button
3. Handle

PDC01

1. Remove the plug of the adapter (for the XGT battery) from the socket of the portable power pack and remove the cord.

NOTICE: Do not pull the cord when removing from the plug of adapter. Also, do not carry the portable power pack by holding only the cord.

The cord may break or otherwise be damaged.

2. Disengage hooks C and pull the portable power pack out and then up.

► **Fig.47:** 1. Portable power pack 2. Hooks C
3. Handle

Handling after use

CAUTION: If the appliance will not be in use, make sure the ON/OFF switch is turned off and the batteries have been removed.

Discarding refuse

CAUTION: Always wear protective equipment such as a mask and gloves when disposing of refuse. There is a danger you may touch sharp objects in the refuse, possibly causing injury.

CAUTION: Discard refuse early, before too much accumulates. The suction power could be reduced.

1. Remove the hook and then remove the waste container from the appliance.

► **Fig.48:** 1. Waste container 2. Hook

When using the dust bag, raise the grip and lift out the dust bag.

► **Fig.49:** 1. Grip (for dust bag) 2. Dust bag

2. Transport the waste container or dust bag to the refuse collection area and discard the refuse.

► **Fig.50**

When using the dust bag, attaching a polyethylene bag inside allows you to discard the polyethylene bag together with the refuse.

► **Fig.51**

3. After discarding refuse, mount the waste container or dust bag to the appliance. Make sure that the hook is properly locked.

MAINTENANCE

CAUTION: Always be sure that the appliance is switched off and the battery cartridge is removed before attempting to perform inspection or maintenance.

NOTICE: Never use gasoline, benzine, thinner, alcohol or the like. Discoloration, deformation or cracks may result.

Maintenance

Cleaning the appliance body

CAUTION: Do not wash the appliance body with water. Doing so may cause a breakdown.

To remove dirt from the appliance body, wipe it using a cloth that has been moistened with a small amount of diluted neutral detergent.

► **Fig.52**

Cleaning the main brushes

1. Fold down the handle and stand the appliance on its end as shown in the figure.

2. Push in a main brush in the direction indicated by the arrow A in the figure.

Remove one end of the main brush in the direction indicated by the arrow B in the figure.

► **Fig.53:** 1. Main brush

3. Remove the other end of the main brush from the brush shaft.

4. In like manner, remove the other main brush.

5. If there is string-like refuse adhered to the brushes, remove it by hand.

► **Fig.54**

6. Shake off dust, and wash the brushes with water if they are very dirty. After washing, leave them to dry in the shade; do not use them until they are completely dry.

► **Fig.55**

7. Orient each main brush so that the shapes of the ends match the mounting areas of the appliance, as shown in the figure.

If the shapes of the ends do not match, reverse the left-right orientation of the main brush so they match.

► **Fig.56:** 1. Main brush 2. Minus shape 3. Plus shape

8. Fit a main brush onto the brush shaft of the appliance in the direction indicated by the arrow in the figure.

► **Fig.57:** 1. Brush shaft

9. Fit a main brush into mounting area of the appliance, in the direction indicated by the arrow in the figure, and secure it in place.

► **Fig.58**

NOTE: If the shapes of the ends do not match, you will not be able to mount the main brush. In this case, go back to step 7 and redo the process.

10. In like manner, mount the other main brush.

► Fig.59

CAUTION: After mounting the main brushes, check that the shapes are correctly engaged.

NOTE: If the main brushes are worn down to a shorter length, replace them.

Cleaning the side brush

For the procedure for mounting and removing the side brush, refer to "Attaching and removing the side brush."

1. Remove the side brush.

2. Shake off dust, and wash the brush with water if it is very dirty. After washing, leave the brush to dry in the shade; do not use it until it is completely dry.

► Fig.60

3. Mount the side brush.

NOTE: If the side brush is worn down to a shorter length, replace it.

Cleaning the filters

CAUTION: Make sure the filters are mounted properly, and do not use the appliance when the filters are not in place. Also, do not use filters that are damaged or wet. Motor burnout or a breakdown may result.

NOTICE: The filters can be washed and reused. To prevent damage to the filters, do not use the following items when cleaning them.

- Air dusters
- High-pressure washers
- Brushes made of hard materials such as metal

1. Remove the waste container.

2. While pushing on the hook of the prefilter in the direction indicated by the arrow in the figure, remove the prefilter.

► Fig.61: 1. Prefilter 2. Hook

3. While pushing on the hooks of the HEPA filter in the direction indicated by the arrows in the figure, remove the HEPA filter.

► Fig.62: 1. HEPA filter 2. Hook

4. Shake off dust, and wash the filters with water if they are very dirty. After washing, leave the prefilter and HEPA filter to dry in the shade; do not use them until they are completely dry.

► Fig.63: 1. Prefilter 2. HEPA filter

5. To mount the HEPA filter, fit the edge of the HEPA filter onto the grooves on the appliance, and push the filter into place. Check that the hooks are securely fixed.

► Fig.64: 1. HEPA filter 2. Edge 3. Groove 4. Hook

6. To mount the prefilter, fit the protrusions on the prefilter into the grooves on the appliance, and push the filter into place. Check that the hook is securely fixed.

► Fig.65: 1. Prefilter 2. Protrusion 3. Groove 4. Hook

Cleaning the sponge filter

CAUTION: After cleaning the sponge filter, be sure to install it on the waste container. If washed in water, dry it up before installing.

When the sponge filter is clogged with dust, remove it from the waste container and then wipe it off or wash in water.

1. Remove the sponge case from the waste container.

2. Open the sponge case to remove the sponge filter.

► Fig.66: 1. Waste container 2. Sponge case 3. Sponge filter

3. Wipe off the sponge filter or wash in water.

4. Install the sponge filter in its original position.

Cleaning the tube

When using the dust bag (optional accessory), the tube may become clogged with fine refuse such as sand, pebbles, and small fallen leaves.

1. Pull the tube from the dust bag frame.

2. Remove the refuse from the tube.

► Fig.67: 1. Dust bag frame 2. Tube

3. Install the tube in its original position.

Periodic inspections

To ensure a long service life for the appliance and safety usage, perform the inspections listed below periodically.

Daily inspections

- Waste container: empty the container.
- Filters: if they are dirty, cleaning them.
- Brushes: if string-like refuse get entangled, remove it.
- Control and movable parts: check that they move smoothly.

Weekly inspections

- Main brush height: if the height is inappropriate, readjust it.
- Screws (when using multifunction adapter): if they are loose, tighten them.

Replacement/replenishment of consumable items

Brush replacement

If the main brushes and side brush become worn out, ask your local Makita service center for replacement.

Replacing the main brushes

Replace the main brushes if they cannot be adjusted appropriately. Refer to "*Main brush height adjustment*." For removing and mounting the main brushes, refer to "*Cleaning the main brushes*."

Replacing the side brush

Replace the side brush if it does not contact the floor when the side brush height adjusting knob is turned to the lowest position. Refer to "*Side brush height adjustment*."

For removing and mounting the side brush, refer to "*Attaching and removing the side brush*."

警告

- 本工具不适合体力、感知觉、心智不健全或缺乏经验知识的人员（包括儿童）使用。
- 致欧洲用户：
请勿让儿童玩耍本工具。在无人监督的情况下，请勿让儿童进行清洁和用户保养工作。
- 致非欧洲地区用户：
应看管好儿童，勿让其玩耍本工具。
- 小心：执行任何保养操作前，请将工具与电源断开连接。定期执行工具的保养。
- 在充电前，必须从设备中取出充电电池。
- 要拆卸或安装电池时，先打开电池盖，然后按下电池组前侧的按钮，同时将电池组从工具中滑出。
- 耗尽的电池必须从设备中取出并安全处理。请遵循当地有关电池处理的法规。
- 如长时间存放而不使用设备，应取出电池。
- 请勿使电源端子短路。

简介

规格

型号:	VS001G	
垃圾盒容量	15.6 L	
清洁能力 *1	不使用边刷	1,920 m ² /h
	使用边刷	2,600 m ² /h
清洁宽度	不使用边刷	480 mm
	使用边刷	650 mm
额定电压	D.C. 36 V - 40 V (最大)	
尺寸 (长 × 宽 × 高)	手柄垂直	830 mm × 677 mm × 1,146 mm
	手柄折叠	830 mm × 677 mm × 467 mm
允许总重量(GVW)	最大44.0 kg	
净重 (运输重量) (含BL4025 x1)	29.9 kg	
防护等级	IPX4	

*1 假设行走速度为4 km/h。

- 生产者保留变更规格不另行通知之权利。
- 规格和电池组可能因销往国家之不同而异。

适用电池组和充电器

电池组	BL4020 / BL4025 / BL4040 / BL4040F / BL4050F / BL4080F
充电器	DC40RA / DC40RB / DC40RC / DC40WA

- 部分以上所列电池组和充电器是否适用视用户所在地区而异。

警告： 请仅使用以上所列电池组和充电器。使用其他类型的电池组或充电器可能会导致人身伤害和/或失火。

推荐的用电源线连接的电源

便携电源装置 PDC01 / PDC1200 / PDC1500

- 以上所列的用电源线连接的电源是否适用取决于用户所在地区。
- 在使用用电源线连接的电源之前，请先阅读使用说明和了解相关警示标识。

符号

以下显示本设备可能会使用的符号。在使用工具之前，请务必理解其含义。



阅读使用说明书。



应特别小心和注意。



请勿在大于2%的斜坡上使用。



请勿踩踏工具。



请勿将重量20 kg (44 lb)或更重的物品放置于工具顶部。



为防止事故或人身伤害，保养扫地刷或维修前，请务必关闭工具电源开关并取出电池。



适用于本产品的代表性电池。



仅限于欧盟国家
由于本设备中包含有害成分，因此废弃的电气和电子设备、蓄电池和普通电池可能会对环境和人体健康产生负面影响。请勿将电气和电子工具或电池与家庭普通废弃物放在一起处置！

根据欧洲关于废弃电气电子设备、蓄电池和普通电池、废弃的蓄电池和普通电池的指令及其国家层面的修订法案，废弃的电气设备、普通电池和蓄电池应当单独存放并递送至城市垃圾收集点，根据环保法规进行处置。

此规定由标有叉形标志的带轮垃圾桶符号表示。



保证声功率级别符合欧盟室外噪音指令。



声功率级别符合澳大利亚NSW噪音控制规定

用途

本工具用于收集干碎屑。本工具适合商业用途，例如用于酒店、学校、医院、工厂、商店、办公室和租借的办公场所。

安全须知

充电式手推扫地机安全警告

1. 操作者应就如何使用手推扫地机接受充分指导。
2. 该手推扫地机仅用于干燥环境。
3. 不使用时，请务必将手推扫地机存放在室内。
4. 请勿用于清洁超过工具上标示坡度的表面。
5. 请勿让儿童玩耍可充电工具。
6. 存放工具时，请将工具放置于平稳的表面上。将工具存放于儿童无法触及的地方。
7. 工具直立时，务必将工具放置于平坦表面上。
8. 保持工作地点整洁。此外，务必确保照明良好并始终保持清洁。否则可能会导致事故。
9. 穿着合适的工作服。
10. 请勿使用电池连接转换器。
11. 请勿用湿手触摸电池区。否则可能会导致触电。
12. 请勿使用湿的过滤器。可能会导致电机烧毁或故障。
13. 下雨时或路面潮湿时请勿使用工具。此外，请勿拾取含液体或泡沫的垃圾。可能会导致电机烧毁或故障。
14. 请勿收集电缆、绳子或金属丝等绳状垃圾。这些垃圾可能会缠在扫地刷上。在清洁操作前，请清除垃圾。否则可能会导致故障。

15. 请勿断开接地线。
16. 请勿试图用苯、稀释剂或清洁用化学品清洁工具的外部或内部。否则可能会导致工具破裂和褪色。
17. 清洁多尘场所、进行维护或处理垃圾时，穿戴适当的防护装备，如护目镜和防尘面罩。
18. 正确安装过滤器。在未安装过滤器、安装于错误位置或处于损坏状态下使用工具时，可能会导致电机烧毁或故障。
19. 请勿拆解工具。否则可能会导致故障。
20. 如您注意到任何异常，请立即停止工具并取出电池。
21. 使用工具前，请检查以确保没有损坏的部件，并且各部件均操作正常。如果有损坏部件，除非本使用说明中另有特殊指示，请根据情况由授权的经销商进行更换或维修。
22. 有被传动皮带、主刷、边刷、把手或后轮挤压、卡住或弄伤的风险。
23. 请勿使用工具收集有毒物质，如石棉。
24. 清洁被污染或多尘场所时，请勿使用边刷。
25. 请勿在存在有害物质或明火的场所使用本工具。否则可能会导致火灾或爆炸。
26. 请勿在易爆和易燃场所使用本工具。

用电池驱动的电动工具的使用和保养

1. 请仅使用制造商指定的充电器进行充电。将适用于某一种类型电池组的充电器用于其他类型的电池组时，可能会导致起火。
2. 电动工具仅可使用专门指定的电池组。使用其他类型的电池组可能会导致人身伤害或起火。
3. 不使用电池组时请将其远离纸夹、硬币、钥匙、钉子、螺丝或其他小型金属物体放置。这些物体可能会使电池端子短路。这些物体可能会使电池端子短路，引起燃烧或起火。
4. 使用过度时，电池中可能溢出液体。请避免接触。如果意外接触到电池漏液，请用水冲洗。如果液体接触到眼睛，请就医。电池漏液可能会导致过敏发炎或灼伤。
5. 不要使用损坏或改装过的电池包或工具。损坏或改装过的电池组可能呈现无法预测的结果，导致着火、爆炸或伤害。
6. 不要将电池包暴露于火或高温中。电池包暴露于火或高于130 °C的高温中可能导致爆炸。

7. 遵循所有充电说明。不要在说明书中指定的温度范围之外给电池包或电动工具充电。不正确或在指定的温度范围外充电可能会损坏电池和增加着火的风险。

电池组的重要安全注意事项

1. 在使用电池组之前，请仔细阅读所有的说明以及（1）电池充电器，（2）电池，以及（3）使用电池的产品上的警告标记。
2. 切勿拆卸或改装电池组。否则可能引起火灾、过热或爆炸。
3. 如果机器运行时间变得过短，请立即停止使用。否则可能会导致过热、起火甚至爆炸。
4. 如果电解液进入您的眼睛，请用清水将其冲洗干净并立即就医。否则可能会导致视力受损。
5. 请勿使电池组短路：
 - (1) 请勿使任何导电材料碰到端子。
 - (2) 避免将电池组与其他金属物品如钉子、硬币等放置在同一容器内。
 - (3) 请勿将电池组置于水中或使其淋雨。电池短路将产生大的电流，导致过热，并可能导致起火甚至击穿。
6. 请勿在温度可能达到或超过50°C (122°F)的场所存放以及使用工具和电池组。
7. 即使电池组已经严重损坏或完全磨损，也请勿焚烧电池组。电池组会在火中爆炸。
8. 请勿对电池组射钉，或者切削、挤压、抛掷、掉落电池组，又或者用硬物撞击电池组。否则可能引起火灾、过热或爆炸。
9. 请勿使用损坏的电池。
10. 本工具附带的锂离子电池需符合危险品法规要求。
 第三方或转运代理等进行商业运输时，应遵循包装和标识方面的特殊要求。有关运输项目的准备作业，咨询危险品方面的专业人士。同时，请遵守可能更为详尽的国家法规。
 请使用胶带保护且勿遮掩表面的联络信息，并牢固封装电池，使电池在包装内不可动。
11. 丢弃电池组时，需将其从工具上卸下并在安全地带进行处理。关于如何处理废弃的电池，请遵循当地法规。

12. 仅将电池用于Makita（牧田）指定的产品。将电池安装至不兼容的产品会导致起火、过热、爆炸或电解液泄漏。
13. 如长时间未使用工具，必须将电池从工具内取出。
14. 使用工具期间以及使用工具之后，电池组温度可能较高易引起灼伤或低温烫伤。处理高温电池组时请小心操作。
15. 在使用工具后请勿立即触碰工具的端子，否则可能引起灼伤。
16. 避免锯屑、灰尘或泥土卡入电池组的端子、孔口和凹槽内。否则可能会导致过热、着火、爆炸和工具/电池组故障，导致烫伤或人身伤害。
17. 除非工具支持在高压电源线路附近使用，否则请勿在高压电源线路附近使用电池组。否则可能导致工具或电池组故障或失常。
18. 确保电池远离儿童。

请保留此说明书。

⚠小心： 请仅使用Makita（牧田）原装电池。使用非Makita（牧田）原装电池或经过改装的电池可能会导致电池爆炸，从而造成火灾、人身伤害或物品受损。同时也会导致牧田工具和充电器的牧田保修服务失效。

保持电池最大使用寿命的提示

1. 在电池组电量完全耗尽前及时充电。发现工具电量低时，请停止工具操作，并给电池组充电。
2. 请勿对已充满电的电池组重新充电。过度充电将缩短电池的使用寿命。
3. 请在10 °C - 40 °C (50 °F - 104 °F) 的室温条件下给电池组充电。请在灼热的电池组冷却后再充电。
4. 不使用电池组时，请将其从工具或充电器上拆除。
5. 如果电池组长时间（超过六个月）未使用，请给其充电。

零件名称

► 图片1

1	把手	2	把手锁杆	3	控制面板	4	ON/OFF（开/关）开关
5	吸入按钮	6	过滤器抖动按钮	7	主刷按钮	8	照明灯按钮
9	CHECK（查看）按钮	10	指示灯	11	边刷ON/OFF（开/关）拨杆	12	边刷高度调整旋钮
13	照明灯	14	握把	15	边刷	16	电池盒盖
17	主刷高度调整旋钮	18	后轮	19	前轮	20	主刷
21	垃圾盒轴	22	握把（垃圾盒部）	23	垃圾盒	24	电池盒
25	预过滤器	26	HEPA过滤器	27	刷轴	28	接地线

另售商品介绍

⚠小心： 这些附件或装置专用于本说明书所列的Makita（牧田）工具。如使用其他厂牌附件或装置，可能导致人身伤害。仅可将附件或装置用于规定目的。

有关另售商品的详细信息，请参阅目录，或者联系经销商或我们的销售办事处。

- 多功能适配器
- 集尘袋
- Makita（牧田）原装电池和充电器

注： 本列表中的一些部件可能作为标准配件包含于工具包装内。它们可能因销往国家之不同而异。

使用准备工作

组装

⚠小心： 操作工具前，确保ON/OFF（开/关）开关已关闭且电池已取出。

把手角度调整

可调整把手的角度，以便于操作工具。出厂时，把手折叠。

小心：使把手锁杆正确啮合。如果把手倒塌或翻倒，则有人身伤害的危险。

1. 松开把手锁杆锁定。
 2. 将把手调整至所需角度。
- **图片2:** 1. 把手锁杆 2. 把手

3. 使把手锁杆啮合。
- **图片3:** 1. 把手锁杆

折叠把手

将工具直立以便存放/检查或提起工具搬运时，请折叠把手。

► **图片4**

如果把手松动并发出嘎嘎声

如果把手锁杆已正确锁定，把手仍松动并发出嘎嘎声，请通过拧紧把手锁杆相反侧的螺母进行调整。如果在把手松动并发出嘎嘎声的情况下使用工具，则存在把手倒塌或翻倒的危险，可能会导致人身伤害。

► **图片5:** 1. 把手锁杆 2. 把手 3. 紧固螺母（用于调整松动）

安装和拆卸边刷

边刷可用于延展清洁宽度，也可用于清洁沿墙区域。

小心：正确安装边刷。如果扫地刷松动，可能会接触到人，从而导致人身伤害。

安装

1. 如图所示，展开边刷并将工具直立。
- **图片6:** 1. 边刷
2. 将边刷的挂钩（2处）与安装孔对齐后安装边刷。

边刷的挂钩（2处）可与6个孔中的任意一个对齐。

► **图片7:** 1. 挂钩（2处） 2. 孔（6处）

注：为使挂钩和孔更容易嵌合，在降下边刷杆的同时逆时针转动边刷。

拆卸

向内捏挂钩上的卡爪，同时拆下边刷。

► **图片8:** 1. 挂钩上的卡爪

给电池充电

显示电池的剩余电量

按电池组上的CHECK（查看）按钮可显示电池剩余电量。指示灯将亮起数秒。

► **图片9:** 1. 指示灯 2. CHECK（查看）按钮








指示灯			剩余电量
■ 点亮	□ 熄灭	▧ 闪烁	
■ ■ ■ ■			75%至100%
■ ■ ■ □			50%至75%
■ ■ □ □			25%至50%
■ □ □ □			0%至25%
▧ □ □ □			给电池充电。
■ ■ □ □ □ □ ■ ■		↑ ↓	电池可能出现故障。

注：在不同的使用条件及环境温度下，指示灯所示电量可能与实际情况略有不同。

注：当电池保护系统启动时，第一个（最左侧）指示灯将闪烁。

剩余电池电量指示（控制面板）

也可以在控制面板上查看剩余电池电量。打开或关闭ON/OFF（开/关）开关时，或者按下查看按钮时，显示剩余电池电量。电池指示灯亮起3秒。

指示灯			剩余的电池电量
 亮起	 熄灭	 闪烁	
			50%至100%
			20%至50%
			0%至20%
			给电池充电

使用前需了解的事项

搬运工具

<p>小心： 搬运工具前，确保ON/OFF（开/关）开关已关闭且电池已取出。</p> <p>小心： 提起并搬运工具前，请清空垃圾盒并确保垃圾盒已由挂钩正确锁定。不锁定挂钩可能会导致人身伤害。</p> <p>小心： 务必由至少两人以安全的搬运姿势提起并搬运工具。以不安全的方式搬运工具可能会导致人身伤害。</p> <p>小心： 在斜坡上装载或卸载工具时，请小心不要让轮掉落。</p>
--

应由两人搬运工具，一人握住握把，另一人则握住握把（垃圾盒部）。

► **图片10：** 1. 握把 2. 握把（垃圾盒部）










工作环境

如果要清洁场所内有电缆或金属丝等绳状垃圾，继续操作前请将其清除。绳状垃圾可能会缠在主刷和边刷上。

► **图片11：** 1. 绳状垃圾

保护功能

本工具配备有保护功能。当出现下列情况之一时，保护功能将自动停止所有电机。控制面板上的指示灯指示错误状态。

亮灯状态			错误状态	措施
 亮起	 熄灭	 闪烁		
			电池错误	给电池充电。
			工具高温	使工具冷却。
			扫地刷过载	停止使用扫地刷并排除导致过载的原因。
			吸入过载	停止使用吸入模式并排除导致过载的原因。
			过滤器抖动过载	停止使用过滤器抖动功能并排除导致过载的原因。
			防止重启	关闭ON/OFF（开/关）开关。

防止重启

本工具配备有防止重启功能。如果在ON/OFF（开/关）开关开启的同时插入电池，或在ON/OFF（开/关）开关开启的同时工具从低功率模式*恢复，则防止重启功能可防止意外重启。ON/OFF（开/关）开关关闭时，错误指示消失。之后开启ON/OFF（开/关）开关时，工具会启动。

- * 低功率模式：当满足以下所有条件时，工具将转至低功率模式以节约电池电量。
- 无电机运转。
 - 前灯熄灭。
 - 一分钟内未按下任何按钮。

本模式会切断部分电子电路的供电。

注：要清除防止重启以外的错误指示时，关闭ON/OFF（开/关）开关并执行以下三种措施中的其中一种。

- 打开ON/OFF（开/关）开关。
- 按控制面板上的一个按钮。
- 一分钟内不执行操作。

注：无论是否发生错误，均可打开或关闭灯。

注：如果ON/OFF（开/关）开关打开时发生错误后一分钟内不执行操作，控制面板上所有指示将会熄灭，但不会清除错误。

- 如果灯亮起：按控制面板上的任意按钮以重新显示错误指示。
- 如果灯熄灭：工具处于低功率模式，按控制面板上的一个按钮会触发防止重启的功能。

其他原因防护

保护系统还适用于其他可能导致工具受损的情况，从而使工具自动停止运转。工具暂时或中途停止工作时，执行以下所有步骤以排除异常原因。

1. 关闭工具，然后再次重新启动。
2. 给电池充电或更换为充电电池。
3. 请等待工具和电池冷却。

如果保护系统恢复后仍无改善，请联络当地的Makita（牧田）维修服务中心。

使用

安装/取出电池

⚠️小心：安装或取出电池前，确保ON/OFF（开/关）开关已关闭。

⚠️小心：打开和关闭电池盒盖时，请小心不要夹住手指。存在人身伤害的危险。

安装电池

打开电池盒盖。将电池与凹槽对齐，然后将其插入直至锁定到位。关闭电池盒盖。

► **图片12：** 1. 电池盒盖

取出电池

按下电池上的按钮，将电池从电池盒中取出。

► **图片13：** 1. 按钮 2. 电池“1” 3. 电池“2”

安装一个或两个电池的状态下均可操作工具。

• 安装两个电池

并排安装两个电池的状态下，首先使用电池“1”。电池“1”电量耗尽时，工具不会暂停操作，将自动切换至电池“2”。

注：即使安装了电池“1”，当在使用电池“2”时，工具不会切换至电池“1”，除非电池“2”电量耗尽或ON/OFF（开/关）开关关闭。

• 安装一个电池

自动检测安装的电池。

操作工具

主刷高度调整

工具底部的主刷（仅后侧）高度可调整。根据要清洁的地面情况，适当调整主刷长度等。

► **图片14：** 1. 主刷（后侧）

转动主刷高度调整旋钮调节主刷的高度。

沿箭头所示方向转动旋钮可降低主刷高度（调整为与地面接触更多）。

► **图片15：** 1. 主刷高度调整旋钮 2. 主刷高度

沿箭头所示方向转动旋钮可升高主刷高度（调整为与地面接触更少）。

► **图片16：** 1. 主刷高度调整旋钮 2. 主刷高度

注：主刷会磨损。请定期检查并调整主刷高度。如果无法充分调整扫地刷，请更换。

如何确认合适的主刷高度

注意：遵循合适的高度。主刷上压力过大会加速主刷的磨损并缩短运行时间。

主刷轨迹宽度指示主刷的合适高度。

1. 握住握把或把手将工具前部向上抬起。将工具移动到覆盖以下材料的平坦表面上，然后轻轻地将工具降低到表面上。

- 灰尘层
- 粉笔灰层

2. 打开ON/OFF（开/关）开关，使主刷转动约15至30秒。

3. 关闭ON/OFF（开/关）开关。将工具前部抬起，以免主刷与表面接触，然后将工具移到其他区域。

确认主刷轨迹为25 - 40 mm (1" - 1-9/16")宽度的均匀矩形。

如果轨迹形状不正确，请使用主刷高度调整旋钮重新调节高度。

► **图片17:** 1. 灰尘或粉笔灰层 2. 主刷(后侧) 3. 轨迹

打开或关闭边刷

边刷可用于延展清洁宽度，也可用于清洁沿墙区域。

要使用边刷时，按住锁止按钮并降下边刷ON/OFF（开/关）拨杆。

边刷降低到地面表面。边刷打开时，会与主刷一起旋转。

► **图片18:** 1. 边刷 2. 锁止按钮 3. 边刷ON/OFF（开/关）拨杆

不使用边刷时，升起边刷ON/OFF（开/关）拨杆。

边刷从地面表面抬起。边刷关闭时，不会旋转。

► **图片19:** 1. 边刷 2. 边刷ON/OFF（开/关）拨杆

边刷高度调整

边刷打开时，高度可调节。根据要清洁地面的情况，适当调整边刷长度等。

转动边刷高度调整旋钮调节边刷的高度。

沿箭头所示方向转动旋钮可降低边刷高度（调整为与地面接触更多）。

► **图片20:** 1. 边刷高度调整旋钮

沿箭头所示方向转动旋钮可升高边刷高度（调整为与地面接触更少）。

► **图片21:** 1. 边刷高度调整旋钮

注： 边刷会磨损。请定期检查并调整边刷高度。如果无法充分调整扫地刷，请更换。

开始清洁

小心： 使用时请握紧工具。此外，无论工具是否在斜坡上，请勿使工具处于无人看管的状态。工具可能会移动并造成事故。

小心： 垃圾盒或集尘袋未安装至工具时，请勿转动扫地刷或开始过滤器抖动功能。

小心： 请勿触摸转动的扫地刷。存在人身伤害的危险。

小心： 请勿使用工具收集可能会缠在扫地刷上的物品，例如电缆、绳子或金属丝。否则可能会导致故障。请预先清除绳状垃圾。

小心： 请勿在地面有陡坡或非常滑的不稳固位置使用工具。存在操作不稳定或工具翻倒的危险。

小心： 在多尘环境中进行清洁时，请穿戴防护装备，如面罩、护目镜和手套等。

清洁

注意： 请勿在未按锁止按钮的情况下强行转动ON/OFF（开/关）开关。

1. 在按下锁止按钮的情况下将ON/OFF（开/关）开关转到“1”位置以打开电源。
► **图片22:** 1. ON/OFF（开/关）开关 2. 锁止按钮 3. 控制面板
2. 如有必要，请按控制面板上的功能开关更改设定。（参见“控制面板操作”。）
3. 推动把手开始清洁。
► **图片23**



注： 有关如何打开或关闭边刷，请参见“打开或关闭边刷”。

4. 在按下锁止按钮的情况下将ON/OFF（开/关）开关转到“0”位置以关闭电源。
► **图片24:** 1. ON/OFF（开/关）开关 2. 锁止按钮

控制面板操作

更改主刷转速

电源打开时，每次按[主刷按钮]都将切换扫地刷转速模式。




按钮/LED指示灯	模式	功能
	标准模式	扫地刷标准转速。此模式最适合有大量污垢的情况。
	静音模式	此模式最适合想安静地清扫或长时间清扫的情况。

注：边刷转速与主刷转速相关。

注：电源打开时，以之前电源关闭时使用的模式开始操作。

更改吸入模式

电源打开时，每次按[吸入按钮]都将切换吸力模式。



按钮/LED指示灯	模式	功能
	标准模式	标准吸力。此模式最适合清洁多尘环境。
	静音模式	此模式最适合安静和长时间的清洁。
	关闭	此模式最适合不需吸入以及比静音模式更安静和更长时间的清洁。

注：电源打开时，以之前电源关闭时使用的模式开始操作。

注：如果使用吸入风扇时过滤器抖动功能打开，吸入风扇会暂停，然后在过滤器抖动停止时重启。

打开或关闭过滤器抖动功能

按[过滤器抖动按钮]切换过滤器抖动功能的打开和关闭。

按钮/LED指示灯	模式	功能
	打开	打开过滤器抖动功能。过滤器抖动功能运行时，自动清除过滤器上的灰尘以消除堵塞。约15秒后自动关闭。
	关闭	关闭过滤器抖动功能。

打开或关闭照明灯

按[照明灯按钮]可切换照明灯的打开和关闭。

按钮/LED指示灯	模式	功能
	打开	打开照明灯。
	关闭	关闭照明灯。

► 图片25: 1. 照明灯

照明灯自动关闭功能

如果以下两种情况持续30分钟，照明灯会自动关闭。

- 无电机（主刷、吸入、过滤器抖动）在运行。
- 没有按下任何按钮。

显示剩余电池电量

按[查看按钮]显示剩余电池电量。

使用垃圾盒

► 图片26: 1. 垃圾盒

- 垃圾收集在垃圾盒中。
- 有关清洁步骤的详细信息，请参见“开始清洁”。

拆卸

1. 升起垃圾盒的挂钩。
2. 从工具上取下挂钩。

► 图片27: 1. 挂钩

3. 从工具上取下垃圾盒。

► 图片28: 1. 挂钩 2. 垃圾盒

安装

1. 将垃圾盒的凹槽安装至工具的垃圾盒轴。

► **图片29:** 1. 凹槽 2. 垃圾盒轴

2. 将挂钩卡入工具并降下挂钩，使垃圾盒固定到位。

使用集尘袋

选购附件

► **图片30:** 1. 集尘袋 2. 透明窗口

- 集尘袋容量很大，适合收集大件垃圾，如落叶等。
- 可通过顶部的透明窗口查看已收集了多少垃圾。
- 吸入灰尘时使用垃圾盒。集尘袋的密封性不如垃圾盒。
- 有关清洁步骤的详细信息，请参见“开始清洁”。

注：收集落叶等轻质垃圾时，建议使用吸入模式。与吸入模式关闭时相比，使用吸入模式可以收集更多垃圾。

安装

1. 从工具上取下垃圾盒。

► **图片31:** 1. 挂钩 2. 垃圾盒

2. 将集尘袋框架上的凹槽安装至工具的垃圾盒轴。

► **图片32:** 1. 集尘袋框架 2. 凹槽 3. 垃圾盒轴

3. 将挂钩卡入工具并降下挂钩，使集尘袋框架固定到位。

► **图片33**

4. 安装集尘袋时，将集尘袋左边和右边的挂钩挂到安装凹槽上。

► **图片34:** 1. 挂钩 2. 凹槽

拆卸

按照安装步骤相反的步骤进行。

安装聚乙烯袋

注意：安装聚乙烯袋时，可能难以看清集尘袋内部。

将聚乙烯袋安装至集尘袋，这能在扔垃圾的时候给您带来方便，因为只需取出并扔掉聚乙烯袋及其内含物就能完成扔垃圾的工作。

1. 抬起握把（集尘袋用）并取出集尘袋。

► **图片35:** 1. 握把（集尘袋用） 2. 集尘袋

2. 将聚乙烯袋（市售品，袋口周长大于1,600 mm (63")）安装至集尘袋。

► **图片36:** 1. 聚乙烯袋

3. 安装集尘袋时，将集尘袋左边和右边的挂钩挂到安装凹槽上。

使用多功能适配器

选购附件

安装多功能适配器后，可安装Makpac或便携电源装置。

小心：使用附带的螺丝将多功能适配器正确固定到位。

小心：使用多功能适配器上的锁闩或挂钩将Makpac或便携电源装置正确固定到位。

小心：请勿将重量为20 kg (44 lb)或更重的物品放置在多功能适配器上。

小心：请勿使用安装在多功能适配器上的Makpac或便携电源装置的把手来搬运或操作工具。否则可能会造成事故。

小心：Makpac或便携电源装置安装在多功能适配器上时，请勿将工具直立。否则可能会损坏多功能适配器的锁定机构，并且Makpac或便携电源装置可能会脱落。

安装多功能适配器

1. 将多功能适配器左边和右边的凸起部分与工具上的安装凹槽对齐后，安装多功能适配器。

► **图片37:** 1. 凸起部分 2. 凹槽 3. 多功能适配器

如果多功能适配器难以安装，请松开工具上的把手锁杆。松开把手锁杆时，折叠把手以免把手翻倒，然后安装多功能适配器。

2. 拧紧四个螺丝，将多功能适配器固定到位。

► **图片38:** 1. 螺丝

拆卸多功能适配器

按照安装步骤相反的步骤进行。

多功能适配器零件名称

► **图片39:** 1. 固定门锁（Makpac用）
2. 挂钩A（PDC01 / PDC1200 / PDC1500用） 3. 挂钩B（PDC1200 / PDC1500用）
4. 挂钩C（PDC01用）

安装Makpac

小心： 安装Makpac时，请勿使高度超过315 mm (12-3/8")。

将左边和右边的两个固定门锁与Makpac的安装凹口紧密贴合，使Makpac固定到位。

► **图片40：** 1. Makpac 2. 固定门锁

拆卸Makpac

松开左边和右边的两个固定门锁后，拆下Makpac。

安装便携电源装置

小心： 请勿在背负便携电源装置的情况下使用本工具。

小心： 将便携电源装置安装在多功能适配器上时，确保便携电源装置的导线已整理好。否则导线下垂可能会导致被地面刮伤、断开连接、冒烟或起火。

1. 将便携电源装置的底边卡入挂钩A，用挂钩B或挂钩C使其固定到位。略微提起便携电源装置的把手，确认便携电源装置不会从工具上分离。

• PDC1200 / PDC1500

将便携电源装置的底边卡入挂钩A，用挂钩B使其固定到位。略微提起便携电源装置的把手，确认便携电源装置不会从工具上分离。

如果能看到锁定按钮的红色指示器，则表示便携电源装置未完全锁定。

► **图片41：** 1. 便携电源装置 2. 挂钩A 3. 挂钩B 4. 锁定按钮 5. 红色指示器

• PDC01

将便携电源装置的底边卡入挂钩A，用挂钩C使其固定到位。挂钩B不使用。

► **图片42：** 1. 便携电源装置 2. 挂钩A 3. 挂钩C

2. 对齐便携电源装置插口和适配器（XGT电池用）插头上的三角形标记，然后插入到底使其牢固贴合在一起。

► **图片43：** 1. 便携电源装置插口 2. 适配器（XGT电池用）插头 3. 三角形标记

3. 打开电池盒盖。

► **图片44：** 1. 电池盒盖

4. 如图所示整理导线，使其穿过多功能适配器和电池盒的凹槽。将适配器（XGT电池用）与电池插入口上的凹槽对齐，然后插入适配器直至其锁定到位。

► **图片45：** 1. 多功能适配器的凹槽 2. 电池盒的凹槽 3. 适配器（XGT电池用）

5. 关闭电池盒盖。

拆卸便携电源装置

PDC1200 / PDC1500

1. 从便携电源装置的插口中拔出适配器（XGT电池用）插头并取下导线。

注意： 从适配器插头中拔出时请勿拉线。此外，请勿仅握住导线来搬运便携电源装置。

导线可能会断裂或损坏。

2. 按住便携电源装置的锁定按钮，同时抬起便携电源装置的把手。

► **图片46：** 1. 便携电源装置 2. 锁定按钮 3. 把手

PDC01

1. 从便携电源装置的插口中拔出适配器（XGT电池用）插头并取下导线。

注意： 从适配器插头中拔出时请勿拉线。此外，请勿仅握住导线来搬运便携电源装置。

导线可能会断裂或损坏。

2. 松开挂钩C，然后将便携电源装置拉出后拉起。

► **图片47：** 1. 便携电源装置 2. 挂钩C 3. 把手

使用之后的处理

小心： 如果不使用工具，请确保ON/OFF（开/关）开关已关闭且电池已取出。

丢弃垃圾

小心： 处理垃圾时请务必穿戴防护装备，如面罩和手套等。存在可能接触到垃圾中锋利物品的危险，从而可能会导致人身伤害。

小心： 在堆积过多垃圾前尽早丢弃。吸力会降低。

1. 取下挂钩，然后从工具上取下垃圾盒。

► 图片48: 1. 垃圾盒 2. 挂钩

使用集尘袋时, 请抬起握把并取出集尘袋。

► 图片49: 1. 握把 (集尘袋用) 2. 集尘袋

2. 将垃圾盒或集尘袋搬运到垃圾收集处并丢弃垃圾。

► 图片50

使用集尘袋时, 在内部安装聚乙烯袋后, 可将聚乙烯袋与垃圾一起丢弃。

► 图片51

3. 丢弃垃圾后, 将垃圾盒或集尘袋安装至工具。确保挂钩正确锁定。

保养

小心: 尝试执行检查或保养前, 请务必关闭工具电源并取出电池组。

注意: 切勿使用汽油、苯、稀释剂、酒精或类似物品清洁工具。否则可能会导致工具变色、变形或出现裂缝。

保养

清洁工具主体

小心: 请勿用水清洗工具主体。否则可能会导致故障。

要清除工具主体的污垢时, 请使用蘸有少量稀释中性清洁剂的布擦拭。

► 图片52

清洁主刷

1. 如图所示, 折叠把手并将工具直立。
2. 沿图中箭头A所示方向推入一个主刷。

沿图中箭头B所示方向拆下主刷的一端。

► 图片53: 1. 主刷

3. 从刷轴上取下主刷的另一端。
4. 用类似方法取下另一个主刷。
5. 如果有绳状垃圾缠在扫地刷上, 请用手将其取下。

► 图片54

6. 抖落灰尘, 如果很脏, 请用水清洗扫地刷。清洗后, 将其放在阴凉处晾干; 在其完全晾干前请勿使用。

► 图片55

7. 如图所示, 调整各主刷方向, 使末端形状与工具安装区域相匹配。

如果末端形状不匹配, 请反转主轴的左右方向使其匹配。

► 图片56: 1. 主刷 2. 一字形 3. 十字形

8. 沿图中箭头所示方向将主刷装在工具的刷轴上。

► 图片57: 1. 刷轴

9. 沿图中箭头所示方向将主刷卡入工具的安装区域, 使其固定到位。

► 图片58

注: 如果末端形状不匹配, 将无法安装主刷。在这种情况下, 返回步骤7并重新执行步骤。

10. 用类似方法安装另一个主刷。

► 图片59

小心: 安装主刷后, 确认形状是否正确嵌合。

注: 如果主刷磨损到较短长度, 请更换。

清洁边刷

有关安装和拆卸边刷的步骤, 请参见“安装和拆卸边刷”。

1. 拆下边刷。
2. 抖落灰尘, 如果很脏, 请用水清洗扫地刷。清洗后, 将其放在阴凉处晾干; 在其完全晾干前请勿使用。

► 图片60

3. 安装边刷。

注: 如果边刷磨损到较短长度, 请更换。

清洁过滤器

小心: 确保过滤器安装正确, 在过滤器未安装到位时请勿使工具。此外, 请勿使用损坏或潮湿的过滤器。可能会导致电机烧毁或故障。

注意: 过滤器可清洗并重复使用。为防止过滤器受损, 清洁时请勿使用以下物品。

- 空气除尘器
- 高压清洗机
- 采用金属等硬质材料制成的刷子

1. 取下垃圾盒。

2. 沿图中箭头所示方向推动预过滤器的挂钩，将预过滤器拆下。

► **图片61:** 1. 预过滤器 2. 挂钩

3. 沿图中箭头所示方向推动HEPA过滤器的挂钩，将HEPA过滤器拆下。

► **图片62:** 1. HEPA过滤器 2. 挂钩

4. 抖落灰尘，如果很脏，请用水清洗过滤器。清洗后，将预过滤器和HEPA过滤器放在阴凉处晾干；在其完全晾干前请勿使用。

► **图片63:** 1. 预过滤器 2. HEPA过滤器

5. 要安装HEPA过滤器时，将HEPA过滤器的边缘卡入工具上的凹槽，然后将过滤器推入到位。检查挂钩是否牢固固定。

► **图片64:** 1. HEPA过滤器 2. 边缘 3. 凹槽 4. 挂钩

6. 要安装预过滤器时，将预过滤器的凸起部分卡入工具上的凹槽，然后将过滤器推入到位。检查挂钩是否牢固固定。

► **图片65:** 1. 预过滤器 2. 凸起部分 3. 凹槽 4. 挂钩

清洁海绵过滤器

小心： 清洁海绵过滤器后，请务必将其安装至垃圾盒。如果用水清洗，安装前请将其晾干。

当海绵过滤器被灰尘堵塞时，请将其从垃圾盒中取出并擦拭干净或用水清洗。

1. 从垃圾盒中取出海绵盒。

2. 打开海绵盒，将海绵过滤器取出。

► **图片66:** 1. 垃圾盒 2. 海绵盒 3. 海绵过滤器

3. 将海绵过滤器擦拭干净或用水清洗。

4. 将海绵过滤器装回其原位。

清洁导管

使用集尘袋（选购附件）时，导管可能会被沙子、砾石和小落叶等细小垃圾堵塞。

1. 从集尘袋框架中拉出导管。

2. 清除导管垃圾。

► **图片67:** 1. 集尘袋框架 2. 导管

3. 将导管装回其原位。

定期检查

为确保工具的较长使用寿命和安全使用，请定期执行以下所列检查。

每日检查

- 垃圾盒：将盒清空。
- 过滤器：如果脏污，对其进行清洁。
- 扫地刷：如果缠绕了绳状垃圾，将其清除。
- 控制和可移动部件：确认其可顺畅运作。

每周检查

- 主刷高度：如果高度不当，请重新调节。
- 螺丝（使用多功能适配器时）：如果松动，请将其拧紧。

消耗品的更换/补充

更换扫地刷

如果主刷和边刷磨损，请交由当地Makita（牧田）维修中心进行更换。

更换主刷

如果无法对主刷进行适当调整，请更换。请参见“主刷高度调整”。

有关安装和拆卸主刷，请参见“清洁主刷”。

更换边刷

如果边刷高度调整旋钮转到最低位置，边刷也无法触及地面，请更换。请参见“边刷高度调整”。

有关安装和拆卸边刷，请参见“安装和拆卸边刷”。

PERINGATAN

- Peralatan ini tidak dimaksudkan untuk digunakan oleh orang (termasuk anak-anak) dengan kemampuan fisik, indra atau mental terbatas atau orang yang tidak berpengalaman.
- Untuk pengguna di Eropa:
Jangan membiarkan anak-anak bermain dengan peralatan ini. Pembersihan dan pemeliharaan pengguna tidak boleh dilakukan oleh anak-anak tanpa pengawasan.
- Untuk pengguna di luar Eropa:
Awasi anak-anak untuk memastikan mereka tidak bermain-main dengan peralatan ini.
- **PERHATIAN:** Sebelum melakukan pengoperasian pemeliharaan apa pun, lepaskan kabel peralatan dari pasokan daya. Lakukan pemeliharaan peralatan secara berkala.
- Baterai isi ulang harus dikeluarkan dari perangkat sebelum diisi daya.
- Untuk melepas atau memasang baterai, pertama-tama buka penutup baterai lalu geser kartrid keluar dari mesin sambil menekan tombol pada bagian depan kartrid.
- Baterai yang habis harus dilepaskan dari perangkat dan dibuang dengan cara yang aman. Patuhi peraturan lokal yang berkaitan dengan tata cara pembuangan baterai.
- Jika perangkat akan disimpan dan tidak digunakan untuk waktu yang lama, baterai harus dilepas.
- Jangan putuskan daya terminal melalui hubungan singkat.

PENGANTAR

Spesifikasi

Model:	VS001G	
Kapasitas wadah sampah	15,6 L	
Kemampuan membersihkan *1	Sikat samping tidak digunakan	1.920 m ² /h
	Sikat samping digunakan	2.600 m ² /h
Lebar pembersihan	Sikat samping tidak digunakan	480 mm
	Sikat samping digunakan	650 mm
Tegangan terukur	D.C. 36 V - 40 V maks	
Dimensi (P x L x T)	Pegangan vertikal	830 mm x 677 mm x 1.146 mm
	Pegangan terlipat	830 mm x 677 mm x 467 mm
Berat keseluruhan yang diizinkan (GVV)	maks. 44,0 kg	
Berat bersih (berat pengangkutan) (dengan BL4025 x1)	29,9 kg	
Derajat perlindungan	IPX4	

*1 Dengan asumsi kecepatan berjalan 4 km/h.

- Karena kesinambungan program penelitian dan pengembangan kami, spesifikasi yang disebutkan di sini dapat berubah tanpa pemberitahuan.
- Spesifikasi dan kartrid baterai dapat berbeda dari satu negara ke negara lainnya.

Kartrid dan pengisi daya baterai yang dapat digunakan

Kartrid baterai	BL4020 / BL4025 / BL4040 / BL4040F / BL4050F / BL4080F
Pengisi daya	DC40RA / DC40RB / DC40RC / DC40WA

- Beberapa kartrid baterai dan pengisi daya yang tercantum di atas mungkin tidak tersedia, tergantung wilayah tempat tinggal Anda.

⚠ PERINGATAN: Hanya gunakan kartrid dan pengisi daya baterai yang tercantum di atas. Penggunaan kartrid dan pengisi daya baterai lain dapat menimbulkan risiko cedera dan/atau kebakaran.



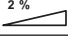







Sumber daya terhubung kabel yang direkomendasikan

Paket daya portabel	PDC01 / PDC1200 / PDC1500
---------------------	---------------------------

- Sumber daya terhubung kabel yang tercantum di atas mungkin tidak tersedia, bergantung pada wilayah tempat tinggal Anda.
- Sebelum menggunakan sumber daya terhubung kabel, baca petunjuk dan perhatian yang ditandai padanya.

Simbol

Berikut ini adalah simbol-simbol yang dapat digunakan pada peralatan ini. Pastikan Anda memahami arti masing-masing simbol sebelum menggunakan peralatan.

	Baca petunjuk penggunaan.
	Berhati-hatilah dan pusatkan perhatian Anda.
	Jangan gunakan pada kemiringan lebih dari 2%.
	Jangan menginjak peralatan.
	Jangan meletakkan benda yang beratnya 20 kg (44 lbs) atau lebih di atas peralatan.
	Untuk mencegah kecelakaan atau cedera, pastikan untuk mematikan peralatan dan melepas baterai sebelum melakukan perawatan sikat atau melakukan perbaikan.
	Baterai representatif yang berlaku untuk produk ini.
	Hanya untuk negara-negara UE Akibat adanya komponen berbahaya dalam peralatan, limbah peralatan listrik dan elektronik, aki dan baterai dapat memiliki dampak negatif pada lingkungan dan kesehatan manusia. Jangan buang peralatan listrik dan elektronik atau baterai bersama limbah rumah tangga! Sesuai dengan Petunjuk Eropa tentang limbah peralatan listrik dan elektronik dan tentang aki dan baterai serta penyesuaiannya terhadap undang-undang nasional, limbah peralatan listrik, baterai dan aki harus disimpan secara terpisah dan dikirim ke tempat pengumpulan terpisah untuk sampah kota, beroperasi sesuai dengan peraturan tentang perlindungan lingkungan. Hal ini ditunjukkan dengan simbol tempat sampah bersilang yang ditempatkan pada peralatan.
	Level kekuatan suara terjamin sesuai dengan Petunjuk Kebisingan Di Luar Ruang Uni Eropa.
	Level kekuatan suara sesuai dengan Peraturan Kontrol Kebisingan NSW Australia

Penggunaan

Peralatan ini digunakan untuk membersihkan serpihan kering. Peralatan ini cocok untuk penggunaan komersial, misalnya di hotel, sekolah, rumah sakit, pabrik, toko, kantor dan bisnis penyewaan.

Tindakan pencegahan untuk keselamatan

Peringatan keselamatan penyapu isap tanpa kabel

1. Operator harus diinstruksikan secara memadai mengenai penggunaan penyapu isap.
2. Penyapu isap ini hanya untuk penggunaan kering.
3. Saat tidak digunakan, selalu simpan penyapu isap di dalam ruangan.
4. Jangan gunakan untuk tujuan pembersihan pada permukaan dengan kemiringan melebihi dari yang ditandai pada peralatan.
5. Jangan biarkan anak-anak bermain dengan peralatan yang dapat diisi ulang.
6. Saat menyimpan peralatan, letakkan peralatan pada permukaan yang datar dan stabil. Simpan peralatan jauh dari jangkauan anak-anak.
7. Selalu letakkan peralatan pada permukaan yang datar saat peralatan akan berdiri pada ujungnya.
8. Jaga agar lokasi kerja tetap rapi dan tertata. Pastikan juga penerangannya mencukupi dan selalu bersih. Kelalaian dalam melakukannya dapat menyebabkan kecelakaan.
9. Kenakan pakaian kerja yang sesuai.
10. Jangan gunakan adaptor baterai.
11. Jangan menyentuh area baterai dengan tangan basah. Jika tidak, sengatan listrik dapat terjadi.
12. Jangan menggunakan saringan dalam keadaan basah. Kebakaran atau kerusakan motor dapat terjadi.
13. Jangan gunakan peralatan saat hujan atau saat permukaan jalan masih basah. Juga, jangan mengambil sampah yang mengandung cairan atau busa. Kebakaran atau kerusakan motor dapat terjadi.
14. Jangan mengumpulkan sampah yang berbentuk tali seperti kabel, benang, atau kawat. Sampah-sampah ini bisa tersangkut di sikat. Buanglah sampah sebelum melakukan operasi pembersihan. Jika tidak, kerusakan dapat terjadi.
15. Jangan melepas sambungan saluran pbumian.

16. **Jangan bersihkan bagian luar pengisap dengan benzena, tiner, atau bahan kimia pembersih. Penggunaan bahan tersebut dapat menimbulkan keretakan dan perubahan warna.**
17. **Kenakan peralatan pelindung yang sesuai seperti kacamata dan masker debu saat membersihkan lokasi yang berdebu, melakukan pemeliharaan, atau membuang sampah.**
18. **Pasang saringan dengan benar.** Menggunakan peralatan tanpa memasang saringan, dipasang pada posisi yang salah, atau dalam keadaan rusak dapat menyebabkan motor terbakar atau rusak.
19. **Jangan membongkar peralatan.** Melakukannya dapat menyebabkan kerusakan.
20. **Jika Anda melihat sesuatu yang tampak tidak normal, matikan alat dan segera lepaskan baterainya.**
21. **Sebelum menggunakan peralatan, periksa untuk memastikan tidak ada komponen yang rusak dan setiap komponen berfungsi dengan benar.** Jika ada komponen yang rusak, mintalah penggantian atau perbaikan sebagaimana mestinya oleh dealer resmi kecuali dinyatakan lain secara khusus dalam buku panduan.
22. **Ada risiko terjepit, tersangkut atau terluka akibat sabuk penggerak, sikat utama, sikat samping, pegangan atau roda belakang.**
23. **Jangan menggunakan peralatan ini untuk mengumpulkan zat beracun seperti asbestos.**
24. **Jangan menggunakan sikat samping saat membersihkan lokasi yang terkontaminasi atau berdebu.**
25. **Jangan menggunakan peralatan di lokasi yang terdapat bahan berbahaya atau nyala api terbuka.** Melakukan hal tersebut dapat mengakibatkan kebakaran atau ledakan.
26. **Jangan menggunakan peralatan di lokasi yang mudah meledak dan mudah terbakar.**
5. **Jangan menggunakan paket baterai atau mesin yang sudah rusak atau telah diubah.** Baterai yang rusak atau telah diubah dapat menyebabkan hal-hal yang tidak dapat diprediksi yang dapat menyebabkan kebakaran, ledakan atau risiko cedera.
6. **Jangan membiarkan paket baterai atau mesin dekat dengan api atau suhu yang berlebihan.** Paparan api atau suhu di atas 130 °C dapat menyebabkan ledakan.
7. **Ikut semua petunjuk pengisian daya dan jangan mengisi daya paket baterai atau mesin di luar rentang suhu yang ditentukan di panduan.** Mengisi daya secara tidak tepat atau pada suhu di luar rentang yang ditentukan dapat merusak baterai dan meningkatkan risiko kebakaran.

Petunjuk keselamatan penting untuk kartrid baterai

1. **Sebelum menggunakan kartrid baterai, bacalah semua petunjuk dan penandaan pada (1) pengisi daya baterai, (2) baterai, dan (3) produk yang menggunakan baterai.**
 2. **Jangan membongkar atau memodifikasi kartrid baterai.** Tindakan tersebut dapat menimbulkan api, panas berlebih, atau ledakan.
 3. **Jika waktu beroperasinya menjadi sangat singkat, segera hentikan penggunaan.** Hal tersebut dapat menimbulkan risiko panas berlebih, kemungkinan mengalami luka bakar atau bahkan terjadi ledakan.
 4. **Jika elektrolit mengenai mata Anda, basuh dengan air bersih dan segera cari pertolongan medis.** Hal tersebut dapat mengakibatkan hilangnya kemampuan penglihatan Anda.
 5. **Jangan menghubungkan terminal kartrid baterai:**
 - (1) **Jangan menyentuh terminal dengan bahan penghantar listrik apa pun.**
 - (2) **Hindari menyimpan kartrid baterai pada wadah yang berisi benda logam lain seperti paku, uang logam, dsb.**
 - (3) **Jangan membiarkan baterai terkena air atau hujan.**
- Hubungan singkat baterai dapat menyebabkan aliran arus listrik yang besar, panas berlebih, kemungkinan mengalami luka bakar dan bahkan kerusakan pada baterai.
6. **Jangan menyimpan dan menggunakan mesin dan kartrid baterai pada lokasi dengan suhu yang bisa mencapai atau melebihi 50 °C (122 °F).**
 7. **Jangan membuang sampah walaupun benar-benar rusak atau tidak bisa digunakan sama sekali.** Kartrid baterai bisa meledak jika terbakar.
 8. **Jangan memaku, memotong, menghancurkan, melempar, menjatuhkan kartrid baterai, atau memukulkan benda keras ke kartrid baterai.** Tindakan tersebut dapat menimbulkan api, panas berlebih, atau ledakan.
 9. **Jangan menggunakan baterai yang rusak.**

Penggunaan dan pemeliharaan mesin bertenaga baterai

1. **Isi ulang baterai hanya dengan pengisi daya yang ditentukan oleh pabrikan.** Pengisi daya yang cocok untuk satu jenis paket baterai dapat menimbulkan risiko kebakaran ketika digunakan untuk paket baterai yang lain.
2. **Gunakan mesin listrik hanya dengan paket baterai yang telah ditentukan secara khusus.** Penggunaan paket baterai lain dapat menimbulkan risiko cedera dan kebakaran.
3. **Ketika paket baterai tidak digunakan, jauhkan dari benda logam lain, seperti penjepit kertas, uang logam, kunci, paku, sekrup atau benda logam kecil lainnya, yang dapat menghubungkan satu terminal ke terminal lain.** Hubungan singkat terminal baterai dapat menyebabkan luka bakar atau kebakaran.
4. **Pemakaian yang salah, dapat menyebabkan keluarnya cairan dari baterai; hindari kontak.** Jika terjadi kontak secara tidak sengaja, bilas dengan air. Jika cairan mengenai mata, cari bantuan medis. Cairan yang keluar dari baterai bisa menyebabkan iritasi atau luka bakar.

10. **Baterai litium-ion yang disertakan sesuai dengan persyaratan Perundangan Makanan Berbahaya.**
Harus ada pengawasan untuk pengangkutan komersial misalnya oleh pihak ketiga, ekspeditor, persyaratan khusus terhadap pengemasan dan pelabelan.
Diperlukan adanya konsultasi dengan ahli mengenai material berbahaya untuk persiapan barang yang akan dikirimkan. Perhatikan pula peraturan nasional yang lebih terperinci yang mungkin ada.
Beri perekat atau tutupi bagian yang terbuka dan kemasi baterai dengan cara yang tidak akan menimbulkan pergeseran dalam pengemasan.
11. **Ketika membuang kartrid baterai, lepaskan dari mesin dan buang ke tempat yang aman. Patuhi peraturan setempat yang berkaitan dengan pembuangan baterai.**
12. **Gunakan baterai hanya dengan produk yang ditentukan oleh Makita.** Memasang baterai pada produk yang tidak sesuai dapat menyebabkan kebakaran, kelebihan panas, ledakan, atau kebocoran elektrolit.
13. **Jika mesin tidak digunakan dalam jangka waktu yang lama, baterai harus dilepas dari mesin.**
14. **Selama dan setelah digunakan, kartrid baterai mungkin menyimpan panas yang dapat menyebabkan luka bakar atau luka bakar suhu rendah.** Perhatikan cara memegang kartrid baterai yang masih panas.
15. **Jangan langsung menyentuh terminal mesin setelah digunakan karena suhunya mungkin cukup panas untuk menyebabkan luka bakar.**
16. **Jangan biarkan serpihan, debu, atau tanah menempel di terminal, lubang, dan alur kartrid baterai.** Hal tersebut dapat menyebabkan pemanasan, kebakaran, ledakan, dan kegagalan fungsi mesin atau kartrid baterai, yang mengakibatkan luka bakar atau cedera diri.
17. **Kecuali jika mesin mendukung penggunaan di dekat saluran listrik bertegangan tinggi, jangan gunakan kartrid baterai di dekat saluran listrik bertegangan tinggi.** Hal tersebut dapat mengakibatkan kegagalan fungsi atau kerusakan mesin maupun kartrid baterai.
18. **Jauhkan baterai dari jangkauan anak-anak.**

SIMPAN PETUNJUK INI.

⚠PERHATIAN: Gunakan baterai asli Makita. Penggunaan baterai Makita yang tidak asli, atau baterai yang sudah diubah, akan mengakibatkan baterai mudah terbakar, cedera dan kerusakan. Akan menghilangkan garansi Makita pada pengisi daya dan alat Makita.

Tip untuk menjaga agar umur pemakaian baterai maksimum

1. **Isi ulang kartrid baterai sebelum habis sama sekali.** Selalu hentikan penggunaan mesin dan ganti kartrid baterai jika Anda melihat bahwa mesin kurang tenaga.
2. **Jangan pernah mengisi ulang kartrid baterai yang sudah diisi penuh.** Pengisian ulang yang berlebih memperpendek umur pemakaian baterai.
3. **Isi ulang kartrid baterai pada suhu ruangan 10 °C - 40 °C.** Biarkan kartrid baterai yang panas menjadi dingin terlebih dahulu sebelum diisi ulang.
4. **Saat kartrid baterai tidak digunakan, lepaskan dari mesin atau pengisi daya.**
5. **Isi ulang daya kartrid baterai jika Anda tidak menggunakannya untuk jangka waktu yang lama (lebih dari enam bulan).**

Nama komponen

► Gbr.1

1	Pegangan	2	Tuas kunci pegangan	3	Panel kontrol	4	Sakelar ON/OFF
5	Tombol pengisian	6	Tombol penggoyang saringan	7	Tombol sikat utama	8	Tombol lampu
9	Tombol pemeriksaan	10	Lampu indikator	11	Tuas ON/OFF sikat samping	12	Kenop pengatur ketinggian sikat samping
13	Lampu	14	Gagang	15	Sikat samping	16	Penutup kotak baterai
17	Kenop pengatur ketinggian sikat utama	18	Roda belakang	19	Roda depan	20	Sikat utama
21	Poros wadah sampah	22	Gagang (komponen wadah sampah)	23	Wadah sampah	24	Kotak baterai
25	Pra-saringan	26	Saringan HEPA	27	Poros sikat	28	Saluran pembumian

Pengantar dari item yang dijual terpisah

⚠️ PERHATIAN: Dianjurkan untuk menggunakan aksesoris atau perangkat tambahan ini dengan mesin Makita Anda yang ditentukan dalam petunjuk ini. Penggunaan aksesoris atau perangkat tambahan lain bisa menyebabkan risiko cedera pada manusia. Hanya gunakan aksesoris atau perangkat tambahan sesuai dengan peruntukannya.

Untuk rincian dari item yang dijual terpisah, lihat katalog atau hubungi dealer atau kantor penjualan kami.

- Adaptor multifungsi
- Kantong debu
- Baterai dan pengisi daya asli Makita

CATATAN: Beberapa item dalam daftar tersebut mungkin sudah termasuk dalam paket mesin sebagai aksesoris standar. Hal tersebut dapat berbeda dari satu negara ke negara lainnya.

PERSIAPAN UNTUK PENGGUNAAN

Perakitan

⚠️ PERHATIAN: Sebelum mengoperasikan peralatan, pastikan sakelar ON/OFF dalam keadaan mati dan baterai telah dilepas.

Penyetelan sudut pegangan

Anda dapat mengatur sudut pegangan untuk memudahkan pengoperasian peralatan. Pada saat pengiriman pabrik, pegangannya dilipat ke bawah.

⚠️ PERHATIAN: Pasang tuas kunci pegangan dengan benar. Jika pegangannya ambruk atau terjatuh, terdapat bahaya cedera.

1. Lepaskan kunci tuas kunci pegangan.
2. Sesuaikan pegangan ke sudut yang diinginkan.
▶ **Gbr.2:** 1. Tuas kunci pegangan 2. Pegangan
3. Pasang tuas kunci pegangan.
▶ **Gbr.3:** 1. Tuas kunci pegangan

Melipat pegangan ke bawah

Saat Anda memberdirikan peralatan pada ujungnya untuk penyimpanan/pemeriksaan atau saat Anda memindahkan peralatan dengan mengangkat peralatan, lipat pegangannya ke bawah.

▶ **Gbr.4**

Jika pegangan kendur dan bergetar

Jika pegangan kendur dan bergetar meskipun tuas kunci pegangan terkunci dengan benar, sesuaikan dengan mengencangkan mur yang berlawanan dengan tuas kunci pegangan. Jika peralatan digunakan saat pegangannya kendur dan bergetar, terdapat bahaya saat pegangannya ambruk atau terjatuh, yang dapat menyebabkan cedera.

▶ **Gbr.5:** 1. Tuas kunci pegangan 2. Pegangan 3. Mur pengencang (untuk menyetel kelonggaran)

Memasang dan melepas sikat sampling

Sikat samping dapat digunakan untuk memperluas lebar pembersihan dan juga digunakan untuk membersihkan area di sepanjang dinding.

⚠️ PERHATIAN: Pasang sikat samping dengan benar. Jika sikat menjadi kendur, sikat dapat bersentuhan dengan orang, sehingga dapat menyebabkan cedera.

Alat tambahan

1. Rentangkan sikat samping dan berdirikan peralatan pada ujungnya seperti yang ditunjukkan pada gambar.

▶ **Gbr.6:** 1. Sikat samping

2. Sejajarkan pengait (2 lokasi) dari sikat samping dengan lubang pemasangan dan pasang sikat samping.

Pengait (2 lokasi) dari sikat samping dapat disejajarkan dengan salah satu dari 6 lubang.

▶ **Gbr.7:** 1. Pengait (2 lokasi) 2. Lubang (6 lokasi)

CATATAN: Untuk memudahkan pemasangan pengait dan lubang, putar sikat samping berlawanan arah jarum jam sambil menurunkan tuas sikat samping.

Pelepasan

Sambil menjepit pegangan pengait ke dalam, lepaskan sikat samping.

▶ **Gbr.8:** 1. Pegangan pengait

Mengisi daya baterai

Mengindikasikan kapasitas baterai yang tersisa

Tekan tombol pemeriksaan pada kartrid baterai untuk melihat kapasitas baterai yang tersisa. Lampu indikator menyala selama beberapa detik.

▶ **Gbr.9:** 1. Lampu indikator 2. Tombol pemeriksaan

Lampu indikator			Kapasitas yang tersisa
Menyala	Mati	Berkedip	
			75% hingga 100%
			50% hingga 75%
			25% hingga 50%
			0% hingga 25%
			Isi ulang baterai.
			Baterai mungkin sudah rusak.

CATATAN: Tergantung kondisi penggunaan dan suhu lingkungannya, penunjuk mungkin saja sedikit berbeda dari kapasitas sebenarnya.

CATATAN: Lampu indikator pertama (ujung kiri) akan berkedip ketika sistem perlindungan mesin bekerja.

Indikasi kapasitas baterai yang tersisa (panel kontrol)

Anda juga dapat memeriksa kapasitas baterai yang tersisa di panel kontrol. Kapasitas baterai yang tersisa ditampilkan saat sakelar ON/OFF dihidupkan atau dimatikan, atau saat tombol pemeriksaan ditekan. Lampu indikator baterai menyala selama 3 detik.

Lampu indikator			Kapasitas baterai yang tersisa
Menyala	Mati	Berkedip	
			50% hingga 100%
			20% hingga 50%
			0% hingga 20%
			Isi ulang baterai

Hal yang perlu diketahui sebelum penggunaan

Mengangkut peralatan

PERHATIAN: Sebelum mengangkut peralatan, pastikan sakelar ON/OFF dalam keadaan mati dan baterai telah dilepas.

PERHATIAN: Kosongkan wadah sampah dan pastikan wadah sampah terkunci dengan benar pada pengaitnya sebelum mengangkat dan mengangkut peralatan. Kegagalan dalam mengunci pengait dapat mengakibatkan cedera.

PERHATIAN: Mengangkat dan mengangkut peralatan harus selalu dilakukan oleh setidaknya dua orang dengan posisi membawa yang aman. Mengangkut peralatan dengan cara yang tidak aman dapat mengakibatkan cedera.

PERHATIAN: Saat memuat dan mengeluarkan peralatan di tempat yang miring, berhati-hatilah agar rodanya tidak terjatuh.

Dua orang harus mengangkut peralatan ini, satu orang memegang pegangan dan satu lagi memegang gagang (komponen wadah sampah).

► **Gbr.10:** 1. Gagang 2. Gagang (komponen wadah sampah)


Lingkungan kerja

Jika ada sampah seperti tali semacam kabel atau kawat di lokasi yang akan dibersihkan, bersihkan terlebih dahulu sebelum melanjutkan. Sampah yang berbentuk tali dapat tersangkut pada sikat utama dan sikat samping.

► **Gbr.11:** 1. Sampah berbentuk tali

Fungsi pelindung

Peralatan ini dilengkapi dengan fungsi pelindung. Ketika salah satu kondisi berikut terjadi, fungsi pelindung secara otomatis menghentikan semua motor. Lampu pada panel kontrol menunjukkan status kesalahan.

Status iluminasi			Status kesalahan	Tindakan
Menyala	Mati	Berkedip		
			Kesalahan baterai	Isi ulang baterai.
			Suhu peralatan tinggi	Biarkan peralatan menjadi dingin.
			Sikat kelebihan beban	Hentikan penggunaan sikat dan hilangkan sumber kelebihan beban.
			Pengisapan kelebihan beban	Hentikan penggunaan mode pengisapan dan hilangkan sumber kelebihan beban.
			Penggoyang saringan kelebihan beban	Hentikan penggunaan fungsi penggoyang saringan dan hilangkan sumber kelebihan beban.
			Pencegahan penyalaaan ulang	Matikan sakelar ON/OFF.

Pencegahan penyalaaan ulang

Peralatan ini dilengkapi dengan fungsi pencegahan penyalaaan ulang. Jika baterai dimasukkan saat sakelar ON/OFF dihidupkan, atau jika peralatan pulih dari mode daya rendah* saat sakelar ON/OFF dihidupkan, fungsi pencegahan penyalaaan ulang akan mencegah penyalaaan ulang yang tidak terduga. Saat sakelar ON/OFF dimatikan, indikasi kesalahan menghilang. Saat sakelar ON/OFF dihidupkan setelahnya, peralatan akan menyala.

- * Mode daya rendah: Jika semua kondisi berikut ini berlaku, peralatan akan beralih ke mode daya rendah untuk menghemat kapasitas baterai.
- Tidak ada motor yang beroperasi.
 - Lampu depan mati.
 - Tidak ada tombol yang ditekan selama satu menit.

Mode ini memutuskan aliran listrik ke beberapa sirkuit elektronik.

CATATAN: Untuk membatalkan indikasi kesalahan selain pencegahan penyalaaan ulang, matikan sakelar ON/OFF dan lakukan salah satu dari tiga tindakan berikut.

- Nyalakan sakelar ON/OFF.
- Tekan tombol pada panel kontrol.
- Jangan melakukan operasi apa pun selama satu menit.

CATATAN: Terlepas dari apakah terjadi kesalahan atau tidak, Anda dapat menyalakan atau mematikan lampu.

CATATAN: Jika tidak ada pengoperasian yang dilakukan selama satu menit setelah terjadi kesalahan saat sakelar ON/OFF dihidupkan, semua indikasi panel kontrol akan mati, namun kesalahan tersebut belum teratasi.

- Jika lampu menyala: Tekan tombol apa pun pada panel kontrol untuk menampilkan kembali indikasi kesalahan.
- Jika lampu mati: Peralatan berada dalam mode daya rendah, sehingga menekan tombol pada panel kontrol akan memicu pencegahan penyalaaan ulang.

Perlindungan terhadap penyebab lain

Sistem perlindungan juga dirancang untuk penyebab lain yang dapat merusak peralatan dan memungkinkan peralatan untuk berhenti secara otomatis. Lakukan semua langkah berikut ini untuk mengatasi penyebabnya, saat peralatan dihentikan sementara atau berhenti beroperasi.

1. Matikan peralatan, dan kemudian hidupkan kembali untuk memulai ulang.
2. Isi baterai atau ganti dengan baterai yang sudah diisi ulang.
3. Biarkan peralatan dan baterai menjadi dingin.

Jika tidak ada peningkatan yang dapat ditemukan dengan memulihkan sistem perlindungan, hubungi Pusat Servis Makita setempat Anda.

PENGUNAAN

Memasang/melepas baterai

PERHATIAN: Pastikan sakelar ON/OFF dimatikan sebelum memasang atau melepas baterai.

PERHATIAN: Berhati-hatilah agar jari Anda tidak tersangkut saat membuka dan menutup penutup kotak baterai. Terdapat bahaya cedera.

Memasang baterai

Buka penutup kotak baterai. Sejajarkan baterai dengan alurnya, lalu masukkan hingga terdengar bunyi klik. Tutup penutup kotak baterai.

- **Gbr.12:** 1. Penutup kotak baterai

Melepas baterai

Sambil menahan tombol pada baterai, keluarkan baterai dari kotak baterai.

► **Gbr.13:** 1. Tombol 2. Baterai "1" 3. Baterai "2"

Peralatan akan beroperasi dengan satu maupun dua baterai terpasang.

• Memasang dua baterai

Dengan dua baterai yang dipasang berdampingan, baterai "1" digunakan terlebih dahulu. Saat baterai "1" habis, peralatan secara otomatis mengalihkan ke baterai "2" tanpa jeda pengoperasian.

CATATAN: Meskipun baterai "1" terpasang, saat baterai "2" sedang digunakan, peralatan tidak akan beralih ke baterai "1" kecuali baterai "2" habis atau sakelar ON/OFF dimatikan.

• Memasang satu baterai

Baterai yang terpasang terdeteksi secara otomatis.

Mengoperasikan peralatan

Penyetelan ketinggian sikat utama

Ketinggian sikat utama (hanya sisi belakang) di bagian bawah peralatan dapat disesuaikan. Sesuaikan dengan tepat tergantung kondisi lantai yang akan dibersihkan, panjang sikat utama, dll.

► **Gbr.14:** 1. Sikat utama (sisi belakang)

Putar kenop pengatur ketinggian sikat utama untuk menyetel ketinggian sikat utama.

Putar kenop ke arah yang ditunjukkan oleh panah untuk mengurangi ketinggian sikat utama (untuk menyetel agar lebih banyak bersentuhan dengan lantai).

► **Gbr.15:** 1. Kenop pengatur ketinggian sikat utama
2. Ketinggian sikat utama

Putar kenop ke arah yang ditunjukkan oleh panah untuk menambah ketinggian sikat utama (untuk menyetel agar lebih sedikit bersentuhan dengan lantai).

► **Gbr.16:** 1. Kenop pengatur ketinggian sikat utama
2. Ketinggian sikat utama

CATATAN: Sikat utama menjadi aus. Periksa dan sesuaikan ketinggian sikat utama secara teratur. Jika tidak memungkinkan untuk menyetel sikat secara memadai, gantilah sikatnya.

Cara memeriksa ketinggian sikat utama yang sesuai

PEMBERITAHUAN: Perhatikan ketinggian yang sesuai. Terlalu banyak tekanan pada sikat utama akan mempercepat keausan sikat utama dan memperpendek waktu pengoperasian.

Lebar lintasan sikat utama menunjukkan ketinggian sikat utama yang sesuai.

1. Angkat bagian depan peralatan dengan memegang gagang atau pegangannya. Pindahkan peralatan ke permukaan datar yang dilapisi bahan berikut, lalu turunkan peralatan secara perlahan ke permukaan tersebut.

• Lapisan debu

• Lapisan kapur

2. Nyalakan sakelar ON/OFF dan putar sikat utama kira-kira 15 - 30 detik.

3. Matikan sakelar ON/OFF. Angkat bagian depan peralatan untuk mencegah sikat utama menyentuh permukaan dan pindahkan peralatan ke area lain.

Periksa apakah lintasan sikat utama berbentuk persegi panjang merata, dengan lebar 25 - 40 mm (1" - 1-9/16").

Sesuaikan kembali ketinggian dengan menggunakan kenop pengatur ketinggian sikat utama jika bentuk lintasan tidak sesuai.

► **Gbr.17:** 1. Lapisan debu atau kapur 2. Sikat utama (sisi belakang) 3. Lintasan

Menghidupkan atau mematikan sikat samping

Sikat samping dapat digunakan untuk memperluas lebar pembersihan dan juga digunakan untuk membersihkan area di sepanjang dinding.

Untuk menggunakan sikat samping, tahan tombol pengunci dan turunkan tuas ON/OFF sikat samping.

Sikat samping diturunkan ke permukaan lantai. Saat sikat samping dihidupkan, sikat samping akan berputar bersamaan dengan sikat utama.

► **Gbr.18:** 1. Sikat samping 2. Tombol pengunci
3. Tuas ON/OFF sikat samping

Naikkan tuas ON/OFF sikat samping apabila sikat samping tidak digunakan.

Sikat samping dinaikkan dari permukaan lantai. Saat sikat samping dimatikan, sikat samping tidak berputar.

► **Gbr.19:** 1. Sikat samping 2. Tuas ON/OFF sikat samping

Penyetelan ketinggian sikat samping

Saat sikat samping dihidupkan, ketinggiannya dapat disesuaikan. Sesuaikan dengan tepat tergantung kondisi lantai yang akan dibersihkan, panjang sikat samping, dll.

Putar kenop pengatur ketinggian sikat samping untuk menyetel ketinggian sikat samping.

Putar kenop ke arah yang ditunjukkan oleh panah untuk mengurangi ketinggian sikat samping (untuk menyetel agar lebih banyak bersentuhan dengan lantai).

► **Gbr.20:** 1. Kenop pengatur ketinggian sikat samping

Putar kenop ke arah yang ditunjukkan oleh panah untuk menambah ketinggian sikat samping (untuk menyetel agar lebih sedikit bersentuhan dengan lantai).

► **Gbr.21:** 1. Kenop pengatur ketinggian sikat samping

CATATAN: Sikat samping menjadi aus. Periksa dan sesuaikan ketinggian sikat samping secara teratur. Jika tidak memungkinkan untuk menyetel sikat secara memadai, gantilah sikatnya.

Memulai pembersihan

PERHATIAN: Pegang peralatan dengan kuat selama penggunaan. Selain itu, jangan tinggalkan peralatan tanpa pengawasan, terlepas dari miring atau tidaknya tempat peralatan berada. Peralatan dapat bergerak dan menyebabkan kecelakaan.

PERHATIAN: Jangan memutar sikat atau memulai fungsi penggoyang saringan saat wadah sampah atau kantong debu tidak terpasang pada peralatan.

PERHATIAN: Jangan menyentuh sikat yang berputar. Terdapat bahaya cedera.

PERHATIAN: Jangan menggunakan peralatan ini untuk mengumpulkan benda-benda yang dapat tersangkut pada sikat, seperti kabel, tali, atau kawat. Melakukannya dapat menyebabkan kerusakan. Bersihkan terlebih dahulu sampah yang berbentuk tali.

PERHATIAN: Jangan menggunakan peralatan di tempat yang tidak stabil seperti lokasi yang lantainya memiliki kemiringan curam atau sangat licin. Terdapat bahaya yang mana pengoperasian menjadi tidak stabil atau peralatan bisa terbalik.

PERHATIAN: Kenakan alat pelindung seperti masker, kacamatanya dan sarung tangan saat membersihkan di lingkungan berdebu.

Pembersihan

PEMBERITAHUAN: Jangan memutar sakelar ON/OFF dengan paksa tanpa menekan tombol buka kunci.

1. Putar sakelar ON/OFF dengan menekan tombol buka kunci ke posisi "I" untuk menghidupkan daya.

► **Gbr.22:** 1. Sakelar ON/OFF 2. Tombol pengunci 3. Panel kontrol

2. Jika perlu, ubah pengaturan dengan menekan sakelar fungsi pada panel kontrol. (Baca "Pengoperasian panel kontrol.")

3. Dorong pegangan untuk mulai membersihkan.
► **Gbr.23**

CATATAN: Untuk mengetahui cara menghidupkan atau mematikan sikat samping, baca "Menghidupkan atau mematikan sikat samping."



4. Putar sakelar ON/OFF dengan menekan tombol buka kunci ke posisi "O" untuk mematikan daya.

► **Gbr.24:** 1. Sakelar ON/OFF 2. Tombol pengunci

Pengoperasian panel kontrol

Mengubah kecepatan putaran sikat utama

Saat daya dihidupkan, setiap penekanan [tombol sikat utama] akan mengubah mode kecepatan putaran sikat.




Tombol/Indikasi LED	Mode	Fungsi
	Mode standar	Kecepatan putaran sikatnya standar. Mode ini optimal ketika terdapat banyak kotoran.
	Mode diam	Mode ini optimal ketika Anda ingin membersihkan secara senyap atau ketika Anda ingin membersihkan dalam waktu lama.

CATATAN: Kecepatan putaran sikat samping terhubung dengan kecepatan putaran sikat utama.

CATATAN: Saat daya dihidupkan, pengoperasian dimulai dalam mode yang digunakan saat daya dimatikan sebelumnya.

Mengubah mode isap

Saat daya dihidupkan, setiap penekanan [tombol pengisapan] akan mengubah mode daya isap.



Tombol/Indikasi LED	Mode	Fungsi
	Mode standar	Kekuatan isapnya standar. Mode ini optimal untuk pembersihan di lingkungan yang berdebu.
	Mode diam	Mode ini optimal untuk pembersihan yang senyap dan lama.
	Mati	Mode ini optimal ketika pengisapan tidak diperlukan, serta pembersihan lebih senyap dan lebih lama dibandingkan mode diam.

CATATAN: Saat daya dihidupkan, pengoperasian dimulai dalam mode yang digunakan saat daya dimatikan sebelumnya.

CATATAN: Jika fungsi penggoyang saringan diaktifkan saat kipas isap sedang digunakan, kipas isap akan berhenti sementara dan kemudian menyalakan kembali saat penggoyang saringan berhenti.



Menghidupkan atau mematikan fungsi penggoyang saringan

Menekan [tombol penggoyang saringan] akan menghidupkan maupun mematikan fungsi penggoyang saringan.

Tombol/ Indikasi LED	Mode	Fungsi
	Menyala	Menghidupkan fungsi penggoyang saringan. Saat fungsi penggoyang saringan beroperasi, debu akan dikeluarkan dari saringan secara otomatis untuk menghilangkan penyumbatan. Fungsi ini akan mati secara otomatis setelah sekitar 15 detik.
	Mati	Mematikan fungsi penggoyang saringan.

Menyalakan atau mematikan lampu

Menekan [tombol lampu] akan menyalakan maupun mematikan lampu.

Tombol/ Indikasi LED	Mode	Fungsi
	Menyala	Menyalakan lampu.
	Mati	Mematikan lampu.

► Gbr.25: 1. Lampu

Fungsi lampu mati otomatis

Lampu mati secara otomatis jika dua kondisi berikut berlanjut selama 30 menit.

- Tidak ada satu pun motor (sikat utama, pengisap, dan penggoyang saringan) yang beroperasi.
- Tidak ada tombol yang ditekan.

Menampilkan kapasitas baterai yang tersisa

Tekan [tombol pemeriksaan] untuk menampilkan kapasitas baterai yang tersisa.

Menggunakan wadah sampah

► Gbr.26: 1. Wadah sampah

- Sampah dikumpulkan di wadah sampah.
- Untuk rincian prosedur pembersihannya, baca "Memulai pembersihan."

Pelepasan

1. Angkat pengait wadah sampah.
2. Lepaskan pengait dari peralatan.

► Gbr.27: 1. Pengait

3. Keluarkan wadah sampah dari peralatan.

► Gbr.28: 1. Pengait 2. Wadah sampah

Alat tambahan

1. Pasang alur dari wadah sampah ke poros wadah sampah dari peralatan.

► Gbr.29: 1. Alur 2. Poros wadah sampah

2. Pasang pengait pada peralatan dan turunkan pengait untuk mengamankan wadah sampah pada tempatnya.

Menggunakan kantong debu

Pilihan Aksesori

► Gbr.30: 1. Kantong debu 2. Jendela transparan

- Kantong debu memiliki kapasitas yang besar sehingga cocok untuk mengumpulkan sampah berukuran besar seperti dedaunan yang berguguran.
- Anda dapat memeriksa berapa banyak sampah yang telah dikumpulkan dengan melihat melalui jendela transparan di sisi atas.
- Gunakan wadah sampah saat menyedot debu. Kantong debu tidak kedap udara layaknya wadah sampah.
- Untuk rincian prosedur pembersihannya, baca "Memulai pembersihan."

CATATAN: Saat mengumpulkan sampah ringan seperti dedaunan yang berguguran, disarankan menggunakan mode isap. Menggunakan mode isap akan membantu dalam mengumpulkan lebih banyak sampah dibandingkan saat mode isap mati.

Alat tambahan

1. Keluarkan wadah sampah dari peralatan.

► Gbr.31: 1. Pengait 2. Wadah sampah

2. Pasang alur dari rangka kantong debu ke poros wadah sampah dari peralatan.

► Gbr.32: 1. Rangka kantong debu 2. Alur 3. Poros wadah sampah

3. Pasang pengait pada peralatan dan turunkan pengait untuk mengamankan rangka kantong debu pada tempatnya.

► Gbr.33

4. Pasang kantong debu dengan menggantungkan pengait di kiri dan kanan kantong debu pada alur pemasangan.

► Gbr.34: 1. Pengait 2. Alur

Pelepasan

Balikkan langkah-langkah dari prosedur pemasangan.

Memasang kantong polietilen

PEMBERITAHUAN: Saat memasang kantong polietilen, mungkin sulit untuk melihat bagian dalam kantong debu.

Memasang kantong polietilen pada kantong debu memberi Anda kemudahan saat tiba waktunya membuang sampah, karena pekerjaan membuang dapat diselesaikan hanya dengan melepas dan membuang kantong polietilen beserta isinya.

1. Angkat gagang (untuk kantong debu) dan keluarkan kantong debu.

► Gbr.35: 1. Gagang (untuk kantong debu) 2. Kantong debu

2. Pasang kantong polietilen (peralatan komersial, keliling bukaan kantong lebih dari 1.600 mm (63")) ke kantong debu.

► **Gbr.36:** 1. Kantong polietilen

3. Pasang kantong debu dengan menggantungkan pengait di kiri dan kanan kantong debu pada alur pemasangan.

Menggunakan adaptor multifungsi

Pilihan Aksesori

Memasang adaptor multifungsi akan memungkinkan untuk memasang Makpac atau paket daya portabel.

▲PERHATIAN: Kencangkan adaptor multifungsi dengan benar pada tempatnya menggunakan sekrup yang disertakan.

▲PERHATIAN: Kencangkan Makpac atau paket daya portabel dengan benar pada tempatnya menggunakan kait atau pengait pada adaptor multifungsi.

▲PERHATIAN: Jangan meletakkan benda yang beratnya lebih dari 20 kg (44 lbs) atau lebih di atas adaptor multifungsi.

▲PERHATIAN: Jangan menggunakan pegangan Makpac atau paket daya portabel yang terpasang pada adaptor multifungsi untuk mengangkat atau mengoperasikan peralatan. Melakukan hal tersebut dapat mengakibatkan kecelakaan.

▲PERHATIAN: Jangan berdirikan peralatan dalam posisi terbalik ketika Makpac atau paket daya portabel terpasang pada adaptor multifungsi. Melakukan hal tersebut dapat merusak mekanisme penguncian adaptor multifungsi, dan Makpac atau paket daya portabel dapat terjatuh.

Memasang adaptor multifungsi

1. Sejajarkan tonjolan di kiri dan kanan adaptor multifungsi dengan alur pemasangan pada peralatan dan pasang adaptor multifungsi.

► **Gbr.37:** 1. Tonjolan 2. Alur 3. Adaptor multifungsi

Jika sulit untuk memasang adaptor multifungsi, longgarkan tuas kunci pegangan pada peralatan. Saat mengendurkan tuas kunci pegangan, lipat pegangan ke bawah untuk mencegah pegangan terjatuh, lalu pasang adaptor multifungsi.

2. Kencangkan keempat sekrup untuk menahan adaptor multifungsi pada tempatnya.

► **Gbr.38:** 1. Sekrup

Melepas adaptor multifungsi

Balikkan langkah-langkah dari prosedur pemasangan.

Nama komponen adaptor multifungsi

► **Gbr.39:** 1. Kait pengaman (untuk Makpac) 2. Pengait A (untuk PDC01 / PDC1200 / PDC1500) 3. Pengait B (untuk PDC1200 / PDC1500) 4. Pengait C (untuk PDC01)

Memasang Makpac

▲PERHATIAN: Jangan melebihi ketinggian 315 mm (12-3/8") saat memasang Makpac.

Pasangkan kedua kait pengaman di kiri dan kanan dengan kuat ke dalam takik pemasangan Makpac untuk mengamankan Makpac pada tempatnya.

► **Gbr.40:** 1. Makpac 2. Kait pengaman

Melepas Makpac

Lepaskan kedua kait pengaman di kiri dan kanan lalu lepaskan Makpac.

Memasang paket daya portabel

▲PERHATIAN: Jangan menggunakan peralatan dengan paket daya portabel di punggung Anda.

▲PERHATIAN: Saat memasang paket daya portabel pada adaptor multifungsi, pastikan kabel paket daya portabel dirapikan dengan benar. Jika tidak, kabel yang menggantung dapat tergores oleh lantai dan terputus, menimbulkan asap, atau kebakaran.

1. Pasang tepi bawah paket daya portabel ke pengait A dan kencangkan di tempatnya dengan pengait B atau pengait C. Pastikan paket daya portabel tidak terlepas dari peralatan dengan sedikit mengangkat pegangan paket daya portabel.

• PDC1200 / PDC1500

Pasang tepi bawah paket daya portabel ke pengait A dan kencangkan di tempatnya dengan pengait B. Pastikan paket daya portabel tidak terlepas dari peralatan dengan sedikit mengangkat pegangan paket daya portabel.

Jika indikator berwarna merah pada tombol kunci terlihat, paket daya portabel tidak terunci sepenuhnya.

► **Gbr.41:** 1. Paket daya portabel 2. Pengait A 3. Pengait B 4. Tombol kunci 5. Indikator berwarna merah

• PDC01

Pasangkan tepi bawah paket daya portabel ke pengait A dan kencangkan di tempatnya dengan pengait C. Pengait B tidak digunakan.

► **Gbr.42:** 1. Paket daya portabel 2. Pengait A 3. Pengait C

2. Sejajarkan tanda segitiga pada soket paket daya portabel dan steker adaptor (untuk baterai XGT) dan pasang kedua dengan kuat sedalam mungkin.

► **Gbr.43:** 1. Soket paket daya portabel 2. Steker adaptor (untuk baterai XGT) 3. Tanda segitiga

3. Buka penutup kotak baterai.

► **Gbr.44:** 1. Penutup kotak baterai

4. Seperti yang ditunjukkan pada gambar, rapikan kabel sehingga kabel melewati alur pada adaptor multifungsi dan kotak baterai. Sejajarkan adaptor (untuk baterai XGT) dengan alur pada bukaan pemasangan baterai, lalu masukkan adaptor hingga terdengar bunyi klik.

- **Gbr.45:** 1. Alur pada adaptor multifungsi 2. Alur pada kotak baterai 3. Adaptor (untuk kabel baterai XGT)

5. Tutup penutup kotak baterai.

Melepas paket daya portabel

PDC1200 / PDC1500

1. Cabut steker adaptor (untuk baterai XGT) dari soket paket daya portabel dan cabut kabelnya.

PEMBERITAHUAN: Jangan menarik kabelnya saat melepaskan steker adaptor. Selain itu, jangan membawa paket daya portabel dengan hanya memegang kabelnya saja.

Kabelnya bisa putus atau rusak.

2. Sambil menahan tombol kunci paket daya portabel, angkat pegangan paket daya portabel.

- **Gbr.46:** 1. Paket daya portabel 2. Tombol kunci 3. Pegangan

PDC01

1. Cabut steker adaptor (untuk baterai XGT) dari soket paket daya portabel dan cabut kabelnya.

PEMBERITAHUAN: Jangan menarik kabelnya saat melepaskan steker adaptor. Selain itu, jangan membawa paket daya portabel dengan hanya memegang kabelnya saja.

Kabelnya bisa putus atau rusak.

2. Lepaskan pengait C dan tarik paket daya portabel keluar lalu ke atas.

- **Gbr.47:** 1. Paket daya portabel 2. Pengait C 3. Pegangan

Penanganan setelah penggunaan

PERHATIAN: Jika peralatan tidak akan digunakan, pastikan sakelar ON/OFF dalam keadaan mati dan baterai telah dilepas.

Membuang sampah

PERHATIAN: Selalu kenakan peralatan pelindung seperti masker dan sarung tangan saat membuang sampah. Terdapat bahaya jika Anda menyentuh benda tajam pada sampah, yang dapat menyebabkan cedera.

PERHATIAN: Buang sampah lebih awal, sebelum terlalu banyak sampah yang menumpuk. Daya isap dapat berkurang.

1. Lepaskan pengait lalu keluarkan wadah sampah dari peralatan.

- **Gbr.48:** 1. Wadah sampah 2. Pengait

Ketika menggunakan kantong debu, angkat gagang dan keluarkan kantong debu.

- **Gbr.49:** 1. Gagang (untuk kantong debu) 2. Kantong debu

2. Pindahkan wadah sampah atau kantong debu ke tempat pengumpulan sampah dan buang sampah tersebut.

- **Gbr.50**

Saat menggunakan kantong debu, memasang kantong polietilen di dalamnya memungkinkan Anda untuk membuang kantong polietilen bersamaan dengan sampahnya.

- **Gbr.51**

3. Setelah membuang sampah, pasang wadah sampah atau kantong debu ke peralatan. Pastikan pengait terkunci dengan benar.

PERAWATAN

PERHATIAN: Selalu pastikan bahwa peralatan sudah dimatikan dan kartrid baterai dilepas sebelum berupaya untuk melakukan pemeriksaan atau pemeliharaan.

PEMBERITAHUAN: Jangan sekali-kali menggunakan bensin, tiner, alkohol, atau bahan sejenisnya. Penggunaan bahan demikian dapat menyebabkan perubahan warna, perubahan bentuk atau timbulnya retakan.

Pemeliharaan

Membersihkan badan peralatan

PERHATIAN: Jangan mencuci badan peralatan dengan air. Melakukannya dapat menyebabkan kerusakan.

Untuk menghilangkan kotoran dari badan peralatan, bersihkan menggunakan kain yang telah dibasahi dengan sedikit deterjen netral encer.

- **Gbr.52**

Membersihkan sikat utama

1. Lipat pegangan ke bawah dan berdirikan peralatan pada ujungnya seperti yang ditunjukkan pada gambar.

2. Dorong sikat utama ke arah yang ditunjukkan oleh panah A pada gambar.

Lepas salah satu ujung sikat utama ke arah yang ditunjukkan oleh panah B pada gambar.

- **Gbr.53:** 1. Sikat utama

3. Lepas ujung sikat utama yang lainnya dari poros sikat.

4. Dengan cara yang sama, lepas sikat utama yang lain.

5. Jika terdapat sampah semacam tali yang menempel pada sikat, buang dengan menggunakan tangan.

- **Gbr.54**

6. Singkirkan debu, dan cuci sikat dengan air jika sikat sangat kotor. Setelah dicuci, biarkan hingga kering di tempat teduh; jangan gunakan sikat hingga benar-benar kering.

► **Gbr.55**

7. Arahkan setiap sikat utama sehingga bentuk ujungnya sesuai dengan area pemasangan peralatan, seperti yang ditunjukkan pada gambar.

Jika bentuk ujungnya tidak sesuai, balikkan orientasi kiri-kanan sikat utama agar sikatnya sesuai.

► **Gbr.56:** 1. Sikat utama 2. Bentuk minus 3. Bentuk plus

8. Pasangkan sikat utama pada poros sikat peralatan sesuai arah yang ditunjukkan oleh panah pada gambar.

► **Gbr.57:** 1. Poros sikat

9. Pasang sikat utama ke area pemasangan peralatan, sesuai arah yang ditunjukkan oleh panah pada gambar, lalu kencangkan pada tempatnya.

► **Gbr.58**

CATATAN: Jika bentuk ujungnya tidak sesuai, Anda tidak akan bisa memasang sikat utama. Jika hal ini terjadi, kembali ke langkah 7 dan ulangi prosesnya.

10. Dengan cara yang sama, pasang sikat utama yang lain.

► **Gbr.59**

PERHATIAN: Setelah memasang sikat utama, periksa apakah bentuknya sudah terpasang dengan benar.

CATATAN: Jika sikat utama sudah aus sehingga menjadi lebih pendek, gantilah sikatnya.

Membersihkan sikat samping

Untuk prosedur pemasangan dan pelepasan sikat samping, baca "*Memasang dan melepas sikat samping.*"

1. Melepas sikat samping.

2. Singkirkan debu, dan cuci sikat dengan air jika sikat sangat kotor. Setelah dicuci, biarkan hingga kering di tempat teduh; jangan gunakan sikat hingga benar-benar kering.

► **Gbr.60**

3. Memasang sikat samping.

CATATAN: Jika sikat samping sudah aus sehingga menjadi lebih pendek, gantilah sikatnya.

Membersihkan saringan

PERHATIAN: Pastikan saringan terpasang dengan benar, dan jangan gunakan peralatan saat saringan tidak terpasang pada tempatnya. Selain itu, jangan gunakan saringan yang rusak atau basah. Kebakaran atau kerusakan motor dapat terjadi.

PEMBERITAHUAN: Saringan dapat dicuci dan digunakan kembali. Untuk mencegah kerusakan pada saringan, jangan gunakan benda berikut saat membersihkannya.

- Pembersih udara
- Pembersih bertekanan tinggi
- Sikat dari bahan keras seperti logam

1. Melepas wadah sampah.

2. Sambil menekan pada pengait pra-saringan sesuai arah yang ditunjukkan oleh tanda panah pada gambar, lepaskan pra-saringan.

► **Gbr.61:** 1. Pra-saringan 2. Pengait

3. Sambil menekan pada pengait saringan HEPA sesuai arah yang ditunjukkan oleh tanda panah pada gambar, lepaskan saringan HEPA.

► **Gbr.62:** 1. Saringan HEPA 2. Pengait

4. Singkirkan debu, dan cuci saringan dengan air jika saringan sangat kotor. Setelah dicuci, biarkan pra-saringan dan saringan HEPA hingga kering di tempat teduh; jangan gunakan kembali hingga benar-benar kering.

► **Gbr.63:** 1. Pra-saringan 2. Saringan HEPA

5. Untuk memasang saringan HEPA, selaraskan tepi saringan HEPA ke alur pada peralatan, lalu dorong saringan ke tempatnya. Periksa apakah pengait terpasang dengan aman.

► **Gbr.64:** 1. Saringan HEPA 2. Tepi 3. Alur 4. Pengait

6. Untuk memasang pra-saringan, selaraskan tonjolan pada pra-saringan ke dalam alur pada peralatan, lalu dorong saringan ke tempatnya. Periksa apakah pengait sudah terpasang dengan aman.

► **Gbr.65:** 1. Pra-saringan 2. Tonjolan 3. Alur

4. Pengait

Membersihkan saringan spons

PERHATIAN: Setelah membersihkan saringan spons, pastikan untuk memasangnya pada wadah sampah. Jika dicuci dengan air, keringkan terlebih dahulu sebelum dipasang.

Saat saringan spons dipenuhi dengan debu, lepaskan dari wadah sampah dan kemudian bersihkan atau cuci dengan air.

1. Keluarkan wadah spons dari wadah sampah.

2. Buka wadah spons untuk mengeluarkan saringan spons.

► **Gbr.66:** 1. Wadah sampah 2. Wadah spons 3. Saringan spons

3. Seka saringan spons atau cuci dengan air.

4. Pasang saringan spons di posisi awalnya.

Membersihkan tabung

Saat menggunakan kantong debu (aksesori opsional), tabung mungkin tersumbat oleh sampah halus seperti pasir, kerikil, dan dedaunan kecil yang berguguran.

1. Tarik keluar tabung dari rangka kantong debu.
2. Hilangkan sampah dari tabung.
► **Gbr.67:** 1. Rangka kantong debu 2. Tabung
3. Pasang tabung di posisi awalnya.

Inspeksi berkala

Untuk memastikan masa pakai peralatan yang lama dan penggunaan yang aman, lakukan pemeriksaan yang tercantum di bawah ini secara berkala.

Inspeksi harian

- Wadah sampah: kosongkan wadahnya.
- Saringan: jika kotor, bersihkan.
- Sikat: jika sampah yang berbentuk tali terjerat pada sikat, lepaskan.
- Komponen kontrol dan yang bergerak: periksa apakah komponen bergerak dengan lancar.

Inspeksi mingguan

- Ketinggian sikat utama: jika tingginya tidak sesuai, sesuaikan kembali.
- Sekrup (apabila menggunakan adaptor multifungsi): jika kendur, kencangkan.

Penggantian/pengisian kembali item habis pakai

Penggantian sikat

Jika sikat utama dan sikat samping sudah aus, mintalah penggantian pada pusat layanan Makita setempat.

Mengganti sikat utama

Ganti sikat utama jika tidak dapat disetel dengan benar. Baca "*Penyetelan ketinggian sikat utama.*" Untuk melepas dan memasang sikat utama, baca "*Membersihkan sikat utama.*"

Mengganti sikat samping

Gantilah sikat samping jika sikat samping tidak menyentuh lantai ketika kenop pengatur ketinggian sikat samping diputar ke posisi terendah. Baca "*Penyetelan ketinggian sikat samping.*" Untuk melepas dan memasang sikat samping, baca "*Memasang dan melepas sikat samping.*"

AMARAN

- Peralatan ini tidak bertujuan untuk digunakan oleh individu (termasuk kanak-kanak) yang kurang fizikal, deria atau keupayaan mental atau kekurangan pengetahuan dan pengalaman.
- Bagi pengguna di Eropah:
Kanak-kanak tidak boleh bermain dengan peralatan ini. Pembersihan dan penyelenggaraan pengguna tidak boleh dilakukan oleh kanak-kanak tanpa pengawasan.
- Bagi pengguna di kawasan selain Eropah:
Kanak-kanak harus diselia untuk memastikan mereka tidak bermain dengan peralatan ini.
- **PERHATIAN:** Sebelum menjalankan sebarang operasi penyelenggaraan, nyahsambungkan alat daripada bekalan kuasa. Jalankan penyelenggaraan pada alat secara berkala.
- Bateri yang boleh dicas semula mesti dikeluarkan daripada peranti sebelum pengecasan.
- Untuk mengeluarkan atau memasang bateri, mula-mula buka penutup bateri, kemudian luncurkan kartrij keluar daripada alat sambil menekan butang di hadapan kartrij.
- Bateri yang habis mesti dikeluarkan daripada peranti dan dilupuskan secara selamat. Ikuti peraturan tempatan berkenaan pelupusan bateri.
- Jika peranti yang hendak disimpan tidak digunakan dalam tempoh yang lama, bateri hendaklah dikeluarkan.
- Terminal kuasa mestilah tidak menjadi litar pintas.

PENGENALAN

Spesifikasi

Model:	VS001G		
Kapasiti bekas sisa	15.6 L		
Keupayaan pembersihan *1	Berus sisi tidak digunakan	1,920 m ² /j	
	Berus sisi digunakan	2,600 m ² /j	
Lebar pembersihan	Berus sisi tidak digunakan	480 mm	
	Berus sisi digunakan	650 mm	
Voltan terkadar	D.C. 36 V - 40 V maks		
Dimensi (P x L x T)	Kendalikan secara menegak	830 mm x 677 mm x 1,146 mm	
	Pemegang dilipat	830 mm x 677 mm x 467 mm	
Berat keseluruhan yang dibenarkan (GVW)	maks. 44.0 kg		
Berat bersih (berat pengangkutan) (dengan BL4025 x1)	29.9 kg		
Tahap perlindungan	IPX4		

*1 Dengan mengandaikan kelajuan berjalan sebanyak 4 km/j.

- Disebabkan program penyelidikan dan pembangunan kami yang berterusan, spesifikasi yang terkandung di dalam ini adalah tertakluk kepada perubahan tanpa notis.
- Spesifikasi dan kartrij bateri mungkin berbeza mengikut negara.

Kartrij bateri dan pengecas yang boleh digunakan

Kartrij bateri	BL4020 / BL4025 / BL4040 / BL4040F / BL4050F / BL4080F
Pengecas	DC40RA / DC40RB / DC40RC / DC40WA

- Sesetengah kartrij bateri dan pengecas yang disenaraikan di atas mungkin tidak tersedia bergantung pada kawasan kediaman anda.

AMARAN: Gunakan hanya kartrij bateri dan pengecas yang disenaraikan di atas. Penggunaan mana-mana kartrij bateri dan pengecas yang lain mungkin menyebabkan kecederaan dan/atau kebakaran.



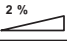







Sumber kuasa bersambung kord yang disyorkan

Pek kuasa mudah alih	PDC01 / PDC1200 / PDC1500
----------------------	---------------------------

- Sumber kuasa bersambung kord yang disenaraikan di atas mungkin tidak tersedia bergantung pada kawasan kediaman anda.
- Sebelum menggunakan sumber kuasa bersambung kord, baca arahan dan tanda peringatan.

Simbol

Berikut menunjukkan simbol-simbol yang boleh digunakan untuk alat ini. Pastikan anda memahami maksudnya sebelum menggunakan.

	Baca manual arahan.
	Sila gunakan dengan berhati-hati dan penuh perhatian.
	Jangan gunakan pada cerun lebih daripada 2%.
	Jangan pijak peralatan.
	Jangan letakkan objek seberat 20 kg (44 lbs) atau lebih di atas peralatan.
	Untuk mengelakkan kemalangan atau kecederaan, pastikan peralatan dimatikan dan bateri dikeluarkan sebelum menyelenggara berus atau melakukan pembaikan.
	Bateri wakilan yang boleh digunakan untuk produk ini.
	Hanya untuk negara-negara EU Disebabkan kehadiran komponen berbahaya dalam peralatan, sisa peralatan elektrik dan elektronik, akumulator dan bateri boleh memberi kesan negatif terhadap persekitaran dan kesihatan manusia. Jangan buang alat elektrik dan elektronik atau bateri bersama dengan bahan buangan isi rumah! Mengikuti Arahan Eropah mengenai sisa peralatan elektrik dan elektronik dan mengenai akumulator dan bateri dan sisa akumulator dan bateri serta penyesuaian dengan undang-undang negara, sisa peralatan elektrik, bateri dan akumulator hendaklah disimpan secara berasingan dan dihantar ke tempat pengumpulan berasingan untuk sisa perbandaran, beroperasi mengikut peraturan perlindungan persekitaran. Ini ditunjukkan oleh simbol tong sampah beroda yang bersilang pada peralatan.
	Aras kuasa bunyi terjamin menurut Arahan Redam Di Luar Kesatuan Eropah.
	Aras kuasa bunyi menurut Peraturan Kawalan Redam NSW, Australia

Tujuan penggunaan

Peralatan ini bertujuan untuk mengumpul serpihan kering. Peralatan ini sesuai untuk kegunaan komersial, sebagai contoh di hotel, sekolah, hospital, kilang, kedai, pejabat dan perniagaan sewaan.

Amaran keselamatan

Amaran keselamatan pembersih hampagas tanpa kod

1. **Pengendali hendaklah diberikan petunjuk yang mencukupi tentang penggunaan pembersih hampagas.**
2. **Pembersih hampagas ini untuk kegunaan kering sahaja.**
3. **Apabila tidak digunakan, sentiasa simpan pembersih hampagas di dalam bangunan.**
4. **Jangan gunakan untuk tujuan pembersihan pada permukaan yang mempunyai kecerunan yang melebihi tanda pada peralatan.**
5. **Jangan biarkan kanak-kanak bermain dengan peralatan yang boleh dicas semula.**
6. **Apabila menyimpan peralatan, letakkan peralatan di atas permukaan yang rata dan stabil. Simpan peralatan jauh daripada jangkauan kanak-kanak.**
7. **Sentiasa letakkan peralatan di atas permukaan yang rata apabila peralatan akan berdiri di hujung.**
8. **Pastikan lokasi kerja kemas dan rapi. Selain itu, pastikan lokasi dinyalakan dengan baik dan sentiasa bersih. Kegagalan berbuat demikian boleh menyebabkan kemalangan.**
9. **Pakai pakaian kerja yang sesuai.**
10. **Jangan gunakan penyesuai bateri.**
11. **Jangan sentuh kawasan bateri dengan tangan yang basah. Jika tidak, kejutan elektrik mungkin berlaku.**
12. **Jangan gunakan penapis dalam keadaan basah. Motor terbakar atau kerosakan mungkin berlaku.**
13. **Jangan gunakan peralatan semasa hujan atau apabila permukaan jalan basah. Selain itu, jangan ambil sampah yang mengandungi cecair atau buih. Motor terbakar atau kerosakan mungkin berlaku.**
14. **Jangan kumpulkan sampah seperti tali seperti kord, tali atau wayar. Sampah ini mungkin tersangkut pada berus. Keluarkan sampah sebelum operasi pembersihan. Jika tidak, kerosakan mungkin berlaku.**
15. **Jangan putus sambungan garis pbumian.**

16. **Jangan cuba untuk membersihkan bahagian luaran atau dalaman dengan benzin, pencair atau bahan pencuci kimia. Retakan dan perubahan warna boleh berlaku.**
17. **Pakai peralatan perlindungan yang sesuai seperti pelindung mata dan topeng habuk semasa membersihkan lokasi berhabuk, melakukan penyelenggaraan atau membuang sampah.**
18. **Pasangkan penapis dengan betul.** Menggunakan peralatan tanpa penapis yang dipasang, dipasang pada kedudukan yang salah, atau dalam keadaan rosak boleh menyebabkan motor terbakar atau rosak.
19. **Jangan nyahpasang peralatan.** Berbuat demikian boleh menyebabkan kerosakan.
20. **Jika anda mengesan apa-apa yang tidak normal, matikan peralatan dan keluarkan bateri dengan segera.**
21. **Sebelum menggunakan peralatan, periksa untuk memastikan tiada bahagian yang rosak dan setiap bahagian berfungsi dengan betul.** Jika terdapat bahagian yang rosak, ganti atau dibaiki, mengikut kesesuaian, oleh peniaga yang diiktiraf melainkan dinyatakan sebaliknya secara khusus dalam manual arahan.
22. **Terdapat risiko terhimpit, tersangkut atau tercedera oleh tali pinggang pemacu, berus utama, berus sisi, pemegang atau roda belakang.**
23. **Jangan gunakan peralatan untuk mengumpul bahan toksik seperti asbestos.**
24. **Jangan gunakan berus sisi apabila membersihkan lokasi yang tercemar atau berhabuk.**
25. **Jangan gunakan peralatan di lokasi yang terdapat bahan berbahaya atau nyalaan terbuka.** Berbuat demikian boleh menyebabkan kebakaran atau letupan.
26. **Jangan gunakan peralatan ini di lokasi yang mudah meletup dan mudah terbakar.**

Penggunaan dan penjagaan alat bateri

1. **Cas semula dengan pengecas yang ditentukan oleh pengeluar sahaja.** Pengecas yang sesuai untuk satu jenis pek bateri mungkin menimbulkan risiko kebakaran apabila digunakan dengan pek bateri lain.
2. **Gunakan alat kuasa dengan pek bateri yang ditentukan secara khusus sahaja.** Penggunaan mana-mana pek bateri lain mungkin menimbulkan risiko kecederaan dan kebakaran.
3. **Apabila pek bateri tidak digunakan, jauhkan daripada objek logam lain, seperti klip kertas, duit syiling, kunci, paku, skru atau objek logam kecil lain, yang boleh membuat sambungan dari satu terminal ke terminal yang lain.** Memintas terminal bateri bersama-sama mungkin menyebabkan lecuran atau kebakaran.

4. **Di bawah keadaan kasar, cecair mungkin dikeluarkan daripada bateri; elakkan sentuhan.** Jika tersentuh secara tidak sengaja, siram dengan air. Jika cecair terkena mata, dapatkan bantuan perubatan di samping siraman air. Cecair yang dikeluarkan dari bateri mungkin menyebabkan kegatalan atau lecuran.
5. **Jangan gunakan pek bateri atau alat yang rosak atau diubah suai.** Bateri yang rosak atau diubah suai mungkin menunjukkan perilaku yang tidak dijangka menyebabkan kebakaran, letupan atau risiko kecederaan.
6. **Jangan dedahkan pek bateri atau alat kepada api atau suhu yang berlebihan.** Pendedahan kepada api atau suhu melebihi 130 °C mungkin menyebabkan letupan.
7. **Ikut semua arahan pengecasan dan jangan cas pek bateri atau alat di luar julat suhu yang ditetapkan dalam arahan.** Mengecas dengan tidak betul atau pada suhu di luar julat yang dinyatakan mungkin merosakkan bateri dan meningkatkan risiko kebakaran.

Arahan keselamatan penting untuk kartrij bateri

1. **Sebelum menggunakan kartrij bateri, baca semua arahan dan tanda amaran pada (1) pengecas bateri, (2) bateri, dan (3) produk menggunakan bateri.**
2. **Jangan buka atau cabut kartrij bateri.** Ia boleh mengakibatkan kebakaran, haba berlebihan, atau letupan.
3. **Jika masa operasi menjadi sangat pendek, berhenti operasi serta merta.** Ia mungkin menyebabkan risiko pemanasan lampau, melecur bahkan letupan.
4. **Jika elektrolit masuk ke dalam mata anda, bilas mata dengan air jernih dan dapatkan rawatan perubatan serta merta.** Ia mungkin menyebabkan kehilangan penglihatan.
5. **Jangan pintaskan kartrij bateri:**
 - (1) **Jangan sentuh terminal dengan bahan berkonduksi.**
 - (2) **Elakkan menyimpan kartrij bateri dalam bekas bersama-sama objek besi lain seperti paku, duit syiling, dll.**
 - (3) **Jangan dedahkan kartrij bateri kepada air atau hujan.** Pintasan bateri boleh menyebabkan aliran kuasa yang besar, pemanasan lampau, melecur dan juga kerosakan.
6. **Jangan simpan dan gunakan alat dan kartrij bateri di lokasi yang suhunya mungkin mencapai atau melebihi 50 °C (122 °F).**
7. **Jangan bakar kartrij bateri walaupun jika ia rosak teruk atau haus sepenuhnya.** Kartrij bateri boleh meletup dalam kebakaran.
8. **Jangan paku, potong, pecahkan, buang, jatuhkan kartrij bateri, atau tekan objek keras pada kartrij bateri.** Perbuatan sedemikian boleh mengakibatkan kebakaran, haba berlebihan, atau letupan.
9. **Jangan gunakan bateri yang rosak.**

10. **Bateri litium ion yang terkandung adalah tertakluk kepada keperluan Perundangan Barangan Berbahaya.**
Bagi pengangkutan komersil cth. oleh pihak ketiga, ejen penghantar, keperluan khas pada pembungkusan dan pelabelan mestilah diperhatikan.
Bagi persediaan item yang dihantar, berunding dengan pakar bahan berbahaya adalah diperlukan. Sila juga perhatikan sebolehnya peraturan kebangsaan yang lebih terperinci. Lekatkan atau balut bahagian terbuka dan pek bateri supaya ia tidak bergerak dalam pembungkusan.
11. **Apabila melupuskan kartrij bateri, keluarkan ia daripada alat dan lupuskan ia di tempat selamat. Ikut peraturan tempatan anda mengenai pelupusan bateri.**
12. **Gunakan bateri hanya dengan produk yang ditentukan oleh Makita.** Memasang bateri kepada produk yang tidak patuh mungkin menyebabkan kebakaran, pemanasan lampau, atau kebocoran elektrolit.
13. **Jika alat tidak digunakan untuk tempoh masa yang lama, bateri mesti dikeluarkan daripada alat.**
14. **Semasa dan selepas penggunaan, kartrij bateri mungkin ada haba yang boleh menyebabkan terbakar atau suhu rendah terbakar. Beri perhatian kepada pengendalian kartrij bateri yang panas.**
15. **Jangan sentuh terminal alat itu selepas digunakan kerana ia mungkin panas menyebabkan terbakar.**
16. **Jangan biarkan cip, habuk, atau tanah terperangkap ke dalam terminal, lubang, dan alur cahaya kartrij bateri.** Ia mungkin menyebabkan pemanasan, terbakar, meletup dan pincang tugas alat atau kartrij bateri, seterusnya menyebabkan lecur atau kecederaan diri.
17. **Melainkan alat ini menyokong penggunaan yang hampir dari talian kuasa elektrik voltan tinggi, jangan gunakan kartrij bateri berhampiran talian kuasa elektrik voltan tinggi.** Ia mungkin menyebabkan kerosakan atau pecah pada alat atau kartrij bateri.
18. **Jauhkan bateri daripada kanak-kanak.**

SIMPAN ARAHAN INI.

PERHATIAN: Hanya gunakan bateri asli Makita. Penggunaan bateri tidak asli Makita, atau bateri yang telah diubah suai, mungkin menyebabkan bateri meletup menyebabkan kebakaran, kecederaan diri dan kerosakan. Ia juga membatalkan jaminan Makita untuk alat Makita dan pengecas.

Tip untuk mengekalkan hayat bateri maksimum

1. **Cas kartrij bateri sebelum ternyahcas sepenuhnya. Sentiasa hentikan operasi alat dan cas kartrij bateri apabila anda menyedari kurang kuasa alat.**
2. **Jangan cas semula kartrij bateri yang dicas sepenuhnya. Terlebih cas memendekkan hayat servis bateri.**
3. **Cas kartrij bateri dengan suhu bilik pada 10 °C - 40 °C (50 °F - 104 °F). Biarkan kartrij bateri yang panas menyejuk sebelum mengecasnya.**
4. **Apabila tidak menggunakan kartrij bateri, tanggalkannya dari alat atau pengecas.**
5. **Cas kartrij bateri jika anda tidak gunakannya untuk tempoh yang lama (lebih daripada enam bulan).**

Nama bahagian

► Rajah1

1	Pemegang	2	Tuili kunci pengendali	3	Panel kawalan	4	Suis ON/OFF
5	Butang sedutan	6	Butang goncang penapis	7	Butang berus utama	8	Butang lampu
9	Butang semak	10	Lampu penunjuk	11	Tuili ON/OFF berus sisi	12	Tombol pelarasan ketinggian berus sisi
13	Lampu	14	Genggaman	15	Berus sisi	16	Penutup kotak bateri
17	Tombol pelarasan ketinggian berus utama	18	Roda belakang	19	Roda hadapan	20	Berus utama
21	Acu bekas sisa	22	Genggaman (bahagian bekas sisa)	23	Bekas sisa	24	Kotak bateri
25	Penapis awal	26	Penapis HEPA	27	Acu berus	28	Garis pembumian

Pengenalan item yang dijual secara berasingan

⚠️ PERHATIAN: Aksesori-aksesori atau lampiran-lampiran ini adalah disyorkan untuk digunakan dengan alat Makita anda yang ditentukan dalam manual ini. Penggunaan mana-mana aksesori-aksesori atau lampiran-lampiran lain mungkin mengakibatkan risiko kecederaan kepada orang. Hanya gunakan aksesori atau lampiran untuk tujuan yang dinyatakan.

Untuk butiran item yang dijual secara berasingan, rujuk katalog atau hubungi peniaga atau pejabat jualan kami.

- Penyesuai pelbagai fungsi
- Beg habuk
- Bateri dan pengecas tulen Makita

NOTA: Beberapa item dalam senarai mungkin disertakan dalam pakej alat sebagai aksesori standard. Item mungkin berbeza mengikut negara.

PENYEDIAAN UNTUK PENGGUNAAN

Pemasangan

⚠️ PERHATIAN: Sebelum mengendalikan peralatan, pastikan suis ON/OFF dimatikan dan bateri telah dikeluarkan.

Pelarasan sudut pemegang

Anda boleh melaraskan sudut pemegang untuk memudahkan pengendalian peralatan. Semasa penghantaran kilang, pemegang peralatan dilipat ke bawah.

⚠️ PERHATIAN: Pasang tuil kunci pengendali dengan betul. Jika pemegang runtuh atau jatuh, terdapat bahaya kecederaan.

1. Lepaskan kunci tuil kunci pengendali.
2. Laraskan pemegang ke sudut yang dikehendaki.
▶ **Rajah2:** 1. Tuil kunci pengendali 2. Pemegang
3. Pasang tuil kunci pengendali.
▶ **Rajah3:** 1. Tuil kunci pengendali

Lipat pemegang ke bawah

Apabila anda meletakkan peralatan di hujung untuk penyimpanan/pemeriksaan atau apabila anda mengangkut peralatan dengan mengangkat peralatan, lipat pemegang peralatan.
▶ **Rajah4**

Jika pemegang longgar dan berdetar

Jika pemegang longgar dan berdetar walaupun tuil kunci pengendali dikunci dengan betul, laraskan pemegang dengan mengetatkan nat bertentangan dengan tuil kunci pengendali. Jika peralatan digunakan apabila pemegang longgar dan berdetar, terdapat bahaya runtuh atau terjatuh pada pemegang, yang mungkin boleh menyebabkan kecederaan.

- ▶ **Rajah5:** 1. Tuil kunci pengendali 2. Pemegang 3. Nat pengetat (untuk melaraskan kelonggaran)

Memasang dan mengeluarkan berus sisi

Berus sisi boleh digunakan untuk memanjangkan lebar pembersihan dan juga digunakan untuk membersihkan kawasan di sepanjang dinding.

⚠️ PERHATIAN: Pasangkan berus sisi dengan betul. Jika berus itu longgar, berus mungkin bersentuhan dengan orang lain, yang mungkin boleh menyebabkan kecederaan.

Pemasangan

1. Panjangkan berus sisi dan dirikan peralatan di hujung seperti yang ditunjukkan dalam rajah.
▶ **Rajah6:** 1. Berus sisi

2. Sejajarkan cangkuk (2 lokasi) berus sisi dengan lubang lekapan dan pasangkan berus sisi.

Cangkuk (2 lokasi) berus sisi boleh disejajarkan dengan mana-mana 6 lubang.

- ▶ **Rajah7:** 1. Cangkuk (2 lokasi) 2. Lubang (6 lokasi)

NOTA: Untuk memudahkan anda memasukkan cangkuk dan lubang, putar berus sisi mengikut arah lawan jam sambil tuil berus sisi diturunkan.

Penyingkiran

Semasa mencubit ke dalam pada genggam cangkuk, keluarkan berus sisi.

- ▶ **Rajah8:** 1. Genggam cangkuk

Mengecas bateri

Menunjukkan kapasiti bateri yang tinggal

Tekan butang semak pada kartrij bateri untuk menunjukkan kapasiti bateri yang tinggal. Lampu penunjuk menyala untuk beberapa saat.

- ▶ **Rajah9:** 1. Lampu penunjuk 2. Butang semak

Lampu penunjuk			Kapasiti yang tinggal
Dinyalakan	Mati	Berkelip	
			75% hingga 100%
			50% hingga 75%
			25% hingga 50%
			0% hingga 25%
			Cas bateri.
			Bateri mungkin telah rosak.

NOTA: Bergantung kepada keadaan penggunaan dan suhu persekitaran, penunjuk mungkin berbeza sedikit daripada kapasiti sebenar.

NOTA: Lampu penunjuk (kiri jauh) pertama akan berkedip apabila sistem perlindungan bateri berfungsi.

Petunjuk kapasiti bateri yang tinggal (panel kawalan)

Anda juga boleh memeriksa baki kapasiti bateri pada panel kawalan. Kapasiti bateri yang tinggal dipaparkan apabila suis ON/OFF dihidupkan atau dimatikan, atau apabila butang semak ditekan. Lampu penunjuk bateri menyala selama 3 saat.

Lampu penunjuk			Kapasiti bateri yang tinggal
Hidup	Mati	Berkelip	
			50% hingga 100%
			20% hingga 50%
			0% hingga 20%
			Cas bateri

Perkara yang perlu diketahui sebelum digunakan

Mengangkut peralatan

⚠️PERHATIAN: Sebelum mengangkut peralatan, pastikan suis ON/OFF dimatikan dan bateri telah dikeluarkan.

⚠️PERHATIAN: Kosongkan bekas sisa dan pastikan bekas sisa dikunci dengan betul oleh cangkuk sebelum mengangkat dan mengangkut peralatan. Kegagalan mengunci cangkuk boleh mengakibatkan kecederaan.

⚠️PERHATIAN: Mengangkat dan mengangkut peralatan hendaklah sentiasa dilakukan oleh sekurang-kurangnya dua orang dengan menggunakan postur membawa selamat. Mengangkut peralatan dengan cara yang tidak selamat boleh mengakibatkan kecederaan.

⚠️PERHATIAN: Semasa memuatkan atau mengeluarkan peralatan di cerun, berhati-hati agar roda tidak terjatuh.

Dua orang hendaklah mengangkut peralatan, seorang memegang genggaman dan seorang lagi memegang genggaman (bahagian bekas sisa).

► **Rajah10:** 1. Genggaman 2. Genggaman (bahagian bekas sisa)

Persekitaran kerja

Jika terdapat sampah seperti tali seperti kord atau wayar di lokasi yang hendak dibersihkan, buang sampah tersebut sebelum meneruskan. Sampah seperti tali mungkin tersangkut pada berus utama dan berus sisi.

► **Rajah11:** 1. Sampah seperti tali

Fungsi perlindungan

Peralatan ini dilengkapi dengan fungsi perlindungan. Apabila salah satu daripada keadaan berikut berlaku, fungsi perlindungan menghentikan semua motor secara automatik. Lampu pada panel kawalan menunjukkan keadaan ralat.

Keadaan pencahayaan			Keadaan ralat	Tindakan
Hidup	Mati	Berkelip		
			Ralat bateri	Cas bateri.
			Suhu peralatan adalah tinggi	Biarkan peralatan menyejuk.
			Berus terlebih beban	Hentikan penggunaan berus dan keluarkan punca terlebih beban.
			Sedutan terlebih beban	Hentikan penggunaan mod sedutan dan keluarkan punca terlebih beban.
			Goncang penapis terlebih beban	Hentikan penggunaan fungsi goncang penapis dan keluarkan punca terlebih beban.
			Pencegahan mula semula	Matikan suis ON/OFF.

Pencegahan mula semula

Peralatan ini dilengkapi dengan fungsi pencegahan mula semula. Jika bateri dimasukkan semasa suis ON/OFF dihidupkan, atau jika peralatan pulih daripada mod kuasa rendah* semasa suis ON/OFF dihidupkan, fungsi pencegahan mula semula menghalang mula semula yang tidak dijangka. Apabila suis ON/OFF dimatikan, petunjuk ralat hilang. Apabila suis ON/OFF dihidupkan selepas itu, peralatan dimulakan.

* Mod kuasa rendah: Apabila semua syarat berikut dikenakan, peralatan menukar mod kuasa rendah untuk menjimatkan kapasiti bateri.

- Tiada motor beroperasi.
- Lampu depan padam.
- Tiada butang ditekan selama satu minit.

Mod ini memutuskan kuasa ke beberapa litar elektronik.

NOTA: Untuk membatalkan petunjuk ralat selain daripada pencegahan mula semula, matikan suis ON/OFF dan lakukan salah satu daripada tiga tindakan berikut.

- Hidupkan suis ON/OFF.
- Tekan butang pada panel kawalan.
- Tidak melakukan operasi selama satu minit.

NOTA: Tidak kira sama ada ralat telah berlaku atau tidak, anda boleh menghidupkan atau mematikan lampu.

NOTA: Jika tiada operasi dilakukan selama satu minit selepas ralat berlaku semasa suis ON/OFF dihidupkan, semua petunjuk panel kawalan dimatikan, tetapi ralat belum dipadamkan.

- Jika lampu menyala: Tekan sebarang butang pada panel kawalan untuk memaparkan semula petunjuk ralat.
- Jika lampu padam: Peralatan berada dalam mod kuasa rendah, jadi menekan butang pada panel kawalan mencetuskan pencegahan mula semula.

Perlindungan terhadap punca lain

Sistem perlindungan juga direka bentuk untuk punca lain yang boleh merosakkan peralatan dan membolehkan peralatan berhenti secara automatik. Ambil semua langkah yang berikut untuk membuang punca, apabila peralatan telah dibawa kepada berhenti sementara atau berhenti beroperasi.

1. Matikan peralatan dan kemudian hidupkan peralatan lagi untuk mula semula.
2. Cas bateri atau gantikan bateri dengan bateri yang telah dicas.
3. Biarkan peralatan dan bateri menyejuk.

Jika tiada penambahbaikan boleh didapati melalui pemulihan sistem perlindungan, maka hubungi Pusat Servis Makita tempatan anda.

PENGUNAAN

Memasang/mengeluarkan bateri

⚠PERHATIAN: Pastikan suis ON/OFF dimatikan sebelum memasang atau mengeluarkan bateri.

⚠PERHATIAN: Berhati-hati agar jari anda tidak tersangkut semasa membuka dan menutup penutup kotak bateri. Terdapat bahaya kecederaan.

Memasang bateri

Buka penutup kotak bateri. Sejajarkan bateri dengan alur dan masukkan bateri sehingga berbunyi klik pada tempatnya. Tutup penutup kotak bateri.

► **Rajah12:** 1. Penutup kotak bateri

Mengeluarkan bateri

Sambil menahan butang pada bateri, angkat bateri keluar dari kotak bateri.

► **Rajah13:** 1. Butang 2. Bateri "1" 3. Bateri "2"

Peralatan akan beroperasi dengan sama ada satu atau dua bateri dipasang.

- **Memasang dua bateri**
Dengan dua bateri dipasang sebelah menyebelah, bateri "1" digunakan terlebih dahulu. Apabila bateri "1" habis, peralatan bertukar kepada bateri "2" secara automatik tanpa menghentikan seketika operasi.

NOTA: Walaupun bateri "1" dipasang, semasa bateri "2" sedang digunakan, peralatan tidak bertukar kepada bateri "1" melainkan bateri "2" habis atau suis ON/OFF dimatikan.

- **Memasang satu bateri**
Bateri yang dipasang dikesan secara automatik.

Mengendalikan peralatan

Pelarasan ketinggian berus utama

Ketinggian berus utama (bahagian belakang sahaja) di bahagian bawah peralatan boleh dilaraskan. Laraskan dengan sewajarnya bergantung pada keadaan lantai yang hendak dibersihkan, panjang berus utama, dll.

- ▶ **Rajah14:** 1. Berus utama (bahagian belakang)

Pusingkan tombol pelarasan ketinggian berus utama untuk melaraskan ketinggian berus utama.

Pusingkan tombol ke arah yang ditunjukkan oleh anak panah untuk mengurangkan ketinggian berus utama (untuk melaraskan ke arah lebih sentuhan dengan lantai).

- ▶ **Rajah15:** 1. Tombol pelarasan ketinggian berus utama 2. Ketinggian berus utama

Pusingkan tombol ke arah yang ditunjukkan oleh anak panah untuk meningkatkan ketinggian berus utama (untuk melaraskan ke arah kurang sentuhan dengan lantai).

- ▶ **Rajah16:** 1. Tombol pelarasan ketinggian berus utama 2. Ketinggian berus utama

NOTA: Berus utama haus. Periksa dan laraskan ketinggian berus utama dengan kerap. Jika tidak mungkin untuk melaraskan berus dengan secukupnya, gantikan berus itu.

Cara menyemak ketinggian berus utama yang sesuai

NOTIS: Perhatikan ketinggian yang sesuai. Terlalu banyak tekanan pada berus utama mempercepatkan haus pada berus utama dan memendekkan masa jalanan.

Lebar trek berus utama menunjukkan ketinggian berus utama yang sesuai.

1. Angkat bahagian hadapan peralatan dengan memegang genggamannya atau pemegang. Gerakkan peralatan ke permukaan rata yang ditutup dengan bahan berikut, dan kemudian turunkan peralatan ke permukaan secara perlahan-lahan.

- Lapisan habuk
- Lapisan kapur

2. Hidupkan suis ON/OFF dan putar berus utama lebih kurang selama 15 - 30 saat.

3. Matikan suis ON/OFF. Naikkan bahagian hadapan peralatan untuk mengelakkan berus utama daripada menyentuh permukaan dan alihkan peralatan ke kawasan lain.

Semak bahawa trek berus utama adalah segi empat tepat, 25 - 40 mm (1" - 1-9/16") lebar.

Laraskan semula ketinggian dengan menggunakan tombol pelarasan ketinggian berus utama jika bentuk trek tidak sesuai.

- ▶ **Rajah17:** 1. Lapisan habuk atau kapur 2. Berus utama (bahagian belakang) 3. Trek

Menghidupkan atau mematikan berus sisi

Berus sisi boleh digunakan untuk memanjangkan lebar pembersihan dan juga digunakan untuk membersihkan kawasan di sepanjang dinding.

Untuk menggunakan berus sisi, tahan butang buka kunci dan turunkan tuil ON/OFF berus sisi.

Berus sisi diturunkan ke permukaan lantai. Apabila berus sisi dihidupkan, berus sisi berputar bersama-sama berus utama.

- ▶ **Rajah18:** 1. Berus sisi 2. Butang buka kunci 3. Tuil ON/OFF berus sisi

Naikkan tuil ON/OFF berus sisi apabila berus sisi tidak digunakan.

Berus sisi dinaikkan dari permukaan lantai. Apabila berus sisi dimatikan, berus sisi tidak berputar.

- ▶ **Rajah19:** 1. Berus sisi 2. Tuil ON/OFF berus sisi

Pelarasan ketinggian berus sisi

Apabila berus sisi dihidupkan, ketinggian boleh dilaraskan. Laraskan dengan sewajarnya bergantung pada keadaan lantai yang hendak dibersihkan, panjang berus sisi, dll.

Pusingkan tombol pelarasan ketinggian berus sisi untuk melaraskan ketinggian berus sisi.

Pusingkan tombol ke arah yang ditunjukkan oleh anak panah untuk mengurangkan ketinggian berus sisi (untuk melaraskan ke arah lebih sentuhan dengan lantai).

- ▶ **Rajah20:** 1. Tombol pelarasan ketinggian berus sisi

Pusingkan tombol ke arah yang ditunjukkan oleh anak panah untuk meningkatkan ketinggian berus sisi (untuk melaraskan ke arah kurang sentuhan dengan lantai).

- ▶ **Rajah21:** 1. Tombol pelarasan ketinggian berus sisi

NOTA: Berus sisi haus. Periksa dan laraskan ketinggian berus sisi dengan kerap. Jika tidak mungkin untuk melaraskan berus dengan secukupnya, gantikan berus itu.

Memulakan pembersihan

⚠️PERHATIAN: Pegang peralatan dengan kuat semasa digunakan. Selain itu, jangan biarkan peralatan tanpa pengawasan tidak kira sama ada peralatan berada di cerun atau tidak. Peralatan boleh bergerak dan menyebabkan kemalangan.

⚠️PERHATIAN: Jangan putar berus atau mulakan fungsi goncang penapis apabila bekas sisa atau beg habuk tidak dipasangkan pada peralatan.

⚠️PERHATIAN: Jangan sentuh berus berputar. Terdapat bahaya kecederaan.

⚠️PERHATIAN: Jangan gunakan peralatan untuk mengumpul item yang boleh tersangkut pada berus, seperti kord, tali atau wayar. Berbuat demikian boleh menyebabkan kerosakan. Buang sampah seperti tali terlebih dahulu.

⚠️PERHATIAN: Jangan gunakan peralatan di tempat yang tidak stabil seperti lokasi yang lantai mempunyai cerun yang curam atau sangat licin. Terdapat bahaya bahawa operasi mungkin tidak stabil atau peralatan boleh terbalik.

⚠️PERHATIAN: Pakai peralatan perlindungan seperti topeng, cermin mata dan sarung tangan semasa membersihkan dalam persekitaran yang berhabuk.

Pembersihan

NOTIS: Jangan hidupkan suis ON/OFF secara paksa tanpa menekan butang buka kunci.

1. Hidupkan suis ON/OFF dengan menekan butang buka kunci ke kedudukan "I" untuk menghidupkan kuasa.

▶ **Rajah22:** 1. Suis ON/OFF 2. Butang buka kunci 3. Panel kawalan

2. Jika perlu, tukar tetapan dengan menekan suis fungsi pada panel kawalan. (Rujuk "Operasi panel kawalan.")

3. Tolak pemegang untuk mula membersihkan.

▶ **Rajah23**

NOTA: Untuk cara menghidupkan atau mematikan berus sisi, rujuk "Menghidupkan atau mematikan berus sisi."



4. Hidupkan suis ON/OFF dengan menekan butang buka kunci ke kedudukan "O" untuk mematikan kuasa.

▶ **Rajah24:** 1. Suis ON/OFF 2. Butang buka kunci

Operasi panel kawalan

Menukar kelajuan putaran berus utama

Apabila kuasa dihidupkan, setiap kali [butang berus utama] ditekan, mod kelajuan putaran berus bertukar.




Petunjuk butang/LED	Mod	Fungsi
	Mod standard	Kelajuan putaran berus adalah standard. Ini adalah optimum apabila terdapat banyak kotoran.
	Mod senyap	Ini adalah optimum apabila anda ingin membersihkan secara senyap atau apabila anda ingin membersihkan dalam masa yang lama.

NOTA: Kelajuan putaran berus sisi dipautkan dengan kelajuan putaran berus utama.

NOTA: Apabila kuasa dihidupkan, operasi bermula dalam mod yang digunakan apabila kuasa dimatikan sebelum ini.

Menukar mod sedutan

Apabila kuasa dihidupkan, setiap kali [butang sedutan] ditekan, mod kuasa sedutan bertukar.



Petunjuk butang/LED	Mod	Fungsi
	Mod standard	Kuasa sedutan adalah standard. Ini adalah optimum untuk pembersihan dalam persekitaran yang berhabuk.
	Mod senyap	Ini adalah optimum untuk pembersihan yang senyap dan lama.
	Mati	Ini adalah optimum apabila sedutan tidak diperlukan, serta pembersihan yang lebih senyap dan lebih lama daripada mod senyap.

NOTA: Apabila kuasa dihidupkan, operasi bermula dalam mod yang digunakan apabila kuasa dimatikan sebelum ini.

NOTA: Jika fungsi goncang penapis dihidupkan semasa kipas sedutan sedang digunakan, kipas sedutan berhenti buat sementara waktu, kemudian dimulakan semula apabila goncang penapis berhenti.



Menghidupkan atau mematikan fungsi goncang penapis

Menekan [butang goncang penapis] menogol fungsi goncang penapis antara hidup dengan mati.

Petunjuk butang/LED	Mod	Fungsi
	Hidup	Menghidupkan fungsi goncang penapis. Apabila fungsi goncang penapis beroperasi, habuk dikeluarkan dari penapis secara automatik untuk menghapuskan penyumbatan. Fungsi dimatikan kira-kira selepas 15 saat secara automatik.
	Mati	Mematikan fungsi goncang penapis.

Menyalakan atau memadamkan lampu

Menekan [butang lampu] menogol lampu antara menyala dengan padam.

Petunjuk butang/LED	Mod	Fungsi
	Hidup	Menyalakan lampu.
	Mati	Memadamkan lampu.

► **Rajah25:** 1. Lampu

Fungsi padam automatik lampu

Lampu dipadamkan secara automatik jika dua keadaan berikut berterusan selama 30 minit.

- Tiada satu pun daripada motor (berus utama, sedutan dan goncang penapis) yang beroperasi.
- Tiada butang ditekan.

Menunjukkan kapasiti bateri yang tinggal

Tekan [butang semak] untuk memaparkan kapasiti bateri yang tinggal.

Menggunakan bekas sisa

► **Rajah26:** 1. Bekas sisa

- Sampah dikumpul di dalam bekas sisa.
- Untuk mendapatkan butiran prosedur pembersihan, rujuk “*Memulakan pembersihan.*”

Penyingkiran

1. Angkat cangkuk bekas sisa.
2. Keluarkan cangkuk dari peralatan.
► **Rajah27:** 1. Cangkuk
3. Keluarkan bekas sisa dari peralatan.
► **Rajah28:** 1. Cangkuk 2. Bekas sisa

Pemasangan

1. Pasangkan alur bekas sisa pada aci bekas sisa peralatan.
► **Rajah29:** 1. Alur 2. Aci bekas sisa
2. Pasangkan cangkuk pada peralatan dan turunkan cangkuk untuk memastikan bekas sisa di tempatnya.

Menggunakan beg habuk

Aksesori pilihan

► **Rajah30:** 1. Beg habuk 2. Tetingkap lut sinar

- Beg habuk mempunyai kapasiti yang besar dan sesuai untuk mengumpul sampah yang besar seperti daun yang gugur.
- Anda boleh menyemak jumlah sampah yang telah dikumpul dengan melihat melalui tetingkap lut sinar di bahagian atas.
- Gunakan bekas sisa apabila menyedut habuk. Beg habuk tidak kedap udara seperti bekas sisa.
- Untuk mendapatkan butiran prosedur pembersihan, rujuk “*Memulakan pembersihan.*”

NOTA: Apabila mengumpul sampah ringan seperti daun yang gugur, menggunakan mod sedutan adalah disyorkan. Menggunakan mod sedutan membantu untuk mengumpul lebih banyak sampah berbanding apabila mod dimatikan.

Pemasangan

1. Keluarkan bekas sisa dari peralatan.
► **Rajah31:** 1. Cangkuk 2. Bekas sisa
2. Pasangkan alur bingkai beg habuk pada aci bekas sisa peralatan ini.
► **Rajah32:** 1. Bingkai beg habuk 2. Alur 3. Aci bekas sisa
3. Pasangkan cangkuk pada peralatan dan turunkan cangkuk untuk memastikan bingkai beg habuk di tempatnya.
► **Rajah33**
4. Pasang beg habuk dengan menggantung cangkuk di kiri dan kanan beg habuk pada alur yang dipasang.
► **Rajah34:** 1. Cangkuk 2. Alur

Penyingkiran

Lakukan langkah-langkah prosedur pemasangan secara terbalik.

Memasang beg polietilena

NOTIS: Apabila memasang beg polietilena, mungkin sukar untuk melihat bahagian dalam beg habuk.

Memasang beg polietilena pada beg habuk memberi anda kemudahan apabila tiba masanya untuk membuang sampah, kerana kerja membuang boleh diselesaikan dengan hanya mengeluarkan dan membuang beg polietilena bersama-sama kandungan beg.

1. Angkat genggam (untuk beg habuk) dan keluarkan beg habuk.
► **Rajah35:** 1. Genggam (untuk beg habuk) 2. Beg habuk

2. Pasang beg polietilena (peralatan komersial, perimeter bukaan beg melebihi 1,600 mm (63") pada beg habuk.

► **Rajah36:** 1. Beg polietilena

3. Pasang beg habuk dengan menggantung cangkuk di kiri dan kanan beg habuk pada alur yang dipasang.

Menggunakan penyesuai pelbagai fungsi

Aksesori pilihan

Memasang penyesuai pelbagai fungsi membolehkan anda memasang Makpac atau pek kuasa mudah alih.

⚠PERHATIAN: Kukuhkan penyesuai pelbagai fungsi dengan betul menggunakan skru yang dibekalkan.

⚠PERHATIAN: Kukuhkan Makpac atau pek kuasa mudah alih di tempatnya dengan menggunakan selak atau cangkuk pada penyesuai pelbagai fungsi.

⚠PERHATIAN: Jangan letakkan objek yang berat lebih daripada 20 kg (44 lbs) atau lebih pada penyesuai pelbagai fungsi.

⚠PERHATIAN: Jangan gunakan pemegang Makpac atau pek kuasa mudah alih yang dipasang pada penyesuai pelbagai fungsi untuk mengangkat atau mengendalikan peralatan. Melakukan perkara ini boleh menyebabkan kemalangan.

⚠PERHATIAN: Jangan letakkan peralatan di hujung apabila Makpac atau pek kuasa mudah alih dipasang pada penyesuai pelbagai fungsi. Melakukan perkara ini boleh merosakkan mekanisme penguncian penyesuai pelbagai fungsi, dan Makpac atau pek kuasa mudah alih mungkin terjatuh.

Melampirkan penyesuai pelbagai fungsi

1. Sejajarkan tonjolan di kiri dan kanan penyesuai pelbagai fungsi dengan alur pelepas pada peralatan dan pasang penyesuai pelbagai fungsi.

► **Rajah37:** 1. Tonjolan 2. Alur 3. Penyesuai pelbagai fungsi

Jika sukar untuk memasang penyesuai pelbagai fungsi, longgarkan tuil kunci pengendali pada peralatan. Apabila melonggarkan tuil kunci pengendali, lipat pemegang ke bawah untuk mengelakkan pemegang daripada terjatuh, kemudian pasang penyesuai pelbagai fungsi.

2. Ketatkan empat skru untuk mengukuhkan penyesuai pelbagai fungsi di tempatnya.

► **Rajah38:** 1. Skru

Mengeluarkan penyesuai pelbagai fungsi

Lakukan langkah-langkah prosedur pemasangan secara terbalik.

Nama bahagian penyesuai pelbagai fungsi

► **Rajah39:** 1. Selak pengukuh (untuk Makpac) 2. Cangkuk A (untuk PDC01 / PDC1200 / PDC1500) 3. Cangkuk B (untuk PDC1200 / PDC1500) 4. Cangkuk C (untuk PDC01)

Memasang Makpac

⚠PERHATIAN: Jangan melebihi ketinggian 315 mm (12-3/8") semasa memasang Makpac.

Pasangkan kedua-dua selak pengukuh di kiri dan kanan ke dalam takuk pelepas Makpac untuk mengukuhkan Makpac di tempatnya.

► **Rajah40:** 1. Makpac 2. Selak pengukuh

Mengeluarkan Makpac

Tanggalkan dua selak pengukuh di kiri dan kanan dan keluarkan Makpac.

Memasang pek kuasa mudah alih

⚠PERHATIAN: Jangan gunakan peralatan dengan pek kuasa mudah alih di belakang anda.

⚠PERHATIAN: Apabila memasang pek kuasa mudah alih pada penyesuai pelbagai fungsi, pastikan kord pek kuasa mudah alih disusun dengan betul. Jika tidak, kord yang kendur mungkin tergores oleh lantai dan terputus sambungan, asap atau mengakibatkan kebakaran.

1. Pasangkan tepi bawah pek kuasa mudah alih pada cangkuk A dan kukuhkan di tempatnya dengan cangkuk B atau cangkuk C. Sahkan bahawa pek kuasa mudah alih tidak terlepas daripada peralatan dengan mengangkat pemegang pek kuasa mudah alih secara perlahan-lahan.

• PDC1200 / PDC1500

Pasangkan tepi bawah pek kuasa mudah alih ke cangkuk A dan kukuhkan pek kuasa mudah alih di tempatnya dengan cangkuk B. Sahkan bahawa pek kuasa mudah alih tidak tercabut daripada peralatan dengan mengangkat pemegang pek kuasa mudah alih secara perlahan-lahan.

Jika penunjuk merah butang kunci kelihatan, pek kuasa mudah alih tidak dikunci sepenuhnya.

► **Rajah41:** 1. Pek kuasa mudah alih 2. Cangkuk A 3. Cangkuk B 4. Butang kunci 5. Penunjuk merah

• PDC01

Pasangkan tepi bawah pek kuasa mudah alih ke cangkuk A dan kukuhkan di tempatnya dengan cangkuk C. Cangkuk B tidak digunakan.

► **Rajah42:** 1. Pek kuasa mudah alih 2. Cangkuk A 3. Cangkuk C

2. Sejajarkan tanda segi tiga pada soket pek kuasa mudah alih dan palam penyesuai (untuk bateri XGT) dan pasang dengan kukuh sejauh yang boleh.

► **Rajah43:** 1. Soket pek kuasa mudah alih 2. Palam penyesuai (untuk bateri XGT) 3. Tanda segi tiga

3. Buka penutup kotak bateri.

► **Rajah44:** 1. Penutup kotak bateri

4. Seperti yang ditunjukkan dalam rajah, susun kord supaya kord melalui alur dalam penyesuai pelbagai fungsi dan kotak bateri. Sejajarkan penyesuai (untuk bateri XGT) dengan alur dalam bukaan pemasangan bateri, dan masukkan penyesuai sehingga berbunyi klik pada tempatnya.

► **Rajah45:** 1. Alur dalam penyesuai pelbagai fungsi 2. Alur dalam kotak bateri 3. Penyesuai (untuk bateri XGT)

5. Tutup penutup kotak bateri.

Mengeluarkan pek kuasa mudah alih

PDC1200 / PDC1500

1. Tanggalkan palam penyesuai (untuk bateri XGT) daripada soket pek kuasa mudah alih dan tanggalkan kord.

NOTIS: Jangan tarik kord apabila mengeluarkan dari palam penyesuai. Selain itu, jangan bawa pek kuasa mudah alih dengan memegang kord sahaja.

Kord mungkin putus atau rosak.

2. Semasa menekan butang kunci pek kuasa mudah alih, angkat pemegang pek kuasa mudah alih.

► **Rajah46:** 1. Pek kuasa mudah alih 2. Butang kunci 3. Pemegang

PDC01

1. Tanggalkan palam penyesuai (untuk bateri XGT) daripada soket pek kuasa mudah alih dan tanggalkan kord.

NOTIS: Jangan tarik kord apabila mengeluarkan dari palam penyesuai. Selain itu, jangan bawa pek kuasa mudah alih dengan memegang kord sahaja.

Kord mungkin putus atau rosak.

2. Tanggalkan cangkuk C dan tarik pek kuasa mudah alih keluar, kemudian ke atas.

► **Rajah47:** 1. Pek kuasa mudah alih 2. Cangkuk C 3. Pemegang

Pengendalian selepas digunakan

PERHATIAN: Jika peralatan tidak akan digunakan, pastikan suis ON/OFF dimatikan dan bateri telah dikeluarkan.

Membuang sampah

PERHATIAN: Sentiasa memakai peralatan perlindungan seperti topeng dan sarung tangan semasa membuang sampah. Terdapat bahaya apabila anda menyentuh objek tajam di dalam sampah yang mungkin boleh menyebabkan kecederaan.

PERHATIAN: Buang sampah lebih awal, sebelum terlalu banyak sampah terkumpul. Kuasa sedutan boleh dikurangkan.

1. Keluarkan cangkuk, kemudian keluarkan bekas sisa dari peralatan.

► **Rajah48:** 1. Bekas sisa 2. Cangkuk

Apabila menggunakan beg habuk, angkat genggamannya dan angkat beg habuk.

► **Rajah49:** 1. Genggamannya (untuk beg habuk) 2. Beg habuk

2. Angkut bekas sisa atau beg habuk ke tempat pengumpulan sampah dan buang sampah.

► **Rajah50**

Apabila menggunakan beg habuk, memasang beg polietilena di dalamnya membolehkan anda membuang beg polietilena bersama-sama sampah.

► **Rajah51**

3. Selepas membuang sampah, pasang kembali bekas sisa atau beg habuk pada peralatan. Pastikan cangkuk dikunci dengan betul.

PENYELENGGARAAN

PERHATIAN: Sentiasa pastikan peralatan dimatikan dan kartrij bateri dikeluarkan sebelum cuba menjalankan pemeriksaan atau penyelenggaraan.

NOTIS: Jangan gunakan petrol, benzin, pencair, alkohol atau bahan yang serupa. Ia boleh menyebabkan perubahan warna, bentuk atau keretakan.

Penyelenggaraan

Membersihkan badan peralatan

PERHATIAN: Jangan basuh badan peralatan dengan air. Berbuat demikian boleh menyebabkan kerosakan.

Untuk mengeluarkan kotoran dari badan peralatan, lap badan peralatan menggunakan kain yang telah dibasahkan dengan sedikit detergen semula jadi yang dicairkan.

► **Rajah52**

Membersihkan berus utama

1. Lipat pemegang dan dirikan peralatan itu di hujung seperti yang ditunjukkan dalam rajah.

2. Tolak berus utama ke arah yang ditunjukkan oleh anak panah A dalam rajah.

Keluarkan satu hujung berus utama mengikut arah yang ditunjukkan oleh anak panah B dalam rajah.

► **Rajah53:** 1. Berus utama

3. Keluarkan hujung berus utama yang lain dari aci berus.
4. Dengan cara yang sama, keluarkan berus utama yang lain.
5. Jika terdapat sampah seperti tali yang melekat pada berus, buang sampah tersebut dengan tangan.

► **Rajah54**

6. Goncang keluar habuk, dan basuh berus dengan air jika berus sangat kotor. Selepas dibasuh, biarkan berus kering di bawah teduhan; jangan gunakan sehingga berus tersebut benar-benar kering.

► **Rajah55**

7. Halakan setiap berus utama supaya bentuk hujung berus sepadan dengan kawasan pelepas peralatan, seperti yang ditunjukkan dalam rajah.

Jika bentuk hujung tidak sepadan, terbalikkan orientasi kiri dan kanan berus utama supaya bentuk sepadan.

► **Rajah56:** 1. Berus utama 2. Bentuk tolak 3. Bentuk tambah

8. Pasangkan berus utama pada aci berus peralatan mengikut arah yang ditunjukkan oleh anak panah dalam rajah.

► **Rajah57:** 1. Aci berus

9. Pasangkan berus utama ke dalam kawasan pelepas peralatan, mengikut arah yang ditunjukkan oleh anak panah dalam rajah, dan kukuhkan di tempatnya.

► **Rajah58**

NOTA: Jika bentuk hujung tidak sepadan, anda tidak akan dapat memasang berus utama. Dalam keadaan ini, kembali ke langkah 7 dan buat semula proses.

10. Dengan cara yang sama, pasang berus utama yang lain.

► **Rajah59**

PERHATIAN: Selepas memasang berus utama, periksa sama ada bentuk itu dipasang dengan betul.

NOTA: Jika berus utama haus dengan panjang yang lebih pendek, gantikan berus utama itu.

Membersihkan berus sisi

Bagi prosedur untuk memasang dan mengeluarkan berus sisi, rujuk “Memasang dan mengeluarkan berus sisi.”

1. Keluarkan berus sisi.
 2. Goncang keluar habuk, dan basuh berus dengan air jika berus sangat kotor. Selepas dibasuh, biarkan berus kering di bawah teduhan; jangan gunakan sehingga berus tersebut benar-benar kering.
- **Rajah60**
3. Pasangkan berus sisi.

NOTA: Jika berus sisi sudah haus dengan panjang yang lebih pendek, gantikan berus sisi itu.

Membersihkan penapis

PERHATIAN: Pastikan penapis dipasang dengan betul, dan jangan gunakan peralatan apabila penapis tidak berada di tempatnya. Selain itu, jangan gunakan penapis yang rosak atau basah. Motor terbakar atau kerosakan mungkin berlaku.

NOTIS: Penapis boleh dibasuh dan digunakan semula. Untuk mengelakkan kerosakan pada penapis, jangan gunakan item berikut semasa membersihkan penapis.

- Penyapu udara
- Pencuci bertekanan tinggi
- Berus yang diperbuat daripada bahan keras seperti logam

1. Keluarkan bekas sisa.
2. Semasa menolak pada cangkuk penapis awal ke arah yang ditunjukkan oleh anak panah dalam rajah, keluarkan penapis awal.
► **Rajah61:** 1. Penapis awal 2. Cangkuk
3. Semasa menolak cangkuk penapis HEPA ke arah yang ditunjukkan oleh anak panah dalam rajah, keluarkan penapis HEPA.
► **Rajah62:** 1. Penapis HEPA 2. Cangkuk
4. Goncang keluar habuk, dan basuh penapis dengan air jika penapis sangat kotor. Selepas dibasuh, biarkan penapis awal dan penapis HEPA kering di bawah teduhan; jangan gunakan sehingga penapis awal benar-benar kering.
► **Rajah63:** 1. Penapis awal 2. Penapis HEPA
5. Untuk memasang penapis HEPA, pasang tepi penapis HEPA pada alur peralatan, dan tolak penapis ke tempatnya. Periksa sama ada cangkuk dipasang dengan kukuh.
► **Rajah64:** 1. Penapis HEPA 2. Hujung 3. Alur 4. Cangkuk
6. Untuk memasang penapis awal, pasang tonjolan pada penapis awal ke dalam alur peralatan, dan tolak penapis ke tempatnya. Periksa sama ada cangkuk dipasang dengan kukuh.
► **Rajah65:** 1. Penapis awal 2. Tonjolan 3. Alur 4. Cangkuk

Membersihkan penapis span

PERHATIAN: Selepas membersihkan penapis span, pastikan anda memasang penapis tersebut pada bekas sisa. Jika dibasuh dengan air, keringkan sebelum memasang.

Apabila penapis span tersumbat dengan habuk, keluarkan penapis dari bekas sisa dan kemudian lap atau basuh dengan air.

1. Keluarkan bekas span dari bekas sisa.
2. Buka bekas span untuk mengeluarkan penapis span.

► **Rajah66:** 1. Bekas sisa 2. Bekas span 3. Penapis span

3. Lap penapis span atau basuh dengan air.
4. Pasang penapis span di kedudukan asal.

Membersihkan tiub

Apabila menggunakan beg habuk (aksesori pilihan), tiub mungkin tersumbat dengan sampah halus seperti pasir, kerikil dan daun kecil yang gugur.

1. Tarik tiub dari bingkai beg habuk.
2. Keluarkan sampah dari tiub.

► **Rajah67:** 1. Bingkai beg habuk 2. Tiub

3. Pasang tiub di kedudukan asal.

Pemeriksaan berkala

Untuk memastikan hayat perkhidmatan yang panjang untuk penggunaan peralatan dan keselamatan, lakukan pemeriksaan yang disenaraikan di bawah secara berkala.

Pemeriksaan harian

- Bekas sisa: kosongkan bekas.
- Penapis: jika kotor, bersihkan penapis.
- Berus: jika sampah seperti tali tersangkut, buang sampah itu.
- Bahagian kawalan dan yang boleh bergerak: pastikan bahagian bergerak dengan lancar.

Pemeriksaan mingguan

- Ketinggian berus utama: jika ketinggian tidak sesuai, laraskan semula.
- Skru (apabila menggunakan penyesuai pelbagai fungsi): jika longgar, ketatkan skru.

Penggantian/pengisian semula item guna habis

Penggantian berus

Jika berus utama dan berus sisi haus, minta penggantian daripada pusat servis Makita tempatan anda.

Menggantikan berus utama

Gantikan berus utama jika berus tersebut tidak boleh dilaraskan dengan sewajarnya. Rujuk "*Pelarasan ketinggian berus utama.*"

Untuk menanggalkan dan memasang berus utama, rujuk "*Membersihkan berus utama.*"

Menggantikan berus sisi

Gantikan berus sisi jika berus tersebut tidak menyentuh lantai apabila tombol pelarasan ketinggian berus sisi diputar ke kedudukan yang paling rendah. Rujuk "*Pelarasan ketinggian berus sisi.*"

Untuk menanggalkan dan memasang berus sisi, rujuk "*Memasang dan mengeluarkan berus sisi.*"

CẢNH BÁO

- Thiết bị này không dành cho những người (bao gồm cả trẻ em) suy giảm thể chất, giác quan hoặc khả năng trí óc, hoặc thiếu kinh nghiệm và kiến thức sử dụng.
- Dành cho người dùng ở Châu Âu:
Trẻ em không được nghịch thiết bị. Không nên để trẻ em thực hiện vệ sinh và bảo dưỡng mà không có sự giám sát.
- Dành cho người dùng ở các khu vực khác ngoài Châu Âu:
Cần giám sát trẻ em để đảm bảo rằng chúng sẽ không nghịch thiết bị.
- CẢN TRỌNG:** Trước khi thực hiện bất kỳ hoạt động bảo dưỡng nào, hãy ngắt kết nối thiết bị khỏi nguồn cấp điện. Thực hiện bảo dưỡng thiết bị định kỳ.
- Pin có thể sạc phải được tháo khỏi thiết bị trước khi sạc.
- Để tháo hoặc lắp pin, đầu tiên mở nắp đậy pin, sau đó trượt hộp ra khỏi dụng cụ trong khi nhấn nút ở phía trước hộp.
- Pin đã cạn phải được tháo ra khỏi thiết bị và thải bỏ an toàn. Tuân thủ các quy định của địa phương liên quan đến việc thải bỏ pin.
- Nếu phải cất giữ thiết bị không sử dụng trong một thời gian dài, nên tháo pin ra.
- Không được làm đoản mạch các thiết bị đầu cuối nguồn điện.

HƯỚNG DẪN

Thông số kỹ thuật

Kiểu máy:		VS001G
Dung tích thùng chứa rác		15,6 L
Khả năng làm sạch *1	Không sử dụng chổi quét cạnh	1.920 m ² /h
	Sử dụng chổi quét cạnh	2.600 m ² /h
Độ rộng làm sạch	Không sử dụng chổi quét cạnh	480 mm
	Sử dụng chổi quét cạnh	650 mm
Điện áp định mức		D.C. 36 V - tối đa 40 V
Kích thước (D x R x C)	Tay cầm thẳng đứng	830 mm x 677 mm x 1.146 mm
	Tay cầm gấp lại	830 mm x 677 mm x 467 mm
Khối lượng tổng thể cho phép (GVV)		tối đa 44,0 kg
Khối lượng tịnh (khối lượng vận chuyển) (với BL4025 x1)		29,9 kg
Cấp bảo vệ		IPX4

*1 Giá sử tốc độ đi bộ là 4 km/h.

- Do chương trình nghiên cứu và phát triển liên tục của chúng tôi nên các thông số kỹ thuật trong đây có thể thay đổi mà không cần thông báo trước.
- Các thông số kỹ thuật và hộp pin có thể thay đổi tùy theo từng quốc gia.

Hộp pin và sạc pin có thể áp dụng

Hộp pin	BL4020 / BL4025 / BL4040 / BL4040F / BL4050F / BL4080F
Bộ sạc	DC40RA / DC40RB / DC40RC / DC40WA

- Một số hộp pin và sạc pin được nêu trong danh sách ở trên có thể không khả dụng tùy thuộc vào khu vực cư trú của bạn.

⚠ CẢNH BÁO: Chỉ sử dụng hộp pin và sạc pin được nêu trong danh sách ở trên. Việc sử dụng bất cứ hộp pin và sạc pin nào khác có thể gây ra thương tích và/hoặc hỏa hoạn.

Nguồn điện kết nối bằng dây được khuyến dùng

Bộ cấp nguồn di động đeo vai	PDC01 / PDC1200 / PDC1500
------------------------------	---------------------------

- (Các) Nguồn điện kết nối bằng dây được nêu trong danh sách ở trên có thể không khả dụng tùy thuộc vào khu vực cư trú của bạn.
- Trước khi sử dụng nguồn điện kết nối bằng dây, hãy đọc hướng dẫn và nhãn cảnh báo có trên chúng.

Ký hiệu

Phần dưới đây cho biết các ký hiệu có thể được dùng cho thiết bị. Đảm bảo rằng bạn hiểu rõ ý nghĩa của các ký hiệu này trước khi sử dụng.

	Đọc tài liệu hướng dẫn.
	Hãy cẩn thận và đặc biệt chú ý.
	Không sử dụng trên dốc có độ dốc lớn hơn 2%.
	Không đấm lên thiết bị.
	Không đặt vật nặng 20 kg (44 lbs) trở lên trên thiết bị.
	Để tránh tai nạn hoặc thương tích, hãy đảm bảo đã tắt thiết bị và tháo pin trước khi bảo dưỡng, sửa chữa hoặc thực hiện sửa chữa.
	Pin đại diện áp dụng cho sản phẩm này.
	Chỉ dành cho các quốc gia EU Do có các thành phần nguy hiểm bên trong thiết bị điện và điện tử, ắc quy và pin thải bỏ nên có thể có tác động không tốt đến môi trường và sức khỏe con người. Không vứt bỏ các thiết bị điện và điện tử hoặc pin với rác thải sinh hoạt! Theo Chỉ thị của Châu Âu về thiết bị điện và điện tử thải bỏ và về pin và ắc quy và pin và ắc quy thải bỏ, cũng như sự thích ứng của chúng với luật pháp quốc gia, các thiết bị điện, pin và ắc quy thải phải được cất giữ riêng biệt và chuyển đến một điểm thu gom rác thải đô thị riêng, hoạt động theo các quy định về bảo vệ môi trường. Điều này được biểu thị bằng biểu tượng thùng rác có bánh xe gạch chéo được đặt trên thiết bị.
	Mức công suất âm thanh được đảm bảo theo Chỉ thị về tiếng ồn ngoài trời của EU.
	Mức công suất âm thanh theo Quy định kiểm soát tiếng ồn NSW của Úc

Mục đích sử dụng

Thiết bị này được dùng để gom các mảnh vụn khô. Thiết bị này thích hợp cho sử dụng thương mại, ví dụ như trong khách sạn, trường học, bệnh viện, nhà máy, cửa hàng, văn phòng và các cơ sở cho thuê.

Các biện pháp phòng ngừa an toàn

Cảnh báo an toàn cho máy quét rác đẩy hoạt động bằng pin

1. Người vận hành phải được hướng dẫn đầy đủ về cách sử dụng máy quét rác đẩy.
2. Máy quét rác đẩy này chỉ sử dụng khô.
3. Khí không sử dụng, luôn cất giữ máy quét rác đẩy trong nhà.
4. Không sử dụng để làm sạch bề mặt có độ dốc vượt quá mức được đánh dấu trên thiết bị.
5. Không để trẻ em chơi với thiết bị có thể sạc.
6. Khi cất giữ thiết bị, hãy đặt thiết bị trên bề mặt phẳng và ổn định. Cất giữ thiết bị ngoài tầm với trẻ em.
7. Luôn đặt thiết bị trên bề mặt bằng phẳng khi dụng đứng thiết bị ở một đầu.
8. Giữ vị trí làm việc gọn gàng và ngăn nắp. Ngoài ra, đảm bảo đèn được chiếu sáng phù hợp và luôn được giữ sạch sẽ. Không làm như vậy có thể gây ra tai nạn.
9. Mặc trang phục làm việc phù hợp.
10. Không sử dụng bộ chuyển đổi pin.
11. Không chạm vào khu vực pin bằng tay ướt. Nếu không, có thể bị điện giật.
12. Không sử dụng túi chứa bụi còn ướt. Cháy hồng động cơ hoặc hồng hóc có thể xảy ra.
13. Không sử dụng thiết bị khi trời mưa hoặc khi mặt đường bị ướt. Ngoài ra, không hút chất thải có chứa chất lỏng hoặc bột. Cháy hồng động cơ hoặc hồng hóc có thể xảy ra.
14. Không thu gom các chất thải dạng dây như dây điện, dây mảnh hoặc dây dẫn. Những chất thải này có thể bị vướng vào chốt. Loại bỏ chất thải trước khi vận hành làm sạch. Nếu không có thể dẫn đến hồng hóc.
15. Không ngắt kết nối đường dây nối đất.
16. Không cố làm sạch bên ngoài hoặc bên trong bằng ét xăng, dung môi hoặc hóa chất làm sạch. Điều này có thể gây nứt và làm mất màu.
17. Mang thiết bị bảo hộ thích hợp như kính bảo hộ và mặt nạ chống bụi khi làm sạch vị trí bụi bặm, thực hiện bảo trì hoặc tháo bỏ chất thải.
18. Gắn bộ lọc đúng cách. Sử dụng thiết bị mà không gắn bộ lọc, gắn sai vị trí, hoặc trong trạng thái hư hỏng có thể gây cháy hồng động cơ hoặc hồng hóc.
19. Không tháo rời thiết bị. Làm như vậy có thể gây hồng hóc.
20. Nếu bạn nhận thấy bất cứ điều gì có vẻ bất thường, hãy dừng thiết bị và tháo pin ngay lập tức.

21. Trước khi sử dụng thiết bị, hãy kiểm tra để đảm bảo không có bộ phận nào bị hư hỏng và mỗi bộ phận đang vận hành chính xác. Nếu có bộ phận bị hư hỏng, hãy thay thế hoặc sửa chữa khi thích hợp, bởi đại lý được ủy quyền trừ khi có chỉ dẫn cụ thể trong tài liệu hướng dẫn.
22. Có nguy cơ bị ép, bị kẹt hoặc bị chấn thương bởi dây đai truyền động, chốt chính, chốt quét cạnh, tay cầm hoặc bánh sau.
23. Không sử dụng thiết bị để thu gom các chất độc hại như amiăng.
24. Không sử dụng chốt quét cạnh khi làm sạch nơi bị nhiễm bẩn hoặc bụi bẩn.
25. Không sử dụng thiết bị ở nơi có vật liệu nguy hiểm hoặc ngọn lửa trần. Làm như vậy có thể gây ra hỏa hoạn hoặc nổ.
26. Không sử dụng thiết bị ở nơi có chất nổ và dễ cháy.
3. Nếu thời gian vận hành ngắn hơn quá mức, hãy ngừng vận hành ngay lập tức. Điều này có thể dẫn đến rùi ro quá nhiệt, có thể gây bỏng và thậm chí là nổ.
4. Nếu chất điện phân rơi vào mắt, hãy rửa sạch bằng nước sạch và đến cơ sở y tế ngay lập tức. Chất này có thể khiến bạn giảm thị lực.
5. Không để hộp pin ở tình trạng đoản mạch:
 - (1) Không chạm vào cực pin bằng vật liệu dẫn điện.
 - (2) Tránh cất giữ hộp pin trong hộp có các vật kim loại khác như đinh, tiền xu, v.v...
 - (3) Không được để hộp pin tiếp xúc với nước hoặc mưa.

Đoản mạch pin có thể gây ra dòng điện lớn, quá nhiệt, có thể gây bỏng và thậm chí là hỏng hóc.

Sử dụng và bảo quản dụng cụ dùng pin

1. Chỉ sạc pin lại với bộ sạc do nhà sản xuất quy định. Bộ sạc phù hợp với một loại bộ pin này có thể gây ra nguy cơ hỏa hoạn khi được dùng cho một bộ pin khác.
2. Chỉ sử dụng các dụng cụ máy với các bộ pin được quy định cụ thể. Việc sử dụng bất cứ bộ pin nào khác có thể gây ra thương tích và hỏa hoạn.
3. Khi không sử dụng bộ pin, hãy giữ tránh xa các đồ vật khác bằng kim loại, chẳng hạn như kẹp giấy, tiền xu, chìa khóa, đinh, ốc vít hoặc các vật nhỏ bằng kim loại mà có thể làm nối tắt các đầu cực pin. Các đầu cực pin bị đoản mạch có thể gây cháy hoặc hỏa hoạn.
4. Trong điều kiện sử dụng quá mức, pin có thể bị chảy nước; hãy tránh tiếp xúc. Nếu vô tình tiếp xúc với pin bị chảy nước, hãy rửa sạch bằng nước. Nếu dung dịch từ pin tiếp xúc với mắt, cần đi khám bác sĩ thêm. Dung dịch chảy ra từ pin có thể gây rát da hoặc bỏng.
5. Không sử dụng bộ pin hoặc dụng cụ bị hư hỏng hoặc đã bị sửa đổi. Pin đã bị hư hỏng hoặc đã bị sửa đổi có thể hành động theo cách không thể đoán trước dẫn đến cháy, nổ hoặc nguy cơ chấn thương.
6. Không để bộ pin hoặc dụng cụ tiếp xúc với lửa hoặc nhiệt độ quá cao. Tiếp xúc với lửa hoặc nhiệt độ trên 130 °C có thể gây ra cháy nổ.
7. Làm theo tất cả các hướng dẫn sạc pin và không được sạc bộ pin hoặc dụng cụ vượt giới hạn nhiệt độ quy định trong hướng dẫn. Sạc pin không đúng hoặc ở nhiệt độ vượt giới hạn nhiệt độ có thể gây hư hỏng cho pin và làm tăng nguy cơ cháy.
6. Không cất giữ cũng như sử dụng dụng cụ và hộp pin ở nơi nhiệt độ có thể lên tới hoặc vượt quá 50 °C (122 °F).
7. Không đốt hộp pin ngay cả khi hộp pin đã bị hư hại nặng hoặc hư hỏng hoàn toàn. Hộp pin có thể nổ khi tiếp xúc với lửa.
8. Không đóng đinh, cắt, nghiền nát, ném, làm rơi hộp pin hoặc va vật cứng vào hộp pin. Làm như thế có thể dẫn đến hỏa hoạn, quá nhiệt hoặc nổ.
9. Không sử dụng pin đã hỏng.
10. Pin nên lithium-ion là đối tượng có yêu cầu bắt buộc theo Luật Hàng hoá Nguy hiểm. Đối với vận tải thương mại, ví dụ như vận tải do bên thứ ba, đại lý giao nhận, thì yêu cầu đặc biệt về đóng gói và nhãn ghi phải được giám sát. Để chuẩn bị cho mặt hàng cần vận chuyển, cần phải tham khảo ý kiến chuyên gia về vật liệu nguy hiểm. Nếu được, vui lòng tuân thủ các quy định quốc gia chi tiết hơn. Buộc hoặc niêm phong các tiếp điểm mở và đóng gói pin theo cách đó để nó không thể di chuyển trong bao bì.
11. Khi vứt bỏ hộp pin, hãy tháo chúng khỏi dụng cụ và thái bỏ ở nơi an toàn. Phải tuân thủ theo các quy định của địa phương liên quan đến việc thái bỏ pin.
12. Chỉ sử dụng pin cho các sản phẩm Makita chi định. Lắp pin vào sản phẩm không thích hợp có thể gây ra hỏa hoạn, quá nhiệt, nổ, hoặc rò chất điện phân.
13. Nếu dụng cụ không được sử dụng trong một thời gian dài, cần phải tháo pin ra khỏi dụng cụ.
14. Trong và sau khi sử dụng, hộp pin có thể bị nóng, có thể gây bỏng hoặc bỏng ở nhiệt độ thấp. Chú ý xử lý hộp pin nóng.
15. Không chạm vào điện cực của dụng cụ ngay sau khi sử dụng vì điện cực đủ nóng để gây bỏng.
16. Không để vụn bào, bụi hoặc đất bám vào các điện cực, lỗ và rãnh của hộp pin. Điều này có thể làm nóng, bắt lửa, nổ và gây trục trặc cho dụng cụ hoặc hộp pin, dẫn đến bỏng hoặc thương tích cá nhân.

Hướng dẫn quan trọng về an toàn dành cho hộp pin

1. Trước khi sử dụng hộp pin, hãy đọc kỹ tất cả các hướng dẫn và dấu hiệu cảnh báo trên (1) bộ sạc pin, (2) pin và (3) sản phẩm sử dụng pin.
2. Không tháo rời hoặc làm thay đổi hộp pin. Việc này có thể dẫn đến hỏa hoạn, quá nhiệt hoặc nổ.

17. **Trừ khi dụng cụ hỗ trợ sử dụng gần đường dây điện cao thế, không sử dụng hộp pin gần đường dây điện cao thế.** Việc này có thể dẫn đến trục trặc hoặc hỏng hóc dụng cụ hay hộp pin.
18. **Giữ pin tránh xa trẻ em.**

LƯU GIỮ CÁC HƯỚNG DẪN NÀY.

⚠ THẬN TRỌNG: Chỉ sử dụng pin Makita chính hãng. Việc sử dụng pin không chính hãng Makita, hoặc pin đã được sửa đổi, có thể dẫn đến nổ pin gây ra cháy, thương tích và thiệt hại cá nhân. Nó cũng sẽ làm mất hiệu lực bảo hành của Makita dành cho dụng cụ của Makita và bộ sạc.

Mẹo duy trì tuổi thọ tối đa cho pin

1. **Sạc hộp pin trước khi pin bị xả điện hoàn toàn.** Luôn dừng việc vận hành dụng cụ và sạc pin khi bạn nhận thấy công suất dụng cụ bị giảm.
2. **Không được phép sạc lại một hộp pin đã được sạc đầy.** Sạc quá mức sẽ làm giảm tuổi thọ của pin.
3. **Sạc pin ở nhiệt độ phòng 10°C - 40°C.** Để cho hộp pin nóng nguội lại dần trước khi sạc pin.
4. **Khi không sử dụng hộp pin, hãy tháo hộp pin ra khỏi dụng cụ hoặc bộ sạc.**
5. **Sạc pin sáu tháng một lần nếu bạn không sử dụng dụng cụ trong một thời gian dài (hơn sáu tháng).**

Tên của các bộ phận

► Hình 1

1	Tay cầm	2	Cần khóa tay cầm	3	Bảng điều khiển	4	Công tắc BẬT/TẮT
5	Nút hút	6	Nút lắc bộ lọc	7	Nút chốt chính	8	Nút đèn
9	Nút kiểm tra	10	Các đèn chỉ báo	11	Cần gạt BẬT/TẮT chốt quét cạnh	12	Núm điều chỉnh chiều cao chốt quét cạnh
13	Đèn	14	Tay nắm	15	Chốt quét cạnh	16	Nắp ngăn chứa pin
17	Núm điều chỉnh chiều cao chốt chính	18	Bánh sau	19	Bánh trước	20	Chốt chính
21	Thùng chứa rác	22	Tay nắm (bộ phận thùng chứa rác)	23	Thùng chứa rác	24	Ngăn chứa pin
25	Bộ lọc thô	26	Bộ lọc HEPA	27	Trục chốt	28	Đường dây nối đất

Giới thiệu các mặt hàng bán riêng

⚠ THẬN TRỌNG: Các phụ kiện hoặc phụ tùng gắn thêm này được khuyến cáo sử dụng với dụng cụ Makita của bạn theo như quy định trong hướng dẫn này. Việc sử dụng bất cứ phụ kiện hoặc phụ tùng gắn thêm nào khác đều có thể gây ra rủi ro thương tích cho người. Chỉ sử dụng phụ kiện hoặc phụ tùng gắn thêm cho mục đích đã quy định sẵn của chúng.

Để biết thêm chi tiết về các mặt hàng được bán riêng, vui lòng tham khảo catalog hoặc liên hệ với đại lý hoặc văn phòng kinh doanh của chúng tôi.

- Bộ chuyển đổi đa chức năng
- Túi chứa bụi
- Pin và bộ sạc chính hãng của Makita

LƯU Ý: Một số mục trong danh sách có thể được bao gồm trong gói dụng cụ làm phụ kiện tiêu chuẩn. Các mục này ở mỗi quốc gia có thể khác nhau.

CHUẨN BỊ SỬ DỤNG

Lắp ráp

⚠ THẬN TRỌNG: Trước khi vận hành thiết bị, đảm bảo đã tắt công tắc BẬT/TẮT và pin đã được tháo ra.

Điều chỉnh góc tay cầm

Bạn có thể điều chỉnh góc tay cầm để vận hành thiết bị dễ dàng hơn. Khi xuất xưởng, tay cầm được gấp xuống.

⚠ THẬN TRỌNG: Gài cần khóa tay cầm đúng cách. Nếu tay cầm bị đổ xuống hoặc gấp xuống, sẽ có nguy cơ gây thương tích.

1. Nhả khóa của cần khóa tay cầm.
 2. Điều chỉnh tay cầm đến góc mong muốn.
- Hình 2: 1. Cần khóa tay cầm 2. Tay cầm

3. Gài cần khóa tay cầm.
- Hình 3: 1. Cần khóa tay cầm

Gấp tay cầm xuống

Khi bạn dựng đứng thiết bị ở một đầu để cất giữ/kiểm tra hoặc khi bạn vận chuyển thiết bị bằng cách nâng thiết bị lên, hãy gấp tay cầm xuống.

► Hình 4

Nếu tay cầm lỏng lẻo và rung lắc

Nếu tay cầm bị lỏng và rung lắc mặc dù cần khóa tay cầm được khóa đúng cách, hãy điều chỉnh nó bằng cách vận chặt đai ốc đối diện cần khóa tay cầm. Nếu sử dụng thiết bị khi tay cầm lỏng lẻo và rung lắc, có nguy cơ bị đổ xuống hoặc gặp xuống, gây ra thương tích.

► **Hình5:** 1. Cần khóa tay cầm 2. Tay cầm 3. Siết chặt đai ốc (để điều chỉnh độ lỏng)

Gắn và tháo bàn chải quét cạnh

Có thể sử dụng chổi quét cạnh để mở rộng độ rộng làm sạch và cũng được sử dụng để làm sạch các khu vực dọc theo tường.

⚠ THẬN TRỌNG: Gắn chổi quét cạnh một cách chính xác. Nếu chổi bị lỏng, nó có thể tiếp xúc với người, có thể gây thương tích.

Phụ tùng

1. Mở rộng chổi quét cạnh và dựng đứng thiết bị ở một đầu như thể hiện trong hình.

► **Hình6:** 1. Chổi quét cạnh

2. Căn chỉnh các móc (2 vị trí) của chổi quét cạnh với các lỗ lắp ghép và gắn chổi quét cạnh.

Các móc (2 vị trí) của chổi quét cạnh có thể được căn chỉnh với bất kỳ 6 lỗ lắp ghép nào.

► **Hình7:** 1. Móc (2 vị trí) 2. Lỗ (6 vị trí)

LƯU Ý: Để dễ dàng gài các móc và các lỗ, xoay chổi quét cạnh ngược chiều kim đồng hồ trong khi hạ cần gạt chổi quét cạnh xuống.

Tháo ra

Trong khi nhấn chặt vào phần kẹp móc, hãy tháo chổi quét cạnh ra.

► **Hình8:** 1. Kẹp móc

Sạc pin

Chỉ báo dung lượng pin còn lại

Ấn nút check (kiểm tra) trên hộp pin để chỉ báo dung lượng pin còn lại. Các đèn chỉ báo bật sáng lên trong vài giây.

► **Hình9:** 1. Các đèn chỉ báo 2. Nút Check (kiểm tra)

Các đèn chỉ báo			Dung lượng còn lại
Bật sáng	Tắt	Nhấp nháy	
■	□	◐	75% đến 100%
■ ■ ■ ■	□ □ □ □		
■ ■ ■ ■	□ □ □ □		50% đến 75%
■ ■ ■ ■	□ □ □ □		25% đến 50%
■ □ □ □	□ □ □ □		0% đến 25%
◐ □ □ □	□ □ □ □		Sạc pin.

Các đèn chỉ báo			Dung lượng còn lại
Bật sáng	Tắt	Nhấp nháy	
■	□	◐	Pin có thể đã bị hỏng.
■ ■ □ □	□ □ □ □		

LƯU Ý: Tùy thuộc vào các điều kiện sử dụng và nhiệt độ xung quanh, việc chỉ báo có thể khác biệt một chút so với dung lượng thực sự.

LƯU Ý: Đèn chỉ báo (phía xa bên trái) đầu tiên sẽ nhấp nháy khi hệ thống bảo vệ pin hoạt động.

Chỉ báo dung lượng pin còn lại (bảng điều khiển)

Bạn cũng có thể kiểm tra dung lượng pin còn lại trên bảng điều khiển. Dung lượng pin còn lại được hiển thị khi bật hoặc tắt công tắc BẬT/TẮT, hoặc khi nhấn nút kiểm tra. Đèn chỉ báo pin sáng lên trong khoảng 3 giây.

Các đèn chỉ báo			Dung lượng pin còn lại
Bật	Tắt	Nhấp nháy	
■	□	◐	50% đến 100%
■ ■ ■ ■	□ □ □ □		
■ ■ ■ ■	□ □ □ □		20% đến 50%
■ □ □ □	□ □ □ □		0% đến 20%
◐ □ □ □	□ □ □ □		Sạc pin

Những điều cần biết trước khi sử dụng

Vận chuyển thiết bị

⚠ THẬN TRỌNG: Trước khi vận chuyển thiết bị, đảm bảo đã tắt công tắc BẬT/TẮT và pin đã được tháo ra.

⚠ THẬN TRỌNG: Đổ thùng chứa rác và đảm bảo rằng thùng chứa rác được khóa đúng cách bằng móc trước khi nâng và vận chuyển thiết bị. Không khóa móc có thể gây ra thương tích.

⚠ THẬN TRỌNG: Việc nâng và vận chuyển thiết bị phải luôn được thực hiện bởi ít nhất hai người bằng cách sử dụng tư thế mang vác an toàn. Vận chuyển thiết bị không an toàn có thể dẫn đến thương tích.

⚠ THẬN TRỌNG: Khi xếp và dỡ thiết bị trên dốc, hãy cẩn thận để bánh xe không bị rơi.

Nên có hai người vận chuyển thiết bị, một người giữ tay nắm và người còn lại giữ tay nắm (bộ phận thùng chứa rác).

► **Hình10:** 1. Tay nắm 2. Tay nắm (bộ phận thùng chứa rác)

Môi trường làm việc

Nếu có chất thải dạng dây hoặc dây dẫn ở vị trí cần làm sạch, hãy vệ sinh sạch sẽ trước khi tiếp tục. Chất thải dạng dây có thể vướng vào chổi chính và chổi quét cạnh.

► **Hình11:** 1. Chất thải dạng dây

Chức năng bảo vệ

Thiết bị này được trang bị chức năng bảo vệ. Khi xảy ra một trong các tình trạng sau đây, chức năng bảo vệ sẽ tự động dừng tất cả các động cơ. Các đèn trên bảng điều khiển chỉ trạng thái lỗi.

Trạng thái chiếu sáng			Trạng thái lỗi	Hành động
Bật	Tắt	Nhấp nháy		
			Lỗi pin	Sạc pin.
			Nhiệt độ thiết bị cao	Đề thiết bị nguội đi.
			Chổi quá tải	Ngừng sử dụng chổi và loại bỏ nguồn quá tải.
			Hút quá tải	Ngừng sử dụng chế độ hút và loại bỏ nguồn quá tải.
			Lắc bộ lọc quá tải	Ngừng sử dụng chức năng lắc bộ lọc và loại bỏ nguồn quá tải.
			Ngăn ngừa khởi động lại	Tắt công tắc BẬT/TẮT.

Ngăn ngừa khởi động lại

Thiết bị này được trang bị chức năng ngăn ngừa khởi động lại. Nếu pin được lắp vào trong khi công tắc BẬT/TẮT được bật, hoặc nếu thiết bị phục hồi từ chế độ nguồn điện thấp* trong khi công tắc BẬT/TẮT được bật, chức năng ngăn ngừa khởi động lại sẽ ngăn chặn việc khởi động lại bất ngờ. Khi công tắc BẬT/TẮT được tắt, chỉ báo lỗi sẽ biến mất. Khi công tắc BẬT/TẮT được bật sau đó, thiết bị sẽ khởi động.

* Chế độ nguồn điện thấp: Khi tương ứng với tất cả các tình trạng sau đây, thiết bị chuyển sang chế độ nguồn điện thấp để tiết kiệm dung lượng pin.

- Động cơ không hoạt động.
- Đèn trước tắt.
- Không nhấn nút nào trong một phút.

Chế độ này sẽ ngắt nguồn điện của một số mạch điện tử.

LƯU Ý: Để hủy bỏ một chỉ báo lỗi khác với việc ngăn ngừa khởi động lại, hãy tắt công tắc BẬT/TẮT và thực hiện một trong ba thao tác sau.

- Bật công tắc BẬT/TẮT.
- Nhấn nút trên bảng điều khiển.
- Không thực hiện thao tác nào trong một phút.

LƯU Ý: Bất kể có xảy ra lỗi hay không, bạn có thể bật hoặc tắt đèn.

LƯU Ý: Nếu không thực hiện vận hành trong vòng một phút sau khi có lỗi xảy ra khi công tắc BẬT/TẮT được bật, tất cả chỉ báo của bảng điều khiển đều tắt, nhưng lỗi vẫn chưa được xóa.

- Nếu đèn đang bật: Nhấn bất kỳ nút nào trên bảng điều khiển để hiển thị lại chỉ báo lỗi.
- Nếu đèn tắt: Thiết bị ở chế độ nguồn điện thấp, vì vậy, việc nhấn một nút trên bảng điều khiển sẽ khởi động việc ngăn ngừa khởi động lại.

Bảo vệ chống lại các nguyên nhân khác

Hệ thống bảo vệ cũng được thiết kế để chống lại các nguyên nhân khác có thể làm hư hỏng thiết bị và cho phép thiết bị dừng tự động. Thực hiện tất cả các bước sau đây để loại bỏ nguyên nhân, khi thiết bị đã được tạm dừng hoặc ngừng hoạt động.

1. Tắt thiết bị, sau đó bật lại lần nữa để khởi động lại.
2. Sạc (các) pin hoặc thay pin/các pin bằng (các) pin đã sạc.
3. Đề thiết bị và (các) pin nguội dần.

Nếu không thấy cải thiện bằng cách khôi phục hệ thống bảo vệ, hãy liên hệ với Trung tâm Dịch vụ Makita tại địa phương của bạn.

SỬ DỤNG

Lắp/tháo pin

⚠ THẬN TRỌNG: Đảm bảo công tắc BẬT/TẮT đã được tắt trước khi lắp hoặc tháo pin.

⚠ THẬN TRỌNG: Cần thận trọng để ngón tay bị kẹt khi mở và đóng nắp ngăn chứa pin. Có nguy cơ gây thương tích.

Lắp pin

Mở nắp ngăn chứa pin. Căn chỉnh pin thẳng hàng với rãnh, và lắp pin vào cho đến khi pin khớp vào vị trí.

Đóng nắp ngăn chứa pin.

► **Hình12:** 1. Nắp ngăn chứa pin

Tháo pin

Trong khi nhấn giữ nút trên pin, nhấn pin ra khỏi ngăn chứa pin.

► **Hình13:** 1. Nút 2. Pin "1" 3. Pin "2"

Thiết bị sẽ hoạt động khi có lắp một hoặc hai viên pin.

Lắp hai pin

Với hai viên pin được gắn liền kề nhau, pin "1" được sử dụng trước. Khi pin "1" cạn kiệt, thiết bị sẽ tự động chuyển sang pin "2" mà không cần tạm dừng vận hành.

LƯU Ý: Ngay cả khi pin “1” được lắp, khi pin “2” đang được sử dụng, thiết bị vẫn không chuyển sang pin “1” trừ khi pin “2” đã cạn hoặc công tắc BẬT/TẮT được tắt.

- **Lắp một pin**
Pin đã lắp được phát hiện tự động.

Vận hành thiết bị

Điều chỉnh chiều cao chổi chính

Chiều cao của chổi chính (chỉ phía sau) ở đáy thiết bị có thể điều chỉnh được. Điều chỉnh phù hợp tùy theo điều kiện của sàn cần làm sạch, chiều dài của chổi chính, v.v...

- **Hình14:** 1. Chổi chính (phía sau)

Xoay núm điều chỉnh chiều cao chổi chính để điều chỉnh chiều cao của chổi chính.

Xoay núm theo hướng mũi tên chỉ định để giảm chiều cao của chổi chính (để điều chỉnh theo hướng tiếp xúc nhiều hơn với sàn).

- **Hình15:** 1. Núm điều chỉnh chiều cao chổi chính
2. Chiều cao chổi chính

Xoay núm theo hướng mũi tên chỉ định để tăng chiều cao của chổi chính (để điều chỉnh về hướng tiếp xúc ít hơn với sàn).

- **Hình16:** 1. Núm điều chỉnh chiều cao chổi chính
2. Chiều cao chổi chính

LƯU Ý: Chổi chính bị mòn. Kiểm tra và điều chỉnh chiều cao của chổi chính thường xuyên. Nếu không thể điều chỉnh chổi hiệu quả, hãy thay chổi.

Cách kiểm tra chiều cao chổi chính thích hợp

CHÚ Ý: Tuân thủ chiều cao thích hợp. Dùng quá nhiều lực lên chổi chính sẽ làm tăng tốc độ mòn của chổi chính và rút ngắn thời gian chạy.

Chiều rộng rãnh chổi chính cho biết chiều cao thích hợp của chổi chính.

1. Nâng phía trước thiết bị lên bằng cách cầm tay nắm hoặc tay cầm. Di chuyển thiết bị đến bề mặt phẳng có phủ các vật sau, sau đó nhẹ nhàng hạ thiết bị xuống bề mặt.

- Lốp bụi
- Lốp phấn

2. Bật công tắc BẬT/TẮT và xoay chổi chính khoảng 15 - 30 giây.

3. Tắt công tắc BẬT/TẮT. Nâng phía trước thiết bị lên để ngăn chổi chính tiếp xúc với bề mặt và di chuyển thiết bị đến khu vực khác.

Kiểm tra xem đường đi của chổi chính có phải là hình chữ nhật đều nhau không, rộng 25 - 40 mm (1" - 1-9/16").

Điều chỉnh lại chiều cao bằng cách sử dụng núm điều chỉnh chiều cao chổi chính nếu hình dạng đường đi không phù hợp.

- **Hình17:** 1. Lốp bụi hoặc phấn 2. Chổi chính (phía sau) 3. Đường đi

Bật hoặc tắt chổi quét cạnh

Có thể sử dụng chổi quét cạnh để mở rộng độ rộng làm sạch và cũng được sử dụng để làm sạch các khu vực dọc theo tường.

Để sử dụng chổi quét cạnh, nhấn giữ nút nhà khóa và hạ cần BẬT/TẮT chổi quét cạnh xuống.

Chổi quét cạnh được hạ xuống bề mặt sàn. Khi bật chổi quét cạnh, chổi sẽ quay cùng với chổi chính.

- **Hình18:** 1. Chổi quét cạnh 2. Nút nhà khóa 3. Cần gạt BẬT/TẮT chổi quét cạnh

Nâng cần gạt BẬT/TẮT chổi quét cạnh khi không sử dụng chổi quét cạnh.

Chổi quét cạnh được nâng lên từ bề mặt sàn. Khi chổi quét cạnh tắt, nó sẽ không quay.

- **Hình19:** 1. Chổi quét cạnh 2. Cần gạt BẬT/TẮT chổi quét cạnh

Điều chỉnh chiều cao chổi quét cạnh

Khi chổi quét cạnh bật, chiều cao có thể điều chỉnh được. Điều chỉnh phù hợp tùy thuộc vào điều kiện sàn cần làm sạch, chiều dài của chổi quét cạnh, v.v...

Xoay núm điều chỉnh chiều cao chổi quét cạnh để điều chỉnh chiều cao của chổi quét cạnh.

Xoay núm theo hướng mũi tên chỉ định để giảm chiều cao của chổi quét cạnh (để điều chỉnh theo hướng tiếp xúc nhiều hơn với sàn).

- **Hình20:** 1. Núm điều chỉnh chiều cao chổi quét cạnh

Xoay núm theo hướng mũi tên chỉ định để tăng chiều cao của chổi quét cạnh (để điều chỉnh về hướng tiếp xúc ít hơn với sàn).

- **Hình21:** 1. Núm điều chỉnh chiều cao chổi quét cạnh

LƯU Ý: Chổi quét cạnh sẽ bị mòn. Kiểm tra và điều chỉnh chiều cao của chổi quét cạnh thường xuyên. Nếu không thể điều chỉnh chổi quét cạnh hiệu quả, hãy thay chổi.

Bắt đầu làm sạch

⚠ THẬN TRỌNG: Cầm chắc thiết bị trong khi sử dụng. Ngoài ra, không để thiết bị không có người giám sát bất kể thiết bị có ở trên dốc hay không. Thiết bị có thể di chuyển và gây ra tai nạn.

⚠ THẬN TRỌNG: Không quay chổi hoặc khởi động chức năng lắc bộ lọc khi thùng chứa rác hoặc túi chứa bụi không được gắn vào thiết bị.

⚠ THẬN TRỌNG: Không chạm vào chổi đang quay. Có nguy cơ gây thương tích.

⚠ THẬN TRỌNG: Không sử dụng thiết bị để thu gom các vật có thể bị vướng vào chổi, chẳng hạn như dây điện, dây mảnh, hoặc dây dẫn. Làm như vậy có thể gây hỏng hóc. Làm sạch các chất thải dạng dây trước.

⚠ THẬN TRỌNG: Không sử dụng thiết bị ở những nơi không ổn định như nơi sàn có dốc đứng hoặc rất trơn trượt. Có nguy cơ là hoạt động có thể không ổn định hoặc thiết bị có thể bị lật.

⚠ THẬN TRỌNG: Hãy mang thiết bị bảo hộ như khẩu trang, kính và găng tay khi làm sạch môi trường bụi bặm.

Vệ sinh

CHÚ Ý: Không cố bật công tắc BẬT/TẮT mà không nhấn nút nhà khóa.

- Bật công tắc BẬT/TẮT bằng cách nhấn nút nhà khóa đến vị trí "I" để bật nguồn.
▶ **Hình22:** 1. Công tắc BẬT/TẮT 2. Nút nhà khóa 3. Bảng điều khiển
- Nếu cần, hãy thay đổi cài đặt bằng cách nhấn các công tắc chức năng trên bảng điều khiển. (Tham khảo "Các thao tác trên bảng điều khiển.")
- Đẩy tay cầm để bắt đầu làm sạch.
▶ **Hình23**



LƯU Ý: Để biết cách bật hoặc tắt chổi quét cạnh, hãy tham khảo "Bật hoặc tắt chổi quét cạnh."

- Bật công tắc BẬT/TẮT bằng cách nhấn nút nhà khóa đến vị trí "O" để tắt nguồn.
▶ **Hình24:** 1. Công tắc BẬT/TẮT 2. Nút nhà khóa

Các thao tác trên bảng điều khiển

Thay đổi tốc độ quay chổi chính

Khi bật nguồn điện, mỗi lần nhấn [nút chổi chính] sẽ chuyển đổi chế độ tốc độ quay chổi.




Nút/chi báo đèn LED	Chế độ	Chức năng
	Chế độ tiêu chuẩn	Tốc độ quay chổi là tiêu chuẩn. Điều này tối ưu khi có nhiều bụi bẩn.
	Chế độ im lặng	Điều này tối ưu khi bạn muốn làm sạch nhẹ nhàng hoặc khi bạn muốn làm sạch trong thời gian dài.

LƯU Ý: Tốc độ quay của chổi quét cạnh được liên kết với tốc độ quay của chổi chính.

LƯU Ý: Khi bật nguồn điện, máy sẽ bắt đầu vận hành ở chế độ đã sử dụng khi nguồn điện được tắt trước đó.

Thay đổi chế độ hút

Khi bật nguồn điện, mỗi lần nhấn [nút hút] sẽ chuyển chế độ lực hút.



Nút/chi báo đèn LED	Chế độ	Chức năng
	Chế độ tiêu chuẩn	Lực hút là tiêu chuẩn. Điều này tối ưu để làm sạch trong môi trường bụi bặm.
	Chế độ im lặng	Điều này tối ưu cho việc làm sạch trong thời gian dài và yên tĩnh.
	Tắt	Điều này tối ưu khi không cần hút, cũng như để làm sạch trong thời gian dài hơn và yên tĩnh hơn so với chế độ im lặng.

LƯU Ý: Khi bật nguồn điện, máy sẽ bắt đầu vận hành ở chế độ đã sử dụng khi nguồn điện được tắt trước đó.

LƯU Ý: Nếu bật chức năng lắc bộ lọc khi đang sử dụng quạt hút, quạt hút sẽ tạm thời dừng lại và sau đó khởi động lại khi chức năng lắc bộ lọc dừng.

Bật hoặc tắt chức năng lắc bộ lọc

Nhấn [nút lắc bộ lọc] để bật tắt chức năng lắc bộ lọc.

Nút/chi báo đèn LED	Chế độ	Chức năng
	Bật	Bật chức năng lắc bộ lọc. Khi chức năng lắc bộ lọc đang hoạt động, bụi sẽ tự động được loại bỏ khỏi bộ lọc để loại bỏ tắc nghẽn. Đèn sẽ tự động tắt sau khoảng 15 giây.
	Tắt	Tắt chức năng lắc bộ lọc.

Bật hoặc tắt đèn

Nhấn [nút đèn] để bật tắt đèn.

Nút/chi báo đèn LED	Chế độ	Chức năng
	Bật	Bật đèn.
	Tắt	Tắt đèn.

► **Hình25:** 1. Đèn

Chức năng tự động tắt đèn

Đèn sẽ tự động tắt nếu hai tình trạng sau diễn ra trong 30 phút.

- Không có động cơ nào (chổi chính, hút và lắc bộ lọc) đang hoạt động.
- Không nhấn nút nào.

Hiện thị dung lượng pin còn lại

Nhấn [nút kiểm tra] để hiện thị dung lượng pin còn lại.

Sử dụng thùng chứa rác

► **Hình26:** 1. Thùng chứa rác

- Chất thải đang được thu gom trong thùng chứa rác.
- Để biết chi tiết về quy trình làm sạch, tham khảo “*Bắt đầu làm sạch.*”

Tháo ra

1. Nâng móc của thùng chứa rác lên.
2. Tháo móc ra khỏi thiết bị.

► **Hình27:** 1. Móc

3. Tháo thùng chứa rác ra khỏi thiết bị.

► **Hình28:** 1. Móc 2. Thùng chứa rác

Phụ tùng

1. Gắn rãnh của thùng chứa rác vào trực thùng chứa rác của thiết bị.

► **Hình29:** 1. Rãnh 2. Trực thùng chứa rác

2. Gắn móc vào thiết bị và hạ thấp móc để cố định thùng chứa rác đúng vị trí.

Sử dụng túi chứa bụi

Phụ kiện tùy chọn

► **Hình30:** 1. Túi chứa bụi 2. Cửa sổ trong suốt

- Túi chứa bụi có dung tích lớn, phù hợp cho việc thu gom các chất thải công kênh như lá rụng.
- Bạn có thể kiểm tra lượng chất thải đã được thu gom bằng cách nhìn qua cửa sổ trong suốt ở phía trên.
- Sử dụng thùng chứa rác khi hút bụi. Túi chứa bụi không kín khí như thùng chứa rác.
- Để biết chi tiết về quy trình làm sạch, tham khảo “*Bắt đầu làm sạch.*”

LƯU Ý: Khi thu gom các chất thải nhẹ như lá rụng, nên sử dụng chế độ hút. Sử dụng chế độ hút giúp thu gom nhiều chất thải hơn so với khi tắt chế độ này.

Phụ tùng

1. Tháo thùng chứa rác ra khỏi thiết bị.

► **Hình31:** 1. Móc 2. Thùng chứa rác

2. Gắn rãnh của khung túi chứa bụi vào trực thùng chứa rác của thiết bị.

► **Hình32:** 1. Khung túi chứa bụi 2. Rãnh 3. Trực thùng chứa rác

3. Gắn móc vào thiết bị và hạ móc để cố định khung túi chứa bụi đúng vị trí.

► **Hình33**

4. Gắn túi chứa bụi bằng cách treo các móc ở bên trái và bên phải của túi chứa bụi vào các rãnh gắn.

► **Hình34:** 1. Móc 2. Rãnh

Tháo ra

Thực hiện ngược lại các bước trong quy trình đính kèm.

Gắn túi polyethylene

CHÚ Ý: Khi gắn túi polyethylene, có thể khó nhìn thấy bên trong túi chứa bụi.

Việc gắn túi polyethylene vào túi chứa bụi sẽ giúp bạn thuận tiện khi vứt bỏ chất thải, bởi vì có thể hoàn thành việc vứt bỏ chỉ bằng cách tháo và vứt túi polyethylene cùng với các chất bên trong.

1. Nâng tay nắm (dành cho túi chứa bụi) và tháo túi chứa bụi.

► **Hình35:** 1. Tay nắm (dành cho túi chứa bụi) 2. Túi chứa bụi

2. Gắn túi polyethylene (thiết bị thương mại, chu vi mở túi trên 1.600 mm (63")) vào túi chứa bụi.

► **Hình36:** 1. Túi polyethylene

3. Gắn túi chứa bụi bằng cách treo các móc ở bên trái và bên phải của túi chứa bụi vào các rãnh gắn.

Sử dụng bộ chuyển đổi đa chức năng

Phụ kiện tùy chọn

Gắn bộ chuyển đổi đa chức năng giúp bạn có thể lắp Makpac hoặc bộ cấp nguồn di động đeo vai.

⚠ THẬN TRỌNG: Cố định đúng cách bộ chuyển đổi đa chức năng vào đúng vị trí bằng cách sử dụng các vít được cung cấp.

⚠ THẬN TRỌNG: Cố định đúng cách Makpac hoặc bộ cấp nguồn di động đeo vai vào đúng vị trí bằng cách sử dụng các chốt hoặc móc trên bộ chuyển đổi đa chức năng.

⚠ THẬN TRỌNG: Không đặt các đồ vật nặng hơn 20 kg (44 lbs) trở lên trên bộ chuyển đổi đa chức năng.

⚠ THẬN TRỌNG: Không sử dụng tay cầm của Makpac hoặc bộ cấp nguồn di động đeo vai được gắn trên bộ chuyển đổi đa chức năng để vận chuyển hoặc vận hành thiết bị. Làm như vậy có thể gây ra tai nạn.

⚠ THẬN TRỌNG: Không dựng đứng thiết bị ở một đầu của thiết bị khi Makpac hoặc bộ cấp nguồn di động đeo vai được gắn trên bộ chuyển đổi đa chức năng. Làm như vậy có thể làm hỏng cơ chế khóa của bộ chuyển đổi đa chức năng, và Makpac hoặc bộ cấp nguồn di động đeo vai có thể rơi ra.

Gắn bộ chuyển đổi đa chức năng

1. Căn chỉnh các phần nhô ra ở bên trái và bên phải của bộ chuyển đổi đa chức năng với các rãnh lắp trên thiết bị và gắn bộ chuyển đổi đa chức năng.

► **Hình37:** 1. Phần nhô ra 2. Rãnh 3. Bộ chuyển đổi đa chức năng

Nếu khó gắn bộ chuyển đổi đa chức năng, hãy nói lòng cần khóa tay cầm trên thiết bị. Khi nói lòng cần khóa tay cầm, hãy gấp tay cầm xuống để tránh làm tay cầm bị rơi, sau đó lắp bộ chuyển đổi đa chức năng.

2. Siết chặt bốn vít để cố định bộ chuyển đổi đa chức năng đúng vị trí.

► **Hình38:** 1. Vít

Tháo bộ chuyển đổi đa chức năng

Thực hiện ngược lại các bước trong quy trình đính kèm.

Tên các bộ phận của bộ chuyển đổi đa chức năng

► **Hình39:** 1. Chốt giữ (đối với Makpac) 2. Móc A (đối với PDC01 / PDC1200 / PDC1500) 3. Móc B (đối với PDC1200 / PDC1500) 4. Móc C (đối với PDC01)

Gắn Makpac

⚠ THẬN TRỌNG: Không vượt quá chiều cao 315 mm (12-3/8") khi gắn Makpac.

Gắn chặt hai chốt giữ ở bên trái và bên phải vào rãnh gắn của Makpac để cố định Makpac đúng vị trí.

► **Hình40:** 1. Makpac 2. Chốt giữ

Tháo Makpac

Tháo hai chốt giữ ở bên trái và bên phải và tháo Makpac ra.

Gắn bộ cấp nguồn di động đeo vai

⚠ THẬN TRỌNG: Không sử dụng thiết bị với bộ cấp nguồn di động đeo vai trên lưng bạn.

⚠ THẬN TRỌNG: Khi gắn bộ cấp nguồn di động đeo vai vào bộ chuyển đổi đa chức năng, hãy đảm bảo dây điện của bộ cấp nguồn di động đeo vai được bố trí hợp lý. Nếu không, dây chúng có thể bị sàn làm trầy xước và ngắt kết nối, gây ra khói hoặc cháy.

1. Gắn cạnh dưới của bộ cấp nguồn di động đeo vai vào các móc A và cố định vào đúng vị trí bằng móc B hoặc móc C. Xác nhận rằng bộ cấp nguồn di động đeo vai không tách ra khỏi thiết bị bằng cách nhấc nhẹ tay cầm của bộ cấp nguồn di động đeo vai lên.

• PDC1200 / PDC1500

Gắn cạnh dưới của bộ cấp nguồn di động đeo vai vào các móc A và cố định vào đúng vị trí bằng móc B. Xác nhận rằng bộ cấp nguồn di động đeo vai không tách ra khỏi thiết bị bằng cách nhấc nhẹ tay cầm của bộ cấp nguồn di động đeo vai lên.

Nếu có thể nhìn thấy chỉ báo màu đỏ của nút khóa, thì bộ cấp nguồn di động đeo vai chưa được khóa hoàn toàn.

► **Hình41:** 1. Bộ cấp nguồn di động đeo vai 2. Móc A 3. Móc B 4. Nút khóa 5. Chỉ báo màu đỏ

• PDC01

Gắn cạnh dưới của bộ cấp nguồn di động đeo vai vào các móc A và cố định vào đúng vị trí bằng các móc C. Không sử dụng móc B.

► **Hình42:** 1. Bộ cấp nguồn di động đeo vai 2. Móc A 3. Móc C

2. Căn chỉnh các đầu hình tam giác trên ổ cắm của bộ cấp nguồn di động đeo vai và phích cắm của bộ chuyển đổi pin (dành cho pin XGT) và lắp chúng thật chặt hết mức có thể.

► **Hình43:** 1. Ổ cắm của bộ cấp nguồn di động đeo vai 2. Phích cắm của bộ chuyển đổi (dành cho pin XGT) 3. Đầu hình tam giác

3. Mở nắp ngăn chứa pin.

► **Hình44:** 1. Nắp ngăn chứa pin

4. Như thể hiện trong hình, bố trí dây điện sao cho dây điện đi qua rãnh trong bộ chuyển đổi đa chức năng và ngăn chứa pin. Căn chỉnh bộ chuyển đổi (dành cho pin XGT) thẳng hàng với rãnh trong khe lắp pin, và lắp bộ chuyển đổi vào cho đến khi nó khớp vào vị trí.

► **Hình45:** 1. Rãnh trong bộ chuyển đổi đa chức năng 2. Rãnh trong ngăn chứa pin 3. Bộ chuyển đổi (dành cho pin XGT)

5. Đóng nắp ngăn chứa pin.

Tháo bộ cấp nguồn di động đeo vai

PDC1200 / PDC1500

1. Tháo phích cắm của bộ chuyển đổi (dành cho pin XGT) khỏi ổ cắm của bộ cấp nguồn di động đeo vai và tháo dây điện.

CHÚ Ý: Không kéo dây điện khi rút phích cắm của bộ chuyển đổi. Ngoài ra, không cầm bộ cấp nguồn di động đeo vai bằng cách chỉ cầm dây điện.

Dây điện có thể bị đứt hoặc hư hỏng.

2. Trong khi nhấn giữ nút khóa của bộ cấp nguồn di động đeo vai hướng xuống, hãy nâng tay cầm của bộ cấp nguồn di động đeo vai.

► **Hình46:** 1. Bộ cấp nguồn di động đeo vai 2. Nút khóa 3. Tay cầm

PDC01

1. Tháo phích cắm của bộ chuyển đổi (dành cho pin XGT) khỏi ổ cắm của bộ cấp nguồn di động đeo vai và tháo dây điện.

CHÚ Ý: Không kéo dây điện khi rút phích cắm của bộ chuyển đổi. Ngoài ra, không cầm bộ cấp nguồn di động đeo vai bằng cách chỉ cầm dây điện.

Dây điện có thể bị đứt hoặc hư hỏng.

2. Tháo các móc C và kéo bộ cấp nguồn di động đeo vai ra rồi sau đó nâng lên.

► **Hình47:** 1. Bộ cấp nguồn di động đeo vai 2. Móc C 3. Tay cầm

Xử lý sau khi sử dụng

⚠ THẬN TRỌNG: Nếu không sử dụng thiết bị, đảm bảo đã tắt công tắc BẬT/TẮT và tháo pin ra.

Vứt bỏ chất thải

⚠ THẬN TRỌNG: Luôn mang thiết bị bảo hộ như khẩu trang và găng tay khi thải bỏ chất thải. Có nguy cơ bạn có thể chạm vào các vật sắc nhọn trong chất thải, có thể gây thương tích.

⚠ THẬN TRỌNG: Vứt bỏ chất thải sớm, trước khi tích tụ quá nhiều. Có thể giảm lực hút.

1. Tháo móc và sau đó tháo thùng chứa rác khỏi thiết bị.

► **Hình48:** 1. Thùng chứa rác 2. Móc

Khi sử dụng túi chứa bụi, hãy nâng tay nắm lên và nhấc túi chứa bụi ra.

► **Hình49:** 1. Tay nắm (dành cho túi chứa bụi) 2. Túi chứa bụi

2. Vận chuyển thùng chứa rác hoặc túi chứa bụi đến nơi thu gom chất thải và vứt bỏ.

► **Hình50**

Khi sử dụng túi chứa bụi, việc gắn túi polyethylene vào bên trong sẽ giúp bạn có thể vứt túi polyethylene cùng với chất thải.

► **Hình51**

3. Sau khi vứt bỏ chất thải, hãy gắn thùng chứa rác hoặc túi chứa bụi vào thiết bị. Đảm bảo rằng móc được khóa đúng cách.

BẢO TRÌ

⚠ THẬN TRỌNG: Luôn đảm bảo rằng đã tắt thiết bị và tháo hộp pin trước khi cố gắng thực hiện việc kiểm tra hay bảo dưỡng.

CHÚ Ý: Không được phép dùng xăng, ết xăng, dung môi, cồn hoặc hóa chất tương tự. Có thể xảy ra hiện tượng mất màu, biến dạng hoặc nứt vỡ.

Bảo trì

Làm sạch thân thiết bị

⚠ THẬN TRỌNG: Không rửa thân thiết bị bằng nước. Làm như vậy có thể gây hỏng hóc.

Để loại bỏ bụi bẩn khỏi thân thiết bị, hãy lau bằng vải đã được làm ẩm bằng một lượng nhỏ chất tẩy rửa trung tính pha loãng.

► **Hình52**

Làm sạch chổi chính

1. Gấp tay cầm xuống và dựng đứng thiết bị ở một đầu như thể hiện trong hình.

2. Đẩy chổi chính theo hướng mũi tên A chỉ định trong hình.

Tháo một đầu của chổi chính theo hướng mũi tên B chỉ định trong hình.

► **Hình53:** 1. Chổi chính

3. Tháo đầu còn lại của chổi chính ra khỏi trục chổi.

4. Tương tự như vậy, hãy tháo chổi chính khác.

5. Nếu có chất thải dạng dây dính vào chổi, hãy tháo nó bằng tay.

► **Hình54**

6. Lắc hết bụi, và rửa chổi bằng nước nếu chúng quá bẩn. Sau khi rửa, để chúng khô trong bóng râm; không sử dụng cho đến khi chúng khô hoàn toàn.

► **Hình55**

7. Định hướng từng chổi chính sao cho hình dạng của các đầu khớp với khu vực lắp đặt của thiết bị, như thể hiện trong hình.

Nếu hình dạng của các đầu không khớp, đảo ngược hướng trái phải của chổi chính để chúng khớp nhau.

► **Hình56:** 1. Chổi chính 2. Dạng đầu trừ 3. Dạng đầu cộng

8. Lắp chổi chính vào trục chổi của thiết bị theo hướng mũi tên chỉ định trong hình.

► **Hình57:** 1. Trục chổi

9. Lắp chổi chính vào khu vực lắp đặt của thiết bị, theo hướng mũi tên chỉ định trong hình và cố định nó vào đúng vị trí.

► **Hình58**

LƯU Ý: Nếu hình dạng của các đầu không khớp, bạn sẽ không thể gắn chổi chính. Trong trường hợp này, quay lại bước 7 và thực hiện lại quy trình.

10. Tương tự như vậy, hãy gắn chốt chính khác.

► **Hình59**

⚠ THẬN TRỌNG: Sau khi gắn chốt chính, kiểm tra xem các hình dạng đã được gắn chính xác chưa.

LƯU Ý: Nếu các chốt chính bị mòn đến độ dài ngắn hơn, hãy thay chốt.

Làm sạch chốt quét cạnh

Để biết quy trình gắn và tháo chốt quét cạnh, tham khảo “Gắn và tháo bàn chốt quét cạnh.”

1. Tháo chốt quét cạnh.
2. Lắc hết bụi, và rửa chốt bằng nước nếu chúng quá bẩn. Sau khi rửa, để chúng khô trong bóng râm; không sử dụng cho đến khi chúng khô hoàn toàn.

► **Hình60**

3. Gắn chốt quét cạnh.

LƯU Ý: Nếu chốt quét cạnh bị mòn đến chiều dài ngắn hơn, hãy thay thế nó.

Làm sạch bộ lọc

⚠ THẬN TRỌNG: Đảm bảo các bộ lọc được gắn đúng cách và không sử dụng thiết bị khi các bộ lọc không ở đúng vị trí. Ngoài ra, không sử dụng bộ lọc đã bị hư hỏng hoặc ẩm ướt. Cháy hồng động cơ hoặc hỏng hóc có thể xảy ra.

CHÚ Ý: Có thể rửa và tái sử dụng bộ lọc. Để tránh làm hỏng bộ lọc, không sử dụng các vật sau đây khi làm sạch chúng.

- Máy hút bụi
- Máy xịt rửa cao áp
- Chổi được làm bằng vật liệu cứng như kim loại

1. Tháo thùng chứa rác.
2. Trong khi đẩy móc của bộ lọc thô theo hướng mũi tên chỉ định trong hình, hãy tháo bộ lọc thô ra.

► **Hình61:** 1. Bộ lọc thô 2. Móc

3. Trong lúc đẩy các móc của bộ lọc HEPA theo hướng mũi tên chỉ định trong hình, hãy tháo bộ lọc HEPA.

► **Hình62:** 1. Bộ lọc HEPA 2. Móc

4. Lắc hết bụi, và rửa các bộ lọc bằng nước nếu chúng quá bẩn. Sau khi rửa, để bộ lọc thô và bộ lọc HEPA khô trong bóng râm; không được sử dụng cho đến khi chúng khô hoàn toàn.

► **Hình63:** 1. Bộ lọc thô 2. Bộ lọc HEPA

5. Để gắn bộ lọc HEPA, đặt cạnh của bộ lọc HEPA khớp vào các rãnh trên thiết bị và đẩy bộ lọc vào đúng vị trí. Kiểm tra xem các móc có được cố định chắc chắn không.

► **Hình64:** 1. Bộ lọc HEPA 2. Cạnh 3. Rãnh 4. Móc

6. Để gắn bộ lọc thô, đặt các phần nhô ra trên bộ lọc thô khớp vào các rãnh trên thiết bị, và đẩy bộ lọc vào đúng vị trí. Kiểm tra xem móc có được cố định chắc chắn không.

► **Hình65:** 1. Bộ lọc thô 2. Phần nhô ra 3. Rãnh 4. Móc

Vệ sinh bộ lọc bọt biển

⚠ THẬN TRỌNG: Sau khi vệ sinh bộ lọc bọt biển, đảm bảo đã lắp nó vào thùng chứa rác. Nếu rửa bằng nước, làm khô bộ lọc trước khi lắp vào.

Khi bộ lọc bọt biển bị tắc nghẽn do bụi, tháo nó ra khỏi thùng chứa rác và sau đó lau sạch hoặc rửa bằng nước.

1. Tháo hộp bọt biển ra khỏi thùng chứa rác.
 2. Mờ hộp bọt biển để tháo bộ lọc bọt biển.
- **Hình66:** 1. Thùng chứa rác 2. Hộp bọt biển 3. Bộ lọc bọt biển
3. Lau sạch bộ lọc bọt biển hoặc rửa bằng nước.
 4. Lắp bộ lọc bọt biển vào vị trí ban đầu.

Vệ sinh ống

Khi sử dụng túi chứa bụi (phụ kiện tùy chọn), ống có thể bị tắc nghẽn do các chất thải mịn như cát, đá cuội và lá rụng nhỏ.

1. Kéo ống ra khỏi khung túi chứa bụi.
2. Tháo chất thải ra khỏi ống.

► **Hình67:** 1. Khung túi chứa bụi 2. Ống

3. Lắp ống vào đúng vị trí ban đầu.

Kiểm tra định kỳ

Để đảm bảo tuổi thọ sử dụng lâu dài cho thiết bị và sử dụng an toàn, hãy thực hiện định kỳ các kiểm tra được liệt kê dưới đây.

Kiểm tra hằng ngày

- Thùng chứa rác: đổ thùng chứa.
- Bộ lọc: nếu chúng bị bẩn, hãy vệ sinh chúng.
- Chổi: nếu chất thải dạng dây bị vướng vào, hãy tháo nó ra.
- Các bộ phận điều khiển và chuyển động: kiểm tra xem chúng có di chuyển dễ dàng không.

Kiểm tra hằng tuần

- Chiều cao chốt chính: nếu chiều cao của chốt không phù hợp, hãy điều chỉnh lại.
- Vít (khi sử dụng bộ chuyển đổi đa chức năng): nếu chúng bị lỏng, hãy vặn chặt chúng.

Thay chổi

Nếu chổi chính và chổi quét cạnh bị mòn, hãy nhớ trung tâm dịch vụ Makita tại địa phương của bạn thay thế.

Thay chổi chính

Thay chổi chính nếu không thể điều chỉnh chúng một cách thích hợp. Tham khảo "*Điều chỉnh chiều cao chổi chính.*"

Để tháo và gắn chổi chính, tham khảo "*Làm sạch chổi chính.*"

Thay chổi quét cạnh

Thay chổi quét cạnh nếu nó không tiếp xúc với sàn khi nún điều chỉnh chiều cao chổi quét bên được vận về vị trí thấp nhất. Tham khảo "*Điều chỉnh chiều cao chổi quét cạnh.*"

Để tháo và gắn chổi quét cạnh, tham khảo "*Gắn và tháo bàn chổi quét cạnh.*"

คำเตือน

- อุปกรณ์นี้ไม่ได้ออกแบบมาเพื่อให้บุคคล (รวมถึงเด็ก) ที่มีความบกพร่องทางร่างกาย การรับรู้สัมผัส หรือทางจิตใจ หรือขาดประสบการณ์และความรู้เกี่ยวกับการใช้งานใช้
- สำหรับผู้ใช้ในยุโรป:
ไม่ควรให้เด็กเล่นกับเครื่องใช้นี้ ไม่ควรให้เด็กทำความสะอาดและบำรุงรักษาตามลำพังโดยไม่มีผู้ดูแล
- สำหรับผู้ใช้ในพื้นที่อื่นนอกเหนือจากยุโรป:
ควรดูแลเด็กอย่างใกล้ชิดเพื่อป้องกันไม่ให้เด็กเล่นอุปกรณ์นี้
- ข้อควรระวัง: ก่อนทำการบำรุงรักษาใดๆ ให้ถอดอุปกรณ์ออกจากแหล่งจ่ายไฟ ทำการบำรุงรักษาอุปกรณ์เป็นระยะๆ
- ถอดแบตเตอรี่แบบชาร์จได้ออกจากอุปกรณ์ก่อนชาร์จไฟ
- เมื่อต้องการถอดหรือใส่ดัลล์แบตเตอรี่ ลำดับแรกให้เปิดฝาครอบแบตเตอรี่ จากนั้นกดปุ่มที่ด้านหน้าของดัลล์ค้างไว้แล้วเลื่อนดัลล์ออกจากเครื่องมือ
- ต้องถอดแบตเตอรี่ทั้งหมดอายุใช้งานแล้วออกจากอุปกรณ์และกำจัดอย่างปลอดภัย ปฏิบัติตามข้อบังคับท้องถิ่นเกี่ยวกับการกำจัดแบตเตอรี่
- หากเก็บอุปกรณ์ไว้โดยไม่ได้ใช้งานเป็นระยะเวลานาน จะต้องถอดแบตเตอรี่ออก
- ห้ามลัดวงจรขั้วไฟฟ้า

บทนำ

ข้อมูลจำเพาะ

รุ่น:		VS001G
ความจุของภาชนะเก็บขยะ		15.6 L
ความสามารถในการทำควมสะอาด *1	ไม่ใช้แปรงด้านข้าง	1,920 m ² /h
	ใช้แปรงด้านข้าง	2,600 m ² /h
ความกว้างในการทำควมสะอาด	ไม่ใช้แปรงด้านข้าง	480 mm
	ใช้แปรงด้านข้าง	650 mm
แรงดันไฟฟ้าที่กำหนด		D.C. 36 V - 40 V สูงสุด
ขนาด (ยาว x กว้าง x สูง)	มือจับแบบตั้ง	830 mm x 677 mm x 1,146 mm
	มือจับแบบพับ	830 mm x 677 mm x 467 mm
น้ำหนักโดยรวมที่รองรับได้ (GVW)		สูงสุด 44.0 kg
น้ำหนักสุทธิ (น้ำหนักการเคลื่อนย้าย) (พร้อมกับ BL4025 x1)		29.9 kg
ระดับการป้องกัน		IPX4

*1 สมมติว่ามีความเร็วในการเดินเท่ากับ 4 km/h

- เนื่องจากการค้นคว้าวิจัยและพัฒนาอย่างต่อเนื่อง ข้อมูลจำเพาะในเอกสารฉบับนี้อาจเปลี่ยนแปลงได้โดยไม่ต้องแจ้งให้ทราบล่วงหน้า
- ข้อมูลจำเพาะและสัญลักษณ์อาจแตกต่างกันไปในแต่ละประเทศ

ตลับแบตเตอรี่และเครื่องชาร์จที่ใช้ได้

ตลับแบตเตอรี่	BL4020 / BL4025 / BL4040 / BL4040F / BL4050F / BL4080F
เครื่องชาร์จ	DC40RA / DC40RB / DC40RC / DC40WA

- ตลับแบตเตอรี่และเครื่องชาร์จบางรายการที่แสดงอยู่ด้านบนอาจไม่มีจำหน่ายขึ้นอยู่กับภูมิภาคที่คุณอาศัยอยู่

คำเตือน: ใช้ตลับแบตเตอรี่และเครื่องชาร์จที่ระบุไว้ข้างบนเท่านั้น การใช้ตลับแบตเตอรี่และเครื่องชาร์จประเภทอื่นอาจก่อให้เกิดความเสี่ยงที่จะได้รับบาดเจ็บและ/หรือเกิดไฟไหม้

แหล่งจ่ายไฟแบบเชื่อมต่อสายไฟที่แนะนำ

ชุดต้นกำลังแบบพกพา	PDC01 / PDC1200 / PDC1500
--------------------	---------------------------

- แหล่งจ่ายไฟแบบเชื่อมต่อสายไฟตามรายการด้านบนอาจไม่มีจำหน่ายขึ้นอยู่กับภูมิภาคที่คุณอยู่
- ก่อนใช้งานแหล่งจ่ายไฟแบบเชื่อมต่อสายไฟให้อ่านคำแนะนำและเครื่องหมายเตือนที่ติดอยู่

สัญลักษณ์

ต่อไปนี้เป็นสัญลักษณ์ที่อาจใช้สำหรับอุปกรณ์ โปรดศึกษาความหมายของสัญลักษณ์ให้เข้าใจก่อนการใช้งาน

	อ่านคู่มือการใช้งาน
	ใช้ความใส่ใจและระมัดระวังเป็นพิเศษ
	อย่าใช้บนพื้นที่ที่มีความลาดชันมากกว่า 2%
	อย่าเหยียบบนเครื่องใช้
	อย่าวางสิ่งของน้ำหนัก 20 kg (44 lbs) หรือมากกว่านั้นบนเครื่องใช้
	เพื่อป้องกันอุบัติเหตุหรือการบาดเจ็บ ตรวจสอบให้แน่ใจว่าสวิตช์ของเครื่องใช้ปิดอยู่ และถอดแบตเตอรี่ออกก่อนบำรุงรักษา แปรงหรือทำการซ่อมแซม
	แบตเตอรี่ที่สามารถใช้ได้กับผลิตภัณฑ์นี้



สำหรับประเทศในสหภาพยุโรปเท่านั้น เนื่องจากในอุปกรณ์มีส่วนประกอบอันตราย ชะง้าพวกอุปกรณ์ไฟฟ้าและอิเล็กทรอนิกส์ แบตเตอรี่ และหม้อแบตเตอรี่จึงอาจส่งผลกระทบต่อสิ่งแวดล้อมและสุขภาพของมนุษย์ในเชิงลบ

อย่าทิ้งเครื่องใช้ไฟฟ้าและอิเล็กทรอนิกส์หรือแบตเตอรี่ร่วมกับวัสดุเหลือทิ้งในครัวเรือน

เพื่อให้เป็นไปตามกฎระเบียบของยุโรปว่าด้วยชะง้าพวกอุปกรณ์ไฟฟ้าและอิเล็กทรอนิกส์ และหม้อสะสมไฟฟ้าและแบตเตอรี่ รวมถึงการบังคับใช้ตามกฎหมายภายในประเทศ ควรมีการจัดเก็บชะง้าพวกอุปกรณ์ไฟฟ้า แบตเตอรี่ และหม้อสะสมไฟฟ้าแยกต่างหากและส่งไปยังจุดรับชะง้าต่างหากในเขตเทศบาลซึ่งมีการดำเนินการตามระเบียบว่าด้วยการดูแลสิ่งแวดล้อม

โดยระบุด้วยสัญลักษณ์เส้นคาดขวางรูปถังขยะแบบมีล้อไว้บนอุปกรณ์

ผ่านการรับรองระดับพลังงานเสียงตามกฎหมายระเบียบว่าด้วยเสียงรบกวนภายนอกของสหภาพยุโรป

ระดับพลังงานเสียงตามข้อบังคับการควบคุมเสียงรบกวนของรัฐนิวเซาท์เวลส์ ประเทศออสเตรเลีย

จุดประสงค์การใช้งาน

เครื่องใช้นี้ใช้สำหรับเก็บกวาดเศษต่างๆ แบบแห้ง เครื่องใช้
นี้เหมาะสำหรับการใช้งานในเชิงพาณิชย์ ตัวอย่างเช่น ใน
โรงแรม โรงเรียน โรงพยาบาล โรงงาน ร้านค้า สำนักงาน
และธุรกิจให้เช่าต่างๆ

ข้อควรระวังด้านความปลอดภัย

คำเตือนด้านความปลอดภัยของเครื่องกวาดไฟฟ้า ไร้สาย

1. ผู้ใช้งานจะต้องได้รับคำแนะนำอย่างเพียงพอเกี่ยวกับการใช้เครื่องกวาดไฟฟ้า
2. เครื่องกวาดไฟฟ้านี้ใช้สำหรับงานแบบแห้งเท่านั้น
3. เมื่อไม่ใช้งาน ให้เก็บเครื่องกวาดไฟฟ้าไว้ภายในอาคารเสมอ
4. อย่าใช้ในการทำความสะอาดบนพื้นผิวที่มีความลาดชันเกินเครื่องหมายบนเครื่อง
5. อย่าปล่อยให้เด็กเล่นกับอุปกรณ์แบบชาร์จไฟได้
6. เมื่อจัดเก็บเครื่อง ให้วางเครื่องบนพื้นราบและมั่นคง จัดเก็บเครื่องโดยให้ห่างจากมือเด็ก
7. วางเครื่องไว้บนพื้นราบเสมอเมื่อกำลังเครื่องให้ตั้งตรง
8. ดูแลรักษาสถานที่ทำงานให้เป็นระเบียบเรียบร้อย และตรวจสอบให้แน่ใจว่ามีแสงสว่างเพียงพอและรักษาความสะอาดอยู่เสมอ ไม่เช่นนั้นอาจทำให้เกิดอุบัติเหตุได้
9. สวมใส่ชุดทำงานที่เหมาะสม
10. อย่าใช้อะแดปเตอร์แบตเตอรี่
11. อย่าจับบริเวณแบตเตอรี่ด้วยมือที่เปียก ไม่เช่นนั้นอาจทำให้ไฟฟ้าช็อตได้
12. อย่าใช้ตัวกรองในพื้นที่ที่เปียก อาจทำให้มอเตอร์ไหม้หรือเสียหายได้
13. อย่าใช้เครื่องมือขณะฝนตกหรือเมื่อพื้นผิวถนนเปียกรวมถึงอย่าเก็บขยะที่มีของเหลวหรือโฟม อาจทำให้มอเตอร์ไหม้หรือเสียหายได้
14. อย่าเก็บขยะที่มีลักษณะคล้ายเชือก เช่น สายไฟ เชือกหรือลวด ขยะเหล่านี้อาจเข้าไปพันกับแปรงได้ นำขยะออกก่อนจะเริ่มทำงานทำความสะอาด มิเช่นนั้นอาจทำให้เครื่องเสียหายได้
15. อย่าถอดสายดิน
16. อย่าพยายามทำความสะอาดพื้นผิวภายนอกและภายในของเครื่องด้วยเบนซิน ทินเนอร์ หรือสารเคมีสำหรับทำความสะอาด เนื่องจากอาจทำให้เกิดการรั่วหรือเปลี่ยนสีได้

17. สวมใส่อุปกรณ์ป้องกันที่เหมาะสม เช่น แวนตานีรภัย และหมวกกันน็อคขณะทำความสะอาดสถานที่ที่มีฝุ่นดำเนินการบำรุงรักษา หรือกำจัดขยะ
18. ติดตัวกรองให้ถูกต้อง การใช้เครื่องใช้โดยไม่ติดตัวกรอง ติดติดตำแหน่ง หรืออยู่ในสภาพเสียหายอาจทำให้มอเตอร์ไหม้หรือเสียหายได้
19. อย่าถอดแยกชิ้นส่วนเครื่องใช้ การทำเช่นนั้นอาจทำให้เครื่องเสียหายได้
20. หากคุณสังเกตเห็นสิ่งใดที่มีความผิดปกติ ให้หยุดเครื่องและถอดแบตเตอรี่ออกทันที
21. ก่อนใช้งานเครื่องใช้ ตรวจสอบให้แน่ใจว่าไม่มีชิ้นส่วนใดเสียหายและแต่ละชิ้นส่วนทำงานได้อย่างถูกต้อง หากมีชิ้นส่วนที่เสียหาย ให้เปลี่ยนหรือซ่อมแซมตามความเหมาะสมโดยตัวแทนจำหน่ายที่ได้รับอนุญาต เว้นแต่จะระบุไว้เป็นอย่างอื่นในคู่มือการใช้งาน
22. มีความเสี่ยงที่จะถูกบีบ ดัด หรือได้รับบาดเจ็บจากสายพานขับเคลื่อน แปรงหลัก แปรงด้านข้าง มือจับหรือล้อหลัง
23. อย่าใช้เครื่องใช้เก็บสารพิษ เช่น แอ๊ยะหิน
24. อย่าใช้แปรงด้านข้างขณะทำความสะอาดบริเวณที่เปียก เปื้อนหรือมีฝุ่น
25. อย่าใช้เครื่องใช้ในบริเวณที่มีวัสดุอันตรายหรือมีเปลวไฟติดอยู่ เนื่องจากอาจทำให้เกิดไฟไหม้หรือระเบิดได้
26. ห้ามใช้เครื่องในบริเวณที่ระเบิดได้หรือไวไฟ

การใช้งานและดูแลเครื่องมือที่ใช้แบตเตอรี่

1. ชาร์จไฟใหม่ด้วยเครื่องชาร์จที่ระบุโดยผู้ผลิตเท่านั้น เครื่องชาร์จที่เหมาะสมสำหรับชุดแบตเตอรี่ประเภทหนึ่ง อาจเสี่ยงที่จะเกิดไฟไหม้หากนำไปใช้กับชุดแบตเตอรี่อีกประเภทหนึ่ง
2. ใช้เครื่องมือไฟฟ้ากับชุดแบตเตอรี่ที่กำหนดมาโดยเฉพาะเท่านั้น การใช้ชุดแบตเตอรี่ประเภทอื่นอาจทำให้เสี่ยงที่จะได้รับบาดเจ็บและเกิดไฟไหม้
3. เมื่อไม่ใช้งานชุดแบตเตอรี่ ให้เก็บห่างจากวัตถุที่เป็นโลหะอื่นๆ เช่น คลิปหนีบกระดาษ เหรียญ กุญแจ กรรไกรตัดเล็บ สกรู หรือวัตถุที่เป็นโลหะขนาดเล็กอื่นๆ ที่สามารถเชื่อมต่อกับขั้วหนึ่งกับอีกขั้วหนึ่งได้ การลัดวงจรขั้วแบตเตอรี่อาจทำให้อ่อนจัดหรือเกิดไฟไหม้
4. ในกรณีที่ใช้งานไม่ถูกต้อง อาจมีของเหลวไหลออกจากแบตเตอรี่ ให้หลีกเลี่ยงการสัมผัส หากสัมผัส โดนของเหลวโดยไม่ได้ตั้งใจ ให้ล้างออกด้วยน้ำ หากของเหลวกระเด็นเข้าตา ให้รีบไปพบแพทย์ ของเหลวที่ไหลออกจากแบตเตอรี่อาจทำให้ผิวหนังระคายเคืองหรือไหม้

5. ห้ามใช้ชุดแบตเตอรี่หรือเครื่องมือที่ชำรุดหรือมีการแก้ไข แบตเตอรี่ที่เสียหายหรือมีการแก้ไขอาจทำให้เกิดสิ่งที่ไม่ถึงได้ เช่น ไฟไหม้ ระเบิด หรือเสียงต่อการบาดเจ็บ
6. ห้ามใช้ชุดแบตเตอรี่อยู่ใกล้ไฟ หรือบริเวณที่มีอุณหภูมิสูงเกิน หากโดนไฟ หรืออุณหภูมิสูงเกิน 130 °C อาจก่อให้เกิดการระเบิดได้
7. กรุณาปฏิบัติตามคำแนะนำสำหรับการชาร์จไฟ และห้ามชาร์จแบตเตอรี่หรือเครื่องมือในบริเวณที่มีอุณหภูมิบนอกเหนือไปจากที่ระบุในคำแนะนำ การชาร์จไฟที่ไม่เหมาะสม หรืออุณหภูมิบนอกเหนือไปจากช่วงอุณหภูมิที่ระบุในคำแนะนำอาจทำให้แบตเตอรี่เสียหายและเป็นการเพิ่มความเสี่ยงในการเกิดไฟไหม้
8. อย่าตอกตะปู ตัด บด ข้าง หรือทำดัดลับแบตเตอรี่หล่นพื้น หรือกระแทกดัดลับแบตเตอรี่กับวัตถุของแข็ง การกระทำดังกล่าวอาจส่งผลให้เกิดไฟไหม้ ความร้อนที่สูงเกินไป หรือระเบิดได้
9. ห้ามใช้แบตเตอรี่ที่เสียหาย
10. แบตเตอรี่ lithium-ion ที่มีมาให้ห็นเป็นไปตามข้อกำหนดของ Dangerous Goods Legislation สำหรับการขนส่งเพื่อการพาณิชย์ เช่น โดยบุคคลที่สาม ตัวแทนขนส่งสินค้า จะต้องตรวจสอบข้อกำหนดพิเศษในด้านการบรรจุหีบห่อหรือการติดป้ายสินค้าในการเตรียมสินค้าที่จะขนส่ง ให้ปรึกษาผู้เชี่ยวชาญด้านวัตถุอันตราย โปรดตรวจสอบข้อกำหนดในประเทศที่อาจมีรายละเอียดอื่น ๆ เพิ่มเติม

คำแนะนำเพื่อความปลอดภัยที่สำคัญสำหรับดัดลับแบตเตอรี่

1. ก่อนใช้งานดัดลับแบตเตอรี่ให้อ่านคำแนะนำและเครื่องหมายเตือนทั้งหมดบน (1) เครื่องชาร์จแบตเตอรี่ (2) แบตเตอรี่ และ (3) ตัวผลิตภัณฑ์ที่ใช้แบตเตอรี่
2. อย่าถอดแยกชิ้นส่วนหรือทำการดัดแปลงดัดลับแบตเตอรี่ เนื่องจากอาจทำให้เกิดไฟไหม้ ความร้อนที่สูงเกินไป หรือระเบิดได้
3. หากระยะเวลาที่เครื่องทำงานสั้นเกินไป ให้หยุดใช้งานทันที เนื่องจากอาจมีความเสี่ยงที่จะร้อนจัด ไหม้หรือระเบิดได้
4. หากสารละลายอิเล็กโทรไลต์กระเด็นเข้าตา ให้ล้างออกด้วยน้ำเปล่าและรีบไปพบแพทย์ทันที เนื่องจากอาจทำให้ตาบอด
5. ห้ามลัดวงจรดัดลับแบตเตอรี่:
 - (1) ห้ามแตะขั้วกับวัตถุที่เป็นสื่อไฟฟ้าใดๆ
 - (2) หลีกเลี่ยงการเก็บดัดลับแบตเตอรี่ไว้ในภาชนะร่วมกับวัตถุที่เป็นโลหะ เช่น กรรไกรตัดเล็บ เหรียญ ฯลฯ
 - (3) อย่าให้ดัดลับแบตเตอรี่ถูกน้ำหรือฝน แบตเตอรี่ลัดวงจรอาจทำให้เกิดการไหลของกระแสไฟฟ้า ร้อนจัด ไหม้หรือเสียหายได้
6. ห้ามเก็บและใช้เครื่องมือและดัดลับแบตเตอรี่ไว้ในสถานที่ที่มีอุณหภูมิสูงถึงหรือเกิน 50 °C (122 °F)
7. ห้ามเผาตลับแบตเตอรี่ทิ้ง แม้ว่าแบตเตอรี่จะเสียหายจนใช้การไม่ได้หรือเสื่อมสภาพแล้ว ดัดลับแบตเตอรี่อาจจะระเบิดในกองไฟ
11. เมื่อกำจัดดัดลับแบตเตอรี่ให้ถอดดัดลับแบตเตอรี่ออกจากเครื่องมือและกำจัดในสถานที่ปลอดภัย ปฏิบัติตามข้อบังคับในท้องถิ่นที่เกี่ยวกับการกำจัดแบตเตอรี่
12. ใช้แบตเตอรี่กับผลิตภัณฑ์ที่ระบุโดย Makita เท่านั้น การติดตั้งแบตเตอรี่ในผลิตภัณฑ์ที่ไม่ใช่ตามที่ระบุอาจทำให้เกิดไฟไหม้ ความร้อนสูง ระเบิด หรืออิเล็กทรอนิกส์ไหม้ได้
13. หากไม่ใช่เครื่องมือเป็นระยะเวลานาน จะต้องถอดแบตเตอรี่ออกจากเครื่องมือ
14. ในระหว่างและหลังการใช้งาน ดัดลับแบตเตอรี่อาจร้อน ซึ่งอาจลวกผิวหรือทำให้ผิวไหม้ที่อุณหภูมิที่ต่ำได้ โปรดระมัดระวังในการจัดการกับแบตเตอรี่ที่ร้อน
15. อย่าสัมผัสขั้วของเครื่องมือทันทีหลังจากการใช้งาน เนื่องจากอาจมีความร้อนพอที่จะทำให้ผิวไหม้ได้
16. อย่าปล่อยให้เศษวัสดุ ฝุ่นผง หรือดินเข้าไปติดอยู่ในขั้ว รู และร่องของดัดลับแบตเตอรี่ เนื่องจากอาจทำให้เกิดความร้อน ไฟไหม้ ระเบิด และทำให้เครื่องมือหรือดัดลับแบตเตอรี่ทำงานผิดปกติ ส่งผลให้โดนลวกหรือเกิดการบาดเจ็บได้
17. หากเครื่องมือไม่รองรับสายไฟแรงดันสูง อย่าใช้ดัดลับแบตเตอรี่ใกล้กับสายไฟแรงดันสูง เนื่องจากเครื่องมือหรือดัดลับแบตเตอรี่อาจทำงานผิดปกติหรือเสียหายได้
18. เก็บแบตเตอรี่ให้ห่างจากเด็ก

ปฏิบัติตามคำแนะนำเหล่านี้

⚠ ข้อควรระวัง: ใช้แบตเตอรี่ของแท้จาก Makita เท่านั้น การใช้แบตเตอรี่ Makita ที่ไม่แท้ หรือแบตเตอรี่ที่ถูกเปลี่ยน อาจทำให้แบตเตอรี่ระเบิด ก่อให้เกิดเพลิงลุกไหม้ การบาดเจ็บ และความเสียหายได้ และจะทำให้การรับประกันของ Makita สำหรับเครื่องมือและแท่นชาร์จของ Makita เป็นโมฆะด้วย

เคล็ดลับในการรักษาอายุการใช้งานของ

แบตเตอรี่ให้ยาวนานที่สุด

1. ชาร์จตัวแบตเตอรี่ก่อนที่ไฟจะหมด หยุดการใช้งานแล้วชาร์จประจุไฟฟ้าใหม่ทุกครั้งเมื่อคุณรู้สึกว่าอุปกรณ์มีกำลังลดลง

2. อย่าชาร์จตัวแบตเตอรี่ที่มีไฟเต็มแล้ว การชาร์จประจุไฟฟ้ามากเกินไปอาจจะทำให้อายุการใช้งานของตัวแบตเตอรี่สั้นลง
3. ชาร์จประจุไฟฟ้าตัวแบตเตอรี่ในห้องที่มีอุณหภูมิระหว่าง 10 °C - 40 °C ปล่อยให้ตัวแบตเตอรี่เย็นลงก่อนที่จะชาร์จไฟ
4. เมื่อไม่ใช้ตัวแบตเตอรี่ ให้ถอดออกจากเครื่องมือหรือเครื่องชาร์จ
5. ชาร์จไฟตัวแบตเตอรี่หากคุณไม่ต้องการใช้เป็นเวลานาน (เกินกว่าหกเดือน)

ชื่อชิ้นส่วน

▶ หมายเลข 1

1	มือจับ	2	ก้านล็อคมือจับ	3	แผงควบคุม	4	สวิตช์เปิด/ปิด
5	ปุ่มดูด	6	ปุ่มเขย่าวัดทรง	7	ปุ่มแปรงหลัก	8	ปุ่มดวงไฟ
9	ปุ่มตรวจสอบ	10	ไฟแสดงสถานะ	11	ก้านเปิด/ปิดแปรงด้านข้าง	12	ปุ่มหมุนปรับความสูงแปรงด้านข้าง
13	ดวงไฟ	14	ด้ามจับ	15	แปรงด้านข้าง	16	ฝากล่องแบตเตอรี่
17	ปุ่มหมุนปรับความสูงแปรงหลัก	18	ล้อหลัง	19	ล้อหน้า	20	แปรงหลัก
21	ก้านภาชนะเก็บขยะ	22	ด้ามจับ (ชิ้นส่วนภาชนะเก็บขยะ)	23	ภาชนะเก็บขยะ	24	กล่องแบตเตอรี่
25	ตัวกรองชั้นต้น	26	ตัวกรอง HEPA	27	ก้านแปรง	28	สายดิน

คำแนะนำของอุปกรณ์ที่จำหน่ายแยก

⚠ ข้อควรระวัง: ขอแนะนำให้ใช้เฉพาะอุปกรณ์เสริมหรืออุปกรณ์ต่อพ่วงเหล่านี้กับเครื่องมือ Makita ที่ระบุในคู่มือการใช้อุปกรณ์เสริมหรืออุปกรณ์ต่อพ่วงอื่นๆ อาจมีความเสี่ยงที่จะได้รับบาดเจ็บ ใช้อุปกรณ์เสริมหรืออุปกรณ์ต่อพ่วงตามวัตถุประสงค์ที่ระบุไว้เท่านั้น

สำหรับรายละเอียดอุปกรณ์ที่จำหน่ายแยก โปรดดูแคตตาล็อกหรือติดต่อผู้แทนจำหน่ายหรือสำนักงานขายของเรา

- อะแดปเตอร์มัลติฟังก์ชัน
- ถูดูดฝุ่น
- แบตเตอรี่และเครื่องชาร์จ Makita ของแท้

หมายเหตุ: อุปกรณ์บางรายการอาจจะรวมอยู่ในชุดเครื่องมือเป็นอุปกรณ์มาตรฐาน ซึ่งอาจแตกต่างกันไปในแต่ละประเทศ

การเตรียมการสำหรับการใช้งาน

การประกอบ

⚠ ข้อควรระวัง: ก่อนการใช้งานเครื่อง ตรวจสอบให้แน่ใจว่าได้ปิดสวิตช์เปิด/ปิดและถอดแบตเตอรี่ออกแล้ว

การปรับมุมมือจับ

คุณสามารถปรับมุมของมือจับเพื่อให้ง่ายต่อการใช้งานเครื่องได้ ขณะทำการจัดส่งจากโรงงาน มือจับจะพับลง

⚠ ข้อควรระวัง: ใส่ก้านล็อคมือจับให้ถูกต้อง หากมือจับเคลื่อนหรือหล่นอาจเกิดอันตรายต่อการบาดเจ็บได้

1. ปล่อยให้ล็อกของก้านล็อคมือจับ
2. ปรับมือจับไปยังมุมที่ต้องการ

▶ **หมายเลข 2:** 1. ก้านล็อคมือจับ 2. มือจับ

3. ใส่ก้านล็อกมือจับ

▶ **หมายเลข 3:** 1. ก้านล็อกมือจับ

การพับมือจับลง

เมื่อคุณตั้งเครื่องโดยตั้งปลายเครื่องขึ้นเพื่อจัดเก็บ/ตรวจสอบ หรือเมื่อคุณเคลื่อนย้ายเครื่องโดยการยกเครื่อง ให้พับมือจับลง

▶ **หมายเลข 4**

หากมือจับหลวมและสั่น

หากมือจับหลวมและสั่นถึงแม้ว่าจะล็อกก้านล็อกมือจับถูกต้องแล้ว ให้ปรับมือจับโดยการขันน็อตตั้งตรงข้ามก้านล็อกมือจับให้แน่น หากใช้เครื่องขณะที่มือจับหลวมและสั่น อาจเกิดอันตรายจากการเคลื่อนหรือหล่นของมือจับ ซึ่งอาจทำให้ได้รับบาดเจ็บได้

▶ **หมายเลข 5:** 1. ก้านล็อกมือจับ 2. มือจับ 3. น็อตขันแน่น (สำหรับปรับความหลวม)

การติดตั้งและถอดแปรงด้านข้าง

แปรงด้านข้างสามารถใช้เพื่อขยายความกว้างในการทำความสะอาดและยังใช้ทำความสะอาดบริเวณผนังอีกด้วย

⚠️ ข้อควรระวัง: ติดตั้งแปรงด้านข้างให้ถูกต้อง หากแปรงหลวม อาจไปสัมผัสกับบุคคล ซึ่งอาจทำให้ได้รับบาดเจ็บได้

อุปกรณ์ต่อพ่วง

1. ยึดแปรงด้านข้างออกและตั้งเครื่องขึ้นตามที่แสดงในภาพ

▶ **หมายเลข 6:** 1. แปรงด้านข้าง

2. จัดขอกีเยว (2 ตำแหน่ง) ของแปรงด้านข้างให้ตรงกับรูยึดและติดเข้ากับแปรงด้านข้าง

ขอกีเยว (2 ตำแหน่ง) ของแปรงด้านข้างสามารถจัดให้ตรงกับรูใดก็ได้จาก 6 รู

▶ **หมายเลข 7:** 1. ขอกีเยว (2 ตำแหน่ง)
2. รู (6 ตำแหน่ง)

หมายเหตุ: เพื่อให้ง่ายต่อการเกี่ยวขอกีเยวและรู ให้หมุนแปรงด้านข้างทวนเข็มนาฬิกาในขณะที่ก้านแปรงด้านข้างลดลง

การถอดออก

ขณะที่บีบที่จับของขอกีเยวเข้าด้านใน ให้ถอดแปรงด้านข้างออก

▶ **หมายเลข 8:** 1. ที่จับของขอกีเยว

การชาร์จไฟแบตเตอรี่

การระบุระดับพลังงานแบตเตอรี่ที่เหลืออยู่

กดปุ่ม ตรวจสอบ บนดัลป์แบตเตอรี่เพื่อดูปริมาณแบตเตอรี่ที่เหลือ ไฟแสดงสถานะจะสว่างขึ้นเป็นเวลาสองสามวินาที

▶ **หมายเลข 9:** 1. ไฟแสดงสถานะ 2. ปุ่มตรวจสอบ








ไฟแสดงสถานะ			แบตเตอรี่ที่เหลือ
ไฟสว่าง	ดับ	กะพริบ	
■ ■ ■ ■	□ □ □ □	▣ □ □ □	75% ถึง 100%
■ ■ ■ □	□ □ □ □	▣ □ □ □	50% ถึง 75%
■ ■ □ □	□ □ □ □	▣ □ □ □	25% ถึง 50%
■ □ □ □	□ □ □ □	▣ □ □ □	0% ถึง 25%
▣ □ □ □	□ □ □ □	▣ □ □ □	ชาร์จไฟแบตเตอรี่
■ ■ □ □	□ □ □ □	▣ □ □ □	แบตเตอรี่อาจจะเสีย

หมายเหตุ: ขึ้นอยู่กับสภาพการใช้งานและอุณหภูมิ โดยรอบ การแสดงสถานะอาจจะแตกต่างจากปริมาณแบตเตอรี่จริงเล็กน้อย

หมายเหตุ: ไฟแสดงสถานะดวงแรก (ซ้ายสุด) จะกะพริบเมื่อระบบป้องกันแบตเตอรี่ทำงาน

สัญญาณแสดงความจุแบตเตอรี่ที่เหลืออยู่ (แผงควบคุม)

คุณสามารถตรวจสอบความจุแบตเตอรี่ที่เหลืออยู่ได้บนแผงควบคุม ความจุแบตเตอรี่ที่เหลืออยู่จะแสดงเมื่อมีการเปิดหรือปิดสวิตช์เปิด/ปิด หรือเมื่อกดปุ่มตรวจสอบ ไฟแสดงสถานะแบตเตอรี่จะสว่างขึ้นเป็นเวลา 3 วินาที

ไฟแสดงสถานะ			ความจุแบตเตอรี่ที่เหลืออยู่
 สว่าง	 ดับ	 กระพริบ	
			50% ถึง 100%
			20% ถึง 50%
			0% ถึง 20%
			ชาร์จแบตเตอรี่

สิ่งที่คุณจำเป็นต้องรู้ก่อนใช้งาน

การเคลื่อนย้ายเครื่อง

- ⚠ ข้อควรระวัง:** ก่อนการเคลื่อนย้ายเครื่อง ตรวจสอบให้แน่ใจว่าปิดสวิตช์เปิด/ปิดและถอดแบตเตอรี่ออกแล้ว
- ⚠ ข้อควรระวัง:** เพชระออกจากภาชนะเก็บขยะและตรวจสอบให้แน่ใจว่าภาชนะเก็บขยะล็อกกับขอเกี่ยวแน่นหนาดีแล้วก่อนจะยกและเคลื่อนย้ายเครื่อง หากไม่มีลอคขอเกี่ยวอาจทำให้ได้รับบาดเจ็บได้
- ⚠ ข้อควรระวัง:** การยกและเคลื่อนย้ายเครื่องควรใช้คนอย่างน้อยสองคนโดยใช้ท่าทางการยกที่ปลอดภัยเสมอ การเคลื่อนย้ายเครื่องด้วยท่าทางที่ไม่ปลอดภัยอาจทำให้เกิดการบาดเจ็บได้
- ⚠ ข้อควรระวัง:** เมื่อบรรทุกและขนเครื่องไปตามทางลาด ระวังอย่าให้ล้อร่วงหล่น

คนสองคนที่เคลื่อนย้ายเครื่อง คนหนึ่งให้ถือตามจับและอีกคนถือตามจับ (ขึ้นส่วนภาชนะเก็บขยะ)

- ▶ **หมายเลข 10:** 1. ตามจับ 2. ตามจับ (ขึ้นส่วนภาชนะเก็บขยะ)

สภาพแวดล้อมการทำงาน

หากมีขยะที่มีลักษณะคล้ายเชือก เช่น สายไฟหรือลวดอยู่ในตำแหน่งที่จะทำความสะอาด ให้กำจัดสิ่งเหล่านั้นออกก่อนดำเนินการ ขยะที่มีลักษณะคล้ายเชือกอาจพันเข้าไปในแปรงหลักและแปรงด้านข้าง

- ▶ **หมายเลข 11:** 1. ขยะที่มีลักษณะคล้ายเชือก

ฟังก์ชันการป้องกัน

เครื่องใช้ที่มีการติดตั้งฟังก์ชันการป้องกัน เมื่อเกิดสภาพใดสภาพหนึ่งต่อไปนี้ ฟังก์ชันการป้องกันจะหยุดมอเตอร์ทั้งหมดโดยอัตโนมัติ ดวงไฟบนแผงควบคุมจะแสดงสถานะความผิดพลาด

สถานะการส่องสว่าง			สถานะความผิดพลาด	การดำเนินการ
 สว่าง	 ดับ	 กระพริบ		
			ข้อผิดพลาดของแบตเตอรี่	ชาร์จไฟแบตเตอรี่
			อุณหภูมิของเครื่องสูง	ปล่อยให้เครื่องเย็นลง
			แปรงทำงานหนักเกินไป	หยุดใช้แปรงและถอดส่วนที่ทำงานหนักเกินไปออก
			ตัวดูดทำงานหนักเกินไป	หยุดใช้โหมดการดูดและถอดส่วนที่ทำงานหนักออก
			ฟังก์ชันเขย่าตัวกรองทำงานหนักเกินไป	หยุดใช้ฟังก์ชันเขย่าตัวกรองและถอดส่วนที่ทำงานหนักออก
			การป้องกันการรีสตาร์ท	ปิดสวิตช์เปิด/ปิด

การป้องกันการรีสตาร์ท

เครื่องใช้ที่มีการติดตั้งฟังก์ชันป้องกันการรีสตาร์ท หากใส่แบตเตอรี่ขณะที่เปิดสวิตช์เปิด/ปิดอยู่ หรือหากเครื่องฟื้นตัวจากโหมดพลังงานต่ำ* ในขณะที่เปิดสวิตช์เปิด/ปิดอยู่ ฟังก์ชันป้องกันการรีสตาร์ทจะป้องกันการรีสตาร์ทโดยอัตโนมัติ เมื่อปิดสวิตช์เปิด/ปิด การแสดงข้อผิดพลาดจะหายไป เมื่อเปิดสวิตช์เปิด/ปิดหลังจากนั้น เครื่องจะเริ่มทำงาน

* โหมดพลังงานต่ำ: เมื่อเกิดสภาพทั้งหมดต่อไปนี้ เครื่องจะเปลี่ยนเป็นโหมดพลังงานต่ำเพื่อประหยัดความจุแบตเตอรี่

- มอเตอร์ไม่ทำงาน
 - ดวงไฟด้านหน้าปิด
 - ไม่มีการกดปุ่มใดๆ เป็นเวลาหนึ่งนาที
- โหมดนี้จะตัดไฟให้กับวงจรอิเล็กทรอนิกส์บางส่วนด้วย

หมายเหตุ: การยกเลิกการแสดงข้อผิดพลาดนอกเหนือจากการป้องกันการรีสตาร์ท ให้ปิดสวิตช์เปิด/ปิด และดำเนินการอย่างใดอย่างหนึ่งจากสามวิธีต่อไปนี้

- เปิดสวิตช์เปิด/ปิด
- กดปุ่มบนแผงควบคุม
- ไม่ดำเนินการใดๆ เป็นเวลาหนึ่งนาที

หมายเหตุ: ไม่ว่าจะเกิดข้อผิดพลาดหรือไม่ก็ตาม คุณจะสามารถเปิดหรือปิดดวงไฟได้

หมายเหตุ: หากไม่มีการดำเนินการใดๆ เป็นเวลาหนึ่งนาทีหลังจากเกิดข้อผิดพลาดในขณะที่เปิดสวิตช์เปิด/ปิดอยู่ สัญญาณที่แผงควบคุมทั้งหมดจะดับลง แต่ข้อผิดพลาดยังไม่ได้รับการแก้ไข

- หากดวงไฟติด: กดปุ่มใดก็ได้บนแผงควบคุมเพื่อแสดงการแสดงข้อผิดพลาดอีกครั้ง
- หากดวงไฟดับ: เครื่องอยู่ในโหมดพลังงานต่ำ ดังนั้นการกดปุ่มบนแผงควบคุมจะเป็นการป้องกันการรีสตาร์ท

การป้องกันจากสาเหตุอื่นๆ

ระบบป้องกันได้รับการออกแบบมาเพื่อสาเหตุอื่นๆ ที่อาจสร้างความเสียหายต่อเครื่องใช้และทำให้เครื่องใช้หยุดทำงานโดยอัตโนมัติ ดำเนินการตามขั้นตอนดังต่อไปนี้ทุกขั้นตอนเพื่อกำจัดสาเหตุออกไป เมื่อเครื่องใช้หยุดทำงานชั่วคราวหรือหยุดทำงาน

1. ปิดเครื่องใช้ แล้วเปิดใหม่เพื่อเริ่มใช้งานอีกครั้ง
2. ชาร์จหรือเปลี่ยนแบตเตอรี่โดยนำแบตเตอรี่ที่ชาร์จแล้วมาใช้แทน
3. ปลดปล่อยเครื่องใช้และแบตเตอรี่เย็นลง

หากอาการไม่ดีขึ้นเมื่อเปิดระบบป้องกันอีกครั้ง ให้ติดต่อศูนย์บริการ Makita ใกล้บ้านคุณ

การใช้งาน

การติดตั้ง/ถอดแบตเตอรี่

⚠️ ข้อควรระวัง: ตรวจสอบให้แน่ใจว่าปิดสวิตช์เปิด/ปิดก่อนทำการติดตั้งหรือถอดแบตเตอรี่

⚠️ ข้อควรระวัง: ระวังอย่าให้นิ้วไปโดนขณะเปิดและปิดฝากล่องแบตเตอรี่ อาจเกิดอันตรายทำให้ได้รับบาดเจ็บได้

การติดตั้งแบตเตอรี่

เปิดฝากล่องแบตเตอรี่ จัดแบตเตอรี่ตรงกับร่องและใส่เข้าไปจนกระทั่งได้ยินเสียงคลิกเข้าที่ ปิดฝากล่องแบตเตอรี่

▶ **หมายเลข 12:** 1. ฝากล่องแบตเตอรี่

การถอดแบตเตอรี่

ขณะที่กดปุ่มบนแบตเตอรี่ค้างไว้ ใยกแบตเตอรี่ออกจากกล่องแบตเตอรี่

▶ **หมายเลข 13:** 1. ปุ่ม 2. แบตเตอรี่ “1” 3. แบตเตอรี่ “2”

เครื่องจะทำงานโดยติดตั้งแบตเตอรี่หนึ่งหรือสองก้อน

• การติดตั้งแบตเตอรี่สองก้อน

เมื่อติดตั้งแบตเตอรี่สองก้อนไว้ข้างกัน แบตเตอรี่ “1” จะถูกใช้ก่อน เมื่อแบตเตอรี่ “1” หมด เครื่องจะเปลี่ยนไปใช้แบตเตอรี่ “2” โดยอัตโนมัติโดยไม่ต้องหยุดการทำงานชั่วคราว

หมายเหตุ: แม้ว่าจะใส่แบตเตอรี่ “1” ไว้ แต่เมื่อใช้แบตเตอรี่ “2” อยู่ เครื่องจะไม่เปลี่ยนเป็นแบตเตอรี่ “1” เว้นแต่แบตเตอรี่ “2” จะหมดหรือปิดสวิตช์เปิด/ปิด

• การติดตั้งแบตเตอรี่หนึ่งก้อน

แบตเตอรี่ที่ติดตั้งจะถูกตรวจจบบโดยอัตโนมัติ

การใช้งานเครื่องใช้

การปรับความสูงของแปรงหลัก

ความสูงของแปรงหลัก (ด้านหลังเท่านั้น) ที่ด้านล่างของตัวเครื่องสามารถปรับได้ ปรับตามความเหมาะสมขึ้นอยู่กับสภาพของพื้นที่ที่จะทำความสะอาด ความยาวของแปรงหลัก ฯลฯ

▶ **หมายเลข 14:** 1. แปรงหลัก (ด้านหลัง)

หมุนปุ่มหมุนปรับความสูงของแปรงหลักเพื่อปรับความสูงของแปรงหลัก

หมุนปุ่มหมุนในทิศทางที่ลูกศรระบุเพื่อลดความสูงของแปรงหลัก (เพื่อปรับให้สัมผัสกับพื้นมากขึ้น)

▶ **หมายเลข 15:** 1. ปุ่มหมุนปรับความสูงแปรงหลัก
2. ความสูงของแปรงหลัก

หมุนปุ่มหมุนในทิศทางที่ลูกศรระบุเพื่อเพิ่มความสูงของแปรงหลัก (เพื่อปรับให้สัมผัสกับพื้นน้อยลง)

▶ **หมายเลข 16:** 1. ปุ่มหมุนปรับความสูงแปรงหลัก
2. ความสูงของแปรงหลัก

หมายเหตุ: แปรงหลักเริ่มสึกหรือ ตรวจสอบและปรับความสูงของแปรงหลักอย่างสม่ำเสมอ หากไม่สามารถปรับแปรงได้เพียงพอ ให้เปลี่ยนแปรงใหม่

วิธีตรวจสอบความสูงของแปรงหลักที่เหมาะสม

ข้อสังเกต: สังเกตความสูงที่เหมาะสม การกดแปรงหลักมากเกินไปจะเร่งการสึกหรอของแปรงหลักและทำให้อายุการใช้งานน้อยลง

ความกว้างของรางแปรงหลักบ่งบอกถึงความสูงที่เหมาะสมของแปรงหลัก

1. ยกด้านหน้าเครื่องขึ้นโดยจับที่ด้ามจับหรือมือจับ ย้ายเครื่องไปยังพื้นผิวเรียบที่เป็นวัสดุต่อไประยะสั้นๆ จากนั้นค่อยๆ วางเครื่องลงบนพื้นผิว

- พื้นผิวที่เป็นดิน
- พื้นผิวที่เป็นปูนขาว

2. เปิดสวิตช์เปิด/ปิด และหมุนแปรงหลักประมาณ 15 - 30 วินาที

3. ปิดสวิตช์เปิด/ปิด ยกด้านหน้าเครื่องขึ้นเพื่อป้องกันไม่ให้แปรงหลักสัมผัสกับพื้นผิวและขยับเครื่องไปยังพื้นที่อื่น ตรวจสอบว่ารางแปรงหลักเป็นรูปสี่เหลี่ยมผืนผ้าเท่ากัน ความกว้าง 25 - 40 mm (1" - 1-9/16")

ปรับความสูงอีกครั้งโดยใช้ปุ่มหมุนปรับความสูงแปรงหลัก หากรูปทรงของรางไม่เหมาะสม

► **หมายเลข 17:** 1. พื้นผิวของดินและปูนขาว 2. แปรงหลัก (ด้านหลัง) 3. ราง

การเปิดหรือปิดแปรงด้านข้าง

แปรงด้านข้างสามารถใช้เพื่อขยายความกว้างในการทำความสะอาดและยังใช้ทำความสะอาดบริเวณหนึ่งอีกด้วย

การใช้แปรงด้านข้าง ให้กดปุ่มปลดล็อกค้างไว้และกดปุ่มเปิด/ปิดแปรงด้านข้างลง

แปรงด้านข้างจะถูกลดระดับลงถึงพื้นผิวของพื้น เมื่อเปิดแปรงด้านข้าง แปรงจะหมุนร่วมกับแปรงหลัก

► **หมายเลข 18:** 1. แปรงด้านข้าง 2. ปุ่มปลดล็อก 3. ก้านเปิด/ปิดแปรงด้านข้าง

ยกก้านเปิด/ปิดแปรงด้านข้างขึ้นเมื่อไม่ได้ใช้แปรงด้านข้าง

แปรงด้านข้างจะถูกยกจากพื้นผิวของพื้น เมื่อปิดแปรงด้านข้าง แปรงด้านข้างจะไม่หมุน

► **หมายเลข 19:** 1. แปรงด้านข้าง 2. ก้านเปิด/ปิดแปรงด้านข้าง

การปรับความสูงของแปรงด้านข้าง

เมื่อเปิดแปรงด้านข้างจะสามารถปรับความสูงได้ ปรับตามความเหมาะสมขึ้นอยู่กับสภาพของพื้นที่ที่จะทำความสะอาด ความยาวของแปรงด้านข้าง ฯลฯ

หมุนปุ่มหมุนปรับความสูงของแปรงด้านข้างเพื่อปรับความสูงของแปรงด้านข้าง

หมุนปุ่มหมุนในทิศทางที่ลูกศรระบุเพื่อลดความสูงของแปรงด้านข้าง (เพื่อปรับให้สัมผัสกับพื้นมากขึ้น)

► **หมายเลข 20:** 1. ปุ่มหมุนปรับความสูงแปรงด้านข้าง

หมุนปุ่มหมุนในทิศทางที่ลูกศรระบุเพื่อเพิ่มความสูงของแปรงด้านข้าง (เพื่อปรับให้สัมผัสกับพื้นน้อยลง)

► **หมายเลข 21:** 1. ปุ่มหมุนปรับความสูงแปรงด้านข้าง

หมายเหตุ: แปรงด้านข้างเริ่มสึกหรอ ตรวจสอบและปรับความสูงของแปรงด้านข้างอย่างสม่ำเสมอ หากไม่สามารถปรับแปรงได้เพียงพอ ให้เปลี่ยนแปรงใหม่

การเริ่มต้นทำความสะอาด

⚠ ข้อควรระวัง: จับเครื่องใช้ให้แน่นในระหว่างการใช้งาน นอกจากนี้ อย่าปล่อยให้เครื่องทิ้งไว้โดยไม่มีใครดูแล ไม่ว่าเครื่องจะอยู่บนทางลาดหรือไม่ก็ตาม เครื่องอาจขยับและทำให้เกิดอุบัติเหตุได้

⚠ ข้อควรระวัง: อย่าหมุนแปรงหรือสตาร์ทฟังก์ชันเขย่าตัวกรองขณะที่ภาชนะหรือขยะหรือถุงดักฝุ่นไม่ได้ติดเข้ากับตัวเครื่อง

⚠ ข้อควรระวัง: อย่าสัมผัสแปรงที่กำลังหมุนอยู่ อาจเกิดอันตรายทำให้ได้รับบาดเจ็บได้

⚠ ข้อควรระวัง: อย่าใช้เครื่องเพื่อกวาดสิ่งของที่อาจเข้าไปพันกับแปรง เช่น สายไฟ เชือก หรือลวด การทำเช่นนั้นอาจทำให้เครื่องเสียได้ กำจัดขยะที่มีลักษณะคล้ายเชือกก่อน

⚠ ข้อควรระวัง: อย่าใช้เครื่องในพื้นที่ที่ไม่มั่นคง เช่น บริเวณที่พื้นลาดชันมากหรือลื่นมาก มีอันตรายจากการทำงานที่อาจจะไม่เสถียรหรือเครื่องอาจพลิกคว่ำได้

⚠ ข้อควรระวัง: สวมใส่อุปกรณ์ป้องกัน เช่น หนวดกวาง้นตา และถุงมือขณะทำความสะอาดในพื้นที่ที่มีฝุ่น

การทำตามสะอาด

ข้อสังเกต: อย่าฝืนหมุนสวิตช์เปิด/ปิดแรงๆ โดยไม่ได้กดปุ่มปลดล็อก

1. หมุนสวิตช์เปิด/ปิด โดยกดปุ่มปลดล็อกไปยังตำแหน่ง "I" เพื่อเปิดเครื่อง

► **หมายเลข 22:** 1. สวิตช์เปิด/ปิด 2. ปุ่มปลดล็อก 3. แผงควบคุม

2. หากจำเป็น ให้เปลี่ยนการตั้งค่าโดยการกดสวิตช์ฟังก์ชันบนแผงควบคุม (อ้างอิง "การทำงานของแผงควบคุม")

3. ดันมือจับเพื่อเริ่มทำความสะอาด

► หมายเลข 23

หมายเหตุ: สำหรับวิธีการเปิดหรือปิดแปรงด้านข้าง ให้อ้างอิง “การเปิดหรือปิดแปรงด้านข้าง”

4. หมุนสวิตช์เปิด/ปิด โดยกดปุ่มปลดล๊อคไปยังตำแหน่ง “O” เพื่อเปิดเครื่อง

► หมายเลข 24: 1. สวิตช์เปิด/ปิด 2. ปุ่มปลดล๊อค

การทำงานของแผงควบคุม

การเปลี่ยนความเร็วในการหมุนของแปรงหลัก

เมื่อเปิดเครื่อง การกดสวิตช์ [ปุ่มแปรงหลัก] แต่ละครั้งจะเปลี่ยนโหมดความเร็วการหมุนแปรง

ปุ่ม/ไฟ LED	โหมด	ฟังก์ชันการทำงาน
	โหมดมาตรฐาน	ความเร็วการหมุนของแปรงเป็นไปตามมาตรฐาน วิธีนี้เหมาะที่สุดเมื่อมีสิ่งสกปรกมาก
	โหมดเงียบ	วิธีนี้เหมาะที่สุดเมื่อคุณต้องการทำความสะอาดแบบเงียบหรือเมื่อคุณต้องการทำความสะอาดเป็นเวลานาน

หมายเหตุ: ความเร็วการหมุนของแปรงด้านข้างจะเชื่อมโยงกับความเร็วการหมุนของแปรงหลัก

หมายเหตุ: เมื่อเปิดเครื่อง การทำงานจะเริ่มด้วยโหมดที่เคยใช้งานอยู่ก่อนที่จะปิดเครื่องครั้งก่อนหน้า

การเปลี่ยนโหมดการดูด

เมื่อเปิดเครื่อง การกดสวิตช์ [ปุ่มดูด] แต่ละครั้งจะเปลี่ยนโหมดกำลังการดูด


ปุ่ม/ไฟ LED	โหมด	ฟังก์ชันการทำงาน
	โหมดมาตรฐาน	กำลังการดูดมาตรฐาน วิธีนี้เหมาะที่สุดเมื่อทำความสะอาดในบริเวณที่มีฝุ่น
	โหมดเงียบ	วิธีนี้เหมาะที่สุดสำหรับการทำความสะอาดแบบเงียบและนาน
	ปิด	วิธีนี้เหมาะที่สุดเมื่อไม่ต้องการการดูด รวมถึงการทำทำความสะอาดที่เงียบกว่าและยาวนานกว่าโหมดเงียบ

หมายเหตุ: เมื่อเปิดเครื่อง การทำงานจะเริ่มด้วยโหมดที่เคยใช้งานอยู่ก่อนที่จะปิดเครื่องครั้งก่อนหน้า

หมายเหตุ: หากฟังก์ชันเขย่าตัวกรองเปิดขณะที่พัดลมตัวดูดไอ้อยู่ พัดลมตัวดูดจะหยุดชั่วคราวและจะเริ่มทำงานอีกครั้งเมื่อฟังก์ชันเขย่าตัวกรองหยุด

เปิดหรือปิดฟังก์ชันเขย่าตัวกรอง

การกด [ปุ่มเขย่าตัวกรอง] จะเป็นการสลับฟังก์ชันเขย่าตัวกรองระหว่างเปิดและปิด

ปุ่ม/ไฟ LED	โหมด	ฟังก์ชันการทำงาน
	เปิด	เปิดฟังก์ชันเขย่าตัวกรอง เมื่อฟังก์ชันเขย่าตัวกรองทำงาน ฝุ่นจะถูกกำจัดออกจากตัวกรองโดยอัตโนมัติเพื่อขจัดสิ่งอุดตัน ฟังก์ชันจะปิดอัตโนมัติหลังจากนั้นประมาณ 15 วินาที
	ปิด	ปิดฟังก์ชันเขย่าตัวกรอง

การเปิดหรือปิดดวงไฟ

การกด [ปุ่มดวงไฟ] จะเป็นการสลับการทำงานของดวงไฟระหว่างเปิดและปิด

ปุ่ม/ไฟ LED	โหมด	ฟังก์ชันการทำงาน
	เปิด	เปิดดวงไฟ
	ปิด	ปิดดวงไฟ

▶ **หมายเลข 25:** 1. ดวงไฟ

ฟังก์ชันปิดดวงไฟอัตโนมัติ

ดวงไฟจะปิดอัตโนมัติหากเกิดสภาพสองอย่างต่อไปนี้ต่อเนื่อง 30 นาที

- ไม่มีมอเตอร์ (แปรงหลัก การดูด และการเขย่าฟิลเตอร์) ทำงาน
- ไม่มีปุ่มใดถูกกด

การแสดงความจุแบตเตอรี่ที่เหลืออยู่

กด [ปุ่มตรวจสอบ] เพื่อแสดงความจุแบตเตอรี่ที่เหลืออยู่

การใช้ภาษาเก็บขยะ

▶ **หมายเลข 26:** 1. ภาษาเก็บขยะ

- ขยะจะถูกรวบรวมไว้ในภาษาเก็บขยะ
- สำหรับรายละเอียดของขั้นตอนการทำความสะดวกโปรดอ้างอิง “การเริ่มต้นทำความสะดวก”

การถอดออก

1. ยกขอกี่ของภาษาเก็บขยะ
2. ถอดขอกี่ออกจากตัวเครื่อง

▶ **หมายเลข 27:** 1. ขอกี่

3. ถอดภาษาเก็บขยะออกจากตัวเครื่อง

▶ **หมายเลข 28:** 1. ขอกี่ 2. ภาษาเก็บขยะ

อุปกรณ์ต่อพ่วง

1. ติดร่องของภาษาเก็บขยะเข้ากับก้านภาษาเก็บขยะของตัวเครื่อง

▶ **หมายเลข 29:** 1. ร่อง 2. ก้านภาษาเก็บขยะ

2. ติดขอกี่เข้ากับเครื่องและลดขอกี่ลงเพื่อให้ภาษาเก็บขยะเข้าที่

การใช้ถุงดักฝุ่น

อุปกรณ์เสริม

▶ **หมายเลข 30:** 1. ถุงดักฝุ่น 2. ช่องโปร่งแสง

- ถุงดักฝุ่นมีควมขนาดใหญ่ทำให้เหมาะสำหรับการเก็บขยะขนาดใหญ่ เช่น ใบไม้ที่ร่วงหล่น

- คุณสามารถตรวจสอบจำนวนขยะที่เก็บได้ผ่านช่องโปร่งแสงที่ด้านบน
- ใช้ภาษาเก็บขยะเมื่อตุ้ฝุ่น ถุงดักฝุ่นไม่มีฝักเหมือนกับภาษาเก็บขยะ
- สำหรับรายละเอียดของขั้นตอนการทำความสะดวกโปรดอ้างอิง “การเริ่มต้นทำความสะดวก”

หมายเหตุ: หากทำการเก็บขยะเบา เช่น ใบไม้ร่วง แนะนำให้ใช้โหมดการดูด การใช้โหมดการดูดจะช่วยให้เก็บขยะได้มากกว่าการปิดโหมดนี้

อุปกรณ์ต่อพ่วง

1. ถอดภาษาเก็บขยะออกจากตัวเครื่อง

▶ **หมายเลข 31:** 1. ขอกี่ 2. ภาษาเก็บขยะ

2. ติดร่องของกรอบถุงดักฝุ่นเข้ากับก้านภาษาเก็บขยะของตัวเครื่อง

▶ **หมายเลข 32:** 1. กรอบถุงดักฝุ่น 2. ร่อง 3. ก้านภาษาเก็บขยะ

3. ติดขอกี่เข้ากับเครื่องและลดขอกี่ลงเพื่อให้กรอบถุงดักฝุ่นเข้าที่

▶ **หมายเลข 33**

4. ติดตั้งถุงดักฝุ่นโดยการแขวนขอกี่ทางด้านซ้ายและขวาของถุงดักฝุ่นบนร่องที่ติด

▶ **หมายเลข 34:** 1. ขอกี่ 2. ร่อง

การถอดออก

ให้ทำตามขั้นตอนการติดตั้งแบบย้อนกลับ

การติดตั้งถุงโพลีเอทิลีน

ข้อสังเกต: หากติดตั้งถุงโพลีเอทิลีน อาจจะทำให้ดูด้านในของถุงดักฝุ่นได้ยากขึ้น

การติดตั้งโพลีเอทิลีนเข้ากับถุงดักฝุ่นช่วยให้คุณสะดวกเมื่อถึงเวลาที่ขยะ เนื่องจากสามารถเสร็จสิ้นงานทั้งได้โดยเพียงแค่อัดและทิ้งถุงโพลีเอทิลีนที่มีขยะอยู่ในนั้นออกไป

1. ยึดตามจับ (สำหรับถุงดักฝุ่น) และถอดถุงดักฝุ่นออก

▶ **หมายเลข 35:** 1. ตามจับ (สำหรับถุงดักฝุ่น) 2. ถุงดักฝุ่น

2. ติดตั้งถุงโพลีเอทิลีน (ที่ไว้ใช้ทางการค้า เส้นรอบวงเปิดถุงเกิน 1,600 mm (63") เข้ากับถุงดักฝุ่น

▶ **หมายเลข 36:** 1. ถุงโพลีเอทิลีน

3. ติดตั้งถุงดักฝุ่นโดยการแขวนขอกี่ทางด้านซ้ายและขวาของถุงดักฝุ่นบนร่องที่ติด

การใช้อะแดปเตอร์มัลติฟังก์ชัน

อุปกรณ์เสริม

การติดตั้งอะแดปเตอร์มัลติฟังก์ชันทำให้สามารถติดตั้ง Makpac หรือชุดต้นกำลังแบบพกพาได้

⚠ ข้อควรระวัง: ยึดอะแดปเตอร์มัลติฟังก์ชันให้เข้าที่อย่างถูกต้องโดยใช้สกรูที่ให้มา

⚠ ข้อควรระวัง: ยึด Makpac หรือชุดต้นกำลังแบบพกพาให้เข้าที่อย่างเหมาะสมโดยใช้สลักหรือขอเกี่ยวบนอะแดปเตอร์มัลติฟังก์ชัน

⚠ ข้อควรระวัง: อย่าวางวัตถุที่น้ำหนักมากกว่า 20 kg (44 lbs) ขึ้นไปบนอะแดปเตอร์มัลติฟังก์ชัน

⚠ ข้อควรระวัง: อย่าใช้มีมัจબของ Makpac หรือชุดต้นกำลังแบบพกพาที่ติดตั้งบนอะแดปเตอร์มัลติฟังก์ชันเพื่อเคลื่อนย้ายหรือใช้งานเครื่อง การทำเช่นนั้นอาจทำให้เกิดอุบัติเหตุได้

⚠ ข้อควรระวัง: อย่าตั้งเครื่องขึ้นเมื่อติดตั้ง Makpac หรือชุดต้นกำลังแบบพกพานบนอะแดปเตอร์มัลติฟังก์ชัน การทำเช่นนั้นอาจทำให้กลไกการล็อคของอะแดปเตอร์มัลติฟังก์ชันเสียหาย และ Makpac หรือชุดต้นกำลังแบบพกพาอาจหลุดออกมา

การติดตั้งอะแดปเตอร์มัลติฟังก์ชัน

1. จัดส่วนที่ยื่นออกมาทางซ้ายและขวาของอะแดปเตอร์มัลติฟังก์ชันให้ตรงกับร่องสำหรับติดตั้งบนเครื่อง และติดอะแดปเตอร์มัลติฟังก์ชัน

▶ **หมายเลข 37:** 1. ส่วนที่ยื่นออกมา 2. ร่อง 3. อะแดปเตอร์มัลติฟังก์ชัน

หากติดตั้งอะแดปเตอร์มัลติฟังก์ชันได้ยาก ให้คลายก้านล็อคมีมัจบบนเครื่อง เมื่อคลายก้านล็อคมีมัจบแล้ว ให้หับมีมัจบลงเพื่อป้องกันมีมัจบจากการวิ่งหล่น และจากนั้นติดตั้งอะแดปเตอร์มัลติฟังก์ชัน

2. ขันสกรูทั้งสี่ตัวของอะแดปเตอร์มัลติฟังก์ชันให้เข้าที่

▶ **หมายเลข 38:** 1. สกรู

การถอดอะแดปเตอร์มัลติฟังก์ชัน

ให้ทำตามขั้นตอนการติดตั้งแบบย้อนกลับ

ชื่อของชิ้นส่วนของอะแดปเตอร์มัลติฟังก์ชัน

▶ **หมายเลข 39:** 1. ตัวล็อคยึด (สำหรับ Makpac) 2. ขอเกี่ยว A (สำหรับ PDC01 / PDC1200 / PDC1500) 3. ขอเกี่ยว B (สำหรับ PDC1200 / PDC1500) 4. ขอเกี่ยว C (สำหรับ PDC01)

การติดตั้ง Makpac

⚠ ข้อควรระวัง: อย่าให้เกินความสูง 315 mm (12-3/8") เมื่อทำการติดตั้ง Makpac

ติดตั้งตัวล็อคยึดสองตัวทางซ้ายและขวาเข้ากับร่องสำหรับติดตั้งของ Makpac ให้แน่นเพื่อยึด Makpac ให้เข้าที่

▶ **หมายเลข 40:** 1. Makpac 2. ตัวล็อคยึด

การถอด Makpac

ปลดตัวล็อคยึดสองตัวทางซ้ายและขวาแล้วถอด Makpac ออก

การติดตั้งชุดต้นกำลังแบบพกพา

⚠ ข้อควรระวัง: อย่าใช้เครื่องมือโดยมีชุดต้นกำลังแบบพกพาอยู่บนหลังของคุณ

⚠ ข้อควรระวัง: เมื่อติดตั้งชุดต้นกำลังแบบพกพานบนอะแดปเตอร์มัลติฟังก์ชัน ตรวจสอบให้แน่ใจว่าสายไฟของชุดต้นกำลังแบบพกพาได้รับการจัดเรียงอย่างเหมาะสม ไม่เช่นนั้น สายไฟที่หย่อนคล้อยอาจถูกชุดขีดจากพื้นและขาดการเชื่อมต่อ เกิดควัน หรือไฟไหม้

1. ติดตั้งขอบด้านล่างของชุดต้นกำลังแบบพกพาเข้ากับขอเกี่ยว A และยึดให้เข้าที่ด้วยขอเกี่ยว B หรือขอเกี่ยว C ตรวจสอบให้แน่ใจว่าชุดต้นกำลังแบบพกพาไม่หลุดออกจากเครื่องโดยการยกมีมัจบของชุดต้นกำลังแบบพกพาขึ้นเบาๆ

• PDC1200 / PDC1500

ติดตั้งขอบด้านล่างของชุดต้นกำลังแบบพกพาเข้ากับขอเกี่ยว A และยึดให้เข้าที่ด้วยขอเกี่ยว B ตรวจสอบให้แน่ใจว่าชุดต้นกำลังแบบพกพาไม่หลุดออกจากเครื่องโดยการยกมีมัจบของชุดต้นกำลังแบบพกพาขึ้นเบาๆ

หากเห็นช็ลล์แดงของปุ่มล๊อค แสดงว่าชุดต้นกำลังแบบพกพายังล๊อคไม่เข้าที่

▶ **หมายเลข 41:** 1. ชุดต้นกำลังแบบพกพา 2. ขอเกี่ยว A 3. ขอเกี่ยว B 4. ปุ่มล๊อค 5. ช็ลล์สีแดง

• PDC01

ติดตั้งขอบด้านล่างของชุดต้นกำลังแบบพกพาเข้ากับขอเกี่ยว A และยึดให้เข้าที่ด้วยขอเกี่ยว C ไม่ได้ใช้ขอเกี่ยว B

▶ **หมายเลข 42:** 1. ชุดต้นกำลังแบบพกพา 2. ขอเกี่ยว A 3. ขอเกี่ยว C

2. จัดแนวเครื่องหมายสามเหลี่ยมบนบ่าปลั๊กของชุดต้นกำลังแบบพกพาและปลั๊กของอะแดปเตอร์ (สำหรับแบตเตอรี่ XGT) และประกอบเข้าด้วยกันให้แน่นที่สุดเท่าที่จะเป็นไปได้

- ▶ **หมายเลข 43:** 1. เบ้าปลั๊กของชุดต้นกำลังแบบพกพา
2. ปลั๊กของอะแดปเตอร์ (สำหรับแบตเตอรี่ XGT) 3. เครื่องหมายสามเหลี่ยม

3. เปิดฝากล่องแบตเตอรี่

- ▶ **หมายเลข 44:** 1. ฝากล่องแบตเตอรี่

4. ตามที่แสดงในภาพ ให้จัดเรียงสายไฟให้ลอดผ่านร่องในอะแดปเตอร์มัลติฟังก์ชันและกล่องแบตเตอรี่ จัดตำแหน่งอะแดปเตอร์ (สำหรับแบตเตอรี่ XGT) ให้ตรงกับร่องในช่องเปิดสำหรับใส่แบตเตอรี่ และใส่อะแดปเตอร์จนกระทั่งคลิกเข้าที่

- ▶ **หมายเลข 45:** 1. ร่องในอะแดปเตอร์มัลติฟังก์ชัน
2. ร่องในกล่องแบตเตอรี่ 3. อะแดปเตอร์ (สำหรับแบตเตอรี่ XGT)

5. ปิดฝากล่องแบตเตอรี่

การถอดชุดต้นกำลังแบบพกพา

PDC1200 / PDC1500

1. ถอดปลั๊กของอะแดปเตอร์ (สำหรับแบตเตอรี่ XGT) ออกจากช่องเสียบของชุดต้นกำลังแบบพกพา และถอดสายไฟออก

ข้อสังเกต: อย่าดึงสายไฟเมื่อถอดออกจากปลั๊กของอะแดปเตอร์ นอกจากนี้ ห้ามเคลื่อนย้ายชุดต้นกำลังแบบพกพาโดยจับเฉพาะสายไฟเท่านั้น
สายไฟอาจขาดหรือเสียหายได้

2. ขณะที่ดปุ่มล๊อคของชุดต้นกำลังแบบพกพาค้างไว้ ให้ยกมือจับของชุดจ่ายไฟแบบพกพาขึ้น

- ▶ **หมายเลข 46:** 1. ชุดต้นกำลังแบบพกพา 2. ปุ่มล๊อค 3. มือจับ

PDC01

1. ถอดปลั๊กของอะแดปเตอร์ (สำหรับแบตเตอรี่ XGT) ออกจากช่องเสียบของชุดต้นกำลังแบบพกพา และถอดสายไฟออก

ข้อสังเกต: อย่าดึงสายไฟเมื่อถอดออกจากปลั๊กของอะแดปเตอร์ นอกจากนี้ ห้ามเคลื่อนย้ายชุดต้นกำลังแบบพกพาโดยจับเฉพาะสายไฟเท่านั้น
สายไฟอาจขาดหรือเสียหายได้

2. ปลดข้อเกี่ยว C แล้วดึงชุดต้นกำลังแบบพกพาออกแล้วยกขึ้น

- ▶ **หมายเลข 47:** 1. ชุดต้นกำลังแบบพกพา 2. ข้อเกี่ยว C 3. มือจับ

การดูแลหลังการใช้งาน

⚠ ข้อควรระวัง: หากไม่ได้ใช้เครื่อง ตรวจสอบให้แน่ใจว่าได้ปิดสวิตช์เปิด/ปิดและถอดแบตเตอรี่ออกแล้ว

การทิ้งขยะ

⚠ ข้อควรระวัง: สวมอุปกรณ์ป้องกัน เช่น หน้ากากและถุงมือเสมอเมื่อทิ้งขยะ มีอันตรายที่คุณอาจสัมผัสของมีคมในขยะ อาจทำให้เกิดการบาดเจ็บได้

⚠ ข้อควรระวัง: ทิ้งขยะตั้งแต่เนิ่นๆ ก่อนที่จะสะสมมากเกินไป แรงดูดอาจลดลง

1. ถอดข้อเกี่ยว จากนั้นถอดภาชนะเก็บขยะออกจากตัวเครื่อง

- ▶ **หมายเลข 48:** 1. ภาชนะเก็บขยะ 2. ข้อเกี่ยว

หากใช้ถุงดักฝุ่น ให้ถอดด้ามจับออกและถุงดักฝุ่นขึ้น

- ▶ **หมายเลข 49:** 1. ด้ามจับ (สำหรับถุงดักฝุ่น) 2. ถุงดักฝุ่น

2. ขนย้ายภาชนะเก็บขยะหรือถุงดักฝุ่นไปที่จุดเก็บขยะและทิ้งขยะ

- ▶ **หมายเลข 50**

หากใช้ถุงดักฝุ่น การติดถุงโพลีเอทิลีนไว้ด้านในจะทำให้คุณสามารถทิ้งถุงโพลีเอทิลีนไปพร้อมกับขยะได้

- ▶ **หมายเลข 51**

3. หลังจากทิ้งขยะแล้ว ให้ติดภาชนะเก็บขยะหรือถุงดักฝุ่นกลับไปที่เครื่อง ตรวจสอบให้แน่ใจว่าข้อเกี่ยวล๊อคอยู่

การบำรุงรักษา

⚠ ข้อควรระวัง: ตรวจสอบให้แน่ใจเสมอว่าปิดสวิตช์เครื่องใช้และถอดด้ามแบตเตอรี่ออกแล้วก่อนพยายามทำการตรวจสอบหรือบำรุงรักษา

ข้อสังเกต: อย่าใช้น้ำมันเชื้อเพลิง เบนซิน ทินเนอร์ แอลกอฮอล์ หรือวัสดุประเภทเดียวกัน เนื่องจากอาจทำให้ลื่นลื่น ขัด หรือแตกกร้าวได้

การบำรุงรักษา

การทำความสะอาดตัวเครื่องใช้

⚠ ข้อควรระวัง: อย่าล้างตัวเครื่องด้วยน้ำ การทำเช่นนั้นอาจทำให้เครื่องเสียได้

หากต้องการจัดตั้งสกรปรอกจากตัวเครื่อง ให้เช็ดโดยใช้ผ้าที่ชุบผงซักฟอกเป็นกลางเจือจางจำนวนเล็กน้อย

▶ **หมายเลข 52**

การทำความสะอาดแปรงหลัก

1. พับมือจับและตั้งเครื่องขึ้นตามที่แสดงในภาพ

2. กัดแปรงหลักตามทิศทางตามลูกศร A ในรูป

ถอดปลายด้านหนึ่งของแปรงหลักออกตามทิศทางตามลูกศร B ในรูป

▶ **หมายเลข 53:** 1. แปรงหลัก

3. ถอดปลายอีกด้านหนึ่งของแปรงหลักออกจากก้านแปรง

4. ในทำนองเดียวกัน ให้ถอดแปรงหลักอีกอันออก

5. หากมีขยะที่มีลักษณะคล้ายเชือกติดอยู่ที่แปรง ให้เอาออกด้วยมือ

▶ **หมายเลข 54**

6. สลัดฝุ่นออก และล้างแปรงด้วยน้ำถ้าสกปรกมาก หลังจากล้างแล้วควรปล่อยให้แห้งในที่ร่ม อย่าใช้จนกว่าจะแห้งสนิท

▶ **หมายเลข 55**

7. วางทิศทางแปรงหลักแต่ละอันเพื่อให้รูปร่างของปลายตรงกับพื้นที่ติดตั้งของเครื่อง ดังแสดงในรูป

หากรูปร่างของปลายไม่ตรงกัน ให้กลับทิศทางซ้าย-ขวาของแปรงหลักเพื่อให้ตรงกัน

▶ **หมายเลข 56:** 1. แปรงหลัก 2. รูปลบ 3. รูปบวก

8. ใส่แปรงหลักบนก้านแปรงของตัวเครื่องในทิศทางตามลูกศรในรูป

▶ **หมายเลข 57:** 1. ก้านแปรง

9. ติดตั้งแปรงหลักในบริเวณที่ติดตั้งของเครื่อง ในทิศทางตามลูกศรในรูป และยึดให้เข้าที่

▶ **หมายเลข 58**

หมายเหตุ: หากรูปร่างของปลายไม่ตรงกัน คุณจะไม่สามารถติดแปรงหลักได้ ในกรณีนี้ ให้ย้อนกลับไปยังขั้นตอนที่ 7 และทำซ้ำ

10. ในทำนองเดียวกัน ให้ติดตั้งแปรงหลักอีกอัน

▶ **หมายเลข 59**

⚠ ข้อควรระวัง: หลังจากติดตั้งแปรงหลักแล้ว ให้ตรวจสอบว่ารูปร่างเข้ากันอย่างถูกต้อง

หมายเหตุ: หากแปรงหลักชำรุดจนมีความยาวสั้นลง ให้เปลี่ยนใหม่

การทำความสะอาดแปรงด้านข้าง

สำหรับขั้นตอนการติดตั้งและถอดแปรงด้านข้าง โปรดดูที่ “การติดตั้งและถอดแปรงด้านข้าง”

1. การถอดแปรงด้านข้าง

2. สลัดฝุ่นออก และล้างแปรงด้วยน้ำถ้าสกปรกมาก หลังจากล้างแล้วควรปล่อยให้แห้งในที่ร่ม อย่าใช้จนกว่าจะแห้งสนิท

▶ **หมายเลข 60**

3. ติดตั้งแปรงด้านข้าง

หมายเหตุ: หากแปรงด้านข้างชำรุดจนมีความยาวสั้นลง ให้เปลี่ยนใหม่

การทำความสะอาดตัวกรอง

⚠ ข้อควรระวัง: ตรวจสอบให้แน่ใจว่าติดตั้งตัวกรองอย่างถูกต้อง และอย่าใช้เครื่องเมื่อไม่ได้ติดตั้งตัวกรอง นอกจากนี้ อย่าใช้ตัวกรองที่ชำรุดหรือเปียก อาจทำให้มอเตอร์ไหม้หรือเสียหายได้

ข้อสังเกต: สามารถล้างตัวกรองและนำกลับมาใช้ใหม่ได้ เพื่อป้องกันความเสียหายต่อตัวกรอง ห้ามใช้สิ่งต่อไปนี้เมื่อทำความสะอาด

- ที่เป่าฝุ่น
- เครื่องฉีดน้ำแรงดันสูง
- แปรงที่ทำจากวัสดุที่แข็ง เช่น แปรงลวด

1. ถอดภาชนะเก็บขยะ

2. ขณะกดขอเกี่ยวของตัวกรองขึ้นต้นในทิศทางตามลูกศรในรูป ให้ถอดตัวกรองขึ้นต้นออก

▶ **หมายเลข 61:** 1. ตัวกรองขึ้นต้น 2. ขอเกี่ยว

3. ขณะกดขอเกี่ยวของตัวกรอง HEPA ในทิศทางตามลูกศรในรูป ให้ถอดตัวกรอง HEPA ออก

▶ **หมายเลข 62:** 1. ตัวกรอง HEPA 2. ขอเกี่ยว

4. สลัดฝุ่นออก และล้างตัวกรองด้วยน้ำถ้าสกปรกมาก หลังจากล้างแล้วควรปล่อยให้ตัวกรองขึ้นต้นและตัวกรอง HEPA แห้งในที่ร่ม อย่าใช้จนกว่าจะแห้งสนิท

▶ **หมายเลข 63:** 1. ตัวกรองขึ้นต้น 2. ตัวกรอง HEPA

5. ในการติดตั้งตัวกรอง HEPA ให้ติดขอบของตัวกรอง HEPA เข้ากับร่องบนตัวเครื่อง แล้วดันตัวกรองให้เข้าที่ ตรวจสอบว่าขอเกี่ยวยึดแน่นดีแล้ว

▶ **หมายเลข 64:** 1. ตัวกรอง HEPA 2. ขอเกี่ยว 3. ร่อง 4. ขอเกี่ยว

6. ในการติดตั้งตัวกรองชั้นต้น ให้ติดตั้งที่ยื่นออกมาของตัวกรองชั้นต้นเข้ากับร่องบนตัวเครื่อง แล้วดันตัวกรองให้เข้าที่ ตรวจสอบว่าขอยึดแน่นดีแล้ว
- ▶ **หมายเลข 65:** 1. ตัวกรองชั้นต้น 2. ส่วนที่ยื่นออกมา 3. ร่อง 4. ขอยึด

การทำความสะอาดกรองฟองน้ำ

⚠ ข้อควรระวัง: หลังจากทำความสะอาดกรองฟองน้ำแล้ว ตรวจสอบให้แน่ใจว่าได้ใส่กรองฟองน้ำลงบนภาชนะเก็บขยะแล้ว หากทำความสะอาดด้วยวิธีการล้างน้ำ จะต้องทำให้แห้งก่อนจะทำการติดตั้ง

เมื่อกรองฟองน้ำอุดตันด้วยฝุ่น ให้ถอดออกจากภาชนะเก็บขยะแล้วเขี่ยออกหรือล้างด้วยน้ำ

1. ถอดกล่องกรองฟองน้ำออกจากภาชนะเก็บขยะ
 2. เปิดกล่องกรองฟองน้ำเพื่อถอดกรองฟองน้ำ
- ▶ **หมายเลข 66:** 1. ภาชนะเก็บขยะ 2. กล่องกรองฟองน้ำ 3. กรองฟองน้ำ
3. เขี่ยกรองฟองน้ำหรือล้างในน้ำ
 4. ติดตั้งกรองฟองน้ำในตำแหน่งเดิม

การทำความสะอาดท่อ

เมื่อใช้ถุงดักฝุ่น (อุปกรณ์เสริม) ท่ออาจอุดตันด้วยขยะละเอียด เช่น ทราย กรวด และใบไม้เล็กๆ ที่ร่วงหล่น

1. ดึงท่อออกจากกรอบดักฝุ่น
 2. เอาขยะออกจากท่อ
- ▶ **หมายเลข 67:** 1. กรอบดักฝุ่น 2. ท่อ
3. ติดตั้งท่อในตำแหน่งเดิม

การตรวจสอบเป็นระยะ

เพื่อให้มั่นใจว่าเครื่องมืออายุการใช้งานยาวนานและใช้งานได้อย่างปลอดภัย ให้ดำเนินการตรวจสอบตามรายการด้านล่างนี้เป็นระยะๆ

การตรวจสอบรายวัน

- ภาชนะเก็บขยะ: ทำให้ภาชนะว่างเปล่า
- ตัวกรอง: หากตัวกรองสกปรกให้ทำความสะอาด
- แปร่ง: หากมีขยะที่มีลักษณะคล้ายเชือกติดอยู่ ให้กำจัดออก
- ชิ้นส่วนควบคุมและเคลื่อนที่ได้: ตรวจสอบว่าชิ้นส่วนเหล่านั้นเคลื่อนไหวได้อย่างราบรื่น

การตรวจสอบรายสัปดาห์

- ความสูงของแปร่งหลัก: หากความสูงไม่เหมาะสม ให้ปรับใหม่
- สกรู (เมื่อใช้อะแดปเตอร์มีลิตฟังก์ชัน): หากสกรูคลายให้ขันให้แน่น

การเปลี่ยน/เติมน้ำมัน

การเปลี่ยนแปร่ง

หากแปร่งหลักและแปร่งด้านข้างชำรุด โปรดสอบถามศูนย์บริการ Makita ใกล้คุณเพื่อเปลี่ยนใหม่

การเปลี่ยนแปร่งหลัก

เปลี่ยนแปร่งหลัก หากแปร่งไม่สามารถปรับให้เหมาะสมได้ โปรดอ้างอิง “การปรับความสูงของแปร่งหลัก” สำหรับการถอดและการติดตั้งแปร่งหลัก โปรดอ้างอิง “การทำความสะอาดแปร่งหลัก”

การเปลี่ยนแปร่งด้านข้าง

เปลี่ยนแปร่งด้านข้างหากแปร่งไม่สัมผัสกับพื้นเมื่อป้อนหมุนปรับความสูงของแปร่งอยู่ในตำแหน่งต่ำที่สุดแล้ว โปรดอ้างอิง “การปรับความสูงของแปร่งด้านข้าง” สำหรับการถอดและการติดตั้งแปร่งด้านข้าง โปรดอ้างอิง “การติดตั้งและถอดแปร่งด้านข้าง”

Makita Corporation
3-11-8, Sumiyoshi-cho,
Anjo, Aichi 446-8502 Japan
www.makita.com

885A57-373
EN, ZHCN, ID, MS,
VI, TH
20231220