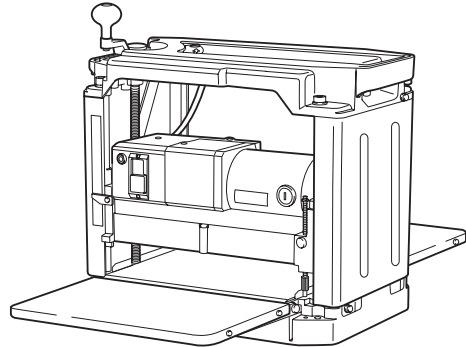
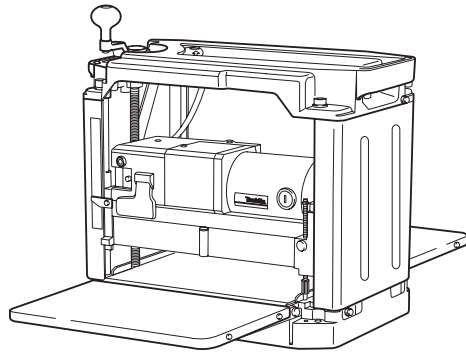




EN	Planer	INSTRUCTION MANUAL	6
ZHCN	电刨	使用说明书	12
ID	Mesin Serut	PETUNJUK PENGGUNAAN	19
MS	Pengetam	MANUAL ARAHAN	26
VI	Máy Bào Để Bàn Hoạt Động Bằng Động Cơ Điện	TÀI LIỆU HƯỚNG DẪN	33
TH	กบไฟฟ้า	คู่มือการใช้งาน	40

2012NB



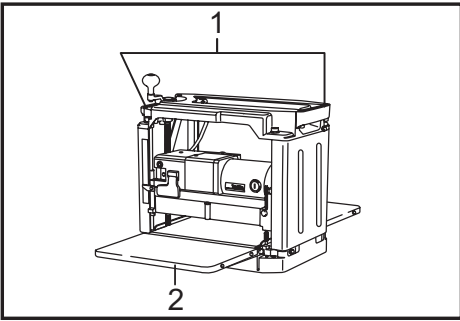


Fig.1

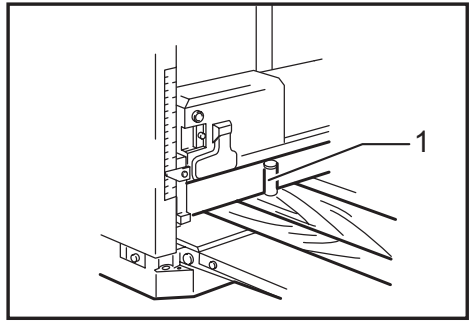


Fig.5

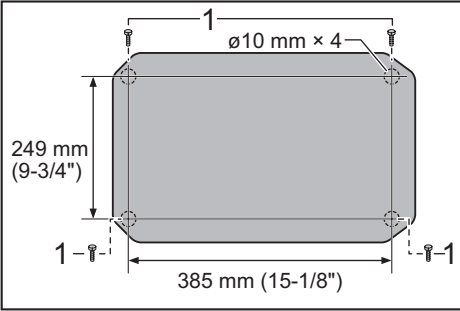


Fig.2

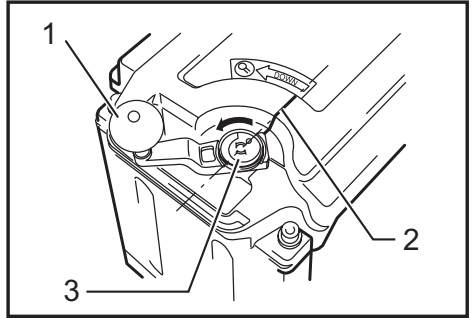


Fig.6

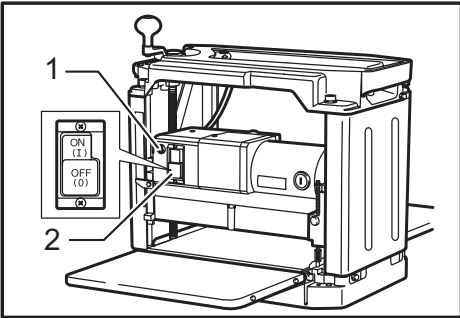


Fig.3

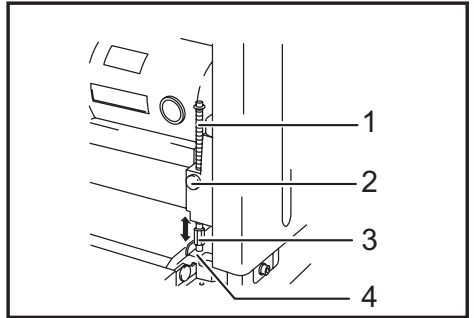


Fig.7

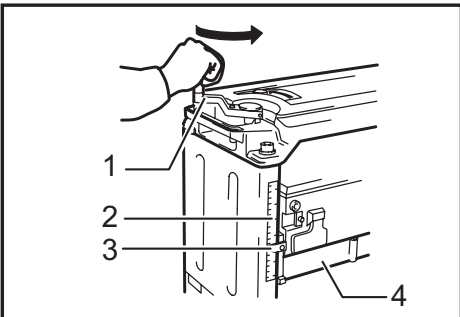


Fig.4

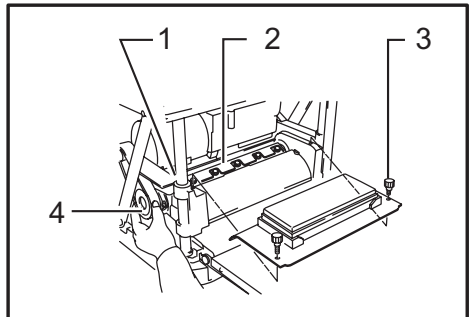


Fig.8

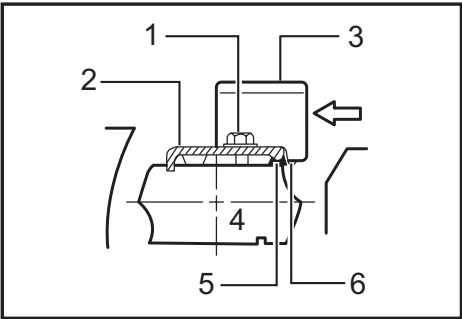


Fig.9

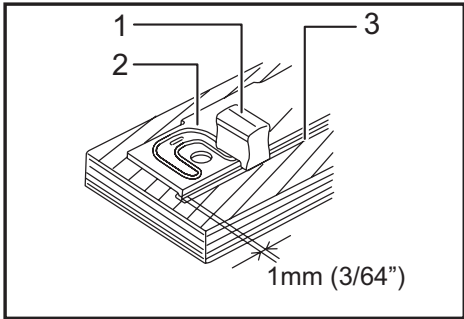


Fig.13

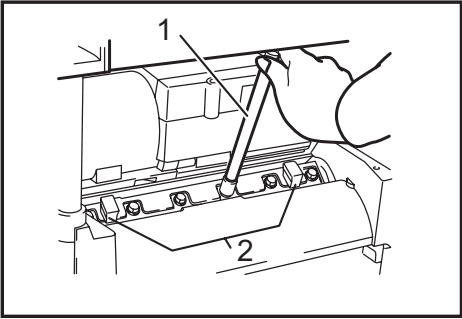


Fig.10

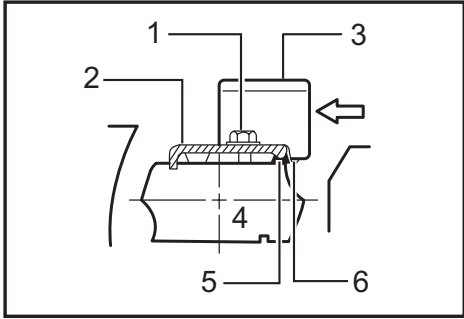


Fig.14

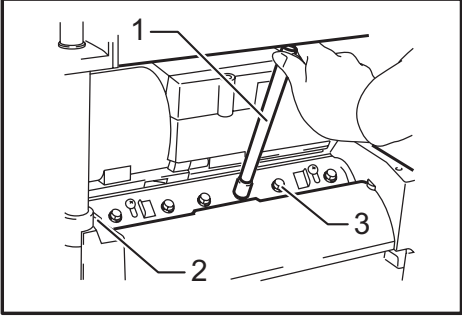


Fig.11

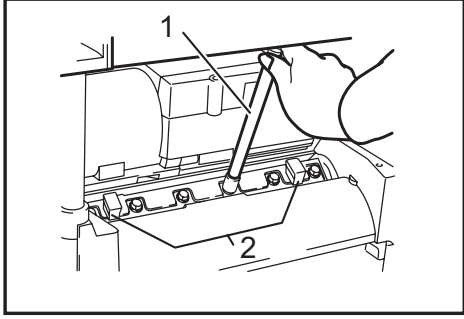


Fig.15

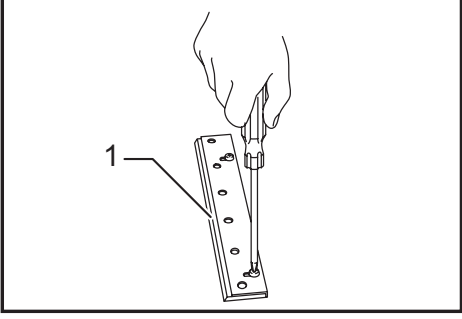


Fig.12

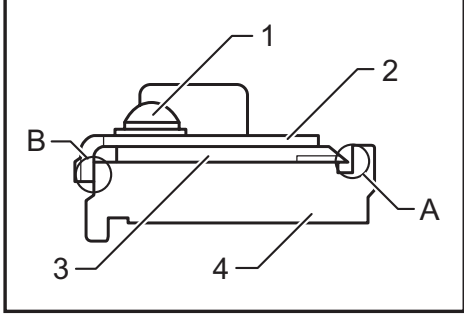


Fig.16

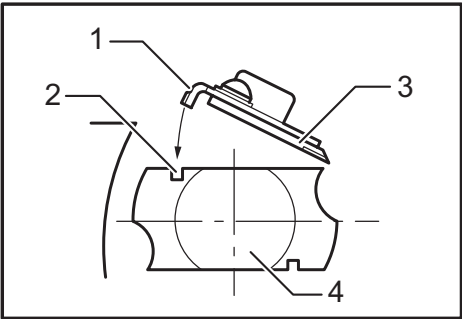


Fig.17

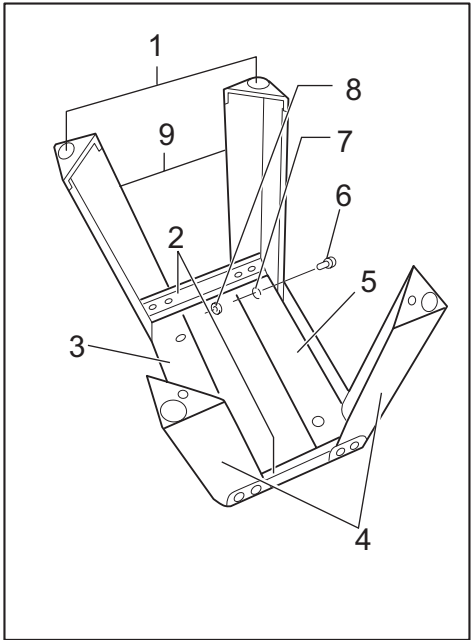


Fig.21

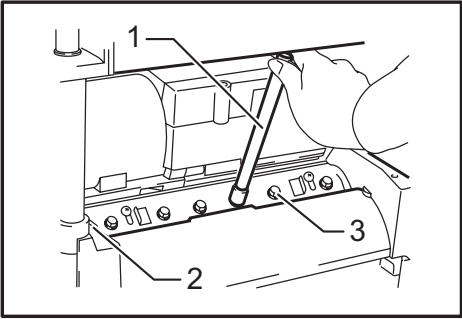


Fig.18

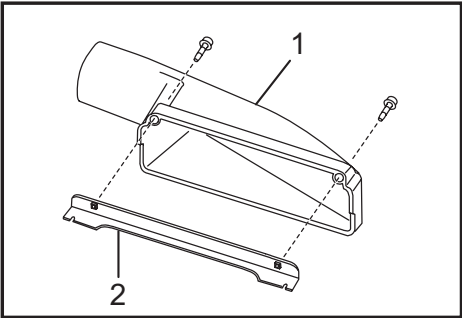


Fig.19

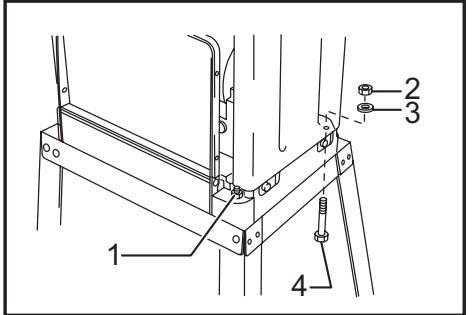


Fig.22

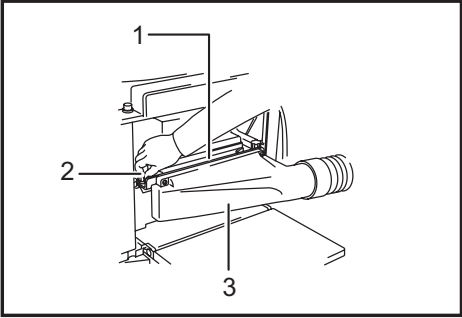


Fig.20

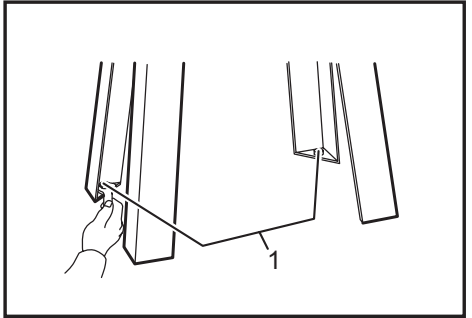


Fig.23

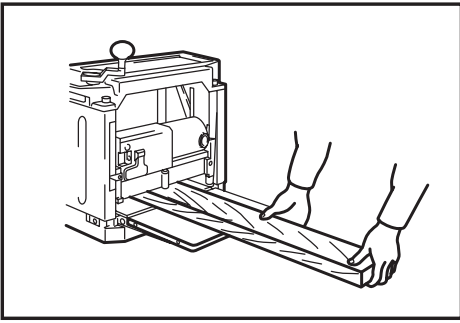


Fig.24

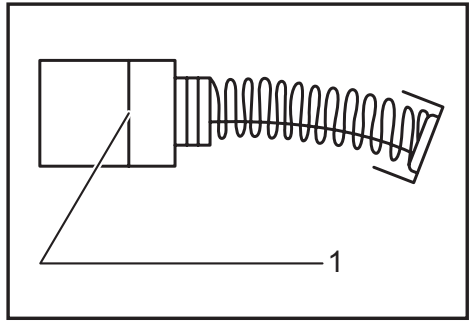


Fig.28

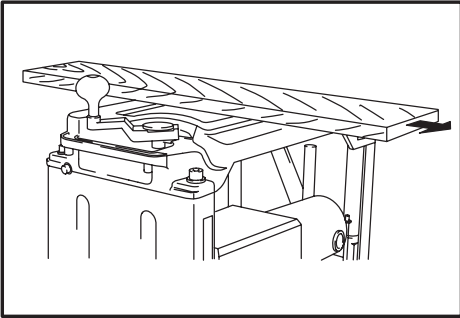


Fig.25

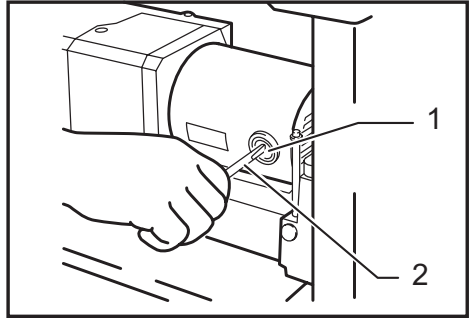


Fig.29

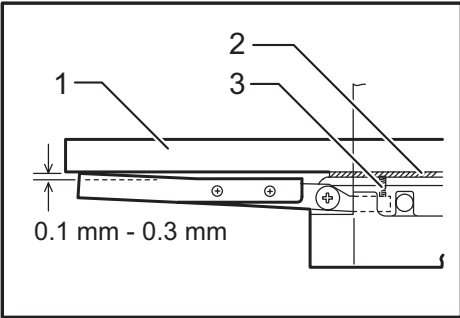


Fig.26

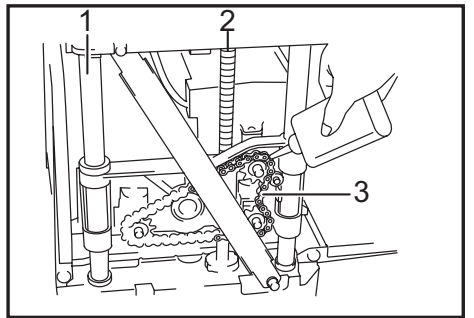


Fig.30

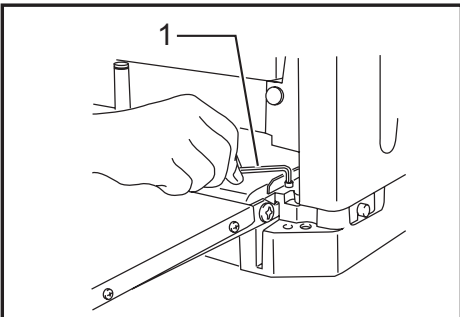


Fig.27

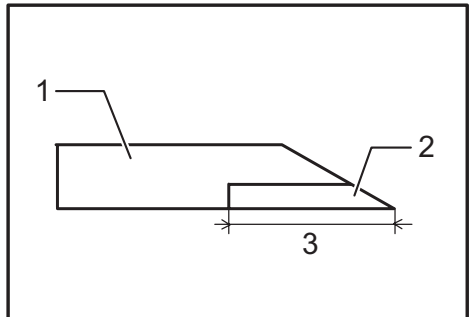


Fig.31




SPECIFICATIONS

Model	2012NB	
Cutting width	304 mm	
Max. cutting depth	3.0 mm of stock width less than 150 mm	
	1.5 mm of stock width from 150 mm to 240 mm	
	1.0 mm of stock width from 240 mm to 304 mm	
Feed rate (min ⁻¹)	8.5 m	
Table size (W x L)	304 mm x 771 mm	
No load speed (min ⁻¹)	8,500	10,000 (Only for Brazil 127V model)
Overall length (W x L x H)	483 mm x 771 mm x 401 mm	
Net weight	27.1 - 27.6 kg	
safety class	□/II	

- Due to our continuing program of research and development, the specifications herein are subject to change without notice.
- Specifications may differ from country to country.
- The weight may differ depending on the attachment(s). The lightest and heaviest combination, according to EPTA-Procedure 01/2014, are shown in the table.

Symbols

The following show the symbols used for the equipment. Be sure that you understand their meaning before use.

	Read instruction manual.
	DOUBLE INSULATION
	Only for EU countries Do not dispose of electric equipment together with household waste material! In observance of the European Directive, on Waste Electric and Electronic Equipment and its implementation in accordance with national law, electric equipment that have reached the end of their life must be collected separately and returned to an environmentally compatible recycling facility.

Intended use

The tool is intended for planing wood.

Power supply

The tool should be connected only to a power supply of the same voltage as indicated on the nameplate, and can only be operated on single-phase AC supply. They are double-insulated and can, therefore, also be used from sockets without earth wire.

SAFETY INSTRUCTIONS

WARNING! When using electric tools, basic safety precautions, including the following, should always be followed to reduce the risk of fire, electric shock and personal injury. Read all these instructions before operating this product and save these instructions.

For safe operations:

1. **Keep work area clean.**
Cluttered areas and benches invite injuries.
2. **Consider work area environment.**
Do not expose power tools to rain. Do not use power tools in damp or wet locations. Keep work area well lit. Do not use power tools where there is risk to cause fire or explosion.
3. **Guard against electric shock.**
Avoid body contact with earthed or grounded surfaces (e.g. pipes, radiators, ranges, refrigerators).
4. **Keep children away.**
Do not let visitors touch the tool or extension cord. All visitors should be kept away from work area.
5. **Store idle tools.**
When not in use, tools should be stored in a dry, high or locked up place, out of reach of children.
6. **Do not force the tool.**
It will do the job better and safer at the rate for which it was intended.
7. **Use the right tool.**
Do not force small tools or attachments to do the job of a heavy duty tool. Do not use tools for purposes not intended; for example, do not use circular saws to cut tree limbs or logs.

8. **Dress properly.**
Do not wear loose clothing or jewellery, they can be caught in moving parts. Rubber gloves and non-skid footwear are recommended when working outdoors. Wear protecting hair covering to contain long hair.
9. **Use safety glasses and hearing protection.**
Also use face or dust mask if the cutting operation is dusty.
10. **Connect dust extraction equipment.**
If devices are provided for the connection of dust extraction and collection facilities ensure these are connected and properly used.
11. **Do not abuse the cord.**
Never carry the tool by the cord or yank it to disconnect it from the socket. Keep the cord away from heat, oil and sharp edges.
12. **Secure work.**
Use clamps or a vice to hold the work. It is safer than using your hand and it frees both hands to operate the tool.
13. **Do not overreach.**
Keep proper footing and balance at all times.
14. **Maintain tools with care.**
Keep cutting tools sharp and clean for better and safer performance. Follow instructions for lubrication and changing accessories. Inspect tool cord periodically and if damaged have it repaired by an authorized service facility. Inspect extension cords periodically and replace, if damaged. Keep handles dry, clean and free from oil and grease.
15. **Disconnect tools.**
When not in use, before servicing and when changing accessories such as blades, bits and cutters.
16. **Remove adjusting keys and wrenches.**
Form the habit of checking to see that keys and adjusting wrenches are removed from the tool before turning it on.
17. **Avoid unintentional starting.**
Do not carry a plugged-in tool with a finger on the switch. Ensure switch is off when plugging in.
18. **Use outdoor extension leads.**
When tool is used outdoors, use only extension cords intended for outdoor use.
19. **Stay alert.**
Watch what you are doing. Use common sense. Do not operate tool when you are tired.
20. **Check damaged parts.**
Before further use of the tool, a guard or other part that is damaged should be carefully checked to determine that it will operate properly and perform its intended function. Check for alignment of moving parts, free running of moving parts, breakage of parts, mounting and any other conditions that may affect its operation. A guard or other part that is damaged should be properly repaired or replaced by an authorized service center unless otherwise indicated in this instruction manual. Have defective switches replaced by an authorized service facility. Do not use the tool if the switch does not turn it on and off.
21. **Warning.**
The use of any accessory or attachment, other than those recommended in this instruction manual or the catalog, may present a risk of personal injury.
22. **Have your tool repaired by a qualified person.**
This electric tool is in accordance with the relevant safety requirements. Repairs should only be carried out by qualified persons using original spare parts, otherwise this may result in considerable danger to the user.
23. **Use of power supply via an RCD with a rated residual current of 30 mA or less is always recommended.**

THICKNESSER SAFETY WARNINGS

1. **Wear eye protection.**
2. **Wear suitable personal protective equipment when necessary, such as hearing protection (ear plugs), respiratory protection (dust mask) and gloves when handling planer blades and rough material.**
3. **Do not use the tool in the presence of flammable liquids or gases.**
4. **Make sure that all covers are installed in place before operation.**
5. **Handle the blades very carefully.**
6. **Check the blades carefully for cracks or damage before operation. Replace cracked or damaged blades immediately.**
7. **Tighten the blade installation bolts securely.**
8. **Remove nails and clean the workpiece before cutting. Nail, sand or foreign matter can cause blade damage.**
9. **Do not remove chips from the chip chute when the motor is running. Clean out chips after the blades come to a complete stop. Always use a stick etc. when cleaning them out.**
10. **Do not leave the tool running.**
11. **Do not abuse cord. Never yank cord to disconnect it from the receptacle. Keep cord away from heat, oil, water and sharp edges.**
12. **The tool should only be used for wood and similar materials.**
13. **Never carry out stopped work (i.e. any cut which does not involve the full work piece length).**
14. **Never operate this tool to make recesses, tenons or moulds.**
15. **Never use for planing of badly bowed wood where there is inadequate contact on the infeed table.**

SAVE THESE INSTRUCTIONS.

⚠WARNING: DO NOT let comfort or familiarity with product (gained from repeated use) replace strict adherence to safety rules for the subject product. MISUSE or failure to follow the safety rules stated in this instruction manual may cause serious personal injury.

INSTALLATION

Movement and transport of planer

► Fig.1: 1. Carrying handle 2. Sub-table

⚠ CAUTION:

- Watch your step when moving the tool.

Fold the sub-tables. Grasp the carrying handles when moving the tool.

When transporting it by vehicle, secure with a rope or other substantial means to prevent tipping or movement.

Positioning the planer

► Fig.2: 1. Bolt or screw

Locate the tool in a well lit and level place where you can maintain good footing and balance. Bolt/screw it to the workbench or stand (optional accessory) using the bolt holes provided in the base.

FUNCTIONAL DESCRIPTION

⚠ CAUTION:

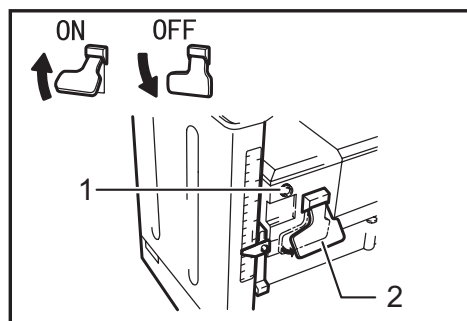
- Always be sure that the tool is switched off and unplugged before adjusting or checking function on the tool.

Switch action

⚠ CAUTION:

- Before plugging in the tool, always be sure that the tool is switched off. The pilot lamp lights up when the tool is plugged into the power source.

For tool with switch lever



1. Pilot lamp 2. Switch lever

To start the tool, raise the switch lever. To stop it, lower the switch lever.

For tool with switch buttons

► Fig.3: 1. Pilot lamp 2. Switch

To start the tool, press the ON (1) button. To stop it, press the OFF (0) button.

Dimensional adjustment

► Fig.4: 1. Crank handle 2. Scale 3. Indicator plate 4. Main frame

Lower the main frame by turning the crank handle counterclockwise until the indicator plate points to the scale graduation indicating the desired finished dimension. One full turn of the crank handle moves the main frame 2 mm up or down. The scale has inch graduations on its right side and metric graduations on its left side.

Adjusting depth of cut

The maximum depth of cut differs depending upon the width of workpiece being cut. Refer to the table. When you need to remove more than the amount specified in the table, set the depth of cut shallower than the amount and make two or more passes.

Width of workpiece being cut	Maximum depth of cut
Less than 150 mm	3.0 mm
150 mm - 240 mm	1.5 mm
240 mm - 304 mm	1.0 mm

To adjust the depth of cut, proceed as follows.

► Fig.5: 1. Depth gauge

Insert the workpiece flat on the table top. Lower the main frame by turning the crank handle counterclockwise. The depth gauge will rise and the amount of gauge rise indicates the depth of cut.

⚠ CAUTION:

- Always lower the main frame when aligning the indicator plate with the graduation indicating the desired finished dimension. If you raise the main frame into the desired finished dimension, additional play in the screw may result. This may cause an undesired finished dimension.
- Always place the workpiece flat on the table top when predetermining the depth of cut. Otherwise, the predetermined depth of cut will differ from actual depth of cut.

Depth adjusting gauge

► Fig.6: 1. Crank handle 2. Groove 3. Depth adjusting gauge

Use the depth adjusting gauge when you need to predetermine the depth of cut more accurately. To do so, proceed as follows.

1. First, plane the workpiece at the predetermined depth of cut. Measure the thickness of the planed piece to know how much more stock you need to remove.
2. Turn the depth adjusting gauge on the crank handle until the 0 graduation is aligned with the groove on the tool.
3. Now turn the crank handle counterclockwise until the graduation for the desired depth of cut is aligned with the groove on the tool.

- When you need to remove more than the amount specified in the table mentioned in the "Adjusting depth of cut" section, set the depth of cut shallower than the amount and make two or more passes.

Stopper

- **Fig.7:** 1. Stopper 2. Stopper button 3. Stopper knob
4. Table top

Use the stopper when you need to plane many workpieces to the same thickness. To do so, proceed as follows.

- Turn the crank handle until the indicator plate points to the scale graduation indicating the desired finished dimension.
- Depress the stopper button and lower the stopper until it just contacts the table top.
- If you need fine adjustment of the stopper, turn the stopper knob.

⚠ CAUTION:

- When the stopper is not in use, always raise it to the topmost position. Never force the crank handle when the stopper is in contact with the table top. This may cause tool damage.

ASSEMBLY

⚠ CAUTION:

- Always be sure that the tool is switched off and unplugged before carrying out any work on the tool.

Replacing planer blades

⚠ CAUTION:

- Handle the blades very carefully when removing or installing the blades to prevent cuts or injury from the blades and to prevent damage to the blades. They are razor-sharp.
- Clean out all chips, dust, pitch or foreign matter adhering to the drum or blades before installing the blades.
- Use blades of the same dimensions and weight, or drum oscillation/vibration will result, causing poor cutting action and eventually, tool breakdown.
- Replace both blades at the same time.
- The disposable-type blade has a cutting edge on both sides. When one cutting edge becomes dull, you can use the other cutting edge. Always remove resin and dirt sticking to the reverse side of the blade before using the other cutting edge. This blade must not be re-sharpened. When both cutting edges become dull, the blade should be carefully thrown away.

Removing blades

Loosen the thumb screw which secures the chip cover and remove the chip cover. Remove the screws which secure the right side cover. Then remove the right side cover. Turn the pulley until the drum can be locked in the position whereby the blade installation bolts face upward.

- **Fig.8:** 1. Lock plate 2. Drum 3. Thumb screw
4. Pulley

For throw away blades only

Place the two magnetic holders on the set plate and push them in the direction of the arrow until the claw contact the blade. Remove the six blade installation bolts using the socket wrench. Grip the magnetic holders and raise them straight up to remove the set plate and the blade from the drum. Press the lock plate and turn the pulley 180° to lock the drum. Remove the other blade as described above.

- **Fig.9:** 1. Blade installation bolts 2. Set plate
3. Magnetic holder 4. Drum 5. Blade 6. Claw

- **Fig.10:** 1. Socket wrench 2. Magnetic holders

For standard blades only

Remove the six installation bolts using the socket wrench. Raise the set plate and blade straight up to remove them from the drum. Press the lock plate and rotate the drum by turning the pulley 180° to lock the drum. Remove the other blade as described above. Remove the set plate from the blade.

- **Fig.11:** 1. Socket wrench 2. Lock plate 3. Blade installation bolt

- **Fig.12:** 1. Set plate

Installing blades

⚠ CAUTION:

- Use only Makita socket wrench provided to tighten the blade installation bolts. The use of any other socket wrench may cause over-tightening or insufficient tightening of the bolts, resulting in severe injury.

For throw away blades only

Provide a flat wood block approximately 300 mm long and 100 mm wide. Place the blade and the set plate on the wood block so that the blade locating lug of the set plate rests in the groove of the blade. Adjust the set plate so that both ends of the blade protrude approximately 1 mm beyond the end of the set plate. Place the two magnetic holders on the set plate and push them until the claw contacts the blade.

- **Fig.13:** 1. Magnetic holder 2. Set plate 3. Blade

Grip the magnetic holder and slip the heel of the set plate into the groove in the drum. Install the blade installation bolts.

- **Fig.14:** 1. Blade installation bolts 2. Set plate
3. Magnetic holder 4. Drum 5. Blade 6. Claw

After tightening all the blade installation bolts lightly and evenly from the center to the outside, tighten them completely following the same sequence. Remove the magnetic holders from the set plate.

- **Fig.15:** 1. Socket wrench 2. Magnetic holders

Install the other blade as described above. Rotate the drum slowly while pressing the lock plate to make sure there is nothing abnormal. Then install the chip cover and the side cover.

CAUTION:

- Do not tighten the blade installation bolts without the blade locating lug of the set plate correctly resting in the groove of the blade. This may cause damage to the blade and potential injury to the operator.
- Do not turn the tool on with the chip cover removed.

For standard blades only

Place the blade on the blade gauge so that the blade edge is perfectly flush with the inside of the front rib (A). Place the set plate on the blade, then gently press the heel of the set plate flush with the back side of the blade gauge (B). Tighten the screws to secure the set plate to the blade.

► **Fig.16:** 1. Screw 2. Set plate 3. Blade 4. Blade gauge

Slide the heel of the set plate into the groove in the drum. Install the blade installation bolts.

► **Fig.17:** 1. Set plate 2. Groove 3. Blade 4. Drum

After tightening all the blade installation bolts tightly and evenly from the center to the outside, tighten them completely following the same sequence.

► **Fig.18:** 1. Socket wrench 2. Lock plate 3. Blade installation bolt

Install the other blade as described as above. Rotate the drum slowly while pressing the lock plate to make sure there is nothing abnormal. Then install the chip cover and the side cover.

CAUTION:

- Tighten the blade installation bolts securely when installing the blades.
- Do not turn the tool on with the chip cover open.

Changing type of blade

This tool can accept either throw away blades or standard blades. If you wish to change the type of blade, buy and use the following parts.

Changing from standard blade to throw-away blade	Changing from throw-away blade to standard blade
Set plate ----- 2 pcs.	Set plate ----- 2 pcs.
Throw-away blade (306 mm) -- 2 pcs.	Pan head screw M 4 x 6 ----- 4 pcs.
Magnetic holder ----- 2 pcs.	Standard blade ----- 2 pcs.
	Blade gauge ----- 1 pc.

Hood set (optional accessory)

► **Fig.19:** 1. Hood 2. Hood holder

When you wish to maintain clean operations through easy dust collection, connect the vacuum cleaner to the planer using this hood. Attach the hood holder to the hood and secure with the screws.

Loosen the thumb screws which secure the chip cover. Attach the hood to the planer and secure the chip cover and the hood together by tightening the thumb screws.

► **Fig.20:** 1. Chip cover 2. Thumb screw 3. Hood

Planer stand (optional accessory)

Place the stays on a level location and assemble the legs inside. Secure with the cap square neck bolts, spring washers and hex nuts, then attach the rubber caps to the ends of the legs.

► **Fig.21:** 1. Rubber cap 2. Stay (B) 3. Stay (A) 4. Leg 5. Stay (A) 6. Cap square neck bolt 7. Spring washer 8. Hex nut 9. Leg

Now set the planer on the top of the assembled stand and secure with the four hex bolts, flat washers and hex nuts.

► **Fig.22:** 1. Hex bolt 2. Hex nut 3. Flat washer 4. Hex bolt

NOTE:

- Insert the hex bolts through the holes from the reverse side of the stand and secure them with the flat washers and hex nuts. If you insert the hex bolts from above the planer base, the hex bolts cannot be firmly secured.

The planer stand should be bolted with the four bolts to the floor using the bolt holes provided in the legs.

► **Fig.23:** 1. Bolt

OPERATION

CAUTION:

- Two or more pieces of narrow but similar thickness stock can be passed through the planer side by side. However, allow some spacing between the stock to permit the feed rollers to grip the thinnest piece of stock. Otherwise, a slightly thinner piece could be kicked back by the cutterhead.

► **Fig.24**

Place the workpiece flat on the table top. Determine the depth of cut as described before. Switch on the tool and wait until the blades attain full speed. The workpiece should not be in contact with the feed roller when you turn the tool on.

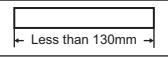
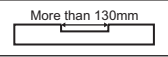

Then insert the workpiece flush with the table top. When cutting a long or heavy workpiece, lift up its end slightly at the start and the end of the cut to avoid gouging or snipping at the extreme ends of the workpiece.

The use of the tool top enables quick, effortless return of the workpiece to the infeed table side. This is especially convenient with two operators.

► **Fig.25**

CAUTION:

- The workpiece with the following dimensions cannot be fed into the tool because the interval between two feed rollers is 129 mm. Do not try to cut them.

1		Less than 130 mm long
2		Having a groove more than 130 mm wide
3		Having grooves at intervals of 130 mm wide

⚠ CAUTION:

- Stop the tool when the workpiece has stalled. Allowing the tool to run with a stalled workpiece causes rapid wearing of the feed rollers.

MAINTENANCE

⚠ CAUTION:

- Always be sure that the tool is switched off and unplugged before attempting to perform inspection or maintenance.
- Never use gasoline, benzene, thinner, alcohol or the like. Discoloration, deformation or cracks may result.

Adjusting height of sub-table

► Fig.26: 1. Ruler 2. Post card 3. Adjusting screw

► Fig.27: 1. Hex wrench

The height of sub-table is factory-adjusted. If further adjustment is necessary, proceed as follows. Place a postcard on the table and also place a ruler on the postcard. Turn the adjusting screw with the hex wrench until the end of the sub-table contacts the ruler. Now the end of the sub-table is from 0.1 mm to 0.3 mm above the table surface.

Replacing carbon brushes

► Fig.28: 1. Limit mark

Remove and check the carbon brushes regularly. Replace when they wear down to the limit mark. Keep the carbon brushes clean and free to slip in the holders. Both carbon brushes should be replaced at the same time. Use only identical carbon brushes. Use a screwdriver to remove the brush holder caps. Take out the worn carbon brushes, insert the new ones and secure the brush holder caps.

► Fig.29: 1. Brush holder cap 2. Screwdriver

Keeping planer blades sharp

Dull blades can cause rough finish, an overload of the motor and dangerous kickback of the workpiece. Replace dull blades immediately.

Lubrication

► Fig.30: 1. Column 2. Screw 3. Chain

Oil the chain (after removing the side cover R), the four columns and the screws for elevating the main frame. This periodic lubrication should be performed with machine oil.

⚠ CAUTION:

- Oiling and all maintenance should be done with the tool turned off and unplugged.

Cleaning

Always brush off dirt, chips and foreign matter adhering to the roller surfaces, motor vents and drums.

Limit for re-sharpening of standard blade

► Fig.31: 1. Base 2. Blade 3. More than 4 mm

Do not use the standard blade whose blade length is under 4 mm.

To maintain product SAFETY and RELIABILITY, repairs, any other maintenance or adjustment should be performed by Makita Authorized Service Centers, always using Makita replacement parts.

OPTIONAL ACCESSORIES

⚠ CAUTION:

- These accessories or attachments are recommended for use with your Makita tool specified in this manual. The use of any other accessories or attachments might present a risk of injury to persons. Only use accessory or attachment for its stated purpose.

If you need any assistance for more details regarding these accessories, ask your local Makita Service Center.

- Magnetic holder
- Throw-away blade
- Standard blade
- Blade gauge
- Socket wrench 9
- Hex wrench 2.5
- Hood set
- Stand

NOTE:

- Some items in the list may be included in the tool package as standard accessories. They may differ from country to country.

规格

型号	2012NB	
切割宽度	304 mm	
最大切割深度	库存材料宽3.0 mm, 切割深度小于150 mm	
	库存材料宽1.5 mm, 切割深度150 mm至240 mm	
	库存材料宽1.0 mm, 切割深度240 mm至304 mm	
馈送率 (min ⁻¹)	8.5 m	
台面尺寸 (宽 × 长)	304 mm × 771 mm	
空载速度 (/min)	8,500	10,000 (仅适用于巴西127V型号)
整体尺寸 (宽 × 长 × 高)	483 mm × 771 mm × 401 mm	
净重	27.1 - 27.6 kg	
安全等级	II/II	

- 生产者保留变更规格不另行通知之权利。
- 规格可能因销往国家之不同而异。
- 重量因附件而异。根据EPTA-Procedure 01/2014, 最重与最轻的组合见表格。

符号

以下显示本工具使用的符号。在使用工具之前请务必理解其含义。



阅读使用说明书。



II类工具



仅限于欧盟国家
请勿将电气设备与家庭普通废弃物一同丢弃！
请务必遵守欧洲关于废弃电子电气设备的指令，根据各国法律法规执行。达到使用寿命的电气设备必须分类回收至符合环境保护规定的再循环机构。

用途

本工具用于对木材进行刨削加工。

电源

本工具只可连接电压与铭牌所示电压相同的电源，且仅可使用单相交流电源。本工具双重绝缘，因此也可用于不带接地线的插座。

安全注意事项

警告！使用电动工具时，应始终遵守基本安全注意事项（包括以下内容），以降低火灾、触电和人身伤害风险。操作本产品前，请阅读这些注意事项并请保留此说明书。

为进行安全操作：

- 保持工作区域清洁。**
工作区域和工作台混乱可能导致人身伤害。
- 注意工作区域环境。**
请勿将电动工具暴露在雨水中。请勿将电动工具暴露在潮湿的环境中。保持工作区域照明情况良好。请勿在有火灾或爆炸风险的地点使用电动工具。
- 防止触电。**
请避免与接地的表面（如管子、散热器、炉灶和冰箱等）进行身体接触。
- 保持儿童远离。**
不要让访问者触摸工具或延长线。所有访问者必须保持远离工作区域。
- 存放闲置工具。**
不使用时，请将本工具放置在干燥的高处或加锁位置，避免儿童接触。

6. **不要强力按压工具。**

使用工具时不可超出其设计额定值，这样才能更好、更安全地完成作业。
7. **使用正确的工具。**

不要使用小型工具或装置来进行重型工具的工作。不要将工具用于设计用途以外的用途，例如，不要使用电动圆锯切割树枝或原木。
8. **着装适当。**

请勿穿着宽松的衣服或佩戴首饰，其可能会被卷入运动部件。在室外工作时，建议您穿戴橡胶手套和防滑鞋。佩带保护头盔来保护长发。
9. **请使用安全眼镜和护耳装置。**

如果切割操作灰尘较多，还请使用面罩或防尘面罩。
10. **连接除尘设备。**

如果提供了与除尘和集尘设备连接用的装置，请确保将其正确连接和使用。
11. **请勿不当使用导线。**

切勿拖着导线移动工具，或拉导线拔出插座。避免使导线受热、沾染油脂和碰到尖锐的边缘。
12. **安全工作。**

请使用夹具或夹钳来固定工件。这要比用手固定更安全有效，并可解放双手来操作工具。
13. **操作时手不要伸得太长。**

操作时请双脚站稳，始终保持平衡。
14. **小心保养工具。**

保持切割工具锋利和清洁，以提高其性能和安全性。根据说明进行润滑和更换附件。定期检查工具导线，如有损坏，请交由授权服务机构进行维修。定期检查延长线，如有损坏请进行更换。保持把手干燥、清洁，无油污和润滑脂。
15. **断开工具电源。**

不使用时，维修前或更换锯片、起子头和切割机等附件时请断开电源。
16. **取下调节钥匙和扳手。**

养成在开启工具前检查钥匙和调节扳手是否已从工具上取下的习惯。
17. **避免意外启动。**

请勿在将手指放在开关上的情况下搬运已插电工具。插入电源时请确保开关已关闭。
18. **使用室外延长线。**

在室外使用工具时，仅可使用设计用于室外的延长线。
19. **保持警惕。**

注意您的操作。请运用常识。疲劳时请勿操作工具。
20. **检查受损部件。**

在进一步使用工具之前，应仔细检查保护罩或其他部件有无损坏，以确定工具是否可以正常运转。检查运动部件是否对齐或运动自如、部件是否破损、安装是否妥当以及其他可能会影响工具运行的情况。除非本手册另有声明，否则应对受损保护罩或其他部件进行修复或由授权维修中心进行更换。失灵的开关由授权的维修机构进行更换。如果工具的开关无法使工具开启和关闭，则请勿使用该工具。
21. **警告。**

除本手册或目录中推荐的附件或装置外，使用任何其他附件或装置都可能存在人身伤害风险。
22. **将工具交由有资格的人员维修。**

本电动工具符合相关安全要求。维修仅可由有资格的人员使用原装备件进行，否则可能会给用户造成巨大的危险。
23. **始终建议通过额定剩余电流为30 mA或以下的RCD来使用电源。**

电刨使用安全警告

1. 请佩戴安全眼镜。
2. 必要时请佩戴合适的个人防护装备，例如耳罩（耳塞）、呼吸护具（防尘面具）。在处理刨刀片和粗糙材料时请佩戴手套。
3. 请勿在易燃液体或气体附近使用工具。
4. 操作之前，请确认所有盖板都已安装到位。
5. 装卸刀片时，需十分小心。
6. 操作之前，请仔细检查刀片上是否有裂缝或损坏。若刀片有裂缝或损坏，应立即更换。
7. 将刀片安装螺栓拧紧牢固。
8. 切割前，清除钉子并清洁工件。钉子、沙子或异物可能会导致刀片损坏。
9. 请勿在电机运行时清除碎屑斜槽内的碎屑。请在刀片完全停止后再清扫碎屑。清扫碎屑时，请始终使用棍棒等工具。
10. 运行中的工具不可离手放置。
11. 请勿滥用导线。切勿拉扯导线以将其拔出插座。避免导线受热、沾染油脂、水和碰到尖锐的边缘。
12. 此工具仅适用于木材及类似材料。

- 不得中途停刀（例如，任何未达到工件总长度的切割）。
- 切勿利用此工具加工凹槽、榫头或模具。
- 切勿对与进料台接触不良、弯曲度较大的木材进行刨削。

请保留此说明书。

警告： 请勿为图方便或因对产品足够熟悉（由于重复使用而获得的经验）而不严格遵循相关产品安全规则。

使用不当或不遵循使用说明书中的安全规则会导致严重的人身伤害。

安装

电刨的移动和运输

► **图片1:** 1. 搬运把手 2. 副台面

小心：

- 移动工具时，请注意脚下。

折叠副台面。移动工具时，请抓住搬运把手。

在用车辆运输工具时，请用绳索或其他坚固材料将其固定，以防止其倾斜或移动。

定位电刨

► **图片2:** 1. 螺栓或螺丝

将工具置于照明情况良好并可保持立足稳固及身体平衡的平坦区域。利用螺栓/螺丝以及基座上预留的螺栓孔将工具固定在工作台或支架（选购附件）上。

功能描述

小心：

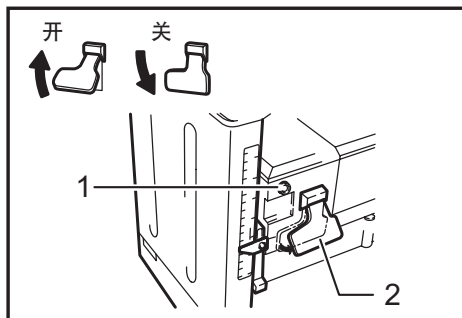
- 在调节或检查工具功能之前，请务必关闭工具电源开关并拔出电源插头。

开关操作

小心：

- 插上工具电源之前，请确认工具电源已关闭。当工具插上电源时，指示灯亮起。

对于配置开关柄的工具



1. 指示灯 2. 开关柄

启动工具时，抬起开关柄。降下开关柄即可停止工具。

对于配置开关按钮的工具

► **图片3:** 1. 指示灯 2. 开关

要启动工具时，请按ON (I) 按钮。要停止工具时，请按OFF (O) 按钮。

尺寸调节

► **图片4:** 1. 手摇曲柄 2. 标尺刻度 3. 指示板 4. 主框架

逆时针旋转手摇曲柄将主框架降低，直至指示板指向目标加工尺寸所对应的标尺刻度。旋转手摇曲柄一整周使主框架向上或向下移动2 mm。标尺右侧为英制刻度，左侧为公制刻度。

调节切割深度

最大切割深度取决于当前切割的工件宽度。详情请参阅图表。当切削量超出表格中的规定值时，请将切割深度设置为小于规定值的某个值，然后进行两次或多次走刀。

当前切割的工件宽度	最大切割深度
小于150 mm	3.0 mm
150 mm - 240 mm	1.5 mm
240 mm - 304 mm	1.0 mm

要调节切割深度时，请按照以下程序进行操作。

► **图片5:** 1. 深度规

将工件平插至台面上。逆时针旋转手摇曲柄将主框架降低。随后深度规将抬高，而深度规的升高量即表示切割深度。

⚠小心：

- 请务必通过降低主框架使指示板与目标加工尺寸所对应的刻度对齐。若通过升高主框架达到目标加工尺寸，螺杆内可能会产生额外的间隙。由此可能导致偏离目标加工尺寸。
- 在预先确定切割深度时，请始终将工件平放在台面上。否则，预先确定的切割深度将与实际切割深度存在偏差。

深度调节规

► 图片6: 1. 手摇曲柄 2. 凹槽 3. 深度调节规

使用深度调节规可以提高预先确定切割深度的精度。为此，需要执行以下步骤。

1. 首先，以预定义切割深度切削工件。测量切削后工件的厚度以确定第二次走刀的切削量。
2. 旋转手摇曲柄上的深度调节规，直至刻度0与工具的凹槽对齐为止。
3. 此时，逆时针旋转手摇曲柄，直至目标切割深度所对应的刻度与工具的凹槽齐平为止。
4. 当切削量超出“调节切割深度”章节的表格中规定值时，请将切割深度设置为小于规定值的某个值，然后进行两次或多次走刀。

止动器

► 图片7: 1. 止动器 2. 止动器按钮 3. 止动器旋钮 4. 台面

使用止动器可将许多个工件切削至同一厚度。为此，需要执行以下步骤。

1. 旋转手摇曲柄直至指示板指向目标加工尺寸所对应的标尺刻度。
2. 按下止动器按钮，降低止动器，直至其触及台面为止。
3. 如需微调止动器，请旋转止动器旋钮。

⚠小心：

- 当止动器闲置时，请将其升至顶端位置。止动器触及台面后，切勿用力旋转手摇曲柄。否则可能会导致工具损坏。

装配

⚠小心：

- 对工具进行任何装配操作前请务必确认工具已关闭且已拔下电源插头。

更换刨刀片

⚠小心：

- 装卸或安装刀片时必须十分小心，以避免被刀片割伤，同时防止刀片损坏。刀片的刀刃非常锋利。
- 安装刀片前，请清除附着在刀筒或刀片上的全部碎屑、灰尘、沥青或异物。
- 使用具有同样尺寸和重量的刀片，否则会造成刀筒振动，从而造成切割动作不良，以至损坏工具。
- 同时更换两个刀片。
- 一次性刀片两侧均有切刃。当其中一个切刃变钝时，您可以使用另一个切刃。使用另一个切刃之前，请清除刀片背面黏着的树脂和污垢。此类刀片不得重新打磨。当两个切刃均变钝时，应小心丢弃刀片。

拆卸刀片

将用于固定碎屑盖板的蝶形螺丝旋松，然后拆卸碎屑盖板。拆卸右侧盖板的固定螺丝。然后拆卸右侧盖板。旋转滑轮直至将刀筒锁定在对应位置，此时刀片安装螺栓朝上。

► 图片8: 1. 锁定板 2. 刀筒 3. 蝶形螺丝 4. 滑轮

仅限一次性刀片

将两个磁性托座放置于固定板上，然后沿箭头方向推动两个磁性托座，直至卡爪触及刀片为止。使用套筒扳手拆下六个刀片安装螺栓。抓住磁性托座将其径直抬起，以拆除刀筒上的固定板和刀片。按压锁定板，然后将滑轮旋转180°以锁定刀筒。按照上述步骤拆卸另一个刀片。

► 图片9: 1. 刀片安装螺栓 2. 固定板 3. 磁性托座 4. 刀筒 5. 刀片 6. 卡爪

► 图片10: 1. 套筒扳手 2. 磁性托座

仅限标准刀片

使用套筒扳手拆下六个安装螺栓。径直抬起固定板和刀片，将二者从刀筒上拆下。按压锁定板，然后将滑轮旋转180°，使刀筒转动至锁定位置。按照上述步骤拆卸另一个刀片。将固定板从刀片上拆下。

► **图片11:** 1. 套筒扳手 2. 锁定板 3. 刀片
安装螺栓

► **图片12:** 1. 固定板

安装刀片

⚠小心:

- 必须使用随附的Makita（牧田）套筒扳手拧紧刀片安装螺栓。使用其他套筒扳手可能导致螺栓过度拧紧或未拧紧，从而造成严重的人员伤害。

仅限一次性刀片

预备一块长约300 mm、宽约100 mm的扁平木块。将刀片和固定板放置于木块上，再使固定板的刀片定位凸片嵌入刀片凹槽内。调节固定板使刀片两端超出固定板末端约1 mm。将两个磁性托座放置于固定板上，然后推动两个磁性托座，直至卡爪触及刀片为止。

► **图片13:** 1. 磁性托座 2. 固定板 3. 刀片

抓住磁性托座，然后将固定板后跟滑入刀筒凹槽内。安装刀片安装螺栓。

► **图片14:** 1. 刀片安装螺栓 2. 固定板 3. 磁性托座 4. 刀筒 5. 刀片 6. 卡爪

按照从中心向外侧的顺序均匀地、轻轻拧紧所有刀片安装螺栓后，按照同样的顺序将其完全拧紧。将磁性托座从固定板上拆下。

► **图片15:** 1. 套筒扳手 2. 磁性托座

按照上述步骤安装另一个刀片。缓慢旋转刀筒的同时按压锁定板，以确认无任何异常。然后安装碎屑盖板和侧盖板。

⚠小心:

- 在固定板的刀片定位凸片未正确嵌入刀片凹槽内之前，请勿拧紧刀片安装螺栓。否则可能导致刀片损坏和伤及操作人员。
- 请勿在已拆卸碎屑盖板的情况下打开工具。

仅限标准刀片

将刀片放置于刀口规上，使刀片的刀刃与前侧肋片(A)内侧完全齐平。将固定板置于刀片上，随后轻轻按压固定板后跟，使其与刀口规(B)后侧齐平。拧紧螺丝使固定板紧固在刀片上。

► **图片16:** 1. 螺丝 2. 固定板 3. 刀片
4. 刀口规

将固定板的后跟滑进刀筒凹槽中。安装刀片安装螺栓。

► **图片17:** 1. 固定板 2. 凹槽 3. 刀片
4. 刀筒

按照从中心向外侧的顺序均匀地、紧紧地拧紧所有刀片安装螺栓后，按照同样的顺序将其完全拧紧。

► **图片18:** 1. 套筒扳手 2. 锁定板 3. 刀片
安装螺栓

按照上述步骤安装另一个刀片。缓慢旋转刀筒的同时按压锁定板，以确认无任何异常。然后安装碎屑盖板和侧盖板。

⚠小心:

- 安装刀片时，将刀片安装螺栓拧紧牢固。
- 请勿在碎屑盖板打开的情况下打开工具。

更改刀片类型

此工具只能使用一次性刀片或标准刀片。如需更改刀片类型，请购置并使用以下部件。

从标准刀片更换为一次性刀片	从一次性刀片更换为标准刀片
固定板 ----- 2件	固定板 ----- 2件
一次性刀片(306 mm) ----- 2件	盘头螺丝M 4 x 6 ----- 4件
磁性托座 ----- 2件	标准刀片 ----- 2件
	刀口规 ----- 1件

风帽套件（选购附件）

► **图片19:** 1. 风帽 2. 风帽托座

当需要借助筒便集尘器保证清洁操作时，请使用风帽将集尘器与电刨相连。将风帽托座安装在风帽上并使用螺丝固定。

松开固定碎屑盖板的蝶形螺丝。将风帽安装于电刨上，然后通过拧紧蝶形螺丝将碎屑盖板与风帽固定在一起。

► **图片20:** 1. 碎屑盖板 2. 蝶形螺丝 3. 风帽

电刨支架（选购附件）

将撑条放置于水平区域，然后将支脚装配于内侧。使用带头方颈螺栓、弹簧垫圈以及六角螺母进行固定，然后将橡胶盖安装于支脚末端。

- **图片21:** 1. 橡胶盖 2. 撑条(B) 3. 撑条(A) 4. 支脚 5. 撑条(A) 6. 带头方颈螺栓 7. 弹簧垫圈 8. 六角螺母 9. 支脚

此时将电刨置于装配好的支架顶部，然后使用四个六角螺栓、平垫圈以及六角螺母进行固定。

- **图片22:** 1. 六角螺栓 2. 六角螺母 3. 平垫圈 4. 六角螺栓

注:

- 从支架背面使六角螺栓穿过孔，然后使用平垫圈和六角螺母将其固定。若从电刨基座上方插入六角螺栓，六角螺栓将无法固定牢固。

使用四个螺栓以及支脚内预置的螺栓孔将电刨支架固定在地板上。

- **图片23:** 1. 螺栓

操作

⚠小心:

- 两件或多件厚度相似的狭窄库存材料可以并排穿过电刨。但库存材料之间应留有一定间隙，以便使进料辊轮能够抓住最薄的库存材料。否则，切割机电头可能将略薄的工件弹回。

- **图片24**

将工件平放在台面上。

按照前文所述确定切割深度。

启动工具并等待刀片达到全速运转。启动工具时，不得使工件接触进料辊轮。

随后平行于台面插入工件。

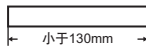
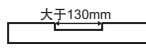
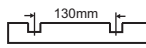
切割长尺寸工件或大质量工件时，请将切割起点和终点两端略微抬起以避免刨削或剪切了工件的最末端。

利用工具顶部可以使工件快速、轻松地返回进料台侧。而这种设计特别有利于两名操作人员进行操作。

- **图片25**

⚠小心:

- 由于两个进料辊轮之间的间隔距离为 129 mm，以下尺寸规格的工件无法供给至工具内。因此请勿尝试切割以下规格的工件。

1		长度小于130 mm
2		有一个宽度大于130 mm的凹槽
3		有多个间隔130 mm宽的凹槽

⚠小心:

- 当工件停止移动时，将工具停止。工件停止移动后，若工具继续运行可能导致进料辊轮快速磨损。

保养

⚠小心:

- 检查或保养工具之前，请务必关闭工具电源开关并拔下插头。
- 切勿使用汽油、苯、稀释剂、酒精或类似物品清洁工具。否则可能会导致工具变色、变形或出现裂缝。

调节副台面的高度

- **图片26:** 1. 直尺 2. 卡纸 3. 调节螺丝

- **图片27:** 1. 六角扳手

副台面高度在出厂时已进行调整。如需进一步调整，请执行以下操作。

将卡纸放置于工作台上，然后将直尺放置于卡纸上。使用六角扳手旋转调节螺丝，直至副台面末端触及直尺。此时，副台面末端位于工作台面方 0.1 mm 至 0.3 mm。

更换碳刷

- **图片28:** 1. 界限磨耗线

定期拆下碳刷进行检查。在碳刷磨损到界限磨耗线时进行更换。请保持碳刷清洁并使其在碳刷夹内能自由滑动。两个碳刷应同时替换。请仅使用相同的碳刷。

使用螺丝刀拆下碳刷夹盖。取出已磨损的碳刷，插入新的碳刷，然后紧固碳刷夹盖。

- **图片29:** 1. 碳刷夹盖 2. 螺丝刀

保持刨刀片锋利

刀片变钝可能导致加工面粗糙度增大，电机过载，以及工件的危险反弹。此时，应立即更换变钝的刀片。

润滑

► **图片30:** 1. 圆柱 2. 螺杆 3. 链条

用油脂润滑链条（拆卸右侧盖板后）、四个圆柱以及用于升降主框架的螺杆。定期润滑时应使用机油。

⚠小心:

- 加注机油以及进行维护工作时，必须提前关闭工具并拔下电源插头。

清洁

刷除粘附在辊轮面、电机通风口以及刀筒上的污垢、碎屑和异物。

标准刀片重新打磨的限制

► **图片31:** 1. 基座 2. 刀片 3. 大于4 mm

请勿使用刀片长度小于4 mm的标准刀片。为了保证产品的安全性与可靠性，维修、任何其他的维修保养或调节需由Makita（牧田）授权的维修服务中心完成。务必使用Makita（牧田）的替换部件。

选购附件

⚠小心:

- 这些附件或装置专用于本说明书所列的Makita（牧田）电动工具。其他附件或装置的使用可能会有人身伤害风险。仅可将附件或装置用于规定目的。

如您需要了解更多关于这些选购附件的信息，请咨询当地的Makita（牧田）维修服务中心。

- 磁性托座
- 一次性刀片
- 标准刀片
- 刀口规
- 9号套筒扳手
- 2.5号六角扳手
- 风帽套件
- 支架

注:

- 本列表中的一些部件可能作为标准附件包含于工具包装内。它们可能因销往国家之不同而异。

SPEKIFIKASI

Model	2012NB	
Lebar pemotongan	304 mm	
Kedalaman pemotongan maks.	3,0 mm untuk lebar kayu kurang dari 150 mm	
	1,5 mm untuk lebar kayu mulai dari 150 mm sampai 240 mm	
	1,0 mm untuk lebar kayu mulai dari 240 mm sampai 304 mm	
Laju pemakanan (min ⁻¹)	8,5 m	
Ukuran meja (L x P)	304 mm x 771 mm	
Kecepatan tanpa beban (min ⁻¹)	8.500	10.000
	(Hanya untuk model 127V Brasil)	
Panjang keseluruhan (L x P x T)	483 mm x 771 mm x 401 mm	
Berat bersih	27,1 - 27,6 kg	
kelas keamanan	□/II	

- Karena kesinambungan program penelitian dan pengembangan kami, spesifikasi yang disebutkan di sini dapat berubah tanpa pemberitahuan.
- Spesifikasi dapat berbeda dari satu negara ke negara lainnya.
- Berat alat mungkin berbeda tergantung perangkat tambahan yang dipasang. Kombinasi alat terberat dan teringan, sesuai Prosedur EPTA 01/2014, ditunjukkan pada tabel.

Simbol

Berikut ini adalah simbol-simbol yang digunakan pada peralatan ini. Pastikan Anda memahami arti masing-masing simbol sebelum menggunakan alat.



Baca petunjuk penggunaan.



ISOLASI GANDA



Hanya untuk negara Uni Eropa
Jangan membuang peralatan listrik bersama dengan material limbah rumah tangga!
Dengan memerhatikan Direktif Eropa tentang Limbah Peralatan Listrik dan Elektronik serta pelaksanaannya sesuai dengan ketentuan hukum nasional, peralatan listrik yang telah habis masa pakainya harus dikumpulkan secara terpisah dan dikembalikan ke fasilitas daur ulang yang kompatibel dengan lingkungan.

Penggunaan yang dimaksud

Mesin ini digunakan untuk menyerut kayu.

Pasokan daya

Mesin harus terhubung dengan pasokan daya listrik yang bertegangan sama dengan yang tertera pada pelat nama, dan hanya dapat dijalankan dengan listrik AC fase tunggal. Mesin diisolasi ganda sehingga dapat juga dihubungkan dengan soket tanpa kabel arde.

PETUNJUK KESELAMATAN

PERINGATAN! Saat menggunakan mesin-mesin listrik, tindakan kewaspadaan keselamatan dasar yang meliputi hal-hal berikut ini, harus selalu dipatuhi untuk mengurangi risiko kebakaran, sengatan listrik, dan cedera. Baca semua petunjuk ini sebelum menggunakan mesin dan simpanlah petunjuk ini.

Agar aman penggunaannya:

1. **Jaga agar tempat kerja selalu bersih.**
Tempat dan meja kerja yang berantakan mengundang kecelakaan.
2. **Perhatikan lingkungan tempat kerja.**
Jangan membiarkan mesin listrik kehujanan. Jangan gunakan mesin listrik di lokasi yang lembap dan basah. Pastikan tempat kerja berpenerangan cukup. Jangan gunakan mesin listrik bila terdapat risiko penyebab kebakaran dan terjadinya ledakan.
3. **Pelindungan terhadap sengatan listrik.**
Hindari sentuhan tubuh dengan permukaan berarde atau yang dibumikan (misalnya pipa, radiator, kompor, kulkas).
4. **Jauhkan anak-anak dari tempat kerja.**
Jangan biarkan orang yang berkunjung menyentuh mesin atau kabel ekstensi. Semua orang yang berada di sekitar harus dijauhkan dari tempat kerja.
5. **Simpan mesin saat tidak digunakan.**
Saat tidak digunakan, mesin harus disimpan di tempat yang kering dan tinggi atau terkunci, jauh dari jangkauan anak-anak.

6. **Jangan memaksa mesin listrik.**
Mesin akan lebih baik dan lebih aman digunakan jika sesuai peruntukannya.
7. **Gunakan mesin yang tepat.**
Jangan memaksa mesin atau perangkat tambahan yang kecil untuk digunakan dalam pekerjaan yang berat. Jangan gunakan mesin untuk tujuan yang tidak sesuai kegunaannya; misalnya: menggunakan gergaji bundar untuk memotong cabang atau batang pohon.
8. **Kenakan pakaian dengan baik.**
Jangan memakai pakaian longgar atau perhiasan, karena bisa terjebak oleh bagian yang berputar. Dianjurkan untuk menggunakan sarung tangan karet atau sepatu anti-selip saat bekerja di luar ruangan. Kenakan penutup rambut untuk melindungi rambut yang panjang.
9. **Gunakan kacamata pengaman dan pelindung telinga.**
Selalu kenakan pelindung muka atau masker debu jika operasi pemotongannya berdebu.
10. **Hubungkan peralatan pengumpul debu.**
Jika tersedia fasilitas untuk mengisap dan mengumpulkan debu, pastikan fasilitas tersebut terhubung listrik dan digunakan dengan baik.
11. **Jangan menyalahgunakan kabel.**
Jangan sekali-kali membawa mesin dengan memegang kabelnya atau menarik kabel untuk melepaskannya dari soket. Jauhkan kabel dari panas, minyak dan tepian tajam.
12. **Pekerjaan yang kukuh.**
Gunakan penjepit atau ragum untuk menahan benda kerja. Hal tersebut lebih aman dibanding menggunakan tangan Anda dan membebaskan kedua tangan untuk menjalankan mesin.
13. **Jangan meraih terlalu jauh.**
Selalu jagalah pijakan dan keseimbangan.
14. **Rawatlah mesin dengan baik.**
Jaga agar mesin pemotong tetap tajam dan bersih untuk mendapatkan kinerja yang lebih baik dan aman. Patuhi petunjuk pelumasan dan penggantian aksesoris. Periksa kabel mesin secara berkala dan jika rusak perbaiki oleh fasilitas layanan resmi. Periksa kabel ekstensi secara berkala dan ganti jika rusak. Jagalah agar pegangan kering, bersih, serta bebas dari minyak dan gemuk.
15. **Cabut steker mesin.**
Saat tidak digunakan, sebelum memperbaiki atau saat mengganti aksesoris seperti mata pisau, mata mesin dan alat potong.
16. **Lepas kunci penyetel dan kunci pas.**
Biasakan untuk memeriksa apakah kunci dan kunci pas penyetel dilepas dari mesin sebelum menyalakannya.
17. **Hindari pinalaan yang tidak disengaja.**
Jangan membawa mesin dengan posisi jari berada pada sakelarnya. Pastikan sakelar dalam kondisi mati saat memasukkan steker.
18. **Gunakan kabel ekstensi untuk luar ruangan.**
Saat mesin digunakan di luar ruangan, gunakan hanya kabel ekstensi untuk penggunaan luar ruangan.
19. **Jaga kewaspadaan.**
Perhatikan pekerjaan Anda. Gunakan akal sehat. Jangan menggunakan mesin saat Anda lelah.
20. **Periksa bagian yang rusak.**
Sebelum terus menggunakan mesin, pelindung dan bagian lainnya yang rusak harus diperiksa secara cermat untuk menentukan apakah mesin akan bekerja dengan baik dan berfungsi sesuai yang diharapkan. Periksa kesejajaran bagian yang berputar, bebasnya gerakan bagian yang berputar, kerusakan komponen, kondisi pemasangan dan lainnya yang bisa memengaruhi kerja mesin. Pelindung atau bagian lain yang rusak harus diperbaiki dengan tepat atau diganti oleh pusat layanan resmi kecuali jika ditunjukkan dalam petunjuk penggunaan ini. Ganti sakelar-sakelar yang rusak oleh fasilitas layanan resmi. Jangan gunakan mesin jika sakelar tidak dapat menyalakan dan mematikan mesin.
21. **Peringatan.**
Penggunaan aksesoris atau perangkat tambahan apa pun, selain yang dianjurkan dalam petunjuk penggunaan ini atau dalam katalog, bisa menimbulkan risiko cedera.
22. **Perbaiki mesin Anda oleh orang yang berkualifikasi.**
Mesin listrik ini telah sesuai persyaratan keselamatan yang terkait. Perbaikan harus dilakukan hanya oleh orang yang berkualifikasi dengan menggunakan suku cadang asli, bila tidak, akan mengakibatkan bahaya yang cukup besar bagi pengguna.
23. **Penggunaan pasokan daya melalui RCD dengan kapasitas arus sisa 30 mA atau kurang selalu dianjurkan.**

PERINGATAN KESELAMATAN MESIN KETAM PENEHAL

1. **Gunakan pelindung mata.**
2. **Kenakan alat pelindung diri yang sesuai jika perlu, seperti pelindung telinga (sumbat telinga), alat pelindung pernapasan (masker debu) dan sarung tangan saat memegang mata pisau mesin serut dan bahan yang kasar.**
3. **Jangan menggunakan mesin jika ada cairan atau gas yang mudah menyala.**
4. **Pastikan semua penutup terpasang pada tempatnya sebelum penggunaan.**
5. **Tangani mata pisau dengan sangat hati-hati.**
6. **Sebelum dioperasikan, periksa mata pisau dengan saksama untuk memastikan tidak ada bagian yang retak atau rusak. Segera ganti mata pisau yang retak atau rusak.**
7. **Kencangkan baut-baut pengikat mata pisau kuat-kuat.**
8. **Buang paku dan bersihkan benda kerja sebelum memotong. Paku, pasir dan benda asing bisa menyebabkan kerusakan mata pisau.**
9. **Jangan membuang serpihan kayu dari saluran pembuangan serpihan kayu saat motor bekerja. Bersihkan serpihan kayu setelah mata pisau benar-benar berhenti. Selalu gunakan stik dll. saat membersihkannya.**

10. Jangan tinggalkan mesin dalam keadaan hidup.
11. Jangan menyalahgunakan kabel. Jangan sekali-kali menarik kabel untuk mencabutnya dari stop kontak. Jauhkan kabel dari panas, minyak, air dan tepian tajam.
12. Mesin ini digunakan hanya untuk kayu dan bahan-bahan yang serupa.
13. Jangan sekali-kali melakukan pekerjaan yang berhenti (yaitu pemotongan apa pun yang tidak melibatkan panjang benda kerja penuh).
14. Jangan pernah mengoperasikan mesin ini untuk membuat ceruk, tenon atau cetakan.
15. Jangan pernah gunakan untuk menyerut kayu yang tertekuk parah di mana ada kontak yang tidak memadai pada meja pengumpanan.

SIMPAN PETUNJUK INI.

⚠️PERINGATAN: JANGAN biarkan kenyamanan atau terbiasanya Anda dengan produk (karena penggunaan berulang) menggantikan kepatuhan yang ketat terhadap aturan keselamatan untuk produk yang terkait.
PENYALAHGUNAAN atau kelalaian mematuhi kaidah keselamatan yang tertera dalam petunjuk penggunaan ini dapat menyebabkan cedera badan serius.

PEMASANGAN

Memindahkan dan membawa mesin serut

► **Gbr.1:** 1. Pegangan jinjing 2. Meja mesin

⚠️PERHATIAN:

- Perhatikan langkah kaki Anda saat memindahkan mesin.

Lipat meja mesin. Pegang gagang pembawa saat memindahkan mesin.

Saat membawanya dengan kendaraan, ikat dengan tali atau alat yang kuat untuk mencegah agar mesin tidak miring atau bergerak.

Memosisikan mesin serut

► **Gbr.2:** 1. Baut atau sekrup

Tempatkan mesin di tempat yang berpenerangan cukup dan permukaannya rata agar Anda bisa menjaga pijakan dan keseimbangan yang baik. Pasang dengan baut/sekrup pada meja kerja atau penyangga (pilihan aksesori) melalui lubang baut yang tersedia pada dudukan.

DESKRIPSI FUNGSI

⚠️PERHATIAN:

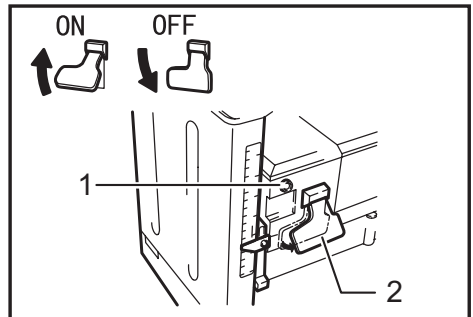
- Selalu pastikan bahwa mesin dalam keadaan mati dan steker tercabut sebelum menyatel atau memeriksa kerja mesin.

Kerja sakelar

⚠️PERHATIAN:

- Sebelum mesin dicolokkan ke steker, selalu pastikan bahwa mesin dalam keadaan mati. Lampu pengarah menyala saat steker mesin dipasang pada sumber daya.

Untuk mesin dengan tuas sakelar



1. Lampu pengarah 2. Tuas sakelar

Untuk menjalankan mesin, angkat tuas sakelarnya. Untuk menghentikannya, turunkan tuas sakelar.

Untuk mesin dengan tombol sakelar

► **Gbr.3:** 1. Lampu pengarah 2. Sakelar

Untuk menyalakan mesin, tekan tombol ON (I). Untuk menghentikannya, tekan tombol OFF (O).

Penyetelan dimensional

► **Gbr.4:** 1. Pegangan engkol 2. Skala 3. Pelat indikator 4. Rangka utama

Turunkan rangka utama dengan memutar pegangan engkol berlawanan arah jarum jam sampai pelat indikator mengarah ke angka skala yang menunjukkan dimensi akhir yang diinginkan. Satu putaran penuh pegangan engkol menaikkan atau menurunkan rangka utama sebanyak 2 mm. Skala tersebut memiliki angka satuan inci pada sisi kanan dan satuan metrik pada sisi kirinya.

Menyetel kedalaman pemotongan

Kedalaman maksimum pemotongan berbeda-beda tergantung lebar benda kerja yang dipotong. Silakan mengacu pada tabel. Saat Anda ingin memotong lebih dari angka yang ditentukan dalam tabel, atur kedalaman pemotongan lebih dalam dari jumlah tersebut dan lakukan dua kali pemotongan atau lebih.

Lebar benda kerja yang dipotong	Kedalaman pemotongan maksimum
Kurang dari 150 mm	3,0 mm
150 mm - 240 mm	1,5 mm
240 mm - 304 mm	1,0 mm

Untuk menyatel kedalaman pemotongan, lakukan sebagaimana berikut.

► **Gbr.5:** 1. Pengukur kedalaman

Masukkan benda kerja secara merata pada bagian atas meja. Turunkan rangka utama dengan memutar pegangan engkol berlawanan arah jarum jam. Pengukur kedalaman pemotongan akan naik dan jumlah kenaikan pengukur menunjukkan kedalaman pemotongan.

⚠PERHATIAN:

- Selalu turunkan rangka utama saat menyejajarkan pelat indikator dengan angka yang menunjukkan dimensi akhir yang diinginkan. Jika Anda menaikkan rangka utama ke dimensi akhir yang diinginkan, bisa mengakibatkan gerakan tambahan pada sekrup. Hal ini bisa menghasilkan dimensi akhir yang tidak diinginkan.
- Selalu posisikan benda kerja secara merata pada bagian atas meja saat akan menentukan kedalaman pemotongan. Bila tidak, kedalaman pemotongan yang telah ditentukan sebelumnya akan berbeda dengan kedalaman pemotongan yang sebenarnya.

Pengukur penyetelan kedalaman

► **Gbr.6:** 1. Pegangan engkol 2. Alur 3. Pengukur penyetelan kedalaman

Gunakan pengukur penyetelan kedalaman saat Anda ingin menentukan kedalaman pemotongan dengan lebih akurat. Untuk melakukannya, lakukan sebagaimana berikut.

1. Pertama-tama, serut benda kerja dengan kedalaman pemotongan yang ditentukan. Ukur ketebalan benda kerja yang telah diserut untuk mengetahui berapa banyak lagi permukaan kayu yang ingin Anda buang.
2. Putar pengukur penyetelan kedalaman pada pegangan engkolnya sampai angka 0 sejajar dengan alur pada mesin.
3. Sekarang putar pegangan engkol berlawanan arah jarum jam sampai angka kedalaman pemotongan yang diinginkan sejajar dengan alur pada mesin.
4. Saat Anda ingin memotong lebih dari angka yang ditentukan dalam tabel yang disebutkan di bagian "Menyetel kedalaman pemotongan", atur kedalaman pemotongan lebih dalam dari jumlah tersebut dan lakukan dua kali pemotongan atau lebih.

Penahan

► **Gbr.7:** 1. Penahan 2. Tombol penahan 3. Knop penahan 4. Bagian atas meja

Gunakan penahan saat Anda ingin menyerut banyak benda kerja untuk memperoleh ketebalan yang sama. Untuk melakukannya, lakukan sebagaimana berikut.

1. Putar pegangan engkol sampai pelat indikator mengarah ke angka skala yang menunjukkan dimensi akhir yang diinginkan.
2. Tekan tombol penahan dan turunkan penahan sampai tepat menyentuh bagian atas meja.
3. Jika Anda ingin menyatel penahan secara lebih halus, putar knop penahan.

⚠PERHATIAN:

- Saat penahan tidak digunakan, selalu naikan ke posisi paling atas. Jangan sekali-kali memaksa pegangan engkol saat penahan menyentuh bagian atas meja. Hal ini bisa merusak mesin.

PERAKITAN

⚠PERHATIAN:

- Pastikan bahwa mesin dalam keadaan mati dan steker tercabut sebelum melakukan pekerjaan apa pun pada mesin.

Mengganti mata pisau mesin serut

⚠PERHATIAN:

- Tangani mata pisau dengan sangat hati-hati saat melepas atau memasang mata pisau untuk mencegah terpotong atau cedera akibat mata pisau dan untuk mencegah rusaknya mata pisau. Mata pisau merupakan benda yang tajam.
- Bersihkan semua serpihan kayu, debu, kotoran atau benda asing yang menempel pada teromol atau mata pisau sebelum memasang mata pisau.
- Gunakan mata pisau dengan dimensi dan berat yang sama, bila tidak, akan terjadi goyangan/ getaran pada teromol yang menyebabkan kerja pemotongan kurang baik dan akhirnya mesin rusak.
- Ganti kedua mata pisau pada waktu yang sama.
- Mata pisau tipe pakai-buang memiliki tepi potong pada kedua sisinya. Saat salah satu sisi tumpul, Anda bisa menggunakan tepi potong yang lain. Selalu buang resin dan kotoran yang menempel pada sisi mata pisau yang berlawanan sebelum menggunakan tepi potong yang lain. Mata pisau ini tidak boleh diasah ulang. Saat kedua tepi potongnya tumpul, mata pisau harus dibuang dengan hati-hati.

Melepas mata pisau

Kendurkan sekrup putar yang mengikat tutup serpihan kayu lalu lepas tutup serpihan kayu. Lepas sekrup yang mengikat tutup sisi kanan. Lalu lepas tutup sisi kanan. Putar puli sampai teromol bisa dikunci pada tempatnya di mana baut-baut pengikat mata pisau menghadap ke atas.

► **Gbr.8:** 1. Pelat kunci 2. Teromol 3. Sekrup putar 4. Puli

Hanya untuk mata pisau tipe pakai-buang

Posisikan kedua penahan magnetik pada pelat pengatur dan dorong sesuai arah panah sampai penjepit mengenai mata pisau. Lepas keenam baut-baut pengikat mata pisau dengan menggunakan kunci sok. Pegang penahan magnetik dan angkat lurus ke atas untuk melepas pelat pengatur dan mata pisau dari teromol. Tekan pelat kunci dan putar puli 180° untuk mengunci teromol. Lepas mata pisau lain sesuai dengan yang dijelaskan sebelumnya.

► **Gbr.9:** 1. Baut-baut pengikat mata pisau 2. Pelat pengatur 3. Penahan magnetik 4. Teromol 5. Pisau 6. Penjepit

► **Gbr.10:** 1. Kunci sok 2. Penahan magnetik

Hanya untuk mata pisau standar

Lepas keenam baut pengikat dengan menggunakan kunci sok. Angkat pelat pengatur dan mata pisau lurus ke atas untuk melepasnya dari teromol. Tekan pelat kunci dan putar teromol dengan memutar puli 180° untuk mengunci teromol. Lepas mata pisau lain sesuai dengan yang dijelaskan sebelumnya. Lepas pelat pengatur dari mata pisau.

► **Gbr.11:** 1. Kunci sok 2. Pelat kunci 3. Baut-baut pengikat mata pisau

► **Gbr.12:** 1. Pelat pengatur

Memasang mata pisau

⚠PERHATIAN:

- Hanya gunakan kunci sok Makita yang tersedia untuk mengencangkan baut-baut pengikat mata pisau. Penggunaan kunci sok yang lain bisa menyebabkan terlalu kencang atau kurang kencangnya baut-baut, yang mengakibatkan cedera berat.

Hanya untuk mata pisau tipe pakai-buang

Sediakan balok kayu rata dengan panjang kira-kira 300 mm dan lebar kira-kira 100 mm. Posisikan mata pisau dan pelat pengatur pada balok kayu sehingga tonjolan penepat mata pisau pada pelat pengatur berada di dalam alur mata pisau. Setel pelat pengatur sehingga kedua ujung mata pisau menonjol kira-kira 1 mm dari ujung pelat pengatur. Posisikan kedua penahan magnetik pada pelat pengatur dan dorong sampai penjepit mengenai mata pisau.

► **Gbr.13:** 1. Penahan magnetik 2. Pelat pengatur 3. Pisau

Pegang penahan magnetik dan selipkan tumit pelat pengatur ke dalam alur pada teromol. Pasang baut-baut pengikat mata pisau.

► **Gbr.14:** 1. Baut-baut pengikat mata pisau 2. Pelat pengatur 3. Penahan magnetik 4. Teromol 5. Pisau 6. Penjepit

Setelah sedikit mengencangkan semua baut-baut pengikat mata pisau dan secara merata dari tengah ke luar, kencangkan sepenuhnya dengan mengikuti urutan yang sama. Lepas penahan magnetik dari pelat pengatur.

► **Gbr.15:** 1. Kunci sok 2. Penahan magnetik

Pasang mata pisau lain sesuai dengan yang dijelaskan sebelumnya. Putar teromol secara perlahan sambil menekan pelat kunci untuk memastikan tidak adanya hal-hal yang tidak wajar. Lalu pasang tutup serpihan kayu dan tutup sisi.

⚠PERHATIAN:

- Jangan mengencangkan baut-baut pengikat mata pisau tanpa tonjolan penepat mata pisau pada pelat pengatur berada tepat di dalam alur mata pisau. Hal ini bisa merusak mata pisau dan berpotensi menyebabkan cedera pada operator.
- Jangan menyalakan mesin dengan kondisi tutup serpihan kayunya dilepas.

Hanya untuk mata pisau standar

Posisikan mata pisau pada pengukur mata pisau sehingga tepi mata pisau berada tepat pada bagian dalam rangka depan (A). Posisikan pelat pengatur pada mata pisau, lalu secara perlahan tekan tumit pelat pengatur agar berada tepat di sisi belakang pengukur mata pisau (B). Kencangkan sekrup-sekrup untuk mengikat pelat pengatur pada mata pisau.

► **Gbr.16:** 1. Sekrup 2. Pelat pengatur 3. Pisau 4. Pengukur mata pisau

Selipkan tumit pelat pengatur ke dalam alur teromol. Pasang baut-baut pengikat mata pisau.

► **Gbr.17:** 1. Pelat pengatur 2. Alur 3. Pisau 4. Teromol

Setelah mengencangkan semua baut-baut pengikat mata pisau kuat-kuat dan merata dari tengah ke luar, kencangkan sepenuhnya dengan mengikuti urutan yang sama.

► **Gbr.18:** 1. Kunci sok 2. Pelat kunci 3. Baut-baut pengikat mata pisau

Pasang mata pisau lain sesuai dengan yang dijelaskan sebelumnya. Putar teromol secara perlahan sambil menekan pelat kunci untuk memastikan tidak adanya hal-hal yang tidak wajar. Lalu pasang tutup serpihan kayu dan tutup sisi.

⚠PERHATIAN:

- Kencangkan baut-baut pengikat mata pisau kuat-kuat saat memasang mata pisau.
- Jangan menyalakan mesin dengan kondisi tutup serpihan kayunya terbuka.

Mengubah tipe mata pisau

Mesin ini bisa dipasangi mata pisau tipe pakai-buang atau mata pisau standar. Jika Anda ingin mengubah tipe mata pisau, beli dan gunakan komponen-komponen berikut ini.

Mengubah dari mata pisau standar ke mata pisau tipe pakai-buang	Mengubah dari mata pisau tipe pakai-buang ke mata pisau standar
Pelat pengatur -----2 buah.	Pelat pengatur -----2 buah.
Mata pisau tipe pakai-buang (306 mm) --2 buah.	Sekrup kepala pan M 4 x 6 ----4 buah.
Penahan magnetik -----2 buah.	Mata pisau standar ----- 2 buah.
	Pengukur mata pisau ----- 1 buah.

Set tudung (aksesori pilihan)

► Gbr.19: 1. Tudung 2. Penahan tudung

Saat Anda ingin menjaga agar pekerjaan tetap bersih dengan cara pengumpulan debu yang mudah, sambungkan pengisap debu ke mesin serut dengan menggunakan tudung ini. Pasang penahan tudung pada tudung dan kencangkan dengan sekrup. Kendurkan sekrup putar yang terpasang pada tutup serpihan kayu. Pasang tudung pada mesin serut dan ikat tutup serpihan kayu bersama tudungnya dengan mengencangkan sekrup putar.

► Gbr.20: 1. Tutup serpihan kayu 2. Sekrup putar 3. Tudung

Penyangga mesin serut (aksesori pilihan)

Posisikan penopang di tempat yang rata dan rakit kaki-kaki di dalamnya. Ikat dengan baut leher persegi bertutup, cincin pegas dan mur segi-enam, lalu pasang tutup karet pada ujung-ujung kakinya.

► Gbr.21: 1. Tutup karet 2. Penopang (B) 3. Penopang (A) 4. Kaki 5. Penopang (A) 6. Baut leher persegi bertutup 7. Cincin penutup pegas 8. Mur segi-enam 9. Kaki

Sekarang atur mesin serut pada bagian atas penyangga yang sudah dirakit dan ikat dengan empat baut kepala segi-enam, ring datar dan mur segi-enam.

► Gbr.22: 1. Baut kepala segi enam 2. Mur segi-enam 3. Cincin penutup datar 4. Baut kepala segi enam

CATATAN:

- Masukkan baut kepala segi-enam melalui lubang-lubang dari sisi berlawanan pada penyangga dan kencangkan dengan ring datar dan mur segi-enam. Jika Anda memasukkan baut kepala segi-enam di atas dudukan mesin serut, baut kepala segi-enam tidak bisa dikencangkan kuat-kuat.

Penyangga mesin serut harus dipasang dengan empat baut pada lantai dengan menggunakan lubang baut yang tersedia pada kaki-kakinya.

► Gbr.23: 1. Baut

PENGOPERASIAN

▲PERHATIAN:

- Dua potong kayu yang kecil namun ketebalannya sama bisa dikerjakan dengan mesin serut dari sisi ke sisi. Namun, bebaskan ruang antar kayu agar rol pemakanan bisa mencengkeram potongan kayu yang paling tipis. Bila tidak, potongan kayu yang sedikit lebih kecil bisa terhentak balik oleh kepala pemotong.

► Gbr.24

Posisikan benda kerja secara merata pada bagian atas meja.

Tentukan kedalaman pemotongan sesuai dengan yang telah dijelaskan sebelumnya.

Nyalakan mesin dan tunggu sampai mata pisau mencapai kecepatan penuh. Benda kerja tidak boleh menyentuh rol pemakanan saat Anda menyalakan mesin.

Lalu masukkan benda kerja agar tepat berada di dalam bagian atas meja.

Saat memotong benda kerja yang panjang atau berat, angkat sedikit ujungnya pada awal dan akhir pemotongan untuk menghindari tercungkil atau terpotongnya ujung benda kerja.

Penggunaan bagian atas mesin mempercepat dan mengurangi hentakan saat kembalinya benda kerja ke dalam sisi meja pemakanan. Hal ini lebih baik jika dilakukan oleh dua orang operator.

► Gbr.25

▲PERHATIAN:

- Benda kerja dengan dimensi berikut ini tidak bisa diumpankan ke dalam mesin karena rentang antara dua rol pemakanan adalah 129 mm. Jangan mencoba untuk memotongnya.

1		Panjang kurang dari 130 mm
2		Memiliki alur dengan lebar lebih dari 130 mm
3		Memiliki alur dengan rentang lebar 130 mm

▲PERHATIAN:

- Hentikan mesin saat benda kerja telah terpotong. Membiarkan mesin tetap bekerja dengan benda kerja yang terpotong menyebabkan keausan yang cepat pada rol pemakanan.

PERAWATAN

▲PERHATIAN:

- Selalu pastikan bahwa mesin dimatikan dan steker dicabut sebelum melakukan pemeriksaan atau perawatan.
- Jangan sekali-kali menggunakan benzena, tiner, alkohol, atau bahan sejenisnya. Penggunaan bahan tersebut dapat menyebabkan perubahan warna, perubahan bentuk, atau timbulnya retakan.

Menyetel ketinggian meja mesin

► Gbr.26: 1. Mistar 2. Kertas karton 3. Sekrup penyetel

► Gbr.27: 1. Kunci L

Ketinggian meja mesin telah disetel saat pembuatan di pabrik. Jika diperlukan lagi penyetelan, lakukan sebagaimana berikut.

Posisikan kertas karton pada meja mesin dan posisikan juga mistar pada kertas karton. Putar sekrup penyetel dengan kunci L sampai ujung meja mesin mengenai mistar. Sekarang ujung meja mesin berada mulai dari 0,1 mm sampai 0,3 mm di atas permukaan meja.

Mengganti sikat karbon

► Gbr.28: 1. Tanda batas

Lepas dan periksa sikat karbon secara teratur. Lepas ketika aus sampai tanda batas. Jaga agar sikat karbon tetap bersih dan tidak bergeser dari penahan. Kedua sikat karbon harus diganti pada waktu yang sama. Hanya gunakan sikat karbon yang sama. Gunakan obeng untuk melepas tutup tempat sikat. Tarik keluar sikat karbon yang aus, masukkan yang baru dan pasang tutup tempat sikat.

► Gbr.29: 1. Tutup tempat sikat 2. Obeng

Jaga agar mata pisau mesin serut tetap tajam

Mata pisau yang tumpul bisa menyebabkan hasil akhir yang kasar, kelebihan beban pada motor dan hentakan balik benda kerja yang membahayakan. Segera ganti mata pisau yang tumpul.

Pelumasan

► Gbr.30: 1. Tiang 2. Sekrup 3. Rantai

Minyaki rantai (setelah melepas tutup sisi R), keempat tiang dan sekrup untuk menaikkan rangka utama. Pelumasan secara berkala harus dilakukan dengan minyak mesin.

PERHATIAN:

- Meminyaki mesin dan semua perawatan harus dilakukan dengan kondisi mesin mati atau stekernya dicabut.

Pembersihan

Selalu sikat kotoran, serpihan kayu dan benda asing yang menempel pada permukaan rol, ventilasi motor dan teromol.

Batas untuk mengasah ulang mata pisau standar

► Gbr.31: 1. Dudukan 2. Pisau 3. Lebih dari 4 mm

Jangan gunakan mata pisau standar yang panjangnya kurang dari 4 mm.

Untuk menjaga KEAMANAN dan KEANDALAN produk, perbaikan, perawatan lain, atau penyetelan harus dilakukan oleh Pusat Layanan Resmi Makita dan selalu gunakan suku cadang pengganti buatan Makita.

AKSESORI PILIHAN

PERHATIAN:

- Dianjurkan untuk menggunakan aksesoris atau perangkat tambahan ini dengan mesin Makita Anda yang ditentukan dalam petunjuk ini. Penggunaan aksesoris atau perangkat tambahan lain bisa menyebabkan risiko cedera pada manusia. Hanya gunakan aksesoris atau perangkat tambahan yang sesuai dengan tujuan yang telah ditetapkan.

Jika Anda memerlukan bantuan lebih terperinci berkenaan dengan aksesoris ini, tanyakan pada Pusat Layanan Makita terdekat.

- Penahan magnetik
- Mata pisau tipe pakai-buang
- Mata pisau standar
- Pengukur mata pisau
- Kunci sok 9
- Kunci L 2,5
- Set tudung
- Penyangga

CATATAN:

- Beberapa item dalam daftar tersebut mungkin sudah termasuk dalam paket mesin sebagai aksesoris standar. Hal tersebut dapat berbeda dari satu negara ke negara lainnya.

SPESIFIKASI

Model	2012NB	
Lebar pemotongan	304 mm	
Kedalaman maksimum pemotongan	3.0 mm lebar stok kurang daripada 150 mm	
	1.5 mm lebar stok daripada 150 mm hingga 240 mm	
	1.0 mm lebar stok daripada 240 mm hingga 304 mm	
Kadar suapan (min ⁻¹)	8.5 m	
Saiz jadual (L x P)	304 mm x 771 mm	
Kelajuan tanpa beban (min ⁻¹)	8,500	10,000
	(Hanya untuk model Brazil 127V model)	
Panjang keseluruhan (L x P x T)	483 mm x 771 mm x 401 mm	
Berat bersih	27.1 - 27.6 kg	
kelas keselamatan	□/II	

- Disebabkan program penyelidikan dan pembangunan kami yang berterusan, spesifikasi yang terkandung di dalam ini adalah tertakluk kepada perubahan tanpa notis.
- Spesifikasi mungkin berbeza mengikut negara.
- Berat mungkin berbeza bergantung kepada pemasangan. Kombinasi paling ringan dan paling berat, mengikut Prosedur EPTA 01/2014, ditunjukkan di dalam jadual.

Simbol

Berikut menunjukkan simbol-simbol yang digunakan untuk alat ini. Pastikan anda memahami maksudnya sebelum menggunakan.



Baca manual arahan.



PENEBATAN BERGANDA



Hanya untuk negara-negara Kesatuan Eropah
 Jangan buang peralatan elektrik bersama bahan buangan isi rumah!
 Dalam mematuhi Arahan Eropah mengenai Sisa Peralatan Elektrik dan Elektronik serta pelaksanaannya mengikut undang-undang negara, peralatan elektrik yang telah mencapai akhir hayatnya mesti dikumpul secara berasingan dan dikembalikan ke kemudahan kitar semula yang bersesuaian dengan alam sekitar.

Tujuan penggunaan

Pengetam ini digunakan untuk mengetam kayu.

Bekalan kuasa

Alat ini perlu disambungkan hanya kepada bekalan kuasa dengan voltan yang sama seperti yang ditunjukkan pada papan nama, dan hanya boleh dikendalikan pada bekalan AC fasa tunggal. Ia mempunyai penebatan berganda dan oleh itu, ia juga boleh digunakan dari soket tanpa wayar bumi.

ARAHAN KESELAMATAN

AMARAN! Semasa menggunakan alat elektrik, langkah berjaga-jaga keselamatan asas, termasuk yang berikut, harus sentiasa diikuti untuk mengurangkan risiko kebakaran, kejutan elektrik dan kecederaan peribadi. Baca semua arahan sebelum mengendalikannya produk ini dan simpan semua arahan ini.

Untuk pengendalian selamat:

1. **Pastikan kawasan kerja bersih.**
Kawasan bersepeh dan bangku menyebabkan kecederaan.
2. **Pertimbangkan persekitaran tempat kerja.**
Jangan dedahkan alat kuasa pada hujan. Jangan gunakan alat kuasa di lokasi lembap dan basah. Pastikan kawasan kerja diterangi dengan baik. Jangan gunakan alat kuasa di mana terdapat risiko menyebabkan kebakaran dan letupan.
3. **Pengadang kejutan elektrik.**
Elakkan sentuhan badan dengan permukaan bumi atau tanah (cth. paip, radiator, julat, peti sejuk).
4. **Jauhkan daripada kanak-kanak**
Jangan biarkan pelawat menyentuh alat atau kord sambungan. Semua pelawat harus dijauhkan dari kawasan kerja.
5. **Simpan alat pemelahu.**
Semasa tidak digunakan, alat harus disimpan di tempat kering, tinggi atau terkunci, jauh daripada jangkauan kanak-kanak.
6. **Jangan paksa alat.**
Ia akan berfungsi dengan lebih baik pada kadar yang ditentukan.

7. **Gunakan alat yang betul.**
Jangan paksa alat kecil atau pemasangan untuk melakukan fungsi alat kegunaan berat. Jangan gunakan alat untuk tujuan yang dinyatakan, sebagai contoh, jangan gunakan gergaji mata bulat untuk mengerat kayu pokok atau balak.
8. **Pakai pakaian dengan betul.**
Jangan pakai pakaian longgar atau barang kemas, ia boleh tersangkut di bahagian yang bergerak. Sarung tangan getah dan kasut tidak mudah gelincir disarankan semasa bekerja di luar. Pakai penutup kepala pelindung untuk menutup rambut yang panjang.
9. **Gunakan kaca mata keselamatan dan pelindung pendengaran.**
Juga gunakan topeng muka atau habuk jika operasi pemotongan berhabuk.
10. **Sambungkan alat pengekstrakan habuk.**
Jika peranti disediakan untuk sambungan kemudahan pengekstrakan dan pengumpulan habuk pastikan ia disambung dan digunakan dengan betul.
11. **Jangan salah gunakan kord.**
Jangan sekali-kali bawa alat atau menyentap untuk menyahsambung daripada soket. Jauhkan kord daripada haba, minyak dan bucu tajam.
12. **Kukuhkan kerja.**
Gunakan pengapit atau ragum untuk memegang bahan kerja. Ia lebih selamat berbanding menggunakan tangan anda dan lepaskan kedua-dua tangan untuk mengendalikan alat.
13. **Jangan terlebih jangkau.**
Kekalkan tapak dan keseimbangan yang betul sepanjang masa.
14. **Selenggara alat dengan hati-hati.**
Pastikan alat pemotong tajam dan bersih untuk prestasi yang lebih baik dan selamat. Ikuti arahan untuk pelinciran dan menukar aksesori. Periksa kord alat secara berkala dan jika ia rosak, baikinya dengan kemudahan servis yang disahkan. Periksa kord sambungan secara berkala dan gantikannya jika rosak. Pastikan pemegang sentiasa kering, bersih dan bebas dari minyak dan gris.
15. **Nyahsambung alat.**
Apabila tidak digunakan, sebelum menservis dan semasa menukar aksesori seperti bilah, bit dan pemotong.
16. **Keluarkan kunci pelarasan dan perengkuh.**
Jadikan tabiat memeriksa untuk melihat kunci dan perengkuh pelarasan telah dikeluarkan sebelum menghidupkan.
17. **Elakkan menghidupkan tanpa sengaja.**
Jangan bawa alat memasukkan palam dengan jari pada suis. Pastikan suis dipadam semasa memasukkan palam.
18. **Gunakan penyambung sambungan luar.**
Semasa alat digunakan di luar, gunakan hanya kord sambungan untuk kegunaan luar.
19. **Sentiasa berwaspada.**
Perhatikan apa yang anda sedang lakukan. Gunakan pertimbangan akal. Jangan kendalikan alat semasa anda penat.
20. **Periksa bahagian yang rosak.**
Sebelum menggunakan alat dengan lebih lanjut, pengadang harus diperiksa dengan berhati-hati untuk menentukan yang ia beroperasi dengan betul dan berfungsi seperti yang dinyatakan. Periksa penjarangan bahagian yang bergerak, bahagian yang bebas bergerak, keretakan bahagian, lekapan dan sebarang keadaan lain yang boleh mempengaruhi operasi. Pengadang atau bahagian lain yang rosak harus dibaiki dengan betul atau digantikan oleh pusat servis sah melainkan sebaliknya dinyatakan dalam manual arahan. Gantikan suis yang rosak di kemudahan servis yang disahkan. Jangan gunakan alat jika suis tidak dihidupkan atau dimatikan.
21. **Amaran.**
Penggunaan sebarang aksesori atau pemasangan, selain daripada yang disarankan dalam manual arahan atau katalog ini, mungkin mengakibatkan kecederaan peribadi.
22. **Baiki alat anda dibaiki oleh orang yang bertauliah.**
Alat elektrik ini berkait dengan keperluan keselamatan berkaitan. Pembaikan harus dilakukan oleh orang yang bertauliah menggunakan alat ganti yang asli, atau tidak boleh menyebabkan pelbagai bahaya kepada pengguna.
23. **Penggunaan bekalan kuasa melalui RCD dengan arus sisa yang bernilai 30 mA atau kurang sentiasa disyorkan.**

AMARAN KESELAMATAN PENEBAL

1. **Pakai pelindung mata.**
2. **Pakai kelengkapan pelindung diri yang sesuai apabila perlu, seperti pelindung pendengaran, pelindung pernafasan (topeng habuk) dan sarung tangan semasa mengendalikan bilah pengetam dan bahan kasar.**
3. **Jangan gunakan alat jika terdapat cecair dan gas mudah terbakar.**
4. **Pastikan semua penutup dipasang pada tempatnya sebelum operasi.**
5. **Kendalikan bilah dengan sangat berhati-hati.**
6. **Periksa bilah dengan teliti untuk melihat keretakan atau kerosakan sebelum operasi. Gantikan bilah yang retak atau rosak dengan segera.**
7. **Ketatkan pemasangan bolt bilah dengan kukuh.**
8. **Keluarkan paku dan bersihkan bahan kerja sebelum pemotongan. Paku, pasir dan bahan asing boleh merosakkan bilah.**
9. **Jangan keluarkan serpihan dari pelongsor serpihan semasa motor berjalan. Bersihkan serpihan selepas bilah berhenti sepenuhnya. Sentiasa gunakan kayu dsb. Semasa membersihkan ia keluar.**
10. **Jangan tinggalkan alat yang sedang berjalan.**
11. **Jangan salah guna kord. Jangan sekali-kali sentap kord untuk menyahsambung daripada bekalan. Jauhkan kord daripada haba, minyak, air dan bucu tajam.**

12. Alat harus digunakan untuk kayu dan bahan yang sama.
13. Jangan sekali-kali jalankan kerja terhenti (cth. Sebarang potongan yang tidak melibatkan panjang bahan kerja penuh).
14. Jangan sekali-kali kendalikan alat ini untuk membuat relung, puting atau acuan.
15. Jangan sekali-kali gunakan untuk mengetam kayu bengkok yang teruk di mana terdapat kurang sentuhan pada meja suapan.

SIMPAN ARAHAN INI.

⚠️ AMARAN: JANGAN biarkan keselesaan atau kebiasaan dengan produk (daripada penggunaan berulang) menggantikan pematuhan ketat terhadap peraturan keselamatan untuk produk yang ditetapkan. SALAH GUNA atau kegagalan untuk mematuhi peraturan-peraturan keselamatan yang dinyatakan dalam manual arahan ini boleh menyebabkan kecederaan diri yang serius.

PEMASANGAN

Pergerakan dan pengangkutan pengetam

- **Rajah1:** 1. Pemegang pembawa 2. Sub-meja

⚠️ PERHATIAN:

- Perhatikan langkah anda semasa menggerakkan alat.

Lipat sub-meja. Genggam pemegang pembawa semasa menggerakkan alat. Semasa mengangkutnya menggunakan kenderaan, ketatkan ia dengan tali atau cara lain untuk mengelakkan terjongket atau pergerakan.

Memposisikan pengetam

- **Rajah2:** 1. Bolt atau skru

Letakkan alat dalam pencahayaan yang baik dan tempat yang rata di mana anda boleh mengekalkan tapak dan keseimbangan yang baik. Bolt/skru ia pada meja kerja atau kaki (aksesori pilihan) menggunakan lubang bolt yang disediakan pada tapak.

KETERANGAN FUNGSI

⚠️ PERHATIAN:

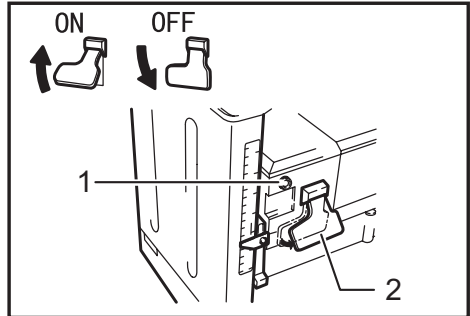
- Sentiasa pastikan alat dimatikan dan palamnya dicabut sebelum menyelaras atau menyamak fungsi pada alat.

Tindakan suis

⚠️ PERHATIAN:

- Sebelum memasang alat pada palam, sentiasa pastikan alat dimatikan. Lampu panduan menyala semasa alat disambung pada sumber kuasa.

Untuk alat yang mempunyai tuil suis



1. Lampu panduan 2. Tuil suis

Untuk memulakan alat, naikkan tuil suis. Untuk memberhentikannya, rendahkan tuil suis.

Untuk alat yang mempunyai butang suis

- **Rajah3:** 1. Lampu panduan 2. Suis

Untuk menghidupkan alat, tekan butang ON (1). Untuk mematikan alat, tekan butang OFF (0).

Pelarasan berdimensi

- **Rajah4:** 1. Pemegang engkol 2. Skala 3. Plat penunjuk 4. Bingkai utama

Rendahkan bingkai utama dengan memusingkan pemegang engkol arah lawan jam sehingga plat penunjuk menunjuk ke arah skala senggatan menunjuk ke arah skala senggatan penuh pemegang engkol menggerakkan bingkai utama sebanyak 2 mm ke atas dan ke bawah. Skala mempunyai senggatan inci pada sisi kanan dan senggatan metrik pada sisi kiri.

Menyesuaikan kedalaman potongan

Kedalaman potongan maksimum berbeza bergantung pada kedalaman bahan kerja yang dipotong. Rujuk pada jadual. Semasa anda perlu mengeluarkan lebih daripada jumlah yang dinyatakan dalam jadual, tetapkan kedalaman potongan lebih cetek berbanding jumlah dan buat dua atau lebih laluan.

Lebar bahan kerja yang dipotong	Kedalaman potongan maksimum
Kurang daripada 150 mm	3.0 mm
150 mm - 240 mm	1.5 mm
240 mm - 304 mm	1.0 mm

Untuk melaraskan kedalaman potongan, teruskan seperti berikut.

- **Rajah5:** 1. Tolok kedalaman

Masukkan bahan kerja leper di atas permukaan meja. Rendahkan bingkai utama dengan memusingkan pemegang engkol arah lawan jam. Tolok kedalaman akan ter naik dan jumlah tolak ter naik menunjukkan kedalaman potongan.

⚠PERHATIAN:

- Sentiasa rendahkan bingkai utama semasa menjajarkan plat penunjuk dengan senggatan menunjukkan dimensi akhir yang dikehendaki. Jika anda menaikkan bingkai utama ke dimensi akhir yang dikehendaki, gerakan tambahan pada skru boleh berlaku. Ini boleh menyebabkan dimensi akhir yang tidak dikehendaki.
- Sentiasa letakkan bahan kerja leper di atas permukaan meja semasa prapenentuan kedalaman potongan. Sebaliknya, kedalaman pratentu potongan akan berbeza daripada kedalaman potongan sebenar.

Tolak pelaras kedalaman

► **Rajah6:** 1. Pemegang engkol 2. Alur 3. Tolak pelaras kedalaman

Gunakan tolak pelaras kedalaman semasa anda perlu pratentu kedalaman potongan dengan lebih tepat. Untuk melakukan sedemikian, teruskan seperti berikut.

1. Pertama, ketamkan bahan kerja pada kedalaman potongan yang dipratentukan. Ukur ketebalan bahan yang diketam untuk mengetahui berapa banyak stok yang anda harus keluarkan.
2. Pusingkan tolak pelaras kedalaman pada pemegang engkol sehingga senggatan 0 diajarkan dengan alur pada alat.
3. Sekarang, pusingkan pemegang engkol arah lawan jam sehingga senggatan untuk kedalaman potongan yang dikehendaki sejajar dengan alur pada alat.
4. Semasa anda perlu mengeluarkan lebih daripada jumlah yang dinyatakan dalam jadual dinyatakan pada bahagian "Melaraskan kedalaman potongan", tetapkan kedalaman potongan lebih cetek berbanding jumlah dan buat dua atau lebih laluan.

Penyumbat

► **Rajah7:** 1. Penyumbat 2. Butang penyumbat 3. Tombol penyumbat 4. Permukaan meja

Gunakan penyumbat semasa anda perlu mengetam banyak bahan kerja dengan ketebalan yang sama. Untuk melakukan sedemikian, teruskan seperti berikut.

1. Pusingkan pemegang engkol sehingga plat penunjuk menunjukkan ke arah skala senggatan menunjukkan dimensi akhir yang dikehendaki.
2. Tekan butang penyumbat dan rendahkan penyumbat sehingga ia menyentuh permukaan meja.
3. Jika anda memerlukan pelarasan penyumbat yang baik, pusingkan tombol penyumbat.

⚠PERHATIAN:

- Semasa penyumbat tidak digunakan, sentiasa naikkan ia pada kedudukan paling atas. Jangan sekali-kali paksa pemegang engkol apabila penyumbat bersentuhan dengan permukaan meja. Ini boleh menyebabkan kerosakan alat.

PEMASANGAN

⚠PERHATIAN:

- Sentiasa pastikan alat dimatikan dan palamnya dicabut sebelum menjalankan apa-apa kerja pada alat.

Menggantikan bilah pengetam

⚠PERHATIAN:

- Kendalikan bilah dengan sangat berhati-hati semasa mengeluarkan atau memasang bilah untuk menggelakkan torehan atau kecederaan daripada bilah dan untuk menggelakkan kerosakan pada bilah. Ia adalah setajam pisau pencukur.
- Bersihkan semua serpihan, habuk, gegala atau benda asing yang melekat pada gelendong atau bilah sebelum memasang bilah.
- Gunakan bilah dengan dimensi dan berat yang sama, atau hayunan/ getaran gelendong akan berlaku, menyebabkan tindakan pemotongan yang tidak kemas dan lama-kelamaan, alat rosak.
- Ganti kedua-dua bilah pada masa yang sama.
- Bilah jenis pakai buang mempunyai tepi pemotongan pada kedua-dua sisi. Semasa sebelah sisi menjadi tumpul, anda boleh menggunakan tepi pemotongan yang lain. Sentiasa keluarkan resin dan habuk yang melekat pada sisi terbalik bilah sebelum menggunakan tepi pemotongan yang lain. Bilah ini mesti tidak ditajamkan semula. Semasa kedua-dua tepi pemotongan menjadi tumpul, bilah harus dibuang dengan berhati-hati.

Mengeluarkan bilah

Longgarkan skru ibu jari yang mengukuhkan penutup serpihan dan keluarkan penutup serpihan. Keluarkan skru yang mengukuhkan penutup sisi kanan. Kemudian keluarkan penutup sisi kanan. Pusing takal sehingga gelendong boleh dikunci pada kedudukan di mana bolt pemasangan menghadap ke atas.

► **Rajah8:** 1. Plat kunci 2. Gelendong 3. Skru ibu jari 4. Takal

Untuk bilah pakai buang sahaja

Letakkan dua pemegang bermagnet pada plat tetapan dan tekan mengikut arah anak panah sehingga pencakar bersentuhan dengan bilah. Keluarkan enam bolt pemasangan bilah menggunakan perengkuh soket. Genggam pemegang bermagnet dan naikkan ia ke atas untuk mengeluarkan plat tetapan dan bilah dari gelendong. Tekan plat kunci dan pusingkan takal 180° untuk mengunci gelendong. Keluarkan bilah lain seperti yang diterangkan di atas.

► **Rajah9:** 1. Bolt pemasangan bilah 2. Plat tetapan 3. Pemegang bermagnet 4. Gelendong 5. Bilah 6. Pencakar

► **Rajah10:** 1. Perengkuh soket 2. Pemegang bermagnet

Untuk bilah standard sahaja

Keluarkan enam bolt pemasangan menggunakan perengkuh soket. Naikkan plat tetapan dan bilah ke atas untuk mengeluarkan ia dari gelendong. Tekan plat kunci dan putarkan gelendong dengan memusingkan takal 180° untuk mengunci gelendong. Keluarkan bilah lain seperti yang diterangkan di atas. Mengeluarkan plat tetapan dari bilah.

► **Rajah11:** 1. Perengkuh soket 2. Plat kunci 3. Bolt pemasangan bilah

► **Rajah12:** 1. Plat tetapan

Bilah pemasangan

▲PERHATIAN:

- Gunakan hanya perengkuh soket Makita yang disediakan untuk mengetatkan bolt pemasangan bilah. Penggunaan sebarang perengkuh soket lain boleh menyebabkan pengetatan berlebihan atau kurang pengetatan bolt, mengakibatkan kecederaan parah.

Untuk bilah pakai buang sahaja

Sediakan blok kayu leper berukuran 300 mm panjang dan 100 mm lebar. Letakkan bilah dan plat tetapan pada blok kayu supaya lug penempat bilah plat tetapan terletak dalam alur bilah. Laraskan plat tetapan supaya hujung kedua-dua bilah teronjol kira-kira 1 mm melebihi hujung plat tetapan. Letakkan dua pemegang bermagnet pada pemegang bermagnet dan tekan ia sehingga pencakar bersentuhan dengan bilah.

► **Rajah13:** 1. Pemegang bermagnet 2. Plat tetapan 3. Bilah

Genggam pemegang bermagnet dan selitkan tumit plat tetapan ke dalam alur pada gelendong. Pasang bolt pemasangan bilah.

► **Rajah14:** 1. Bolt pemasangan bilah 2. Plat tetapan 3. Pemegang bermagnet 4. Gelendong 5. Bilah 6. Pencakar

Selepas mengetatkan sedikit dan sekata semua bolt pemasangan bilah dari tengah ke luar, ketatkan ia sepenuhnya mengikut turutan yang sama. Keluarkan pemegang bermagnet dari plat tetapan.

► **Rajah15:** 1. Perengkuh soket 2. Pemegang bermagnet

Pasang bilah lain seperti diterangkan di atas. Putarkan gelendong perlahan-lahan semasa menekan plat kunci untuk memastikan tidak terdapat perkara tidak normal. Kemudian pasang penutup serpihan dan penutup sisi.

▲PERHATIAN:

- Jangan ketatkan bolt pemasangan bilah tanpa lug penempat bilah plat tetapan terletak dalam alur bilah dengan betul. Ini boleh mengakibatkan kerosakan pada bilah dan potensi kecederaan kepada pengendali.
- Jangan hidupkan alat dengan penutup serpihan dikeluarkan.

Untuk bilah standard sahaja

Letakkan bilah pada tolok bilah supaya tepi bilah sedatar dengan tepat dalam rusuk hadapan (A). Letakkan plat tetapan pada bilah, kemudian tekan tumit plat tetapan sedatar dengan sisi belakang tolok bilah (B). Ketatkan skru untuk mengukuhkan plat tetapan pada bilah.

► **Rajah16:** 1. Skru 2. Plat tetapan 3. Bilah 4. Tolok bilah

Selitkan tumit plat tetapan ke dalam alur dalam gelendong. Pasang bolt pemasangan bilah.

► **Rajah17:** 1. Plat tetapan 2. Alur 3. Bilah 4. Gelendong

Selepas mengetatkan semua bolt pemasangan bilah dengan ketat dan sekata dari tengah ke luar, ketatkan ia sepenuhnya mengikut turutan yang sama.

► **Rajah18:** 1. Perengkuh soket 2. Plat kunci 3. Bolt pemasangan bilah

Pasang bilah lain seperti diterangkan di atas. Putarkan gelendong perlahan-lahan semasa menekan plat kunci untuk memastikan tidak terdapat perkara tidak normal. Kemudian pasang penutup serpihan dan penutup sisi.

▲PERHATIAN:

- Ketatkan bolt pemasangan bilah dengan kukuh semasa memasang bilah.
- Jangan hidupkan alat ketika penutup serpihan terbuka.

Menukar jenis bilah

Alat ini boleh menerima sama ada bilah pakai buang atau bilah standard. Jika anda ingin menukar jenis bilah, beli dan gunakan alat ganti yang berikut.

Menukar daripada bilah standard kepada bilah pakai buang	Menukar daripada bilah pakai buang kepada bilah standard
Plat tetapan----- 2 buah.	Plat tetapan----- 2 buah.
Bilah pakai buang (306 mm) -- 2 buah.	Skru kepala timbul M 4 x 6 -- 4 buah.
Pemegang bermagnet ---- 2 buah.	Bilah standard ----- 2 buah.
	Tolok bilah ----- 1 buah.

Set tukup (aksesori pilihan)

► **Rajah19:** 1. Tukup 2. Pemegang tukup

Apabila anda ingin mengekalkan operasi yang bersih melalui pengumpulan habuk yang mudah, sambungkan pembersih hampagas pada pengetat menggunakan tukup ini. Pasangkan pemegang tukup pada tukup dan ketatkan dengan skru.

Longgarkan skru ibu jari yang mengetatkan penutup serpihan. Pasangkan tukup pada pengetam dan ketatkan penutup serpihan dan tukup bersama-sama dengan mengetatkan skru ibu jari.

- **Rajah20:** 1. Penutup serpihan 2. Skru ibu jari 3. Tukup

Kaki pengetam (aksesori pilihan)

Letakkan penambat pada lokasi yang selaras dan pasang kaki di dalam. Kukuhkan dengan bolt leher takup petak, sesendal pegas dan nat heksagon, dan kemudian takup getah pada hujung kaki.

- **Rajah21:** 1. Takup getah 2. Penambat (B) 3. Penambat (A) 4. Kaki 5. Penambat (A) 6. Bolt leher takup petak 7. Sesendal pegas 8. Nat heksagon 9. Kaki

Sekarang, tetapkan pengetam pada atas kaki pemasangan dan kukuhkan ia dengan empat bolt heksagon, sesendal leper dan nat heksagon.

- **Rajah22:** 1. Bolt heksagon 2. Nat heksagon 3. Sesendal leper 4. Bolt heksagon

NOTA:

- Masukkan bolt heksagon melalui lubang dari sisi terbalik kaki dan kukuhkan ia dengan sesendal leper dan nat heksagon. Jika anda memasukkan bolt heksagon di atas tapak pengetam, bolt heksagon tidak boleh dikukuhkan sekukuhnya.

Kaki pengetam harus diboltkan dengan empat bolt ke lantai menggunakan lubang bolt yang disediakan pada kaki.

- **Rajah23:** 1. Bolt

OPERASI

PERHATIAN:

- Dua atau lebih buah stok sempit tetapi bertekubal serupa boleh melalui pengetam sebelah-menyebelah. Namun, benarkan sedikit ruang antara stok untuk membenarkan pengguling suapan untuk mengggam stok paling nipis. Sebaliknya, bahan sedikit nipis boleh ditolak keluar oleh kepala pemotong.

- **Rajah24**

Letakkan bahan kerja leper di atas permukaan meja. Tentukan kedalaman potongan seperti diterangkan sebelumnya.

Hidupkan alat dan tunggu sehingga bilah mencapai kelajuan sepenuhnya. Bahan kerja harus tidak bersentuhan dengan pengguling suapan semasa anda menghidupkan alat.

Kemudian masukkan bahan kerja sedatar dengan permukaan meja.

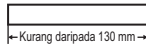
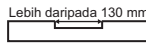
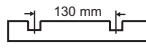
Semasa memotong bahan kerja yang panjang dan berat, naikan hujungnya sedikit pada permulaan dan hujung potongan untuk mengelakkan penggujan atau pemutaran pada hujung terlampau bahan kerja.

Penggunaan atas alat membolehkan pengembalian cepat dan mudah bahan kerja kepada sisi meja suapan. Ini memudahkan terutamanya dengan dua pengendali.

- **Rajah25**

PERHATIAN:

- Bahan kerja berdimensi berikut tidak boleh disuap ke dalam alat kerana selang antara dua pengguling suapan adalah 129 mm. Jangan cuba untuk memotongnya.

1		Kurang daripada 130 mm panjang
2		Mempunyai alur lebih daripada 130 mm lebar
3		Mempunyai alur pada selang 130 mm lebar

PERHATIAN:

- Hentikan alat semasa bahan kerja tertegun. Membenarkan alat berjalan dengan bahan kerja tertegun menyebabkan kehausan pantas pengguling suapan.

PENYELENGGARAAN

PERHATIAN:

- Sentiasa pastikan alat dimatikan dan palaminya dicabut sebelum cuba menjalankan pemeriksaan atau penyelenggaraan.
- Jangan gunakan gasolin, benzin, pencair, alkohol atau bahan yang serupa. Ia boleh menyebabkan perubahan warna, bentuk atau keretakan.

Menyelaraskan ketinggian sub-meja

- **Rajah26:** 1. Pembaris 2. Kad pos 3. Skru penyesuai

- **Rajah27:** 1. Kunci allen

Ketinggian sub-meja adalah diselaraskan kilang. Jika pelarasan lanjut diperlukan, truskan seperti berikut. Letakkan kad pos pada meja dan juga letakkan pembaris pada kad pos. Pusingkan skru penyesuai dengan kunci allen sehingga hujung sub-meja bersentuhan dengan pembaris. Sekarang hujung sub-meja adalah daripada 0.1 mm hingga 0.3 mm di atas permukaan meja.

Menggantikan berus karbon

- **Rajah28:** 1. Tanda had

Keluarkan dan periksa berus karbon dengan kerap. Gantikan ia apabila ia telah haus sehingga tanda had. Pastikan berus karbon sentiasa bersih dan bebas untuk dimasukkan ke dalam pemegang. Kedua-dua berus karbon harus diganti pada masa yang sama. Gunakan hanya berus karbon yang serupa.

Gunakan pemutar skru untuk mengeluarkan penutup pemegang berus. Keluarkan berus karbon yang telah haus, masukkan berus baharu dan kukuhkan penutup pemegang berus.

- **Rajah29:** 1. Penutup pemegang berus 2. Pemutar skru

Memastikan bilah pengetam tajam

Bilah tumpul boleh menyebabkan hasil kerja yang kasar, beban berlebihan pada motor dan tolak balik bahan kerja. Gantikan bilah tumpul dengan segera.

Pelinciran

► **Rajah30:** 1. Kolum 2. Skru 3. Rantai

Sapu minyak pada rantai (selepas mengeluarkan penutup sisi R), empat lajur dan skru untuk menaikkan bingkai utama. Pelinciran berkala ini harus dilakukan dengan minyak mesin.

PERHATIAN:

- Penyapuan minyak dan semua penyelenggaraan harus dilakukan setelah alat dimatikan dan palam ditanggalkan.

Membersih

Sentiasa bersihkan habuk, serpihan dan bahan asing yang melekat pada permukaan pengguling, bolong motor dan gelendong.

Hadkan untuk penajaman semula bilah standard

► **Rajah31:** 1. Tapak 2. Bilah 3. Lebih daripada 4 mm

Jangan gunakan bilah standard yang panjang bilah kurang daripada 4 mm.

Untuk mengekalkan KESELAMATAN dan KEBOLEHPERCAYAAN produk, pembaikan, sebarang penyelenggaraan atau penyesuaian lain perlu dilakukan oleh Kilang atau Pusat Servis Makita yang Diiktiraf, sentiasa gunakan alat ganti Makita.

AKSESORI PILIHAN

PERHATIAN:

- Aksesori-aksesori atau lampiran-lampiran ini adalah disyorkan untuk digunakan dengan alat Makita anda yang ditentukan dalam manual ini. Penggunaan mana-mana aksesori-aksesori atau lampiran-lampiran lain mungkin mengakibatkan risiko kecederaan kepada orang. Hanya gunakan aksesori atau lampiran untuk tujuan yang dinyatakan.

Jika anda memerlukan bantuan untuk butiran lanjut berkenaan aksesori-aksesori ini, tanya Pusat Servis Makita tempatan anda.

- Pemegang bermagnet
- Bilah pakai buang
- Bilah standard
- Tolok bilah
- Perengkuh soket 9
- Kunci allen 2.5
- Set tukup
- Kaki

NOTA:

- Beberapa item dalam senarai mungkin disertakan dalam pakej alat sebagai aksesori standard. Item mungkin berbeza mengikut negara.

THÔNG SỐ KỸ THUẬT

Kiểu	2012NB	
Chiều rộng cắt	304 mm	
Chiều sâu cắt tối đa	3,0 mm đối với phần thừa có chiều rộng ít hơn 150 mm	
	1,5 mm đối với phần thừa có chiều rộng từ 150 mm đến 240 mm	
	1,0 mm đối với phần thừa có chiều rộng từ 240 mm đến 304 mm	
Tốc độ nạp (min ⁻¹)	8,5 m	
Kích thước bàn (Rộng x Dài)	304 mm x 771 mm	
Tốc độ không tải (min ⁻¹)	8.500	10.000 (Chỉ dành cho kiểu 127V của Brazil)
Chiều dài tổng thể (Rộng x Dài x Cao)	483 mm x 771 mm x 401 mm	
Khối lượng tịnh	27,1 - 27,6 kg	
Cấp an toàn	□/II	

- Do chương trình nghiên cứu và phát triển liên tục của chúng tôi nên các thông số kỹ thuật trong đây có thể thay đổi mà không cần thông báo trước.
- Các thông số kỹ thuật có thể thay đổi tùy theo từng quốc gia.
- Khối lượng máy có thể khác nhau tùy thuộc vào (các) phụ kiện. Tổ hợp nhẹ nhất và nặng nhất, theo Quy trình EPTA 01/2014, được trình bày trong bảng.

Ký hiệu

Phản dưới đây chỉ ra các ký hiệu được dùng cho thiết bị. Đảm bảo rằng bạn hiểu rõ ý nghĩa của các ký hiệu này trước khi sử dụng.



Đọc tài liệu hướng dẫn.



CÁCH ĐIỆN CẤP 2



Chỉ dành cho các quốc gia châu Âu
Không thái bỏ thiết bị điện cùng với các chất thải sinh hoạt!
Để tuân thủ Chỉ thị của Châu Âu về Thiết bị Điện và Điện tử Thái bỏ và thi hành những chỉ thị này phù hợp với luật lệ quốc gia, thiết bị điện tử không còn sử dụng phải được thu nhặt riêng và đưa trở lại một cơ sở tái chế tương thích với môi trường.

Mục đích sử dụng

Dụng cụ này được dùng để bảo gố.

Nguồn cấp điện

Dụng cụ này chỉ được nối với nguồn cấp điện có điện áp giống như đã chỉ ra trên biển tên và chỉ có thể được vận hành trên nguồn điện AC một pha. Chúng được cách điện hai lớp và do đó cũng có thể được sử dụng từ các ổ cắm điện không có dây tiếp đất.

HƯỚNG DẪN AN TOÀN

CẢNH BÁO! Khi sử dụng các thiết bị điện, cần phải luôn luôn tuân thủ các biện pháp phòng ngừa an toàn, bao gồm các mục sau để giảm thiểu nguy cơ hỏa hoạn, điện giật và thương tích cá nhân. Đọc mọi hướng dẫn trước khi vận hành sản phẩm này và cất giữ bản hướng dẫn này.

Để vận hành an toàn:

- Giữ cho khu vực làm việc luôn sạch sẽ.**
Chỗ làm việc và bàn máy bừa bãi sẽ dễ gây ra thương tích.
- Cần lưu ý xem xét môi trường làm việc.**
Không được để các dụng cụ điện ngoài trời mưa. Không sử dụng các dụng cụ điện ở những nơi ẩm thấp hoặc ướt. Giữ khu vực làm việc được chiếu sáng tốt. Không được sử dụng các dụng cụ điện ở nơi có nguy cơ gây hỏa hoạn hoặc cháy nổ.
- Bảo vệ chống điện giật.**
Tránh để cơ thể tiếp xúc với các bề mặt nổi đất hoặc tiếp đất (ví dụ như đường ống, bộ tản nhiệt, bếp ga và tủ lạnh).
- Không để trẻ em lại gần.**
Không để khách tham quan chạm vào dụng cụ hoặc dây dẫn nổi dài. Mọi khách tham quan cần phải được giữ cách xa khu vực làm việc.
- Cất các dụng cụ không sử dụng.**
Khi không sử dụng, cần cất giữ các dụng cụ ở nơi khô ráo, trên cao hoặc được khóa kín, ngoài tầm với của trẻ em.
- Không dùng lực đối với dụng cụ máy.**
Điều này sẽ giúp sử dụng dụng cụ an toàn hơn, tốt hơn theo như định mức dự kiến của thiết bị.
- Sử dụng đúng dụng cụ.**
Không cố sử dụng các dụng cụ hoặc phụ kiện nhỏ để thực hiện các công việc dành cho dụng cụ công suất lớn. Không sử dụng dụng cụ cho những mục đích ngoài thiết kế; ví dụ như không được sử dụng chĩa để cắt cành cây hoặc gốc cây.

8. **Ăn mặc phù hợp.**
Không được mặc quần áo rộng hoặc đeo trang sức lỏng lẻo, chúng có thể bị mắc kẹt vào các bộ phận di chuyển. Khuyến cáo nên sử dụng găng tay cao su và giày chống trượt khi làm việc ngoài trời. Mang bọc bảo vệ tóc để giữ tóc lại.
9. **Sử dụng kính bảo hộ và thiết bị chống tiếng ồn.**
Ngoài ra cũng nên sử dụng mặt nạ hoặc mặt nạ chống bụi nếu thao tác cắt gây ra nhiều bụi.
10. **Đấu nối thiết bị thu bụi.**
Nếu các thiết bị được cung cấp để kết nối các thiết bị thu gom và hút bụi, hãy đảm bảo chúng được kết nối và sử dụng hợp lý.
11. **Không sử dụng dây cầm điện sai mục đích.**
Không bao giờ cầm dụng cụ bằng dây dẫn hoặc giật mạnh dây để tháo dây khỏi ổ cắm điện. Giữ dây dẫn cách xa nguồn nhiệt, dầu mỡ và các cạnh mép sắc nhọn.
12. **Giữ chặt vật gia công.**
Sử dụng bàn kẹp hoặc kẹp cố định để giữ vật gia công. Cách này sẽ an toàn hơn là dùng tay và giúp hai tay tự do để vận hành dụng cụ.
13. **Không vớ quá cao.**
Luôn giữ thăng bằng tốt và có chỗ để chân phù hợp.
14. **Bảo quản dụng cụ cẩn thận.**
Giữ cho dụng cụ luôn sắc bén và sạch sẽ để hoạt động tốt và an toàn hơn. Tuân theo hướng dẫn đối với việc bôi trơn và thay phụ tùng. Kiểm tra dây dẫn dụng cụ thường xuyên và nếu bị hư hỏng phải sửa chữa ngay bởi một cơ sở bảo trì được ủy quyền. Kiểm tra dây dẫn nối dài định kỳ và thay thế nếu bị hư hỏng. Giữ tay cầm khô, sạch, không dính dầu và mỡ.
15. **Ngắt kết nối dụng cụ.**
Khi không sử dụng, trước khi bảo trì và khi thay đổi các phụ kiện như lưỡi cưa, đầu mũi và lưỡi cắt.
16. **Tháo các khóa và chia vận điều chỉnh.**
Tập dần thói quen kiểm tra xem các khóa và chia vận điều chỉnh đã được tháo ra khỏi dụng cụ hay chưa trước khi bật dụng cụ lên.
17. **Tránh vô tình khởi động dụng cụ máy.**
Không được cầm dụng cụ đang cắm điện với ngón tay để hồ trên công tắc. Đảm bảo đã tắt công tắc khi cắm điện vào.
18. **Sử dụng loại dây dẫn điện nối dài dùng ở ngoài trời.**
Khi sử dụng dụng cụ ngoài trời, chỉ được sử dụng dây dẫn điện nối dài được dùng cho ngoài trời.
19. **Luôn cẩn trọng.**
Theo dõi những gì bạn đang thực hiện. Hãy cân nhắc kỹ lưỡng. Không vận hành thiết bị khi bạn đang mệt mỏi.
20. **Kiểm tra các bộ phận bị hư hỏng.**
Trước khi sử dụng tiếp dụng cụ, cần phải kiểm tra kỹ lưỡng bộ phận bảo vệ hoặc bộ phận khác bị hư hỏng để xác định rằng máy sẽ vận hành bình thường và thực hiện đúng chức năng như được thiết kế. Kiểm tra cân chỉnh các bộ phận chuyển động, cho chạy tự do các bộ phận chuyển động, chỗ nứt vỡ các bộ phận, chỗ gắn và bất cứ tình trạng nào khác có thể ảnh hưởng đến việc vận hành. Bộ phận bảo vệ hoặc bộ phận nào khác bị hư hỏng cần phải được sửa chữa đúng cách hoặc thay thế bởi một trung tâm bảo trì được ủy quyền khi được chỉ dẫn khác trong sách hướng dẫn này. Nhờ thay thế các công tắc bị hỏng bởi một cơ sở bảo trì được ủy quyền. Không sử dụng dụng cụ nếu công tắc không bật và tắt được dụng cụ máy đó.
21. **Cảnh báo.**
Việc sử dụng bất cứ phụ kiện hoặc phụ tùng nào khác ngoài các loại đã được khuyến cáo trong sách hướng dẫn này hoặc trong catalog có thể dẫn đến nguy cơ thương tích cá nhân.
22. **Hãy nhờ người có đủ trình độ sửa chữa dụng cụ của bạn.**
Dụng cụ điện này tuân thủ các yêu cầu an toàn về điện liên quan. Việc sửa chữa cần được tiến hành bởi người có đủ trình độ bằng cách sử dụng các bộ phận dự phòng nguyên gốc, nếu không có thể dẫn đến nguy hiểm đáng kể cho người sử dụng.
23. **Chúng tôi luôn khuyến bạn sử dụng nguồn cấp điện qua thiết bị RCD có thể ngắt dòng điện rò định mức 30 mA hoặc thấp hơn.**

CẢNH BÁO AN TOÀN ĐỘ DÀY

1. **Đeo thiết bị bảo vệ mắt.**
2. **Đeo thiết bị bảo vệ cá nhân phù hợp khi cần thiết, ví dụ như thiết bị bảo vệ thính giác (nút tai), bảo vệ hô hấp (mặt nạ chống bụi) và găng tay khi cầm nắm lưỡi bào và vật liệu thô ráp.**
3. **Không sử dụng dụng cụ này ở những nơi có chất lỏng hoặc khí dễ cháy.**
4. **Đảm bảo rằng mọi nắp dây đều được lắp đặt đúng vị trí trước khi vận hành.**
5. **Cầm giữ các lưỡi bào thật cẩn thận.**
6. **Kiểm tra các lưỡi cắt thật cẩn thận xem có nứt hoặc hư hỏng gì không trước khi vận hành. Thay thế các lưỡi cắt bị nứt hoặc hư hỏng ngay lập tức.**
7. **Vận chặt các bu-lông lắp đặt lưỡi bào.**
8. **Gỡ dính và làm sạch vật gia công trước khi cắt. Đính, cát hoặc ngoại vật có thể gây hư hỏng lưỡi bào.**
9. **Không được tháo vụn bào ra khỏi máng chắn vụn bào khi động cơ đang chạy. Vệ sinh sạch sẽ các vụn bào sau khi các lưỡi bào đến vị trí ngừng hoàn toàn. Luôn dùng một chiếc que, ví dụ như khi vệ sinh chúng.**
10. **Không để mặc dụng cụ hoạt động.**
11. **Không sử dụng dây cầm điện sai mục đích. Không bao giờ giật mạnh để ngắt kết nối thiết bị khỏi ổ cắm điện. Giữ dây dẫn cách xa nguồn nhiệt, dầu mỡ, nước và các cạnh mép sắc nhọn.**

12. Chỉ dùng dụng cụ cho các vật liệu gỗ và tương tự.
13. Tuyệt đối không thực hiện công việc đã dừng (nghĩa là bất kỳ việc cắt nào không liên quan đến toàn bộ chiều dài phôi gia công).
14. Tuyệt đối không vận hành dụng cụ này để làm rãnh, mộng hoặc khuôn.
15. Tuyệt đối không sử dụng để bào gỗ bị cong nặng, nơi có tiếp xúc không tương thích trên bàn nạp.

LƯU GIỮ CÁC HƯỚNG DẪN NÀY.

⚠CẢNH BÁO: KHÔNG vì đã thoải mái hay quen thuộc với sản phẩm (có được do sử dụng nhiều lần) mà không tuân thủ nghiêm ngặt các quy định về an toàn dành cho sản phẩm này.
VIỆC DÙNG SAI hoặc không tuân theo các quy định về an toàn được nêu trong tài liệu hướng dẫn này có thể dẫn đến thương tích cá nhân nghiêm trọng.

LẮP ĐẶT

Di chuyển và vận chuyển máy bào

► **Hình1:** 1. Tay cầm 2. Bàn phụ

⚠THẬN TRỌNG:

- Coi chừng bước chân bạn khi di chuyển dụng cụ.

Gấp các bàn phụ vào. Nắm các tay cầm khi di chuyển dụng cụ.
 Khi vận chuyển máy bằng xe, hãy buộc chặt bằng dây thừng hoặc các phương tiện chắc chắn khác để ngăn ngừa nghiêng đổ hoặc xô dịch thiết bị.

Xác định vị trí máy bào

► **Hình2:** 1. Bu-lông hoặc vít

Đặt dụng cụ ở chỗ được chiếu sáng tốt và bằng phẳng là nơi bạn có thể giữ cho dụng cụ đứng vững chắc và cân bằng. Bật bu-lông/vặn vít dụng cụ vào bàn máy hoặc chân đứng (phụ kiện tùy chọn) bằng các lỗ bắt bu-lông có sẵn ở phần đế.

MÔ TẢ CHỨC NĂNG

⚠THẬN TRỌNG:

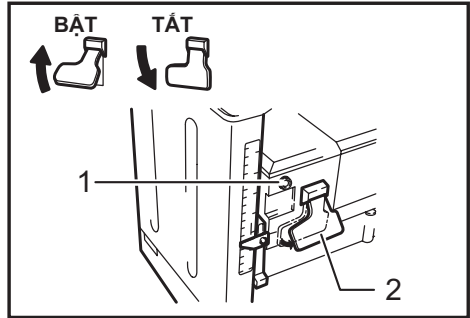
- Luôn bảo đảm rằng dụng cụ được tắt điện và rút phích cắm trước khi điều chỉnh hoặc kiểm tra chức năng của dụng cụ.

Hoạt động công tắc

⚠THẬN TRỌNG:

- Trước khi cắm phích điện vào dụng cụ, luôn đảm bảo rằng dụng cụ đã được tắt. Đèn hiệu sẽ sáng lên khi dụng cụ được cắm vào nguồn điện.

Đối với dụng cụ có cần công tắc



1. Đèn hiệu 2. Cần công tắc

Để khởi động dụng cụ, hãy nâng cần công tắc. Để ngừng dụng cụ, hãy hạ cần công tắc.

Đối với dụng cụ có nút công tắc

► **Hình3:** 1. Đèn hiệu 2. Công tắc

Để khởi động dụng cụ, bấm vào nút BẬT (I). Để ngừng dụng cụ, bấm vào nút TẮT (O).

Điều chỉnh kích thước

► **Hình4:** 1. Cần tay quay 2. Thanh đo 3. Bàn chỉ báo 4. Khung chính

Hạ thấp khung chính bằng cách xoay cần tay quay ngược chiều kim đồng hồ cho đến khi bàn chỉ báo hướng vào vạch chia thang độ cho biết kích thước hoàn thiện bạn mong muốn. Xoay tròn một vòng cần tay quay sẽ làm khung chính di chuyển lên hoặc xuống 2 mm. Thang đo có các vạch chia độ theo inch ở bên phải và vạch chia độ theo mét ở bên trái của nó.

Điều chỉnh chiều sâu cắt

Chiều sâu cắt tối đa sẽ thay đổi tùy thuộc vào chiều rộng vật gia công được cắt. Tham khảo bảng sau. Khi bạn cần loại bỏ nhiều hơn số lượng quy định trong bảng, hãy cài chiều sâu cắt nông hơn số lượng đó và thực hiện hai lượt hoặc hơn.

Chiều rộng vật gia công được cắt	Chiều sâu cắt tối đa
ít hơn 150 mm	3,0 mm
150 mm - 240 mm	1,5 mm
240 mm - 304 mm	1,0 mm

Để điều chỉnh chiều sâu cắt, hãy tiến hành như sau.

► **Hình5:** 1. Thanh đo sâu

Lắp vật gia công ngang bằng trên đỉnh bàn. Hạ thấp khung chính bằng cách xoay cần tay quay ngược chiều kim đồng hồ. Thanh đo sâu sẽ nâng lên và khoảng nâng thanh đo sẽ cho biết chiều sâu cắt.

⚠ THẬN TRỌNG:

- Luôn hạ thấp khung chính khi cần chỉnh bản chì bảo với vạch chia độ cho biết kích thước hoàn thiện bạn mong muốn. Nếu bạn nâng khung chính đến kích thước hoàn thiện mong muốn, có thể cần phải vặn vít thêm. Điều này có thể tạo ra kích thước hoàn thiện không mong muốn.
- Luôn luôn đặt vật gia công bằng phẳng trên đỉnh bàn khi xác định chiều sâu cắt. Nếu không, chiều sâu cắt định sẵn sẽ khác với chiều sâu cắt thực tế.

Đĩa điều chỉnh độ sâu

► **Hình6:** 1. Cần tay quay 2. Rãnh 3. Đĩa điều chỉnh độ sâu

Sử dụng đồng hồ chỉnh độ sâu khi bạn cần xác định trước chiều sâu cắt chính xác hơn. Để làm vậy, hãy tiến hành như sau.

1. Đầu tiên, bảo vệ vật gia công ở chiều sâu cắt định sẵn. Đo chiều dày của vật được bảo vệ để biết bạn cần phải loại bỏ bao nhiêu phần thừa nữa.
2. Xoay đồng hồ điều chỉnh độ sâu trên cần tay quay cho đến khi vạch chia độ 0 được căn chỉnh với rãnh trên dụng cụ.
3. Bây giờ hãy xoay cần tay quay ngược chiều kim đồng hồ cho đến khi vạch chia độ ứng với chiều sâu cắt mong muốn được căn chỉnh với rãnh trên dụng cụ.
4. Khi bạn cần loại bỏ nhiều hơn số lượng quy định trong bảng được đề cập trong phần “Điều chỉnh chiều sâu cắt”, hãy cài chiều sâu cắt nông hơn số lượng đó và thực hiện hai lượt hoặc hơn.

Cần chặn

► **Hình7:** 1. Cần chặn 2. Núm để chặn 3. Núm để chặn 4. Đỉnh bàn

Sử dụng để chặn khi bạn cần bảo vệ nhiều vật gia công đến chiều dày bằng nhau. Để làm vậy, hãy tiến hành như sau.

1. Xoay cần tay quay cho đến khi bản chỉ báo hướng vào vạch chia thang độ cho biết kích thước hoàn thiện bạn mong muốn.
2. Ấn nút để chặn và hạ để chặn xuống cho đến khi nó vừa tiếp xúc với đỉnh bàn.
3. Nếu bạn cần tinh chỉnh vị trí để chặn, hãy xoay núm để chặn.

⚠ THẬN TRỌNG:

- Khi không sử dụng để chặn, luôn nâng nó lên vị trí cao nhất. Không bao giờ được xoay mạnh cần tay quay khi để chặn đang tiếp xúc với đỉnh bàn. Điều này có thể làm dụng cụ hư hỏng.

LẮP RÁP

⚠ THẬN TRỌNG:

- Luôn luôn đảm bảo rằng dụng cụ đã được tắt và tháo phích cắm trước khi dùng dụng cụ thực hiện bất cứ công việc nào.

Thay thế các lưới bảo

⚠ THẬN TRỌNG:

- Cầm giữ các lưới bảo thật cẩn thận khi tháo hoặc lắp các lưới nhằm phòng ngừa bị đứt tay hoặc thương tích do lưới bảo và tránh làm hư hỏng chúng. Chúng sắc như lưới dao cạo.
- Vệ sinh sạch sẽ các vụn bào, vết hắc ín hoặc ngoại vật đang dính vào tang trống hoặc các lưới bảo trước khi lắp đặt chúng vào.
- Sử dụng các lưới bảo có cùng kích thước và khối lượng, nếu không tang trống bị lung lay/ rung động sẽ làm cho thao tác cắt không đạt hiệu quả cao và cuối cùng làm dụng cụ hư hỏng.
- Thay thế cả hai lưới bảo cùng một lúc.
- Lưới bảo loại sử dụng một lần thường có mép cắt ở cả hai bên. Khi một mép cắt bị mòn, bạn có thể sử dụng mép cắt kia. Luôn luôn loại bỏ lớp nhựa thông và lớp bần bám vào mặt kia của lưới bảo trước khi sử dụng mép cắt kia. Lưới bảo này không được phép mài sắc lại. Khi cả hai mép cắt đều bị mòn, cần phải vứt bỏ lưới bảo cẩn thận.

Tháo các lưới bảo

Vặn lỏng các vít có tai vặn đang giữ nắp chắn vụn bào và tháo nắp chắn vụn bào ra. Tháo các vít đang giữ nắp hông bên phải ra. Sau đó tháo nắp hông bên phải. Xoay puli cho đến khi có thể khóa tang trống vào vị trí gần chỗ các bu-lông lắp lưới bảo hướng lên trên.

► **Hình8:** 1. Thanh khóa 2. Tang trống 3. Vít có tai vặn 4. Puli

Chỉ dành cho các lưới bảo không mài lại được

Đặt hai giá đỡ từ lên tấm gài và nhấn chúng theo hướng mũi tên cho đến khi mấu tiếp xúc với lưới bảo. Tháo sáu bu-lông lắp lưới bảo bằng chia vặn đầu ống. Nắm lấy các giá đỡ từ và nâng chúng lên thẳng đứng để tháo tấm gài và lưới bảo ra khỏi tang trống. Bấm thanh khóa và xoay puli 180° để khóa tang trống. Tháo lưới bảo kia như mô tả ở trên.

► **Hình9:** 1. Bu-lông gắn lưới bảo 2. Tấm gài 3. Giá đỡ từ 4. Tang trống 5. Lưới 6. Mấu

► **Hình10:** 1. Chia vặn đầu ống 2. Giá đỡ từ

Chỉ dành cho các lưới bảo tiêu chuẩn

Tháo sáu bu-lông bằng chia vặn đầu ống. Nâng tấm gài và lưới bảo lên thẳng đứng để tháo chúng ra khỏi tang trống. Bấm thanh khóa và xoay tang trống bằng cách xoay puli 180° để khóa tang trống. Tháo lưới bảo kia như mô tả ở trên. Tháo tấm gài ra khỏi lưới bảo.

- ▶ **Hình11:** 1. Chia vận đầu ống 2. Thanh khóa
3. Bu-lông gắn lưới bảo
- ▶ **Hình12:** 1. Tấm gài

Lắp đặt lưới bảo

⚠ THẬN TRỌNG:

- Chỉ sử dụng chia vận đầu ống của Makita đi kèm để vận chặt các bu-lông lắp đặt lưới bảo.
- Việc sử dụng các chia vận đầu ống khác có thể làm các bu-lông bị vận chặt quá hoặc không đủ chặt, dẫn đến thương tích nghiêm trọng.

Chỉ dành cho các lưới bảo không mài lại được

Cung cấp một khối gỗ dẹt dài khoảng 300 mm và rộng 100 mm. Đặt lưới bảo và tấm gài lên khối gỗ này sao cho gờ định vị lưới bảo của tấm gài nằm vào trong lưới bảo. Điều chỉnh tấm gài sao cho cả hai đầu lưới bảo nhô ra khoảng 1 mm ra ngoài phía cuối tấm gài. Đặt hai giá đỡ từ lên trên tấm gài và nhấn vào chúng cho đến khi mấu tiếp xúc với lưới bảo.

- ▶ **Hình13:** 1. Giá đỡ từ 2. Tấm gài 3. Lưới

Nắm lấy giá đỡ từ và trượt phần gáy của tấm gài vào trong rãnh trên tang trống. Lắp các bu-lông lắp đặt lưới bảo.

- ▶ **Hình14:** 1. Bu-lông gắn lưới bảo 2. Tấm gài 3. Giá đỡ từ 4. Tang trống 5. Lưới 6. Mấu

Sau khi vận tất cả các bu-lông lắp đặt lưới bảo nhẹ nhàng và đồng đều từ chính giữa ra ngoài, hãy vận chặt chúng hoàn toàn theo thứ tự giống như vậy. Tháo các giá đỡ từ ra khỏi tấm gài.

- ▶ **Hình15:** 1. Chia vận đầu ống 2. Giá đỡ từ

Lắp lưới bảo kia như mô tả ở trên. Xoay tang trống chậm rãi trong lúc nhấn vào thanh khóa để đảm bảo không có gì bất thường xảy ra. Sau đó lắp nắp chắn vận bảo và nắp hông vào.

⚠ THẬN TRỌNG:

- Không được vận các bu-lông lắp đặt lưới bảo mà không để gờ định vị lưới bảo của tấm gài nằm đúng vị trí trong rãnh của lưới bảo. Điều này có thể làm hư hỏng lưới bảo và có thể gây thương tích cho người vận hành.
- Không được bật dụng cụ khi nắp chắn vận bảo được tháo ra.

Chỉ dành cho các lưới bảo tiêu chuẩn

Đặt lưới bảo lên cỡ đặt lưới bảo sao cho mép lưới bảo hoàn toàn nằm ngang với bên trong của gờ trước (A). Đặt tấm gài lên trên lưới bảo, sau đó nhẹ nhàng nhấn phần gáy của tấm gài ngang bằng với mặt sau của cỡ đặt lưới bảo (B). Vận chặt các vít để giữ chắc tấm gài với lưới bảo.

- ▶ **Hình16:** 1. Vít 2. Tấm gài 3. Lưới 4. Cỡ đặt lưới bảo

Trượt phần gáy của tấm gài vào trong rãnh trên tang trống. Lắp các bu-lông lắp đặt lưới bảo.

- ▶ **Hình17:** 1. Tấm gài 2. Rãnh 3. Lưới 4. Tang trống

Sau khi vận sát và đồng đều tất cả các bu-lông lắp đặt lưới bảo từ chính giữa ra ngoài, hãy vận chặt chúng hoàn toàn theo thứ tự giống như vậy.

- ▶ **Hình18:** 1. Chia vận đầu ống 2. Thanh khóa
3. Bu-lông gắn lưới bảo

Lắp lưới bảo kia như mô tả ở trên. Xoay tang trống chậm rãi trong lúc nhấn vào thanh khóa để đảm bảo không có gì bất thường xảy ra. Sau đó lắp nắp chắn vận bảo và nắp hông vào.

⚠ THẬN TRỌNG:

- Vận chặt các bu-lông lắp đặt lưới bảo khi lắp các lưới bảo.
- Không được bật dụng cụ khi nắp chắn vận bảo được mở ra.

Thay đổi loại lưới bảo

Dụng cụ này có thể dùng được các lưới bảo không mài lại được hoặc lưới bảo tiêu chuẩn. Nếu bạn muốn thay đổi loại lưới bảo, hãy mua và sử dụng các bộ phận sau.

Thay từ lưới bảo dạng tiêu chuẩn sang dạng lưới bảo không mài lại được	Thay từ lưới bảo không mài lại được sang lưới bảo dạng tiêu chuẩn
Tấm gài ----- 2 cái.	Tấm gài ----- 2 cái.
Lưới bảo không mài lại được (306 mm) -- 2 cái.	Vít đầu hình nón cắt M 4 x 6 -- 4 cái.
Đầu giữ mũ từ tính ----- 2 cái.	Lưới bảo dạng tiêu chuẩn -- 2 cái.
	Cỡ đặt lưới bảo ----- 1 cái.

Bộ chụp hút (phụ kiện tùy chọn)

- ▶ **Hình19:** 1. Chụp hút 2. Thanh giữ chụp hút

Khi bạn muốn giữ việc vận hành dụng cụ được sạch sẽ bằng cách thu bụi để dẹt, hãy đầu nối máy hút bụi vào máy bảo bằng đầu chụp hút này. Gắn thanh giữ chụp hút vào chụp hút và vận chặt các vít.

Nơi lồng vít có tai vận dùng để giữ nắp chắn vận bảo.

Gắn chụp hút vào máy bảo rồi vận chặt các vít có tai vận để giữ nắp chắn vận bảo và chụp hút với nhau.

- ▶ **Hình20:** 1. Nắp chắn vận bảo 2. Vít có tai vận
3. Chụp hút

Chân đứng máy bảo (phụ kiện tùy chọn)

Đặt các giằng néo ở nơi bằng phẳng và lắp ráp các chân bên trong. Siết chặt các bu-lông cổ vuông, vòng đệm lò xo và các đai ốc lục giác, sau đó gắn các đế cao su vào đầu các chân.

- ▶ **Hình21:** 1. Nắp cao su 2. Giằng néo (B) 3. Giằng néo (A) 4. Chân 5. Giằng néo (A)
6. Bu-lông cổ vuông 7. Vòng đệm đàn hồi
8. Đai ốc lục giác 9. Chân

Bây giờ hãy đặt máy bảo lên trên chân đứng đã lắp ráp và giữ chặt lại bằng bốn bu-lông lục giác, các vòng đệm dẹt và đai ốc lục giác.

- ▶ **Hình22:** 1. Bu-lông lục giác 2. Đai ốc lục giác
3. Vòng đệm dẹt 4. Bu-lông lục giác

LƯU Ý:

- Lắp các bu-lông lục giác xuyên qua các lỗ từ mặt bên kia chân đứng và giữ chặt chúng bằng các vòng đệm lò xo và đai ốc lục giác. Nếu bạn lắp các bu-lông lục giác từ phía trên để máy bảo sẽ không thể siết chặt các bu-lông lục giác này.

Chân đứng máy bảo phải được bắt bu-lông vào sàn nhà bằng bốn bu-lông qua các lỗ bu-lông có ở các chân.

- ▶ **Hình23:** 1. Bu-lông

VẬN HÀNH

⚠ THẬN TRỌNG:

- Hai hoặc nhiều hơn miếng thừa dạng hẹp nhưng có cùng chiều dày có thể được đẩy qua máy bào cùng nhau. Tuy nhiên, hãy chừa một chút khoảng trống giữa phần thừa để cho phép các trục nạp bắt lấy miếng thừa mỏng nhất. Nếu không, miếng mỏng hơn một chút có thể bị cuốn lại bởi đầu lưỡi cắt.

► Hình24

Đặt vật gia công ngang bằng trên đỉnh bàn.

Xác định chiều sâu cắt như mô tả ở trên.

Bật dụng cụ lên và chờ đến khi các lưỡi bào đạt được tốc độ đầy đủ. Vật gia công không được tiếp xúc với trục nạp khi bạn bật dụng cụ lên.

Sau đó lắp vật gia công vào ngang bằng với đỉnh bàn.

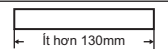
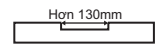
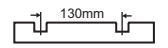
Khi cắt vật gia công dài hoặc nặng, hãy nâng nhẹ các đầu của nó lên ở phần đầu và phần cuối chỗ cắt để tránh khoét hoặc cắt vụn ở các đầu xa nhất của vật gia công.

Việc sử dụng đỉnh dụng cụ cho phép trả vật gia công nhanh chóng, dễ dàng về bên hông bàn nạp vào trong. Điều này đặc biệt thuận tiện cho có hai người vận hành.

► Hình25

⚠ THẬN TRỌNG:

- Vật gia công có các kích thước sau không thể được nạp vào dụng cụ bởi khoảng cách quãng giữa hai trục nạp là 129 mm. Không được cắt thử chúng.

1		Dài ít hơn 130 mm
2		Có rãnh rộng hơn 130 mm
3		Có các rãnh cách quãng rộng 130 mm

⚠ THẬN TRỌNG:

- Ngừng dụng cụ khi vật gia công đã bị hỏng. Cho phép dụng cụ chạy với vật gia công bị hỏng sẽ làm nhanh mòn các trục nạp.

BẢO TRÌ

⚠ THẬN TRỌNG:

- Luôn bảo đảm rằng dụng cụ được tắt điện và rút phích cắm trước khi thử thực hiện việc kiểm tra hoặc bảo trì.
- Không bao giờ dùng xăng, ết xăng, dung môi, cồn hoặc hóa chất tương tự. Có thể xảy ra hiện tượng mất màu, biến dạng hoặc nứt vỡ.

Điều chỉnh chiều cao bàn phụ

► **Hình26:** 1. Thước đo 2. Tấm đỡ sau 3. Vít điều chỉnh

► **Hình27:** 1. Cờ lê lục giác

Chiều cao của bàn phụ được điều chỉnh sẵn từ khi xuất xưởng. Nếu cần phải điều chỉnh thêm thì hãy tiến hành như sau.

Đặt một tấm đỡ sau lên trên bàn và đặt một thước đo lên trên tấm đỡ sau đó. Xoay vít điều chỉnh bằng khóa lục giác cho đến khi phần cuối của bàn phụ tiếp xúc với thước đo. Bày giờ phần cuối bàn phụ nằm trên mặt bàn từ 0,1 mm đến 0,3 mm.

Thay thế các chổi các-bon

► **Hình28:** 1. Vạch giới hạn

Hãy tháo và kiểm tra các chổi các-bon định kỳ. Thay thế khi chổi đã mòn đến vạch giới hạn. Giữ các chổi các-bon sạch và có thể trượt dễ dàng vào chỗ giữ chổi. Cả hai chổi các-bon phải được thay thế cùng một lúc. Chỉ sử dụng các chổi các-bon giống nhau.

Hãy sử dụng tuốc-nơ-vít để tháo các nắp giữ chổi. Hãy tháo các chổi các-bon đã bị mòn, lắp vào các chổi mới và vận chạt các nắp giữ chổi.

► **Hình29:** 1. Nắp giữ chổi 2. Tuốc-nơ-vít

Giữ cho các lưỡi bào sắc nhọn

Các lưỡi bào cùn có thể làm mất hoàn thiện bị thô ráp, làm motor quá tải và đẩy ngược vật gia công rất nguy hiểm. Thay thế các lưỡi bào bị cùn ngay lập tức.

Tra dầu motor

► **Hình30:** 1. Trụ chống 2. Vít 3. Dây xích

Tra dầu dây xích (sau khi tháo nắp hông R), bốn cột và các ốc vít để nâng cao khung chính. Cần thực hiện việc bôi trơn định kỳ này bằng dầu máy.

⚠ THẬN TRỌNG:

- Cần thực hiện việc tra dầu và bảo dưỡng khi dụng cụ đang tắt và đã rút điện.

Vệ sinh

Luôn dùng bàn chải chà bỏ các vết dơ, vụn bào và ngoại vật dính vào bề mặt trục cuốn, các khe thông thoáng của motor và các tang trống.

Giới hạn đối với việc mài lại lưỡi bào tiêu chuẩn

► **Hình31:** 1. Đế 2. Lưỡi 3. Hơn 4 mm

Không được sử dụng lưỡi bào dạng tiêu chuẩn có chiều dài nhỏ hơn 4 mm.

Để đảm bảo AN TOÀN và TIN CẬY của sản phẩm, việc sửa chữa hoặc bất cứ thao tác bảo dưỡng, điều chỉnh nào đều phải được thực hiện bởi các Trung tâm dịch vụ được ủy quyền của Makita, luôn sử dụng các phụ tùng thay thế của Makita.

PHỤ KIỆN TÙNG CHỌN

⚠ THẬN TRỌNG:

- Các phụ kiện hoặc phụ tùng gắn thêm này được khuyến cáo sử dụng với dụng cụ Makita của bạn theo như quy định trong hướng dẫn này. Việc sử dụng bất cứ phụ kiện hoặc phụ tùng gắn thêm nào khác đều có thể gây ra rủi ro thương tích cho người. Chỉ sử dụng phụ kiện hoặc phụ tùng gắn thêm cho mục đích đã quy định sẵn của chúng.

Nếu bạn cần bất kỳ sự hỗ trợ nào để biết thêm chi tiết về các phụ tùng này, hãy hỏi Trung tâm Dịch vụ của Makita tại địa phương của bạn.

- Giá đỡ từ
- Lưới bảo không mài lại được
- Lưới bảo dạng tiêu chuẩn
- Cờ đặt lưới bảo
- Chìa vặn đầu ống 9
- Cờ lê lục giác 2,5
- Bộ chụp hút
- Đế

LƯU Ý:

- Một số mục trong danh sách có thể được bao gồm trong gói dụng cụ làm phụ kiện tiêu chuẩn. Các mục này ở mỗi quốc gia có thể khác nhau.

ข้อมูลจำเพาะ

รุ่น	2012NB	
ความกว้างในการไส	304 mm	
ความลึกในการไสสูงสุด	3.0 mm สำหรับไม้ที่มีความกว้างน้อยกว่า 150 mm	
	1.5 mm สำหรับไม้ที่มีความกว้างตั้งแต่ 150 mm ถึง 240 mm	
	1.0 mm สำหรับไม้ที่มีความกว้างตั้งแต่ 240 mm ถึง 304 mm	
อัตรากรป้อน (min ⁻¹)	8.5 m	
ขนาดโต๊ะ (กว้าง X ยาว)	304 mm x 771 mm	
ความเร็วหมุนเปล่า (min ⁻¹)	8,500	10,000
	(สำหรับรุ่น 127V ของประเทศบราซิล เท่านั้น)	
ขนาดโดยรวม (กว้าง x ยาว x สูง)	483 mm x 771 mm x 401 mm	
น้ำหนักสุทธิ	27.1 - 27.6 kg	
มาตรฐานความปลอดภัย	II/II	

- เนื่องจากการค้นคว้าวิจัยและพัฒนาอย่างต่อเนื่อง ข้อมูลจำเพาะในเอกสารฉบับนี้อาจเปลี่ยนแปลงได้โดยไม่ต้องแจ้งให้ทราบล่วงหน้า
- ข้อมูลจำเพาะอาจแตกต่างกันไปในแต่ละประเทศ
- น้ำหนักอาจแตกต่างกันไปตามอุปกรณ์เสริม การติดอุปกรณ์เสริมที่เบาที่สุดและหนักที่สุดตามข้อบังคับของ EPTA 01/2014 มีแสดงอยู่ในตาราง

สัญลักษณ์

สัญลักษณ์ต่อไปนี้ใช้สำหรับอุปกรณ์นี้ โปรดศึกษาความหมายของสัญลักษณ์ให้เข้าใจก่อนการใช้งาน



อ่านคู่มือการใช้งาน



ฉนวนสองชั้น



สำหรับประเทศในทวีปยุโรปเท่านั้น ห้ามทั้งอุปกรณ์ไฟฟ้าพร้อมกับวัสดุเหลือทิ้งในครัวเรือน!
เพื่อให้เป็นไปตามตามกฎระเบียบของยุโรปว่าด้วยเศษเหลือทิ้งของอุปกรณ์ไฟฟ้าและอิเล็กทรอนิกส์ รวมถึงการบังคับใช้ตามกฎหมายภายในประเทศ ต้องเก็บอุปกรณ์ไฟฟ้าทั้งหมดอายุการใช้งานแล้วแยกต่างหาก และส่งกลับไปยังศูนย์รีไซเคิลที่เป็นมิตรต่อสิ่งแวดล้อม

จุดประสงค์ในการใช้งาน

เครื่องมือนี้ใช้สำหรับการไสไม้

แหล่งจ่ายไฟ

ควรเชื่อมต่อเครื่องมือกับแหล่งจ่ายไฟที่มีแรงดันไฟฟ้าตามที่ระบุไว้ในป้ายข้อมูลของเครื่องมือ และจะต้องใช้ไฟฟ้ากระแสสลับแบบเฟสเดียวเท่านั้น อุปกรณ์นี้ได้รับการหุ้มฉนวนสองชั้นและสามารถใช้กับปลั๊กไฟที่ไม่มีสายดินได้

คำแนะนำด้านความปลอดภัย

คำเตือน! เมื่อใช้เครื่องมือไฟฟ้า ต้องปฏิบัติตามคำเตือนด้านความปลอดภัยต่างๆ ดังต่อไปนี้เสมอเพื่อลดความเสี่ยงในการเกิดเพลิงไหม้ ไฟฟาดู หรือการบาดเจ็บ โปรดอ่านคำแนะนำเหล่านี้ทั้งหมดก่อนใช้ผลิตภัณฑ์นี้และปฏิบัติตามคำแนะนำเหล่านี้

เพื่อการใช้งานอย่างปลอดภัย:

- รักษาความสะอาดของพื้นที่ปฏิบัติงาน**
พื้นที่ที่มีของวางระเกะระกะอาจเป็นสาเหตุของการบาดเจ็บได้
- พิจารณาสภาพแวดล้อมการทำงาน**
อย่าให้เครื่องมือไฟฟ้าโดนฝน อย่าใช้เครื่องมือไฟฟ้าในสถานที่ที่ เปียกชื้น จัดให้มีแสงสว่างเพียงพอในพื้นที่ปฏิบัติงาน อย่าใช้เครื่องมือไฟฟ้าเมื่อมีความเสี่ยงที่จะเกิดไฟลุกหรือการระเบิด
- ป้องกันไฟฟ้าดูด**
ระวังอย่าให้ร่างกายสัมผัสกับพื้นผิวที่ต่อสายดิน (เช่น ท่อ เครื่องนำความร้อน เตารุ่นต้ม และตู้เย็น)
- อย่าให้เด็กเข้าบริเวณพื้นที่ปฏิบัติงาน**
อย่าให้ผู้ดูแลปฏิบัติงานสัมผัสเครื่องมือหรือสายต่อพ่วง ผู้ดูแลปฏิบัติงานทุกคนต้องอยู่ห่างจากบริเวณปฏิบัติงาน
- จัดเก็บเครื่องมือที่ไม่ได้ใช้**
เมื่อไม่ได้ใช้เครื่องมือ ควรจัดเก็บไว้ในที่ที่แห้ง สูงหรือมีที่ล็อกและห่างจากมือเด็ก
- อย่าฝืนใช้แรงมากเกินไปกับเครื่องมือ**
เครื่องมือจะทำงานได้ดีกว่าและปลอดภัยกว่าในอัตราการทำงานที่กำหนดไว้
- ใช้เครื่องมือให้เหมาะสมกับงาน**
อย่าฝืนใช้เครื่องมือหรืออุปกรณ์ขนาดเล็กเพื่อทำงานที่ต้องใช้เครื่องมือกำลังสูง อย่าใช้เครื่องมือผิดจุดประสงค์ เช่น อย่าใช้เลื่อยวงกลมในการตัดท่อนไม้หรือซุง
- แต่งกายให้เหมาะสม**
อย่าสวมใส่เสื้อผ้าที่รุ่มร่ามหรือเครื่องประดับ เนื่องจากอาจเข้าไปติดชิ้นส่วนเคลื่อนที่ได้ แนะนำให้สวมถุงมือยางและรองเท้ากันลื่นเมื่อปฏิบัติงานกลางแจ้ง ในกรณีที่มีหมยว ให้สวมที่คลุมหมย
- สวมแว่นตานิรภัยและอุปกรณ์ป้องกันการได้ยิน**
และใช้หน้ากากกันฝุ่นด้วยหากการทำงานตั้นนั้นก่อให้เกิดฝุ่นมาก
- เชื่อมต่ออุปกรณ์ตักฝุ่น**
หากอุปกรณ์สามารถเชื่อมต่อกับอุปกรณ์ตักฝุ่นได้ ให้ตรวจสอบว่าได้เชื่อมต่อและใช้งานอุปกรณ์นั้นอย่างเหมาะสม
- อย่าใช้สายไฟอย่างไม่เหมาะสม**
อย่ายกเครื่องมือโดยจับที่สายไฟหรือถอดปลั๊กออกจากเต้าเสียบโดยกระชากที่สายไฟ เก็บสายไฟให้ห่างจากความร้อน น้ำมัน และขอบวัตถุที่แหลมคม
- ปฏิบัติงานอย่างปลอดภัย**
ใช้ที่จับหรือคีมจับเพื่อจับชิ้นงาน วิธีการนี้จะปลอดภัยกว่าใช้มือจับชิ้นงาน และจะช่วยให้คุณสามารถใช้ทั้งสองมือเพื่อบังคับเครื่องมือด้วย
- อย่าทำงานในระยะที่สุดเอื่อม**
รักษาความสมดุลและทำยืนให้เหมาะสมตลอดเวลา
- บำรุงรักษาเครื่องมือด้วยความระมัดระวัง**
ดูแลให้อุปกรณ์ตัดมีความคมและสะอาดอยู่เสมอเพื่อประสิทธิภาพที่ดีกว่าและปลอดภัยกว่า ปฏิบัติตามคำแนะนำในการหล่อลื่นและการเปลี่ยนอุปกรณ์เสริม ตรวจสอบสายไฟของเครื่องมืออยู่เสมอ หากชำรุดให้นำส่งแผนกบริการที่ได้รับการรับรองเพื่อทำการซ่อมแซม ตรวจสอบสายไฟต่ออยู่เสมอ และจัดเปลี่ยนหากชำรุด ดูแลมือจับให้แห้ง สะอาด และไม่มีน้ำมันและจาระบีเปื้อน
- ถอดเครื่องมือ**
เมื่อไม่ได้ใช้ ก่อนการซ่อมแซม และเมื่อเปลี่ยนอุปกรณ์ต่างๆ เช่น ไบมีด ดอกสว่าน และหัวตัด
- ถอดปุ่มปรับและไขควง**
ออกจากที่ยึดเพื่อตรวจสอบว่าได้ถอดถูกแฉและปรับแก้ปรับออกจากเครื่องมือก่อนเปิดเครื่อง
- หลีกเลี่ยงไม่ให้เปิดใช้งานโดยไม่ตั้งใจ**
อย่าถือเครื่องมือที่เสียบปลั๊กอยู่โดยที่นิ้วคางอยู่ที่สวิตช์ ตรวจสอบให้สวิตช์อยู่ในตำแหน่งปิดเมื่อเสียบปลั๊ก
- ใช้สายไฟต่อสำหรับการใช้งานกลางแจ้ง**
เมื่อใช้เครื่องมือกลางแจ้ง ให้ใช้แต่สายไฟต่อสำหรับการใช้งานกลางแจ้งเท่านั้น
- ระมัดระวังอยู่เสมอ**
มีสติกับสิ่งที่คุณกำลังทำ ใช้สามัญสำนึก อย่าใช้งานเครื่องมือเมื่อคุณอ่อนเพลีย
- ตรวจสอบส่วนที่เสียหาย**
ก่อนใช้งานเครื่องมือ ต้องตรวจสอบอุปกรณ์ป้องกันหรือส่วนที่เสียหายอย่างละเอียดเพื่อพิจารณาว่าสามารถใช้งานเครื่องมือได้อย่างเหมาะสมตามจุดประสงค์การใช้งานหรือไม่ ตรวจสอบความเรียบร้อยของชิ้นส่วนที่เคลื่อนที่ได้ การหมุนของชิ้นส่วนที่เคลื่อนที่ได้ การแตกหักหรือชำรุด การยึดติด และเงื่อนไขอื่น ๆ ที่อาจส่งผลกระทบต่อการใช้งาน ควรซ่อมแซมหรือเปลี่ยนแปลงอุปกรณ์ป้องกันหรือส่วนอื่นๆ ที่เสียหายโดยศูนย์บริการที่ได้รับอนุญาต เว้นแต่จะมีการระบุไว้เป็นอย่างอื่นในคู่มือการใช้งานฉบับนี้ เปลี่ยนสวิตช์ที่เสียหายโดยผู้บริการที่ได้รับอนุญาต อย่าใช้เครื่องมือหากสวิตช์ไม่สามารถเปิดปิดได้

21. คำเตือน
การใช้เครื่องมือหรืออุปกรณ์เสริมต่างๆ นอกเหนือจากที่คู่มือผู้ใช้ฉบับนี้หรือแคตตาล็อกได้แนะนำอาจก่อให้เกิดความเสี่ยงต่อการได้รับบาดเจ็บได้
22. คุณได้ซ่อมแซมเครื่องมือโดยผู้ที่ได้รับอนุญาตหรือไม่ เครื่องมือไฟฟ้าชนิดนี้มีความสัมพันธ์ตามข้อกำหนดด้านความปลอดภัย การซ่อมแซมต้องกระทำโดยผู้ที่มีความสัมพันธ์เหมาะสมและต้องใช้อะไหล่และชิ้นส่วนของแท้เท่านั้น มิฉะนั้นอาจก่อให้เกิดอันตรายต่อผู้ใช้ได้
23. แนะนำให้ใช้แหล่งจ่ายไฟผ่าน RCD ที่มีกระแสไฟรั่วในอัตราไม่เกิน 30 mA เสมอ

คำแนะนำด้านความปลอดภัยในการใช้เครื่องใช้

1. สวมอุปกรณ์ป้องกันดวงตา
2. สวมใส่อุปกรณ์ป้องกันส่วนบุคคลเมื่อจำเป็น เช่น อุปกรณ์ป้องกันเสียง (ที่ครอบหู), อุปกรณ์ป้องกันระบบทางเดินหายใจ (หน้ากากกันฝุ่น) และถุงมือ เมื่อจัดการกับไบมีดใสและวัสดุที่หยาบ
3. อย่าใช้เครื่องมือในบริเวณที่มีของเหลวหรือก๊าซไวไฟ
4. ตรวจสอบให้แน่ใจว่าได้ติดตั้งฝาครอบทั้งหมดอย่างถูกต้องก่อนการปฏิบัติงาน
5. จับไบมีดด้วยความระมัดระวัง
6. ตรวจสอบไบมีดว่ามีรอยร้าวหรือความเสียหายหรือไม่ด้วยความระมัดระวังก่อนใช้งาน เปลี่ยนไบมีดที่ร้าวหรือเสียหายทันที
7. ชันสลักเกลียวติดตั้งไบมีดให้แน่น
8. ถอนตะปูออกจากชิ้นงานและทำความสะอาดชิ้นงานก่อนการใส่ ตะปู ทนย หรือวัตถุแปลกปลอมอาจทำให้ไบมีดเสียหายได้
9. อย่าเอาเศษวัสดุออกจากช่องนำเศษวัสดุในขณะที่มอเตอร์กำลังหมุนอยู่ ทำความสะอาดเศษวัสดุหลังจากที่ไบมีดหยุดสนิทแล้วเท่านั้น ใช้วัสดุที่มีลักษณะเป็นแท่ง หรือสิ่งอื่นๆ นำเศษวัสดุออกจากช่องนำเศษวัสดุ
10. อย่าปล่อยให้เครื่องมือทำงานค้างไว้
11. อย่าใช้สายไฟอย่างไม่เหมาะสม อย่าใช้วิธีระชากสายไฟเพื่อดึงออกจากเต้าเสียบ เก็บสายไฟให้ห่างจากความร้อน น้ำมัน น้ำ และขอบวัตถุที่แหลมคม
12. ใช้เครื่องมือกับไม้และวัสดุที่มีลักษณะคล้ายๆ กันเท่านั้น
13. ห้ามดำเนินงานที่ถูกหยุดไว้กลางคันต่อ (เช่น การใส่ที่ไม่เสร็จตามความยาวของชิ้นงาน)

14. ห้ามใช้งานเครื่องมือเพื่อทำร่องเว้า เดือย หรือแม่พิมพ์
15. ห้ามใช้งานสำหรับการใส่ไม้ที่โค้งงอผิดปกติซึ่งอาจสัมผัสกับโต๊ะป้อนชิ้นงานได้ไม่เพียงพอ

ปฏิบัติตามคำแนะนำเหล่านี้

คำเตือน: อย่าปล่อยให้ความสะดวกสบายหรือความคุ้นเคยในผลิตภัณฑ์ (ที่เกิดจากการใช้ซ้ำ) อยู่นเหนือความเข้มงวดในการปฏิบัติตามกฎเกณฑ์ด้านความปลอดภัยของผลิตภัณฑ์ การใช้งานผิดจุดประสงค์หรือการไม่ปฏิบัติตามกฎเกณฑ์ด้านความปลอดภัยที่ระบุไว้ในคู่มือการใช้งานนี้อาจทำให้ได้รับบาดเจ็บสาหัสได้

การติดตั้ง

การเคลื่อนย้ายและการขนส่งกบไฟฟ้า

- ▶ หมายเลข 1: 1. มือจับเคลื่อนย้าย 2. แผ่นรอง

ข้อควรระวัง:

- ให้ระมัดระวังเมื่อเคลื่อนย้ายเครื่องมือ

พับแผ่นรอง จับที่มือจับเคลื่อนย้ายเมื่อเคลื่อนย้ายเครื่องมือ เมื่อทำการขนส่งด้วยยานพาหนะ ให้ยึดเครื่องมือไว้ด้วยเชือกหรือวิธีการอื่นๆ เพื่อป้องกันเครื่องมือคว่ำหรือเคลื่อนย้าย

การจัดตำแหน่งกบไฟฟ้า

- ▶ หมายเลข 2: 1. สลักเกลียวหรือสกรู

จัดวางเครื่องมือไว้ในที่ที่เสมอกันและมีแสงเพียงพอ เพื่อให้คุณสามารถรักษาสมดุลและยืนได้อย่างมั่นคง ยึดเครื่องมือเข้ากับโต๊ะทำงานหรือขาตั้ง (อุปกรณ์เสริม) โดยใช้รูสลักเกลียวที่ฐาน

คำอธิบายการทำงาน

ข้อควรระวัง:

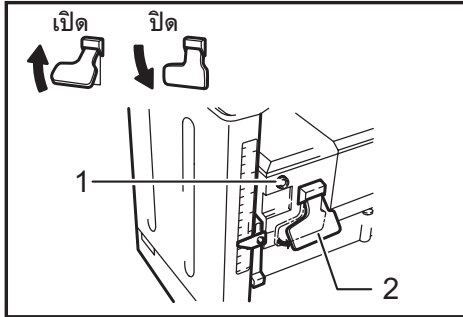
- ตรวจสอบให้แน่ใจเสมอว่าปิดสวิตช์เครื่องมือและถอดปลั๊กแล้วก่อนทำการปรับหรือตรวจสอบฟังก์ชันบนเครื่องมือ

การทำงานของสวิตช์

⚠️ ข้อควรระวัง:

- ก่อนจะเสียบปลั๊กเครื่องมือ ตรวจสอบให้แน่ใจว่าสวิตช์ของเครื่องมือเปิดอยู่ ดวงไฟแสดงสถานะจะติดขึ้นเมื่อเสียบปลั๊กเครื่องมือเข้ากับแหล่งจ่ายไฟ

สำหรับเครื่องมือที่มีก้านสวิตช์



1. ดวงไฟแสดงสถานะ 2. ก้านสวิตช์

เปิดใช้เครื่องมือโดยดันก้านสวิตช์ขึ้น วิธีการหยุดการทำงาน
ของเครื่องมือ ให้ดันก้านสวิตช์ลง

สำหรับเครื่องมือที่มีปุ่มสวิตช์

- ▶ หมายเลข 3: 1. ดวงไฟแสดงสถานะ 2. สวิตช์

การเริ่มใช้งานเครื่องมือ ให้กดปุ่ม ON (I) การหยุดใช้งาน
ให้กดปุ่ม OFF (O)

การปรับขนาด

- ▶ หมายเลข 4: 1. มือจับข้อเหวี่ยง 2. สเกล 3. แผ่น
บอกตำแหน่ง 4. โครงหลัก

ลดระดับของโครงหลักโดยการหมุนมือจับข้อเหวี่ยงทวนเข็มนาฬิกาจนแผ่นบอกตำแหน่งชี้ที่ตำแหน่งของสเกลที่ต้องการ การหมุนมือจับข้อเหวี่ยงหนึ่งรอบเต็มจะเป็นการเคลื่อนโครงหลักขึ้นหรือลง 2 mm สเกลทางด้านขวาจะแสดงเป็นนิ้วและทางด้านซ้ายจะแสดงเป็นเมตร

การปรับความลึกในการไส

ความลึกในการไสสูงสุดจะแตกต่างกันไปตามความกว้างของ
ชิ้นงานที่จะตัด โปรดดูรายละเอียดในตาราง เมื่อคุณต้องการ
จะไสให้ลึกเกินกว่าที่ระบุไว้ในตาราง ให้ตั้งความลึกน้อยกว่า
ที่ต้องการแล้วใช้วิธีการไสสองครั้งขึ้นไป

ความกว้างของชิ้นงานที่ตัด	ความลึกในการตัดสูงสุด
น้อยกว่า 150 mm	3.0 mm
150 mm - 240 mm	1.5 mm
240 mm - 304 mm	1.0 mm

วิธีการปรับความลึกในการไส ให้ปฏิบัติดังต่อไปนี้

- ▶ หมายเลข 5: 1. เกจวัดความลึก

ใส่ชิ้นงานให้ราบไปกับด้านบนของโต๊ะ ลดระดับโครงหลัก
โดยการหมุนมือจับข้อเหวี่ยงทวนเข็มนาฬิกา เกจวัดความ
ลึกจะเพิ่มขึ้นเพื่อบอกความลึกของการไส

⚠️ ข้อควรระวัง:

- ให้ลดระดับโครงหลักเสมอเมื่อจัดแผ่นบอกตำแหน่งให้ตรงกับขนาดชิ้นงานสำเร็จที่ต้องการ หากคุณยกโครงหลักไปยังตำแหน่งของขนาดชิ้นงานสำเร็จที่ต้องการ อาจทำให้สกปรกตำแหน่ง และอาจทำให้ขนาดชิ้นงานสำเร็จผิดเพี้ยนได้
- วางชิ้นงานให้ราบไปกับด้านบนของโต๊ะเมื่อทำการกำหนดความลึกในการไสเสมอ มิฉะนั้น ความลึกในการไสที่กำหนดอาจแตกต่างจากความลึกในการไสจริง

เกจปรับความลึก

- ▶ หมายเลข 6: 1. มือจับข้อเหวี่ยง 2. ร่อง 3. เกจปรับ
ความลึก

ใช้เกจปรับความลึกเมื่อต้องการกำหนดความลึกในการไส
อย่างแม่นยำยิ่งขึ้น โปรดปฏิบัติดังต่อไปนี้

1. ขั้นแรก ให้ใส่ชิ้นงานตามความลึกที่ได้กำหนดไว้ก่อนแล้ว วัดความหนาของชิ้นงานเพื่อทราบว่าจะต้องไสออกเพิ่มเท่าใด
2. หมุนเกจปรับความลึกที่มีมือจับข้อเหวี่ยงจนหมายเลข 0 ตรงกับร่องบนเครื่องมือ
3. แล้วหมุนมือจับข้อเหวี่ยงทวนเข็มนาฬิกาจนกระทั่งระดับความลึกในการไสที่ต้องการตรงกับร่องบนเครื่องมือ
4. เมื่อคุณจำเป็นต้องไสออกมากกว่าปริมาณที่ระบุในตารางในส่วน "การปรับความลึกในการไส" ให้ตั้งความลึกในการไสให้ตื้นกว่าปริมาณที่ระบุ แล้วทำการไสสองครั้งขึ้นไป

สต็อปเปอร์

- ▶ หมายเลข 7: 1. สต็อปเปอร์ 2. ปุ่มสต็อปเปอร์
3. ลูกบิดสต็อปเปอร์ 4. ด้านบนของโต๊ะ

ใช้สต็อปเปอร์เมื่อคุณต้องการจะใส่ชิ้นงานหลายๆ ชิ้นด้วย
ความหนาเท่ากัน โปรดปฏิบัติดังต่อไปนี้

1. หมุนมือจับข้อเหวี่ยงจนแผ่นบอกตำแหน่งชี้ไปที่สเกลบอกตำแหน่งขนาดชิ้นงานสำเร็จที่ต้องการ
2. ปลดล๊อคปุ่มสต็อปเปอร์แล้วลดระดับสต็อปเปอร์ลงจนสัมผัสกับด้านบนของโต๊ะ

3. หากคุณต้องการปรับสตีปเปอร์อย่างละเอียด ให้หมุนลูกบิดสตีปเปอร์

⚠️ ข้อควรระวัง:

- เมื่อไม่ได้ใช้สตีปเปอร์ ให้ยกสตีปเปอร์ไว้ ณ ตำแหน่งสูงสุดเสมอ อย่าฝืนหมุนเมื่อจับข้อเหวี่ยงเมื่อสตีปเปอร์สัมผัสกับด้านบนของโต๊ะ เนื่องจากอาจทำให้เครื่องมือเสียหายได้

การประกอบ

⚠️ ข้อควรระวัง:

- ตรวจสอบให้แน่ใจเสมอว่าปิดเครื่องมือและถอดปลั๊กแล้วก่อนดำเนินงานใดๆ กับเครื่องมือ

การเปลี่ยนใบมีดใส่

⚠️ ข้อควรระวัง:

- จับใบมีดด้วยความระมัดระวังเมื่อถอดหรือใส่ใบมีดเพื่อป้องกันการโดนบาดหรือการบาดเจ็บจากใบมีด และเพื่อป้องกันใบมีดเสียหาย ใบมีดนั้นคมมาก
- ทำความสะอาดเศษไม้ ฝุ่น เศษผง หรือสิ่งแปลกปลอมที่ติดอยู่กับท่อนหรือใบมีดก่อนจะทำการติดตั้งใบมีด
- ใช้ใบมีดที่มีขนาดและน้ำหนักเท่ากัน ไม่เช่นนั้น การหมุน/การสั่นสะเทือนของท่อนจะทำให้การไสมีประสิทธิภาพแย่งลง และทำให้เครื่องมือเสียหายในที่สุด
- เปลี่ยนใบมีดทั้งคู่พร้อมๆ กัน
- ใบมีดชนิดใช้แล้วทิ้งจะมีคมอยู่ทั้งสองด้าน เมื่อคมด้านหนึ่งทื่อ คุณจะสามารถเปลี่ยนไปใช้อีกข้างหนึ่งได้ นำสิ่งสกปรกและยางไม้ที่ติดอยู่กับใบมีดอีกด้านหนึ่งออกก่อนที่จะใช้คมด้านดังกล่าว ห้ามทำการลับใบมีดเด็ดขาด เมื่อคมมีดทั้งสองด้านทื่อ ควรถอดใบมีดดังกล่าวทิ้งด้วยความระมัดระวัง

การถอดใบมีด

คลายสกรูหางแบนที่ยึดฝาครอบกันเศษไม้และถอดฝาครอบกันเศษไม้ออก ถอดสกรูที่ยึดฝาครอบด้านขวาออก แล้วถอดฝาครอบด้านขวาออก หมุนรอกจนกระทั่งท่อนลึกลงเข้าสู่ตำแหน่งที่สลักเกลียวติดตั้งใบมีดหงายขึ้นด้านบน

- ▶ **หมายเลข 8:** 1. แผ่นลีด 2. ท่อน 3. สกรูหางแบน 4. รอก

สำหรับใบมีดแบบใช้แล้วทิ้งเท่านั้น

วางที่จับแม่เหล็กที่แผ่นตั้งแล้วกดไปตามทิศทางลูกศรจนกระทั่งเขี้ยวจับสัมผัสกับใบมีด ถอดสลักเกลียวติดตั้งใบมีดหกตัวออกโดยใช้ประแจหัวบ็อกซ์ จับที่จับแม่เหล็กแล้วยกขึ้นตรงๆ เพื่อถอดแผ่นตั้งและใบมีดออกจากท่อน กดแผ่นลีดแล้วหมุนรอก 180° เพื่อลีดท่อน ถอดใบมีดอีกใบโดยใช้วิธีการที่ระบุไว้ด้านบน

- ▶ **หมายเลข 9:** 1. สลักเกลียวติดตั้งใบมีด 2. แผ่นตั้ง 3. ที่จับแม่เหล็ก 4. ท่อน 5. ใบมีด 6. เขี้ยว

- ▶ **หมายเลข 10:** 1. ประแจหัวบ็อกซ์ 2. ที่จับแม่เหล็ก

สำหรับใบมีดมาตรฐานเท่านั้น

ถอดสลักเกลียวติดตั้งหกตัวออกโดยใช้ประแจหัวบ็อกซ์ ยกแผ่นตั้งและใบมีดขึ้นตรงๆ เพื่อถอดออกจากท่อน กดแผ่นลีดแล้วหมุนท่อนโดยการหมุนรอก 180° เพื่อลีดท่อน ถอดใบมีดอีกใบโดยใช้วิธีการที่ระบุไว้ด้านบน ถอดแผ่นตั้งออกจากใบมีด

- ▶ **หมายเลข 11:** 1. ประแจหัวบ็อกซ์ 2. แผ่นลีด 3. สลักเกลียวติดตั้งใบมีด

- ▶ **หมายเลข 12:** 1. แผ่นตั้ง

การติดตั้งใบมีด

⚠️ ข้อควรระวัง:

- ใช้เฉพาะประแจหัวบ็อกซ์ของ Makita ที่มีให้เท่านั้นเพื่อขันสลักเกลียวติดตั้งใบมีดให้แน่น การใช้ประแจหัวบ็อกซ์ชนิดอื่น อาจทำให้ขันสลักเกลียวแน่นหรือหลวมเกินไป และอาจเป็นสาเหตุของการบาดเจ็บสาหัสได้

สำหรับใบมีดแบบใช้แล้วทิ้งเท่านั้น

จัดเตรียมบล็อกไม้เรียบๆ ที่มีความยาวประมาณ 300 mm และความกว้าง 100 mm วางใบมีดและแผ่นตั้งไว้บนบล็อกไม้ในลักษณะที่รอกกำหนดตำแหน่งของใบมีดของแผ่นตั้งอยู่ในร่องของใบมีด ปรับแผ่นตั้งให้ปลายทั้งสองข้างของใบมีดยื่นออกจากปลายของแผ่นตั้งประมาณ 1 mm วางที่จับแม่เหล็กสองชิ้นลงบนแผ่นตั้งแล้วกดลงจนกระทั่งเขี้ยวสัมผัสกับใบมีด

- ▶ **หมายเลข 13:** 1. ที่จับแม่เหล็ก 2. แผ่นตั้ง 3. ใบมีด จับที่จับแม่เหล็กแล้วเลื่อนสันของแผ่นตั้งลงไปในร่องในท่อนใส่สลักเกลียวติดตั้งใบมีด

- ▶ **หมายเลข 14:** 1. สลักเกลียวติดตั้งใบมีด 2. แผ่นตั้ง 3. ที่จับแม่เหล็ก 4. ท่อน 5. ใบมีด 6. เขี้ยว

หลังจากที่ขันสลักเกลียวติดตั้งโม่ดีทุกตัวโดยขันเบาๆ ด้วย
 น้ำหนักเท่าๆ กัน จากสลักเกลียวตัวกลางสู่ด้านนอกแล้วจึง
 ขันแน่นโดยเรียงตามลำดับเดิม ถอดที่จับแม่เหล็กออกจาก
 แผ่นตั้ง

▶ **หมายเลข 15:** 1. ประแจหัวบีอ็อกซ์ 2. ที่จับแม่เหล็ก

ติดตั้งโม่ดีอีกโม่โดยใช้วิธีการที่ระบุไว้ด้านบน หมุนท่อน้ำเข้า
 ในขณะที่กดแผ่นลอคเพื่อตรวจสอบให้แน่ใจว่าไม่มีอะไรผิด
 ปกติ แล้วติดตั้งฝาครอบกันเศษไม้และฝาครอบด้านข้าง

⚠ ข้อควรระวัง:

- อย่าขันสลักเกลียวติดตั้งโม่ดีโดยไม่มีที่ยึดของ
 แผ่นตั้งอยู่ในร่องของโม่ดี เพราะอาจทำให้โม่ดี
 เสียหายและอาจทำให้ผู้ปฏิบัติงานบาดเจ็บได้
- อย่าเปิดเครื่องมือโดยไม่มีฝาครอบกันเศษไม้

สำหรับโม่ดีมาตรฐานเท่านั้น

วางโม่ดีลงบนเกจวัดโม่ดีเพื่อให้คมโม่ดีอยู่ในระนาบ
 เดียวกับด้านในของโครงด้านหน้า (A) วางแผ่นตั้งลงบนโม่
 ดีแล้วกดสันของแผ่นตั้งเบาๆ เพื่อให้อยู่ในระนาบเดียวกับ
 ด้านหลังของเกจวัดโม่ดี (B) ขันสกรูเพื่อยึดแผ่นตั้งเข้า
 กับโม่ดี

▶ **หมายเลข 16:** 1. สกรู 2. แผ่นตั้ง 3. โม่ดี 4. เกจ
 วัดโม่ดี

เลื่อนสันของแผ่นตั้งลงไปในเรื่องของท่อน ใส่สลักเกลียวติด
 ตั้งโม่ดี

▶ **หมายเลข 17:** 1. แผ่นตั้ง 2. ร่อง 3. โม่ดี 4. ท่อน

หลังจากที่ขันสลักเกลียวติดตั้งโม่ดีทุกตัวโดยขันแน่นด้วย
 น้ำหนักเท่าๆ กันจากสลักเกลียวตัวกลางสู่ด้านนอกแล้ว ให้
 ขันแน่นโดยเรียงตามลำดับเดิมอีกครั้ง

▶ **หมายเลข 18:** 1. ประแจหัวบีอ็อกซ์ 2. แผ่นลอค
 3. สลักเกลียวติดตั้งโม่ดี

ติดตั้งโม่ดีอีกโม่โดยใช้วิธีการที่ระบุไว้ด้านบน หมุนท่อน้ำเข้า
 ในขณะที่กดแผ่นลอคเพื่อตรวจสอบให้แน่ใจว่าไม่มีอะไรผิด
 ปกติ แล้วติดตั้งฝาครอบกันเศษไม้และฝาครอบด้านข้าง

⚠ ข้อควรระวัง:

- ขันสลักเกลียวติดตั้งโม่ดีให้แน่นเมื่อทำการติดตั้ง
 โม่ดี
- อย่าเปิดเครื่องมือโดยที่ฝาครอบกันเศษไม้เปิดอยู่

การเปลี่ยนชนิดของโม่ดี

เครื่องมือนี้สามารถใช้ได้ทั้งโม่ดีแบบใช้แล้วทิ้งและโม่ดี
 แบบมาตรฐาน หากคุณต้องการเปลี่ยนชนิดของโม่ดี โปรด
 ซื้อส่วนประกอบต่างๆ ต่อไปนี้มาใช้

การเปลี่ยนจากโม่ดีแบบมาตรฐานมาเป็นโม่ดีแบบใช้แล้วทิ้ง	การเปลี่ยนจากโม่ดีแบบใช้แล้วทิ้งมาเป็นโม่ดีแบบมาตรฐาน
แผ่นตั้ง ----- 2 ชิ้น	แผ่นตั้ง ----- 2 ชิ้น
โม่ดีแบบใช้แล้วทิ้ง (306 mm) --- 2 ใบ	สกรูหัวแบน M 4 x 6 ----- 4 ตัว
ที่จับแม่เหล็ก ----- 2 ชิ้น	โม่ดีมาตรฐาน ----- 2 ใบ
	เกจวัดโม่ดี ----- 1 อัน

ชุดหัวครอบ (อุปกรณ์เสริม)

▶ **หมายเลข 19:** 1. หัวครอบ 2. ที่ยึดหัวครอบ

เมื่อคุณต้องการปฏิบัติงานโดยรักษาความสะอาดด้วยการตัด
 ฝุ่นอย่างง่ายตาย คุณสามารถติดตั้งที่ดูดฝุ่นให้กับกบไฟฟ้า
 ได้ด้วยชุดหัวครอบนี้ ติดตั้งที่ยึดหัวครอบเข้ากับหัวครอบ
 แล้วยึดด้วยสกรู

คลายสกรูหางแบนที่ยึดฝาครอบกันเศษไม้ ติดตั้งชุดหัว
 ครอบเข้ากับกบไฟฟ้าแล้วยึดฝาครอบกันเศษไม้และหัว
 ครอบเข้าไว้ด้วยกันโดยการขันสกรูหางแบนให้แน่น

▶ **หมายเลข 20:** 1. ฝาครอบกันเศษไม้ 2. สกรูหางแบน
 3. หัวครอบ

ขาดังกบไฟฟ้า (อุปกรณ์เสริม)

ติดตั้งบนตำแหน่งที่เรียบเสมอกันแล้วติดตั้งขาไว้ด้านบน ยึด
 ด้วยสลักเกลียวหัวเหลี่ยม แหวนสปริง และน็อตหกเหลี่ยม
 แล้วใส่ฟาดิยางเข้ากับปลายขา

▶ **หมายเลข 21:** 1. ฟาดิยาง 2. ตัวยึด (B) 3. ตัวยึด
 (A) 4. ขา 5. ตัวยึด (A) 6. สลักเกลียว
 หัวเหลี่ยม 7. แหวนสปริง 8. น็อตหก
 เหลี่ยม 9. ขา

แล้ววางกบไฟฟ้าที่ด้านบนของขาตั้งที่ประกอบแล้ว ยึดด้วย
 สลักเกลียวหกเหลี่ยมสี่ตัว แหวนแบนและน็อตหกเหลี่ยม

▶ **หมายเลข 22:** 1. สลักเกลียวหกเหลี่ยม 2. น็อตหก
 เหลี่ยม 3. แหวนแบน 4. สลักเกลียว
 หกเหลี่ยม

หมายเหตุ:

- ใส่สลักเกลียวหกเหลี่ยมเข้าไปในรูจากด้านตรงข้าม
 ของขาตั้งแล้วยึดด้วยแหวนแบนและน็อตหกเหลี่ยม
 หากคุณใส่สลักเกลียวหกเหลี่ยมจากด้านบนของ
 ฐานกบไฟฟ้า จะไม่สามารถยึดแน่นได้

ควรวัดขาตั้งกบไฟฟ้าเข้ากับพื้นด้วยสลักเกลียวสี่ตัวโดยใช้
 รูที่ขา

▶ **หมายเลข 23:** 1. สลักเกลียว

การใช้งาน

⚠️ ข้อควรระวัง:

- สามารถใส่ไม้สองชั้นเล็กๆ ที่มีความหนาเท่ากันหรือมอง กันโดยใส่คนละด้านได้ แต่ให้เว้นระยะห่างระหว่างไม้ทั้งสองชั้นเพื่อให้ลูกล้อป้อนชิ้นงานสามารถจับส่วนที่บางที่สุดของแผ่นไม้ได้ มิฉะนั้นแผ่นไม้ที่บางกว่าจะถูกหัวตัดตัดกลับ

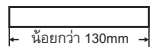
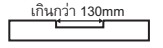
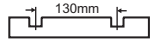
▶ หมายเลข 24

วางชิ้นงานที่เป็นแผ่นไว้ด้านบนของโต๊ะ กำหนดความลึกในการไสโดยใช้วิธีที่ได้อธิบายไปแล้ว เปิดสวิตช์เครื่องมือแล้วรอนจนกว่าจะมีตะกั่วทำงานถึงความเร็วสูงสุด อย่าให้ชิ้นงานสัมผัสกับลูกล้อป้อนชิ้นงานตอนที่เปิดเครื่อง แล้วสอดชิ้นงานในลักษณะที่เป็นระนาบเดียวกับด้านบนของโต๊ะ เมื่อตัดชิ้นงานที่ยาวและหนัก ให้ยกชิ้นงานขึ้นเล็กน้อยในตอนเริ่มต้นและตอนท้ายของการไสเพื่อป้องกันการเกิดรอยหรือการแตกที่ปลายของชิ้นงาน ด้านบนของเครื่องมือจะช่วยให้สามารถหมุนชิ้นงานได้อย่างรวดเร็วและง่ายดาย โดยเฉพาะอย่างยิ่งเมื่อมีผู้ปฏิบัติงานสองคนจะเป็นการสะดวกมาก

▶ หมายเลข 25

⚠️ ข้อควรระวัง:

- ชิ้นงานที่มีขนาดดังต่อไปนี้จะไม่สามารถเข้าเครื่องมือได้เนื่องจากช่องว่างระหว่างลูกล้อป้อนชิ้นงานสองตัวคือ 129 mm อย่าพยายามตัดชิ้นงานที่มีขนาดดังกล่าว

1		ความยาวน้อยกว่า 130 mm
2		มีร่องที่กว้างกว่า 130 mm
3		มีร่องที่มีระยะห่างกว้างกว่า 130 mm

⚠️ ข้อควรระวัง:

- หยุดใช้เครื่องมือเมื่อชิ้นงานติดอยู่ด้านใน การใช้เครื่องมือเมื่อมีชิ้นงานติดอยู่ด้านในจะทำให้ลูกล้อป้อนชิ้นงานเสียหายอย่างรวดเร็ว

การบำรุงรักษา

⚠️ ข้อควรระวัง:

- ตรวจสอบให้แน่ใจเสมอว่าปิดสวิตช์เครื่องมือและถอดปลั๊กออกแล้วก่อนดำเนินการตรวจสอบหรือบำรุงรักษา
- ห้ามใช้แก๊สโซลีน เบนซิน ทินเนอร์ แอลกอฮอล์ หรือสิ่งอื่นที่คล้ายกันนี้ เนื่องจากอาจทำให้สีซีดจางเสียหาย หรือแตกร้าวได้

การปรับความสูงของแผ่นรอง

- ▶ หมายเลข 26: 1. ไม้บรรทัด 2. แผ่นโปสการ์ด 3. สกรูปรับ

- ▶ หมายเลข 27: 1. ประแจหกเหลี่ยม

ความสูงของแผ่นรองจะถูกปรับมาแล้วจากโรงงาน หากต้องการปรับแต่งเพิ่มเติม ให้ปฏิบัติตามดังต่อไปนี้ วางแผ่นโปสการ์ดลงบนโต๊ะแล้ววางไม้บรรทัดลงบนแผ่นโปสการ์ด หมุนสกรูปรับพร้อมด้วยประแจหกเหลี่ยมจนปลายของแผ่นรองสัมผัสกับไม้บรรทัด ปลายของแผ่นรองมีตั้งแต่ 0.1 mm ถึง 0.3 mm เหนือพื้นผิวของโต๊ะ

การเปลี่ยนแปลงคาร์บอน

- ▶ หมายเลข 28: 1. ชีตจำกัด

ถอดแปรงคาร์บอนออกมาตรวจสอบเป็นประจำ เปลี่ยนแปรงคาร์บอนเมื่อสึกหรอถึงขีดจำกัด ดูแลแปรงคาร์บอนให้สะอาดและไม่ลื่นหลุดออกจากที่ยึด ควรเปลี่ยนแปลงคาร์บอนทั้งสองอันพร้อมกัน ใช้แปรงคาร์บอนแบบเดียวกันเท่านั้น

ใช้ไขควงเพื่อถอดฝาปิดที่ยึดแปรงออก นำแปรงคาร์บอนที่สึกหรอออกมา ใส่แปรงคาร์บอนใหม่เข้าไป และปิดฝาปิดที่ยึดแปรงให้แน่น

- ▶ หมายเลข 29: 1. ฝาปิดที่ยึดแปรง 2. ไขควง

ดูแลให้ใบมีดไสมีความคมอยู่เสมอ

ใบมีดที่ท้อจะทำให้ชิ้นงานสำเร็จยาก ทำให้มอเตอร์ทำงานหนัก และอาจเกิดอันตรายจากการติดกลับของชิ้นงาน เปลี่ยนใบมีดที่ท้อในทันที

การหล่อลื่น

- หมายเลข 30: 1. เส่า 2. สกรู 3. โซ่

หล่อลื่นโซ่ (หลังจากถอดฝาครอบด้านขวา (R)) เส่าทั้งสี่และสกรูที่ช่วยโครงหลัก ควรใช้น้ำมันหล่อลื่นเครื่องจักรเพื่อหล่อลื่นส่วนต่างๆ เหล่านี้เสมอ

⚠ ข้อควรระวัง:

- การหล่อลื่นและการบำรุงรักษาทั้งหมดต้องกระทำเมื่อปิดเครื่องมือและถอดปลั๊กออกแล้วเท่านั้น

การทำความสะอาด

บัตฝุ่น เศษไม้ และสิ่งแปลกปลอมออกจากลูกล้อ ช่องระบายอากาศของมอเตอร์ และท่อนอยู่เสมอ

จำกัดสำหรับการลับใบมีดมาตรฐาน

- หมายเลข 31: 1. ฐาน 2. ใบมีด 3. มากกว่า 4 mm

อย่าใช้ใบมีดมาตรฐานที่มีความยาวน้อยกว่า 4 mm เพื่อความปลอดภัยและความน่าเชื่อถือของผลิตภัณฑ์ ควรให้ศูนย์บริการที่ได้รับการรับรองจาก Makita เป็นผู้ดำเนินการซ่อมแซม บำรุงรักษา หรือทำการปรับตั้งอื่นๆ นอกจากนี้ให้ใช้อะไหล่ของแท้จาก Makita เสมอ

อุปกรณ์เสริม

⚠ ข้อควรระวัง:

- แนะนำให้ใช้อุปกรณ์เสริมหรืออุปกรณ์ต่อพ่วงเหล่านี้กับเครื่องมือ Makita ที่ระบุในคู่มือนี้ การใช้อุปกรณ์เสริมหรืออุปกรณ์ต่อพ่วงอื่นๆ อาจมีความเสี่ยงที่จะได้รับบาดเจ็บ ใช้อุปกรณ์เสริมหรืออุปกรณ์ต่อพ่วงตามวัตถุประสงค์ที่ระบุไว้เท่านั้น

หากต้องการทราบรายละเอียดเพิ่มเติมเกี่ยวกับอุปกรณ์เสริมเหล่านี้ โปรดสอบถามศูนย์บริการ Makita ใกล้บ้านคุณ

- ที่จับแม่เหล็ก
- ใบมีดแบบใช้แล้วทิ้ง
- ใบมีดแบบมาตรฐาน
- เกจวัดใบมีด
- ประแจหัวบ็อกซ์ 9
- ประแจหกเหลี่ยม 2.5
- ชุดหัวครอบ
- ขาดัง

หมายเหตุ:

- บางรายการอาจไม่มีมาให้ เป็นอุปกรณ์เสริมมาตรฐานในชุดเครื่องมือ ซึ่งอาจแตกต่างกันไปในแต่ละประเทศ

Makita Corporation
3-11-8, Sumiyoshi-cho,
Anjo, Aichi 446-8502 Japan
www.makita.com

884278C378
EN, ZHCN, ID, MS,
VI, TH
20190904