



VN	VIETNAM
----	---------

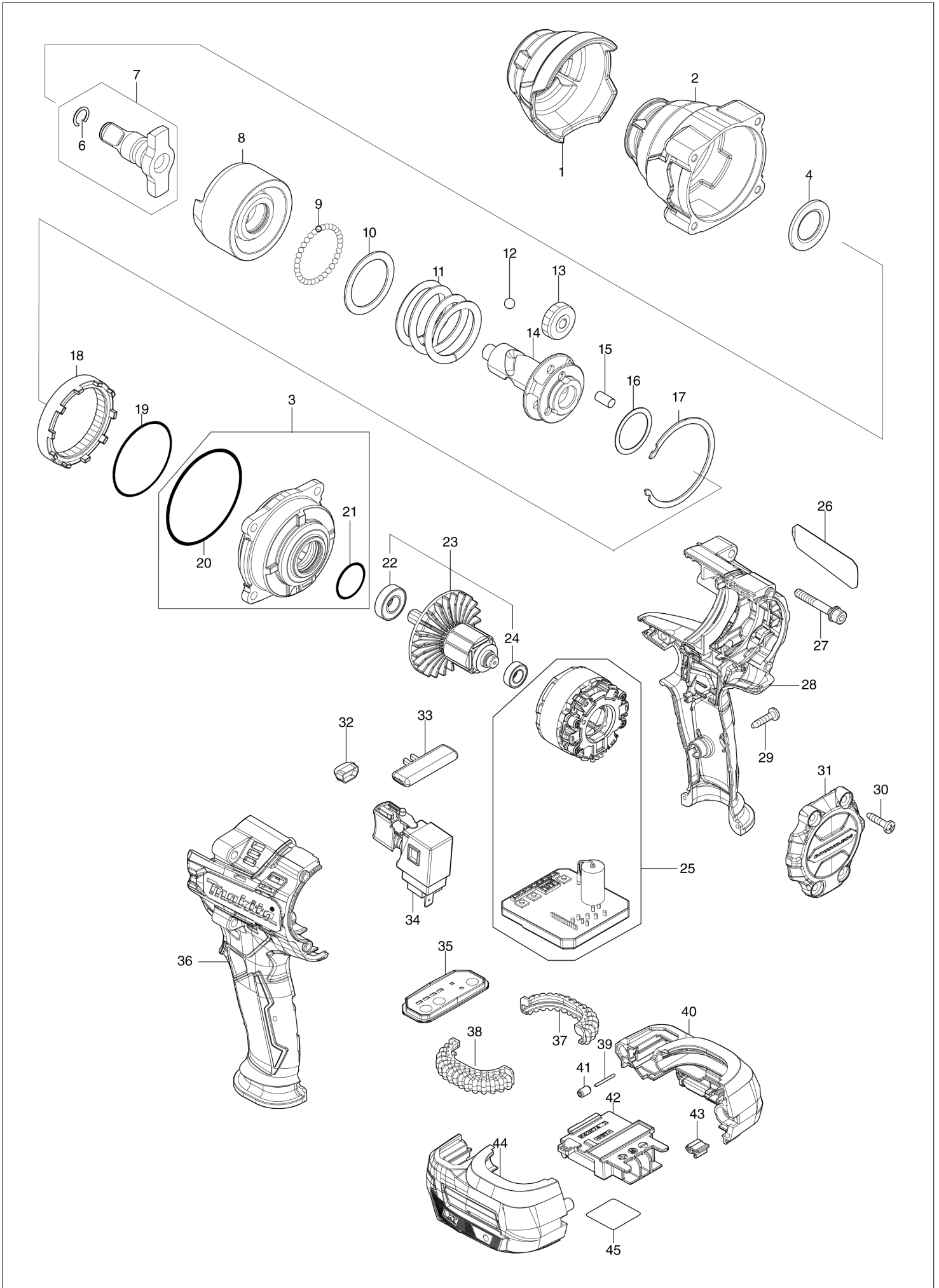
Diagram / Parts List

DTW700

CORDLESS IMPACT WRENCH



(VN) DTW700 / CORDLESS IMPACT WRENCH



VN	VIETNAM
-----------	----------------

DTW700 / CORDLESS IMPACT WRENCH

Item	Sub	Parts No.	Parts Description	Qty	I/C	E/C No.	Close No.	Remark
001		422607-6	BUMPER	1				
002		140U47-9	HAMMER CASE COMPLETE	1			DK168	
002-1		141U35-9	HAMMER CASE COMPLETE	1	<	DK168		
003		136296-8	INTERNAL GEAR CASE ASS'Y	1				
	D10		INC. 20,21					
004		253481-9	FLAT WASHER 20	1				
006		231907-1	RING SPRING 10	1				
007		136256-0	ANVIL ASS'Y	1				
	D10		INC. 6					
008		327624-0	HAMMER	1				
009		216001-0	STEEL BALL 3.5	33				
010		267340-1	FLAT WASHER 32	1				
011		232629-6	COMPRESSION SPRING 34	1				
012		216007-8	STEEL BALL 6.4	2				
013		227813-6	SPUR GEAR 21	3				
014		327623-2	SPINDLE	1				
015		256211-7	PIN 6	3				
016A		267494-4	FLAT WASHER 25	1			D9063	
016B		267494-4	FLAT WASHER 25	1			D9063	
016-1A		267127-1	FLAT WASHER 26	1	O	D9063		
016-1B		267127-1	FLAT WASHER 26	1	O	D9063		
016-1C		267127-1	FLAT WASHER 26	1				
016-1D		267127-1	FLAT WASHER 26	1				
017		347722-4	RETAINER	1				
018		227814-4	INTERNAL SPUR GEAR 48	1				
019A		213624-5	O RING 48	1			D5416	
019B		213624-5	O RING 48	1			D5416	
020		213654-6	O RING 60	1				
021		213961-7	O RING 22	1				
022		210069-8	BALL BEARING 6900DDW	1				
023		519635-1	ROTOR ASS'Y	1				
	D10		INC. 22,24					
024		211343-7	BALL BEARING 688ZZ	1				
025		629A06-1	STATOR COMPLETE	1				
026		857M03-1	DTW700 NAME PLATE	1				
027		251476-6	H.S.H.BOLT M5X35 WITH WR	4			DJ608	
027-1		265D13-4	H.S.H.BOLT M5X35 WITH WRM	4	<	DJ608		
028		183P88-2	HOUSING SET	1				
	D10		INC. 36					
029		266326-2	TAPPING SCREW 4X18	7				
030		266326-2	TAPPING SCREW 4X18	4				
031		412673-1	REAR COVER	1				
032		620549-0	LED CIRCUIT	1				
033		456268-0	F/R CHANGE LEVER	1				
034		140U03-9	SWITCH COMPLETE	1				
	C10	424774-3	SWITCH COVER	1				
035		140U53-4	SWITCH PLATE COMPLETE	1				
	C10	8012S9-8	SWITCH LABEL	1				
036		183P88-2	HOUSING SET	1				
	D10		INC. 28					
037		424773-5	CUSHION RUBBER	1			DK168	
037-1		422A56-3	CUSHION RUBBER	1	<	DK168		
038		424773-5	CUSHION RUBBER	1			DK168	
038-1		422A56-3	CUSHION RUBBER	1	<	DK168		
039		268284-8	PIN 1.5	1				
040		183P89-0	BATTERY HOUSING SET	1				
	C10	263005-3	RUBBER PIN 6	2				
	C20	252126-6	HEX. LOCK NUT M4-7	2				
	D10		INC. 44					
041		263036-2	RUBBER PIN 5	1				
042		643874-2	TERMINAL	1				
043		424517-3	CUSHION	1				
044		183P89-0	BATTERY HOUSING SET	1				
	C10	263005-3	RUBBER PIN 6	2				
	C20	252126-6	HEX. LOCK NUT M4-7	2				

A:DTW700Z(N)
 B:DTW700RTJ(H)
 C:DTW700ZX1(N)
 D:DTW700TJX1(H)

Interchange
 O : Yes
 X : No
 < : the new part can be substituted for the current.
 > : the current part can be substituted for the new.
 S : Interchangeable as a set.

