



VN	VIETNAM
----	---------

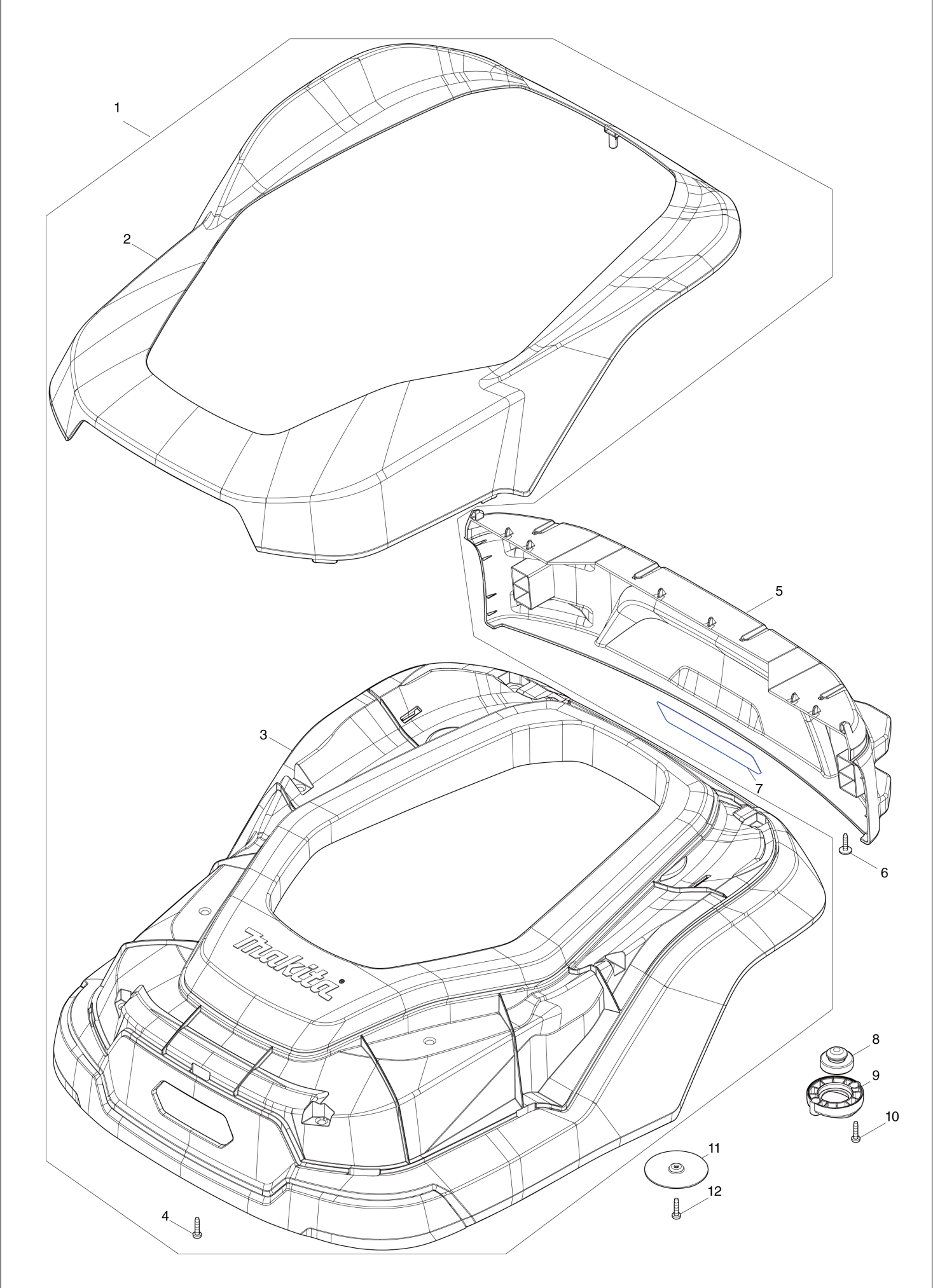
# Diagram / Parts List

**RM350D**

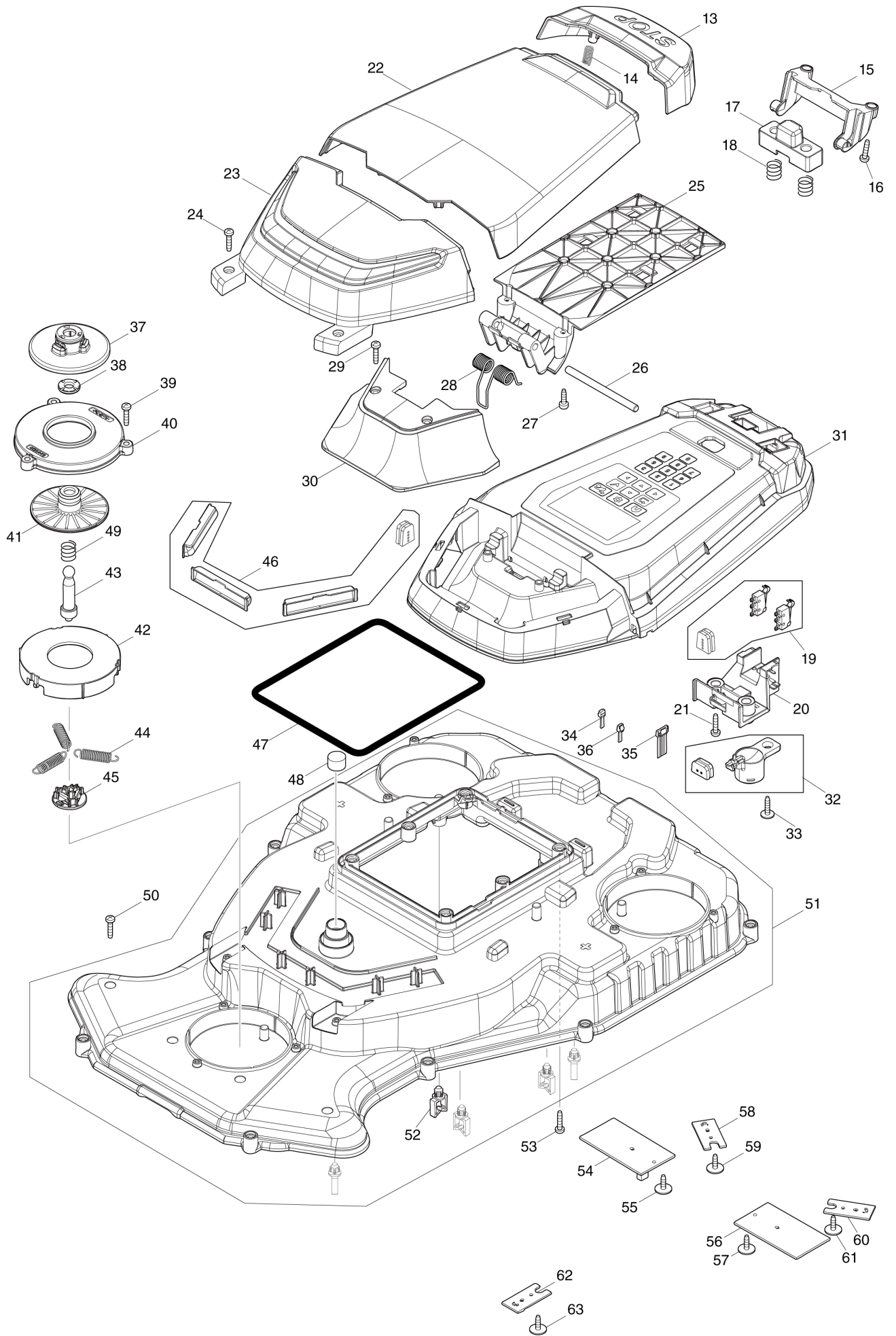
**ROBOTIC MOWER**



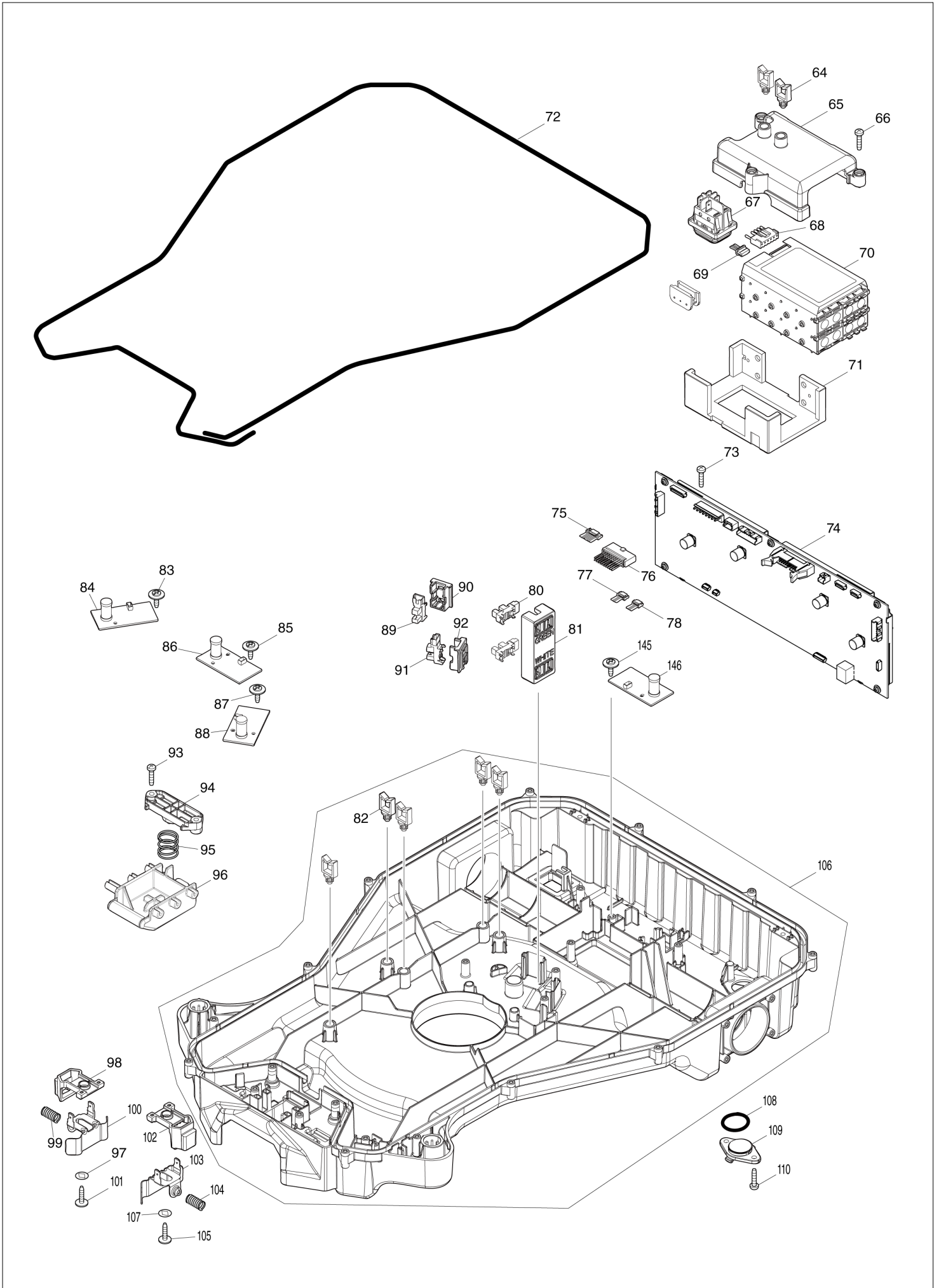
(VN) RM350D / ROBOTIC MOWER



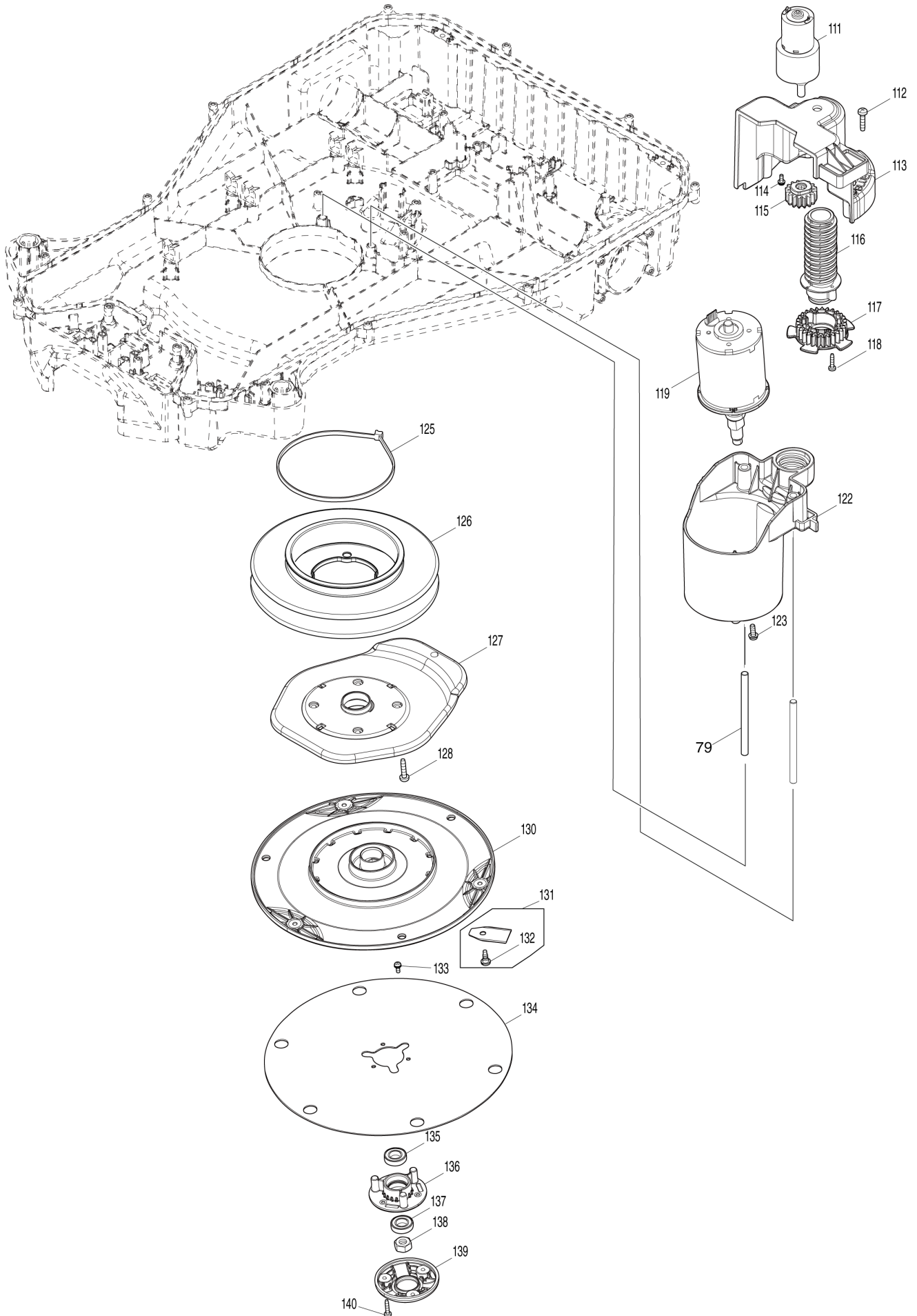
(VN) RM350D / ROBOTIC MOWER



(VN) RM350D / ROBOTIC MOWER

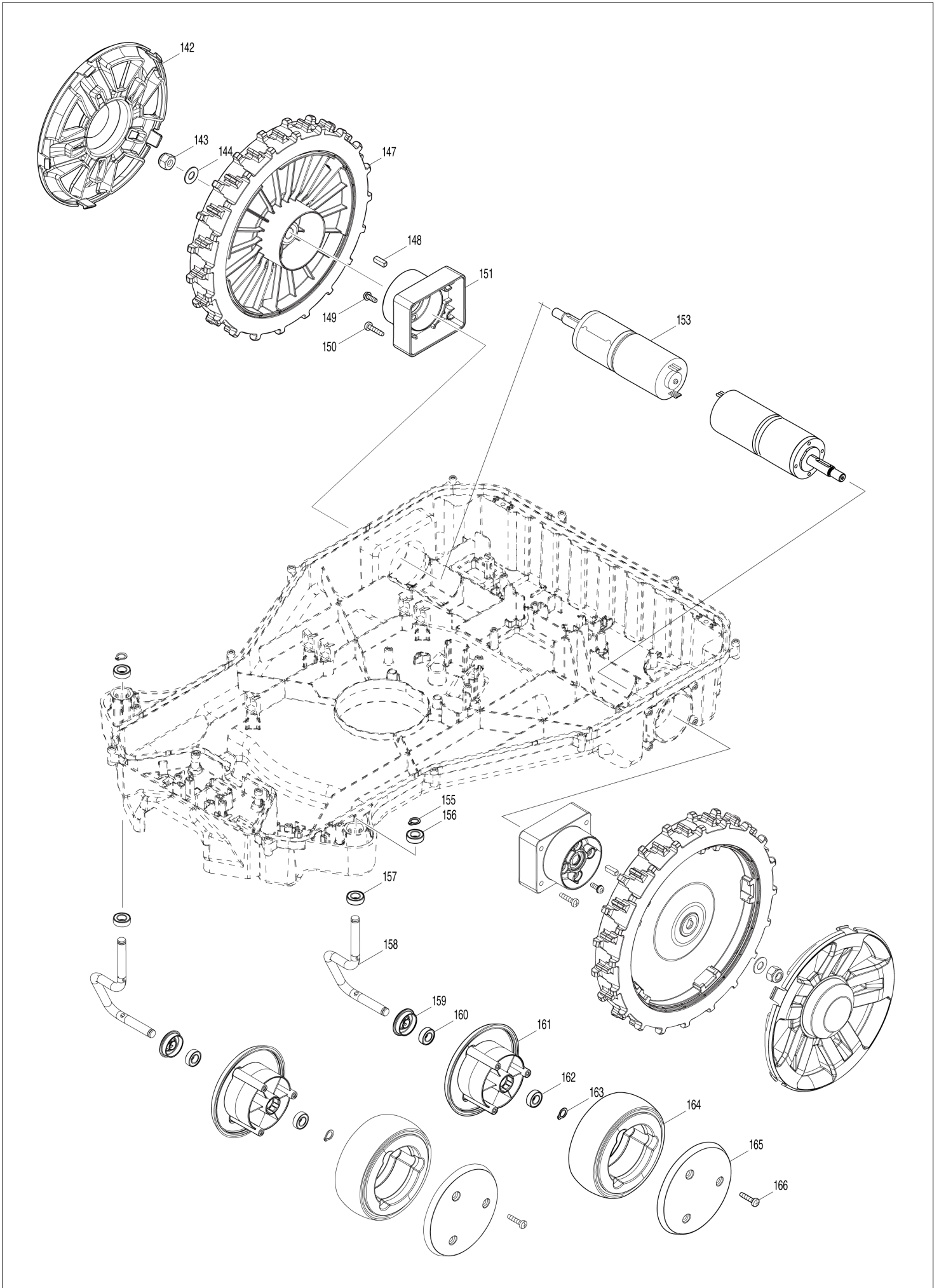


(VN) RM350D / ROBOTIC MOWER



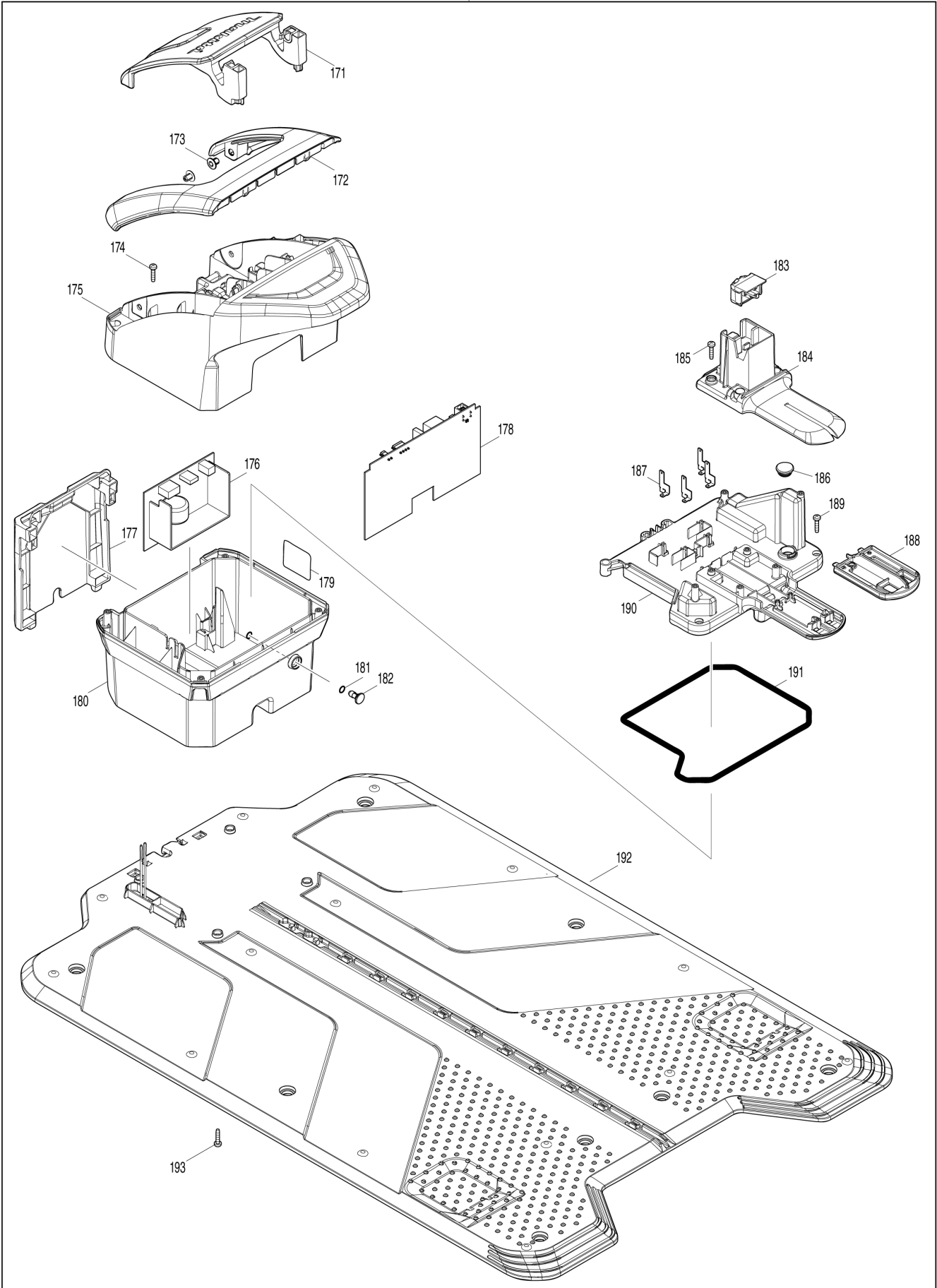


(VN) RM350D / ROBOTIC MOWER



(VN) RM350D / ROBOTIC MOWER

170



<b>VN</b>	<b>VIETNAM</b>
-----------	----------------

### RM350D / ROBOTIC MOWER

Item	Sub	Parts No.	Parts Description	Qty	I/C	E/C No.	Close No.	Remark
001		122E85-7	TOP COVER ASSEMBLY	1				
	D10		INC. 2-4					
002		413S26-1	COVER	1				
003		141R82-2	TOP COVER COMPLETE	1				
004		266045-0	TAPPING SCREW 4X20	9				
005		141V18-5	REAR BUMPER COMPLETE	1				
	C10	8073R6-1	CAUTION LABEL	1				
006		265620-9	TAPPING SCREW FLANGE 4X18	4				
007		8143H9-8	RM350D NAME PLATE	1				
008		422A40-8	RUBBER RETAINER	3				
009		413S28-7	RUBBER HOLDER	3				
010		266045-0	TAPPING SCREW 4X20	6				
011		347B51-7	SENSOR PLATE	2				
012		266045-0	TAPPING SCREW 4X20	2				
013		413S11-4	STOP BUTTON	1				
014		232836-1	COMPRESSION SPRING 6	2				
015		413S12-2	STOP BUTTON ARM	1				
016		266045-0	TAPPING SCREW 4X20	2				
017		413S13-0	LOCK OFF BUTTON	1				
018		234347-2	COMPRESSION SPRING 11	2				
019		632U81-8	SWITCH UNIT	1				
020		413S14-8	SWITCH HOLDER	1				
021		266045-0	TAPPING SCREW 4X20	2				
022		413S09-1	DISPLAY COVER A	1				
023		162C59-4	FRONT COVER COMPLETE	1				
	C10	413S16-4	LENS	1				
024		266045-0	TAPPING SCREW 4X20	2				
025		413S10-6	DISPLAY COVER B	1				
026		327C13-7	ROD 6	1				
027		266192-7	TAPPING SCREW 4X14	2				
028		232600-0	TORSION SPRING 8	1				
029		266045-0	TAPPING SCREW 4X20	2				
030		413S17-2	REFLECTOR	1				
031		1914D5-4	UI CONTROLLER REPAIR SET	1				
032		620M23-6	BUZZER CIRCUIT	1				
033		265620-9	TAPPING SCREW FLANGE 4X18	1				
034		638A52-3	LEAD UNIT H	1				
035		638A51-5	LEAD UNIT G	1				
036		638A52-3	LEAD UNIT H	1				
037		413S45-7	SLIDER COVER	3				
038		422A88-0	FELT RING 9	3				
039		266045-0	TAPPING SCREW 4X20	9				
040		413S44-9	SPRING COVER	3				
041		413S43-1	SLIDER	3				
042		413S42-3	SPRING HOLDER	3				
043		327C14-5	SHAFT	3				
044		232809-4	TENSION SPRING 7	9				
045		141R83-0	SLIDER BASE COMPLETE	3				
046		620M22-8	LED CIRCUIT	1				
047		422A46-6	SEAL	1				
048		443129-3	FILTER	1				
049		232858-1	COMPRESSION SPRING 11	3				
050		266045-0	TAPPING SCREW 4X20	14				
051		122E82-3	UPPER HOUSING ASSEMBLY	1				
	D10		INC. 52					
052		687F91-0	CLAMP	5				
053		266045-0	TAPPING SCREW 4X20	6				
054		620M20-2	INDUCTIVE SENSOR CIRCUIT	1				
055		265D18-4	TAPPING SCREW FLANGE 4X14	1				
056		620M20-2	INDUCTIVE SENSOR CIRCUIT	1				
057		265D18-4	TAPPING SCREW FLANGE 4X14	1				
058		620M21-0	HALL IC CIRCUIT	1				
059		265D18-4	TAPPING SCREW FLANGE 4X14	1				
060		620M21-0	HALL IC CIRCUIT	1				
061		265D18-4	TAPPING SCREW FLANGE 4X14	1				

A:RM350D(H)

Interchange  
 O : Yes  
 X : No  
 < : the new part can be substituted for the current.  
 > : the current part can be substituted for the new.  
 S : Interchangeable as a set.



## RM350D / ROBOTIC MOWER

Item	Sub	Parts No.	Parts Description	Qty	I/C	E/C No.	Close No.	Remark
062		620M21-0	HALL IC CIRCUIT	1				
063		265D18-4	TAPPING SCREW FLANGE 4X14	1				
064		687F91-0	CLAMP	2				
065		413S21-1	BATTERY HOLDER	1				
066		266045-0	TAPPING SCREW 4X20	3				
067		650047-0	SWITCH DRH-03S-DDK32-02R	1				
068		638A48-4	LEAD UNIT D	1				
069		638A50-7	LEAD UNIT F	1				
071		422A43-2	CUSHION	1				
072		422A47-4	SEAL	1				
073		266045-0	TAPPING SCREW 4X20	2				
074		1914D4-6	CONTROLLER REPAIR SET	1				
075		638A47-6	LEAD UNIT C	1				
076		638A82-4	LEAD UNIT E	1				
077		638A46-8	LEAD UNIT B	1				
078		638A45-0	LEAD UNIT A	1				
079		327C13-7	ROD 6	2				
080		1910J8-6	PHOTO INTERRUPTER REPAIR SET	2				
081		413S40-7	SENSOR BASE B	1				
082		687F91-0	CLAMP	5				
083		265D18-4	TAPPING SCREW FLANGE 4X14	1				
084		620M19-7	WIRE SENSING CIRCUIT	1				
085		265D18-4	TAPPING SCREW FLANGE 4X14	1				
086		620M19-7	WIRE SENSING CIRCUIT	1				
087		265D18-4	TAPPING SCREW FLANGE 4X14	1				
088		620M19-7	WIRE SENSING CIRCUIT	1				
089		1910J8-6	PHOTO INTERRUPTER REPAIR SET	1				
090		413S39-2	SENSOR BASE A	1				
091		1910J8-6	PHOTO INTERRUPTER REPAIR SET	1				
092		413S39-2	SENSOR BASE A	1				
093		266045-0	TAPPING SCREW 4X20	2				
094		413S23-7	TERMINAL HOLDER COVER	1				
095		232849-2	COMPRESSION SPRING 17	1				
096		137070-7	TERMINAL HOLDER ASSEMBLY	1				
097		253608-1	FLAT WASHER 8	1				
098		413U92-0	TERMINAL SLIDER	1				
099		232837-9	COMPRESSION SPRING 8	1				
100		654896-7	TERMINAL A	1				
101		265620-9	TAPPING SCREW FLANGE 4X18	1				
102		413U92-0	TERMINAL SLIDER	1				
103		654896-7	TERMINAL A	1				
104		232837-9	COMPRESSION SPRING 8	1				
105		265620-9	TAPPING SCREW FLANGE 4X18	1				
106		122E83-1	LOWER HOUSING ASSEMBLY	1				
	D10		INC. 82					
107		253608-1	FLAT WASHER 8	1				
108		213382-3	O-RING 22	1				
109		413S22-9	USB CAP	1				
110		266045-0	TAPPING SCREW 4X20	2				
111		629C26-7	DC MOTOR	1				
112		266045-0	TAPPING SCREW 4X20	3				
113		413S35-0	HEIGHT ADJUST BASE	1				
114		911008-8	PAN HEAD SCREW M3X8	2				
115		227B09-1	SPUR GEAR 16	1				
116		413S36-8	HEIGHT ADJUST SCREW	1				
117		227B10-6	SPUR GEAR 27	1				
118		266404-8	TAPPING SCREW BIND 3X14	2				
119		122G01-1	DC MOTOR ASSEMBLY	1				
	C10	213159-6	O RING 13	1				
	C20	213382-3	O-RING 22	1				
122		413S29-5	MOTOR CASE	1				
123		911118-1	PAN HEAD SCREW M4X12	4				
125		453714-4	WIRE BAND	1				
126		422A44-0	BELLOWS A	1				
127		413S31-8	BLADE COVER	1				

A:RM350D(H)

Interchange  
 O : Yes  
 X : No  
 < : the new part can be substituted for the current.  
 > : the current part can be substituted for the new.  
 S : Interchangeable as a set.

<b>VN</b>	<b>VIETNAM</b>
-----------	----------------

### RM350D / ROBOTIC MOWER

Item	Sub	Parts No.	Parts Description	Qty	I/C	E/C No.	Close No.	Remark
128		266045-0	TAPPING SCREW 4X20	4				
130		413S32-6	BLADE BASE	1				
131		1913M9-3	BLADE SET G	1				
	D10		INC. 132					
132		265D19-2	+ BINDING HEAD SCREW M4X5	3				
133		911008-8	PAN HEAD SCREW M3X8	3				
134		347B52-5	SKID PLATE	1				
135		210171-7	BALL BEARING 6800ZZ	1				
136		413S33-4	HUB	1				
137		210171-7	BALL BEARING 6800ZZ	1				
138		931402-8	HEX. NUT M8	1				
139		122G00-3	NUT COVER ASSEMBLY	1				
	C10	213382-3	O-RING 22	1				
140		266404-8	TAPPING SCREW BIND 3X14	3				
142		413S50-4	REAR WHEEL COVER	2				
143		252105-4	HEX. LOCK NUT M8-13	2				
144		941201-0	FLAT WASHER 8	2				
145		265D18-4	TAPPING SCREW FLANGE 4X14	1				
146		620M19-7	WIRE SENSING CIRCUIT	1				
147		122E87-3	REAR WHEEL ASSEMBLY	2				
148		254204-8	KEY 4	2				
149		911118-1	PAN HEAD SCREW M4X12	8				
150		266045-0	TAPPING SCREW 4X20	8				
151		122F99-2	MOTOR BRACKET ASSEMBLY	2				
	C10	213615-6	O RING 46	1				
153		629C25-9	DC MOTOR	2				
155		961004-6	RETAINING RING (EXT) S-8	2				
156		210211-1	BALL BEARING 688LLU	2				
157		210211-1	BALL BEARING 688LLU	2				
158		327C11-1	FRONT SHAFT	2				
159		413S48-1	FRONT WHEEL CAP	2				
160		210211-1	BALL BEARING 688LLU	2				
161		413S46-5	FRONT WHEEL L	2				
162		210211-1	BALL BEARING 688LLU	2				
163		961004-6	RETAINING RING (EXT) S-8	2				
164		422A41-6	FRONT TIRE	2				
165		413S47-3	FRONT WHEEL R	2				
166		266045-0	TAPPING SCREW 4X20	6				
170		1830S4-1	CHARGING STATION REPAIR SET	1		Y09413		
	D10		INC.171-193			Y09413		
171		413S62-7	ROOF COVER B	1				
172		413S61-9	ROOF COVER A	1				
173		412987-8	RIVET 7	2				
174		266045-0	TAPPING SCREW 4X20	4				
175		413S60-1	ROOF	1				
176		1914D7-0	CHARGING CIRCUIT REPAIR SET	1				
177		413S63-5	WIRE COVER	1				
178		1914D6-2	ST CONTROLLER REPAIR SET	1				
179		8143K3-1	RST001 NAME PLATE	1		Y09413		
180		413S54-6	STATION HOUSING	1				
181		213005-3	O RING 5	2				
182		413S65-1	LENS ST	1				
183		413S64-3	PLUG ADAPTER	1				
184		413S59-6	TERMINAL HOUSING COVER	1				
185		266045-0	TAPPING SCREW 4X20	4				
186		286238-3	CAP 19	1				
187		654899-1	TERMINAL C	4				
188		654898-3	TERMINAL	1				
189		266045-0	TAPPING SCREW 4X20	3				
190		413S55-4	CHARGING COVER	1				
191		422A48-2	SEAL	1				
192		141R84-8	STATION BASE COMPLETE	1				
193		266045-0	TAPPING SCREW 4X20	4				
A01		413S66-9	STATION PEG	8				
A02		1913N6-6	PEG SET G	3				

A:RM350D(H)

Interchange  
 O : Yes  
 X : No  
 < : the new part can be substituted for the current.  
 > : the current part can be substituted for the new.  
 S : Interchangeable as a set.

