



VN	VIETNAM
----	---------

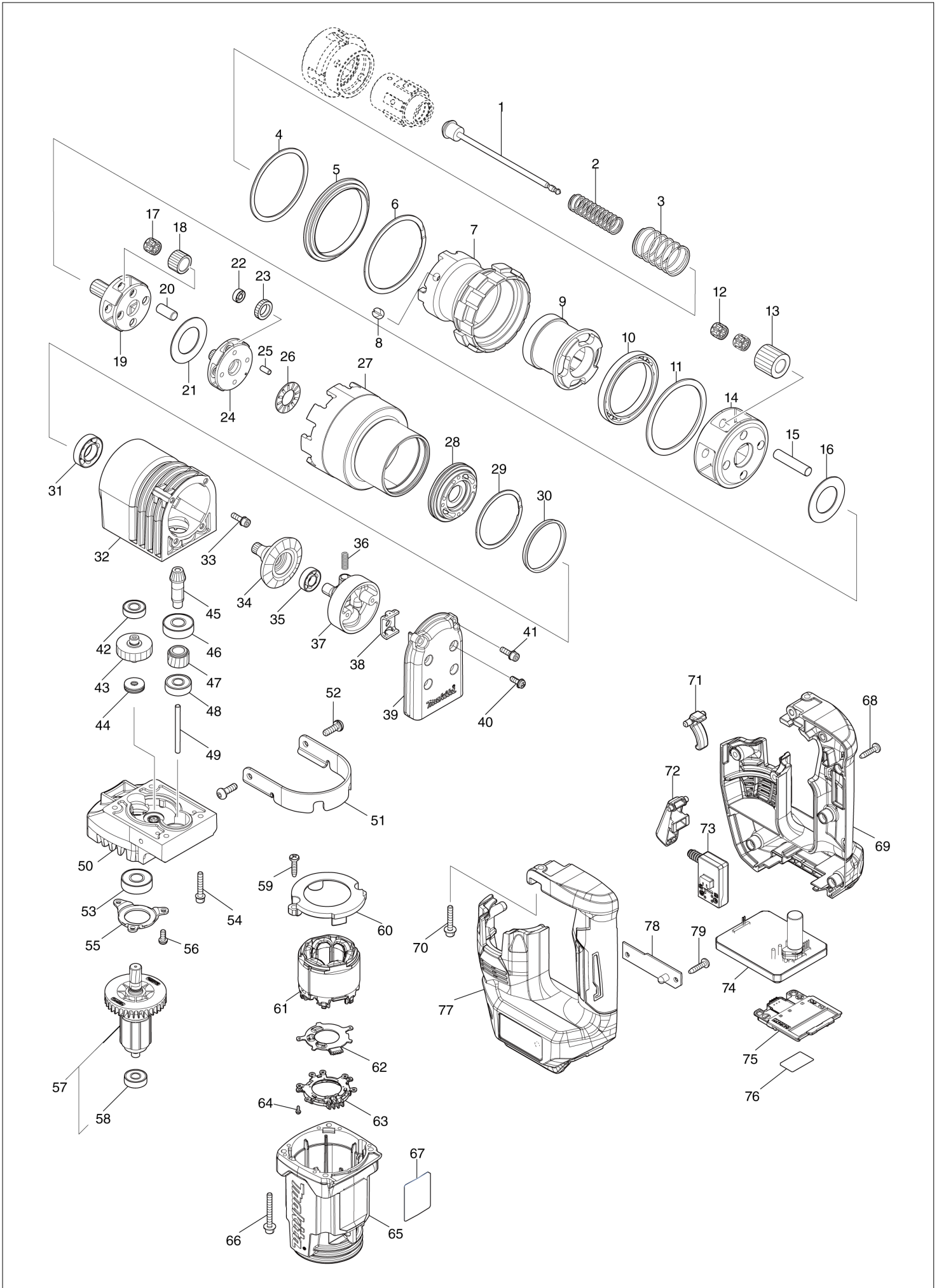
Diagram / Parts List

WT001G

CORDLESS SHEAR WRENCH



(VN) WT001G / CORDLESS SHEAR WRENCH



VN	VIETNAM
-----------	----------------

WT001G / CORDLESS SHEAR WRENCH

Item	Sub	Parts No.	Parts Description	Qty	I/C	E/C No.	Close No.	Remark
001		165074-9	CHIP ROD	1				
002		233087-9	COMPRESSION SPRING 13	1				
003		234143-8	COMPRESSION SPRING 25	1				
004		257941-3	SPIRO LOCK WASHER 62	1				
005		327C72-1	SPACER	1				
006		257940-5	SPIRO LOCK WASHER 70	1				
007		327C74-7	OUTER SUPPORT	1				
008		266022-2	- SET SCREW(DOG POINT) M8X8	2				
009		153872-3	INNER SUPPORT COMPLETE	1				
010		211611-8	BALL BEARING 6810	1				
011		267282-9	FLAT WASHER 60	1				
012		212954-1	NEEDLE CAGE 810	8				
013		227117-6	SPUR GEAR 20	4				
014		310147-5	CARRIER	1				
015		256228-0	PIN 8	4				
016		216207-0	WASHER 2542	1				
017		212954-1	NEEDLE CAGE 810	4				
018		226270-5	SPUR GEAR 25	4				
019		226275-5	SPUR GEAR 11	1				
020		256227-2	PIN 8	4				
021		216207-0	WASHER 2542	1				
022		211044-7	BALL BEARING 694	4				
023		226269-0	SPUR GEAR 25	4				
024		226273-9	SPUR GEAR 14	1				
025		256226-4	PIN 4	4				
026		216403-0	THRUST NEEDLE GAUGE 1528	1				
027		227118-4	INTERNAL GEAR 53-66	1				
028		327C73-9	BRACKET	1				
029		257929-3	SPIRO LOCK WASHER 52	1				
030		257186-3	RING 44	1				
031		211221-1	BALL BEARING 6902	1				
032		141T01-0	GEAR CASE COMPLETE	1				
	C10	263002-9	RUBBER PIN 4	2				
033		922123-3	HEX. SOCKET HEAD BOLT M4X14	4				
034		226812-5	GEAR 14-41	1				
035		211082-9	BALL BEARING 699	1				
036		233098-4	COMPRESSION SPRING 4	1				
037		312E62-9	ROD SUPPORTER	1				
038		344062-1	STOPPER PLATE	1				
039		413T74-6	REAR COVER	1				
040		911118-1	PAN HEAD SCREW M4X12	2				
041		922123-3	HEX. SOCKET HEAD BOLT M4X14	4				
042		210013-5	BALL BEARING 698VV	1				
043		226651-3	HELICAL GEAR 30	1				
044		212048-2	THRUST NEEDLE BEARING 617	1				
045		226711-1	SPIRAL BEVEL GEAR 12	1				
046		211097-6	BALL BEARING 6000LLB	1				
047		226476-5	HELICAL GEAR 18	1				
048		211031-6	BALL BEARING 608LLB	1				
049		256225-6	PIN 4	1				
050		141T00-2	GEAR HOUSING COMPLETE	1				
051		347B90-7	HOOK	1				
052		265491-4	H.S. BUTTON HEAD BOLT M5X16	2				
053		211097-6	BALL BEARING 6000LLB	1				
054		922148-7	HEX. SOCKET HEAD BOLT M4X25	4				
055		344470-6	BEARING RETAINER	1				
056		911111-5	PAN HEAD SCREW M4X10 WITH W	3				
057		519831-1	ROTOR ASS'Y	1				
	D10		INC. 58					
058		211023-5	BALL BEARING 607LB	1				
059		265995-6	TAPPING SCREW 4X18	2				
060		458306-4	BAFFLE PLATE	1				
061		629C12-8	STATOR	1				
062		620K96-7	CONTROLLER B	1				
063		638A32-9	LEAD UNIT	1				

A:WT001GZ(N)

Interchange
 O : Yes
 X : No
 < : the new part can be substituted for the current.
 > : the current part can be substituted for the new.
 S : Interchangeable as a set.

