



VN	VIETNAM
----	---------

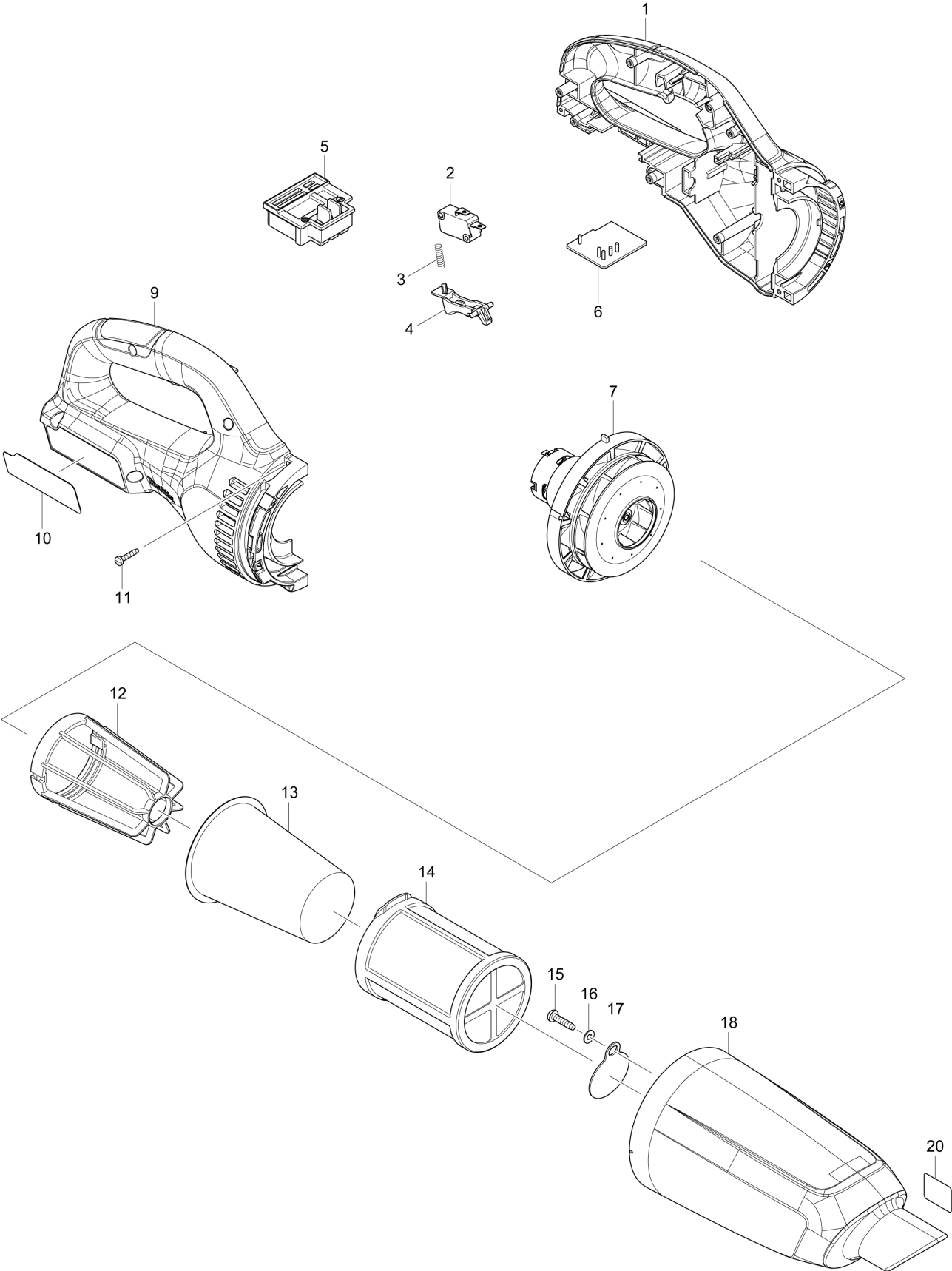
Diagram / Parts List

CL183D

CORDLESS CLEANER



(VN) CL183D / CORDLESS CLEANER



VN	VIETNAM
-----------	----------------

CL183D / CORDLESS CLEANER

Item	Sub	Parts No.	Parts Description	Qty	I/C	E/C No.	Close No.	Remark
001		183A61-2	HOUSING SET	1			C7902	
	D10		INC. 9				C7902	
001-1		183N11-5	HOUSING SET	1	<	C7902		
	D10		INC. 9			C7902		
002		650744-8	SWITCH D3V-16-3C26	1				
003		231473-8	COMPRESSION SPRING 4	1				
004		455743-3	SWITCH LEVER	1				
005		643862-9	TERMINAL	1				
006		632E22-8	CONTROLLER UNIT	1				
	C20	654086-2	RECEPTACLE	2		DE372		
007		123424-4	MOTOR ASS'Y	1				
009		183A61-2	HOUSING SET	1			C7902	
	D10		INC. 1				C7902	
009-1		183N11-5	HOUSING SET	1	<	C7902		
	D10		INC. 1			C7902		
010		850T07-4	CL183D NAME PLATE	1				
011		266429-2	TAPPING SCREW 3X16	7				
012		410237-5	STAY	1			C1159	
012-1		458467-0	STAY	1	O	C1159		
013		443060-3	FILTER	1				
014		451208-3	PRE-FILTER	1				
015		265995-6	TAPPING SCREW 4X18	1			D8799	
015-1		251530-6	TAPPING SCREW 4X18	1	S	D8799		
016		941051-3	FLAT WASHER 4	1			D8799	
017		424208-6	VALVE	1				
018		455601-3	CAPSULE	1				
020		809293-4	INDICATION LABEL	1				
A01		123283-6	NOZZLE ASSEMBLY	1			A9132	
A01-1		123485-4	FLOOR T-NOZZLE 28 IVO	1	<	A9132		
	C10	451410-8	ROLLER	4		A9132		
	C20	268208-4	PIN 3	4		A9132		
	C30	424096-1	WIPER	1		A9132	DE874	
	C31	422963-4	WIPER	1	O	DE874		
A02		416041-0	SASH NOZZLE 28 IVO	1			DA844	
A02-1		413769-1	SASH NOZZLE	1	O	DA844		
A03		416043-6	SASH NOZZLE HOLDER (IVORY)	1				
A04		451424-7	PIPE	1				
A05B		***DC18WA	DC18WA BATTERY CHARGER	1				
A06B		196367-3	BATTERY BL1813G SET	1			A5808	
A06-1B		196367-3	BATTERY BL1813G SET	1	O	A5808	B4484	
A06-2B		198186-3	BATTERY BL1815G SET	1	<	B4484	DH596	
A06-3B		198186-3	BATTERY BL1815G SET	1	<	DH596		
E01A		163400-6	HANDSTRAP	1			DR526	
E02		632H46-2	FUSE UNIT	1			B3333	
F02		191496-7	FLEXIBLE HOSE SET28(IVO)	1				
F05-1		198186-3	BATTERY BL1815G SET	1	<	B4484	DH596	
F05-2		198186-3	BATTERY BL1815G SET	1	<	DH596		
F06-1		198186-3	BATTERY BL1815G SET	1	<	B4484	DH596	
F06-2		198186-3	BATTERY BL1815G SET	1	<	DH596		
F13		198527-3	FLOOR/CARPET T-NOZZLE BLU	1				
F16		198537-0	SHELF BRUSH SET28 IVO EU	1			B6697	
F18		198538-8	SHELF BRUSH SET28 BLU	1			B6697	
F23		198552-4	ROUND BRUSH SET 28 IVO	1			B6697	
F26-1		198560-5	TELESCOPIC PIPE SET 28 EU	1	O	B9103		
F29		198915-4	FILTER SET	1			B8971	
F33		199039-9	SEAT NOZZLE SET 28 BLK	1			C0290	
F35		199041-2	SEAT NOZZLE SET 28 BLU	1			C0290	
F41		198990-0	LONG SASH NOZZLE SET 28 BLU	1			C0583	
F92		1911L1-0	CLEANER STAND SET	1			DJ447	

A:CL183DZ(N)
B:CL183DW(H)

Interchange
O : Yes
X : No
< : the new part can be substituted for the current.
> : the current part can be substituted for the new.
S : Interchangeable as a set.