



VN	VIETNAM
----	---------

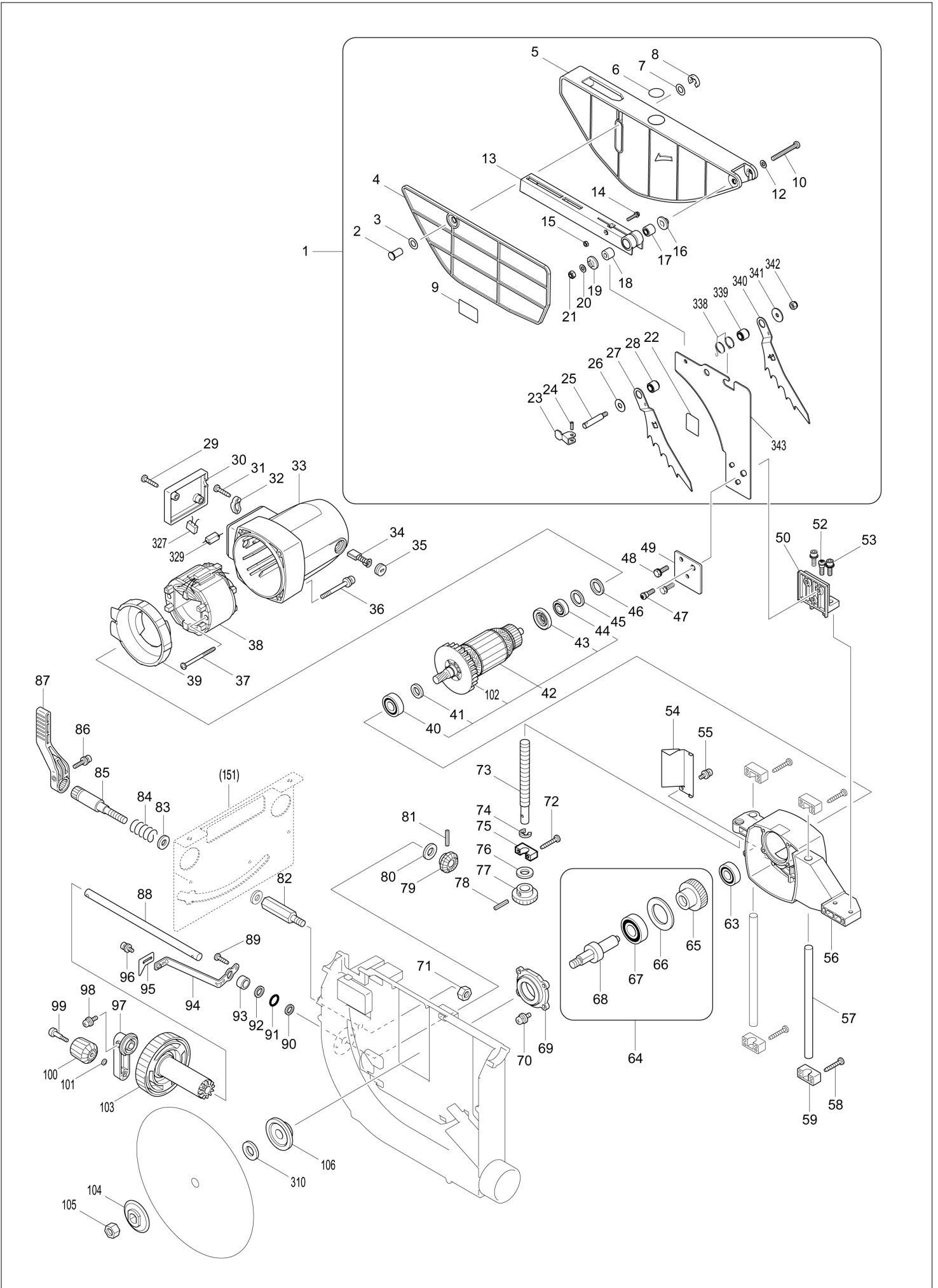
# Diagram / Parts List

**2704N**

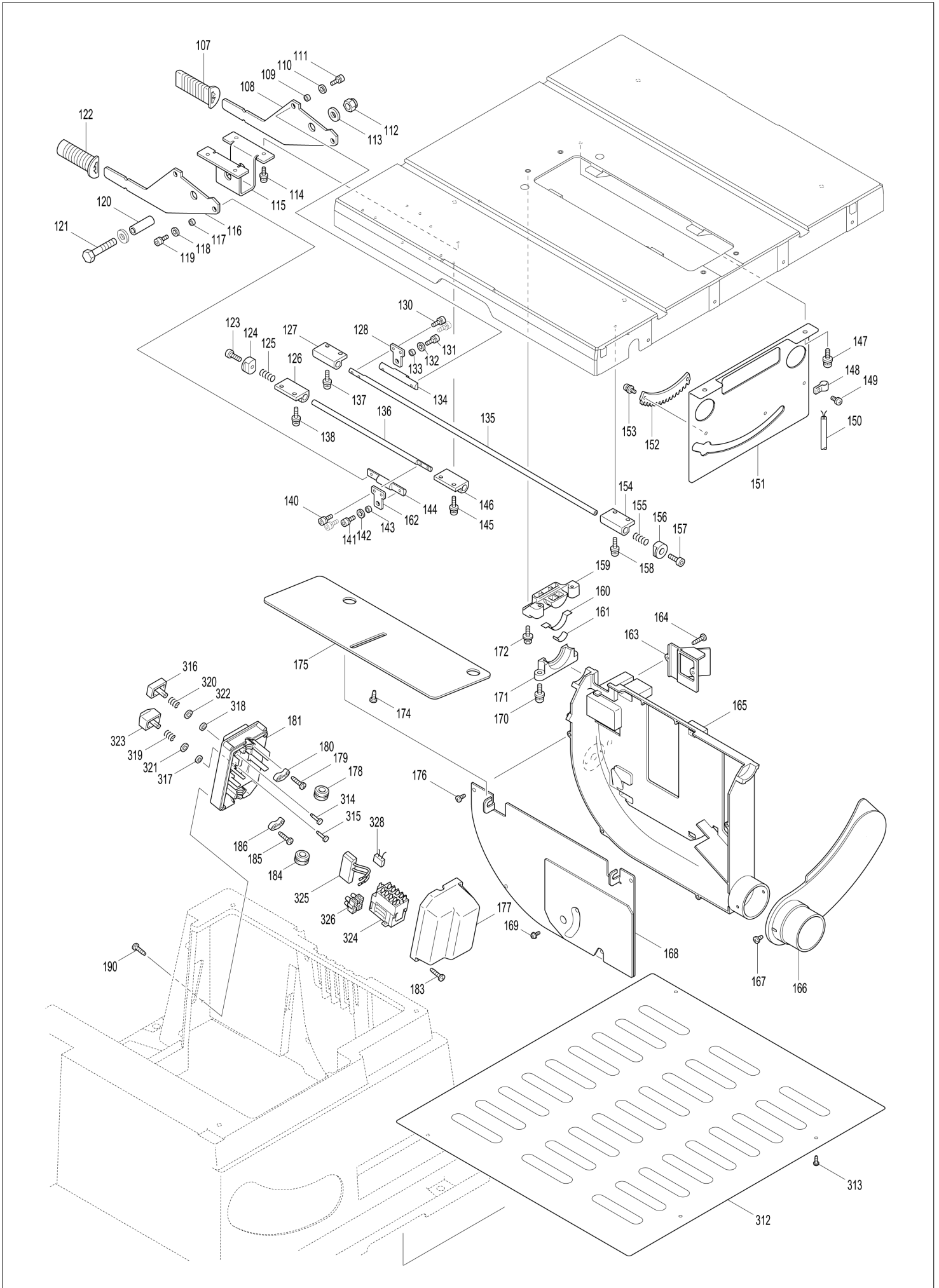
**260MM TABLE SAW**



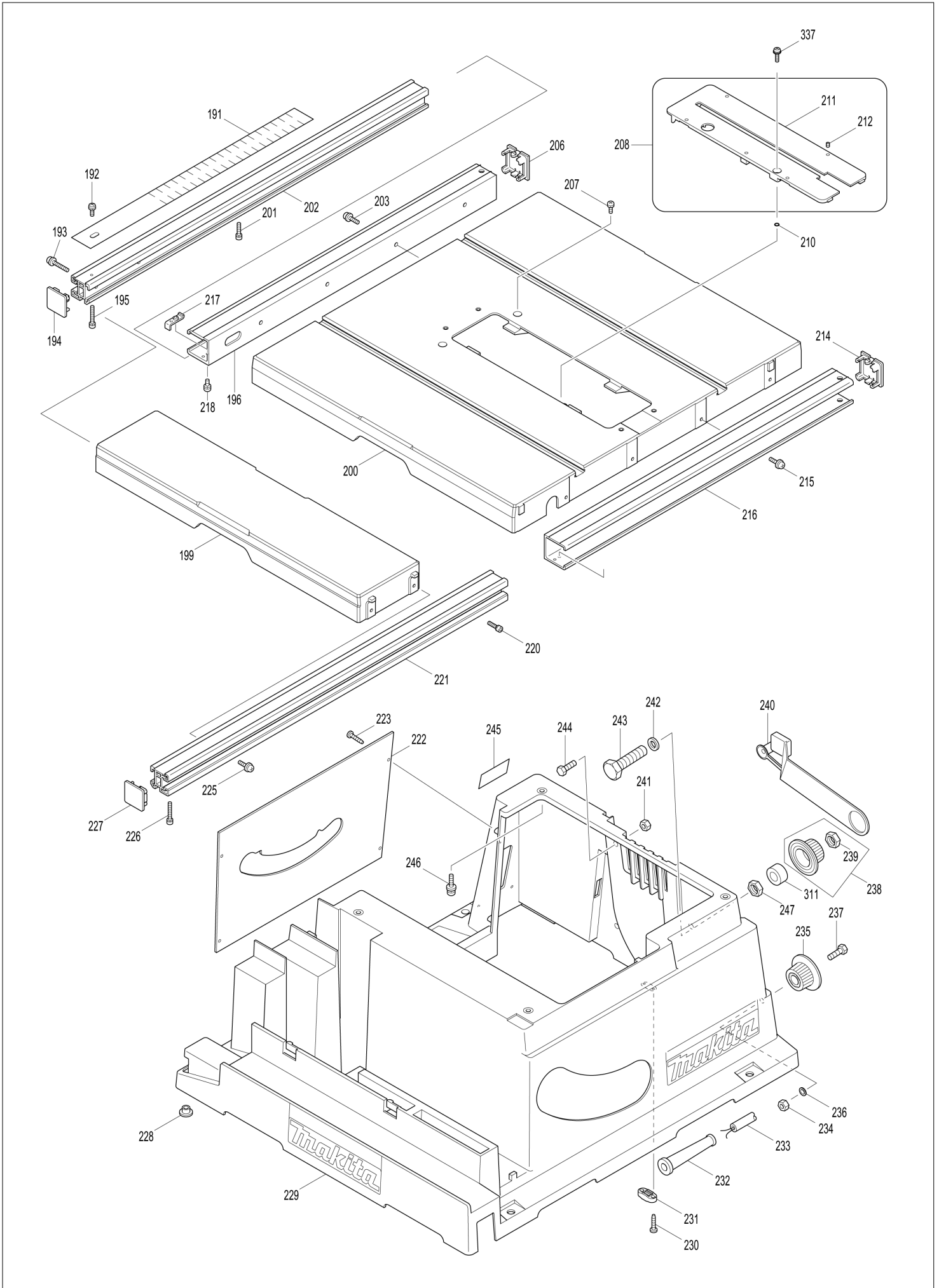
# (VN) 2704N / 260MM TABLE SAW



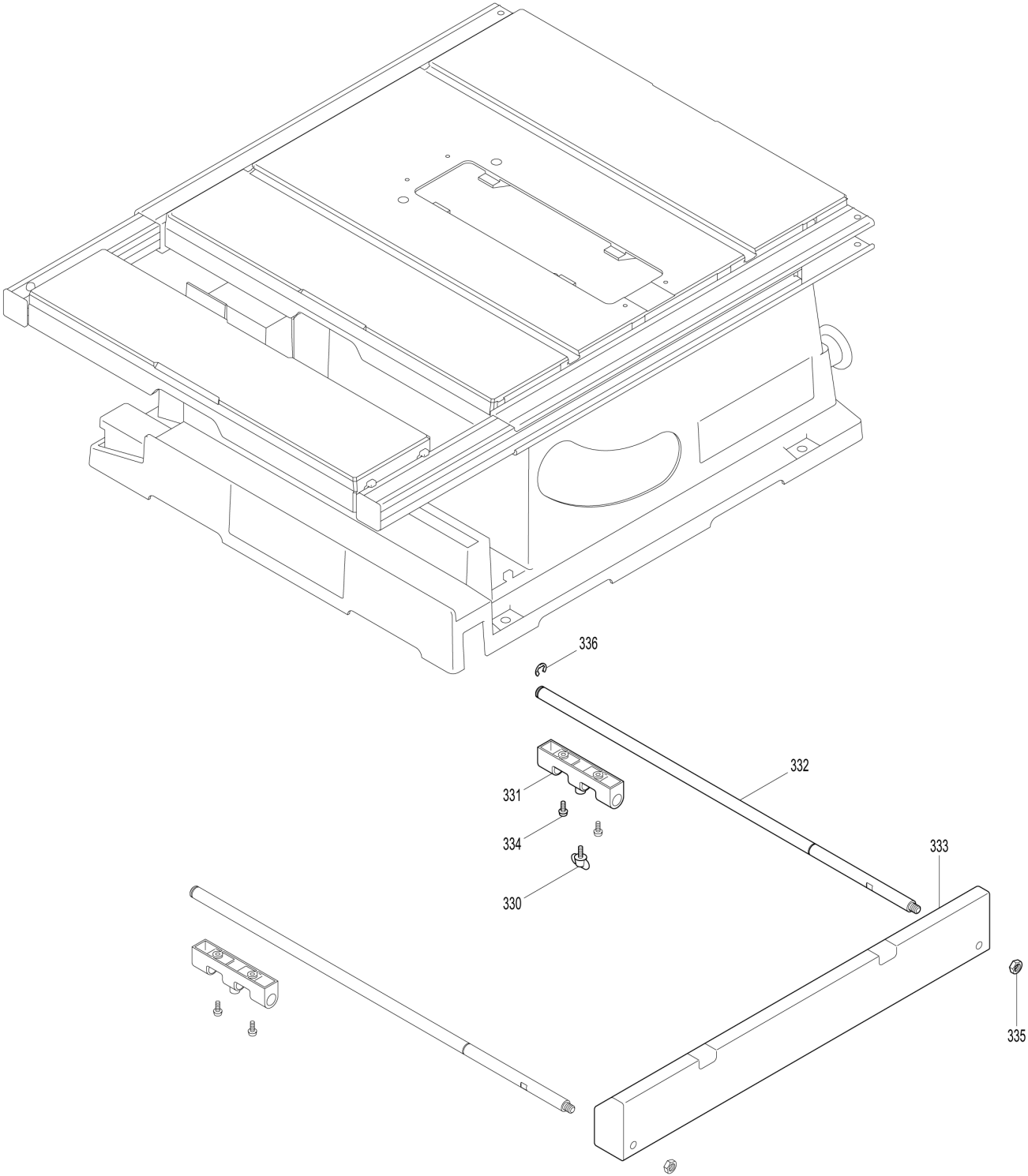
# (VN) 2704N / 260MM TABLE SAW



# (VN) 2704N / 260MM TABLE SAW



(VN) 2704N / 260MM TABLE SAW



<b>VN</b>	<b>VIETNAM</b>
-----------	----------------

## 2704N / 260MM TABLE SAW

Item	Sub	Parts No.	Parts Description	Qty	I/C	E/C No.	Close No.	Remark
001		123998-5	SAFETY GUARD ASSEMBLY	1				
	D10		INC. 2-10,12-28,338-343					
002		268135-5	SHOULDER PIN 10	1				
003		253758-2	FLAT WASHER 10	1				
004-1		458606-2	SUB COVER	1				
005		457741-3	COVER	1				
006		813L22-1	CAUTION LABEL	1				
007		253758-2	FLAT WASHER 10	1				
008		961015-1	STOP RING E-9	1				
009		890408-4	CAUTION LABEL	1				
010		251558-4	TORX-PLUS BOLT M6X50	1				
012		941151-9	FLAT WASHER 6	1				
013		457740-5	TOP GUARD	1				
014		911138-5	P.H.SCREW M4X20 WITH WR	1				
015		931102-0	HEX. NUT M4	1				
016		344533-8	COLLAR	1				
017		326990-2	SLEEVE 6	1				
018		326990-2	SLEEVE 6	1				
019		344533-8	COLLAR	1				
020		941151-9	FLAT WASHER 6	1				
021		252014-7	HEX. LOCK NUT M6-10	1				
022		817G70-2	INDICATION LABEL	1				
023		345583-6	LOCK LEVER	1				
024		951104-0	SPRING PIN 4-12	1				
025		326989-7	LOCK SHAFT	1				
026		253731-2	FLAT WASHER 8	1				
027		347233-9	FINGER R	1				
028		326991-0	SLEEVE 8	1				
029-1		265A48-7	TAPPING SCREW 4X18	2				
030		416341-8	COVER	1				
031-1		265A48-7	TAPPING SCREW 4X18	2				
032		687054-0	STRAIN RELIEF	1				
033		154602-5	MOTOR HOUSING COMPLETE	1				
	C10	643653-8	BRUSH HOLDER 6.5-13.5	2				
034		B-80329	CARBON BRUSH SET CB-153A	1				
035		643650-4	BRUSH HOLDER CAP 6.5-13.5	2				
036		911383-2	PAN HEAD SCREW M6X60	4				
037-1		266352-1	TAPPING SCREW 5X65	2				
038		596410-2	FIELD ASS'Y 220-240V	1				
	C10	654020-2	RING TERMINAL	2				
	C20	654553-7	CONNECTOR 34137	2				
039		416331-1	BAFFLE PLATE	1				
040		211228-7	BALL BEARING 6202DDW	1				
041		253147-1	FLAT WASHER 15	1				
042		518765-5	ARMATURE ASS'Y 240V	1				
	D10		INC. 40,41,43,44,102					
043		681640-9	INSULATION WASHER	1				
044		211088-7	BALL BEARING 6000DDW	1				
045		253198-4	FLAT WASHER 18	1				
046		261129-9	URETHANE WASHER 18	1				
047		251559-2	TORX-PLUS BOLT M6X20	1				
048		921331-3	HEX. BOLT M6X20	2				
049		347235-5	PRESSURE PLATE	1				
050		319602-4	KNIFE HOLDER	1				
052		251559-2	TORX-PLUS BOLT M6X20	1				
053		922334-0	HEX. SOCKET HEAD BOLT M6X20	2				
054		344536-2	GEAR HOUSING PLATE	1				
055		911213-7	PAN HEAD SCREW M5X12	1				
056		126760-7	GEAR HOUSING COMPLETE	1				
	C10	263005-3	RUBBER PIN 6	1				
057		323736-7	GUIDE BAR	2				
058		266040-0	TAPPING SCREW CT 4X25	8				
059		416340-0	GUIDE BAR RETAINER	4				
063		211051-0	BALL BEARING 609LLB	1				
064		154595-6	SPINDLE COMPLETE	1				

A:2704N(H)

Interchange  
 O : Yes  
 X : No  
 < : the new part can be substituted for the current.  
 > : the current part can be substituted for the new.  
 S : Interchangeable as a set.

<b>VN</b>	<b>VIETNAM</b>
-----------	----------------

### 2704N / 260MM TABLE SAW

Item	Sub	Parts No.	Parts Description	Qty	I/C	E/C No.	Close No.	Remark
	D10		INC. 65-68					
065		226602-6	HELICAL GEAR 42	1				
066		267170-0	FLAT WASHER 34	1				
067		211278-2	BALL BEARING 6203DDW	1				
068		324556-2	SPINDLE	1				
069		316933-2	BEARING BOX	1				
070		911233-1	PAN HEAD SCREW M5X20	4				
071		931502-4	HEX. NUT M10	1				
072		266040-0	TAPPING SCREW CT 4X25	2				
073		322968-3	SCREW BAR	1				
074		961016-9	STOP RING E-10	1				
075		416339-5	SCREW BAR RETAINER	1				
076		941302-4	FLAT WASHER 12	1				
077		226747-0	STRAIGHT BEVEL GEAR	1				
078		951116-3	SPRING PIN 4-20	1				
079		226747-0	STRAIGHT BEVEL GEAR	1				
080		941302-4	FLAT WASHER 12	1				
081		951116-3	SPRING PIN 4-20	1				
082		324562-7	LOCK LEVER CONNECTOR	1				
083		253024-7	FLAT WASHER 10	2				
084		231315-6	COMPRESSION SPRING 14	1				
085		322967-5	LOCK LEVER SHAFT	1				
086		922232-8	HEX. SOCKET HEAD BOLT M5X20	1				
087		272248-6	LEVER 120	1				
	C10	931202-6	HEX. NUT M5	1				
088		324563-5	HANDLE SHAFT	1				
089		266034-5	TAPPING SCREW CT 4X16	2				
090		253143-9	FLAT WASHER 12	1				
091		213107-5	O RING 12	1				
092		253052-2	FLAT WASHER 12	1				
093		214114-1	PLANE BEARING 12	1				
094		345520-0	STAY	1				
095		344543-5	POINTER	1				
096		922103-9	HEX. SOCKET HEAD BOLT M4X6	1				
097		271074-0	ARM 60	1				
	C10	931202-6	HEX. NUT M5	1				
098		911223-4	PAN HEAD SCREW M5X16	1				
099		251382-5	+ PAN HEAD SCREW M5	1				
100		271423-1	KNOB 32	1				
101		267010-2	FLAT WASHER 5	1				
102		240003-4	FAN 80	1				
103		271073-2	HANDLE 100	1				
104		224482-4	OUTER FLANGE 53	1				
105		252155-9	HEX. NUT M12-19	1				
106		224401-0	INNER FLANGE 53	1				
107		273523-3	GRIP	1				
108		345534-9	HANDLE PLATE	1				
109		257161-9	RING 4	1				
110		941051-3	FLAT WASHER 4	1				
111		922116-0	HEX. SOCKET HEAD BOLT M4X12	1				
112		252130-5	HEX. LOCK NUT M10-17	1				
113		941251-5	FLAT WASHER 10	2				
114		911223-4	PAN HEAD SCREW M5X16	4				
115		345539-9	HANDLE PLATE HOLDER	1				
116		345534-9	HANDLE PLATE	1				
117		257161-9	RING 4	1				
118		941051-3	FLAT WASHER 4	1				
119		922116-0	HEX. SOCKET HEAD BOLT M4X12	1				
120		257753-4	SLEEVE 10	1				
121		265536-8	HEX.BOLT M10X60	1				
122		273523-3	GRIP	1				
123		265382-9	HEX. SOCKET HEAD BOLT M5X20	1				
124		324559-6	HOOK RING	1				
125		233229-5	COMPRESSION SPRING 8	1				
126		418655-1	ROD HOLDER	1				

A:2704N(H)

Interchange  
 O : Yes  
 X : No  
 < : the new part can be substituted for the current.  
 > : the current part can be substituted for the new.  
 S : Interchangeable as a set.

<b>VN</b>	<b>VIETNAM</b>
-----------	----------------

### 2704N / 260MM TABLE SAW

Item	Sub	Parts No.	Parts Description	Qty	I/C	E/C No.	Close No.	Remark
127		418655-1	ROD HOLDER	1				
128		345535-7	JOINT PLATE	1				
130		922116-0	HEX. SOCKET HEAD BOLT M4X12	2				
131		922116-0	HEX. SOCKET HEAD BOLT M4X12	1				
132		941051-3	FLAT WASHER 4	1				
133		257161-9	RING 4	1				
134		324675-4	ROD JOINT	1				
135		324673-8	ROD R	1				
136		324674-6	ROD F	1				
137		911128-8	P.H.SCREW M4X16 WITH WR	2				
138		911128-8	P.H.SCREW M4X16 WITH WR	2				
140		922116-0	HEX. SOCKET HEAD BOLT M4X12	2				
141		922116-0	HEX. SOCKET HEAD BOLT M4X12	1				
142		941051-3	FLAT WASHER 4	1				
143		257161-9	RING 4	1				
144		324675-4	ROD JOINT	1				
145		911128-8	P.H.SCREW M4X16 WITH WR	2				
146		418655-1	ROD HOLDER	1				
147		911323-0	PAN HEAD SCREW M6X16	2				
148		687049-3	STRAIN RELIEF	1				
149		251308-7	+ PAN HEAD SCREW M4X10	1				
150		664094-5	POWER SUPPLY CORD 1.5-5-0.5	1				
151		345628-0	PLATE	1				
152		416333-7	RACK PLATE	1				
153		911213-7	PAN HEAD SCREW M5X12	2				
154		418655-1	ROD HOLDER	1				
155		233229-5	COMPRESSION SPRING 8	1				
156		324559-6	HOOK RING	1				
157		265382-9	HEX. SOCKET HEAD BOLT M5X20	1				
158		911128-8	P.H.SCREW M4X16 WITH WR	2				
159		318020-3	ADJUST BLOCK	1				
160		344529-9	SLIDE SEAT	2				
161		232174-1	LEAF SPRING	2				
162		345535-7	JOINT PLATE	1				
163		416439-1	DUST GUIDE	1				
164		266034-5	TAPPING SCREW CT 4X16	2				
165		318253-0	FRAME	1				
166		418917-7	DUST JOINT	1				
167		266061-2	TAPPING SCREW BIND CT 4X8	2				
168		154599-8	FRAME COVER COMPLETE	1				
169		911114-9	PAN HEAD SCREW M4X10	1				
170		911333-7	PAN HEAD SCREW M6X20	4				
171		416332-9	FRAME RETAINER	2				
172		265460-5	HEX. BOLT M6X20	2				
174		266300-0	TAPPING SCREW 4X18	2				
175		413097-4	SLIDE COVER	1				
176		266035-3	TAPPING SCREW BIND CT 5X12	4				
177		418918-5	SWITCH BOX	1				
178-1		682103-8	GROMMET	1				
179-1		265A48-7	TAPPING SCREW 4X18	2				
180		687054-0	STRAIN RELIEF	1				
181		418912-7	SWITCH BASE	1				
183-1		265A48-7	TAPPING SCREW 4X18	2				
184-1		682103-8	GROMMET	1				
185-1		265A48-7	TAPPING SCREW 4X18	2				
186		687052-4	STRAIN RELIEF	1				
190		266192-7	TAPPING SCREW 4X14	3				
191		816844-6	INNER SCALE PLATE	1				
192		251308-7	+ PAN HEAD SCREW M4X10	1				
193		911253-5	PAN HEAD SCREW M5X30	2				
194		418908-8	INNER RAIL END	1				
195		922146-1	HEX. SOCKET HEAD BOLT M4X25	1				
196		154705-5	FRONT OUTER RAIL COMPLETE	1				
	C10	816843-8	OUTER SCALE PLATE	1				
199		317877-9	SUB TABLE	1				

A:2704N(H)

Interchange  
 O : Yes  
 X : No  
 < : the new part can be substituted for the current.  
 > : the current part can be substituted for the new.  
 S : Interchangeable as a set.



<b>VN</b>	<b>VIETNAM</b>
-----------	----------------

### 2704N / 260MM TABLE SAW

Item	Sub	Parts No.	Parts Description	Qty	I/C	E/C No.	Close No.	Remark
200		158952-0	TABLE COMPLETE	1				
201		922126-7	HEX. SOCKET HEAD BOLT M4X16	1				
202		158104-3	FRONT INNER RAIL COMPLETE	1				
203		911233-1	PAN HEAD SCREW M5X20	4				
206		418907-0	OUTER RAIL END	1				
207		265045-7	+ PAN HEAD SCREW M5X18	2				
208		126901-5	CENTER COVER ASSEMBLY	1				
210		213023-1	O RING 4	1				
211		319717-7	CENTER COVER	1				
212		266264-8	H.S.SET SCREW(FLAT POINT)M5X6	4				
214		418907-0	OUTER RAIL END	1				
215		911233-1	PAN HEAD SCREW M5X20	4				
216		317867-2	REAR OUTER RAIL	1				
217		345529-2	RAIL STOPPER	1				
218		251308-7	+ PAN HEAD SCREW M4X10	1				
220		922126-7	HEX. SOCKET HEAD BOLT M4X16	1				
221		158103-5	REAR INNER RAIL COMPLETE	1				
222		345533-1	BASE FRONT COVER	1				
223		266192-7	TAPPING SCREW 4X14	4				
225		911253-5	PAN HEAD SCREW M5X30	2				
226		922146-1	HEX. SOCKET HEAD BOLT M4X25	1				
227		418908-8	INNER RAIL END	1				
228		286212-1	CAP 20	4				
229		154608-3	BASE COMPLETE	1				
	C10	810107-2	CAUTION LABEL	1				
	C20	819176-0	MAKITA LOGO PLATE	3				
230-1		265A48-7	TAPPING SCREW 4X18	2				
231		687052-4	STRAIN RELIEF	1				
232-1		682504-0	CORD GUARD 10-85	1				
233		665865-3	POWER SUPPLY CORD 1.0-2-2.5	1				
234		931302-2	HEX. NUT M6	2				
235		271318-8	KNOB 37	2				
236		941151-9	FLAT WASHER 6	2				
237		921342-8	HEX. BOLT M6X25	2				
238		271320-1	KNOB 37	1				
	D10		INC. 239					
239		252197-3	HEX.NUT M14	1				
240		421926-7	HOLDER	1				
241		931402-8	HEX. NUT M8	1				
242		253797-2	FLAT WASHER 14	1				
243		265537-6	HEX.BOLT M14X65	1				
244		921462-8	HEX. BOLT M8X40	1				
245		854B85-8	2704N NAME PLATE	1				
246		911344-2	PAN HEAD SCREW M6X25	4				
247		252197-3	HEX.NUT M14	1				
310		257060-5	RING 15.8	1				
312		345536-5	BASE UNDER COVER	1				
313		266192-7	TAPPING SCREW 4X14	4				
314		418618-7	PIN	1				
315		418618-7	PIN	1				
316		418616-1	SWITCH BUTTON ON	1				
317		443103-1	FELT RING 6	1				
318		443103-1	FELT RING 6	1				
319		231025-5	COMPRESSION SPRING 8	1				
320		231025-5	COMPRESSION SPRING 8	1				
321		253186-1	FLAT WASHER 7	1				
322		253186-1	FLAT WASHER 7	1				
323		418617-9	SWITCH BUTTON OFF	1				
324		652772-9	RELAY 305.232.01	1			DF361	
324-1		652772-9	RELAY 305.232.01	1	O	DF361		
325		631613-2	SOFT START CIRCUIT	1				
326		654561-8	TERMINAL BLOCK	1				
337		911233-1	PAN HEAD SCREW M5X20	1				
338		232387-4	TORSION SPRING 17	1				
339		326991-0	SLEEVE 8	1				

A:2704N(H)

Interchange  
 O : Yes  
 X : No  
 < : the new part can be substituted for the current.  
 > : the current part can be substituted for the new.  
 S : Interchangeable as a set.

