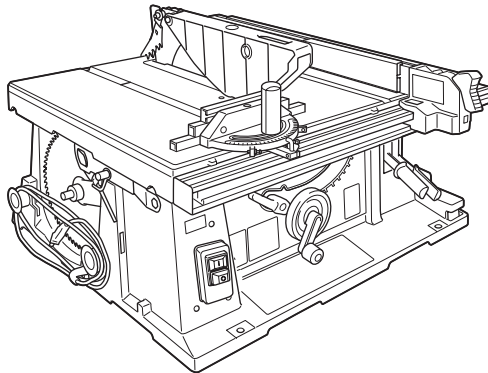
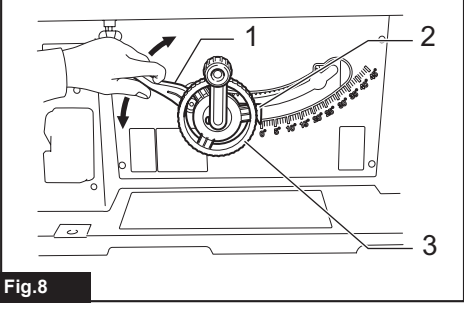
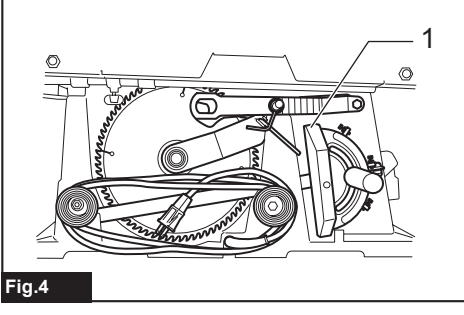
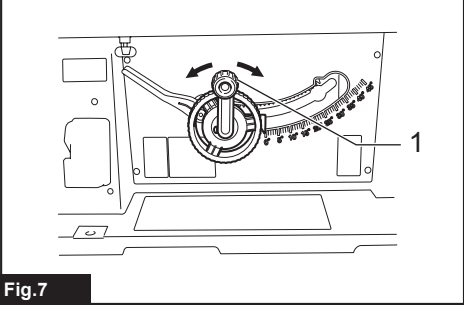
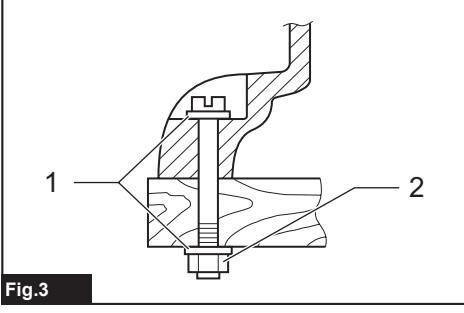
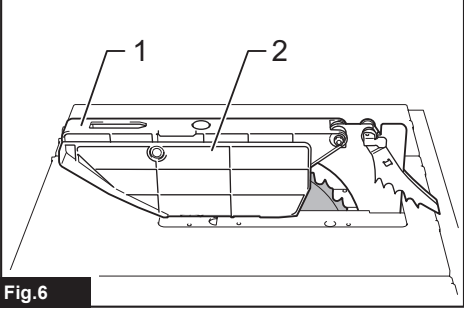
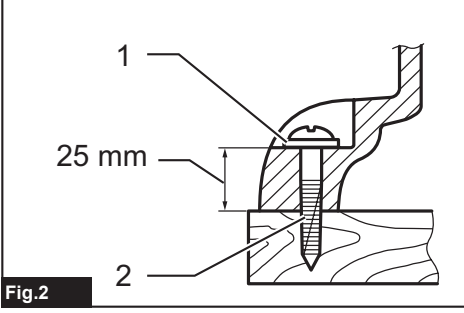
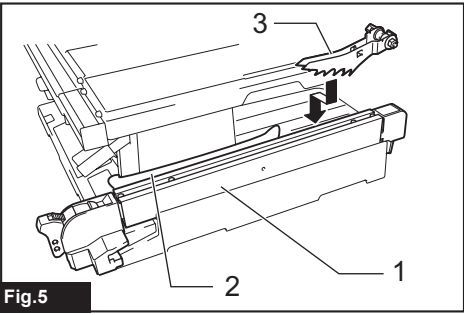
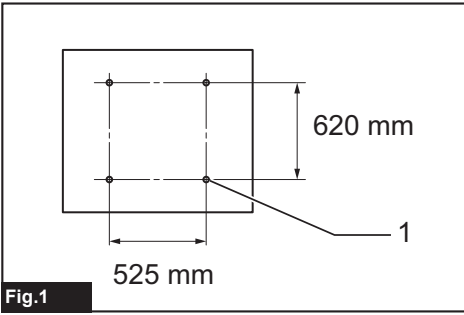


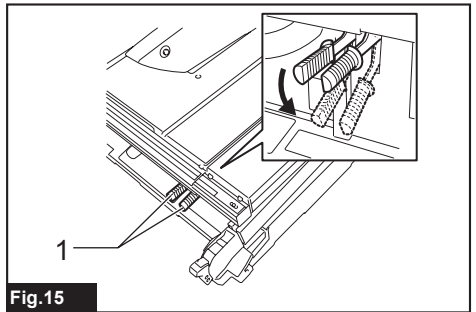
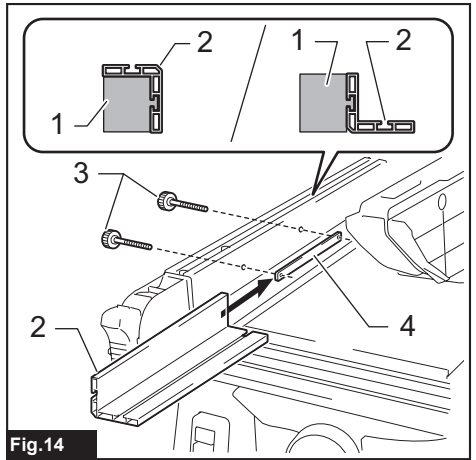
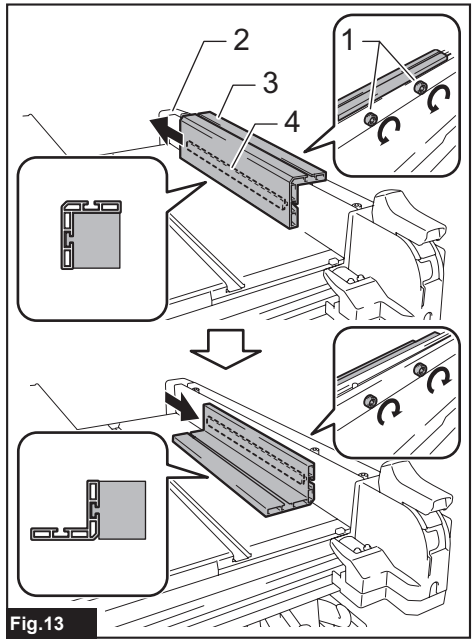
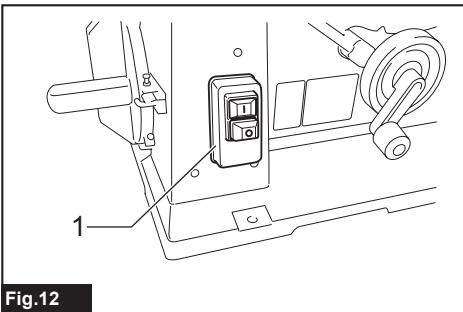
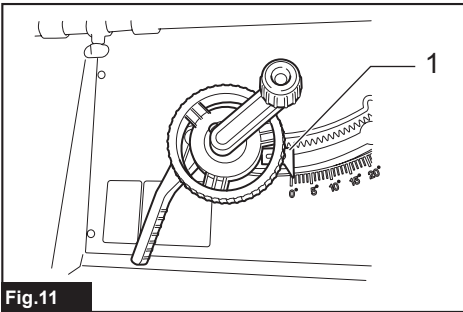
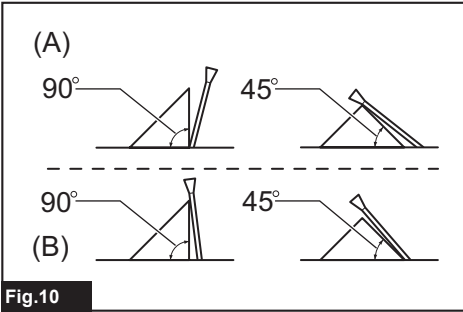
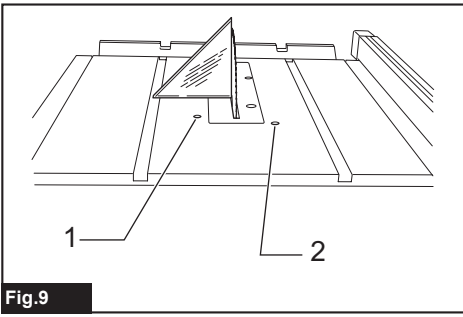


EN	Table Saw	INSTRUCTION MANUAL	9
ZHCN	台锯	使用说明书	19
ID	Mesin Gergaji Meja	PETUNJUK PENGGUNAAN	30
MS	Gergaji Meja	MANUAL ARAHAN	42
VI	Máy Cưa Bàn Hoạt Động Bằng Động Cơ Điện	TÀI LIỆU HƯỚNG DẪN	54
TH	โต๊ะเลื่อย	คู่มือการใช้งาน	65

2704N







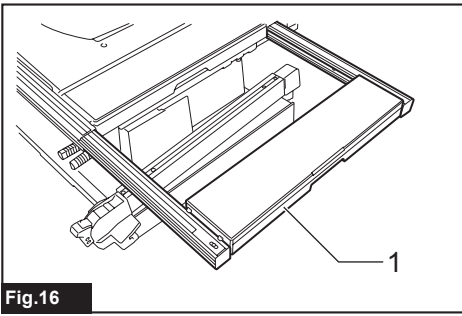


Fig.16

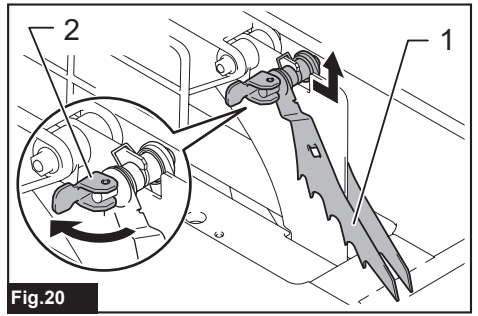


Fig.20

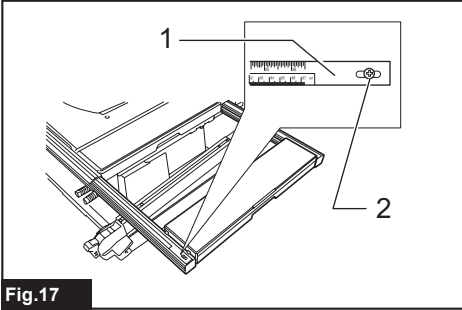


Fig.17

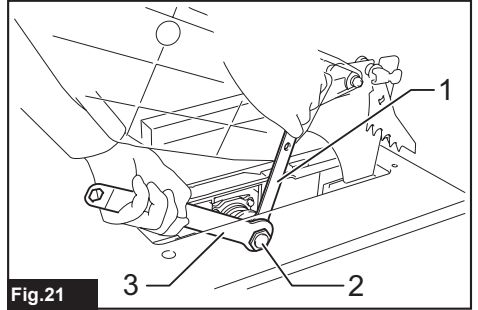


Fig.21

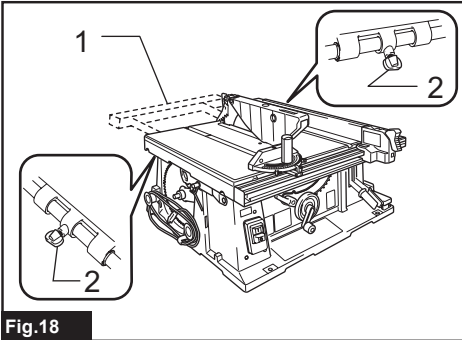


Fig.18

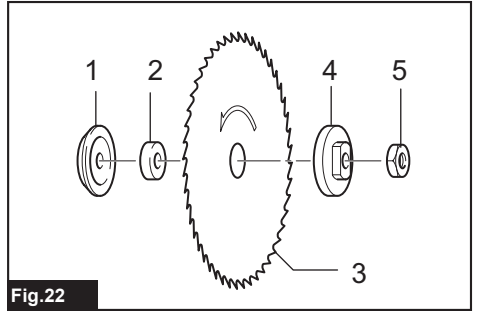


Fig.22

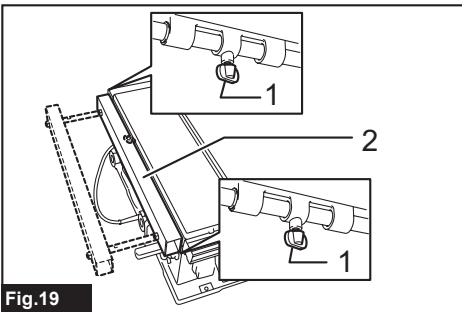


Fig.19

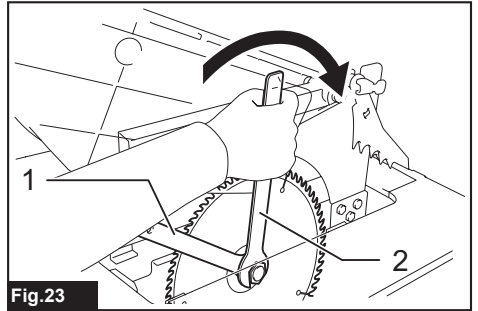


Fig.23

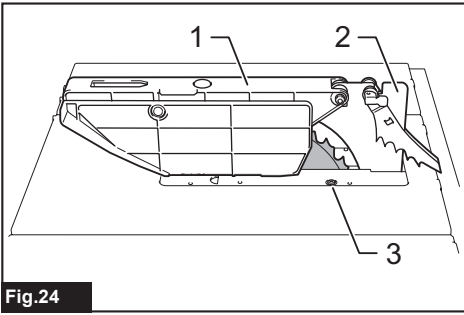


Fig.24

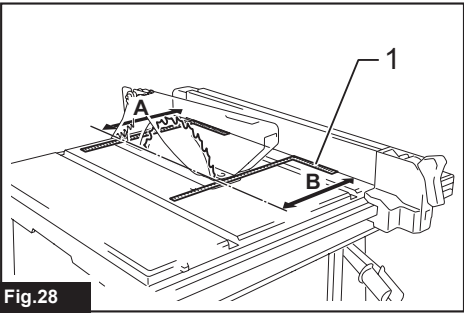


Fig.28

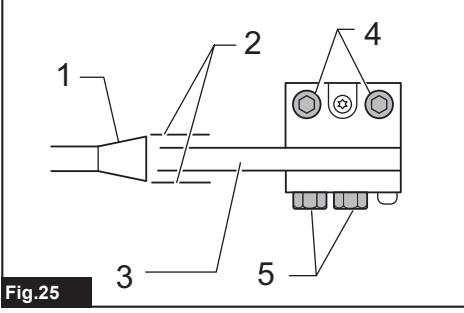


Fig.25

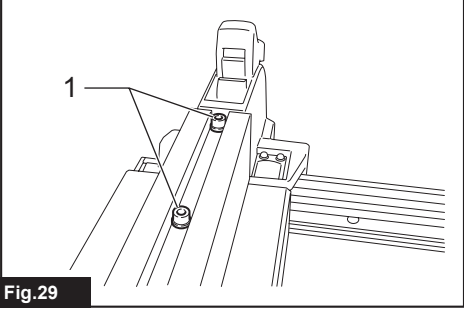


Fig.29

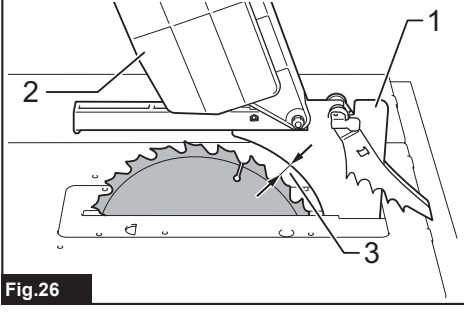


Fig.26

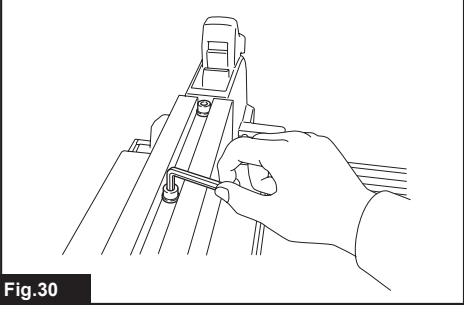


Fig.30

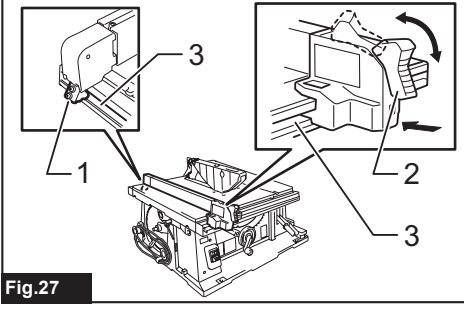


Fig.27

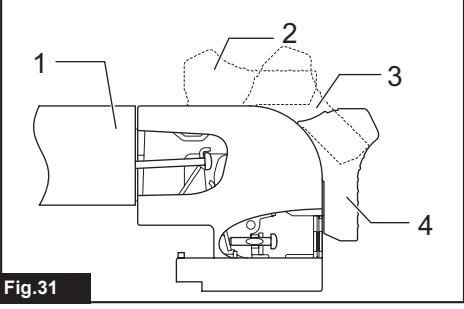


Fig.31

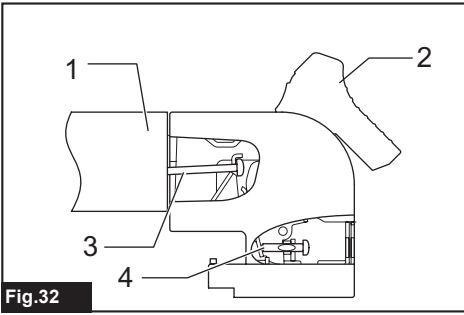


Fig.32

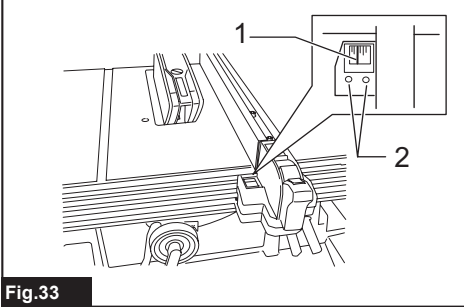


Fig.33

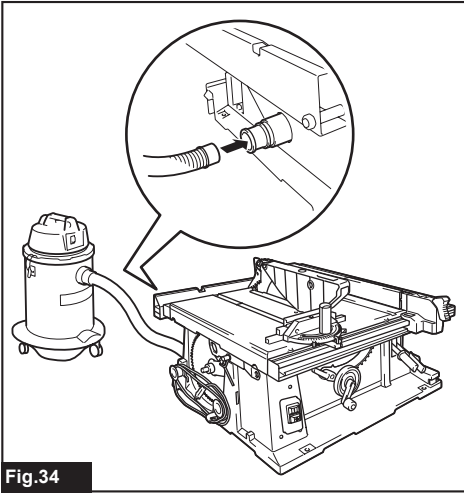


Fig.34

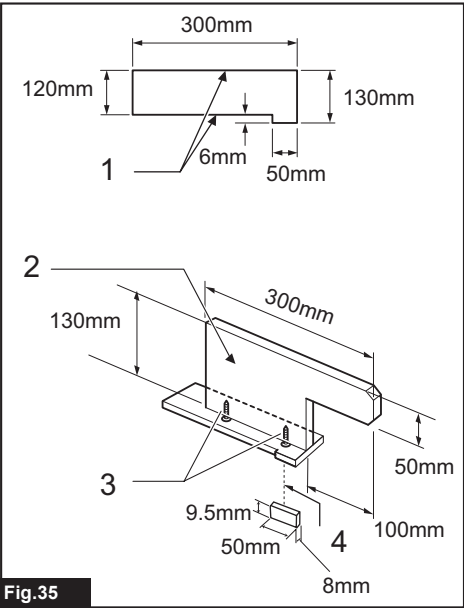


Fig.35

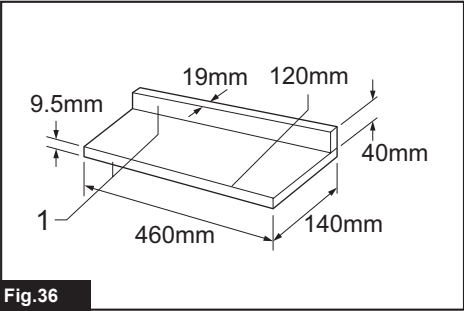


Fig.36

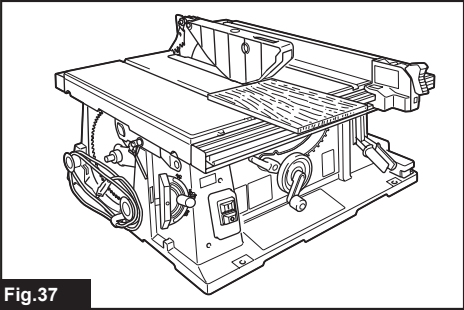


Fig.37

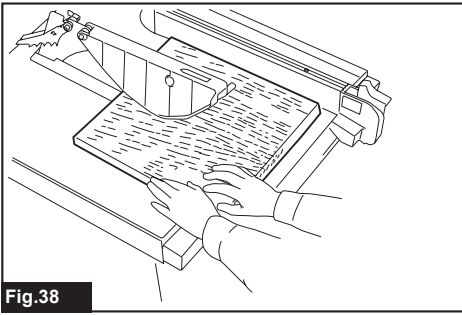


Fig.38

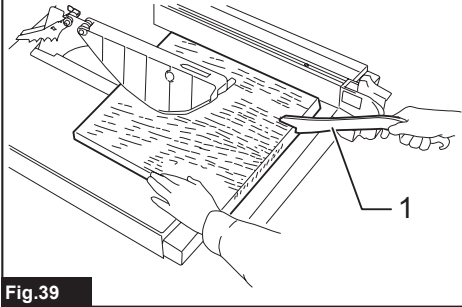


Fig.39

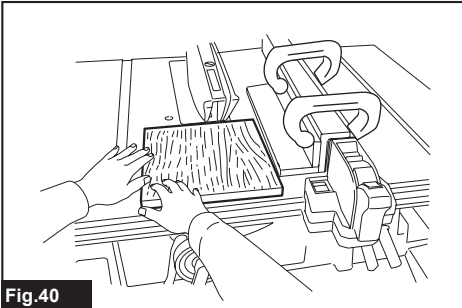


Fig.40

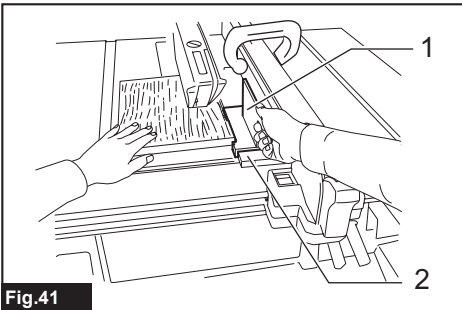


Fig.41

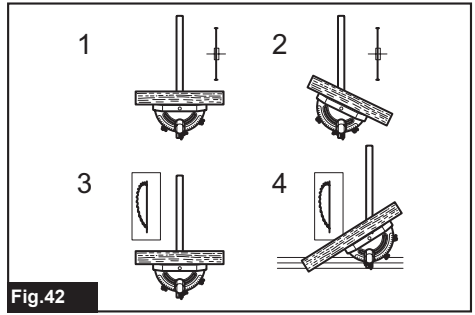


Fig.42

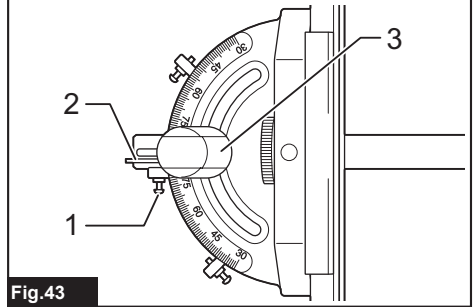


Fig.43

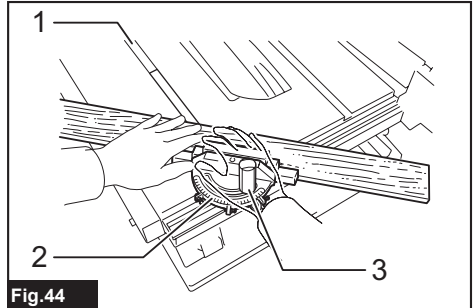


Fig.44

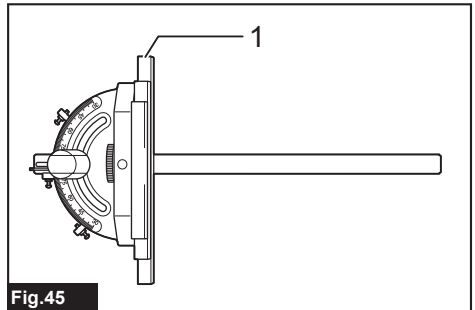
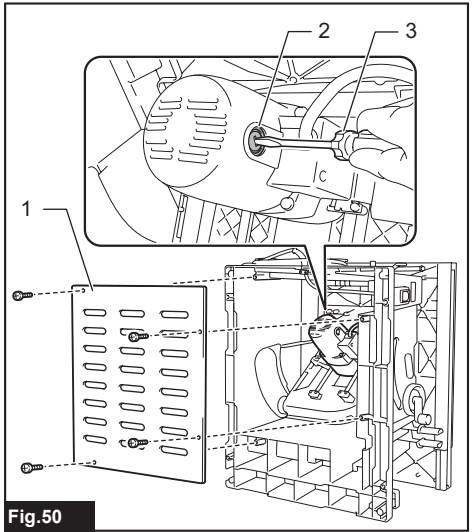
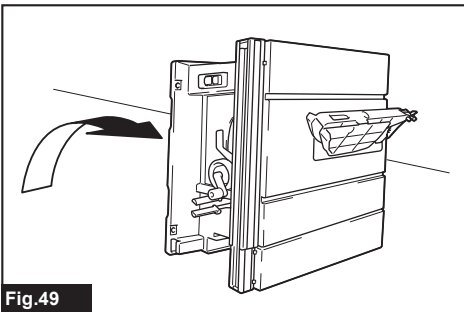
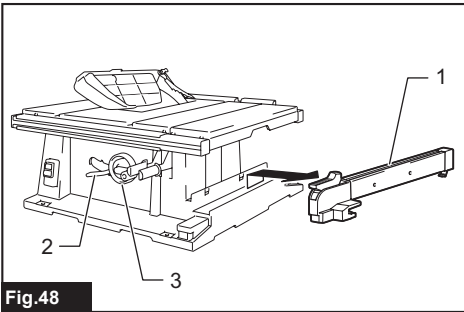
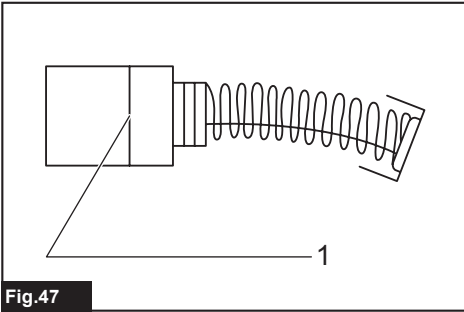
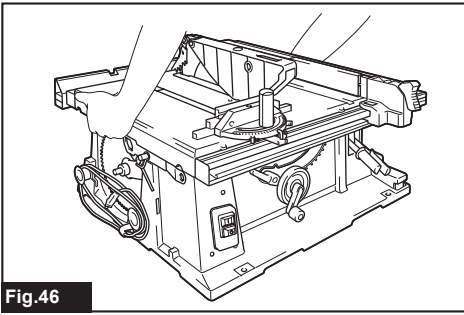


Fig.45







SPECIFICATIONS

Model:		2704N
Arbor hole (Country specific)		30 mm / 25.4 mm
Blade diameter		260 mm
Max. cutting capacities	bevel 0°	93 mm
	bevel 45°	64 mm
No load speed		5,200 min ⁻¹
Table size (L x W)	with sub tables (R) and (back)	1,045 mm x 1,066 mm (tables extended) 665 mm x 753 mm (tables stored)
	with sub table (R) without sub table (back)	567 mm x 1,066 mm (table extended) 567 mm x 753 mm (table stored)
Dimensions (L x W x H) with table(s) not extended	with sub tables (R) and (back)	715 mm x 753 mm x 483mm
	with sub table (R) without sub table (back)	665 mm x 753 mm x 483 mm
Net weight		35.2 kg - 37.0 kg
Safety class		□/II

- Due to our continuing program of research and development, the specifications herein are subject to change without notice.
- Specifications may differ from country to country.
- The weight may differ depending on the attachment(s). The lightest and heaviest combination, according to EPTA-Procedure 01/2014, are shown in the table.

Symbols

The followings show the symbols which may be used for the equipment. Be sure that you understand their meaning before use.

	Read instruction manual.
	DOUBLE INSULATION
	Wear safety glasses.
	Do not place hand or fingers close to the blade.



Only for EU countries

Due to the presence of hazardous components in the equipment, used electrical and electronic equipment may have a negative impact on the environment and human health.

Do not dispose of electrical and electronic appliances with household waste!

In accordance with the European Directive on waste electrical and electronic equipment and its adaptation to national law, used electrical and electronic equipment should be collected separately and delivered to a separate collection point for municipal waste, operating in accordance with the environmental protection regulations.

This is indicated by the symbol of the crossed-out wheeled bin placed on the equipment.

Intended use

The tool is intended for cutting in wood. Straight cutting, bevel cutting, and miter cutting are available with this tool. This tool is not designed for non-through cutting.

Power supply

The tool should be connected only to a power supply of the same voltage as indicated on the nameplate, and can only be operated on single-phase AC supply. They are double-insulated and can, therefore, also be used from sockets without earth wire.

SAFETY WARNINGS

General power tool safety warnings

⚠ WARNING: Read all safety warnings, instructions, illustrations and specifications provided with this power tool. Failure to follow all instructions listed below may result in electric shock, fire and/or serious injury.

Save all warnings and instructions for future reference.

The term "power tool" in the warnings refers to your mains-operated (corded) power tool or battery-operated (cordless) power tool.

Work area safety

1. **Keep work area clean and well lit.** Cluttered or dark areas invite accidents.
2. **Do not operate power tools in explosive atmospheres, such as in the presence of flammable liquids, gases or dust.** Power tools create sparks which may ignite the dust or fumes.
3. **Keep children and bystanders away while operating a power tool.** Distractions can cause you to lose control.

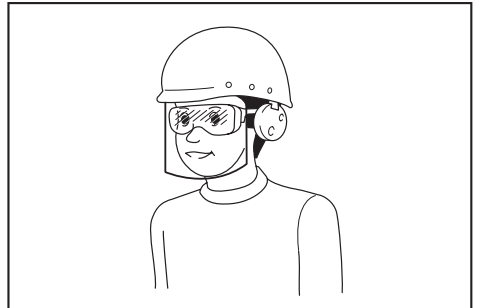
Electrical safety

1. **Power tool plugs must match the outlet. Never modify the plug in any way. Do not use any adapter plugs with earthed (grounded) power tools.** Unmodified plugs and matching outlets will reduce risk of electric shock.
2. **Avoid body contact with earthed or grounded surfaces, such as pipes, radiators, ranges and refrigerators.** There is an increased risk of electric shock if your body is earthed or grounded.
3. **Do not expose power tools to rain or wet conditions.** Water entering a power tool will increase the risk of electric shock.
4. **Do not abuse the cord. Never use the cord for carrying, pulling or unplugging the power tool. Keep cord away from heat, oil, sharp edges or moving parts.** Damaged or entangled cords increase the risk of electric shock.
5. **When operating a power tool outdoors, use an extension cord suitable for outdoor use.** Use of a cord suitable for outdoor use reduces the risk of electric shock.
6. **If operating a power tool in a damp location is unavoidable, use a residual current device (RCD) protected supply.** Use of an RCD reduces the risk of electric shock.
7. **Use of power supply via an RCD with a rated residual current of 30 mA or less is always recommended.**
8. **Power tools can produce electromagnetic fields (EMF) that are not harmful to the user.** However, users of pacemakers and other similar medical devices should contact the maker of their device and/or doctor for advice before operating this power tool.
9. **Do not touch the power plug with wet hands.**

10. **If the cord is damaged, have it replaced by the manufacturer or his agent in order to avoid a safety hazard.**

Personal safety

1. **Stay alert, watch what you are doing and use common sense when operating a power tool. Do not use a power tool while you are tired or under the influence of drugs, alcohol or medication.** A moment of inattention while operating power tools may result in serious personal injury.
2. **Use personal protective equipment. Always wear eye protection.** Protective equipment such as a dust mask, non-skid safety shoes, hard hat or hearing protection used for appropriate conditions will reduce personal injuries.
3. **Prevent unintentional starting. Ensure the switch is in the off-position before connecting to power source and/or battery pack, picking up or carrying the tool.** Carrying power tools with your finger on the switch or energising power tools that have the switch on invites accidents.
4. **Remove any adjusting key or wrench before turning the power tool on.** A wrench or a key left attached to a rotating part of the power tool may result in personal injury.
5. **Do not overreach. Keep proper footing and balance at all times.** This enables better control of the power tool in unexpected situations.
6. **Dress properly. Do not wear loose clothing or jewellery. Keep your hair and clothing away from moving parts.** Loose clothes, jewellery or long hair can be caught in moving parts.
7. **If devices are provided for the connection of dust extraction and collection facilities, ensure these are connected and properly used.** Use of dust collection can reduce dust-related hazards.
8. **Do not let familiarity gained from frequent use of tools allow you to become complacent and ignore tool safety principles.** A careless action can cause severe injury within a fraction of a second.
9. **Always wear protective goggles to protect your eyes from injury when using power tools. The goggles must comply with ANSI Z87.1 in the USA, EN 166 in Europe, or AS/NZS 1336 in Australia/New Zealand. In Australia/New Zealand, it is legally required to wear a face shield to protect your face, too.**



It is an employer's responsibility to enforce the use of appropriate safety protective equipments by the tool operators and by other persons in the immediate working area.

Power tool use and care

1. **Do not force the power tool. Use the correct power tool for your application.** The correct power tool will do the job better and safer at the rate for which it was designed.
2. **Do not use the power tool if the switch does not turn it on and off.** Any power tool that cannot be controlled with the switch is dangerous and must be repaired.
3. **Disconnect the plug from the power source and/or remove the battery pack, if detachable, from the power tool before making any adjustments, changing accessories, or storing power tools.** Such preventive safety measures reduce the risk of starting the power tool accidentally.
4. **Store idle power tools out of the reach of children and do not allow persons unfamiliar with the power tool or these instructions to operate the power tool.** Power tools are dangerous in the hands of untrained users.
5. **Maintain power tools and accessories. Check for misalignment or binding of moving parts, breakage of parts and any other condition that may affect the power tool's operation. If damaged, have the power tool repaired before use.** Many accidents are caused by poorly maintained power tools.
6. **Keep cutting tools sharp and clean.** Properly maintained cutting tools with sharp cutting edges are less likely to bind and are easier to control.
7. **Use the power tool, accessories and tool bits etc. in accordance with these instructions, taking into account the working conditions and the work to be performed.** Use of the power tool for operations different from those intended could result in a hazardous situation.
8. **Keep handles and grasping surfaces dry, clean and free from oil and grease.** Slippery handles and grasping surfaces do not allow for safe handling and control of the tool in unexpected situations.
9. **When using the tool, do not wear cloth work gloves which may be entangled.** The entanglement of cloth work gloves in the moving parts may result in personal injury.

Service

1. **Have your power tool serviced by a qualified repair person using only identical replacement parts.** This will ensure that the safety of the power tool is maintained.
2. **Follow instruction for lubricating and changing accessories.**

Safety instructions for table saws

Guarding related warnings

1. **Keep guards in place. Guards must be in working order and be properly mounted.** A guard that is loose, damaged, or is not functioning correctly must be repaired or replaced.

2. **Make sure the saw blade is not contacting the guard, riving knife or the workpiece before the switch is turned on.** Inadvertent contact of these items with the saw blade could cause a hazardous condition.
3. **Adjust the riving knife as described in this instruction manual.** Incorrect spacing, positioning and alignment can make the riving knife ineffective in reducing the likelihood of kickback.
4. **For the riving knife and anti-kickback pawls to work, they must be engaged in the workpiece.** The riving knife and anti-kickback pawls are ineffective when cutting workpieces that are too short to be engaged with the riving knife and anti-kickback pawls. Under these conditions a kickback cannot be prevented by the riving knife and anti-kickback pawls.
5. **Use the appropriate saw blade for the riving knife.** For the riving knife to function properly, the saw blade diameter must match the appropriate riving knife and the body of the saw blade must be thinner than the thickness of the riving knife and the cutting width of the saw blade must be wider than the thickness of the riving knife.

Cutting procedures warnings

1. **⚠ DANGER: Never place your fingers or hands in the vicinity or in line with the saw blade.** A moment of inattention or a slip could direct your hand towards the saw blade and result in serious personal injury.
2. **Feed the workpiece into the saw blade only against the direction of rotation.** Feeding the workpiece in the same direction that the saw blade is rotating above the table may result in the workpiece, and your hand, being pulled into the saw blade.
3. **Never use the mitre gauge to feed the workpiece when ripping and do not use the rip fence as a length stop when cross cutting with the mitre gauge.** Guiding the workpiece with the rip fence and the mitre gauge at the same time increases the likelihood of saw blade binding and kickback.
4. **When ripping, always keep the workpiece in full contact with the fence and always apply the workpiece feeding force between the fence and the saw blade. Use a push stick when the distance between the fence and the saw blade is less than 150 mm, and use a push block when this distance is less than 50 mm.** "Work helping" devices will keep your hand at a safe distance from the saw blade.
5. **Use only the push stick provided by the manufacturer or constructed in accordance with the instructions.** This push stick provides sufficient distance of the hand from the saw blade.
6. **Never use a damaged or cut push stick.** A damaged or cut push stick may break causing your hand to slip into the saw blade.

7. **Do not perform any operation “freehand”.** Always use either the rip fence or the mitre gauge to position and guide the workpiece. “Freehand” means using your hands to support or guide the workpiece, in lieu of a rip fence or mitre gauge. Freehand sawing leads to misalignment, binding and kickback.
 8. **Never reach around or over a rotating saw blade.** Reaching for a workpiece may lead to accidental contact with the moving saw blade.
 9. **Provide auxiliary workpiece support to the rear and/or sides of the saw table for long and/or wide workpieces to keep them level.** A long and/or wide workpiece has a tendency to pivot on the table's edge, causing loss of control, saw blade binding and kickback.
 10. **Feed the workpiece at an even pace. Do not bend, twist or shift the workpiece from side to side. If jamming occurs, turn the tool off immediately, unplug the tool, then clear the jam.** Jamming the saw blade by the workpiece can cause kickback or stall the motor.
 11. **Do not remove pieces of cut-off material while the saw is running.** The material may become trapped between the fence or inside the saw blade guard and the saw blade pulling your fingers into the saw blade. Turn the saw off and wait until the saw blade stops before removing material.
 12. **Use an auxiliary fence in contact with the table top when ripping workpieces less than 2 mm thick.** A thin workpiece may wedge under the rip fence and create a kickback.
6. **Support large panels to minimise the risk of saw blade pinching and kickback.** Large panels tend to sag under their own weight. Support(s) must be placed under all portions of the panel overhanging the table top.
 7. **Use extra caution when cutting a workpiece that is twisted, knotted, warped or does not have a straight edge to guide it with a mitre gauge or along the fence.** A warped, knotted, or twisted workpiece is unstable and causes misalignment of the kerf with the saw blade, binding and kickback.
 8. **Never cut more than one workpiece, stacked vertically or horizontally.** The saw blade could pick up one or more pieces and cause kickback.
 9. **When restarting the saw with the saw blade in the workpiece, centre the saw blade in the kerf so that the saw teeth are not engaged in the material.** If the saw blade binds, it may lift up the workpiece and cause kickback when the saw is restarted.
 10. **Keep saw blades clean, sharp, and with sufficient set. Never use warped saw blades or saw blades with cracked or broken teeth.** Sharp and properly set saw blades minimise binding, stalling and kickback.

Table saw operating procedure warnings

1. **Turn off the table saw and disconnect the power cord when removing the table insert, changing the saw blade or making adjustments to the riving knife, anti-kickback pawls or saw blade guard, and when the machine is left unattended.** Precautionary measures will avoid accidents.
 2. **Never leave the table saw running unattended. Turn it off and don't leave the tool until it comes to a complete stop.** An unattended running saw is an uncontrolled hazard.
 3. **Locate the table saw in a well-lit and level area where you can maintain good footing and balance. It should be installed in an area that provides enough room to easily handle the size of your workpiece.** Cramped, dark areas, and uneven slippery floors invite accidents.
 4. **Frequently clean and remove sawdust from under the saw table and/or the dust collection device.** Accumulated sawdust is combustible and may self-ignite.
 5. **The table saw must be secured.** A table saw that is not properly secured may move or tip over.
 6. **Remove tools, wood scraps, etc. from the table before the table saw is turned on.** Distraction or a potential jam can be dangerous.
 7. **Always use saw blades with correct size and shape (diamond versus round) of arbour holes.** Saw blades that do not match the mounting hardware of the saw will run off-centre, causing loss of control.
 8. **Never use damaged or incorrect saw blade mounting means such as flanges, saw blade washers, bolts or nuts.** These mounting means were specially designed for your saw, for safe operation and optimum performance.
- Kickback causes and related warnings**
- Kickback is a sudden reaction of the workpiece due to a pinched, jammed saw blade or misaligned line of cut in the workpiece with respect to the saw blade or when a part of the workpiece binds between the saw blade and the rip fence or other fixed object.
- Most frequently during kickback, the workpiece is lifted from the table by the rear portion of the saw blade and is propelled towards the operator.
- Kickback is the result of saw misuse and/or incorrect operating procedures or conditions and can be avoided by taking proper precautions as given below.
1. **Never stand directly in line with the saw blade. Always position your body on the same side of the saw blade as the fence.** Kickback may propel the workpiece at high velocity towards anyone standing in front and in line with the saw blade.
 2. **Never reach over or in back of the saw blade to pull or to support the workpiece.** Accidental contact with the saw blade may occur or kickback may drag your fingers into the saw blade.
 3. **Never hold and press the workpiece that is being cut off against the rotating saw blade.** Pressing the workpiece being cut off against the saw blade will create a binding condition and kickback.
 4. **Align the fence to be parallel with the saw blade.** A misaligned fence will pinch the workpiece against the saw blade and create kickback.
 5. **Use extra caution when making a cut into blind areas of assembled workpieces.** The protruding saw blade may cut objects that can cause kickback.

9. **Never stand on the table saw, do not use it as a stepping stool.** Serious injury could occur if the tool is tipped or if the cutting tool is accidentally contacted.
10. **Make sure that the saw blade is installed to rotate in the proper direction. Do not use grinding wheels, wire brushes, or abrasive wheels on a table saw.** Improper saw blade installation or use of accessories not recommended may cause serious injury.

Additional instructions

1. **Only use the saw blades that are marked with a speed equal or higher than the speed marked on the tool.**
2. **Select the correct saw blade for the material to be cut.**
3. **Wear gloves when handling saw blades.**
4. **Clean the spindle, flanges (especially the installing surface) and hex nut before installing the blade.** Poor installation may cause vibration/wobbling or slippage of the blade.
5. **Do not cut metal objects such as nails and screws. Inspect for and remove all nails, screws and other foreign material from the workpiece before operation.**
6. **NEVER permit anyone else to stand in line with the path of the saw blade.**
7. **Before using the tool on an actual workpiece, let it run for a while. Watch for vibration or wobbling that could indicate poor installation or a poorly balanced blade.**
8. **The tool should not be used for slotting, rabbetting or grooving.**
9. **Replace the table insert when worn.**
10. **Always store the push-stick when it is not in use.**
11. **Knock out any loose knots from workpiece BEFORE beginning to cut.**
12. **Some dust created from operation contains chemicals known to cause cancer, birth defects or other reproductive harm. Some examples of these chemicals are:**
 - lead from lead-based-painted material and,
 - arsenic and chromium from chemically-treated lumber.

Your risk from these exposures varies, depending on how often you do this type of work. To reduce your exposure to these chemicals: work in a well ventilated area and work with approved safety equipment, such as those dust masks that are specially designed to filter out microscopic particles.
13. **Always make sure that sub guard is down and flat against saw-table before plugging in the tool.**
14. **Inspect extension cords periodically and replace if damaged.**
15. **(For European countries only)**
Use only saw blades recommended by the manufacturer and which conform to EN847-1.
16. **Tapered cutting is not permitted.**
17. **Wear ear protection.**

INSTALLATION

Positioning table saw

- **Fig.1:** 1. Hole diameter 8 mm
- **Fig.2:** 1. 6 mm Std. washer 2. No.10 wood screw 40 mm min. length
- **Fig.3:** 1. 6 mm Std. washer 2. 6 mm Mounting bolt & Nut tighten securely

Locate the table saw in a well lit and level area where you can maintain good footing and balance. It should be installed in an area that leaves enough room to easily handle the size of your workpieces. The table saw should be secured with four screws or bolts to the work bench or table saw stand using the holes provided in the bottom of the table saw. When securing the table saw on the work bench, make sure that there is an opening in the top of the work bench the same size as the opening in the bottom of the table saw so the saw-dust can drop through.

If during operation there is any tendency for the table saw to tip over, slide or move, the work bench or table saw stand should be secured to the floor.

Storing accessories

- **Fig.4:** 1. Miter gauge
- **Fig.5:** 1. Rip fence 2. Push stick 3. Anti-kickback pawls

The miter gauge, saw blade and wrenches can be stored on the left side of the base. Also the rip fence, push stick, and anti-kickback pawls can be stored at the right side of the base.

FUNCTIONAL DESCRIPTION

⚠ CAUTION: Always be sure that the tool is switched off and unplugged before adjusting or checking function on the tool.

Blade guard

⚠ WARNING: Never defeat or remove the blade guard. An exposed blade as a result of defeated guarding may result in serious personal injury during operation.

⚠ WARNING: Never use the tool if the blade guard is damaged, faulty or removed. Operation of the tool with a damaged, faulty or removed guard may result in serious personal injury.

- **Fig.6:** 1. Blade guard 2. Sub guard

When cutting, push the workpiece toward the blade with the lower edge of the sub guard contacting with the main table. As the workpiece is fed, the blade guard and the sub guard goes over the edge of the workpiece.

In the interest of your personal safety, always maintain the blade guard and sub guard in good condition. Any irregular operation of the blade guard and sub guard should be corrected immediately. Check to assure that the blade guard and the sub guard are down and the lower edge of the sub guard contacts with the main table when the workpiece is not fed.

If the see-through parts become dirty, or sawdust adheres to them in such a way that the blade and/or workpiece is no longer easily visible, unplug the tool and clean the see-through parts carefully with a damp cloth. Do not use solvents or any petroleum-based cleaners because this may cause damage to the parts. If see-through parts become discolored through age or UV light exposure, contact a Makita service center for a new parts. **DO NOT DEFEAT OR REMOVE BLADE GUARD AND SUB GUARD.**

Adjusting the depth of cut

► **Fig.7:** 1. Handle

The depth of cut may be adjusted by turning the handle. Turn the handle clockwise to raise the saw blade or counterclockwise to lower it.

NOTE: Use a shallow depth setting when cutting thin materials in order to obtain a cleaner cut.

Adjusting the bevel angle

► **Fig.8:** 1. Lock lever 2. Arrow pointer 3. Handwheel

Loosen the lock lever counterclockwise and turn the handwheel until the desired angle (0° - 45°) is obtained. The bevel angle is indicated by the arrow pointer. After obtaining the desired angle, tighten the lock lever clockwise to secure the adjustment.

CAUTION: After adjusting the bevel angle, be sure to tighten the lock lever securely.

Adjusting positive stops

► **Fig.9:** 1. 90° Adjusting screw 2. 45° Adjusting screw
► **Fig.10**

The tool is equipped with positive stops at 90° and 45° to the table surface. To check and adjust the positive stops, proceed as follows:

Move the handwheel as far as possible by turning it. Place a triangular rule on the table and check to see if the saw blade is at 90° or 45° to the table surface. If the saw blade is at an angle shown in Fig. A, turn the adjusting screws clockwise; if it is at an angle shown in Fig. B, turn the adjusting screws counterclockwise to adjust the positive stops.

After adjusting the positive stops, set the saw blade at 90° to the table surface. Then adjust the arrow pointer so that its right edge is aligned to the 0° graduation.

► **Fig.11:** 1. Arrow pointer

Switch action

► **Fig.12:** 1. Switch

CAUTION: Before operation, make sure that the tool is turned on and off.

To start the tool, press the ON (I) button.
To stop it, press the OFF (O) button.

Sub fence (rip fence)

► **Fig.13:** 1. Clamping screw 2. Rip fence 3. Sub fence 4. Rail

If the rip fence comes close to the saw blade, use the sub fence to support the workpiece. Loosen the clamping screw and slide the sub fence out of the rail. Attach the sub fence as illustrated and tighten the clamping screws.

When the rip fence is attached to the left side of the saw blade, switch the sub fence position. Remove the clamping screws, sub fence, and rail from the rip fence. Loosely attach the rail on the right side of the rip fence using the removed clamping screws. After that, attach the sub fence and tighten the clamping screws.

► **Fig.14:** 1. Rip fence 2. Sub fence 3. Clamping screw 4. Rail

Sub table (R)

► **Fig.15:** 1. Lever

► **Fig.16:** 1. Sub table (R)

This tool is provided with the sub table (R) on the right side of the main table. To use the sub table (R), raise both levers on the front right side, pull out the table (R) fully and then lower the levers to secure it.

When using the sub table (R), locate the scale plate on the sub table after loosening the screw on it with a screwdriver so that it becomes successive with the scale plate on the main table.

► **Fig.17:** 1. Scale plate 2. Screw

Sub table (back)

Optional accessory

► **Fig.18:** 1. Sub table (back) 2. Screw

To use the sub table (back), loosen the screws on the left and right hand sides under the table and pull it out backwards to the desired length. At the desired length, tighten the screws securely.

NOTE: When using the sub table (back) during use of the rip fence, pull out the sub table (back) more than 50 mm so that it does not hit against the top end of the rip fence.

Sub table (L)

Optional accessory

► **Fig.19:** 1. Screw 2. Sub table (L)

Sub table (L) (optional accessory) can be installed on the left side of the table to obtain wider space.

Anti-kickback pawls

⚠ WARNING: Use the Antikickback pawls whenever possible during the through cutting operations. This will help prevent the material from being pushed forward into the operator during a kickback situation which may result in serious personal injury.

► **Fig.20:** 1. Antikickback pawl 2. Clamp

To remove the anti-kickback pawls from the tool, loosen the clamp on the root of the antikickback pawls and then pull them out. To install, perform the removal procedure in reverse.

ASSEMBLY

⚠ CAUTION: Always be sure that the tool is switched off and unplugged before carrying out any work on the tool.

Installing or removing saw blade

⚠ CAUTION: Always be sure that the tool is switched off and unplugged before installing or removing the saw blade.

⚠ CAUTION: Use only the Makita wrench provided to install or remove the saw blade. Failure to do so may result in overtightening or insufficient tightening of the hex bolt. This could cause an injury.

⚠ CAUTION: Use the following saw blade. Do not use saw blades which do not comply with the characteristics specified in these instructions.

Diameter	Blade thickness	Kerf
260 mm	Less than 1.9 mm	More than 2.1 mm

1. Loosen the screw on the table insert and remove it.

2. Hold the outer flange with the offset wrench and loosen the hex nut counterclockwise with the wrench. Then remove the outer flange.

► **Fig.21:** 1. Offset wrench 2. Hex nut 3. Wrench

3. Assemble the inner flange, ring, saw blade, outer flange and hex nut onto the arbor, making sure that the teeth of the blade are pointing down at the front of the table. Always install the hex nut with its recessed side facing the outer flange.

► **Fig.22:** 1. Inner flange 2. Ring 3. Saw blade
4. Outer flange 5. Hex nut

⚠ CAUTION: Be sure that the saw blade is installed so that the teeth are aligned in the cutting (turning) direction.

⚠ CAUTION: Check the arbor hole diameter of the saw blade before installing the saw blade. Always use the correct ring for the arbor hole of the saw blade you intend to use. The size of the supplied ring(s) varies depending on the country.

- For tool for a 30 mm hole-diameter saw blade, the ring 30 mm in outer diameter is provided.
- For tool for a 25.4 mm and 25 mm hole-diameter saw blade, the silver and black rings are provided. Use the silver ring for 25.4 mm hole-diameter saw blade and the black ring for 25 mm hole-diameter saw blade.

4. To secure the saw blade in place, hold the outer flange with the offset wrench, then tighten the hex nut clockwise with the wrench. BE SURE TO TIGHTEN THE HEX NUT SECURELY.

► **Fig.23:** 1. Offset wrench 2. Wrench

⚠ CAUTION: Keep the flange surface clean of dirt or other adhering matter; it could cause blade slippage.

⚠ CAUTION: Be sure to hold the hex nut carefully with the wrench. If your grip should slip, the wrench may come off the hex nut, and your hand could strike the sharp blade edges.

5. Attach the table insert in place with the screw.

Adjusting the riving knife

⚠ CAUTION: If the saw blade and riving knife are not aligned properly, a dangerous pinching condition may result during operation. Make sure they are properly aligned. You could suffer serious personal injury while using the tool without a properly aligned riving knife.

⚠ CAUTION: NEVER make any adjustments while tool is running. Disconnect the tool before making any adjustments.

⚠ CAUTION: Don't remove the riving knife.

► **Fig.24:** 1. Blade guard 2. Riving knife 3. Screw

The riving knife position is factory-adjusted so that the saw blade and riving knife will be in a straight line. However, you need to adjust it if the saw blade and riving knife are not in a straight line.

Loosen the screw on the table insert and remove it from the main table. Loosen the hex bolts (B) and adjust the blade guard mounting portion (stay) so that the riving knife is aligned directly behind the saw blade. Then tighten the hex bolts (B) to secure the stay and put the table insert in place.

► **Fig.25:** 1. Blade 2. These two clearances should be equal. 3. Riving knife 4. Hex bolts (B) 5. Hex bolts (A)

There must be a clearance of about 4 - 5 mm between the riving knife and the blade teeth. Loosen the hex bolts (A), adjust the riving knife accordingly and tighten the hex bolts (A) securely. Attach the table insert on the table with the screw, then check to see that the blade guard works smoothly before cutting.

► **Fig.26:** 1. Riving knife 2. Blade guard 3. 4 mm - 5mm clearance

Installing and adjusting rip fence

► **Fig.27:** 1. Hook 2. Knob 3. Guide rail

1. Fit the hook on the tip of the rip fence into the far guide rail on the table or sub table (R) and install and push the rip fence forward so that the fence holder engages with the nearest guide rail.

2. To slide the rip fence on the guide rail sideways, return the knob on the fence holder fully without pulling the lever on the knob.

To secure the rip fence, pivot fully the knob on the fence holder.

3. To remove the rip fence, pull the lever on the knob and pivot the knob fully forward while pulling the lever.

To check if the rip fence is parallel with the saw blade, secure the rip fence 2 - 3 mm from the saw blade. Raise the blade up to maximum elevation. Mark one of the blade teeth with a crayon. Measure the distance (A) and (B) between the rip fence and saw blade. Take both measurements using the tooth marked with the crayon. These two measurements should be identical. If the rip fence is not parallel with the saw blade, proceed as follows:

► **Fig.28:** 1. Scale

1. Position the rip fence in the sliding position.

2. Loosen the two hex bolts on the rip fence with the hex wrench provided.

► **Fig.29:** 1. Hex bolts

3. Adjust the rip fence until it becomes parallel with the saw blade.

4. Pivot down the knob on the rip fence toward the operator.

5. Tighten the two hex bolts on the rip fence.

► **Fig.30**

CAUTION: Be sure to adjust the rip fence so that it is parallel with the saw blade, or a dangerous kickback condition may occur.

When the rip fence cannot be secured solidly, adjust it according to the following procedure.

1. Set the rip fence on the table and then pivot the knob on the half way of its travel (moving position). Tighten the screw (A) until the rip fence is immobilized. Then loosen a 1/4 to 1/2 turn.

► **Fig.31:** 1. Rip fence 2. Released position 3. Moving position 4. Lock position

► **Fig.32:** 1. Rip fence 2. Moving position 3. Screw (B) 4. Screw (A)

2. Tighten the screw (B) fully and then loosen about 2 full revolutions.

3. Lock the rip fence by fully pivoting the knob on the fence holder (lock position).

4. Make sure that the rip fence can be installed and removed in the original position (released position).

5. Make sure that the rip fence can be slid smoothly with no wobble when the knob is on half way of its travel.

NOTICE: Be careful not to tighten screws with more than tightening amount specified in the above instructions. Failure to do so may damage the fastened parts.

Bring the rip fence up flush against the side of the saw blade. Make sure that the guideline on the fence holder points to the 0 graduation. If the guideline does not point to the 0 graduation, loosen the screw on the scale plate and adjust the scale plate.

► **Fig.33:** 1. Guideline 2. Screws

Connecting to vacuum cleaner

Cleaner operations can be performed by connecting the tool to Makita vacuum cleaner or dust collector.

► **Fig.34**

OPERATION

This tool is intended to cut wood products.

Refer to our website or contact your local Makita dealer for the correct circular saw blades to be used for the material to be cut.

CAUTION: Always use "work helpers" such as push sticks and push blocks when there is a danger that your hands or fingers will come close to the saw blade.

CAUTION: Always hold the workpiece firmly with the table and the rip fence or miter gauge. Do not bend or twist it while feeding. If the workpiece is bent or twisted, dangerous kickbacks may occur.

CAUTION: NEVER withdraw the workpiece while the saw blade is running. If you must withdraw the workpiece before completing a cut, first switch the tool off while holding the workpiece firmly. Wait until the saw blade has come to a complete stop before withdrawing the workpiece. Failure to do so may cause dangerous kickbacks.

CAUTION: NEVER remove cut-off material while the saw blade is running.

CAUTION: NEVER place your hands or fingers in the path of the saw blade. Be especially careful with bevel cuts.

CAUTION: Always secure the rip fence firmly, or dangerous kickbacks may occur.

CAUTION: Always use "work helpers" such as push sticks and push blocks when cutting small or narrow workpieces.

Work helpers

Push sticks, push blocks or auxiliary fence are types of "work helpers". Use them to make safe, sure cuts without the need for the operator to contact the saw blade with any part of the body.

Push block

► **Fig.35:** 1. Face/edge parallel 2. Handle 3. Wood screw 4. Glue together

Use a 19 mm piece of plywood. Handle should be in center of plywood piece. Fasten with glue and wood screws as shown. Small piece 9.5 mm x 8 mm x 50 mm of wood must always be glued to plywood to keep the saw blade from dulling if the operator cuts into push block by mistake. (Never use nails in push block.)

Auxiliary fence

► **Fig.36:** 1. Face/edge parallel

Make auxiliary fence from 9.5 mm and 19 mm plywood pieces.

Ripping

CAUTION: When ripping, remove the miter gauge from the table.

CAUTION: When cutting long or large workpieces, always provide adequate support behind the table. DO NOT allow a long board to move or shift on the table. This will cause the saw blade to bind and increase the possibility of kickback and personal injury. The support should be at the same height as the table.

CAUTION: Do not perform bevel ripping on the bevelling side of the saw blade.

1. Adjust the depth of cut a bit higher than the thickness of the workpiece.
► **Fig.37**
2. Position the rip fence to the desired width of rip and lock in place by pivoting the knob. Before ripping, make sure the rear end of the rip fence is secured firmly. If it is not secured enough, follow the procedures in the section titled "Installing and adjusting rip fence".
3. Turn the tool on and gently feed the workpiece into the saw blade along with the rip fence.

When the width of rip is 150 mm and wider, carefully use your right hand to feed the workpiece. Use your left hand to hold the workpiece in position against the rip fence.

► **Fig.38**

When the width of rip is 65 mm - 150 mm wide, use the push stick to feed the workpiece.

► **Fig.39:** 1. Push stick

When the width of rip is narrower than 65 mm, the push stick cannot be used because the push stick will strike the blade guard. Use the auxiliary fence and push block. Attach the auxiliary fence to the rip fence with two "C" clamps.

Feed the workpiece by hand until the end is about 25 mm from the front edge of the table.

► **Fig.40**

Continue to feed using the push block on the top of the auxiliary fence until the cut is complete.

► **Fig.41:** 1. Push block 2. Auxiliary fence

Cross cutting

CAUTION: When making a crosscut, remove the rip fence from the table.

CAUTION: When cutting long or large workpieces, always provide adequate support to the sides of the table. The support should be at the same height as the table.

CAUTION: Always keep hands away from path of blade.

Miter gauge

► **Fig.42:** 1. Cross cutting 2. Mitering 3. Bevel cutting 4. Compound mitering (angles)

Use the miter gauge for the 4 types of cutting shown in the figure.

CAUTION: Secure the knob on the miter gauge carefully.

CAUTION: Avoid creep of workpiece and gauge by firm workholding arrangement, especially when cutting at an angle.

CAUTION: NEVER hold or grasp the intended "cut-off" portion of the workpiece.

CAUTION: Always adjust the distance between the end of the miter gauge and the saw blade not to exceed 15 mm.

Miter gauge positive stop

► **Fig.43:** 1. Screw for positive stop 2. Small plate 3. Knob

Miter gauge is provided with positive stops at 90°, 45° right and left miter angles for quick setting of miter angles.

To set the miter angle, loosen the knob on the miter gauge.

Raise the small plate on the miter gauge for free setting. Turn the miter gauge to the desired miter angle. Return the small plate on the miter gauge to the original position and tighten the knob clockwise securely.

Use of miter gauge

► **Fig.44:** 1. Groove 2. Miter gauge 3. Knob

Slide the miter gauge into the thick grooves in the table. Loosen the knob on the gauge and align to desired angle (0° to 60°). Bring stock flush up against fence and feed gently forward into the saw blade.

Sub gauge (miter gauge)

► **Fig.45:** 1. Sub gauge

The sub gauge on the miter gauge prevents the workpiece from wobbling. Loosen the screw on the miter gauge and adjust the sub gauge position.

Carrying tool

► Fig.46

Make sure that the tool is unplugged.

Carry the tool by holding the tool part shown in the figure.

⚠ CAUTION: Always secure all moving portions before carrying the tool.

⚠ CAUTION: Before the carrying the tool, make sure that the blade guard and the sub guard are down and the lower edge of the sub guard contacts with the main table.

MAINTENANCE

⚠ CAUTION: Always be sure that the tool is switched off and unplugged before attempting to perform inspection or maintenance.

NOTICE: Never use gasoline, benzine, thinner, alcohol or the like. Discoloration, deformation or cracks may result.

Cleaning

Clean out sawdust and chips from time to time. Carefully clean the blade guard and moving parts inside the table saw.

When removing the sawdust accumulated under the saw blade, remove the table insert and use an air duster to blow out the sawdust from the connector for a vacuum cleaner.

Lubrication

To keep the table saw in tip-top running condition, and to assure maximum service life, oil or grease the moving parts and rotating parts from time to time.

Lubrication places:

- Threaded shaft to elevate the saw blade
- Hinge to rotate the frame
- Elevation guide shafts on motor
- Gear to elevate the saw blade
- Guide rails for the rip fence
- Shaft of the sub table (R) locking levers
- Sliding part of the sub table (R)

Replacing carbon brushes

Check the carbon brushes regularly.

Replace them when they wear down to the limit mark. Keep the carbon brushes clean and free to slip in the holders. Both carbon brushes should be replaced at the same time. Use only identical carbon brushes.

► Fig.47: 1. Limit mark

1. Store the sub table (R). Remove the rip fence if it is stored.
2. Loosen the lock lever and turn the handwheel until the saw head is tilted to 45° bevel angle. After that, tighten the lock lever.

► Fig.48: 1. Rip fence 2. Lock lever 3. Handwheel

3. Stand the tool on its right side.

► Fig.49

4. Loosen the screws on the bottom plate and remove it.
5. Loosen the brush holder caps using a screwdriver and remove the worn carbon brushes.

► Fig.50: 1. Bottom plate 2. Brush holder cap 3. Screwdriver

6. Insert the new carbon brushes and secure the brush holder caps.
7. Attach the bottom plate with screws and carefully lay the tool on its bottom. Store the rip fence if removed.

To maintain product SAFETY and RELIABILITY, repairs, any other maintenance or adjustment should be performed by Makita Authorized or Factory Service Centers, always using Makita replacement parts.

OPTIONAL ACCESSORIES

⚠ CAUTION: These accessories or attachments are recommended for use with your Makita tool specified in this manual. The use of any other accessories or attachments might present a risk of injury to persons. Only use accessory or attachment for its stated purpose.

If you need any assistance for more details regarding these accessories, ask your local Makita Service Center.

- Steel & Carbide-tipped saw blades
- Sub table (L)
- Sub table (back)
- Rip fence
- Miter gauge
- Offset wrench 13-22
- Wrench 19
- Hex wrench 5
- Joint (for connecting to dust collector)
- Table stand set

Refer to the instruction manual for table saw stand that is provided with the table saw stand as an optional accessory.

NOTE: Some items in the list may be included in the tool package as standard accessories. They may differ from country to country.





规格

型号:	2704N	
轴孔 (规格因国家而异)	30 mm / 25.4 mm	
锯片直径	260 mm	
最大切割能力	0°斜切	93 mm
	45°斜切	64 mm
空载速度	5,200/min	
台面尺寸 (长×宽)	含副台面 (右侧) 和 (背面)	1,045 mm x 1,066 mm (台面展开) 665 mm x 753 mm (台面收起)
	含副台面 (右侧) 不含副台面 (背面)	567 mm x 1,066 mm (台面展开) 567 mm x 753 mm (台面收起)
尺寸 (长×宽×高) (台面未展开)	含副台面 (右侧) 和 (背面)	715 mm x 753 mm x 483mm
	含副台面 (右侧) 不含副台面 (背面)	665 mm x 753 mm x 483 mm
净重	35.2 kg - 37.0 kg	
安全等级	回/II	

- 生产者保留变更规格不另行通知之权利。
- 规格可能因销往国家之不同而异。
- 重量因附件而异。根据EPTA-Procedure 01/2014, 最重与最轻的组合见表格。

符号

以下显示本设备可能会使用的符号。在使用工具之前, 请务必理解其含义。

	阅读使用说明书。
	II类工具
 	佩带安全眼镜。
 	请勿将手或手指靠近锯片。



仅限于欧盟国家
由于本设备中包含有害成分, 因此使用过的电气和电子设备可能会对环境和人体健康产生负面影响。
请勿将电气和电子工具与家庭普通废弃物放在一起处置!
根据欧洲关于废弃电气电子设备的指令及其国家层面的修订法案, 使用过的电气和电子设备应当单独收集并递送至城市垃圾收集点, 根据环保规定进行处置。
此规定由标有叉形标志的带轮垃圾桶符号表示。

用途

本工具用于切割木材。
本工具可进行直线切割、斜切角切割和斜切。本工具不用于非穿透切割。

电源

本工具只可连接电压与铭牌所示电压相同的电源，且仅可使用单相交流电源。本工具双重绝缘，因此也可用于不带接地线的插座。

安全警告

电动工具通用安全警告

警告： 阅读随电动工具提供的所有安全警告、说明、图示和规定。不遵照以下所列说明会导致电击、着火和 / 或严重伤害。

保存所有警告和说明书以备查阅。

警告中的术语“电动工具”是指市电驱动（有线）电动工具或电池驱动（无线）电动工具。

工作场地的安全

1. 保持工作场地清洁和明亮。杂乱和黑暗的场地会引发事故。
2. 不要在易爆环境，如有易燃液体、气体或粉尘的环境下操作电动工具。电动工具产生的火花会点燃粉尘或气体。
3. 操作电动工具时，远离儿童和旁观者。注意力不集中会使你失去对工具的控制。

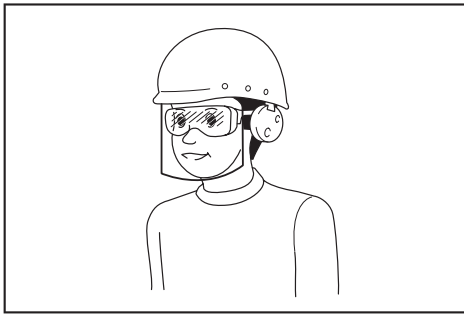
电气安全

1. 电动工具插头必须与插座相配。绝不能以任何方式改装插头。需接地的电动工具不能使用任何转换插头。未经改装的插头和相配的插座将降低电击风险。
2. 避免人体接触接地表面，如管道、散热片和冰箱。如果你身体接触接地表面会增加电击风险。
3. 不得将电动工具暴露在雨中或潮湿环境中。水进入电动工具将增加电击风险。
4. 不得滥用软线。绝不能用软线搬运、拉动电动工具或拔出其插头。使软线远离热源、油、锐边或运动部件。受损或缠绕的软线会增加电击风险。
5. 当在户外使用电动工具时，使用适合户外使用的延长线。适合户外使用的电线将降低电击风险。
6. 如果无法避免在潮湿环境中操作电动工具，应使用带有剩余电流装置（RCD）保护的电源。RCD的使用可降低电击风险。

7. 始终建议通过额定剩余电流为30 mA或以下的RCD来使用电源。
8. 电动工具会产生对用户无害的电磁场（EMF）。但是，起搏器和其他类似医疗设备的用户应在操作本电动工具前咨询其设备的制造商和 / 或医生寻求建议。
9. 请勿用湿手触摸电源插头。
10. 如果导线破损，则由制造商或其代理商更换以避免安全隐患。

人身安全

1. 保持警觉，当操作电动工具时关注所从事的操作并保持清醒。当你感到疲倦，或在有药物、酒精或治疗反应时，不要操作电动工具。在操作电动工具时瞬间的疏忽会导致严重人身伤害。
2. 使用个人防护装置。始终佩戴护目镜。防护装置，诸如适当条件下使用防尘面具、防滑安全鞋、安全帽、听力防护等装置能减少人身伤害。
3. 防止意外起动。在连接电源和/或电池包、拿起或搬运工具前确保开关处于断开位置。手指放在开关上搬运工具或开关处于接通时通电会导致危险。
4. 在电动工具接通之前，拿掉所有调节钥匙或扳手。遗留在电动工具旋转零件上的扳手或钥匙会导致人身伤害。
5. 手不要过分伸展。时刻注意立足点和身体平衡。这样能在意外情况下能更好地控制住电动工具。
6. 着装适当。不要穿宽松衣服或佩戴饰品。让你的头发和衣服远离运动部件。宽松衣服、佩饰或长发可能会卷入运动部件。
7. 如果提供了与排屑、集尘设备连接用的装置，要确保其连接完好且使用得当。使用集尘装置可降低尘屑引起的危险。
8. 不要因为频繁使用工具而产生的熟悉感而掉以轻心，忽视工具的安全准则。某个粗心的动作可能在瞬间导致严重的伤害。
9. 使用电动工具时请始终佩带护目镜以免伤害眼睛。护目镜须符合美国ANSI Z87.1、欧洲EN 166或者澳大利亚 / 新西兰的AS/NZS 1336的规定。在澳大利亚 / 新西兰，法律要求佩带面罩保护脸部。



雇主有责任监督工具操作者和其他近工作区域人员佩戴合适的安全防护设备。

电动工具使用和注意事项

1. 不要勉强使用电动工具，根据用途使用合适的电动工具。选用合适的按照额定值设计的电动工具会使你工作更有效、更安全。
2. 如果开关不能接通或关断电源，则不能使用该电动工具。不能通过开关来控制的电动工具是危险的且必须进行修理。
3. 在进行任何调节、更换附件或贮存电动工具之前，必须从电源上拔掉插头和/或卸下电池包（如可拆卸）。这种防护性的安全措施降低了电动工具意外起动的风险。
4. 将闲置不用的电动工具贮存在儿童所及范围之外，并且不允许不熟悉电动工具和不了解这些说明的人操作电动工具。电动工具在未经培训的使用者手中是危险的。
5. 维护电动工具及其附件。检查运动部件是否调整到位或卡住，检查零件破损情况和影响电动工具运行的其他状况。如有损坏，应在使用前修理好电动工具。许多事故是由维护不良的电动工具引发的。
6. 保持切削刀具锋利和清洁。维护良好地有锋利切削刃的刀具不易卡住而且容易控制。
7. 按照使用说明书，并考虑作业条件和要进行的作业来选择电动工具、附件和工具的刀头等。将电动工具用于那些与其用途不符的操作可能会导致危险情况。
8. 保持手柄和握持表面干燥、清洁，不得沾有油脂。在意外的情况下，湿滑的手柄不能保证握持的安全和对工具的控制。
9. 使用本工具时，请勿佩戴可能会缠绕的布质工作手套。布质工作手套卷入移动部件可能会造成人身伤害。

维修

1. 由专业维修人员使用相同的备件维修电动工具。这将保证所维修的电动工具的安全。
2. 上润滑油及更换附件时请遵循本说明书指示。

台锯安全注意事项

安全防护相关警告

1. 保护罩必须安装到位。必须保证保护罩能够正常发挥作用且安装无误。如果保护罩松动、受损或无法正常发挥作用，则必须维修或更换。
2. 打开开关前，请确认锯片未与保护罩、分料刀或工件接触。如果意外接触，则会导致危险情况发生。
3. 按本说明书所述调整分料刀。不正确的间距、定位和对齐会使分料刀不能很好地降低反弹的几率。
4. 要使分料刀和防反弹棘爪发挥作用，前提是它们必须能接触到工件。当工件长度不够，不足以接触分料刀和防反弹棘爪时，分料刀和防反弹棘爪无法发挥作用。在这种情况下，分料刀和防反弹棘爪无法防止反弹。
5. 对分料刀使用合适的锯片。要使分料刀正常发挥作用，锯片直径必须匹配合适的分料刀，锯片厚度必须薄于分料刀，并且锯片的切割宽度必须大于分料刀的厚度。

切割步骤警告

1. **△ 危险：手或手指不得靠近锯片，不得与锯片切割方向成一直线。**否则一时分心或打滑，手可能会径直伸向锯片，导致严重的人身伤害。
2. 向锯片递送工件时，必须迎着锯片旋转方向递送。如果顺着锯片（露出台面的部分）旋转方向递送，则会导致工件、手被拉向锯片。
3. 进行切割时，不得使用斜接规递送工件；配合斜接规进行横切时，也不得使用切锯导板作为纵向止动器。同时使用切锯导板和斜接规引导工件会增加锯片卡滞或反弹的几率。

- 进行切锯时，请务必使工件与导板完全接触，并务必在导板和锯片之间施加工件进给力。导板和锯片之间的距离小于**150 mm**时，请使用推杆，距离小于**50 mm**时，请使用推块。“工作辅助”设备可使您的手与锯片之间保持安全距离。
- 请仅使用制造商提供的推杆，或构造符合规定的推杆。该推杆可使手部与锯片之间保持足够的安全距离。
- 切勿使用受损或被切割过的推杆。受损或被切割过的推杆可能会折断，导致您的手滑入锯片。
- 请勿“徒手”执行任何操作。切锯导板或斜接规，两者必须使用一个来定位和引导工件。“徒手”是指仅用手，而没有用切锯导板或斜接规来支撑或引导工件。徒手切割会导致偏斜、卡滞和反弹。
- 切勿伸到正在旋转的锯片附近和上方位置。伸手去够工件可能会导致意外接触正在转动的锯片。
- 对于较长和/或较宽的工件，工作台的后侧或两边提供的辅助工件支持可用来保持工件水平。较长和/或较宽的工件容易以台边为轴翻动，导致失控、锯片卡纸和反弹。
- 以均匀的速度递送工件。请勿弯曲、扭曲或左右移动工件。如发生卡滞，请立即关闭工具，拔出工具插头，然后消除卡滞。工件卡住锯片会导致反弹或使电机停转。
- 切勿在锯片运转的情况下清理切割废料。切割废料可能会卡在导板与锯片之间或锯片保护罩内侧与锯片之间，导致手指被拉向锯片。清理废木料前，请先关闭电锯，等待锯片完全停止。
- 切锯厚度小于**2 mm**的工件时，请使用辅助导板接触台面。薄工件可能会楔入切锯导板下方，导致反弹。

反弹原因和相关警告

反弹是当锯片被夹住、卡住，或工件中切割线相对于锯片发生偏斜时，又或是工件被切下的部分夹在锯片和切锯导板等其它固定件之间时，工件受到突然的反作用力。大部分情况下，反弹都是工件被锯片的后部猛地掀离台面并弹向操作人员。误操作和/或不正确的操作步骤或操作条件将导致反弹，遵守以下所述的注意事项即可避免。

- 切勿与锯片成一条线站立。务必将身体置于导板所在的那一侧。反弹可能会使工件高速弹向任何站在锯片前方或直线位置上的人员。
- 不得越过锯片或伸到锯片后面拉拽或支撑工件。否则可能会意外接触锯片，或引发反弹将手指拉向锯片。
- 不得迎着正在旋转的锯片按压工件要被切掉的部分。否则可能会导致卡滞或反弹。
- 使导板与锯片平行。如果不平行，则会导致工件被导板和锯片夹住，引起反弹。
- 切割组装工件的盲区时，务必格外小心。凸出的锯片可能会切割到容易引起反弹的物体。
- 请使用较大的支撑面板以最大限度地降低锯片被夹住和反弹的可能。大面板会因自身的重量而下陷。大面板悬于台面的所有部分必须都要支撑到位。
- 如果工件扭曲、多结、翘曲，或没有直边可供斜接规或导板引导时，请格外小心。扭曲、多结、翘曲的工件切割时稳定性差，会导致切口错开锯片以及卡滞和反弹。
- 切勿通过垂直或水平堆叠工件来一次切割多个工件。锯片后部可能会掀起一个或多个碎块，导致反弹。
- 锯片还在工件中的情况下重新启动锯片时，将锯片置于锯痕的中央，且不要使锯齿接触切割材料。如果锯片被夹紧，则重新启动时可能会掀起工件，导致反弹。
- 保持锯片干净、锋利，放置正确。切勿使用扭曲变形的锯片，或锯齿开裂或破损的锯片。锋利和正确放置的锯片可最大限度降低程度发生卡滞、失速和反弹的几率。

台锯操作步骤警告

- 搬运台面嵌板、更换锯片或调整分料刀、防反弹棘爪或锯片保护罩时，以及机器无人看管时，请关闭台锯并断开电源线。预防措施可避免发生事故。
- 切勿使台锯在无人看管的情况下运行。关闭台锯，并等到其完全停止方可离开。在无人看管的情况下运行存在失控危险。
- 将台锯置于照明情况良好并可保持立足稳固及身体平衡的平坦区域。应将工具安装在有足够空间处理工件的区域。狭窄、黑暗的空间以及不平整的易滑地面会招致意外情况发生。

4. 勤清理台锯下方和 / 或锯屑收集装置的锯屑。积聚的锯屑具有可燃性，可能会发生自燃。
5. 台锯必须固定牢靠。如果固定不牢，则会移动或翻倒。
6. 打开台锯前，应从工作台上移除工具、碎木块等。分心或可能引发卡滞的情况具有危险性。
7. 请始终使用具有正确轴孔尺寸和形状（钻石形和圆形）的锯片。与锯片的安装硬件不匹配的锯片无法正常运行，会导致失控。
8. 切勿使用受损或错误的锯片安装件，例如法兰、锯片垫圈、螺栓或螺母。这些安装件是为实现该台锯的安全操作和最佳性能而专门设计的。
9. 不得站在台锯上，不得将其用作垫脚工具。如果工具翻倒或意外接触到切割工具，会导致严重的人身伤害。
10. 安装时，务必确保锯片按正确的方向旋转。不得在该台锯上使用磨轮、钢丝刷或砂轮。锯片安装不当或使用非建议的附件，会导致严重的人身伤害。
12. 由操作所产生的某些灰尘中含有能够导致癌症、新生儿缺陷或其他生殖危害的化学物质。例如，有以下这些化学物质：
 - 含铅油漆材料中的铅，
 - 经化学处理的木材中的砷和铬。
 根据您进行该类型作业的频率，您暴露于这些化学物质的危险程度有所不同。为尽量避免受到这些化学物质的影响：请保持工作区域通风良好，并使用认可的安全设备，如专门用于过滤精细微粒的防尘面罩等。
13. 插入工具电源之前，务必确保副保护罩已放下且平贴锯台。
14. 定期检查延长线，如有损坏请进行更换。
15. （仅限欧洲国家）仅使用制造商建议的符合EN847-1的锯片。
16. 不允许锥形切割。
17. 佩带耳罩。

其它注意事项

1. 仅使用所标示的速度等于或大于工具上所标示的速度的锯片。
2. 为要切割的材料选择正确的锯片。
3. 处理锯片时请佩戴手套。
4. 安装锯片之前，请清洁主轴、法兰（特别是安装表面）和六角螺栓。安装不良可能会导致锯片振动 / 摇摆或滑动。
5. 请勿切割钉子和螺丝等金属物品。操作之前请检查工件上是否有钉子、螺丝和其他异物并将其清除。
6. 请勿允许他人锯片作业路线成一直线站立。
7. 在实际的工件上使用工具之前，请先让工具空转片刻。请注意，振动或摇摆可能表示安装不当或刀片不平衡。
8. 该工具不能用于打孔、槽刨或开槽。
9. 台面嵌板如有磨损，请更换。
10. 不使用推杆时请将其存放到位。
11. 开始切割之前，将工件上松动的结头敲掉。

安装

调节台锯位置

- ▶ 图片1: 1.8 mm内孔直径
- ▶ 图片2: 1.6 mm标准挡圈 2. 10号木螺丝（最小长度：40 mm）
- ▶ 图片3: 1.6 mm标准挡圈 2. 6 mm安装螺栓和螺母拧紧

将台锯置于照明情况良好并可保持立足稳固及身体平衡的平坦区域。应将工具安装在剩余空间便于处理工件尺寸的区域。应使用4颗螺丝或螺栓，通过台锯底部的孔将台锯固定至工作台或台锯支件上。将台锯固定至工作台上时，确保工作台上的开孔尺寸与台锯底部的开孔尺寸相同，以便锯屑落下。操作期间，如有台锯翻倒、滑动或移动的趋势，应将工作台或台锯支件固定至地面。

存放附件

- ▶ 图片4: 1. 斜接规
- ▶ 图片5: 1. 切锯导板 2. 推杆 3. 防反弹棘爪

斜接规、锯片和扳手可放在基座的左侧。切锯导板、推杆和防反弹棘爪可放在基座的右侧。

功能描述

⚠️小心：在调节或检查工具功能之前，请务必关闭工具电源开关并拔下电源插头。

锯片保护罩

⚠️警告：切勿弃用或移除锯片保护罩。由于弃用保护罩而使锯片暴露在外，会在操作期间导致严重的人身伤害。

⚠️警告：如果锯片保护罩受损、出现故障或被移除，请勿使用该工具。在保护罩被损坏、出现故障或被移除的情况下操作工具可能会导致严重的人身伤害。

▶ **图片6：** 1. 锯片保护罩 2. 副保护罩

切割时，在副保护罩的下缘接触主台面的情况下将工件推向锯片。递送工件时，锯片保护罩和副保护罩处于工件边缘的上方。

为了您的个人安全，请务必保持锯片保护罩和副保护罩处于良好状态。应立即纠正对于锯片保护罩和副保护罩的任何违规操作。在未递送工件时检查确认锯片保护罩和副保护罩已放下，副保护罩的下缘接触主台面。

如果透明部件变脏，或者附着了锯屑，以至无法看清锯片和 / 或工件，请拔下工具电源，并用湿布认真清洁透明部件。请勿使用溶剂或石油类清洁剂清洁，否则会损坏透明部件。如果透明部件由于老化或紫外线照射而变色，请与Makita（牧田）服务中心联系，更换新的部件。请勿弃用或移除锯片保护罩和副保护罩。

调节切割深度

▶ **图片7：** 1. 把手

可通过转动把手来调节切割深度。顺时针转动把手可升起锯片，逆时针则降下锯片。

注：在切割较薄的材料时，请使用较浅的切割深度设置，使切割更干净。

调节斜切角度

▶ **图片8：** 1. 锁定杆 2. 箭头状指针 3. 手轮
逆时针拧松锁定杆并转动手轮直至达到所需的角度（0°至45°）。由箭头状指针指示斜切角度。

达到所需的角度后，顺时针拧紧锁定杆以紧固调节。

⚠️小心：调节斜切角度后，务必拧紧锁定杆。

调节前挡块

▶ **图片9：** 1. 90°调节螺丝 2. 45°调节螺丝

▶ **图片10**

本工具配备有前挡块，分别安装在台面的90°和45°位置处。要检查和调节前挡块，请执行以下操作：

旋转手轮，最大程度地移动手轮。将三角规放在台面上，检查锯片是否位于台面的90°和45°位置处。如果锯片位于图A所示的角度处，顺时针转动调节螺丝；如果锯片位于图B所示的位置处，则逆时针转动调节螺丝以调节前挡块。调节前挡块后，将锯片设置在台面的90°位置处。然后，调节箭头状指针，使其右边缘与刻度0°对齐。

▶ **图片11：** 1. 箭头状指针

开关操作

▶ **图片12：** 1. 开关

⚠️小心：操作之前，请务必将工具开启关闭。

要启动工具时，请按ON (I) 按钮。

要停止工具时，请按OFF (O) 按钮。

副导板（切锯导板）

▶ **图片13：** 1. 夹紧螺丝 2. 切锯导板 3. 副导板 4. 轨道

如果切锯导板靠近锯片，请使用副导板支撑工件。拧松夹紧螺丝，使副导板滑出轨道。如图所示，安装副导板，然后拧紧夹紧螺丝。

如果切锯导板安装在锯片的左侧，请更换副导板位置。从切锯导板上拆下夹紧螺丝、副导板和轨道。使用拆下的夹紧螺丝将轨道安装到切锯导板的右侧，暂不拧紧。装上副导板，然后再拧紧夹紧螺丝。

▶ **图片14：** 1. 切锯导板 2. 副导板 3. 夹紧螺丝 4. 轨道

副台面（右侧）

► **图片15:** 1. 杆

► **图片16:** 1. 副台面（右侧）

本工具的主台面右侧安装有副台面（右侧）。要使用副台面（右侧），抬起右前侧的两个杆，拉出台面（右侧），然后降下杆进行固定。

使用副台面（右侧）时，使用螺丝起子拧松副台面上的螺丝后将刻度板置于副台面上，以使副台面与主台面上的刻度板相连。

► **图片17:** 1. 刻度板 2. 螺丝

副台面（背面）

选购附件

► **图片18:** 1. 副台面（背面） 2. 螺丝

要使用副台面（背面），拧松台面下方左右两侧的螺丝，然后将其向后拉出至所需的长度。在所需的长度处，拧紧螺丝。

注： 使用副台面（背面）时，在使用切锯导板期间，将副台面（背面）拉出50 mm以上，以免其勿撞击切锯导板的顶端。

副台面（左侧）

选购附件

► **图片19:** 1. 螺丝 2. 副台面（左侧）

副台面（左侧）（选购附件）可安装在台面的左侧，以使空间更宽阔。

防反弹棘爪

警告： 整个切割操作过程中，尽可能地使用防反弹棘爪。这样一旦发生可能会导致人身伤害的反弹时，棘爪可以防止材料被弹向操作人员。

► **图片20:** 1. 防反弹棘爪 2. 夹具

要从工具拆下防反弹棘爪，先松开防反弹棘爪根部的夹具，然后再将它们拉出。要安装时，可按与拆卸时相反的步骤进行。

装配

小心： 对工具进行任何装配操作前请务必确认机器已关闭且已拔下电源插头。

安装或拆卸锯片

小心： 在安装或拆下锯片之前，请务必确认工具开关已关闭并且已将电源插头拔下。

小心： 请仅使用随附的Makita（牧田）扳手来安装或拆卸锯片。否则可能会导致六角螺栓安装过紧或者过松。这样可能会造成人身伤害。

小心： 请使用以下锯片。请勿使用与本说明书中指定的锯片规格不符的锯片。

直径	锯片厚度	锯痕
260 mm	小于1.9 mm	大于2.1 mm

1. 拧松台面嵌板上的螺丝，将它们拆下。
2. 用斜口扳手握紧外法兰盘，然后用扳手按逆时针方向拧松六角螺母。然后拆下外法兰盘。

► **图片21:** 1. 斜口扳手 2. 六角螺母 3. 扳手

3. 将内法兰盘、挡圈、锯片、外法兰盘和六角螺母安装至轴，确保锯片的齿向下指向台面的前面。安装六角螺母并使其凹槽侧朝向外法兰盘。

► **图片22:** 1. 内法兰盘 2. 挡圈 3. 锯片 4. 外法兰盘 5. 六角螺母

小心： 确保锯片已安装且使锯片齿在切割（旋转）方向上对齐。

小心： 安装锯片前请检查锯片的轴孔直径。务必针对要使用的锯片的轴孔使用正确的挡圈。随附挡圈的规格因国家不同而异。

- 对于使用30 mm孔径锯片的工具，提供外直径为30 mm的挡圈。
- 对于使用25.4 mm和25 mm孔径锯片的工具，提供银色和黑色挡圈。25.4 mm孔径锯片使用银色挡圈，25 mm孔径锯片使用黑色挡圈。

4. 要将锯片固定到位，用斜口扳手固定住外法兰盘，然后用扳手按顺时针方向拧紧六角螺母。请务必拧紧六角螺母。

► **图片23:** 1. 斜口扳手 2. 扳手

小心： 确保法兰盘表面无污垢或其他吸附异物；这可能会导致锯片滑动。

小心： 务必用扳手小心固定住六角螺母。如把手滑动，则扳手可能会脱离六角螺母，您的手可能会碰到锋利的锯刃。

5. 使用螺丝将台面嵌板安装到位。

调节分料刀

⚠️小心： 如果锯片和分料刀没有正确对齐，则操作期间可能会出现危险的卡滞状况。务必正确对齐锯片和分料刀。在分料刀未正确对齐的情况下使用工具会导致严重的人身伤害。

⚠️小心： 工具旋转期间切勿进行任何调节。进行调节前请断开工具连接。

⚠️小心： 请勿拆下分料刀。

▶ **图片24：** 1. 锯片保护罩 2. 分料刀 3. 螺丝

分料刀安装位置在出厂时已调节好，它与锯片在一条直线上。但如果锯片和分料刀不在一条直线上，则需要调节其位置。

拧松台面嵌板上的螺丝，将其从主台面拆下。拧松六角螺栓（B）并调节锯片保护罩安装部件（支柱），使分料刀在锯片正后方与之对齐。然后拧紧六角螺栓（B）以紧固支柱，再将台面嵌板放置到位。

▶ **图片25：** 1. 锯片 2. 两处间距应相等。 3. 分料刀 4. 六角螺栓（B） 5. 六角螺栓（A）

分料刀和锯齿之间必须保持约4至5 mm的间隙。拧松六角螺栓（A），相应地调节分料刀并拧紧六角螺栓（A）。切割前，使用螺丝将台面嵌板安装至台面，然后检查锯片保护罩是否可以顺畅工作。

▶ **图片26：** 1. 劈刀 2. 锯片保护罩 3. 4 mm - 5 mm间隙

安装并调节切锯导板

▶ **图片27：** 1. 挂钩 2. 旋钮 3. 导轨

1. 将切锯导板顶端的挂钩卡入台面或副台面（右侧）上较远的导轨，安装并向前推动切锯导板使导板支架与最近的导轨啮合。

2. 要向侧面滑动导轨上的切锯导板，将导板支架上的旋钮完全回位，且勿拉旋钮上的杆。

要固定切锯导板，将导板支架上的旋钮转动到底。

3. 要拆下切锯导板时，拉动旋钮上的杆并在拉动杆的同时正向旋转旋钮到底。

要检查切锯导板是否与锯片平行，将切锯导板固定在距离锯片2至3 mm的位置处。最大程度地抬起锯片。用色笔在一个锯齿上做好标记。测量切锯导板和锯片之间的距离（A）和（B）。利用通过色笔标记的锯齿进行这两次测量。这两次测量的结果应该相同。如果切锯导板与锯片不平行，请执行以下操作：

▶ **图片28：** 1. 刻度

1. 将切锯导板置于滑动位置。

2. 用随附的六角扳手拧松切锯导板上的两个六角螺栓。

▶ **图片29：** 1. 六角螺栓

3. 调节切锯导板直至切锯导板与锯片平行。

4. 朝操作者方向向下旋转切锯导板上的旋钮。

5. 拧紧切锯导板上的两个六角螺栓。

▶ **图片30**

⚠️小心： 请务必调节切锯导板，使其与锯片平行，否则可能会出现危险的反弹状况。

如果切锯导板无法牢牢紧固，请根据以下步骤进行调节。

1. 将切锯导板置于台面上，然后将旋钮旋转半圈（移动位置）。拧紧螺丝（A）直至切锯导板固定不动。然后拧松1/4至1/2圈。

▶ **图片31：** 1. 切锯导板 2. 释放位置 3. 移动位置 4. 锁定位置

▶ **图片32：** 1. 切锯导板 2. 移动位置 3. 螺丝（B） 4. 螺丝（A）

2. 完全拧紧螺丝（B），然后拧松约2整圈。

3. 完全转动导板支架（锁定位置）上的旋钮将切锯导板锁定。

4. 确保切锯导板可在原位（释放位置）上安装和拆卸。

5. 确保旋钮旋转半圈时切锯导板可以顺畅滑动且无摇摆。

注意： 小心操作，勿以超过上述说明中指定的拧紧量拧紧螺丝。否则可能会导致被紧固的部件受损。

上台切锯导板，抵住锯片一侧。确保导板支架参照线指向刻度0。如果参照线不指向刻度0，拧松刻度板上的螺丝并调节刻度板。

▶ **图片33：** 1. 参照线 2. 螺丝

连接至集尘器

将工具连接至Makita（牧田）集尘器或吸尘器可进行清洁操作。

► 图片34

操作

本工具设计用于切割木产品。

有关适合切割材料的正确电圆锯锯片，请参阅我们的网站或联系当地Makita（牧田）经销商。

⚠️小心： 如果手或手指存在靠近锯片的危险，请务必使用推杆和推块等“工作助手”。

⚠️小心： 务必使用工作台和切锯导板或斜接规牢牢稳住工件。送料时，请勿弯曲或扭曲工件。如果工件弯曲或扭曲，则可能会出现危险的反弹。

⚠️小心： 切勿在锯片运转期间撤出工件。如果必须在切割完成之前撤出工件，请先关闭工具，同时牢牢稳住工件。等锯片完全停止转动后再撤出工件。否则可能会造成危险的反弹。

⚠️小心： 切勿在锯片运转期间清理切割碎片。

⚠️小心： 切勿将您的手或手指置于锯片的路径之内。进行斜切角切割时应特别注意。

⚠️小心： 请务必将切锯导板牢牢固定，否则可能会出现危险的反弹状况。

⚠️小心： 切割较小或较窄的工件时，请务必使用推杆和推块等“工作助手”。

工作助手

推杆、推块或辅助导向板均属于“工作助手”。使用它们即可以进行安全、稳定的切割，而无需操作者用任何身体部位接触锯片。

推块

► 图片35: 1. 表面 / 边缘对齐 2. 把手 3. 木螺丝 4. 粘在一起

使用19 mm的夹板。

把手必须位于夹板的中央。如图所示，用胶水和木螺丝进行固定。必须将9.5 mm x 8 mm x 50 mm的小木块粘在夹板上，以免锯片在操作者误切到推块时变钝。（切勿在推块中使用钉子。）

辅助导向板

► 图片36: 1. 表面 / 边缘对齐

辅助导向板应采用9.5 mm至19 mm的夹板。

切锯

⚠️小心： 切锯时，请从台面上拆下斜接规。

⚠️小心： 切割较长或较大的工件时，请务必在台面后方提供足够的支撑。不得让长板在台面上移动或移位。否则会导致锯片卡滞，增加出现反弹和人身伤害的几率。支撑件应与台面的高度相同。

⚠️小心： 切勿在锯片的斜切侧上执行斜切角切锯。

1. 调节切割深度，使其略大于工件的厚度。

► 图片37

2. 将切锯导板置于所需的切锯宽度位置，然后旋转旋钮将其固定到位。切锯之前，请确保切锯导板的后端已紧紧固定。如未固定，请按照章节“安装并调节切锯导板”中的步骤进行操作。

3. 启动工具，然后沿着切锯导板将工件轻轻地递送至锯片处。

当切锯宽度为150 mm或以上时，请使用右手小心递送工件。用左手稳住工件并抵住切锯导板。

► 图片38

当切锯宽度为65 mm至150 mm时，请使用推杆递送工件。

► 图片39: 1. 推杆

切锯的宽度小于65 mm时，推杆会撞到锯片保护罩，因此不能使用推杆。使用辅助导向板和推块。使用两个“C”夹将辅助导向板安装至切锯导板。

用手递送工件，直至工件的末端距离台面前缘约25 mm。

► 图片40

然后用推块在辅助导向板的顶部继续送料，直至切割完成。

► 图片41: 1. 推块 2. 辅助导向板

横切

⚠️小心： 进行横切时，从台面上拆下切锯导板。

⚠️小心： 切割较长或较大的工件时，请务必在工作台的两侧提供足够的支撑。支撑件应与台面的高度相同。

⚠️小心： 双手务必远离锯片路径。

斜接规

► **图片42：** 1. 横切 2. 斜切 3. 斜切角切割 4. 复合斜切（角度）

使用斜接规进行下图所示4种类型的切割。

⚠️小心： 请小心紧固斜接规上的旋钮。

⚠️小心： 使用工件夹紧装置避免工件和斜接规蠕动，特别是在以一定角度进行切割时。

⚠️小心： 切勿握持或抓住工件上要切掉的部分。

⚠️小心： 调节斜接规末端与锯片之间的距离，不得超过**15 mm**。

斜接规前挡块

► **图片43：** 1. 前挡块螺丝 2. 小板 3. 旋钮

斜接规配有前挡块，分别位于**90°**和**45°**右侧和左侧斜接角度处，可快速设置斜切角度。要设置斜切角度，请拧松斜接规上的旋钮。抬起斜接规上的小板进行自由设置。旋转斜接规至所需的斜接角度。将斜接规上的小板恢复至原位并顺时针拧紧旋钮。

斜接规的使用

► **图片44：** 1. 凹槽 2. 斜接规 3. 旋钮

将斜接规滑入台面上较深的凹槽。拧松斜接规上的旋钮并对齐至所需的角度（**0°**至**60°**）。提起支撑架，使其与导板齐平并抵住导板并向前慢慢递送至锯片。

副规（斜接规）

► **图片45：** 1. 副规

斜接规上的副规可防止工件摆动。拧松斜接规上的螺丝，调整副规位置。

搬运工具

► **图片46**

确保已按下工具的电源插头。
如图所示，双手握住工具部分搬运工具。

⚠️小心： 搬动工具前请务必固定好所有可以移动的部件。

⚠️小心： 搬运工具之前，确认锯片保护罩和副保护罩已放下，副保护罩的下缘接触主台面。

保养

⚠️小心： 检查或保养工具之前，请务必关闭工具电源开关并拔下插头。

注意： 切勿使用汽油、苯、稀释剂、酒精或类似物品清洁工具。否则可能会导致工具变色、变形或出现裂缝。

清洁

请时常清理锯屑和碎屑。仔细清洁锯片保护罩和台锯内部的运动部件。
清除锯片下方积聚的锯屑时，请拆下台面嵌板，使用吹风拂尘器从集尘器的接头处吹出锯屑。

润滑

要使台锯保持在最佳的运转状态并确保最长的使用寿命，请时常润滑运动部件和旋转部件。

润滑部位：

- 提升锯片的螺纹轴
- 旋转框架的铰链
- 电机上的提升导轨
- 提升锯片的齿轮
- 切锯导板上的导轨
- 副台面（右侧）锁定杆的轴
- 副台面（右侧）的滑动部件

更换碳刷

定期检查碳刷。

在碳刷磨损到界限磨耗线时进行更换。请保持碳刷清洁并使其在碳刷夹内能自由滑动。两个碳刷应同时替换。请仅使用相同的碳刷。

► **图片47: 1. 界限磨耗线**

1. 收起副台面（右侧）。如果存放了切锯导板请将其取走。

2. 拧松锁定杆，转动手轮直至锯片头处于45°斜切角度处。然后紧固锁定杆。

► **图片48: 1. 切锯导板 2. 锁定杆 3. 手轮**

3. 右侧朝下竖起工具。

► **图片49**

4. 拧松底板上的螺丝，将其拆下。

5. 用螺丝起子拧松碳刷夹盖，然后拆下已磨损的碳刷。

► **图片50: 1. 底板 2. 碳刷夹盖 3. 螺丝起子**

6. 插入新碳刷，然后拧紧碳刷夹盖。

7. 用螺丝安装底板，然后小心地将工具底朝下放平。如果已取走切锯导板，请存放。

为了保证产品的安全与可靠性，维修、任何其他维修保养或调节需由Makita（牧田）授权的或工厂维修服务中心完成。务必使用Makita（牧田）的替换部件。

选购附件

小心： 这些附件或装置专用于本说明书所列的Makita（牧田）工具。如使用其他厂牌附件或装置，可能导致人身伤害。仅可将附件或装置用于规定目的。

如果您需要了解更多关于这些选购附件的信息，请咨询当地的Makita（牧田）维修服务中心。

- 钢制和硬质合金锯片
- 副台面（左侧）
- 副台面（背面）
- 切锯导板
- 斜接规
- 13至22号斜口扳手
- 19号扳手
- 5号六角扳手
- 接头（用于连接集尘器）
- 台面支件套件

关于台锯附带的选购附件台锯支件，请参阅使用说明书。

注： 本列表中的一些部件可能作为标准配件包含于工具包装内。它们可能因销往国家之不同而异。







SPEKIFIKASI

Model:		2704N
Lubang arbor (tergantung negara)		30 mm / 25,4 mm
Diameter mata pisau		260 mm
Kapasitas pemotongan maks.	siku-siku 0°	93 mm
	siku-siku 45°	64 mm
Kecepatan tanpa beban		5.200 min ⁻¹
Ukuran meja (P x L)	dengan sub-meja (Kanan) dan (belakang)	1.045 mm x 1.066 mm (meja direntangkan) 665 mm x 753 mm (meja disimpan)
	dengan sub-meja (Kanan) tanpa sub-meja (belakang)	567 mm x 1.066 mm (meja direntangkan) 567 mm x 753 mm (meja disimpan)
Dimensi (P x L x T) dengan meja tidak direntangkan	dengan sub-meja (Kanan) dan (belakang)	715 mm x 753 mm x 483mm
	dengan sub-meja (Kanan) tanpa sub-meja (belakang)	665 mm x 753 mm x 483 mm
Berat bersih		35,2 kg - 37,0 kg
Kelas keamanan		□/II

- Karena kesinambungan program penelitian dan pengembangan kami, spesifikasi yang disebutkan di sini dapat berubah tanpa pemberitahuan.
- Spesifikasi dapat berbeda dari satu negara ke negara lainnya.
- Berat alat mungkin berbeda tergantung perangkat tambahan yang dipasang. Kombinasi alat terberat dan teringan, sesuai Prosedur EPTA 01/2014, ditunjukkan pada tabel.

Simbol

Berikut ini adalah simbol-simbol yang dapat digunakan pada peralatan ini. Pastikan Anda memahami arti masing-masing simbol sebelum menggunakan peralatan.

	Baca petunjuk penggunaan.
	ISOLASI GANDA
 	Gunakan kaca mata pengaman.
 	Jangan mendekatkan tangan atau jari ke mata pisau.



Hanya untuk negara-negara UE
Akibat adanya komponen berbahaya dalam peralatan, peralatan listrik dan elektronik bekas dapat memiliki dampak negatif pada lingkungan dan kesehatan manusia.

Jangan buang peralatan listrik dan elektronik bersama limbah rumah tangga! Sesuai dengan Petunjuk Eropa tentang limbah peralatan listrik dan elektronik dan penyesuaiannya dengan undang-undang nasional, peralatan listrik dan elektronik bekas harus dikumpulkan secara terpisah dan dikirim ke tempat pengumpulan terpisah untuk limbah kota, beroperasi sesuai dengan peraturan perlindungan lingkungan.

Hal ini ditunjukkan dengan simbol tempat sampah bersilang yang ditempatkan pada peralatan.

Penggunaan

Mesin ini digunakan untuk memotong kayu. Pemotongan lurus, pemotongan siku-siku, dan pemotongan sudut miter dapat dilakukan dengan mesin ini. Mesin ini tidak dirancang untuk pemotongan tidak tembus.

Pasokan daya

Mesin harus terhubung dengan pasokan daya listrik yang bervoltase sama dengan yang tertera pada pelat nama, dan hanya dapat dijalankan dengan listrik AC fase tunggal. Mesin diisolasi ganda dan oleh sebab itu dapat dihubungkan dengan soket tanpa kabel.

PERINGATAN KESELAMATAN

Peringatan keselamatan umum mesin listrik

⚠️ PERINGATAN: Bacalah semua peringatan keselamatan, petunjuk, ilustrasi dan spesifikasi yang disertakan bersama mesin listrik ini. Kelalaian untuk mematuhi semua petunjuk yang tercantum di bawah ini dapat menyebabkan sengatan listrik, kebakaran dan/atau cedera serius.

Simpanlah semua peringatan dan petunjuk untuk acuan di masa depan.

Istilah "mesin listrik" dalam semua peringatan mengacu pada mesin listrik yang dijalankan dengan sumber listrik jala-jala (berkabel) atau baterai (tanpa kabel).

Keselamatan tempat kerja

1. **Jaga tempat kerja selalu bersih dan berpenerangan cukup.** Tempat kerja yang berantakan dan gelap mengundang kecelakaan.
2. **Jangan gunakan mesin listrik dalam lingkungan yang mudah meledak, misalnya jika ada cairan, gas, atau debu yang mudah menyala.** Mesin listrik menimbulkan bunga api yang dapat menyalakan debu atau uap tersebut.
3. **Jauhkan anak-anak dan orang lain saat menggunakan mesin listrik.** Bila perhatian terpecah, anda dapat kehilangan kendali.

Keamanan Kelistrikan

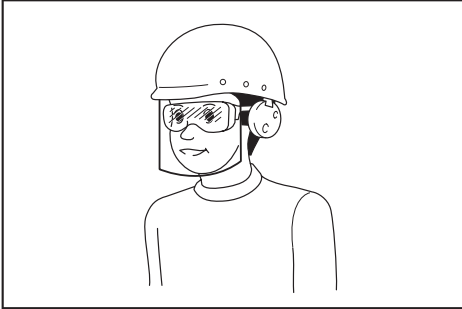
1. **Steker mesin listrik harus cocok dengan stopkontak. Jangan sekali-kali mengubah steker dengan cara apa pun. Jangan menggunakan steker adaptor dengan mesin listrik turbin (dibumikan).** Steker yang tidak diubah dan stopkontak yang cocok akan mengurangi risiko sengatan listrik.
2. **Hindari sentuhan tubuh dengan permukaan terbumi atau yang dibumikan seperti pipa, radiator, kompor, dan kulkas.** Risiko sengatan listrik bertambah jika tubuh Anda terbumikan atau dibumikan.
3. **Jangan membiarkan mesin listrik kehujanan atau kebasahan.** Air yang masuk ke dalam mesin listrik akan meningkatkan risiko sengatan listrik.
4. **Jangan menyalahtgunakan kabel. Jangan sekali-kali menggunakan kabel untuk membawa, menarik, atau mencabut mesin listrik dari stopkontak. Jauhkan kabel dari panas, minyak, tepian tajam, atau bagian yang bergerak.** Kabel yang rusak atau kusut memperbesar risiko sengatan listrik.
5. **Bila menggunakan mesin listrik di luar ruangan, gunakan kabel ekstensi yang sesuai untuk penggunaan di luar ruangan.** Penggunaan kabel yang sesuai untuk penggunaan luar ruangan mengurangi risiko sengatan listrik.

6. **Jika mengoperasikan mesin listrik di lokasi lembap tidak terhindarkan, gunakan pasokan daya yang dilindungi peranti imbasan arus (residual current device - RCD).** Penggunaan RCD mengurangi risiko sengatan listrik.
7. **Penggunaan pasokan daya melalui RCD dengan kapasitas arus sisa 30 mA atau kurang selalu dianjurkan.**
8. **Mesin listrik dapat menghasilkan medan magnet (EMF) yang tidak berbahaya bagi pengguna.** Namun, pengguna alat pacu jantung atau peralatan medis sejenisnya harus berkonsultasi dengan produsen peralatan tersebut dan/atau dokter mereka sebelum mengoperasikan mesin listrik ini.
9. **Jangan menyentuh colokan daya dengan tangan basah.**
10. **Jika kabel rusak, penggantian harus dilakukan oleh produsen atau agennya untuk menghindari bahaya keselamatan.**

Keselamatan Diri

1. **Jaga kewaspadaan, perhatikan pekerjaan Anda dan gunakan akal sehat bila menggunakan mesin listrik. Jangan menggunakan mesin listrik saat Anda lelah atau di bawah pengaruh obat bius, alkohol, atau obat.** Sekejap saja lalai saat menggunakan mesin listrik dapat menyebabkan cedera badan serius.
2. **Gunakan alat pelindung diri. Selalu gunakan pelindung mata.** Peralatan pelindung seperti masker debu, sepatu pengaman anti-selip, helm pengaman, atau pelindung telinga yang digunakan untuk kondisi yang sesuai akan mengurangi risiko cedera badan.
3. **Cegah penyalaaan yang tidak disengaja. Pastikan bahwa sakelar berada dalam posisi mati (off) sebelum menghubungkan mesin ke sumber daya dan/atau paket baterai, atau mengangkat atau membawanya.** Membawa mesin listrik dengan jari Anda pada sakelarnya atau mengalirkan listrik pada mesin listrik yang sakelarnya hidup (on) akan mengundang kecelakaan.
4. **Lepaskan kunci-kunci penyetel sebelum menghidupkan mesin listrik.** Kunci-kunci yang masih terpasang pada bagian mesin listrik yang berputar dapat menyebabkan cedera.
5. **Jangan meraih terlalu jauh. Jagalah pijakan dan keseimbangan sepanjang waktu.** Hal ini memungkinkan kendali yang lebih baik atas mesin listrik dalam situasi yang tidak diharapkan.
6. **Kenakan pakaian yang memadai. Jangan memakai pakaian yang longgar atau perhiasan. Jaga jarak antara rambut dan pakaian Anda dengan komponen mesin yang bergerak.** Pakaian yang longgar, perhiasan, atau rambut yang panjang dapat tersangkut pada komponen yang bergerak.
7. **Jika tersedia fasilitas untuk menghisap dan mengumpulkan debu, pastikan fasilitas tersebut terhubung listrik dan digunakan dengan baik.** Penggunaan pembersih debu dapat mengurangi bahaya yang terkait dengan debu.

8. **Jangan sampai Anda lengah dan mengabaikan prinsip keselamatan mesin ini hanya karena sudah sering mengoperasikannya dan sudah merasa terbiasa.** Tindakan yang lalai dapat menyebabkan cedera berat dalam sepersekian detik saja.
9. **Selalu kenakan kacamata pelindung untuk melindungi mata dari cedera saat menggunakan mesin listrik.** Kacamata harus sesuai dengan ANSI Z87.1 di Amerika Serikat, EN 166 di Eropa, atau AS/NZS 1336 di Australia/Selandia Baru. Di Australia/Selandia Baru, secara hukum Anda juga diwajibkan mengenakan pelindung wajah untuk melindungi wajah Anda.



Menjadi tanggung jawab atasannya untuk menerapkan penggunaan alat pelindung keselamatan yang tepat bagi operator mesin dan orang lain yang berada di area kerja saat itu.

Penggunaan dan pemeliharaan mesin listrik

1. **Jangan memaksa mesin listrik.** Gunakan mesin listrik yang tepat untuk keperluan Anda. Mesin listrik yang tepat akan menuntaskan pekerjaan dengan lebih baik dan aman pada kecepatan sesuai rancangannya.
2. **Jangan gunakan mesin listrik jika sakelar tidak dapat menyalakan dan mematikannya.** Mesin listrik yang tidak dapat dikendalikan dengan sakelarnya adalah berbahaya dan harus diperbaiki.
3. **Cabut steker dari sumber listrik dan/atau lepas paket baterai, jika dapat dilepas, dari mesin listrik sebelum melakukan penyetelan apa pun, mengganti aksesoris, atau menyimpan mesin listrik.** Langkah keselamatan preventif tersebut mengurangi risiko hidupnya mesin secara tak sengaja.
4. **Simpan mesin listrik jauh dari jangkauan anak-anak dan jangan biarkan orang yang tidak paham mengenai mesin listrik tersebut atau petunjuk ini menggunakan mesin listrik.** Mesin listrik sangat berbahaya di tangan pengguna yang tak terlatih.

5. **Rawatlah mesin listrik dan aksesoris.** Periksa apakah ada komponen bergerak yang tidak lurus atau macet, komponen yang pecah, dan kondisi-kondisi lain yang dapat memengaruhi pengoperasian mesin listrik. Jika rusak, perbaiki dahulu mesin listrik sebelum digunakan. Banyak kecelakaan disebabkan oleh kurangnya pemeliharaan mesin listrik.
6. **Jaga agar mesin pemotong tetap tajam dan bersih.** Mesin pemotong yang terawat baik dengan mata pemotong yang tajam tidak mudah macet dan lebih mudah dikendalikan.
7. **Gunakan mesin listrik, aksesoris, dan mata mesin, dll. sesuai dengan petunjuk ini, dengan memperhitungkan kondisi kerja dan jenis pekerjaan yang dilakukan.** Penggunaan mesin listrik untuk penggunaan yang lain dari peruntukan dapat menimbulkan situasi berbahaya.
8. **Jagalah agar gagang dan permukaan pegangan tetap kering, bersih, dan bebas dari minyak dan pelumas.** Gagang dan permukaan pegangan yang licin tidak mendukung keamanan penanganan dan pengendalian mesin dalam situasi-situasi tak terduga.
9. **Ketika menggunakan mesin, jangan menggunakan sarung tangan kain yang dapat tersangkut.** Sarung tangan kain yang tersangkut pada komponen bergerak dapat mengakibatkan cedera pada pengguna.

Servis

1. **Berikan mesin listrik untuk diperbaiki hanya kepada oleh teknisi yang berkualifikasi dengan menggunakan hanya suku cadang pengganti yang serupa.** Hal ini akan menjamin terjaganya keamanan mesin listrik.
2. **Patuhi petunjuk pelumasan dan penggantian aksesoris.**

Instruksi keselamatan untuk mesin gergaji meja

Peringatan terkait pelindung

1. **Jaga agar pelindung selalu terpasang di tempatnya.** Pelindung harus berfungsi dengan baik dan terpasang dengan benar. Pelindung yang longgar, rusak, atau tidak berfungsi dengan benar harus diperbaiki atau diganti.
2. **Pastikan bahwa mata gergaji tidak menyentuh pelindung, pisau pemotong atau benda kerja sebelum sakelar dinyalakan.** Sentuhan yang tidak disengaja antara benda-benda ini dengan mata gergaji dapat menyebabkan kondisi berbahaya.
3. **Setel pisau pemotong seperti dijelaskan dalam buku petunjuk.** Penyetelan jarak, posisi dan kesejajaran yang tidak benar dapat menyebabkan pisau pemotong tidak efektif dalam mengurangi hentakan balik yang mungkin terjadi.

4. **Agar berfungsi, pisau pemotong dan tuas anti hentakan balik harus menyatu dengan benda kerja.** Pisau pemotong dan tuas anti hentakan balik tidak efektif saat memotong benda kerja yang terlalu pendek untuk disatukan dengan pisau pemotong dan tuas anti hentakan balik. Dengan kondisi ini hentakan balik tidak dapat dicegah oleh pisau pemotong dan tuas anti hentakan balik.
5. **Gunakan mata gergaji yang sesuai untuk pisau pemotong.** Agar pisau pemotong berfungsi dengan benar, diameter mata gergaji harus sesuai dengan pisau pemotong dan badan mata gergaji harus lebih tipis dari ketebalan pisau pemotong dan lebar pemotongan mata gergaji harus lebih lebar dari ketebalan pisau pemotong.
8. **Jangan sekali-kali menjangkau sesuatu di sekitar atau di atas mata gergaji yang sedang berputar.** Menjangkau benda kerja dapat menyebabkan sentuhan yang tidak disengaja dengan mata gergaji yang sedang bergerak.
9. **Berikan dukungan benda kerja tambahan pada bagian belakang dan/atau sisi mesin gergaji meja untuk benda kerja yang panjang dan/atau lebar untuk menjaga benda kerja tetap sejajar.** Benda kerja yang panjang dan/atau lebar memiliki kecenderungan terjengat dengan bertumpu pada tepi meja, menyebabkan hilang kendali, mata gergaji terjepit dan hentakan balik.
10. **Umpangkan benda kerja dengan laju yang sama. Jangan menekuk, memelintir, atau menggeser benda kerja dari satu sisi ke sisi lain. Jika terjadi kemacetan, segera matikan alat, cabut steker mesin, lalu bersihkan penyebab kemacetan.** Kemacetan mata gergaji karena benda kerja dapat menyebabkan hentakan balik atau kemacetan motor.

Peringatan prosedur pemotongan

1. **⚠ BAHAYA: Jangan pernah meletakkan jari atau tangan Anda di dekat atau sejajar dengan mata gergaji.** Kelalaian mata lengah dapat mengarahkan tangan Anda ke mata gergaji dan mengakibatkan cedera badan yang serius.
2. **Umpangkan benda kerja ke mata gergaji hanya pada arah yang berlawanan dengan putaran.** Mengumpangkan benda kerja pada arah yang sama dengan putaran mata gergaji di atas meja dapat mengakibatkan benda kerja, atau tangan Anda, tertarik ke mata gergaji.
3. **Jangan pernah gunakan pengukur sudut miter untuk mengumpangkan benda kerja saat membelah dan jangan gunakan pembatas potongan sebagai penahan panjang saat pemotongan silang dengan pengukur sudut miter.** Memandu benda kerja dengan pembatas potongan dan pengukur sudut miter pada saat yang sama meningkatkan kemungkinan mata gergaji terjepit dan hentakan balik.
4. **Saat membelah, selalu jaga benda kerja dalam kontak penuh dengan pagar dan selalu terapkan gaya pengumpangan benda kerja antara pagar dan mata gergaji. Gunakan stik dorong ketika jarak antara pembatas dan mata gergaji kurang dari 150 mm, dan gunakan balok dorong ketika jarak tersebut kurang dari 50 mm.** Perangkat "bantuan kerja" akan menjaga tangan Anda pada jarak aman dari mata gergaji.
5. **Gunakan hanya stik dorong yang disediakan oleh pabrik atau dibuat sesuai dengan instruksi.** Stik dorong ini memberikan jarak yang cukup antara tangan dan mata gergaji.
6. **Jangan pernah gunakan stik dorong yang rusak atau terpotong.** Stik dorong yang rusak atau terpotong dapat pecah dan menyebabkan tangan Anda terselip ke mata gergaji.
7. **Jangan lakukan pengoperasian "dengan tangan kosong".** Selalu gunakan pembatas potongan dan pengukur sudut miter untuk memosisikan dan memandu benda kerja. "Dengan tangan kosong" berarti menggunakan tangan Anda untuk menahan atau mengarahkan benda kerja, sebagai pembatas potongan atau pengukur sudut miter. Penggergajian dengan tangan kosong dapat menyebabkan kesalahan penempatan, mata gergaji terjepit atau hentakan balik.
11. **Jangan membuang potongan material saat gergaji masih bekerja.** Material dapat terjebak di antara pembatas atau di dalam pelindung mata gergaji dan mata gergaji menarik tangan Anda. Matikan gergaji dan tunggu hingga mata gergaji berhenti sebelum membuang material.
12. **Gunakan pembatas tambahan yang bersentuhan dengan bagian atas meja ketika membelah benda kerja dengan ketebalan kurang dari 2 mm.** Benda kerja yang tipis dapat menggantal bagian bawah pembatas potongan dan mengakibatkan hentakan balik.

Penyebab hentakan balik dan peringatan terkait

Hentakan balik adalah reaksi benda kerja yang terjadi secara tiba-tiba karena mata gergaji yang terjepit dan macet atau garis potongan tidak sejajar pada benda kerja terhadap mata gergaji atau ketika bagian benda kerja terjepit di antara mata gergaji dan pembatas potongan maupun objek lain yang terpasang. Sering kali ketika terjadi hentakan balik, benda kerja terangkat dari meja oleh bagian belakang mata gergaji dan terdorong ke arah operator. Hentakan balik merupakan akibat dari salah cara menggunakan gergaji dan/atau prosedur atau kondisi pengoperasian yang salah dan dapat dihindari dengan melakukan tindakan kewaspadaan yang tepat sebagaimana diuraikan di bawah ini.

1. **Jangan pernah berdiri secara langsung sejajar dengan mata gergaji. Selalu posisikan badan Anda di samping mata gergaji pada sisi yang sama dengan pembatas.** Hentakan balik dapat mendorong benda kerja dengan kecepatan tinggi ke arah siapa pun yang berdiri di depan dan sejajar dengan mata gergaji.
2. **Jangan pernah menjangkau bagian atas atau belakang mata gergaji untuk menarik atau menahan benda kerja.** Sentuhan yang tidak disengaja dengan mata gergaji dapat terjadi atau hentakan balik dapat menyeret jari Anda ke mata gergaji.

3. **Jangan pernah memegang dan menekan benda kerja yang sedang dipotong berlawanan arah dengan mata gergaji yang sedang berputar.** Menekan benda kerja yang sedang dipotong berlawanan arah dengan mata gergaji dapat menyebabkan mata gergaji terjepit dan hentakan balik.
4. **Sejajarkan pembatas dengan mata gergaji.** Pembatas yang tidak sejajar akan menjepit benda kerja terhadap mata gergaji dan mengakibatkan hentakan balik.
5. **Berhati-hatilah saat melakukan pemotongan pada area buta rakitan benda kerja.** Mata gergaji yang mencuat dapat memotong objek yang dapat menyebabkan hentakan balik.
6. **Tahan panel besar untuk meminimalkan risiko mata gergaji terjepit dan hentakan balik.** Panel besar cenderung melengkung karena beratnya. Penahan harus ditempatkan di bawah semua bagian panel yang bebas tidak tersangga oleh meja.
7. **Berhati-hatilah saat memotong benda kerja yang terpuntir, memiliki mata kayu, melengkung atau tidak memiliki ujung yang lurus untuk memandunya dengan pengukur sudut miter atau sepanjang pembatas.** Benda kerja yang melengkung, memiliki mata kayu, atau terpuntir bersifat tidak stabil dan menyebabkan tidak selarasnya goresan dengan mata gergaji, mata gergaji terjepit atau hentakan balik.
8. **Jangan pernah memotong lebih dari satu benda kerja, yang ditumpuk secara vertikal maupun horizontal.** Mata gergaji dapat mengangkat satu atau lebih benda kerja dan menyebabkan hentakan balik.
9. **Saat memulai ulang gergaji dengan mata gergaji pada benda kerja, pusatkan mata gergaji di goresan sehingga gigi gergaji tidak tersangkut di dalam material.** Jika terjepit, mata gergaji dapat mengangkat benda kerja dan menyebabkan hentakan balik saat gergaji dimulai ulang.
10. **Jaga mata gergaji tetap bersih, tajam, dan dengan set yang memadai.** Jangan pernah gunakan mata gergaji yang melengkung atau mata gergaji yang retak maupun memiliki gigi yang rusak. Mata gergaji yang tajam dan disetel dengan benar meminimalkan mata gergaji terjepit, kemacetan dan hentakan balik.
3. **Tempatkan mesin gergaji meja di area yang berpenerangan cukup dan permukaannya rata agar Anda bisa menjaga pijakan dan keseimbangan yang baik.** Mesin harus dipasang di area yang memiliki cukup ruang untuk memudahkan penanganan ukuran benda kerja Anda. Area gelap dan sempit serta lantai tidak rata yang licin mengundang kecelakaan.
4. **Secara berkala bersihkan dan buang serbuk gergaji dari bagian bawah mesin gergaji meja dan/atau perangkat pengumpul debu.** Serbuk gergaji yang terakumulasi mudah meledak dan dapat terbakar dengan sendirinya.
5. **Mesin gergaji meja harus dipasang dan ditahan di tempatnya dengan benar.** Mesin gergaji meja yang tidak ditahan di tempatnya dengan benar dapat bergeser atau terguling.
6. **Lepaskan alat, serpihan kayu, dsb. dari meja sebelum mesin gergaji meja dihidupkan.** Benda yang dapat menghalangi atau kondisi yang berpotensi menimbulkan kemacetan dapat berbahaya.
7. **Selalu gunakan mata gergaji dengan ukuran dan bentuk yang tepat (bentuk berlian atau lingkaran) dari lubang arbor.** Mata gergaji yang tidak sesuai untuk dipasang pada perangkat keras gergaji jika digunakan akan melenceng dari pusatnya, mengakibatkan kehilangan kendali.
8. **Jangan pernah gunakan alat pemasangan mata gergaji yang rusak atau tidak tepat seperti flensa, cincin penutup mata gergaji, baut atau mur.** Alat pemasangan ini secara khusus didesain untuk gergaji Anda, untuk pengoperasian yang aman dan kinerja optimal.
9. **Jangan pernah berdiri di atas mesin gergaji meja, jangan gunakan mesin ini sebagai pijakan.** Cedera serius bisa terjadi jika mesin terguling atau jika alat pemotong tersentuh secara tidak sengaja.
10. **Pastikan mata gergaji sudah terpasang untuk putaran ke arah yang benar.** Jangan gunakan roda gerinda, sikat kawat, atau roda ampelas pada mesin gergaji meja. Pemasangan mata gergaji yang tidak tepat atau penggunaan aksesoris yang tidak direkomendasikan dapat menyebabkan cedera serius.

Peringatan prosedur pengoperasian mesin gergaji meja

1. **Matikan mesin gergaji meja dan cabut kabel daya ketika melepaskan sisipan meja, mengganti mata gergaji atau melakukan penyetulan pisau pemotong, tuas anti hentakan balik atau pelindung mata gergaji, dan ketika mesin ditinggalkan tanpa pengawasan.** Tindakan pencegahan dapat mencegah kecelakaan.
2. **Jangan pernah meninggalkan mesin gergaji meja tanpa pengawasan.** Matikan dan jangan tinggalkan mesin sampai benar-benar berhenti. Gergaji yang bekerja tanpa pengawasan merupakan bahaya tak terkendali.

Instruksi tambahan

1. **Hanya gunakan mata gergaji dengan kecepatan yang sama atau lebih tinggi dari kecepatan yang tertera pada mesin.**
2. **Pilih mata gergaji yang sesuai dengan bahan yang akan dipotong.**
3. **Kenakan sarung tangan saat menangani mata gergaji.**
4. **Bersihkan spindel, flensa (terutama permukaan pemasangan) dan mur segi-enam sebelum memasang mata pisau.** Pemasangan yang buruk dapat menyebabkan timbulnya getaran/goyangan atau selip pada mata pisau.
5. **Jangan memotong benda logam seperti paku dan sekrup.** Periksa dan buang semua paku, sekrup dan benda asing lainnya dari benda kerja sebelum pengoperasian.

6. **JANGAN PERNAH** membolehkan orang lain berdiri sejajar dengan jalur mata gergaji.
7. **Sebelum menggunakan mesin pada benda kerja yang sebenarnya, jalankan mesin sebentar. Perhatikan akan adanya getaran atau goyangan yang dapat menunjukkan lemahnya pemasangan atau mata pisau yang kurang seimbang.**
8. **Mesin tidak boleh digunakan untuk membuat celah, membuat papan rebat atau membuat alur.**
9. **Ganti sisipan meja ketika sudah aus.**
10. **Selalu simpan stik dorong bila tidak sedang digunakan.**
11. **Hilangkan mata kayu dari benda kerja SEBELUM mulai memotong.**
12. **Debu yang dihasilkan dari pengoperasian mengandung bahan kimia yang diketahui dapat menyebabkan kanker, cacat bawaan atau bahaya reproduksi lainnya. Beberapa contoh bahan kimia tersebut adalah:**
 - timbal dari bahan yang dicat menggunakan cat berbahan timbal dan,
 - arsenik dan kromium dari kayu yang diberi perlakuan menggunakan bahan kimia.

Risiko yang Anda alami dari paparan tersebut bervariasi, tergantung seberapa sering Anda melakukan jenis pekerjaan ini. Untuk mengurangi paparan dari bahan kimia tersebut: bekerja di area yang berventilasi baik dan bekerja menggunakan peralatan keselamatan yang dianjurkan, seperti masker debu yang khusus dirancang untuk menyaring partikel mikroskopis.
13. **Selalu pastikan sub-pelindung diturunkan sepenuhnya hingga menyentuh mesin gergaji meja sebelum mencolokkan mesin ke steker.**
14. **Periksa kabel ekstensi secara berkala dan ganti jika rusak.**
15. **(Hanya untuk negara-negara di Eropa) Gunakan hanya mata gergaji yang dianjurkan oleh pabrik dan yang sesuai dengan EN847-1.**
16. **Pemotongan meruncing tidak diperbolehkan.**
17. **Gunakan pelindung telinga.**

PEMASANGAN

Mengatur posisi mesin gergaji meja

- ▶ **Gbr.1:** 1. Diameter lubang 8 mm
- ▶ **Gbr.2:** 1. Cincin penutup standar 6 mm 2. Sekrup kayu no. 10 panjang min. 40 mm
- ▶ **Gbr.3:** 1. Cincin penutup standar 6 mm 2. Baut & mur pemasangan 6 mm yang dikencangkan dengan kuat

Tempatkan mesin gergaji meja di area yang berpenerangan cukup dan permukaannya rata agar Anda bisa menjaga pijakan dan keseimbangan yang baik. Mesin harus dipasang di area yang memiliki cukup ruang untuk memudahkan penanganan ukuran benda kerja Anda. Mesin gergaji meja harus ditahan menggunakan empat sekrup atau baut pada meja kerja atau penyangga mesin gergaji meja menggunakan lubang yang terdapat di bagian bawah mesin gergaji meja. Saat mengencangkan mesin gergaji meja pada meja kerja, pastikan terdapat bukaan di bagian atas meja kerja dengan ukuran yang sama dengan di bagian bawah mesin gergaji meja agar serbuk gergaji dapat keluar melalui bukaan tersebut. Jika selama pengoperasian, mesin gergaji meja cenderung untuk terguling, bergeser atau bergerak, maka meja kerja atau penyangga mesin gergaji meja harus dikencangkan ke lantai.

Aksesori penyimpanan

- ▶ **Gbr.4:** 1. Pengukur sudut miter
- ▶ **Gbr.5:** 1. Pembatas potongan 2. Stik dorong 3. Tuas anti hentakan balik

Pengukur sudut miter, mata gergaji dan kunci pas dapat disimpan di sisi kiri dudukan. Pembatas potongan, stik dorong, dan tuas anti hentakan balik dapat disimpan di sisi kanan dudukan.

DESKRIPSI FUNGSI

⚠PERHATIAN: Selalu pastikan bahwa mesin dalam keadaan mati dan steker tercabut sebelum menyetel atau memeriksa kerja mesin.

Pelindung mata pisau

⚠PERINGATAN: Jangan pernah mengalkali atau melepaskan pelindung mata pisau. Mata pisau yang terpapar sebagai akibat dari pelindung yang diakali dapat menyebabkan cedera badan selama pengoperasian.

⚠PERINGATAN: Jangan pernah menggunakan mesin jika pelindung mata pisau rusak, cacat atau dilepaskan. Pengoperasian mesin dengan pelindung yang rusak, cacat atau dilepaskan dapat mengakibatkan cedera badan yang serius.

- ▶ **Gbr.6:** 1. Pelindung mata pisau 2. Sub-pelindung

Saat memotong, dorong benda kerja ke mata pisau dengan ujung bawah sub-pelindung menyentuh meja utama. Begitu benda kerja diumpankan, pelindung dan sub-pelindung mata pisau akan terangkat dan berada di atas benda kerja.

Demi keselamatan Anda, selalu pertahankan agar pelindung dan sub-pelindung mata pisau dalam kondisi yang baik. Ketidakwajaran yang ada pada kerja pelindung dan sub-pelindung mata pisau harus segera diperbaiki. Periksa untuk memastikan pelindung dan sub-pelindung mata pisau diturunkan sepenuhnya dan ujung bawah sub-pelindung menyentuh meja utama ketika benda kerja tidak diumpankan.

Jika bagian yang transparan terlihat kotor, atau terdapat serbuk gergaji yang menempel sehingga mata pisau dan/atau benda kerja tidak lagi terlihat dengan mudah, matikan mesin dan bersihkan bagian transparan dengan hati-hati menggunakan kain basah. Jangan gunakan pelarut atau cairan pembersih berbahan dasar minyak bumi karena hal ini akan menyebabkan kerusakan pada bagian tersebut. Jika bagian transparan berubah warna karena usang atau akibat terpaan sinar UV, hubungi pusat layanan Makita untuk mendapatkan yang baru. **JANGAN MENGAKALI ATAU MELEPASKAN PELINDUNG DAN SUB-PELINDUNG MATA PISAU.**

Menyetel kedalaman pemotongan

► **Gbr.7:** 1. Pegangan

Kedalaman pemotongan bisa disetel dengan memutar pegangan. Putar pegangan searah jarum jam untuk menaikkan mata gergaji atau berlawanan arah jarum jam untuk menurunkannya.

CATATAN: Gunakan setelan kedalaman dangkal saat memotong bahan yang tipis untuk memperoleh potongan yang lebih bersih.

Menyetel sudut siku-siku

► **Gbr.8:** 1. Tuas kunci 2. Penunjuk arah panah 3. Alat putar tangan

Kendurkan tuas kunci berlawanan arah jarum jam dan putar alat putar tangan hingga mendapatkan sudut yang diinginkan ($0^\circ - 45^\circ$). Sudut siku ditandai dengan penunjuk arah panah.

Setelah diperoleh sudut yang diinginkan, kencangkan tuas kunci searah jarum jam untuk mengencangkan setelan.

PERHATIAN: Setelah penyetelan sudut siku, pastikan untuk mengencangkan tuas kunci kuat-kuat.

Menyetel hentian positif

► **Gbr.9:** 1. Sekrup penyetel 90° 2. Sekrup penyetel 45°

► **Gbr.10**

Mesin ini dilengkapi dengan hentian positif pada sudut 90° dan 45° terhadap permukaan meja. Untuk memeriksa dan menyetel hentian positif, lakukan langkah berikut:

Pindahkan alat putar tangan sejauh mungkin dengan cara memutarinya. Letakkan penggaris segitiga dan periksa apakah mata gergaji membentuk sudut 90° atau 45° terhadap permukaan meja. Jika mata gergaji berada pada sudut yang ditunjukkan di Gb. A, putar sekrup penyetel searah jarum jam, jika sudut menunjukkan seperti di gambar Gb. B, putar sekrup penyetel berlawanan arah jarum jam untuk menyetel hentian positif.

Setelah menyetel hentian positif, atur mata gergaji pada sudut 90° terhadap permukaan meja. Kemudian setel penunjuk arah panah hingga tepian sisi kanan sejajar dengan skala 0° .

► **Gbr.11:** 1. Penunjuk arah panah

Kerja sakelar

► **Gbr.12:** 1. Sakelar

PERHATIAN: Sebelum pengoperasian, pastikan bahwa mesin dinyalakan dan dimatikan.

Untuk menyalakan mesin, tekan tombol HIDUP (I). Untuk menghentikannya, tekan tombol MATI (O).

Anak pembatas (pembatas potongan)

► **Gbr.13:** 1. Sekrup penjepit 2. Pembatas potongan 3. Anak pembatas 4. Rel

Jika pembatas potongan mendekati mata gergaji, gunakan anak pembatas untuk menahan benda kerja. Kendurkan sekrup penjepit lalu geser anak pembatas ke luar rel. Pasang anak pembatas sebagaimana dilustrasikan dan kencangkan sekrup penjepit.

Ketika pembatas potongan terpasang di sisi kiri mata gergaji, ubah posisi anak pembatas. Lepaskan sekrup penjepit, anak pembatas, dan rel dari pembatas potongan. Pasang rel dengan kendur di sisi kanan pembatas potongan menggunakan sekrup penjepit yang telah dilepas. Setelah itu, pasang anak pembatas dan kencangkan sekrup penjepit.

► **Gbr.14:** 1. Pembatas potongan 2. Anak pembatas 3. Sekrup penjepit 4. Rel

Sub-meja (Kanan)

► **Gbr.15:** 1. Tuas

► **Gbr.16:** 1. Sub-meja (Kanan)

Mesin ini dilengkapi dengan sub-meja (Kanan) di sisi kanan meja utama. Untuk menggunakan sub-meja (Kanan), naikkan kedua tuas pada sisi depan kanan, tarik keluar sub meja (Kanan) sepenuhnya dan turunkan tuas untuk mengencangkannya.

Saat menggunakan sub-meja (Kanan), posisikan pelat skala pada sub-meja setelah mengendurkan sekrupnya dengan obeng sehingga tersambung lurus dengan pelat skala pada meja utama.

► **Gbr.17:** 1. Pelat skala 2. Sekrup

Sub-meja (belakang)

Pilihan Aksesori

► **Gbr.18:** 1. Sub-meja (belakang) 2. Sekrup

Untuk menggunakan sub-meja (belakang), kendurkan sekrup pada sisi kiri dan kanan di bawah meja dan tarik ke belakang sampai panjang yang diinginkan. Pada panjang yang diinginkan, kencangkan sekrup dengan kuat.

CATATAN: Saat menggunakan sub-meja (belakang) selama penggunaan pembatas potongan, tarik keluar sub-meja (belakang) lebih dari 50 mm sehingga tidak mengenai ujung atas pembatas potongan.

Sub-meja (Kiri)

Pilihan Aksesori

► **Gbr.19:** 1. Sekrup 2. Sub-meja (Kiri)

Sub-meja (Kiri) (aksesori pilihan) dapat dipasang di sisi kiri meja untuk mendapatkan ruang yang lebih lebar.

Tuas anti hentakan balik

PERINGATAN: Gunakan Tuas anti hentakan balik sebisa mungkin selama operasi pemotongan. Hal ini akan membantu mencegah material terdorong ke arah operator selama situasi hentakan balik yang dapat menyebabkan cedera badan serius.

► **Gbr.20:** 1. Tuas anti hentakan balik 2. Penjepit

Untuk melepaskan tuas anti hentakan balik dari mesin, kendurkan penjepit di bagian bawah tuas anti hentakan balik dan tarik keluar. Untuk pemasangan, lakukan prosedur pelepasan dengan urutan terbalik.

PERAKITAN

PERHATIAN: Pastikan bahwa mesin dalam keadaan mati dan steker tercabut sebelum melakukan pekerjaan apa pun pada mesin.

Memasang dan melepas mata gergaji

PERHATIAN: Pastikan mesin dalam keadaan mati dan steker telah dicabut, sebelum memasang atau melepas mata gergaji.

PERHATIAN: Gunakan hanya kunci pas Makita yang tersedia untuk memasang atau melepas mata gergaji. Kelalaian dalam melakukannya dapat mengakibatkan terlalu kencang atau kurang kencangnya baut kepala segi-enam. Hal ini bisa menyebabkan cedera.

PERHATIAN: Gunakan mata gergaji berikut. Jangan menggunakan mata gergaji yang tidak sesuai dengan karakteristik yang ditetapkan dalam petunjuk ini.

Diameter	Ketebalan mata pisau	Goresan
260 mm	Kurang dari 1,9 mm	Lebih dari 2,1 mm

1. Kendurkan sekrup pada sisipan meja dan lepaskan.
2. Tahan flensa luar dengan kunci ofset dan kendurkan mur kepala segi-enam berlawanan arah jarum jam menggunakan kunci pas. Lalu lepas flensa luar.
► **Gbr.21:** 1. Kunci ofset 2. Mur segi-enam 3. Kunci pas

3. Rakit flensa dalam, cincin, mata gergaji, flensa luar dan mur segi-enam pada arbor, pastikan semua gigi mata pisau menghadap bawah pada sisi depan meja. Selalu pasang mur segi-enam dengan sisi ceruk menghadap flensa luar.

► **Gbr.22:** 1. Flensa dalam 2. Cincin 3. Mata gergaji 4. Flensa luar 5. Mur segi-enam

PERHATIAN: Pastikan mata gergaji terpasang sehingga gigi-giginya sejajar dengan arah pemotongan (putaran).

PERHATIAN: Periksa diameter lubang arbor mata gergaji sebelum memasang mata gergaji. Selalu gunakan cincin yang tepat untuk diameter lubang arbor mata gergaji yang ingin Anda gunakan. Ukuran cincin yang disertakan bervariasi tergantung pada negara masing-masing.

- Untuk mesin untuk mata gergaji dengan diameter lubang 30 mm, tersedia cincin dengan diameter luar 30 mm.
- Untuk mesin untuk mata gergaji dengan diameter lubang 25,4 mm dan 25 mm, tersedia cincin berwarna perak dan hitam. Gunakan cincin berwarna perak untuk mata gergaji dengan diameter lubang 25,4 mm dan cincin berwarna hitam untuk mata gergaji dengan diameter lubang 25 mm.

4. Untuk mengencangkan mata gergaji di tempatnya, tahan flensa luar menggunakan kunci ofset, kemudian kencangkan mur segi-enam searah jarum jam menggunakan kunci pas. **PASTIKAN UNTUK MENGENCANGKAN MUR SEGI-ENAM DENGAN KUAT.**

► **Gbr.23:** 1. Kunci ofset 2. Kunci pas

PERHATIAN: Jaga permukaan flensa tetap bersih dari debu atau benda yang dapat melekat lain; hal ini dapat mengakibatkan mata pisau selip.

PERHATIAN: Pastikan untuk menahan mur segi-enam dengan hati-hati menggunakan kunci pas. Jika pegangan Anda tergelincir, kunci pas bisa lepas dari mur segi-enam, dan tangan Anda bisa membentur tepi mata pisau yang tajam.

5. Pasang sisipan meja di tempatnya dengan sekrup.

Menyetel pisau pemotong

PERHATIAN: Jika mata gergaji dan pisau pemotong tidak disejajarkan dengan benar, bisa mengakibatkan kondisi terjepit yang berbahaya selama pengoperasian. Pastikan keduanya disejajarkan dengan benar. Anda bisa mengalami cedera serius bila menggunakan mesin dengan pisau pemotong yang tidak disejajarkan dengan benar.

PERHATIAN: JANGAN PERNAH melakukan penyetelan saat mesin bekerja. Putus sambungan mesin dari sumber daya sebelum melakukan penyetelan.

PERHATIAN: Jangan lepaskan pisau pemotong.

- **Gbr.24:** 1. Pelindung mata pisau 2. Pisau pemotong 3. Sekrup

Lokasi pemasangan pisau pemotong sudah disetel pabrik sehingga mata gergaji dan pisau pemotong akan sejajar. Akan tetapi, Anda perlu menyetelnya jika mata gergaji dan pisau pemotong tidak sejajar.

Kendurkan sekrup pada sisipan meja dan lepaskan dari meja utama. Kendurkan baut kepala segi enam (B) dan setel bagian dudukan pelindung mata pisau (penopang) sehingga pisau pemotong tepat sejajar di belakang mata gergaji. Kemudian kencangkan baut kepala segi enam (B) dan letakkan sisipan meja di tempatnya.

- **Gbr.25:** 1. Mata pisau 2. Kedua jarak ini harus sama. 3. Pisau pemotong 4. Baut kepala segi enam (B) 5. Baut kepala segi enam (A)

Harus ada jarak sebesar 4 - 5 mm antara pisau pemotong dan gigi mata pisau. Kendurkan baut kepala segi enam (A), setel pisau pemotong sehingga sesuai dan kencangkan baut kepala segi enam (A) dengan kuat. Pasang sisipan meja pada meja dengan sekrup, kemudian periksa untuk melihat apakah pelindung mata pisau bekerja dengan lancar sebelum pemotongan.

- **Gbr.26:** 1. Pisau pemotong 2. Pelindung mata pisau 3. Jarak 4 mm - 5 mm

Memasang dan menyetel pembatas potongan

- **Gbr.27:** 1. Kait 2. Knop 3. Rel pemandu

1. Pasang kait di ujung pembatas potongan ke rel pemandu jauh pada meja atau sub-meja (Kanan) dan pasang serta dorong pembatas potongan ke depan sehingga penahan pembatas menyentuh rel pemandu terdekat.

2. Untuk menggeser pembatas potongan pada rel pemandu ke samping, putar kembali knop pada penahan pembatas sepenuhnya tanpa menarik tuas pada knop.

Untuk mengencangkan pembatas potongan, putar knop pada penahan pembatas sepenuhnya.

3. Untuk melepaskan pembatas potongan, tarik tuas pada knop dan putar knop ke depan sepenuhnya sambil menarik tuas.

Untuk memastikan apakah pembatas potongan sejajar dengan mata gergaji, pasang pembatas potongan dengan jarak 2 - 3 mm dari mata gergaji. Naikkan pisau hingga ketinggian maksimum. Tandai salah satu gigi mata pisau menggunakan krayon. Ukur jarak (A) dan (B) antara pembatas potongan dan mata gergaji. Lakukan kedua pengukuran menggunakan gigi yang ditandai dengan krayon. Kedua hasil pengukuran ini harus sama. Jika pembatas potongan tidak sejajar dengan mata gergaji, lakukan sebagaimana berikut:

- **Gbr.28:** 1. Skala

1. Posisikan pembatas potongan pada posisi bergeser.
2. Kendurkan kedua baut kepala segi enam pada pembatas potongan menggunakan kunci L yang disediakan.

- **Gbr.29:** 1. Baut kepala segi enam

3. Setel pembatas potongan sampai sejajar dengan mata gergaji.

4. Putar ke bawah knop pada pembatas potongan ke arah operator.

5. Kencangkan baut kepala segi enam pada pembatas potongan.

- **Gbr.30**

PERHATIAN: Pastikan untuk menyetel pembatas potongan sehingga sejajar dengan mata gergaji, atau kondisi hentikan balik yang berbahaya bisa terjadi.

Saat pembatas potongan tidak dapat dikencangkan, lakukan penyetelan menurut prosedur berikut.

1. Setel pembatas potongan pada meja lalu putar knop setengah jalan (posisi bergerak). Kencangkan sekrup (A) hingga pembatas potongan tidak dapat digerakkan. Kemudian kendurkan sebanyak 1/4 hingga 1/2 putaran.

- **Gbr.31:** 1. Pembatas potongan 2. Posisi pelepasan 3. Posisi bergerak 4. Posisi terkunci

- **Gbr.32:** 1. Pembatas potongan 2. Posisi bergerak 3. Sekrup (B) 4. Sekrup (A)

2. Kencangkan sekrup (B) sepenuhnya lalu kendurkan sekitar 2 putaran penuh.

3. Kunci pembatas potongan dengan memutar knop pada penahan pembatas sepenuhnya (posisi terkunci).

4. Pastikan pembatas potongan dapat dipasang dan dilepas dalam posisi semula (posisi pelepasan).

5. Pastikan pembatas potongan dapat digeser dengan lancar tanpa adanya goyangan saat knop di posisi setengah jalan.

PEMBERITAHUAN: Berhati-hatilah untuk tidak mengencangkan sekrup melebihi jumlah pengencangan yang ditentukan dalam instruksi di atas. Kelalaian dalam melakukannya dapat mengakibatkan kerusakan bagian yang dikencangkan.

Letakkan pembatas potongan rata dengan sisi mata gergaji. Pastikan bahwa panduan pada penahan pembatas mengarah ke skala 0. Jika panduan tidak mengarah ke skala 0, kendurkan sekrup pada pelat skala kemudian setel.

- **Gbr.33:** 1. Panduan 2. Sekrup

Menyambungkan pengisap debu

Pengoperasian yang lebih bersih bisa dilakukan dengan menghubungkan mesin ke pengisap debu atau pengumpul debu Makita.

- **Gbr.34**

PENGGUNAAN

Mesin ini digunakan untuk memotong produk yang terbuat dari kayu.

Baca situs web kami atau hubungi dealer Makita setempat Anda untuk mata gergaji bundar yang tepat digunakan untuk material yang akan dipotong.

⚠️PERHATIAN: Selalu gunakan “alat bantu kerja” seperti stik dorong dan balok dorong bila terlihat adanya bahaya yaitu tangan atau jari Anda akan semakin dekat dengan mata gergaji.

⚠️PERHATIAN: Selalu tahan benda kerja dengan kuat menggunakan meja dan pembatas potongan atau pengukur sudut miter. Jangan membengkokkan atau memuntirnya saat mengumpankan. Jika benda kerja bengkok atau terpuntir, bisa muncul hentakan balik yang berbahaya.

⚠️PERHATIAN: JANGAN PERNAH menarik benda kerja saat mata gergaji masih bekerja. Jika Anda harus menarik benda kerja sebelum menyelesaikan pemotongan, pertama-tama matikan mesin sambil menahan benda kerja dengan kuat. Tunggu sampai mata gergaji benar-benar berhenti sebelum menarik benda kerja. Kelalaian dalam melakukannya dapat menyebabkan hentakan balik yang berbahaya.

⚠️PERHATIAN: JANGAN PERNAH membuang potongan bahan saat mata gergaji masih bekerja.

⚠️PERHATIAN: JANGAN PERNAH meletakkan tangan atau jari Anda di jalur mata gergaji. Sangat berhati-hatilah dengan potongan siku-siku.

⚠️PERHATIAN: Selalu kencangkan pembatas potongan dengan kuat, atau hentakan balik yang berbahaya bisa terjadi.

⚠️PERHATIAN: Selalu gunakan “alat bantu kerja” seperti stik dorong dan balok dorong saat memotong benda kerja yang kecil dan pendek.

Alat bantu kerja

Stik dorong, balok dorong atau pembatas tambahan merupakan jenis dari “alat bantu kerja”. Gunakan alat bantu tersebut untuk membuat pekerjaan pemotongan menjadi aman dan yakin tanpa adanya kebutuhan bagi operator untuk menyentuh mata gergaji menggunakan bagian tubuhnya.

Balok dorong

► **Gbr.35:** 1. Paralel muka/tepi 2. Pegangan 3. Sekrup kayu 4. Pemandu temu

Gunakan potongan kayu tripleks setebal 19 mm. Pegangan harus berada di tengah-tengah potongan kayu tripleks. Kencangkan dengan lem dan sekrup kayu seperti yang ditunjukkan pada gambar. Potongan kayu kecil 9,5 mm x 8 mm x 50 mm harus selalu dilem ke kayu tripleks untuk mencegah agar mata gergaji tidak tumpul jika operator memotong balok dorong akibat kesalahan. (Jangan sekali-kali menggunakan paku pada balok dorong.)

Pembatas tambahan

► **Gbr.36:** 1. Paralel muka/tepi

Buat pembatas tambahan dari potongan kayu tripleks dengan ketebalan antara 9,5 mm dan 19 mm.

Membelah

⚠️PERHATIAN: Saat membelah, lepas pengukur sudut miter dari meja.

⚠️PERHATIAN: Saat memotong benda kerja yang panjang atau besar, selalu beri tumpuan yang cukup di belakang meja. JANGAN membiarkan papan yang panjang bergerak atau bergeser di atas meja. Hal ini akan menyebabkan mata gergaji terjepit dan memperbesar kemungkinan terjadinya hentakan balik serta cedera badan. Tumpuan harus berada pada ketinggian yang sama dengan meja.

⚠️PERHATIAN: Jangan lakukan pembelahan siku pada sisi siku-siku mata gergaji.

1. Setel kedalaman pemotongan sedikit lebih tinggi dari ketebalan benda kerja.

► **Gbr.37**

2. Posisikan pembatas potongan ke lebar belahan yang diinginkan dan kunci posisinya dengan memutar knop. Sebelum membelah, pastikan bahwa ujung belakang pemegang pembatas potongan terpasang dengan kuat. Jika belum cukup kuat, ikuti prosedur dalam “Memasang dan menyetel pembatas potongan”.

3. Nyalakan mesin dan umpankan benda kerja dengan perlahan ke dalam mata gergaji bersama dengan pembatas potongannya.

Bila lebar belahannya adalah 150 mm atau lebih lebar, gunakan tangan kanan dengan hati-hati untuk mengumpan benda kerja. Gunakan tangan kiri untuk memegang benda kerja dalam posisi melawan pembatas potongan.

► **Gbr.38**

Bila lebar belahannya adalah 65 mm - 150 mm, gunakan stik dorong untuk mengumpan benda kerja.

► **Gbr.39:** 1. Stik dorong

Ketika lebar belahannya kurang dari 65 mm, stik dorong tidak dapat digunakan karena akan membentur pelindung mata pisau. Gunakan pembatas tambahan dan balok dorong. Pasang pembatas tambahan pada pembatas potongan menggunakan dua buah penjepit “C”.

Umpankan benda kerja menggunakan tangan sampai ujungnya yaitu sekitar 25 mm dari tepi depan meja.

► **Gbr.40**

Lanjutkan pengumpanan menggunakan balok dorong pada bagian atas pembatas tambahan sampai pemotongan selesai.

► **Gbr.41:** 1. Balok dorong 2. Pembatas tambahan

Pemotongan silang

⚠️PERHATIAN: Saat melakukan pemotongan silang, lepas pembatas potongan dari meja.

⚠️PERHATIAN: Saat memotong benda kerja yang panjang atau besar, selalu beri tumpuan yang cukup di sisi-sisi meja. Tumpuan harus berada pada ketinggian yang sama dengan meja.

⚠️PERHATIAN: Selalu jauhkan tangan dari jalur mata pisau.

Pengukur sudut miter

- Gbr.42: 1. Pemotongan silang 2. Pembentukan sudut miter 3. Pemotongan siku-siku 4. Pembentukan sudut miter campuran (sudut)

Gunakan pengukur sudut miter untuk 4 jenis pemotongan yang ditunjukkan pada gambar.

⚠️PERHATIAN: Pasang knop pada pengukuran sudut miter dengan hati-hati.

⚠️PERHATIAN: Hindari mulurnya benda kerja dan pengukur dengan menahan benda kerja dengan kuat, terutama saat memotong pada sudut.

⚠️PERHATIAN: JANGAN PERNAH menahan atau memegang bagian yang "dipotong" dari benda kerja.

⚠️PERHATIAN: Selalu setel jarak antara ujung pengukur sudut miter dan mata gergaji tidak melebihi 15 mm.

Hentian positif pengukur sudut miter

- Gbr.43: 1. Sekrup untuk hentian positif 2. Pelat kecil 3. Knop

Pengukur sudut miter tersedia dengan hentian positif pada sudut miter kanan dan kiri 90°, 45° untuk pengaturan cepat sudut miter.

Untuk menyetel sudut miter, kendurkan knop pada pengukur sudut miter.

Naikkan pelat kecil pada pengukur sudut miter untuk pengaturan bebas. Putar pengukur sudut miter ke sudut miter yang diinginkan. Kembalikan pelat kecil pada pengukur sudut miter ke posisi semula dan kencangkan knop searah jarum jam dengan kuat.

Penggunaan pengukur sudut miter

- Gbr.44: 1. Alur 2. Pengukur sudut miter 3. Knop
Geser pengukur sudut miter ke dalam alur tebal di meja. Kendurkan knop pada pengukur dan sejajarkan dengan sudut yang diinginkan (0° sampai 60°). Bawa kayu yang terpasang di pembatas dan umpankan secara perlahan ke dalam mata gergaji dengan arah maju.

Sub-pengukur (pengukur sudut miter)

- Gbr.45: 1. Sub-pengukur

Sub-pengukur pada pengukur sudut miter mencegah agar benda kerja tidak goyang. Kendurkan sekrup pada sudut pengukur miter dan setel posisi sub-pengukur.

Membawa mesin

- Gbr.46

Pastikan steker mesin telah dicabut.

Bawa mesin dengan menahan bagian mesin seperti yang ditunjukkan pada gambar.

⚠️PERHATIAN: Selalu kencangkan semua bagian yang bergerak sebelum mesin dibawa.

⚠️PERHATIAN: Sebelum membawa mesin, pastikan pelindung dan sub-pelindung mata pisau di bawah dan ujung bawah sub-pelindung menyentuh meja utama.

PERAWATAN

⚠️PERHATIAN: Selalu pastikan bahwa mesin dimatikan dan steker dicabut sebelum melakukan pemeriksaan atau perawatan.

PEMBERITAHUAN: Jangan sekali-kali menggunakan bensin, tiner, alkohol, atau bahan sejenisnya. Penggunaan bahan demikian dapat menyebabkan perubahan warna, perubahan bentuk atau timbulnya retakan.

Pembersihan

Bersihkan serbuk gergaji dan serpihan kayu sewaktu-waktu. Bersihkan pelindung mata pisau dan bagian yang bergerak di bagian dalam mesin gergaji meja secara hati-hati.

Saat membuang serbuk gergaji yang terakumulasi di bawah mata gergaji, lepaskan sisipan meja dan gunakan pembersih udara untuk membersihkan serbuk gergaji pada konektor pengisap debu.

Pelumasan

Untuk menjaga agar mesin gergaji meja tetap dalam kondisi pengoperasian yang prima, dan untuk menjamin umur pakai yang maksimal, lumasi dengan minyak atau oleskan gemuk pada bagian yang bergerak dan bagian yang berputar sewaktu-waktu.

Lokasi pelumasan:

- Poros berulir untuk mengangkat mata gergaji
- Engsel untuk memutar rangka
- Poros pemandu ketinggian pada motor
- Roda gigi untuk mengangkat mata gergaji
- Rel pemandu untuk pembatas potongan
- Poros tuas pengunci sub-meja (Kanan)
- Bagian bergeser sub-meja (Kanan)

Mengganti sikat karbon

Periksa sikat karbon secara teratur.

Lepas sikat karbon ketika aus sampai tanda batas. Jaga agar sikat karbon tetap bersih dan tidak bergeser dari penahan. Kedua sikat karbon harus diganti pada waktu yang sama. Hanya gunakan sikat karbon yang sama.

► **Gbr.47:** 1. Tanda batas

1. Simpan sub-meja (Kanan). Lepaskan pembatas potongan saat disimpan.
2. Kendurkan tuas kunci dan putar alat putar tangan hingga kepala gergaji miring ke sudut siku 45°. Setelah itu, kencangkan tuas kunci.

► **Gbr.48:** 1. Pembatas potongan 2. Tuas kunci 3. Alat putar tangan

3. Tempatkan mesin di sisi kanannya.

► **Gbr.49**

4. Kendurkan sekrup pada pelat bawah dan lepaskan.

5. Kendurkan tutup tempat sikat menggunakan obeng dan lepaskan sikat karbon yang aus.

► **Gbr.50:** 1. Pelat bawah 2. Tutup tempat sikat 3. Obeng

6. Masukkan sikat karbon baru lalu pasang tutup tempat sikat.

7. Pasang pelat bawah dengan sekrup dan letakkan mesin dengan hati-hati. Simpan pembatas potongan jika dilepas.

Untuk menjaga KEAMANAN dan KEANDALAN mesin, perbaikan, perawatan atau penyetulan lainnya harus dilakukan oleh Pusat Layanan Resmi atau Pabrik Makita; selalu gunakan suku cadang pengganti buatan Makita.

AKSESORI PILIHAN

PERHATIAN: Dianjurkan untuk menggunakan aksesori atau perangkat tambahan ini dengan mesin Makita Anda yang ditentukan dalam petunjuk ini. Penggunaan aksesori atau perangkat tambahan lain bisa menyebabkan risiko cedera pada manusia. Hanya gunakan aksesori atau perangkat tambahan sesuai dengan peruntukannya.

Jika Anda memerlukan bantuan lebih rinci berkenaan dengan aksesori ini, tanyakan pada Pusat Layanan Makita terdekat.

- Mata gergaji berujung baja & carbide
- Sub-meja (Kiri)
- Sub-meja (belakang)
- Pembatas potongan
- Pengukur sudut miter
- Kunci offset 13-22
- Kunci pas 19
- Kunci L 5
- Sambungan (untuk menyambungkan pengumpul debu)
- Set penyangga meja

Lihat petunjuk penggunaan untuk set penyangga meja yang tersedia dengan set penyangga meja sebagai aksesori pilihan.

CATATAN: Beberapa item dalam daftar tersebut mungkin sudah termasuk dalam paket mesin sebagai aksesori standar. Hal tersebut dapat berbeda dari satu negara ke negara lainnya.

SPEKIFIKASI

Model:		2704N
Lubang arbor (Negara khusus)		30 mm / 25.4 mm
Diameter bilah		260 mm
Kapasiti pemotongan maks.	serong 0°	93 mm
	serong 45°	64 mm
Kelajuan tanpa beban		5,200 min ⁻¹
Saiz meja (P x L)	dengan meja gantian (Kanan) dan (belakang)	1,045 mm x 1,066 mm (meja dipanjangkan) 665 mm x 753 mm (meja disimpan)
	dengan meja gantian (Kanan) tanpa meja gantian (belakang)	567 mm x 1,066 mm (meja dipanjangkan) 567 mm x 753 mm (meja disimpan)
Dimensi (P x L x T) dengan meja tidak panjangkan	dengan meja gantian (Kanan) dan (belakang)	715 mm x 753 mm x 483mm
	dengan meja gantian (Kanan) tanpa meja gantian (belakang)	665 mm x 753 mm x 483 mm
Berat bersih		35.2 kg - 37.0 kg
Kelas keselamatan		□/II

- Disebabkan program penyelidikan dan pembangunan kami yang berterusan, spesifikasi yang terkandung di dalam ini adalah tertakluk kepada perubahan tanpa notis.
- Spesifikasi mungkin berbeza mengikut negara.
- Berat mungkin berbeza bergantung kepada pemasangan. Kombinasi paling ringan dan paling berat, mengikut Prosedur EPTA 01/2014, ditunjukkan di dalam jadual.

Simbol

Berikuti menunjukkan simbol-simbol yang boleh digunakan untuk alat ini. Pastikan anda memahami maksudnya sebelum menggunakan.



Baca manual arahan.



PENEBATAN BERGANDA



Pakai cermin mata keselamatan.



Jangan letakkan tangan atau jari dekat dengan bilah.



Hanya untuk negara-negara EU
Disebabkan kehadiran komponen berbahaya dalam peralatan, peralatan elektrik dan elektronik terpakai boleh memberi kesan negatif terhadap persekitaran dan kesihatan manusia. Jangan buang alat elektrik dan elektronik bersama dengan bahan buangan isi rumah!

Mengikut Arahan Eropah mengenai sisa peralatan elektrik dan elektronik dan penyesuaian dengan undang-undang negara, peralatan elektrik dan elektronik terpakai hendaklah dikumpulkan secara berasingan dan dihantar ke tempat pengumpulan berasingan untuk sisa perbandaran, beroperasi mengikut peraturan perlindungan persekitaran. Ini ditunjukkan oleh simbol tong sampah beroda yang bersilang pada peralatan.

Tujuan penggunaan

Alat ini bertujuan untuk memotong pada kayu. Potongan lurus, potongan serong dan potongan miter tersedia dengan alat ini. Alat ini tidak direka bentuk untuk potongan tidak tembus.

Bekalan kuasa

Alat ini perlu disambungkan hanya kepada bekalan kuasa dengan voltan yang sama seperti yang ditunjukkan pada papan nama, dan hanya boleh dikendalikan pada bekalan AC fasa tunggal. Ia mempunyai penebatan berganda dan oleh itu, ia juga boleh digunakan pada soket tanpa wayar bumi.

AMARAN KESELAMATAN

Amaran keselamatan umum alat kuasa

⚠️ AMARAN: Baca semua amaran keselamatan, arahan, ilustrasi dan spesifikasi yang disediakan dengan alat kuasa ini. Kegagalan mengikut semua arahan yang disenaraikan di bawah boleh menyebabkan kejutan elektrik, kebakaran dan/atau kecederaan serius.

Simpan semua amaran dan arahan untuk rujukan masa depan.

Istilah "alat kuasa" dalam amaran merujuk kepada alat kuasa yang menggunakan tenaga elektrik (dengan kord) atau alat kuasa yang menggunakan bateri (tanpa kord).

Keselamatan kawasan kerja

1. **Pastikan kawasan kerja bersih dan diterangi dengan baik.** Kawasan berselerak atau gelap mengundang kemalangan.
2. **Jangan kendalikan alat kuasa dalam keadaan yang mudah meletup, seperti dalam kehadiran cecair, gas atau habuk yang mudah terbakar.** Alat kuasa menghasilkan percikan api yang boleh menyalakan debu atau wasap.
3. **Jauhkan kanak-kanak dan orang ramai semasa mengendalikan alat kuasa.** Gangguan boleh menyebabkan anda hilang kawalan.

Keselamatan elektrik

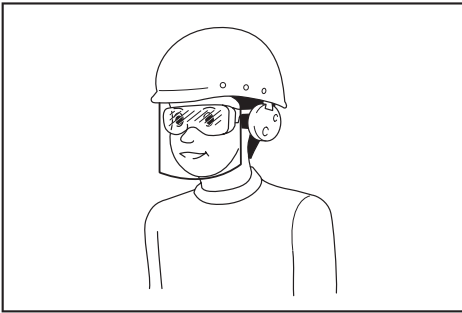
1. **Palam alat kuasa mesti sepadan dengan soket.** Jangan ubah suai palam dalam apa cara sekalipun. Jangan gunakan sebarang palam penyesuai dengan alat kuasa terbumi. Palam yang tidak diubah suai dan soket yang sepadan akan mengurangkan risiko kejutan elektrik.
2. **Elakkan sentuhan badan dengan permukaan terbumi, seperti paip, radiator, dapur dan peti sejuk.** Terdapat peningkatan risiko kejutan elektrik jika elektrik terbumi terkena badan anda.
3. **Jangan biarkan alat kuasa terkena hujan atau basah.** Air yang memasuki alat kuasa akan meningkatkan risiko kejutan elektrik.
4. **Jangan salah gunakan kord.** Jangan gunakan kord untuk membawa, menarik atau mencabut palam alat kuasa. Jauhkan kord dari haba, minyak, bucu tajam atau bahagian yang bergerak. Kord yang rosak atau tersimpul meningkatkan risiko kejutan elektrik.

5. **Semasa mengendalikan alat kuasa di luar, gunakan kord sambungan yang bersesuaian untuk kegunaan luar.** Penggunaan kord yang sesuai untuk kegunaan luar mengurangkan risiko kejutan elektrik.
6. **Sekiranya pengendalian alat kuasa di lokasi lembap tidak dapat dielakkan, gunakan bekalan peranti arus sisa (RCD) yang dilindungi.** Penggunaan RCD mengurangkan risiko kejutan elektrik.
7. **Penggunaan bekalan kuasa melalui RCD dengan arus sisa yang bernilai 30 mA atau kurang sentiasa disyorkan.**
8. **Alat kuasa boleh menghasilkan medan elektromagnetik (EMF) yang tidak berbahaya kepada pengguna.** Walau bagaimanapun, pengguna perentak jantung atau peranti perubatan yang serupa harus menghubungi pembuat peranti mereka dan/atau doktor untuk nasihat sebelum mengendalikan alat kuasa ini.
9. **Jangan sentuh palam kuasa dengan tangan yang basah.**
10. **Jika kord rosak, minta ia diganti oleh pengilang atau ejennya bagi mengelakkan bahaya keselamatan.**

Keselamatan diri

1. **Sentiasa berwaspada, perhatikan apa yang anda lakukan dan guna akal budi semasa mengendalikan alat kuasa.** Jangan gunakan alat kuasa semasa anda letih atau di bawah pengaruh dadah, alkohol atau ubat. Kelekaan seketika semasa mengendalikan alat kuasa boleh menyebabkan kecederaan diri yang serius.
2. **Gunakan peralatan pelindung diri. Sentiasa pakai pelindung mata.** Peralatan pelindung seperti topeng debu, kasut keselamatan tak mudah tergelincir, topi keselamatan atau pelindung pendengaran yang digunakan untuk keadaan yang sesuai akan mengurangkan kecederaan diri.
3. **Elakkan permulaan yang tidak disengajakan. Pastikan suis ditutup sebelum menyambung kepada sumber kuasa dan/atau pek bateri, semasa mengangkat atau membawa alat.** Membawa alat kuasa dengan jari anda pada suis atau menentagakan alat kuasa dengan suis pada kedudukan hidup mengundang kemalangan.
4. **Alihkan sebarang kunci atau sepana pelaras sebelum menghidupkan alat kuasa.** Sepana atau kunci yang ditinggalkan pada bahagian berputar alat kuasa boleh menyebabkan kecederaan diri.
5. **Jangan lampau jangkau. Jaga pijakan dan keseimbangan yang betul pada setiap masa.** Ini membolehkan kawalan alat kuasa yang lebih baik dalam situasi yang tidak dijangka.
6. **Berpakaian dengan betul. Jangan pakai pakaian yang longgar atau barang kemas. Jauhkan rambut dan pakaian anda dari bahagian yang bergerak.** Pakaian longgar, barang kemas atau rambut yang panjang boleh terperangkap dalam bahagian yang bergerak.

7. Jika peranti disediakan untuk sambungan kemudahan pengekstrakan dan pengumpulan habuk, pastikan ia disambung dan digunakan dengan betul. Penggunaan pengumpulan habuk boleh mengurangkan bahaya berkaitan habuk.
8. Jangan biarkan kebiasaan daripada kekerapan penggunaan alat membuatkan anda berpuas hati dan mengabaikan prinsip keselamatan alat. Kecuaian boleh menyebabkan kecederaan serius dalam sekelip mata.
9. Sentiasa pakai kaca mata pelindung untuk melindungi mata anda daripada kecederaan apabila menggunakan alat kuasa. Kaca mata mestilah mematuhi ANSI Z87.1 di AS, EN 166 di Eropah, atau AS/NZS 1336 di Australia/ New Zealand. Di Australia/New Zealand, undang-undang mengarahkan untuk memakai pelindung muka bagi melindungi muka anda, juga.



Menjadi tanggungjawab majikan untuk menguatkuasa penggunaan peralatan perlindungan keselamatan yang bersesuaian oleh pengendali alat dan oleh orang lain dalam kawasan bekerja semasa.

Penggunaan dan penjagaan alat kuasa

1. Jangan gunakan alat kuasa dengan kasar. Gunakan alat kuasa yang betul untuk penggunaan anda. Alat kuasa yang betul akan melakukan tugas dengan lebih baik dan lebih selamat pada kadar mana ia direka cipta.
2. Jangan gunakan alat kuasa jika suis tidak berfungsi untuk menghidupkan dan mematikkannya. Alat kuasa yang tidak dapat dikawal dengan suis adalah berbahaya dan mesti dibaiki.
3. Cabut palam dari sumber kuasa dan/atau keluarkan pek bateri, jika boleh ditanggalkan, dari alat kuasa sebelum membuat sebarang pelarasan, menukar aksesori, atau menyimpan alat kuasa. Langkah-langkah keselamatan pencegahan sedemikian mengurangkan risiko memulakan alat kuasa secara tidak sengaja.
4. Simpan alat kuasa yang tidak digunakan jauh dari jangkauan kanak-kanak dan jangan biarkan orang yang tidak biasa dengan alat kuasa atau arahan ini untuk mengendalikan alat kuasa. Alat kuasa adalah berbahaya di tangan pengguna yang tidak terlatih.

5. Menyelenggara alat kuasa dan aksesori. Periksa salah jajaran atau ikatan pada bahagian yang bergerak, bahagian yang pecah dan apa-apa keadaan lain yang boleh menjejaskan operasi alat kuasa. Jika rosak, baiki alat kuasa sebelum digunakan. Kebanyakan kemalangan adalah disebabkan oleh alat kuasa yang tidak dijaga dengan baik.
6. Pastikan alat pemotong tajam dan bersih. Alat pemotong yang dijaga dengan betul dengan hujung pemotong yang tajam mempunyai kemungkinan yang rendah untuk terikat dan lebih mudah dikendalikan.
7. Gunakan alat kuasa, aksesori dan alat bit dan sebagainya mengikut arahan ini dengan mengambil kira keadaan kerja dan kerja yang perlu dilakukan. Penggunaan alat kuasa untuk operasi yang berbeza dari yang dimaksudkan boleh menyebabkan keadaan berbahaya.
8. Pastikan pemegang dan permukaan pegangan kering, bersih dan bebas dari minyak dan gris. Pemegang dan permukaan pegangan yang licin tidak membolehkan pengendalian dan kawalan selamat bagi alat dalam situasi yang tidak dijangka.
9. Apabila menggunakan alat, jangan pakai sarung tangan kerja kain yang mungkin boleh kusut. Kekusutan sarung tangan kerja kain pada bahagian yang bergerak boleh menyebabkan kecederaan diri.

Servis

1. Pastikan alat kuasa anda diservis oleh orang yang berkelayakan dengan hanya menggunakan alat ganti yang sama. Ini akan memastikan keselamatan alat kuasa dapat dikekalkan.
2. Ikut arahan untuk melincir dan menukar aksesori.

Arahan keselamatan untuk gergaji meja

Amaran berkaitan pengadang

1. Pastikan pengadang dipasang. Pengadang mesti berada dalam keadaan berfungsi dan dipasang dengan betul. Pengadang yang longgar, rosak atau tidak berfungsi dengan betul mesti dibaiki atau diganti.
2. Pastikan bilah gergaji tidak menyentuh pengadang, pisau pemisah atau bahan kerja sebelum suis dihidupkan. Sentuhan secara tidak sengaja pada item ini dengan bilah gergaji boleh menyebabkan keadaan berbahaya.
3. Laraskan pisau pemisah seperti yang dijelaskan dalam manual arahan ini. Jarak, kedudukan dan penjarangan yang tidak betul boleh menjadikan pisau pemisah tidak berkesan dalam mengurangkan kemungkinan terjadinya tolak keluar.

4. **Untuk membolehkan pisau pemisah dan tuas antitolak keluar berfungsi, ia mesti dimuatkan dalam bahan kerja.** Pisau pemisah dan tuas antitolak keluar tidak berkesan semasa memotong bahan kerja yang terlalu pendek untuk dimuatkan dengan pisau pemisah dan tuas antitolak keluar. Dalam keadaan ini, tolak keluar tidak dapat dicegah dengan pisau pemisah dan tuas antitolak keluar.
5. **Gunakan bilah gergaji yang sesuai untuk pisau pemisah.** Untuk membolehkan pisau pemisah berfungsi dengan baik, diameter bilah gergaji mesti sepadan dengan pisau pemisah yang sesuai dan badan bilah gergaji mestilah lebih tipis daripada ketebalan pisau pemisah dan lebar potongan bilah gergaji mestilah lebih lebar daripada ketebalan pisau pemisah.

Amaran prosedur potongan

1. **⚠ BAHAYA: Jangan sekali-kali letakkan jari atau tangan anda di sekitar atau sebaris dengan bilah gergaji.** Kelekaan seketika atau kesilapan boleh mengarahkan tangan anda ke arah bilah gergaji dan mengakibatkan kecederaan diri yang serius.
2. **Masukkan bahan kerja ke dalam bilah gergaji hanya melawan arah putaran.** Memasukkan bahan kerja pada arah yang sama dengan bilah gergaji yang berputar di atas meja boleh mengakibatkan bahan kerja, dan tangan anda, ditarik ke dalam bilah gergaji.
3. **Jangan sekali-kali menggunakan tolak miter untuk memasukkan bahan kerja semasa membelah dan jangan gunakan pagar belah sebagai penahan panjang semasa potongan silang dengan tolak miter.** Memandu bahan kerja dengan pagar belah dan tolak miter pada masa yang sama meningkatkan kemungkinan bilah gergaji terkapit dan tolak keluar.
4. **Apabila membelah, sentiasa pastikan bahan kerja bersentuhan penuh dengan pagar dan sentiasa gunakan daya suapan bahan kerja antara pagar dengan bilah gergaji.** Gunakan kayu tolak apabila jarak antara pagar dengan bilah gergaji kurang daripada 150 mm dan gunakan blok tolak apabila jarak ini kurang daripada 50 mm. Peranti "Bantu kerja" akan memastikan tangan anda sentiasa berada pada jarak yang selamat daripada bilah gergaji.
5. **Hanya gunakan kayu tolak yang disediakan oleh pengeluar atau dibina mengikut arahan.** Kayu tolak ini memberikan jarak tangan yang cukup daripada bilah gergaji.
6. **Jangan sekali-kali menggunakan kayu tolak yang rosak atau dipotong.** Kayu tolak yang rosak atau dipotong boleh pecah dan menyebabkan tangan anda tergelincir ke dalam bilah gergaji.
7. **Jangan melakukan sebarang operasi dengan "tangan bebas". Sentiasa gunakan sama ada pagar belah atau tolak miter untuk meletakkan dan memandu bahan kerja.** "Tangan bebas" bermaksud menggunakan tangan anda untuk menyokong atau memandu bahan kerja, sebagai ganti pagar belah atau tolak miter. Menggergaji dengan tangan bebas boleh menyebabkan salah jajaran, terkapit dan tolak keluar.
8. **Jangan mencapai sekeliling atau di atas bilah gergaji yang berputar.** Mencapai bahan kerja boleh menyebabkan sentuhan secara tidak sengaja dengan bilah gergaji yang bergerak.
9. **Sediakan sokongan bahan kerja tambahan pada bahagian belakang dan/atau sisi meja gergaji untuk bahan kerja yang panjang dan/atau lebar agar ia rata.** Bahan kerja yang panjang dan/atau lebar cenderung untuk berpusing di tepi meja, menyebabkan hilang kawalan, bilah gergaji terkapit dan tolak keluar.
10. **Masukkan bahan kerja dengan kadar yang sekata. Jangan bengkokkan, putar atau alih bahan kerja dari sisi ke sisi. Sekiranya tersekat, matikan alat dengan segera, cabut palam alat, kemudian keluarkan sekatan itu.** Bilah gergaji yang tersekat dengan bahan kerja boleh menyebabkan tolak keluar atau mematikan motor.
11. **Jangan membuang kepingan atau bahan potongan semasa gergaji sedang berjalan.** Bahan tersebut boleh tersekat di antara pagar atau di dalam pengadang bilah gergaji dan bilah gergaji menarik jari anda ke dalam bilah gergaji. Matikan gergaji dan tunggu sehingga bilah gergaji berhenti sebelum mengeluarkan bahan.
12. **Gunakan pagar tambahan yang bersentuhan dengan permukaan meja semasa membelah bahan kerja yang tebal kurang daripada 2 mm.** Bahan kerja yang nipis boleh tersendal di bawah pagar belah dan menghasilkan tolak keluar.

Penyebab tolak keluar dan amaran berkaitan

Tolak keluar ialah tindak balas tiba-tiba bahan kerja disebabkan oleh bilah gergaji yang tersepit, tersekat atau garisan potongan yang tidak sejajar pada bahan kerja berkenaan dengan bilah gergaji atau apabila sebahagian daripada bahan kerja terkapit di antara bilah gergaji dan pagar belah atau objek tetap lain. Selalunya semasa tolak keluar, bahan kerja terangkat daripada meja oleh bahagian belakang bilah gergaji dan terdorong ke arah pengendali.

Tolak keluar adalah akibat daripada penyalahgunaan gergaji dan/atau prosedur atau keadaan operasi yang tidak betul dan boleh dielakkan dengan mengambil langkah berjaga-jaga yang betul seperti yang diberikan di bawah.

1. **Jangan sekali-kali berdiri selari dengan bilah gergaji. Sentiasa tempatkan badan anda pada sisi yang sama dengan bilah gergaji seperti pagar.** Tolak keluar boleh mendorong bahan kerja pada halaju yang tinggi ke arah sesiapa sahaja yang berdiri di hadapan dan sebaris dengan bilah gergaji.

2. **Jangan sekali-kali mencapai di atas atau di belakang bilah gergaji untuk menarik atau untuk menyokong bahan kerja.** Sentuhan secara tidak sengaja dengan bilah gergaji boleh berlaku atau tolak keluar boleh menarik jari anda ke dalam bilah gergaji.
3. **Jangan sekali-kali memegang dan menekan bahan kerja yang sedang dipotong pada bilah gergaji yang berputar.** Menekan bahan kerja yang sedang dipotong pada bilah gergaji akan mewujudkan keadaan terkapat dan tolak keluar.
4. **Sejajarkan pagar agar selari dengan bilah gergaji.** Pagar yang tidak sejajar akan mengempit bahan kerja pada bilah gergaji dan menghasilkan tolak keluar.
5. **Berhati-hati semasa membuat potongan ke dalam kawasan terlindung bahan kerja yang dipasang.** Bilah gergaji yang terjulur mungkin memotong objek yang akan menyebabkan tolak keluar.
6. **Sokong panel yang besar untuk meminimumkan risiko bilah gergaji tersepit dan tolak keluar.** Panel yang besar mudah melendut di bawah beratnya sendiri. Sokongan mesti diletakkan di bawah semua bahagian panel yang menggantung permukaan meja.
7. **Berhati-hati semasa memotong bahan kerja yang terpiuh, tersimpul, melengkung atau tidak mempunyai pinggir yang lurus untuk memandunya dengan tolok miter atau di sepanjang pagar.** Bahan kerja yang melengkung, tersimpul atau terpiuh adalah tidak stabil dan menyebabkan salah jajaran alur gergaji dengan bilah gergaji, terkapat dan tolak keluar.
8. **Jangan sekali-kali memotong lebih daripada satu bahan kerja, ditandakan secara menegak atau mendatar.** Bilah gergaji boleh menarik satu atau lebih kepingan dan menyebabkan tolak keluar.
9. **Semasa menghidupkan semula gergaji dengan bilah gergaji dalam bahan kerja, pusatkan bilah gergaji dalam alur gergaji supaya gigi gergaji tidak termasuk dalam bahan.** Jika bilah gergaji terkapat, ia mungkin mengangkat bahan kerja dan menyebabkan tolak keluar apabila gergaji dihidupkan semula.
10. **Pastikan bilah gergaji sentiasa bersih, tajam dan dengan set yang mencukupi.** Jangan sekali-kali menggunakan bilah gergaji yang melengkung atau bilah gergaji dengan gigi yang retak atau patah. Bilah gergaji yang tajam dan ditetapkan dengan betul meminimumkan terkapat, terhenti dan tolak keluar.

Amaran prosedur pengendalian gergaji meja

1. **Matikan gergaji meja dan putuskan sambungan kord kuasa semasa menanggalkan sisipan meja, menukar bilah gergaji atau membuat pelarasan pada pisau pemisah, tuas antitolak keluar atau pengadang bilah gergaji, dan semasa mesin dibiarkan tanpa pengawasan.** Langkah berjaga-jaga akan mengelakkan kemalangan.

2. **Jangan sekali-kali tinggalkan gergaji meja berjalan tanpa pengawasan.** Matikan dan jangan tinggalkan alat sehingga ia berhenti sepenuhnya. Gergaji yang berjalan tanpa pengawasan adalah bahaya yang tidak terkawal.
3. **Letakkan gergaji meja dalam pencahayaan yang baik dan tempat yang rata yang anda boleh mengekalkan pijakan dan keseimbangan yang baik.** Ia perlu dipasang di kawasan yang menyediakan ruang yang cukup untuk mengendalikannya saiz bahan kerja anda dengan mudah. Kawasan yang sempit, gelap, dan lantai licin yang tidak rata mengundang kemalangan.
4. **Bersihkan dan buang habuk kayu dengan kerap dari bawah meja gergaji dan/atau peranti pengumpulan habuk.** Habuk gergaji yang terkumpul mudah terbakar dan boleh menyala sendiri.
5. **Gergaji meja mesti dikukuhkan.** Gergaji meja yang tidak dikukuhkan dengan betul boleh bergerak atau terbalik.
6. **Alihkan alat, sisa kayu, dll. dari meja sebelum gergaji meja dihidupkan.** Gangguan atau kemungkinan tersangkut boleh membahayakan.
7. **Sentiasa gunakan bilah gergaji dengan saiz dan bentuk (intan berbanding bulat) lubang arbor yang betul.** Bilah gergaji yang tidak padan dengan perkakasan pelekapan gergaji akan berjalan sipi pusat, menyebabkan hilang kawalan.
8. **Jangan sekali-kali menggunakan alat pemasangan bilah gergaji yang rosak atau tidak betul seperti bebibir, sesendal bilah gergaji, bolt atau nat.** Alat pemasangan ini direka khas untuk gergaji anda, untuk operasi yang selamat dan prestasi optimum.
9. **Jangan sekali-kali berdiri di atas gergaji meja, jangan gunakannya sebagai bangku memijak.** Kecederaan serius boleh berlaku jika alat terjongket atau jika alat memotong disentuh secara tanpa sengaja.
10. **Pastikan bilah gergaji dipasang untuk berputar dalam arah yang betul.** Jangan gunakan roda pengisaran, berus dawai atau roda pelelas pada gergaji meja. Pemasangan bilah gergaji yang tidak betul atau penggunaan aksesori yang tidak disyorkan boleh menyebabkan kecederaan serius.

Arahan tambahan

1. **Hanya gunakan bilah gergaji yang ditanda dengan kelajuan yang sama atau lebih tinggi daripada kelajuan yang ditanda pada alat.**
2. **Pilih bilah gergaji yang betul untuk bahan yang dipotong.**
3. **Pakai sarung tangan semasa mengendalikan bilah gergaji.**
4. **Bersihkan spindel, bebibir (terutamanya permukaan pemasangan) dan nat heksagon sebelum memasang bilah.** Pemasangan yang salah boleh menyebabkan getaran/goyang atau bilah tergelincir.
5. **Jangan memotong benda logam seperti paku dan skru.** Periksa untuk dikeluarkan semua paku, skru dan bahan asing lain daripada bahan kerja sebelum operasi.

6. **JANGAN SEKALI-KALI** benarkan orang lain berdiri sebaris dengan laluan bilah gergaji.
7. Sebelum menggunakan alat pada bahan kerja sebenar, biarkan ia beroperasi seketika. Perhatikan getaran atau goyangan yang boleh menandakan pemasangan yang lemah atau bilah yang sangat tidak seimbang.
8. Alat ini tidak boleh digunakan untuk lubang alur, membuat sekeping kayu atau pengaluran.
9. Gantikan sisipan meja apabila haus.
10. Sentiasa simpan kayu tolak apabila ia tidak digunakan.
11. Mengetuk mana-mana knot longgar dari bahan kerja **SEBELUM** mula memotong.
12. Seseengah habuk dihasilkan daripada operasi yang mengandungi bahan kimia diketahui menyebabkan kanser, kecacatan kelahiran atau pembiakan lain yang memudaratkan. Beberapa contoh bahan kimia ini adalah:
 - plumbum dari bahan berasaskan cat plumbum dan,
 - arsenik dan kromium daripada kayu yang dijadikan secara kimia.
 Risiko dari pendedahan ini berbeza-beza, bergantung kepada bagaimana selalu anda melakukan kerja jenis ini. Untuk mengurangkan pendedahan anda terhadap bahan kimia ini: bekerja di kawasan pengudaraan yang baik dan bekerja dengan peralatan keselamatan yang diluluskan, seperti topeng habuk yang direka khas untuk menyaring zarah mikroskopik.
13. Sentiasa pastikan pengadang sub diturunkan dan rata pada meja gergaji sebelum memasang palam alat.
14. Periksa kord sambungan secara berkala dan gantikannya jika rosak.
15. (Untuk negara-negara Eropah sahaja) Gunakan hanya bilah gergaji yang disyorkan oleh pengeluar dan mematuhi EN847-1.
16. Pemotongan tirus tidak dibenarkan.
17. Pakai pelindung telinga.

PEMASANGAN

Kedudukan gergaji meja

- ▶ **Rajah1:** 1. Diameter lubang 8 mm
- ▶ **Rajah2:** 1. Sesendal 6 mm Std. 2. Skru kayu No.10 panjang minima 40 mm
- ▶ **Rajah3:** 1. Sesendal 6 mm Std. 2. Pemasangan bolt & Nut 6 mm ketatkan dengan betul

Letakkan gergaji meja dalam cahaya yang baik dan tempat yang rata di mana anda boleh mengekalkan tapak dan keseimbangan yang baik. Ia perlu dipasang di kawasan mempunyai ruang yang cukup untuk mudah mengendalikan saiz bahan kerja anda. Gergaji meja perlu memasang empat skru atau bolt ke meja kerja atau meja gergaji yang berdiri menggunakan lubang-lubang yang disediakan di bahagian bawah meja gergaji. Apabila memasang gergaji meja di tempat kerja, pastikan terdapat pembukaan di bahagian atas tempat kerja saiz yang sama seperti pembukaan di bahagian bawah meja gergaji, oleh itu habuk papan boleh terus jatuh.

Jika semasa operasi terdapat sebarang kecenderungan gergaji meja untuk terbalik, meluncur atau bergerak, tempat kerja atau meja gergaji yang berdiri patut dirapatkan ke lantai.

Aksesori penyimpanan

- ▶ **Rajah4:** 1. Pengukur miter
- ▶ **Rajah5:** 1. Pagar belah 2. Kayu tolak 3. Tuas antitolak keluar

Pengukur miter, bilah gergaji dan perengkuh boleh disimpan di sebelah kiri tapak. Pagar belah, kayu tolak dan tuas antitolak keluar juga boleh disimpan di sebelah kanan tapak.

KETERANGAN FUNGSI

⚠PERHATIAN: Sentiasa pastikan alat dimatikan dan dicabut sebelum menyelaras atau menyamak fungsi pada alat.

Pengadang bilah

⚠AMARAN: Jangan sekali-kali menggagalkan atau menanggalkan pengadang bilah. Bilah yang terdedah hasil daripada kegagalan pengadang boleh menyebabkan kecederaan diri yang serius semasa operasi.

⚠AMARAN: Jangan sekali-kali menggunakan alat jika pengadang bilah rosak, tidak berfungsi atau dikeluarkan. Pengendalian alat menggunakan pengadang yang musnah, rosak atau dikeluarkan boleh menyebabkan kecederaan diri yang serius.

- ▶ **Rajah6:** 1. Pengadang bilah 2. Pengadang sub

Semasa memotong, tolak bahan kerja ke arah bilah dengan pinggir bawah pengadang sub bersentuhan dengan meja utama. Semasa bahan kerja dimasukkan, pengadang bilah dan pengadang sub lalu di atas pinggir bahan kerja.

Demi keselamatan diri anda, sentiasa kekalkan pengadang bilah dan pengadang sub dalam keadaan baik. Sebarang operasi tidak sekata pada pengadang bilah dan pengadang sub hendaklah dibetulkan dengan serta-merta. Periksa untuk pastikan yang pengadang bilah dan pengadang sub berada di bawah dan pinggir bawah pengadang sub bersentuhan dengan meja utama apabila bahan kerja tidak dimasukkan.

Jika bahagian lut sinar menjadi kotor, atau habuk kayu melekat padanya sehingga bilah dan/atau bahan kerja tidak lagi mudah dilihat, cabut palam alat dan bersihkan bahagian lut sinar dengan berhati-hati dengan kain lembap. Jangan gunakan pelarut atau mana-mana pembersih berasaskan petroleum kerana ia boleh menyebabkan kerosakan kepada bahagian tersebut. Jika bahagian lut sinar tersebut berubah warna kerana usang atau pendedahan cahaya UV, hubungi pusat servis Makita untuk bahagian baharu. **JANGAN MENGGAGALKAN ATAU MENANGGALKAN PENGADANG BILAH DAN PENGADANG SUB.**

Melaraskan kedalaman potongan

► Rajah7: 1. Pemegang

Kedalaman potongan boleh dilaraskan dengan memutar pemegang. Putar pemegang mengikut arah jam untuk menaikkan bilah gergaji atau arah lawan jam untuk menurunkannya.

NOTA: Guna tetapan kedalaman yang cetek apabila memotong bahan nipis untuk mendapatkan pemotongan yang bersih.

Melaraskan sudut serong

► Rajah8: 1. Tuil kunci 2. Penunjuk arah 3. Roda tangan

Longgarkan kunci tuil lawan arah jam dan hidupkan roda tangan sehingga sudut yang dikehendaki ($0^\circ - 45^\circ$) diperolehi. Sudut serong ditunjukkan oleh penunjuk arah.

Selepas memperoleh sudut yang dikehendaki, ketatkan kunci tuil mengikut arah jam untuk pelarasan terjamin.

PERHATIAN: Selepas melaraskan sudut serong, pastikan untuk mengetatkan tuil kunci dengan selamat.

Melaraskan hentian positif

► Rajah9: 1. Skru Pelarasan 90° 2. Skru Pelarasan 45°

► Rajah10

Alat ini dilengkapi dengan berhenti positif pada 90° dan 45° kepada permukaan meja. Untuk menyemak dan melaraskan berhenti positif, teruskan seperti berikut: Gerakkan roda tangan sejauh mungkin dengan mengubahnya. Letakkan peraturan segi tiga di atas meja dan periksa untuk melihat jika bilah gergaji berada pada 90° atau 45° pada permukaan meja. Jika bilah gergaji berada pada sudut yang ditunjukkan dalam Rajah. A, putar skru pelarasan mengikut arah jam; jika ia berada pada sudut yang ditunjukkan dalam Rajah. B, putarkan skru pelarasan arah lawan jam untuk melaraskan penghenti positif.

Selepas melaraskan penghenti positif, tetapkan bilah gergaji pada 90° pada permukaan meja. Kemudian laraskan penunjuk arah supaya sudut kanan selaras dengan senggatan 0° .

► Rajah11: 1. Penunjuk arah

Tindakan suis

► Rajah12: 1. Suis

PERHATIAN: Sebelum operasi, pastikan alat itu dihidupkan dan dimatikan.

Untuk melakan alat, tekan butang ON (I).
Untuk mematikan alat, tekan butang OFF (O).

Pagar sub (pagar belah)

► Rajah13: 1. Skru pengapit 2. Pagar belah 3. Pagar sub 4. Landasan

Jika pagar belah mendekati bilah gergaji, gunakan pagar sub untuk menyokong bahan kerja. Longgarkan skru pengapit dan luncurkan pagar sub keluar dari rel. Pasangkan pagar sub seperti yang digambarkan dan ketatkan skru pengapit.

Apabila pagar belah dipasang di sebelah kiri bilah gergaji, tukar kedudukan pagar sub. Tanggalkan skru pengapit, pagar sub dan landasan dari pagar belah. Pasangkan landasan pada bahagian kanan pagar belah dengan longgar menggunakan skru pengapit yang ditanggalkan. Selepas itu, pasang pagar sub dan ketatkan skru pengapit.

► Rajah14: 1. Pagar belah 2. Pagar sub 3. Skru pengapit 4. Landasan

Meja gantian (Kanan)

► Rajah15: 1. Tuil

► Rajah16: 1. Meja gantian (Kanan)

Alat ini disediakan dengan meja gantian (Kanan) di sebelah kanan meja utama. Untuk menggunakan meja gantian (Kanan), angkat kedua-dua tuil di bahagian depan sebelah kanan, tarik keluar meja (Kanan) sepenuhnya dan kemudian turunkan tuil untuk menahannya.

Apabila menggunakan meja gantian (Kanan), cari plat skala pada meja pemisah selepas melonggarkan skru padanya dengan pemutar skru supaya ia berturutan dengan plat skala pada meja utama.

► Rajah17: 1. Plat skala 2. Skru

Meja gantian (belakang)

Aksesori pilihan

► Rajah18: 1. Meja gantian (belakang) 2. Skru

Untuk menggunakan meja gantian (belakang), longgarkan skru di sisi kiri dan kanan di bawah meja dan tarik ke belakang kepada panjang yang dikehendaki. Pada panjang yang dikehendaki, ketatkan skru dengan kukuh.

NOTA: Apabila menggunakan meja gantian (belakang) semasa guna pagar belah, tarik keluar meja gantian (belakang) lebih daripada 50 mm supaya ia tidak melanggar di bahagian atas pagar belah.

Meja gantian (Kiri)

Aksesori pilihan

► **Rajah19:** 1. Skru 2. Meja gantian (Kiri)

Meja gantian (Kiri) (aksesori pilihan) boleh dipasang di sebelah kiri meja untuk mendapatkan ruang yang lebih luas.

Tuas antitolak keluar

⚠AMARAN: Gunakan tuas antitolak keluar apabila boleh semasa operasi potongan. Ini akan membantu mengelakkan bahan daripada ditolak ke hadapan kepada pengendali semasa situasi tolak keluar yang boleh mengakibatkan kecederaan diri yang serius.

► **Rajah20:** 1. Tuas antitolak keluar 2. Pengapit

Untuk menanggalkan tuas antitolak keluar daripada alat, longgarkan pengapit pada pangkal tuas antitolak keluar dan kemudian tariknya keluar. Untuk memasang, lakukan prosedur menanggalkan secara terbalik.

PEMASANGAN

⚠PERHATIAN: Sentiasa pastikan alat dimatikan dan palamnya dicabut sebelum menjalankan apa-apa kerja pada alat.

Memasang atau mengeluarkan bilah gergaji

⚠PERHATIAN: Sentiasa pastikan alat dimatikan dan palam dicabut sebelum memasang atau mengeluarkan bilah gergaji.

⚠PERHATIAN: Gunakan hanya perengkuh Makita yang disediakan untuk memasang atau mengeluarkan bilah gergaji. Kegagalan berbuat demikian mungkin menyebabkan terlebih ketat atau pengetatan bolt heksagon yang tidak mencukupi. Ini boleh menyebabkan kecederaan.

⚠PERHATIAN: Menggunakan bilah gergaji berikut. Jangan menggunakan bilah gergaji yang tidak mematuhi ciri-ciri yang dinyatakan dalam arahan ini.

Diameter	Ketebalan bilah	Alur gergaji
260 mm	Kurang daripada 1.9 mm	Lebih daripada 2.1 mm

1. Longgarkan skru pada sisipan meja dan tanggalkannya.
2. Pegang bebibir luar dengan perengkuh ofset dan longgarkan nat heksagon mengikut arah jam dengan perengkuh. Kemudian buang bebibir luar.
► **Rajah21:** 1. Perengkuh ofset 2. Nat heksagon 3. Perengkuh

3. Pasang bebibir dalaman, cincin, bilah gergaji, bebibir luar dan nat heksagon kepada arbor, pastikan gigi bilah di halakan ke bawah di hadapan meja. Sentiasa pasang nat heksagon dengan bahagian berlekuk menghadap bebibir luar.

► **Rajah22:** 1. Bebibir dalaman 2. Gelang 3. Bilah gergaji 4. Bebibir luar 5. Nat heksagon

⚠PERHATIAN: Pastikan bilah gergaji dipasang supaya giginya selari dengan arah potongan (berpusing).

⚠PERHATIAN: Periksa diameter lubang arbor bilah gergaji sebelum memasang bilah gergaji. Sentiasa gunakan gelang yang betul untuk lubang arbor bilah gergaji yang anda ingin gunakan. Saiz gelang yang dibekalkan berbeza-beza bergantung kepada negara.

- Bagi alat untuk bilah gergaji diameter lubang 30 mm, gelang 30 mm dalam diameter luar disediakan.
- Bagi alat untuk bilah gergaji diameter lubang 25.4 mm dan 25 mm, gelang perak dan hitam disediakan. Gunakan gelang perak untuk bilah gergaji diameter lubang 25.4 mm dan gelang hitam untuk bilah gergaji diameter lubang 25 mm.

4. Untuk mengukuhkan bilah gergaji pada tempatnya, pegang bebibir luar dengan perengkuh ofset, dan ketatkan nat heksagon mengikut arah jam dengan perengkuh. **PASTIKAN UNTUK MENGETATKAN NAT HEKSAGON DENGANKUAT.**

► **Rajah23:** 1. Perengkuh ofset 2. Perengkuh

⚠PERHATIAN: Pastikan permukaan bebibir bersih dari kotoran atau perkara lain dipatuhi; ia boleh menyebabkan bilah gelincir.

⚠PERHATIAN: Pastikan untuk memegang nat heksagon teliti dengan perengkuh. Jika cengkaman anda tergelincir, perengkuh boleh keluar dari nat heksagon, dan tangan anda boleh mencapai tepi pisau tajam.

5. Pasangkan sisipan meja di tempatnya dengan skru.

Melaraskan pisau pemisah

⚠PERHATIAN: Jika bilah gergaji dan pisau pemisah tidak dijajarkan dengan betul, keadaan tersebut yang berbahaya boleh berlaku semasa operasi. Pastikan ia sejajar dengan betul. Anda boleh mengalami kecederaan peribadi yang serius semasa menggunakan alat tanpa pisau mengikat yang sesuai.

⚠PERHATIAN: JANGAN membuat sebarang pelarasan semasa alat sedang berjalan. Memutuskan sambungan alat itu sebelum membuat sebarang pelarasan.

⚠PERHATIAN: Jangan keluarkan pisau pemisah.

► **Rajah24:** 1. Pengadung bilah 2. Pisau pemisah 3. Skru

Kedudukan pisau pemisah adalah dilaraskan oleh kilang supaya bilah gergaji dan pisau pemisah akan berada dalam garis lurus. Walau bagaimanapun, anda perlu melaraskannya jika bilah gergaji dan pisau pemisah tidak berada dalam garis lurus. Longgarkan skru pada sisipan meja dan tanggalkannya dari meja utama. Longgarkan bolt heksagon (B) dan laraskan bahagian pemasangan pengadang bilah (penambat) supaya pisau pemisah sejajar terus di belakang bilah gergaji. Kemudian ketatkan bolt heksagon (B) untuk mengukuhkan penambat dan letakkan sisipan meja pada tempatnya.

► **Rajah25:** 1. Bilah 2. Kedua-dua keluasan ini sepatutnya sama. 3. Pisau pemisah 4. Bolt heksagon (B) 5. Bolt heksagon (A)

Perlu ada pembersihan kira-kira 4 - 5 mm antara pisau pemisah dan gigi bilah. Longgarkan bolt heksagon (A), melaras pisau pemisah dengan sewajarnya dan ketatkan bolt heksagon (A) dengan selamat. Pasang sisipan meja di atas meja dengan skru, kemudian periksa untuk melihat yang pengadang bilah berfungsi dengan lancar sebelum memotong.

► **Rajah26:** 1. Pisau pemisah 2. Pengadang bilah 3. Kelegaan 4 mm - 5mm

Pemasangan dan pelarasan pagar belah

► **Rajah27:** 1. Cangkuk 2. Tombol 3. Landasan panduan

1. Pasangkan cangkuk pada hujung pagar belah ke dalam landasan panduan jauh di atas meja atau meja gantian (Kanan) dan pasang serta tolak pagar belah ke depan supaya pemegang pagar bersambung dengan landasan panduan paling dekat.

2. Untuk lungsurkan pagar belah pada landasan panduan ke sisi, kembalikan tombol pada pemegang pagar sepenuhnya tanpa menarik tuil pada tombol.

Untuk menjaga pagar belah, putar tombol sepenuhnya pada pemegang pagar.

3. Untuk menanggalkan pagar belah, tarik tuil pada tombol dan putar tombol sepenuhnya ke hadapan sambil menarik tuil.

Untuk memeriksa sama ada pagar belah selari dengan bilah gergaji atau tidak, kukuhkan pagar belah 2 - 3 mm dari bilah gergaji. Naikkan bilah sehingga ketinggian maksimum. Tanda salah satu gigi pisau dengan krayon. Ukur jarak (A) dan (B) antara pagar belah dan bilah gergaji. Ambil kedua-dua ukuran menggunakan gigi yang ditandakan dengan krayon. Kedua-dua ukuran harus sama. Jika pagar belah tidak selari dengan bilah gergaji, teruskan seperti berikut:

► **Rajah28:** 1. Skala

1. Meletakkan pagar belah di kedudukan gelangsar.

2. Longgarkan dua bolt heksagon di atas pagar belah dengan perengkuh heksagon yang disediakan.

► **Rajah29:** 1. Bolt heksagon

3. Laraskan pagar belah sehingga ia selari dengan bilah gergaji.

4. Tombol berputar di atas pagar belah ke arah pengendali.

5. Ketatkan kedua-dua bolt heksagon pada pagar belah.

► **Rajah30**

PERHATIAN: Pastikan untuk melaraskan pagar belah supaya ia selari dengan bilah gergaji, atau keadaan tolak keluar yang berbahaya boleh berlaku.

Apabila pagar belah tidak dapat dijaga dengan kukuh, laraskan mengikut prosedur berikut.

1. Set pagar belah di atas meja dan kemudian putarkan tombol pada separuh jalan perjalanannya (kedudukan bergerak). Ketatkan skru (A) sehingga pagar belah tidak bergerak. Kemudian longgarkan 1/4 hingga 1/2 pusingan.

► **Rajah31:** 1. Pagar belah 2. Kedudukan dilepaskan 3. Kedudukan bergerak 4. Kedudukan kunci

► **Rajah32:** 1. Pagar belah 2. Kedudukan bergerak 3. Skru (B) 4. Skru (A)

2. Pasangkan skru (B) sepenuhnya dan longgarkan kira-kira 2 pusingan penuh.

3. Kunci pagar belah dengan memutar tombol sepenuhnya pada pemegang pagar (kedudukan kunci).

4. Memastikan pagar belah boleh dipasang dan dikeluarkan di kedudukan asal (kedudukan dilepaskan).

5. Memastikan pagar belah boleh meluncur dengan lancar tanpa goyang apabila tombol berada di separuh jalan perjalanannya.

NOTIS: Berhati-hati untuk tidak mengetatkan skru dengan lebih daripada jumlah ketat yang dinyatakan dalam arahan di atas. Gagal berbuat demikian boleh merosakkan bahagian yang terikat.

Bawa pagar belah ke atas sedatar dengan tepi bilah gergaji. Pastikan garis panduan pada pemegang pagar menunjukkan kepada senggatan 0. Jika garis panduan itu tidak menunjukkan senggatan 0, longgarkan skru pada plat skala dan laraskan plat skala.

► **Rajah33:** 1. Panduan 2. Skru

Menyambungkan pembersih vakum

Operasi pembersih boleh dilakukan dengan menyambungkan alat tersebut ke Makita vakum atau pengumpul habuk.

► **Rajah34**

OPERASI

Alat ini bertujuan untuk memotong produk kayu. Rujuk laman web kami atau hubungi peniaga Makita tempatan anda untuk bilah gergaji bulat yang betul untuk digunakan untuk bahan yang dipotong.

⚠️PERHATIAN: Sentiasa gunakan “pembantu kerja” seperti kayu tolak dan blok tolak apabila terdapat bahaya tangan atau jari anda akan mendekati bilah gergaji.

⚠️PERHATIAN: Sentiasa pegang bahan kerja dengan kuat dengan meja dan pagar belah atau pengukur miter. Jangan bengkok atau putar semasa memasukkan. Jika bahan kerja bengkok atau dipintalkan, bahaya tolak keluar mungkin berlaku.

⚠️PERHATIAN: JANGAN SEKALI-KALI menarik balik bahan kerja semasa bilah gergaji sedang berjalan. Jika anda perlu mengeluarkan bahan kerja sebelum melengkapkan potongan, mula-mula matikan alat semasa memegang bahan kerja dengan tegas. Tunggu sehingga bilah gergaji telah berhenti sepenuhnya sebelum mengeluarkan bahan kerja. Kegagalan berbuat demikian boleh menyebabkan tolak keluar yang berbahaya.

⚠️PERHATIAN: JANGAN SEKALI-KALI membuang bahan potongan semasa bilah gergaji sedang berjalan.

⚠️PERHATIAN: JANGAN letakkan tangan atau jari anda pada laluan bilah gergaji. Berhati-hati terutamanya dengan potongan serong.

⚠️PERHATIAN: Sentiasa memastikan pagar belah kukuh, atau tolak keluar berbahaya mungkin berlaku.

⚠️PERHATIAN: Sentiasa menggunakan “pembantu kerja” seperti kayu tolak dan blok tolak apabila memotong kerja kecil atau bahan kerja yang sempit.

Pembantu kerja

Kayu tolak, blok tolak atau pagar tambahan adalah jenis “pembantu kerja”. Gunakannya untuk membuat potongan yang selamat dan pasti tanpa memerlukan pengendali menyentuh bilah gergaji dengan mana-mana bahagian badan.

Blok tolak

► **Rajah35:** 1. Muka/bucu selari 2. Pemegang 3. Skru kayu 4. Gam bersama

Menggunakan sekeping papan lapis 19 mm. Pemegang hendaklah berada di tengah kepingan kayu lapis. Melekatkan dengan gam dan skru kayu seperti yang ditunjukkan. Kepingan kecil kayu 9.5 mm x 8 mm x 50 mm mesti sentiasa digamkan pada papan lapis bagi mengelakkan bilah gergaji daripada tumpul jika pengendali memotong ke dalam blok tolak dengan tidak sengaja. (Jangan gunakan paku dalam blok tolak.)

Pagar tambahan

► **Rajah36:** 1. Muka/bucu selari

Membuat pagar tambahan dari kepingan kayu lapis 9.5 mm dan 19 mm.

Membelah

⚠️PERHATIAN: Apabila membelah, keluarkan pengukur miter dari meja.

⚠️PERHATIAN: Apabila memotong bahan kerja panjang atau besar, sentiasa memberi sokongan yang mencukupi di belakang meja. JANGAN membenarkan papan panjang untuk bergerak atau beralih ke meja. Ini akan menyebabkan bilah gergaji terkabit dan meningkatkan kemungkinan tolak keluar dan kecederaan diri. Sokongan harus berada pada ketinggian meja.

⚠️PERHATIAN: Jangan lakukan pembelahan serong pada bahagian serong bilah gergaji.

1. Melaraskan kedalaman potongan lebih tinggi sedikit daripada ketebalan bahan kerja.

► **Rajah37**

2. Letakkan pagar belah pada lebar belahan yang dikehendaki dan kuncikan dengan memutar tumbol. Sebelum membelah, pastikan bahagian belakang pagar belah dijamin kukuh. Jika ia tidak cukup selamat, ikuti prosedur di bahagian yang bertajuk “Pemasangan dan pelarasan pagar belah”.

3. Hidupkan alat dan masukkan dengan perlahan-lahan bahan kerja ke dalam bilah gergaji bersamasama dengan pagar belah.

Apabila lebar belah adalah 150 mm dan lebih lebar, gunakan tangan kanan anda untuk memasukkan bahan kerja. Menggunakan tangan kiri anda untuk memegang bahan kerja dalam kedudukan terhadap pagar belah.

► **Rajah38**

Apabila lebar belah adalah 65 mm - 150 mm lebar, guna kayu tolak untuk masukkan bahan kerja.

► **Rajah39:** 1. Kayu tolak

Apabila lebar belah adalah lebih sempit daripada 65 mm, kayu tolak tidak boleh digunakan kerana kayu tolak akan melanggar pengadang bilah. Guna pagar tambahan dan blok tolak. Pasang pagar tambahan ke pagar belah dengan dua pengapit “C”. Masukkan bahan kerja dengan tangan hingga hujung adalah kira-kira 25 mm dari bucu depan meja.

► **Rajah40**

Teruskan masuk menggunakan blok tolak di bahagian atas pagar tambahan sehingga potongan selesai.

► **Rajah41:** 1. Blok tolak 2. Pagar tambahan

Potongan silang

⚠️PERHATIAN: Apabila membuat potongan silang, alihkan pagar belah dari meja.

⚠️PERHATIAN: Apabila memotong bahan kerja yang panjang atau besar, sentiasa memberi sokongan yang mencukupi kepada sisi meja. Sokongan harus berada pada ketinggian kerja.

⚠️PERHATIAN: Sentiasa mencegah tangan jauh daripada jalan bilah.

Pengukur miter

► **Rajah42:** 1. Potongan silang 2. Miter 3. Potongan serong 4. Miter kompaun (sudut)

Menggunakan pengukur miter untuk 4 jenis pemotongan yang ditunjukkan dalam rajah.

⚠️PERHATIAN: Memasang tombol di atas pengukur miter dengan berhati-hati.

⚠️PERHATIAN: Elakkan rayapan bahan kerja dan pengukur oleh susunan tempat kerja, terutamanya apabila memotong pada sudut.

⚠️PERHATIAN: JANGAN memegang atau cengkam bahagian "pemotongan" dimaksudkan dari bahan kerja.

⚠️PERHATIAN: Sentiasa laraskan jarak di antara hujung pengukur miter dan bilah gergaji yang tidak melebihi 15 mm.

Pengukur miter berhenti positif

► **Rajah43:** 1. Skru untuk berhenti positif 2. Plat kecil 3. Tombol

Pengukur miter disediakan dengan penghenti positif pada sudut 90°, 45° sudut miter kanan dan kiri untuk menetapkan sudut miter yang cepat.

Untuk menetapkan sudut miter, longgarkan tombol pada pengukur miter.

Naikkan plat kecil pada pengukur miter untuk tetapan bebas. Putar pengukur miter ke sudut yang dikehendaki. Kembalikan plat kecil pada pengukur miter kepada kedudukan asal dan ketatkan tombol mengikut arah jam dengan selamat.

Guna pengukur miter

► **Rajah44:** 1. Alur 2. Pengukur miter 3. Tombol

Gelangsar pengukur miter ke dalam alur tebal di atas meja. Longgarkan tombol pada tolok dan selari dengan sudut yang dikehendaki (0° hingga 60°). Letakkan stok mendatar pada pagar dan masukkan perlahan-lahan ke hadapan ke dalam bilah gergaji.

Tolak sub (pengukur miter)

► **Rajah45:** 1. Tolak sub

Tolak sub pada pengukur miter menghalang bahan kerja daripada bergoyang. Longgarkan skru pada pengukur miter dan laraskan kedudukan tolak sub.

Alat membawa

► **Rajah46**

Pastikan alat itu dicabut.

Membawa alat dengan memegang bahagian alat yang ditunjukkan dalam gambar.

⚠️PERHATIAN: Sentiasa memastikan semua bahagian bergerak sebelum membawa alat itu.

⚠️PERHATIAN: Sebelum membawa alat, pastikan yang pengadang bilah dan pengadang sub berada di bawah dan pinggir bawah pengadang sub bersentuhan dengan meja utama.

PENYELENGGARAAN

⚠️PERHATIAN: Sentiasa pastikan alat dimatikan dan palamnya dicabut sebelum cuba menjalankan pemeriksaan atau penyelenggaraan.

NOTIS: Jangan gunakan petrol, benzin, pencair, alkohol atau bahan yang serupa. Ia boleh menyebabkan perubahan warna, bentuk atau keretakan.

Membersih

Bersihkan habuk gergaji dan serpihan dari semasa ke semasa. Berhati-hati membersihkan pengadang bilah dan yang bergerak pada bahagian-bahagian di dalam gergaji meja.

Semasa mengeluarkan habuk kayu yang terkumpul di bawah bilah gergaji, tanggalkan sisipan meja dan gunakan pengabuk udara untuk mengeluarkan habuk kayu daripada penyambung untuk pembersih hampagas.

Pelinciran

Untuk memastikan gergaji meja berjalan dalam keadaan yang bagus, dan memastikan hayat perkhidmatan maksimum, minyak atau gris bahagian-bahagian yang bergerak dan berputar dari semasa ke semasa.

Tempat pelinciran:

- Aci berulir untuk mengangkat bilah gergaji
- Engsel untuk memutar bingkai
- Panduan kenaikan aci pada motor
- Gear untuk menaikkan bilah gergaji
- Rel panduan untuk pagar belah
- Aci meja gantian (Kanan) tuil mengunci
- Bahagian gelangsar meja gantian (Kanan)

Menggantikan berus karbon

Periksa berus karbon dengan kerap. Gantikan ia apabila ia telah haus sehingga tanda had. Pastikan berus karbon sentiasa bersih dan bebas untuk dimasukkan ke dalam pemegang. Kedua-dua berus karbon harus diganti pada masa yang sama. Gunakan hanya berus karbon yang serupa.

► **Rajah47:** 1. Tanda had

1. Simpan meja gantian (Kanan). Tanggalkan pagar belah jika ia disimpan.

2. Longgarkan tuil kunci dan putar roda tangan sehingga kepala gergaji condong ke sudut serong 45°. Selepas itu, ketatkan tuil kunci.

► **Rajah48:** 1. Pagar belah 2. Tuil kunci 3. Roda tangan

3. Dirikan alat pada sisi kanannya.

► **Rajah49**

4. Longgarkan skru pada plat bawah dan tanggalkannya.

5. Longgarkan penutup pemegang berus menggunakan pemutar skru dan tanggalkan berus karbon yang telah haus.

► **Rajah50:** 1. Plat bawah 2. Penutup pemegang berus 3. Pemutar skru

6. Masukkan berus karbon baharu dan pasang penutup pemegang berus.

7. Pasang plat bawah dengan skru dan letakkan alat pada bahagian bawahnya dengan berhati-hati. Simpan pagar belah jika ditanggalkan.

Untuk mengekalkan KESELAMATAN dan KEBOLEHPERCAYAAN produk, pembaikan, apa-apa penyelenggaraan atau penyesuaian lain perlu dilakukan oleh Kilang atau Pusat Servis Makita yang Diiktiraf, sentiasa gunakan alat ganti Makita.

AKSESORI PILIHAN

PERHATIAN: Aksesori-aksesori atau lampiran-lampiran ini adalah disyorkan untuk digunakan dengan alat Makita anda yang ditentukan dalam manual ini. Penggunaan mana-mana aksesori-aksesori atau lampiran-lampiran lain mungkin mengakibatkan risiko kecederaan kepada orang. Hanya gunakan aksesori atau lampiran untuk tujuan yang dinyatakan.

Jika anda memerlukan sebarang bantuan untuk maklumat lebih lanjut mengenai aksesori ini, tanya Pusat Perkhidmatan Makita tempatan anda.

- Bilah gergaji keluli & karbida
- Meja gantian (Kiri)
- Meja gantian (belakang)
- Pagar belah
- Pengukur miter
- Perengkuh ofset 13-22
- Perengkuh 19
- Kunci allen 5
- Sendi (untuk menyambung kepada pengumpul habuk)
- Set penyokong meja

Rujuk kepada manual arahan untuk gergaji meja berdiri yang disediakan dengan gergaji meja yang berdiri sebagai aksesori pilihan.

NOTA: Beberapa item dalam senarai mungkin disertakan dalam pakej alat sebagai aksesori standard. Item mungkin berbeza mengikut negara.

THÔNG SỐ KỸ THUẬT

Kiểu máy:		2704N
Lỗ tâm (Tùy thuộc vào quốc gia)		30 mm × 25,4 mm
Đường kính lưỡi cưa		260 mm
Công suất cắt tối đa	xiên góc 0°	93 mm
	xiên góc 45°	64 mm
Tốc độ không tải		5.200 min ⁻¹
Kích thước bàn (D x R)	với bàn phụ (P) và (sau)	1.045 mm x 1.066 mm (bàn mở rộng) 665 mm x 753 mm (bàn gấp lại)
	với bàn phụ (P) không có bàn phụ (sau)	567 mm x 1.066 mm (bàn mở rộng) 567 mm x 753 mm (bàn gấp lại)
Kích thước (D x R x C) với (các) bàn không mở rộng	với bàn phụ (P) và (sau)	715 mm x 753 mm x 483 mm
	với bàn phụ (P) không có bàn phụ (sau)	665 mm x 753 mm x 483 mm
Khối lượng tịnh		35,2 kg - 37,0 kg
Cấp an toàn		□/II

- Do chương trình nghiên cứu và phát triển liên tục của chúng tôi nên các thông số kỹ thuật trong đây có thể thay đổi mà không cần thông báo trước.
- Các thông số kỹ thuật có thể thay đổi tùy theo từng quốc gia.
- Khối lượng máy có thể khác nhau tùy thuộc vào (các) phụ kiện. Tổ hợp nhẹ nhất và nặng nhất, theo Quy trình EPTA 01/2014, được trình bày trong bảng.

Ký hiệu

Phần dưới đây cho biết các ký hiệu có thể được dùng cho thiết bị. Đảm bảo rằng bạn hiểu rõ ý nghĩa của các ký hiệu này trước khi sử dụng.



Đọc tài liệu hướng dẫn.



CÁCH ĐIỆN CẤP 2



Mang kính an toàn.



Không được đặt bàn tay hoặc ngón tay gần các lưỡi cưa.



Chỉ dành cho các quốc gia EU
Do có các thành phần nguy hiểm bên trong thiết bị, thiết bị điện và điện tử đã qua sử dụng nên có thể có tác động không tốt đến môi trường và sức khỏe con người. Không vứt bỏ thiết bị điện và điện tử cùng với rác thải sinh hoạt!
Theo Chỉ thị của Châu Âu về thiết bị điện và điện tử thải bỏ và sự thích ứng của nó với luật pháp quốc gia, thiết bị điện và điện tử đã qua sử dụng phải được thu gom riêng và chuyển đến một điểm thu gom rác thải đô thị riêng biệt, hoạt động theo các quy định về bảo vệ môi trường. Điều này được biểu thị bằng biểu tượng thùng rác có bánh xe gạch chéo được đặt trên thiết bị.

Mục đích sử dụng

Dụng cụ này được dùng để cắt gỗ. Dụng cụ này cho phép cắt thẳng, cắt xiên góc và cắt vát góc. Dụng cụ này không được thiết kế để cắt không xuyên qua.

Nguồn cấp điện

Dụng cụ này chỉ được nối với nguồn cấp điện có điện áp giống như đã chỉ ra trên biển tên và chỉ có thể được vận hành trên nguồn điện AC đơn pha. Chúng được cách điện hai lớp và do đó cũng có thể được sử dụng từ các ổ cắm điện không có dây tiếp đất.

CẢNH BÁO AN TOÀN

Cảnh báo an toàn chung dành cho dụng cụ máy

⚠ CẢNH BÁO: Xin đọc tất cả các cảnh báo an toàn, hướng dẫn, minh họa và thông số kỹ thuật đi kèm với dụng cụ máy này. Việc không tuân theo các hướng dẫn được liệt kê dưới đây có thể dẫn đến điện giật, hỏa hoạn và/hoặc thương tích nghiêm trọng.

Lưu giữ tất cả cảnh báo và hướng dẫn để tham khảo sau này.

Thuật ngữ “dụng cụ máy” trong các cảnh báo đề cập đến dụng cụ máy (có dây) được vận hành bằng nguồn điện chính hoặc dụng cụ máy (không dây) được vận hành bằng pin của bạn.

An toàn tại nơi làm việc

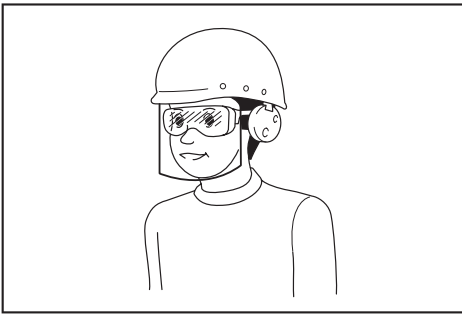
1. **Giữ nơi làm việc sạch sẽ và có đủ ánh sáng.** Nơi làm việc bừa bộn hoặc tối thường dễ gây ra tai nạn.
2. **Không vận hành dụng cụ máy trong môi trường cháy nổ, ví dụ như môi trường có sự hiện diện của các chất lỏng, khí hoặc bụi dễ cháy.** Các dụng cụ máy tạo tia lửa điện có thể làm bụi hoặc khí bốc cháy.
3. **Giữ trẻ em và người ngoài tránh xa nơi làm việc khi đang vận hành dụng cụ máy.** Sự xao lãng có thể khiến bạn mất khả năng kiểm soát.

An toàn về Điện

1. **Phích cắm của dụng cụ máy phải khớp với ổ cắm.** Không được sửa đổi phích cắm theo bất kỳ cách nào. Không sử dụng bất kỳ phích chuyển đổi nào với các dụng cụ máy được nối đất (tiếp đất). Các phích cắm còn nguyên vẹn và ổ cắm phù hợp sẽ giảm nguy cơ điện giật.
2. **Tránh để cơ thể tiếp xúc với các bề mặt nóng đất hoặc tiếp đất như đường ống, bộ tản nhiệt, bếp ga và tủ lạnh.** Nguy cơ bị điện giật sẽ tăng lên nếu cơ thể bạn được nối đất hoặc tiếp đất.
3. **Không để dụng cụ máy tiếp xúc với mưa hoặc trong điều kiện ẩm ướt.** Nước lọt vào dụng cụ máy sẽ làm tăng nguy cơ điện giật.
4. **Không lạm dụng dây điện.** Không được phép sử dụng dây để mang, kéo hoặc tháo phích cắm dụng cụ máy. Giữ dây tránh xa nguồn nhiệt, dầu, các mép sắc hoặc các bộ phận chuyển động. Dây bị hỏng hoặc bị rối sẽ làm tăng nguy cơ điện giật.
5. **Khi vận hành dụng cụ máy ngoài trời, hãy sử dụng dây kéo dài phù hợp cho việc sử dụng ngoài trời.** Việc dùng dây phù hợp cho việc sử dụng ngoài trời sẽ giảm nguy cơ điện giật.
6. **Nếu bắt buộc phải vận hành dụng cụ máy ở nơi ẩm ướt, hãy sử dụng nguồn cấp điện được bảo vệ bằng thiết bị ngắt dòng điện rò (RCD).** Việc sử dụng RCD sẽ làm giảm nguy cơ điện giật.
7. **Chúng tôi luôn khuyến bạn sử dụng nguồn cấp điện qua thiết bị RCD có thể ngắt dòng điện rò định mức 30 mA hoặc thấp hơn.**
8. **Các dụng cụ máy có thể tạo ra từ trường điện (EMF) có hại cho người dùng.** Tuy nhiên, người dùng máy trợ tim và những thiết bị y tế tương tự khác nên liên hệ với nhà sản xuất thiết bị và/hoặc bác sỹ để được tư vấn trước khi vận hành dụng cụ này.
9. **Không chạm vào đầu cắm điện bằng tay ướt.**
10. **Nếu dây bị hỏng, hãy nhờ nhà sản xuất hoặc đại lý thay dây mới để tránh nguy hiểm về an toàn.**

An toàn Cá nhân

1. **Luôn tinh táo, quan sát những việc bạn đang làm và sử dụng những phán đoán theo kinh nghiệm khi vận hành dụng cụ máy.** Không sử dụng dụng cụ máy khi bạn đang mệt mỏi hoặc chịu ảnh hưởng của ma túy, rượu hay thuốc. Chỉ một khoảnh khắc không tập trung khi đang vận hành dụng cụ máy cũng có thể dẫn đến thương tích cá nhân nghiêm trọng.
2. **Sử dụng thiết bị bảo hộ cá nhân.** Luôn đeo thiết bị bảo vệ mắt. Các thiết bị bảo hộ như mũ nạt chống bụi, giày an toàn chống trượt, mũ bảo hộ hay thiết bị bảo vệ thính giác được sử dụng trong các điều kiện thích hợp sẽ giúp giảm thương tích cá nhân.
3. **Tránh vô tình khởi động dụng cụ máy.** Đảm bảo công tắc ở vị trí off (tắt) trước khi nối nguồn điện và/hoặc bộ pin, cầm hoặc di chuyển dụng cụ máy. Việc di chuyển dụng cụ máy khi đang đặt ngón tay ở vị trí công tắc hoặc cấp điện cho dụng cụ máy đang bật thường dễ gây ra tai nạn.
4. **Tháo tất cả các khóa hoặc cờ lê điều chỉnh trước khi bật dụng cụ máy.** Việc cờ lê hoặc khóa vẫn còn gắn vào bộ phận quay của dụng cụ máy có thể dẫn đến thương tích cá nhân.
5. **Không với quá cao.** Luôn giữ thăng bằng tốt và có chỗ để chân phù hợp. Điều này cho phép điều khiển dụng cụ máy tốt hơn trong những tình huống bất ngờ.
6. **Ăn mặc phù hợp.** Không mặc quần áo rộng hay đeo đồ trang sức. Giữ tóc và quần áo tránh xa các bộ phận chuyển động. Quần áo rộng, đồ trang sức hay tóc dài có thể mắc vào các bộ phận chuyển động.
7. **Nếu các thiết bị được cung cấp để kết nối các thiết bị thu gom và hút bụi, hãy đảm bảo chúng được kết nối và sử dụng hợp lý.** Việc sử dụng thiết bị thu gom bụi có thể làm giảm những mối nguy hiểm liên quan đến bụi.
8. **Không vì quen thuộc do thường xuyên sử dụng các dụng cụ mà cho phép bạn trở nên tự mãn và bỏ qua các nguyên tắc an toàn dụng cụ.** Một hành động bất cẩn có thể gây ra thương tích nghiêm trọng trong một phần của một giây.
9. **Luôn luôn mang kính bảo hộ để bảo vệ mắt khỏi bị thương khi đang sử dụng các dụng cụ máy.** Kính bảo hộ phải tuân thủ ANSI Z87.1 ở Mỹ, EN 166 ở Châu Âu, hoặc AS/NZS 1336 ở Úc/New Zealand. Tại Úc/New Zealand, theo luật pháp, bạn cũng phải mang mũ nạt che mặt để bảo vệ mặt.



Trách nhiệm của chủ lao động là bắt buộc người vận hành dụng cụ và những người khác trong khu vực làm việc cạnh đó phải sử dụng các thiết bị bảo hộ an toàn thích hợp.

Sử dụng và bảo quản dụng cụ máy

1. **Không dùng lực đối với dụng cụ máy. Sử dụng đúng dụng cụ máy cho công việc của bạn.** Sử dụng đúng dụng cụ máy sẽ giúp thực hiện công việc tốt hơn và an toàn hơn theo giá trị định mức được thiết kế của dụng cụ máy đó.
2. **Không sử dụng dụng cụ máy nếu công tắc không bật và tắt được dụng cụ máy đó.** Mọi dụng cụ máy không thể điều khiển được bằng công tắc đều rất nguy hiểm và phải được sửa chữa.
3. **Rút phích cắm ra khỏi nguồn điện và/hoặc tháo kết nối bộ pin khỏi dụng cụ máy, nếu có thể tháo rời trước khi thực hiện bất kỳ công việc điều chỉnh, thay đổi phụ tùng hay cắt giữ dụng cụ máy nào.** Những biện pháp an toàn phòng ngừa này sẽ giảm nguy cơ vô tình khởi động dụng cụ máy.
4. **Cắt giữ các dụng cụ máy không sử dụng ngoài tầm với của trẻ em và không cho bất kỳ người nào không có hiểu biết về dụng cụ máy hoặc các hướng dẫn này vận hành dụng cụ máy.** Dụng cụ máy sẽ rất nguy hiểm nếu được sử dụng bởi những người dùng chưa qua đào tạo.
5. **Bảo dưỡng dụng cụ máy và các phụ kiện. Kiểm tra tình trạng lệch trục hoặc bó kẹt của các bộ phận chuyển động, hiện tượng nứt vỡ của các bộ phận và mọi tình trạng khác mà có thể ảnh hưởng đến hoạt động của dụng cụ máy. Nếu có hỏng hóc, hãy sửa chữa dụng cụ máy trước khi sử dụng.** Nhiều tai nạn xảy ra là do không bảo quản tốt dụng cụ máy.
6. **Luôn giữ cho dụng cụ cắt được sắc bén và sạch sẽ.** Những dụng cụ cắt được bảo quản tốt có mép cắt sắc sẽ ít bị kẹt hơn và dễ điều khiển hơn.
7. **Sử dụng dụng cụ máy, phụ tùng và đầu dụng cụ cắt, v.v... theo các hướng dẫn này, có tính đến điều kiện làm việc và công việc được thực hiện.** Việc sử dụng dụng cụ máy cho các công việc khác với công việc dự định có thể gây nguy hiểm.
8. **Giữ tay cầm và bề mặt tay cầm khô, sạch, không dính dầu và mỡ.** Tay cầm trơn trượt và bề mặt tay cầm không cho phép xử lý an toàn và kiểm soát dụng cụ trong các tình huống bất ngờ.

9. **Khi sử dụng dụng cụ, không được đi gang tay lao động bằng vải, có thể bị vướng.** Việc gang tay lao động bằng vải vướng vào các bộ phận chuyển động có thể gây ra thương tích cá nhân.

Bảo dưỡng

1. **Đề nhân viên sửa chữa đủ trình độ bảo dưỡng dụng cụ máy của bạn và chỉ sử dụng các bộ phận thay thế đồng nhất.** Việc này sẽ đảm bảo duy trì được độ an toàn của dụng cụ máy.
2. **Tuân theo hướng dẫn dành cho việc bôi trơn và thay phụ tùng.**

Hướng dẫn an toàn cho máy cưa bàn

Cảnh báo liên quan đến phần bảo vệ

1. **Giữ phần bảo vệ đúng vị trí. Phần bảo vệ phải được giữ đúng vị trí làm việc và gắn đúng cách.** Phần bảo vệ bị lỏng, hư hỏng, hoặc không hoạt động đúng cách phải được sửa chữa hoặc thay thế.
2. **Phải đảm bảo rằng lưỡi cưa không tiếp xúc với phần bảo vệ, dao cắt lưỡi xẻ rãnh hoặc phôi gia công trước khi bật công tắc lên.** Sự tiếp xúc vô ý của các vật này với lưỡi cưa có thể gây ra tình trạng nguy hiểm.
3. **Điều chỉnh dao cắt lưỡi xẻ rãnh theo mô tả trong hướng dẫn sử dụng này.** Khoảng trống, vị trí và căn chỉnh hàng không chính xác có thể làm dao cắt lưỡi xẻ rãnh bị vô hiệu hóa khi giảm nguy cơ bật ngược trở lại.
4. **Đề dao cắt lưỡi xẻ rãnh và chốt chặn chống bật ngược có hiệu quả, chúng phải được đặt khớp vào phôi gia công.** Dao cắt lưỡi xẻ rãnh và chốt chặn chống bật ngược bị vô hiệu hóa khi cắt những phôi gia công quá ngắn để gắn khớp vào dao cắt lưỡi xẻ rãnh và chốt chặn chống bật ngược. Trong những điều kiện này, dao cắt lưỡi xẻ rãnh và chốt chặn chống bật ngược không thể ngăn được lực bật ngược.
5. **Dùng lưỡi cưa thích hợp làm dao cắt lưỡi xẻ rãnh.** Đề dao cắt lưỡi xẻ rãnh hoạt động đúng cách, đường kính của lưỡi cưa phải khớp với dao cắt lưỡi xẻ rãnh thích hợp, thân của lưỡi cưa phải mỏng hơn bề dày dao cắt lưỡi xẻ rãnh và bề rộng cắt của lưỡi cưa phải rộng hơn bề dày của dao cắt lưỡi xẻ rãnh.

Cảnh báo về quy trình cắt

1. **⚠ NGUY HIỂM: Không bao giờ đặt ngón tay hoặc tay của bạn trong vùng gần hoặc thẳng hàng với lưỡi cưa.** Một khoảng khắc không để ý hoặc trượt tay có thể đưa tay bạn về phía lưỡi cưa gây thương tích cá nhân nghiêm trọng.
2. **Chỉ đặt phôi gia công vào lưỡi cưa theo hướng ngược hướng lưỡi quay.** Đặt phôi gia công theo cùng hướng với lưỡi cưa đang quay trên bàn có thể làm phôi gia công và tay bạn bị kéo vào lưỡi cưa.
3. **Không bao giờ sử dụng cữ đo vát góc để đưa phôi gia công vào khi cắt tách và không sử dụng thanh cữ làm chốt chặn chiều dài khi cắt chéo với cữ đo vát góc.** Điều khiển phôi gia công bằng thanh cữ và cữ đo vát góc cùng một lúc sẽ làm tăng nguy cơ lưỡi cưa bị bó kẹt và bật ngược.

4. **Khi cắt tách, luôn giữ vật liệu gia công tiếp xúc hoàn toàn với thanh chắn và luôn áp dụng lực nạp phôi gia công giữa thanh chắn và lưỡi cưa.** Sử dụng thanh đẩy khi khoảng cách giữa thanh chắn và lưỡi cưa nhỏ hơn 150 mm và sử dụng bàn đẩy khi khoảng cách này nhỏ hơn 50 mm. Các thiết bị “Hỗ trợ làm việc” sẽ giúp tay bạn ở khoảng cách an toàn với lưỡi cưa.
5. **Chỉ sử dụng thanh đẩy được cung cấp bởi nhà sản xuất hoặc chế tạo theo hướng dẫn.** Thanh đẩy này tạo đủ khoảng cách giữa tay với lưỡi cưa.
6. **Không bao giờ sử dụng thanh đẩy bị hư hỏng hoặc bị cắt.** Thanh đẩy bị hỏng hoặc bị cắt có thể vỡ khiến tay của bạn trượt vào lưỡi cưa.
7. **Không thực hiện bất kỳ thao tác nào bằng “tay không”.** Luôn sử dụng thanh cữ hoặc cữ đo vát góc để định vị và dẫn phôi gia công. “Tay không” có nghĩa là sử dụng tay của bạn để đỡ hoặc dẫn hướng phôi gia công thay vì dùng thanh cữ hoặc cữ đo vát góc. Thực hiện cưa bằng tay không có thể dẫn đến căn chỉnh không thẳng, lưỡi cưa bị bó kẹt và hiện tượng bật ngược.
8. **Không bao giờ chạm vào xung quanh hoặc trên lưỡi cưa đang quay.** Với lên phôi gia công có thể dẫn đến vô tình tiếp xúc với lưỡi cưa đang quay.
9. **Đặt giá đỡ phôi gia công phụ trợ cho phía sau và/hoặc hai bên của lưỡi cưa đối với các phôi gia công dài và/hoặc rộng để giữ chúng thẳng bằng.** Phôi gia công dài và/hoặc rộng có xu hướng xoay trên cạnh bàn, gây ra mất kiểm soát, lưỡi cưa bị bó kẹt hoặc bật ngược.
10. **Đưa phôi gia công vào ở tốc độ đều. Không uốn cong, xoắn hoặc dịch chuyển phôi gia công từ bên này sang bên kia. Nếu xảy ra kẹt, tắt dụng cụ ngay lập tức, rút phích cắm dụng cụ, sau đó gỡ chỗ kẹt ra.** Kẹt lưỡi cưa do phôi gia công có thể gây ra hiện tượng bật ngược và dừng động cơ.
11. **Không vút bỏ các vật liệu bị cắt rời khi cưa đang chạy.** Vật liệu có thể bị mắc kẹt giữa thanh chắn hoặc bên trong chắn bảo vệ lưỡi cưa và lưỡi cưa sẽ kéo ngón tay của bạn vào lưỡi cưa. Tắt cưa và đợi cho đến khi lưỡi cưa dừng lại trước khi loại bỏ vật liệu.
12. **Sử dụng thanh chắn phụ khi tiếp xúc với mặt bàn khi cắt tách phôi gia công có độ dày nhỏ hơn 2 mm.** Phôi gia công mỏng có thể bị lên chặt bên dưới thanh cữ và gây hiện tượng bật ngược.
1. **Không bao giờ đứng thẳng hàng trực tiếp với lưỡi cưa.** Luôn luôn đặt vị trí cơ thể bạn ở cùng một bên của lưỡi cưa giống như thanh chắn. Lực bật ngược có thể đẩy phôi gia công ở vận tốc cao về phía bất kỳ người nào đứng trước và thẳng hàng với lưỡi cưa.
2. **Không bao giờ với lên hoặc ở đằng sau lưỡi cưa để kéo hoặc đỡ phôi gia công.** Có thể bạn sẽ vô tình tiếp xúc với lưỡi cưa hoặc lực bật ngược có thể kéo ngón tay bạn vào lưỡi cưa.
3. **Không bao giờ giữ và ấn các phôi bị cắt rời về hướng lưỡi cưa đang quay.** Ấn phôi gia công bị cắt rời về hướng lưỡi cưa sẽ dẫn đến hiện tượng bó kẹt và bật ngược.
4. **Sắp xếp thanh chắn song song với lưỡi cưa.** Thanh chắn không thẳng hàng sẽ bỏ phôi gia công vào lưỡi cưa gây hiện tượng bật ngược.
5. **Hết sức cẩn trọng khi thực hiện cắt vào vùng khó quan sát của phôi gia công đã lắp.** Lưỡi cưa nhỏ ra có thể cắt phải các vật có khả năng gây ra hiện tượng bật ngược.
6. **Đỡ tấm ván lớn để giảm thiểu nguy cơ bó lưỡi cưa và bật ngược.** Tấm ván lớn thường có xu hướng vồng xuống do khối lượng của nó. (Các) giá đỡ phải được đặt dưới tất cả các phần của tấm nhỏ ra trên mặt bàn.
7. **Hết sức cẩn trọng khi cắt phôi gia công bị xoắn, nhiều mấu, biến dạng hoặc không có cạnh thẳng để dẫn phôi với cữ đo vát góc hoặc dọc theo thanh chắn.** Phôi gia công bị xoắn, nhiều mấu, biến dạng thường không ổn định và làm cho rãnh cắt không thẳng với lưỡi cưa, gây ra hiện tượng bó kẹt và bật ngược.
8. **Không bao giờ cắt nhiều hơn một phôi gia công, xếp chồng lên nhau theo chiều dọc hoặc chiều ngang.** Lưỡi cưa có thể cuốn một hoặc nhiều phôi hơn và gây hiện tượng bật ngược.
9. **Khi khởi động lại cưa với lưỡi cưa trong phôi gia công, đặt lưỡi cưa vào giữa rãnh cưa sao cho các răng cưa không được mắc vào vật liệu.** Nếu lưỡi cưa bị bó kẹt, nó có thể nhấc phôi gia công lên và gây ra hiện tượng bật ngược khi khởi động cưa.
10. **Giữ lưỡi cưa sạch sẽ, sắc, và được lắp đặt đầy đủ.** Không bao giờ sử dụng lưỡi cưa bị biến dạng hoặc lưỡi cưa có răng bị nứt hoặc vỡ. Lưỡi cưa sắc và được lắp đặt đúng cách sẽ giảm thiểu bó kẹt, dừng quay và bật ngược.

Cảnh báo về quy trình vận hành máy cưa bàn

Nguyên nhân bật ngược và các cảnh báo liên quan
Bật ngược là phản ứng đột ngột của phôi gia công do lưỡi cưa bị bó kẹt hoặc đường cắt trong phôi gia công không thẳng hàng với lưỡi cưa hoặc khi một phần của phôi gia công bị kẹt giữa lưỡi cưa và thanh cữ hoặc vát cố định khác.

Thường xuyên gặp nhất trong hiện tượng bật ngược là phôi gia công bị nhấc lên từ bàn ở phía sau của lưỡi cưa và bị đẩy về phía người vận hành.

Hiện tượng bật ngược lại là do sử dụng sai cưa và/hoặc quy trình hoặc tình trạng vận hành không chính xác và có thể tránh được bằng cách thực hiện các biện pháp phòng ngừa thích hợp dưới đây.

1. **Tắt máy cưa bàn và ngắt kết nối dây điện khi tháo miếng đệm bàn, thay lưỡi cưa hoặc điều chỉnh dao cắt lưỡi xẻ rãnh, chốt chặn chống bật ngược hoặc chắn bảo vệ lưỡi cưa, và khi máy chạy không có người giám sát.** Các biện pháp phòng ngừa sẽ tránh được tai nạn.
2. **Không bao giờ để máy cưa bàn chạy mà không có người giám sát.** Tắt máy và không rời khỏi dụng cụ cho đến khi nó dừng hẳn. Máy cưa chạy không có người giám sát là một mối nguy hiểm không thể kiểm soát.

3. **Đặt máy cửa bàn ở chỗ được chiếu sáng tốt và bằng phẳng, nơi bạn có thể giữ cho dụng cụ đứng vững chắc và cân bằng.** Máy nên được lắp đặt tại một khu vực cung cấp đủ chỗ để dễ dàng xử lý kích thước phối gia công của bạn. Các khu vực chật chội, tối và sàn nhà không bằng phẳng sẽ dễ dẫn đến tai nạn.
4. **Thường xuyên làm sạch và loại bỏ mùn cửa khỏi phía dưới bàn cửa và/hoặc thiết bị thu bụi.** Mùn cửa tích lũy rất dễ cháy và có thể tự bốc cháy.
5. **Máy cửa bàn phải được gắn cố định.** Máy cửa bàn không được gắn cố định đúng cách có thể di chuyển hoặc lật nghiêng.
6. **Gỡ bỏ các dụng cụ, mẫu gỗ, v.v... từ bàn trước khi bật máy cửa bàn.** Sự sai lệch hoặc một chỗ có nguy cơ kẹt có thể trở nên nguy hiểm.
7. **Luôn sử dụng lưới cửa có kích thước và hình dạng (hình thoi và hình tròn) của lỗ tâm chính xác.** Những lưới cửa không khớp với phần cứng lắp ráp của cửa sẽ chạy lệch tâm, gây mất kiểm soát.
8. **Không bao giờ sử dụng các dụng cụ gắn lưới cửa bị hỏng hoặc không đúng như vành, các vòng đệm lưới cửa, bu lông hoặc đai ốc.** Những bộ phận gắn này được thiết kế đặc biệt cho cửa của bạn để vận hành an toàn và hiệu suất tối ưu.
9. **Không bao giờ đứng trên máy cửa bàn, không được sử dụng nó như dụng cụ để leo trèo.** Có thể xảy ra thương tích nghiêm trọng nếu dụng cụ bị lật nghiêng hoặc nếu dụng cụ cất vô tình bị chạm phải.
10. **Hãy chắc chắn rằng lưới cửa được lắp đặt để xoay theo hướng thích hợp.** Không sử dụng đĩa mài, bàn chải dây, hoặc đĩa nhám trên máy cửa bàn. Lắp lưới cửa không đúng cách hoặc sử dụng các phụ kiện không được khuyến cáo có thể gây ra chấn thương nghiêm trọng.
11. **Loại bỏ bất kỳ đầu nút, mối nối lỏng lẻo nào khỏi vật gia công TRƯỚC khi bắt đầu cắt.**
12. **Bụi tạo ra do vận hành chứa các hoá chất có thể gây ung thư, khuyết tật bẩm sinh hay tổn hại khác cho sức khoẻ sinh sản. Một số ví dụ về những loại hóa chất này bao gồm:**
 - chì từ vật liệu sơn chứa chì và,
 - asen và crôm từ gỗ đã được xử lý hoá học.**Mức độ rủi ro từ việc tiếp xúc với các hóa chất này có thể khác nhau, phụ thuộc vào tần suất bạn làm loại công việc này. Để giảm tiếp xúc với những hóa chất này: làm việc ở nơi thoáng gió và làm việc với thiết bị an toàn đã được phê chuẩn, như mặt nạ chống bụi được thiết kế đặc biệt để lọc các hạt cực nhỏ.**
13. **Luôn luôn đảm bảo rằng phần bảo vệ phụ nằm dưới và tiếp xúc phẳng với bàn cửa trước khi cắm điện dụng cụ.**
14. **Kiểm tra dây điện nối dài định kỳ và thay thế nếu bị hư hỏng.**
15. **(Chỉ đối với các quốc gia Châu Âu)** Chỉ sử dụng lưới cửa được nhà sản xuất khuyến cáo và phải tuân thủ theo EN847-1.
16. **Không được phép cắt cón.**
17. **Đeo thiết bị bảo vệ tai.**

LẮP RÁP

Lắp đặt máy cửa bàn

- **Hình1:** 1. Đường kính lỗ 8 mm
- **Hình2:** 1. Vòng đệm tiêu chuẩn 6 mm 2. Vít bắt gỗ số 10 chiều dài tối thiểu 40 mm
- **Hình3:** 1. Vòng đệm tiêu chuẩn 6 mm 2. Đai ốc & Bu lông gắn 6 mm được vận chuyển một cách an toàn

Đặt máy cửa bàn ở chỗ được chiếu sáng tốt và bằng phẳng, nơi bạn có thể giữ cho dụng cụ đứng vững chắc và cân bằng. Máy nên được lắp đặt tại một khu vực còn lại đủ chỗ để dễ dàng xử lý kích thước các vật gia công của bạn. Máy cửa bàn cần được gắn chặt bằng bốn ốc vít hoặc bu lông vào bàn thao tác hoặc đế của máy cửa bàn bằng cách dùng các lỗ có ở dưới đáy máy cửa bàn. Khi sử dụng máy cửa bàn trên bàn thao tác, phải đảm bảo rằng có một khoảng hở trên cùng của bàn thao tác có kích thước tương tự như khoảng hở ở đáy máy cửa bàn sao cho mặt cửa có thể rơi xuống qua. Nếu trong quá trình thao tác có bất kỳ xu hướng nào làm máy cửa bàn bị lật ngược, hãy trượt hoặc di chuyển bàn thao tác hoặc đế của máy cửa bàn phải được giữ chặt vào sàn nhà.

Cất giữ phụ kiện

- **Hình4:** 1. Cờ đo vát góc
- **Hình5:** 1. Thanh cờ 2. Thanh đẩy 3. Chốt chặn chống bật ngược

Cờ đo vát góc, lưới cửa và cờ lê được cất giữ phía bên trái của đế. Thanh cờ, thanh đẩy và chốt chặn chống bật ngược cũng được cất giữ phía bên phải của đế.

Hướng dẫn bổ sung

1. **Chỉ sử dụng lưới cửa có ghi tốc độ bằng hoặc cao hơn tốc độ ghi trên dụng cụ.**
2. **Chọn đúng loại lưới cửa dành cho vật liệu sẽ được cắt.**
3. **Mang găng tay khi xử lý lưới cửa.**
4. **Vệ sinh trụ quay, các vành (đặc biệt là bề mặt lắp đặt) và đai ốc lục giác trước khi lắp lưới cửa.** Việc lắp đặt không đúng quy định có thể làm cho lưới cửa bị rung/lắc hoặc trượt.
5. **Không được cắt các vật bằng kim loại như đinh và ốc vít. Kiểm tra và gỡ bỏ tất cả các đinh, ốc vít và các ngoại vật khác ra khỏi vật gia công trước khi vận hành.**
6. **KHÔNG BAO GIỜ cho phép bất cứ ai khác đứng thẳng hàng với đường đi của lưới cửa.**
7. **Trước khi sử dụng dụng cụ này trên phối gia công thực, hãy để dụng cụ chạy trong ít phút. Theo dõi rung hay lắc có thể phát hiện lắp ráp kém hay lưới cửa chưa cân bằng.**
8. **Không nên sử dụng dụng cụ này để đục khe, tạo xoi hoặc rãnh.**
9. **Thay thế miếng đệm bàn khi mòn.**
10. **Luôn luôn cất giữ thanh đẩy khi không sử dụng.**

MÔ TẢ CHỨC NĂNG

⚠️ THẬN TRỌNG: Luôn bảo đảm rằng dụng cụ được tắt điện và rút phích cắm trước khi điều chỉnh hoặc kiểm tra chức năng của dụng cụ.

Phân bảo vệ lưới cửa

⚠️ CẢNH BÁO: Không bao giờ loại bỏ hoặc tháo chắn bảo vệ lưới cửa. Lưới cửa lộ ra do bảo vệ không tốt có thể dẫn đến thương tích cá nhân nghiêm trọng trong khi vận hành.

⚠️ CẢNH BÁO: Không được phép sử dụng dụng cụ nếu chắn bảo vệ lưới bị hỏng, lỗi, hoặc bị tháo ra. Vận hành dụng cụ có phần bảo vệ bị hỏng, lỗi hoặc bị tháo ra có thể dẫn đến thương tích cá nhân nghiêm trọng.

► **Hình6:** 1. Phần bảo vệ lưới cửa 2. Chắn bảo vệ phụ

Khi cắt, đẩy phôi gia công về phía lưới cửa với cạnh dưới của chắn bảo vệ phụ tiếp xúc với bàn chính. Khi phôi gia công được đưa vào, chắn bảo vệ lưới cửa và chắn bảo vệ phụ đi qua cạnh của phôi gia công.

Nhằm đảm bảo an toàn cá nhân cho bạn, hãy luôn giữ cho chắn bảo vệ lưới cửa và chắn bảo vệ phụ ở trong tình trạng tốt. Bất kỳ hoạt động nào bất thường của chắn bảo vệ lưới cửa và chắn bảo vệ phụ đều phải được sửa chữa ngay lập tức. Kiểm tra để đảm bảo chắn bảo vệ lưới cửa và chắn bảo vệ phụ hạ xuống và cạnh dưới của chắn bảo vệ phụ tiếp xúc với bàn chính khi phôi gia công không được đưa vào.

Nếu các bộ phận xuyên thấu này bị bẩn, hoặc mùn của bảm vào khiến lưới cửa và/hoặc phôi gia công không còn dễ nhìn thấy, hãy rút phích cắm điện dụng cụ và vệ sinh các bộ phận này cẩn thận bằng vải ẩm. Không sử dụng dung môi hoặc bất kỳ chất tẩy rửa gốc dầu nào vì điều này có thể làm hỏng các bộ phận đó. Nếu các bộ phận xuyên thấu bị biến màu sau một thời gian sử dụng hoặc tiếp xúc với tia cực tím, hãy liên hệ với trung tâm dịch vụ Makita để thay bộ phận mới. **KHÔNG ĐƯỢC VÚT BỎ HOẶC THÁO RỜI CHẮN BẢO VỆ LƯỚI CỬA VÀ CHẮN BẢO VỆ PHỤ.**

Điều chỉnh chiều sâu cắt

► **Hình7:** 1. Tay cầm

Có thể điều chỉnh chiều sâu cắt bằng cách xoay tay cầm. Xoay tay cầm theo chiều kim đồng hồ để nâng cao lưới cửa hoặc ngược chiều kim đồng hồ để hạ thấp lưới cửa xuống.

LƯU Ý: Sử dụng thiết đặt chiều sâu nông khi cắt vật liệu mỏng để có được vết cắt sạch hơn.

Điều chỉnh góc xiên

► **Hình8:** 1. Cần khóa 2. Kim chỉ hình mũi tên 3. Tay quay

Nới lỏng cần khóa ngược chiều kim đồng hồ và quay tay quay cho đến khi đạt đến góc mong muốn ($0^\circ - 45^\circ$). Góc xiên được thể hiện bằng kim chỉ hình mũi tên. Sau khi có được góc độ mong muốn, hãy vận chặt cần khóa theo chiều kim đồng hồ để cố định việc điều chỉnh.

⚠️ THẬN TRỌNG: Sau khi điều chỉnh góc xiên, hãy đảm bảo đã vận chặt cần khóa.

Điều chỉnh vị trí dừng chiều thuận

► **Hình9:** 1. Vít điều chỉnh 90° 2. Vít điều chỉnh 45°

► **Hình10**

Dụng cụ này được trang bị các vị trí dừng chiều thuận ở góc 90° và 45° so với mặt bàn. Để kiểm tra và điều chỉnh vị trí dừng chiều thuận, thực hiện như sau:

Di chuyển tay quay càng xa càng tốt bằng cách xoay tay quay. Đặt thước kẻ tam giác lên bàn và kiểm tra xem lưới cửa có ở góc 90° hoặc 45° so với mặt bàn không. Nếu lưới cửa ở góc như hiển thị trong Hình A, vận các vít điều chỉnh theo chiều kim đồng hồ; nếu nó ở góc như hiển thị trong Hình B, vận vít điều chỉnh ngược chiều kim đồng hồ để điều chỉnh vị trí dừng thuận chiều. Sau khi điều chỉnh các vị trí dừng thuận chiều, đặt lưới cửa ở góc 90° so với mặt bàn. Sau đó điều chỉnh kim chỉ hình mũi tên để cạnh bên phải của nó thẳng hàng với vạch chia độ 0° .

► **Hình11:** 1. Kim chỉ hình mũi tên

Hoạt động công tắc

► **Hình12:** 1. Công tắc

⚠️ THẬN TRỌNG: Trước khi vận hành, hãy đảm bảo rằng dụng cụ được bật lên và tắt đi.

Để khởi động dụng cụ, bấm vào nút BẬT (I).

Để ngừng dụng cụ, bấm vào nút TẮT (O).

Thanh cữ phụ (thanh cữ)

► **Hình13:** 1. Ốc xiết 2. Thanh cữ 3. Thanh cữ phụ 4. Thanh ray

Nếu thanh cữ đến gần lưới cửa, sử dụng thanh cữ phụ để đỡ phôi gia công. Nới lỏng ốc xiết và trượt thanh cữ phụ ra khỏi thanh ray. Gắn thanh cữ phụ như hình minh họa và vận chặt các ốc xiết.

Khi thanh cữ được gắn vào phía bên trái của lưới cửa, chuyển vị trí của thanh cữ phụ. Tháo các ốc xiết, thanh cữ phụ và thanh ray ra khỏi thanh cữ. Gắn hờ thanh ray ở phía bên phải của thanh cữ bằng các ốc xiết đã tháo rời. Sau đó gắn thanh cữ phụ và vận chặt các ốc xiết.

► **Hình14:** 1. Thanh cữ 2. Thanh cữ phụ 3. Ốc xiết 4. Thanh ray

Bàn phụ (P)

► **Hình15:** 1. Cần gạt

► **Hình16:** 1. Bàn phụ (P)

Dụng cụ này được cung cấp kèm với bàn phụ (P) ở bên phải của bàn chính. Để sử dụng bàn phụ (P), nâng cả hai cần ở phía trước bên phải, kéo bàn (P) ra hoàn toàn và sau đó hạ thấp các cần để vận có định nó.

Khi sử dụng bàn phụ (P), đặt tấm thang đo trên bàn phụ sau khi nới lỏng ốc vít trên nó bằng máy bắt vít sao cho nó nối tiếp với tấm thang đo trên bàn chính.

► **Hình17:** 1. Tấm thang đo 2. Vít

Bàn phụ (sau)

Phụ kiện tùy chọn

► **Hình18:** 1. Bàn phụ (sau) 2. Vít

Để sử dụng bàn phụ (sau), nối lỏng các vít ở phía bên trái và bên phải dưới bàn và kéo nó ra phía sau đến độ dài mong muốn. Ở độ dài mong muốn, vặn chặt các vít thật chắc.

LƯU Ý: Khi sử dụng bàn phụ (sau) trong quá trình sử dụng thanh cữ, kéo bàn phụ (sau) ra hơn 50 mm sao cho nó không chạm vào đầu trên của thanh cữ.

Bàn phụ (T)

Phụ kiện tùy chọn

► **Hình19:** 1. Vít 2. Bàn phụ (T)

Bàn phụ (T) (phụ kiện tùy chọn) có thể được lắp đặt bên phải trái của bàn để có không gian rộng hơn.

Chốt chặn chống bật ngược

⚠ CẢNH BÁO: Sử dụng Chốt chặn chống bật ngược bất cứ khi nào có thể trong khi vận hành cắt xuyên qua. Điều này sẽ giúp ngăn không cho vật liệu bị đẩy về phía người vận hành khi xảy ra tình huống bật ngược có thể dẫn đến thương tích cá nhân trầm trọng.

► **Hình20:** 1. Chốt chặn chống bật ngược 2. Bàn kẹp

Để tháo chốt chặn chống bật ngược khỏi dụng cụ, nối lỏng bàn kẹp trên phần chân của các chốt chặn chống bật ngược và sau đó kéo chúng ra. Để lắp vào, hãy làm ngược lại quy trình tháo ra.

LẮP RÁP

⚠ THẬN TRỌNG: Luôn luôn đảm bảo rằng dụng cụ đã được tắt và tháo phích cắm trước khi dùng dụng cụ thực hiện bất cứ công việc nào.

Lắp đặt hoặc tháo lưỡi cưa

⚠ THẬN TRỌNG: Luôn đảm bảo rằng dụng cụ đã được tắt và rút phích cắm trước khi lắp hoặc tháo lưỡi cưa.

⚠ THẬN TRỌNG: Chỉ sử dụng cờ lê của Makita đi kèm để tháo hoặc lắp lưỡi cưa. Không làm như vậy có thể khiến cho bu lông lục giác bị siết quá chặt hoặc siết không đủ chặt. Điều này có thể gây ra thương tích.

⚠ THẬN TRỌNG: Sử dụng lưỡi cưa sau. Không được sử dụng các lưỡi cưa không phù hợp với đặc điểm được quy định trong hướng dẫn này.

Đường kính	Độ dày lưỡi	Rãnh cắt
260 mm	Nhỏ hơn 1,9 mm	Lớn hơn 2,1 mm

1. Nối lỏng vít trên miếng đệm bàn và tháo nó ra.

2. Giữ vành ngoài bằng cờ lê trong và nối lỏng đai ốc lục giác ngược chiều kim đồng hồ bằng cờ lê. Sau đó tháo vành ngoài ra.

► **Hình21:** 1. Cờ lê trong 2. Đai ốc lục giác 3. Cờ lê

3. Lắp vành trong, vòng, lưỡi cưa, vành ngoài và đai ốc lục giác vào trục, đảm bảo rằng rãnh lưỡi cưa hướng xuống dưới ở mặt trước của bàn. Luôn lắp đai ốc lục giác với mặt lõm hướng về vành ngoài.

► **Hình22:** 1. Vành trong 2. Vòng 3. Lưỡi cưa 4. Vành ngoài 5. Đai ốc lục giác

⚠ THẬN TRỌNG: Hãy chắc chắn rằng lưỡi cưa được lắp sao cho rãnh cưa thẳng hàng với hướng cắt (quay).

⚠ THẬN TRỌNG: Kiểm tra đường kính lỗ trục tâm của lưỡi cưa trước khi lắp lưỡi cưa. Luôn sử dụng đúng vòng cho lỗ tâm của lưỡi cưa bạn dự định dùng. Kích thước của (các) vòng cung cấp thay đổi tùy theo quốc gia.

- Đối với dụng cụ cho lưỡi cưa đường kính lỗ 30 mm, vòng có đường kính ngoài 30 mm được cung cấp kèm.
- Đối với dụng cụ cho lưỡi cưa đường kính lỗ 25,4 mm và 25 mm, vòng đen và bạc được cung cấp kèm. Sử dụng vòng bạc cho lưỡi cưa có đường kính lỗ 25,4 mm và vòng đen cho lưỡi cưa có đường kính lỗ 25 mm.

4. Để giữ lưỡi cưa đúng vị trí, hãy giữ vành ngoài bằng cờ lê trong, sau đó vặn chặt đai ốc lục giác theo chiều kim đồng hồ bằng cờ lê. **CHẮC CHẮN ĐÃ VẠN ĐAI ỐC LỤC GIÁC THẬT CHẶT.**

► **Hình23:** 1. Cờ lê trong 2. Cờ lê

⚠ THẬN TRỌNG: Giữ bề mặt vành sạch bụi hoặc các vật dính khác; điều này có thể làm trượt lưỡi cưa.

⚠ THẬN TRỌNG: Đảm bảo đã giữ đai ốc lục giác cẩn thận bằng cờ lê. Nếu tay cầm bị trượt, cờ lê có thể tuột ra khỏi đai ốc lục giác và tay của bạn có thể va vào các mép lưỡi cưa sắc bén.

5. Gắn miếng đệm bàn vào vị trí bằng vít.

Điều chỉnh dao cắt lưỡi xẻ rãnh

⚠ THẬN TRỌNG: Nếu lưỡi cưa và dao cắt lưỡi xẻ rãnh không được căn chỉnh thích hợp, có thể dẫn đến tình trạng căng ép nguy hiểm trong quá trình vận hành. Đảm bảo rằng chúng đã được căn chỉnh đúng. Bạn có thể bị thương tích cá nhân nghiêm trọng khi sử dụng dụng cụ mà không có dao cắt lưỡi xẻ rãnh được căn chỉnh phù hợp.

⚠ THẬN TRỌNG: KHÔNG BAO GIỜ thực hiện bất kỳ điều chỉnh nào khi dụng cụ đang chạy. Ngắt kết nối dụng cụ trước khi thực hiện bất kỳ điều chỉnh nào.

⚠ THẬN TRỌNG: Không tháo dao cắt lưỡi xẻ rãnh.

► **Hình24:** 1. Chắn bảo vệ lưỡi cưa 2. Dao cắt lưỡi xẻ rãnh 3. Vít

Vị trí dao cắt lưỡi xẻ rãnh được điều chỉnh tại nhà máy sản xuất sao cho lưỡi cưa và dao cắt lưỡi xẻ rãnh nằm trên một đường thẳng. Tuy nhiên, bạn cần điều chỉnh nó nếu lưỡi cưa và dao cắt lưỡi xẻ rãnh không nằm trên một đường thẳng.

Nới lỏng vít trên miếng đệm bàn và tháo nó ra khỏi bàn chính. Nới lỏng các bu lông lục giác (B) và điều chỉnh phần gắn chắn bảo vệ lưỡi (giàng néo) dao cho dao cắt lưỡi xẻ rãnh nằm thẳng hàng ngay sau lưỡi cưa. Sau đó, chặt các bu lông lục giác (B) để cố định giàng néo và đặt miếng đệm bàn vào chỗ.

► **Hình25:** 1. Lưỡi 2. Hai khoảng hở này phải bằng nhau. 3. Dao cắt lưỡi xẻ rãnh 4. Bu lông lục giác (B) 5. Bu lông lục giác (A)

Cần phải có độ hở 4 - 5 mm giữa dao cắt lưỡi xẻ rãnh và răng lưỡi cưa. Nới lỏng các bu lông lục giác (A), điều chỉnh dao cắt lưỡi xẻ rãnh tương ứng và vặn các bu lông lục giác (A) thật chặt. Gắn miếng đệm bàn trên bàn bằng vít, sau đó kiểm tra xem chắn bảo vệ lưỡi cưa có hoạt động trơn tru không trước khi cắt.

► **Hình26:** 1. Dao cắt lưỡi xẻ rãnh 2. Chắn bảo vệ lưỡi cưa 3. Khoảng trống 4 mm - 5mm

Lắp đặt và điều chỉnh thanh cữ

► **Hình27:** 1. Móc treo 2. Nút 3. Thanh ray dẫn

1. Đặt khớp móc trên đầu mũi của thanh cữ vào thanh ray dẫn phía xa trên bàn hoặc bàn phụ (P), lắp và đẩy thanh cữ về phía trước sao cho kẹp giữ thanh cữ khớp với thanh ray dẫn gần nhất.

2. Để trượt thanh cữ trên hai phía bên của thanh ray dẫn, vặn trở lại nút trên kẹp giữ thanh cữ hết cỡ mà không cần kéo cần trên nút.

Để cố định thanh cữ, xoay hết cỡ nút trên kẹp giữ thanh cữ.

3. Để tháo thanh cữ, kéo cần trên nút và xoay nút hết cỡ về phía trước trong khi đang kéo cần.

Để kiểm tra chắc chắn rằng thanh cữ là song song với lưỡi cưa, hãy giữ chặt thanh cữ cách lưỡi cưa 2 - 3 mm. Nâng lưỡi cưa lên đến độ cao tối đa. Đánh dấu vào một răng lưỡi cưa bằng bút chì. Đo khoảng cách (A) và (B) giữa thanh cữ và lưỡi cưa. Lấy cả hai số đo bằng răng lưỡi cưa đã được đánh dấu với bút chì. Hai số đo này phải giống hệt nhau. Nếu thanh cữ không song song với lưỡi cưa, hãy tiến hành như sau:

► **Hình28:** 1. Thang đo

1. Định vị thanh cữ vào vị trí trượt.

2. Nới lỏng hai bu lông lục giác trên đỉnh thanh cữ bằng cờ lê lục giác được cung cấp.

► **Hình29:** 1. Bu lông lục giác

3. Điều chỉnh thanh cữ cho đến khi nó song song với lưỡi cưa.

4. Xoay nút trên thanh cữ xuống về phía người vận hành.

5. Vặn chặt hai bu lông lục giác trên thanh cữ.

► **Hình30**

⚠ THẬN TRỌNG: Đảm bảo đã điều chỉnh thanh cữ sao cho nó song song với lưỡi cưa, nếu không có thể xảy ra tình trạng lực giật ngược rất nguy hiểm.

Khi thanh cữ không thể cố định chặt, điều chỉnh nó theo quy trình sau đây.

1. Đặt thanh cữ trên bàn và xoay nút một nửa đường đi của nó (vị trí di chuyển). Vặn chặt vít (A) cho đến khi thanh cữ không thể chuyển động. Sau đó nới lỏng 1/4 đến 1/2 vòng.

► **Hình31:** 1. Thanh cữ 2. Vị trí nhà 3. Vị trí di chuyển 4. Vị trí khóa

► **Hình32:** 1. Thanh cữ 2. Vị trí di chuyển 3. Vít (B) 4. Vít (A)

2. Vặn chặt vít (B) hết cỡ và sau đó nới lỏng khoảng 2 vòng.

3. Khóa thanh cữ bằng cách xoay nút trên kẹp giữ thanh cữ (vị trí khóa).

4. Hãy chắc chắn rằng thanh cữ có thể được lắp vào và tháo ra ở vị trí ban đầu (vị trí nhà).

5. Hãy chắc chắn rằng thanh cữ có thể trượt trơn tru mà không bị lung lay khi nút ở một nửa đường đi của nó.

CHÚ Ý: Cảnh thận để không vặn chặt vít với số lượng vòng vặn nhiều hơn quy định trong hướng dẫn ở trên. Nếu không, làm như vậy có thể làm hỏng phần xiết chặt.

Nâng thanh cữ lên ngang bằng với mặt bên của lưỡi cưa. Hãy chắc chắn rằng kim chỉ trên thanh cữ chỉ vào vạch 0°. Nếu kim chỉ không chỉ vào vạch 0°, nới lỏng vít trên tấm thang đo và điều chỉnh tấm thanh đo.

► **Hình33:** 1. Kim chỉ 2. Vít

Kết nối với máy hút bụi

Các thao tác vệ sinh có thể được thực hiện bằng cách nối dụng cụ vào máy hút bụi Makita hoặc bộ phận thu bụi.

► **Hình34**

VẬN HÀNH

Dụng cụ này được dùng để các sản phẩm bằng gỗ. Tham khảo trang web của chúng tôi hoặc liên hệ với đại lý Makita tại địa phương của bạn để biết lưỡi cưa đĩa chính xác được sử dụng cho vật liệu cần cắt.

⚠ THẬN TRỌNG: Luôn sử dụng các “vật dụng hỗ trợ” chẳng hạn như các thanh đỡ và bàn đỡ khi có nguy cơ tay hoặc ngón tay của bạn tiến đến gần lưỡi cưa.

⚠ THẬN TRỌNG: Luôn giữ phôi gia công thật chắc với bàn cưa và thanh cữ hoặc cữ đo vát góc. Không được uốn hoặc vặn xoắn nó trong khi đưa vào máy. Nếu vật gia công bị uốn hoặc vặn xoắn có thể xảy ra lực giật ngược rất nguy hiểm.

⚠ THẬN TRỌNG: KHÔNG BAO GIỜ rút phôi gia công ra trong lúc lưỡi cưa đang chạy. Nếu bạn phải rút vật gia công ra trước khi hoàn tất đường cắt, trước tiên hãy tắt dụng cụ đi trong khi vẫn giữ chắc vật gia công. Chờ cho đến khi lưỡi cưa đã dừng lại hoàn toàn trước khi rút phôi gia công ra. Không làm như vậy có thể gây ra lực giật ngược rất nguy hiểm.

⚠ THẬN TRỌNG: KHÔNG BAO GIỜ tháo vật liệu đã được cắt rời trong lúc lưỡi cưa đang chạy.

⚠ THẬN TRỌNG: KHÔNG BAO GIỜ để tay hoặc ngón tay vào đường đi của lưỡi cưa. Hãy đặc biệt cẩn thận với thao tác cắt xiên góc.

⚠ THẬN TRỌNG: Luôn giữ thanh cữ thật chặt, nếu không có thể xảy ra lực giật ngược rất nguy hiểm.

⚠ THẬN TRỌNG: Luôn sử dụng các “vật dụng hỗ trợ” chẳng hạn như các thanh đỡ và bàn đỡ khi cắt các phôi gia công nhỏ hoặc hẹp.

Vật dụng hỗ trợ

Thanh đỡ, bàn đỡ hoặc thanh chắn phụ là các loại “vật dụng hỗ trợ”. Hãy sử dụng chúng để thực hiện các đường cắt an toàn, chắc chắn mà không cần người vận hành tiếp xúc với lưỡi cưa bằng bất kỳ phần nào của cơ thể.

Bàn đỡ

► **Hình35:** 1. Song song mặt/cạnh 2. Tay cầm 3. Vít bắt gỗ 4. Dán keo lại với nhau

Sử dụng một miếng ván ép 19 mm. Tay cầm cần phải ở chính giữa miếng ván ép. Gắn chặt bằng keo và các vít bắt gỗ như đã trình bày. Miếng gỗ nhỏ 9,5 mm x 8 mm x 50 mm phải luôn được dán keo vào ván ép để giữ lưỡi cưa không bị cùn nếu người vận hành cắt nhầm vào bàn đỡ. (Không bao giờ dùng đinh trong bàn đỡ.)

Thanh chắn phụ

► **Hình36:** 1. Song song mặt/cạnh

Hãy tạo thanh chắn phụ từ các mảnh ván ép 9,5 mm và 19 mm.

Cắt tách

⚠ THẬN TRỌNG: Khi cắt tách, hãy tháo cữ đo vát góc khỏi bàn cưa.

⚠ THẬN TRỌNG: Khi cắt các vật gia công dài và rộng, luôn chống đỡ phù hợp phía sau bàn cưa. KHÔNG được phép di chuyển hoặc xô dịch bảng dài trên bàn cưa. Điều này sẽ làm cho lưỡi cưa bị kẹt và tăng khả năng xảy ra lực giật ngược và gây thương tích cá nhân. Giá chống đỡ cần phải ở cùng cao độ với bàn cưa.

⚠ THẬN TRỌNG: Không thực hiện cắt tách xiên góc trên phía góc xiên của lưỡi cưa.

1. Điều chỉnh chiều sâu đường cắt cao hơn một chút so với chiều dày vật gia công.

► **Hình37**

2. Định vị thanh cữ đến chiều rộng mong muốn cắt tách và khóa nó tại chỗ bằng cách xoay núm. Trước khi cắt tách, đảm bảo rằng đầu sau của thanh cữ được cố định chặt. Nếu không đủ chặt, hãy làm theo quy trình trong mục “Lắp đặt và điều chỉnh thanh cữ”.

3. Bật dụng cụ lên và nhẹ nhàng đưa phôi gia công vào lưỡi cưa cùng với thanh cữ.

Khi chiều rộng cắt tách rộng từ 150 mm trở lên, hãy cẩn thận dùng tay phải đưa phôi gia công vào máy. Dùng tay trái để giữ vật gia công ở vị trí tựa vào thanh cữ.

► **Hình38**

Khi chiều rộng cắt tách từ 65 mm - 150 mm, hãy dùng thanh đỡ để đưa phôi gia công vào máy.

► **Hình39:** 1. Thanh đỡ

Khi chiều rộng cắt tách hẹp hơn 65 mm, có thể không sử dụng được thanh đỡ bởi thanh đỡ sẽ đụng vào chắn bảo vệ lưỡi. Sử dụng thanh chắn phụ và bàn đỡ. Gắn thanh phụ trợ vào thanh cữ bằng hai gá kẹp “C”. Dùng tay đưa phôi gia công vào máy cho đến khi đầu cuối cách mép trước của bàn khoảng 25 mm.

► **Hình40**

Tiếp tục đưa vào bằng bàn đỡ ở trên cùng của thanh chắn phụ cho đến khi cắt xong.

► **Hình41:** 1. Bàn đỡ 2. Thanh chắn phụ

Cắt xuyên qua

⚠ THẬN TRỌNG: Khi thực hiện cắt ngang, hãy tháo bỏ thanh cữ khỏi bàn cưa.

⚠ THẬN TRỌNG: Khi cắt các vật gia công dài và rộng, luôn chống đỡ phù hợp cho các mặt bên của bàn cưa. Giá chống đỡ cần phải ở cùng cao độ với bàn cưa.

⚠ THẬN TRỌNG: Luôn giữ tay tránh xa đường đi của lưỡi cưa.

Cữ đo vát góc

► **Hình42:** 1. Cắt xuyên qua 2. Vát góc 3. Cắt xiên góc 4. Vát góc hỗn hợp (nhiều góc)

Sử dụng cữ đo vát góc cho 4 kiểu cắt được thể hiện trong hình.

⚠ THẬN TRỌNG: Giữ cố định nút trên cỡ đo vát góc thật cẩn thận.

⚠ THẬN TRỌNG: Tránh phơi gia công và cỡ đo bị trượt bằng cách nắm chắc vật dụng, đặc biệt là khi cắt ở góc.

⚠ THẬN TRỌNG: KHÔNG BAO GIỜ giữ hoặc nắm phần định “cắt rời” của phơi gia công.

⚠ THẬN TRỌNG: Luôn điều chỉnh sao cho khoảng cách giữa đầu của cỡ đo vát góc và lưỡi cưa không vượt quá 15 mm.

Điểm dừng chiều thuận của cỡ đo vát góc

► **Hình43:** 1. Vít cho điểm dừng chiều thuận 2. Tấm nhỏ 3. Nút

Cỡ đo vát góc được cung cấp kèm có các điểm dừng chiều thuận ở góc vát trái và phải 90°, 45° để có thể cài đặt nhanh chóng các góc vát.

Để cài đặt góc vát, nói lỏng nút trên cỡ đo vát góc. Nâng tấm nhỏ trên cỡ đo vát góc để cài đặt tự do. Xoay cỡ đo vát góc đến góc vát mong muốn. Đưa tấm nhỏ trên cỡ đo vát góc trở về vị trí ban đầu và vặn chặt nút theo chiều kim đồng hồ.

Sử dụng cỡ đo vát góc

► **Hình44:** 1. Rãnh 2. Cỡ đo vát góc 3. Nút

Trượt cỡ đo vát góc vào các rãnh dày trong bàn cưa. Nói lỏng nút trên cỡ đo và căn chỉnh đến góc mong muốn (0° đến 60°). Nâng phần thừa đẩy lên thanh chắn và nhẹ nhàng đưa về trước vào trong lưỡi cưa.

Cỡ đo phụ (Cỡ đo vát góc)

► **Hình45:** 1. Cỡ đo phụ

Cỡ đo phụ trên cỡ đo vát góc ngăn phơi gia công khỏi bị lung lay. Nói lỏng vít trên cỡ đo vát góc và điều chỉnh vị trí cỡ đo phụ.

Di chuyển dụng cụ

► **Hình46**

Đảm bảo đã rút phích cắm điện dụng cụ. Di chuyển dụng cụ bằng cách cầm vào phần dụng cụ như được thể hiện trong hình.

⚠ THẬN TRỌNG: Luôn cố định an toàn tất cả các phần chuyển động trước khi di chuyển dụng cụ.

⚠ THẬN TRỌNG: Trước khi di chuyển dụng cụ, hãy chắc chắn đảm bảo rằng chắn bảo vệ lưỡi cưa và chắn bảo vệ phụ hạ xuống và cạnh dưới của chắn bảo vệ phụ tiếp xúc với bàn chính.

BẢO TRÌ

⚠ THẬN TRỌNG: Luôn đảm bảo rằng dụng cụ được tắt điện và rút phích cắm trước khi thử thực hiện việc kiểm tra hoặc bảo trì.

CHÚ Ý: Không được phép dùng xăng, ét xăng, dung môi, cồn hoặc hóa chất tương tự. Có thể xảy ra hiện tượng mất màu, biến dạng hoặc nứt vỡ.

Vệ sinh

Làm sạch mặt cưa và vụn bào thường xuyên. Cẩn thận làm sạch chắn bảo vệ lưỡi và các bộ phận chuyển động bên trong máy cưa bàn.

Khi loại bỏ mùn cưa tích lũy dưới lưỡi cưa, tháo miếng đệm bàn và sử dụng máy thổi bụi để thổi mùn cưa từ đầu nổi ra cho máy hút bụi.

Tra dầu mỡ

Để giữ máy cưa bàn trong tình trạng vận hành tốt nhất, và nhằm đảm bảo tuổi thọ hoạt động tối đa, hãy thường xuyên tra dầu hoặc dầu mỡ cho các bộ phận chuyển động và các bộ phận quay.

Các chỗ tra dầu mỡ:

- Trục có ren để nâng lưỡi cưa
- Bàn lè để xoay khung
- Các trục thanh dẫn nâng trên động cơ
- Bánh răng để nâng lưỡi cưa
- Thanh ray dẫn cho thanh cữ
- Cán cầm của cần khóa bàn phụ (P)
- Phần trượt của bàn phụ (P)

Thay thế các chổi các-bon

Kiểm tra chổi than thường xuyên. Thay chổi than khi chúng bị mòn dưới vạch giới hạn. Giữ các chổi các-bon sạch và có thể trượt dễ dàng vào chỗ giữ chổi. Cả hai chổi các-bon phải được thay thế cùng một lúc. Chỉ sử dụng các chổi các-bon giống nhau.

► **Hình47:** 1. Vạch giới hạn

1. Cắt giữ bàn phụ (P). Tháo rời thanh cữ nếu cần giữ nó.
2. Nói lỏng cần khóa và quay tay quay cho đến khi đầu cưa nghiêng đến góc vát 45°. Sau đó, vặn chặt cần khóa.

► **Hình48:** 1. Thanh cữ 2. Cần khóa 3. Tay quay

3. Dụng cụ dừng dụng cụ về phía bên phải của nó.

► **Hình49**

4. Nói lỏng các vít trên tấm đáy và tháo nó ra.
5. Nói lỏng các nắp giữ chổi bằng cách sử dụng máy vặn vít cầm tay hoạt động bằng động cơ điện và tháo bỏ các chổi các-bon bị mòn.

► **Hình50:** 1. Tấm đáy 2. Nắp giữ chổi 3. Máy bắt vít

6. Lắp các chổi các-bon mới vào và cố định các nắp giữ chổi.

7. Gắn tấm đáy bằng vít và đặt cẩn thận dụng cụ trên phần đáy của nó. Cất giữ thanh cữ nếu tháo rời nó ra.

Để đảm bảo ĐỘ AN TOÀN và ĐỘ TIN CẬY của sản phẩm, việc sửa chữa hoặc bất cứ thao tác bảo trì, điều chỉnh nào đều phải được thực hiện bởi các Trung tâm Dịch vụ Nhà máy hoặc Trung tâm được Makita Ủy quyền và luôn sử dụng các phụ tùng thiết bị thay thế của Makita.

PHỤ KIỆN TỰY CHỌN

⚠ THẬN TRỌNG: Các phụ kiện hoặc phụ tùng gắn thêm này được khuyến cáo sử dụng với dụng cụ Makita của bạn theo như quy định trong hướng dẫn này. Việc sử dụng bất cứ phụ kiện hoặc phụ tùng gắn thêm nào khác đều có thể gây ra rủi ro thương tích cho người. Chỉ sử dụng phụ kiện hoặc phụ tùng gắn thêm cho mục đích đã quy định sẵn của chúng.

Nếu bạn cần bất kỳ sự hỗ trợ nào để biết thêm chi tiết về các phụ tùng này, hãy hỏi Trung tâm Dịch vụ của Makita tại địa phương của bạn.

- Lưỡi cưa bằng Thép & bịt Các-bua
- Bàn phụ (T)
- Bàn phụ (sau)
- Thanh cữ
- Cữ đo vát góc
- Cờ lê trong 13-22
- Cờ lê 19
- Cờ lê lục giác 5
- Khớp nối (để nối bộ phận thu bụi)
- Bộ đế máy cưa bàn

Đọc hướng dẫn sử dụng cho đế của máy cưa bàn được cung cấp kèm theo đế của máy cưa bàn như phụ kiện tùy chọn.

LƯU Ý: Một số mục trong danh sách có thể được bao gồm trong gói dụng cụ làm phụ kiện tiêu chuẩn. Các mục này ở mỗi quốc gia có thể khác nhau.

ข้อมูลจำเพาะ

รุ่น:	2704N	
รูเพลามีต (เฉพาะประเทศ)	30 mm / 25.4 mm	
เส้นผ่านศูนย์กลางใบเลื่อย	260 mm	
ความสามารถในการตัดสูงสุด	มุมเอียง 0°	93 mm
	มุมเอียง 45°	64 mm
ความเร็วหมุนเปล่า	5,200 min ⁻¹	
ขนาดโต๊ะ (ยาว x กว้าง)	รวมโต๊ะเสริม (ขวา) และ (หลัง)	1,045 mm x 1,066 mm (โต๊ะที่ถูกยึดออก) 665 mm x 753 mm (โต๊ะที่ถูกเก็บ)
	รวมโต๊ะเสริม (ขวา) ไม่รวมโต๊ะเสริม (หลัง)	567 mm x 1,066 mm (โต๊ะที่ถูกยึดออก) 567 mm x 753 mm (โต๊ะที่ถูกเก็บ)
ขนาด (ยาว x กว้าง x สูง) รวมโต๊ะที่ไม่ได้ถูกยึดออก	รวมโต๊ะเสริม (ขวา) และ (หลัง)	715 mm x 753 mm x 483mm
	รวมโต๊ะเสริม (ขวา) ไม่รวมโต๊ะเสริม (หลัง)	665 mm x 753 mm x 483 mm
น้ำหนักสุทธิ	35.2 kg - 37.0 kg	
มาตรฐานความปลอดภัย	☐/II	

- เนื่องจากการค้นคว้าวิจัยและพัฒนาอย่างต่อเนื่อง ข้อมูลจำเพาะในเอกสารฉบับนี้อาจเปลี่ยนแปลงได้โดยไม่ต้องแจ้งให้ทราบล่วงหน้า
- ข้อมูลจำเพาะอาจแตกต่างกันไปในแต่ละประเทศ
- น้ำหนักอาจแตกต่างกันไปตามอุปกรณ์เสริม การติดตั้งอุปกรณ์เสริมที่เบาที่สุดและหนักที่สุดตามข้อบังคับของ EPTA 01/2014 มีแสดงอยู่ในตาราง

สัญลักษณ์

ต่อไปนี้เป็นสัญลักษณ์ที่อาจใช้สำหรับอุปกรณ์ โปรดศึกษาความหมายของสัญลักษณ์ให้เข้าใจก่อนการใช้งาน



อ่านคู่มือการใช้งาน



ฉนวนสองชั้น



สวมแว่นตานิรภัย



อย่านำมือหรือนิ้วเข้าไปใกล้ใบเลื่อย



สำหรับประเทศในสหภาพยุโรปเท่านั้น
เนื่องจากในอุปกรณ์มีส่วนประกอบอันตราย
อุปกรณ์ไฟฟ้าและอิเล็กทรอนิกส์ที่ใช้แล้วจึง
อาจส่งผลกระทบต่อสิ่งแวดล้อมและสุขภาพของ
มนุษย์ในเชิงลบ
อย่าทิ้งเครื่องใช้ไฟฟ้าและอิเล็กทรอนิกส์
รวมกับวัสดุเหลือทิ้งในครัวเรือน!
เพื่อให้เป็นไปตามกฎระเบียบของยุโรป
ว่าด้วยขยะจำพวกอุปกรณ์ไฟฟ้าและ
อิเล็กทรอนิกส์ รวมถึงการบังคับใช้ตาม
กฎหมายภายในประเทศ ควรมีการจัดเก็บ
อุปกรณ์ไฟฟ้าและอิเล็กทรอนิกส์ที่ใช้แล้ว
แยกต่างหากและส่งไปยังจุดรับขยะต่าง
หากในเขตเทศบาลซึ่งมีการดำเนินการตาม
ระเบียบว่าด้วยการดูแลสิ่งแวดล้อม
โดยระบุด้วยสัญลักษณ์เส้นคาดขวางรูปถัง
ขยะแบบมีล้อไว้บนอุปกรณ์

จุดประสงค์การใช้งาน

เครื่องมือนี้ใช้สำหรับตัดไม้

เครื่องมือนี้สามารถตัดตรง ตัดมุมเอียง และตัดมุมฉากได้
เครื่องมือนี้ไม่ได้ออกแบบขึ้นสำหรับการตัดแบบไม่ทะลุผ่าน
ทั้งชิ้นงาน

แหล่งจ่ายไฟ

ควรเชื่อมต่อเครื่องมือกับแหล่งจ่ายไฟที่มีแรงดันไฟฟ้า
ตามที่ระบุไว้ในป้ายข้อมูลของเครื่องมือ และจะต้องใช้
ไฟฟ้ากระแสสลับแบบเฟสเดียวเท่านั้น อุปกรณ์นี้ได้รับการ
หุ้มฉนวนสองชั้นและสามารถใช้กับปลั๊กไฟที่ไม่มีสายดินได้

คำเตือนด้านความปลอดภัย

คำเตือนด้านความปลอดภัยของเครื่องมือไฟฟ้า ทั่วไป

⚠ คำเตือน: โปรดอ่านคำเตือนด้านความปลอดภัย คำ
แนะนำ ภาพประกอบ และข้อมูลจำเพาะต่างๆ ที่ให้มา
กับเครื่องมือไฟฟ้านี้อย่างละเอียด การไม่ปฏิบัติตามคำ
แนะนำดังต่อไปนี้อาจส่งผลให้เกิดไฟฟ้าช็อต ไฟไหม้
และ/หรือได้รับบาดเจ็บอย่างร้ายแรงได้

เก็บรักษาคำเตือนและคำแนะนำทั้งหมดไว้

เป็นข้อมูลอ้างอิงในอนาคต

คำว่า “เครื่องมือไฟฟ้า” ในคำเตือนนี้หมายถึงเครื่องมือ
ไฟฟ้า (มีสาย) ที่ทำงานโดยใช้กระแสไฟฟ้าหรือเครื่องมือ
ไฟฟ้า (ไร้สาย) ที่ทำงานโดยใช้แบตเตอรี่

ความปลอดภัยของพื้นที่ทำงาน

1. ดูแลพื้นที่ทำงานให้มีความสะอาดและมีแสงไฟสว่าง
พื้นที่ที่ระเกะระกะหรือมืดที่บดบังนำไปสู่การเกิด
อุบัติเหตุได้
2. อย่าใช้งานเครื่องมือไฟฟ้าในสภาพที่อาจเกิดการ
ระเบิด เช่น ในสถานที่ที่มีของเหลว ก๊าซ หรือฝุ่นผงที่
มีคุณสมบัติไวไฟ เครื่องมือไฟฟ้าอาจสร้างประกายไฟ
และจุดชนวนฝุ่นผงหรือก๊าซดังกล่าว
3. ดูแลไม่ให้มีเด็ก หรือบุคคลอื่นอยู่ในบริเวณที่กำลัง
ใช้เครื่องมือไฟฟ้า การมีสิ่งรบกวนสมาธิอาจทำให้คุณ
สูญเสียการควบคุม

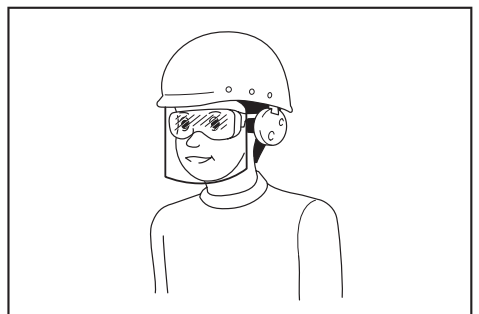
ความปลอดภัยด้านไฟฟ้า

1. ปลั๊กของเครื่องมือไฟฟ้าต้องพอดีกับเต้ารับ อย่า
ดัดแปลงปลั๊กไม่ว่ากรณีใดๆ อย่าใช้ปลั๊กอะแดปเตอร์
กับเครื่องมือไฟฟ้าที่ต่อสายดิน ปลั๊กที่ไม่ถูกดัดแปลง
และเต้ารับที่เข้ากันพอดีจะช่วยลดความเสี่ยงของการ
เกิดไฟฟ้าช็อต
2. ระมัดระวังอย่าให้ร่างกายสัมผัสกับพื้นผิวที่ต่อสายดิน เช่น
ท่อ เครื่องนำความร้อน เตาหุงต้ม และตู้เย็น มีความ
เสี่ยงที่จะเกิดไฟฟ้าช็อตสูงขึ้น หากร่างกายของคุณ
สัมผัสกับพื้น
3. อย่าให้เครื่องมือไฟฟ้าถูกน้ำหรืออยู่ในสภาพเปียกชื้น
น้ำที่ไหลเข้าไปในเครื่องมือไฟฟ้าจะเพิ่มความเสี่ยง
ของการเกิดไฟฟ้าช็อต

- อย่าใช้สายไฟอย่างที่ไม่เหมาะสม อย่าใช้สายไฟเพื่อยก ดึง หรือถอดปลั๊กเครื่องมือไฟฟ้า เก็บสายไฟให้ห่างจากความร้อน น้ำมัน ของมีคม หรือชิ้นส่วนที่เคลื่อนที่ สายที่ชำรุดหรือพันกันจะเพิ่มความเสี่ยงของการเกิดไฟฟ้าช็อต
- ขณะที่ใช้งานเครื่องมือไฟฟ้านอกอาคาร ควรใช้สายต่อพ่วงที่เหมาะสมกับงานภายนอกอาคาร การใช้สายที่เหมาะสมกับงานภายนอกอาคารจะลดความเสี่ยงของการเกิดไฟฟ้าช็อต
- หากต้องใช้งานเครื่องมือไฟฟ้าในสถานที่เปียกชื้น ให้ใช้อุปกรณ์ป้องกันกระแสไฟรั่ว (RCD) การใช้ RCD จะลดความเสี่ยงของการเกิดไฟฟ้าช็อต
- แนะนำให้ใช้แหล่งจ่ายไฟผ่าน RCD ที่มีกระแสไฟรั่วในอัตราไม่เกิน 30 mA เสมอ
- เครื่องมือไฟฟ้าอาจสร้างสนามแม่เหล็ก (EMF) ที่ไม่เป็นอันตรายต่อผู้ใช้ อย่างไรก็ตาม ผู้ใช้ที่ใส่เครื่องกระตุ้นหัวใจและอุปกรณ์ทางการแพทย์ที่คล้ายกันนี้ ควรติดต่อผู้ผลิตอุปกรณ์และ/หรือแพทย์เพื่อรับคำแนะนำก่อนใช้งานเครื่องมือไฟฟ้านี้
- อย่าจับปลั๊กไฟด้วยมือที่เปียก
- หากสายไฟชำรุด โปรดให้ผู้ผลิตหรือตัวแทนของผู้ผลิตเปลี่ยนให้ เพื่อหลีกเลี่ยงอันตราย
- อย่าทำงานในระยงที่สุดเอี่ยม จัดท่ากรีนและการทรงตัวให้เหมาะสมตลอดเวลา เพราะจะทำให้ควบคุมเครื่องมือไฟฟ้าได้ดีขึ้นในสถานการณ์ที่ไม่คาดคิด
- แต่งกายให้เหมาะสม อย่าสวมเครื่องแต่งกายที่หลวมเกินไป หรือสวมเครื่องประดับ อย่าใส่เส้นผมและเสื้อผ้าอยู่ใกล้ชิ้นส่วนที่เคลื่อนที่ เสื้อผ้ารุ่มร่าม เครื่องประดับ หรือผมที่มีความยาวอาจเข้าไปติดในชิ้นส่วนที่เคลื่อนที่
- หากมีการจัดอุปกรณ์สำหรับดูดและจับฝุ่นไว้ในสถานที่ ให้ตรวจสอบว่าได้เชื่อมต่อและใช้งานอุปกรณ์นั้นอย่างเหมาะสม การใช้เครื่องดูดและจับฝุ่นจะช่วยลดอันตรายที่เกิดจากฝุ่นผงได้
- อย่าให้ความคุ้นเคยจากการใช้งานเครื่องมือเป็นประจำทำให้คุณทำตามตามสบายและละเลยหลักการเพื่อความปลอดภัยในการใช้เครื่องมือ การกระทำที่ไม่ระมัดระวังอาจทำให้เกิดการบาดเจ็บร้ายแรงภายในเสี้ยววินาที
- สวมใส่แว่นครอบตานิรภัยเพื่อปกป้องดวงตาของคุณจากการบาดเจ็บเมื่อใช้เครื่องมือไฟฟ้า แว่นครอบตาจะต้องได้มาตรฐาน ANSI Z87.1 ในสหรัฐอเมริกา, EN 166 ในยุโรป หรือ AS/NZS 1336 ในออสเตรเลีย/นิวซีแลนด์ ในออสเตรเลีย/นิวซีแลนด์ จะต้องสวมเกราะป้องกันใบหน้าเพื่อปกป้องใบหน้าของคุณอย่างถูกต้องตามกฎหมายด้วย

ความปลอดภัยส่วนบุคคล

- ให้ระมัดระวังและมีสติอยู่เสมอขณะใช้งานเครื่องมือไฟฟ้า อย่าใช้งานเครื่องมือไฟฟ้าในขณะที่คุณกำลังเหนื่อย หรือในสภาพที่มึนเมาจากยาเสพติด เครื่องดื่ม ต้ม แอลกอฮอล์ หรือการเข้ายา ชั่วขณะที่ขาดความระมัดระวังเมื่อกำลังใช้งานเครื่องมือไฟฟ้าอาจทำให้ได้รับบาดเจ็บร้ายแรง
- ใช้อุปกรณ์ป้องกันส่วนบุคคล สวมแว่นตาป้องกันเสมอ อุปกรณ์ป้องกัน เช่น หน้ากากกันฝุ่น รองเท้านิรภัย กันลื่น หมวกนิรภัย หรือเครื่องป้องกันการได้ยินที่ใช้ในสภาพที่เหมาะสมจะช่วยลดการบาดเจ็บ
- ป้องกันไม่ให้เกิดการเปิดใช้งานโดยไม่ตั้งใจ ตรวจสอบให้แน่ใจว่าสวิตช์ปิดอยู่ก่อนที่จะเชื่อมต่อกับแหล่งจ่ายไฟ และ/หรือชุดแบตเตอรี่ รวมทั้งตรวจสอบก่อนการยกหรือเคลื่อนย้ายเครื่องมือ การสอดนิ้วมือบริเวณสวิตช์เพื่อถือเครื่องมือไฟฟ้า หรือการชาร์จไฟเครื่องมือไฟฟ้าในขณะที่เปิดสวิตช์อยู่อาจนำไปสู่การเกิดอุบัติเหตุ
- นำกุญแจปรับตั้งหรือประแจออกก่อนที่จะเปิดเครื่องมือไฟฟ้า ประแจหรือกุญแจที่เสียบค้างอยู่ในชิ้นส่วนที่หมุนได้ของเครื่องมือไฟฟ้าอาจทำให้ได้รับบาดเจ็บ



ผู้ว่าจ้างมีหน้าที่รับผิดชอบในการบังคับผู้ใช้งานเครื่องมือและบุคคลอื่นๆ ที่อยู่ในบริเวณที่ปฏิบัติงานให้ใช้อุปกรณ์ป้องกันที่เหมาะสม

การใช้และดูแลเครื่องมือไฟฟ้า

- อย่าฝืนใช้เครื่องมือไฟฟ้า ใช้เครื่องมือไฟฟ้าที่เหมาะสมกับการใช้งานของคุณ เครื่องมือไฟฟ้าที่เหมาะสมจะทำให้ได้งานที่มีประสิทธิภาพและปลอดภัยกว่าตามขีดความสามารถของเครื่องที่ได้รับการออกแบบมา
- อย่าใช้เครื่องมือไฟฟ้า หากสวิตช์ไม่สามารถเปิดปิดได้ เครื่องมือไฟฟ้าที่ควบคุมด้วยสวิตช์ที่ไม่ได้เป็นลิ้นอันตรายจะต้องได้รับการซ่อมแซม

3. ถอดปลั๊กจากแหล่งจ่ายไฟ และ/หรือชุดแบตเตอรี่ ออกจากเครื่องมือไฟฟ้าก่อนทำการปรับตั้ง เปลี่ยน อุปกรณ์เสริม หรือจัดเก็บเครื่องมือไฟฟ้า วิธีการ ป้องกันด้านความปลอดภัยดังกล่าวจะช่วยลดความเสี่ยงในการเปิดใช้งานเครื่องมือไฟฟ้าโดยไม่ตั้งใจ
4. จัดเก็บเครื่องมือไฟฟ้าที่ไม่ได้ใช้งานให้ห่างจากมือเด็ก และอย่าอนุญาตให้บุคคลที่ไม่คุ้นเคยกับเครื่องมือไฟฟ้าหรือคำแนะนำเหล่านี้ใช้งานเครื่องมือไฟฟ้า เครื่องมือไฟฟ้าจะเป็นอันตรายเมื่ออยู่ในมือของผู้ที่ไม่ได้รับการฝึกอบรม
5. บำรุงรักษาเครื่องมือไฟฟ้าและอุปกรณ์เสริม ตรวจสอบการประกอบที่ไม่ถูกต้องหรือการเชื่อมต่อของ ชิ้นส่วนที่เคลื่อนที่ การแตกหักของชิ้นส่วน หรือ สภาพอื่น ๆ ที่อาจส่งผลกระทบต่อการทำงานของ เครื่องมือไฟฟ้า หากมีความเสียหาย ให้นำเครื่องมือ ไฟฟ้าไปซ่อมแซมก่อนการใช้งาน อุบัติเหตุจำนวนมากเกิดจากการดูแลรักษาเครื่องมือไฟฟ้าอย่างไม่ถูกต้อง
6. ทำความสะอาดเครื่องมือตัดและลับให้คมอยู่เสมอ เครื่องมือการตัดที่มีการดูแลอย่างถูกต้องและมีขอบ การตัดคมมักจะมีปัญหาติดขัดน้อยและควบคุมได้ง่ายกว่า
7. ใช้เครื่องมือไฟฟ้า อุปกรณ์เสริม และวัสดุสิ้นเปลือง ชลช ตามคำแนะนำดังกล่าว พิจารณาสภาพการทำงานและงานที่จะลงมือทำ การใช้เครื่องมือไฟฟ้า เพื่อทำงานอื่นนอกเหนือจากที่กำหนดไว้ อาจทำให้เกิดอันตราย
8. ดูแลมือจับและบริเวณมือจับให้แห้ง สะอาด และไม่มี น้ำมันและจารบีเปื้อน มือจับและบริเวณมือจับที่ลื่น จะทำให้ไม่สามารถจับและควบคุมเครื่องมือได้อย่าง ปลอดภัยในสถานการณ์ที่ไม่คาดคิด
9. ขณะใช้งานเครื่องมือ อย่าสวมใส่ถุงมือผ้าที่อาจเข้าไป ติดในเครื่องมือได้ หากถุงมือผ้าเข้าไปติดในชิ้นส่วนที่ กำลังเคลื่อนที่อยู่ อาจทำให้ได้รับบาดเจ็บ

การซ่อมบำรุง

1. นำเครื่องมือไฟฟ้าเข้ารับบริการจากช่างซ่อมที่ผ่านการรับรองโดยใช้อะไหล่แบบเดียวกันเท่านั้น เพราะจะทำให้การใช้เครื่องมือไฟฟ้ามีความปลอดภัย
2. ปฏิบัติตามคำแนะนำในการหล่อลื่นและการเปลี่ยน อุปกรณ์เสริม

คำเตือนเกี่ยวกับการป้องกัน

1. ดูแลให้ที่ป้องกันอยู่ประจำที่เสมอ ที่ป้องกันจะต้อง ทำงานตามลำดับและถูกติดตั้งอย่างเหมาะสม ที่ ป้องกันที่หลวม ชำรุด หรือทำงานไม่ถูกต้อง จะต้อง ได้รับการซ่อมแซมและเปลี่ยนใหม่
2. ตรวจสอบให้แน่ใจว่าใบเลื่อยไม่ได้สัมผัสกับที่ป้องกัน มิตรป้องกันการติดกลับ หรือชิ้นงานก่อนเปิดสวิตช์ หากใบเลื่อยสัมผัสกับสิ่งเหล่านี้โดยไม่ตั้งใจอาจ ทำให้เกิดอันตรายได้
3. ปรับมิติป้องกันการติดกลับตามคำอธิบายในคู่มือการใช้งาน ระยะห่าง ตำแหน่ง และการจัดแนวที่ไม่ถูก ต้องอาจทำให้มิติป้องกันการติดกลับทำงานได้อย่าง ไม่มีประสิทธิภาพในการลดการป้องกันการติดกลับ
4. มิตรหรือก้านสปริงป้องกันการติดกลับจะทำงานเมื่อ สัมผัสกับชิ้นงาน มิตรและก้านสปริงป้องกันการติดกลับ จะไม่ทำงานเมื่อตัดชิ้นงานที่สั้นเกินไปที่จะสัมผัสถึง มิตรและก้านสปริงป้องกันการติดกลับ ภายใตีสภาวะ เหล่านี้ มิตรและก้านสปริงป้องกันการติดกลับจะไม่สามารถป้องกันการติดกลับได้
5. ใ้ใบเลื่อยที่เหมาะสมกับมิติป้องกันการติดกลับ การ ทำให้มิติป้องกันการติดกลับทำงานได้อย่างเหมาะสม เส้นผ่านศูนย์กลางใบเลื่อยจะต้องเหมาะสมกับ มิตรป้องกันการติดกลับ และตัวใบเลื่อยจะต้องบางกว่า ความหนาของมิติป้องกันการติดกลับ และความกว้าง ของการตัดของใบเลื่อยจะต้องกว้างกว่าความหนาของ มิตรป้องกันการติดกลับ

คำเตือนเกี่ยวกับขั้นตอนการตัด

1. **⚠️** **อันตราย:** ห้ามวางนิ้วหรือมือบริเวณใกล้ๆ หรือใน แนวเดียวกับใบเลื่อย ช่วงขณะที่ขาดความใส่ใจหรือการ ลื่นไถลอาจทำให้มือของคุณพุ่งเข้าหาใบเลื่อยและส่งผลให้ได้รับบาดเจ็บสาหัสได้
2. ป้อนชิ้นงานเข้าไปในใบเลื่อยในทิศทางที่ตรงกันข้าม กับการหมุนเท่านั้น การป้อนชิ้นงานในทิศทางเดียวกับที่ใบเลื่อยกำลังหมุนบนโต๊ะอาจทำให้ชิ้นงานและมือของคุณถูกดึงเข้าหาใบเลื่อยได้
3. ห้ามใช้เกจมุมมากเพื่อป้อนชิ้นงานเมื่อทำการผ่า และอย่าใช้ฉากผ่าเป็นตัวหยุดความยาวเมื่อทำการตัด ขวางด้วยเกจมุมมาก การใช้ฉากผ่าและเกจมุมมาก เพื่อนำชิ้นงานในเวลาเดียวกันจะเพิ่มโอกาสที่ใบเลื่อย จะติดและติดกลับได้

4. ขณะทำการฆ่า คอยดูไม่ให้ชิ้นงานสัมผัสกับฉากอย่างเต็มที่และใช้แรงป้อนชิ้นงานระหว่างฉากกับใบเลื่อยเสมอ ใช้ไม้ดันเมื่อระยะระหว่างฉากและใบเลื่อยน้อยกว่า 150 mm แล้วใช้บล็อกดันเมื่อเหลือระยะน้อยกว่า 50 mm อุปกรณ์ "ช่วยทำงาน" จะทำให้มือของคุณอยู่ในระยะที่ปลอดภัยจากใบเลื่อย
5. ใช้เฉพาะไม้ดันที่มีมาให้โดยผู้ผลิตหรือถูกสร้างขึ้นตามคำแนะนำในคู่มือการใช้งาน ไม้ดันจะทำให้มีระยะห่างที่เพียงพอระหว่างมือกับใบเลื่อย
6. ห้ามใช้ไม้ดันที่เสียหายหรือถูกตัด ไม้ดันที่เสียหายหรือถูกตัดอาจแตก ทำให้มือของคุณลื่นเข้าไปในใบเลื่อยได้
7. อย่าทำงานใดๆ ด้วย "มือเปล่า" อย่าใช้ฉากผ้าหรือเกอุมมบากเพื่อจัดตำแหน่งและนำชิ้นงาน "มือเปล่า" หมายถึงการใช้มือของคุณเพื่อรองรับหรือนำชิ้นงานแทนการใช้ฉากผ้าหรือเกอุมมบาก การเลื่อยด้วยมือเปล่าจะทำให้มีการจัดแนวผิด ใบเลื่อยติด และเกิดการติดกลับได้
8. ห้ามเอื้อมไปรอบๆ หรือเหนือใบเลื่อย การเอื้อมหยิบชิ้นงานอาจทำให้สัมผัสกับใบเลื่อยที่หมุนอยู่โดยไม่ได้ตั้งใจ
9. รองรับชิ้นงานเสริมที่ด้านหลังและ/หรือด้านข้างของโต๊ะเลื่อยสำหรับชิ้นงานที่ยาวและ/หรือกว้างเพื่อรักษาชิ้นงานให้อยู่ในระนาบเดียวกัน ชิ้นงานที่ยาวและ/หรือกว้างมีแนวโน้มที่จะหมุนบนขอบของโต๊ะ ส่งผลให้สูญเสียการควบคุม ใบเลื่อยติดและเกิดการติดกลับได้
10. ป้อนชิ้นงานด้วยความเร็วที่สม่ำเสมอ ห้ามงอ บิดหรือขยับชิ้นงานจากด้านหนึ่งไปอีกด้านหนึ่ง หากเกิดการติด ให้ปิดเครื่องมือทันที ถอดปลั๊กเครื่องมือ จากนั้นจึงนำชิ้นงานที่ติดออก ชิ้นงานที่ติดกับใบเลื่อยอาจทำให้เกิดการติดกลับหรือทำให้มอเตอร์หยุดกลางคันได้
11. อย่านำชิ้นส่วนวัสดุที่ถูกตัดออกในขณะที่เลื่อยกำลังทำงานอยู่ วัสดุอาจเข้าไปติดระหว่างฉากหรือภายในที่ป้องกันใบเลื่อยและใบเลื่อยซึ่งจะดึงนิ้วของคุณเข้าไปในใบเลื่อย ปิดเลื่อยและรอจนกระทั่งใบเลื่อยหยุดหมุนก่อนที่จะนำเศษวัสดุออก
12. ใช้ฉากเสริมสัมผัสกับด้านบนโต๊ะเมื่อทำการฆ่าชิ้นงานที่หนาน้อยกว่า 2 mm ชิ้นงานที่บางอาจลอดเข้าไปใต้ฉากผ้าและทำให้เกิดการติดกลับได้

สาเหตุของการติดกลับและคำเตือนที่เกี่ยวข้อง การติดกลับเป็นปฏิกิริยาของชิ้นงานที่เกิดขึ้นแบบฉับพลันเนื่องจากใบเลื่อยถูกบีบ ตี หรือเส้นตัดในชิ้นงานไม่ตรงกับใบเลื่อย หรือเมื่อส่วนหนึ่งของชิ้นงานติดอยู่ระหว่างใบเลื่อยและฉากผ้าหรือส่วนยึดตรึงอื่นๆ

ส่วนใหญ่แล้วในระหว่างการติดกลับ ชิ้นงานจะถูกยกขึ้นจากโต๊ะด้วยส่วนหลังของใบเลื่อย และจะถูกดึงเข้าหาผู้ใช้ งานการติดกลับเป็นผลมาจากการใช้เลื่อยผิดวัตถุประสงค์และ/หรือการใช้ผิดวิธี และสามารถป้องกันได้ด้วยวิธีการป้องกันดังต่อไปนี้

1. ห้ามยืนในแนวเดียวกับใบเลื่อย จัดตำแหน่งร่างกายให้อยู่ด้านเดียวกับกับใบเลื่อยเพื่อใช้ยื่นฉากเสมอ การติดกลับจะดึงชิ้นงานเข้าหาผู้ที่ยืนอยู่ด้านหน้าและในแนวเดียวกับใบเลื่อยด้วยความเร็วสูง
2. อย่าเอื้อมข้ามหรือเอื้อมไปทางด้านหลังของใบเลื่อยเพื่อดึงหรือรองรับชิ้นงาน เนื่องจากอาจทำให้สัมผัสกับใบเลื่อยโดยไม่ได้ตั้งใจ หรือการติดกลับอาจดึงนิ้วของคุณเข้าไปในใบเลื่อย
3. อย่าถือหรือกดชิ้นงานที่จะตัดแนบกับใบเลื่อยที่กำลังหมุนอยู่ การกดชิ้นงานที่จะตัดแนบกับใบเลื่อยจะทำให้เกิดการติดและติดกลับได้
4. จัดแนวของฉากให้ขนานกับใบเลื่อย ฉากที่ผิดแนวจะบีบชิ้นงานเข้ากับใบเลื่อยและทำให้เกิดการติดกลับได้
5. ใช้ความระมัดระวังเป็นพิเศษเมื่อทำการตัดชิ้นงานประกอบในบริเวณที่มองไม่เห็น ใบเลื่อยที่ยื่นออกมาอาจตัดเข้ากับวัตถุอื่นๆ ที่ทำให้เกิดการติดกลับได้
6. รองรับแผ่นงานที่มีขนาดใหญ่เพื่อลดความเสี่ยงที่ใบเลื่อยจะบีบและติดกลับ แผ่นงานที่มีขนาดใหญ่มีแนวโน้มที่จะแอ่นลงเนื่องจากน้ำหนักของแผ่นงานเอง จะต้องวางที่รองรับได้ทุกส่วนของแผ่นงานที่ยื่นออกมาจากด้านบนโต๊ะ
7. ใช้ความระมัดระวังเป็นพิเศษเมื่อทำการตัดชิ้นงานที่บิดเบี้ยว ตะปุมตะปำ งอ หรือขอบไม่ตรงซึ่งนำชิ้นงานด้วยเกอุมมบากหรือวางแนบกับฉาก ชิ้นงานที่งอ ตะปุมตะปำ หรือบิดเบี้ยวจะไม่มั่นคง และจะทำให้แนวร่องตัดไม่ตรงกับใบเลื่อย ทำให้เกิดการติดและติดกลับได้
8. ห้ามตัดชิ้นงานมากกว่าหนึ่งชิ้น ซ้อนชิ้นงานในแนวตั้งหรือแนวนอน ใบเลื่อยอาจยกชิ้นงานชิ้นหนึ่งหรือหลายชิ้นขึ้นและทำให้เกิดการติดกลับได้
9. เมื่อเปิดใช้งานเลื่อยที่มีใบเลื่อยอยู่ในชิ้นงานใหม่อีกครั้ง ให้วางใบเลื่อยไว้ตรงกลางร่องตัดเพื่อให้ฟันเลื่อยไม่ตัดเข้าไปในวัสดุ หากใบเลื่อยติด อาจยกชิ้นงานขึ้นและทำให้เกิดการติดกลับเมื่อเปิดใช้งานเลื่อยใหม่อีกครั้ง
10. ดูแลรักษาใบเลื่อยให้สะอาด คม และมีการเตรียมพร้อมเพื่อใช้งานอย่างเพียงพอ ห้ามใช้ใบเลื่อยที่งอหรือใบเลื่อยที่ฟันร้าวหรือแตก ใบเลื่อยที่คมและมีการเตรียมพร้อมใช้งานที่เหมาะสมจะลดการติด การหยุดกลางคัน และการติดกลับ

คำเตือนเกี่ยวกับขั้นตอนการใช้งานโต๊ะเลื่อย

1. ปิดโต๊ะเลื่อยและถอดสายไฟเมื่อทำการถอดแผ่นรองใบเลื่อยของโต๊ะ เปลี่ยนใบเลื่อย หรือทำการปรับมิติ ป้องกันการติดกลับ ก้านสปริงป้องกันการติดกลับ หรือที่ป้องกันใบเลื่อย และเมื่อปล่อยเครื่องทิ้งไว้โดยไม่มีผู้ดูแล มาตรการป้องกันไว้ก่อนจะหลีกเลี่ยงการเกิดอุบัติเหตุได้
2. ห้ามปล่อยให้โต๊ะเลื่อยทำงานโดยไม่มีผู้ดูแล ปิดเครื่องและอย่าพึ่งลงจากเครื่องจนกว่าเครื่องจะหยุดทำงานสนิท เลื่อยที่ทำงานโดยไม่มีผู้ดูแลจะทำให้เกิดอันตรายที่ควบคุมไม่ได้
3. ตั้งโต๊ะเลื่อยในบริเวณที่มีแสงสว่างเพียงพอและพื้นที่ระดับเสมอกันซึ่งคุณสามารถจัดที่ยืนและความสมดุลได้ดี ควรติดตั้งโต๊ะเลื่อยในบริเวณที่มีที่วางเพียงพอเพื่อให้สามารถจัดการกับขนาดของชิ้นงานได้ง่าย บริเวณที่แคบ มีด และมีพื้นที่ลื่นและไม่เสมอกัน จะทำให้เกิดอุบัติเหตุได้ง่าย
4. หมั่นทำความสะอาดและนำขี้เลื่อยออกจากใต้โต๊ะเลื่อยและ/หรือเครื่องตัดฝุ่นเป็นประจำ ขี้เลื่อยที่สะสมสามารถติดไฟได้และอาจเกิดการลุกไหม้เองได้
5. โต๊ะเลื่อยจะต้องถูกยึดไว้ โต๊ะเลื่อยที่ไม่มีการยึดไว้ อย่างเหมาะสมอาจเคลื่อนที่หรือคว่ำลงมาได้
6. นำเครื่องมือ เศษไม้ ฯลฯ ออกจากใต้ ก่อนเปิดโต๊ะเลื่อย สิ่งรบกวนหรือการเข้าไปติดอาจทำให้เกิดอันตรายได้
7. ใช้ใบเลื่อยที่มีขนาดและรูปทรงของรูเหลามัดที่ถูกต้อง (รูปเพชรกับวงกลม) ทุกครั้ง ใบเลื่อยที่ไม่เหมาะสมกับอุปกรณ์ติดตั้งของเลื่อยจะหลุดออกจากศูนย์กลางและทำให้สูญเสียการควบคุมได้
8. ห้ามใช้ชิ้นส่วนสำหรับติดตั้งใบเลื่อย เช่น แกน แหวน ใบเลื่อย สลักเกลียว หรือน็อต ที่ชำรุดหรือไม่ถูกต้อง ชิ้นส่วนติดตั้งเหล่านี้ถูกออกแบบขึ้นเป็นพิเศษสำหรับเลื่อยของคุณ เพื่อให้ทำงานได้อย่างปลอดภัยและมีประสิทธิภาพที่ดีที่สุด
9. ห้ามยืนบนโต๊ะเลื่อย และอย่าใช้บันไดสำหรับเหยียบ หากเครื่องมือล้มลงหรือหากสัมผัสกับเครื่องมือตัดโดยไม่ได้ตั้งใจอาจทำให้ได้รับบาดเจ็บสาหัสได้
10. ตรวจสอบให้แน่ใจว่าติดตั้งใบเลื่อยให้หมุนในทิศทางที่ถูกต้องแล้ว อย่าใช้ล๊อบด แปรงลวด หรือวงล้อขัดบนโต๊ะเลื่อย การติดตั้งใบเลื่อยที่ไม่เหมาะสมหรือการใช้อุปกรณ์เสริมที่ไม่ได้แนะนำอาจทำให้ได้รับบาดเจ็บสาหัสได้

คำแนะนำเพิ่มเติม

1. ใช้ใบเลื่อยที่มีความเร็วที่กำหนดบนใบเลื่อยเท่ากับหรือมากกว่าความเร็วที่กำหนดบนเครื่องมือเท่านั้น
2. เลือกใบเลื่อยให้เหมาะสมกับวัสดุที่จะตัด
3. ใส่ถุงมือเมื่อจับใบเลื่อย
4. ทำความสะอาดแกนหมุน แกน (โดยเฉพาะอย่างยิ่งพื้นผิวที่จะติดตั้ง) และนอตหกเหลี่ยมก่อนที่จะติดตั้งใบเลื่อย การติดตั้งอย่างไม่ถูกต้องอาจจะทำให้เกิดการสั่นสะเทือน/การคลอนแคลน หรือการหลุดลื่นของใบเลื่อย
5. อย่าตัดวัตถุที่เป็นโลหะ เช่น ตะปู และสกรู ตรวจสอบและถอนตะปู สกรู และโลหะอื่นๆ ทั้งหมดออกจากชิ้นงานก่อนการทำงาน
6. ห้ามไม่ให้บุคคลอื่นยืนในแนวเดียวกับเส้นทางของใบเลื่อย
7. ก่อนการใช้งานเครื่องมือกับชิ้นงานจริง ให้ปล่อยเครื่องทำงานเปล่าๆ สักครู่ ดูการสั่นสะเทือนหรือการคลอนแคลนที่อาจแสดงถึงการใส่และความสมดุลของใบเลื่อยที่ไม่ดีพอ
8. ไม่ควรรู้ใช้เครื่องมือเพื่อการเจาะรู การบ่งใบ หรือการบากร่อง
9. เปลี่ยนแผ่นรองใบเลื่อยของโต๊ะเมื่อชำรุด
10. เก็บแท่งดันเมื่อไม่ได้ใช้งานเสมอ
11. ถอดน็อตที่หลวมออกจากชิ้นงานก่อนเริ่มการตัด
12. ฝุ่นผงบางชนิดที่เกิดจากการทำงานจะมีสารเคมีซึ่งก่อให้เกิดมะเร็ง ความผิดปกติแต่กำเนิด หรืออันตรายต่อระบบสืบพันธุ์อื่นๆ ตัวอย่างของสารเคมีดังกล่าว เช่น
 - สารตะกั่วจากวัสดุทาสีที่มีส่วนผสมของตะกั่ว และ
 - สารหนูและโครเมียมจากไม้บอเคมิความเสี่ยงจากการสัมผัสสิ่งเหล่านี้จะแตกต่างกันไปตามความถี่ในการทำงานของคุณ เพื่อลดการสัมผัสต่อสารเคมีเหล่านี้ ให้ทำงานในพื้นที่ที่ระบายอากาศได้ดี และใช้อุปกรณ์รักษาความปลอดภัยที่ได้รับอนุญาต เช่น หน้ากากป้องกันฝุ่นที่ได้รับรองออกมาเป็นพิเศษให้สามารถกรองอนุภาคที่มีขนาดเล็กมากฯ ได้
13. ตรวจสอบให้แน่ใจเสมอว่าที่ป้องกันเสริมปิดลงและเลียบกับโต๊ะเลื่อยก่อนเสียบปลั๊กเครื่องมือ
14. ตรวจสอบสายต่อพ่วงเป็นระยะ และเปลี่ยนใหม่หากชำรุด
15. (สำหรับประเทศในยุโรปเท่านั้น)
ใช้เฉพาะใบเลื่อยที่แนะนำโดยผู้ผลิตและเป็นไปตามข้อกำหนด EN847-1
16. ไม้อนุญาตให้ตัดแบบเทเปอร์

17. สวมใส่อุปกรณ์ป้องกันเสี่ยง

การติดตั้ง

การจัดวางตำแหน่งโต๊ะเลื่อย

- ▶ **หมายเลข 1:** 1. เส้นผ่านศูนย์กลางรู 8 mm
- ▶ **หมายเลข 2:** 1. แหวนรองมาตรฐาน 6 mm 2. สกรูไม้ หมายเลข 10 ความยาวอย่างน้อย 40 mm
- ▶ **หมายเลข 3:** 1. แหวนรองมาตรฐาน 6 mm
2. สลักเกลียวและนอตยึดที่ขันได้แน่น 6 mm

จัดวางโต๊ะเลื่อยไว้ในที่ที่เสมอกันและมีแสงเพียงพอ เพื่อให้คุณสามารถรักษาสวมชุดและยืนได้อย่างมั่นคง ควรติดตั้งในบริเวณที่มีพื้นที่เพียงพอจะจัดการกับขนาดของชิ้นงานของคุณได้ง่าย ควรใช้สกรูหรือสลักเกลียวยึดโต๊ะเลื่อยเข้ากับโต๊ะทำงานหรือขาตั้งโต๊ะเลื่อยโดยใช้รูที่อยู่ด้านล่างของโต๊ะเลื่อย เมื่อยึดโต๊ะเลื่อยเข้ากับโต๊ะทำงานแล้ว ตรวจสอบให้แน่ใจว่าช่องเปิดด้านบนของโต๊ะทำงานมีขนาดเท่ากับช่องเปิดด้านล่างของโต๊ะเลื่อยเพื่อให้ขี้เลื่อยสามารถลอดผ่านได้ หากมีแนวโน้มที่โต๊ะเลื่อยอาจจะล้ม เลื่อน หรือเคลื่อนที่ในระหว่างที่ปฏิบัติงาน ให้ยึดโต๊ะทำงานหรือขาตั้งโต๊ะเลื่อยเข้ากับพื้น

การเก็บอุปกรณ์เสริม

- ▶ **หมายเลข 4:** 1. เกจมุมฉาก
- ▶ **หมายเลข 5:** 1. ฉากผ้า 2. ไม้ดัน 3. ก้านสปริง ป้องกันการตีกลับ

สามารถเก็บเกจมุมฉาก ใบเลื่อย และประแจไว้บนด้านซ้ายของฐานได้ และสามารถเก็บฉากผ้า ไม้ดัน และก้านสปริง ป้องกันการตีกลับไว้ที่ด้านขวาของฐาน

คำอธิบายการทำงาน

⚠ ข้อควรระวัง: ตรวจสอบให้แน่ใจว่าได้ปิดสวิตช์เครื่องมือและถอดปลั๊กออกก่อนปรับตั้งหรือตรวจสอบการทำงานของเครื่องมือ

ที่ป้องกันใบเลื่อย

⚠ คำเตือน: ห้ามทำลายหรือถอดที่ป้องกันใบเลื่อยออก ใบเลื่อยเปล่าๆ ที่ไม่มีการป้องกันอาจทำให้ได้รับบาดเจ็บสาหัสในระหว่างการใช้งานได้

⚠ คำเตือน: ห้ามใช้เครื่องมือที่ที่ป้องกันใบเลื่อยเสียหาย มีความบกพร่อง หรือถูกถอดออก การใช้งานเครื่องมือที่ที่ป้องกันเสียหาย มีความบกพร่อง หรือถูกถอดออกอาจทำให้ได้รับบาดเจ็บสาหัสได้

- ▶ **หมายเลข 6:** 1. ที่ป้องกันใบเลื่อย 2. ที่ป้องกันเสริม

เมื่อทำการตัด ให้ดันชิ้นงานไปทางใบเลื่อยโดยที่ขอบด้านล่างของที่ป้องกันเสริมสัมผัสกับโต๊ะตัวหลัก ขณะที่ป้อนชิ้นงาน ที่ป้องกันใบเลื่อยและที่ป้องกันเสริมจะอยู่เหนือขอบของชิ้นงาน

เพื่อความปลอดภัยส่วนบุคคล ให้ดูแลรักษาที่ป้องกันใบเลื่อยและที่ป้องกันเสริมให้อยู่ในสภาพที่อยู่เสมอ การทำงานที่ผิดปกติของที่ป้องกันใบเลื่อยและที่ป้องกันเสริมควรได้รับการแก้ไขทันที ตรวจสอบให้แน่ใจว่าที่ป้องกันใบเลื่อยและที่ป้องกันเสริมอยู่ในตำแหน่งปิดลง และขอบด้านล่างของที่ป้องกันเสริมสัมผัสกับโต๊ะตัวหลักเมื่อไม่มีการป้อนชิ้นงาน

หากชิ้นส่วนโปร่งใสเริ่มสปรกหรือมีขี้เลื่อยติดอยู่ในลักษณะที่จะทำให้ไม่สามารถมองเห็นใบเลื่อยและ/หรือชิ้นงานได้อย่างชัดเจน ให้ถอดปลั๊กเครื่องมือและทำความสะอาดชิ้นส่วนที่โปร่งใสในอย่างน้อยจะระมัดระวังด้วยผ้าหมาด อย่าใช้สารละลายหรือน้ำยทำความสะอาดที่มีส่วนผสมของอีโตรีเลียม เนื่องจากอาจทำให้ชิ้นส่วนเสียหายได้ หากชิ้นส่วนโปร่งใสเริ่มเปลี่ยนสีเนื่องจากอายุการใช้งานหรือแสง UV ให้ติดต่อศูนย์บริการของ Makita เพื่อเปลี่ยนชิ้นส่วนใหม่ อย่าทำลายหรือถอดที่ป้องกันใบเลื่อยและที่ป้องกันเสริมออก

การปรับความลึกในการตัด

- ▶ **หมายเลข 7:** 1. มือจับ

สามารถปรับความลึกในการตัดได้โดยการหมุนมือจับ หมุนมือจับตามเข็มนาฬิกาเพื่อยกใบเลื่อยขึ้นและทวนเข็มนาฬิกาเพื่อลดใบเลื่อยลง

หมายเหตุ: ใช้การตั้งค่าความตื้นลึกเมื่อทำการตัดวัสดุที่บางเพื่อให้ตัดได้อย่างเรียบร้อย

การปรับมุมเอียง

- ▶ **หมายเลข 8:** 1. ก้านล็อก 2. ตัวชี้ลู่ศร 3. วงล้อมือหมุน

คลายก้านล็อกทวนเข็มนาฬิกาและหมุนวงล้อมือหมุนจนกระทั่งได้อองศาที่ต้องการ (0° - 45°) อองศามุมเอียงถูกระบุโดยตัวชี้ลู่ศร

หลังจากได้งัดขาที่ต้องการแล้ว ให้ขันก้านล็อกตามเข็ม นาฬิกาเพื่อยึดการปรับ

⚠ ข้อควรระวัง: หลังปรับองศามุมเอียง ตรวจสอบให้แน่ใจว่าขันก้านล็อกแน่นดีแล้ว

การปรับตำแหน่งหยุด

▶ **หมายเลข 9:** 1. สกรูปรับ 90° 2. สกรูปรับ 45°

▶ **หมายเลข 10**

เครื่องมือนี้มาพร้อมกับตำแหน่งหยุดที่ทำมุมกับพื้นผิวโต๊ะที่ 90° และ 45° การตรวจสอบและปรับตำแหน่งหยุด ให้ดำเนินการดังต่อไปนี้:

หมุนวงล้อหมุนเพื่อเลื่อนออกไปไกลที่สุดเท่าที่จะทำได้ วางไม้บรรทัดสามเหลี่ยมบนโต๊ะและตรวจสอบว่าไบเลื่อยทำมุมกับพื้นผิวโต๊ะที่ 90° หรือ 45° หากไบเลื่อยอยู่ที่องศาตามภาพ A ให้หมุนสกรูปรับตามเข็มนาฬิกา และหากไบเลื่อยอยู่ที่องศาตามภาพ B ให้หมุนสกรูปรับทวนเข็มนาฬิกาเพื่อปรับตำแหน่งหยุด

หลังปรับตำแหน่งหยุดแล้ว ให้ตั้งไบเลื่อยที่ 90° กับพื้นผิวโต๊ะ จากนั้นปรับตัวล็อกเพื่อจัดให้ขอบด้านขวาอยู่ที่ระดับ 0°

▶ **หมายเลข 11:** 1. ตัวล็อก

การทำงานของสวิตช์

▶ **หมายเลข 12:** 1. สวิตช์

⚠ ข้อควรระวัง: ก่อนการทำงาน ตรวจสอบให้แน่ใจว่าเครื่องมือนี้อยู่ในตำแหน่งเปิดหรือปิด

การเริ่มใช้งานเครื่องมือ ให้กดปุ่ม เปิด (I)

หากต้องการหยุดการทำงาน ให้กดปุ่ม ปิด (O)

ฉากรอง (ฉากผ้า)

▶ **หมายเลข 13:** 1. สกรูกันคลาย 2. ฉากผ้า 3. ฉากรอง 4. ราง

หากฉากผ้าเข้าใกล้ไบเลื่อย ให้ใช้ฉากรองเพื่อรองรับชิ้นงาน คลายสกรูกันคลาย แล้วเลื่อนฉากรองออกจากราง ติดฉากรองตามภาพและขันสกรูกันคลายให้แน่น

เมื่อติดตั้งฉากผ้าไว้ที่ด้านซ้ายของไบเลื่อย ให้สลับตำแหน่งของฉากรอง นำสกรูกันคลาย ฉากรอง และราง ออกจากฉากผ้า ใส่รางไว้หลวมๆ ที่ด้านขวาของฉากผ้าโดยใช้สกรูกันคลายที่นำออกมา หลังจากนั้นติดตั้งฉากรองแล้วขันสกรูกันคลายให้แน่น

▶ **หมายเลข 14:** 1. ฉากผ้า 2. ฉากรอง 3. สกรูกันคลาย 4. ราง

โต๊ะเสริม (ขวา)

▶ **หมายเลข 15:** 1. ก้าน

▶ **หมายเลข 16:** 1. โต๊ะเสริม (ขวา)

เครื่องมือนี้มีโต๊ะเสริม (ขวา) มาให้ที่ด้านขวาของโต๊ะตัวหลัก เมื่อต้องการใช้โต๊ะเสริม (ขวา) ให้ยกก้านทั้งสองบนด้านขวา ส่วนหน้า ให้ดึงโต๊ะ (ขวา) ออกมาจนสุด จากนั้นเอาก้านลงเพื่อยึดตำแหน่ง

เมื่อต้องการใช้โต๊ะเสริม (ขวา) ให้วางแผ่นหมายเลขระดับบนโต๊ะเสริมหลังจากคลายสกรูด้วยไขควง เพื่อให้ได้ระดับตามแผ่นหมายเลขระดับบนโต๊ะตัวหลัก

▶ **หมายเลข 17:** 1. แผ่นหมายเลขระดับ 2. สกรู

โต๊ะเสริม (หลัง)

อุปกรณ์เสริม

▶ **หมายเลข 18:** 1. โต๊ะเสริม (หลัง) 2. สกรู

เมื่อต้องการใช้โต๊ะเสริม (หลัง) ให้คลายสกรูที่ด้านซ้ายมือและขวามือโต๊ะแล้วดึงออกมาทางด้านหลังตามระดับความยาวที่ต้องการ ขันสกรูให้แน่นที่ระดับความยาวที่ต้องการ

หมายเหตุ: เมื่อใช้โต๊ะเสริม (หลัง) ระหว่างการใช้ฉากผ้าให้ดึงโต๊ะเสริม (หลัง) มากกว่า 50 mm เพื่อไม่ให้ชนกับด้านบนของฉากผ้า

โต๊ะเสริม (ซ้าย)

อุปกรณ์เสริม

▶ **หมายเลข 19:** 1. สกรู 2. โต๊ะเสริม (ซ้าย)

สามารถติดตั้งโต๊ะเสริม (ซ้าย) (อุปกรณ์เสริม) ที่ด้านซ้ายของโต๊ะเพื่อให้ได้พื้นที่ที่กว้างขึ้นได้

ก้านสปริงป้องกันการติดกลับ

⚠ คำเตือน: ใช้ก้านสปริงป้องกันการติดกลับในระหว่างทำงานตัดทุกครั้งเท่าที่จะทำได้ ก้านสปริงป้องกันการติดกลับจะช่วยป้องกันวัสดุเหวี่ยงเข้าหาผู้ใช้งานในระหว่างที่เกิดการติดกลับซึ่งอาจทำให้ได้รับบาดเจ็บสาหัสได้

▶ **หมายเลข 20:** 1. ก้านสปริงป้องกันการติดกลับ 2. ที่หนีบ

เมื่อต้องการถอดก้านสปริงป้องกันการติดกลับออกจากเครื่องมือ ให้คลายที่หนีบนฐานของก้านสปริงป้องกันการติดกลับ จากนั้นดึงก้านออก และเมื่อต้องการติดตั้ง ให้ทำตามขั้นตอนการถอดออกแบบย้อนกลับ

การประกอบ

⚠ ข้อควรระวัง: ตรวจสอบให้แน่ใจว่าได้ปิดสวิทช์เครื่องมือและถอดปลั๊กออกก่อนดำเนินการใดๆ กับเครื่องมือ

การติดตั้งหรือการถอดใบเลื่อย

⚠ ข้อควรระวัง: ตรวจสอบให้แน่ใจเสมอว่าปิดสวิทช์เครื่องมือและถอดปลั๊กออกแล้วก่อนการติดตั้งและถอดใบเลื่อย

⚠ ข้อควรระวัง: ใช้เฉพาะประแจของ Makita ที่มีมาใช้ในการติดตั้งหรือถอดใบเลื่อยเท่านั้น หากไม่ทำตามอาจส่งผลให้ชิ้นสลักเกลียวหกเหลี่ยมแน่นหรือหลวมเกินไป ซึ่งอาจทำให้ได้รับบาดเจ็บได้

⚠ ข้อควรระวัง: ใช้ใบเลื่อยดังต่อไปนี้ อย่าใช้ใบเลื่อยที่ไม่มีคุณสมบัติตามที่ระบุไว้ในคู่มือฉบับนี้

เส้นผ่านศูนย์กลาง	ความหนาใบเลื่อย	ร่องตัด
260 mm	น้อยกว่า 1.9 mm	มากกว่า 2.1 mm

1. คลายสกรูบนแผ่นรองใบเลื่อยบนโต๊ะแล้วนำแผ่นออก
2. จับแกนตัวนอกด้วยประแจเยื้อง แล้วคลายน็อตหกเหลี่ยมทวนเข็มนาฬิกาด้วยประแจ จากนั้นถอดแกนตัวนอกออก

▶ **หมายเลข 21:** 1. ประแจเยื้อง 2. น็อตหกเหลี่ยม 3. ประแจ

3. ประกอบแกนตัวใน แหวน ใบเลื่อย แกนตัวนอก และน็อตหกเหลี่ยมลงบนเพลามีต ตรวจสอบให้แน่ใจว่าฟันของใบเลื่อยชี้ลงที่ด้านหน้าของโต๊ะ สีน็อตหกเหลี่ยมโดยให้ด้านที่เว้าเข้าของน็อตหันหน้าเข้าหาแกนตัวนอกเสมอ

▶ **หมายเลข 22:** 1. แกนตัวใน 2. แหวน 3. ใบเลื่อย 4. แกนตัวนอก 5. น็อตหกเหลี่ยม

⚠ ข้อควรระวัง: ตรวจสอบให้แน่ใจว่าติดตั้งใบเลื่อยโดยให้แนวฟันเลื่อยตรงกับทิศทางการตัด (การหมุน)

⚠ ข้อควรระวัง: ตรวจสอบเส้นผ่านศูนย์กลางรูเพลารูของใบเลื่อยก่อนการติดตั้งใบเลื่อย ใช้วงแหวนที่เหมาะสมกับรูเพลารูของใบเลื่อยที่คุณจะใช้เสมอ ขนาดของวงแหวนที่มาให้จะแตกต่างกันไปตามแต่ละประเทศ

- สำหรับเครื่องมือที่มีเส้นผ่านศูนย์กลางรูของใบเลื่อย 30 mm จะมียวงแหวนเส้นผ่านศูนย์กลางด้านนอก 30 mm มาให้
- สำหรับเครื่องมือที่มีเส้นผ่านศูนย์กลางรูของใบเลื่อย 25.4 mm และ 25 mm จะมียวงแหวนสีเงินและสีดำ มาให้ ใช้วงแหวนสีเงินสำหรับใบเลื่อยที่มีเส้นผ่านศูนย์กลางรู 25.4 mm และวงแหวนสีดำสำหรับใบเลื่อยที่มีเส้นผ่านศูนย์กลางรู 25 mm

4. เพื่อยึดใบเลื่อยให้อยู่กับที่ ให้จับแกนตัวนอกด้วยประแจเยื้อง จากนั้นขันน็อตหกเหลี่ยมทวนเข็มนาฬิกาให้แน่นด้วยประแจ ตรวจสอบให้แน่ใจว่าขันน็อตหกเหลี่ยมแน่นดีแล้ว

▶ **หมายเลข 23:** 1. ประแจเยื้อง 2. ประแจ

⚠ ข้อควรระวัง: ดูแลพื้นผิวของแกนให้สะอาดปราศจากฝุ่นหรือวัสดุอื่น ๆ ติด เนื่องจากอาจทำให้ใบเลื่อยเลื่อนหลุดได้

⚠ ข้อควรระวัง: ใช้ประแจยึดน็อตหกเหลี่ยมให้แน่นด้วยความระมัดระวัง หากยึดไม่แน่น ประแจอาจจะหลุดออกจากน็อตหกเหลี่ยมทำให้มือของคุณชนกับขอบของใบเลื่อยที่คมได้

5. ติดตั้งแผ่นรองใบเลื่อยของโต๊ะด้วยสกรู

การปรับมิตป้องกันการติดกลับ

⚠ ข้อควรระวัง: หากไม่จัดแนวใบเลื่อยและมิตป้องกันการติดกลับอย่างเหมาะสม อาจเกิดการบิ่นแน่นเกินไปซึ่งจะทำให้เกิดอันตรายในระหว่างการทำงานได้ ตรวจสอบให้แน่ใจว่าจัดแนวใบเลื่อยและมิตป้องกันการติดกลับให้เหมาะสม คุณอาจจะได้รับบาดเจ็บร้ายแรงหากใช้เครื่องมือโดยไม่ได้ปรับตำแหน่งมิตป้องกันการติดกลับอย่างถูกต้อง

⚠ ข้อควรระวัง: ห้ามทำการปรับใดๆ ในระหว่างที่เครื่องมือกำลังทำงานอยู่ ตัดการเชื่อมต่อของเครื่องมือก่อนทำการปรับใดๆ

⚠ ข้อควรระวัง: อย่าถอดมิตป้องกันการติดกลับออก

- ▶ **หมายเลข 24:** 1. ที่ป้องกันใบเลื่อย 2. มิตป้องกันการติดกลับ 3. สกรู

ตำแหน่งของมิดป้องกันการติดกลับจะถูกปรับมาจากโรงงานแล้วเพื่อให้ใบเลื่อยและมิดป้องกันการติดกลับอยู่ในแนวตรงกัน อย่างไรก็ตาม คุณต้องทำการปรับหากใบเลื่อยและมิดป้องกันการติดกลับไม่อยู่ในแนวตรงกัน

คลายสกรูบนแผ่นรองใบเลื่อยของโต๊ะและนำออกจากโต๊ะตัวหลัก คลายสลักเกลียวหกเหลี่ยม (B) แล้วปรับส่วนติดตั้งที่ป้องกันใบเลื่อย (อยู่กับที่) เพื่อให้แนวมิดป้องกันการติดกลับตรงกับด้านหลังของใบเลื่อย จากนั้นขันสลักเกลียวหกเหลี่ยม (B) เพื่อยึดส่วนติดตั้งอยู่กับที่ และใส่แผ่นรองใบเลื่อยของโต๊ะ

- **หมายเลข 25:** 1. ใบเลื่อย 2. ระยะห่างระหว่างทั้งสองจุดนี้ควรจะเท่ากัน 3. มิดป้องกันการติดกลับ 4. สลักเกลียวหกเหลี่ยม (B) 5. สลักเกลียวหกเหลี่ยม (A)

จะต้องมีช่องว่างระหว่างมิดป้องกันการติดกลับและฟันใบเลื่อยประมาณ 4 - 5 mm คลายสลักเกลียวหกเหลี่ยม (A) ปรับมิดป้องกันการติดกลับและขันสลักเกลียวหกเหลี่ยม (A) ให้แน่น ติดแผ่นรองใบเลื่อยบนโต๊ะด้วยสกรู จากนั้นตรวจสอบว่าที่ป้องกันใบเลื่อยทำงานอย่างราบรื่นก่อนทำการตัด

- **หมายเลข 26:** 1. มิดป้องกันการติดกลับ 2. ที่ป้องกันใบเลื่อย 3. ช่องว่าง 4 mm - 5 mm

การติดตั้งและการปรับฉาก

- **หมายเลข 27:** 1. ขอก๊วย 2. ปุ่มหมุน 3. รางนำ

1. คล้องขอก๊วยที่ปลายฉากเข้ากับรางนำบนโต๊ะหรือโต๊ะเสริม (ขวา) แล้วติดตั้งและดันฉากผ่านไปด้านหน้าเพื่อให้ที่ยึดฉากติดกับรางนำที่ใกล้ที่สุด
2. เลื่อนฉากบนรางนำไปทางด้านข้าง จากนั้นหมุนปุ่มหมุนบนที่ยึดฉากจนสุดโดยไม่ต้องดึงก้านบนปุ่มหมุน การยึดฉากทำให้หมุนปุ่มหมุนบนที่ยึดฉากจนสุด
3. และเมื่อต้องการนำฉากออก ให้ดึงก้านบนปุ่มแล้วหมุนปุ่มหมุนไปทางด้านหน้าจนสุดโดยดึงก้านเอาไว้ การตรวจสอบว่าฉากขนานกับใบเลื่อยหรือไม่ ให้ยึดฉากมาให้ห่างจากใบเลื่อย 2 - 3 mm ยกใบเลื่อยขึ้นไปยังตำแหน่งสูงสุด ใช้สี่เหลี่ยมทำเครื่องหมายที่ฟันใบเลื่อยซี่หนึ่งไว้ วัดระยะ (A) และ (B) ระหว่างฉากและใบเลื่อย วัดระยะทั้งสองจุดโดยอ้างอิงจากฟันเลื่อยที่ทำเครื่องหมายไว้ด้วยสี่เหลี่ยม การวัดทั้งสองจุดจะต้องเหมือนกัน หากฉากไม่ขนานกับใบเลื่อย ให้ปรับติดตั้งนี้

- **หมายเลข 28:** 1. หมายเลขระดับ

1. จัดตำแหน่งฉากมาให้อยู่ในตำแหน่งเลื่อน
2. คลายสลักเกลียวหกเหลี่ยมบนฉากด้วยประแจหกเหลี่ยมที่มีมาให้

- **หมายเลข 29:** 1. สลักเกลียวหกเหลี่ยม

3. ปรับฉากผ่านกระทั่งขนานกับใบเลื่อย
4. หมุนปุ่มหมุนที่ฉากผ่านทางผู้ใช้งาน
5. ขันสลักเกลียวหกเหลี่ยมสองตัวบนฉากให้แน่น

- **หมายเลข 30**

⚠ ข้อควรระวัง: ตรวจสอบให้แน่ใจว่าปรับฉากมาให้ขนานกับใบเลื่อยแล้ว ไม่เช่นนั้นอาจเกิดการติดกลับที่อันตรายได้

เมื่อไม่สามารถยึดฉากให้แน่นได้ ให้ปรับฉากตามขั้นตอนต่อไปนี้

1. ตั้งฉากผ่านโต๊ะ จากนั้นหมุนปุ่มหมุนไปครึ่งทางของการหมุน (ตำแหน่งเคลื่อนที่) ขึ้นสกรู (A) จนกระทั่งฉากไม่เคลื่อนที่ จากนั้นคลายการหมุนจาก 1/4 เป็น 1/2

- **หมายเลข 31:** 1. ฉาก 2. ตำแหน่งปล่อย 3. ตำแหน่งเคลื่อนที่ 4. ตำแหน่งล็อก

- **หมายเลข 32:** 1. ฉาก 2. ตำแหน่งเคลื่อนที่ 3. สกรู (B) 4. สกรู (A)

2. ขึ้นสกรู (B) จนสุด จากนั้นคลายด้วยการหมุน 2 ครั้ง
3. ล็อกฉากด้วยการหมุนปุ่มหมุนบนที่ยึดฉาก (ตำแหน่งล็อก) จนสุด
4. ตรวจสอบให้แน่ใจว่าติดตั้งและถอดฉากผ่านตำแหน่งเดิม (ตำแหน่งปล่อย)
5. ตรวจสอบให้แน่ใจว่าฉากเคลื่อนได้อย่างราบรื่นโดยไม่โยกคลอนไปมาเมื่อปุ่มหมุนอยู่ครึ่งทาง

ข้อสังเกต: ระยะเวลาว่างย้านขึ้นสกรูแน่นเกินกว่าปริมาณการขันที่ระบุในคำแนะนำด้านบน ไม่เช่นนั้นอาจทำให้ชิ้นส่วนยึดเสียหายได้

ยกฉากขึ้นให้อยู่ระดับเดียวกับด้านหลังของใบเลื่อย ตรวจสอบให้แน่ใจว่าเส้นนำบนจุดที่ยึดฉากอยู่ที่ระดับ 0 หากเส้นนำไม่อยู่ที่จุดระดับ 0 ให้คลายสกรูบนแผ่นหมายเลขระดับแล้วปรับแผ่นหมายเลขระดับ

- **หมายเลข 33:** 1. เส้นนำ 2. สกรู

การเชื่อมต่อกับที่ดูดฝุ่น

สามารถทำงานได้อย่างสะอาดขึ้นโดยการเชื่อมต่อเครื่องมือกับที่ดูดฝุ่นหรือเครื่องดักฝุ่นของ Makita

- **หมายเลข 34**

การใช้งาน

เครื่องมือนี้ใช้สำหรับตัดผลิตภัณฑ์ไม้
โปรดดูใบเลื่อยวงกลมที่เหมาะสมที่ใช้สำหรับวัสดุที่จะตัดที่
เว็บไซต์ของเรา หรือติดต่อตัวแทนของ Makita ใกล้บ้านคุณ

⚠️ ข้อควรระวัง: ใช้ “อุปกรณ์ช่วยในการทำงาน” เช่น ไม้
ดัน บล็อกดัน เมื่อมีความเสี่ยงที่จะเกิดอันตรายจากการที่
มือหรือนิ้วของคุณเข้าไปใกล้ใบเลื่อย

⚠️ ข้อควรระวัง: ยึดชิ้นงานให้แน่นกับโต๊ะและฉากผ่า
หรือเกจมุมฉากเสมอ อย่าบิดหรืองอชิ้นงานในระหว่างที่
ป้อน หากชิ้นงานบิดหรืองอ อาจทำให้เกิดการตีกลับที่
เป็นอันตรายได้

⚠️ ข้อควรระวัง: ห้ามนำชิ้นงานออกในขณะที่ใบเลื่อย
กำลังหมุนอยู่ หากคุณต้องดึงชิ้นงานก่อนที่จะตัดเสร็จ
ให้ปิดสวิตช์เครื่องมือโดยยึดชิ้นงานให้แน่นก่อน รอจน
กระทั่งใบเลื่อยหยุดนิ่งแล้วจึงนำชิ้นงานออก ไม่เช่นนั้น
อาจเกิดการตีกลับที่เป็นอันตรายได้

⚠️ ข้อควรระวัง: ห้ามนำวัสดุที่ตัดออกในระหว่างที่ใบ
เลื่อยกำลังหมุนอยู่

⚠️ ข้อควรระวัง: ห้ามวางมือหรือนิ้วในเส้นทางของใบ
เลื่อย ระวังนิ้วเป็นพิเศษในการตัดมุมเฉียง

⚠️ ข้อควรระวัง: ยึดฉากผ่าให้แน่นเสมอ มิฉะนั้นอาจเกิด
การตีกลับซึ่งเป็นสาเหตุของอันตรายได้

⚠️ ข้อควรระวัง: ใช้ “อุปกรณ์ช่วยในการทำงาน” เช่น ไม้
ดันและบล็อกดันเมื่อทำการตัดชิ้นงานขนาดเล็กและแคบ
ทุกครั้ง

อุปกรณ์ช่วยในการทำงาน

ไม้ดัน บล็อกดัน หรือฉากเสริมนั้นถือเป็น “อุปกรณ์ช่วยใน
การทำงาน” ใช้อุปกรณ์ช่วยเหล่านี้เพื่อการตัดที่แม่นยำและ
ปลอดภัยโดยไม่ทำให้ใบเลื่อยสัมผัสกับส่วนใดๆ ในร่างกายของ
ผู้ใช้งาน

บล็อกดัน

▶ **หมายเลข 35:** 1. ความขนานกับพื้นผิว/ขอบ 2. มือ
จับ 3. สกรูไม้ 4. ตัดกาวเข้าด้วยกัน

ใช้ชิ้นไม้ตัดขนาด 19 mm

มือจับควรอยู่ตรงกลางของชิ้นไม้ตัด ติดให้แน่นด้วยกาวและ
สกรูไม้ตามภาพ ชิ้นไม้เล็กซึ่งมีขนาด 9.5 mm x 8 mm x
50 mm จะต้องมีการติดเข้ากับไม้ตัดด้วยกาวเพื่อป้องกันใบ
เลื่อยที่อสมหากผู้ใช้งานตัดเข้าไปในบล็อกดันโดยไม่ได้
ตั้งใจ (ห้ามใช้ตะปูกับบล็อกดัน)

ฉากเสริม

▶ **หมายเลข 36:** 1. ความขนานกับพื้นผิว/ขอบ

ทำฉากเสริมจากชิ้นไม้ตัด 9.5 mm ถึง 19 mm

การผ่า

⚠️ ข้อควรระวัง: เมื่อทำการผ่า ให้ถอดเกจมุมฉากออก
จากโต๊ะ

⚠️ ข้อควรระวัง: เมื่อตัดชิ้นงานที่ยาวหรือใหญ่ ให้เสริม
ที่รองรับด้านหลังโต๊ะอย่างเพียงพอทุกครั้ง อย่าให้แผ่นที่
ยาวสามารถเคลื่อนที่หรือเลื่อนได้บนโต๊ะ เนื่องจากอาจ
ทำให้ใบเลื่อยติดและเพิ่มความเสี่ยงในการตีกลับหรือได้
รับบาดเจ็บได้ ที่รองรับควรอยู่ในระดับความสูงเดียวกับ
กับโต๊ะ

⚠️ ข้อควรระวัง: อย่าทำการผ่ามุมเฉียงบนด้านที่เอียง
ของใบเลื่อย

1. ปรับความลึกในการตัดให้มากกว่าความหนาของชิ้น
งานเล็กน้อย

▶ **หมายเลข 37**

2. จัดตำแหน่งของฉากผ่าไปที่ความกว้างการผ่าที่
ต้องการ และล็อกไว้กับที่ด้วยการหมุนปุ่มหมุน ก่อนการผ่า
ตรวจสอบให้แน่ใจว่าได้ยึดด้านหลังของฉากผ่าอย่างแน่น
หนาแล้ว หากฉากผ่ายึดแน่นไม่เพียงพอ ให้ปฏิบัติตามขั้น
ตอนในส่วน “การติดตั้งและการปรับฉากผ่า”

3. เปิดเครื่องมือแล้วค่อยๆ ป้อนชิ้นงานเข้าไปในใบเลื่อย
ตามฉากผ่าข้าง

เมื่อความกว้างของการผ่าเท่ากับ 150 mm หรือกว้างกว่า
ให้ใช้มือขวาของคุณในการป้อนชิ้นงานด้วยความระมัดระวัง
ใช้มือซ้ายถือชิ้นงานในตำแหน่งที่ตรงข้ามกับฉากผ่า

▶ **หมายเลข 38**

เมื่อความกว้างของการผ่าเท่ากับ 65 mm - 150 mm ให้ใช้
ไม้ดันในการป้อนชิ้นงาน

▶ **หมายเลข 39:** 1. ไม้ดัน

เมื่อความกว้างของการผ่าแคบกว่า 65 mm จะไม่สามารถใช้
ไม้ดันได้ เนื่องจากไม้ดันจะชนเข้ากับที่ป้องกันใบเลื่อย ให้
ใช้ฉากเสริมและบล็อกดัน ยึดฉากเสริมเข้ากับฉากผ่าโดยใช้
ที่จับรูปตัว “C” สองตัว

ป้อนชิ้นงานด้วยมือจนกระทั่งเหลือส่วนปลาย 25 mm จาก
ขอบด้านบนของโต๊ะ

▶ **หมายเลข 40**

ใช้บล็อกดันป้อนชิ้นงานบนฉากเสริมต่อไปจนกระทั่งตัดเสร็จ

▶ **หมายเลข 41:** 1. บล็อกดัน 2. ฉากเสริม

การตัดขวาง

⚠ ข้อควรระวัง: เมื่อทำการตัดขวาง ให้ถอดหน้ากากออก จากโต๊ะ

⚠ ข้อควรระวัง: เมื่อตัดชิ้นงานที่ยาวหรือใหญ่ ให้ทำการ เสริมที่รองรับที่ด้านข้างของโต๊ะอย่างเพียงพอ ที่รองรับ ควรอยู่ในระดับความสูงเดียวกันกับโต๊ะ

⚠ ข้อควรระวัง: อย่าให้มีมืออยู่ในเส้นทางของใบเลื่อย

เกจมุมฉาก

- ▶ หมายเลข 42: 1. การตัดขวาง 2. การตัดมุมฉาก
3. การตัดมุมเอียง 4. การตัดมุมฉาก ผสม (องศา)

ใช้เกจมุมฉากสำหรับการตัด 4 ประเภทตามที่แสดงในภาพ

⚠ ข้อควรระวัง: หมุนปุ่มหมุนปรับบนเกจมุมฉากให้ แน่นอย่างระมัดระวัง

⚠ ข้อควรระวัง: ระวังชิ้นงานและเกจค่อยๆ เคลื่อนที่ เองโดยการจับชิ้นงานให้แน่น โดยเฉพาะเมื่อทำการตัดที่ องศาต่างๆ

⚠ ข้อควรระวัง: ห้ามถือหรือจับส่วนที่ถูกตัดออกของ ชิ้นงาน

⚠ ข้อควรระวัง: ปรับระยะระหว่างปลายของเกจมุมฉาก และใบเลื่อยไม่เกิน 15 mm เสมอ

การหยุดตำแหน่งของเกจมุมฉาก

- ▶ หมายเลข 43: 1. สกรูหยุดตำแหน่ง 2. แผ่นโลหะ ขนาดเล็ก 3. ปุ่มหมุน

เกจมุมฉากจะมีมาให้พร้อมกับการหยุดตำแหน่งที่ 90°, 45° ทางขวาและซ้ายสำหรับการปรับองศามุมฉาก

การปรับองศามุมฉาก ให้คลายปุ่มหมุนบนเกจมุมฉาก ยกแผ่นโลหะขนาดเล็กขึ้นบนเกจมุมฉากเพื่อตั้งค่าการ ปลดปล่อย ปรับเกจมุมฉากไปที่องศามุมฉากที่ต้องการ นำแผ่น โลหะขนาดเล็กบนเกจมุมฉากกลับคืนตำแหน่งเดิม แล้วขัน ปุ่มหมุนตามเข็มนาฬิกาให้แน่น

การใช้เกจมุมฉาก

- ▶ หมายเลข 44: 1. ร่อง 2. เกจมุมฉาก 3. ปุ่มหมุน
- เลื่อนเกจมุมฉากเข้าสู่ร่องหน้าของโต๊ะ คลายปุ่มหมุนที่เกจ และจัดให้อยู่ในองศาที่ต้องการ (0° ถึง 60°) ยกท่อนไม้ขึ้น ให้อยู่ในระดับเดียวกับฉาก แล้วค่อยๆ ป้อนท่อนไม้ไปด้าน หน้าให้เข้าไปในใบเลื่อย

เกจเสริม (เกจมุมฉาก)

- ▶ หมายเลข 45: 1. เกจเสริม

เกจเสริมบนเกจมุมฉากจะป้องกันชิ้นงานจากการเคลื่อนที่ ไปมา คลายสกรูบนเกจมุมฉากและปรับตำแหน่งเกจเสริม

การยกเครื่องมือ

- ▶ หมายเลข 46

ตรวจสอบให้แน่ใจว่าถอดปลั๊กเครื่องมือแล้ว ยกเครื่องมือโดยจับที่ชิ้นส่วนเครื่องมือตามภาพ

⚠ ข้อควรระวัง: ยึดส่วนที่เคลื่อนที่ได้ทั้งหมดก่อนยก เครื่องมือ

⚠ ข้อควรระวัง: ก่อนยกเครื่องมือ ตรวจสอบให้แน่ใจ ว่าที่ป้องกันใบเลื่อยและที่ป้องกันเสริมปิดลงและขอบด้าน ล่างของที่ป้องกันเสริมสัมผัสกับโต๊ะตัวหลัก

การบำรุงรักษา

⚠ ข้อควรระวัง: ตรวจสอบให้แน่ใจว่าได้ปิดสวิตช์เครื่อง มือและถอดปลั๊กออกก่อนทำการตรวจสอบหรือบำรุง รักษา

ข้อสังเกต: อย่าใช้น้ำมันเชื้อเพลิง เบนซิน ทินเนอร์ แอลกอฮอล์ หรือวัสดุประเภทเดียวกัน เนื่องจากอาจ ทำให้ลื่น ขาด เสียวรูป หรือแตกร้าวได้

การทำความสะอาด

ทำความสะอาดฝุ่นเลื่อยและเศษไม้เป็นประจำ ทำความ สะอาดที่ป้องกันใบเลื่อยและส่วนที่เคลื่อนที่ได้ของโต๊ะเลื่อย อย่างระมัดระวัง เมื่อต้องการนำซี่เลื่อยที่สะสมอยู่ใต้ใบเลื่อยออก ให้ถอดแผ่น ร่องใบเลื่อยของโต๊ะออก แล้วใช้ที่เป่าลมเป่าซี่เลื่อยออกจาก ส่วนเชื่อมต่อที่ดูดฝุ่น

การหล่อลื่น

เพื่อรักษาประสิทธิภาพการทำงานของโต๊ะเลื่อย และเพื่อยืดอายุการใช้งานสูงสุด โปรดหยอดน้ำมันหล่อลื่นหรือจารบีในส่วนที่เคลื่อนที่ได้และส่วนที่หมุนได้อย่างสม่ำเสมอ ตำแหน่งการหล่อลื่น:

- เฟลาเกลียวยกใบเลื่อย
- บานพับที่ใช้หมุนโครง
- เฟล่านำการยกบนมอเตอร์
- เฟืองยกใบเลื่อย
- รางน้ำหนักสำหรับฉากผ้า
- เฟลาของก้านลีดโต๊ะเสริม (ขวา)
- ชิ้นส่วนเลื่อนของโต๊ะเสริม (ขวา)

การเปลี่ยนแปลงคาร์บอน

ตรวจสอบแปลงคาร์บอนเป็นประจำ

เปลี่ยนแปลงคาร์บอนเมื่อสึกหรอจนถึงเครื่องหมายขีดจำกัด ดูแปลงคาร์บอนให้สะอาดและอย่าให้ที่ยึดลิ้น ควรเปลี่ยนแปลงคาร์บอนทั้งสองอันพร้อมกัน ใช้แปลงคาร์บอนแบบเดียวกันเท่านั้น

► **หมายเลข 47:** 1. เครื่องหมายขีดจำกัด

1. เก็บโต๊ะเสริม (ขวา) นำฉากผ้าออกหากมีการเก็บไว้
2. คลายก้านลีดและหมุนวงล้อมือหมุนจนกระทั่งหัวเลื่อยเอียงที่องศามุมเอียง 45° หลังจากนั้นให้ขันก้านลีดให้แน่น

► **หมายเลข 48:** 1. ฉากผ้า 2. ก้านลีด 3. วงล้อมือหมุน

3. วางเครื่องมือไว้ทางด้านขวา

► **หมายเลข 49**

4. คลายสกรูบนแผ่นด้านล่าง แล้วถอดออก
5. คลายฝาปิดที่ยึดแปลงโดยใช้ไขควง แล้วถอดแปลงคาร์บอนที่ซ้ารูดออก

► **หมายเลข 50:** 1. แผ่นด้านล่าง 2. ฝาปิดที่ยึดแปลง 3. ไขควง

6. ใส่แปลงคาร์บอนอันใหม่แล้วยึดฝาปิดที่ยึดแปลง
7. ดัดแผ่นด้านล่างด้วยสกรู และค่อยๆ ยกเครื่องมือตั้งขึ้นบนฐาน เก็บฉากผ้าหากถอดไว้

เพื่อความปลอดภัยและนำเชื่อถือของผลิตภัณฑ์ ควรให้ศูนย์บริการหรือโรงงานที่ผ่านการรับรองจาก Makita เป็นผู้ดำเนินการซ่อมแซม บำรุงรักษาและทำการปรับตั้งอื่นๆ นอกจากนี้ให้ใช้อะไหล่ของแท้จาก Makita เสมอ

อุปกรณ์เสริม

⚠️ ข้อควรระวัง: ขอแนะนำให้ใช้เฉพาะอุปกรณ์เสริมหรืออุปกรณ์ต่อพ่วงเหล่านี้กับเครื่องมือ Makita ที่ระบุในคู่มือการใช้ อุปกรณ์เสริมหรืออุปกรณ์ต่อพ่วงอื่นๆ อาจมีความเสี่ยงที่จะได้รับบาดเจ็บ ใช้ อุปกรณ์เสริมหรืออุปกรณ์ต่อพ่วงตามวัตถุประสงค์ที่ระบุไว้เท่านั้น

หากต้องการทราบรายละเอียดเพิ่มเติมเกี่ยวกับอุปกรณ์เสริมเหล่านี้ โปรดสอบถามศูนย์บริการ Makita ใกล้บ้านคุณ

- ใบเลื่อยเหล็กและคาร์ไบด์
- โต๊ะเสริม (ซ้าย)
- โต๊ะเสริม (หลัง)
- ฉากผ้า
- เกจมุมบาก
- ประแจเยื้อง 13-22
- ประแจ 19
- ประแจหกเหลี่ยม 5
- ข้อต่อ (สำหรับเชื่อมต่อเครื่องดักฝุ่น)
- ชุดขาตั้งโต๊ะ

โปรดดูคู่มือแนะนำการใช้งานขาตั้งโต๊ะเลื่อยที่มีมาให้พร้อมกับขาตั้งโต๊ะเลื่อยซึ่งเป็นอุปกรณ์เสริม

หมายเหตุ: อุปกรณ์บางรายการอาจจะรวมอยู่ในชุดเครื่องมือเป็นอุปกรณ์มาตรฐาน ซึ่งอาจแตกต่างกันไปในแต่ละประเทศ

Makita Corporation
3-11-8, Sumiyoshi-cho,
Anjo, Aichi 446-8502 Japan
www.makita.com

885620A376
EN, ZHCN, ID, MS,
VI, TH
20220111