



VN	VIETNAM
----	---------

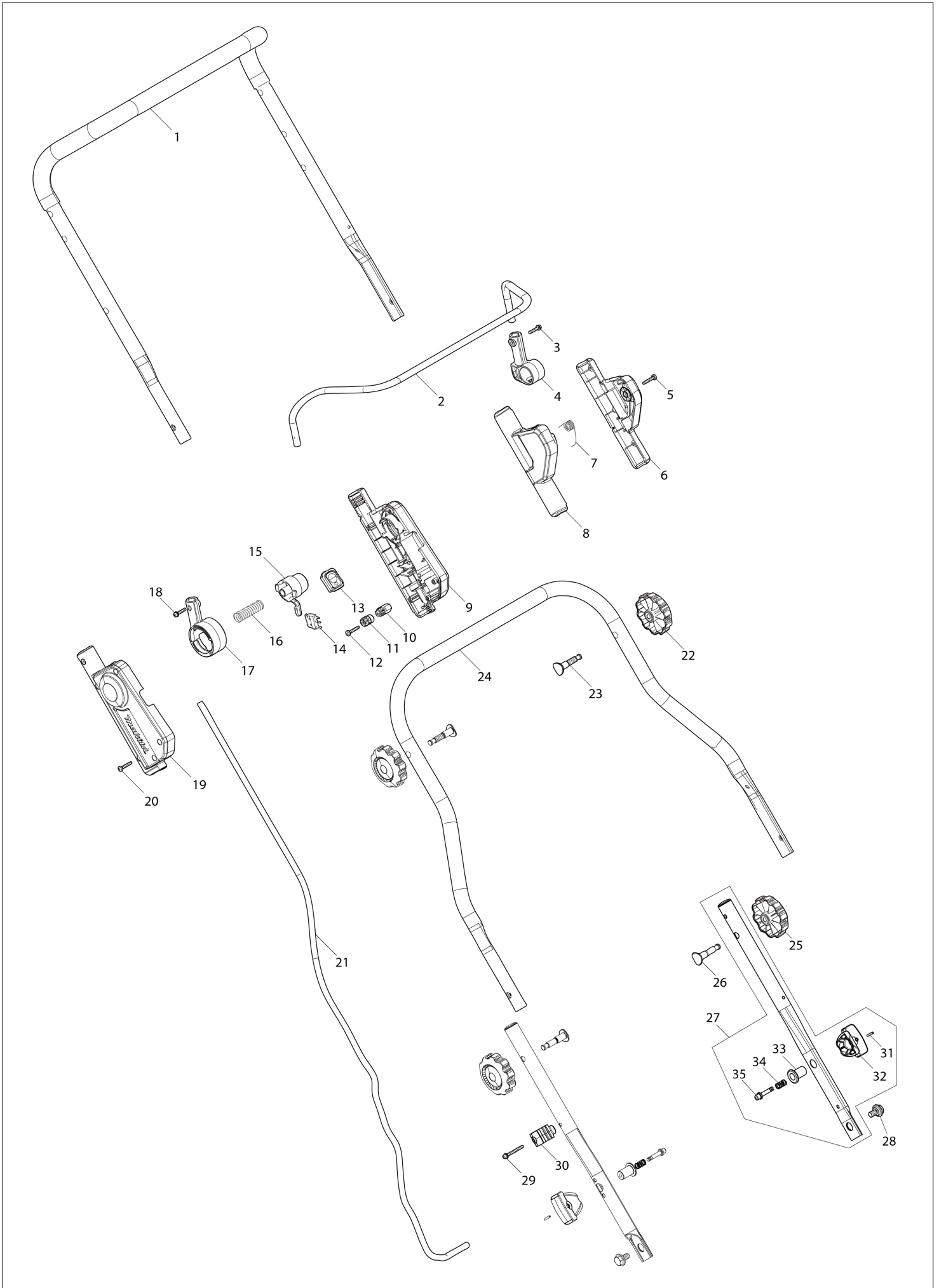
# Diagram / Parts List

**UV001G**

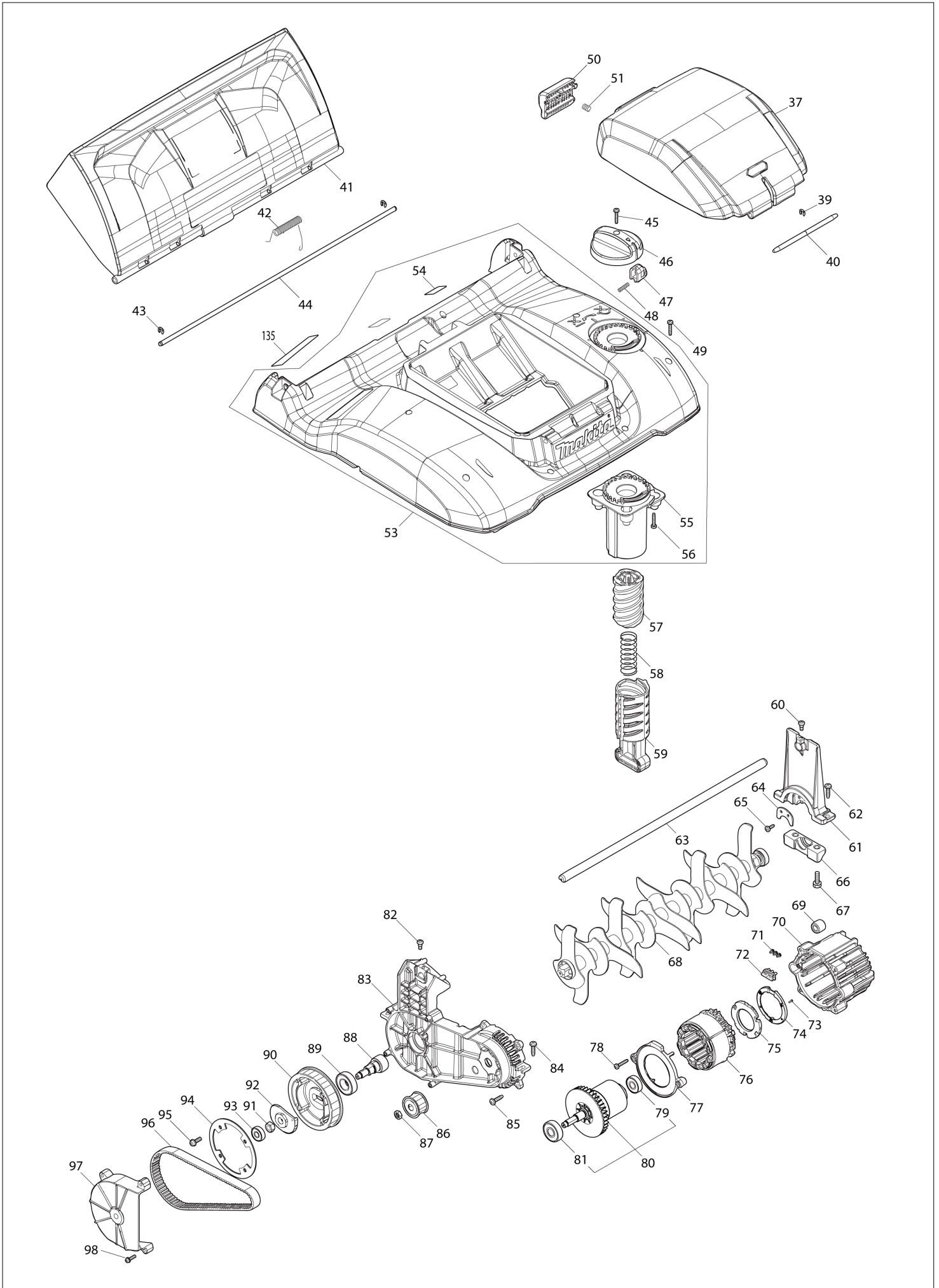
**380MM CORDLESS SCARIFIER**



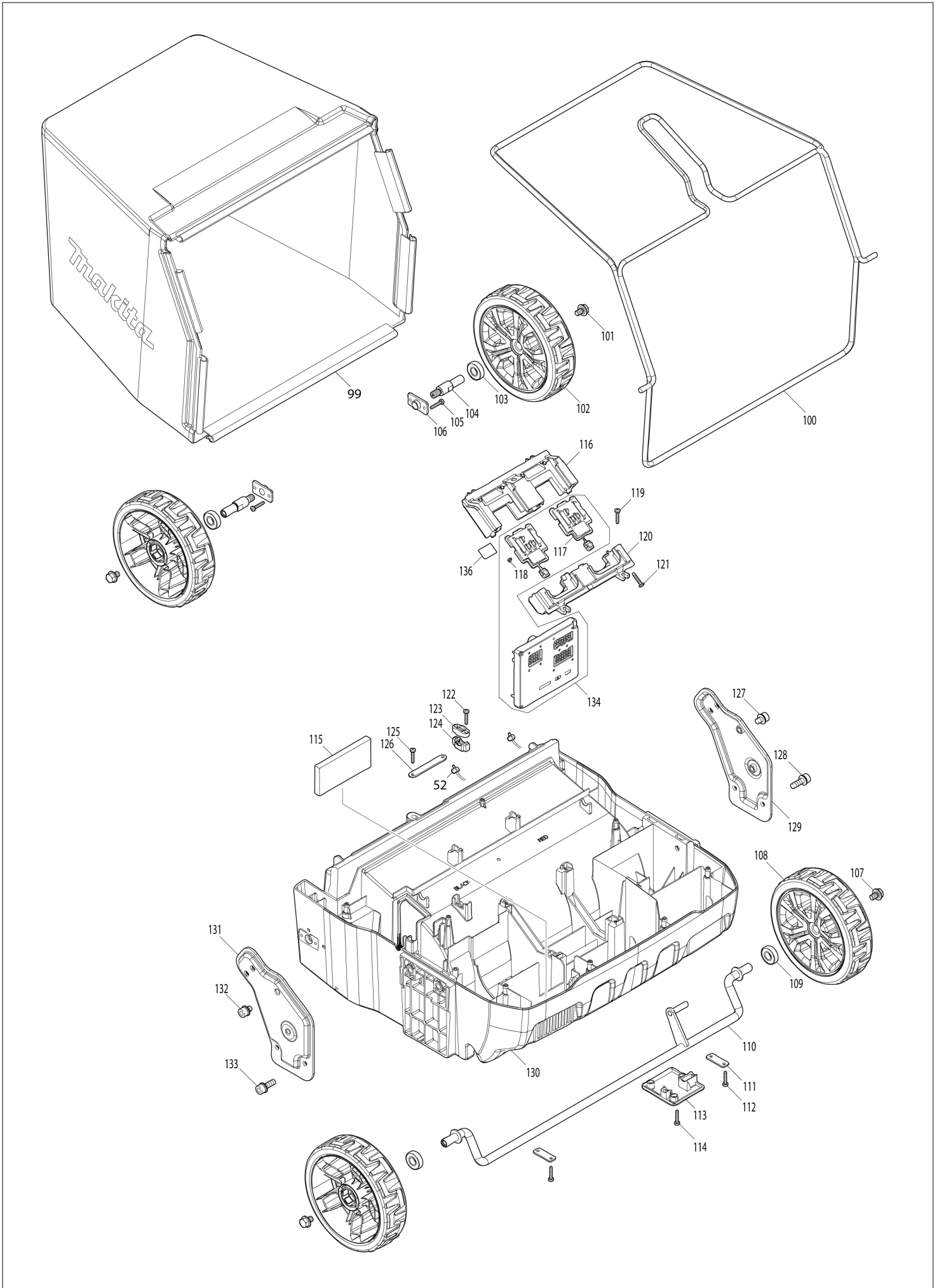
(VN) UV001G / 380MM CORDLESS SCARIFIER



(VN) UV001G / 380MM CORDLESS SCARIFIER



(VN) UV001G / 380MM CORDLESS SCARIFIER



<b>VN</b>	<b>VIETNAM</b>
-----------	----------------

### UV001G / 380MM CORDLESS SCARIFIER

Item	Sub	Parts No.	Parts Description	Qty	I/C	E/C No.	Close No.	Remark
001		327871-3	HANDLE UPPER	1				
002		327424-8	SWITCH LEVER	1				
003		911138-5	P.H.SCREW M4X20 WITH WR	1				
004		459863-5	SWITCH LEVER SUPPORT L	1				
005		266424-2	TAPPING SCREW 4X20	4				
006		183U21-4	LEVER BOX SET	1				
	D10		INC. 8					
007		232575-3	TORSION SPRING 12	1				
008		183U21-4	LEVER BOX SET	1				
	D10		INC. 6					
009		1830B2-6	SWITCH BOX SET	1				
	C10	8044A1-9	INDICATION LABEL	1				
	D10		INC. 19					
010		687051-6	STRAIN RELIEF	1				
011		687123-7	STRAIN RELIEF	1				
012		266424-2	TAPPING SCREW 4X20	2				
013		140X08-7	SWITCH CIRCUIT COMPLETE	1				
014		632T11-3	SWITCH UNIT	1				
015		459857-0	LOCK OFF BUTTON	1				
016		231227-3	COMPRESSION SPRING 15	1				
017		459856-2	SWITCH LEVER SUPPORT R	1				
018		911138-5	P.H.SCREW M4X20 WITH WR	1				
019		1830B2-6	SWITCH BOX SET	1				
	C10	8044A1-9	INDICATION LABEL	1				
	D10		INC. 9					
020		266424-2	TAPPING SCREW 4X20	6				
021		699226-5	POWER SUPPLY CORD UNIT	1				
022		265C06-5	THUMB NUT M8	2				
023		265C08-1	FLAT HEAD BOLT M8X50	2				
024		327C02-2	HANDLE MIDDLE	1				
025		265C06-5	THUMB NUT M8	2				
026		265C08-1	FLAT HEAD BOLT M8X50	2				
027		122E95-4	HANDLE LOWER ASSEMBLY	2				
	D10		INC. 31-35					
028		265C07-3	HEX. BOLT M8	2				
029		911163-6	PAN HEAD SCREW M4X35	1				
030		413944-9	CLAMP	1				
	C10	931102-0	HEX. NUT M4	1				
031		258004-8	SPRING PIN 2.5-16	1				
032		413943-1	KNOB	1				
033		327877-1	LOCK HOLDER	1				
034		234121-8	COMPRESSION SPRING 8	1				
035		327876-3	LOCK PIN	1				
037		137022-8	BATTERY COVER ASSEMBLY	1				
	C10	8025F3-0	XGT LOGO LABEL	1				
039		961018-5	STOP RING E-5	3				
040		327209-2	ROD 6	1				
041		141R98-7	REAR FLAP COMPLETE	1				
	C10	8071A2-8	CAUTION LABEL	1				
042		232806-0	TORSION SPRING 8	1				
043		961018-5	STOP RING E-5	2				
044		256A39-9	ROD 6	1				
045		266424-2	TAPPING SCREW 4X20	1				
046		413R80-9	DIAL 75	1				
047		413R81-7	LOCK OFF BUTTON	1				
048		234003-4	COMPRESSION SPRING 5	1				
049		266424-2	TAPPING SCREW 4X20	9				
050		413B03-1	LOCK LEVER	1				
051		231037-8	COMPRESSION SPRING 7	1				
052		620M29-4	LED CIRCUIT	1				
053		122E94-6	COWLING ASSEMBLY	1				
	D10		INC. 54-56					
054		8031N0-1	INDICATION LABEL	2				
055		413R72-8	HOLDER	1				
056		266424-2	TAPPING SCREW 4X20	4				

A:UV001GZ(N)

Interchange  
 O : Yes  
 X : No  
 < : the new part can be substituted for the current.  
 > : the current part can be substituted for the new.  
 S : Interchangeable as a set.

<b>VN</b>	<b>VIETNAM</b>
-----------	----------------

### UV001G / 380MM CORDLESS SCARIFIER

Item	Sub	Parts No.	Parts Description	Qty	I/C	E/C No.	Close No.	Remark
057		413R79-4	ADJUST SCREW	1				
058		232385-8	COMPRESSION SPRING 23	1				
059		413R71-0	ADJUST SCREW HOLDER	1				
060		251306-1	+ PAN HEAD SCREW M5	1				
061		312E25-5	SHAFT HOLDER	1				
062		266021-4	TAPPING SCREW 5X20	2				
063		327C01-4	SHAFT 12	1				
064		347B58-3	BEARING RETAINER	1				
065		266026-4	TAPPING SCREW BIND CT 4X12	2				
066		413R76-0	BLADE UNDER BRACKET	1				
067		921331-3	HEX. BOLT M6X20	2				
068		1913J5-0	VERTICAL CUTTER SET	1				
070		459143-9	MOTOR HOUSING	1				
071		652031-1	PAN HEAD SCREW M3X6	3				
072		632R64-0	LEAD UNIT	1				
073		266490-9	TAPPING SCREW PT 2X6	3				
074		687B69-9	STOPPER	1				
075		620H75-7	CONTROLLER B	1				
076		629C28-3	STATOR	1				
077		413R69-7	BAFFLE PLATE	1				
078		266424-2	TAPPING SCREW 4X20	2				
079		210141-6	BALL BEARING 6000DDW	1				
080		519823-0	ROTOR ASSY	1				
	D10		INC 79,81					
081		210195-3	BALL BEARING 6201DDW	1				
082		251306-1	+ PAN HEAD SCREW M5	1				
083		312E24-7	PULLEY HOLDER	1				
084		266021-4	TAPPING SCREW 5X20	3				
085		266021-4	TAPPING SCREW 5X20	4				
086		222204-6	PULLEY 20	1				
087		252154-1	HEX. NUT M8-13	1				
088		327B97-9	SHAFT 17	1				
089		210126-2	BALL BEARING 6003LLU	1				
090		222205-4	PULLEY 60	1				
091		931503-2	HEX. NUT M10	1				
092		313474-9	ECCENTRIC DISK	1				
093		210044-4	BALL BEARING 608DDW	1				
094		347B45-2	PULLEY PLATE 30	1				
095		911223-4	PAN HEAD SCREW M5X16	2				
096		225108-1	SYNCHRO BELT 15-525	1				
097		413R75-2	BEARING COVER	1				
098		911128-8	P.H.SCREW M4X16 WITH WR	4				
099		162C50-2	GRASS CATCHER	1				
100		162C49-7	GRASS CATCHER BRACKET	1				
101		265324-3	HEX. FLANGE HEAD BOLT M8X12	2				
102		141E34-5	TIRE 180 COMPLETE	2				
103		210216-1	BALL BEARING 6001DDW	2				
104		327B98-7	REAR SHAFT	2				
105		266424-2	TAPPING SCREW 4X20	4				
106		313475-7	REAR SHAFT HOLDER	2				
107		265324-3	HEX. FLANGE HEAD BOLT M8X12	2				
108		141E34-5	TIRE 180 COMPLETE	2				
109		210216-1	BALL BEARING 6001DDW	2				
110		162C48-9	FRONT SHAFT	1				
111		347869-4	PLATE	2				
112		266424-2	TAPPING SCREW 4X20	4				
113		413R70-2	UNDER COVER	1				
114		266424-2	TAPPING SCREW 4X20	3				
115		422A35-1	SPONGE	1				
116		183X12-3	TERMINAL HOUSING SET	1				
	C10	263005-3	RUBBER PIN 6	4				
	D10		INC. 120					
117		632T08-2	TERMINAL UNIT	2				
118		652031-1	PAN HEAD SCREW M3X6	4				
119		266424-2	TAPPING SCREW 4X20	4				

A:UV001GZ(N)

Interchange  
 O : Yes  
 X : No  
 < : the new part can be substituted for the current.  
 > : the current part can be substituted for the new.  
 S : Interchangeable as a set.

