



VN	VIETNAM
----	---------

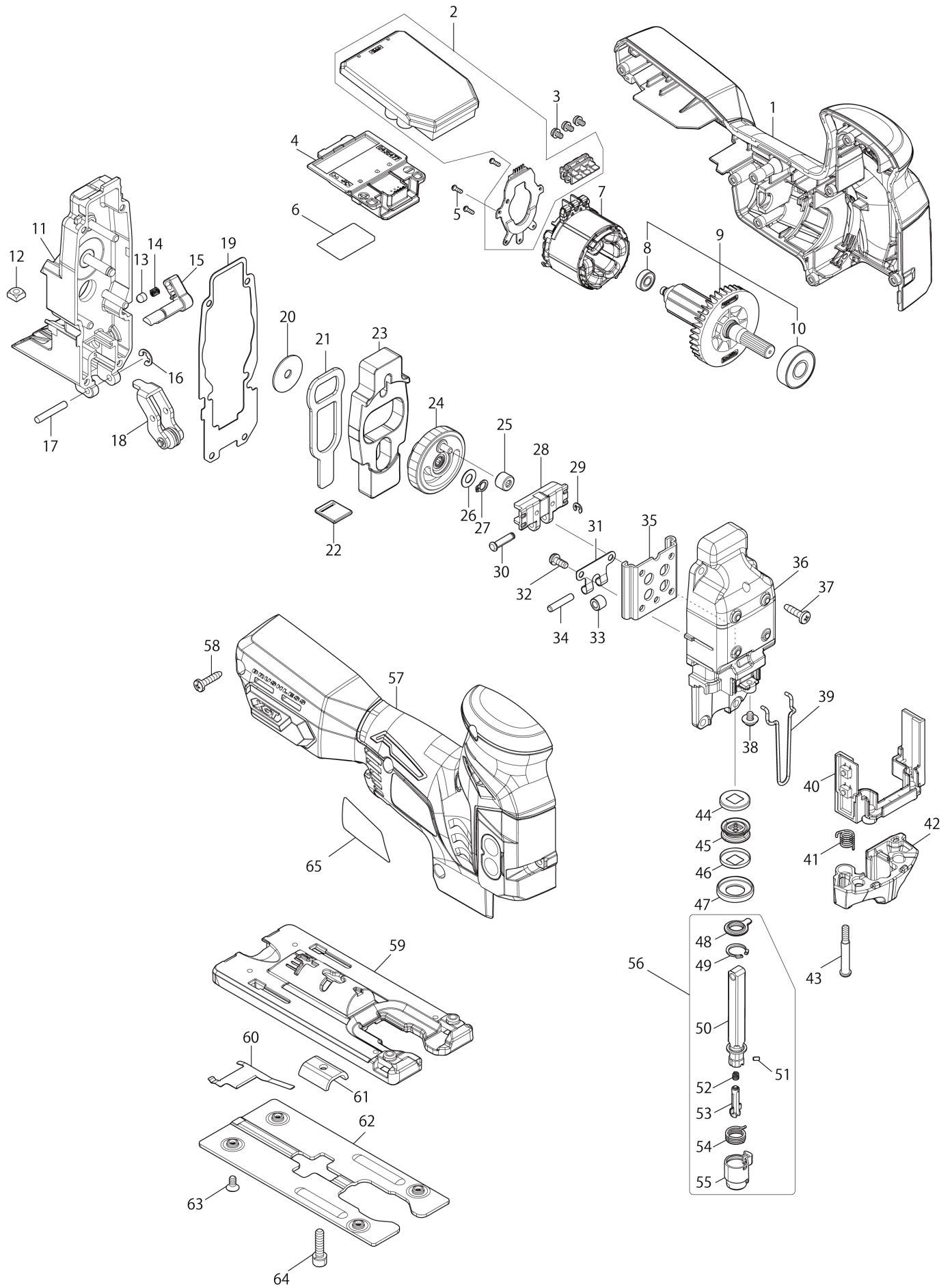
# Diagram / Parts List

**JV001G**

**CORDLESS JIG SAW**



(VN) JV001G / CORDLESS JIG SAW



<b>VN</b>	<b>VIETNAM</b>
-----------	----------------

### JV001G / CORDLESS JIG SAW

Item	Sub	Parts No.	Parts Description	Qty	I/C	E/C No.	Close No.	Remark
001		183W95-7	HOUSING SET	1				
	C10	263005-3	RUBBER PIN 6	2				
	C20	8066F9-6	SWITCH LABEL	2				
	D10		INC. 57					
002		620J88-0	CONTROLLER	1				
003		652069-6	FLAT HEAD SCREW M3X6	3				
004		632P65-6	TERMINAL UNIT	1				
005		266490-9	TAPPING SCREW PT 2X6	3				
006		858U20-2	JV001G SERIAL NO. LABEL	1				
007		629B64-3	STATOR	1				
008		210039-7	BALL BEARING 695DDW	1				
009		519769-0	ROTOR ASS'Y	1				
	D10		INC. 8,10					
010		210059-1	BALL BEARING 6000DDW	1				
011		142111-6	GEAR HOUSING COMPLETE	1				
	C10	263002-9	RUBBER PIN 4	1				
012		252171-1	SQUARE NUT M5-8	1				
013		286032-3	CAP 5	1				
014		233139-6	COMPRESSION SPRING 3	1				
015		272280-0	LEVER 17	1				
016		961018-5	STOP RING E-5	1				
017		268063-4	PIN 4	1				
018		142110-8	RETAINER COMPLETE	1				
019		442195-7	GASKET	1				
020		253196-8	FLAT WASHER 6	1				
021		346688-5	PUSH PLATE	1				
022		454484-8	SEAL PLATE	1				
023		313260-8	BALANCE PLATE	1				
024		142109-3	GEAR COMPLETE	1				
025		212092-9	NEEDLE BEARING 407	1				
026		253715-0	FLAT WASHER 6	1				
027		961002-0	RETAINING RING S-6	1				
028		310837-0	SLIDER	1				
029		961017-7	STOP RING E-3	1				
030		268090-1	PIN 4	1				
031		232207-2	LEAF SPRING	1				
032		911111-5	PAN HEAD SCREW M4X10 WITH W	4				
033		214031-5	PLANE BEARING 4	1				
034		256117-9	PIN 4	1				
035		347B50-9	LINEAR GUIDE	1				
036		141R27-0	GEAR HOUSING COVER COMPLETE	1				
037		266034-5	TAPPING SCREW CT 4X16	4				
038		911104-2	PAN HEAD SCREW M4X6	1				
039		326302-9	SAFETY WIRE	1				
040		620J89-8	SWITCH UNIT	1				
041		231659-4	TORSION SPRING 6	1				
042		454483-0	TOOL OPENER	1				
043		265026-1	+ PAN HEAD SCREW M4	1				
044		267854-0	CAP WASHER 8	1				
045		421815-6	DUST SEAL 8	1				
046		267854-0	CAP WASHER 8	1				
047		257347-5	RING 21	1				
048		424569-4	DUST COVER	1				
049		962063-3	RETAINING RING R-13	1				
050		165724-6	ROD	1				
051		256528-8	PIN 2	1				
052		233314-4	COMPRESSION SPRING 4	1				
053		310485-5	LOCK PIN	1				
054		233591-8	TORSION SPRING 10	1				
055		310547-9	BLADE HOLDER	1				
056		135602-4	ROD ASS'Y	1				
	D10		INC. 48-55					
057		183W95-7	HOUSING SET	1				
	C10	263005-3	RUBBER PIN 6	2				
	C20	8066F9-6	SWITCH LABEL	2				

A:JV001GZ(N)

Interchange  
 O : Yes  
 X : No  
 < : the new part can be substituted for the current.  
 > : the current part can be substituted for the new.  
 S : Interchangeable as a set.

