



VN	VIETNAM
----	---------

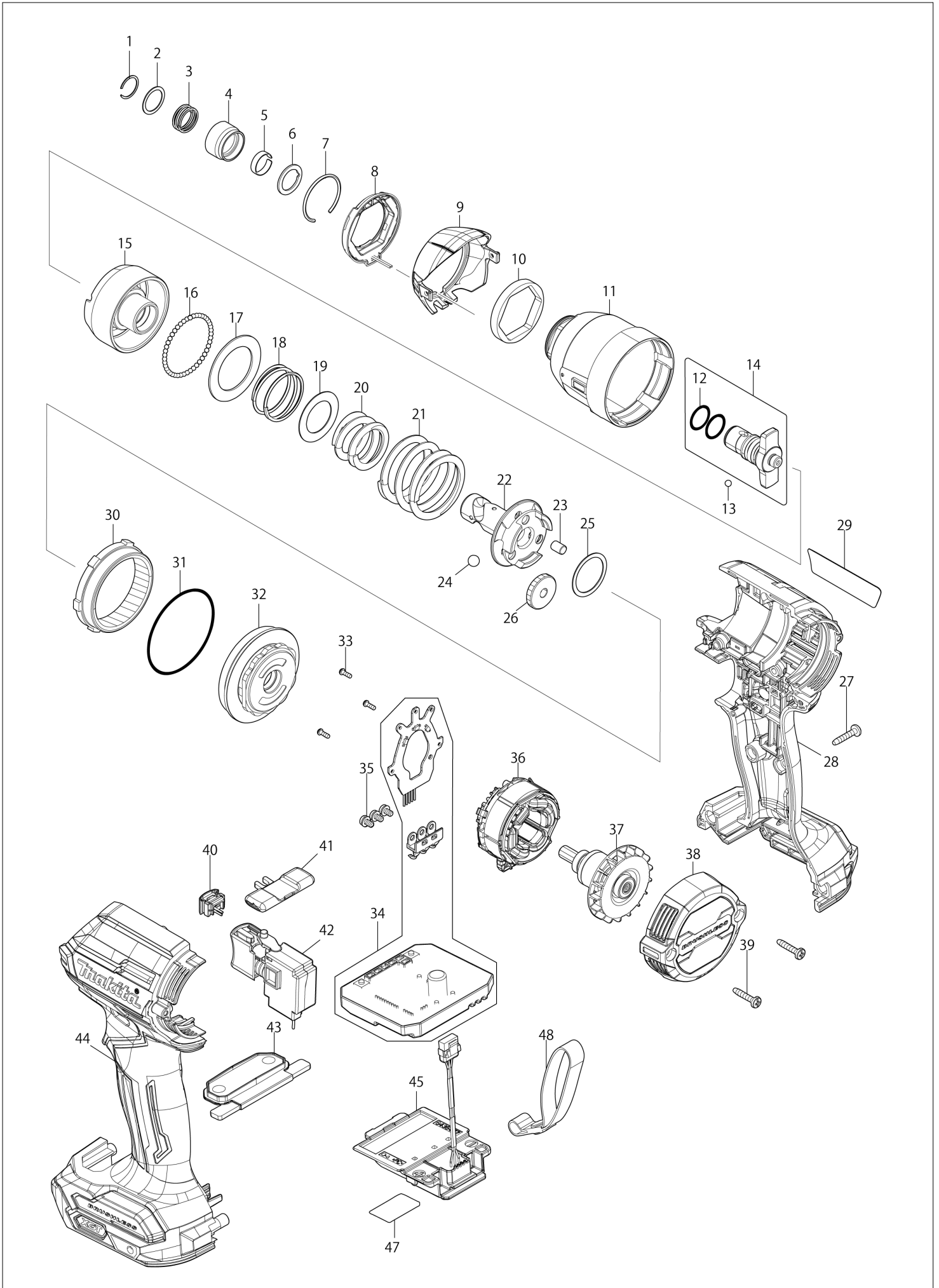
Diagram / Parts List

TD002G

CORDLESS IMPACT DRIVER



(VN) TD002G / CORDLESS IMPACT DRIVER



VN	VIETNAM
-----------	----------------

TD002G / CORDLESS IMPACT DRIVER

Item	Sub	Parts No.	Parts Description	Qty	I/C	E/C No.	Close No.	Remark
001		231952-6	RING SPRING 12	1				
002		267101-9	FLAT WASHER 14	1				
003		232592-3	COMPRESSION SPRING 14	1				
004		327989-0	BIT SLEEVE	1				
005		232692-9	LEAF SPRING	1				
006		253496-6	FLAT WASHER 13	1				
007		232751-9	RING SPRING 27	1				
008		620H90-1	LED CURCUIT	1				
009		413L58-6	HAMMER CASE COVER	1				
010		422874-3	SPONGE SHEET	1				
011		141J66-2	HAMMER CASE COMPLETE	1				
012		213166-9	O RING 12.5	2				
013		216001-0	STEEL BALL 3.5	2				
014		136626-3	ANVIL N ASSEMBLY	1				
	D10		INC. 12					
015		327985-8	HAMMER	1				
016		216015-9	STEEL BALL 2.4	45				
017		253559-8	FLAT WASHER 26	1				
018		232750-1	COMPRESSION SPRING 26	1				
019		253560-3	FLAT WASHER 19	1				
020		232749-6	COMPRESSION SPRING 20	1				
021		232748-8	COMPRESSION SPRING 31	1				
022		327984-0	SPINDLE	1				
023		256A12-9	PIN 5	3				
024		216013-3	STEEL BALL 6	2				
025		267283-7	FLAT WASHER 21	1				
026		227956-4	SPUR GEAR 24	3				
027		266130-9	TAPPING SCREW BIND PT 3X16	8				
028		183V61-8	HOUSING SET	1				
	C10	263005-3	RUBBER PIN 6	2				
	C20	252126-6	HEX. LOCK NUT M4-7	2				
	C30	8007R2-2	XGT LOGO LABEL	1				
	D10		INC. 44					
029		858P41-4	TD002G NAME PLATE	1				
030		227957-2	INTERNAL SPUR GEAR 56	1				
031		213A18-0	O-RING 45	1				
032		141J65-4	BEARING BOX COMPLETE	1				
033		266490-9	TAPPING SCREW PT 2X6	3				
034		620H91-9	CONTROLLER	1				
035		652069-6	FLAT HEAD SCREW M3X6	3				
036		629464-5	STATOR	1				
037		619748-9	ROTOR	1				
038		413G19-6	REAR COVER	1				
039		266130-9	TAPPING SCREW BIND PT 3X16	2				
040		632T17-1	SWITCH UNIT	1				
041		455053-8	F/R CHANGE LEVER	1				
042		651442-7	SWITCH C3JR-1A-1	1				
043		141L82-6	SWITCH PLATE COMPLETE	1				
044		183V61-8	HOUSING SET	1				
	C10	263005-3	RUBBER PIN 6	2				
	C20	252126-6	HEX. LOCK NUT M4-7	2				
	C30	8007R2-2	XGT LOGO LABEL	1				
	D10		INC. 28					
045		632P49-4	TERMINAL UNIT	1				
047		858P42-2	TD002G SERIAL NO.LABEL	1				
048		163400-6	HANDSTRAP	1				
A01		266622-8	+ TRUSS HEAD SCREW M4X12	1				
A02		346317-0	HOOK	1				
A04B		412393-7	BATTERY COVER	1				
A05B		***DC40RA	DC40RA FAST CHARGER	1				
	D10		COMPO-PARTS					
A06B		191B36-3	BATTERY BL4025 SET	2				
A07B		821883-3	PLASTIC CASE	1				
	C10	458362-4	LATCH	2				
	C20	413G37-4	LATCH	1				

A:TD002GZ01(N)
B:TD002GD202(H)

Interchange
O : Yes
X : No
< : the new part can be substituted for the current.
> : the current part can be substituted for the new.
S : Interchangeable as a set.

