



VN	VIETNAM
----	---------

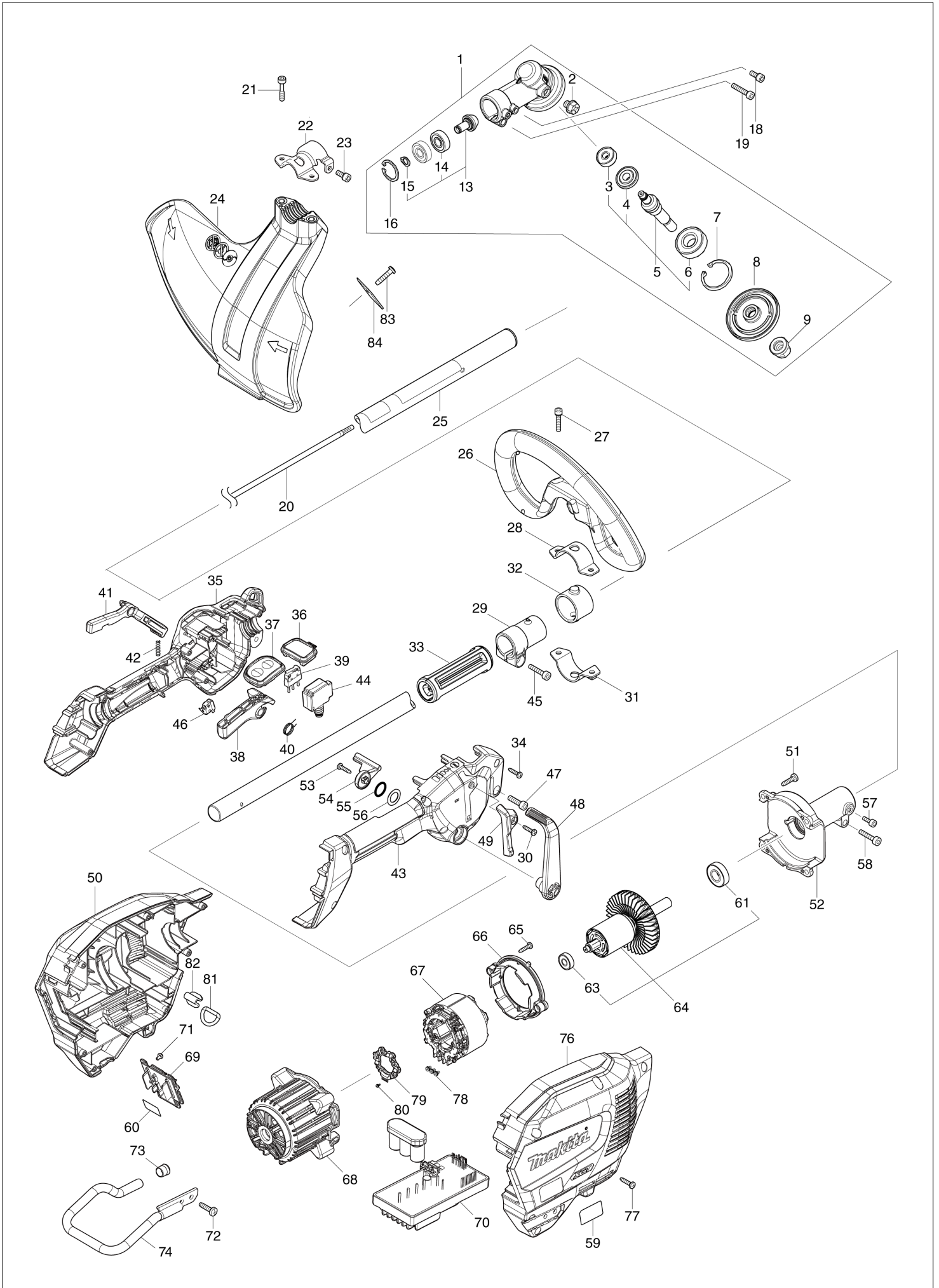
Diagram / Parts List

UR014G

CORDLESS GRASS TRIMMER



(VN) UR014G / CORDLESS GRASS TRIMMER



VN	VIETNAM
-----------	----------------

UR014G / CORDLESS GRASS TRIMMER

Item	Sub	Parts No.	Parts Description	Qty	I/C	E/C No.	Close No.	Remark
001		122D73-8	GEAR CASE ASSEMBLY R	1				
	D10		INC. 2,5,7-9,13,16					
002		265590-2	+HEX.BOLT M8X10 WITH R	1				
003		210030-5	BALL BEARING 627ZZ	1				
004		227A47-7	ZEROL BEVEL GEAR 21	1				
005		136860-5	CUTTER SHAFT US ASSEMBLY	1				
	D10		INC. 3,4,6					
006		211228-7	BALL BEARING 6202DDW	1				
007		259069-3	RETAINING RING (INT) R-35	1				
008		327B76-7	RECEIVE WASHER R	1				
009		252236-9	HEX. LOCK NUT M10-17	1				
013		136861-3	SPIRAL BEVEL GEAR ASSEMBLY	1				
	D10		INC. 14,15					
014		210157-1	BALL BEARING 609ZZ	2				
015		259071-6	RETAINING RING (EXT) S-9	1				
016		259072-4	RETAINING RING (INT)R-24	1				
018		922216-6	H.S.H.BOLT M5X14 WITH W	1				
019		922353-6	HEX.SOCKET HEAD BOLT M6X30	1				
020		327056-1	SHAFT	1				
021		266280-0	HEX. SOCKET HEAD BOLT M6X25	2				
022		347B13-5	PROTECTOR CLAMP 25G	1				
023		922216-6	H.S.H.BOLT M5X14 WITH W	1				
024		413N78-2	PROTECTOR 450	1				
025		141N31-5	SHAFT PIPE COMPLETE C	1				
	C10	819312-8	MAKITA LOGO LABEL	1				
	C20	8063Y2-5	CAUTION LABEL	1				
026		457267-5	LOOP HANDLE	1				
027		922234-4	H.S.H.BOLT M5X20 WITH WG	2				
028		347113-9	UPPER CLAMP 35	1				
029		413P01-9	PIPE HOLDER 25	1				
030		266326-2	TAPPING SCREW 4X18	1				
031		347114-7	LOWER CLAMP 35	1				
032		424942-8	DAMPER	1				
033		413P05-1	SPACER 25	1				
034		266326-2	TAPPING SCREW 4X18	6				
035		183X43-2	GRIP SET	1				
	C10	931202-6	HEX. NUT M5	1				
	D10		INC. 43					
036		141N51-9	INDICATION CIRCUIT COMPLETE E	1				
037		141N47-0	SWITCH CIRCUIT COMPLETE G	1				
	C10	8064D9-0	SWITCH LABEL	1				
038		413N93-6	SWITCH LEVER	1				
039		632U35-5	SWITCH UNIT	1				
040		233622-3	TORSION SPRING 12	1				
041		413P00-1	LOCK OFF LEVER	1				
042		233101-1	COMPRESSION SPRING 4	1				
043		183X43-2	GRIP SET	1				
	C10	931202-6	HEX. NUT M5	1				
	D10		INC. 35					
044		651492-2	SWITCH C3JR-1A-PAXD3	1				
045		922244-1	H.S.H.BOLT M5X25 WITH WG	1				
047		922233-6	H.S.H.BOLT M5X20 WITH WR	1				
048		413N94-4	CONTROL LEVER	1				
049		413P03-5	GUARD	1				
050		183X40-8	HOUSING SET	1				
	C10	263005-3	RUBBER PIN 6	2				
	C20	8025F3-0	XGT LOGO LABEL	1				
	D10		INC. 76					
051		266420-0	TAPPING SCREW 5X20	4				
052		136862-1	PIPE BRACKET ASS'Y	1				
	C10	263002-9	RUBBER PIN 4	1				
053		266326-2	TAPPING SCREW 4X18	1				
054		413N95-2	LINK	1				
055		213154-6	O RING 14	1				
056		253798-0	FLAT WASHER 13	1				

A:UR014GZ(N)

Interchange
 O : Yes
 X : No
 < : the new part can be substituted for the current.
 > : the current part can be substituted for the new.
 S : Interchangeable as a set.

