



VN	VIETNAM
----	---------

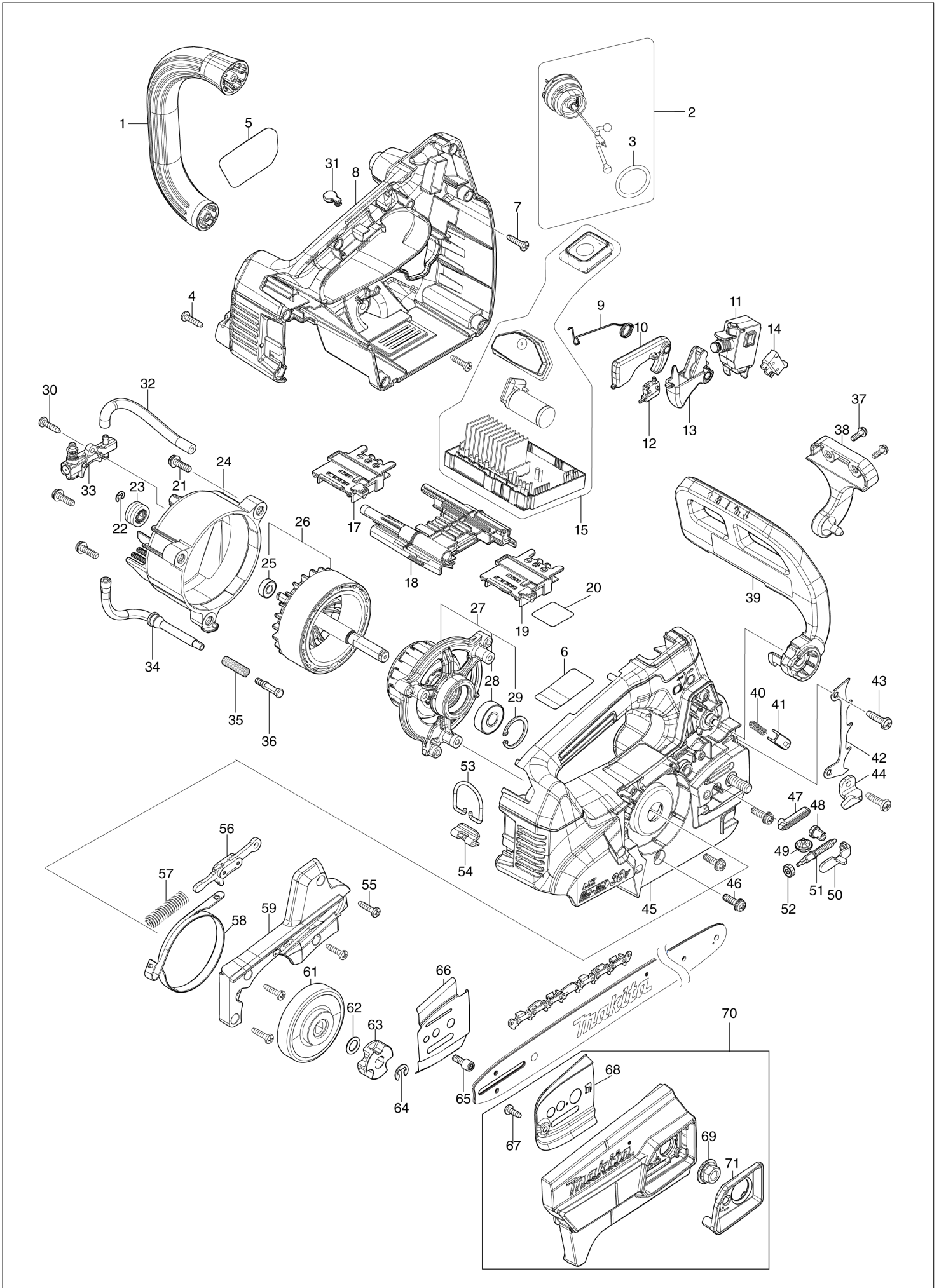
Diagram / Parts List

DUC406

400MM CORDLESS CHAIN SAW



(VN) DUC406 / 400MM CORDLESS CHAIN SAW



VN	VIETNAM
-----------	----------------

DUC406 / 400MM CORDLESS CHAIN SAW

Item	Sub	Parts No.	Parts Description	Qty	I/C	E/C No.	Close No.	Remark
001		459275-2	FRONT HANDLE	1				
002		126832-8	TANK CAP ASSEMBLY	1				
	D10		INC. 3					
003A		213355-6	O-RING 25	1			D3830	
003B		213355-6	O-RING 25	1			D3830	
003-1A		213894-6	O-RING 25	1	O	D3830		
003-1B		213894-6	O-RING 25	1	O	D3830		
003-1C		213894-6	O-RING 25	1				
004		266326-2	TAPPING SCREW 4X18	9				
005		819S65-3	DUC406 MODEL NO. LABEL	1				
006		856A53-1	DUC406 NAME PLATE	1			DL724	
006-1		856A53-1	DUC406 NAME PLATE	1	O	DL724		
007		266326-2	TAPPING SCREW 4X18	2				
008A		183N15-7	HOUSING SET	1				
008B		183N15-7	HOUSING SET	1				
008C		183N17-3	HOUSING SET	1				
	C10	263005-3	RUBBER PIN 6	2				
	C20	424170-5	VALVE	1				
	C30	454724-4	SINTER INSERT	1				
	D10		INC. 45					
009		232509-6	TORSION SPRING 10	1				
010A		459268-9	CATCH LEVER	1				
010B		459268-9	CATCH LEVER	1				
010C		459283-3	CATCH LEVER	1				
011		651365-9	SWITCH C3JW-6BM-P	1				
012		632L49-0	SWITCH UNIT	1				
013A		459267-1	SWITCH LEVER	1				
013B		459267-1	SWITCH LEVER	1				
013C		459282-5	SWITCH LEVER	1				
014		632L48-2	SWITCH UNIT	1				
015		140K84-3	CONTROLLER COMPLETE	1				
	C10	819R38-0	INDICATION LABEL	1				
	C20	819S81-5	SWITCH LABEL	1				
017		643874-2	TERMINAL	1				
018A		140K81-9	CENTER CASE COMPLETE	1			D3723	
	C10	263005-3	RUBBER PIN 6	2			D3723	
018B		140K81-9	CENTER CASE COMPLETE	1			D3723	
	C10	263005-3	RUBBER PIN 6	2			D3723	
018-1A		140V36-0	CENTER CASE COMPLETE	1	<	D3723		
	C10	263005-3	RUBBER PIN 6	2		D3723		
018-1B		140V36-0	CENTER CASE COMPLETE	1	<	D3723		
	C10	263005-3	RUBBER PIN 6	2		D3723		
018-1C		140V36-0	CENTER CASE COMPLETE	1				
	C10	263005-3	RUBBER PIN 6	2				
019		643874-2	TERMINAL	1				
020		856A57-3	DUC406 SERIAL NO. LABEL	1				
021		911228-4	PAN HEAD SCREW M5X18	3				
022		961011-9	STOP RING E-4	1				
023		226884-0	WORM GEAR	1				
024		459276-0	MOTOR HOUSING	1				
025		210026-6	BALL BEARING 696ZZ	1				
026		519576-1	ROTOR ASS'Y	1				
	D10		INC. 25					
027A		529420-4	STATOR ASS'Y	1			DC599	
	D10		INC. 28,29				DC599	
027B		529420-4	STATOR ASS'Y	1			DC599	
	D10		INC. 28,29				DC599	
027-1A		520146-1	STATOR ASSY	1	O	DC599		
	D10		INC. 28,29			DC599		
027-1B		520146-1	STATOR ASSY	1	O	DC599		
	D10		INC. 28,29			DC599		
027-1C		520146-1	STATOR ASSY	1				
	D10		INC. 28,29					
028A		210059-1	BALL BEARING 6000DDW	1			DC599	
028B		210059-1	BALL BEARING 6000DDW	1			DC599	

A:DUC406Z(N)
 B:DUC406PT2(H)
 C:DUC406Z002(N)

Interchange
 O : Yes
 X : No
 < : the new part can be substituted for the current.
 > : the current part can be substituted for the new.
 S : Interchangeable as a set.

VN	VIETNAM
-----------	----------------

DUC406 / 400MM CORDLESS CHAIN SAW

Item	Sub	Parts No.	Parts Description	Qty	I/C	E/C No.	Close No.	Remark
028-1A		210274-7	BALL BEARING 6000DDW	1	O	DC599		
028-1B		210274-7	BALL BEARING 6000DDW	1	O	DC599		
028-1C		210274-7	BALL BEARING 6000DDW	1				
029		962105-3	RETAINING RING R-26	1				
030		266326-2	TAPPING SCREW 4X18	1				
031		422467-6	CAP	1				
032		422451-1	OIL TUBE 3-100	1				
033A		142156-4	OIL PUMP COMPLETE	1			D4444	
033B		142156-4	OIL PUMP COMPLETE	1			D4444	
033-1A		142156-4	OIL PUMP COMPLETE	1	O	D4444		
033-1B		142156-4	OIL PUMP COMPLETE	1	O	D4444		
033-1C		142156-4	OIL PUMP COMPLETE	1				
034		422452-9	OIL TUBE 3-130	1				
035		231975-4	SPRING	1				
036A		452666-6	NIPPLE	1			DA680	
036B		452666-6	NIPPLE	1			DA680	
036-1A		452666-6	NIPPLE	1	O	DA680		
036-1B		452666-6	NIPPLE	1	O	DA680		
036-1C		452666-6	NIPPLE	1				
037		911118-1	PAN HEAD SCREW M4X12	2				
038		459270-2	FRONT HAND GUARD RETAINER	1				
039		140M05-7	FRONT HAND GUARD COMPLETE	1				
	C10	819S76-8	CAUTION LABEL	1				
040		234210-9	COMPRESSION SPRING 3	1				
041		313212-9	HAND GUARD GUIDE	1				
042		346809-9	SPIKE BUMPER	1				
043		266420-0	TAPPING SCREW 5X20	2				
044		347516-7	CHAIN CATCHER	1				
045A		183N15-7	HOUSING SET	1				
045B		183N15-7	HOUSING SET	1				
045C		183N17-3	HOUSING SET	1				
	C10	263005-3	RUBBER PIN 6	2				
	C20	424170-5	VALVE	1				
	C30	454724-4	SINTER INSERT	1				
	D10		INC. 8					
046		911228-4	PAN HEAD SCREW M5X18	3				
047		422466-8	GROMET	1				
048		227620-7	DRIVE GEAR 14	1				
049		227634-6	STRAIGHT BEVEL GEAR 14	1				
050		347517-5	TENSION SLIDE	1				
051		327317-9	ADJUST SCREW	1				
052		227496-2	STRAIGHT BEVEL GEAR 14	1				
053		281222-3	HOOK	1				
054		347514-1	HOOK SUPPORT	1				
055		266326-2	TAPPING SCREW 4X18	4				
056		140A74-6	LINK PLATE COMPLETE	1				
057		232452-9	COMPRESSION SPRING 7	1				
058		347515-9	BRAKE BAND COMPLETE	1				
059A		459273-6	HOUSING R COVER	1				
059B		459273-6	HOUSING R COVER	1				
059C		459286-7	HOUSING R COVER	1				
061		162638-0	BRAKE DRUM COMPLETE	1				
062		213060-5	O RING 10	1				
063A		221464-7	SPROCKET 6	1				
063B		221464-7	SPROCKET 6	1				
063C		227947-5	SPROCKET 7	1				
064		961013-5	STOP RING E-7	1				
065		266905-6	H.L. SOCKET HEAD BOLT M5X12	1				
066		347533-7	GUIDE PLATE L	1				
067		266427-6	TAPPING SCREW 4X12	1				
068		347534-5	GUIDE PLATE R	1				
069		162494-8	FLANGE NUT COMPLETE	1				
070A		136138-6	SPROCKET COVER ASS'Y	1				
070B		136138-6	SPROCKET COVER ASS'Y	1				
070C		136139-4	SPROCKET COVER ASS'Y	1				

A:DUC406Z(N)
 B:DUC406PT2(H)
 C:DUC406Z002(N)

Interchange
 O : Yes
 X : No
 < : the new part can be substituted for the current.
 > : the current part can be substituted for the new.
 S : Interchangeable as a set.

