



VN	VIETNAM
----	---------

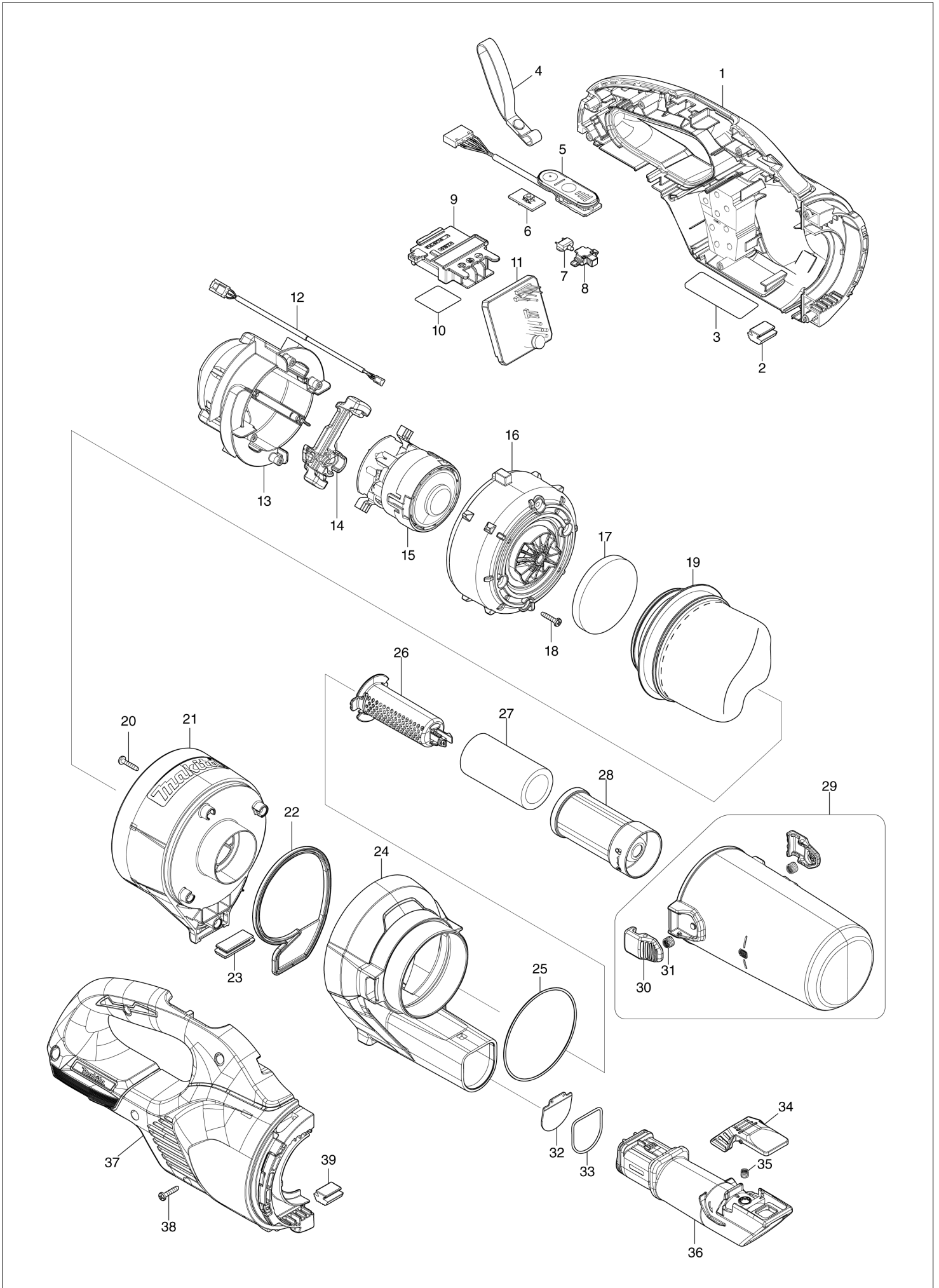
# Diagram / Parts List

**DCL286F**

**CORDLESS CLEANER**



(VN) DCL286F / CORDLESS CLEANER



<b>VN</b>	<b>VIETNAM</b>
-----------	----------------

### DCL286F / CORDLESS CLEANER

Item	Sub	Parts No.	Parts Description	Qty	I/C	E/C No.	Close No.	Remark
001A		183Y66-6	HOUSING SET	1				
001B		183Y52-7	HOUSING SET	1				
001C		183Y67-4	HOUSING SET	1				
	C10	263005-3	RUBBER PIN 6	2				
	C20	422974-9	SPONGE SHEET	2				
	D10		INC. 2,37,39					
002		422460-0	RUBBER PLATE	1				
003		8588M1-9	DCL286F NAME PLATE	1				
004		163400-6	HANDSTRAP	1				
005		141B54-1	INDICATION CIRCUIT COMPLETE	1				
006		620E74-1	SWITCH UNIT	1				
007		620E82-2	LED CIRCUIT	1				
008		141H09-2	LED CASE COMPLETE	1				
009		643874-2	TERMINAL	1				
010		8588N3-2	DCL286F SERIAL NO. LABEL	1				
011		620L19-1	CONTROLLER	1				
012		632S32-9	LEAD UNIT	1				
013		141E55-7	MOTOR COVER R COMPLETE	1				
	C10	263002-9	RUBBER PIN 4	4				
014		422723-4	MOTOR COVER SEAL	1				
015		629B87-1	MOTOR ASSEMBLY	1				
016		413645-9	MOTOR COVER F	1				
017		422909-0	SPONGE SHEET 62	1				
018		266429-2	TAPPING SCREW 3X16	4				
019		1910C7-9	HIGH PERFORMANCE FILTER SET	1				
020		266429-2	TAPPING SCREW 3X16	4				
021A		413H34-6	FILTER HOUSING	1				
021B		413H18-4	FILTER HOUSING	1				
021C		413H37-0	FILTER HOUSING	1				
022		422884-0	SEAL	1				
023		422885-8	RUBBER PLATE	1				
024A		413H35-4	FRONT HOUSING	1				
024B		413H19-2	FRONT HOUSING	1				
024C		413H38-8	FRONT HOUSING	1				
025		213884-9	O RING 72	1				
026		413H21-5	MESH PIPE	1				
027		422908-2	SPONGE FILTER	1				
028		413H29-9	PREFILTER	1				
029		136713-8	DUST BOX ASSEMBLY	1				
	D10		INC. 30,31					
030		459106-5	STOPPER	2				
031		232460-0	COMPRESSION SPRING 7	2				
032		422886-6	VALVE	1				
033		213837-8	O-RING 29	1				
034		413H20-7	LEVER	1				
035		232485-4	COMPRESSION SPRING 5	1				
036A		413H36-2	INLET	1				
036B		413H25-7	INLET	1				
036C		413H39-6	INLET	1				
037A		183Y66-6	HOUSING SET	1				
037B		183Y52-7	HOUSING SET	1				
037C		183Y67-4	HOUSING SET	1				
	C10	263005-3	RUBBER PIN 6	2				
	C20	422974-9	SPONGE SHEET	2				
	D10		INC. 1,2,39					
038		266429-2	TAPPING SCREW 3X16	7				
039		422460-0	RUBBER PLATE	1				
A01A		127827-4	NOZZLE ASSEMBLY	1				
A01B		127825-8	NOZZLE ASSEMBLY	1				
A01C		127828-2	NOZZLE ASSEMBLY	1				
	C10	268208-4	PIN 3	4				
	C20	451410-8	ROLLER	4				
	C30	422963-4	WIPER	1				
A02A		413859-0	SASH NOZZLE	1				
A02B		413770-6	SASH NOZZLE	1				

A:DCL286FZ(N)  
 B:DCL286FW(N)  
 C:DCL286FZB(N)

Interchange  
 O : Yes  
 X : No  
 < : the new part can be substituted for the current.  
 > : the current part can be substituted for the new.  
 S : Interchangeable as a set.

