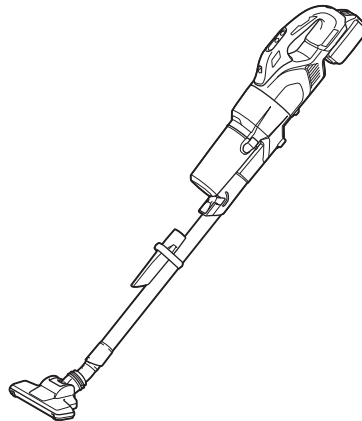




EN	Cordless Cleaner	INSTRUCTION MANUAL	10
ZHCN	充电式吸尘器	使用说明书	20
ID	Pembersih Tanpa Kabel	PETUNJUK PENGGUNAAN	30
MS	Pembersih Tanpa Kord	MANUAL ARAHAN	41
VI	Máy Hút Bụi Cầm Tay Hoạt Động Bằng Pin	TÀI LIỆU HƯỚNG DẪN	52
TH	เครื่องดูดฝุ่นไร้สาย	คู่มือการใช้งาน	61

DCL286F



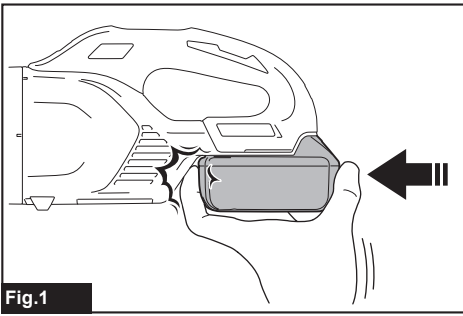


Fig.1

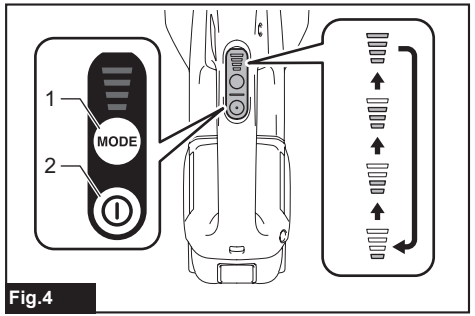


Fig.4

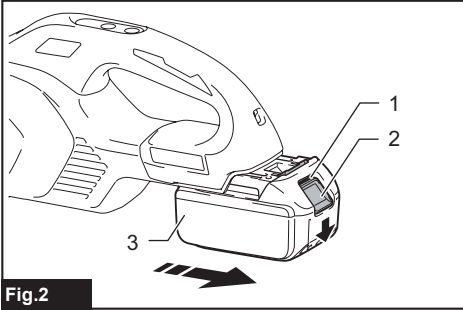


Fig.2

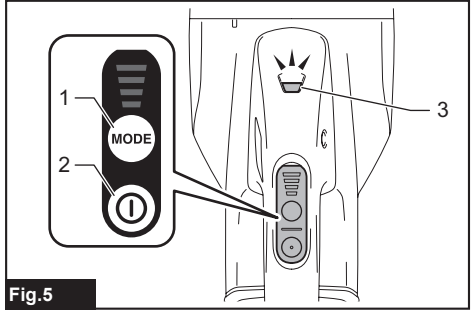


Fig.5

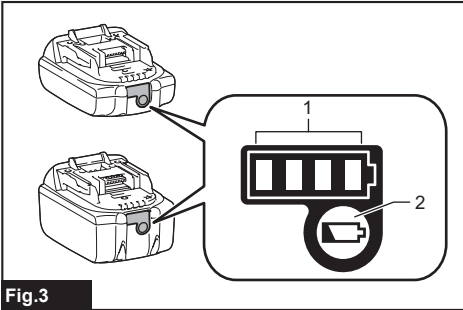


Fig.3

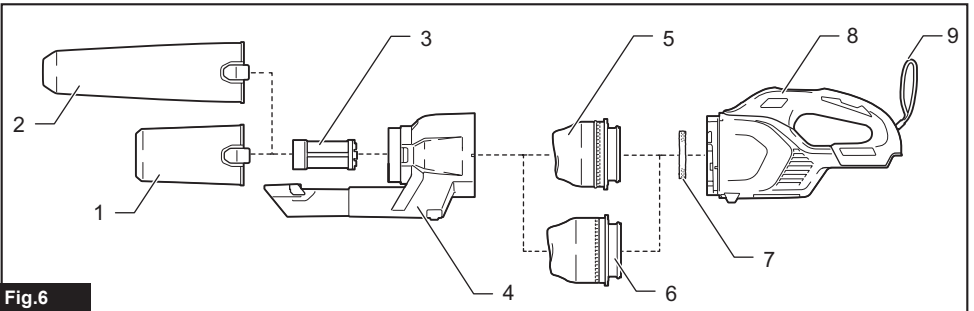
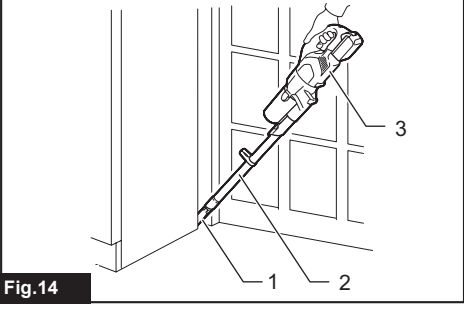
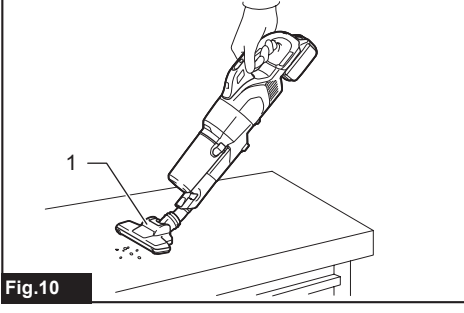
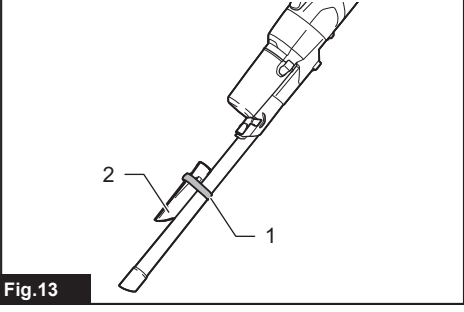
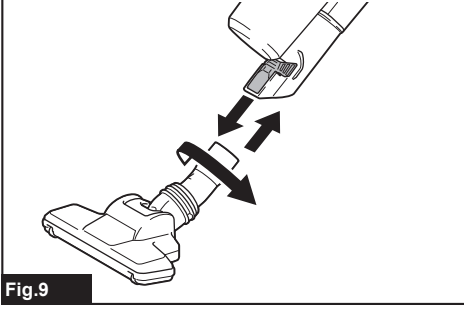
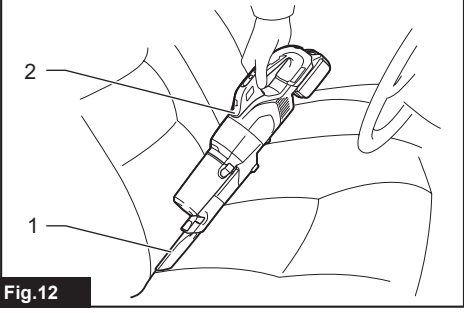
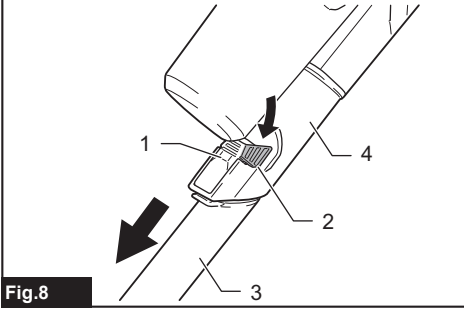
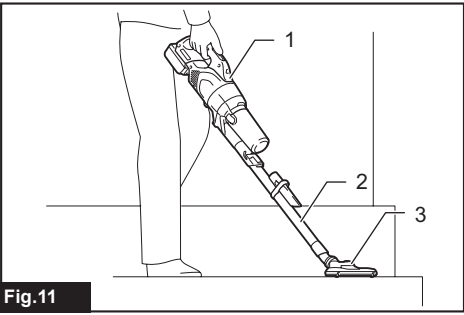
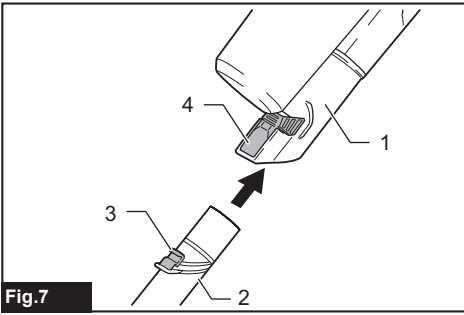
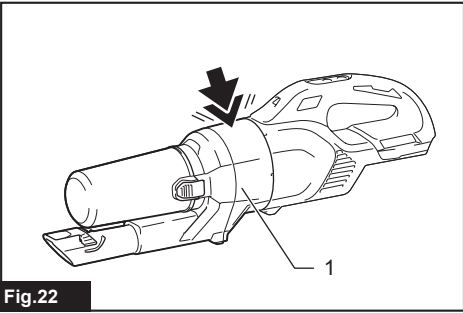
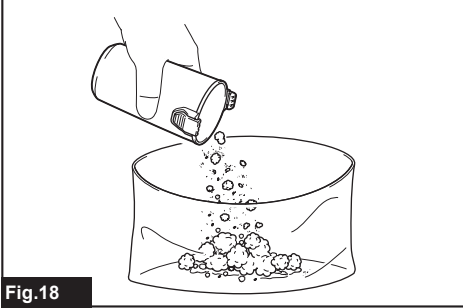
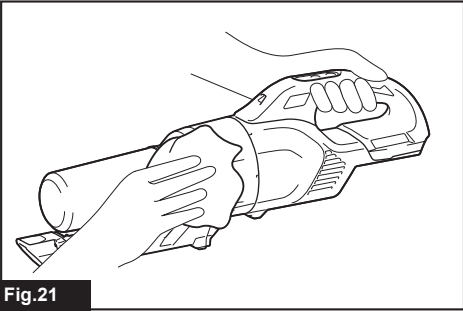
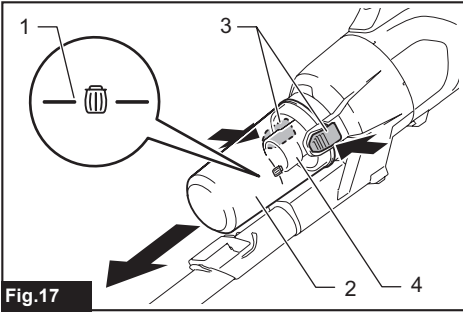
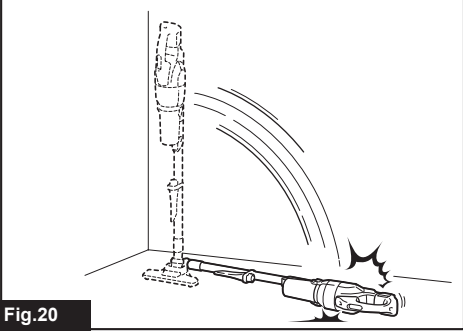
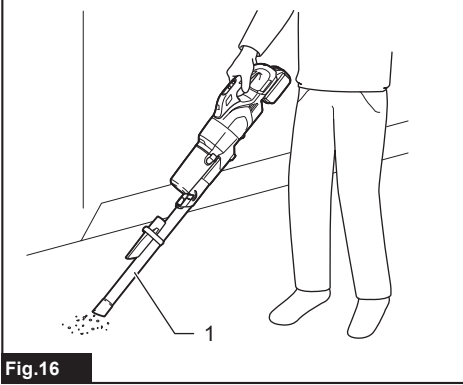
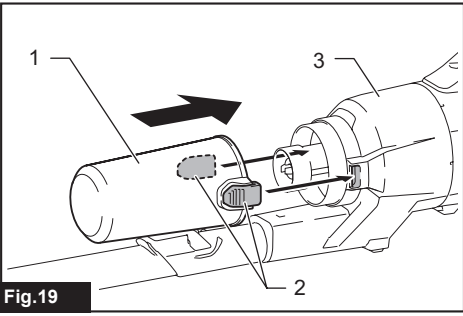
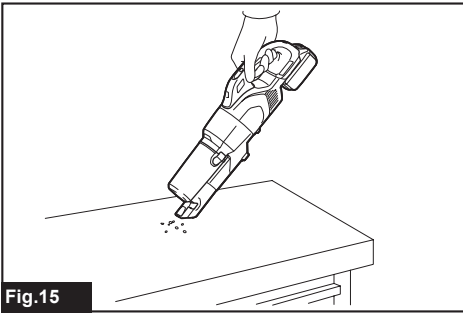


Fig.6





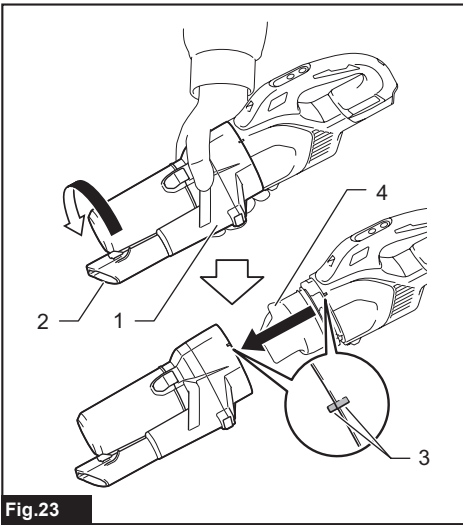


Fig. 23

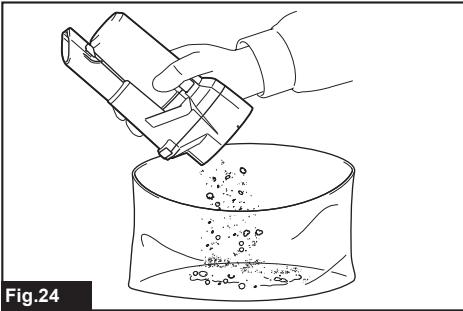


Fig. 24

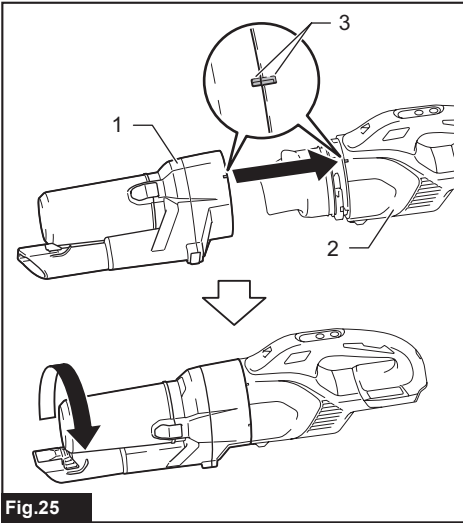


Fig. 25

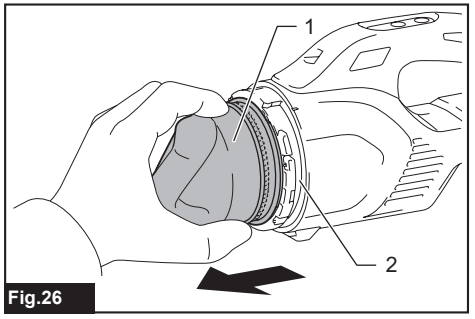


Fig. 26



Fig. 27

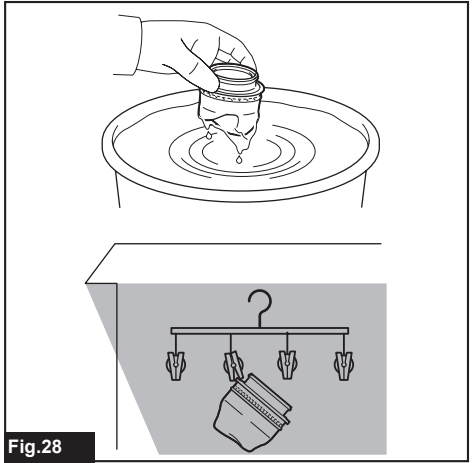


Fig. 28

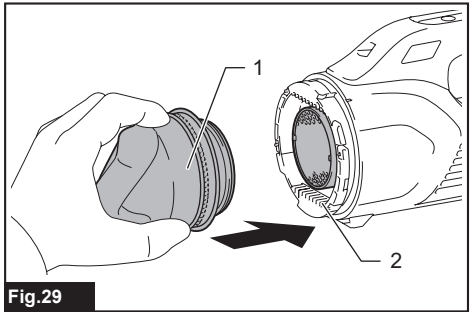
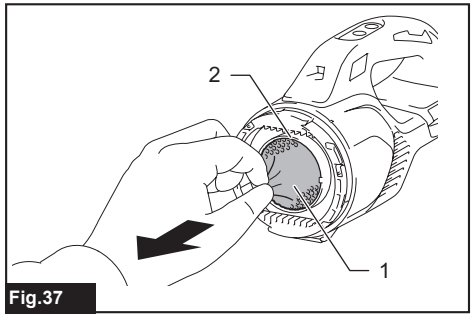
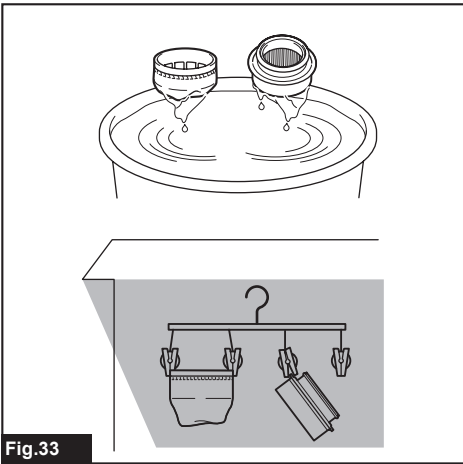
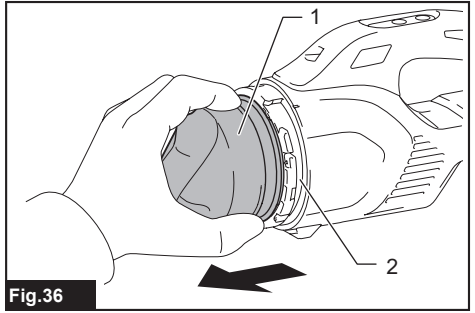
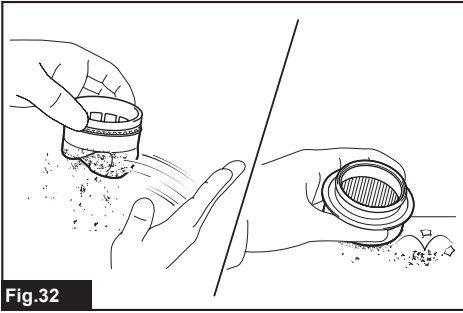
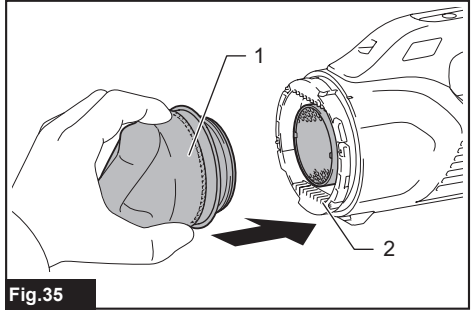
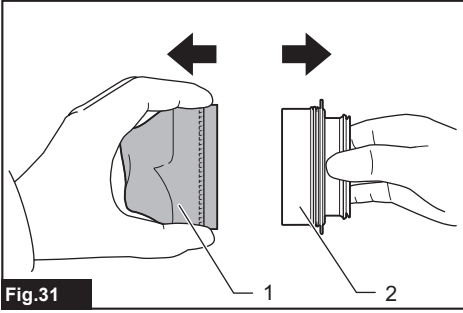
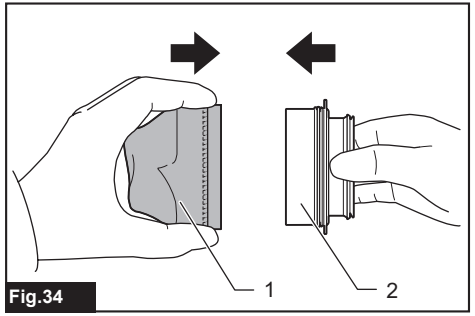
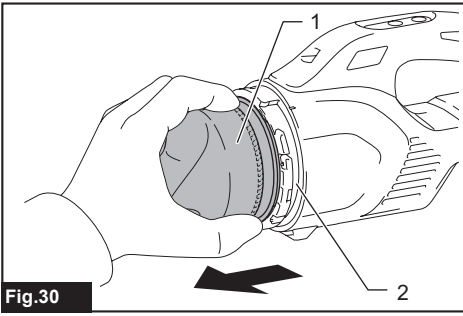
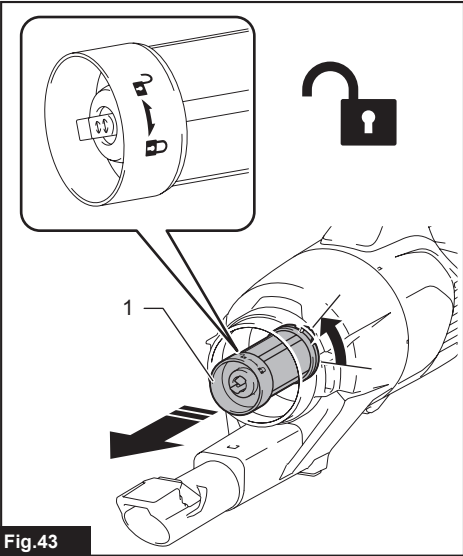
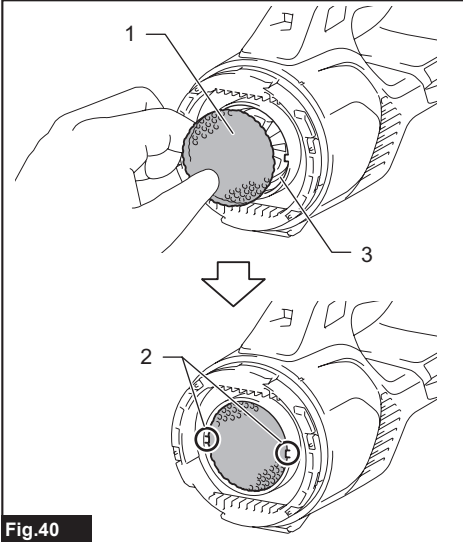
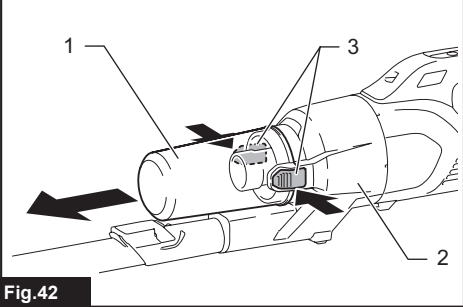
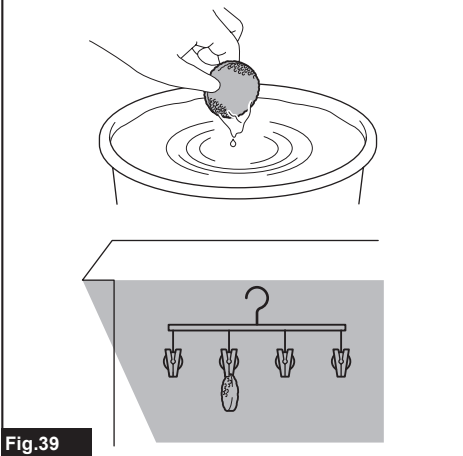
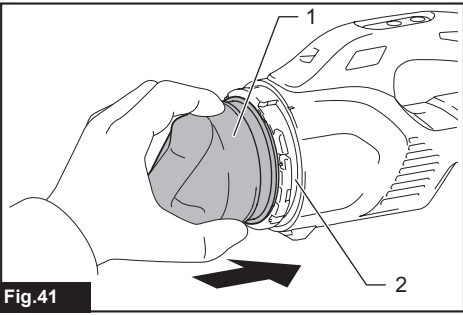
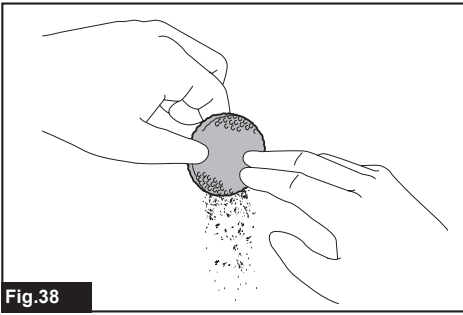
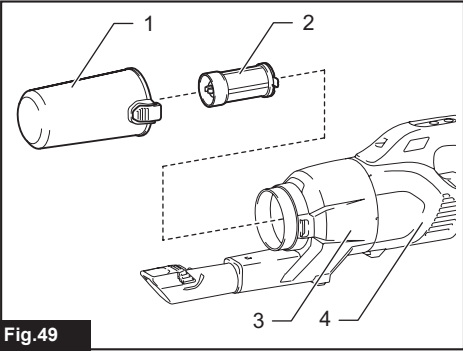
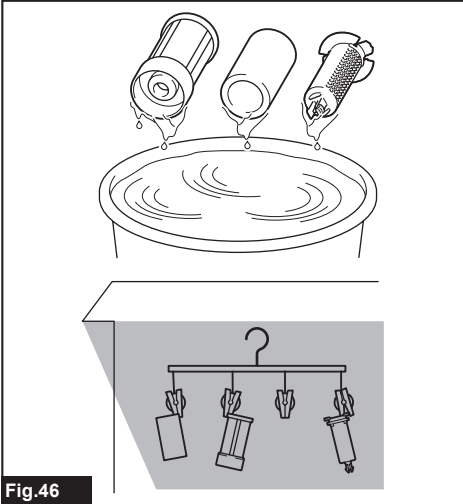
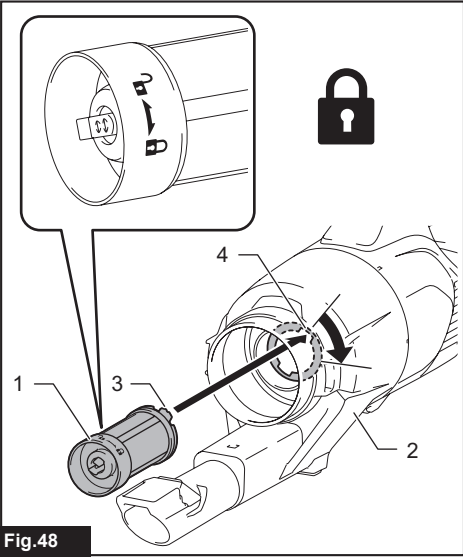
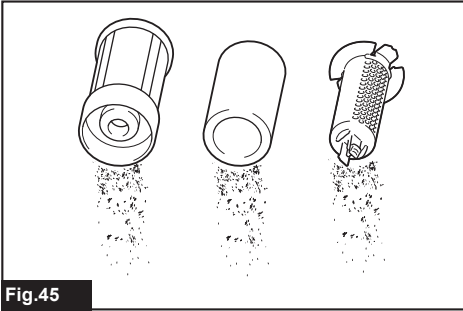
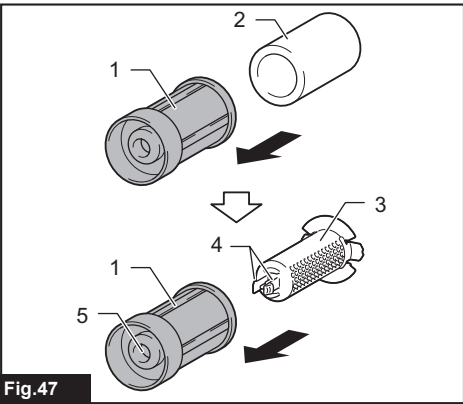
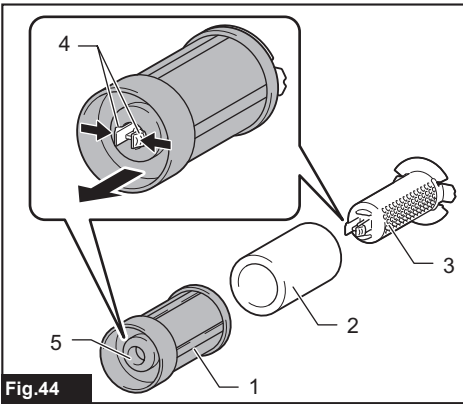
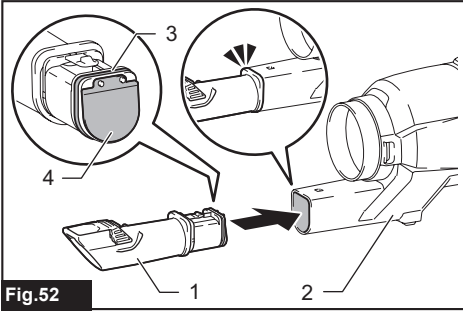
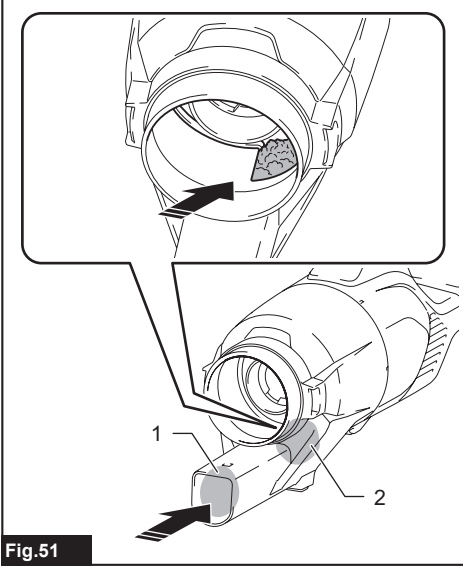
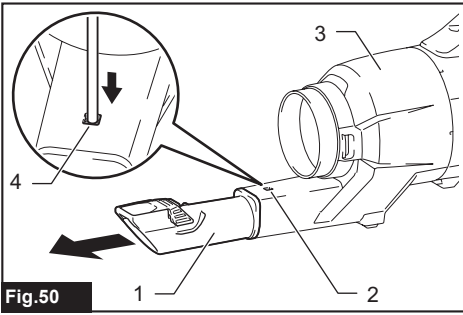


Fig. 29









WARNING

- This appliance can be used by children aged from 8 years and above and persons with reduced physical, sensory or mental capabilities or lack of experience and knowledge if they have been given supervision or instruction concerning use of the appliance in a safe way and understand the hazards involved.
- Children shall not play with the appliance. Cleaning and user maintenance shall not be made by children without supervision.
- See the chapter "SPECIFICATIONS" for the type reference of the battery.
- See the section "Installing or removing battery cartridge" for how to remove or install the battery.
- When disposing the battery cartridge, remove it from the tool and dispose of it in a safe place. Follow your local regulations relating to disposal of battery.
- If the tool is not used for a long period of time, the battery must be removed from the tool.
- Do not short the battery cartridge.
- See the chapter "MAINTENANCE" for the appropriate details of precautions during user maintenance.

SPECIFICATIONS

Model:		DCL286F
Capacity		250 mL / 400 mL (country specific)
Continuous use (with battery BL1830B)	1 (Quiet mode)	Approx. 38 min
	2 (Normal speed mode)	Approx. 21 min
	3 (High speed mode)	Approx. 15 min
	4 (Max speed mode)	Approx. 8 min
Overall length (with pipe, nozzle, and battery BL1830B)		1,106 mm
Rated voltage		D.C. 18 V
Net weight		1.6 - 2.0 kg

- Due to our continuing program of research and development, the specifications herein are subject to change without notice.
- Specifications may differ from country to country.
- The weight does not include accessories but battery cartridge(s). The lightest and heaviest combination weight of the appliance and battery cartridge(s) are shown in the table.

Applicable battery cartridge and charger

Battery cartridge	BL1815N / BL1820B / BL1830B / BL1840B / BL1850B / BL1860B
Charger	DC18RC / DC18RD / DC18RE / DC18SD / DC18SE / DC18SF / DC18SH / DC18WC

- Some of the battery cartridges and chargers listed above may not be available depending on your region of residence.

⚠ WARNING: Only use the battery cartridges and chargers listed above. Use of any other battery cartridges and chargers may cause injury and/or fire.

Symbols

The followings show the symbols which may be used for the equipment. Be sure that you understand their meaning before use.



Read the instruction manual.



A representative battery applicable to this product.



Ni-MH
Li-ion

Only for EU countries
Due to the presence of hazardous components in the equipment, waste electrical and electronic equipment, accumulators and batteries may have a negative impact on the environment and human health. Do not dispose of electrical and electronic appliances or batteries with household waste!
In accordance with the European Directive on waste electrical and electronic equipment and on accumulators and batteries and waste accumulators and batteries, as well as their adaptation to national law, waste electrical equipment, batteries and accumulators should be stored separately and delivered to a separate collection point for municipal waste, operating in accordance with the regulations on environmental protection.
This is indicated by the symbol of the crossed-out wheeled bin placed on the equipment.

Intended use

The tool is intended for collecting dry dust.

SAFETY WARNINGS

Cordless cleaner safety warnings

⚠ WARNING: IMPORTANT! READ CAREFULLY all safety warnings and all instructions BEFORE USE. Failure to follow the warnings and instructions may result in electric shock, fire and/or serious injury.

1. Do not expose to rain. Store indoors.
2. Do not allow to be used as a toy. Close attention is necessary when used by or near children.
3. Use only as described in this manual. Use only manufacturer's recommended attachments.
4. Do not use with damaged battery. If appliance is not working as it should, has been dropped, damaged, left outdoors, or dropped into water, return it to a service center.
5. Do not handle appliance with wet hands.
6. Do not put any object into openings. Do not use with any opening blocked; keep free of dust, lint, hair, and anything that may reduce air flow.
7. Keep hair, loose clothing, fingers, and all parts of body away from openings and moving parts.

8. Turn off all controls before removing the battery.
9. Use extra care when cleaning on stairs.
10. Do not use to pick up flammable or combustible liquids, such as gasoline, or use in areas where they may be present.
11. Use only the charger supplied by the manufacturer to recharge.
12. Do not pick up anything that is burning or smoking, such as cigarettes, matches, or hot ashes.
13. Do not use without dust bag and/or filters in place.
14. Do not charge the battery outdoors.
15. Recharge only with the charger specified by the manufacturer. A charger that is suitable for one type of battery pack may create a risk of fire when used with another battery pack.
16. Use appliances only with specifically designated battery packs. Use of any other battery packs may create a risk of injury and fire.
17. When (the) battery pack is not in use, keep it away from other metal objects, like paper clips, coins, keys, nails, screws or other small metal objects, that can make a connection from one terminal to another.
18. Under abusive conditions, liquid may be ejected from the battery; avoid contact. If contact accidentally occurs, flush with water.
19. Do not use a battery pack or appliance that is damaged or modified. Damaged or modified batteries may exhibit unpredictable behaviour resulting in fire, explosion or risk of injury.
20. Do not expose a battery pack or appliance to fire or excessive temperature. Exposure to fire or temperature above 130 °C may cause explosion.
21. Follow all charging instructions and do not charge the battery pack or appliance outside the temperature range specified in the instructions. Charging improperly or at temperatures outside the specified range may damage the battery and increase the risk of fire.

SAVE THESE INSTRUCTIONS.

ADDITIONAL SAFETY RULES

This appliance is intended for household use.

1. Read this instruction manual and the charger instruction manual carefully before use.
2. Do not pick up the following materials:
 - Hot substances that are burning or smoking (cigarettes, matches, incense sticks, candles, hot ashes), sparks and metal dust generated by cutting or grinding metal, etc.
 - Flammable liquid (kerosene, gasoline, solvents such as benzine, thinner, etc.)
 - Flammable material (toner, paint, spray, etc.)

- Explosive or pyrophoric substances (nitroglycerin, aluminum, magnesium, titanium, zinc, red phosphorus, yellow phosphorus, celluloid, etc. and their dust, gas or steam)
- Liquid, oil, wet dirt or damp garbage, including vomit and excreta
- Hard pieces with sharp edges (wood chips, metals, stones, glasses, nails, pins, razors or cutlery)
- Solidifying and conductive fine powder (metal or carbon powder)
- Foam like carpet cleaning agent, etc. (they may cause explosion or fire)
- Large amount of powder (flour, fire extinguisher powder, etc.)
- Substances that cause toxic symptoms
- Aggressive chemicals (acid, alkali, etc.)
- Fine binding powder such as cement
- Fine particle like concrete dust
- Desiccants
- Asbestos
- Pesticides

Such action may cause fire, injury and/or property damage.

To reduce your exposure to these chemicals, always wear approved respiratory protection such as dust masks that are specially designed to filter out microscopic particles. Direct the exhaust air away from your face and body.

3. **Stop operation immediately if you notice anything abnormal.**
4. **If you drop or strike the cleaner, check it carefully for cracks or damage before operation.**
5. **Do not bring close to stoves or other heat sources.**
6. **Do not block the intake hole or vent holes.**

SAVE THESE INSTRUCTIONS.

Important safety instructions for battery cartridge

1. **Before using battery cartridge, read all instructions and cautionary markings on (1) battery charger, (2) battery, and (3) product using battery.**
2. **Do not disassemble or tamper with the battery cartridge.** It may result in a fire, excessive heat, or explosion.
3. **If operating time has become excessively shorter, stop operating immediately.** It may result in a risk of overheating, possible burns and even an explosion.
4. **If electrolyte gets into your eyes, rinse them out with clear water and seek medical attention right away.** It may result in loss of your eyesight.

5. **Do not short the battery cartridge:**
 - (1) **Do not touch the terminals with any conductive material.**
 - (2) **Avoid storing battery cartridge in a container with other metal objects such as nails, coins, etc.**
 - (3) **Do not expose battery cartridge to water or rain.**

A battery short can cause a large current flow, overheating, possible burns and even a breakdown.

6. **Do not store and use the tool and battery cartridge in locations where the temperature may reach or exceed 50 °C (122 °F).**
7. **Do not incinerate the battery cartridge even if it is severely damaged or is completely worn out.** The battery cartridge can explode in a fire.
8. **Do not nail, cut, crush, throw, drop the battery cartridge, or hit against a hard object to the battery cartridge.** Such conduct may result in a fire, excessive heat, or explosion.
9. **Do not use a damaged battery.**

10. **The contained lithium-ion batteries are subject to the Dangerous Goods Legislation requirements.**

For commercial transports e.g. by third parties, forwarding agents, special requirement on packaging and labeling must be observed.

For preparation of the item being shipped, consulting an expert for hazardous material is required. Please also observe possibly more detailed national regulations.

Tape or mask off open contacts and pack up the battery in such a manner that it cannot move around in the packaging.

11. **When disposing the battery cartridge, remove it from the tool and dispose of it in a safe place.** Follow your local regulations relating to disposal of battery.
12. **Use the batteries only with the products specified by Makita.** Installing the batteries to non-compliant products may result in a fire, excessive heat, explosion, or leak of electrolyte.
13. **If the tool is not used for a long period of time, the battery must be removed from the tool.**
14. **During and after use, the battery cartridge may take on heat which can cause burns or low temperature burns.** Pay attention to the handling of hot battery cartridges.
15. **Do not touch the terminal of the tool immediately after use as it may get hot enough to cause burns.**
16. **Do not allow chips, dust, or soil stuck into the terminals, holes, and grooves of the battery cartridge.** It may cause heating, catching fire, burst and malfunction of the tool or battery cartridge, resulting in burns or personal injury.
17. **Unless the tool supports the use near high-voltage electrical power lines, do not use the battery cartridge near high-voltage electrical power lines.** It may result in a malfunction or breakdown of the tool or battery cartridge.
18. **Keep the battery away from children.**

SAVE THESE INSTRUCTIONS.

⚠ CAUTION: Only use genuine Makita batteries. Use of non-genuine Makita batteries, or batteries that have been altered, may result in the battery bursting causing fires, personal injury and damage. It will also void the Makita warranty for the Makita tool and charger.

Tips for maintaining maximum battery life

1. **Charge the battery cartridge before completely discharged. Always stop tool operation and charge the battery cartridge when you notice less tool power.**
2. **Never recharge a fully charged battery cartridge. Overcharging shortens the battery service life.**
3. **Charge the battery cartridge with room temperature at 10 °C - 40 °C (50 °F - 104 °F). Let a hot battery cartridge cool down before charging it.**
4. **When not using the battery cartridge, remove it from the tool or the charger.**
5. **Charge the battery cartridge if you do not use it for a long period (more than six months).**

FUNCTIONAL DESCRIPTION

⚠ CAUTION: Always be sure that the tool is switched off and the battery cartridge is removed before adjusting or checking function on the tool.

⚠ CAUTION: Take care not to trap finger(s) between cleaner and battery as shown in diagram when loading battery. Trapping finger(s) may cause injury.

► Fig.1

Installing or removing battery cartridge

⚠ CAUTION: Always switch off the tool before installing or removing of the battery cartridge.

⚠ CAUTION: Hold the tool and the battery cartridge firmly when installing or removing battery cartridge. Failure to hold the tool and the battery cartridge firmly may cause them to slip off your hands and result in damage to the tool and battery cartridge and a personal injury.

To remove the battery cartridge, slide it from the tool while sliding the button on the front of the cartridge.

► Fig.2: 1. Red indicator 2. Button 3. Battery cartridge

To install the battery cartridge, align the tongue on the battery cartridge with the groove in the housing and slip it into place. Insert it all the way until it locks in place with a little click. If you can see the red indicator as shown in the figure, it is not locked completely.

⚠ CAUTION: Always install the battery cartridge fully until the red indicator cannot be seen. If not, it may accidentally fall out of the tool, causing injury to you or someone around you.

⚠ CAUTION: Do not install the battery cartridge forcibly. If the cartridge does not slide in easily, it is not being inserted correctly.

Tool / battery protection system

The tool is equipped with tool/battery protection system. This system automatically cuts off power to the motor to extend tool and battery life. The tool will automatically stop during operation if the tool or battery is placed under one of the following conditions.

Overloaded:

The tool/battery is operated in a manner that causes it to draw an abnormally high current. In this situation, turn the tool off and stop the application that caused the tool to become overloaded. Then turn the tool on to restart.

Overheated:

The tool/battery is overheated. In this situation, let the tool/battery cool before turning the tool on again.

Low battery voltage:

The remaining battery capacity is too low and the tool will not operate. In this situation, remove and recharge the battery.

Protections against other causes:

Protection system is also designed for other causes that could damage the tool and allows the tool to stop automatically. Take all the following steps to clear the causes, when the tool has been brought to a temporary halt or stop in operation.

1. Turn the tool off, and then turn it on again to restart.
2. Charge the battery(ies) or replace it/them with recharged battery(ies).
3. Let the tool and battery(ies) cool down.

If no improvement can be found by restoring protection system, then contact your local Makita Service Center.

Indicating the remaining battery capacity

Only for battery cartridges with the indicator

► Fig.3: 1. Indicator lamps 2. Check button

Press the check button on the battery cartridge to indicate the remaining battery capacity. The indicator lamps light up for a few seconds.

Indicator lamps			Remaining capacity
Lighted	Off	Blinking	
			75% to 100%
			50% to 75%
			25% to 50%
			0% to 25%
			Charge the battery.
			The battery may have malfunctioned.

NOTE: Depending on the conditions of use and the ambient temperature, the indication may differ slightly from the actual capacity.

NOTE: The first (far left) indicator lamp will blink when the battery protection system works.

Switch action

► Fig.4: 1. Suction power change button 2. ON/OFF button

To start the cleaner, simply push the ON/OFF button. To switch off, push the ON/OFF button again.

You can change the suction power of the cleaner in four steps by pushing the suction power change button. Each push on this button repeats the Quiet/Normal/High/Max mode in a cycle.

Level	Indication	Mode
1		Quiet mode
2		Normal speed mode
3		High speed mode
4		Max speed mode

NOTE: You can change the suction power before turning on the cleaner.

NOTE: The cleaner starts the operation with the same suction power as the last operation.

Lighting up the lamp

CAUTION: Do not look in the light or see the source of light directly.

To turn on the lamp, push the suction power change button. The lamp goes off in approximately 10 seconds. While the cleaner is running, the lamp turns on.

The lamp goes out approximately 10 seconds after stopping operation.

NOTE: When the remaining battery capacity gets low, the lamp starts blinking. The timing, at which the lamp starts blinking depends on the temperature at work place and the battery cartridge conditions.

► Fig.5: 1. Suction power change button 2. ON/OFF button 3. Lamp

PARTS DESCRIPTION

► Fig.6

1	250 mL dust case (Optional accessory)	2	400 mL dust case (Optional accessory)	3	Mesh filter	4	Cyclone body
5	High performance filter (Filter frame in gray color) (Optional accessory)	6	HEPA filter (Filter frame in white color) (Optional accessory)	7	Sponge sheet	8	Cleaner body
9	Hand strap (Country specific)	-	-	-	-	-	-

ASSEMBLY

⚠ CAUTION: Always be sure that the tool is switched off and the battery cartridge is removed before carrying out any work on the tool.

NOTICE: Make sure all the attachments and components are secured in place properly before use.

Installing and removing cleaner attachments

⚠ CAUTION: After installing attachments, check if they are securely installed. If the attachments are installed imperfectly, they may come off and cause personal injury.

⚠ CAUTION: Be careful not to hit your hand on the wall etc. when removing the attachments.

When using attachment with lock function

To install attachment, insert it to the suction inlet of the cleaner until it clicks. Make sure that the attachment is locked.

► **Fig.7:** 1. Suction inlet 2. Attachment with lock function 3. Hook 4. Release button

NOTICE: When installing the attachment with lock function, be sure to align the release button on the cleaner with the hook on the attachment. If they are not aligned, the attachment will not be locked and may come off from the cleaner.

To remove attachment, pull it off the cleaner while pressing and holding the arms of the release button.

► **Fig.8:** 1. Release button 2. Arm of release button 3. Attachment with lock function 4. Suction inlet

When using attachment without lock function

NOTICE: To install attachment without lock function, insert it into the suction inlet of the cleaner by twisting it as shown in the figure. To detach attachment, release it from the cleaner by twisting it as shown in the figure. Avoid twisting the attachment in the direction opposite to the arrow in the figure as it may loosen the cyclone unit.

► **Fig.9**

OPERATION

⚠ CAUTION: Do not move your face close to the air vent when operating the cleaner. If foreign objects are blown into eyes, it may result in personal injury.

NOTICE: Avoid using the cleaner in a horizontal or upward facing position. It may otherwise cause the mesh filter to become clogged.

NOTICE: Always use the cleaner with filters installed. Using the cleaner without filters may result in a motor malfunction.

NOTICE: Empty the dust case in the cyclone unit when dust has accumulated. Continuing use will result in weakened suction force.

The cyclone unit helps reduce the amount of dust that enters into the cleaner, enhancing the suction performance with simple and easy dust disposing.

Cleaning (Suction)

Nozzle

With 250 mL dust case only

Attach the nozzle to clean off tables, desks, furniture, etc. The nozzle slips on easily.

► **Fig.10:** 1. Nozzle

Nozzle + Extension wand (Straight pipe)

The extension wand fits in between the nozzle and the cleaner itself. This arrangement is convenient for cleaning a floor in a standing position.

► **Fig.11:** 1. Cleaner body 2. Extension wand (Straight pipe) 3. Nozzle

Sash nozzle

Fit on the sash nozzle for cleaning corners and crevices of a car or furniture.

► **Fig.12:** 1. Sash nozzle 2. Cleaner body

You can store the sash nozzle in the nozzle holder.

► **Fig.13:** 1. Nozzle holder 2. Sash nozzle

⚠ CAUTION: Be careful not to trap finger(s) between the sash nozzle and the nozzle holder. Trapping finger(s) may cause injury.

Sash nozzle + Extension wand (Straight pipe)

In tight quarters where the cleaner itself cannot squeeze in, or in high places hard to reach, use this arrangement.

► **Fig.14:** 1. Sash nozzle 2. Extension wand (Straight pipe) 3. Cleaner body

Cleaning without nozzle

With 250 mL dust case only

You can pick up powder and dust without nozzle.

► **Fig.15**

For picking up dust on a floor in a standing position, it is convenient to attach the extension wand to the cleaner.

► **Fig.16:** 1. Extension wand (Straight pipe)

Disposing of dust

⚠ CAUTION: Empty the dust case before it becomes too full, or the suction force weakens.

⚠ CAUTION: Be careful not to trap finger(s) between the dust case and cyclone body when reassembling.

Dispose of accumulated dust as follows before it exceeds the dust disposal line.

1. Point the cleaner head downwards, hold the dust case firmly, and then pull it apart from the cyclone body while pressing and holding the release buttons on both sides of the dust case.

► **Fig.17:** 1. Dust disposal line 2. Dust case
3. Release buttons 4. Mesh filter

2. Empty the dust case and clean the adhered dust off the mesh filter.

► **Fig.18**

3. Place the dust case back onto the cyclone body to secure it in place with clicks.

► **Fig.19:** 1. Dust case 2. Release buttons 3. Cyclone body

⚠ CAUTION: The dust may fly up when disposed out of the dust case. Be careful not to let the dust get into your eyes.

NOTICE: When the dust case becomes dirty, remove and wash it with water. Dry the dust case thoroughly before reassembly and use.

NOTICE: Make sure all the attachments and components are secured in place properly before use.

NOTICE: If the suction force does not recover even after disposing of the dust and cleaning the mesh filter, check whether dust has accumulated inside the cyclone body or clogging has occurred.

MAINTENANCE

⚠ CAUTION: Always be sure that the tool is switched off and the battery cartridge is removed before attempting to perform inspection or maintenance.

NOTICE: Never use gasoline, benzene, thinner, alcohol or the like. Discoloration, deformation or cracks may result.

To maintain product SAFETY and RELIABILITY, repairs, any other maintenance or adjustment should be performed by Makita Authorized or Factory Service Centers, always using Makita replacement parts.

After use

⚠ CAUTION: Putting the cleaner against the wall without any other support may cause the cleaner to fall down, resulting in personal injury or damage to the cleaner.

► **Fig.20**

Regular maintenance

NOTICE: Clean the filters in the cyclone unit when they become clogged. Continuing use in the clogged condition may result in heating or motor malfunction.

NOTICE: Do not blow dust sticking on the cleaner and filters by air duster. It brings dust into the housing and causes failure.

Routine maintenance is required to restore normal operating conditions.

Cleaner body

Wipe off the outside (cleaner body) of the cleaner using a cloth dampened in soapy water, and clean out the suction openings.

► **Fig.21**

Cyclone unit and filters

NOTICE: Dust off and clean out inside the cyclone unit and filters, when suction performance becomes less effective regardless of the amount of dust collected in the dust case.

NOTICE: After washing filters, dry them thoroughly before use. Insufficiently dried filters may cause poor suction and shorten the service life of the motor.

NOTICE: After cleaning filters and sponge sheet, be sure to re-install them before use. If you use the cleaner without filters and sponge sheet, dust comes into the motor housing and causes malfunction.

Cyclone unit

1. Tap the cyclone unit several times with your hand to remove dust adhering to the inner surface of the cyclone unit and filter.

► **Fig.22:** 1. Cyclone unit

2. With the suction inlet pointing downwards, turn the cyclone unit as shown in the figure aligning the pointer on the cyclone unit with that on the cleaner body to disengage the lock. Then detach the cyclone unit from the cleaner body slowly and straightly.

► **Fig.23:** 1. Cyclone unit 2. Suction inlet 3. Pointers
4. Filter

NOTE: Dust may fly out when the cyclone unit is disassembled. It is recommended to place a garbage bag underneath the cyclone unit.

3. Dust off inside the cyclone unit and filter.

► **Fig.24**

4. Place the cyclone unit back onto the cleaner body, aligning the pointer on the cyclone unit with that on the cleaner body. Then turn the cyclone unit as shown in the figure until it is secured in place.

► **Fig.25:** 1. Cyclone unit 2. Cleaner body 3. Pointers

High performance filter

Optional accessory

1. Disassemble the cyclone unit from the cleaner body.

2. Hold the mounting end of high performance filter and pull it apart from the cleaner body.

► **Fig.26:** 1. High performance filter 2. Cleaner body

3. Wipe and shake dust off the high performance filter by hand.

► **Fig.27**

4. Wash the high performance filter in soapy water when it is clogged with dust and dirt. Dry it out thoroughly in the shade before use.

► **Fig.28**

NOTE: Avoid fastening the attachment end (rubber sealing ring) of high performance filter when hanging it up for drying.

5. Hold the mounting end of high performance filter and squeeze it back into the cleaner body.

► **Fig.29:** 1. High performance filter 2. Cleaner body

HEPA filter

Optional accessory

NOTICE: Do not rub or scratch the HEPA filter with hard objects such as a brush and a paddle.

1. Disassemble the cyclone unit from the cleaner body.

2. Hold the mounting end of HEPA filter (covered with high performance prefilter) and pull it apart from the cleaner body.

► **Fig.30:** 1. HEPA filter (covered with high performance prefilter) 2. Cleaner body

3. Disassemble the high performance prefilter from the HEPA filter by hand twisting.

► **Fig.31:** 1. High performance prefilter 2. HEPA filter

4. Wipe and shake dust off the high performance prefilter and HEPA filter by hand.

► **Fig.32**

5. Wash the high performance prefilter and HEPA filter in soapy water. Rinse and dry them thoroughly in the shade before use.

► **Fig.33**

NOTE: Avoid fastening the attachment end (rubber sealing ring) of HEPA filter when hanging it up for drying.

6. Attach the high performance prefilter onto the HEPA filter.

► **Fig.34:** 1. High performance prefilter 2. HEPA filter

7. Hold the mounting end of HEPA filter (covered with high performance prefilter) and squeeze it back into the cleaner body.

► **Fig.35:** 1. HEPA filter (covered with the high performance prefilter) 2. Cleaner body

Sponge sheet

1. Disassemble the cyclone unit from the cleaner body.

2. Hold the mounting end of filter and pull it apart from the cleaner body.

► **Fig.36:** 1. Filter 2. Cleaner body

3. Pull the sponge sheet off from the suction opening.

► **Fig.37:** 1. Sponge sheet 2. Suction opening

4. Wipe and shake dust off the sponge sheet by hand.

► **Fig.38**

5. Wash the sponge sheet in soapy water when it is clogged with dust and dirt. Dry it out thoroughly in the shade before use.

► **Fig.39**

6. Place the sponge sheet back in the original position. Make sure that the left and right edges of the sponge sheet are secured with stoppers and no gap between the sponge sheet and suction opening.

► **Fig.40:** 1. Sponge sheet 2. Stopper 3. Suction opening

7. Hold the mounting end of filter and squeeze it back into the cleaner body.

► **Fig.41:** 1. Filter 2. Cleaner body

Condition-based maintenance

NOTICE: Clean the mesh filter in the cyclone unit when they become clogged. Continuing use in the clogged condition may result in heating or motor malfunction.

Deep and spot cleaning needs to be carried out according to your tool performance.

Mesh filter

Clean up the mesh filter placed in the cyclone unit when no suggested improvement on suction performance has been found after completing regular maintenance.

1. Hold the dust case firmly and pull it apart from the cyclone body while pressing and holding the release buttons on both sides of the dust case.

► **Fig.42:** 1. Dust case 2. Cyclone body 3. Release buttons

2. Turn the mesh filter as shown in the figure to disengage the lock. Then detach it from the cyclone body.

► **Fig.43:** 1. Mesh filter

3. Disassemble the mesh filter into three components: prefilter, tubular sponge filter and mesh pipe.

- i Squeeze the guide stoppers on top of the mesh pipe together.
- ii Pass the guide stoppers down through the guide hole on top of the prefilter.
- iii Pull the prefilter along the tubular sponge filter and mesh pipe.
- iv Remove the tubular sponge filter from the mesh pipe.

► **Fig.44:** 1. Prefilter 2. Tubular sponge filter 3. Mesh pipe 4. Guide stoppers 5. Guide hole

4. Wipe and shake dust off the filters and mesh pipe by hand.

► **Fig.45**

5. Wash the filters and mesh pipe in soapy water when they are clogged with dust and dirt. Dry them out thoroughly in the shade before use.

► **Fig.46**

6. Reassemble the mesh filter.

- i Insert the tubular sponge filter into the prefilter.
 - ii Insert the mesh pipe into the tubular sponge filter and prefilter, passing the guide stoppers on top of the mesh pipe through the guide hole on top of the prefilter.
 - iii Push the mesh pipe through the tubular sponge filter and prefilter until it lock in place with a click.
- **Fig.47:** 1. Prefilter 2. Tubular sponge filter 3. Mesh pipe 4. Guide stoppers 5. Guide hole

7. Attach the mesh filter back into the cyclone body aligning the hooks on the mesh filter with the ports on the suction outlet of the cyclone body. Turn the mesh filter as shown in the figure until the hooks are locked with a click. Make sure that the mesh filter is installed securely.

► **Fig.48:** 1. Mesh filter 2. Cyclone body 3. Hook 4. Port

Air channels in cyclone unit

Incoming foreign substance may block the air channels in the cyclone unit and laden air flows. Remove any obstacles in the air path if the suction performance is being affected remarkably.

1. Disassemble the cyclone unit into three components: dust case, mesh filter and cyclone body.
► **Fig.49:** 1. Dust case 2. Mesh filter 3. Cyclone body 4. Cleaner body

2. Press and hold the guide stopper on the inlet pipe down through the locking hole on the cyclone body using the hand tool with a point. Then detach the inlet pipe from the cyclone body.

► **Fig.50:** 1. Inlet pipe 2. Guide stopper 3. Cyclone body 4. Locking hole

3. Clean off any substance found in the air channels. Foreign substance is likely to get stuck around an incoming air port.

► **Fig.51:** 1. Suction inlet 2. Incoming air port

4. Insert the inlet pipe back in place until it is securely locked.

► **Fig.52:** 1. Inlet pipe 2. Cyclone body 3. O-ring 4. Flap valve

NOTICE: Be sure that the O-ring and flap valve are securely in place before reassembly. Suction performance can be affected if the cyclone unit is operated without the O-ring and flap valve in place.

5. Reassemble the cyclone unit, and attach it onto the cleaner body.

Troubleshooting

Before asking for repairs, check the following points.

Symptom	Area to be investigated	Fixing method
Weak suction power	Is dust case or inside cyclone unit full of dust?	Empty dust case or inside cyclone unit.
	Are filters clogged?	Dust down or wash high performance filter/HEPA filter/sponge sheet/mesh filter.
	Anything to block incoming air channels?	Clean any dust and objects out of air openings and channels.
	Is battery cartridge discharged?	Charge battery cartridge.
Not working	Is battery cartridge discharged?	Charge battery cartridge.
Noise and vibration	Are filters clogged?	Dust down or wash high performance filter/HEPA filter/sponge sheet/mesh filter.
	Anything to block openings or holes?	Clean any dust and objects out of nozzles, pipes and air openings.
	Is suction inlet of nozzle or pipe closed?	Uncover and open suction inlet of nozzle and pipe.

CAUTION: Do not attempt to repair the cleaner by yourself.

OPTIONAL ACCESSORIES

⚠ CAUTION: These accessories or attachments are recommended for use with your Makita tool specified in this manual. The use of any other accessories or attachments might present a risk of injury to persons. Only use accessory or attachment for its stated purpose.

If you need any assistance for more details regarding these accessories, ask your local Makita Service Center.

- Extension wand (Straight pipe)
- Nozzle
- Nozzle for carpet
- Shelf brush
- Sash nozzle
- Round brush
- Flexible hose
- High performance filter
- HEPA filter
- Seat nozzle
- Crevice nozzle
- Cyclone unit
- Tool bag
- Makita genuine battery and charger

NOTE: Some items in the list may be included in the tool package as standard accessories. They may differ from country to country.

警告

- 在有人监督或在接受安全操作指导并清楚可能存在的危险后，8岁及以上的儿童以及体力、感觉、心智不健全或原本缺乏经验和相关知识的人员可操作本工具。
- 请勿让儿童玩耍本工具。在无人监督的情况下，请勿让儿童单独进行清洁和保养工作。
- 有关电池的类型信息，请参阅“规格”章节。
- 有关如何拆卸或安装电池的信息，请参阅“安装或拆卸电池组”部分。
- 丢弃电池组时，需将其从工具上卸下并在安全地带进行处理。关于如何处理废弃的电池，请遵循当地法规。
- 如长时间不使用工具，必须将电池从工具内取出。
- 请勿使电池组短路。
- 有关用户维护期间的注意事项的详情，请参阅“维护”章节。

规格

型号:	DCL286F	
集尘能力	250 mL / 400 mL (规格因国家而异)	
持续使用时间 (带电池 BL1830B)	1 (静音模式)	约38分钟
	2 (常规速度模式)	约21分钟
	3 (高速模式)	约15分钟
	4 (最大速度模式)	约8分钟
总长度 (含管路、集尘口和电池 BL1830B)	1,106 mm	
额定电压	D.C. 18 V	
净重	1.6 - 2.0 kg	

- 生产者保留变更规格不另行通知之权利。
- 规格可能因销往国家之不同而异。
- 重量不含附件，但包含电池组。设备和电池组的最轻和最重组合重量见表格。

适用电池组和充电器

电池组	BL1815N / BL1820B / BL1830B / BL1840B / BL1850B / BL1860B
充电器	DC18RC / DC18RD / DC18RE / DC18SD / DC18SE / DC18SF / DC18SH / DC18WC

- 部分以上所列电池组和充电器是否适用视用户所在地区而异。

⚠警告： 请仅使用以上所列电池组和充电器。使用其他类型的电池组或充电器可能会导致人身伤害和 / 或失火。

符号

以下显示本设备可能会使用的符号。在使用工具之前，请务必理解其含义。



阅读使用说明书。



适用于本产品的代表性电池。



仅限于欧盟国家

由于本设备中包含有害成分，因此废弃的电气和电子设备、蓄电池和普通电池可能会对环境和人体健康产生负面影响。请勿将电气和电子工具或电池与家庭普通废弃物放在一起处置！

根据欧洲关于废弃电气电子设备、蓄电池和普通电池、废弃的蓄电池和普通电池的指令及其国家层面的修订法案，废弃的电气设备、普通电池和蓄电池应当单独存放并递送至城市垃圾收集点，根据环保法规进行处置。

此规定由标有叉形标志的带轮垃圾桶符号表示。

用途

本工具用于收集干尘。

安全警告

充电式吸尘器使用安全警告

警告：重要事项 使用前请仔细阅读所有的安全警告和所有的说明事项。若不遵循警告和说明事项，可能导致触电、起火和/或严重的人身伤害。

1. 勿使本工具淋雨。室内存放。
2. 勿用作玩具。由儿童使用或在其附近使用时，务必注意安全。
3. 仅用作本说明书描述的用途。仅使用制造商推荐的装置。
4. 请勿使用损坏的电池。如果工具因坠落、损坏、置于室外，或落入水中而不能正常工作，请将其送至维修中心。
5. 勿用湿手操作工具。

6. 勿将任何物体置于吸嘴中。吸嘴堵塞时请勿继续使用工具，注意防止灰尘、皮棉、毛发和任何可能阻挡气流的物体堵塞吸嘴。
7. 头发、宽松衣服、手指以及身体所有部位请勿靠近吸嘴和移动的部件。
8. 取出电池前关闭所有控制开关。
9. 清洁楼梯时要特别注意安全。
10. 请勿用本工具吸取汽油等易燃或可燃液体或在易燃或可燃液体附近使用本工具。
11. 仅使用制造商提供的充电器进行充电。
12. 请勿用本工具吸取香烟、火柴或热灰等燃烧或冒烟的物体。
13. 集尘袋和/或过滤器未放置到位时请勿使用。
14. 勿在室外对电池充电。
15. 请仅使用制造商指定的充电器进行充电。将适用于某一种类型电池组的充电器用于其他类型的电池组时，可能会导致起火。
16. 这些工具仅可使用指定的专用电池组。使用其他类型的电池组可能会导致人身伤害或起火。
17. 不使用电池组时请将其远离纸夹、硬币、钥匙、钉子、螺丝或其他小型金属物体放置。这些物体可能会使电池端子短路。
18. 使用过度时，电池中可能溢出液体。请避免接触。如果意外接触到电池漏液，请用水冲洗。
19. 不要使用损坏或改装过的电池组或工具。损坏或改装过的电池组可能呈现无法预测的结果，导致着火、爆炸或伤害。
20. 不要将电池组或工具暴露于火或高温环境下。暴露于火或高于130°C的高温中可能导致爆炸。
21. 请遵循所有充电说明，不要在说明书中指定的温度范围之外给电池组或工具充电。不正确充电或在指定的温度范围外充电可能会损坏电池并增加着火的风险。

请保留此说明书。

补充安全规则

本工具供室内使用。

1. 使用前请仔细阅读本说明书和充电器说明书。

2. 请勿吸取以下材料：
 - 燃烧或冒烟的高温物品（香烟、火柴、线香、蜡烛、热灰）、切割或磨削金属产生的火花和金属粉尘等
 - 易燃液体（煤油、汽油、轻质汽油等溶剂、稀释剂等）
 - 易燃物品（墨粉、油漆、喷雾等）
 - 易爆或自燃物质（硝酸甘油、铝、镁、钛、锌、红磷、黄磷、赛璐珞等及其粉尘、气体或蒸汽）
 - 液体、油、湿土或潮湿垃圾，包括呕吐物和排泄物
 - 带有尖锐边缘的硬质物体（木片、金属、石头、玻璃、钉子、别针、剃须刀或餐具）
 - 固化导电细粉（金属或碳粉）
 - 泡沫状地毯清洁剂等（可能导致爆炸或起火）
 - 大量粉末（面粉、灭火器粉末等）
 - 引起中毒症状的物质
 - 腐蚀性化学品（酸、碱等）
 - 水泥等细粘粉末
 - 混凝土粉尘等细颗粒
 - 干燥剂
 - 石棉
 - 杀虫剂

否则会导致起火、人身伤害和 / 或财产损失。

为减少接触这些化学物质，请务必佩戴专门用于过滤微小颗粒的防尘面罩等经认可的呼吸防护用品。使废气远离面部和身体。

3. 若发现有任何异常请立即停止操作。
4. 如果您掉落或碰撞了吸尘器，操作前请仔细检查工具上是否有裂缝或损伤。
5. 勿将工具靠近火炉或其他热源。
6. 勿堵塞吸嘴或通风口。

请保留此说明书。

电池组的重要安全注意事项

1. 在使用电池组之前，请仔细阅读所有的说明以及（1）电池充电器，（2）电池，以及（3）使用电池的产品上的警告标记。
2. 切勿拆卸或改装电池组。否则可能引起火灾、过热或爆炸。
3. 如果机器运行时间变得过短，请立即停止使用。否则可能会导致过热、起火甚至爆炸。

4. 如果电解液进入您的眼睛，用清水将其冲洗干净并立即就医。否则可能会导致视力受损。
5. 请勿使电池组短路：
 - (1) 请勿使任何导电材料碰到端子。
 - (2) 避免将电池组与其他金属物品如钉子、硬币等放置在同一容器内。
 - (3) 请勿将电池组置于水中或使其淋雨。电池短路将产生大的电流，导致过热，并可能导致起火甚至击穿。
6. 请勿在温度可能达到或超过50°C (122°F) 的场所存放以及使用工具和电池组。
7. 即使电池组已经严重损坏或完全磨损，也请勿焚烧电池组。电池组会在火中爆炸。
8. 请勿对电池组射钉，或者切削、挤压、抛掷、掉落电池组，又或者用硬物撞击电池组。否则可能引起火灾、过热或爆炸。
9. 请勿使用损坏的电池。
10. 本工具附带的锂离子电池需符合危险品法规要求。

第三方或转运代理等进行商业运输时，应遵循包装和标识方面的特殊要求。有关运输项目的准备作业，咨询危险品方面的专业人士。同时，请遵守可能更为详尽的国家法规。

请使用胶带保护且勿遮掩表面的联络信息，并牢固封装电池，使电池在包装内不可动。

11. 丢弃电池组时，需将其从工具上卸下并在安全地带进行处理。关于如何处理废弃的电池，请遵循当地法规。
12. 仅将电池用于Makita（牧田）指定的产品。将电池安装至不兼容的产品会导致起火、过热、爆炸或电解液泄漏。
13. 如长时间未使用工具，必须将电池从工具内取出。
14. 使用工具期间以及使用工具之后，电池组温度可能较高易引起灼伤或低温烫伤。处理高温电池组时请小心操作。
15. 在使用工具后请勿立即触碰工具的端子，否则可能引起灼伤。
16. 避免锯屑、灰尘或泥土卡入电池组的端子、孔口和凹槽内。否则可能会导致过热、着火、爆炸和工具/电池组故障，导致烫伤或人身伤害。

17. 除非工具支持在高压电源线路附近使用，否则请勿在高压电源线路附近使用电池组。否则可能导致工具或电池组故障或失常。
18. 确保电池远离儿童。

请保留此说明书。

⚠️小心：请仅使用Makita（牧田）原装电池。使用非Makita（牧田）原装电池或经过改装的电池可能会导致电池爆炸，从而造成火灾、人身伤害或物品受损。同时也会导致牧田工具和充电器的牧田保修服务失效。

保持电池最大使用寿命的提示

1. 在电池组电量完全耗尽前及时充电。发现工具电量低时，请停止工具操作，并给电池组充电。
2. 请勿对已充满电的电池组重新充电。过度充电将缩短电池的使用寿命。
3. 请在10 °C - 40 °C (50 °F - 104 °F) 的室温条件下给电池组充电。请在灼热的电池组冷却后再充电。
4. 不使用电池组时，请将其从工具或充电器上拆除。
5. 如果电池组长时间（超过六个月）未使用，请给其充电。

功能描述

⚠️小心：调节或检查工具功能之前，请务必关闭工具的电源并取出电池组。

⚠️小心：安装电池时注意勿让手指卡在吸尘器¹和电池之间（如下图所示）。否则可能会令手指受伤。

► 图片1

安装或拆卸电池组

⚠️小心：安装或拆卸电池组之前，请务必关闭工具电源。

⚠️小心：安装或拆卸电池组时请握紧工具和电池组。否则它们可能从您的手中滑落，导致工具和电池组受损，甚至造成人身伤害。

拆卸电池组时，按下电池组前侧的按钮，同时将电池组从工具中抽出。

► 图片2: 1. 红色指示器 2. 按钮 3. 电池组

安装电池组时，要将电池组上的舌簧与外罩上的凹槽对齐，然后推滑到位。将其完全插入到位，直到锁定并发出咔哒声为止。若能看到图示中的红色指示器，则说明未完全锁紧。

⚠️小心：务必完全装入电池组，直至看不见红色指示器为止。否则，它可能会从工具中意外脱落，从而造成自身或他人受伤。

⚠️小心：请勿强行安装电池组。如果电池组难以插入，可能是插入方法不当。

工具 / 电池保护系统

本工具配备有工具 / 电池保护系统。该系统可自动切断电机电源以延长工具和电池寿命。作业时，如果工具或电池处于以下情况，工具将会自动停止运转。

过载：

以导致异常高电流的方式操作工具/电池。在这种情况下，请关闭工具并停止导致工具过载的应用操作。然后开启工具重新启动。

过热：

工具/电池过热。在这种情况下，重新开启工具前请使工具/电池冷却。

电池电压低：

剩余电池电量过低且工具不运行。在这种情况下，请取下电池并予以充电。

其他原因防护：

保护系统还适用于其他可能导致工具受损的情况，从而使工具自动停止运转。工具暂时或中途停止工作时，执行以下所有步骤以排除异常原因。

1. 关闭工具，然后再次重新启动。
2. 给电池充电或更换为充电电池。
3. 请等待工具和电池冷却。

如果保护系统恢复后仍未改善，请联络当地的Makita（牧田）维修服务中心。

显示电池的剩余电量

仅限带指示灯的电池组

► 图片3: 1. 指示灯 2. CHECK（查看）按钮
按电池组上的CHECK（查看）按钮可显示电池剩余电量。指示灯将亮起数秒。

指示灯			剩余电量
■ 点亮	□ 熄灭	▣ 闪烁	
■ ■ ■ ■			75%至100%
■ ■ ■ □			50%至75%
■ ■ □ □			25%至50%
■ □ □ □			0%至25%
▣ □ □ □			给电池充电。
■ ■ □ □ ↑ ↓ □ □ ■ ■			电池可能出现故障。

注：在不同的使用条件及环境温度下，指示灯所示电量可能与实际情况略有不同。

注：当电池保护系统启动时，第一个（最左侧）指示灯将闪烁。

开关操作

- **图片4：** 1. 吸力切换按钮 2. ON/OFF（开/关）按钮

要启动吸尘器时，只需按ON/OFF（开/关）按钮即可。关闭工具时，请再次按ON/OFF（开/关）按钮。

您可以按下吸力切换按钮切换吸尘器吸力，吸力档位共有四个。每次按下此按钮都会重复静音/常规/高速/最大速度模式循环。

档位	指示	模式
1		静音模式
2		常规速度模式
3		高速模式
4		最大速度模式

注：您可以在开启吸尘器之前切换吸力。

注：若未切换吸力，吸尘器将以上次运行的吸力运行。

点亮照明灯

小心：请勿直视灯光或光源。

打开照明灯时，请按下吸力切换按钮。约10秒之后，照明灯将熄灭。吸尘器运行期间，照明灯将持续点亮。停止操作约10秒后，照明灯将熄灭。

注：当剩余的电池电量变低时，此灯开始闪烁。此灯开始闪烁的时间取决于工作场所的温度和电池组的状态。

- **图片5：** 1. 吸力切换按钮 2. ON/OFF（开/关）按钮 3. 照明灯

部件说明

- **图片6**

1	250 mL集尘盒 (选购附件)	2	400 mL集尘盒 (选购附件)	3	网式过滤器	4	气旋主体
5	高性能过滤器 (灰色滤框) (选购附件)	6	HEPA过滤器 (白色滤框) (选购附件)	7	海绵片	8	吸尘器主机
9	手带(规格因国家而异)	-	-	-	-	-	-

装配

⚠小心：对工具进行任何装配操作前，请务必关闭工具电源，并取出电池组。

注意：确保使用前所有附件和部件都正确固定到位。

安装和拆卸吸尘器附件

⚠小心：安装附件后，请检查其是否牢固安装。如果附件安装不正确，可能会掉落并造成人身伤害。

⚠小心：卸下附件时，请小心避免手部撞击到墙壁等。

使用有锁定功能的附件时

安装附件时，请将其插入到吸尘器的吸气口直至其锁定。确保附件已锁定。

► **图片7：** 1. 吸气口 2. 带锁定功能的附件 3. 卡钩 4. 释放按钮

注意：安装有锁定功能的附件时，确保对齐吸尘器上的释放按钮和附件上的卡钩。如果没有对齐，附件将不会被锁定，并且可能会从吸尘器上脱落。

要拆卸附件时，按住释放按钮臂的同时，将其从吸尘器拉下。

► **图片8：** 1. 释放按钮 2. 释放按钮臂 3. 带锁定功能的附件 4. 吸气口

使用无锁定功能的附件时

注意：要安装无锁定功能的附件时，如图所示，通过转动将其插入吸尘器的吸气口。要拆下附件时，如图所示，通过转动使其从吸尘器脱离。避免沿与图中箭头相反的方向转动附件，否则可能使气旋单元松动。

► **图片9**

操作

⚠小心：操作吸尘器时，请勿使脸部靠近气孔。否则可能会导致异物入眼，造成人身伤害。

注意：避免沿水平方向或将其朝向上方使用吸尘器。否则可能导致网式过滤器堵塞。

注意：务必在安装了过滤器的状态下使用吸尘器。使用没有过滤器的吸尘器可能导致电机故障。

注意：当气旋单元的集尘盒中有灰尘积聚时，请将其清空。继续使用将导致吸力下降。

气旋单元有助于减少进入吸尘器内的灰尘量，并使简单易行的除尘的吸尘性能提高。

清洁（吸入部）

集尘口

仅带250 mL集尘盒

清洁桌子、办公桌或家具等时须安装集尘口。集尘口可轻松滑动。

► **图片10：** 1. 集尘口

集尘口+伸延杆（直管）

伸延杆位于集尘口和吸尘器之间。方便用户以站立的姿势清洁地板。

► **图片11：** 1. 吸尘器主机 2. 伸延杆（直管） 3. 集尘口

窗扇集尘口

清洁汽车或家具的角落和缝隙时，安装窗扇集尘口。

► **图片12：** 1. 窗扇集尘口 2. 吸尘器主机

您可以将窗扇集尘口存放在集尘口托架上。

► **图片13：** 1. 集尘口托架 2. 窗扇集尘口

⚠小心：注意避免手指卡入窗扇集尘口和集尘口托架之间。夹住手指可能会造成受伤。

窗扇集尘口+伸延杆（直管）

清洁吸尘器无法进入的狭小的空间，或是难以触及的高处，可使用这样的组合。

► **图片14：** 1. 窗扇集尘口 2. 伸延杆（直管） 3. 吸尘器主机

无集尘口清洁

仅带250 mL集尘盒

您可以不用集尘口来吸取粉末或灰尘。

► **图片15**

安装伸延杆到吸尘器十分方便于采用站立姿态清除地板上的灰尘。

► **图片16：** 1. 伸延杆（直管）

灰尘处理

⚠小心：吸尘器中所装灰尘应及时清空，否则会降低吸力。

⚠小心：重新组装时注意避免手指卡入集尘盒和气旋主体之间。

在积聚的灰尘超过灰尘处理标线前，按照以下方式将其处理。

1. 将吸尘器头朝下，握紧集尘盒，然后在按住集尘盒两侧的释放按钮的同时，将其从气旋主体拉开。

▶ **图片17：** 1. 灰尘处理标线 2. 集尘盒 3. 释放按钮 4. 网式过滤器

2. 将集尘盒清空，并清除网式过滤器上粘附的灰尘。

▶ **图片18**

3. 将集尘盒放回气旋主体，使其固定到位并发出咔哒声。

▶ **图片19：** 1. 集尘盒 2. 释放按钮 3. 气旋主体

⚠小心：从集尘盒中取出时可能会有灰尘飞起。注意避免灰尘进入眼部。

注意：若集尘盒脏污，请将其拆下并用水清洗。重新组装和使用前，请使集尘盒彻底干燥。

注意：确保使用前所有附件和部件都正确固定到位。

注意：在处理灰尘并清洁网式过滤器之后，若吸力仍未恢复，请检查气旋主体内是否有灰尘积聚或者发生堵塞。

保养

⚠小心：检查或保养工具之前，请务必关闭工具电源并取出电池组。

注意：切勿使用汽油、苯、稀释剂、酒精或类似物品清洁工具。否则可能会导致工具变色、变形或出现裂缝。

为了保证产品的安全与可靠性，维修、任何其他维修保养或调节需由Makita（牧田）授权的或工厂维修服务中心完成。务必使用Makita（牧田）的替换部件。

使用后

⚠小心：将吸尘器抵在墙壁上而不作任何其他支撑可能会导致吸尘器倾倒，进而伤及人员或损坏吸尘器。

▶ **图片20**

定期维护

注意：气旋单元内的过滤器堵塞时，请对其进行清洁。在堵塞状态下继续使用可能会导致变热或电机故障。

注意：请勿使用吹风拂尘器吹去粘在吸尘器和过滤器上的灰尘。否则会将灰尘吹入电机仓导致设备故障。

需要进行日常维护以恢复正常操作条件。

吸尘器主机

使用蘸有肥皂水的抹布擦拭吸尘器外部（吸尘器主机），并将吸入口清扫干净。

▶ **图片21**

气旋单元和过滤器

注意：无论集尘盒内收集的灰尘量多少，当吸尘性能的效果较差时，请清除气旋单元和过滤器内的灰尘并清扫干净。

注意：清洗过滤器后，待其充分干燥后再使用。未经充分干燥的过滤器可能会降低吸尘性能和电机寿命。

注意：清洁过滤器和海绵片后，请务必在使用前将其重新安装。如果您使用未安装过滤器和海绵片的吸尘器，灰尘会进入电机外罩并导致故障。

气旋单元

1. 用手轻敲气旋单元数次，清除气旋单元和过滤器内表面粘附的灰尘。

▶ **图片22：** 1. 气旋单元

2. 如图所示，在吸气口朝下的状态下转动气旋单元，使气旋单元上的指针与吸尘器主机上的指针对齐以解锁。然后从吸尘器主机上慢慢笔直地拆下气旋单元。

▶ **图片23：** 1. 气旋单元 2. 吸气口 3. 指针 4. 过滤器

注：拆卸气旋单元时可能会有灰尘飞出。建议在气旋单元下面放置垃圾袋。

3. 清除气旋单元和过滤器内的灰尘。

► **图片24**

4. 将气旋单元放回吸尘器主机，使气旋单元上的指针与吸尘器主机上的指针对齐。然后如图所示旋转气旋单元，直至其固定到位。

► **图片25:** 1. 气旋单元 2. 吸尘器主机
3. 指针

高性能过滤器

选购附件

1. 从吸尘器主机拆下气旋单元。

2. 握住高性能过滤器的安装端，将其从吸尘器主机拉开。

► **图片26:** 1. 高性能过滤器 2. 吸尘器主机

3. 用手擦拭并抖动高性能过滤器清除灰尘。

► **图片27**

4. 高性能过滤器被灰尘或污垢堵塞时，将其放在肥皂水中清洗。使用前在阴凉处将其彻底晾干。

► **图片28**

注：挂起晾干时，避免紧固高性能过滤器的连接端（橡胶密封环）。

5. 握住高性能过滤器的安装端，将其压回至吸尘器主机中。

► **图片29:** 1. 高性能过滤器 2. 吸尘器主机

HEPA过滤器

选购附件

注意：请勿用刷子或清洗板等硬物摩擦和刮擦HEPA过滤器。

1. 从吸尘器主机拆下气旋单元。

2. 握住HEPA过滤器的安装端（被高性能预过滤器覆盖），将其从吸尘器主机拉开。

► **图片30:** 1. HEPA过滤器（被高性能预过滤器覆盖） 2. 吸尘器主机

3. 通过手拧从HEPA过滤器拆下高性能预过滤器。

► **图片31:** 1. 高性能预过滤器 2. HEPA过滤器

4. 用手擦拭并抖动高性能预过滤器和HEPA过滤器清除灰尘。

► **图片32**

5. 在肥皂水中清洗高性能预过滤器和HEPA过滤器。使用前冲洗并在阴凉处将其彻底晾干。

► **图片33**

注：挂起晾干时，避免紧固HEPA过滤器的连接端（橡胶密封环）。

6. 将高性能预过滤器安装至HEPA过滤器。

► **图片34:** 1. 高性能预过滤器 2. HEPA过滤器

7. 握住HEPA过滤器的安装端（被高性能预过滤器覆盖），将其压回至吸尘器主机中。

► **图片35:** 1. HEPA过滤器（被高性能预过滤器覆盖） 2. 吸尘器主机

海绵片

1. 从吸尘器主机拆下气旋单元。

2. 握住过滤器的安装端，将其从吸尘器主机拉开。

► **图片36:** 1. 过滤器 2. 吸尘器主机

3. 从吸入口拉出海绵片。

► **图片37:** 1. 海绵片 2. 吸入口

4. 用手擦拭并抖动海绵片清除灰尘。

► **图片38**

5. 海绵片被灰尘或污垢堵塞时，将其放在肥皂水中清洗。使用前在阴凉处将其彻底晾干。

► **图片39**

6. 将海绵片放回原位。确保海绵片左右边缘被止动器固定，并且海绵片和吸入口之间没有间隙。

► **图片40:** 1. 海绵片 2. 止动器 3. 吸入口

7. 握住过滤器的安装端，将其压回至吸尘器主机中。

► **图片41:** 1. 过滤器 2. 吸尘器主机

基于状态的维护

注意：气旋单元内的网式过滤器堵塞时，请对其进行清洁。在堵塞状态下继续使用可能会导致变热或电机故障。

需要根据工具性能进行深度和局部清洁。

网式过滤器

若集尘盒脏污或者网式过滤器阻塞，请清除阻塞物并用水清洗。（请参见“灰尘处理”章节了解清除步骤。）

1. 握紧集尘盒，在按住集尘盒两侧的释放按钮的同时，将其从气旋主体拉开。

► **图片42:** 1. 集尘盒 2. 气旋主体 3. 释放按钮

2. 如图所示，旋转网式过滤器以解锁。然后从气旋主体将其拆下。

► **图片43:** 1. 网式过滤器

3. 将网式过滤器拆成三部分：预过滤器、管状海绵过滤器和网管。

i 将网管顶部的导向止动器挤压到一起。

ii 将导向止动器向下穿出预过滤器顶部的导向孔。

iii 沿管状海绵过滤器和网管拉动预过滤器。

iv 从网管拆下管状海绵过滤器。

► **图片44:** 1. 预过滤器 2. 管状海绵过滤器
3. 网管 4. 导向止动器 5. 导向孔

4. 用手擦拭并抖动过滤器和网管清除灰尘。

► **图片45**

5. 过滤器和网管被灰尘或污垢堵塞时，将其放在肥皂水中清洗。使用前在阴凉处将其彻底晾干。

► **图片46**

6. 重新组装网式过滤器。

i 将管状海绵过滤器插入预过滤器。

ii 将网管插入管状海绵过滤器和预过滤器，使网管顶部的导向止动器穿过预过滤器顶部的导向孔。

iii 推动网管穿过管状海绵过滤器和预过滤器，直到其锁定到位并发出咔哒声为止。

► **图片47:** 1. 预过滤器 2. 管状海绵过滤器
3. 网管 4. 导向止动器 5. 导向孔

7. 将网式过滤器装回气旋主体，使网式过滤器上的卡钩与气旋主体吸出口上的端口对齐。如图所示，旋转网式过滤器直到卡钩锁定并发出咔哒声为止。确保网式过滤器安装牢固。

► **图片48:** 1. 网式过滤器 2. 气旋主体 3. 卡钩 4. 端口

气旋单元中的风道

气旋单元中的风道可能会被进入的异物堵塞并压迫气流。如果吸尘性能受到显著影响，请去除空气路径中的障碍物。

1. 将气旋单元拆成三部分：集尘盒、网式过滤器和气旋主体。

► **图片49:** 1. 集尘盒 2. 网式过滤器 3. 气旋主体 4. 吸尘器主机

2. 使用带尖头的手工工具按住进气管上的导向止动器向下穿出气旋主体上的锁定孔。然后从气旋主体将进气管拆下。

► **图片50:** 1. 进气管 2. 导向止动器 3. 气旋主体 4. 锁定孔

3. 清除风道内发现的任何物质。

异物很可能会卡在进气端口周围。

► **图片51:** 1. 吸气口 2. 进气端口

4. 将进气管插回直到牢固锁定到位。

► **图片52:** 1. 进气管 2. 气旋主体 3. O形环
4. 瓣阀

注意：重新组装前，请务必使O形环和瓣阀牢固到位。如果气旋单元在O形环和瓣阀未到位的状态下操作，吸尘性能可能会受到影响。

5. 重新组装气旋单元，并将其安装至吸尘器主机。

故障排除

在请求维修前，请检查以下要点。

症状	检查区域	解决方法
吸力低	集尘盒或气旋单元内是否灰尘已满？	将集尘盒或气旋单元内清空。
	过滤器是否堵塞？	清除灰尘或清洗高性能过滤器/HEPA过滤器/海绵片/网式过滤器。
	是否有任何物体堵塞进风道？	清除通风口和风道内的任何灰尘和物体。
	电池组是否已放电？	给电池组充电。
不工作	电池组是否已放电？	给电池组充电。
噪音和振动	过滤器是否堵塞？	清除灰尘或清洗高性能过滤器/HEPA过滤器/海绵片/网式过滤器。
	是否有任何物体堵塞开口或孔？	清除集尘口、管路和通风口内的任何灰尘和物体。
	集尘口或管路的吸气口是否关闭？	打开集尘口和管路的盖子和吸气口。

⚠小心： 请勿自行修理吸尘器。

选购附件

⚠小心： 这些附件或装置专用于本说明书所列的Makita（牧田）工具。如使用其他厂牌附件或装置，可能导致人身伤害。仅可将附件或装置用于规定目的。

如您需要了解更多关于这些选购附件的信息，请咨询当地的Makita（牧田）维修服务中心。

- 伸延杆（直管）
- 集尘口
- 地毯清洁专用集尘口
- 货架刷
- 窗扇集尘口
- 圆刷
- 软管
- 高性能过滤器
- HEPA过滤器
- 座椅吸嘴
- 缝隙集尘口
- 气旋单元
- 工具袋
- Makita（牧田）原装电池和充电器

注： 本列表中的一些部件可能作为标准配件包含于工具包装内。它们可能因销往国家之不同而异。

PERINGATAN

- Peralatan ini dapat digunakan oleh anak-anak berumur 8 tahun ke atas dan orang dengan kekurangan kemampuan fisik, indra, atau jiwa atau kurangnya pengalaman dan pengetahuan jika mereka diawasi atau panduan yang berkaitan dengan penggunaan peralatan secara aman dan pemahaman bahaya yang dapat terjadi.
- Jangan membiarkan anak-anak bermain dengan peralatan ini. Pembersihan dan perawatan pengguna tidak boleh dilakukan oleh anak-anak tanpa pengawasan.
- Lihat bagian "SPESIFIKASI" untuk mengetahui referensi tipe baterai.
- Lihat bagian "Memasang atau melepas kartrid baterai" untuk mengetahui cara mengganti atau memasang baterai.
- Ketika membuang kartrid baterai, lepaskan dari mesin dan buang ke tempat yang aman. Patuhi peraturan setempat yang berkaitan dengan pembuangan baterai.
- Jika mesin tidak digunakan dalam jangka waktu yang lama, baterai harus dilepas dari mesin.
- Jangan menghubungkan terminal kartrid baterai.
- Lihat bagian "PEMELIHARAAN" untuk mengetahui detail tindakan pencegahan yang sesuai selama perawatan oleh pengguna.

SPESIFIKASI

Model:	DCL286F	
Kapasitas	250 mL / 400 mL (spesifik negara)	
Penggunaan secara terus menerus (dengan baterai BL1830B)	1 (Mode diam)	Kurang lebih 38 min
	2 (Mode kecepatan normal)	Kurang lebih 21 min
	3 (Mode kecepatan tinggi)	Kurang lebih 15 min
	4 (Mode kecepatan maks)	Kurang lebih 8 min
Panjang keseluruhan (dengan pipa, nosel, dan baterai BL1830B)	1.106 mm	
Tegangan terukur	D.C. 18 V	
Berat bersih	1,6 - 2,0 kg	

- Karena kesinambungan program penelitian dan pengembangan kami, spesifikasi yang disebutkan di sini dapat berubah tanpa pemberitahuan.
- Spesifikasi dapat berbeda dari satu negara ke negara lainnya.
- Berat tidak termasuk aksesoris selain kartrid baterai. Berat gabungan paling ringan dan paling berat dari peralatan dan kartrid baterai ditampilkan dalam tabel.

Kartrid dan pengisi daya baterai yang dapat digunakan

Kartrid baterai	BL1815N / BL1820B / BL1830B / BL1840B / BL1850B / BL1860B
Pengisi daya	DC18RC / DC18RD / DC18RE / DC18SD / DC18SE / DC18SF / DC18SH / DC18WC

- Beberapa kartrid baterai dan pengisi daya yang tercantum di atas mungkin tidak tersedia, tergantung wilayah tempat tinggal Anda.

⚠ PERINGATAN: Hanya gunakan kartrid dan pengisi daya baterai yang tercantum di atas. Penggunaan kartrid dan pengisi daya baterai lain dapat menimbulkan risiko cedera dan/atau kebakaran.

Simbol

Berikut ini adalah simbol-simbol yang dapat digunakan pada peralatan ini. Pastikan Anda memahami arti masing-masing simbol sebelum menggunakan peralatan.



Baca petunjuk penggunaan.



Baterai representatif yang berlaku untuk produk ini.



NI-MH
Li-Ion

Hanya untuk negara-negara UE
Akibat adanya komponen berbahaya dalam peralatan, limbah peralatan listrik dan elektronik, aki dan baterai dapat memiliki dampak negatif pada lingkungan dan kesehatan manusia.
Jangan buang peralatan listrik dan elektronik atau baterai bersama limbah rumah tangga!
Sesuai dengan Petunjuk Eropa tentang limbah peralatan listrik dan elektronik dan tentang aki dan baterai serta limbah aki dan baterai, serta penyesuaiannya terhadap undang-undang nasional, limbah peralatan listrik, baterai dan aki harus disimpan secara terpisah dan dikirim ke tempat pengumpulan terpisah untuk sampah kota, beroperasi sesuai dengan peraturan tentang perlindungan lingkungan.
Hal ini ditunjukkan dengan simbol tempat sampah bersilang yang ditempatkan pada peralatan.

Penggunaan

Mesin ini digunakan untuk membersihkan debu kering.

PERINGATAN KESELAMATAN

Peringatan keselamatan pembersih tanpa kabel

⚠ PERINGATAN: PENTING BACALAH semua peringatan keselamatan dan semua petunjuk **SEBELUM MENGGUNAKAN DENGAN SAKSAMA.** Kelalaian mematuhi peringatan dan petunjuk dapat menyebabkan sengatan listrik, kebakaran, dan/atau cedera serius.

1. **Jangan membiarkan alat kehujanan. Simpan di dalam ruangan.**
2. **Jangan jadikan alat ini sebagai mainan. Perhatikan dengan saksama saat digunakan oleh anak-anak atau dekat dengan mereka.**
3. **Gunakan hanya sebagaimana dijelaskan dalam buku panduan ini. Gunakan hanya peralatan tambahan yang direkomendasikan produsen.**

4. **Jangan digunakan dengan baterai yang rusak. Jika peralatan tidak bekerja dengan semestinya, terjatuh, rusak, tertinggal di luar, atau terjatuh ke dalam air, kembalikan peralatan ke pusat servis.**
5. **Jangan menggunakan peralatan dengan tangan yang basah.**
6. **Jangan menaruh benda apa pun di dalam bukaan. Jangan digunakan saat bukaan terhalang; bersihkan dari debu, benang, rambut, dan apa pun yang dapat mengurangi aliran udara.**
7. **Jauhkan rambut, pakaian yang longgar, jari, dan semua bagian tubuh dari bukaan dan bagian yang bergerak.**
8. **Matikan semua kontrol sebelum melepas baterai.**
9. **Berhati-hatilah saat membersihkan lantai.**
10. **Jangan digunakan untuk membersihkan cairan yang mudah terbakar, seperti bensin, atau digunakan di area di mana terdapat cairan tersebut.**
11. **Hanya gunakan pengisi daya yang disertakan oleh produsen untuk mengisi daya.**
12. **Jangan membersihkan apa pun yang bisa terbakar atau berasap, seperti rokok, abu atau abu panas.**
13. **Jangan menggunakan tanpa kantong debu dan/atau saringan pada tempatnya.**
14. **Jangan mengisi daya baterai di luar ruangan.**
15. **Isi ulang baterai hanya dengan pengisi daya yang ditentukan oleh pabrikan.** Pengisi daya yang cocok untuk satu jenis paket baterai dapat menimbulkan risiko kebakaran ketika digunakan untuk paket baterai yang lain.
16. **Gunakan peralatan hanya dengan paket baterai yang telah ditentukan secara khusus.** Penggunaan paket baterai lain dapat menimbulkan risiko cedera dan kebakaran.
17. **Ketika paket baterai tidak digunakan, jauhkan dari benda logam lain, seperti penjepit kertas, uang logam, kunci, paku, sekrup, atau benda logam kecil lainnya, yang dapat menghubungkan satu terminal ke terminal lain.**
18. **Pemakaian yang salah, dapat menyebabkan keluarnya cairan dari baterai; hindari kontak. Jika terjadi kontak secara tidak sengaja, bilas dengan air.**
19. **Jangan menggunakan paket baterai atau peralatan yang sudah rusak atau telah diubah.** Baterai yang rusak atau telah diubah dapat menyebabkan hal-hal yang tidak dapat diprediksi yang dapat menyebabkan kebakaran, ledakan atau risiko cedera.
20. **Jangan membiarkan paket baterai atau peralatan berada di dekat api atau suhu yang sangat tinggi.** Paparan api atau suhu di atas 130 °C dapat menyebabkan ledakan.

- Ikuti semua petunjuk pengisian daya dan jangan mengisi daya paket baterai atau peralatan di luar rentang suhu yang ditentukan di panduan. Mengisi daya secara tidak tepat atau pada suhu di luar rentang yang ditentukan dapat merusak baterai dan meningkatkan risiko kebakaran.

SIMPAN PETUNJUK INI.

ATURAN KESELAMATAN TAMBAHAN

Peralatan ini ditujukan untuk penggunaan rumah tangga.

- Baca petunjuk penggunaan dan petunjuk instruksi pengisian daya ini dengan hati-hati sebelum menggunakan alat.
- Jangan membersihkan bahan-bahan berikut:
 - Zat panas yang terbakar atau berasap (rokok, korek api, dupa, lilin, abu panas), percikan api, dan debu logam yang dihasilkan dari pemotongan atau penggilingan logam, dll.
 - Cairan yang mudah terbakar (minyak tanah, bensin, pelarut seperti benzena, thinner, dll.)
 - Bahan yang mudah terbakar (toner, cat, semprotan, dll.)
 - Bahan peledak atau zat piroforik (nitrogliserin, aluminium, magnesium, titanium, seng, fosfor merah, fosfor kuning, seluloid, dll. dan debu, gas, atau uapnya)
 - Cairan, minyak, kotoran basah, atau sampah basah, termasuk muntahan dan kotoran
 - Potongan keras dengan tepian tajam (serpihan kayu, logam, batu, kaca, paku, pin, pisau cukur, atau peralatan makan)
 - Bubuk halus konduktif dan pepadatan (bubuk karbon atau logam)
 - Busa seperti bahan pembersih karpet, dll. (dapat menyebabkan ledakan atau kebakaran)
 - Sejumlah besar bubuk (tepung, bubuk pemadam api, dll.)
 - Zat yang menyebabkan gejala beracun
 - Bahan kimia agresif (asam, basa, dll.)
 - Bubuk pengikat halus seperti semen
 - Partikel halus seperti debu beton
 - Desikan
 - Asbes
 - PestisidaTindakan tersebut dapat menyebabkan kebakaran, cedera dan/atau kerusakan properti. Untuk mengurangi paparan dari bahan kimia tersebut: selalu kenakan pelindung pernapasan yang disetujui seperti masker debu yang khusus dirancang untuk menyaring partikel mikroskopis. Arahkan udara buangan menjauh dari wajah dan tubuh Anda.

- Segera hentikan pengoperasian segera jika Anda melihat adanya sesuatu yang tidak wajar.
- Jika Anda menjatuhkan atau menabrakkan pembersih, periksa secara hati-hati apakah terdapat keretakan atau kerusakan sebelum pengoperasian.
- Jangan digunakan dekat dengan kompor atau sumber panas lainnya.
- Jangan menghalangi lubang asupan atau lubang ventilasi.

SIMPAN PETUNJUK INI.

Petunjuk keselamatan penting untuk kartrid baterai

- Sebelum menggunakan kartrid baterai, bacalah semua petunjuk dan penandaan pada (1) pengisi daya baterai, (2) baterai, dan (3) produk yang menggunakan baterai.
- Jangan membongkar atau memodifikasi kartrid baterai. Tindakan tersebut dapat menimbulkan api, panas berlebih, atau ledakan.
- Jika waktu beroperasinya menjadi sangat singkat, segera hentikan penggunaan. Hal tersebut dapat menimbulkan risiko panas berlebih, kemungkinan mengalami luka bakar atau bahkan terjadi ledakan.
- Jika elektrolit mengenai mata Anda, basuh dengan air bersih dan segera cari pertolongan medis. Hal tersebut dapat mengakibatkan hilangnya kemampuan penglihatan Anda.
- Jangan menghubungkan terminal kartrid baterai:
 - Jangan menyentuh terminal dengan bahan penghantar listrik apa pun.
 - Hindari menyimpan kartrid baterai pada wadah yang berisi benda logam lain seperti paku, uang logam, dsb.
 - Jangan membiarkan baterai terkena air atau kehujanan.Hubungan singkat baterai dapat menyebabkan aliran arus listrik yang besar, panas berlebih, kemungkinan mengalami luka bakar dan bahkan kerusakan pada baterai.
- Jangan menyimpan dan menggunakan mesin dan kartrid baterai pada lokasi dengan suhu yang bisa mencapai atau melebihi 50 °C (122 °F).
- Jangan membuang kartrid baterai di tempat pembakaran sampah walaupun benar-benar rusak atau tidak bisa digunakan sama sekali. Kartrid baterai bisa meledak jika terbakar.
- Jangan memaku, memotong, menghancurkan, melempar, menjatuhkan kartrid baterai, atau memukulkan benda keras ke kartrid baterai. Tindakan tersebut dapat menimbulkan api, panas berlebih, atau ledakan.
- Jangan menggunakan baterai yang rusak.

10. **Baterai litium-ion yang disertakan sesuai dengan persyaratan Perundangan Makanan Berbahaya.**
Harus ada pengawasan untuk pengangkutan komersial misalnya oleh pihak ketiga, ekspeditor, persyaratan khusus terhadap pengemasan dan pelabelan.
Diperlukan adanya konsultasi dengan ahli mengenai material berbahaya untuk persiapan barang yang akan dikirimkan. Perhatikan pula peraturan nasional yang lebih terperinci yang mungkin ada.
Beri perekat atau tutupi bagian yang terbuka dan kemas baterai dengan cara yang tidak akan menimbulkan pergeseran dalam pengemasan.
11. **Ketika membuang kartrid baterai, lepaskan dari mesin dan buang ke tempat yang aman. Patuhi peraturan setempat yang berkaitan dengan pembuangan baterai.**
12. **Gunakan baterai hanya dengan produk yang ditentukan oleh Makita.** Memasang baterai pada produk yang tidak sesuai dapat menyebabkan kebakaran, kelebihan panas, ledakan, atau kebocoran elektrolit.
13. **Jika mesin tidak digunakan dalam jangka waktu yang lama, baterai harus dilepas dari mesin.**
14. **Selama dan setelah digunakan, kartrid baterai mungkin menyimpan panas yang dapat menyebabkan luka bakar atau luka bakar suhu rendah.** Perhatikan cara memegang kartrid baterai yang masih panas.
15. **Jangan langsung menyentuh terminal mesin setelah digunakan karena suhunya mungkin cukup panas untuk menyebabkan luka bakar.**
16. **Jangan biarkan serpihan, debu, atau tanah menempel di terminal, lubang, dan alur kartrid baterai.** Hal tersebut dapat menyebabkan pemanasan, kebakaran, ledakan, dan kegagalan fungsi mesin atau kartrid baterai, yang mengakibatkan luka bakar atau cedera diri.
17. **Kecuali jika mesin mendukung penggunaan di dekat saluran listrik bertegangan tinggi, jangan gunakan kartrid baterai di dekat saluran listrik bertegangan tinggi.** Hal tersebut dapat mengakibatkan kegagalan fungsi atau kerusakan mesin maupun kartrid baterai.
18. **Jauhkan baterai dari jangkauan anak-anak.**

SIMPAN PETUNJUK INI.

⚠PERHATIAN: Gunakan baterai asli Makita. Penggunaan baterai Makita yang tidak asli, atau baterai yang sudah diubah, akan mengakibatkan baterai mudah terbakar, cedera dan kerusakan. Akan menghilangkan garansi Makita pada pengisi daya dan alat Makita.

Tip untuk menjaga agar umur pemakaian baterai maksimum

1. Isi ulang kartrid baterai sebelum habis sama sekali. Selalu hentikan penggunaan mesin dan ganti kartrid baterai jika Anda melihat bahwa mesin kurang tenaga.

2. **Jangan pernah mengisi ulang kartrid baterai yang sudah diisi penuh.** Pengisian ulang yang berlebih memperpendek umur pemakaian baterai.
3. **Isi ulang kartrid baterai pada suhu ruangan 10 °C - 40 °C.** Biarkan kartrid baterai yang panas menjadi dingin terlebih dahulu sebelum diisi ulang.
4. **Saat kartrid baterai tidak digunakan, lepaskan dari mesin atau pengisi daya.**
5. **Isi ulang daya kartrid baterai jika Anda tidak menggunakannya untuk jangka waktu yang lama (lebih dari enam bulan).**

DESKRIPSI FUNGSI

⚠PERHATIAN: Selalu pastikan bahwa mesin dimatikan dan kartrid baterai dilepas sebelum menyatel atau memeriksa kerja mesin.

⚠PERHATIAN: Berhati-hatilah agar jari Anda tidak terjepit antara pembersih dan baterai seperti yang ditunjukkan pada diagram saat memasang baterai. Jari yang terjepit dapat menyebabkan cedera.

► Gbr.1

Memasang atau melepas baterai

⚠PERHATIAN: Selalu matikan mesin sebelum memasang atau melepas kartrid baterai.

⚠PERHATIAN: Pegang mesin dan kartrid baterai kuat-kuat saat memasang atau melepas kartrid baterai. Kelalaian untuk memegang mesin dan kartrid baterai kuat-kuat bisa menyebabkan keduanya terlempar dari tangan Anda dan mengakibatkan kerusakan pada mesin dan kartrid baterai dan cedera diri.

Untuk melepas kartrid baterai, geser dari mesin sambil menggeser tombol pada bagian depan kartrid.

► **Gbr.2:** 1. Indikator berwarna merah 2. Tombol 3. Kartrid baterai

Untuk memasang kartrid baterai, sejajarkan lidah kartrid baterai dengan alur pada rumah dan masukkan ke dalam tempatnya. Masukkan seluruhnya sampai terkunci pada tempatnya dan terdengar bunyi klik kecil. Jika Anda bisa melihat indikator berwarna merah seperti yang ditunjukkan pada gambar, ini artinya kartrid baterai tidak terkunci sempurna.

⚠PERHATIAN: Selalu pasang kartrid baterai sepenuhnya sampai indikator berwarna merah tidak terlihat. Jika tidak, bisa terlepas dari mesin secara tidak sengaja, menyebabkan luka pada Anda atau orang di sekitar Anda.

⚠PERHATIAN: Jangan memasang kartrid baterai secara paksa. Jika kartrid tidak bergeser dengan mudah, berarti tidak dimasukkan dengan benar.

Sistem perlindungan mesin / baterai

Mesin ini dilengkapi dengan sistem perlindungan mesin/baterai. Sistem ini memutus aliran daya ke motor secara otomatis untuk memperpanjang umur pakai mesin dan baterai. Mesin akan berhenti secara otomatis saat penggunaan jika mesin atau baterai berada dalam salah satu kondisi berikut ini.

Kelebihan beban:

Mesin/baterai dioperasikan dengan cara yang menyebabkannya menarik arus tinggi yang tidak normal.

Untuk situasi ini, matikan mesin dan hentikan pekerjaan yang menyebabkan mesin mengalami kelebihan beban. Kemudian, nyalakan mesin untuk kembali memulai pekerjaan.

Panas berlebih:

Mesin/baterai mengalami panas berlebih. Dalam situasi ini, biarkan mesin/baterai mendingin sebelum dinyalakan kembali.

Tegangan baterai rendah:

Kapasitas baterai yang tersisa terlalu rendah dan mesin tidak akan beroperasi. Untuk situasi ini, lepas dan isi ulang baterai.

Perlindungan terhadap penyebab lain:

Sistem perlindungan juga dirancang untuk penyebab lain yang dapat merusak mesin dan memungkinkan mesin untuk berhenti secara otomatis. Lakukan semua langkah berikut ini untuk mengatasi penyebabnya, saat mesin dihentikan sementara atau berhenti beroperasi.

1. Matikan mesin, dan kemudian hidupkan kembali untuk memulai ulang.
2. Isi baterai atau ganti dengan baterai yang sudah diisi ulang.
3. Biarkan mesin dan baterai menjadi dingin.

Jika tidak ada peningkatan yang dapat ditemukan dengan memulihkan sistem perlindungan, hubungi Pusat Servis Makita setempat Anda.

Mengindikasikan kapasitas baterai yang tersisa

Hanya untuk kartrid baterai dengan indikator

► **Gbr.3:** 1. Lampu indikator 2. Tombol pemeriksaan

Tekan tombol pemeriksaan pada kartrid baterai untuk melihat kapasitas baterai yang tersisa. Lampu indikator menyala selama beberapa detik.

Lampu indikator			Kapasitas yang tersisa
Menyala	Mati	Berkedip	
■ ■ ■ ■			75% hingga 100%
■ ■ ■ □			50% hingga 75%
■ ■ □ □			25% hingga 50%
■ □ □ □			0% hingga 25%
▣ □ □ □			Isi ulang baterai.
■ ■ □ □			Baterai mungkin sudah rusak.
□ □ ■ ■			

CATATAN: Tergantung kondisi penggunaan dan suhu lingkungannya, penunjukkan mungkin saja sedikit berbeda dari kapasitas sebenarnya.

CATATAN: Lampu indikator pertama (ujung kiri) akan berkedip ketika sistem perlindungan mesin bekerja.

Kerja sakelar

► **Gbr.4:** 1. Tombol pengubah daya isap 2. Tombol ON/OFF

Untuk memulai pembersih, cukup tekan tombol ON/OFF. Untuk mematikan, tekan tombol ON/OFF lagi. Anda dapat mengubah daya isap pembersih dalam empat langkah dengan menekan tombol pengubah daya isap. Setiap menekan tombol ini akan mengulangi mode Diam/Normal/Tinggi/Maks dalam siklus.

Tingkat	Indikasi	Mode
1	☰	Mode diam
2	☷	Mode kecepatan normal
3	☶	Mode kecepatan tinggi
4	☵	Mode kecepatan maks

CATATAN: Anda dapat mengubah daya isap sebelum menyalakan pembersih.

CATATAN: Pembersih memulai operasi dengan daya isap yang sama seperti operasi terakhir.

Menyalakan lampu

PERHATIAN: Jangan melihat lampu atau sumber cahaya secara langsung.

Untuk menyalakan lampu, tekan tombol pengubah daya isap. Lampu akan mati dalam kurang lebih 10 detik. Saat pembersih dijalankan, lampu menyala. Lampu akan padam kira-kira 10 detik setelah menghentikan operasi.

CATATAN: Saat kapasitas baterai yang tersisa lemah, lampu mulai berkedip. Dalam kondisi tersebut, di mana lampu mulai berkedip bergantung pada suhu di tempat kerja dan kondisi kartrid baterai.

► **Gbr.5:** 1. Tombol pengubah daya isap 2. Tombol ON/OFF 3. Lampu

DESKRIPSI BAGIAN-BAGIAN MESIN

► Gbr.6

1	Wadah debu 250 mL (Aksesori opsional)	2	Wadah debu 400 mL (Aksesori opsional)	3	Saringan jala	4	Badan siklon
5	Saringan berkinerja tinggi (Rangka saringan berwarna abu-abu) (Aksesori opsional)	6	Saringan HEPA (Rangka saringan berwarna putih) (Aksesori opsional)	7	Lembaran spons	8	Badan pembersih
9	Tali tangan (Negara tertentu)	-	-	-	-	-	-

PERAKITAN

PERHATIAN: Selalu pastikan bahwa mesin dimatikan dan kartrid baterai dilepas sebelum melakukan pekerjaan apa pun pada mesin.

PEMBERITAHUAN: Pastikan semua alat tambahan dan komponen terpasang dengan benar sebelum digunakan.

Memasang dan melepas perangkat tambahan pembersih

PERHATIAN: Setelah memasang perangkat tambahan, periksa apakah terpasang dengan aman. Jika perangkat tambahan tidak terpasang sempurna, perangkat tambahan bisa saja terlepas dan menyebabkan cedera.

PERHATIAN: Berhati-hatilah agar tangan Anda tidak menghantam dinding dll. saat melepas perangkat tambahan.

Saat menggunakan perangkat tambahan dengan fungsi pengunci

Untuk memasang perangkat tambahan, masukkan ke tempat masuk pengisap pada pembersih sampai berbunyi klik. Pastikan perangkat tambahan terkunci.

► **Gbr.7:** 1. Tempat masuk pengisap 2. Perangkat tambahan dengan fungsi pengunci 3. Kait tambahan dengan fungsi pengunci 4. Tombol pelepas

PEMBERITAHUAN: Saat memasang perangkat tambahan dengan fungsi pengunci, pastikan untuk menyejajarkan tombol pelepas pada pembersih dengan kait pada perangkat tambahan. Jika tidak sejajar, perangkat tambahan tidak akan terkunci dan dapat terlepas dari pembersih.

Untuk melepaskan peralatan tambahan, tarik dari pembersih sambil menekan dan menahan lengan tombol pelepas.

► **Gbr.8:** 1. Tombol pelepas 2. Lengan tombol pelepas 3. Perangkat tambahan dengan fungsi pengunci 4. Tempat masuk pengisap

Saat menggunakan perangkat tambahan tanpa fungsi pengunci

PEMBERITAHUAN: Untuk memasang peralatan tambahan tanpa fungsi kunci, masukkan ke tempat masuk isap pembersih dengan memutarnya sebagaimana ditunjukkan dalam gambar. Untuk melepaskan peralatan tambahan, lepaskan dari pembersih dengan memutarnya sebagaimana ditunjukkan dalam gambar. Hindari memutar peralatan tambahan ke arah yang berlawanan dengan panah dalam gambar karena dapat melonggarkan unit siklon.

► **Gbr.9**

PENGUNAAN

⚠PERHATIAN: Jangan mendekatkan wajah Anda ke ventilasi udara saat mengoperasikan pembersih. Jika benda asing terlempar ke mata, ini dapat menyebabkan cedera badan.

PEMBERITAHUAN: Hindari menggunakan pembersih dalam posisi horizontal atau menghadap ke atas. Hal tersebut sebaliknya dapat menyebabkan tersumbatnya saringan jala.

PEMBERITAHUAN: Selalu gunakan pembersih dengan saringan terpasang. Menggunakan pembersih tanpa saringan dapat menyebabkan kerusakan motor.

PEMBERITAHUAN: Kosongkan wadah debu di unit siklon ketika debu telah terkumpul. Penggunaan yang terus menerus dapat mengakibatkan melemahnya daya pengisapan.

Unit siklon membantu mengurangi jumlah debu yang masuk ke pembersih, meningkatkan kinerja isap dengan pembuangan debu yang sederhana dan mudah.

Pembersihan (Pengisap)

Nosel

Hanya dengan wadah debu 250 mL

Pasangkan nosel untuk membersihkan meja, kursi, furnitur, dsb. Nosel akan mudah bergerak.

► **Gbr.10:** 1. Nosel

Nosel + pipa sambungan (Pipa lurus)

Pipa sambungan terpasang antara nosel dan pembersih. Susunan ini nyaman untuk membersihkan lantai dengan posisi berdiri.

► **Gbr.11:** 1. Badan pembersih 2. Pipa sambungan (Pipa lurus) 3. Nosel

Nosel ikat

Pasangkan nosel ikat untuk membersihkan sudut dan celah-celah pada mobil atau furnitur.

► **Gbr.12:** 1. Nosel ikat 2. Badan pembersih

Anda dapat menyimpan nosel ikat dalam penyangga nosel.

► **Gbr.13:** 1. Penyangga nosel 2. Nosel ikat

⚠PERHATIAN: Hati-hati agar jari tidak terjepit di antara nosel ikat dan penyangga nosel. Jari yang terjepit dapat menyebabkan cedera.

Nosel ikat + Pipa sambungan (Pipa lurus)

Di ruang yang sempit di mana pembersih tidak dapat menjangkaunya, atau di tempat tinggi yang sulit dijangkau, gunakan susunan ini.

► **Gbr.14:** 1. Nosel ikat 2. Pipa sambungan (Pipa lurus) 3. Badan pembersih

Membersihkan tanpa nosel

Hanya dengan wadah debu 250 mL

Anda dapat membersihkan serbuk dan debu tanpa nosel.

► **Gbr.15**

Untuk mengambil debu di lantai dalam posisi berdiri, akan lebih mudah jika Anda memasang pipa sambungan ke pembersih.

► **Gbr.16:** 1. Pipa sambungan (Pipa lurus)

Membuang debu

⚠PERHATIAN: Kosongkan pembersih sebelum terlalu penuh dengan debu, atau tekanan pengisap akan melemah.

⚠PERHATIAN: Hati-hati agar jari tidak terjepit di antara wadah debu dan badan siklon saat menarik kembali.

Buang debu yang terkumpul sebagai berikut sebelum melebihi garis pembuangan debu.

1. Arahkan kepala pembersih ke bawah, pegang wadah debu dengan kuat, dan kemudian tarik keluar dari badan siklon sambil menekan dan menahan tombol pelepas di kedua sisi wadah debu.

► **Gbr.17:** 1. Garis pembuangan debu 2. Wadah debu 3. Tombol pelepas 4. Saringan jala

2. Kosongkan wadah debu dan bersihkan debu yang menempel pada saringan jaring.

► **Gbr.18**

3. Tempatkan wadah debu kembali ke badan siklon untuk mengamankannya di tempatnya dengan klik.

► **Gbr.19:** 1. Wadah debu 2. Tombol pelepas 3. Badan siklon

⚠PERHATIAN: Debu dapat beterbangan saat dibuang dari wadah debu. Hati-hati agar debu tidak masuk ke mata Anda.

PEMBERITAHUAN: Ketika wadah debu menjadi kotor, lepaskan dan cuci dengan air. Keringkan wadah debu secara menyeluruh sebelum dipasang kembali dan digunakan.

PEMBERITAHUAN: Pastikan semua alat tambahan dan komponen terpasang dengan benar sebelum digunakan.

PEMBERITAHUAN: Jika daya pengisapan tidak kembali normal meskipun Anda sudah membuang debu dan membersihkan saringan jala, periksa apakah ada debu yang terkumpul di dalam badan siklon atau terjadi penyumbatan.

PERAWATAN

PERHATIAN: Selalu pastikan bahwa mesin dimatikan dan kartrid baterai dilepas sebelum melakukan pemeriksaan atau perawatan.

PEMBERITAHUAN: Jangan sekali-kali menggunakan bensin, tiner, alkohol, atau bahan sejenisnya. Penggunaan bahan demikian dapat menyebabkan perubahan warna, perubahan bentuk atau timbulnya retakan.

Untuk menjaga KEAMANAN dan KEANDALAN mesin, perbaikan, perawatan atau penyetulan lainnya harus dilakukan oleh Pusat Layanan Resmi atau Pabrik Makita; selalu gunakan suku cadang pengganti buatan Makita.

Setelah penggunaan

PERHATIAN: Meletakkan pembersih menghadap ke dinding tanpa penyangga lain dapat menyebabkan pembersih jatuh, yang mengakibatkan cedera pribadi atau kerusakan pada pembersih.

► Gbr.20

Pemeliharaan rutin

PEMBERITAHUAN: Bersihkan saringan di unit siklon saat tersumbat. Penggunaan yang terus menerus dalam kondisi tersumbat dapat menyebabkan panas berlebih atau kegagalan fungsi motor.

PEMBERITAHUAN: Jangan meniup debu yang menempel pada penghisap debu dan saringan dengan mesin peniup. Tindakan ini akan mengakibatkan debu terbawa masuk ke dalam rumah dan menyebabkan kerusakan.

Pemeliharaan rutin diperlukan untuk mengembalikan kondisi operasi normal.

Badan pembersih

Bersihkan bagian luar (badan pembersih) dari pembersih menggunakan kain yang dibasahi dengan air sabun, dan bersihkan bukaan isap.

► Gbr.21

Unit siklon dan saringan

PEMBERITAHUAN: Bersihkan debu dan bersihkan di dalam unit siklon dan saringan, saat kinerja isap menjadi kurang efektif terlepas dari jumlah debu yang terkumpul di wadah debu.

PEMBERITAHUAN: Setelah mencuci saringan, keringkan secara menyeluruh sebelum digunakan. Saringan yang tidak cukup kering dapat menyebabkan pengisapan menjadi buruk dan memperpendek usia pakai motor.

PEMBERITAHUAN: Setelah membersihkan saringan dan lembaran spons, pastikan untuk memasangnya kembali sebelum digunakan. Jika Anda menggunakan pembersih tanpa saringan dan lembaran spons, debu akan masuk ke dalam rumah motor dan menyebabkan malafungsi.

Unit siklon

1. Ketuk unit siklon beberapa kali dengan tangan Anda untuk menghilangkan debu yang menempel pada permukaan bagian dalam unit siklon dan saringan.

► Gbr.22: 1. Unit siklon

2. Dengan tempat masuk isap mengarah ke bawah, putar unit siklon sebagaimana ditunjukkan dalam gambar, sejajarkan penunjuk pada unit siklon dengan penunjuk pada badan pembersih untuk melepaskan kunci. Kemudian lepaskan unit siklon dari badan pembersih secara perlahan dan lurus.

► Gbr.23: 1. Unit siklon 2. Tempat masuk pengisap 3. Penunjuk 4. Saringan

CATATAN: Debu dapat beterbangan saat unit siklon dibongkar. Disarankan untuk menempatkan kantong sampah di bawah unit siklon.

3. Bersihkan debu di dalam unit siklon dan saringan.

► Gbr.24

4. Tempatkan unit siklon kembali ke badan pembersih, sejajarkan penunjuk pada unit siklon dengan penunjuk di badan pembersih. Kemudian putar unit siklon sebagaimana ditunjukkan dalam gambar sampai terpasang dengan benar di tempatnya.

► Gbr.25: 1. Unit siklon 2. Badan pembersih 3. Penunjuk

Saringan berkinerja tinggi

Pilihan Aksesori

1. Bongkar unit siklon dari badan pembersih.

2. Pegang ujung pemasangan saringan berkinerja tinggi dan tarik keluar dari badan pembersih.

► Gbr.26: 1. Saringan berkinerja tinggi 2. Badan pembersih

3. Bersihkan dan kibaskan debu dari saringan berkinerja tinggi dengan tangan.

► Gbr.27

4. Cuci saringan berkinerja tinggi dalam air sabun saat tersumbat oleh debu dan kotoran. Keringkan secara menyeluruh di tempat teduh sebelum digunakan.

► Gbr.28

CATATAN: Hindari mengencangkan ujung peralatan tambahan (cincin penyegel karet) dari saringan berkinerja tinggi saat menggantungnya untuk dikeringkan.

5. Pegang ujung pemasangan saringan berkinerja tinggi dan tekan kembali ke badan pembersih.

► **Gbr.29:** 1. Saringan berkinerja tinggi 2. Badan pembersih

Saringan HEPA

Pilihan Aksesori

PEMBERITAHUAN: Jangan menggosok atau menggores saringan HEPA dengan benda keras seperti sikat dan pengeruk.

1. Bongkar unit siklon dari badan pembersih.

2. Pegang ujung pemasangan saringan HEPA (ditutupi dengan prasaringan berkinerja tinggi) dan tarik keluar dari badan pembersih.

► **Gbr.30:** 1. Saringan HEPA (ditutupi dengan prasaringan berkinerja tinggi) 2. Badan pembersih

3. Bongkar prasaringan berkinerja tinggi dari saringan HEPA dengan memutar tangan.

► **Gbr.31:** 1. Prasaringan berkinerja tinggi 2. Saringan HEPA

4. Bersihkan dan kibaskan debu dari prasaringan berkinerja tinggi dan saringan HEPA menggunakan tangan.

► **Gbr.32**

5. Cuci prasaringan berkinerja tinggi dan saringan HEPA dalam air sabun. Bilas dan keringkan secara menyeluruh di tempat teduh sebelum digunakan.

► **Gbr.33**

CATATAN: Hindari mengencangkan ujung peralatan tambahan (cincin penyegel karet) dari saringan HEPA saat menggantungnya untuk dikeringkan.

6. Pasang prasaringan berkinerja tinggi ke saringan HEPA.

► **Gbr.34:** 1. Prasaringan berkinerja tinggi 2. Saringan HEPA

7. Pegang ujung pemasangan saringan HEPA (ditutupi dengan prasaringan berkinerja tinggi) dan putar kembali ke dalam badan pembersih.

► **Gbr.35:** 1. Saringan HEPA (ditutupi dengan prasaringan berkinerja tinggi) 2. Badan pembersih

Lembaran spons

1. Bongkar unit siklon dari badan pembersih.

2. Pegang ujung pemasangan saringan dan tarik keluar dari badan pembersih.

► **Gbr.36:** 1. Saringan 2. Badan pembersih

3. Tarik lembaran spons dari lubang isap.

► **Gbr.37:** 1. Lembaran spons 2. Bukaan isap

4. Lap dan kibaskan debu dari lembaran spons dengan tangan.

► **Gbr.38**

5. Cuci lembaran spons dalam air sabun saat tersumbat oleh debu dan kotoran. Keringkan secara menyeluruh di tempat teduh sebelum digunakan.

► **Gbr.39**

6. Tempatkan lembaran spons kembali ke posisi semula. Pastikan tepi kiri dan kanan lembaran spons terpasang secara aman dengan sumbat dan tidak ada celah antara lembaran spons dan bukaan isap.

► **Gbr.40:** 1. Lembaran spons 2. Penahan 3. Bukaan isap

7. Pegang ujung pemasangan saringan dan tekan kembali ke dalam badan pembersih.

► **Gbr.41:** 1. Saringan 2. Badan pembersih

Pemeliharaan berbasis kondisi

PEMBERITAHUAN: Bersihkan saringan jala di unit siklon saat tersumbat. Penggunaan yang terus menerus dalam kondisi tersumbat dapat menyebabkan panas berlebih atau kegagalan fungsi motor.

Pembersihan mendalam dan saat akan digunakan perlu dilakukan sesuai dengan kinerja mesin Anda.

Saringan jala

Ketika wadah debu kotor atau saringan jala tersumbat, lepaskan dan cuci dengan air. (Baca "Membuang debu" untuk mengetahui prosedur pelepasan.)

1. Pegang wadah debu dengan kuat dan tarik keluar dari badan siklon sambil menekan dan menahan tombol pelepas di kedua sisi wadah debu.

► **Gbr.42:** 1. Wadah debu 2. Badan siklon 3. Tombol pelepas

2. Putar saringan jala sebagaimana ditunjukkan dalam gambar untuk melepaskan kunci. Kemudian lepaskan dari badan siklon.

► **Gbr.43:** 1. Saringan jala

3. Bongkar saringan jala menjadi tiga komponen: prasaringan, saringan spons tubular dan pipa jala.

i Putar penahan pemandu di atas pipa jala bersama-sama.

ii Lewatkan penahan pemandu ke bawah melalui lubang pemandu di atas prasaringan.

iii Tarik prasaringan di sepanjang saringan spons tubular dan pipa jala.

iv Lepaskan saringan spons tubular dari pipa jala.

► **Gbr.44:** 1. Pra-saringan 2. Saringan spons tubular 3. Pipa jala 4. Penahan pemandu 5. Lubang pemandu

4. Bersihkan dan kibaskan debu dari saringan dan pipa jala dengan tangan.

► **Gbr.45**

5. Cuci saringan dan pipa jala dalam air sabun saat tersumbat oleh debu dan kotoran. Keringkan secara menyeluruh di tempat teduh sebelum digunakan.

► **Gbr.46**

6. Rakit kembali saringan jala.
 - i Masukkan saringan spons tubular ke dalam prasaringan.
 - ii Masukkan pipa jala ke saringan spons tubular dan prasaringan, lewat penahan pemandu di atas pipa jala melalui lubang pemandu di atas prasaringan.
 - iii Dorong pipa jala melalui saringan spons tubular dan prasaringan hingga terkunci di tempatnya dengan bunyi klik.
 - **Gbr.47:** 1. Pra-saringan 2. Saringan spons tubular 3. Pipa jala 4. Penahan pemandu 5. Lubang pemandu

7. Pasang kembali saringan jaring ke dalam badan siklon dengan menyelaraskan kait pada saringan jaring dengan port pada tempat keluar isap dari badan siklon. Putar saringan jala sebagaimana ditunjukkan dalam gambar hingga kaitnya terkunci dan berbunyi klik. Pastikan mata saringan jala mesin terpasang dengan kencang.
 - **Gbr.48:** 1. Saringan jala 2. Badan siklon 3. Kait 4. Port

Saluran udara dalam unit siklon

Zat asing yang masuk dapat menghalangi saluran udara di unit siklon dan aliran udara yang sarat. Singkirkan semua penghalang di jalur udara jika kinerja isap sangat terpengaruh.

1. Bongkar unit siklon menjadi tiga komponen: wadah debu, saringan jala, dan badan siklon.
 - **Gbr.49:** 1. Wadah debu 2. Saringan jala 3. Badan siklon 4. Badan pembersih

2. Tekan dan tahan penahan pemandu pada pipa tempat masuk ke bawah melalui lubang pengunci pada badan siklon menggunakan mesin tangan dengan sekuat titik. Kemudian lepaskan pipa tempat masuk dari badan siklon.
 - **Gbr.50:** 1. Pipa tempat masuk 2. Penahan pemandu 3. Badan siklon 4. Lubang penguncian
3. Bersihkan semua zat yang ditemukan di saluran udara.

Benda asing kemungkinan akan tersangkut di sekitar port udara yang masuk.

 - **Gbr.51:** 1. Tempat masuk pengisap 2. Port udara yang masuk
4. Masukkan pipa tempat masuk kembali ke tempatnya hingga terkunci dengan kuat.
 - **Gbr.52:** 1. Pipa tempat masuk 2. Badan siklon 3. Cincin-O 4. Katup penutup

PEMBERITAHUAN: Pastikan cincin-O dan katup penutup terpasang dengan benar sebelum dipasang kembali. Kinerja isap dapat terpengaruh jika unit siklon dioperasikan tanpa cincin-O dan katup penutup pada tempatnya.

5. Pasang kembali unit siklon, dan pasang ke badan pembersih.

Pemecahan masalah

Sebelum meminta perbaikan, periksa poin-poin berikut.

Gejala	Bagian yang harus diperiksa	Metode perbaikan
Daya pengisapan lemah	Apakah wadah debu atau di dalam unit siklon penuh debu?	Kosongkan wadah debu atau debu yang ada di dalam unit siklon.
	Apakah saringan tersumbat?	Bersihkan debu atau cuci saringan berkinerja tinggi/saringan HEPA/lembaran spons/saringan jala.
	Apakah ada sesuatu yang menghalangi saluran udara yang masuk?	Bersihkan debu dan benda dari lubang dan saluran udara.
	Apakah daya kartrid baterai habis?	Isi kartrid baterai.
Tidak bekerja	Apakah daya kartrid baterai habis?	Isi kartrid baterai.
Kebisingan dan getaran	Apakah saringan tersumbat?	Bersihkan debu atau cuci saringan berkinerja tinggi/saringan HEPA/lembaran spons/saringan jala.
	Apakah ada yang menghalangi bukaan atau lubang?	Bersihkan debu dan benda apa pun dari nosel, pipa, dan lubang udara.
	Apakah jalan masuk isap nosel atau pipa tertutup?	Buka penutup dan buka jalan masuk isap nosel dan pipa.

PERHATIAN: Jangan mencoba memperbaiki pembersih oleh Anda sendiri.

AKSESORI PILIHAN

⚠️ PERHATIAN: Dianjurkan untuk menggunakan aksesoris atau perangkat tambahan ini dengan mesin Makita Anda yang ditentukan dalam petunjuk ini. Penggunaan aksesoris atau perangkat tambahan lain bisa menyebabkan risiko cedera pada manusia. Hanya gunakan aksesoris atau perangkat tambahan sesuai dengan peruntukannya.

Jika Anda memerlukan bantuan lebih rinci berkenaan dengan aksesoris ini, tanyakan pada Pusat Layanan Makita terdekat.

- Pipa sambungan (Pipa lurus)
- Nosel
- Nosel untuk karpet
- Sikat rak
- Nosel ikat
- Sikat bulat
- Selang fleksibel
- Saringan berkinerja tinggi
- Saringan HEPA
- Nosel dudukan
- Nosel celah
- Unit siklon
- Tas peralatan
- Baterai dan pengisi daya asli buatan Makita

CATATAN: Beberapa item dalam daftar tersebut mungkin sudah termasuk dalam paket mesin sebagai aksesoris standar. Hal tersebut dapat berbeda dari satu negara ke negara lainnya.

AMARAN

- Alat ini boleh digunakan oleh kanak-kanak berumur 8 tahun ke atas dan orang yang mengalami kecacatan fizikal, deria atau kurang keupayaan mental atau kurang pengalaman dan pengetahuan jika mereka telah diberi pengawasan atau arahan berkenaan penggunaan alat ini secara selamat dan memahami bahaya yang terlibat.
- Kanak-kanak tidak boleh bermain dengan alat ini. Pembersihan dan penyelenggaraan pengguna tidak boleh dilakukan oleh kanak-kanak tanpa pengawasan.
- Lihat bab "SPESIFIKASI" untuk rujukan jenis bateri.
- Lihat bahagian "Memasang atau mengeluarkan kartrij bateri" untuk cara mengeluarkan atau memasang bateri.
- Apabila melupuskan kartrij bateri, keluarkan ia daripada alat dan lupuskan ia di tempat selamat. Ikut peraturan tempatan anda mengenai pelupusan bateri.
- Jika alat tidak digunakan untuk tempoh masa yang lama, bateri mesti dikeluarkan daripada alat.
- Jangan pintaskan kartrij bateri.
- Lihat bab "PENYELENGGARAAN" untuk mendapatkan butiran langkah berjaga-jaga yang sesuai semasa penyelenggaraan pengguna.

SPESIFIKASI

Model:		DCL286F
Kapasiti		250 mL / 400 mL (khusus negara)
Penggunaan berterusan (dengan bateri BL1830B)	1 (Mod senyap)	Kira-kira 38 min
	2 (Mod kelajuan normal)	Kira-kira 21 min
	3 (Mod berkelajuan tinggi)	Kira-kira 15 min
	4 (Mod kelajuan maks)	Kira-kira 8 min
Panjang keseluruhan (dengan paip, muncung dan bateri BL1830B)		1,106 mm
Voltan terkadar		D.C. 18 V
Berat bersih		1.6 - 2.0 kg

- Disebabkan program penyelidikan dan pembangunan kami yang berterusan, spesifikasi yang terkandung di dalam ini adalah tertakluk kepada perubahan tanpa notis.
- Spesifikasi mungkin berbeza mengikut negara.
- Berat tidak termasuk aksesori tetapi kartrij bateri. Berat kombinasi paling ringan dan paling berat perkakas dan kartrij bateri ditunjukkan di dalam jadual.

Kartrij bateri dan pengecas yang boleh digunakan

Kartrij bateri	BL1815N / BL1820B / BL1830B / BL1840B / BL1850B / BL1860B
Pengecas	DC18RC / DC18RD / DC18RE / DC18SD / DC18SE / DC18SF / DC18SH / DC18WC

- Sesetengah kartrij bateri dan pengecas yang disenaraikan di atas mungkin tidak tersedia bergantung pada kawasan kediaman anda.

AMARAN: Hanya menggunakan kartrij bateri dan pengecas yang disenaraikan di atas. Penggunaan mana-mana kartrij bateri dan pengecas lain boleh menyebabkan kecederaan dan/atau kebakaran.

Simbol

Berikut menunjukkan simbol-simbol yang boleh digunakan untuk alat ini. Pastikan anda memahami maksudnya sebelum menggunakan.



Baca manual arahan.



Bateri wakilan yang boleh digunakan untuk produk ini.



Ni-MH
Li-Ion

Hanya untuk negara-negara EU
Disebabkan kehadiran komponen berbahaya dalam peralatan, sisa peralatan elektrik dan elektronik, akumulator dan bateri boleh memberi kesan negatif terhadap persekitaran dan kesihatan manusia.

Jangan buang alat elektrik dan elektronik atau bateri bersama dengan bahan buangan isi rumah!

Mengikut Arahan Eropah mengenai sisa peralatan elektrik dan elektronik dan mengenai akumulator dan bateri dan sisa akumulator dan bateri serta penyesuaian dengan undang-undang negara, sisa peralatan elektrik, bateri dan akumulator hendaklah disimpan secara berasingan dan dihantar ke tempat pengumpulan berasingan untuk sisa perbandaran, beroperasi mengikut peraturan perlindungan persekitaran.

Ini ditunjukkan oleh simbol tong sampah beroda yang bersilang pada peralatan.

Tujuan penggunaan

Tujuan penggunaan alat untuk mengumpul debu kering.

AMARAN KESELAMATAN

Amaran keselamatan pembersih tanpa kord

⚠️ AMARAN: PENTING! BACA DENGAN TELITI semua amaran keselamatan dan semua arahan SEBELUM GUNA. Kegagalan mematuhi amaran dan arahan boleh menyebabkan kejutan elektrik, kebakaran dan/atau kecederaan serius.

1. **Jangan dedahkan kepada hujan. Simpan di dalam rumah.**
2. **Jangan biarkan digunakan sebagai mainan. Perhatian yang teliti diperlukan apabila digunakan oleh atau berdekatan dengan kanak-kanak.**
3. **Gunakan seperti yang dinyatakan dalam manual ini sahaja. Gunakan sambungan yang disyorkan pengilang sahaja.**
4. **Jangan gunakan dengan bateri yang rosak. Jika alat tidak berfungsi seperti yang sepatutnya, terjatuh, rosak, dibiarkan di luar, atau terjatuh ke dalam air, kembalikan ke pusat servis.**
5. **Jangan kendalikan alat dengan tangan basah.**

6. **Jangan letakkan sebarang objek ke dalam bukaan. Jangan gunakan dengan mana-mana bukaan tersekat; bebas dari habuk, lin, rambut, dan apa-apa sahaja yang boleh mengurangkan aliran udara.**
7. **Pastikan rambut, pakaian longgar, jari-jemari, dan semua anggota badan jauh dari bukaan dan bahagian bergerak.**
8. **Matikan semua kawalan sebelum mengeluarkan bateri.**
9. **Gunakan dengan lebih berhati-hati semasa membersihkan tangga.**
10. **Jangan gunakan untuk menyedut cecair mudah terbakar atau bahan bakar, seperti gasolin, atau digunakan di kawasan yang mungkin terdapat bahan tersebut.**
11. **Gunakan pengecas yang dibekalkan oleh pengeluar sahaja untuk mengecap semula.**
12. **Jangan menyedut apa-apa yang terbakar atau berasap, seperti rokok, mancis, atau abu panas.**
13. **Jangan gunakan tanpa beg habuk dan/atau penapis dipasang.**
14. **Jangan cas bateri di luar.**
15. **Cas semula dengan pengecas yang ditentukan oleh pengeluar sahaja.** Pengecas yang sesuai untuk satu jenis pek bateri mungkin menimbulkan risiko kebakaran apabila digunakan dengan pek bateri lain.
16. **Gunakan alat dengan pek bateri yang ditentukan secara khusus sahaja.** Penggunaan mana-mana pek bateri lain mungkin menimbulkan risiko kecederaan dan kebakaran.
17. **Apabila pek bateri tidak digunakan, jauhkannya daripada objek logam lain, seperti klip kertas, duit syiling, paku, skru atau objek logam kecil lain, yang boleh membuat sambungan dari satu terminal ke terminal yang lain.**
18. **Di bawah keadaan kasar, cecair mungkin dikeluarkan daripada bateri; elakkan sentuhan. Jika tersentuh secara tidak sengaja, siram dengan air.**
19. **Jangan gunakan pek bateri atau alat yang rosak atau diubah suai.** Bateri yang rosak atau diubah suai mungkin menunjukkan tingkah laku yang tidak dijangka menyebabkan kebakaran, letupan atau risiko kecederaan.
20. **Jangan dedahkan pek bateri atau alat kepada api atau suhu yang berlebihan.** Pendedahan kepada api atau suhu melebihi 130 °C mungkin menyebabkan letupan.
21. **Ikut semua arahan pengecasan dan jangan cas pek bateri atau alat di luar julat suhu yang ditetapkan dalam arahan.** Mengecap dengan tidak betul atau pada suhu di luar julat yang ditetapkan mungkin merosakkan bateri dan meningkatkan risiko kebakaran.

SIMPAN ARAHAN INI.

PERATURAN KESELAMATAN TAMBAHAN

Alat ini bertujuan untuk kegunaan di rumah.

1. Baca manual arahan ini dan manual arahan pengecasan dengan teliti sebelum penggunaan.
2. Jangan sedut bahan berikut:
 - Bahan panas yang terbakar atau berasap (rokok, mancis, batang kemenyan, lilin, abu panas), percikan api dan habuk logam yang dihasilkan semasa memotong atau mengisar logam, dll.
 - Cecair mudah terbakar (kerosin, gasolin, pelarut seperti benzin, pencair, dll.)
 - Bahan mudah terbakar (penyegar, cat, semburan, dll.)
 - Bahan letupan atau piroforik (nitrogliserin, aluminium, magnesium, titanium, zink, fosforus merah, fosforus kuning, seluloid, dll. dan habuk, gas atau wap)
 - Cecair, minyak, kotoran basah atau sampah lembap, termasuk muntah dan bahan kumuh
 - Kepingan keras dengan tepi tajam (serpihan kayu, logam, batu, kaca, paku, pin, pisau cukur atau kutleri)
 - Serbuk halus pemejalan dan konduktif (logam atau serbuk karbon)
 - Buih seperti agen pembersih permaidani, dll. (boleh menyebabkan letupan atau kebakaran)
 - Sejumlah besar serbuk (tepung, serbuk alat pemadam api, dll.)
 - Bahan yang menyebabkan gejala toksik
 - Bahan kimia yang agresif (asid, alkali, dll.)
 - Serbuk pengikat halus seperti simen
 - Zarah halus seperti debu konkrit
 - Bahan pengering
 - Asbestos
 - Racun perosakTindakan sedemikian boleh menyebabkan kebakaran, kecederaan dan/atau kerosakan harta benda.
Untuk mengurangkan pendedahan anda terhadap bahan kimia ini, sentiasa pakai pelindung pernafasan yang diluluskan, seperti topeng habuk yang direka khas untuk menapis zarah mikroskopik. Halakan udara ekzos dari muka dan badan anda.
3. Hentikan operasi serta-merta jika anda mendapati sesuatu yang tidak normal.
4. Jika anda terjatuhkan atau terlanggar pembersih, periksa dengan teliti untuk keretakan atau kerosakan sebelum operasi.
5. Jangan dekatkan dengan dapur atau sumber haba lain.
6. Jangan halang lubang pengambilan atau lubang bolong.

SIMPAN ARAHAN INI.

Arahan keselamatan penting untuk kartrij bateri

1. Sebelum menggunakan kartrij bateri, baca semua arahan dan tanda amaran pada (1) pengecas bateri, (2) bateri, dan (3) produk menggunakan bateri.
2. Jangan buka atau cabut kartrij bateri. Ia boleh mengakibatkan kebakaran, haba berlebihan, atau letupan.
3. Jika masa operasi menjadi sangat pendek, berhenti operasi serta merta. Ia mungkin menyebabkan risiko pemanasan lampau, melecur bahkan letupan.
4. Jika elektrolit masuk ke dalam mata anda, bilas mata dengan air jernih dan dapatkan rawatan perubatan serta merta. Ia mungkin menyebabkan kehilangan penglihatan.
5. Jangan pintaskan kartrij bateri:
 - (1) Jangan sentuh terminal dengan bahan berkonduksi.
 - (2) Elakkan menyimpan kartrij bateri dalam bekas bersama-sama objek besi lain seperti paku, duit syiling, dll.
 - (3) Jangan dedahkan kartrij bateri kepada air atau hujan.Pintasan bateri boleh menyebabkan aliran kuasa yang besar, pemanasan lampau, melecur dan juga kerosakan.
6. Jangan simpan dan gunakan alat dan kartrij bateri di lokasi yang suhunya mungkin mencapai atau melebihi 50 °C (122 °F).
7. Jangan bakar kartrij bateri walaupun jika ia rosak teruk atau haus sepenuhnya. Kartrij bateri boleh meletup dalam kebakaran.
8. Jangan paku, potong, pecahkan, buang, jatuhkan kartrij bateri, atau tekan objek keras pada kartrij bateri. Perbuatan sedemikian boleh mengakibatkan kebakaran, haba berlebihan, atau letupan.
9. Jangan gunakan bateri yang rosak.
10. Bateri litium ion yang terkandung adalah tertakluk kepada keperluan Perundangan Barangan Berbahaya. Bagi pengangkutan komersil cth. oleh pihak ketiga, ejen penghantar, keperluan khas pada pembungkusan dan pelabelan mestilah diperhatikan. Bagi persediaan item yang dihantar, berunding dengan pakar bahan berbahaya adalah diperlukan. Sila juga perhatikan sebolehnya peraturan kebangsaan yang lebih terperinci. Lekatkan atau balut bahagian terbuka dan pek bateri supaya ia tidak bergerak dalam pembungkusan.
11. Apabila melupuskan kartrij bateri, keluarkan ia daripada alat dan lupuskan ia di tempat selamat. Ikut peraturan tempatan anda mengenai pelupusan bateri.
12. Gunakan bateri hanya dengan produk yang ditentukan oleh Makita. Memasang bateri kepada produk yang tidak patuh mungkin menyebabkan kebakaran, pemanasan lampau, atau kebocoran elektrolit.

13. Jika alat tidak digunakan untuk tempoh masa yang lama, bateri mesti dikeluarkan daripada alat.
14. Semasa dan selepas penggunaan, kartrij bateri mungkin ada haba yang boleh menyebabkan terbakar atau suhu rendah terbakar. Beri perhatian kepada pengendalian kartrij bateri yang panas.
15. Jangan sentuh terminal alat itu selepas digunakan kerana ia mungkin panas menyebabkan terbakar.
16. Jangan biarkan cip, habuk, atau tanah terperangkap ke dalam terminal, lubang, dan alur cahaya kartrij bateri. Ia mungkin menyebabkan pemanasan, terbakar, meletup dan pincang tugas alat atau kartrij bateri, seterusnya menyebabkan lecur atau kecederaan diri.
17. Melainkan alat ini menyokong penggunaan yang hampir dari talian kuasa elektrik voltan tinggi, jangan gunakan kartrij bateri berhampiran talian kuasa elektrik voltan tinggi. Ia mungkin menyebabkan kerosakan atau pecah pada alat atau kartrij bateri.
18. Jauhkan bateri daripada kanak-kanak.

SIMPAN ARAHAN INI.

⚠PERHATIAN: Hanya gunakan bateri asli Makita. Penggunaan bateri tidak asli Makita, atau bateri yang telah diubah suai, mungkin menyebabkan bateri meletup menyebabkan kebakaran, kecederaan diri dan kerosakan. Ia juga membatalkan jaminan Makita untuk alat Makita dan pengecas.

Tip untuk mengekalkan hayat bateri maksimum

1. Cas kartrij bateri sebelum ternyahcas sepenuhnya. Sentiasa hentikan operasi alat dan cas kartrij bateri apabila anda menyedari kurang kuasa alat.
2. Jangan cas semula kartrij bateri yang dicas sepenuhnya. Terlebih cas memendekkan hayat servis bateri.
3. Cas kartrij bateri dengan suhu bilik pada 10 °C - 40 °C (50 °F - 104 °F). Biarkan kartrij bateri yang panas menyejuk sebelum mengecasnya.
4. Apabila tidak menggunakan kartrij bateri, tanggalkannya dari alat atau pengecas.
5. Cas kartrij bateri jika anda tidak menggunakannya untuk tempoh yang lama (lebih daripada enam bulan).

KETERANGAN FUNGSI

⚠PERHATIAN: Sentiasa pastikan alat dimatikan dan kartrij bateri dikeluarkan sebelum menyelaras atau menyemak fungsi pada alat.

⚠PERHATIAN: Berhati-hatilah supaya tidak terperangkap jari-jemari di antara pembersih dan bateri seperti yang ditunjukkan dalam gambar rajah apabila memasukkan bateri. Jari-jemari yang terperangkap boleh menyebabkan kecederaan.

► Rajah1

Memasang atau mengeluarkan kartrij bateri

⚠PERHATIAN: Sentiasa matikan alat sebelum memasang atau mengeluarkan kartrij bateri.

⚠PERHATIAN: Pegang alat dan kartrij bateri dengan kukuh apabila memasang atau mengeluarkan kartrij bateri. Gagal untuk memegang alat dan kartrij bateri dengan kukuh mungkin menyebabkan mereka terlepas daripada tangan anda dan mengakibatkan kerosakan kepada alat dan kartrij bateri dan kecederaan peribadi.

Untuk mengeluarkan kartrij bateri, luncurkan ia daripada alat apabila meluncurkan butang di hadapan kartrij.

► **Rajah2:** 1. Penunjuk merah 2. Butang 3. Kartrij bateri

Untuk memasang kartrij bateri, selaraskan lidah pada kartrij bateri dengan alur pada perumahan dan gelincirkan ia ke tempatnya. Masukkan ia sepenuhnya sehingga ia terkunci di tempatnya dengan klik kecil. Jika anda boleh melihat penunjuk merah seperti yang ditunjukkan dalam rajah, ia tidak dikunci sepenuhnya.

⚠PERHATIAN: Sentiasa pasang kartrij bateri sepenuhnya sehingga penunjuk merah tidak boleh dilihat. Jika tidak, ia mungkin jatuh tanpa sengaja daripada alat, menyebabkan kecederaan kepada anda atau seseorang di sekeliling anda.

⚠PERHATIAN: Jangan pasang kartrij bateri secara paksa. Jika kartrij tidak meluncur dengan mudah, ia tidak dimasukkan dengan betul.

Sistem perlindungan alat / bateri

Alat dilengkapi dengan sistem perlindungan alat/bateri. Sistem ini memotong kuasa kepada motor secara automatik untuk memanjangkan hayat alat dan bateri. Alat akan berhenti secara automatik semasa operasi jika alat atau bateri diletakkan di bawah salah satu keadaan berikut.

Terlebih beban:
Alat/bateri dikendalikan dalam keadaan yang menyebabkannya menarik arus tinggi yang tidak normal.

Dalam situasi ini, matikan alat dan hentikan penggunaan yang menyebabkan alat menjadi terlebih beban. Kemudian hidupkan alat untuk mula semula.

Terlalu panas:

Alat/bateri terlalu panas. Dalam situasi ini, biarkan alat/ bateri sejuk sebelum menghidupkan semula alat.

Voltan bateri rendah:

Kapasiti bateri yang tinggal terlalu rendah dan alat akan tidak beroperasi. Dalam situasi ini, keluarkan dan cas semula bateri.

Perlindungan daripada punca lain:

Sistem perlindungan juga direka bentuk untuk punca lain yang boleh merosakkan alat dan membolehkan alat berhenti secara automatik. Ambil semua langkah berikut untuk membuang punca, apabila alat telah dibawa kepada berhenti sementara atau berhenti beroperasi.

1. Matikan alat dan kemudian hidupkan alat lagi untuk mula semula.
2. Cas bateri atau gantikan bateri dengan bateri yang telah dicas.
3. Biarkan alat dan bateri menyejuk.

Jika tiada penambahbaikan boleh didapati melalui pemulihan sistem perlindungan, maka hubungi Pusat Servis Makita tempatan anda.

Menunjukkan kapasiti bateri yang tinggal

Hanya untuk kartrij bateri dengan penunjuk

► **Rajah3:** 1. Lampu penunjuk 2. Butang semak

Tekan butang semak pada kartrij bateri untuk menunjukkan kapasiti bateri yang tinggal. Lampu penunjuk menyala untuk beberapa saat.

Lampu penunjuk			Kapasiti yang tinggal
Dinyalakan	Mati	Berkelip	
			75% hingga 100%
			50% hingga 75%
			25% hingga 50%
			0% hingga 25%
			Cas bateri.
			Bateri mungkin telah rosak.

NOTA: Bergantung kepada keadaan penggunaan dan suhu persekitaran, penunjuk mungkin berbeza sedikit daripada kapasiti sebenar.

NOTA: Lampu penunjuk (kiri jauh) pertama akan berkelip apabila sistem perlindungan bateri berfungsi.

Tindakan suis

► **Rajah4:** 1. Butang ubah kuasa sedutan 2. Butang ON/OFF

Untuk memulakan pembersih, hanya tekan butang ON/OFF. Untuk mematikan, tekan butang ON/OFF sekali lagi.

Anda boleh mengubah kuasa sedutan pembersih dalam empat langkah dengan menekan butang ubah kuasa sedutan. Setiap tekanan pada butang ini mengulangi mod Senyap/Normal/Tinggi/Maks dalam kitaran.

Tahap	Penunjuk	Mod
1		Mod senyap
2		Mod kelajuan normal
3		Mod berkelajuan tinggi
4		Mod kelajuan maks

NOTA: Anda boleh mengubah kuasa sedutan sebelum menghidupkan pembersih.

NOTA: Pembersih mula beroperasi dengan kuasa sedutan yang sama seperti operasi terakhir.

Menyalakan lampu

PERHATIAN: Jangan lihat ke dalam cahaya atau lihat sumber cahaya secara langsung.

Untuk menghidupkan lampu, tekan butang ubah kuasa sedutan. Lampu mati dalam lebih kurang 10 saat. Semasa pembersih sedang berjalan, lampu menyala. Lampu padam dalam lebih kurang 10 saat selepas menghentikan operasi.

NOTA: Semasa kapasiti bateri yang tinggal menjadi lemah, lampu mula berkelip. Pemasaan, ketika lampu mula berkelip, bergantung pada suhu di tempat kerja dan keadaan kartrij bateri.

► **Rajah5:** 1. Butang ubah kuasa sedutan 2. Butang ON/OFF 3. Lampu

KETERANGAN BAHAGIAN

► Rajah6

1	Bekas habuk 250 mL (Aksesori pilihan)	2	Bekas habuk 400 mL (Aksesori pilihan)	3	Penapis jaring	4	Badan siklon
5	Penapis prestasi tinggi (Bingkai penapis berwarna kelabu) (Aksesori pilihan)	6	Penapis HEPA (Bingkai penapis berwarna putih) (Aksesori pilihan)	7	Helaian span	8	Badan pembersih
9	Tali tangan (khusus negara)	-	-	-	-	-	-

PEMASANGAN

⚠PERHATIAN: Sentiasa pastikan alat dimatikan dan kartrij bateri dikeluarkan sebelum menjalankan sebarang kerja pada alat.

NOTIS: Pastikan semua pemasangan dan komponen dipasang dengan betul sebelum digunakan.

Memasang dan menanggalkan alat tambahan pembersih

⚠PERHATIAN: Selepas memasang alat tambahan, periksa jika alat tambahan telah dipasang dengan kukuh. Jika alat tambahan dipasang dengan tidak sempurna, alat tambahan mungkin tertanggal dan menyebabkan kecederaan diri.

⚠PERHATIAN: Berhati-hati supaya tidak terpuak tangan anda pada dinding dll. semasa mengeluarkan alat tambahan.

Apabila menggunakan pemasangan dengan fungsi kunci

Untuk memasang pemasangan, masukkan saluran masuk sedutan pembersih sehingga berbunyi klik. Pastikan bahawa pemasangan dikunci.

► **Rajah7:** 1. Salur masuk sedutan 2. Pemasangan dengan fungsi kunci 3. Cangkuk 4. Butang lepas

NOTIS: Semasa memasang alat tambahan dengan fungsi kunci, pastikan untuk menjajarkan butang lepas pada pembersih dengan cangkuk pada alat tambahan. Jika kedua-dua tidak disejajarkan, alat tambahan tidak akan terkunci dan boleh tertanggal daripada pembersih.

Untuk menanggalkan pemasangan, tarik keluar daripada pembersih sambil menekan dan menahan lengan butang pelepas.

► **Rajah8:** 1. Butang lepas 2. Lengan butang pelepas 3. Pemasangan dengan fungsi kunci 4. Salur masuk sedutan

Apabila menggunakan pemasangan tanpa fungsi kunci

NOTIS: Untuk memasang pemasangan tanpa fungsi kunci, masukkan pemasangan ke dalam salur masuk sedutan pembersih dengan memusingkan pemasangan seperti yang ditunjukkan dalam rajah. Untuk menanggalkan pemasangan, lepaskan pemasangan daripada pembersih dengan memusingkan pemasangan seperti yang ditunjukkan dalam rajah. Elakkan daripada memusingkan pemasangan ke arah yang bertentangan dengan anak panah dalam rajah kerana ia boleh melonggarkan unit siklon.

► Rajah9

OPERASI

⚠PERHATIAN: Jangan gerakkan muka anda dekat dengan bolong udara semasa mengendalikan pembersih. Jika objek asing tertiuip ke dalam mata, ia boleh menyebabkan kecederaan diri.

NOTIS: Elakkan daripada menggunakan pembersih dalam kedudukan mendatar atau menghadap ke atas. Jika tidak, melakukan sedemikian boleh menyebabkan penapis jaring tersumbat.

NOTIS: Sentiasa gunakan pembersih dengan penapis dipasang. Menggunakan pembersih tanpa penapis boleh menyebabkan kepincangan tugas motor.

NOTIS: Kosongkan bekas habuk dalam unit siklon apabila habuk telah terkumpul. Penggunaan berterusan akan menyebabkan daya sedutan menjadi lemah.

Unit siklon membantu untuk mengurangkan jumlah habuk yang masuk ke dalam pembersih, meningkatkan prestasi sedutan dengan pembuangan habuk yang ringkas dan mudah.

Pembersihan (Sedutan)

Muncung

Dengan bekas habuk 250 mL sahaja

Pasangkan muncung untuk membersihkan meja, meja tulis, perabot dan sebagainya. Muncung terselit dengan mudah.

► **Rajah10:** 1. Muncung

Muncung + Tongkat sambungan (Paip lurus)

Tongkat sambungan dipasang di antara muncung dan pembersih itu sendiri. Susunan ini memudahkan pembersihan lantai dalam kedudukan berdiri.

► **Rajah11:** 1. Badan pembersih 2. Tongkat sambungan (Paip lurus) 3. Muncung

Muncung serong

Pasangkan pada muncung serong untuk pembersihan sudut dan celah-celah kereta atau perabot.

► **Rajah12:** 1. Muncung serong 2. Badan pembersih

Anda boleh menyimpan muncung serong dalam pemegang muncung.

► **Rajah13:** 1. Pemegang muncung 2. Muncung serong

PERHATIAN: Berhati-hati agar tidak tersepit jari antara muncung serong dengan pemegang muncung. Jari yang tersepit boleh menyebabkan kecederaan.

Muncung serong + Tongkat sambungan (Paip lurus)

Di rumah yang sempit yang pembersih itu sendiri tidak dapat menyelit atau di tempat tinggi yang sukar dicapai, gunakan susunan ini.

► **Rajah14:** 1. Muncung serong 2. Tongkat sambungan (Paip lurus) 3. Badan pembersih

Membersih tanpa muncung

Dengan bekas habuk 250 mL sahaja

Anda boleh menyedut serbuk dan habuk tanpa muncung.

► **Rajah15**

Untuk menyedut habuk di atas lantai dalam kedudukan berdiri, adalah memudahkan untuk memasang tongkat sambungan pada pembersih.

► **Rajah16:** 1. Tongkat sambungan (Paip lurus)

Pembuangan habuk

PERHATIAN: Kosongkan pembersih sebelum ia menjadi terlalu penuh atau daya sedutan menjadi lemah.

PERHATIAN: Berhati-hati supaya tidak tersepit jari antara bekas habuk dengan badan siklon semasa menyahpasang.

Buangkan habuk terkumpul seperti berikut sebelum ia melebihi garisan pembuangan habuk.

1. Halakan kepala pembersih ke bawah, pegang bekas habuk dengan kuat, kemudian tarik daripada badan siklon sambil menekan dan menahan butang pelepas pada kedua-dua belah bekas habuk.

► **Rajah17:** 1. Garisan pembuangan habuk 2. Bekas habuk 3. Butang pelepas 4. Penapis jaring

2. Kosongkan bekas habuk dan bersihkan habuk yang melekat pada penapis jaring.

► **Rajah18**

3. Letakkan kembali bekas habuk pada badan siklon untuk memastikan ia terletak pada tempat dengan klik.

► **Rajah19:** 1. Bekas habuk 2. Butang pelepas 3. Badan siklon

PERHATIAN: Habuk mungkin berterbangan semasa dibuang daripada bekas habuk. Berhati-hati jangan sampai habuk masuk ke dalam mata anda.

NOTIS: Apabila bekas habuk menjadi kotor, keluarkan dan basuh ia dengan air. Keringkan bekas habuk sepenuhnya sebelum penggunaan dan pemasangan semula.

NOTIS: Pastikan semua pemasangan dan komponen dipasang dengan betul sebelum digunakan.

NOTIS: Jika daya sedutan tidak dipulihkan walaupun selepas pembuangan habuk dan pembersihan penapis jaring, periksa sama ada habuk telah terkumpul dalam badan siklon atau telah tersumbat.

PENYELENGGARAAN

PERHATIAN: Sentiasa pastikan alat dimatikan dan kartrij bateri dikeluarkan sebelum cuba menjalankan pemeriksaan atau penyelenggaraan.

NOTIS: Jangan gunakan petrol, benzin, pencair, alkohol atau bahan yang serupa. Ia boleh menyebabkan perubahan warna, bentuk atau keretakan.

Untuk mengekalkan KESELAMATAN dan KEBOLEHPERCAYAAN produk, pembaikan, apa-apa penyelenggaraan atau penyesuaian lain perlu dilakukan oleh Kilang atau Pusat Servis Makita yang Diiktiraf, sentiasa gunakan alat ganti Makita.

Selepas menggunakan

PERHATIAN: Menyandarkan pembersih pada dinding tanpa sebarang sokongan lain boleh menyebabkan pembersih jatuh, mengakibatkan kecederaan diri atau kerosakan kepada pembersih.

► Rajah20

Penyelenggaraan berkala

NOTIS: Bersihkan penapis di dalam unit siklon apabila ia tersumbat. Meneruskan penggunaan dalam keadaan tersumbat boleh menyebabkan kepanasan atau kerosakan motor.

NOTIS: Jangan tiupkan habuk yang melekat pada pembersih dan penapis dengan pengabuk udara. Ia membawa habuk ke dalam perumah dan menyebabkan kegagalan.

Penyelenggaraan berkala diperlukan untuk memulihkan keadaan operasi biasa.

Badan pembersih

Lap bahagian luar (badan pembersih) pembersih menggunakan kain yang dilembapkan dalam air sabun, dan bersihkan bukaan sedutan.

► Rajah21

Unit siklon dan penapis

NOTIS: Bersihkan habuk dan bersihkan di dalam unit siklon dan penapis, apabila prestasi sedutan menjadi kurang berkesan tanpa mengira jumlah habuk yang terkumpul di dalam bekas habuk.

NOTIS: Selepas mencuci penapis, keringkan sepenuhnya sebelum digunakan. Penapis yang tidak dikeringkan secukupnya boleh menyebabkan sedutan yang lemah dan memendekkan hayat perkhidmatan motor.

NOTIS: Selepas membersihkan penapis dan helaian span, pastikan untuk memasang semula penapis sebelum digunakan. Jika anda menggunakan pembersih tanpa penapis dan helaian span, habuk masuk ke dalam perumah motor dan menyebabkan pincang tugas.

Unit siklon

1. Ketuk unit siklon beberapa kali dengan tangan anda untuk mengeluarkan habuk yang melekat pada permukaan dalam unit siklon dan penapis.

► Rajah22: 1. Unit siklon

2. Dengan salur masuk sedutan menghala ke bawah, pusingkan unit siklon seperti yang ditunjukkan dalam rajah, laraskan penunjuk pada unit siklon dengan penunjuk pada badan pembersih untuk membuka kunci. Kemudian, tanggalkan unit siklon daripada badan pembersih secara perlahan-lahan dan lurus.

► Rajah23: 1. Unit siklon 2. Salur masuk sedutan 3. Penunjuk 4. Penapis

NOTA: Habuk mungkin terbang keluar apabila unit siklon dibuka. Anda disyorkan agar meletakkan beg sampah di bawah unit siklon.

3. Bersihkan habuk di dalam unit siklon dan penapis.

► Rajah24

4. Letakkan kembali unit siklon pada badan pembersih, laraskan penunjuk pada unit siklon dengan penunjuk pada badan pembersih. Kemudian, pusingkan unit siklon seperti yang ditunjukkan dalam rajah sehingga ia terletak pada tempatnya.

► Rajah25: 1. Unit siklon 2. Badan pembersih 3. Penunjuk

Penapis prestasi tinggi

Aksesori pilihan

1. Tanggalkan unit siklon daripada badan pembersih.

2. Pegang hujung pelekap penapis prestasi tinggi dan tarik ia daripada badan pembersih.

► Rajah26: 1. Penapis prestasi tinggi 2. Badan pembersih

3. Lap dan goncang keluar habuk daripada penapis prestasi tinggi dengan tangan.

► Rajah27

4. Basuh penapis prestasi tinggi dalam air sabun apabila ia tersumbat dengan habuk dan kotoran. Keringkan ia sepenuhnya di bawah tempat redup sebelum digunakan.

► Rajah28

NOTA: Elakkan daripada memasang hujung pemasangan (gelang pengedap getah) penapis prestasi tinggi apabila menggantungkan penapis tersebut untuk dikeringkan.

5. Pegang hujung pelekap penapis prestasi tinggi dan picit kembali ke dalam badan pembersih.

► Rajah29: 1. Penapis prestasi tinggi 2. Badan pembersih

Penapis HEPA

Aksesori pilihan

NOTIS: Jangan gosok atau calarkan penapis HEPA dengan objek keras seperti berus dan sudip.

1. Tanggalkan unit siklon daripada badan pembersih.

2. Pegang hujung pelekap penapis HEPA (yang ditutup dengan penapis awal prestasi tinggi) dan tarik ia daripada badan pembersih.

► Rajah30: 1. Penapis HEPA (yang ditutup dengan penapis awal prestasi tinggi) 2. Badan pembersih

3. Tanggalkan penapis awal prestasi tinggi daripada penapis HEPA dengan memusingkan tangan.

► **Rajah31:** 1. Penapis awal prestasi tinggi 2. Penapis HEPA

4. Lap dan goncang keluar habuk daripada penapis awal prestasi tinggi dan penapis HEPA dengan tangan.

► **Rajah32**

5. Basuh penapis awal prestasi tinggi dan penapis HEPA dalam air sabun. Bilas dan keringkan penapis tersebut sepenuhnya di bawah tempat redup sebelum digunakan.

► **Rajah33**

NOTA: Elakkan daripada memasang hujung pemasangan (gelang pendedap getah) penapis HEPA apabila menggantung penapis tersebut untuk dikeringkan.

6. Pasangkan penapis awal prestasi tinggi kepada penapis HEPA.

► **Rajah34:** 1. Penapis awal prestasi tinggi 2. Penapis HEPA

7. Pegang hujung pelekap penapis HEPA (yang ditutup dengan penapis awal prestasi tinggi) dan picit kembali ke dalam badan pembersih.

► **Rajah35:** 1. Penapis HEPA (yang ditutup dengan penapis awal prestasi tinggi) 2. Badan pembersih

Helaian span

1. Tanggalkan unit siklon daripada badan pembersih.

2. Pegang hujung pelekap penapis dan tarik ia daripada badan pembersih.

► **Rajah36:** 1. Penapis 2. Badan pembersih

3. Tarik keluar helaian span daripada bukaan sedutan.

► **Rajah37:** 1. Helaian span 2. Bukaan sedutan

4. Lap dan goncang keluar habuk daripada helaian span dengan tangan.

► **Rajah38**

5. Basuh helaian span dalam air sabun apabila ia tersumbat dengan habuk dan kotoran. Keringkan ia sepenuhnya di bawah tempat redup sebelum digunakan.

► **Rajah39**

6. Letakkan kembali helaian span ke kedudukan asal. Pastikan tepi kiri dan kanan helaian span diikat dengan penahan dan tiada jurang antara helaian span dengan bukaan sedutan.

► **Rajah40:** 1. Helaian span 2. Penahan 3. Bukaan sedutan

7. Pegang hujung pelekap penapis dan picitkan kembali ke dalam badan pembersih.

► **Rajah41:** 1. Penapis 2. Badan pembersih

Penyelenggaraan berasaskan keadaan

NOTIS: Bersihkan penapis jaring dalam unit siklon apabila ia tersumbat. Meneruskan penggunaan dalam keadaan tersumbat boleh menyebabkan kepanasan atau kerosakan motor.

Pembersihan menyeluruh perlu dilakukan mengikut prestasi alat anda.

Penapis jaring

Apabila bekas habuk menjadi kotor atau penapis jaring tersumbat, keluarkan dan basuh ia dengan air. (Rujuk pada "Pembuangan habuk" untuk prosedur mengeluarkan.)

1. Pegang bekas habuk dengan kuat, dan tarik daripada badan siklon sambil menekan dan menahan butang pelepas pada kedua-dua belah bekas habuk.
► **Rajah42:** 1. Bekas habuk 2. Badan siklon 3. Butang pelepas

2. Pusingkan penapis jaring seperti yang ditunjukkan dalam rajah untuk membuka kunci. Kemudian, tanggalkan penapis daripada badan siklon.

► **Rajah43:** 1. Penapis jaring

3. Buka penapis jaring kepada tiga komponen: penapis awal, penapis span tiub dan paip jaring.

i Picit penahan panduan di atas paip jaring bersama-sama.

ii Masukkan penahan panduan ke bawah melalui lubang panduan di atas penapis awal.

iii Tarik penapis awal sepanjang penapis span tiub dan paip jaring.

iv Keluarkan penapis span tiub daripada paip jaring.

► **Rajah44:** 1. Penapis awal 2. Penapis span tiub 3. Paip jaring 4. Penahan panduan 5. Lubang panduan

4. Lap dan goncang keluar habuk daripada penapis dan paip jaring dengan tangan.

► **Rajah45**

5. Basuh penapis dan paip jaring dalam air sabun apabila ia tersumbat dengan habuk dan kotoran. Keringkan penapis dan paip jaring sepenuhnya di bawah tempat redup sebelum digunakan.

► **Rajah46**

6. Pasang semula penapis jaring.

i Masukkan penapis span tiub ke dalam penapis awal.

ii Masukkan paip jaring ke dalam penapis span tiub dan penapis awal, masukkan penahan panduan di atas paip jaring melalui lubang panduan di atas penapis awal.

iii Tolak paip jaring melalui penapis span tiub dan penapis awal sehingga ia terkunci di tempatnya dengan satu klik.

► **Rajah47:** 1. Penapis awal 2. Penapis span tiub 3. Paip jaring 4. Penahan panduan 5. Lubang panduan

7. Pasang semula penapis jaring ke dalam badan siklon dengan melaraskan cangkuk pada penapis jaring dengan port pada saluran keluar sedutan badan siklon. Pusingkan penapis jaring seperti yang ditunjukkan dalam rajah sehingga cangkuk dikunci dengan satu klik. Pastikan bahawa penapis jaring dipasang dengan kukuh.

- **Rajah48:** 1. Penapis jaring 2. Badan siklon
3. Cangkuk 4. Port

Saluran udara di dalam unit siklon

Bahan asing yang masuk boleh menyekat saluran udara di dalam unit siklon dan membebankan aliran udara. Keluarkan sebarang halangan di dalam laluan udara jika prestasi sedutan terjejas dengan ketara.

1. Buka unit siklon kepada tiga komponen: bekas habuk, penapis jaring dan badan siklon.

- **Rajah49:** 1. Bekas habuk 2. Penapis jaring
3. Badan siklon 4. Badan pembersih

2. Tekan dan tahan penahan panduan pada paip masukan ke bawah melalui lubang pengunci pada badan siklon menggunakan alat tangan dengan mata. Kemudian, tanggalkan paip masukan daripada badan siklon.

- **Rajah50:** 1. Paip masukan 2. Penahan panduan
3. Badan siklon 4. Lubang pengunci

3. Bersihkan sebarang bahan yang terdapat dalam saluran udara.

Bahan asing berkemungkinan tersekat di sekitar port udara masuk.

- **Rajah51:** 1. Salur masuk sedutan 2. Port udara masuk

4. Masukkan semula paip masukan ke tempatnya sehingga ia dikunci dengan baik.

- **Rajah52:** 1. Paip masukan 2. Badan siklon
3. Gelang O 4. Injap kelopak

NOTIS: Pastikan gelang O dan injap kelopak dipasang pada tempatnya sebelum dipasang semula. Prestasi sedutan boleh terjejas jika unit siklon dikendalikan tanpa gelang O dan injap kelopak pada tempatnya.

5. Pasang semula unit siklon, dan pasangkan pada badan pembersih.

Menyelesaikan masalah

Sebelum meminta pembaikan, periksa perkara berikut.

Gejala	Kawasan yang perlu disiasat	Kaedah pemasangan
Kuasa sedutan lemah	Adakah bekas habuk atau di dalam unit siklon penuh dengan habuk?	Kosongkan bekas habuk atau bahagian dalam unit siklon.
	Adakah penapis tersumbat?	Bersihkan habuk atau basuh penapis prestasi tinggi/penapis HEPA/helaian span/penapis jaring.
	Adakah apa-apa yang menyekat saluran udara masuk?	Bersihkan sebarang habuk dan objek daripada bukaan dan saluran udara.
	Adakah kartrij bateri ternyahcas?	Cas kartrij bateri.
Tidak berfungsi	Adakah kartrij bateri ternyahcas?	Cas kartrij bateri.
Hingar dan getaran	Adakah penapis tersumbat?	Bersihkan habuk atau basuh penapis prestasi tinggi/penapis HEPA/helaian span/penapis jaring.
	Adakah apa-apa yang menghalang bukaan atau lubang?	Bersihkan sebarang habuk dan objek daripada muncung, paip dan bukaan udara.
	Adakah salur masuk sedutan bagi muncung atau paip tertutup?	Redahkan dan buka salur masuk sedutan bagi muncung dan paip.

PERHATIAN: Jangan cuba untuk membaiki sendiri pembersih.

AKSESORI PILIHAN

⚠️ PERHATIAN: Aksesori-aksesori atau lampiran-lampiran ini adalah disyorkan untuk digunakan dengan alat Makita anda yang ditentukan dalam manual ini. Penggunaan mana-mana aksesori-aksesori atau lampiran-lampiran lain mungkin mengakibatkan risiko kecederaan kepada orang. Hanya gunakan aksesori atau lampiran untuk tujuan yang dinyatakannya.

Jika anda memerlukan sebarang bantuan untuk maklumat lebih lanjut mengenai aksesori ini, tanya Pusat Perkhidmatan Makita tempatan anda.

- Tongkat sambungan (Paip lurus)
- Muncung
- Muncung untuk permaidani
- Berus para-para
- Muncung serong
- Berus bulat
- Hos fleksibel
- Penapis prestasi tinggi
- Penapis HEPA
- Muncung tempat duduk
- Muncung celah
- Unit siklon
- Beg alar
- Bateri dan pengecas asli Makita

NOTA: Beberapa item dalam senarai mungkin disertakan dalam pakej alat sebagai aksesori standard. Item mungkin berbeza mengikut negara.

CẢNH BÁO

- Trẻ em trong độ tuổi từ 8 tuổi trở lên và người suy giảm thể chất, giác quan hoặc khả năng trí óc hoặc thiếu kinh nghiệm và kiến thức có thể sử dụng thiết bị này nếu họ được giám sát hoặc hướng dẫn sử dụng thiết bị an toàn và hiểu được những tác hại nguy hiểm khi sử dụng.
- Trẻ em không được nghịch thiết bị. Không nên để trẻ em thực hiện vệ sinh và bảo dưỡng mà không có sự giám sát.
- Xem chương “THÔNG SỐ KỸ THUẬT” để biết loại tham chiếu dành cho pin.
- Xem phần “Lắp hoặc tháo hộp pin” để biết cách tháo hoặc lắp pin.
- Khi vứt bỏ hộp pin, hãy tháo chúng khỏi dụng cụ và thải bỏ ở nơi an toàn. Phải tuân thủ theo các quy định của địa phương liên quan đến việc thải bỏ pin.
- Nếu dụng cụ không được sử dụng trong một thời gian dài, cần phải tháo pin ra khỏi dụng cụ.
- Không để hộp pin ở tình trạng đoản mạch.
- Xem chương “BẢO DƯỠNG” để biết các chi tiết thích hợp về các biện pháp phòng ngừa trong quá trình bảo dưỡng của người dùng.

THÔNG SỐ KỸ THUẬT

Kiểu máy:	DCL286F	
Dung lượng	250 mL / 400 mL (tùy theo quốc gia)	
Tiếp tục sử dụng (với pin BL1830B)	1 (Chế độ im lặng)	Khoảng 38 phút
	2 (Chế độ tốc độ bình thường)	Khoảng 21 phút
	3 (Chế độ tốc độ cao)	Khoảng 15 phút
	4 (Chế độ tốc độ tối đa)	Khoảng 8 phút
Chiều dài tổng thể (có ống, vòi phun và pin BL1830B)	1.106 mm	
Điện áp định mức	18 V một chiều	
Khối lượng tịnh	1,6 - 2,0 kg	

- Do chương trình nghiên cứu và phát triển liên tục của chúng tôi nên các thông số kỹ thuật trong đây có thể thay đổi mà không cần thông báo trước.
- Các thông số kỹ thuật có thể thay đổi tùy theo từng quốc gia.
- Khối lượng không bao gồm các phụ kiện, ngoại trừ (các) hộp pin. Khối lượng kết hợp nhẹ nhất, nặng nhất của thiết bị và (các) hộp pin được thể hiện như trong bảng.

Hộp pin và sạc pin có thể áp dụng

Hộp pin	BL1815N / BL1820B / BL1830B / BL1840B / BL1850B / BL1860B
Bộ sạc	DC18RC / DC18RD / DC18RE / DC18SD / DC18SE / DC18SF / DC18SH / DC18WC

- Một số hộp pin và sạc pin được nêu trong danh sách ở trên có thể không khả dụng tùy thuộc vào khu vực cư trú của bạn.

⚠ CẢNH BÁO: Chỉ sử dụng hộp pin và sạc pin được nêu trong danh sách ở trên. Việc sử dụng bất cứ hộp pin và sạc pin nào khác có thể gây ra thương tích và/hoặc hỏa hoạn.

Ký hiệu

Phần dưới đây cho biết các ký hiệu có thể được dùng cho thiết bị. Đảm bảo rằng bạn hiểu rõ ý nghĩa của các ký hiệu này trước khi sử dụng.



Đọc tài liệu hướng dẫn.



Pin đại diện áp dụng cho sản phẩm này.



Ni-MH
Li-ion

Chỉ dành cho các quốc gia EU
Do có các thành phần nguy hiểm bên trong thiết bị điện và điện tử, ắc quy và pin thải bỏ nên có thể có tác động không tốt đến môi trường và sức khỏe con người.
Không vứt bỏ rác thiết bị điện và điện tử hoặc pin với rác thải sinh hoạt!
Theo Chỉ thị của Châu Âu về thiết bị điện và điện tử thải bỏ và về pin và ắc quy và pin và ắc quy thải bỏ, cũng như sự thích ứng của chúng với luật pháp quốc gia, các thiết bị điện, pin và ắc quy thải phải được cất giữ riêng biệt và chuyển đến một điểm thu gom rác thải đô thị riêng, hoạt động theo các quy định về bảo vệ môi trường. Điều này được biểu thị bằng biểu tượng thùng rác có bánh xe gạch chéo được đặt trên thiết bị.

Mục đích sử dụng

Dụng cụ này được dùng để gom bụi khô.

CẢNH BÁO AN TOÀN

Cảnh báo an toàn cho máy hút bụi chạy pin

⚠ CẢNH BÁO: LƯU Ý ĐỌC KỸ tất cả các cảnh báo an toàn và các hướng dẫn **TRƯỚC KHI SỬ DỤNG**. Việc không tuân theo các cảnh báo và hướng dẫn có thể dẫn đến điện giật, hỏa hoạn và/hoặc thương tích nghiêm trọng.

1. Không được tiếp xúc với mưa. Cất giữ trong nhà.
2. Không được phép sử dụng thiết bị như là đồ chơi. Cần chú ý kỹ khi sử dụng bởi hoặc gần trẻ em.
3. Chỉ sử dụng theo mô tả trong sách hướng dẫn này. Chỉ sử dụng các phụ tùng được khuyến nghị của nhà sản xuất.
4. Không sử dụng khi pin đã hỏng. Nếu thiết bị hoạt động không đúng cách, bị rơi, bị hư hỏng, để ngoài trời, hoặc bị rơi vào nước, hãy đưa về trung tâm bảo hành.
5. Không sử dụng thiết bị khi tay ướt.
6. Không đưa bất cứ vật gì vào trong miệng máy. Không sử dụng khi miệng máy bị kẹt; giữ máy khỏi bụi, xơ vải, tóc hay bất cứ thứ gì có thể làm giảm lưu lượng dòng khí.

7. Giữ cho tóc, quần áo rộng, ngón tay, và tất cả các bộ phận của cơ thể tránh xa phần miệng máy và các bộ phận chuyển động.
8. Tắt tất cả điều khiển trước khi tháo pin.
9. Sử dụng cẩn thận khi làm sạch trên các bậc thang.
10. Không sử dụng để hút chất lỏng để bắt lửa hoặc dễ cháy như xăng, hoặc sử dụng trong các khu vực có thể có chúng.
11. Chỉ sử dụng bộ sạc được cung cấp bởi nhà sản xuất để sạc.
12. Không hút bất cứ thứ gì đang cháy hoặc bốc khói, như thuốc lá, diêm, hoặc tro nóng.
13. Không sử dụng khi không có túi chứa bụi và/hoặc các bộ lọc đúng vị trí.
14. Không sạc pin ở ngoài trời.
15. Chỉ sạc pin lại với bộ sạc do nhà sản xuất quy định. Bộ sạc phù hợp với một loại bộ pin này có thể gây ra nguy cơ hỏa hoạn khi được dùng cho một bộ pin khác.
16. Chỉ sử dụng thiết bị với các bộ pin được quy định cụ thể. Việc sử dụng bất cứ bộ pin nào khác có thể gây ra nguy cơ thương tích và hỏa hoạn.
17. Khi không sử dụng (bộ) pin, hãy giữ tránh xa các đồ vật khác bằng kim loại, chẳng hạn như kẹp giấy, tiền xu, chìa khóa, đinh, ốc vít hoặc các vật nhỏ bằng kim loại mà có thể làm nối tất các đầu cực pin.
18. Trong điều kiện sử dụng quá mức, pin có thể bị chảy nước; hãy tránh tiếp xúc. Nếu vô tình tiếp xúc với pin bị chảy nước, hãy rửa sạch bằng nước.
19. Không sử dụng bộ pin hoặc thiết bị có hư hỏng hoặc đã bị sửa đổi. Pin đã bị hư hỏng hoặc đã bị sửa đổi có thể hành động theo cách không thể đoán trước dẫn đến cháy, nổ hoặc nguy cơ thương tích.
20. Không để bộ pin hoặc thiết bị tiếp xúc với lửa hoặc nhiệt độ quá cao. Tiếp xúc với lửa hoặc nhiệt độ trên 130 °C có thể gây ra cháy nổ.
21. Làm theo tất cả hướng dẫn sạc pin và không được sạc bộ pin hoặc thiết bị vượt giới hạn nhiệt độ quy định trong hướng dẫn. Sạc pin không đúng hoặc ở nhiệt độ vượt giới hạn nhiệt độ có thể gây hư hỏng cho pin và làm tăng nguy cơ cháy.

LƯU GIỮ CÁC HƯỚNG DẪN NÀY.

CÁC QUY ĐỊNH AN TOÀN BỔ SUNG

Thiết bị này chỉ dùng trong gia đình.

1. Đọc kỹ tài liệu hướng dẫn này và tài liệu hướng dẫn sạc pin trước khi sử dụng.
2. Không hút những vật chất sau:
 - Các chất nóng đang cháy hoặc bốc khói (thuốc lá, diêm, que nhang, nến, tro nóng), tia lửa và bụi kim loại phát sinh do cắt hoặc nghiền kim loại, v.v...
 - Chất lỏng dễ cháy (dầu mỡ, xăng, dung môi như ét xăng, chất pha loãng, v.v...)

- **Vật liệu dễ cháy** (mực, sơn, bình xịt, v.v...)
- **Các chất gây nổ hoặc tự bốc cháy** (nitroglycerin, nhôm, magiê, titan, kẽm, phốt pho đỏ, phốt pho vàng, celluloid, v.v... và bụi, khí hoặc hơi của chúng)
- **Chất lỏng, dầu, bụi ướt hoặc rác ẩm, bao gồm chất nôn và chất bài tiết**
- **Những mảnh cứng với cạnh sắc nhọn** (dầm gỗ, kim loại, đá, kính, đinh, chốt, dao cạo hoặc bộ đồ ăn)
- **Bột mịn làm đông và dẫn điện** (bột kim loại hoặc cacbon)
- **Bột như chất làm sạch thân, v.v...** (chúng có thể gây nổ hoặc hỏa hoạn)
- **Lượng bột lớn** (bột mì, bột cho bình chữa cháy, v.v...)
- **Các chất gây ra triệu chứng độc hại**
- **Hóa chất mạnh** (axit, kiềm, v.v...)
- **Bột liên kết mịn như xi măng**
- **Hạt mịn như bụi bê tông**
- **Chất hút ẩm**
- **Amiăng**
- **Thuốc trừ sâu**

Những hành động như vậy có thể gây ra hỏa hoạn, thương tích và/hoặc thiệt hại tài sản. Để giảm tiếp xúc với những hóa chất này, luôn đeo thiết bị bảo vệ hô hấp đã được phê duyệt như mặt nạ chống bụi được thiết kế đặc biệt để lọc các hạt cực nhỏ. Hướng khí xả cách xa khỏi mặt và cơ thể của bạn.

3. **Ngừng vận hành ngay lập tức nếu bạn nhận thấy bất cứ điều gì bất thường.**
4. **Nếu bạn làm rơi hoặc va đập máy, hãy kiểm tra cẩn thận xem máy hút bụi có bị nứt hoặc bị hư hỏng hay không trước khi vận hành.**
5. **Không mang lại gần bếp lò hoặc các nguồn nhiệt khác.**
6. **Không chặn lỗ ra vào và các lỗ thông hơi.**

LƯU GIỮ CÁC HƯỚNG DẪN NÀY.

Hướng dẫn quan trọng về an toàn dành cho hộp pin

1. **Trước khi sử dụng hộp pin, hãy đọc kỹ tất cả các hướng dẫn và dấu hiệu cảnh báo trên (1) bộ sạc pin, (2) pin và (3) sản phẩm sử dụng pin.**
2. **Không tháo rời hoặc làm thay đổi hộp pin.** Việc này có thể dẫn đến hỏa hoạn, quá nhiệt hoặc nổ.
3. **Nếu thời gian vận hành ngắn hơn quá mức, hãy ngừng vận hành ngay lập tức.** Điều này có thể dẫn đến rủi ro quá nhiệt, có thể gây bỏng và thậm chí là nổ.
4. **Nếu chất điện phân rơi vào mắt, hãy rửa sạch bằng nước sạch và đến cơ sở y tế ngay lập tức.** Chất này có thể khiến bạn giảm thị lực.
5. **Không để hộp pin ở tình trạng đoản mạch:**
 - (1) **Không chạm vào cực pin bằng vật liệu dẫn điện.**
 - (2) **Tránh cất giữ hộp pin trong hộp có các vật kim loại khác như đinh, tiền xu, v.v...**

- (3) **Không được để hộp pin tiếp xúc với nước hoặc mưa.**

Đoản mạch pin có thể gây ra dòng điện lớn, quá nhiệt, có thể gây bỏng và thậm chí là hỏa hoạn.

6. **Không cất giữ cũng như sử dụng dụng cụ và hộp pin ở nơi nhiệt độ có thể lên tới hoặc vượt quá 50 °C (122 °F).**
7. **Không đốt hộp pin ngay cả khi hộp pin đã bị hư hại nặng hoặc hư hỏng hoàn toàn. Hộp pin có thể nổ khi tiếp xúc với lửa.**
8. **Không đóng đinh, cắt, nghiền nát, ném, làm rơi hộp pin hoặc va vật cứng vào hộp pin.** Làm như thế có thể dẫn đến hỏa hoạn, quá nhiệt hoặc nổ.
9. **Không sử dụng pin đã hỏng.**
10. **Pin nén lithium-ion là đối tượng có yêu cầu bắt buộc theo Luật Hàng hoá Nguy hiểm.** Đối với vận tải thương mại, ví dụ như vận tải do bên thứ ba, đại lý giao nhận, thì yêu cầu đặc biệt về đóng gói và nhãn ghi phải được giám sát. Đề chuẩn bị cho mặt hàng cần vận chuyển, cần phải tham khảo ý kiến chuyên gia về vật liệu nguy hiểm. Nếu được, vui lòng tuân thủ các quy định quốc gia chi tiết hơn. Buộc hoặc niêm phong các tiếp điểm mở và đóng gói pin theo cách đó để nó không thể di chuyển trong bao bì.
11. **Khí vượt bộ hộp pin, hãy tháo chúng khỏi dụng cụ và thải bỏ ở nơi an toàn. Phải tuân thủ theo các quy định của địa phương liên quan đến việc thải bỏ pin.**
12. **Chỉ sử dụng pin cho các sản phẩm Makita chỉ định.** Lắp pin vào sản phẩm không thích hợp có thể gây ra hỏa hoạn, quá nhiệt, nổ, hoặc rò chất điện phân.
13. **Nếu dụng cụ không được sử dụng trong một thời gian dài, cần phải tháo pin ra khỏi dụng cụ.**
14. **Trong và sau khi sử dụng, hộp pin có thể bị nóng, có thể gây bỏng hoặc bỏng ở nhiệt độ thấp. Chú ý xử lý hộp pin nóng.**
15. **Không chạm vào điện cực của dụng cụ ngay sau khi sử dụng vì điện cực đủ nóng để gây bỏng.**
16. **Không để vận bào, bụi hoặc đất bám vào các điện cực, lỗ và rãnh của hộp pin.** Điều này có thể làm nóng, bắt lửa, nổ và gây trục trặc cho dụng cụ hoặc hộp pin, dẫn đến bỏng hoặc thương tích cả nhân.
17. **Trừ khi dụng cụ hỗ trợ sử dụng gần đường dây điện cao thế, không sử dụng hộp pin gần đường dây điện cao thế.** Việc này có thể dẫn đến trục trặc hoặc hỏa hoạn dụng cụ hay hộp pin.
18. **Giữ pin tránh xa trẻ em.**

LƯU GIỮ CÁC HƯỚNG DẪN NÀY.

⚠ THẬN TRỌNG: Chỉ sử dụng pin Makita chính hãng. Việc sử dụng pin không chính hãng Makita, hoặc pin đã được sửa đổi, có thể dẫn đến nổ pin gây ra cháy, thương tích và thiệt hại cả nhân. Nó cũng sẽ làm mất hiệu lực bảo hành của Makita dành cho dụng cụ của Makita và bộ sạc.

Mẹo duy trì tuổi thọ tối đa cho pin

1. Sạc hộp pin trước khi pin bị xả điện hoàn toàn. Luôn dừng việc vận hành dụng cụ và sạc pin khi bạn nhận thấy công suất dụng cụ bị giảm.
2. Không được phép sạc lại một hộp pin đã được sạc đầy. Sạc quá mức sẽ làm giảm tuổi thọ của pin.
3. Sạc pin ở nhiệt độ phòng 10°C - 40°C. Để cho hộp pin nóng nguội lại dần trước khi sạc pin.
4. Khi không sử dụng hộp pin, hãy tháo hộp pin ra khỏi dụng cụ hoặc bộ sạc.
5. Sạc pin sau tháng một lần nếu bạn không sử dụng dụng cụ trong một thời gian dài (hơn sáu tháng).

MÔ TẢ CHỨC NĂNG

⚠ THẬN TRỌNG: Luôn đảm bảo rằng đã tắt dụng cụ và tháo hộp pin ra trước khi thực hiện việc điều chỉnh hoặc kiểm tra chức năng trên dụng cụ.

⚠ THẬN TRỌNG: Cẩn thận để không vướng (các) ngón tay vào giữa máy hút bụi và pin như minh họa trong biểu đồ khi nạp pin. Vướng (các) ngón tay vào có thể gây ra thương tích.

► Hình 1

Lắp hoặc tháo hộp pin

⚠ THẬN TRỌNG: Luôn tắt dụng cụ trước khi lắp hoặc tháo hộp pin.

⚠ THẬN TRỌNG: Giữ dụng cụ và hộp pin thật chắc khi lắp hoặc tháo hộp pin. Không giữ dụng cụ và hộp pin thật chắc có thể làm trượt chúng khỏi tay và làm hư hỏng dụng cụ và hộp pin hoặc gây thương tích cá nhân.

Để tháo hộp pin, vừa trượt pin ra khỏi dụng cụ vừa đẩy trượt nút ở phía trước hộp pin.

► Hình 2: 1. Chỉ báo màu đỏ 2. Nút 3. Hộp pin

Để lắp hộp pin, đặt thẳng hàng phần chốt nhô ra của hộp pin vào phần rãnh nằm trên vỏ và trượt hộp pin vào vị trí. Đưa hộp pin vào hết mức cho đến khi chốt khóa vào đúng vị trí với một tiếng cách nhẹ. Nếu bạn có thể nhìn thấy chỉ báo màu đỏ như thể hiện trong hình, điều đó có nghĩa vẫn chưa được khóa hoàn toàn.

⚠ THẬN TRỌNG: Luôn lắp hộp pin khớp hoàn toàn vào vị trí cho đến khi không thể nhìn thấy chỉ báo màu đỏ. Nếu không, hộp pin có thể vô tình rơi ra khỏi dụng cụ, gây thương tích cho bạn hoặc người khác xung quanh.

⚠ THẬN TRỌNG: Không được dùng sức lắp hộp pin. Nếu hộp pin không nhẹ nhàng trượt vào vị trí, có nghĩa là pin vẫn chưa được lắp đúng.

Hệ thống bảo vệ dụng cụ / pin

Dụng cụ này được trang bị hệ thống bảo vệ dụng cụ / pin. Hệ thống này sẽ tự động ngắt nguồn điện động cơ để kéo dài tuổi thọ dụng cụ và pin. Dụng cụ sẽ tự động dừng vận hành khi dụng cụ hoặc pin ở một trong những trường hợp sau đây.

Quá tải:

Dụng cụ/pin được vận hành theo cách gây ra dòng điện cao bất thường.

Trong trường hợp này, hãy tắt dụng cụ và ngừng ứng dụng làm cho dụng cụ trở nên quá tải. Sau đó bật dụng cụ lên để khởi động lại.

Bị quá nhiệt:

Dụng cụ/pin bị quá nhiệt. Trong tình huống này, hãy để dụng cụ/pin nguội trở lại trước khi bật dụng cụ lại.

Điện thế pin thấp:

Dung lượng pin còn lại quá thấp và dụng cụ sẽ không hoạt động. Trong tình huống này, hãy tháo và sạc pin lại.

Bảo vệ chống lại các nguyên nhân khác:

Hệ thống bảo vệ cũng được thiết kế để chống lại các nguyên nhân khác có thể làm hỏng dụng cụ và cho phép dụng cụ tự động dừng. Thực hiện tất cả các bước sau đây để loại bỏ các nguyên nhân, khi dụng cụ đã được tạm dừng hoặc ngừng hoạt động.

1. Tắt dụng cụ, sau đó bật lại lần nữa để khởi động lại.
2. Sạc (các) pin hoặc thay pin/các pin bằng (các) pin đã sạc.
3. Để dụng cụ và (các) pin nguội dần.

Nếu không thấy cải thiện bằng cách khôi phục hệ thống bảo vệ, hãy liên hệ với Trung tâm Dịch vụ Makita tại địa phương của bạn.

Chỉ báo dung lượng pin còn lại

Chỉ dành cho hộp pin có đèn chỉ báo

► Hình 3: 1. Các đèn chỉ báo 2. Nút Check (kiểm tra)

Ấn nút check (kiểm tra) trên hộp pin để chỉ báo dung lượng pin còn lại. Các đèn chỉ báo bật sáng lên trong vài giây.

Các đèn chỉ báo			Dung lượng còn lại
Bật sáng	Tắt	Nhấp nháy	
■ ■ ■ ■			75% đến 100%
■ ■ ■ □			50% đến 75%
■ ■ □ □			25% đến 50%
■ □ □ □			0% đến 25%
▬ □ □ □			Sạc pin.
■ ■ □ □			Pin có thể đã bị hỏng.
□ □ ■ ■			

LƯU Ý: Tùy thuộc vào các điều kiện sử dụng và nhiệt độ xung quanh, việc chỉ báo có thể khác biệt một chút so với dung lượng thực sự.

LƯU Ý: Đèn chỉ báo (phía xa bên trái) đầu tiên sẽ nhấp nháy khi hệ thống bảo vệ pin hoạt động.





Hoạt động công tắc

► **Hình4:** 1. Nút thay đổi lực hút 2. Nút BẬT/TẮT

Để khởi động máy hút bụi, chỉ cần nhấn nút BẬT/TẮT.

Để tắt, nhấn lại nút BẬT/TẮT.

Bạn có thể thay đổi lực hút của máy hút bụi theo bốn bước bằng cách nhấn nút thay đổi lực hút. Mỗi lần nhấn vào nút này sẽ lập lại chế độ Im lặng/Bình thường/Cao/Tối đa theo chu kỳ.

Cấp độ	Chỉ định	Chế độ
1		Chế độ im lặng
2		Chế độ tốc độ bình thường
3		Chế độ tốc độ cao
4		Chế độ tốc độ tối đa

LƯU Ý: Bạn có thể thay đổi lực hút trước khi bật máy hút bụi.

LƯU Ý: Máy hút bụi bắt đầu hoạt động với lực hút tương tự ở lần vận hành cuối cùng.

Bật sáng đèn

⚠ THẬN TRỌNG: Đừng nhìn thẳng trực tiếp vào đèn hoặc nguồn sáng.

Để bật đèn, nhấn nút thay đổi lực hút. Đèn sẽ tắt trong khoảng 10 giây.

Trong khi máy hút bụi đang hoạt động, đèn sẽ bật. Đèn sẽ tắt khoảng 10 giây sau khi ngừng hoạt động.

LƯU Ý: Khi dung lượng pin còn lại thấp, đèn bắt đầu nhấp nháy. Thời gian khi đèn bắt đầu nhấp nháy sẽ phụ thuộc vào nhiệt độ nơi làm việc và tình trạng hộp pin.

► **Hình5:** 1. Nút thay đổi lực hút 2. Nút BẬT/TẮT 3. Đèn

MÔ TẢ CÁC BỘ PHẬN

► **Hình6**

1	Hộp chứa bụi 250 mL (Phụ kiện tùy chọn)	2	Hộp chứa bụi 400 mL (Phụ kiện tùy chọn)	3	Bộ lọc dạng lưới	4	Thân ly tâm máy hút bụi
5	Bộ lọc hiệu suất cao (Khung bộ lọc màu xám) (Phụ kiện tùy chọn)	6	Bộ lọc HEPA (Khung bộ lọc màu trắng) (Phụ kiện tùy chọn)	7	Tám bột biển	8	Thân máy hút bụi
9	Dây đeo tay (Tùy theo quốc gia)	-	-	-	-	-	-

LẮP RÁP

⚠ THẬN TRỌNG: Luôn đảm bảo rằng đã tắt dụng cụ và tháo hộp pin ra trước khi thực hiện bất cứ thao tác nào trên dụng cụ.

CHÚ Ý: Đảm bảo rằng tất cả phụ tùng và các bộ phận được cố định đúng vị trí trước khi sử dụng.

Lắp đặt và tháo các phụ tùng máy hút bụi

⚠ THẬN TRỌNG: Sau khi lắp đặt các phụ tùng, hãy kiểm tra xem chúng đã được lắp đặt chắc chắn chưa. Nếu các phụ tùng được lắp không chắc chắn, chúng có thể rơi ra và gây thương tích cá nhân.

⚠ THẬN TRỌNG: Hãy cẩn thận đừng để tay bạn đập vào tường, v.v... khi tháo các phụ tùng.

Khi sử dụng phụ tùng có chức năng khóa

Để lắp đặt phụ tùng, hãy lắp phụ tùng vào ngõ vào đầu hút của máy hút bụi cho đến khi có tiếng cách. Đảm bảo rằng phụ tùng đã được khóa.

► **Hình7:** 1. Ngõ vào đầu hút 2. Phụ tùng có chức năng khóa 3. Móc treo 4. Nút nhà

CHÚ Ý: Khi lắp đặt phụ tùng có chức năng khóa, đảm bảo căn chỉnh nút nhà trên máy hút bụi bằng móc trên phụ tùng. Nếu chúng không được căn chỉnh, phụ tùng sẽ không được khóa lại và có thể rơi khỏi máy hút bụi.

Để tháo phụ tùng, kéo nó ra khỏi máy hút bụi trong khi nhấn và giữ cần của nút nhà.

► **Hình8:** 1. Nút nhà 2. Cần của nút nhà 3. Phụ tùng có chức năng khóa 4. Ngõ vào đầu hút

Khi sử dụng phụ tùng không có chức năng khóa

CHÚ Ý: Để lắp đặt phụ tùng không có chức năng khóa, hãy lắp phụ tùng vào ngõ vào đầu hút của máy hút bụi bằng cách vận phụ tùng như minh họa trong hình. Để tháo phụ tùng ra, hãy tách phụ tùng ra khỏi máy hút bụi bằng cách vận phụ tùng như minh họa trong hình. Tránh vận phụ tùng theo hướng ngược lại với mũi tên như trong hình vì nó có thể làm lỏng bộ phận ly tâm máy hút bụi.

► Hình9

VẬN HÀNH

⚠ THẬN TRỌNG: Không đưa mặt của bạn đến gần lỗ thông hơi khi đang vận hành máy hút bụi. Nếu vật lạ bị thổi vào mắt, có thể dẫn đến thương tích cá nhân.

CHÚ Ý: Tránh sử dụng máy hút bụi ở vị trí nằm ngang hoặc hướng lên trên. Nếu không, có thể khiến bộ lọc dạng lưới bị tắc.

CHÚ Ý: Luôn sử dụng máy hút bụi có lắp đặt các bộ lọc. Sử dụng máy hút bụi mà không có bộ lọc có thể dẫn đến trục trặc động cơ.

CHÚ Ý: Đổ hết bụi trong hộp chứa bụi trong bộ phận ly tâm máy hút bụi khi bụi đã tích tụ. Tiếp tục sử dụng sẽ dẫn đến lực hút bị yếu đi.

Bộ phận ly tâm máy hút bụi giúp làm giảm lượng bụi đi vào máy hút bụi, nâng cao hiệu suất hút với thải bụi đơn giản và dễ dàng.

Vệ sinh (Đầu hút)

Vòi xả

Chỉ có hộp chứa bụi 250 mL

Gắn vòi hút để làm sạch bàn, bàn làm việc, đồ nội thất, v.v...Vòi hút trượt rất dễ dàng.

► Hình10: 1. Vòi xả

Vòi hút + Ống nối nối dài (Ống thẳng)

Ống nối dài khi kết với vòi hút và máy hút bụi. Việc bố trí này giúp dễ dàng làm sạch sàn nhà ở vị trí đứng.

► Hình11: 1. Thân máy hút bụi 2. Ống nối nối dài (Ống thẳng) 3. Vòi xả

Vòi phun dạng khuôn

Gắn vòi phun dạng khuôn để làm sạch các góc và kẽ hở của xe hơi hoặc đồ nội thất.

► Hình12: 1. Vòi phun dạng khuôn 2. Thân máy hút bụi

Bạn có thể cất giữ vòi phun dạng khuôn trong giá đỡ vòi phun.

► Hình13: 1. Giá đỡ vòi hút 2. Vòi phun dạng khuôn

⚠ THẬN TRỌNG: Cần thận để không vướng (các) ngón tay giữa vòi phun dạng khuôn và giá đỡ vòi phun. Vướng (các) ngón tay có thể gây ra thương tích.

Vòi phun dạng khuôn + Ống nối nối dài (Ống thẳng)

Ở các góc vuông hẹp nơi mà máy hút bụi không thể đi vào, hoặc ở nơi cao khó với tới, hãy sử dụng bố trí này.

► Hình14: 1. Vòi phun dạng khuôn 2. Ống nối nối dài (Ống thẳng) 3. Thân máy hút bụi

Vệ sinh mà không có vòi hút

Chỉ có hộp chứa bụi 250 mL

Bạn có thể hút bột và bụi mà không cần vòi hút.

► Hình15

Để hút bụi trên sàn khi đang đứng, sẽ thuận tiện hơn nếu gắn ống nối nối dài với máy hút bụi.

► Hình16: 1. Ống nối nối dài (Ống thẳng)

Thải bụi

⚠ THẬN TRỌNG: Làm sạch máy hút bụi trước khi máy trở nên quá đầy, hoặc lực đầu hút yếu.

⚠ THẬN TRỌNG: Cần thận để không vướng (các) ngón tay vào giữa hộp chứa bụi và thân ly tâm máy hút bụi khi lắp ráp lại.

Thải bỏ bụi tích tụ như sau trước khi bụi vượt quá vạch thải bụi.

1. Hướng đầu máy hút bụi xuống dưới, giữ chắc hộp chứa bụi, sau đó kéo nó ra khỏi thân ly tâm máy hút bụi trong khi nhấn và giữ các nút nhà ở cả hai bên của hộp chứa bụi.

► Hình17: 1. Vạch thải bụi 2. Hộp chứa bụi 3. Nút nhà 4. Bộ lọc dạng lưới

2. Đổ hết bụi trong hộp chứa bụi và làm sạch bụi bám trên bộ lọc dạng lưới.

► Hình18

3. Đặt hộp chứa bụi trở lại thân ly tâm máy hút bụi để cố định nó vào vị trí với các tiếng cách.

► Hình19: 1. Hộp chứa bụi 2. Nút nhà 3. Thân ly tâm máy hút bụi

⚠ THẬN TRỌNG: Bụi có thể bay lên khi thải bỏ ra khỏi hộp chứa bụi. Cần thận không để bụi bay vào mắt.

CHÚ Ý: Khi hộp chứa bụi bị bẩn, hãy tháo ra và rửa sạch bằng nước. Lau khô hộp chứa bụi thật kỹ trước khi lắp ráp lại và sử dụng.

CHÚ Ý: Đảm bảo rằng tất cả phụ tùng và các bộ phận được cố định đúng vị trí trước khi sử dụng.

CHÚ Ý: Nếu lực hút không phục hồi ngay cả sau khi thải bỏ bụi và vệ sinh bộ lọc dạng lưới, hãy kiểm tra xem bụi có tích tụ bên trong thân ly tâm máy hút bụi hoặc xảy ra tắc nghẽn hay không.

BẢO TRÌ

⚠ THẬN TRỌNG: Hãy luôn chắc chắn rằng dụng cụ đã được tắt và hộp pin đã được tháo ra trước khi cố gắng thực hiện việc kiểm tra hay bảo dưỡng.

CHÚ Ý: Không được phép dùng xăng, ét xăng, dung môi, cồn hoặc hóa chất tương tự. Có thể xảy ra hiện tượng mất màu, biến dạng hoặc nứt vỡ.

Đề đảm bảo ĐỘ AN TOÀN và ĐỘ TIN CẬY của sản phẩm, việc sửa chữa hoặc bất cứ thao tác bảo trì, điều chỉnh nào đều phải được thực hiện bởi các Trung tâm Dịch vụ Nhà máy hoặc Trung tâm được Makita Ủy quyền và luôn sử dụng các phụ tùng thiết bị thay thế của Makita.

Sau khi sử dụng

⚠ THẬN TRỌNG: Đặt máy hút bụi dựa vào tường khi không có đế tựa có thể làm máy hút bụi bị ngã, dẫn đến thương tích cá nhân hoặc làm hỏng máy hút bụi.

► **Hình20**

Bảo trì thường xuyên

CHÚ Ý: Vệ sinh các bộ lọc trong bộ phận ly tâm máy hút bụi khi bị tắc. Tiếp tục sử dụng trong điều kiện bị tắc nghẽn có thể dẫn đến nóng máy hoặc trục trặc động cơ.

CHÚ Ý: Không dùng máy hút bụi để thổi bụi bám trên máy hút bụi và bộ lọc. Việc này sẽ đưa bụi vào trong vỏ máy và gây ra sự cố.

Cần bảo trì định kỳ để khôi phục điều kiện hoạt động bình thường.

Thân máy hút bụi

Lau sạch bên ngoài máy hút bụi (thân máy hút bụi) bằng vải đã làm ẩm bằng nước xà phòng và vệ sinh miệng hút.

► **Hình21**

Bộ phận ly tâm máy hút bụi và các bộ lọc

CHÚ Ý: Loại bỏ bụi và làm sạch bên trong bộ phận ly tâm máy hút bụi và các bộ lọc, khi hiệu suất hút trở nên kém hiệu quả hơn bất kể lượng bụi thu được trong hộp chứa bụi.

CHÚ Ý: Sau khi rửa các bộ lọc, để chúng thật khô trước khi sử dụng. Bộ lọc chưa khô có thể làm giảm lực hút và rút ngắn tuổi thọ của động cơ.

CHÚ Ý: Sau khi làm sạch bộ lọc và tấm bọt biển, đảm bảo lắp đặt lại chúng trước khi sử dụng. Nếu bạn sử dụng máy hút bụi mà không có bộ lọc và tấm bọt biển, bụi sẽ đi vào vỏ động cơ và gây ra sự cố.

Bộ phận ly tâm máy hút bụi

1. Dùng tay gõ nhẹ cụm bộ phận ly tâm máy hút bụi nhiều lần để loại bỏ bụi bám trên bề mặt bên trong của bộ phận ly tâm máy hút bụi và bộ lọc.

► **Hình22:** 1. Bộ phận ly tâm máy hút bụi

2. Vỡi ngõ vào đầu hút hướng xuống, xoay bộ phận ly tâm máy hút bụi như thể hiện trong hình sao cho vạch chuẩn trên bộ phận ly tâm máy hút bụi thẳng hàng với vạch chuẩn trên thân máy hút bụi để nhả khóa. Sau đó tách bộ phận ly tâm máy hút bụi từ từ và theo hướng thẳng.

► **Hình23:** 1. Bộ phận ly tâm máy hút bụi 2. Ngõ vào đầu hút 3. Vạch chuẩn 4. Bộ lọc

LƯU Ý: Bụi có thể bay ra khi bộ phận ly tâm máy hút bụi bị tháo rời. Bạn nên đặt túi rác bên dưới bộ phận ly tâm máy hút bụi.

3. Loại bỏ bụi bên trong bộ phận ly tâm máy hút bụi và bộ lọc.

► **Hình24**

4. Đặt bộ phận ly tâm máy hút bụi trở lại thân máy hút bụi, căn chỉnh vạch chuẩn trên bộ phận ly tâm máy hút bụi thẳng hàng với vạch chuẩn trên thân máy hút bụi. Sau đó xoay bộ phận ly tâm máy hút bụi như thể hiện trong hình cho đến khi được cố định vào đúng vị trí.

► **Hình25:** 1. Bộ phận ly tâm máy hút bụi 2. Thân máy hút bụi 3. Vạch chuẩn

Bộ lọc hiệu suất cao

Phụ kiện tùy chọn

1. Tháo bộ phận ly tâm máy hút bụi ra khỏi thân máy hút bụi.

2. Giữ đầu lắp của bộ lọc hiệu suất cao và kéo nó ra khỏi thân máy hút bụi.

► **Hình26:** 1. Bộ lọc hiệu suất cao 2. Thân máy hút bụi

3. Lau và lắc bụi ra khỏi bộ lọc hiệu suất cao bằng tay.

► **Hình27**

4. Rửa bộ lọc hiệu suất cao bằng nước xà phòng khi bị tắc nghẽn do bụi và chất bẩn. Làm khô hoàn toàn trong bóng râm trước khi sử dụng.

► **Hình28**

LƯU Ý: Tránh vận chặt đầu phụ tùng (vòng đóng kín cao su) của bộ lọc hiệu suất cao khi treo lên để làm khô.

5. Giữ đầu lắp của bộ lọc hiệu suất cao và siết nó trở lại vào thân máy hút bụi.

► **Hình29:** 1. Bộ lọc hiệu suất cao 2. Thân máy hút bụi

Bộ lọc HEPA

Phụ kiện tùy chọn

CHÚ Ý: Không chà hoặc cào xước bộ lọc HEPA bằng các vật cứng như bàn chải nhỏ và bàn chải lớn.

1. Tháo bộ phận ly tâm máy hút bụi ra khỏi thân máy hút bụi.

2. Giữ đầu lắp của bộ lọc HEPA (được bao phủ bởi bộ lọc thô hiệu suất cao) và kéo nó ra khỏi thân máy hút bụi.

► **Hình30:** 1. Bộ lọc HEPA (được bao phủ bởi bộ lọc thô hiệu suất cao) 2. Thân máy hút bụi

3. Tháo bộ lọc thô hiệu suất cao ra khỏi bộ lọc HEPA bằng cách xoắn bằng tay.

► **Hình31:** 1. Bộ lọc thô hiệu suất cao 2. Bộ lọc HEPA

4. Lau và lắc bụi ra khỏi bộ lọc thô hiệu suất cao và bộ lọc HEPA bằng tay.

► **Hình32**

5. Rửa bộ lọc thô hiệu suất cao và bộ lọc HEPA bằng nước xà phòng. Súc rửa và làm khô hoàn toàn trong bóng râm trước khi sử dụng.

► **Hình33**

LƯU Ý: Tránh vận chặt đầu phụ tùng (vòng đóng kín cao su) của bộ lọc HEPA khi treo lên để làm khô.

6. Gắn bộ lọc thô hiệu suất cao vào bộ lọc HEPA.

► **Hình34:** 1. Bộ lọc thô hiệu suất cao 2. Bộ lọc HEPA

7. Giữ đầu lắp của bộ lọc HEPA (được bao phủ bởi bộ lọc thô hiệu suất cao) và siết nó trở lại vào thân máy hút bụi.

► **Hình35:** 1. Bộ lọc HEPA (được bao phủ bởi bộ lọc thô hiệu suất cao) 2. Thân máy hút bụi

TẮM BỌT BIỂN

1. Tháo bộ phận ly tâm máy hút bụi ra khỏi thân máy hút bụi.

2. Giữ đầu lắp của bộ lọc và kéo nó ra khỏi thân máy hút bụi.

► **Hình36:** 1. Bộ lọc 2. Thân máy hút bụi

3. Kéo tấm bọt biển ra khỏi miệng hút.

► **Hình37:** 1. Tấm bọt biển 2. Miệng hút

4. Lau và lắc bụi ra khỏi tấm bọt biển bằng tay.

► **Hình38**

5. Rửa tấm bọt biển bằng nước xà phòng khi bị tắc nghẽn do bụi và chất bẩn. Làm khô hoàn toàn trong bóng râm trước khi sử dụng.

► **Hình39**

6. Đặt tấm bọt biển trở lại vị trí ban đầu. Đảm bảo rằng các mép trái và phải của tấm bọt biển được cố định bằng các nút chặn và không có khoảng hở giữa tấm bọt biển và miệng hút.

► **Hình40:** 1. Tấm bọt biển 2. Nút chặn 3. Miệng hút

7. Giữ đầu lắp của bộ lọc và siết nó lại vào thân máy hút bụi.

► **Hình41:** 1. Bộ lọc 2. Thân máy hút bụi

Bảo trì theo điều kiện

CHÚ Ý: Vệ sinh bộ lọc dạng lưới trong bộ phận ly tâm máy hút bụi khi chúng bị tắc. Tiếp tục sử dụng trong điều kiện bị tắc nghẽn có thể dẫn đến nóng máy hoặc trục trặc động cơ.

Cần làm sạch sâu và theo vị trí tùy theo hiệu suất dụng cụ của bạn.

Bộ lọc dạng lưới

Khi hộp chứa bụi bị bẩn hoặc bộ lọc dạng lưới bị tắc, hãy tháo và rửa các bộ phận này bằng nước. (Tham khảo "Thải bụi" để biết về quy trình tháo ra.)

1. Giữ chắc hộp chứa bụi và kéo nó ra khỏi thân ly tâm máy hút bụi trong khi nhấn và giữ các nút nhả ở cả hai bên của hộp chứa bụi.

► **Hình42:** 1. Hộp chứa bụi 2. Thân ly tâm máy hút bụi 3. Nút nhả

2. Xoay bộ lọc dạng lưới như trong hình để nhả khóa. Sau đó tách nó ra khỏi thân ly tâm máy hút bụi.

► **Hình43:** 1. Bộ lọc dạng lưới

3. Tháo bộ lọc dạng lưới thành ba bộ phận: bộ lọc thô, bộ lọc bọt biển hình ống và ống lưới.

i Ép chặt các nút chặn dẫn hướng trên đầu ống lưới cùng nhau.

ii Đưa nút chặn dẫn hướng xuống qua lỗ dẫn hướng trên đầu bộ lọc thô.

iii Kéo bộ lọc thô dọc theo bộ lọc bọt biển hình ống và ống lưới.

iv Tháo bộ lọc bọt biển hình ống ra khỏi ống lưới.

► **Hình44:** 1. Bộ lọc thô 2. Bộ lọc bọt biển hình ống 3. Ống lưới 4. Nút chặn dẫn hướng 5. Lỗ dẫn hướng

4. Lau và lắc bụi ra khỏi các bộ lọc và ống lưới bằng tay.

► **Hình45**

5. Rửa các bộ lọc và ống lưới bằng nước xà phòng khi bị tắc nghẽn do bụi và chất bẩn. Làm khô chúng hoàn toàn trong bóng râm trước khi sử dụng.

► **Hình46**

6. Lắp lại bộ lọc dạng lưới.

i Lắp bộ lọc bọt biển hình ống vào bộ lọc thô.

ii Lắp ống lưới vào trong bộ lọc bọt biển hình ống và bộ lọc thô, đưa các nút chặn dẫn hướng trên đầu ống lưới qua lỗ dẫn hướng trên đầu bộ lọc thô.

iii Đẩy ống lưới qua bộ lọc bọt biển hình ống và bộ lọc thô cho đến khi nó khóa vào đúng vị trí với một tiếng cách.

► **Hình47:** 1. Bộ lọc thô 2. Bộ lọc bọt biển hình ống 3. Ống lưới 4. Nút chặn dẫn hướng 5. Lỗ dẫn hướng

7. Gắn bộ lọc dạng lưới trở lại thân ly tâm máy hút bụi sao cho các móc trên bộ lọc dạng lưới thẳng hàng với các cổng trên ngõ vào đầu hút của thân ly tâm máy hút bụi. Xoay bộ lọc dạng lưới như trong hình cho đến khi các móc được khóa với một tiếng cách. Đảm bảo rằng bộ lọc dạng lưới được lắp chắc chắn.

► **Hình48:** 1. Bộ lọc dạng lưới 2. Thân ly tâm máy hút bụi 3. Móc 4. Cổng

Rãnh dẫn khí trong bộ phận ly tâm máy hút bụi

Chất lạ đi vào có thể chặn các rãnh dẫn khí trong bộ phận ly tâm máy hút bụi và làm đầy luồng khí. Loại bỏ bất kỳ chướng ngại vật nào trong đường dẫn khí nếu hiệu suất hút bị ảnh hưởng đáng kể.

1. Tháo rời bộ phận ly tâm máy hút bụi thành ba bộ phận: hộp chứa bụi, bộ lọc dạng lưới và thân ly tâm máy hút bụi.

► **Hình49:** 1. Hộp chứa bụi 2. Bộ lọc dạng lưới
3. Thân ly tâm máy hút bụi 4. Thân máy hút bụi

2. Nhấn và giữ nút chặn dẫn hướng trên ống đầu vào xuống qua lỗ khóa trên thân ly tâm máy hút bụi bằng dụng cụ cầm tay có đầu nhọn. Sau đó tháo ống đầu vào ra khỏi thân ly tâm máy hút bụi.

► **Hình50:** 1. Ống đầu vào 2. Nút chặn dẫn hướng
3. Thân ly tâm máy hút bụi 4. Lỗ khóa

3. Làm sạch bất kỳ chất nào tìm thấy trong các rãnh dẫn khí.

Chất lạ có khả năng bị kẹt quanh cổng khí vào.

► **Hình51:** 1. Ngõ vào đầu hút 2. Cổng khí vào

4. Lắp ống đầu vào trở lại vị trí cho đến khi ống được khóa chặt.

► **Hình52:** 1. Ống đầu vào 2. Thân ly tâm máy hút bụi
3. Vòng chữ O 4. Van bản lề

CHÚ Ý: Đảm bảo rằng vòng chữ O và van bản lề đã được lắp đặt chắc chắn trước khi lắp ráp lại. Hiệu suất hút có thể bị ảnh hưởng nếu vận hành bộ phận ly tâm máy hút bụi mà không lắp vòng chữ O và van bản lề.

5. Lắp lại bộ phận ly tâm máy hút bụi, và gắn nó vào thân máy hút bụi.

Xử lý sự cố

Trước khi yêu cầu sửa chữa, kiểm tra những điểm sau.

Hiện tượng	Khu vực cần kiểm tra	Phương pháp sửa
Lực hút yếu	Hộp chứa bụi hoặc bên trong bộ phận ly tâm máy hút bụi có đầy bụi không?	Đổ hết bụi trong hộp chứa bụi hoặc bên trong bộ phận ly tâm máy hút bụi.
	Bộ lọc có bị tắc nghẽn không?	Loại bỏ bụi hoặc rửa bộ lọc hiệu suất cao/bộ lọc HEPA/tấm bọt biển/bộ lọc dạng lưới.
	Có bất kỳ vật gì chặn các rãnh dẫn khí vào không?	Làm sạch bụi và các vật thể ra khỏi các cửa khí và rãnh dẫn khí.
	Hộp pin có bị xả điện không?	Sạc hộp pin.
Không hoạt động	Hộp pin có bị xả điện không?	Sạc hộp pin.
Tiếng ồn và rung	Bộ lọc có bị tắc nghẽn không?	Loại bỏ bụi hoặc rửa bộ lọc hiệu suất cao/bộ lọc HEPA/tấm bọt biển/bộ lọc dạng lưới.
	Có vật gì chặn các miệng hồ hay lỗ không?	Làm sạch bụi và các vật thể ra khỏi vòi phun, ống dẫn và các miệng hút khí.
	Đầu hút của vòi phun hoặc ống có bị đóng lại không?	Mở và để hồ đầu hút của vòi phun và ống.

⚠ THẬN TRỌNG: Không được tự ý sửa chữa máy hút bụi.

PHỤ KIỆN TỰ CHỌN

⚠ THẬN TRỌNG: Các phụ kiện hoặc phụ tùng gắn thêm này được khuyến cáo sử dụng với dụng cụ Makita của bạn theo như quy định trong hướng dẫn này. Việc sử dụng bất cứ phụ kiện hoặc phụ tùng gắn thêm nào khác đều có thể gây ra rủi ro thương tích cho người. Chỉ sử dụng phụ kiện hoặc phụ tùng gắn thêm cho mục đích đã quy định sẵn của chúng.

Nếu bạn cần bất kỳ sự hỗ trợ nào để biết thêm chi tiết về các phụ tùng này, hãy hỏi Trung tâm Dịch vụ của Makita tại địa phương của bạn.

- Ống nối nối dài (Ống thẳng)
- Vòi xả
- Vòi hút dành cho thảm
- Bàn chải dẹt
- Vòi phun dạng khuôn

- Bàn chải tròn
- Ống mềm
- Bộ lọc hiệu suất cao
- Bộ lọc khí HEPA
- Vòi phun ở chế
- Đầu hút khe
- Bộ phận ly tâm máy hút bụi
- Túi dụng cụ
- Pin và bộ sạc chính hãng của Makita

LƯU Ý: Một số mục trong danh sách có thể được bao gồm trong gói dụng cụ làm phụ kiện tiêu chuẩn. Các mục này ở mỗi quốc gia có thể khác nhau.

คำเตือน

- เด็กอายุตั้งแต่ 8 ปีขึ้นไป หรือบุคคลที่มีลักษณะทุพพลภาพ มีปัญหาในเรื่องของสภาพจิต หรือขาดประสบการณ์และความรู้เกี่ยวกับการใช้งาน สามารถใช้งานเครื่องมือนี้ได้ หากได้รับคำแนะนำการใช้งานอย่างปลอดภัยและเข้าใจถึงอันตรายที่อาจเกิดขึ้น
- ไม่ควรให้เด็กเล่นกับเครื่องมือนี้ ไม่ควรให้เด็กทำความสะอาดและซ่อมบำรุงตามลำพังโดยไม่มีผู้ดูแล
- โปรดอ้างอิงบท “ข้อมูลจำเพาะ” สำหรับอ้างอิงประเภทแบตเตอรี่
- โปรดอ้างอิงส่วน “การติดตั้งหรือการถอดกลับแบตเตอรี่” สำหรับวิธีถอดหรือติดตั้งแบตเตอรี่
- เมื่อกำจัดดัดลับแบตเตอรี่ ให้ถอดดัดลับแบตเตอรี่ออกจากเครื่องมือและกำจัดในสถานที่ที่ปลอดภัย ปฏิบัติตามข้อบังคับเกี่ยวกับการกำจัดแบตเตอรี่ที่บังคับใช้ในท้องถิ่น
- หากไม่ใช้เครื่องมือเป็นระยะเวลานาน จะต้องถอดแบตเตอรี่ออกจากเครื่องมือ
- อย่าลัดวงจรดัดลับแบตเตอรี่
- โปรดอ้างอิงบท “การบำรุงรักษา” สำหรับรายละเอียดข้อควรระวังในระหว่างการซ่อมบำรุง

ข้อมูลจำเพาะ

รุ่น:	DCL286F	
ความจุ	250 mL / 400 mL (เฉพาะประเทศ)	
ใช้งานต่อเนื่อง (พร้อมแบตเตอรี่ BL1830B)	1 (โหมดเจียบ)	ประมาณ 38 นาที
	2 (โหมดความเร็วปกติ)	ประมาณ 21 นาที
	3 (โหมดความเร็วสูง)	ประมาณ 15 นาที
	4 (โหมดความเร็วสูงสุด)	ประมาณ 8 นาที
ความยาวโดยรวม (รวมท่อ หัวดูดฝุ่น และแบตเตอรี่ BL1830B)	1,106 mm	
แรงดันไฟฟ้าสูงสุด	D.C. 18 V	
น้ำหนักสุทธิ	1.6 - 2.0 kg	

- เนื่องจากการค้นคว้าวิจัยและพัฒนาอย่างต่อเนื่อง ข้อมูลจำเพาะในเอกสารฉบับนี้อาจเปลี่ยนแปลงได้โดยไม่ต้องแจ้งให้ทราบล่วงหน้า
- ข้อมูลจำเพาะอาจแตกต่างกันไปในแต่ละประเทศ
- น้ำหนักไม่รวมอุปกรณ์เสริมยกเว้นดัดลับแบตเตอรี่ น้ำหนักของเครื่องใช้และดัดลับแบตเตอรี่รวมกันที่น้อยที่สุดและมากที่สุดแสดงอยู่ในตาราง

ดัลป์แบตเตอรี่และเครื่องชาร์จที่ใช้ได้

ดัลป์แบตเตอรี่	BL1815N / BL1820B / BL1830B / BL1840B / BL1850B / BL1860B
เครื่องชาร์จ	DC18RC / DC18RD / DC18RE / DC18SD / DC18SE / DC18SF / DC18SH / DC18WC

- ดัลป์แบตเตอรี่และเครื่องชาร์จบางรายการที่แสดงอยู่ด้านบนอาจไม่มีวางจำหน่ายขึ้นอยู่กับภูมิภาคที่คุณอาศัยอยู่

คำเตือน: ใช้ดัลป์แบตเตอรี่และเครื่องชาร์จที่ระบุไว้ข้างบนเท่านั้น การใช้ดัลป์แบตเตอรี่และเครื่องชาร์จประเภทอื่นอาจก่อให้เกิดความเสี่ยงที่จะได้รับบาดเจ็บและ/หรือเกิดไฟไหม้

สัญลักษณ์

ต่อไปนี้เป็นสัญลักษณ์ที่อาจใช้สำหรับอุปกรณ์ โปรดศึกษาความหมายของสัญลักษณ์ให้เข้าใจก่อนการใช้งาน



อ่านคู่มือการใช้งาน



แบตเตอรี่ที่สามารถใช้ได้กับผลิตภัณฑ์นี้



NI-MH
Li-ion

สำหรับประเทศในสหภาพยุโรปเท่านั้น เนื่องจากในอุปกรณ์มีส่วนประกอบอันตราย ชยะจำพวกอุปกรณ์ไฟฟ้าและอิเล็กทรอนิกส์ แบตเตอรี่ และหม้อแบตเตอรี่จึงอาจส่งผลกระทบต่อสิ่งแวดล้อมและสุขภาพของมนุษย์ในเชิงลบ

อย่าทิ้งเครื่องใช้ไฟฟ้าและอิเล็กทรอนิกส์หรือแบตเตอรี่รวมกับวัสดุเหลือทิ้งในครัวเรือน!

เพื่อให้เป็นไปตามกฎระเบียบของยุโรปว่าด้วยขยะจำพวกอุปกรณ์ไฟฟ้าและอิเล็กทรอนิกส์ และหม้อสะสมไฟฟ้าและแบตเตอรี่ รวมถึงการบังคับใช้ตามกฎหมายภายในประเทศ ควรมีการจัดเก็บขยะจำพวกอุปกรณ์ไฟฟ้า แบตเตอรี่ และหม้อสะสมไฟฟ้าแยกต่างหากและส่งไปยังจุดรับขยะต่างหากในเขตเทศบาลซึ่งมีการดำเนินการตามระเบียบว่าด้วยการดูแลสิ่งแวดล้อม

โดยระบุด้วยสัญลักษณ์เส้นคาดขวางรูปถังขยะแบบมีล้อไว้บนอุปกรณ์

จุดประสงค์การใช้งาน

เครื่องมือนี้ใช้สำหรับทำความสะอาดฝุ่น ผง ที่แห้งเท่านั้น

คำเตือนด้านความปลอดภัย

คำเตือนด้านความปลอดภัยของเครื่องดูดฝุ่นไร้สาย

คำเตือน: ข้อควรจำ โปรดอ่านคำเตือนด้านความปลอดภัยและคำแนะนำทั้งหมดอย่างละเอียดก่อนใช้งาน การไม่ปฏิบัติตามคำเตือนและคำแนะนำดังกล่าวอาจส่งผลกระทบต่อสุขภาพ ไฟไหม้ และ/หรือได้รับบาดเจ็บร้ายแรง

- ห้ามโดนฝน เก็บในที่ร่ม
- ห้ามใช้เป็นของเล่น หากผู้ใช้งานเป็นเด็ก หรือนำไปใช้งานใกล้เด็กต้องได้รับการเอาใจใส่อย่างใกล้ชิด
- ใช้เฉพาะตามที่ได้ระบุไว้ในคู่มือการใช้งานฉบับนี้เท่านั้น ใช้งานตามเอกสารแนบที่ได้รับการแนะนำโดยผู้ผลิตเท่านั้น
- ห้ามใช้แบตเตอรี่ที่เสียหาย หากเครื่องใช้ทำงานได้ไม่อย่างที่ควรจะเป็น ทำให้ร่วง เสียหาย ทั้งไว้กลางแจ้ง หรือหล่นลงน้ำ ให้นำส่งศูนย์บริการ
- ห้ามจับหรือสัมผัสเครื่องใช้ด้วยมือที่เปียก
- ห้ามใส่วัตถุใดๆ ลงในช่อง ห้ามใช้งานขณะมีสิ่งอุดตัน ควรทำให้โล่งเพื่อที่จะดูดฝุ่น ผง เส้นขน และอย่าให้มีสิ่งต่างๆ อันอาจทำให้อัตราการไหลของอากาศลดลง
- โปรดระวัง ให้เก็บเส้นผม ขน เสื้อผ้าที่หลวม นิ้วมือ ตลอดจนอวัยวะต่างๆ อยู่ห่างจากช่องและชิ้นส่วนที่มีการเคลื่อนที่
- ปิดการควบคุมทั้งหมดก่อนที่จะถอดแบตเตอรี่
- ใช้งานอย่างระมัดระวังให้มากขณะทำความสะอาดบันได
- ห้ามใช้เครื่องใช้ในการหยิบหรือรับของเหลวที่สามารถก่อให้เกิดเปลวไฟหรือการเผาไหม้ได้ เช่น แก๊สโซลีน หรือ แม้แต่ในบริเวณอันอาจมีของเหลวดังกล่าวอยู่
- ในการชาร์จไฟ ให้ใช้เครื่องชาร์จจากผู้ผลิตเท่านั้น

12. ห้ามใช้เครื่องใช้ในการหยิบหรือรับของที่กำลังเผาไหม้หรือมีควัน เช่น บุหรี่ ไม้ขีดไฟ หรือเก้าอี้ที่ยังร้อนอยู่
13. ห้ามใช้งานหากไม่ได้ใส่ถุงเก็บฝุ่น และ/หรือตัวกรองไว้
14. ห้ามชาร์จไฟนอกบ้าน หรือกลางแจ้ง
15. ชาร์จไฟใหม่ด้วยเครื่องชาร์จที่ระบุโดยผู้ผลิตเท่านั้น เครื่องชาร์จที่เหมาะสมสำหรับชุดแบตเตอรี่ประเภทหนึ่งอาจเสี่ยงที่จะเกิดไฟไหม้หากนำไปใช้กับชุดแบตเตอรี่อีกประเภทหนึ่ง
16. ใช้อุปกรณ์กับชุดแบตเตอรี่ที่กำหนดไว้โดยเฉพาะเท่านั้น การใช้ชุดแบตเตอรี่ประเภทอื่นอาจทำให้เสี่ยงที่จะได้รับบาดเจ็บและเกิดไฟไหม้
17. เมื่อไม่ใช้งานชุดแบตเตอรี่ ให้เก็บห่างจากวัตถุที่เป็นโลหะอื่นๆ เช่น คลิปหนีบกระดาษ เหรียญ กุญแจ กรรไกรตัดเล็บ สกรู หรือวัตถุที่เป็นโลหะขนาดเล็กอื่นๆ ที่สามารถเชื่อมต่อขั้วหนึ่งกับอีกขั้วหนึ่งได้
18. ในกรณีที่ใช้งานไม่ถูกต้อง อาจมีของเหลวไหลออกจากแบตเตอรี่ ให้หลีกเลี่ยงการสัมผัส หากสัมผัสโดนของเหลวโดยไม่ตั้งใจ ให้ล้างออกด้วยน้ำ
19. ห้ามใช้ชุดแบตเตอรี่หรืออุปกรณ์ที่ชำรุดหรือมีการดัดแปลง แบตเตอรี่ที่เสียหายหรือมีการแก้ไขอาจทำให้เกิดสิ่งที่ไม่คาดไม่ถึงได้ เช่น ไฟไหม้ ระเบิด หรือเสี่ยงต่อการบาดเจ็บ
20. ห้ามใช้ชุดแบตเตอรี่หรืออุปกรณ์ใกล้กับไฟ หรือบริเวณที่มีอุณหภูมิสูงเกิน หากโดนไฟหรืออุณหภูมิสูงเกิน 130 °C อาจทำให้เกิดการระเบิดได้
21. กรุณาปฏิบัติตามคำแนะนำสำหรับการชาร์จไฟ และห้ามชาร์จชุดแบตเตอรี่หรือเครื่องใช้ในบริเวณที่มีอุณหภูมิหมอกเหนือไปจากที่ระบุในคำแนะนำ การชาร์จไฟที่ไม่เหมาะสม หรืออุณหภูมิหมอกเหนือไปจากช่วงอุณหภูมิที่ระบุในคำแนะนำอาจทำให้แบตเตอรี่เสียหายและเป็นการเพิ่มความเสี่ยงในการเกิดไฟไหม้

ปฏิบัติตามคำแนะนำเหล่านี้

กฎด้านความปลอดภัยเพิ่มเติม

เครื่องใช้สำหรับใช้ในครัวเรือนเท่านั้น

1. ก่อนการใช้งานกรุณาอ่านคู่มือการใช้งานและคู่มือการใช้งานเครื่องชาร์จไฟอย่างละเอียด
2. ห้ามใช้หยิบ หรือรับสิ่งของดังต่อไปนี้:
 - วัสดุที่มีความร้อนซึ่งสามารถไหม้หรือเกิดควันได้ (บุหรี่, ไม้ขีด, ธูป, เทียน, ขี้เถ้าร้อน) ประกายไฟ และฝุ่นโลหะที่เกิดจากการตัดหรือบดโลหะ ฯลฯ
 - ของเหลวไวไฟ (น้ำมันก๊าด, น้ำมันเบนซิน, ตัวทำละลาย เช่น เบนซิน, ทินเนอร์ ฯลฯ)

- วัสดุไวไฟ (โตนเนอร์, สี, สเปรย์ ฯลฯ)
- วัสดุที่ระเบิดหรือไฟโรฟริก (ไนโตรกลีเซอริน, อะลูมิเนียม, แมกนีเซียม, โททาเนียม, สังกะสี, ฟอสฟอรัสแดง, ฟอสฟอรัสเหลือง, เซลลูโลยด์ ฯลฯ และฝุ่น, ก๊าซ หรือไอน้ำ)
- ของเหลว, น้ำมัน, สิ่งสกปรกที่เปียกหรือขยะเปียก รวมถึงอาเซียนและสิ่งปนุกูล
- ของแข็งที่มีสีนคม (เศษไม้, โลหะ, หิน, เศษแก้ว, ตะปู, เข็ม ไม้เม็ดโกลนหรือเม็ด)
- ผงละเอียดที่ทำให้แข็งตัวและเป็นสื่อกระแสไฟฟ้า (ผงโลหะหรือผงคาร์บอน)
- โฟม เช่น น้ำยาทำความสะอาด เป็นต้น (อาจทำให้เกิดการระเบิดหรือไฟไหม้ได้)
- ผงจำนวนมาก (แป้ง, ผงดับเพลิง ฯลฯ)
- สารที่ทำให้เกิดการเป็นพิษ
- สารเคมีที่มีฤทธิ์รุนแรง (กรด, ด่าง ฯลฯ)
- ผงที่ยืดเกาะละเอียด เช่น ซีเมนต์
- ฝุ่นละเอียด เช่น ฝุ่นคอนกรีต
- สารดูดความชื้น
- แร่ใยหิน
- ยากำจัดศัตรูพืช

หากทำเช่นนั้น อาจก่อให้เกิดไฟไหม้ การบาดเจ็บ และ/หรือความเสียหายต่อทรัพย์สิน เพื่อลดการสัมผัสกับสารเคมีเหล่านี้ ให้สวมอุปกรณ์ป้องกันระบบทางเดินหายใจที่ผ่านการรับรอง เช่น หน้ากากป้องกันฝุ่นที่ได้รับการออกแบบมาเป็นพิเศษ ให้สามารถกรองอนุภาคที่มีขนาดเล็กมาก ๆ ได้ ใล่ อากาศเสียออกจากใบหน้าและร่างกายของคุณ

3. หยุดทำงานทันทีหากคุณพบว่า มีสิ่งผิดปกติ
4. หากเครื่องดูดฝุ่นนี้ตกลงหรือมีการกระทบกระแทก กรุณาตรวจสอบว่ามีการแตกเสียหายอย่างละเอียด ก่อนการใช้งาน
5. ห้ามนำไปใกล้เตาไฟ หรือแหล่งความร้อน
6. ห้ามอุดช่องทางเข้า หรือช่องลม

ปฏิบัติตามคำแนะนำเหล่านี้

คำแนะนำเพื่อความปลอดภัยที่สำคัญสำหรับ ดับเบิลแบตเตอรี่

1. ก่อนใช้งานดัดแปลงแบตเตอรี่ ให้อ่านคำแนะนำและเครื่องหมายเตือนทั้งหมดบน (1) เครื่องชาร์จแบตเตอรี่ (2) แบตเตอรี่ และ (3) ตัวผลิตภัณฑ์ที่ใช้แบตเตอรี่

2. อย่าถอดแยกชิ้นส่วนหรือทำการดัดแปลงตัวแบตเตอรี่ เนื่องจากอาจทำให้เกิดไฟไหม้ ความร้อนที่สูงเกินไป หรือระเบิดได้
3. หากระยะเวลาที่เครื่องทำงานสั้นเกินไป ให้หยุดใช้งานทันที เนื่องจากอาจมีความเสี่ยงที่จะร้อนจัด ไฟไหม้หรือระเบิดได้
4. หากสารละลายอิเล็กโทรไลต์กระเด็นเข้าตา ให้ล้างออกด้วยน้ำเปล่าและรีบไปพบแพทย์ทันที เนื่องจากอาจทำให้ตาบอด
5. ห้ามลัดวงจรตัวแบตเตอรี่:
 - (1) ห้ามแตะขั้วกับวัตถุที่เป็นสื่อนำไฟฟ้าใดๆ
 - (2) หลีกเลี่ยงการเก็บตัวแบตเตอรี่ไว้ในภาชนะร่วมกับวัตถุที่เป็นโลหะ เช่น กรรไกรตัดเล็บ เหรียญ ฯลฯ
 - (3) อย่าให้ตัวแบตเตอรี่ถูกน้ำหรือฝน

- แบตเตอรี่ลัดวงจรอาจทำให้เกิดการไหลของกระแสไฟฟ้า ร้อนจัด ไฟไหม้หรือเสียหายได้
6. ห้ามเก็บและใช้เครื่องมือและตัวแบตเตอรี่ไว้ในสถานที่ที่มีอุณหภูมิสูงถึงหรือเกิน 50 °C (122 °F)
7. ห้ามเผาตัวแบตเตอรี่ทิ้ง แม้ว่าแบตเตอรี่จะเสียหายจนใช้การไม่ได้หรือเสื่อมสภาพแล้ว ตัวแบตเตอรี่อาจจะระเบิดในกองไฟ
8. อย่าถอดตะปู ตัด บด ขั้ว หรือทำตัวแบตเตอรี่หล่นพื้น หรือกระแทกตัวแบตเตอรี่กับวัตถุของแข็ง การกระทำดังกล่าวอาจส่งผลให้เกิดไฟไหม้ ความร้อนที่สูงเกินไป หรือระเบิดได้

9. ห้ามใช้แบตเตอรี่ที่เสียหาย
10. แบตเตอรี่ลิเทียมไอออนที่มีમાให้จำเป็นต้องปฏิบัติตามข้อกำหนดของ Dangerous Goods Legislation สำหรับการขนส่งเพื่อการพาณิชย์ เช่น โดยบุคคลที่สาม ตัวแทนขนส่งสินค้า จะต้องตรวจสอบข้อกำหนดพิเศษในด้านการบรรจุหีบห่อหรือการติดป้ายสินค้าในการเตรียมสินค้าที่จะขนส่ง ให้ปรึกษาผู้เชี่ยวชาญด้านวัตถุอันตราย โปรดตรวจสอบข้อกำหนดในประเทศที่อาจมีรายละเอียดอื่น ๆ เพิ่มเติม ให้ติดเทปหรือปิดหน้าสัมผัสและห่อแบตเตอรี่ในลักษณะที่แบตเตอรี่จะไม่เคลื่อนที่ไปมาในหีบห่อ
11. เมื่อกำจัดตัวแบตเตอรี่ ให้ถอดตัวแบตเตอรี่ออกจากเครื่องมือและกำจัดในสถานที่ที่ปลอดภัย ปฏิบัติตามข้อบังคับในท้องถิ่นที่เกี่ยวกับการกำจัดแบตเตอรี่
12. ใช้แบตเตอรี่กับผลิตภัณฑ์ที่ระบุโดย Makita เท่านั้น การติดตั้งแบตเตอรี่ในผลิตภัณฑ์ที่ไม่ใช่ตามที่ระบุอาจทำให้เกิดไฟไหม้ ความร้อนสูง ระเบิด หรืออิเล็กโทรไลต์รั่วไหลได้

13. หากไม่ใช้เครื่องมือเป็นเวลานาน จะต้องถอดแบตเตอรี่ออกจากเครื่องมือ
14. ในระหว่างและหลังการใช้งาน ตัวแบตเตอรี่อาจร้อนซึ่งอาจลวกผิวหรือทำให้ผิวไหม้ที่อุณหภูมิต่ำได้ โปรดระมัดระวังในการจัดการกับแบตเตอรี่ที่ร้อน
15. อย่าสัมผัสขั้วของเครื่องมือทันทีหลังจากการใช้งาน เนื่องจากอาจมีความร้อนพอที่จะทำให้ผิวไหม้ได้
16. อย่าปล่อยให้ตัวชาร์จ ผู้ฝน หรือดินเข้าไปติดอยู่ในขั้ว รู และร่องของตัวแบตเตอรี่ เนื่องจากอาจทำให้เกิดความร้อน ไฟไหม้ ระเบิด และทำให้เครื่องมือหรือตัวแบตเตอรี่ทำงานผิดปกติ ส่งผลให้โดนลวกหรือเกิดการบาดเจ็บได้
17. หากเครื่องมือไม่รองรับสายไฟแรงดันสูง อย่าใช้ตัวแบตเตอรี่ใกล้กับสายไฟแรงดันสูง เนื่องจากเครื่องมือหรือตัวแบตเตอรี่อาจทำงานผิดปกติหรือเสียหายได้
18. เก็บแบตเตอรี่ให้ห่างจากเด็ก

ปฏิบัติตามคำแนะนำเหล่านี้

⚠️ ข้อควรระวัง: ใช้แบตเตอรี่ของแท้จาก Makita เท่านั้น การใช้แบตเตอรี่ Makita ที่ไม่แท้ หรือแบตเตอรี่ที่ถูกเปลี่ยน อาจทำให้แบตเตอรี่ระเบิด ก่อให้เกิดเพลิงลุกไหม้ การบาดเจ็บ และความเสียหายได้ และจะทำให้การรับประกันของ Makita สำหรับเครื่องมือและแท่นชาร์จของ Makita เป็นโมฆะด้วย

เคล็ดลับในการรักษาอายุการใช้งานของแบตเตอรี่ให้ยาวนานที่สุด

1. ชาร์จตัวแบตเตอรี่ก่อนที่ไฟจะหมด หยุดการใช้งานแล้วชาร์จประจุไฟฟ้าใหม่ทุกครั้งเมื่อคุณรู้สึกว่าคุณรู้สึกว่ากำลังลดลง
2. อย่าชาร์จตัวแบตเตอรี่ที่มีไฟเต็มแล้ว การชาร์จประจุไฟฟ้ามากเกินไปอาจจะทำให้อายุการใช้งานของตัวแบตเตอรี่สั้นลง
3. ชาร์จประจุไฟฟ้าตัวแบตเตอรี่ในห้องที่มีอุณหภูมิระหว่าง 10 °C - 40 °C ปล่อยให้ตัวแบตเตอรี่เย็นลงก่อนที่จะชาร์จไฟ
4. เมื่อไม่ใช้ตัวแบตเตอรี่ ให้ถอดออกจากเครื่องมือหรือเครื่องชาร์จ
5. ชาร์จไฟตัวแบตเตอรี่หากคุณไม่ต้องการใช้เป็นเวลานาน (เกินกว่าหกเดือน)

คำอธิบายการทำงาน

⚠ ข้อควรระวัง: ตรวจสอบให้แน่ใจว่าได้ปิดสวิตช์เครื่องมือและถอดด้ามแบตเตอรี่ออกก่อนปรับตั้งหรือตรวจสอบการทำงานของเครื่องมือ

⚠ ข้อควรระวัง: ขณะใส่แบตเตอรี่ โปรดระวังอย่าให้นิ้วมือเข้าไปติดระหว่างเครื่องทำความสะอาดกับแบตเตอรี่ตั้งปรากฏในภาพ หากนิ้วเข้าไปติดระหว่างเครื่องใช้กับแบตเตอรี่อาจทำให้เกิดการบาดเจ็บได้

▶ หมายเลข 1

การใส่หรือการถอดด้ามแบตเตอรี่

⚠ ข้อควรระวัง: ปิดสวิตช์เครื่องมือก่อนทำการติดตั้งหรือการถอดด้ามแบตเตอรี่ทุกครั้ง

⚠ ข้อควรระวัง: ถือเครื่องมือและด้ามแบตเตอรี่ให้แน่นในระหว่างการติดตั้งหรือการถอดด้ามแบตเตอรี่ หากไม่ถือเครื่องมือและด้ามแบตเตอรี่ให้แน่น อาจทำให้ด้ามแบตเตอรี่และเครื่องมือลื่นหลุดมือ และทำให้เครื่องมือและด้ามแบตเตอรี่เสียหายหรือได้รับบาดเจ็บได้

เมื่อต้องการถอดด้ามแบตเตอรี่ ให้เลื่อนปุ่มที่ด้านหน้าของด้ามแล้วดึงออกจากเครื่องมือ

▶ หมายเลข 2: 1. ซิลลี่แดง 2. ปุ่ม 3. ด้ามแบตเตอรี่

การติดตั้งด้ามแบตเตอรี่ ให้จัดตำแหน่งลิ้นของด้ามแบตเตอรี่ให้ตรงกับร่องของเครื่อง แล้วเลื่อนเข้าที่ใส่ด้ามแบตเตอรี่เข้าจนสุดจนกระทั่งได้ยินเสียงคลิกล็อคเข้าที่ หากยังเห็นซิลลี่แดงตามที่แสดงในภาพ แสดงว่าด้ามแบตเตอรี่ยังไม่ล็อคเข้าที่

⚠ ข้อควรระวัง: ให้ดันด้ามแบตเตอรี่เข้าจนสุดจนไม่เห็นซิลลี่แดงอีก ไม่เช่นนั้น ด้ามแบตเตอรี่อาจหลุดออกจากเครื่องมือทำให้คุณหรือคนรอบข้างได้รับบาดเจ็บ

⚠ ข้อควรระวัง: อย่าฝืนติดตั้งด้ามแบตเตอรี่โดยใช้แรงมากเกินไป หากด้ามแบตเตอรี่ไม่เลื่อนเข้าไปโดยง่าย แสดงว่าใส่ไม่ถูกต้อง

ระบบป้องกันเครื่องมือ/แบตเตอรี่

เครื่องมือนี้มีระบบป้องกันเครื่องมือ/แบตเตอรี่ ระบบนี้จะตัดไฟที่ส่งไปยังมอเตอร์โดยอัตโนมัติเพื่อยืดอายุการใช้งานเครื่องมือและแบตเตอรี่ เครื่องมือจะหยุดทำงานระหว่างการใช้งานโดยอัตโนมัติ หากเครื่องมือหรือแบตเตอรี่อยู่ภายใต้สถานการณ์ต่อไปนี้

ทำงานหนักเกินไป:

ใช้งานเครื่องมือ/แบตเตอรี่ในลักษณะที่อาจใช้กระแสไฟฟ้าสูงผิดปกติ

ในกรณีนี้ ให้ปิดเครื่องมือและหยุดการใช้งานในลักษณะที่อาจทำให้เครื่องมือทำงานหนักเกินไป แล้วเปิดเครื่องมือเพื่อเริ่มทำงานอีกครั้ง

ความร้อนสูง:

เครื่องมือ/แบตเตอรี่เกิดความร้อนสูง ในกรณีนี้ ปล่อยให้เครื่องมือ/แบตเตอรี่เย็นลงก่อนที่จะเปิดเครื่องมืออีกครั้ง

แรงดันไฟฟ้าแบตเตอรี่ต่ำ:

ความจุแบตเตอรี่ที่เหลืออยู่น้อยเกินไปและเครื่องมือจะไม่สามารถทำงาน ในกรณีนี้ ให้ถอดแบตเตอรี่และชาร์จไฟใหม่

การป้องกันจากสาเหตุอื่นๆ:

ระบบป้องกันได้รับการออกแบบมาเพื่อสาเหตุอื่นๆ ที่อาจสร้างความเสียหายต่อเครื่องมือและทำให้เครื่องมือหยุดทำงานโดยอัตโนมัติ ดำเนินการตามขั้นตอนดังต่อไปนี้ทุกขั้นตอนเพื่อกำจัดสาเหตุออกไป เมื่อเครื่องมือหยุดทำงานชั่วคราวหรือหยุดทำงาน

1. ปิดเครื่องมือ แล้วเปิดใหม่เพื่อเริ่มใช้งานอีกครั้ง
2. ชาร์จหรือเปลี่ยนแบตเตอรี่โดยนำแบตเตอรี่ที่ชาร์จแล้วมาใช้แทน
3. ปล่อยให้เครื่องมือและแบตเตอรี่เย็นลง















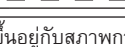




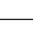








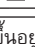
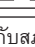
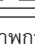
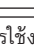
หากอาการไม่ดีขึ้นเมื่อเปิดระบบป้องกันอีกครั้ง ให้ติดต่อศูนย์บริการ Makita ใกล้บ้านคุณ

การระบุระดับพลังงานแบตเตอรี่ที่เหลืออยู่

สำหรับดรัมแบตเตอรี่ที่มีตัวแสดงสถานะเท่านั้น

▶ **หมายเลข 3:** 1. ไฟแสดงสถานะ 2. ปุ่มตรวจสอบ

กดปุ่ม ตรวจสอบ บนดรัมแบตเตอรี่เพื่อดูปริมาณแบตเตอรี่ที่เหลือ ไฟแสดงสถานะจะสว่างขึ้นเป็นเวลาสองสามวินาที

ไฟแสดงสถานะ			แบตเตอรี่ที่เหลือ
			
	   		75% ถึง 100%
	   		50% ถึง 75%
	   		25% ถึง 50%
	   		0% ถึง 25%
	   		ชาร์จไฟแบตเตอรี่
	    ↑ ↓    		แบตเตอรี่อาจจะเสีย

หมายเหตุ: ขึ้นอยู่กับสภาพการใช้งานและอุณหภูมิ โดยรอบ การแสดงสถานะอาจจะแตกต่างจากปริมาณแบตเตอรี่จริงเล็กน้อย

หมายเหตุ: ไฟแสดงสถานะดวงแรก (ซ้ายสุด) จะกะพริบเมื่อระบบป้องกันแบตเตอรี่ทำงาน

หมายเหตุ: คุณสามารถเปลี่ยนกำลังการดูดก่อนเปิดใช้งานเครื่องดูดฝุ่น

หมายเหตุ: เครื่องดูดฝุ่นจะเริ่มทำงานด้วยกำลังการดูดเดียวกับการใช้งานครั้งล่าสุด

การเปิดดวงไฟ

⚠ ข้อควรระวัง: อย่ามองเข้าไปในดวงไฟหรือจ้องดูแหล่งกำเนิดแสงโดยตรง

เมื่อต้องการให้ดวงไฟสว่าง ให้กดปุ่มเปลี่ยนกำลังการดูด ดวงไฟจะดับเองประมาณ 10 วินาที

ระหว่างที่เครื่องดูดฝุ่นกำลังทำงาน ดวงไฟจะสว่าง ดวงไฟจะดับลงภายในประมาณ 10 วินาทีหลังจากหยุดทำงาน

หมายเหตุ: เมื่อความจุแบตเตอรี่เหลือน้อย ดวงไฟจะเริ่มกะพริบ จังหวะเวลาที่ดวงไฟเริ่มกะพริบจะขึ้นอยู่กับอุณหภูมิที่กำลังใช้งาน และสภาวะของดรัมแบตเตอรี่





▶ **หมายเลข 5:** 1. ปุ่มเปลี่ยนกำลังการดูด 2. ปุ่มเปิด/ปิด 3. ดวงไฟ

การทำงานของสวิตช์

▶ **หมายเลข 4:** 1. ปุ่มเปลี่ยนกำลังการดูด 2. ปุ่มเปิด/ปิด

ในการเปิดเครื่องดูดฝุ่นเพื่อเริ่มการใช้งาน เพียงแค่กดปุ่มเปิด/ปิด ปิดสวิตช์ โดยกดปุ่มเปิด/ปิด

คุณสามารถเปลี่ยนกำลังการดูดของเครื่องดูดฝุ่นได้สี่ระดับ โดยกดปุ่มเปลี่ยนกำลังการดูด ในแต่ละครั้งที่กดปุ่มนี้ จะวนซ้ำเป็นโหมดเจียบ/ปกติ/สูง/สูงสุดตามที่คุณเลือก

ระดับ	สถานะ	โหมด
1		โหมดเจียบ
2		โหมดความเร็วปกติ
3		โหมดความเร็วสูง
4		โหมดความเร็วสูงสุด

คำอธิบายชิ้นส่วนต่างๆ

▶ หมายเลข 6

1	กล่องเก็บฝุ่น 250 mL (อุปกรณ์เสริม)	2	กล่องเก็บฝุ่น 400 mL (อุปกรณ์เสริม)	3	ตัวกรอง	4	ตัวเครื่องไซโคลน
5	ตัวกรองประสิทธิภาพสูง (โครงของตัวกรองสี่เทา) (อุปกรณ์เสริม)	6	ตัวกรอง HEPA (โครงของตัวกรองสีขาว) (อุปกรณ์เสริม)	7	แผ่นฟองน้ำ	8	ตัวเครื่องดูดฝุ่น
9	สายคล้องมือ (เฉพาะประเทศ)	-	-	-	-	-	-

การประกอบ

⚠ ข้อควรระวัง: ตรวจสอบให้แน่ใจว่าได้ปิดสวิตช์เครื่องมือและถอดด้ามแบตเตอรี่ออกก่อนดำเนินการใดๆ กับเครื่องมือ

ข้อสังเกต: ตรวจสอบให้แน่ใจว่าอุปกรณ์ต่อพ่วงและส่วนประกอบถูกยึดอยู่ในตำแหน่งอย่างเหมาะสมก่อนการใช้งาน

การติดตั้งและการถอดอุปกรณ์ต่อพ่วงสำหรับเครื่องดูดฝุ่น

⚠ ข้อควรระวัง: หลังจากติดตั้งอุปกรณ์ต่อพ่วง ให้ตรวจสอบว่าติดตั้งแน่นหนาดีแล้ว หากอุปกรณ์ต่อพ่วงถูกติดตั้งไม่สมบูรณ์ อุปกรณ์อาจหลุดออกและทำให้ผู้ใช้ได้รับบาดเจ็บได้

⚠ ข้อควรระวัง: ระวังมือกระแทกกับผนัง ฯลฯ ในขณะที่ถอดอุปกรณ์ต่อพ่วง

เมื่อใช้งานอุปกรณ์ต่อพ่วงที่มีฟังก์ชันล๊อค

หากต้องการติดตั้งอุปกรณ์ต่อพ่วง ให้ใส่ช่องดูดฝุ่นกับเครื่องดูดฝุ่นจนได้ยินเสียงคลิก ตรวจสอบให้แน่ใจว่าอุปกรณ์ต่อพ่วงล๊อคอยู่

▶ หมายเลข 7: 1. ช่องดูดฝุ่น 2. อุปกรณ์ต่อพ่วงที่มีฟังก์ชันล๊อค 3. ขอบเกี่ยว 4. ปุ่มปล่อย

ข้อสังเกต: เมื่อติดตั้งอุปกรณ์ต่อพ่วงที่มีฟังก์ชันล๊อค ให้จัดตำแหน่งของปุ่มปล่อยบนเครื่องดูดฝุ่นให้ตรงกับขอบเกี่ยวบนอุปกรณ์ต่อพ่วง หากไม่ตรงกัน อุปกรณ์ต่อพ่วงจะไม่ล๊อคและอาจหลุดออกจากเครื่องดูดฝุ่นได้

การถอดอุปกรณ์ต่อพ่วง ให้ดึงเครื่องดูดฝุ่นออกพร้อมกับกดแขนของปุ่มคลายค้างไว้

▶ หมายเลข 8: 1. ปุ่มปล่อย 2. แขนของปุ่มคลาย 3. อุปกรณ์ต่อพ่วงที่มีฟังก์ชันล๊อค 4. ช่องดูดฝุ่น

เมื่อใช้งานอุปกรณ์ต่อพ่วงที่ไม่มีฟังก์ชันล๊อค

ข้อสังเกต: การติดตั้งอุปกรณ์ต่อพ่วงที่ไม่มีฟังก์ชันล๊อค ให้สอดอุปกรณ์ลงในช่องดูดฝุ่นของเครื่องดูดฝุ่น โดยการบิดอุปกรณ์ตามที่แสดงในภาพ การถอดอุปกรณ์ต่อพ่วง ให้ปลดออกจากเครื่องดูดฝุ่นโดยการบิดอุปกรณ์ตามที่แสดงในภาพ หลีกเลี่ยงการบิดอุปกรณ์ต่อพ่วงในทิศทางตรงกันข้ามกับลูกศรในภาพเนื่องจากอาจทำให้ชุดไซโคลนหลวมได้

▶ หมายเลข 9

การใช้งาน

⚠ ข้อควรระวัง: ยอานำหน้าของคุณเข้าไปใกล้ช่องระบายอากาศเมื่อใช้งานเครื่องดูดฝุ่น หากวัตถุแปลกปลอมถูกเป่าเข้าตา อาจส่งผลให้ได้รับบาดเจ็บได้

ข้อสังเกต: หลีกเลี่ยงการใช้เครื่องดูดฝุ่นในตำแหน่งแนวนอนหรือหยาบขึ้น เนื่องจากอาจทำให้ตัวกรองอุดตันได้

ข้อสังเกต: ใช้เครื่องดูดฝุ่นที่มีตัวกรองติดตั้งอยู่เสมอ การใช้เครื่องดูดฝุ่นที่ไม่มีตัวกรองอาจทำให้มอเตอร์ทำงานผิดปกติได้

ข้อสังเกต: ทำความสะอาดกล่องเก็บฝุ่นในชุดไซโคลนเมื่อมีฝุ่นสะสม การใช้งานต่อจะทำให้แรงดูดอ่อนลง

ชุดไซโคลนจะช่วยลดปริมาณฝุ่นที่เข้าไปในเครื่องดูดฝุ่น ซึ่งทำให้ประสิทธิภาพการดูดดีขึ้นด้วยวิธีการต่างๆ อย่างการกำจัดฝุ่นออก

การทำความสะอาด (การดูดฝุ่น)

หัวดูดฝุ่น

เฉพาะที่มีกล่องเก็บฝุ่น 250 mL เท่านั้น

ต่อหัวดูดฝุ่นเข้าเพื่อสะดวกในการทำทำความสะอาด โตะ โตะทำงาน เฟอร์นิเจอร์ และอื่นๆ โดยหัวดูดฝุ่นจะเคลื่อนที่ได้ อย่างง่ายดาย

► **หมายเลข 10:** 1. หัวดูดฝุ่น

หัวดูดฝุ่น + ท่อต่อ (ท่อตรง)

ท่อต่อเข้ากันพอดีกับหัวดูดฝุ่นและเครื่องดูดฝุ่น การต่อท่อแบบนี้จะทำให้สะดวกในการทำทำความสะอาดพื้นในทำยีน

► **หมายเลข 11:** 1. ตัวเครื่อง 2. ท่อต่อ (ท่อตรง) 3. หัวดูดฝุ่น

หัวเป่าที่แคบ

สวมหัวเป่าที่แคบสำหรับทำความสะอาดมุมหรือร่องต่างๆ ในรถยนต์หรือเฟอร์นิเจอร์

► **หมายเลข 12:** 1. หัวเป่าที่แคบ 2. ตัวเครื่อง

คุณสามารถเก็บหัวเป่าที่แคบไว้ในที่ยึดหัวดูดฝุ่น

► **หมายเลข 13:** 1. ยึดหัวดูดฝุ่น 2. หัวเป่าที่แคบ

⚠ ข้อควรระวัง: ระงับนิ้วเข้าไปติดระหว่างหัวเป่าที่แคบและที่ยึดหัวดูดฝุ่น หากนิ้วเข้าไปติดอาจทำให้ได้รับบาดเจ็บได้

หัวเป่าที่แคบ + ท่อต่อ (ท่อตรง)

ในบริเวณที่เครื่องดูดฝุ่นเข้าถึงยากหรืออยู่สูง เข้าไปไม่ถึงให้ใช้วิธีนี้

► **หมายเลข 14:** 1. หัวเป่าที่แคบ 2. ท่อต่อ (ท่อตรง) 3. ตัวเครื่อง

การทำความสะอาดโดยไม่ใช้หัวดูดฝุ่น

เฉพาะที่มีกล่องเก็บฝุ่น 250 mL เท่านั้น

ท่านสามารถดูดฝุ่นและผงได้โดยไม่ต้องใช้หัวดูดฝุ่นหรือท่อระบาย

► **หมายเลข 15**

ต่อท่อต่อเข้ากับเครื่องดูดฝุ่นเพื่อให้สะดวกสำหรับการดูดฝุ่นบนพื้นในตำแหน่งอื่น

► **หมายเลข 16:** 1. ท่อต่อ (ท่อตรง)

การนำผงฝุ่นออกไปทิ้ง

⚠ ข้อควรระวัง: นำผงฝุ่นออกไปทิ้งก่อนเติมถุง หรือทำให้แรงดูดลดลง

⚠ ข้อควรระวัง: ระงับนิ้วถูกหนีบระหว่างกล่องเก็บฝุ่นและตัวเครื่องไซโคลนเมื่อทำการประกอบกลับเข้าที่

กำจัดฝุ่นที่สะสมอยู่ตามวิธีต่อไปนี้ก่อนฝุ่นจะเกินเส้นกำจัดฝุ่น

1. หันหัวเครื่องดูดฝุ่นลงด้านล่าง จับกล่องเก็บฝุ่นให้แน่น จากนั้นดึงออกจากตัวเครื่องไซโคลนพร้อมกับกดปุ่มคลายทั้งสองด้านของกล่องเก็บฝุ่นค้างไว้

► **หมายเลข 17:** 1. เส้นกำจัดฝุ่น 2. กล่องตักฝุ่น 3. ปุ่มคลาย 4. ตัวกรอง

2. นำฝุ่นในกล่องเก็บฝุ่นไปทิ้งและทำความสะอาดฝุ่นที่ติดอยู่ออกจากตัวกรอง

► **หมายเลข 18**

3. วางกล่องเก็บฝุ่นกลับไปยังตัวเครื่องไซโคลนเพื่อล็อคให้เข้าที่โดยจะได้ยินเสียงคลิก

► **หมายเลข 19:** 1. กล่องตักฝุ่น 2. ปุ่มคลาย 3. ตัวเครื่องไซโคลน

⚠ ข้อควรระวัง: ฝุ่นอาจปลิวขึ้นเมื่อนำฝุ่นในกล่องเก็บฝุ่นไปทิ้ง ระงับอย่าให้ฝุ่นเข้าตา

ข้อสังเกต: เมื่อกล่องเก็บฝุ่นสกปรก ให้นำกล่องเก็บฝุ่นออกมาแล้วล้างด้วยน้ำ ตากกล่องเก็บฝุ่นให้แห้งสนิทก่อนประกอบกลับเข้าที่และใช้งาน

ข้อสังเกต: ตรวจสอบให้แน่ใจว่าอุปกรณ์ต่อพ่วงและส่วนประกอบถูกยึดอยู่ในตำแหน่งอย่างเหมาะสมก่อนการใช้งาน

ข้อสังเกต: หากกำลังการดูดไม่กลับคืนมาหลังจากนำฝุ่นไปทิ้งและทำความสะอาดตัวกรองแล้ว ให้ตรวจสอบว่ามีฝุ่นสะสมอยู่ที่ตัวเครื่องไซโคลนหรือมีการอุดตันหรือไม่

การบำรุงรักษา

⚠ ข้อควรระวัง: ตรวจสอบให้แน่ใจว่าได้ปิดสวิตช์เครื่องมือและถอดปลั๊กแบตเตอรี่ออกก่อนทำการตรวจสอบหรือบำรุงรักษา

ข้อสังเกต: อย่าใช้น้ำมันเชื้อเพลิง เบนซิน ทินเนอร์ แอลกอฮอล์ หรือวัสดุประเภทเดียวกัน เนื่องจากอาจทำให้ลื่นลื่นจาง เสียวรูป หรือแตกร้าวได้

เพื่อความปลอดภัยและนำเชื้อถือของผลิตภัณฑ์ ควรให้ศูนย์บริการหรือโรงงานที่ได้รับการรับรองจาก Makita เป็นผู้ดำเนินการซ่อมแซม บำรุงรักษาและทำการปรับตั้งอื่น ๆ นอกจากนี้ให้ใช้อะไหล่ของแท้จาก Makita เสมอ

หลังจากการใช้งาน

⚠ ข้อควรระวัง: การวางเครื่องดูดฝุ่นผงผนังโดยไม่มีสิ่งใดรองรับอาจทำให้เครื่องดูดฝุ่นล้มลง ซึ่งส่งผลให้เกิดการบาดเจ็บหรือเกิดความเสียหายต่อเครื่องดูดฝุ่น

▶ หมายเลข 20

การบำรุงรักษาทั่วไป

ข้อสังเกต: ทำความสะอาดตัวกรองในชุดไซโคลนเมื่อตัวกรองอุดตัน การฝืนใช้งานอุปกรณ์ที่มีกรองอุดตันอาจส่งผลให้เกิดความร้อนหรือมอเตอร์ทำงานผิดปกติได้

ข้อสังเกต: อย่าเป่าฝุ่นที่ติดอยู่บนเครื่องดูดฝุ่นและตัวกรองด้วยที่เป่าฝุ่น เนื่องจากจะทำให้ฝุ่นเข้าไปด้านในโครงเครื่องและทำให้เกิดการขัดข้องได้

การบำรุงรักษาเป็นประจำมีความจำเป็นเพื่อให้เครื่องมือทำงานอย่างเป็นปกติ

ตัวเครื่องดูดฝุ่น

เช็ดด้านนอก (ตัวเครื่องดูดฝุ่น) ของเครื่องดูดฝุ่นโดยใช้ผ้าชุบน้ำสบู่เช็ดทำความสะอาดช่องดูด

▶ หมายเลข 21

ชุดไซโคลนและตัวกรอง

ข้อสังเกต: กำจัดฝุ่นและทำความสะอาดด้านในของชุดไซโคลนและตัวกรอง เมื่อประสิทธิภาพการดูดลดลงไม่ว่าจะมีฝุ่นสะสมอยู่ในกล่องเก็บฝุ่นมากเพียงใด

ข้อสังเกต: หลังล้างตัวกรองแล้ว ให้รอให้แห้งสนิทก่อนการใช้งาน หากตัวกรองไม่แห้งพอ อาจทำให้ดูดฝุ่นได้ไม่ดี และยังทำให้มอเตอร์มีอายุการใช้งานสั้นลงด้วย

ข้อสังเกต: หลังทำความสะอาดตัวกรองและแผ่นฟองน้ำแล้ว ให้ติดตั้งกลับเข้าที่ก่อนใช้งาน หากคุณใช้เครื่องดูดฝุ่นโดยไม่มีตัวกรองและแผ่นฟองน้ำ ฝุ่นจะเข้าไปในโครงมอเตอร์และทำให้มอเตอร์ทำงานผิดปกติ

ชุดไซโคลน

1. ใช้มือเคาะชุดไซโคลนหลายๆ ครั้งเพื่อให้ฝุ่นที่ติดอยู่กับพื้นผิวด้านในของชุดไซโคลนและตัวกรองหลุดออก

▶ หมายเลข 22: 1. ชุดไซโคลน

2. หันช่องดูดฝุ่นลงด้านล่าง หมุนชุดไซโคลนตามที่แสดงในภาพโดยให้ตัวขึ้นชุดไซโคลนตรงกับตัวขึ้นตัวเครื่องดูดฝุ่นเพื่อปลดล๊อค จากนั้นถอดชุดไซโคลนออกจากตัวเครื่องดูดฝุ่นข้างๆ ในแนวตรง

▶ หมายเลข 23: 1. ชุดไซโคลน 2. ช่องดูดฝุ่น 3. ตัวขึ้น 4. ตัวกรอง

หมายเหตุ: ฝุ่นอาจปลิวออกเมื่อถอดชุดไซโคลนออก แนะนำให้วางถุงขยะไว้ใต้ชุดไซโคลน

3. กำจัดฝุ่นในชุดไซโคลนและตัวกรองออก

▶ หมายเลข 24

4. วางชุดไซโคลนกลับไปยังบนตัวเครื่องดูดฝุ่น โดยจัดให้ตัวขึ้นชุดไซโคลนตรงกับตัวขึ้นตัวเครื่องดูดฝุ่น จากนั้นหมุนชุดไซโคลนตามที่แสดงในภาพจนกระทั่งชุดไซโคลนล๊อคเข้าที่

▶ หมายเลข 25: 1. ชุดไซโคลน 2. ตัวเครื่องดูดฝุ่น 3. ตัวขึ้น

ตัวกรองประสิทธิภาพสูง

อุปกรณ์เสริม

1. ถอดชุดไซโคลนออกจากตัวเครื่องดูดฝุ่น

2. จับส่วนปลายที่ยึดของตัวกรองประสิทธิภาพสูง แล้วดึงออกจากตัวเครื่องดูดฝุ่น

▶ หมายเลข 26: 1. ตัวกรองประสิทธิภาพสูง 2. ตัวเครื่องดูดฝุ่น

3. เช็ดและแขวนฝุ่นออกจากตัวกรองประสิทธิภาพสูงด้วยมือ

▶ หมายเลข 27

4. ล้างตัวกรองประสิทธิภาพสูงในน้ำสบู่เมื่อตัวกรองอุดตันด้วยฝุ่นและสิ่งสกปรก ตากตัวกรองให้แห้งสนิทในที่ร่มก่อนใช้งาน

▶ หมายเลข 28

หมายเหตุ: หลีกเลี่ยงการหนีบที่ปลายอุปกรณ์ต่อพ่วง (แหวนซีลยาง) ของตัวกรองประสิทธิภาพสูงเมื่อแขวนเพื่อตากให้แห้ง

5. จับส่วนปลายที่ยึดของตัวกรองประสิทธิภาพสูง แล้วบีบตัวกรองเพื่อใส่กลับเข้าไปในตัวเครื่องดูดฝุ่น

▶ หมายเลข 29: 1. ตัวกรองประสิทธิภาพสูง 2. ตัวเครื่องดูดฝุ่น

ตัวกรอง HEPA

อุปกรณ์เสริม

ข้อสังเกต: อย่าขัดหรือขูดตัวกรอง HEPA ด้วยวัตถุที่แข็ง เช่น แปรงและใบพัด

- ถอดชุดไซโคลนออกจากตัวเครื่องดูดฝุ่น
- จับส่วนปลายที่ยึดตัวกรอง HEPA (ที่ครอบด้วยตัวกรองชั้นต้นประสิทธิภาพสูง) แล้วดึงออกจากตัวเครื่องดูดฝุ่น
 - ▶ **หมายเลข 30:** 1. ตัวกรอง HEPA (ที่ครอบด้วยตัวกรองชั้นต้นประสิทธิภาพสูง) 2. ตัวเครื่องดูดฝุ่น
- ถอดตัวกรองชั้นต้นประสิทธิภาพสูงออกจากตัวกรอง HEPA โดยบิดด้วยมือ
 - ▶ **หมายเลข 31:** 1. ตัวกรองชั้นต้นประสิทธิภาพสูง 2. ตัวกรอง HEPA
- เช็ดและเขย่าฝุ่นออกจากตัวกรองชั้นต้นประสิทธิภาพสูงและตัวกรอง HEPA ด้วยมือ
 - ▶ **หมายเลข 32**
- ล้างตัวกรองชั้นต้นประสิทธิภาพสูงและตัวกรอง HEPA ในน้ำสบู่ ล้างน้ำเปล่าและตากให้แห้งสนิทในที่ร่มก่อนใช้งาน
 - ▶ **หมายเลข 33**

หมายเหตุ: หลีกเลี่ยงการหนีบที่ปลายอุปกรณ์ต่อพ่วง (แหวนซีลยาง) ของตัวกรอง HEPA เมื่อแหวนเพื่อตากให้แห้ง

- ต่อตัวกรองชั้นต้นประสิทธิภาพสูงบนตัวกรอง HEPA
 - ▶ **หมายเลข 34:** 1. ตัวกรองชั้นต้นประสิทธิภาพสูง 2. ตัวกรอง HEPA
- จับส่วนปลายที่ยึดของตัวกรอง HEPA (ที่ครอบด้วยตัวกรองชั้นต้นประสิทธิภาพสูง) และบีบตัวกรองเพื่อใส่กลับเข้าไปในตัวเครื่องดูดฝุ่น
 - ▶ **หมายเลข 35:** 1. ตัวกรอง HEPA (ที่ครอบด้วยตัวกรองชั้นต้นประสิทธิภาพสูง) 2. ตัวเครื่องดูดฝุ่น

แผ่นฟองน้ำ

- ถอดชุดไซโคลนออกจากตัวเครื่องดูดฝุ่น
- จับส่วนปลายที่ยึดของตัวกรอง แล้วดึงออกจากตัวเครื่องดูดฝุ่น
 - ▶ **หมายเลข 36:** 1. ตัวกรอง 2. ตัวเครื่องดูดฝุ่น
- ดึงแผ่นฟองน้ำออกจากช่องดูด
 - ▶ **หมายเลข 37:** 1. แผ่นฟองน้ำ 2. ช่องดูด

- เช็ดและเขย่าฝุ่นออกจากแผ่นฟองน้ำด้วยมือ

▶ **หมายเลข 38**

- ล้างแผ่นฟองน้ำในน้ำสบู่เมื่อถอดด้วยฝุ่นและสิ่งสกปรก ตากตัวกรองให้แห้งสนิทในที่ร่มก่อนใช้งาน

▶ **หมายเลข 39**

- วางแผ่นฟองน้ำกลับเข้าที่เดิม ตรวจสอบให้แน่ใจว่าขอบด้านซ้ายและขวาของแผ่นฟองน้ำถูกยึดด้วยสตัดปีเปอร์ และไม่มีช่องว่างระหว่างแผ่นฟองน้ำและช่องดูด

▶ **หมายเลข 40:** 1. แผ่นฟองน้ำ 2. สตัดปีเปอร์ 3. ช่องดูด

- จับที่ปลายที่ยึดของตัวกรอง แล้วบีบตัวกรองเพื่อใส่กลับเข้าไปในตัวเครื่องดูดฝุ่น

▶ **หมายเลข 41:** 1. ตัวกรอง 2. ตัวเครื่องดูดฝุ่น

การบำรุงรักษาตามสภาพ

ข้อสังเกต: ทำความสะอาดตัวกรองในชุดไซโคลนเมื่อตัวกรองอุดตัน การฝืนใช้งานอุปกรณ์ที่มีการอุดตันอาจส่งผลให้เกิดความร้อนหรือมอเตอร์ทำงานผิดปกติได้

การทำความสะอาดในส่วนลึกและเฉพาะจุดมีความจำเป็นขึ้นอยู่กับประสิทธิภาพของเครื่องมือ

ตัวกรอง

เมื่อกลองด์ักฝุ่นมีคราบสกปรกหรือตัวกรองมีฝุ่นอุดตัน ให้ขัดออกและล้างน้ำ (โปรดอ้างอิง “การนำผงฝุ่นออกไปทิ้ง” สำหรับกระบวนการกำจัดฝุ่น)

- จับกอล็องด์ักฝุ่นให้แน่น แล้วดึงออกจากตัวเครื่องไซโคลนพร้อมทั้งกดปุ่มคลายทั้งสองข้างของกอล็องด์ักฝุ่นค้างไว้

▶ **หมายเลข 42:** 1. กอล็องด์ักฝุ่น 2. ตัวเครื่องไซโคลน 3. ปุ่มคลาย

- หมุนตัวกรองตามที่แสดงในภาพเพื่อปลดล็อก จากนั้นถอดออกจากตัวเครื่องไซโคลน

▶ **หมายเลข 43:** 1. ตัวกรอง

- ถอดส่วนประกอบของตัวกรองออกมาสวมชั้น ได้แก่ตัวกรองชั้นต้น ตัวกรองฟองน้ำทรงท่อ และท่อตาข่าย

i บีบสตัดปีเปอร์ตัวนำที่ด้านบนของท่อตาข่ายเข้าหากัน

ii สอดสตัดปีเปอร์ตัวนำผ่านรูนำที่ด้านบนของตัวกรองชั้นต้น

iii ดึงตัวกรองชั้นต้นออกมาพร้อมตัวกรองฟองน้ำทรงท่อและท่อตาข่าย

iv ถอดตัวกรองฟองน้ำทรงท้อออกจากท่อตาข่าย
▶ **หมายเลข 44:** 1. ตัวกรองชั้นต้น 2. ตัวกรองฟองน้ำทรงท้อ 3. ท่อตาข่าย 4. สตีปเปอร์ตัวนำ 5. รุณน้ำ

4. เช็ดและเขย่าฝุ่นออกจากตัวกรองและท่อตาข่ายด้วยมือ

▶ **หมายเลข 45**

5. ล้างตัวกรองและท่อตาข่ายในน้ำสบู่เมื่อตัวกรองอุดตันด้วยฝุ่นและสิ่งสกปรก ตากให้แห้งสนิทในที่แห้งก่อนใช้งาน
▶ **หมายเลข 46**

6. ประกอบตัวกรองกลับเข้าด้วยกัน

i สอดตัวกรองฟองน้ำทรงท้อลงในตัวกรองชั้นต้น

ii สอดท่อตาข่ายเข้าไปในตัวกรองฟองน้ำทรงท้อและตัวกรองชั้นต้น สอดสตีปเปอร์ตัวนำที่ด้านบนของท่อตาข่ายผ่านรูหน้าที่ด้านบนของตัวกรองชั้นต้น

iii ดันท่อตาข่ายผ่านตัวกรองฟองน้ำทรงท้อและตัวกรองชั้นต้นจนกระทั่งล๊อคเข้าที่โดยจะได้ยินเสียงคลิก

▶ **หมายเลข 47:** 1. ตัวกรองชั้นต้น 2. ตัวกรองฟองน้ำทรงท้อ 3. ท่อตาข่าย 4. สตีปเปอร์ตัวนำ 5. รุณน้ำ

7. ใส่ตัวกรองกลับเข้าไปในตัวเครื่องไซโคลนโดยจัดให้ขอกเกี่ยวบนตัวกรองตรงกับช่องบนช่องดูดของตัวเครื่องไซโคลน หมุนตัวกรองตามที่แสดงในภาพจนกระทั่งขอกเกี่ยวล๊อคเข้าที่โดยจะได้ยินเสียงคลิก ตรวจสอบให้แน่ใจว่าติดตั้งตัวกรองแน่นดีแล้ว

▶ **หมายเลข 48:** 1. ตัวกรอง 2. ตัวเครื่องไซโคลน 3. ขอกเกี่ยว 4. ช่องต่อ

ช่องอากาศในชุดไซโคลน

สิ่งแปลกปลอมที่เข้ามาในช่องอากาศอาจกีดขวางช่องอากาศในชุดไซโคลนและทำให้อากาศไหลได้ไม่สะดวก นำสิ่งแปลกปลอมในช่องทางเดินอากาศออกหากประสิทธิภาพการดูดลดลงอย่างเห็นได้ชัด

1. ถอดส่วนประกอบชุดไซโคลนออกได้สามชิ้น ได้แก่ กล้องเก็บฝุ่น ตัวกรอง และตัวเครื่องไซโคลน

▶ **หมายเลข 49:** 1. กล้องดักฝุ่น 2. ตัวกรอง 3. ตัวเครื่องไซโคลน 4. ตัวเครื่องดูดฝุ่น

2. ถอดสตีปเปอร์ตัวนำบนท่อดูดฝุ่นลงข้างไว้ผ่านรูล๊อคบนตัวเครื่องไซโคลนโดยใช้เครื่องมือปลายแหลม จากนั้นถอดท่อดูดฝุ่นออกจากตัวเครื่องไซโคลน

▶ **หมายเลข 50:** 1. ท่อดูดฝุ่น 2. สตีปเปอร์ตัวนำ 3. ตัวเครื่องไซโคลน 4. รูล๊อค

3. ทำความสะอาดสิ่งแปลกปลอมที่พบในช่องอากาศ สิ่งแปลกปลอมอาจเข้าไปติดบริเวณช่องอากาศเข้า

▶ **หมายเลข 51:** 1. ช่องดูดฝุ่น 2. ช่องอากาศเข้า

4. สอดท่อดูดฝุ่นกลับเข้าที่จนกระทั่งล๊อคแน่น

▶ **หมายเลข 52:** 1. ท่อดูดฝุ่น 2. ตัวเครื่องไซโคลน 3. โอริง 4. วาล์วประตู

ข้อสังเกต: ตรวจสอบให้แน่ใจว่าโอริงและวาล์วประตูอยู่ในตำแหน่งแล้วก่อนทำการประกอบชิ้นส่วนกลับเข้าด้วยกัน ประสิทธิภาพการดูดอาจลดลงหากชุดไซโคลนทำงานโดยที่โอริงและแผ่นประตูไม่อยู่ในตำแหน่ง

5. ประกอบชุดไซโคลนกลับเข้าด้วยกัน และต่อเข้ากับตัวเครื่องดูดฝุ่น

การแก้ไขปัญหา

ก่อนที่จะมีการซ่อม กรุณาตรวจสอบดังต่อไปนี้

อาการหรือสิ่งที่เกิดขึ้น	บริเวณที่จะตรวจสอบ	วิธีการซ่อม
แรงดูดลดลง	กล่องเก็บฝุ่นหรือภายในชุดไซโคลนเต็มไปด้วยฝุ่นหรือไม่	กำจัดฝุ่นในกล่องเก็บฝุ่นหรือภายในชุดไซโคลนออก
	ตัวกรองอุตสาหกรรมหรือไม่	กำจัดฝุ่นหรือล้างตัวกรองประสิทธิภาพสูง/ตัวกรอง HEPA/แผ่นฟองน้ำ/ตัวกรอง
	มีสิ่งใดกีดขวางช่องอากาศเข้าหรือไม่	ทำความสะอาดฝุ่นและวัตถุแปลกปลอมออกจากช่องอากาศ
	ตัวปรับแรงดูดหรือไม่	ซาร์จตัวปรับแรงดูด
เครื่องมือทำงาน	ตัวปรับแรงดูดหรือไม่	ซาร์จตัวปรับแรงดูด
เสียงดังและสั่นสะเทือน	ตัวกรองอุตสาหกรรมหรือไม่	กำจัดฝุ่นหรือล้างตัวกรองประสิทธิภาพสูง/ตัวกรอง HEPA/แผ่นฟองน้ำ/ตัวกรอง
	มีอะไรกีดขวางช่องเปิดหรือรูหรือไม่	ทำความสะอาดฝุ่นและวัตถุใดๆ ออกจากหัวดูดฝุ่น ท่อ และช่องระบายอากาศ
	ช่องดูดฝุ่นของหัวดูดฝุ่นหรือท่อปิดอยู่หรือไม่	เปิดฝาครอบและช่องดูดฝุ่นของหัวดูดฝุ่นและท่อ

⚠ ข้อควรระวัง: ห้ามพยายามที่จะซ่อมเครื่องดูดฝุ่นด้วยตนเอง

อุปกรณ์เสริม

⚠ ข้อควรระวัง: ขอแนะนำให้ใช้เฉพาะอุปกรณ์เสริมหรืออุปกรณ์ต่อพ่วงเหล่านี้กับเครื่องมือ Makita ที่ระบุในคู่มือการใช้ อุปกรณ์เสริมหรืออุปกรณ์ต่อพ่วงอื่นๆ อาจมีความเสี่ยงที่จะได้รับบาดเจ็บ ใช้ อุปกรณ์เสริมหรืออุปกรณ์ต่อพ่วงตามวัตถุประสงค์ที่ระบุไว้เท่านั้น

หากต้องการทราบรายละเอียดเพิ่มเติมเกี่ยวกับอุปกรณ์เสริมเหล่านี้ โปรดสอบถามศูนย์บริการ Makita ใกล้บ้านคุณ

- ท่อต่อ (ท่อตรง)
- หัวดูดฝุ่น
- หัวดูดฝุ่นสำหรับพื้นพรม
- แปรงสำหรับชั้นวาง

- หัวเป่าที่แคบ
- แปรงกลม
- ท่อที่อ่อนตัวได้
- ตัวกรองประสิทธิภาพสูง
- ตัวกรอง HEPA
- หัวดูดสำหรับที่นั่ง
- หัวดูดสำหรับร่องที่เข้าถึงยาก
- ชุดไซโคลน
- ลูกเครื่องมือ
- แบตเตอรี่และเครื่องชาร์จ Makita ของแท้

หมายเหตุ: อุปกรณ์บางรายการอาจรวมอยู่ในชุดเครื่องมือเป็นอุปกรณ์มาตรฐาน ซึ่งอาจแตกต่างกันไปในแต่ละประเทศ

Makita Corporation
3-11-8, Sumiyoshi-cho,
Anjo, Aichi 446-8502 Japan
www.makita.com

885A27-372
EN_ZHCN_ID_MS.
VI_TH
20221111