



VN	VIETNAM
----	---------

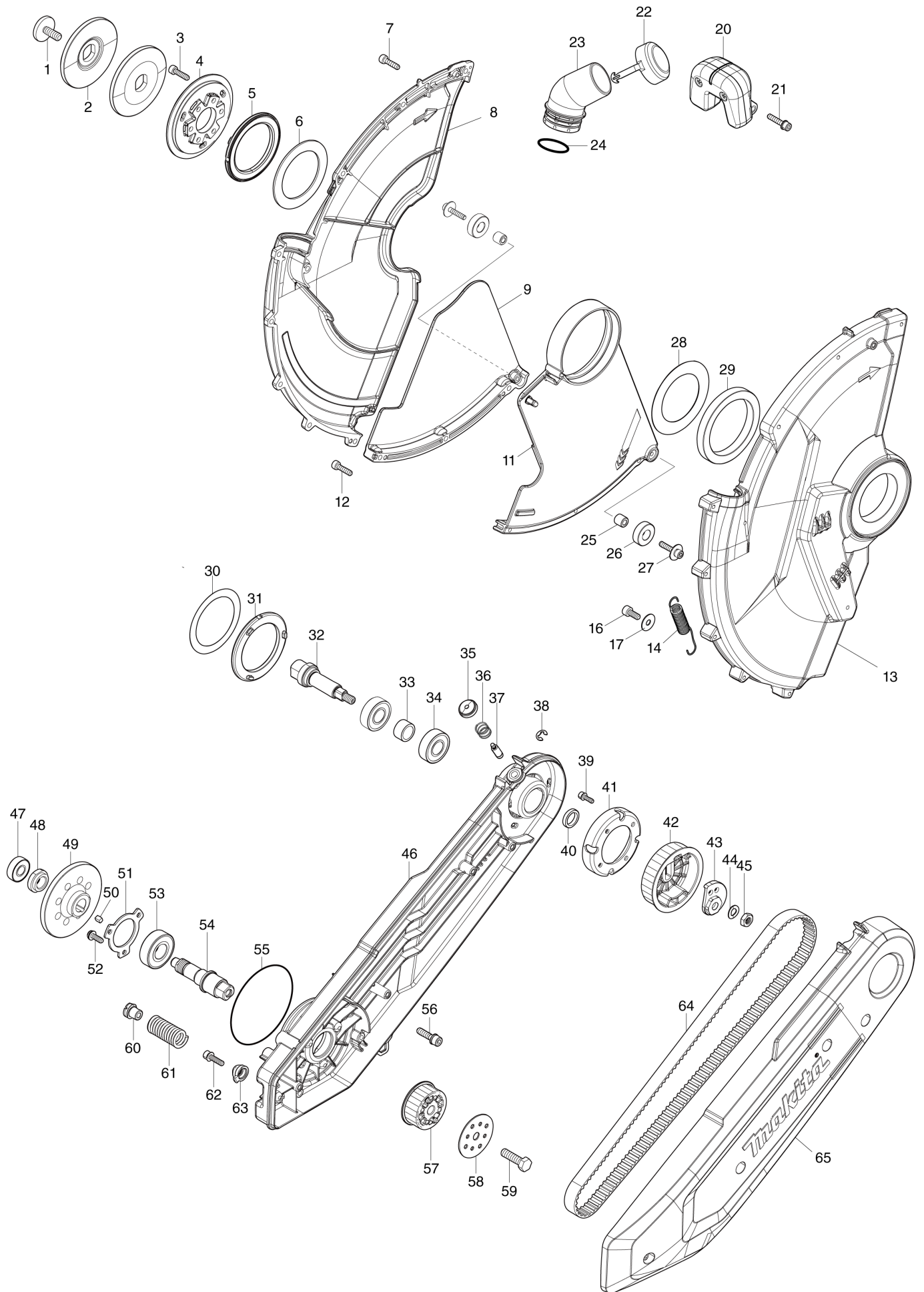
Diagram / Parts List

CE002G

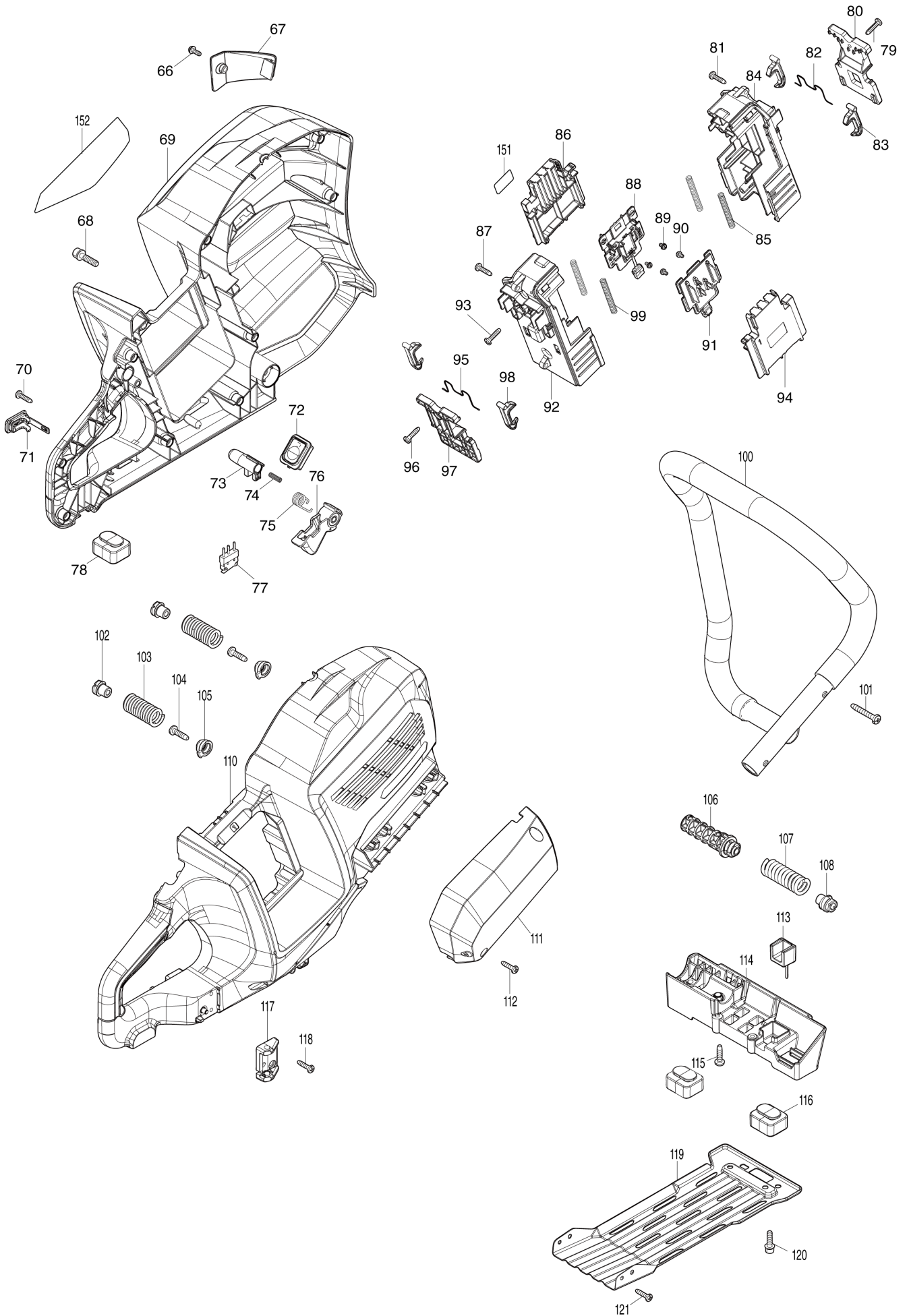
355MM CORDLESS POWER CUTTER



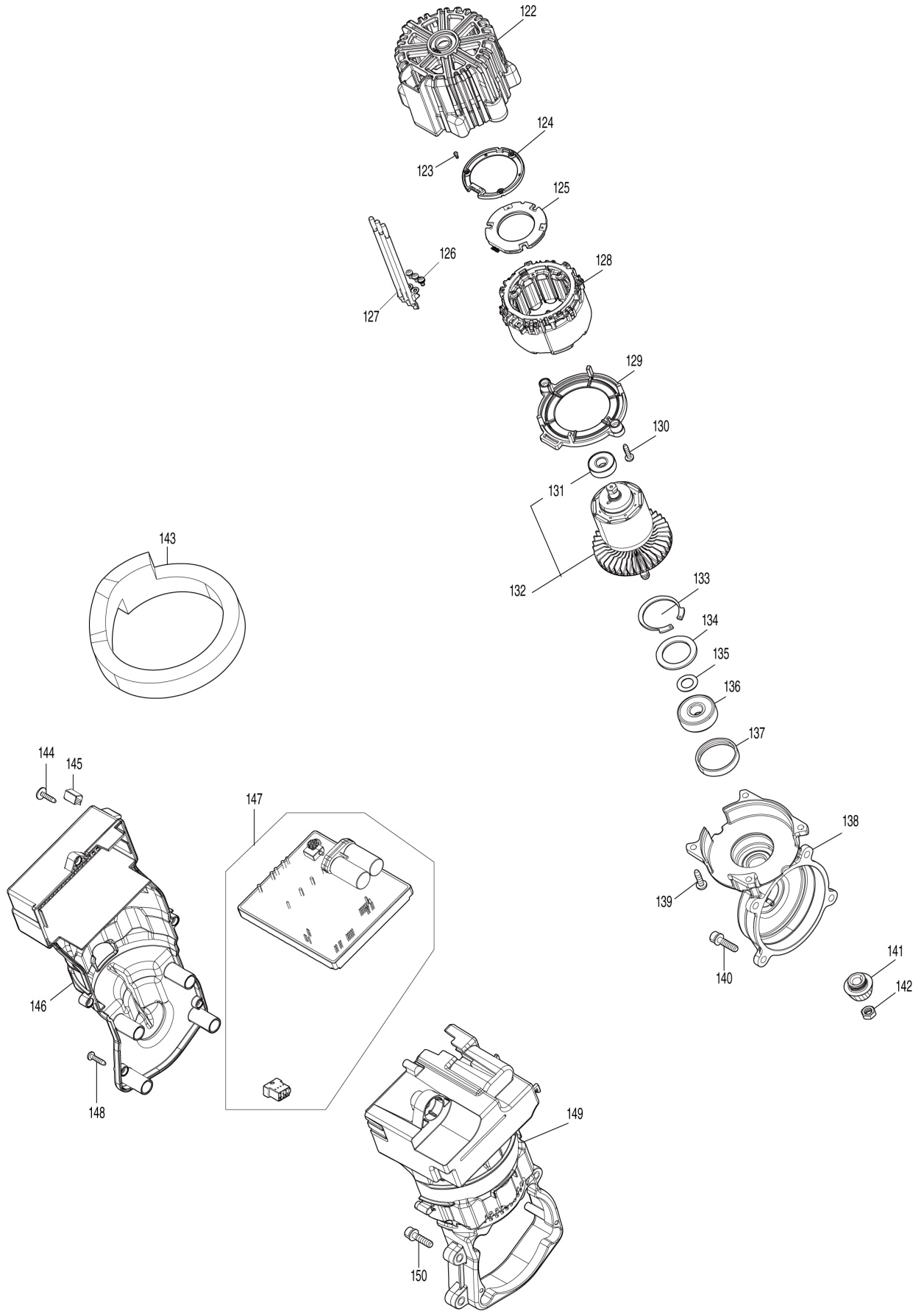
(VN) CE002G / 355MM CORDLESS POWER CUTTER



(VN) CE002G / 355MM CORDLESS POWER CUTTER



(VN) CE002G / 355MM CORDLESS POWER CUTTER



VN	VIETNAM
-----------	----------------

CE002G / 355MM CORDLESS POWER CUTTER

Item	Sub	Parts No.	Parts Description	Qty	I/C	E/C No.	Close No.	Remark
001		266976-3	HEX. BOLT M8X25	1				
002		224632-1	FLANGE 80	2				
003		922232-8	HEX. SOCKET HEAD BOLT M5X20	6				
004		312D66-5	BRACKET	1				
005		422822-2	RUBBER RING 56	1				
006		253574-2	FLAT WASHER 56	1				
007		922232-8	HEX. SOCKET HEAD BOLT M5X20	9				
008		137006-6	WHEEL COVER L ASS'Y	1				
	C10	263002-9	RUBBER PIN 4	1				
	C20	8064C1-9	CAUTION LABEL	1				
009		312D70-4	LOWER GUARD L	1				
011		141N02-2	LOWER GUARD R COMPLETE	1				
012		922232-8	HEX. SOCKET HEAD BOLT M5X20	3				
013		137005-8	WHEEL COVER R ASS'Y	1				
	C10	263002-9	RUBBER PIN 4	1				
014		232798-3	TENSION SPRING 11	1				
016		922212-4	HEX. SOCKET HEAD BOLT M5X12	1				
017		253424-1	FLAT WASHER 6	1				
020		136853-2	WHEEL COVER GRIP ASSEMBLY	1				
	C10	266326-2	TAPPING SCREW 4X18	2				
021		922243-3	HEX. SOCKET HEAD BOLT M5X25	2				
022		421362-7	CAP	1				
023		416741-2	ELBOW	1				
024		213888-1	O-RING 30	1				
025		257896-2	SLEEVE 5.4	2				
026		327B11-5	ROLLER 25	2				
027		265A89-3	H.S.H.BOLT M5X25 WITH WR	2				
028		413P09-3	BEARING COVER	1				
029		257A13-0	RING 65	1				
030		424792-1	SLIDING DISK	1				
031		422822-2	RUBBER RING 56	1				
032		327B10-7	SPINDLE	1				
033		257895-4	SLEEVE 15	1				
034		211238-4	BALL BEARING 6202LLU	2				
035		451485-7	PIN CAP	1				
036		233089-5	COMPRESSION SPRING 12	1				
037		256947-8	SHOULDER PIN 7	1				
038		961012-7	STOP RING E-6	1				
039		922123-3	HEX. SOCKET HEAD BOLT M4X14	2				
040		257868-7	RING 15	1				
041		347915-3	PULLY BOTTOM PLATE	1				
042		222201-2	PULLEY 17-70.5	1				
043		313415-5	ECCENTRIC DISK	1				
044		267822-3	SPRING WASHER 8	1				
045		264053-5	HEX. NUT M8X1	1				
046		312D67-3	CUTTING DEVICE	1				
047		211062-5	BALL BEARING 6000ZZ	1				
048		252429-8	NUT M15-23	1				
049		227922-1	SPIRAL BEVEL GEAR 53	1				
050		254201-4	KEY 4	1				
051		285049-3	BEARING RETAINER 33-59	1				
052		265074-0	PAN HEAD SCREW M5X16	3				
053		211278-2	BALL BEARING 6203DDW	1				
054		327B09-2	GEAR SHAFT	1				
055		213806-9	O RING 90	1				
056		922343-9	H.S.H.BOLT M6X25 WITH WR	1				
057		222203-8	PULLEY 17-45.0	1				
058		347A86-2	PULLEY PLATE 50	1				
059		265D39-6	HEX.BOLT M8X30	1				
060		312C34-2	SPRING HOLDER B	1				
061		232729-2	COMPRESSION SPRING 13	1				
062		922233-6	H.S.H.BOLT M5X20 WITH WR	1				
063		312C33-4	SPRING HOLDER A	1				
064		225107-3	SYNCHRO BELT 15-880	1				
065		141N00-6	BELT COVER COMPLETE	1				

A:CE002GZ(N)

Interchange
 O : Yes
 X : No
 < : the new part can be substituted for the current.
 > : the current part can be substituted for the new.
 S : Interchangeable as a set.

VN	VIETNAM
-----------	----------------

CE002G / 355MM CORDLESS POWER CUTTER

Item	Sub	Parts No.	Parts Description	Qty	I/C	E/C No.	Close No.	Remark
	C10	265B09-3	H.S. HEAD BOLT M5X30 WITH WR	4				
066		911118-1	PAN HEAD SCREW M4X12	1				
067		413C66-3	LENS	1				
068		922343-9	H.S.H.BOLT M6X25 WITH WR	1				
069		183Y26-8	HANDLE SET	1				
	C10	8040V4-6	XGT LOGO LABEL	1				
	D10		INC. 110					
070		266326-2	TAPPING SCREW 4X18	9				
071		140F99-0	CAP COMPLETE	1				
	C10	213A05-9	O-RING16	1				
072		141G39-7	SWITCH CIRCUIT COMPLETE	1				
073		413C73-6	LOCK OFF BUTTON	1				
074		232444-8	COMPRESSION SPRING 4	1				
075		232732-3	TORSION SPRING 10	1				
076		413C72-8	SWITCH LEVER	1				
077		632T61-8	SWITCH UNIT	1				
078		422823-0	REAR FOOT	1				
079		266326-2	TAPPING SCREW 4X18	1				
080		413C77-8	LOCK COVER	1				
081		266326-2	TAPPING SCREW 4X18	2				
082		232731-5	LEVER SPRING	1				
083		413C76-0	BATTERY ADAPTER LOCK	2				
084		183U87-4	TERMINAL BOX SET	1				
	C10	263005-3	RUBBER PIN 6	4				
	D10		INC. 92					
085		232730-7	COMPRESSION SPRING 5	2				
086		413C74-4	BATTERY ADAPTER L	1				
087		266326-2	TAPPING SCREW 4X18	2				
088		632T08-2	TERMINAL UNIT	1				
089		652031-1	PAN HEAD SCREW M3X6	2				
090		652031-1	PAN HEAD SCREW M3X6	2				
091		632T08-2	TERMINAL UNIT	1				
092		183U87-4	TERMINAL BOX SET	1				
	C10	263005-3	RUBBER PIN 6	4				
	D10		INC. 84					
093		266326-2	TAPPING SCREW 4X18	2				
094		413C75-2	BATTERY ADAPTER R	1				
095		232731-5	LEVER SPRING	1				
096		266326-2	TAPPING SCREW 4X18	1				
097		413C77-8	LOCK COVER	1				
098		413C76-0	BATTERY ADAPTER LOCK	2				
099		232730-7	COMPRESSION SPRING 5	2				
100		327928-0	FRONT GRIP 26	1				
101		266373-3	TAPPING SCREW 5X35	2				
102		312C34-2	SPRING HOLDER B	2				
103		232729-2	COMPRESSION SPRING 13	2				
104		266021-4	TAPPING SCREW 5X20	2				
105		312C33-4	SPRING HOLDER A	2				
106		413C71-0	SPRING HOLDER D	1				
107		232728-4	COMPRESSION SPRING 12	1				
108		312C35-0	SPRING HOLDER C	1				
110		183Y26-8	HANDLE SET	1				
	C10	8040V4-6	XGT LOGO LABEL	1				
	D10		INC. 69					
111		136926-1	HOSE COVER ASS'Y	1				
	C10	263005-3	RUBBER PIN 6	2				
112		266326-2	TAPPING SCREW 4X18	2				
113		424788-2	DAMPER	1				
114		312C32-6	STAND SUPPORT	1				
115		266021-4	TAPPING SCREW 5X20	2				
116		422823-0	REAR FOOT	2				
117		413N25-3	CLAMP BASE	1				
118		266326-2	TAPPING SCREW 4X18	2				
119		347916-1	BOTTOM GUARD	1				
120		922233-6	H.S.H.BOLT M5X20 WITH WR	2				

A:CE002GZ(N)

Interchange
 O : Yes
 X : No
 < : the new part can be substituted for the current.
 > : the current part can be substituted for the new.
 S : Interchangeable as a set.

