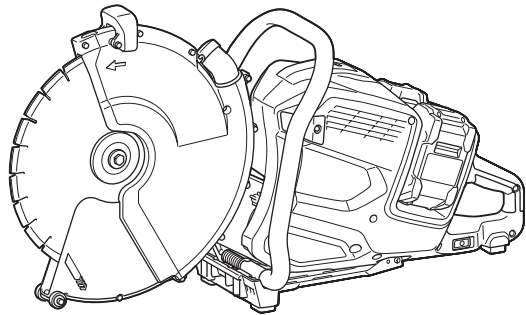
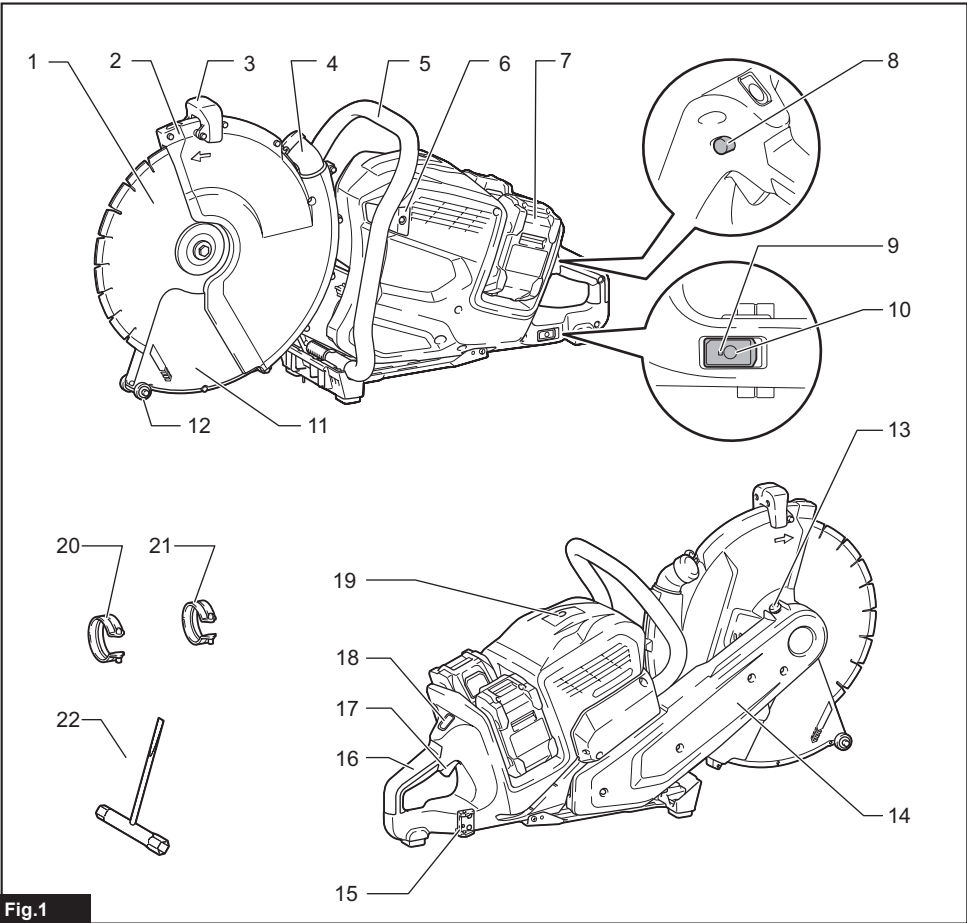


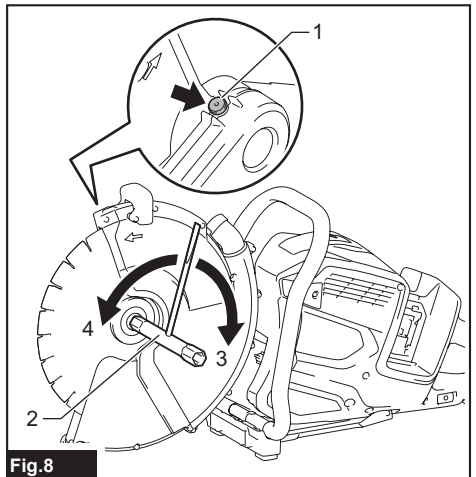
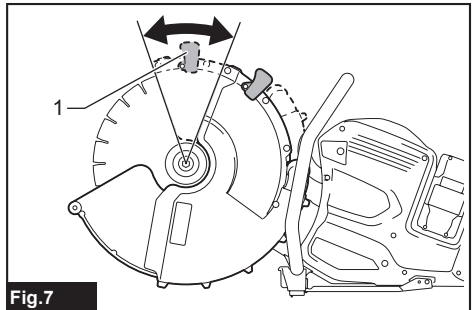
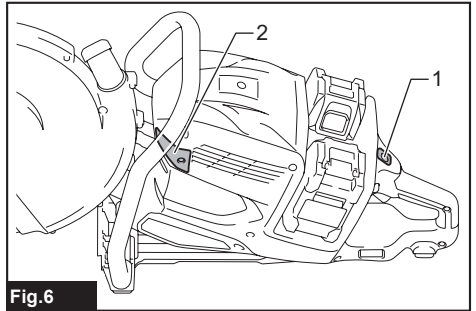
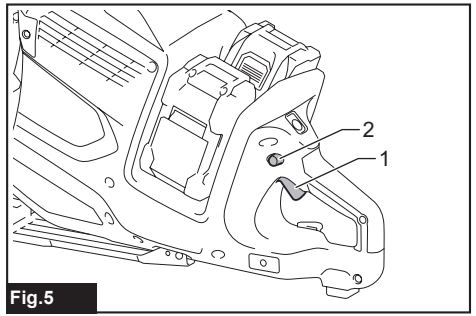
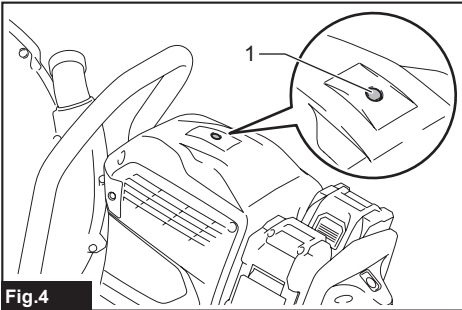
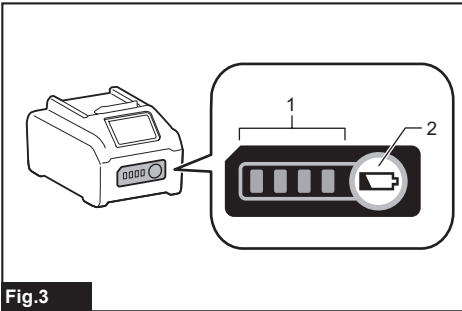
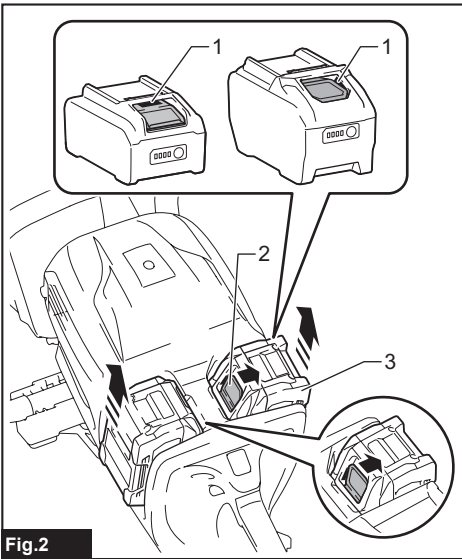


EN	Cordless Power Cutter	INSTRUCTION MANUAL	10
ZHCN	充电式切断锯	使用说明书	26
ID	Mesin Pemotong Tanpa Kabel	PETUNJUK PENGGUNAAN	42
MS	Pemotong Kuasa Tanpa Kord	MANUAL ARAHAN	59
VI	Máy Cắt Bê Tông Cầm Tay Hoạt Động Bằng Pin	TÀI LIỆU HƯỚNG DẪN	76
TH	เครื่องตัดไฟฟ้าไร้สาย	คู่มือการใช้งาน	92

CE002G







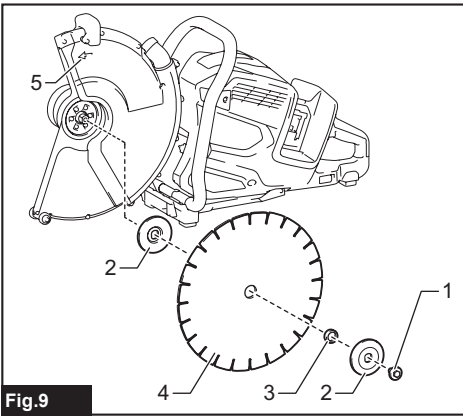


Fig.9

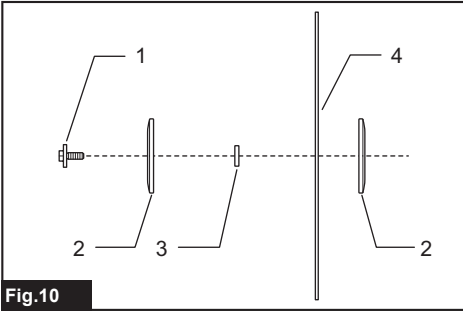


Fig.10

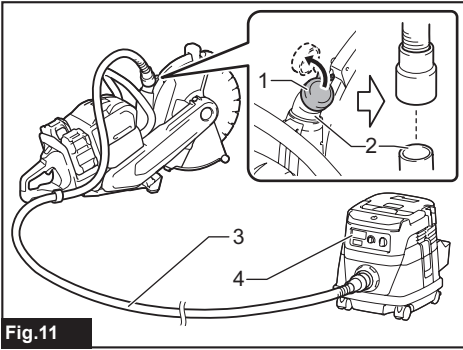


Fig.11

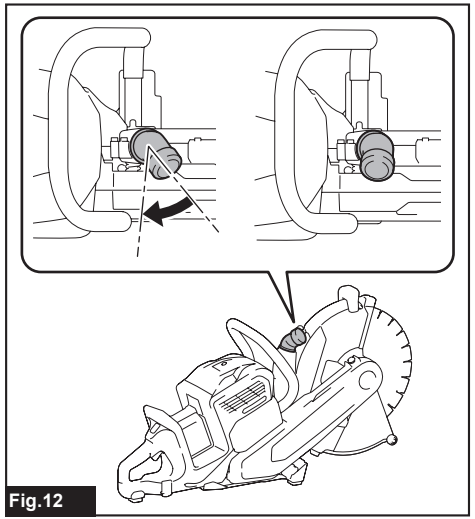


Fig.12

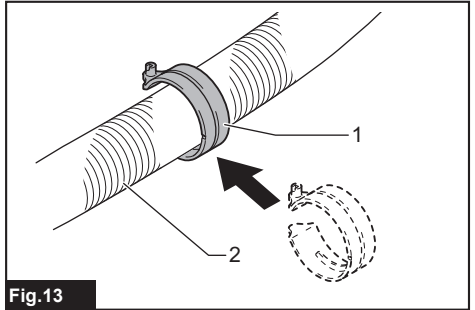


Fig.13

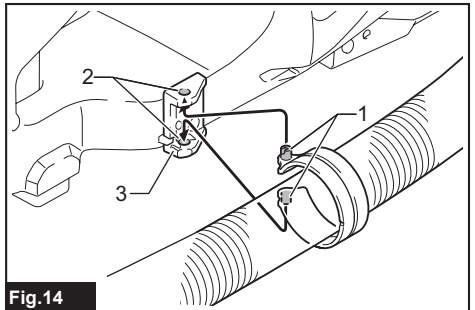
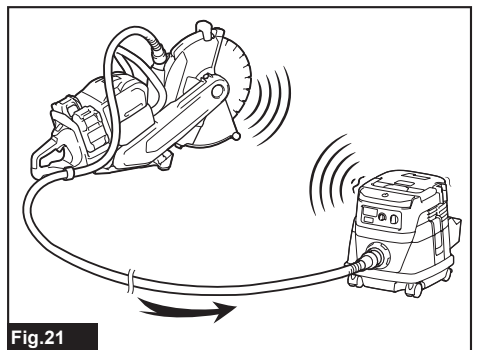
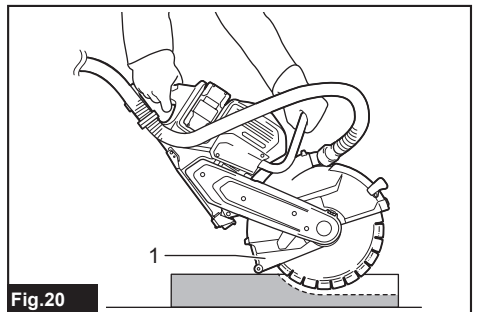
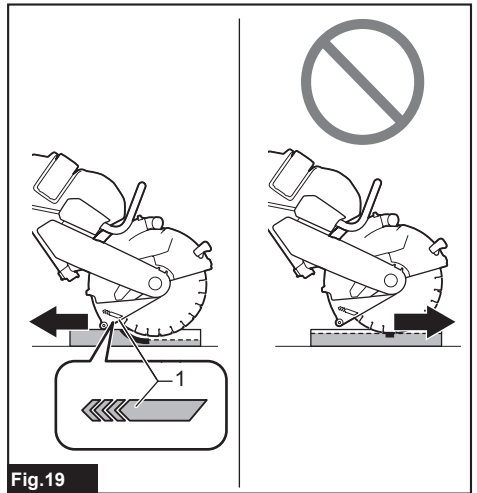
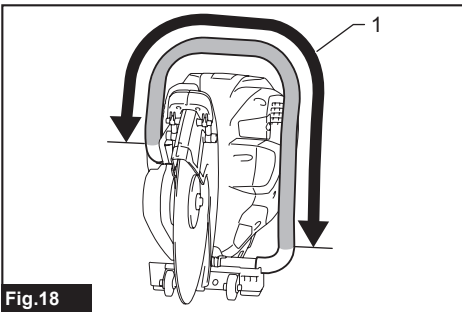
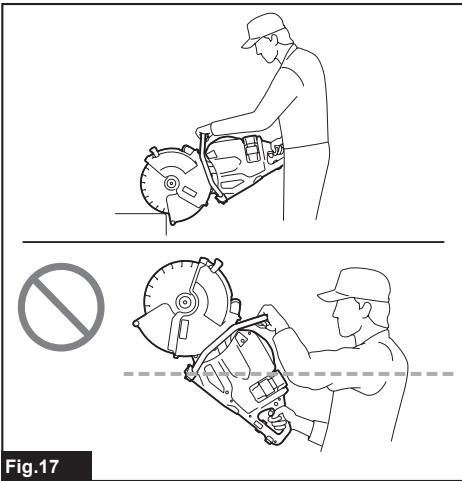
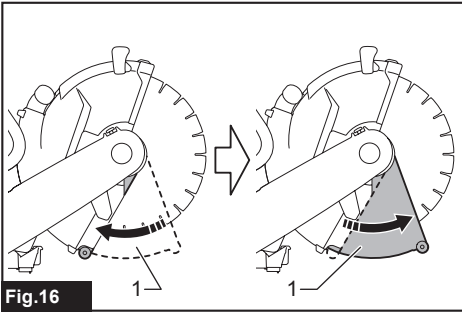
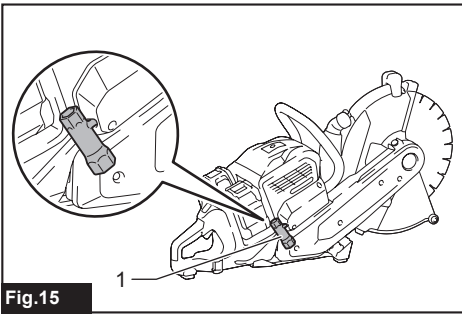


Fig.14



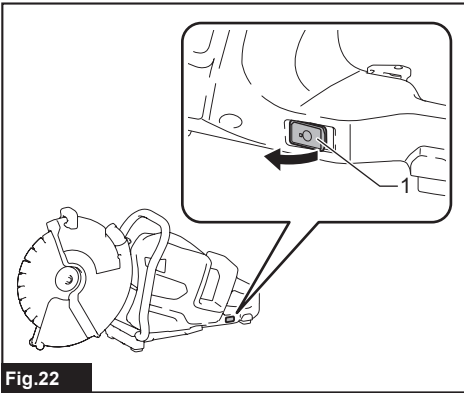


Fig.22

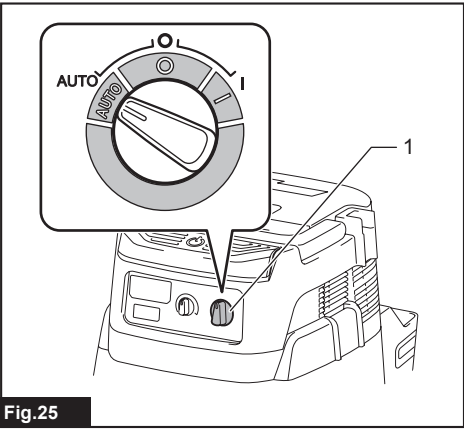


Fig.25

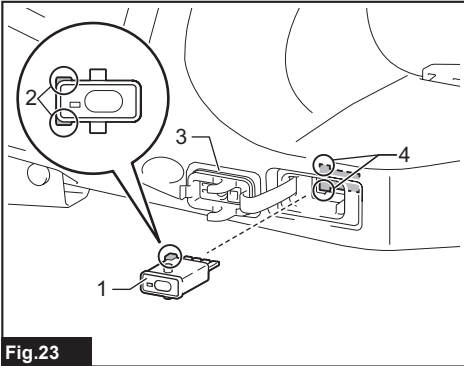


Fig.23

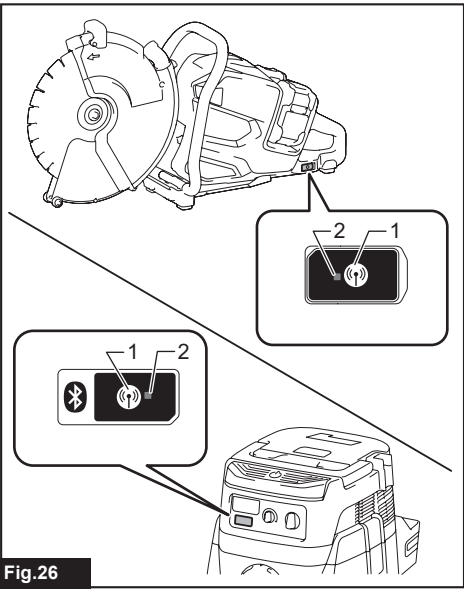


Fig.26

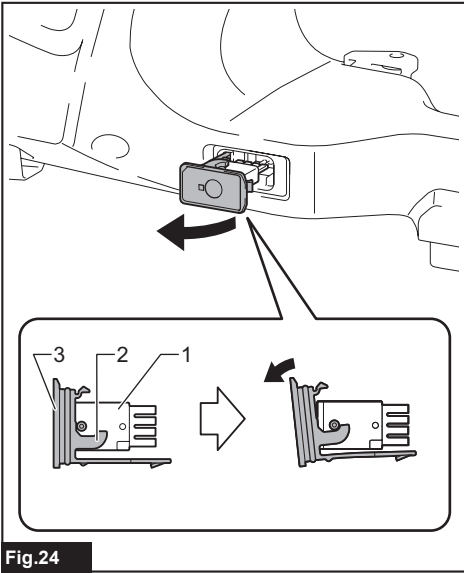


Fig.24

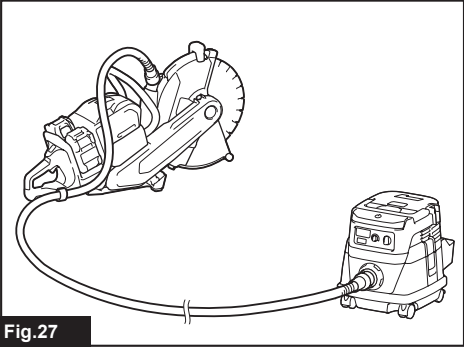
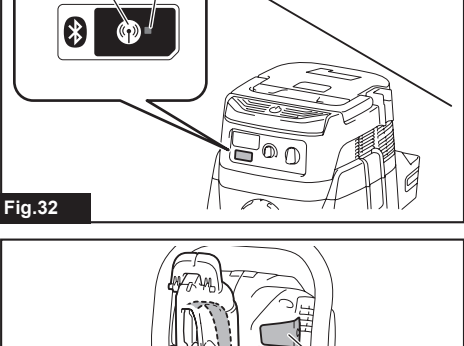
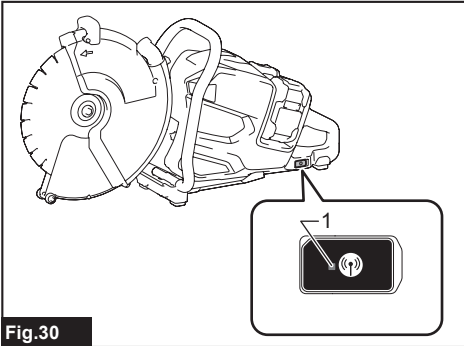
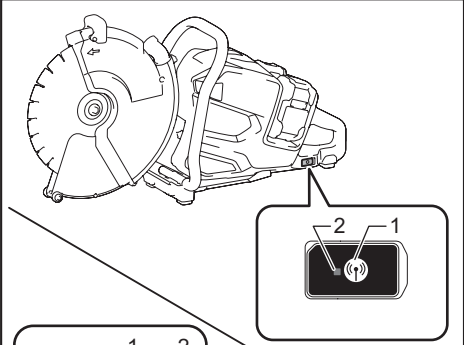
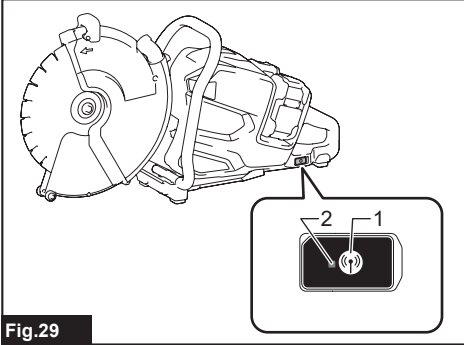
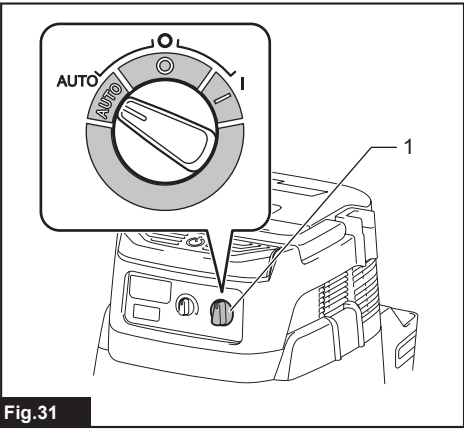
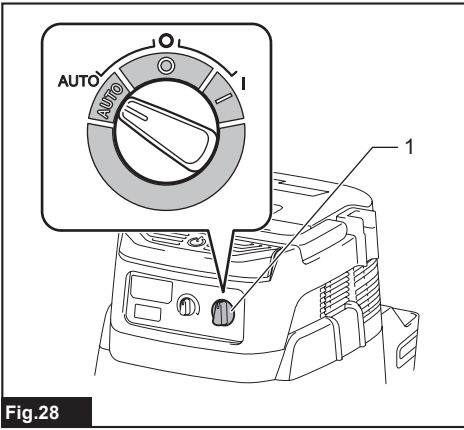


Fig.27



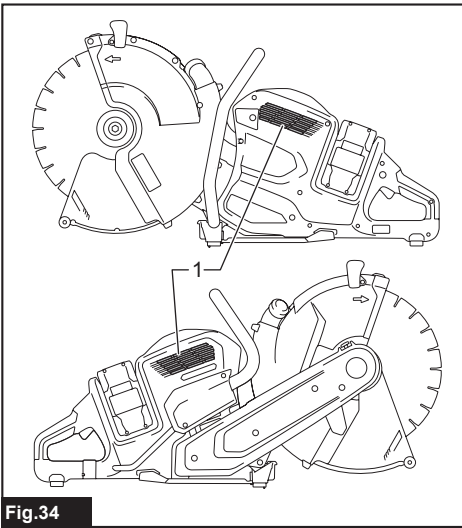


Fig.34

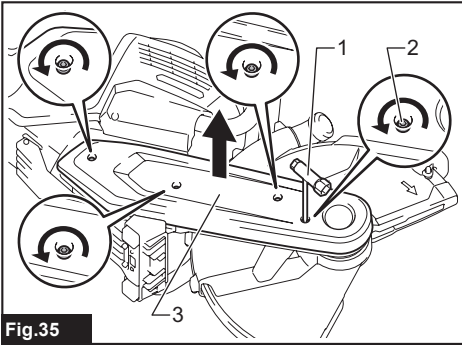


Fig.35

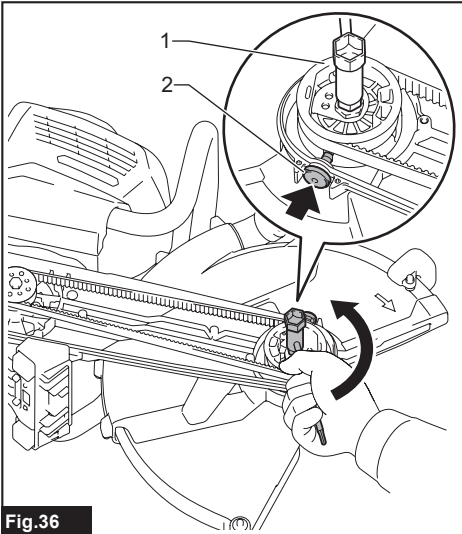


Fig.36

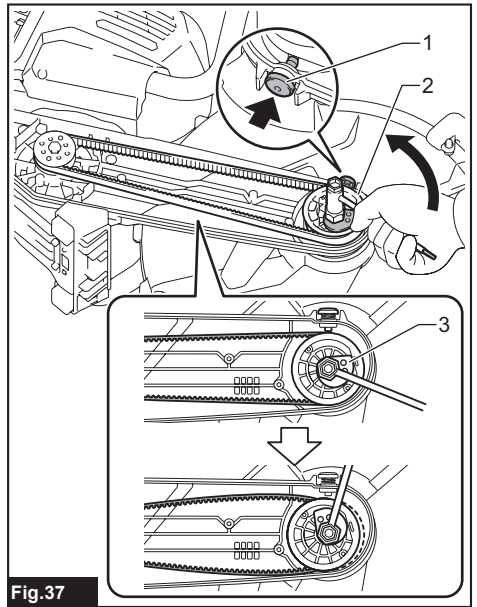


Fig.37

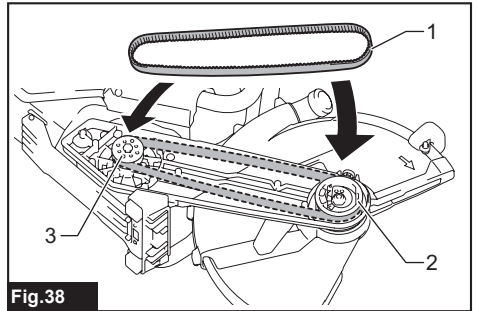
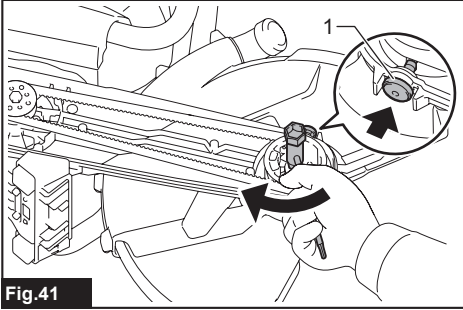
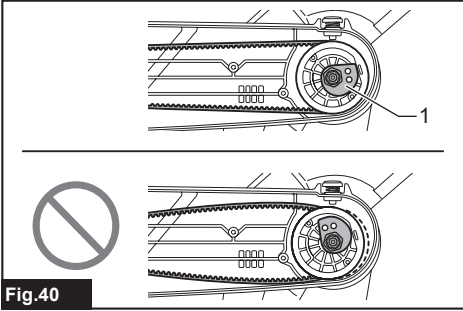
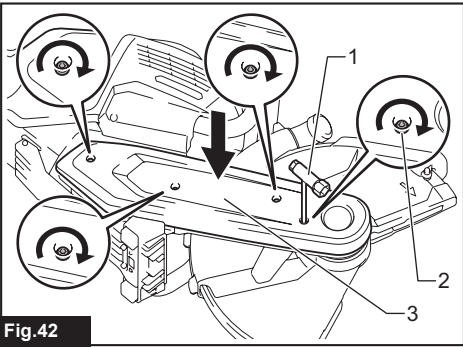
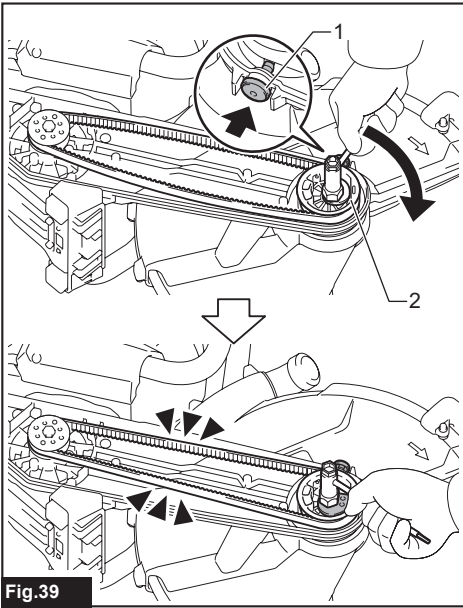


Fig.38



SPECIFICATIONS

Model:	CE002G
Wheel diameter	350 - 355 mm
Max. wheel thickness	4.0 mm
Max. cutting depth	127 mm
Rated speed	4,200 min ⁻¹
Rated voltage	D.C. 72 V - 80 V max
Recommended air volume of the vacuum cleaner	Equal to or more than 1.8 m ³ /min
Overall length	825 mm
Net weight	13.1 - 15.1 kg

- Due to our continuing program of research and development, the specifications herein are subject to change without notice.
- Specifications may differ from country to country.
- The weight may differ depending on the attachment(s), including the battery cartridge. The lightest and heaviest combinations, according to EPTA-Procedure 01/2014, are shown in the table.

Applicable battery cartridge and charger






Battery cartridge	BL4040 / BL4050F* / BL4080F* * : Recommended battery
Charger	DC40RA / DC40RB / DC40RC

- Some of the battery cartridges and chargers listed above may not be available depending on your region of residence.

⚠ WARNING: Only use the battery cartridges and chargers listed above. Use of any other battery cartridges and chargers may cause injury and/or fire.

Symbols

The followings show the symbols which may be used for the equipment. Be sure that you understand their meaning before use.

	Read instruction manual.
	Wear safety glasses.
	Do not use abrasive cut-off wheel. Only diamond wheel is applicable.
	Do not cut metal.
	Do not feed water.



Only for EU countries
Due to the presence of hazardous components in the equipment, waste electrical and electronic equipment, accumulators and batteries may have a negative impact on the environment and human health. Do not dispose of electrical and electronic appliances or batteries with household waste!
In accordance with the European Directive on waste electrical and electronic equipment and on accumulators and batteries and waste accumulators and batteries, as well as their adaptation to national law, waste electrical equipment, batteries and accumulators should be stored separately and delivered to a separate collection point for municipal waste, operating in accordance with the regulations on environmental protection.
This is indicated by the symbol of the crossed-out wheeled bin placed on the equipment.

Intended use

The tool is intended for cutting in masonry materials with a diamond wheel.

SAFETY WARNINGS

General power tool safety warnings

⚠WARNING Read all safety warnings, instructions, illustrations and specifications provided with this power tool. Failure to follow all instructions listed below may result in electric shock, fire and/or serious injury.

Save all warnings and instructions for future reference.

The term "power tool" in the warnings refers to your mains-operated (corded) power tool or battery-operated (cordless) power tool.

Work area safety

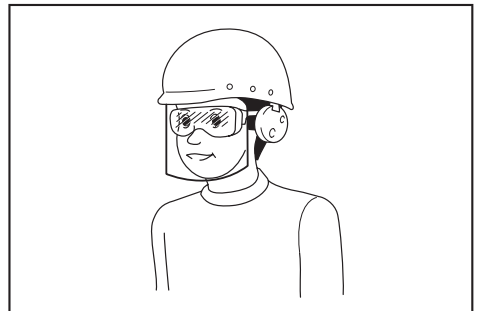
1. **Keep work area clean and well lit.** Cluttered or dark areas invite accidents.
2. **Do not operate power tools in explosive atmospheres, such as in the presence of flammable liquids, gases or dust.** Power tools create sparks which may ignite the dust or fumes.
3. **Keep children and bystanders away while operating a power tool.** Distractions can cause you to lose control.

Electrical safety

1. **Power tool plugs must match the outlet. Never modify the plug in any way. Do not use any adapter plugs with earthed (grounded) power tools.** Unmodified plugs and matching outlets will reduce risk of electric shock.
2. **Avoid body contact with earthed or grounded surfaces, such as pipes, radiators, ranges and refrigerators.** There is an increased risk of electric shock if your body is earthed or grounded.
3. **Do not expose power tools to rain or wet conditions.** Water entering a power tool will increase the risk of electric shock.
4. **Do not abuse the cord. Never use the cord for carrying, pulling or unplugging the power tool. Keep cord away from heat, oil, sharp edges or moving parts.** Damaged or entangled cords increase the risk of electric shock.
5. **When operating a power tool outdoors, use an extension cord suitable for outdoor use.** Use of a cord suitable for outdoor use reduces the risk of electric shock.
6. **If operating a power tool in a damp location is unavoidable, use a residual current device (RCD) protected supply.** Use of an RCD reduces the risk of electric shock.
7. **Power tools can produce electromagnetic fields (EMF) that are not harmful to the user.** However, users of pacemakers and other similar medical devices should contact the maker of their device and/or doctor for advice before operating this power tool.

Personal safety

1. **Stay alert, watch what you are doing and use common sense when operating a power tool. Do not use a power tool while you are tired or under the influence of drugs, alcohol or medication.** A moment of inattention while operating power tools may result in serious personal injury.
2. **Use personal protective equipment. Always wear eye protection.** Protective equipment such as a dust mask, non-skid safety shoes, hard hat or hearing protection used for appropriate conditions will reduce personal injuries.
3. **Prevent unintentional starting. Ensure the switch is in the off-position before connecting to power source and/or battery pack, picking up or carrying the tool.** Carrying power tools with your finger on the switch or energising power tools that have the switch on invites accidents.
4. **Remove any adjusting key or wrench before turning the power tool on.** A wrench or a key left attached to a rotating part of the power tool may result in personal injury.
5. **Do not overreach. Keep proper footing and balance at all times.** This enables better control of the power tool in unexpected situations.
6. **Dress properly. Do not wear loose clothing or jewellery. Keep your hair and clothing away from moving parts.** Loose clothes, jewellery or long hair can be caught in moving parts.
7. **If devices are provided for the connection of dust extraction and collection facilities, ensure these are connected and properly used.** Use of dust collection can reduce dust-related hazards.
8. **Do not let familiarity gained from frequent use of tools allow you to become complacent and ignore tool safety principles.** A careless action can cause severe injury within a fraction of a second.
9. **Always wear protective goggles to protect your eyes from injury when using power tools. The goggles must comply with ANSI Z87.1 in the USA, EN 166 in Europe, or AS/NZS 1336 in Australia/New Zealand. In Australia/New Zealand, it is legally required to wear a face shield to protect your face, too.**



It is an employer's responsibility to enforce the use of appropriate safety protective equipments by the tool operators and by other persons in the immediate working area.

Power tool use and care

1. **Do not force the power tool. Use the correct power tool for your application.** The correct power tool will do the job better and safer at the rate for which it was designed.
2. **Do not use the power tool if the switch does not turn it on and off.** Any power tool that cannot be controlled with the switch is dangerous and must be repaired.
3. **Disconnect the plug from the power source and/or remove the battery pack, if detachable, from the power tool before making any adjustments, changing accessories, or storing power tools.** Such preventive safety measures reduce the risk of starting the power tool accidentally.
4. **Store idle power tools out of the reach of children and do not allow persons unfamiliar with the power tool or these instructions to operate the power tool.** Power tools are dangerous in the hands of untrained users.
5. **Maintain power tools and accessories. Check for misalignment or binding of moving parts, breakage of parts and any other condition that may affect the power tool's operation. If damaged, have the power tool repaired before use.** Many accidents are caused by poorly maintained power tools.
6. **Keep cutting tools sharp and clean.** Properly maintained cutting tools with sharp cutting edges are less likely to bind and are easier to control.
7. **Use the power tool, accessories and tool bits etc. in accordance with these instructions, taking into account the working conditions and the work to be performed.** Use of the power tool for operations different from those intended could result in a hazardous situation.
8. **Keep handles and grasping surfaces dry, clean and free from oil and grease.** Slippery handles and grasping surfaces do not allow for safe handling and control of the tool in unexpected situations.
9. **When using the tool, do not wear cloth work gloves which may be entangled.** The entanglement of cloth work gloves in the moving parts may result in personal injury.

Battery tool use and care

1. **Recharge only with the charger specified by the manufacturer.** A charger that is suitable for one type of battery pack may create a risk of fire when used with another battery pack.
2. **Use power tools only with specifically designated battery packs.** Use of any other battery packs may create a risk of injury and fire.
3. **When battery pack is not in use, keep it away from other metal objects, like paper clips, coins, keys, nails, screws or other small metal objects, that can make a connection from one terminal to another.** Shorting the battery terminals together may cause burns or a fire.
4. **Under abusive conditions, liquid may be ejected from the battery; avoid contact. If contact accidentally occurs, flush with water. If liquid contacts eyes, additionally seek medical help.** Liquid ejected from the battery may cause irritation or burns.

5. **Do not use a battery pack or tool that is damaged or modified.** Damaged or modified batteries may exhibit unpredictable behaviour resulting in fire, explosion or risk of injury.
6. **Do not expose a battery pack or tool to fire or excessive temperature.** Exposure to fire or temperature above 130 °C may cause explosion.
7. **Follow all charging instructions and do not charge the battery pack or tool outside the temperature range specified in the instructions.** Charging improperly or at temperatures outside the specified range may damage the battery and increase the risk of fire.

Service

1. **Have your power tool serviced by a qualified repair person using only identical replacement parts.** This will ensure that the safety of the power tool is maintained.
2. **Never service damaged battery packs.** Service of battery packs should only be performed by the manufacturer or authorized service providers.
3. **Follow instruction for lubricating and changing accessories.**

Cordless power cutter safety warnings

Cut-off machine safety warnings

1. **The guard provided with the tool must be securely attached to the power tool and positioned for maximum safety, so the least amount of wheel is exposed towards the operator. Position yourself and bystanders away from the plane of the rotating wheel.** The guard helps to protect operator from broken wheel fragments and accidental contact with wheel.
2. **Use only diamond cut-off wheels for your power tool.** Just because an accessory can be attached to your power tool, it does not assure safe operation.
3. **The rated speed of the accessory must be at least equal to the maximum speed marked on the power tool.** Accessories running faster than their rated speed can break and fly apart.
4. **Wheels must be used only for recommended applications. For example: do not grind with the side of cut-off wheel.** Cut-off wheels are intended for peripheral grinding, side forces applied to these wheels may cause them to shatter.
5. **Always use undamaged wheel flanges that are of correct diameter for your selected wheel.** Proper wheel flanges support the wheel thus reducing the possibility of wheel breakage.
6. **The outside diameter and the thickness of your accessory must be within the capacity rating of your power tool.** Incorrectly sized accessories cannot be adequately guarded or controlled.
7. **The arbour size of wheels and flanges must properly fit the spindle of the power tool.** Wheels and flanges with arbour holes that do not match the mounting hardware of the power tool will run out of balance, vibrate excessively and may cause loss of control.

8. **Do not use damaged wheels. Before each use, inspect the wheels for chips and cracks. If power tool or wheel is dropped, inspect for damage or install an undamaged wheel. After inspecting and installing the wheel, position yourself and bystanders away from the plane of the rotating wheel and run the power tool at maximum no load speed for one minute.**

Damaged wheels will normally break apart during this test time.

9. **Wear personal protective equipment. Depending on application, use face shield, safety goggles or safety glasses. As appropriate, wear dust mask, hearing protectors, gloves and shop apron capable of stopping small abrasive or workpiece fragments.** The eye protection must be capable of stopping flying debris generated by various operations. The dust mask or respirator must be capable of filtering particles generated by your operation. Prolonged exposure to high intensity noise may cause hearing loss.
10. **Keep bystanders a safe distance away from work area. Anyone entering the work area must wear personal protective equipment.** Fragments of workpiece or of a broken wheel may fly away and cause injury beyond immediate area of operation.
11. **Hold the power tool by insulated gripping surfaces only, when performing an operation where the cutting accessory may contact hidden wiring.** Cutting accessory contacting a “live” wire may make exposed metal parts of the power tool “live” and could give the operator an electric shock.
12. **Never lay the power tool down until the accessory has come to a complete stop.** The spinning wheel may grab the surface and pull the power tool out of your control.
13. **Do not run the power tool while carrying it at your side.** Accidental contact with the spinning accessory could snag your clothing, pulling the accessory into your body.
14. **Regularly clean the power tool's air vents.** The motor's fan will draw the dust inside the housing and excessive accumulation of powdered metal may cause electrical hazards.
15. **Do not operate the power tool near flammable materials.** Sparks could ignite these materials.
16. **Do not use accessories that require liquid coolants.** Using water or other liquid coolants may result in electrocution or shock.

Kickback and related warnings

Kickback is a sudden reaction to a pinched or snagged rotating wheel. Pinching or snagging causes rapid stalling of the rotating wheel which in turn causes the uncontrolled power tool to be forced in the direction opposite of the wheel's rotation at the point of the binding.

For example, if a wheel is snagged or pinched by the workpiece, the edge of the wheel that is entering into the pinch point can dig into the surface of the material causing the wheel to climb out or kick out. The wheel may either jump toward or away from the operator, depending on direction of the wheel's movement at the point of pinching. Wheels may also break under these conditions.

Kickback is the result of power tool misuse and/or incorrect operating procedures or conditions and can be avoided by taking proper precautions as given below.

1. **Maintain a firm grip on the power tool and position your body and arm to allow you to resist kickback forces. Always use auxiliary handle, if provided, for maximum control over kickback or torque reaction during start-up.** The operator can control torque reactions or kickback forces, if proper precautions are taken.
2. **Never place your hand near the rotating accessory.** Accessory may kickback over your hand.
3. **Do not position your body in line with the rotating wheel.** Kickback will propel the tool in direction opposite to the wheel's movement at the point of snagging.
4. **Use special care when working corners, sharp edges etc. Avoid bouncing and snagging the accessory.** Corners, sharp edges or bouncing have a tendency to snag the rotating accessory and cause loss of control or kickback.
5. **Do not attach a saw chain, woodcarving blade, segmented diamond wheel with a peripheral gap greater than 10 mm (3/8") or toothed saw blade.** Such blades create frequent kickback and loss of control.
6. **Do not “jam” the wheel or apply excessive pressure. Do not attempt to make an excessive depth of cut.** Overstressing the wheel increases the loading and susceptibility to twisting or binding of the wheel in the cut and the possibility of kickback or wheel breakage.
7. **When wheel is binding or when interrupting a cut for any reason, switch off the power tool and hold the power tool motionless until the wheel comes to a complete stop. Never attempt to remove the wheel from the cut while the wheel is in motion otherwise kickback may occur.** Investigate and take corrective action to eliminate the cause of wheel binding.
8. **Do not restart the cutting operation in the workpiece. Let the wheel reach full speed and carefully re-enter the cut.** The wheel may bind, walk up or kickback if the power tool is restarted in the workpiece.
9. **Support panels or any oversized workpiece to minimize the risk of wheel pinching and kickback.** Large workpieces tend to sag under their own weight. Supports must be placed under the workpiece near the line of cut and near the edge of the workpiece on both sides of the wheel.
10. **Use extra caution when making a “pocket cut” into existing walls or other blind areas.** The protruding wheel may cut gas or water pipes, electrical wiring or objects that can cause kickback.

Additional Safety Warnings:

1. **Do not use abrasive cut-off wheel.** Otherwise fire and/or excessive heating may cause burn injury.
2. **Do not cut metal object.** Otherwise fire and/or excessive heating may cause burn injury.
3. **Before using a segmented diamond wheel, make sure that the diamond wheel has the peripheral gap between segments of 10 mm (3/8") or less, only with a negative rake angle.**
4. **Never attempt to cut with the tool held upside down in a vise.** This can lead to serious accidents, because it is extremely dangerous.
5. **Some material contains chemicals which may be toxic.** Take caution to prevent dust inhalation and skin contact. Follow material supplier safety data.
6. **Store wheels as per manufacturer recommendations.** Improper storage may damage the wheels.
7. **Always use the wheel suitable for your work and the material to be cut.**
8. **Examine the material to be cut before cutting.** If the material contains explosive or flammable substances, it may cause an explosion or fire.
9. **Do not switch on the tool if a foreign object is jammed between the wheel cover and the wheel.** In this case, uninstall the battery cartridge and remove the foreign object.
10. **Use clamps or similar to support the work-piece whenever possible.**
11. **Always wear hearing protection during operation.**
12. **Do not cut wood materials with this tool.**
13. **The outside diameter and the thickness of the wheel must be within the capacity rating of your power tool.** Incorrectly sized wheels cannot be adequately guarded or controlled.
14. **When operating the power tool, maintain a firm grip with both hands on the power tool and position your body and arm to allow you to resist kickback forces.**
15. **Keep your hands or face away from the rotating wheel.**
16. **Adjust the wheel cover to a position suitable for your work.**
17. **Do not wet the tool with water, rain, mud, and puddle.**
18. **Do not leave the tool unattended outdoors.**
19. **When storing the tool, avoid direct sunlight and rain, and store it in a place where it does not get hot or humid.**
20. **Clean the filter of vacuum cleaner regularly.**

SAVE THESE INSTRUCTIONS.

⚠WARNING: DO NOT let comfort or familiarity with product (gained from repeated use) replace strict adherence to safety rules for the subject product. MISUSE or failure to follow the safety rules stated in this instruction manual may cause serious personal injury.

Important safety instructions for battery cartridge

1. **Before using battery cartridge, read all instructions and cautionary markings on (1) battery charger, (2) battery, and (3) product using battery.**
2. **Do not disassemble or tamper with the battery cartridge.** It may result in a fire, excessive heat, or explosion.
3. **If operating time has become excessively shorter, stop operating immediately.** It may result in a risk of overheating, possible burns and even an explosion.
4. **If electrolyte gets into your eyes, rinse them out with clear water and seek medical attention right away.** It may result in loss of your eyesight.
5. **Do not short the battery cartridge:**
 - (1) **Do not touch the terminals with any conductive material.**
 - (2) **Avoid storing battery cartridge in a container with other metal objects such as nails, coins, etc.**
 - (3) **Do not expose battery cartridge to water or rain.**

A battery short can cause a large current flow, overheating, possible burns and even a breakdown.
6. **Do not store and use the tool and battery cartridge in locations where the temperature may reach or exceed 50 °C (122 °F).**
7. **Do not incinerate the battery cartridge even if it is severely damaged or is completely worn out.** The battery cartridge can explode in a fire.
8. **Do not nail, cut, crush, throw, drop the battery cartridge, or hit against a hard object to the battery cartridge.** Such conduct may result in a fire, excessive heat, or explosion.
9. **Do not use a damaged battery.**
10. **The contained lithium-ion batteries are subject to the Dangerous Goods Legislation requirements.**

For commercial transports e.g. by third parties, forwarding agents, special requirement on packaging and labeling must be observed.

For preparation of the item being shipped, consulting an expert for hazardous material is required. Please also observe possibly more detailed national regulations.

Tape or mask off open contacts and pack up the battery in such a manner that it cannot move around in the packaging.
11. **When disposing the battery cartridge, remove it from the tool and dispose of it in a safe place.** Follow your local regulations relating to disposal of battery.
12. **Use the batteries only with the products specified by Makita.** Installing the batteries to non-compliant products may result in a fire, excessive heat, explosion, or leak of electrolyte.
13. **If the tool is not used for a long period of time, the battery must be removed from the tool.**

14. **During and after use, the battery cartridge may take on heat which can cause burns or low temperature burns. Pay attention to the handling of hot battery cartridges.**
15. **Do not touch the terminal of the tool immediately after use as it may get hot enough to cause burns.**
16. **Do not allow chips, dust, or soil stuck into the terminals, holes, and grooves of the battery cartridge.** It may cause heating, catching fire, burst and malfunction of the tool or battery cartridge, resulting in burns or personal injury.
17. **Unless the tool supports the use near high-voltage electrical power lines, do not use the battery cartridge near high-voltage electrical power lines.** It may result in a malfunction or breakdown of the tool or battery cartridge.
18. **Keep the battery away from children.**
7. **Do not operate the wireless unit in places where automated devices are nearby.** If operated, automated devices may develop malfunction or error.
8. **Do not operate the wireless unit in places under high temperature or places where static electricity or electrical noise could be generated.**
9. **The wireless unit can produce electromagnetic fields (EMF) but they are not harmful to the user.**
10. **The wireless unit is an accurate instrument. Be careful not to drop or strike the wireless unit.**
11. **Avoid touching the terminal of the wireless unit with bare hands or metallic materials.**
12. **Always remove the battery on the product when installing the wireless unit into it.**
13. **When opening the lid of the slot, avoid the place where dust and water may come into the slot. Always keep the inlet of the slot clean.**
14. **Always insert the wireless unit in the correct direction.**
15. **Do not press the wireless activation button on the wireless unit too hard and/or press the button with an object with a sharp edge.**
16. **Always close the lid of the slot when operating.**
17. **Do not remove the wireless unit from the slot while the power is being supplied to the tool.** Doing so may cause a malfunction of the wireless unit.
18. **Do not remove the sticker on the wireless unit.**
19. **Do not put any sticker on the wireless unit.**
20. **Do not leave the wireless unit in a place where static electricity or electrical noise could be generated.**
21. **Do not leave the wireless unit in a place subject to high heat, such as a car sitting in the sun.**
22. **Do not leave the wireless unit in a dusty or powdery place or in a place corrosive gas could be generated.**
23. **Sudden change of the temperature may bedew the wireless unit. Do not use the wireless unit until the dew is completely dried.**
24. **When cleaning the wireless unit, gently wipe with a dry soft cloth. Do not use benzine, thinner, conductive grease or the like.**
25. **When storing the wireless unit, keep it in the supplied case or a static-free container.**
26. **Do not insert any devices other than Makita wireless unit into the slot on the tool.**
27. **Do not use the tool with the lid of the slot damaged.** Water, dust, and dirt come into the slot may cause malfunction.
28. **Do not pull and/or twist the lid of the slot more than necessary.** Restore the lid if it comes off from the tool.
29. **Replace the lid of the slot if it is lost or damaged.**

SAVE THESE INSTRUCTIONS.

⚠CAUTION: Only use genuine Makita batteries. Use of non-genuine Makita batteries, or batteries that have been altered, may result in the battery bursting causing fires, personal injury and damage. It will also void the Makita warranty for the Makita tool and charger.

Tips for maintaining maximum battery life

1. **Charge the battery cartridge before completely discharged. Always stop tool operation and charge the battery cartridge when you notice less tool power.**
2. **Never recharge a fully charged battery cartridge. Overcharging shortens the battery service life.**
3. **Charge the battery cartridge with room temperature at 10 °C - 40 °C (50 °F - 104 °F). Let a hot battery cartridge cool down before charging it.**
4. **When not using the battery cartridge, remove it from the tool or the charger.**
5. **Charge the battery cartridge if you do not use it for a long period (more than six months).**

Important safety instructions for wireless unit

1. **Do not disassemble or tamper with the wireless unit.**
2. **Keep the wireless unit away from young children. If accidentally swallowed, seek medical attention immediately.**
3. **Use the wireless unit only with Makita tools.**
4. **Do not expose the wireless unit to rain or wet conditions.**
5. **Do not use the wireless unit in places where the temperature exceeds 50 °C (122 °F).**
6. **Do not operate the wireless unit in places where medical instruments, such as heart pace makers are nearby.**

SAVE THESE INSTRUCTIONS.

PARTS DESCRIPTION

► Fig.1

1	Diamond wheel	2	Wheel cover	3	Wheel cover grip	4	Dust nozzle
5	Front grip	6	Lamp	7	Battery cartridge	8	Lock-off button
9	Wireless activation lamp	10	Wireless activation button	11	Lower guard	12	Caster
13	Shaft lock button	14	Cover	15	Clamp holder	16	Handle
17	Switch trigger	18	Lamp button	19	Overload indicator	20	Hose clamp A
21	Hose clamp B	22	Box wrench	-	-	-	-

FUNCTIONAL DESCRIPTION

CAUTION: Always be sure that the tool is switched off and the battery cartridge is removed before adjusting or checking function on the tool.

Installing or removing battery cartridge

CAUTION: Always switch off the tool before installing or removing of the battery cartridge.

CAUTION: Hold the tool and the battery cartridge firmly when installing or removing battery cartridge. Failure to hold the tool and the battery cartridge firmly may cause them to slip off your hands and result in damage to the tool and battery cartridge and a personal injury.

To install the battery cartridge, align the tongue on the battery cartridge with the groove in the housing and slip it into place. Insert it all the way until it locks in place with a little click. If you can see the red indicator as shown in the figure, it is not locked completely.

To remove the battery cartridges, lift the battery cartridge while pushing the button on the front of the cartridge.

► Fig.2: 1. Red indicator 2. Button 3. Battery cartridge

CAUTION: Always install the battery cartridge fully until the red indicator cannot be seen. If not, it may accidentally fall out of the tool, causing injury to you or someone around you.

CAUTION: Do not install the battery cartridge forcibly. If the cartridge does not slide in easily, it is not being inserted correctly.

NOTE: The tool does not work with only one battery cartridge.

Indicating the remaining battery capacity

Press the check button on the battery cartridge to indicate the remaining battery capacity. The indicator lamps light up for a few seconds.

► Fig.3: 1. Indicator lamps 2. Check button

Indicator lamps			Remaining capacity
Lighted	Off	Blinking	
■ ■ ■ ■			75% to 100%
■ ■ ■ □			50% to 75%
■ ■ □ □			25% to 50%
■ □ □ □			0% to 25%
▣ □ □ □			Charge the battery.
■ ■ □ □			The battery may have malfunctioned.
□ □ ■ ■			

NOTE: Depending on the conditions of use and the ambient temperature, the indication may differ slightly from the actual capacity.

NOTE: The first (far left) indicator lamp will blink when the battery protection system works.

Tool / battery protection system

The tool is equipped with a tool/battery protection system. This system automatically cuts off power to the motor to extend tool and battery life. The tool will automatically stop during operation if the tool or battery is placed under one of the following conditions.

Overload protection

When the tool/battery is operated in a manner that causes it to draw an abnormally high current, the tool automatically stops. In this situation, turn the tool off and stop the application that caused the tool to become overloaded. Then turn the tool on to restart.

Overheat protection

When the tool/battery is overheated, the tool stops automatically, and the lamp blinks. In this situation, let the tool cool down before turning the tool on again.

Overdischarge protection

When the battery capacity becomes low, the tool stops automatically, and the indicator lamp of battery cartridge blinks. If the tool does not operate even when the switches are operated, remove the batteries from the tool and charge the batteries.

Protections against other causes

Protection system is also designed for other causes that could damage the tool and allows the tool to stop automatically. Take all the following steps to clear the causes, when the tool has been brought to a temporary halt or stop in operation.

1. Turn the tool off, and then turn it on again to restart.
2. Charge the battery(ies) or replace it/them with recharged battery(ies).
3. Let the tool and battery(ies) cool down.

If no improvement can be found by restoring protection system, then contact your local Makita Service Center.

NOTICE: If the tool stops due to a cause not described above, refer to the section for troubleshooting.

Overload alert

If the tool is operated with excessive load, the overload indicator will blink in red. In this situation, reduce the load on the tool. Then, the indicator stops blinking.

► Fig.4: 1. Overload indicator

Switch action

⚠ WARNING: Before installing the battery cartridge into the tool, always check to see that the switch trigger actuates properly and returns to the "OFF" position when released.

⚠ WARNING: NEVER defeat the lock-off button by taping down or some other means. A switch with a negated lock-off button may result in unintentional operation and serious personal injury.

⚠ WARNING: NEVER use the tool if it runs when you simply pull the switch trigger without pressing the lock-off button. A switch in need of repair may result in unintentional operation and serious personal injury. Return tool to a Makita service center for proper repairs BEFORE further usage.

To prevent the switch trigger from being accidentally pulled, a lock-off button is provided. To start the tool, depress the lock-off button and pull the switch trigger. Release the switch trigger to stop.

► Fig.5: 1. Switch trigger 2. Lock-off button

NOTICE: Do not pull the switch trigger hard without pressing in the lock-off button. This can cause switch breakage.

Lighting the lamp

⚠ CAUTION: Do not look in the light or see the source of light directly.

To turn on the lamp, press the lamp button. To turn off, press the lamp button again.

► Fig.6: 1. Lamp button 2. Lamp

NOTE: The lamp will automatically be turned off if there is no operation with the tool for one minute.

Adjusting the wheel cover

Hold the wheel cover grip and adjust the position of the wheel cover suitable for your work.

► Fig.7: 1. Wheel cover grip

Active feedback sensing technology

The tool electronically detects situations where the wheel may be at risk to be bound. In the situation, the tool is automatically shut off to prevent further rotation of the spindle (it does not prevent kickback).

To restart the tool, switch off the tool first, remove the cause of sudden drop in the rotation speed, and then turn the tool on.

Electric brake

Electric brake is activated after the tool is switched off. The brake does not work when the power supply is shut down, such as the battery is removed accidentally, with the switch still on.

ASSEMBLY

⚠ CAUTION: Always be sure that the tool is switched off and the battery cartridge is removed before carrying out any work on the tool.

Installing or removing diamond wheel

⚠ CAUTION: Use only the Makita wrench to install or remove the wheel.

⚠ CAUTION: When installing the wheel, be sure to tighten the bolt securely.

⚠ CAUTION: Do not press the shaft lock button when the wheel is rotating.

To remove the wheel, press the shaft lock button and rotate the wheel until the wheel cannot revolve. While the shaft lock is fully locked, turn the hex bolt counter-clockwise using the box wrench. Then remove the hex bolt, flange, wheel, ring, and flange in order.

► **Fig.8:** 1. Shaft lock button 2. Box wrench 3. Tighten 4. Loosen

► **Fig.9:** 1. Hex bolt 2. Flange 3. Ring 4. Diamond wheel 5. Arrow (rotation direction of the wheel)

To install the wheel, follow the removal procedure in reverse.

BE SURE TO TIGHTEN THE HEX BOLT SECURELY.

CAUTION: Always install the wheel so that the arrow on it points in the same direction as the arrow on the wheel cover. Otherwise the wheel rotates in reverse, it may cause personal injury.

CAUTION: Only use the wheel that are marked with a speed equal or higher than the speed marked on the tool.

NOTE: When installing the wheel, be sure to attach the flanges so that the flat side of flange faces the wheel, and attach the ring that matches the inner diameter of the wheel.

► **Fig.10:** 1. Hex bolt 2. Flange 3. Ring 4. Diamond wheel

Connecting a vacuum cleaner

NOTICE: Always close the cap when not connecting a vacuum cleaner.

When you wish to perform clean cutting operation, connect a Makita vacuum cleaner to your tool.

Open the cap and connect a hose of the vacuum cleaner.

► **Fig.11:** 1. Cap 2. Dust nozzle 3. Hose 4. Vacuum cleaner

You can change the angle of the dust nozzle as shown in the figure.

► **Fig.12**

Hose clamp

NOTICE: Always remove the hose clamp from the tool when not in use.

NOTICE: Do not open or close the hose clamp excessively. Otherwise the hose clamp may be broken.

For easy handling of the hose of vacuum cleaner, hose clamp can be attached

1. Attach the hose clamp A or hose clamp B on the hose.

Type	Applicable outer diameter of hose
Hose clamp A	ø 40 mm - ø 46 mm (ø 1-9/16" - ø 1-13/16")
Hose clamp B	ø 35 mm - ø 40 mm (ø 1-3/8" - ø 1-9/16")

► **Fig.13:** 1. Hose clamp A / Hose clamp B 2. Hose

2. Insert the pins of hose clamp into the holes of clamp holder.

Make sure the two pins are fit in the holes.

► **Fig.14:** 1. Pin 2. Hole 3. Clamp holder

3. To remove the hose clamp, follow the installation procedure in reverse.

Box wrench storage

When not in use, store the box wrench as shown in the figure to keep it from being lost.

► **Fig.15:** 1. Box wrench

OPERATION

Checking the lower guard function

Remove the battery cartridge.

Retract the lower guard manually to the end and release it. The lower guard is properly functioning if;

- it is retracted without any hindrance and;
- it automatically returns to the original position.

► **Fig.16:** 1. Lower guard

If the lower guard is not functioning properly, check if dust is accumulated inside of the wheel cover. Some dust may be removed by retracting and returning the lower guard several times.

If the lower guard is not functioning properly even after removing dust, have your machine serviced at a Makita service center.

Notification about the abnormal noise

NOTICE: Do not use distorted or old diamond wheel. Otherwise malfunction, abnormal noise, or breakage may occur.

Even if the diamond wheel is new and without distortion, the diamond wheel may make abnormal noise such as metal friction when the tool is running at low speed. This is not malfunction of the tool.

Some kind of diamond wheel may make abnormal noise when the tool running at low speed. It is because the diamond wheel and the wheel cover are positioned very close for efficient dust collection.

Run the tool at full speed and operate proper cutting. The abnormal noise will be relieved.

Cutting operation

CAUTION: Be sure to hold the workpiece firmly down on a stable bench or table during operation.

CAUTION: Do not twist or force the tool in the cut, or the motor may be overloaded or the workpiece may break.

CAUTION: During operation, do not bring the tool higher than your shoulder height.

► Fig.17

1. Hold the tool firmly. Grasp the handle with your right hand and the front grip with your left hand. To prevent electric shock by accidental cutting of an electric cable, always hold the front grip by the designated portion as shown in the figure.

► Fig.18: 1. Part to hold

2. Switch on the tool without the diamond wheel making any contact and wait until the diamond wheel attains full speed.

3. Gently insert the diamond wheel straight into the workpiece, and slide the tool backward smoothly until the cutting is completed.

- Keep cutting line straight and sliding speed uniform.
- Slide the tool in the direction of the arrow on the lower guard.

If you move the tool forward (If you slide the tool in the opposite direction of the arrow), the dust collection efficiency will significantly decrease.

► Fig.19: 1. Arrow

- Keep applying the lower guard to the workpiece. If there is a clearance gap between the lower guard and the workpiece, dust will leak and the dust collection efficiency will decrease.

► Fig.20: 1. Lower guard

NOTE: When the battery cartridge temperature is low, the tool may not work to its full capacity. At this time, for example, use the tool for a light-duty cut for a while until the battery cartridge warms up as high as room temperature. Then, the tool can work to its full capacity.

NOTE: If the cutting action of the diamond wheel begins to diminish, dress the cutting edge of the wheel using an old discarded coarse grit bench grinder wheel or concrete block. Dress by pressing lightly on the outer edge of the diamond wheel.

WIRELESS ACTIVATION FUNCTION

Optional accessory

NOTICE: Install the optional dust cover and accessories before using this function.

What you can do with the wireless activation function

The wireless activation function enables clean and comfortable operation. By connecting a supported vacuum cleaner to the tool, you can run the vacuum cleaner automatically along with the switch operation of the tool.

► Fig.21

To use the wireless activation function, prepare following items:

- A wireless unit (optional accessory)
- A vacuum cleaner which supports the wireless activation function

The overview of the wireless activation function setting is as follows. Refer to each section for detail procedures.

1. Installing the wireless unit
2. Tool registration for the vacuum cleaner
3. Starting the wireless activation function

Installing the wireless unit

Optional accessory

CAUTION: Place the tool on a flat and stable surface when installing the wireless unit.

NOTICE: Clean the dust and dirt on the tool before installing the wireless unit. Dust or dirt may cause malfunction if it comes into the slot of the wireless unit.

NOTICE: To prevent the malfunction caused by static, touch a static discharging material, such as a metal part of the tool, before picking up the wireless unit.

NOTICE: When installing the wireless unit, always be sure that the wireless unit is inserted in the correct direction and the lid is completely closed.

1. Open the lid on the tool as shown in the figure.

► **Fig.22:** 1. Lid

2. Insert the wireless unit to the slot and then close the lid.

When inserting the wireless unit, align the projections with the recessed portions on the slot.

► **Fig.23:** 1. Wireless unit 2. Projection 3. Lid
4. Recessed portion

When removing the wireless unit, open the lid slowly. The hooks on the back of the lid will lift the wireless unit as you pull up the lid.

► **Fig.24:** 1. Wireless unit 2. Hook 3. Lid

After removing the wireless unit, keep it in the supplied case or a static-free container.

NOTICE: Always use the hooks on the back of the lid when removing the wireless unit. If the hooks do not catch the wireless unit, close the lid completely and open it slowly again.

Tool registration for the vacuum cleaner

NOTE: A Makita vacuum cleaner supporting the wireless activation function is required for the tool registration.

NOTE: Finish installing the wireless unit to the tool before starting the tool registration.

NOTE: During the tool registration, do not pull the switch trigger or turn on the power switch on the vacuum cleaner.

NOTE: Refer to the instruction manual of the vacuum cleaner, too.

If you wish to activate the vacuum cleaner along with the switch operation of the tool, finish the tool registration beforehand.

1. Install the batteries to the vacuum cleaner and the tool.

2. Set the stand-by switch on the vacuum cleaner to "AUTO".

► **Fig.25:** 1. Stand-by switch

3. Press the wireless activation button on the vacuum cleaner for 3 seconds until the wireless activation lamp blinks in green. And then press the wireless activation button on the tool in the same way.

► **Fig.26:** 1. Wireless activation button 2. Wireless activation lamp

If the vacuum cleaner and the tool are linked successfully, the wireless activation lamps will light up in green for 2 seconds and start blinking in blue.

NOTE: The wireless activation lamps finish blinking in green after 20 seconds elapsed. Press the wireless activation button on the tool while the wireless activation lamp on the cleaner is blinking. If the wireless activation lamp does not blink in green, push the wireless activation button briefly and hold it down again.

NOTE: When performing two or more tool registrations for one vacuum cleaner, finish the tool registration one by one.

Starting the wireless activation function

NOTE: Finish the tool registration for the vacuum cleaner prior to the wireless activation.

NOTE: Refer to the instruction manual of the vacuum cleaner, too.

After registering a tool to the vacuum cleaner, the vacuum cleaner will automatically runs along with the switch operation of the tool.

1. Install the wireless unit to the tool.

2. Connect the hose of the vacuum cleaner with the tool.

► **Fig.27**

3. Set the stand-by switch on the vacuum cleaner to "AUTO".

► **Fig.28:** 1. Stand-by switch

4. Push the wireless activation button on the tool briefly. The wireless activation lamp will blink in blue.

► **Fig.29:** 1. Wireless activation button 2. Wireless activation lamp

5. Turn on the tool. Check if the vacuum cleaner runs while the tool is operating.

To stop the wireless activation of the vacuum cleaner, push the wireless activation button on the tool.

NOTE: The wireless activation lamp on the tool will stop blinking in blue when there is no operation for 2 hours. In this case, set the stand-by switch on the vacuum cleaner to "AUTO" and push the wireless activation button on the tool again.

NOTE: The vacuum cleaner starts/stops with a delay. There is a time lag when the vacuum cleaner detects a switch operation of the tool.










NOTE: The transmission distance of the wireless unit may vary depending on the location and surrounding circumstances.

NOTE: When two or more tools are registered to one vacuum cleaner, the vacuum cleaner may start running even if you do not turn on your tool because another user is using the wireless activation function.

Description of the wireless activation lamp status

► Fig.30: 1. Wireless activation lamp

The wireless activation lamp shows the status of the wireless activation function. Refer to the table below for the meaning of the lamp status.

Status	Wireless activation lamp				Description
	Color	 On	 Blinking	Duration	
Standby	Blue			2 hours	The wireless activation of the vacuum cleaner is available. The lamp will automatically turn off when no operation is performed for 2 hours.
				When the tool is running.	The wireless activation of the vacuum cleaner is available and the tool is running.
Tool registration	Green			20 seconds	Ready for the tool registration. Waiting for the registration by the vacuum cleaner.
				2 seconds	The tool registration has been finished. The wireless activation lamp will start blinking in blue.
Cancelling tool registration	Red			20 seconds	Ready for the cancellation of the tool registration. Waiting for the cancellation by the vacuum cleaner.
				2 seconds	The cancellation of the tool registration has been finished. The wireless activation lamp will start blinking in blue.
Others	Red			3 seconds	The power is supplied to the wireless unit and the wireless activation function is starting up.
	Off	-		-	The wireless activation of the vacuum cleaner is stopped.

Cancelling tool registration for the vacuum cleaner

Perform the following procedure when cancelling the tool registration for the vacuum cleaner.

1. Install the batteries to the vacuum cleaner and the tool.
2. Set the stand-by switch on the vacuum cleaner to "AUTO".

► Fig.31: 1. Stand-by switch

3. Press the wireless activation button on the vacuum cleaner for 6 seconds. The wireless activation lamp blinks in green and then become red. After that, press the wireless activation button on the tool in the same way.

► Fig.32: 1. Wireless activation button 2. Wireless activation lamp

If the cancellation is performed successfully, the wireless activation lamps will light up in red for 2 seconds and start blinking in blue.

NOTE: The wireless activation lamps finish blinking in red after 20 seconds elapsed. Press the wireless activation button on the tool while the wireless activation lamp on the cleaner is blinking. If the wireless activation lamp does not blink in red, push the wireless activation button briefly and hold it down again.

Troubleshooting for wireless activation function

Before asking for repairs, conduct your own inspection first. If you find a problem that is not explained in the manual, do not attempt to dismantle the tool. Instead, ask Makita Authorized Service Centers, always using Makita replacement parts for repairs.

State of abnormality	Probable cause (malfunction)	Remedy
The wireless activation lamp does not light/blink.	The wireless unit is not installed into the tool. The wireless unit is improperly installed into the tool.	Install the wireless unit correctly.
	The terminal of the wireless unit and/or the slot is dirty.	Gently wipe off dust and dirt on the terminal of the wireless unit and clean the slot.
	The wireless activation button on the tool has not been pushed.	Push the wireless activation button on the tool briefly.
	The stand-by switch on the vacuum cleaner is not set to "AUTO".	Set the stand-by switch on the vacuum cleaner to "AUTO".
	No power supply	Supply the power to the tool and the vacuum cleaner.
Cannot finish tool registration / cancelling tool registration successfully.	The wireless unit is not installed into the tool. The wireless unit is improperly installed into the tool.	Install the wireless unit correctly.
	The terminal of the wireless unit and/or the slot is dirty.	Gently wipe off dust and dirt on the terminal of the wireless unit and clean the slot.
	The stand-by switch on the vacuum cleaner is not set to "AUTO".	Set the stand-by switch on the vacuum cleaner to "AUTO".
	No power supply	Supply the power to the tool and the vacuum cleaner.
	Incorrect operation	Push the wireless activation button briefly and perform the tool registration/cancellation procedures again.
	The tool and vacuum cleaner are away from each other (out of the transmission range).	Get the tool and vacuum cleaner closer to each other. The maximum transmission distance is approximately 10 m however it may vary according to the circumstances.
	Before finishing the tool registration/cancellation; - the switch of the tool is turned on or; - the power button on the vacuum cleaner is turned on.	Push the wireless activation button briefly and perform the tool registration/cancellation procedures again.
	The tool registration procedures for the tool or vacuum cleaner have not finished.	Perform the tool registration procedures for both the tool and the vacuum cleaner at the same timing.
Radio disturbance by other appliances which generate high-intensity radio waves.	Keep the tool and vacuum cleaner away from the appliances such as Wi-Fi devices and microwave ovens.	

State of abnormality	Probable cause (malfunction)	Remedy
The vacuum cleaner does not run along with the switch operation of the tool.	The wireless unit is not installed into the tool. The wireless unit is improperly installed into the tool.	Install the wireless unit correctly.
	The terminal of the wireless unit and/or the slot is dirty.	Gently wipe off dust and dirt on the terminal of the wireless unit and clean the slot.
	The wireless activation button on the tool has not been pushed.	Push the wireless activation button briefly and make sure that the wireless activation lamp is blinking in blue.
	The stand-by switch on the vacuum cleaner is not set to "AUTO".	Set the stand-by switch on the vacuum cleaner to "AUTO".
	More than 10 tools are registered to the vacuum cleaner.	Perform the tool registration again. If more than 10 tools are registered to the vacuum cleaner, the tool registered earliest will be cancelled automatically.
	The vacuum cleaner erased all tool registrations.	Perform the tool registration again.
	No power supply	Supply the power to the tool and the vacuum cleaner.
	The tool and vacuum cleaner are away from each other (out of the transmission range).	Get the tool and vacuum cleaner closer each other. The maximum transmission distance is approximately 10 m however it may vary according to the circumstances.
	Radio disturbance by other appliances which generate high-intensity radio waves.	Keep the tool and vacuum cleaner away from the appliances such as Wi-Fi devices and microwave ovens.
The vacuum cleaner runs while the tool is not operating.	Other users are using the wireless activation of the vacuum cleaner with their tools.	Turn off the wireless activation button of the other tools or cancel the tool registration of the other tools.

MAINTENANCE

⚠ CAUTION: Always be sure that the tool is switched off and the battery cartridge is removed before attempting to perform inspection or maintenance.

NOTICE: Never use gasoline, benzine, thinner, alcohol or the like. Discoloration, deformation or cracks may result.

To maintain product SAFETY and RELIABILITY, repairs, any other maintenance or adjustment should be performed by Makita Authorized or Factory Service Centers, always using Makita replacement parts.

Cleaning the tool

NOTICE: Do not wash the tool with water.

After each use, remove the battery cartridges and the wheel, and then clean dust or dirt accumulated inside the wheel cover. Clean the tool body by wiping off dust, dirt with a dry cloth or one dipped in soapy water and wrung out. Use a dry cloth to wipe the dirt off the lens of the lamp. Be careful not to scratch the lens of lamp, or it may lower the illumination.

► **Fig.33:** 1. Wheel cover 2. Lens of the lamp

Cleaning the air vent

Regularly clean the tool's air vents or whenever the vents start to become obstructed.

► **Fig.34:** 1. Air vent

Replacing the synchro-belt

1. Remove the battery cartridges and the wheel.
2. Loosen the hex socket bolts using the tip of the box wrench, and then remove the cover.
► **Fig.35:** 1. Box wrench 2. Hex socket bolt 3. Cover
3. Push in the shaft lock button and hold it to lock the large pulley, and then turn the nut counterclockwise using the thin end of the box wrench.
► **Fig.36:** 1. Large pulley 2. Shaft lock button
4. Push in the shaft lock button and hold it to lock the large pulley, and then turn the small disc counterclockwise using the thick end of the box wrench to loosen the synchro-belt.
► **Fig.37:** 1. Shaft lock button 2. Large pulley 3. Small disc
5. Remove the belt.
6. With the grooves on the belt inside, attach one end of the belt to the small pulley, and then attach the other end of the belt to the large pulley.
► **Fig.38:** 1. Belt 2. Large pulley 3. Small pulley

7. Push in the shaft lock button and hold it to lock the large pulley, and then turn the small disc clockwise using the thick end of the box wrench to tighten the belt.

► **Fig.39:** 1. Shaft lock button 2. Large pulley

NOTE: Make sure that the small disc is in the position shown in the figure.

► **Fig.40:** 1. Small disc

8. Push in the shaft lock button and hold it to lock the large pulley, and then turn the nut clockwise using the thin end of the box wrench.

► **Fig.41:** 1. Shaft lock button

NOTE: When tightening the nut, apply 19 - 21 N•m as tightening torque.

9. Attach the cover, and then tighten the hex socket bolts using the tip of the box wrench.

► **Fig.42:** 1. Box wrench 2. Hex socket bolt 3. Cover

TROUBLESHOOTING

Before asking for repairs, conduct your own inspection first. If you find a problem that is not explained in the manual, do not attempt to dismantle the tool. Instead, ask Makita Authorized Service Centers, always using Makita replacement parts for repairs.

State of abnormality	Probable cause (malfunction)	Remedy
Motor does not run.	Battery cartridges are not installed.	Install two battery cartridges. This tool does not work with one battery cartridge.
	Battery problem (under voltage)	Recharge the battery. If recharging is not effective, replace the battery cartridge.
	The drive system does not work correctly.	Ask your local authorized service center for repair.
Motor stops running after a little use.	Battery's charge level is low.	Recharge the battery. If recharging is not effective, replace the battery cartridge.
	Overheating.	Stop using of tool to allow it to cool down.
The wheel rotation does not accelerate properly even after running the tool without load for 20 seconds.	Battery is installed improperly.	Install the battery cartridges as described in this manual.
	Battery power is dropping.	Recharge the battery cartridges. If recharging is not effective, replace the battery cartridge.
	The synchro-belt is slipping.	Replace the synchro-belt with new one.
	The drive system does not work correctly.	Ask your local authorized service center for repair.
Wheel does not rotate: ⇒ Stop the machine immediately!	The synchro-belt is slipping.	Replace the synchro-belt with new one.
	Foreign object is jammed between the wheel cover and the wheel.	Uninstall the battery cartridges and then remove the foreign object.
	The drive system does not work correctly.	Ask your local authorized service center for repair.
Abnormal vibration: ⇒ Stop the machine immediately!	Improper attachment of the wheel.	Install the wheel as instructed in this manual. Tighten the bolt to secure the wheel firmly.
	The drive system does not work correctly.	Ask your local authorized service center for repair.
Cutting tool and motor cannot stop: ⇒ Remove the battery cartridge immediately!	Electric or electronic malfunction.	Remove the battery cartridges, and ask your local authorized service center for repair.
Poor cutting performance	It is time to replace the wheel.	Replace the wheel with new one.
Weak suction power of the vacuum cleaner.	The filter of the vacuum cleaner is clogged.	Clean the filter. If cleaning the filter does not solve the problem, replace the filter.
The lower guard is not properly functioning.	Dust is accumulated inside of the wheel cover.	Retract and return the lower guard several times.

OPTIONAL ACCESSORIES

⚠ CAUTION: These accessories or attachments are recommended for use with your Makita tool specified in this manual. The use of any other accessories or attachments might present a risk of injury to persons. Only use accessory or attachment for its stated purpose.

If you need any assistance for more details regarding these accessories, ask your local Makita Service Center.

- Diamond wheel
- Ring set
- Synchro-belt
- Box wrench
- Wireless unit
- Makita genuine battery and charger

NOTE: Some items in the list may be included in the tool package as standard accessories. They may differ from country to country.

规格

型号:	CE002G
砂轮直径	350 - 355 mm
最大砂轮厚度	4.0 mm
最大切割深度	127 mm
额定速度	4,200 r/min
额定电压	D.C. 72 V - 80 V (最大)
推荐的吸尘器风量	等于或大于1.8 m ³ /min
总长度	825 mm
净重	13.1 - 15.1 kg

- 生产者保留变更规格不另行通知之权利。
- 规格可能因销往国家之不同而异。
- 重量因附件（包括电池组）而异。根据EPTA-Procedure 01/2014，最重与最轻的组合见表格。

适用电池组和充电器

电池组	BL4040 / BL4050F* / BL4080F* *: 建议使用的电池
充电器	DC40RA / DC40RB / DC40RC

- 部分以上所列电池组和充电器是否适用视用户所在地区而异。

警告： 请仅使用以上所列电池组和充电器。使用其他类型的电池组或充电器可能会导致人身伤害和/或失火。

符号

以下显示本设备可能会使用的符号。在使用工具之前，请务必理解其含义。



阅读使用说明书。



佩带安全眼镜。



请勿使用切割砂轮。
仅金刚石砂轮适用。



请勿切割金属。



请勿加水。



仅限于欧盟国家
由于本设备中包含有害成分，因此废弃的电气和电子设备、蓄电池和普通电池可能会对环境和人体健康产生负面影响。请勿将电气和电子工具或电池与家庭普通废弃物放在一起处置！
根据欧洲关于废弃电气电子设备、蓄电池和普通电池的指令及其国家层面的修订法案，废弃的电气设备、普通电池和蓄电池应当单独存放并递送至城市垃圾收集点，根据环保法规进行处置。
此规定由标有叉形标志的带轮垃圾桶符号表示。

用途

本工具用于通过金刚石砂轮切割砖石材料。

安全警告

电动工具通用安全警告

警告 阅读随电动工具提供的所有安全警告、说明、图示和规定。不遵照以下所列说明会导致电击、着火和/或严重伤害。

保存所有警告和说明书以备查阅。

警告中的术语“电动工具”是指市电驱动(有线)电动工具或电池驱动(无线)电动工具。

工作场地的安全

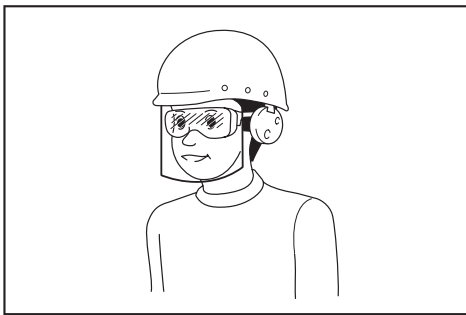
1. 保持工作场地清洁和明亮。杂乱和黑暗的场地会引发事故。
2. 不要在易爆环境，如有易燃液体、气体或粉尘的环境下操作电动工具。电动工具产生的火花会点燃粉尘或气体。
3. 操作电动工具时，远离儿童和旁观者。注意力不集中会使你失去对工具的控制。

电气安全

1. 电动工具插头必须与插座相配。绝不能以任何方式改装插头。需接地的电动工具不能使用任何转换插头。未经改装的插头和相配的插座将降低电击风险。
2. 避免人体接触接地表面，如管道、散热片和冰箱。如果你身体接触接地表面会增加电击风险。
3. 不得将电动工具暴露在雨中或潮湿环境中。水进入电动工具将增加电击风险。
4. 不得滥用软线。绝不能用软线搬运、拉动电动工具或拔出其插头。使软线远离热源、油、锐边或运动部件。受损或缠绕的软线会增加电击风险。
5. 当在户外使用电动工具时，使用适合户外使用的延长线。适合户外使用的电线将降低电击风险。
6. 如果无法避免在潮湿环境中操作电动工具，应使用带有剩余电流装置(RCD)保护的电源。RCD的使用可降低电击风险。
7. 电动工具会产生对用户无害的电磁场(EMF)。但是，起搏器和其他类似医疗设备的用户应在操作本电动工具前咨询其设备的制造商和/或医生寻求建议。

人身安全

1. 保持警觉，当操作电动工具时关注所从事的操作并保持清醒。当你感到疲倦，或在有药物、酒精或治疗反应时，不要操作电动工具。在操作电动工具时瞬间的疏忽会导致严重人身伤害。
2. 使用个人防护装置。始终佩戴护目镜。防护装置，诸如适当条件下使用防尘面具、防滑安全鞋、安全帽、听力防护等装置能减少人身伤害。
3. 防止意外启动。在连接电源和/或电池包、拿起或搬运工具前确保开关处于关断位置。手指放在开关上搬运工具或开关处于接通时通电会导致危险。
4. 在电动工具接通之前，拿掉所有调节钥匙或扳手。遗留在电动工具旋转零件上的扳手或钥匙会导致人身伤害。
5. 手不要过分伸展。时刻注意立足点和身体平衡。这样能在意外情况下能更好地控制住电动工具。
6. 着装适当。不要穿宽松衣服或佩戴饰品。让你的头发和衣服远离运动部件。宽松衣服、配饰或长发可能会卷入运动部件。
7. 如果提供了与排屑、集尘设备连接用的装置，要确保其连接完好且使用得当。使用集尘装置可降低尘屑引起的危险。
8. 不要因为频繁使用工具而产生的熟悉感而掉以轻心，忽视工具的安全准则。某个粗心的动作可能在瞬间导致严重的伤害。
9. 使用电动工具时请始终佩戴护目镜以免伤害眼睛。护目镜须符合美国ANSI Z87.1、欧洲EN 166或者澳大利亚/新西兰的AS/NZS 1336的规定。在澳大利亚/新西兰，法律要求佩戴面罩保护脸部。



雇主有责任监督工具操作者和其他近工作区域人员佩戴合适的安全防护设备。

电动工具使用和注意事项

1. 不要勉强使用电动工具，根据用途使用合适的电动工具。选用合适的按照额定值设计的电动工具会使你工作更有效、更安全。
2. 如果开关不能接通或关断电源，则不能使用该电动工具。不能通过开关来控制电动工具是危险的且必须进行修理。
3. 在进行任何调节、更换附件或贮存电动工具之前，必须从电源上拔掉插头和/或卸下电池包（如可拆卸）。这种防护性的安全措施降低了电动工具意外起动的风险。
4. 将闲置不用的电动工具贮存在儿童所及范围之外，并且不允许不熟悉电动工具和不了解这些说明的人操作电动工具。电动工具在未经培训的使用者手中是危险的。
5. 维护电动工具及其附件。检查运动部件是否调整到位或卡住，检查零件破损情况和影响电动工具运行的其他状况。如有损坏，应在使用前修理好电动工具。许多事故是由维护不良的电动工具引发的。
6. 保持切削刀具锋利和清洁。维护良好地有锋利切削刃的刀具不易卡住而且容易控制。
7. 按照使用说明书，并考虑作业条件和要进行的作业来选择电动工具、附件和工具的刀头等。将电动工具用于那些与其用途不符的操作可能会导致危险情况。
8. 保持手柄和握持表面干燥、清洁，不得沾有油脂。在意外的情况下，湿滑的手柄不能保证握持的安全和对工具的控制。
9. 使用本工具时，请勿佩戴可能会缠绕的布质工作手套。布质工作手套卷入移动部件可能会造成人身伤害。

电池式工具使用和注意事项

1. 仅使用生产者规定的充电器充电。将适用于某种电池包的充电器用到其他电池包时可能会发生着火危险。
2. 仅使用配有专用电池包的电动工具。使用其他电池包可能会产生伤害和着火危险。
3. 当电池包不用时，将它远离其他金属物体，例如回形针、硬币、钥匙、钉子、螺钉或其他小金属物体，以防电池包一端与另一端连接。电池组端部短路可能会引起燃烧或着火。

4. 在滥用条件下，液体可能会从电池组中溅出；应避免接触。如果意外碰到液体，用水冲洗。如果液体碰到了眼睛，还应寻求医疗帮助。从电池中溅出的液体可能会发生腐蚀或燃烧。
5. 不要使用损坏或改装过的电池包或工具。损坏或改装过的电池组可能呈现无法预测的结果，导致着火、爆炸或伤害。
6. 不要将电池包暴露于火或高温中。电池包暴露于火或高于130 °C的高温中可能导致爆炸。
7. 遵循所有充电说明。不要在说明书中指定的温度范围之外给电池包或电动工具充电。不正确或在指定的温度范围外充电可能会损坏电池和增加着火的风险。

维修

1. 让专业维修人员使用相同的备件维修电动工具。这将保证所维修的电动工具的安全。
2. 决不能维修损坏的电池包。电池包仅能由生产者或其授权的维修服务商进行维修。
3. 上润滑油及更换附件时请遵循本说明书指示。

充电式切断锯安全警告

切割机器安全警告

1. 随工具自带的砂轮罩必须牢固安装到电动工具上并放置在最为安全的位置，使得砂轮外露的部分尽可能少。使您自己和旁观者远离旋转的砂轮。砂轮罩可防止操作者被砂轮碎片划伤或意外接触到砂轮。
2. 仅使用您所用电动工具可用的金刚石切割砂轮。因为虽然可将附件安装到电动工具上，但无法确保操作安全。
3. 附件的额定速度必须至少等同于电动工具上标示的最大速度。当运转速度大于额定速度时，附件可能会破裂并飞出。
4. 仅可将轮用于推荐的应用情况。例如：请勿使用切割砂轮的侧面进行磨削。切割砂轮用于进行外围磨削，对这些轮施加侧力可能会导致其破碎。
5. 请务必使用未损坏的砂轮法兰，直径应符合您所选的砂轮。正确的砂轮法兰可减少砂轮破裂的危险。
6. 附件的外径和厚度必须在工具的额定能力之内。尺寸不正确的附件将无法安全操控。

7. 砂轮和法兰的轴孔尺寸必须与电动工具的主轴匹配。与电动工具的安装硬件不匹配的砂轮和法兰（带轴孔）将失去平衡，振动过度并可能导致失控。
8. 请勿使用损坏的砂轮。每次使用前，请检查砂轮有无碎片和裂缝。如果电动工具或砂轮掉落，请检查有无损坏或重新安装一个无损坏的砂轮。检查和安装了砂轮之后，请使旁观者以及您自己远离旋转的砂轮，并以最大空载速度运行电动工具一分钟。损坏的砂轮通常会在此测试期间破裂。
9. 请穿戴个人劳防用品。根据应用情况，请使用面罩、安全护目镜或安全眼镜。根据情况佩带可防止较小的砂磨碎片或工件碎片的防尘面罩、耳罩、手套和车间用的围裙。护目镜必须具备可以防止多种操作所产生的飞溅的碎片伤害到您的能力。防尘面罩或呼吸器必须具备可过滤操作中产生的微粒的能力。长时间的高强度噪音可能会损伤您的听力。
10. 使旁观者远离工作区域，保持一定的安全距离。所有进入工作区域的人员必须穿戴个人劳防用品。工件的碎片或破损的砂轮可能会飞溅到操作区域以外并导致人身伤害。
11. 当进行作业时切割附件可能会接触到隐藏的电线，请仅握住电动工具的绝缘抓握表面。切割附件接触到“带电”的电线时，电动工具上暴露的金属部分可能也会“带电”，并使操作者触电。
12. 在附件完全停止之前切勿将工具放下。旋转砂轮可能会碰撞地面或工作台面而导致工具失控。
13. 您身边携带电动工具时请勿运行工具。防止因不小心接触到旋转附件而导致衣物被卷入，甚至伤及身体。
14. 请定期清洁工具的通风口。电机的风扇会将灰尘带入外壳，过多的金属粉末累积会导致电气危害。
15. 请勿在可燃物附近运行电动工具。火花可能会点燃这些物品。
16. 请勿使用需要冷却液的附件。使用水或其他冷却液可能会导致触电死亡或电击。

反弹和相关的警告

反弹是正在旋转的砂轮发生卡滞时突然产生的反作用力。卡滞会导致旋转砂轮快速停止，从而导致在卡滞点对失控的工具产生与砂轮旋转方向相反的作用力。

例如，如果工件使轮卡滞，则进入卡滞点的轮边缘将进入材料的表面，导致轮跳出或弹出。根据轮在卡滞点的运动方向，轮可能会跳向或远离操作者。在这些情况下，轮也可能会破裂。

电动工具误操作和 / 或不正确的操作步骤或操作条件将导致反弹，遵守以下所述的注意事项即可避免。

1. 请牢固握持握电动工具的把手，调整身体和手臂位置以防止反弹力。如果提供了辅助手柄，请务必使用，以在启动时最大程度地控制反弹或转矩反作用力。如果正确遵守注意事项，操作者可控制转矩反作用力或反弹力。
2. 切勿将手靠近旋转的附件。附件可能会反弹到您手上。
3. 请勿与旋转的砂轮成一直线站立。反弹会在卡滞点处以与砂轮运动方向相反的力作用于砂轮。
4. 当处理边角、锐利的边缘等处时请特别小心。避免使附件跳跃和卡滞。边角、锐利的边缘或附件发生跳跃可能会使旋转的附件被钩住并导致工具失控或反弹。
5. 请勿安装锯链、木雕锯片、外围间隙大于10 mm (3/8")的扇形金刚石砂轮或齿状锯片。这些锯片会造成频繁反弹和工具失控。
6. 请勿“挤压”砂轮或对其过度施压。请勿试图切割过深。对砂轮过度施压会使负荷增加，使砂轮在切割时易于扭曲或卡滞，也使发生反弹或砂轮破裂的可能性增大。
7. 当砂轮卡滞或因任何原因中断切割操作时，请关闭电动工具并将工具保持不动，直至砂轮完全停止。当砂轮还在运动中时，切勿试图将砂轮从工件中取出，否则可能会造成反弹。研究并采取正确的措施以避免砂轮卡滞。
8. 请勿在工件中重新启动切割操作。请等到砂轮到达全速后再小心地重新进行切割。如果电动工具在工件中重新启动，则砂轮可能会卡滞、移动或反弹。
9. 请支撑面板或其他大型工件以最大限度地降低砂轮卡滞和反弹的可能。大型工件会因自身的重量而下陷。必须在工件下面靠近切割线和砂轮两侧工件边缘放置支撑件。
10. 当在墙壁或其他盲区进行“袖珍切割”时请尤其小心。凸出的砂轮可能会切割到气管或水管、电线或其他物体，从而导致反弹。

附加安全警告：

1. 请勿使用切割砂轮。否则起火和/或过热可能会造成烫伤。
2. 请勿切割金属物体。否则起火和/或过热可能会造成烫伤。
3. 使用扇形金刚石砂轮之前，请确保金刚石砂轮节块间的外围间隙为**10 mm (3/8")**或更小，并且只具有一个负前角。
4. 切勿试图使用虎钳将工具上下颠倒进行切割。这样做非常危险，可能会导致严重事故。
5. 某些材料含有有毒化学物质。小心不要吸入粉尘，并避免皮肤接触。遵循材料供应商的安全提示。
6. 遵照制造商的推荐存放砂轮。存放不正确可能会损坏砂轮。
7. 务必使用适合工作情况和切割材料的砂轮。
8. 切割前请检查待切割的材料。若材料中包含易燃易爆物体，则可能会引起爆炸或火灾。
9. 当异物卡在轮罩和轮之间时，请勿开启工具。此时，请拆卸电池组，并清除异物。
10. 如条件允许，请使用夹具或同类工具固定工件。
11. 操作时请务必佩戴耳罩。
12. 请勿使用此工具切割木质材料。
13. 砂轮的外直径和厚度必须在电动工具的额定能力之内。若砂轮尺寸不当，将无法安全操控。
14. 操作电动工具时，请用双手牢固持握电动工具的把手，调整身体和手臂位置以防止反弹力。
15. 使手部或脸部远离旋转的砂轮。
16. 调节轮罩至适当位置以方便作业。
17. 请勿使工具被水、雨、泥和水坑打湿。
18. 请勿将工具置于室外无人看管。
19. 存放工具时，避免直射阳光和淋雨，将其存放在不会变热或变潮的位置。
20. 定期清洁吸尘器的过滤器。

请保留此说明书。

警告： 请勿为图方便或因对产品足够熟悉（由于重复使用而获得的经验）而不严格遵循相关产品安全规则。使用不当或不遵循使用说明书中的安全规则会导致严重的人身伤害。

电池组的重要安全注意事项

1. 在使用电池组之前，请仔细阅读所有的说明以及**(1) 电池充电器，(2) 电池，以及(3) 使用电池的产品上的警告标记。**
2. 切勿拆卸或改装电池组。否则可能引起火灾、过热或爆炸。
3. 如果机器运行时间变得过短，请立即停止使用。否则可能会导致过热、起火甚至爆炸。
4. 如果电解液进入您的眼睛，用清水将其冲洗干净并立即就医。否则可能会导致视力受损。
5. 请勿使电池组短路：
 - (1) 请勿使任何导电材料碰到端子。
 - (2) 避免将电池组与其他金属物品如钉子、硬币等放置在同一容器内。
 - (3) 请勿将电池组置于水中或使其淋雨。电池短路将产生大的电流，导致过热，并可能导致起火甚至击穿。
6. 请勿在温度可能达到或超过**50°C (122°F)**的场所存放以及使用工具和电池组。
7. 即使电池组已经严重损坏或完全磨损，也请勿焚烧电池组。电池组会在火中爆炸。
8. 请勿对电池组射钉，或者切削、挤压、抛掷、掉落电池组，又或者用硬物撞击电池组。否则可能引起火灾、过热或爆炸。
9. 请勿使用损坏的电池。
10. 本工具附带的锂离子电池需符合危险品法规要求。

第三方或转运代理等进行商业运输时，应遵循包装和标识方面的特殊要求。有关运输项目的准备作业，咨询危险品方面的专业人士。同时，请遵守可能更为详尽的国家法规。

请使用胶带保护且勿遮掩表面的联络信息，并牢固封装电池，使电池在包装内不可动。
11. 丢弃电池组时，需将其从工具上卸下并在安全地带进行处理。关于如何处理废弃的电池，请遵循当地法规。
12. 仅将电池用于**Makita (牧田)**指定的产品。将电池安装至不兼容的产品会导致起火、过热、爆炸或电解液泄漏。
13. 如长时间未使用工具，必须将电池从工具内取出。
14. 使用工具期间以及使用工具之后，电池组温度可能较高易引起灼伤或低温烫伤。处理高温电池组时请小心操作。

15. 在使用工具后请勿立即触碰工具的端子，否则可能引起灼伤。
16. 避免锯屑、灰尘或泥土卡入电池组的端子、孔口和凹槽内。否则可能会导致过热、着火、爆炸和工具/电池组故障，导致烫伤或人身伤害。
17. 除非工具支持在高压电源线路附近使用，否则请勿在高压电源线路附近使用电池组。否则可能导致工具或电池组故障或失常。
18. 确保电池远离儿童。

请保留此说明书。

小心：请仅使用Makita（牧田）原装电池。使用非Makita（牧田）原装电池或经过改装的电池可能会导致电池爆炸，从而造成火灾、人身伤害或物品受损。同时也会导致牧田工具和充电器的牧田保修服务失效。

保持电池最大使用寿命的提示

1. 在电池组电量完全耗尽前及时充电。发现工具电量低时，请停止工具操作，并给电池组充电。
2. 请勿对已充满电的电池组重新充电。过度充电将缩短电池的使用寿命。
3. 请在10 °C - 40 °C (50 °F - 104 °F) 的室温条件下给电池组充电。请在灼热的电池组冷却后再充电。
4. 不使用电池组时，请将其从工具或充电器上拆除。
5. 如果电池组长时间（超过六个月）未使用，请给其充电。

无线装置的重要安全注意事项

1. 切勿拆卸或改装此无线装置。
2. 请远离儿童存放无线装置。如果意外吞食，请立即就医。
3. 此无线装置仅用于Makita（牧田）电动工具。
4. 请勿将此无线装置暴露在雨水或潮湿的环境中。
5. 请勿在温度超过50°C的环境下使用此无线装置。
6. 请勿在医疗器械（例如心脏起搏器）附近运行此无线装置。
7. 请勿在自动化设备附近运行此无线装置。否则，自动化设备可能会发生故障或出现错误。
8. 不要在高温场所或可能产生静电或电气噪音的场所操作无线装置。
9. 无线装置会产生对用户无害的电磁场（EMF）。
10. 此无线装置属于精密仪器。请小心，勿掉落或撞击此无线装置。
11. 避免徒手或用金属材料接触无线装置的端子。
12. 在产品中安装无线装置时，务必取下产品上的电池。
13. 请勿在那些可能会使灰尘和水进入插槽的地方打开插槽的封盖。插槽的插口务必保持干净清洁。
14. 务必沿正确的方向插入无线装置。
15. 请勿过度用力按压无线装置上的无线启动按钮，也不可使用边缘锋利的物体按压该按钮。
16. 运行此无线装置时务必关闭插槽的封盖。
17. 切勿在工具正在通电的情况下从插槽取下无线装置。否则可能会导致此无线装置发生故障。
18. 切勿揭下此无线装置上的贴纸。
19. 切勿在此无线装置上粘贴任何贴纸。
20. 切勿将此无线装置留在可能会产生静电或电气噪音的地方。
21. 切勿将此无线装置留在可能会产生高温的地方，例如阳光照射下的车内。
22. 切勿将此无线装置留在灰尘或粉尘较重的地方，或可能会产生腐蚀性气体的地方。
23. 温度的剧烈变化可能会使此无线装置产生凝露。露水未完全干燥前，请勿使用此无线装置。
24. 清洁此无线装置时，请使用柔软的干抹布轻轻擦拭。切勿使用汽油、稀释剂或导电脂等类似物品。
25. 存放此无线装置时，请将其放在随附的盒中或防静电的容器中。
26. 请勿将非Makita（牧田）无线装置的任何其它设备插入工具的插槽中。
27. 如果插槽的封盖受损，请勿使用该工具。否则水、灰尘和泥土进入插槽可能会导致故障。
28. 如非必要，请勿拉动和/或扭动插槽的封盖。如果封盖从工具脱落，请将其还原。
29. 如果插槽的封盖丢失或受损，请更换。

请保留此说明书。

部件说明

► 图片1

1	金刚石砂轮	2	轮罩	3	轮罩把手	4	集尘口
5	前把手	6	照明灯	7	电池组	8	锁止按钮
9	无线启动指示灯	10	无线启动按钮	11	下部保护罩	12	脚轮
13	轴锁按钮	14	护盖 (用于V型带)	15	夹托	16	手柄
17	开关扳机	18	照明灯按钮	19	过载指示灯	20	软管夹A
21	软管夹B	22	套筒扳手	-	-	-	-

功能描述

⚠️ 小心： 调节或检查工具功能之前，请务必关闭工具的电源并取出电池组。

安装或拆卸电池组

⚠️ 小心： 安装或拆卸电池组之前，请务必关闭工具电源。

⚠️ 小心： 安装或拆卸电池组时请握紧工具和电池组。否则它们可能从您的手中滑落，导致工具和电池组受损，甚至造成人身伤害。

安装电池组时，要将电池组上的舌簧与外罩上的凹槽对齐，然后推滑到位。将其完全插入到位，直到锁定并发出咔哒声为止。若能看到图示中的红色指示器，则说明未完全锁紧。

要拆下电池组时，请在按下电池组前侧按钮的同时取出电池组。

► **图片2：** 1. 红色指示器 2. 按钮 3. 电池组

⚠️ 小心： 务必完全装入电池组，直至看不见红色指示灯。否则它可能会意外从工具中脱落，从而造成自身或他人受伤。

⚠️ 小心： 请勿强行安装电池组。如果电池组难以插入，可能是插入方法不当。

注： 仅安装单个电池组时，工具无法工作。

显示电池的剩余电量

按电池组上的CHECK（查看）按钮可显示电池剩余电量。指示灯将亮起数秒。

► **图片3：** 1. 指示灯 2. CHECK（查看）按钮

指示灯			剩余电量
■ 点亮	□ 熄灭	▣ 闪烁	
■ ■ ■ ■			75%至100%
■ ■ ■ □			50%至75%
■ ■ □ □			25%至50%
■ □ □ □			0%至25%
▣ □ □ □			给电池充电。
■ ■ □ □	□ □ ■ ■	↑ ↓	电池可能出现故障。

注： 在不同的使用条件及环境温度下，指示灯所示电量可能与实际情况略有不同。

注： 当电池保护系统启动时，第一个（最左侧）指示灯将闪烁。

工具 / 电池保护系统

本工具配备有工具/电池保护系统。该系统可自动切断电机电源以延长工具和电池寿命。作业时,如果工具或电池处于以下情况,工具将会自动停止运转。部分情况下,指示灯会亮起。

过载保护

以导致异常高电流的方式操作工具/电池时,工具会自动停止运转。在这种情况下,请关闭工具并停止导致工具过载的应用操作。然后开启工具重新启动。

过热保护

工具/电池过热时,工具将自动停止运转且指示灯闪烁。在这种情况下,请等待工具冷却后再重新开启工具。

过放电保护

电池电量变低时,工具将自动停止运转并且电池组的指示灯闪烁。如果即使在打开开关时本工具仍不运转,请从工具上拆下电池并给电池充电。

其他原因防护

保护系统还适用于其他可能导致工具受损的情况,从而使工具自动停止运转。工具暂时或中途停止工作时,执行以下所有步骤以排除异常原因。

1. 关闭工具,然后再次重新启动。
2. 给电池充电或更换为充电电池。
3. 请等待机器和电池冷却。

如果保护系统恢复后仍无改善,请联络当地的Makita(牧田)维修服务中心。

注意: 如果工具因上述所述以外的原因停止,请参阅故障排除部分。

过载警告

工具过载操作时,过载指示灯呈红色闪烁。在这种情况下,请降低工具负载。随后,指示灯停止闪烁。

► **图片4:** 1. 过载指示灯

开关操作

警告: 在将电池组插入工具之前,请务必检查开关扳机是否能扣动自如,松开时能否退回至“OFF”(关闭)位置。

警告: 切勿通过按压锁止按钮或其他方法来弃用锁止按钮。使用弃用锁止按钮的开关时可能会出现意外运行的情况并导致严重的人身伤害。

警告: 如果您只是扣动开关扳机而没有按下锁止按钮时,工具即开始运行,则切勿使用此工具。在开关需要维修的情况下,使用工具时可能会出现意外运行的情况并导致严重的人身伤害。在进一步使用该工具之前,请将其送回Makita(牧田)维修中心进行正确的修理。

为避免使用者不小心扣动开关扳机,本工具采用锁止按钮。要启动工具时,按下锁止按钮,然后扣动开关扳机即可。松开开关扳机,工具即停止。

► **图片5:** 1. 开关扳机 2. 锁止按钮

注意: 请勿在没有按下锁止按钮的情况下用力扣动开关扳机。否则可能会导致开关破损。

点亮照明灯

小心: 请勿直视灯光或光源。

要开启照明灯时,请按照明灯按钮。要关闭时,请再次按照明灯按钮。

► **图片6:** 1. 照明灯按钮 2. 照明灯

注: 若一分钟内未操作工具,照明灯将自动关闭。

调节轮罩

握住轮罩把手并调节轮罩至适当位置以方便作业。

► **图片7:** 1. 轮罩把手

主动反馈感测技术

本工具可以电子方式检测砂轮是否有卡滞的风险。在这种情况下,本工具会自动切断电源以防止主轴继续旋转(无法防止反弹)。要重新启动工具,请先关闭工具,排除旋转速度突然下降的原因,然后再启动工具。

电动制动器

在关闭工具开关后，电动制动器启用。
在切断电源（如意外取出电池）但不关闭工具开关的情况下，该制动器不工作。

装配

⚠小心：对工具进行任何装配操作前，请务必关闭工具电源，并取出电池组。

安装或拆卸金刚石砂轮

⚠小心：请仅使用**Makita**（牧田）扳手来安装或拆卸砂轮。

⚠小心：安装砂轮时，请务必拧紧螺栓。

⚠小心：当砂轮旋转时，请勿按下轴锁按扭。

若要拆卸砂轮，请按下轴锁按扭，然后旋转砂轮直至砂轮无法转动为止。当轴锁完全锁定时，使用套筒扳手逆时针旋转六角螺栓。然后依次拆下六角螺栓、法兰、挡圈和法兰。

► **图片8：** 1. 轴锁按扭 2. 套筒扳手 3. 拧紧 4. 拧松

► **图片9：** 1. 六角螺栓 2. 法兰 3. 挡圈 4. 金刚石砂轮 5. 箭头（砂轮的旋转方向）

若要安装砂轮，请按照与拆卸程序相反的顺序执行操作。
务必将六角螺栓拧紧牢固。

⚠小心：安装轮时，使轮上的箭头与轮罩上的箭头指向同一个方向。否则轮会反向旋转，从而可能会造成人身伤害。

⚠小心：只能使用标示速度等于或大于工具标示速度的砂轮。

注：安装砂轮时，请务必将法兰平坦侧朝向砂轮安装法兰，并安装匹配砂轮内径的挡圈。

► **图片10：** 1. 六角螺栓 2. 法兰 3. 挡圈 4. 金刚石砂轮

连接吸尘器

注意：不连接吸尘器时，请始终将盖子关闭。

当您想进行干净的切割操作时，请将**Makita**（牧田）吸尘器连接至您的工具。

打开盖子，然后连接吸尘器软管。

► **图片11：** 1. 盖子 2. 集尘口 3. 软管 4. 吸尘器

可以如图所示改变集尘口的角度。

► **图片12**

软管夹

注意：不使用时，务必从工具上拆下软管夹。

注意：请勿过度打开或闭合软管夹。否则可能会损坏软管夹。

为方便操作吸尘器软管，可以安装软管夹

1. 在软管上安装软管夹A或软管夹B。

类型	适用软管外径
软管夹A	∅ 40 mm - ∅ 46 mm (∅ 1-9/16" - ∅ 1-13/16")
软管夹B	∅ 35 mm - ∅ 40 mm (∅ 1-3/8" - ∅ 1-9/16")

► **图片13：** 1. 软管夹A/软管夹B 2. 软管

2. 将软管夹的销钉插入夹托的孔中。

确保两个销钉嵌入孔中。

► **图片14：** 1. 销钉 2. 孔 3. 夹托

3. 要拆下软管夹时，按与安装步骤相反的顺序进行操作。

存放套筒扳手

不使用时，请如图所示存放套筒扳手以防丢失。

► **图片15：** 1. 套筒扳手

操作

确认下部保护罩功能

取出电池组。

手动使下部保护罩缩回至末端并将其松开。

下部保护罩在以下情况下正常工作：

- 缩回而没有任何障碍，并且；
- 自动返回至原位。

► **图片16：** 1. 下部保护罩

如果下部保护罩不能正常工作，请检查轮罩内部是否有积聚灰尘。

部分灰尘可以通过使下部保护罩缩回并返回数次来清除。

如果在清除灰尘后下部保护罩仍不能正常工作，请将您的机器交由Makita（牧田）维修中心维修。

关于异常噪音的通知

注意：请勿使用变形或旧的金金刚石砂轮。否则可能会发生故障、异常噪音或损坏。

即使是新的且无变形的金金刚石砂轮，工具在低速运行时，金金刚石砂轮可能发出金属摩擦等异常噪音。这不是工具故障。

工具低速运行时，某些金金刚石砂轮可能会发出异常噪音。这是由于为了高效集尘，金金刚石砂轮和轮罩的位置非常近。

全速运行工具并进行适当切割。异常噪音将得到缓解。

切割操作

⚠小心：操作期间，请务必将工件牢牢地固定在稳定的工作台上。

⚠小心：切割期间不要扭歪或用力推工具，否则会使电机超载或者损坏工件。

⚠小心：操作工具期间，避免工具高过您的肩部。

► 图片17

1. 请紧握本工具。用右手抓牢手柄，左手抓牢前把手。为避免意外切割电缆引发触电，请始终握住图中所示前把手上指定的部分。

► **图片18：1.** 抓持区域

2. 开启工具，勿让金金刚石砂轮有任何接触，等待金金刚石砂轮达到全速。

3. 缓慢将金金刚石砂轮笔直插入工件后，将工具平稳向后滑动，直至切割完成。

- 请保持切割线笔直，并匀速滑动。
- 沿下部保护罩上的箭头方向滑动工具。

如果向前移动工具（如果沿箭头相反方向滑动工具），集尘效果会明显降低。

► **图片19：1.** 箭头

- 使下部保护罩保持贴在工件上。如果下部保护罩和工件之间有间隙，灰尘会漏出且集尘效果会降低。

► **图片20：1.** 下部保护罩

注：电池组温度较低时，工具可能无法完全发挥其性能。这种情况下，请使用工具先进行轻负荷切割，直至电池组的温度升为室温。然后，工具即可完全发挥其性能。

注：如果金金刚石砂轮的切割作用减弱了的话，用旧的丢弃的粗糙磨石台式砂轮机用砂轮或者混凝土块打磨砂轮的切割刃。打磨时轻按金金刚石砂轮的外刃。

无线启动功能

选购附件

注意：在使用此功能之前，请安装选购的防尘罩和附件。

无线启动功能的作用

无线启动功能让操作更加干净舒适。将受支持的集尘器连接至工具，集尘器可随工具的开关操作自动运行。

► 图片21

要使用无线启动功能，请准备以下项目：

- 无线装置（选购附件）
- 支持无线启动功能的集尘器

无线启动功能设置的概况如下。详细步骤请参考各章节。

1. 安装无线装置
2. 集尘器的工具注册
3. 启动无线启动功能

安装无线装置

选购附件

⚠小心：安装无线装置时，请将工具放置在平坦且稳固的表面上。

注意：安装无线装置前，请先清洁工具上的灰尘和泥土。如果灰尘和泥土进入无线装置的插槽，则可能会导致其发生故障。

注意：为避免静电导致故障发生，拿起无线装置前，请先触摸静电释放材料，例如工具的金属部分。

注意：安装无线装置时，务必确保沿正确方向插入无线装置，且将封盖完全关闭。

1. 如图所示打开工具的封盖。

► **图片22:** 1. 封盖

2. 将无线装置插入插槽，然后关闭封盖。

插入无线装置时，请将凸起部分对齐插槽上的凹陷部分。

► **图片23:** 1. 无线装置 2. 突起部分 3. 封盖
4. 凹陷部分

拆下无线装置时，请缓慢打开封盖。封盖后面的挂钩在拉起封盖时会钩住无线装置。

► **图片24:** 1. 无线装置 2. 挂钩 3. 封盖

取下无线装置后，请将其放在随附的盒中或防静电的容器中。

注意： 取下无线装置时，务必使用封盖后面的挂钩。如果挂钩未钩住无线装置，请完全关闭封盖，然后再缓慢打开。

集尘器的工具注册

注： 进行工具注册需要支持无线启动功能的Makita（牧田）集尘器。

注： 开始工具注册前，请先将无线装置安装至工具。

注： 工具注册期间，请勿扣动开关扳机，或打开集尘器上的电源开关。

注： 请参阅集尘器的使用说明书。

如果您希望集尘器可随工具的开关操作而启动，请预先完成工具注册。

1. 安装集尘器和工具的电池。

2. 将集尘器上的待机开关拧至“**AUTO**”（自动）位置。

► **图片25:** 1. 待机开关

3. 按住集尘器上的无线启动按钮**3秒**，直至无线启动指示灯呈绿色闪烁。然后以相同的方式按工具上的无线启动按钮。

► **图片26:** 1. 无线启动按钮 2. 无线启动指示灯

如果集尘器和工具成功闪烁，无线启动指示灯将呈绿色亮起**2秒**，然后开始呈蓝色闪烁。

注： 无线启动指示灯在**20秒**后结束绿色闪烁。当吸尘器上的无线启动指示灯闪烁时，按下工具上的无线启动按钮。如果无线启动指示灯未呈绿色闪烁，短按一下无线启动按钮，然后再次按住该按钮。

注： 对一个集尘器执行两个或以上工具注册时，请逐个完成工具注册。

启动无线启动功能

注： 请在无线启动前完成集尘器的工具注册。

注： 请参阅集尘器的使用说明书。

将工具注册至集尘器后，集尘器会随着工具的开关操作自动运行。

1. 将无线装置安装至工具。

2. 将集尘器的软管连接至工具。

► **图片27**

3. 将集尘器上的待机开关拧至“**AUTO**”（自动）位置。

► **图片28:** 1. 待机开关

4. 短按一下工具上的无线启动按钮。无线启动指示灯将呈蓝色闪烁。

► **图片29:** 1. 无线启动按钮 2. 无线启动指示灯

5. 打开工具。检查工具运转期间集尘器是否运行。

要停用集尘器的无线启动功能，请按下工具上的无线启动按钮。

注： 闲置**2小时**无操作后，工具上的无线启动指示灯会停止蓝色闪烁。此时，请将集尘器上的待机开关拧至“**AUTO**”（自动）位置，并再次按下工具上的无线启动按钮。

注： 集尘器会延迟启动 / 停止。集尘器检测工具的开关操作会存在时滞。

注： 无线装置的传送距离视位置和周边环境不同而异。

注： 当一个集尘器被注册了两个或多个工具时，则即使您未开启工具，该集尘器也会因为其他用户正在使用无线启动功能而开始运行。

无线启动指示灯状态的说明

► 图片30: 1. 无线启动指示灯

无线启动指示灯显示无线启动功能的状态。关于指示灯状态的意义请参阅下表。

状态	无线启动指示灯			持续时间	说明
	颜色	 亮起	 闪烁		
待机	蓝色		2小时	集尘器的无线启动可用。2小时无操作后指示灯会自动熄灭。	
			工具正在运行时。	集尘器的无线启动可用且工具正在运行。	
工具注册	绿色		20秒	准备好进行工具注册。等待集尘器的注册。	
			2秒	完成工具注册。无线启动指示灯将开始呈蓝色闪烁。	
取消工具注册	红色		20秒	准备好取消工具注册。等待集尘器取消工具注册。	
			2秒	完成取消工具注册。无线启动指示灯将开始呈蓝色闪烁。	
其它	红色		3秒	向无线装置供电，且无线启动功能启动。	
	熄灭	-	-	集尘器的无线启动不可用。	

取消集尘器的工具注册

取消集尘器的工具注册时，请执行以下步骤。

1. 安装集尘器和工具的电池。
2. 将集尘器上的待机开关拧至“**AUTO**”（自动）位置。

► 图片31: 1. 待机开关

3. 按住集尘器上的无线启动按钮**6秒**。无线启动指示灯呈绿色闪烁，然后转为红色。然后以相同的方式按工具上的无线启动按钮。

► 图片32: 1. 无线启动按钮 2. 无线启动指示灯

如果成功执行取消工具注册，无线启动指示灯将呈红色亮起**2秒**，然后开始呈蓝色闪烁。

注：无线启动指示灯在**20秒**后结束红色闪烁。当吸尘器上的无线启动指示灯闪烁时，按下工具上的无线启动按钮。如果无线启动指示灯未呈红色闪烁，短按一下无线启动按钮，然后再次按住该按钮。

无线启动功能的故障排除

请求维修前，请首先自行检查。如果您发现本手册中未作说明的问题，请勿拆解工具。而请联络Makita（牧田）授权维修服务中心，务必使用Makita（牧田）的替换部件进行修复。

异常状态	可能原因（故障）	纠正措施
无线启动指示灯未亮起 / 闪烁。	无线装置未安装至工具。 无线装置未正确安装至工具。	正确安装无线装置。
	无线装置的端子和 / 或插槽脏污。	轻轻擦掉无线装置上的灰尘并清洁插槽。
	未按工具上的无线启动按钮。	短按一下工具上的无线启动按钮。
	集尘器上的待机开关未拧至“ AUTO ”（自动）位置。	将集尘器上的待机开关拧至“ AUTO ”（自动）位置。
	未通电	接通工具和集尘器电源。
未成功完成工具注册 / 取消工具注册操作。	无线装置未安装至工具。 无线装置未正确安装至工具。	正确安装无线装置。
	无线装置的端子和 / 或插槽脏污。	轻轻擦掉无线装置上的灰尘并清洁插槽。
	集尘器上的待机开关未拧至“ AUTO ”（自动）位置。	将集尘器上的待机开关拧至“ AUTO ”（自动）位置。
	未通电	接通工具和集尘器电源。
	错误操作	短按一下无线启动按钮，并再次执行工具注册 / 取消工具注册操作步骤。
	工具和集尘器相隔较远（超出传送范围）。	缩短工具和集尘器之间的距离。它们之间的最大距离为约 10 m ，该距离视实际环境不同而异。
	完成工具注册 / 取消工具注册之前； -打开了工具的开关； -打开了集尘器上的电源按钮。	短按一下无线启动按钮，并再次执行工具注册 / 取消工具注册操作步骤。
	工具或集尘器的工具注册步骤未完成。	同时对工具和集尘器执行工具注册步骤。
其它设备的无线电干扰会产生高强度的无线电波。	使工具和集尘器远离Wi-Fi设备和微波炉等电器。	

异常状态	可能原因（故障）	纠正措施
集尘器未随着工具的开关操作而运行。	无线装置未安装至工具。 无线装置未正确安装至工具。	正确安装无线装置。
	无线装置的端子和 / 或插槽脏污。	轻轻擦掉无线装置上的灰尘并清洁插槽。
	未按工具上的无线启动按钮。	短按一下无线启动按钮，确保无线启动指示灯呈蓝色闪烁。
	集尘器上的待机开关未拧至“ AUTO ”（自动）位置。	将集尘器上的待机开关拧至“ AUTO ”（自动）位置。
	集尘器可注册超过10个工具。	请再次执行工具注册。 如果集尘器注册的工具超过10个，则最先注册的工具会被自动删除。
	集尘器删除了所有工具注册。	再次执行工具注册。
	未通电	接通工具和集尘器电源。
	工具和集尘器相隔较远（超出传送范围）。	缩短工具和集尘器之间的距离。 它们之间的最大距离为约10 m，该距离视实际环境不同而异。
工具未运转但集尘器运行。	其它设备的无线电干扰会产生高强度的无线电波。	使工具和集尘器远离Wi-Fi设备和微波炉等电器。
	其他用户正在他们的工具上使用该集尘器的无线启动功能。	关闭其它工具的无线启动功能或取消其它工具的工具注册。

保养

⚠️小心： 检查或保养工具之前，请务必关闭工具电源并取出电池组。

注意： 切勿使用汽油、苯、稀释剂、酒精或类似物品清洁工具。否则可能会导致工具变色、变形或出现裂缝。

为了保证产品的安全与可靠性，维修、任何其他维修保养或调节需由Makita（牧田）授权的或工厂维修服务中心完成。务必使用Makita（牧田）的替换部件。

清洁工具

注意： 请勿用水清洗工具。

每次使用后，取下电池组和轮，然后清洁轮罩内侧积聚的灰尘或污垢。用干布或浸在肥皂水中后拧干的布料擦拭工具主体上的灰尘和污垢。请使用干布清除灯镜面上的污垢。注意不要刮花照明灯镜面，否则会降低照明亮度。

► **图片33：** 1. 轮罩 2. 照明灯镜面

清洁通风口

定期清洁通风口或在通风口开始被堵塞时进行清洁。

► **图片34：** 1. 通风口

更换同步带

- 取下电池组和砂轮。
- 使用套筒扳手头拧松内六角螺栓，然后拆卸护盖。
► **图片35：** 1. 套筒扳手 2. 内六角螺栓 3. 护盖
- 推入轴锁按钮并按住以锁定大皮带轮，然后使用套筒扳手的细端逆时针旋转螺母。
► **图片36：** 1. 大皮带轮 2. 轴锁按钮
- 推入轴锁按钮并按住以锁定大皮带轮，然后使用套筒扳手的粗端逆时针旋转小垫片将同步带松开。
► **图片37：** 1. 轴锁按钮 2. 大皮带轮 3. 小垫片
- 拆卸皮带。
- 使凹槽在皮带内侧，将皮带一端安装至小皮带轮，然后将皮带另一端安装至大皮带轮。
► **图片38：** 1. 皮带 2. 大皮带轮 3. 小皮带轮

7. 推入轴锁按钮并按住以锁定大皮带轮，然后使用套筒扳手的粗端顺时针旋转小垫片将同步带拉紧。

► **图片39: 1. 轴锁按钮 2. 大皮带轮**

注: 确保小垫片位于如图所示的位置。

► **图片40: 1. 小垫片**

8. 推入轴锁按钮并按住以锁定大皮带轮，然后使用套筒扳手的细端顺时针旋转螺母。

► **图片41: 1. 轴锁按钮**

注: 拧紧螺母时，施加19至21 N·m的紧固转矩。

9. 安装护盖，然后使用套筒扳手头拧紧内六角螺栓。

► **图片42: 1. 套筒扳手 2. 内六角螺栓 3. 护盖**

故障排除

请求维修前，请首先自行检查。如果您发现本手册中未作说明的问题，请勿拆解工具。而请联络Makita（牧田）授权维修服务中心，务必使用Makita（牧田）的替换部件进行修复。

异常状态	可能原因（故障）	纠正措施
电机不旋转。	未安装电池组。	安装两个电池组。安装单个电池组时，工具无法工作。
	电池故障（欠压）	请给电池充电。如果充电无效，则更换电池组。
	驱动系统未正常工作。	请当地授权的维修服务中心进行维修。
使用一段时间后电机不旋转。	电池电量低。	请给电池充电。如果充电无效，则更换电池组。
	过热。	停止使用工具使之冷却。
在无负载条件下运转20秒之后，砂轮依然无法正常加速。	电池安装不当。	按本手册所述安装电池组。
	电池电力下降。	请给电池组重新充电。如果重新充电无效，则更换电池组。
	同步带打滑。	更换新的同步带。
	驱动系统未正常工作。	请当地授权的维修服务中心进行维修。
砂轮未转动： ⇒ 立即停止机器！	同步带打滑。	更换新的同步带。
	异物卡在轮罩和轮之间。	请拆下电池组，然后清除异物。
	驱动系统未正常工作。	请当地授权的维修服务中心进行维修。
异常振动： ⇒ 立即停止机器！	砂轮安装不当。	请按本手册所述安装砂轮。拧紧螺栓使砂轮固定牢固。
	驱动系统未正常工作。	请当地授权的维修服务中心进行维修。
切割工具和电机无法停止： ⇒ 立即取出电池组！	电力或电子故障。	拆下电池组并请当地授权维修服务中心进行修复。
切割性能不佳	已到更换砂轮的时间。	更换新的砂轮。
吸尘器的吸力低。	吸尘器的过滤器堵塞。	清洁过滤器。 如果清洁过滤器仍不解决问题，请更换过滤器。
下部保护罩未正常工作。	轮罩内侧积聚了灰尘。	使下部保护罩缩回并返回数次。

选购附件

⚠小心： 这些附件或装置专用于本说明书所列的**Makita（牧田）**工具。如使用其他厂牌附件或装置，可能导致人身伤害。仅可将附件或装置用于规定目的。

如您需要了解更多关于这些选购附件的信息，请咨询当地的**Makita（牧田）**维修服务中心。

- 金刚石砂轮
- 挡圈组
- 同步带
- 套筒扳手
- 无线装置
- **Makita（牧田）**原装电池和充电器

注： 本列表中的一些部件可能作为标准配件包含于工具包装内。它们可能因销往国家之不同而异。

SPEKIFIKASI

Model:	CE002G
Diameter roda	350 - 355 mm
Ketebalan roda maks.	4,0 mm
Kedalaman pemotongan maks.	127 mm
Kecepatan terukur	4.200 min ⁻¹
Tegangan terukur	D.C. 72 V - 80 V maks
Volume udara yang direkomendasikan untuk pengisap debu	Sama dengan atau lebih dari 1,8 m ³ /min
Panjang keseluruhan	825 mm
Berat bersih	13,1 - 15,1 kg

- Karena kesinambungan program penelitian dan pengembangan kami, spesifikasi yang disebutkan di sini dapat berubah tanpa pemberitahuan.
- Spesifikasi dapat berbeda dari satu negara ke negara lainnya.
- Berat alat mungkin berbeda tergantung perangkat tambahan yang dipasang, termasuk kartrid baterai. Kombinasi alat terberat dan teringan, sesuai Prosedur EPTA 01/2014, ditunjukkan pada tabel.

Kartrid dan pengisi daya baterai yang dapat digunakan






Kartrid baterai	BL4040 / BL4050F* / BL4080F* * : Baterai yang direkomendasikan
Pengisi daya	DC40RA / DC40RB / DC40RC

- Beberapa kartrid baterai dan pengisi daya yang tercantum di atas mungkin tidak tersedia, tergantung wilayah tempat tinggal Anda.

⚠ PERINGATAN: Hanya gunakan kartrid dan pengisi daya baterai yang tercantum di atas. Penggunaan kartrid dan pengisi daya baterai lain dapat menimbulkan risiko cedera dan/atau kebakaran.

Simbol

Berikut ini adalah simbol-simbol yang dapat digunakan pada peralatan ini. Pastikan Anda memahami arti masing-masing simbol sebelum menggunakan peralatan.

	Baca petunjuk penggunaan.
	Gunakan kaca mata pengaman.
	Jangan menggunakan roda pemotong abrasif. Hanya roda intan yang dapat digunakan.
	Jangan memotong logam.
	Jangan diberi air.



Hanya untuk negara-negara UE
Akibat adanya komponen berbahaya dalam peralatan, limbah peralatan listrik dan elektronik, aki dan baterai dapat memiliki dampak negatif pada lingkungan dan kesehatan manusia.
Jangan buang peralatan listrik dan elektronik atau baterai bersama limbah rumah tangga!
Sesuai dengan Petunjuk Eropa tentang limbah peralatan listrik dan elektronik dan tentang aki dan baterai serta limbah aki dan baterai, serta penyesuaiannya terhadap undang-undang nasional, limbah peralatan listrik, baterai dan aki harus disimpan secara terpisah dan dikirim ke tempat pengumpulan terpisah untuk sampah kota, beroperasi sesuai dengan peraturan tentang perlindungan lingkungan.
Hal ini ditunjukkan dengan simbol tempat sampah bersilang yang ditempatkan pada peralatan.

Penggunaan

Mesin ini digunakan untuk pemotongan bahan pasangan bata dengan roda intan.

PERINGATAN KESELAMATAN

Peringatan keselamatan umum mesin listrik

⚠️ PERINGATAN Bacalah semua peringatan keselamatan, petunjuk, ilustrasi dan spesifikasi yang disertakan bersama mesin listrik ini. Kelalaian untuk mematuhi semua petunjuk yang tercantum di bawah ini dapat menyebabkan sengatan listrik, kebakaran dan/atau cedera serius.

Simpanlah semua peringatan dan petunjuk untuk acuan di masa depan.

Istilah "mesin listrik" dalam semua peringatan mengacu pada mesin listrik yang dijalankan dengan sumber listrik jala-jala (berkabel) atau baterai (tanpa kabel).

Keselamatan tempat kerja

1. **Jaga tempat kerja selalu bersih dan berpenerangan cukup.** Tempat kerja yang berantakan dan gelap mengundang kecelakaan.
2. **Jangan gunakan mesin listrik dalam lingkungan yang mudah meledak, misalnya jika ada cairan, gas, atau debu yang mudah menyala.** Mesin listrik menimbulkan bunga api yang dapat menyalaakan debu atau uap tersebut.
3. **Jauhkan anak-anak dan orang lain saat menggunakan mesin listrik.** Bila perhatian terpecah, anda dapat kehilangan kendali.

Keamanan Kelistrikan

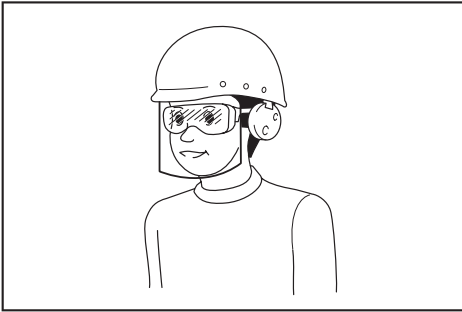
1. **Steker mesin listrik harus cocok dengan stopkontak. Jangan sekali-kali mengubah steker dengan cara apa pun. Jangan menggunakan steker adaptor dengan mesin listrik terbumi (dibumikan).** Steker yang tidak diubah dan stopkontak yang cocok akan mengurangi risiko sengatan listrik.
2. **Hindari sentuhan tubuh dengan permukaan terbumi atau yang dibumikan seperti pipa, radiator, kompor, dan kulkas.** Risiko sengatan listrik bertambah jika tubuh Anda terbumikan atau dibumikan.
3. **Jangan membiarkan mesin listrik kejujanaan atau kebasahan.** Air yang masuk ke dalam mesin listrik akan meningkatkan risiko sengatan listrik.
4. **Jangan menyalahgunakan kabel. Jangan sekali-kali menggunakan kabel untuk membawa, menarik, atau mencabut mesin listrik dari stopkontak. Jauhkan kabel dari panas, minyak, tepian tajam, atau bagian yang bergerak.** Kabel yang rusak atau kusut memperbesar risiko sengatan listrik.
5. **Bila menggunakan mesin listrik di luar ruangan, gunakan kabel ekstensi yang sesuai untuk penggunaan di luar ruangan.** Penggunaan kabel yang sesuai untuk penggunaan luar ruangan mengurangi risiko sengatan listrik.

6. **Jika mengoperasikan mesin listrik di lokasi lembap tidak terhindarkan, gunakan pasokan daya yang dilindungi peranti imbasan arus (residual current device - RCD).** Penggunaan RCD mengurangi risiko sengatan listrik.
7. **Mesin listrik dapat menghasilkan medan magnet (EMF) yang tidak berbahaya bagi pengguna.** Namun, pengguna alat pacu jantung atau peralatan medis sejenisnya harus berkonsultasi dengan produsen peralatan tersebut dan/atau dokter mereka sebelum mengoperasikan mesin listrik ini.

Keselamatan Diri

1. **Jaga kewaspadaan, perhatikan pekerjaan Anda dan gunakan akal sehat bila menggunakan mesin listrik. Jangan menggunakan mesin listrik saat Anda lelah atau di bawah pengaruh obat bius, alkohol, atau obat.** Sekejap saja lalai saat menggunakan mesin listrik dapat menyebabkan cedera badan serius.
2. **Gunakan alat pelindung diri. Selalu gunakan pelindung mata.** Peralatan pelindung seperti masker debu, sepatu pengaman anti-selip, helm pengaman, atau pelindung telinga yang digunakan untuk kondisi yang sesuai akan mengurangi risiko cedera badan.
3. **Cegah penyalaan yang tidak disengaja. Pastikan bahwa sakelar berada dalam posisi mati (off) sebelum menghubungkan mesin ke sumber daya dan/atau paket baterai, atau mengangkat atau membawanya.** Membawa mesin listrik dengan jari Anda pada sakelarnya atau mengalirkan listrik pada mesin listrik yang sakelarnya hidup (on) akan mengundang kecelakaan.
4. **Lepaskan kunci-kunci penyetel sebelum menghidupkan mesin listrik.** Kunci-kunci yang masih terpasang pada bagian mesin listrik yang berputar dapat menyebabkan cedera.
5. **Jangan meraih terlalu jauh. Jagalah pijakan dan keseimbangan sepanjang waktu.** Hal ini memungkinkan kendali yang lebih baik atas mesin listrik dalam situasi yang tidak diharapkan.
6. **Kenakan pakaian yang memadai. Jangan memakai pakaian yang longgar atau perhiasan. Jaga jarak antara rambut dan pakaian Anda dengan komponen mesin yang bergerak.** Pakaian yang longgar, perhiasan, atau rambut yang panjang dapat tersangkut pada komponen yang bergerak.
7. **Jika tersedia fasilitas untuk menghisap dan mengumpulkan debu, pastikan fasilitas tersebut terhubung listrik dan digunakan dengan baik.** Penggunaan pembersih debu dapat mengurangi bahaya yang terkait dengan debu.
8. **Jangan sampai Anda lengah dan mengabaikan prinsip keselamatan mesin ini hanya karena sudah sering mengoperasikannya dan sudah merasa terbiasa.** Tindakan yang lalai dapat menyebabkan cedera berat dalam sepersekian detik saja.

9. **Selalu kenakan kacamata pelindung untuk melindungi mata dari cedera saat menggunakan mesin listrik. Kacamata harus sesuai dengan ANSI Z87.1 di Amerika Serikat, EN 166 di Eropa, atau AS/NZS 1336 di Australia/Selandia Baru. Di Australia/Selandia Baru, secara hukum Anda juga diwajibkan mengenakan pelindung wajah untuk melindungi wajah Anda.**



Menjadi tanggung jawab atas untuk menerapkan penggunaan alat pelindung keselamatan yang tepat bagi operator mesin dan orang lain yang berada di area kerja saat itu.

Penggunaan dan pemeliharaan mesin listrik

- 1. Jangan memaksa mesin listrik. Gunakan mesin listrik yang tepat untuk keperluan Anda.** Mesin listrik yang tepat akan menuntaskan pekerjaan dengan lebih baik dan aman pada kecepatan sesuai rancangannya.
- 2. Jangan gunakan mesin listrik jika sakelar tidak dapat menyala dan memastikannya.** Mesin listrik yang tidak dapat dikendalikan dengan sakelarnya adalah berbahaya dan harus diperbaiki.
- 3. Cabut steker dari sumber listrik dan/atau lepas paket baterai, jika dapat dilepas, dari mesin listrik sebelum melakukan penyetelan apa pun, mengganti aksesor, atau menyimpan mesin listrik.** Langkah keselamatan preventif tersebut mengurangi risiko hidupnya mesin secara tak sengaja.
- 4. Simpan mesin listrik jauh dari jangkauan anak-anak dan jangan biarkan orang yang tidak paham mengenai mesin listrik tersebut atau petunjuk ini menggunakan mesin listrik.** Mesin listrik sangat berbahaya di tangan pengguna yang tak terlatih.
- 5. Rawatlah mesin listrik dan aksesor. Periksa apakah ada komponen bergerak yang tidak lurus atau macet, komponen yang pecah, dan kondisi-kondisi lain yang dapat memengaruhi pengoperasian mesin listrik. Jika rusak, perbaiki mesin listrik terlebih dahulu sebelum digunakan.** Banyak kecelakaan disebabkan oleh kurangnya pemeliharaan mesin listrik.
- 6. Jaga agar mesin pemotong tetap tajam dan bersih.** Mesin pemotong yang terawat baik dengan mata pemotong yang tajam tidak mudah macet dan lebih mudah dikendalikan.
- 7. Gunakan mesin listrik, aksesor, dan mata mesin, dll. sesuai dengan petunjuk ini, dengan memperhitungkan kondisi kerja dan jenis pekerjaan yang dilakukan.** Penggunaan mesin listrik untuk penggunaan yang lain dari peruntukan dapat menimbulkan situasi berbahaya.
- 8. Jagalah agar gagang dan permukaan pegangan tetap kering, bersih, dan bebas dari minyak dan pelumas.** Gagang dan permukaan pegangan yang licin tidak mendukung keamanan penanganan dan pengendalian mesin dalam situasi-situasi tak terduga.
- 9. Ketika menggunakan mesin, jangan menggunakan sarung tangan kain yang dapat tersangkut.** Sarung tangan kain yang tersangkut pada komponen bergerak dapat mengakibatkan cedera pada pengguna.

Penggunaan dan pemeliharaan mesin bertenaga baterai

- 1. Isi ulang baterai hanya dengan pengisi daya yang ditentukan oleh pabrik.** Pengisi daya yang cocok untuk satu jenis paket baterai dapat menimbulkan risiko kebakaran ketika digunakan untuk paket baterai yang lain.
- 2. Gunakan mesin listrik hanya dengan paket baterai yang telah ditentukan secara khusus.** Penggunaan paket baterai lain dapat menimbulkan risiko cedera dan kebakaran.
- 3. Ketika paket baterai tidak digunakan, jauhkan dari benda logam lain, seperti penjepit kertas, uang logam, kunci, paku, sekrup atau benda logam kecil lainnya, yang dapat menghubungkan satu terminal ke terminal lain.** Hubungan singkat terminal baterai dapat menyebabkan luka bakar atau kebakaran.
- 4. Pemakaian yang salah, dapat menyebabkan keluarnya cairan dari baterai; hindari kontak. Jika terjadi kontak secara tidak sengaja, bilas dengan air. Jika cairan mengenai mata, cari bantuan medis.** Cairan yang keluar dari baterai bisa menyebabkan iritasi atau luka bakar.
- 5. Jangan menggunakan paket baterai atau mesin yang sudah rusak atau telah diubah.** Baterai yang rusak atau telah diubah dapat menyebabkan hal-hal yang tidak dapat diprediksi yang dapat menyebabkan kebakaran, ledakan atau risiko cedera.
- 6. Jangan membiarkan paket baterai atau mesin dekat dengan api atau suhu yang berlebihan.** Paparan api atau suhu di atas 130 °C dapat menyebabkan ledakan.
- 7. Ikuti semua petunjuk pengisian daya dan jangan mengisi daya paket baterai atau mesin di luar rentang suhu yang ditentukan di panduan.** Mengisi daya secara tidak tepat atau pada suhu di luar rentang yang ditentukan dapat merusak baterai dan meningkatkan risiko kebakaran.

Servis

- 1. Berikan mesin listrik untuk diperbaiki hanya kepada oleh teknisi yang berkualifikasi dengan menggunakan hanya suku cadang pengganti yang serupa.** Hal ini akan menjamin terjaganya keamanan mesin listrik.

2. **Jangan pernah memperbaiki paket baterai yang sudah rusak.** Perbaiki paket baterai harus dilakukan hanya oleh produsen atau penyedia servis resmi.
3. **Patuhi petunjuk pelumasan dan penggantian aksesoris.**
8. **Jangan menggunakan roda yang rusak.** Sebelum digunakan, selalu periksa roda akan adanya serpihan dan keretakan. Bila mesin listrik atau roda jatuh, periksa akan adanya kerusakan atau pasang roda yang tidak rusak. Setelah memeriksa dan memasang roda, posisikan diri Anda dan orang di sekitar jauh dari bidang roda yang berputar dan jalankan mesin listrik pada kecepatan maksimum tanpa beban selama satu menit. Roda yang rusak secara normal akan pecah selama waktu pengujian ini.

Peringatan keselamatan mesin pemotong tanpa kabel

Peringatan keselamatan mesin pemotong

1. **Pelindung yang disertakan dengan mesin harus terpasang dengan kencang pada mesin listrik dan diposisikan untuk keselamatan maksimal, sehingga bagian roda yang menghadap ke operator menjadi minimal. Posisikan diri Anda dan orang lain jauh dari bidang roda yang berputar.** Pelindung membantu melindungi operator dari pecahan roda yang rusak dan kontak tanpa sengaja dengan roda.
2. **Gunakan hanya roda pemotong intan untuk mesin listrik Anda.** Hanya karena aksesoris tersebut bisa dipasang pada mesin listrik Anda, bukan berarti menjamin keselamatan dalam pengoperasian.
3. **Kecepatan terukur pada aksesoris setidaknya harus sama dengan kecepatan maksimum yang tertera pada mesin listrik.** Aksesoris yang bekerja lebih cepat dari kecepatan terukurnya bisa saja pecah dan terlempar.
4. **Roda harus digunakan hanya untuk penggunaan yang disarankan. Misalnya: jangan menggerinda dengan bagian samping roda pemotong.** Roda pemotong ditujukan untuk pekerjaan penggerindaan periferis; jika roda dikenai tenaga dari samping, roda ini mungkin saja pecah.
5. **Selalu gunakan flensa roda yang tidak rusak dengan diameter yang tepat sesuai dengan roda yang Anda pilih.** Flensa roda yang tepat akan menopang roda sehingga mengurangi kemungkinan pecahnya roda.
6. **Diameter luar dan tebal aksesoris Anda harus berada dalam nilai kapasitas mesin listrik Anda.** Aksesoris dengan ukuran yang tidak tepat tidak bisa terlindung atau terkendali secara memadai.
7. **Ukuran arbor roda dan flensa harus benar-benar sesuai dengan spindel mesin listrik.** Roda dan flensa dengan lubang arbor yang tidak sesuai dengan perangkat keras pemasangan mesin listrik akan bekerja tidak seimbang, bergetar secara berlebihan dan dapat menyebabkan hilangnya kendali.
9. **Kenakan alat pelindung diri.** Tergantung pekerjaannya, gunakan pelindung muka, kaca mata pelindung atau kaca mata pengaman. Sesuai dengan pekerjaannya, kenakan masker debu, pelindung telinga, sarung tangan, dan apron bengkel yang mampu menahan debu gerinda atau serpihan benda kerja. Pelindung mata harus mampu menahan debu yang beterbangan, yang ditimbulkan dari berbagai jenis pekerjaan. Masker debu atau alat pernapasan harus mampu menyaring partikel yang dihasilkan dari pekerjaan Anda. Terpaan yang berkepanjangan terhadap kebisingan berintensitas tinggi bisa menyebabkan hilangnya pendengaran.
10. **Jaga agar orang di sekitar berada dalam jarak aman yang jauh dari area kerja. Siapa pun yang masuk ke area kerja harus mengenakan alat pelindung diri.** Potongan benda kerja atau roda yang rusak bisa saja terlempar dan menyebabkan cedera di area yang dekat dengan pekerjaan.
11. **Pegang mesin listrik hanya pada permukaan genggaman yang terisolasi saat melakukan pekerjaan karena aksesoris pemotong mungkin saja bersentuhan dengan kabel tersembunyi.** Aksesoris pemotong yang menyentuh kawat "hidup" dapat menyebabkan bagian logam pada mesin teraliri arus listrik dan menyengat pengguna.
12. **Jangan sekali-kali meletakkan mesin listrik sampai aksesorinya benar-benar berhenti.** Roda yang berputar bisa menyambar permukaan dan menarik mesin listrik di luar kendali Anda.
13. **Jangan menyalakan mesin listrik sambil membawanya di sisi badan Anda.** Sentuhan yang tidak disengaja oleh aksesoris yang berputar bisa merobek pakaian Anda, yang akan menarik aksesoris ke arah badan Anda.
14. **Bersihkan ventilasi udara mesin listrik secara rutin.** Kipas motor akan menarik debu ke dalam rumah dan serbuk logam yang terkumpul secara berlebihan bisa menyebabkan bahaya listrik.
15. **Jangan mengoperasikan mesin listrik di dekat bahan yang mudah terbakar.** Bunga api bisa membuat bahan tersebut menyala.
16. **Jangan menggunakan aksesoris yang membutuhkan cairan pendingin.** Menggunakan air atau cairan pendingin lain dapat mengakibatkan kematian akibat sengatan listrik.

Hentikan balik dan peringatan terkait

Hentikan balik adalah reaksi yang terjadi secara tiba-tiba bila roda yang berputar terjepit, atau tersangkut. Kondisi terjepit atau tersangkut akan menyebabkan roda yang berputar akan berhenti dengan cepat yang kemudian berubah mengakibatkan terdorongnya mesin listrik yang tak terkendali ke arah yang berlawanan dengan putaran roda di titik tempat roda tersebut terjepit.

Sebagai contoh, jika roda tersangkut atau terjepit oleh benda kerja, tepi roda yang masuk ke titik tempat roda tersebut terjepit bisa menggali permukaan bahan, yang menyebabkan roda tersebut menanjak atau menghentak. Roda mungkin saja melompat ke arah atau menjauhi operator, tergantung arah gerakan roda di titik tempat roda tersebut terjepit. Roda juga mungkin saja pecah karena kondisi tersebut.

Hentikan balik merupakan akibat dari salah cara menggunakan mesin listrik dan/atau prosedur atau kondisi pengoperasian yang salah dan dapat dihindari dengan melakukan tindakan kewaspadaan yang tepat sebagaimana diuraikan di bawah ini.

1. **Pertahankan genggaman yang kuat pada mesin listrik serta posisi badan dan lengan Anda agar memungkinkan Anda untuk menahan gaya hentikan balik. Selalu gunakan pegangan tambahan, bila tersedia, untuk mengendalikan hentikan balik atau reaksi torsi secara maksimum selama mesin mulai dihidupkan.** Operator dapat mengendalikan reaksi torsi atau gaya hentikan balik, bila dilakukan tindakan kewaspadaan yang tepat.
2. **Jangan sekali-kali memosisikan tangan Anda di dekat aksesoris yang berputar.** Aksesoris mungkin saja mengentak balik ke arah tangan Anda.
3. **Jangan menempatkan tubuh Anda sejajar dengan roda yang berputar.** Hentikan balik akan memutar mesin dalam arah yang berlawanan dengan gerakan roda di titik tempat roda tersebut tersangkut.
4. **Sangatlah berhati-hati saat bekerja di area sudut, tepi yang tajam, dsb. Hindari jangan sampai aksesoris memantul atau tersangkut.** Area sudut, tepi yang tajam, atau pantulan cenderung membuat aksesoris yang berputar akan tersangkut dan menyebabkan kehilangan kendali atau timbulnya hentikan balik.
5. **Jangan pasang mata rantai gergaji, roda intan bersegmen dengan jarak periferil lebih dari 10 mm (3/8") atau mata pisau bergerigi.** Mata pisau seperti ini menghasilkan hentikan balik berkali-kali dan menyebabkan hilangnya kendali.
6. **Jangan membuat roda "macet" atau menekannya secara berlebihan. Jangan mencoba memotong terlalu dalam.** Menempatkan tekanan berlebihan pada roda akan meningkatkan beban dan dapat menyebabkan roda berputar atau terjepit pada potongan dan terdapat kemungkinan terjadi hentikan balik atau kerusakan roda.

7. **Ketika roda terjepit atau pemotongan terhenti karena alasan apa pun, matikan mesin listrik dan tahan hingga roda benar-benar berhenti. Jangan pernah mencoba melepas roda dari pekerjaan pemotongan saat roda bergerak, jika tidak, akan terjadi hentikan balik.** Periksa dan ambil tindakan yang tepat untuk menyingkirkan penyebab terikatnya roda.
8. **Jangan ulangi pemotongan pada benda kerja. Biarkan roda mencapai kecepatan penuh dan masukkan kembali dengan hati-hati pada potongan.** Roda mungkin dapat terjepit, bergerak ke atas atau terjadi hentikan balik jika mesin listrik dinyalakan ulang pada benda kerja.
9. **Tahan panel atau benda kerja berukuran besar untuk meminimalkan risiko roda terjepit dan terjadi hentikan balik.** Benda kerja besar cenderung melengkung karena beratnya. Penunjang harus diletakkan di bawah benda kerja dekat garis pemotongan dan dekat ujung benda kerja pada kedua sisi roda.
10. **Berhati-hatilah saat melakukan "pemotongan saku" pada dinding atau area buta lain.** Roda yang mencuat dapat memotong pipa gas atau air, kabel listrik, atau objek lain yang dapat menyebabkan hentikan balik.

Peringatan Keselamatan Tambahan:

1. **Jangan menggunakan roda pemotong abrasif.** Jika tidak, api dan/atau pemanasan berlebih dapat menyebabkan luka bakar.
2. **Jangan memotong objek logam.** Jika tidak, api dan/atau pemanasan berlebih dapat menyebabkan luka bakar.
3. **Sebelum menggunakan roda intan bersegmen, pastikan roda intan memiliki jarak periferil antar segmen sebesar 10 mm (3/8") atau kurang, hanya dengan sudut geram negatif.**
4. **Jangan pernah mencoba memotong dengan mesin yang dipasangi terbalik pada ragum. Hal ini dapat menyebabkan kecelakaan parah karena sangat berbahaya.**
5. **Bahan tertentu mengandung zat kimia yang mungkin beracun. Hindari menghirup debu dan persentuhan dengan kulit. Ikuti data keselamatan bahan dari pemasok.**
6. **Simpan roda sesuai saran produsen. Penyimpanan yang tidak benar dapat merusak roda.**
7. **Selalu gunakan roda yang cocok untuk pekerjaan Anda dan material yang akan dipotong.**
8. **Periksa material yang akan dipotong sebelum melakukan pemotongan.** Jika material tersebut mengandung bahan yang mudah meledak atau terbakar, pemotongan dapat menyebabkan ledakan atau kebakaran.
9. **Jangan hidupkan mesin jika terdapat benda asing terjepit di antara penutup roda dan roda.** Apabila ini terjadi, copot kartrid baterai dan lepaskan benda asing tersebut.
10. **Gunakan penjepit atau sejenisnya untuk menopang benda kerja jika memungkinkan.**
11. **Selalu kenakan pelindung telinga selama pengoperasian.**

12. Jangan memotong material kayu dengan mesin ini.
13. Diameter luar dan ketebalan roda harus berada dalam nilai kapasitas mesin listrik Anda. Ukuran roda yang salah tidak dapat dilindungi atau dikendalikan secara memadai.
14. Saat mengoperasikan mesin listrik, pertahankan genggam yang kuat pada mesin listrik menggunakan kedua tangan serta posisikan badan dan lengan Anda sehingga Anda dapat menahan gaya hantakan balik.
15. Jauhkan tangan atau muka Anda dari roda yang berputar.
16. Sesuaikan penutup roda ke posisi yang sesuai dengan pekerjaan Anda.
17. Jangan biarkan mesin basah karena air, hujan, lumpur, dan genangan air.
18. Jangan meninggalkan mesin di luar tanpa pengawasan.
19. Ketika menyimpan mesin, hindari terkena cahaya matahari dan hujan langsung, dan simpan di tempat yang jauh dari panas atau lembap.
20. Bersihkan saringan pengisap debu secara teratur.

- (3) Jangan membiarkan baterai terkena air atau kehujanan. Hubungan singkat baterai dapat menyebabkan aliran arus listrik yang besar, panas berlebih, kemungkinan mengalami luka bakar dan bahkan kerusakan pada baterai.
6. Jangan menyimpan dan menggunakan mesin dan kartrid baterai pada lokasi dengan suhu yang bisa mencapai atau melebihi 50 °C (122 °F).
7. Jangan membuang kartrid baterai di tempat pembakaran sampah walaupun benar-benar rusak atau tidak bisa digunakan sama sekali. Kartrid baterai bisa meledak jika terbakar.
8. Jangan memaku, memotong, menghancurkan, melempar, menjatuhkan kartrid baterai, atau memukulkan benda keras ke kartrid baterai. Tindakan tersebut dapat menimbulkan api, panas berlebih, atau ledakan.
9. Jangan menggunakan baterai yang rusak.
10. Baterai litium-ion yang disertakan sesuai dengan persyaratan Perundangan Makanan Berbahaya.

Harus ada pengawasan untuk pengangkutan komersial misalnya oleh pihak ketiga, ekspeditor, persyaratan khusus terhadap pengemasan dan pelabelan.

Diperlukan adanya konsultasi dengan ahli mengenai material berbahaya untuk persiapan barang yang akan dikirimkan. Perhatikan pula peraturan nasional yang lebih terperinci yang mungkin ada.

Beri perekat atau tutupi bagian yang terbuka dan kemasi baterai dengan cara yang tidak akan menimbulkan pergeseran dalam pengemasan.

11. Ketika membuang kartrid baterai, lepaskan dari mesin dan buang ke tempat yang aman. Patuhi peraturan setempat yang berkaitan dengan pembuangan baterai.
12. Gunakan baterai hanya dengan produk yang ditentukan oleh Makita. Memasang baterai pada produk yang tidak sesuai dapat menyebabkan kebakaran, kelebihan panas, ledakan, atau kebocoran elektrolit.
13. Jika mesin tidak digunakan dalam jangka waktu yang lama, baterai harus dilepas dari mesin.
14. Selama dan setelah digunakan, kartrid baterai mungkin menyimpan panas yang dapat menyebabkan luka bakar atau luka bakar suhu rendah. Perhatikan cara memegang kartrid baterai yang masih panas.
15. Jangan langsung menyentuh terminal mesin setelah digunakan karena suhunya mungkin cukup panas untuk menyebabkan luka bakar.
16. Jangan biarkan serpihan, debu, atau tanah menempel di terminal, lubang, dan alur kartrid baterai. Hal tersebut dapat menyebabkan pemanasan, kebakaran, ledakan, dan kegagalan fungsi mesin atau kartrid baterai, yang mengakibatkan luka bakar atau cedera diri.

SIMPAN PETUNJUK INI.

⚠️ PERINGATAN: JANGAN biarkan kenyamanan atau terbiasanya Anda dengan produk (karena penggunaan berulang) mengurangi kepatuhan yang ketat terhadap aturan keselamatan untuk produk yang terkait. PENYALAHGUNAAN atau kelalaian mematuhi kaidah keselamatan yang tertera dalam petunjuk ini dapat menyebabkan cedera badan serius.

Petunjuk keselamatan penting untuk kartrid baterai

1. Sebelum menggunakan kartrid baterai, bacalah semua petunjuk dan penandaan pada (1) pengisi daya baterai, (2) baterai, dan (3) produk yang menggunakan baterai.
2. Jangan membongkar atau memodifikasi kartrid baterai. Tindakan tersebut dapat menimbulkan api, panas berlebih, atau ledakan.
3. Jika waktu beroperasinya menjadi sangat singkat, segera hentikan penggunaan. Hal tersebut dapat menimbulkan risiko panas berlebih, kemungkinan mengalami luka bakar atau bahkan terjadi ledakan.
4. Jika elektrolit mengenai mata Anda, basuh dengan air bersih dan segera cari pertolongan medis. Hal tersebut dapat mengakibatkan hilangnya kemampuan penglihatan Anda.
5. Jangan menghubungkan terminal kartrid baterai:
 - (1) Jangan menyentuh terminal dengan bahan penghantar listrik apa pun.
 - (2) Hindari menyimpan kartrid baterai pada wadah yang berisi benda logam lain seperti paku, uang logam, dsb.

17. Kecuali jika mesin mendukung penggunaan di dekat saluran listrik bertegangan tinggi, jangan gunakan kartrid baterai di dekat saluran listrik bertegangan tinggi. Hal tersebut dapat mengakibatkan kegagalan fungsi atau kerusakan mesin maupun kartrid baterai.
18. Jauhkan baterai dari jangkauan anak-anak.

SIMPAN PETUNJUK INI.

⚠️ PERHATIAN: Gunakan baterai asli Makita. Penggunaan baterai Makita yang tidak asli, atau baterai yang sudah diubah, akan mengakibatkan baterai mudah terbakar, cedera dan kerusakan. Akan menghilangkan garansi Makita pada pengisi daya dan alat Makita.

Tip untuk menjaga agar umur pemakaian baterai maksimum

1. Isi ulang kartrid baterai sebelum habis sama sekali. Selalu hentikan penggunaan mesin dan ganti kartrid baterai jika Anda melihat bahwa mesin kurang tenaga.
 2. Jangan pernah mengisi ulang kartrid baterai yang sudah diisi penuh. Pengisian ulang yang berlebih memperpendek umur pemakaian baterai.
 3. Isi ulang kartrid baterai pada suhu ruangan 10 °C - 40 °C. Biarkan kartrid baterai yang panas menjadi dingin terlebih dahulu sebelum diisi ulang.
 4. Saat kartrid baterai tidak digunakan, lepaskan dari mesin atau pengisi daya.
 5. Isi ulang daya kartrid baterai jika Anda tidak menggunakannya untuk jangka waktu yang lama (lebih dari enam bulan).
9. Unit nirkabel dapat menghasilkan medan magnet (EMF), tetapi medan magnet ini tidak berbahaya bagi pengguna.
 10. Unit nirkabel merupakan suatu peralatan yang akurat. Berhati-hatilah jangan sampai unit nirkabel jatuh atau terbentur.
 11. Jangan menyentuh terminal unit nirkabel dengan tangan tanpa pelindung atau dengan barang berbahan logam.
 12. Selalu lepaskan baterai dari produk ketika memasang unit nirkabel ke dalamnya.
 13. Ketika membuka penutup celah hindari tempat yang dapat mengakibatkan debu dan air masuk ke dalam celah. Selalu jaga tempat masuk celah dalam keadaan bersih.
 14. Selalu masukkan unit nirkabel dengan arah yang benar.
 15. Jangan menekan tombol pengaktifan nirkabel pada unit nirkabel terlalu kuat dan/atau menekan tombol dengan benda berujung tajam.
 16. Selalu tutup bagian penutup celah selama digunakan.
 17. Jangan melepaskan unit nirkabel dari celah ketika daya sedang mengalir ke dalam mesin. Melakukan hal ini dapat menyebabkan kerusakan fungsi pada unit nirkabel.
 18. Jangan melepaskan stiker pada unit nirkabel.
 19. Jangan menempelkan stiker apa pun pada unit nirkabel.
 20. Jangan meninggalkan unit nirkabel di tempat yang dapat menghasilkan listrik statis atau gangguan listrik.
 21. Jangan meninggalkan unit nirkabel di tempat dengan panas tinggi seperti pada mobil di bawah sinar matahari langsung.
 22. Jangan meninggalkan unit nirkabel di tempat berdebu atau berserbuk atau di tempat yang dapat menghasilkan gas yang bersifat korosif.
 23. Perubahan suhu secara mendadak dapat mengakibatkan unit nirkabel menjadi berembun. Jangan menggunakan unit nirkabel hingga embun telah benar-benar kering.
 24. Ketika membersihkan unit nirkabel, usap dengan hati-hati menggunakan kain lembut dan kering. Jangan menggunakan benzena, tiner, gemuk konduktif atau sejenisnya.
 25. Ketika menyimpan unit nirkabel, simpan dalam kotak yang disediakan atau wadah bebas listrik statis.
 26. Jangan memasukkan perangkat apa pun selain unit nirkabel Makita ke dalam celah pada mesin.
 27. Jangan menggunakan mesin jika penutup celah rusak. Air, debu, dan kotoran yang masuk ke dalam celah dapat mengakibatkan malafungsi.
 28. Jangan menarik dan/atau memutar penutup celah lebih dari yang diperlukan. Pasang ke tempatnya semula jika penutup terlepas dari mesin.
 29. Ganti penutup celah jika hilang atau rusak.

Petunjuk keselamatan penting untuk unit nirkabel

1. Jangan membongkar atau memodifikasi unit nirkabel.
2. Jauhkan unit nirkabel dari anak kecil. Jika tidak sengaja tertelan, segera minta pertolongan medis.
3. Gunakan unit nirkabel hanya dengan peralatan Makita.
4. Pastikan unit nirkabel tidak keujanan atau basah.
5. Jangan menggunakan unit nirkabel di tempat-tempat yang bersuhu lebih dari 50°C.
6. Jangan menggunakan unit nirkabel di tempat-tempat yang dekat dengan peralatan medis, seperti alat pacu jantung.
7. Jangan menggunakan unit nirkabel di tempat-tempat yang dekat dengan perangkat otomatis. Jika tetap digunakan, perangkat otomatis dapat menjadi tidak berfungsi atau rusak.
8. Jangan mengoperasikan unit nirkabel di tempat-tempat yang bersuhu tinggi atau tempat-tempat yang dapat menghasilkan listrik statis atau gangguan listrik.

SIMPAN PETUNJUK INI.

DESKRIPSI BAGIAN-BAGIAN MESIN

► Gbr.1

1	Roda intan	2	Penutup roda	3	Gagang penutup roda	4	Nosel debu
5	Gagang depan	6	Lampu	7	Kartrid baterai	8	Tombol pengunci
9	Lampu pengaktifan nirkabel	10	Tombol pengaktifan nirkabel	11	Pelindung bawah	12	Roda caster
13	Tombol kunci poros	14	Penutup (untuk sabuk V)	15	Dudukan penjepit	16	Pegangan
17	Pelatak sakelar	18	Tombol lampu	19	Indikator kelebihan beban	20	Penjepit selang A
21	Penjepit selang B	22	Kunci busi	-	-	-	-

DESKRIPSI FUNGSI

⚠️ PERHATIAN: Selalu pastikan bahwa mesin dimatikan dan kartrid baterai dilepas sebelum menyatel atau memeriksa kerja mesin.

Memasang atau melepas baterai

⚠️ PERHATIAN: Selalu matikan mesin sebelum memasang atau melepas kartrid baterai.

⚠️ PERHATIAN: Pegang mesin dan kartrid baterai kuat-kuat saat memasang atau melepas kartrid baterai. Kelalaian untuk memegang mesin dan kartrid baterai kuat-kuat bisa menyebabkan keduanya tergelincir dari tangan Anda dan mengakibatkan kerusakan pada mesin dan kartrid baterai dan cedera diri.

Untuk memasang kartrid baterai, sejajarkan lidah kartrid baterai dengan alur pada rumah dan masukkan ke dalam tempatnya. Masukkan seluruhnya sampai terkunci pada tempatnya dan terdengar bunyi klik kecil. Jika Anda bisa melihat indikator berwarna merah seperti yang ditunjukkan pada gambar, ini artinya kartrid baterai tidak terkunci sempurna.

Untuk melepas kartrid baterai, angkat kartrid baterai sambil menekan tombol di bagian depan kartrid.

► **Gbr.2:** 1. Indikator berwarna merah 2. Tombol 3. Kartrid baterai

⚠️ PERHATIAN: Selalu pasang kartrid baterai sepenuhnya sampai indikator berwarna merah tidak terlihat. Jika tidak, bisa terlepas dari mesin secara tidak sengaja, menyebabkan luka pada Anda atau orang di sekitar Anda.

⚠️ PERHATIAN: Jangan memasang kartrid baterai secara paksa. Jika kartrid tidak bergeser dengan mudah, berarti tidak dimasukkan dengan benar.

CATATAN: Mesin tidak akan bekerja dengan hanya satu kartrid baterai.

Mengindikasikan kapasitas baterai yang tersisa

Tekan tombol pemeriksaan pada kartrid baterai untuk melihat kapasitas baterai yang tersisa. Lampu indikator menyala selama beberapa detik.

► **Gbr.3:** 1. Lampu indikator 2. Tombol pemeriksaan

Lampu indikator			Kapasitas yang tersisa
Menyala	Mati	Berkedip	
■ ■ ■ ■			75% hingga 100%
■ ■ ■ □			50% hingga 75%
■ ■ □ □			25% hingga 50%
■ □ □ □			0% hingga 25%
◻ □ □ □			Isi ulang baterai.
■ ■ □ □			Baterai mungkin sudah rusak.
□ □ ■ ■			

CATATAN: Tergantung kondisi penggunaan dan suhu lingkungannya, penunjukkan mungkin saja sedikit berbeda dari kapasitas sebenarnya.

CATATAN: Lampu indikator pertama (ujung kiri) akan berkedip ketika sistem perlindungan mesin bekerja.

Sistem perlindungan mesin / baterai

Mesin ini dilengkapi dengan sistem perlindungan mesin/ baterai. Sistem ini memutus daya ke motor secara otomatis untuk memperpanjang umur pemakaian mesin dan baterai. Mesin akan berhenti secara otomatis saat penggunaan jika mesin atau baterai berada dalam salah satu kondisi berikut ini. Dalam kondisi yang sama, indikator akan menyala.

Perlindungan kelebihan beban

Jika mesin/baterai digunakan dengan cara yang menjadikan baterai mengeluarkan arus tinggi yang berlebihan, mesin akan berhenti secara otomatis. Dalam situasi ini, matikan mesin dan hentikan pekerjaan yang menyebabkan mesin mengalami kelebihan beban. Kemudian, nyalakan mesin untuk kembali melanjutkan pekerjaan.

Perlindungan panas berlebih

Apabila mesin/baterai terlalu panas, mesin akan berhenti secara otomatis, dan lampu akan berkedip. Untuk situasi ini, biarkan mesin menjadi dingin sebelum menyalakan mesin lagi.

Perlindungan pengisian daya berlebih

Ketika kapasitas baterai melemah, mesin akan berhenti secara otomatis, dan lampu indikator dari kartrid baterai akan berkedip. Jika mesin tidak beroperasi bahkan ketika sakelar digunakan, lepaskan baterai dari mesin dan isi daya baterai.

Perlindungan terhadap penyebab lain

Sistem perlindungan juga dirancang untuk penyebab lain yang dapat merusak mesin dan memungkinkan mesin untuk berhenti secara otomatis. Lakukan semua langkah berikut ini untuk mengatasi penyebabnya, saat mesin dihentikan sementara atau berhenti beroperasi.

1. Matikan mesin, dan kemudian hidupkan kembali untuk memulai ulang.
2. Isi baterai atau ganti dengan baterai yang sudah diisi ulang.
3. Biarkan mesin dan baterai menjadi dingin.

Jika tidak ada peningkatan yang dapat ditemukan dengan memulihkan sistem perlindungan, hubungi Pusat Servis Makita setempat Anda.

PEMBERITAHUAN: Jika mesin berhenti karena penyebab yang tidak dijelaskan di atas, lihat bagian pemecahan masalah.

Peringatan kelebihan beban

Jika mesin mengalami kelebihan beban, indikator kelebihan beban akan berkedip merah. Dalam situasi ini, kurangi beban pada mesin. Lalu, indikator berhenti berkedip.

- **Gbr.4:** 1. Indikator kelebihan beban

Kerja sakelar

PERINGATAN: Sebelum memasukkan kartrid baterai pada mesin, pastikan picu saklar berfungsi dengan baik dan kembali ke posisi "OFF" saat dilepas.

PERINGATAN: JANGAN PERNAH mengakali tombol buka kunci dengan menyelotip atau menggunakan alat-alat lainnya. Sakelar tanpa tombol buka kunci dapat mengakibatkan pengoperasian yang tidak diinginkan dan cedera badan serius.

PERINGATAN: JANGAN PERNAH menggunakan mesin jika mesin tersebut menyala ketika Anda hanya menarik pelatuk sakelarnya tanpa menekan tuas buka kunci. Sakelar yang memerlukan perbaikan dapat mengakibatkan pengoperasian yang tidak diinginkan dan cedera badan serius. Kembalikan mesin ke pusat layanan Makita untuk diperbaiki dengan benar SEBELUM menggunakannya lebih lanjut.

Untuk mencegah pelatuk sakelar tertarik dengan tidak sengaja, tersedia tombol buka kunci. Untuk menjalankan mesin, tekan tombol buka kunci dan tarik pelatuk sakelar. Lepaskan pelatuk sakelar untuk berhenti.

- **Gbr.5:** 1. Pelatuk sakelar 2. Tombol pengunci

PEMBERITAHUAN: Jangan menarik dalam-dalam pelatuk sakelar tanpa menekan tombol pengunci. Hal ini bisa merusak sakelar.

Menyalakan lampu

PERHATIAN: Jangan melihat lampu atau sumber cahaya secara langsung.

Untuk menyalakan lampu, tekan tombol lampu. Untuk mematikan, tekan tombol lampu lagi.

- **Gbr.6:** 1. Tombol lampu 2. Lampu

CATATAN: Lampu akan mati secara otomatis jika tidak ada pengoperasian mesin selama satu menit.

Menyetel penutup roda

Pegang gagang penutup roda dan sesuaikan posisi penutup roda yang sesuai dengan pekerjaan Anda.

- **Gbr.7:** 1. Gagang penutup roda

Teknologi penginderaan umpan balik aktif

Mesin secara elektronik mendeteksi situasi di mana roda mungkin berisiko macet. Dalam situasi ini, mesin dimatikan secara otomatis untuk menghindari perputaran spindel lebih jauh (ini tidak mencegah hentakan).

Untuk menyalakan ulang mesin, matikan mesin terlebih dahulu, hilangkan penyebab jatuh tiba-tiba dalam kecepatan putaran, kemudian nyalakan mesin.

Rem elektrik

Rem elektrik diaktifkan setelah mesin dimatikan. Rem tidak berfungsi ketika suplai daya dimatikan, seperti saat baterai dilepaskan secara tiba-tiba, dengan saklar yang masih menyala.

PERAKITAN

⚠️ PERHATIAN: Selalu pastikan bahwa mesin dimatikan dan kartrid baterai dilepas sebelum melakukan pekerjaan apa pun pada mesin.

Memasang atau melepas roda intan

⚠️ PERHATIAN: Gunakan hanya kunci pas Makita untuk memasang atau melepas roda.

⚠️ PERHATIAN: Saat memasang roda, pastikan untuk mengencangkan baut dengan kuat.

⚠️ PERHATIAN: Jangan menekan tombol kunci poros saat roda berputar.

Untuk melepaskan roda, tekan tombol kunci poros, lalu putar roda sampai tidak bisa berputar lagi. Saat kunci poros sepenuhnya terkunci, putar baut kepala segi enam berlawanan arah jarum jam menggunakan kunci busi. Kemudian lepaskan baut kepala segi enam, flensa, roda, cincin, dan flensa secara berurutan.

► **Gbr.8:** 1. Tombol kunci poros 2. Kunci busi 3. Kencangkan 4. Kendurkan

► **Gbr.9:** 1. Baut kepala segi enam 2. Flensa 3. Cincin 4. Roda intan 5. Tanda panah (arah putaran roda)

Untuk memasang roda, ikuti urutan prosedur pelepasan secara terbalik.

PASTIKAN UNTUK MENGENCANGKAN BAUT KEPALA SEGI ENAM DENGAN KUAT.

⚠️ PERHATIAN: Selalu pasang roda sedemikian rupa sehingga tanda panah pada ujung roda searah dengan tanda panah pada penutup roda.

Jika tidak, roda akan berputar terbalik, dan dapat menyebabkan cedera.

⚠️ PERHATIAN: Hanya gunakan roda dengan kecepatan yang sama atau lebih tinggi dari kecepatan yang tertera pada mesin.

CATATAN: Saat memasang roda, pastikan Anda memasang flensa sehingga sisi datar flensa menghadap ke roda, dan pasang cincin yang sesuai dengan diameter dalam roda.

► **Gbr.10:** 1. Baut kepala segi enam 2. Flensa 3. Cincin 4. Roda intan

Menyambungkan pengisap debu

PEMBERITAHUAN: Selalu tutup tutupnya saat tidak menyambungkan pengisap debu.

Jika Anda ingin melakukan pekerjaan pemotongan yang bersih, sambungkan pengisap debu Makita ke mesin Anda.

Buka tutup dan sambungkan selang ke pengisap debu.

► **Gbr.11:** 1. Tutup 2. Nosel debu 3. Selang 4. Pengisap debu

Anda dapat mengubah sudut nosel debu seperti yang ditunjukkan pada gambar.

► **Gbr.12**

Penjepit selang

PEMBERITAHUAN: Selalu lepas penjepit selang dari mesin jika tidak digunakan.

PEMBERITAHUAN: Jangan membuka atau menutup penjepit selang secara berlebihan. Jika tidak, penjepit selang bisa rusak.

Untuk memudahkan penanganan selang pengisap debu, penjepit selang dapat dipasang

1. Pasang penjepit selang A atau penjepit selang B pada selang.

Tipe	Diameter luar selang yang berlaku
Penjepit selang A	ø 40 mm - ø 46 mm (ø 1-9/16" - ø 1-13/16")
Penjepit selang B	ø 35 mm - ø 40 mm (ø 1-3/8" - ø 1-9/16")

► **Gbr.13:** 1. Penjepit selang A / Penjepit selang B 2. Selang

2. Masukkan pin penjepit selang ke dalam lubang dudukan penjepit.

Pastikan kedua pin pas di dalam lubang.

► **Gbr.14:** 1. Pin 2. Lubang 3. Dudukan penjepit

3. Untuk melepas penjepit selang, ikuti prosedur pemasangan ini dengan urutan terbalik.

Penyimpanan kunci busi tubular

Saat tidak digunakan, simpan kunci busi tubular seperti terlihat pada gambar agar tidak hilang.

► **Gbr.15:** 1. Kunci busi tubular

PENGUNAAN

Memeriksa fungsi pelindung bawah

Lepaskan kartrid baterai.

Tarik kembali pelindung bawah secara manual ke ujung dan lepaskan. Pelindung bawah bisa berfungsi dengan benar jika:

- pelat penutup ditarik tanpa penghalang dan;
- pelat penutup kembali ke posisi awal.

► **Gbr.16:** 1. Pelindung bawah

Jika pelindung bawah tidak berfungsi dengan benar, periksa apakah debu menumpuk di dalam penutup roda.

Beberapa debu dapat dihilangkan dengan menarik dan mengembalikan pelindung bawah beberapa kali.

Jika pelindung bawah tidak berfungsi dengan benar bahkan setelah debu dikeluarkan, perbaiki mesin Anda di Pusat Layanan Makita.

Pemberitahuan tentang kebisingan abnormal

PEMBERITAHUAN: Jangan gunakan roda intan yang rusak atau sudah tua. Jika tidak, malfungsi, kebisingan abnormal, atau kerusakan dapat terjadi.

Meskipun roda intan masih baru dan tanpa distorsi, roda intan dapat mengeluarkan suara abnormal seperti gesekan logam saat mesin beroperasi pada kecepatan rendah. Hal ini bukan kerusakan mesin.

Beberapa jenis roda intan dapat mengeluarkan suara yang abnormal saat mesin beroperasi pada kecepatan rendah. Itu karena roda intan dan penutup roda diposisikan sangat dekat untuk pengumpulan debu yang efisien.

Jalankan mesin dengan kecepatan penuh dan operasikan pemotongan dengan benar. Kebisingan abnormal akan berkurang.

Pekerjaan pemotongan

⚠PERHATIAN: Pastikan untuk memegang benda kerja dengan kuat di atas meja kerja atau meja yang stabil selama pengoperasian.

⚠PERHATIAN: Jangan memutar atau memaksa mesin pada potongan, atau mesin akan kelebihan beban atau benda kerja akan rusak.

⚠PERHATIAN: Selama pengoperasian, jangan mengangkat mesin lebih tinggi dari tinggi bahu Anda.

► **Gbr.17**

1. Pegang mesin kuat-kuat. Genggam pegangan dengan tangan kanan Anda dan gagang depan dengan tangan kiri Anda. Untuk mencegah sengatan listrik akibat memotong kabel listrik secara tidak sengaja, selalu pegang gagang depan dengan bagian yang ditentukan seperti ditunjukkan pada gambar.

► **Gbr.18:** 1. Bagian yang dipegang

2. Nyalakan mesin dengan kondisi roda intan tidak menyentuh apa pun dan tunggu sampai roda intan mencapai kecepatan penuh.

3. Masukkan perlahan roda intan langsung ke benda kerja, dan geser mesin ke belakang dengan halus hingga pemotongan selesai.

- Jaga agar garis pemotongan tetap lurus dan kecepatan geser sama.

- Geser mesin sesuai arah tanda panah pada pelindung bawah.

Jika Anda menggerakkan mesin ke depan (Jika Anda menggeser mesin ke arah yang berlawanan dengan tanda panah), efisiensi pengumpulan debu akan berkurang secara signifikan.

► **Gbr.19:** 1. Tanda panah

- Terus pasang pelindung bawah ke benda kerja. Jika ada celah jarak antara pelindung bawah dan benda kerja, debu akan bocor dan efisiensi pengumpulan debu akan berkurang.

► **Gbr.20:** 1. Pelindung bawah

CATATAN: Saat suhu kartrid baterai rendah, mesin mungkin tidak bekerja pada kapasitas maksimal. Pada kondisi ini, contohnya, gunakan mesin untuk potongan yang ringan untuk sementara hingga kartrid baterai mencapai panas seperti suhu ruangan. Maka mesin dapat bekerja hingga kapasitas maksimalnya.

CATATAN: Jika gerak pemotongan roda intan mulai berkurang, balut ujung roda pemotongan menggunakan roda gerinda ampelas kasar yang sudah terpakai atau blok beton. Balut dengan menekan perlahan tepian luar roda intan.

FUNGSI PENGAKTIFAN NIRKABEL

Aksesori pilihan

PEMBERITAHUAN: Pasang penutup debu pilihan dan aksesori sebelum menggunakan fungsi ini.

Kegunaan dari fungsi pengaktifan nirkabel

Fungsi pengaktifan nirkabel memungkinkan pengoperasian yang bersih dan nyaman. Dengan menyambungkan pengisap debu yang didukung ke mesin, Anda dapat menjalankan pengisap debu secara otomatis bersama dengan pengoperasian sakelar mesin.

► **Gbr.21**

Untuk menggunakan fungsi pengaktifan nirkabel, siapkan item-item berikut:

- Unit nirkabel (pilihan aksesori)
- Pengisap debu yang mendukung fungsi pengaktifan nirkabel

Berikut ialah gambaran umum mengenai pengaturan fungsi pengaktifan nirkabel. Lihat pada masing-masing bagian untuk prosedur terperinci.

1. Memasang unit nirkabel
2. Registrasi mesin untuk pengisap debu
3. Memulai fungsi pengaktifan nirkabel

Memasang unit nirkabel

Pilihan Aksesori

PERHATIAN: Letakkan mesin pada permukaan yang datar dan stabil pada saat memasang unit nirkabel.

PEMBERITAHUAN: Bersihkan debu dan kotoran yang menempel pada mesin sebelum memasang unit nirkabel. Debu atau kotoran dapat mengakibatkan malafungsi jika masuk ke dalam celah unit nirkabel.

PEMBERITAHUAN: Untuk mencegah terjadinya malafungsi yang disebabkan oleh listrik statis, sentuh bahan yang melepaskan muatan listrik statis, seperti bagian logam pada mesin, sebelum mengambil unit nirkabel.

PEMBERITAHUAN: Ketika memasang unit nirkabel, selalu pastikan bahwa unit nirkabel dimasukkan dengan arah yang benar dan penutup telah benar-benar ditutup.

1. Buka penutup pada mesin sebagaimana yang ditunjukkan dalam gambar.

► **Gbr.22:** 1. Penutup

2. Masukkan unit nirkabel ke celah dan kemudian tutup penutup.

Ketika memasang unit nirkabel, sejajarkan proyeksi dengan bagian-bagian ceruk pada celah.

► **Gbr.23:** 1. Unit nirkabel 2. Proyeksi 3. Penutup 4. Bagian-bagian ceruk

Ketika melepaskan unit nirkabel, buka penutup secara perlahan. Kait pada bagian belakang penutup akan mengangkat unit nirkabel ketika Anda menarik penutup.

► **Gbr.24:** 1. Unit nirkabel 2. Kait 3. Penutup

Setelah melepaskan unit nirkabel, simpan unit dalam kotak yang disediakan atau wadah bebas listrik statis.

PEMBERITAHUAN: Selalu gunakan kait pada bagian belakang penutup pada saat melepaskan unit nirkabel. Jika kait tidak mengenai unit nirkabel, tutup penutup sepenuhnya dan buka kembali secara perlahan.

Registrasi mesin untuk pengisap debu

CATATAN: Pengisap debu Makita yang mendukung fungsi pengaktifan nirkabel diperlukan untuk registrasi mesin.

CATATAN: Selesaikan pemasangan unit nirkabel ke mesin sebelum memulai registrasi mesin.

CATATAN: Selama registrasi mesin, jangan menarik pelatuk sakelar atau menghidupkan sakelar daya pada pengisap debu.

CATATAN: Lihat juga petunjuk penggunaan pengisap debu.

Jika Anda ingin mengaktifkan pengisap debu bersama dengan pengoperasian sakelar mesin, selesaikan registrasi mesin terlebih dahulu.

1. Pasang baterai ke pengisap debu dan mesin.

2. Setel sakelar siaga pada pengisap debu ke "AUTO".

► **Gbr.25:** 1. Sakelar siaga

3. Tekan tombol pengaktifan nirkabel pada pengisap debu selama 3 detik hingga lampu pengaktifan nirkabel berkedip menjadi warna hijau. Kemudian tekan tombol pengaktifan nirkabel pada mesin dengan cara yang sama.

► **Gbr.26:** 1. Tombol pengaktifan nirkabel 2. Lampu pengaktifan nirkabel

Jika pengisap debu dan mesin berhasil tersambung, lampu pengaktifan nirkabel akan menyala hijau selama 2 detik dan mulai berkedip dalam warna biru.

CATATAN: Lampu pengaktifan nirkabel akan berhenti berkedip dalam warna hijau setelah 20 detik. Tekan tombol pengaktifan nirkabel pada mesin ketika lampu pengaktifan nirkabel pada pembersih berkedip. Jika lampu pengaktifan nirkabel tidak berkedip dalam warna hijau, tekan tombol pengaktifan nirkabel sebentar dan tahan kembali.

CATATAN: Ketika melakukan registrasi beberapa mesin untuk satu pengisap debu, selesaikan registrasi mesin satu demi satu.

Memulai fungsi pengaktifan nirkabel

CATATAN: Selesaikan registrasi mesin untuk pengisap debu sebelum pengaktifan nirkabel.

CATATAN: Lihat juga petunjuk penggunaan pengisap debu.

Setelah registrasi mesin ke pengisap debu, pengisap debu akan secara otomatis bekerja bersama dengan pengoperasian sakelar mesin.

1. Pasang unit nirkabel ke mesin.

2. Sambungkan selang pengisap debu dengan mesin.

► **Gbr.27**

3. Setel sakelar siaga pada pengisap debu ke "AUTO".

► **Gbr.28:** 1. Sakelar siaga

4. Tekan sebentar tombol pengaktifan nirkabel pada mesin. Lampu pengaktifan nirkabel akan berkedip dalam warna biru.

► **Gbr.29:** 1. Tombol pengaktifan nirkabel 2. Lampu pengaktifan nirkabel

5. Nyalakan mesin. Periksa apakah pengisap debu bekerja ketika mesin beroperasi.

Untuk menghentikan pengaktifan nirkabel pada pengisap debu, tekan tombol pengaktifan nirkabel pada mesin.

CATATAN: Lampu pengaktifan nirkabel pada mesin akan berhenti berkedip dalam warna biru jika tidak ada pengoperasian selama 2 jam. Dalam kasus ini, setel sakelar siaga pada pengisap debu ke "AUTO" dan tekan kembali tombol pengaktifan nirkabel pada mesin.

CATATAN: Pengisap debu akan mulai/berhenti dengan jeda. Ada jeda waktu ketika pengisap debu mendeteksi adanya pengoperasian sakelar mesin.










CATATAN: Jarak transmisi unit nirkabel dapat berbeda, tergantung lokasi dan keadaan sekitar.

CATATAN: Ketika dua atau lebih mesin teregistrasi ke satu pengisap debu, pengisap debu dapat mulai bekerja walaupun Anda tidak menyalakan mesin Anda karena pengguna lainnya sedang menggunakan fungsi pengaktifan nirkabel.

Deskripsi mengenai status lampu pengaktifan nirkabel

► **Gbr.30:** 1. Lampu pengaktifan nirkabel

Lampu pengaktifan nirkabel menunjukkan status dari fungsi pengaktifan nirkabel. Lihat pada tabel di bawah untuk mengetahui arti dari status lampu.

Status	Lampu pengaktifan nirkabel			Durasi	Deskripsi
	Warna	 Menyala	 Berkedip		
Siaga	Biru			2 jam	Tersedia pengaktifan nirkabel pada pengisap debu. Lampu akan mati secara otomatis ketika tidak ada pengoperasian yang dilakukan selama 2 jam.
				Ketika mesin bekerja.	Tersedia pengaktifan nirkabel pada pengisap debu dan mesin bekerja.
Registrasi mesin	Hijau			20 detik	Siap untuk registrasi mesin. Menunggu registrasi oleh pengisap debu.
				2 detik	Registrasi mesin telah selesai. Lampu pengaktifan nirkabel akan mulai berkedip dalam warna biru.
Membatalkan registrasi mesin	Merah			20 detik	Siap untuk membatalkan registrasi mesin. Menunggu untuk dibatalkan oleh pengisap debu.
				2 detik	Pembatalan registrasi mesin telah selesai. Lampu pengaktifan nirkabel akan mulai berkedip dalam warna biru.
Lainnya	Merah			3 detik	Daya dialirkan ke unit nirkabel dan fungsi pengaktifan nirkabel dimulai.
	Mati	-		-	Pengaktifan nirkabel pada pengisap debu dihentikan.

Membatalkan registrasi mesin untuk pengisap debu

Lakukan prosedur berikut ketika membatalkan registrasi mesin untuk pengisap debu.

1. Pasang baterai ke pengisap debu dan mesin.

2. Setel sakelar siaga pada pengisap debu ke "AUTO".

► **Gbr.31:** 1. Sakelar siaga

3. Tekan tombol pengaktifan nirkabel pada pengisap debu selama 6 detik. Lampu pengaktifan nirkabel berkedip dalam warna hijau dan kemudian akan menjadi merah. Setelah itu, tekan tombol pengaktifan nirkabel pada mesin dengan cara yang sama.

► **Gbr.32:** 1. Tombol pengaktifan nirkabel 2. Lampu pengaktifan nirkabel

Jika pembatalan berhasil dilakukan, lampu pengaktifan nirkabel akan menyala dalam warna merah selama 2 detik dan mulai berkedip dalam warna biru.

CATATAN: Lampu pengaktifan nirkabel berhenti berkedip dalam warna merah setelah 20 detik. Tekan tombol pengaktifan nirkabel pada mesin ketika lampu pengaktifan nirkabel pada pembersih berkedip. Jika lampu pengaktifan nirkabel tidak berkedip dalam warna merah, tekan tombol pengaktifan nirkabel sebentar dan tahan kembali.

Pemecahan masalah fungsi pengaktifan nirkabel

Sebelum meminta perbaikan, lakukan pemeriksaan mandiri terlebih dahulu. Jika Anda menemukan masalah yang tidak dijelaskan dalam buku petunjuk ini, jangan coba membongkar mesin. Sebaliknya, hubungi Pusat Servis Resmi Makita, dan selalu gunakan suku cadang pengganti Makita untuk perbaikan.

Keadaan Tidak Normal	Kemungkinan penyebab (kerusakan fungsi)	Perbaikan
Lampu pengaktifan nirkabel tidak menyala/berkedip.	Unit nirkabel tidak dipasang ke dalam mesin. Unit nirkabel tidak dipasang dengan benar ke dalam mesin.	Pasang unit nirkabel dengan benar.
	Terminal unit nirkabel dan/atau celah kotor.	Bersihkan dengan lembut debu dan kotoran yang terdapat pada terminal unit nirkabel dan bersihkan celah.
	Tombol pengaktifan nirkabel pada mesin belum ditekan.	Tekan sebentar tombol pengaktifan nirkabel pada mesin.
	Sakelar siaga pada pengisap debu tidak disetel ke "AUTO".	Setel sakelar siaga pada pengisap debu ke "AUTO".
	Tidak ada pasokan daya	Alirkan daya ke mesin dan pengisap debu.
Tidak dapat menyelesaikan registrasi mesin/pembatalan registrasi mesin.	Unit nirkabel tidak dipasang ke dalam mesin. Unit nirkabel tidak dipasang dengan benar ke dalam mesin.	Pasang unit nirkabel dengan benar.
	Terminal unit nirkabel dan/atau celah kotor.	Bersihkan dengan lembut debu dan kotoran yang terdapat pada terminal unit nirkabel dan bersihkan celah.
	Sakelar siaga pada pengisap debu tidak disetel ke "AUTO".	Setel sakelar siaga pada pengisap debu ke "AUTO".
	Tidak ada pasokan daya	Alirkan daya ke mesin dan pengisap debu.
	Pengoperasian salah	Tekan sejenak tombol pengaktifan nirkabel dan lakukan kembali prosedur registrasi mesin/pembatalan.
	Mesin dan pengisap debu saling berjauhan satu sama lain (di luar jangkauan transmisi).	Dekatkan mesin dan pengisap debu satu sama lain. Jarak transmisi maksimum adalah sekitar 10 m, tetapi jarak dapat berbeda sesuai dengan keadaan.
	Sebelum menyelesaikan registrasi/pembatalan mesin; - sakelar mesin dinyalakan, atau; - tombol daya pada pengisap debu dinyalakan.	Tekan sejenak tombol pengaktifan nirkabel dan lakukan kembali prosedur registrasi mesin/pembatalan.
	Prosedur registrasi mesin untuk mesin atau pengisap debu belum selesai.	Lakukan prosedur registrasi mesin untuk mesin dan pengisap debu di waktu yang sama.
Gangguan radio oleh perangkat lain yang menghasilkan gelombang radio intensitas tinggi.	Jauhkan mesin dan pengisap debu dari perangkat seperti perangkat Wi-Fi dan oven microwave.	

Kondisi Tidak Normal	Kemungkinan penyebab (kerusakan fungsi)	Perbaikan
Pemisap debu tidak bekerja bersama dengan pengoperasian sakelar mesin.	Unit nirkabel tidak dipasang ke dalam mesin. Unit nirkabel tidak dipasang dengan benar ke dalam mesin.	Pasang unit nirkabel dengan benar.
	Terminal unit nirkabel dan/atau celah kotor.	Bersihkan dengan lembut debu dan kotoran yang terdapat pada terminal unit nirkabel dan bersihkan celah.
	Tombol pengaktifan nirkabel pada mesin belum ditekan.	Tekan sejenak tombol pengaktifan nirkabel dan pastikan lampu pengaktifan nirkabel berkedip dalam warna biru.
	Sakelar siaga pada pemisap debu tidak disetel ke "AUTO".	Setel sakelar siaga pada pemisap debu ke "AUTO".
	Lebih dari 10 mesin teregistrasi ke pemisap debu.	Lakukan kembali registrasi mesin. Jika lebih dari 10 mesin teregistrasi ke pemisap debu, mesin yang teregistrasi paling awal akan dibatalkan secara otomatis.
	Pemisap debu menghapus semua registrasi mesin.	Lakukan kembali registrasi mesin.
	Tidak ada pasokan daya	Alirkan daya ke mesin dan pemisap debu.
	Mesin dan pemisap debu saling berjauhan satu sama lain (di luar jangkauan transmisi).	Dekatkan mesin dan pemisap debu satu sama lain. Jarak transmisi maksimum adalah sekitar 10 m, tetapi jarak dapat berbeda sesuai dengan keadaan.
Gangguan radio oleh perangkat lain yang menghasilkan gelombang radio intensitas tinggi.	Jauhkan mesin dan pemisap debu dari perangkat seperti perangkat Wi-Fi dan oven microwave.	
Pemisap debu bekerja ketika mesin tidak beroperasi.	Pengguna lain sedang menggunakan pengaktifan nirkabel pemisap debu dengan mesin mereka.	Matikan tombol pengaktifan nirkabel dari mesin lain atau batalkan registrasi mesin dari mesin lain.

PERAWATAN

⚠️ PERHATIAN: Selalu pastikan bahwa mesin dimatikan dan kartrid baterai dilepas sebelum melakukan pemeriksaan atau perawatan.

PEMBERITAHUAN: Jangan sekali-kali menggunakan bensin, tiner, alkohol, atau bahan sejenisnya. Penggunaan bahan demikian dapat menyebabkan perubahan warna, perubahan bentuk atau timbulnya retakan.

Untuk menjaga KEAMANAN dan KEANDALAN mesin, perbaikan, perawatan atau penyetulan lainnya harus dilakukan oleh Pusat Layanan Resmi atau Pabrik Makita; selalu gunakan suku cadang pengganti buatan Makita.

Membersihkan mesin

PEMBERITAHUAN: Jangan mencuci mesin dengan air.

Setelah setiap kali digunakan, keluarkan kartrid baterai dan roda, lalu bersihkan debu atau kotoran yang terkumpul di dalam penutup roda. Bersihkan mesin bodi mesin dari debu dan kotoran menggunakan kain kering atau dicelupkan di air sabun dan diperas. Gunakan kain kering untuk mengelap kotoran dari lensa lampu. Berhati-hatilah agar tidak menggores lensa lampu, karena dapat menurunkan tingkat penerangannya.
► **Gbr.33:** 1. Penutup roda 2. Lensa lampu

Membersihkan ventilasi udara

Bersihkan ventilasi udara mesin secara teratur atau saat ventilasi mulai terganggu.

► **Gbr.34:** 1. Ventilasi udara

Mengganti sabuk sinkronisasi

- Lepaskan kartrid baterai dan roda.
- Kendurkan baut soket segi enam menggunakan bagian ujung kunci busi, kemudian lepaskan penutupnya.
► **Gbr.35:** 1. Kunci busi 2. Baut soket segi enam 3. Penutup
- Tekan tombol kunci poros dan tahan untuk mengunci puli besar, lalu putar mur berlawanan arah jarum jam menggunakan bagian ujung tipis kunci busi.
► **Gbr.36:** 1. Puli besar 2. Tombol kunci poros
- Tekan tombol kunci poros dan tahan untuk mengunci puli besar, lalu putar cakram kecil berlawanan arah jarum jam menggunakan bagian ujung tebal kunci busi untuk mengendurkan sabuk sinkronisasi.
► **Gbr.37:** 1. Tombol kunci poros 2. Puli besar 3. Cakram kecil
- Lepaskan sabuk.
- Dengan alur yang ada di sabuk di dalam, pasang salah satu ujung sabuk ke puli kecil, lalu pasang ujung sabuk yang lain ke puli besar.
► **Gbr.38:** 1. Sabuk 2. Puli besar 3. Puli kecil

7. Tekan tombol kunci poros dan tahan untuk mengunci puli besar, lalu putar cakram kecil searah jarum jam menggunakan bagian ujung tebal kunci busi untuk mengencangkan sabuk.

► **Gbr.39:** 1. Tombol kunci poros 2. Puli besar

CATATAN: Pastikan bahwa cakram kecil berada pada posisi seperti yang ditunjukkan dalam gambar.

► **Gbr.40:** 1. Cakram kecil

8. Tekan tombol kunci poros dan tahan untuk mengunci puli besar, lalu putar mur searah jarum jam menggunakan bagian ujung tipis kunci busi.

► **Gbr.41:** 1. Tombol kunci poros

CATATAN: Saat mengencangkan mur, gunakan torsi pengencangan sebesar 19 - 21 N•m.

9. Pasang penutup, lalu kencangkan baut soket segi enam menggunakan bagian ujung tipis kunci busi.

► **Gbr.42:** 1. Kunci busi 2. Baut soket segi enam
3. Penutup

PEMECAHAN MASALAH

Sebelum meminta perbaikan, lakukan pemeriksaan mandiri terlebih dahulu. Jika Anda menemukan masalah yang tidak dijelaskan dalam buku petunjuk ini, jangan coba membongkar mesin. Sebaliknya, hubungi Pusat Servis Resmi Makita, dan selalu gunakan suku cadang pengganti Makita untuk perbaikan.

Keadaan Tidak Normal	Kemungkinan penyebab (kerusakan fungsi)	Perbaikan
Motor tidak berjalan.	Kartrid baterai tidak terpasang.	Pasang dua kartrid baterai. Mesin tidak akan bekerja hanya dengan satu kartrid baterai.
	Masalah baterai (kekurangan tegangan)	Isi ulang daya baterai. Jika pengisian ulang daya tidak berhasil, gantilah kartrid baterai.
	Sistem penggerak tidak bekerja secara benar.	Mintalah pusat servis resmi setempat untuk melakukan perbaikan.
Motor berhenti setelah digunakan sebentar.	Daya baterai rendah.	Isi ulang daya baterai. Jika pengisian ulang daya tidak berhasil, gantilah kartrid baterai.
	Panas berlebih.	Hentikan penggunaan mesin untuk memungkinkannya mendingin.
Rotasi roda tidak berakselerasi dengan baik meskipun setelah menjalankan mesin tanpa beban selama 20 detik.	Baterai dipasang secara tidak tepat.	Pasang kartrid baterai seperti yang dijelaskan dalam buku petunjuk ini.
	Daya baterai menurun.	Isi ulang daya kartrid baterai. Jika pengisian ulang daya tidak berhasil, gantilah kartrid baterai.
	Sabuk sinkronisasi tergelincir.	Ganti sabuk sinkronisasi dengan yang baru.
	Sistem penggerak tidak bekerja secara benar.	Mintalah pusat servis resmi setempat untuk melakukan perbaikan.
Roda tidak berputar: ⇒ Segera hentikan mesin!	Sabuk sinkronisasi tergelincir.	Ganti sabuk sinkronisasi dengan yang baru.
	Benda asing terjepit di antara penutup roda dan roda.	Lepas kartrid baterai, lalu lepaskan benda asing tersebut.
	Sistem penggerak tidak bekerja secara benar.	Mintalah pusat servis resmi setempat untuk melakukan perbaikan.
Getaran tidak normal: ⇒ Segera hentikan mesin!	Pemasangan roda yang tidak benar.	Pasang roda sebagaimana diinstruksikan dalam buku petunjuk ini. Kencangkan baut untuk mengencangkan roda.
	Sistem penggerak tidak bekerja secara benar.	Mintalah pusat servis resmi setempat untuk melakukan perbaikan.
Mesin pemotongan tidak dapat berhenti: ⇒ Segera lepaskan kartrid baterai!	Gangguan listrik atau elektronik.	Lepaskan kartrid baterai dan mintalah pusat servis resmi setempat untuk melakukan perbaikan.
Kinerja pemotongan yang buruk	Saatnya mengganti roda.	Ganti roda dengan yang baru.
Daya hisap yang lemah dari pengisap debu.	Saringan pengisap debu tersumbat.	Bersihkan saringan. Jika membersihkan saringan tidak menyelesaikan masalah, ganti saringan.
Pelindung bawah tidak berfungsi dengan benar.	Debu menumpuk di dalam penutup roda.	Tarik dan kembalikan pelindung bawah beberapa kali.

AKSESORI PILIHAN

⚠️ PERHATIAN: Dianjurkan untuk menggunakan aksesori atau perangkat tambahan ini dengan mesin Makita Anda yang ditentukan dalam petunjuk ini. Penggunaan aksesori atau perangkat tambahan lain bisa menyebabkan risiko cedera pada manusia. Hanya gunakan aksesori atau perangkat tambahan sesuai dengan peruntukannya.

Jika Anda memerlukan bantuan lebih rinci berkenaan dengan aksesori ini, tanyakan pada Pusat Layanan Makita terdekat.

- Roda intan
- Kunci pas
- Sabuk sinkronisasi
- Kunci busi
- Unit nirkabel
- Baterai dan pengisi daya asli buatan Makita

CATATAN: Beberapa item dalam daftar tersebut mungkin sudah termasuk dalam paket mesin sebagai aksesori standar. Hal tersebut dapat berbeda dari satu negara ke negara lainnya.

SPEKIFIKASI

Model:	CE002G
Diameter roda	350 - 355 mm
Ketebalan roda maks.	4.0 mm
Kedalaman pemotongan maks.	127 mm
Kelajuan terkadar	4,200 min ⁻¹
Voltan terkadar	D.C. 72 V - 80 V maks
Isi padu udara yang disyorkan bagi pembersih vakum	Sama atau lebih daripada 1.8 m ³ /min
Panjang keseluruhan	825 mm
Berat bersih	13.1 - 15.1 kg

- Disebabkan program penyelidikan dan pembangunan kami yang berterusan, spesifikasi yang terkandung di dalam ini adalah tertakluk kepada perubahan tanpa notis.
- Spesifikasi mungkin berbeza mengikut negara.
- Berat mungkin berbeza bergantung kepada pemasangan, termasuk kartrij bateri. Kombinasi paling ringan dan paling berat, mengikut Prosedur EPTA 01/2014, ditunjukkan di dalam jadual.

Kartrij bateri dan pengecas yang boleh digunakan






Kartrij bateri	BL4040 / BL4050F* / BL4080F* * : Bateri yang disyorkan
Pengecas	DC40RA / DC40RB / DC40RC

- Sesetengah kartrij bateri dan pengecas yang disenaraikan di atas mungkin tidak tersedia bergantung pada kawasan kediaman anda.

⚠️ AMARAN: Gunakan hanya kartrij bateri dan pengecas yang disenaraikan di atas. Penggunaan mana-mana kartrij bateri dan pengecas yang lain mungkin menyebabkan kecederaan dan/atau kebakaran.

Simbol

Berikut menunjukkan simbol-simbol yang boleh digunakan untuk alat ini. Pastikan anda memahami maksudnya sebelum menggunakan.

	Baca manual arahan.
	Pakai cermin mata keselamatan.
	Jangan gunakan roda pemotongan pelepas. Hanya roda intan yang boleh digunakan.
	Jangan potong logam.
	Jangan suap air.



Hanya untuk negara-negara EU
Disebabkan kehadiran komponen berbahaya dalam peralatan, sisa peralatan elektrik dan elektronik, akumulator dan bateri boleh memberi kesan negatif terhadap persekitaran dan kesihatan manusia.

Jangan buang alat elektrik dan elektronik atau bateri bersama dengan bahan buangan isi rumah!
Mengikuti Arahan Eropah mengenai sisa peralatan elektrik dan elektronik dan mengenai akumulator dan bateri dan sisa akumulator dan bateri serta penyesuaian dengan undang-undang negara, sisa peralatan elektrik, bateri dan akumulator hendaklah disimpan secara berasingan dan dihantar ke tempat pengumpulan berasingan untuk sisa perbandaran, beroperasi mengikut peraturan perlindungan persekitaran.
Ini ditunjukkan oleh simbol tong sampah beroda yang bersilang pada peralatan.

Tujuan penggunaan

Alat ini bertujuan untuk memotong bahan kerja batu menggunakan roda intan.

AMARAN KESELAMATAN

Amaran keselamatan umum alat kuasa

AMARAN Baca semua amaran keselamatan, arahan, ilustrasi dan spesifikasi yang disediakan dengan alat kuasa ini. Kegagalan untuk mematuhi semua arahan yang disenaraikan di bawah boleh menyebabkan kejutan elektrik, kebakaran dan/atau kecederaan serius.

Simpan semua amaran dan arahan untuk rujukan masa depan.

Istilah "alat kuasa" dalam amaran merujuk kepada alat kuasa yang menggunakan tenaga elektrik (kabel) atau alat kuasa yang menggunakan bateri (tanpa kord).

Keselamatan kawasan kerja

1. **Pastikan kawasan kerja bersih dan terang.** Kawasan berselerak atau gelap mengundang kemalangan.
2. **Jangan kendalikan alat kuasa dalam keadaan yang mudah meletup, seperti dalam kehadiran cecair, gas atau habuk yang mudah terbakar.** Alat kuasa menghasilkan percikan api yang boleh menyalakan debu atau wasap.
3. **Jauhkan kanak-kanak dan orang ramai semasa mengendalikan alat kuasa.** Gangguan boleh menyebabkan anda hilang kawalan.

Keselamatan elektrik

1. **Palam alat kuasa mesti sepadan dengan soket. Jangan ubah suai palam dalam apa cara sekalipun. Jangan gunakan sebarang palam penyesuai dengan alat kuasa terbumi.** Palam yang tidak diubah suai dan soket yang sepadan akan mengurangkan risiko kejutan elektrik.
2. **Elakkan sentuhan badan dengan permukaan terbumi, seperti paip, radiator, dapur dan peti sejuk.** Terdapat peningkatan risiko kejutan elektrik jika elektrik terbumi terkena badan anda.
3. **Jangan biarkan alat kuasa terkena hujan atau basah.** Air yang memasuki alat kuasa akan meningkatkan risiko kejutan elektrik.
4. **Jangan salah gunakan kord. Jangan gunakan kord untuk membawa, menarik atau mencabut palam alat kuasa. Jauhkan kord dari haba, minyak, bucu tajam atau bahagian yang bergerak.** Kord yang rosak atau tersimpul meningkatkan risiko kejutan elektrik.
5. **Semasa mengendalikan alat kuasa di luar, gunakan kord sambungan yang bersesuaian untuk kegunaan luar.** Penggunaan kord yang sesuai untuk kegunaan luar mengurangkan risiko kejutan elektrik.
6. **Sekiranya pengendalian alat kuasa di lokasi lembap tidak dapat dielakkan, gunakan bekalan peranti arus sisa (RCD) yang dilindungi.** Penggunaan RCD mengurangkan risiko kejutan elektrik.

7. **Alat kuasa boleh menghasilkan medan elektromagnetik (EMF) yang tidak berbahaya kepada pengguna.** Walau bagaimanapun, pengguna perentak jantung atau peranti perubatan yang serupa harus menghubungi pembuat peranti mereka dan/atau doktor untuk nasihat sebelum mengendalikan alat kuasa ini.

Keselamatan diri

1. **Sentiasa berwaspada, perhatikan apa yang anda lakukan dan guna akal budi semasa mengendalikan alat kuasa. Jangan gunakan alat kuasa semasa anda letih atau di bawah pengaruh dadah, alkohol atau ubat.** Kelekaan seketika semasa mengendalikan alat kuasa boleh menyebabkan kecederaan diri yang serius.
2. **Gunakan peralatan pelindung diri. Sentiasa pakai pelindung mata.** Peralatan pelindung seperti topeng debu, kasut keselamatan tak mudah tergelincir, topi keselamatan atau pelindung pendengaran yang digunakan untuk keadaan yang sesuai akan mengurangkan kecederaan diri.
3. **Elakkan permulaan yang tidak disengajakan. Pastikan suis ditutup sebelum menyambung kepada sumber kuasa dan/atau pek bateri, semasa mengangkat atau membawa alat.** Membawa alat kuasa dengan jari anda pada suis atau menahan alat kuasa dengan suis pada kedudukan hidup mengundang kemalangan.
4. **Alihkan sebarang kunci atau sepana pelaras sebelum menghidupkan alat kuasa.** Sepana atau kunci yang ditinggalkan pada bahagian berputar alat kuasa boleh menyebabkan kecederaan diri.
5. **Jangan lampau jangkau. Jaga pijakan dan keseimbangan yang betul pada setiap masa.** Ini membolehkan kawalan alat kuasa yang lebih baik dalam situasi yang tidak dijangka.
6. **Berpakaian dengan betul. Jangan pakai pakaian yang longgar atau barang kemas. Jauhkan rambut dan pakaian anda dari bahagian yang bergerak.** Pakaian longgar, barang kemas atau rambut yang panjang boleh terperangkap dalam bahagian yang bergerak.
7. **Jika peranti disediakan untuk sambungan kemudahan pengekstrakan dan pengumpulan habuk, pastikan ia disambung dan digunakan dengan betul.** Penggunaan pengumpulan habuk boleh mengurangkan bahaya berkaitan habuk.
8. **Jangan biarkan kebiasaan daripada kekerapan penggunaan alat membuatkan anda berpuas hati dan mengabaikan prinsip keselamatan alat.** Keceuaian boleh menyebabkan kecederaan serius dalam sekelip mata.
9. **Sentiasa pakai gogal pelindung untuk melindungi mata anda daripada kecederaan apabila menggunakan alat kuasa.** Gogal mestilah mematuhi ANSI Z87.1 di AS, EN 166 di Eropah, atau AS/NZS 1336 di Australia/New Zealand. Di Australia/New Zealand, undang-undang mengarahkan untuk memakai pelindung muka bagi melindungi muka anda, juga.



Menjadi tanggungjawab majikan untuk menguatkuasa penggunaan peralatan perlindungan keselamatan yang bersesuaian oleh pengendali alat dan oleh orang lain dalam kawasan bekerja semasa.

Penggunaan dan penjagaan alat kuasa

1. **Jangan gunakan alat kuasa dengan kasar. Gunakan alat kuasa yang betul untuk penggunaan anda.** Alat kuasa yang betul akan melakukan tugas dengan lebih baik dan lebih selamat pada kadar mana ia direka cipta.
2. **Jangan gunakan alat kuasa jika suis tidak berfungsi untuk menghidupkan dan mematikannya.** Alat kuasa yang tidak dapat dikawal dengan suis adalah berbahaya dan mesti dibaiki.
3. **Cabut palam dari sumber kuasa dan/atau keluarkan pek bateri, jika boleh ditanggalkan, dari alat kuasa sebelum membuat sebarang pelarasan, menukar aksesori, atau menyimpan alat kuasa.** Langkah-langkah keselamatan pencegahan sedemikian mengurangkan risiko memulakan alat kuasa secara tidak sengaja.
4. **Simpan alat kuasa yang tidak digunakan jauh dari jangkauan kanak-kanak dan jangan biarkan orang yang tidak biasa dengan alat kuasa atau arahan ini untuk mengendalikan alat kuasa.** Alat kuasa adalah berbahaya di tangan pengguna yang tidak terlatih.
5. **Menyelenggara alat kuasa dan aksesori. Periksa salah jajaran atau ikatan pada bahagian yang bergerak, bahagian yang pecah dan apa-apa keadaan lain yang boleh menjejaskan operasi alat kuasa. Jika rosak,baiki alat kuasa sebelum digunakan.** Kebanyakan kemalangan adalah disebabkan oleh alat kuasa yang tidak dijaga dengan baik.
6. **Pastikan alat pemotong tajam dan bersih.** Alat pemotong yang dijaga dengan betul dengan hujung pemotong yang tajam mempunyai kemungkinan yang rendah untuk terikat dan lebih mudah dikendalikan.
7. **Gunakan alat kuasa, aksesori dan alat bit dan sebagainya mengikut arahan ini dengan mengambil kira keadaan kerja dan kerja yang perlu dilakukan.** Penggunaan alat kuasa untuk operasi yang berbeza dari yang dimaksudkan boleh menyebabkan keadaan berbahaya.

8. **Pastikan pemegang dan permukaan pegangan kering, bersih dan bebas dari minyak dan gris.** Pemegang dan permukaan pegangan yang licin tidak membolehkan pengendalian dan kawalan selamat bagi alat dalam situasi yang tidak dijangka.
9. **Apabila menggunakan alat, jangan pakai sarung tangan kerja kain yang mungkin boleh kusut.** Kekusutan sarung tangan kerja kain pada bahagian yang bergerak boleh menyebabkan kecederaan diri.

Penggunaan dan penjagaan alat bateri

1. **Cas semula dengan pengecas yang ditentukan oleh pengeluar sahaja.** Pengecas yang sesuai untuk satu jenis pek bateri mungkin menimbulkan risiko kebakaran apabila digunakan dengan pek bateri lain.
2. **Gunakan alat kuasa dengan pek bateri yang ditentukan secara khusus sahaja.** Penggunaan mana-mana pek bateri lain mungkin menimbulkan risiko kecederaan dan kebakaran.
3. **Apabila pek bateri tidak digunakan, jauhkannya daripada objek besi lain, seperti klip kertas, duit syiling, paku, skru atau objek besi kecil lain, yang boleh membuat sambungan dari satu terminal ke yang lain.** Memintas terminal bateri bersama-sama mungkin menyebabkan letupan atau kebakaran.
4. **Di bawah keadaan kasar, cecair mungkin dikeluarkan daripada bateri; elakkan sentuhan. Jika tersentuh secara tidak sengaja, siram dengan air. Jika cecair terkena mata, dapatkan bantuan perubatan di samping siraman air.** Cecair yang dikeluarkan dari bateri mungkin menyebabkan kegatalan atau letupan.
5. **Jangan gunakan pek bateri atau alat yang rosak atau diubah suai.** Bateri yang rosak atau diubah suai mungkin menunjukkan perilaku yang tidak dijangka menyebabkan kebakaran, letupan atau risiko kecederaan.
6. **Jangan dedahkan pek bateri atau alat kepada api atau suhu yang berlebihan.** Pendedahan kepada api atau suhu melebihi 130 °C mungkin menyebabkan letupan.
7. **Ikut semua arahan pengecasan dan jangan cas pek bateri atau alat di luar julat suhu yang ditetapkan dalam arahan.** Mengecas dengan tidak betul atau pada suhu di luar julat yang dinyatakan mungkin merosakkan bateri dan meningkatkan risiko kebakaran.

Servis

1. **Pastikan alat kuasa anda diservis oleh orang yang berkelayakan dengan hanya menggunakan alat ganti yang sama.** Ini akan memastikan keselamatan alat kuasa dapat dikekalkan.
2. **Jangan servis pek bateri yang telah rosak.** Servis pek bateri hanya boleh dilakukan oleh pengeluar atau penyedia servis yang sah.
3. **Ikut arahan untuk melincir dan menukar aksesori.**

Amaran keselamatan pemotong kuasa tanpa kord

Amaran keselamatan mesin pemotongan

- 1. Pelindung yang disediakan dengan alat hendaklah dilampirkan dengan selamat kepada alat kuasa dan meletakkan pada keselamatan yang maksimum, oleh itu jumlah roda yang paling sedikit terdedah kepada pengendali. Jauhkan diri anda dan orang ramai dari satah roda berputar.** Pelindung membantu melindungi pengendali daripada serpihan roda yang pecah dan sentuhan dengan roda yang tidak sengaja.
- 2. Gunakan hanya roda pemotongan intan untuk alat kuasa anda.** Hanya kerana aksesori boleh dipasang pada alat kuasa anda, itu tidak menjamin operasi yang selamat.
- 3. Kelajuan kadaran aksesori mesti sekurang-kurangnya sama seperti kelajuan maksimum yang ditandakan pada alat kuasa.** Aksesori yang beroperasi lebih laju daripada kelajuan kadarannya boleh pecah dan berkecai.
- 4. Roda mesti digunakan hanya untuk penggunaan yang disyorkan. Contohnya: jangan kisar dengan sisi roda pemotongan.** Roda pemotongan bertujuan untuk pengisaran persisian dan daya sisi yang dikenakan kepada roda ini mungkin menyebabkan roda pecah.
- 5. Sentiasa gunakan bebibir roda yang tidak rosak yang mempunyai diameter yang betul untuk roda yang anda pilih.** Bebibir roda yang betul menyokong roda dan dapat mengurangkan kemungkinan roda akan pecah.
- 6. Diameter luar dan ketebalan aksesori anda mesti dalam perkadaran kapasiti alat kuasa anda.** Aksesori dengan saiz yang tidak betul tidak boleh dijaga atau dikawal dengan secukupnya.
- 7. Saiz arbor roda dan bebibir mestilah betul-betul sepadan dengan spindel alat kuasa.** Roda dan bebibir dengan lubang arbor yang tidak sepadan dengan perkakasan pelekapan alat kuasa akan tidak seimbang, bergetar secara berlebihan dan boleh menyebabkan hilang kawalan.
- 8. Jangan gunakan roda yang rosak. Sebelum setiap penggunaan, periksa roda untuk sebarang serpihan atau retakan. Jika alat kuasa atau roda terjatuh, periksa kerosakan atau pasang roda yang tidak rosak. Selepas pemeriksaan dan pemasangan roda, jauhkan diri anda dan orang ramai daripada satah roda yang berputar dan jalankan alat kuasa pada kelajuan tanpa beban maksimum selama seminit.** Roda yang rosak biasanya akan pecah berderai semasa tempoh ujian ini.
- 9. Pakai peralatan pelindung diri. Bergantung kepada penggunaan, gunakan pelindung muka, gogal keselamatan atau cermin mata keselamatan. Sebagaimana yang sesuai, pakai topeng habuk, pelindung pendengaran, sarung tangan dan apron bengkel yang mampu menghalang serpihan pelepas atau bahan kerja yang kecil.** Pengadang mata mesti mampu menghalang serpihan yang terbang yang dihasilkan oleh pelbagai operasi. Topeng habuk atau alat pernafasan mesti mampu menapis zarah yang dihasilkan oleh operasi anda. Pendedahan yang berlanjutan kepada hingar dengan keamatan yang tinggi boleh menyebabkan hilang pendengaran.
- 10. Pastikan orang ramai berada pada jarak yang selamat dari kawasan kerja. Sesiapa sahaja yang memasuki kawasan kerja mesti memakai peralatan pelindung diri.** Serpihan bahan kerja atau roda yang pecah mungkin berterbangan dan menyebabkan kecederaan di luar kawasan operasi terdekat.
- 11. Pegang alat kuasa dengan permukaan mencengkam terkuat sahaja apabila melakukan operasi di mana aksesori pemotong boleh tersentuh wayar tersembunyi.** Aksesori pemotong yang bersentuhan dengan wayar "hidup" boleh menyebabkan bahagian logam terdedah alat kuasa "hidup" dan boleh memberi kejutan elektrik kepada pengendali.
- 12. Jangan sekali-kali meletakkan alat kuasa ke bawah sehingga aksesori telah berhenti sepenuhnya.** Roda yang berputar boleh menyambar permukaan dan menarik alat kuasa daripada kawalan anda.
- 13. Jangan jalankan alat kuasa ketika membawanya di sisi anda.** Sentuhan secara tidak sengaja dengan aksesori yang berputar boleh menyebabkan pakaian anda tersangkut dan menarik aksesori ke badan anda.
- 14. Bersihkan dengan kerap bolong udara alat kuasa.** Kipas motor akan mengeluarkan habuk di dalam perumah dan pengumpulan logam serbuk yang berlebihan boleh menyebabkan bahaya elektrik.
- 15. Jangan kendalikan alat kuasa berhampiran bahan mudah terbakar.** Percikan boleh menyalakan bahan ini.
- 16. Jangan gunakan aksesori yang memerlukan bahan pendingin cecair.** Penggunaan air atau bahan pendingin cecair yang lain boleh menyebabkan renjatan elektrik.

Tolak keluar dan amaran berkaitan

Tolak keluar ialah tindak balas tiba-tiba kepada roda berputar yang tersepit atau tersangkut. Tersepit atau tersangkut menyebabkan roda berputar terhenti cepat menyebabkan giliran alat kuasa yang tidak terkawal dipaksa ke arah yang bertentangan dengan putaran roda pada titik pengikatan.

Sebagai contoh, jika roda tersangkut atau tersepit pada bahan kerja, bahagian tepi roda yang memasuki titik sepiatan boleh menekan ke dalam permukaan bahan dan menyebabkan roda ternaik atau terkeluar. Roda mungkin sama ada melantun ke arah atau jauh daripada pengendali, bergantung pada arah pergerakan roda ketika aksesori tersepit. Roda mungkin juga pecah di bawah keadaan ini.

Tolak keluar adalah akibat daripada penyalahgunaan alat kuasa dan/atau prosedur atau keadaan operasi yang tidak betul dan boleh dielakkan dengan mengambil langkah berjaga-jaga yang betul seperti yang diberikan di bawah.

1. **Kekalkan genggaman yang kukuh pada alat kuasa dan pastikan kedudukan badan dan lengan anda membolehkan anda menahan daya tolak keluar. Sentiasa gunakan pemegang tambahan, jika disediakan, untuk kawalan maksimum terhadap tolak keluar atau tindak balas tork semasa permulaan.** Pengendali boleh mengawal tindak balas tork atau daya tolak keluar, jika langkah berjaga-jaga yang betul diambil.
2. **Jangan sekali-kali meletakkan tangan anda dekat dengan aksesori yang berputar.** Aksesori mungkin ditolak keluar ke atas tangan anda.
3. **Pastikan badan anda tidak berada sebaris dengan roda berputar.** Tolak keluar akan mendorong alat ke arah bertentangan kepada pergerakan roda ketika aksesori tersangkut.
4. **Menggunakan dengan lebih berhati-hati apabila bekerja di sudut, pinggir yang tajam dan sebagainya. Elakkan aksesori daripada melantun dan tersangkut.** Sudut, pinggir yang tajam atau melantun mempunyai kecenderungan untuk menyebabkan aksesori berputar tersangkut dan menyebabkan hilang kawalan atau tolak keluar.
5. **Jangan pasang rantai gergaji, bilah pengukur kayu, roda intan bersegmen dengan celah pinggir lebih besar daripada 10 mm (3/8") atau bilah gergaji bergigi.** Bilah seperti ini akan kerap menghasilkan tolak keluar dan hilang kawalan.
6. **Jangan biarkan roda "tersekat" atau mengenakan tekanan berlebihan. Jangan cuba membuat kedalaman potongan yang berlebihan.** Mengenaikan tekanan yang berlebihan kepada roda akan meningkatkan beban dan kecenderungan untuk berputar atau terkapit roda dalam potongan dan kemungkinan tolak keluar atau roda pecah.
7. **Apabila roda tersangkut atau apabila gangguan pemotongan berlaku atas apa jua sebab, matikan alat kuasa dan pegang alat kuasa tidak bergerak sehingga roda berhenti sepenuhnya. Jangan sekali-kali cuba menanggalkan roda daripada potongan ketika roda sedang bergerak, jika tidak tolak keluar mungkin berlaku.** Siasat dan ambil tindakan pembetulan untuk menyingkirkan sebab roda tersangkut.

8. **Jangan mulakan semula operasi pemotongan dalam bahan kerja. Biarkan roda mencapai kelajuan penuh dan masukkan semula roda ke dalam potongan dengan berhati-hati.** Roda boleh mengikat, berjalan atau tolak keluar jika alat kuasa dimulakan semula di dalam bahan kerja.
9. **Menyokong panel atau sebarang bahan kerja yang terlalu besar untuk meminumkan risiko roda tersepit atau tolak keluar.** Bahan kerja yang besar mudah melendut di bawah beratnya sendiri. Penyokong mesti diletakkan di bawah bahan kerja berhampiran garisan potongan dan berhampiran pinggir bahan kerja pada kedua-dua belah roda.
10. **Menggunakan langkah yang lebih berhati-hati apabila membuat "potongan poket" ke dalam dinding sedia ada atau kawasan terlindung yang lain.** Roda yang menonjol mungkin memotong paip gas atau air, pendawaian elektrik atau objek yang boleh menyebabkan tolak keluar.

Amaran Keselamatan Tambahan:

1. **Jangan gunakan roda pemotongan pelelas.** Jika tidak, kebakaran dan/atau pemanasan yang berlebihan boleh menyebabkan kecederaan lecur.
2. **Jangan potong objek logam.** Jika tidak, kebakaran dan/atau pemanasan yang berlebihan boleh menyebabkan kecederaan lecur.
3. **Sebelum menggunakan roda intan bersegmen, pastikan roda intan mempunyai celah pinggir antara segmen 10 mm (3/8") atau kurang, hanya dengan sudut sadak negatif.**
4. **Jangan sekali-kali cuba potong alat yang dipegang terbalik di dalam ragum.** Ini boleh mengakibatkan kemalangan serius, kerana ia sangat berbahaya.
5. **Setengah bahan mengandungi bahan kimia yang mungkin toksik. Sila berhati-hati untuk mencegah penyedutan habuk dan sentuhan kulit. Ikut data keselamatan pembekal bahan.**
6. **Simpan roda mengikut saranan pengilang. Penyimpanan yang tidak betul boleh merosakkan roda.**
7. **Sentiasa menggunakan roda yang sesuai untuk kerja anda dan bahan yang akan dipotong.**
8. **Periksa bahan yang akan dipotong sebelum memotong.** Jika bahan itu mengandungi bahan letupan atau yang mudah terbakar, ia boleh menyebabkan letupan atau kebakaran.
9. **Jangan hidupkan alat jika objek asing tersekat di antara penutup roda dengan roda.** Dalam kes ini, nyahpasang kartrij bateri dan keluarkan objek asing.
10. **Menggunakan pengapit atau yang serupa untuk menyokong bahan kerja apabila mungkin.**
11. **Sentiasa memakai perlindungan pendengaran semasa operasi.**
12. **Jangan potong bahan kayu dengan alat ini.**
13. **Diameter luar dan ketebalan roda mesti dalam perkadaran kapasiti alat kuasa anda.** Roda dengan saiz yang tidak betul tidak boleh dijaga atau dikawal dengan secukupnya.

14. Apabila mengendalikan alat kuasa, kekalkan gengaman yang kuat dengan kedua-dua tangan pada alat kuasa dan pastikan kedudukan badan dan lengan anda membolehkan anda menahan daya tolak keluar.
15. Jauhkan tangan dan muka anda daripada roda yang berputar.
16. Laraskan penutup roda kepada kedudukan yang sesuai untuk kerja anda.
17. Jangan basahkan alat dengan air, hujan, lumpur, dan lopak.
18. Jangan biarkan alat di luar rumah tanpa pengawasan.
19. Apabila menyimpan alat, elakkan cahaya matahari langsung dan hujan, dan simpan di tempat yang tidak panas atau lembap.
20. Bersihkan penapis pembersih vakum dengan kerap.
7. Jangan bakar kartrij bateri walaupun jika ia rosak teruk atau haus sepenuhnya. Kartrij bateri boleh meletup dalam kebakaran.
8. Jangan paku, potong, pecahkan, buang, jatuhkan kartrij bateri, atau tekan objek keras pada kartrij bateri. Perbuatan sedemikian boleh mengakibatkan kebakaran, haba berlebihan, atau letupan.
9. Jangan gunakan bateri yang rosak.
10. **Bateri litium ion yang terkandung adalah tertakluk kepada keperluan Perundangan Barangan Berbahaya.**
Bagi pengangkutan komersil cth. oleh pihak ketiga, ejen penghantar, keperluan khas pada pembungkusan dan pelabelan mestilah diperhatikan.
Bagi persediaan item yang dihantar, berunding dengan pakar bahan berbahaya adalah diperlukan. Sila juga perhatikan sebolehnya peraturan kebangsaan yang lebih terperinci. Lekatkan atau balut bahagian terbuka dan pek bateri supaya ia tidak bergerak dalam pembungkusan.

SIMPAN ARAHAN INI.

⚠️AMARAN: JANGAN biarkan keselesaan atau kebiasaan dengan produk (daripada penggunaan berulang) menggantikan pematuhan ketat terhadap peraturan keselamatan untuk produk yang ditetapkan. SALAH GUNA atau kegagalan mematuhi peraturan-peraturan keselamatan yang dinyatakan dalam manual arahan ini boleh menyebabkan kecederaan diri yang serius.

Arahan keselamatan penting untuk kartrij bateri

1. Sebelum menggunakan kartrij bateri, baca semua arahan dan tanda amaran pada (1) pengecas bateri, (2) bateri, dan (3) produk menggunakan bateri.
2. Jangan buka atau cabut kartrij bateri. Ia boleh mengakibatkan kebakaran, haba berlebihan, atau letupan.
3. Jika masa operasi menjadi sangat pendek, berhenti operasi serta merta. Ia mungkin menyebabkan risiko pemanasan lampau, melecur bahkan letupan.
4. Jika elektrolit masuk ke dalam mata anda, bilas mata dengan air jernih dan dapatkan rawatan perubatan serta merta. Ia mungkin menyebabkan kehilangan penglihatan.
5. Jangan pintaskan kartrij bateri:
 - (1) Jangan sentuh terminal dengan bahan berkonduksi.
 - (2) Elakkan menyimpan kartrij bateri dalam bekas bersama-sama objek besi lain seperti paku, duit syiling, dll.
 - (3) Jangan dedahkan kartrij bateri kepada air atau hujan.

Pintasan bateri boleh menyebabkan aliran kuasa yang besar, pemanasan lampau, melecur dan juga kerosakan.
6. Jangan simpan dan gunakan alat dan kartrij bateri di lokasi yang suhunya mungkin mencapai atau melebihi 50 °C (122 °F).
11. Apabila melupuskan kartrij bateri, keluarkan ia daripada alat dan lupuskan ia di tempat selamat. Ikut peraturan tempatan anda mengenai pelupusan bateri.
12. Gunakan bateri hanya dengan produk yang ditentukan oleh Makita. Memasang bateri kepada produk yang tidak patuh mungkin menyebabkan kebakaran, pemanasan lampau, atau kebocoran elektrolit.
13. Jika alat tidak digunakan untuk tempoh masa yang lama, bateri mesti dikeluarkan daripada alat.
14. Semasa dan selepas penggunaan, kartrij bateri mungkin ada haba yang boleh menyebabkan terbakar atau suhu rendah terbakar. Beri perhatian kepada pengendalian kartrij bateri yang panas.
15. Jangan sentuh terminal alat itu selepas digunakan kerana ia mungkin panas menyebabkan terbakar.
16. Jangan biarkan cip, habuk, atau tanah terperangkap ke dalam terminal, lubang, dan alur cahaya kartrij bateri. Ia mungkin menyebabkan pemanasan, terbakar, meletup dan pincang tugas alat atau kartrij bateri, seterusnya menyebabkan lecur atau kecederaan diri.
17. Melainkan alat ini menyokong penggunaan yang hampir dari talian kuasa elektrik voltan tinggi, jangan gunakan kartrij bateri berhampiran talian kuasa elektrik voltan tinggi. Ia mungkin menyebabkan kerosakan atau pecah pada alat atau kartrij bateri.
18. Jauhkan bateri daripada kanak-kanak.

SIMPAN ARAHAN INI.

⚠️PERHATIAN: Hanya gunakan bateri asli Makita. Penggunaan bateri tidak asli Makita, atau bateri yang telah diubah suai, mungkin menyebabkan bateri meletup menyebabkan kebakaran, kecederaan diri dan kerosakan. Ia juga membatalkan jaminan Makita untuk alat Makita dan pengecas.

Tip untuk mengekalkan hayat bateri maksimum

1. Cas kartrij bateri sebelum ternyahcas sepenuhnya. Sentiasa hentikan operasi alat dan cas kartrij bateri apabila anda menyedari kurang kuasa alat.
2. Jangan cas semula kartrij bateri yang dicas sepenuhnya. Terlebih cas memendekkan hayat servis bateri.
3. Cas kartrij bateri dengan suhu bilik pada 10 °C - 40 °C (50 °F - 104 °F). Biarkan kartrij bateri yang panas menyejuk sebelum mengecasnya.
4. Apabila tidak menggunakan kartrij bateri, tanggalkannya dari alat atau pengecas.
5. Cas kartrij bateri jika anda tidak gunakannya untuk tempoh yang lama (lebih daripada enam bulan).

Arahan keselamatan yang penting untuk unit tanpa wayar

1. Jangan leraikan atau menghentak dengan unit tanpa wayar.
2. Pastikan unit tanpa wayar jauh dari kanak-kanak. Jika ditelan dengan sengaja, dapatkan segera rawatan perubatan.
3. Guna unit tanpa wayar sahaja dengan alat Makita.
4. Jangan biarkan unit tanpa wayar terkena hujan atau keadaan basah.
5. Jangan gunakan unit tanpa wayar di tempat di mana suhu melebihi 50°C (122°F).
6. Jangan mengendalikan unit tanpa wayar di tempat alat perubatan, seperti pembuat langkah jantung yang berdekatan.
7. Jangan mengendalikan unit tanpa wayar di tempat di mana peranti automatik berada berdekatan. Jika dikendalikan, peranti automatik mungkin mengalami kerosakan atau ralat.
8. Jangan mengendalikan unit tanpa wayar di tempat bawah suhu tinggi atau tempat di mana elektrik statik atau bunyi elektrik yang boleh dijana.
9. Unit tanpa wayar boleh menghasilkan medan elektromagnet (EMF) tetapi tidak membahayakan kepada pengguna.
10. Unit tanpa wayar adalah alat yang tepat. Berhati-hati untuk tidak jatuhkan atau mengetuk unit tanpa wayar.
11. Elakkan menyentuh terminal unit tanpa wayar dengan tangan kosong atau bahan logam.
12. Sentiasa keluarkan bateri pada produk apabila memasang unit tanpa wayar ke dalamnya.
13. Apabila membuka penutup slot, elakkan tempat di mana habuk dan air boleh masuk ke dalam slot. Sentiasa pastikan slot salur masuk bersih.
14. Sentiasa masukkan unit tanpa wayar ke arah yang betul.
15. Jangan tekan butang pengaktifan pada unit tanpa wayar terlalu kuat dan/atau tekan butang dengan objek dengan sisi tajam.
16. Sentiasa tutup penutup slot semasa beroperasi.
17. Jangan keluarkan unit tanpa wayar dari slot semasa kuasa sedang dibekalkan ke alat itu. Berbuat demikian boleh menyebabkan kerosakan pada unit tanpa wayar.
18. Jangan keluarkan pelekat pada unit tanpa wayar.
19. Jangan letak sebarang pelekat pada unit tanpa wayar.
20. Jangan tinggalkan unit tanpa wayar di tempat bawah suhu tinggi atau tempat di mana elektrik statik atau bunyi elektrik yang boleh dijana.
21. Jangan biarkan unit tanpa wayar di tempat yang subjek kepada haba yang tinggi, seperti kereta yang duduk di bawah sinar matahari.
22. Jangan biarkan unit tanpa wayar di tempat yang berdebu atau serbuk atau di tempat menghakis gas yang boleh dijana.
23. Perubahan suhu yang mendadak mungkin merosakkan unit tanpa wayar. Jangan gunakan unit tanpa wayar sehingga embun selesai sepenuhnya.
24. Apabila membersihkan unit tanpa wayar, perlahan-lahan lap dengan kain lembut yang kering. Jangan gunakan benzina, nipis, gris konduktif atau sebagainya.
25. Apabila menyimpan unit tanpa wayar, simpan bekas yang dibekalkan atau bekas statik percuma.
26. Jangan masukkan sebarang peranti selain unit tanpa wayar Makita ke dalam slot pada alat itu.
27. Jangan gunakan alat dengan tudung slot yang rosak. Air, habuk, dan kotoran yang masuk ke dalam slot boleh menyebabkan kerosakan.
28. Jangan tarik dan/atau memutar tudung slot lebih daripada perlu. Pulihkan tudung jika ia keluar dari alat.
29. Gantikan tudung slot jika ia hilang atau rosak.

SIMPAN ARAHAN INI.

KETERANGAN BAHAGIAN

► Rajah1

1	Roda intan	2	Penutup roda	3	Pencengkam penutup roda	4	Muncung habuk
5	Genggaman depan	6	Lampu	7	Kartrij bateri	8	Butang buka kunci
9	Lampu pengaktifan tanpa wayar	10	Butang pengaktifan tanpa wayar	11	Pengadang bawah	12	Roda caster
13	Butang kunci aci	14	Penutup (untuk tali sawat V)	15	Pemegang pengapit	16	Pemegang
17	Pemacu suis	18	Butang lampu	19	Penunjuk beban lebih	20	Pengapit hos A
21	Pengapit hos B	22	Kotak sepana	-	-	-	-

KETERANGAN FUNGSI

⚠️ PERHATIAN: Sentiasa pastikan alat dimatikan dan kartrij bateri dikeluarkan sebelum menyelar atau menyemak fungsi pada alat.

Memasang atau mengeluarkan kartrij bateri

⚠️ PERHATIAN: Sentiasa matikan alat sebelum memasang atau mengeluarkan kartrij bateri.

⚠️ PERHATIAN: Pegang alat dan kartrij bateri dengan kukuh apabila memasang atau mengeluarkan kartrij bateri. Gagal untuk memegang alat dan kartrij bateri dengan kukuh mungkin menyebabkan mereka terlepas daripada tangan anda dan mengakibatkan kerosakan kepada alat dan kartrij bateri dan kecederaan peribadi.

Untuk memasang kartrij bateri, selaraskan lidah pada kartrij bateri dengan alur pada perumahan dan gelincirkan ia ke tempatnya. Masukkan ia sepenuhnya sehingga ia terkunci di tempatnya dengan klik kecil. Jika anda boleh melihat penunjuk merah seperti yang ditunjukkan dalam rajah, ia tidak dikunci sepenuhnya.

Untuk mengeluarkan kartrij bateri, angkat kartrij bateri sambil menekan butang di bahagian depan kartrij.

► **Rajah2:** 1. Penunjuk merah 2. Butang 3. Kartrij bateri

⚠️ PERHATIAN: Sentiasa pasang kartrij bateri sepenuhnya sehingga penunjuk merah tidak boleh dilihat. Jika tidak, ia mungkin jatuh daripada alat, menyebabkan kecederaan kepada anda atau seseorang di sekeliling anda.

⚠️ PERHATIAN: Jangan pasang kartrij bateri secara paksa. Jika kartrij tidak meluncur dengan mudah, ia tidak dimasukkan dengan betul.

NOTA: Alat tidak berfungsi dengan hanya satu kartrij bateri.

Menunjukkan kapasiti bateri yang tinggal

Tekan butang semak pada kartrij bateri untuk menunjukkan kapasiti bateri yang tinggal. Lampu penunjuk menyala untuk beberapa saat.

► **Rajah3:** 1. Lampu penunjuk 2. Butang semak

Lampu penunjuk			Kapasiti yang tinggal
Dinyalakan	Mati	Berkelip	
			75% hingga 100%
			50% hingga 75%
			25% hingga 50%
			0% hingga 25%
			Cas bateri.
			Bateri mungkin telah rosak.

NOTA: Bergantung kepada keadaan penggunaan dan suhu persekitaran, penunjuk mungkin berbeza sedikit daripada kapasiti sebenar.

NOTA: Lampu penunjuk (kiri jauh) pertama akan berkedip apabila sistem perlindungan bateri berfungsi.

Sistem perlindungan alat / bateri

Alat dilengkapi dengan sistem perlindungan alat/bateri. Sistem ini memotong kuasa kepada motor secara automatik untuk memanjangkan hayat alat dan bateri. Alat akan berhenti secara automatik semasa operasi jika alat atau bateri diletakkan di bawah salah satu keadaan berikut.

Perlindungan lebih beban

Apabila alat/bateri beroperasi dengan cara yang menyebabkan ia menarik arus tinggi yang luar biasa, alat secara automatik terhenti. Dalam situasi ini, matikan alat dan hentikan penggunaan yang menyebabkan alat menjadi terlebih beban. Kemudian hidupkan alat untuk mula semula.

Perlindungan pemanasan lampau

Apabila alat/bateri terlampau panas, alat akan terhenti secara automatik dan lampu berkelip. Dalam situasi ini, biarkan alat sejuk sebelum menghidupkan semula alat.

Perlindungan lebih nyahcas

Apabila kapasiti bateri menjadi rendah, mesin akan berhenti secara automatik dan lampu penunjuk kartrij bateri berkelip. Jika alat tidak beroperasi walaupun suis telah dioperasikan, keluarkan bateri daripada alat dan cas bateri.

Perlindungan terhadap punca lain

Sistem perlindungan juga direka bentuk untuk punca lain yang boleh merosakkan alat dan membolehkan alat berhenti secara automatik. Ambil semua langkah berikut untuk membuang punca, apabila alat telah dibawa kepada berhenti sementara atau berhenti beroperasi.

1. Matikan alat dan kemudian hidupkan alat lagi untuk mula semula.
2. Cas bateri atau gantikan bateri dengan bateri yang telah dicas.
3. Biarkan mesin dan bateri menyejuk.

Jika tiada penambahbaikan boleh didapati melalui pemulihan sistem perlindungan, maka hubungi Pusat Servis Makita tempatan anda.

NOTIS: Jika alat berhenti kerana sebab yang tidak diterangkan di atas, rujuk bahagian penyelesaian masalah.

Amaran beban lebih

Jika alat ini dikendalikan dengan beban berlebihan, penunjuk beban lebih akan berkelip merah. Dalam situasi ini, mengurangkan beban pada alat itu. Kemudian, penunjuk berhenti berkelip.

► **Rajah4:** 1. Penunjuk beban lebih

Tindakan suis

AMARAN: Sebelum memasang kartrij bateri ke dalam alat, sentiasa periksa untuk melihat pemicu suis bergerak dengan betul dan kembali ke posisi "OFF" apabila dilepaskan.

AMARAN: JANGAN SEKALI-KALI gagalkan butang buka kunci dengan mengetuk atau dengan cara yang lain. Suis dengan butang buka kunci yang tidak berfungsi mungkin menyebabkan operasi yang tidak disengajakan dan kecederaan diri yang serius.

AMARAN: JANGAN SEKALI-KALI gunakan alat jika ia berjalan apabila anda hanya menarik pemicu suis tanpa menekan butang buka kunci. Suis yang perlu dibaiki mungkin menyebabkan operasi yang tidak disengajakan dan kecederaan diri yang serius. Kembalikan alat kepada pusat servis Makita untuk pembaikan yang betul SEBELUM penggunaan seterusnya.

Untuk mengelakkan pemicu suis daripada ditarik secara tidak sengaja, butang buka kunci disediakan. Untuk memulakan alat, tekan butang buka kunci dan tarik pemicu suis. Lepaskan pemicu suis untuk berhenti.

► **Rajah5:** 1. Pemicu suis 2. Butang buka kunci

NOTIS: Jangan tarik pemicu suis dengan kuat tanpa menekan butang buka kunci. Ini boleh menyebabkan suis rosak.

Menyalakan lampu

PERHATIAN: Jangan lihat ke dalam cahaya atau lihat sumber cahaya secara langsung.

Untuk menghidupkan lampu, tekan butang lampu. Untuk mematikan lampu, tekan butang lampu sekali lagi.

► **Rajah6:** 1. Butang lampu 2. Lampu

NOTA: Lampu akan dimatikan secara automatik jika tidak beroperasi dengan alat selama satu minit.

Melaraskan penutup roda

Pegang pencengkam penutup roda dan laraskan kedudukan penutup roda sesuai untuk kerja anda.

► **Rajah7:** 1. Pencengkam penutup roda

Teknologi penderiaan maklum balas aktif

Alat secara elektronik mengesan situasi roda mungkin berdepan risiko dikekang. Dalam situasi itu, alat secara automatik dimatikan bagi mencegah putaran spindel selanjutnya (ia tidak mencegah tolak keluar).

Untuk mula semula alat, matikan suis alat dahulu, keluarkan punca kejatuhan mengejut dalam kelajuan putaran, kemudian hidupkan alat.

Brek elektrik

Brek elektrik diaktifkan selepas alat dimatikan. Brek tidak berfungsi apabila bekalan kuasa ditutup, seperti bateri dikeluarkan secara tidak sengaja, dengan suis masih aktif.

PEMASANGAN

⚠️PERHATIAN: Sentiasa pastikan alat dimatikan dan kartrij bateri dikeluarkan sebelum menjalankan sebarang kerja pada alat.

Memasang atau mengeluarkan roda intan

⚠️PERHATIAN: Gunakan hanya perengkuh Makita untuk memasang atau mengeluarkan roda.

⚠️PERHATIAN: Apabila memasang roda, pastikan untuk mengetatkan bolt dengan kuat.

⚠️PERHATIAN: Jangan tekan butang kunci aci apabila roda sedang berputar.

Untuk mengeluarkan roda, tekan butang kunci aci dan putar roda sehingga roda tidak dapat berputar. Semasa kunci aci dikunci sepenuhnya, putar bolt heksagon ikut lawan jam dengan menggunakan kotak sepana. Kemudian tanggalkan bolt heksagon, roda, gelang dan bebibir mengikut urutan.

► **Rajah8:** 1. Butang kunci aci 2. Kotak sepana 3. Ketatkan 4. Longgarkan

► **Rajah9:** 1. Bolt heksagon 2. Bebibir 3. Gelang 4. Roda intan 5. Anak panah (arah putaran roda)

Untuk memasang roda, ikut prosedur pemuangan di belakang.

PASTIKAN UNTUK MENGETATKAN BOLT HEKSAGON DENGAN SELAMAT.

⚠️PERHATIAN: Sentiasa memasang roda supaya anak panah pada mata roda pada arah yang sama dengan anak panah pada penutup roda. Jika tidak, roda berputar ke belakang, ini boleh menyebabkan kecederaan peribadi.

⚠️PERHATIAN: Hanya guna roda yang ditanda dengan kelajuan yang sama atau lebih tinggi daripada kelajuan yang ditanda pada alat.

NOTA: Apabila memasang roda, pastikan untuk memasang bebibir supaya sisi leper bebibir menghadap roda, dan pasang gelang yang sepadan dengan diameter dalam roda.

► **Rajah10:** 1. Bolt heksagon 2. Bebibir 3. Gelang 4. Roda intan

Menyambungkan pembersih vakum

NOTIS: Sentiasa tutup penutup apabila tidak menyambungkan pembersih vakum.

Apabila anda ingin melakukan operasi pemotongan yang bersih, sambungkan pembersih vakum Makita ke alat anda.

Buka penutup dan sambungkan hos pembersih vakum.

► **Rajah11:** 1. Penutup 2. Muncung habuk 3. Hos 4. Pembersih vakum

Anda boleh ubah sudut muncung habuk seperti yang ditunjukkan dalam rajah.

► **Rajah12**

Pengapit hos

NOTIS: Sentiasa tanggalkan pengapit hos daripada alat apabila tidak digunakan.

NOTIS: Jangan buka atau tutup pengapit hos secara berlebihan. Jika tidak, pengapit hos boleh rosak.

Untuk memudahkan pengendalian hos pembersih vakum, pengapit hos boleh dipasang

1. Pasangkan pengapit hos A atau pengapit hos B pada hos.

Jenis	Diameter luar hos yang boleh digunakan
Pengapit hos A	ø 40 mm - ø 46 mm (ø 1-9/16" - ø 1-13/16")
Pengapit hos B	ø 35 mm - ø 40 mm (ø 1-3/8" - ø 1-9/16")

► **Rajah13:** 1. Pengapit hos A/Pengapit hos B 2. Hos

2. Masukkan pin pengapit hos ke dalam lubang pemegang pengapit.

Pastikan kedua-dua pin muat di dalam lubang.

► **Rajah14:** 1. Pin 2. Lubang 3. Pemegang pengapit

3. Untuk mengeluarkan pengapit hos, ikut prosedur pemasangan secara terbalik.

Penyimpanan perengkuh kotak

Apabila tidak digunakan, simpan perengkuh kotak seperti yang ditunjukkan dalam rajah agar tidak hilang.

► **Rajah15:** 1. Perengkuh kotak

OPERASI

Memeriksa fungsi pengadang bawah

Keluarkan kartrij bateri.

Tarik semula pengadang bawah secara manual hingga ke hujung dan lepaskan pengadang itu. Pengadang bawah berfungsi dengan betul jika;

- ditarik balik tanpa sebarang halangan dan;
- kembali kepada kedudukan asal secara automatik.

► **Rajah16:** 1. Pengadang bawah

Jika pengadang bawah tidak berfungsi dengan baik, periksa jika habuk terkumpul dalam penutup roda. Sesetengah habuk boleh dikeluarkan dengan menarik balik dan mengembalikan pengadang bawah beberapa kali.

Jika pengadang bawah tidak berfungsi dengan betul walaupun selepas mengeluarkan habuk, hantar mesin anda ke pusat servis Makita.

Pemberitahuan tentang bunyi yang tidak normal

NOTIS: Jangan gunakan roda intan yang herot atau lama. Jika tidak, pincang tugas, bunyi yang tidak normal atau pecah mungkin berlaku.

Walaupun roda intan adalah baharu dan tanpa herotan, roda intan mungkin mengeluarkan bunyi yang tidak normal seperti geseran logam apabila alat sedang berjalan pada kelajuan rendah. Ini bukan pincang tugas pada alat.

Sesetengah jenis roda intan mungkin mengeluarkan bunyi yang tidak normal apabila alat berjalan pada kelajuan rendah. Ini kerana roda intan dan penutup roda diletakkan sangat rapat untuk pengumpulan habuk yang cekap.

Jalankan alat pada kelajuan penuh dan kendalikan pemotongan yang betul. Bunyi yang tidak normal akan hilang.

Operasi pemotongan

⚠PERHATIAN: Pastikan anda memegang bahan kerja dengan kuat pada bangku atau meja yang stabil semasa operasi.

⚠PERHATIAN: Jangan meminal atau memaksa alat itu untuk dipotong, atau motor mungkin terlebih beban atau bahan kerja boleh pecah.

⚠PERHATIAN: Semasa operasi, jangan bawa alat yang lebih tinggi daripada ketinggian bahu anda.

► **Rajah17**

1. Pegang alat dengan kukuh. Genggam pemegang dengan tangan kanan dan pencengkam depan dengan tangan kiri anda. Untuk mengelakkan kejutan elektrik dengan memotong kabel elektrik secara tidak sengaja, sentiasa memegang pencengkam depan pada bahagian yang ditetapkan seperti yang ditunjukkan dalam rajah.

► **Rajah18:** 1. Bahagian untuk dipegang

2. Hidupkan alat tanpa roda intan membuat sebarang sentuhan dan tunggu sehingga roda intan mencapai kelajuan penuh.

3. Masukkan roda intan dengan perlahan-lahan ke dalam bahan kerja, dan luncurkan alat ke belakang dengan lancar sehingga pemotongan selesai.

- Pastikan garis pemotongan anda lurus dan kelajuan peluncuran seragam.
- Luncurkan alat mengikut arah anak panah pada pengadang bawah.

Jika anda menggerakkan alat ke hadapan (Jika anda meluncurkan alat ke arah bertentangan dengan anak panah), kecekapan pengumpulan habuk akan berkurangan dengan ketara.

► **Rajah19:** 1. Anak panah

- Teruskan menggunakan pengadang bawah pada bahan kerja. Jika terdapat jurang kelegaan antara pengadang bawah dengan bahan kerja, habuk akan bocor dan kecekapan pengumpulan habuk akan berkurangan.

► **Rajah20:** 1. Pengadang bawah

NOTA: Apabila suhu kartrij bateri adalah rendah, alat itu mungkin tidak berfungsi dengan kapasiti yang penuh. Pada masa ini, sebagai contoh, gunakan alat untuk potongan yang ringan untuk seketika sehingga kartrij bateri panas setinggi suhu bilik. Kemudian, alat ini boleh berfungsi dengan kapasiti penuh.

NOTA: Jika tindakan pemotongan roda intan berkurang, kemaskan sisi roda pemotong menggunakan roda pengisar grit bangku kasar atau blok konkrit yang lama. Memotong dengan menekan ringan di pinggir luar roda intan.

FUNGSI PENGAKTIFAN TANPA WAYAR

Aksesori pilihan

NOTIS: Pasang pelindung habuk pilihan dan aksesori sebelum menggunakan fungsi ini.

Apa yang boleh anda lakukan dengan fungsi pengaktifan tanpa wayar

Fungsi pengaktifan tanpa wayar membolehkan operasi yang bersih dan selesa. Dengan menyambungkan pembersih hampagas yang disokong kepada alat ini, anda boleh menjalankan pembersih hampagas secara automatik bersama dengan operasi suis alat tersebut.

► **Rajah21**

Untuk menggunakan fungsi pengaktifan tanpa wayar, sediakan item berikut:

- Unit tanpa wayar (aksesori pilihan)
- Pembersih hampagas yang menyokong fungsi pengaktifan tanpa wayar

Gambaran keseluruhan tetapan fungsi pengaktifan tanpa wayar adalah seperti berikut. Merujuk kepada setiap bahagian untuk prosedur terperinci.

1. Memasang unit tanpa wayar
2. Pelarasan alat untuk pembersih hampagas
3. Memulakan fungsi pengaktifan tanpa wayar

Memasang unit tanpa wayar

Aksesori pilihan

PERHATIAN: Letakkan alat pada permukaan yang rata dan stabil apabila memasang unit tanpa wayar.

NOTIS: Bersihkan habuk dan kotoran pada alat sebelum memasang unit tanpa wayar. Habuk atau kotoran boleh menyebabkan kerosakan jika ia masuk ke dalam slot unit tanpa wayar.

NOTIS: Untuk mengelakkan kerosakan yang disebabkan oleh statik, sentuh bahan pelepas statik, seperti bahagian logam alat, sebelum mengambil unit tanpa wayar.

NOTIS: Apabila memasang unit tanpa wayar, pastikan unit tanpa wayar dimasukkan ke dalam arah yang betul dan penutup ditutup sepenuhnya.

1. Buka penutup pada alat seperti ditunjukkan dalam gambar.

► **Rajah22:** 1. Penutup

2. Masukkan unit tanpa wayar ke slot dan tutup penutup.

Apabila memasukkan unit tanpa wayar, selaraskan unjuran dengan bahagian tersembunyi pada slot.

► **Rajah23:** 1. Unit tanpa wayar 2. Unjuran 3. Penutup 4. Bahagian berlekuk

Apabila mengeluarkan unit tanpa wayar, buka penutup perlahan-lahan. Cangkuk pada bahagian belakang penutup akan mengangkat unit tanpa wayar semasa dalam menarik penutup.

► **Rajah24:** 1. Unit tanpa wayar 2. Cangkuk 3. Penutup

Selepas mengeluarkan unit tanpa wayar, simpannya dalam kes yang dibekalkan atau bekas bebas daripada statik.

NOTIS: Sentiasa gunakan cangkuk di bahagian belakang tudung apabila mengeluarkan unit tanpa wayar. Jika cangkuk tidak menangkap unit tanpa wayar, tutup penutup sepenuhnya dan buka dengan perlahan sekali lagi.

Pelarasan alat untuk pembersih hampagas

NOTA: Pembersih hampagas Makita yang menyokong fungsi pengaktifan tanpa wayar diperlukan untuk pelarasan alat.

NOTA: Selesai memasang unit tanpa wayar kepada alat sebelum memulakan pelarasan alat.

NOTA: Semasa pelarasan alat, jangan tarik pemicu suis atau hidupkan suis kuasa pada pembersih hampagas.

NOTA: Merujuk kepada manual arahan pembersih hampagas juga.

Jika anda ingin mengaktifkan pembersih hampagas bersama-sama dengan operasi suis alat, selesaikan pelarasan alat terlebih dahulu.

1. Pasang bateri kepada pembersih hampagas dan alat itu.

2. Tetapkan suis tunggu sedia pada pembersih hampagas kepada "AUTO".

► **Rajah25:** 1. Suis tunggu sedia

3. Tekan butang pengaktifan tanpa wayar pada pembersih hampagas selama 3 saat sehingga lampu pengaktifan tanpa wayar berkelip hijau. Kemudian tekan butang pengaktifan tanpa wayar pada alat dengan cara yang sama.

► **Rajah26:** 1. Butang pengaktifan tanpa wayar 2. Lampu pengaktifan tanpa wayar

Jika pembersih hampagas dan alat itu terhubung dengan jayanya, lampu pengaktifan wayarless akan menyala hijau selama 2 saat dan mula berkelip biru.

NOTA: Lampu pengaktifan tanpa wayar selesai berkelip dalam warna hijau selepas 20 saat berlalu. Tekan butang pengaktifan tanpa wayar pada alat semasa lampu pengaktifan tanpa wayar pada pembersih berkelip. Jika lampu pengaktifan tanpa wayar tidak berkelip hijau, tolak butang pengaktifan tanpa wayar sekejap dan tahannya lagi.

NOTA: Apabila melakukan dua atau lebih alat pelarasan untuk satu pembersih hampagas, selesaikan pelarasan alat satu demi satu.

Memulakan fungsi pengaktifan tanpa wayar

NOTA: Selesaikan pelarasan alat untuk pembersih hampagas sebelum pengaktifan tanpa wayar.

NOTA: Merujuk kepada manual arahan pembersih hampagas juga.

Selepas pelarasan alat kepada pembersih hampagas, pembersih hampagas akan berjalan secara automatik bersama dengan operasi suis alat tersebut.

1. Pasang unit tanpa wayar kepada alat tersebut.
2. Sambungkan hos pembersih hampagas dengan alat ini.

► **Rajah27**

3. Tetapkan suis tunggu sedia pada pembersih hampagas kepada "AUTO".

► **Rajah28:** 1. Suis tunggu sedia

4. Tolak butang pengaktifan tanpa wayar pada alat sekejap. Lampu pengaktifan tanpa wayar akan berkelip warna biru.

► **Rajah29:** 1. Butang pengaktifan tanpa wayar
2. Lampu pengaktifan tanpa wayar

5. Hidupkan alat. Periksa jika pembersih vakum berjalan semasa alat beroperasi.

Untuk menghentikan pengaktifan tanpa wayar pembersih hampagas, tolak butang pengaktifan tanpa wayar pada alat.

NOTA: Lampu pengaktifan tanpa wayar pada alat akan berhenti berkelip warna biru apabila tiada operasi selama 2 jam. Dalam kes ini, tetapkan suis tunggu sedia pada pembersih hampagas kepada "AUTO" dan tolak butang pengaktifan tanpa wayar pada alat itu lagi.

NOTA: Pembersih hampagas mula/berhenti dengan lambat. Terdapat jarak masa apabila pembersih hampagas mengesan operasi suis alat.

NOTA: Jarak penghantaran unit tanpa wayar mungkin berbeza-beza bergantung kepada lokasi dan keadaan sekitarnya.

NOTA: Apabila dua atau lebih alat berdaftar pada satu pembersih hampagas, pembersih vakum akan mula berjalan walaupun jika anda tidak menghidupkan alat kerana pengguna lain menggunakan fungsi pengaktifan tanpa wayar.

Keterangan status lampu pengaktifan tanpa wayar

► **Rajah30:** 1. Lampu pengaktifan tanpa wayar

Lampu pengaktifan tanpa wayar menunjukkan status fungsi pengaktifan tanpa wayar. Merujuk kepada jadual di bawah untuk maksud status lampu.

Status	Lampu pengaktifan tanpa wayar				Keterangan
	Warna	<input type="checkbox"/> Hidup	<input type="checkbox"/> Berkelip	Tempoh	
Tunggu sedia	Biru	<input checked="" type="checkbox"/>		2 jam	Pengaktifan tanpa wayar pembersih hampagas tersedia. Lampu akan dimatikan secara automatik apabila tiada operasi dilakukan selama 2 jam.
		<input type="checkbox"/>		Apabila alat sedang berjalan.	Pengaktifan tanpa wayar pembersih hampagas tersedia dan alat sedang berjalan.
Pelarasan alat	Hijau	<input checked="" type="checkbox"/>		20 saat	Sedia untuk pelarasan alat. Menunggu pelarasan oleh pembersih hampagas.
		<input type="checkbox"/>		2 saat	Pelarasan alat telah selesai. Lampu pengaktifan tanpa wayar akan mula berkelip warna biru.
Membatalkan pelarasan alat	Merah	<input checked="" type="checkbox"/>		20 saat	Sedia untuk pembatalan pelarasan alat. Menunggu pembatalan oleh pembersih hampagas.
		<input type="checkbox"/>		2 saat	Pembatalan pelarasan alat telah selesai. Lampu pengaktifan tanpa wayar akan mula berkelip warna biru.
Lain-lain	Merah	<input type="checkbox"/>		3 saat	Kuasa dibekalkan kepada unit tanpa wayar dan fungsi pengaktifan tanpa wayar dimulakan.
	Mati	-		-	Pengaktifan tanpa wayar pembersih hampagas dihentikan.

Pembatalan pelarasan alat untuk pembersih hampagas

Lakukan prosedur berikut apabila membatalkan pelarasan alat untuk pembersih vakum.

1. Pasang bateri kepada pembersih hampagas dan alat itu.

2. Tetapkan suis tunggu sedia pada pembersih hampagas kepada "AUTO".

► **Rajah31:** 1. Suis tunggu sedia

3. Tekan butang pengaktifan tanpa wayar pada pembersih hampagas selama 6 saat. Lampu pengaktifan tanpa wayar berkedip hijau dan kemudian menjadi merah. Selepas itu, tekan butang pengaktifan tanpa wayar pada alat dengan cara yang sama.

► **Rajah32:** 1. Butang pengaktifan tanpa wayar
2. Lampu pengaktifan tanpa wayar

Jika pembatalan dilakukan dengan jayanya, lampu pengaktifan tanpa wayar akan menyala merah selama 2 saat dan mula berkelip biru.

NOTA: Lampu pengaktifan tanpa wayar selesai berkelip dalam warna merah selepas 20 saat berlalu. Tekan butang pengaktifan tanpa wayar pada alat semasa lampu pengaktifan tanpa wayar pada pembersih berkelip. Jika lampu pengaktifan tanpa wayar tidak berkelip merah, tolak butang pengaktifan tanpa wayar sekejap dan tahan lagi.

Penyelesaian masalah untuk fungsi pengaktifan tanpa wayar

Sebelum meminta pembaikan, jalankan pemeriksaan sendiri terlebih dahulu. Jika anda mendapati masalah tidak diterangkan dalam manual, jangan cuba untuk menanggalkan alat. Sebaliknya, tanya Pusat Servis Sah Makita, sentiasa gunakan alat ganti Makita untuk pembaikan.

Keadaan keabnormalan	Sebab yang mungkin (kerosakan)	Remedi
Lampu pengaktifan tanpa wayar tidak menyala/berkelip.	Unit tanpa wayar tidak dipasang ke dalam alat. Unit tanpa wayar dipasang tidak betul ke dalam alat tersebut.	Memasang unit tanpa wayar dengan betul.
	Terminal unit tanpa wayar dan/atau slot adalah kotor.	Bersihkan habuk dan kotoran dengan lembut pada terminal unit tanpa wayar dan bersihkan slot.
	Butang pengaktifan tanpa wayar pada alat tidak ditolak.	Tolak butang pengaktifan tanpa wayar pada alat sekejap.
	Suis pada pembersih hampagas tidak ditetapkan kepada "AUTO".	Tetapkan suis tunggu sedia pada pembersih hampagas kepada "AUTO".
	Tiada bekalan kuasa	Berikan kuasa kepada alat dan pembersih hampagas.
Tidak dapat menyelesaikan pelarasan alat/pembatalan pelarasan alat dengan berjaya.	Unit tanpa wayar tidak dipasang ke dalam alat. Unit tanpa wayar dipasang tidak betul ke dalam alat tersebut.	Memasang unit tanpa wayar dengan betul.
	Terminal unit tanpa wayar dan/atau slot adalah kotor.	Bersihkan habuk dan kotoran dengan lembut pada terminal unit tanpa wayar dan bersihkan slot.
	Suis pada pembersih hampagas tidak ditetapkan kepada "AUTO".	Tetapkan suis tunggu sedia pada pembersih hampagas kepada "AUTO".
	Tiada bekalan kuasa	Berikan kuasa kepada alat dan pembersih hampagas.
	Operasi yang tidak betul	Tekan butang pengaktifan tanpa wayar sekejap dan lakukan prosedur pelarasan/pembatalan alat sekali lagi.
	Alat dan pembersih hampagas jauh dari satu sama lain (daripada jarak penghantaran).	Dapatkan alat dan pembersih hampagas rapat antara satu sama lain. Jarak penghantaran maksimum adalah kira-kira 10 m bagaimanapun mungkin berbeza-beza mengikut keadaan.
	Sebelum menyelesaikan pendaftaran/pembatalan alat; - suis alat dihidupkan atau; - butang kuasa pada pembersih vakum dihidupkan.	Tekan butang pengaktifan tanpa wayar sekejap dan lakukan prosedur pelarasan/pembatalan alat sekali lagi.
	Prosedur pelarasan alat untuk alat atau pembersih hampagas belum selesai.	Lakukan prosedur pendaftaran alat untuk kedua-dua alat dan pembersih hampagas pada masa yang sama.
Gangguan radio oleh peralatan lain yang menghasilkan gelombang radio intensiti tinggi.	Pastikan alat dan pembersih hampagas jauh dari peralatan seperti peranti Wi-Fi dan ketuhar gelombang mikro.	

Kedaaan keabnormalan	Sebab yang mungkin (kerosakan)	Remedi
Pembersih hampagas tidak berjalan bersama dengan operasi suis alat itu.	Unit tanpa wayar tidak dipasang ke dalam alat. Unit tanpa wayar dipasang tidak betul ke dalam alat tersebut.	Memasang unit tanpa wayar dengan betul.
	Terminal unit tanpa wayar dan/atau slot adalah kotor.	Bersihkan habuk dan kotoran dengan lembut pada terminal unit tanpa wayar dan bersihkan slot.
	Butang pengaktifan tanpa wayar pada alat tidak ditolak.	Tekan butang pengaktifan tanpa wayar sekejap dan pastikan lampu pengaktifan tanpa wayar berkelip biru.
	Suis pada pembersih hampagas tidak ditetapkan kepada "AUTO".	Tetapkan suis tunggu sedia pada pembersih hampagas kepada "AUTO".
	Lebih daripada 10 alat telah dilaraskan kepada pembersih vakum.	Lakukan pelarasan alat lagi. Jika lebih daripada 10 alat yang dilaraskan kepada pembersih hampagas, alat yang dilaraskan paling awal akan dibatalkan secara automatik.
	Pembersih hampagas memadam semua pelarasan alat.	Lakukan pelarasan alat lagi.
	Tiada bekalan kuasa	Berikan kuasa kepada alat dan pembersih hampagas.
	Alat dan pembersih hampagas jauh dari satu sama lain (daripada jarak penghantaran).	Dapatkan alat dan pembersih hampagas lebih dekat antara satu sama lain. Jarak penghantaran maksimum adalah kira-kira 10 m bagaimanapun mungkin berbeza-beza mengikut keadaan.
	Gangguan radio oleh peralatan lain yang menghasilkan gelombang radio intensiti tinggi.	Pastikan alat dan pembersih hampagas jauh dari peralatan seperti peranti Wi-Fi dan ketuhar gelombang mikro.
Pembersih vakum berjalan semasa alat tidak beroperasi.	Pengguna lain menggunakan pengaktifan tanpa wayar pembersih hampagas dengan alat mereka.	Matikan butang pengaktifan tanpa wayar pada alat lain atau batalkan pelarasan alat lain.

PENYELENGGARAAN

⚠️ PERHATIAN: Sentiasa pastikan alat dimatikan dan kartrij bateri dikeluarkan sebelum cuba menjalankan pemeriksaan atau penyelenggaraan.

NOTIS: Jangan gunakan petrol, benzin, pencair, alkohol atau bahan yang serupa. Ia boleh menyebabkan perubahan warna, bentuk atau keretakan.

Untuk mengekalkan KESELAMATAN dan KEBOLEHPERCAYAAN produk, pembaikan, apa-apa penyelenggaraan atau penyesuaian lain perlu dilakukan oleh Kilang atau Pusat Servis Makita yang Diiktiraf, sentiasa gunakan alat ganti Makita.

Membersihkan alat

NOTIS: Jangan basuh alat menggunakan air.

Selepas setiap penggunaan, keluarkan kartrij bateri dan roda, dan kemudian bersihkan habuk atau kotoran yang terkumpul di dalam penutup roda. Bersihkan badan alat dengan menyapu habuk, kotoran dengan kain kering atau kain yang dicelup dalam air sabun dan diperah. Gunakan kain kering untuk mengelap kotoran daripada lensa lampu. Berhati-hati agar tidak mencalarakan lensa lampu, atau ini mungkin mengurangkan pencahayaan.
► **Rajah33:** 1. Penutup roda 2. Lensa lampu

Membersihkan lubang udara

Bersihkan bolong udara alat dengan kerap atau apabila bolong tersebut mula tersekat.

► **Rajah34:** 1. Bolong udara

Menggantikan tali sawat segerak

- Keluarkan kartrij bateri dan roda.
- Longgarkan bolt soket heksagon menggunakan hujung kotak sepana dan kemudian keluarkan penutup.
► **Rajah35:** 1. Kotak sepana 2. Bolt soket heksagon 3. Penutup
- Tolak masuk butang kunci aci dan tahan ia untuk mengunci takal yang besar dan kemudian putarkan nat lawan arah jam menggunakan hujung nipis kotak sepana.
► **Rajah36:** 1. takal besar 2. Butang kunci aci
- Tolak masuk butang kunci aci dan tahan ia untuk mengunci takal besar dan kemudian putarkan cakera kecil lawan arah jam menggunakan hujung tebal kotak sepana untuk melonggarkan tali sawat segerak.
► **Rajah37:** 1. Butang kunci aci 2. Takal besar 3. Cakera kecil
- Tanggalkan tali sawat.
- Dengan alur pada bahagian dalam tali sawat, pasang satu hujung tali sawat pada takal kecil dan kemudian pasang satu lagi hujung tali sawat pada takal besar.
► **Rajah38:** 1. Tali sawat 2. Takal besar 3. Takal kecil

7. Tolak masuk butang kunci aci dan tahan ia untuk mengunci takal besar dan kemudian putarkan cakera kecil mengikut arah jam menggunakan hujung tebal kotak sepana untuk mengetatkan tali sawat.

► **Rajah39:** 1. Butang kunci aci 2. Takal besar

NOTA: Pastikan bahawa cakera kecil berada dalam kedudukan yang ditunjukkan pada rajah.

► **Rajah40:** 1. Cakera kecil

8. Tolak masuk butang kunci aci dan tahan ia untuk mengunci takal besar dan kemudian putarkan nat mengikut arah jam menggunakan hujung nipis kotak sepana.

► **Rajah41:** 1. Butang kunci aci

NOTA: Apabila mengetatkan nat, kenakan 19 - 21 N•m sebagai tork pengetatan.

9. Pasang penutup dan kemudian ketatkan bolt soket heksagon menggunakan hujung kotak sepana.

► **Rajah42:** 1. Kotak sepana 2. Bolt soket heksagon 3. Penutup

PENYELESAIAN MASALAH

Sebelum meminta pembaikan, jalankan pemeriksaan sendiri terlebih dahulu. Jika anda mendapati masalah tidak diterangkan dalam manual, jangan cuba untuk menanggalkan alat. Sebaliknya, tanya Pusat Servis Sah Makita, sentiasa gunakan alat ganti Makita untuk pembaikan.

Keadaan keabnormalan	Sebab yang mungkin (kerosakan)	Remedi
Motor tidak berjalan.	Kartrij bateri tidak dipasang.	Pasang dua kartrij bateri. Alat ini tidak bekerja dengan hanya satu kartrij bateri.
	Masalah bateri (voltan rendah)	Cas semula bateri. Jika mengecas tidak berkesan, gantikan kartrij bateri.
	Sistem pacuan tidak berfungsi dengan betul.	Tanya pusat servis sah tempatan anda untuk pembaikan.
Motor berhenti berfungsi selepas digunakan seketika.	Tahap bateri terlalu rendah.	Cas semula bateri. Jika mengecas tidak berkesan, gantikan kartrij bateri.
	Pemanasan melampau.	Berhenti menggunakan alat untuk membenarkan ia sejuk.
Putaran roda tidak mempercepatkan dengan betul walaupun selepas menjalankan alat tanpa beban selama 20 saat.	Bateri tidak dipasang dengan betul.	Pasang kartrij bateri seperti yang diterangkan dalam manual ini.
	Kuasa bateri berkurangan.	Cas semula kartrij bateri. Jika mengecas tidak berkesan, gantikan kartrij bateri.
	Tali sawat segerak tergelincir.	Gantikan tali sawat segerak dengan yang baharu.
	Sistem pacuan tidak berfungsi dengan betul.	Tanya pusat servis sah tempatan anda untuk pembaikan.
Roda tidak berputar: ⇒ Hentikan mesin serta-merta!	Tali sawat segerak tergelincir.	Gantikan tali sawat segerak dengan yang baharu.
	Objek asing tersekat antara penutup roda dengan roda.	Nyahpasang kartrij bateri dan kemudian keluarkan objek asing.
	Sistem pacuan tidak berfungsi dengan betul.	Tanya pusat servis sah tempatan anda untuk pembaikan.
Getaran tidak normal: ⇒ Hentikan mesin serta-merta!	Sambungan roda yang tidak betul.	Pasang roda seperti yang diarahkan dalam manual ini. Mengetatkan bolt untuk menjamin roda kukuh.
	Sistem pacuan tidak berfungsi dengan betul.	Tanya pusat servis sah tempatan anda untuk pembaikan.
Alat potongan dan motor tidak boleh berhenti: ⇒ Keluarkan katrij bateri serta-merta!	Pincang tugas elektrik atau elektronik.	Keluarkan katrij bateri dan tanya pusat servis sah tempatan anda untuk pembaikan.
Prestasi pemotongan yang lemah	Sudah tiba masanya untuk menggantikan roda.	Menggantikan roda dengan yang baru.
Kuasa sedutan pembersih vakum yang lemah.	Penapis pembersih vakum tersumbat.	Bersihkan penapis. Jika pembersihan penapis tidak menyelesaikan masalah, gantikan penapis.
Pengadang bawah tidak berfungsi dengan betul.	Habuk terkumpul di dalam penutup roda.	Tarik balik dan kembalikan pengadang bawah beberapa kali.

AKSESORI PILIHAN

⚠️ PERHATIAN: Aksesori-aksesori atau lampiran-lampiran ini adalah disyorkan untuk digunakan dengan alat Makita anda yang ditentukan dalam manual ini. Penggunaan mana-mana aksesori-aksesori atau lampiran-lampiran lain mungkin mengakibatkan risiko kecederaan kepada orang. Hanya gunakan aksesori atau lampiran untuk tujuan yang dinyatakannya.

Jika anda memerlukan sebarang bantuan untuk maklumat lebih lanjut mengenai aksesori ini, tanya Pusat Perkhidmatan Makita tempatan anda.

- Roda intan
- Set gelang
- Tali sawat segerak
- Kotak sepana
- Unit tanpa wayar
- Bateri dan pengecas asli Makita

NOTA: Beberapa item dalam senarai mungkin disertakan dalam pakej alat sebagai aksesori standard. Item mungkin berbeza mengikut negara.

THÔNG SỐ KỸ THUẬT

Kiểu máy:	CE002G
Đường kính đĩa mài	350 - 355 mm
Độ dày đĩa mài tối đa	4,0 mm
Chiều sâu cắt tối đa	127 mm
Tốc độ định mức	4.200 min ⁻¹
Điện áp định mức	D.C. 72 V - tối đa 80 V
Lượng không khí được khuyến nghị của máy hút bụi cầm tay hoạt động bằng động cơ điện	Bằng hoặc hơn 1,8 m ³ /min
Tổng chiều dài	825 mm
Khối lượng tịnh	13,1 - 15,1 kg

- Do chương trình nghiên cứu và phát triển liên tục của chúng tôi nên các thông số kỹ thuật trong đây có thể thay đổi mà không cần thông báo trước.
- Các thông số kỹ thuật có thể thay đổi tùy theo từng quốc gia.
- Khối lượng có thể khác nhau tùy thuộc vào (các) phụ kiện, bao gồm cả hộp pin. Tổ hợp nhẹ nhất và nặng nhất, theo Quy trình EPTA 01/2014, được trình bày trong bảng.

Hộp pin và sạc pin có thể áp dụng






Hộp pin	BL4040 / BL4050F* / BL4080F* * : Pin được khuyến dùng
Bộ sạc	DC40RA / DC40RB / DC40RC

- Một số hộp pin và sạc pin được nêu trong danh sách ở trên có thể không khả dụng tùy thuộc vào khu vực cư trú của bạn.

⚠ CẢNH BÁO: Chỉ sử dụng hộp pin và sạc pin được nêu trong danh sách ở trên. Việc sử dụng bất cứ hộp pin và sạc pin nào khác có thể gây ra thương tích và/hoặc hỏa hoạn.

Ký hiệu

Phần dưới đây cho biết các ký hiệu có thể được dùng cho thiết bị. Đảm bảo rằng bạn hiểu rõ ý nghĩa của các ký hiệu này trước khi sử dụng.

	Đọc tài liệu hướng dẫn.
	Mang kính an toàn.
	Không sử dụng đĩa cắt nhám. Chỉ có thể sử dụng đĩa mài kim cương.
	Không cắt kim loại.
	Không cấp nước.



Chỉ dành cho các quốc gia EU
Do có các thành phần nguy hiểm bên trong thiết bị điện và điện tử, ắc quy và pin thải bỏ nên có thể có tác động không tốt đến môi trường và sức khỏe con người. Không vứt bỏ các thiết bị điện và điện tử hoặc pin với rác thải sinh hoạt!
Theo Chỉ thị của Châu Âu về thiết bị điện và điện tử thải bỏ và về pin và ắc quy và pin và ắc quy thải bỏ, cũng như sự thích ứng của chúng với luật pháp quốc gia, các thiết bị điện, pin và ắc quy thải phải được cất giữ riêng biệt và chuyển đến một điểm thu gom rác thải đô thị riêng, hoạt động theo các quy định về bảo vệ môi trường. Điều này được biểu thị bằng biểu tượng thùng rác có bánh xe gạch chéo được đặt trên thiết bị.

Mục đích sử dụng

Dụng cụ này được dùng để cắt các vật liệu gạch đá với đĩa mài kim cương.

CẢNH BÁO AN TOÀN

Cảnh báo an toàn chung dành cho dụng cụ máy

⚠ CẢNH BÁO Vui lòng đọc tất cả các cảnh báo an toàn, hướng dẫn, minh họa và thông số kỹ thuật đi kèm với dụng cụ máy này. Việc không tuân theo tất cả các hướng dẫn được liệt kê dưới đây có thể dẫn đến điện giật, hỏa hoạn và/hoặc thương tích nghiêm trọng.

Lưu giữ tất cả cảnh báo và hướng dẫn để tham khảo sau này.

Thuật ngữ “dụng cụ máy” trong các cảnh báo đề cập đến dụng cụ máy (có dây) được vận hành bằng nguồn điện chính hoặc dụng cụ máy (không dây) được vận hành bằng pin của bạn.

An toàn tại nơi làm việc

- Giữ nơi làm việc sạch sẽ và có đủ ánh sáng.** Nơi làm việc bừa bộn hoặc tối thường dễ gây ra tai nạn.
- Không vận hành dụng cụ máy trong môi trường cháy nổ, ví dụ như môi trường có sự hiện diện của các chất lỏng, khí hoặc bụi dễ cháy.** Các dụng cụ máy tạo tia lửa điện có thể làm bụi hoặc khí bốc cháy.
- Giữ trẻ em và người ngoài tránh xa nơi làm việc khi đang vận hành dụng cụ máy.** Sự xao lãng có thể khiến bạn mất khả năng kiểm soát.

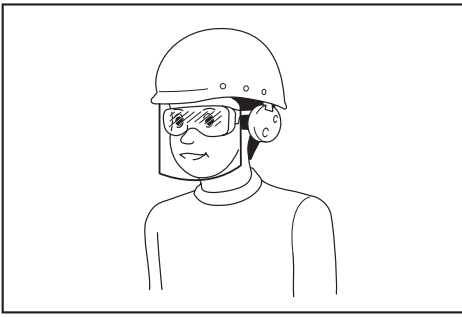
An toàn về Điện

- Phích cắm của dụng cụ máy phải khớp với ổ cắm.** Không được sửa đổi phích cắm theo bất kỳ cách nào. Không sử dụng bất kỳ phích cắm chuyển đổi nào với các dụng cụ máy được nối đất (tiếp đất). Các phích cắm còn nguyên vẹn và ổ cắm phù hợp sẽ giảm nguy cơ điện giật.
- Tránh để cơ thể tiếp xúc với các bề mặt nóng đất hoặc tiếp đất như đường ống, bộ tản nhiệt, bếp ga và tủ lạnh.** Nguy cơ bị điện giật sẽ tăng lên nếu cơ thể bạn được nối đất hoặc tiếp đất.
- Không để dụng cụ máy tiếp xúc với mưa hoặc trong điều kiện ẩm ướt.** Nước lọt vào dụng cụ máy sẽ làm tăng nguy cơ điện giật.
- Không lạm dụng dây điện.** Không được phép sử dụng dây để mang, kéo hoặc tháo phích cắm dụng cụ máy. Giữ dây tránh xa nguồn nhiệt, dầu, các mép sắc hoặc các bộ phận chuyển động. Dây bị hỏng hoặc bị rối sẽ làm tăng nguy cơ điện giật.
- Khi vận hành dụng cụ máy ngoài trời, hãy sử dụng dây kéo dài phù hợp cho việc sử dụng ngoài trời.** Việc dùng dây phù hợp cho việc sử dụng ngoài trời sẽ giảm nguy cơ điện giật.
- Nếu bắt buộc phải vận hành dụng cụ máy ở nơi ẩm ướt, hãy sử dụng nguồn cấp điện được bảo vệ bằng thiết bị ngắt dòng điện rò (RCD).** Việc sử dụng RCD sẽ làm giảm nguy cơ điện giật.

- Các dụng cụ máy có thể tạo ra từ trường điện (EMF) có hại cho người dùng.** Tuy nhiên, người dùng máy trợ tim và những thiết bị y tế tương tự khác nên liên hệ với nhà sản xuất thiết bị và/hoặc bác sĩ để được tư vấn trước khi vận hành dụng cụ này.

An toàn Cá nhân

- Luôn tỉnh táo, quan sát những việc bạn đang làm và sử dụng những phán đoán theo kinh nghiệm khi vận hành dụng cụ máy. Không sử dụng dụng cụ máy khi bạn đang mệt mỏi hoặc chịu ảnh hưởng của ma túy, rượu hay thuốc.** Chỉ một khoảnh khắc không tập trung khi đang vận hành dụng cụ máy cũng có thể dẫn đến thương tích cá nhân nghiêm trọng.
- Sử dụng thiết bị bảo hộ cá nhân.** Luôn đeo thiết bị bảo vệ mắt. Các thiết bị bảo hộ như mặt nạ chống bụi, giày an toàn chống trượt, mũ bảo hộ hay thiết bị bảo vệ thính giác được sử dụng trong các điều kiện thích hợp sẽ giúp giảm thương tích cá nhân.
- Tránh vô tình khởi động dụng cụ máy. Đảm bảo công tắc ở vị trí off (tắt) trước khi nối nguồn điện và/hoặc bộ pin, cầm hoặc di chuyển dụng cụ máy.** Việc di chuyển dụng cụ máy khi đang đặt ngón tay ở vị trí công tắc hoặc cấp điện cho dụng cụ máy đang bật thường dễ gây ra tai nạn.
- Tháo tất cả các khóa hoặc cờ lê điều chỉnh trước khi bật dụng cụ máy.** Việc cờ lê hoặc khóa vẫn còn gắn vào bộ phận quay của dụng cụ máy có thể dẫn đến thương tích cá nhân.
- Không vớ quá cao. Luôn giữ thăng bằng tốt và có chỗ để chân phù hợp.** Điều này cho phép điều khiển dụng cụ máy tốt hơn trong những tình huống bất ngờ.
- Ăn mặc phù hợp. Không mặc quần áo rộng hay đeo đồ trang sức. Giữ tóc và quần áo tránh xa các bộ phận chuyển động.** Quần áo rộng, đồ trang sức hay tóc dài có thể mắc vào các bộ phận chuyển động.
- Nếu các thiết bị được cung cấp để kết nối các thiết bị thu gom và hút bụi, hãy đảm bảo chúng được kết nối và sử dụng hợp lý.** Việc sử dụng thiết bị thu gom bụi có thể làm giảm những mối nguy hiểm liên quan đến bụi.
- Không vì quen thuộc do thường xuyên sử dụng các dụng cụ mà cho phép bạn trở nên tự mãn và bỏ qua các nguyên tắc an toàn dụng cụ.** Một hành động bất cẩn có thể gây ra thương tích nghiêm trọng trong một phần của một giây.
- Luôn luôn mang kính bảo hộ để bảo vệ mắt khỏi bị thương khi đang sử dụng các dụng cụ máy. Kính bảo hộ phải tuân thủ ANSI Z87.1 ở Mỹ, EN 166 ở Châu Âu, hoặc AS/NZS 1336 ở Úc/New Zealand.** Tại Úc/New Zealand, theo luật pháp, bạn cũng phải mang mặt nạ che mặt để bảo vệ mặt.



Trách nhiệm của chủ lao động là bắt buộc người vận hành dụng cụ và những người khác trong khu vực làm việc cạnh đó phải sử dụng các thiết bị bảo hộ an toàn thích hợp.

Sử dụng và bảo quản dụng cụ máy

- Không dùng lực đối với dụng cụ máy. Sử dụng đúng dụng cụ máy cho công việc của bạn.** Sử dụng đúng dụng cụ máy sẽ giúp thực hiện công việc tốt hơn và an toàn hơn theo giá trị định mức được thiết kế của dụng cụ máy đó.
- Không sử dụng dụng cụ máy nếu công tắc không bật và tắt được dụng cụ máy đó.** Mọi dụng cụ máy không thể điều khiển được bằng công tắc đều rất nguy hiểm và phải được sửa chữa.
- Rút phích cắm ra khỏi nguồn điện và/hoặc tháo kết nối bộ pin khỏi dụng cụ máy, nếu có thể tháo rời trước khi thực hiện bất kỳ công việc điều chỉnh, thay đổi phụ tùng hay cắt giữ dụng cụ máy nào.** Những biện pháp an toàn phòng ngừa này sẽ giảm nguy cơ vô tình khởi động dụng cụ máy.
- Cắt giữ các dụng cụ máy không sử dụng ngoài tầm với của trẻ em và không cho bất kỳ người nào không có hiểu biết về dụng cụ máy hoặc các hướng dẫn này vận hành dụng cụ máy.** Dụng cụ máy sẽ rất nguy hiểm nếu được sử dụng bởi những người dùng chưa qua đào tạo.
- Bảo dưỡng dụng cụ máy và các phụ kiện.** Kiểm tra tình trạng lệch trục hoặc bó kẹt của các bộ phận chuyên động, hiện tượng nứt vỡ của các bộ phận và mọi tình trạng khác mà có thể ảnh hưởng đến hoạt động của dụng cụ máy. Nếu có hỏng hóc, hãy sửa chữa dụng cụ máy trước khi sử dụng. Nhiều tai nạn xảy ra là do không bảo quản tốt dụng cụ máy.
- Luôn giữ cho dụng cụ cắt được sắc bén và sạch sẽ.** Những dụng cụ cắt được bảo quản tốt có mép cắt sắc sẽ ít bị kẹt hơn và dễ điều khiển hơn.
- Sử dụng dụng cụ máy, phụ tùng và đầu dụng cụ cắt, v.v... theo các hướng dẫn này, có tính đến điều kiện làm việc và công việc được thực hiện.** Việc sử dụng dụng cụ máy cho các công việc khác với công việc dự định có thể gây nguy hiểm.
- Giữ tay cầm và bề mặt tay cầm khô, sạch, không dính dầu và mỡ.** Tay cầm trơn trượt và bề mặt tay cầm không cho phép xử lý an toàn và kiểm soát dụng cụ trong các tình huống bất ngờ.

- Khí sử dụng dụng cụ, không được đi gang tay lao động bằng vải, có thể bị vướng.** Việc gang tay lao động bằng vải vướng vào các bộ phận chuyên động có thể gây ra thương tích cá nhân.

Sử dụng và bảo quản dụng cụ dùng pin

- Chỉ sạc pin lại với bộ sạc do nhà sản xuất quy định.** Bộ sạc phù hợp với một loại bộ pin này có thể gây ra nguy cơ hỏa hoạn khi được dùng cho một bộ pin khác.
- Chỉ sử dụng các dụng cụ máy với các bộ pin được quy định cụ thể.** Việc sử dụng bất cứ bộ pin nào khác có thể gây ra thương tích và hỏa hoạn.
- Khí không sử dụng bộ pin, hãy giữ tránh xa các đồ vật khác bằng kim loại, chẳng hạn như kẹp giấy, tiền xu, chìa khóa, đinh, ốc vít hoặc các vật nhỏ bằng kim loại mà có thể làm nối tắt các đầu cực pin.** Các đầu cực pin bị đoản mạch có thể gây cháy hoặc hỏa hoạn.
- Trong điều kiện sử dụng quá mức, pin có thể bị cháy nước; hãy tránh tiếp xúc.** Nếu vô tình tiếp xúc với pin bị cháy nước, hãy rửa sạch bằng nước. Nếu dung dịch từ pin tiếp xúc với mắt, cần đi khám bác sĩ thêm. Dung dịch chảy ra từ pin có thể gây rất da hoặc bỏng.
- Không sử dụng bộ pin hoặc dụng cụ bị hư hỏng hoặc đã bị sửa đổi.** Pin đã bị hư hỏng hoặc đã bị sửa đổi có thể hành động theo cách không thể đoán trước dẫn đến cháy, nổ hoặc nguy cơ chấn thương.
- Không để bộ pin hoặc dụng cụ tiếp xúc với lửa hoặc nhiệt độ quá cao.** Tiếp xúc với lửa hoặc nhiệt độ trên 130 °C có thể gây ra cháy nổ.
- Làm theo tất cả các hướng dẫn sạc pin và không dùng sạc bộ pin hoặc dụng cụ vượt giới hạn nhiệt độ quy định trong hướng dẫn.** Sạc pin không đúng hoặc ở nhiệt độ vượt giới hạn nhiệt độ có thể gây hư hỏng cho pin và làm tăng nguy cơ cháy.

Bảo dưỡng

- Đề nghị viên sửa chữa đủ trình độ bảo dưỡng dụng cụ máy của bạn và chỉ sử dụng các bộ phụ tùng thay thế đồng nhất.** Việc này sẽ đảm bảo độ bền và độ an toàn của dụng cụ máy.
- Không bao giờ sử dụng bộ pin đã hỏng.** Dịch vụ bảo hành bộ pin chỉ nên thực hiện bởi nhà sản xuất hoặc các nhà cung cấp dịch vụ được ủy quyền.
- Tuân theo hướng dẫn dành cho việc bôi trơn và thay phụ tùng.**

Cảnh báo an toàn đối với máy cắt bê tông cầm tay hoạt động bằng pin

Cảnh báo an toàn đối với máy cắt

- Phần bảo vệ đi kèm với dụng cụ phải được gắn chặt vào dụng cụ máy và được để ở vị trí an toàn tối đa, do đó số đĩa mài tiếp xúc với người vận hành là ít nhất. Hãy tìm chỗ đứng cho bản thân mình và những người xung quanh để tránh xa mặt phẳng đĩa mài đang quay.** Phần bảo vệ giúp bảo vệ người vận hành khỏi các mảnh đĩa mài bị vỡ và vô tình tiếp xúc với đĩa mài.

2. **Chỉ sử dụng đĩa cắt kim cương cho dụng cụ máy của bạn.** Bởi nếu có thể gắn phụ kiện vào dụng cụ máy của bạn thì điều đó hoàn toàn không đảm bảo việc vận hành máy an toàn.
 3. **Tốc độ định mức của phụ kiện ít nhất phải bằng tốc độ tối đa được đánh dấu trên dụng cụ máy này.** Các phụ kiện chạy nhanh hơn tốc độ định mức của chúng có thể bị vỡ và bay ra ngoài.
 4. **Chỉ sử dụng đĩa cho các ứng dụng được khuyến nghị.** Ví dụ: không mài bên của đĩa cắt. Đĩa cắt được dùng để mài ngoài vi, tác dụng lực mặt bên lên những đĩa mài này có thể khiến chúng vỡ vụn.
 5. **Luôn luôn sử dụng mặt bích đĩa mài không bị hư hại có đường kính chính xác cho đĩa mài bạn đã chọn.** Các mặt bích đĩa mài phù hợp sẽ hỗ trợ đĩa mài giảm bớt khả năng bị vỡ đĩa mài.
 6. **Đường kính bên ngoài và độ dày của phụ kiện phải nằm trong mức đánh giá công suất của dụng cụ máy của bạn.** Các phụ kiện có kích thước không chính xác không thể được bảo vệ hoặc kiểm soát một cách đầy đủ.
 7. **Kích thước trục tâm của mặt bích và đĩa mài phải khớp với vòng hãm của dụng cụ máy này.** Mặt bích và đĩa mài có lõi định vị giữa không khớp với phần cứng lắp đặt của dụng cụ máy sẽ bị mất cân bằng, rung động quá mức và có thể gây ra mất kiểm soát.
 8. **Không sử dụng đĩa mài đã hỏng.** Trước mỗi lần sử dụng, hãy kiểm tra đĩa mài xem có các mặt vụn và vết nứt hay không. Nếu dụng cụ máy hoặc đĩa mài bị rơi, hãy kiểm tra hư hỏng hoặc lắp lại đĩa mài không bị hư hại. Sau khi kiểm tra và cài đặt đĩa mài, hãy tìm chỗ đứng cho bản thân mình và những người xung quanh để tránh xa mặt phẳng đĩa mài quay và chạy dụng cụ máy này ở tốc độ không tải tối đa trong vòng một phút. Đĩa mài bị hư hỏng thông thường sẽ bị vỡ trong thời gian thử nghiệm này.
 9. **Mang thiết bị bảo hộ cá nhân.** Tùy thuộc vào việc sử dụng máy, hãy dùng mặt nạ bảo vệ mặt, kính bảo hộ hoặc kính an toàn. Khi thích hợp, hãy mang mặt nạ chống bụi, dụng cụ bảo vệ thính giác, găng tay và tạp dề công xường có khả năng ngăn chặn các mảnh mài mòn hoặc mảnh vỡ từ phôi gia công. Thiết bị bảo vệ mắt phải có khả năng ngăn chặn các mảnh vụn bay ra phát sinh bởi các hoạt động khác nhau. Mặt nạ chống bụi hoặc khẩu trang phải có khả năng lọc được các hạt tạo ra bởi hoạt động của bạn. Tiếp xúc kéo dài với tiếng ồn có cường độ cao có thể gây ra mất thính giác.
 10. **Giữ những người xung quanh tránh xa nơi làm việc một khoảng cách an toàn.** Bắt cứ ai bước vào khu vực làm việc đều phải đeo thiết bị bảo hộ cá nhân. Các mảnh vỡ của phôi gia công hoặc đĩa mài bị vỡ có thể bắn ra và gây thương tích bên ngoài khu vực thao tác cạnh đó.
 11. **Chỉ cầm dụng cụ máy bằng bề mặt tay cầm cách điện khi thực hiện một thao tác trong đó phụ kiện cắt có thể tiếp xúc với dây điện ngầm.** Phụ kiện cắt tiếp xúc với dây dẫn "có điện" có thể khiến các bộ phận kim loại bị hở của dụng cụ máy "có điện" và làm cho người vận hành bị điện giật.
 12. **Không bao giờ đặt dụng cụ máy xuống cho đến khi phụ kiện đã dừng hẳn.** Đĩa mài quay có thể quán lấy bề mặt và kéo công cụ máy vượt khỏi tầm kiểm soát của bạn.
 13. **Không được chạy dụng cụ máy trong lúc đang mang ben hông bạn.** Tiếp xúc bất ngờ với phụ kiện quay có thể quán lấy quần áo của bạn, kéo phụ kiện văng vào người bạn.
 14. **Thường xuyên làm sạch các lỗ thông hơi của dụng cụ máy.** Quạt của động cơ sẽ thu hút bụi vào bên trong vỏ và nhiều bột kim loại tích tụ có thể gây ra các nguy hiểm về điện.
 15. **Không vận hành công cụ máy gần các vật liệu dễ cháy.** Các tia lửa có thể kích cháy các vật liệu dễ cháy.
 16. **Không sử dụng các phụ kiện có yêu cầu chất làm mát dạng lỏng.** Sử dụng chất làm mát bằng nước hoặc chất lỏng khác có thể dẫn đến điện giật hoặc sốc.
- Lực đẩy ngược và cảnh báo liên quan**
- Lực đẩy ngược là một phản ứng bất ngờ đối với đĩa mài đang quay nhưng bị kẹt hoặc bị quán. Việc bị kẹt hoặc quán sẽ làm đĩa mài đang quay bị dừng nhanh chóng và do đó dụng cụ máy không kiểm soát được sẽ bị buộc phải theo hướng đối diện hướng quay của đĩa mài tại điểm bị ràng buộc.
- Ví dụ, nếu đĩa bị quán hoặc kẹt bởi phôi gia công, phần mép của đĩa đang đi vào điểm kẹt có thể cày xới bề mặt vật liệu làm đĩa trượt hoặc văng ra ngoài. Đĩa nhám có thể hoặc bật ra về gần hoặc xa khỏi người vận hành, tùy thuộc vào hướng chuyển động của đĩa nhám tại điểm kẹt. Đĩa cũng có thể bị vỡ trong những tình trạng này.
- Lực đẩy ngược là kết quả của việc sử dụng dụng cụ máy không đúng và/hoặc do các quy trình vận hành hoặc các điều kiện không chính xác và có thể tránh được bằng cách thực hiện các biện pháp phòng ngừa thích hợp như được nêu dưới đây.
1. **Nắm giữ chắc dụng cụ máy và chọn thể đứng và vị trí tay cầm để cho phép bạn chống lại lực đẩy ngược.** Luôn luôn sử dụng tay cầm phụ, nếu được cung cấp, để kiểm soát tối đa lực đẩy ngược hoặc mô-men xoắn trong lúc khởi động. Người vận hành máy có thể kiểm soát mô-men xoắn hay lực đẩy ngược nếu thực hiện các biện pháp phòng ngừa đúng cách.
 2. **Không bao giờ đặt tay bạn gần phụ kiện quay.** Phụ kiện có thể quay ngược lại lên tay bạn.
 3. **Không được để cơ thể bạn thẳng hàng với đĩa mài đang quay.** Lực đẩy ngược sẽ làm xoay dụng cụ theo hướng ngược lại chuyển động của đĩa mài tại vị trí bị quán.
 4. **Cần đặc biệt cẩn thận khi thao tác với các cạnh góc, mép sắc, v.v...** Tránh làm dội ra và quán vào phụ kiện. Các góc, mép sắc hoặc dội ra có xu hướng làm quán lấy phụ kiện đang quay và gây mất kiểm soát hoặc tạo lực đẩy ngược.
 5. **Không gắn xích cưa, lưỡi khắc gỗ, đĩa mài kim cương hình quạt với khoảng cách ngoài vi lớn hơn 10 mm (3/8") hoặc lưỡi cưa có răng.** Các loại lưỡi như vậy thường tạo ra lực đẩy ngược và dễ mất kiểm soát.

6. Không làm “kẹt” đĩa mài hoặc dùng lực quá nhiều. Không cố thực hiện chiều sâu cắt quá mức. Dùng lực quá nhiều lên đĩa mài sẽ làm tăng tải trọng và dễ bị xoắn hoặc bó kẹt đĩa mài khi cắt và có khả năng đẩy ngược hoặc bị vỡ đĩa mài.
7. Khi lưỡi cắt bị bó kẹt hoặc khi đường cắt bị gián đoạn vì bất kỳ lý do nào, hãy tắt dụng cụ máy và giữ dụng cụ máy đứng im cho đến khi đĩa mài hoàn toàn dừng lại. Không được cố gỡ đĩa mài ra khỏi đường cắt khi đĩa mài vẫn đang chuyển động nếu không có thể xảy ra hiện tượng bật ngược lại. Kiểm tra và tiến hành khắc phục để loại bỏ nguyên nhân gây bó kẹt đĩa mài.
8. Không khởi động lại thao tác cắt trong phôi gia công. Để đĩa mài đạt đến tốc độ tối đa và cân thận nhập lại đường cắt. Đĩa mài có thể bị bó kẹt, bật lên hoặc bật ngược lại nếu dụng cụ máy được khởi động lại trong phôi gia công.
9. Đỡ tấm ván hoặc phôi gia công có kích thước quá lớn để giảm thiểu nguy cơ làm kẹt bó đĩa và bật ngược lại. Phôi gia công lớn thường có xu hướng võng xuống do khối lượng của nó. Phải đặt các giá đỡ dưới phôi gia công gần đường cắt và gần cạnh của phôi gia công ở cả hai phía của đĩa mài.
10. Đặc biệt cẩn trọng khi thực hiện “cắt luân” vào các tường có sẵn hoặc các vùng khó nhìn khác. Đĩa mài nhỏ ra có thể cắt phải ống ga hoặc ống nước, dây điện hoặc các vật có khả năng gây nên hiện tượng bật lại.

Cảnh báo An toàn Bổ sung:

1. Không sử dụng đĩa cắt nhám. Nếu không, lửa và/hoặc làm nóng quá mức có thể gây bỏng.
2. Không cắt vật kim loại. Nếu không, lửa và/hoặc làm nóng quá mức có thể gây bỏng.
3. Trước khi sử dụng đĩa mài kim cương hình quạt, phải đảm bảo đĩa mài kim cương có khoảng cách ngoại vi giữa các chạc bánh răng là 10 mm (3/8") trở xuống, chỉ với một góc nghiêng âm.
4. Không được cố cắt bằng dụng cụ bị kẹt lớn ngược trong dụng cụ kẹp. Điều này có thể dẫn tới những tai nạn nghiêm trọng, vì cực kỳ nguy hiểm.
5. Một số vật liệu có thể chứa hóa chất độc hại. Phải cẩn trọng tránh hít phải bụi và để tiếp xúc với da. Tuân theo dữ liệu an toàn của nhà cung cấp vật liệu.
6. Cắt giữ đĩa mài theo các khuyến nghị của nhà sản xuất. Cắt giữ không đúng cách có thể làm hỏng đĩa mài.
7. Luôn sử dụng đĩa mài phù hợp với công việc của bạn và vật liệu cần cắt.
8. Kiểm tra vật liệu cần cắt trước khi cắt. Nếu vật liệu có chứa chất nổ hoặc dễ cháy, nó có thể gây nổ hoặc hóa hoạn.
9. Không bật dụng cụ nếu có ngoại vật bị kẹt giữa nắp đẩy đĩa và đĩa. Trong trường hợp này, tháo hộp pin và gỡ ngoại vật ra.
10. Sử dụng kẹp hoặc vật tương tự để giữ chặt phôi gia công bất cứ khi nào có thể.
11. Luôn đeo thiết bị bảo vệ tai trong quá trình vận hành.
12. Không cắt vật liệu gỗ bằng dụng cụ này.

13. Đường kính bên ngoài và độ dày của bánh xe phải nằm trong định mức công suất của dụng cụ máy của bạn. Các bánh xe có kích thước không chính xác không thể được bảo vệ hoặc kiểm soát thích hợp.
14. Khi dùng hành dụng cụ máy, phải luôn nắm chắc dụng cụ máy bằng cả hai tay và chọn vị trí cơ thể và cánh tay của bạn để cho phép bạn chống lại lực đẩy ngược.
15. Giữ tay hoặc mặt của bạn tránh xa bánh xe đang quay.
16. Điều chỉnh nắp đẩy bánh xe đến vị trí phù hợp với công việc của bạn.
17. Không để dụng cụ bị ướt bởi nước, mưa, bùn và vũng nước.
18. Không để dụng cụ ngoài trời mà không có người giám sát.
19. Khi cắt giữ dụng cụ, tránh ánh nắng trực tiếp và mưa, cắt giữ ở nơi không nóng hoặc ẩm ướt.
20. Vệ sinh bộ lọc của máy hút bụi cầm tay hoạt động bằng động cơ điện thường xuyên.

LƯU GIỮ CÁC HƯỚNG DẪN NÀY.

⚠CẢNH BÁO: KHÔNG vì đã thoải mái hay quen thuộc với sản phẩm (có được do sử dụng nhiều lần) mà không tuân thủ nghiêm ngặt các quy định về an toàn dành cho sản phẩm này. VIỆC DÙNG SAI hoặc không tuân theo các quy định về an toàn được nêu trong tài liệu hướng dẫn này có thể dẫn đến thương tích cá nhân nghiêm trọng.

Hướng dẫn quan trọng về an toàn dành cho hộp pin

1. Trước khi sử dụng hộp pin, hãy đọc kỹ tất cả các hướng dẫn và dấu hiệu cảnh báo trên (1) bộ sạc pin, (2) pin và (3) sản phẩm sử dụng pin.
2. Không tháo rời hoặc làm thay đổi hộp pin. Việc này có thể dẫn đến hỏa hoạn, quá nhiệt hoặc nổ.
3. Nếu thời gian vận hành ngắn hơn quá mức, hãy ngừng vận hành ngay lập tức. Điều này có thể dẫn đến rủi ro quá nhiệt, có thể gây bỏng và thậm chí là nổ.
4. Nếu chất điện phân rơi vào mắt, hãy rửa sạch bằng nước sạch và đến cơ sở y tế ngay lập tức. Chất này có thể khiến bạn giảm thị lực.
5. Không để hộp pin ở tình trạng đoản mạch:
 - (1) Không chạm vào cực pin bằng vật liệu dẫn điện.
 - (2) Tránh cất giữ hộp pin trong hộp có các vật kim loại khác như đinh, tiền xu, v.v...
 - (3) Không được để hộp pin tiếp xúc với nước hoặc mưa.
 Đoản mạch pin có thể gây ra dòng điện lớn, quá nhiệt, có thể gây bỏng và thậm chí là hỏng hóc.
6. Không cất giữ cũng như sử dụng dụng cụ và hộp pin ở nơi nhiệt độ có thể lên tới hoặc vượt quá 50 °C (122 °F).

- Không đốt hộp pin ngay cả khi hộp pin đã bị hư hại nặng hoặc hư hỏng hoàn toàn. Hộp pin có thể nổ khi tiếp xúc với lửa.
- Không đóng đinh, cắt, nghiền nát, ném, làm rơi hộp pin hoặc va vật cứng vào hộp pin. Làm như thế có thể dẫn đến hỏa hoạn, quá nhiệt hoặc nổ.
- Không sử dụng pin đã hỏng.
- Pin nén lithium-ion là đối tượng có yêu cầu bắt buộc theo Luật Hàng hoá Nguy hiểm. Đối với vận tải thương mại, ví dụ như vận tải do bên thứ ba, đại lý giao nhận, thì yêu cầu đặc biệt về đóng gói và nhãn ghi phải được giám sát. Để chuẩn bị cho mặt hàng cần vận chuyển, cần phải tham khảo ý kiến chuyên gia về vật liệu nguy hiểm. Nếu được, vui lòng tuân thủ các quy định quốc gia chi tiết hơn. Buộc hoặc niêm phong các tiếp điểm mở và đóng gói pin theo cách đó để nó không thể di chuyển trong bao bì.
- Khi vứt bỏ hộp pin, hãy tháo chúng khỏi dụng cụ và thải bỏ ở nơi an toàn. Phải tuân thủ theo các quy định của địa phương liên quan đến việc thải bỏ pin.
- Chỉ sử dụng pin cho các sản phẩm Makita chỉ định. Lắp pin vào sản phẩm không thích hợp có thể gây ra hỏa hoạn, quá nhiệt, nổ, hoặc rò chất điện phân.
- Nếu dụng cụ không được sử dụng trong một thời gian dài, cần phải tháo pin ra khỏi dụng cụ.
- Trong và sau khi sử dụng, hộp pin có thể bị nóng, có thể gây bỏng hoặc bỏng ở nhiệt độ thấp. Chú ý xử lý hộp pin nóng.
- Không chạm vào điện cực của dụng cụ ngay sau khi sử dụng vì điện cực đủ nóng để gây bỏng.
- Không để vụn bào, bụi hoặc đất bám vào các điện cực, lỗ và rãnh của hộp pin. Điều này có thể làm nóng, bắt lửa, nổ và gây trực tiếp cho dụng cụ hoặc hộp pin, dẫn đến bỏng hoặc thương tích cá nhân.
- Trừ khi dụng cụ hỗ trợ sử dụng gần đường dây điện cao thế, không sử dụng hộp pin gần đường dây điện cao thế. Việc này có thể dẫn đến trực tiếp hoặc hỏng hóc dụng cụ hay hộp pin.
- Giữ pin tránh xa trẻ em.
- Không được phép sạc lại một hộp pin đã được sạc đầy. Sạc quá mức sẽ làm giảm tuổi thọ của pin.
- Sạc pin ở nhiệt độ phòng 10°C - 40°C. Để cho hộp pin nóng nguội lại dần trước khi sạc pin.
- Khí không sử dụng hộp pin, hãy tháo hộp pin ra khỏi dụng cụ hoặc bộ sạc.
- Sạc pin sáu tháng một lần nếu bạn không sử dụng dụng cụ trong một thời gian dài (hơn sáu tháng).

Hướng dẫn quan trọng về an toàn dành cho thiết bị thu và phát không dây

- Không tháo rời hoặc làm thay đổi thiết bị thu và phát không dây.
- Giữ thiết bị thu và phát không dây tránh xa trẻ em. Nếu vô tình nuốt phải, hãy đến cơ sở y tế ngay lập tức.
- Chỉ sử dụng thiết bị thu và phát không dây với các dụng cụ Makita.
- Không để thiết bị thu và phát không dây tiếp xúc với mưa hoặc điều kiện ẩm ướt.
- Không sử dụng thiết bị thu và phát không dây ở những nơi nhiệt độ vượt quá 50°C.
- Không vận hành thiết bị thu và phát không dây ở những nơi gần các dụng cụ y tế, chẳng hạn như máy tạo nhịp tim.
- Không vận hành thiết bị thu và phát không dây ở những nơi gần các thiết bị tự động. Nếu vận hành, các thiết bị tự động có thể phát sinh sự cố hoặc bị lỗi.
- Không để thiết bị thu và phát không dây ở những nơi chịu nhiệt độ cao hoặc nơi có thể tạo ra tĩnh điện hoặc nhiễu điện.
- Thiết bị thu và phát không dây có thể tạo ra từ trường điện (EMF) nhưng không có hại cho người dùng.
- Thiết bị thu và phát không dây là một dụng cụ chính xác. Hãy cẩn trọng không làm rơi hoặc va đập thiết bị thu và phát không dây.
- Tránh chạm vào điện cực của thiết bị thu và phát không dây bằng tay để trần hoặc vật liệu kim loại.
- Luôn tháo pin ra khỏi sản phẩm khi lắp đặt thiết bị thu và phát không dây vào sản phẩm.
- Khí mở nắp khe, hãy tránh nơi có bụi và nước có thể lọt vào khe. Luôn giữ sạch đầu vào của khe.
- Luôn lắp thiết bị thu và phát không dây vào đúng hướng.
- Không nhấn nút kích hoạt không dây trên thiết bị thu và phát không dây quá chặt và/hoặc nhấn nút bằng một vật có cạnh mép sắc.
- Luôn đóng nắp khe khi vận hành.
- Không tháo thiết bị thu và phát không dây khỏi khe trong khi dụng cụ đang được cấp điện. Làm như vậy có thể khiến thiết bị thu và phát không dây bị hỏng.
- Không gỡ bỏ nhãn trên thiết bị thu và phát không dây.

LƯU GIỮ CÁC HƯỚNG DẪN NÀY.

⚠ THẬN TRỌNG: Chỉ sử dụng pin Makita chính hãng. Việc sử dụng pin không chính hãng Makita, hoặc pin đã được sửa đổi, có thể dẫn đến nổ pin gây ra cháy, thương tích và thiệt hại cá nhân. Nó cũng sẽ làm mất hiệu lực bảo hành của Makita dành cho dụng cụ của Makita và bộ sạc.

Mẹo duy trì tuổi thọ tối đa cho pin

- Sạc hộp pin trước khi pin bị xả điện hoàn toàn. Luôn dừng việc vận hành dụng cụ và sạc pin khi bạn nhận thấy công suất dụng cụ bị giảm.

19. Không được dán bất kỳ nhãn nào lên thiết bị thu và phát không dây.
20. Không để thiết bị thu và phát không dây ở những nơi có thể tạo ra tĩnh điện hoặc nhiễu điện.
21. Không được để thiết bị thu và phát không dây ở những nơi tiếp xúc với nguồn nhiệt cao, như trong ô tô dưới trời nắng.
22. Không để thiết bị thu và phát không dây ở những nơi có bụi hoặc bột hoặc ở những nơi tạo ra khí ăn mòn.
23. Thay đổi nhiệt độ đột ngột có thể làm thiết bị thu và phát không dây bị tụ hơi nước. Không sử dụng thiết bị thu và phát không dây cho đến khi nước ngưng tụ khô hoàn toàn.
24. Khi vệ sinh thiết bị thu và phát không dây, hãy lau nhẹ nhàng bằng vải mềm khô. Không sử dụng ết xăng, dung môi, dầu mỡ dẫn hoặc tương tự.
25. Khi bảo quản thiết bị thu và phát không dây, hãy cất giữ thiết bị trong hộp đựng được giao kèm hoặc hộp chống tĩnh điện.
26. Không được lắp bất kỳ thiết bị nào ngoài thiết bị thu và phát không dây Makita vào khe trên dụng cụ.
27. Không sử dụng dụng cụ có nắp khe bị hư hỏng. Nước, bụi bắn lọt vào khe có thể gây ra sự cố.
28. Không kéo và/hoặc vặn nắp khe nếu không cần thiết. Lắp lại nắp nếu nó rơi ra khỏi dụng cụ.
29. Thay thế nắp khe nếu bị mất hoặc hư hỏng.

LƯU GIỮ CÁC HƯỚNG DẪN NÀY.

MÔ TẢ CÁC BỘ PHẬN

► Hình1

1	Đĩa mài kim cương	2	Nắp dây đĩa	3	Tay cầm nắp dây bánh xe	4	Vòi xả bụi
5	Tay cầm trước	6	Đèn	7	Hộp pin	8	Nút nhà khóa
9	Đèn kích hoạt không dây	10	Nút kích hoạt không dây	11	Phần bảo vệ bên dưới	12	Bánh xe
13	Nút khóa trục	14	Nắp dây (cho dây curoa chữ V)	15	Giá đỡ kẹp	16	Tay cầm
17	Cần khởi động công tắc	18	Nút đèn	19	Đèn chỉ báo quá tải	20	Kẹp ống A
21	Kẹp ống B	22	Cờ lê ống lồng	-	-	-	-

MÔ TẢ CHỨC NĂNG

⚠ THẬN TRỌNG: Luôn đảm bảo rằng đã tắt dụng cụ và tháo hộp pin ra trước khi thực hiện việc điều chỉnh hoặc kiểm tra chức năng trên dụng cụ.

Lắp hoặc tháo hộp pin

⚠ THẬN TRỌNG: Luôn tắt dụng cụ trước khi lắp hoặc tháo hộp pin.

⚠ THẬN TRỌNG: Giữ dụng cụ và hộp pin thật chắc khi lắp hoặc tháo hộp pin. Không giữ dụng cụ và hộp pin thật chắc có thể làm trượt chúng khỏi tay và làm hư hỏng dụng cụ và hộp pin hoặc gây thương tích cá nhân.

Để lắp hộp pin, đặt thẳng hàng phần chốt nhô ra của hộp pin vào phần rãnh nằm trên vỏ và trượt hộp pin vào vị trí. Đưa hộp pin vào hết mức cho đến khi chốt khóa vào đúng vị trí với một tiếng cách nhẹ. Nếu bạn có thể nhìn thấy chỉ báo màu đỏ như thể hiện trong hình, điều đó có nghĩa vẫn chưa được khóa hoàn toàn.

Để tháo hộp pin, nhấn hộp pin đồng thời đẩy nút ở phía trước hộp pin.

► Hình2: 1. Chỉ báo màu đỏ 2. Nút 3. Hộp pin

⚠ THẬN TRỌNG: Luôn lắp hộp pin khớp hoàn toàn vào vị trí cho đến khi không thể nhìn thấy đèn chỉ báo màu đỏ. Nếu không, hộp pin có thể vô tình rơi ra khỏi dụng cụ, gây thương tích cho bạn hoặc người khác xung quanh.

⚠ THẬN TRỌNG: Không được dùng sức lắp hộp pin. Nếu hộp pin không nhẹ nhàng trượt vào vị trí, có nghĩa là pin vẫn chưa được lắp đúng.

LƯU Ý: Dụng cụ này không hoạt động nếu chỉ có một hộp pin.

Chỉ báo dung lượng pin còn lại

Ấn nút check (kiểm tra) trên hộp pin để chỉ báo dung lượng pin còn lại. Các đèn chỉ báo bật sáng lên trong vài giây.

► **Hình3:** 1. Các đèn chỉ báo 2. Nút Check (kiểm tra)

Các đèn chỉ báo			Dung lượng còn lại
Bật sáng	Tắt	Nhấp nháy	
			75% đến 100%
			50% đến 75%
			25% đến 50%
			0% đến 25%
			Sạc pin.
			Pin có thể đã bị hỏng.

LƯU Ý: Tùy thuộc vào các điều kiện sử dụng và nhiệt độ xung quanh, việc chỉ báo có thể khác biệt một chút so với dung lượng thực sự.

LƯU Ý: Đèn chỉ báo (phía xa bên trái) đầu tiên sẽ nhấp nháy khi hệ thống bảo vệ pin hoạt động.

Hệ thống bảo vệ dụng cụ / pin

Dụng cụ này được trang bị hệ thống bảo vệ dụng cụ / pin. Hệ thống này sẽ tự động ngắt nguồn điện đến động cơ để kéo dài tuổi thọ dụng cụ và pin. Dụng cụ sẽ tự động dừng vận hành khi dụng cụ hoặc pin ở một trong những trường hợp sau đây. Trong một số trường hợp, các đèn chỉ báo này sẽ sáng lên.

Bảo vệ quá tải

Khi vận hành dụng cụ/pin trong điều kiện làm máy tiêu tốn dòng cao bất thường, dụng cụ sẽ tự động dừng lại. Trong trường hợp này, hãy tắt dụng cụ và ngừng ứng dụng làm cho dụng cụ trở nên quá tải. Sau đó bật dụng cụ lên để khởi động lại.

Bảo vệ quá nhiệt

Khi dụng cụ/pin bị quá nhiệt, dụng cụ sẽ tự động dừng, và đèn sẽ nhấp nháy. Trong tình huống này, hãy để dụng cụ nguội lại trước khi bật dụng cụ một lần nữa.

Bảo vệ xả điện quá mức

Khi dung lượng pin yếu, dụng cụ sẽ tự động dừng, và đèn chỉ báo của hộp pin sẽ nhấp nháy. Nếu dụng cụ không vận hành ngay cả khi vận hành công tắc, hãy tháo pin ra khỏi dụng cụ và sạc pin.

Bảo vệ chống lại các nguyên nhân khác

Hệ thống bảo vệ cũng được thiết kế để chống lại các nguyên nhân khác có thể làm hỏng dụng cụ và cho phép dụng cụ tự động dừng. Thực hiện tất cả các bước sau đây để loại bỏ các nguyên nhân, khi dụng cụ đã được tạm dừng hoặc ngừng hoạt động.

1. Tắt dụng cụ, sau đó bật lại lần nữa để khởi động lại.
2. Sạc (các) pin hoặc thay pin/các pin bằng (các) pin đã sạc.
3. Để máy và (các) pin nguội dần.

Nếu không thấy cải thiện bằng cách khôi phục hệ thống bảo vệ, hãy liên hệ với Trung tâm Dịch vụ Makita tại địa phương của bạn.

CHÚ Ý: Nếu dụng cụ dừng vì nguyên nhân không được mô tả bên trên, hãy tham khảo phần xử lý sự cố.

Cảnh báo quá tải

Nếu vận hành dụng cụ quá mức, đèn chỉ báo quá tải sẽ nhấp nháy màu đỏ. Trong tình huống này, hãy giảm tải trên dụng cụ. Sau đó, đèn chỉ báo ngừng nhấp nháy.

► **Hình4:** 1. Đèn chỉ báo quá tải

Hoạt động công tắc

⚠ CẢNH BÁO: Trước khi lắp hộp pin vào dụng cụ, luôn luôn kiểm tra xem cần khởi động công tắc có hoạt động bình thường hay không và trả về vị trí “OFF” (TẮT) khi nhả ra.

⚠ CẢNH BÁO: KHÔNG ĐƯỢC PHÉP làm hỏng nút nhà khóa bằng cách buộc xuống hoặc một số cách khác. Một nút nhà khóa không hiệu quả có thể dẫn đến vận hành vô tình và thương tích cá nhân nghiêm trọng.

⚠ CẢNH BÁO: KHÔNG ĐƯỢC PHÉP sử dụng dụng cụ này nếu nó chạy khi bạn chỉ kéo cần khởi động công tắc mà không nhấn nút nhà khóa. Một công tắc cần sửa có thể dẫn đến vận hành vô tình và thương tích cá nhân nghiêm trọng. Hãy trả dụng cụ lại cho một trung tâm dịch vụ Makita để sửa chữa phù hợp TRƯỚC KHI sử dụng tiếp sau này.

Để ngăn ngừa vô tình kéo cần khởi động công tắc, dụng cụ được trang bị một nút nhà khóa. Để khởi động dụng cụ, nhấn nút nhà khóa và kéo cần khởi động công tắc. Nhả cần khởi động công tắc ra để dừng.

► **Hình5:** 1. Cò khởi động công tắc 2. Nút nhà khóa

CHÚ Ý: Không kéo mạnh cần khởi động công tắc mà không nhấn nút nhà khóa. Điều này có thể làm hỏng công tắc.

Bật sáng đèn

⚠ THẬN TRỌNG: Đừng nhìn thẳng trực tiếp vào đèn hoặc nguồn sáng.

Để bật đèn, nhấn nút đèn. Để tắt, nhấn nút đèn lần nữa.

► **Hình6:** 1. Nút đèn 2. Đèn

LƯU Ý: Đèn sẽ tự động được tắt nếu không vận hành với dụng cụ trong một phút.

Điều chỉnh nắp đẩy bánh xe

Giữ tay cầm nắp đẩy bánh xe và điều chỉnh vị trí của nắp đẩy bánh xe phù hợp với công việc của bạn.

► **Hình7:** 1. Tay cầm nắp đẩy bánh xe

Công nghệ cảm ứng Active feedback

Dụng cụ này phát hiện bằng điện tử các tình huống mà bánh xe có thể gặp nguy cơ bị đóng chặt. Trong tình huống này, dụng cụ sẽ tự động tắt để phòng ngừa trực tiếp xoay thêm (nó không ngăn cản lực đẩy ngược). Để khởi động lại dụng cụ, trước tiên hãy tắt dụng cụ, loại bỏ nguyên nhân gây ra giảm tốc độ xoay đột ngột, và sau đó bật dụng cụ.

Phanh điện tử

Phanh điện tử sẽ được kích hoạt sau khi tắt dụng cụ. Phanh không hoạt động khi tắt nguồn cấp điện, chẳng hạn như vô tình tháo pin, với công tắc vẫn còn mở.

LẮP RÁP

⚠ THẬN TRỌNG: Luôn đảm bảo rằng đã tắt dụng cụ và tháo hộp pin ra trước khi thực hiện bất cứ thao tác nào trên dụng cụ.

Lắp hoặc tháo đĩa mài kim cương

⚠ THẬN TRỌNG: Chỉ sử dụng cờ lê Makita để tháo hoặc lắp đĩa mài.

⚠ THẬN TRỌNG: Khi lắp đĩa mài, đảm bảo đã vận chặt bu lông.

⚠ THẬN TRỌNG: Không nhấn nút khóa trực khi đĩa mài đang xoay.

Để tháo bánh xe, nhấn nút khóa trực và xoay bánh xe cho đến khi bánh xe không thể quay tròn. Trong khi khóa trực được khóa hoàn toàn, vận bu-lông lục giác ngược chiều kim đồng hồ bằng cờ lê ống lồng. Sau đó tháo bu-lông lục giác, mặt bích, bánh xe, vòng và vành theo thứ tự.

► **Hình8:** 1. Nút khóa trực 2. Cờ lê ống lồng 3. Vận chặt 4. Nới lỏng

► **Hình9:** 1. Bu-lông sáu cạnh 2. Vành 3. Vòng 4. Đĩa mài kim cương 5. Mũi tên (hướng xoay của đĩa mài)

Để lắp đĩa mài, hãy làm ngược lại quy trình tháo ra. **ĐẢM BẢO ĐÃ VẬN CHẠY BU-LÔNG LỤC GIÁC.**

⚠ THẬN TRỌNG: Luôn lắp đĩa sao cho mũi tên trên đĩa chỉ cùng hướng với mũi tên trên nắp che đĩa. Nếu không bánh xe sẽ xoay ngược lại, nó có thể gây thương tích cá nhân.

⚠ THẬN TRỌNG: Chỉ sử dụng đĩa mài có ghi tốc độ bằng hoặc cao hơn tốc độ ghi trên dụng cụ.

LƯU Ý: Khi lắp bánh xe, hãy đảm bảo đã gắn các mặt bích sao cho mặt phẳng của vành hướng về bánh xe, và gắn vòng khớp với đường kính trong của bánh xe.

► **Hình10:** 1. Bu-lông lục giác 2. Vành 3. Vòng 4. Đĩa mài kim cương

Kết nối máy hút bụi cầm tay hoạt động bằng động cơ điện

CHÚ Ý: Luôn đóng nắp khi không kết nối máy hút bụi cầm tay hoạt động bằng động cơ điện.

Khi bạn muốn thực hiện thao tác cắt sạch, hãy kết nối máy hút bụi cầm tay hoạt động bằng động cơ điện Makita với dụng cụ của bạn.

Mở nắp và kết nối ống dẫn của máy hút bụi cầm tay hoạt động bằng động cơ điện.

► **Hình11:** 1. Nắp 2. Vòi xả bụi 3. Ống dẫn 4. Máy Hút Bụi Cầm Tay Hoạt Động Bằng Động Cơ Điện

Bạn có thể thay đổi góc của vòi xả bụi như thể hiện trong hình.

► **Hình12**

Kẹp ống

CHÚ Ý: Luôn tháo kẹp ống khỏi dụng cụ khi không sử dụng.

CHÚ Ý: Không mở hoặc đóng kẹp ống quá mức. Nếu không kẹp ống có thể bị vỡ.

Để dễ dàng xử lý ống dẫn của máy hút bụi cầm tay hoạt động bằng động cơ điện, có thể gắn kẹp ống

1. Gắn kẹp ống A hoặc kẹp ống B vào ống dẫn.

Loại	Đường kính ngoài của ống dẫn có thể áp dụng
Kẹp ống A	ø 40 mm - ø 46 mm (ø 1-9/16" - ø 1-13/16")
Kẹp ống B	ø 35 mm - ø 40 mm (ø 1-3/8" - ø 1-9/16")

► **Hình13:** 1. Kẹp ống A / Kẹp ống B 2. Ống dẫn

2. Lắp chốt của kẹp ống vào các lỗ của giá đỡ kẹp.

Đảm bảo hai chốt vừa khít với các lỗ.

► **Hình14:** 1. Chốt 2. Lỗ 3. Giá đỡ kẹp

3. Để tháo kẹp ống, hãy làm ngược lại quy trình lắp vào.

Cắt giữ cờ lê ống lồng

Khi không sử dụng, cắt giữ cờ lê ống lồng như được minh họa trong hình để tránh làm mất.

► **Hình15:** 1. Cờ lê ống lồng

VẬN HÀNH

Kiểm tra chức năng của phần bảo vệ bên dưới

Tháo hộp pin.

Rút phần bảo vệ bên dưới theo cách thủ công đến phía cuối và nhả nó ra. Phần bảo vệ bên dưới hoạt động đúng cách nếu;

— nó được rút lại mà không có bất kỳ sự cản trở nào và;

— nó tự động trở về vị trí ban đầu.

► **Hình16:** 1. Phần bảo vệ bên dưới

Nếu phần bảo vệ bên dưới không hoạt động đúng cách, hãy kiểm tra xem bụi có tích tụ bên trong nắp đậy đĩa không.

Một số bụi có thể được loại bỏ bằng cách rút ra và trả lại phần bảo vệ bên dưới nhiều lần.

Nếu phần bảo vệ bên dưới không hoạt động đúng cách cả sau khi đã loại bỏ bụi, hãy đem máy của bạn đi bảo dưỡng tại trung tâm dịch vụ Makita.

Thông báo về tiếng ồn bất thường

CHÚ Ý: Không sử dụng đĩa mài kim cương bị biến dạng hoặc cũ. Nếu không, có thể xảy ra trực trặc, tiếng ồn bất thường hoặc nứt vỡ.

Ngay cả khi đĩa mài kim cương mới và không bị biến dạng, đĩa mài kim cương vẫn có thể gây ra tiếng ồn bất thường như ma sát kim loại khi dụng cụ đang chạy ở tốc độ thấp. Đây không phải là trực trặc của dụng cụ.

Một số loại đĩa mài kim cương có thể gây ra tiếng ồn bất thường khi dụng cụ chạy ở tốc độ thấp. Đó là do đĩa mài kim cương và nắp đậy đĩa được đặt vị trí rất gần để gom bụi hiệu quả.

Chạy dụng cụ ở tốc độ tối đa và vận hành cắt đúng cách. Tiếng ồn bất thường sẽ được làm dịu đi.

Thao tác cắt

⚠ THẬN TRỌNG: Đảm bảo giữ chặt phiôi gia công xuống bàn máy hoặc bàn cố định trong khi vận hành.

⚠ THẬN TRỌNG: Không xoắn hoặc dùng lực đối với dụng cụ khi cắt, nếu không động cơ có thể quá tải hoặc phiôi gia công có thể bị hỏng.

⚠ THẬN TRỌNG: Trong quá trình vận hành, không nâng dụng cụ cao hơn chiều cao vai của bạn.

► **Hình17**

1. Giữ chặt dụng cụ. Giữ tay nắm bằng tay phải và tay cầm trước bằng tay trái. Để ngăn ngừa điện giật do vô tình cắt cáp điện, hãy luôn cầm chắc tay cầm trước ở phần được chỉ định như thể hiện trong hình.

► **Hình18:** 1. Phần để giữ

2. Bật dụng cụ lên mà không để đĩa mài kim cương bị tiếp xúc và đợi đến khi đĩa mài kim cương đạt tốc độ đầy đủ.

3. Nhẹ nhàng lấp đĩa mài kim cương thẳng vào phiôi gia công và trượt nhẹ dụng cụ về phía sau cho đến khi hoàn tất việc cắt.

• Giữ cho đường cắt thẳng và tốc độ trượt đồng đều.

• Trượt dụng cụ theo hướng mũi tên trên phần bảo vệ bên dưới.

Nếu bạn di chuyển dụng cụ về phía trước (Nếu bạn trượt dụng cụ theo hướng ngược lại của mũi tên), hiệu quả thu gom bụi sẽ giảm đáng kể.

► **Hình19:** 1. Mũi tên

• Tiếp tục áp phần bảo vệ bên dưới vào phiôi gia công. Nếu có khe hở giữa phần bảo vệ bên dưới và phiôi gia công, bụi sẽ rơi và hiệu quả thu gom bụi sẽ giảm.

► **Hình20:** 1. Phần bảo vệ bên dưới

LƯU Ý: Khi nhiệt độ trong hộp pin thấp, dụng cụ có thể không làm việc theo hết công suất của nó. Ví dụ, vào lúc này, hãy dùng dụng cụ để cắt chế độ nhẹ một lúc cho đến khi hộp pin nóng lên cao bằng nhiệt độ trong phòng. Sau đó, dụng cụ có thể làm việc theo hết công suất của nó.

LƯU Ý: Nếu hoạt động cắt của đĩa mài kim cương bắt đầu giảm hiệu quả, hãy bảo dưỡng mép cắt của đĩa mài bằng cách sử dụng đĩa mài của máy mài hai đá mặt giữa thô đã bỏ củ hoặc khối bê tông. Mài nhẵn bằng cách ấn nhẹ lên mép ngoài của đĩa mài kim cương.

CHỨC NĂNG KÍCH HOẠT KHÔNG DÂY

Phụ kiện tùy chọn

CHÚ Ý: Lắp tấm chắn bụi và phụ kiện tùy chọn trước khi sử dụng chức năng này.

Những điều bạn có thể thực hiện với chức năng kích hoạt không dây

Chức năng kích hoạt không dây cho phép vận hành sạch và thuận lợi. Bằng cách nối máy hút bụi được hỗ trợ vào dụng cụ, bạn có thể chạy máy hút bụi tự động cùng với vận hành chuyển đổi của dụng cụ.

► **Hình21**

Để sử dụng chức năng kích hoạt không dây, hãy chuẩn bị các mục sau đây:

- Một thiết bị thu và phát không dây (phụ kiện tùy chọn)
- Một máy hút bụi hỗ trợ chức năng kích hoạt không dây

Cài đặt chức năng kích hoạt không dây được trình bày khái quát như sau đây. Vui lòng tham khảo từng phần để biết về các quy trình chi tiết.

1. Lắp thiết bị thu và phát không dây
2. Đăng ký dụng cụ cho máy hút bụi
3. Khởi động chức năng kích hoạt không dây

Lắp thiết bị thu và phát không dây

Phụ kiện tùy chọn

⚠ THẬN TRỌNG: Đặt dụng cụ lên trên bề mặt phẳng và cố định khi lắp thiết bị thu và phát không dây.

CHÚ Ý: Làm sạch bụi bẩn trên dụng cụ trước khi lắp đặt thiết bị thu và phát không dây. Bụi bẩn có thể gây ra sự cố nếu lọt vào khe của thiết bị thu và phát không dây.

CHÚ Ý: Để ngăn sự cố do tĩnh điện, hãy chạm vào vật liệu xả tĩnh, chẳng hạn như phần kim loại của dụng cụ, trước khi cầm thiết bị thu và phát không dây.

CHÚ Ý: Khi lắp thiết bị thu và phát không dây, luôn đảm bảo rằng thiết bị không dây được lắp vào đúng hướng và nắp được đóng lại hoàn toàn.

1. Mở nắp trên dụng cụ như minh họa trong hình.
▶ **Hình22:** 1. Nắp
2. Lắp thiết bị thu và phát không dây vào khe và sau đó đóng nắp lại.

Khi lắp thiết bị thu và phát không dây, căn chỉnh các góc nhô ra thẳng với các phần lõm trên khe.

- ▶ **Hình23:** 1. Thiết bị thu và phát không dây 2. Góc nhô ra 3. Nắp 4. Phần lõm

Khi tháo thiết bị thu và phát không dây, mở nắp từ từ. Các móc treo vào phía sau nắp sẽ nâng thiết bị thu và phát không dây khi bạn kéo nắp lên.

- ▶ **Hình24:** 1. Thiết bị thu và phát không dây 2. Móc treo 3. Nắp

Sau khi tháo thiết bị thu và phát không dây, hãy cất giữ trong hộp đựng máy được giao kèm hoặc hộp chống tĩnh điện.

CHÚ Ý: Luôn sử dụng các móc ở phía sau nắp khi tháo thiết bị thu và phát không dây. Nếu các móc không móc vào thiết bị thu và phát không dây, đóng nắp hoàn toàn và mở lại từ từ.

Đăng ký dụng cụ cho máy hút bụi

LƯU Ý: Việc đăng ký dụng cụ yêu cầu có máy hút bụi Makita hỗ trợ chức năng kích hoạt không dây.

LƯU Ý: Hãy hoàn tất quá trình lắp thiết bị thu và phát không dây vào dụng cụ trước khi bắt đầu đăng ký dụng cụ.

LƯU Ý: Trong khi đăng ký dụng cụ, không được kéo cần khởi động công tắc hoặc bật công tắc nguồn trên máy hút bụi.

LƯU Ý: Tham khảo cả tài liệu hướng dẫn về máy hút bụi.

Nếu bạn muốn kích hoạt máy hút bụi cùng với vận hành chuyển đổi dụng cụ, hãy hoàn tất đăng ký dụng cụ trước.

1. Lắp pin vào máy hút bụi và dụng cụ.
2. Gạt công tắc chờ trên máy hút bụi về "AUTO".
▶ **Hình25:** 1. Công tắc chờ
3. Nhấn nút kích hoạt không dây trên máy hút bụi trong 3 giây cho đến khi đèn kích hoạt không dây nhấp nháy màu xanh lá. Và sau đó nhấn nút kích hoạt không dây trên dụng cụ theo cách tương tự.
▶ **Hình26:** 1. Nút kích hoạt không dây 2. Đèn kích hoạt không dây

Nếu máy hút bụi và dụng cụ được kết nối thành công, đèn kích hoạt không dây sẽ sáng màu xanh lá trong 2 giây và bắt đầu nhấp nháy màu xanh dương.

LƯU Ý: Đèn kích hoạt không dây sẽ ngừng nhấp nháy màu xanh lá sau khoảng thời gian 20 giây. Nhấn nút kích hoạt không dây trên dụng cụ khi đèn kích hoạt không dây trên máy hút bụi đang nhấp nháy. Nếu đèn kích hoạt không dây không nhấp nháy màu xanh lá, bấm nút kích hoạt không dây một cách dứt khoát và để nút xuống lần nữa.

LƯU Ý: Khi thực hiện hai hay nhiều đăng ký dụng cụ cho một máy hút bụi, hãy hoàn tất từng đăng ký dụng cụ một.

Khởi động chức năng kích hoạt không dây

LƯU Ý: Hoàn tất đăng ký dụng cụ cho máy hút bụi trước khi kích hoạt không dây.

LƯU Ý: Tham khảo cả tài liệu hướng dẫn về máy hút bụi.

Sau khi đăng ký dụng cụ cho máy hút bụi, máy hút bụi sẽ chạy tự động cùng với vận hành chuyển đổi của dụng cụ.

1. Lắp thiết bị thu và phát không dây vào dụng cụ.
2. Nối ống dẫn của máy hút bụi vào dụng cụ.
▶ **Hình27**
3. Gạt công tắc chờ trên máy hút bụi về "AUTO".
▶ **Hình28:** 1. Công tắc chờ
4. Đẩy dứt khoát nút kích hoạt không dây trên dụng cụ. Đèn kích hoạt không dây sẽ nhấp nháy màu xanh dương.
▶ **Hình29:** 1. Nút kích hoạt không dây 2. Đèn kích hoạt không dây

5. **Bật dụng cụ.** Kiểm tra xem máy hút bụi có hoạt động trong khi dụng cụ đang hoạt động hay không.

Để dừng việc kích hoạt không dây của máy hút bụi, nhấn nút kích hoạt không dây trên dụng cụ.

LƯU Ý: Đèn kích hoạt không dây trên dụng cụ sẽ dừng nhấp nháy màu xanh dương khi không vận hành 2 giờ. Trong trường hợp này, cài đặt công tắc chờ trên máy hút bụi về "AUTO" và nhấn nút kích hoạt không dây trên dụng cụ lần nữa.

LƯU Ý: Máy hút bụi khởi động/dừng lại với khoảng trì hoãn. Có một khoảng thời gian chậm lại khi máy hút bụi phát hiện việc vận hành chuyển đổi của dụng cụ.









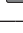
LƯU Ý: Khoảng cách truyền của thiết bị thu và phát không dây có thể khác nhau tùy thuộc vào vị trí và hoàn cảnh xung quanh.

LƯU Ý: Khi hai dụng cụ trở lên được đăng ký cho một máy hút bụi, máy hút bụi có thể bắt đầu hoạt động ngay cả khi bạn không bật dụng cụ của bạn vì người dùng khác đang sử dụng chức năng kích hoạt không dây.

Mô tả tình trạng đèn kích hoạt không dây

► **Hình30:** 1. Đèn kích hoạt không dây

Đèn kích hoạt không dây cho biết tình trạng của chức năng kích hoạt không dây. Tham khảo bảng bên dưới để biết ý nghĩa của tình trạng đèn.

Tình trạng	Đèn kích hoạt không dây				Mô tả
	Màu	 Bật	 Nhấp nháy	Khoảng thời gian	
Chờ	Màu xanh dương			2 giờ	Kích hoạt không dây của máy hút bụi là khả dụng. Đèn sẽ tự động tắt khi không vận hành 2 giờ.
				Khi dụng cụ đang chạy.	Kích hoạt không dây của máy hút bụi là khả dụng và dụng cụ đang chạy.
Đăng ký dụng cụ	Màu xanh lá			20 giây	Sẵn sàng để đăng ký dụng cụ. Chờ máy hút bụi đăng ký.
				2 giây	Đăng ký dụng cụ đã hoàn tất. Đèn kích hoạt không dây sẽ bắt đầu nhấp nháy màu xanh dương.
Hủy bỏ đăng ký dụng cụ	Màu đỏ			20 giây	Sẵn sàng để hủy bỏ đăng ký dụng cụ. Chờ máy hút bụi hủy bỏ.
				2 giây	Hủy bỏ đăng ký dụng cụ đã hoàn tất. Đèn kích hoạt không dây sẽ bắt đầu nhấp nháy màu xanh dương.
Khác	Màu đỏ			3 giây	Cấp nguồn cho thiết bị thu và phát không dây và chức năng kích hoạt không dây khởi động.
	Tắt	-	-	-	Kích hoạt không dây của máy hút bụi bị ngừng lại.

Hủy bỏ đăng ký dụng cụ cho máy hút bụi

Thực hiện theo quy trình sau đây khi hủy bỏ đăng ký dụng cụ cho máy hút bụi.

1. Lắp pin vào máy hút bụi và dụng cụ.
2. Gạt công tắc chờ trên máy hút bụi về "AUTO".

► **Hình31:** 1. Công tắc chờ

3. Nhấn nút kích hoạt không dây trên máy hút bụi trong 6 giây. Đèn kích hoạt không dây nhấp nháy màu xanh lá và sau đó bật màu đỏ. Sau đó, nhấn nút kích hoạt không dây trên dụng cụ theo cách tương tự.

► **Hình32:** 1. Nút kích hoạt không dây 2. Đèn kích hoạt không dây

Nếu thực hiện hủy bỏ thành công, đèn kích hoạt không dây sẽ sáng màu đỏ trong 2 giây và bắt đầu nhấp nháy màu xanh dương.

LƯU Ý: Đèn kích hoạt không dây sẽ ngừng nhấp nháy màu đỏ sau khoảng thời gian 20 giây. Nhấn nút kích hoạt không dây trên dụng cụ khi đèn kích hoạt không dây trên máy hút bụi đang nhấp nháy. Nếu đèn kích hoạt không dây không nhấp nháy màu đỏ, bấm nút kích hoạt không dây một cách dứt khoát và để nút xuống lần nữa.

Xử lý sự cố cho chức năng kích hoạt không dây

Trước khi yêu cầu sửa chữa, đầu tiên hãy tự tiến hành kiểm tra của riêng bạn. Nếu bạn phát hiện vấn đề nào đó không được giải thích trong sách hướng dẫn sử dụng này, đừng cố tháo dỡ dụng cụ. Thay vào đó, hãy nhờ Trung tâm dịch vụ Makita được ủy quyền, luôn sử dụng bộ phận thay thế của Makita để sửa chữa.

Tình trạng bất thường	Nguyên nhân tiềm tàng (sự cố hồng học)	Biện pháp khắc phục
Đèn kích hoạt không dây không sáng/nhấp nháy.	Thiết bị thu và phát không dây không được lắp vào dụng cụ. Thiết bị thu và phát không dây được lắp không đúng cách vào dụng cụ.	Lắp thiết bị thu và phát không dây đúng cách.
	Điện cực của thiết bị thu và phát không dây và/hoặc khe bị bẩn.	Nhẹ nhàng lau sạch bụi bẩn trên điện cực của thiết bị thu và phát không dây và làm sạch khe.
	Nút kích hoạt không dây trên dụng cụ không được nhấn.	Đẩy dứt khoát nút kích hoạt không dây trên dụng cụ.
	Công tắc chờ trên máy hút bụi không được gạt về "AUTO".	Gạt công tắc chờ trên máy hút bụi về "AUTO".
	Không có nguồn cấp điện	Cấp điện cho dụng cụ và máy hút bụi.
Không thể hoàn tất đăng ký dụng cụ / hủy bỏ đăng ký dụng cụ thành công.	Thiết bị thu và phát không dây không được lắp vào dụng cụ. Thiết bị thu và phát không dây được lắp không đúng cách vào dụng cụ.	Lắp thiết bị thu và phát không dây đúng cách.
	Điện cực của thiết bị thu và phát không dây và/hoặc khe bị bẩn.	Nhẹ nhàng lau sạch bụi bẩn trên điện cực của thiết bị thu và phát không dây và làm sạch khe.
	Công tắc chờ trên máy hút bụi không được gạt về "AUTO".	Gạt công tắc chờ trên máy hút bụi về "AUTO".
	Không có nguồn cấp điện	Cấp điện cho dụng cụ và máy hút bụi.
	Vận hành không chính xác	Nhấn dứt khoát nút kích hoạt không dây và thực hiện lại quy trình đăng ký/hủy bỏ dụng cụ.
	Dụng cụ và máy hút bụi cách xa nhau (ngoài phạm vi truyền).	Đặt dụng cụ và máy hút bụi gần nhau hơn. Khoảng cách truyền tối đa là khoảng 10 m, tuy nhiên có thể khác nhau tùy theo trường hợp.
	Trước khi hoàn tất đăng ký/hủy bỏ dụng cụ; - công tắc dụng cụ được bật hoặc; - nút nguồn trên máy hút bụi phải được bật.	Nhấn dứt khoát nút kích hoạt không dây và thực hiện lại quy trình đăng ký/hủy bỏ dụng cụ.
	Quy trình đăng ký dụng cụ cho dụng cụ hoặc máy hút bụi chưa hoàn tất.	Thực hiện quy trình đăng ký dụng cụ cho cả dụng cụ và máy hút bụi cùng một lúc.
Nhiều sóng vô tuyến do các thiết bị có thể tạo ra sóng vô tuyến cường độ cao khác gây ra.	Giữ dụng cụ và máy hút bụi cách xa các thiết bị như các thiết bị Wi-Fi và lò vi sóng.	

Tình trạng bất thường	Nguyên nhân tiềm tàng (sự cố hồng hóc)	Biện pháp khắc phục
Máy hút bụi không hoạt động theo vận hành chuyển đổi dụng cụ.	Thiết bị thu và phát không dây không được lắp vào dụng cụ. Thiết bị thu và phát không dây được lắp không đúng cách vào dụng cụ.	Lắp thiết bị thu và phát không dây đúng cách.
	Điện cực của thiết bị thu và phát không dây và/hoặc khe bị bẩn.	Nhẹ nhàng lau sạch bụi bẩn trên điện cực của thiết bị thu và phát không dây và làm sạch khe.
	Nút kích hoạt không dây trên dụng cụ không được nhấn.	Nhấn dứt khoát nút kích hoạt không dây và đảm bảo rằng đèn kích hoạt không dây đang nhấp nháy màu xanh dương.
	Công tắc chờ trên máy hút bụi không được gạt về "AUTO".	Gạt công tắc chờ trên máy hút bụi về "AUTO".
	Hơn 10 dụng cụ được đăng ký cho máy hút bụi.	Thực hiện lại đăng ký dụng cụ. Nếu có hơn 10 dụng cụ được đăng ký cho máy hút bụi, dụng cụ được đăng ký sớm nhất sẽ tự động bị hủy bỏ.
	Máy hút bụi đã xóa toàn bộ các đăng ký dụng cụ.	Thực hiện lại đăng ký dụng cụ.
	Không có nguồn cấp điện	Cấp điện cho dụng cụ và máy hút bụi.
	Dụng cụ và máy hút bụi cách xa nhau (ngoài phạm vi truyền).	Đặt dụng cụ và máy hút bụi gần nhau hơn. Khoảng cách truyền tối đa là khoảng 10 m, tuy nhiên có thể khác nhau tùy theo trường hợp.
Máy hút bụi hoạt động trong khi dụng cụ không hoạt động.	Nhiều sóng vô tuyến do các thiết bị có thể tạo ra sóng vô tuyến cường độ cao khác gây ra.	Giữ dụng cụ và máy hút bụi cách xa các thiết bị như các thiết bị Wi-Fi và lò vi sóng.
	Người dùng khác đang sử dụng kích hoạt không dây của máy hút bụi bằng dụng cụ của họ.	Tắt nút kích hoạt không dây của các dụng cụ khác hoặc hủy bỏ đăng ký dụng cụ của các dụng cụ khác.

BẢO TRÌ

⚠ THẬN TRỌNG: Hãy luôn chắc chắn rằng dụng cụ đã được tắt và hộp pin đã được tháo ra trước khi cố gắng thực hiện việc kiểm tra hay bảo dưỡng.

CHÚ Ý: Không được phép dùng xăng, ét xăng, dung môi, cồn hoặc hóa chất tương tự. Có thể xảy ra hiện tượng mất màu, biến dạng hoặc nứt vỡ.

Để đảm bảo ĐỘ AN TOÀN và ĐỘ TIN CẬY của sản phẩm, việc sửa chữa hoặc bất cứ thao tác bảo trì, điều chỉnh nào đều phải được thực hiện bởi các Trung tâm Dịch vụ Nhà máy hoặc Trung tâm được Makita Ủy quyền và luôn sử dụng các phụ tùng thiết bị thay thế của Makita.

Làm sạch dụng cụ

CHÚ Ý: Không rửa dụng cụ bằng nước.

Sau mỗi lần sử dụng, tháo hộp pin và đĩa, sau đó làm sạch bụi hoặc vết bẩn tích tụ bên trong nắp đậy đĩa. Làm sạch phần thân dụng cụ bằng cách lau hết bụi, bẩn bằng vải khô hoặc vải nhúng vào nước xà phòng và vắt khô. Dùng vải khô để lau bụi bẩn trên kính đèn. Cần thận trọng không được làm xước kính đèn, nếu không đèn có thể bị giảm độ sáng.

► **Hình33:** 1. Nắp đậy đĩa 2. Kính đèn

Làm sạch lỗ thông hơi

Thường xuyên vệ sinh các lỗ thông hơi của dụng cụ hoặc bất cứ khi nào các lỗ này bắt đầu bị kẹt vướng.

► **Hình34:** 1. Lỗ thông hơi

Thay thế dây đai đồng bộ

1. Tháo hộp pin và bánh xe.
2. Nới lỏng các bu-lông đầu lỗ lục giác bằng cách sử dụng đầu cờ lê ống lồng, sau đó tháo nắp.

► **Hình35:** 1. Cờ lê ống lồng 2. Bu-lông đầu lỗ lục giác 3. Nắp che
3. Nhấn vào nút khóa trục và giữ nó để khóa pu-li lớn, sau đó vận đai ốc ngược chiều kim đồng hồ bằng cách sử dụng đầu móng của cờ lê ống lồng.

► **Hình36:** 1. Pu-li lớn 2. Nút khóa trục
4. Nhấn nút khóa trục và giữ nó để khóa pu-li lớn, sau đó xoay đĩa nhỏ ngược chiều kim đồng hồ bằng cách sử dụng đầu dày của cờ lê ống lồng để nới lỏng dây đai đồng bộ.

► **Hình37:** 1. Nút khóa trục 2. Pu-li lớn 3. Đĩa nhỏ
5. Tháo dây đai.
6. Với các rãnh trên dây đai bên trong, gắn một đầu của dây đai vào pu-li nhỏ, sau đó gắn đầu kia của dây đai vào pu-li lớn.

► **Hình38:** 1. Dây đai 2. Pu-li lớn 3. Pu-li nhỏ

7. Nhấn nút khóa trực và giữ nó để khóa pu-li lớn, sau đó xoay đĩa nhỏ theo chiều kim đồng hồ bằng cách sử dụng đầu dày của cờ lê ống lồng để siết chặt dây đai.

► **Hình39:** 1. Nút khóa trực 2. Pu-li lớn

LƯU Ý: Đảm bảo đĩa nhỏ nằm ở vị trí như thể hiện trong hình.

► **Hình40:** 1. Đĩa nhỏ

8. Nhấn vào nút khóa trực và giữ nó để khóa pu-li lớn, và sau đó vận đai ốc theo chiều kim đồng hồ bằng cách sử dụng đầu mỏng của cờ lê ống lồng.

► **Hình41:** 1. Nút khóa trực

LƯU Ý: Khi siết chặt đai ốc, hãy đặt 19 - 21 N•m làm mô men xoắn siết chặt.

9. Gắn nắp, sau đó vận chặt các bu-lông đầu lỗ lục giác bằng đầu của cờ lê ống lồng.

► **Hình42:** 1. Cờ lê ống lồng 2. Bu-lông đầu lỗ lục giác 3. Nắp che

XỬ LÝ SỰ CỐ

Trước khi yêu cầu sửa chữa, đầu tiên hãy tự tiến hành kiểm tra của riêng bạn. Nếu bạn phát hiện vấn đề nào đó không được giải thích trong sách hướng dẫn sử dụng này, đừng cố tháo dỡ dụng cụ. Thay vào đó, hãy nhờ Trung tâm dịch vụ Makita được ủy quyền, luôn sử dụng bộ phận thay thế của Makita để sửa chữa.

Tình trạng bất thường	Nguyên nhân tiềm tàng (sự cố hồng học)	Biện pháp khắc phục
Động cơ không chạy.	Hộp pin không được lắp vào.	Lắp hai hộp pin. Dụng cụ này không hoạt động với một hộp pin.
	Vấn đề pin (điện áp thấp)	Sạc lại pin. Nếu sạc pin lại không hiệu quả, thay thế hộp pin.
	Hệ thống truyền động không làm việc đúng cách.	Nhờ trung tâm bảo trì được ủy quyền ở địa phương sửa chữa.
Động cơ ngừng chạy sau khi ít sử dụng đến.	Mức sạc pin thấp.	Sạc lại pin. Nếu sạc pin lại không hiệu quả, thay thế hộp pin.
	Quá nhiệt.	Ngừng sử dụng dụng cụ để nó nguội dần.
Vòng quay đĩa mài không tăng tốc đúng cách ngay cả sau khi chạy dụng cụ mà không tải trong 20 giây.	Pin được lắp đúng cách.	Lắp hộp pin như mô tả trong sách hướng dẫn này.
	Nguồn pin bị tụt áp.	Sạc pin lại cho hộp pin. Nếu sạc pin lại không hiệu quả, thay thế hộp pin.
	Dây đai đồng bộ đang bị trượt.	Thay thế dây đai đồng bộ bằng dây đai mới.
	Hệ thống truyền động không làm việc đúng cách.	Nhờ trung tâm bảo trì được ủy quyền ở địa phương sửa chữa.
Đĩa mài không xoay: ⇒ Ngừng máy ngay lập tức!	Dây đai đồng bộ đang bị trượt.	Thay thế dây đai đồng bộ bằng dây đai mới.
	Ngoại vật bị kẹt giữa nắp đẩy đĩa và đĩa.	Tháo hộp pin và sau đó gỡ ngoại vật ra.
	Hệ thống truyền động không làm việc đúng cách.	Nhờ trung tâm bảo trì được ủy quyền ở địa phương sửa chữa.
Rung bất thường: ⇒ Ngừng máy ngay lập tức!	Phụ tùng không thích hợp của đĩa mài.	Lắp đĩa mài theo chỉ dẫn trong sách hướng dẫn này. Vận chặt bu-lông để cố định đĩa mài chắc chắn.
	Hệ thống truyền động không làm việc đúng cách.	Nhờ trung tâm bảo trì được ủy quyền ở địa phương sửa chữa.
Dụng cụ cắt và động cơ không thể dừng lại: ⇒ Tháo hộp pin ngay lập tức!	Hư hỏng điện hoặc điện tử.	Tháo hộp pin và nhờ trung tâm bảo trì được ủy quyền ở địa phương sửa chữa.
Hiệu suất cắt kém	Là lúc để thay thế đĩa mài.	Thay thế đĩa mài bằng cái mới.
Lực hút yếu của máy hút bụi cầm tay hoạt động bằng động cơ điện.	Bộ lọc của máy hút bụi cầm tay hoạt động bằng động cơ điện bị tắc nghẽn.	Làm sạch bộ lọc. Nếu việc làm sạch bộ lọc không giải quyết được vấn đề, hãy thay thế bộ lọc.
Phần bảo vệ bên dưới không hoạt động đúng cách.	Bụi bị tích tụ bên trong nắp đẩy đĩa.	Rút ra và trả lại phần bảo vệ bên dưới nhiều lần.

PHỤ KIỆN TÙY CHỌN

⚠ THẬN TRỌNG: Các phụ kiện hoặc phụ tùng gắn thêm này được khuyến cáo sử dụng với dụng cụ Makita của bạn theo như quy định trong hướng dẫn này. Việc sử dụng bất cứ phụ kiện hoặc phụ tùng gắn thêm nào khác đều có thể gây ra rủi ro thương tích cho người. Chỉ sử dụng phụ kiện hoặc phụ tùng gắn thêm cho mục đích đã quy định sẵn của chúng.

Nếu bạn cần bất kỳ sự hỗ trợ nào để biết thêm chi tiết về các phụ tùng này, hãy hỏi Trung tâm Dịch vụ của Makita tại địa phương của bạn.

- Đĩa mài kim cương
- Cài đặt chuông
- Dây đai đồng bộ
- Cờ lê ống lồng
- Thiết bị thu và phát không dây
- Pin và bộ sạc chính hãng của Makita

LƯU Ý: Một số mục trong danh sách có thể được bao gồm trong gói dụng cụ làm phụ kiện tiêu chuẩn. Các mục này ở mỗi quốc gia có thể khác nhau.

ข้อมูลจำเพาะ

รุ่น:	CE002G
เส้นผ่านศูนย์กลางล้อ	350 - 355 mm
ความหนาล้อสูงสุด	4.0 mm
ความลึกในการตัดสูงสุด	127 mm
อัตราความเร็ว	4,200 min ⁻¹
แรงดันไฟฟ้าสูงสุด	D.C. 72 V - 80 V สูงสุด
ปริมาตรอากาศที่แนะนำของตู้ดูดฝุ่น	เท่ากับหรือมากกว่า 1.8 m ³ /min
ความยาวโดยรวม	825 mm
น้ำหนักสุทธิ	13.1 - 15.1 kg

- เนื่องจากการค้นคว้าวิจัยและพัฒนาอย่างต่อเนื่อง ข้อมูลจำเพาะในเอกสารฉบับนี้อาจเปลี่ยนแปลงได้โดยไม่ต้องแจ้งให้ทราบล่วงหน้า
- ข้อมูลจำเพาะอาจแตกต่างกันไปในแต่ละประเทศ
- น้ำหนักอาจแตกต่างกันไปตามอุปกรณ์เสริม รวมถึงตลับแบตเตอรี่ การติดอุปกรณ์เสริมที่เบาที่สุดและหนักที่สุดตามข้อบังคับของ EPTA 01/2014 มีแสดงอยู่ในตาราง

ตลับแบตเตอรี่และเครื่องชาร์จที่ใช้ได้

ตลับแบตเตอรี่	BL4040 / BL4050F* / BL4080F* * : แบตเตอรี่ที่แนะนำ
เครื่องชาร์จ	DC40RA / DC40RB / DC40RC

- ตลับแบตเตอรี่และเครื่องชาร์จบางรายการที่แสดงอยู่ด้านบนอาจไม่มีวางจำหน่ายขึ้นอยู่กับภูมิภาคที่คุณอาศัยอยู่

⚠ คำเตือน: ใช้ตลับแบตเตอรี่และเครื่องชาร์จที่ระบุไว้ข้างบนเท่านั้น การใช้ตลับแบตเตอรี่และเครื่องชาร์จประเภทอื่นอาจก่อให้เกิดความเสี่ยงที่จะได้รับบาดเจ็บและ/หรือเกิดไฟไหม้

สัญลักษณ์

ต่อไปนี้เป็นสัญลักษณ์ที่อาจใช้สำหรับอุปกรณ์ โปรดศึกษาความหมายของสัญลักษณ์ให้เข้าใจก่อนการใช้งาน



อ่านคู่มือการใช้งาน



สวมแว่นตานิรภัย



อย่าใช้ลวดตัดแบบขีด
สามารถใช้ได้เฉพาะลูกล่อเพชรเท่านั้น



อย่าตัดโลหะ



อย่าหน้าใส่



NI-MH
Li-ion

สำหรับประเทศในสหภาพยุโรปเท่านั้น
เนื่องจากในอุปกรณ์มีส่วนประกอบอันตราย ชะยะจำพวกอุปกรณ์ไฟฟ้าและอิเล็กทรอนิกส์ แบตเตอรี่ และหม้อแบตเตอรี่จึงอาจส่งผลกระทบต่อสิ่งแวดล้อมและสุขภาพของมนุษย์ในเชิงลบ
อย่าทิ้งเครื่องใช้ไฟฟ้าและอิเล็กทรอนิกส์หรือแบตเตอรี่ร่วมกับวัสดุเหลือทิ้งในครัวเรือน!
เพื่อให้เป็นไปตามกฎระเบียบของยุโรปว่าด้วยชะยะจำพวกอุปกรณ์ไฟฟ้าและอิเล็กทรอนิกส์ และหม้อสะสมไฟฟ้าและแบตเตอรี่ และชะยะจำพวกหม้อสะสมไฟฟ้าและแบตเตอรี่ รวมถึงการบังคับใช้ตามกฎหมายภายในประเทศ ควรมีการจัดเก็บชะยะจำพวกอุปกรณ์ไฟฟ้า แบตเตอรี่ และหม้อสะสมไฟฟ้าแยกต่างหากและส่งไปยังจุดรับชะยะต่างหากในเขตเทศบาลซึ่งมีการดำเนินการตามระเบียบว่าด้วยการดูแลสิ่งแวดล้อม
โดยระบุด้วยสัญลักษณ์เส้นคาดขวางรูปถังชะยะแบบมีล้อไว้บนอุปกรณ์

จุดประสงค์การใช้งาน

เครื่องมือชนิดนี้ใช้เพื่อตัดอิฐและคอนกรีตด้วยลูกล่อเพชร

คำเตือนด้านความปลอดภัย

คำเตือนด้านความปลอดภัยของเครื่องมือไฟฟ้าทั่วไป

คำเตือน อ่านคำเตือนด้านความปลอดภัย คู่มือ ภาพและข้อมูลจำเพาะที่มีมาให้พร้อมกับเครื่องมือไฟฟ้านี้ หากไม่ปฏิบัติตามคำเตือนทั้งหมดด้านล่างนี้อาจส่งผลให้เกิดไฟช็อต ไฟไหม้ และ/หรือได้รับบาดเจ็บสาหัสได้

เก็บรักษาคำเตือนและคำแนะนำทั้งหมดไว้เป็นข้อมูลอ้างอิงในอนาคต

คำว่า “เครื่องมือไฟฟ้า” ในคำเตือนนี้หมายถึงเครื่องมือไฟฟ้า (มีสาย) ที่ทำงานโดยใช้กระแสไฟฟ้าหรือเครื่องมือไฟฟ้า (ไร้สาย) ที่ทำงานโดยใช้แบตเตอรี่

ความปลอดภัยของพื้นที่ทำงาน

1. ดูแลพื้นที่ทำงานให้มีความสะอาดและมีแสงไฟสว่าง พื้นที่ที่กระเบื้องกระเบื้องหรือมิดที่บอบบางนำไปสู่การเกิดอุบัติเหตุได้
2. อย่าใช้งานเครื่องมือไฟฟ้าในสภาพที่อาจเกิดการระเบิด เช่น ในสถานที่ที่มีของเหลว ก๊าซ หรือฝุ่นผงที่มีคุณสมบัติไวไฟ เครื่องมือไฟฟ้าอาจสร้างประกายไฟและจุดชนวนฝุ่นผงหรือก๊าซดังกล่าว
3. ดูแลไม่ให้มีเด็กหรือบุคคลอื่นอยู่ในบริเวณที่กำลังใช้เครื่องมือไฟฟ้า การมีสิ่งรบกวนสมาธิอาจทำให้คุณสูญเสียการควบคุม

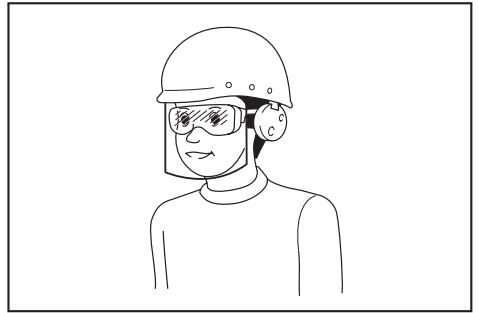
ความปลอดภัยด้านไฟฟ้า

1. ปลั๊กของเครื่องมือไฟฟ้าต้องพอดีกับเต้ารับ อย่าดัดแปลงปลั๊กไม่ว่ากรณีใดๆ อย่าใช้ปลั๊กอะแดปเตอร์กับเครื่องมือไฟฟ้าที่ต่อสายดิน ปลั๊กที่ไม่ถูกดัดแปลงและเต้ารับที่เข้ากันพอดีจะช่วยลดความเสี่ยงของการเกิดไฟฟ้าช็อต
2. ระวังอย่าให้ร่างกายสัมผัสกับพื้นผิวที่ต่อสายดิน เช่น ท่อ เครื่องนำความร้อน เตาหุงต้ม และตู้เย็น มีความเสี่ยงที่จะเกิดไฟฟ้าช็อตสูงขึ้น หากร่างกายของคุณสัมผัสกับพื้น
3. อย่าให้เครื่องมือไฟฟ้าถูกน้ำหรืออยู่ในสภาพเปียกชื้น น้ำที่ไหลเข้าไปในเครื่องมือไฟฟ้าจะเพิ่มความเสี่ยงของการเกิดไฟฟ้าช็อต
4. อย่าใช้สายไฟอย่างไม่เหมาะสม อย่าใช้สายไฟเพื่อยก ดึง หรือถอดปลั๊กเครื่องมือไฟฟ้า เก็บสายไฟให้ห่างจากความร้อน น้ำมัน ของมีคม หรือชิ้นส่วนที่เคลื่อนที่ สายที่ชำรุดหรือพันกันจะเพิ่มความเสี่ยงของการเกิดไฟฟ้าช็อต

- ขณะที่ใช้งานเครื่องมือไฟฟ้านอกอาคาร ควรใช้สายต่อพ่วงที่เหมาะสมกับงานภายนอกอาคาร การใช้สายที่เหมาะสมกับงานภายนอกอาคารจะลดความเสี่ยงของการเกิดไฟฟ้าช็อต
- หากต้องใช้งานเครื่องมือไฟฟ้าในสถานที่เปียกชื้น ให้ใช้อุปกรณ์ป้องกันกระแสไฟรั่ว (RCD) การใช้ RCD จะลดความเสี่ยงของการเกิดไฟฟ้าช็อต
- เครื่องมือไฟฟ้าอาจสร้างสนามแม่เหล็ก (EMF) ที่ไม่เป็นอันตรายต่อผู้ใช้ อย่างไรก็ตาม ผู้ใช้ที่ใส่เครื่องกระตุ้นหัวใจและอุปกรณ์ทางการแพทย์ที่คล้ายกันนี้ ควรติดต่อผู้ผลิตอุปกรณ์และ/หรือแพทย์เพื่อรับคำแนะนำก่อนใช้งานเครื่องมือไฟฟ้านี้
- อย่าให้ความคุ้นเคยจากการใช้งานเครื่องมือเป็นประจำทำให้คุณทำตามตามสบายและละเลยหลักการเพื่อความปลอดภัยในการใช้เครื่องมือ การกระทำที่เผลอ翼翼ระวังอาจทำให้เกิดการบาดเจ็บร้ายแรงภายใต้วินาที
- สวมใส่แว่นครอบตานิรภัยเพื่อปกป้องดวงตาของคุณจากการบาดเจ็บเมื่อใช้เครื่องมือไฟฟ้า แว่นครอบตาจะต้องได้มาตรฐาน ANSI Z87.1 ในสหรัฐ, EN 166 ในยุโรป หรือ AS/NZS 1336 ในออสเตรเลีย/นิวซีแลนด์ ในออสเตรเลีย/นิวซีแลนด์ จะต้องสวมเกราะป้องกันใบหน่าเพื่อปกป้องใบหน้าของคุณอย่างถูกต้องตามกฎหมายด้วย

ความปลอดภัยส่วนบุคคล

- ให้ระมัดระวังและมีสติอยู่เสมอขณะใช้งานเครื่องมือไฟฟ้า อย่าใช้งานเครื่องมือไฟฟ้าในขณะที่คุณกำลังเหนื่อย หรือในสภาพที่มึนเมาจากยาเสพติด เครื่องดื่ม แอลกอฮอล์ หรือการเข้ายา ช่วงเวลาที่ขาดความระมัดระวังเมื่อกำลังใช้งานเครื่องมือไฟฟ้าอาจทำให้ได้รับบาดเจ็บร้ายแรง
- ใช้อุปกรณ์ป้องกันส่วนบุคคล สวมแว่นตาป้องกันเสมอ อุปกรณ์ป้องกัน เช่น หน้ากากกันฝุ่น รองเท้านิรภัยกันลื่น หมวกนิรภัย หรือเครื่องป้องกันการได้ยินที่ใช้ในสภาพที่เหมาะสมจะช่วยลดการบาดเจ็บ
- ป้องกันไม่ให้เกิดการเปิดใช้งานโดยไม่ตั้งใจ ตรวจสอบให้แน่ใจว่าสวิตช์ปิดอยู่ก่อนที่จะเชื่อมต่อกับแหล่งจ่ายไฟ และ/หรือชุดแบตเตอรี่ รวมทั้งตรวจสอบก่อนการยกหรือเคลื่อนย้ายเครื่องมือ การถอดหัวมีดบริเวณสวิตช์เพื่อถ่อเครื่องมือไฟฟ้า หรือการชาร์จไฟเครื่องมือไฟฟ้าในขณะที่เปิดสวิตช์อยู่อาจนำไปสู่การเกิดอุบัติเหตุ
- นำกุญแจปรับตั้งหรือประแจออกก่อนที่จะเปิดเครื่องมือไฟฟ้า ประแจหรือกุญแจที่เสียบค้างอยู่ในชิ้นส่วนที่หมุนได้ของเครื่องมือไฟฟ้าอาจทำให้ได้รับบาดเจ็บ
- อย่าทำงานในระยะที่สูดเอื้อม จัดท่าการยืนและการทรงตัวให้เหมาะสมตลอดเวลา เพราะจะทำให้ควบคุมเครื่องมือไฟฟ้าได้ดีขึ้นในสถานการณ์ที่ไม่คาดคิด
- แต่งกายให้เหมาะสม อย่าสวมเครื่องแต่งกายที่หลวมเกินไป หรือสวมเครื่องประดับ ดูแลไม่ให้เส้นผมและเสื้อผ้าอยู่ใกล้ชิ้นส่วนที่เคลื่อนที่ เสื้อผ้า ร่มรุ่ม เครื่องประดับ หรือผมที่มีความยาวอาจเข้าไปติดในชิ้นส่วนที่เคลื่อนที่
- หากมีการจัดอุปกรณ์สำหรับตัดและจัดเก็บฝุ่นไว้ในสถานที่ ให้ตรวจสอบว่าได้เชื่อมต่อและใช้งานอุปกรณ์นั้นอย่างเหมาะสม การใช้เครื่องดูดและจัดเก็บฝุ่นจะช่วยลดอันตรายที่เกิดจากฝุ่นผงได้



ผู้ว่าจ้างมีหน้าที่รับผิดชอบในการบังคับผู้ใช้งานเครื่องมือและบุคคลอื่นๆ ที่อยู่ในบริเวณที่ปฏิบัติงานให้ใช้อุปกรณ์ป้องกันที่เหมาะสม

การใช้และดูแลเครื่องมือไฟฟ้า

- อย่าฝืนใช้เครื่องมือไฟฟ้า ใช้เครื่องมือไฟฟ้าที่เหมาะสมกับการใช้งานของคุณ เครื่องมือไฟฟ้าที่เหมาะสมจะทำให้ได้งานที่มีประสิทธิภาพและปลอดภัยกว่าตามขีดความสามารถของเครื่องที่ได้รับการออกแบบมา
- อย่าใช้เครื่องมือไฟฟ้า หากสวิตช์ไม่สามารถเปิดปิดได้ เครื่องมือไฟฟ้าที่ควบคุมด้วยสวิตช์ไม่ได้เป็นสิ่งอันตรายและต้องได้รับการซ่อมแซม
- ถอดปลั๊กจากแหล่งจ่ายไฟ และ/หรือชุดแบตเตอรี่ออกจากเครื่องมือไฟฟ้าก่อนทำการปรับตั้ง เปลี่ยนอุปกรณ์เสริม หรือจัดเก็บเครื่องมือไฟฟ้า วิธีการป้องกันด้านความปลอดภัยดังกล่าวจะช่วยลดความเสี่ยงในการเปิดใช้งานเครื่องมือไฟฟ้าโดยไม่ตั้งใจ
- จัดเก็บเครื่องมือไฟฟ้าที่ไม่ได้ใช้งานให้ห่างจากมือเด็ก และอย่าอนุญาตให้บุคคลที่ไม่คุ้นเคยกับเครื่องมือไฟฟ้าหรือคำแนะนำเหล่านี้ใช้งานเครื่องมือไฟฟ้า เครื่องมือไฟฟ้าจะเป็นอันตรายเมื่ออยู่ในมือของผู้ที่ไม่ได้รับการฝึกอบรม

- บำรุงรักษาเครื่องมือไฟฟ้าและอุปกรณ์เสริม ตรวจสอบการประกอบที่ไม่ถูกต้องหรือการเชื่อมต่อของชิ้นส่วนที่เคลื่อนที่ การแตกหักของชิ้นส่วนหรือสภาพอื่น ๆ ที่อาจส่งผลกระทบต่อการทำงานของเครื่องมือไฟฟ้า หากมีความเสียหาย ให้นำเครื่องมือไฟฟ้าไปซ่อมแซมก่อนการใช้งาน อุบัติเหตุจำนวนมากเกิดจากการดูแลรักษาเครื่องมือไฟฟ้าอย่างไม่ถูกต้อง
- ทำความสะอาดเครื่องมือตัดและลับให้คมอยู่เสมอ เครื่องมือการตัดที่มีการดูแลอย่างถูกต้องและมีขอบการตัดคมมักจะมีปัญหาติดขัดน้อยและควบคุมได้ง่ายกว่า
- ใช้เครื่องมือไฟฟ้า อุปกรณ์เสริม และวัสดุสิ้นเปลือง ฯลฯ ตามคำแนะนำดังกล่าว พิจารณาสภาพการทำงานและงานที่จะลงมือทำ การใช้เครื่องมือไฟฟ้าเพื่อทำงานอื่นนอกเหนือจากที่กำหนดไว้อาจทำให้เกิดอันตราย
- ดูแลมือจับและบริเวณมือจับให้แห้ง สะอาด และไม่มีน้ำมันและจาระบีเปื้อน มือจับและบริเวณมือจับที่ลื่นจะทำให้ไม่สามารถจับและควบคุมเครื่องมือได้อย่างปลอดภัยในสถานการณ์ที่ไม่คาดคิด
- ขณะใช้งานเครื่องมือ อย่าสวมใส่ถุงมือผ้าที่อาจเข้าไปติดในเครื่องมือได้ หากถุงมือผ้าเข้าไปติดในชิ้นส่วนที่กำลังเคลื่อนที่อยู่อาจทำให้ได้รับบาดเจ็บ

การใช้งานและดูแลเครื่องมือที่ใช้แบตเตอรี่

- ชาร์จไฟใหม่ด้วยเครื่องชาร์จที่ระบุโดยผู้ผลิตเท่านั้น เครื่องชาร์จที่เหมาะสมสำหรับชุดแบตเตอรี่ประเภทหนึ่ง อาจเสี่ยงที่จะเกิดไฟไหม้หากนำไปใช้กับชุดแบตเตอรี่อีกประเภทหนึ่ง
- ใช้เครื่องมือไฟฟ้ากับชุดแบตเตอรี่ที่กำหนดมาโดยเฉพาะเท่านั้น การใช้ชุดแบตเตอรี่ประเภทอื่นอาจทำให้เสี่ยงที่จะได้รับบาดเจ็บและเกิดไฟไหม้
- เมื่อไม่ใช้งานชุดแบตเตอรี่ ให้เก็บห่างจากวัตถุที่เป็นโลหะอื่น ๆ เช่น คลิปหนีบกระดาษ เหรียญ กุญแจ กรรไกรตัดเล็บ สกรู หรือวัตถุที่เป็นโลหะขนาดเล็กอื่น ๆ ที่สามารถเชื่อมต่อชั่วคราวกับอีกขั้วหนึ่งได้ การลัดวงจรขั้วแบตเตอรี่อาจทำให้อ่อนจัดหรือเกิดไฟไหม้
- ในกรณีที่ใช้งานไม่ถูกต้อง อาจมีของเหลวไหลออกจากแบตเตอรี่ ให้หลีกเลี่ยงการสัมผัส หากสัมผัสโดนของเหลวโดยไม่ตั้งใจ ให้ล้างออกด้วยน้ำ หากของเหลวกระเด็นเข้าตา ให้รีบไปพบแพทย์ ของเหลวที่ไหลออกจากแบตเตอรี่อาจทำให้ผิวหนังระคายเคืองหรือไหม้

- ห้ามใช้ชุดแบตเตอรี่หรือเครื่องมือที่ชาร์จหรือมีการแก้ไข แบตเตอรี่ที่เสียหายหรือมีการแก้ไขอาจทำให้เกิดสิ่งที่ไม่ดีได้ เช่น ไฟไหม้ระเบิด หรือเสี่ยงต่อการบาดเจ็บ
- ห้ามให้ชุดแบตเตอรี่อยู่ใกล้ไฟ หรือบริเวณที่มีอุณหภูมิสูงเกิน หากโดนไฟ หรืออุณหภูมิสูงเกิน 130 °C อาจก่อให้เกิดการระเบิดได้
- กรุณาปฏิบัติตามคำแนะนำสำหรับชาร์จไฟ และห้ามชาร์จแบตเตอรี่หรือเครื่องมือในบริเวณที่มีอุณหภูมินอกเหนือไปจากที่ระบุในคำแนะนำ การชาร์จไฟที่ไม่เหมาะสม หรืออุณหภูมินอกเหนือไปจากช่วงอุณหภูมิที่ระบุในคำแนะนำอาจทำให้แบตเตอรี่เสียหายและเป็นการเพิ่มความเสี่ยงในการเกิดไฟไหม้

การซ่อมบำรุง

- นำเครื่องมือไฟฟ้าเข้ารับบริการจากช่างซ่อมที่ผ่านการรับรองโดยช่างผู้เชี่ยวชาญเท่านั้น เพราะจะทำให้การใช้เครื่องมือไฟฟ้ามีความปลอดภัย
- ห้ามใช้ชุดแบตเตอรี่ที่เสียหาย ชุดแบตเตอรี่ที่ชำรุดเป็นชุดที่มาจากผู้ผลิต หรือผู้ให้บริการที่ได้รับอนุญาตเท่านั้น
- ปฏิบัติตามคำแนะนำในการหล่อลื่นและการเปลี่ยนอุปกรณ์เสริม

คำเตือนด้านความปลอดภัยของเครื่องตัดไฟฟ้าไร้สาย

คำเตือนด้านความปลอดภัยของเครื่องตัด

- ที่ป้องกันที่ให้กับเครื่องมือจะต้องยึดไว้กับเครื่องมือไฟฟ้าอย่างแน่นหนาและวางไว้ในตำแหน่งที่มีความปลอดภัยสูงสุด เพื่อให้ส่วนลื่นหันเข้าหาผู้ปฏิบัติงานน้อยที่สุด ให้ตัวคุณเองและผู้ที่อยู่ข้างเคียงอยู่ห่างจากบริเวณที่ลื่นหมุน ที่ป้องกันจะช่วยป้องกันผู้ปฏิบัติงานจากเศษลื่นแตกและการสัมผัสกับลื่นโดยไม่ตั้งใจ
- ใช้เฉพาะลวดตัดแบบเพชรสำหรับเครื่องมือไฟฟ้าของคุณ การที่อุปกรณ์เสริมต่างๆ สามารถติดตั้งเข้ากับเครื่องมือไฟฟ้าของคุณได้นั้นไม่ได้เป็นการรับประกันว่าจะสามารถใช้งานร่วมกับอุปกรณ์ดังกล่าวได้อย่างปลอดภัย
- อัตราความเร็วของอุปกรณ์เสริมนั้นอย่างน้อยต้องเท่ากับความเร็วสูงสุดที่ระบุไว้ในเครื่องมือไฟฟ้านี้ อุปกรณ์เสริมที่ทำงานด้วยความเร็วกว่าอัตราความเร็วของตนอาจจะแตกหักหรือกระเด็นออกมาได้

4. ต้องใช้งานล้อยในลักษณะการใช้งานที่แนะนำเท่านั้น ตัวอย่างเช่น อย่าขัดด้วยด้านข้างของล้อตัด ล้อตัดใช้เพื่อขุดรบกวน แรงดันข้างที่กระทำต่อล้อเหล่านี้อาจทำให้ล้อแตกละเอียดได้
5. ใช้แต่แกนล้อที่ไม่เสียหายและมีเส้นผ่านศูนย์กลางตรงกับลูกล้อยที่ใช้เท่านั้น แกนล้อที่ถูกต้องจะรองรับลูกล้อยได้อย่างมีประสิทธิภาพจึงสามารถลดโอกาสในการเสียหายของลูกล้อยได้
6. เส้นผ่านศูนย์กลางภายนอกและความหนาของอุปกรณ์เสริมของคุณจะต้องอยู่ในอัตราความสามารถของเครื่องมือไฟฟ้าของคุณ อุปกรณ์เสริมที่มีขนาดไม่เหมาะสมจะไม่สามารถควบคุมหรือป้องกันได้อย่างมีประสิทธิภาพ
7. ขนาดแกนของลูกล้อยและแกนต้องสามารถติดตั้งเข้ากับเพลลาของเครื่องมือไฟฟ้าได้แน่นพอดี ลูกล้อยและแกนพร้อมด้วยข้อใส่แกนที่มีขนาดไม่พอดีที่จะติดตั้งอุปกรณ์ของเครื่องมือไฟฟ้าจะไม่สามารถทำงานได้อย่างสมดุล มีอาการสั่นมากเกินไป และอาจทำให้ไม่สามารถควบคุมได้
8. ห้ามใช้ลูกล้อยที่เสียหาย ก่อนการใช้งานทุกครั้ง โปรดตรวจสอบร่องรอยความเสียหายของลูกล้อย หากลูกล้อยหรือเครื่องมือไฟฟ้าตกลงพื้น ให้ตรวจสอบความเสียหายและติดตั้งลูกล้อยที่ไม่มี ความเสียหาย หลังจากการตรวจสอบและการติดตั้งลูกล้อย ให้ตัวคุณเองและผู้อยู่ใกล้เคียงอยู่ห่างจากบริเวณที่ลูกล้อยหมุนและเปิดเครื่องมือไฟฟ้าที่ความเร็วหมุนเปล่าสูงสุดเป็นเวลาหนึ่งนาที โดยปกติแล้ว ล้อที่เสียหายจะแตกออกในระหว่างเวลาการทดสอบนี้
9. สวมอุปกรณ์ป้องกันส่วนบุคคล ขึ้นอยู่กับรูปแบบการใช้งานของคุณ ให้ใช้หน้ากาก หน้ากากนิรภัยหรือแว่นนิรภัย สวมหน้ากากป้องกันฝุ่น ที่ป้องกันเสียง ถุงมือ และผ้ากันเปื้อนที่สามารถป้องกันการกระเด็นของชิ้นงานได้ตามความเหมาะสม อุปกรณ์ป้องกันดวงตาจะต้องสามารถป้องกันฝุ่นหรือสิ่งสกปรกที่กระเด็นจากการทำงานได้ หน้ากากป้องกันฝุ่นหรือที่ช่วยหายใจจะต้องสามารถกรองอนุภาคที่เกิดจากการทำงานของคุณได้ การฟังเสียงดังมาก ๆ เป็นเวลานาน อาจทำให้ระบบการได้ยินเสียหายได้
10. โปรดกันให้ผู้ไม่เกี่ยวข้องอยู่ห่างจากบริเวณที่ปฏิบัติงานในระยะปลอดภัย ผู้ที่เข้าพื้นที่ปฏิบัติงานจะต้องสวมอุปกรณ์ป้องกันส่วนบุคคล เศษชิ้นงานหรือลูกล้อยที่แตกหักอาจจะกระเด็นและก่อให้เกิดอาการบาดเจ็บในสถานที่รอบๆ บริเวณปฏิบัติงานได้
11. ถือเครื่องมือไฟฟ้าบริเวณเมื่อจับที่เป็นฉนวนเท่านั้น เมื่อทำงานที่เครื่องมือตัดอาจสัมผัสกับสายไฟที่ซ่อนอยู่ เครื่องมือตัดที่สัมผัสกับสายไฟที่ “มีกระแสไฟฟ้าไหลผ่าน” อาจทำให้ส่วนที่เป็นโลหะของเครื่องมือไฟฟ้าที่ไม่ฉนวนหุ้ม “มีกระแสไฟฟ้าไหลผ่าน” และทำให้ผู้ปฏิบัติงานถูกไฟฟ้าช็อตได้
12. อย่าวางเครื่องมือไฟฟ้าลงจนกว่าจะหยุดหมุนสนิท ลูกล้อยที่กำลังหมุนอาจจะกระทบกับพื้นผิวและทำให้เครื่องมือไฟฟ้าหลุดมือคุณได้
13. อย่าเปิดเครื่องมือไฟฟ้าเมื่อถือไว้ข้างตัวคุณ เนื่องจากการสัมผัสกับอุปกรณ์ที่กำลังหมุนโดยไม่ได้ตั้งใจนั้น อาจพันกับเสื้อผ้าของคุณและดึงอุปกรณ์เข้าสู่ร่างกายของคุณได้
14. โปรดทำความสะอาดรูระบายอากาศของเครื่องมือไฟฟ้าอย่างสม่ำเสมอ พัดลมของมอเตอร์จะดูดฝุ่นเข้าไปในตัวเครื่องและการมีฝุ่นสะสมในตัวเครื่องมากเกินไปอาจทำให้เกิดอันตรายจากกระแสไฟฟ้าได้
15. อย่าใช้เครื่องมือไฟฟ้าใกล้ๆ วัสดุที่ติดไฟได้ เนื่องจากประกายไฟอาจทำให้วัสดุดังกล่าวติดไฟ
16. อย่าใช้อุปกรณ์เสริมที่จำเป็นต้องใช้สารหล่อเย็นที่เป็นของเหลว การใช้สารหล่อเย็นที่เป็นน้ำหรือของเหลว อาจทำให้ไฟช็อตหรือเสียชีวิตด้วยไฟฟ้าได้

คำเตือนเกี่ยวกับการติดกลับและสิ่งที่เกี่ยวข้อง

การติดกลับคือปฏิกิริยาตอบสนองฉับพลันต่อลูกล้อยที่กำลังหมุนแล้วสะดุดหรือติดขัด การสะดุดหรือการติดขัดจะทำให้ลูกล้อยที่กำลังหมุนปัดหัวลงอย่างรวดเร็วซึ่งเป็นสาเหตุให้เครื่องมือไฟฟ้าที่ไม่สามารถควบคุมได้เกิดแรงสะท้อนกลับไปยังทิศทางตรงข้ามกับการหมุน

ตัวอย่างเช่น หากวงล้อนั้นสะดุดหรือติดขัดกับชิ้นงานขอบของลูกล้อยที่เข้าไปยังจุดติดขัดจะเจาะเข้าไปยังพื้นผิวของวัสดุและทำให้ลูกล้อยดีดตัวขึ้นมา ล้อดังกล่าวอาจจะกระเด็นเข้าหาหรือออกห่างตัวผู้ปฏิบัติงาน ทั้งนี้ขึ้นอยู่กับทิศทางการหมุนของล้อเมื่อเกิดการสะดุด ล้ออาจแตกออกในสภาวะดังกล่าว

การติดกลับเป็นผลมาจากการใช้เครื่องมือไฟฟ้าผิดจุดประสงค์ และ/หรือ การใช้ผิดวิธี และสามารถป้องกันได้โดยใช้วิธีการป้องกันดังต่อไปนี้

1. จับตามจับเครื่องมือไฟฟ้าให้แน่นและจัดตำแหน่งร่างกายและแขนให้สามารถต้านทานแรงติดกลับได้ ใช้มือจับเสริมเสมอ ถ้ามี เพื่อให้สามารถควบคุมการติดกลับหรือการสะท้อนของแรงบิดในระหว่างการเริ่มทำงานได้อย่างมีประสิทธิภาพ ผู้ปฏิบัติงานจะสามารถควบคุมแรงสะท้อนของแรงบิดหรือแรงบิดกลับได้หากดำเนินการป้องกันอย่างเหมาะสม

2. อย่าเอามือไว้ใกล้อุปกรณ์หมุน อุปกรณ์ดังกล่าวอาจติดกลับใส่มือคุณได้
3. อย่าให้ร่างกายของคุณอยู่ในระดับเดียวกับลูกล้อยที่กำลังหมุน การติดกลับจะทำให้เครื่องมือสะบัดไปยังทิศทางตรงกันข้ามของการเคลื่อนไหวของลูกล้อยเมื่อเกิดการสะดุด
4. ใช้ความระมัดระวังเป็นพิเศษเพื่อปฏิบัติงานกับมุมขอบที่มีความแหลมคม ฯลฯ หลีกเลี่ยงการกระแทกและการติดขัดของอุปกรณ์ มุม ขอบที่มีความแหลมคม หรือการกระแทกนั้นอาจทำให้เกิดการสะดุดของอุปกรณ์หมุนและทำให้เสียการควบคุมหรือการติดกลับได้
5. อย่าติดตั้งโซ่เลื่อย ใบมีดเลื่อยไม้ ลูกล้อยเพชรแบบแบ่งส่วนซึ่งมีช่องว่างด้านข้างมากกว่า 10 mm (3/8") หรือใบเลื่อยแบบซี่ ใบมีดดังกล่าวมักจะทำให้เกิดการติดกลับและสูญเสียการควบคุม
6. อย่าทำให้ลูกล้อย "ติด" หรือใช้แรงดันมากเกินไป อย่าพยายามทำความสะอาดในการตัดมากเกินไป การกดดันลูกล้อยมากเกินไปจะเป็นการเพิ่มการโหลดและความไวที่ลูกล้อยจะเกิดการบิดหรือการติดขัดระหว่างการตัดและความเป็นไปได้ในการติดกลับหรือลูกล้อยแตก
7. เมื่อลูกล้อยติดขัดหรือรบกวนการตัดด้วยเหตุใดๆ ก็ตาม ให้ปิดเครื่องมือไฟฟ้าและถือเครื่องมือไฟฟ้าด้วยไว้เฉยๆ จนกว่าลูกล้อยจะหยุดสนิท ห้ามพยายามถอดลูกล้อยออกจากรอยตัดขณะที่ลูกล้อยยังเคลื่อนไหว มิฉะนั้นอาจเกิดการติดกลับได้ ตรวจสอบและแก้ไขเพื่อกำจัดสาเหตุที่ทำให้ลูกล้อยติดขัด
8. อย่าเริ่มการตัดชิ้นใหม่โดยที่เครื่องมือคาอยู่ในชิ้นงาน ให้ลูกล้อยทำความเร็วสูงสุดแล้วจึงสอดเข้าไปในรอยตัดอีกครั้งอย่างระมัดระวัง ลูกล้อยอาจติดขัด ดิ่งหรือติดกลับได้หากเริ่มใช้เครื่องมือไฟฟ้าระหว่างที่ยังคาอยู่ในชิ้นงาน
9. รอรับแผ่นหรือชิ้นงานขนาดใหญ่ต่างๆ เพื่อลดความเสี่ยงในการที่ลูกล้อยจะบีบแน่นและติดกลับ ชิ้นงานที่มีขนาดใหญ่มีแนวโน้มที่จะแอ่นลงเนื่องจากน้ำหนักของตนเอง ควรวางที่รองรับไว้ใต้ชิ้นงานให้ใกล้กับขอบของชิ้นงานทั้งสองด้านของล้อย
10. ใช้ความระมัดระวังเป็นพิเศษขณะทำการ "ตัดผ่าน" กำแพงที่มีอยู่แล้วหรือพื้นที่ที่มีอุปสรรคอื่น ๆ ล้อยที่ยื่นออกมาอาจตัดท่อก๊าซหรือท่อน้ำ สายไฟฟ้าหรือสิ่งอื่น ๆ ที่อาจทำให้เกิดการติดกลับได้

คำเตือนด้านความปลอดภัยเพิ่มเติม:

1. อย่าใช้ล้อยตัดแบบซัด ไม่เช่นนั้น ไฟและ/หรือความร้อนที่สูงเกินไปอาจทำให้เกิดการบาดเจ็บจากการไหม้ผิวได้

2. อย่าตัดวัตถุโลหะ ไม่เช่นนั้น ไฟและ/หรือความร้อนที่สูงเกินไปอาจทำให้เกิดการบาดเจ็บจากการไหม้ผิวได้
3. ก่อนใช้งานลูกล้อยเพชรแบบแบ่งส่วน ตรวจสอบให้แน่ใจว่าลูกล้อยเพชรมีช่องว่างเส้นรอบวง 10 mm (3/8") หรือน้อยกว่า เฉพาะมุมคายเชิงลบ
4. อย่าพยายามตัดด้วยเครื่องมือโดยใช้ที่จับหรือสิ่งอื่นๆ จับเครื่องมือหมายถึงชิ้น การกระทำนี้อาจทำให้เกิดอุบัติเหตุร้ายแรง เนื่องจากเป็นสิ่งที่อันตรายอย่างมาก
5. วัสดุบางอย่างอาจมีสารเคมีที่เป็นพิษ ระวังอย่าสูดดมฝุ่นหรือสัมผัสกับผิวหนัง ปฏิบัติตามข้อมูลด้านความปลอดภัยของผู้ผลิตวัสดุ
6. เก็บลูกล้อยไว้ตามคำแนะนำของผู้ผลิต การเก็บรักษาที่ไม่เหมาะสมอาจทำให้ลูกล้อยเสียหาย
7. ใช้ล้อยที่เหมาะสมกับงานของคุณและวัสดุที่ต้องการตัด
8. ตรวจสอบวัสดุที่ต้องการตัดก่อนทำการตัด หากวัสดุประกอบด้วยสารระเบิดหรือไวไฟ อาจก่อให้เกิดการระเบิดหรือไฟไหม้ได้
9. อย่าเปิดเครื่องมือหากมีวัตถุแปลกปลอมติดขัดอยู่ระหว่างฝาครอบบวงล้อและล้อย ในกรณีนี้ ให้ถอดดัลลิมเบตเตอร์และกำจัดวัตถุแปลกปลอมออกก่อน
10. ใช้ที่หนีบหรืออุปกรณ์ที่คล้ายกันรองรับชิ้นงานเสมอ
11. สวมอุปกรณ์ป้องกันเสียงระหว่างการทำงานเสมอ
12. อย่าตัดวัสดุไม่ได้ด้วยเครื่องมือนี้
13. เส้นผ่านศูนย์กลางภายนอกและความหนาของล้อยจะต้องอยู่ภายในอัตราความสามารถของเครื่องมือของคุณ ล้อยที่มีขนาดไม่ถูกต้องอาจไม่ได้รับการปกป้องหรือควบคุมอย่างเพียงพอ
14. เมื่อใช้งานเครื่องมือ ให้จับตามจับบนเครื่องมือด้วยมือทั้งสองข้างให้แน่น และจัดตำแหน่งของร่างกายและแขนของคุณให้สามารถทนต่อแรงติดกลับของเครื่องมือได้
15. ดูแลให้มือหรือใบหน้าของคุณอยู่ห่างจากล้อยที่กำลังหมุนอยู่
16. ปรับฝาครอบล้อยให้อยู่ในตำแหน่งที่เหมาะสมกับงานของคุณ
17. อย่าให้เครื่องมือเปียกจากน้ำ ฝน โคลน และแอ่งน้ำ
18. อย่าวางเครื่องมือทิ้งไว้บนอาคาร
19. เมื่อจัดเก็บเครื่องมือ ให้หลีกเลี่ยงแสงแดดโดยตรงและฝน และจัดเก็บเครื่องมือไว้ในที่ที่จะไม่เกิดความร้อนหรือความชื้น
20. ทำความสะอาดตัวรองของที่ดูดฝุ่นเป็นประจำ

ปฏิบัติตามคำแนะนำเหล่านี้

คำเตือน: อย่าให้ความไม่ระมัดระวังหรือความคุ้นเคยกับผลิตภัณฑ์ (จากการใช้งานซ้ำหลายครั้ง) อยู่เหนือการปฏิบัติตามกฎเกณฑ์ด้านความปลอดภัยในการใช้งานผลิตภัณฑ์อย่างเคร่งครัด การใช้งานอย่างไม่เหมาะสมหรือการไม่ปฏิบัติตามกฎเกณฑ์ด้านความปลอดภัยในคู่มือการใช้งานนี้อาจทำให้ได้รับบาดเจ็บร้ายแรง

คำแนะนำเพื่อความปลอดภัยที่สำคัญสำหรับดัลล์แบตเตอรี่

- ก่อนใช้งานดัลล์แบตเตอรี่ให้อ่านคำแนะนำและเครื่องหมายเตือนทั้งหมดบน (1) เครื่องชาร์จแบตเตอรี่ (2) แบตเตอรี่ และ (3) ตัวผลิตภัณฑ์ที่ใช้แบตเตอรี่
- อย่าถอดแยกชิ้นส่วนหรือทำการดัดแปลงดัลล์แบตเตอรี่ เนื่องจากอาจทำให้เกิดไฟไหม้ ความร้อนที่สูงเกินไป หรือระเบิดได้
- หากระยะเวลาที่เครื่องทำงานสั้นเกินไป ให้หยุดใช้งานทันที เนื่องจากอาจมีความเสี่ยงที่จะร้อนจัดไหม้หรือระเบิดได้
- หากสารละลายอิเล็กโทรไลต์กระเด็นเข้าตา ให้ล้างออกด้วยน้ำเปล่าและรีบไปพบแพทย์ทันที เนื่องจากอาจทำให้ตาบอด
- ห้ามลัดวงจรดัลล์แบตเตอรี่:
 - ห้ามแตะขั้วกับวัตถุที่เป็นสื่อนำไฟฟ้าใดๆ
 - หลีกเลี่ยงการเก็บดัลล์แบตเตอรี่ไว้ในภาชนะร่วมกับวัตถุที่เป็นโลหะ เช่น กรรไกรตัดเล็บ เหรียญ ฯลฯ
 - อย่าให้ดัลล์แบตเตอรี่ถูกน้ำหรือฝน แบตเตอรี่ลัดวงจรอาจทำให้เกิดการไหลของกระแสไฟฟ้า ร้อนจัดไหม้หรือเสียหายได้
- ห้ามเก็บและใช้เครื่องมือและดัลล์แบตเตอรี่ไว้ในสถานที่ที่มีอุณหภูมิสูงถึงหรือเกิน 50 °C (122 °F)
- ห้ามเผาดัลล์แบตเตอรี่ทิ้ง แม้ว่าแบตเตอรี่จะเสียหายจนใช้การไม่ได้หรือเสื่อมสภาพแล้ว ดัลล์แบตเตอรี่อาจจะระเบิดในกองไฟ
- อย่าดองตะปู ตัด บด ขว้าง หรือทำดัลล์แบตเตอรี่หล่นพื้น หรือกระแทกดัลล์แบตเตอรี่กับวัตถุของแข็ง การกระทำดังกล่าวอาจส่งผลให้เกิดไฟไหม้ ความร้อนที่สูงเกินไป หรือระเบิดได้
- ห้ามใช้แบตเตอรี่ที่เสียหาย

- แบตเตอรี่ลิเทียมไอออนที่มีมาให้เป็นไปตามข้อกำหนดของ Dangerous Goods Legislation สำหรับการขนส่งเพื่อการพาณิชย์ เช่น โดยบุคคลที่สาม ตัวแทนขนส่งสินค้า จะต้องตรวจสอบข้อกำหนดพิเศษในด้านการบรรจุหีบห่อหรือการติดป้ายสินค้าในการเตรียมสินค้าที่จะขนส่ง ให้ปรึกษาผู้เชี่ยวชาญด้านวัตถุอันตราย โปรดตรวจสอบข้อกำหนดในประเทศที่อาจมีรายละเอียดอื่น ๆ เพิ่มเติม ให้ติดเทปหรือปิดหน้าสัมผัสและห่อแบตเตอรี่ในลักษณะที่แบตเตอรี่จะไม่เคลื่อนที่ไปมาในหีบห่อ
- เมื่อกำจัดดัลล์แบตเตอรี่ ให้ถอดดัลล์แบตเตอรี่ออกจากเครื่องมือและกำจัดในสถานที่ที่ปลอดภัย ปฏิบัติตามข้อบังคับในท้องถิ่นที่เกี่ยวกับการกำจัดแบตเตอรี่
- ใช้แบตเตอรี่กับผลิตภัณฑ์ที่ระบุโดย Makita เท่านั้น การติดตั้งแบตเตอรี่ในผลิตภัณฑ์ที่ไม่ใช่ตามที่ระบุอาจทำให้เกิดไฟไหม้ ความร้อนสูง ระเบิด หรืออิเล็กทรอนิกส์ที่ไวต่อความร้อนได้
- หากไม่ใช่เครื่องมือเป็นระยะเวลานาน จะต้องถอดแบตเตอรี่ออกจากเครื่องมือ
- ในระหว่างและหลังการใช้งาน ดัลล์แบตเตอรี่อาจร้อนซึ่งอาจลวกผิวหรือทำให้ผิวไหม้ที่อุณหภูมิต่ำได้ โปรดระมัดระวังในการจัดการกับแบตเตอรี่ที่ร้อน
- อย่าสัมผัสขั้วของเครื่องมือทันทีหลังจากการใช้งาน เนื่องจากอาจมีความร้อนพอที่จะทำให้ผิวไหม้ได้
- อย่าปล่อยให้เศษวัสดุ ฝุ่นผง หรือดินเข้าไปติดอยู่ในขั้ว รู และร่องของดัลล์แบตเตอรี่ เนื่องจากอาจทำให้เกิดความร้อน ไฟไหม้ ระเบิด และทำให้เครื่องมือหรือดัลล์แบตเตอรี่ทำงานผิดปกติ ส่งผลให้โดนลวกหรือเกิดการบาดเจ็บได้
- หากเครื่องมือไม่รองรับสายไฟแรงดันสูง อย่าใช้ดัลล์แบตเตอรี่ใกล้กับสายไฟแรงดันสูง เนื่องจากเครื่องมือหรือดัลล์แบตเตอรี่อาจทำงานผิดปกติหรือเสียหายได้
- เก็บแบตเตอรี่ให้ห่างจากเด็ก

ปฏิบัติตามคำแนะนำเหล่านี้

ข้อควรระวัง: ใช้แบตเตอรี่ของแท้จาก Makita เท่านั้น การใช้แบตเตอรี่ Makita ที่ไม่แท้ หรือแบตเตอรี่ที่ถูกเปลี่ยน อาจทำให้แบตเตอรี่ระเบิด ก่อให้เกิดเพลิงลุกไหม้ การบาดเจ็บ และความเสียหายได้ และจะทำให้การรับประกันของ Makita สำหรับเครื่องมือและแท่นชาร์จของ Makita เป็นโมฆะด้วย

เคล็ดลับในการรักษาอายุการใช้งาน

ของแบตเตอรี่ให้ยาวนานที่สุด

1. ชาร์จถลับแบตเตอรี่ก่อนที่ไฟจะหมด หยุดการใช้งานแล้วชาร์จประจุไฟฟ้าใหม่ทุกครั้งเมื่อคุณรู้สึกว่าอุปกรณ์มีกำลังลดลง
2. อย่าชาร์จถลับแบตเตอรี่ที่ไฟเต็มแล้ว การชาร์จประจุไฟฟ้ามากเกินไปอาจจะทำให้อายุการใช้งานของถลับแบตเตอรี่สั้นลง
3. ชาร์จประจุไฟฟ้าถลับแบตเตอรี่ในห้องที่มีอุณหภูมิระหว่าง 10 °C - 40 °C ปลอยให้ถลับแบตเตอรี่เย็นลงก่อนที่จะชาร์จไฟ
4. เมื่อไม่ใช้ถลับแบตเตอรี่ ให้ถอดออกจากเครื่องมือหรือเครื่องชาร์จ
5. ชาร์จไฟถลับแบตเตอรี่หากคุณไม่ต้องการใช้เป็นเวลานาน (เกินกว่าหกเดือน)

คำแนะนำด้านความปลอดภัยที่สำคัญสำหรับอุปกรณ์รับส่งสัญญาณไร้สาย

1. อย่าถอดแยกชิ้นส่วนหรือปรับเปลี่ยนอุปกรณ์รับส่งสัญญาณไร้สาย
2. เก็บอุปกรณ์รับส่งสัญญาณไร้สายให้ห่างจากเด็กเล็ก หากเด็กกลืนอุปกรณ์เข้าไปโดยบังเอิญ โปรดพาไปพบแพทย์ทันที
3. ใช้อุปกรณ์รับส่งสัญญาณไร้สายกับเครื่องมือของ Makita เท่านั้น
4. อย่าให้อุปกรณ์รับส่งสัญญาณไร้สายถูกฝนหรืออยู่ในสภาพเปียกชื้น
5. อย่าใช้อุปกรณ์รับส่งสัญญาณไร้สายในสถานที่ที่มีอุณหภูมิสูงกว่า 50°C
6. อย่าใช้งานอุปกรณ์รับส่งสัญญาณไร้สายในสถานที่ที่มีเครื่องมือทางการแพทย์อยู่ใกล้ๆ เช่น เครื่องกระตุ้นการเต้นของหัวใจ เป็นต้น
7. อย่าใช้งานอุปกรณ์รับส่งสัญญาณไร้สายในสถานที่ที่มีอุปกรณ์อัตโนมัติอยู่ใกล้ๆ เนื่องจากอุปกรณ์อัตโนมัติอาจทำงานผิดปกติหรือเกิดความผิดพลาดได้
8. อย่าใช้อุปกรณ์ไร้สายในสถานที่ที่มีอุณหภูมิสูง หรือสถานที่ที่อาจเกิดไฟฟ้าสถิต หรือสัญญาณรบกวนทางไฟฟ้า
9. อุปกรณ์รับส่งสัญญาณไร้สายอาจสร้างสนามแม่เหล็ก (EMF) แต่ไม่เป็นอันตรายต่อผู้ใช้
10. อุปกรณ์รับส่งสัญญาณไร้สายเป็นเครื่องมือที่มีความแม่นยำ ระวังอย่าทำอุปกรณ์รับส่งสัญญาณไร้สายตกหล่นหรือกระทบระบะแตก

11. หลีกเลี่ยงการสัมผัสขั้วต่อของอุปกรณ์รับส่งสัญญาณไร้สายด้วยมือเปล่าหรือวัสดุที่ทำจากโลหะ
12. นำแบตเตอรี่ออกจากผลิตภัณฑ์เสมอเมื่อดัดตั้งอุปกรณ์รับส่งสัญญาณไร้สายบนผลิตภัณฑ์
13. เมื่อเปิดฝาปิดช่องเสียบ โปรดหลีกเลี่ยงสถานที่ที่ฝุ่นและน้ำอาจเข้าไปในช่องเสียบได้ รักษาช่องทางเข้าช่องเสียบให้สะอาดอยู่เสมอ
14. ใส่อุปกรณ์รับส่งสัญญาณไร้สายในทิศทางที่ถูกต้องเสมอ
15. อย่ากดปุ่มสั่งงานด้วยสัญญาณไร้สายบนอุปกรณ์รับส่งสัญญาณไร้สายแรงจนเกินไป และ/หรือ อย่ากดปุ่มด้วยวัตถุที่มีขอบคม
16. ปิดฝาปิดช่องเสียบขณะใช้งานเสมอ
17. ยื่อนำอุปกรณ์รับส่งสัญญาณไร้สายออกจากช่องเสียบในขณะที่เครื่องมือยังเชื่อมต่อกับไฟฟ้าอยู่ มิฉะนั้นอาจทำให้อุปกรณ์รับส่งสัญญาณไร้สายทำงานผิดปกติได้
18. อย่าแกะสติกเกอร์บนอุปกรณ์รับส่งสัญญาณไร้สายออก
19. อย่าแกะสติกเกอร์บนอุปกรณ์รับส่งสัญญาณไร้สาย
20. อย่าวางอุปกรณ์รับส่งสัญญาณไร้สายไว้ในสถานที่ที่อาจเกิดไฟฟ้าสถิตหรือสัญญาณรบกวนทางไฟฟ้า
21. อย่าวางอุปกรณ์รับส่งสัญญาณไร้สายไว้ในสถานที่ที่อาจเกิดความร้อนสูง เช่น รถยนต์ที่จอดไว้กลางแจ้ง
22. อย่าวางอุปกรณ์รับส่งสัญญาณไร้สายไว้ในสถานที่ที่เต็มไปด้วยฝุ่นหรือผง หรือในสถานที่ที่อาจเกิดก๊าซกัดกร่อน
23. การเปลี่ยนแปลงของอุณหภูมิอย่างกะทันหันอาจทำให้อุปกรณ์รับส่งสัญญาณไร้สายขึ้นด้วยหยดน้ำค้างได้ อย่าให้อุปกรณ์รับส่งสัญญาณไร้สายจนกว่าน้ำค้างจะแห้งสนิท
24. เมื่อต้องการทำความสะอาดอุปกรณ์รับส่งสัญญาณไร้สาย ให้ใช้ผ้าแห้งที่อ่อนนุ่มค่อยๆ เช็ดอย่างเบาเมืออย่าใช้เบนซิน ทินเนอร์ จาระบีที่นำกระแสไฟฟ้า หรือที่คล้ายกันนี้
25. เมื่อต้องการเก็บอุปกรณ์รับส่งสัญญาณไร้สาย ให้เก็บไว้ในกล่องที่ให้มาหรือในภาชนะที่ปลอดภัยไฟฟ้าสถิต
26. อย่าใส่อุปกรณ์อื่นนอกจากอุปกรณ์รับส่งสัญญาณไร้สายของ Makita เข้าไปในช่องเสียบบนเครื่องมือ
27. อย่าใช้เครื่องมือที่ฝาปิดของช่องเสียบชำรุด น้ำ ฝุ่น และสิ่งสกปรกที่เข้าไปในช่องเสียบอาจทำให้เกิดการทำงานผิดปกติได้
28. อย่าดึงและ/หรือบิดฝาปิดช่องเสียบมากเกินไปจนจำเป็น เก็บฝาปิดไว้หากฝาปิดหลุดออกจากเครื่องมือ

29. เปลี่ยนฝาปิดช่องเสียบใหม่หากสูญหายหรือชำรุด
ปฏิบัติตามคำแนะนำเหล่านี้

คำอธิบายชิ้นส่วนต่างๆ

► หมายเลข 1

1	ลูกล้อเพชร	2	ฝาครอบวงล้อ	3	ด้ามจับฝาครอบล้อ	4	ท่อนักฝุ่น
5	ด้ามจับด้านหน้า	6	ดวงไฟ	7	ดัลล์แบตเตอรี่	8	ปุ่มปลดล็อก
9	ดวงไฟแสดงการสั่งงานด้วยสัญญาณไร้สาย	10	ปุ่มสั่งงานด้วยสัญญาณไร้สาย	11	ที่ป้องกันด้านล่าง	12	ล้อเลื่อน
13	ปุ่มล็อกก้าน	14	ฝาครอบ (สำหรับสายพานรูปตัววี)	15	ที่ยึดแคลมป์	16	มือจับ
17	สวิตช์สั่งงาน	18	ปุ่มดวงไฟ	19	ไฟแสดงสถานะการทำงานหนักเกินไป	20	แคลมป์ยึดท่อ A
21	แคลมป์ยึดท่อ B	22	ประแจแหวน	-	-	-	-

คำอธิบายการทำงาน

⚠ ข้อควรระวัง: ตรวจสอบให้แน่ใจว่าได้ปิดสวิตช์เครื่องมือและถอดดัลล์แบตเตอรี่ออกก่อนปรับตั้งหรือตรวจสอบการทำงานของเครื่องมือ

การใส่หรือการถอดดัลล์แบตเตอรี่

⚠ ข้อควรระวัง: ปิดสวิตช์เครื่องมือก่อนทำการติดตั้งหรือการถอดดัลล์แบตเตอรี่ทุกครั้ง

⚠ ข้อควรระวัง: ถือเครื่องมือและดัลล์แบตเตอรี่ให้แน่นในระหว่างการติดตั้งหรือการถอดดัลล์แบตเตอรี่ หากไม่ถือเครื่องมือและดัลล์แบตเตอรี่ให้แน่น อาจทำให้ดัลล์แบตเตอรี่และเครื่องมือเสียหายหรือได้รับบาดเจ็บได้

การติดตั้งดัลล์แบตเตอรี่ ให้จัดตำแหน่งลึนของดัลล์แบตเตอรี่ให้ตรงกับร่องของเครื่อง แล้วเลื่อนเข้าที่ใส่ดัลล์แบตเตอรี่เข้าจนสุดจนกระทั่งได้ยินเสียงคลิกล็อคเข้าที่ หากยังเห็นซีลสีแดงตามที่แสดงในภาพ แสดงว่าดัลล์แบตเตอรี่ยังไม่ล็อคเข้าที่

การถอดดัลล์แบตเตอรี่ ให้ยกดัลล์แบตเตอรี่ในขณะที่กดปุ่มที่อยู่ด้านหน้าของดัลล์แบตเตอรี่

► หมายเลข 2: 1. ซีลสีแดง 2. ปุ่ม 3. ดัลล์แบตเตอรี่

⚠ ข้อควรระวัง: ให้ดันดัลล์แบตเตอรี่เข้าจนสุดจนไม่เห็นส่วนสีแดงอีก ไม่เช่นนั้น ดัลล์แบตเตอรี่อาจหลุดออกจากเครื่องมือทำให้คุณหรือคนรอบข้างได้รับบาดเจ็บ

⚠ ข้อควรระวัง: อย่าฝืนติดตั้งดัลล์แบตเตอรี่โดยใช้แรงมากเกินไป หากดัลล์แบตเตอรี่ไม่เลื่อนเข้าไปโดยง่าย แสดงว่าใส่ไม่ถูกต้อง

หมายเหตุ: เครื่องมือจะไม่ทำงานเมื่อใช้ดัลล์แบตเตอรี่เพียงก้อนเดียว

การระบุระดับพลังงานแบตเตอรี่ที่เหลืออยู่

กดปุ่ม ตรวจสอบ บนดัดับแบตเตอรี่เพื่อดูปริมาณแบตเตอรี่ที่เหลือ ไฟแสดงสถานะจะสว่างขึ้นเป็นเวลาสองสามวินาที

► **หมายเลข 3:** 1. ไฟแสดงสถานะ 2. ปุ่มตรวจสอบ

ไฟแสดงสถานะ			แบตเตอรี่ที่เหลือ
ไฟสว่าง	ดับ	กะพริบ	
■	□	▧	75% ถึง 100%
■ ■ ■ ■			
■ ■ ■ □			50% ถึง 75%
■ ■ □ □			25% ถึง 50%
■ □ □ □			0% ถึง 25%
▧ □ □ □			ชาร์จไฟแบตเตอรี่
■ ■ □ □	↑ ↓	□ □ ■ ■	แบตเตอรี่อาจจะเสีย

หมายเหตุ: ขึ้นอยู่กับสภาพการใช้งานและอุณหภูมิ โดยรอบ การแสดงสถานะอาจจะแตกต่างจากปริมาณแบตเตอรี่จริงเล็กน้อย

หมายเหตุ: ไฟแสดงสถานะดวงแรก (ซ้ายสุด) จะกะพริบเมื่อระบบป้องกันแบตเตอรี่ทำงาน

ระบบป้องกันเครื่องมือ/แบตเตอรี่

เครื่องมือมีระบบป้องกันเครื่องมือ/แบตเตอรี่ ระบบนี้จะตัดไฟที่ส่งไปยังมอเตอร์โดยอัตโนมัติเพื่อยืดอายุการใช้งานเครื่องมือและแบตเตอรี่ เครื่องมือจะหยุดทำงานระหว่างการใช้งานโดยอัตโนมัติ หากเครื่องมือหรือแบตเตอรี่อยู่ภายใต้สถานการณ์ต่อไปนี้ ในบางกรณี ไฟแสดงสถานะจะติดขึ้น

การป้องกันโอเวอร์โหลด

เมื่อเครื่องมือ/แบตเตอรี่ทำงานในลักษณะที่ทำให้ต้องใช้กระแสไฟฟ้าสูงเกินไป เครื่องมือจะหยุดโดยอัตโนมัติ ในกรณีนี้ ให้ปิดเครื่องมือและหยุดการใช้งานที่อาจทำให้เครื่องมือทำงานหนักเกินไป แล้วเปิดเครื่องมือเพื่อเริ่มการทำงานอีกครั้ง

การป้องกันความร้อนสูงเกิน

เมื่อเครื่องมือ/แบตเตอรี่เกิดความร้อนสูงเกินไป เครื่องมือจะหยุดอัตโนมัติและดวงไฟจะกะพริบ ในกรณีนี้ ให้ปล่อยให้เครื่องมือให้เย็นลงก่อนแล้วเปิดเครื่องมืออีกครั้ง

การป้องกันไฟหมด

เมื่อความจุแบตเตอรี่เหลือน้อย เครื่องมือจะหยุดโดยอัตโนมัติ และไฟแสดงสถานะของดัดับแบตเตอรี่จะกะพริบ หากเครื่องมือไม่ทำงานแม้ว่าจะเปิดสวิตช์แล้ว ให้ถอดแบตเตอรี่ออกจากเครื่องมือและชาร์จแบตเตอรี่

การป้องกันจากสาเหตุอื่นๆ

ระบบป้องกันได้รับการออกแบบมาเพื่อสาเหตุอื่นๆ ที่อาจสร้างความเสียหายต่อเครื่องมือและทำให้เครื่องมือหยุดทำงานโดยอัตโนมัติ ดำเนินการตามขั้นตอนดังต่อไปนี้ทุกขั้นตอนเพื่อกำจัดสาเหตุออกไป เมื่อเครื่องมือหยุดทำงานชั่วคราวหรือหยุดทำงาน

1. ปิดเครื่องมือ แล้วเปิดใหม่เพื่อเริ่มใช้งานอีกครั้ง
2. ชาร์จหรือเปลี่ยนแบตเตอรี่โดยนำแบตเตอรี่ที่ชาร์จแล้วมาใช้แทน
3. ทิ้งให้เครื่องจักรและแบตเตอรี่เย็นลง

หากอาการไม่ดีขึ้นเมื่อเปิดระบบป้องกันอีกครั้ง ให้ติดต่อศูนย์บริการ Makita ใกล้บ้านคุณ

ข้อสังเกต: หากเครื่องมือหยุดทำงานเนื่องจากสาเหตุที่ไม่ได้อธิบายไว้ข้างต้น โปรดดูส่วนการแก้ไขปัญหา

การแจ้งเตือนเครื่องทำงานหนักเกินไป

หากเครื่องมือทำงานหนักเกินไป ไฟแสดงสถานะการทำงานหนักเกินไปจะกะพริบเป็นสีแดง ในกรณีนี้ ให้ลดโหลดบนเครื่องมือ จากนั้น ไฟแสดงสถานะจะหยุดกะพริบ

► **หมายเลข 4:** 1. ไฟแสดงสถานะการทำงานหนักเกินไป

การทำงานของสวิตช์

คำเตือน: ก่อนใส่สวิตช์แบตเตอรี่ลงในเครื่องมือ ให้ตรวจสอบว่าสวิตช์สั่งงานสามารถทำงานได้อย่างถูกต้อง และกลับไปยังตำแหน่ง “ปิด” เมื่อปล่อย

คำเตือน: ห้ามทำลายปุ่มปลดล๊อคโดยใช้เทปพันหรือวิธีอื่น การที่สวิตช์ที่ปุ่มปลดล๊อคใช้ไม่ได้ อาจทำให้เกิดการใช้งานโดยไม่ตั้งใจและทำให้เกิดการบาดเจ็บร้ายแรงได้

คำเตือน: ห้ามใช้เครื่องมือหากเครื่องมือสามารถทำงานได้เมื่อคุณดึงสวิตช์สั่งงานโดยไม่ได้กดปุ่มปลดล๊อค สวิตช์ที่ต้องทำการซ่อมแซมอาจทำให้เกิดการใช้งานโดยไม่ตั้งใจและทำให้เกิดการบาดเจ็บร้ายแรงได้ นำเครื่องมือส่งศูนย์บริการ Makita เพื่อรับการซ่อมแซมก่อนการใช้งาน

เพื่อป้องกันไม่ให้สวิตช์สั่งงานถูกดึงโดยไม่ตั้งใจจึงมีปุ่มปลดล๊อคติดตั้งไว้ เพื่อเริ่มใช้งานเครื่องมือ กดปุ่มปลดล๊อคแล้วดึงสวิตช์สั่งงาน ปล่อยสวิตช์สั่งงานเพื่อหยุดการทำงาน

► **หมายเลข 5:** 1. สวิตช์สั่งงาน 2. ปุ่มปลดล๊อค

ข้อสังเกต: อย่างดึงสวิตช์สั่งงานแรงๆ โดยไม่ได้กดปุ่มปลดล๊อค การทำเช่นนี้อาจทำให้สวิตช์เสียหายได้

การเปิดไฟ

คำเตือน: อย่ามองเข้าไปในดวงไฟหรือจ้องดูแหล่งกำเนิดแสงโดยตรง

การเปิดไฟ ให้กดปุ่มดวงไฟ เมื่อต้องการปิด ให้กดปุ่มดวงไฟอีกครั้ง

► **หมายเลข 6:** 1. ปุ่มดวงไฟ 2. ดวงไฟ

หมายเหตุ: ดวงไฟจะดับลงโดยอัตโนมัติเมื่อไม่มีการใช้งานเครื่องมือเป็นเวลาหนึ่งนาที

การปรับฝาครอบล้อ

จับตามจับฝาครอบล้อและปรับตำแหน่งของฝาครอบล้อให้เหมาะสมกับงานของคุณ

► **หมายเลข 7:** 1. ตามจับฝาครอบล้อ

เทคโนโลยีป้องกันการป้อนกลับอัตโนมัติ

เครื่องมือจะตรวจจับกรณีที่มีล้ออาจเสี่ยงที่จะติดกลับด้วยระบบไฟฟ้า ในกรณีนี้ เครื่องมือจะปิดอย่างอัตโนมัติเพื่อป้องกันไม่ให้เห็นหมุนทำงานต่อไป (ไม่ได้ป้องกันการติดกลับ)

เมื่อต้องการให้เครื่องมือเริ่มทำงานใหม่ ชั้นแรกให้ปิดเครื่องมือก่อน กำจัดสาเหตุที่ทำให้ความเร็วในการหมุนตกลงกะทันหัน แล้วจึงเปิดเครื่องมือ

เบรกไฟฟ้า

เบรกไฟฟ้าจะทำงานหลังจากปิดเครื่องมือแล้ว เบรกจะไม่ทำงานเมื่อแหล่งจ่ายไฟปิด เช่นแบตเตอรี่ถูกถอดโดยไม่ตั้งใจโดยที่สวิตช์ยังเปิดอยู่

การประกอบ

คำเตือน: ตรวจสอบให้แน่ใจว่าได้ปิดสวิตช์เครื่องมือและถอดสวิตช์แบตเตอรี่ออกก่อนดำเนินการใดๆ กับเครื่องมือ

การติดตั้งหรือการถอดลูกล้อเพชร

คำเตือน: ใช้เฉพาะประแจของ Makita ที่มีมาให้เพื่อใส่หรือถอดลูกล้อ

คำเตือน: ขณะติดตั้งล้อ ตรวจสอบให้แน่ใจว่าได้ขันสลักเกลียวแน่นดีแล้ว

คำเตือน: อย่ากดปุ่มล๊อคก้านขณะที่ยังกำลังหมุน

การถอดล้อ ให้กดปุ่มล๊อคก้านและหมุนล้อจนกว่าล้อจะสามารถขยับได้อีก ขณะที่ยังกดปุ่มล๊อคก้านแน่นดีแล้ว ให้ขันสลักเกลียวหกเหลี่ยมทวนเข็มนาฬิกาโดยใช้ประแจแหวน จากนั้นให้ถอดสลักเกลียวหกเหลี่ยม ล้อ แหวน และแกนตามลำดับ

► **หมายเลข 8:** 1. ปุ่มล๊อคก้าน 2. ประแจแหวน 3. ขันแน่น 4. คลาย

► **หมายเลข 9:** 1. สลักเกลียวหกเหลี่ยม 2. แกน 3. แหวน 4. ลูกล้อเพชร 5. ลูกศร (ทิศทางการหมุนของล้อ)

เมื่อต้องการติดตั้งล้อกลับเข้าที่เดิม ให้ปฏิบัติตามขั้นตอนการถอด

ตรวจสอบให้แน่ใจว่าได้ขันสลักเกลียวหกเหลี่ยมให้แน่นแล้ว

คำเตือน: ติดตั้งล้อโดยให้ลูกศรชี้ไปในทิศทางเดียวกันกับลูกศรบนฝาครอบวงล้อเสมอ มิฉะนั้น ล้อจะหมุนกลับด้านซึ่งอาจทำให้เกิดการบาดเจ็บได้

คำเตือน: ใช้เฉพาะล้อที่มีเครื่องหมายแสดงความเร็วที่เท่ากับหรือสูงกว่าความเร็วของเครื่องหมุนบนเครื่องมือ

หมายเหตุ: เมื่อทำการติดตั้งแล้ว ตรวจสอบให้แน่ใจว่าติดตั้งแกนโดยให้ด้านที่ราบเรียบของแกนหันเข้าหาล้อจากนั้นใส่แหวนที่ตรงกับเส้นผ่านศูนย์กลางด้านในของล้อ

- **หมายเลข 10:** 1. สลักเกลียวหกเหลี่ยม 2. แกน 3. แหวน 4. ลูกล้อเพชร

การเชื่อมต่อที่ดูดฝุ่น

ข้อสังเกต: ปิดฝาปิดเสมอเมื่อไม่ได้เชื่อมต่อกับที่ดูดฝุ่น

เมื่อคุณต้องการทำงานตัดที่สะอาดเรียบร้อย ให้ต่อที่ดูดฝุ่น Makita เข้ากับเครื่องมือของคุณ

เปิดฝาปิดและเชื่อมต่อท่อของที่ดูดฝุ่น

- **หมายเลข 11:** 1. ฝาปิด 2. ท่อดักฝุ่น 3. ท่อดูด 4. ที่ดูดฝุ่น

คุณสามารถเปลี่ยนของของท่อดักฝุ่นได้ตามภาพ

- **หมายเลข 12**

แคลมป์ยึดท่อ

ข้อสังเกต: ถอดแคลมป์ยึดท่อออกจากเครื่องมือเสมอเมื่อไม่ได้ใช้งาน

ข้อสังเกต: อย่าเปิดหรือปิดแคลมป์ยึดท่อแรงเกินไป มิฉะนั้น แคลมป์ยึดท่ออาจหักได้

เพื่อให้จัดการกับท่อของที่ดูดฝุ่นได้ง่าย สามารถใช้แคลมป์ยึดท่อได้

1. ติดแคลมป์ยึดท่อ A หรือแคลมป์ยึดท่อ B บนท่อดูด

ประเภท	เส้นผ่านศูนย์กลางภายนอกของท่อดูดที่สามารถใช้ได้
แคลมป์ยึดท่อ A	Ø 40 mm - Ø 46 mm (Ø 1-9/16" - Ø 1-13/16")
แคลมป์ยึดท่อ B	Ø 35 mm - Ø 40 mm (Ø 1-3/8" - Ø 1-9/16")

- **หมายเลข 13:** 1. แคลมป์ยึดท่อ A / แคลมป์ยึดท่อ B 2. ท่อดูด

2. สอดสลักของแคลมป์ยึดท่อเข้าไปในรูของที่ยึดแคลมป์ ตรวจสอบให้แน่ใจว่าสลักสองอันประกอบเข้าในรูพอดี

- **หมายเลข 14:** 1. สลัก 2. รู 3. ที่ยึดแคลมป์

3. เมื่อต้องการถอดแคลมป์ยึดท่อ ให้ปฏิบัติตามขั้นตอนการติดตั้งแบบย้อนกลับ

การจัดเก็บประแจหัวบ็อกซ์

เมื่อไม่ใช้งาน ให้เก็บประแจหัวบ็อกซ์ตามที่แสดงในภาพ เพื่อเก็บรักษาไว้ไม่ให้หาย

- **หมายเลข 15:** 1. ประแจหัวบ็อกซ์

การใช้งาน

การตรวจสอบการทำงานของที่ป้องกันด้านล่าง

ถอดดัลป์แบตเตอรี่

ดึงที่ป้องกันด้านล่างออกด้วยมือจนสุดแล้วปล่อย ที่ป้องกันด้านล่างจะทำงานอย่างเหมาะสม หาก

— สามารถเคลื่อนถอยหลังได้โดยไม่มีการกีดขวางใดๆ และ

— กลับไปที่ตำแหน่งเดิมได้โดยอัตโนมัติ

- **หมายเลข 16:** 1. ที่ป้องกันด้านล่าง

หากที่ป้องกันด้านล่างทำงานได้ไม่เหมาะสม ให้ตรวจสอบว่ามีฝุ่นสะสมอยู่ด้านในของฝาครอบวงล้อหรือไม่

ฝุ่นบางส่วนอาจหลุดออกโดยการเคลื่อนที่ป้องกันด้านล่างออกและเคลื่อนกลับเข้าที่เดิมหลายๆ ครั้ง

หากที่ป้องกันด้านล่างทำงานได้อย่างไม่เหมาะสมแม้ว่าจะนำเศษฝุ่นออกแล้ว ให้นำเครื่องมือของคุณไปเข้ารับบริการซ่อมที่ศูนย์บริการของ Makita

การแจ้งเตือนเกี่ยวกับเสียงดังผิดปกติ

ข้อสังเกต: อย่าใช้ลูกล้อเพชรที่ผิดรูปหรือเก่า มิฉะนั้น อาจเกิดการดำเนินงานผิดปกติ เสียงดังผิดปกติ หรือการแตกหักได้

แม้ว่าลูกล้อเพชรจะใหม่และไม่ผิดรูป ลูกล้อเพชรก็อาจทำให้เกิดเสียงดังผิดปกติ เช่น การเสียดสีโลหะเมื่อเครื่องมือทำงานที่ความเร็วต่ำ ซึ่งในกรณีนี้ไม่ใช่การทำงานผิดปกติของเครื่องมือแต่อย่างใด

ลูกล้อเพชรบางประเภทอาจทำให้เกิดเสียงดังผิดปกติเมื่อเครื่องมือทำงานที่ความเร็วต่ำ เนื่องจากลูกล้อเพชรและฝาครอบวงล้ออยู่ในตำแหน่งใกล้กันมากเพื่อการดักฝุ่นที่มีประสิทธิภาพ

ใช้เครื่องมือที่ความเร็วสูงสุดและทำการตัดที่เหมาะสม เสียงดังผิดปกติจะลดลง

การดำเนินการตัด

⚠️ ข้อควรระวัง: ตรวจสอบให้แน่ใจว่าได้จับชิ้นงานไว้บนขาตั้งหรือโต๊ะทำงานที่มั่นคงแล้วก่อนทำงาน

⚠️ ข้อควรระวัง: อย่าปิดปิดหรือฝืนเครื่องมือระหว่างการตัด มีดจะนั้นมอเตอร์อาจโอเวอร์โหลดหรือชิ้นงานอาจแตกหักได้

⚠️ ข้อควรระวัง: ระหว่างการทำงาน อย่ายกเครื่องมือสูงกว่าความสูงของไหล่

▶ หมายเลข 17

1. จับเครื่องมือให้แน่น จับมือจับด้วยมือขวาและด้ามจับด้านหน้าด้วยมือซ้าย เพื่อป้องกันไฟช็อตเนื่องจากการตัดโดนสายไฟโดยไม่ตั้งใจ ให้จับมือจับด้านหน้าในส่วนที่ระบุตามภาพเอาไว้เสมอ

▶ หมายเลข 18: 1. ส่วนที่ควรจับ

2. เปิดเครื่องมือโดยไม่ให้ลูกล้อเพชรสัมผัสกับชิ้นงานแล้วรอให้ใบเลื่อยทำงานที่ความเร็วสูงสุด

3. ค่อยๆ วางลูกล้อเพชรลงบนชิ้นงาน และเคลื่อนเครื่องมือถอยหลังอย่างราบรื่นจนกระทั่งการตัดเสร็จสิ้น

- ทำการตัดในแนวตรงและเคลื่อนเครื่องมือด้วยความเร็วคงที่

- เคลื่อนเครื่องมือในทิศทางตามลูกศรบนที่ป้องกันด้านล่าง

หากคุณเคลื่อนเครื่องมือไปด้านหน้า (หากคุณเคลื่อนเครื่องมือในทิศทางตรงข้ามกับลูกศร) ประสิทธิภาพของการตัดฝุ่นจะลดลงอย่างมีนัยสำคัญ

▶ หมายเลข 19: 1. ลูกศร

- จัดให้ที่ป้องกันด้านล่างแนบกับชิ้นงานเสมอ หากมีช่องว่างระหว่างที่ป้องกันด้านล่างและชิ้นงาน ฝุ่นจะรั่วไหลและประสิทธิภาพการตัดฝุ่นจะลดลง

▶ หมายเลข 20: 1. ที่ป้องกันด้านล่าง

หมายเหตุ: เมื่อตัดลับแบตเตอรี่มีอุณหภูมิค่า เครื่องมืออาจไม่ทำงานอย่างเต็มความสามารถ ในตอนนี้ ให้ใช้เครื่องมือทำการตัดเบาๆ สักพักหนึ่งจนกว่าตัดลับแบตเตอรี่จะอุ่นขึ้นเท่ากับอุณหภูมิห้อง เป็นต้น จากนั้นเครื่องมือจะสามารถทำงานอย่างเต็มความสามารถ

หมายเหตุ: หากประสิทธิภาพในการตัดของลูกล้อเพชรเริ่มลดลง ให้ลับขอบตัดของลูกล้อโดยใช้ล้อของเครื่องขัดผิวทรายหยาบที่ไม่ใช่แล้วหรือแท่งคอนกรีต ลับโดยกดบนขอบนอกของลูกล้อเพชรเบาๆ

ฟังก์ชันสั่งงานด้วยสัญญาณไร้สาย

อุปกรณ์เสริม

ข้อสังเกต: ติดตั้งฝาครอบกันฝุ่นและอุปกรณ์เสริมก่อนใช้งานฟังก์ชันนี้

คุณสามารถทำอะไรกับฟังก์ชันสั่งงานด้วยสัญญาณไร้สายนี้ได้บ้าง

ฟังก์ชันสั่งงานด้วยสัญญาณไร้สายจะทำให้คุณสามารถใช้งานได้อย่างสะดวกสบายและสะอาดเรียบร้อย เมื่อเชื่อมต่อที่ดูดฝุ่นที่รองรับเข้ากับเครื่องมือ คุณจะสามารถทำให้ที่ดูดฝุ่นทำงานได้อย่างอัตโนมัติตามการควบคุมด้วยสวิตช์ของเครื่องมือ

▶ หมายเลข 21

การใช้ฟังก์ชันสั่งงานด้วยสัญญาณไร้สาย ให้เตรียมอุปกรณ์ดังต่อไปนี้:

- อุปกรณ์รับส่งสัญญาณไร้สาย (อุปกรณ์เสริม)
 - ที่ดูดฝุ่นที่รองรับฟังก์ชันสั่งงานด้วยสัญญาณไร้สาย
- ต่อไปนี้เป็นคำอธิบายการตั้งค่าฟังก์ชันสั่งงานด้วยสัญญาณไร้สายแบบย่อ ดูการดำเนินการอย่างละเอียดได้ในแต่ละส่วน

1. การติดตั้งอุปกรณ์รับส่งสัญญาณไร้สาย
2. การบันทึกเครื่องมือสำหรับที่ดูดฝุ่น
3. การเริ่มฟังก์ชันสั่งงานด้วยสัญญาณไร้สาย

การติดตั้งอุปกรณ์รับส่งสัญญาณไร้สาย

อุปกรณ์เสริม

⚠️ ข้อควรระวัง: วางเครื่องมือบนพื้นผิวที่ราบเรียบและมั่นคงขณะทำการติดตั้งอุปกรณ์รับส่งสัญญาณไร้สาย

ข้อสังเกต: ทำความสะอาดฝุ่นและสิ่งสกปรกที่ติดอยู่บนเครื่องมือก่อนติดตั้งอุปกรณ์รับส่งสัญญาณไร้สาย ฝุ่นและสิ่งสกปรกอาจทำให้เครื่องมือทำงานผิดปกติ หากเข้าไปในช่องเสียบของอุปกรณ์รับส่งสัญญาณไร้สาย

ข้อสังเกต: เพื่อป้องกันการดำเนินงานผิดปกติที่เกิดจากไฟฟ้าสถิต ให้สัมผัสกับวัสดุที่ปล่อยไฟฟ้าสถิต เช่น ส่วนที่เป็นโลหะของเครื่องมือก่อนหยิบอุปกรณ์รับส่งสัญญาณไร้สาย

ข้อสังเกต: เมื่อทำการติดตั้งอุปกรณ์รับส่งสัญญาณไร้สาย ตรวจสอบให้แน่ใจว่าอุปกรณ์รับส่งสัญญาณไร้สายถูกใส่เข้าไปในทิศทางที่ถูกต้องและปิดฝาปิดสนิทแล้ว

1. เปิดฝาปิดบนเครื่องมือที่ตั้งแสดงในภาพ

▶ **หมายเลข 22:** 1. ฝาปิด

2. ใส่อุปกรณ์รับส่งสัญญาณไร้สายเข้าไปในช่องเสียบ จากนั้นปิดฝาปิด

เมื่อใส่อุปกรณ์รับส่งสัญญาณไร้สายแล้ว ให้จัดตำแหน่งให้ ส่วนที่ยื่นออกมาตรงกับส่วนที่ถอยเข้าไปบนช่องเสียบ

▶ **หมายเลข 23:** 1. อุปกรณ์รับส่งสัญญาณไร้สาย
2. ส่วนที่ยื่นออกมา 3. ฝาปิด 4. ส่วนที่ถอยเข้าไป

เมื่อต้องการถอดอุปกรณ์รับส่งสัญญาณไร้สายออก ให้เปิด ฝาปิดออกข้าง ขอบเกี่ยวกับด้านหลังของฝาปิดจะยกอุปกรณ์รับส่งสัญญาณไร้สายในขณะที่คุณดึงฝาปิดขึ้น

▶ **หมายเลข 24:** 1. อุปกรณ์รับส่งสัญญาณไร้สาย 2. ขอบเกี่ยวกับ 3. ฝาปิด

หลังจากถอดอุปกรณ์รับส่งสัญญาณไร้สายออกแล้ว ให้เก็บ ไว้ในกล่องที่ให้มาหรือในภาชนะที่ปลอดภัยไฟฟาสถิต

ข้อสังเกต: ใช้ขอบเกี่ยวกับด้านหลังของฝาปิดเมื่อต้องการถอดอุปกรณ์รับส่งสัญญาณไร้สายเสมอ หากขอบเกี่ยวกับเกี่ยวกับอุปกรณ์รับส่งสัญญาณไร้สาย ให้ปิดฝาปิดให้สนิทแล้วเปิดอีกครั้งซ้ำ

การบันทึกเครื่องมือสำหรับที่ตัดฝุ่น

หมายเหตุ: ที่ตัดฝุ่นของ Makita ที่รองรับฟังก์ชันสั่งงานด้วยสัญญาณไร้สายจำเป็นต้องมีการบันทึกเครื่องมือ

หมายเหตุ: ติดตั้งอุปกรณ์รับส่งสัญญาณไร้สายเข้ากับเครื่องมือให้เรียบร้อยก่อนเริ่มบันทึกเครื่องมือ

หมายเหตุ: ระหว่างการบันทึกเครื่องมือ อย่าดึงสวิตช์สั่งงานหรือเปิดสวิตช์ไฟบนที่ตัดฝุ่น

หมายเหตุ: โปรดดูคู่มือการใช้งานที่ตัดฝุ่นร่วมด้วย

หากคุณต้องการสั่งงานที่ตัดฝุ่นตามการควบคุมด้วยสวิตช์ของเครื่องมือ ให้บันทึกเครื่องมือให้เสร็จสิ้นก่อน

1. ติดตั้งแบตเตอรี่เข้ากับที่ตัดฝุ่นและเครื่องมือ

2. ตั้งสวิตช์เตรียมพร้อมบนที่ตัดฝุ่นเป็น "AUTO"

▶ **หมายเลข 25:** 1. สวิตช์เตรียมพร้อม

3. กดปุ่มสั่งงานด้วยสัญญาณไร้สายบนที่ตัดฝุ่นค้างไว้ประมาณ 3 วินาที จนกระทั่งดวงไฟแสดงการสั่งงานด้วยสัญญาณไร้สายกะพริบเป็นสีเขียว จากนั้นกดปุ่มสั่งงานด้วยสัญญาณไร้สายบนเครื่องมือในลักษณะเดียวกัน

▶ **หมายเลข 26:** 1. ปุ่มสั่งงานด้วยสัญญาณไร้สาย
2. ดวงไฟแสดงการสั่งงานด้วยสัญญาณไร้สาย

หากที่ตัดฝุ่นและเครื่องมือเชื่อมต่อกันเรียบร้อยแล้ว ดวงไฟแสดงการสั่งงานด้วยสัญญาณไร้สายจะสว่างเป็นสีเขียวเป็นเวลา 2 วินาที และจะเริ่มกะพริบเป็นสีฟ้า

หมายเหตุ: ดวงไฟแสดงการสั่งงานด้วยสัญญาณไร้สายจะกะพริบเป็นสีเขียวหลังจากผ่านไป 20 วินาที กดปุ่มสั่งงานด้วยสัญญาณไร้สายบนเครื่องมือในขณะที่ดวงไฟแสดงการสั่งงานด้วยสัญญาณไร้สายบนที่ตัดฝุ่นกำลังกะพริบอยู่ หากดวงไฟแสดงการสั่งงานด้วยสัญญาณไร้สายไม่กะพริบเป็นสีเขียว ให้ดันปุ่มสั่งงานด้วยสัญญาณไร้สายสักครู่ และกดลงไปอีกครั้ง

หมายเหตุ: เมื่อต้องการดำเนินการบันทึกที่เครื่องมือสองเครื่องขึ้นไปสำหรับที่ตัดฝุ่นเครื่องเดียว ให้บันทึกเครื่องมือทีละเครื่อง

การเริ่มฟังก์ชันสั่งงานด้วยสัญญาณไร้สาย

หมายเหตุ: บันทึกเครื่องมือสำหรับที่ตัดฝุ่นให้เสร็จสิ้นก่อนการสั่งงานด้วยสัญญาณไร้สาย

หมายเหตุ: โปรดดูคู่มือการใช้งานที่ตัดฝุ่นร่วมด้วย

หลังจากบันทึกเครื่องมือเข้ากับที่ตัดฝุ่นแล้ว ที่ตัดฝุ่นจะทำงานตามการควบคุมด้วยสวิตช์ของเครื่องมือโดยอัตโนมัติ

1. ติดตั้งอุปกรณ์รับส่งสัญญาณไร้สายเข้ากับเครื่องมือ

2. เชื่อมต่อท่อของที่ตัดฝุ่นเข้ากับเครื่องมือ

▶ **หมายเลข 27**

3. ตั้งสวิตช์เตรียมพร้อมบนที่ตัดฝุ่นเป็น "AUTO"

▶ **หมายเลข 28:** 1. สวิตช์เตรียมพร้อม

4. ดันปุ่มสั่งงานด้วยสัญญาณไร้สายบนเครื่องมือไว้สักครู่ ดวงไฟแสดงการสั่งงานด้วยสัญญาณไร้สายจะกะพริบเป็นสีฟ้า

▶ **หมายเลข 29:** 1. ปุ่มสั่งงานด้วยสัญญาณไร้สาย
2. ดวงไฟแสดงการสั่งงานด้วยสัญญาณไร้สาย

5. เปิดเครื่องมือ ตรวจสอบว่าที่ตัดฝุ่นทำงานในขณะที่เครื่องมือกำลังทำงานอยู่หรือไม่

การหยุดการสั่งงานด้วยสัญญาณไร้สายของที่ตัดฝุ่นให้ดันปุ่มสั่งงานด้วยสัญญาณไร้สายบนเครื่องมือ

หมายเหตุ: ดวงไฟแสดงการสั่งงานด้วยสัญญาณไร้สายบนเครื่องมือจะหยุดกะพริบเป็นสีฟ้าเมื่อไม่มีการใช้งานเป็นเวลา 2 ชั่วโมง ในกรณีนี้ให้ตั้งสวิตช์เตรียมพร้อมบนที่ดูดฝุ่นไปที่ "AUTO" จากนั้นดันปุ่มสั่งงานด้วยสัญญาณไร้สายบนเครื่องมืออีกครั้ง

หมายเหตุ: ที่ดูดฝุ่นจะเริ่ม/หยุดทำงานล่าช้าเล็กน้อย ในขณะที่ที่ดูดฝุ่นตรวจจบการควบคุมด้วยสวิตช์ของเครื่องมือจะมีความล่าช้าเกิดขึ้นเล็กน้อย

หมายเหตุ: ระยะเวลาการส่งสัญญาณของอุปกรณ์รับส่งสัญญาณไร้สายอาจแตกต่างกันไปขึ้นอยู่กับสถานที่และสภาวะแวดล้อม

หมายเหตุ: เมื่อลงทะเบียนเครื่องมือสองเครื่องขึ้นไปกับที่ดูดฝุ่นหนึ่งเครื่อง ที่ดูดฝุ่นอาจเริ่มทำงานแม้ว่าคุณจะไม่ได้เปิดเครื่องมือของคุณ เนื่องจากผู้ใช้คนอื่นกำลังใช้ฟังก์ชันการสั่งงานด้วยสัญญาณไร้สาย

คำอธิบายสถานะดวงไฟแสดงการสั่งงานด้วยสัญญาณไร้สาย

► หมายเลข 30: 1. ดวงไฟแสดงการสั่งงานด้วยสัญญาณไร้สาย

ดวงไฟแสดงการสั่งงานด้วยสัญญาณไร้สายจะแสดงสถานะของฟังก์ชันสั่งงานด้วยสัญญาณไร้สาย ความหมายของสถานะดวงไฟได้ที่ตารางด้านล่าง

สถานะ	ดวงไฟแสดงการสั่งงานด้วยสัญญาณไร้สาย				คำอธิบาย
	สี	<input type="checkbox"/> สว่าง	<input type="checkbox"/> กะพริบ	ระยะเวลา	
เตรียมพร้อม	สีฟ้า	<input checked="" type="checkbox"/>		2 ชั่วโมง	สามารถใช้การสั่งงานด้วยสัญญาณไร้สายของที่ดูดฝุ่นได้ ดวงไฟจะดับลงอัตโนมัติเมื่อไม่มีการใช้งานเป็นเวลา 2 ชั่วโมง
			<input type="checkbox"/>	เมื่อเครื่องมือกำลังทำงาน	สามารถใช้การสั่งงานด้วยสัญญาณไร้สายของที่ดูดฝุ่นได้และเครื่องมือกำลังทำงานอยู่
การบันทึกเครื่องมือ	สีเขียว	<input checked="" type="checkbox"/>		20 วินาที	พร้อมสำหรับการบันทึกเครื่องมือ รอการบันทึกโดยที่ดูดฝุ่น
			<input type="checkbox"/>	2 วินาที	การบันทึกเครื่องมือเสร็จสิ้นแล้ว ดวงไฟแสดงการสั่งงานด้วยสัญญาณไร้สายจะเริ่มกะพริบเป็นสีฟ้า
การยกเลิกการบันทึกเครื่องมือ	สีแดง	<input checked="" type="checkbox"/>		20 วินาที	พร้อมสำหรับการยกเลิกการบันทึกเครื่องมือ รอการยกเลิกโดยที่ดูดฝุ่น
			<input type="checkbox"/>	2 วินาที	การยกเลิกการบันทึกเครื่องมือเสร็จสิ้นแล้ว ดวงไฟแสดงการสั่งงานด้วยสัญญาณไร้สายจะเริ่มกะพริบเป็นสีฟ้า
อื่นๆ	สีแดง		<input type="checkbox"/>	3 วินาที	ไฟฟ้าถูกจ่ายไปยังอุปกรณ์รับส่งสัญญาณไร้สายและฟังก์ชันสั่งงานด้วยสัญญาณไร้สายจะเริ่มทำงาน
	ดับ	-	-	-	การสั่งงานด้วยสัญญาณไร้สายของที่ดูดฝุ่นจะหยุดทำงาน

การยกเลิกการบันทึกเครื่องมือสำหรับที่ดูดฝุ่น

เมื่อต้องการยกเลิกการบันทึกเครื่องมือสำหรับที่ดูดฝุ่น ให้ดำเนินการตามขั้นตอนดังต่อไปนี้

1. ดัดตั้งแบตเตอรี่เข้ากับที่ดูดฝุ่นและเครื่องมือ
2. ตั้งสวิตช์เตรียมพร้อมบนที่ดูดฝุ่นเป็น "AUTO"

▶ **หมายเลข 31:** 1. สวิตช์เตรียมพร้อม

3. กดปุ่มสั่งงานด้วยสัญญาณไร้สายบนที่ดูดฝุ่นค้างไว้ประมาณ 6 วินาที ดวงไฟแสดงการสั่งงานด้วยสัญญาณไร้สายจะกะพริบเป็นสีเขียว จากนั้นจะเปลี่ยนเป็นสีแดง หลังจากนั้นให้กดปุ่มสั่งงานด้วยสัญญาณไร้สายบนเครื่องมือในลักษณะเดียวกัน

- ▶ **หมายเลข 32:**
1. ปุ่มสั่งงานด้วยสัญญาณไร้สาย
 2. ดวงไฟแสดงการสั่งงานด้วยสัญญาณไร้สาย

หากดำเนินการยกเลิกเสร็จสิ้นแล้ว ดวงไฟแสดงการสั่งงานด้วยสัญญาณไร้สายจะสว่างขึ้นเป็นสีแดงประมาณ 2 วินาที และจะเริ่มกะพริบเป็นสีฟ้า

หมายเหตุ: ดวงไฟแสดงการสั่งงานด้วยสัญญาณไร้สายจะหยุดกะพริบเป็นสีแดงหลังผ่านไป 20 วินาที กดปุ่มสั่งงานด้วยสัญญาณไร้สายบนเครื่องมือในขณะที่ดวงไฟแสดงการสั่งงานด้วยสัญญาณไร้สายบนที่ดูดฝุ่นกำลังกะพริบอยู่ หากดวงไฟแสดงการสั่งงานด้วยสัญญาณไร้สายไม่กะพริบเป็นสีแดง ให้ดันปุ่มสั่งงานด้วยสัญญาณไร้สายสักครู่ แล้วกดลงอีกครั้ง

การแก้ไขปัญหาสำหรับฟังก์ชันสั่งงานด้วยสัญญาณไร้สาย

ก่อนนำไปซ่อม ให้ทำการตรวจสอบด้วยตัวเองก่อน หากพบปัญหาที่ไม่มีอธิบายในคู่มือการใช้งาน อย่าพยายามถอดแยกเครื่องมือ แต่ให้นำไปซ่อมที่ศูนย์บริการหรือโรงงานที่ผ่านการรับรองจาก Makita และใช้ชิ้นส่วนอะไหล่ของ Makita

สถานะความผิดปกติ	สาเหตุที่เป็นไปได้ (การทำงานผิดปกติ)	การแก้ไข
ดวงไฟแสดงการสั่งงานด้วยสัญญาณไร้สายไม่สว่าง/กะพริบ	อุปกรณ์รับส่งสัญญาณไร้สายไม่ถูกติดตั้งลงในเครื่องมือ	ติดตั้งอุปกรณ์รับส่งสัญญาณไร้สายให้ถูกต้อง
	อุปกรณ์รับส่งสัญญาณไร้สายไม่ถูกติดตั้งลงในเครื่องมืออย่างถูกต้อง	
	ขั้วต่อของอุปกรณ์รับส่งสัญญาณไร้สายและ/หรือช่องเสียบสกรปรก	ค่อยๆ เช็ดฝุ่นและสิ่งสกปรกบนขั้วต่อของอุปกรณ์รับส่งสัญญาณไร้สายและทำความสะอาดช่องเสียบ
	ปุ่มสั่งงานด้วยสัญญาณไร้สายบนเครื่องมือยังไม่ถูกดันเข้าไป	ดันปุ่มสั่งงานด้วยสัญญาณไร้สายบนเครื่องมือไว้สักครู่
	สวิตช์เตรียมพร้อมบนที่ดูดฝุ่นไม่ได้ถูกตั้งเป็น "AUTO"	ตั้งสวิตช์เตรียมพร้อมบนที่ดูดฝุ่นเป็น "AUTO"
	ไม่มีการจ่ายไฟฟ้า	จ่ายไฟฟ้าให้เครื่องมือและที่ดูดฝุ่น
ไม่สามารถเสร็จสิ้นการบันทึกเครื่องมือ / การยกเลิกการบันทึกเครื่องมือได้สำเร็จ	อุปกรณ์รับส่งสัญญาณไร้สายไม่ถูกติดตั้งลงในเครื่องมือ	ติดตั้งอุปกรณ์รับส่งสัญญาณไร้สายให้ถูกต้อง
	อุปกรณ์รับส่งสัญญาณไร้สายไม่ถูกติดตั้งลงในเครื่องมืออย่างถูกต้อง	
	ขั้วต่อของอุปกรณ์รับส่งสัญญาณไร้สายและ/หรือช่องเสียบสกรปรก	ค่อยๆ เช็ดฝุ่นและสิ่งสกปรกบนขั้วต่อของอุปกรณ์รับส่งสัญญาณไร้สายและทำความสะอาดช่องเสียบ
	สวิตช์เตรียมพร้อมบนที่ดูดฝุ่นไม่ได้ถูกตั้งเป็น "AUTO"	ตั้งสวิตช์เตรียมพร้อมบนที่ดูดฝุ่นเป็น "AUTO"
	ไม่มีการจ่ายไฟฟ้า	จ่ายไฟฟ้าให้เครื่องมือและที่ดูดฝุ่น
	การทำงานไม่ถูกต้อง	ดันปุ่มสั่งงานด้วยสัญญาณไร้สายไว้สักครู่ จากนั้นดำเนินการขั้นตอนการบันทึก/การยกเลิกเครื่องมืออีกครั้ง
	เครื่องมือและที่ดูดฝุ่นอยู่ห่างจากกัน (เกินช่วงระยะการส่งสัญญาณ)	นำเครื่องมือและที่ดูดฝุ่นเข้ามาไว้ใกล้กันมากขึ้น ระยะการส่งสัญญาณสูงสุดคือประมาณ 10 m อย่างไรก็ตามอาจแตกต่างกันไปขึ้นอยู่กับสถานะแวดล้อม
	ก่อนเสร็จสิ้นการลงทะเบียน/ยกเลิกเครื่องมือ - สวิตช์ของเครื่องมือเปิดอยู่ หรือ - ปุ่มไฟหลักบนที่ดูดฝุ่นเปิดอยู่	ดันปุ่มสั่งงานด้วยสัญญาณไร้สายไว้สักครู่ จากนั้นดำเนินการขั้นตอนการบันทึก/การยกเลิกเครื่องมืออีกครั้ง
ขั้นตอนการบันทึกเครื่องมือสำหรับเครื่องมือหรือที่ดูดฝุ่นยังไม่เสร็จสิ้น	ดำเนินการตามขั้นตอนการบันทึกเครื่องมือสำหรับทั้งเครื่องมือและที่ดูดฝุ่นในเวลาเดียวกัน	
การรบกวนจากคลื่นวิทยุของเครื่องใช้อื่นๆ ซึ่งทำให้เกิดคลื่นวิทยุความถี่สูง	นำเครื่องมือและที่ดูดฝุ่นออกจากเครื่องใช้ต่างๆ เช่น อุปกรณ์ Wi-Fi และเตาอบไมโครเวฟ	

สภาวะความผิดปกติ	สาเหตุที่เป็นไปได้ (การทำงานผิดปกติ)	การแก้ไข
ที่ดูดฝุ่นไม่ทำงานตามการควบคุมด้วยสวิตช์ของเครื่องมือ	อุปกรณ์รับส่งสัญญาณไร้สายไม่ถูกติดตั้งลงในเครื่องมือ	ติดตั้งอุปกรณ์รับส่งสัญญาณไร้สายให้ถูกต้อง
	อุปกรณ์รับส่งสัญญาณไร้สายไม่ถูกติดตั้งลงในเครื่องมืออย่างถูกต้อง	
	ขั้วต่อของอุปกรณ์รับส่งสัญญาณไร้สายและ/หรือช่องเสียบสกรก	ค่อยๆ เช็ดฝุ่นและสิ่งสกปรกบนขั้วต่อของอุปกรณ์รับส่งสัญญาณไร้สายและความสะอาดช่องเสียบ
	ปุ่มสั่งงานด้วยสัญญาณไร้สายบนเครื่องมือยังไม่ถูกดันเข้าไป	ดันปุ่มสั่งงานด้วยสัญญาณไร้สายไว้สักครู่ และตรวจสอบให้แน่ใจว่าดวงไฟแสดงการทำงานของสัญญาณไร้สายกะพริบเป็นสีฟ้า
	สวิตช์เตรียมพร้อมบนที่ดูดฝุ่นไม่ได้ถูกตั้งเป็น "AUTO"	ตั้งสวิตช์เตรียมพร้อมบนที่ดูดฝุ่นเป็น "AUTO"
	มีเครื่องมือที่บันทึกเข้ากับที่ดูดฝุ่นมากกว่า 10 เครื่อง	ดำเนินการบันทึกเครื่องมืออีกครั้ง หากมีเครื่องมือที่บันทึกเข้ากับที่ดูดฝุ่นมากกว่า 10 เครื่อง เครื่องมือที่บันทึกเครื่องแรกสุดจะถูกยกเลิกไปโดยอัตโนมัติ
	ที่ดูดฝุ่นลบการบันทึกเครื่องมือทั้งหมด	ดำเนินการบันทึกเครื่องมืออีกครั้ง
	ไม่มีการจ่ายไฟฟ้า	จ่ายไฟฟ้าให้เครื่องมือและที่ดูดฝุ่น
ที่ดูดฝุ่นทำงานในขณะที่เครื่องมือไม่ได้กำลังทำงานอยู่	เครื่องมือและที่ดูดฝุ่นอยู่ห่างจากกัน (เกินช่วงระยะการส่งสัญญาณ)	นำเครื่องมือและที่ดูดฝุ่นเข้ามาไว้ใกล้กันมากขึ้น ระยะการส่งสัญญาณสูงสุดคือประมาณ 10 m อย่างไรก็ตามอาจแตกต่างกันไปขึ้นอยู่กับสภาวะแวดล้อม
	การรบกวนจากคลื่นวิทยุของเครื่องใช้อื่นๆ ซึ่งทำให้เกิดคลื่นวิทยุความถี่สูง	นำเครื่องมือและที่ดูดฝุ่นออกห่างจากเครื่องใช้ต่างๆ เช่น อุปกรณ์ Wi-Fi และเดอบโมโครเวฟ
		ปิดปุ่มสั่งงานด้วยสัญญาณไร้สายของเครื่องมืออื่นๆ หรือยกเลิกการบันทึกเครื่องมือของเครื่องมืออื่น

การบำรุงรักษา

⚠️ ข้อควรระวัง: ตรวจสอบให้แน่ใจว่าได้ปิดสวิตช์เครื่องมือและถอดด้ามแบตเตอรี่ออกก่อนทำการตรวจสอบหรือบำรุงรักษา

ข้อสังเกต: อย่าใช้น้ำมันเชื้อเพลิง เบนซิน ทินเนอร์ แอลกอฮอล์ หรือวัสดุประเภทเดียวกัน เนื่องจากอาจทำให้สีซีดจาง เสียรูป หรือแตกร้าวได้

เพื่อความปลอดภัยและนำเชื้อถือของผลิตภัณฑ์ ควรให้ศูนย์บริการหรือโรงงานที่ผ่านการรับรองจาก Makita เป็นผู้ดำเนินการซ่อมแซม บำรุงรักษาและทำการปรับตั้งอื่นๆ นอกจากนี้ให้ใช้อะไหล่ของแท้จาก Makita เสมอ

การทำความสะอาดเครื่องมือ

ข้อสังเกต: อยาล้างเครื่องมือด้วยน้ำ

หลังการใช้งานแต่ละครั้ง ให้ถอดด้ามแบตเตอรี่และล้อ แล้วทำความสะอาดฝุ่น สิ่งสกปรก หรือเศษโลหะที่สะสมอยู่ในฝาครอบวงล้อ ทำความสะอาดตัวเครื่องมือโดยเช็ดฝุ่นและสิ่งสกปรกออกด้วยผ้าแห้งหรือผ้าชุบน้ำบิดหมาด ใช้น้ำแห้งเพื่อเช็ดสิ่งสกปรกออกจากเลนส์ของดวงไฟ ระวังอย่าขีดข่วนเลนส์ของดวงไฟ ไม่เช่นนั้นน้ำอาจทำให้ส่องสว่างได้น้อยลง

- **หมายเลข 33:** 1. ฝาครอบวงล้อ 2. เลนส์ของดวงไฟ

การทำความสะอาดช่องระบายอากาศ

ทำความสะอาดช่องระบายอากาศของเครื่องมือให้เป็นประจำหรือเมื่อใดก็ตามที่ช่องระบายอากาศเริ่มถูกปิดกั้น

► **หมายเลข 34:** 1. ช่องระบายอากาศ

การเปลี่ยนสายพานซิงโครนัส

1. ถอดดรัมเบตเตอร์และล้อออก

2. คลายสลักเกี้ยวหัวบ็อกซ์หกเหลี่ยมโดยใช้ปลายของประแจแหวน แล้วถอดฝาครอบออก

► **หมายเลข 35:** 1. ประแจแหวน 2. สลักเกี้ยวหัวบ็อกซ์หกเหลี่ยม 3. ฝาครอบ

3. ดันปุ่มล๊อคก้านเข้าค้างไว้เพื่อล๊อคลูกกรอกใหญ่ จากนั้นขันน็อตทวนเข็มนาฬิกาโดยใช้ปลายด้านที่เรียวยเล็กของประแจแหวน

► **หมายเลข 36:** 1. ลูกกรอกใหญ่ 2. ปุ่มล๊อคก้าน

4. ดันปุ่มล๊อคก้านเข้าค้างไว้เพื่อล๊อคลูกกรอกใหญ่ จากนั้นขันจนแผ่นเล็กทวนเข็มนาฬิกาโดยใช้ปลายด้านที่หนาของประแจแหวนเพื่อคลายสายพานซิงโครนัส

► **หมายเลข 37:** 1. ปุ่มล๊อคก้าน 2. ลูกกรอกใหญ่ 3. จานแผ่นเล็ก

5. การถอดสายพาน

6. ติดตั้งปลายด้านหนึ่งของสายพานเข้ากับลูกกรอกเล็ก โดยให้ร่องบนสายพานอยู่ด้านใน จากนั้นติดตั้งปลายอีกด้านของสายพานเข้ากับลูกกรอกใหญ่

► **หมายเลข 38:** 1. สายพาน 2. ลูกกรอกใหญ่ 3. ลูกกรอกเล็ก

7. ดันปุ่มล๊อคก้านเข้าค้างไว้เพื่อล๊อคลูกกรอกใหญ่ จากนั้นขันจนแผ่นเล็กตามเข็มนาฬิกาโดยใช้ปลายด้านที่หนาของประแจแหวนเพื่อขันสายพานให้แน่น

► **หมายเลข 39:** 1. ปุ่มล๊อคก้าน 2. ลูกกรอกใหญ่

หมายเหตุ: ตรวจสอบให้แน่ใจว่าจานแผ่นเล็กอยู่ในตำแหน่งตามที่แสดงในภาพ

► **หมายเลข 40:** 1. จานแผ่นเล็ก

8. ดันปุ่มล๊อคก้านเข้าค้างไว้เพื่อล๊อคลูกกรอกใหญ่ จากนั้นขันน็อตตามเข็มนาฬิกาโดยใช้ปลายด้านที่เรียวยเล็กของประแจแหวน

► **หมายเลข 41:** 1. ปุ่มล๊อคก้าน

หมายเหตุ: เมื่อทำการขันน็อตให้ใช้แรงบิดการขัน 19 - 21 Nm

9. ติดตั้งฝาครอบ แล้วขันสลักเกี้ยวหัวบ็อกซ์หกเหลี่ยมโดยใช้ปลายของประแจแหวน

► **หมายเลข 42:** 1. ประแจแหวน 2. สลักเกี้ยวหัวบ็อกซ์หกเหลี่ยม 3. ฝาครอบ

การแก้ไขปัญหา

ก่อนนำไปซ่อม ให้ทำการตรวจสอบด้วยตัวเองก่อน หากพบปัญหาที่ไม่มีอธิบายในคู่มือการใช้งาน อย่าพยายามถอดแยกเครื่องมือ แต่ให้นำไปซ่อมที่ศูนย์บริการหรือโรงงานที่ผ่านการรับรองจาก Makita และใช้ชิ้นส่วนอะไหล่ของ Makita

สภาวะความผิดปกติ	สาเหตุที่เป็นไปได้ (การทำงานผิดปกติ)	การแก้ไข
มอเตอร์ไม่ทำงาน	ไม่ได้ติดตั้งถลับแบตเตอรี่	ติดตั้งถลับแบตเตอรี่สองถลับ เครื่องมือนี้จะไม่ทำงานเมื่อใช้ถลับแบตเตอรี่ก้อนเดียว
	ปัญหาแบตเตอรี่ (ไฟต่ำ)	ชาร์จแบตเตอรี่อีกครั้ง หากการชาร์จแบตเตอรี่ใหม่ไม่ได้ผล ให้เปลี่ยนถลับแบตเตอรี่
	ระบบขับเคลื่อนไม่ทำงานอย่างถูกต้อง	สอบถามศูนย์บริการที่ผ่านการรับรองจาก Makita ในท้องถิ่นให้ทำการซ่อมแซมให้
มอเตอร์หยุดทำงานหลังจากใช้งานไปได้เล็กน้อย	ระดับการชาร์จของแบตเตอรี่ต่ำ	ชาร์จแบตเตอรี่อีกครั้ง หากการชาร์จแบตเตอรี่ใหม่ไม่ได้ผล ให้เปลี่ยนถลับแบตเตอรี่
	ความร้อนสูงเกิน	หยุดใช้งานเครื่องมือเพื่อให้เครื่องมือเย็นลง
ความเร็วในการหมุนของล้อไม่เพิ่มขึ้นอย่างเหมาะสมหลังจากเปิดเครื่องมือโดยไม่มีภาระงานเป็นเวลา 20 วินาที	แบตเตอรี่ติดตั้งอย่างไม่ถูกต้อง	ติดตั้งถลับแบตเตอรี่ตามที่อธิบายในคู่มือการใช้งานนี้
	กำลังของแบตเตอรี่ต่ำลง	ชาร์จถลับแบตเตอรี่ใหม่ หากการชาร์จแบตเตอรี่ใหม่ไม่ได้ผล ให้เปลี่ยนถลับแบตเตอรี่
	สายพานซิงโครนัสลื่นหลุด	เปลี่ยนสายพานซิงโครนัสอันใหม่
	ระบบขับเคลื่อนไม่ทำงานอย่างถูกต้อง	สอบถามศูนย์บริการที่ผ่านการรับรองจาก Makita ในท้องถิ่นให้ทำการซ่อมแซมให้
ล้อไม่หมุน: ⇒ หยุดเครื่องโดยทันที!	สายพานซิงโครนัสลื่นหลุด	เปลี่ยนสายพานซิงโครนัสอันใหม่
	วัตถุแปลกปลอมติดขัดอยู่ระหว่างฝาครอบวงล้อและล้อ	ถอดถลับแบตเตอรี่แล้วนำสิ่งแปลกปลอมออก
	ระบบขับเคลื่อนไม่ทำงานอย่างถูกต้อง	สอบถามศูนย์บริการที่ผ่านการรับรองจาก Makita ในท้องถิ่นให้ทำการซ่อมแซมให้
การสันสะเทือนผิดปกติ ⇒ หยุดเครื่องโดยทันที!	การติดตั้งล้อที่ไม่เหมาะสม	ติดตั้งล้อตามที่แนะนำไว้ในคู่มือการใช้งานนี้ ชันสลักเกลียวเพื่อยึดล้อให้แน่น
	ระบบขับเคลื่อนไม่ทำงานอย่างถูกต้อง	สอบถามศูนย์บริการที่ผ่านการรับรองจาก Makita ในท้องถิ่นให้ทำการซ่อมแซมให้
เครื่องมือตัดและมอเตอร์ไม่หยุดทำงาน ⇒ ถอดถลับแบตเตอรี่ทันที!	ชิ้นส่วนไฟฟ้าหรืออิเล็กทรอนิกส์ทำงานผิดปกติ	ถอดถลับแบตเตอรี่ออก แล้วนำเครื่องมือเข้าไปรับการซ่อมที่ศูนย์บริการที่ได้รับการรับรองใกล้คุณ
ประสิทธิภาพในการตัดลดลง	ถึงเวลาที่ควรเปลี่ยนล้อ	เปลี่ยนล้อเป็นล้อใหม่
กำลังการดูดของที่ดูดฝุ่นลดลง	ตัวกรองของที่ดูดฝุ่นอุดตัน	ทำความสะอาดตัวกรอง หากปัญหายังคงอยู่แม้จะทำความสะอาดตัวกรองแล้ว ให้เปลี่ยนตัวกรองใหม่
ที่ป้องกันด้านล่างทำงานได้ไม่เหมาะสม	มีฝุ่นสะสมภายในฝาครอบวงล้อ	เคลื่อนที่ป้องกันด้านล่างออกและเคลื่อนกลับเข้าที่เดิมหลายๆ ครั้ง

อุปกรณ์เสริม

⚠ ข้อควรระวัง: ขอแนะนำให้ใช้เฉพาะอุปกรณ์เสริมหรืออุปกรณ์ต่อพ่วงเหล่านี้กับเครื่องมือ Makita ที่ระบุในคู่มือการใช้อุปกรณ์เสริมหรืออุปกรณ์ต่อพ่วงอื่นๆ อาจมีความเสี่ยงที่จะได้รับบาดเจ็บ ใช้อุปกรณ์เสริมหรืออุปกรณ์ต่อพ่วงตามวัตถุประสงค์ที่ระบุไว้เท่านั้น

หากต้องการทราบรายละเอียดเพิ่มเติมเกี่ยวกับอุปกรณ์เสริมเหล่านี้ โปรดสอบถามศูนย์บริการ Makita ใกล้บ้านคุณ

- ลูกล้อเพชร
- ชุดแหวน
- สายพานชิงโครนัส
- ประแจแหวน
- อุปกรณ์รับส่งสัญญาณไร้สาย
- แบตเตอรี่และเครื่องชาร์จ Makita ของแท้

หมายเหตุ: อุปกรณ์บางรายการอาจจะรวมอยู่ในชุดเครื่องมือเป็นอุปกรณ์มาตรฐาน ซึ่งอาจแตกต่างกันไปในแต่ละประเทศ

Makita Corporation
3-11-8, Sumiyoshi-cho,
Anjo, Aichi 446-8502 Japan
www.makita.com

885A04-374
EN, ZHCN, ID, MS,
VI, TH
20230206