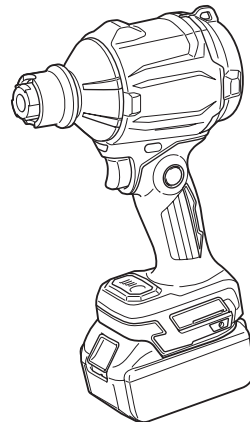




EN	Cordless Dust Blower	INSTRUCTION MANUAL	9
ZHCN	充电式空气枪	使用说明书	24
ID	Blower Debu Tanpa Kabel	PETUNJUK PENGGUNAAN	39
MS	Penghembus Habuk Tanpa Kord	MANUAL ARAHAN	55
VI	Máy Thổi Bụi Cầm Tay Hoạt Động Bằng Pin	TÀI LIỆU HƯỚNG DẪN	72
TH	เครื่องเป่าฝุ่นไร้สาย	คู่มือการใช้งาน	87

DAS180



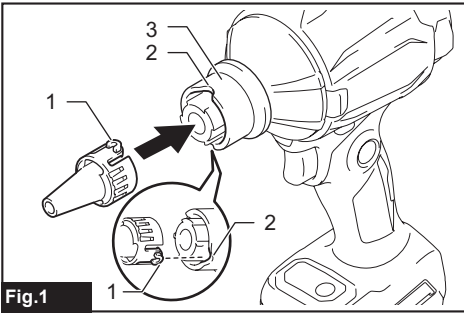


Fig.1

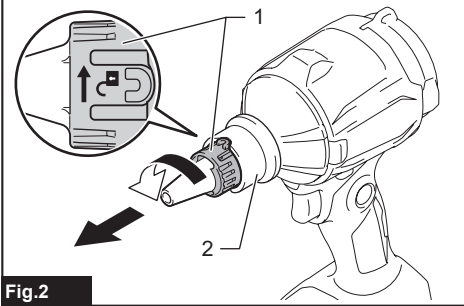


Fig.2

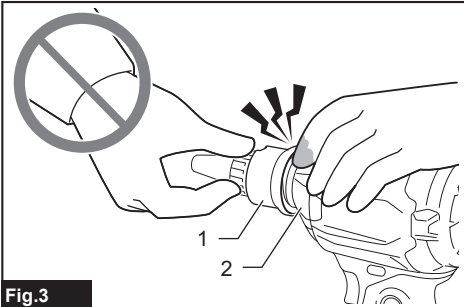


Fig.3

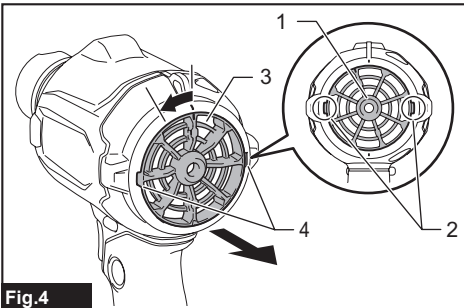


Fig.4

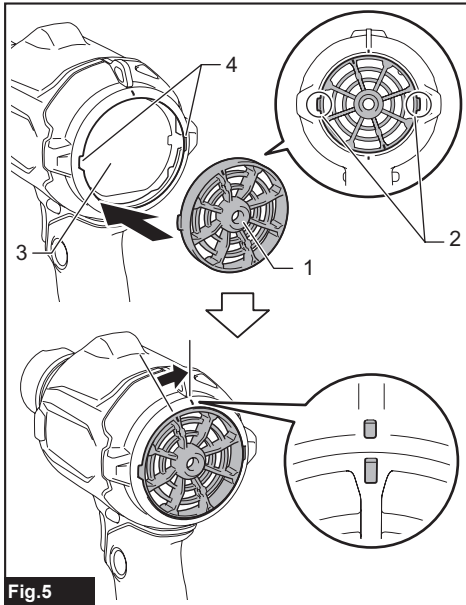


Fig.5

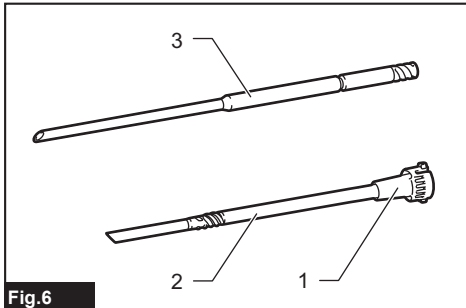


Fig.6

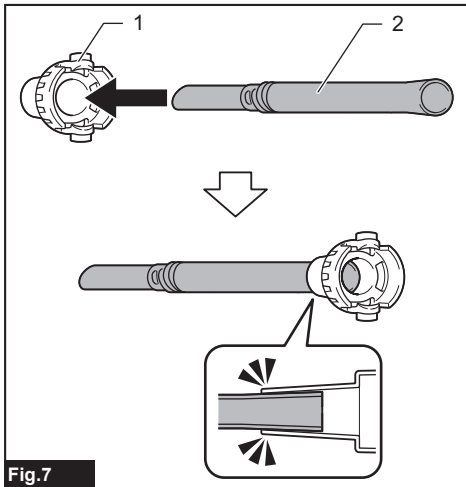
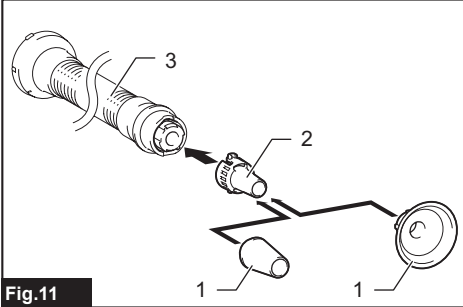
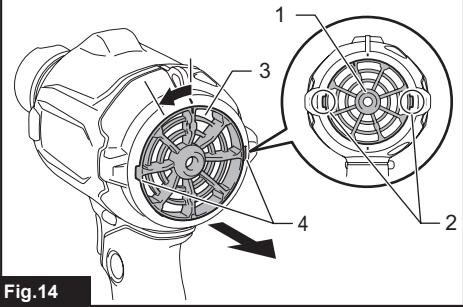
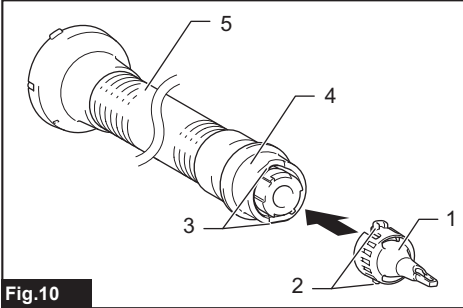
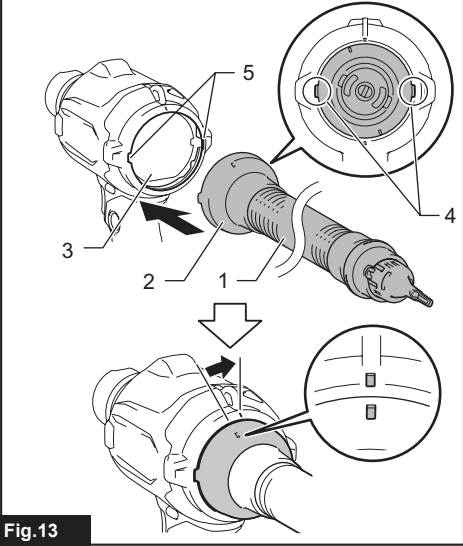
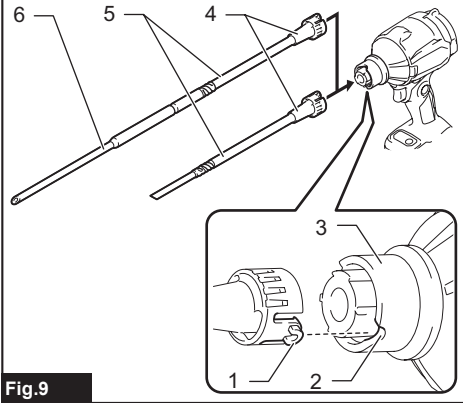
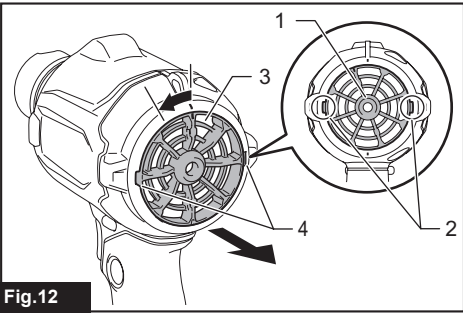
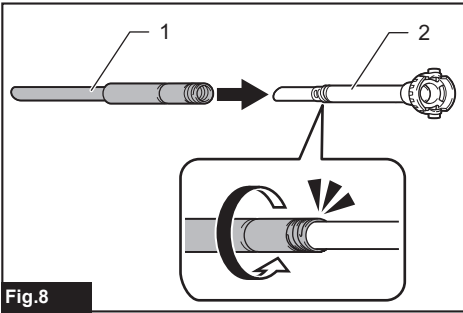


Fig.7



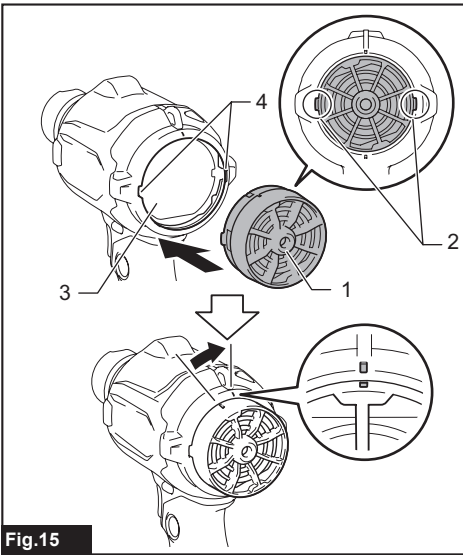


Fig. 15

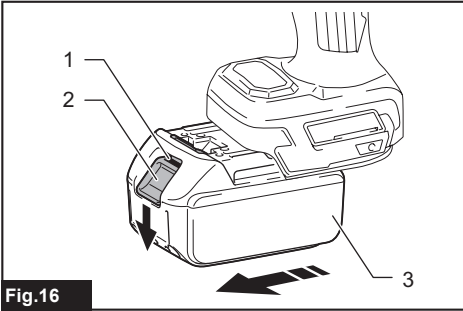


Fig. 16

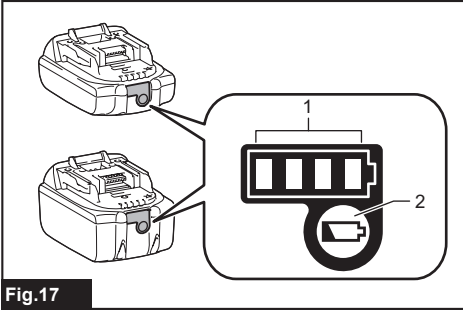


Fig. 17

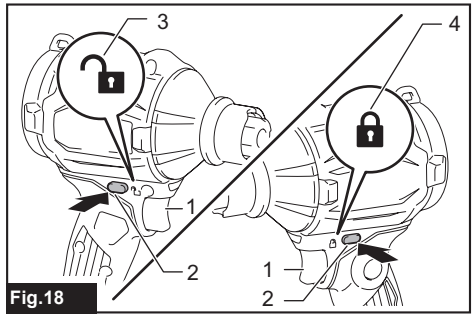


Fig. 18

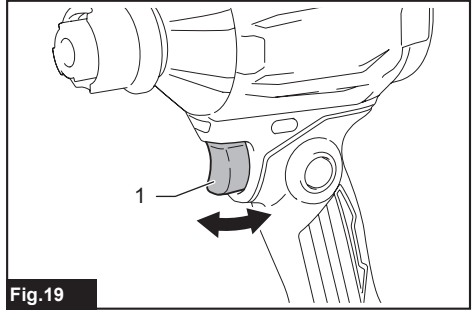


Fig. 19

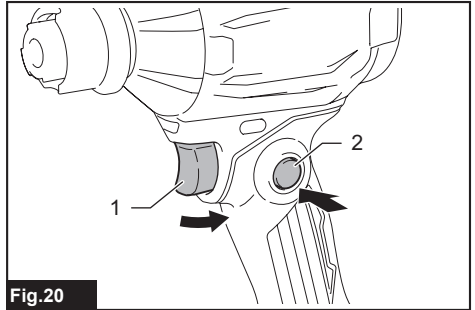


Fig. 20

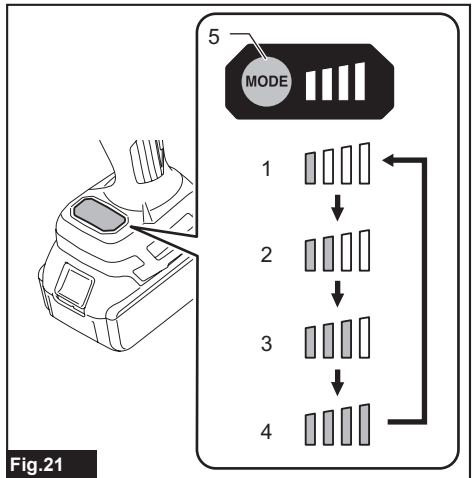


Fig. 21

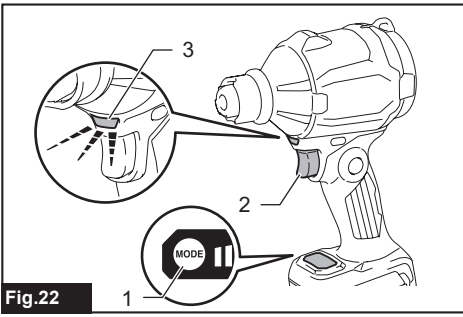


Fig.22

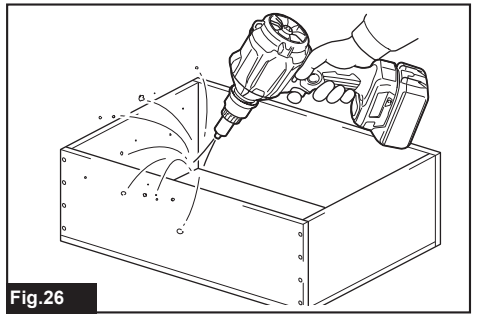


Fig.26

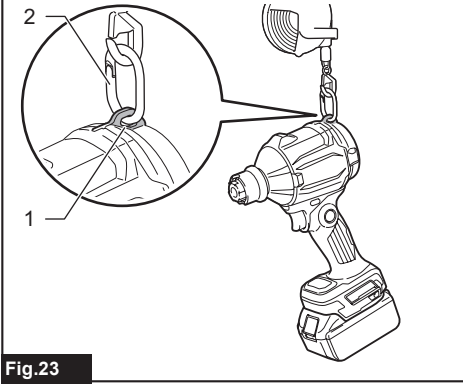


Fig.23

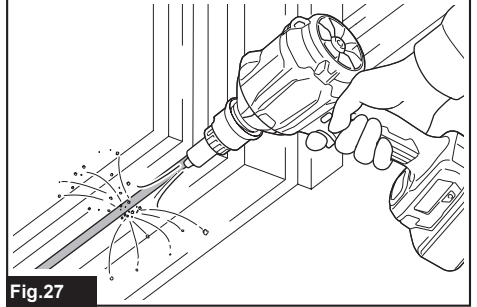


Fig.27

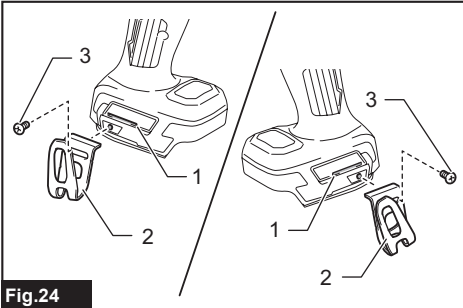


Fig.24

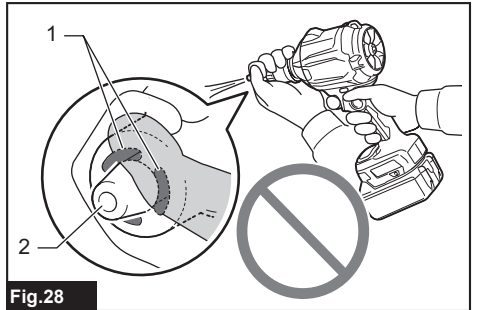


Fig.28

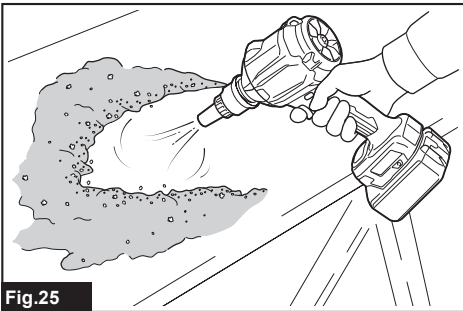


Fig.25

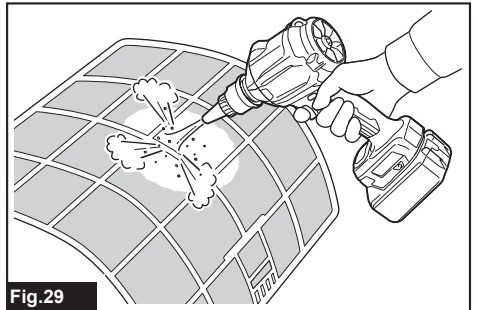


Fig.29

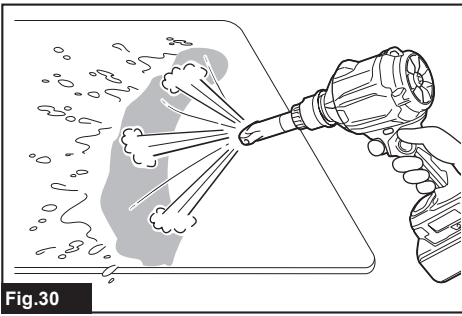


Fig.30

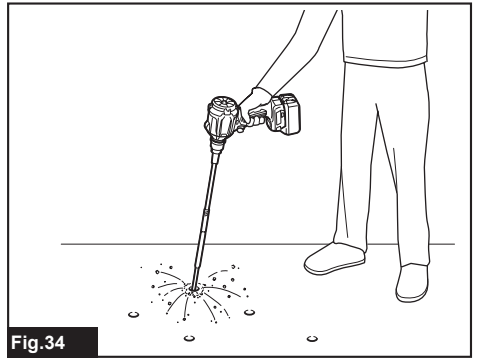


Fig.34

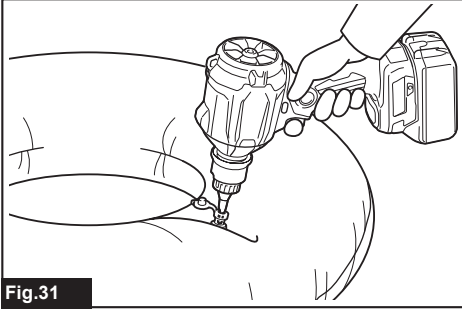


Fig.31

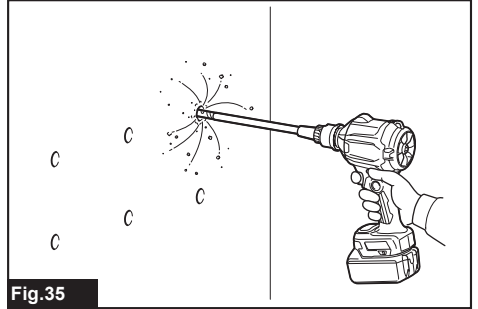


Fig.35

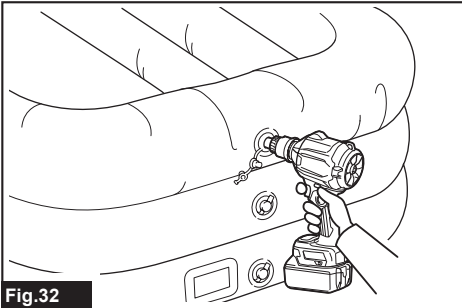


Fig.32

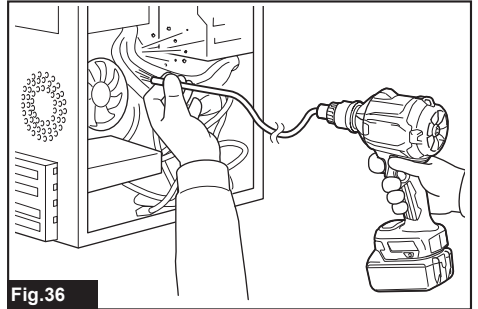


Fig.36

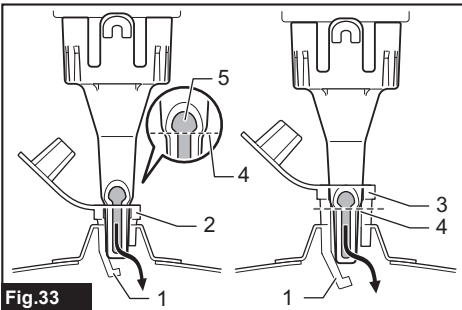


Fig.33

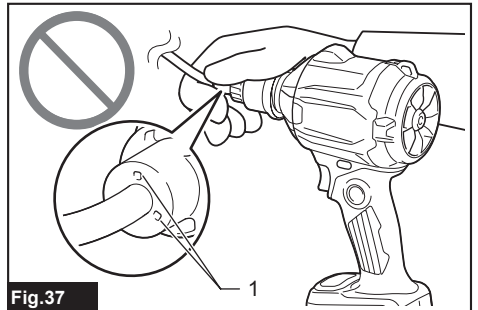
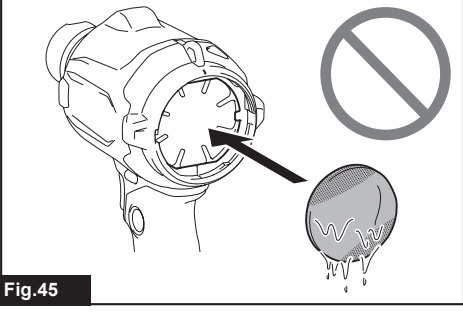
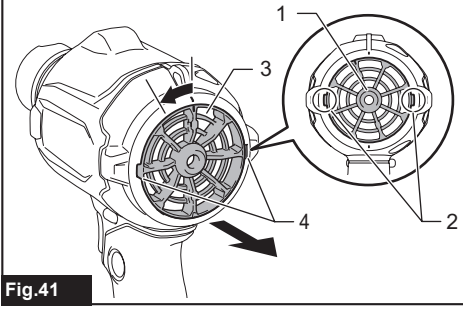
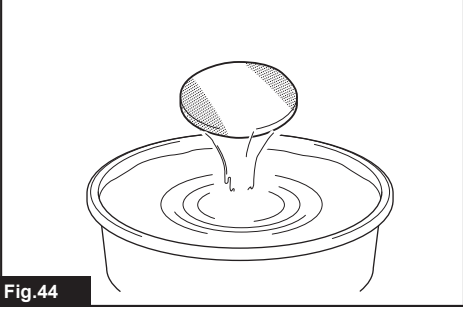
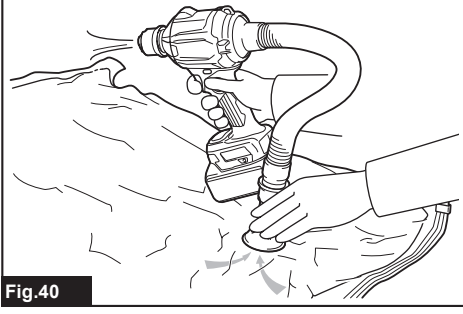
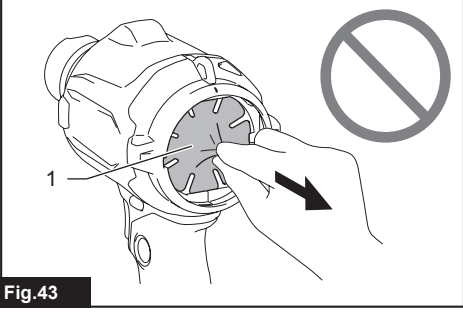
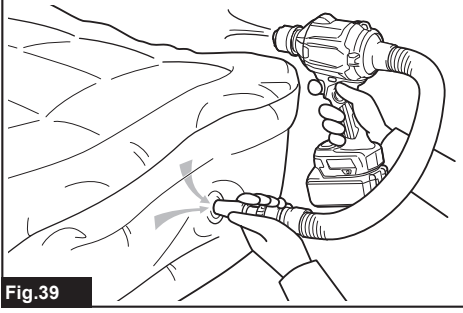
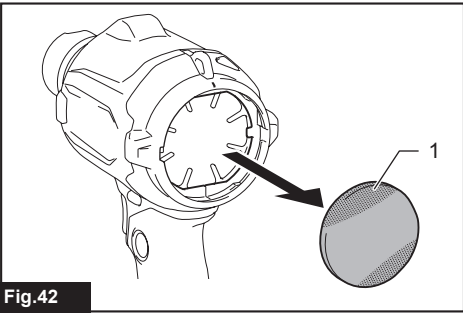
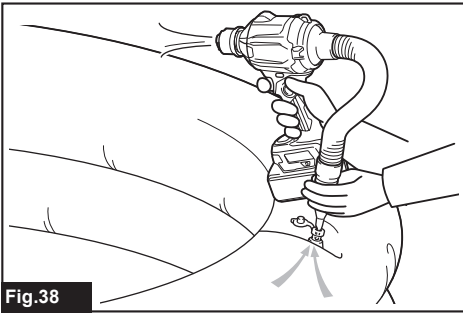


Fig.37



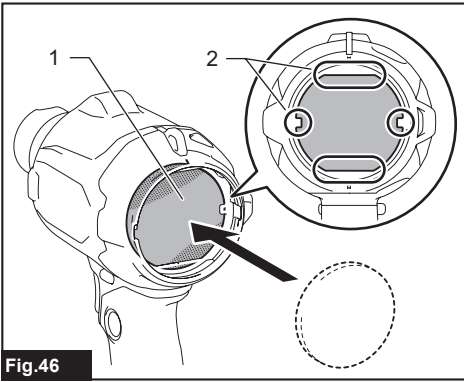


Fig.46

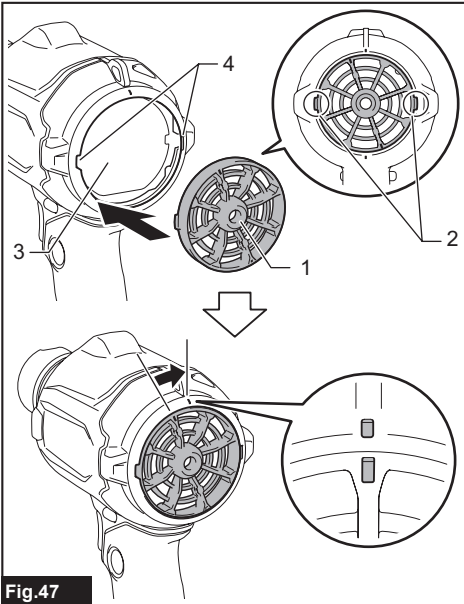


Fig.47

SPECIFICATIONS

Model:		DAS180
Air speed (average) ^{*2*3}		163 m/s
Air speed (max.) ^{*2*3}		200 m/s
Maximum air volume ^{*1*2}		1.1 m ³ /min
Maximum blowing force ^{*1*2}	4: Max	2.8 N (0.29 kgf)
	3: High	2.3 N (0.23 kgf)
	2: Medium	1.7 N (0.17 kgf)
	1: Low	1.1 N (0.11 kgf)
Continuous use ^{*1*2}	4: Max	15 min
	3: High	20 min
	2: Medium	30 min
	1: Low	55 min
Maximum air pressure ^{*2*3}		29.7 kPa
Dimensions (L x W x H) ^{*1*2}		179 mm x 92 mm x 297 mm
Rated voltage		D.C. 18 V
Net weight		1.2 - 1.7 kg

^{*1} Without nozzles

^{*2} With battery model BL1860B

^{*3} With nozzle 7

- Due to our continuing program of research and development, the specifications herein are subject to change without notice.
- Specifications may differ from country to country.
- The weight may differ depending on the attachment(s), including the battery cartridge. The lightest and heaviest combinations, according to EPTA-Procedure 01/2014, are shown in the table.

Applicable battery cartridge and charger

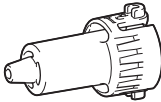
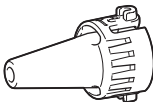
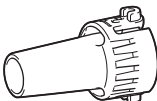
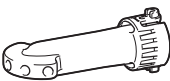
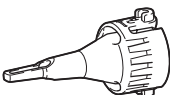
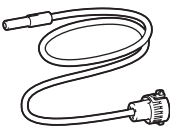
Battery cartridge	BL1815N / BL1820B / BL1830B / BL1840B / BL1850B / BL1860B
Charger	DC18RC / DC18RD / DC18RE / DC18SD / DC18SE / DC18SF / DC18SH / DC18WC

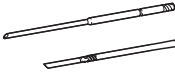
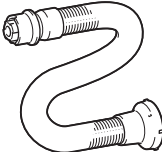

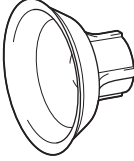
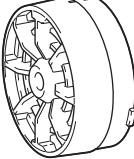
- Some of the battery cartridges and chargers listed above may not be available depending on your region of residence.

⚠ WARNING: Only use the battery cartridges and chargers listed above. Use of any other battery cartridges and chargers may cause injury and/or fire.

Applicable nozzles and attachments


Optional accessories

Nozzles and attachments	Applications and purposes	Diameters
Nozzle 3 	Blowing air into confined spaces, corners, and spaces by the walls to dust off.	ø3.0 mm
Nozzle 7 	Dusting off filters.	ø7.0 mm
Nozzle 13 	<p>Using as blower Cleaning work surfaces and blowing dust in general. Anchor hole cleaning with optional long nozzles. Functioning as a joint between long nozzles and blower outlet of the tool.</p> <p>Using as inflator Inflating large inflatable pools or air mattresses.</p> <p>Using as deflator Deflating large inflatable pools or air mattresses. Functioning as a joint between air vent hose complete and rubber attachments.</p>	ø13 mm
Wide range nozzle 	Blowing air over dirt and liquid on desktop and wide-open area. Blowing range: 120° with 5 holes	ø6.0 mm * As a single hole diameter
Pinch valve nozzle 	Inflating/deflating beach toys, pillows, and similar plastic inflatables. * Deflating operation can be carried out with optional air vent hose complete.	ø7.0 mm
Flexible nozzle 6 	Blowing dust out of any hard-to-reach spots, PCs and similar devices.	ø6.0 mm x 800 mm

Nozzles and attachments	Applications and purposes	Diameters
<p data-bbox="80 81 206 100">Long nozzles set</p> 	<p data-bbox="322 81 842 156">A set of nozzles suitable for blowing dust out of anchor holes and narrow spots. Nozzle lengths can be changed by attaching and detaching two nozzle heads. * Long nozzles can be installed using nozzle 13 as a joint.</p>	<p data-bbox="855 81 922 100">ø8.0 mm</p>
<p data-bbox="80 308 247 327">Air vent hose complete</p> 	<p data-bbox="322 308 773 327">Deflating inflatable items with appropriate nozzles in operation.</p>	<p data-bbox="855 308 863 327">-</p>
<p data-bbox="80 531 275 550">Rubber attachment 20 - 30</p> 	<p data-bbox="322 531 842 587">Nozzle head suitable for deflating air mattress, raft, boat, and pool. * This attachment requires to be installed with the air vent hose complete and nozzle 13 together.</p>	<p data-bbox="855 531 1005 587">ø20 - 30 mm * Measured as outer diameter.</p>
<p data-bbox="80 754 244 774">Rubber attachment 65</p> 	<p data-bbox="322 754 842 834">Attachment suitable for packaging your clothes by compressing air out of them. * This attachment requires to be installed with the air vent hose complete and nozzle 13 together.</p>	<p data-bbox="855 754 916 774">ø65 mm</p>
<p data-bbox="80 978 135 997">Filter C</p> 	<p data-bbox="322 978 824 1026">Attachment designed to reduce dust intake into the motor under dusty working conditions.</p>	<p data-bbox="855 978 863 997">-</p>

Symbols

The followings show the symbols which may be used for the equipment. Be sure that you understand their meaning before use.

	Read instruction manual.
	Keep hands away from rotating parts.
	Long hair may cause entanglement accident.
	Keep bystanders away.
	Wear eye and ear protection.
	Do not expose to moisture.
	Only for EU countries Due to the presence of hazardous components in the equipment, waste electrical and electronic equipment, accumulators and batteries may have a negative impact on the environment and human health. Do not dispose of electrical and electronic appliances or batteries with household waste! In accordance with the European Directive on waste electrical and electronic equipment and on accumulators and batteries and waste accumulators and batteries, as well as their adaptation to national law, waste electrical equipment, batteries and accumulators should be stored separately and delivered to a separate collection point for municipal waste, operating in accordance with the regulations on environmental protection. This is indicated by the symbol of the crossed-out wheeled bin placed on the equipment.

Intended use

The tool is intended for blowing dust, inflating and deflating inflatables, with changeable nozzles according to your preferences. Suitable for both commercial and home use, e.g., cleaning work spaces, dusting filters, and inflating beach toys.

SAFETY WARNINGS

General power tool safety warnings

⚠WARNING Read all safety warnings, instructions, illustrations and specifications provided with this power tool. Failure to follow all instructions listed below may result in electric shock, fire and/or serious injury.

Save all warnings and instructions for future reference.

The term "power tool" in the warnings refers to your mains-operated (corded) power tool or battery-operated (cordless) power tool.

Work area safety

1. **Keep work area clean and well lit.** Cluttered or dark areas invite accidents.
2. **Do not operate power tools in explosive atmospheres, such as in the presence of flammable liquids, gases or dust.** Power tools create sparks which may ignite the dust or fumes.
3. **Keep children and bystanders away while operating a power tool.** Distractions can cause you to lose control.

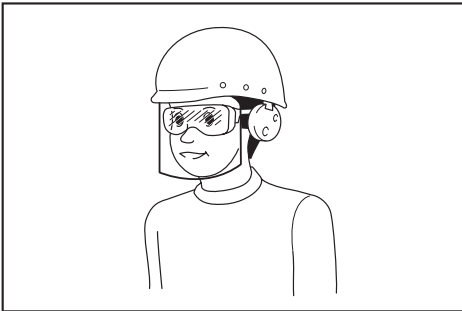
Electrical safety

1. **Power tool plugs must match the outlet. Never modify the plug in any way. Do not use any adapter plugs with earthed (grounded) power tools.** Unmodified plugs and matching outlets will reduce risk of electric shock.
2. **Avoid body contact with earthed or grounded surfaces, such as pipes, radiators, ranges and refrigerators.** There is an increased risk of electric shock if your body is earthed or grounded.
3. **Do not expose power tools to rain or wet conditions.** Water entering a power tool will increase the risk of electric shock.
4. **Do not abuse the cord. Never use the cord for carrying, pulling or unplugging the power tool. Keep cord away from heat, oil, sharp edges or moving parts.** Damaged or entangled cords increase the risk of electric shock.
5. **When operating a power tool outdoors, use an extension cord suitable for outdoor use.** Use of a cord suitable for outdoor use reduces the risk of electric shock.
6. **If operating a power tool in a damp location is unavoidable, use a residual current device (RCD) protected supply.** Use of an RCD reduces the risk of electric shock.
7. **Power tools can produce electromagnetic fields (EMF) that are not harmful to the user.** However, users of pacemakers and other similar medical devices should contact the maker of their device and/or doctor for advice before operating this power tool.

Personal safety

1. **Stay alert, watch what you are doing and use common sense when operating a power tool. Do not use a power tool while you are tired or under the influence of drugs, alcohol or medication.** A moment of inattention while operating power tools may result in serious personal injury.
2. **Use personal protective equipment. Always wear eye protection.** Protective equipment such as a dust mask, non-skid safety shoes, hard hat or hearing protection used for appropriate conditions will reduce personal injuries.

3. **Prevent unintentional starting.** Ensure the switch is in the off-position before connecting to power source and/or battery pack, picking up or carrying the tool. Carrying power tools with your finger on the switch or energising power tools that have the switch on invites accidents.
 4. **Remove any adjusting key or wrench before turning the power tool on.** A wrench or a key left attached to a rotating part of the power tool may result in personal injury.
 5. **Do not overreach. Keep proper footing and balance at all times.** This enables better control of the power tool in unexpected situations.
 6. **Dress properly. Do not wear loose clothing or jewellery. Keep your hair and clothing away from moving parts.** Loose clothes, jewellery or long hair can be caught in moving parts.
 7. **If devices are provided for the connection of dust extraction and collection facilities, ensure these are connected and properly used.** Use of dust collection can reduce dust-related hazards.
 8. **Do not let familiarity gained from frequent use of tools allow you to become complacent and ignore tool safety principles.** A careless action can cause severe injury within a fraction of a second.
 9. **Always wear protective goggles to protect your eyes from injury when using power tools. The goggles must comply with ANSI Z87.1 in the USA, EN 166 in Europe, or AS/NZS 1336 in Australia/New Zealand. In Australia/New Zealand, it is legally required to wear a face shield to protect your face, too.**
3. **Disconnect the plug from the power source and/or remove the battery pack, if detachable, from the power tool before making any adjustments, changing accessories, or storing power tools.** Such preventive safety measures reduce the risk of starting the power tool accidentally.
 4. **Store idle power tools out of the reach of children and do not allow persons unfamiliar with the power tool or these instructions to operate the power tool.** Power tools are dangerous in the hands of untrained users.
 5. **Maintain power tools and accessories. Check for misalignment or binding of moving parts, breakage of parts and any other condition that may affect the power tool's operation. If damaged, have the power tool repaired before use.** Many accidents are caused by poorly maintained power tools.
 6. **Keep cutting tools sharp and clean.** Properly maintained cutting tools with sharp cutting edges are less likely to bind and are easier to control.
 7. **Use the power tool, accessories and tool bits etc. in accordance with these instructions, taking into account the working conditions and the work to be performed.** Use of the power tool for operations different from those intended could result in a hazardous situation.
 8. **Keep handles and grasping surfaces dry, clean and free from oil and grease.** Slippery handles and grasping surfaces do not allow for safe handling and control of the tool in unexpected situations.
 9. **When using the tool, do not wear cloth work gloves which may be entangled.** The entanglement of cloth work gloves in the moving parts may result in personal injury.



It is an employer's responsibility to enforce the use of appropriate safety protective equipments by the tool operators and by other persons in the immediate working area.

Power tool use and care

1. **Do not force the power tool. Use the correct power tool for your application.** The correct power tool will do the job better and safer at the rate for which it was designed.
 2. **Do not use the power tool if the switch does not turn it on and off.** Any power tool that cannot be controlled with the switch is dangerous and must be repaired.
1. **Recharge only with the charger specified by the manufacturer.** A charger that is suitable for one type of battery pack may create a risk of fire when used with another battery pack.
 2. **Use power tools only with specifically designated battery packs.** Use of any other battery packs may create a risk of injury and fire.
 3. **When battery pack is not in use, keep it away from other metal objects, like paper clips, coins, keys, nails, screws or other small metal objects, that can make a connection from one terminal to another.** Shorting the battery terminals together may cause burns or a fire.
 4. **Under abusive conditions, liquid may be ejected from the battery; avoid contact. If contact accidentally occurs, flush with water. If liquid contacts eyes, additionally seek medical help.** Liquid ejected from the battery may cause irritation or burns.
 5. **Do not use a battery pack or tool that is damaged or modified.** Damaged or modified batteries may exhibit unpredictable behaviour resulting in fire, explosion or risk of injury.
 6. **Do not expose a battery pack or tool to fire or excessive temperature.** Exposure to fire or temperature above 130 °C may cause explosion.

7. **Follow all charging instructions and do not charge the battery pack or tool outside the temperature range specified in the instructions.** Charging improperly or at temperatures outside the specified range may damage the battery and increase the risk of fire.

Service

1. **Have your power tool serviced by a qualified repair person using only identical replacement parts.** This will ensure that the safety of the power tool is maintained.
2. **Never service damaged battery packs.** Service of battery packs should only be performed by the manufacturer or authorized service providers.
3. **Follow instruction for lubricating and changing accessories.**

Cordless Dust Blower Safety Instructions

Training

1. **Read the instructions carefully. Be familiar with the controls and the correct use of the dust blower.**
2. **Never allow children, persons with reduced physical, sensory or mental capabilities or lack of experience and knowledge or people unfamiliar with these instructions to use the dust blower.** Local regulations may restrict the age of the operator.
3. **Never operate the dust blower while people, especially children, or pets are nearby.**
4. **Keep in mind that the operator or user is responsible for accidents or hazards occurring to other people or their property.**

Preparation

1. **Do not wear loose clothing or jewellery that can be drawn into the air inlet. Keep long hair away from the air inlets.**
2. **To prevent dust irritation the wearing of a face mask is recommended.**
3. **Use personal protective equipment. Always wear eye protection.** Protective equipment such as a dust mask, non-skid safety shoes, hard hat or hearing protection used for appropriate conditions will reduce personal injuries.

Operation in general

1. **Switch off the dust blower and remove the battery cartridge and make sure that all moving parts have come to a complete stop**
 - whenever you leave the dust blower.
 - whenever you switch from inflating to deflating operation, and vice versa.
 - before checking, cleaning or working on the dust blower.
 - if the dust blower starts to vibrate abnormally.
2. **Operate the dust blower only in daylight or in good artificial light.**
3. **Do not overreach and keep proper balance and footing at all times.**
4. **Keep all cooling air inlets clear of debris.**

5. **Operate the dust blower in a recommended position and on a firm surface.**
6. **Do not use the tool with wet hands.**
7. **Do not point the outlet of the nozzle and attachment to yourself or others.** Objects may be blown away and cause an injury.
8. **Do not use the tool to spray chemicals.** Your lungs may be damaged by inhaling toxic fumes.
9. **Do not operate the dust blower at high places.**
10. **Never block suction inlet and/or blower outlet.**
 - **Be careful not to block suction inlet or blower outlet with dust or dirt when operating in dusty area.**
 - **Do not use nozzles other than the nozzles provided by Makita.**
11. **If the dust blower strikes any foreign objects or should start making any unusual noise or vibration, immediately switch off the dust blower to stop it. Remove the battery cartridge from the dust blower and inspect the dust blower for damage before restarting and operating the dust blower. If the dust blower is damaged, ask Makita Authorized Service Centers for repair.**
12. **Do not insert fingers or other objects into suction inlet or blower outlet.**
13. **Prevent unintentional starting. Ensure the switch is in the off-position before inserting battery cartridge, picking up or carrying the dust blower. Carrying the dust blower with your finger on the switch or energizing the dust blower that has the switch on invites accidents.**
14. **Avoid operating the dust blower for a long time in low temperature environment.**
15. **Do not use the tool beyond the maximum output pressure of the tool.** Using the tool at output pressure greater than the maximum output pressure of the tool may burst the object or the tool.

Blowing operation

1. **Never blow debris in the direction of bystanders.**
2. **Never point the nozzle at anyone in the vicinity when using the dust blower.**
3. **Never blow dangerous materials, such as nails, fragments of glass, or blades.**
4. **Do not operate the dust blower near flammable materials.**

Inflating/Deflating operation

1. **When inflating objects, connect a nozzle or attachment to the air inlet securely.** Otherwise, the object, nozzle, or attachment may be damaged and you may be injured.
2. **Release air pressure slowly. When removing a nozzle or attachment after inflating objects, hold the object, nozzle and attachment firmly.** They may bounce due to exhaust air and cause an injury.
3. **Do not inflate object beyond the maximum pressure of the object.** Otherwise, the tool or object may be damaged and you may be injured.

4. **Inflate the objects intended to be inflated by the manufacturer only, such as beach toys or air mattress.** Inflating other objects may damage them and cause an injury.
5. **When inflating objects, check the status of the tool and object, and be sure that there is no air leak from the object.**
6. **Always be careful not to over-inflate objects during operation.** It otherwise may burst the objects, possibly causing damage to the tool and personal injury.
7. **After inflating objects, check the air pressure using a reliable and calibrated measuring equipment.**
8. **Never leave the tool unattended when the nozzle or attachment is attached to the object or during operation.**
9. **Do not use the tool as a vacuum cleaner.** Performing dust collection may damage the tool.
10. **Do not use the tool as a breathing device.**
11. **Use only standard accessories provided by Makita.** The use of any other accessories or attachments might present a risk of injury to persons.

Maintenance and storage

1. **Keep all nuts, bolts and screws tight to be sure the dust blower is in safe working condition.**
2. **If the parts are worn or damaged, replace them with parts provided by Makita.**
3. **Store the dust blower in a dry place out of the reach of children.**
4. **When you stop the dust blower for inspection, servicing, storage, or changing accessory, switch off the dust blower and make sure that all moving parts come to a complete stop, and remove the battery cartridge. Cool down the dust blower before making any work on the dust blower. Maintain the dust blower with care and keep it clean.**
5. **When carrying the tool, do not hold or pull a nozzle or attachment.** The tool may be damaged and cause an injury.
6. **Always cool down the dust blower before storing.**
7. **Do not expose the dust blower to rain. Store the dust blower indoors.**
8. **Do not disassemble the tool.**

Service

1. **Have your power tool serviced by a qualified repair person using only identical replacement parts.** This will ensure that the safety of the power tool is maintained.
2. **Never service damaged battery packs.** Service of battery packs should only be performed by the manufacturer or authorized service providers.

SAVE THESE INSTRUCTIONS.

⚠WARNING: DO NOT let comfort or familiarity with product (gained from repeated use) replace strict adherence to safety rules for the subject product.

MISUSE or failure to follow the safety rules stated in this instruction manual may cause serious personal injury.

Important safety instructions for battery cartridge

1. **Before using battery cartridge, read all instructions and cautionary markings on (1) battery charger, (2) battery, and (3) product using battery.**
2. **Do not disassemble or tamper with the battery cartridge.** It may result in a fire, excessive heat, or explosion.
3. **If operating time has become excessively shorter, stop operating immediately. It may result in a risk of overheating, possible burns and even an explosion.**
4. **If electrolyte gets into your eyes, rinse them out with clear water and seek medical attention right away. It may result in loss of your eyesight.**
5. **Do not short the battery cartridge:**
 - (1) **Do not touch the terminals with any conductive material.**
 - (2) **Avoid storing battery cartridge in a container with other metal objects such as nails, coins, etc.**
 - (3) **Do not expose battery cartridge to water or rain.**

A battery short can cause a large current flow, overheating, possible burns and even a breakdown.

6. **Do not store and use the tool and battery cartridge in locations where the temperature may reach or exceed 50 °C (122 °F).**
7. **Do not incinerate the battery cartridge even if it is severely damaged or is completely worn out. The battery cartridge can explode in a fire.**
8. **Do not nail, cut, crush, throw, drop the battery cartridge, or hit against a hard object to the battery cartridge.** Such conduct may result in a fire, excessive heat, or explosion.
9. **Do not use a damaged battery.**
10. **The contained lithium-ion batteries are subject to the Dangerous Goods Legislation requirements.**

For commercial transports e.g. by third parties, forwarding agents, special requirement on packaging and labeling must be observed.

For preparation of the item being shipped, consulting an expert for hazardous material is required. Please also observe possibly more detailed national regulations.

Tap or mask off open contacts and pack up the battery in such a manner that it cannot move around in the packaging.

11. When disposing the battery cartridge, remove it from the tool and dispose of it in a safe place. Follow your local regulations relating to disposal of battery.
12. Use the batteries only with the products specified by Makita. Installing the batteries to non-compliant products may result in a fire, excessive heat, explosion, or leak of electrolyte.
13. If the tool is not used for a long period of time, the battery must be removed from the tool.
14. During and after use, the battery cartridge may take on heat which can cause burns or low temperature burns. Pay attention to the handling of hot battery cartridges.
15. Do not touch the terminal of the tool immediately after use as it may get hot enough to cause burns.
16. Do not allow chips, dust, or soil stuck into the terminals, holes, and grooves of the battery cartridge. It may cause heating, catching fire, burst and malfunction of the tool or battery cartridge, resulting in burns or personal injury.
17. Unless the tool supports the use near high-voltage electrical power lines, do not use the battery cartridge near high-voltage electrical power lines. It may result in a malfunction or breakdown of the tool or battery cartridge.
18. Keep the battery away from children.

SAVE THESE INSTRUCTIONS.

CAUTION: Only use genuine Makita batteries. Use of non-genuine Makita batteries, or batteries that have been altered, may result in the battery bursting causing fires, personal injury and damage. It will also void the Makita warranty for the Makita tool and charger.

Tips for maintaining maximum battery life

1. Charge the battery cartridge before completely discharged. Always stop tool operation and charge the battery cartridge when you notice less tool power.
2. Never recharge a fully charged battery cartridge. Overcharging shortens the battery service life.
3. Charge the battery cartridge with room temperature at 10 °C - 40 °C (50 °F - 104 °F). Let a hot battery cartridge cool down before charging it.
4. When not using the battery cartridge, remove it from the tool or the charger.
5. Charge the battery cartridge if you do not use it for a long period (more than six months).

ASSEMBLY

CAUTION: Always be sure that the tool is switched off and the battery cartridge is removed before carrying out any work on the tool.

Installing nozzle

Align the guide projections on a nozzle with the locking notches on the lock sleeve of the tool, then push the nozzle firmly into the lock sleeve until it locks in place with a click. Having installed the nozzle, try pulling it back to ensure it is securely held in place.

► Fig.1: 1. Guide projections 2. Locking notches 3. Lock sleeve

NOTICE: Make sure that the nozzle has been correctly attached to the tool so the guide projections on the nozzle neatly fit into the locking notches on the lock sleeve.

Removing nozzle

Hold the nozzle end and rotate it in a direction indicated by the arrows on the nozzle end to release the lock. Pull the nozzle apart from the lock sleeve after it becomes unlocked.

► Fig.2: 1. Nozzle end 2. Lock sleeve

NOTICE: Adhered dirt and dust on the surface will possibly make it hard to remove the nozzle from the tool. In such a case, slide and hold the lock sleeve towards the motor housing first, and then turn the nozzle end to release the lock.

CAUTION: Be careful not to pinch your hands between the rear end of the lock sleeve and motor housing while removing the nozzle. The lock sleeve slides back towards the motor housing when the nozzle is released from the lock.

► Fig.3: 1. Lock sleeve 2. Motor housing

Removing and installing dust cap

1. Turn the dust cap on the suction inlet at the rear of the housing counterclockwise to take the dust cap out of the housing. Two locking tabs on the dust cap can be disengaged by aligning them with the guide grooves on the housing.

► Fig.4: 1. Dust cap 2. Locking tabs 3. Suction inlet 4. Guide grooves

2. Reassemble the dust cap onto the suction inlet, aligning the two locking tabs on the dust cap with the guide grooves on the housing. Then turn the dust cap clockwise to secure it in place.

► Fig.5: 1. Dust cap 2. Locking tabs 3. Suction inlet 4. Guide grooves

Installing and removing long nozzles

Optional accessory

A set of long nozzles helps clean dust out of small holes and narrow spots. Nozzle lengths can be arranged according to your requirements.

► **Fig.6:** 1. Nozzle 13 2. Long nozzle R 3. Long nozzle F

1. Insert the long nozzle R through the air hole of the nozzle 13 from back to front. Pass it through until the nozzle 13 secures in place at the rear end of the long nozzle R.

► **Fig.7:** 1. Nozzle 13 2. Long nozzle R

2. Place the long nozzle F over the front end of the long nozzle R. Hand screw the long nozzle F until it is tightened securely.

► **Fig.8:** 1. Long nozzle F 2. Long nozzle R

3. Align the guide projections on the nozzle 13 with the locking notches on the lock sleeve of the tool, then push the nozzle 13 firmly into the lock sleeve until it locks in place with a click.

► **Fig.9:** 1. Guide projection 2. Locking notch 3. Lock sleeve 4. Nozzle 13 5. Long nozzle R 6. Long nozzle F

NOTE: Use the long nozzle R only to have a shorter operating range. Use both the long nozzle R and F to allow a wider operating range.

4. To remove the long nozzles, detach the nozzle 13 from the lock sleeve of the tool, and then disassemble the long nozzles.

Installing and removing deflating nozzles and attachments

Optional accessory

NOTICE: Always be sure to install and uninstall deflating nozzles and attachments only while the air vent hose complete is disconnected from the tool. Handling the air vent hose complete assembled into the tool may cause the tool to stand unstable resulting in it falling over.

1. Align the guide projections on the pinch valve nozzle with the locking notches on the lock sleeve of the air vent hose complete, then push the pinch valve nozzle firmly into the lock sleeve until it locks in place with a click.

► **Fig.10:** 1. Pinch valve nozzle 2. Guide projections 3. Locking notches 4. Lock sleeve 5. Air vent hose complete

Optional rubber attachments

Optional rubber attachments require to be placed over the nozzle. Be careful not to attach rubber attachments directly to the air vent hose complete.

i Align the guide projections on the nozzle 13 with the locking notches on the lock sleeve of the air vent hose complete, then push the nozzle firmly into the lock sleeve until it locks in place with a click.

ii Place a rubber attachment over the nozzle head by pushing and hand screwing it in place.

► **Fig.11:** 1. Rubber attachments 2. Nozzle 13 3. Air vent hose complete

NOTICE: Make sure that the nozzle has been correctly attached to the air vent hose complete so the guide projections on the nozzle neatly fit into the locking notches on the lock sleeve.

2. Turn the dust cap on the suction inlet at the rear of the housing counterclockwise to take the dust cap out of the housing. Two locking tabs on the dust cap can be disengaged by aligning them with the guide grooves on the housing.

► **Fig.12:** 1. Dust cap 2. Locking tabs 3. Suction inlet 4. Guide grooves

3. Attach the end of the air vent hose complete to the suction inlet, aligning the two locking tabs on the air vent hose complete with the guide grooves on the housing. Then hold and turn the rear cuffs of the air vent hose complete clockwise to secure it in place.

► **Fig.13:** 1. Air vent hose complete 2. Rear cuffs 3. Suction inlet 4. Locking tabs 5. Guide grooves

4. To remove the deflating nozzle and attachments, follow the installation steps in reverse.

NOTICE: Always hold and turn the rear cuffs of the air vent hose complete to install and uninstall the air vent hose complete in place.

Installing optional filter

Optional accessory

An optional high performance filter (Filter C) is available for restricting dust intake into the motor under dusty working conditions.

1. Turn the dust cap on the suction inlet at the rear of the housing counterclockwise to take the dust cap out of the housing. Two locking tabs on the dust cap can be disengaged by aligning them with the guide grooves on the housing.

► **Fig.14:** 1. Dust cap 2. Locking tabs 3. Suction inlet 4. Guide grooves

2. Replace an optional high performance filter on the suction inlet, aligning the two locking tabs on the optional filter with the guide grooves on the housing. Then turn the optional filter clockwise to secure it in place.

► **Fig.15:** 1. Optional high performance filter 2. Locking tabs 3. Suction inlet 4. Guide grooves

NOTICE: An optional high performance filter (Filter C) can be reused many times by cleaning it out. Clean dust off the filter regularly as a clogged filter may block the airflow and cause less efficient operation. Occasionally wash the filter in water, rinse and dry thoroughly in the shade before use.

NOTICE: Do not wipe, rub or scratch an optional high performance filter (Filter C) hardy. Be sure to shake or blow dust off the filter with care.

FUNCTIONAL DESCRIPTION

CAUTION: Always be sure that the tool is switched off and the battery cartridge is removed before adjusting or checking function on the tool.

Installing or removing battery cartridge

CAUTION: Always switch off the tool before installing or removing of the battery cartridge.

CAUTION: Hold the tool and the battery cartridge firmly when installing or removing battery cartridge. Failure to hold the tool and the battery cartridge firmly may cause them to slip off your hands and result in damage to the tool and battery cartridge and a personal injury.

► Fig.16: 1. Red indicator 2. Button 3. Battery cartridge

To remove the battery cartridge, slide it from the tool while sliding the button on the front of the cartridge.

To install the battery cartridge, align the tongue on the battery cartridge with the groove in the housing and slip it into place. Insert it all the way until it locks in place with a little click. If you can see the red indicator as shown in the figure, it is not locked completely.

CAUTION: Always install the battery cartridge fully until the red indicator cannot be seen. If not, it may accidentally fall out of the tool, causing injury to you or someone around you.

CAUTION: Do not install the battery cartridge forcibly. If the cartridge does not slide in easily, it is not being inserted correctly.

Indicating the remaining battery capacity

Only for battery cartridges with the indicator

► Fig.17: 1. Indicator lamps 2. Check button

Press the check button on the battery cartridge to indicate the remaining battery capacity. The indicator lamps light up for a few seconds.

Indicator lamps			Remaining capacity
Lighted	Off	Blinking	
■ ■ ■ ■			75% to 100%
■ ■ ■ □			50% to 75%
■ ■ □ □			25% to 50%
■ □ □ □			0% to 25%
▣ □ □ □			Charge the battery.
■ ■ □ □			The battery may have malfunctioned.
□ □ ■ ■			

NOTE: Depending on the conditions of use and the ambient temperature, the indication may differ slightly from the actual capacity.

NOTE: The first (far left) indicator lamp will blink when the battery protection system works.

Tool / battery protection system

The tool is equipped with a tool/battery protection system. This system automatically cuts off power to the motor to extend tool and battery life. The tool will automatically stop during operation if the tool or battery is placed under one of the following conditions:

Overload protection

When the tool/battery is operated in a manner that causes it to draw an abnormally high current, the tool stops automatically. In this situation, turn the tool off and stop the application that caused the tool to become overloaded. Then turn the tool on to restart.

Overheat protection

When the tool/battery is overheated, the tool stops automatically. In this situation, let the tool cool down before turning the tool on again.

Overdischarge protection

When the battery becomes low on power during use, the lamp will blink to alert you. Then the tool automatically stops, with the lamp remaining lit for approximately 10 seconds, shortly after the battery power becomes too low to operate during continuing use. In such cases, remove the battery from the tool and charge the battery.

Protections against other causes

Protection system is also designed for other causes that could damage the tool and allows the tool to stop automatically. Take all the following steps to clear the causes, when the tool has been brought to a temporary halt or stop in operation.

1. Turn the tool off, and then turn it on again to restart.
2. Charge the battery(ies) or replace it/them with recharged battery(ies).
3. Let the tool and battery(ies) cool down.

If no improvement can be found by restoring protection system, then contact your local Makita Service Center.

Switch action

CAUTION: Before installing the battery cartridge into the tool, always check to see that the switch trigger actuates properly and returns to the "OFF" position when released.

CAUTION: Switch can be locked in "ON" position for ease of operator comfort during extended use. Apply caution while locking tool in "ON" position.

CAUTION: Do not install the battery cartridge with the lock-on button engaged.

CAUTION: When not operating the tool, depress the trigger-lock button from the side on which a locking mark (🔒) is indicated to lock the switch trigger in the "OFF" position.

Trigger-lock button

To prevent the switch trigger from being accidentally pulled, the trigger-lock button is provided. To start the tool, depress the trigger-lock button from the side on which an unlocking mark (🔓) is indicated. To lock the tool, depress the trigger-lock button from the side on which a locking mark (🔒) is indicated. Make sure to set the trigger-lock button back in a locking position after each use.

- Fig.18: 1. Switch trigger 2. Trigger-lock button 3. Unlocking mark 4. Locking mark

NOTICE: Do not pull the switch trigger hard without releasing the trigger-lock button. This can cause switch breakage.

Switch trigger

Air volume can be controlled by squeezing the switch trigger. Air volume is grown by increasing pressure on the switch trigger. Release the switch trigger to stop.

- Fig.19: 1. Switch trigger

Lock button

For continuous operation, push in the lock button while pulling the switch trigger and then release the switch trigger. To cancel the locked-on operation, pull the switch trigger fully, then release it.

- Fig.20: 1. Switch trigger 2. Lock button

Adjusting air volume

Air volume can be changed in four modes, that is, 4 (Max), 3 (High), 2 (Medium) and 1 (Low), depending on the application and workload.

Press the air volume adjustment button to switch mode in the following sequence. The mode changes every time you press the button.

- Fig.21: 1. Low air volume 2. Medium air volume 3. High air volume 4. Max air volume 5. Air volume adjustment button

Air volume settings table

Air volume mode	Maximum air volume
4: Max	1.1 m ³ /min
3: High	1.0 m ³ /min
2: Medium	0.8 m ³ /min
1: Low	0.6 m ³ /min

* Maximum air volumes are measured without nozzles.

NOTE: Air volume mode can be changed before turning the tool on.

NOTE: The tool restarts operation in the air volume mode that was last used.

Lighting up the lamp

CAUTION: Do not look in the light or see the source of light directly.

To turn the lamp on, perform one of the following steps.

- Press the air volume adjustment button to light the lamp up. The lamp remains lit for approximately 10 seconds.
- Pull the switch trigger to light the lamp up. The lamp keeps on lighting while the switch trigger is being pulled. The lamp goes out approximately 10 seconds after stopping operation.

NOTE: When the remaining battery capacity gets low, the lamp starts blinking. The timing, at which the lamp starts blinking depends on the temperature at work place and the battery cartridge conditions.

- Fig.22: 1. Air volume adjustment button 2. Switch trigger 3. Lamp

Hanging hole

CAUTION: Before hanging the tool, always make sure that the hanging hole is not damaged.

CAUTION: Use the hanging/mounting parts for their intended purposes only. Using for unintended purpose may cause accident or personal injury.

CAUTION: Withstanding load rated for your tools racks and holders needs to be learned beforehand. Do not place the tool if it exceeds the withstanding load on the racks and holders.

CAUTION: Be sure that the hanging hole is securely hooked before releasing your hold.

Use the hanging hole at the top rear of the housing to hang the tool on a hook of racks and holders.

► **Fig.23:** 1. Hanging hole 2. Hook

Installing hook

Optional accessory

⚠ WARNING: Use the hanging/mounting parts for their intended purposes only, e.g., hanging the tool on a tool belt between jobs or work intervals.

⚠ WARNING: Be careful not to overload the hook as too much force or irregular overburden may cause damages to the tool resulting in personal injury.

⚠ CAUTION: When installing the hook, always secure it with the screw firmly. If not, the hook may come off from the tool and result in the personal injury.

⚠ CAUTION: Make sure to hang the tool securely before releasing your hold. Insufficient or unbalanced hooking may cause falling off and you may be injured.

► **Fig.24:** 1. Groove 2. Hook 3. Screw

The hook is convenient for temporarily hanging the tool. This can be installed on either side of the tool. To install the hook, insert it into a groove in the tool housing on either side and then secure it with a screw. To remove, loosen the screw and then take it out.

OPERATION

⚠ CAUTION: Do not point the nozzle at anyone nearby during operation.

NOTICE: Do not block suction inlet and/or blower outlet during operation.

Blowing in general use

Recommended nozzles

— Nozzle 13

Clean your work surfaces and floors by blowing off dust, dirt, debris, scrap or waste in general.

Direct the nozzle towards surfaces at an appropriate distance and swing it around to blow off entirely.

► **Fig.25**

⚠ CAUTION: Never blow debris in the direction of bystanders or pets.

⚠ CAUTION: Use personal protective equipment such as a dust mask and eye protection.

NOTICE: Remove blockages on surfaces away before blowing operation.

Blowing in confined spaces

Recommended nozzles

— Nozzle 3

Blow into confined spots, corners, and spaces by the walls to dust off.

Point the nozzle straight at spaces at a reasonable distance and squeeze the switch trigger to control blowing air volume.

► **Fig.26**

► **Fig.27**

⚠ CAUTION: Keep the nozzle away a reasonable distance from blowing spots to avoid blowing up dust into the air.

⚠ CAUTION: Use personal protective equipment such as a dust mask and eye protection.

NOTICE: Avoid blocking the air vent holes around the blower outlet. It otherwise may cause sudden noise and vibrations and could possibly affect the tool performance.

► **Fig.28:** 1. Air vent holes 2. Blower outlet

Dusting air filter

Recommended nozzles

— Nozzle 7

Dust filter surfaces by blowing air through one side of the filter to the other.

Direct the nozzle on filter surfaces within a short distance and swing it from side to side to blow dust away from surfaces.

► **Fig.29**

⚠ CAUTION: Use personal protective equipment such as a dust mask and eye protection.

NOTE: Point the nozzle at an angle according to the outlines of the filter so the adhered dust can be easily removed.

Blowing wide and open area

Recommended nozzles

— Wide range nozzle

Blow air over dirt and liquid on wide-open surfaces such as desktop and floor, using the five-hole nozzle with 120 degree range of blowing.

Direct the nozzle over a large area within a certain distance and swing it back and forth and from side to side to blow widely.

► **Fig.30**

⚠ CAUTION: Use personal protective equipment such as a dust mask and eye protection.

Inflating plastic inflatables

Recommended nozzles

- Pinch valve nozzle
- Nozzle 13

Inflatable air volume with fully charged battery cartridge BL1860B without recharging it

Air volume mode	Inflatable air volume (With pinch valve nozzle)	Number of ø61 cm plastic beach balls equivalent in air volume (With pinch valve nozzle)
4: Max	13.0 m ³	110
3: High	13.4 m ³	115
2: Medium	15.6 m ³	130
1: Low	22.8 m ³	190

NOTE: The maximum output air pressure of this tool is 20.2 kPa.

(With nozzle 13)

Inflate beach toys, pillows, and similar small plastic inflatables with pinch valve nozzle.
Inflate garden pools, air mattresses, and similar large plastic inflatables with nozzle 13.

Insert the nozzle into an air inlet on an inflatable item and pull the switch trigger to start inflating. Slowly release the switch trigger to reduce air volume as the inflatable item comes close to fully inflated. Remove the nozzle from the air inlet after stopping the air flow and then close the air inlet.

- Fig.31
- Fig.32

CAUTION: Always be careful not to over-inflate inflatables during operation. It otherwise may burst the inflatables, possibly causing damage to the tool and personal injury.

CAUTION: Never leave the tool unattended while the nozzle is attached to inflatables or during operation.

CAUTION: Be aware that heated air stream may flow through the air vent hole at bottleneck of the pinch valve nozzle due to air circulation.

NOTE: Make sure to insert the pinch valve nozzle fully through the air inlet so the nozzle head serves to open the flap valve inside the air inlet.

NOTE: For an inflatable item with a small air inlet opening, insert the narrow tip of the pinch valve nozzle in the air inlet until the bottleneck of the nozzle head touches the rim of the air inlet.

NOTE: For an inflatable item with a large air inlet opening, insert the pinch valve nozzle head fully into the air inlet to open the flap valve inside the air inlet.

- Fig.33: 1. Flap valve 2. Small air inlet opening 3. Large air inlet opening 4. Bottleneck 5. Air vent hole

NOTE: If an air inlet on an inflatable item is relatively smaller than the pinch valve nozzle head, squeeze and enlarge the air inlet by hand and then twist and hold the nozzle head into the air inlet.

Blowing in holes and narrow spots

Optional accessory

Recommended nozzles

- Long nozzles set

Clean dust out of small holes and narrow spots. Nozzle lengths can be arranged according to your requirements.

Assemble the long nozzle R and F together to allow a longer operating range, for instance, cleaning anchor holes at your feet.

- Fig.34

Use the long nozzle R only to have a shorter operating range, for instance, cleaning spots on the wall.

- Fig.35

CAUTION: Use personal protective equipment such as a dust mask and eye protection.

Blowing in narrow spaces

Optional accessory

Recommended nozzles

- Flexible nozzle 6

Blow dust out of any hard-to-reach spots. Highly effective for engine cleaning, in-car dust removal, computer case dust blowing.

Point the nozzle at an angle within touching distance, and blow back and forth to clean out lingering dust. Change angles of the nozzle as you blow off to help blow out some of the tougher pieces of debris and dust.

- Fig.36

CAUTION: Use personal protective equipment such as a dust mask and eye protection.

NOTICE: Avoid blocking the air vent holes around the flexible hose end. It otherwise may cause sudden noise and vibrations and could possibly affect the tool performance.

- Fig.37: 1. Air vent holes

Deflating plastic inflatables

Optional accessory

NOTICE: An exhaust air stream flows through the blower outlet of the tool. Do not vent exhaust air into a wall, ceiling, or concealed space of building.

NOTICE: Avoid deflating inflatable items in wet and dusty conditions since water, dust, and similar external substances on surfaces may reach into the motor causing damages to the tool. Dry and clean inflatables off thoroughly before performing deflating operation.

NOTICE: Never leave the tool unattended while deflating inflatables. Running the motor continuously after deflation is completed may cause overheating.

Recommended nozzles and attachments

- Air vent hose complete
- Pinch valve nozzle
- Rubber attachment 20 - 30
- Rubber attachment 65

Deflate inflatable items with proper nozzles according to your preferences and applications.

1. Place a nozzle or rubber attachment onto the air vent hose complete.
2. Replace the dust cap on the suction inlet of the tool with the air vent hose complete.
3. Insert the nozzle into the air valve or place the attachment over the air valve on inflatable items, and pull the switch trigger to start deflating.
4. Slowly release the switch trigger to reduce suction volume as an inflatable item comes close to fully deflated.
5. Remove the nozzle or attachment from the air valve after stopping the air flow and then close the air valve.

With pinch valve nozzle

► Fig.38

With rubber attachment 20 - 30

► Fig.39

With rubber attachment 65

► Fig.40

MAINTENANCE

CAUTION: Always be sure that the tool is switched off and the battery cartridge is removed before attempting to perform inspection or maintenance.

To maintain product SAFETY and RELIABILITY, repairs, any other maintenance or adjustment should be performed by Makita Authorized or Factory Service Centers, always using Makita replacement parts.

NOTICE: Never use gasoline, benzine, thinner, alcohol or the like. Discoloration, deformation or cracks may result.

Cleaning

Cleaning body

Clean the body of your tool with a dry cloth or cloth dampened in soapy water at regular intervals.

Cleaning nozzles

Clear clogs or dust that block the openings of nozzles before and after each use.

Removing and installing filter

CAUTION: After cleaning filter, be sure to reassemble it in the correct position.

Clean the filter at regular intervals since using a clogged filter may result in poor suction performance.

1. Turn the dust cap on the suction inlet at the rear of the housing counterclockwise to take the dust cap out of the housing. Two locking tabs on the dust cap can be disengaged by aligning them with the guide grooves on the housing.

► Fig.41: 1. Dust cap 2. Locking tabs 3. Suction inlet 4. Guide grooves

2. Take the circular sponge filter B (black gray) out of the suction inlet.

► Fig.42: 1. Circular sponge filter B (black gray)

Do not remove the sponge filter A (yellow) placed further inside the suction inlet as it needs to be positioned to protect the motor from any damage.

► Fig.43: 1. Sponge filter A (yellow)

3. Wipe and shake dust off circular sponge filter B by hand. Occasionally wash the filter in water, rinse and dry thoroughly in the shade before use.

► Fig.44

► Fig.45

NOTICE: Having washed in water, dry the circular sponge filter B up before installing. An insufficiently dried filter may shorten the service life of the motor.

NOTICE: Never wash filters in a washing machine.

NOTICE: Do not rub or scratch filters with hard objects such as a brush.

NOTE: Filters wear out in course of time. It is recommended to have some spares for them.

4. Set the circular sponge filter B back over the suction inlet. Make sure that the inner edges of suction opening hold the circular sponge filter B, and there is no gap between the sponge filter and suction inlet.

► **Fig.46:** 1. Circular sponge filter B 2. Inner edges

5. Reassemble the dust cap onto the suction inlet, aligning the two locking tabs on the dust cap with the guide grooves on the housing. Then turn the dust cap clockwise to secure it in place.

► **Fig.47:** 1. Dust cap 2. Locking tabs 3. Suction inlet 4. Guide grooves

TROUBLESHOOTING

Before asking for repairs, conduct your own inspection first. If you find a problem that is not explained in the manual, do not attempt to dismantle the machine. Instead, ask Makita Authorized Service Centers, always using Makita replacement parts for repairs.

State of abnormality	Probable cause (malfunction)	Remedy
Motor does not run.	The drive system does not work correctly.	Ask your local authorized service center for repair.
Motor stops running after a little use.	Overheating.	Stop using the tool to cool it down.
The tool does not reach the maximum air volume.	The drive system does not work correctly.	Ask your local authorized service center for repair.
Abnormal vibration: ⇒ stop the tool immediately!	The drive system does not work correctly.	Ask your local authorized service center for repair.
Motor cannot stop: ⇒ Remove the battery immediately!	Electric or electronic malfunction.	Remove the battery and ask your local authorized service center for repair.

OPTIONAL ACCESSORIES

NOTE: Some items in the list may be included in the product package as standard accessories. They may differ from country to country.

⚠ CAUTION: These accessories or attachments are recommended for use with your Makita product specified in this manual. The use of any other accessories or attachments might present a risk of injury to persons. Only use accessory or attachment for its stated purpose.

If you need any assistance for more details regarding these accessories, ask your local Makita Service Center.

- Nozzle 3
- Nozzle 7
- Nozzle 13
- Wide range nozzle
- Pinch valve nozzle
- Flexible nozzle 6
- Long nozzles set
- Air vent hose complete
- Rubber attachment 20 - 30
- Rubber attachment 65
- Filter C
- Hook
- Makita genuine battery and charger

规格

型号:	DAS180	
风速 (平均值) ^{*2*3}	163 m/s	
风速 (最大值) ^{*2*3}	200 m/s	
最大风量 ^{*1*2}	1.1 m ³ /min	
最大风力 ^{*1*2}	4: 最大	2.8 N (0.29 kgf)
	3: 高	2.3 N (0.23 kgf)
	2: 中	1.7 N (0.17 kgf)
	1: 低	1.1 N (0.11 kgf)
持续使用时间 ^{*1*2}	4: 最大	15 min
	3: 高	20 min
	2: 中	30 min
	1: 低	55 min
最大气压 ^{*2*3}	29.7 kPa	
尺寸 (长 × 宽 × 高) ^{*1*2}	179 mm × 92 mm × 297 mm	
额定电压	D.C. 18 V	
净重	1.2 - 1.7 kg	

^{*1} 无喷嘴

^{*2} 电池型号 **BL1860B**

^{*3} 带7号喷嘴

- 生产者保留变更规格不另行通知之权利。
- 规格可能因销往国家之不同而异。
- 重量因附件 (包括电池组) 而异。根据EPTA-Procedure 01/2014, 最重与最轻的组合见表格。

适用电池组和充电器

电池组	BL1815N / BL1820B / BL1830B / BL1840B / BL1850B / BL1860B
充电器	DC18RC / DC18RD / DC18RE / DC18SD / DC18SE / DC18SF / DC18SH / DC18WC

- 部分以上所列电池组和充电器是否适用视用户所在地区而异。

⚠警告: 请仅使用以上所列电池组和充电器。使用其他类型的电池组或充电器可能会导致人身伤害和 / 或失火。

适用喷嘴和附件

选购附件

喷嘴和附件	用途和目的	直径
3号喷嘴 	将空气吹入狭窄空间、角落和墙缝，用于除尘。	ø3.0 mm
7号喷嘴 	除尘过滤器。	ø7.0 mm
13号喷嘴 	用作吹风机 清理工作表面，去除各种灰尘。 用选配的长喷嘴来清理锚定孔。 作为长喷嘴和工具出气口之间的连接件。 用作充气机 为大型充气泳池或气垫床充气。 用作排气机 为大型充气泳池或气垫床排气。 作为空气管道软管套装和橡胶附件之间的连接件。	ø13 mm
广角喷嘴 	对桌面或宽敞空间上的灰尘或液体吹气。 吹气范围：120°，5孔	ø6.0 mm * 单个孔的直径
夹阀喷嘴 	为沙滩玩具、枕头和类似的塑料充气制品充气/排气。 * 排气操作需用到选配的空气管道软管套装。	ø7.0 mm

喷嘴和附件	用途和目的	直径
<p>6号灵活喷嘴</p> 	<p>对难以触及的角落、电脑和类似设备除尘。</p>	<p>ø6.0 mm × 800 mm</p>
<p>长喷嘴套件</p> 	<p>一套喷嘴，可用于清除锚定孔和狭窄角落的灰尘。 喷嘴长度可通过安装或卸除两个喷嘴头来调节。 * 要安装长喷嘴，可用使用13号喷嘴作为连接件。</p>	<p>ø8.0 mm</p>
<p>空气管道软管套装</p> 	<p>为充气物品排气时需采用适当的喷嘴。</p>	<p>-</p>
<p>橡胶附件 20 - 30</p> 	<p>喷嘴头，适用于充气床垫、皮筏艇、船和泳池等的排气操作。 * 必须与空气管道软管套装和13号喷嘴一同安装此附件。</p>	<p>ø20 - 30 mm * 外径。</p>
<p>橡胶附件 65</p> 	<p>适用于为衣物的包裹排气，以便打包。 * 必须与空气管道软管套装和13号喷嘴一同安装此附件。</p>	<p>ø65 mm</p>
<p>C过滤器</p> 	<p>用于减少电机在多尘工作环境下吸入灰尘的附件。</p>	<p>-</p>

符号

以下显示本设备可能会使用的符号。在使用工具之前，请务必理解其含义。



阅读使用说明书。



手应远离旋转的部件。



长发可能会导致卷入事故。



使旁观者远离。



请佩戴耳目保护装置。



勿暴露于潮湿环境。



仅限于欧盟国家

由于本设备中包含有害成分，因此废弃的电气和电子设备、蓄电池和普通电池可能会对环境和人体健康产生负面影响。请勿将电气和电子工具或电池与家庭普通废弃物放在一起处置！

根据欧洲关于废弃电气电子设备、蓄电池和普通电池的指令及其国家层面的修订法案，废弃的电气设备、普通电池和蓄电池应当单独存放并递送至城市垃圾收集点，根据环保法规进行处置。

此规定由标有叉形标志的带轮垃圾桶符号表示。

用途

本工具用于清理灰尘、为充气物品充气/排气，可根据用途来更换喷嘴。适用于商用和居家用途，例如清理工作场所、为过滤器除尘、为沙滩玩具充气等等。

安全警告

电动工具通用安全警告

警告 阅读随电动工具提供的所有安全警告、说明、图示和规定。不遵照以下所列说明会导致电击、着火和/或严重伤害。

保存所有警告和说明书以备查阅。

警告中的术语“电动工具”是指市电驱动（有线）电动工具或电池驱动（无线）电动工具。

工作场地的安全

1. 保持工作场地清洁和明亮。杂乱和黑暗的场地会引发事故。
2. 不要在易爆环境，如有易燃液体、气体或粉尘的环境下操作电动工具。电动工具产生的火花会点燃粉尘或气体。
3. 操作电动工具时，远离儿童和旁观者。注意力不集中会使你失去对工具的控制。

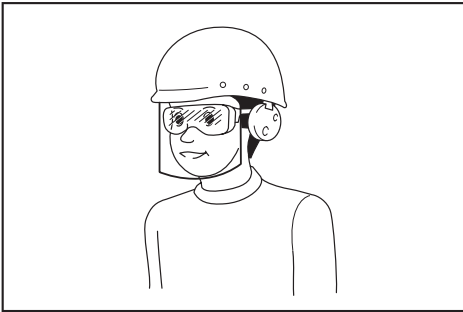
电气安全

1. 电动工具插头必须与插座相配。绝不能以任何方式改装插头。需接地的电动工具不能使用任何转换插头。未经改装的插头和相配的插座将降低电击风险。
2. 避免人体接触接地表面，如管道、散热片和冰箱。如果你身体接触接地表面会增加电击风险。
3. 不得将电动工具暴露在雨中或潮湿环境中。水进入电动工具将增加电击风险。
4. 不得滥用软线。绝不能用软线搬运、拉动电动工具或拔出其插头。使软线远离热源、油、锐边或运动部件。受损或缠绕的软线会增加电击风险。
5. 当在户外使用电动工具时，使用适合户外使用的延长线。适合户外使用的电线将降低电击风险。
6. 如果无法避免在潮湿环境中操作电动工具，应使用带有剩余电流装置（RCD）保护的电源。RCD的使用可降低电击风险。
7. 电动工具会产生对用户无害的电磁场（EMF）。但是，起搏器和其他类似医疗设备的用户应在操作本电动工具前咨询其设备的制造商和/或医生寻求建议。

人身安全

1. 保持警觉，当操作电动工具时关注所从事的操作并保持清醒。当你感到疲倦，或在有药物、酒精或治疗反应时，不要操作电动工具。在操作电动工具时瞬间的疏忽会导致严重人身伤害。
2. 使用个人防护装置。始终佩戴护目镜。防护装置，诸如适当条件下使用防尘面具、防滑安全鞋、安全帽、听力防护等装置能减少人身伤害。

3. 防止意外起动。在连接电源和/或电池包、拿起或搬运工具前确保开关处于关断位置。手指放在开关上搬运工具或开关处于接通时通电会导致危险。
4. 在电动工具接通之前，拿掉所有调节钥匙或扳手。遗留在电动工具旋转零件上的扳手或钥匙会导致人身伤害。
5. 手不要过分伸展。时刻注意立足点和身体平衡。这样能在意外情况下能更好地控制住电动工具。
6. 着装适当。不要穿宽松衣服或佩戴饰品。让你的头发和衣服远离运动部件。宽松衣服、佩饰或长发可能会卷入运动部件。
7. 如果提供了与排屑、集尘设备连接用的装置，要确保其连接完好且使用得当。使用集尘装置可降低尘屑引起的危险。
8. 不要因为频繁使用工具而产生的熟悉感而掉以轻心，忽视工具的安全准则。某个粗心的动作可能在瞬间导致严重的伤害。
9. 使用电动工具时请始终佩带护目镜以免伤害眼睛。护目镜须符合美国ANSI Z87.1、欧洲EN 166或者澳大利亚/新西兰的AS/NZS 1336的规定。在澳大利亚/新西兰，法律要求佩带面罩保护脸部。
3. 在进行任何调节、更换附件或贮存电动工具之前，必须从电源上拔掉插头和/或卸下电池包（如可拆卸）。这种防护性的安全措施降低了电动工具意外起动的风险。
4. 将闲置不用的电动工具贮存在儿童所及范围之外，并且不允许不熟悉电动工具和不了解这些说明的人操作电动工具。电动工具在未经培训的使用者手中是危险的。
5. 维护电动工具及其附件。检查运动部件是否调整到位或卡住，检查零件破损情况和影响电动工具运行的其他状况。如有损坏，应在使用前修理好电动工具。许多事故是由维护不良的电动工具引发的。
6. 保持切削刀具锋利和清洁。维护良好地有锋利切削刃的刀具不易卡住而且容易控制。
7. 按照使用说明书，并考虑作业条件和要进行的作业来选择电动工具、附件和工具的刀头等。将电动工具用于那些与其用途不符的操作可能会导致危险情况。
8. 保持手柄和握持表面干燥、清洁，不得沾有油脂。在意外的情况下，湿滑的手柄不能保证握持的安全和对工具的控制。
9. 使用本工具时，请勿佩戴可能会缠绕的布质工作手套。布质工作手套卷入移动部件可能会造成人身伤害。



雇主有责任监督工具操作者和其他近工作区域人员佩带合适的安全防护设备。

电动工具使用和注意事项

1. 不要勉强使用电动工具，根据用途使用合适的电动工具。选用合适的按照额定值设计的电动工具会使你工作更有效、更安全。
 2. 如果开关不能接通或关断电源，则不能使用该电动工具。不能通过开关来控制电动工具是危险的且必须进行修理。
1. 仅使用生产者规定的充电器充电。将适用于某种电池包的充电器用到其他电池包时可能会发生着火危险。
 2. 仅使用配有专用电池包的电动工具。使用其他电池包可能会产生伤害和着火危险。
 3. 当电池包不用时，将它远离其他金属物体，例如回形针、硬币、钥匙、钉子、螺钉或其他小金属物体，以防电池包一端与另一端连接。电池组端部短路可能会引起燃烧或着火。
 4. 在滥用条件下，液体可能会从电池组中溅出；应避免接触。如果意外碰到液体，用水冲洗。如果液体碰到了眼睛，还应寻求医疗帮助。从电池中溅出的液体可能会发生腐蚀或燃烧。
 5. 不要使用损坏或改装过的电池包或工具。损坏或改装过的电池组可能呈现无法预测的结果，导致着火、爆炸或伤害。

6. 不要将电池包暴露于火或高温中。电池包暴露于火或高于130 °C的高温中可能导致爆炸。
7. 遵循所有充电说明。不要在说明书中指定的温度范围之外给电池包或电动工具充电。不正确或在指定的温度范围外充电可能会损坏电池和增加着火的风险。
8. 操作时手不要伸得太长，务必始终保持身体平衡，立足稳定。
9. 确保冷却进气口无碎片。
10. 请在建议的位置和稳固的表面上操作空气枪。
11. 请勿用湿手使用工具。
12. 切勿将软管的出气口指向自己或他人。可能会吹起物体，造成人身伤害。
13. 切勿使用本工具喷洒化学品。否则人员肺部会因吸入有毒气体受到伤害。
14. 请勿在高处操作空气枪。
15. 切勿堵塞进气口和 / 或吹气口。
 - 在灰尘较大的区域内操作时，请注意避免吹风机吸气口或出气口被灰尘或污垢阻塞。
 - 请勿使用非Makita（牧田）提供的喷嘴。

维修

1. 让专业维修人员使用相同的备件维修电动工具。这将保证所维修的电动工具的安全。
2. 决不能维修损坏的电池包。电池包仅能由生产者或其授权的维修服务商进行维修。
3. 上润滑油及更换附件时请遵循本说明书指示。

充电式空气枪安全注意事项

培训

1. 请仔细阅读说明。熟悉控制和正确操作空气枪的方法。
2. 切勿让儿童和体力、感觉及心智不健全或缺乏经验知识的人员以及不熟悉操作说明的人员使用空气枪。当地法规可能会限制操作人员的年龄。
3. 切勿在附近有人（尤其是儿童）或宠物的情况下操作空气枪。
4. 操作时要时刻谨记，如果给他人及其财产造成损失，操作者或用户要为此负责。

准备

1. 请勿穿着宽松的衣服或佩戴首饰，它们可能会被吸入进气口。使头发远离进气口。
2. 为防止灰尘引起的过敏，建议佩戴口罩。
3. 使用个人防护装置。始终佩戴护目镜。防护装置，诸如适当条件下使用防尘面具、防滑安全鞋、安全帽、听力防护等装置能减少人身伤害。

操作概述

1. 关闭空气枪电源并取出电池组，确保所有运动部件已完全停止
 - 离开空气枪时。
 - 从充气操作切换为排气操作时，或相反情况。
 - 检查、清洁或处理空气枪前。
 - 如果空气枪开始异常振动。
2. 仅可在光线充足或良好照明的情况下操作空气枪。

16. 如果空气枪撞击到异物或开始产生任何异常的噪音或振动，立即关闭空气枪电源以停止运行。重新启动、操作空气枪前，取出空气枪的电池组并检查空气枪有无损坏。如空气枪损坏，请联系Makita（牧田）授权的维修服务中心进行修复。
17. 请勿将手指和其它物品插入进气口或吹气口。
18. 防止意外启动。在插入电池组、拿起或搬运空气枪之前，请确保开关处于关闭位置。若在搬运空气枪时将手指搭在开关上，或在开关开启时将空气枪连接电源，可能会导致意外。
19. 避免在低温环境下长时间操作空气枪。
20. 充气压力切勿超过工具的最大充气压力。否则可能会导致充气对象或工具胀裂。

吹风操作

1. 不得朝向附近的人吹扫碎片。
2. 使用空气枪时，切勿将喷嘴对准工作区中的任何人。
3. 切勿吹扫危险材料，例如钉子、玻璃碎片或刀片。
4. 请勿在可燃物附近操作空气枪。

充气/排气操作

1. 在为充气对象充气时，需将喷嘴或附件稳固地连接到进气口。否则，充气对象、喷嘴或附件可能受损，并导致人身伤害。
2. 请缓慢释放气压。在为充气对象充气后拆除喷嘴或附件时，需稳固地握住充气对象、喷嘴和附件。它们可能会在排气的作用下反弹，造成人身伤害。

3. 充气压力切勿超过充气对象能承受的最大气压值。否则可能会导致工具或充气对象、气嘴或转接头受损，人员受伤。
4. 仅可为制造商指定的充气物品充气，例如轮胎、运动球或小型浮艇。为非指定充气物品充气可能会导致充气对象受损，人员受伤。
5. 充气时，请检查工具和充气对象的状态，确保充气对象没有漏气。
6. 务必注意不要在操作时过度充气。否则可能导致充气对象爆裂，导致工具受损和人身伤害。
7. 充气结束后，请使用可靠、精确的测量设备测量气压值。
8. 切勿在软管尚未拔离充气对象或工具尚在运行的状态下分心旁顾，导致工具无人看管。
9. 不要将本工具用作集尘器。集尘操作可能会导致工具受损。
10. 切勿将本工具作为呼吸装置使用。
11. 仅可使用Makita（牧田）标准配件。使用其他配件或装置存在人身伤害风险。

保养和存放

1. 保证所有螺母、螺栓和螺丝都已拧紧，确保空气枪处于安全的工作状态。
2. 若部件磨损或损坏，请使用Makita（牧田）提供的部件进行更换。
3. 将空气枪存放于儿童接触不到的干燥位置。
4. 将空气枪停机以便检查、维修、存放或更换附件时，请将空气枪关闭，确保所有移动部件均已完全停止，并取下电池组。对空气枪进行任何操作之前，请先冷却空气枪。精心保养空气枪并保持清洁。
5. 搬运工具时，请紧握工具的把手。请勿持拿或拉拽软管。否则可能会导致工具受损，人员受伤。
6. 在存放前，务必等待空气枪冷却。
7. 请勿使空气枪暴露在雨水中。将空气枪存放在室内。
8. 请勿拆卸本工具。

维修

1. 让专业维修人员使用相同的备件维修电动工具。这将保证所维修的电动工具的安全。
2. 决不能维修损坏的电池包。电池包仅能由生产者或其授权的维修服务商进行维修。

请保留此说明书。

警告： 请勿为图方便或因对产品足够熟悉（由于重复使用而获得的经验）而不严格遵守相关产品安全规则。

使用不当或不遵循使用说明书中的安全规则会导致严重的人身伤害。

电池组的重要安全注意事项

1. 在使用电池组之前，请仔细阅读所有的说明以及（1）电池充电器，（2）电池，以及（3）使用电池的产品上的警告标记。
2. 切勿拆卸或改装电池组。否则可能引起火灾、过热或爆炸。
3. 如果机器运行时间变得过短，请立即停止使用。否则可能会导致过热、起火甚至爆炸。
4. 如果电解液进入您的眼睛，请用清水将其冲洗干净并立即就医。否则可能会导致视力受损。
5. 请勿使电池组短路：
 - (1) 请勿使任何导电材料碰到端子。
 - (2) 避免将电池组与其他金属物品如钉子、硬币等放置在同一容器内。
 - (3) 请勿将电池组置于水中或使其淋雨。电池短路将产生大的电流，导致过热，并可能导致起火甚至击穿。
6. 请勿在温度可能达到或超过50°C (122°F)的场所存放以及使用工具和电池组。
7. 即使电池组已经严重损坏或完全磨损，也请勿焚烧电池组。电池组会在火中爆炸。
8. 请勿对电池组射钉，或者切削、挤压、抛掷、掉落电池组，又或者用硬物撞击电池组。否则可能引起火灾、过热或爆炸。
9. 请勿使用损坏的电池。
10. 本工具附带的锂离子电池需符合危险品法规要求。

第三方或转运代理等进行商业运输时，应遵循包装和标识方面的特殊要求。有关运输项目的准备作业，咨询危险品方面的专业人士。同时，请遵守可能更为详尽的国家法规。

请使用胶带保护且勿遮掩表面的联络信息，并牢固封装电池，使电池在包装内不可动。

11. 丢弃电池组时，需将其从工具上卸下并在安全地带进行处理。关于如何处理废弃的电池，请遵循当地法规。
12. 仅将电池用于Makita（牧田）指定的产品。将电池安装至不兼容的产品会导致起火、过热、爆炸或电解液泄漏。
13. 如长时间未使用工具，必须将电池从工具内取出。
14. 使用工具期间以及使用工具之后，电池组温度可能较高易引起灼伤或低温烫伤。处理高温电池组时请小心操作。
15. 在使用工具后请勿立即触碰工具的端子，否则可能引起灼伤。
16. 避免锯屑、灰尘或泥土卡入电池组的端子、孔口和凹槽内。否则可能会导致过热、着火、爆炸和工具/电池组故障，导致烫伤或人身伤害。
17. 除非工具支持在高压电源线路附近使用，否则请勿在高压电源线路附近使用电池组。否则可能导致工具或电池组故障或失常。
18. 确保电池远离儿童。

请保留此说明书。

⚠️小心：请仅使用Makita（牧田）原装电池。使用非Makita（牧田）原装电池或经过改装的电池可能会导致电池爆炸，从而造成火灾、人身伤害或物品受损。同时也会导致牧田工具和充电器的牧田保修服务失效。

保持电池最大使用寿命的提示

1. 在电池组电量完全耗尽前及时充电。发现工具电量低时，请停止工具操作，并给电池组充电。
2. 请勿对已充满电的电池组重新充电。过度充电将缩短电池的使用寿命。
3. 请在10 °C - 40 °C (50 °F - 104 °F) 的室温条件下给电池组充电。请在灼热的电池组冷却后再充电。
4. 不使用电池组时，请将其从工具或充电器上拆除。
5. 如果电池组长时间（超过六个月）未使用，请给其充电。

装配

⚠️小心：对工具进行任何装配操作前，请务必关闭工具电源并取出电池组。

安装喷嘴

将喷嘴上的引导凸起与工具锁紧套筒上的锁槽对齐，然后将喷嘴牢固推入锁紧套筒，直至发出咔哒声并锁定。在安装喷嘴后，试着往后拉，确保它已被紧固。

► **图片1：** 1. 引导凸起 2. 锁槽 3. 锁紧套筒

注意：确保喷嘴被正确连接到工具上，让喷嘴上的引导凸起被妥善嵌入锁紧套筒上的锁槽。

拆除喷嘴

握住喷嘴末端，按箭头指定的方向旋转，从而解锁。在解锁后，将喷嘴从锁紧套筒中拉出。

► **图片2：** 1. 喷嘴末端 2. 锁紧套筒

注意：表面上粘附的脏污和灰尘可能使喷嘴难以从工具上拆除。此时，先朝电机外罩滑动并按住锁紧套筒，然后转动喷嘴末端以解锁。

⚠️小心：在拆除喷嘴时，小心不要被锁紧套筒的后端和电机外罩夹到手。在喷嘴被解锁后，锁紧套筒会向电机外罩滑回。

► **图片3：** 1. 锁紧套筒 2. 电机外罩

拆除和安装防尘盖

1. 逆时针转动外罩后部吸气口上的防尘盖，将其从外罩取下。让防尘盖上的两个锁片与外罩上的导槽对齐，从而使其脱离。

► **图片4：** 1. 防尘盖 2. 锁片 3. 吸气口
4. 导槽

2. 重新将防尘盖安装到吸气口，需将防尘盖上的两个锁片与外罩上的导槽对齐。然后顺时针转动防尘盖，使其固定到位。

► **图片5：** 1. 防尘盖 2. 锁片 3. 吸气口
4. 导槽

安装和拆除长喷嘴

选购附件

一套长喷嘴，有助于清除小孔和狭窄角落的灰尘。喷嘴长度可根据用户需求来调节。

▶ **图片6:** 1. 13号喷嘴 2. 长喷嘴R 3. 长喷嘴F

1. 从后向前，将长喷嘴R插入13号喷嘴的气孔。使其穿过，直到13号喷嘴被固定在长喷嘴R的后端。

▶ **图片7:** 1. 13号喷嘴 2. 长喷嘴R

2. 将长喷嘴F放在长喷嘴R的前端。手动拧入长喷嘴F，直至其牢固拧紧。

▶ **图片8:** 1. 长喷嘴F 2. 长喷嘴R

3. 将13号喷嘴上的引导凸起与工具的锁紧套筒上的锁槽对齐，然后将13号喷嘴牢固推入锁紧套筒，直至发出咔哒声并锁定。

▶ **图片9:** 1. 引导凸起 2. 锁槽 3. 锁紧套筒
4. 13号喷嘴 5. 长喷嘴R 6. 长喷嘴F

注: 只使用长喷嘴R时操作范围较小。同时使用长喷嘴R和长喷嘴F可扩大操作范围。

4. 若要拆除长喷嘴，需从工具的锁紧套筒拆下13号喷嘴，然后拆下长喷嘴。

安装和拆除排气喷嘴及附件

选购附件

注意: 务必在空气管道软管套装与工具断开后才能安装和拆除喷嘴及附件。在空气管道软管套装与工具相连时进行操作可能导致工具竖立不稳，进而摔倒。

1. 将夹阀喷嘴上的引导凸起与空气管道软管套装的锁紧套筒上的锁槽对齐，然后将夹阀喷嘴牢固推入锁紧套筒，直至发出咔哒声并锁定。

▶ **图片10:** 1. 夹阀喷嘴 2. 引导凸起 3. 锁槽
4. 锁紧套筒 5. 空气管道软管套装

选配橡胶附件

需将选配橡胶附件放到喷嘴上。小心不要将橡胶附件直接装到空气管道软管套装上。

i 将13号喷嘴上的引导凸起与工具的空气管道软管套装上的锁槽对齐，然后将喷嘴牢固推入锁紧套筒，直至发出咔哒声并锁定。

ii 推动并手动拧紧，将橡胶附件固定到喷嘴头上。

▶ **图片11:** 1. 橡胶附件 2. 13号喷嘴 3. 空气管道软管套装

注意: 确保喷嘴被正确连接到空气管道软管套装上，让喷嘴上的引导凸起被妥善嵌入锁紧套筒上的锁槽。

2. 逆时针转动外罩后部吸气口上的防尘盖，将其从外罩取下。让防尘盖上的两个锁片与外罩上的导槽对齐，从而使其脱离。

▶ **图片12:** 1. 防尘盖 2. 锁片 3. 吸气口
4. 导槽

3. 将空气管道软管套装的末端连接到吸气口上，将空气管道软管套装上的两个锁片与外罩上的导槽对齐。然后握住并顺时针旋转空气管道软管套装的后端管口，使其固定到位。

▶ **图片13:** 1. 空气管道软管套装 2. 后端管口
3. 吸气口 4. 锁片 5. 导槽

4. 若要拆除排气喷嘴和附件，按与安装步骤相反的顺序进行。

注意: 务必握住并旋转空气管道软管套装的后端管口，从而安装和拆除空气管道软管套装。

安装选配过滤器

选购附件

这款可选配的高性能过滤器（C过滤器）用于在多尘工作环境中防止电机吸入灰尘。

1. 逆时针转动外罩后部吸气口上的防尘盖，将其从外罩取下。让防尘盖上的两个锁片与外罩上的导槽对齐，从而使其脱离。

▶ **图片14:** 1. 防尘盖 2. 锁片 3. 吸气口
4. 导槽

2. 在吸气口换上选配的高性能过滤器，将选配过滤器上的两个锁片与外罩上的导槽对齐。然后顺时针转动选配过滤器，使其固定到位。

▶ **图片15:** 1. 选配高性能过滤器 2. 锁片
3. 吸气口 4. 导槽

注意: 这款可选配的高性能过滤器（C过滤器）在经过清洁后可多次重复使用。需定期清洁过滤器，防止过滤器阻塞并妨碍空气流动，降低工作效率。不时用水清洗过滤器，使用前在阴凉的地方冲洗并彻底晾干。

注意: 不要用力擦拭、摩擦和刮蹭选配高性能过滤器（C过滤器）。在以抖动或吹风的方式清理过滤器的灰尘时，需小心操作。

功能描述

⚠小心： 调节或检查工具功能之前，请务必关闭工具的电源并取出电池组。

安装或拆卸电池组

⚠小心： 安装或拆卸电池组之前，请务必关闭工具电源。

⚠小心： 安装或拆卸电池组时请握紧工具和电池组。否则它们可能从您的手中滑落，导致工具和电池组受损，甚至造成人身伤害。

► **图片16：** 1. 红色指示器 2. 按钮 3. 电池组

拆卸电池组时，按下电池组前侧的按钮，同时将电池组从工具中抽出。

安装电池组时，要将电池组上的舌簧与外罩上的凹槽对齐，然后推滑到位。将其完全插入到位，直到锁定并发出咔哒声为止。若能看到图示中的红色指示器，则说明未完全锁紧。



















⚠小心： 务必完全装入电池组，直至看不见红色指示器为止。否则，它可能会从工具中意外脱落，从而造成自身或他人受伤。

⚠小心： 请勿强行安装电池组。如果电池组难以插入，可能是插入方法不当。

显示电池的剩余电量

仅限带指示灯的电池组

► **图片17：** 1. 指示灯 2. CHECK（查看）按钮
按电池组上的CHECK（查看）按钮可显示电池剩余电量。指示灯将亮起数秒。

指示灯			剩余电量
 点亮	 熄灭	 闪烁	
			75%至100%
			50%至75%
			25%至50%
			0%至25%
			给电池充电。
 	 	 	电池可能出现故障。

注： 在不同的使用条件及环境温度下，指示灯所示电量可能与实际情况略有不同。

注： 当电池保护系统启动时，第一个（最左侧）指示灯将闪烁。

工具 / 电池保护系统

本工具配备有工具 / 电池保护系统。该系统可自动切断电机电源以延长工具和电池寿命。作业时，如果工具或电池处于以下情况，工具将会自动停止运转。

过载保护

以导致异常高电流的方式操作工具 / 电池时，工具会自动停止运转。在这种情况下，请关闭工具并停止导致工具过载的应用操作。然后开启工具重新启动。

过热保护

工具 / 电池过热时，工具会自动停止。在这种情况下，请等待工具冷却后再重新开启工具。

过放电保护

使用期间当电池电量不足时，照明灯会闪烁以示提醒。在继续使用期间，电池电量变得过低而无法操作后，随即工具自动停止，照明灯保持闪烁约10秒。此时，请取出工具中的电池并对电池充电。

其他原因防护

保护系统还适用于其他可能导致工具受损的情况，从而使工具自动停止运转。工具暂时或中途停止工作时，执行以下所有步骤以排除异常原因。

1. 关闭工具，然后再次重新启动。
2. 给电池充电或更换为充电电池。
3. 请等待工具和电池冷却。

如果保护系统恢复后仍无改善，请联络当地的Makita（牧田）维修服务中心。

开关操作

⚠️小心： 在将电池组插入工具之前，请务必检查开关扳机是否能扣动自如，松开时能否退回至“OFF”（关闭）位置。

⚠️小心： 长时间使用时，可将开关锁定在“ON”（开启）位置，使操作更加舒适。在将开关锁定在“ON”（开启）位置时，需小心谨慎。

⚠️小心： 请勿在锁定按钮处于解锁状态时安装电池组。

⚠️小心： 不再使用工具时，从锁定标记(🔒)侧按下扳机锁按钮，将开关扳机锁定在“OFF”（关闭）位置。

扳机锁按钮

为避免使用者不小心扣动开关扳机，本工具采用扳机锁按钮。要启动工具时，需从解锁标记(🔓)侧按下扳机锁按钮。要锁定工具时，需从锁定标记(🔒)侧按下扳机锁按钮。在每次使用后，务必将扳机锁按钮设置回锁定位置。

- **图片18:** 1. 开关扳机 2. 扳机锁按钮 3. 解锁标记 4. 锁定标记

注意： 在未松开扳机锁按钮的情况下，请勿用力扣动开关扳机。否则可能会导致开关破损。

开关扳机

扣动开关扳机可调节风量。随着在开关扳机上施加压力的增大，风量也会增大。松开开关扳机，工具即停止。

- **图片19:** 1. 开关扳机

锁定按钮

需长时间操作时，请在按住开关扳机的同时按下锁定按钮，然后松开开关扳机。要取消锁定操作，可将开关扳机扣到底，然后松开。

- **图片20:** 1. 开关扳机 2. 锁定按钮

调节风量

根据用途和工作量需求，风量可在四个模式之间切换：4档（最大）、3档（高）、2档（中）、1档（低）。

按下风量调节按钮，会按照以下顺序切换模式。每次按下按钮时，模式都会随之变化。

- **图片21:** 1. 低风量 2. 中风量 3. 高风量 4. 最大风量 5. 风量调节按钮

风量设置表

风量模式	最大风量
4: 最大	1.1 m ³ /min
3: 高	1.0 m ³ /min
2: 中	0.8 m ³ /min
1: 低	0.6 m ³ /min

* 测量最大风量时未安装喷嘴。

注： 风量模式可在开启工具前更改。

注： 工具在上次使用的风量模式下重新开始操作。

点亮照明灯

⚠️小心： 请勿直视灯光或光源。

若要开启照明灯，可执行以下任一步骤。

- 按下风量调节按钮以点亮照明灯。照明灯持续点亮约10秒。
- 扣动开关扳机以点亮照明灯。在扣动开关扳机期间，此灯保持常亮。停止操作约10秒后，照明灯将熄灭。

注： 当剩余的电池电量变低时，此灯开始闪烁。此灯开始闪烁的时间取决于工作场所的温度和电池组的状态。

- **图片22:** 1. 风量调节按钮 2. 开关扳机 3. 照明灯

悬挂孔

⚠️小心： 在悬挂工具之前，务必确保悬挂孔没有受损。

⚠️小心： 悬挂 / 安装部件只能用于预期用途。用作其他用途可能会引发意外或造成人身伤害。

⚠️小心： 需要事先了解工具支架和托架的额定承载能力。不得将工具放在承载能力不足的支架和托架上。

⚠️小心： 在松开手之前，务必确保悬挂孔被稳固勾住。

利用外罩后部顶端的悬挂孔来将工具挂在支架和托架的挂钩上。

► **图片23：** 1. 悬挂孔 2. 挂钩

安装挂钩

选购附件

⚠️警告： 仅可将悬挂/承载部件用于原本目的，例如在作业或工作间隙时，将工具挂在挂带上。

⚠️警告： 小心不要让挂钩过载，过大的压力或不正常的过载可能导致工具受损乃至人身伤害。

⚠️小心： 安装挂钩时，务必使用螺丝将其固定。否则挂钩可能会脱离工具，导致人身伤害。

⚠️小心： 在松开手之前，务必确保工具被稳固挂住。不完全或不平稳的挂载操作可能导致工具掉落，乃至人身伤害。

► **图片24：** 1. 凹槽 2. 挂钩 3. 螺丝

挂钩便于临时悬挂工具。可安装在工具的任一侧。要安装挂钩，请将其插入工具外壳上任一侧的凹槽中，然后用螺丝加以紧固。要拆卸挂钩，请将螺丝拧松，然后将其取出。

操作

⚠️小心： 操作期间请勿将喷嘴指向附近人员。

注意： 操作期间请勿堵塞吸气口和 / 或出口操作。

一般吹风用途

推荐喷嘴

— 13号喷嘴

吹走各种灰尘、泥土、碎石、碎屑或垃圾，清理工作表面和地板。

在合适距离将喷嘴直接对准表面，并四处吹风，以实现完全的清理。

► **图片25**

⚠️小心： 不得朝向附近的人或吹扫碎片。

⚠️小心： 需佩戴个人防护装备，例如防尘口罩和眼部护具。

注意： 在吹风操作前，需清理外表的阻塞物。

在狭窄空间中吹风

推荐喷嘴

— 3号喷嘴

将空气吹入狭窄位置、角落和墙缝，用于除尘。

在合适距离将喷嘴直接对准对象，按下开关扳机以控制吹风量。

► **图片26**

► **图片27**

⚠️小心： 让喷嘴和吹风位置保持合适距离，避免扬起灰尘。

⚠️小心： 需佩戴个人防护装备，例如防尘口罩和眼部护具。

注意： 避免堵塞出气口附近的通风孔。否则可能导致突然的噪音和振动，并有可能影响工具性能。

► **图片28：** 1. 通风孔 2. 吹风机出气口

为空气过滤器除尘

推荐喷嘴

— 7号喷嘴

由过滤器的一面朝另一面吹气，清理其表面。

在短距离直接将喷嘴朝向过滤器表面，两面吹风，清理灰尘。

► **图片29**

⚠️小心： 需佩戴个人防护装备，例如防尘口罩和眼部护具。

注：根据过滤器形状，让喷嘴以一定角度对准对象，从而更轻松地去除尘。

在宽敞空间吹风

推荐喷嘴

— 广角喷嘴

使用120度吹风范围的五孔喷嘴，对桌面或地板等宽敞表面上的灰尘或液体吹气。

在适当距离直接将喷嘴朝向大片区域，前后吹风，确保覆盖整个范围。

► 图片30

小心：需佩戴个人防护装备，例如防尘口罩和眼部护具。

为塑料充气制品充气

推荐喷嘴

— 夹阀喷嘴

— 13号喷嘴

充满电的BL1860B电池组在不重新充电情况下可充气的量

风量模式	可充气量 (使用夹阀喷嘴时)	相当于多少个 ø61 cm 塑料沙滩球的风量 (使用夹阀喷嘴时)
4: 最大	13.0 m ³	110
3: 高	13.4 m ³	115
2: 中	15.6 m ³	130
1: 低	22.8 m ³	190

注：本工具的最大输出气压为20.2kPa。
(带13号喷嘴)

使用夹阀喷嘴为沙滩玩具、枕头和类似的小型塑料充气制品充气。

使用13号喷嘴为充气泳池、重启床垫和类似的大型塑料充气制品充气。

将喷嘴插入充气制品上的进气口，扣动开关扳机即可开始充气。

随着物体被充满，缓慢松开开关扳机，逐渐减少风量。在停止气流后将喷嘴从进气口上取下，然后关闭进气口。

► 图片31

► 图片32

小心：务必注意不要在操作时过度充气。否则可能导致充气制品爆裂，导致工具受损和人身伤害。

小心：切勿在喷嘴尚未拔离充气制品或工具尚在运行的状态下分心旁顾，导致工具无人看管。

小心：注意，因空气循环缘故，高温蒸汽可能会流经夹阀喷嘴颈部的通风孔。

注：请确保将夹阀喷嘴完全插入进气口，让喷嘴头顶开进气口内部的瓣阀。

注：对于进气口窄小的充气制品，需将夹阀喷嘴的细窄尖端插入进气口，直到喷嘴头的颈部接触进气口的边沿。

注：对于进气口宽大的充气制品，需将夹阀喷嘴头完全插入进气口，从而顶开进气口内部的瓣阀。

► 图片33: 1. 瓣阀 2. 窄小进气口 3. 宽大进气口 4. 颈部 5. 通风孔

注：若充气物体的进气口比夹阀喷嘴头更小，需手动挤压和扩大进气口，然后将喷嘴头旋转插入进气口。

对孔洞和狭窄角落吹风

选购附件

推荐喷嘴

— 长喷嘴套件

清理小孔和狭窄角落的灰尘。喷嘴长度可根据用户需求来调节。

同时安装长喷嘴R和F可扩大操作范围，例如清理脚边的锚定孔。

► 图片34

只使用长喷嘴R时操作范围较小，例如清理墙上的孔洞。

► 图片35

小心：需佩戴个人防护装备，例如防尘口罩和眼部护具。

在狭窄空间中吹风

选购附件

推荐喷嘴

— 6号灵活喷嘴

对难以触及的角落除尘。对于发动机清理、车内除尘、电脑机箱除尘非常有效。

在极近距离，以一定角度将喷嘴朝向对象，前后吹风，清理顽尘。在吹风时更换喷嘴角度，有助于清除更加顽固的碎屑和灰尘。

► 图片36

小心：需佩戴个人防护装备，例如防尘口罩和眼部护具。

注意：避免堵塞灵活软管末端的通风孔。否则可能导致突然的噪音和振动，并有可能影响工具性能。

► 图片37：1. 通风孔

为塑料充气制品排气

选购附件

注意：排气流从工具的出气口流出。请勿将排气排到墙壁、天花板或建筑物的隐蔽空间。

注意：避免在潮湿和多尘环境下为充气物体排气，因为表面的水、灰尘等外部物质可能会进入电机，导致工具受损。在进行排气操作前，需全方位地晾干和清理充气物体。

注意：在排气时，不得让工具处于无人看管的状态。若在排气结束后继续运行电机，可能会导致过热。

推荐喷嘴和附件

- 空气管道软管套装
- 夹阀喷嘴
- 橡胶附件 20 - 30
- 橡胶附件 65

请根据喜好和用途，选择合适的喷嘴进行排气操作。

1. 将喷嘴或橡胶附件放到空气管道软管套装上。
2. 将工具吸气口上的防尘盖更换为空气管道软管套装。
3. 将喷嘴插入充气物体的气阀或将附件放到气阀上，然后扣动开关扳机，开始排气。
4. 随着气体被完全排出，缓慢松开开关扳机，减少吸风量。
5. 在停止排气后将喷嘴或附件从气阀上取下，然后关闭气阀。

使用夹阀喷嘴时

► 图片38

使用橡胶附件20 - 30时

► 图片39

使用橡胶附件65时

► 图片40

保养

小心：检查或保养工具之前，请务必关闭工具电源并取出电池组。

为了保证产品的安全与可靠性，维修、任何其他维修保养或调节需由Makita（牧田）授权的或工厂维修服务中心完成。务必使用Makita（牧田）的替换部件。

注意：切勿使用汽油、苯、稀释剂、酒精或类似物品清洁工具。否则可能会导致工具变色、变形或出现裂缝。

清洁

清理主体

需定期用干燥布料或沾湿肥皂水的布料清理工具的主体。

清理喷嘴

在每次使用前，需清理喷嘴口的阻塞物或灰尘。

安装和拆除过滤器

小心：在清理过滤器后，务必将其重新安装到正确位置。

由于使用堵塞的过滤器可能导致吸入性能不良，请定期清洁过滤器。

1. 逆时针转动外罩后部吸气口上的防尘盖，将其从外罩取下。让防尘盖上的两个锁片与外罩上的导槽对齐，从而使其脱离。

- 图片41：1. 防尘盖 2. 锁片 3. 吸气口
4. 导槽

2. 将圆形海绵过滤器B（黑灰色）从吸气口取下。

- 图片42：1. 圆形海绵过滤器B（黑灰色）

不要拆下吸气口更深处海绵过滤器A（黄色），它的用途是防止电机受损。

- 图片43：1. 海绵过滤器A（黄色）

3. 手动擦拭并抖动圆形海绵过滤器B，去除灰尘。不时用水清洗过滤器，使用前在阴凉的地方冲洗并彻底晾干。

▶ 图片44

▶ 图片45

注意： 在水洗后，需在安装前晾干圆形海绵过滤器B。若未充分晾干过滤器，可能会缩短电机寿命。

注意： 切勿在洗衣机中清洗过滤器。

注意： 不得用毛刷等硬物摩擦和刮蹭过滤器。

注： 过滤器会随时间而磨损。建议购买数份以备用。

4. 将圆形海绵过滤器B装回吸气口。确保吸入口内边缘支撑住圆形海绵过滤器B，并且海绵过滤器和吸气口之间无间隙。

▶ **图片46：** 1. 圆形海绵过滤器B 2. 内边缘

5. 重新将防尘盖安装到吸气口，需将防尘盖上的两个锁片与外罩上的导槽对齐。然后顺时针转动防尘盖，使其固定到位。

▶ **图片47：** 1. 防尘盖 2. 锁片 3. 吸气口
4. 导槽

故障排除

请求维修前，请首先自行检查。如果您发现本手册中有未作说明的问题，请勿拆解机器。请联系Makita（牧田）授权维修服务中心，务必使用Makita（牧田）的替换部件进行修复。

异常状态	可能原因（故障）	纠正措施
电机不旋转。	驱动系统未正常工作。	请当地授权的维修服务中心进行维修。
使用一段时间后电机不旋转。	过热。	停止使用工具，待其冷却。
工具未达到最大风量。	驱动系统未正常工作。	请当地授权的维修服务中心进行维修。
异常振动： ⇒ 立即停止工具！	驱动系统未正常工作。	请当地授权的维修服务中心进行维修。
电机无法停止： ⇒ 立即卸下电池！	电力或电子故障。	拆下电池并请当地授权的维修服务中心进行修复。

选购附件

⚠小心： 这些附件或装置专用于本说明书所列的Makita（牧田）产品。使用其他附件或装置存在人身伤害风险。仅可将附件或装置用于规定目的。

如您需要了解更多关于这些选购附件的信息，请咨询当地的Makita（牧田）维修服务中心。

- 3号喷嘴
- 7号喷嘴
- 13号喷嘴
- 广角喷嘴
- 夹阀喷嘴
- 6号灵活喷嘴
- 长喷嘴套件

- 空气管道软管套装
- 橡胶附件 20 - 30
- 橡胶附件 65
- C过滤器
- 挂钩
- Makita（牧田）原装电池和充电器

注： 本列表中的一些部件可能作为标准配件包含于产品包装内。它们可能因销往国家之不同而异。

SPEKIFIKASI

Model:		DAS180
Kecepatan udara (rata-rata) ^{*2,*3}		163 m/s
Kecepatan udara (maks.) ^{*2,*3}		200 m/s
Volume udara maksimum ^{*1,*2}		1,1 m ³ /min
Kekuatan tiupan maksimum ^{*1,*2}	4: Maksimal	2,8 N (0,29 kgf)
	3: Tinggi	2,3 N (0,23 kgf)
	2: Sedang	1,7 N (0,17 kgf)
	1: Rendah	1,1 N (0,11 kgf)
Penggunaan jangka panjang ^{*1,*2}	4: Maksimal	15 min
	3: Tinggi	20 min
	2: Sedang	30 min
	1: Rendah	55 min
Tekanan udara maksimum ^{*2,*3}		29,7 kPa
Dimensi (P x L x T) ^{*1,*2}		179 mm x 92 mm x 297 mm
Tegangan terukur		D.C. 18 V
Berat bersih		1,2 - 1,7 kg

^{*1} Tanpa nosel

^{*2} Dengan model baterai BL1860B

^{*3} Dengan nosel 7

- Karena kesinambungan program penelitian dan pengembangan kami, spesifikasi yang disebutkan di sini dapat berubah tanpa pemberitahuan.
- Spesifikasi dapat berbeda dari satu negara ke negara lainnya.
- Berat alat mungkin berbeda tergantung perangkat tambahan yang dipasang, termasuk kartrid baterai. Kombinasi alat terberat dan teringan, sesuai Prosedur EPTA 01/2014, ditunjukkan pada tabel.

Kartrid dan pengisi daya baterai yang dapat digunakan

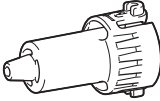
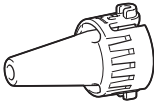
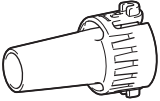

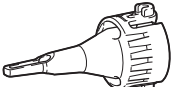
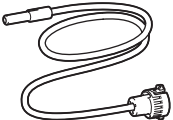
Kartrid baterai	BL1815N / BL1820B / BL1830B / BL1840B / BL1850B / BL1860B
Pengisi daya	DC18RC / DC18RD / DC18RE / DC18SD / DC18SE / DC18SF / DC18SH / DC18WC

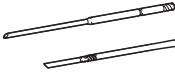
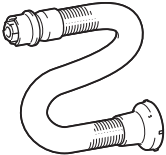

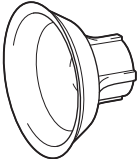
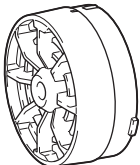
- Beberapa kartrid baterai dan pengisi daya yang tercantum di atas mungkin tidak tersedia, tergantung wilayah tempat tinggal Anda.

⚠ PERINGATAN: Hanya gunakan kartrid dan pengisi daya baterai yang tercantum di atas. Penggunaan kartrid dan pengisi daya baterai lain dapat menimbulkan risiko cedera dan/atau kebakaran.

Nosel dan perangkat tambahan yang dapat digunakan

Aksesori opsional

Nosel dan perangkat tambahan	Penerapan dan tujuan	Diameter
<p>Nosel 3</p> 	<p>Meniupkan udara ke ruang terbatas, sudut, dan ruang di dekat dinding untuk menghilangkan debu.</p>	<p>ø3,0 mm</p>
<p>Nosel 7</p> 	<p>Membersihkan saringan.</p>	<p>ø7,0 mm</p>
<p>Nosel 13</p> 	<p>Menggunakan sebagai blower Membersihkan permukaan kerja dan meniup debu secara umum. Pembersihan lubang jangkar dengan nosel panjang opsional. Berfungsi sebagai penghubung antara nosel panjang dan outlet blower dari mesin. Menggunakan sebagai inflator Memompa kolam tiup besar atau kasur udara. Menggunakan sebagai deflator Mengempiskan kolam tiup besar atau kasur udara. Berfungsi sebagai penghubung antara selang ventilasi udara lengkap dan perangkat tambahan karet.</p>	<p>ø13 mm</p>
<p>Nosel jangkauan lebar</p> 	<p>Meniup udara pada kotoran dan cairan di desktop dan area terbuka yang lebar. Jangkauan tiupan: 120° dengan 5 lubang</p>	<p>ø6,0 mm * Sebagai diameter lubang tunggal</p>
<p>Nosel katup jepit</p> 	<p>Memompa/mengempiskan mainan pantai, bantal, dan plastik semacamnya yang dapat dipompa. * Pengoperasian pengempisan dapat dilakukan dengan selang ventilasi udara opsional lengkap.</p>	<p>ø7,0 mm</p>
<p>Nosel fleksibel 6</p> 	<p>Meniup debu dari tempat yang sulit dijangkau, PC, dan perangkat semacamnya.</p>	<p>ø6,0 mm x 800 mm</p>

Nosel dan perangkat tambahan	Penerapan dan tujuan	Diameter
<p data-bbox="80 98 213 119">Set nosel panjang</p> 	<p data-bbox="321 98 845 196">Satu set nosel yang cocok untuk meniup keluar debu dari lubang jangkar dan titik sempit. Panjang nosel dapat diubah dengan memasang dan melepaskan dua kepala nosel. * Nosel panjang dapat dipasang menggunakan nosel 13 sebagai sambungan.</p>	<p data-bbox="854 98 922 119">ø8,0 mm</p>
<p data-bbox="80 325 305 346">Selang ventilasi udara lengkap</p> 	<p data-bbox="321 325 845 363">Mengempiskan barang yang dapat dipompa dengan nosel yang sesuai dalam operasi.</p>	<p data-bbox="854 325 863 346">-</p>
<p data-bbox="80 552 275 587">Perangkat tambahan karet 20 - 30</p> 	<p data-bbox="321 552 845 627">Kepala nosel cocok untuk mengempiskan kasur, rakit, perahu, dan kolam renang udara. * Perangkat tambahan ini harus dipasang dengan selang ventilasi udara lengkap dan nosel 13 secara bersamaan.</p>	<p data-bbox="854 552 978 608">ø20 - 30 mm * Diukur sebagai diameter luar.</p>
<p data-bbox="80 793 297 813">Perangkat tambahan karet 65</p> 	<p data-bbox="321 793 845 868">Perangkat tambahan yang cocok untuk mengemas pakaian Anda dengan mengompresi udara keluar darinya. * Perangkat tambahan ini harus dipasang dengan selang ventilasi udara lengkap dan nosel 13 secara bersamaan.</p>	<p data-bbox="854 793 917 813">ø65 mm</p>
<p data-bbox="80 1019 163 1040">Saringan C</p> 	<p data-bbox="321 1019 845 1058">Perangkat tambahan yang dirancang untuk mengurangi masuknya debu ke dalam motor dalam kondisi kerja yang berdebu.</p>	<p data-bbox="854 1019 863 1040">-</p>

Simbol

Berikut ini adalah simbol-simbol yang dapat digunakan pada peralatan ini. Pastikan Anda memahami arti masing-masing simbol sebelum menggunakan peralatan.



Baca petunjuk penggunaan.



Jauhkan tangan dari bagian yang berputar.



Rambut yang panjang berisiko terbelit.



Jauhkan dari orang-orang di sekitar.



Gunakan pelindung mata dan pelindung telinga.



Jangan membiarkan alat terkena udara lembap.



Ni-MH
Li-ion

Hanya untuk negara-negara UE
Akibat adanya komponen berbahaya dalam peralatan, limbah peralatan listrik dan elektronik, aki dan baterai dapat memiliki dampak negatif pada lingkungan dan kesehatan manusia.
Jangan buang peralatan listrik dan elektronik atau baterai bersama limbah rumah tangga!
Sesuai dengan Petunjuk Eropa tentang limbah peralatan listrik dan elektronik dan tentang aki dan baterai serta limbah aki dan baterai, serta penyesuaiannya terhadap undang-undang nasional, limbah peralatan listrik, baterai dan aki harus disimpan secara terpisah dan dikirim ke tempat pengumpulan terpisah untuk sampah kota, beroperasi sesuai dengan peraturan tentang perlindungan lingkungan.
Hal ini ditunjukkan dengan simbol tempat sampah bersilang yang ditempatkan pada peralatan.

Penggunaan

Mesin ini dimaksudkan untuk meniup debu, memompa dan mengempiskan barang yang bisa dipompa, dengan nosel yang dapat diganti sesuai dengan preferensi Anda. Cocok untuk penggunaan komersial dan rumah, misalnya, membersihkan ruang kerja, penyaring debu, dan memompa mainan pantai.

PERINGATAN KESELAMATAN

Peringatan keselamatan umum mesin listrik

⚠ PERINGATAN Bacalah semua peringatan keselamatan, petunjuk, ilustrasi dan spesifikasi yang disertakan bersama mesin listrik ini. Kelalaian untuk mematuhi semua petunjuk yang tercantum di bawah ini dapat menyebabkan sengatan listrik, kebakaran dan/atau cedera serius.

Simpanlah semua peringatan dan petunjuk untuk acuan di masa depan.

Istilah "mesin listrik" dalam semua peringatan mengacu pada mesin listrik yang dijalankan dengan sumber listrik jala-jala (berkabel) atau baterai (tanpa kabel).

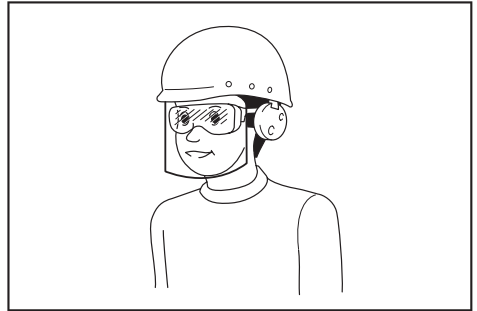
Keselamatan tempat kerja

1. **Jaga tempat kerja selalu bersih dan berpenerangan cukup.** Tempat kerja yang berantakan dan gelap mengundang kecelakaan.
2. **Jangan gunakan mesin listrik dalam lingkungan yang mudah meledak, misalnya jika ada cairan, gas, atau debu yang mudah menyala.** Mesin listrik menimbulkan bunga api yang dapat menyalaikan debu atau uap tersebut.
3. **Jauhkan anak-anak dan orang lain saat menggunakan mesin listrik.** Bila perhatian terpecah, anda dapat kehilangan kendali.

Keamanan Kelistrikan

1. **Steker mesin listrik harus cocok dengan stopkontak. Jangan sekali-kali mengubah steker dengan cara apa pun. Jangan menggunakan steker adaptor dengan mesin listrik terbumi (dibumikan).** Steker yang tidak diubah dan stopkontak yang cocok akan mengurangi risiko sengatan listrik.
2. **Hindari sentuhan tubuh dengan permukaan terbumi atau yang dibumikan seperti pipa, radiator, kompor, dan kulkas.** Risiko sengatan listrik bertambah jika tubuh Anda terbumikan atau dibumikan.
3. **Jangan membiarkan mesin listrik kehujanan atau kebasahan.** Air yang masuk ke dalam mesin listrik akan meningkatkan risiko sengatan listrik.
4. **Jangan menyalahgunakan kabel. Jangan sekali-kali menggunakan kabel untuk membawa, menarik, atau mencabut mesin listrik dari stopkontak. Jauhkan kabel dari panas, minyak, tepian tajam, atau bagian yang bergerak.** Kabel yang rusak atau kusut memperbesar risiko sengatan listrik.
5. **Bila menggunakan mesin listrik di luar ruangan, gunakan kabel ekstensi yang sesuai untuk penggunaan di luar ruangan.** Penggunaan kabel yang sesuai untuk penggunaan luar ruangan mengurangi risiko sengatan listrik.

6. Jika mengoperasikan mesin listrik di lokasi lembap tidak terhindarkan, gunakan pasokan daya yang dilindungi peranti imbasan arus (residual current device - RCD). Penggunaan RCD mengurangi risiko sengatan listrik.
7. Mesin listrik dapat menghasilkan medan magnet (EMF) yang tidak berbahaya bagi pengguna. Namun, pengguna alat pacu jantung atau peralatan medis sejenisnya harus berkonsultasi dengan produsen peralatan tersebut dan/atau dokter mereka sebelum mengoperasikan mesin listrik ini.
9. Selalu kenakan kacamata pelindung untuk melindungi mata dari cedera saat menggunakan mesin listrik. Kacamata harus sesuai dengan ANSI Z87.1 di Amerika Serikat, EN 166 di Eropa, atau AS/NZS 1336 di Australia/Selandia Baru. Di Australia/Selandia Baru, secara hukum Anda juga diwajibkan mengenakan pelindung wajah untuk melindungi wajah Anda.



Menjadi tanggung jawab atas untuk menerapkan penggunaan alat pelindung keselamatan yang tepat bagi operator mesin dan orang lain yang berada di area kerja saat itu.

Keselamatan Diri

1. Jaga kewaspadaan, perhatikan pekerjaan Anda dan gunakan akal sehat bila menggunakan mesin listrik. Jangan menggunakan mesin listrik saat Anda lelah atau di bawah pengaruh obat bius, alkohol, atau obat. Sekejap saja lalai saat menggunakan mesin listrik dapat menyebabkan cedera badan serius.
2. Gunakan alat pelindung diri. Selalu gunakan pelindung diri. Peralatan pelindung seperti masker debu, sepatu pengaman anti-selip, helm pengaman, atau pelindung telinga yang digunakan untuk kondisi yang sesuai akan mengurangi risiko cedera badan.
3. Cegah penyalan yang tidak disengaja. Pastikan bahwa sakelar berada dalam posisi mati (off) sebelum menghubungkan mesin ke sumber daya dan/atau paket baterai, atau mengangkat atau membawanya. Membawa mesin listrik dengan jari Anda pada sakelarnya atau mengalirkan listrik pada mesin listrik yang sakelarnya hidup (on) akan mengundang kecelakaan.
4. Lepaskan kunci-kunci penyetel sebelum menghidupkan mesin listrik. Kunci-kunci yang masih terpasang pada bagian mesin listrik yang berputar dapat menyebabkan cedera.
5. Jangan meraih terlalu jauh. Jagalah pijakan dan keseimbangan sepanjang waktu. Hal ini memungkinkan kendali yang lebih baik atas mesin listrik dalam situasi yang tidak diharapkan.
6. Kenakan pakaian yang memadai. Jangan memakai pakaian yang longgar atau perhiasan. Jaga jarak antara rambut dan pakaian Anda dengan komponen mesin yang bergerak. Pakaian yang longgar, perhiasan, atau rambut yang panjang dapat tersangkut pada komponen yang bergerak.
7. Jika tersedia fasilitas untuk menghisap dan mengumpulkan debu, pastikan fasilitas tersebut terhubung listrik dan digunakan dengan baik. Penggunaan pembersih debu dapat mengurangi bahaya yang terkait dengan debu.
8. Jangan sampai Anda lengah dan mengabaikan prinsip keselamatan mesin ini hanya karena sudah sering mengoperasikannya dan sudah merasa terbiasa. Tindakan yang lalai dapat menyebabkan cedera berat dalam sepersekian detik saja.

Penggunaan dan pemeliharaan mesin listrik

1. Jangan memaksa mesin listrik. Gunakan mesin listrik yang tepat untuk keperluan Anda. Mesin listrik yang tepat akan menuntaskan pekerjaan dengan lebih baik dan aman pada kecepatan sesuai rancangannya.
2. Jangan gunakan mesin listrik jika sakelar tidak dapat menyalakan dan mematikannya. Mesin listrik yang tidak dapat dikendalikan dengan sakelarnya adalah berbahaya dan harus diperbaiki.
3. Cabut steker dari sumber listrik dan/atau lepas paket baterai, jika dapat dilepas, dari mesin listrik sebelum melakukan penyetelan apa pun, mengganti aksesoris, atau menyimpan mesin listrik. Langkah keselamatan preventif tersebut mengurangi risiko hidupnya mesin secara tak sengaja.
4. Simpan mesin listrik jauh dari jangkauan anak-anak dan jangan biarkan orang yang tidak paham mengenai mesin listrik tersebut atau petunjuk ini menggunakan mesin listrik. Mesin listrik sangat berbahaya di tangan pengguna yang tak terlatih.
5. Rawatlah mesin listrik dan aksesoris. Periksa apakah ada komponen bergerak yang tidak lurus atau macet, komponen yang pecah, dan kondisi-kondisi lain yang dapat memengaruhi pengoperasian mesin listrik. Jika rusak, perbaiki mesin listrik terlebih dahulu sebelum digunakan. Banyak kecelakaan disebabkan oleh kurangnya pemeliharaan mesin listrik.
6. Jaga agar mesin pemotong tetap tajam dan bersih. Mesin pemotong yang terawat baik dengan mata pemotong yang tajam tidak mudah macet dan lebih mudah dikendalikan.

7. **Gunakan mesin listrik, aksesoris, dan mata mesin, dll. sesuai dengan petunjuk ini, dengan memperhitungkan kondisi kerja dan jenis pekerjaan yang dilakukan.** Penggunaan mesin listrik untuk penggunaan yang lain dari peruntukan dapat menimbulkan situasi berbahaya.
8. **Jagalah agar gagang dan permukaan pegangan tetap kering, bersih, dan bebas dari minyak dan pelumas.** Gagang dan permukaan pegangan yang licin tidak mendukung keamanan penanganan dan pengendalian mesin dalam situasi-situasi tak terduga.
9. **Ketika menggunakan mesin, jangan menggunakan sarung tangan kain yang dapat tersangkut.** Sarung tangan kain yang tersangkut pada komponen bergerak dapat mengakibatkan cedera pada pengguna.

Penggunaan dan pemeliharaan mesin bertenaga baterai

1. **Isi ulang baterai hanya dengan pengisi daya yang ditentukan oleh pabrikan.** Pengisi daya yang cocok untuk satu jenis paket baterai dapat menimbulkan risiko kebakaran ketika digunakan untuk paket baterai yang lain.
2. **Gunakan mesin listrik hanya dengan paket baterai yang telah ditentukan secara khusus.** Penggunaan paket baterai lain dapat menimbulkan risiko cedera dan kebakaran.
3. **Ketika paket baterai tidak digunakan, jauhkan dari benda logam lain, seperti penjepit kertas, uang logam, kunci, paku, sekrup atau benda logam kecil lainnya, yang dapat menghubungkan satu terminal ke terminal lain.** Hubungan singkat terminal baterai dapat menyebabkan luka bakar atau kebakaran.
4. **Pemakaian yang salah, dapat menyebabkan keluarnya cairan dari baterai; hindari kontak. Jika terjadi kontak secara tidak sengaja, bilas dengan air.** Jika cairan mengenai mata, cari bantuan medis. Cairan yang keluar dari baterai bisa menyebabkan iritasi atau luka bakar.
5. **Jangan menggunakan paket baterai atau mesin yang sudah rusak atau telah diubah.** Baterai yang rusak atau telah diubah dapat menyebabkan hal-hal yang tidak dapat diprediksi yang dapat menyebabkan kebakaran, ledakan atau risiko cedera.
6. **Jangan membiarkan paket baterai atau mesin dekat dengan api atau suhu yang berlebihan.** Paparan api atau suhu di atas 130 °C dapat menyebabkan ledakan.
7. **Ikuti semua petunjuk pengisian daya dan jangan mengisi daya paket baterai atau mesin di luar rentang suhu yang ditentukan di panduan.** Mengisi daya secara tidak tepat atau pada suhu di luar rentang yang ditentukan dapat merusak baterai dan meningkatkan risiko kebakaran.

Servis

1. **Berikan mesin listrik untuk diperbaiki hanya kepada oleh teknisi yang berkualifikasi dengan menggunakan hanya suku cadang pengganti yang serupa.** Hal ini akan menjamin terjaganya keamanan mesin listrik.

2. **Jangan pernah memperbaiki paket baterai yang sudah rusak.** Perbaikan paket baterai harus dilakukan hanya oleh produsen atau penyedia servis resmi.
3. **Patuhi petunjuk pelumasan dan penggantian aksesoris.**

Petunjuk Keselamatan Blower Debu Tanpa Kabel

Pelatihan

1. **Baca petunjuk dengan saksama. Pahami kontrol dan cara penggunaan blower debu yang benar.**
2. **Anak kecil, orang dengan kemampuan fisik, indra, atau mental yang terbatas atau orang awam atau orang yang tidak dapat memahami petunjuk ini dilarang menggunakan blower debu ini.** Peraturan setempat mungkin membatasi usia operator.
3. **Jangan gunakan blower debu jika ada orang, khususnya anak-anak, atau binatang peliharaan di dekatnya.**
4. **Selalu ingat bahwa operator atau pengguna bertanggung jawab atas kecelakaan atau bahaya yang terjadi pada orang lain atau properti.**

Persiapan

1. **Jangan memakai pakaian yang kedodoran atau perhiasan yang dapat terisap oleh inlet udara.** Jauhkan rambut panjang dari inlet udara.
2. **Untuk mencegah iritasi karena debu disarankan menggunakan masker wajah.**
3. **Gunakan alat pelindung diri. Selalu gunakan pelindung mata.** Peralatan pelindung seperti masker debu, sepatu pengaman anti-selip, helm pengaman, atau pelindung telinga yang digunakan untuk kondisi yang sesuai akan mengurangi risiko cedera badan.

Pengoperasian secara umum

1. **Matikan blower debu dan lepaskan kartrid baterai dan pastikan semua bagian yang bergerak telah berhenti sepenuhnya**
 - saat Anda meninggalkan blower debu.
 - saat Anda beralih dari operasi memompa ke mengempiskan, dan sebaliknya.
 - sebelum memeriksa, membersihkan atau menggunakan blower debu.
 - jika blower debu mulai bergetar secara tidak normal.
2. **Gunakan blower debu hanya di siang hari atau dalam kondisi cahaya yang mencukupi.**
3. **Jangan meraih terlalu jauh dan jalalah pijakan dan keseimbangan sepanjang waktu.**
4. **Jauhkan semua inlet udara pendingin dari serpihan.**
5. **Gunakan blower debu dalam posisi yang disarankan dan pada permukaan yang kokoh.**
6. **Jangan menggunakan mesin dengan tangan basah.**

7. **Jangan mengarahkan outlet selang pada diri Anda atau orang lain.** Objek dapat terlempar dan menyebabkan cedera.
 8. **Jangan menggunakan mesin untuk menyemprotkan bahan kimia.** Menghirup asap beracun dapat membahayakan paru-paru Anda.
 9. **Jangan mengoperasikan blower debu di tempat yang tinggi.**
 10. **Jangan menghalangi inlet pengisap dan/atau outlet blower.**
 - **Berhati-hatilah agar inlet pengisap atau outlet blower tidak tersumbat oleh debu atau kotoran saat mengoperasikan di area berdebu.**
 - **Jangan gunakan nosel selain yang disediakan oleh Makita.**
 11. **Jika blower debu meniup benda asing atau mengeluarkan suara atau getaran aneh, segera matikan blower debu untuk menghentikannya.** Lepaskan kartrid baterai dari blower debu dan periksa apakah ada kerusakan sebelum kembali menyalakan dan menggunakan blower debu. Jika blower debu rusak, hubungi Pusat Layanan Resmi Makita untuk memperbaikinya.
 12. **Jangan memasukkan jari atau benda lain ke dalam inlet pengisap atau outlet blower.**
 13. **Cegah penyalaan yang tidak disengaja.** Pastikan bahwa sakelar berada dalam posisi mati sebelum memasukkan kartrid baterai, mengangkat atau membawa blower debu. Membawa blower debu dengan jari berada di sakelar atau mengalirkan listrik pada mesin listrik dengan sakelar hidup dapat memicu kecelakaan.
 14. **Hindari mengoperasikan blower debu dalam waktu lama di lingkungan bersuhu rendah.**
 15. **Jangan menggunakan mesin melebihi tekanan output maksimum mesin.** Menggunakan mesin pada tekanan output yang lebih besar dari tekanan output maksimum mesin dapat meledakkan objek atau mesin.
3. **Jangan memompa objek melebihi tekanan maksimum objek.** Jika tidak, mesin atau objek dapat rusak atau Anda dapat cedera.
 4. **Hanya pompa objek yang sesuai untuk dipompa menurut produsen, seperti ban, bola olahraga, atau tabung pelampung kecil.** Memompa objek lain dapat merusak objek tersebut dan menyebabkan cedera.
 5. **Saat memompa objek, periksa status mesin dan objek, dan pastikan tidak terdapat kebocoran udara dari objek.**
 6. **Selalu berhati-hati untuk tidak memompa objek secara berlebihan selama pengoperasian.** Jika tidak, objek tersebut dapat meledak, mungkin menyebabkan kerusakan pada mesin dan cedera diri.
 7. **Setelah memompa objek, periksa tekanan udara menggunakan alat pengukuran yang telah dikalibrasi dan dapat diandalkan.**
 8. **Jangan pernah meninggalkan mesin tanpa pengawasan saat selang terpasang pada objek atau selama pengoperasian.**
 9. **Jangan menggunakan mesin sebagai pengisap debu.** Melakukan pengumpulan debu dapat merusak mesin.
 10. **Jangan menggunakan mesin sebagai perangkat pernapasan.**
 11. **Hanya gunakan aksesori standar yang disediakan oleh Makita.** Penggunaan aksesori atau perangkat tambahan lain bisa menyebabkan risiko cedera pada manusia.

Perawatan dan penyimpanan

1. **Kencangkan semua mur, baut, dan sekrup pengencang untuk memastikan bahwa blower debu aman untuk digunakan.**
 2. **Jika komponen aus atau rusak, ganti dengan komponen yang disediakan oleh Makita.**
 3. **Simpan di tempat yang kering jauh dari jangkauan anak-anak.**
 4. **Saat Anda menghentikan blower debu untuk melakukan pemeriksaan, servis, penyimpanan, atau penggantian aksesori, matikan blower debu dan pastikan semua komponen yang bergerak telah berhenti sepenuhnya, lalu keluarkan kartrid baterai.** Dinginkan blower debu sebelum melakukan perbaikan pada blower debu. Rawat blower debu dengan hati-hati dan jaga kebersihannya.
 5. **Saat membawa mesin, pegang bagian pegangan mesin. Jangan memegang atau menarik selang.** Mesin dapat rusak dan menyebabkan cedera.
 6. **Selalu biarkan blower debu menjadi dingin sebelum disimpan.**
 7. **Jangan membiarkan blower debu terkena hujan.** Simpan blower debu di dalam ruangan.
 8. **Jangan membongkar mesin.**
- Pengoperasian peniupan**
1. **Jangan pernah meniupkan serpihan ke arah orang di sekitar.**
 2. **Jangan mengarahkan nosel kepada siapa pun dalam jarak jangkauan saat menggunakan blower debu.**
 3. **Jangan pernah meniupkan bahan berbahaya, seperti paku, pecahan kaca, atau mata pisau.**
 4. **Jangan mengoperasikan blower debu di dekat benda-benda yang mudah terbakar.**
- Pengoperasian memompa/mengempiskan**
1. **Saat memompa objek, sambungkan nosel atau perangkat tambahan ke saluran masuk udara dengan aman.** Jika tidak, objek, nosel, atau perangkat tambahan dapat rusak atau Anda dapat cedera.
 2. **Lepaskan tekanan udara dengan perlahan.** Saat melepaskan nosel atau perangkat tambahan setelah memompa objek, pegang objek, nosel, dan perangkat tambahan kuat-kuat. Benda-benda itu dapat terpental karena udara pembuangan dan menyebabkan cedera.

Servis

1. Berikan mesin listrik untuk diperbaiki hanya kepada oleh teknisi yang berkualifikasi dengan menggunakan hanya suku cadang pengganti yang serupa. Hal ini akan menjamin terjaganya keamanan mesin listrik.
2. Jangan pernah memperbaiki paket baterai yang sudah rusak. Perbaikan paket baterai harus dilakukan hanya oleh produsen atau penyedia servis resmi.

SIMPAN PETUNJUK INI.

⚠️PERINGATAN: JANGAN biarkan kenyamanan atau terbiasanya Anda dengan produk (karena penggunaan berulang) mengurangi kepatuhan yang ketat terhadap aturan keselamatan untuk produk yang terkait.

PENYALAHGUNAAN atau kelalaian mematuhi kaidah keselamatan yang tertera dalam petunjuk ini dapat menyebabkan cedera badan serius.

Petunjuk keselamatan penting untuk kartrid baterai

1. Sebelum menggunakan kartrid baterai, bacalah semua petunjuk dan penandaan pada (1) pengisi daya baterai, (2) baterai, dan (3) produk yang menggunakan baterai.
2. Jangan membongkar atau memodifikasi kartrid baterai. Tindakan tersebut dapat menimbulkan api, panas berlebih, atau ledakan.
3. Jika waktu beroperasinya menjadi sangat singkat, segera hentikan penggunaan. Hal tersebut dapat menimbulkan risiko panas berlebih, kemungkinan mengalami luka bakar atau bahkan terjadi ledakan.
4. Jika elektrolit mengenai mata Anda, basuh dengan air bersih dan segera cari pertolongan medis. Hal tersebut dapat mengakibatkan hilangnya kemampuan penglihatan Anda.
5. Jangan menghubungkan terminal kartrid baterai:
 - (1) Jangan menyentuh terminal dengan bahan penghantar listrik apa pun.
 - (2) Hindari menyimpan kartrid baterai pada wadah yang berisi benda logam lain seperti paku, uang logam, dsb.
 - (3) Jangan membiarkan baterai terkena air atau kehujanan.Hubungan singkat baterai dapat menyebabkan aliran arus listrik yang besar, panas berlebih, kemungkinan mengalami luka bakar dan bahkan kerusakan pada baterai.
6. Jangan menyimpan dan menggunakan mesin dan kartrid baterai pada lokasi dengan suhu yang bisa mencapai atau melebihi 50 °C (122 °F).
7. Jangan membuang kartrid baterai di tempat pembakaran sampah walaupun benar-benar rusak atau tidak bisa digunakan sama sekali. Kartrid baterai bisa meledak jika terbakar.
8. Jangan memaku, memotong, menghancurkan, melempar, menjatuhkan kartrid baterai, atau memukulkan benda keras ke kartrid baterai. Tindakan tersebut dapat menimbulkan api, panas berlebih, atau ledakan.
9. Jangan menggunakan baterai yang rusak.
10. **Baterai litium-ion yang disertakan sesuai dengan persyaratan Perundangan Makanan Berbahaya.** Harus ada pengawasan untuk pengangkutan komersial misalnya oleh pihak ketiga, ekspeditor, persyaratan khusus terhadap pengemasan dan pelabelan. Diperlukan adanya konsultasi dengan ahli mengenai material berbahaya untuk persiapan barang yang akan dikirimkan. Perhatikan pula peraturan nasional yang lebih terperinci yang mungkin ada. Beri perekat atau tutupi bagian yang terbuka dan kemasi baterai dengan cara yang tidak akan menimbulkan pergeseran dalam pengemasan.
11. **Ketika membuang kartrid baterai, lepaskan dari mesin dan buang ke tempat yang aman. Patuhi peraturan setempat yang berkaitan dengan pembuangan baterai.**
12. **Gunakan baterai hanya dengan produk yang ditentukan oleh Makita.** Memasang baterai pada produk yang tidak sesuai dapat menyebabkan kebakaran, kelebihan panas, ledakan, atau kebocoran elektrolit.
13. **Jika mesin tidak digunakan dalam jangka waktu yang lama, baterai harus dilepas dari mesin.**
14. **Selama dan setelah digunakan, kartrid baterai mungkin menyimpan panas yang dapat menyebabkan luka bakar atau luka bakar suhu rendah.** Perhatikan cara memegang kartrid baterai yang masih panas.
15. **Jangan langsung menyentuh terminal mesin setelah digunakan karena suhunya mungkin cukup panas untuk menyebabkan luka bakar.**
16. **Jangan biarkan serpihan, debu, atau tanah menempel di terminal, lubang, dan alur kartrid baterai.** Hal tersebut dapat menyebabkan pemanasan, kebakaran, ledakan, dan kegagalan fungsi mesin atau kartrid baterai, yang mengakibatkan luka bakar atau cedera diri.
17. **Kecuali jika mesin mendukung penggunaan di dekat saluran listrik bertegangan tinggi, jangan gunakan kartrid baterai di dekat saluran listrik bertegangan tinggi.** Hal tersebut dapat mengakibatkan kegagalan fungsi atau kerusakan mesin maupun kartrid baterai.
18. **Jauhkan baterai dari jangkauan anak-anak.**

SIMPAN PETUNJUK INI.

⚠️PERHATIAN: Gunakan baterai asli Makita. Penggunaan baterai Makita yang tidak asli, atau baterai yang sudah diubah, akan mengakibatkan baterai mudah terbakar, cedera dan kerusakan. Akan menghilangkan garansi Makita pada pengisi daya dan alat Makita.

Tip untuk menjaga agar umur pemakaian baterai maksimum

1. Isi ulang kartrid baterai sebelum habis sama sekali. Selalu hentikan penggunaan mesin dan ganti kartrid baterai jika Anda melihat bahwa mesin kurang tenaga.
2. Jangan pernah mengisi ulang kartrid baterai yang sudah diisi penuh. Pengisian ulang yang berlebih memperpendek umur pemakaian baterai.
3. Isi ulang kartrid baterai pada suhu ruangan 10 °C - 40 °C. Biarkan kartrid baterai yang panas menjadi dingin terlebih dahulu sebelum diisi ulang.
4. Saat kartrid baterai tidak digunakan, lepaskan dari mesin atau pengisi daya.
5. Isi ulang daya kartrid baterai jika Anda tidak menggunakannya untuk jangka waktu yang lama (lebih dari enam bulan).

PERAKITAN

⚠PERHATIAN: Selalu pastikan bahwa mesin dimatikan dan kartrid baterai dilepas sebelum melakukan pekerjaan apa pun pada mesin.

Memasang nosel

Sejajarkan proyeksi pemandu pada nosel dengan lekukan pengunci pada selongsong kunci mesin, lalu dorong nosel dengan kuat ke dalam selongsong kunci hingga terkunci pada tempatnya dengan bunyi klik. Setelah memasang nosel, coba tarik kembali untuk memastikan nosel terpasang dengan aman di tempatnya.

- **Gbr.1:** 1. Proyeksi pemandu 2. Lekukan pengunci 3. Selongsong kunci

PEMBERITAHUAN: Pastikan nosel telah terpasang dengan benar ke mesin sehingga proyeksi pemandu pada nosel pas dengan rapi ke lekukan pengunci pada selongsong kunci.

Melepas nosel

Pegang ujung nosel dan putar ke arah yang ditunjukkan oleh panah di ujung nosel untuk melepaskan kunci. Tarik nosel dari selongsong kunci setelah tidak terkunci.

- **Gbr.2:** 1. Ujung nosel 2. Selongsong kunci

PEMBERITAHUAN: Kotoran dan debu yang menempel di permukaan mungkin akan menyulitkan pelepasan nosel dari mesin. Dalam kasus semacam ini, geser dan tahan selongsong kunci ke arah rumahan motor terlebih dahulu, dan kemudian putar ujung nosel untuk melepaskan kunci.

⚠PERHATIAN: Hati-hati jangan sampai tangan Anda terjepit di antara ujung belakang selongsong kunci dan rumahan motor saat melepas nosel. Selongsong kunci meluncur kembali ke rumahan motor ketika nosel dilepaskan dari kunci.

- **Gbr.3:** 1. Selongsong kunci 2. Rumahan motor

Melepas dan memasang tutup debu

1. Putar tutup debu pada tempat masuk pengisap di bagian belakang rumahan berlawanan arah jarum jam untuk mengeluarkan tutup debu dari rumahan. Dua tab pengunci pada tutup debu dapat dilepas dengan menyajarkannya dengan alur pemandu pada rumahan.

- **Gbr.4:** 1. Tutup debu 2. Tab pengunci 3. Tempat masuk pengisap 4. Alur pemandu

2. Pasang kembali tutup debu pada tempat masuk pengisap, sejajarkan kedua tab pengunci pada tutup debu dengan alur pemandu pada rumahan. Lalu putar tutup debu searah jarum jam agar terpasang kuat di tempatnya.

- **Gbr.5:** 1. Tutup debu 2. Tab pengunci 3. Tempat masuk pengisap 4. Alur pemandu

Memasang dan melepas nosel panjang

Pilihan aksesoris

Satu set nosel panjang membantu membersihkan debu dari lubang kecil dan titik sempit. Panjang nosel dapat diatur sesuai dengan kebutuhan Anda.

- **Gbr.6:** 1. Nosel 13 2. Nosel panjang R 3. Nosel panjang F

1. Masukkan nosel panjang R melalui lubang udara dari nosel 13 dari belakang ke depan. Lewatkan itu sampai nosel 13 terpasang dengan benar di ujung belakang nosel panjang R.

- **Gbr.7:** 1. Nosel 13 2. Nosel panjang R

2. Tempatkan nosel panjang F pada ujung depan nosel panjang R. Kencangkan nosel panjang F dengan tangan hingga itu telah kencang.

- **Gbr.8:** 1. Nosel panjang F 2. Nosel panjang R

3. Sejajarkan proyeksi pemandu pada nosel 13 dengan lekukan pengunci pada selongsong kunci mesin, lalu dorong nosel 13 dengan kuat ke dalam selongsong kunci hingga terkunci pada tempatnya dengan bunyi klik.

- **Gbr.9:** 1. Proyeksi pemandu 2. Lekukan pengunci 3. Selongsong kunci 4. Nosel 13 5. Nosel panjang R 6. Nosel panjang F

CATATAN: Gunakan nosel panjang R hanya untuk melakukan jangkauan operasi yang lebih pendek. Gunakan kedua nosel panjang R dan F untuk memungkinkan jangkauan operasi yang lebih luas.

4. Untuk melepaskan nosel panjang, lepaskan nosel 13 dari selongsong kunci dari mesin, lalu bongkar nosel panjang.

Memasang dan melepas nosel dan perangkat tambahan pengempis

Pilihan aksesoris

PEMBERITAHUAN: Selalu pastikan untuk memasang dan melepas nosel dan perangkat tambahan pengempis hanya saat selang ventilasi udara selesai dilepas dari mesin. Menangani selang ventilasi udara yang terpasang lengkap ke mesin dapat menyebabkan mesin berdiri tidak stabil sehingga terjatuh.

1. Sejajarkan proyeksi pemandu pada nosel katup jepit dengan lekukan pengunci pada selongsong kunci selang ventilasi udara lengkap, lalu dorong nosel katup jepit dengan kuat ke dalam selongsong kunci hingga terkunci pada tempatnya dengan bunyi klik.

► **Gbr.10:** 1. Nosel katup jepit 2. Proyeksi pemandu 3. Lekukan pengunci 4. Selongsong kunci 5. Selang ventilasi udara lengkap

Perangkat tambahan karet opsional

Perangkat tambahan karet opsional harus ditempatkan di atas nosel. Berhati-hatilah untuk tidak memasang perangkat tambahan karet langsung ke selang ventilasi udara lengkap.

i. Sejajarkan proyeksi pemandu pada nosel 13 dengan lekukan pengunci pada selongsong kunci selang ventilasi udara lengkap, lalu dorong nosel dengan kuat ke dalam selongsong kunci hingga terkunci pada tempatnya dengan bunyi klik.

ii. Tempatkan perangkat tambahan karet di atas kepala nosel dengan mendorong dan mengencangkannya dengan tangan di tempatnya.

► **Gbr.11:** 1. Perangkat tambahan karet 2. Nosel 13 3. Selang ventilasi udara lengkap

PEMBERITAHUAN: Pastikan nosel telah terpasang dengan benar ke selang ventilasi udara lengkap sehingga proyeksi pemandu pada nosel pas dengan rapi ke lekukan pengunci pada selongsong kunci.

2. Putar tutup debu pada tempat masuk pengisap di bagian belakang rumahannya berlawanan arah jarum jam untuk mengeluarkan tutup debu dari rumahannya. Dua tab pengunci pada tutup debu dapat dilepas dengan menyajarkannya dengan alur pemandu pada rumahannya.

► **Gbr.12:** 1. Tutup debu 2. Tab pengunci 3. Tempat masuk pengisap 4. Alur pemandu

3. Pasang ujung selang ventilasi udara lengkap ke tempat masuk pengisap, sejajarkan kedua tab pengunci pada selang ventilasi udara lengkap dengan alur pemandu pada rumahannya. Kemudian pegang dan putar kancing belakang selang ventilasi udara lengkap searah jarum jam agar terpasang kuat di tempatnya.

► **Gbr.13:** 1. Selang ventilasi udara lengkap 2. Kancing belakang 3. Tempat masuk pengisap 4. Tab pengunci 5. Alur pemandu

4. Untuk melepas nosel dan perangkat tambahan pengempis, ikuti langkah-langkah pemasangan secara terbalik.

PEMBERITAHUAN: Selalu pegang dan putar kancing belakang selang ventilasi udara lengkap untuk memasang dan melepas selang ventilasi udara lengkap pada tempatnya.

Memasang saringan opsional

Pilihan aksesoris

Saringan berkinerja tinggi opsional (Saringan C) tersedia untuk membatasi masuknya debu ke dalam motor dalam kondisi kerja yang berdebu.

1. Putar tutup debu pada tempat masuk pengisap di bagian belakang rumahannya berlawanan arah jarum jam untuk mengeluarkan tutup debu dari rumahannya. Dua tab pengunci pada tutup debu dapat dilepas dengan menyajarkannya dengan alur pemandu pada rumahannya.

► **Gbr.14:** 1. Tutup debu 2. Tab pengunci 3. Tempat masuk pengisap 4. Alur pemandu

2. Ganti saringan berkinerja tinggi opsional pada tempat masuk pengisap, sejajarkan kedua tab pengunci pada saringan opsional dengan alur pemandu pada rumahannya. Lalu putar saringan opsional searah jarum jam agar terpasang kuat di tempatnya.

► **Gbr.15:** 1. Saringan berkinerja tinggi opsional 2. Tab pengunci 3. Tempat masuk pengisap 4. Alur pemandu

PEMBERITAHUAN: Saringan berkinerja tinggi opsional (Saringan C) dapat digunakan kembali berkali-kali dengan membersihkannya. Bersihkan debu dari saringan secara teratur karena saringan yang tersumbat dapat menghalangi aliran udara dan menyebabkan pengoperasian yang kurang efisien. Sesekali cuci saringan di dalam air, bilas dan keringkan secara menyeluruh di tempat teduh sebelum digunakan.

PEMBERITAHUAN: Jangan mengusap, menggosok, atau menggores saringan berkinerja tinggi opsional (Saringan C) dengan keras. Pastikan untuk menggoyang atau meniup debu dari saringan dengan hati-hati.

DESKRIPSI FUNGSI

PERHATIAN: Selalu pastikan bahwa mesin dimatikan dan kartrid baterai dilepas sebelum menyatel atau memeriksa kerja mesin.

Memasang atau melepas baterai

PERHATIAN: Selalu matikan mesin sebelum memasang atau melepas kartrid baterai.

PERHATIAN: Pegang mesin dan kartrid baterai kuat-kuat saat memasang atau melepas kartrid baterai. Kelalaian untuk memegang mesin dan kartrid baterai kuat-kuat bisa menyebabkan keduanya tergelincir dari tangan Anda dan mengakibatkan kerusakan pada mesin dan kartrid baterai dan cedera diri.

Sistem perlindungan mesin / baterai

- **Gbr.16:** 1. Indikator berwarna merah 2. Tombol 3. Kartrid baterai

Untuk melepas kartrid baterai, geser dari mesin sambil menggeser tombol pada bagian depan kartrid.

Untuk memasang kartrid baterai, sejajarkan lidah kartrid baterai dengan alur pada rumah dan masukkan ke dalam tempatnya. Masukkan seluruhnya sampai terkunci pada tempatnya dan terdengar bunyi klik kecil. Jika Anda bisa melihat indikator berwarna merah seperti yang ditunjukkan pada gambar, ini artinya kartrid baterai tidak terkunci sempurna.

⚠PERHATIAN: Selalu pasang kartrid baterai sepenuhnya sampai indikator berwarna merah tidak terlihat. Jika tidak, bisa terlepas dari mesin secara tidak sengaja, menyebabkan luka pada Anda atau orang di sekitar Anda.
















⚠PERHATIAN: Jangan memasang kartrid baterai secara paksa. Jika kartrid tidak bergeser dengan mudah, berarti tidak dimasukkan dengan benar.

Mengindikasikan kapasitas baterai yang tersisa

Hanya untuk kartrid baterai dengan indikator

- **Gbr.17:** 1. Lampu indikator 2. Tombol pemeriksaan

Tekan tombol pemeriksaan pada kartrid baterai untuk melihat kapasitas baterai yang tersisa. Lampu indikator menyala selama beberapa detik.

Lampu indikator			Kapasitas yang tersisa
 Menyala	 Mati	 Berkedip	
			75% hingga 100%
			50% hingga 75%
			25% hingga 50%
			0% hingga 25%
			Isi ulang baterai.
 ↑ ↓ 			Baterai mungkin sudah rusak.

CATATAN: Tergantung kondisi penggunaan dan suhu lingkungannya, penunjukkan mungkin saja sedikit berbeda dari kapasitas sebenarnya.

CATATAN: Lampu indikator pertama (ujung kiri) akan berkedip ketika sistem perlindungan mesin bekerja.

Mesin ini dilengkapi dengan sistem perlindungan mesin/ baterai. Sistem ini memutus daya ke motor secara otomatis untuk memperpanjang umur pakai mesin dan baterai. Mesin akan berhenti secara otomatis saat dioperasikan jika mesin atau baterai mengalami salah satu dari kondisi-kondisi berikut ini:

Perlindungan kelebihan beban

Jika mesin/baterai digunakan dengan cara yang menjadikan baterai mengeluarkan arus tinggi yang berlebihan, mesin akan berhenti secara otomatis. Dalam situasi ini, matikan mesin dan hentikan pekerjaan yang menyebabkan mesin mengalami kelebihan beban. Kemudian, nyalakan mesin untuk kembali melanjutkan pekerjaan.

Perlindungan panas berlebih

Saat mesin/baterai terlalu panas, mesin akan berhenti secara otomatis. Untuk situasi ini, biarkan mesin menjadi dingin sebelum menyalakan mesin lagi.

Perlindungan pengisian daya berlebih

Saat daya baterai hampir habis saat digunakan, lampu akan berkedip untuk memperingatkan Anda. Kemudian mesin berhenti secara otomatis, dengan lampu akan tetap menyala selama kurang lebih 10 detik, segera setelah daya baterai menjadi terlalu rendah untuk beroperasi selama penggunaan terus-menerus. Dalam kondisi semacam ini, lepaskan baterai dari mesin dan isi ulang baterai.

Perlindungan terhadap penyebab lain

Sistem perlindungan juga dirancang untuk penyebab lain yang dapat merusak mesin dan memungkinkan mesin untuk berhenti secara otomatis. Lakukan semua langkah berikut ini untuk mengatasi penyebabnya, saat mesin dihentikan sementara atau berhenti beroperasi.

1. Matikan mesin, dan kemudian hidupkan kembali untuk memulai ulang.
2. Isi baterai atau ganti dengan baterai yang sudah diisi ulang.
3. Biarkan mesin dan baterai menjadi dingin.

Jika tidak ada peningkatan yang dapat ditemukan dengan memulihkan sistem perlindungan, hubungi Pusat Servis Makita setempat Anda.

Kerja sakelar

PERHATIAN: Sebelum memasukkan kartrid baterai pada mesin, pastikan picu saklar berfungsi dengan baik dan kembali ke posisi "OFF" saat dilepas.

PERHATIAN: Sakelar dapat dikunci dalam posisi "ON" untuk memberikan kenyamanan bagi operator selama penggunaan dalam jangka waktu lama. Berikan perhatian saat mengunci mesin pada posisi "ON".

PERHATIAN: Jangan memasang kartrid baterai dengan tombol kunci aktif terpasang.

PERHATIAN: Saat mesin tidak dioperasikan, tekan pengunci pelatuk dari sisi di mana tanda pengunci (🔒) ditunjukkan untuk mengunci pelatuk sakelar di posisi "OFF".

Tombol pengunci pelatuk

Untuk mencegah pelatuk sakelar dari ditarik secara tidak sengaja, tersedia tombol pengunci pelatuk. Untuk menjalankan mesin, tekan tombol pengunci pelatuk dari sisi di mana tanda pembuka kunci (🔑) ditunjukkan. Untuk mengunci mesin, tekan tombol pengunci pelatuk dari sisi di mana tanda pengunci (🔒) ditunjukkan. Pastikan untuk menyatel kembali tombol pengunci pelatuk ke posisi terkunci setelah setiap kali digunakan.

► **Gbr.18:** 1. Pelatuk sakelar 2. Tombol pengunci pelatuk 3. Tanda pembuka kunci 4. Tanda pengunci

PEMBERITAHUAN: Jangan menarik dalam-dalam pelatuk sakelar tanpa melepaskan tombol pengunci pelatuk. Hal ini bisa merusak sakelar.

Pelatuk sakelar

Volume udara dapat dikontrol dengan menekan pelatuk sakelar. Volume udara bertambah dengan menambah tekanan pada pelatuk sakelar. Lepaskan pelatuk sakelar untuk berhenti.

► **Gbr.19:** 1. Pelatuk sakelar

Tombol kunci

Untuk pengoperasian terus-menerus, tekan tombol kunci sambil menarik pelatuk sakelar lalu lepaskan pelatuk sakelar. Untuk membatalkan operasi terkunci, tarik pelatuk sakelar sepenuhnya, kemudian lepaskan.

► **Gbr.20:** 1. Pelatuk sakelar 2. Tombol kunci

Menyesuaikan volume udara

Volume udara dapat diubah dalam empat mode, yaitu, 4 (Maksimal), 3 (Tinggi), 2 (Sedang) dan 1 (Rendah), bergantung pada aplikasi dan beban kerja. Tekan tombol penyesuaian volume udara untuk beralih mode dalam urutan berikut. Mode berubah setiap kali Anda menekan tombol.

► **Gbr.21:** 1. Volume udara rendah 2. Volume udara sedang 3. Volume udara tinggi 4. Volume udara maks 5. Tombol penyesuaian volume udara

Tabel pengaturan volume udara

Mode volume udara	Volume udara maksimum
4: Maksimal	1,1 m ³ /min
3: Tinggi	1,0 m ³ /min
2: Sedang	0,8 m ³ /min
1: Rendah	0,6 m ³ /min

* Volume udara maksimum diukur tanpa nosel.

CATATAN: Mode volume udara dapat diubah sebelum menyalakan mesin.

CATATAN: Mesin memulai kembali operasi dalam mode volume udara yang terakhir digunakan.

Menyalakan lampu

PERHATIAN: Jangan melihat lampu atau sumber cahaya secara langsung.

Untuk menyalakan lampu, lakukan salah satu langkah berikut.

- Tekan tombol penyesuaian volume udara untuk menyalakan lampu. Lampu akan tetap menyala selama kurang lebih 10 detik.
- Tarik pelatuk sakelar untuk menyalakan lampu. Lampu tetap menyala selama pelatuk sakelar ditarik. Lampu akan padam kira-kira 10 detik setelah menghentikan operasi.

CATATAN: Saat kapasitas baterai yang tersisa lemah, lampu mulai berkedip. Dalam kondisi tersebut, di mana lampu mulai berkedip bergantung pada suhu di tempat kerja dan kondisi kartrid baterai.

► **Gbr.22:** 1. Tombol penyesuaian volume udara 2. Pelatuk sakelar 3. Lampu

Lubang penggantung

PERHATIAN: Sebelum menggantung mesin, selalu pastikan bahwa lubang penggantung tidak rusak.

PERHATIAN: Gunakan komponen penggantung/pemasangan untuk tujuan yang dimaksudkan saja. Menggunakan untuk tujuan yang tidak dimaksudkan dapat mengakibatkan kecelakaan atau cedera diri.

PERHATIAN: Penahan beban yang digolongkan untuk rak dan dudukan mesin Anda perlu dipelajari terlebih dahulu. Jangan meletakkan mesin jika melebihi beban penahan pada rak dan dudukan.

PERHATIAN: Pastikan lubang penggantung terpasang erat sebelum melepaskan pegangan Anda.

Gunakan lubang penggantung di bagian belakang atas rumahan untuk menggantung mesin pada pengait rak dan dudukan.

► **Gbr.23:** 1. Lubang penggantung 2. Kait

Memasang kait

Pilihan aksesoris

⚠️PERINGATAN: Gunakan bagian penggantung/pemasangan hanya untuk tujuan yang dimaksudkan, misalnya, menggantung mesin pada sabuk mesin di antara pekerjaan atau interval kerja.

⚠️PERINGATAN: Berhati-hatilah untuk tidak membebani kait karena terlalu banyak tenaga atau beban yang tidak teratur dapat menyebabkan kerusakan pada mesin yang mengakibatkan cedera diri.

⚠️PERHATIAN: Ketika memasang kait, selalu kencangkan sekrup kuat-kuat. Jika tidak, kait mungkin akan terlepas dari alat dan mengakibatkan cedera badan.

⚠️PERHATIAN: Pastikan untuk menggantung mesin secara aman sebelum melepaskan pegangan Anda. Pengait yang tidak memadai atau tidak seimbang dapat menyebabkan jatuh dan Anda mungkin terluka.

► **Gbr.24:** 1. Alur 2. Kait 3. Sekrup

Kait bisa digunakan untuk menggantung mesin sementara. Bisa dipasang pada salah satu sisi mesin. Untuk memasang kait, masukkan ke dalam alur pada rumah mesin pada salah satu sisinya dan kemudian kencangkan dengan sekrup. Untuk melepaskannya, kendurkan sekrup dan kemudian tarik keluar.

PENGGUNAAN

⚠️PERHATIAN: Jangan arahkan nosel ke siapa pun di sekitar selama pengoperasian.

PEMBERITAHUAN: Jangan menghalangi inlet pengisap dan/atau outlet blower selama pengoperasian.

Peniupan dalam penggunaan umum

Nosel yang direkomendasikan

— Nosel 13

Bersihkan permukaan dan lantai kerja Anda dengan meniup debu, kotoran, serpihan, kepingan, atau limbah secara umum.

Arahkan nosel ke permukaan pada jarak yang sesuai dan ayunkan untuk meniup seluruhnya.

► **Gbr.25**

⚠️PERHATIAN: Jangan pernah meniupkan serpihan ke arah orang di sekitar atau hewan peliharaan.

⚠️PERHATIAN: Gunakan alat pelindung diri seperti masker debu dan pelindung mata.

PEMBERITAHUAN: Buang sumbatan pada permukaan sebelum operasi peniupan.

Peniupan di ruang terbatas

Nosel yang direkomendasikan

— Nosel 3

Meniup ke tempat terbatas, sudut, dan ruang di dekat dinding untuk menghilangkan debu.

Arahkan nosel lurus ke ruang pada jarak yang wajar dan tekan pelatuk sakelar untuk mengontrol volume udara yang ditiupkan.

► **Gbr.26**

► **Gbr.27**

⚠️PERHATIAN: Jauhkan nosel pada jarak yang wajar dari titik tiupan untuk menghindari tiupan debu ke udara.

⚠️PERHATIAN: Gunakan alat pelindung diri seperti masker debu dan pelindung mata.

PEMBERITAHUAN: Hindari menghalangi lubang ventilasi udara di sekitar outlet blower. Jika tidak, dapat menyebabkan kebisingan dan getaran yang tiba-tiba dan mungkin dapat memengaruhi kinerja mesin.

► **Gbr.28:** 1. Lubang ventilasi udara 2. Outlet blower

Membersihkan saringan udara

Nosel yang direkomendasikan

— Nosel 7

Permukaan saringan debu dengan meniupkan udara melalui satu sisi saringan ke sisi lainnya.

Arahkan nosel pada permukaan saringan dalam jarak pendek dan ayunkan dari sisi ke sisi untuk meniup debu dari permukaan.

► **Gbr.29**

⚠️PERHATIAN: Gunakan alat pelindung diri seperti masker debu dan pelindung mata.

CATATAN: Arahkan nosel pada sudut sesuai dengan garis luar saringan sehingga debu yang menempel dapat dengan mudah dihilangkan.

Hembusan luas dan area terbuka

Nosel yang direkomendasikan

— Nosel jangkauan lebar

Hembuskan udara di atas kotoran dan cairan pada permukaan yang terbuka lebar seperti desktop dan lantai, menggunakan nosel lima lubang dengan jangkauan tiupan 120 derajat.

Arahkan nosel ke area yang luas dalam jarak tertentu dan ayunkan bolak-balik dan dari sisi ke sisi untuk meniup secara luas.

► **Gbr.30**

⚠️PERHATIAN: Gunakan alat pelindung diri seperti masker debu dan pelindung mata.

Memompa plastik yang dapat dipompa

Nosel yang direkomendasikan

- Nosel katup jepit
- Nosel 13

Volume udara yang dapat ditiup dengan kartrid baterai yang terisi penuh BL1860B tanpa mengisi ulang

Mode volume udara	Volume udara yang dapat ditiup (Dengan nosel katup jepit)	Jumlah bola pantai plastik ø61 cm setara dengan volume udara (Dengan nosel katup jepit)
4: Maksimal	13,0 m ³	110
3: Tinggi	13,4 m ³	115
2: Sedang	15,6 m ³	130
1: Rendah	22,8 m ³	190

CATATAN: Tekanan udara keluaran maksimum mesin ini adalah 20,2 kPa.

(Dengan nosel 13)

Pompa mainan pantai, bantal, dan plastik kecil semacamnya yang dapat dipompa dengan nosel katup jepit.

Pompa kolam taman, kasur udara, dan plastik besar semacamnya yang dapat dipompa dengan nosel 13.

Masukkan nosel ke saluran masuk udara pada benda yang dapat dipompa dan tarik pelatuk sakelar untuk mulai memompa.

Lepaskan pelatuk sakelar secara perlahan untuk mengurangi volume udara saat benda yang dipompa hampir terisi penuh. Lepaskan nosel dari tempat masuk udara setelah menghentikan aliran udara dan kemudian tutup tempat masuk udara.

► **Gbr.31**

► **Gbr.32**

⚠PERHATIAN: Selalu berhati-hati untuk tidak memompa benda yang dapat dipompa secara berlebihan selama pengoperasian. Jika tidak, benda yang dapat dipompa tersebut dapat meledak, mungkin menyebabkan kerusakan pada mesin dan cedera diri.

⚠PERHATIAN: Jangan pernah meninggalkan mesin tanpa pengawasan sementara nosel terpasang pada benda yang dapat dipompa atau selama pengoperasian.

⚠PERHATIAN: Ketahuilah bahwa aliran udara hangat dapat mengalir melalui lubang ventilasi udara di leher nosel katup jepit karena sirkulasi udara.

CATATAN: Pastikan untuk memasukkan nosel katup jepit sepenuhnya melalui saluran masuk udara sehingga kepala nosel berfungsi untuk membuka katup penutup di dalam saluran masuk udara.

CATATAN: Untuk barang yang dapat dipompa dengan bukaan saluran masuk udara kecil, masukkan ujung sempit nosel katup jepit ke saluran masuk udara hingga leher kepala nosel menyentuh tepi saluran masuk udara.

CATATAN: Untuk barang yang dapat dipompa dengan bukaan saluran masuk udara besar, masukkan kepala nosel katup jepit sepenuhnya ke saluran masuk udara untuk membuka katup penutup di dalam saluran masuk udara.

- **Gbr.33:** 1. Katup penutup 2. Bukaan saluran masuk udara kecil 3. Bukaan saluran masuk udara besar 4. Leher botol 5. Lubang ventilasi udara

CATATAN: Jika saluran masuk udara pada benda yang dapat dipompa relatif lebih kecil dari kepala nosel katup jepit, tekan dan perbesar saluran masuk udara dengan tangan lalu putar dan tahan kepala nosel ke saluran masuk udara.

Peniupan di lubang dan titik sempit

Pilihan aksesoris

Nosel yang direkomendasikan

- Set nosel panjang

Bersihkan debu dari lubang-lubang kecil dan titik-titik sempit. Panjang nosel dapat diatur sesuai dengan kebutuhan Anda.

Pasang nosel panjang R dan F secara bersamaan untuk memungkinkan jangkauan operasi yang lebih panjang, misalnya, membersihkan lubang jangkang atas kaki Anda.

► **Gbr.34**

Gunakan nosel panjang R hanya untuk melakukan jangkauan operasi yang lebih pendek, misalnya, membersihkan noda di dinding.

► **Gbr.35**

⚠PERHATIAN: Gunakan alat pelindung diri seperti masker debu dan pelindung mata.

Peniupan di ruang sempit

Pilihan aksesoris

Nosel yang direkomendasikan

- Nosel fleksibel 6

Tiup debu dari tempat yang sulit dijangkau. Sangat efektif untuk membersihkan mesin, penghilangan debu di dalam mobil, peniupan debu casing komputer.

Arahkan nosel pada sudut dalam jarak sentuhan, dan tiup maju mundur untuk membersihkan debu yang tertinggal. Ubah sudut nosel saat Anda meniup untuk membantu meniup beberapa serpihan dan debu yang lebih keras.

► **Gbr.36**

PERHATIAN: Gunakan alat pelindung diri seperti masker debu dan pelindung mata.

PEMBERITAHUAN: Hindari menghalangi lubang ventilasi udara di sekitar ujung selang fleksibel. Jika tidak, dapat menyebabkan kebisingan dan getaran yang tiba-tiba dan mungkin dapat memengaruhi kinerja mesin.

► **Gbr.37:** 1. Lubang ventilasi udara

Mengempiskan plastik yang dapat dipompa

Pilihan aksesoris

PEMBERITAHUAN: Aliran udara buang mengalir melalui outlet blower pada mesin. Jangan mengalirkan udara buangan ke dinding, langit-langit, atau ruang tersembunyi pada bangunan.

PEMBERITAHUAN: Hindari mengempiskan barang-barang yang bisa dipompa dalam kondisi basah dan berdebu karena air, debu, dan zat eksternal serupa pada permukaan dapat mencapai motor yang menyebabkan kerusakan pada mesin. Keringkan dan bersihkan barang yang bisa dipompa secara menyeluruh sebelum melakukan operasi pengempisan.

PEMBERITAHUAN: Jangan pernah meninggalkan mesin tanpa pengawasan saat mengempiskan barang yang bisa dipompa. Menjalankan motor terus menerus setelah pengempisan selesai dapat menyebabkan panas berlebih.

Nosel dan perangkat tambahan yang direkomendasikan

- Selang ventilasi udara lengkap
- Nosel katup jepit
- Perangkat tambahan karet 20 - 30
- Perangkat tambahan karet 65

Kempiskan barang yang bisa dipompa dengan nosel yang tepat sesuai dengan preferensi dan penerapan Anda.

1. Tempatkan nosel atau perangkat tambahan karet ke selang ventilasi udara lengkap.
2. Ganti tutup debu pada saluran hisap mesin dengan selang ventilasi udara lengkap.
3. Masukkan nosel ke dalam katup udara atau letakkan perangkat tambahan di atas katup udara pada benda-benda yang dapat dipompa, dan tarik pelatuk sakelar untuk mulai mengempiskan.
4. Lepaskan pelatuk sakelar secara perlahan untuk mengurangi volume isap saat benda yang dapat dipompa mendekati kempis sepenuhnya.
5. Lepaskan nosel atau perangkat tambahan dari katup udara setelah menghentikan aliran udara dan kemudian tutup katup udara.

Dengan nosel katup jepit

► **Gbr.38**

Dengan perangkat tambahan karet 20 - 30

► **Gbr.39**

Dengan perangkat tambahan karet 65

► **Gbr.40**

PERAWATAN

PERHATIAN: Selalu pastikan bahwa mesin dimatikan dan kartrid baterai dilepas sebelum melakukan pemeriksaan atau perawatan.

Untuk menjaga KEAMANAN dan KEANDALAN mesin, perbaikan, perawatan atau penyetulan lainnya harus dilakukan oleh Pusat Layanan Resmi atau Pabrik Makita; selalu gunakan suku cadang pengganti buatan Makita.

PEMBERITAHUAN: Jangan sekali-kali menggunakan bensin, tiner, alkohol, atau bahan sejenisnya. Penggunaan bahan demikian dapat menyebabkan perubahan warna, perubahan bentuk atau timbulnya retakan.

Pembersihan

Membersihkan badan

Bersihkan badan mesin dengan kain kering atau kain yang dibasahi air sabun secara berkala.

Membersihkan nosel

Bersihkan sumbatan atau debu yang menghalangi bukaan nosel sebelum dan sesudah setiap penggunaan.

Melepas dan memasang penyaring

PERHATIAN: Setelah membersihkan penyaring, pastikan untuk memasangnya kembali pada posisi yang benar.

Bersihkan saringan secara berkala karena menggunakan saringan yang tersumbat dapat menyebabkan kinerja pengisapan yang buruk.

1. Putar tutup debu pada tempat masuk pengisap di bagian belakang rumahan berlawanan arah jarum jam untuk mengeluarkan tutup debu dari rumahan. Dua tab pengunci pada tutup debu dapat dilepas dengan menyajarkannya dengan alur pemandu pada rumahan.

► **Gbr.41:** 1. Tutup debu 2. Tab pengunci 3. Tempat masuk pengisap 4. Alur pemandu

2. Keluarkan penyaring spons bundar B (abu-abu hitam) dari tempat masuk pengisap.

► **Gbr.42:** 1. Penyaring spons bundar B (abu-abu hitam)

Jangan melepas penyaring spons A (kuning) yang ditempatkan lebih jauh di dalam tempat masuk pengisap karena perlu diposisikan untuk melindungi motor dari kerusakan.

► **Gbr.43:** 1. Penyaring spons A (kuning)

3. Lap dan kibaskan debu dari penyaring spons bundar B dengan tangan. Sesekali cuci saringan di dalam air, bilas dan keringkan secara menyeluruh di tempat teduh sebelum digunakan.

► **Gbr.44**

► **Gbr.45**

PEMBERITAHUAN: Setelah dicuci dengan air, keringkan penyaring spons bundar B sebelum dipasang. Saringan yang tidak cukup kering dapat mengurangi masa pakai motor.

PEMBERITAHUAN: Dilarang mencuci saringan dengan mesin cuci.

PEMBERITAHUAN: Jangan menggosok atau menggores saringan dengan benda keras seperti sikat dan pengeruk.

CATATAN: Saringan akan aus seiring waktu. Disarankan untuk memiliki cadangannya.

4. Pasang kembali saringan spons bundar B di tempat masuk pengisap. Pastikan ujung bagian dalam bukaan pengisap menahan penyaring spons bundar B, dan tidak ada celah antara saringan spons dan bukaan pengisap.

► **Gbr.46:** 1. Penyaring spons bundar B 2. Ujung bagian dalam

5. Pasang kembali tutup debu pada tempat masuk pengisap, sejajarkan kedua tab pengunci pada tutup debu dengan alur pemandu pada rumahannya. Lalu putar tutup debu searah jarum jam agar terpasang kuat di tempatnya.

► **Gbr.47:** 1. Tutup debu 2. Tab pengunci 3. Tempat masuk pengisap 4. Alur pemandu

PEMECAHAN MASALAH

Sebelum meminta perbaikan, lakukan pemeriksaan mandiri terlebih dahulu. Jika Anda menemukan masalah yang tidak dijelaskan dalam buku petunjuk ini, jangan coba membongkar mesin. Hubungi Pusat Servis Resmi Makita, dan selalu gunakan suku cadang pengganti Makita untuk perbaikan.

Kondisi Tidak Normal	Kemungkinan penyebab (kerusakan fungsi)	Perbaikan
Motor tidak berjalan.	Sistem penggerak tidak bekerja secara benar.	Mintalah pusat servis resmi setempat untuk melakukan perbaikan.
Motor berhenti setelah digunakan sebentar.	Panas berlebih.	Hentikan penggunaan mesin untuk mendinginkannya.
Mesin tidak mencapai volume udara maksimum.	Sistem penggerak tidak bekerja secara benar.	Mintalah pusat servis resmi setempat untuk melakukan perbaikan.
Getaran tidak normal: ⇒ segera hentikan mesin!	Sistem penggerak tidak bekerja secara benar.	Mintalah pusat servis resmi setempat untuk melakukan perbaikan.
Motor tidak dapat berhenti: ⇒ Segera lepaskan baterai!	Gangguan listrik atau elektronik.	Lepas baterai dan mintalah pusat servis resmi setempat untuk melakukan perbaikan.

AKSESORI PILIHAN

⚠PERHATIAN: Dianjurkan untuk menggunakan aksesoris atau perangkat tambahan ini dengan produk Makita Anda yang ditentukan dalam petunjuk ini. Penggunaan aksesoris atau perangkat tambahan lain bisa menyebabkan risiko cedera pada manusia. Hanya gunakan aksesoris atau perangkat tambahan yang sesuai dengan tujuan yang telah ditetapkan.

- Perangkat tambahan karet 20 - 30
- Perangkat tambahan karet 65
- Saringan C
- Kait
- Baterai dan pengisi daya asli buatan Makita

CATATAN: Beberapa item dalam daftar tersebut mungkin sudah termasuk dalam paket produk sebagai aksesoris standar. Kelengkapan item dapat berbeda dari satu negara ke negara lainnya.

Jika Anda memerlukan bantuan lebih rinci berkenaan dengan aksesoris ini, tanyakan pada Pusat Layanan Makita terdekat.

- Nosel 3
- Nosel 7
- Nosel 13
- Nosel jangkauan lebar
- Nosel katup jepit
- Nosel fleksibel 6
- Set nosel panjang
- Selang ventilasi udara lengkap

SPESIFIKASI

Model:		DAS180
Kelajuan udara (purata) ^{*2*3}		163 m/s
Kelajuan udara (maksimum) ^{*2*3}		200 m/s
Isi padu udara maksimum ^{*1*2}		1.1 m ³ /min
Daya hembusan maksimum ^{*1*2}	4: Maks	2.8 N (0.29 kgf)
	3: Tinggi	2.3 N (0.23 kgf)
	2: Sederhana	1.7 N (0.17 kgf)
	1: Rendah	1.1 N (0.11 kgf)
Penggunaan berterusan ^{*1*2}	4: Maks	15 min
	3: Tinggi	20 min
	2: Sederhana	30 min
	1: Rendah	55 min
Tekanan udara maksimum ^{*2*3}		29.7 kPa
Dimensi (P x L x T) ^{*1*2}		179 mm x 92 mm x 297 mm
Voltan terkadar		D.C. 18 V
Berat bersih		1.2 - 1.7 kg

*1 Tanpa muncung

*2 Dengan bateri model BL1860B

*3 Dengan muncung 7

- Disebabkan program penyelidikan dan pembangunan kami yang berterusan, spesifikasi yang terkandung di dalam ini adalah tertakluk kepada perubahan tanpa notis.
- Spesifikasi mungkin berbeza mengikut negara.
- Berat mungkin berbeza bergantung kepada pemasangan, termasuk kartrij bateri. Kombinasi paling ringan dan paling berat, mengikut Prosedur EPTA 01/2014, ditunjukkan di dalam jadual.

Kartrij bateri dan pengecas yang boleh digunakan

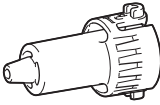
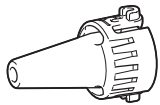
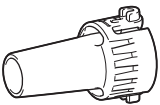
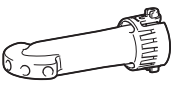
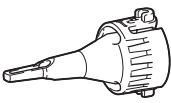
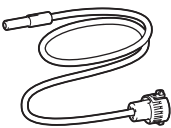
Kartrij bateri	BL1815N / BL1820B / BL1830B / BL1840B / BL1850B / BL1860B
Pengecas	DC18RC / DC18RD / DC18RE / DC18SD / DC18SE / DC18SF / DC18SH / DC18WC

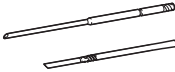
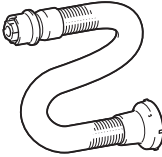

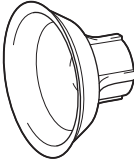
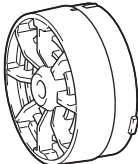
- Sesetengah kartrij bateri dan pengecas yang disenaraikan di atas mungkin tidak tersedia bergantung pada kawasan kediaman anda.

⚠AMARAN: Hanya menggunakan kartrij bateri dan pengecas yang disenaraikan di atas. Penggunaan mana-mana kartrij bateri dan pengecas lain boleh menyebabkan kecederaan dan/atau kebakaran.

Muncung dan alat tambahan yang boleh digunakan

Aksesori pilihan

Muncung dan alat tambahan	Penggunaan dan tujuan	Diameter
<p>Muncung 3</p> 	<p>Menghembus udara kepada ruang terkurung, sudut dan ruang berdekatan dinding untuk membuang habuk.</p>	<p>ø3.0 mm</p>
<p>Muncung 7</p> 	<p>Membuang habuk pada penapis.</p>	<p>ø7.0 mm</p>
<p>Muncung 13</p> 	<p>Menggunakan sebagai penghembus Membersihkan permukaan kerja dan menghembus habuk secara umum. Pembersihan lubang sauh dengan muncung panjang pilihan. Berfungsi sebagai sambungan antara muncung panjang dan salur keluar penghembus alat.</p> <p>Menggunakan sebagai alat pengembung udara Menggembungkan kolam boleh kembung atau tilam udara yang besar.</p> <p>Menggunakan sebagai alat pengempis udara Mengempiskan kolam boleh kembung atau tilam udara yang besar. Berfungsi sebagai sambungan antara hos bolong udara lengkap dan alat tambahan getah.</p>	<p>ø13 mm</p>
<p>Muncung julat luas</p> 	<p>Menghembus udara ke atas kotoran dan cecair pada desktop dan kawasan terbuka luas. Julat hembusan: 120° dengan 5 lubang</p>	<p>ø6.0 mm * Sebagai diameter lubang tunggal</p>
<p>Muncung injap jepit</p> 	<p>Menggembungkan/mengempiskan mainan pantai, bantal dan plastik boleh kembung yang serupa. * Operasi pengempisan boleh dilakukan dengan hos bolong udara lengkap pilihan.</p>	<p>ø7.0 mm</p>
<p>Muncung fleksibel 6</p> 	<p>Menghembus keluar habuk daripada mana-mana tempat sukar dicapai, PC dan peranti yang serupa.</p>	<p>ø6.0 mm x 800 mm</p>

Muncung dan alat tambahan	Penggunaan dan tujuan	Diameter
<p data-bbox="81 81 241 100">Set muncung panjang</p> 	<p data-bbox="320 81 843 177">Set muncung sesuai untuk menghembus keluar habuk daripada lubang sauh dan tempat yang sempit. Panjang muncung boleh diubah dengan menyambungkan dan menanggalkan dua kepala muncung. * Panjang muncung boleh dipasang menggunakan muncung 13 sebagai sambungan.</p>	<p data-bbox="854 81 922 100">ø8.0 mm</p>
<p data-bbox="81 308 272 327">Hos bolong udara lengkap</p> 	<p data-bbox="320 308 807 347">Mengempiskan item boleh kembang dengan muncung yang sesuai dalam operasi.</p>	<p data-bbox="854 308 865 327">-</p>
<p data-bbox="81 531 286 550">Alat tambahan getah 20 - 30</p> 	<p data-bbox="320 531 818 608">Kepala muncung sesuai untuk mengempiskan tilam udara, rakit, bot dan kolam. * Alat tambahan ini perlu dipasang dengan hos bolong udara lengkap dan muncung 13 bersama-sama.</p>	<p data-bbox="854 531 978 587">ø20 - 30 mm * Diukur sebagai diameter luar.</p>
<p data-bbox="81 754 255 774">Alat tambahan getah 65</p> 	<p data-bbox="320 754 818 831">Alat tambahan sesuai untuk membungkus pakaian anda dengan memampat keluar udara daripadanya. * Alat tambahan ini perlu dipasang dengan hos bolong udara lengkap dan muncung 13 bersama-sama.</p>	<p data-bbox="854 754 916 774">ø65 mm</p>
<p data-bbox="81 978 157 997">Penapis C</p> 	<p data-bbox="320 978 826 1018">Alat tambahan direka bentuk untuk mengurangkan masukan habuk ke dalam motor di bawah keadaan kerja berhabuk.</p>	<p data-bbox="854 978 865 997">-</p>

Simbol

Berikut menunjukkan simbol-simbol yang boleh digunakan untuk alat ini. Pastikan anda memahami maksudnya sebelum menggunakan.



Baca manual arahan.



Jauhkan tangan daripada bahagian berpusing.



Rambut yang panjang mungkin menyebabkan kemalangan kekusutan.



Pastikan orang sekeliling jauh.



Pakai perlindungan mata dan telinga.



Jangan dedahkan kepada kelembapan.



Ni-MH
Li-ion

Hanya untuk negara-negara EU
Disebabkan kehadiran komponen berbahaya dalam peralatan, sisa peralatan elektrik dan elektronik, akumulator dan bateri boleh memberi kesan negatif terhadap persekitaran dan kesihatan manusia.

Jangan buang alat elektrik dan elektronik atau bateri bersama dengan bahan buangan isi rumah!

Mengikut Arahan Eropah mengenai sisa peralatan elektrik dan elektronik dan mengenai akumulator dan bateri dan sisa akumulator dan bateri serta penyesuaian dengan undang-undang negara, sisa peralatan elektrik, bateri dan akumulator hendaklah disimpan secara berasingan dan dihantar ke tempat pengumpulan berasingan untuk sisa perbandaran, beroperasi mengikut peraturan perlindungan persekitaran.

Ini ditunjukkan oleh simbol tong sampah beroda yang bersilang pada peralatan.

Tujuan penggunaan

Alat bertujuan untuk menghembus habuk, menggembungkan dan mengempiskan item boleh kembung, dengan muncung boleh tukar mengikut pilihan anda. Sesuai untuk kegunaan komersial dan juga rumah, cth. membersihkan ruang kerja, membuang habuk pada penapis dan menggembungkan mainan pantai.

AMARAN KESELAMATAN

Amaran keselamatan umum alat kuasa

AMARAN Baca semua amaran keselamatan, arahan, ilustrasi dan spesifikasi yang disediakan dengan alat kuasa ini. Kegagalan untuk mematuhi semua arahan yang disenaraikan di bawah boleh menyebabkan kejutan elektrik, kebakaran dan/atau kecederaan serius.

Simpan semua amaran dan arahan untuk rujukan masa depan.

Istilah "alat kuasa" dalam amaran merujuk kepada alat kuasa yang menggunakan tenaga elektrik (kabel) atau alat kuasa yang menggunakan bateri (tanpa kord).

Keselamatan kawasan kerja

1. **Pastikan kawasan kerja bersih dan terang.** Kawasan berselerak atau gelap mengundang kemalangan.
2. **Jangan kendalikan alat kuasa dalam keadaan yang mudah meletup, seperti dalam kehadiran cecair, gas atau habuk yang mudah terbakar.** Alat kuasa menghasilkan percikan api yang boleh menyalakan debu atau wasap.
3. **Jauhkan kanak-kanak dan orang ramai semasa mengendalikan alat kuasa.** Gangguan boleh menyebabkan anda hilang kawalan.

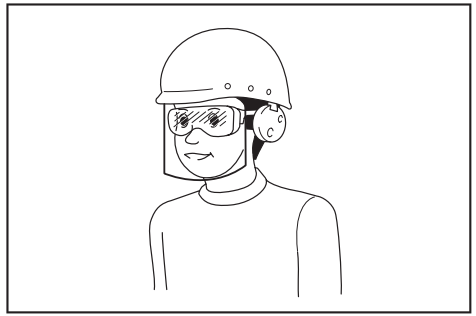
Keselamatan elektrik

1. **Palam alat kuasa mesti sepadan dengan soket. Jangan ubah suai palam dalam apa cara sekalipun. Jangan gunakan sebarang palam penyesuai dengan alat kuasa terbumi.** Palam yang tidak diubah suai dan soket yang sepadan akan mengurangkan risiko kejutan elektrik.
2. **Elakkan sentuhan badan dengan permukaan terbumi, seperti paip, radiator, dapur dan peti sejuk.** Terdapat peningkatan risiko kejutan elektrik jika elektrik terbumi terkena badan anda.
3. **Jangan biarkan alat kuasa terkena hujan atau basah.** Air yang memasuki alat kuasa akan meningkatkan risiko kejutan elektrik.
4. **Jangan salah gunakan kord. Jangan gunakan kord untuk membawa, menarik atau mencabut palam alat kuasa. Jauhkan kord dari haba, minyak, bucu tajam atau bahagian yang bergerak.** Kord yang rosak atau tersimpul meningkatkan risiko kejutan elektrik.
5. **Semasa mengendalikan alat kuasa di luar, gunakan kord sambungan yang bersesuaian untuk kegunaan luar.** Penggunaan kord yang sesuai untuk kegunaan luar mengurangkan risiko kejutan elektrik.
6. **Sekiranya pengendalian alat kuasa di lokasi lembap tidak dapat dielakkan, gunakan bekalan peranti arus sisa (RCD) yang dilindungi.** Penggunaan RCD mengurangkan risiko kejutan elektrik.

7. **Alat kuasa boleh menghasilkan medan elektromagnetik (EMF) yang tidak berbahaya kepada pengguna.** Walau bagaimanapun, pengguna perentak jantung atau peranti perubahan yang serupa harus menghubungi pembuat peranti mereka dan/atau doktor untuk nasihat sebelum mengendalikan alat kuasa ini.

Keselamatan diri

1. **Sentiasa berwaspada, perhatikan apa yang anda lakukan dan guna akal budi semasa mengendalikan alat kuasa. Jangan gunakan alat kuasa semasa anda letih atau di bawah pengaruh dadah, alkohol atau ubat.** Kelelahan seketika semasa mengendalikan alat kuasa boleh menyebabkan kecederaan diri yang serius.
2. **Gunakan peralatan pelindung diri. Sentiasa pakai pelindung mata.** Peralatan pelindung seperti topeng debu, kasut keselamatan tak mudah tergelincir, topi keselamatan atau pelindung pendengaran yang digunakan untuk keadaan yang sesuai akan mengurangkan kecederaan diri.
3. **Elakkan permulaan yang tidak disengajakan. Pastikan suis ditutup sebelum menyambung kepada sumber kuasa dan/atau pek bateri, semasa mengangkat atau membawa alat.** Membawa alat kuasa dengan jari anda pada suis atau menahan alat kuasa dengan suis pada kedudukan hidup mengundang kemalangan.
4. **Alihkan sebarang kunci atau sepana pelaras sebelum menghidupkan alat kuasa.** Sepana atau kunci yang ditinggalkan pada bahagian berputar alat kuasa boleh menyebabkan kecederaan diri.
5. **Jangan lampau jangkau. Jaga pijakan dan keseimbangan yang betul pada setiap masa.** Ini membolehkan kawalan alat kuasa yang lebih baik dalam situasi yang tidak dijangka.
6. **Berpakaian dengan betul. Jangan pakai pakaian yang longgar atau barang kemas. Jauhkan rambut dan pakaian anda dari bahagian yang bergerak.** Pakaian longgar, barang kemas atau rambut yang panjang boleh terperangkap dalam bahagian yang bergerak.
7. **Jika peranti disediakan untuk sambungan kemudahan pengestrakan dan pengumpulan habuk, pastikan ia disambung dan digunakan dengan betul.** Penggunaan pengumpulan habuk boleh mengurangkan bahaya berkaitan habuk.
8. **Jangan biarkan kebiasaan daripada kekerapan penggunaan alat membuatkan anda berpuas hati dan mengabaikan prinsip keselamatan alat.** Kecuaian boleh menyebabkan kecederaan serius dalam sekelip mata.
9. **Sentiasa pakai gogal pelindung untuk melindungi mata anda daripada kecederaan apabila menggunakan alat kuasa. Gogal mestilah mematuhi ANSI Z87.1 di AS, EN 166 di Eropah, atau AS/NZS 1336 di Australia/ New Zealand. Di Australia/New Zealand, undang-undang mengarahkan untuk memakai pelindung muka bagi melindungi muka anda, juga.**



Menjadi tanggungjawab majikan untuk menguatkuasa penggunaan peralatan perlindungan keselamatan yang bersesuaian oleh pengendali alat dan oleh orang lain dalam kawasan bekerja semasa.

Penggunaan dan penjagaan alat kuasa

1. **Jangan gunakan alat kuasa dengan kasar. Gunakan alat kuasa yang betul untuk penggunaan anda.** Alat kuasa yang betul akan melakukan tugas dengan lebih baik dan lebih selamat pada kadar mana ia direka cipta.
2. **Jangan gunakan alat kuasa jika suis tidak berfungsi untuk menghidupkan dan mematikannya.** Alat kuasa yang tidak dapat dikawal dengan suis adalah berbahaya dan mesti dibaiki.
3. **Cabut palam dari sumber kuasa dan/atau keluarkan pek bateri, jika boleh ditanggalkan, dari alat kuasa sebelum membuat sebarang pelarasan, menukar aksesori, atau menyimpan alat kuasa.** Langkah-langkah keselamatan pencegahan sedemikian mengurangkan risiko memulakan alat kuasa secara tidak sengaja.
4. **Simpan alat kuasa yang tidak digunakan jauh dari jangkauan kanak-kanak dan jangan biarkan orang yang tidak biasa dengan alat kuasa atau arahan ini untuk mengendalikan alat kuasa.** Alat kuasa adalah berbahaya di tangan pengguna yang tidak terlatih.
5. **Menyelenggara alat kuasa dan aksesori. Periksa salah jajaran atau ikatan pada bahagian yang bergerak, bahagian yang pecah dan apa-apa keadaan lain yang boleh menjejaskan operasi alat kuasa. Jika rosak,baiki alat kuasa sebelum digunakan.** Kebanyakan kemalangan adalah disebabkan oleh alat kuasa yang tidak dijaga dengan baik.
6. **Pastikan alat pemotong tajam dan bersih.** Alat pemotong yang dijaga dengan betul dengan hujung pemotong yang tajam mempunyai kemungkinan yang rendah untuk terikat dan lebih mudah dikendalikan.
7. **Gunakan alat kuasa, aksesori dan alat bit dan sebagainya mengikut arahan ini dengan mengambil kira keadaan kerja dan kerja yang perlu dilakukan.** Penggunaan alat kuasa untuk operasi yang berbeza dari yang dimaksudkan boleh menyebabkan keadaan berbahaya.

8. **Pastikan pemegang dan permukaan pegangan kering, bersih dan bebas dari minyak dan gris.** Pemegang dan permukaan pegangan yang licin tidak membolehkan pengendalian dan kawalan selamat bagi alat dalam situasi yang tidak dijangka.
9. **Apabila menggunakan alat, jangan pakai sarung tangan kerja kain yang mungkin boleh kusut.** Kekusutan sarung tangan kerja kain pada bahagian yang bergerak boleh menyebabkan kecederaan diri.

Penggunaan dan penjagaan alat bateri

1. **Cas semula dengan pengecas yang ditentukan oleh pengeluar sahaja.** Pengecas yang sesuai untuk satu jenis pek bateri mungkin menimbulkan risiko kebakaran apabila digunakan dengan pek bateri lain.
2. **Gunakan alat kuasa dengan pek bateri yang ditentukan secara khusus sahaja.** Penggunaan mana-mana pek bateri lain mungkin menimbulkan risiko kecederaan dan kebakaran.
3. **Apabila pek bateri tidak digunakan, jauhkan daripada objek besi lain, seperti klip kertas, duit syiling, paku, skru atau objek besi kecil lain, yang boleh membuat sambungan dari satu terminal ke yang lain.** Memintas terminal bateri bersama-sama mungkin menyebabkan letupan atau kebakaran.
4. **Di bawah keadaan kasar, cecair mungkin dikeluarkan daripada bateri; elakkan sentuhan. Jika tersentuh secara tidak sengaja, siram dengan air. Jika cecair terkena mata, dapatkan bantuan perubatan di samping siraman air.** Cecair yang dikeluarkan dari bateri mungkin menyebabkan kegatalan atau letupan.
5. **Jangan gunakan pek bateri atau alat yang rosak atau diubah suai.** Bateri yang rosak atau diubah suai mungkin menunjukkan perilaku yang tidak dijangka menyebabkan kebakaran, letupan atau risiko kecederaan.
6. **Jangan dedahkan pek bateri atau alat kepada api atau suhu yang berlebihan.** Pendedahan kepada api atau suhu melebihi 130 °C mungkin menyebabkan letupan.
7. **Ikut semua arahan pengecasan dan jangan cas pek bateri atau alat di luar julat suhu yang ditetapkan dalam arahan.** Mengcas dengan tidak betul atau pada suhu di luar julat yang dinyatakan mungkin merosakkan bateri dan meningkatkan risiko kebakaran.

Servis

1. **Pastikan alat kuasa anda diservis oleh orang yang berkelayakan dengan hanya menggunakan alat ganti yang sama.** Ini akan memastikan keselamatan alat kuasa dapat dikekalkan.
2. **Jangan servis pek bateri yang telah rosak.** Servis pek bateri hanya boleh dilakukan oleh pengeluar atau penyedia servis yang sah.
3. **Ikut arahan untuk melincir dan menukar aksesori.**

Arahan Keselamatan Penghembus Habuk Tanpa Kord

Latihan

1. **Baca manual arahan dengan teliti.** Biasakan dengan kawalan dan penggunaan penghembus habuk yang betul.
2. **Jangan sekali-kali benarkan kanak-kanak, orang kurang keupayaan fizikal, deria atau mental atau kurang pengalaman dan pengetahuan atau orang yang tidak biasa dengan arahan ini untuk menggunakan penghembus habuk tersebut.** Peraturan keselamatan setempat boleh mengehendkan umur pengendali.
3. **Jangan sekali-kali kendalikan penghembus habuk ketika orang, terutamanya kanak-kanak atau haiwan peliharaan berdekatan.**
4. **Ingat bahawa pengendali atau pengguna bertanggungjawab ke atas sebarang kemalangan atau bahaya yang berlaku kepada orang lain atau harta benda mereka.**

Persediaan

1. **Jangan pakai pakaian yang longgar atau barang kemas yang boleh ditarik ke dalam salur masuk udara.** Jauhkan rambut yang panjang dari salur masuk udara.
2. **Untuk mencegah kerengsaan habuk, pemakaian topeng muka adalah disyorkan.**
3. **Gunakan peralatan pelindung diri. Sentiasa pakai pelindung mata.** Peralatan pelindung seperti topeng debu, kasut keselamatan tak mudah tergelincir, topi keselamatan atau pelindung pendengaran yang digunakan untuk keadaan yang sesuai akan mengurangkan kecederaan diri.

Operasi secara umum

1. **Matikan penghembus habuk dan tanggalkan kartrij bateri dan pastikan semua bahagian yang bergerak telah berhenti sepenuhnya**
 - pada bila-bila masa anda meninggalkan penghembus habuk.
 - pada bila-bila masa anda menukar daripada operasi pengembangan kepada pengempisan dan sebaliknya.
 - sebelum memeriksa, membersihkan atau bekerja dengan penghembus habuk.
 - jika penghembus habuk mula bergetar secara tidak normal.
2. **Kendalikan penghembus habuk hanya pada siang hari atau dalam cahaya buatan yang baik.**
3. **Jangan terlebih jangkau dan kekalkan tapak dan keseimbangan yang betul sepanjang masa.**
4. **Pastikan semua salur masuk udara bebas daripada puing.**
5. **Kendalikan penghembus habuk dalam kedudukan yang disyorkan dan pada permukaan yang kukuh.**
6. **Jangan gunakan alat dengan tangan basah.**

7. **Jangan halakan alur keluar hos kepada diri sendiri atau orang lain.** Objek boleh terbang jauh dan menyebabkan kecederaan.
 8. **Jangan gunakan alat untuk menyemburkan bahan kimia.** Paru-paru anda boleh rosak dengan menghidu wasap toksik.
 9. **Jangan kendalikan penghembus habuk di tempat tinggi.**
 10. **Jangan sekali-kali menyekat salur masuk sedutan dan/atau salur keluar penghembus.**
 - **Berhati-hati supaya tidak menyekat salur masuk sedutan atau salur keluar penghembus dengan habuk atau kotoran semasa beroperasi di kawasan yang berdebu.**
 - **Jangan gunakan muncung selain daripada muncung yang disediakan oleh Makita.**
 11. **Jika penghembus habuk terkena mana-mana objek asing atau mula mengeluarkan bunyi atau getaran yang luar biasa, segera matikan penghembus habuk untuk menghentikannya.** Tanggalkan kartrij bateri dari penghembus habuk dan periksa penghembus untuk kerosakan sebelum memulakan semula dan mengendalikannya dengan habuk. Jika penghembus habuk rosak, tanya Pusat Servis Makita yang Diiktiraf untuk pembaikan.
 12. **Jangan masukkan jari atau benda lain ke dalam salur masuk sedutan atau salur keluar penghembus.**
 13. **Elakkan permulaan yang tidak disengajakan.** Pastikan suis pada kedudukan tertutup sebelum memasukkan kartrij bateri, mengangkat atau membawa penghembus habuk. **Membawa penghembus habuk dengan jari anda pada suis atau mentenagakan penghembus habuk dengan suis pada kedudukan hidup mengundang kemalangan.**
 14. **Elakkan pengendalian penghembus habuk untuk masa yang lama dalam persekitaran suhu rendah.**
 15. **Jangan gunakan alat di luar tekanan luaran maksimum alat tersebut.** Menggunakan alat pada tekanan luaran yang lebih besar daripada tekanan luaran maksimum alat boleh memecahkan objek atau alat.
2. **Lepaskan tekanan udara perlahan-lahan. Apabila menanggalkan muncung atau alat tambahan selepas mengembungkan objek, pegang objek, muncung dan alat tambahan dengan kukuh.** Objek, muncung dan alat tambahan mungkin melantun disebabkan udara ekzos dan menyebabkan kecederaan.
 3. **Jangan mengepam objek di luar tekanan maksimum objek.** Jika tidak, alat atau objek mungkin rosak dan anda mungkin cedera.
 4. **Mengepam objek bertujuan untuk dilambungkan oleh pengeluar sahaja, seperti tayar, bola sukan, atau tiub terapung kecil.** Mengepam objek lain boleh merosakkannya dan menyebabkan kecederaan.
 5. **Apabila mengembungkan objek, semak status alat dan objek, dan pastikan tiada kebocoran udara daripada objek.**
 6. **Sentiasa berhati-hati agar tidak mengembungkan objek secara berlebihan semasa operasi.** Jika tidak, ia mungkin meletupkan objek, kemungkinan menyebabkan kerosakan kepada alat dan kecederaan diri.
 7. **Selepas mengepam objek, periksa tekanan udara menggunakan alat pengukur yang boleh harap dan ditentukur.**
 8. **Jangan biarkan alat tidak dijaga apabila hos dipasang pada objek atau semasa operasi.**
 9. **Jangan gunakan alat di pembersih vakum.** Melakukan pengumpulan habuk boleh merosakkan alat.
 10. **Jangan gunakan alat ini sebagai alat pernafasan.**
 11. **Gunakan hanya aksesori standard yang disediakan oleh Makita.** Penggunaan mana-mana aksesori atau alat tambahan lain mungkin mengakibatkan risiko kecederaan kepada orang.

Penyelenggaraan dan penyimpanan

1. **Pastikan semua nat, bolt dan skru ketat untuk memastikan penghembus habuk dalam keadaan kerja yang selamat.**
 2. **Jika bahagian haus atau rosak, gantikannya dengan alat ganti yang disediakan oleh Makita.**
 3. **Simpan penghembus habuk di tempat yang selamat yang jauh daripada jangkauan kanak-kanak.**
 4. **Apabila anda menghentikan penghembus habuk untuk pemeriksaan, servis, penyimpanan, atau menukar aksesori, matikan penghembus habuk dan pastikan semua bahagian yang bergerak berhenti sepenuhnya, dan tanggalkan kartrij bateri.** Sejukkan penghembus habuk sebelum membuat apa-apa kerja pada penghembus habuk. **Selenggara penghembus habuk dengan berhati-hati dan pastikan ia bersih.**
 5. **Apabila membawa alat itu, tahan pemegang alat itu.** Jangan tahan atau tarik hos. Alat ini boleh rosak dan menyebabkan kecederaan.
 6. **Sentiasa menyejukkan penghembus habuk sebelum menyimpan.**
 7. **Jangan dedahkan penghembus habuk kepada hujan.** Simpan penghembus habuk di dalam bangunan.
- Operasi hembusan**
1. **Jangan sekali-kali menghembus puing ke arah orang sekeliling.**
 2. **Jangan sekali-kali menghalakan muncung pada sesiapa sahaja di sekitar ketika menggunakan penghembus habuk.**
 3. **Jangan sekali-kali menghembus bahan berbahaya, seperti paku, serpihan kaca, atau bilah.**
 4. **Jangan kendalikan penghembus habuk berhampiran bahan mudah terbakar.**
- Operasi Pengembangan/Pengempisan**
1. **Apabila mengembungkan objek, sambungkan muncung atau alat tambahan kepada salur masuk udara dengan kukuh.** Jika tidak, objek, muncung atau alat tambahan mungkin rosak dan anda mungkin tercedera.

8. Jangan buka alat tersebut.

Servis

1. Pastikan alat kuasa anda diservis oleh orang yang berkelayakan dengan hanya menggunakan alat ganti yang sama. Ini akan memastikan keselamatan alat kuasa dapat dikekalkan.
2. Jangan sekali-kali melakukan servis pada pek bateri yang telah rosak. Servis pek bateri hanya boleh dilakukan oleh pengeluar atau penyedia servis yang sah.

SIMPAN ARAHAN INI.

⚠️AMARAN: JANGAN biarkan keselesaan atau kebiasaan dengan produk (daripada penggunaan berulang) menggantikan pematuhan ketat terhadap peraturan keselamatan untuk produk yang ditetapkan.

SALAH GUNA atau kegagalan mematuhi peraturan-peraturan keselamatan yang dinyatakan dalam manual arahan ini boleh menyebabkan kecederaan diri yang serius.

Arahan keselamatan penting untuk kartrij bateri

1. Sebelum menggunakan kartrij bateri, baca semua arahan dan tanda amaran pada (1) pengecas bateri, (2) bateri, dan (3) produk menggunakan bateri.
2. Jangan buka atau cabut kartrij bateri. Ia boleh mengakibatkan kebakaran, haba berlebihan, atau letupan.
3. Jika masa operasi menjadi sangat pendek, berhenti operasi serta merta. Ia mungkin menyebabkan risiko pemanasan lampau, melecur bahkan letupan.
4. Jika elektrolit masuk ke dalam mata anda, bilas mata dengan air jernih dan dapatkan rawatan perubatan serta merta. Ia mungkin menyebabkan kehilangan penglihatan.
5. Jangan pintaskan kartrij bateri:
 - (1) Jangan sentuh terminal dengan bahan berkonduksi.
 - (2) Elakkan menyimpan kartrij bateri dalam bekas bersama-sama objek besi lain seperti paku, duit syiling, dll.
 - (3) Jangan dedahkan kartrij bateri kepada air atau hujan.Pintasan bateri boleh menyebabkan aliran kuasa yang besar, pemanasan lampau, melecur dan juga kerosakan.
6. Jangan simpan dan gunakan alat dan kartrij bateri di lokasi yang suhunya mungkin mencapai atau melebihi 50 °C (122 °F).
7. Jangan bakar kartrij bateri walaupun jika ia rosak teruk atau haus sepenuhnya. Kartrij bateri boleh meletup dalam kebakaran.
8. Jangan paku, potong, pecahkan, buang, jatuhkan kartrij bateri, atau tekan objek keras pada kartrij bateri. Perbuatan sedemikian boleh mengakibatkan kebakaran, haba berlebihan, atau letupan.

9. Jangan gunakan bateri yang rosak.

10. **Bateri litium ion yang terkandung adalah tertakluk kepada keperluan Perundangan Barangan Berbahaya.**

Bagi pengangkutan komersil cth. oleh pihak ketiga, ejen penghantar, keperluan khas pada pembungkusan dan pelabelan mestilah diperhatikan.

Bagi persediaan item yang dihantar, berunding dengan pakar bahan berbahaya adalah diperlukan. Sila juga perhatikan sebolehnya peraturan kebangsaan yang lebih terperinci. Lekatkan atau balut bahagian terbuka dan pek bateri supaya ia tidak bergerak dalam pembungkusan.

11. Apabila melupuskan kartrij bateri, keluarkan ia daripada alat dan lupuskan ia di tempat selamat. Ikut peraturan tempatan anda mengenai pelupusan bateri.
12. Gunakan bateri hanya dengan produk yang ditentukan oleh Makita. Memasang bateri kepada produk yang tidak patuh mungkin menyebabkan kebakaran, pemanasan lampau, atau kebocoran elektrolit.
13. Jika alat tidak digunakan untuk tempoh masa yang lama, bateri mesti dikeluarkan daripada alat.
14. Semasa dan selepas penggunaan, kartrij bateri mungkin ada haba yang boleh menyebabkan terbakar atau suhu rendah terbakar. Beri perhatian kepada pengendalian kartrij bateri yang panas.
15. Jangan sentuh terminal alat itu selepas digunakan kerana ia mungkin panas menyebabkan terbakar.
16. Jangan biarkan cip, habuk, atau tanah terperangkap ke dalam terminal, lubang, dan alur cahaya kartrij bateri. Ia mungkin menyebabkan pemanasan, terbakar, meletup dan pincang tugas alat atau kartrij bateri, seterusnya menyebabkan lecur atau kecederaan diri.
17. Melainkan alat ini menyokong penggunaan yang hampir dari talian kuasa elektrik voltan tinggi, jangan gunakan kartrij bateri berhampiran talian kuasa elektrik voltan tinggi. Ia mungkin menyebabkan kerosakan atau pecah pada alat atau kartrij bateri.
18. Jauhkan bateri daripada kanak-kanak.

SIMPAN ARAHAN INI.

⚠️PERHATIAN: Hanya gunakan bateri asli Makita. Penggunaan bateri tidak asli Makita, atau bateri yang telah diubah suai, mungkin menyebabkan bateri meletup menyebabkan kebakaran, kecederaan diri dan kerosakan. Ia juga membatalkan jaminan Makita untuk alat Makita dan pengecas.

Tip untuk mengekalkan hayat bateri maksimum

1. Cas kartrij bateri sebelum ternyahcas sepenuhnya. Sentiasa hentikan operasi alat dan cas kartrij bateri apabila anda menyedari kurang kuasa alat.

2. Jangan cas semula kartrij bateri yang dicas sepenuhnya. Terlebih cas memendekkan hayat servis bateri.
3. Cas kartrij bateri dengan suhu bilik pada 10 °C - 40 °C (50 °F - 104 °F). Biarkan kartrij bateri yang panas menyejuk sebelum mengemasnya.
4. Apabila tidak menggunakan kartrij bateri, tanggalkannya dari alat atau pengecas.
5. Cas kartrij bateri jika anda tidak menggunakannya untuk tempoh yang lama (lebih daripada enam bulan).

PEMASANGAN

⚠ PERHATIAN: Sentiasa pastikan yang alat dimatikan dan kartrij bateri dikeluarkan sebelum melakukan sebarang kerja pada alat.

Memasang muncung

Sejajarkan unjuran panduan pada muncung dengan takuk pengunci pada lengan kunci alat, kemudian tolak muncung dengan kukuh ke dalam lengan kunci sehingga ia terkunci di tempatnya dengan bunyi klik. Setelah muncung dipasang, cuba menariknya kembali untuk memastikannya dipasang dengan kukuh di tempatnya.

► **Rajah1:** 1. Unjuran panduan 2. Takuk pengunci 3. Lengan kunci

NOTIS: Pastikan muncung telah dipasangkan dengan betul pada alat supaya unjuran panduan pada muncung muat dengan kemas dalam takuk pengunci pada lengan kunci.

Menanggalkan muncung

Pegang hujung muncung dan putarkannya dalam arah yang ditunjukkan oleh anak panah pada hujung muncung untuk melepaskan kunci. Tarik muncung daripada lengan kunci selepas ia tidak berkunci.

► **Rajah2:** 1. Hujung muncung 2. Lengan kunci

NOTIS: Kotoran dan habuk yang terlekat pada permukaan mungkin akan menyukarkan penanggalkan muncung daripada alat. Sekiranya begitu, gelangsarkan dan tahan lengan kunci ke arah perumah motor dahulu, dan kemudian pusingkan hujung muncung untuk melepaskan kunci.

⚠ PERHATIAN: Berhati-hati agar tidak memicit tangan anda antara hujung belakang lengan kunci dan perumah motor ketika menanggalkan muncung. Lengan kunci menggelangsar ke belakang ke arah perumah motor apabila muncung dilepaskan daripada kunci.

► **Rajah3:** 1. Lengan kunci 2. Perumah motor

Menanggalkan dan memasang tukup habuk

1. Putarkan tukup habuk pada salur masuk sedutan di belakang perumah mengikut arah lawan jam untuk mengeluarkan tukup habuk daripada perumah. Dua tab kunci pada tukup habuk boleh dilepaskan dengan menjajarkannya dengan alur panduan pada perumah.

► **Rajah4:** 1. Tukup habuk 2. Tab kunci 3. Salur masuk sedutan 4. Alur panduan

2. Pasang semula tukup habuk pada salur masuk sedutan, menjajarkan dua tab kunci pada tukup habuk dengan alur panduan pada perumah. Kemudian, putar tukup habuk mengikut arah jam untuk mengukuhkan di tempatnya.

► **Rajah5:** 1. Tukup habuk 2. Tab kunci 3. Salur masuk sedutan 4. Alur panduan

Memasang atau menanggalkan muncung panjang

Aksesori pilihan

Set muncung panjang membantu membersihkan habuk keluar daripada lubang kecil dan tempat yang sempit. Panjang muncung boleh diaturkan mengikut keperluan anda.

► **Rajah6:** 1. Muncung 13 2. Muncung panjang R 3. Muncung panjang F

1. Sisipkan muncung panjang R melalui lubang udara muncung 13 dari belakang ke depan. Lalukan sehingga muncung 13 kukuh di tempatnya di hujung belakang muncung panjang R.

► **Rajah7:** 1. Muncung 13 2. Muncung panjang R

2. Letakkan muncung panjang F di atas hujung depan muncung panjang R. Skru menggunakan tangan muncung panjang F hingga diketatkan secara kukuh.

► **Rajah8:** 1. Muncung panjang F 2. Muncung panjang R

3. Sejajarkan unjuran panduan pada muncung 13 dengan takuk pengunci pada lengan kunci alat, kemudian tolak muncung 13 dengan kukuh ke dalam lengan kunci sehingga ia terkunci di tempatnya dengan bunyi klik.

► **Rajah9:** 1. Unjuran panduan 2. Takuk pengunci 3. Lengan kunci 4. Muncung 13 5. Muncung panjang R 6. Muncung panjang F

NOTA: Gunakan muncung panjang R hanya untuk mendapatkan julat pengendalian yang lebih pendek. Gunakan kedua-dua muncung panjang R dan F hanya untuk mendapatkan julat pengendalian yang lebih jauh.

4. Untuk menanggalkan muncung panjang, tanggalkan muncung 13 daripada lengan kunci alat dan kemudian nyahpasang muncung panjang.

Memasang dan menanggalkan muncung dan alat tambahan pengempisan

Aksesori pilihan

NOTIS: Sentiasa memastikan untuk memasang dan menyahpasang muncung dan alat tambahan hanya semasa hos bolong udara lengkap diputuskan sambungan daripada alat. Mengendalikan hos bolong udara lengkap yang dipasang kepada alat mungkin menyebabkan alat berdiri tidak stabil dan menyebabkan ia terjatuh.

1. Sejajarkan unjuran panduan pada muncung injap jepit dengan takuk pengunci pada lengan kunci hos bolong udara lengkap, kemudian tolak muncung injap jepit dengan kukuh ke dalam lengan kunci sehingga ia terkunci di tempatnya dengan bunyi klik.

► **Rajah10:** 1. Muncung injap jepit 2. Unjuran panduan 3. Takuk pengunci 4. Lengan kunci 5. Hos bolong udara lengkap

Alat tambahan getah pilihan

Alat tambahan getah pilihan perlu diletakkan pada muncung. Berhati-hati agar tidak memasang alat tambahan getak secara terus kepada hos bolong udara lengkap.

i Sejajarkan unjuran panduan pada muncung 13 dengan takuk pengunci pada lengan kunci hos bolong udara lengkap, kemudian tolak muncung dengan kukuh ke dalam lengan kunci sehingga ia terkunci di tempatnya dengan bunyi klik.

ii Letakkan alat tambahan getah pada kepala muncung dengan menolak dan menskrulkannya menggunakan tangan di tempatnya.

► **Rajah11:** 1. Alat tambahan getah 2. Muncung 13 3. Hos bolong udara lengkap

NOTIS: Pastikan muncung telah dipasangkan dengan betul pada hos bolong udara lengkap supaya unjuran panduan pada muncung muat dengan kemas dalam takuk pengunci pada lengan kunci.

2. Putarkan tukup habuk pada salur masuk sedutan di belakang perumah mengikut arah lawan jam untuk mengeluarkan tukup habuk daripada perumah. Dua tab kunci pada tukup habuk boleh dilepaskan dengan menjajarkannya dengan alur panduan pada perumah.

► **Rajah12:** 1. Tukup habuk 2. Tab kunci 3. Salur masuk sedutan 4. Alur panduan

3. Pasangkan hujung hos bolong udara lengkap kepada salur masuk sedutan, menjajarkan dua tab kunci pada hos bolong udara lengkap dengan alur panduan pada perumah. Kemudian pegang dan putarkan manset belakang hos bolong udara lengkap mengikut arah jam untuk mengukuhkan di tempatnya.

► **Rajah13:** 1. Hos bolong udara lengkap 2. Manset belakang 3. Salur masuk sedutan 4. Tab kunci 5. Alur panduan

4. Untuk menanggalkan muncung dan alat tambahan pengempisan, ikut langkah pemasangan secara terbalik.

NOTIS: Sentiasa memegang dan memutar manset belakang hos bolong udara lengkap untuk memasang dan menyahpasang hos bolong udara lengkap di tempatnya.

Memasang penapis pilihan

Aksesori pilihan

Penapis prestasi tinggi pilihan (Penapis C) tersedia untuk mengehadkan masukan habuk ke dalam motor di bawah keadaan kerja berhabuk.

1. Putarkan tukup habuk pada salur masuk sedutan di belakang perumah mengikut arah lawan jam untuk mengeluarkan tukup habuk daripada perumah. Dua tab kunci pada tukup habuk boleh dilepaskan dengan menjajarkannya dengan alur panduan pada perumah.

► **Rajah14:** 1. Tukup habuk 2. Tab kunci 3. Salur masuk sedutan 4. Alur panduan

2. Gantikan penapis prestasi tinggi pilihan pada salur masuk sedutan, menjajarkan dua tab kunci pada penapis pilihan dengan alur panduan pada perumah. Kemudian, putar penapis pilihan mengikut arah jam untuk mengukuhkan di tempatnya.

► **Rajah15:** 1. Penapis prestasi tinggi pilihan 2. Tab kunci 3. Salur masuk sedutan 4. Alur panduan

NOTIS: Penapis prestasi tinggi pilihan (Penapis C) boleh digunakan semula banyak kali dengan membersihkannya. Bersihkan habuk daripada penapis secara tetap kerana penapis yang tersumbat boleh menyekat aliran udara dan menyebabkan operasi yang kurang cekap. Basuh penapis sekali-sekala di dalam air, bilas dan keringkan sepenuhnya di bawah teduhan sebelum menggunakannya.

NOTIS: Jangan lap, gosok atau calarkan penapis prestasi tinggi pilihan (Penapis C) dengan keras. Pastikan untuk menggoncang atau menghembus habuk daripada penapis dengan berhati-hati.

KETERANGAN FUNGSI

⚠PERHATIAN: Sentiasa pastikan alat dimatikan dan kartrij bateri dikeluarkan sebelum menyelaras atau menyemak fungsi pada alat.

Memasang atau mengeluarkan kartrij bateri

⚠PERHATIAN: Sentiasa matikan alat sebelum memasang atau mengeluarkan kartrij bateri.

⚠PERHATIAN: Pegang alat dan kartrij bateri dengan kukuh apabila memasang atau mengeluarkan kartrij bateri. Gagal untuk memegang alat dan kartrij bateri dengan kukuh mungkin menyebabkan mereka terlepas daripada tangan anda dan mengakibatkan kerosakan kepada alat dan kartrij bateri dan kecederaan peribadi.

- **Rajah16:** 1. Penunjuk merah 2. Butang 3. Kartrij bateri

Untuk mengeluarkan kartrij bateri, luncurkan ia daripada alat apabila meluncurkan butang di hadapan kartrij.

Untuk memasang kartrij bateri, selaraskan lidah pada kartrij bateri dengan alur pada perumah dan gelincirkan ia ke tempatnya. Masukkan ia sepenuhnya sehingga ia terkunci di tempatnya dengan klik kecil. Jika anda boleh melihat penunjuk merah seperti yang ditunjukkan dalam rajah, ia tidak dikunci sepenuhnya.

⚠️PERHATIAN: Sentiasa pasang kartrij bateri sepenuhnya sehingga penunjuk merah tidak boleh dilihat. Jika tidak, ia mungkin jatuh tanpa sengaja daripada alat, menyebabkan kecederaan kepada anda atau seseorang di sekeliling anda.

⚠️PERHATIAN: Jangan pasang kartrij bateri secara paksa. Jika kartrij tidak meluncur dengan mudah, ia tidak dimasukkan dengan betul.

Menunjukkan kapasiti bateri yang tinggal

Hanya untuk kartrij bateri dengan penunjuk

- **Rajah17:** 1. Lampu penunjuk 2. Butang semak

Tekan butang semak pada kartrij bateri untuk menunjukkan kapasiti bateri yang tinggal. Lampu penunjuk menyala untuk beberapa saat.

Lampu penunjuk			Kapasiti yang tinggal
Dinyalakan	Mati	Berkelip	
			75% hingga 100%
			50% hingga 75%
			25% hingga 50%
			0% hingga 25%
			Cas bateri.
			Bateri mungkin telah rosak.

NOTA: Bergantung kepada keadaan penggunaan dan suhu persekitaran, penunjuk mungkin berbeza sedikit daripada kapasiti sebenar.

NOTA: Lampu penunjuk (kiri jauh) pertama akan berkedip apabila sistem perlindungan bateri berfungsi.

Sistem perlindungan alat / bateri

Alat dilengkapi dengan sistem perlindungan alat/bateri. Sistem ini memotong kuasa kepada motor secara automatik untuk memanjangkan hayat alat dan bateri. Alat akan berhenti secara automatik ketika operasi jika alat atau bateri diletakkan di bawah salah satu syarat yang berikut:

Perlindungan lebih beban

Apabila alat/bateri dikendalikan dengan cara yang menyebabkannya menarik arus tinggi yang luar biasa, alat secara automatik berhenti. Dalam situasi ini, matikan alat dan hentikan penggunaan yang menyebabkan alat menjadi terlebih beban. Kemudian hidupkan alat untuk mula semula.

Perlindungan pemanasan lampu

Apabila alat/bateri terlalu panas, alat itu berhenti secara automatik. Dalam situasi ini, biarkan alat sejuk sebelum menghidupkan semula alat.

Perlindungan lebih nyahcas

Apabila kuasa bateri semakin lemah semasa digunakan, lampu akan berkelip untuk memaklumkan anda. Kemudian alat berhenti secara automatik, dengan lampu kekal menyala selama lebih kurang 10 saat, sejeurus selepas kuasa bateri menjadi semakin lemah untuk beroperasi semasa penggunaan berterusan. Dalam kes ini, keluarkan bateri daripada alat dan cas bateri.

Perlindungan terhadap punca lain

Sistem perlindungan juga direka bentuk untuk punca lain yang boleh merosakkan alat dan membolehkan alat berhenti secara automatik. Ambil semua langkah berikut untuk membuang punca, apabila alat telah dibawa kepada berhenti sementara atau berhenti beroperasi.

1. Matikan alat dan kemudian hidupkan alat lagi untuk mula semula.
2. Cas bateri atau gantikan bateri dengan bateri yang telah dicas.
3. Biarkan alat dan bateri menyejuk.

Jika tiada penambahbaikan boleh didapati melalui pemulihan sistem perlindungan, maka hubungi Pusat Servis Makita tempatan anda.

Tindakan suis

⚠️ PERHATIAN: Sebelum memasang kartrij bateri ke dalam alat, sentiasa periksa untuk melihat pemacu suis bergerak dengan betul dan kembali ke posisi "OFF" apabila dilepaskan.

⚠️ PERHATIAN: Suis boleh dikunci dalam kedudukan "ON" untuk memudahkan keselesaan pengendali semasa penggunaan berpanjangan. Berhati-hati semasa alat kunci dalam kedudukan "ON".

⚠️ PERHATIAN: Jangan pasang kartrij bateri dengan butang kunci digunakan.

⚠️ PERHATIAN: Apabila tidak mengendalikannya alat ini, tekan butang kunci pemacu dari sisi dengan tanda kunci (🔑) ditunjukkan untuk mengunci pemacu suis pada kedudukan "OFF".

Butang kunci pemacu

Untuk mengelakkan pemacu suis daripada ditarik secara tidak sengaja, butang kunci pemacu disediakan. Untuk memulakan alat, tekan butang kunci pemacu dari sisi dengan tanda buka kunci (🔑) ditunjukkan. Untuk mengunci alat, tekan butang kunci pemacu dari sisi dengan tanda kunci (🔑) ditunjukkan. Pastikan untuk menetapkan butang kunci pemacu kembali dalam kedudukan kunci selepas setiap penggunaan.

► **Rajah18:** 1. Pemacu suis 2. Butang kunci pemacu 3. Tanda buka kunci 4. Tanda kunci

NOTIS: Jangan tarik pemacu suis dengan kuat tanpa melepaskan butang kunci pemacu. Ini boleh menyebabkan suis rosak.

Pemacu suis

Isipadu udara boleh dikawal dengan memicit pemacu suis. Isipadu udara bertambah dengan meningkatkan tekanan pada pemacu suis. Lepaskan pemacu suis untuk berhenti.

► **Rajah19:** 1. Pemacu suis

Butang kunci

Untuk operasi berterusan, tekan butang kunci sambil menarik pemacu suis dan kemudian lepaskan pemacu suis. Untuk membatalkan operasi terkunci, tarik pemacu suis sepenuhnya, kemudian lepaskan.

► **Rajah20:** 1. Pemacu suis 2. Butang kunci

Melaraskan isipadu udara

Isipadu udara boleh diubah dalam empat mod, iaitu, 4 (Maks), 3 (Tinggi), 2 (Sederhana) dan 1 (Rendah), bergantung pada penggunaan dan beban kerja. Tekan butang pelarasan isipadu udara untuk menukar mod dalam jujukan berikut. Mod berubah setiap kali anda menekan butang.

► **Rajah21:** 1. Isipadu udara rendah 2. Isipadu udara sederhana 3. Isipadu udara tinggi 4. Isipadu udara maks 5. Butang pelarasan isipadu udara

Jadual tetapan isipadu udara

Mod isipadu udara	Isipadu udara maksimum
4: Maks	1.1 m ³ /min
3: Tinggi	1.0 m ³ /min
2: Sederhana	0.8 m ³ /min
1: Rendah	0.6 m ³ /min

* Isipadu udara maksimum diukur tanpa muncung.

NOTA: Mod isipadu udara boleh diubah sebelum menghidupkan alat.

NOTA: Alat ini memulakan semula operasi dalam mod isipadu udara yang terakhir digunakan.

Menyalakan lampu

⚠️ PERHATIAN: Jangan lihat ke dalam cahaya atau lihat sumber cahaya secara langsung.

Untuk menghidupkan lampu, lakukan salah satu langkah berikut.

- Tekan butang pelarasan isipadu udara untuk menyalakan lampu. Lampu tetap menyala dalam lebih kurang 10 saat.
- Tarik pemacu suis untuk menyalakan lampu. Lampu tetap menyala apabila pemacu suis ditarik. Lampu padam dalam lebih kurang 10 saat selepas menghentikan operasi.

NOTA: Semasa kapasiti bateri yang tinggal menjadi lemah, lampu mula berkelip. Pemasangan, ketika lampu mula berkelip, bergantung pada suhu di tempat kerja dan keadaan kartrij bateri.

► **Rajah22:** 1. Butang pelarasan isipadu udara 2. Pemacu suis 3. Lampu

Lubang gantung

⚠️ PERHATIAN: Sebelum menggantung alat, sentiasa memastikan lubang gantung tidak rosak.

⚠️ PERHATIAN: Gunakan bahagian penggantung/pelekap bagi tujuan bahagian tersebut sahaja. Menggunakan bukan bagi tujuan yang dimaksudkan boleh menyebabkan kemalangan atau kecederaan diri.

⚠️ PERHATIAN: Beban terkadar penahan untuk rak alat anda dan pemegang perlu diketahui terlebih dahulu. Jangan letakkan alat jika ia melebihi beban penahan pada rak dan pemegang.

⚠️ PERHATIAN: Pastikan lubang gantung dicangkuk dengan kukuh selepas melepaskan pegangan anda.

Gunakan lubang gantung di bahagian belakang tas perumah untuk menggantung alat pada rak dan pemegang.

► **Rajah23:** 1. Lubang gantung 2. Cangkuk

Memasang cangkuk

Aksesori pilihan

⚠️ AMARAN: Gunakan bahagian gantung/ lekapan untuk tujuan yang dimaksudkan sahaja, cth., menggantung alat pada tali sawat alat antara kerja atau selang kerja.

⚠️ AMARAN: Berhati-hati agar cangkuk tidak terlebih beban kerana daya yang keterlaluan atau terlalu banyak beban boleh menyebabkan kerosakan kepada alat serta kecederaan diri.

⚠️ PERHATIAN: Apabila memasang cangkuk, sentiasa ketatkannya dengan skru dengan kukuh. Jika tidak, cangkuk mungkin terkeluar daripada alat dan menyebabkan kecederaan diri.

⚠️ PERHATIAN: Pastikan untuk menggantung alat dengan kukuh sebelum melepaskan pegangan anda. Cangkuk yang tidak mencukupi atau tidak seimbang boleh menyebabkan terjatuh dan anda mungkin tercedera.

► **Rajah24:** 1. Alur 2. Cangkuk 3. Skru

Cangkuk ini memudahkan untuk menggantung alat secara sementara. Ini boleh dipasang pada mana-mana sisi alat. Untuk memasang cangkuk, masukkan ke dalam alur di perumah alat pada mana-mana sisi dan kemudian ketatkannya dengan skru. Untuk mengeluarkan, longgarkan skru dan kemudian keluarkannya.

OPERASI

⚠️ PERHATIAN: Jangan halakan muncung pada sesiapa sahaja yang berhampiran semasa operasi.

NOTIS: Jangan sekat salur masuk sedutan dan/ atau salur keluar penghembus semasa operasi.

Menghembus dalam kegunaan umum

Muncung yang disyorkan

— Muncung 13

Bersihkan permukaan kerja dan lantai anda dengan menghembus keluar habuk, kotoran, puing, sekerap atau buang secara umum.

Halakan muncung ke arah permukaan pada jarak yang sesuai dan hayunkannya ke sekitar untuk menghembus keluar semuanya.

► **Rajah25**

⚠️ PERHATIAN: Jangan sekali-kali menghembus puing ke arah orang sekeliling atau haiwan peliharaan.

⚠️ PERHATIAN: Gunakan peralatan perlindungan diri seperti topeng habuk dan perlindungan mata.

NOTIS: Tanggalkan sekatan pada permukaan sebelum operasi penghembusan.

Menghembus dalam ruang terkurung

Muncung yang disyorkan

— Muncung 3

Hembus ke dalam tempat terkurung, sudut atau ruang berdekatan dinding untuk membuang habuk.

Halakan muncung terus pada ruang pada jarak yang munasabah dan picit pemicu suis untuk mengawal isi padu hembusan udara.

► **Rajah26**

► **Rajah27**

⚠️ PERHATIAN: Jauhkan muncung pada jarak yang munasabah daripada tempat hembusan untuk mengelakkan habuk dihembus hingga berterbangan di udara.

⚠️ PERHATIAN: Gunakan peralatan perlindungan diri seperti topeng habuk dan perlindungan mata.

NOTIS: Elakkan daripada menyekat lubang bolong udara di sekitar salur keluar penghembus. Jika tidak, ia boleh menyebabkan hingar atau getaran tiba-tiba dan berkemungkinan menjejaskan prestasi alat.

► **Rajah28:** 1. Lubang bolong udara 2. Salur keluar penghembus

Membuang habuk pada penapis udara

Muncung yang disyorkan

— Muncung 7

Buang habuk pada permukaan penapis dengan menghembus udara melalui satu sisi penapis ke sisi yang lain.

Halakan muncung pada permukaan penapis dalam jarak yang pendek dan hayunkannya sisi ke sisi untuk menghembus habuk daripada permukaan.

► **Rajah29**

⚠️ PERHATIAN: Gunakan peralatan perlindungan diri seperti topeng habuk dan perlindungan mata.

NOTA: Halakan muncung pada sudut mengikut garis kasar penapis supaya habuk yang melekat boleh ditanggalkan dengan mudah.

Menghembus kawasan luas dan terbuka

Muncung yang disyorkan

— Muncung julat luas

Hembus udara kepada kotoran dan cecair pada permukaan terbuka luas seperti desktop dan lantai, menggunakan muncung lima lubang dengan 120 darjah julat hembusan.

Halakan muncung kepada kawasan yang luas dalam jarak tertentu dan hayunkannya ke belakang dan ke depan, dan dari sisi ke sisi untuk menghembus secara luas.

► Rajah30

PERHATIAN: Gunakan peralatan perlindungan diri seperti topeng habuk dan perlindungan mata.

Menggembungkan plastik boleh kembang

Muncung yang disyorkan

— Muncung injap jepit

— Muncung 13

Isu padu udara boleh kembang dengan kartrij bateri dicas sepenuhnya BL1860B tanpa mengecasnya

Mod isi padu udara	Isi padu udara boleh kembang (Dengan muncung injap jepit)	Nombor ø61 cm bola pantai plastik sama dengan isi padu udara (Dengan muncung injap jepit)
4: Maks	13.0 m ³	110
3: Tinggi	13.4 m ³	115
2: Sederhana	15.6 m ³	130
1: Rendah	22.8 m ³	190

NOTA: Tekanan udara output maksimum alat ini ialah 20.2 kPa.
(Dengan muncung 13)

Kembungkan mainan pantai, bantal dan plastik kecil boleh kembang yang serupa dengan muncung injap jepit.

Kembungkan kolam taman, katil udara dan plastik besar boleh kembang yang serupa dengan muncung 13.

Sisipkan muncung ke dalam salur masuk udara pada item boleh kembang dan tarik pemicu suis untuk memulakan pengembangan.

Lepaskan pemicu suis perlahan-lahan untuk mengurangkan isipadu udara apabila item boleh kembang hampir dikembungkan sepenuhnya. Tanggalkan muncung daripada salur masuk udara selepas menghentikan aliran udara dan kemudian tutup salur masuk udara tersebut.

► Rajah31

► Rajah32

PERHATIAN: Sentiasa berhati-hati agar tidak menggembungkan objek boleh kembang secara berlebihan semasa operasi. Jika tidak, ia mungkin meletupkan objek boleh kembang, kemungkinan menyebabkan kerosakan kepada alat dan kecederaan diri.

PERHATIAN: Jangan sekali-kali membiarkan alat tidak diawasi ketika muncung dipasang pada objek boleh kembang atau semasa operasi.

PERHATIAN: Sila ambil perhatian bahawa aliran udara yang panas mungkin mengalir melalui lubang bolong udara pada cerutan muncung injap jepit disebabkan peredaran udara.

NOTA: Pastikan untuk menyisipkan muncung injap jepit sepenuhnya melalui salur masuk udara supaya kepala muncung dapat membuka injap kelopak di dalam salur masuk udara.

NOTA: Untuk item boleh kembang dengan bukaan salur masuk udara yang kecil, sisipkan hujung sempit muncung injap jepit dalam salur masuk udara sehingga cerutan kepala muncung menyentuh bibir salur masuk udara tersebut.

NOTA: Untuk item boleh kembang dengan bukaan salur masuk udara yang besar, sisipkan kepala muncung injap jepit sepenuhnya ke dalam salur masuk udara untuk membuka injap kelopak di dalam salur masuk udara tersebut.

► Rajah33: 1. Injap kelopak 2. Bukaan salur masuk udara kecil 3. Bukaan salur masuk udara besar 4. Cerutan 5. Lubang bolong udara

NOTA: Jika salur masuk udara pada item boleh kembang lebih kecil daripada kepala muncung injap jepit, picit dan besarkan salur masuk udara dengan tangan dan kemudian putar dan pegang kepala muncung ke dalam salur masuk udara.

Menghembus dalam lubang atau tempat sempit

Aksesori pilihan

Muncung yang disyorkan

— Set muncung panjang

Bersihkan habuk keluar daripada lubang kecil dan tempat sempit. Panjang muncung boleh diaturkan mengikut keperluan anda.

Pasang muncung panjang R dan F bersama-sama untuk membolehkan julat pengendalian yang lebih jauh, contohnya, membersihkan lubang sauh di kaki anda.

► Rajah34

Gunakan muncung panjang R hanya untuk mendapatkan julat pengendalian yang lebih pendek, contohnya, membersihkan tempat pada dinding.

► Rajah35

PERHATIAN: Gunakan peralatan perlindungan diri seperti topeng habuk dan perlindungan mata.

Menghembus dalam ruang sempit

Aksesori pilihan

Muncung yang disyorkan

— Muncung fleksibel 6

Menghembus keluar habuk daripada mana-mana tempat sukar dicapai. Sangat berkesan untuk pembersihan enjin, pembuangan habuk dalam kereta, penghembusan habuk bekas komputer.

Halakan muncung pada sudut dalam jarak sentuhan dan hembuskan ke belakang dan ke depan untuk membersihkan habuk yang masih ada. Ubah sudut muncung ketika anda menghembus keluar untuk membantu menghembus keluar sesetengah aliran puing dan habuk yang sukar ditanggalkan.

► Rajah36

⚠PERHATIAN: Gunakan peralatan perlindungan diri seperti topeng habuk dan perlindungan mata.

NOTIS: Elakkan daripada menyekat lubang bolong udara di sekitar hujung hos fleksibel. Jika tidak, ia boleh menyebabkan hingar atau getaran tiba-tiba dan berkemungkinan menjejaskan prestasi alat.

► Rajah37: 1. Lubang bolong udara

Mengempiskan plastik boleh kembang

Aksesori pilihan

NOTIS: Aliran udara ekzos mengalir melalui saluran keluar penghembus alat. Jangan bolongkan udara ekzos ke dinding, siling atau ruang tersembunyi bangunan.

NOTIS: Elakkan daripada mengempiskan item boleh kembang dalam keadaan lembap atau berhabuk kerana air, habuk dan bahan luar yang serupa pada permukaan mungkin memasuki motor dan menyebabkan kerosakan kepada alat. Keringkan dan bersihkan objek boleh kembang sepenuhnya sebelum melakukan operasi pengempisan.

NOTIS: Jangan sekali-kali membiarkan alat tidak diawasi ketika mengempiskan objek boleh kembang. Menjalankan motor secara berterusan selepas pengempisan lengkap boleh menyebabkan pemanasan lampau.

Muncung dan alat tambahan yang disyorkan

— Hos bolong udara lengkap

— Muncung injap jepit

— Alat tambahan getah 20 - 30

— Alat tambahan getah 65

Kempiskan item boleh kembang dengan muncung yang betul mengikut pilihan dan penggunaan anda.

1. Letakkan muncung atau alat tambahan getah kepada hos bolong udara lengkap.
2. Gantikan tukup habuk pada salur masuk sedutan alat dengan hos bolong udara lengkap.

3. Sisipkan muncung ke dalam injap udara atau letakkan alat tambahan pada injap udara pada item boleh kembang dan tarik pemacu suis untuk memulakan pengempisan.

4. Lepaskan perlahan-lahan pemacu suis untuk mengurangkan isi padu sedutan ketika item boleh kembang hampir dikempiskan sepenuhnya.

5. Tanggalkan muncung atau alat tambahan daripada injap udara selepas menghentikan aliran udara dan kemudian tutup injap udara tersebut.

Dengan muncung injap jepit

► Rajah38

Dengan alat tambahan getah 20 - 30

► Rajah39

Dengan alat tambahan getah 65

► Rajah40

PENYELENGGAAN

⚠PERHATIAN: Sentiasa pastikan alat dimatikan dan kartrij bateri dikeluarkan sebelum cuba menjalankan pemeriksaan atau penyelenggaraan.

Untuk mengekalkan KESELAMATAN dan KEBOLEHPERCAYAAN produk, pembaikan, apa-apa penyelenggaraan atau penyesuaian lain perlu dilakukan oleh Kilang atau Pusat Servis Makita yang Diiktiraf, sentiasa gunakan alat ganti Makita.

NOTIS: Jangan gunakan petrol, benzin, pencair, alkohol atau bahan yang serupa. Ia boleh menyebabkan perubahan warna, bentuk atau keretakan.

Membersih

Membersihkan badan

Bersihkan badan alat anda dengan kain kering atau kain yang dilembapkan dalam air bersabun pada selang dengan kerap.

Membersihkan muncung

Bersihkan sumbatan atau habuk yang menyekat bukaan muncung sebelum dan selepas setiap penggunaan.

Menanggalkan dan memasang penapis

⚠️ PERHATIAN: Selepas membersihkan penapis, pastikan untuk memasang semula dalam kedudukan yang betul.

Bersihkan penapis pada selang yang kerap kerana penggunaan penapis yang tersumbat boleh menyebabkan prestasi sedutan yang lemah.

1. Putarkan tukup habuk pada salur masuk sedutan di belakang perumah mengikut arah lawan jam untuk mengeluarkan tukup habuk daripada perumah. Dua tab kunci pada tukup habuk boleh dilepaskan dengan menjajarkannya dengan alur panduan pada perumah.

► **Rajah41:** 1. Tukup habuk 2. Tab kunci 3. Salur masuk sedutan 4. Alur panduan

2. Keluarkan penapis span membulat B (kelabu gelap) daripada salur masuk sedutan.

► **Rajah42:** 1. Penapis span membulat B (kelabu gelap)

Jangan tanggalkan penapis span A (kuning) yang terletak lebih dalam salur masuk sedutan kerana ia perlu diletakkan untuk melindungi motor daripada sebarang kerosakan.

► **Rajah43:** 1. Penapis span A (kuning)

3. Lap dan goncang keluar habuk daripada penapis span membulat B dengan tangan. Basuh penapis sekali-sekala di dalam air, bilas dan keringkan sepenuhnya di bawah teduhan sebelum menggunakannya.

► **Rajah44**

► **Rajah45**

NOTIS: Setelah dibasuh di dalam ari, keringkan penapis span membulat B sebelum pemasangan. Penapis yang tidak dikeringkan secukupnya boleh memendekkan hayat perkhidmatan motor.

NOTIS: Jangan sekali-kali basuh penapis di dalam mesin basuh.

NOTIS: Jangan gosok atau calarkan penapis dengan objek keras seperti berus.

NOTA: Penapis lama-kelamaan akan haus. Disyorkan untuk mendapatkan alat ganti bagi penapis.

4. Tetapkan kembali penapis span membulat B pada salur masuk sedutan. Pastikan pinggir bahagian dalam bukaan penyedut menahan penapis span B dan tiada jurang antara penapis span dan bukaan sedutan.

► **Rajah46:** 1. Penapis span membulat B 2. Pinggir bahagian dalam

5. Pasang semula tukup habuk pada salur masuk sedutan, menjajarkan dua tab kunci pada tukup habuk dengan alur panduan pada perumah. Kemudian, putar tukup habuk mengikut arah jam untuk mengukuhkan di tempatnya.

► **Rajah47:** 1. Tukup habuk 2. Tab kunci 3. Salur masuk sedutan 4. Alur panduan

PENYELESAIAN MASALAH

Sebelum meminta pembaikan, jalankan pemeriksaan sendiri terlebih dahulu. Jika anda mendapati masalah tidak diterangkan dalam manual, jangan cuba untuk menanggalkan mesin. Sebaliknya, tanya Pusat Servis Sah Makita, sentiasa gunakan alat ganti Makita untuk pembaikan.

Keadaan keabnormalan	Sebab yang mungkin (pincang tugas)	Remedi
Motor tidak berjalan.	Sistem pacuan tidak berfungsi dengan betul.	Tanya pusat servis sah tempatan anda untuk pembaikan.
Motor berhenti berfungsi selepas digunakan seketika.	Pemanasan melampau.	Berhenti menggunakan alat untuk menyejukkannya.
Alat tidak mencapai isi padu udara maksimum.	Sistem pacuan tidak berfungsi dengan betul.	Tanya pusat servis sah tempatan anda untuk pembaikan.
Getaran tidak normal: ⇒ hentikan alat serta-merta!	Sistem pacuan tidak berfungsi dengan betul.	Tanya pusat servis sah tempatan anda untuk pembaikan.
Motor tidak boleh berhenti: ⇒ Keluarkan bateri serta-merta!	Pincang tugas elektrik atau elektronik.	Keluarkan bateri dan tanya pusat servis sah setempat anda untuk pembaikan.

AKSESORI PILIHAN

⚠️ PERHATIAN: Aksesori atau lampiran ini adalah disyorkan untuk digunakan dengan produk Makita anda yang dinyatakan dalam manual ini. Penggunaan mana-mana aksesori-aksesori atau lampiran-lampiran lain mungkin mengakibatkan risiko kecederaan kepada individu. Hanya gunakan aksesori atau lampiran untuk tujuan yang dinyatakannya.

Jika anda memerlukan sebarang bantuan untuk maklumat lebih lanjut mengenai aksesori ini, tanya Pusat Perkhidmatan Makita tempatan anda.

- Muncung 3
- Muncung 7
- Muncung 13
- Muncung julat luas
- Muncung injap jepit
- Muncung fleksibel 6
- Set muncung panjang
- Hos bolong udara lengkap
- Alat tambahan getah 20 - 30
- Alat tambahan getah 65
- Penapis C
- Cangkuk
- Bateri dan pengecas asli Makita

NOTA: Beberapa item dalam senarai mungkin disertakan dalam pakej produk sebagai aksesori standard. Item mungkin berbeza mengikut negara.

THÔNG SỐ KỸ THUẬT

Kiểu máy:	DAS180	
Tốc độ gió (trung bình) ^{*2,3}	163 m/s	
Tốc độ gió (tối đa) ^{*2,3}	200 m/s	
Lượng không khí tối đa ^{*1,2}	1,1 m ³ /min	
Lực thổi tối đa ^{*1,2}	4: Tối đa	2,8 N (0,29 kgf)
	3: Cao	2,3 N (0,23 kgf)
	2: Trung bình	1,7 N (0,17 kgf)
	1: Thấp	1,1 N (0,11 kgf)
Sử dụng liên tục ^{*1,2}	4: Tối đa	15 min
	3: Cao	20 min
	2: Trung bình	30 min
	1: Thấp	55 min
Áp suất không khí tối đa ^{*2,3}	29,7 kPa	
Kích thước (D x R x C) ^{*1,2}	179 mm x 92 mm x 297 mm	
Điện áp định mức	18 V một chiều	
Khối lượng tịnh	1,2 - 1,7 kg	

^{*1} Không có vòi phun

^{*2} Với kiểu pin BL1860B

^{*3} Có vòi phun 7

- Do chương trình nghiên cứu và phát triển liên tục của chúng tôi nên các thông số kỹ thuật trong đây có thể thay đổi mà không cần thông báo trước.
- Các thông số kỹ thuật có thể thay đổi tùy theo từng quốc gia.
- Khối lượng có thể khác nhau tùy thuộc vào (các) phụ kiện, bao gồm cả hộp pin. Tổ hợp nhẹ nhất và nặng nhất, theo Quy trình EPTA 01/2014, được trình bày trong bảng.

Hộp pin và sạc pin có thể áp dụng

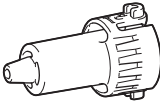
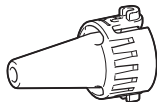
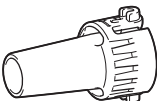
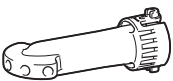
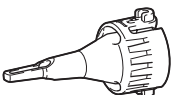
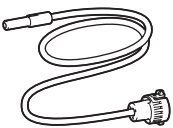
Hộp pin	BL1815N / BL1820B / BL1830B / BL1840B / BL1850B / BL1860B
Bộ sạc	DC18RC / DC18RD / DC18RE / DC18SD / DC18SE / DC18SF / DC18SH / DC18WC

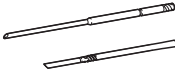
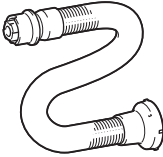

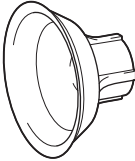
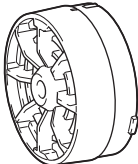
- Một số hộp pin và sạc pin được nêu trong danh sách ở trên có thể không khả dụng tùy thuộc vào khu vực cư trú của bạn.

⚠ CẢNH BÁO: Chỉ sử dụng hộp pin và sạc pin được nêu trong danh sách ở trên. Việc sử dụng bất cứ hộp pin và sạc pin nào khác có thể gây ra thương tích và/hoặc hỏa hoạn.

Vòi phun và phụ tùng khả dụng

Phụ kiện tùy chọn

Vòi phun và phụ tùng	Ứng dụng và mục đích	Đường kính
<p>Vòi phun 3</p> 	<p>Thổi không khí vào các không gian kín, các góc, và khoảng trống gần tường để loại bỏ bụi.</p>	ø3,0 mm
<p>Vòi phun 7</p> 	<p>Thổi bụi bộ lọc.</p>	ø7,0 mm
<p>Vòi phun 13</p> 	<p>Sử dụng làm máy thổi Vệ sinh các bề mặt công tắc và thổi bụi nói chung. Vệ sinh lỗ neo với vòi phun dài tùy chọn. Hoạt động như khớp nối giữa vòi phun dài và ngõ ra máy thổi của dụng cụ.</p> <p>Sử dụng làm máy bơm hơi Bơm hơi các hồ bơi bơm hơi lớn hoặc đệm hơi.</p> <p>Sử dụng làm máy tháo hơi Tháo hơi các hồ bơi bơm hơi lớn hoặc đệm hơi. Hoạt động như khớp nối giữa bộ ống xả khí và phụ tùng cao su.</p>	ø13 mm
<p>Vòi phun phạm vi rộng</p> 	<p>Thổi không khí vào bụi bẩn và chất lỏng trên mặt bàn và khu vực mở rộng. Phạm vi thổi: 120° với 5 lỗ</p>	ø6,0 mm * Là đường kính lỗ đơn
<p>Vòi phun van kẹp</p> 	<p>Bơm hơi/tháo hơi đồ chơi bãi biển, gối, và các vật bơm hơi bằng nhựa tương tự. * Có thể thực hiện hoạt động tháo hơi bằng bộ ống xả khí tùy chọn.</p>	ø7,0 mm
<p>Vòi phun mềm 6</p> 	<p>Thổi bụi ra khỏi bất kỳ điểm khó tiếp cận, máy tính PC và các thiết bị tương tự.</p>	ø6,0 mm x 800 mm

Vòi phun và phụ tùng	Ứng dụng và mục đích	Đường kính
<p>Bộ vòi phun dài</p> 	<p>Bộ vòi phun thích hợp để thổi bụi ra khỏi lỗ neo và các điểm hẹp. Có thể thay đổi chiều dài vòi phun bằng cách gắn và tháo hai đầu vòi phun. * Có thể lắp đặt vòi phun dài bằng cách sử dụng vòi phun 13 làm khớp nối.</p>	<p>ø8,0 mm</p>
<p>Bộ ống xả khí</p> 	<p>Tháo hơi các vật bơm hơi bằng vòi phun thích hợp khi vận hành.</p>	<p>-</p>
<p>Phụ tùng cao su 20 - 30</p> 	<p>Đầu vòi phun thích hợp để tháo hơi đệm hơi, bè, thuyền và hồ bơi. * Cần lắp đặt phụ tùng này với bộ ống xả khí và vòi phun 13 cùng nhau.</p>	<p>ø20 - 30 mm * Được đo như là đường kính ngoài.</p>
<p>Phụ tùng cao su 65</p> 	<p>Phụ tùng thích hợp để đóng gói quần áo của bạn bằng cách ép không khí ra khỏi chúng. * Cần lắp đặt phụ tùng này với bộ ống xả khí và vòi phun 13 cùng nhau.</p>	<p>ø65 mm</p>
<p>Bộ lọc C</p> 	<p>Phụ tùng được thiết kế để giảm việc hút bụi vào động cơ trong điều kiện làm việc nhiều bụi.</p>	<p>-</p>

Ký hiệu

Phần dưới đây cho biết các ký hiệu có thể được dùng cho thiết bị. Đảm bảo rằng bạn hiểu rõ ý nghĩa của các ký hiệu này trước khi sử dụng.

	Đọc tài liệu hướng dẫn.
	Giữ tay tránh xa các bộ phận quay.
	Tóc dài có thể gây ra sự cố quần rối.
	Không để những người không phận sự lại gần.
	Mang thiết bị bảo vệ mắt và tai.
	Không được tiếp xúc với hơi ấm.
	Chỉ dành cho các quốc gia EU Do có các thành phần nguy hiểm bên trong thiết bị điện và điện tử, ắc quy và pin thải bỏ nên có thể có tác động không tốt đến môi trường và sức khỏe con người. Không vứt bỏ các thiết bị điện và điện tử hoặc pin với rác thải sinh hoạt! Theo Chỉ thị của Châu Âu về thiết bị điện và điện tử thải bỏ và về pin và ắc quy và pin và ắc quy thải bỏ, cũng như sự thích ứng của chúng với luật pháp quốc gia, các thiết bị điện, pin và ắc quy thải phải được cất giữ riêng biệt và chuyển đến một điểm thu gom rác thải đồ thị riêng, hoạt động theo các quy định về bảo vệ môi trường. Điều này được biểu thị bằng biểu tượng thùng rác có bánh xe gạch chéo được đặt trên thiết bị.

Mục đích sử dụng

Dụng cụ này được dùng để thổi bụi, bơm hơi và tháo hơi các vật bơm hơi, với các vòi phun có thể thay đổi tùy theo yêu cầu của bạn. Thích hợp cho cả sử dụng thương mại và ở nhà, ví dụ như vệ sinh không gian làm việc, thổi bụi bộ lọc và bơm hơi đồ chơi bãi biển.

CẢNH BÁO AN TOÀN

Cảnh báo an toàn chung dành cho dụng cụ máy

⚠ CẢNH BÁO Vui lòng đọc tất cả các cảnh báo an toàn, hướng dẫn, minh họa và thông số kỹ thuật đi kèm với dụng cụ máy này. Việc không tuân theo tất cả các hướng dẫn được liệt kê dưới đây có thể dẫn đến điện giật, hỏa hoạn và/hoặc thương tích nghiêm trọng.

Lưu giữ tất cả cảnh báo và hướng dẫn để tham khảo sau này.

Thuật ngữ “dụng cụ máy” trong các cảnh báo đề cập đến dụng cụ máy (có dây) được vận hành bằng nguồn điện chính hoặc dụng cụ máy (không dây) được vận hành bằng pin của bạn.

An toàn tại nơi làm việc

- Giữ nơi làm việc sạch sẽ và có đủ ánh sáng.** Nơi làm việc bừa bộn hoặc tối thường dễ gây ra tai nạn.
- Không vận hành dụng cụ máy trong môi trường nguy hiểm, ví dụ như môi trường có sự hiện diện của các chất lỏng, khí hoặc bụi dễ cháy.** Các dụng cụ máy tạo tia lửa điện có thể làm bụi hoặc khí bốc cháy.
- Giữ trẻ em và người ngoài tránh xa nơi làm việc khi đang vận hành dụng cụ máy.** Sự xao lãng có thể khiến bạn mất khả năng kiểm soát.

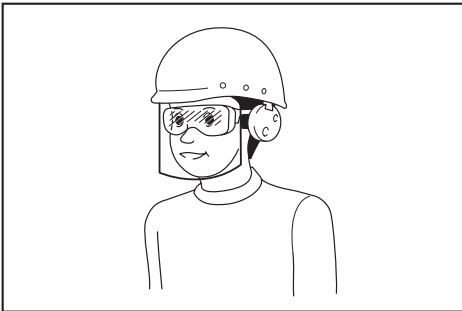
An toàn về Điện

- Phích cắm của dụng cụ máy phải khớp với ổ cắm. Không được sửa đổi phích cắm theo bất kỳ cách nào. Không sử dụng bất kỳ phích chuyên đổi nào với các dụng cụ máy được nối đất (tiếp đất).** Các phích cắm còn nguyên vẹn và ổ cắm phù hợp sẽ giảm nguy cơ điện giật.
- Tránh để có thể tiếp xúc với các bề mặt nóng hoặc tiếp đất như đường ống, bộ tản nhiệt, bếp ga và tủ lạnh.** Nguy cơ bị điện giật sẽ tăng lên nếu có thể bạn được nối đất hoặc tiếp đất.
- Không để dụng cụ máy tiếp xúc với mưa hoặc trong điều kiện ẩm ướt.** Nước lọt vào dụng cụ máy sẽ làm tăng nguy cơ điện giật.
- Không lạm dụng dây điện. Không được phép sử dụng dây để mang, kéo hoặc tháo phích cắm dụng cụ máy. Giữ dây tránh xa nguồn nhiệt, dầu, các mép sắc hoặc các bộ phận chuyển động.** Dây bị hỏng hoặc bị rối sẽ làm tăng nguy cơ điện giật.
- Khi vận hành dụng cụ máy ngoài trời, hãy sử dụng dây kéo dài phù hợp cho việc sử dụng ngoài trời.** Việc dùng dây phù hợp cho việc sử dụng ngoài trời sẽ giảm nguy cơ điện giật.
- Nếu bắt buộc phải vận hành dụng cụ máy ở nơi ẩm ướt, hãy sử dụng nguồn cấp điện được bảo vệ bằng thiết bị ngắt dòng điện rò (RCD).** Việc sử dụng RCD sẽ làm giảm nguy cơ điện giật.
- Các dụng cụ máy có thể tạo ra từ trường điện (EMF) có hại cho người dùng.** Tuy nhiên, người dùng máy trợ tim và những thiết bị y tế tương tự khác nên liên hệ với nhà sản xuất thiết bị và/hoặc bác sĩ để được tư vấn trước khi vận hành dụng cụ này.

An toàn Cá nhân

- Luôn tỉnh táo, quan sát những việc bạn đang làm và sử dụng những phán đoán theo kinh nghiệm khi vận hành dụng cụ máy. Không sử dụng dụng cụ máy khi bạn đang mệt mỏi hoặc chịu ảnh hưởng của ma túy, rượu hay thuốc.** Chỉ một khoảnh khắc không tập trung khi đang vận hành dụng cụ máy cũng có thể dẫn đến thương tích cá nhân nghiêm trọng.

2. **Sử dụng thiết bị bảo hộ cá nhân. Luôn đeo thiết bị bảo vệ mắt.** Các thiết bị bảo hộ như mặt nạ chống bụi, giày an toàn chống trượt, mũ bảo hộ hay thiết bị bảo vệ thính giác được sử dụng trong các điều kiện thích hợp sẽ giúp giảm thương tích cá nhân.
3. **Tránh vô tình khởi động dụng cụ máy. Đảm bảo công tắc ở vị trí off (tắt) trước khi nối nguồn điện và/hoặc bộ pin, cắm hoặc di chuyển dụng cụ máy.** Việc di chuyển dụng cụ máy khi đang đặt ngón tay ở vị trí công tắc hoặc cấp điện cho dụng cụ máy đang bật thường dễ gây ra tai nạn.
4. **Tháo tất cả các khóa hoặc cờ lê điều chỉnh trước khi bật dụng cụ máy.** Việc cờ lê hoặc khóa vẫn còn gắn vào bộ phận quay của dụng cụ máy có thể dẫn đến thương tích cá nhân.
5. **Không với quá cao. Luôn giữ thăng bằng tốt và có chỗ để chân phù hợp.** Điều này cho phép điều khiển dụng cụ máy tốt hơn trong những tình huống bất ngờ.
6. **Ăn mặc phù hợp. Không mặc quần áo rộng hay đeo đồ trang sức. Giữ tóc và quần áo tránh xa các bộ phận chuyển động.** Quần áo rộng, đồ trang sức hay tóc dài có thể mắc vào các bộ phận chuyển động.
7. **Nếu các thiết bị được cung cấp để kết nối các thiết bị thu gom và hút bụi, hãy đảm bảo chúng được kết nối và sử dụng hợp lý.** Việc sử dụng thiết bị thu gom bụi có thể làm giảm những mối nguy hiểm liên quan đến bụi.
8. **Không vì quen thuộc do thường xuyên sử dụng các dụng cụ mà cho phép bạn trở nên tự mãn và bỏ qua các nguyên tắc an toàn dụng cụ.** Một hành động bất cẩn có thể gây ra thương tích nghiêm trọng trong một phần của một giây.
9. **Luôn luôn mang kính bảo hộ để bảo vệ mắt khỏi bị thương khi đang sử dụng các dụng cụ máy. Kính bảo hộ phải tuân thủ ANSI Z87.1 ở Mỹ, EN 166 ở Châu Âu, hoặc AS/NZS 1336 ở Úc/New Zealand. Tại Úc/New Zealand, theo luật pháp, bạn cũng phải mang mặt nạ che mặt để bảo vệ mắt.**



Trách nhiệm của chủ lao động là bắt buộc người vận hành dụng cụ và những người khác trong khu vực làm việc cạnh đó phải sử dụng các thiết bị bảo hộ an toàn thích hợp.

Sử dụng và bảo quản dụng cụ máy

1. **Không dùng lực đối với dụng cụ máy. Sử dụng đúng dụng cụ máy cho công việc của bạn.** Sử dụng đúng dụng cụ máy sẽ giúp thực hiện công việc tốt hơn và an toàn hơn theo giá trị định mức được thiết kế của dụng cụ máy đó.
2. **Không sử dụng dụng cụ máy nếu công tắc không bật và tắt được dụng cụ máy đó.** Mọi dụng cụ máy không thể điều khiển được bằng công tắc đều rất nguy hiểm và phải được sửa chữa.
3. **Rút phích cắm ra khỏi nguồn điện và/hoặc tháo kết nối bộ pin khỏi dụng cụ máy, nếu có thể tháo rời trước khi thực hiện bất kỳ công việc điều chỉnh, thay đổi phụ tùng hay cất giữ dụng cụ máy nào.** Những biện pháp an toàn phòng ngừa này sẽ giảm nguy cơ vô tình khởi động dụng cụ máy.
4. **Cất giữ các dụng cụ máy không sử dụng ngoài tầm với của trẻ em và không cho bất kỳ người nào không có hiểu biết về dụng cụ máy hoặc các hướng dẫn này vận hành dụng cụ máy.** Dụng cụ máy sẽ rất nguy hiểm nếu được sử dụng bởi những người dùng chưa qua đào tạo.
5. **Bảo dưỡng dụng cụ máy và các phụ kiện. Kiểm tra tình trạng lịch trực hoặc bó kẹp của các bộ phận chuyển động, hiện tượng nứt vỡ của các bộ phận và mọi tình trạng khác mà có thể ảnh hưởng đến hoạt động của dụng cụ máy. Nếu có hỏng hóc, hãy sửa chữa dụng cụ máy trước khi sử dụng.** Nhiều tai nạn xảy ra là do không bảo quản tốt dụng cụ máy.
6. **Luôn giữ cho dụng cụ cất được sắc bén và sạch sẽ.** Những dụng cụ cất được bảo quản tốt có mép cắt sắc sẽ ít bị kẹt hơn và dễ điều khiển hơn.
7. **Sử dụng dụng cụ máy, phụ tùng và đầu dụng cụ cắt, v.v... theo các hướng dẫn này, có tính đến điều kiện làm việc và công việc được thực hiện.** Việc sử dụng dụng cụ máy cho các công việc khác với công việc dự định có thể gây nguy hiểm.
8. **Giữ tay cầm và bề mặt tay cầm khô, sạch, không dính dầu và mỡ.** Tay cầm trơn trượt và bề mặt tay cầm không cho phép xử lý an toàn và kiểm soát dụng cụ trong các tình huống bất ngờ.
9. **Khí sử dụng dụng cụ, không được đi gang tay lao động bằng vải, có thể bị vướng.** Việc gang tay lao động bằng vải vướng vào các bộ phận chuyển động có thể gây ra thương tích cá nhân.

Sử dụng và bảo quản dụng cụ dùng pin

1. **Chỉ sạc pin lại với bộ sạc do nhà sản xuất quy định.** Bộ sạc phù hợp với một loại bộ pin này có thể gây ra nguy cơ hỏa hoạn khi được dùng cho một bộ pin khác.
2. **Chỉ sử dụng các dụng cụ máy với các bộ pin được quy định cụ thể.** Việc sử dụng bất cứ bộ pin nào khác có thể gây ra thương tích và hỏa hoạn.
3. **Khí không sử dụng bộ pin, hãy giữ tránh xa các đồ vật khác bằng kim loại, chẳng hạn như kẹp giấy, tiền xu, chìa khóa, đinh, ốc vít hoặc các vật nhỏ bằng kim loại mà có thể làm nổi tất các đầu cực pin.** Các đầu cực pin bị đoản mạch có thể gây cháy hoặc hỏa hoạn.

- Trong điều kiện sử dụng quá mức, pin có thể bị chày nước; hãy tránh tiếp xúc. Nếu vô tình tiếp xúc với pin bị chày nước, hãy rửa sạch bằng nước. Nếu dung dịch từ pin tiếp xúc với mắt, cần đi khám bác sĩ thêm. Dung dịch chày ra từ pin có thể gây rát da hoặc bỏng.
- Không sử dụng bộ pin hoặc dụng cụ bị hư hỏng hoặc đã bị sửa đổi. Pin đã bị hư hỏng hoặc đã bị sửa đổi có thể hành động theo cách không thể đoán trước dẫn đến cháy, nổ hoặc nguy cơ chấn thương.
- Không để bộ pin hoặc dụng cụ tiếp xúc với lửa hoặc nhiệt độ quá cao. Tiếp xúc với lửa hoặc nhiệt độ trên 130 °C có thể gây ra cháy nổ.
- Làm theo tất cả các hướng dẫn sạc pin và không được sạc bộ pin hoặc dụng cụ vượt giới hạn nhiệt độ quy định trong hướng dẫn. Sạc pin không đúng hoặc ở nhiệt độ vượt giới hạn nhiệt độ có thể gây hư hỏng cho pin và làm tăng nguy cơ cháy.

Bảo dưỡng

- Đề nhân viên sửa chữa đủ trình độ bảo dưỡng dụng cụ máy của bạn và chỉ sử dụng các bộ phận thay thế đồng nhất. Việc này sẽ đảm bảo duy trì được độ an toàn của dụng cụ máy.
- Không bao giờ sử dụng bộ pin đã hỏng. Dịch vụ bảo hành bộ pin chỉ nên thực hiện bởi nhà sản xuất hoặc các nhà cung cấp dịch vụ được ủy quyền.
- Tuân theo hướng dẫn dành cho việc bôi trơn và thay phụ tùng.

Hướng Dẫn An Toàn Cho Máy Thổi Bụi Cẩm Tay Hoạt Động Bằng Pin

Hướng dẫn

- Đọc hướng dẫn cẩn thận. Làm quen với việc điều khiển và cách sử dụng máy thổi bụi đúng cách.
- Không bao giờ cho phép trẻ em, người suy giảm thể chất, giác quan hoặc khả năng trí óc hoặc thiếu kinh nghiệm và kiến thức hoặc những người không quen thuộc với các hướng dẫn này sử dụng máy thổi bụi. Các quy định của địa phương có thể hạn chế độ tuổi của người vận hành.
- Không bao giờ vận hành máy thổi bụi khi có người, đặc biệt là trẻ em hoặc thú cưng ở gần.
- Hãy nhớ rằng người vận hành hoặc người sử dụng phải chịu trách nhiệm về tai nạn hoặc nguy hiểm xảy ra cho người khác hoặc tài sản của họ.

Chuẩn bị

- Không được mặc quần áo rộng hoặc đeo trang sức lỏng lẻo chúng có thể bị hút vào đầu hút khí vào. Giữ tóc dài tránh xa đầu hút khí vào.
- Khuyến khích đeo mặt nạ để tránh tình trạng kích ứng do bụi.
- Sử dụng thiết bị bảo hộ cá nhân. Luôn đeo thiết bị bảo vệ mắt. Các thiết bị bảo hộ như mặt nạ chống bụi, giày an toàn chống trượt, mũ bảo hộ hay thiết bị bảo vệ thính giác được sử dụng trong các điều kiện thích hợp sẽ giúp giảm thương tích cá nhân.

Vận hành cơ bản

- Tắt máy thổi bụi, tháo hộp pin và đảm bảo tất cả các bộ phận chuyển động phải chuyển sang trạng thái dừng hoàn toàn
 - bất cứ khi nào bạn rời khỏi máy thổi bụi.
 - bất cứ khi nào bạn chuyển từ bơm hơi sang hoạt động tháo hơi, và ngược lại.
 - trước khi kiểm tra, vệ sinh hoặc làm việc trên máy thổi bụi.
 - nếu máy thổi bụi bắt đầu rung bất thường.
- Chỉ vận hành máy thổi bụi vào ban ngày hoặc trong điều kiện ánh sáng nhân tạo tốt.
- Không với quá cao và luôn giữ thăng bằng tốt và có chỗ để chân phù hợp.
- Giữ cho tất cả ngõ hút khí làm mát vào không bị vướng mảnh vụn.
- Vận hành máy thổi bụi ở vị trí được đề xuất và trên bề mặt vững chắc.
- Không sử dụng dụng cụ bằng tay ướt.
- Không hướng đầu ra của ống dẫn vào chính bạn hoặc người khác. Đồ vật có thể bị thổi bay và gây thương tích.
- Không sử dụng dụng cụ để phun hóa chất. Phổi của bạn có thể bị tổn thương do hít phải khói độc.
- Không vận hành máy thổi bụi ở những nơi cao.
- Không bao giờ được chặn ngõ vào đầu hút vào hoặc đầu ra máy thổi.
 - Hãy cẩn thận không để bụi hoặc bụi bẩn chặn ngõ vào đầu hút hoặc đầu ra máy thổi khi vận hành ở khu vực bụi bặm.
 - Không sử dụng vòi phun nào khác ngoài vòi phun được Makita cung cấp.

- Nếu máy thổi bụi va đập vào bất kỳ ngoại vật hoặc bắt đầu tạo ra bất kỳ tiếng ồn hoặc rung khác thường nào, phải ngay lập tức tắt máy thổi bụi để dừng hoạt động. Tháo hộp pin ra khỏi máy thổi bụi và kiểm tra xem máy thổi bụi có bị hư hỏng không trước khi khởi động lại và vận hành máy thổi bụi. Nếu máy thổi bụi có hư hỏng, hãy nhờ Trung tâm dịch vụ được ủy quyền của Makita sửa chữa.
- Không cho ngón tay hoặc các vật khác vào ngõ vào đầu hút hoặc đầu ra máy thổi.
- Tránh tình huống vô tình khởi động. Đảm bảo công tắc ở vị trí off (tắt) trước khi gắn hộp pin, cầm hoặc mang máy thổi bụi. Việc di chuyển máy thổi bụi khi đang đặt ngón tay ở vị trí công tắc hoặc cấp điện cho máy thổi bụi đang bật sẽ gây ra tai nạn.

- Tránh vận hành máy thổi bụi trong thời gian dài ở môi trường nhiệt độ thấp.
- Không sử dụng dụng cụ vượt quá áp suất đầu ra tối đa của dụng cụ. Sử dụng dụng cụ với áp suất đầu ra lớn hơn áp suất đầu ra tối đa của dụng cụ có thể làm nổ đồ vật hoặc dụng cụ.

Vận hành máy thổi bụi

- Không bao giờ thổi mảnh vụn về hướng của những người xung quanh.
- Không bao giờ được hướng vòi phun về phía bất kỳ ai ở gần khi sử dụng máy thổi bụi.

3. Không bao giờ thổi vật liệu nguy hiểm, như đinh, mảnh vỡ thủy tinh, hoặc lưỡi dao.
4. Không vận hành máy thổi bụi gần các vật liệu dễ cháy.

Hoạt động bơm hơi/tháo hơi

1. Khi bơm hơi đồ vật, hãy nối chặt vòi phun hoặc phụ kiện vào đầu hút khí. Nếu không, đồ vật, vòi phun, hoặc phụ tùng có thể bị hỏng và bạn có thể bị thương.
2. Xả áp suất không khí từ từ. Khi tháo vòi phun hoặc phụ tùng sau khi bơm hơi đồ vật, hãy giữ chắc đồ vật, vòi phun và phụ tùng. Những vật này có thể bật lên do khí xả và gây thương tích.
3. Không bơm đồ vật vượt quá áp suất tối đa của đồ vật. Nếu không, dụng cụ hoặc đồ vật có thể bị hỏng và bạn có thể bị thương.
4. Chỉ bơm đồ vật có thể được nhà sản xuất bơm, ví dụ như lốp xe, bóng thể thao hoặc phao nổi nhỏ. Bơm các đồ vật khác có thể làm hỏng đồ vật và gây thương tích.
5. Khi bơm hơi đồ vật, hãy kiểm tra tình trạng của dụng cụ và đồ vật, và đảm bảo rằng không có rò rỉ khí từ đồ vật.
6. Luôn cẩn thận để đồ vật không bị bơm quá phồng trong quá trình vận hành. Nếu không có thể làm vỡ đồ vật, có thể làm hỏng dụng cụ và gây thương tích cá nhân.
7. Sau khi bơm đồ vật, hãy kiểm tra áp suất không khí bằng cách sử dụng thiết bị đo đã hiệu chuẩn và đáng tin cậy.
8. Tuyệt đối không để dụng cụ mà không có người giám sát khi ống dẫn được gắn vào đồ vật hoặc trong quá trình vận hành.
9. Không sử dụng dụng cụ làm máy hút bụi. Thực hiện thu bụi có thể làm hỏng dụng cụ.
10. Không sử dụng dụng cụ làm thiết bị thờ.
11. Chỉ sử dụng phụ kiện tiêu chuẩn do Makita cung cấp. Việc sử dụng bất cứ phụ kiện hoặc phụ tùng gắn thêm nào khác đều có thể gây ra rủi ro thương tích cho người.

Bảo dưỡng và cất giữ

1. Giữ cho tất cả các đai ốc, bu-lông và ốc vít đều vận hành để đảm bảo máy thổi bụi ở trong điều kiện làm việc an toàn.
2. Nếu các bộ phận bị mòn hoặc hư hỏng, hãy thay thế chúng bằng các bộ phận Makita chính hãng.
3. Cất giữ máy thổi bụi ở nơi khô ráo tránh xa tầm tay trẻ em.
4. Khi bạn dừng máy thổi bụi để kiểm tra, bảo trì, cất giữ hoặc thay đổi phụ kiện, hãy tắt máy thổi bụi và đảm bảo tất cả các bộ phận chuyển động đã dừng hoàn toàn, và tháo rời hộp pin. Làm mát máy thổi bụi trước khi thực hiện bất kỳ công việc nào trên máy thổi bụi. Bảo dưỡng máy thổi bụi cẩn thận và giữ máy sạch sẽ.
5. Khi sạc dụng cụ, hãy giữ tay cầm của dụng cụ. Không giữ hoặc kéo ống dẫn. Dụng cụ có thể bị hỏng và gây chấn thương.
6. Luôn làm nguội máy thổi bụi trước khi cất giữ.
7. Không để máy thổi bụi tiếp xúc với môi trường. Cất giữ máy thổi bụi trong nhà.
8. Không tháo rời dụng cụ.

Bảo dưỡng

1. Để nhân viên sửa chữa đủ trình độ bảo dưỡng dụng cụ máy của bạn và chỉ sử dụng các bộ phận thay thế đồng nhất. Việc này sẽ đảm bảo duy trì được độ an toàn của dụng cụ máy.
2. Không bao giờ sử dụng bộ pin đã hỏng. Dịch vụ bảo hành bộ pin chỉ nên thực hiện bởi nhà sản xuất hoặc các nhà cung cấp dịch vụ được ủy quyền.

LƯU GIỮ CÁC HƯỚNG DẪN NÀY.

▲CẢNH BÁO: KHÔNG vì đã thoải mái hay quen thuộc với sản phẩm (có được do sử dụng nhiều lần) mà không tuân thủ nghiêm ngặt các quy định về an toàn dành cho sản phẩm này.

VIỆC DÙNG SAI hoặc không tuân theo các quy định về an toàn được nêu trong tài liệu hướng dẫn này có thể dẫn đến thương tích cá nhân nghiêm trọng.

Hướng dẫn quan trọng về an toàn dành cho hộp pin

1. Trước khi sử dụng hộp pin, hãy đọc kỹ tất cả các hướng dẫn và dấu hiệu cảnh báo trên (1) bộ sạc pin, (2) pin và (3) sản phẩm sử dụng pin.
2. Không tháo rời hoặc làm thay đổi hộp pin. Việc này có thể dẫn đến hỏa hoạn, quá nhiệt hoặc nổ.
3. Nếu thời gian vận hành ngắn hơn quá mức, hãy ngừng vận hành ngay lập tức. Điều này có thể dẫn đến rủi ro quá nhiệt, có thể gây bỏng và thậm chí là nổ.
4. Nếu chất điện phân rơi vào mắt, hãy rửa sạch bằng nước sạch và đến cơ sở y tế ngay lập tức. Chất này có thể khiến bạn giảm thị lực.
5. Không để hộp pin ở tình trạng đoản mạch:
 - (1) Không chạm vào cực pin bằng vật liệu dẫn điện.
 - (2) Tránh cất giữ hộp pin trong hộp có các vật kim loại khác như đinh, tiền xu, v.v...
 - (3) Không được để hộp pin tiếp xúc với nước hoặc mưa.
 Đoản mạch pin có thể gây ra dòng điện lớn, quá nhiệt, có thể gây bỏng và thậm chí là hỏng hóc.
6. Không cất giữ cũng như sử dụng dụng cụ và hộp pin ở nơi nhiệt độ có thể lên tới hoặc vượt quá 50 °C (122 °F).
7. Không đốt hộp pin ngay cả khi hộp pin đã bị hư hại nặng hoặc hư hỏng hoàn toàn. Hộp pin có thể nổ khi tiếp xúc với lửa.
8. Không đóng đinh, cắt, nghiền nát, ném, làm rơi hộp pin hoặc va vật cứng vào hộp pin. Làm như thế có thể dẫn đến hỏa hoạn, quá nhiệt hoặc nổ.
9. Không sử dụng pin đã hỏng.

10. **Pin nén lithium-ion là đối tượng có yêu cầu bắt buộc theo Luật Hàng hoá Nguy hiểm.**

Đối với vận tải thương mại, ví dụ như vận tải do bên thứ ba, đại lý giao nhận, thì yêu cầu đặc biệt về đóng gói và nhãn ghi phải được giám sát. Để chuẩn bị cho mặt hàng cần vận chuyển, cần phải tham khảo ý kiến chuyên gia về vật liệu nguy hiểm. Nếu được, vui lòng tuân thủ các quy định quốc gia chi tiết hơn.

Buộc hoặc niêm phong các tiếp điểm mở và đóng gói pin theo cách đó để nó không thể di chuyển trong bao bì.

11. **Khi rút bỏ hộp pin, hãy tháo chúng khỏi dụng cụ và thả bỏ ở nơi an toàn. Phải tuân thủ theo các quy định của địa phương liên quan đến việc thải bỏ pin.**
12. **Chỉ sử dụng pin cho các sản phẩm Makita chỉ định.** Lắp pin vào sản phẩm không thích hợp có thể gây ra hoả hoạn, quá nhiệt, nổ, hoặc rò chất điện phân.
13. **Nếu dụng cụ không được sử dụng trong một thời gian dài, cần phải tháo pin ra khỏi dụng cụ.**
14. **Trong và sau khi sử dụng, hộp pin có thể bị nóng, có thể gây bỏng hoặc bỏng ở nhiệt độ thấp.** Chú ý xử lý hộp pin nóng.
15. **Không chạm vào điện cực của dụng cụ ngay sau khi sử dụng vì điện cực đủ nóng để gây bỏng.**
16. **Không để vụn bào, bụi hoặc đất bám vào các điện cực, lỗ và rãnh của hộp pin.** Điều này có thể làm nóng, bắt lửa, nổ và gây trục trặc cho dụng cụ hoặc hộp pin, dẫn đến bỏng hoặc thương tích cá nhân.
17. **Trừ khi dụng cụ hỗ trợ sử dụng gần đường dây điện cao thế, không sử dụng hộp pin gần đường dây điện cao thế.** Việc này có thể dẫn đến trục trặc hoặc hỏng hóc dụng cụ hay hộp pin.
18. **Giữ pin tránh xa trẻ em.**

LƯU GIỮ CÁC HƯỚNG DẪN NÀY.

⚠ THẬN TRỌNG: Chỉ sử dụng pin Makita chính hãng. Việc sử dụng pin không chính hãng Makita, hoặc pin đã được sửa đổi, có thể dẫn đến nổ pin gây ra cháy, thương tích và thiệt hại cá nhân. Nó cũng sẽ làm mất hiệu lực bảo hành của Makita dành cho dụng cụ của Makita và bộ sạc.

Mẹo duy trì tuổi thọ tối đa cho pin

1. **Sạc hộp pin trước khi pin bị xả điện hoàn toàn.** Luôn dừng việc vận hành dụng cụ và sạc pin khi bạn nhận thấy công suất dụng cụ bị giảm.
2. **Không được phép sạc lại một hộp pin đã được sạc đầy.** Sạc quá mức sẽ làm giảm tuổi thọ của pin.
3. **Sạc pin ở nhiệt độ phòng 10°C - 40°C.** Để cho hộp pin nóng nguội lại dần trước khi sạc pin.
4. **Khi không sử dụng hộp pin, hãy tháo hộp pin ra khỏi dụng cụ hoặc bộ sạc.**

5. **Sạc pin sáu tháng một lần nếu bạn không sử dụng dụng cụ trong một thời gian dài (hơn sáu tháng).**

LẮP RÁP

⚠ THẬN TRỌNG: Luôn đảm bảo rằng đã tắt dụng cụ và tháo hộp pin ra trước khi thực hiện bất kỳ công việc nào trên dụng cụ.

Lắp vòi phun

Căn chỉnh các phần nhô ra dẫn hướng trên vòi phun với các rãnh khóa trên trụ ngoài khóa của dụng cụ, sau đó đẩy mạnh vòi phun vào trụ ngoài khóa cho đến khi khóa vào đúng vị trí với một tiếng cách. Sau khi đã lắp vòi phun, hãy thử kéo trở lại để đảm bảo vòi phun được giữ chặt tại chỗ.

► **Hình1:** 1. Phần nhô ra dẫn hướng 2. Rãnh khóa 3. Trụ ngoài khóa

CHÚ Ý: Đảm bảo rằng vòi phun đã được gắn chính xác vào dụng cụ sao cho phần nhô ra dẫn hướng trên vòi phun vừa khít với rãnh khóa trên trụ ngoài khóa.

Tháo vòi phun

Giữ đầu vòi phun và xoay vòi phun theo hướng biểu thị bằng mũi tên trên đầu vòi phun để nhả khóa. Kéo vòi phun ra khỏi trụ ngoài khóa sau khi vòi phun được mở khóa.

► **Hình2:** 1. Đầu vòi phun 2. Trụ ngoài khóa

CHÚ Ý: Bụi bắn bám trên bề mặt có thể gây khó khăn trong việc tháo vòi phun ra khỏi dụng cụ. Trong trường hợp như vậy, đầu tiên hãy trượt và giữ trụ ngoài khóa về phía vô ngoài động cơ, sau đó xoay đầu vòi phun để nhả khóa.

⚠ THẬN TRỌNG: Hãy cẩn thận không để ngón tay bạn bị kẹp vào giữa đầu sau của trụ ngoài khóa và vô ngoài động cơ trong khi tháo vòi phun. Trụ ngoài khóa trượt về phía vô ngoài động cơ khi vòi phun được nhả ra khỏi khóa.

► **Hình3:** 1. Trụ ngoài khóa 2. Vô ngoài động cơ

Tháo và lắp nắp chắn bụi

1. Xoay nắp chắn bụi trên ngõ vào đầu hút ở phía sau của vỏ ngoài ngược chiều kim đồng hồ để lấy nắp chắn bụi ra khỏi vỏ ngoài. Có thể tháo hai chốt khóa trên nắp chắn bụi bằng cách căn chỉnh chúng với rãnh dẫn hướng trên vỏ ngoài.

► **Hình4:** 1. Nắp chắn bụi 2. Chốt khóa 3. Ngõ vào đầu hút 4. Rãnh dẫn hướng

2. Lắp lại nắp chắn bụi lên ngõ vào đầu hút, căn chỉnh hai chốt khóa trên nắp chắn bụi với các rãnh dẫn hướng trên vỏ ngoài. Sau đó xoay nắp chắn bụi theo chiều kim đồng hồ để cố định nắp vào đúng vị trí.

► **Hình5:** 1. Nắp chắn bụi 2. Chốt khóa 3. Ngõ vào đầu hút 4. Rãnh dẫn hướng

Lắp và tháo vòi phun dài

Phụ kiện tùy chọn

Bộ vòi phun dài giúp vệ sinh bụi bẩn khỏi các lỗ nhỏ và các điểm hẹp. Chiều dài vòi phun có thể được điều chỉnh theo yêu cầu của bạn.

► **Hình6:** 1. Vòi phun 13 2. Vòi phun dài R 3. Vòi phun dài F

1. Lắp vòi phun dài R xuyên qua lỗ khí của vòi phun 13 từ sau ra trước. Hãy luôn vòi phun qua cho đến khi vòi phun 13 siết chặt vào đầu sau của vòi phun dài R.

► **Hình7:** 1. Vòi phun 13 2. Vòi phun dài R

2. Đặt vòi phun dài F lên trên đầu trước của vòi phun dài R. Dùng tay vận vòi phun dài F cho đến khi với được vận chặt.

► **Hình8:** 1. Vòi phun dài F 2. Vòi phun dài R

3. Căn chỉnh các phần nhỏ ra dẫn hướng trên vòi phun 13 với các rãnh khóa trên trụ ngoài khóa của dụng cụ, sau đó đẩy mạnh vòi phun 13 vào trụ ngoài khóa cho đến khi khóa vào đúng vị trí với một tiếng cách.

► **Hình9:** 1. Phần nhỏ ra dẫn hướng 2. Rãnh khóa 3. Trụ ngoài khóa 4. Vòi phun 13 5. Vòi phun dài R 6. Vòi phun dài F

LƯU Ý: Chỉ sử dụng vòi phun dài R để có phạm vi vận hành ngắn hơn. Sử dụng cả vòi phun dài R và F để có được phạm vi vận hành rộng hơn.

4. Để tháo các vòi phun dài, hãy tháo vòi phun 13 ra khỏi trụ ngoài khóa của dụng cụ, và sau đó tháo rời các vòi phun dài.

Lắp và tháo các vòi phun và phụ tùng dùng để tháo hơi

Phụ kiện tùy chọn

CHÚ Ý: Luôn đảm bảo đã lắp và tháo các vòi phun và phụ tùng dùng để tháo hơi chỉ khi đã tháo bộ ống xả khí khỏi dụng cụ. Thực hiện tháo lắp khi bộ ống xả khí còn được lắp vào dụng cụ có thể làm cho dụng cụ đứng không ổn định và làm dụng cụ rơi xuống.

1. Căn chỉnh các phần nhỏ ra dẫn hướng trên vòi phun van kẹp với các rãnh khóa trên trụ ngoài khóa của bộ ống xả khí, sau đó đẩy mạnh vòi phun van kẹp vào trụ ngoài khóa cho đến khi khóa vào đúng vị trí với một tiếng cách.

► **Hình10:** 1. Vòi phun van kẹp 2. Phần nhỏ ra dẫn hướng 3. Rãnh khóa 4. Trụ ngoài khóa 5. Bộ ống xả khí

Phụ tùng cao su tùy chọn

Phụ tùng cao su tùy chọn cần được đặt trên vòi phun. Cần thận không gắn phụ tùng cao su trực tiếp vào bộ ống xả khí.

i. Căn chỉnh các phần nhỏ ra thanh dẫn trên vòi phun 13 với các rãnh khóa trên trụ ngoài khóa của bộ ống xả khí, sau đó đẩy mạnh vòi phun vào trụ ngoài khóa cho đến khi khóa vào đúng vào vị trí với một tiếng cách.

ii. Đặt phụ tùng cao su lên trên đầu vòi phun bằng cách đẩy và dùng tay vận vào đúng vị trí.

► **Hình11:** 1. Phụ tùng cao su 2. Vòi phun 13 3. Bộ ống xả khí

CHÚ Ý: Đảm bảo rằng vòi phun đã được gắn chính xác vào bộ ống xả khí sao cho phần nhỏ ra dẫn hướng trên vòi phun vừa khít với rãnh khóa trên trụ ngoài khóa.

2. Xoay nắp chắn bụi trên ngõ vào đầu hút ở phía sau của vỏ ngoài ngược chiều kim đồng hồ để lấy nắp chắn bụi ra khỏi vỏ ngoài. Có thể tháo hai chốt khóa trên nắp chắn bụi bằng cách căn chỉnh chúng với rãnh dẫn hướng trên vỏ ngoài.

► **Hình12:** 1. Nắp chắn bụi 2. Chốt khóa 3. Ngõ vào đầu hút 4. Rãnh dẫn hướng

3. Gắn phần đầu của bộ ống xả khí vào ngõ vào đầu hút, căn chỉnh hai chốt khóa trên bộ ống xả khí với rãnh dẫn hướng trên vỏ ngoài. Sau đó giữ và xoay ống hơi phía sau của bộ ống xả khí theo chiều kim đồng hồ để cố định ống vào đúng vị trí.

► **Hình13:** 1. Bộ ống xả khí 2. Ống hơi phía sau 3. Ngõ vào đầu hút 4. Chốt khóa 5. Rãnh dẫn hướng

4. Để tháo vòi phun và phụ tùng dùng để tháo hơi, hãy thực hiện ngược lại với các bước lắp vào.

CHÚ Ý: Luôn giữ và xoay ống hơi phía sau của bộ ống xả khí để lắp và tháo bộ ống xả khí đúng vị trí.

Lắp bộ lọc tùy chọn

Phụ kiện tùy chọn

Có sẵn bộ lọc hiệu suất cao tùy chọn (Bộ lọc C) để hạn chế việc hút bụi vào động cơ trong điều kiện làm việc nhiều bụi.

1. Xoay nắp chắn bụi trên ngõ vào đầu hút ở phía sau của vỏ ngoài ngược chiều kim đồng hồ để lấy nắp chắn bụi ra khỏi vỏ ngoài. Có thể tháo hai chốt khóa trên nắp chắn bụi bằng cách căn chỉnh chúng với rãnh dẫn hướng trên vỏ ngoài.

► **Hình14:** 1. Nắp chắn bụi 2. Chốt khóa 3. Ngõ vào đầu hút 4. Rãnh dẫn hướng

2. Thay thế bộ lọc hiệu suất cao tùy chọn trên ngõ vào đầu hút, căn chỉnh hai chốt khóa trên bộ lọc tùy chọn với rãnh dẫn hướng trên vỏ ngoài. Sau đó xoay bộ lọc tùy chọn theo chiều kim đồng hồ để cố định bộ lọc đúng vị trí.

► **Hình15:** 1. Bộ lọc hiệu suất cao tùy chọn 2. Chốt khóa 3. Ngõ vào đầu hút 4. Rãnh dẫn hướng

CHÚ Ý: Có thể tái sử dụng bộ lọc hiệu suất cao tùy chọn (Bộ lọc C) nhiều lần bằng cách vệ sinh thật sạch. Vệ sinh bụi bẩn thường xuyên vì bộ lọc bị tắc có thể chặn luồng khí và làm giảm hiệu quả vận hành. Thỉnh thoảng rửa bộ lọc trong nước, giữ và làm khô hoàn toàn trong bóng râm trước khi sử dụng.

CHÚ Ý: Tuyệt đối không lau, chà hoặc cào xước bộ lọc hiệu suất cao tùy chọn (Bộ lọc C). Đảm bảo phải lọc hoặc thổi bụi ra khỏi bộ lọc cẩn thận.

MÔ TẢ CHỨC NĂNG

⚠️ THẬN TRỌNG: Luôn đảm bảo rằng đã tắt dụng cụ và tháo hộp pin ra trước khi thực hiện việc điều chỉnh hoặc kiểm tra chức năng trên dụng cụ.

Lắp hoặc tháo hộp pin

⚠️ THẬN TRỌNG: Luôn tắt dụng cụ trước khi lắp hoặc tháo hộp pin.

⚠️ THẬN TRỌNG: Giữ dụng cụ và hộp pin thật chắc khi lắp hoặc tháo hộp pin. Không giữ dụng cụ và hộp pin thật chắc có thể làm trượt chúng khỏi tay và làm hư hỏng dụng cụ và hộp pin hoặc gây thương tích cá nhân.

► **Hình16:** 1. Chỉ báo màu đỏ 2. Nút 3. Hộp pin

Để tháo hộp pin, vừa trượt pin ra khỏi dụng cụ vừa đẩy trượt nút ở phía trước hộp pin.

Để lắp hộp pin, đặt thẳng hàng phần chốt nhỏ ra của hộp pin vào phần rãnh nằm trên vỏ và trượt hộp pin vào vị trí. Đưa hộp pin vào hết mức cho đến khi chốt khóa vào đúng vị trí với một tiếng cách nhẹ. Nếu bạn có thể nhìn thấy chỉ báo màu đỏ như thể hiện trong hình, điều đó có nghĩa vẫn chưa được khóa hoàn toàn.

⚠️ THẬN TRỌNG: Luôn lắp hộp pin khớp hoàn toàn vào vị trí cho đến khi không thể nhìn thấy chỉ báo màu đỏ. Nếu không, hộp pin có thể vô tình rơi ra khỏi dụng cụ, gây thương tích cho bạn hoặc người khác xung quanh.

⚠️ THẬN TRỌNG: Không được dùng sức lắp hộp pin. Nếu hộp pin không nhẹ nhàng trượt vào vị trí, có nghĩa là pin vẫn chưa được lắp đúng.

Chỉ báo dung lượng pin còn lại

Chỉ dành cho hộp pin có đèn chỉ báo

► **Hình17:** 1. Các đèn chỉ báo 2. Nút Check (kiểm tra)

Ấn nút check (kiểm tra) trên hộp pin để chỉ báo dung lượng pin còn lại. Các đèn chỉ báo bật sáng lên trong vài giây.

Các đèn chỉ báo			Dung lượng còn lại
Bật sáng	Tắt	Nhấp nháy	
■ ■ ■ ■			75% đến 100%
■ ■ ■ □			50% đến 75%
■ ■ □ □			25% đến 50%
■ □ □ □			0% đến 25%
■ □ □ □		⚡	Sạc pin.
■ ■ □ □		⚡	Pin có thể đã bị hỏng.
□ □ ■ ■		↑ ↓	

LƯU Ý: Tùy thuộc vào các điều kiện sử dụng và nhiệt độ xung quanh, việc chỉ báo có thể khác biệt một chút so với dung lượng thực sự.

LƯU Ý: Đèn chỉ báo (phía xa bên trái) đầu tiên sẽ nhấp nháy khi hệ thống bảo vệ pin hoạt động.

Hệ thống bảo vệ dụng cụ / pin

Dụng cụ này được trang bị hệ thống bảo vệ dụng cụ / pin. Hệ thống này sẽ tự động ngắt nguồn điện đến động cơ để kéo dài tuổi thọ dụng cụ và pin. Dụng cụ sẽ tự động dừng vận hành khi dụng cụ hoặc pin ở một trong những trường hợp sau đây:

Bảo vệ quá tải

Khi vận hành dụng cụ/pin trong điều kiện làm máy tiêu tốn dòng điện cao bất thường, dụng cụ sẽ tự động dừng hoạt động. Trong trường hợp này, hãy tắt dụng cụ và ngừng ứng dụng làm cho dụng cụ trở nên quá tải. Sau đó bật dụng cụ lên để khởi động lại.

Bảo vệ quá nhiệt

Khi dụng cụ/pin bị quá nhiệt, dụng cụ sẽ tự động dừng. Trong tình huống này, hãy để dụng cụ nguội lại trước khi bật dụng cụ một lần nữa.

Bảo vệ xả điện quá mức

Khi pin trở nên yếu trong quá trình sử dụng, đèn sẽ nhấp nháy để cảnh báo cho bạn. Sau đó dụng cụ sẽ tự động dừng lại, với đèn vẫn sáng trong khoảng 10 giây, không lâu sau khi nguồn pin trở nên quá yếu để vận hành trong quá trình tiếp tục sử dụng. Trong những trường hợp như vậy, hãy tháo pin khỏi dụng cụ và sạc pin.

Bảo vệ chống lại các nguyên nhân khác

Hệ thống bảo vệ cũng được thiết kế để chống lại các nguyên nhân khác có thể làm hỏng dụng cụ và cho phép dụng cụ tự động dừng. Thực hiện tất cả các bước sau đây để loại bỏ các nguyên nhân, khi dụng cụ đã được tạm dừng hoặc ngừng hoạt động.

1. Tắt dụng cụ, sau đó bật lại lần nữa để khởi động lại.
2. Sạc (các) pin hoặc thay pin/các pin bằng (các) pin đã sạc.
3. Để dụng cụ và (các) pin nguội dần.

Nếu không thấy cải thiện bằng cách khôi phục hệ thống bảo vệ, hãy liên hệ với Trung tâm Dịch vụ Makita tại địa phương của bạn.

Hoạt động công tắc

⚠ THẬN TRỌNG: Trước khi lắp hộp pin vào dụng cụ, luôn luôn kiểm tra xem cần khởi động công tắc có hoạt động bình thường hay không và trả về vị trí “OFF” (TẮT) khi nhả ra.

⚠ THẬN TRỌNG: Công tắc có thể khóa ở vị trí “ON” (BẬT) để người vận hành dễ dàng thuận tiện trong quá trình sử dụng kéo dài. Cần hết sức cẩn trọng khi khóa dụng cụ ở vị trí “ON” (BẬT).

⚠ THẬN TRỌNG: Không lắp hộp pin khi nút khóa đang được gài.

⚠ THẬN TRỌNG: Khi không vận hành dụng cụ, ấn xuống nút khóa cần khởi động từ bên có dấu khóa (🔒) được biểu thị để khóa cần khởi động công tắc ở vị trí “OFF” (TẮT).

Nút khóa cần khởi động

Để ngăn ngừa vô tình kéo cần khởi động công tắc, dụng cụ được trang bị một nút khóa cần khởi động. Để khởi động dụng cụ, ấn xuống nút khóa cần khởi động từ bên có dấu mở khóa (🔓) được biểu thị. Để khóa dụng cụ, ấn xuống nút khóa cần khởi động từ bên có dấu khóa (🔒) được biểu thị.

Hãy đảm bảo đã cài đặt nút khóa cần khởi động trở lại vị trí khóa sau mỗi lần sử dụng.

► **Hình18:** 1. Cần khởi động công tắc 2. Nút khóa cần khởi động 3. Dấu mở khóa 4. Dấu khóa

CHÚ Ý: Không kéo mạnh cần khởi động công tắc mà không nhả nút khóa cần khởi động. Điều này có thể làm hỏng công tắc.

Cần khởi động công tắc

Có thể kiểm soát lượng không khí bằng cách bóp cần khởi động công tắc. Lượng không khí được tăng lên khi tăng áp lực lên cần khởi động công tắc. Nhả cần khởi động công tắc ra để dừng.

► **Hình19:** 1. Cần khởi động công tắc

Nút khóa

Để vận hành liên tục, nhấn nút khóa trong khi kéo cần khởi động công tắc và sau đó nhả cần khởi động công tắc. Để hủy vận hành khóa, hãy kéo cần khởi động công tắc hết mức, sau đó nhả ra.

► **Hình20:** 1. Cần khởi động công tắc 2. Nút khóa

Điều chỉnh lượng không khí

Có thể thay đổi lượng không khí ở bốn chế độ, đó là 4 (Tối đa), 3 (Cao), 2 (Trung bình) và 1 (Thấp), tùy thuộc vào ứng dụng và khối lượng công việc. Nhấn nút điều chỉnh lượng không khí để chuyển chế độ theo trình tự sau. Chế độ thay đổi mỗi lần bạn nhấn nút.

► **Hình21:** 1. Lượng không khí thấp 2. Lượng không khí trung bình 3. Lượng không khí cao 4. Lượng không khí tối đa 5. Nút điều chỉnh lượng không khí

Bảng cài đặt lượng không khí

Chế độ lượng không khí	Lượng không khí tối đa
4: Tối đa	1,1 m ³ /min
3: Cao	1,0 m ³ /min
2: Trung bình	0,8 m ³ /min
1: Thấp	0,6 m ³ /min

* Lượng không khí tối đa được đo khi không có vòi phun.

LƯU Ý: Có thể thay đổi chế độ lượng không khí trước khi bật dụng cụ.

LƯU Ý: Dụng cụ sẽ khởi động lại hoạt động ở chế độ lượng không khí được sử dụng lần cuối.

Bật sáng đèn

⚠ THẬN TRỌNG: Đừng nhìn thẳng trực tiếp vào đèn hoặc nguồn sáng.

Để bật đèn, thực hiện một trong các bước sau.

- Nhấn nút điều chỉnh lượng không khí để bật sáng đèn. Đèn vẫn sáng trong khoảng 10 giây.
- Kéo cần khởi động công tắc để bật sáng đèn. Đèn sẽ vẫn sáng trong lúc cần khởi động công tắc đang được kéo. Đèn sẽ tắt khoảng 10 giây sau khi ngừng hoạt động.

LƯU Ý: Khi dung lượng pin còn lại thấp, đèn bắt đầu nhấp nháy. Thời gian khi đèn bắt đầu nhấp nháy sẽ phụ thuộc vào nhiệt độ nơi làm việc và tình trạng hộp pin.

► **Hình22:** 1. Nút điều chỉnh lượng không khí 2. Cần khởi động công tắc 3. Đèn

Lỗ treo

⚠ THẬN TRỌNG: Trước khi treo dụng cụ, luôn đảm bảo rằng lỗ treo không bị hỏng.

⚠ THẬN TRỌNG: Chỉ sử dụng các bộ phận treo/gắn dựa vào mục đích thiết kế của chúng. Sử dụng sai mục đích có thể gây ra tai nạn hoặc thương tích cá nhân.

⚠ THẬN TRỌNG: Bạn cần phải xem xét trước tải trọng chịu được đối với khung và giá đỡ dụng cụ của bạn. Không đặt dụng cụ nếu dụng cụ vượt quá tải trọng chịu được trên khung và giá đỡ.

⚠ THẬN TRỌNG: Đảm bảo rằng lỗ treo đã móc chặt trước khi buông dụng cụ ra.

Sử dụng lỗ treo ở phần trên phía sau vỏ ngoài để treo dụng cụ lên móc của khung và giá đỡ.

► **Hình23:** 1. Lỗ treo 2. Móc treo

Lắp móc treo

Phụ kiện tùy chọn

⚠CẢNH BÁO: Sử dụng các bộ phận treo/gắn chỉ với mục đích thiết kế, ví dụ: treo dụng cụ lên dây đai dụng cụ giữa các công việc hoặc khoảng thời gian làm việc.

⚠CẢNH BÁO: Cần thận trọng để móc treo quá tải vì dùng lực quá mạnh hoặc tải trọng bất thường có thể gây hư hỏng dụng cụ, dẫn đến thương tích cá nhân.

⚠THẬN TRỌNG: Khi lắp đặt móc treo, luôn siết vít thật chặt. Nếu không làm vậy, móc treo có thể rơi ra khỏi dụng cụ và gây thương tích cá nhân.

⚠THẬN TRỌNG: Đảm bảo treo chắc dụng cụ trước buông dụng cụ ra. Treo dụng cụ không chắc chắn hoặc không cân bằng có thể làm dụng cụ rơi ra và bạn có thể bị thương.

► **Hình24:** 1. Rãnh 2. Móc treo 3. Vít

Móc treo rất thuận tiện cho việc treo tạm dụng cụ. Móc treo có thể được lắp ở cả hai bên của dụng cụ. Để lắp đặt móc treo, hãy lắp nó vào rãnh trên vỏ dụng cụ trên bất cứ mặt nào và sau đó xiết chặt lại bằng vít. Để tháo ra, hãy vặn lỏng vít rồi lấy móc treo ra.

VẬN HÀNH

⚠THẬN TRỌNG: Không hướng vòi phun vào bất kỳ ai ở gần đó trong quá trình vận hành.

CHÚ Ý: Không được chặn ngỗng vào đầu hút và/hoặc ngỗng ra máy thổi trong quá trình vận hành.

Các mục đích thổi bụi thông dụng

Vòi phun được khuyến dùng

— Vòi phun 13

Vệ sinh bề mặt và sàn công tác của bạn bằng cách thổi bụi, bụi bẩn, mảnh vụn, kim loại vụn hoặc rác nói chung.

Hướng vòi phun về phía bề mặt ở khoảng cách thích hợp và di chuyển vòi phun xung quanh để thổi toàn bộ.

► **Hình25**

⚠THẬN TRỌNG: Không bao giờ thổi mảnh vụn theo hướng của những người xung quanh hoặc thú cưng.

⚠THẬN TRỌNG: Sử dụng thiết bị bảo vệ cá nhân như mặt nạ chống bụi và thiết bị bảo vệ mắt.

CHÚ Ý: Loại bỏ vật chần trên bề mặt trước khi vận hành máy thổi bụi.

Thổi bụi trong không gian kín

Vòi phun được khuyến dùng

— Vòi phun 3

Thổi vào các điểm kín, các góc và khoảng trống gần tường để loại bỏ bụi.

Hướng vòi phun thẳng vào các khoảng trống với khoảng cách phù hợp và bóp cần khởi động công tắc để điều khiển lượng không khí thổi ra.

► **Hình26**

► **Hình27**

⚠THẬN TRỌNG: Giữ vòi phun ở khoảng cách phù hợp với các điểm thổi bụi để tránh thổi bụi vào không khí.

⚠THẬN TRỌNG: Sử dụng thiết bị bảo vệ cá nhân như mặt nạ chống bụi và thiết bị bảo vệ mắt.

CHÚ Ý: Tránh chặn các lỗ thông hơi xung quanh ngỗng ra máy thổi. Nếu không có thể gây ra tiếng ồn và rung đột ngột và có thể ảnh hưởng đến hiệu suất hoạt động của dụng cụ.

► **Hình28:** 1. Lỗ thông hơi 2. Ngỗng ra máy thổi

Thổi bụi bộ lọc khí

Vòi phun được khuyến dùng

— Vòi phun 7

Thổi bụi bề mặt bộ lọc bằng cách thổi không khí từ mặt này của bộ lọc qua mặt kia.

Hướng vòi phun vào bề mặt bộ lọc trong khoảng cách ngắn và di chuyển từ mặt này sang mặt kia để thổi bụi ra khỏi bề mặt.

► **Hình29**

⚠THẬN TRỌNG: Sử dụng thiết bị bảo vệ cá nhân như mặt nạ chống bụi và thiết bị bảo vệ mắt.

LƯU Ý: Hướng vòi phun vào góc theo đường viền của bộ lọc để có thể dễ dàng loại bỏ bụi đã bám.

Thổi bụi ở khu vực rộng và mở

Vòi phun được khuyến dùng

— Vòi phun phạm vi rộng

Thổi không khí vào bụi bẩn và chất lỏng trên các bề mặt mở rộng như mặt bàn và sàn nhà, sử dụng vòi phun năm lỗ với phạm vi thổi 120 độ.

Hướng vòi phun qua khu vực rộng trong khoảng cách nhất định và di chuyển tới lui và từ bên này sang bên kia để thổi rộng ra.

► **Hình30**

⚠THẬN TRỌNG: Sử dụng thiết bị bảo vệ cá nhân như mặt nạ chống bụi và thiết bị bảo vệ mắt.

Bơm hơi các vật bơm hơi bằng nhựa

Vòi phun được khuyến dùng

- Vòi phun van kẹp
- Vòi phun 13

Lượng không khí có thể bơm với hộp pin đã được sạc đầy BL1860B mà không sạc lại

Chế độ lượng không khí	Lượng không khí có thể bơm (Với vòi phun van kẹp)	Số lượng bóng bãi biển bằng nhựa ø61 cm tương đương với lượng không khí (Với vòi phun van kẹp)
4: Tối đa	13,0 m ³	110
3: Cao	13,4 m ³	115
2: Trung bình	15,6 m ³	130
1: Thấp	22,8 m ³	190

LƯU Ý: Áp suất không khí đầu ra tối đa của dụng cụ này là 20,2 kPa.

(Có vòi phun 13)

Bơm hơi đồ chơi bãi biển, gối, và các vật bơm hơi nhỏ bằng nhựa tương tự với vòi phun van kẹp. Bơm hơi hồ bơi trong vườn, đệm hơi, và các vật bơm hơi nhỏ bằng nhựa tương tự với vòi phun 13.

Lắp vòi phun vào đầu hút khí trên vật bơm hơi và kéo cần khởi động công tắc để bắt đầu bơm hơi. Từ từ nhả cần khởi động công tắc để giảm lượng không khí khi vật bơm hơi gần được bơm đầy. Tháo vòi phun ra khỏi đầu hút khí sau khi dừng luồng khí rồi đóng đầu hút khí.

- Hình31
- Hình32

⚠ THẬN TRỌNG: Luôn cẩn thận để vật bơm hơi không bị bơm quá phồng trong quá trình vận hành. Nếu không có thể làm vỡ vật bơm hơi, có thể làm hỏng dụng cụ và thương tích cá nhân.

⚠ THẬN TRỌNG: Tuyệt đối không để dụng cụ không có người giám sát khi vòi phun được gắn vào vật bơm hơi hoặc trong quá trình vận hành.

⚠ THẬN TRỌNG: Lưu ý rằng dòng khí được làm nóng có thể đi qua lỗ thông hơi ở nút cổ chai của vòi phun van kẹp do lưu thông không khí.

LƯU Ý: Đảm bảo đã đưa toàn bộ vòi phun van kẹp vào đầu hút khí sao cho đầu vòi phun có thể mở van bản lề bên trong đầu hút khí.

LƯU Ý: Đối với vật bơm hơi có phần miệng đầu hút khí nhỏ, hãy đưa phần đầu hẹp của vòi phun van kẹp vào đầu hút khí cho đến khi phần nút cổ chai của đầu vòi phun chạm vào phần vành của đầu hút khí.

LƯU Ý: Đối với vật bơm hơi có phần miệng đầu hút khí lớn, hãy đưa toàn bộ đầu vòi phun van kẹp vào đầu hút khí để mở van bản lề bên trong đầu hút khí.

- Hình33: 1. Van bản lề 2. Miệng đầu hút khí nhỏ 3. Miệng đầu hút khí lớn 4. Nút cổ chai 5. Lỗ thông hơi

LƯU Ý: Nếu đầu hút khí trên vật bơm hơi nhỏ hơn đầu vòi phun van kẹp, hãy ép và mở rộng đầu hút khí bằng tay, sau đó xoắn và đưa đầu vòi phun vào trong đầu hút khí.

Thổi bụi ở các lỗ và điểm hẹp

Phụ kiện tùy chọn

Vòi phun được khuyến dùng

- Bọt vòi phun dài

Vệ sinh sạch bụi ở các lỗ nhỏ và điểm hẹp. Chiều dài vòi phun có thể được điều chỉnh theo yêu cầu của bạn.

Lắp các vòi phun dài R và F với nhau để có được phạm vi vận hành dài hơn, ví dụ, vệ sinh các lỗ neo dưới chân của bạn.

► Hình34

Chỉ sử dụng vòi phun dài R để có phạm vi vận hành ngắn hơn, ví dụ, vệ sinh các vết bẩn trên tường.

► Hình35

⚠ THẬN TRỌNG: Sử dụng thiết bị bảo vệ cá nhân như mặt nạ chống bụi và thiết bị bảo vệ mắt.

Thổi bụi trong không gian hẹp

Phụ kiện tùy chọn

Vòi phun được khuyến dùng

- Vòi phun mềm 6

Thổi bụi ra khỏi bất kỳ điểm khó tiếp cận nào. Rất hiệu quả để vệ sinh động cơ, loại bỏ bụi trong ô tô, thổi bụi thùng máy tính.

Hướng vòi phun vào một góc trong tầm với, và thổi qua lại để làm sạch bụi còn sót lại. Thay đổi góc độ của vòi phun khi thổi để giúp thổi ra một số mảnh vụn và bụi cứng hơn.

► Hình36

⚠ THẬN TRỌNG: Sử dụng thiết bị bảo vệ cá nhân như mặt nạ chống bụi và thiết bị bảo vệ mắt.

CHÚ Ý: Tránh chặn các lỗ thông hơi quanh đầu ống mềm. Nếu không có thể gây ra tiếng ồn và rung đột ngột và có thể ảnh hưởng đến hiệu suất hoạt động của dụng cụ.

- Hình37: 1. Lỗ thông hơi

Tháo hơi các vật bơm hơi bằng nhựa

Phụ kiện tùy chọn

CHÚ Ý: Luồng khí xả đi qua ngõ ra máy thổi của dụng cụ. Không thoát khí xả vào tường, trần nhà hoặc không gian bị che khuất của tòa nhà.

CHÚ Ý: Tránh tháo hơi các vật bơm hơi trong điều kiện ẩm ướt và bụi bẩn vì nước, bụi, và các chất bên ngoài tương tự trên bề mặt có thể rơi vào động cơ gây hư hỏng cho dụng cụ. Lau khô và làm sạch hoàn toàn vật bơm hơi trước khi thực hiện hoạt động tháo hơi.

CHÚ Ý: Tuyệt đối không để dụng cụ không có người giám sát khi tháo hơi vật bơm hơi. Để động cơ hoạt động liên tục sau khi đã tháo hơi xong có thể gây quá nhiệt.

Vòi phun và phụ tùng được khuyến dùng

- Bộ ống xả khí
- Vòi phun van kẹp
- Phụ tùng cao su 20 - 30
- Phụ tùng cao su 65

Tháo hơi các vật bơm hơi với vòi phun phù hợp theo sở thích và ứng dụng của bạn.

1. Đặt vòi phun hoặc phụ tùng cao su lên bộ ống xả khí.
2. Thay nắp chắn bụi trên đầu hút của dụng cụ bằng bộ ống xả khí.
3. Lắp vòi phun vào van khí hoặc đặt phụ tùng trên van khí lên các vật bơm hơi, và kéo cần khởi động công tắc để bắt đầu tháo hơi.
4. Nhả cần khởi động công tắc từ từ để giảm lượng khí hút vào khi vật bơm hơi gần được tháo hơi hoàn toàn.
5. Tháo vòi phun hoặc phụ tùng ra khỏi van khí sau khi dừng luồng khí và sau đó đóng van khí.

Với vòi phun van kẹp

► Hình38

Với phụ tùng cao su 20 - 30

► Hình39

Với phụ tùng cao su 65

► Hình40

BẢO TRÌ

⚠THẬN TRỌNG: Hãy luôn chắc chắn rằng dụng cụ đã được tắt và hộp pin đã được tháo ra trước khi cố gắng thực hiện việc kiểm tra hay bảo dưỡng.

Để đảm bảo ĐỘ AN TOÀN và ĐỘ TIN CẬY của sản phẩm, việc sửa chữa hoặc bất cứ thao tác bảo trì, điều chỉnh nào đều phải được thực hiện bởi các Trung tâm Dịch vụ Nhà máy hoặc Trung tâm được Makita Ủy quyền và luôn sử dụng các phụ tùng thiết bị thay thế của Makita.

CHÚ Ý: Không được phép dùng xăng, ét xăng, dung môi, cồn hoặc hóa chất tương tự. Có thể xảy ra hiện tượng mất màu, biến dạng hoặc nứt vỡ.

Vệ sinh

Vệ sinh thân máy

Vệ sinh thân máy của dụng cụ bằng vải khô hoặc vải thấm nước xà phòng định kỳ.

Vệ sinh vòi phun

Làm sạch phần tắc nghẽn hoặc bụi ở miệng vòi phun trước và sau mỗi lần sử dụng.

Tháo và lắp bộ lọc

⚠THẬN TRỌNG: Sau khi vệ sinh bộ lọc, hãy đảm bảo đã lắp lại bộ lọc vào đúng vị trí.

Vệ sinh bộ lọc định kỳ vì sử dụng bộ lọc bị tắc có thể dẫn đến hiệu suất hút kém.

1. Xoay nắp chắn bụi trên ngõ vào đầu hút ở phía sau của vỏ ngoài ngược chiều kim đồng hồ để lấy nắp chắn bụi ra khỏi vỏ ngoài. Có thể tháo hai chốt khóa trên nắp chắn bụi bằng cách căn chỉnh chúng với rãnh dẫn hướng trên vỏ ngoài.

► Hình41: 1. Nắp chắn bụi 2. Chốt khóa 3. Ngõ vào đầu hút 4. Rãnh dẫn hướng

2. Lấy bộ lọc bọt biển tròn B (xám đen) ra khỏi nhô vào đầu hút.

► Hình42: 1. Bộ lọc bọt biển tròn B (xám đen)

Không được tháo bộ lọc bọt biển A (vàng) được đặt xa hơn ở bên trong ngõ vào đầu hút khi bộ lọc này cần phải đặt ở đó để bảo vệ động cơ khỏi bất kỳ hư hỏng nào.

► Hình43: 1. Bộ lọc bọt biển A (vàng)

3. Lau và loại bỏ bụi ra khỏi bộ lọc bọt biển tròn B bằng tay. Thỉnh thoảng rửa bộ lọc trong nước, giữ và làm khô hoàn toàn trong bóng râm trước khi sử dụng.

► Hình44

► Hình45

CHÚ Ý: Sau khi rửa bằng nước, làm khô bộ lọc bọt biển tròn B trước khi lắp vào. Bộ lọc chưa khô có thể làm giảm tuổi thọ của động cơ.

CHÚ Ý: Không bao giờ rửa bộ lọc bằng máy giặt.

CHÚ Ý: Không chà hoặc cào xước bộ lọc bằng các vật cứng như bàn chải.

LƯU Ý: Bộ lọc sẽ mòn dần theo thời gian. Khuyến nghị nên có phụ tùng thay thế cho chúng.

4. Đặt bộ lọc bọt biển tròn B trở lại ngó vào đầu hút. Đảm bảo rằng cạnh bên trong của miệng đầu hút giữ bộ lọc bọt biển tròn B, đồng thời không có khoảng hở giữa bộ lọc bọt biển và ngó vào đầu hút.

► **Hình46:** 1. Bộ lọc bọt biển tròn B 2. Cạnh bên trong

5. Lắp lại nắp chắn bụi lên ngó vào đầu hút, căn chỉnh hai chốt khóa trên nắp chắn bụi với các rãnh dẫn hướng trên vỏ ngoài. Sau đó xoay nắp chắn bụi theo chiều kim đồng hồ để cố định nắp vào đúng vị trí.

► **Hình47:** 1. Nắp chắn bụi 2. Chốt khóa 3. Ngó vào đầu hút 4. Rãnh dẫn hướng

XỬ LÝ SỰ CỐ

Trước khi yêu cầu sửa chữa, đầu tiên hãy tự tiến hành kiểm tra của riêng bạn. Nếu bạn phát hiện vấn đề nào đó không được giải thích trong sách hướng dẫn sử dụng này, đừng cố tháo dỡ máy. Thay vào đó, hãy nhờ Trung tâm dịch vụ Makita được ủy quyền, luôn sử dụng bộ phận thay thế của Makita để sửa chữa.

Tình trạng bất thường	Nguyên nhân tiềm tàng (sự cố hóc)	Biện pháp khắc phục
Động cơ không chạy.	Hệ thống truyền động không làm việc đúng cách.	Nhờ trung tâm bảo trì được ủy quyền ở địa phương sửa chữa.
Động cơ ngừng chạy sau khi ít sử dụng đến.	Quá nhiệt.	Ngừng sử dụng dụng cụ để làm nguội dụng cụ.
Dụng cụ không đạt được lượng không khí tối đa.	Hệ thống truyền động không làm việc đúng cách.	Nhờ trung tâm bảo trì được ủy quyền ở địa phương sửa chữa.
Rung bất thường: ⇒ ngừng dụng cụ ngay lập tức!	Hệ thống truyền động không làm việc đúng cách.	Nhờ trung tâm bảo trì được ủy quyền ở địa phương sửa chữa.
Động cơ không thể dừng lại: ⇒ Tháo hộp pin ngay lập tức!	Hư hỏng điện hoặc điện tử.	Tháo pin và nhờ trung tâm bảo trì được ủy quyền ở địa phương sửa chữa.

PHỤ KIỆN TỰY CHỌN

⚠ THẬN TRỌNG: Các phụ kiện hoặc phụ tùng gắn thêm này được khuyến cáo sử dụng với sản phẩm Makita của bạn theo như quy định trong hướng dẫn này. Việc sử dụng bất cứ phụ kiện hoặc phụ tùng gắn thêm nào khác đều có thể gây ra rủi ro thương tích cho người. Chỉ sử dụng phụ kiện hoặc phụ tùng gắn thêm cho mục đích đã quy định sẵn của chúng.

Nếu bạn cần bất kỳ sự hỗ trợ nào để biết thêm chi tiết về các phụ tùng này, hãy hỏi Trung tâm Dịch vụ của Makita tại địa phương của bạn.

- Vòi phun 3
- Vòi phun 7
- Vòi phun 13
- Vòi phun phạm vi rộng
- Vòi phun van kẹp
- Vòi phun mềm 6
- Bộ vòi phun dài
- Bộ ống xả khí
- Phụ tùng cao su 20 - 30
- Phụ tùng cao su 65
- Bộ lọc C
- Móc treo
- Pin và bộ sạc chính hãng của Makita

LƯU Ý: Một số mục trong danh sách có thể được bao gồm trong gói sản phẩm làm phụ kiện tiêu chuẩn. Các mục này có thể thay đổi tùy theo từng quốc gia.

ข้อมูลจำเพาะ

รุ่น:	DAS180		
ความเร็วลม (เฉลี่ย) ^{*2*}	163 m/s		
ความเร็วลม (สูงสุด) ^{*2*}	200 m/s		
ปริมาตรอากาศสูงสุด ^{*1*}	1.1 m ³ /min		
แรงเป่าลมสูงสุด ^{*1*}	4: สูงสุด	2.8 N (0.29 kgf)	
	3: สูง	2.3 N (0.23 kgf)	
	2: ปานกลาง	1.7 N (0.17 kgf)	
	1: ต่ำ	1.1 N (0.11 kgf)	
การใช้งานต่อเนื่อง ^{*1*}	4: สูงสุด	15 min	
	3: สูง	20 min	
	2: ปานกลาง	30 min	
	1: ต่ำ	55 min	
แรงดันอากาศสูงสุด ^{*2*}	29.7 kPa		
ขนาด (ยาว x กว้าง x สูง) ^{*1*}	179 mm x 92 mm x 297 mm		
แรงดันไฟฟ้าที่กำหนด	D.C. 18 V		
น้ำหนักสุทธิ	1.2 - 1.7 kg		

^{*1} โดยไม่มีหัวเป่า

^{*2} ด้วยรุ่นแบตเตอรี่ BL1860B

^{*3} ด้วยหัวเป่าเบอร์ 7

- เนื่องจากการค้นคว้าวิจัยและพัฒนาอย่างต่อเนื่อง ข้อมูลจำเพาะในเอกสารฉบับนี้อาจเปลี่ยนแปลงได้โดยไม่ต้องแจ้งให้ทราบล่วงหน้า
- ข้อมูลจำเพาะอาจแตกต่างกันไปในแต่ละประเทศ
- น้ำหนักอาจแตกต่างกันไปตามอุปกรณ์เสริม รวมถึงตลับแบตเตอรี่ การติดอุปกรณ์เสริมที่เบาที่สุดและหนักที่สุดตามข้อบังคับของ EPTA 01/2014 มีแสดงอยู่ในตาราง

ตลับแบตเตอรี่และเครื่องชาร์จที่ใช้ได้

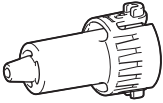
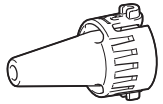
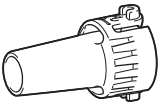
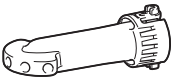
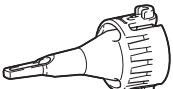
ตลับแบตเตอรี่	BL1815N / BL1820B / BL1830B / BL1840B / BL1850B / BL1860B
เครื่องชาร์จ	DC18RC / DC18RD / DC18RE / DC18SD / DC18SE / DC18SF / DC18SH / DC18WC

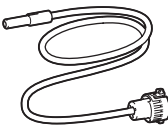

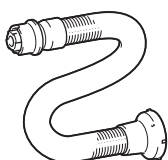

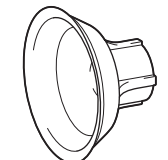
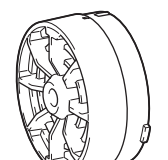
- ตลับแบตเตอรี่และเครื่องชาร์จบางรายการที่แสดงอยู่ด้านบนอาจไม่มีวางจำหน่ายขึ้นอยู่กับภูมิภาคที่คุณอาศัยอยู่

⚠ คำเตือน: ใช้ตัลลับแบตเตอรี่และเครื่องชาร์จที่ระบุไว้ข้างบนเท่านั้น การใช้ตัลลับแบตเตอรี่และเครื่องชาร์จประเภทอื่นอาจก่อให้เกิดความเสี่ยงที่จะได้รับบาดเจ็บและ/หรือเกิดไฟไหม้

หัวเป่าและอุปกรณ์ต่อพ่วงที่ใช้งานได้





อุปกรณ์เสริม


หัวเป่าและอุปกรณ์ต่อพ่วง	การใช้งานและจุดประสงค์	เส้นผ่านศูนย์กลาง
หัวเป่าเบอร์ 3 	เป่าลมในพื้นไม้แคบ ขอบมุม และพื้นที่ซิดมั่งเพื่อกำจัดฝุ่น	Ø3.0 mm
หัวเป่าเบอร์ 7 	เป่าฝุ่นตัวกรอง	Ø7.0 mm
หัวเป่าเบอร์ 13 	<p>การใช้เป็นเครื่องเป่าลม ใช้ทำความสะอาดพื้นผิวงานและเป่าฝุ่นทั่วไป ทำความสะอาดรูสมอด้วยหัวเป่ายาวที่เตรียมไว้ให้ ใช้เป็นตัวเชื่อมต่อระหว่างหัวเป่ายาวและช่องปล่อยลมออกของเครื่องมือ</p> <p>การใช้เป็นเครื่องสูบลม ใช้สูบลมเข้าสะพานเป่าลมหรือที่นอนเบาขนาดใหญ่</p> <p>การใช้เป็นเครื่องดูดลม ใช้ดูดลมออกจากสะพานเป่าลมหรือที่นอนเบาขนาดใหญ่ ใช้เป็นตัวเชื่อมต่อระหว่างชุดท่อลมและยางพ่วง</p>	Ø13 mm
หัวเป่ากว้าง 	เป่าสิ่งสกปรกและของเหลวจากโต๊ะทำงานและพื้นที่เปิดโล่ง ระยะการเป่า: 120° ด้วย 5 รู	Ø6.0 mm * เส้นผ่านศูนย์กลางของหนึ่งรู
หัวเป่าแคบ 	เป่าลม/ดูดลมสำหรับของเล่นชายหาด หมอน และวัตถุพลาสติกเป่าลมที่คล้ายกัน * สามารถใช้ดูดลมได้โดยการใช้งานร่วมกับชุดท่อลมที่เตรียมไว้ให้	Ø7.0 mm

หัวเป่าและอุปกรณ์ต่อพ่วง	การใช้งานและจุดประสงค์	เส้นผ่านศูนย์กลาง
<p>หัวเป่ายืดหยุ่นเบอร์ 6</p> 	<p>เป่าฝุ่นออกจากจุดที่เข้าถึงยาก คอมพิวเตอร์ และอุปกรณ์ที่ใกล้เตียง</p>	<p>Ø6.0 mm x 800 mm</p>
<p>ชุดหัวเป่ายาว</p> 	<p>ชุดหัวเป่าที่เหมาะสมสำหรับการเป่าฝุ่นออกจากรูสมอและจุดที่แคบ สามารถเปลี่ยนความยาวหัวเป่าได้โดยการสลับหัวเป่า * สามารถติดตั้งหัวเป่ายาวโดยใช้หัวเป่าเบอร์ 13 เป็นตัวเชื่อม</p>	<p>Ø8.0 mm</p>
<p>ชุดท่อลม</p> 	<p>สูบ/ดูดลมด้วยหัวเป่าที่เหมาะสม</p>	<p>-</p>
<p>ยางพ่วง 20 - 30</p> 	<p>หัวเป่าที่เหมาะสมสำหรับการดูดลมจากที่นอนเบาะลม แพ เรือ และสระน้ำเป่าลม * อุปกรณ์ต่อพ่วงนี้ต้องการติดตั้งร่วมกับชุดท่อลมและหัวเป่าเบอร์ 13</p>	<p>Ø20 - 30 mm * เส้นผ่านศูนย์กลางด้านนอก</p>
<p>ยางพ่วง 65</p> 	<p>อุปกรณ์ต่อพ่วงที่เหมาะสมสำหรับช่วยในการแพกเก็บเสื้อผ้าด้วยการดูดลมออก * อุปกรณ์ต่อพ่วงนี้ต้องการติดตั้งร่วมกับชุดท่อลมและหัวเป่าเบอร์ 13</p>	<p>Ø65 mm</p>
<p>ตัวกรอง C</p> 	<p>อุปกรณ์ต่อพ่วงที่ออกแบบสำหรับการลดปริมาณฝุ่นที่เข้าไปในมอเตอร์เมื่อใช้ในสภาวะการทำงานที่มีฝุ่น</p>	<p>-</p>

สัญลักษณ์

ต่อไปนี้เป็นสัญลักษณ์ที่อาจใช้สำหรับอุปกรณ์ โปรดศึกษาความหมายของสัญลักษณ์ให้เข้าใจก่อนการใช้งาน

	อ่านคู่มือการใช้งาน
	ดูแลให้มืออยู่ห่างจากชิ้นส่วนที่หมุนอยู่
	หมที่ยวอาจเข้าไปติดและทำให้เกิดอุบัติเหตุได้
	อย่าให้ผู้อื่นเข้ามาใกล้บริเวณที่ปฏิบัติงาน
	สวมใส่อุปกรณ์ป้องกันดวงตาและหู
	อย่าให้เครื่องมือโดนความชื้น

 Ni-MH
Li-ion

สำหรับประเทศในสหภาพยุโรปเท่านั้น เนื่องจากในอุปกรณ์มีส่วนประกอบอันตราย ชะยะจำพวกอุปกรณ์ไฟฟ้า และอิเล็กทรอนิกส์ แบตเตอรี่ และหม้อแบตเตอรี่จึงอาจส่งผลกระทบต่อสิ่งแวดล้อมและสุขภาพของมนุษย์ในเชิงลบ

อย่าทิ้งเครื่องใช้ไฟฟ้าและอิเล็กทรอนิกส์ หรือแบตเตอรี่ร่วมกับวัสดุเหลือทิ้งในครัวเรือน!

เพื่อให้เป็นไปตามกฎระเบียบของยุโรป ว่าด้วยชะยะจำพวกอุปกรณ์ไฟฟ้าและอิเล็กทรอนิกส์ และหม้อสะสมไฟฟ้าและแบตเตอรี่ และชะยะจำพวกหม้อสะสมไฟฟ้าและแบตเตอรี่ รวมถึงการบังคับใช้ตามกฎหมายภายในประเทศ ควรมีการจัดเก็บชะยะจำพวกอุปกรณ์ไฟฟ้า แบตเตอรี่ และหม้อสะสมไฟฟ้าแยกต่างหากและส่งไปยังจุดรับชะยะต่างหากในเขตเทศบาลซึ่งมีการดำเนินการตามระเบียบว่าด้วยการดูแลสิ่งแวดล้อม

โดยระบุด้วยสัญลักษณ์เส้นคาดขวางรูปถังชะยะแบบมีล้อไว้บนอุปกรณ์

จุดประสงค์การใช้งาน

เครื่องมือนี้มีจุดประสงค์เพื่อเป่าฝุ่น สูดลมและดูดลมสำหรับสิ่งของเป่าลม โดยมีหัวเป่าที่เปลี่ยนได้ตามความต้องการเหมาะสมสำหรับการใช้งานเชิงพาณิชย์และในครัวเรือน เช่น การทำความสะอาดพื้นที่ทำงาน ตัวกรองฝุ่น และของเล่นชายหาดเป่าลม

คำเตือนด้านความปลอดภัย

คำเตือนด้านความปลอดภัยของเครื่องมือไฟฟ้าทั่วไป

คำเตือน อ่านคำเตือนด้านความปลอดภัย คู่มือ ภาพและข้อมูลจำเพาะที่มีมาให้พร้อมกับเครื่องมือไฟฟ้านี้ หากไม่ปฏิบัติตามคำเตือนทั้งหมดด้านล่างนี้อาจส่งผลให้เกิดไฟช็อต ไฟไหม้ และ/หรือได้รับบาดเจ็บสาหัสได้

เก็บรักษาคำเตือนและคำแนะนำทั้งหมดไว้เป็นข้อมูลอ้างอิงในอนาคต

คำว่า “เครื่องมือไฟฟ้า” ในคำเตือนนี้หมายถึงเครื่องมือไฟฟ้า (มีสาย) ที่ทำงานโดยใช้กระแสไฟฟ้าหรือเครื่องมือไฟฟ้า (ไร้สาย) ที่ทำงานโดยใช้แบตเตอรี่

ความปลอดภัยของพื้นที่ทำงาน

1. ดูแลพื้นที่ทำงานให้มีความสะอาดและมีแสงไฟสว่าง พื้นที่ที่กระเบื้องกระเบื้องหรือมีดที่บอบบางนำไปสู่การเกิดอุบัติเหตุได้
2. อย่าใช้งานเครื่องมือไฟฟ้าในสภาพที่อาจเกิดการระเบิด เช่น ในสถานที่ที่มีของเหลว ก๊าซ หรือฝุ่นผงที่มีคุณสมบัติไวไฟ เครื่องมือไฟฟ้าอาจสร้างประกายไฟและจุดชนวนฝุ่นผงหรือก๊าซดังกล่าว
3. ดูแลไม่ให้มีเด็กๆ หรือบุคคลอื่นอยู่ในบริเวณที่กำลังใช้เครื่องมือไฟฟ้า การมีสิ่งรบกวนสมาธิอาจทำให้คุณสูญเสียการควบคุม

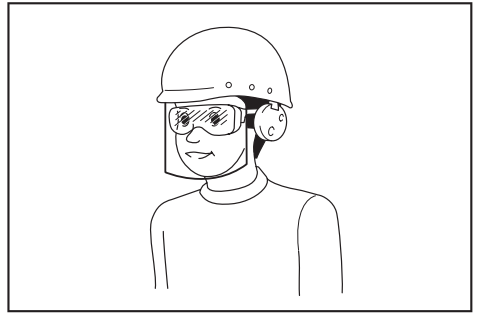
ความปลอดภัยด้านไฟฟ้า

1. ปลั๊กของเครื่องมือไฟฟ้าต้องพอดีกับเต้ารับ อย่าดัดแปลงปลั๊กไม่ว่ากรณีใดๆ อย่าใช้ปลั๊กอะแดปเตอร์กับเครื่องมือไฟฟ้าที่ต่อสายดิน ปลั๊กที่ไม่ถูกดัดแปลงและเต้ารับที่เข้ากันพอดีจะช่วยลดความเสี่ยงของการเกิดไฟฟ้าช็อต
2. ระวังอย่าให้ร่างกายสัมผัสกับพื้นผิวที่ต่อสายดิน เช่น ท่อ เครื่องนำความร้อน เตาทุงต้ม และตู้เย็น มีความเสี่ยงที่จะเกิดไฟฟ้าช็อตสูงขึ้น หากร่างกายของคุณสัมผัสกับพื้น
3. อย่าให้เครื่องมือไฟฟ้าถูกน้ำหรืออยู่ในสภาพเปียกชื้น น้ำที่ไหลเข้าไปในเครื่องมือไฟฟ้าจะเพิ่มความเสี่ยงของการเกิดไฟฟ้าช็อต
4. อย่าใช้สายไฟอย่างไม่เหมาะสม อย่าใช้สายไฟเพื่อยก ดึง หรือถอดปลั๊กเครื่องมือไฟฟ้า เก็บสายไฟให้ห่างจากความร้อน น้ำมัน ของมีคม หรือชิ้นส่วนที่เคลื่อนที่ สายที่ชำรุดหรือพันกันจะเพิ่มความเสี่ยงของการเกิดไฟฟ้าช็อต

- ขณะที่ใช้งานเครื่องมือไฟฟ้านอกอาคาร ควรใช้สายต่อพ่วงที่เหมาะสมกับงานภายนอกอาคาร การใช้สายที่เหมาะสมกับงานภายนอกอาคารจะลดความเสี่ยงของการเกิดไฟฟ้าช็อต
- หากต้องใช้งานเครื่องมือไฟฟ้าในสถานที่เปียกชื้น ให้ใช้อุปกรณ์ป้องกันกระแสไฟรั่ว (RCD) การใช้ RCD จะลดความเสี่ยงของการเกิดไฟฟ้าช็อต
- เครื่องมือไฟฟ้าอาจสร้างสนามแม่เหล็ก (EMF) ที่ไม่เป็นอันตรายต่อผู้ใช้ อย่างไรก็ตาม ผู้ใช้ที่ใส่เครื่องกระตุ้นหัวใจและอุปกรณ์ทางการแพทย์ที่คล้ายกันนี้ ควรติดต่อผู้ผลิตอุปกรณ์และ/หรือแพทย์เพื่อรับคำแนะนำก่อนใช้งานเครื่องมือไฟฟ้านี้
- อย่าให้ความคุ้นเคยจากการใช้งานเครื่องมือเป็นประจำทำให้คุณทำตามตามสบายและละเลยหลักการเพื่อความปลอดภัยในการใช้เครื่องมือ การกระทำที่เผลอ翼翼อาจทำให้เกิดการบาดเจ็บร้ายแรงภายใต้วินาที
- สวมใส่แว่นครอบตานิรภัยเพื่อปกป้องดวงตาของคุณจากการบาดเจ็บเมื่อใช้เครื่องมือไฟฟ้า แว่นครอบตาจะต้องได้มาตรฐาน ANSI Z87.1 ในสหรัฐอเมริกา, EN 166 ในยุโรป หรือ AS/NZS 1336 ในออสเตรเลีย/นิวซีแลนด์ ในออสเตรเลีย/นิวซีแลนด์ จะต้องสวมเกราะป้องกันใบหน่าเพื่อปกป้องใบหน้าของคุณอย่างถูกต้องตามกฎหมายด้วย

ความปลอดภัยส่วนบุคคล

- ให้ระมัดระวังและมีสติอยู่เสมอขณะใช้งานเครื่องมือไฟฟ้า อย่าใช้งานเครื่องมือไฟฟ้าในขณะที่คุณกำลังเหนื่อย หรือในสภาพที่มึนเมาจากยาเสพติด เครื่องดื่ม แอลกอฮอล์ หรือการเข้ายา ช่วงเวลาที่ขาดความระมัดระวังเมื่อกำลังใช้งานเครื่องมือไฟฟ้าอาจทำให้ได้รับบาดเจ็บร้ายแรง
- ใช้อุปกรณ์ป้องกันส่วนบุคคล สวมแว่นตาป้องกันเสมอ อุปกรณ์ป้องกัน เช่น หน้ากากกันฝุ่น รองเท้านิรภัยกันลื่น หมวกนิรภัย หรือเครื่องป้องกันการไถ้ยในที่ใช้ในสภาพที่เหมาะสมจะช่วยลดการบาดเจ็บ
- ป้องกันไม่ให้เกิดการเปิดใช้งานโดยไม่ตั้งใจ ตรวจสอบให้แน่ใจว่าสวิตช์ปิดอยู่ก่อนที่จะเชื่อมต่อกับแหล่งจ่ายไฟ และ/หรือชุดแบตเตอรี่ รวมทั้งตรวจสอบก่อนการยกหรือเคลื่อนย้ายเครื่องมือ การถอดหัวมีอบริเวณสวิตช์เพื่อถ่อเครื่องมือไฟฟ้า หรือการชาร์จไฟเครื่องมือไฟฟ้าในขณะที่เปิดสวิตช์อยู่อาจนำไปสู่การเกิดอุบัติเหตุ
- นำกุญแจปรับตั้งหรือประแจออกก่อนที่จะเปิดเครื่องมือไฟฟ้า ประแจหรือกุญแจที่เสียบค้างอยู่ในชิ้นส่วนที่หมุนได้ของเครื่องมือไฟฟ้าอาจทำให้ได้รับบาดเจ็บ
- อย่าทำงานในระยะที่สูดเอื้อม จัดท่าการยืนและการทรงตัวให้เหมาะสมตลอดเวลา เพราะจะทำให้ควบคุมเครื่องมือไฟฟ้าได้ดีขึ้นในสถานการณ์ที่ไม่คาดคิด
- แต่งกายให้เหมาะสม อย่าสวมเครื่องแต่งกายที่หลวมเกินไป หรือสวมเครื่องประดับ ดูแลไม่ให้เส้นผมและเสื้อผ้าอยู่ใกล้ชิ้นส่วนที่เคลื่อนที่ เสื้อผ้ารุ่มร่าม เครื่องประดับ หรือผมที่มีความยาวอาจเข้าไปติดในชิ้นส่วนที่เคลื่อนที่
- หากมีการจัดอุปกรณ์สำหรับตัดและจัดเก็บฝุ่นไว้ในสถานที่ ให้ตรวจสอบว่าได้เชื่อมต่อและใช้งานอุปกรณ์นั้นอย่างเหมาะสม การใช้เครื่องดูดและจัดเก็บฝุ่นจะช่วยลดอันตรายที่เกิดจากฝุ่นผงได้



ผู้ว่าจ้างมีหน้าที่รับผิดชอบในการบังคับผู้ใช้งานเครื่องมือและบุคคลอื่นๆ ที่อยู่ในบริเวณที่ปฏิบัติงานให้ใช้อุปกรณ์ป้องกันที่เหมาะสม

การใช้และดูแลเครื่องมือไฟฟ้า

- อย่าฝืนใช้เครื่องมือไฟฟ้า ใช้เครื่องมือไฟฟ้าที่เหมาะสมกับการใช้งานของคุณ เครื่องมือไฟฟ้าที่เหมาะสมจะทำให้ได้งานที่มีประสิทธิภาพและปลอดภัยกว่าตามขีดความสามารถของเครื่องที่ได้รับการออกแบบมา
- อย่าใช้เครื่องมือไฟฟ้า หากสวิตช์ไม่สามารถเปิดปิดได้ เครื่องมือไฟฟ้าที่ควบคุมด้วยสวิตช์ไม่ได้เป็นสิ่งอันตรายและต้องได้รับการซ่อมแซม
- ถอดปลั๊กจากแหล่งจ่ายไฟ และ/หรือชุดแบตเตอรี่ออกจากเครื่องมือไฟฟ้าก่อนทำการปรับตั้ง เปลี่ยนอุปกรณ์เสริม หรือจัดเก็บเครื่องมือไฟฟ้า วิธีการป้องกันด้านความปลอดภัยดังกล่าวจะช่วยลดความเสี่ยงในการเปิดใช้งานเครื่องมือไฟฟ้าโดยไม่ตั้งใจ
- จัดเก็บเครื่องมือไฟฟ้าที่ไม่ได้ใช้งานให้ห่างจากมือเด็ก และอย่าอนุญาตให้บุคคลที่ไม่คุ้นเคยกับเครื่องมือไฟฟ้าหรือคำแนะนำเหล่านี้ใช้งานเครื่องมือไฟฟ้า เครื่องมือไฟฟ้าจะเป็นอันตรายเมื่ออยู่ในมือของผู้ที่ไม่ได้รับการฝึกอบรม

- บำรุงรักษาเครื่องมือไฟฟ้าและอุปกรณ์เสริม ตรวจสอบการประกอบที่ไม่ถูกต้องหรือการเชื่อมต่อนของชิ้นส่วนที่เคลื่อนที่ การแตกหักของชิ้นส่วนหรือสภาพอื่น ๆ ที่อาจส่งผลกระทบต่อการทำงานของเครื่องมือไฟฟ้า หากมีความเสียหาย ให้นำเครื่องมือไฟฟ้าไปซ่อมแซมก่อนการใช้งาน อุบัติเหตุจำนวนมากเกิดจากการดูแลรักษาเครื่องมือไฟฟ้าอย่างไม่ถูกต้อง
- ทำความสะอาดเครื่องมือตัดและลับให้คมอยู่เสมอ เครื่องมือการตัดที่มีการดูแลอย่างถูกต้องและมีขอบการตัดคมมักจะมีปัญหาติดขัดน้อยและควบคุมได้ง่ายกว่า
- ใช้เครื่องมือไฟฟ้า อุปกรณ์เสริม และวัสดุสิ้นเปลือง ฯลฯ ตามคำแนะนำดังกล่าว พิจารณาสภาพการทำงานและงานที่จะลงมือทำ การใช้เครื่องมือไฟฟ้าเพื่อทำงานอื่นนอกเหนือจากที่กำหนดไว้อาจทำให้เกิดอันตราย
- ดูแลมือจับและบริเวณมือจับให้แห้ง สะอาด และไม่มีน้ำมันและจาระบีเปื้อน มือจับและบริเวณมือจับที่ลื่นจะทำให้ไม่สามารถจับและควบคุมเครื่องมือได้อย่างปลอดภัยในสถานการณ์ที่ไม่คาดคิด
- ขณะใช้งานเครื่องมือ อย่าสวมใส่ถุงมือผ้าที่อาจเข้าไปติดในเครื่องมือได้ หากถุงมือผ้าเข้าไปติดในชิ้นส่วนที่กำลังเคลื่อนที่อยู่อาจทำให้ได้รับบาดเจ็บ

การใช้งานและดูแลเครื่องมือที่ใช้แบตเตอรี่

- ชาร์จไฟใหม่ด้วยเครื่องชาร์จที่ระบุโดยผู้ผลิตเท่านั้น เครื่องชาร์จที่เหมาะสมสำหรับชุดแบตเตอรี่ประเภทหนึ่งอาจเสี่ยงที่จะเกิดไฟไหม้หากนำไปใช้กับชุดแบตเตอรี่อีกประเภทหนึ่ง
- ใช้เครื่องมือไฟฟ้ากับชุดแบตเตอรี่ที่กำหนดมาโดยเฉพาะเท่านั้น การใช้ชุดแบตเตอรี่ประเภทอื่นอาจทำให้เสี่ยงที่จะได้รับบาดเจ็บและเกิดไฟไหม้
- เมื่อไม่ใช้งานชุดแบตเตอรี่ ให้เก็บห่างจากรดที่เป็นโลหะอื่นๆ เช่น คลิปหนีบกระดาษ เหรียญ กุญแจ กรรไกรตัดเล็บ สกรู หรือวัตถุที่เป็นโลหะขนาดเล็กอื่นๆ ที่สามารถเชื่อมต่อชั่วคราวกับอีกขั้วหนึ่งได้ การลัดวงจรขั้วแบตเตอรี่อาจทำให้อ่อนจัดหรือเกิดไฟไหม้
- ในกรณีที่ใช้งานไม่ถูกต้อง อาจมีของเหลวไหลออกจากแบตเตอรี่ ให้หลีกเลี่ยงการสัมผัส หากสัมผัสโดนของเหลวโดยไม่ตั้งใจ ให้ล้างออกด้วยน้ำ หากของเหลวกระเด็นเข้าตา ให้รีบไปพบแพทย์ ของเหลวที่ไหลออกจากแบตเตอรี่อาจทำให้ผิวหนังระคายเคืองหรือไหม้

- ห้ามใช้ชุดแบตเตอรี่หรือเครื่องมือที่ชาร์จหรือมีการแก้ไข แบตเตอรี่ที่เสียหายหรือมีการแก้ไขอาจทำให้เกิดสิ่งที่ไม่พึงประสงค์ เช่น ไฟไหม้ ระเบิด หรือเสี่ยงต่อการบาดเจ็บ
- ห้ามให้ชุดแบตเตอรี่อยู่ใกล้ไฟ หรือบริเวณที่มีอุณหภูมิสูงเกิน หากโดนไฟ หรืออุณหภูมิสูงเกิน 130 °C อาจก่อให้เกิดการระเบิดได้
- กรุณาปฏิบัติตามคำแนะนำสำหรับชาร์จไฟ และห้ามชาร์จแบตเตอรี่หรือเครื่องมือในบริเวณที่มีอุณหภูมินอกเหนือไปจากที่ระบุในคำแนะนำ การชาร์จไฟที่ไม่เหมาะสม หรืออุณหภูมินอกเหนือไปจากช่วงอุณหภูมิที่ระบุในคำแนะนำอาจทำให้แบตเตอรี่เสียหายและเป็นการเพิ่มความเสี่ยงในการเกิดไฟไหม้

การซ่อมบำรุง

- นำเครื่องมือไฟฟ้าเข้ารับบริการจากช่างซ่อมที่ผ่านการรับรองโดยช่างไหลแบบเดียวกันเท่านั้น เพราะจะทำให้การใช้เครื่องมือไฟฟ้ามีความปลอดภัย
- ห้ามใช้ชุดแบตเตอรี่ที่เสียหาย ชุดแบตเตอรี่ที่ใช้ควรเป็นชุดที่มาจากผู้ผลิต หรือผู้ให้บริการที่ได้รับอนุญาตเท่านั้น
- ปฏิบัติตามคำแนะนำในการหล่อลื่นและการเปลี่ยนอุปกรณ์เสริม

คำแนะนำเพื่อความปลอดภัยสำหรับเครื่องเป่าฝุ่นไร้สาย

การฝึกปฏิบัติ

- อ่านคำแนะนำอย่างละเอียด สร้างความคุ้นเคยกับการควบคุมและการใช้งานเครื่องเป่าฝุ่นอย่างเหมาะสม
- ห้ามให้เด็ก บุคคลที่มีลักษณะทุพพลภาพ มีปัญหาในเรื่องของประสาทสัมผัสหรือสภาพจิตใจ หรือขาดประสบการณ์และความรู้ หรือบุคคลที่ไม่คุ้นเคยกับคำแนะนำใช้งานเครื่องเป่าฝุ่นนี้ ข้อบังคับท้องถิ่นอาจมีการจำกัดอายุของผู้ปฏิบัติงาน
- ห้ามใช้งานเครื่องเป่าฝุ่นขณะมีผู้คน โดยเฉพาะเด็ก เล็ก หรือสัตว์เลี้ยงอยู่ใกล้เคียง
- โปรดพึงระลึกไว้เสมอว่าผู้ปฏิบัติงานและผู้ใช้งานจะเป็นผู้รับผิดชอบอุบัติเหตุหรืออันตรายต่างๆ ที่เกิดขึ้นต่อผู้อื่นหรือทรัพย์สินของผู้อื่น

การเตรียมความพร้อม

- อย่าสวมใส่เสื้อผ้าที่รุ่มร่ามหรือเครื่องประดับที่อาจถูกดูดเข้าไปในช่องลมเข้า เก็บผมให้เรียบร้อยให้ห่างจากช่องลมเข้า
- ควรสวมใส่หน้ากากเพื่อป้องกันความระคายเคืองจากฝุ่น

3. ใช้อุปกรณ์ป้องกันส่วนบุคคล สวมแว่นตาป้องกันเสมอ อุปกรณ์ป้องกัน เช่น หน้ากากกันฝุ่น รองเท้านิรภัย กันลื่น หมวกนิรภัย หรือเครื่องป้องกันการได้ยินที่ใช้ในสภาพที่เหมาะสมจะช่วยลดการบาดเจ็บ

การใช้งานทั่วไป

1. ปิดสวิตช์เครื่องเป่าฝุ่นและถอดด้ามขัดเตอร์ออก และตรวจสอบให้แน่ใจว่าชิ้นส่วนที่เคลื่อนที่ได้หยุดนิ่งแล้ว
 - เมื่อใดก็ตามที่คุณวางเครื่องเป่าฝุ่นทิ้งไว้
 - เมื่อใดก็ตามที่สลับการทำงานระหว่างการสูบลมและการดูดลม
 - ก่อนการตรวจสอบ การทำความสะอาด หรือการใช้งานเครื่องเป่าฝุ่น
 - หากเครื่องเป่าฝุ่นเริ่มมีการสั่นผิดปกติ
2. ใช้งานเครื่องเป่าฝุ่นเฉพาะในพื้นที่ที่มีแสงอาทิตย์ส่องหรือแสงสว่างชัดเจน
3. อย่าใช้เครื่องเป่าลมแบบสูดเอื้อม ควรรักษาความสมดุลและยืนอย่างมั่นคงทุกครั้ง
4. รักษาช่องระบายความร้อนทั้งหมดให้สะอาดปราศจากสิ่งสกปรก
5. ใช้งานเครื่องเป่าฝุ่นในตำแหน่งที่แนะนำสำหรับพื้นผิวที่มันคง
6. อย่าใช้เครื่องมือในขณะที่มือเปียก
7. อย่าชี้ช่องปล่อยลมของท่อไปที่ตัวคุณเองหรือผู้อื่น วัตถุอาจกระเด็นออกและส่งผลให้ได้รับบาดเจ็บได้
8. อย่าใช้เครื่องมือเพื่อพ่นสารเคมี ปอดของคุณอาจได้รับความเสียหายจากการสูดพิษเข้าไป
9. อย่าใช้เครื่องเป่าฝุ่นในที่สูง
10. อย่าอุดช่องดูดลมและ/หรือช่องเป่าลมเด็ดขาด
 - ระมัดระวังไม่ให้ฝุ่นหรือสิ่งสกปรกมาอุดทางเข้าของช่องดูดลมหรือช่องเป่าลมเมื่อทำงานในพื้นที่ที่มีฝุ่นมาก
 - อย่าใช้หัวเป่านอกเหนือจากหัวเป่าที่กำหนดโดย Makita
11. หากเครื่องเป่าฝุ่นชนวัตถุแปลกปลอมหรือเริ่มส่งเสียงหรือสั่นผิดปกติ ให้ปิดสวิตช์เครื่องเป่าฝุ่นเพื่อหยุดการทำงานโดยทันที ถอดด้ามขัดเตอร์จากเครื่องเป่าฝุ่น และตรวจสอบความเสียหายของเครื่องเป่าฝุ่นก่อนเริ่มการใช้งานเครื่องเป่าฝุ่นอีกครั้ง หากเครื่องเป่าฝุ่นเสียหาย โปรดสอบถามศูนย์บริการที่ได้รับบริการรับรองของ Makita เพื่อรับการซ่อมแซม
12. อย่าสอดนิ้วหรือวัตถุใดๆ เข้าไปในช่องดูดลมหรือช่องเป่าลม

13. ป้องกันไม่ให้เกิดการใช้งานโดยไม่ตั้งใจ ตรวจสอบให้แน่ใจว่าสวิตช์อยู่ในตำแหน่งปิดก่อนใส่ด้ามขัดเตอร์ หยิบเครื่อง หรือขนย้ายเครื่องเป่าฝุ่น การขนย้ายเครื่องเป่าฝุ่นขณะที่นิ้วมีอยู่บนสวิตช์หรือขณะสวิตช์ของเครื่องเป่าฝุ่นอยู่ในตำแหน่งเปิดอาจทำให้เกิดอุบัติเหตุได้
14. หลีกเลี่ยงการใช้เครื่องเป่าฝุ่นในสภาพแวดล้อมอุณหภูมิต่ำเป็นเวลานาน
15. อย่าใช้เครื่องมือเกินกว่าแรงดันเอาท์พุทสูงสุดของเครื่องมือ การใช้เครื่องมือที่แรงดันเอาท์พุทเกินกว่าแรงดันเอาท์พุทสูงสุดของเครื่องมืออาจทำให้วัตถุหรือเครื่องมือระเบิดได้

การเป่าลม

1. ห้ามเป่าสิ่งสกปรกไปในทิศทางของผู้ที่อยู่ใกล้เคียง
2. ห้ามชี้หัวเป่าไปที่บุคคลอื่นในบริเวณใกล้เคียงขณะใช้เครื่องเป่าฝุ่น
3. อย่าเป่าวัสดุอันตราย เช่น เล็บ เศษแก้ว หรือโม่มีด
4. อย่าใช้เครื่องเป่าฝุ่นใกล้กับวัตถุไวไฟ

การสูบลม/ดูดลม

1. เมื่อสูบลม ให้เชื่อมต่อหัวเป่าหรืออุปกรณ์ต่อพ่วงกับช่องสูบลมให้แน่น มิเช่นนั้น วัตถุสูบลม หัวเป่า หรืออุปกรณ์ต่อพ่วงอื่นๆ อาจได้รับความเสียหายและคุณอาจได้รับการบาดเจ็บได้
2. ค่อยๆ ปล่อยแรงดันอากาศช้าๆ เมื่อถอดหัวเป่าหรืออุปกรณ์ต่อพ่วงหลังจากสูบลมเสร็จ ให้จับวัตถุสูบลม หัวเป่า และอุปกรณ์ต่อพ่วงให้แน่น เพราะอาจเกิดการตีกลับจากอากาศที่ไหลออกมาและทำให้เกิดการบาดเจ็บได้
3. อย่าสูบลมวัตถุเกินกว่าแรงดันสูงสุดของวัตถุ ไม่เช่นนั้นเครื่องมือหรือวัตถุอาจเสียหายและคุณอาจได้รับบาดเจ็บได้
4. สูบลมวัตถุที่ระบุให้สูบลมโดยผู้ผลิตเท่านั้น เช่น ยาง ลูกบอล หรือห้วงยางขนาดเล็ก การสูบลมวัตถุอื่นอาจทำให้วัตถุอื่นๆ เสียหายและส่งผลให้คุณได้รับบาดเจ็บได้
5. เมื่อสูบลม ให้ตรวจสอบสถานะของเครื่องมือและวัตถุสูบลม และตรวจสอบให้แน่ใจว่าไม่มีลมรั่วไหลจากวัตถุสูบลม
6. ระมัดระวังอย่าสูบลมวัตถุมากเกินไประหว่างการทำงาน มิเช่นนั้น วัตถุอาจแตก ซึ่งทำให้เกิดความเสียหายต่อเครื่องมือและเกิดการบาดเจ็บได้
7. หลังจากสูบลมวัตถุ ให้ตรวจสอบแรงดันอากาศโดยใช้อุปกรณ์วัดที่ได้มาตรฐานและเชื่อถือได้

8. ห้ามปล่อยเครื่องมือทิ้งไว้โดยไม่มีผู้ดูแลในขณะที่เชื่อมต่อท่อไว้กับวัตถุที่สุบลมหรือในระหว่างการใช้งาน
9. ห้ามใช้เครื่องมือนี้เป็นที่ดูดฝุ่น การใช้งานสำหรับการดูดฝุ่นอาจสร้างความเสียหายแก่เครื่องมือได้
10. อย่าใช้เครื่องมือเป็นอุปกรณ์ช่วยหายใจ
11. ใช้เฉพาะอุปกรณ์เสริมมาตรฐานที่กำหนดโดย Makita การใช้อุปกรณ์เสริมหรืออุปกรณ์ต่อพ่วงอื่นๆ อาจทำให้เสี่ยงต่อการได้รับบาดเจ็บได้

การบำรุงรักษาและการเก็บรักษา

1. ตรวจสอบว่ามีการยึดนิอต สลักเกลียว และสกรูทั้งหมดไว้แน่นเพื่อให้แน่ใจว่าเครื่องเป่าฝุ่นมีสภาพการทำงานที่ปลอดภัย
2. หากชิ้นส่วนสึกหรอหรือชำรุดให้เปลี่ยนชิ้นส่วนด้วยชิ้นส่วนที่กำหนดโดย Makita
3. จัดเก็บเครื่องเป่าฝุ่นในพื้นที่แห้งและพ้นมือเด็ก
4. เมื่อหยุดการทำงานของเครื่องเป่าฝุ่นเพื่อการตรวจสอบ การบริการ การจัดเก็บ หรือการเปลี่ยนอุปกรณ์เสริม ให้ปิดสวิตช์เครื่องเป่าฝุ่นและตรวจสอบให้แน่ใจว่าชิ้นส่วนที่เคลื่อนที่ได้หยุดนิ่งแล้วจึงถอดด้ามแบตเตอรี่ ปล่อยให้เครื่องเป่าฝุ่นเย็นลงก่อนใช้งานเครื่อง ดูแลเครื่องเป่าฝุ่นอย่างระมัดระวังและรักษาความสะอาดของเครื่อง
5. เมื่อเคลื่อนย้ายเครื่องมือ ให้ถือที่มือจับของเครื่องมืออย่างถนัดหรือดึงท่อ เครื่องมืออาจเสียหายและส่งผลให้คุณได้รับบาดเจ็บได้
6. ปล่อยให้เครื่องเป่าฝุ่นเย็นลงก่อนจัดเก็บเสมอ
7. อย่าให้เครื่องเป่าฝุ่นโดนฝน จัดเก็บเครื่องเป่าฝุ่นในที่ร่ม
8. อย่าถอดแยกชิ้นส่วนเครื่องมือ

การซ่อมบำรุง

1. นำเครื่องมือไฟฟ้าเข้ารับบริการจากช่างซ่อมที่ผ่านการรับรองโดยใช้อะไหล่แบบเดียวกันเท่านั้น เพราะจะทำให้การใช้เครื่องมือไฟฟ้ามีความปลอดภัย
2. ห้ามใช้ชุดแบตเตอรี่ที่เสียหาย ชุดแบตเตอรี่ที่ใช้ควรเป็นชุดที่มาจากผู้ผลิต หรือผู้ให้บริการที่ได้รับอนุญาตเท่านั้น

ปฏิบัติตามคำแนะนำเหล่านี้

คำเตือน: อย่าให้ความไม่ระมัดระวังหรือความคุ้นเคยกับผลิตภัณฑ์ (จากการใช้งานซ้ำหลายครั้ง) อยู่เหนือการปฏิบัติตามกฎเกณฑ์ด้านความปลอดภัยในการใช้งานผลิตภัณฑ์อย่างเคร่งครัด

การใช้งานอย่างไม่เหมาะสมหรือการไม่ปฏิบัติตามกฎเกณฑ์ด้านความปลอดภัยในคู่มือการใช้งานนี้อาจทำให้ได้รับบาดเจ็บรุนแรง

คำแนะนำเพื่อความปลอดภัยที่สำคัญสำหรับดัลลิบแบตเตอรี่

1. ก่อนใช้งานดัลลิบแบตเตอรี่ ให้อ่านคำแนะนำและเครื่องหมายเตือนทั้งหมดบน (1) เครื่องชาร์จแบตเตอรี่ (2) แบตเตอรี่ และ (3) ตัวผลิตภัณฑ์ที่ใช้แบตเตอรี่
2. อย่าถอดแยกชิ้นส่วนหรือทำการดัดแปลงดัลลิบแบตเตอรี่ เนื่องจากอาจทำให้เกิดไฟไหม้ ความร้อนที่สูงเกินไป หรือระเบิดได้
3. หากระยะเวลาที่เครื่องทำงานสั้นเกินไป ให้หยุดใช้งานทันที เนื่องจากอาจมีความเสี่ยงที่จะร้อนจัด ไหม้หรือระเบิดได้
4. หากสารละลายอิเล็กโทรไลต์กระเด็นเข้าตา ให้ล้างออกด้วยน้ำเปล่าและรีบไปพบแพทย์ทันที เนื่องจากอาจทำให้ตาบอด
5. ห้ามลัดวงจรดัลลิบแบตเตอรี่:
 - (1) ห้ามแตะขั้วกับวัตถุที่เป็นสื่อนำไฟฟ้าใดๆ
 - (2) หลีกเลี่ยงการเก็บดัลลิบแบตเตอรี่ไว้ในภาชนะร่วมกับวัตถุที่เป็นโลหะ เช่น กรรไกรตัดเล็บ เหรียญ ฯลฯ
 - (3) อย่าให้ดัลลิบแบตเตอรี่ถูกน้ำหรือฝน แบตเตอรี่ลัดวงจรอาจทำให้เกิดการไหลของกระแสไฟฟ้า ร้อนจัด ไหม้หรือเสียหายได้
6. ห้ามเก็บและใช้เครื่องมือและดัลลิบแบตเตอรี่ไว้ในสถานที่ที่อุณหภูมิสูงถึงหรือเกิน 50 °C (122 °F)
7. ห้ามเผาตลับแบตเตอรี่ทิ้ง แม้ว่าแบตเตอรี่จะเสียหายจนใช้การไม่ได้หรือเสื่อมสภาพแล้ว ดัลลิบแบตเตอรี่อาจจะระเบิดในกองไฟ
8. อย่าตกตะปู ตัด บด ขว้าง หรือทำดัลลิบแบตเตอรี่หล่นพื้น หรือกระแทกตลับแบตเตอรี่กับวัตถุของแข็ง การกระทำดังกล่าวอาจส่งผลให้เกิดไฟไหม้ ความร้อนที่สูงเกินไป หรือระเบิดได้
9. ห้ามใช้แบตเตอรี่ที่เสียหาย

10. แบตเตอรี่ที่หมดอายุที่มีมาให้เห็นเป็นไปตามข้อกำหนดของ Dangerous Goods Legislation สำหรับการขนส่งเพื่อการพาณิชย์ เช่น โดยบุคคลที่สาม ตัวแทนขนส่งสินค้า จะต้องตรวจสอบข้อกำหนดพิเศษในด้านการบรรจุหีบห่อหรือการติดป้ายสินค้าในการเตรียมสินค้าที่จะขนส่ง ให้ปรึกษาผู้เชี่ยวชาญด้านวัตถุอันตราย โปรดตรวจสอบข้อกำหนดในประเทศที่อาจมีรายละเอียดอื่น ๆ เพิ่มเติม ให้ติดเทปหรือปิดหน้าสัมผัสและห่อแบตเตอรี่ในลักษณะที่แบตเตอรี่จะไม่เคลื่อนที่ไปมาในหีบห่อ
11. เมื่อกำจัดดัลล์แบตเตอรี่ ให้ถอดดัลล์แบตเตอรี่ออกจากเครื่องมือและกำจัดในสถานที่ที่ปลอดภัย ปฏิบัติตามข้อบังคับในท้องถิ่นที่เกี่ยวข้องกับการกำจัดแบตเตอรี่
12. ใช้แบตเตอรี่กับผลิตภัณฑ์ที่ระบุโดย Makita เท่านั้น การติดตั้งแบตเตอรี่ในผลิตภัณฑ์ที่ไม่ใช่ตามที่ระบุอาจทำให้เกิดไฟไหม้ ความร้อนสูง ระเบิด หรืออิเล็กทรอนิกส์รั่วไหลได้
13. หากไม่ใช้เครื่องมือเป็นระยะเวลานาน จะต้องถอดแบตเตอรี่ออกจากเครื่องมือ
14. ในระหว่างและหลังการใช้งาน ดัลล์แบตเตอรี่อาจร้อนซึ่งอาจลวกผิวหรือทำให้ผิวไหม้ที่อุณหภูมิต่ำได้ โปรดระมัดระวังในการจัดการกับแบตเตอรี่ที่ร้อน
15. อย่าสัมผัสขั้วของเครื่องมือทันทีหลังจากการใช้งาน เนื่องจากอาจมีความร้อนพอที่จะทำให้ผิวไหม้ได้
16. อย่าปล่อยให้เศษวัสดุ ผุ่นผง หรือดินเข้าไปติดอยู่ในขั้ว รู และร่องของดัลล์แบตเตอรี่ เนื่องจากอาจทำให้เกิดความร้อน ไฟไหม้ ระเบิด และทำให้เครื่องมือหรือดัลล์แบตเตอรี่ทำงานผิดปกติ ส่งผลให้โดนลวกหรือเกิดการบาดเจ็บได้
17. หากเครื่องมือไม่รองรับสายไฟแรงดันสูง อย่าใช้ดัลล์แบตเตอรี่ใกล้กับสายไฟแรงดันสูง เนื่องจากเครื่องมือหรือดัลล์แบตเตอรี่อาจทำงานผิดปกติหรือเสียหายได้
18. เก็บแบตเตอรี่ให้ห่างจากเด็ก

ปฏิบัติตามคำแนะนำเหล่านี้

⚠ ข้อควรระวัง: ใช้แบตเตอรี่ของแท้จาก Makita เท่านั้น การใช้แบตเตอรี่ Makita ที่ไม่แท้ หรือแบตเตอรี่ที่ถูกเปลี่ยน อาจทำให้แบตเตอรี่ระเบิด ก่อให้เกิดเพลิงลุกไหม้ การบาดเจ็บ และความเสียหายได้ และจะทำให้การรับประกันของ Makita สำหรับเครื่องมือและแท่นชาร์จของ Makita เป็นโมฆะด้วย

เคล็ดลับในการรักษาอายุการใช้งานของแบตเตอรี่ให้ยาวนานที่สุด

1. ชาร์จดัลล์แบตเตอรี่ก่อนที่ไฟจะหมด หยุดการใช้งานแล้วชาร์จประจุไฟฟ้าใหม่ทุกครั้งเมื่อคุณรู้สึกว่าคุณปรารถนีกาลังลดลง
2. อย่านำชาร์จดัลล์แบตเตอรี่ที่มีไฟเต็มแล้ว การชาร์จประจุไฟฟ้ามากเกินไปอาจจะทำให้อายุการใช้งานของดัลล์แบตเตอรี่สั้นลง
3. ชาร์จประจุไฟฟ้าดัลล์แบตเตอรี่ในห้องที่มีอุณหภูมิระหว่าง 10 °C - 40 °C ปล่อยให้ดัลล์แบตเตอรี่เย็นลงก่อนที่จะชาร์จไฟ
4. เมื่อไม่ใช้ดัลล์แบตเตอรี่ ให้ถอดออกจากเครื่องมือหรือเครื่องชาร์จ
5. ชาร์จไฟดัลล์แบตเตอรี่หากคุณไม่ต้องการใช้เป็นเวลานาน (เกินกว่าหกเดือน)

การประกอบ

⚠ ข้อควรระวัง: ตรวจสอบให้แน่ใจว่าได้ปิดสวิตช์เครื่องมือและถอดดัลล์แบตเตอรี่ออกก่อนดำเนินการใดๆ กับเครื่องมือ

การติดตั้งหัวเป่า

ปรับก้านนำบนหัวเป่าให้ตรงกับส่วนล็อกบนแกนล็อกของเครื่องมือ จากนั้นจึงกดหัวเป่าลงไปในแกนล็อกให้แน่นจนกว่าจะได้ยินเสียงคลิก เมื่อติดตั้งหัวเป่าแล้ว ให้ลองดึงหัวเป่า เพื่อตรวจสอบว่าหัวเป่ายึดเข้ากับแน่นดีแล้วหรือไม่

▶ **หมายเลข 1:** 1. ก้านนำ 2. ส่วนล็อก 3. แกนล็อก

ข้อสังเกต: ตรวจสอบให้แน่ใจว่าหัวเป่าติดตั้งกับเครื่องมืออย่างถูกต้อง โดยก้านนำบนหัวเป่าต้องยึดเข้ากับส่วนล็อกบนแกนล็อก

การถอดหัวเป่า

จับปลายหัวเป่าและหมุนไปในทิศทางตามลูกศรบนปลายหัวเป่าเพื่อคลายล็อก ดึงหัวเป่าออกจากแกนล็อกหลังจากปลดล็อกแล้ว

▶ **หมายเลข 2:** 1. ปลายหัวเป่า 2. แกนล็อก

ข้อสังเกต: ล้างสปริงและฟู่ที่เกาะอยู่บนพื้นผิวอาจทำให้ถอดหัวเป่าออกจากเครื่องมือได้ยาก ในกรณีนี้ให้เลื่อนและจับแกนล็อกไปทางโครงมอเตอร์ก่อน จากนั้นจึงหมุนปลายหัวเป่าเพื่อปลดล็อก

⚠️ ข้อควรระวัง: ระวังอย่าใช้มือกดระหว่างปลายแขน ล็อคด้านหลังกับโครงมอเตอร์ขณะถอดหัวเป่า เลื่อนแขน ล็อคไปทางโครงมอเตอร์เมื่อคลายหัวเป่าจากล็อค

▶ **หมายเลข 3:** 1. แขนล็อค 2. โครงมอเตอร์

การถอดและติดตั้งฝาปิดก้านฝุ่น

1. หมุนฝาปิดก้านฝุ่นบนช่องดูดที่ท้ายโครงทวนเข็มนาฬิกาเพื่อถอดฝาปิดก้านฝุ่นออกจากโครง ปลดแถบล็อคสองตัวบนฝาปิดก้านฝุ่นได้โดยการปรับตำแหน่งแถบให้ตรงกับร่องนำบนโครง

▶ **หมายเลข 4:** 1. ฝาปิดก้านฝุ่น 2. แถบล็อค 3. ช่องดูด 4. ร่องนำ

2. ประกอบฝาปิดก้านฝุ่นกลับเข้ากับช่องดูด โดยปรับแถบล็อคบนฝาปิดก้านฝุ่นให้ตรงกับร่องนำบนโครง จากนั้นจึงหมุนฝาปิดก้านฝุ่นตามเข็มนาฬิกาเพื่อยึดให้แน่น

▶ **หมายเลข 5:** 1. ฝาปิดก้านฝุ่น 2. แถบล็อค 3. ช่องดูด 4. ร่องนำ

การติดตั้งและถอดหัวเป่ายาว

อุปกรณ์เสริม

ชุดหัวเป่ายาวช่วยกำจัดฝุ่นในรูเล็กและจุดที่แคบ ความยาวหัวเป่าสามารถปรับได้ตามความต้องการ

▶ **หมายเลข 6:** 1. หัวเป่าเบอร์ 13 2. หัวเป่ายาว R 3. หัวเป่ายาว F

1. ใส่หัวเป่ายาว R เข้ากับรูอากาศของหัวเป่าหัวเป่าเบอร์ 13 จากด้านหลังไปด้านหน้า ใส่จนกว่าหัวเป่าเบอร์ 13 จะยึดแน่นที่ปลายหัวเป่ายาว R ด้านหลัง

▶ **หมายเลข 7:** 1. หัวเป่าเบอร์ 13 2. หัวเป่ายาว R

2. วางหัวเป่ายาว F บนปลายหัวเป่ายาว R ด้านหน้า ใช้มือหมุนสกรูหัวเป่ายาว F กระทั่งแน่นพอดี

▶ **หมายเลข 8:** 1. หัวเป่ายาว F 2. หัวเป่ายาว R

3. ปรับก้านนำบนหัวเป่าเบอร์ 13 ให้ตรงกับส่วนล็อคบนแขนล็อคของเครื่องมือ จากนั้นจึงกดหัวเป่าเบอร์ 13 ลงไปในแขนล็อคให้แน่นจนกว่าจะได้ยินเสียงคลิก

▶ **หมายเลข 9:** 1. ก้านนำ 2. ส่วนล็อค 3. แขนล็อค 4. หัวเป่าเบอร์ 13 5. หัวเป่ายาว R 6. หัวเป่ายาว F

หมายเหตุ: ใช้หัวเป่ายาว เฉพาะการใช้งานในระยะสั้นๆ ใช้ทั้งหัวเป่ายาว R และ F เพื่อการใช้งานในระยะที่กว้างขึ้น

4. สำหรับการถอดหัวเป่ายาว ให้ถอดหัวเป่าเบอร์ 13 ออกจากแขนล็อคของเครื่องมือ จากนั้นจึงถอดหัวเป่ายาว

การติดตั้งและถอดหัวเป่าและอุปกรณ์ต่อพ่วงสำหรับการดูดลม

อุปกรณ์เสริม

ข้อสังเกต: ตรวจสอบให้แน่ใจว่าติดตั้งและถอดหัวเป่าและอุปกรณ์ต่อพ่วงสำหรับการดูดลมเฉพาะหลังจากถอดชุดท่อลมจากเครื่องมือแล้วเท่านั้น การจัดการขณะชุดท่อลมประกอบอยู่กับเครื่องมืออาจทำให้เครื่องมือเสียหายและล้มลงได้

1. ปรับก้านนำบนหัวเป่าแคบให้ตรงกับส่วนล็อคบนแขนล็อคของชุดท่อลม จากนั้นจึงกดหัวเป่าแคบลงไปในแขนล็อคให้แน่นจนกว่าจะได้ยินเสียงคลิก

▶ **หมายเลข 10:** 1. หัวเป่าแคบ 2. ก้านนำ 3. ส่วนล็อค 4. แขนล็อค 5. ชุดท่อลม

ยางพ่วงเสริม

ยางพ่วงเสริมต้องติดตั้งบนหัวเป่า ระวังอย่าติดยางพ่วงกับชุดท่อลมโดยตรง

i ปรับก้านนำบนหัวเป่าเบอร์ 13 ให้ตรงกับส่วนล็อคบนแขนล็อคของชุดท่อลม จากนั้นจึงกดหัวเป่าลงไปในแขนล็อคให้แน่นจนกว่าจะได้ยินเสียงคลิก

ii ใส่ยางพ่วงเหนือหัวเป่าโดยการกดเข้าและใช้มือหมุนสกรูให้เข้าที่

▶ **หมายเลข 11:** 1. ยางพ่วง 2. หัวเป่าเบอร์ 13 3. ชุดท่อลม

ข้อสังเกต: ตรวจสอบให้แน่ใจว่าหัวเป่าติดตั้งกับชุดท่อลมอย่างถูกต้อง โดยก้านนำบนหัวเป่าต้องยึดเข้ากับส่วนล็อคบนแขนล็อค

2. หมุนฝาปิดก้านฝุ่นบนช่องดูดที่ท้ายโครงทวนเข็มนาฬิกาเพื่อถอดฝาปิดก้านฝุ่นออกจากโครง ปลดแถบล็อคสองตัวบนฝาปิดก้านฝุ่นได้โดยการปรับตำแหน่งแถบให้ตรงกับร่องนำบนโครง

▶ **หมายเลข 12:** 1. ฝาปิดก้านฝุ่น 2. แถบล็อค 3. ช่องดูด 4. ร่องนำ

3. ใส่ปลายชุดท่อลมกับช่องดูด โดยให้แถบล็อคสองตัวบนชุดท่อลมตรงกับร่องนำของโครง จากนั้นจึงจับและหมุนข้อด้านหลังของชุดท่อลมตามเข็มนาฬิกาเพื่อยึดให้เข้าที่

▶ **หมายเลข 13:** 1. ชุดท่อลม 2. ข้อด้านหลัง 3. ช่องดูด 4. แถบล็อค 5. ร่องนำ

4. สำหรับการถอดหัวเป่าและอุปกรณ์ต่อพ่วงสำหรับการดูดลม ให้ปฏิบัติตามขั้นตอนการติดตั้งแบบย้อนกลับ

ข้อสังเกต: จับและหมุนข้อด้านหลังของชุดท่อลมเพื่อติดตั้งและถอดชุดท่อลมให้เรียบร้อยอยู่เสมอ

การติดตั้งตัวกรองเสริม

อุปกรณ์เสริม

ตัวกรองสมรรถนะสูงเสริม (ตัวกรอง C) มีไว้ให้สำหรับลดปริมาณฝุ่นที่เข้าไปในมอเตอร์เพื่อใช้ในสภาวะการทำงานที่มีฝุ่น

1. หมุนฝาปิดดักฝุ่นบนช่องดูดที่ท้ายโครงทวนเข็มนาฬิกาเพื่อถอดฝาปิดดักฝุ่นออกจากโครง ปลดแถบล็อคสองตัวบนฝาปิดดักฝุ่นได้โดยการปรับตำแหน่งแถบให้ตรงกับร่องนำบนโครง

▶ **หมายเลข 14:** 1. ฝาปิดดักฝุ่น 2. แถบล็อค 3. ช่องดูด 4. ร่องนำ

2. เปลี่ยนตัวกรองสมรรถนะสูงเสริมบนช่องดูด โดยปรับแถบล็อคบนตัวกรองเสริมให้ตรงกับร่องนำบนโครง จากนั้นจึงหมุนตัวกรองเสริมตามเข็มนาฬิกาเพื่อยึดให้แน่น

▶ **หมายเลข 15:** 1. ตัวกรองสมรรถนะสูงเสริม 2. แถบล็อค 3. ช่องดูด 4. ร่องนำ

ข้อสังเกต: ตัวกรองสมรรถนะสูงเสริม (ตัวกรอง C) สามารถทำความสะอาดและนำมาใช้ใหม่ได้หลายครั้ง กำจัดฝุ่นออกจากตัวกรองอยู่เสมอเนื่องจากตัวกรองที่อุดตันอาจขัดขวางกระแสลมและทำให้การทำงานมีประสิทธิภาพลดลง ทำความสะอาดเป็นบางครั้งด้วยการล้างตัวกรองด้วยน้ำและตากในที่ร่มให้แห้งก่อนใช้งาน

ข้อสังเกต: ห้ามแช่ ทุบ หรือขูดตัวกรองสมรรถนะสูงเสริม (ตัวกรอง C) โดยใช้แรงมากเกินไป ตรวจสอบให้แน่ใจว่าเข้าหรือเป่าฝุ่นออกจากตัวกรองอย่างระมัดระวัง

คำอธิบายการทำงาน

⚠ **ข้อควรระวัง:** ตรวจสอบให้แน่ใจว่าได้ปิดสวิตช์เครื่องมือและถอดด้ามแบตเตอรี่ออกก่อนปรับตั้งหรือตรวจสอบการทำงานของเครื่องมือ

การใส่หรือการถอดด้ามแบตเตอรี่

⚠ **ข้อควรระวัง:** ปิดสวิตช์เครื่องมือก่อนทำการติดตั้งหรือการถอดด้ามแบตเตอรี่ทุกครั้ง

⚠ **ข้อควรระวัง:** ถือเครื่องมือและด้ามแบตเตอรี่ให้แน่นในระหว่างการติดตั้งหรือการถอดด้ามแบตเตอรี่ หากไม่ถือเครื่องมือและด้ามแบตเตอรี่ให้แน่น อาจทำให้ด้ามแบตเตอรี่และเครื่องมือลื่นหลุดมือ และทำให้เครื่องมือและด้ามแบตเตอรี่เสียหายหรือได้รับบาดเจ็บได้

▶ **หมายเลข 16:** 1. ซีลสีแดง 2. ปุ่ม 3. ด้ามแบตเตอรี่

เมื่อต้องการถอดด้ามแบตเตอรี่ ให้เลื่อนปุ่มที่ด้านหน้าของด้ามแล้วดึงออกจากเครื่องมือ

การติดตั้งด้ามแบตเตอรี่ ให้จัดตำแหน่งลิ้นของด้ามแบตเตอรี่ให้ตรงกับร่องของเครื่อง แล้วเลื่อนเข้าที่ ใส่ด้ามแบตเตอรี่เข้าจนสุดจนกระทั่งได้ยินเสียงคลิกล็อคเข้าที่ หากยังเห็นซีลสีแดงตามที่แสดงในภาพ แสดงว่าด้ามแบตเตอรี่ยังไม่ล็อคเข้าที่

⚠ **ข้อควรระวัง:** ให้ดันด้ามแบตเตอรี่เข้าจนสุดจนไม่เห็นซีลสีแดงอีก ไม่เช่นนั้น ด้ามแบตเตอรี่อาจหลุดออกจากเครื่องมือทำให้คุณหรือคนรอบข้างได้รับบาดเจ็บ

⚠ **ข้อควรระวัง:** อย่าฝืนติดตั้งด้ามแบตเตอรี่โดยใช้แรงมากเกินไป หากด้ามแบตเตอรี่ไม่เลื่อนเข้าไปโดยง่าย แสดงว่าใส่ไม่ถูกต้อง

การระบุระดับพลังงานแบตเตอรี่ที่เหลืออยู่

สำหรับดัลบีแบตเตอรี่ที่มีตัวแสดงสถานะเท่านั้น

▶ หมายเลข 17: 1. ไฟแสดงสถานะ 2. ปุ่มตรวจสอบ

กดปุ่ม ตรวจสอบ บนดัลบีแบตเตอรี่เพื่อดูปริมาณแบตเตอรี่ที่เหลือ ไฟแสดงสถานะจะสว่างขึ้นเป็นเวลาสองสามวินาที

ไฟแสดงสถานะ			แบตเตอรี่ที่เหลือ
ไฟสว่าง	ดับ	กะพริบ	
■	□	▧	75% ถึง 100%
■ ■ ■ ■	□ □ □ □		
	■ ■ ■ □		50% ถึง 75%
	■ ■ □ □		25% ถึง 50%
	■ □ □ □		0% ถึง 25%
	▧ □ □ □		ชาร์จไฟแบตเตอรี่
	■ ■ □ □ ↑ ↓ □ □ ■ ■		แบตเตอรี่อาจจะเสีย

หมายเหตุ: ขึ้นอยู่กับสภาพการใช้งานและอุณหภูมิโดยรวม การแสดงสถานะอาจจะแตกต่างจากปริมาณแบตเตอรี่จริงเล็กน้อย

หมายเหตุ: ไฟแสดงสถานะดวงแรก (ซ้ายสุด) จะกะพริบเมื่อระบบป้องกันแบตเตอรี่ทำงาน

ระบบป้องกันเครื่องมือ/แบตเตอรี่

เครื่องมือมีระบบป้องกันเครื่องมือ/แบตเตอรี่ ระบบนี้จะตัดไฟที่ส่งไปยังมอเตอร์โดยอัตโนมัติเพื่อยืดอายุการใช้งานเครื่องมือและแบตเตอรี่ เครื่องมือจะหยุดทำงานระหว่างการใช้งานโดยอัตโนมัติ หากเครื่องมือหรือแบตเตอรี่อยู่ภายใต้สถานการณ์ต่อไปนี้

การป้องกันโอเวอร์โวลต์

เมื่อใช้งานเครื่องมือ/แบตเตอรี่ในลักษณะที่ทำให้ใช้กระแสไฟฟ้าสูงผิดปกติ เครื่องมือจะหยุดทำงานอัตโนมัติ ในกรณีนี้ ให้ปิดเครื่องมือและหยุดการใช้งานในลักษณะที่อาจทำให้เครื่องมือทำงานหนักเกินไป แล้วเปิดเครื่องมือเพื่อเริ่มการทำงานอีกครั้ง

การป้องกันความร้อนสูงเกิน

เมื่อเครื่องมือ/แบตเตอรี่ร้อนเกินไป เครื่องมือจะหยุดโดยอัตโนมัติ ในกรณีนี้ ให้ปล่อยเครื่องมือให้เย็นลงก่อนแล้วเปิดเครื่องมืออีกครั้ง

การป้องกันไฟหมด

เมื่อแบตเตอรี่เหลือน้อยในระหว่างการใช้ ดวงไฟจะกะพริบเพื่อแจ้งเตือน เมื่อเครื่องมือหยุดทำงานโดยอัตโนมัติ ดวงไฟจะยังคงสว่างอยู่เป็นเวลาสั้นๆ ประมาณ 10 วินาที หลังจากแบตเตอรี่เหลือน้อยเกินไปที่จะใช้งานอย่างต่อเนื่อง ในกรณีนี้ ให้ถอดแบตเตอรี่ออกจากเครื่องมือและนำแบตเตอรี่ไปชาร์จไฟ

การป้องกันจากสาเหตุอื่นๆ

ระบบป้องกันได้รับการออกแบบมาเพื่อสาเหตุอื่นๆ ที่อาจสร้างความเสียหายต่อเครื่องมือและทำให้เครื่องมือหยุดทำงานโดยอัตโนมัติ ดำเนินการตามขั้นตอนดังต่อไปนี้ทุกขั้นตอนเพื่อกำจัดสาเหตุออกไป เมื่อเครื่องมือหยุดทำงานชั่วคราวหรือหยุดทำงาน

1. ปิดเครื่องมือ แล้วเปิดใหม่เพื่อเริ่มใช้งานอีกครั้ง
2. ชาร์จหรือเปลี่ยนแบตเตอรี่โดยนำแบตเตอรี่ที่ชาร์จแล้วมาใช้แทน
3. ปล่อยให้เครื่องมือและแบตเตอรี่เย็นลง

หากอาการไม่ดีขึ้นเมื่อเปิดระบบป้องกันอีกครั้ง ให้ติดต่อศูนย์บริการ Makita ใกล้บ้านคุณ

การทำงานของสวิตช์

▲ ข้อควรระวัง: ก่อนใส่ดัลบีแบตเตอรี่ลงในเครื่องมือ ให้ตรวจสอบว่าสวิตช์สั่งงานสามารถทำงานได้อย่างถูกต้องและกลับไปยังตำแหน่ง “ปิด” เมื่อปล่อย

▲ ข้อควรระวัง: สามารถล็อกสวิตช์ไว้ที่ตำแหน่ง “เปิด” ได้เพื่อให้ผู้ใช้สะดวกในการใช้งานต่อเนื่องเป็นเวลานาน รัศมีกระวังขณะล็อกเครื่องมือในตำแหน่ง “เปิด”

▲ ข้อควรระวัง: อย่าติดตั้งดัลบีแบตเตอรี่ขณะป้อนล้อกำลังทำงาน

▲ ข้อควรระวัง: เมื่อไม่ใช้งานเครื่องมือ ให้กดปุ่มล็อกสวิตช์สั่งงานจากด้านที่บ่งชี้ด้วยเครื่องหมายล็อก (M) เพื่อล็อกสวิตช์สั่งงานในตำแหน่ง “ปิด”

ปุ่มล็อคสวิทช์สั่งงาน

เพื่อป้องกันไม่ให้สวิทช์สั่งงานถูกดึงโดยไม่ตั้งใจจึงมีปุ่มล็อคสวิทช์สั่งงานติดตั้ง สำหรับการเริ่มใช้งานเครื่องมือ ให้กดปุ่มล็อคสวิทช์สั่งงานจากด้านที่บ่งชี้ด้วยเครื่องหมายปลดล็อค (II) สำหรับการล็อคเครื่องมือ ให้กดปุ่มล็อคสวิทช์สั่งงานจากด้านที่บ่งชี้ด้วยเครื่องหมายล็อค (III) ตรวจสอบให้แน่ใจว่าตั้งปุ่มล็อคสวิทช์สั่งงานกลับไปในตำแหน่งล็อคหลังการใช้งานแต่ละครั้ง

- **หมายเลข 18:** 1. สวิทช์สั่งงาน 2. ปุ่มล็อคสวิทช์สั่งงาน 3. เครื่องหมายปลดล็อค 4. เครื่องหมายล็อค

ข้อสังเกต: ห้ามดึงสวิทช์สั่งงานแรงเกินไปโดยไม่คลายปุ่มล็อคสวิทช์สั่งงาน การทำเช่นนี้อาจทำให้สวิทช์เสียหายได้

สวิทช์สั่งงาน

สามารถควบคุมปริมาตรอากาศโดยการกดสวิทช์สั่งงาน สามารถเพิ่มปริมาตรอากาศโดยการเพิ่มแรงดันด้วยสวิทช์สั่งงาน ปลดสวิทช์สั่งงานเพื่อหยุดการทำงาน

- **หมายเลข 19:** 1. สวิทช์สั่งงาน

ปุ่มล็อค

สำหรับการใช้งานต่อเนื่อง ให้กดปุ่มล็อคขณะตั้งสวิทช์สั่งงาน จากนั้นจึงคลายสวิทช์สั่งงาน สำหรับการยกเลิกฟังก์ชันล็อค ให้ดึงสวิทช์สั่งงานจนสุด จากนั้นจึงคลาย

- **หมายเลข 20:** 1. สวิทช์สั่งงาน 2. ปุ่มล็อค

การปรับปริมาตรอากาศ

สามารถเปลี่ยนปริมาตรอากาศได้ด้วยสี่โหมด ได้แก่ 4 (สูงสุด), 3 (สูง), 2 (ปานกลาง) และ 1 (ต่ำ) โดยขึ้นอยู่กับการใช้งานและปริมาณงาน

กดปุ่มปรับปริมาตรอากาศเพื่อเปลี่ยนโหมดในลำดับดังต่อไปนี้ โหมดการใช้งานจะเปลี่ยนทุกครั้งที่คุณกดปุ่ม

- **หมายเลข 21:** 1. ปริมาตรอากาศต่ำ 2. ปริมาตรอากาศปานกลาง 3. ปริมาตรอากาศสูง 4. ปริมาตรอากาศสูงสุด 5. ปุ่มปรับปริมาตรอากาศ

ตารางการตั้งค่าปริมาตรอากาศ

โหมดปริมาตรอากาศ	ปริมาตรอากาศสูงสุด
4: สูงสุด	1.1 m ³ /min
3: สูง	1.0 m ³ /min
2: ปานกลาง	0.8 m ³ /min
1: ต่ำ	0.6 m ³ /min

* ปริมาตรอากาศสูงสุดวัดโดยไม่มีหัวเป่า

หมายเหตุ: สามารถเปลี่ยนโหมดปริมาตรอากาศได้ก่อนเปิดเครื่องมือ

หมายเหตุ: เครื่องมือจะเริ่มทำงานอีกครั้งในโหมดปริมาตรอากาศที่ใช้ครั้งล่าสุด

การเปิดดวงไฟ

⚠ ข้อควรระวัง: อย่ามองเข้าไปในดวงไฟหรือจ้องดูแหล่งกำเนิดแสงโดยตรง

สำหรับการเปิดดวงไฟ ให้ปฏิบัติตามขั้นตอนดังต่อไปนี้

- กดปุ่มปรับปริมาตรอากาศเพื่อเปิดไฟ ดวงไฟจะสว่างขึ้นเป็นเวลาประมาณ 10 วินาที
- ดึงสวิทช์สั่งงานเพื่อทำให้ดวงไฟสว่างขึ้น ดวงไฟจะสว่างขึ้นขณะดึงสวิทช์สั่งงาน ดวงไฟจะดับลงภายในประมาณ 10 วินาทีหลังจากหยุดทำงาน

หมายเหตุ: เมื่อความจุแบตเตอรี่เหลือน้อย ดวงไฟจะเริ่มกะพริบ จังหวะเวลาที่ดวงไฟเริ่มกะพริบจะขึ้นอยู่กับอุณหภูมิที่กำลังใช้งาน และสภาวะของตลับแบตเตอรี่

- **หมายเลข 22:** 1. ปุ่มปรับปริมาตรอากาศ 2. สวิทช์สั่งงาน 3. ดวงไฟ

รูแขวน

⚠ ข้อควรระวัง: ก่อนแขวนเครื่องมือ ตรวจสอบให้แน่ใจว่ารูแขวนไม่ได้รับความเสียหาย

⚠ ข้อควรระวัง: ใช้ส่วนที่แขวนยึดตามวัตถุประสงค์ที่ระบุไว้เท่านั้น การใช้งานผิดวัตถุประสงค์อาจก่อให้เกิดอุบัติเหตุหรือได้รับบาดเจ็บได้

⚠ ข้อควรระวัง: ต้องทราบข้อมูลเกี่ยวกับโหลดที่รับได้ของชั้นวางและที่ยึดเครื่องมือก่อนใช้งาน ห้ามวางเครื่องมือเกินโหลดที่รับได้ของชั้นวางและที่ยึด

⚠ ข้อควรระวัง: ตรวจสอบให้แน่ใจว่ายึดรูแขวนแน่นแล้วก่อนปล่อยมือ

ใช้รูแวนที่ด้านหลังบนของโครงเพื่อแขวนเครื่องมือบนขอเกี่ยวของชั้นวางและที่ยึด

► หมายเลข 23: 1. รูแวน 2. ขอเกี่ยว

ขอเกี่ยวติดตั้ง

อุปกรณ์เสริม

คำเตือน: ใช้ชิ้นส่วนแวนติดตั้งตามจุดประสงค์ที่กำหนดไว้เท่านั้น เช่น การแขวนเครื่องมือบนเข็มขัดเครื่องมือระหว่างงานหรือช่วงเวลาทำงาน

คำเตือน: ระวังอย่าแขวนเครื่องมือที่หนักเกินไปบนขอเกี่ยวเพราะแรงปริมาณมากหรือภาระที่ไม่สม่ำเสมออาจทำให้เครื่องมือเสียหายซึ่งส่งผลให้เกิดการบาดเจ็บได้

ข้อควรระวัง: เมื่อทำการติดตั้งขอเกี่ยว ให้ขันสกรูให้แน่นเสมอ ไม่เช่นนั้น ขอเกี่ยวอาจหลุดออกจากเครื่องมือและอาจทำให้ได้รับบาดเจ็บได้

ข้อควรระวัง: ตรวจสอบให้แน่ใจว่าแวนเครื่องมืออย่างมั่นคงก่อนปล่อยมือ การแขวนที่ไม่เหมาะสมหรือไม่สมดุลอาจทำให้เครื่องมือหล่นและทำให้คุณได้รับบาดเจ็บได้

► หมายเลข 24: 1. ร่อง 2. ขอเกี่ยว 3. สกรู

ขอเกี่ยวให้ความสะดวกสำหรับการแขวนเครื่องมือไว้ชั่วคราว ซึ่งสามารถติดตั้งไว้ที่ด้านใดด้านหนึ่งของเครื่องมือ เมื่อต้องการติดตั้งขอเกี่ยว ให้ใส่ขอเกี่ยวลงในร่องบนตัวเครื่องมือที่ด้านใดด้านหนึ่ง แล้วยึดติดไว้ด้วยสกรู เมื่อต้องการถอดออก ให้คลายสกรูแล้วดึงออกมา

การใช้งาน

ข้อควรระวัง: อย่าชี้หัวเป่าไปที่บุคคลอื่นที่อยู่ใกล้ๆ ในระหว่างการใช้งาน

ข้อสังเกต: อย่านั่งช่องดูดและ/หรือช่องปล่อยลมออกในระหว่างการใช้งาน

การเป่าลมทั่วไป

หัวเป่าที่แนะนำ

— หัวเป่าเบอร์ 13

ทำความสะอาดพื้นผิวงานและพื้นโดยการเป่าฝุ่น สิ่งสกปรก เศษขยะ เศษเหล็ก หรือขยะทั่วไป

หันหัวเป่าไปที่พื้นผิวด้วยระยะที่เหมาะสมและแกว่งไปมาเพื่อเป่าออกให้หมด

► หมายเลข 25

ข้อควรระวัง: อย่าเป่าเศษขยะไปในทิศทางของคอนกรีตหรือวัสดุที่เปราะบาง

ข้อควรระวัง: ใช้อุปกรณ์ป้องกัน เช่น หน้ากากกันฝุ่น แวนตานิริภัย

ข้อสังเกต: กำจัดสิ่งกีดขวางบนพื้นผิวก่อนเป่าลม

การเป่าลมในพื้นที่คับแคบ

หัวเป่าที่แนะนำ

— หัวเป่าเบอร์ 3

เป่าลมไปในพื้นที่แคบ ขอบมุม และพื้นที่ที่ชิดผนังเพื่อกำจัดฝุ่น

ชี้หัวเป่าไปยังพื้นที่โดยตรงในระยะที่เหมาะสมแล้วกดสวิตช์สั่งงานเพื่อควบคุมปริมาณลมเป่า

► หมายเลข 26

► หมายเลข 27

ข้อควรระวัง: เว้นระยะห่างของหัวเป่าจากจุดที่เป่าอย่างเหมาะสมเพื่อป้องกันการเป่าฝุ่นฟุ้งกระจาย

ข้อควรระวัง: ใช้อุปกรณ์ป้องกัน เช่น หน้ากากกันฝุ่น แวนตานิริภัย

ข้อสังเกต: หลีกเลี่ยงการดูดรูอากาศรอบๆ ช่องปล่อยลมออกของเครื่องเป่าลม มิเช่นนั้นอาจทำให้เกิดเสียงดังและแรงสั่นซึ่งสามารถส่งผลต่อประสิทธิภาพของเครื่องมือได้

► หมายเลข 28: 1. ช่องลม 2. ช่องปล่อยลมออก

เป่าฝุ่นแผ่นกรองอากาศ

หัวเป่าที่แนะนำ

— หัวเป่าเบอร์ 7

กำจัดฝุ่นบนพื้นผิวดังด้วยการเป่าลมผ่านด้านหนึ่งของตัวกรองไปยังอีกด้าน

หันหัวเป่าไปบนพื้นผิวดังกรองในระยะสั้นๆ และแกว่งไปมาเพื่อเป่าฝุ่นออกจากพื้นผิว

► หมายเลข 29

ข้อควรระวัง: ใช้อุปกรณ์ป้องกัน เช่น หน้ากากกันฝุ่น แวนตานิริภัย

หมายเหตุ: เอียงหัวเป่าไปตามกรอบของตัวกรองเพื่อกำจัดฝุ่นที่ติดแน่นได้ง่ายขึ้น

การเป่าลมพื้นที่เปิดกว้าง

หัวเป่าที่แนะนำ

— หัวเป่ากว้าง

เป่าลมไปที่สิ่งสกปรกและของเหลวบนพื้นผิวเปิดกว้าง เช่น โถ้ทำงานและพื้น โดยใช้หัวเป่าหุ้มที่มีองศาการเป่า 120 องศา

หันหัวเป่าไปยังพื้นที่ขนาดใหญ่ภายในระยะที่เฉพาะเจาะจง และแกว่งขึ้นลงซ้ายขวาเพื่อเป่าให้ได้กว้างๆ

► หมายเลข 30

⚠ ข้อควรระวัง: ใช้อุปกรณ์ป้องกัน เช่น หน้ากากกันฝุ่น แวนตาอิมัลย์

การสูบลมพลาสติกเป่าลม

หัวเป่าที่แนะนำ

— หัวเป่าแคบ

— หัวเป่าเบอร์ 13

ปริมาตรอากาศที่สูบลมได้ด้วยตัวลบเบตเตอร์ BL1860B ที่ชาร์จเต็มแล้วโดยไม่ชาร์จเพิ่ม

โหมดปริมาตรอากาศ	ปริมาตรอากาศที่สูบลมได้ (ด้วยหัวเป่าแคบ)	เทียบเท่าปริมาตรอากาศของลูกบอลชายหาดพลาสติก ขนาด ๑61 cm (ด้วยหัวเป่าแคบ)
4: สูงสุด	13.0 m ³	110
3: สูง	13.4 m ³	115
2: ปานกลาง	15.6 m ³	130
1: ต่ำ	22.8 m ³	190

หมายเหตุ: แรงดันอากาศออกสูงสุดของเครื่องมือนี้คือ 20.2 kPa (ด้วยหัวเป่าเบอร์ 13)

สูบลมของเล่นชายหาด เบาะ และวัตถุพลาสติกเป่าลมขนาดเล็กด้วยหัวเป่าแคบ

สูบลมสระน้ำเป่าลม ที่นอนเบาะลม และวัตถุพลาสติกเป่าลมขนาดใหญ่ด้วยหัวเป่าเบอร์ 13

ใส่หัวเป่าเข้าไปในช่องลมเข้าของวัตถุเป่าลมและดึงสวิตช์สั่งงานเพื่อเริ่มสูบลม

ค่อยๆ คลายสวิตช์สั่งงานเพื่อลดปริมาตรอากาศเมื่อวัตถุเป่าลมใกล้สูบลมเต็มที่แล้ว ถอดหัวเป่าออกจากช่องลมเข้าหลังจากหยุดกระแสลมแล้วจึงปิดช่องลมเข้า

► หมายเลข 31

► หมายเลข 32

⚠ ข้อควรระวัง: ระวังระดับแรงดันลมมากเกินไประหว่างการเป่าลม มิเช่นนั้น วัตถุสูบลมอาจแตก ซึ่งทำให้เกิดความเสียหายต่อเครื่องมือและเกิดการบาดเจ็บได้

⚠ ข้อควรระวัง: อย่าปล่อยเครื่องมือทิ้งไว้ขณะหัวเป่าติดอยู่กับวัตถุสูบลมหรือระหว่างการใช้งาน

⚠ ข้อควรระวัง: ระวังระดับแรงดันลมที่อาจไหลผ่านช่องลมที่คอคอดของหัวเป่าแคบเนื่องจากการไหลเวียนของอากาศ

หมายเหตุ: ตรวจสอบให้แน่ใจว่าใส่หัวเป่าแคบเข้าไปในช่องลมเข้าจนสุดเพื่อให้หัวเป่าแคบเปิดวาล์วประตูในช่องลมเข้า

หมายเหตุ: สำหรับวัตถุสูบลมที่มีช่องลมเข้าขนาดเล็ก ใส่ปลายของหัวเป่าแคบในช่องลมเข้าจนกว่าคอคอดของหัวเป่าจะสัมผัสกับขอบของช่องลมเข้า

หมายเหตุ: สำหรับวัตถุสูบลมที่มีช่องลมเข้าขนาดใหญ่ ใส่หัวเป่าแคบเข้าไปในช่องลมจนสุดเพื่อเปิดวาล์วประตูในช่องลมเข้า

► หมายเลข 33: 1. วาล์วประตู 2. ช่องลมเข้าขนาดเล็ก 3. ช่องลมเข้าขนาดใหญ่ 4. คอคอด 5. ช่องลม

หมายเหตุ: หากช่องลมเข้าของวัตถุสูบลมมีขนาดเล็กกว่าหัวเป่าแคบ ให้ใช้มือบีบและขยายช่องลมเข้าแล้วจึงบิดและจับหัวเป่าใส่ในช่องลมเข้า

การเป่าลมในรูและจุดที่แคบ

อุปกรณ์เสริม

หัวเป่าที่แนะนำ

— ชุดหัวเป่ายาว

กำจัดฝุ่นในรูเล็กและจุดที่แคบ ความยาวหัวเป่าสามารถปรับได้ตามความต้องการ

ประกอบหัวเป่ายาว R และ F ร่วมกันเพื่อให้ใช้งานในระยะที่ยาวขึ้น เช่น การทำความสะอาดรูสมอที่เท้าของคุณ

► หมายเลข 34

ใช้หัวเป่ายาว R เฉพาะการใช้งานในระยะสั้นๆ เช่น การทำความสะอาดรูบนผนัง

► หมายเลข 35

⚠ ข้อควรระวัง: ใช้อุปกรณ์ป้องกัน เช่น หน้ากากกันฝุ่น แวนตานริภัย

การเป่าลมในพื้นที่แคบ

อุปกรณ์เสริม

หัวเป่าที่แนะนำ

— หัวเป่ายืดหยุ่นเบอร์ 6

เป่าฝุ่นออกจากจุดที่เข้าถึงยาก ประสิทธิภาพสูงสำหรับการทำงานทำความสะอาดเครื่องยนต์ การกำจัดฝุ่นในรถยนต์ และการเป่าฝุ่นในเคสคอมพิวเตอร์

เอียงหัวเป่าให้สัมผัสกับวัตถุและขยับเข้าออกเพื่อทำความสะอาดฝุ่นที่หลงเหลือ เปลี่ยนมุมของหัวเป่าขณะใช้งานเพื่อช่วยเป่าเศษขยะและฝุ่นที่ติดแน่น

► หมายเลข 36

⚠ ข้อควรระวัง: ใช้อุปกรณ์ป้องกัน เช่น หน้ากากกันฝุ่น แวนตานริภัย

ข้อสังเกต: หลีกเลี่ยงการอุดช่องลมรอบๆ ปลายท่อยืดหยุ่น มิเช่นนั้นอาจทำให้เกิดเสียงดังและแรงสั่นซึ่งสามารถส่งผลกระทบต่อประสิทธิภาพของเครื่องมือได้

► หมายเลข 37: 1. ซองลม

การดูดพลาสติกเป่าลม

อุปกรณ์เสริม

ข้อสังเกต: อากาศจะระบายออกมาผ่านช่องเป่าลมของเครื่องมือ อย่างไรก็ตามอากาศเข้าใส่ผนัง เพดาน หรือพื้นที่ปิดของอาคาร

ข้อสังเกต: หลีกเลี่ยงการดูดวัตถุเป่าลมที่มีลักษณะเป็ยกและฝุ่นละเอียดเนื่องจากน้ำ ฝุ่น และสารภายนอกที่ใกล้เคียงบนพื้นผิวอาจเข้าไปในมอเตอร์ซึ่งทำให้เครื่องมือได้รับความเสียหายได้ ดากแห้งและทำความสะอาดวัตถุเป่าลมให้เรียบร้อยก่อนดำเนินการดูดลม

ข้อสังเกต: อย่าปล่อยให้เครื่องมือทิ้งไว้ขณะดูดวัตถุเป่าลม การให้มอเตอร์ทำงานต่อเนื่องหลังจากดูดลมเสร็จแล้วอาจทำให้เกิดความร้อนสูงเกินไป

หัวเป่าและอุปกรณ์ต่อพ่วงที่แนะนำ

— ชุดท่อลม

— หัวเป่าแคบ

— ยางพ่วง 20 - 30

— ยางพ่วง 65

ดูวัตถุเป่าลมด้วยหัวเป่าที่เหมาะสมตามความต้องการและการใช้งานของคุณ

1. ใส่หัวเป่าหรือยางพ่วงเข้าไปในชุดท่อลม
2. เปลี่ยนฝาปิดกั้นฝุ่นบนช่องดูดของเครื่องมือด้วยชุดท่อลม
3. ใส่หัวเป่าเข้าไปในวาล์วลมหรือใส่อุปกรณ์พ่วงเข้าไปในวาล์วลมของวัตถุเป่าลมแล้วจึงตั้งสวิทช์สั่งงานเพื่อเริ่มดูดลม
4. ค่อยๆ คลายสวิทช์สั่งงานเพื่อลดประมาณการดูดเมื่อวัตถุสูญลมใกล้ดูดลมเสร็จแล้ว
5. ถอดหัวเป่าหรืออุปกรณ์พ่วงออกจากวาล์วลมหลังจากหยุดกระแสลมแล้วจึงปิดวาล์วลม

ด้วยหัวเป่าแคบ

► หมายเลข 38

ด้วยยางพ่วง 20 - 30

► หมายเลข 39

ด้วยยางพ่วง 65

► หมายเลข 40

การบำรุงรักษา

⚠ ข้อควรระวัง: ตรวจสอบให้แน่ใจว่าได้ปิดสวิทช์เครื่องมือและถอดปลั๊กแบตเตอรี่ออกก่อนทำการตรวจสอบหรือบำรุงรักษา

เพื่อความปลอดภัยและแนะนำเชื้อถือของผลิตภัณฑ์ ควรให้ศูนย์บริการหรือโรงงานที่ได้รับการรับรองจาก Makita เป็นผู้ดำเนินการซ่อมแซม บำรุงรักษาและทำการปรับตั้งอื่นๆ นอกจากนี้ให้ใช้อะไหล่ของแท้จาก Makita เสมอ

ข้อสังเกต: อย่าใช้น้ำมันเชื้อเพลิง เบนซิน ทินเนอร์ แอลกอฮอล์ หรือวัสดุประเภทเดียวกัน เนื่องจากอาจทำให้ลีสีซีดจาง เสียรูป หรือแตกร้าวได้

การทำความสะอาด

การทำความสะอาดตัวเครื่อง

ทำความสะอาดตัวเครื่องของเครื่องมือด้วยผ้าแห้งหรือผ้าชุบน้ำสบู่หมาดๆ เป็นประจำ

การทำความสะอาดหัวเป่า

ทำความสะอาดขย่อดันหรือฝุ่นที่ขัดขวางช่องของหัวเป่าก่อนและหลังการใช้งาน

การถอดและติดตั้งตัวกรอง

⚠ ข้อควรระวัง: หลังการทำความสะอาดตัวกรอง ตรวจสอบให้แน่ใจว่าประกอบตัวกรองใหม่ในตำแหน่งที่ถูกต้อง

ทำความสะอาดตัวกรองเป็นประจำ เนื่องจากการใช้ตัวกรองที่อุดตันอาจทำให้การดูดลมไม่มีประสิทธิภาพ

1. หมุนฝาปิดตักฝุ่นบนช่องดูดที่ท้ายโครงทวนเข็มนาฬิกาเพื่อถอดฝาปิดตักฝุ่นออกจากโครง ปลดแถบล็อกสองตัวบนฝาปิดตักฝุ่นได้โดยการปรับตำแหน่งแถบให้ตรงกับร่องนำบนโครง

▶ **หมายเลข 41:** 1. ฝาปิดตักฝุ่น 2. แถบล็อก 3. ช่องดูด 4. ร่องนำ

2. ถอดตัวกรองฟองน้ำกลม B (สีเทาดำ) ออกจากช่องดูด

▶ **หมายเลข 42:** 1. ตัวกรองฟองน้ำกลม B (สีเทาดำ)

ห้ามถอดตัวกรองฟองน้ำ A (สีเหลือง) ที่ใส่อยู่ด้านในช่องดูดเนื่องจากตัวกรองต้องอยู่ในตำแหน่งดังกล่าวเพื่อป้องกันมอเตอร์จากความเสียหาย

▶ **หมายเลข 43:** 1. ตัวกรองฟองน้ำ A (สีเหลือง)

3. ใช้มือเช็ดและเขย่าฝุ่นออกจากตัวกรองฟองน้ำกลม B ทำความสะอาดเป็นบางครั้งด้วยการล้างตัวกรองด้วยน้ำและตากในที่ร่มให้แห้งก่อนใช้งาน

▶ **หมายเลข 44**

▶ **หมายเลข 45**

ข้อสังเกต: ล้างน้ำและตากตัวกรองฟองน้ำกลม B ให้แห้งสนิทก่อนติดตั้ง ตัวกรองที่ไม่แห้งสนิทอาจลดอายุการใช้งานของมอเตอร์

ข้อสังเกต: ห้ามซักตัวกรองในเครื่องซักผ้า

ข้อสังเกต: ห้ามถูหรือขีดข่วนตัวกรองด้วยวัตถุแข็ง เช่น แปรง

หมายเหตุ: ตัวกรองจะสึกหรอตามเวลา แนะนำให้เตรียมตัวกรองสำรองไว้

4. ใส่ตัวกรองฟองน้ำกลม B เข้าช่องดูด ตรวจสอบให้แน่ใจว่าขอบด้านในของโครงยึดฟองน้ำ B ไว้อย่างดีแล้ว และไม่มีช่องว่างระหว่างตัวกรองฟองน้ำกับช่องดูด

▶ **หมายเลข 46:** 1. ตัวกรองฟองน้ำกลม B 2. ขอบด้านใน

5. ประกอบฝาปิดตักฝุ่นกลับเข้ากับช่องดูด โดยปรับแถบล็อกบนฝาปิดตักฝุ่นให้ตรงกับร่องนำบนโครง จากนั้นจึงหมุนฝาปิดตักฝุ่นตามเข็มนาฬิกาเพื่อยึดให้แน่น

▶ **หมายเลข 47:** 1. ฝาปิดตักฝุ่น 2. แถบล็อก 3. ช่องดูด 4. ร่องนำ

การแก้ไขปัญหา

ก่อนนำไปซ่อม ให้ทำการตรวจสอบด้วยตัวเองก่อน หากพบปัญหาที่ไม่มีอธิบายในคู่มือการใช้งาน อย่าพยายามถอดแยกเครื่อง โปรดสอบถามศูนย์บริการที่ได้รับการรับรองของ Makita และใช้อะไหล่ทดแทนของ Makita ในการซ่อมแซมเสมอ

สภาวะความผิดปกติ	สาเหตุที่เป็นไปได้ (การทำงานผิดปกติ)	การแก้ไข
มอเตอร์ไม่ทำงาน	ระบบขับเคลื่อนไม่ทำงานอย่างถูกต้อง	สอบถามศูนย์บริการที่ผ่านการรับรองจาก Makita ในท้องถิ่นให้ทำการซ่อมแซมให้
มอเตอร์หยุดทำงานหลังจากใช้งานไปได้เล็กน้อย	ความร้อนสูงเกิน	หยุดใช้งานเครื่องมือเพื่อให้เย็นลง
เครื่องมือทำงานไม่ถึงปริมาณอากาศสูงสุด	ระบบขับเคลื่อนไม่ทำงานอย่างถูกต้อง	สอบถามศูนย์บริการที่ผ่านการรับรองจาก Makita ในท้องถิ่นให้ทำการซ่อมแซมให้
การสันเสียด้านผิดปกติ ⇒ หยุดใช้งานเครื่องมือทันที!	ระบบขับเคลื่อนไม่ทำงานอย่างถูกต้อง	สอบถามศูนย์บริการที่ผ่านการรับรองจาก Makita ในท้องถิ่นให้ทำการซ่อมแซมให้
มอเตอร์ไม่สามารถหยุด ⇒ ถอดแบตเตอรี่ทันที!	ชิ้นส่วนไฟฟ้าหรืออิเล็กทรอนิกส์ทำงานผิดปกติ	ถอดแบตเตอรี่และสอบถามศูนย์บริการที่ผ่านการรับรองจาก Makita ในท้องถิ่นให้ทำการซ่อมแซมให้

อุปกรณ์เสริม

⚠ ข้อควรระวัง: อุปกรณ์เสริมหรืออุปกรณ์ต่อพ่วงเหล่านี้ได้รับการแนะนำสำหรับใช้งานกับผลิตภัณฑ์ Makita ของคุณที่ระบุไว้ในคู่มือนี้ การใช้อุปกรณ์เสริมหรืออุปกรณ์ต่อพ่วงอื่นๆ อาจทำให้ได้รับบาดเจ็บได้ ใช้อุปกรณ์เสริมหรืออุปกรณ์ต่อพ่วงตามวัตถุประสงค์ที่ระบุไว้เท่านั้น

หากต้องการทราบรายละเอียดเพิ่มเติมเกี่ยวกับอุปกรณ์เสริมเหล่านี้ โปรดสอบถามศูนย์บริการ Makita ใกล้บ้านคุณ

- หัวเป่าเบอร์ 3
- หัวเป่าเบอร์ 7
- หัวเป่าเบอร์ 13
- หัวเป่ากว้าง

- หัวเป่าแคบ
- หัวเป่ายืดหยุ่นเบอร์ 6
- ชุดหัวเป่ายาว
- ชุดท่อลม
- ยางพ่วง 20 - 30
- ยางพ่วง 65
- ตัวกรอง C
- ขอบเกี่ยว
- แบตเตอรี่และเครื่องชาร์จ Makita ของแท้

หมายเหตุ: อุปกรณ์บางชิ้นในรายการอาจมีมาให้ในชุดผลิตภัณฑ์เป็นอุปกรณ์มาตรฐาน ซึ่งอาจแตกต่างกันไปในแต่ละประเทศ

Makita Corporation
3-11-8, Sumiyoshi-cho,
Anjo, Aichi 446-8502 Japan
www.makita.com

885A20B376
EN, ZHCN, ID, MS,
VI, TH
20221028