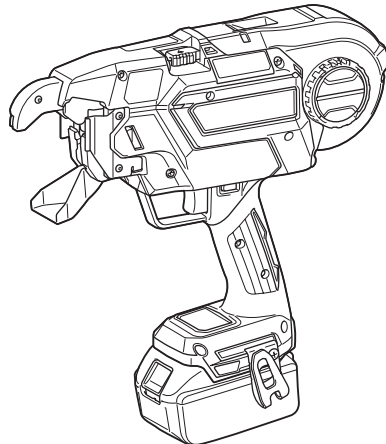




EN	Cordless Rebar Tying Tool	INSTRUCTION MANUAL	12
ZHCN	充电式钢筋捆扎机	使用说明书	24
ID	Mesin Pengikat Besi Beton Tanpa Kabel	PETUNJUK PENGGUNAAN	37
MS	Alat Pengikat Batang Penulangan Tanpa Kord	MANUAL ARAHAN	50
VI	Máy Buộc Thép Cầm Tay Hoạt Động Bằng Pin	TÀI LIỆU HƯỚNG DẪN	63
TH	เครื่องรัดเหล็กเส้นไฟฟ้าไร้สาย	คู่มือการใช้งาน	75

DTR181



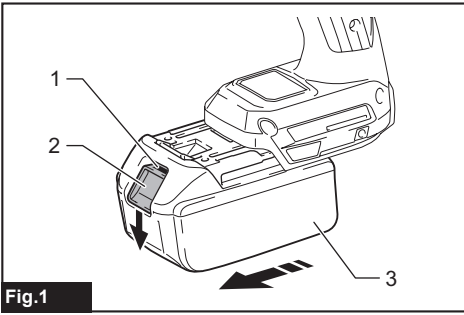


Fig.1

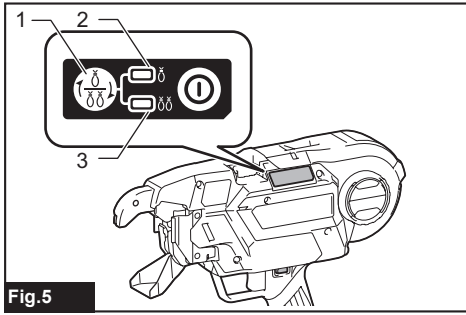


Fig.5

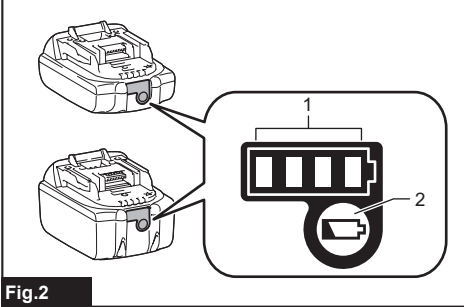


Fig.2

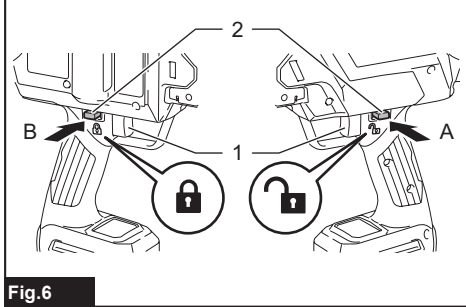


Fig.6



Fig.3



Fig.7

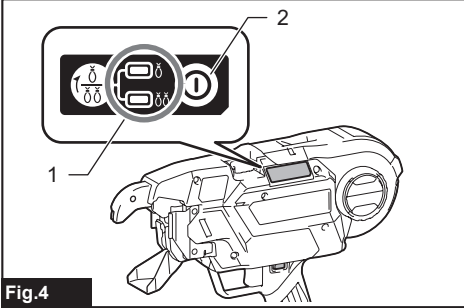
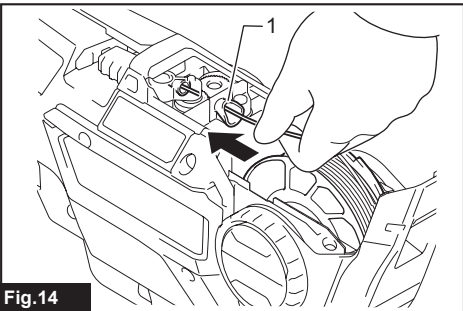
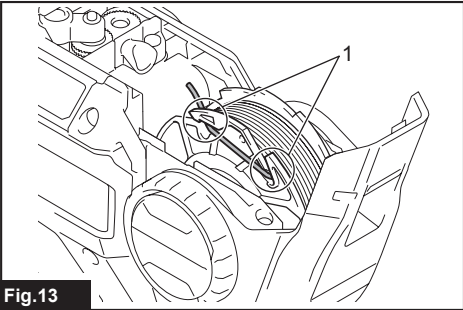
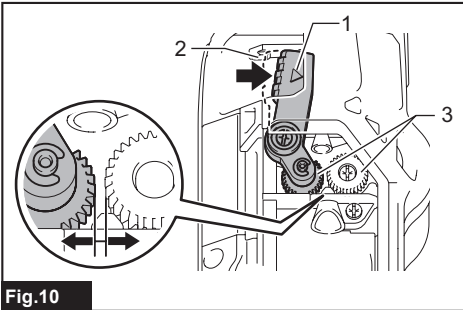
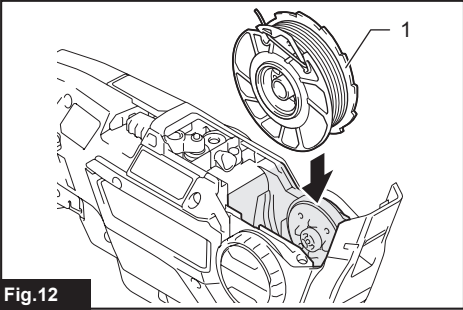
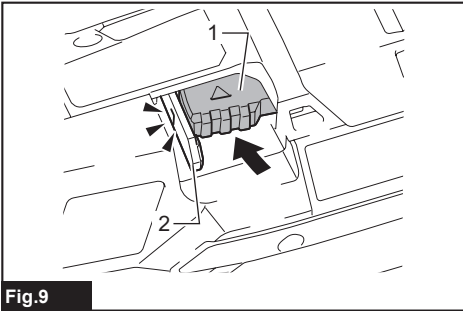
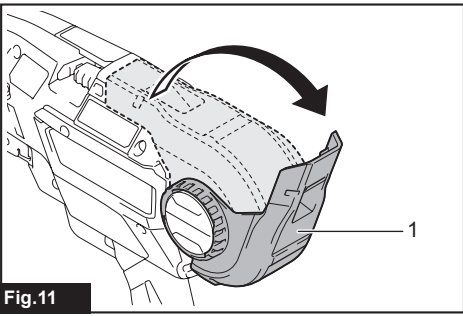
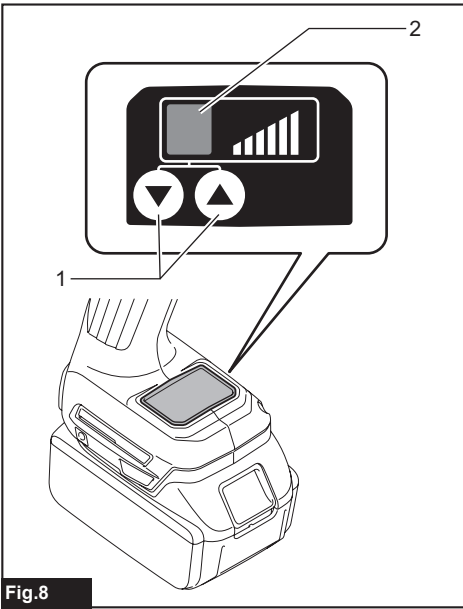


Fig.4



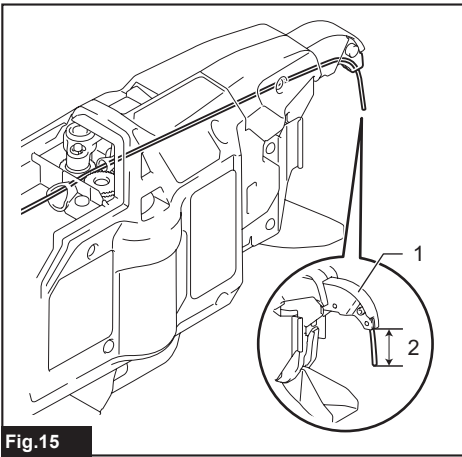


Fig.15

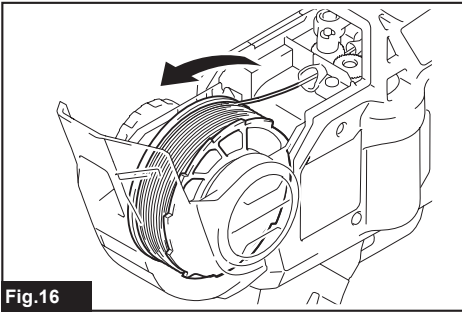


Fig.16

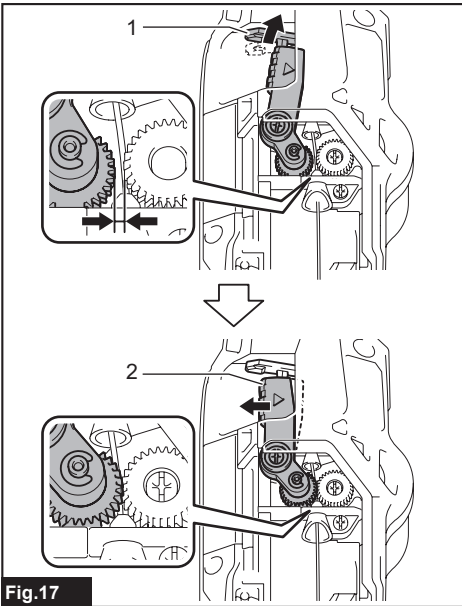


Fig.17

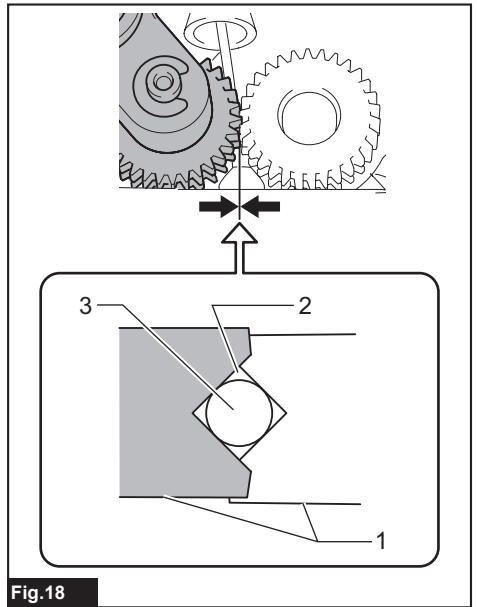


Fig.18

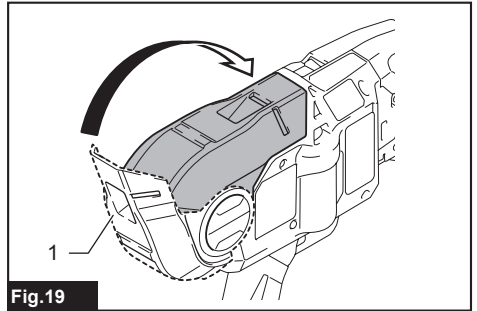


Fig.19

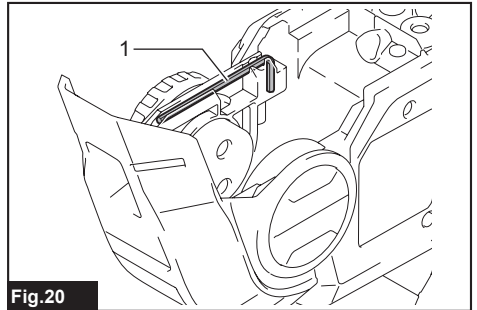


Fig.20

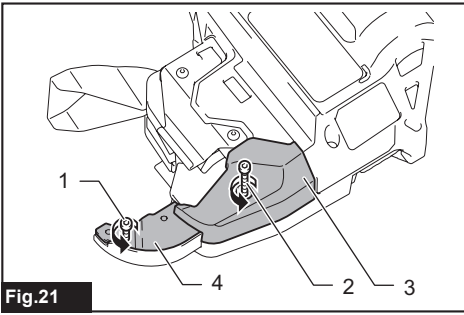


Fig.21

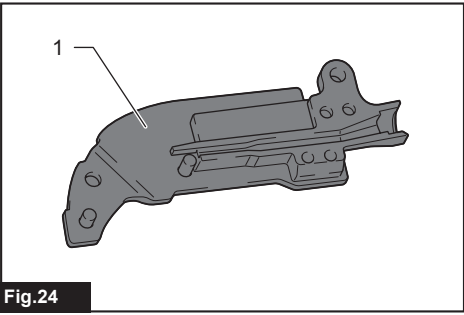


Fig.24

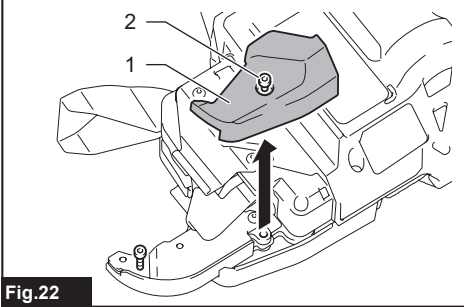


Fig.22

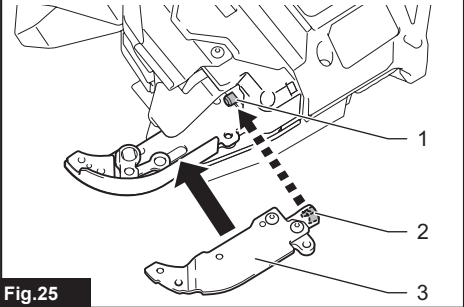


Fig.25

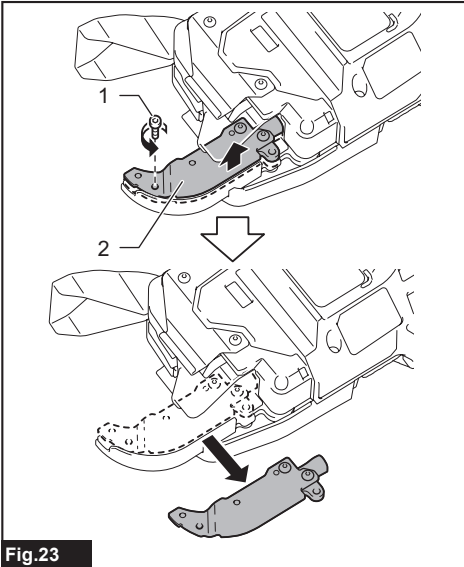


Fig.23

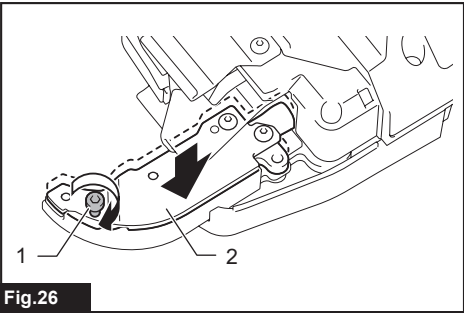


Fig.26

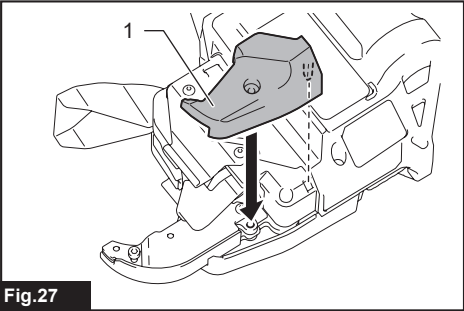


Fig.27

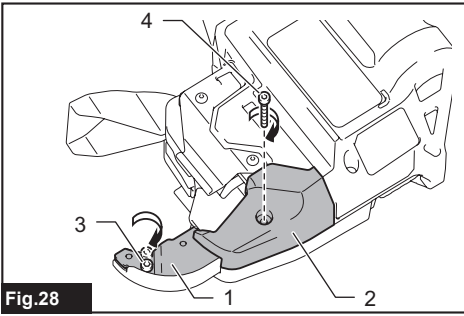


Fig.28

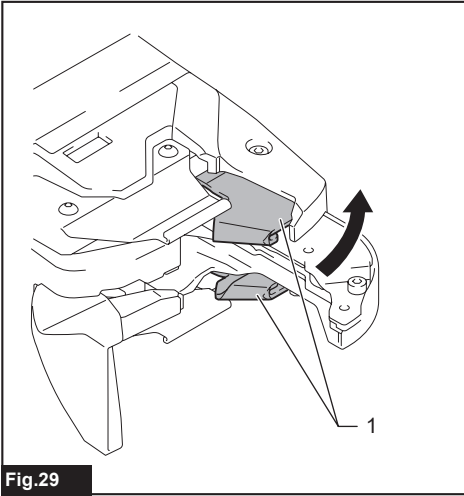


Fig.29

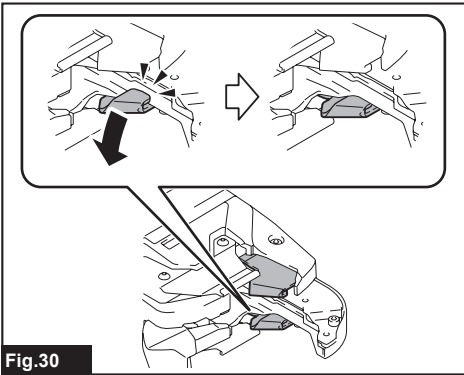


Fig.30

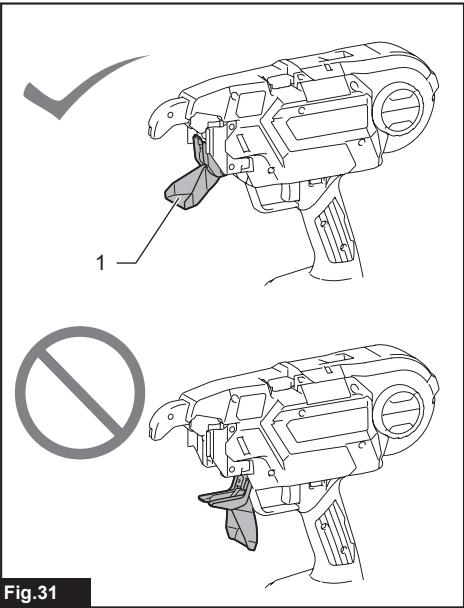


Fig.31

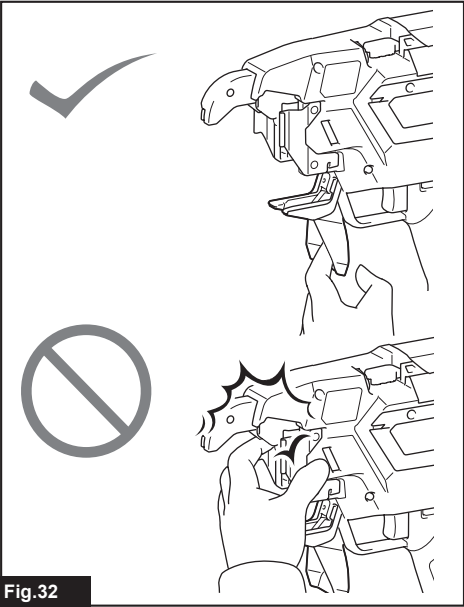


Fig.32

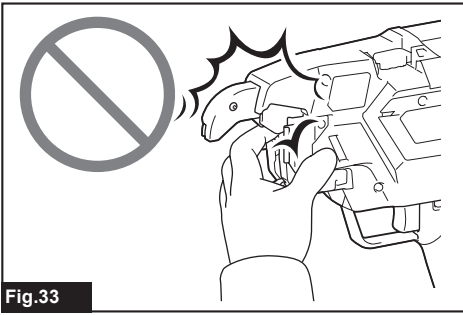


Fig.33

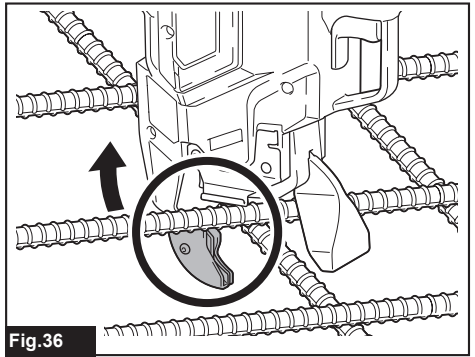


Fig.36

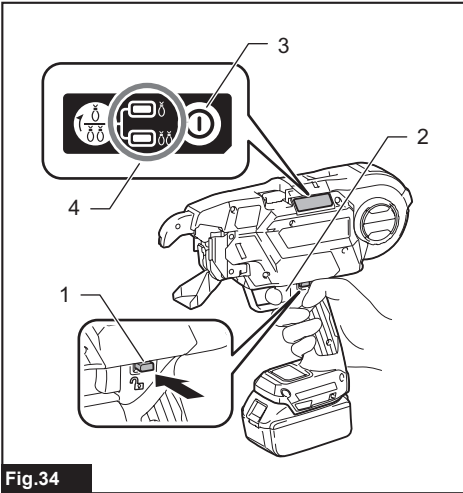


Fig.34

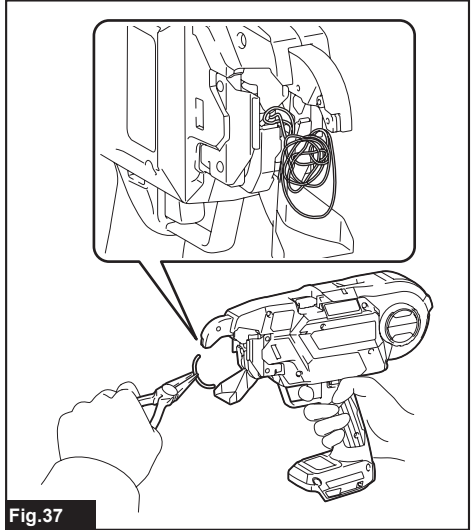


Fig.37

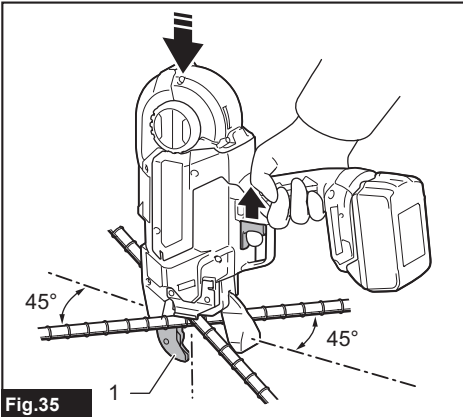


Fig.35

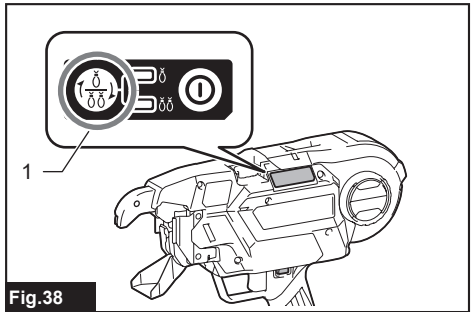


Fig.38

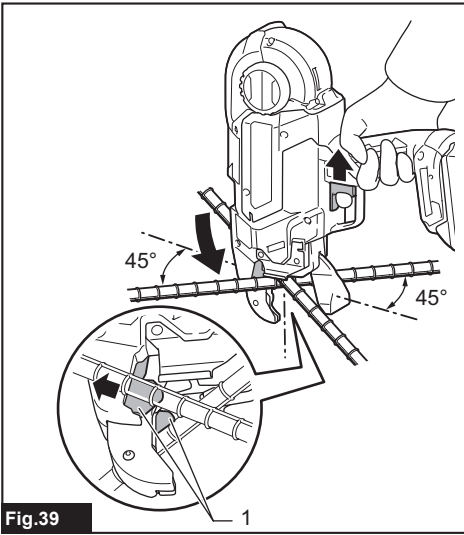


Fig.39

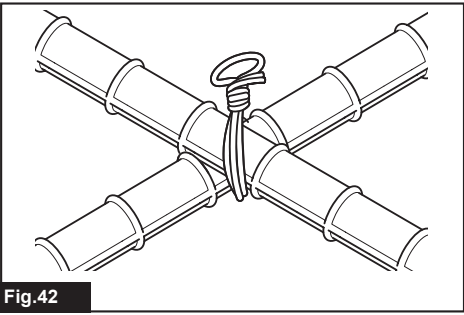


Fig.42

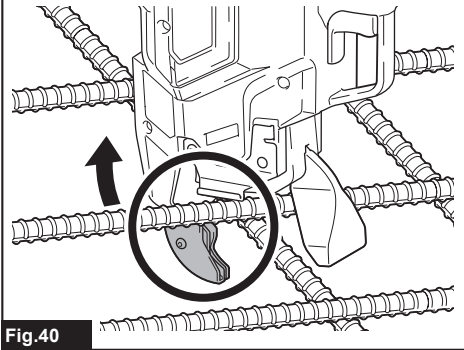


Fig.40

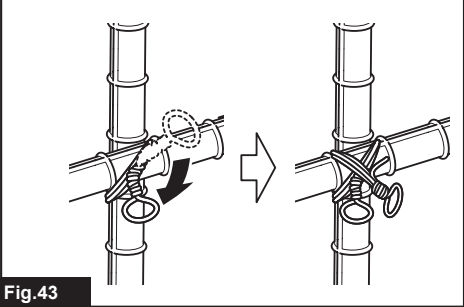


Fig.43

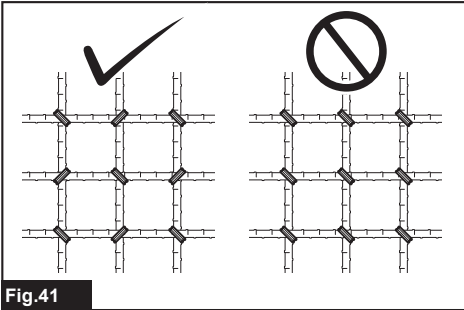


Fig.41

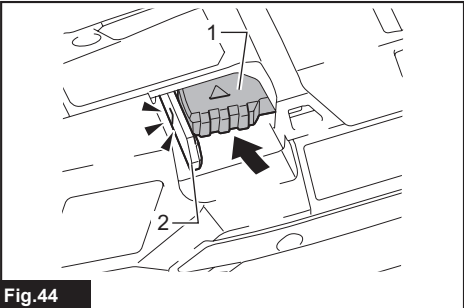


Fig.44

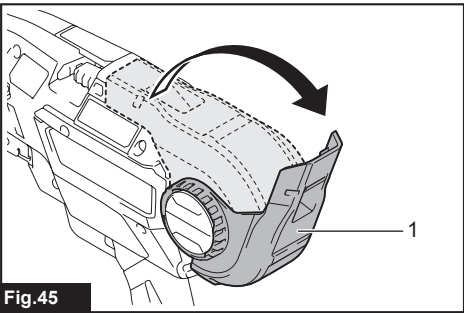


Fig.45

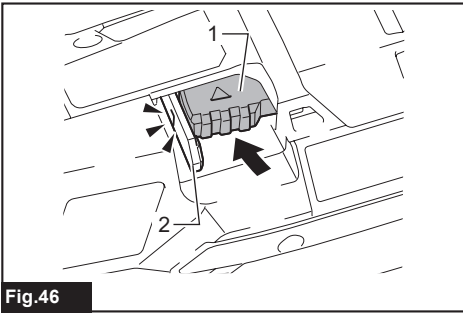


Fig.46

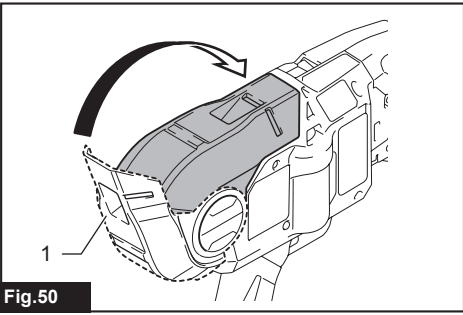


Fig.50

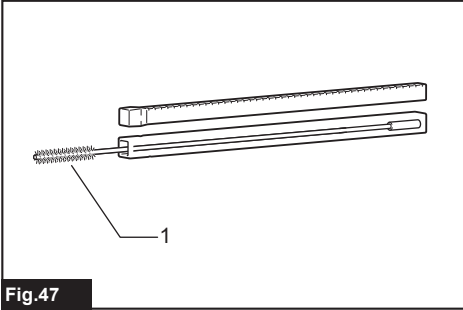


Fig.47

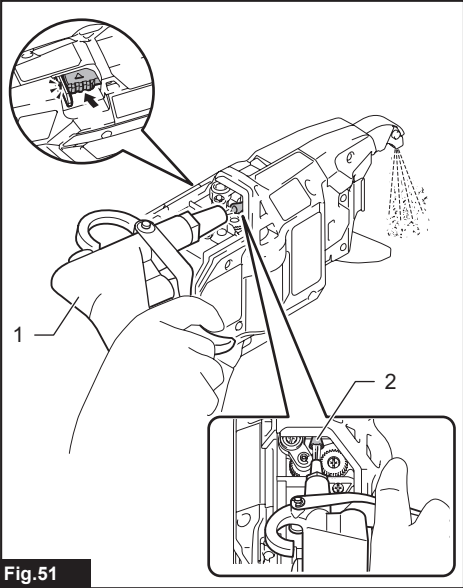


Fig.51

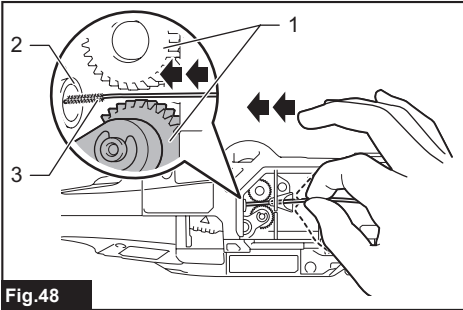


Fig.48

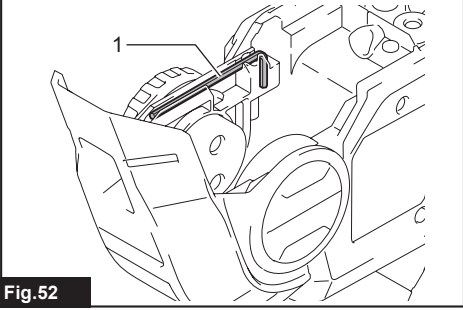


Fig.52

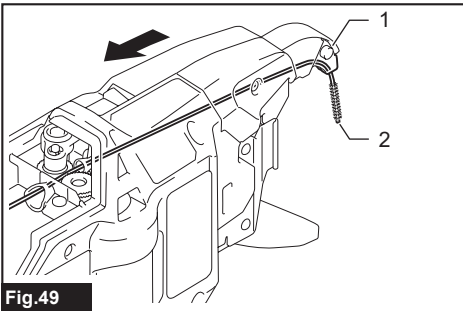


Fig.49

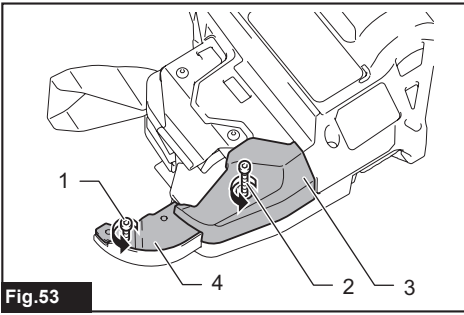


Fig.53

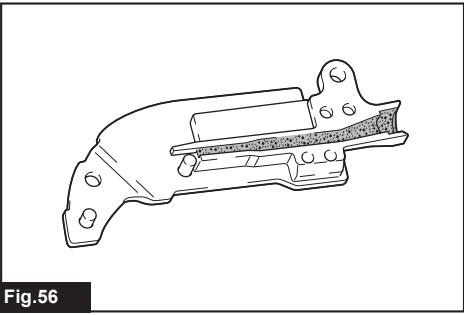


Fig.56

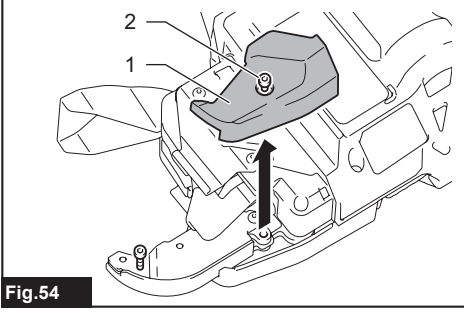


Fig.54

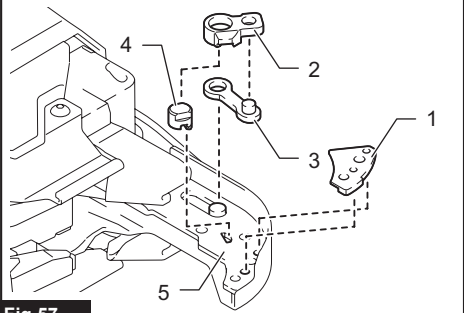


Fig.57

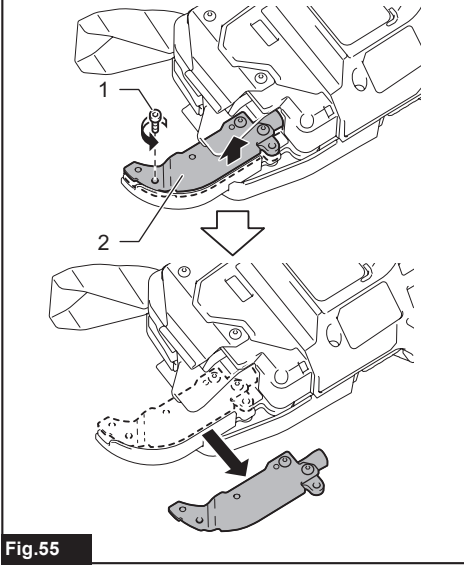


Fig.55

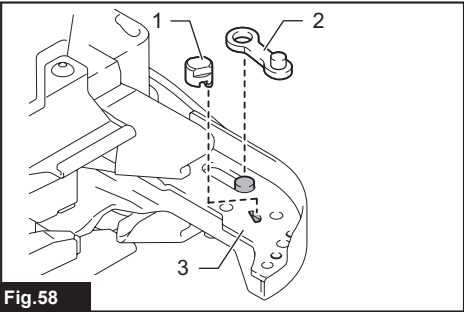


Fig.58

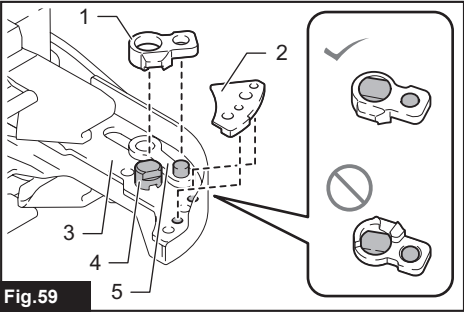
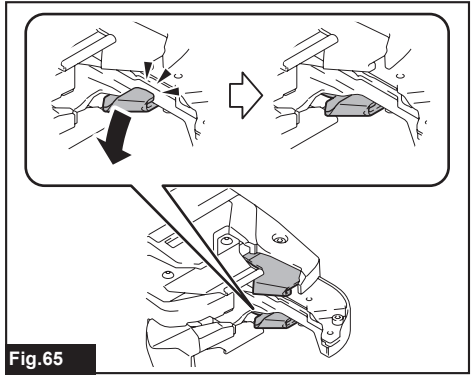
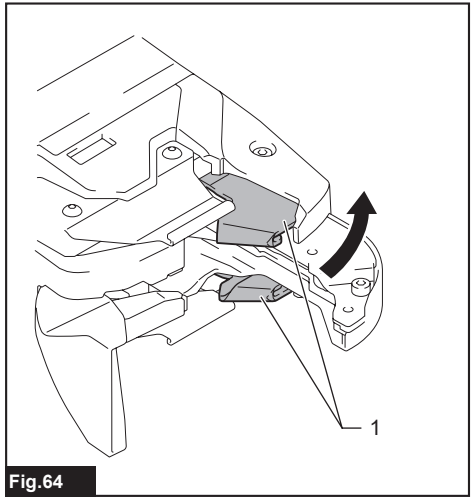
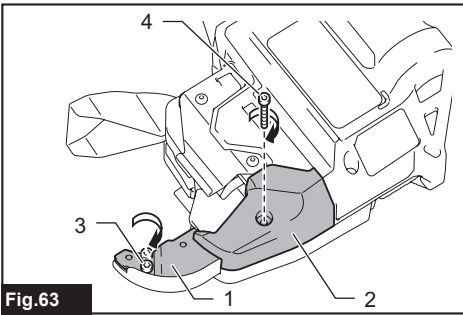
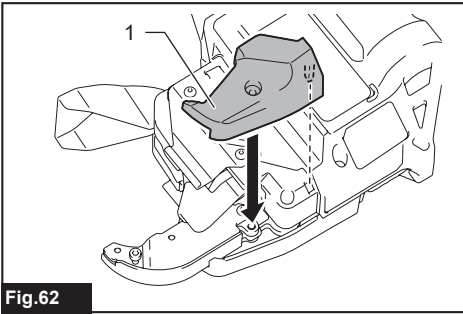
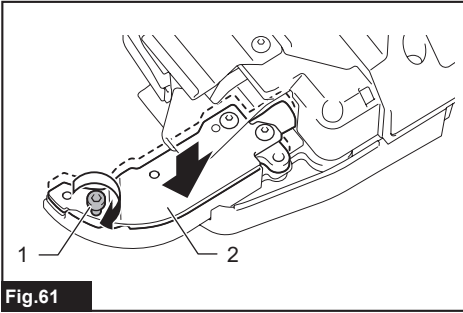
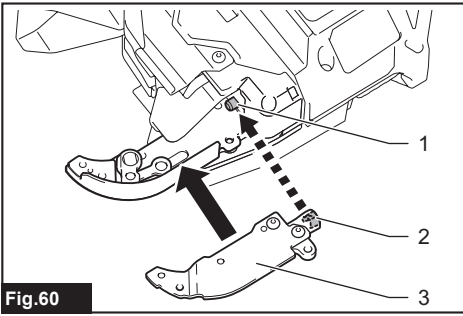


Fig.59



SPECIFICATIONS

Model:		DTR181
Tie wire (Optional accessory)	Annealing iron tie wire	ø0.8 mm
	Poly coated tie wire	ø0.9 mm
	Galvanized tie wire ^{*1}	ø0.8 mm
Approximate number of ties per reel	Annealing iron tie wire	Approximately 75 ties
	Poly coated tie wire	Approximately 65 ties
	Galvanized tie wire ^{*1}	Approximately 75 ties
Overall length	317 mm	
Rated voltage	D.C. 18 V	
Net weight	2.4 - 2.7 kg	

^{*1} Available only when an optional wire guide B complete (EG) is installed in the arm.

- Due to our continuing program of research and development, the specifications herein are subject to change without notice.
- Specifications and battery cartridge may differ from country to country.
- The weight may differ depending on the attachment(s), including the battery cartridge. The lightest and heaviest combinations, according to EPTA-Procedure 01/2014, are shown in the table.

Applicable battery cartridge and charger

Battery cartridge	BL1815N / BL1820B / BL1830B / BL1840B / BL1850B / BL1860B
Charger	DC18RC / DC18RD / DC18RE / DC18SD / DC18SE / DC18SF / DC18SH / DC18WC

- Some of the battery cartridges and chargers listed above may not be available depending on your region of residence.

⚠ WARNING: Only use the battery cartridges and chargers listed above. Use of any other battery cartridges and chargers may cause injury and/or fire.

Combination of rebars that can be tied

Combination of 2 rebars

	#4 (13 mm)	#5 (16 mm)	#6 (19 mm)	#7 (22 mm)
#4 (13 mm)	✓*	-	-	-
#5 (16 mm)	✓*	✓	-	-
#6 (19 mm)	✓	✓	✓	-
#7 (22 mm)	✓	✓	✓	✓
#8 (25 mm)	✓	✓	✓	✓
#9 (29 mm)	✓	✓	✓	-
#10 (32 mm)	✓	✓	-	-
#11 (35 mm)	✓	-	-	-

- * The combination is not designed for high tying strength.

Combination of 3 rebars

	#3 x #3 (10 mm x 10 mm)	#4 x #4 (13 mm x 13 mm)	#5 x #5 (16 mm x 16 mm)
#3 (10 mm)	✓*	✓	✓
#4 (13 mm)	✓*	✓	✓
#5 (16 mm)	✓	✓	✓
#6 (19 mm)	✓	✓	✓
#7 (22 mm)	✓	✓	✓
#8 (25 mm)	✓	✓	✓

* The combination is not designed for high tying strength.







Combination of 4 rebars

	#3 x #3 (10 mm x 10 mm)	#4 x #4 (13 mm x 13 mm)
#3 x #3 (10 mm x 10 mm)	✓	✓
#4 x #4 (13 mm x 13 mm)	✓	✓
#5 x #5 (16 mm x 16 mm)	✓	✓

NOTICE: If there is a gap between rebars or if the tool is used at an incorrect orientation, the rebars may not be able to be tied.

Symbols

The followings show the symbols which may be used for the equipment. Be sure that you understand their meaning before use.

	Read instruction manual.
	Wear safety glasses.
	Do not expose to rain.
	Keep hands away from the wire reel or wire when operating the tool.
	Keep hands away from the tool tip.
	Push the release lever before loading the tie wire. Having installed the tie wire, release the lock lever.



Ni-MH
Li-ion

Only for EU countries

Due to the presence of hazardous components in the equipment, waste electrical and electronic equipment, accumulators and batteries may have a negative impact on the environment and human health. Do not dispose of electrical and electronic appliances or batteries with household waste!

In accordance with the European Directive on waste electrical and electronic equipment and on accumulators and batteries and waste accumulators and batteries, as well as their adaptation to national law, waste electrical equipment, batteries and accumulators should be stored separately and delivered to a separate collection point for municipal waste, operating in accordance with the regulations on environmental protection.

This is indicated by the symbol of the crossed-out wheeled bin placed on the equipment.

Intended use

The tool is intended for tying rebars.

SAFETY WARNINGS

General power tool safety warnings

⚠ WARNING: Read all safety warnings, instructions, illustrations and specifications provided with this power tool. Failure to follow all instructions listed below may result in electric shock, fire and/or serious injury.

Save all warnings and instructions for future reference.

The term "power tool" in the warnings refers to your mains-operated (corded) power tool or battery-operated (cordless) power tool.

Work area safety

1. **Keep work area clean and well lit.** Cluttered or dark areas invite accidents.
2. **Do not operate power tools in explosive atmospheres, such as in the presence of flammable liquids, gases or dust.** Power tools create sparks which may ignite the dust or fumes.
3. **Keep children and bystanders away while operating a power tool.** Distractions can cause you to lose control.

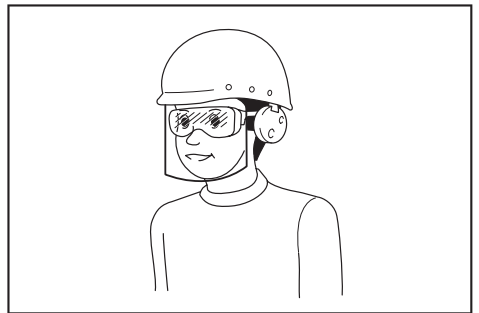
Electrical safety

1. **Power tool plugs must match the outlet. Never modify the plug in any way. Do not use any adapter plugs with earthed (grounded) power tools.** Unmodified plugs and matching outlets will reduce risk of electric shock.
2. **Avoid body contact with earthed or grounded surfaces, such as pipes, radiators, ranges and refrigerators.** There is an increased risk of electric shock if your body is earthed or grounded.
3. **Do not expose power tools to rain or wet conditions.** Water entering a power tool will increase the risk of electric shock.
4. **Do not abuse the cord. Never use the cord for carrying, pulling or unplugging the power tool. Keep cord away from heat, oil, sharp edges or moving parts.** Damaged or entangled cords increase the risk of electric shock.
5. **When operating a power tool outdoors, use an extension cord suitable for outdoor use.** Use of a cord suitable for outdoor use reduces the risk of electric shock.
6. **If operating a power tool in a damp location is unavoidable, use a residual current device (RCD) protected supply.** Use of an RCD reduces the risk of electric shock.
7. **Power tools can produce electromagnetic fields (EMF) that are not harmful to the user.** However, users of pacemakers and other similar medical devices should contact the maker of their device and/or doctor for advice before operating this power tool.

Personal safety

1. **Stay alert, watch what you are doing and use common sense when operating a power tool. Do not use a power tool while you are tired or under the influence of drugs, alcohol or medication.** A moment of inattention while operating power tools may result in serious personal injury.
2. **Use personal protective equipment. Always wear eye protection.** Protective equipment such as a dust mask, non-skid safety shoes, hard hat or hearing protection used for appropriate conditions will reduce personal injuries.

3. **Prevent unintentional starting. Ensure the switch is in the off-position before connecting to power source and/or battery pack, picking up or carrying the tool.** Carrying power tools with your finger on the switch or energising power tools that have the switch on invites accidents.
4. **Remove any adjusting key or wrench before turning the power tool on.** A wrench or a key left attached to a rotating part of the power tool may result in personal injury.
5. **Do not overreach. Keep proper footing and balance at all times.** This enables better control of the power tool in unexpected situations.
6. **Dress properly. Do not wear loose clothing or jewellery. Keep your hair and clothing away from moving parts.** Loose clothes, jewellery or long hair can be caught in moving parts.
7. **If devices are provided for the connection of dust extraction and collection facilities, ensure these are connected and properly used.** Use of dust collection can reduce dust-related hazards.
8. **Do not let familiarity gained from frequent use of tools allow you to become complacent and ignore tool safety principles.** A careless action can cause severe injury within a fraction of a second.
9. **Always wear protective goggles to protect your eyes from injury when using power tools. The goggles must comply with ANSI Z87.1 in the USA, EN 166 in Europe, or AS/NZS 1336 in Australia/New Zealand. In Australia/New Zealand, it is legally required to wear a face shield to protect your face, too.**



It is an employer's responsibility to enforce the use of appropriate safety protective equipments by the tool operators and by other persons in the immediate working area.

Power tool use and care

1. **Do not force the power tool. Use the correct power tool for your application.** The correct power tool will do the job better and safer at the rate for which it was designed.
2. **Do not use the power tool if the switch does not turn it on and off.** Any power tool that cannot be controlled with the switch is dangerous and must be repaired.

3. **Disconnect the plug from the power source and/or remove the battery pack, if detachable, from the power tool before making any adjustments, changing accessories, or storing power tools.** Such preventive safety measures reduce the risk of starting the power tool accidentally.
4. **Store idle power tools out of the reach of children and do not allow persons unfamiliar with the power tool or these instructions to operate the power tool.** Power tools are dangerous in the hands of untrained users.
5. **Maintain power tools and accessories. Check for misalignment or binding of moving parts, breakage of parts and any other condition that may affect the power tool's operation. If damaged, have the power tool repaired before use.** Many accidents are caused by poorly maintained power tools.
6. **Keep cutting tools sharp and clean.** Properly maintained cutting tools with sharp cutting edges are less likely to bind and are easier to control.
7. **Use the power tool, accessories and tool bits etc. in accordance with these instructions, taking into account the working conditions and the work to be performed.** Use of the power tool for operations different from those intended could result in a hazardous situation.
8. **Keep handles and grasping surfaces dry, clean and free from oil and grease.** Slippery handles and grasping surfaces do not allow for safe handling and control of the tool in unexpected situations.
9. **When using the tool, do not wear cloth work gloves which may be entangled.** The entanglement of cloth work gloves in the moving parts may result in personal injury.

Battery tool use and care

1. **Recharge only with the charger specified by the manufacturer.** A charger that is suitable for one type of battery pack may create a risk of fire when used with another battery pack.
2. **Use power tools only with specifically designated battery packs.** Use of any other battery packs may create a risk of injury and fire.
3. **When battery pack is not in use, keep it away from other metal objects, like paper clips, coins, keys, nails, screws or other small metal objects, that can make a connection from one terminal to another.** Shorting the battery terminals together may cause burns or a fire.
4. **Under abusive conditions, liquid may be ejected from the battery; avoid contact. If contact accidentally occurs, flush with water. If liquid contacts eyes, additionally seek medical help.** Liquid ejected from the battery may cause irritation or burns.
5. **Do not use a battery pack or tool that is damaged or modified.** Damaged or modified batteries may exhibit unpredictable behaviour resulting in fire, explosion or risk of injury.
6. **Do not expose a battery pack or tool to fire or excessive temperature.** Exposure to fire or temperature above 130 °C may cause explosion.

7. **Follow all charging instructions and do not charge the battery pack or tool outside the temperature range specified in the instructions.** Charging improperly or at temperatures outside the specified range may damage the battery and increase the risk of fire.

Service

1. **Have your power tool serviced by a qualified repair person using only identical replacement parts.** This will ensure that the safety of the power tool is maintained.
2. **Never service damaged battery packs.** Service of battery packs should only be performed by the manufacturer or authorized service providers.
3. **Follow instruction for lubricating and changing accessories.**

Cordless rebar tying tool safety warnings

1. **Never point the tool toward a person. Never put your hands or feet close to the tool tip.** If you accidentally operate the tool while it is touching someone, it will lead to an unexpected accident.
2. **Do not load wire while the power to the tool is turned on.** Otherwise, you may get caught in the wire and injured.
3. **Do not use the tool without closing the reel cover.** Otherwise, the wire reel may come off and cause an accident.
4. **Be sure to check that the diameters of rebars to be tied are within the tool capacity before beginning work.**
5. **Wear clothes that have close-fitting hemlines and sleeves. Do not work with a towel or other object wrapped around your neck.** Otherwise, they may get caught in the rotating part and cause an accident.
6. **Be sure to inspect the following points before using the tool.**
 - Check that no parts are damaged
 - Check that no bolts are loose
 - Check that safety devices operate normally
7. **If any abnormalities are found, stop using the tool immediately. Do not repair the tool by yourself. Ask your local Makita Service Center for repairs.** If the tool is used in an incomplete state, an accident may occur.
8. **When installing the battery cartridge, be sure to lock the trigger and do not place your finger on the trigger.** Incorrect operation may cause an accident.
9. **When tying rebars, exercise care not to move them.** If rebars move due to tying, you may be injured.
10. **Do not touch the wires during the wire tying process.** Otherwise, you may get caught in the wire and injured.
11. **Do not bring your hands close to the tying point during the wire tying process.** Otherwise, you may get caught in the wire and injured.

12. **Hold the grip of the tool firmly during the wire tying process.** Otherwise, your wrist may be twisted or your body may be pulled, which may result in an injury.
13. **Do not move to the next tying point until the current wire tying process is completed.** Otherwise, you may be injured.
14. **Pay attention to the end of the wire during the wire tying process.** Otherwise, your hand may be caught by the end of the wire, and you may be injured.
15. **Do not touch the contact plate during the wire tying process. If you need to touch the contact plate, be sure to lock the trigger, or turn the power switch off and remove the battery cartridge.** Otherwise, you may be injured.
16. **When you have completed the wire tying process, pull the tool up vertically.** Otherwise, the arm may be caught on rebars, which may cause an accident.
17. **Be careful not to drop, bump, or hit the tool. If a strong impact is applied prior to the tool being used, make sure that the tool is not damaged or cracked, and that the safety devices operate normally.** Otherwise, an accident may occur.
18. **If any of the following phenomena occur, lock the trigger, turn the power switch off, and remove the battery cartridge from the tool.** If the tool operates incorrectly, an accident may occur.
 - If an operating sound is heard as soon as the battery cartridge is mounted.
 - If overheating or abnormal smells or noises are detected.
 - When you are taking measures in response to the error display. (Ask your local Makita Service Center for repairs.)
 - When loading or unloading a wire reel.
 - When you move while holding the tool during work.
 - When you do not use the tool.
 - When you inspect or adjust the tool.
 - When you remove a stranded wire.
19. **When working on scaffolding, always stabilize it and work using a posture that will ensure you maintain your balance.** If scaffolding is unstable, an accident may occur.
20. **When working on a roof or similar locations, move in a forward direction while working so that you can see where you are going.** If you move in a backward direction while working, you may lose your footing and cause an accident.
21. **If you are working in a highly elevated location, ensure that no one is below you, and pay attention to ensure you do not drop any tools while working.** Dropping the tool may cause an accident.
22. **Do not use the tool for any work other than wire tying.** Otherwise, an accident may occur.
23. **Always use Makita's genuine wires. If wires are not used for a long period of time, they may rust. Do not use rusted wires.** Otherwise, they may cause an accident.
24. **After tying, check for wire breakage due to excessive twisting. If any wires are broken, tying strength will be lost. Adjust the tying strength, and tie the rebars again.**
25. **Securely place the arm against the rebars. If it is not securely positioned, a clearance will be created between the rebars, and tying strength will be compromised.**

Important safety instructions for battery cartridge

1. **Before using battery cartridge, read all instructions and cautionary markings on (1) battery charger, (2) battery, and (3) product using battery.**
2. **Do not disassemble or tamper with the battery cartridge.** It may result in a fire, excessive heat, or explosion.
3. **If operating time has become excessively shorter, stop operating immediately. It may result in a risk of overheating, possible burns and even an explosion.**
4. **If electrolyte gets into your eyes, rinse them out with clear water and seek medical attention right away. It may result in loss of your eyesight.**
5. **Do not short the battery cartridge:**
 - (1) **Do not touch the terminals with any conductive material.**
 - (2) **Avoid storing battery cartridge in a container with other metal objects such as nails, coins, etc.**
 - (3) **Do not expose battery cartridge to water or rain.**

A battery short can cause a large current flow, overheating, possible burns and even a breakdown.
6. **Do not store and use the tool and battery cartridge in locations where the temperature may reach or exceed 50 °C (122 °F).**
7. **Do not incinerate the battery cartridge even if it is severely damaged or is completely worn out. The battery cartridge can explode in a fire.**
8. **Do not nail, cut, crush, throw, drop the battery cartridge, or hit against a hard object to the battery cartridge.** Such conduct may result in a fire, excessive heat, or explosion.
9. **Do not use a damaged battery.**
10. **The contained lithium-ion batteries are subject to the Dangerous Goods Legislation requirements.**

For commercial transports e.g. by third parties, forwarding agents, special requirement on packaging and labeling must be observed. For preparation of the item being shipped, consulting an expert for hazardous material is required. Please also observe possibly more detailed national regulations.

Tape or mask off open contacts and pack up the battery in such a manner that it cannot move around in the packaging.

11. **When disposing the battery cartridge, remove it from the tool and dispose of it in a safe place. Follow your local regulations relating to disposal of battery.**
12. **Use the batteries only with the products specified by Makita.** Installing the batteries to non-compliant products may result in a fire, excessive heat, explosion, or leak of electrolyte.
13. **If the tool is not used for a long period of time, the battery must be removed from the tool.**
14. **During and after use, the battery cartridge may take on heat which can cause burns or low temperature burns. Pay attention to the handling of hot battery cartridges.**
15. **Do not touch the terminal of the tool immediately after use as it may get hot enough to cause burns.**
16. **Do not allow chips, dust, or soil stuck into the terminals, holes, and grooves of the battery cartridge.** It may cause heating, catching fire, burst and malfunction of the tool or battery cartridge, resulting in burns or personal injury.
17. **Unless the tool supports the use near high-voltage electrical power lines, do not use the battery cartridge near high-voltage electrical power lines.** It may result in a malfunction or breakdown of the tool or battery cartridge.
18. **Keep the battery away from children.**

SAVE THESE INSTRUCTIONS.

CAUTION: Only use genuine Makita batteries. Use of non-genuine Makita batteries, or batteries that have been altered, may result in the battery bursting causing fires, personal injury and damage. It will also void the Makita warranty for the Makita tool and charger.

Tips for maintaining maximum battery life

1. **Charge the battery cartridge before completely discharged. Always stop tool operation and charge the battery cartridge when you notice less tool power.**
2. **Never recharge a fully charged battery cartridge. Overcharging shortens the battery service life.**
3. **Charge the battery cartridge with room temperature at 10 °C - 40 °C (50 °F - 104 °F). Let a hot battery cartridge cool down before charging it.**
4. **When not using the battery cartridge, remove it from the tool or the charger.**
5. **Charge the battery cartridge if you do not use it for a long period (more than six months).**

FUNCTIONAL DESCRIPTION

CAUTION: Always be sure that the tool is switched off and the battery cartridge is removed before adjusting or checking function on the tool.

Installing or removing battery cartridge

CAUTION: Always switch off the tool before installing or removing of the battery cartridge.

CAUTION: Hold the tool and the battery cartridge firmly when installing or removing battery cartridge. Failure to hold the tool and the battery cartridge firmly may cause them to slip off your hands and result in damage to the tool and battery cartridge and a personal injury.

► Fig.1: 1. Red indicator 2. Button 3. Battery cartridge

To remove the battery cartridge, slide it from the tool while sliding the button on the front of the cartridge.

To install the battery cartridge, align the tongue on the battery cartridge with the groove in the housing and slip it into place. Insert it all the way until it locks in place with a little click. If you can see the red indicator as shown in the figure, it is not locked completely.

CAUTION: Always install the battery cartridge fully until the red indicator cannot be seen. If not, it may accidentally fall out of the tool, causing injury to you or someone around you.

CAUTION: Do not install the battery cartridge forcibly. If the cartridge does not slide in easily, it is not being inserted correctly.

Indicating the remaining battery capacity

Only for battery cartridges with the indicator

► Fig.2: 1. Indicator lamps 2. Check button

Press the check button on the battery cartridge to indicate the remaining battery capacity. The indicator lamps light up for a few seconds.

Indicator lamps			Remaining capacity
Lighted	Off	Blinking	
■	□	▧	75% to 100%
■ ■ ■ ■			
■ ■ ■ □			50% to 75%
■ ■ □ □			25% to 50%
■ □ □ □			0% to 25%
▧ □ □ □			Charge the battery.
■ ■ □ □			The battery may have malfunctioned.
□ □ ■ ■			

NOTE: Depending on the conditions of use and the ambient temperature, the indication may differ slightly from the actual capacity.

NOTE: The first (far left) indicator lamp will blink when the battery protection system works.

Tool / battery protection system

The tool is equipped with a tool/battery protection system. This system automatically cuts off power to the motor to extend tool and battery life. The tool will automatically stop during operation if the tool or battery is placed under one of the following conditions:

Overload protection

When the tool or battery is operated in a manner that causes it to draw an abnormally high current, the tool automatically stops and the corresponding error number is displayed on the display panel. In this situation, turn the tool off and stop the application that caused the tool to become overloaded. Then turn the tool on to restart.

Overheat protection

When the tool or battery is overheated, the tool stops automatically and the corresponding error number is displayed on the display panel. In this case, let the tool and battery cool before turning the tool on again.

Overdischarge protection

When the battery capacity is not enough, the tool stops automatically and the corresponding error number is displayed on the display panel. In this case, remove the battery from the tool and charge the battery.

Main power switch

CAUTION: When you turn the power on, never bring your limbs or face close to the binding or rotating parts of the tool tip. Otherwise, you may be injured.

CAUTION: When the power is turned on, never touch the binding or rotating parts of the tool tip. Otherwise, you may be injured.

CAUTION: Before inserting the battery cartridge, be sure to release your fingers from the switch trigger and lock the trigger. If you insert the battery cartridge while the switch trigger is being pulled, it may cause an accident if the wire tying process is accidentally carried out.

► Fig.3

When you press the power button, the power turns on and the tying mode lamp lights up. In order for the tool to adjust its initial position, it operates temporarily. When adjustment has completed, the tool stops automatically. When you press the power button again, the power turns off and the tying mode lamp goes out.

► Fig.4: 1. Tying mode lamp 2. Power button

NOTE: The tool has an auto power-off function. If the switch trigger is not pulled for 10 minutes, the tool is automatically turned off to reduce battery power consumption.

NOTE: To restart the tool, turn the power on again.

Mode switching button

When the power is turned on and the tying mode lamp is lit, you can select the single actuation mode or the continuous actuation mode via the mode switching button. When you turn the power on again, the tool starts in the mode that was most recently selected.

► Fig.5: 1. Mode switching button 2. Single actuation mode 3. Continuous actuation mode

Switch action

WARNING: Before installing the battery cartridge into the tool, always check to see that the switch trigger actuates properly and returns to the "OFF" position when released.

CAUTION: When not operating the tool, depress the trigger-lock button from the side to lock the switch trigger in the OFF position.

► Fig.6: 1. Switch trigger 2. Trigger-lock button

To prevent the switch trigger from accidentally pulled, the trigger-lock button is provided. To start the tool, depress the trigger-lock button from A side and pull the switch trigger. Release the switch trigger to stop. After use, press in the trigger-lock button from B side.

When you pull the switch trigger, the tool performs the next sequential operations as follows, and the tool stops automatically.

1. Feed the wire.
2. Cut the wire.

3. The hook holds and twists the wire.
4. The hook returns to the original position.

Typing strength setting

CAUTION: Be sure to lock the trigger before starting the adjustment. When you turn the power on, never bring your limbs or face close to the binding or rotating parts of the tool tip. Otherwise, you may be injured.

► Fig.7

You can set the tying strength by adjusting the tying strength adjusting button. Tying strength is shown on the display panel.

► Fig.8: 1. Tying strength adjusting button 2. Display panel

If the wire is broken off, tying strength will be lost. After tying, check the twisted portion for breakage. If the wire is broken off, adjust the tying strength using the tying strength adjusting button, and tie the rebars again.

Remaining battery notification

When the battery voltage drops below the required level, the tool will stop operating, an error tone will sound, and the number "4" will appear on the display panel. The error tone will continue to sound until the power is turned off.

NOTE: If the ambient temperature is extremely low, the error tone may sound even when the battery contains sufficient power.

ASSEMBLY

CAUTION: Always be sure that the tool is switched off and the battery cartridge is removed before carrying out any work on the tool.

Loading the tie wire (wire reel)

CAUTION: Before mounting or dismounting tie wires and accessories, be sure to turn the power off, lock the trigger, and remove the battery cartridge. Failure to do so may cause an accident.

NOTICE: Using wires other than Makita's genuine tie wires may cause the tool to malfunction.

1. Push the release lever, and lock it with the lock lever.

► Fig.9: 1. Release lever 2. Lock lever

When you push the release lever, a gap is created between the left and right feed gears.

► Fig.10: 1. Release lever 2. Lock lever 3. Feed gears

2. Open the reel cover.

► Fig.11: 1. Reel cover

3. Mount the wire reel on the tool in the orientation shown in the figure.

► Fig.12: 1. Wire reel

NOTICE: Be sure to mount the wire reel in the orientation shown in the figure. If it is mounted the other way around, the wire will be released and may be twisted.

4. Unhook the wire tip from the hook of reel.

► Fig.13: 1. Hook

5. Make the tip of the wire straight, and pass the wire through the guide.

► Fig.14: 1. Guide

NOTE: If the tip of the wire is bent when it is passed through the guide, the wire may become jammed in the tool.

NOTE: If you force the wire when trying to pass it through the guide, the wire may become jammed.

6. Pull the wire out approximately 10 mm from the tip of the arm.

► Fig.15: 1. Arm 2. Approximately 10 mm

NOTICE: If the length of the pulled-out wire is insufficient, the wire may be broken off when tied, or tying strength may be compromised due to insufficient wraps.

7. Rewind the wire to eliminate its slack.

► Fig.16

8. Release the lock lever. The release lever returns, and the wire is held by the left and right gears.

► Fig.17: 1. Lock lever 2. Release lever

► Fig.18: 1. Gear 2. Path of the wire 3. Wire

NOTICE: When the lock lever is released and when the left and right gears mesh with each other, the grooves in the gears form a space. This space becomes the path for the wire. Make sure that the wire is passed through this path.

9. Close the reel cover.

► Fig.19: 1. Reel cover

Replacing wire guide B

Optional accessory

The wire guide B (in silver color) in the arm can be replaced with an optional wire guide B (EG) (in black color) according to the type of tying wire to use.

Find the right combination in the following table. Then replace the standard equipped wire guide B with an optional wire guide B (EG) if necessary.

	Standard equipped wire guide B complete (silver)	Optional wire guide B complete (black)
Annealing iron tie wire	✓	✓
Poly coated tie wire	✓	-
Galvanized tie wire	-	✓

— : The combination is not valid.

1. Loosen bolts A and B using the hex wrench included in the tool package.

► **Fig.20:** 1. Hex wrench

► **Fig.21:** 1. Bolt A 2. Bolt B 3. Contact plate cover
4. Standard equipped wire guide B (silver)

NOTICE: Do not forcibly remove any bolts that cannot be removed using the hex wrench.

2. Pull the contact plate cover up in the direction of the arrow and remove it. Bolt B will be removed at the same time.

► **Fig.22:** 1. Contact plate cover 2. Bolt B

3. Remove bolt A, and remove the standard equipped wire guide B (silver).

► **Fig.23:** 1. Bolt A 2. Standard equipped wire guide B (silver)

4. Replace the standard equipped wire guide B (in silver color) with an optional wire guide B (EG) (in black color).

► **Fig.24:** 1. Optional wire guide B (EG) (in black color).

5. Align the pipe of the tool with the groove inside the optional wire guide B (EG) (black), and assemble them.

► **Fig.25:** 1. Pipe 2. Groove 3. Optional wire guide B (EG) (black).

6. Fix the optional wire guide B (EG) (black) by temporarily tightening bolt A.

► **Fig.26:** 1. Bolt A 2. Optional wire guide B (EG) (black).

7. Install the contact plate cover in the direction of the arrow.

► **Fig.27:** 1. Contact plate cover

8. Fix the optional wire guide B (EG) (black) and contact plate cover securely by tightening bolt A and bolt B.

► **Fig.28:** 1. Optional wire guide B (EG) (black).
2. Contact plate cover 3. Bolt A 4. Bolt B

9. After assembling, confirm that the contact plate can move as shown in the figure.

► **Fig.29:** 1. Contact plate

NOTE: If the contact plate is caught, press it as shown in the figure.

► **Fig.30**

OPERATION

Checking before work

CAUTION: If the tool has a safety mechanism-related problem, do not use it. If you continue to use it, an accident may occur.

Before using the tool, make sure that the safety mechanism operates normally. If the tool operates without the safety mechanism operating, stop using the tool immediately. Ask your local Makita Service Center for repairs.

Checking the trigger-lock

The tool has the trigger-lock to prevent the tool from operating when you do not intend to use it. Lock the trigger and confirm that the switch trigger cannot be pulled.

Checking the curl guide

To prevent the operator from touching the binding or rotating parts of the tool tip by mistake, the tool will not operate even if the switch trigger is pulled while the curl guide is opened. When the operator releases their finger from the switch trigger and closes the curl guide, the tool can operate.

► **Fig.31:** 1. Curl guide

Checkout for curl guide open/close detection

Remove the tie wire, check the tool operation according to the following steps, and make sure that the tool does not start if the curl guide is open.

1. Turn the power off, and leave the curl guide open.
2. Turn the power on.

If the tool will not operate and if the value "2" is shown on the display panel, the state of the tool is normal. Turn the power off, and close the curl guide.

If the tool operates and if no error is shown on the display panel, the state of the tool is abnormal. Stop using the tool immediately, and ask your local Makita Service Center for repairs.

CAUTION: If you open the curl guide and turn the power on to check the interlock, hold the curl guide as shown in the figure. Never bring your limbs or face close to the binding or rotating parts of the tool tip. Otherwise, you may be injured.

► **Fig.32**

Tying work

⚠ CAUTION: Before inserting the battery cartridge, be sure to release your fingers from the switch trigger and lock the trigger. If you insert the battery cartridge while the switch trigger is being pulled, it may cause an accident if the wire tying process is accidentally carried out.

⚠ CAUTION: When you turn the power on, never bring your limbs or face close to the binding or rotating parts of the tool tip. Otherwise, you may be injured.

⚠ CAUTION: When the power is turned on, never touch the binding or rotating parts of the tool tip. Otherwise, you may be injured.

► Fig.33

Preparation before work

1. Make sure that the battery cartridge is removed and the trigger is locked.
2. Insert the battery cartridge into the tool, and turn the power on. When you turn the power on, the wire is cut automatically.

NOTICE: Make sure that the tying mode lamp lights up when the power is turned on. If it does not light up, recharge the battery.

3. Release the trigger lock.
- Fig.34: 1. Trigger-lock button 2. Switch trigger
3. Power button 4. Tying mode lamp

Single actuation mode

1. Push the arm firmly against the tying point. Make sure to place the tool vertically over the rebars and press the arm on the tying point at a 45° angle against the crossed rebars.

► Fig.35: 1. Arm

2. Pull the switch trigger once.
3. The wire is fed and cut automatically.
4. The hook holds and twists the wire, then returns to the original position after the wires have been tied.

5. After tying, be careful not to hook the arm on the rebars, and then pull the tool up.

► Fig.36

⚠ CAUTION: If the wire has clung to the binding part of the tool tip, turn the power of the tool off. Lock the trigger, remove the battery cartridge, and remove the wire using tools such as nippers or pliers.

► Fig.37

Continuous actuation mode

1. Switch the tool mode from the single actuation mode to the continuous actuation mode using the mode switching button.

► Fig.38: 1. Mode switching button

2. Release the trigger lock.

3. While pulling the switch trigger, push the tool vertically against the rebars, and press the arm against the point where the rebars cross at a 45-degree angle. Press the contact plate firmly against the tying point. The wire will be tied.

► Fig.39: 1. Contact plate

4. After tying, be careful not to hook the arm on the rebars, and then pull the tool up.

► Fig.40

Cautions on working

- If you move the arm from the tying position during the wire tying process, the wire will get stuck on the hook, which may lead to incorrect tying.
- Keep pressing the tool against the rebars until the wire tying process is completed.
- Do not move to the next tying point until the current wire tying process is completed.
- The tool tip rotating part (hook) twists the wire during the wire tying process. Hold the grip firmly so that your body is not pulled by the tool.
- Do not touch the wires during the wire tying process.
- If you are repeating the wire tying processes in the single actuation mode, fully release your finger from the switch trigger. Then, continue to operate the switch trigger.
- If you pull the switch trigger when there is no tie wire left, an error is displayed. Replace with a new tie wire and restart the tool.

Tying tips

- Tilt the tool at a 45° angle against the crossed rebars, and tie the wire in alternate orientations as shown in the figure.

► Fig.41

- Tie the wire onto the flat (with no unevenness) sections of crossed rebars.

► Fig.42

- If tying strength is insufficient, change the tying orientation and perform tying twice so that tying strength increases.

► Fig.43

NOTICE: When you make the second tie, bend the tail of the first tie before making the second tie. Otherwise, the wire may be repelled a second time. It may cling to the tool tip, and the hook may be damaged.

Replacing the tie wires

⚠ CAUTION: When you replace the wire, be sure to turn the power off, lock the trigger, and remove the battery cartridge. Failure to do so may cause an accident.

1. When wire has been used up, an error tone will sound and error "1" will be displayed.
2. Lock the trigger, turn the power off, and remove the battery cartridge.

3. Push the release lever, and lock it with the lock lever.

► **Fig.44:** 1. Release lever 2. Lock lever

4. Remove the wire reel from the tool.

NOTE: When wire has been used up normally, approximately 20 cm of the wire remains wound on the reel. In this state, replace the wire reel with a new one.

If it is difficult to remove the wire reel from the tool, follow the steps below.

1. Insert the battery cartridge into the tool, and turn the power on. The tool feeds the wire and cuts it automatically.

2. Lock the trigger, turn the power off, and remove the battery cartridge.

3. Remove the wire breaks using tools such as nippers or pliers.

MAINTENANCE

CAUTION: Always be sure that the tool is switched off and the battery cartridge is removed before attempting to perform inspection or maintenance.

NOTICE: Never use gasoline, benzine, thinner, alcohol or the like. Discoloration, deformation or cracks may result.

To maintain product SAFETY and RELIABILITY, repairs, any other maintenance or adjustment should be performed by Makita Authorized or Factory Service Centers, always using Makita replacement parts.

Cleaning the cutter section

When the tool is used, dust and wire particles may become adhered to the cutter section. In such a case, clean the cutter section according to the following procedure. The cleaning should be done each time you use up a box of reel. (50 pcs.)

Using the wire brush

1. Open the reel cover.

► **Fig.45:** 1. Reel cover

2. Push the release lever, and lock it with the lock lever.

► **Fig.46:** 1. Release lever 2. Lock lever

3. Pass the wire brush through the guide.

When inserting the wire brush, hold it short and push it into the guide little by little.

► **Fig.47:** 1. Wire brush

► **Fig.48:** 1. Gear 2. Guide 3. Wire brush

4. Push in the wire brush until its top end comes out from the tip of the arm. And then pull out the wire brush. This action is enough with one time.

► **Fig.49:** 1. Arm 2. Wire brush

5. Close the reel cover.

► **Fig.50:** 1. Reel cover

Using the air duster gun

Open the reel cover, push the release lever, and lock it with the lock lever. Then bring the air duster gun close to the guide and blow the air. Make sure the air comes from the tip of the arm.

► **Fig.51:** 1. Air duster gun 2. Guide

Cleaning with disassembly

If the cutter section is clogged or a wire is caught in it, disassemble the parts and clean them.

Disassembling and cleaning

1. Loosen bolts A and B using the hex wrench included in the tool package.

► **Fig.52:** 1. Hex wrench

► **Fig.53:** 1. Bolt A 2. Bolt B 3. Contact plate cover 4. Wire guide B

NOTICE: Do not forcibly remove any bolts that cannot be removed using the hex wrench.

2. Pull the contact plate cover up in the direction of the arrow and remove it. Bolt B will be removed at the same time.

► **Fig.54:** 1. Contact plate cover 2. Bolt B

3. Remove bolt A, and remove wire guide B.

► **Fig.55:** 1. Bolt A 2. Wire guide B

4. Turn wire guide B over and clean its inside.

► **Fig.56**

5. Remove top plate, cutter B, link arm A and cutter A from arm plate A. Then, clean them.

► **Fig.57:** 1. Top plate 2. Cutter B 3. Link arm A 4. Cutter A 5. Arm plate A

Assembling

When cleaning is finished, assemble the parts according to the following procedure.

1. Install cutter A and link arm A to fit the shape of arm plate A.

► **Fig.58:** 1. Cutter A 2. Link arm A 3. Arm plate A

2. Install cutter B and the top plate onto arm plate A. (Install cutter B on cutter A and link arm A.)

► **Fig.59:** 1. Cutter B 2. Top plate 3. Arm plate A 4. Cutter A 5. Link arm A

NOTICE: Face the projection of cutter B downward, and install the cutter as shown in the figure.

3. Align the pipe of the tool with the groove inside the wire guide B, and assemble them.

► **Fig.60:** 1. Pipe 2. Groove 3. Wire guide B

4. Fix wire guide B by temporarily tightening bolt A.

► **Fig.61:** 1. Bolt A 2. Wire guide B

5. Install the contact plate cover in the direction of the arrow.

► **Fig.62:** 1. Contact plate cover

6. Fix wire guide B and contact plate cover securely by tightening bolt A and bolt B.

- **Fig.63:** 1. Wire guide B 2. Contact plate cover
3. Bolt A 4. Bolt B

7. After assembling, confirm that the contact plate can move as shown in the figure.

- **Fig.64:** 1. Contact plate

NOTE: If the contact plate is caught, press it as shown in the figure.

- **Fig.65**

Error display and error tone

⚠ CAUTION: During inspection, be sure to lock the trigger, turn the power off, and remove the battery cartridge. Failure to do so may cause an accident.

⚠ CAUTION: When you turn the power on, never bring your limbs or face close to the binding or rotating parts of the tool tip. Otherwise, you may be injured.

⚠ CAUTION: When the power is turned on, never touch the binding or rotating parts of the tool tip. Otherwise, you may be injured.

⚠ CAUTION: If an error tone sounds, or if the tool malfunctions, immediately stop using the tool.

Error tone and display

If an error occurs, an error tone will sound, and an error number will be shown on the display panel. Refer to the following table and take appropriate actions. If the error persists, ask Makita Authorized Service Centers for repairs.

Display	Symptom	Possible cause	Solution
1	The tool stops operating.	The wire has been used up.	Load new tie wire.
		Tie wire is not loaded.	Load tie wire.
		Wire feeding has failed.	Check the orientation of the tie wire. Unload the tie wire, and load it again. Clean the path of wire.
2	The tool stops operating.	The curl guide is open.	Close the curl guide.
3	The tool does not perform the tying process in continuous actuation mode.	The contact plate is caught.	Release the contact plate from being caught.
4	The tool does not start. The tool stops operating.	The battery has been discharged. The temperature of the battery cartridge is abnormally high.	Recharge the battery. Cool the battery cartridge down. Replace the battery cartridge with a recharged one.
5	The tool stops operating.	The motor is overloaded.	Determine the cause of the obstruction of the motor rotation and solve the problem.
		Motor failure	
6	The tool stops operating.	The temperature of the tool is abnormally high.	Cool the tool down.
7	The tool does not start. The tool stops operating.	Tool failure	Ask Makita Authorized Service Centers for repairs.

OPTIONAL ACCESSORIES

⚠ CAUTION: These accessories or attachments are recommended for use with your Makita tool specified in this manual. The use of any other accessories or attachments might present a risk of injury to persons. Only use accessory or attachment for its stated purpose.

If you need any assistance for more details regarding these accessories, ask your local Makita Service Center.

- Tie wire
- Wire guide B complete (EG)
- Wire brush
- Extension handle
- Makita genuine battery and charger

NOTE: Some items in the list may be included in the tool package as standard accessories. They may differ from country to country.

规格

型号:		DTR181
扎丝 (选购附件)	经过退火处理铁制扎丝	ø0.8 mm
	带聚乙烯涂层的扎丝	ø0.9 mm
	经过镀锌处理的扎丝 ^{*1}	ø0.8 mm
每盘捆扎结数	经过退火处理铁制扎丝	约 75 个结
	带聚乙烯涂层的扎丝	约65个结
	经过镀锌处理的扎丝 ^{*1}	约75个结
总长度		317 mm
额定电压		D.C. 18 V
净重		2.4 - 2.7 kg

*1 仅当选购的扎丝导板B全套 (EG) 安装在钳臂中时可用。

- 生产者保留变更规格不另行通知之权利。
- 规格和电池组可能因销往国家之不同而异。
- 重量因附件 (包括电池组) 而异。根据EPTA-Procedure 01/2014, 最重与最轻的组合见表格。

适用电池组和充电器

电池组	BL1815N / BL1820B / BL1830B / BL1840B / BL1850B / BL1860B
充电器	DC18RC / DC18RD / DC18RE / DC18SD / DC18SE / DC18SF / DC18SH / DC18WC

- 部分以上所列电池组和充电器是否适用视用户所在地区而异。

警告： 请仅使用以上所列电池组和充电器。使用其他类型的电池组或充电器可能会导致人身伤害和 / 或失火。

可捆扎的钢筋组合

2根钢筋的组合

	#4 (13 mm)	#5 (16 mm)	#6 (19 mm)	#7 (22 mm)
#4 (13 mm)	✓*	-	-	-
#5 (16 mm)	✓*	✓	-	-
#6 (19 mm)	✓	✓	✓	-
#7 (22 mm)	✓	✓	✓	✓
#8 (25 mm)	✓	✓	✓	✓
#9 (29 mm)	✓	✓	✓	-
#10 (32 mm)	✓	✓	-	-
#11 (35 mm)	✓	-	-	-

* 此组合并非为高捆绑力设计。

3根钢筋的组合

	#3 x #3 (10 mm x 10 mm)	#4 x #4 (13 mm x 13 mm)	#5 x #5 (16 mm x 16 mm)
#3 (10 mm)	✓*	✓	✓
#4 (13 mm)	✓*	✓	✓
#5 (16 mm)	✓	✓	✓
#6 (19 mm)	✓	✓	✓
#7 (22 mm)	✓	✓	✓
#8 (25 mm)	✓	✓	✓

* 此组合并非为高捆绑力设计。

4根钢筋的组合

	#3 x #3 (10 mm x 10 mm)	#4 x #4 (13 mm x 13 mm)
#3 x #3 (10 mm x 10 mm)	✓	✓
#4 x #4 (13 mm x 13 mm)	✓	✓
#5 x #5 (16 mm x 16 mm)	✓	✓

注意： 如果钢筋之间存在间隙，或未按正确方向操作工具，则可能无法捆扎钢筋。

符号

以下显示本设备可能会使用的符号。在使用工具之前，请务必理解其含义。



阅读使用说明书。



佩带安全眼镜。



勿使本工具淋雨。



操作工具时请双手远离丝盘或扎丝。



请双手远离本工具机头。



装入扎丝前，推动释放杆。安装好扎丝后，放开锁定杆。



仅限于欧盟国家

由于本设备中包含有害成分，因此废弃的电气和电子设备、蓄电池和普通电池可能会对环境和人体健康产生负面影响。请勿将电气和电子工具或电池与家庭普通废弃物放在一起处置！

根据欧洲关于废弃电气电子设备、蓄电池和普通电池的指令及其国家层面的修订法案，废弃的电气设备、普通电池和蓄电池应当单独存放并递送至城市垃圾收集点，根据环保法规进行处置。

此规定由标有叉形标志的带轮垃圾桶符号表示。

用途

本工具用途为捆扎钢筋。

安全警告

电动工具通用安全警告

警告： 阅读随电动工具提供的所有安全警告、说明、图示和规定。不遵照以下所列说明会导致电击、着火和 / 或严重伤害。

保存所有警告和说明书以备查阅。

警告中的术语“电动工具”是指市电驱动（有线）电动工具或电池驱动（无线）电动工具。

工作场地的安全

1. 保持工作场地清洁和明亮。杂乱和黑暗的场地会引发事故。
2. 不要在易爆环境，如有易燃液体、气体或粉尘的环境下操作电动工具。电动工具产生的火花会点燃粉尘或气体。

3. 操作电动工具时，远离儿童和旁观者。注意力不集中会使你失去对工具的控制。

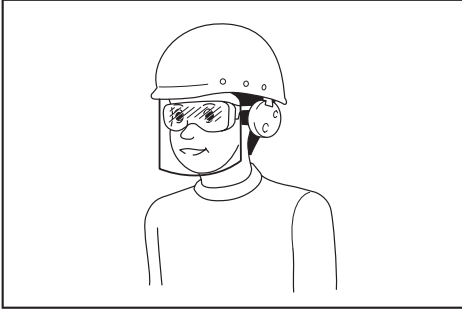
电气安全

1. 电动工具插头必须与插座相配。绝不能以任何方式改装插头。需接地的电动工具不能使用任何转换插头。未经改装的插头和相配的插座将降低电击风险。
2. 避免人体接触接地表面，如管道、散热片和冰箱。如果你身体接触接地表面会增加电击风险。
3. 不得将电动工具暴露在雨中或潮湿环境中。水进入电动工具将增加电击风险。
4. 不得滥用软线。绝不能用软线搬运、拉动电动工具或拔出其插头。使软线远离热源、油、锐边或运动部件。受损或缠绕的软线会增加电击风险。
5. 当在户外使用电动工具时，使用适合户外使用的延长线。适合户外使用的电线将降低电击风险。
6. 如果无法避免在潮湿环境中操作电动工具，应使用带有剩余电流装置（RCD）保护的电源。RCD的使用可降低电击风险。
7. 电动工具会产生对用户无害的电磁场（EMF）。但是，起搏器和其他类似医疗设备的用户应在操作本电动工具前咨询其设备的制造商和 / 或医生寻求建议。

人身安全

1. 保持警觉，当操作电动工具时关注所从事的操作并保持清醒。当你感到疲倦，或在有药物、酒精或治疗反应时，不要操作电动工具。在操作电动工具时瞬间的疏忽会导致严重人身伤害。
2. 使用个人防护装置。始终佩戴护目镜。防护装置，诸如适当条件下使用防尘面具、防滑安全鞋、安全帽、听力防护等装置能减少人身伤害。
3. 防止意外起动。在连接电源和 / 或电池包、拿起或搬运工具前确保开关处于关断位置。手指放在开关上搬运工具或开关处于接通时通电会导致危险。
4. 在电动工具接通之前，拿掉所有调节钥匙或扳手。遗留在电动工具旋转零件上的扳手或钥匙会导致人身伤害。
5. 手不要过分伸展。时刻注意立足点和身体平衡。这样能在意外情况下能更好地控制住电动工具。
6. 着装适当。不要穿宽松衣服或佩戴饰品。让你的头发和衣服远离运动部件。宽松衣服、佩饰或长发可能会卷入运动部件。

- 如果提供了与排屑、集尘设备连接用的装置，要确保其连接完好且使用得当。使用集尘装置可降低尘屑引起的危险。
- 不要因为频繁使用工具而产生的熟悉感而掉以轻心，忽视工具的安全准则。某个粗心的动作可能在瞬间导致严重的伤害。
- 使用电动工具时请始终佩带护目镜以免伤害眼睛。护目镜须符合美国ANSIZ87.1、欧洲EN 166或者澳大利亚 / 新西兰的AS/NZS 1336的规定。在澳大利亚 / 新西兰，法律要求佩带面罩保护脸部。
- 保持切削刀具锋利和清洁。维护良好地有锋利切削刃的刀具不易卡住而且容易控制。
- 按照使用说明书，并考虑作业条件和要进行的作业来选择电动工具、附件和工具的刀头等。将电动工具用于那些与其用途不符的操作可能会导致危险情况。
- 保持手柄和握持表面干燥、清洁，不得沾有油脂。在意外的情况下，湿滑的手柄不能保证握持的安全和对工具的控制。
- 使用本工具时，请勿佩戴可能会缠绕的布质工作手套。布质工作手套卷入移动部件可能会造成人身伤害。



雇主有责任监督工具操作者和其他近工作区域人员佩带合适的安全防护设备。

电动工具使用和注意事项

- 不要勉强使用电动工具，根据用途使用合适的电动工具。选用合适的按照额定值设计的电动工具会使你工作更有效、更安全。
- 如果开关不能接通或关断电源，则不能使用该电动工具。不能通过开关来控制的电动工具是危险的且必须进行修理。
- 在进行任何调节、更换附件或贮存电动工具之前，必须从电源上拔掉插头和/或卸下电池包（如可拆卸）。这种防护性的安全措施降低了电动工具意外起动的风险。
- 将闲置不用的电动工具贮存在儿童所及范围之外，并且不允许不熟悉电动工具和不了解这些说明的人操作电动工具。电动工具在未经培训的使用者手中是危险的。
- 维护电动工具及其附件。检查运动部件是否调整到位或卡住，检查零件破损情况和影响电动工具运行的其他状况。如有损坏，应在使用前修理好电动工具。许多事故是由维护不良的电动工具引发的。

电池式工具使用和注意事项

- 仅使用生产者规定的充电器充电。将适用于某种电池包的充电器用到其他电池包时可能会发生着火危险。
- 仅使用配有专用电池包的电动工具。使用其他电池包可能会产生伤害和着火危险。
- 当电池包不用时，将它远离其他金属物体，例如回形针、硬币、钥匙、钉子、螺钉或其他小金属物体，以防电池包一端与另一端连接。电池组端部短路可能会引起燃烧或着火。
- 在滥用条件下，液体可能会从电池组中溅出；应避免接触。如果意外碰到液体，用水冲洗。如果液体碰到了眼睛，还应寻求医疗帮助。从电池中溅出的液体可能会发生腐蚀或燃烧。
- 不要使用损坏或改装过的电池包或工具。损坏或改装过的电池组可能呈现无法预测的结果，导致着火、爆炸或伤害。
- 不要将电池包暴露于火或高温中。电池包暴露于火或高于130℃的高温中可能导致爆炸。
- 遵循所有充电说明。不要在说明书中指定的温度范围之外给电池包或电动工具充电。不正确或在指定的温度范围外充电可能会损坏电池和增加着火的风险。

维修

- 让专业维修人员使用相同的备件维修电动工具。这将保证所维修的电动工具的安全。
- 决不能维修损坏的电池包。电池包仅能由生产者或其授权的维修服务商进行维修。
- 上润滑油及更换附件时请遵循本说明书指示。

充电式钢筋捆扎机使用安全警告

- 切勿将本工具指向自己或他人。切勿使手脚靠近本工具的机头。如果在操作过程中意外接触到自己或他人，则会导致意外事故。
- 请勿在工具开机的状态下装入扎丝。否则您可能会被扎丝缠住而受伤。
- 请勿在丝盘盖未关闭的情况下使用工具。否则丝盘可能会脱落，导致意外。
- 开始工作前，务必检查确认要捆扎的钢筋直径符合工具捆扎能力。
- 请穿着下摆和衣袖贴身的衣物。工作时请勿将毛巾等其他物品卷绕颈脖。否则此类物品可能会被旋转部件卷入，导致意外。
- 使用本工具前，务必注意以下几点。
 - 检查确认部件无损伤
 - 检查确认螺栓无松弛
 - 检查确认安全设备运行正常
- 一旦发现任何异常，请立即停止使用工具。请勿自行修理本工具。请当地Makita（牧田）维修服务中心进行修复。如果在工具不完整的状态下操作，则可能会导致意外。
- 安装电池组时，务必锁定开关扳机，并且不要将手指放在扳机上。错误的操作可能会导致意外。
- 捆扎钢筋时，注意不要移动它们。如果捆扎导致钢筋移动，您可能会受伤。
- 请勿在捆扎过程中接触扎丝。否则您可能会被扎丝缠住而受伤。
- 请勿在捆扎过程中将手靠近捆扎位置。否则您可能会被扎丝缠住而受伤。
- 捆扎过程中请握紧工具把手。否则您的手腕可能会扭伤或身体被向前拉，这可能会导致人身伤害。
- 当前捆扎过程未完成时，请勿移动至下一个捆扎位置。否则您可能会受伤。
- 捆扎过程中请注意扎丝的末端。否则您的手部可能会被扎丝的末端夹住，导致您受伤。
- 请勿在捆扎过程中触摸接触板。如需接触接触板，请务必锁定扳机，或关闭电源并移除电池组。否则您可能会受伤。
- 完成捆扎操作后，请向上垂直提起工具。否则钳臂可能会钩住钢筋，导致意外。
- 请小心，勿使本工具坠落或受到碰撞或撞击。如果本工具受到强烈冲击，请务必确保工具未受损或产生裂缝，且安全设备可正常运行后方可继续使用本工具。否则可能会导致意外。
- 如果出现以下任一现象，请锁定扳机，关闭电源，然后从工具移除电池组。如果错误操作工具，则可能会发生意外。
 - 安装电池组后随即听到工具运行的声音。
 - 工具过热或发出异常气味或噪音。
 - 当您根据错误显示画面采取措施时。（请当地Makita（牧田）维修服务中心进行修复。）
 - 装入或卸载丝盘时。
 - 操作期间持拿工具移动时。
 - 不使用工具时。
 - 检查或调整工具时。
 - 移除绞合的扎丝时。
- 在脚手架上工作时，要始终保持工具稳定，并采用可以保持平衡的姿势操作。如果脚手架不稳定，则可能会导致意外。
- 在屋顶等类似位置工作时，请向前移动，这样可以看清前进方向。如果操作时向后移动，则可能会导致失足而受到人身伤害。
- 如果在位置较高的高台工作，请确保下方无人，并确保勿使任何工具坠落。否则可能会导致意外。
- 请勿将本工具用于除捆扎外的任何其他用途。否则可能会导致意外。
- 请始终使用Makita（牧田）的正品扎丝。扎丝长时间不用可能会生锈。请勿使用生锈的扎丝。否则可能会导致意外。
- 捆扎后，检查是否存在因扭绞过紧而导致扎丝断裂的情况。如果扎丝断裂，则会失去捆扎力。调整捆扎力，然后再次捆扎钢筋。
- 将钳臂牢牢抵住钢筋。如果未抵牢，则钢筋之间可能会产生间隙，捆扎力度会因此减弱。

电池组的重要安全注意事项

- 在使用电池组之前，请仔细阅读所有的说明以及（1）电池充电器，（2）电池，以及（3）使用电池的产品上的警告标记。
- 切勿拆卸或改装电池组。否则可能引起火灾、过热或爆炸。

3. 如果机器运行时间变得过短，请立即停止使用。否则可能会导致过热、起火甚至爆炸。
4. 如果电解液进入您的眼睛，用清水将其冲洗干净并立即就医。否则可能会导致视力受损。
5. 请勿使电池组短路：
 - (1) 请勿使任何导电材料碰触到端子。
 - (2) 避免将电池组与其他金属物品如钉子、硬币等放置在同一容器内。
 - (3) 请勿将电池组置于水中或使其淋雨。电池短路将产生大的电流，导致过热，并可能导致起火甚至击穿。
6. 请勿在温度可能达到或超过50°C (122°F) 的场所存放以及使用工具和电池组。
7. 即使电池组已经严重损坏或完全磨损，也请勿焚烧电池组。电池组会在火中爆炸。
8. 请勿对电池组射钉，或者切削、挤压、抛掷、掉落电池组，又或者用硬物撞击电池组。否则可能引起火灾、过热或爆炸。
9. 请勿使用损坏的电池。
10. 本工具附带的锂离子电池需符合危险品法规要求。
 第三方或转运代理等进行商业运输时，应遵循包装和标识方面的特殊要求。
 有关运输项目的准备作业，咨询危险品方面的专业人士。同时，请遵守可能更为详尽的国家法规。
 请使用胶带保护且勿遮掩表面的联络信息，并牢固封装电池，使电池在包装内不可动。
11. 丢弃电池组时，需将其从工具上卸下并在安全地带进行处理。关于如何处理废弃的电池，请遵循当地法规。
12. 仅将电池用于Makita（牧田）指定的产品。将电池安装至不兼容的产品会导致起火、过热、爆炸或电解液泄漏。
13. 如长时间未使用工具，必须将电池从工具内取出。
14. 使用工具期间以及使用工具之后，电池组温度可能较高易引起灼伤或低温烫伤。处理高温电池组时请小心操作。
15. 在使用工具后请勿立即触碰工具的端子，否则可能引起灼伤。
16. 避免锯屑、灰尘或泥土卡入电池组的端子、孔口和凹槽内。否则可能会导致过热、着火、爆炸和工具/电池组故障，导致烫伤或人身伤害。

17. 除非工具支持在高压电源线路附近使用，否则请勿在高压电源线路附近使用电池组。否则可能导致工具或电池组故障或失常。
18. 确保电池远离儿童。

请保留此说明书。

⚠️小心： 请仅使用Makita（牧田）原装电池。使用非Makita（牧田）原装电池或经过改装的电池可能会导致电池爆炸，从而造成火灾、人身伤害或物品受损。同时也会导致牧田工具和充电器的牧田保修服务失效。

保持电池最大使用寿命的提示

1. 在电池组电量完全耗尽前及时充电。发现工具电量低时，请停止工具操作，并给电池组充电。
2. 请勿对已充满电的电池组重新充电。过度充电将缩短电池的使用寿命。
3. 请在10 °C - 40 °C (50 °F - 104 °F) 的室温条件下给电池组充电。请在灼热的电池组冷却后再充电。
4. 不使用电池组时，请将其从工具或充电器上拆除。
5. 如果电池组长时间（超过六个月）未使用，请给其充电。

功能描述

⚠️小心： 调节或检查工具功能之前，请务必关闭工具的电源并取出电池组。

安装或拆卸电池组

⚠️小心： 安装或拆卸电池组之前，请务必关闭工具电源。

⚠️小心： 安装或拆卸电池组时请握紧工具和电池组。否则它们可能从您的手中滑落，导致工具和电池组受损，甚至造成人身伤害。

► **图片1：** 1. 红色指示器 2. 按钮 3. 电池组
 拆卸电池组时，按下电池组前侧的按钮，同时将电池组从工具中抽出。

安装电池组时，要将电池组上的舌簧与外罩上的凹槽对齐，然后推滑到位。将其完全插入到位，直到锁定并发出咔哒声为止。若能看到图示中的红色指示器，则说明未完全锁紧。

小心： 务必完全装入电池组，直至看不见红色指示器为止。否则，它可能会从工具中意外脱落，从而造成自身或他人受伤。

小心： 请勿强行安装电池组。如果电池组难以插入，可能是插入方法不当。

显示电池的剩余电量

仅限带指示灯的电池组

► **图片2：** 1. 指示灯 2. CHECK（查看）按钮
按电池组上的CHECK（查看）按钮可显示电池剩余电量。指示灯将亮起数秒。

指示灯			剩余电量
■ 点亮	□ 熄灭	▣ 闪烁	
■ ■ ■ ■			75%至100%
■ ■ ■ □			50%至75%
■ ■ □ □			25%至50%
■ □ □ □			0%至25%
▣ □ □ □			给电池充电。
■ ■ □ □ ↑ ↓ □ □ ■ ■			电池可能出现故障。

注： 在不同的使用条件及环境温度下，指示灯所示电量可能与实际情况略有不同。

注： 当电池保护系统启动时，第一个（最左侧）指示灯将闪烁。

工具 / 电池保护系统

本工具配备有工具 / 电池保护系统。该系统可自动切断机电源以延长工具和电池寿命。作业时，如果工具或电池处于以下情况，工具将会自动停止运转。

过载保护

以导致异常高电流的方式操作工具或电池时，工具会自动停止运转并且显示面板上会显示相应的错误编号。在这种情况下，请关闭工具并停止导致工具过载的应用程序。然后开启工具以重新启动。

过热保护

工具或电池过热时，工具会自动停止运转并且显示面板上会显示相应的错误编号。在这种情况下，请待工具和电池冷却后再开启工具。

过放电保护

电量不足时，工具会自动停止运转并且显示面板上会显示相应的错误编号。此时，请取出工具中的电池并予以充电。

主电源开关

小心： 打开电源时，切勿使四肢或面部靠近本工具机头的捆绑或旋转部分。否则您可能会受伤。

小心： 打开电源时，切勿触摸本工具机头的捆绑或旋转部分。否则您可能会受伤。

小心： 在插入电池组之前，请确保将手指离开开关扳机，并将扳机锁定。如果在扣住开关扳机的情况下插入电池组，则可能会意外执行捆扎操作而导致意外事故。

► 图片3

按下电源按钮时，电源打开，捆扎模式指示灯亮起。为调整初始位置，工具会短暂性运行。调整完成后即会自动停止。如果再次按下电源按钮，则电源关闭，捆扎模式指示灯熄灭。

► 图片4：1. 捆扎模式指示灯 2. 电源按钮

注： 本工具有自动关机功能。如果超过10分钟未扣动开关扳机，则本工具会自动关闭以减少电池电量消耗。

注： 要重新启动本工具，请再次打开电源。

模式切换按钮

在电源打开且捆扎模式指示灯亮起的情况下，您可以通过模式切换按钮选择单发模式或连发模式。再次打开电源时，工具的工作模式为最近一次选择的模式。

► 图片5：1. 模式切换按钮 2. 单发模式 3. 连发模式

开关操作

警告： 在将电池组插入工具之前，请务必检查开关扳机是否能扣动自如，松开时能否退回至“OFF”（关闭）位置。

小心： 不再操作工具时，从A侧按下扳机锁按钮，将开关扳机锁定在关位置。

► **图片6：** 1. 开关扳机 2. 扳机锁按钮

为避免使用者不小心扣动开关扳机，本工具采用扳机锁按钮。要启动工具时，从A侧按下扳机锁按钮，然后扣动开关扳机即可。松开开关扳机工具即停止运转。使用之后，从B侧按下扳机锁按钮。

扣动开关扳机后，工具会按顺序执行以下操作，然后自动停止。

1. 供入扎丝。
2. 切断扎丝。
3. 绞钩稳住并扭绞扎丝。
4. 绞钩返回至原位。

捆扎力度设置

小心： 调整前务必锁定扳机。打开电源时，切勿使四肢或面部靠近本工具机头的捆绑或旋转部分。否则您可能会受伤。

► **图片7**

可通过捆扎力度调整按钮来设置捆扎力度。捆扎力度显示在显示面板上。

► **图片8：** 1. 捆扎力度调整按钮 2. 显示面板

如果扎丝断裂，则会失去捆扎力。捆扎后，请检查扭绞部位是否有断裂。

如果捆扎丝断裂，请使用捆扎力度调整按钮来调整捆扎力度，然后再次捆扎钢筋。

剩余电量通知

当电池电量低于所需水平时，工具会自动停止运行并响起错误音，且显示面板上会显示数字“4”。错误音会连续响起直至电源关闭。

注： 如果环境温度极低，则即使电池电量充足也会响起错误音。

装配

小心： 对工具进行任何装配操作前，请务必关闭工具电源，并取出电池组。

装入扎丝（丝盘）

小心： 在安装或拆卸扎丝或附件时，务必关闭电源，锁定扳机并移除电池组。否则可能导致意外事故。

注意： 如使用非Makita（牧田）的正品扎丝，则可能会导致工具发生故障。

1. 推动释放杆，通过锁定杆将其锁定。

► **图片9：** 1. 释放杆 2. 锁定杆

推动锁定杆时，左右吐丝齿轮之间会产生间隙。

► **图片10：** 1. 释放杆 2. 锁定杆 3. 吐丝齿轮

2. 打开丝盘盖。

► **图片11：** 1. 丝盘盖

3. 按照图中所示方向将丝盘装入工具。

► **图片12：** 1. 丝盘

注意： 务必按图中所示方向安装丝盘。否则扎丝会松散开，并可能扭绞。

4. 从丝盘卡钩上取下丝头。

► **图片13：** 1. 卡钩

5. 伸直扎丝的丝头，将扎丝穿过导孔。

► **图片14：** 1. 导孔

注： 如果丝头在穿过导孔时弯曲，则扎丝可能会卡在工具中。

注： 如果试图强行用力将扎丝穿过导孔，则扎丝可能会卡住。

6. 将扎丝从钳臂的顶端抽出约10 mm。

► **图片15：** 1. 钳臂 2. 约10 mm

注意： 如果抽出的长度不足，则捆扎时扎丝可能会断裂，或捆扎力度会因为扭绞不充分而变弱。

7. 重绕扎丝以消除松弛。

► **图片16**

8. 释放锁定杆。释放杆返回，扎丝被左右齿轮固定住。

► **图片17：** 1. 锁定杆 2. 释放杆

► **图片18：** 1. 齿轮 2. 扎丝路径 3. 扎丝

注意：当锁定杆被释放且左右齿轮相互啮合时，齿轮中的凹槽会构成空间。这一空间即为扎丝的路径。确保扎丝从该路径穿过。

9. 关闭丝盘盖。
▶ **图片19:** 1. 丝盘盖

更换扎丝导板B

选购附件

可根据使用的扎丝类型，用选购扎丝导板B (EG) (黑色) 更换钳臂中的扎丝导板B (银色)。

请在下表中找到正确的组合。然后根据需要用选购扎丝导板B (EG) 更换标配扎丝导板B。

	标配扎丝导板B全套 (银色)	选购扎丝导板B全套 (黑色)
经过退火处理铁制扎丝	✓	✓
带聚乙烯涂层的扎丝	✓	-
经过镀锌处理的扎丝	-	✓

— : 组合无效。

1. 使用工具包中随附的六角扳手松开螺栓A和B。
▶ **图片20:** 1. 六角扳手
▶ **图片21:** 1. 螺栓A 2. 螺栓B 3. 接触板盖板 4. 标配扎丝导板B (银色)

注意：对于六角扳手无法拆下的螺栓，请勿强行拆除。

2. 沿箭头方向向上提起接触板盖板将其拆下。同时取下螺栓B。
▶ **图片22:** 1. 接触板盖板 2. 螺栓B
3. 拆下螺栓A，然后拆下标配扎丝导板B (银色)。
▶ **图片23:** 1. 螺栓A 2. 标配扎丝导板B (银色)
4. 用选购扎丝导板B (EG) (黑色) 更换标配扎丝导板B (银色)。
▶ **图片24:** 1. 选购扎丝导板B (EG) (黑色)。
5. 将工具的管与选购扎丝导板B (EG) 内侧的凹槽对齐，并将其组装起来。
▶ **图片25:** 1. 管 2. 凹槽 3. 选购扎丝导板B (EG) (黑色)。

6. 暂时拧紧螺栓A以固定选购扎丝导板B (EG) (黑色)。
▶ **图片26:** 1. 螺栓A 2. 选购扎丝导板B (EG) (黑色)。
7. 沿箭头方向安装接触板盖板。
▶ **图片27:** 1. 接触板盖板
8. 拧紧螺栓A和螺栓B以牢牢固定选购扎丝导板B (EG) (黑色) 和接触板盖板。
▶ **图片28:** 1. 选购扎丝导板B (EG) (黑色) 2. 接触板盖板 3. 螺栓A 4. 螺栓B
9. 组装完成后，请确保接触板可以按照图示方法移动。
▶ **图片29:** 1. 接触板

注：如果接触板被卡住，请按图中所示方法按压接触板。

- ▶ **图片30**

操作

操作前的检查工作

小心：如果工具存在与安全机构相关的问题，请勿使用。否则可能会导致意外。

在使用工具之前，请确保安全机构正常运行。如果工具运行时安全机构未运行，请立即停止使用工具。请当地Makita (牧田) 维修服务中心进行修复。

检查扳机锁

本工具配有扳机锁，可防止工具在不使用时意外运行。锁定扳机，确认开关扳机无法扣动。

检查扭绞导口

为避免操作人员误触工具机头的捆绑或旋转部件，本工具在扭绞导口打开的情况下即使扣动扳机也不会运行。当操作人员手指松开开关扳机并关闭扭绞导口时，工具才可运行。

- ▶ **图片31:** 1. 扭绞导口

检查扭绞导口打开 / 关闭检测

取出扎丝，按照以下步骤检查工具运行情况，确保扭绞导口打开时工具不会启动。

1. 关闭电源，打开扭绞导口。

2. 打开电源。

如果工具不运行，且显示面板上显示数值“2”，则工具状态正常。关闭电源，然后关闭扭绞导口。

如果工具仍运行，且显示面板上未显示错误，则工具状态异常。此时请立即停止工具，并请当地Makita（牧田）维修服务中心进行修复。

⚠️小心： 如果通过打开扭绞导口并打开电源的方法来检查联锁，请按照图中所示方法固定住扭绞导口。切勿使四肢或面部靠近本工具机头的捆绑或旋转部分。否则您可能会受伤。

▶ 图片32

捆扎操作

⚠️小心： 在插入电池组之前，请确保将手指离开开关扳机，并将扳机锁定。如果在扣住开关扳机的情况下插入电池组，则可能会意外执行捆扎操作而导致意外事故。

⚠️小心： 打开电源时，切勿使四肢或面部靠近本工具机头的捆绑或旋转部分。否则您可能会受伤。

⚠️小心： 打开电源时，切勿触摸本工具机头的捆绑或旋转部分。否则您可能会受伤。

▶ 图片33

操作前的准备工作

1. 确保电池组已移除，扳机已锁定。
2. 将电池组插入工具，然后打开电源。打开电源时，工具会自动切断扎丝。

注意： 打开电源时务必确保捆扎模式指示灯为亮起状态。如果未亮起，请将电池充电。

3. 松开扳机锁。

- ▶ **图片34：** 1. 扳机锁按钮 2. 开关扳机 3. 电源按钮 4. 捆扎模式指示灯

单发模式

1. 将钳臂牢牢抵住捆扎位置。确保将工具垂直放置在钢筋上，然后以45°角将钳臂按压在捆扎位置（钢筋交叉处）。

▶ **图片35：** 1. 钳臂

2. 扣动一次开关扳机。
3. 工具自动吐丝并切断扎丝。
4. 绞钩稳住并扭绞扎丝，并在绞紧扎丝后返回至原位。

5. 捆扎后，请小心不要将钳臂钩住钢筋，然后向上拉动工具。

▶ 图片36

⚠️小心： 如果扎丝缠在工具机头的捆扎部分，请关闭工具电源。锁定扳机，取下电池组，然后使用镊子或钳子等工具移除扎丝。

▶ 图片37

连发模式

1. 通过模式切换按钮将工具从单发模式切换至连发模式。

▶ **图片38：** 1. 模式切换按钮

2. 松开扳机锁。

3. 扣住开关扳机的同时，将工具垂直抵住钢筋，然后以45度角将钳臂按压在捆扎位置（钢筋交叉处）。按压接触板，使其牢牢抵住捆扎位置。扎丝即被捆扎。

▶ **图片39：** 1. 接触板

4. 捆扎后，请小心不要将钳臂钩住钢筋，然后向上拉动工具。

▶ 图片40

操作注意事项

- 如果在捆扎过程中从捆扎位置移动钳臂，则扎丝会卡在绞钩上，这可能会导致捆扎错误。
- 当捆扎过程未完成时，请勿提前拔出本工具。
- 当前捆扎过程未完成时，请勿移动至下一个捆扎位置。
- 捆扎过程中，工具机头旋转件（绞钩）扭绞扎丝。握紧把手，勿让身体被工具带动。
- 请勿在捆扎过程中接触扎丝。
- 如果在单发模式中重复捆扎过程，请将手指从开关扳机上完全松开。然后再继续操作开关扳机。
- 如果在扎丝耗尽的情况下扣动扳机，则会显示错误信息。此时请更换新的扎丝，然后重启工具。

捆扎技巧

- 将工具以45°角斜对钢筋交叉处，然后按照图示以交替方向捆扎扎丝。

▶ 图片41

- 将扎丝捆扎在交叉钢筋的扁平（无不平）横截面上。

► 图片42

- 如果捆扎力度不足，请从另一方向进行二次捆扎，以增强捆扎力度。

► 图片43

注意：进行二次捆扎时，请先折弯第一次捆扎时的扎尾，然后再进行二次捆扎。否则二次捆扎时扎丝会被挡住。扎丝可能会缠住工具机头，绞钩可能会受损。

更换扎丝

⚠小心：在更换扎丝时，务必关闭电源，锁定扳机并移除电池组。否则可能导致意外事故。

1. 扎丝耗尽时，工具会发出错误音并显示错误“1”。
2. 锁定扳机，关闭电源，然后移除电池组。
3. 推动释放杆，通过锁定杆将其锁定。
► **图片44：** 1. 释放杆 2. 锁定杆
4. 从工具上拆下丝盘。

注：当扎丝正常耗尽时，丝盘上大约会剩余20 cm的扎丝。此时请更换新的丝盘。

如果难以将丝盘从工具上取下，请按照以下步骤操作。

1. 将电池组插入工具，然后打开电源。工具自动吐丝并切断扎丝。
2. 锁定扳机，关闭电源，然后移除电池组。
3. 使用镊子或钳子等工具移除扎丝断节。

保养

⚠小心：检查或保养工具之前，请务必关闭工具电源并取出电池组。

注意：切勿使用汽油、苯、稀释剂、酒精或类似物品清洁工具。否则可能会导致工具变色、变形或出现裂缝。

为了保证产品的安全与可靠性，维修、任何其他维修保养或调节需由Makita（牧田）授权的或工厂维修服务中心完成。务必使用Makita（牧田）的替换部件。

清洁刀具

使用工具时，刀具部分可能会粘附灰尘和金属屑。出现该情况时，请根据以下步骤清洁刀具部分。每使用完一盒卷丝时，都应进行清洁。(50个)

使用钢丝刷

1. 打开丝盘盖。
► **图片45：** 1. 丝盘盖
2. 推动释放杆，通过锁定杆将其锁定。
► **图片46：** 1. 释放杆 2. 锁定杆
3. 将钢丝刷穿过导孔。

插入钢丝刷时，拿住一小截并将其一点点地穿入导孔中。

- **图片47：** 1. 钢丝刷
- **图片48：** 1. 齿轮 2. 导孔 3. 钢丝刷
4. 将钢丝刷推入，直至其顶端超出钳臂尖端。然后拔出钢丝刷。这个操作只能做一次。
► **图片49：** 1. 钳臂 2. 钢丝刷
5. 关闭丝盘盖。
► **图片50：** 1. 丝盘盖

使用空气除尘枪

打开丝盘盖，推动释放杆，通过锁定杆将其锁定。然后将空气除尘枪靠近导孔并吹气。确保空气来自钳臂顶端。

- **图片51：** 1. 空气除尘枪 2. 导孔

拆卸清洁

如果刀具部分堵塞或扎丝卡在其中，请拆卸部件并进行清洁。

拆卸和清洁

1. 使用工具包中随附的六角扳手松开螺栓A和B。
► **图片52：** 1. 六角扳手
- **图片53：** 1. 螺栓A 2. 螺栓B 3. 接触板盖板 4. 扎丝导板B

注意：对于六角扳手无法拆下的螺栓，请勿强行拆除。

2. 沿箭头方向向上提起接触板盖板将其拆下。同时取下螺栓B。
► **图片54：** 1. 接触板盖板 2. 螺栓B
3. 取下螺栓A，然后取下扎丝导板B。
► **图片55：** 1. 螺栓A 2. 扎丝导板B

4. 翻转扎丝导板B，清洁其内侧。

▶ 图片56

5. 从臂板A上拆下顶板、刀具B、连接臂A以及刀具A。然后逐个清洁。

▶ 图片57: 1. 顶板 2. 刀具B 3. 连接臂A
4. 刀具A 5. 臂板A

组装

清洁完成后，请按照以下步骤组装部件。

1. 配合臂板A的形状安装刀具A和连接臂A。

▶ 图片58: 1. 刀具A 2. 连接臂A 3. 臂板A

2. 将刀具B和顶板安装至臂板A。

(将刀具B安装在刀具A和连接臂A上。)

▶ 图片59: 1. 刀具B 2. 顶板 3. 臂板A 4. 刀具A 5. 连接臂A

注意： 将刀具B的突起部分朝下，然后按照图示方法安装刀具。

3. 将工具的管部对齐扎丝导板B内侧的凹槽，将它们组装起来。

▶ 图片60: 1. 管 2. 凹槽 3. 扎丝导板B

4. 暂时拧上螺栓A以固定扎丝导板B。

▶ 图片61: 1. 螺栓A 2. 扎丝导板B

5. 沿箭头方向安装接触板盖板。

▶ 图片62: 1. 接触板盖板

6. 拧紧螺栓A和螺栓B以牢牢固定扎丝导板B和接触板盖板。

▶ 图片63: 1. 扎丝导板B 2. 接触板盖板 3. 螺栓A 4. 螺栓B

7. 组装完成后，请确保接触板可以按照图示方法移动。

▶ 图片64: 1. 接触板

注： 如果接触板被卡住，请按图中所示方法按压接触板。

▶ 图片65

错误显示和错误音

⚠️小心： 检查过程中，请务必锁定扳机，关闭电源，然后移除电池组。否则可能导致意外事故。

⚠️小心： 打开电源时，切勿使四肢或面部靠近本工具机头的捆绑或旋转部分。否则您可能会受伤。

⚠️小心： 打开电源时，切勿触摸本工具机头的捆绑或旋转部分。否则您可能会受伤。

⚠️小心： 如果工具响起错误音或发生故障，请立即停止使用。

错误音和显示

如果发生错误，则会响起错误音，显示面板上会显示错误编号。请根据下表采取适当的措施。如问题仍存在，请联系Makita（牧田）授权的维修服务中心进行修复。

显示屏	症状	可能的原因	解决方案
1	工具停止运行。	扎丝耗尽。	装入新的扎丝。
		未装入扎丝。	装入扎丝。
		扎丝吐丝失败。	检查扎丝的方向。 取下扎丝，然后再将其装入工具。 清洁扎丝路径。
2	工具停止运行。	扭绞导口为打开状态。	关闭扭绞导口。
3	工具在连发模式下不执行捆扎。	接触板被卡住。	将接触板从卡住的位置松开。
4	工具无法启动。 工具停止运行。	电池电量不足。 电池组异常高温。	请给电池充电。 冷却电池组。 更换电量充足的电池组。
5	工具停止运行。	电机过载。	确定电机旋转受阻的原因，然后解决问题。
		电机故障	
6	工具停止运行。	工具异常高温。	冷却工具。
7	工具无法启动。 工具停止运行。	工具故障	请联系Makita（牧田）授权的维修服务中心进行修复。

选购附件

⚠️小心： 这些附件或装置专用于本说明书所列的Makita（牧田）工具。如使用其他厂牌附件或装置，可能导致人身伤害。仅可将附件或装置用于规定目的。

如您需要了解更多关于这些选购附件的信息，请咨询当地的Makita（牧田）维修服务中心。

- 扎丝
- 扎丝导板B全套（EG）
- 钢丝刷

- 延伸把手
- Makita（牧田）原装电池和充电器

注： 本列表表中的一些部件可能作为标准配件包含于工具包装内。它们可能因销往国家之不同而异。

SPEKIFIKASI

Model:		DTR181
Kawat pengikat (Aksesori pilihan)	Mengeraskan kawat pengikat besi	ø0,8 mm
	Kawat pengikat tersalut-poli	ø0,9 mm
	Kawat pengikat tergalvanisasi ^{*1}	ø0,8 mm
Perkiraan jumlah ikatan per gulungan	Mengeraskan kawat pengikat besi	Sekitar 75 ikatan
	Kawat pengikat tersalut-poli	Sekitar 65 ikatan
	Kawat pengikat tergalvanisasi ^{*1}	Sekitar 75 ikatan
Panjang keseluruhan		317 mm
Tegangan terukur		D.C. 18 V
Berat bersih		2,4 - 2,7 kg

^{*1} Hanya tersedia saat pemandu kawat B opsional yang lengkap (EG) dipasang di lengan.

- Karena kesinambungan program penelitian dan pengembangan kami, spesifikasi yang disebutkan di sini dapat berubah tanpa pemberitahuan.
- Spesifikasi dan kartrid baterai dapat berbeda dari satu negara ke negara lainnya.
- Berat alat mungkin berbeda tergantung perangkat tambahan yang dipasang, termasuk kartrid baterai. Kombinasi alat terberat dan teringan, sesuai Prosedur EPTA 01/2014, ditunjukkan pada tabel.

Kartrid dan pengisi daya baterai yang dapat digunakan

Kartrid baterai	BL1815N / BL1820B / BL1830B / BL1840B / BL1850B / BL1860B
Pengisi daya	DC18RC / DC18RD / DC18RE / DC18SD / DC18SE / DC18SF / DC18SH / DC18WC

- Beberapa kartrid baterai dan pengisi daya yang tercantum di atas mungkin tidak tersedia, tergantung wilayah tempat tinggal Anda.

⚠ PERINGATAN: Hanya gunakan kartrid dan pengisi daya baterai yang tercantum di atas. Penggunaan kartrid dan pengisi daya baterai lain dapat menimbulkan risiko cedera dan/atau kebakaran.

Kombinasi besi beton yang dapat diikat

Kombinasi 2 besi beton

	#4 (13 mm)	#5 (16 mm)	#6 (19 mm)	#7 (22 mm)
#4 (13 mm)	✓*	-	-	-
#5 (16 mm)	✓*	✓	-	-
#6 (19 mm)	✓	✓	✓	-
#7 (22 mm)	✓	✓	✓	✓
#8 (25 mm)	✓	✓	✓	✓
#9 (29 mm)	✓	✓	✓	-
#10 (32 mm)	✓	✓	-	-
#11 (35 mm)	✓	-	-	-

- * Kombinasi tersebut tidak dirancang untuk kekuatan pengikatan yang tinggi.

Kombinasi 3 besi beton

	#3 x #3 (10 mm x 10 mm)	#4 x #4 (13 mm x 13 mm)	#5 x #5 (16 mm x 16 mm)
#3 (10 mm)	✓ *	✓	✓
#4 (13 mm)	✓ *	✓	✓
#5 (16 mm)	✓	✓	✓
#6 (19 mm)	✓	✓	✓
#7 (22 mm)	✓	✓	✓
#8 (25 mm)	✓	✓	✓

* Kombinasi tersebut tidak dirancang untuk kekuatan pengikatan yang tinggi.

Kombinasi 4 besi beton

	#3 x #3 (10 mm x 10 mm)	#4 x #4 (13 mm x 13 mm)
#3 x #3 (10 mm x 10 mm)	✓	✓
#4 x #4 (13 mm x 13 mm)	✓	✓
#5 x #5 (16 mm x 16 mm)	✓	✓

PEMBERITAHUAN: Jika terdapat celah di antara besi-besi beton atau jika mesin digunakan pada arah yang salah, besi beton mungkin tidak dapat diikat.

Simbol

Berikut ini adalah simbol-simbol yang dapat digunakan pada peralatan ini. Pastikan Anda memahami arti masing-masing simbol sebelum menggunakan peralatan.



Baca petunjuk penggunaan.



Gunakan kaca mata pengaman.



Jangan membiarkan alat keujanan.



Jauhkan tangan dari gulungan kawat atau kawat ketika mengoperasikan mesin.



Jauhkan tangan dari ujung mesin.



Tekan tuas pelepas sebelum memuat kawat pengikat. Setelah kawat pengikat terpasang, lepaskan tuas kunci.



Ni-MH
Li-ion

Hanya untuk negara-negara UE
Akibat adanya komponen berbahaya dalam peralatan, limbah peralatan listrik dan elektronik, aki dan baterai dapat memiliki dampak negatif pada lingkungan dan kesehatan manusia.

Jangan buang peralatan listrik dan elektronik atau baterai bersama limbah rumah tangga!

Sesuai dengan Petunjuk Eropa tentang limbah peralatan listrik dan elektronik dan tentang aki dan baterai serta limbah aki dan baterai, serta penyesuaiannya terhadap undang-undang nasional, limbah peralatan listrik, baterai dan aki harus disimpan secara terpisah dan dikirim ke tempat pengumpulan terpisah untuk sampah kota, beroperasi sesuai dengan peraturan tentang perlindungan lingkungan.

Hal ini ditunjukkan dengan simbol tempat sampah bersilang yang ditempatkan pada peralatan.

Penggunaan

Mesin ini digunakan untuk mengikat besi beton.

PERINGATAN KESELAMATAN

Peringatan keselamatan umum mesin listrik

⚠️ PERINGATAN: Bacalah semua peringatan keselamatan, petunjuk, ilustrasi dan spesifikasi yang disertakan bersama mesin listrik ini. Kelalaian untuk mematuhi semua petunjuk yang tercantum di bawah ini dapat menyebabkan sengatan listrik, kebakaran dan/atau cedera serius.

Simpanlah semua peringatan dan petunjuk untuk acuan di masa depan.

Istilah "mesin listrik" dalam semua peringatan mengacu pada mesin listrik yang dijalankan dengan sumber listrik jala-jala (berkabel) atau baterai (tanpa kabel).

Keselamatan tempat kerja

1. **Jaga tempat kerja selalu bersih dan berpenerangan cukup.** Tempat kerja yang berantakan dan gelap mengundang kecelakaan.
2. **Jangan gunakan mesin listrik dalam lingkungan yang mudah meledak, misalnya jika ada cairan, gas, atau debu yang mudah menyala.** Mesin listrik menimbulkan bunga api yang dapat menyalakan debu atau uap tersebut.
3. **Jauhkan anak-anak dan orang lain saat menggunakan mesin listrik.** Bila perhatian terpecah, anda dapat kehilangan kendali.

Keamanan Kelistrikan

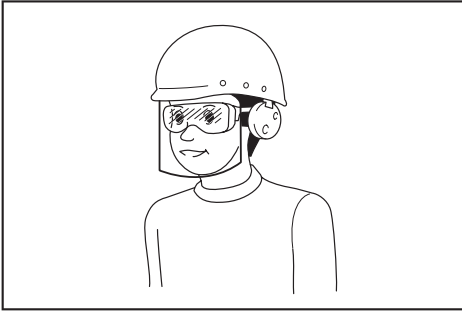
1. **Steker mesin listrik harus cocok dengan stopkontak. Jangan sekali-kali mengubah steker dengan cara apa pun. Jangan menggunakan steker adaptor dengan mesin listrik turbin (dibumikan).** Steker yang tidak diubah dan stopkontak yang cocok akan mengurangi risiko sengatan listrik.
2. **Hindari sentuhan tubuh dengan permukaan turbin atau yang dibumikan seperti pipa, radiator, kompor, dan kulkas.** Risiko sengatan listrik bertambah jika tubuh Anda terbumikan atau dibumikan.
3. **Jangan membiarkan mesin listrik kehujanan atau kebasahan.** Air yang masuk ke dalam mesin listrik akan meningkatkan risiko sengatan listrik.
4. **Jangan menyalahtgunakan kabel. Jangan sekali-kali menggunakan kabel untuk membawa, menarik, atau mencabut mesin listrik dari stopkontak. Jauhkan kabel dari panas, minyak, tepian tajam, atau bagian yang bergerak.** Kabel yang rusak atau kusut memperbesar risiko sengatan listrik.
5. **Bila menggunakan mesin listrik di luar ruangan, gunakan kabel ekstensi yang sesuai untuk penggunaan di luar ruangan.** Penggunaan kabel yang sesuai untuk penggunaan luar ruangan mengurangi risiko sengatan listrik.

6. **Jika mengoperasikan mesin listrik di lokasi lembap tidak terhindarkan, gunakan pasokan daya yang dilindungi peranti imbasan arus (residual current device - RCD).** Penggunaan RCD mengurangi risiko sengatan listrik.
7. **Mesin listrik dapat menghasilkan medan magnet (EMF) yang tidak berbahaya bagi pengguna.** Namun, pengguna alat pacu jantung atau peralatan medis sejenisnya harus berkonsultasi dengan produsen peralatan tersebut dan/atau dokter mereka sebelum mengoperasikan mesin listrik ini.

Keselamatan Diri

1. **Jaga kewaspadaan, perhatikan pekerjaan Anda dan gunakan akal sehat bila menggunakan mesin listrik. Jangan menggunakan mesin listrik saat Anda lelah atau di bawah pengaruh obat bius, alkohol, atau obat.** Sekejap saja lalai saat menggunakan mesin listrik dapat menyebabkan cedera badan serius.
2. **Gunakan alat pelindung diri. Selalu gunakan pelindung mata.** Peralatan pelindung seperti masker debu, sepatu pengaman anti-selip, helm pengaman, atau pelindung telinga yang digunakan untuk kondisi yang sesuai akan mengurangi risiko cedera badan.
3. **Cegah penyalaan yang tidak disengaja. Pastikan bahwa sakelar berada dalam posisi mati (off) sebelum menghubungkan mesin ke sumber daya dan/atau paket baterai, atau mengangkat atau membawanya.** Membawa mesin listrik dengan jari Anda pada sakelarnya atau mengalirkan listrik pada mesin listrik yang sakelarnya hidup (on) akan mengundang kecelakaan.
4. **Lepaskan kunci-kunci penyetel sebelum menghidupkan mesin listrik.** Kunci-kunci yang masih terpasang pada bagian mesin listrik yang berputar dapat menyebabkan cedera.
5. **Jangan meraih terlalu jauh. Jagalah pijakan dan keseimbangan sepanjang waktu.** Hal ini memungkinkan kendali yang lebih baik atas mesin listrik dalam situasi yang tidak diharapkan.
6. **Kenakan pakaian yang memadai. Jangan memakai pakaian yang longgar atau perhiasan. Jaga jarak antara rambut dan pakaian Anda dengan komponen mesin yang bergerak.** Pakaian yang longgar, perhiasan, atau rambut yang panjang dapat tersangkut pada komponen yang bergerak.
7. **Jika tersedia fasilitas untuk menghisap dan mengumpulkan debu, pastikan fasilitas tersebut terhubung listrik dan digunakan dengan baik.** Penggunaan pembersih debu dapat mengurangi bahaya yang terkait dengan debu.
8. **Jangan sampai Anda lelah dan mengabaikan prinsip keselamatan mesin ini hanya karena sudah sering mengoperasikannya dan sudah merasa terbiasa.** Tindakan yang lalai dapat menyebabkan cedera berat dalam sepersekian detik saja.

9. **Selalu kenakan kacamata pelindung untuk melindungi mata dari cedera saat menggunakan mesin listrik. Kacamata harus sesuai dengan ANSI Z87.1 di Amerika Serikat, EN 166 di Eropa, atau AS/NZS 1336 di Australia/Selandia Baru. Di Australia/Selandia Baru, secara hukum Anda juga diwajibkan mengenakan pelindung wajah untuk melindungi wajah Anda.**



Menjadi tanggung jawab atasannya untuk menerapkan penggunaan alat pelindung keselamatan yang tepat bagi operator mesin dan orang lain yang berada di area kerja saat itu.

Penggunaan dan pemeliharaan mesin listrik

- 1. Jangan memaksa mesin listrik. Gunakan mesin listrik yang tepat untuk keperluan Anda.** Mesin listrik yang tepat akan menuntaskan pekerjaan dengan lebih baik dan aman pada kecepatan sesuai rancangannya.
- 2. Jangan gunakan mesin listrik jika sakelar tidak dapat menyala dan memastikannya.** Mesin listrik yang tidak dapat dikendalikan dengan sakelarnya adalah berbahaya dan harus diperbaiki.
- 3. Cabut steker dari sumber listrik dan/atau lepas paket baterai, jika dapat dilepas, dari mesin listrik sebelum melakukan penyetelan apa pun, mengganti aksesoris, atau menyimpan mesin listrik.** Langkah keselamatan preventif tersebut mengurangi risiko hidupnya mesin secara tak sengaja.
- 4. Simpan mesin listrik jauh dari jangkauan anak-anak dan jangan biarkan orang yang tidak paham mengenai mesin listrik tersebut atau petunjuk ini menggunakan mesin listrik.** Mesin listrik sangat berbahaya di tangan pengguna yang tak terlatih.
- 5. Rawatlah mesin listrik dan aksesoris. Periksa apakah ada komponen bergerak yang tidak lurus atau macet, komponen yang pecah, dan kondisi-kondisi lain yang dapat memengaruhi pengoperasian mesin listrik. Jika rusak, perbaiki mesin listrik terlebih dahulu sebelum digunakan.** Banyak kecelakaan disebabkan oleh kurangnya pemeliharaan mesin listrik.
- 6. Jaga agar mesin pemotong tetap tajam dan bersih.** Mesin pemotong yang terawat baik dengan mata pemotong yang tajam tidak mudah macet dan lebih mudah dikendalikan.
- 7. Gunakan mesin listrik, aksesoris, dan mata mesin, dll. sesuai dengan petunjuk ini, dengan memperhitungkan kondisi kerja dan jenis pekerjaan yang dilakukan.** Penggunaan mesin listrik untuk penggunaan yang lain dari peruntukan dapat menimbulkan situasi berbahaya.
- 8. Jagalah agar gagang dan permukaan pegangan tetap kering, bersih, dan bebas dari minyak dan pelumas.** Gagang dan permukaan pegangan yang licin tidak mendukung keamanan penanganan dan pengendalian mesin dalam situasi-situasi tak terduga.
- 9. Ketika menggunakan mesin, jangan menggunakan sarung tangan kain yang dapat tersangkut.** Sarung tangan kain yang tersangkut pada komponen bergerak dapat mengakibatkan cedera pada pengguna.

Penggunaan dan pemeliharaan mesin bertenaga baterai

- 1. Isi ulang baterai hanya dengan pengisi daya yang ditentukan oleh pabrik.** Pengisi daya yang cocok untuk satu jenis paket baterai dapat menimbulkan risiko kebakaran ketika digunakan untuk paket baterai yang lain.
- 2. Gunakan mesin listrik hanya dengan paket baterai yang telah ditentukan secara khusus.** Penggunaan paket baterai lain dapat menimbulkan risiko cedera dan kebakaran.
- 3. Ketika paket baterai tidak digunakan, jauhkan dari benda logam lain, seperti penjepit kertas, uang logam, kunci, paku, sekrup atau benda logam kecil lainnya, yang dapat menghubungkan satu terminal ke terminal lain.** Hubungan singkat terminal baterai dapat menyebabkan luka bakar atau kebakaran.
- 4. Pemakaian yang salah, dapat menyebabkan keluarnya cairan dari baterai; hindari kontak. Jika terjadi kontak secara tidak sengaja, bilas dengan air. Jika cairan mengenai mata, cari bantuan medis.** Cairan yang keluar dari baterai bisa menyebabkan iritasi atau luka bakar.
- 5. Jangan menggunakan paket baterai atau mesin yang sudah rusak atau telah diubah.** Baterai yang rusak atau telah diubah dapat menyebabkan hal-hal yang tidak dapat diprediksi yang dapat menyebabkan kebakaran, ledakan atau risiko cedera.
- 6. Jangan membiarkan paket baterai atau mesin dekat dengan api atau suhu yang berlebihan.** Paparan api atau suhu di atas 130 °C dapat menyebabkan ledakan.
- 7. Ikuti semua petunjuk pengisian daya dan jangan mengisi daya paket baterai atau mesin di luar rentang suhu yang ditentukan di panduan.** Mengisi daya secara tidak tepat atau pada suhu di luar rentang yang ditentukan dapat merusak baterai dan meningkatkan risiko kebakaran.

Servis

- 1. Berikan mesin listrik untuk diperbaiki hanya kepada oleh teknisi yang berkualifikasi dengan menggunakan hanya suku cadang pengganti yang serupa.** Hal ini akan menjamin terjaganya keamanan mesin listrik.

2. **Jangan pernah memperbaiki paket baterai yang sudah rusak.** Perbaikan paket baterai harus dilakukan hanya oleh produsen atau penyedia servis resmi.
3. **Patuhi petunjuk pelumasan dan penggantian aksesoris.**

Peringatan keselamatan mesin pengikat besi beton tanpa kabel

1. **Jangan arahkan mesin pada orang. Jangan menempatkan tangan atau kaki di dekat ujung mesin.** Jika tanpa sengaja mesin dioperasikan dalam keadaan menyentuh orang, akan terjadi kecelakaan yang tak terduga.
2. **Jangan mengisikan kawat saat mesin dalam keadaan menyala.** Jika tidak, Anda dapat tersangkut kawat dan cedera.
3. **Jangan menggunakan mesin tanpa tutup gulungan.** Jika tidak, gulungan kawat dapat terlepas dan menyebabkan kecelakaan.
4. **Sebelum mulai bekerja, pastikan diameter besi beton yang akan diikat masih dalam kapasitas mesin.**
5. **Kenakan pakaian dengan ujung serta lengan yang pas (tidak longgar). Jangan bekerja dengan handuk atau benda lain yang disampirkan di leher Anda.** Jika tidak, handuk atau benda tersebut dapat tersangkut di bagian yang berputar dan menyebabkan kecelakaan.
6. **Pastikan untuk memeriksa poin-poin berikut sebelum menggunakan mesin.**
 - Pastikan tidak ada bagian yang rusak
 - Pastikan tidak ada baut yang kendur
 - Pastikan perangkat pengaman berfungsi dengan normal
7. **Jika terdapat kelainan, segera hentikan penggunaan mesin. Jangan memperbaiki mesin sendiri.** Mintalah kepada Pusat Layanan Makita terdekat untuk memperbaikinya. Jika mesin digunakan dalam keadaan tidak sempurna, kecelakaan dapat terjadi.
8. **Saat memasang kartrid baterai, pastikan untuk mengunci pelatuk dan jangan tempatkan jari Anda pada pelatuk.** Pengoperasian yang tidak benar dapat menyebabkan kecelakaan.
9. **Ketika mengikat besi-besi beton, berhati-hatilah agar besi tidak bergerak.** Jika besi beton bergerak saat diikat, Anda dapat cedera.
10. **Jangan menyentuh kawat selama proses mengikat kawat.** Jika tidak, Anda dapat tersangkut kawat dan cedera.
11. **Jangan dekatkan tangan Anda ke titik pengikatan selama proses mengikat kawat.** Jika tidak, Anda dapat tersangkut kawat dan cedera.
12. **Pegang gagang mesin erat-erat selama proses mengikat kawat.** Jika tidak, pergelangan tangan Anda dapat terpelintir atau tubuh Anda dapat tertarik sehingga menyebabkan cedera.
13. **Jangan berpindah ke titik pengikatan berikutnya sampai proses mengikat kawat yang sedang berlangsung benar-benar selesai.** Jika tidak, Anda dapat cedera.
14. **Perhatikan ujung kawat selama proses mengikat kawat.** Jika tidak, tangan Anda dapat tersangkut ujung kawat, dan Anda dapat cedera.
15. **Jangan menyentuh pelat kontak selama proses mengikat kawat.** Bila Anda perlu menyentuh pelat kontak, pastikan untuk mengunci pelatuk, atau matikan sakelar daya serta melepas kartrid baterai. Jika tidak, Anda dapat cedera.
16. **Jika proses mengikat kawat telah selesai, angkat mesin ke atas secara vertikal.** Jika tidak, lengan mesin dapat tersangkut besi beton sehingga menyebabkan kecelakaan.
17. **Hati-hati agar tidak menjatuhkan, membentur, atau menghantam mesin.** Jika mesin terkena benturan keras sebelum digunakan, pastikan mesin tidak rusak atau retak, dan bahwa perangkat pengaman berfungsi dengan normal. Jika tidak, dapat terjadi kecelakaan.
18. **Jika salah satu fenomena berikut terjadi, kunci pelatuk, matikan sakelar daya, dan lepas kartrid baterai dari mesin.** Jika mesin tidak bekerja dengan benar, kecelakaan dapat terjadi.
 - Jika terdengar suara mesin bekerja begitu kartrid baterai selesai dipasang.
 - Jika mesin mengalami panas berlebih atau tercium bau atau terdengar suara tidak wajar.
 - Ketika Anda mengambil tindakan setelah adanya tampilan kesalahan. (Mintalah kepada Pusat Layanan Makita terdekat untuk memperbaikinya.)
 - Ketika Anda memasang atau melepaskan gulungan kawat.
 - Ketika Anda berpindah sambil membawa mesin selama bekerja.
 - Ketika Anda sedang tidak menggunakan mesin.
 - Ketika Anda memeriksa atau menyetel mesin.
 - Ketika Anda melepaskan kawat berunting.
19. **Ketika bekerja di atas perancah, selalu stabilkan perancah dan bekerjalah dengan postur tubuh sedemikian rupa sehingga keseimbangan Anda selalu terjaga.** Jika perancah tidak stabil, kecelakaan dapat terjadi.
20. **Ketika bekerja di atas atap atau lokasi serupa, bergeraklah maju selama bekerja sehingga Anda dapat melihat tujuan Anda.** Jika Anda bergerak mundur selama bekerja, Anda dapat kehilangan pijakan dan terjadi kecelakaan.
21. **Jika Anda bekerja di tempat yang sangat tinggi, pastikan tidak ada orang di bawah Anda, dan waspadalah agar tidak menjatuhkan mesin atau peralatan ketika bekerja.** Mesin yang terjatuh dapat menyebabkan kecelakaan.
22. **Jangan gunakan mesin untuk pekerjaan lain selain mengikat kawat.** Jika tidak, dapat terjadi kecelakaan.

23. **Selalu gunakan kawat asli Makita. Jika kawat tidak digunakan dalam waktu lama, kawat mungkin berkarat. Jangan gunakan kawat yang berkarat.** Jika digunakan, dapat menyebabkan kecelakaan.
24. **Setelah mengikat, periksa apakah kawat rusak akibat dipelintir secara berlebihan. Jika ada kawat yang rusak, kekuatan pengikatan akan hilang. Setel kekuatan pengikatan, dan ikat kembali besi beton.**
25. **Tempatkan lengan dengan mantap pada besi beton.** Jika tidak diposisikan dengan mantap, akan ada celah di antara besi-besi beton, dan kekuatan pengikatan akan berkurang.

Petunjuk keselamatan penting untuk kartrid baterai

1. **Sebelum menggunakan kartrid baterai, bacalah semua petunjuk dan penandaan pada (1) pengisi daya baterai, (2) baterai, dan (3) produk yang menggunakan baterai.**
2. **Jangan membongkar atau memodifikasi kartrid baterai.** Tindakan tersebut dapat menimbulkan api, panas berlebih, atau ledakan.
3. **Jika waktu beroperasinya menjadi sangat singkat, segera hentikan penggunaan.** Hal tersebut dapat menimbulkan risiko panas berlebih, kemungkinan mengalami luka bakar atau bahkan terjadi ledakan.
4. **Jika elektrolit mengenai mata Anda, basuh dengan air bersih dan segera cari pertolongan medis.** Hal tersebut dapat mengakibatkan hilangnya kemampuan penglihatan Anda.
5. **Jangan menghubungkan terminal kartrid baterai:**
 - (1) **Jangan menyentuh terminal dengan bahan penghantar listrik apa pun.**
 - (2) **Hindari menyimpan kartrid baterai pada wadah yang berisi benda logam lain seperti paku, uang logam, dsb.**
 - (3) **Jangan membiarkan baterai terkena air atau kehujanan.**

Hubungan singkat baterai dapat menyebabkan aliran arus listrik yang besar, panas berlebih, kemungkinan mengalami luka bakar dan bahkan kerusakan pada baterai.
6. **Jangan menyimpan dan menggunakan mesin dan kartrid baterai pada lokasi dengan suhu yang bisa mencapai atau melebihi 50 °C (122 °F).**
7. **Jangan membuang kartrid baterai di tempat pembakaran sampah walaupun benar-benar rusak atau tidak bisa digunakan sama sekali. Kartrid baterai bisa meledak jika terbakar.**
8. **Jangan memaku, memotong, menghancurkan, melempar, menjatuhkan kartrid baterai, atau memukul benda keras ke kartrid baterai.** Tindakan tersebut dapat menimbulkan api, panas berlebih, atau ledakan.
9. **Jangan menggunakan baterai yang rusak.**
10. **Baterai litium-ion yang disertakan sesuai dengan persyaratan Perundangan Makanan Berbahaya.**

Harus ada pengawasan untuk pengangkutan komersial misalnya oleh pihak ketiga, ekspeditor, persyaratan khusus terhadap pengemasan dan pelabelan.

Diperlukan adanya konsultasi dengan ahli mengenai material berbahaya untuk persiapan barang yang akan dikirimkan. Perhatikan pula peraturan nasional yang lebih terperinci yang mungkin ada.

Beri perekat atau tutupi bagian yang terbuka dan kemasi baterai dengan cara yang tidak akan menimbulkan pergeseran dalam pengemasan.
11. **Ketika membuang kartrid baterai, lepaskan dari mesin dan buang ke tempat yang aman. Patuhi peraturan setempat yang berkaitan dengan pembuangan baterai.**
12. **Gunakan baterai hanya dengan produk yang ditentukan oleh Makita.** Memasang baterai pada produk yang tidak sesuai dapat menyebabkan kebakaran, kelebihan panas, ledakan, atau kebocoran elektrolit.
13. **Jika mesin tidak digunakan dalam jangka waktu yang lama, baterai harus dilepas dari mesin.**
14. **Selama dan setelah digunakan, kartrid baterai mungkin menyimpan panas yang dapat menyebabkan luka bakar atau luka bakar suhu rendah.** Perhatikan cara memegang kartrid baterai yang masih panas.
15. **Jangan langsung menyentuh terminal mesin setelah digunakan karena suhunya mungkin cukup panas untuk menyebabkan luka bakar.**
16. **Jangan biarkan serpihan, debu, atau tanah menempel di terminal, lubang, dan alur kartrid baterai.** Hal tersebut dapat menyebabkan pemanasan, kebakaran, ledakan, dan kegagalan fungsi mesin atau kartrid baterai, yang mengakibatkan luka bakar atau cedera diri.
17. **Kecuali jika mesin mendukung penggunaan di dekat saluran listrik bertegangan tinggi, jangan gunakan kartrid baterai di dekat saluran listrik bertegangan tinggi.** Hal tersebut dapat mengakibatkan kegagalan fungsi atau kerusakan mesin maupun kartrid baterai.
18. **Jauhkan baterai dari jangkauan anak-anak.**

SIMPAN PETUNJUK INI.

⚠PERHATIAN: Gunakan baterai asli Makita. Penggunaan baterai Makita yang tidak asli, atau baterai yang sudah diubah, akan mengakibatkan baterai mudah terbakar, cedera dan kerusakan. Akan menghilangkan garansi Makita pada pengisi daya dan alat Makita.

Tip untuk menjaga agar umur pemakaian baterai maksimum

1. **Isi ulang kartrid baterai sebelum habis sama sekali. Selalu hentikan penggunaan mesin dan ganti kartrid baterai jika Anda melihat bahwa mesin kurang tenaga.**

2. Jangan pernah mengisi ulang kartrid baterai yang sudah diisi penuh. Pengisian ulang yang berlebih memperpendek umur pemakaian baterai.
3. Isi ulang kartrid baterai pada suhu ruangan 10 °C - 40 °C. Biarkan kartrid baterai yang panas menjadi dingin terlebih dahulu sebelum diisi ulang.
4. Saat kartrid baterai tidak digunakan, lepaskan dari mesin atau pengisi daya.
5. Isi ulang daya kartrid baterai jika Anda tidak menggunakannya untuk jangka waktu yang lama (lebih dari enam bulan).

DESKRIPSI FUNGSI

⚠️PERHATIAN: Selalu pastikan bahwa mesin dimatikan dan kartrid baterai dilepas sebelum menyatel atau memeriksa kerja mesin.

Memasang atau melepas baterai

⚠️PERHATIAN: Selalu matikan mesin sebelum memasang atau melepas kartrid baterai.

⚠️PERHATIAN: Pegang mesin dan kartrid baterai kuat-kuat saat memasang atau melepas kartrid baterai. Kelalaian untuk memegang mesin dan kartrid baterai kuat-kuat bisa menyebabkan keduanya tergelincir dari tangan Anda dan mengakibatkan kerusakan pada mesin dan kartrid baterai dan cedera diri.

- **Gbr.1:** 1. Indikator berwarna merah 2. Tombol 3. Kartrid baterai

Untuk melepas kartrid baterai, geser dari mesin sambil menggeser tombol pada bagian depan kartrid.

Untuk memasang kartrid baterai, sejajarkan lidah kartrid baterai dengan alur pada rumah dan masukkan ke dalam tempatnya. Masukkan seluruhnya sampai terkunci pada tempatnya dan terdengar bunyi klik kecil. Jika Anda bisa melihat indikator berwarna merah seperti yang ditunjukkan pada gambar, ini artinya kartrid baterai tidak terkunci sempurna.

⚠️PERHATIAN: Selalu pasang kartrid baterai sepenuhnya sampai indikator berwarna merah tidak terlihat. Jika tidak, bisa terlepas dari mesin secara tidak sengaja, menyebabkan luka pada Anda atau orang di sekitar Anda.

⚠️PERHATIAN: Jangan memasang kartrid baterai secara paksa. Jika kartrid tidak bergeser dengan mudah, berarti tidak dimasukkan dengan benar.

Mengindikasikan kapasitas baterai yang tersisa

Hanya untuk kartrid baterai dengan indikator

- **Gbr.2:** 1. Lampu indikator 2. Tombol pemeriksaan

Tekan tombol pemeriksaan pada kartrid baterai untuk melihat kapasitas baterai yang tersisa. Lampu indikator menyala selama beberapa detik.

Lampu indikator			Kapasitas yang tersisa
Menyala	Mati	Berkedip	
■ ■ ■ ■			75% hingga 100%
■ ■ ■ □			50% hingga 75%
■ ■ □ □			25% hingga 50%
■ □ □ □			0% hingga 25%
▣ □ □ □			Isi ulang baterai.
■ ■ □ □			Baterai mungkin sudah rusak.
□ □ ■ ■			

CATATAN: Tergantung kondisi penggunaan dan suhu lingkungannya, penunjukkan mungkin saja sedikit berbeda dari kapasitas sebenarnya.

CATATAN: Lampu indikator pertama (ujung kiri) akan berkedip ketika sistem perlindungan mesin bekerja.

Sistem perlindungan mesin / baterai

Mesin ini dilengkapi dengan sistem perlindungan mesin/ baterai. Sistem ini memutuskan daya ke motor secara otomatis untuk memperpanjang umur pakai mesin dan baterai. Mesin akan berhenti secara otomatis saat dioperasikan jika mesin atau baterai mengalami salah satu dari kondisi-kondisi berikut ini:

Perlindungan kelebihan beban

Jika mesin atau baterai digunakan dengan cara yang menyebabkan baterai mengeluarkan arus tinggi yang berlebihan, mesin akan berhenti secara otomatis dan nomor kesalahan yang sesuai akan ditampilkan pada panel tampilan. Dalam situasi ini, matikan mesin dan hentikan pekerjaan yang menyebabkan mesin mengalami kelebihan beban. Kemudian, nyalakan mesin untuk kembali melanjutkan pekerjaan.

Perlindungan panas berlebih

Ketika mesin atau baterai mengalami panas berlebih, mesin berhenti secara otomatis dan nomor kesalahan yang sesuai ditampilkan pada panel tampilan. Pada keadaan ini, tunggu hingga mesin dan baterai mendingin sebelum dinyalakan kembali.

Perlindungan pengisian daya berlebih

Ketika kapasitas baterai tidak cukup, mesin berhenti secara otomatis dan nomor kesalahan yang sesuai ditampilkan pada panel tampilan. Dalam kondisi ini, lepaskan baterai dari mesin dan isi ulang daya baterai.

Sakelar daya utama

⚠PERHATIAN: Ketika Anda menyalakan mesin, jangan pernah dekatkan anggota tubuh atau wajah Anda ke bagian yang menjepit atau berputar pada ujung mesin. Jika tidak, Anda dapat cedera.

⚠PERHATIAN: Ketika mesin dinyalakan, jangan pernah menyentuh bagian yang menjepit atau berputar pada ujung mesin. Jika tidak, Anda dapat cedera.

⚠PERHATIAN: Sebelum memasukkan kartrid baterai, pastikan Anda menyingkirkan jari Anda dari pelatuk sakelar dan mengunci sakelar. Jika Anda memasukkan kartrid baterai sementara pelatuk sakelar ditarik, kecelakaan dapat terjadi jika proses mengikat kawat tanpa sengaja dijalankan.

► Gbr.3

Ketika Anda menekan tombol daya, mesin dihidupkan dan lampu mode mengikat menyala. Untuk menyetel posisi awalnya, mesin akan beroperasi selama beberapa saat. Setelah penyetelan selesai, mesin akan berhenti secara otomatis. Ketika Anda menekan lagi tombol daya, mesin mati dan lampu mode mengikat padam.

► **Gbr.4:** 1. Lampu mode mengikat 2. Tombol daya

CATATAN: Mesin memiliki fungsi pemutus daya otomatis. Jika pelatuk sakelar tidak ditarik selama 10 menit, mesin akan mati secara otomatis untuk mengurangi konsumsi daya baterai.

CATATAN: Untuk menghidupkan mesin kembali, nyalakan kembali mesin.


Tombol pengubah mode

Ketika mesin dihidupkan dan lampu mode mengikat menyala, Anda dapat memilih mode aktiasi tunggal atau mode aktiasi terus-menerus dengan tombol pengubah mode. Ketika Anda menyalakan mesin kembali, mesin akan masuk ke mode yang terakhir dipilih.

► **Gbr.5:** 1. Tombol pengubah mode 2. Mode aktiasi tunggal 3. Mode aktiasi terus-menerus

Kerja sakelar

⚠PERINGATAN: Sebelum memasukkan kartrid baterai pada mesin, pastikan picu saklar berfungsi dengan baik dan kembali ke posisi "OFF" saat dilepas.

⚠PERHATIAN: Saat mesin tidak dioperasikan, tekan tombol pengunci pelatuk dari sisi  untuk mengunci pelatuk sakelar di posisi MATI.

► **Gbr.6:** 1. Pelatuk sakelar 2. Tombol pengunci pelatuk

Untuk mencegah pelatuk sakelar tertarik secara tidak sengaja, tersedia tombol pengunci pelatuk. Untuk menjalankan mesin, tekan tombol pengunci pelatuk dari sisi A dan tarik pelatuk sakelar. Lepaskan pelatuk sakelar untuk berhenti. Setelah selesai digunakan, tekan tombol pengunci pelatuk dari sisi B.

Ketika Anda menarik pelatuk sakelar, mesin melakukan serangkaian operasi berikut, lalu mesin berhenti secara otomatis.

1. Mengumpulkan kawat.
2. Memotong kawat.
3. Kait memegang dan memelintir kawat.
4. Kait kembali ke posisi awal.

Pengaturan kekuatan pengikatan

⚠PERHATIAN: Pastikan untuk mengunci pelatuk sebelum mulai menyetel. Ketika Anda menyalakan mesin, jangan pernah dekatkan anggota tubuh atau wajah Anda ke bagian yang menjepit atau berputar pada ujung mesin. Jika tidak, Anda dapat cedera.

► Gbr.7

Anda dapat mengatur kekuatan pengikatan dengan menyetel tombol penyetel kekuatan pengikatan. Kekuatan pengikatan ditampilkan pada panel tampilan.

► **Gbr.8:** 1. Tombol penyetel kekuatan pengikatan 2. Panel tampilan

Jika kawat patah, kekuatan pengikatan akan hilang. Setelah mengikat, periksa apakah kawat rusak di bagian yang dipelintir.

Jika kawat patah, setel kekuatan pengikatan menggunakan tombol penyetel kekuatan pengikatan, dan ikat kembali besi beton.

Peringatan kapasitas baterai tersisa

Ketika tegangan baterai turun di bawah tingkat yang diperlukan, mesin akan berhenti beroperasi, alarm kesalahan akan berbunyi, dan angka "4" akan muncul pada panel tampilan. Alarm kesalahan akan terus berbunyi hingga daya dimatikan.

CATATAN: Jika suhu lingkungan sangat rendah, alarm kesalahan dapat berbunyi meskipun daya baterai mencukupi.

PERAKITAN

⚠PERHATIAN: Selalu pastikan bahwa mesin dimatikan dan kartrid baterai dilepas sebelum melakukan pekerjaan apa pun pada mesin.

Memasang kawat pengikat (gulungan kawat)

PERHATIAN: Sebelum memasang atau melepas kawat pengikat dan aksesoris, pastikan untuk mematikan daya, mengunci pelatuk, serta melepas kartrid baterai. Kelalaian dalam melakukannya dapat menyebabkan kecelakaan.

PEMBERITAHUAN: Menggunakan kawat selain kawat pengikat asli Makita dapat menyebabkan kegagalan fungsi mesin.

1. Tekan tuas pelepas, dan kunci dengan tuas kunci.
▶ **Gbr.9:** 1. Tuas pelepas 2. Tuas kunci

Ketika Anda melepas tuas pelepas, celah terbentuk di antara gir pengumpan kanan dan kiri.

- ▶ **Gbr.10:** 1. Tuas pelepas 2. Tuas kunci 3. Gir pengumpan

2. Buka tutup gulungan.

- ▶ **Gbr.11:** 1. Tutup gulungan

3. Pasang gulungan kawat pada mesin dalam arah yang ditunjukkan dalam gambar.

- ▶ **Gbr.12:** 1. Gulungan kawat

PEMBERITAHUAN: Pastikan untuk memasang gulungan kawat dalam arah yang ditunjukkan dalam gambar. Jika dipasang dalam arah sebaliknya, kawat akan dilepaskan dan mungkin terpelintir.

4. Lepaskan kait ujung kawat dari penggulung kait.

- ▶ **Gbr.13:** 1. Kait

5. Luruskan ujung kawat, dan lewatkan kawat melalui pemandu.

- ▶ **Gbr.14:** 1. Pemandu

CATATAN: Jika ujung kawat bengkok ketika dilewatkan pemandu, kawat dapat macet di dalam mesin.

CATATAN: Jika kawat dilewatkan pemandu dengan cara dipaksakan, kawat dapat macet.

6. Tarik kawat keluar sekitar 10 mm dari ujung lengan.

- ▶ **Gbr.15:** 1. Lengan 2. Sekitar 10 mm

PEMBERITAHUAN: Jika panjang kawat yang ditarik keluar tidak mencukupi, kawat dapat patah ketika diikat, atau kekuatan pengikatan dapat berkurang karena jumlah lilitan kurang.

7. Gulung kembali kawat untuk menghilangkan bagian gulungan yang kendur.

- ▶ **Gbr.16**

8. Lepas tuas kunci. Tuas pelepas kembali, dan kawat ditahan oleh gir kanan dan kiri.

- ▶ **Gbr.17:** 1. Tuas kunci 2. Tuas pelepas

- ▶ **Gbr.18:** 1. Gir 2. Jalur kawat 3. Kawat

PEMBERITAHUAN: Ketika tuas kunci dilepas dan ketika gir kanan dan kiri bertemu, alur-alur pada gir membentuk sebuah ruang. Ruang ini menjadi jalur bagi kawat. Pastikan kawat dilewatkan melalui jalur ini.

9. Tutup tutup gulungan.

- ▶ **Gbr.19:** 1. Tutup gulungan

Mengganti pemandu kawat B

Pilihan Aksesoris

Pemandu kawat B (berwarna perak) di lengan dapat diganti dengan pemandu kawat B (EG) opsional (berwarna hitam) sesuai dengan jenis kawat pengikat yang digunakan.

Temukan kombinasi yang tepat dalam tabel berikut ini. Kemudian ganti pemandu kawat B yang dilengkapi dengan standar dengan pemandu kawat B (EG) opsional jika perlu.

	Pemandu kawat B lengkap yang dilengkapi dengan standar (perak)	Pemandu kawat B opsional yang lengkap (hitam)
Mengeraskan kawat pengikat besi	✓	✓
Kawat pengikat tersalut-poli	✓	-
Kawat pengikat tergalvanisasi	-	✓

— : Kombinasi tersebut tidak valid.

1. Kendurkan baut A dan B menggunakan kunci L yang disertakan dalam paket mesin.

- ▶ **Gbr.20:** 1. Kunci L

- ▶ **Gbr.21:** 1. Baut A 2. Baut B 3. Tutup pelat kontak 4. Pemandu kawat B yang dilengkapi dengan standar (perak)

PEMBERITAHUAN: Jangan memaksa melepas baut yang tidak bisa dilepas dengan kunci L.

2. Tarik tutup pelat kontak ke atas sesuai arah yang ditunjukkan tanda panah dan lepaskan. Baut B akan terlepas pada saat yang bersamaan.

- ▶ **Gbr.22:** 1. Tutup pelat kontak 2. Baut B

3. Lepaskan baut A, dan lepaskan pemandu kawat B yang dilengkapi dengan standar (perak).

- ▶ **Gbr.23:** 1. Baut A 2. Pemandu kawat B yang dilengkapi dengan standar (perak)

4. Ganti pemandu kawat B yang dilengkapi dengan standar (berwarna perak) dengan pemandu kawat B (EG) opsional (berwarna hitam).

- ▶ **Gbr.24:** 1. Pemandu kawat B (EG) opsional (berwarna hitam).

5. Sejajarkan pipa pada mesin dengan alur di dalam pemandu kawat B (EG) opsional (hitam), dan pasang.

- ▶ **Gbr.25:** 1. Pipa 2. Alur 3. Pemandu kawat B (EG) opsional (hitam).

6. Pasang pemandu kawat B (EG) opsional (hitam) dengan mengencangkan baut A untuk sementara.
 - ▶ **Gbr.26:** 1. Baut A 2. Pemandu kawat B (EG) opsional (hitam).
7. Pasang tutup pelat kontak sesuai arah tanda panah.
 - ▶ **Gbr.27:** 1. Tutup pelat kontak
8. Pasang pemandu kawat B (EG) opsional (hitam) dan tutup pelat kontak dengan mengencangkan baut A dan baut B dengan kuat.
 - ▶ **Gbr.28:** 1. Pemandu kawat B (EG) opsional (hitam). 2. Tutup pelat kontak 3. Baut A 4. Baut B
9. Setelah dirakit, pastikan pelat kontak dapat bergerak seperti yang ditunjukkan dalam gambar.
 - ▶ **Gbr.29:** 1. Pelat kontak

CATATAN: Jika pelat kontak tersangkut, tekan seperti yang ditunjukkan dalam gambar.

▶ **Gbr.30**

PENGGUNAAN

Pemeriksaan sebelum bekerja

PERHATIAN: Jika terdapat masalah terkait mekanisme keselamatan mesin, jangan gunakan mesin. Jika Anda tetap menggunakannya, kecelakaan dapat terjadi.

Sebelum menggunakan mesin, pastikan mekanisme keselamatan berfungsi dengan normal. Jika mesin beroperasi tanpa mekanisme keselamatan yang berfungsi, segera berhenti menggunakan mesin. Mintalah kepada Pusat Layanan Makita terdekat untuk memperbaikinya.

Memeriksa kunci pelatuk

Mesin memiliki kunci pelatuk untuk mencegah mesin dioperasikan tanpa sengaja. Kunci pelatuk dan pastikan pelatuk sakelar tidak dapat ditarik.

Memeriksa pemandu lingkaran

Untuk mencegah operator tanpa sengaja menyentuh bagian yang menjepit atau berputar pada ujung mesin, mesin tidak akan bekerja meski pelatuk sakelar ditarik jika pemandu lingkaran terbuka. Ketika operator melepaskan jarinya dari pelatuk sakelar dan menutup pemandu lingkaran, mesin dapat beroperasi.

▶ **Gbr.31:** 1. Pemandu lingkaran

Memeriksa deteksi terbuka/tertutupnya pemandu lingkaran

Lepaskan kawat pengikat, periksa operasi mesin sesuai langkah-langkah berikut, dan pastikan bahwa mesin tidak akan bekerja jika pemandu lingkaran terbuka.

1. Matikan mesin, dan biarkan pemandu lingkaran terbuka.

2. Nyalakan mesin.

Jika mesin tidak menyala dan nilai "2" ditampilkan pada panel tampilan, artinya mesin dalam keadaan normal. Matikan mesin, dan tutup pemandu lingkaran.

Jika mesin menyala dan tidak ada kesalahan yang ditampilkan pada panel tampilan, artinya mesin dalam keadaan tidak normal. Segera berhenti menggunakan mesin, dan mintalah kepada Pusat Layanan Makita terdekat untuk memperbaikinya.

PERHATIAN: Jika Anda membuka pemandu lingkaran dan menyalakan mesin untuk memeriksa saling kunci, tahan pemandu lingkaran seperti ditunjukkan dalam gambar. Jangan pernah dekatkan anggota tubuh atau wajah Anda ke bagian yang menjepit atau berputar pada ujung mesin. Jika tidak, Anda dapat cedera.

▶ **Gbr.32**

Mengikat

PERHATIAN: Sebelum memasukkan kartrid baterai, pastikan Anda menyingkirkan jari Anda dari pelatuk sakelar dan mengunci sakelar. Jika Anda memasukkan kartrid baterai sementara pelatuk sakelar ditarik, kecelakaan dapat terjadi jika proses mengikat kawat tanpa sengaja dijalankan.

PERHATIAN: Ketika Anda menyalakan mesin, jangan pernah dekatkan anggota tubuh atau wajah Anda ke bagian yang menjepit atau berputar pada ujung mesin. Jika tidak, Anda dapat cedera.

PERHATIAN: Ketika mesin dinyalakan, jangan pernah menyentuh bagian yang menjepit atau berputar pada ujung mesin. Jika tidak, Anda dapat cedera.

▶ **Gbr.33**

Persiapan sebelum bekerja

1. Pastikan kartrid baterai dilepas dan pelatuk dikunci.
2. Masukkan kartrid baterai ke dalam mesin, dan nyalakan mesin. Ketika mesin dinyalakan, kawat terpotong secara otomatis.

PEMBERITAHUAN: Pastikan lampu mode mengikat menyala ketika mesin dinyalakan. Jika lampu tidak menyala, isi ulang daya baterai.

3. Lepaskan kunci pelatuk.

▶ **Gbr.34:** 1. Tombol pengunci pelatuk 2. Pelatuk sakelar 3. Tombol daya 4. Lampu mode mengikat

Mode aktuasi tunggal

1. Dorong lengan dengan kuat pada titik pengikatan. Pastikan mesin ditempatkan secara vertikal di atas besi beton dan tekan lengan pada titik pengikat di sudut 45° ke besi-besi beton saling bersilangan.

▶ **Gbr.35:** 1. Lengan

2. Tarik pelatuk sakelar satu kali.

3. Kawat akan diumpankan dan dipotong secara otomatis.
 4. Kait memegang dan memelintir kawat, lalu kembali ke posisi awal setelah kawat diikatkan.
 5. Setelah mengikat, berhati-hatilah agar tidak mengaitkan lengan pada besi beton kemudian tariklah mesin ke atas.
- **Gbr.36**

⚠PERHATIAN: Jika kawat menyangkut di bagian yang menjepit pada ujung mesin, matikan mesin. Kunci pelatuk, lepas kartrid baterai, dan singkirkan kawat menggunakan alat seperti tang atau tang potong.

► **Gbr.37**

Mode aktuasi terus-menerus

1. Ubah mode mesin dari mode aktuasi tunggal menjadi mode aktuasi terus-menerus menggunakan tombol pengubah mode.

► **Gbr.38:** 1. Tombol pengubah mode

2. Lepaskan kunci pelatuk.

3. Sambil menarik pelatuk sakelar, dorong mesin secara vertikal pada besi beton, dan tekan lengan pada titik di mana besi-besi beton saling bersilangan pada sudut 45 derajat. Tekan pelatuk kontak kuat-kuat pada titik pengikatan. Kawat akan diikatkan.

► **Gbr.39:** 1. Pelatuk kontak

4. Setelah mengikat, berhati-hatilah agar tidak mengaitkan lengan pada besi beton kemudian tariklah mesin ke atas.

► **Gbr.40**

Peringatan dalam bekerja

- Jika Anda menggerakkan lengan dari posisi mengikat selama proses mengikatkan kawat, kawat akan terjepit pada kait sehingga dapat menyebabkan pengikatan yang tidak benar.
- Terus tekan mesin pada besi beton hingga proses mengikatkan kawat selesai.
- Jangan berpindah ke titik pengikatan berikutnya sampai proses mengikatkan kawat yang sedang berlangsung benar-benar selesai.
- Bagian yang berputar pada ujung mesin (kait) memelintir kawat selama proses pengikatan kawat. Pegang gagang kuat-kuat agar tubuh Anda tidak tertarik oleh mesin.
- Jangan menyentuh kawat selama proses mengikatkan kawat.
- Jika Anda mengulangi proses mengikatkan kawat dalam mode aktuasi tunggal, lepaskan jari Anda seluruhnya dari pelatuk sakelar. Kemudian, lanjutkan mengoperasikan pelatuk sakelar.
- Jika Anda menarik pelatuk sakelar ketika tidak lagi kawat pengikat, kesalahan akan ditampilkan. Ganti dengan kawat pengikat baru dan nyalakan kembali mesin.

Tip dalam mengikat

- Miringkan mesin pada sudut 45° ke besi-besi beton yang bersilangan, dan ikat kawat dengan arah selang-seling seperti ditunjukkan dalam gambar.

► **Gbr.41**

- Ikat kawat ke besi-besi beton yang bersilangan dan datar (harus rata).

► **Gbr.42**

- Jika kekuatan pengikatan tidak mencukupi, ubah arah pengikatan dan lakukan pengikatan dua kali agar kekuatan pengikatan meningkat.

► **Gbr.43**

PEMBERITAHUAN: Ketika Anda membuat ikatan yang kedua, bengkokkan ekor ikatan yang pertama sebelum membuat ikatan yang kedua. Jika tidak, kawat dapat kembali terpelat. Kawat dapat terjepit pada ujung mesin, dan kait dapat rusak.

Mengganti kawat pengikat

⚠PERHATIAN: Sebelum mengganti kawat, pastikan untuk mematikan daya, mengunci pelatuk, serta melepas kartrid baterai. Kelalaian dalam melakukannya dapat menyebabkan kecelakaan.

1. Ketika kawat telah habis, alarm kesalahan akan berbunyi dan kesalahan "1" akan ditampilkan.
 2. Kunci pelatuk, matikan daya, dan lepas kartrid baterai.
 3. Tekan tuas pelepas, dan kunci dengan tuas kunci.
- **Gbr.44:** 1. Tuas pelepas 2. Tuas kunci
4. Lepaskan gulungan kawat dari mesin.

CATATAN: Ketika kawat telah digunakan habis secara normal, tersisa sekitar 20 cm kawat yang masih menggulung pada gulungan. Dalam keadaan ini, ganti gulungan kawat dengan yang baru.

Jika sulit melepaskan gulungan kawat dari mesin, ikuti langkah berikut.

1. Masukkan kartrid baterai ke dalam mesin, dan nyalakan mesin. Mesin mengumpalkan kawat dan memotongnya secara otomatis.
2. Kunci pelatuk, matikan daya, dan lepas kartrid baterai.
3. Singkirkan potongan kawat dengan alat seperti tang atau tang potong.

PERAWATAN

⚠PERHATIAN: Selalu pastikan bahwa mesin dimatikan dan kartrid baterai dilepas sebelum melakukan pemeriksaan atau perawatan.

PEMBERITAHUAN: Jangan sekali-kali menggunakan bensin, tiner, alkohol, atau bahan sejenisnya. Penggunaan bahan demikian dapat menyebabkan perubahan warna, perubahan bentuk atau timbulnya retakan.

Untuk menjaga KEAMANAN dan KEANDALAN mesin, perbaikan, perawatan atau penyetulan lainnya harus dilakukan oleh Pusat Layanan Resmi atau Pabrik Makita; selalu gunakan suku cadang pengganti buatan Makita.

Membersihkan bagian pemotong

Ketika mesin digunakan, partikel debu dan kawat dapat menempel pada bagian pemotong. Dalam kasus tersebut, bersihkan bagian pemotong sesuai prosedur berikut. Pembersihan harus dilakukan setiap kali Anda menggunakan hingga satu kotak penggulung. (50 buah)

Menggunakan sikat kawat

1. Buka tutup gulungan.
▶ **Gbr.45:** 1. Tutup gulungan
2. Tekan tuas pelepas, dan kunci dengan tuas kunci.
▶ **Gbr.46:** 1. Tuas pelepas 2. Tuas kunci
3. Lewatkan sikat kawat melalui pemandu.

Saat memasukkan sikat kawat, tahan sebentar dan dorong ke dalam pemandu sedikit demi sedikit.

- ▶ **Gbr.47:** 1. Sikat kawat
- ▶ **Gbr.48:** 1. Gir 2. Pemandu 3. Sikat kawat
4. Dorong sikat kawat hingga ujung atasnya keluar dari ujung lengan. Kemudian tarik sikat kawat. Tindakan ini cukup dilakukan sekali.

- ▶ **Gbr.49:** 1. Lengan 2. Sikat kawat
5. Tutup tutup gulungan.
▶ **Gbr.50:** 1. Tutup gulungan

Menggunakan pistol pembersih udara

Buka tutup penggulung, tekan tuas rilis, dan kunci dengan tuas kunci. Kemudian pindahkan pistol pembersih udara ke dekat pemandu dan semburkan udara. Pastikan udara keluar dari ujung lengan.

- ▶ **Gbr.51:** 1. Pistol pembersih udara 2. Pemandu

Pembersihan dengan pembongkaran

Jika bagian pemotong tersumbat atau kawat terilit di dalamnya, bongkar komponen lalu bersihkan.

Membongkar dan membersihkan

1. Kendurkan baut A dan B menggunakan kunci L yang disertakan dalam paket mesin.
▶ **Gbr.52:** 1. Kunci L
- ▶ **Gbr.53:** 1. Baut A 2. Baut B 3. Tutup pelat kontak 4. Pemandu kawat B

PEMBERITAHUAN: Jangan memaksa melepas baut yang tidak bisa dilepas dengan kunci L.

2. Tarik tutup pelat kontak ke atas sesuai arah yang ditunjukkan tanda panah dan lepaskan. Baut B akan terlepas pada saat yang bersamaan.
▶ **Gbr.54:** 1. Tutup pelat kontak 2. Baut B
3. Lepas baut A, dan lepas pemandu kawat B.
▶ **Gbr.55:** 1. Baut A 2. Pemandu kawat B
4. Balikkan pemandu kawat B dan bersihkan bagian dalamnya.
▶ **Gbr.56**
5. Lepas pelat atas, pemotong B, lengan sambung A, dan pemotong A dari pelat lengan A. Kemudian, bersihkan.
▶ **Gbr.57:** 1. Pelat atas 2. Pemotong B 3. Lengan sambung A 4. Pemotong A 5. Pelat lengan A

Perakitan

Setelah selesai dibersihkan, rakit bagian-bagian sesuai prosedur berikut.

1. Pasang pemotong A dan lengan sambung A hingga pas dengan bentuk pelat lengan A.
▶ **Gbr.58:** 1. Pemotong A 2. Lengan sambung A 3. Pelat lengan A
2. Pasang pemotong B dan pelat atas pada pelat lengan A.
(Pasang pemotong B pada pemotong A dan lengan sambung A.)
▶ **Gbr.59:** 1. Pemotong B 2. Pelat atas 3. Pelat lengan A 4. Pemotong A 5. Lengan sambung A

PEMBERITAHUAN: Hadapkan bagian pemotong B yang menonjol ke bawah, dan pasang pemotong seperti yang ditunjukkan dalam gambar.

3. Sejajarkan pipa pada mesin dengan alur di dalam pemandu kawat B, dan pasang.
▶ **Gbr.60:** 1. Pipa 2. Alur 3. Pemandu kawat B
4. Pasang pemandu kawat B dengan mengencangkan baut A untuk sementara.
▶ **Gbr.61:** 1. Baut A 2. Pemandu kawat B
5. Pasang tutup pelat kontak sesuai arah tanda panah.
▶ **Gbr.62:** 1. Tutup pelat kontak
6. Pasang pemandu kawat B dan tutup pelat kontak dengan mengencangkan baut A dan baut B dengan kuat.
▶ **Gbr.63:** 1. Pemandu kawat B 2. Tutup pelat kontak 3. Baut A 4. Baut B
7. Setelah dirakit, pastikan pelat kontak dapat bergerak seperti yang ditunjukkan dalam gambar.
▶ **Gbr.64:** 1. Pelat kontak

CATATAN: Jika pelat kontak tersangkut, tekan seperti yang ditunjukkan dalam gambar.

- ▶ **Gbr.65**

Tampilan kesalahan dan alarm kesalahan

⚠️ PERHATIAN: Selama pemeriksaan, pastikan untuk mengunci pelatuk, mematikan daya, dan melepas kartrid baterai. Kelalaian dalam melakukannya dapat menyebabkan kecelakaan.

⚠️ PERHATIAN: Ketika Anda menyalakan mesin, jangan pernah dekatkan anggota tubuh atau wajah Anda ke bagian yang menjepit atau berputar pada ujung mesin. Jika tidak, Anda dapat cedera.

⚠️ PERHATIAN: Ketika mesin dinyalakan, jangan pernah menyentuh bagian yang menjepit atau berputar pada ujung mesin. Jika tidak, Anda dapat cedera.

⚠️ PERHATIAN: Jika alarm kesalahan berbunyi, atau mesin mengalami kegagalan fungsi, segera berhenti menggunakan mesin.

Tampilan dan alarm kesalahan

Jika terjadi kesalahan, alarm kesalahan akan berbunyi, dan nomor kesalahan akan ditampilkan pada panel tampilan. Lihat tabel berikut dan lakukan langkah yang sesuai. Jika kesalahan berlanjut, mintalah kepada Pusat Layanan Resmi Makita untuk memperbaikinya.

Tampilan	Gejala	Kemungkinan penyebab	Penyelesaian
1	Mesin berhenti bekerja.	Kawat telah habis.	Pasang kawat pengikat baru.
		Kawat pengikat tidak terpasang.	Pasang kawat pengikat.
		Pengumpunan kawat gagal.	Periksa arah kawat pengikat. Lepas kawat pengikat, dan pasang kembali. Bersihkan jalur kawat.
2	Mesin berhenti bekerja.	Pemandu lingkaran terbuka.	Tutup pemandu lingkaran.
3	Mesin tidak melakukan proses mengikat dalam mode aktuasi terus-menerus.	Pelat kontak tersangkut.	Lepaskan pelat kontak dari sangkutan.
4	Mesin tidak mau menyala. Mesin berhenti bekerja.	Daya baterai telah terkuras. Suhu kartrid baterai terlalu tinggi.	Isi ulang daya baterai. Biarkan kartrid baterai mendingin. Ganti kartrid baterai dengan yang terisi penuh.
5	Mesin berhenti bekerja.	Motor kelebihan beban.	Cari penyebab terhalangnya putaran motor dan atasi.
		Kerusakan motor	
6	Mesin berhenti bekerja.	Suhu mesin terlalu tinggi.	Biarkan mesin mendingin.
7	Mesin tidak mau menyala. Mesin berhenti bekerja.	Kegagalan mesin	Mintalah kepada Pusat Layanan Resmi Makita untuk memperbaikinya.

AKSESORI PILIHAN

⚠️ PERHATIAN: Dianjurkan untuk menggunakan aksesoris atau perangkat tambahan ini dengan mesin Makita Anda yang ditentukan dalam petunjuk ini. Penggunaan aksesoris atau perangkat tambahan lain bisa menyebabkan risiko cedera pada manusia. Hanya gunakan aksesoris atau perangkat tambahan sesuai dengan peruntukannya.

Jika Anda memerlukan bantuan lebih rinci berkenaan dengan aksesoris ini, tanyakan pada Pusat Layanan Makita terdekat.

- Kawat pengikat
- Pemandu kawat B lengkap (EG)
- Sikat kawat
- Pegangan sambung
- Baterai dan pengisi daya asli Makita

CATATAN: Beberapa item dalam daftar tersebut mungkin sudah termasuk dalam paket mesin sebagai aksesoris standar. Hal tersebut dapat berbeda dari satu negara ke negara lainnya.

SPEKIFIKASI

Model:		DTR181
Dawai ikat (Aksesori pilihan)	Menyepuh lindap dawai ikat besi	Ø0.8 mm
	Dawai ikat bersalut poli	Ø0.9 mm
	Dawai ikat bergalvani ^{*1}	Ø0.8 mm
Anggaran bilangan ikat mengikut kili	Menyepuh lindap dawai ikat besi	Kira-kira 75 ikat
	Dawai ikat bersalut poli	Kira-kira 65 ikat
	Dawai ikat bergalvani ^{*1}	Kira-kira 75 ikat
Panjang keseluruhan		317 mm
Voltan terkadar		D.C. 18 V
Berat bersih		2.4 - 2.7 kg

^{*1} Hanya tersedia apabila panduan dawai B pilihan lengkap (EG) dipasang di lengan.

- Disebabkan program penyelidikan dan pembangunan kami yang berterusan, spesifikasi yang terkandung di dalam ini adalah tertakluk kepada perubahan tanpa notis.
- Spesifikasi dan kartrij bateri mungkin berbeza mengikut negara.
- Berat mungkin berbeza bergantung kepada pemasangan, termasuk kartrij bateri. Kombinasi paling ringan dan paling berat, mengikut Prosedur EPTA 01/2014, ditunjukkan di dalam jadual.

Kartrij bateri dan pengecas yang boleh digunakan

Kartrij bateri	BL1815N / BL1820B / BL1830B / BL1840B / BL1850B / BL1860B
Pengecas	DC18RC / DC18RD / DC18RE / DC18SD / DC18SE / DC18SF / DC18SH / DC18WC

- Sesetengah kartrij bateri dan pengecas yang disenaraikan di atas mungkin tidak tersedia bergantung pada kawasan kediaman anda.

⚠AMARAN: Hanya menggunakan kartrij bateri dan pengecas yang disenaraikan di atas. Penggunaan mana-mana kartrij bateri dan pengecas lain boleh menyebabkan kecederaan dan/atau kebakaran.

Kombinasi batang penulangan yang boleh diikat

Kombinasi 2 batang penulangan

	#4 (13 mm)	#5 (16 mm)	#6 (19 mm)	#7 (22 mm)
#4 (13 mm)	✓*	-	-	-
#5 (16 mm)	✓*	✓	-	-
#6 (19 mm)	✓	✓	✓	-
#7 (22 mm)	✓	✓	✓	✓
#8 (25 mm)	✓	✓	✓	✓
#9 (29 mm)	✓	✓	✓	-
#10 (32 mm)	✓	✓	-	-
#11 (35 mm)	✓	-	-	-

- * Kombinasi tidak direka bentuk untuk kekuatan mengikat yang tinggi.

Kombinasi 3 batang penulangan

	#3 x #3 (10 mm x 10 mm)	#4 x #4 (13 mm x 13 mm)	#5 x #5 (16 mm x 16 mm)
#3 (10 mm)	✓*	✓	✓
#4 (13 mm)	✓*	✓	✓
#5 (16 mm)	✓	✓	✓
#6 (19 mm)	✓	✓	✓
#7 (22 mm)	✓	✓	✓
#8 (25 mm)	✓	✓	✓

* Kombinasi tidak direka bentuk untuk kekuatan mengikat yang tinggi.

Kombinasi 4 batang penulangan

	#3 x #3 (10 mm x 10 mm)	#4 x #4 (13 mm x 13 mm)
#3 x #3 (10 mm x 10 mm)	✓	✓
#4 x #4 (13 mm x 13 mm)	✓	✓
#5 x #5 (16 mm x 16 mm)	✓	✓

NOTIS: Jika terdapat jurang antara batang penulangan atau jika alat digunakan pada orientasi yang tidak betul, batang penulangan mungkin tidak boleh diikat.

Simbol

Berikut menunjukkan simbol-simbol yang boleh digunakan untuk alat ini. Pastikan anda memahami maksudnya sebelum menggunakan.



Baca manual arahan.



Pakai cermin mata keselamatan.



Jangan dedahkan kepada hujan.



Jauhkan tangan daripada kili dawai atau dawai semasa mengendalikan alat.



Jauhkan tangan daripada hujung alat.



Tolak tuil pelepas sebelum memuatkan dawai ikat. Setelah dipasang dawai ikat, lepaskan tuil kunci.



Ni-MH
Li-ion

Hanya untuk negara-negara EU
Disebabkan kehadiran komponen berbahaya dalam peralatan, sisa peralatan elektrik dan elektronik, akumulator dan bateri boleh memberi kesan negatif terhadap persekitaran dan kesihatan manusia.

Jangan buang alat elektrik dan elektronik atau bateri bersama dengan bahan buangan isi rumah!

Mengikut Arahan Eropah mengenai sisa peralatan elektrik dan elektronik dan mengenai akumulator dan bateri dan sisa akumulator dan bateri serta penyesuaian dengan undang-undang negara, sisa peralatan elektrik, bateri dan akumulator hendaklah disimpan secara berasingan dan dihantar ke tempat pengumpulan berasingan untuk sisa perbandaran, beroperasi mengikut peraturan perlindungan persekitaran.

Ini ditunjukkan oleh simbol tong sampah beroda yang bersilang pada peralatan.

Tujuan penggunaan

Alat ini bertujuan untuk mengikat batang penulangan.

AMARAN KESELAMATAN

Amaran keselamatan umum alat kuasa

⚠️AMARAN: Baca semua amaran keselamatan, arahan, ilustrasi dan spesifikasi yang disediakan dengan alat kuasa ini. Kegagalan mengikut amaran dan arahan boleh menyebabkan kejutan elektrik, kebakaran dan/atau kecederaan serius.

Simpan semua amaran dan arahan untuk rujukan masa depan.

Istilah "alat kuasa" dalam amaran merujuk kepada alat kuasa yang menggunakan tenaga elektrik (kabel) atau alat kuasa yang menggunakan bateri (tanpa kord).

Keselamatan kawasan kerja

1. **Pastikan kawasan kerja bersih dan terang.** Kawasan berselerak atau gelap mengundang kemalangan.
2. **Jangan kendalikan alat kuasa dalam keadaan yang mudah meletup, seperti dalam kehadiran cecair, gas atau habuk yang mudah terbakar.** Alat kuasa menghasilkan percikan api yang boleh menyalakan debu atau wasap.
3. **Jauhkan kanak-kanak dan orang ramai semasa mengendalikan alat kuasa.** Gangguan boleh menyebabkan anda hilang kawalan.

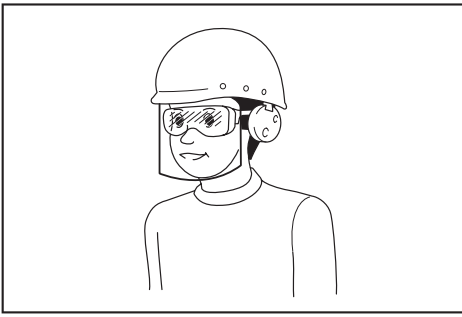
Keselamatan elektrik

1. **Palam alat kuasa mesti sepadan dengan soket.** Jangan ubah suai palam dalam apa cara sekalipun. Jangan gunakan sebarang palam penyesuai dengan alat kuasa terbumi. Palam yang tidak diubah suai dan soket yang sepadan akan mengurangkan risiko kejutan elektrik.
2. **Elakkan sentuhan badan dengan permukaan terbumi, seperti paip, radiator, dapur dan peti sejuk.** Terdapat peningkatan risiko kejutan elektrik jika elektrik terbumi terkena badan anda.
3. **Jangan biarkan alat kuasa terkena hujan atau basah.** Air yang memasuki alat kuasa akan meningkatkan risiko kejutan elektrik.
4. **Jangan salah gunakan kord.** Jangan gunakan kord untuk membawa, menarik atau mencabut palam alat kuasa. Jauhkan kord dari haba, minyak, bucu tajam atau bahagian yang bergerak. Kord yang rosak atau tersimpul meningkatkan risiko kejutan elektrik.
5. **Semasa mengendalikan alat kuasa di luar, gunakan kord sambungan yang bersesuaian untuk kegunaan luar.** Penggunaan kord yang sesuai untuk kegunaan luar mengurangkan risiko kejutan elektrik.
6. **Sekiranya pengendalian alat kuasa di lokasi lembap tidak dapat dielakkan, gunakan bekalan peranti arus sisa (RCD) yang dilindungi.** Penggunaan RCD mengurangkan risiko kejutan elektrik.

7. **Alat kuasa boleh menghasilkan medan elektromagnetik (EMF) yang tidak berbahaya kepada pengguna.** Walau bagaimanapun, pengguna perentak jantung atau peranti perubatan yang serupa harus menghubungi pembuat peranti mereka dan/atau doktor untuk nasihat sebelum mengendalikan alat kuasa ini.

Keselamatan diri

1. **Sentiasa berwaspada, perhatikan apa yang anda lakukan dan guna akal budi semasa mengendalikan alat kuasa. Jangan gunakan alat kuasa semasa anda letih atau di bawah pengaruh dadah, alkohol atau ubat.** Kelekaan seketika semasa mengendalikan alat kuasa boleh menyebabkan kecederaan diri yang serius.
2. **Gunakan peralatan pelindung diri. Sentiasa pakai pelindung mata.** Peralatan pelindung seperti topeng debu, kasut keselamatan tak mudah tergelincir, topi keselamatan atau pelindung pendengaran yang digunakan untuk keadaan yang sesuai akan mengurangkan kecederaan diri.
3. **Elakkan permulaan yang tidak disengajakan. Pastikan suis ditutup sebelum menyambung kepada sumber kuasa dan/atau pek bateri, semasa mengangkat atau membawa alat.** Membawa alat kuasa dengan jari anda pada suis atau menahan alat kuasa dengan suis pada kedudukan hidup mengundang kemalangan.
4. **Alihkan sebarang kunci atau sepana pelaras sebelum menghidupkan alat kuasa.** Sepana atau kunci yang ditinggalkan pada bahagian berputar alat kuasa boleh menyebabkan kecederaan diri.
5. **Jangan lampau jangkau. Jaga pijakan dan keseimbangan yang betul pada setiap masa.** Ini membolehkan kawalan alat kuasa yang lebih baik dalam situasi yang tidak dijangka.
6. **Berpakaian dengan betul. Jangan pakai pakaian yang longgar atau barang kemas. Jauhkan rambut dan pakaian anda dari bahagian yang bergerak.** Pakaian longgar, barang kemas atau rambut yang panjang boleh terperangkap dalam bahagian yang bergerak.
7. **Jika peranti disediakan untuk sambungan kemudahan pengekstrakan dan pengumpulan habuk, pastikan ia disambung dan digunakan dengan betul.** Penggunaan pengumpulan habuk boleh mengurangkan bahaya berkaitan habuk.
8. **Jangan biarkan kebiasaan daripada kekerapan penggunaan alat membuatkan anda berpuas hati dan mengabaikan prinsip keselamatan alat.** Keceuaian boleh menyebabkan kecederaan serius dalam sekelip mata.
9. **Sentiasa pakai gogal pelindung untuk melindungi mata anda daripada kecederaan apabila menggunakan alat kuasa.** Gogal mestilah mematuhi ANSI Z87.1 di AS, EN 166 di Eropah, atau AS/NZS 1336 di Australia/New Zealand. Di Australia/New Zealand, undang-undang mengarahkan untuk memakai pelindung muka bagi melindungi muka anda, juga.



Menjadi tanggungjawab majikan untuk menguatkuasa penggunaan peralatan perlindungan keselamatan yang bersesuaian oleh pengendali alat dan oleh orang lain dalam kawasan bekerja semasa.

Penggunaan dan penjagaan alat kuasa

1. **Jangan gunakan alat kuasa dengan kasar. Gunakan alat kuasa yang betul untuk penggunaan anda.** Alat kuasa yang betul akan melakukan tugas dengan lebih baik dan lebih selamat pada kadar mana ia direka cipta.
2. **Jangan gunakan alat kuasa jika suis tidak berfungsi untuk menghidupkan dan mematikannya.** Alat kuasa yang tidak dapat dikawal dengan suis adalah berbahaya dan mesti dibaiki.
3. **Cabut palam dari sumber kuasa dan/atau keluarkan pek bateri, jika boleh ditanggalkan, dari alat kuasa sebelum membuat sebarang pelarasan, menukar aksesori, atau menyimpan alat kuasa.** Langkah-langkah keselamatan pencegahan sedemikian mengurangkan risiko memulakan alat kuasa secara tidak sengaja.
4. **Simpan alat kuasa yang tidak digunakan jauh dari jangkauan kanak-kanak dan jangan biarkan orang yang tidak biasa dengan alat kuasa atau arahan ini untuk mengendalikan alat kuasa.** Alat kuasa adalah berbahaya di tangan pengguna yang tidak terlatih.
5. **Menyelenggara alat kuasa dan aksesori. Periksa salah jajaran atau ikatan pada bahagian yang bergerak, bahagian yang pecah dan apa-apa keadaan lain yang boleh menjejaskan operasi alat kuasa. Jika rosak,baiki alat kuasa sebelum digunakan.** Kebanyakan kemalangan adalah disebabkan oleh alat kuasa yang tidak dijaga dengan baik.
6. **Pastikan alat pemotong tajam dan bersih.** Alat pemotong yang dijaga dengan betul dengan hujung pemotong yang tajam mempunyai kemungkinan yang rendah untuk terikat dan lebih mudah dikendalikan.
7. **Gunakan alat kuasa, aksesori dan alat bit dan sebagainya mengikut arahan ini dengan mengambil kira keadaan kerja dan kerja yang perlu dilakukan.** Penggunaan alat kuasa untuk operasi yang berbeza dari yang dimaksudkan boleh menyebabkan keadaan berbahaya.

8. **Pastikan pemegang dan permukaan pegangan kering, bersih dan bebas dari minyak dan gris.** Pemegang dan permukaan pegangan yang licin tidak membolehkan pengendalian dan kawalan selamat bagi alat dalam situasi yang tidak dijangka.
9. **Apabila menggunakan alat, jangan pakai sarung tangan kerja kain yang mungkin boleh kusut.** Kekusutan sarung tangan kerja kain pada bahagian yang bergerak boleh menyebabkan kecederaan diri.

Penggunaan dan penjagaan alat bateri

1. **Cas semula dengan pengecas yang ditentukan oleh pengeluar sahaja.** Pengecas yang sesuai untuk satu jenis pek bateri mungkin menimbulkan risiko kebakaran apabila digunakan dengan pek bateri lain.
2. **Gunakan alat kuasa dengan pek bateri yang ditentukan secara khusus sahaja.** Penggunaan mana-mana pek bateri lain mungkin menimbulkan risiko kecederaan dan kebakaran.
3. **Apabila pek bateri tidak digunakan, jauhkannya daripada objek besi lain, seperti klip kertas, duit syiling, paku, skru atau objek besi kecil lain, yang boleh membuat sambungan dari satu terminal ke yang lain.** Memintas terminal bateri bersama-sama mungkin menyebabkan lecuran atau kebakaran.
4. **Di bawah keadaan kasar, cecair mungkin dikeluarkan daripada bateri; elakkan sentuhan. Jika tersentuh secara tidak sengaja, siram dengan air. Jika cecair terkena mata, dapatkan bantuan perubatan di samping siraman air.** Cecair yang dikeluarkan dari bateri mungkin menyebabkan kegatalan atau lecuran.
5. **Jangan gunakan pek bateri atau alat yang rosak atau diubah suai.** Bateri yang rosak atau diubah suai mungkin menunjukkan perilaku yang tidak dijangka menyebabkan kebakaran, letupan atau risiko kecederaan.
6. **Jangan dedahkan pek bateri atau alat kepada api atau suhu yang berlebihan.** Pendedahan kepada api atau suhu melebihi 130 °C mungkin menyebabkan letupan.
7. **Ikut semua arahan pengecasan dan jangan cas pek bateri atau alat di luar julat suhu yang ditetapkan dalam arahan.** Mengecas dengan tidak betul atau pada suhu di luar julat yang dinyatakan mungkin merosakkan bateri dan meningkatkan risiko kebakaran.

Servis

1. **Pastikan alat kuasa anda diservis oleh orang yang berkelayakan dengan hanya menggunakan alat ganti yang sama.** Ini akan memastikan keselamatan alat kuasa dapat dikekalkan.
2. **Jangan servis pek bateri yang telah rosak.** Servis pek bateri hanya boleh dilakukan oleh pengeluar atau penyedia servis yang sah.
3. **Ikut arahan untuk melincir dan menukar aksesori.**

Amaran keselamatan alat pengikat batang penulungan tanpa kord

- Jangan sesekali halakan alat kepada sesiapa. Jangan sesekali letakkan tangan atau kaki anda berhampiran hujung alat.** Jika anda secara tidak sengaja mengendalikan alat semasa ia sedang menyentuh seseorang, ia akan mengakibatkan kemalangan yang tidak dijangka.
- Jangan muatkan dawai semasa kuasa pada alat dihidupkan.** Jika tidak, anda mungkin akan tersangkut pada dawai dan cedera.
- Jangan gunakan alat tanpa menutup penutup kili.** Jika tidak, kili dawai mungkin tertanggal dan menyebabkan kemalangan.
- Pastikan untuk memeriksa diameter batang penulungan diikat dalam kapasiti alat sebelum memulakan kerja.**
- Pakai pakaian yang mempunyai kelim yang ketat dan lengan.** Jangan bekerja dengan tuala atau objek lain yang dibalut disekeliling tengkuik anda. Jika tidak, ia mungkin tersangkut pada bahagian berputar dan menyebabkan kemalangan.
- Pastikan untuk memeriksa perkara berikut sebelum menggunakan alat.**
 - Periksa tiada bahagian yang rosak
 - Periksa tiada bolt yang longgar
 - Periksa peranti keselamatan beroperasi secara normal
- Jika sebarang kelainan ditemui, berhenti menggunakan alat serta-merta. Jangan membaiki sendiri alat. Tanya Pusat Servis Makita tempatan anda untuk pembaikan.** Jika alat digunakan dalam keadaan tidak lengkap, kemalangan mungkin berlaku.
- Apabila memasang katrij bateri, pastikan untuk mengunci pemicu dan jangan letakkan jari anda pada pemicu.** Operasi yang tidak betul mungkin menyebabkan kemalangan.
- Apabila mengikat batang penulungan, berhati-hati supaya tidak menggerakkannya.** Jika batang penulungan bergerak kerana mengikat, anda mungkin cedera.
- Jangan sentuh dawai semasa proses mengikat dawai.** Jika tidak, anda mungkin akan tersangkut pada dawai dan cedera.
- Jangan meletakkan tangan anda berhampiran dengan titik mengikat semasa proses mengikat dawai.** Jika tidak, anda mungkin akan tersangkut pada dawai dan cedera.
- Pegang genggam alat dengan kuat semasa proses mengikat dawai.** Jika tidak, pergelangan tangan anda mungkin terseliah atau badan anda mungkin ditarik yang menyebabkan kecederaan.
- Jangan beralih ke titik mengikat seterusnya sehingga proses mengikat dawai semasa selesai.** Jika tidak, anda mungkin cedera.
- Beri perhatian kepada hujung dawai semasa proses mengikat dawai.** Jika tidak, tangan anda mungkin tersangkut pada hujung dawai dan anda mungkin cedera.
- Jangan sentuh plat sentuh semasa proses mengikat dawai.** Jika anda perlu menyentuh plat sentuh, pastikan untuk mengunci pemicu atau tutup kuasa dan tanggalkan katrij bateri. Jika tidak, anda mungkin cedera.
- Apabila anda telah melengkapkan proses mengikat dawai, tarik alat menegak ke atas.** Jika tidak, lengan mungkin tersangkut pada batang penulungan yang menyebabkan kemalangan.
- Berhati-hati supaya alat tidak terjatuh, terhentak atau terketuk.** Jika hentaman yang kuat terkena sebelum alat digunakan, pastikan alat tidak rosak atau retak dan peranti keselamatan beroperasi secara normal. Jika tidak, kemalangan mungkin berlaku.
- Jika sebarang fenomena berikut berlaku, kunci pemicu, tutup suis kuasa dan tanggalkan katrij bateri daripada alat.** Jika alat dikendalikan secara tidak betul, kemalangan mungkin berlaku.
 - Jika bunyi pengendalian didengari sebaik sahaja katrij bateri dilekapkan.
 - Jika pemanasan lampau atau bau abnormal atau bunyi bising dikesan.
 - Apabila anda mengambil ukuran sebagai respons kepada paparan ralat. (Tanya Pusat Servis Makita tempatan anda untuk pembaikan.)
 - Apabila memuatkan atau mengeluarkan kili dawai.
 - Apabila anda bergerak semasa memegang alat sewaktu bekerja.
 - Apabila anda tidak menggunakan alat.
 - Apabila anda memeriksa atau melaraskan alat.
 - Apabila anda menanggalkan sisa dawai.
- Apabila anda bekerja dengan perancah, sentiasa stabilkannya dan bekerja menggunakan postur yang memastikan anda mengekalkan keseimbangan anda.** Jika perancah tidak stabil, kemalangan mungkin berlaku.
- Apabila bekerja pada bumbung atau lokasi yang sama, bergerak ke arah hadapan semasa anda bekerja supaya anda dapat melihat tempat yang anda pergi.** Jika anda bergerak ke arah belakang semasa bekerja, anda mungkin hilang pijakan anda dan menyebabkan kemalangan.
- Jika anda bekerja di lokasi yang sangat tinggi, pastikan tiada sesiapa di bawah anda dan berikan tumpuan dalam memastikan anda tidak menjatuhkan sebarang alat semasa bekerja.** Menjatuhkan alat mungkin menyebabkan kemalangan.
- Jangan gunakan alat untuk sebarang kerja yang lain selain daripada mengikat dawai.** Jika tidak, kemalangan mungkin berlaku.
- Sentiasa menggunakan dawai asli Makita.** Jika dawai tidak digunakan untuk tempoh masa yang lama, ia mungkin berkarat. Jangan gunakan dawai berkarat. Jika tidak, ia mungkin menyebabkan kemalangan.

24. **Selepas mengikat, periksa kerosakan dawai disebabkan oleh pintalan berlebihan. Jika mana-mana dawai rosak, kekuatan mengikat akan hilang. Laraskan kekuatan mengikat dan ikat batang penulangan semula.**
25. **Letakkan dengan kukuh lengan menghadap batang penulangan. Jika ia tidak diletakkan dengan kukuh, kelegaan akan terbentuk antara batang penulangan dan kekuatan mengikat akan terjejas.**

Arahan keselamatan penting untuk kartrij bateri

1. **Sebelum menggunakan kartrij bateri, baca semua arahan dan tanda amaran pada (1) pengecas bateri, (2) bateri, dan (3) produk menggunakan bateri.**
2. **Jangan buka atau cabut kartrij bateri. Ia boleh mengakibatkan kebakaran, haba berlebihan, atau letupan.**
3. **Jika masa operasi menjadi sangat pendek, berhenti operasi serta merta. Ia mungkin menyebabkan risiko pemanasan lampau, melecur bahkan letupan.**
4. **Jika elektrolit masuk ke dalam mata anda, bilas mata dengan air jernih dan dapatkan rawatan perubatan serta merta. Ia mungkin menyebabkan kehilangan penglihatan.**
5. **Jangan pintaskan kartrij bateri:**
 - (1) **Jangan sentuh terminal dengan bahan berkonduksi.**
 - (2) **Elakkan menyimpan kartrij bateri dalam bekas bersama-sama objek besi lain seperti paku, duit syiling, dll.**
 - (3) **Jangan dedahkan kartrij bateri kepada air atau hujan.**

Pintasan bateri boleh menyebabkan aliran kuasa yang besar, pemanasan lampau, melecur dan juga kerosakan.
6. **Jangan simpan dan gunakan alat dan kartrij bateri di lokasi yang suhunya mungkin mencapai atau melebihi 50 °C (122 °F).**
7. **Jangan bakar kartrij bateri walaupun jika ia rosak teruk atau haus sepenuhnya. Kartrij bateri boleh meletup dalam kebakaran.**
8. **Jangan paku, potong, pecahkan, buang, jatuhkan kartrij bateri, atau tekan objek keras pada kartrij bateri. Perbuatan sedemikian boleh mengakibatkan kebakaran, haba berlebihan, atau letupan.**
9. **Jangan gunakan bateri yang rosak.**

10. **Bateri litium ion yang terkandung adalah tertakluk kepada keperluan Perundangan Barangan Berbahaya.**
 Bagi pengangkutan komersil cth. oleh pihak ketiga, ejen penghantar, keperluan khas pada pembungkusan dan pelabelan mestilah diperhatikan.
 Bagi persediaan item yang dihantar, berunding dengan pakar bahan berbahaya adalah diperlukan. Sila juga perhatikan sebolehnya peraturan kebangsaan yang lebih terperinci. Lekatkan atau balut bahagian terbuka dan pek bateri supaya ia tidak bergerak dalam pembungkusan.
11. **Apabila melupuskan kartrij bateri, keluarkan ia daripada alat dan lupuskan ia di tempat selamat. Ikut peraturan tempatan anda mengenai pelupusan bateri.**
12. **Gunakan bateri hanya dengan produk yang ditentukan oleh Makita. Memasang bateri kepada produk yang tidak patuh mungkin menyebabkan kebakaran, pemanasan lampau, atau kebocoran elektrolit.**
13. **Jika alat tidak digunakan untuk tempoh masa yang lama, bateri mesti dikeluarkan daripada alat.**
14. **Semasa dan selepas penggunaan, kartrij bateri mungkin ada haba yang boleh menyebabkan terbakar atau suhu rendah terbakar. Beri perhatian kepada pengendalian kartrij bateri yang panas.**
15. **Jangan sentuh terminal alat itu selepas digunakan kerana ia mungkin panas menyebabkan terbakar.**
16. **Jangan biarkan cip, habuk, atau tanah terperangkap ke dalam terminal, lubang, dan alur cahaya kartrij bateri. Ia mungkin menyebabkan pemanasan, terbakar, meletup dan pincang tugas alat atau kartrij bateri, seterusnya menyebabkan lecur atau kecederaan diri.**
17. **Melainkan alat ini menyokong penggunaan yang hampir dari talian kuasa elektrik voltan tinggi, jangan gunakan kartrij bateri berhampiran talian kuasa elektrik voltan tinggi. Ia mungkin menyebabkan kerosakan atau pecah pada alat atau kartrij bateri.**
18. **Jauhkan bateri daripada kanak-kanak.**

SIMPAN ARAHAN INI.

⚠PERHATIAN: Hanya gunakan bateri asli Makita. Penggunaan bateri tidak asli Makita, atau bateri yang telah diubah suai, mungkin menyebabkan bateri meletup menyebabkan kebakaran, kecederaan diri dan kerosakan. Ia juga membatalkan jaminan Makita untuk alat Makita dan pengecas.

Tip untuk mengekalkan hayat bateri maksimum

1. **Cas kartrij bateri sebelum ternyata habis sepenuhnya. Sentiasa hentikan operasi alat dan cas kartrij bateri apabila anda menyedari kurang kuasa alat.**

2. Jangan cas semula kartrij bateri yang dicas sepenuhnya. Terlebih cas memendekkan hayat servis bateri.
3. Cas kartrij bateri dengan suhu bilik pada 10 °C - 40 °C (50 °F - 104 °F). Biarkan kartrij bateri yang panas menyejuk sebelum mengcasnya.
4. Apabila tidak menggunakan kartrij bateri, tanggalkannya dari alat atau pengecas.
5. Cas kartrij bateri jika anda tidak gunakannya untuk tempoh yang lama (lebih daripada enam bulan).

KETERANGAN FUNGSI

⚠️ PERHATIAN: Sentiasa pastikan alat dimatikan dan kartrij bateri dikeluarkan sebelum menyelaras atau menyemak fungsi pada alat.

Memasang atau mengeluarkan kartrij bateri

⚠️ PERHATIAN: Sentiasa matikan alat sebelum memasang atau mengeluarkan kartrij bateri.

⚠️ PERHATIAN: Pegang alat dan kartrij bateri dengan kukuh apabila memasang atau mengeluarkan kartrij bateri. Gagal untuk memegang alat dan kartrij bateri dengan kukuh mungkin menyebabkan mereka terlepas daripada tangan anda dan mengakibatkan kerosakan kepada alat dan kartrij bateri dan kecederaan peribadi.

- **Rajah1:** 1. Penunjuk merah 2. Butang 3. Kartrij bateri

Untuk mengeluarkan kartrij bateri, luncurkan ia daripada alat apabila meluncurkan butang di hadapan kartrij.

Untuk memasang kartrij bateri, selaraskan lidah pada kartrij bateri dengan alur pada perumahan dan gelincirkan ia ke tempatnya. Masukkan ia sepenuhnya sehingga ia terkunci di tempatnya dengan klik kecil. Jika anda boleh melihat penunjuk merah seperti yang ditunjukkan dalam rajah, ia tidak dikunci sepenuhnya.

⚠️ PERHATIAN: Sentiasa pasang kartrij bateri sepenuhnya sehingga penunjuk merah tidak boleh dilihat. Jika tidak, ia mungkin jatuh tanpa sengaja daripada alat, menyebabkan kecederaan kepada anda atau seseorang di sekeliling anda.

⚠️ PERHATIAN: Jangan pasang kartrij bateri secara paksa. Jika kartrij tidak meluncur dengan mudah, ia tidak dimasukkan dengan betul.

Menunjukkan kapasiti bateri yang tinggal

Hanya untuk kartrij bateri dengan penunjuk

- **Rajah2:** 1. Lampu penunjuk 2. Butang semak

Tekan butang semak pada kartrij bateri untuk menunjukkan kapasiti bateri yang tinggal. Lampu penunjuk menyalakan untuk beberapa saat.

Lampu penunjuk			Kapasiti yang tinggal
Dinyalakan	Mati	Berkelip	
			75% hingga 100%
			50% hingga 75%
			25% hingga 50%
			0% hingga 25%
			Cas bateri.
			Bateri mungkin telah rosak.

NOTA: Bergantung kepada keadaan penggunaan dan suhu persekitaran, penunjuk mungkin berbeza sedikit daripada kapasiti sebenar.

NOTA: Lampu penunjuk (kiri jauh) pertama akan berkedip apabila sistem perlindungan bateri berfungsi.

Sistem perlindungan alat / bateri

Alat dilengkapi dengan sistem perlindungan alat/bateri. Sistem ini memotong kuasa kepada motor secara automatik untuk memanjangkan hayat alat dan bateri. Alat akan berhenti secara automatik ketika operasi jika alat atau bateri diletakkan di bawah salah satu syarat yang berikut:

Perlindungan lebih beban

Apabila alat atau bateri beroperasi dengan cara yang menyebabkannya menarik arus tinggi yang luar biasa, alat akan terhenti secara automatik dan nombor ralat yang berkaitan dipaparkan pada panel paparan. Dalam situasi ini, matikan alat dan hentikan penggunaan yang menyebabkan alat menjadi terlebih beban. Kemudian hidupkan alat untuk mula semula.

Perlindungan pemanasan lampau

Apabila alat atau bateri terlampau panas, alat akan terhenti secara automatik dan nombor ralat yang berkaitan akan dipaparkan pada panel paparan. Dalam hal ini, biarkan alat dan bateri sejuk sebelum menghidupkan semula alat.

Perlindungan lebih nyahcas

Apabila kapasiti bateri tidak mencukupi, alat akan terhenti secara automatik dan nombor ralat yang berkaitan akan dipaparkan pada panel paparan. Dalam kes ini, keluarkan bateri daripada alat dan cas bateri.

Suis kuasa utama

⚠️ PERHATIAN: Apabila anda menghidupkan kuasa, jangan sesekali dekatkan anggota badan atau muka anda ke bahagian ikatan atau putaran bagi hujung alat. Jika tidak, anda mungkin cedera.

⚠️ PERHATIAN: Apabila kuasa dihidupkan, jangan sesekali menyentuh bahagian ikatan atau putaran bagi hujung alat. Jika tidak, anda mungkin cedera.

⚠️ PERHATIAN: Sebelum memasukkan kartrij bateri, pastikan untuk melepaskan jari anda daripada pemacu suis dan kunci pemacu. Jika anda memasukkan kartrij bateri semasa pemacu suis sedang ditarik, ia mungkin menyebabkan kemalangan jika proses mengikat dawai dilakukan secara tidak sengaja.

► Rajah3

Apabila anda menekan butang kuasa, kuasa dihidupkan dan lampu mod mengikat bernyala. Untuk alat melaraskan kedudukan awalnya, ia beroperasi sementara. Apabila pelarasan selesai, alat berhenti secara automatik. Apabila anda menekan butang kuasa semula, kuasa dihidupkan dan lampu mod mengikat bernyala.

► **Rajah4:** 1. Lampu mod mengikat 2. Butang kuasa

NOTA: Alat mempunyai fungsi tutup secara automatik. Jika pemacu suis tidak ditarik untuk 10 minit, alat tertutup secara automatik untuk mengurangkan penggunaan kuasa bateri.

NOTA: Untuk memulakan semula alat, hidupkan semula.


Butang pensuisan mod

Apabila kuasa dihidupkan dan lampu mod mengikat bernyala, anda boleh memilih mod penggerakan tunggal atau mod penggerakan berterusan melalui butang pensuisan mod. Apabila anda menghidupkan semula kuasa, alat bermula dalam yang paling terkini dipilih.

► **Rajah5:** 1. Butang pensuisan mod 2. Mod penggerakan tunggal 3. Mod penggerakan berterusan

Tindakan suis

⚠️ AMARAN: Sebelum memasang kartrij bateri ke dalam alat, sentiasa periksa untuk melihat pemacu suis bergerak dengan betul dan kembali ke posisi "OFF" apabila dilepaskan.

⚠️ PERHATIAN: Apabila tidak mengendalikannya, tekan butang kunci pemacu dari sisi  untuk mengunci pemacu suis di kedudukan OFF.

► **Rajah6:** 1. Pemacu suis 2. Butang kunci pemacu

Untuk mengelakkan pemacu suis daripada ditarik secara tidak sengaja, butang kunci pemacu disediakan. Untuk memulakan alat, tekan butang kunci pemacu dari sisi

A dan tarik pemacu suis. Lepaskan pemacu suis untuk berhenti. Selepas digunakan, tekan butang kunci pemacu dari sisi B.

Apabila anda menarik pemacu suis, alat melaksanakan operasi berturut-turut seterusnya seperti berikut dan alat berhenti secara automatik.

1. Masukkan dawai.
2. Potong dawai.
3. Cangkul memegang dan memutar dawai.
4. Cangkul kembali kepada kedudukan asal.

Tetapan kekuatan mengikat

⚠️ PERHATIAN: Pastikan untuk mengunci pemacu sebelum memulakan pelarasan. Apabila anda menghidupkan kuasa, jangan sesekali dekatkan anggota badan atau muka anda ke bahagian ikatan atau putaran bagi hujung alat. Jika tidak, anda mungkin cedera.

► Rajah7

Anda boleh menetapkan kekuatan mengikat dengan melaraskan butang pelarasan kekuatan mengikat.

Kekuatan mengikat ditunjukkan pada panel paparan.

► **Rajah8:** 1. Butang pelarasan kekuatan mengikat 2. Panel paparan

Jika dawai putus, kekuatan mengikat akan hilang. Selepas mengikat, periksa bahagian yang berpotensi untuk kerosakan.

Jika dawai putus, laraskan kekuatan mengikat menggunakan butang pelarasan kekuatan mengikat dan ikat butang penulangan semula.

Pemberitahuan bateri yang tinggal

Apabila voltan bateri jatuh di bawah tahap yang diperlukan, alat akan berhenti beroperasi, nada ralat akan berbunyi dan nombor "4" akan dipaparkan pada panel paparan. Nada ralat akan terus berbunyi sehingga kuasa ditutup.

NOTA: Jika suhu bilik terlampau rendah, nada ralat mungkin berbunyi walaupun bateri mengandungi kuasa yang mencukupi.

PEMASANGAN

⚠️ PERHATIAN: Sentiasa pastikan alat dimatikan dan kartrij bateri dikeluarkan sebelum menjalankan sebarang kerja pada alat.

Memuatkan dawai ikat (kili dawai)

⚠️ PERHATIAN: Sebelum melekapkan atau menanggalkan dawai ikat dan aksesori, pastikan untuk mematikan kuasa, kunci pemacu dan tanggalkan kartrij bateri. Kegagalan berbuat demikian boleh menyebabkan berlaku kemalangan.

NOTIS: Menggunakan dawai selain daripada dawai ikat asli Makita mungkin menyebabkan alat pincang tugas.

1. Tolak tuil pelepas dan kuncikannya dengan tuil kunci.

► **Rajah9:** 1. Tuil pelepas 2. Tuil kunci

Apabila anda menolak tuil pelepas, jurang antara gear suapan kiri dan kanan dicipta.

► **Rajah10:** 1. Tuil pelepas 2. Tuil kunci 3. Gear suapan

2. Buka penutup kili.

► **Rajah11:** 1. Penutup kili

3. Lepapkan kili dawai pada alat seperti ditunjukkan dalam gambar.

► **Rajah12:** 1. Kili dawai

NOTIS: Pastikan untuk melekapkan kili dawai seperti ditunjukkan dalam gambar. Jika ia dilekapkan sebaliknya, dawai akan dilepaskan dan mungkin berpintal.

4. Buka hujung dawai daripada cangkuk kili.

► **Rajah13:** 1. Cangkuk

5. Jadikan hujung dawai lurus dan laluan dawai melalui panduan.

► **Rajah14:** 1. Panduan

NOTA: Jika hujung dawai bengkok semasa melalui panduan, dawai mungkin tersekat dalam alat.

NOTA: Jika anda cuba melalukan dawai secara paksa melalui panduan, dawai akan tersekat.

6. Tarik dawai keluar kira-kira 10 mm daripada hujung lengan.

► **Rajah15:** 1. Lengan 2. Kira-kira 10 mm

NOTIS: Jika panjang dawai tarik keluar tidak mencukupi, dawai mungkin putus semasa diikat atau kekuatan mengikat mungkin terjejas kerana balutan tidak mencukupi.

7. Gulung semula dawai untuk menghilangkan kendurnya.

► **Rajah16**

8. Lepaskan tuil kunci. lepaskan tuil kunci. Tuil pelepas dikembalikan dan dawai dipegang oleh gear kiri dan kanan.

► **Rajah17:** 1. Tuil kunci 2. Tuil pelepas

► **Rajah18:** 1. Gear 2. Laluan dawai 3. Dawai

NOTIS: Apabila tuil kunci dilepaskan dan semasa gear kiri dan kanan saling berpanca, alur dalam gear membentuk ruang. Ruang ini menjadi laluan untuk dawai. Pastikan dawai dilalukan melalui laluan ini.

9. Tutup penutup kili.

► **Rajah19:** 1. Penutup kili

Menggantikan panduan dawai B

Aksesori pilihan

Panduan dawai B (berwarna perak) di lengan boleh digantikan dengan panduan dawai B pilihan (EG) (berwarna hitam) mengikut jenis wayar pengikat yang akan digunakan.

Carilah gabungan yang betul dalam jadual berikut.

Kemudian, gantikan panduan dawai B yang dilengkapi secara standard dengan panduan dawai B pilihan (EG), jika perlu.

	Panduan dawai B yang dilengkapi secara standard lengkap (perak)	Panduan dawai B pilihan lengkap (hitam)
Menyepuh lindap dawai ikat besi	✓	✓
Dawai ikat bersalut poli	✓	-
Dawai ikat bergalvani	-	✓

— : Gabungan tidak sah.

1. Longgarkan bolt A dan B menggunakan kunci allen yang terdapat dalam pakej alat.

► **Rajah20:** 1. Kunci allen

► **Rajah21:** 1. Bolt A 2. Bolt B 3. Penutup plat sentuh 4. Panduan dawai B yang dilengkapi secara standard (perak)

NOTIS: Jangan tanggalkan sebarang bolt yang tidak boleh ditanggalkan menggunakan kunci allen secara paksa.

2. Tarik penutup plat sentuh ke atas mengikut arahan anak panah dan tanggalkannya. Bolt B akan ditanggalkan pada masa yang sama.

► **Rajah22:** 1. Penutup plat sentuh 2. Bolt B

3. Tanggalkan bolt A dan keluarkan panduan dawai B yang dilengkapi secara standard (perak).

► **Rajah23:** 1. Bolt A 2. Panduan dawai B yang dilengkapi secara standard (perak)

4. Gantikan panduan dawai B yang dilengkapi secara standard (berwarna perak) dengan panduan dawai B pilihan (EG) (berwarna hitam).

► **Rajah24:** 1. Panduan dawai B pilihan (EG) (berwarna hitam).

5. Sejajarkan paip alat dengan alur di dalam panduan dawai B pilihan (EG) (hitam) dan pasangkannya.

► **Rajah25:** 1. Paip 2. Alur 3. Panduan dawai B pilihan (EG) (hitam).

6. Pasangkan panduan dawai B pilihan (EG) (hitam) dengan mengetatkan bolt A buat sementara waktu.

► **Rajah26:** 1. Bolt A 2. Panduan dawai B pilihan (EG) (hitam).

7. Pasang penutup plat sentuh mengikut arahan anak panah.

► **Rajah27:** 1. Penutup plat sentuh

8. Pasangkan panduan dawai B pilihan (EG) (hitam) dan penutup plat sentuh secara kukuh dengan mengetatkan bolt A dan bolt B.

► **Rajah28:** 1. Panduan dawai B pilihan (EG) (hitam).
2. Penutup plat sentuh 3. Bolt A 4. Bolt B

9. Selepas pemasangan, sahkan plat sentuh boleh bergerak seperti yang ditunjukkan dalam rajah.

► **Rajah29:** 1. Plat sentuh

NOTA: Jika plat sentuh tersangkut, tekankannya seperti yang ditunjukkan dalam rajah.

► **Rajah30**

OPERASI

Periksa sebelum bekerja

⚠PERHATIAN: Jika alat mempunyai masalah berkaitan mekanisme, jangan gunakannya. Jika anda terus menggunakannya, kemalangan mungkin berlaku.

Sebelum menggunakan alat, pastikan mekanisme keselamatan beroperasi secara normal. Jika alat beroperasi tanpa pengendalian mekanisme keselamatan, berhenti menggunakan alat serta-merta. Tanya Pusat Servis Makita tempatan anda untuk pembaikan.

Periksa kunci pemacu

Alat mempunyai kunci pemacu untuk mengelakkan alat daripada dikendalikan semasa anda tidak menggunakannya. Kunci pemacu dan sahkan pemacu suis tidak boleh ditarik.

Memeriksa panduan ikal

Untuk mengelakkan pengendali daripada menyentuh bahagian ikatan dan putaran hujung alat dengan tidak sengaja, alat tidak akan beroperasi walaupun jika pemacu suis ditarik semasa panduan ikal dibuka. Apabila pengendali melepaskan jarinya daripada pemacu suis dan menutup panduan ikal, alat boleh beroperasi.

► **Rajah31:** 1. Panduan ikal

Samakan untuk pengesanan buka/tutup panduan ikal

Tanggalkan dawai ikat, periksa kendalian alat mengikut langkah berikut dan pastikan alat tidak bermula jika panduan ikal dibuka.

1. Tutupkan kuasa dan biarkan panduan ikal terbuka.
2. Hidupkan kuasa.

Jika alat tidak boleh dikendalikan dan jika nilai "2" ditunjukkan pada panel paparan, keadaan alat adalah normal. Tutupkan kuasa dan tutupkan panduan ikal. Jika alat boleh dikendalikan dan jika tiada ralat ditunjukkan pada panel paparan, keadaan alat adalah abnormal. Berhenti menggunakan alat dengan serta-merta dan bertanya kepada Pusat Servis Makita untuk pembaikan.

⚠PERHATIAN: Jika anda membuka panduan ikal dan menghidupkan kuasa untuk memeriksa saling kunci, pegang panduan ikal seperti yang ditunjukkan dalam rajah. Jangan sesekali dekatkan anggota badan atau muka anda ke bahagian ikatan atau putaran bagi hujung alat. Jika tidak, anda mungkin cedera.

► **Rajah32**

Kerja mengikat

⚠PERHATIAN: Sebelum memasukkan kartrij bateri, pastikan untuk melepaskan jari anda daripada pemacu suis dan kunci pemacu. Jika anda memasukkan kartrij bateri semasa pemacu suis sedang ditarik, ia mungkin menyebabkan kemalangan jika proses mengikat dawai dilakukan secara tidak sengaja.

⚠PERHATIAN: Apabila anda menghidupkan kuasa, jangan sesekali dekatkan anggota badan atau muka anda ke bahagian ikatan atau putaran bagi hujung alat. Jika tidak, anda mungkin cedera.

⚠PERHATIAN: Apabila kuasa dihidupkan, jangan sesekali menyentuh bahagian ikatan atau putaran bagi hujung alat. Jika tidak, anda mungkin cedera.

► **Rajah33**

Persediaan sebelum bekerja

1. Pastikan kartrij bateri ditanggalkan dan pemacu dikunci.
2. Masukkan kartrij bateri ke dalam alat dan hidupkan kuasa. Apabila anda menghidupkan kuasa, dawai dipotong secara automatik.

NOTIS: Pastikan lampu mod mengikat bernyala semasa kuasa dihidupkan. Jika lampu tidak bernyala, cas semula bateri.

3. Lepaskan kunci pemacu.
- **Rajah34:** 1. Butang kunci pemacu 2. Pemacu suis
3. Butang kuasa 4. Lampu mod mengikat

Mod pergerakan tunggal

1. Tekan lengan dengan kuat ke arah titik mengikat. Pastikan untuk meletakkan alat secara menegak di atas batang penulangan dan tekan lengan pada titik mengikat pada sudut 45° menghadap butang penulangan yang dipalang.

► **Rajah35:** 1. Lengan

2. Tarik pemacu suis sekali.
3. Dawai disuap dan dipotong secara automatik.

4. Cangkuk memegang dan memintal dawai kemudian dikembalikan pada kedudukan asal selepas dawai telah diikat.

5. Selepas mengikat, berhati-hati supaya tidak mencangkuk lengan pada batang penulangan dan kemudian tarik alat ke atas.

► **Rajah36**

⚠PERHATIAN: Jika dawai telah dipaut ke bahagian ikatan hujung alat, tutupkan kuasa alat. Kunci pemacu, tanggalkan kartrij bateri dan tanggalkan dawai menggunakan alat seperti penyepit atau playar.

► **Rajah37**

Mod penggerakan berterusan

1. Tukar mod alat daripada mod penggerakan tunggal kepada mod penggerakan berterusan menggunakan butang pensuisan mod.

► **Rajah38:** 1. Butang pensuisan mod

2. Lepaskan kunci pemacu.

3. Apabila menarik pemacu suis, tolak alat secara menagak ke arah batang penulangan dan tekan lengan ke arah titik di mana batang penulangan berpaling pada sudut darjah 45. Tekan plat sentuh dengan kuat ke arah titik mengikat. Dawai akan diikat.

► **Rajah39:** 1. Plat sentuh

4. Selepas mengikat, berhati-hati supaya tidak mencangkuk lengan pada batang penulangan dan kemudian tarik alat ke atas.

► **Rajah40**

Berhati-hati semasa bekerja

- Jika anda menggerakkan lengan daripada kedudukan mengikat semasa proses mengikat dawai, ia akan tersekat pada cangkuk yang menyebabkan ikatan tidak betul.
- Terus menekan alat ke arah batang penulangan sehingga proses mengikat dawai selesai.
- Jangan beralih ke titik mengikat seterusnya sehingga proses mengikat dawai semasa selesai.
- Bahagian putaran hujung alat (cangkuk) memintal dawai semasa proses mengikat dawai. Pegang genggam dengan kuat supaya badan anda tidak ditarik oleh alat.
- Jangan sentuh dawai semasa proses mengikat dawai.
- Jika anda mengulangi proses mengikat dawai dalam mod penggerakan tunggal, lepaskan sepenuhnya jari anda daripada pemacu suis. Kemudian teruskan untuk mengendalikan pemacu suis.
- Jika anda menarik pemacu suis apabila tiada dawai ikat yang tinggal, ralat dipaparkan. Gantikan dengan dawai ikat baharu dan mulakan semula alat.

Petua mengikat

- Jongketkan alat pada sudut 45° ke arah batang penulangan yang dipalng dan ikat dawai dalam orientasi berselang-seli seperti yang ditunjukkan dalam rajah.

► **Rajah41**

- Ikat dawai pada bahagian rata batang penulangan yang dipalng (dengan tiada ketaksamaan).

► **Rajah42**

- Jika kekuatan mengikat tidak mencukupi, ubah orientasi mengikat dan lakukan ikatan dua kali supaya kekuatan mengikat meningkat.

► **Rajah43**

NOTIS: Apabila anda melakukan ikatan kedua, bengkokkan ekor ikatan pertama sebelum melakukan ikatan kedua. Jika tidak, dawai mungkin tertolak kali kedua. Ia mungkin berpaut pada hujung alat dan cangkuk mungkin rosak.

Menggantikan dawai ikat

⚠PERHATIAN: Apabila anda menanggalkan dawai, pastikan untuk mematikan kuasa, kunci pemacu dan menanggalkan kartrij bateri. Kegagalan berbuat demikian boleh menyebabkan berlaku kemalangan.

1. Apabila dawai telah digunakan, nada ralat akan berbunyi dan ralat "1" akan dipaparkan.

2. Kunci pemacu, matikan kuasa dan tanggalkan kartrij bateri.

3. Tolak tuil pelepas dan kuncikannya dengan tuil kunci.

► **Rajah44:** 1. Tuil pelepas 2. Tuil kunci

4. Tanggalkan kili dawai daripada alat.

NOTA: Apabila dawai telah digunakan, kira-kira 20 cm baki dawai dililit pada kili. Dalam keadaan ini, gantikan kili dawai dengan yang baharu.

Jika sukar untuk menanggalkan kili dawai daripada alat, ikuti langkah berikut.

1. Masukkan kartrij bateri ke dalam alat dan hidupkan kuasa. Alat menyuap dawai dan memotongnya secara automatik.

2. Kunci pemacu, matikan kuasa dan tanggalkan kartrij bateri.

3. Tanggalkan dawai yang putus menggunakan alat seperti penyepit dan playar.

PENYELENGGAAN

⚠PERHATIAN: Sentiasa pastikan alat dimatikan dan kartrij bateri dikeluarkan sebelum cuba menjalankan pemeriksaan atau penyelenggaraan.

NOTIS: Jangan gunakan petrol, benzin, pencair, alkohol atau bahan yang serupa. Ia boleh menyebabkan perubahan warna, bentuk atau keretakan.

Untuk mengekalkan KESELAMATAN dan KEBOLEHPERCAYAAN produk, pembaikan, apa-apa penyelenggaraan atau penyesuaian lain perlu dilakukan oleh Kilang atau Pusat Servis Makita yang Diiktiraf, sentiasa gunakan alat ganti Makita.

Membersihkan bahagian pemotong

Apabila alat digunakan, habuk dan zarah dawai mungkin melekat kepada bahagian pemotong. Dalam kes ini, bersihkan bahagian pemotong mengikut prosedur berikut. Pembersihan hendaklah dilakukan setiap kali anda menggunakan kotak kili. (50 buah)

Menggunakan berus dawai

1. Buka penutup kili.
▶ **Rajah45:** 1. Penutup kili
2. Tolak tuil pelepas dan kuncikannya dengan tuil kunci.
▶ **Rajah46:** 1. Tuil pelepas 2. Tuil kunci
3. Lalukan berus dawai melalui panduan.

Apabila memasukkan berus dawai, pegangkannya sebentar dan tolak ke dalam panduan sedikit demi sedikit.

- ▶ **Rajah47:** 1. Berus dawai
- ▶ **Rajah48:** 1. Gear 2. Panduan 3. Berus dawai
4. Tolak berus dawai sehingga hujung atas terkeluar daripada hujung lengan. Dan kemudian tarik keluar berus dawai. Tindakan ini cukup dilakukan sekali.
▶ **Rajah49:** 1. Lengan 2. Berus dawai
5. Tutup penutup kili.
▶ **Rajah50:** 1. Penutup kili

Menggunakan penyembur pengabuk angin

Buka penutup kili, tolak tuil pelepas dan kuncikannya dengan tuil kunci. Kemudian dekatkan penyembur pengabuk angin ke panduan dan hembuskan angin. Pastikan angin keluar daripada hujung lengan.

- ▶ **Rajah51:** 1. Penyembur pengabuk angin 2. Panduan

Membersihkan dengan penceraian

Jika bahagian pemotong tersumbat atau dawai tersekat di dalamnya, ceraikan bahagian dan bersihkannya.

Penceraian dan pembersihan

1. Longgarkan bolt A dan B menggunakan kunci allen yang terdapat dalam pakej alat.
▶ **Rajah52:** 1. Kunci allen
- ▶ **Rajah53:** 1. Bolt A 2. Bolt B 3. Penutup plat sentuh 4. Panduan dawai B

NOTIS: Jangan tanggalkan sebarang bolt yang tidak boleh ditanggalkan menggunakan kunci allen secara paksa.

2. Tarik penutup plat sentuh ke atas mengikut arahan anak panah dan tanggalkannya. Bolt B akan ditanggalkan pada masa yang sama.
▶ **Rajah54:** 1. Penutup plat sentuh 2. Bolt B
3. Tanggalkan bolt A dan tanggalkan panduan dawai B.
▶ **Rajah55:** 1. Bolt A 2. Panduan dawai B
4. Pusingkan panduan dawai B dan bersihkan dalamnya.
▶ **Rajah56**
5. Tanggalkan plat atas, pemotong B, pautan lengan A dan pemotong A daripada lengan plat A. Kemudian bersihkannya.
▶ **Rajah57:** 1. Plat atas 2. Pemotong B 3. Lengan pautan A 4. Pemotong A 5. Plat lengan A

Pemasangan

Apabila pembersihan selesai, pasangkan bahagian mengikut prosedur berikut.

1. Pasang pemotong A dan lengan pautan A untuk memuatkan bentuk plat lengan A.
▶ **Rajah58:** 1. Pemotong A 2. Lengan pautan A 3. Plat lengan A
2. Pasang pemotong B dan plat atas pada plat lengan A.
(Pasang pemotong B pada pemotong A dan lengan pautan A.)
▶ **Rajah59:** 1. Pemotong B 2. Plat atas 3. Plat lengan A 4. Pemotong A 5. Lengan pautan A

NOTIS: Hadapkan unjuran pemotong B ke bawah dan pasangkan pemotong seperti yang ditunjukkan dalam rajah.

3. Jajarkan paip alat dengan alur dalam panduan dawai B dan pasangkannya.
▶ **Rajah60:** 1. Paip 2. Alur 3. Panduan dawai B
4. Tetapkan panduan dawai B dengan mengetatkan bolt A secara sementara.
▶ **Rajah61:** 1. Bolt A 2. Panduan dawai B
5. Pasang penutup plat sentuh mengikut arahan anak panah.
▶ **Rajah62:** 1. Penutup plat sentuh
6. Tetapkan panduan dawai B dan penutup plat sentuh dengan mengetatkan bolt A dan bolt B dengan kukuh.
▶ **Rajah63:** 1. Panduan dawai B 2. Penutup plat sentuh 3. Bolt A 4. Bolt B
7. Selepas pemasangan, sahkan plat sentuh boleh bergerak seperti yang ditunjukkan dalam rajah.
▶ **Rajah64:** 1. Plat sentuh

NOTA: Jika plat sentuh tersangkut, tekankannya seperti yang ditunjukkan dalam rajah.

- ▶ **Rajah65**

Ralat paparan dan nada ralat

⚠️PERHATIAN: Semasa pemeriksaan, pastikan untuk mengunci pemacu, matikan kuasa dan tanggalkan kartrij bateri. Kegagalan berbuat demikian boleh menyebabkan berlaku kemalangan.

⚠️PERHATIAN: Apabila anda menghidupkan kuasa, jangan sesekali dekatkan anggota badan atau muka anda ke bahagian ikatan atau putaran bagi hujung alat. Jika tidak, anda mungkin cedera.

⚠️PERHATIAN: Apabila kuasa dihidupkan, jangan sesekali menyentuh bahagian ikatan atau putaran bagi hujung alat. Jika tidak, anda mungkin cedera.

⚠️PERHATIAN: Jika nada ralat berbunyi atau jika alat pincang tugas, berhenti menggunakan alat serta-merta.

Nada ralat dan paparan

Jika ralat berlaku, nada ralat akan berbunyi dan nombor ralat akan ditunjukkan pada panel paparan. Rujuk jadual berikut dan ambil tindakan yang sesuai. Jika ralat berterusan, bertanya kepada Pusat Servis Makita yang Diiktiraf untuk dibaikakan.

Paparan	Gejala	Sebab yang mungkin	Penyelesaian
1	Alat berhenti beroperasi.	Dawai telah habis digunakan.	Muatkan dawai ikat baharu.
		Dawai ikat tidak dimuatkan.	Muatkan dawai ikat.
		Suapan dawai gagal.	Periksa orientasi dawai ikat. Mengeluarkan dawai ikat dan memuatkannya semula. Bersihkan laluan dawai.
2	Alat berhenti beroperasi.	Panduan ikal terbuka.	Tutup panduan ikal.
3	Alat tidak melakukan proses mengikat dalam mod penggerakan berterusan.	Plat sentuh tersangkut.	Lepaskan plat sentuh daripada tersangkut.
4	Alat tidak bermula. Alat berhenti beroperasi.	Bateri telah ternyahcas. Suhu kartrij bateri adalah luar biasa tinggi.	Cas semula bateri. Sejukkan kartrij bateri. Gantikan bateri kartrij dengan bateri yang telah dicas semula.
5	Alat berhenti beroperasi.	Motor terlebih beban.	Tentukan punca halangan putaran motor dan selesaikan masalah.
		Kegagalan motor	
6	Alat berhenti beroperasi.	Suhu alat adalah luar biasa tinggi.	Sejukkan alat.
7	Alat tidak bermula. Alat berhenti beroperasi.	Kegagalan alat	Minta dibaikakan daripada Pusat Servis Makita yang Diiktiraf.

AKSESORI PILIHAN

⚠️PERHATIAN: Aksesori-aksesori atau lampiran-lampiran ini adalah disyorkan untuk digunakan dengan alat Makita anda yang ditentukan dalam manual ini. Penggunaan mana-mana aksesori-aksesori atau lampiran-lampiran lain mungkin mengakibatkan risiko kecederaan kepada orang. Hanya gunakan aksesori atau lampiran untuk tujuan yang dinyatakannya.

Jika anda memerlukan sebarang bantuan untuk maklumat lebih lanjut mengenai aksesori ini, tanya Pusat Perkhidmatan Makita tempatan anda.

- Dawai ikat
- Panduan dawai B lengkap (EG)
- Berus dawai
- Pemegang sambungan
- Bateri dan pengecas asli Makita

NOTA: Beberapa item dalam senarai mungkin disertakan dalam pakej alat sebagai aksesori standard. Item mungkin berbeza mengikut negara.

THÔNG SỐ KỸ THUẬT

Kiểu máy:		DTR181
Dây nối điện (Phụ kiện tùy chọn)	Dây nối điện bằng sắt được xử lý nhiệt	ø0,8 mm
	Dây nối điện được phủ nhiều lớp	ø0,9 mm
	Dây nối điện được mạ kẽm ¹⁾	ø0,8 mm
Số lượng dây thép tương đối trên mỗi cuộn	Dây nối điện bằng sắt được xử lý nhiệt	Khoảng 75 dây
	Dây nối điện được phủ nhiều lớp	Khoảng 65 dây
	Dây nối điện được mạ kẽm ¹⁾	Khoảng 75 dây
Tổng chiều dài		317 mm
Điện áp định mức		18 V một chiều
Khối lượng tịnh		2,4 - 2,7 kg

¹⁾ Chỉ có sẵn khi dây dẫn tùy chọn B hoàn chỉnh (EG) được lắp đặt trong tay cầm.

- Do chương trình nghiên cứu và phát triển liên tục của chúng tôi nên các thông số kỹ thuật trong đây có thể thay đổi mà không cần thông báo trước.
- Các thông số kỹ thuật và hộp pin có thể thay đổi tùy theo từng quốc gia.
- Khối lượng có thể khác nhau tùy thuộc vào (các) phụ kiện, bao gồm cả hộp pin. Tổ hợp nhẹ nhất và nặng nhất, theo Quy trình EPTA 01/2014, được trình bày trong bảng.

Hộp pin và sạc pin có thể áp dụng

Hộp pin	BL1815N / BL1820B / BL1830B / BL1840B / BL1850B / BL1860B
Bộ sạc	DC18RC / DC18RD / DC18RE / DC18SD / DC18SE / DC18SF / DC18SH / DC18WC

- Một số hộp pin và sạc pin được nêu trong danh sách ở trên có thể không khả dụng tùy thuộc vào khu vực cư trú của bạn.

⚠ CẢNH BÁO: Chỉ sử dụng hộp pin và sạc pin được nêu trong danh sách ở trên. Việc sử dụng bất cứ hộp pin và sạc pin nào khác có thể gây ra thương tích và/hoặc hỏa hoạn.

Thép cây kết hợp có thể buộc được

Kết hợp 2 thép cây

	#4 (13 mm)	#5 (16 mm)	#6 (19 mm)	#7 (22 mm)
#4 (13 mm)	✓*	-	-	-
#5 (16 mm)	✓*	✓	-	-
#6 (19 mm)	✓	✓	✓	-
#7 (22 mm)	✓	✓	✓	✓
#8 (25 mm)	✓	✓	✓	✓
#9 (29 mm)	✓	✓	✓	-
#10 (32 mm)	✓	✓	-	-
#11 (35 mm)	✓	-	-	-

- * Việc kết hợp không được thiết kế cho cường độ buộc cao.

Kết hợp 3 thép cây

	#3 x #3 (10 mm x 10 mm)	#4 x #4 (13 mm x 13 mm)	#5 x #5 (16 mm x 16 mm)
#3 (10 mm)	✓*	✓	✓
#4 (13 mm)	✓*	✓	✓
#5 (16 mm)	✓	✓	✓
#6 (19 mm)	✓	✓	✓
#7 (22 mm)	✓	✓	✓
#8 (25 mm)	✓	✓	✓

* Việc kết hợp không được thiết kế cho cường độ buộc cao.


Kết hợp 4 thép cây

	#3 x #3 (10 mm x 10 mm)	#4 x #4 (13 mm x 13 mm)
#3 x #3 (10 mm x 10 mm)	✓	✓
#4 x #4 (13 mm x 13 mm)	✓	✓
#5 x #5 (16 mm x 16 mm)	✓	✓

CHÚ Ý: Nếu có khoảng hở giữa các thép cây hoặc nếu dùng dụng cụ theo hướng không đúng, thì các thép cây có thể không được buộc chặt.

Ký hiệu

Phần dưới đây cho biết các ký hiệu có thể được dùng cho thiết bị. Đảm bảo rằng bạn hiểu rõ ý nghĩa của các ký hiệu này trước khi sử dụng.

-  Đọc tài liệu hướng dẫn.
-  Mang kính an toàn.
-  Không được tiếp xúc với mưa.
-  Hãy để ống quần dây hoặc dây điện tránh xa tay bạn khi vận hành dụng cụ.
-  Giữ tay tránh xa khỏi đầu mũi dụng cụ.
-  Giữ tay tránh xa khỏi đầu mũi dụng cụ.
-  Đẩy cần nhả trước khi tái dây nối điện. Sau khi lắp đặt dây nối điện, hãy nhả cần khóa.



Chỉ dành cho các quốc gia EU

Do có các thành phần nguy hiểm bên trong thiết bị điện và điện tử, ắc quy và pin thải bỏ nên có thể có tác động không tốt đến môi trường và sức khỏe con người.

Không vứt bỏ các thiết bị điện và điện tử hoặc pin với rác thải sinh hoạt!

Theo Chỉ thị của Châu Âu về thiết bị điện và điện tử thải bỏ và về pin và ắc quy và pin và ắc quy thải bỏ, cũng như sự thích ứng của chúng với luật pháp quốc gia, các thiết bị điện, pin và ắc quy thải phải được cất giữ riêng biệt và chuyển đến một điểm thu gom rác thải đô thị riêng, hoạt động theo các quy định về bảo vệ môi trường. Điều này được biểu thị bằng biểu tượng thùng rác có bánh xe gạch chéo được đặt trên thiết bị.

Mục đích sử dụng

Dụng cụ này được dùng để buộc thép cây.

CẢNH BÁO AN TOÀN

Cảnh báo an toàn chung dành cho dụng cụ máy

⚠ CẢNH BÁO: Xin đọc tất cả các cảnh báo an toàn, hướng dẫn, minh họa và thông số kỹ thuật đi kèm với dụng cụ máy này. Việc không tuân theo các hướng dẫn được liệt kê dưới đây có thể dẫn đến điện giật, hỏa hoạn và/hoặc thương tích nghiêm trọng.

Lưu giữ tất cả cảnh báo và hướng dẫn để tham khảo sau này.

Thuật ngữ “dụng cụ máy” trong các cảnh báo đề cập đến dụng cụ máy (có dây) được vận hành bằng nguồn điện chính hoặc dụng cụ máy (không dây) được vận hành bằng pin của bạn.

An toàn tại nơi làm việc

1. **Giữ nơi làm việc sạch sẽ và có đủ ánh sáng.** Nơi làm việc bừa bộn hoặc tối thường dễ gây ra tai nạn.
2. **Không vận hành dụng cụ máy trong môi trường cháy nổ, ví dụ như môi trường có sự hiện diện của các chất lỏng, khí hoặc bụi dễ cháy.** Các dụng cụ máy tạo tia lửa điện có thể làm bụi hoặc khí bốc cháy.
3. **Giữ trẻ em và người ngoài tránh xa nơi làm việc khi đang vận hành dụng cụ máy.** Sự xao lãng có thể khiến bạn mất khả năng kiểm soát.

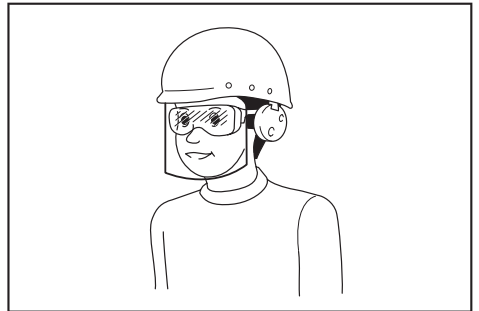
An toàn về Điện

1. **Phích cắm của dụng cụ máy phải khớp với ổ cắm. Không được sửa đổi phích cắm theo bất kỳ cách nào. Không sử dụng bất kỳ phích chuyển đổi nào với các dụng cụ máy được nối đất (tiếp đất).** Các phích cắm còn nguyên vẹn và ổ cắm phù hợp sẽ giảm nguy cơ điện giật.
2. **Tránh đề cơ thể tiếp xúc với các bề mặt nóng đất hoặc tiếp đất như đường ống, bộ tản nhiệt, bếp ga và tủ lạnh.** Nguy cơ bị điện giật sẽ tăng lên nếu cơ thể bạn được nối đất hoặc tiếp đất.
3. **Không để dụng cụ máy tiếp xúc với mưa hoặc trong điều kiện ẩm ướt.** Nước lọt vào dụng cụ máy sẽ làm tăng nguy cơ điện giật.
4. **Không lạm dụng dây điện. Không được phép sử dụng dây để mang, kéo hoặc tháo phích cắm dụng cụ máy. Giữ dây tránh xa nguồn nhiệt, dầu, các mép sắc hoặc các bộ phận chuyển động.** Dây bị hỏng hoặc bị rối sẽ làm tăng nguy cơ điện giật.
5. **Khi vận hành dụng cụ máy ngoài trời, hãy sử dụng dây kéo dài phù hợp cho việc sử dụng ngoài trời.** Việc dùng dây phù hợp cho việc sử dụng ngoài trời sẽ giảm nguy cơ điện giật.
6. **Nếu bắt buộc phải vận hành dụng cụ máy ở nơi ẩm ướt, hãy sử dụng nguồn cấp điện được bảo vệ bằng thiết bị ngắt dòng điện rò (RCD).** Việc sử dụng RCD sẽ làm giảm nguy cơ điện giật.
7. **Các dụng cụ máy có thể tạo ra từ trường điện (EMF) có hại cho người dùng.** Tuy nhiên, người dùng máy trợ tim và những thiết bị y tế tương tự khác nên liên hệ với nhà sản xuất thiết bị và/hoặc bác sỹ để được tư vấn trước khi vận hành dụng cụ máy.

An toàn Cá nhân

1. **Luôn tỉnh táo, quan sát những việc bạn đang làm và sử dụng những phán đoán theo kinh nghiệm khi vận hành dụng cụ máy. Không sử dụng dụng cụ máy khi bạn đang mệt mỏi hoặc chịu ảnh hưởng của ma túy, rượu hay thuốc.** Chỉ một khoảnh khắc không tập trung khi đang vận hành dụng cụ máy cũng có thể dẫn đến thương tích cá nhân nghiêm trọng.

2. **Sử dụng thiết bị bảo hộ cá nhân. Luôn đeo thiết bị bảo vệ mắt.** Các thiết bị bảo hộ như mặt nạ chống bụi, giày an toàn chống trượt, mũ bảo hộ hay thiết bị bảo vệ thính giác được sử dụng trong các điều kiện thích hợp sẽ giúp giảm thương tích cá nhân.
3. **Tránh vô tình khởi động dụng cụ máy. Đảm bảo công tắc ở vị trí off (tắt) trước khi nối nguồn điện và/hoặc bộ pin, cầm hoặc di chuyển dụng cụ máy.** Việc di chuyển dụng cụ máy khi đang đặt ngón tay ở vị trí công tắc hoặc cấp điện cho dụng cụ máy đang bật thường dễ gây ra tai nạn.
4. **Tháo tất cả các khóa hoặc cờ lê điều chỉnh trước khi bật dụng cụ máy.** Việc cờ lê hoặc khóa vẫn còn gắn vào bộ phận quay của dụng cụ máy có thể dẫn đến thương tích cá nhân.
5. **Không vịn quá cao. Luôn giữ thăng bằng tốt và có chỗ để chân phù hợp.** Điều này cho phép điều khiển dụng cụ máy tốt hơn trong những tình huống bất ngờ.
6. **Ăn mặc phù hợp. Không mặc quần áo rộng hay đeo đồ trang sức. Giữ tóc và quần áo tránh xa các bộ phận chuyển động.** Quần áo rộng, đồ trang sức hay tóc dài có thể mắc vào các bộ phận chuyển động.
7. **Nếu các thiết bị được cung cấp để kết nối các thiết bị thu gom và hút bụi, hãy đảm bảo chúng được kết nối và sử dụng hợp lý.** Việc sử dụng thiết bị thu gom bụi có thể làm giảm những mối nguy hiểm liên quan đến bụi.
8. **Không vì quen thuộc do thường xuyên sử dụng các dụng cụ mà cho phép bạn trở nên tự mãn và bỏ qua các nguyên tắc an toàn dụng cụ.** Một hành động bất cẩn có thể gây ra thương tích nghiêm trọng trong một phần của một giây.
9. **Luôn luôn mang kính bảo hộ để bảo vệ mắt khỏi bị thương khi đang sử dụng các dụng cụ máy. Kính bảo hộ phải tuân thủ ANSI Z87.1 ở Mỹ, EN 166 ở Châu Âu, hoặc AS/NZS 1336 ở Úc/New Zealand. Tại Úc/New Zealand, theo luật pháp, bạn cũng phải mang mặt nạ che mặt để bảo vệ mặt.**



Trách nhiệm của chủ lao động là bắt buộc người vận hành dụng cụ và những người khác trong khu vực làm việc cạnh đó phải sử dụng các thiết bị bảo hộ an toàn thích hợp.

Sử dụng và bảo quản dụng cụ máy

1. **Không dùng lực đối với dụng cụ máy. Sử dụng đúng dụng cụ máy cho công việc của bạn.** Sử dụng đúng dụng cụ máy sẽ giúp thực hiện công việc tốt hơn và an toàn hơn theo giá trị định mức được thiết kế của dụng cụ máy đó.
2. **Không sử dụng dụng cụ máy nếu công tắc không bật và tắt được dụng cụ máy đó.** Mọi dụng cụ máy không thể điều khiển được bằng công tắc đều rất nguy hiểm và phải được sửa chữa.
3. **Rút phích cắm ra khỏi nguồn điện và/hoặc tháo kết nối bộ pin khỏi dụng cụ máy, nếu có thể tháo rời trước khi thực hiện bất kỳ công việc điều chỉnh, thay đổi phụ tùng hay cất giữ dụng cụ máy nào.** Những biện pháp an toàn phòng ngừa này sẽ giảm nguy cơ vô tình khởi động dụng cụ máy.
4. **Cất giữ các dụng cụ máy không sử dụng ngoài tầm với của trẻ em và không cho bất kỳ người nào không có hiểu biết về dụng cụ máy hoặc các hướng dẫn này vận hành dụng cụ máy.** Dụng cụ máy sẽ rất nguy hiểm nếu được sử dụng bởi những người dùng chưa qua đào tạo.
5. **Bảo dưỡng dụng cụ máy và các phụ kiện. Kiểm tra tình trạng lệch trục hoặc bó kẹt của các bộ phận chuyển động, hiện tượng nứt vỡ của các bộ phận và mọi tình trạng khác mà có thể ảnh hưởng đến hoạt động của dụng cụ máy. Nếu có hỏng hóc, hãy sửa chữa dụng cụ máy trước khi sử dụng.** Nhiều tai nạn xảy ra là do không bảo quản tốt dụng cụ máy.
6. **Luôn giữ cho dụng cụ cất được sắc bén và sạch sẽ.** Những dụng cụ cất được bảo quản tốt có mép cắt sắc sẽ ít bị kẹt hơn và dễ điều khiển hơn.
7. **Sử dụng dụng cụ máy, phụ tùng và đầu dụng cụ cắt, v.v... theo các hướng dẫn này, có tính đến điều kiện làm việc và công việc được thực hiện.** Việc sử dụng dụng cụ máy cho các công việc khác với công việc dự định có thể gây nguy hiểm.
8. **Giữ tay cầm và bề mặt tay cầm khô, sạch, không dính dầu và mỡ.** Tay cầm trơn trượt và bề mặt tay cầm không cho phép xử lý an toàn và kiểm soát dụng cụ trong các tình huống bất ngờ.
9. **Khi sử dụng dụng cụ, không được đi giày tay lao động bằng vải vương vào các bộ phận chuyển động có thể gây ra thương tích cá nhân.**

Sử dụng và bảo quản dụng cụ dùng pin

1. **Chỉ sạc pin lại với bộ sạc do nhà sản xuất quy định.** Bộ sạc phù hợp với một loại bộ pin này có thể gây ra nguy cơ hỏa hoạn khi được dùng cho một bộ pin khác.
2. **Chỉ sử dụng các dụng cụ máy với các bộ pin được quy định cụ thể.** Việc sử dụng bất cứ bộ pin nào khác có thể gây ra thương tích và hỏa hoạn.
3. **Khi không sử dụng bộ pin, hãy giữ tránh xa các đồ vật khác bằng kim loại, chẳng hạn như kẹp giấy, tiền xu, chìa khóa, đinh, ốc vít hoặc các vật nhỏ bằng kim loại mà có thể làm nối tắt các đầu cực pin.** Các đầu cực pin bị đoản mạch có thể gây cháy hoặc hỏa hoạn.

4. **Trong điều kiện sử dụng quá mức, pin có thể bị chảy nước; hãy tránh tiếp xúc. Nếu vô tình tiếp xúc với pin bị chảy nước, hãy rửa sạch bằng nước. Nếu dung dịch từ pin tiếp xúc với mắt, cần đi khám bác sĩ thêm.** Dung dịch chảy ra từ pin có thể gây rát da hoặc bỏng.
5. **Không sử dụng bộ pin hoặc dụng cụ bị hư hỏng hoặc đã bị sửa đổi.** Pin đã bị hư hỏng hoặc đã bị sửa đổi có thể hành động theo cách không thể đoán trước dẫn đến cháy, nổ hoặc nguy cơ chấn thương.
6. **Không để bộ pin hoặc dụng cụ tiếp xúc với lửa hoặc nhiệt độ quá cao.** Tiếp xúc với lửa hoặc nhiệt độ trên 130 °C có thể gây ra cháy nổ.
7. **Làm theo tất cả các hướng dẫn sạc pin và không được sạc bộ pin hoặc dụng cụ vượt giới hạn nhiệt độ quy định trong hướng dẫn.** Sạc pin không đúng hoặc ở nhiệt độ vượt giới hạn nhiệt độ có thể gây hư hỏng cho pin và làm tăng nguy cơ cháy.

Bảo dưỡng

1. **Đề nghị viên sửa chữa đủ trình độ bảo dưỡng dụng cụ máy của bạn và chỉ sử dụng các bộ phận thay thế đồng nhất.** Việc này sẽ đảm bảo duy trì được độ an toàn của dụng cụ máy.
2. **Không bao giờ sử dụng bộ pin đã hỏng.** Dịch vụ bảo hành bộ pin chỉ nên thực hiện bởi nhà sản xuất hoặc các nhà cung cấp dịch vụ được ủy quyền.
3. **Tuân theo hướng dẫn dành cho việc bôi trơn và thay phụ tùng.**

Cảnh báo an toàn cho máy buộc thép cầm tay hoạt động bằng pin

1. **Không bao giờ hướng mũi dụng cụ vào người. Không bao giờ để tay hoặc chân của bạn gần đầu mũi dụng cụ.** Nếu bạn vô tình vận hành dụng cụ trong khi dụng cụ đang chạm vào ai đó, dễ dẫn đến tai nạn không mong muốn.
2. **Không tải dây điện trong khi nguồn cung cấp cho dụng cụ được bật.** Nếu không, bạn có thể bị vướng dây và bị thương.
3. **Không vận hành dụng cụ khi chưa đóng nắp ống quần.** Nếu không, ống quần dây có thể rơi ra và gây ra tai nạn.
4. **Hãy chắc chắn đường kính của thép cây cần buộc phải nằm trong phạm vi dụng cụ có thể xử lý trước khi bắt đầu công việc.**
5. **Mặc quần áo có gấu quần và tay áo bó sát vào cơ thể. Không làm việc khi có khăn hoặc đồ vật khác quấn quanh cổ.** Nếu không, chúng có thể bị vướng vào bộ phận quay và gây ra tai nạn.
6. **Hãy chắc chắn đã kiểm tra các điểm sau đây trước khi sử dụng dụng cụ.**
 - Chắc chắn rằng không có bộ phận nào bị hỏng
 - Chắc chắn rằng không có bu lông nào bị lỏng
 - Chắc chắn rằng các thiết bị an toàn hoạt động bình thường

7. **Nếu phát hiện bất thường, ngừng sử dụng dụng cụ ngay lập tức. Không được tự ý sửa chữa dụng cụ. Nhờ Trung Tâm Bảo Trì Makita ở địa phương bạn ở sửa chữa.** Nếu dụng cụ được sử dụng ở trạng thái không hoàn chỉnh, có thể xảy ra tai nạn.
8. **Khi cài đặt hộp pin, hãy chắc chắn đã khóa cần khởi động và không đặt ngón tay vào cần khởi động.** Vận hành không đúng có thể gây ra tai nạn.
9. **Khi buộc thép cây, bạn nên giữ chặt để chúng không di động.** Nếu thép cây di động khi buộc, bạn có thể bị thương.
10. **Không chạm vào dây trong quá trình buộc dây.** Nếu không, bạn có thể bị vướng dây và bị thương.
11. **Không được để tay bạn ở gần điểm buộc trong quá trình buộc dây.** Nếu không, bạn có thể bị vướng dây và bị thương.
12. **Cầm chắc tay cầm dụng cụ trong quá trình buộc dây.** Nếu không, dây có thể quấn quanh cổ tay của bạn hoặc kéo ngã bạn, gây ra thương tích.
13. **Không di chuyển đến điểm buộc tiếp theo cho đến khi quá trình buộc hiện tại hoàn tất.** Nếu không, bạn có thể bị thương.
14. **Chú ý phần đầu cuối của dây trong quá trình buộc dây.** Nếu không, tay của bạn có thể bị vướng vào phần đầu cuối của dây, và bạn có thể bị thương.
15. **Không chạm vào bản tiếp xúc trong quá trình buộc dây.** Nếu bạn cần phải chạm vào bản tiếp xúc, hãy chắc chắn đã khóa cần khởi động, hoặc tắt công tắc nguồn và tháo hộp pin. Nếu không, bạn có thể bị thương.
16. **Khi bạn đã hoàn tất quá trình buộc dây, kéo dụng cụ lên theo chiều dọc.** Nếu không, cánh tay có thể bị vướng vào thép cây, gây ra tai nạn.
17. **Hãy cẩn thận không làm rơi, nảy lên hoặc va đập dụng cụ.** Nếu có va chạm mạnh trước khi sử dụng dụng cụ, hãy đảm bảo dụng cụ không bị hư hỏng hoặc nứt, và các thiết bị an toàn vẫn hoạt động bình thường. Nếu không có thể xảy ra tai nạn.
18. **Nếu xảy ra bất kỳ hiện tượng nào sau đây, hãy khóa cần khởi động, tắt công tắc nguồn và tháo hộp pin ra khỏi dụng cụ.** Nếu dụng cụ vận hành không đúng, có thể xảy ra tai nạn.
 - Nếu nghe thấy âm thanh vận hành ngay khi hộp pin được lắp.
 - Nếu phát hiện mùi hoặc tiếng ồn bất thường, hay quá nhiệt.
 - Khi bạn đang thực hiện các biện pháp để phân hồi hiển thị lỗi. (Nhờ Trung Tâm Bảo Trì Makita ở địa phương bạn ở sửa chữa.)
 - Khi nạp hoặc tháo ống quần dây.
 - Khi bạn vừa di chuyển vừa cầm dụng cụ trong quá trình làm việc.
 - Khi bạn không sử dụng dụng cụ.
 - Khi bạn kiểm tra hoặc điều chỉnh dụng cụ.
 - Khi bạn loại bỏ dây bị mắc kẹt.
19. **Khi làm việc trên giàn giáo, luôn lắp bộ giữ thăng bằng vào và làm việc ở một tư thế ổn định sẽ giúp bạn duy trì thăng bằng của mình.** Nếu giàn giáo không được giữ thăng bằng, có thể xảy ra tai nạn.
20. **Khi làm việc trên mái nhà hoặc các địa điểm tương tự, di chuyển hướng về phía trước trong khi làm việc để bạn có thể nhìn thấy được bạn đang đi đâu.** Nếu bạn đi chuyển theo hướng ngược lại trong khi làm việc, bạn có thể bị trượt chân và dẫn đến tai nạn.
21. **Nếu bạn đang làm việc ở vị trí trên cao, đảm bảo rằng không có ai ở dưới bạn, và chú ý để đảm bảo bạn không làm rơi bất kỳ dụng cụ nào trong khi làm việc.** Làm rơi dụng cụ có thể gây ra tai nạn.
22. **Không sử dụng dụng cụ này vào bất kỳ công việc nào khác ngoài buộc dây.** Nếu không có thể xảy ra tai nạn.
23. **Luôn sử dụng dây chính hãng của Makita.** Nếu dây không được sử dụng trong thời gian dài, chúng có thể bị gỉ sét. Không sử dụng dây bị gỉ sét. Nếu không, chúng có thể gây ra tai nạn.
24. **Sau khi buộc, kiểm tra dây gãy vỡ do xoắn quá mức.** Nếu có bất kỳ dây nào bị hỏng, cường độ buộc sẽ không còn. Điều chỉnh cường độ buộc, và buộc các thép cây lại.
25. **Đặt tay cần áp vào các thép cây một cách an toàn.** Nếu tay cần không được bố trí an toàn, sẽ tạo ra một khoảng hở giữa các thép cây, và cường độ buộc sẽ bị giảm.

Hướng dẫn quan trọng về an toàn dành cho hộp pin

1. Trước khi sử dụng hộp pin, hãy đọc kỹ tất cả các hướng dẫn và dấu hiệu cảnh báo trên (1) bộ sạc pin, (2) pin và (3) sản phẩm sử dụng pin.
2. Không tháo rời hoặc làm thay đổi hộp pin. Việc này có thể dẫn đến hỏa hoạn, quá nhiệt hoặc nổ.
3. Nếu thời gian vận hành ngắn hơn quá mức, hãy ngừng vận hành ngay lập tức. Điều này có thể dẫn đến rủi ro quá nhiệt, có thể gây bỏng và thậm chí là nổ.
4. Nếu chất điện phân rơi vào mắt, hãy rửa sạch bằng nước sạch và đến cơ sở y tế ngay lập tức. Chất này có thể khiến bạn giảm thị lực.
5. Không để hộp pin ở tình trạng đoản mạch:
 - (1) Không chạm vào cực pin bằng vật liệu dẫn điện.
 - (2) Tránh cất giữ hộp pin trong hộp có các vật kim loại khác như đinh, tiền xu, v.v...
 - (3) Không được để hộp pin tiếp xúc với nước hoặc mưa.
 Đoản mạch pin có thể gây ra dòng điện lớn, quá nhiệt, có thể gây bỏng và thậm chí là hỏng hóc.
6. Không cất giữ cũng như sử dụng dụng cụ và hộp pin ở nơi nhiệt độ có thể lên tới hoặc vượt quá 50 °C (122 °F).
7. Không đốt hộp pin ngay cả khi hộp pin đã bị hư hại nặng hoặc hư hỏng hoàn toàn. Hộp pin có thể nổ khi tiếp xúc với lửa.
8. Không đóng đinh, cắt, nghiền nát, ném, làm rơi hộp pin hoặc va vật cứng vào hộp pin. Làm như thế có thể dẫn đến hỏa hoạn, quá nhiệt hoặc nổ.

9. Không sử dụng pin đã hỏng.
10. Pin nén lithium-ion là đối tượng có yêu cầu bắt buộc theo Luật Hàng hoá Nguy hiểm. Đối với vận tải thương mại, ví dụ như vận tải do bên thứ ba, đại lý giao nhận, thì yêu cầu đặc biệt về đóng gói và nhãn ghi phải được giám sát. Để chuẩn bị cho mặt hàng cần vận chuyển, cần phải tham khảo ý kiến chuyên gia về vật liệu nguy hiểm. Nếu được, vui lòng tuân thủ các quy định quốc gia chi tiết hơn. Buộc hoặc niêm phong các tiếp điểm mở và đóng gói pin theo cách đó để nó không thể di chuyển trong bao bì.
11. Khi vứt bỏ hộp pin, hãy tháo chúng khỏi dụng cụ và thải bỏ ở nơi an toàn. Phải tuân thủ theo các quy định của địa phương liên quan đến việc thải bỏ pin.
12. Chỉ sử dụng pin cho các sản phẩm Makita chỉ định. Lắp pin vào sản phẩm không thích hợp có thể gây ra hoả hoạn, quá nhiệt, nổ, hoặc rò chất điện phân.
13. Nếu dụng cụ không được sử dụng trong một thời gian dài, cần phải tháo pin ra khỏi dụng cụ.
14. Trong và sau khi sử dụng, hộp pin có thể bị nóng, có thể gây bỏng hoặc bỏng ở nhiệt độ thấp. Chú ý xử lý hộp pin nóng.
15. Không chạm vào điện cực của dụng cụ ngay sau khi sử dụng vì điện cực đủ nóng để gây bỏng.
16. Không để vụn bào, bụi hoặc đất bám vào các điện cực, lỗ và rãnh của hộp pin. Điều này có thể làm nóng, bắt lửa, nổ và gây trục trặc cho dụng cụ hoặc hộp pin, dẫn đến bỏng hoặc thương tích cá nhân.
17. Trừ khi dụng cụ hỗ trợ sử dụng gần đường dây điện cao thế, không sử dụng hộp pin gần đường dây điện cao thế. Việc này có thể dẫn đến trục trặc hoặc hỏng hóc dụng cụ hay hộp pin.
18. Giữ pin tránh xa trẻ em.

LƯU GIỮ CÁC HƯỚNG DẪN NÀY.

⚠ THẬN TRỌNG: Chỉ sử dụng pin Makita chính hãng. Việc sử dụng pin không chính hãng Makita, hoặc pin đã được sửa đổi, có thể dẫn đến nổ pin gây ra cháy, thương tích và thiệt hại cá nhân. Nó cũng sẽ làm mất hiệu lực bảo hành của Makita dành cho dụng cụ của Makita và bộ sạc.

Mẹo duy trì tuổi thọ tối đa cho pin

1. Sạc hộp pin trước khi pin bị xả điện hoàn toàn. Luôn dừng việc vận hành dụng cụ và sạc pin khi bạn nhận thấy công suất dụng cụ bị giảm.
2. Không được phép sạc lại một hộp pin đã được sạc đầy. Sạc quá mức sẽ làm giảm tuổi thọ của pin.
3. Sạc pin ở nhiệt độ phòng 10°C - 40°C. Để cho hộp pin nóng nguội lại dần trước khi sạc pin.
4. Khi không sử dụng hộp pin, hãy tháo hộp pin ra khỏi dụng cụ hoặc bộ sạc.
5. Sạc pin sáu tháng một lần nếu bạn không sử dụng dụng cụ trong một thời gian dài (hơn sáu tháng).

MÔ TẢ CHỨC NĂNG

⚠ THẬN TRỌNG: Luôn đảm bảo rằng đã tắt dụng cụ và tháo hộp pin ra trước khi thực hiện việc điều chỉnh hoặc kiểm tra chức năng trên dụng cụ.

Lắp hoặc tháo hộp pin

⚠ THẬN TRỌNG: Luôn tắt dụng cụ trước khi lắp hoặc tháo hộp pin.

⚠ THẬN TRỌNG: Giữ dụng cụ và hộp pin thật chắc khi lắp hoặc tháo hộp pin. Không giữ dụng cụ và hộp pin thật chắc có thể làm trượt chúng khỏi tay và làm hư hỏng dụng cụ và hộp pin hoặc gây thương tích cá nhân.

► **Hình1:** 1. Chỉ báo màu đỏ 2. Nút 3. Hộp pin

Để tháo hộp pin, vừa trượt pin ra khỏi dụng cụ vừa đẩy trượt nút ở phía trước hộp pin.

Để lắp hộp pin, đặt thẳng hàng phần chốt nhô ra của hộp pin vào phần rãnh nằm trên vỏ và trượt hộp pin vào vị trí. Đưa hộp pin vào hết mức cho đến khi chốt khóa vào đúng vị trí với một tiếng cách nhẹ. Nếu bạn có thể nhìn thấy chỉ báo màu đỏ như thể hiện trong hình, điều đó có nghĩa vẫn chưa được khóa hoàn toàn.

⚠ THẬN TRỌNG: Luôn lắp hộp pin khớp hoàn toàn vào vị trí cho đến khi không thể nhìn thấy chỉ báo màu đỏ. Nếu không, hộp pin có thể vô tình rơi ra khỏi dụng cụ, gây thương tích cho bạn hoặc người khác xung quanh.

⚠ THẬN TRỌNG: Không được dùng sức lắp hộp pin. Nếu hộp pin không nhẹ nhàng trượt vào vị trí, có nghĩa là pin vẫn chưa được lắp đúng.

Chỉ báo dung lượng pin còn lại

Chỉ dành cho hộp pin có đèn chỉ báo

► **Hình 2:** 1. Các đèn chỉ báo 2. Nút Check (kiểm tra)

Ấn nút check (kiểm tra) trên hộp pin để chỉ báo dung lượng pin còn lại. Các đèn chỉ báo bật sáng lên trong vài giây.

Các đèn chỉ báo			Dung lượng còn lại
Bật sáng	Tắt	Nhấp nháy	
			75% đến 100%
			50% đến 75%
			25% đến 50%
			0% đến 25%
			Sạc pin.
			Pin có thể đã bị hỏng.

LƯU Ý: Tùy thuộc vào các điều kiện sử dụng và nhiệt độ xung quanh, việc chỉ báo có thể khác biệt một chút so với dung lượng thực sự.

LƯU Ý: Đèn chỉ báo (phía xa bên trái) đầu tiên sẽ nhấp nháy khi hệ thống bảo vệ pin hoạt động.

Hệ thống bảo vệ dụng cụ / pin

Dụng cụ này được trang bị hệ thống bảo vệ dụng cụ / pin. Hệ thống này sẽ tự động ngắt nguồn điện đến động cơ để kéo dài tuổi thọ dụng cụ và pin. Dụng cụ sẽ tự động dừng vận hành khi dụng cụ hoặc pin ở một trong những trường hợp sau đây:

Bảo vệ quá tải

Khi vận hành dụng cụ hoặc pin trong điều kiện làm máy tiêu tốn dòng cao bất thường, dụng cụ sẽ tự động dừng lại và số lỗi tương ứng sẽ hiển thị trên bảng điều khiển hiển thị. Trong trường hợp này, hãy tắt dụng cụ và ngừng ứng dụng làm cho dụng cụ trở nên quá tải. Sau đó bật dụng cụ lên để khởi động lại.

Bảo vệ quá nhiệt

Khi pin hoặc pin bị quá nhiệt, dụng cụ sẽ tự động dừng lại và số lỗi tương ứng sẽ hiển thị trên bảng điều khiển hiển thị. Trong trường hợp này, hãy để dụng cụ và pin nguội trước khi bật dụng cụ lại.

Bảo vệ xả điện quá mức

Khi dung lượng pin không đủ, dụng cụ sẽ dừng tự động và số lỗi tương ứng được hiển thị trên bảng hiển thị. Trong trường hợp này, hãy tháo pin khỏi dụng cụ và sạc pin lại.

Công tắc nguồn chính

⚠ THẬN TRỌNG: Khi bạn bật nguồn, không bao giờ để chân tay hoặc mặt của bạn đến gần các bộ phận bố kẹt hoặc quay của đầu dụng cụ. Nếu không, bạn có thể bị thương.

⚠ THẬN TRỌNG: Khi bật nguồn, không bao giờ chạm vào các bộ phận bố kẹt hoặc quay của đầu dụng cụ. Nếu không, bạn có thể bị thương.

⚠ THẬN TRỌNG: Trước khi lắp hộp pin, hãy chắc chắn đã lấy ngón tay khỏi cần khởi động công tắc và khóa cần khởi động. Nếu bạn lắp hộp pin trong khi kéo cần khởi động công tắc, có thể gây ra tai nạn nếu vô tình thực hiện quá trình buộc dây.

► **Hình 3**

Khi bạn nhấn nút nguồn, nguồn sẽ bật và đèn chế độ buộc sẽ sáng lên. Để dụng cụ điều chỉnh vị trí ban đầu, dụng cụ sẽ tạm thời hoạt động. Khi điều chỉnh hoàn tất, dụng cụ sẽ tự động dừng lại. Khi bạn nhấn lại nút nguồn, nguồn sẽ tắt và đèn chế độ buộc tắt.

► **Hình 4:** 1. Đèn chế độ buộc 2. Nút nguồn

LƯU Ý: Dụng cụ có chức năng tắt nguồn tự động. Nếu không kéo cần khởi động công tắc trong 10 phút, dụng cụ này sẽ tự động tắt để giảm tiêu thụ năng lượng pin.

LƯU Ý: Để khởi động lại dụng cụ, hãy bật nguồn lại.

Nút chuyển đổi chế độ

Khi bật nguồn và đèn tín hiệu buộc sáng lên, bạn có thể chọn chế độ thao tác đơn hoặc chế độ thao tác liên tục qua nút chuyển đổi chế độ. Khi bạn bật nguồn lại, dụng cụ sẽ bắt đầu ở chế độ đã được chọn gần nhất.

► **Hình 5:** 1. Nút chuyển đổi chế độ 2. Chế độ thao tác đơn 3. Chế độ thao tác liên tục

Hoạt động công tắc

⚠ CẢNH BÁO: Trước khi lắp hộp pin vào dụng cụ, luôn luôn kiểm tra xem cần khởi động công tắc có hoạt động bình thường hay không và trả về vị trí "OFF" (TẮT) khi nhả ra.

⚠ THẬN TRỌNG: Khi không vận hành dụng cụ, ấn xuống nút khóa cần khởi động từ bên để khóa cần khởi động công tắc ở vị trí TẮT.

► **Hình 6:** 1. Cần khởi động công tắc 2. Nút khóa cần khởi động

Để ngăn ngừa vô tình kéo cần khởi động công tắc, dụng cụ được trang bị một nút khóa cần khởi động. Để khởi động dụng cụ, nhả nút khóa cần khởi động từ bên mặt A và kéo cần khởi động công tắc. Nhả cần khởi động công tắc ra để dừng. Sau khi sử dụng, nhấn vào nút khóa cần khởi động từ bên mặt B.

Khi bạn kéo cần khởi động công tắc, dụng cụ này thực hiện các thao tác tuần tự tiếp theo như sau và dụng cụ sẽ tự động dừng lại.

1. Nạp dây.
2. Cắt dây.

- Móc treo giữ và xoắn dây.
- Đưa móc treo trở về vị trí ban đầu.

Cài đặt cường độ buộc

⚠ THẬN TRỌNG: Hãy chắc chắn đã khóa cần khởi động trước khi bắt đầu điều chỉnh. Khi bạn bật nguồn, không bao giờ để chân tay hoặc mặt của bạn gần các bộ phận bộ kẹt quay của đầu dụng cụ. Nếu không, bạn có thể bị thương.

► Hình 7

Bạn có thể cài đặt cường độ buộc bằng cách điều chỉnh nút điều chỉnh cường độ buộc. Cường độ buộc được hiển thị trên bảng hiển thị.

- **Hình 8:** 1. Nút điều chỉnh cường độ buộc
2. Bảng hiển thị

Nếu dây bị gãy vỡ, cường độ buộc sẽ không còn. Sau khi buộc, kiểm tra phần xoắn xem có hư hỏng không. Nếu dây bị gãy vỡ, hãy điều chỉnh cường độ buộc bằng cách sử dụng nút điều chỉnh cường độ buộc, và buộc các thép cây lại.

Thông báo lượng pin còn lại

Khi điện áp pin giảm xuống dưới mức yêu cầu, dụng cụ sẽ ngừng hoạt động, âm báo lỗi sẽ vang lên, và số “4” sẽ xuất hiện trên màn hình hiển thị. Âm báo lỗi sẽ tiếp tục vang lên đến khi nguồn được tắt.

LƯU Ý: Nếu nhiệt độ môi trường xung quanh cực kỳ thấp, âm báo lỗi có thể vang lên ngay cả khi pin có đủ điện.

LẮP RÁP

⚠ THẬN TRỌNG: Luôn đảm bảo rằng đã tắt dụng cụ và tháo hộp pin ra trước khi thực hiện bất cứ thao tác nào trên dụng cụ.

Tài dây nối điện (ống quần dây)

⚠ THẬN TRỌNG: Trước khi lắp hoặc tháo dây nối điện và phụ kiện, hãy chắc chắn đã tắt nguồn, khóa cần khởi động, và tháo hộp pin. Không làm như vậy có thể gây ra tai nạn.

CHÚ Ý: Sử dụng dây khác với dây nối điện chính hãng của Makita có thể khiến dụng cụ bị trục trặc.

- Đẩy cần nhà, và khóa dụng cụ bằng cần khóa.
- **Hình 9:** 1. Cần nhà 2. Cần khóa

Khi bạn đẩy cần nhà, sẽ tạo khoảng hở giữa các bánh răng nạp bên trái và bên phải.

- **Hình 10:** 1. Cần nhà 2. Cần khóa 3. Bánh răng nạp

- Mở nắp ống quần.

- **Hình 11:** 1. Nắp ống quần

- Gắn nắp ống quần vào dụng cụ theo hướng minh họa trong hình.

- **Hình 12:** 1. Ống quần dây

CHÚ Ý: Đảm bảo ống quần đã được gắn theo hướng minh họa trong hình. Nếu ống quần được gắn theo cách khác, dây sẽ được thả ra và có thể bị xoắn.

- Tháo đầu dây khỏi móc của ống quần.

- **Hình 13:** 1. Móc treo

- Làm thẳng đầu dây, và đưa dây qua thanh dẫn.

- **Hình 14:** 1. Thanh dẫn

LƯU Ý: Nếu đầu dây bị uốn cong khi đưa qua thanh dẫn, dây có thể bị kẹt trong dụng cụ.

LƯU Ý: Nếu bạn dùng lực mạnh với dây khi cố đưa dây qua thanh dẫn, dây có thể bị kẹt.

- Kéo dây ra khỏi đầu tay cần khoảng 10 mm.

- **Hình 15:** 1. Tay cần 2. Xấp xỉ 10 mm

CHÚ Ý: Nếu chiều dài của dây kéo ra không đủ, dây có thể bị gãy vỡ khi buộc, hoặc cường độ buộc có thể bị giảm do quần không đủ chặt.

- Trả lùi dây để tránh chùng dây.

- **Hình 16**

- Nhả cần khóa. Cần nhà trở về, và dây được giữ bằng các bánh răng bên trái và bên phải.

- **Hình 17:** 1. Cần khóa 2. Cần nhà

- **Hình 18:** 1. Hộp số 2. Đường dẫn dây 3. Dây điện

CHÚ Ý: Khi nhà cần khóa và khi các bánh răng bên trái và bên phải khớp với nhau, các rãnh trong bánh răng tạo thành một không gian. Không gian này trở thành đường dẫn cho dây. Hãy chắc chắn rằng dây được đưa qua đường dẫn này.

- Đóng nắp ống quần.

- **Hình 19:** 1. Nắp ống quần

Thay thế dây dẫn B

Phụ kiện tùy chọn

Dây dẫn dây B (có màu bạc) trong tay cần có thể được thay thế bằng một dây dẫn tùy chọn B (EG) (có màu đen) tùy theo loại dây buộc để sử dụng.

Tim sự kết hợp đúng trong bảng sau đây. Sau đó thay thế dây dẫn được trang bị tiêu chuẩn B bằng một dây dẫn tùy chọn B (EG) nếu cần thiết.

	Dây dẫn được trang bị tiêu chuẩn B hoàn chỉnh (màu bạc)	Dây dẫn tùy chọn B hoàn chỉnh (màu đen)
Dây nối điện bằng sắt được xử lý nhiệt	✓	✓
Dây nối điện được phủ nhiều lớp	✓	-
Dây nối điện được mạ kẽm	-	✓

— : Kết hợp không hợp lệ.

- Nới lỏng bu-lông A và bu-lông B bằng cờ lê lục giác có trong bộ dụng cụ.

- **Hình 20:** 1. Cờ lê lục giác

- **Hình21:** 1. Bu-lông A 2. Bu-lông B 3. Nắp bản tiếp xúc 4. Dây dẫn được trang bị tiêu chuẩn B (màu bạc)

CHÚ Ý: Không dùng sức tháo bất kỳ bu-lông nào không thể tháo ra bằng cờ lê lục giác.

2. Kéo nắp bản tiếp xúc lên theo hướng mũi tên và tháo ra. Bu-lông B sẽ được tháo ra cùng lúc.
- **Hình22:** 1. Nắp bản tiếp xúc 2. Bu-lông B
3. Tháo bu-lông A và tháo dây dẫn được trang bị tiêu chuẩn B (màu bạc).
- **Hình23:** 1. Bu-lông A 2. Dây dẫn được trang bị tiêu chuẩn B (màu bạc)
4. Thay thế dây dẫn được trang bị tiêu chuẩn B (có màu bạc) bằng dây dẫn tùy chọn B (EG) (có màu đen).
- **Hình24:** 1. Dây dẫn tùy chọn B (EG) (có màu đen).
5. Căn chỉnh ống nối của dụng cụ với rãnh bên trong dây dẫn tùy chọn B (EG) (màu đen), rồi lắp ráp chúng.
- **Hình25:** 1. Ống 2. Rãnh 3. Dây dẫn tùy chọn B (EG) (màu đen).
6. Cố định dây dẫn tùy chọn B (EG) (màu đen) bằng cách tạm thời vặn chặt bu-lông A.
- **Hình26:** 1. Bu-lông A 2. Dây dẫn tùy chọn B (EG) (màu đen).
7. Lắp bản tiếp xúc theo hướng mũi tên.
- **Hình27:** 1. Nắp bản tiếp xúc
8. Cố định dây dẫn tùy chọn B (EG) (màu đen) và nắp bản tiếp xúc an toàn bằng cách vặn chặt bu-lông A và bu-lông B.
- **Hình28:** 1. Dây dẫn tùy chọn B (EG) (màu đen). 2. Nắp bản tiếp xúc 3. Bu-lông A 4. Bu-lông B
9. Sau khi lắp ráp, hãy xác nhận bản tiếp xúc có thể di chuyển như minh họa trong hình.
- **Hình29:** 1. Bản tiếp xúc

LƯU Ý: Nếu bản tiếp xúc bị vướng, hãy nhấn bản tiếp xúc như minh họa trong hình.

- **Hình30**

VẬN HÀNH

Kiểm tra trước khi làm việc

⚠ THẬN TRỌNG: Nếu dụng cụ có vấn đề an toàn liên quan đến cơ chế, không sử dụng dụng cụ đó. Nếu bạn tiếp tục sử dụng dụng cụ đó, có thể xảy ra tai nạn.

Trước khi sử dụng dụng cụ, hãy đảm bảo rằng cơ chế an toàn hoạt động bình thường. Nếu dụng cụ hoạt động mà không vận hành cơ chế an toàn, hãy ngừng sử dụng dụng cụ ngay lập tức. Nhờ Trung Tâm Bảo Trì Makita ở địa phương bạn ở sửa chữa.

Kim khóa cần khởi động

Dụng cụ này có khóa cần khởi động để ngăn không cho dụng cụ hoạt động khi bạn không định sử dụng. Khóa cần khởi động và xác nhận rằng không thể kéo cần khởi động công tắc.

Kiểm tra hướng dẫn cuộn

Để tránh người vận hành chạm vào các bộ phận bó kẹt hoặc quay của đầu dụng cụ do nhầm lẫn, dụng cụ sẽ không hoạt động ngay cả khi kéo cần khởi động công tắc trong khi hướng dẫn cuộn được mở. Khi người vận hành lấy ngón tay khỏi cần khởi động công tắc và đóng hướng dẫn cuộn, dụng cụ có thể hoạt động.

- **Hình31:** 1. Hướng dẫn cuộn

Kiểm tra phát hiện đóng/mở hướng dẫn cuộn

Tháo dây nối điện, kiểm tra hoạt động của dụng cụ theo các bước sau và đảm bảo rằng dụng cụ này không bắt đầu hoạt động nếu hướng dẫn cuộn mở.

1. Tắt nguồn và để hướng dẫn cuộn mở.
2. Hãy bật nguồn.

Nếu dụng cụ không hoạt động và nếu giá trị “2” được hiển thị trên bảng hiển thị, dụng cụ đang ở trạng thái bình thường. Tắt nguồn và đóng hướng dẫn cuộn. Nếu dụng cụ hoạt động và nếu không có lỗi hiển thị trên bảng hiển thị, dụng cụ đang ở trạng thái bất thường. Ngừng sử dụng dụng cụ ngay, và nhờ Trung Tâm Bảo Trì Makita ở địa phương bạn sửa chữa.

⚠ THẬN TRỌNG: Nếu bạn mở hướng dẫn cuộn và bật nguồn để kiểm tra khóa liên động, hãy giữ hướng dẫn cuộn như hiển thị trong hình. Không bao giờ để chân tay hoặc mặt của bạn đến gần các bộ phận bó kẹt hoặc quay của đầu dụng cụ. Nếu không, bạn có thể bị thương.

- **Hình32**

Công việc buộc

⚠ THẬN TRỌNG: Trước khi lắp hộp pin, hãy chắc chắn đã lấy ngón tay khỏi cần khởi động công tắc và khóa cần khởi động. Nếu bạn lắp hộp pin trong khi kéo cần khởi động công tắc, có thể gây ra tai nạn nếu vô tình thực hiện quá trình buộc dây.

⚠ THẬN TRỌNG: Khi bạn bật nguồn, không bao giờ để chân tay hoặc mặt của bạn đến gần các bộ phận bó kẹt hoặc quay của đầu dụng cụ. Nếu không, bạn có thể bị thương.

⚠ THẬN TRỌNG: Khi bật nguồn, không bao giờ chạm vào các bộ phận bó kẹt hoặc quay của đầu dụng cụ. Nếu không, bạn có thể bị thương.

- **Hình33**

Chuẩn bị trước giờ làm việc

1. Đảm bảo rằng hộp pin đã được tháo ra và cần khởi động đã được khóa.
2. Lắp hộp pin vào dụng cụ và bật nguồn. Khi bạn bật nguồn, dây sẽ được cắt tự động.

CHÚ Ý: Đảm bảo rằng đèn chế độ buộc sẽ sáng lên khi bật nguồn. Nếu đèn không sáng, hãy sạc lại pin.

3. Nhả khóa cần khởi động.
▶ **Hình34:** 1. Nút khóa cần khởi động 2. Cần khởi động công tắc 3. Nút nguồn 4. Đèn chế độ buộc

Chế độ thao tác đơn

1. Đẩy mạnh tay cần áp vào điểm buộc. Đảm bảo đặt dụng cụ thẳng đứng trên thép cây và nhấn tay cần vào điểm buộc ở góc 45° so với thép cây cắt chéo.
▶ **Hình35:** 1. Tay cần

2. Kéo cần khởi động công tắc một lần.
3. Dây được nạp và cắt tự động.
4. Móc treo giữ và xoắn dây, sau đó trở về vị trí ban đầu sau khi dây được buộc.
5. Sau khi buộc, hãy cẩn thận để không móc tay cần vào thép cây, sau đó kéo dụng cụ lên.
▶ **Hình36**

⚠ THẬN TRỌNG: Nếu dây đã bám vào bộ phận bó kẹt của đầu dụng cụ, hãy tắt dụng cụ. Khóa cần khởi động, tháo hộp pin và tháo dây bằng các dụng cụ như kìm hoặc kim.

- ▶ **Hình37**

Chế độ thao tác liên tục

1. Chuyển chế độ dụng cụ từ chế độ thao tác đơn sang chế độ thao tác liên tục bằng cách sử dụng nút chuyển đổi chế độ.
▶ **Hình38:** 1. Nút chuyển đổi chế độ
2. Nhả khóa cần khởi động.
3. Trong khi kéo cần khởi động công tắc, đẩy dụng cụ theo chiều dọc áp vào thép cây, và nhấn tay cần áp vào điểm nơi thép cây cắt chéo ở góc 45 độ. Nhấn bán tiếp xúc vào điểm buộc một cách chắc chắn. Dây sẽ được buộc.
▶ **Hình39:** 1. Bàn tiếp xúc
4. Sau khi buộc, hãy cẩn thận để không móc tay cần vào thép cây, sau đó kéo dụng cụ lên.
▶ **Hình40**

Lưu ý khi làm việc

- Nếu bạn di chuyển tay cần khởi vị trí buộc trong quá trình buộc dây, dây sẽ bị kẹt vào móc, có thể dẫn đến buộc không chính xác.
- Tiếp tục nhấn dụng cụ áp vào các thép cây đến khi hoàn tất quá trình buộc dây.
- Không di chuyển đến điểm buộc tiếp theo cho đến khi quá trình buộc hiện tại hoàn tất.

- Bộ phận quay ở đầu dụng cụ (móc) xoắn dây trong quá trình buộc dây. Cầm chắc tay cầm để dụng cụ không kéo ngã bạn.
- Không chạm vào dây trong quá trình buộc dây.
- Nếu bạn đang lặp lại quá trình buộc dây ở chế độ thao tác đơn, hãy hoàn toàn thả ngón tay khỏi cần khởi động công tắc. Sau đó, tiếp tục vận hành cần khởi động công tắc.
- Nếu bạn kéo cần khởi động công tắc khi không có dây nối điện, sẽ có lỗi được hiển thị. Thay thế bằng dây nối điện mới và khởi động lại dụng cụ.

Mẹo buộc

- Nghiêng dụng cụ ở góc 45° so với thép cây cắt chéo, và buộc dây theo các hướng xen kẽ như thể hiện trong hình.
▶ **Hình41**
- Buộc dây lên phần phẳng (không gồ ghề) của các thanh thép cắt chéo.
▶ **Hình42**
- Nếu cường độ buộc không đủ, hãy thay đổi hướng buộc và thực hiện buộc hai lần để tăng cường độ buộc.
▶ **Hình43**

CHÚ Ý: Khi bạn buộc lần hai, hãy uốn cong phần đui của dây ở lần buộc đầu tiên trước khi buộc lần hai. Nếu không, dây có thể bị đẩy lùi lần hai. Dây có thể bám vào mũi dụng cụ, và móc có thể bị hỏng.

Thay dây nối điện

⚠ THẬN TRỌNG: Khi bạn thay dây, hãy chắc chắn đã tắt nguồn, khóa cần khởi động, và tháo hộp pin. Không làm như vậy có thể gây ra tai nạn.

1. Khi dây được sử dụng hết, một âm báo lỗi sẽ vang lên và lỗi "1" sẽ được hiển thị.
2. Khóa cần khởi động, tắt nguồn và tháo hộp pin.
3. Đẩy cần nhả, và khóa dụng cụ bằng cần khóa.
▶ **Hình44:** 1. Cần nhả 2. Cần khóa
4. Tháo ống quấn dây ra khỏi dụng cụ.

LƯU Ý: Bình thường khi dây được sử dụng hết, sẽ còn lại khoảng 20 cm dây quấn trên ống quấn. Trong trường hợp này, hãy thay ống quấn dây mới.

Nếu khó tháo ống quấn dây khỏi dụng cụ, hãy làm theo các bước dưới đây.

1. Lắp hộp pin vào dụng cụ và bật nguồn. Dụng cụ sẽ nạp dây và tự động cắt.
2. Khóa cần khởi động, tắt nguồn và tháo hộp pin.
3. Loại bỏ các dây gãy vỡ bằng các dụng cụ như kìm hoặc kim.

BẢO TRÌ

⚠ THẬN TRỌNG: Hãy luôn chắc chắn rằng dụng cụ đã được tắt và hộp pin đã được tháo ra trước khi cố gắng thực hiện việc kiểm tra hay bảo dưỡng.

CHÚ Ý: Không được phép dùng xăng, ét xăng, dung môi, cồn hoặc hóa chất tương tự. Có thể xảy ra hiện tượng mất màu, biến dạng hoặc nứt vỡ.

Để đảm bảo ĐỘ AN TOÀN và ĐỘ TIN CẬY của sản phẩm, việc sửa chữa hoặc bất cứ thao tác bảo trì, điều chỉnh nào đều phải được thực hiện bởi các Trung tâm Dịch vụ Nhà máy hoặc Trung tâm được Makita Ủy quyền và luôn sử dụng các phụ tùng thiết bị thay thế của Makita.

Vệ sinh phần cắt

Khi dụng cụ được sử dụng, bụi và mảnh dây có thể dính chặt vào phần cắt. Trong trường hợp đó, hãy vệ sinh phần cắt theo quy trình sau. Việc vệ sinh nên được thực hiện mỗi khi bạn sử dụng hết một hộp ống quần. (50 cái)

Sử dụng chổi kim loại

- Mở nắp ống quần.
▶ **Hình45:** 1. Nắp ống quần
- Đẩy cần nhả, và khóa dụng cụ bằng cần khóa.
▶ **Hình46:** 1. Cần nhả 2. Cần khóa
- Đưa chổi kim loại qua thanh dẫn.
Khi lắp chổi kim loại, hãy cầm ngắn và đẩy vào thanh dẫn từng chút một.
▶ **Hình47:** 1. Chổi kim loại
▶ **Hình48:** 1. Bánh răng 2. Thanh dẫn 3. Chổi kim loại
- Đẩy chổi kim loại vào cho đến khi đầu trên của chổi kim loại ra khỏi đầu tay cần. Sau đó kéo chổi kim loại ra. Thao tác này là đủ với một lần.
▶ **Hình49:** 1. Tay cần 2. Chổi kim loại
- Đóng nắp ống quần.
▶ **Hình50:** 1. Nắp ống quần

Sử dụng súng hút bụi

Mở nắp ống quần, đẩy cần nhả, và khóa bằng cần khóa. Và đưa súng hút bụi lại gần thanh dẫn và thổi khí. Đảm bảo không khí đi ra từ đầu tay cần.
▶ **Hình51:** 1. Súng hút bụi 2. Thanh dẫn

Vệ sinh bằng việc tháo rời

Nếu phần cắt bị tắc nghẽn hoặc dây bị kẹt trong đó, hãy tháo rời các bộ phận và vệ sinh chúng.

Tháo và vệ sinh

- Nới lỏng bu-lông A và bu-lông B bằng cờ lê lục giác có trong bộ dụng cụ.
▶ **Hình52:** 1. Cờ lê lục giác
▶ **Hình53:** 1. Bu-lông A 2. Bu-lông B 3. Nắp bàn tiếp xúc 4. Dây dẫn B

CHÚ Ý: Không dùng sức tháo bất kỳ bu-lông nào không thể tháo ra bằng cờ lê lục giác.

- Kéo nắp bàn tiếp xúc lên theo hướng mũi tên và tháo ra. Bu-lông B sẽ được tháo ra cùng lúc.
▶ **Hình54:** 1. Nắp bàn tiếp xúc 2. Bu-lông B
- Tháo bu-lông A, và tháo dây dẫn B.
▶ **Hình55:** 1. Bu-lông A 2. Dây dẫn B
- Lật dây dẫn B ra và vệ sinh bên trong.
▶ **Hình56**
- Tháo tấm trên, máy cắt B, cần ghép A và máy cắt A từ tấm đệm cánh tay A. Sau đó, vệ sinh các bộ phận này.
▶ **Hình57:** 1. Tấm trên 2. Máy cắt B 3. Cần ghép A 4. Máy cắt A 5. Tấm đệm cánh tay A

Lắp ráp

Khi vệ sinh xong, lắp các bộ phận lại theo quy trình sau.

- Lắp máy cắt A và cần ghép A khớp với hình dạng của tấm đệm cánh tay A.
▶ **Hình58:** 1. Máy cắt A 2. Cần ghép A 3. Tấm đệm cánh tay A
- Lắp máy cắt B và bản trên vào tấm đệm cánh tay A.
(Lắp máy cắt B vào máy cắt A và cần ghép A.)
▶ **Hình59:** 1. Máy cắt B 2. Tấm trên 3. Tấm đệm cánh tay A 4. Máy cắt A 5. Cần ghép A

CHÚ Ý: Đặt gờ nhô ra của máy cắt B hướng xuống, và lắp máy cắt như minh họa trong hình vẽ.

- Căn chỉnh ống nổi của dụng cụ với rãnh bên trong dây dẫn B, và lắp ráp chúng.
▶ **Hình60:** 1. Ống 2. Rãnh 3. Dây dẫn B
- Cố định dây dẫn B bằng cách tạm thời vặn chặt bu-lông A.
▶ **Hình61:** 1. Bu-lông A 2. Dây dẫn B
- Lắp bàn tiếp xúc theo hướng mũi tên.
▶ **Hình62:** 1. Nắp bàn tiếp xúc
- Cố định dây dẫn B và nắp bàn tiếp xúc an toàn bằng cách vặn chặt bu-lông A và bu-lông B.
▶ **Hình63:** 1. Dây dẫn B 2. Nắp bàn tiếp xúc 3. Bu-lông A 4. Bu-lông B
- Sau khi lắp ráp, hãy xác nhận bàn tiếp xúc có thể di chuyển như minh họa trong hình.
▶ **Hình64:** 1. Bàn tiếp xúc

LƯU Ý: Nếu bàn tiếp xúc bị vướng, hãy nhấn bàn tiếp xúc như minh họa trong hình.

- ▶ **Hình65**

Hiện thị lỗi và âm báo lỗi

⚠ THẬN TRỌNG: Trong khi kiểm tra, hãy chắc chắn đã khóa cần khởi động, tắt nguồn và tháo hộp pin. Không làm như vậy có thể gây ra tai nạn.

⚠ THẬN TRỌNG: Khi bạn bật nguồn, không bao giờ để chân tay hoặc mặt của bạn đến gần các bộ phận bó kẹt hoặc quay của đầu dụng cụ. Nếu không, bạn có thể bị thương.

⚠ THẬN TRỌNG: Khi bật nguồn, không bao giờ chạm vào các bộ phận bó kẹt hoặc quay của đầu dụng cụ. Nếu không, bạn có thể bị thương.

⚠ THẬN TRỌNG: Nếu âm báo lỗi vang lên, hoặc nếu dụng cụ gặp trục trặc, ngay lập tức ngừng sử dụng dụng cụ.

Âm báo lỗi và hiện thị

Nếu xảy ra lỗi, âm báo lỗi sẽ vang lên, và số lỗi sẽ được hiển thị trên bảng hiển thị. Tham khảo bảng dưới đây và thực hiện hành động thích hợp. Nếu vẫn còn lỗi, hãy nhờ Trung tâm dịch vụ Makita được ủy quyền sửa chữa.

Màn hình	Hiện tượng	Nguyên nhân có thể xảy ra	Giải pháp
1	Dụng cụ ngừng vận hành.	Dây đã được sử dụng hết.	Tải dây nối điện mới.
		Không tải được dây nối điện.	Tải dây nối điện.
		Không nạp dây được.	Kiểm tra hướng của dây nối điện. Tháo dây nối điện và tải lại. Vệ sinh đường dẫn dây.
2	Dụng cụ ngừng vận hành.	Hướng dẫn cuộn đang mở.	Đóng hướng dẫn cuộn.
3	Dụng cụ không thực hiện quá trình bước ở chế độ thao tác liên tục.	Bàn nắm tiếp xúc bị vướng.	Nhà bàn tiếp xúc bị vướng ra.
4	Dụng cụ không khởi động. Dụng cụ dừng vận hành.	Pin đã được xả. Nhiệt độ của hộp pin cao bất thường.	Sạc lại pin. Làm mát hộp pin. Thay thế hộp pin bằng pin đã sạc.
5	Dụng cụ ngừng vận hành.	Động cơ bị quá tải.	Xác định nguyên nhân gây cản trở chuyển động quay của động cơ và giải quyết vấn đề.
		Lỗi động cơ	
6	Dụng cụ ngừng vận hành.	Nhiệt độ của dụng cụ cao bất thường.	Làm mát dụng cụ.
7	Dụng cụ không khởi động. Dụng cụ dừng vận hành.	Lỗi dụng cụ	Hãy nhờ Trung tâm dịch vụ được Makita ủy quyền sửa chữa.

PHỤ KIỆN TỰ CHỌN

⚠ THẬN TRỌNG: Các phụ kiện hoặc phụ tùng gắn thêm này được khuyến cáo sử dụng với dụng cụ Makita của bạn theo như quy định trong hướng dẫn này. Việc sử dụng bất cứ phụ kiện hoặc phụ tùng gắn thêm nào khác đều có thể gây ra rủi ro thương tích cho người. Chỉ sử dụng phụ kiện hoặc phụ tùng gắn thêm cho mục đích đã quy định sẵn của chúng.

Nếu bạn cần bất kỳ sự hỗ trợ nào để biết thêm chi tiết về các phụ tùng này, hãy hỏi Trung tâm Dịch vụ của Makita tại địa phương của bạn.

- Dây nối điện
- Dây dẫn B hoàn chỉnh (EG)
- Chổi kim loại
- Tay cầm mở rộng
- Pin và bộ sạc chính hãng của Makita

LƯU Ý: Một số mục trong danh sách có thể được bao gồm trong gói dụng cụ làm phụ kiện tiêu chuẩn. Các mục này ở mỗi quốc gia có thể khác nhau.

ข้อมูลจำเพาะ

รุ่น:	DTR181	
ลวดรัด (อุปกรณ์เสริม)	ลวดรัดเหล็กถอบอ่อน	Ø0.8 mm
	ลวดรัดเคลือบโพลี	Ø0.9 mm
	ลวดรัดชุบกล้าไนซ์ ^{*1}	Ø0.8 mm
จำนวนการรัดโดยประมาณต่อม้วน	ลวดรัดเหล็กถอบอ่อน	ประมาณ 75 ครั้ง
	ลวดรัดเคลือบโพลี	ประมาณ 65 รอบ
	ลวดรัดชุบกล้าไนซ์ ^{*1}	ประมาณ 75 รอบ
ความยาวโดยรวม	317 mm	
แรงดันไฟฟ้าสูงสุด	D.C. 18 V	
น้ำหนักสุทธิ	2.4 - 2.7 kg	

^{*1} มีเฉพาะเมื่อมีการติดตั้งชุดร่อนนำลวดเสริม B (EG) ในแกน

- เนื่องจากการค้นคว้าวิจัยและพัฒนาอย่างต่อเนื่อง ข้อมูลจำเพาะในเอกสารฉบับนี้อาจเปลี่ยนแปลงได้โดยไม่ต้องแจ้งให้ทราบล่วงหน้า
- ข้อมูลจำเพาะและตลับแบตเตอรี่อาจแตกต่างกันไปในแต่ละประเทศ
- น้ำหนักอาจแตกต่างกันไปตามอุปกรณ์เสริม รวมถึงตลับแบตเตอรี่ การติดอุปกรณ์เสริมที่เบาที่สุดและหนักที่สุดตามข้อบังคับของ EPTA 01/2014 มีแสดงอยู่ในตาราง

ตลับแบตเตอรี่และเครื่องชาร์จที่ใช้ได้

ตลับแบตเตอรี่	BL1815N / BL1820B / BL1830B / BL1840B / BL1850B / BL1860B
เครื่องชาร์จ	DC18RC / DC18RD / DC18RE / DC18SD / DC18SE / DC18SF / DC18SH / DC18WC

- ตลับแบตเตอรี่และเครื่องชาร์จบางรายการที่แสดงอยู่ด้านบนอาจไม่มีวางจำหน่ายขึ้นอยู่กับภูมิภาคที่คุณอาศัยอยู่

⚠ คำเตือน: ใช้ตลับแบตเตอรี่และเครื่องชาร์จที่ระบุไว้ข้างบนเท่านั้น การใช้ตลับแบตเตอรี่และเครื่องชาร์จประเภทอื่นอาจก่อให้เกิดความเสี่ยงที่จะได้รับบาดเจ็บและ/หรือเกิดไฟไหม้

ชุดเหล็กเส้นที่สามารถรัดได้

ชุดเหล็กเส้น 2 เส้น

	#4 (13 mm)	#5 (16 mm)	#6 (19 mm)	#7 (22 mm)
#4 (13 mm)	✓*	-	-	-
#5 (16 mm)	✓*	✓	-	-
#6 (19 mm)	✓	✓	✓	-
#7 (22 mm)	✓	✓	✓	✓
#8 (25 mm)	✓	✓	✓	✓
#9 (29 mm)	✓	✓	✓	-
#10 (32 mm)	✓	✓	-	-
#11 (35 mm)	✓	-	-	-

* การใช้งานในรูปแบบนี้ไม่รองรับการรัดแน่นในระดับสูง

ชุดเหล็กเส้น 3 เส้น

	#3 x #3 (10 mm x 10 mm)	#4 x #4 (13 mm x 13 mm)	#5 x #5 (16 mm x 16 mm)
#3 (10 mm)	✓*	✓	✓
#4 (13 mm)	✓*	✓	✓
#5 (16 mm)	✓	✓	✓
#6 (19 mm)	✓	✓	✓
#7 (22 mm)	✓	✓	✓
#8 (25 mm)	✓	✓	✓

* การใช้งานในรูปแบบนี้ไม่รองรับการรัดแน่นในระดับสูง

ชุดเหล็กเส้น 4 เส้น

	#3 x #3 (10 mm x 10 mm)	#4 x #4 (13 mm x 13 mm)
#3 x #3 (10 mm x 10 mm)	✓	✓
#4 x #4 (13 mm x 13 mm)	✓	✓
#5 x #5 (16 mm x 16 mm)	✓	✓

ข้อสังเกต: หากมีช่องว่างระหว่างเหล็กเส้น หรือหากเครื่องมือถูกใช้ในทิศทางที่ไม่ถูกต้อง อาจไม่สามารถรัดเหล็กเส้นได้

สัญลักษณ์

ต่อไปนี้เป็นสัญลักษณ์ที่อาจใช้สำหรับอุปกรณ์ โปรดศึกษาความหมายของสัญลักษณ์ให้เข้าใจก่อนการใช้งาน



อ่านคู่มือการใช้งาน



สวมแว่นตานิรภัย



อย่าปล่อยให้โดนฝน



ดูแลให้มืออยู่ห่างจากม้วนลวดหรือลวดเมื่อใช้งานเครื่องมือ



ดูแลให้มืออยู่ห่างจากส่วนปลายของอุปกรณ์



กดปุ่มปล่อยก่อนใส่ลวดตัด เมื่อติดตั้งลวดตัดแล้ว ให้ปล่อยก้านลีด



NI-MH
Li-ion

สำหรับประเทศในสหภาพยุโรปเท่านั้น เนื่องจากในอุปกรณ์นี้มีส่วนประกอบอันตราย ชยะจำพวกอุปกรณ์ไฟฟ้า และอิเล็กทรอนิกส์ แบตเตอรี่ และหม้อแปลงไฟฟ้าจึงอาจส่งผลกระทบต่อสิ่งแวดล้อมและสุขภาพของมนุษย์ในเชิงลบ อย่างไรก็ตามการใช้ไฟฟ้าและอิเล็กทรอนิกส์หรือแบตเตอรี่ร่วมกับวัสดุเหลือทิ้งในครัวเรือน!

เพื่อให้เป็นไปตามกฎระเบียบของยุโรปว่าด้วยขยะจำพวกอุปกรณ์ไฟฟ้าและอิเล็กทรอนิกส์ และหม้อแปลงไฟฟ้าและแบตเตอรี่ และขยะจำพวกหม้อสะสมไฟฟ้าและแบตเตอรี่ รวมถึงการบังคับใช้ตามกฎหมายภายในประเทศ ควรมีการจัดเก็บขยะจำพวกอุปกรณ์ไฟฟ้า แบตเตอรี่ และหม้อสะสมไฟฟ้าแยกต่างหากและส่งไปยังจุดรับขยะต่างหากในเขตเทศบาลซึ่งมีการดำเนินการตามระเบียบว่าด้วยการดูแลสิ่งแวดล้อม โดยระบุด้วยสัญลักษณ์เส้นคาดขวางรูปถังขยะแบบมีล้อไว้บนอุปกรณ์

จุดประสงค์การใช้งาน

เครื่องมือนี้ใช้สำหรับวัดเหล็กเส้น

คำเตือนด้านความปลอดภัย

คำเตือนด้านความปลอดภัยของเครื่องมือไฟฟ้าทั่วไป

คำเตือน: โปรดอ่านคำเตือนด้านความปลอดภัย คำแนะนำ ภาพประกอบ และข้อมูลจำเพาะต่างๆ ที่ให้มา กับเครื่องมือไฟฟ้าอย่างละเอียด การไม่ปฏิบัติตามคำแนะนำดังต่อไปนี้ อาจส่งผลให้เกิดไฟฟ้าช็อต ไฟไหม้ และ/หรือได้รับบาดเจ็บอย่างร้ายแรงได้

เก็บรักษาคำเตือนและคำแนะนำทั้งหมดไว้

เป็นข้อมูลอ้างอิงในขนาด

คำว่า “เครื่องมือไฟฟ้า” ในคำเตือนนี้หมายถึงเครื่องมืองไฟฟ้า (มีสาย) ที่ทำงานโดยใช้กระแสไฟฟ้าหรือเครื่องมืองไฟฟ้า (ไร้สาย) ที่ทำงานโดยใช้แบตเตอรี่

ความปลอดภัยของพื้นที่ทำงาน

1. ดูแลพื้นที่ทำงานให้มีความสะอาดและมีแสงไฟสว่าง พื้นที่ที่กระเบื้องกระเบื้องหรือมิดที่บิดงอเข้าไปสู่การเกิดอุบัติเหตุได้
2. อย่าวางงานเครื่องมือไฟฟ้าในสภาพที่อาจเกิดการระเบิด เช่น ในสถานที่ที่มีของเหลว ก๊าซ หรือฝุ่นผงที่มีคุณสมบัติไวไฟ เครื่องมือไฟฟ้าอาจสร้างประกายไฟและจุดชนวนฝุ่นผงหรือก๊าซดังกล่าว
3. ดูแลไม่ให้มีเด็กหรือบุคคลอื่นอยู่ในบริเวณที่กำลังใช้เครื่องมือไฟฟ้า การมีสิ่งรบกวนสมาธิอาจทำให้คุณสูญเสียการควบคุม

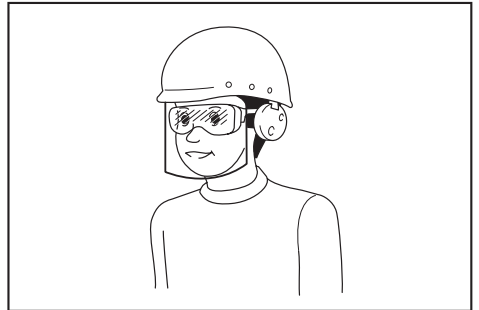
ความปลอดภัยด้านไฟฟ้า

1. ปลั๊กของเครื่องมือไฟฟ้าต้องพอดีกับเต้ารับ อย่าดัดแปลงปลั๊กไม่ว่ากรณีใดๆ อย่าใช้ปลั๊กอะแดปเตอร์กับเครื่องมือไฟฟ้าที่ต่อสายดิน ปลั๊กที่ไม่ถูกดัดแปลงและเต้ารับที่เข้ากันพอดีจะช่วยลดความเสี่ยงของการเกิดไฟฟ้าช็อต
2. ระมัดระวังให้ร่างกายสัมผัสกับพื้นผิวที่ต่อสายดิน เช่น ท่อ เครื่องนำความร้อน เตาหุงต้ม และตู้เย็น มีความเสี่ยงที่จะเกิดไฟฟ้าช็อตสูงขึ้น หากร่างกายของคุณสัมผัสกับพื้น
3. อย่าวางเครื่องมือไฟฟ้าถูกน้ำหรืออยู่ในสภาพเปียกชื้น น้ำที่ไหลเข้าไปในเครื่องมือไฟฟ้าจะเพิ่มความเสี่ยงของการเกิดไฟฟ้าช็อต

- อย่าใช้สายไฟอย่างไม่เหมาะสม อย่าใช้สายไฟเพื่อ ยก ดึง หรือถอดปลั๊กเครื่องมือไฟฟ้า เก็บสายไฟให้ ห่างจากความร้อน น้ำมัน ของมีคม หรือชิ้นส่วนที่ เคลื่อนที่ สายที่ชำรุดหรือพันกันจะเพิ่มความเสี่ยง ของการเกิดไฟฟ้าช็อต
- ขณะที่ใช้งานเครื่องมือไฟฟ้านอกอาคาร ควรใช้สาย ต่อพ่วงที่เหมาะสมกับงานภายนอกอาคาร การใช้สาย ที่เหมาะสมกับงานภายนอกอาคารจะลดความเสี่ยง ของการเกิดไฟฟ้าช็อต
- หากต้องใช้งานเครื่องมือไฟฟ้าในสถานที่เปียกชื้น ให้ ใช้อุปกรณ์ป้องกันกระแสไฟรั่ว (RCD) การใช้ RCD จะลดความเสี่ยงของการเกิดไฟฟ้าช็อต
- เครื่องมือไฟฟ้าอาจสร้างสนามแม่เหล็ก (EMF) ที่ไม่ เป็นอันตรายต่อผู้ใช้ อย่างไรก็ตาม ผู้ใช้ที่ใส่เครื่อง กระตุ้นหัวใจและอุปกรณ์ทางการแพทย์ที่คล้ายกันนี้ ควรติดต่อผู้ผลิตอุปกรณ์และ/หรือแพทย์เพื่อรับคำ แนะนำก่อนใช้งานเครื่องมือไฟฟ้านี้
- แต่งกายให้เหมาะสม อย่าสวมเครื่องแต่งกายที่หลวม เกินไป หรือสวมเครื่องประดับ ดูแลไม่ให้เส้นผมและ เลือ่ผ้าอยู่ใกล้ชิ้นส่วนที่เคลื่อนที่ เลือ่ผ้ารุ่มร่าม เครื่อง ประดับ หรือผมที่มีความยาวอาจเข้าไปติดในชิ้นส่วนที่ เคลื่อนที่
- หากมีการจัดอุปกรณ์สำหรับดูดและจับฝุ่นไว้ใน สถานที่ ให้ตรวจสอบว่าได้เชื่อมต่อและใช้งานอุปกรณ์ นั้นอย่างเหมาะสม การใช้เครื่องดูดและจับฝุ่นจะ ช่วยลดอันตรายที่เกิดจากฝุ่นผงได้
- อย่าให้ความคุ้นเคยจากการใช้งานเครื่องมือเป็น ประจําทำให้คุณทำตัวตามสบายและละเลยหลักการ เพื่อความปลอดภัยในการใช้เครื่องมือ การกระทำที่ไม่ ระมัดระวังอาจทำให้เกิดการบาดเจ็บร้ายแรงภายใน เลี้ยววินาที
- สวมใส่แว่นครอบตานิรภัยเพื่อปกป้องดวงตาของคุณ จากการบาดเจ็บเมื่อใช้เครื่องมือไฟฟ้า แว่นครอบ ตาจะต้องได้มาตรฐาน ANSI Z87.1 ในสหรัฐอเมริกา, EN 166 ในยุโรป หรือ AS/NZS 1336 ในออสเตรเลีย/ นิวซีแลนด์ ในออสเตรเลีย/นิวซีแลนด์ จะต้องสวม กระจกป้องกันใบหน้าเพื่อปกป้องใบหน้าของคุณอย่าง ถูกต้องตามกฎหมายด้วย

ความปลอดภัยส่วนบุคคล

- ให้ระมัดระวังและมีสติอยู่เสมอขณะใช้งานเครื่องมือ ไฟฟ้า อย่าใช้งานเครื่องมือไฟฟ้าในขณะที่คุณกำลัง เหนื่อย หรือในสภาพที่มึนเมาจากยาเสพติด เครื่อง ดื่ม แอลกอฮอล์ หรือการใช้ยา ช่วงเวลาที่ขาดความ ระมัดระวังเมื่อกำลังใช้งานเครื่องมือไฟฟ้าอาจทำให้ได้ รับบาดเจ็บร้ายแรง
- ใช้อุปกรณ์ป้องกันส่วนบุคคล สวมแว่นตาป้องกันเสมอ อุปกรณ์ป้องกัน เช่น หน้ากากกันฝุ่น รองเท้านิรภัย กันลื่น หมวกนิรภัย หรือเครื่องป้องกันการได้ยินที่ใช้ ในสภาพที่เหมาะสมจะช่วยลดการบาดเจ็บ
- ป้องกันไม่ให้เกิดการเปิดใช้งานโดยไม่ตั้งใจ ตรวจสอบ ให้แน่ใจว่าสวิตช์ปิดอยู่ก่อนที่จะเชื่อมต่อกับแหล่งจ่าย ไฟ และ/หรือชุดแบตเตอรี่ รวมทั้งตรวจสอบก่อนการ ยกหรือเคลื่อนย้ายเครื่องมือ การสอดนิ้วมือบริเวณ สวิตช์เพื่อถือเครื่องมือไฟฟ้า หรือการชาร์จไฟเครื่อง มือไฟฟ้าในขณะที่เปิดสวิตช์อยู่อาจนำไปสู่การเกิด อุบัติเหตุ
- นำกุญแจปรับตั้งหรือประแจออกก่อนที่จะเปิดเครื่อง มือไฟฟ้า ประแจหรือกุญแจที่เสียบค้างอยู่ในชิ้นส่วนที่ หมุนได้ของเครื่องมือไฟฟ้าอาจทำให้ได้รับบาดเจ็บ
- อย่าทำงานในระยะที่สูดไอ้ม จัดท่ากรงยืนและการ ทรงตัวให้เหมาะสมตลอดเวลา เพราะจะทำให้ควบคุม เครื่องมือไฟฟ้าได้ดีขึ้นในสถานการณ์ที่ไม่คาดคิด



ผู้ว่าจ้างมีหน้าที่รับผิดชอบในการบังคับผู้ใช้งานเครื่องมือและบุคคลอื่นๆ ที่อยู่ในบริเวณที่ปฏิบัติงานให้ใช้อุปกรณ์ป้องกันที่เหมาะสม

การใช้และดูแลเครื่องมือไฟฟ้า

- อย่าฝืนใช้เครื่องมือไฟฟ้า ใช้เครื่องมือไฟฟ้าที่เหมาะสมกับการใช้งานของคุณ เครื่องมือไฟฟ้าที่เหมาะสม จะทำให้ได้งานที่มีประสิทธิภาพและปลอดภัยกว่าตามขีดความสามารถของเครื่องที่ได้รับการออกแบบมา
- อย่าใช้เครื่องมือไฟฟ้า หากสวิตช์ไม่สามารถเปิดปิดได้ เครื่องมือไฟฟ้าที่ควบคุมด้วยสวิตช์ไม่ได้เป็นสิ่ง อันตรายและต้องได้รับการซ่อมแซม

3. ถอดปลั๊กจากแหล่งจ่ายไฟ และ/หรือชุดแบตเตอรี่ ออกจากเครื่องมือไฟฟ้าก่อนทำการปรับตั้ง เปลี่ยน อุปกรณ์เสริม หรือจัดเก็บเครื่องมือไฟฟ้า วิธีการ ป้องกันด้านความปลอดภัยดังกล่าวจะช่วยลดความเสี่ยงในการเปิดใช้งานเครื่องมือไฟฟ้าโดยไม่ตั้งใจ
4. จัดเก็บเครื่องมือไฟฟ้าที่ไม่ได้ใช้งานให้ห่างจากมือเด็ก และอย่าอนุญาตให้บุคคลที่ไม่คุ้นเคยกับเครื่องมือไฟฟ้าหรือคำแนะนำเหล่านี้ใช้งานเครื่องมือไฟฟ้า เครื่องมือไฟฟ้าจะเป็นอันตรายเมื่ออยู่ในมือของผู้ที่ไม่ได้รับการฝึกอบรม
5. บำรุงรักษาเครื่องมือไฟฟ้าและอุปกรณ์เสริม ตรวจสอบการประกอบที่ไม่ถูกต้องหรือการเชื่อมต่อของชิ้นส่วนที่เคลื่อนที่ การแตกหักของชิ้นส่วน หรือสภาพอื่นๆ ที่อาจส่งผลกระทบต่อการทำงานของเครื่องมือไฟฟ้า หากมีความเสียหาย ให้นำเครื่องมือไฟฟ้าไปซ่อมแซมก่อนการใช้งาน อุบัติเหตุจำนวนมากเกิดจากการดูแลรักษาเครื่องมือไฟฟ้าอย่างไม่ถูกต้อง
6. ทำความสะอาดเครื่องมือตัดและลับให้คมอยู่เสมอ เครื่องมือการตัดที่มีการดูแลอย่างถูกต้องและมีขอบการตัดคมมักจะมีปัญหาติดขัดน้อยและควบคุมได้ง่ายกว่า
7. ใช้เครื่องมือไฟฟ้า อุปกรณ์เสริม และวัสดุสิ้นเปลือง ชลข ตามคำแนะนำดังกล่าวกว่า จารณาสภาพการทำงานและงานที่จะลงมือทำ การใช้เครื่องมือไฟฟ้าเพื่อทำงานอื่นนอกเหนือจากที่กำหนดไว้อาจทำให้เกิดอันตราย
8. ดูแลมือจับและบริเวณมือจับให้แห้ง สะอาด และไม่มีน้ำมันและจารบีเปื้อน มือจับและบริเวณมือจับที่ลื่นจะทำให้ไม่สามารถจับและควบคุมเครื่องมือได้อย่างปลอดภัยในสถานการณ์ที่ไม่คาดคิด
9. ขณะใช้งานเครื่องมือ อย่าสวมใส่ถุงมือผ้าที่อาจเข้าไปติดในเครื่องมือได้ หากถุงมือผ้าเข้าไปติดในชิ้นส่วนที่กำลังเคลื่อนที่อยู่อาจทำให้ได้รับบาดเจ็บ

การใช้งานและดูแลเครื่องมือที่ใช้แบตเตอรี่

1. ชาร์จไฟใหม่ด้วยเครื่องชาร์จที่ระบุโดยผู้ผลิตเท่านั้น เครื่องชาร์จที่เหมาะสมสำหรับชุดแบตเตอรี่ประเภทหนึ่ง อาจเสี่ยงที่จะเกิดไฟไหม้หากนำไปใช้กับชุดแบตเตอรี่อีกประเภทหนึ่ง
2. ใช้เครื่องมือไฟฟ้ากับชุดแบตเตอรี่ที่กำหนดมาโดยเฉพาะเท่านั้น การใช้ชุดแบตเตอรี่ประเภทอื่นอาจทำให้เสี่ยงที่จะได้รับบาดเจ็บและเกิดไฟไหม้

3. เมื่อไม่ใช้งานชุดแบตเตอรี่ ให้เก็บห่างจากวัตถุที่เป็นโลหะอื่นๆ เช่น คลิปหนีบกระดาษ เหรียญ กุญแจ กรรไกรตัดเล็บ สกรู หรือวัตถุที่เป็นโลหะขนาดเล็กอื่นๆ ที่สามารถเชื่อมต่อขั้วหนึ่งกับอีกขั้วหนึ่งได้ การลัดวงจรขั้วแบตเตอรี่อาจทำให้อุณหภูมิหรือเกิดไฟไหม้
4. ในกรณีที่ใช้งานไม่ถูกต้อง อาจมีของเหลวไหลออกจากแบตเตอรี่ ให้หลีกเลี่ยงการสัมผัส หากสัมผัส โดนของเหลวโดยไม่ตั้งใจ ให้ล้างออกด้วยน้ำ หากของเหลวกระเด็นเข้าตา ให้รีบไปพบแพทย์ ของเหลวที่ไหลออกจากแบตเตอรี่อาจทำให้ผิวหนังระคายเคืองหรือไหม้
5. ห้ามใช้ชุดแบตเตอรี่หรือเครื่องมือที่ชาร์จหรือมีการแก้ไข แบตเตอรี่ที่เสียหายหรือมีการแก้ไขอาจทำให้เกิดสิ่งที่คาดไม่ถึงได้ เช่น ไฟไหม้ ระเบิด หรือเสี่ยงต่อการบาดเจ็บ
6. ห้ามให้ชุดแบตเตอรี่อยู่ใกล้ไฟ หรือบริเวณที่มีอุณหภูมิสูงเกิน หากโดนไฟ หรืออุณหภูมิสูงเกิน 130 °C อาจก่อให้เกิดการระเบิดได้
7. กรณปฏิบัติตามคำแนะนำสำหรับการชาร์จไฟ และห้ามชาร์จแบตเตอรี่หรือเครื่องมือในบริเวณที่มีอุณหภูมินอกเหนือไปจากที่ระบุในคำแนะนำ การชาร์จไฟที่ไม่เหมาะสม หรืออุณหภูมินอกเหนือไปจากช่วงอุณหภูมิที่ระบุในคำแนะนำอาจทำให้แบตเตอรี่เสียหายและเป็นการเพิ่มความเสี่ยงในการเกิดไฟไหม้

การซ่อมบำรุง

1. นำเครื่องมือไฟฟ้าเข้ารับบริการจากช่างซ่อมที่ผ่านการรับรองโดยช่างไหลแบบเดียวกันเท่านั้น เพราะจะทำให้การใช้เครื่องมือไฟฟ้ามีความปลอดภัย
2. ห้ามใช้ชุดแบตเตอรี่ที่เสียหาย ชุดแบตเตอรี่ที่ใช้ควรเป็นชุดที่มาจากผู้ผลิต หรือผู้ให้บริการที่ได้รับอนุญาตเท่านั้น
3. ปฏิบัติตามคำแนะนำในการหล่อลื่นและการเปลี่ยนอุปกรณ์เสริม

คำเตือนด้านความปลอดภัยเกี่ยวกับเครื่องรัดเหล็กเส้นไฟฟ้าไร้สาย

1. อย่าหันเครื่องมือไปทางบุคคลอื่น อย่าวางมือหรือเท้าใกล้กับส่วนปลายของเครื่องมือ หากคุณใช้งานเครื่องมือโดยไม่ตั้งใจในขณะที่สัมผัสกับบุคคลอื่น อาจทำให้เกิดอุบัติเหตุที่ไม่คาดคิดได้
2. อย่าใส่ลวดในขณะที่ปิดเครื่องมืออยู่ ไม่เช่นนั้น คุณอาจถูกลวดเกี่ยวและได้รับบาดเจ็บได้
3. อย่าใช้เครื่องมือโดยไม่ปิดฝาครอบม้วนลวด ไม่เช่นนั้น ม้วนลวดอาจหลุดออกและทำให้เกิดอุบัติเหตุได้

4. ตรวจสอบให้แน่ใจว่าเส้นผ่านศูนย์กลางของเหล็กเส้นที่ถูกร้อยอยู่ในความสามารถของเครื่องมือก่อนเริ่มงาน
5. สวมใส่เสื้อผ้าที่มีชายเสื้อและแขนเสื้อที่แนบพอดีกับร่างกาย อย่าทำงานโดยพาดผ้าขนหนูหรือวัตถุอื่นๆ รอบคอของคุณ ไม่เช่นนั้น สิ่งดังกล่าวอาจเข้าไปติดในชิ้นส่วนหมุนและทำให้เกิดอุบัติเหตุได้
6. ตรวจสอบจุดต่างๆ ต่อไปนี้ก่อนใช้งานเครื่องมือ
 - ตรวจสอบว่าไม่มีชิ้นส่วนใดเสียหาย
 - ตรวจสอบว่าไม่มีสลักเกลียวตัวใดหลวม
 - ตรวจสอบว่าอุปกรณ์นิรภัยทำงานได้อย่างปกติ
7. หากพบความผิดปกติใดๆ ให้หยุดใช้เครื่องมือทันที อย่าซ่อมเครื่องมือด้วยตัวเอง สอบถามศูนย์บริการของ Makita ที่อยู่ใกล้คุณเพื่อรับการซ่อม หากใช้เครื่องมือในสภาพที่ไม่สมบูรณ์ อาจทำให้เกิดอุบัติเหตุได้
8. เมื่อติดตั้งตั้บแบตเตอรี่ ตรวจสอบให้แน่ใจว่าได้ล็อคสวิตช์สั่งงานและอย่านำนิ้วของคุณบนสวิตช์สั่งงาน การใช้งานที่ไม่ถูกต้องอาจทำให้เกิดอุบัติเหตุได้
9. ระวังอย่าให้เหล็กเส้นเคลื่อนที่ขณะทำการรีด หากเหล็กเส้นเคลื่อนที่เนื่องจากการรีด คุณอาจได้รับบาดเจ็บได้
10. อย่าสัมผัสลวดในระหว่างการรีดลวด ไม่เช่นนั้น คุณอาจถูกลวดเกี่ยวและได้รับบาดเจ็บได้
11. อย่านำมือเข้าใกล้จุดที่กำลังรีดในระหว่างการรีดลวด ไม่เช่นนั้น คุณอาจถูกลวดเกี่ยวและได้รับบาดเจ็บได้
12. จับด้ามจับของเครื่องมือให้แน่นในระหว่างการรีดลวด ไม่เช่นนั้น ข้อมือของคุณอาจถูกบิดหรือร่างกายของคุณอาจถูกดึง ซึ่งอาจทำให้ได้รับบาดเจ็บได้
13. อย่าเคลื่อนไปยังจุดรีดถัดไปจนกว่าการรีดลวดในปัจจุบันจะเสร็จสมบูรณ์ ไม่เช่นนั้น คุณอาจได้รับบาดเจ็บได้
14. ระวังแรงวังงของลวดระหว่างการรีดลวด ไม่เช่นนั้น มือของคุณอาจเกี่ยวกับส่วนปลายของลวดและทำให้คุณได้รับบาดเจ็บได้
15. อย่าสัมผัสแผ่นสัมผัสในระหว่างการรีดลวด หากคุณต้องการสัมผัสแผ่นสัมผัส ให้ล็อคสวิตช์สั่งงาน หรือปิดสวิตช์ จากนั้นให้น้ำดับแบตเตอรี่ออก ไม่เช่นนั้น คุณอาจได้รับบาดเจ็บได้
16. เมื่อคุณรีดลวดเสร็จแล้ว ให้ดึงเครื่องมือขึ้นตรงๆ ไม่เช่นนั้น แขนอาจเข้าไปติดกับเหล็กเส้น ซึ่งอาจทำให้เกิดอุบัติเหตุได้
17. ระวังแรงวังงอย่าทำเครื่องมือตก กระแทก หรือชน หากเครื่องมือถูกกระทบกระเทือนอย่างรุนแรงก่อนการใช้ ให้ตรวจสอบให้แน่ใจว่าเครื่องมือไม่ได้เสียหายหรือแตกหัก และอุปกรณ์นิรภัยทำงานได้อย่างปกติ ไม่เช่นนั้น อาจเกิดอุบัติเหตุได้
18. หากมีเหตุการณ์ใดๆ ต่อไปนี้เกิดขึ้น ให้ล็อคสวิตช์สั่งงาน ปิดสวิตช์ และนำดัลับแบตเตอรี่ออกจากเครื่องมือ หากเครื่องมือทำงานอย่างไม่ถูกต้อง อาจทำให้เกิดอุบัติเหตุได้
 - หากได้ยินเสียงการทำงานทันทีที่ใส่ตั้บแบตเตอรี่
 - หากเกิดความร้อนสูง หรือมีกลิ่นหรือเสียงที่ผิดปกติ
 - เมื่อคุณกำลังดำเนินการใดๆ กับหน้าจอแสดงผลข้อผิดพลาด (สอบถามศูนย์บริการของ Makita ที่อยู่ใกล้คุณเพื่อรับการซ่อม)
 - เมื่อใส่หรือนำมันวาลวดออก
 - เมื่อคุณเคลื่อนที่ในขณะที่ถือเครื่องมือในระหว่างการทำงาน
 - เมื่อคุณไม่ได้ใช้เครื่องมือ
 - เมื่อคุณตรวจสอบหรือปรับเครื่องมือ
 - เมื่อคุณนำลวดที่พันอยู่ออก
19. ขณะทำงานบนนั่งร้าน ให้ยึดนั่งร้านให้มั่นคงและทำงานด้วยท่าทางที่คุณแน่ใจว่าจะรักษาความสมดุลของตัวเองได้ หากนั่งร้านไม่มั่นคง อาจเกิดอุบัติเหตุได้
20. เมื่อทำงานบนหลังคาหรือสถานที่ที่คล้ายกันนี้ ให้เคลื่อนที่ไปในทิศทางเดินหน้าในขณะที่ทำงาน เพื่อให้คุณสามารถเห็นว่าคุณกำลังไปตรงจุดใด หากคุณเคลื่อนที่ไปในทิศทางถอยหลังในขณะที่ทำงาน คุณอาจก้าวพลาดและทำให้เกิดอุบัติเหตุได้
21. หากคุณกำลังทำงานในสถานที่ที่ยกสูง ตรวจสอบให้แน่ใจว่าไม่มีใครอยู่ด้านล่างคุณ และระวังอย่าทำเครื่องมือใดๆ ตกลงไปในขณะที่ทำงาน การทำเครื่องมือตกอาจทำให้เกิดอุบัติเหตุได้
22. อย่าใช้เครื่องมือนี้เพื่อทำงานอื่นนอกเหนือจากการรีดลวด ไม่เช่นนั้น อาจเกิดอุบัติเหตุได้
23. ใช้ลวดของแท้ของ Makita เสมอ หากไม่ได้ใช้ลวดเป็นระยะเวลานาน อาจเกิดสนิม อย่าใช้ลวดที่เป็นสนิม ไม่เช่นนั้น อาจทำให้เกิดอุบัติเหตุได้
24. หลังการรีดแล้ว ให้ตรวจสอบว่าลวดขาดหรือไม่ เนื่องจากกรบิตมากเกินไป หากมีลวดขาด ความแน่นในการรีดจะลดลง ปรับความแน่นในการรีด แล้วรีดเหล็กเส้นอีกครั้ง

25. วางแผนของเครื่องมือให้แนบสนิทกับเหล็กเส้น หากไม่มีตำแหน่งให้แนบสนิท อาจเกิดช่องว่างระหว่างเหล็กเส้น และทำให้ความแน่นในการวัลดิกลดลง

คำแนะนำเพื่อความปลอดภัยที่สำคัญสำหรับ ดัลล์แบตเตอรี่

- ก่อนใช้งานดัลล์แบตเตอรี่ให้อ่านคำแนะนำและเครื่องหมายเตือนทั้งหมดบน (1) เครื่องชาร์จแบตเตอรี่ (2) แบตเตอรี่ และ (3) ตัวผลิตภัณฑ์ที่ใช้แบตเตอรี่
- อย่าถอดแยกชิ้นส่วนหรือทำการดัดแปลงดัลล์แบตเตอรี่ เนื่องจากอาจทำให้เกิดไฟไหม้ ความร้อนที่สูงเกินไป หรือระเบิดได้
- หากระยะเวลาที่เครื่องทำงานสั้นเกินไป ให้หยุดใช้งานทันที เนื่องจากอาจมีความเสี่ยงที่จะร้อนจัด ไหม้หรือระเบิดได้
- หากสารละลายอิเล็กโทรไลต์กระเด็นเข้าตา ให้ล้างออกด้วยน้ำเปล่าและรีบไปพบแพทย์ทันที เนื่องจากอาจทำให้ตาบอด
- ห้ามลัดวงจรดัลล์แบตเตอรี่:
 - ห้ามแตะขั้วกับวัตถุที่เป็นสื่อนำไฟฟ้าใดๆ
 - หลีกเลี่ยงการเก็บดัลล์แบตเตอรี่ไว้ในภาชนะร่วมกับวัตถุที่เป็นโลหะ เช่น กรรไกรตัดเล็บ เหรียญ ฯลฯ
 - อย่าให้ดัลล์แบตเตอรี่ถูกน้ำหรือฝน แบตเตอรี่ลัดวงจรอาจทำให้เกิดการไหลของกระแสไฟฟ้า ร้อนจัด ไหม้หรือเสียหายได้
- ห้ามเก็บและใช้เครื่องมือและดัลล์แบตเตอรี่ไว้ในสถานที่ที่มีอุณหภูมิสูงถึงหรือเกิน 50 °C (122 °F)
- ห้ามเผาดัลล์แบตเตอรี่ทิ้ง แม้ว่าแบตเตอรี่จะเสียหายจนใช้การไม่ได้หรือเสื่อมสภาพแล้ว ดัลล์แบตเตอรี่อาจระเบิดในกองไฟ
- อย่าดองตะปู ตัด บด ขั้ว หรือทำดัลล์แบตเตอรี่หล่นพื้น หรือกระแทกดัลล์แบตเตอรี่กับวัตถุของแข็ง การกระทำดังกล่าวอาจส่งผลให้เกิดไฟไหม้ ความร้อนที่สูงเกินไป หรือระเบิดได้
- ห้ามใช้แบตเตอรี่ที่เสียหาย

- แบตเตอรี่ลิเทียมไอออนที่มีมาให้มาเป็นไปตามข้อกำหนดของ Dangerous Goods Legislation สำหรับการขนส่งเพื่อการพาณิชย์ เช่น โดยบุคคลที่สาม ตัวแทนขนส่งสินค้า จะต้องตรวจสอบข้อกำหนดพิเศษในด้านการบรรจุหีบห่อหรือการติดป้ายสินค้าในการเตรียมสินค้าที่จะขนส่ง ให้ปรึกษาผู้เชี่ยวชาญด้านวัตถุอันตราย โปรดตรวจสอบข้อกำหนดในประเทศที่อาจมีรายละเอียดอื่นๆ เพิ่มเติม ให้ติดเทปหรือปิดหน้าสัมผัสและห่อแบตเตอรี่ในลักษณะที่แบตเตอรี่จะไม่เคลื่อนที่ไปมาในหีบห่อ
- เมื่อกำจัดดัลล์แบตเตอรี่ ให้ถอดดัลล์แบตเตอรี่ออกจากเครื่องมือและกำจัดในสถานที่ที่ปลอดภัย ปฏิบัติตามข้อบังคับในท้องถิ่นที่เกี่ยวกับการกำจัดแบตเตอรี่
- ใช้แบตเตอรี่กับผลิตภัณฑ์ที่ระบุโดย Makita เท่านั้น การติดตั้งแบตเตอรี่ในผลิตภัณฑ์ที่ไม่ใช่ตามที่ระบุอาจทำให้เกิดไฟไหม้ ความร้อนสูง ระเบิด หรืออิเล็กทรอนิกส์ตัวรับโหลดได้
- หากไม่ใช่เครื่องมือเป็นระยะเวลานาน จะต้องถอดแบตเตอรี่ออกจากเครื่องมือ
- ในระหว่างและหลังการใช้งาน ดัลล์แบตเตอรี่อาจร้อนซึ่งอาจลวกผิวหรือทำให้ผิวไหม้ที่อุณหภูมิต่ำได้ โปรดระมัดระวังในการจัดการกับแบตเตอรี่ที่ร้อน
- อย่าสัมผัสขั้วของเครื่องมือทันทีหลังจากการใช้งาน เนื่องจากอาจมีความร้อนพอที่จะทำให้ผิวไหม้ได้
- อย่าปล่อยให้เศษวัสดุ ฝุ่นผง หรือดินเข้าไปติดอยู่ในขั้ว รู และร่องของดัลล์แบตเตอรี่ เนื่องจากอาจทำให้เกิดความร้อน ไฟไหม้ ระเบิด และทำให้เครื่องมือหรือดัลล์แบตเตอรี่ทำงานผิดปกติ ส่งผลให้โดนลวกหรือเกิดการบาดเจ็บได้
- หากเครื่องมือไม่รองรับสายไฟแรงดันสูง อย่าใช้ดัลล์แบตเตอรี่ใกล้กับสายไฟแรงดันสูง เนื่องจากเครื่องมือหรือดัลล์แบตเตอรี่อาจทำงานผิดปกติหรือเสียหายได้
- เก็บแบตเตอรี่ให้ห่างจากเด็ก

ปฏิบัติตามคำแนะนำเหล่านี้

⚠️ ข้อควรระวัง: ใช้แบตเตอรี่ของแท้จาก Makita เท่านั้น การใช้แบตเตอรี่ Makita ที่ไม่แท้ หรือแบตเตอรี่ที่ถูกเปลี่ยน อาจทำให้แบตเตอรี่ระเบิด ก่อให้เกิดเพลิงลุกไหม้ การบาดเจ็บ และความเสียหายได้ และจะทำการรับประกันของ Makita สำหรับเครื่องมือและแท่นชาร์จของ Makita เป็นโมฆะด้วย

เคล็ดลับในการรักษาอายุการใช้งาน

ของแบตเตอรี่ให้ยาวนานที่สุด

1. ชาร์จตัวแบตเตอรี่ก่อนที่ไฟจะหมด หยุดการใช้งานแล้วชาร์จประจุไฟฟ้าใหม่ทุกครั้งเมื่อคุณรู้สึกว่าอุปกรณ์มีกำลังลดลง
2. อย่าชาร์จตัวแบตเตอรี่ที่มีไฟเต็มแล้ว การชาร์จประจุไฟฟ้ามากเกินไปอาจจะทำให้อายุการใช้งานของตัวแบตเตอรี่สั้นลง
3. ชาร์จประจุไฟฟ้าตัวแบตเตอรี่ในห้องที่มีอุณหภูมิระหว่าง 10 °C - 40 °C ปล่อยให้ตัวแบตเตอรี่เย็นลงก่อนที่จะชาร์จไฟ
4. เมื่อไม่ใช้ตัวแบตเตอรี่ ให้ถอดออกจากเครื่องมือหรือเครื่องชาร์จ
5. ชาร์จไฟตัวแบตเตอรี่หากคุณไม่ต้องการใช้เป็นเวลาานาน (เกินกว่าหกเดือน)

คำอธิบายการทำงาน

⚠ ข้อควรระวัง: ตรวจสอบให้แน่ใจว่าได้ปิดสวิตช์เครื่องมือและถอดตัวแบตเตอรี่ออกก่อนปรับตั้งหรือตรวจสอบการทำงานของเครื่องมือ

การใส่หรือการถอดตัวแบตเตอรี่

⚠ ข้อควรระวัง: ปิดสวิตช์เครื่องมือก่อนทำการติดตั้งหรือการถอดตัวแบตเตอรี่ทุกครั้ง

⚠ ข้อควรระวัง: ถือเครื่องมือและตัวแบตเตอรี่ให้แน่นในระหว่างการติดตั้งหรือการถอดตัวแบตเตอรี่ หากไม่ถือเครื่องมือและตัวแบตเตอรี่ให้แน่น อาจทำให้ตัวแบตเตอรี่และเครื่องมือสั้นหลุดมือ และทำให้เครื่องมือและตัวแบตเตอรี่เสียหายหรือได้รับบาดเจ็บได้

▶ **หมายเลข 1:** 1. ซิลลี่แดง 2. ปุ่ม 3. ตัวแบตเตอรี่

เมื่อต้องการถอดตัวแบตเตอรี่ ให้เลื่อนปุ่มที่ด้านหน้าของตัวแล้วดึงออกจากเครื่องมือ

การติดตั้งตัวแบตเตอรี่ ให้จัดตำแหน่งลิ้นของตัวแบตเตอรี่ให้ตรงกับร่องของเครื่อง แล้วเลื่อนเข้าที่ ใส่ตัวแบตเตอรี่เข้าจนสุดจนกระทั่งได้ยินเสียงคลิกล๊อคเข้าที่ หากยังเห็นซิลลี่แดงตามที่แสดงในภาพ แสดงว่าตัวแบตเตอรี่ยังไม่ล๊อคเข้าที่

⚠ ข้อควรระวัง: ให้ดันตัวแบตเตอรี่เข้าจนสุดจนไม่เห็นซิลลี่แดงอีก ไม่เช่นนั้น ตัวแบตเตอรี่อาจหลุดออกจากเครื่องมือทำให้คุณหรือคนรอบข้างได้รับบาดเจ็บ

⚠ ข้อควรระวัง: อย่าฝืนติดตั้งตัวแบตเตอรี่โดยใช้แรงมากเกินไป หากตัวแบตเตอรี่ไม่เลื่อนเข้าไปโดยง่าย แสดงว่าใส่ไม่ถูกต้อง

การระบุระดับพลังงานแบตเตอรี่ที่เหลืออยู่

สำหรับตัวแบตเตอรี่ที่มีตัวแสดงสถานะเท่านั้น

▶ **หมายเลข 2:** 1. ไฟแสดงสถานะ 2. ปุ่มตรวจสอบ

กดปุ่ม ตรวจสอบ บนตัวแบตเตอรี่เพื่อดูปริมาณแบตเตอรี่ที่เหลือ ไฟแสดงสถานะจะสว่างขึ้นเป็นเวลาสามวินาที

ไฟแสดงสถานะ			แบตเตอรี่ที่เหลือ
ไฟสว่าง	ดับ	กะพริบ	
			75% ถึง 100%
			50% ถึง 75%
			25% ถึง 50%
			0% ถึง 25%
			ชาร์จไฟแบตเตอรี่
			แบตเตอรี่อาจจะเสีย

หมายเหตุ: ขึ้นอยู่กับสภาพการใช้งานและอุณหภูมิ โดยรอบ การแสดงสถานะอาจจะแตกต่างจากปริมาณแบตเตอรี่จริงเล็กน้อย

หมายเหตุ: ไฟแสดงสถานะดวงแรก (ซ้ายสุด) จะกะพริบเมื่อระบบป้องกันแบตเตอรี่ทำงาน

ระบบป้องกันเครื่องมือ/แบตเตอรี่

เครื่องมือมีระบบป้องกันเครื่องมือ/แบตเตอรี่ ระบบนี้จะตัดไฟที่ส่งไปยังมอเตอร์โดยอัตโนมัติเพื่อยืดอายุการใช้งานเครื่องมือและแบตเตอรี่ เครื่องมือจะหยุดทำงานระหว่างการใช้งานโดยอัตโนมัติ หากเครื่องมือหรือแบตเตอรี่อยู่ภายใต้สถานการณ์ต่อไปนี้

การป้องกันโอเวอร์โหลด

หากเครื่องมือหรือแบตเตอรี่ทำงานในลักษณะที่ทำให้เกิดการดึงกระแสไฟฟ้าสูงผิดปกติ เครื่องมือจะหยุดโดยอัตโนมัติและหมายเลขข้อผิดพลาดที่สอดคล้องจะปรากฏขึ้นบนหน้าจอบนหน้าจอแสดงผล ในสถานการณ์เช่นนี้ ให้ปิดเครื่องมือและหยุดการใช้งานที่ทำให้เครื่องมือทำงานหนักเกินไป จากนั้นเปิดเครื่องมือเพื่อเริ่มการทำงานอีกครั้ง

การป้องกันความร้อนสูงเกิน

เมื่อเครื่องมือหรือแบตเตอรี่เกิดความร้อนสูงเกินไป เครื่องมือจะหยุดโดยอัตโนมัติ และหมายเลขข้อผิดพลาดที่สอดคล้องจะปรากฏขึ้นบนหน้าจอบนหน้าจอแสดงผล ในกรณีนี้ ปลดปล่อยให้เครื่องมือและแบตเตอรี่เย็นลงก่อนที่จะเปิดเครื่องมืออีกครั้ง

การป้องกันไฟหมด

เมื่อความจุแบตเตอรี่ไม่เพียงพอ เครื่องมือจะหยุดโดยอัตโนมัติ และหมายเลขข้อผิดพลาดที่สอดคล้องจะปรากฏขึ้นบนหน้าจอบนหน้าจอแสดงผล ในกรณีนี้ ให้ถอดแบตเตอรี่ออกจากเครื่องมือและนำแบตเตอรี่ไปชาร์จไฟ

สวิตช์ไฟหลัก

▲ ข้อควรระวัง: เมื่อคุณเปิดเครื่อง ห้ามนำแขนหรือใบหน้าเข้าไปใกล้ชิ้นส่วนมีดหรือหมุนของส่วนปลายเครื่องมือ ไม่เช่นนั้น คุณอาจได้รับบาดเจ็บได้

▲ ข้อควรระวัง: เมื่อเปิดเครื่อง ห้ามสัมผัสชิ้นส่วนมีดหรือหมุนของส่วนปลายเครื่องมือ ไม่เช่นนั้น คุณอาจได้รับบาดเจ็บได้

▲ ข้อควรระวัง: ก่อนใส่ด้ามแบตเตอรี่ ตรวจสอบให้แน่ใจว่าได้ปลดปล่อยนิ้วออกจากสวิตช์สั่งงานและล๊อคสวิตช์สั่งงานแล้ว หากคุณใส่ด้ามแบตเตอรี่ในขณะที่กดสวิตช์สั่งงานอยู่ อาจทำให้เกิดอุบัติเหตุหากมีการรื้อดลวดโดยไม่ได้ตั้งใจ

▶ หมายเลข 3

เมื่อคุณกดปุ่มไฟหลัก เครื่องจะเปิดและดวงไฟโหมดการรั้วจะสว่างขึ้น เพื่อปรับตำแหน่งเริ่มต้น เครื่องมือจะทำงานชั่วคราว เมื่อเสร็จสิ้นการปรับแล้ว เครื่องมือจะหยุดโดยอัตโนมัติ เมื่อคุณกดปุ่มไฟหลักอีกครั้ง เครื่องจะปิดและดวงไฟโหมดการรั้วจะดับลง

▶ หมายเลข 4: 1. ดวงไฟโหมดการรั้ว 2. ปุ่มไฟหลัก

หมายเหตุ: เครื่องมือนี้ไม่มีฟังก์ชันปิดเครื่องอัตโนมัติ หากสวิตช์สั่งงานไม่ถูกกดเป็นเวลา 10 นาที เครื่องมือจะปิดโดยอัตโนมัติเพื่อลดการใช้ไฟแบตเตอรี่

หมายเหตุ: การเริ่มใช้เครื่องมืออีกครั้ง ให้เปิดเครื่องอีกครั้ง

ปุ่มเปลี่ยนโหมด

เมื่อเปิดเครื่อง และดวงไฟโหมดการรั้วจะสว่างขึ้น คุณจะ สามารถเลือกโหมดการทำงานครั้งเดียวหรือโหมดการทำงานต่อเนื่องจากปุ่มเปลี่ยนโหมด เมื่อคุณเปิดเครื่องอีกครั้ง เครื่องมือจะเริ่มทำงานในโหมดที่ถูกเลือกไว้ล่าสุด

▶ หมายเลข 5: 1. ปุ่มเปลี่ยนโหมด 2. โหมดการทำงานครั้งเดียว 3. โหมดการทำงานต่อเนื่อง

การทำงานของสวิตช์

▲ คำเตือน: ก่อนใส่ด้ามแบตเตอรี่ลงในเครื่องมือ ให้ตรวจสอบว่าสวิตช์สั่งงานสามารถทำงานได้อย่างถูกต้อง และกลับไปยังตำแหน่ง "ปิด" เมื่อปล่อย

▲ ข้อควรระวัง: เมื่อไม่ใช้งานเครื่องมือ ให้กดปุ่มล๊อคสวิตช์สั่งงานจากด้าน **II** เพื่อล๊อคสวิตช์สั่งงานในตำแหน่งปิด

▶ หมายเลข 6: 1. สวิตช์สั่งงาน 2. ปุ่มล๊อคสวิตช์สั่งงาน

เพื่อป้องกันไม่ให้อุปกรณ์สั่งงานถูกกดโดยไม่ตั้งใจจึงมีปุ่มล๊อคสวิตช์สั่งงานติดตั้งไว้ เมื่อต้องการเปิดใช้งานเครื่องมือให้กดปุ่มล๊อคสวิตช์สั่งงานจากด้าน A แล้วกดสวิตช์สั่งงานปล่อยสวิตช์สั่งงานเพื่อหยุดการทำงาน หลังจากใช้งาน ให้กดปุ่มล๊อคสวิตช์สั่งงานจากด้าน B

เมื่อคุณกดสวิตช์สั่งงาน เครื่องมือจะทำงานต่อเนื่องดังต่อไปนี้ และเครื่องมือจะหยุดโดยอัตโนมัติ

1. ป้อนลวด
2. ตัดลวด
3. ขอบเกี่ยวจะจับและบิดลวด
4. ขอบเกี่ยวจะกลับคืนสู่ตำแหน่งเดิม

การตั้งค่าความแน่นในการรั้ว

▲ ข้อควรระวัง: ตรวจสอบให้แน่ใจว่าล๊อคสวิตช์สั่งงานก่อนเริ่มการปรับ เมื่อคุณเปิดเครื่อง ห้ามนำแขนหรือใบหน้าเข้าไปใกล้ชิ้นส่วนมีดหรือหมุนของส่วนปลายเครื่องมือ ไม่เช่นนั้น คุณอาจได้รับบาดเจ็บได้

▶ หมายเลข 7

คุณสามารถตั้งค่าความแน่นในการรัดได้โดยการปรับปุ่มปรับความแน่นในการรัด ความแน่นในการรัดจะแสดงบนหน้าจอแสดงผล

▶ **หมายเลข 8:** 1. ปุ่มปรับความแน่นในการรัด 2. หน้าจอแสดงผล

หากลวดขาด จะไม่สามารถรัดให้แน่นได้ หลังการรัด ให้ตรวจสอบส่วนที่บิดว่ามีการขาดหรือไม่

หากลวดขาด ให้ปรับความแน่นในการรัดโดยใช้ปุ่มปรับความแน่นในการรัด และรัดเหล็กเส้นอีกครั้ง

การแจ้งเตือนแบตเตอรี่จ็อกเหลือ

เมื่อแรงดันไฟฟ้าของแบตเตอรี่ลดลงต่ำกว่าระดับที่กำหนด เครื่องมือจะหยุดทำงาน เสียงข้อผิดพลาดจะดังขึ้น และหมายเลข "4" จะปรากฏบนหน้าจอแสดงผล เสียงข้อผิดพลาดจะยังคงดังต่อจนกว่าจะปิดเครื่อง

หมายเหตุ: หากอุณหภูมิแวดล้อมต่ำมาก เสียงข้อผิดพลาดจะดังขึ้นแม้ว่าแบตเตอรี่จะมีไฟเพียงพอ

การประกอบ

⚠ ข้อควรระวัง: ตรวจสอบให้แน่ใจว่าได้ปิดสวิทช์เครื่องมือและถอดด้ามแบตเตอรี่ออกก่อนดำเนินการใดๆ กับเครื่องมือ

การป้อนลวดรัด (ม้วนลวด)

⚠ ข้อควรระวัง: ก่อนการใส่หรือถอดลวดรัดและอุปกรณ์เสริมต่างๆ ตรวจสอบให้แน่ใจว่าได้ปิดเครื่อง ล็อคสวิทช์สั่งงาน และนำด้ามแบตเตอรี่ออกแล้ว ไม่เช่นนั้นอาจทำให้เกิดอุบัติเหตุได้

ข้อสังเกต: การใช้ลวดอื่นที่นอกเหนือจากลวดรัดของแท้ของ Makita อาจทำให้เครื่องมือทำงานผิดปกติได้

1. ดันก้านปล่อย แล้วล็อคด้วยก้านล็อค

▶ **หมายเลข 9:** 1. ก้านปล่อย 2. ก้านล็อค

เมื่อคุณดันก้านปล่อย จะเกิดช่องว่างระหว่างเฟืองป้อนซ้ายและขวา

▶ **หมายเลข 10:** 1. ก้านปล่อย 2. ก้านล็อค 3. เฟืองป้อน

2. เปิดฝาครอบม้วนลวด

▶ **หมายเลข 11:** 1. ฝาครอบม้วนลวด

3. ยึดม้วนลวดบนเครื่องมือในทิศทางตามที่แสดงในภาพ

▶ **หมายเลข 12:** 1. ม้วนลวด

ข้อสังเกต: ตรวจสอบให้แน่ใจว่ายึดม้วนลวดในตำแหน่งตามที่แสดงในภาพ หากยึดในอีกทิศทาง ลวดอาจหลุดและอาจพันกันได้

4. ปลดขอกเกี่ยวส่วนปลายของลวดออกจากขอกเกี่ยวของม้วนลวด

▶ **หมายเลข 13:** 1. ขอกเกี่ยว

5. ทำให้ส่วนปลายของลวดตรง และสอดลวดผ่านร่องนำ

▶ **หมายเลข 14:** 1. ร่องนำ

หมายเหตุ: หากส่วนปลายของลวดงอเมื่อสอดผ่านร่องนำ ลวดอาจติดในเครื่องมือ

หมายเหตุ: หากคุณเ็นลวดขณะพยายามสอดผ่านร่องนำ ลวดอาจติดได้

6. ดึงลวดออกมาประมาณ 10 mm จากส่วนปลายของแกน

▶ **หมายเลข 15:** 1. แกน 2. ประมาณ 10 mm

ข้อสังเกต: หากความยาวของลวดที่ดึงออกมาไม่เพียงพอ ลวดอาจขาดขณะรัด หรือความแน่นในการรัดอาจลดลงเนื่องจากพันได้ไม่เพียงพอ

7. พันลวดอีกครั้งเพื่อไม่ให้มีลวดที่หย่อน

▶ **หมายเลข 16**

8. ปลดก้านล็อค ก้านปล่อยจะกลับคืนที่ และลวดจะถูกยึดด้วยเฟืองซ้ายและขวา

▶ **หมายเลข 17:** 1. ก้านล็อค 2. ก้านปล่อย

▶ **หมายเลข 18:** 1. เฟือง 2. ทางผ่านของลวด 3. ลวด

ข้อสังเกต: เมื่อปลดก้านล็อค และเมื่อเฟืองซ้ายและขวากลับคืนกัน จะเกิดช่องว่างระหว่างร่องในเฟือง ช่องว่างนี้จะเป็นทางผ่านของลวด ตรวจสอบให้แน่ใจว่าลวดผ่านทางผ่านนี้

9. ปิดฝาครอบม้วนลวด

▶ **หมายเลข 19:** 1. ฝาครอบม้วนลวด

เปลี่ยนร่องนำลวด B

อุปกรณ์เสริม

ร่องนำลวด B (สีเงิน) ในแกนสามารถเปลี่ยนได้ด้วยร่องนำลวดเสริม B (EG) (สีดำ) ตามประเภทของลวดรัดที่ใช้

ค้นหาส่วนประกอบที่ถูกต้องในตารางต่อไปนี้ จากนั้นเปลี่ยนร่องนำลวดมาตรฐาน B ที่ติดตั้งมาด้วยร่องนำลวดเสริม B (EG) หากจำเป็น

	ชุดร่อนนำลวด มาตรฐาน B ที่ ติดตั้งมาให้ (สี เงิน)	ชุดร่อนนำลวด เสริม B (สีดำ)
ลวดรัดเหล็กบ่ออ่อน	✓	✓
ลวดรัดเคลือบโพลี	✓	-
ลวดรัดซุบกั้วลาไนซ์	-	✓

— : ไม่มีส่วนประกอบนี้

1. คลายสลักเกลียว A และ B โดยใช้ประแจหกเหลี่ยมที่มี
มาให้ในชุดเครื่องมือ

▶ **หมายเลข 20:** 1. ประแจหกเหลี่ยม

▶ **หมายเลข 21:** 1. สลักเกลียว A 2. สลักเกลียว B
3. ฝาครอบแผ่นสั้มผัส 4. ร่อนนำลวด
มาตรฐาน B ที่ติดตั้งมาให้ (สีเงิน)

ข้อสังเกต: อย่าฝืนถอดสลักเกลียวใดๆ ที่ไม่สามารถ
ถอดได้โดยใช้ประแจหกเหลี่ยม

2. ดึงฝาครอบแผ่นสั้มผัสขึ้นในทิศทางตามลูกศรและนำ
ออก สลักเกลียว B จะถูกนำออกพร้อมกัน

▶ **หมายเลข 22:** 1. ฝาครอบแผ่นสั้มผัส
2. สลักเกลียว B

3. ถอดสลักเกลียว A และร่อนนำลวดมาตรฐาน B ที่
ติดตั้งมาให้ (สีเงิน)

▶ **หมายเลข 23:** 1. สลักเกลียว A 2. ร่อนนำลวด
มาตรฐาน B ที่ติดตั้งมาให้ (สีเงิน)

4. เปลี่ยนร่อนนำลวดมาตรฐาน B ที่ติดตั้งมาให้ (สีเงิน)
ด้วยร่อนนำลวดเสริม B (EG) (สีดำ)

▶ **หมายเลข 24:** 1. ร่อนนำลวดเสริม B (EG) (สีดำ)

5. จัดตำแหน่งของเครื่องมือให้ตรงกับร่องภายในร่อง
นำลวดเสริม B (EG) (สีดำ) แล้วประกอบเข้าด้วยกัน

▶ **หมายเลข 25:** 1. ท่อ 2. ร่อง 3. ร่อนนำลวดเสริม B
(EG) (สีดำ)

6. ยึดร่อนนำลวดเสริม B (EG) (สีดำ) โดยการขัน
สลักเกลียว A ไว้ชั่วคราว

▶ **หมายเลข 26:** 1. สลักเกลียว A 2. ร่อนนำลวดเสริม B
(EG) (สีดำ)

7. ติดตั้งฝาครอบแผ่นสั้มผัสในทิศทางตามลูกศร

▶ **หมายเลข 27:** 1. ฝาครอบแผ่นสั้มผัส

8. ยึดร่อนนำลวดเสริม B (EG) (สีดำ) และฝาครอบ
แผ่นสั้มผัสให้แน่นโดยการขันสลักเกลียว A และ
สลักเกลียว B

▶ **หมายเลข 28:** 1. ร่อนนำลวดเสริม B (EG) (สีดำ)
2. ฝาครอบแผ่นสั้มผัส 3. สลักเกลียว
A 4. สลักเกลียว B

9. หลังการประกอบ ตรวจสอบว่าแผ่นสั้มผัสสามารถ
ขยับได้ตามภาพ

▶ **หมายเลข 29:** 1. แผ่นสั้มผัส

หมายเหตุ: หากแผ่นสั้มผัสติด ให้กดลงตามที่แสดงใน
ภาพ

▶ **หมายเลข 30**

การใช้งาน

การตรวจสอบก่อนทำงาน

⚠ ข้อควรระวัง: หากเครื่องมือมีปัญหาที่เกี่ยวข้องกับ
กลไกความปลอดภัย โปรดอย่าใช้เครื่องมือ หากคุณยังคง
ใช้ต่อ อาจเกิดอุบัติเหตุได้

ก่อนใช้เครื่องมือ ตรวจสอบให้แน่ใจว่ากลไกความปลอดภัย
ทำงานได้ปกติ หากเครื่องมือทำงานโดยที่กลไกความ
ปลอดภัยไม่ทำงาน ให้หยุดใช้เครื่องมือทันที สอบถามศูนย์
บริการของ Makita ที่อยู่ใกล้คุณเพื่อรับการซ่อม

การตรวจสอบลือคสวิตซ์สั่งงาน

เครื่องมือมีลือคสวิตซ์สั่งงานเพื่อป้องกันเครื่องมือจากการ
ทำงานเมื่อคุณไม่ได้ตั้งใจจะใช้งาน ลือคสวิตซ์สั่งงาน แล้ว
ตรวจสอบว่าสวิตซ์สั่งงานไม่สามารถถูกกดได้

การตรวจสอบร่อนนำโค้ง

การป้องกันผู้ใช้งานสั้มผัสชิ้นส่วนมัดหรือหมุนของส่วน
ปลายเครื่องมือโดยบังเอิญ เครื่องมือจะไม่ทำงานแม้ว่าจะ
กดสวิตซ์สั่งงานในขณะที่ร่อนนำโค้งเปิดอยู่ เมื่อผู้ใช้งาน
ปล่อยนิ้วออกจากสวิตซ์สั่งงานและปิดร่อนนำโค้ง เครื่องมือ
จะสามารถทำงานได้

▶ **หมายเลข 31:** 1. ร่อนนำโค้ง

การตรวจสอบการตรวจจัดการเปิด/ปิดของร่อนนำโค้ง

นำลวดรัดออก ตรวจสอบการทำงานของเครื่องมือตามขั้น
ตอนดังต่อไปนี้ แล้วตรวจสอบให้แน่ใจว่าเครื่องมือจะไม่
ทำงานหากร่อนนำโค้งเปิด

1. ปิดเครื่อง แล้วเปิดร่อนนำโค้งทั้งไว้
2. เปิดเครื่อง

หากเครื่องมือไม่ทำงาน และหากค่า “2” ปรากฏขึ้นบนหน้าจอแสดงผล แสดงว่าสถานะเครื่องมือปกติ ปิดเครื่อง แล้วปิดร่อนำได้

หากเครื่องมือทำงานและหากไม่มีข้อผิดพลาดปรากฏขึ้นบนหน้าจอแสดงผล แสดงว่าสถานะเครื่องมือปกติ หยุดใช้เครื่องมือทันที และสอบถามศูนย์บริการของ Makita ที่อยู่ใกล้คุณเพื่อรับการซ่อม

⚠ ข้อควรระวัง: หากคุณเปิดร่อนำโค้งและเปิดเครื่องเพื่อตรวจสอบการเชื่อมต่อ จักรร่อนำโค้งค้างไว้ตามที่แสดงในภาพ ห้ามนำแขนหรือใบหน้าเข้าไปใกล้ชิ้นส่วนมัดหรือหมุนของส่วนปลายเครื่องมือ ไมเช่นนั้น คุณอาจได้รับบาดเจ็บได้

▶ หมายเลข 32

การรีเซ็ต

⚠ ข้อควรระวัง: ก่อนใส่ถลับแบตเตอรี่ ตรวจสอบให้แน่ใจว่าได้เปลี่ยนถลับออกจากสวิตช์สั่งงานและล๊อคสวิตช์สั่งงานแล้ว หากคุณใส่ถลับแบตเตอรี่ในขณะที่กดสวิตช์สั่งงานอยู่ อาจทำให้เกิดอุบัติเหตุหากมีการรีเซ็ตโดยไม่ได้ตั้งใจ

⚠ ข้อควรระวัง: เมื่อคุณเปิดเครื่อง ห้ามนำแขนหรือใบหน้าเข้าไปใกล้ชิ้นส่วนมัดหรือหมุนของส่วนปลายเครื่องมือ ไมเช่นนั้น คุณอาจได้รับบาดเจ็บได้

⚠ ข้อควรระวัง: เมื่อเปิดเครื่อง ห้ามสัมผัสชิ้นส่วนมัดหรือหมุนของส่วนปลายเครื่องมือ ไมเช่นนั้น คุณอาจได้รับบาดเจ็บได้

▶ หมายเลข 33

การเตรียมพร้อมก่อนการทำงาน

1. ตรวจสอบให้แน่ใจว่าถลับแบตเตอรี่ออกแล้ว และล๊อคสวิตช์สั่งงานแล้ว
2. ใส่ถลับแบตเตอรี่ลงในเครื่องมือ แล้วเปิดเครื่อง เมื่อคุณเปิดเครื่อง ลวดจะถูกตัดโดยอัตโนมัติ

ข้อสังเกต: ตรวจสอบให้แน่ใจว่า ดวงไฟโหมดการรีเซ็ตสว่างขึ้นขณะที่เปิดเครื่อง หากดวงไฟไม่สว่าง ให้ชาร์จแบตเตอรี่อีกครั้ง

3. ปลดล๊อคสวิตช์สั่งงาน

▶ หมายเลข 34: 1. ปุ่มล๊อคสวิตช์สั่งงาน 2. สวิตช์สั่งงาน 3. ปุ่มไฟหลัก 4. ดวงไฟโหมดการรีเซ็ต

โหมดการทำงานครั้งเดียว

1. ดันแขนให้แน่นเข้ากับจุดที่จะรีเซ็ต ตรวจสอบให้แน่ใจว่าวงเครื่องมือในแนวนอนให้แนบกับเหล็กเส้น แล้วกดแขนให้แนบกับจุดรีเซ็ตโดยให้ทำมุม 45° กับเหล็กเส้นที่วางตัดกัน
- ▶ หมายเลข 35: 1. แขน
2. กดสวิตช์สั่งงานอีกครั้ง
3. ลวดจะถูกป้อนและตัดโดยอัตโนมัติ
4. ขอบเกี่ยวจะยึดและบิดลวด จากนั้นจะกลับคืนสู่ตำแหน่งเดิมหลังจากลวดถูกรีเซ็ตแล้ว
5. หลังการรีเซ็ต ระวังอย่าให้แขนเกี่ยวกับเหล็กเส้น แล้วจึงค่อยดึงเครื่องมือขึ้น

▶ หมายเลข 36

⚠ ข้อควรระวัง: หากลวดติดกับชิ้นส่วนมัดของส่วนปลายเครื่องมือ ให้ปิดเครื่องมือ ล๊อคสวิตช์สั่งงาน ถอดถลับแบตเตอรี่ออก แล้วนำลวดออกโดยใช้เครื่องมือ เช่น ปากคีม หรือ คีม

▶ หมายเลข 37

โหมดการทำงานต่อเนื่อง

1. เปลี่ยนโหมดเครื่องมือจากโหมดการทำงานครั้งเดียวเป็นโหมดการทำงานต่อเนื่องโดยใช้ปุ่มเปลี่ยนโหมด

▶ หมายเลข 38: 1. ปุ่มเปลี่ยนโหมด

2. ปลดล๊อคสวิตช์สั่งงาน
3. ในขณะที่กดสวิตช์สั่งงาน ให้ดันเครื่องมือให้แนบกับเหล็กเส้นในแนวตั้ง แล้วกดแขนให้แนบกับจุดตัดของเหล็กเส้นโดยให้ทำมุม 45 องศา กดแผ่นสัมผัสให้แนบกับจุดรีเซ็ตให้แน่น ลวดจะถูกรีเซ็ต

▶ หมายเลข 39: 1. แผ่นสัมผัส

4. หลังการรีเซ็ต ระวังอย่าให้แขนเกี่ยวกับเหล็กเส้น แล้วจึงค่อยดึงเครื่องมือขึ้น

▶ หมายเลข 40

ข้อควรระวังเกี่ยวกับการทำงาน

- หากคุณนำแขนออกจากตำแหน่งรีเซ็ตในระหว่างการรีเซ็ต ลวดจะติดเข้ากับขอบเกี่ยว ซึ่งอาจทำให้การรีเซ็ตไม่ถูกต้องได้
- กดเครื่องมือแนบกับเหล็กเส้นจนกว่าการรีเซ็ตลวดจะเสร็จสมบูรณ์
- อย่าเคลื่อนไปยังจุดรีเซ็ตถัดไปจนกว่าการรีเซ็ตลวดในปัจจุบันจะเสร็จสมบูรณ์

- ชิ้นส่วนหมุน (ขอเกี่ยว) ที่ส่วนปลายของเครื่องมือจะบิดลวดในระหว่างการรัดลวด จับมือจับให้แน่นเพื่อให้ตัวคุณไม่ถูกเครื่องมือตึง
- อย่าสัมผัสลวดในระหว่างการรัดลวด
- หากรัดลวดซ้ำในโหมดการทำงานครั้งเดียว ให้ปล่อยนิ้วออกจากสวิตช์สั่งงาน จากนั้น ค่อยกดสวิตช์สั่งงานต่อไป
- หากกดสวิตช์สั่งงานเมื่อไม่มีลวดรัดเหลืออยู่ ข้อผิดพลาดจะปรากฏขึ้น ไส้ลวดรัดใหม่ แล้วเปิดเครื่องมืออีกครั้ง

เคล็ดลับในการรัด

- เอียงเครื่องมือให้ทำมุม 45° กับเหล็กเส้นที่วางตัดกัน แล้วรัดลวดในทิศทางสลับกันตามที่แสดงในภาพ
- ▶ **หมายเลข 41**
- รัดลวดเข้ากับเหล็กเส้นที่วางตัดกันในส่วนที่แบนราบ (ไม่มีส่วนที่ไม่เสมอกัน)
- ▶ **หมายเลข 42**
- หากรัดไม่แน่นพอ ให้เปลี่ยนทิศทางการรัดและรัดสองครั้งเพื่อให้แน่นขึ้น
- ▶ **หมายเลข 43**

ข้อสังเกต: เมื่อทำการรัดครั้งที่สอง ฝั่งส่วนหางของการรัดครั้งแรกก่อนทำการรัดครั้งที่สอง ไม่เช่นนั้น ลวดอาจเกิดขางการรัดครั้งที่สองได้ ลวดอาจเกี่ยวกับส่วนปลายของเครื่องมือ และทำให้ขอเกี่ยวเสียหายได้

การเปลี่ยนลวดรัด

⚠ ข้อควรระวัง: เมื่อเปลี่ยนลวด ตรวจสอบให้แน่ใจว่าได้ปิดเครื่อง ล็อคสวิตช์สั่งงาน และนำดัลับแบตเตอรี่ออกแล้ว ไม่เช่นนั้นอาจทำให้เกิดอุบัติเหตุได้

1. เมื่อใช้ลวดหมด เสียงข้อผิดพลาดจะดังขึ้น และข้อผิดพลาด "1" จะปรากฏขึ้น
2. ล็อคสวิตช์สั่งงาน ปิดเครื่อง และถอดดัลับแบตเตอรี่ออก
3. ดันก้านปล่อย แล้วล็อคด้วยก้านล็อค
- ▶ **หมายเลข 44:** 1. ก้านปล่อย 2. ก้านล็อค
4. ถอดม้วนลวดออกจากเครื่องมือ

หมายเหตุ: เมื่อใช้ลวดหมดตามปกติ จะมีลวดประมาณ 20 cm เหลืออยู่ที่ม้วน ในกรณีนี้ ให้เปลี่ยนม้วนลวดใหม่

หากนำม้วนลวดออกจากเครื่องมือได้ยาก ให้ทำตามขั้นตอนด้านล่างนี้

1. ใสดัลับแบตเตอรี่ลงในเครื่องมือ แล้วเปิดเครื่อง เครื่องมือจะป้อนลวดและตัดลวดโดยอัตโนมัติ
2. ล็อคสวิตช์สั่งงาน ปิดเครื่อง และถอดดัลับแบตเตอรี่ออก
3. นำเศษลวดที่ขาดออกโดยใช้เครื่องมือ เช่น ปากจับ หรือ คีม

การบำรุงรักษา

⚠ ข้อควรระวัง: ตรวจสอบให้แน่ใจว่าได้ปิดสวิตช์เครื่องมือและถอดดัลับแบตเตอรี่ออกก่อนทำการตรวจสอบหรือบำรุงรักษา

ข้อสังเกต: อย่าใช้น้ำมันเชื้อเพลิง เบนซิน ทินเนอร์ แอลกอฮอล์ หรือวัสดุประเภทเดียวกัน เนื่องจากอาจทำให้ลีสซีตัจง เสียรูป หรือแตกร้าวได้

เพื่อความปลอดภัยและนำเชื่อถือของผลิตภัณฑ์ ควรให้ศูนย์บริการหรือโรงงานที่ผ่านการรับรองจาก Makita เป็นผู้ดำเนินการซ่อมแซม บำรุงรักษาและทำการปรับตั้งอื่นๆ นอกจากนี้ให้ใช้อะไหล่ของแท้จาก Makita เสมอ

การทำความสะอาดส่วนหัวตัด

เมื่อใช้งานเครื่องมือ ผุ่นและเศษลวดอาจเข้าไปติดในส่วนหัวตัด ในกรณีดังกล่าว ให้ทำความสะอาดส่วนหัวตัดตามขั้นตอนต่อไปนี้ ควรทำความสะอาดทุกครั้งที่ใช้ลวดหมดกล่อง (50 ชิ้น)

การใช้แปรงลวด

1. เปิดฝาครอบม้วนลวด
- ▶ **หมายเลข 45:** 1. ฝาครอบม้วนลวด
2. ดันก้านปล่อย แล้วล็อคด้วยก้านล็อค
- ▶ **หมายเลข 46:** 1. ก้านปล่อย 2. ก้านล็อค
3. สอดแปรงลวดผ่านร่องนำ

เมื่อสอดแปรงลวด ให้จับก้านไว้สั้นๆ แล้วค่อยๆ ดันเข้าไปในร่องนำที่ละนิด

- ▶ **หมายเลข 47:** 1. แปรงลวด
- ▶ **หมายเลข 48:** 1. เฟือง 2. ร่องนำ 3. แปรงลวด

4. ดันแปรงลวดเข้าไปจนกระทั่งปลายด้านบนโผล่ออกมาจากส่วนปลายของแขน จากนั้นดึงแปรงลวดออก ทำเช่นนี้เพียงครั้งเดียวก็พอ

▶ **หมายเลข 49:** 1. แขน 2. แปรงลวด

5. ปิดฝาครอบม้วนลวด

▶ **หมายเลข 50:** 1. ฝาครอบม้วนลวด

การใช้ปืนเป่าลม

เปิดฝาครอบม้วนลวด ดันก้านปล่อย แล้วลือคไว้ด้วยก้านลือค จากนั้นนำปืนเป่าลมเข้ามาใกล้ๆ กับร่องนำ แล้วเป่าลม ตรวจสอบให้แน่ใจว่าลมออกจากส่วนปลายของแขน

▶ **หมายเลข 51:** 1. ปืนเป่าลม 2. ร่องนำ

การทำความสะดวกโดยถอดชิ้นส่วนออก

หากส่วนหัวตัดหลุดตันหรือมีลวดเข้าไปติด ให้ถอดชิ้นส่วนต่างๆ ออกแล้วทำความสะอาด

การถอดและการทำความสะอาด

1. คลายสลักเกลียว A และ B โดยใช้ประแจหกเหลี่ยมที่มีมาให้ในชุดเครื่องมือ

▶ **หมายเลข 52:** 1. ประแจหกเหลี่ยม

▶ **หมายเลข 53:** 1. สลักเกลียว A 2. สลักเกลียว B
3. ฝาครอบแผ่นสั้มีฝั 4. ร่องนำลวด B

ข้อสังเกต: อย่าฝืนถอดสลักเกลียวใดๆ ที่ไม่สามารถถอดได้โดยใช้ประแจหกเหลี่ยม

2. ดึงฝาครอบแผ่นสั้มีฝัขึ้นในทิศทางตามลูกศรและนำออก สลักเกลียว B จะถูกนำออกพร้อมกัน

▶ **หมายเลข 54:** 1. ฝาครอบแผ่นสั้มีฝั

2. สลักเกลียว B

3. ถอดสลักเกลียว A และนำร่องนำลวด B ออก

▶ **หมายเลข 55:** 1. สลักเกลียว A 2. ร่องนำลวด B

4. ปรับร่องนำลวด B ขึ้นแล้วทำความสะอาดด้านใน

▶ **หมายเลข 56**

5. ถอดแผ่นด้านบน, หัวตัด B, แขนเชื่อมต่อ A และหัวตัด A ออกจากงานแขน A จากนั้นทำความสะอาดชิ้นส่วนเหล่านั้น

▶ **หมายเลข 57:** 1. แผ่นด้านบน 2. หัวตัด B 3. แขนเชื่อมต่อ A 4. หัวตัด A 5. งานแขน A

การประกอบ

เมื่อทำความสะอาดเสร็จ ประกอบชิ้นส่วนตามขั้นตอนดังต่อไปนี้

1. ติดตั้งหัวตัด A และแขนเชื่อมต่อ A ให้เข้าพอดีกับรูปร่างของงานแขน A

▶ **หมายเลข 58:** 1. หัวตัด A 2. แขนเชื่อมต่อ A 3. งานแขน A

2. ติดตั้งหัวตัด B และแผ่นด้านบนลงบนงานแขน A (ติดตั้งหัวตัด B ลงบนหัวตัด A และแขนเชื่อมต่อ A)

▶ **หมายเลข 59:** 1. หัวตัด B 2. แผ่นด้านบน 3. งานแขน A 4. หัวตัด A 5. แขนเชื่อมต่อ A

ข้อสังเกต: หันส่วนที่ยื่นออกมาของหัวตัด B ลงด้านล่าง และติดตั้งหัวตัดตามภาพด้านล่าง

3. จัดท่อของเครื่องมือให้ตรงกับร่องด้านในร่องนำลวด B และประกอบเข้าด้วยกัน

▶ **หมายเลข 60:** 1. ท่อ 2. ร่อง 3. ร่องนำลวด B

4. ยึดร่องนำลวด B โดยขันสลักเกลียว A ไว้ชั่วคราว

▶ **หมายเลข 61:** 1. สลักเกลียว A 2. ร่องนำลวด B

5. ติดตั้งฝาครอบแผ่นสั้มีฝัในทิศทางตามลูกศร

▶ **หมายเลข 62:** 1. ฝาครอบแผ่นสั้มีฝั

6. ยึดร่องนำลวด B และฝาครอบแผ่นสั้มีฝัให้แน่นด้วยการขันสลักเกลียว A และ B

▶ **หมายเลข 63:** 1. ร่องนำลวด B 2. ฝาครอบแผ่นสั้มีฝั 3. สลักเกลียว A
4. สลักเกลียว B

7. หลังการประกอบ ตรวจสอบว่าแผ่นสั้มีฝัสามารถขยับได้ตามภาพ

▶ **หมายเลข 64:** 1. แผ่นสั้มีฝั

หมายเหตุ: หากแผ่นสั้มีฝัติด ให้กดลงตามที่แสดงในภาพ

▶ **หมายเลข 65**

จอแสดงผลข้อผิดพลาดและเสียงข้อผิดพลาด

- ⚠ **ข้อควรระวัง:** ในระหว่างการตรวจสอบ ตรวจสอบให้แน่ใจว่าได้ล๊อคสวิตช์สั่งงาน ปิดเครื่อง และถอดด้ามแบตเตอรี่ออกแล้ว ไม่เช่นนั้นอาจทำให้เกิดอุบัติเหตุได้
- ⚠ **ข้อควรระวัง:** เมื่อคุณเปิดเครื่อง ห้ามนำแขนหรือใบหน้าเข้าใกล้ชิ้นส่วนมัตหรือหมุนของส่วนปลายเครื่องมือ ไม่เช่นนั้น คุณอาจได้รับบาดเจ็บได้
- ⚠ **ข้อควรระวัง:** เมื่อเปิดเครื่อง ห้ามสัมผัสชิ้นส่วนมัตหรือหมุนของส่วนปลายเครื่องมือ ไม่เช่นนั้น คุณอาจได้รับบาดเจ็บได้
- ⚠ **ข้อควรระวัง:** หากเสียงข้อผิดพลาดดังขึ้น หรือหากเครื่องมือทำงานผิดปกติ ให้หยุดใช้เครื่องมือทันที

เสียงและการแสดงผลข้อผิดพลาด

หากมีข้อผิดพลาดเกิดขึ้น เสียงข้อผิดพลาดจะดังขึ้น และหมายเลขข้อผิดพลาดจะปรากฏขึ้นบนหน้าจอแสดงผล โปรดดูตารางต่อไปนี้และดำเนินการตามความเหมาะสม หากยังมีข้อผิดพลาดเกิดขึ้น โปรดสอบถามศูนย์บริการที่ได้รับการรับรองของ Makita เพื่อรับการซ่อม

การแสดงผล	อาการหรือสิ่งที่เกิดขึ้น	สาเหตุที่เป็นไปได้	วิธีการแก้ปัญหา
1	เครื่องมือหยุดทำงาน	ลวดถูกใช้หมด	ป้อนลวดรีดใหม่
		ลวดรีดไม่ถูกป้อน	ป้อนลวดรีด
		การป้อนลวดรีดล้มเหลว	ตรวจสอบทิศทางของลวดรีด นำลวดรีดออก แล้วป้อนอีกครั้ง ทำความสะอาดทางผ่านลวด
2	เครื่องมือหยุดทำงาน	ร่องน้ำโค้งเปิด	ปิดร่องน้ำโค้ง
3	เครื่องมือไม่ทำการรีดในโหมดการทำงานต่อเนื่อง	แผ่นสัมผัสติด	ปล่อยแผ่นสัมผัสที่ติดอยู่
4	เครื่องมือไม่เริ่มทำงาน เครื่องมือหยุดทำงาน	แบตเตอรี่ปล่อยประจุออก อุณหภูมิของด้ามแบตเตอรี่สูง ผิดปกติ	ชาร์จแบตเตอรี่อีกครั้ง รอให้ด้ามแบตเตอรี่เย็นลง เปลี่ยนด้ามแบตเตอรี่เป็นด้ามที่ชาร์จแล้ว
5	เครื่องมือหยุดทำงาน	มอเตอร์ทำงานหนักเกินไป	ตรวจสอบสาเหตุของการขัดข้องของการหมุนมอเตอร์ และแก้ไขปัญหา
		มอเตอร์ขัดข้อง	
6	เครื่องมือหยุดทำงาน	อุณหภูมิเครื่องมือสูงผิดปกติ	ปล่อยให้เครื่องมือเย็นลง
7	เครื่องมือไม่เริ่มทำงาน เครื่องมือหยุดทำงาน	เครื่องมือขัดข้อง	โปรดสอบถามศูนย์บริการที่ได้รับการรับรองของ Makita เพื่อรับการซ่อม

อุปกรณ์เสริม

⚠ ข้อควรระวัง: ขอแนะนำให้ใช้เฉพาะอุปกรณ์เสริมหรืออุปกรณ์ต่อพ่วงเหล่านี้กับเครื่องมือ Makita ที่ระบุในคู่มือการใช้ อุปกรณ์เสริมหรืออุปกรณ์ต่อพ่วงอื่นๆ อาจมีความเสี่ยงที่จะได้รับบาดเจ็บ ใช้ อุปกรณ์เสริมหรืออุปกรณ์ต่อพ่วงตามวัตถุประสงค์ที่ระบุไว้เท่านั้น

หากต้องการทราบรายละเอียดเพิ่มเติมเกี่ยวกับอุปกรณ์เสริมเหล่านี้ โปรดสอบถามศูนย์บริการ Makita ใกล้บ้านคุณ

- ลวดรีด
- ชุดร่อนนำลวด B (EG)
- แปรงลวด
- ด้ามต่อมือจับ
- แบตเตอรี่และเครื่องชาร์จ Makita ของแท้

หมายเหตุ: อุปกรณ์บางรายการอาจจะรวมอยู่ในชุดเครื่องมือเป็นอุปกรณ์มาตรฐาน ซึ่งอาจแตกต่างกันไปในแต่ละประเทศ

Makita Corporation
3-11-8, Sumiyoshi-cho,
Anjo, Aichi 446-8502 Japan
www.makita.com

885876-371
EN, ZHCN, ID, MS,
VI, TH
20220305