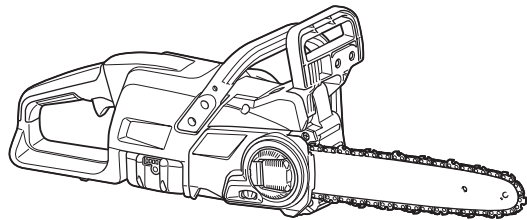




EN	Cordless Chain Saw	INSTRUCTION MANUAL	9
ZHCN	充电式链锯	使用说明书	23
ID	Gergaji Mesin Nirkabel	PETUNJUK PENGGUNAAN	38
MS	Gergaji Rantai Tanpa Kord	MANUAL ARAHAN	54
VI	Máy Cưa Xích Cầm Tay Hoạt Động Bằng Pin	TÀI LIỆU HƯỚNG DẪN	70
TH	เลื่อยไฟฟ้าไร้สาย	คู่มือการใช้งาน	85

DUC307
DUC357
DUC407



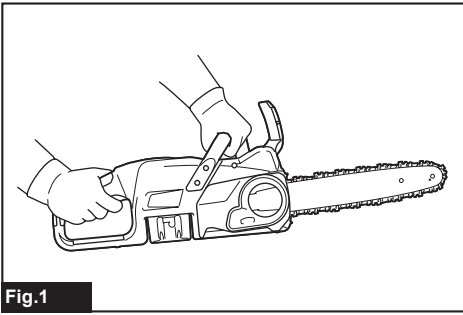


Fig.1

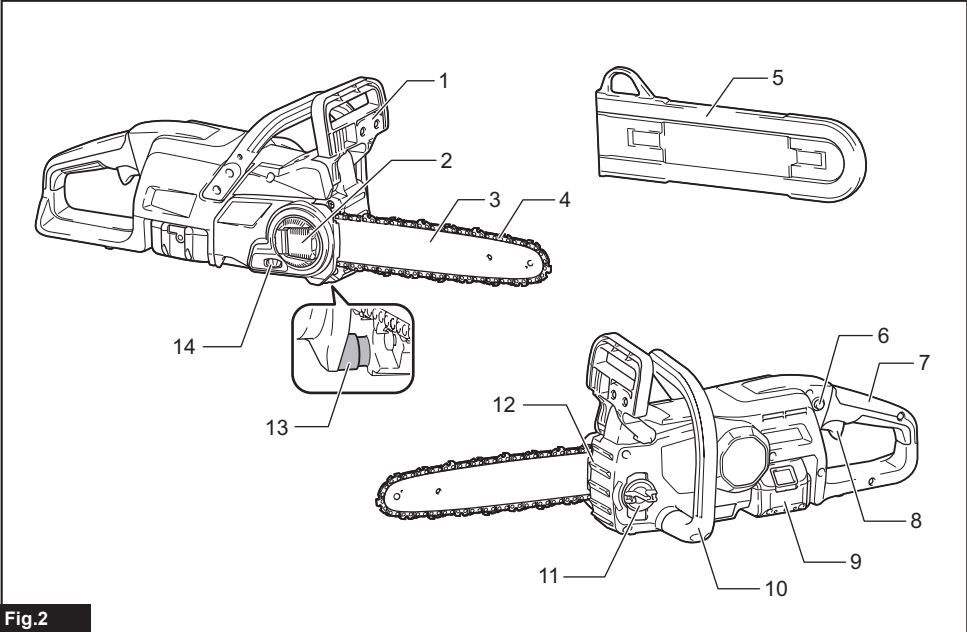


Fig.2

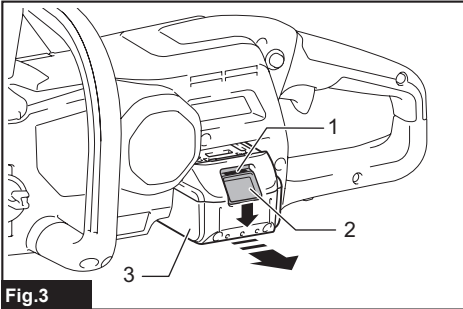


Fig.3

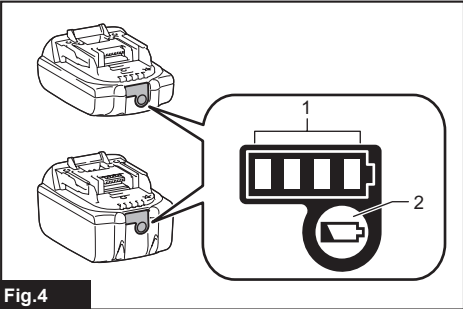
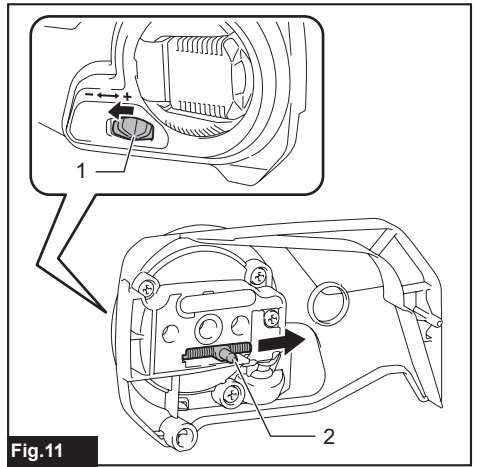
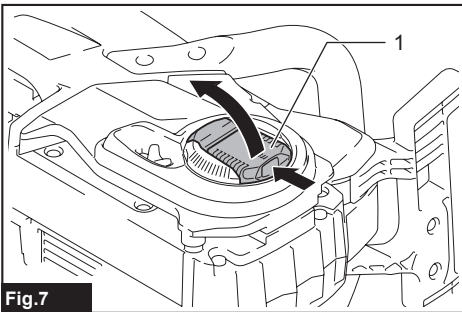
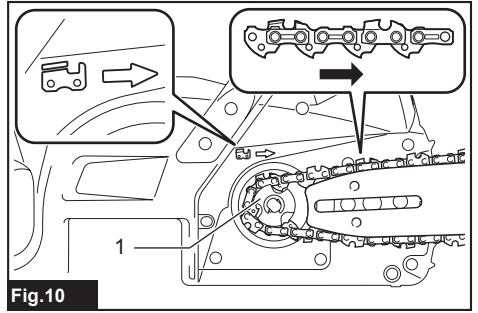
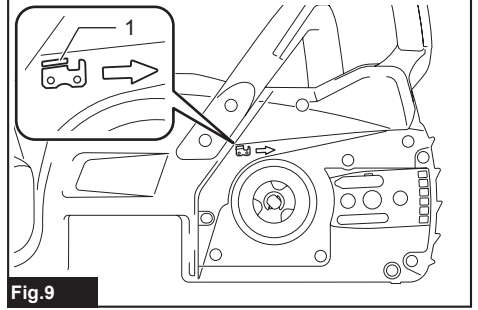
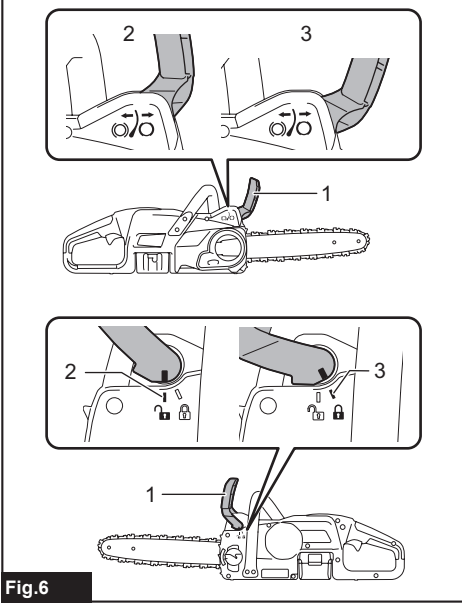
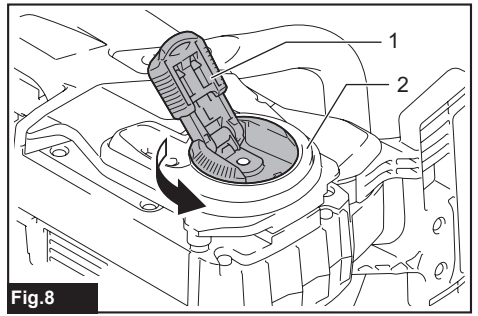
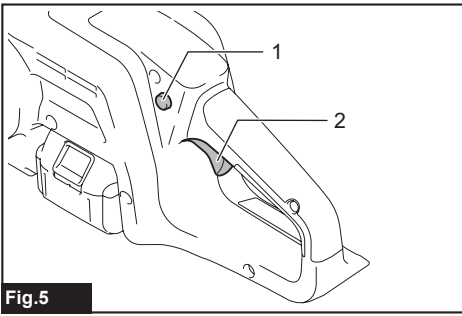


Fig.4



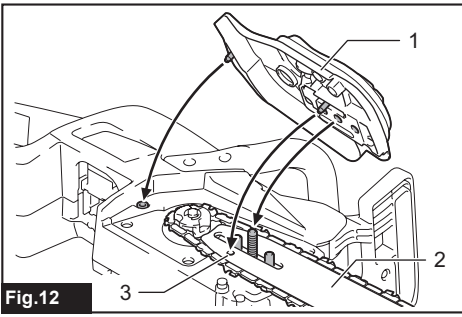


Fig.12

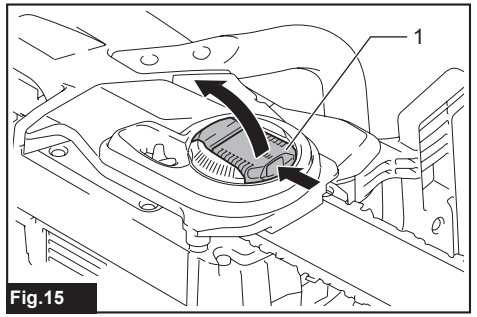


Fig.15

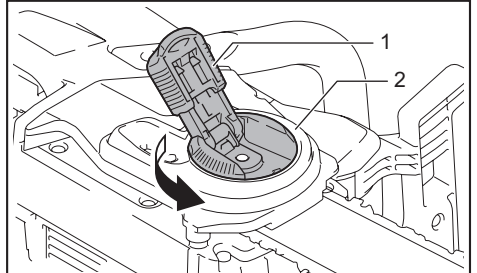
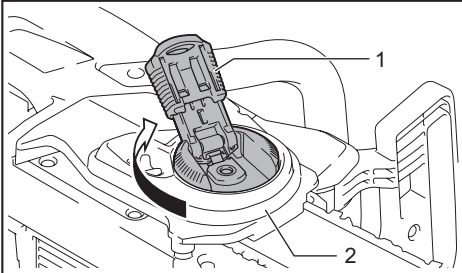


Fig.16

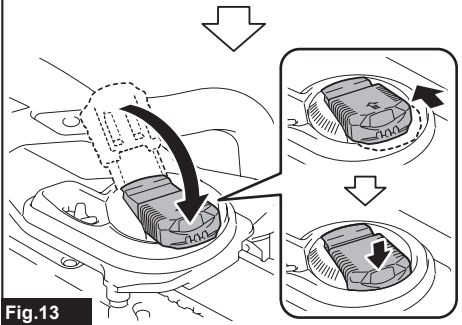


Fig.13

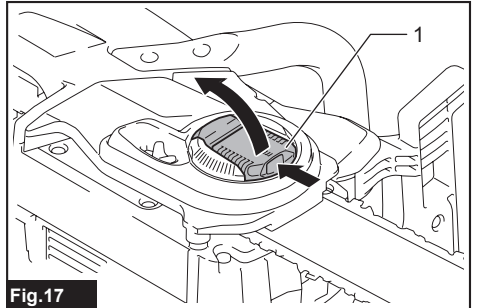


Fig.17

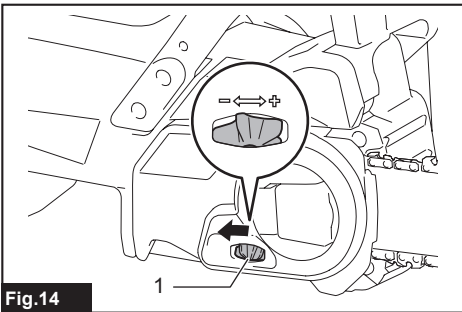


Fig.14

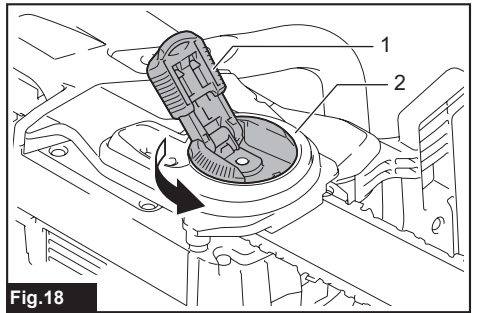


Fig.18

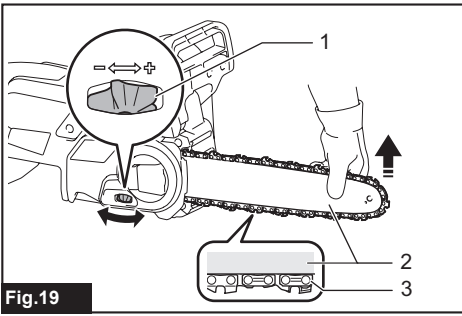


Fig.19

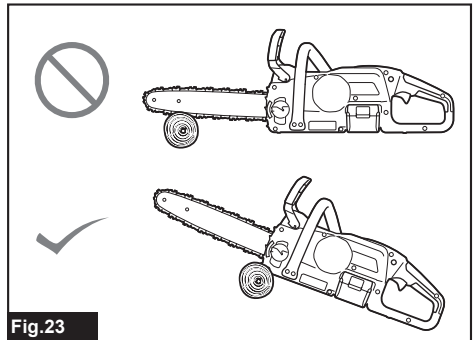


Fig.23

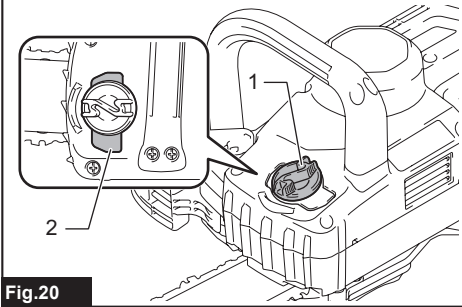


Fig.20

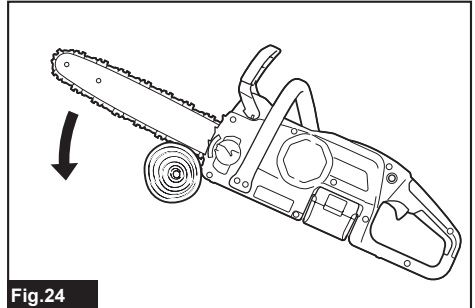


Fig.24

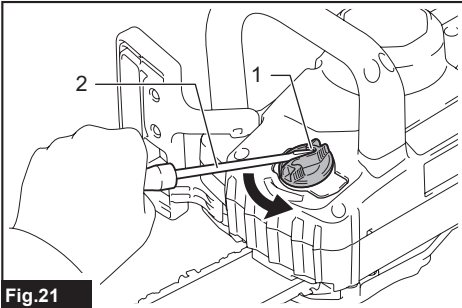


Fig.21

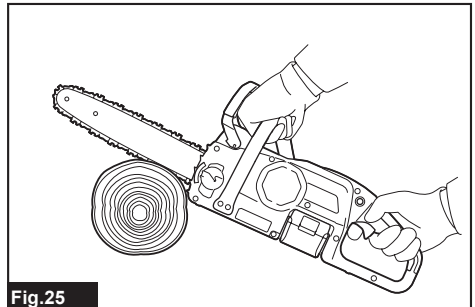


Fig.25

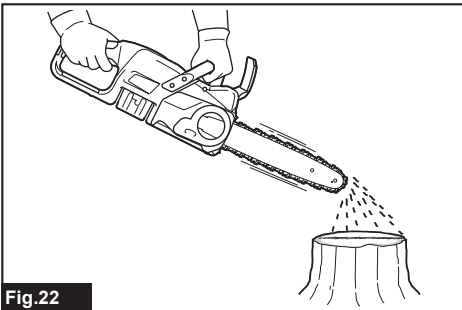


Fig.22

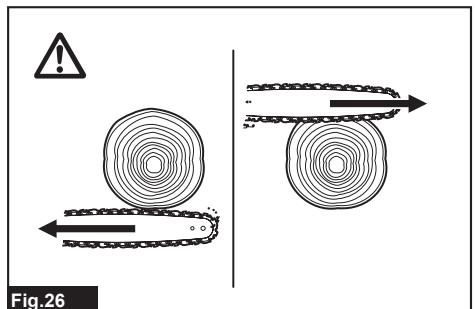


Fig.26

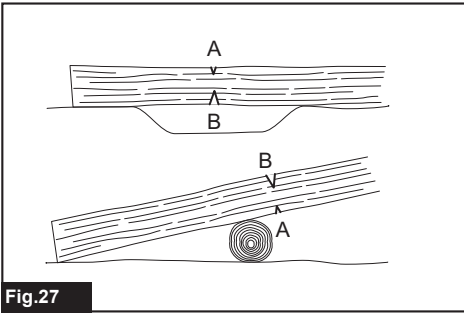


Fig.27

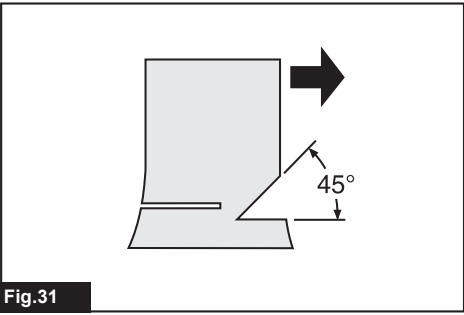


Fig.31

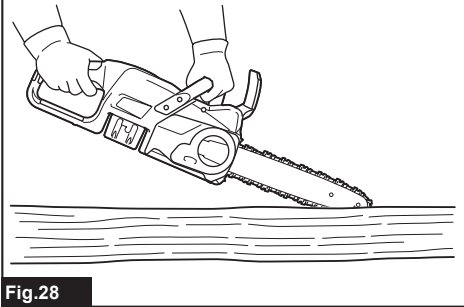


Fig.28

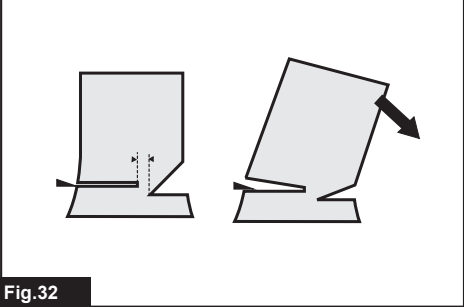


Fig.32

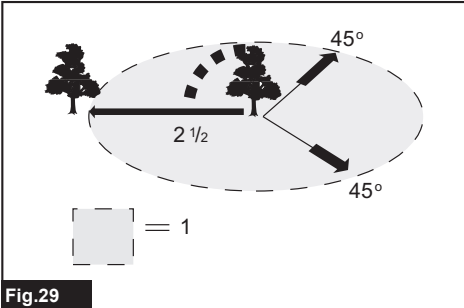


Fig.29

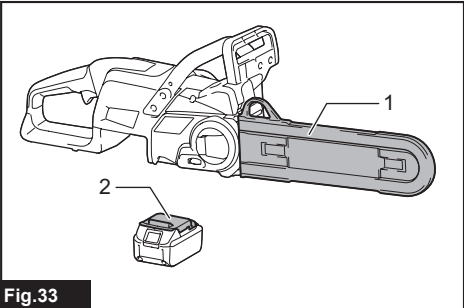


Fig.33

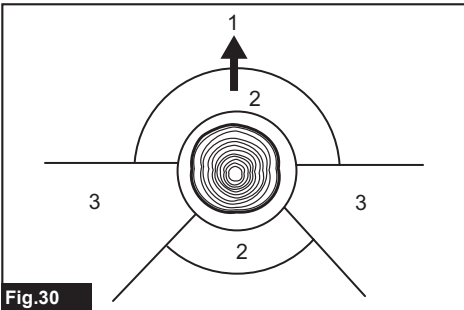


Fig.30

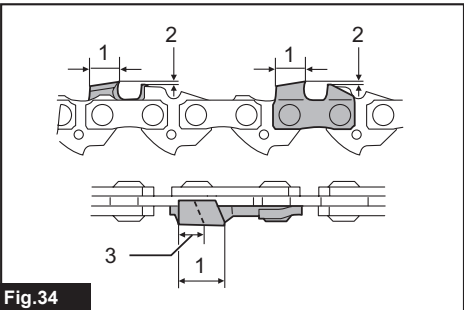


Fig.34

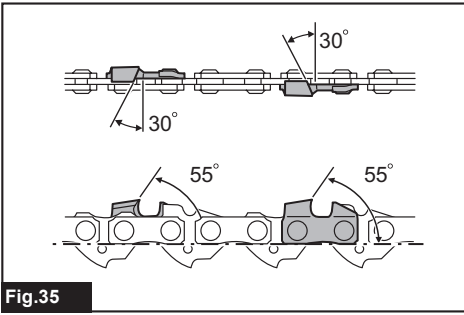


Fig.35

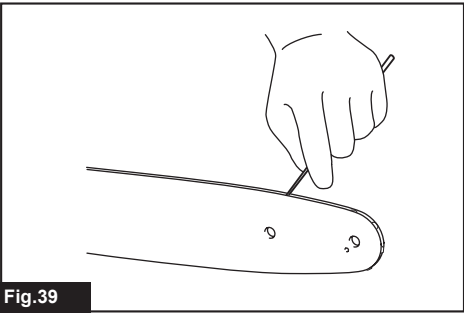


Fig.39

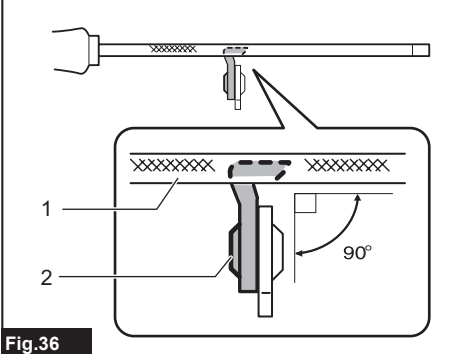


Fig.36

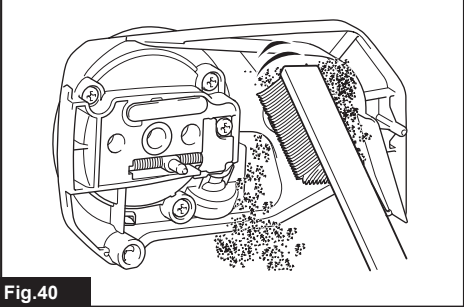


Fig.40

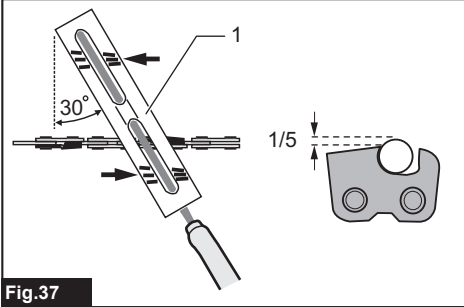


Fig.37

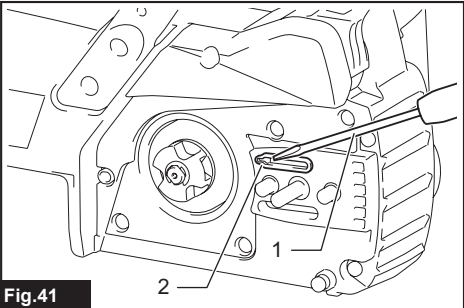


Fig.41

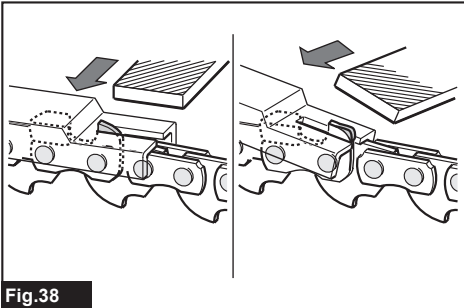


Fig.38

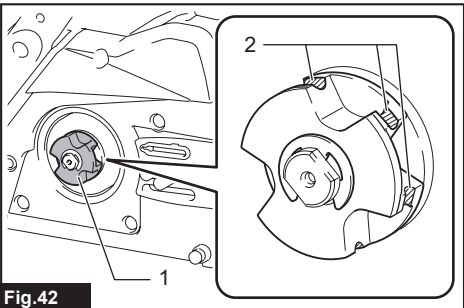


Fig.42

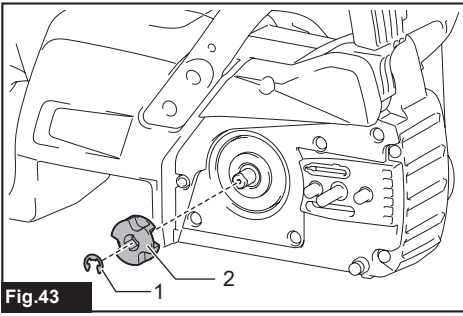


Fig.43

SPECIFICATIONS

Model:		DUC307	DUC357	DUC407
Overall length (without guide bar)		428 mm		
Rated voltage		D.C. 18 V		
Net weight	*1	2.9 kg		
	*2	4.2 - 4.4 kg		
Standard guide bar length		300 mm	350 mm	400 mm
Recommended guide bar length	90PX	300 - 400 mm		
	91PX	-	350 mm	-
Applicable saw chain type (refer to the table below)		90PX 91PX		
Sprocket	Number of teeth	6		
	Pitch	3/8"		
Chain speed		0 - 7.7 m/s (0 - 460 m/min)		
Chain oil tank volume		150 cm ³		

- Due to our continuing program of research and development, the specifications herein are subject to change without notice.
 - Specifications may differ from country to country.
- *1: Weight, without the saw chain, guide bar, guide bar cover, oil and battery cartridge(s).
 *2: The lightest and heaviest combination of weight, according to EPTA-Procedure 01/2014. The weight may differ depending on the attachment(s), including the battery cartridge(s).

Saw chain, guide bar, and sprocket combination

Saw chain type		90PX		
Number of drive links		46	52	56
Guide bar	Guide bar length	300 mm	350 mm	400 mm
	Cutting length	275 mm	330 mm	370 mm
	Pitch	3/8"		
	Gauge	1.1 mm		
	Type	Sprocket nose bar		
Sprocket	Number of teeth	6		
	Pitch	3/8"		

Saw chain type		91PX	
Number of drive links		52	
Guide bar	Guide bar length	350 mm	
	Cutting length	330 mm	
	Pitch	3/8"	
	Gauge	1.3 mm	
	Type	Sprocket nose bar	
Sprocket	Number of teeth	6	
	Pitch	3/8"	

⚠ WARNING: Use appropriate combination of the guide bar and saw chain. Otherwise personal injury may result.

Applicable battery cartridge and charger

Battery cartridge	BL1830B / BL1840B / BL1850B / BL1860B
Charger	DC18RC / DC18RD / DC18RE / DC18SD / DC18SE / DC18SF / DC18SH

- Some of the battery cartridges and chargers listed above may not be available depending on your region of residence.

⚠ WARNING: Only use the battery cartridges and chargers listed above. Use of any other battery cartridges and chargers may cause injury and/or fire.










Recommended cord connected power source

Portable power pack	PDC01
---------------------	-------

- The cord connected power source(s) listed above may not be available depending on your region of residence.
- Before using the cord connected power source, read instruction and cautionary markings on them.

Symbols

The followings show the symbols which may be used for the equipment. Be sure that you understand their meaning before use.

	Read instruction manual.
	Wear safety glasses.
	Wear ear protection.
	Maximum permissible cut length
	Always use two hands when operating the chain saw.
	Beware of chain saw kickback and avoid contact with bar tip.
	Do not expose to moisture.
	Direction of chain travel
	Saw chain oil adjustment



Only for EU countries
Due to the presence of hazardous components in the equipment, waste electrical and electronic equipment, accumulators and batteries may have a negative impact on the environment and human health. Do not dispose of electrical and electronic appliances or batteries with household waste!

In accordance with the European Directive on waste electrical and electronic equipment and on accumulators and batteries and waste accumulators and batteries, as well as their adaptation to national law, waste electrical equipment, batteries and accumulators should be stored separately and delivered to a separate collection point for municipal waste, operating in accordance with the regulations on environmental protection.

This is indicated by the symbol of the crossed-out wheeled bin placed on the equipment.



Guaranteed sound power level according to EU Outdoor Noise Directive.



Sound power level according to Australia NSW Noise Control Regulation.

Intended use

This chain saw is intended for sawing wood.

SAFETY WARNINGS

General power tool safety warnings

⚠ WARNING: Read all safety warnings, instructions, illustrations and specifications provided with this power tool. Failure to follow all instructions listed below may result in electric shock, fire and/or serious injury.

Save all warnings and instructions for future reference.

The term "power tool" in the warnings refers to your mains-operated (corded) power tool or battery-operated (cordless) power tool.

Work area safety

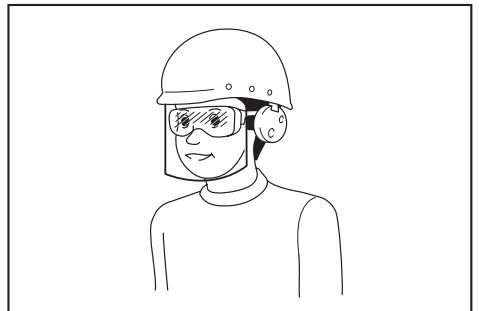
1. **Keep work area clean and well lit.** Cluttered or dark areas invite accidents.
2. **Do not operate power tools in explosive atmospheres, such as in the presence of flammable liquids, gases or dust.** Power tools create sparks which may ignite the dust or fumes.
3. **Keep children and bystanders away while operating a power tool.** Distractions can cause you to lose control.

Electrical safety

1. **Power tool plugs must match the outlet. Never modify the plug in any way. Do not use any adapter plugs with earthed (grounded) power tools.** Unmodified plugs and matching outlets will reduce risk of electric shock.
2. **Avoid body contact with earthed or grounded surfaces, such as pipes, radiators, ranges and refrigerators.** There is an increased risk of electric shock if your body is earthed or grounded.
3. **Do not expose power tools to rain or wet conditions.** Water entering a power tool will increase the risk of electric shock.
4. **Do not abuse the cord. Never use the cord for carrying, pulling or unplugging the power tool. Keep cord away from heat, oil, sharp edges or moving parts.** Damaged or entangled cords increase the risk of electric shock.
5. **When operating a power tool outdoors, use an extension cord suitable for outdoor use.** Use of a cord suitable for outdoor use reduces the risk of electric shock.
6. **If operating a power tool in a damp location is unavoidable, use a residual current device (RCD) protected supply.** Use of an RCD reduces the risk of electric shock.
7. **Power tools can produce electromagnetic fields (EMF) that are not harmful to the user.** However, users of pacemakers and other similar medical devices should contact the maker of their device and/or doctor for advice before operating this power tool.

Personal safety

1. **Stay alert, watch what you are doing and use common sense when operating a power tool. Do not use a power tool while you are tired or under the influence of drugs, alcohol or medication.** A moment of inattention while operating power tools may result in serious personal injury.
2. **Use personal protective equipment. Always wear eye protection.** Protective equipment such as a dust mask, non-skid safety shoes, hard hat or hearing protection used for appropriate conditions will reduce personal injuries.
3. **Prevent unintentional starting. Ensure the switch is in the off-position before connecting to power source and/or battery pack, picking up or carrying the tool.** Carrying power tools with your finger on the switch or energising power tools that have the switch on invites accidents.
4. **Remove any adjusting key or wrench before turning the power tool on.** A wrench or a key left attached to a rotating part of the power tool may result in personal injury.
5. **Do not overreach. Keep proper footing and balance at all times.** This enables better control of the power tool in unexpected situations.
6. **Dress properly. Do not wear loose clothing or jewellery. Keep your hair and clothing away from moving parts.** Loose clothes, jewellery or long hair can be caught in moving parts.
7. **If devices are provided for the connection of dust extraction and collection facilities, ensure these are connected and properly used.** Use of dust collection can reduce dust-related hazards.
8. **Do not let familiarity gained from frequent use of tools allow you to become complacent and ignore tool safety principles.** A careless action can cause severe injury within a fraction of a second.
9. **Always wear protective goggles to protect your eyes from injury when using power tools. The goggles must comply with ANSI Z87.1 in the USA, EN 166 in Europe, or AS/NZS 1336 in Australia/New Zealand. In Australia/New Zealand, it is legally required to wear a face shield to protect your face, too.**



It is an employer's responsibility to enforce the use of appropriate safety protective equipments by the tool operators and by other persons in the immediate working area.

Power tool use and care

1. **Do not force the power tool. Use the correct power tool for your application.** The correct power tool will do the job better and safer at the rate for which it was designed.
2. **Do not use the power tool if the switch does not turn it on and off.** Any power tool that cannot be controlled with the switch is dangerous and must be repaired.
3. **Disconnect the plug from the power source and/or remove the battery pack, if detachable, from the power tool before making any adjustments, changing accessories, or storing power tools.** Such preventive safety measures reduce the risk of starting the power tool accidentally.
4. **Store idle power tools out of the reach of children and do not allow persons unfamiliar with the power tool or these instructions to operate the power tool.** Power tools are dangerous in the hands of untrained users.
5. **Maintain power tools and accessories. Check for misalignment or binding of moving parts, breakage of parts and any other condition that may affect the power tool's operation. If damaged, have the power tool repaired before use.** Many accidents are caused by poorly maintained power tools.
6. **Keep cutting tools sharp and clean.** Properly maintained cutting tools with sharp cutting edges are less likely to bind and are easier to control.
7. **Use the power tool, accessories and tool bits etc. in accordance with these instructions, taking into account the working conditions and the work to be performed.** Use of the power tool for operations different from those intended could result in a hazardous situation.
8. **Keep handles and grasping surfaces dry, clean and free from oil and grease.** Slippery handles and grasping surfaces do not allow for safe handling and control of the tool in unexpected situations.
9. **When using the tool, do not wear cloth work gloves which may be entangled.** The entanglement of cloth work gloves in the moving parts may result in personal injury.

Battery tool use and care

1. **Recharge only with the charger specified by the manufacturer.** A charger that is suitable for one type of battery pack may create a risk of fire when used with another battery pack.
2. **Use power tools only with specifically designated battery packs.** Use of any other battery packs may create a risk of injury and fire.
3. **When battery pack is not in use, keep it away from other metal objects, like paper clips, coins, keys, nails, screws or other small metal objects, that can make a connection from one terminal to another.** Shorting the battery terminals together may cause burns or a fire.
4. **Under abusive conditions, liquid may be ejected from the battery; avoid contact. If contact accidentally occurs, flush with water. If liquid contacts eyes, additionally seek medical help.** Liquid ejected from the battery may cause irritation or burns.

5. **Do not use a battery pack or tool that is damaged or modified.** Damaged or modified batteries may exhibit unpredictable behaviour resulting in fire, explosion or risk of injury.
6. **Do not expose a battery pack or tool to fire or excessive temperature.** Exposure to fire or temperature above 130 °C may cause explosion.
7. **Follow all charging instructions and do not charge the battery pack or tool outside the temperature range specified in the instructions.** Charging improperly or at temperatures outside the specified range may damage the battery and increase the risk of fire.

Service

1. **Have your power tool serviced by a qualified repair person using only identical replacement parts.** This will ensure that the safety of the power tool is maintained.
2. **Never service damaged battery packs.** Service of battery packs should only be performed by the manufacturer or authorized service providers.
3. **Follow instruction for lubricating and changing accessories.**

General chain saw safety warnings

1. **Keep all parts of the body away from the saw chain when the chain saw is operating. Before you start the chain saw, make sure the saw chain is not contacting anything.** A moment of inattention while operating chain saws may cause entanglement of your clothing or body with the saw chain.
2. **Always hold the chain saw with your right hand on the rear handle and your left hand on the front handle.** Holding the chain saw with a reversed hand configuration increases the risk of personal injury and should never be done.
3. **Hold the chain saw by insulated gripping surfaces only, because the saw chain may contact hidden wiring.** Saw chains contacting a "live" wire may make exposed metal parts of the chain saw "live" and could give the operator an electric shock.
4. **Wear eye protection. Further protective equipment for hearing, head, hands, legs and feet is recommended.** Adequate protective equipment will reduce personal injury from flying debris or accidental contact with the saw chain.
5. **Do not operate a chain saw in a tree, on a ladder, from a rooftop, or any unstable support.** Operation of a chain saw in this manner could result in serious personal injury.
6. **Always keep proper footing and operate the chain saw only when standing on fixed, secure and level surface.** Slippery or unstable surfaces may cause a loss of balance or control of the chain saw.
7. **When cutting a limb that is under tension, be alert for spring back.** When the tension in the wood fibres is released, the spring loaded limb may strike the operator and/or throw the chain saw out of control.

8. **Use extreme caution when cutting brush and saplings.** The slender material may catch the saw chain and be whipped toward you or pull you off balance.
9. **Carry the chain saw by the front handle with the chain saw switched off and away from your body. When transporting or storing the chain saw, always fit the guide bar cover.** Proper handling of the chain saw will reduce the likelihood of accidental contact with the moving saw chain.
10. **Follow instructions for lubricating, chain tensioning and changing the bar and chain.** Improperly tensioned or lubricated chain may either break or increase the chance for kickback.
11. **Cut wood only. Do not use chain saw for purposes not intended. For example: do not use chain saw for cutting metal, plastic, masonry or non-wood building materials.** Use of the chain saw for operations different than intended could result in a hazardous situation.
12. **Do not attempt to fell a tree until you have an understanding of the risks and how to avoid them.** Serious injury could occur to the operator or bystanders while felling a tree.
13. **Causes and operator prevention of kickback:** Kickback may occur when the nose or tip of the guide bar touches an object, or when the wood closes in and pinches the saw chain in the cut. Tip contact in some cases may cause a sudden reverse reaction, kicking the guide bar up and back towards the operator. Pinching the saw chain along the top of the guide bar may push the guide bar rapidly back towards the operator. Either of these reactions may cause you to lose control of the saw which could result in serious personal injury. Do not rely exclusively upon the safety devices built into your saw. As a chain saw user, you should take several steps to keep your cutting jobs free from accident or injury. Kickback is the result of chain saw misuse and/or incorrect operating procedures or conditions and can be avoided by taking proper precautions as given below:
 - **Maintain a firm grip, with thumbs and fingers encircling the chain saw handles, with both hands on the saw and position your body and arm to allow you to resist kickback forces.** Kickback forces can be controlled by the operator, if proper precautions are taken. Do not let go of the chain saw.

► **Fig.1**

- **Do not overreach and do not cut above shoulder height.** This helps prevent unintended tip contact and enables better control of the chain saw in unexpected situations.
- **Only use replacement guide bars and saw chains specified by the manufacturer.** Incorrect replacement guide bars and saw chains may cause chain breakage and/or kickback.

- **Follow the manufacturer's sharpening and maintenance instructions for the saw chain.** Decreasing the depth gauge height can lead to increased kickback.
14. **Follow all instructions when clearing jammed material, storing or servicing the chain saw. Make sure the switch is off and the battery pack is removed.** Unexpected actuation of the chain saw while clearing jammed material or servicing may result in serious personal injury.

Additional Safety Instructions

Personal protective equipment

1. **Clothing must be close-fitting, but must not obstruct mobility.**
2. **Wear the following protective clothing during work:**
 - A tested safety helmet, if a hazard is presented by falling branches or similar;
 - A face mask or goggles;
 - Suitable ear protection (ear muffs, custom or mouldable ear plugs). Octave brand analysis upon request.
 - Firm leather safety gloves;
 - Long trousers manufactured from strong fabric;
 - Protective dungarees of cut-resistant fabric;
 - Safety shoes or boots with non-slip soles, steel toes, and cut-resistant fabric lining;
 - A breathing mask, when carrying out work which produces dust (e.g. sawing dry wood).

Operation

1. **Before starting work, check that the chain saw is in proper working order and that its condition complies with the safety regulations. Check in particular that:**
 - The chain brake is working properly;
 - The run-down brake is working properly;
 - The bar and the sprocket cover are fitted correctly;
 - The chain has been sharpened and tensioned in accordance with the regulations.
2. **Do not start the chain saw with the chain cover being installed on it.** Starting the chain saw with the chain cover being installed on it may cause the chain cover to be thrown out forward resulting in personal injury and damage to objects around the operator.

Electrical and battery safety

1. **Avoid dangerous environment. Don't use the tool in damp or wet locations or expose it to rain.** Water entering the tool will increase the risk of electric shock.
2. **Do not dispose of the battery(ies) in a fire.** The cell may explode. Check with local codes for possible special disposal instructions.
3. **Do not open or mutilate the battery(ies).** Released electrolyte is corrosive and may cause damage to the eyes or skin. It may be toxic if swallowed.
4. **Do not charge battery in rain, or in wet locations.**

5. Do not charge the battery outdoors.
6. Do not handle charger, including charger plug, and charger terminals with wet hands.
7. Do not replace the battery in the rain.
8. Do not replace the battery with wet hands.
9. Do not leave the battery in the rain, nor charge, use, or store the battery in a damp or wet place.
10. Do not wet the terminal of battery with liquid such as water, or submerge the battery. If the terminal gets wet or liquid enters inside of battery, the battery may be short circuited and there is a risk of overheat, fire, or explosion.
11. After removing the battery from the machine or charger, be sure to attach the battery cover to the battery and store it in a dry place.
12. If the battery cartridge gets wet, drain the water inside and then wipe it with a dry cloth. Dry the battery cartridge completely in a dry place before use.
7. Do not incinerate the battery cartridge even if it is severely damaged or is completely worn out. The battery cartridge can explode in a fire.
8. Do not nail, cut, crush, throw, drop the battery cartridge, or hit against a hard object to the battery cartridge. Such conduct may result in a fire, excessive heat, or explosion.
9. Do not use a damaged battery.
10. The contained lithium-ion batteries are subject to the Dangerous Goods Legislation requirements.

For commercial transports e.g. by third parties, forwarding agents, special requirement on packaging and labeling must be observed.

For preparation of the item being shipped, consulting an expert for hazardous material is required. Please also observe possibly more detailed national regulations.

Tape or mask off open contacts and pack up the battery in such a manner that it cannot move around in the packaging.

SAVE THESE INSTRUCTIONS.

⚠WARNING: DO NOT let comfort or familiarity with product (gained from repeated use) replace strict adherence to safety rules for the subject product. MISUSE or failure to follow the safety rules stated in this instruction manual may cause serious personal injury.

Important safety instructions for battery cartridge

1. Before using battery cartridge, read all instructions and cautionary markings on (1) battery charger, (2) battery, and (3) product using battery.
2. Do not disassemble or tamper with the battery cartridge. It may result in a fire, excessive heat, or explosion.
3. If operating time has become excessively shorter, stop operating immediately. It may result in a risk of overheating, possible burns and even an explosion.
4. If electrolyte gets into your eyes, rinse them out with clear water and seek medical attention right away. It may result in loss of your eyesight.
5. Do not short the battery cartridge:
 - (1) Do not touch the terminals with any conductive material.
 - (2) Avoid storing battery cartridge in a container with other metal objects such as nails, coins, etc.
 - (3) Do not expose battery cartridge to water or rain.

A battery short can cause a large current flow, overheating, possible burns and even a breakdown.
6. Do not store and use the tool and battery cartridge in locations where the temperature may reach or exceed 50 °C (122 °F).
11. When disposing the battery cartridge, remove it from the tool and dispose of it in a safe place. Follow your local regulations relating to disposal of battery.
12. Use the batteries only with the products specified by Makita. Installing the batteries to non-compliant products may result in a fire, excessive heat, explosion, or leak of electrolyte.
13. If the tool is not used for a long period of time, the battery must be removed from the tool.
14. During and after use, the battery cartridge may take on heat which can cause burns or low temperature burns. Pay attention to the handling of hot battery cartridges.
15. Do not touch the terminal of the tool immediately after use as it may get hot enough to cause burns.
16. Do not allow chips, dust, or soil stuck into the terminals, holes, and grooves of the battery cartridge. It may cause heating, catching fire, burst and malfunction of the tool or battery cartridge, resulting in burns or personal injury.
17. Unless the tool supports the use near high-voltage electrical power lines, do not use the battery cartridge near high-voltage electrical power lines. It may result in a malfunction or breakdown of the tool or battery cartridge.
18. Keep the battery away from children.

SAVE THESE INSTRUCTIONS.

⚠CAUTION: Only use genuine Makita batteries. Use of non-genuine Makita batteries, or batteries that have been altered, may result in the battery bursting causing fires, personal injury and damage. It will also void the Makita warranty for the Makita tool and charger.

Tips for maintaining maximum battery life

1. Charge the battery cartridge before completely discharged. Always stop tool operation and charge the battery cartridge when you notice less tool power.

2. Never recharge a fully charged battery cartridge. Overcharging shortens the battery service life.
3. Charge the battery cartridge with room temperature at 10 °C - 40 °C (50 °F - 104 °F). Let a hot battery cartridge cool down before charging it.
4. When not using the battery cartridge, remove it from the tool or the charger.
5. Charge the battery cartridge if you do not use it for a long period (more than six months).

PARTS DESCRIPTION

► Fig.2

1	Front hand guard	2	Lever	3	Guide bar
4	Saw chain	5	Guide bar cover	6	Lock-off button
7	Rear handle	8	Switch trigger	9	Battery cartridge
10	Front handle	11	Oil tank cap	12	Spike bumper
13	Chain catcher	14	Adjusting dial	-	-

FUNCTIONAL DESCRIPTION

⚠ CAUTION: Always be sure that the tool is switched off and the battery cartridge is removed before adjusting or checking function on the tool.

Installing or removing battery cartridge

⚠ CAUTION: Always switch off the tool before installing or removing of the battery cartridge.

⚠ CAUTION: Hold the tool and the battery cartridge firmly when installing or removing battery cartridge. Failure to hold the tool and the battery cartridge firmly may cause them to slip off your hands and result in damage to the tool and battery cartridge and a personal injury.

► Fig.3: 1. Red indicator 2. Button 3. Battery cartridge

To remove the battery cartridge, slide it from the tool while sliding the button on the front of the cartridge.

To install the battery cartridge, align the tongue on the battery cartridge with the groove in the housing and slip it into place. Insert it all the way until it locks in place with a little click. If you can see the red indicator as shown in the figure, it is not locked completely.

⚠ CAUTION: Always install the battery cartridge fully until the red indicator cannot be seen. If not, it may accidentally fall out of the tool, causing injury to you or someone around you.



















⚠ CAUTION: Do not install the battery cartridge forcibly. If the cartridge does not slide in easily, it is not being inserted correctly.

Indicating the remaining battery capacity

Only for battery cartridges with the indicator

► Fig.4: 1. Indicator lamps 2. Check button

Press the check button on the battery cartridge to indicate the remaining battery capacity. The indicator lamps light up for a few seconds.

Indicator lamps			Remaining capacity
 Lighted	 Off	 Blinking	
			75% to 100%
			50% to 75%
			25% to 50%
			0% to 25%
			Charge the battery.
			The battery may have malfunctioned.
			

NOTE: Depending on the conditions of use and the ambient temperature, the indication may differ slightly from the actual capacity.

NOTE: The first (far left) indicator lamp will blink when the battery protection system works.

Tool / battery protection system

The tool is equipped with a tool/battery protection system. This system automatically cuts off power to the motor to extend tool and battery life. The tool will automatically stop during operation if the tool or battery is placed under one of the following conditions:

Overload protection

When the tool or battery is operated in a manner that causes it to draw an abnormally high current, the tool automatically stops. In this situation, turn the tool off and stop the application that caused the tool to become overloaded. Then turn the tool on to restart.

Overheat protection

When the tool or battery is overheated, the tool stops automatically. In this case, let the tool and battery cool before turning the tool on again.

NOTE: In high temperature environment, the overheat protection likely to work and the tool stops automatically.

Overdischarge protection

When the battery capacity is not enough, the tool stops automatically. In this case, remove the battery from the tool and charge the battery.

Protections against other causes

Protection system is also designed for other causes that could damage the tool and allows the tool to stop automatically. Take all the following steps to clear the causes, when the tool has been brought to a temporary halt or stop in operation.

1. Turn the tool off, and then turn it on again to restart.
2. Charge the battery(ies) or replace it/them with recharged battery(ies).
3. Let the machine and battery(ies) cool down.

If no improvement can be found by restoring protection system, then contact your local Makita Service Center.

NOTICE: If the tool stops due to a cause not described above, refer to the section for troubleshooting.

Switch action

WARNING: For your safety, this tool is equipped with the lock-off button which prevents the tool from unintended starting. Never use the tool if it starts when you pull the switch trigger without pressing the lock-off button. Ask your local Makita Service Center for repairs.

WARNING: Never disable the lock function or tape down the lock-off button.

CAUTION: Before installing the battery cartridge into the tool, always check to see that the switch trigger actuates properly and returns to the "OFF" position when released.

NOTICE: Do not pull the switch trigger forcibly without pressing the lock-off button. The switch may break.

- **Fig.5:** 1. Lock-off button 2. Switch trigger

To prevent the switch trigger from being accidentally pulled, a lock-off button is provided. To start the tool, press the lock-off button and pull the switch trigger. Release the switch trigger to stop.

Checking the chain brake

CAUTION: Hold the chain saw with both hands when switching it on. Hold the rear handle with your right hand, the front handle with your left. The bar and the chain must not be in contact with any object.

CAUTION: Should the saw chain not stop immediately when this test is performed, the saw may not be used under any circumstances. Consult our authorized service center.

1. Press the lock-off button, then pull the switch trigger. The saw chain starts immediately.
2. Push the front hand guard forwards with the back of your hand. Make sure that the chain saw comes to an immediate standstill.

- **Fig.6:** 1. Front hand guard 2. Unlocked position
3. Locked position

Checking the run-down brake

CAUTION: If the saw chain does not stop within one second in this test, stop using the chain saw and consult our authorized service center.

Run the chain saw then release the switch trigger completely. The saw chain must come to a standstill within one second.

ASSEMBLY

CAUTION: Always be sure that the tool is switched off and the battery cartridge is removed before carrying out any work on the tool.

CAUTION: Do not touch the saw chain with bare hands. Always wear gloves when handling the saw chain.

Installing or removing saw chain

CAUTION: The saw chain and the guide bar are still hot just after the operation. Let them cool down enough before carrying out any work on the tool.

CAUTION: Carry out the procedure of installing or removing saw chain in a clean place free from sawdust and the like.

Installing the saw chain

To install the saw chain, perform the following steps:

1. Release the chain brake by pulling the front hand guard.
2. Pull the lever up while pressing its edge.
▶ **Fig.7:** 1. Lever
3. Turn the lever counterclockwise until the sprocket cover comes off.
▶ **Fig.8:** 1. Lever 2. Sprocket cover
4. Remove the sprocket cover.
5. Check the direction of the saw chain. Match the direction of the saw chain with that of the mark on the chain saw body.
▶ **Fig.9:** 1. Mark on chain saw body
6. Fit one end of the saw chain on the top of the guide bar.
7. Fit the other end of the saw chain around the sprocket, then attach the guide bar to the chain saw body.
▶ **Fig.10:** 1. Sprocket
8. Turn the adjusting dial to “-” direction to slide the adjusting pin in the direction of arrow.
▶ **Fig.11:** 1. Adjusting dial 2. Adjusting pin
9. Place the sprocket cover on the chain saw so that the adjusting pin is positioned in a small hole on the guide bar.
▶ **Fig.12:** 1. Sprocket cover 2. Guide bar 3. Hole
10. Turn the lever clockwise fully and turn back the lever a little to keep looseness for adjusting the chain tension.
11. Adjust the chain tension. Refer to the section for adjusting saw chain tension for procedure.
12. Turn the lever clockwise until the sprocket cover is secured then return it to the original position.
▶ **Fig.13:** 1. Lever 2. Sprocket cover

Removing the saw chain

To remove the saw chain, perform the following steps:

1. Release the chain brake by pulling the front hand guard.
2. Turn the adjusting dial to “-” direction to release the saw chain tension.
▶ **Fig.14:** 1. Adjusting dial
3. Pull the lever up while pressing its edge.
▶ **Fig.15:** 1. Lever
4. Turn the lever counterclockwise until the sprocket cover comes off.
▶ **Fig.16:** 1. Lever 2. Sprocket cover
5. Remove the sprocket cover then remove the saw chain and guide bar from the chain saw body.

Adjusting saw chain tension

⚠ CAUTION: Carry out the procedure of installing or removing saw chain in a clean place free from sawdust and the like.

⚠ CAUTION: Do not tighten the saw chain too much. Excessively high tension of saw chain may cause breakage of saw chain, wear of the guide bar and breakage of the adjusting dial.

⚠ CAUTION: A chain which is too loose can jump off the bar and it may cause an injury accident.

The saw chain may become loose after many hours of use. From time to time check the saw chain tension before use.

1. Pull the lever up while pressing its edge.
▶ **Fig.17:** 1. Lever
2. Turn the lever counterclockwise a little to loosen the sprocket cover lightly.
▶ **Fig.18:** 1. Lever 2. Sprocket cover
3. Lift up the guide bar tip slightly and adjust the chain tension. Turn the adjusting dial to the “-” direction to loosen, turn to the “+” direction to tighten. Tighten the saw chain until the lower side of the saw chain fits in the guide bar rail as illustrated.
▶ **Fig.19:** 1. Adjusting dial 2. Guide bar 3. Saw chain
4. Keep holding the guide bar lightly and tighten the sprocket cover. Make sure that the saw chain does not loose at the lower side.
5. Return the lever to the original position.

Make sure the saw chain fits snugly against the lower side of the bar.

OPERATION

Lubrication

⚠ CAUTION: Do not operate the chain saw when the tank is empty. Replenish the oil in due time before the tank is empty.

⚠ CAUTION: Prevent the oil from coming into contact with the skin and eyes. Contact with the eyes causes irritation. In the event of eye contact, flush the affected eye immediately with clear water, then consult a doctor at once.

⚠ CAUTION: Never use waste oil. Waste oil contains carcinogenic substances. The contaminants in waste oil cause accelerated wear of the oil pump, the bar and the chain. Waste oil is harmful to the environment.

NOTICE: When the chain saw is used for the first time, it may take up to two minutes for the saw chain oil to begin its lubricating effect upon the saw mechanism. Run the saw without load until it does so.

NOTICE: When filling the chain oil for the first time, or refilling the tank after it has been completely emptied, add oil up to the bottom edge of the filler neck. The oil delivery may otherwise be impaired.

NOTICE: Use the saw chain oil exclusively for Makita chain saws or equivalent oil available in the market.

NOTICE: Never use oil including dust and particles or volatile oil.

NOTICE: When pruning trees, use botanical oil. Mineral oil may harm trees.

NOTICE: Before the cutting operation, make sure that the provided oil tank cap is screwed in place.

Saw chain is automatically lubricated when the tool is in operation. Check the amount of remaining oil in the oil tank periodically through the oil inspection window.

► **Fig.20:** 1. Oil tank cap 2. Oil inspection window

To fill the oil, perform the following steps:

1. Clean the area around the oil tank cap thoroughly to prevent any dirt from entering the oil tank.
2. Lay the chain saw on its side and remove the oil tank cap.
3. Fill the oil tank with the oil. The proper amount of oil is 150 ml.
4. Screw the oil tank cap firmly back in place.
5. Wipe away any spilt chain oil carefully.

NOTE: If it is difficult to remove the oil tank cap, insert the slotted screwdriver into the slot of the oil tank cap, and then remove the oil tank cap by turning it counterclockwise.

► **Fig.21:** 1. Slot 2. Slotted screwdriver

After refilling, hold the chain saw away from the tree. Start it and wait until lubrication on saw chain is adequate.

► **Fig.22**

Working with the chain saw

CAUTION: The first time user should, as a minimum practice, do cutting logs on a saw-horse or cradle.

CAUTION: When sawing precut timber, use a safe support (saw horse or cradle). Do not steady the workpiece with your foot, and do not allow anyone else to hold or steady it.

CAUTION: Secure round pieces against rotation.

CAUTION: Keep all parts of the body away from the saw chain when the motor is operating.

CAUTION: Hold the chain saw firmly with both hands when the motor is running.

CAUTION: Do not overreach. Keep proper footing and balance at all times.

NOTICE: Never toss or drop the tool.

NOTICE: Do not cover the vents of the tool.

Bring the bottom edge of the chain saw body into contact with the branch to be cut before switching on. Otherwise it may cause the guide bar to wobble, resulting in injury to operator. Saw the wood to be cut by just moving it down by using the weight of the chain saw.

► **Fig.23**

If you cannot cut the timber right through with a single stroke:

Apply light pressure to the handle and continue sawing and draw the chain saw back a little; then apply the spike bumper a little lower and finish the cut by raising the handle.

► **Fig.24**

Bucking

1. Rest the bottom edge of the chain saw body on the wood to be cut.

► **Fig.25**

2. With the saw chain running, saw into the wood while using the rear handle to raise the saw and the front one to guide it. Use the spike bumper as a pivot.

3. Continue the cut by applying slight pressure to the front handle, easing the saw back slightly. Move the spike bumper further down the timber and raise the front handle again.

NOTICE: When making several cuts, switch the chain saw off between cuts.

CAUTION: If the upper edge of the bar is used for cutting, the chain saw may be deflected in your direction if the chain becomes trapped. For this reason, cut with the lower edge, so that the saw will be deflected away from your body.

► **Fig.26**

When you cut a wood under tension, cut the pressured side (A) first. Then make the final cut from the tensioned side (B). This prevents the bar from becoming trapped.

► **Fig.27**

Limbing

CAUTION: Limbing may only be performed by trained persons. A hazard is presented by the risk of kickback.

When limbing, support the chain saw on the trunk if possible. Do not cut with the tip of the bar, as this presents a risk of kickback.

Pay particular attention to branches under tension. Do not cut unsupported branches from below.

Do not stand on the felled trunk when limbing.

Burrowing and parallel-to-grain cuts

CAUTION: Burrowing and parallel-to-grain cuts may only be carried out by persons with special training. The possibility of kickback presents a risk of injury.

Perform parallel-to-grain cuts at as shallow an angle as possible. Take an extra caution when carrying out the cut as the spike bumper cannot be used.

► Fig.28

Felling

CAUTION: Felling work may only be performed by trained persons. The work is hazardous.

Observe local regulations if you wish to fell a tree.

► Fig.29: 1. Felling area

- Before starting felling work, ensure that:
 - Only persons involved in the felling operation are in the vicinity;
 - Any person involved has an unhindered path of retreat through a range of approximately 45° either side of the felling axis. Consider the additional risk of tripping over electrical cables;
 - The base of the trunk is free of foreign objects, roots and stumps;
 - No persons or objects are present over a distance of 2 1/2 tree lengths in the direction in which the tree will fall.
- Consider the following with respect to each tree:
 - Direction of lean;
 - Loose or dry branches;
 - Height of the tree;
 - Natural overhang;
 - Whether or not the tree is rotten.
- Consider the wind speed and direction. Do not carry out felling work if the wind is gusting strongly.
- Trimming of root swellings: Begin with the largest swellings. Make the vertical cut first, then the horizontal cut.
- Stand to the side of the falling tree. Keep an area clear to the rear of the falling tree up to an angle of 45° either side of the tree axis (refer to the "felling area" figure). Pay attention to falling branches.

- An escape path should be planned and cleared as necessary before cuts are started. The escape path should extend back and diagonally to the rear of the expected line of fall as illustrated in figure.

► Fig.30: 1. Felling direction
2. Danger zone
3. Escape route

When felling trees, follow the procedures below:

1. Cut a scarf as close to the ground as possible. First make the horizontal cut to a depth of 1/5 - 1/3 of the trunk diameter. Do not make the scarf too large. Then make the diagonal cut.

► Fig.31

NOTE: The scarf determines the direction in which the tree will fall, and guides it. It is made on the side towards which the tree is to fall.

2. Make the back cut a little higher than the base cut of the scarf. The back cut must be exactly horizontal. Leave approximately 1/10 of the trunk diameter between the back cut and the scarf. The wood fibers in the uncut trunk portion act as a hinge. Insert wedges into the back cut in time.

► Fig.32

WARNING: Do not cut right through the fibers under any circumstances. The tree will otherwise fall unchecked.

NOTICE: Only plastic or aluminum wedges may be used to keep the back cut open. The use of iron wedges is prohibited.

Carrying tool

Before carrying the tool, always apply the chain brake and remove the battery cartridge from the tool. Then attach the guide bar cover. Also cover the battery cartridge with the battery cover.

► Fig.33: 1. Guide bar cover 2. Battery cover

MAINTENANCE

CAUTION: Always be sure that the tool is switched off and the battery cartridge is removed before attempting to perform inspection or maintenance.

CAUTION: Always wear gloves when performing any inspection or maintenance.

NOTICE: Never use gasoline, benzine, thinner, alcohol or the like. Discoloration, deformation or cracks may result.

To maintain product SAFETY and RELIABILITY, repairs, any other maintenance or adjustment should be performed by Makita Authorized or Factory Service Centers, always using Makita replacement parts.

Sharpening the saw chain

Sharpen the saw chain when:

- Mealy sawdust is produced when damp wood is cut;
- The chain penetrates the wood with difficulty, even when heavy pressure is applied;
- The cutting edge is obviously damaged;
- The saw pulls to the left or right in the wood. (caused by uneven sharpening of the saw chain or damage to one side only)

Sharpen the saw chain frequently but a little each time. Two or three strokes with a file are usually sufficient for routine reshaping. When the saw chain has been resharpened several times, have it sharpened in our authorized service center.

Sharpening criteria:

⚠ WARNING: An excessive distance between the cutting edge and depth gauge increases the risk of kickback.

- **Fig.34:** 1. Cutter length 2. Distance between cutting edge and depth gauge 3. Minimum cutter length (3 mm)

- All cutter length must be equal. Different cutter lengths prevent the saw chain from running smoothly and may cause the saw chain to break.
- Do not sharpen the chain when the cutter length has reached 3 mm or shorter. The chain must be replaced with new one.
- The chip thickness is determined by the distance between the depth gauge (round nose) and the cutting edge.
- The best cutting results are obtained with following distance between cutting edge and depth gauge.
 - Chain blade 90PX : 0.65 mm
 - Chain blade 91PX : 0.65 mm

► **Fig.35**

- The sharpening angle of 30° must be the same on all cutters. Different cutter angles cause the chain to run roughly and unevenly, accelerate wear, and lead to chain breaks.
- Use a suitable round file so that the proper sharpening angle is kept against the teeth.
 - Chain blade 90PX : 55°
 - Chain blade 91PX : 55°

File and file guiding

- Use a special round file (optional accessory) for saw chains to sharpen the chain. Normal round files are not suitable.
- Diameter of the round file for each saw chain is as follows:
 - Chain blade 90PX : 4.5 mm
 - Chain blade 91PX : 4.0 mm
- The file should only engage the cutter on the forward stroke. Lift the file off the cutter on the return stroke.
- Sharpen the shortest cutter first. Then the length of this shortest cutter becomes the standard for all other cutters on the saw chain.

- Guide the file as shown in the figure.

► **Fig.36:** 1. File 2. Saw chain

- The file can be guided more easily if a file holder (optional accessory) is employed. The file holder has markings for the correct sharpening angle of 30° (align the markings parallel to the saw chain) and limits the depth of penetration (to 4/5 of the file diameter).

► **Fig.37:** 1. File holder

- After sharpening the chain, check the height of the depth gauge using the chain gauge tool (optional accessory).

► **Fig.38**

- Remove any projecting material, however small, with a special flat file (optional accessory).
- Round off the front of the depth gauge again.

Cleaning the guide bar

Chips and sawdust will build up in the guide bar groove. They may clog the bar groove and impair the oil flow. Clean out the chips and sawdust every time when you sharpen or replace the saw chain.

► **Fig.39**

Cleaning the sprocket cover

Chips and saw dust will accumulate inside of the sprocket cover. Remove the sprocket cover and saw chain from the tool then clean the chips and saw dust.

► **Fig.40**

Cleaning the oil discharge hole

Small dust or particles may be built up in the oil discharge hole during operation. These dust or particles may impair the oil to flow and cause an insufficient lubrication on the whole saw chain. When a poor chain oil delivery occurs at the top of guide bar, clean the oil discharge hole as follows.

1. Remove the sprocket cover and saw chain from the tool.
2. Remove the small dust or particles using a slotted screwdriver or the like.

► **Fig.41:** 1. Slotted screwdriver 2. Oil discharge hole

3. Insert the battery cartridge into the tool. Pull the switch trigger to flow built-up dust or particles off the oil discharge hole by discharging chain oil.

4. Remove the battery cartridge from the tool.

Reinstall the sprocket cover and saw chain on the tool.

Replacing the sprocket

CAUTION: A worn sprocket will damage a new saw chain. Have the sprocket replaced in this case.

Before fitting a new saw chain, check the condition of the sprocket.

► Fig.42: 1. Sprocket 2. Areas to be worn out

Always fit a new locking ring when replacing the sprocket.

► Fig.43: 1. Locking ring 2. Sprocket

NOTICE: Make sure that the sprocket is installed as shown in the figure.

Storing the tool

1. Clean the tool before storing. Remove any chips and sawdust from the tool after removing the sprocket cover.
2. After cleaning the tool, run it under no load to lubricate the saw chain and guide bar.
3. Cover the guide bar with the guide bar cover.
4. Empty the oil tank.

Instructions for periodic maintenance

To ensure long life, prevent damage and ensure the full functioning of the safety features, the following maintenance must be performed regularly. Warranty claims can be recognized only if this work is performed regularly and properly. Failure to perform the prescribed maintenance work can lead to accidents! The user of the chain saw must not perform maintenance work which is not described in the instruction manual. All such work must be carried out by our authorized service center.

Check item / Operating time		Before operation	Everyday	Every week	Every 3 month	Annually	Before storage
Chain saw	Inspection.	✓	-	-	-	-	-
	Cleaning.	-	✓	-	-	-	-
	Check at authorized service center.	-	-	-	-	✓	✓
Saw chain	Inspection.	✓	-	-	-	-	-
	Sharpening if necessary.	-	-	-	-	-	✓
Guide bar	Inspection.	✓	✓	-	-	-	-
	Remove from the chain saw.	-	-	-	-	-	✓
Chain brake	Check the function.	✓	-	-	-	-	-
	Have it inspected regularly at authorized service center.	-	-	-	✓	-	-
Chain lubrication	Check the oil feed rate.	✓	-	-	-	-	-
Switch trigger	Inspection.	✓	-	-	-	-	-
Lock-off button	Inspection.	✓	-	-	-	-	-
Oil tank cap	Check tightness.	✓	-	-	-	-	-
Chain catcher	Inspection.	-	-	✓	-	-	-
Screws and nuts	Inspection.	-	-	✓	-	-	-

TROUBLESHOOTING

Before asking for repairs, conduct your own inspection first. If you find a problem that is not explained in the manual, do not attempt to dismantle the tool. Instead, ask Makita Authorized Service Centers, always using Makita replacement parts for repairs.

Malfunction status	Cause	Action
The chain saw does not start.	Battery cartridge is not installed.	Install a charged battery cartridge.
	Battery problem (low voltage).	Recharge the battery cartridge. If recharging is not effective, replace the battery cartridge.
The saw chain does not run.	Chain brake activated.	Release chain brake.
The motor stops running after a little use.	Battery's charge level is low.	Recharge the battery cartridge. If recharging is not effective, replace the battery cartridge.
No oil on the chain.	Oil tank is empty.	Fill the oil tank.
	Oil guide groove is dirty.	Clean the groove.
The chain saw does not reach maximum RPM.	Battery cartridge is installed improperly.	Install the battery cartridge as described in this manual.
	Battery power is dropping.	Recharge the battery cartridge. If recharging is not effective, replace the battery cartridge.
	The drive system does not work correctly.	Ask the authorized service center in your region for repair.
Chain does not stop even the chain brake is activated: Stop the tool immediately!	The brake band is worn down.	Ask the authorized service center in your region for repair.
Abnormal vibration: Stop the tool immediately!	Loose guide bar or saw chain.	Adjust the guide bar and saw chain tension.
	Tool malfunction.	Ask the authorized service center in your region for repair.
The saw chain cannot be installed.	The combination of saw chain and sprocket is not correct.	Use the correct combination of saw chain and sprocket by referring to the section for specifications.

OPTIONAL ACCESSORIES

CAUTION: These accessories or attachments are recommended for use with your Makita tool specified in this manual. The use of any other accessories or attachments might present a risk of injury to persons. Only use accessory or attachment for its stated purpose.

If you need any assistance for more details regarding these accessories, ask your local Makita Service Center.

- Saw chain
- Guide bar
- Guide bar cover
- File
- Tool bag
- Makita genuine battery and charger

WARNING: If you purchase a guide bar of different length from the standard guide bar, also purchase a suitable guide bar cover together. It must fit and fully cover the guide bar on the chain saw.

NOTE: Some items in the list may be included in the tool package as standard accessories. They may differ from country to country.

规格

型号:		DUC307	DUC357	DUC407
总长度 (不含导板)		428 mm		
额定电压		D.C. 18 V		
净重	*1	2.9 kg		
	*2	4.2 - 4.4 kg		
标准导板长度		300 mm	350 mm	400 mm
导板推荐长度	90PX	300 - 400 mm		
	91PX	-	350 mm	-
适用锯链类型 (参阅下表)		90PX 91PX		
链轮	齿数	6		
	齿距	3/8"		
链锯速度		0 - 7.7 m/s (0 - 460 m/min)		
链条油箱容量		150 cm ³		

• 生产者保留变更规格不另行通知之权利。

• 规格可能因销往国家之不同而异。

*1: 重量, 不含锯链、导板、导板护盖、油和电池组。

*2: 根据EPTA-Procedure 01/2014标准, 最轻和最重的组合。重量可能因附件(包括电池组)而异。

锯链、导板和链轮组合

锯链类型		90PX		
驱动链节数		46	52	56
导板	导板长度	300 mm	350 mm	400 mm
	切割长度	275 mm	330 mm	370 mm
	齿距	3/8"		
	测量标尺	1.1 mm		
	类型	链轮头导板		
链轮	齿数	6		
	齿距	3/8"		

锯链类型		91PX
驱动链节数		52
导板	导板长度	350 mm
	切割长度	330 mm
	齿距	3/8"
	测量标尺	1.3 mm
	类型	链轮头导板
链轮	齿数	6
	齿距	3/8"

警告： 请使用正确的导板和锯链组合。否则可能会导致人身伤害。

适用电池组和充电器

电池组	BL1830B / BL1840B / BL1850B / BL1860B
充电器	DC18RC / DC18RD / DC18RE / DC18SD / DC18SE / DC18SF / DC18SH

- 部分以上所列电池组和充电器是否适用视用户所在地区而异。

警告： 请仅使用以上所列电池组和充电器。使用其他类型的电池组或充电器可能会导致人身伤害和 / 或失火。

推荐的用电源线连接的电源

便携电源装置	PDC01
--------	-------

- 以上所列的用电源线连接的电源是否适用取决于用户所在地区。
- 在使用用电源线连接的电源之前，请先阅读使用说明和了解相关警示标识。

符号

以下显示本设备可能会使用的符号。在使用工具之前，请务必理解其含义。

	阅读使用说明书。
	佩带安全眼镜。
	佩带耳罩。
	最大允许切割长度
	务必用双手操作链锯。
	小心电链锯反弹并避免接触导板头。
	勿暴露于潮湿环境。



链条移动方向



链锯油调节



仅限于欧盟国家
 由于本设备中包含有害成分，因此废弃的电气和电子设备、蓄电池和普通电池可能会对环境和人体健康产生负面影响。请勿将电气和电子工具或电池与家庭普通废弃物放在一起处置！
 根据欧洲关于废弃电气电子设备、蓄电池和普通电池的指令及其国家层面的修订法案，废弃的电气设备、普通电池和蓄电池应当单独存放并递送至城市垃圾收集点，根据环保法规进行处置。
 此规定由标有叉形标志的带轮垃圾桶符号表示。



保证声功率级别符合欧盟室外
噪音指令。



声功率级别符合澳大利亚NSW
噪音控制规定

用途

本链锯用于锯木材。

安全警告

电动工具通用安全警告

警告： 阅读随电动工具提供的所有安全警告、说明、图示和规定。不遵照以下所列说明会导致电击、着火和 / 或严重伤害。

保存所有警告和说明书以备查阅。

警告中的术语“电动工具”是指市电驱动（有线）电动工具或电池驱动（无线）电动工具。

工作场地的安全

1. 保持工作场地清洁和明亮。杂乱和黑暗的场地会引发事故。
2. 不要在易爆环境，如有易燃液体、气体或粉尘的环境下操作电动工具。电动工具产生的火花会点燃粉尘或气体。
3. 操作电动工具时，远离儿童和旁观者。注意力不集中会使你失去对工具的控制。

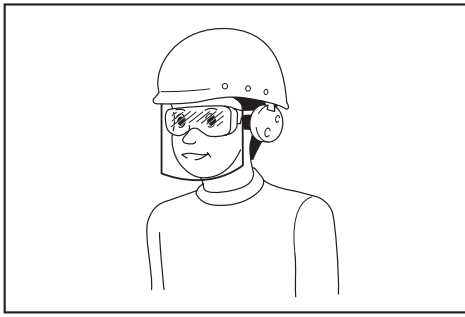
电气安全

1. 电动工具插头必须与插座相配。绝不能以任何方式改装插头。需接地的电动工具不能使用任何转换插头。未经改装的插头和相配的插座将降低电击风险。
2. 避免人体接触接地表面，如管道、散热器片和冰箱。如果你身体接触接地表面会增加电击风险。
3. 不得将电动工具暴露在雨中或潮湿环境中。水进入电动工具将增加电击风险。
4. 不得滥用软线。绝不能用软线搬运、拉动电动工具或拔出其插头。使软线远离热源、油、锐边或运动部件。受损或缠绕的软线会增加电击风险。
5. 当在户外使用电动工具时，使用适合户外使用的延长线。适合户外使用的电线将降低电击风险。

6. 如果无法避免在潮湿环境中操作电动工具，应使用带有剩余电流装置（RCD）保护的电源。RCD的使用可降低电击风险。
7. 电动工具会产生对用户无害的电磁场（EMF）。但是，起搏器和其他类似医疗设备的用户应在操作本电动工具前咨询其设备的制造商和 / 或医生寻求建议。

人身安全

1. 保持警觉，当操作电动工具时关注所从事的操作并保持清醒。当你感到疲倦，或在有药物、酒精或治疗反应时，不要操作电动工具。在操作电动工具时瞬间的疏忽会导致严重人身伤害。
2. 使用个人防护装置。始终佩戴护目镜。防护装置，诸如适当条件下使用防尘面具、防滑安全鞋、安全帽、听力防护等装置能减少人身伤害。
3. 防止意外起动。在连接电源和/或电池包、拿起或搬运工具前确保开关处于关断位置。手指放在开关上搬运工具或开关处于接通时通电会导致危险。
4. 在电动工具接通之前，拿掉所有调节钥匙或扳手。遗留在电动工具旋转零件上的扳手或钥匙会导致人身伤害。
5. 手不要过分伸展。时刻注意立足点和身体平衡。这样能在意外情况下能更好地控制住电动工具。
6. 着装适当。不要穿宽松衣服或佩戴饰品。让你的头发和衣服远离运动部件。宽松衣服、佩饰或长发可能会卷入运动部件。
7. 如果提供了与排屑、集尘设备连接用的装置，要确保其连接完好且使用得当。使用集尘装置可降低尘屑引起的危险。
8. 不要因为频繁使用工具而产生的熟悉感而掉以轻心，忽视工具的安全准则。某个粗心的动作可能在瞬间导致严重的伤害。
9. 使用电动工具时请始终佩戴护目镜以免伤害眼睛。护目镜须符合美国ANSI Z87.1、欧洲EN 166或者澳大利亚 / 新西兰的AS/NZS 1336的规定。在澳大利亚 / 新西兰，法律要求佩戴面罩保护脸部。



雇主有责任监督工具操作者和其他近工作区域人员佩戴合适的安全防护设备。

电动工具使用和注意事项

1. 不要勉强使用电动工具，根据用途使用合适的电动工具。选用合适的按照额定值设计的电动工具会使你工作更有效、更安全。
2. 如果开关不能接通或关断电源，则不能使用该电动工具。不能通过开关来控制的电动工具是危险的且必须进行修理。
3. 在进行任何调节、更换附件或贮存电动工具之前，必须从电源上拔掉插头和/或卸下电池包（如可拆卸）。这种防护性的安全措施降低了电动工具意外起动的风险。
4. 将闲置不用的电动工具贮存在儿童所及范围之外，并且不允许不熟悉电动工具和不了解这些说明的人操作电动工具。电动工具在未经培训的使用者手中是危险的。
5. 维护电动工具及其附件。检查运动部件是否调整到位或卡住，检查零件破损情况和影响电动工具运行的其他状况。如有损坏，应在使用前修理好电动工具。许多事故是由维护不良的电动工具引发的。
6. 保持切削刀具锋利和清洁。维护良好地有锋利切削刃的刀具不易卡住而且容易控制。
7. 按照使用说明书，并考虑作业条件和要进行的作业来选择电动工具、附件和工具的刀头等。将电动工具用于那些与其用途不符的操作可能会导致危险情况。
8. 保持手柄和握持表面干燥、清洁，不得沾有油脂。在意外的情况下，湿滑的手柄不能保证握持的安全和对工具的控制。
9. 使用本工具时，请勿佩戴可能会缠绕的布质工作手套。布质工作手套卷入移动部件可能会造成人身伤害。

电池式工具使用和注意事项

1. 仅使用生产者规定的充电器充电。将适用于某种电池包的充电器用到其他电池包时可能会发生着火危险。
2. 仅使用配有专用电池包的电动工具。使用其他电池包可能会产生伤害和着火危险。
3. 当电池包不用时，将它远离其他金属物体，例如回形针、硬币、钥匙、钉子、螺钉或其他小金属物体，以防电池包一端与另一端连接。电池组端部短路可能会引起燃烧或着火。
4. 在滥用条件下，液体可能会从电池组中溅出；应避免接触。如果意外碰到液体，用水冲洗。如果液体碰到了眼睛，还应寻求医疗帮助。从电池中溅出的液体可能会发生腐蚀或燃烧。
5. 不要使用损坏或改装过的电池包或工具。损坏或改装过的电池组可能呈现无法预测的结果，导致着火、爆炸或伤害。
6. 不要将电池包暴露于火或高温中。电池包暴露于火或高于130 °C的高温中可能导致爆炸。
7. 遵循所有充电说明。不要在说明书中指定的温度范围之外给电池包或电动工具充电。不正确或在指定的温度范围外充电可能会损坏电池和增加着火的风险。

维修

1. 让专业维修人员使用相同的备件维修电动工具。这将保证所维修的电动工具的安全。
2. 决不能维修损坏的电池包。电池包仅能由生产者或其授权的维修服务商进行维修。
3. 上润滑油及更换附件时请遵循本说明书指示。

一般链锯安全警告

1. 当链锯处于工作状态时，使身体各部位与链锯保持一定距离。启动链锯之前，确保链条不与任何物体相接触。在操作链锯期间，即使片刻分心也可能导致衣物或身体被链锯卷入。
2. 请务必用右手握住链锯的后把手，用左手握住链锯的前把手。颠倒双手抓握链锯则会增加人身伤害的危险，因此切勿用左手抓握后把手，用右手抓握前把手。

3. 由于锯链可能会接触到隐藏的电线，因此操作链锯时仅可抓握绝缘把手表面。锯链接触到“带电”的电线时，链锯上曝露的金属部分可能也会“带电”，由此可能导致操作者触电。
4. 请佩戴护目镜。同时建议穿戴可保护听力、头部、双手、腿和脚等部位的防护装备。穿戴足够的防护装备可减少因飞溅碎片或意外触及锯链所造成的人身伤害。
5. 请勿在树木、梯子、屋顶或其他不稳定的支撑物上操作链锯。以这种方式操作链锯可能会造成严重的人身伤害。
6. 务必确保立足稳固，操作链锯时须站立在固定、安全和水平的表面上。打滑或不稳固的表面可能会导致身体失去平衡或链锯失控。
7. 当切割处于张紧状态下的树枝时，请警惕树枝反弹。当释放木材纤维上的张力时，承受弹力的树枝可能会撞击到操作者并且 / 或者导致链锯失控。
8. 切割灌木及幼树时，请特别小心。细长的材料可能会卡住链条并击打到自身或导致自身失衡。
9. 携带链锯前须关闭链锯并握紧前把手，使其与身体保持一定距离。当运输或存储链锯时，请务必盖上导板护盖。妥当操作链锯会降低意外接触运转中的锯链的可能性。
10. 根据说明进行润滑、张紧链条、以及更换导板和链条。张紧或润滑链条不当可能会导致链条破裂或增加反弹的可能性。
11. 仅用于切割木材。请勿将链锯用于设计用途以外的用途。例如：请勿使用链锯切割金属、塑料、石料或非木质建筑材料。将链锯用于设计用途以外的操作时可能会导致危险情况发生。
12. 在充分了解伐木工作存在的风险以及如何避免风险之前，请勿尝试进行伐木作业。在伐木时，可能会对操作人员或旁观者造成严重伤害。
13. 工具反弹的原因和操作者的预防措施：进行切割时，如果导板头部或尖端触及物体或木材夹住和挤压锯链，则可能会发生反弹。
有时，尖端接触会导致突然的反作用力，从而弹起导板并朝操作者弹回。沿导板顶端挤压锯链可能会将导板快速朝操作者推回。
这些反作用力的任何一种均有可能导致锯链失控并造成严重的人身伤害。请勿完全依赖锯内置的安全装置。作为链锯用户，您应当采取多种措施来防止切割作业时发生意外或人身伤害。
误用以及 / 或者操作程序或操作条件错误会导致链锯反弹，因此请注意遵守以下所述注意事项以避免链锯反弹：
 - 保持牢固抓握，用双手拇指和其余手指握紧链锯把手，调整身体和手臂位置以防止反弹力。如果遵守正确的注意事项，操作者可以控制反弹力。请勿离手放置链锯。

► 图片1

- 请勿将工具伸得过远且不要在高于肩部处进行切割。这样有助于防止导板头部触及物体并在意外情况下较好地控制工具。
 - 请务必仅使用制造商指定的替换导板和锯链。使用不合适的替换导板和锯链可能会导致链条破裂和 / 或反弹。
 - 遵循制造商的打磨和保养说明对链锯进行保养。降低深度规高度会导致频繁发生反弹。
14. 在清除卡住的材料以及存放或维修链锯时，请依照说明书进行操作。操作前，请确保已关闭开关并已取出电池组。清除卡住的材料或维修装置时，若链锯意外启动，可能会造成严重的人员伤害。

附加安全说明

个人防护装备

1. 着装必须贴身但不得妨碍移动。
2. 工作期间请穿戴以下防护装备：
 - 经过测试的安全头盔，以避免掉落树枝或类似物体引发的危险；
 - 面罩或护目镜；
 - 合适的耳罩（耳罩、定制或模制耳塞）。根据要求进行倍频带分析。
 - 结实的皮革安全手套；
 - 高强度纤维制成的长裤；
 - 防切割纤维制成的防护工作服；
 - 带防滑鞋底、钢趾罩和防切割纤维内衬的安全鞋或安全靴；
 - 呼吸面罩 - 在执行有粉尘产生的工作时（例如切割干燥木料）使用。

操作

1. 开始作业之前，请检查并确保链条锯可以正常工作并且其状态符合安全规范。请**特别检查**：
 - 链条闸可以正常工作；
 - 跳动闸可以正常工作；
 - 导板和链轮护罩相互配合良好；
 - 根据规范已对链条进行磨利和张紧。
2. **请勿在安装了链条护盖的情况下启动链条锯。**在安装了链条护盖的情况下启动链条锯可能会导致链条护盖向前飞出，造成人身伤害或损坏操作者周围的物体。

电气和电池安全

1. **避免危险的环境。请勿在潮湿或淋雨的环境下使用工具。**工具受潮将增加触电的危险。
2. **请勿将电池弃于火中。**否则会引起电池爆炸。请查阅当地法规了解适当的特殊处理说明。
3. **请勿打开或拆解电池。**溢出的电解质具有腐蚀性，可能会对眼睛或皮肤造成损伤。吞服则有致毒危险。
4. **请勿在雨中或潮湿的地方充电。**
5. **勿在室外对电池充电。**
6. **请勿用湿手操作充电器，包括充电器插头和充电器端子。**
7. **请勿在雨中更换电池。**
8. **请勿用湿手更换电池。**
9. **请勿使电池淋雨，也不得在潮湿位置给电池充电、使用或存放电池。**

10. **请勿用水等液体打湿电池端子，或将电池浸于水中。**如果电池端子被打湿或有液体进入电池，则电池可能会短路，导致过热、起火或爆炸危险。
11. **从机器或充电器取下电池后，请务必在电池上安装电池盖并将其存放在干燥处。**
12. **如果电池组被打湿，请排空其中的水分，再用干布擦拭干净。使用前在干燥处彻底干燥电池组。**

请保留此说明书。

警告： 请勿为图方便或因对产品足够熟悉（由于重复使用而获得的经验）而不严格遵循相关产品安全规则。使用不当或不遵循使用说明书中的安全规则会导致严重的人身伤害。

电池组的重要安全注意事项

1. 在使用电池组之前，请仔细阅读所有的说明以及 (1) 电池充电器，(2) 电池，以及 (3) 使用电池的产品上的警告标记。
2. **切勿拆卸或改装电池组。**否则可能引起火灾、过热或爆炸。
3. **如果机器运行时间变得过短，请立即停止使用。**否则可能会导致过热、起火甚至爆炸。
4. **如果电解液进入您的眼睛，用清水将其冲洗干净并立即就医。**否则可能会导致视力受损。
5. **请勿使电池组短路：**
 - (1) 请勿使任何导电材料碰到端子。
 - (2) 避免将电池组与其他金属物品如钉子、硬币等放置在同一容器内。
 - (3) 请勿将电池组置于水中或使其淋雨。电池短路将产生大的电流，导致过热，并可能导致起火甚至击穿。
6. **请勿在温度可能达到或超过50°C (122°F) 的场所存放以及使用工具和电池组。**
7. **即使电池组已经严重损坏或完全磨损，也请勿焚烧电池组。**电池组会在火中爆炸。
8. **请勿对电池组射钉，或者切削、挤压、抛掷、掉落电池组，又或者用硬物撞击电池组。**否则可能引起火灾、过热或爆炸。

9. 请勿使用损坏的电池。
10. 本工具附带的锂离子电池需符合危险物品法规要求。
第三方或转运营代理等进行商业运输时，应遵循包装和标识方面的特殊要求。有关运输项目的准备作业，咨询危险物品方面的专业人士。同时，请遵守可能更为详尽的国家法规。
请使用胶带保护且勿遮掩表面的联络信息，并牢固封装电池，使电池在包装内不可动。
11. 丢弃电池组时，需将其从工具上卸下并在安全地带进行处理。关于如何处理废弃的电池，请遵循当地法规。
12. 仅将电池用于Makita（牧田）指定的产品。将电池安装至不兼容的产品会导致起火、过热、爆炸或电解液泄漏。
13. 如长时间未使用工具，必须将电池从工具内取出。
14. 使用工具期间以及使用工具之后，电池组温度可能较高易引起灼伤或低温烫伤。处理高温电池组时请小心操作。
15. 在使用工具后请勿立即触碰工具的端子，否则可能引起灼伤。
16. 避免锯屑、灰尘或泥土卡入电池组的端子、孔口和凹槽内。否则可能会导致过热、着火、爆炸和工具/电池组故障，导致烫伤或人身伤害。

17. 除非工具支持在高压电源线路附近使用，否则请勿在高压电源线路附近使用电池组。否则可能导致工具或电池组故障或失常。
18. 确保电池远离儿童。

请保留此说明书。

⚠️小心： 请仅使用Makita（牧田）原装电池。使用非Makita（牧田）原装电池或经过改装的电池可能会导致电池爆炸，从而造成火灾、人身伤害或物品受损。同时也会导致牧田工具和充电器的牧田保修服务失效。

保持电池最大使用寿命的提示

1. 在电池组电量完全耗尽前及时充电。发现工具电量低时，请停止工具操作，并给电池组充电。
2. 请勿对已充满电的电池组重新充电。过度充电将缩短电池的使用寿命。
3. 请在10°C - 40°C (50°F - 104°F) 的室温条件下给电池组充电。请在灼热的电池组冷却后再充电。
4. 不使用电池组时，请将其从工具或充电器上拆除。
5. 如果电池组长时间（超过六个月）未使用，请给其充电。

部件说明

► 图片2

1	前部护手罩	2	杆	3	导板
4	锯链	5	导板护盖	6	锁止按钮
7	后把手	8	开关扳机	9	电池组
10	前把手	11	油箱盖	12	齿形缓冲器
13	链条支持器	14	调节刻度盘	-	-

功能描述

⚠️小心： 调节或检查工具功能之前，请务必关闭工具的电源并取出电池组。

安装或拆卸电池组

⚠️小心： 安装或拆卸电池组之前，请务必关闭工具电源。

⚠️小心： 安装或拆卸电池组时请握紧工具和电池组。否则它们可能从您的手中滑落，导致工具和电池组受损，甚至造成人身伤害。

► 图片3: 1. 红色指示器 2. 按钮 3. 电池组

拆卸电池组时，按下电池组前侧的按钮，同时将电池组从工具中抽出。

安装电池组时，要将电池组上的舌簧与外罩上的凹槽对齐，然后推滑到位。将其完全插入到位，直到锁定并发出咔哒声为止。若能看到图示中的红色指示器，则说明未完全锁紧。

⚠️小心： 务必完全装入电池组，直至看不见红色指示器为止。否则，它可能会从工具中意外脱落，从而造成自身或他人受伤。

⚠️小心： 请勿强行安装电池组。如果电池组难以插入，可能是插入方法不当。

显示电池的剩余电量

仅限带指示灯的电池组

► **图片4：** 1. 指示灯 2. CHECK（查看）按钮
按电池组上的CHECK（查看）按钮可显示电池剩余电量。指示灯将亮起数秒。

指示灯			剩余电量
■ 点亮	□ 熄灭	▣ 闪烁	
	■ ■ ■ ■		75%至100%
	■ ■ ■ □		50%至75%
	■ ■ □ □		25%至50%
	■ □ □ □		0%至25%
	▣ □ □ □		给电池充电。
	■ ■ □ □ ↑ ↓ □ □ ■ ■		电池可能出现故障。

注： 在不同的使用条件及环境温度下，指示灯所示电量可能与实际情况略有不同。

注： 当电池保护系统启动时，第一个（最左侧）指示灯将闪烁。

工具 / 电池保护系统

本工具配备有工具 / 电池保护系统。该系统可自动切断电机电源以延长工具和电池寿命。作业时，如果工具或电池处于以下情况，工具将会自动停止运转。

过载保护

以导致异常高电流的方式操作工具或电池时，工具会自动停止运转。在这种情况下，请关闭工具并停止导致工具过载的应用程序。然后开启工具以重新启动。

过热保护

工具或电池过热时，工具会自动停止运转。在这种情况下，请待工具和电池冷却后再重新开启工具。

注： 在高温环境下，过热保护很可能工作并且工具会自动停止运转。

过放电保护

电池电量不足时，本工具自动停止运转。此时，请取出工具中的电池并予以充电。

其他原因防护

保护系统还适用于其他可能导致工具受损的情况，从而使工具自动停止运转。工具暂时或中途停止工作时，执行以下所有步骤以排除异常原因。

1. 关闭工具，然后再次重新启动。
2. 给电池充电或更换为充电电池。
3. 请等待机器和电池冷却。

如果保护系统恢复后仍无改善，请联系当地的Makita（牧田）维修服务中心。

注意： 如果工具因上述所述以外的原因停止，请参阅故障排除部分。

开关操作

⚠️警告： 为了您的安全，本工具配备了锁止按钮，可防止工具误启动。如果您扣动开关扳机而没有按下锁止按钮时，工具即开始运行，则切勿使用此工具。请当地Makita（牧田）维修服务中心进行修复。

⚠️警告： 切勿禁用锁定功能或封住锁止按钮。

⚠️小心： 在将电池组插入工具之前，请务必检查开关扳机是否能扣动自如，松开时能否退回至“OFF”（关闭）位置。

注意： 在没有按下锁止按钮的情况下，请勿用力扣动开关扳机。开关可能会损坏。

► **图片5：** 1. 锁止按钮 2. 开关扳机

为避免开关扳机被意外扣动，采用锁止按钮。要启动工具时，按下锁止按钮，然后扣动开关扳机即可。松开开关扳机，工具即停止。

检查链条闸

⚠️小心： 打开链锯开关时，请用双手紧握链锯。请用右手握住后把手，左手握住前把手。请勿让导板和链条与任何物体接触。

⚠️小心： 当您做此测试时，如果链条不能立即停止运转，切勿使用链锯。请咨询我们授权的维修中心。

1. 按下锁止按钮，然后扣动开关扳机。锯链会立即转动。

2. 使用手背向前推前部护手罩。确保链锯能够立即停止运转。

► **图片6：** 1. 前部护手罩 2. 解锁位置 3. 锁定位置

检查跳动闸

⚠️小心： 如果在测试中锯链无法在一秒内停止，请停止使用链锯并咨询授权的维修中心。

运转链锯，然后完全松开开关扳机。链条必须能够在一秒内停止运转。

装配

⚠️小心： 对工具进行任何装配操作前，请务必关闭工具电源，并取出电池组。

⚠️小心： 请勿直接用手触摸锯链。处理锯链时，请务必佩戴手套。

安装或拆卸锯链

⚠️小心： 锯链和导板在操作后仍会较烫。对工具进行任何操作前，请让其充分冷却。

⚠️小心： 应在清洁无锯屑或类似的位置进行链条的安装和拆卸。

安装锯链

安装锯链时，请执行以下步骤：

1. 通过拉动前部护手罩释放链条闸。

2. 在按其边缘时向上拉杆。

► **图片7：** 1. 杆

3. 逆时针转动杆直至链轮护罩脱离。

► **图片8：** 1. 杆 2. 链轮护罩

4. 拆下链轮护罩。

5. 检查锯链的方向。使锯链的方向与链锯上标记的方向吻合。

► **图片9：** 1. 链锯上的标记

6. 将锯链的一端对准导板顶端。

7. 将锯链的另一端绕在链轮上，然后将导板安装到链锯主体上。

► **图片10：** 1. 链轮

8. 朝“-”方向转动调节刻度盘以向箭头方向滑动调节销。

► **图片11：** 1. 调节刻度盘 2. 调节销

9. 将链轮护罩放置在链锯上，使调节销置于导板上的小孔中。

► **图片12：** 1. 链轮护罩 2. 导板 3. 孔

10. 顺时针完全转动杆，然后为调节链条张力，将杆略微回转保持松弛。

11. 调节链条张力。步骤请参阅锯链张力调节章节。

12. 顺时针转动杆直至链轮护罩被固定，然后将其恢复至原来位置。

► **图片13：** 1. 杆 2. 链轮护罩

拆卸锯链

拆卸锯链时，请执行以下步骤：

1. 通过拉动前部护手罩释放链条闸。

2. 朝“-”方向转动调节刻度盘以释放链条张力。

► **图片14：** 1. 调节刻度盘

3. 在按其边缘时向上拉杆。

► **图片15：** 1. 杆

4. 逆时针转动杆直至链轮护罩脱离。

► **图片16：** 1. 杆 2. 链轮护罩

5. 拆下链轮护罩，然后从链锯主机上拆下锯链和导板。

调节链条张紧度

⚠️小心：应在清洁无锯屑或类似的位置进行链条的安装和拆卸。

⚠️小心：请勿过度张紧链条。过度张紧链条可能会导致链条破裂、导板磨损以及调节刻度盘破裂。

⚠️小心：链条太松会导致其脱离导板，并可能会造成人身伤害。

使用数小时后，链条可能会变松。使用前，请经常检查链条张紧度。

1. 在按其边缘时向上拉杆。

▶ **图片17：** 1. 杆

2. 略微逆时针转动杆以稍稍松开链轮护罩。

▶ **图片18：** 1. 杆 2. 链轮护罩

3. 轻轻提起导板顶端并调节链条张紧度。朝“-”方向转动调节刻度盘可变松，朝“+”方向转动调节刻度盘可变紧。紧固锯链，直至锯链的下侧如图中所示与导板轨道啮合。

▶ **图片19：** 1. 调节刻度盘 2. 导板 3. 锯链

4. 继续轻轻持拿导板，紧固链轮护罩。确保下方锯链不会松脱。

5. 将杆恢复至原来位置。

确保锯链紧紧啮合导板下方。

操作

润滑

⚠️小心：请勿在油箱清空的情况下操作链锯。在油箱清空之前，请及时注油。

⚠️小心：防止油与皮肤和眼睛接触。与眼睛接触可能导致发炎。万一与眼睛接触，请立即用清水冲洗受影响的眼睛，然后迅速就医。

⚠️小心：切勿使用废油。废油含有致癌物质。废油中的污染物会造成油泵、导板和链条加速磨损。废油对环境有害。

注意：首次使用链锯时，最多可能需要两分钟左右才能使锯链油在链锯装置上产生润滑效果。请在无负载下使链锯保持运行直至锯链油产生润滑效果为止。

注意：第一次注入链条油时或给空油箱重新注油时，请注油量至注油器颈部的底缘。否则，供油系统可能会受损。

注意：请使用Makita（牧田）链锯专用油或同等的市售链条油。

注意：切勿使用含有灰尘和颗粒的润滑油或挥发性油脂。

注意：当修剪树枝时，请使用植物类油脂。使用矿物油可能会损伤树木。

注意：开始切割前，确保附带的油箱盖已拧紧到位。

当工具运行时，会自动润滑链条。通过油量检查窗定期检查油箱中的剩余油量。

▶ **图片20：** 1. 油箱盖 2. 油量检查窗

注油时，请执行以下步骤：

1. 彻底清洁油箱盖周围区域，防止污垢进入油箱内。

2. 侧放链锯并取下油箱盖。

3. 向油箱中注油。适当的油量为150 ml。

4. 将油箱盖拧紧至原位。

5. 小心擦拭洒出的链条油。

注：若难以移除油箱盖，请将一字头螺丝起子插入油箱盖的插槽内，然后逆时针转动以将油箱盖移除。

▶ **图片21：** 1. 插槽 2. 一字头螺丝起子

加油后，使链锯与树木保持一定的距离。启动链锯并等待至链条充分润滑。

▶ **图片22**

使用链锯

⚠️小心：首次使用链锯的用户务必先在锯木架或支架上进行必要的锯木练习。

⚠️小心：切锯预切割木材时，请使用安全支撑（锯木架或送料架）。请勿用脚稳固工件，也不要允许其他人握持或稳固工件。

⚠️小心：牢牢固定工件，防止其转动。

⚠️小心：当电机处于运行时，使身体各部位与链锯保持一定距离。

⚠️小心：当电机运转时，请用双手紧握链锯。

⚠️小心：操作时手不要伸得太长。操作时请双脚站稳，始终保持平衡。

注意：切勿投掷或跌落工具。

注意：请勿遮盖工具的通风口。

打开开关前，使链锯的底部边缘与待锯树枝相接触。否则可能会导致导板摇摆，使操作员受到伤害。仅靠链锯自重向下移动即可切锯树木。

► 图片23

如果您无法一次性切断树木：

对把手轻微施压并继续切锯，然后将链锯略微抽回并略向下按压齿形缓冲器，最后通过抬起把手完成切割。

► 图片24

造材

1. 将链锯的底部边缘置于待切锯树木上。

► 图片25

2. 使用运转中的链条切割木料，同时使用后把手提升链锯并使用前把手进行引导。使用齿形缓冲器作为支点。

3. 通过略微按压前把手继续切割，略向后松动链锯。进一步下移齿形缓冲器并再次提升前把手。

注意：进行多次切割时，请在切割间隔时关闭链锯。

⚠️小心：如果使用导板的上缘进行切割，当链条被夹住时，链锯可能会偏向自身方向。因此，请用下缘进行切割，这样当链条被夹住时链锯会偏离自身方向。

► 图片26

切锯张紧状态下的树木时，请先切锯受压侧（A）。然后从张紧侧（B）进行最终切锯。这样可防止导板被夹住。

► 图片27

修剪作业

⚠️小心：仅有受过培训的人员方可进行修剪作业。因存在反弹的可能，极具危险性。

进行修剪作业时，如果可行的话请将利用树干支撑链锯。请勿用导板头部进行切割，这会导致反弹发生。

特别注意张紧状态下的枝干。请勿从下部切割未经支撑的枝干。

修剪树枝时，切勿站在倒下的树干上。

开槽和顺纹切割

⚠️小心：仅限受过特殊培训的人员进行开槽和顺纹切割。存在反弹的可能，有人员伤亡的危险。

尽量以较浅的角度执行顺纹切割。因无法使用齿形缓冲器，务必在执行切割时特别小心。

► 图片28

伐木作业

⚠️小心：仅限受过培训的人员进行伐木作业。该作业十分危险。

如果您要进行伐木作业，请注意当地法规。

► 图片29: 1. 伐区

— 开始伐木作业前，请确保：

- 仅有伐木作业人员可留在伐区；
- 任何作业人员在树木倾倒轴线两侧45°范围内均有无障碍的撤离路线。要注意到被电缆绊倒的危险；
- 树干基部无异物、树根和草丛等；
- 在树木倾倒方向2.5倍树长的范围内无人员或物体。

— 对于每棵树木，要注意以下事项：

- 倾斜方向；
- 松散或干燥的枝干；
- 树的高度；
- 树冠自然垂落状况；
- 树木是否腐朽。

— 注意风速和风向。如有强风，请勿进行采伐作业。

- 切断外露的树根：首先切断最大的外露树根。先进行垂直切割，然后再进行水平切割。
- 站立在树木倾倒方向的旁侧。保持伐区内树木倾倒的对侧以树为轴线的两侧 45° 范围内无障碍（请参阅“伐区”示意图）。注意倾落的树枝。
- 开始切割前，有必要计划好撤离路线并确保无障碍。如图所示，撤离路线应向后延伸并与预计倾倒线成对角。

► **图片30:** 1. 倾倒方向 2. 危险区 3. 撤离路线

伐木时，请遵循以下步骤：

1. 尽量靠近地面切割植口。首先水平切割出树干直径 $1/5$ 至 $1/3$ 深的切口。请勿将植口切割过深。然后进行斜线切割。

► **图片31**

注：植口可决定并引导树木的倾倒方向。在树木倾倒侧切出植口。

2. 在背侧以略高于植口基线的高度进行背侧切割。背侧切割必须绝对水平。在背侧切口和植口之间留出约 $1/10$ 树干直径的宽度。未切断的树干部分的树木纤维起到铰链的作用。及时在植口上插入楔块。

► **图片32**

警告：任何情况下都不要直接切断树木纤维。否则无法确认树木的伐倒方向。

注意：仅可使用塑料或铝质楔块来保持植口处于开断状态。禁止使用铁质楔块。

搬运工具

搬运工具前，务必使用链条闸并从工具中取下电池组。然后安装导板护盖。并用电池盖盖住电池组。

► **图片33:** 1. 导板护盖 2. 电池盖

保养

小心：检查或保养工具之前，请务必关闭工具电源并取出电池组。

小心：进行任何检查和保养操作时，请务必佩戴手套。

注意：切勿使用汽油、苯、稀释剂、酒精或类似物品清洁工具。否则可能会导致工具变色、变形或出现裂缝。

为了保证产品的安全与可靠性，维修、任何其他维修保养或调节需由Makita（牧田）授权的或工厂维修服务中心完成。务必使用Makita（牧田）的替换部件。

打磨链条

出现以下情况时，需要打磨链条：

- 切割潮湿木材会产生粉状锯屑；
- 即便施加较大的力，链条也难以穿透木材；
- 切割边有可见损伤；
- 链锯在木材中左右摆动。（这种状况是由于链条打磨不均匀或仅有一侧受损所致）

经常打磨链条，但每次仅可磨去一小部分材料。通常，用锉刀打磨2至3下就可以了。如果链条已经多次打磨，请将其送至授权的专业维修中心进行打磨。

打磨标准：

警告：切割边和深度规之间的距离过大会增大反弹的风险。

► **图片34:** 1. 锯片长度 2. 切割边和深度规之间的距离 3. 最小锯片长度（3 mm）

- 所有锯片长度必须相等。锯片长度不等会使链条无法平顺运转，可能会导致链条断裂。
- 当锯片长度为3 mm或以下时，请勿再打磨锯链。必须更换新的锯链。
- 碎片厚度取决于深度规（圆头）和切割边的距离。
- 以下切割边和深度规之间的距离可以获得最佳切割效果。
 - 链条刀片90PX：0.65 mm
 - 链条刀片91PX：0.65 mm

► **图片35**

- 所有锯片的打磨角度必须同为 30° 。锯片角度不同会导致链条运转不平稳，加速磨损并使链条断裂。
- 使用合适的圆锉刀以保证正确的锯齿打磨角度。
 - 链条刀片90PX： 55°
 - 链条刀片91PX： 55°

锉刀和锉刀导板

- 使用专用圆锉刀（选购附件）打磨链条。不宜使用普通圆锉刀。
- 各锯链使用的圆锉刀的直径如下：
 - 链条刀片90PX: 4.5 mm
 - 链条刀片91PX: 4.0 mm
- 锉刀应仅向前单向打磨锯片。向后抽回时勿使锉刀接触锯片。
- 首先打磨最短的锯片。然后最短锯片的长度就是锯链上所有其它锯片的标准长度。
- 按如图所示操作锉刀。
▶ **图片36:** 1. 锉刀 2. 锯链
- 如果使用锉刀夹（选购附件），则可以更容易地操作锉刀。锉刀夹上标刻有30°的正确打磨角标记（将此标记与链条平行对齐），可限制打磨深度（锉刀直径的4/5）。
▶ **图片37:** 1. 锉刀夹
- 完成链条打磨后，使用链条量规工具（选购附件）检查深度规的高度。
▶ **图片38**
- 使用专用平锉刀（选购附件）清除所有突出部分（无论多细小）。
- 再次锉圆深度规前部。

清洁导板

碎屑和锯屑会积聚在导板凹槽中。它们可能会堵塞导板凹槽并妨碍供油。每次打磨或更换链条时，请清除碎屑和锯屑。

- ▶ **图片39**

清洁链轮护罩

碎屑和锯屑会积聚在链轮护罩内部。从工具上拆下链轮护罩和锯链，然后清除碎屑和锯屑。

- ▶ **图片40**

清洁排油孔

作业期间，细小的锯屑或颗粒可能会堆积在排油孔中。这些锯屑或颗粒可能会妨碍排油并造成整个链条不能充分润滑。当导板上部出现较差的供油情况时，按照以下方式清洁排油孔。

1. 从工具上拆下链轮护罩和链条。
2. 使用一字头螺丝起子或类似工具清除细小锯屑或颗粒。
▶ **图片41:** 1. 一字头螺丝起子 2. 排油孔
3. 将电池组插入工具。扣动开关扳机通过排出链条油以清除堆积在排油孔上的锯屑和颗粒。
4. 从工具上拆下电池组。重新将链轮护罩和链条安装至工具。

更换链轮

小心： 破损的链轮会损坏新链条。如果链轮损坏，请将其更换。

在装配新的链条前，请检查链轮状况。

- ▶ **图片42:** 1. 链轮 2. 磨损部分
- 更换链轮时，务必装配新的锁紧环。
- ▶ **图片43:** 1. 锁紧环 2. 链轮

注意： 确保如图所示安装链轮。

存放本工具

1. 存放前，请对工具进行清洁。拆下链轮护罩后，清除工具上所有碎屑和锯屑。
2. 完成工具清洁后，在无负载条件下运行工具以润滑链条和导板。
3. 使用导板护盖盖上导板。
4. 清空油箱。

定期保养指南

为确保较长的使用寿命，防止设备损坏，确保安全功能发挥全部作用，应定期做以下保养。只有定期进行正确的保养，牧田才会受理客户的保修申请。错误地进行上述保养工作会导致事故！链锯用户不得进行使用说明书上未说明的保养工作。所有此类工作必须由授权的维修中心进行。

检查项目 / 操作时间	操作前	每天	每周	每3个月	每年	存放前
链锯	检查。	✓	-	-	-	-
	清洁。	-	✓	-	-	-
	交由授权的维修中心检查。	-	-	-	-	✓
锯链	检查。	✓	-	-	-	-
	根据需要打磨。	-	-	-	-	✓
导板	检查。	✓	✓	-	-	-
	从链锯上拆下。	-	-	-	-	✓
链条闸	检查功能。	✓	-	-	-	-
	定期交由授权的维修中心检查。	-	-	-	✓	-
链条润滑	检查供油速率。	✓	-	-	-	-
开关扳机	检查。	✓	-	-	-	-
锁止按钮	检查。	✓	-	-	-	-
油箱盖	检查张紧度。	✓	-	-	-	-
链条支持器	检查。	-	-	✓	-	-
螺丝和螺母	检查。	-	-	✓	-	-

故障排除

请求维修前，请首先自行检查。如果您发现本手册中未作说明的问题，请勿拆解工具。而请联系Makita（牧田）授权维修服务中心，务必使用Makita（牧田）的替换部件进行修复。

故障状态	原因	措施
链锯无法启动。	未安装电池组。	安装充满电的电池组。
	电池故障（欠压）。	请给电池组充电。如果充电无效，则更换电池组。
链锯不旋转。	链条闸处于启用状态。	释放链条闸。
使用一段时间后电机不旋转。	电池电量低。	请给电池组充电。如果充电无效，则更换电池组。
链条无油。	油箱无油。	向油箱注油。
	导油槽变脏。	清洁导油槽。
链锯未达到最大转速。	电池组安装不当。	按本手册所述安装电池组。
	电池电力下降。	请给电池组充电。如果充电无效，则更换电池组。
	驱动系统未正常工作。	交由贵区授权的维修中心进行维修。
链条闸启动时，链条仍未停止： 立即停止工具！	制动带磨损。	交由贵区授权的维修中心进行维修。
异常振动： 立即停止工具！	导板或锯链松动。	调节导板和链条的张紧度。
	工具出现故障。	交由贵区授权的维修中心进行维修。
无法安装锯链。	锯链和链轮的组合不正确。	请参阅规格章节使用正确的锯链和链轮组合。

选购附件

⚠小心： 这些附件或装置专用于本说明书所列的Makita（牧田）工具。如使用其他厂牌附件或装置，可能导致人身伤害。仅可将附件或装置用于规定目的。

如您需要了解更多关于这些选购附件的信息，请咨询当地的Makita（牧田）维修服务中心。

- 锯链
- 导板
- 导板护盖
- 锉刀
- 工具袋
- Makita（牧田）原装电池和充电器

⚠警告： 如果您购买的导板长度不同于标准导板，另请同时购买合适的导板护盖。它必须适合并完全覆盖链锯上的导板。

注： 本列表中的一些部件可能作为标准配件包含于工具包装内。它们可能因销往国家之不同而异。

SPEKIFIKASI

Model:		DUC307	DUC357	DUC407
Panjang keseluruhan (tanpa bilah pemandu)		428 mm		
Tegangan terukur		D.C. 18 V		
Berat bersih	*1	2,9 kg		
	*2	4,2 - 4,4 kg		
Panjang bilah pemandu standar		300 mm	350 mm	400 mm
Panjang bilah pemandu yang dianjurkan	90PX	300 - 400 mm		
	91PX	-	350 mm	-
Tipe rantai gergaji yang dapat digunakan (lihat pada tabel di bawah)		90PX 91PX		
Sproket	Jumlah gigi	6		
	Pitch	3/8"		
Kecepatan rantai		0 - 7,7 m/s (0 - 460 m/min)		
Volume tangki oli rantai		150 cm ³		

• Karena kesinambungan program penelitian dan pengembangan kami, spesifikasi yang disebutkan di sini dapat berubah tanpa pemberitahuan.

• Spesifikasi dapat berbeda dari satu negara ke negara lainnya.

*1: Berat tanpa rantai gergaji, bilah pemandu, penutup bilah pemandu, oli, dan kartrid baterai.

*2: Kombinasi beban teringan dan terberat, sesuai dengan Prosedur EPTA 01/2014. Berat alat mungkin berbeda tergantung pada perangkat tambahan yang dipasang, termasuk kartrid baterai.

Kombinasi rantai gergaji, bilah pemandu, dan sproket

Tipe rantai gergaji		90PX		
Jumlah sambungan obeng		46	52	56
Bilah pemandu	Panjang bilah pemandu	300 mm	350 mm	400 mm
	Panjang pemotongan	275 mm	330 mm	370 mm
	Pitch	3/8"		
	Pengukur	1,1 mm		
	Tipe	Bilah hidung sproket		
Sproket	Jumlah gerigi	6		
	Pitch	3/8"		

Tipe rantai gergaji		91PX	
Jumlah sambungan obeng		52	
Bilah pemandu	Panjang bilah pemandu	350 mm	
	Panjang pemotongan	330 mm	
	Pitch	3/8"	
	Pengukur	1,3 mm	
	Tipe	Bilah hidung sproket	
Sproket	Jumlah gerigi	6	
	Pitch	3/8"	

PERINGATAN: Gunakan kombinasi yang sesuai antara bilah pemandu dan rantai gergaji. Jika tidak cedera diri mungkin terjadi.

Kartrid dan pengisi daya baterai yang dapat digunakan

Kartrid baterai	BL1830B / BL1840B / BL1850B / BL1860B
Pengisi daya	DC18RC / DC18RD / DC18RE / DC18SD / DC18SE / DC18SF / DC18SH

- Beberapa kartrid baterai dan pengisi daya yang tercantum di atas mungkin tidak tersedia, tergantung wilayah tempat tinggal Anda.

⚠️ PERINGATAN: Hanya gunakan kartrid dan pengisi daya baterai yang tercantum di atas. Penggunaan kartrid dan pengisi daya baterai lain dapat menimbulkan risiko cedera dan/atau kebakaran.

Sumber daya terhubung kabel yang direkomendasikan

Paket daya portabel	PDC01
---------------------	-------

- Sumber daya terhubung kabel yang tercantum di atas mungkin tidak tersedia, bergantung pada wilayah tempat tinggal Anda.
- Sebelum menggunakan sumber daya terhubung kabel, baca petunjuk dan perhatian yang ditandai padanya.

Simbol

Berikut ini adalah simbol-simbol yang dapat digunakan pada peralatan ini. Pastikan Anda memahami arti masing-masing simbol sebelum menggunakan peralatan.

	Baca petunjuk penggunaan.
	Gunakan kaca mata pengaman.
	Gunakan pelindung telinga.
	Panjang pemotongan maksimum yang diizinkan
	Selalu gunakan dua tangan ketika mengoperasikan gergaji mesin.
	Berhati-hatilah dengan hentakan balik dari gergaji mesin dan hindari kontak dengan ujung bilah.
	Jangan biarkan lembab.
	Arah pergerakan rantai
	Penyetelan oli rantai gergaji



Hanya untuk negara-negara UE
Akibat adanya komponen berbahaya dalam peralatan, limbah peralatan listrik dan elektronik, aki dan baterai dapat memiliki dampak negatif pada lingkungan dan kesehatan manusia.
Jangan buang peralatan listrik dan elektronik atau baterai bersama limbah rumah tangga!
Sesuai dengan Petunjuk Eropa tentang limbah peralatan listrik dan elektronik dan tentang aki dan baterai serta limbah aki dan baterai, serta penyesuaiannya terhadap undang-undang nasional, limbah peralatan listrik, baterai dan aki harus disimpan secara terpisah dan dikirim ke tempat pengumpulan terpisah untuk sampah kota, beroperasi sesuai dengan peraturan tentang perlindungan lingkungan.
Hal ini ditunjukkan dengan simbol tempat sampah bersilang yang ditempatkan pada peralatan.



Level kekuatan suara terjamin sesuai dengan Petunjuk Kebisingan Di Luar Ruang Uni Eropa.



Level kekuatan suara sesuai dengan Peraturan Kontrol Kebisingan NSW Australia

Penggunaan

Gergaji mesin ini ditujukan untuk menggergaji kayu.

PERINGATAN KESELAMATAN

Peringatan keselamatan umum mesin listrik

⚠️ PERINGATAN: Bacalah semua peringatan keselamatan, petunjuk, ilustrasi dan spesifikasi yang disertakan bersama mesin listrik ini. Kelalaian untuk mematuhi semua petunjuk yang tercantum di bawah ini dapat menyebabkan sengatan listrik, kebakaran dan/atau cedera serius.

Simpanlah semua peringatan dan petunjuk untuk acuan di masa depan.

Istilah "mesin listrik" dalam semua peringatan mengacu pada mesin listrik yang dijalankan dengan sumber listrik jala-jala (berkabel) atau baterai (tanpa kabel).

Keselamatan tempat kerja

1. **Jaga tempat kerja selalu bersih dan berpenerangan cukup.** Tempat kerja yang berantakan dan gelap mengundang kecelakaan.
2. **Jangan gunakan mesin listrik dalam lingkungan yang mudah meledak, misalnya jika ada cairan, gas, atau debu yang mudah menyala.** Mesin listrik menimbulkan bunga api yang dapat menyalakan debu atau uap tersebut.
3. **Jauhkan anak-anak dan orang lain saat menggunakan mesin listrik.** Bila perhatian terpecah, anda dapat kehilangan kendali.

Keamanan Kelistrikan

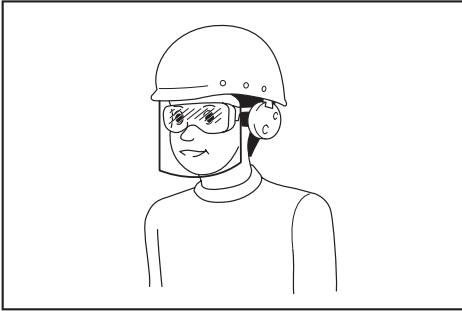
1. **Steker mesin listrik harus cocok dengan stopkontak. Jangan sekali-kali mengubah steker dengan cara apa pun. Jangan menggunakan steker adaptor dengan mesin listrik turbin (dibumikan).** Steker yang tidak diubah dan stopkontak yang cocok akan mengurangi risiko sengatan listrik.
2. **Hindari sentuhan tubuh dengan permukaan turbin atau yang dibumikan seperti pipa, radiator, kompor, dan kulkas.** Risiko sengatan listrik bertambah jika tubuh Anda terbumikan atau dibumikan.
3. **Jangan membiarkan mesin listrik kehujanan atau kebasahan.** Air yang masuk ke dalam mesin listrik akan meningkatkan risiko sengatan listrik.
4. **Jangan menyalahtgunakan kabel. Jangan sekali-kali menggunakan kabel untuk membawa, menarik, atau mencabut mesin listrik dari stopkontak. Jauhkan kabel dari panas, minyak, tepian tajam, atau bagian yang bergerak.** Kabel yang rusak atau kusut memperbesar risiko sengatan listrik.
5. **Bila menggunakan mesin listrik di luar ruangan, gunakan kabel ekstensi yang sesuai untuk penggunaan di luar ruangan.** Penggunaan kabel yang sesuai untuk penggunaan luar ruangan mengurangi risiko sengatan listrik.

6. **Jika mengoperasikan mesin listrik di lokasi lembap tidak terhindarkan, gunakan pasokan daya yang dilindungi peranti imbasan arus (residual current device - RCD).** Penggunaan RCD mengurangi risiko sengatan listrik.
7. **Mesin listrik dapat menghasilkan medan magnet (EMF) yang tidak berbahaya bagi pengguna.** Namun, pengguna alat pacu jantung atau peralatan medis sejenisnya harus berkonsultasi dengan produsen peralatan tersebut dan/atau dokter mereka sebelum mengoperasikan mesin listrik ini.

Keselamatan Diri

1. **Jaga kewaspadaan, perhatikan pekerjaan Anda dan gunakan akal sehat bila menggunakan mesin listrik. Jangan menggunakan mesin listrik saat Anda lelah atau di bawah pengaruh obat bius, alkohol, atau obat.** Sekejap saja lalai saat menggunakan mesin listrik dapat menyebabkan cedera badan serius.
2. **Gunakan alat pelindung diri. Selalu gunakan pelindung mata.** Peralatan pelindung seperti masker debu, sepatu pengaman anti-selip, helm pengaman, atau pelindung telinga yang digunakan untuk kondisi yang sesuai akan mengurangi risiko cedera badan.
3. **Cegah penyalaan yang tidak disengaja. Pastikan bahwa sakelar berada dalam posisi mati (off) sebelum menghubungkan mesin ke sumber daya dan/atau paket baterai, atau mengangkat atau membawanya.** Membawa mesin listrik dengan jari Anda pada sakelarnya atau mengalirkan listrik pada mesin listrik yang sakelarnya hidup (on) akan mengundang kecelakaan.
4. **Lepaskan kunci-kunci penyetel sebelum menghidupkan mesin listrik.** Kunci-kunci yang masih terpasang pada bagian mesin listrik yang berputar dapat menyebabkan cedera.
5. **Jangan meraih terlalu jauh. Jagalah pijakan dan keseimbangan sepanjang waktu.** Hal ini memungkinkkan kendali yang lebih baik atas mesin listrik dalam situasi yang tidak diharapkan.
6. **Kenakan pakaian yang memadai. Jangan memakai pakaian yang longgar atau perhiasan. Jaga jarak antara rambut dan pakaian Anda dengan komponen mesin yang bergerak.** Pakaian yang longgar, perhiasan, atau rambut yang panjang dapat tersangkut pada komponen yang bergerak.
7. **Jika tersedia fasilitas untuk menghisap dan mengumpulkan debu, pastikan fasilitas tersebut terhubung listrik dan digunakan dengan baik.** Penggunaan pembersih debu dapat mengurangi bahaya yang terkait dengan debu.
8. **Jangan sampai Anda lelah dan mengabaikan prinsip keselamatan mesin ini hanya karena sudah sering mengoperasikannya dan sudah merasa terbiasa.** Tindakan yang lalai dapat menyebabkan cedera berat dalam sepersekian detik saja.

9. **Selalu kenakan kacamata pelindung untuk melindungi mata dari cedera saat menggunakan mesin listrik. Kacamata harus sesuai dengan ANSI Z87.1 di Amerika Serikat, EN 166 di Eropa, atau AS/NZS 1336 di Australia/Selandia Baru. Di Australia/Selandia Baru, secara hukum Anda juga diwajibkan mengenakan pelindung wajah untuk melindungi wajah Anda.**



Menjadi tanggung jawab atasan untuk menerapkan penggunaan alat pelindung keselamatan yang tepat bagi operator mesin dan orang lain yang berada di area kerja saat itu.

Penggunaan dan pemeliharaan mesin listrik

- 1. Jangan memaksa mesin listrik. Gunakan mesin listrik yang tepat untuk keperluan Anda.** Mesin listrik yang tepat akan menuntaskan pekerjaan dengan lebih baik dan aman pada kecepatan sesuai rancangannya.
- 2. Jangan gunakan mesin listrik jika sakelar tidak dapat menyaklakan dan mematkannya.** Mesin listrik yang tidak dapat dikendalikan dengan sakelarnya adalah berbahaya dan harus diperbaiki.
- 3. Cabut steker dari sumber listrik dan/atau lepas paket baterai, jika dapat dilepas, dari mesin listrik sebelum melakukan penyetelan apa pun, mengganti aksesor, atau menyimpan mesin listrik.** Langkah keselamatan preventif tersebut mengurangi risiko hidupnya mesin secara tak sengaja.
- 4. Simpan mesin listrik jauh dari jangkauan anak-anak dan jangan biarkan orang yang tidak paham mengenai mesin listrik tersebut atau petunjuk ini menggunakan mesin listrik.** Mesin listrik sangat berbahaya di tangan pengguna yang tak terlatih.
- 5. Rawatlah mesin listrik dan aksesor. Periksa apakah ada komponen bergerak yang tidak lurus atau macet, komponen yang pecah, dan kondisi-kondisi lain yang dapat memengaruhi pengoperasian mesin listrik. Jika rusak, perbaiki mesin listrik terlebih dahulu sebelum digunakan.** Banyak kecelakaan disebabkan oleh kurangnya pemeliharaan mesin listrik.
- 6. Jaga agar mesin pemotong tetap tajam dan bersih.** Mesin pemotong yang terawat baik dengan mata pemotong yang tajam tidak mudah macet dan lebih mudah dikendalikan.
- 7. Gunakan mesin listrik, aksesor, dan mata mesin, dll. sesuai dengan petunjuk ini, dengan memperhitungkan kondisi kerja dan jenis pekerjaan yang dilakukan.** Penggunaan mesin listrik untuk penggunaan yang lain dari peruntukan dapat menimbulkan situasi berbahaya.
- 8. Jagalah agar gagang dan permukaan pegangan tetap kering, bersih, dan bebas dari minyak dan pelumas.** Gagang dan permukaan pegangan yang licin tidak mendukung keamanan penanganan dan pengendalian mesin dalam situasi-situasi tak terduga.
- 9. Ketika menggunakan mesin, jangan menggunakan sarung tangan kain yang dapat tersangkut.** Sarung tangan kain yang tersangkut pada komponen bergerak dapat mengakibatkan cedera pada pengguna.

Penggunaan dan pemeliharaan mesin bertenaga baterai

- 1. Isi ulang baterai hanya dengan pengisi daya yang ditentukan oleh pabrik.** Pengisi daya yang cocok untuk satu jenis paket baterai dapat menimbulkan risiko kebakaran ketika digunakan untuk paket baterai yang lain.
- 2. Gunakan mesin listrik hanya dengan paket baterai yang telah ditentukan secara khusus.** Penggunaan paket baterai lain dapat menimbulkan risiko cedera dan kebakaran.
- 3. Ketika paket baterai tidak digunakan, jauhkan dari benda logam lain, seperti penjepit kertas, uang logam, kunci, paku, sekrup atau benda logam kecil lainnya, yang dapat menghubungkan satu terminal ke terminal lain.** Hubungan singkat terminal baterai dapat menyebabkan luka bakar atau kebakaran.
- 4. Pemakaian yang salah, dapat menyebabkan keluarnya cairan dari baterai; hindari kontak. Jika terjadi kontak secara tidak sengaja, bilas dengan air. Jika cairan mengenai mata, cari bantuan medis.** Cairan yang keluar dari baterai bisa menyebabkan iritasi atau luka bakar.
- 5. Jangan menggunakan paket baterai atau mesin yang sudah rusak atau telah diubah.** Baterai yang rusak atau telah diubah dapat menyebabkan hal-hal yang tidak dapat diprediksi yang dapat menyebabkan kebakaran, ledakan atau risiko cedera.
- 6. Jangan membiarkan paket baterai atau mesin dekat dengan api atau suhu yang berlebihan.** Paparan api atau suhu di atas 130 °C dapat menyebabkan ledakan.
- 7. Ikuti semua petunjuk pengisian daya dan jangan mengisi daya paket baterai atau mesin di luar rentang suhu yang ditentukan di panduan.** Mengisi daya secara tidak tepat atau pada suhu di luar rentang yang ditentukan dapat merusak baterai dan meningkatkan risiko kebakaran.

Servis

1. **Berikan mesin listrik untuk diperbaiki hanya kepada oleh teknisi yang berkualifikasi dengan menggunakan hanya suku cadang pengganti yang serupa.** Hal ini akan menjamin terjaminnya keamanan mesin listrik.
2. **Jangan pernah memperbaiki paket baterai yang sudah rusak.** Perbaikan paket baterai harus dilakukan hanya oleh produsen atau penyedia servis resmi.
3. **Patuhi petunjuk pelumasan dan penggantian aksesoris.**

Peringatan keselamatan rantai gergaji umum

1. **Jauhkan bagian tubuh Anda dari rantai gergaji saat gergaji mesin sedang bekerja. Sebelum menjalankan gergaji mesin, pastikan rantai gergaji tidak menyentuh benda apa pun.** Sesaat saja Anda lalai saat menggunakan gergaji mesin dapat menyebabkan pakaian atau tubuh Anda tersangkut pada rantai gergaji.
2. **Selalu pegang gergaji mesin dengan tangan kanan Anda pada pegangan belakang dan tangan kiri Anda pada pegangan depan.** Memegang gergaji mesin dengan cara memegang terbalik akan meningkatkan risiko cedera diri dan tidak perlu dilakukan.
3. **Pegang gergaji mesin hanya pada permukaan genggaman yang terisolasi karena rantai gergaji mungkin bersentuhan dengan kawat tersembunyi.** Rantai gergaji yang menyentuh kawat yang "aktif" dapat menyebabkan bagian logam pada gergaji mesin teraliri arus listrik "aktif" dan dapat menyengat operator.
4. **Gunakan pelindung mata. Disarankan untuk menggunakan peralatan perlindungan yang lebih lengkap untuk telinga, kepala, tangan, dan kaki.** Peralatan perlindungan yang mencukupi akan mengurangi kemungkinan cedera badan yang disebabkan oleh serpihan yang beterbangan atau kontak dengan rantai gergaji yang tidak disengaja.
5. **Jangan menggunakan gergaji mesin di pohon, pada tangga, dari atas atap, atau penyangga yang tidak stabil.** Menggunakan gergaji mesin dengan cara ini dapat mengakibatkan cedera badan serius.
6. **Selalu jaga pijakan yang baik dan hanya gunakan gergaji mesin saat berdiri di permukaan yang stabil, aman dan datar.** Permukaan yang licin atau tidak stabil dapat menyebabkan hilangnya keseimbangan atau kendali atas gergaji mesin.
7. **Saat memotong ranting yang ditarik, berhati-hatilah terhadap pantulan ranting ke arah Anda.** Ketika tegangan pada serat kayu dilepaskan, ranting yang memantul dapat mengenai operator dan/atau menyebabkan gergaji mesin jadi tidak terkendali.
8. **Sangat berhati-hatilah saat memotong semak dan tunas pohon.** Benda berukuran kecil mungkin dapat terkena rantai gergaji dan dapat mengenai Anda atau membuat Anda kehilangan keseimbangan.
9. **Bawa gergaji mesin menggunakan pegangan depan dalam kondisi mati dan jauhkan dari tubuh Anda. Ketika membawa atau menyimpan gergaji mesin, selalu pasang penutup bilah pemandu.** Penanganan gergaji mesin yang sesuai akan mengurangi kemungkinan kontak dengan rantai gergaji yang bergerak secara tidak sengaja.
10. **Patuhi petunjuk pelumasan, pengencangan rantai, dan penggantian bilah dan rantai.** Rantai yang tidak dikencangkan dan dilumasi dengan baik dapat rusak atau meningkatkan risiko hentakan balik.
11. **Hanya potong kayu. Jangan gunakan gergaji mesin untuk tujuan yang tidak sesuai. Contohnya: jangan gunakan gergaji mesin untuk memotong logam, plastik, tembok, atau material bangunan selain kayu.** Pemakaian gergaji mesin untuk penggunaan selain yang dimaksudkan dapat menimbulkan situasi berbahaya.
12. **Jangan mencoba menebang pohon jika Anda belum memahami risiko dan cara mencegahnya.** Cedera serius dapat terjadi pada operator atau orang-orang yang melihat proses penebangan pohon.

13. Penyebab dan pencegahan operator hentakan balik:

Hentakan balik dapat terjadi saat hidung atau ujung bilah pemandu menyentuh benda, atau ketika kayu menjepit rantai gergaji di dalam celah potongan.

Kontak pada ujung dapat menyebabkan reaksi membalik secara mendadak, melontarkan bilah pemandu ke atas dan belakang ke arah operator. Menjepit rantai gergaji di sepanjang bagian atas bilah pemandu dapat mendorong bilah pemandu ke arah operator dengan cepat.

Kedua reaksi ini dapat menyebabkan hilangnya kendali atas gergaji yang dapat menyebabkan cedera pribadi serius. Jangan hanya bergantung pada alat keselamatan yang terdapat pada gergaji Anda. Sebagai pengguna gergaji mesin, Anda harus melakukan beberapa langkah agar pekerjaan pemotongan Anda bebas dari kecelakaan atau cedera.

Hentakan balik merupakan akibat dari salah cara menggunakan gergaji mesin dan/atau prosedur atau kondisi pengoperasian yang salah dan dapat dihindari dengan melakukan tindakan kewaspadaan yang tepat sebagaimana diuraikan di bawah ini:

- **Pertahankan genggam yang kuat, dengan ibu jari dan jari-jari Anda menggenggam gagang gergaji mesin, dengan kedua tangan pada gergaji serta posisi badan dan lengan Anda sehingga Anda dapat menahan gaya hentakan balik.** Kekuatan hentakan balik dapat dikendalikan oleh operator, jika dilakukan tindakan pencegahan yang tepat. Jangan melepas gergaji mesin.

► Gbr.1

- **Jangan meraih terlalu jauh dan jangan memotong di atas tinggi pundak.** Hal ini membantu mencegah kontak ujung yang tidak diharapkan dan memungkinkan kontrol gergaji mesin yang lebih baik dalam situasi yang tidak diharapkan.
- **Hanya gunakan bilah pemandu dan rantai gergaji pengganti yang sesuai dengan ketentuan dari produsen.** Penggantian bilah pemandu dan rantai gergaji yang salah dapat menyebabkan putusannya rantai dan/ atau hentakan balik.
- **Ikuti petunjuk pengasahan dan pemeliharaan pabrik untuk rantai gergaji.** Menurunkan ketinggian pengukur kedalaman dapat menyebabkan peningkatan hentakan balik.

14. Patuhi semua petunjuk saat membersihkan material yang macet, menyimpan, atau memperbaiki gergaji mesin. Pastikan mesin sudah dimatikan dan paket baterai dilepas. Pergerakan tak terduga dari gergaji mesin saat membersihkan material yang macet atau perbaikan dapat mengakibatkan cedera pribadi yang serius.

Petunjuk Keselamatan Tambahan

Alat pelindung diri

1. Pakaian harus pas badan, tetapi tidak mengganggu pergerakan.
2. Kenakan pakaian pelindung di bawah ini selama bekerja:
 - Helm keamanan yang telah teruji, jika bahaya disebabkan oleh ranting yang jauh atau semacamnya;
 - Masker wajah atau kacamata pelindung;
 - Perlindungan telinga yang sesuai (busa penutup telinga atau sumbat telinga kustom atau elastis). Analisis merek Octave jika diminta.
 - Sarung tangan pelindung dari kulit yang kuat;
 - Celana panjang yang terbuat dari kain yang kuat;
 - Pakaian kerja pelindung dari bahan yang tahan terhadap benda tajam;
 - Sepatu atau sepatu bot keselamatan dengan sol yang tidak licin, ujung sepatu baja dan lapisan bahan yang tahan terhadap benda tajam;
 - Masker pernapasan, saat melakukan pekerjaan yang menghasilkan debu (misalnya, menggergaji kayu kering).

Pengoperasian

1. **Sebelum memulai pekerjaan, periksa bahwa gergaji mesin berfungsi dengan baik dan kondisinya sesuai dengan peraturan keselamatan. Periksa secara khusus bahwa:**
 - Rem rantai berfungsi dengan baik;
 - Rem pengurang kecepatan berfungsi dengan baik;
 - Penutup bilah dan sproket terpasang dengan benar;
 - Rantai telah diasah dan dikencangkan sesuai dengan aturan.
2. **Jangan menyalakan gergaji mesin dengan penutup rantai terpasang di atasnya.** Menyalakan gergaji mesin dengan penutup rantai terpasang di atasnya dapat menyebabkan penutup rantai terlempar ke luar yang dapat mengakibatkan cedera diri dan kerusakan pada benda di sekitar operator.

Keamanan listrik dan baterai

1. **Hindari lingkungan yang berbahaya. Jangan gunakan mesin di lokasi yang lembap dan basah, atau membiarkannya terkena hujan.** Air yang masuk ke dalam mesin akan meningkatkan risiko sengatan listrik.
2. **Jangan buang baterai ke nyala api.** Sel baterai dapat meledak. Periksa kode setempat untuk petunjuk pembuangan khusus yang memungkinkan.
3. **Jangan buka atau bongkar baterai.** Elektrolit yang terlepas bersifat korosif dan dapat melukai mata atau kulit. Zat tersebut dapat beracun jika tertelan.
4. **Jangan mengisi daya baterai saat hujan, atau di lokasi yang basah.**

5. Jangan mengisi daya baterai di luar ruangan.
6. Jangan memegang pengisi daya, termasuk steker pengisi daya, dan terminal pengisi daya dengan tangan basah.
7. Jangan ganti baterai dalam kondisi hujan.
8. Jangan ganti baterai dengan tangan basah.
9. Jangan tinggalkan baterai saat hujan, atau mengisi daya, menggunakan, atau menyimpan baterai di tempat yang lembap atau basah.
10. Jangan membasahi terminal baterai dengan cairan seperti air, atau merendam baterai. Jika terminal basah atau cairan masuk ke dalam baterai, mungkin dapat terjadi hubungan singkat dan terdapat risiko kelebihan panas, terbakar, atau meledak.
11. Setelah melepas baterai dari mesin atau pengisi daya, pastikan Anda memasang penutup ke baterai dan simpan di tempat kering.
12. Jika kartrid baterai basah, keringkan air di dalamnya kemudian usap dengan kain kering. Biarkan kartrid baterai benar-benar kering di tempat kering sebelum digunakan.
5. Jangan menghubungkan terminal kartrid baterai:
 - (1) Jangan menyentuh terminal dengan bahan penghantar listrik apa pun.
 - (2) Hindari menyimpan kartrid baterai pada wadah yang berisi benda logam lain seperti paku, uang logam, dsb.
 - (3) Jangan membiarkan baterai terkena air atau kehujanan.

Hubungan singkat baterai dapat menyebabkan aliran arus listrik yang besar, panas berlebih, kemungkinan mengalami luka bakar dan bahkan kerusakan pada baterai.
6. Jangan menyimpan dan menggunakan mesin dan kartrid baterai pada lokasi dengan suhu yang bisa mencapai atau melebihi 50 °C (122 °F).
7. Jangan membuang kartrid baterai di tempat pembakaran sampah walaupun benar-benar rusak atau tidak bisa digunakan sama sekali. Kartrid baterai bisa meledak jika terbakar.
8. Jangan memaku, memotong, menghancurkan, melempar, menjatuhkan kartrid baterai, atau memukulkan benda keras ke kartrid baterai. Tindakan tersebut dapat menimbulkan api, panas berlebih, atau ledakan.
9. Jangan menggunakan baterai yang rusak.
10. Baterai litium-ion yang disertakan sesuai dengan persyaratan Perundangan Makanan Berbahaya.

Harus ada pengawasan untuk pengangkutan komersial misalnya oleh pihak ketiga, ekspeditor, persyaratan khusus terhadap pengemasan dan pelabelan. Diperlukan adanya konsultasi dengan ahli mengenai material berbahaya untuk persiapan barang yang akan dikirimkan. Perhatikan pula peraturan nasional yang lebih terperinci yang mungkin ada. Beri perekat atau tutupi bagian yang terbuka dan kemasi baterai dengan cara yang tidak akan menimbulkan pergeseran dalam pengemasan.

SIMPAN PETUNJUK INI.

⚠️ PERINGATAN: JANGAN biarkan kenyamanan atau terbiasanya Anda dengan produk (karena penggunaan berulang) mengurangi kepatuhan yang ketat terhadap aturan keselamatan untuk produk yang terkait. **PENYALAHGUNAAN** atau kelalaian mematuhi kaidah keselamatan yang tertera dalam petunjuk ini dapat menyebabkan cedera badan serius.

Petunjuk keselamatan penting untuk kartrid baterai

1. Sebelum menggunakan kartrid baterai, bacalah semua petunjuk dan penandaan pada (1) pengisi daya baterai, (2) baterai, dan (3) produk yang menggunakan baterai.
2. Jangan membongkar atau memodifikasi kartrid baterai. Tindakan tersebut dapat menimbulkan api, panas berlebih, atau ledakan.
3. Jika waktu beroperasinya menjadi sangat singkat, segera hentikan penggunaan. Hal tersebut dapat menimbulkan risiko panas berlebih, kemungkinan mengalami luka bakar atau bahkan terjadi ledakan.
4. Jika elektrolit mengenai mata Anda, basuh dengan air bersih dan segera cari pertolongan medis. Hal tersebut dapat mengakibatkan hilangnya kemampuan penglihatan Anda.
11. Ketika membuang kartrid baterai, lepaskan dari mesin dan buang ke tempat yang aman. Patuhi peraturan setempat yang berkaitan dengan pembuangan baterai.
12. Gunakan baterai hanya dengan produk yang ditentukan oleh Makita. Memasang baterai pada produk yang tidak sesuai dapat menyebabkan kebakaran, kelebihan panas, ledakan, atau kebocoran elektrolit.
13. Jika mesin tidak digunakan dalam jangka waktu yang lama, baterai harus dilepas dari mesin.
14. Selama dan setelah digunakan, kartrid baterai mungkin menyimpan panas yang dapat menyebabkan luka bakar atau luka bakar suhu rendah. Perhatikan cara memegang kartrid baterai yang masih panas.
15. Jangan langsung menyentuh terminal mesin setelah digunakan karena suhunya mungkin cukup panas untuk menyebabkan luka bakar.

16. **Jangan biarkan serpihan, debu, atau tanah menempel di terminal, lubang, dan alur kartrid baterai.** Hal tersebut dapat menyebabkan pemanasan, kebakaran, ledakan, dan kegagalan fungsi mesin atau kartrid baterai, yang mengakibatkan luka bakar atau cedera diri.
17. **Kecuali jika mesin mendukung penggunaan di dekat saluran listrik bertegangan tinggi, jangan gunakan kartrid baterai di dekat saluran listrik bertegangan tinggi.** Hal tersebut dapat mengakibatkan kegagalan fungsi atau kerusakan mesin maupun kartrid baterai.
18. **Jauhkan baterai dari jangkauan anak-anak.**

SIMPAN PETUNJUK INI.

⚠️PERHATIAN: Gunakan baterai asli Makita. Penggunaan baterai Makita yang tidak asli, atau baterai yang sudah diubah, akan mengakibatkan baterai mudah terbakar, cedera dan kerusakan. Akan menghilangkan garansi Makita pada pengisi daya dan alat Makita.

Tip untuk menjaga agar umur pemakaian baterai maksimum

1. **Isi ulang kartrid baterai sebelum habis sama sekali. Selalu hentikan penggunaan mesin dan ganti kartrid baterai jika Anda melihat bahwa mesin kurang tenaga.**
2. **Jangan pernah mengisi ulang kartrid baterai yang sudah diisi penuh. Pengisian ulang yang berlebih memperpendek umur pemakaian baterai.**
3. **Isi ulang kartrid baterai pada suhu ruangan 10 °C - 40 °C. Biarkan kartrid baterai yang panas menjadi dingin terlebih dahulu sebelum diisi ulang.**
4. **Saat kartrid baterai tidak digunakan, lepaskan dari mesin atau pengisi daya.**
5. **Isi ulang daya kartrid baterai jika Anda tidak menggunakannya untuk jangka waktu yang lama (lebih dari enam bulan).**

DESKRIPSI BAGIAN-BAGIAN MESIN

► Gbr.2

1	Pelindung tangan depan	2	Tuas	3	Bilah pemandu
4	Rantai Gergaji	5	Penutup bilah pemandu	6	Tombol pengunci
7	Pegangan belakang	8	Pelatuk sakelar	9	Kartrid baterai
10	Pegangan depan	11	Tutup tangki oli	12	Bamper paku
13	Penangkap rantai	14	Sakelar penyatel	-	-

DESKRIPSI FUNGSI

⚠️PERHATIAN: Selalu pastikan bahwa mesin dimatikan dan kartrid baterai dilepas sebelum menyetel atau memeriksa kerja mesin.

Memasang atau melepas baterai

⚠️PERHATIAN: Selalu matikan mesin sebelum memasang atau melepas kartrid baterai.

⚠️PERHATIAN: Pegang mesin dan kartrid baterai kuat-kuat saat memasang atau melepas kartrid baterai. Kelalaian untuk memegang mesin dan kartrid baterai kuat-kuat bisa menyebabkan keduanya tergelincir dari tangan Anda dan mengakibatkan kerusakan pada mesin dan kartrid baterai dan cedera diri.

- **Gbr.3:** 1. Indikator berwarna merah 2. Tombol 3. Kartrid baterai

Untuk melepas kartrid baterai, geser dari mesin sambil menggeser tombol pada bagian depan kartrid.

Untuk memasang kartrid baterai, sejajarkan lidah kartrid baterai dengan alur pada rumah dan masukkan ke dalam tempatnya. Masukkan seluruhnya sampai terkunci pada tempatnya dan terdengar bunyi klik kecil. Jika Anda bisa melihat indikator berwarna merah seperti yang ditunjukkan pada gambar, ini artinya kartrid baterai tidak terkunci sempurna.

⚠️PERHATIAN: Selalu pasang kartrid baterai sepenuhnya sampai indikator berwarna merah tidak terlihat. Jika tidak, bisa terlepas dari mesin secara tidak sengaja, menyebabkan luka pada Anda atau orang di sekitar Anda.

⚠️PERHATIAN: Jangan memasang kartrid baterai secara paksa. Jika kartrid tidak bergeser dengan mudah, berarti tidak dimasukkan dengan benar.

Mengindikasikan kapasitas baterai yang tersisa

Hanya untuk kartrid baterai dengan indikator

► **Gbr.4:** 1. Lampu indikator 2. Tombol pemeriksaan

Tekan tombol pemeriksaan pada kartrid baterai untuk melihat kapasitas baterai yang tersisa. Lampu indikator menyala selama beberapa detik.

Lampu indikator			Kapasitas yang tersisa
Menyala	Mati	Berkedip	
■	□	◐	75% hingga 100%
■	■	■	50% hingga 75%
■	■	□	25% hingga 50%
■	□	□	0% hingga 25%
◐	□	□	Isi ulang baterai.
■	■	□	Baterai mungkin sudah rusak.
□	□	■	

CATATAN: Tergantung kondisi penggunaan dan suhu lingkungannya, penunjukkan mungkin saja sedikit berbeda dari kapasitas sebenarnya.

CATATAN: Lampu indikator pertama (ujung kiri) akan berkedip ketika sistem perlindungan mesin bekerja.

Sistem perlindungan mesin / baterai

Mesin ini dilengkapi dengan sistem perlindungan mesin/ baterai. Sistem ini memutus daya ke motor secara otomatis untuk memperpanjang umur pakai mesin dan baterai. Mesin akan berhenti secara otomatis saat dioperasikan jika mesin atau baterai mengalami salah satu dari kondisi-kondisi berikut ini:

Perlindungan kelebihan beban

Jika mesin atau baterai digunakan dengan cara yang menjadikan baterai mengeluarkan arus tinggi yang berlebihan, mesin akan berhenti secara otomatis. Dalam situasi ini, matikan mesin dan hentikan pekerjaan yang menyebabkan mesin mengalami kelebihan beban. Kemudian, nyalakan mesin untuk kembali melanjutkan pekerjaan.

Perlindungan panas berlebih

Saat mesin atau baterai terlalu panas, mesin akan berhenti secara otomatis. Pada keadaan ini, tunggu hingga mesin dan baterai mendingin sebelum dinyalakan kembali.

CATATAN: Dalam lingkungan bertemperatur tinggi, pelindung panas akan bekerja dan mesin berhenti secara otomatis.

Perlindungan pengisian daya berlebih

Ketika kapasitas baterai tidak cukup, mesin akan berhenti secara otomatis. Dalam kondisi ini, lepaskan baterai dari mesin dan isi ulang baterai.

Perlindungan terhadap penyebab lain

Sistem perlindungan juga dirancang untuk penyebab lain yang dapat merusak mesin dan memungkinkan mesin untuk berhenti secara otomatis. Lakukan semua langkah berikut ini untuk mengatasi penyebabnya, saat mesin dihentikan sementara atau berhenti beroperasi.

1. Matikan mesin, dan kemudian hidupkan kembali untuk memulai ulang.
2. Isi baterai atau ganti dengan baterai yang sudah diisi ulang.
3. Biarkan mesin dan baterai menjadi dingin.

Jika tidak ada peningkatan yang dapat ditemukan dengan memulihkan sistem perlindungan, hubungi Pusat Servis Makita setempat Anda.

PEMBERITAHUAN: Jika mesin berhenti karena penyebab yang tidak dijelaskan di atas, lihat bagian pemecahan masalah.

Kerja sakelar

PERINGATAN: Untuk keselamatan Anda, mesin ini dilengkapi tombol buka kunci untuk mencegah hidupnya mesin secara tidak disengaja. Jangan pernah menggunakan mesin jika mesin tersebut menyala ketika Anda hanya menarik pelatuk sakelarnya tanpa menekan tombol buka kunci. Mintalah kepada Pusat Layanan Makita terdekat untuk memperbaikinya.

PERINGATAN: Jangan pernah menonaktifkan fungsi pengunci atau melakban tombol buka kunci.

PERHATIAN: Sebelum memasukkan kartrid baterai pada mesin, pastikan picu saklar berfungsi dengan baik dan kembali ke posisi "OFF" saat dilepas.

PEMBERITAHUAN: Jangan menarik pelatuk sakelar dengan paksa tanpa menekan tombol buka kunci. Sakelar dapat patah.

► **Gbr.5:** 1. Tombol pengunci 2. Pelatuk sakelar
Untuk mencegah pelatuk sakelar tertarik dengan tidak sengaja, tersedia sebuah tombol buka kunci. Untuk menjalankan mesin, tekan tombol buka kunci dan tarik pelatuk sakelar. Lepaskan pelatuk sakelar untuk berhenti.

Memeriksa rem rantai

⚠️PERHATIAN: Pegang gergaji mesin dengan kedua tangan saat menyalakannya. Pegang gagang belakang dengan tangan kanan Anda, gagang depan dengan tangan kiri Anda. Bilah dan rantai tidak boleh bersentuhan dengan benda apa pun.

⚠️PERHATIAN: Jika rantai gergaji tidak segera berhenti saat pengujian ini dilakukan, gergaji ini tidak boleh digunakan dalam kondisi apa pun. Konsultasikan dengan pusat layanan resmi kami.

1. Tekan tombol buka kunci, kemudian tarik pelatuk sakelar. Rantai gergaji akan segera mulai bergerak.
2. Tekan pelindung tangan depan ke depan dengan bagian belakang tangan Anda. Pastikan bahwa gergaji mesin segera berhenti.
▶ **Gbr.6:** 1. Pelindung tangan depan 2. Posisi tidak terkunci 3. Posisi terkunci

Memeriksa rem pengurang kecepatan

⚠️PERHATIAN: Jika rantai gergaji tidak berhenti dalam satu detik dalam pengujian ini, hentikan penggunaan gergaji mesin dan konsultasikan dengan pusat layanan resmi kami.

Jalankan gergaji mesin kemudian lepas pelatuk sakelar sepenuhnya. Rantai gergaji harus berhenti dalam satu detik.

PERAKITAN

⚠️PERHATIAN: Selalu pastikan bahwa mesin dimatikan dan kartrid baterai dilepas sebelum melakukan pekerjaan apa pun pada mesin.

⚠️PERHATIAN: Jangan sentuh rantai gergaji dengan tangan kosong. Selalu kenakan sarung tangan saat menangani rantai gergaji.

Memasang dan melepas rantai gergaji

⚠️PERHATIAN: Rantai gergaji dan bilah pemandu masih panas sesaat setelah pemakaian. Biarkan hingga cukup dingin sebelum melakukan tindakan apa pun pada mesin.

⚠️PERHATIAN: Lakukan prosedur pemasangan atau pelepasan rantai gergaji pada tempat yang bersih bebas dari serbuk gergaji dan sejenisnya.

Memasang rantai gergaji

Untuk memasang rantai gergaji, lakukan langkah-langkah berikut ini:

1. Lepaskan rem rantai dengan menarik pengaman tangan depan.
 2. Tarik tuas sambil menekan bagian tepinya.
▶ **Gbr.7:** 1. Tuas
 3. Putar tuas berlawanan arah jarum jam hingga penutup sproket terlepas.
▶ **Gbr.8:** 1. Tuas 2. Penutup sproket
 4. Lepaskan penutup sproket.
 5. Periksa arah rantai gergaji. Cocokkan arah rantai gergaji dengan tanda pada rantai gergaji.
▶ **Gbr.9:** 1. Menandai bodi gergaji mesin
 6. Pasang satu ujung rantai gergaji pada bilah pemandu atas.
 7. Pasang ujung rantai gergaji yang lain di sekitar sproket, kemudian pasang bilah pemandu ke bodi rantai gergaji.
▶ **Gbr.10:** 1. Sproket
 8. Putar sakelar penyetel ke arah “-” untuk menggeser pasak penyetel sesuai arah panah.
▶ **Gbr.11:** 1. Sakelar penyetel 2. Pasak penyetel
 9. Posisikan penutup sproket pada gergaji mesin sehingga pasak penyetel berada dalam lubang kecil pada bilah pemandu.
▶ **Gbr.12:** 1. Penutup sproket 2. Bilah pemandu 3. Lubang
 10. Putar tuas searah jarum jam sepenuhnya dan putar tuas sedikit ke belakang untuk menjaga kelonggaran untuk menyetel tegangan rantai.
 11. Setel tegangan rantai. Lihat bagian untuk menyetel tegangan rantai gergaji untuk prosedur.
 12. Putar tuas searah jarum jam hingga penutup sproket kencang kemudian kembalikan pada posisi semula.
▶ **Gbr.13:** 1. Tuas 2. Penutup sproket
- ## Melepas rantai gergaji
- Untuk melepaskan rantai gergaji, lakukan langkah-langkah berikut ini:
1. Lepaskan rem rantai dengan menarik pengaman tangan depan.
 2. Putar sakelar penyetel ke arah “-” untuk melepas tegangan rantai gergaji.
▶ **Gbr.14:** 1. Sakelar penyetel
 3. Tarik tuas sambil menekan bagian tepinya.
▶ **Gbr.15:** 1. Tuas
 4. Putar tuas berlawanan arah jarum jam hingga penutup sproket terlepas.
▶ **Gbr.16:** 1. Tuas 2. Penutup sproket
 5. Lepas penutup sproket kemudian lepas rantai gergaji dan bilah pemandu dari badan gergaji mesin.

Menyetel kekencangan rantai gergaji

⚠️ PERHATIAN: Lakukan prosedur pemasangan atau pelepasan rantai gergaji pada tempat yang bersih bebas dari serbuk gergaji dan sejenisnya.

⚠️ PERHATIAN: Jangan mengencangkan rantai gergaji secara berlebihan. Rantai gergaji yang terlalu kencang dapat menyebabkan kerusakan pada rantai gergaji, keausan pada bilah pemandu dan kerusakan pada sakelar penyetel.

⚠️ PERHATIAN: Rantai yang terlalu kendur dapat terlempar keluar dari bilah sehingga dapat mengakibatkan cedera atau kecelakaan.

Rantai gergaji mungkin akan menjadi kendur setelah beberapa jam pemakaian. Periksa kekencangan rantai gergaji secara berkala sebelum digunakan.

1. Tarik tuas sambil menekan bagian tepinya.
▶ **Gbr.17:** 1. Tuas
 2. Putar tuas sedikit berlawanan arah jarum jam untuk sedikit melonggarkan penutup sproket.
▶ **Gbr.18:** 1. Tuas 2. Penutup sproket
 3. Angkat sedikit ujung bilah pemandu dan setel kekencangan rantai. Putar sakelar penyetel ke arah “-” untuk mengendurkan, putar ke arah “+” untuk mengencangkan. Kencangkan rantai gergaji hingga sisi bawah rantai gergaji tepat berada pada rel bilah pemandu seperti pada ilustrasi.
▶ **Gbr.19:** 1. Sakelar penyetel 2. Bilah pemandu 3. Rantai Gergaji
 4. Tetap tahan sedikit bilah pemandu dan kencangkan penutup sproket. Pastikan bahwa rantai gergaji tidak kendur pada sisi bawah.
 5. Kembalikan tuas ke posisi semula.
- Pastikan rantai gergaji tepat berlawanan dengan sisi bagian bawah bilah.

PENGGUNAAN

Pelumasan

⚠️ PERHATIAN: Jangan mengoperasikan gergaji mesin jika tangki dalam keadaan kosong. Isi kembali oli sebelum tangki kosong.

⚠️ PERHATIAN: Jangan sampai oli mengenai kulit dan mata. Kontak dengan mata dapat menyebabkan iritasi. Jika mengenai mata, segera bilas mata yang terkena menggunakan air bersih, lalu segera konsultasi pada dokter.

⚠️ PERHATIAN: Jangan gunakan oli bekas. Oli bekas mengandung bahan karsinogen. Kontaminan pada oli bekas akan mempercepat keausan pada pompa oli, bilah dan rantai. Oli bekas berbahaya bagi lingkungan.

PEMBERITAHUAN: Saat gergaji mesin digunakan untuk pertama kalinya, perlu hingga dua menit sampai oli rantai gergaji mulai melumasi mekanisme gergaji. Jalankan gergaji tanpa beban hingga semua bagian gergaji terlumasi.

PEMBERITAHUAN: Ketika mengisi oli rantai untuk pertama kalinya, atau mengisi ulang tangki setelah benar-benar kosong, tambahkan oli hingga tepi bawah leher filter. Jika tidak, penyaluran oli dapat terganggu.

PEMBERITAHUAN: Gunakan oli rantai gergaji khusus untuk gergaji mesin Makita atau oli setara yang tersedia di pasaran.

PEMBERITAHUAN: Jangan pernah gunakan oli yang mengandung debu dan partikel atau minyak atsiri.

PEMBERITAHUAN: Ketika memangkas pohon, gunakan oli botani. Oli berbahan mineral dapat membahayakan pohon.

PEMBERITAHUAN: Sebelum pengerjaan pemotongan dilakukan, pastikan bahwa tutup tangki oli yang tersedia telah disekrup pada tempatnya.

Rantai gergaji secara otomatis terlumasi ketika mesin sedang beroperasi. Periksa jumlah oli yang tersisa pada tangki oli secara rutin melalui jendela pemantau oli.

▶ **Gbr.20:** 1. Tutup tangki oli 2. Jendela pemantau oli

Untuk mengisi oli, lakukan langkah-langkah berikut ini:

1. Bersihkan area di sekitar penutup tangki oli untuk mencegah kotoran masuk ke dalam tangki oli.
2. Letakkan gergaji mesin dan lepas penutup tangki oli.
3. Isikan oli ke dalam tangki oli. Jumlah oli yang diperlukan adalah 150 ml.
4. Tutup kembali penutup tangki oli dengan kencang.
5. Bersihkan semua tumpahan oli rantai secara hati-hati.

CATATAN: Jika sulit untuk melepas tutup tangki oli, masukkan obeng berlubang ke dalam slot tutup tangki oli, lalu lepaskan tutup tangki oli dengan cara memutarinya berlawanan arah jarum jam.

▶ **Gbr.21:** 1. Slot 2. Obeng bermata celah

Setelah pengisian ulang, jauhkan gergaji mesin dari pohon. Nyalakan dan tunggu hingga rantai gergaji terlumasi dengan baik.

▶ **Gbr.22**

Bekerja menggunakan gergaji mesin

PERHATIAN: Pengguna yang baru pertama kali menggunakan gergaji, sebagai praktik minimal, lakukan pemotongan kayu di atas kuda-kuda atau penyangga.

PERHATIAN: Ketika menggergaji kayu pra potong, gunakan dukungan yang aman (kuda-kuda atau penyangga). Jangan menstabilkan benda kerja menggunakan kaki Anda, dan jangan biarkan siapa pun juga memegang atau mencoba menstabilkannya.

PERHATIAN: Kencangkan potongan bundar terhadap rotasi.

PERHATIAN: Jauhkan bagian tubuh Anda dari rantai gergaji saat motor sedang bekerja.

PERHATIAN: Pegang gergaji mesin dengan kedua tangan saat motor sedang menyala.

PERHATIAN: Jangan meraih terlalu jauh. Selalu jagalah pijakan dan keseimbangan.

PEMBERITAHUAN: Jangan melempar atau menjatuhkan mesin.

PEMBERITAHUAN: Jangan menutupi ventilasi mesin.

Tempatkan tepi bawah dari badan gergaji mesin agar menyentuh cabang yang akan dipotong sebelum menyalakannya. Jika tidak, hal tersebut dapat menyebabkan bilah pemandu goyah, yang mengakibatkan operator cedera. Potong kayu dengan menggerakannya ke bawah menggunakan berat gergaji mesin.

► Gbr.23

Jika Anda tidak dapat memotong kayu secara tepat dengan satu kali gerakan: Sedikit tekan gagangnya dan teruskan menggergaji serta tarik sedikit gergaji mesin ke belakang; kemudian gunakan bamber paku sedikit ke bawah dan selesaikan pemotongan dengan menaikkan gagangnya.

► Gbr.24

Pembagian batang

1. Letakkan tepi bawah badan gergaji mesin pada kayu yang akan dipotong.

► Gbr.25

2. Saat rantai gergaji dalam keadaan menyala, gerajilah kayu sambil menggunakan gagang belakang untuk menaikkan gergaji dan gagang depan untuk mengarahkannya. Gunakan bamber paku sebagai poros putarnya.

3. Lanjutkan pemotongan dengan memberikan sedikit tekanan pada gagang depan, tarik gergaji mundur sedikit. Gerakkan bamber paku lebih dalam pada kayu dan angkat gagang depan kembali.

PEMBERITAHUAN: Ketika melakukan beberapa pemotongan, matikan gergaji mesin di antara jeda pemotongan tersebut.

PERHATIAN: Jika tepi atas bilah digunakan untuk pemotongan, gergaji mesin mungkin akan berbelok ke arah Anda jika rantainya terjebak. Untuk itu, potong dengan tepi bawah sehingga gergaji akan menjauh dari tubuh Anda.

► Gbr.26

Ketika Anda memotong kayu dalam kondisi yang mengencang, potong sisi yang tertekan (A) lebih dahulu. Kemudian lakukan potongan akhir dari sisi yang mengencang (B). Hal ini mencegah terjebaknya bilah.

► Gbr.27

Pemotongan cabang

PERHATIAN: Pemotongan cabang hanya dapat dilakukan oleh seorang yang terlatih. Terdapat bahaya dari risiko hentakan balik.

Ketika memotong cabang, topang gergaji mesin pada batang pohon jika memungkinkan. Jangan melakukan pemotongan dengan ujung bilah, karena akan berisiko terjadinya hentakan balik.

Perhatikan dengan saksama cabang kayu yang mengencang. Jangan memotong cabang pohon yang tidak didukung dari bawah.

Jangan berdiri di atas batang yang ditebang saat melakukan pemotongan.

Pelubangan dan memotong sejajar urat kayu

PERHATIAN: Pelubangan dan memotong sejajar urat kayu hanya dapat dilakukan oleh seseorang yang telah terlatih khusus. Kemungkinan terjadinya hentakan balik dapat menyebabkan risiko cedera.

Lakukan pemotongan sejajar urat kayu sedapat mungkin pada lapisan dangkal. Mohon berkonsentrasi penuh saat melakukan pemotongan karena bamber paku tidak dapat digunakan.

► Gbr.28

Penebangan

PERHATIAN: Penebangan hanya dapat dilakukan oleh seorang yang telah terlatih. Pekerjaan ini berbahaya.

Patuhi peraturan setempat jika Anda bermaksud menebang pohon.

► Gbr.29: 1. Area penebangan

— Sebelum melakukan pemotongan, pastikan bahwa:

- Hanya orang-orang yang terlibat pada pengerjaan penebangan tersebut yang berada di sekitar tempat kerja;
- Setiap orang yang terlibat memiliki jalan mundur kosong dalam rentang sekitar 45° di kedua sisi poros penebangan. Pertimbangkan risiko tersangkut kabel listrik;
- Pangkal pohon terbebas dari benda asing, akar dan cabang;

- Tidak ada orang atau pun benda yang berada dalam jarak 2 1/2 panjang pohon pada arah pohon akan jatuh.
- Perhatikan hal yang berkaitan dengan tiap pohon berikut ini:
 - Arah kecondongan pohon;
 - Cabang pohon yang kering dan mudah patah;
 - Ketinggian pohon;
 - Tanaman yang menggantung;
 - Apakah pohon busuk atau tidak.
 - Perhatikan kecepatan dan arah angin. Jangan melakukan penebangan jika hembusan angin terlalu kencang.
 - Pemotongan akar yang mengembang: Mulai dengan akar yang mengembang yang paling besar. Lakukan pemotongan secara vertikal terlebih dahulu, kemudian secara horizontal.
 - Berdirilah pada sisi pohon jatuh. Tetap kosongkan area belakang dari pohon yang jatuh hingga 45° di kedua sisi poros pohon (lihat gambar “area penebangan”). Perhatikan cabang pohon yang jatuh.
 - Jalur penyelamatan diri harus direncanakan dan dibersihkan sebelum pemotongan dimulai. Jalur penyelamatan diri harus diperluas ke belakang dan diagonal ke belakang dari garis penebangan seperti ilustrasi pada gambar.
- **Gbr.30:** 1. Arah penebangan 2. Zona bahaya 3. Rute penyelamatan

Ketika menebang pohon, ikuti prosedur di bawah ini:

1. Potong skarf sedekat mungkin dengan tanah. Pertama lakukan pemotongan horizontal sedalam 1/5 - 1/3 dari diameter batang pohon. Jangan membuat skarf terlalu besar. Kemudian lakukan pemotongan diagonal.
- **Gbr.31**

CATATAN: Skarf tersebut menentukan arah pohon tersebut akan roboh, dan mengarahkannya. Skarf dibuat pada sisi ke arah mana pohon akan roboh.

2. Buatlah potongan di belakang sedikit lebih tinggi dari potongan dasar skarf. Potongan belakang tersebut harus benar-benar horizontal. Sisakan sekitar 1/10 dari diameter batang antara potongan belakang dan skarf. Serat kayu pada bagian batang yang belum terpotong berfungsi sebagai engsel. Masukkan baji ke dalam potongan belakang tepat pada waktunya.

► **Gbr.32**

PERINGATAN: Jangan memotong tepat melalui serat kayu dalam kondisi apa pun. Jika tidak pohon akan roboh tak terkendali.

PEMBERITAHUAN: Hanya baji plastik dan aluminium yang dapat digunakan untuk menjaga potongan belakang tetap terbuka. Penggunaan baji besi dilarang.

Membawa mesin

Sebelum membawa mesin, selalu gunakan rem rantai dan lepaskan kartrid baterai dari mesin. Lalu pasang penutup bilah pemandu. Kemudian, tutup kartrid baterai dengan penutup baterai.

► **Gbr.33:** 1. Penutup bilah pemandu 2. Kotak baterai

PERAWATAN

PERHATIAN: Selalu pastikan bahwa mesin dimatikan dan kartrid baterai dilepas sebelum melakukan pemeriksaan atau perawatan.

PERHATIAN: Selalu gunakan sarung tangan saat melakukan pemeriksaan atau pemeliharaan.

PEMBERITAHUAN: Jangan sekali-kali menggunakan bensin, tiner, alkohol, atau bahan sejenisnya. Penggunaan bahan demikian dapat menyebabkan perubahan warna, perubahan bentuk atau timbulnya retakan.

Untuk menjaga KEAMANAN dan KEANDALAN mesin, perbaikan, perawatan atau penyetelan lainnya harus dilakukan oleh Pusat Layanan Resmi atau Pabrik Makita; selalu gunakan suku cadang pengganti buatan Makita.

Mengasah rantai gergaji

Asah rantai gergaji saat:

- Serbuk gergaji yang mengental terbentuk saat kayu yang basah dipotong;
- Rantai kesulitan menembus kayu, bahkan ketika menggunakan tekanan keras;
- Tepi pemotongnya benar-benar rusak;
- Gergaji bergerak ke kiri atau kanan di dalam kayu. (disebabkan oleh pengasahan rantai gergaji yang tidak rata atau terdapat kerusakan pada satu sisinya)

Asah rantai gergaji secara teratur tetapi sebentar saja. Dua atau tiga asahan dengan menggunakan kikir sudah cukup untuk pengasahan rutin. Ketika rantai gergaji telah diasah beberapa kali, bawalah ke pusat layanan resmi kami untuk dilakukan pengasahan.

Kriteria pengasahan:

PERINGATAN: Jarak yang terlalu lebar antara tepi pemotongan dan pengukur kedalaman akan meningkatkan risiko hentakan balik.

- **Gbr.34:** 1. Panjang pemotong 2. Jarak antara tepi pemotongan dan pengukur kedalaman 3. Panjang pemotong minimum (3 mm)

- Panjang semua pemotong harus sama. Perbedaan panjang pemotong dapat membuat rantai gergaji tidak berjalan mulus dan mungkin dapat menyebabkan rantai gergaji putus.
- Jangan asah rantai saat panjang pemotong telah mencapai 3 mm atau lebih pendek. Rantai harus diganti dengan yang baru.

- Ketebalan serpihan kayu ditentukan oleh jarak antara pengukur kedalaman (hidung bulat) dan tepi pemotongan.
- Hasil pemotongan terbaik diperoleh dengan mengikuti jarak antara tepi pemotongan dan pengukur kedalaman berikut ini.
 - Mata pisau rantai 90PX: 0,65 mm
 - Mata pisau rantai 91PX: 0,65 mm

► **Gbr.35**

- Sudut pengasahan 30° harus sama pada semua alat potong. Perbedaan sudut alat potong menyebabkan rantai bergerak kasar dan tidak merata, mempercepat keausan, dan menyebabkan rantai putus.
- Gunakan kikir bulat yang sesuai sehingga sudut pengasahan yang tepat tetap terjaga terhadap gigitnya.
 - Mata pisau rantai 90PX : 55°
 - Mata pisau rantai 91PX : 55°

Kikir dan pengarah kikir

- Gunakan kikir bulat khusus (pilihan aksesoris) rantai gergaji untuk mengasah rantai. Kikir bulat yang normal tidak cocok digunakan.
- Diameter kikir bulat untuk tiap rantai gergaji adalah sebagai berikut:
 - Mata pisau rantai 90PX: 4,5 mm
 - Mata pisau rantai 91PX: 4,0 mm
- Kikir hanya boleh digunakan pada alat potong dengan gerakan ke arah depan. Angkat kikir dari alat potong pada gerakan balik.
- Asah alat potong yang paling pendek terlebih dahulu. Kemudian panjang pemotong paling pendek ini menjadi standar untuk semua alat potong lain pada rantai gergaji ini.
- Arahkan kikir seperti ditunjukkan pada gambar.

► **Gbr.36:** 1. Kikir 2. Rantai Gergaji

- Kikir dapat diarahkan dengan mudah jika pemegang kikir (pilihan aksesoris) digunakan. Pemegang kikir memiliki tanda untuk sudut pengasahan yang tepat 30° (luruskan tanda sejajar dengan rantai gergaji) dan membatasi kedalaman penetrasi (hingga 4/5 dari diameter kikir).
- **Gbr.37:** 1. Pemegang kikir
- Setelah mengasah rantai, periksa ketinggian pengukur kedalaman menggunakan alat pengukur rantai (pilihan aksesoris).

► **Gbr.38**

- Buang segala bahan yang menonjol, meskipun kecil, dengan kikir datar khusus (pilihan aksesoris).
- Ratakan bagian depan pengukur kedalaman.

Membersihkan bilah pemandu

Serpihan kayu dan serbuk gergaji akan menumpuk pada alur bilah pemandu. Hal itu dapat menyumbat alur bilah dan menghalangi aliran oli. Bersihkan serpihan kayu dan serbuk gergaji setiap kali Anda mengasah atau mengganti rantai gergaji.

► **Gbr.39**

Membersihkan penutup sproket

Serpihan kayu dan serbuk gergaji akan terkumpul di dalam penutup sproket. Lepaskan penutup sproket dan rantai gergaji dari mesin kemudian bersihkan serpihan kayu dan serbuk gergajinya.

► **Gbr.40**

Bersihkan lubang buang oli

Debu atau partikel berukuran kecil mungkin akan menumpuk pada lubang buang oli selama pengoperasian. Debu atau partikel ini dapat mengganggu aliran oli dan menyebabkan pelumasan yang kurang mencukupi pada seluruh rantai gergaji. Ketika penyebaran oli rantai yang buruk terjadi pada bagian atas bilah pemandu, bersihkan lubang buang oli sebagai berikut.

1. Lepas penutup sproket dan rantai gergaji dari mesin.
 2. Bersihkan debu atau partikel kecil menggunakan obeng minus atau sejenisnya.
- **Gbr.41:** 1. Obeng bermata celah 2. Lubang buang oli
3. Masukkan kartrid baterai ke dalam mesin. Tarik pelatuk sakelar untuk mengalirkan debu atau partikel yang terbentuk pada lubang buang oli dengan cara mengeluarkan oli rantai.
 4. Lepas kartrid baterai dari mesin. Pasang ulang penutup sproket dan rantai gergaji pada mesin.

Mengganti sproket

⚠PERHATIAN: Sproket yang aus akan merusak rantai gergaji baru. Ganti sproket untuk kasus ini.

Sebelum memasang rantai gergaji yang baru, periksa kondisi sproket.

► **Gbr.42:** 1. Sproket 2. Area keausan

Selalu pasang cincin pengunci baru saat mengganti sproket.

► **Gbr.43:** 1. Cincin pengunci 2. Sproket

PEMBERITAHUAN: Pastikan bahwa sproket terpasang seperti ditunjukkan pada gambar.

Menyimpan mesin

1. Bersihkan mesin sebelum disimpan. Bersihkan segala serpihan kayu dan serbuk gergaji dari mesin setelah melepas penutup sproket.
2. Setelah membersihkan mesin, jalankan mesin tanpa beban untuk melumasi rantai gergaji dan bilah pemandu.
3. Tutup bilah pemandu dengan penutup bilah pemandu.
4. Kosongkan tangki oli.

Petunjuk untuk pemeliharaan berkala

Untuk memastikan umur pemakaian mesin, mencegah kerusakan dan memastikan fitur-fitur keselamatan berfungsi secara utuh, pemeliharaan berikut harus dilakukan secara rutin. Klaim garansi hanya dapat diakui jika pengerjaan tersebut dilakukan secara rutin dan tepat. Kesalahan dalam pengerjaan pemeliharaan yang dianjurkan dapat menyebabkan kecelakaan! Pengguna gergaji mesin tidak boleh melakukan pengerjaan pemeliharaan yang tidak dijelaskan dalam petunjuk penggunaan ini. Seluruh pengerjaan tersebut harus dilakukan oleh pusat layanan resmi kami.

Item pemeriksaan / Waktu pengoperasian		Sebelum penggunaan	Setiap hari	Setiap minggu	Setiap 3 bulan	Tahunan	Sebelum penyimpanan
Gergaji mesin	Pemeriksaan.	✓	-	-	-	-	-
	Pembersihan.	-	✓	-	-	-	-
	Periksa di pusat layanan resmi.	-	-	-	-	✓	✓
Rantai Gergaji	Pemeriksaan.	✓	-	-	-	-	-
	Lakukan pengasahan jika diperlukan.	-	-	-	-	-	✓
Bilah pemandu	Pemeriksaan.	✓	✓	-	-	-	-
	Lepaskan dari gergaji mesin.	-	-	-	-	-	✓
Rem rantai	Periksa fungsinya.	✓	-	-	-	-	-
	Periksa di pusat layanan resmi secara rutin.	-	-	-	✓	-	-
Pelumas rantai	Periksa laju pemakaian oli.	✓	-	-	-	-	-
Pelatuk sakelar	Pemeriksaan.	✓	-	-	-	-	-
Tombol buka kunci	Pemeriksaan.	✓	-	-	-	-	-
Tutup tangki oli	Periksa kekencangan.	✓	-	-	-	-	-
Penangkap rantai	Pemeriksaan.	-	-	✓	-	-	-
Baut dan mur	Pemeriksaan.	-	-	✓	-	-	-

PEMECAHAN MASALAH

Sebelum meminta perbaikan, lakukan pemeriksaan mandiri terlebih dahulu. Jika Anda menemukan masalah yang tidak dijelaskan dalam buku petunjuk ini, jangan coba membongkar mesin. Sebaliknya, hubungi Pusat Servis Resmi Makita, dan selalu gunakan suku cadang pengganti Makita untuk perbaikan.

Status kerusakan fungsi	Penyebab	Tindakan
Gergaji mesin tidak menyala.	Kartrid baterai tidak terpasang.	Pasang kartrid baterai yang telah terisi daya.
	Masalah baterai (tegangan rendah).	Isi ulang daya kartrid baterai. Jika pengisian ulang daya tidak berhasil, gantilah kartrid baterai.
Rantai gergaji tidak bergerak.	Rem rantai diaktifkan.	Lepaskan rem rantai.
Motor berhenti setelah digunakan sebentar.	Daya baterai rendah.	Isi ulang daya kartrid baterai. Jika pengisian ulang daya tidak berhasil, gantilah kartrid baterai.
Tidak ada oli pada rantai.	Tangki oli kosong.	Isi tangki oli.
	Alur arah oli kotor.	Bersihkan alumnya.
Gergaji mesin tidak mencapai RPM maksimum.	Kartrid baterai dipasang secara tidak tepat.	Pasang kartrid baterai sebagaimana diuraikan dalam buku petunjuk ini.
	Daya baterai menurun.	Isi ulang daya kartrid baterai. Jika pengisian ulang daya tidak berhasil, gantilah kartrid baterai.
	Sistem penggerak tidak bekerja secara benar.	Tanyakan pada pusat layanan resmi di tempat Anda untuk memperbaikinya.
Rantai tidak berhenti bahkan ketika rem rantai diaktifkan: Segera hentikan mesin!	Pita rem aus.	Tanyakan pada pusat layanan resmi di tempat Anda untuk memperbaikinya.
Getaran tidak normal: Segera hentikan mesin!	Kendurkan bilah pemandu atau rantai gergaji.	Setel bilah pemandu dan kekencangan rantai gergaji.
	Kerusakan fungsi mesin.	Tanyakan pada pusat layanan resmi di tempat Anda untuk memperbaikinya.
Rantai gergaji tidak dapat dipasang.	Kombinasi rantai gergaji dan sproket salah.	Gunakan kombinasi rantai gergaji dan sproket yang benar sesuai dengan yang tercantum di bagian spesifikasi.

AKSESORI PILIHAN

PERHATIAN: Dianjurkan untuk menggunakan aksesoris atau perangkat tambahan ini dengan mesin Makita Anda yang ditentukan dalam petunjuk ini. Penggunaan aksesoris atau perangkat tambahan lain bisa menyebabkan risiko cedera pada manusia. Hanya gunakan aksesoris atau perangkat tambahan sesuai dengan peruntukannya.

Jika Anda memerlukan bantuan lebih rinci berkenaan dengan aksesoris ini, tanyakan pada Pusat Layanan Makita terdekat.

- Rantai Gergaji
- Bilah pemandu
- Penutup bilah pemandu
- Kikir
- Tas peralatan
- Baterai dan pengisi daya asli Makita

PERINGATAN: Jika Anda membeli bilah pemandu yang panjangnya berbeda dengan bilah pemandu standar, belilah juga penutup bilah pemandu yang cocok dengan bilah tersebut. Penutup tersebut harus pas dan menutupi bilah pemandu pada gergaji mesin sepenuhnya.

CATATAN: Beberapa item dalam daftar tersebut mungkin sudah termasuk dalam paket mesin sebagai aksesoris standar. Hal tersebut dapat berbeda dari satu negara ke negara lainnya.

SPEKIFIKASI

Model:		DUC307	DUC357	DUC407
Panjang keseluruhan (tanpa bar panduan)		428 mm		
Voltan terkadar		D.C. 18 V		
Berat bersih	*1	2.9 kg		
	*2	4.2 - 4.4 kg		
Panjang bar panduan standard		300 mm	350 mm	400 mm
Panjang bar panduan yang disyorkan	90PX	300 - 400 mm		
	91PX	-	350 mm	-
Jenis gergaji rantai yang boleh digunakan (rujuk pada jadual di bawah)		90PX 91PX		
Gegancu	Bilangan gigi	6		
	Jarak gigi	3/8"		
Kelajuan rantai		0 - 7.7 m/s (0 - 460 m/min)		
Isi padu tangki minyak rantai		150 cm ³		

- Disebabkan program penyelidikan dan pembangunan kami yang berterusan, spesifikasi yang terkandung di dalam ini adalah tertakluk kepada perubahan tanpa notis.

- Spesifikasi mungkin berbeza mengikut negara.

*1: Berat, tanpa rantai gergaji, bar panduan, penutup bar panduan, minyak dan kartrij bateri.

*2: Gabungan berat yang paling ringan dan berat, menurut Prosedur EPTA 01/2014. Berat mungkin berbeza bergantung kepada pemasangan, termasuk kartrij bateri.

Gabungan rantai gergaji, bar panduan, dan gegancu

Jenis rantai gergaji		90PX		
Bilangan mata rantai		46	52	56
Bar panduan	Panjang bar panduan	300 mm	350 mm	400 mm
	Panjang potongan	275 mm	330 mm	370 mm
	Jarak mata rantai	3/8"		
	Tolok	1.1 mm		
	Jenis	Bar muncung gegancu		
Gegancu	Bilangan gigi	6		
	Jarak mata rantai	3/8"		

Jenis rantai gergaji		91PX	
Bilangan mata rantai		52	
Bar panduan	Panjang bar panduan	350 mm	
	Panjang potongan	330 mm	
	Jarak mata rantai	3/8"	
	Tolok	1.3 mm	
	Jenis	Bar muncung gegancu	
Gegancu	Bilangan gigi	6	
	Jarak mata rantai	3/8"	

AMARAN: Gunakan gabungan bar panduan dan rantai gergaji yang betul. Atau tidak, kecederaan diri boleh berlaku.

Kartrij bateri dan pengecas yang boleh digunakan

Kartrij bateri	BL1830B / BL1840B / BL1850B / BL1860B
Pengecas	DC18RC / DC18RD / DC18RE / DC18SD / DC18SE / DC18SF / DC18SH

- Sesetengah kartrij bateri dan pengecas yang disenaraikan di atas mungkin tidak tersedia bergantung pada kawasan kediaman anda.

⚠️ AMARAN: Hanya menggunakan kartrij bateri dan pengecas yang disenaraikan di atas. Penggunaan mana-mana kartrij bateri dan pengecas lain boleh menyebabkan kecederaan dan/atau kebakaran.

Sumber kuasa bersambung kord yang disyorkan

Pek kuasa mudah alih	PDC01
----------------------	-------

- Sumber kuasa bersambung kord yang disenaraikan di atas mungkin tidak tersedia bergantung pada kawasan kediaman anda.
- Sebelum menggunakan sumber kuasa bersambung kord, baca arahan dan tanda peringatan.

Simbol

Berikut menunjukkan simbol-simbol yang boleh digunakan untuk alat ini. Pastikan anda memahami maksudnya sebelum menggunakan.

	Baca manual arahan.
	Pakai cermin mata keselamatan.
	Pakai pelindung telinga.
	Panjang potongan terizin maksimum
	Sentiasa gunakan dua tangan semasa mengendalikan gergaji rantai.
	Berhati-hati dengan tolak keluar gergaji rantai dan elakkan menyentuh hujung bar.
	Jangan dedahkan kepada kelembapan.
	Arah gerakan rantai
	Pelarasan minyak rantai gergaji



Hanya untuk negara-negara EU
Disebabkan kehadiran komponen berbahaya dalam peralatan, sisa peralatan elektrik dan elektronik, akumulator dan bateri boleh memberi kesan negatif terhadap persekitaran dan kesihatan manusia.

Jangan buang alat elektrik dan elektronik atau bateri bersama dengan bahan buangan isi rumah!
Mengikut Arahan Eropah mengenai sisa peralatan elektrik dan elektronik dan sisa akumulator dan bateri serta penyesuaian dengan undang-undang negara, sisa peralatan elektrik, bateri dan akumulator hendaklah disimpan secara berasingan dan dihantar ke tempat pengumpulan berasingan untuk sisa perbandaran, beroperasi mengikut peraturan perlindungan persekitaran.
Ini ditunjukkan oleh simbol tong sampah beroda yang bersilang pada peralatan.



Aras kuasa bunyi terjamin menurut Arahan Redam Di Luar Kesatuan Eropah.



Aras kuasa bunyi menurut Peraturan Kawalan Redam NSW, Australia

Tujuan penggunaan

Rantai gergaji ini bertujuan untuk memotong kayu.

AMARAN KESELAMATAN

Amaran keselamatan umum alat kuasa

⚠️ AMARAN: Baca semua amaran keselamatan, arahan, ilustrasi dan spesifikasi yang disediakan dengan alat kuasa ini. Kegagalan mengikut amaran dan arahan boleh menyebabkan kejutan elektrik, kebakaran dan/atau kecederaan serius.

Simpan semua amaran dan arahan untuk rujukan masa depan.

Istilah "alat kuasa" dalam amaran merujuk kepada alat kuasa yang menggunakan tenaga elektrik (kabel) atau alat kuasa yang menggunakan bateri (tanpa kord).

Keselamatan kawasan kerja

1. **Pastikan kawasan kerja bersih dan terang.** Kawasan berselerak atau gelap mengundang kemalangan.
2. **Jangan kendalikan alat kuasa dalam keadaan yang mudah meletup, seperti dalam kehadiran cecair, gas atau habuk yang mudah terbakar.** Alat kuasa menghasilkan percikan api yang boleh menyalakan debu atau wasap.
3. **Jauhkan kanak-kanak dan orang ramai semasa mengendalikan alat kuasa.** Gangguan boleh menyebabkan anda hilang kawalan.

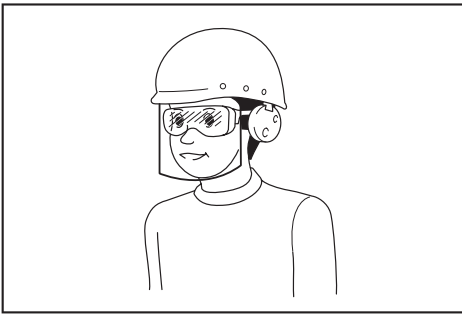
Keselamatan elektrik

1. **Palam alat kuasa mesti sepadan dengan soket.** Jangan ubah suai palam dalam apa cara sekalipun. Jangan gunakan sebarang palam penyesuai dengan alat kuasa terbumi. Palam yang tidak diubah suai dan soket yang sepadan akan mengurangkan risiko kejutan elektrik.
2. **Elakkan sentuhan badan dengan permukaan terbumi, seperti paip, radiator, dapur dan peti sejuk.** Terdapat peningkatan risiko kejutan elektrik jika elektrik terbumi terkena badan anda.
3. **Jangan biarkan alat kuasa terkena hujan atau basah.** Air yang memasuki alat kuasa akan meningkatkan risiko kejutan elektrik.
4. **Jangan salah gunakan kord.** Jangan gunakan kord untuk membawa, menarik atau mencabut palam alat kuasa. Jauhkan kord dari haba, minyak, bucu tajam atau bahagian yang bergerak. Kord yang rosak atau tersimpul meningkatkan risiko kejutan elektrik.
5. **Semasa mengendalikan alat kuasa di luar, gunakan kord sambungan yang bersesuaian untuk kegunaan luar.** Penggunaan kord yang sesuai untuk kegunaan luar mengurangkan risiko kejutan elektrik.
6. **Sekiranya pengendalian alat kuasa di lokasi lembap tidak dapat dielakkan, gunakan bekalan peranti arus sisa (RCD) yang dilindungi.** Penggunaan RCD mengurangkan risiko kejutan elektrik.

7. **Alat kuasa boleh menghasilkan medan elektromagnetik (EMF) yang tidak berbahaya kepada pengguna.** Walau bagaimanapun, pengguna perentak jantung atau peranti perubatan yang serupa harus menghubungi pembuat peranti mereka dan/atau doktor untuk nasihat sebelum mengendalikan alat kuasa ini.

Keselamatan diri

1. **Sentiasa berwaspada, perhatikan apa yang anda lakukan dan guna akal budi semasa mengendalikan alat kuasa. Jangan gunakan alat kuasa semasa anda letih atau di bawah pengaruh dadah, alkohol atau ubat.** Kelekaan seketika semasa mengendalikan alat kuasa boleh menyebabkan kecederaan diri yang serius.
2. **Gunakan peralatan pelindung diri. Sentiasa pakai pelindung mata.** Peralatan pelindung seperti topeng debu, kasut keselamatan tak mudah tergelincir, topi keselamatan atau pelindung pendengaran yang digunakan untuk keadaan yang sesuai akan mengurangkan kecederaan diri.
3. **Elakkan permulaan yang tidak disengajakan. Pastikan suis ditutup sebelum menyambung kepada sumber kuasa dan/atau pek bateri, semasa mengangkat atau membawa alat.** Membawa alat kuasa dengan jari anda pada suis atau menahan alat kuasa dengan suis pada kedudukan hidup mengundang kemalangan.
4. **Alihkan sebarang kunci atau sepana pelaras sebelum menghidupkan alat kuasa.** Sepana atau kunci yang ditinggalkan pada bahagian berputar alat kuasa boleh menyebabkan kecederaan diri.
5. **Jangan lampau jangkau. Jaga pijakan dan keseimbangan yang betul pada setiap masa.** Ini membolehkan kawalan alat kuasa yang lebih baik dalam situasi yang tidak dijangka.
6. **Berpakaian dengan betul. Jangan pakai pakaian yang longgar atau barang kemas. Jauhkan rambut dan pakaian anda dari bahagian yang bergerak.** Pakaian longgar, barang kemas atau rambut yang panjang boleh terperangkap dalam bahagian yang bergerak.
7. **Jika peranti disediakan untuk sambungan kemudahan pengekstrakan dan pengumpulan habuk, pastikan ia disambung dan digunakan dengan betul.** Penggunaan pengumpulan habuk boleh mengurangkan bahaya berkaitan habuk.
8. **Jangan biarkan kebiasaan daripada kekerapan penggunaan alat membuatkan anda berpuas hati dan mengabaikan prinsip keselamatan alat.** Keceuaian boleh menyebabkan kecederaan serius dalam sekelip mata.
9. **Sentiasa pakai gogal pelindung untuk melindungi mata anda daripada kecederaan apabila menggunakan alat kuasa.** Gogal mestilah mematuhi ANSI Z87.1 di AS, EN 166 di Eropah, atau AS/NZS 1336 di Australia/New Zealand. Di Australia/New Zealand, undang-undang mengarahkan untuk memakai pelindung muka bagi melindungi muka anda, juga.



Menjadi tanggungjawab majikan untuk menguatkuasa penggunaan peralatan perlindungan keselamatan yang bersesuaian oleh pengendali alat dan oleh orang lain dalam kawasan bekerja semasa.

Penggunaan dan penjagaan alat kuasa

- 1. Jangan gunakan alat kuasa dengan kasar. Gunakan alat kuasa yang betul untuk penggunaan anda.** Alat kuasa yang betul akan melakukan tugas dengan lebih baik dan lebih selamat pada kadar mana ia direka cipta.
- 2. Jangan gunakan alat kuasa jika suis tidak berfungsi untuk menghidupkan dan mematikannya.** Alat kuasa yang tidak dapat dikawal dengan suis adalah berbahaya dan mesti dibaiki.
- 3. Cabut palam dari sumber kuasa dan/atau keluarkan pek bateri, jika boleh ditanggalkan, dari alat kuasa sebelum membuat sebarang pelarasan, menukar aksesori, atau menyimpan alat kuasa.** Langkah-langkah keselamatan pencegahan sedemikian mengurangkan risiko memulakan alat kuasa secara tidak sengaja.
- 4. Simpan alat kuasa yang tidak digunakan jauh dari jangkauan kanak-kanak dan jangan biarkan orang yang tidak biasa dengan alat kuasa atau arahan ini untuk mengendalikan alat kuasa.** Alat kuasa adalah berbahaya di tangan pengguna yang tidak terlatih.
- 5. Menyelenggara alat kuasa dan aksesori. Periksa salah jajaran atau ikatan pada bahagian yang bergerak, bahagian yang pecah dan apa-apa keadaan lain yang boleh menjejaskan operasi alat kuasa. Jika rosak,baiki alat kuasa sebelum digunakan.** Kebanyakan kemalangan adalah disebabkan oleh alat kuasa yang tidak dijaga dengan baik.
- 6. Pastikan alat pemotong tajam dan bersih.** Alat pemotong yang dijaga dengan betul dengan hujung pemotong yang tajam mempunyai kemungkinan yang rendah untuk terikat dan lebih mudah dikendalikan.
- 7. Gunakan alat kuasa, aksesori dan alat bit dan sebagainya mengikut arahan ini dengan mengambil kira keadaan kerja dan kerja yang perlu dilakukan.** Penggunaan alat kuasa untuk operasi yang berbeza dari yang dimaksudkan boleh menyebabkan keadaan berbahaya.

- 8. Pastikan pemegang dan permukaan pegangan kering, bersih dan bebas dari minyak dan gris.** Pemegang dan permukaan pegangan yang licin tidak membolehkan pengendalian dan kawalan selamat bagi alat dalam situasi yang tidak dijangka.
- 9. Apabila menggunakan alat, jangan pakai sarung tangan kerja kain yang mungkin boleh kusut.** Kekusutan sarung tangan kerja kain pada bahagian yang bergerak boleh menyebabkan kecederaan diri.

Penggunaan dan penjagaan alat bateri

- 1. Cas semula dengan pengecas yang ditentukan oleh pengeluar sahaja.** Pengecas yang sesuai untuk satu jenis pek bateri mungkin menimbulkan risiko kebakaran apabila digunakan dengan pek bateri lain.
- 2. Gunakan alat kuasa dengan pek bateri yang ditentukan secara khusus sahaja.** Penggunaan mana-mana pek bateri lain mungkin menimbulkan risiko kecederaan dan kebakaran.
- 3. Apabila pek bateri tidak digunakan, jauhkannya daripada objek besi lain, seperti klip kertas, duit syiling, paku, skru atau objek besi kecil lain, yang boleh membuat sambungan dari satu terminal ke yang lain.** Memintas terminal bateri bersama-sama mungkin menyebabkan lecuran atau kebakaran.
- 4. Di bawah keadaan kasar, cecair mungkin dikeluarkan daripada bateri; elakkan sentuhan. Jika tersentuh secara tidak sengaja, siram dengan air. Jika cecair terkena mata, dapatkan bantuan perubatan di samping siraman air.** Cecair yang dikeluarkan dari bateri mungkin menyebabkan kegatalan atau lecuran.
- 5. Jangan gunakan pek bateri atau alat yang rosak atau diubah suai.** Bateri yang rosak atau diubah suai mungkin menunjukkan perilaku yang tidak dijangka menyebabkan kebakaran, letupan atau risiko kecederaan.
- 6. Jangan dedahkan pek bateri atau alat kepada api atau suhu yang berlebihan.** Pendedahan kepada api atau suhu melebihi 130 °C mungkin menyebabkan letupan.
- 7. Ikut semua arahan pengecasan dan jangan cas pek bateri atau alat di luar julat suhu yang ditetapkan dalam arahan.** Mengecas dengan tidak betul atau pada suhu di luar julat yang dinyatakan mungkin merosakkan bateri dan meningkatkan risiko kebakaran.

Servis

- 1. Pastikan alat kuasa anda diservis oleh orang yang berkelayakan dengan hanya menggunakan alat ganti yang sama.** Ini akan memastikan keselamatan alat kuasa dapat dikekalkan.
- 2. Jangan servis pek bateri yang telah rosak.** Servis pek bateri hanya boleh dilakukan oleh pengeluar atau penyedia servis yang sah.
- 3. Ikut arahan untuk melincir dan menukar aksesori.**

Amaran keselamatan gergaji rantai umum

- Jauhkan semua anggota tubuh badan daripada rantai gergaji semasa gergaji rantai beroperasi. Sebelum anda memulakan gergaji rantai, pastikan rantai gergaji tidak bersentuhan dengan apa-apa pun.** Kelekaan seketika semasa mengendalikan gergaji rantai boleh menyebabkan baju atau badan anda tersangkut dengan gergaji rantai.
- Sentiasa pegang gergaji rantai dengan tangan kanan anda pada pemegang belakang dan tangan kiri anda pada pemegang hadapan.** Memegang gergaji rantai dengan tangan yang berlawanan meningkatkan risiko kecederaan diri dan tidak seharusnya dilakukan sama sekali.
- Pegang gergaji rantai pada permukaan mencengkam tertebat sahaja, kerana rantai gergaji boleh tersentuh wayar tersembunyi.** Rantai gergaji yang bersentuhan dengan wayar “hidup” boleh menyebabkan bahagian logam terdedah pada gergaji rantai “hidup” dan boleh memberi kejutan elektrik kepada pengendali.
- Pakai pelindung mata. Peralatan perlindungan lanjut untuk pendengaran, kepala, tangan, betis dan kaki adalah disyorkan.** Peralatan perlindungan yang memadai akan mengurangkan kecederaan diri oleh serpihan yang terbang atau sentuhan yang tidak disengajakan dengan rantai gergaji.
- Jangan kendalikan gergaji rantai di atas pokok, tangga, bumbung rumah, atau mana-mana sokongan yang tidak stabil.** Pengendalian gergaji rantai dengan cara ini boleh menyebabkan kecederaan diri yang serius.
- Sentiasa pastikan pijakan yang betul dan kendalikan gergaji rantai semasa berdiri pada permukaan yang tetap, kukuh dan rata sahaja.** Permukaan yang licin dan tidak stabil boleh menyebabkan hilang keseimbangan atau kawalan gergaji rantai.
- Semasa memotong dahan yang berada di bawah tekanan, berhati-hati dengan dahan yang terpelanting.** Semasa tekanan pada serat kayu dilepaskan, dahan yang ditekan boleh terputuk pengendali dan/atau mencampak gergaji rantai di luar kawalan.
- Potong semak dan anak pokok dengan sangat berhati-hati.** Bahan halus boleh tersangkut pada rantai gergaji dan meluru ke arah anda atau menarik anda lalu hilang keseimbangan.
- Bawa gergaji rantai dengan memegang pemegang hadapan dengan gergaji rantai dimatikan dan jauh daripada badan anda. Apabila mengangkat atau menyimpan gergaji rantai sentiasa pasangkan penutup bar panduan.** Pengendalian yang betul bagi gergaji rantai akan mengurangkan kecenderungan berlakunya sentuhan tanpa sengaja dengan rantai gergaji yang bergerak.
- Ikut arahan untuk melincir, mengangkan rantai dan menukar bar dan rantai.** Penanganan dan pelinciran rantai yang tidak betul boleh sama ada mengurangkan atau meningkatkan peluang tolak keluar.
- Potong kayu sahaja. Jangan gunakan gergaji rantai untuk tujuan yang tidak dinyatakan. Contohnya: jangan gunakan gergaji rantai untuk memotong logam, plastik, batu atau bahan binaan bukan kayu.** Penggunaan gergaji rantai untuk operasi yang berbeza daripada tujuan yang dimaksudkan boleh menyebabkan keadaan yang berbahaya.
- Jangan cuba menebang pokok sehingga anda memahami risiko dan cara mengelakkannya.** Kecederaan diri boleh berlaku kepada pengendali atau orang yang berdiri di kawasan berdekatan semasa menebang pokok.
- Sebab dan pencegahan operasi bagi tolak keluar:**

Tolak keluar boleh berlaku semasa muncung atau hujung bar panduan tersentuh objek atau semasa kayu hampir dan menyempit rantai gergaji dalam potongan. Dalam sesetengah hal, sentuhan hujung boleh menyebabkan reaksi balikan tiba-tiba, menolak bar panduan ke atas dan ke belakang ke arah pengendali. Menyempit rantai gergaji di sepanjang bahagian atas bar panduan boleh menolak bar panduan dengan pantas ke arah pengendali. Salah satu daripada reaksi ini boleh menyebabkan anda hilang kawalan gergaji yang boleh mengakibatkan kecederaan diri yang serius. Jangan hanya bergantung pada peranti keselamatan yang dipasang pada gergaji anda semata-mata. Sebagai pengguna gergaji rantai, anda perlu mengambil beberapa langkah untuk memastikan kerja pemotongan anda bebas daripada kemalangan dan kecederaan. Tolak keluar adalah akibat daripada penyalahgunaan gergaji rantai dan/atau prosedur atau keadaan operasi yang tidak betul dan boleh dielakkan dengan mengambil langkah berjaga-jaga yang betul seperti yang diberikan di bawah:

 - Kekalkan genggaman yang kemas, dengan ibu jari dan jari di sekeliling pemegang gergaji rantai, dengan kedua-dua belah tangan pada gergaji dan tetapkan kedudukan badan dan tangan anda untuk membenarkan anda melawan daya tolak keluar.** Daya tolak keluar boleh dikawal oleh pengendali jika langkah berjaga-jaga yang betul diambil. Jangan lepaskan gergaji rantai.

► Rajah1

- Jangan terlebih jauhkan dan jangan potong di atas ketinggian bahu.** Ini membantu mengelakkan sentuhan hujung yang tidak disengajakan dan membenarkan kawalan gergaji rantai yang lebih baik semasa situasi yang tidak dijangka.

- **Gunakan panduan bar dan rantai gergaji gantian yang ditentukan oleh pengeluar sahaja.** Bar panduan dan rantai gergaji gantian yang tidak betul boleh menyebabkan rantai putus dan/atau tolak keluar.
 - **Ikuti arahan penyelenggaraan dan menajamkan gergaji rantai oleh pengeluar.** Pengurangan ketinggian tolak kedalam boleh menyebabkan peningkatan tolak keluar.
14. **Ikuti semua arahan semasa membetulkan bahan yang tersekat, menyimpan atau melakukan penyelenggaraan gergaji rantai. Pastikan alat dimatikan dan pek bateri dikeluarkan.** Pergerakan gergaji rantai yang tidak dijangkakan semasa mengeluarkan bahan yang tersekat atau melakukan penyelenggaraan boleh menyebabkan kecederaan diri yang serius.

Arahan Keselamatan Tambahan

Peralatan pelindung diri

1. Pakaian mestilah ketat, tetapi mestilah tidak menghalang pergerakan.
2. Pakai pakaian perlindungan yang berikut semasa kerja:
 - Topi keledar keselamatan yang telah diuji, sekiranya terdapat bahaya disebabkan oleh ranting yang jatuh atau benda yang serupa;
 - Topeng muka atau goggles;
 - Perlindungan telinga yang sesuai (lapik telinga, palam telinga yang tersuai atau boleh dibentuk). Analisis jenama oktaf atas permintaan.
 - Sarung tangan keselamatan kulit tebal;
 - Seluar panjang yang diperbuat daripada fabrik yang kuat;
 - Seluar dungari pelindung daripada fabrik kalis potongan;
 - Kasut atau but keselamatan dengan tapak tidak gelincir, jari kaku keluli, dan pelapik fabrik tahan potongan;
 - Topeng pernafasan, semasa melakukan kerja yang menghasilkan debu (cth. menggergaji kayu kering).

Operasi

1. **Sebelum memulakan kerja, periksa bahawa gergaji rantai berfungsi dengan baik dan keadaannya mematuhi peraturan keselamatan. Periksa secara khusus bahawa:**
 - Brek rantai berfungsi dengan baik;
 - Brek merosot bekerja dengan betul;
 - Bar dan penutup gegancu dipasang dengan betul;
 - Rantai ini telah ditajamkan dan ditegangkan mengikut peraturan.
2. **Jangan mulakan rantai gergaji dengan penutup rantai terpasang padanya.** Memulakan rantai gergaji dengan penutup rantai dipasang di atasnya boleh menyebabkan penutup rantai terpelanting ke hadapan mengakibatkan kecederaan diri dan kerosakan objek di sekitar pengendali.

Keselamatan elektrik dan bateri

1. **Elakkan persekitaran yang bahaya. Jangan gunakan alat dalam lokasi sampah atau basah atau mendedahkannya kepada hujan.** Air yang memasuki alat akan meningkatkan risiko kejutan elektrik.
2. **Jangan hapuskan bateri dengan membakarnya.** Sel mungkin meletup. Periksa dengan kod tempatan untuk kemungkinan arahan pelupusan khas.
3. **Jangan buka atau merosakkan bateri.** Elektrolit yang dibebaskan adalah menghakis dan boleh menyebabkan kerosakan kepada mata atau kulit. Ia mungkin toksik jika tertelan.
4. **Jangan cas bateri dalam hujan, atau di lokasi yang basah.**
5. **Jangan cas bateri di luar.**
6. **Jangan kendalikan pengecas, termasuk palam pengecas, dan terminal pengecas dengan tangan yang basah.**
7. **Jangan menggantikan bateri dalam hujan.**
8. **Jangan ganti bateri dengan tangan basah.**
9. **Jangan biarkan bateri yang dalam hujan, atau caj, penggunaan, atau simpan bateri di tempat yang lembap atau basah.**
10. **Jangan basuh terminal bateri dengan cecair seperti air, atau menenggelamkan bateri.** Jika terminal basah atau cecair masuk ke dalam bateri, bateri boleh litar pintas terdapat risiko terlalu panas, terbakar, atau letupan.
11. **Selepas mengeluarkan bateri dari mesin atau pengecas, pastikan memasang penutup bateri ke bateri dan simpannya di tempat yang kering.**
12. **Jika kartrij bateri basah, buang air di dalamnya dan kemudian lap dengan kain kering. Keringkan kartrij bateri sepenuhnya di tempat kering sebelum digunakan.**

SIMPAN ARAHAN INI.

⚠️AMARAN: JANGAN biarkan keselesaan atau kebiasaan dengan produk (diperoleh dari kegunaan berulang) menggantikan pematuhan ketat terhadap peraturan keselamatan untuk produk yang ditetapkan. SALAH GUNA atau kegagalan mematuhi peraturan-peraturan keselamatan yang dinyatakan dalam manual arahan ini boleh menyebabkan kecederaan diri yang serius.

Arahan keselamatan penting untuk kartrij bateri

1. Sebelum menggunakan kartrij bateri, baca semua arahan dan tanda amaran pada (1) pengecas bateri, (2) bateri, dan (3) produk menggunakan bateri.
2. Jangan buka atau cabut kartrij bateri. Ia boleh mengakibatkan kebakaran, haba berlebihan, atau letupan.
3. Jika masa operasi menjadi sangat pendek, berhenti operasi serta merta. Ia mungkin menyebabkan risiko pemanasan lampau, melecur bahkan letupan.
4. Jika elektrolit masuk ke dalam mata anda, bilas mata dengan air jernih dan dapatkan rawatan perubatan serta merta. Ia mungkin menyebabkan kehilangan penglihatan.
5. Jangan pintaskan kartrij bateri:
 - (1) Jangan sentuh terminal dengan bahan berkonduksi.
 - (2) Elakkan menyimpan kartrij bateri dalam bekas bersama-sama objek besi lain seperti paku, duit syiling, dll.
 - (3) Jangan dedahkan kartrij bateri kepada air atau hujan.Pintasan bateri boleh menyebabkan aliran kuasa yang besar, pemanasan lampau, melecur dan juga kerosakan.
6. Jangan simpan dan gunakan alat dan kartrij bateri di lokasi yang suhunya mungkin mencapai atau melebihi 50 °C (122 °F).
7. Jangan bakar kartrij bateri walaupun jika ia rosak teruk atau haus sepenuhnya. Kartrij bateri boleh meletup dalam kebakaran.
8. Jangan paku, potong, pecahkan, buang, jatuhkan kartrij bateri, atau tekan objek keras pada kartrij bateri. Perbuatan sedemikian boleh mengakibatkan kebakaran, haba berlebihan, atau letupan.
9. Jangan gunakan bateri yang rosak.
10. **Bateri litium ion yang terkandung adalah tertakluk kepada keperluan Perundangan Barangan Berbahaya.**

Bagi pengangkutan komersil cth. oleh pihak ketiga, ejen penghantar, keperluan khas pada pembungkusan dan pelabelan mestilah diperhatikan.

Bagi persediaan item yang dihantar, berunding dengan pakar bahan berbahaya adalah diperlukan. Sila juga perhatikan sebolehnya peraturan kebangsaan yang lebih terperinci. Lekatkan atau balut bahagian terbuka dan pek bateri supaya ia tidak bergerak dalam pembungkusan.
11. Apabila melupuskan kartrij bateri, keluarkan ia daripada alat dan lupuskan ia di tempat selamat. Ikut peraturan tempatan anda mengenai pelupusan bateri.
12. Gunakan bateri hanya dengan produk yang ditentukan oleh Makita. Memasang bateri kepada produk yang tidak patuh mungkin menyebabkan kebakaran, pemanasan lampau, atau kebocoran elektrolit.
13. Jika alat tidak digunakan untuk tempoh masa yang lama, bateri mesti dikeluarkan daripada alat.
14. Semasa dan selepas penggunaan, kartrij bateri mungkin ada haba yang boleh menyebabkan terbakar atau suhu rendah terbakar. Beri perhatian kepada pengendalian kartrij bateri yang panas.
15. Jangan sentuh terminal alat itu selepas digunakan kerana ia mungkin panas menyebabkan terbakar.
16. Jangan biarkan cip, habuk, atau tanah terperangkap ke dalam terminal, lubang, dan alur cahaya kartrij bateri. Ia mungkin menyebabkan pemanasan, terbakar, meletup dan pincang tugas alat atau kartrij bateri, seterusnya menyebabkan lecur atau kecederaan diri.
17. Melainkan alat ini menyokong penggunaan yang hampir dari talian kuasa elektrik voltan tinggi, jangan gunakan kartrij bateri berhampiran talian kuasa elektrik voltan tinggi. Ia mungkin menyebabkan kerosakan atau pecah pada alat atau kartrij bateri.
18. Jauhkan bateri daripada kanak-kanak.

SIMPAN ARAHAN INI.

⚠PERHATIAN: Hanya gunakan bateri asli Makita. Penggunaan bateri tidak asli Makita, atau bateri yang telah diubah suai, mungkin menyebabkan bateri meletup menyebabkan kebakaran, kecederaan diri dan kerosakan. Ia juga membatalkan jaminan Makita untuk alat Makita dan pengecas.

Tip untuk mengekalkan hayat bateri maksimum

1. Cas kartrij bateri sebelum ternyata habis sepenuhnya. Sentiasa hentikan operasi alat dan cas kartrij bateri apabila anda menyedari kurang kuasa alat.
2. Jangan cas semula kartrij bateri yang dicas sepenuhnya. Terlebih cas memendekkan hayat servis bateri.
3. Cas kartrij bateri dengan suhu bilik pada 10 °C - 40 °C (50 °F - 104 °F). Biarkan kartrij bateri yang panas menyejuk sebelum mengecasnya.
4. Apabila tidak menggunakan kartrij bateri, tanggalkannya dari alat atau pengecas.
5. Cas kartrij bateri jika anda tidak menggunakannya untuk tempoh yang lama (lebih daripada enam bulan).

KETERANGAN BAHAGIAN

► Rajah2

1	Pengadang tangan hadapan	2	Tuill	3	Bar panduan
4	Rantai gergaji	5	Penutup bar panduan	6	Butang buka kunci
7	Pemegang belakang	8	Pemicu suis	9	Kartrij bateri
10	Pemegang hadapan	11	Penutup tangki minyak	12	Bampar pepaku
13	Penangkap rantai	14	Dail pelarasan	-	-

KETERANGAN FUNGSI

⚠ PERHATIAN: Sentiasa pastikan alat dimatikan dan kartrij bateri dikeluarkan sebelum menyelaras atau menyemak fungsi pada alat.

Memasang atau mengeluarkan kartrij bateri

⚠ PERHATIAN: Sentiasa matikan alat sebelum memasang atau mengeluarkan kartrij bateri.

⚠ PERHATIAN: Pegang alat dan kartrij bateri dengan kukuh apabila memasang atau mengeluarkan kartrij bateri. Gagal untuk memegang alat dan kartrij bateri dengan kukuh mungkin menyebabkan mereka terlepas daripada tangan anda dan mengakibatkan kerosakan kepada alat dan kartrij bateri dan kecederaan peribadi.

► **Rajah3:** 1. Penunjuk merah 2. Butang 3. Kartrij bateri

Untuk mengeluarkan kartrij bateri, luncurkan ia daripada alat apabila meluncurkan butang di hadapan kartrij.

Untuk memasang kartrij bateri, selaraskan lidah pada kartrij bateri dengan alur pada perumah dan gelincirkan ia ke tempatnya. Masukkan ia sepenuhnya sehingga ia terkunci di tempatnya dengan klik kecil. Jika anda boleh melihat penunjuk merah seperti yang ditunjukkan dalam rajah, ia tidak dikunci sepenuhnya.

⚠ PERHATIAN: Sentiasa pasang kartrij bateri sepenuhnya sehingga penunjuk merah tidak boleh dilihat. Jika tidak, ia mungkin jatuh tanpa sengaja daripada alat, menyebabkan kecederaan kepada anda atau seseorang di sekeliling anda.

⚠ PERHATIAN: Jangan pasang kartrij bateri secara paksa. Jika kartrij tidak meluncur dengan mudah, ia tidak dimasukkan dengan betul.

Menunjukkan kapasiti bateri yang tinggal

Hanya untuk kartrij bateri dengan penunjuk

► **Rajah4:** 1. Lampu penunjuk 2. Butang semak
Tekan butang semak pada kartrij bateri untuk menunjukkan kapasiti bateri yang tinggal. Lampu penunjuk menyala untuk beberapa saat.

Lampu penunjuk			Kapasiti yang tinggal
Dinyalakan	Mati	Berkelip	
			75% hingga 100%
			50% hingga 75%
			25% hingga 50%
			0% hingga 25%
			Cas bateri.
			Bateri mungkin telah rosak.

NOTA: Bergantung kepada keadaan penggunaan dan suhu persekitaran, penunjuk mungkin berbeza sedikit daripada kapasiti sebenar.

NOTA: Lampu penunjuk (kiri jauh) pertama akan berkedip apabila sistem perlindungan bateri berfungsi.

Sistem perlindungan alat / bateri

Alat dilengkapi dengan sistem perlindungan alat/bateri. Sistem ini memotong kuasa kepada motor secara automatik untuk memanjangkan hayat alat dan bateri. Alat akan berhenti secara automatik ketika operasi jika alat atau bateri diletakkan di bawah salah satu syarat yang berikut:

Perlindungan lebih beban

Apabila alat atau bateri beroperasi dengan cara yang menyebabkan ia menarik arus tinggi yang luar biasa, alat akan berhenti secara automatik. Dalam situasi ini, matikan alat dan hentikan penggunaan yang menyebabkan alat menjadi terlebih beban. Kemudian hidupkan alat untuk mula semula.

Perlindungan pemanasan lampau

Apabila alat atau bateri terlalu panas, alat itu berhenti secara automatik. Dalam hal ini, biarkan alat dan bateri sejuk sebelum menghidupkan semula alat.

NOTA: Dalam persekitaran yang bersuhu tinggi, perlindungan pemanasan lampau mungkin berfungsi dan alat terhenti secara automatik.

Perlindungan lebih nyahcas

Apabila kapasiti bateri tidak mencukupi, alat akan berhenti secara automatik. Dalam kes ini, keluarkan bateri daripada alat dan cas bateri.

Perlindungan terhadap punca lain

Sistem perlindungan juga direka bentuk untuk punca lain yang boleh merosakkan alat dan membolehkan alat berhenti secara automatik. Ambil semua langkah berikut untuk membuang punca, apabila alat telah dibawa kepada berhenti sementara atau berhenti beroperasi.

1. Matikan alat dan kemudian hidupkan alat lagi untuk mula semula.
2. Cas bateri atau gantikan bateri dengan bateri yang telah dicas.
3. Biarkan mesin dan bateri menyejuk.

Jika tiada penambahbaikan boleh didapati melalui pemuliharaan sistem perlindungan, maka hubungi Pusat Servis Makita tempatan anda.

NOTIS: Jika alat berhenti kerana sebab yang tidak diterangkan di atas, rujuk bahagian penyelesaian masalah.

Tindakan suis

AMARAN: Untuk keselamatan anda, alat ini dilengkapi dengan butang buka kunci yang mengelakkan alat bermula dengan tidak disengajakan. Jangan sekali-kali gunakan alat jika ia bermula apabila anda menarik pemicu suis tanpa menekan butang buka kunci. Tanya Pusat Servis Makita tempatan anda untuk pembaikan.

AMARAN: Jangan menyahdayakan fungsi kunci atau melekatkan pita pada butang buka kunci.

PERHATIAN: Sebelum memasang kartrij bateri ke dalam alat, sentiasa periksa untuk melihat pemicu suis bergerak dengan betul dan kembali ke posisi "OFF" apabila dilepaskan.

NOTIS: Jangan tarik pemicu suis secara paksa tanpa menekan butang buka kunci. Suis boleh rosak.

- **Rajah5:** 1. Butang buka kunci 2. Pemicu suis

Untuk mengelakkan pemicu suis daripada ditarik secara tidak sengaja, butang buka kunci disediakan. Untuk memulakan alat, tekan butang buka kunci dan tarik pemicu suis. Lepaskan pemicu suis untuk berhenti.

Periksa brek rantai

PERHATIAN: Pegang gergaji rantai dengan kedua-dua belah tangan semasa menghidupkannya. Pegang pemegang belakang dengan tangan kanan, pemegang hadapan dengan tangan kiri anda. Bar dan rantai mestilah tidak bersentuhan dengan sebarang objek.

PERHATIAN: Sekiranya rantai gergaji tidak berhenti dengan serta-merta apabila ujian ini dilakukan, gergaji itu tidak boleh digunakan dalam keadaan apa pun. Rujuk pusat servis yang diiktiraf oleh kami.

1. Tekan butang buka kunci, kemudian tarik pemicu suis. Rantai gergaji bermula serta-merta.
2. Tekan pengadang tangan hadapan ke hadapan dengan bahagian belakang tangan anda. Pastikan bahawa gergaji rantai menjadi pegun serta-merta.
► **Rajah6:** 1. Pengadang tangan hadapan
2. Kedudukan tidak terkunci 3. Kedudukan terkunci

Memeriksa brek merosot

PERHATIAN: Jika rantai gergaji tidak berhenti dalam masa satu saat dalam ujian ini, hentikan menggunakan rantai gergaji dan rujuk pusat servis yang diiktiraf kami.

Jalankan gergaji rantai dan lepaskan pemicu suis sepenuhnya. Rantai gergaji mestilah menjadi pegun dalam masa satu saat.

PEMASANGAN

PERHATIAN: Sentiasa pastikan alat dimatikan dan kartrij bateri dikeluarkan sebelum menjalankan sebarang kerja pada alat.

PERHATIAN: Jangan sentuh rantai gergaji dengan tangan yang tanpa perlindungan. Sentiasa pakai sarung tangan semasa mengendalikan rantai gergaji.

Memasang atau mengeluarkan rantai gergaji

PERHATIAN: Rantai gergaji dan bar panduan masih panas selepas operasi. Biarkan ia sejuk secukupnya sebelum menjalankan apa-apa kerja pada alat itu.

PERHATIAN: Jalankan prosedur memasang atau mengeluarkan rantai gergaji di tempat yang bersih bebas daripada habuk papan dan sebgainya.

Memasang rantai gergaji

Untuk memasang rantai gergaji, lakukan langkah-langkah berikut:

1. Lepaskan brek rantai dengan menarik pengadang tangan hadapan.
2. Tarik tuil ke atas semasa menekan tepinya.
► **Rajah7:** 1. Tuil
3. Pusingkan tuil mengikut lawan arah jam sehingga gegancu terkeluar.
► **Rajah8:** 1. Tuil 2. Penutup gegancu
4. Keluarkan penutup gegancu.
5. Periksa arah rantai gergaji. Padankan arah rantai gergaji dengan tanda itu pada badan gergaji rantai.
► **Rajah9:** 1. Tandakan pada badan gergaji rantai
6. Pasangkan satu hujung rantai gergaji pada bahagian atas bar panduan.
7. Pasangkan hujung rantai gergaji di sekeliling gegancu, kemudian pasang bar panduan ke badan gergaji rantai.
► **Rajah10:** 1. Gegancu
8. Pusingkan dail pelarasan ke arah “-” untuk meluncurkan pin pelarasan mengikut arah anak panah.
► **Rajah11:** 1. Dail pelarasan 2. Pin pelarasan
9. Letakkan penutup gegancu pada gergaji rantai agar pin pelarasan diletakkan di dalam lubang kecil dpada bar panduan.
► **Rajah12:** 1. Penutup gegancu 2. Bar panduan 3. Lubang
10. Pusingkan tuil mengikut arah jam sepenuhnya dan pusingkan semula tuil sedikit untuk mengekalkan kelonggaran bagi melaraskan ketegangan rantai.
11. Laraskan ketegangan rantai. Lihat bahagian untuk melaraskan ketegangan rantai gergaji untuk prosedur.
12. Pusingkan tuil mengikut arah jam sehingga penutup gegancu dikukuhkan kemudian kembalikan ke kedudukan asal.
► **Rajah13:** 1. Tuil 2. Penutup gegancu

Mengeluarkan rantai gergaji

Untuk mengeluarkan rantai gergaji, lakukan langkah-langkah berikut:

1. Lepaskan brek rantai dengan menarik pengadang tangan hadapan.
2. Pusingkan dail penyelarasan ke arah “-” untuk melepaskan ketegangan rantai gergaji.
► **Rajah14:** 1. Dail pelarasan
3. Tarik tuil ke atas semasa menekan tepinya.
► **Rajah15:** 1. Tuil
4. Pusingkan tuil mengikut lawan arah jam sehingga gegancu terkeluar.
► **Rajah16:** 1. Tuil 2. Penutup gegancu
5. Tanggalkan penutup gegancu kemudian keluarkan rantai gergaji dan bar panduan dari badan gergaji.

Melaraskan ketegangan rantai gergaji

⚠PERHATIAN: Jalankan prosedur memasang atau mengeluarkan rantai gergaji di tempat yang bersih bebas daripada habuk papan dan seumpamanya.

⚠PERHATIAN: Jangan ketatkan rantai gergaji terlalu kuat. Ketegangan berlebihan rantai gergaji boleh menyebabkan kerosakan rantai gergaji, menghauskan bar panduan dan merosakkan dail penyesuaian.

⚠PERHATIAN: Rantai yang terlalu longgar boleh terlompat daripada bar dan boleh menyebabkan kemalangan kecederaan.

Rantai gergaji mungkin menjadi longgar selepas penggunaan yang lama. Dari semasa ke semasa, Periksa ketegangan rantai gergaji sebelum penggunaan.

1. Tarik tuil ke atas semasa menekan tepinya.
► **Rajah17:** 1. Tuil
2. Pusingkan mengikut arah lawan jam sedikit untuk melonggarkan sedikit penutup gegancu.
► **Rajah18:** 1. Tuil 2. Penutup gegancu
3. Angkat hujung bar panduan sedikit dan laraskan ketegangan rantai. Pusingkan dail pelarasan ke arah “-” untuk melonggarkan, pusing ke arah “+” untuk mengetatkan. Ketatkan rantai gergaji sehingga bahagian bawah rantai gergaji sepadan dengan rel bar panduan seperti yang digambarkan.
► **Rajah19:** 1. Dail pelarasan 2. Bar panduan 3. Rantai gergaji
4. Teruskan memegang bar panduan dengan lembut dan ketatkan penutup gegancu. Pastikan rantai gergaji tidak longgar pada bahagian bawah.
5. Kembalikan tuil kepada kedudukan asal.
Pastikan rantai gergaji padan seeloknya ke bahagian bawah bar.

OPERASI

Pelinciran

⚠️PERHATIAN: Jangan kendalikan gergaji rantai apabila tangki kosong. Tambahkan minyak sebelum tangki kosong.

⚠️PERHATIAN: Elakkan minyak daripada bersentuhan dengan kulit dan mata. Sentuhan dengan mata menyebabkan kerengsaan. Sekiranya terdapat sentuhan dengan mata, bilas mata yang terkena serta-merta dengan air yang jernih, kemudian berjumpa doktor dengan segera.

⚠️PERHATIAN: Jangan sekali-kali gunakan minyak sisa. Minyak sisa mengandungi bahan karsinogenik. Bahan pencemar dalam minyak sisa mempercepatkan kehausan pam minyak, bar dan rantai. Minyak sisa berbahaya kepada alam sekitar.

NOTIS: Semasa gergaji rantai digunakan untuk pertama kalinya, ia mungkin mengambil masa sehingga dua minit untuk minyak rantai gergaji bagi memulakan kesan pelincirnya pada mekanisme gergaji. Jalankan gergaji tanpa beban sehingga ia berbuat demikian.

NOTIS: Apabila mengisi minyak rantai untuk kali pertama, atau mengisi semula tangki selepas ia telah dikosongkan sepenuhnya, tambah minyak sehingga ke tepi bawah leher pengisi. Jika tidak, penghantaran minyak mungkin terganggu.

NOTIS: Gunakan minyak rantai gergaji yang khusus untuk gergaji rantai Makita atau minyak yang sama yang terdapat di pasaran.

NOTIS: Jangan sekali-kali gunakan minyak yang terdapat habuk dan debu atau minyak meruap.

NOTIS: Apabila memangkas pokok, gunakan minyak botani. Minyak mineral boleh membahayakan pokok.

NOTIS: Sebelum operasi pemotongan, penutup tangki minyak yang disediakan diskru di tempatnya.

Rantai gergaji dilincirkan secara automatik apabila alat sedang beroperasi. Periksa jumlah baki minyak dalam tangki minyak secara berkala melalui tingkat pemeriksaan minyak.

► **Rajah20:** 1. Penutup tangki minyak 2. Tingkat pemeriksaan minyak

Untuk mengisi minyak, lakukan langkah-langkah berikut:

1. Bersihkan kawasan di sekeliling penutup tangki minyak dengan teliti untuk mengelakkan sebarang kotoran daripada memasuki tangki minyak.
2. Baringkan gergaji rantai di sebelahnya dan tanggalkan penutup tangki minyak.
3. Isikan minyak ke dalam tangki. Jumlah minyak yang betul adalah 150 ml.
4. Skru penutup tangki minyak dengan kemas kembali ke tempatnya.

5. Lap minyak rantai yang tumpah dengan teliti.

NOTA: Jika sukar menanggalkan penutup tangki minyak, masukkan pemutar skru beralur ke dalam slot penutup tangki minyak, dan kemudian tanggalkan penutup tangki minyak dengan memutarnya mengikut arah lawan jam.

► **Rajah21:** 1. Slot 2. Pemutar skru beralur

Setelah mengisi semula, pegang gergaji rantai jauh dari pokok. Mulakan ia dan tunggu sehingga pelinciran pada rantai gergaji memadai.

► **Rajah22**

Menggunakan gergaji rantai

⚠️PERHATIAN: Pengguna kali pertama perlu, dengan latihan yang minimum, melakukan pemotongan kayu pada kekuda atau endul.

⚠️PERHATIAN: Ketika menggergaji kayu prapotong, gunakan sokongan yang selamat (kekuda atau endul). Jangan tahan bahan kerja menggunakan kaki anda, atau jangan benarkan sesiapa memegang atau menahannya.

⚠️PERHATIAN: Lekatkan kepingan bulat pada putaran.

⚠️PERHATIAN: Jauhkan semua anggota tubuh badan daripada rantai gergaji semasa motor beroperasi.

⚠️PERHATIAN: Pegang gergaji rantai menggunakan kedua-dua belah tangan dengan kukuh semasa motor berjalan.

⚠️PERHATIAN: Jangan lebih jangkau. Pastikan pijakan dan keseimbangan yang betul pada setiap masa.

NOTIS: Jangan sekali-kali melambungkan atau menjatuhkan alat.

NOTIS: Jangan menutup bolong alat.

Angkat tepi bawah badan gergaji rantai sehingga bersentuhan dengan dahan untuk dipotong sebelum menghidupkan. Jika tidak, ia boleh menyebabkan bar panduan menjadi goyang, mengakibatkan kecederaan kepada pengendali. Gergajikan kayu yang akan dipotong dengan hanya menggerakkan ia ke bawah dengan menggunakan berat rantai gergaji.

► **Rajah23**

Jika anda tidak boleh memotong kayu dengan satu strok:

Gunakan tekanan ringan kepada pemegang dan terus menggergaji dan tarik gergaji rantai ke belakang sedikit; kemudian gunakan bampar pepaku sedikit rendah dan selesaikan potongan dengan mengangkat pemegang.

► **Rajah24**

Manual

1. Rehatkan tepi bawah badan gergaji rantai pada kayu yang akan dipotong.
► **Rajah25**
2. Dengan rantai gergaji berjalan, gergaji ke dalam kayu semasa menggunakan pemegang belakang untuk menaikkan gergaji dan pemegang hadapan untuk memandu gergaji. Gunakan bampar pepaku sebagai pangsi.
3. Teruskan potongan dengan menggunakan sedikit tekanan pada pemegang hadapan, melegakan sedikit belakang gergaji. Gerakan bampar pepaku jauh ke bawah kayu dan angkat pemegang hadapan semula.

NOTIS: Semasa membuat beberapa potongan, tukar rantai gergaji antara potongan.

PERHATIAN: Sekiranya tepi atas bar digunakan untuk memotong, gergaji rantai mungkin terpesong ke arah anda jika rantai terperangkap. Atas sebab ini, potong dengan tepi yang lebih rendah, supaya gergaji akan terpesong jauh daripada badan anda.

► Rajah26

Apabila anda memotong kayu dengan tegangan, potong sisi tekanan (A) terlebih dahulu. Kemudian, buat potongan terakhir pada sisi tegangan (B). Ini menghalang bar daripada terperangkap.

► Rajah27

Pemangkasan cabang

PERHATIAN: Pemangkasan cabang hanya boleh dilakukan oleh individu terlatih. Bahaya disebabkan risiko tolak keluar.

Semasa memangkaskan cabang, sokong gergaji rantai pada batang jika boleh. Jangan potong dengan hujung bar kerana ini memberikan risiko tolak keluar. Beri perhatian khusus kepada dahan dengan tegangan. Jangan potong dahan yang tidak disokong dari bawah. Jangan berdiri di atas batang yang ditebang semasa memangkaskan cabang.

Potongan mengorok dan selari ira

PERHATIAN: Potongan mengorok dan selari ira hanya boleh dijalankan oleh individu dengan latihan khas. Kemungkinan tolak keluar memberikan risiko kecederaan.

Lakukan potongan selari ira pada sudut cetek sebolehnya. Sila lebih berhati-hati apabila menjalankan pemotongan kerana bampar pepaku tidak boleh digunakan.

► Rajah28

Penebangan

PERHATIAN: Kerja penebangan hanya boleh dilakukan oleh individu terlatih. Kerja ini adalah berbahaya.

Perhatikan peraturan setempat jika anda ingin menebang pokok.

► Rajah29: 1. Kawasan penebangan

- Sebelum memulakan kerja penebangan, pastikan bahawa:
 - Hanya individu yang terlibat dalam operasi penebangan itu berada di sekitar;
 - Sesiapa yang terlibat mempunyai laluan bergerak yang tidak terhalang melalui julat kira-kira 45 ° di kedua-dua belah paksi penebangan. Pertimbangkan risiko tambahan, tersandung pada kabel elektrik;
 - Tapak batang bebas daripada objek asing, akar dan ranting;
 - Tiada individu atau objek yang berada di sepanjang jarak 2 1/2 panjang pokok ke arah di mana pokok itu akan tumbang.
 - Pertimbangkan yang berikut berkenaan dengan setiap pokok:
 - Arah kering;
 - Cabang condong atau berjumbai;
 - Tinggi pokok;
 - Juntaian semula jadi;
 - Sama ada pokok reput atau tidak.
 - Pertimbangkan kelajuan dan arah angin. Jangan teruskan penebangan jika angin bertiup kencang.
 - Pemangkasan bengkak akar: Mulakan dengan bengkak paling besar. Buat potongan menegak terlebih dahulu, kemudian potong mendarat.
 - Berdiri di sebelah pokok yang tumbang. Pastikan kawasan kosong di bahagian belakang pokok yang jatuh sehingga sudut 45 ° di kedua-dua sisi paksi pokok (rujuk pada rajah "kawasan penebangan"). Beri perhatian kepada cabang yang jatuh.
 - Laluan melepaskan diri perlu dirancang dan dibersihkan sebaik sebelum pemotongan bermula. Laluan melepaskan diri perlu diperluas dan menyerong ke belakang garisan tumbang yang dijangka seperti digambarkan dalam rajah.
- **Rajah30:** 1. Arah penebangan 2. Zon bahaya 3. Laluan melepaskan diri

Apabila menebang pokok, ikut prosedur di bawah:

1. Potong skaf sehampir yang boleh dengan tanah. Pertama sekali, buat potongan mendarat pada kedalaman 1/5 -1/3 diameter batang. Jangan buat skaf terlalu besar. Kemudian buat potongan pepenjuru.

► Rajah31

NOTA: Skaf menentukan arah pokok itu akan tumbang, dan memandunya. Ia dibuat pada sisi ke arah pokok itu tumbang.

2. Buat potongan belakang sedikit lebih tinggi daripada potongan asas skaf. Potongan belakang mestilah betul-betul mendarat. Biarkan kira-kira 1/10 diameter batang di antara potongan belakang dan skaf. Serat kayu di bahagian batang yang tidak dipotong berfungsi sebagai engsel. Masukkan baji ke dalam potongan belakang tepat pada masanya.

► **Rajah32**

⚠AMARAN: Jangan potong terus melalui serat dalam sebarang keadaan. Pokok itu akan tumbang secara tidak terkawal.

NOTIS: Hanya baji plastik atau aluminium boleh digunakan untuk memastikan potongan belakang terus terbuka. Penggunaan baji besi adalah dilarang.

Alat membawa

Sebelum membawa alat ini, sentiasa gunakan brek rantai dan tanggalkan kartrij bateri daripada alat itu. Kemudian, pasang penutup bar panduan. Juga tutup kartrij bateri dengan penutup bateri.

► **Rajah33:** 1. Penutup bar panduan 2. Penutup bateri

PENYELENGGARAAN

⚠PERHATIAN: Sentiasa pastikan alat dimatikan dan kartrij bateri dikeluarkan sebelum cuba menjalankan pemeriksaan atau penyelenggaraan.

⚠PERHATIAN: Sentiasa pakai sarung tangan semasa melakukan sebarang pemeriksaan atau penyelenggaraan.

NOTIS: Jangan gunakan petrol, benzin, pencair, alkohol atau bahan yang serupa. Ia boleh menyebabkan perubahan warna, bentuk atau keretakan.

Untuk mengekalkan KESELAMATAN dan KEBOLEHPERCAYAAN produk, pembaikan, apa-apa penyelenggaraan atau penyesuaian lain perlu dilakukan oleh Kilang atau Pusat Servis Makita yang Diiktiraf, sentiasa gunakan alat ganti Makita.

Mengasah rantai gergaji

Asah rantai gergaji apabila:

- Habuk gergaji kersai dihasilkan apabila kayu lembap dipotong;
- Rantai susah menembusi kayu, walaupun apabila tekanan berat digunakan;
- Tepi potongan jelas rosak;
- Gergaji tertarik ke kiri atau kanan di dalam kayu. (disebabkan oleh asahan rantai gergaji yang tidak sekata atau kerosakan pada satu sisi sahaja)

Asah rantai gergaji dengan kerap tetapi sedikit sahaja setiap kali. Dua atau tiga strok dengan kikir biasanya cukup untuk rutin mengasah semula. Apabila rantai gergaji telah diasah semula beberapa kali, asah ia di pusat servis kami yang diiktiraf.

Kriteria mengasah:

⚠AMARAN: Jarak yang berlebihan antara pinggir pemotong dan tolok kedalaman meningkatkan risiko tolak keluar.

- **Rajah34:** 1. Panjang pemotong 2. Jarak antara tepi potongan dan tolok kedalaman 3. Panjang pemotong minimum (3 mm)
- Semua panjang pemotong mestilah sama. Panjang pemotong berbeza menghalang rantai daripada berjalan lancar dan boleh menyebabkan rantai putus.
 - Jangan asah rantai apabila panjang pemotong telah mencapai 3 mm atau lebih pendek. Rantai mesti diganti dengan yang baharu.
 - Ketebalan cip ditentukan oleh jarak antara tolok kedalaman (muncung bulat) dan tepi potongan.
 - Hasil potongan terbaik diperoleh dengan jarak antara tepi potongan dan tolok kedalaman berikut.
 - Bilah rantai 90PX : 0.65 mm
 - Bilah rantai 91PX : 0.65 mm
- **Rajah35**
- Sudut mengasah 30 ° mestilah sama pada semua pemotong. Perbezaan pada sudut pemotong menyebabkan rantai itu berjalan secara kasar dan tidak sekata, mempercepatkan haus, dan menyebabkan rantai putus.
 - Gunakan kikir bulat yang sesuai supaya sudut mengasah yang tepat dikekalkan terhadap gigi.
 - Bilah rantai 90PX : 55°
 - Bilah rantai 91PX : 55°

Kikir dan panduan kikir

- Gunakan kikir bulat khas (aksesori pilihan) untuk rantai gergaji bagi mengasah rantai. Kikir bulat biasa tidak sesuai.
- Diameter kikir bulat untuk setiap rantai gergaji adalah seperti berikut:
 - Bilah rantai 90PX : 4.5 mm
 - Bilah rantai 91PX : 4.0 mm
- Kikir hanya boleh menyentuh pemotong pada strok ke hadapan. Angkat kikir daripada pemotong pada strok balik.

- Asah pemotong paling pendek terlebih dahulu. Kemudian panjang pemotong paling pendek ini menjadi standard bagi semua pemotong lain pada rantai gergaji.
- Panduan kikir seperti yang ditunjukkan di dalam rajah.

► **Rajah36:** 1. Kikir 2. Rantai gergaji

- Kikir boleh dipandu dengan lebih mudah jika pemegang kikir (aksesori pilihan) digunakan. Pemegang kikir mempunyai tanda untuk sudut mengasah yang betul sebanyak 30 ° (selaraskan tanda selari dengan rantai gergaji) dan hadkan kedalaman penembusan (kepada 4/5 daripada diameter kikir).

► **Rajah37:** 1. Pemegang kikir

- Selepas mengasah rantai, periksa ketinggian tolok kedalamannya menggunakan alat tolok rantai (aksesori pilihan).

► **Rajah38**

- Keluarkan sebarang bahan yang tertonjol, sekecil mana pun, dengan kikir rata khas (aksesori pilihan).
- Bulatkan bahagian depan tolok kedalamannya sekali lagi.

Membersihkan bar panduan

Serpihan dan habuk gergaji akan membina alur bar panduan. Ia boleh menyumbat alur bar dan menjejaskan aliran minyak. Bersihkan serpihan dan habuk gergaji setiap kali apabila anda menajamkan atau menggantikan rantai gergaji.

► **Rajah39**

Membersihkan penutup gegancu

Serpihan dan habuk gergaji akan terkumpul di dalam penutup gegancu. Tanggalkan penutup gegancu dan rantai dari alat kemudian bersihkan serpihan dan habuk gergaji.

► **Rajah40**

Membersihkan lubang pelepasan minyak

Habuk atau debu kecil boleh menebal dalam lubang pelepasan minyak semasa operasi. Habuk atau debu ini boleh menjejaskan minyak untuk mengalir dan menyebabkan pelinciran yang tidak mencukupi pada keseluruhan rantai gergaji. Apabila penghantaran minyak rantai yang lemah berlaku di bahagian atas bar panduan, bersihkan lubang pelepasan minyak seperti berikut.

1. Tanggalkan penutup gegancu dan rantai gergaji dari alat.
2. Keluarkan habuk atau debu yang kecil menggunakan pemutar skru yang beralur atau sebagainya.

► **Rajah41:** 1. Pemutar skru beralur 2. Lubang pelepasan minyak

3. Masukkan kartrij bateri ke alat tersebut. Tarik pemicu suis untuk mengalirkan habuk atau debu yang menebal dari lubang pelepasan minyak dengan melepaskan minyak rantai.

4. Keluarkan kartrij bateri dari alat. Pasang semula penutup gegancu dan rantai gergaji dari alat.

Menggantikan gegancu

⚠PERHATIAN: Gegancu yang haus akan merosakkan rantai gergaji baharu. Gantikan gegancu dalam kes ini.

Sebelum memasang rantai gergaji baharu, periksa keadaan gegancu.

► **Rajah42:** 1. Gegancu 2. Kawasan yang akan haus

Sentiasa pasang gelang pengunci baharu apabila menggantikan gegancu.

► **Rajah43:** 1. Gelang pengunci 2. Gegancu

NOTIS: Pastikan gegancu dipasang seperti ditunjukkan pada gambar.

Menyimpan alat

1. Bersihkan alat sebelum menyimpan. Keluarkan sebarang serpihan dan habuk gergaji dari alat selepas menanggalkan penutup gegancu.
2. Selepas membersihkan alat, jalankan ia tanpa beban untuk melincirkan rantai gergaji dan bar panduan.
3. Tutup bar panduan dengan penutup bar panduan.
4. Mengosongkan tangki minyak.

Arahan untuk penyelenggaraan berkala

Untuk memastikan jangka hayat yang panjang, mencegah kerosakan dan memastikan fungsi penuh ciri-ciri keselamatan, penyelenggaraan berikut mesti dilakukan secara kerap. Tuntutan waranti boleh dikenalpasti hanya jika operasi ini telah dilakukan secara kerap dan dengan betul. Kegagalan untuk melaksanakan kerja penyelenggaraan yang ditetapkan boleh membawa kepada kemalangan! Pengguna gergaji rantai tidak boleh melakukan kerja penyelenggaraan yang tidak diterangkan dalam manual arahan. Sebarang kerja lain mesti dilaksanakan oleh pusat servis kami yang diiktiraf.

Periksa item / Masa operasi		Sebelum operasi	Setia hari	Setiap minggu	Setiap 3 bulan	Setiap tahun	Sebelum menyimpan
Rantai gergaji	Pemeriksaan.	✓	-	-	-	-	-
	Pembersihan.	-	✓	-	-	-	-
	Periksa pusat servis yang diiktiraf kami.	-	-	-	-	✓	✓
Rantai gergaji	Pemeriksaan.	✓	-	-	-	-	-
	Tajamkan jika perlu.	-	-	-	-	-	✓
Bar panduan	Pemeriksaan.	✓	✓	-	-	-	-
	Tanggalkan dari gergaji rantai.	-	-	-	-	-	✓
Brek rantai	Periksa fungsi.	✓	-	-	-	-	-
	Periksa ia dengan kerap di pusat servis yang diiktiraf.	-	-	-	✓	-	-
Pelinciran rantai	Periksa kadar suapan pam minyak.	✓	-	-	-	-	-
Pemicu suis	Pemeriksaan.	✓	-	-	-	-	-
Butang buka kunci	Pemeriksaan.	✓	-	-	-	-	-
Penutup tangki minyak	Periksa keketatan.	✓	-	-	-	-	-
Penangkap rantai	Pemeriksaan.	-	-	✓	-	-	-
Skru dan nat	Pemeriksaan.	-	-	✓	-	-	-

PENYELESAIAN MASALAH

Sebelum meminta pembaikan, jalankan pemeriksaan sendiri terlebih dahulu. Jika anda mendapati masalah tidak diterangkan dalam manual, jangan cuba untuk menanggalkan alat. Sebaliknya, tanya Pusat Servis Sah Makita, sentiasa gunakan alat ganti Makita untuk pembaikan.

Status pincang tugas	Sebab	Tindakan
Gergaji rantai tidak bermula.	Kartrij bateri tidak dipasang.	Pasang bateri yang telah dicas.
	Masalah bateri (voltan rendah).	Cas semula kartrij bateri. Jika megecas tidak berkesan, gantikan kartrij bateri.
Rantai gergaji tidak berjalan.	Brek rantai diaktifkan.	Lepaskan brek rantai.
Motor berhenti berfungsi selepas digunakan seketika.	Tahap bateri terlalu rendah.	Cas semula kartrij bateri. Jika megecas tidak berkesan, gantikan kartrij bateri.
Tiada minyak pada rantai.	Tangki minyak kosong.	Isi tangki minyak.
	Alur panduan minyak kotor.	Bersihkan alur.
Gergaji rantai tidak mencapai RPM maksimum.	Kartrij bateri tidak dipasang dengan betul.	Pasang kartrij bateri seperti yang diterangkan dalam manual ini.
	Kuasa bateri berkurangan.	Cas semula kartrij bateri. Jika megecas tidak berkesan, gantikan kartrij bateri.
	Sistem pacuan tidak berfungsi dengan betul.	Tanya pusat servis yang diiktiraf di rantau anda untuk pembaikan.
Rantai tidak berhenti walaupun brek rantai diaktifkan: Hentikan alat serta-merta!	Jalur brek telah haus.	Tanya pusat servis yang diiktiraf di rantau anda untuk pembaikan.
Getaran tidak normal: Hentikan alat serta-merta!	Bar panduan atau rantai gergaji longgar.	Selaraskan tegangan bar panduan dan rantai gergaji.
	Alat pincang tugas.	Tanya pusat servis yang diiktiraf di rantau anda untuk pembaikan.
Rantai gergaji tidak boleh dipasang.	Gabungan rantai gergaji dan gegancu tidak betul.	Gunakan gabungan rantai gergaji dan gegancu dengan betul dengan merujuk kepada bahagian untuk spesifikasi.

AKSESORI PILIHAN

⚠️PERHATIAN: Aksesori-aksesori atau lampiran-lampiran ini adalah disyorkan untuk digunakan dengan alat Makita anda yang ditentukan dalam manual ini. Penggunaan mana-mana aksesori-aksesori atau lampiran-lampiran lain mungkin mengakibatkan risiko kecederaan kepada orang. Hanya gunakan aksesori atau lampiran untuk tujuan yang dinyatakannya.

Jika anda memerlukan sebarang bantuan untuk maklumat lebih lanjut mengenai aksesori ini, tanya Pusat Perkhidmatan Makita tempatan anda.

- Rantai gergaji
- Bar panduan
- Penutup bar panduan
- Kikir
- Beg alat
- Bateri dan pengecas asli Makita

⚠️AMARAN: Jika anda membeli bar panduan yang berbeza dari bar panduan standard, beli juga bersama-sama penutup bar panduan yang sesuai. Ia mesti sesuai dan menutup sepenuhnya bar panduan pada gergaji rantai.

NOTA: Beberapa item dalam senarai mungkin disertakan dalam pakej alat sebagai aksesori standard. Item mungkin berbeza mengikut negara.

THÔNG SỐ KỸ THUẬT

Kiểu máy:		DUC307	DUC357	DUC407
Chiều dài tổng thể (không có thanh dẫn hướng)		428 mm		
Điện áp định mức		18 V một chiều		
Khối lượng tịnh	*1	2,9 kg		
	*2	4,2 - 4,4 kg		
Chiều dài thanh dẫn hướng tiêu chuẩn		300 mm	350 mm	400 mm
Chiều dài thanh dẫn hướng khuyếch dương	90PX	300 - 400 mm		
	91PX	-	350 mm	-
Loại xích cưa có thể dùng được (tham khảo bảng dưới đây)		90PX 91PX		
Đĩa xích	Số răng	6		
	Răng cưa	3/8"		
Tốc độ xích		0 - 7,7 m/s (0 - 460 m/min)		
Dung tích bình chứa dầu dây xích		150 cm ³		

• Do chương trình nghiên cứu và phát triển liên tục của chúng tôi nên các thông số kỹ thuật trong đây có thể thay đổi mà không cần thông báo trước.

• Các thông số kỹ thuật có thể thay đổi tùy theo từng quốc gia.

*1: Khối lượng không bao gồm xích cưa, thanh dẫn hướng, vỏ bảo vệ thanh dẫn hướng và (các) hộp pin.

*2: Tổ hợp nhẹ nhất và nặng nhất, theo Quy trình EPTA-Procedure 01/2014. Khối lượng máy có thể khác nhau tùy thuộc vào (các) phụ kiện, bao gồm cả (các) hộp pin.

Kết hợp xích cưa, thanh dẫn hướng và đĩa xích

Loại xích cưa		90PX		
Số mắt xích		46	52	56
Thanh dẫn hướng	Chiều dài thanh dẫn hướng	300 mm	350 mm	400 mm
	Chiều dài cắt	275 mm	330 mm	370 mm
	Răng cưa	3/8"		
	Thanh đo	1,1 mm		
Loại		Thanh chắn mũi bánh xích		
Đĩa xích	Số răng	6		
	Răng cưa	3/8"		

Loại xích cưa		91PX	
Số mắt xích		52	
Thanh dẫn hướng	Chiều dài thanh dẫn hướng	350 mm	
	Chiều dài cắt	330 mm	
	Răng cưa	3/8"	
	Thanh đo	1,3 mm	
Loại		Thanh chắn mũi bánh xích	
Đĩa xích	Số răng	6	
	Răng cưa	3/8"	

⚠ CẢNH BÁO: Kết hợp sử dụng thanh dẫn hướng và xích cưa thích hợp. Nếu không có thể dẫn đến thương tích cá nhân.

Hộp pin và sạc pin có thể áp dụng

Hộp pin	BL1830B / BL1840B / BL1850B / BL1860B
Bộ sạc	DC18RC / DC18RD / DC18RE / DC18SD / DC18SE / DC18SF / DC18SH

- Một số hộp pin và sạc pin được nêu trong danh sách ở trên có thể không khả dụng tùy thuộc vào khu vực cư trú của bạn.

⚠ CẢNH BÁO: Chỉ sử dụng hộp pin và sạc pin được nêu trong danh sách ở trên. Việc sử dụng bất cứ hộp pin và sạc pin nào khác có thể gây ra thương tích và/hoặc hỏa hoạn.

Nguồn điện kết nối bằng dây được khuyến dùng

Bộ cấp nguồn di động đeo vai	PDC01
------------------------------	-------

- (Các) Nguồn điện kết nối bằng dây được nêu trong danh sách ở trên có thể không khả dụng tùy thuộc vào khu vực cư trú của bạn.
- Trước khi sử dụng nguồn điện kết nối bằng dây, hãy đọc hướng dẫn và nhãn cảnh báo có trên chúng.

Ký hiệu

Phần dưới đây cho biết các ký hiệu có thể được dùng cho thiết bị. Đảm bảo rằng bạn hiểu rõ ý nghĩa của các ký hiệu này trước khi sử dụng.

	Đọc tài liệu hướng dẫn.
	Mang kính an toàn.
	Đeo thiết bị bảo vệ tai.
	Chiều dài tối đa được phép cắt
	Luôn sử dụng cả hai tay khi vận hành xích cưa.
	Cẩn thận với việc cưa xích bật ngược và tránh tiếp xúc với phần đầu thanh.
	Không được tiếp xúc với hơi ẩm.
	Hướng truyền dây xích
	Điều chỉnh dầu cho xích cưa



Chỉ dành cho các quốc gia EU
Do có các thành phần nguy hiểm bên trong thiết bị điện và điện tử, ắc quy và pin thải bỏ nên có thể có tác động không tốt đến môi trường và sức khỏe con người.
Không vứt bỏ các thiết bị điện và điện tử hoặc pin với rác thải sinh hoạt!
Theo Chỉ thị của Châu Âu về thiết bị điện và điện tử thải bỏ và về pin và ắc quy và pin và ắc quy thải bỏ, cũng như sự thích ứng của chúng với luật pháp quốc gia, các thiết bị điện, pin và ắc quy thải phải được cất giữ riêng biệt và chuyển đến một điểm thu gom rác thải đô thị riêng, hoạt động theo các quy định về bảo vệ môi trường. Điều này được biểu thị bằng biểu tượng thùng rác có bánh xe gạch chéo được đặt trên thiết bị.



Mức công suất âm thanh được đảm bảo theo Chỉ thị về tiếng ồn ngoài trời của EU.



Mức công suất âm thanh theo Quy định kiểm soát tiếng ồn NSW của Úc

Mục đích sử dụng

Máy cưa xích này dùng để cưa gỗ.

CẢNH BÁO AN TOÀN

Cảnh báo an toàn chung dành cho dụng cụ máy

⚠CẢNH BÁO: Xin đọc tất cả các cảnh báo an toàn, hướng dẫn, minh họa và thông số kỹ thuật đi kèm với dụng cụ máy này. Việc không tuân theo các hướng dẫn được liệt kê dưới đây có thể dẫn đến điện giật, hỏa hoạn và/hoặc thương tích nghiêm trọng.

Lưu giữ tất cả cảnh báo và hướng dẫn để tham khảo sau này.

Thuật ngữ “dụng cụ máy” trong các cảnh báo đề cập đến dụng cụ máy (có dây) được vận hành bằng nguồn điện chính hoặc dụng cụ máy (không dây) được vận hành bằng pin của bạn.

An toàn tại nơi làm việc

- Giữ nơi làm việc sạch sẽ và có đủ ánh sáng.** Nơi làm việc bừa bộn hoặc tối thường dễ gây ra tai nạn.
- Không vận hành dụng cụ máy trong môi trường cháy nổ, ví dụ như môi trường có sự hiện diện của các chất lỏng, khí hoặc bụi dễ cháy.** Các dụng cụ máy tạo tia lửa điện có thể làm bụi hoặc khí bốc cháy.
- Giữ trẻ em và người ngoài tránh xa nơi làm việc khi đang vận hành dụng cụ máy.** Sự xao lãng có thể khiến bạn mất khả năng kiểm soát.

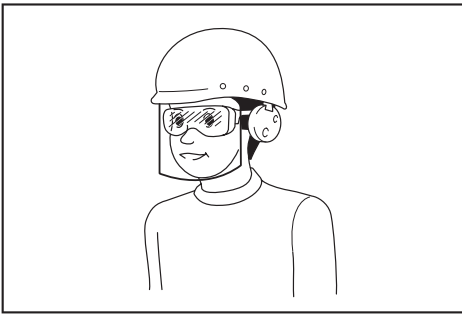
An toàn về Điện

- Phích cắm của dụng cụ máy phải khớp với ổ cắm.** Không được sửa đổi phích cắm theo bất kỳ cách nào. Không sử dụng bất kỳ phích chuyển đổi nào với các dụng cụ máy được nối đất (tiếp đất). Các phích cắm còn nguyên vẹn và ổ cắm phù hợp sẽ giảm nguy cơ điện giật.
- Tránh đề cơ thể tiếp xúc với các bề mặt nóng đất hoặc tiếp đất như đường ống, bộ tản nhiệt, bếp ga và tủ lạnh.** Nguy cơ bị điện giật sẽ tăng lên nếu cơ thể bạn được nối đất hoặc tiếp đất.
- Không để dụng cụ máy tiếp xúc với mưa hoặc trong điều kiện ẩm ướt.** Nước lọt vào dụng cụ máy sẽ làm tăng nguy cơ điện giật.
- Không lạm dụng dây điện.** Không được phép sử dụng dây để mang, kéo hoặc tháo phích cắm dụng cụ máy. Giữ dây tránh xa nguồn nhiệt, dầu, các mép sắc hoặc các bộ phận chuyển động. Dây bị hỏng hoặc bị rối sẽ làm tăng nguy cơ điện giật.
- Khi vận hành dụng cụ máy ngoài trời, hãy sử dụng dây kéo dài phù hợp cho việc sử dụng ngoài trời.** Việc dùng dây phù hợp cho việc sử dụng ngoài trời sẽ giảm nguy cơ điện giật.
- Nếu bắt buộc phải vận hành dụng cụ máy ở nơi ẩm ướt, hãy sử dụng nguồn cấp điện được bảo vệ bằng thiết bị ngắt dòng điện rò (RCD).** Việc sử dụng RCD sẽ làm giảm nguy cơ điện giật.

- Các dụng cụ máy có thể tạo ra từ trường điện (EMF) có hại cho người dùng.** Tuy nhiên, người dùng máy trợ tim và những thiết bị y tế tương tự khác nên liên hệ với nhà sản xuất thiết bị và/hoặc bác sĩ để được tư vấn trước khi vận hành dụng cụ này.

An toàn Cá nhân

- Luôn tỉnh táo, quan sát những việc bạn đang làm và sử dụng những phán đoán theo kinh nghiệm khi vận hành dụng cụ máy. Không sử dụng dụng cụ máy khi bạn đang mệt mỏi hoặc chịu ảnh hưởng của ma túy, rượu hay thuốc.** Chỉ một khoảnh khắc không tập trung khi đang vận hành dụng cụ máy cũng có thể dẫn đến thương tích cá nhân nghiêm trọng.
- Sử dụng thiết bị bảo hộ cá nhân. Luôn đeo thiết bị bảo vệ mắt.** Các thiết bị bảo hộ như mặt nạ chống bụi, giày an toàn chống trượt, mũ bảo hộ hay thiết bị bảo vệ thính giác được sử dụng trong các điều kiện thích hợp sẽ giúp giảm thương tích cá nhân.
- Tránh vô tình khởi động dụng cụ máy. Đảm bảo công tắc ở vị trí off (tắt) trước khi nối nguồn điện và/hoặc bộ pin, cầm hoặc di chuyển dụng cụ máy.** Việc di chuyển dụng cụ máy khi đang đặt ngón tay ở vị trí công tắc hoặc cấp điện cho dụng cụ máy đang bật thường dễ gây ra tai nạn.
- Tháo tất cả các khóa hoặc cờ lê điều chỉnh trước khi bật dụng cụ máy.** Việc cờ lê hoặc khóa vẫn còn gắn vào bộ phận quay của dụng cụ máy có thể dẫn đến thương tích cá nhân.
- Không vớ quá cao. Luôn giữ thăng bằng tốt và có chỗ để chân phù hợp.** Điều này cho phép điều khiển dụng cụ máy tốt hơn trong những tình huống bất ngờ.
- Ăn mặc phù hợp. Không mặc quần áo rộng hay đeo đồ trang sức. Giữ tóc và quần áo tránh xa các bộ phận chuyển động.** Quần áo rộng, đồ trang sức hay tóc dài có thể mắc vào các bộ phận chuyển động.
- Nếu các thiết bị được cung cấp để kết nối các thiết bị thu gom và hút bụi, hãy đảm bảo chúng được kết nối và sử dụng hợp lý.** Việc sử dụng thiết bị thu gom bụi có thể làm giảm những mối nguy hiểm liên quan đến bụi.
- Không vì quen thuộc do thường xuyên sử dụng các dụng cụ mà cho phép bạn trở nên tự mãn và bỏ qua các nguyên tắc an toàn dụng cụ.** Một hành động bất cẩn có thể gây ra thương tích nghiêm trọng trong một phần của một giây.
- Luôn luôn mang kính bảo hộ để bảo vệ mắt khỏi bị thương khi đang sử dụng các dụng cụ máy. Kính bảo hộ phải tuân thủ ANSI Z87.1 ở Mỹ, EN 166 ở Châu Âu, hoặc AS/NZS 1336 ở Úc/New Zealand.** Tại Úc/New Zealand, theo luật pháp, bạn cũng phải mang mặt nạ che mặt để bảo vệ mặt.



Trách nhiệm của chủ lao động là bắt buộc người vận hành dụng cụ và những người khác trong khu vực làm việc cạnh đó phải sử dụng các thiết bị bảo hộ an toàn thích hợp.

Sử dụng và bảo quản dụng cụ máy

1. **Không dùng lực đối với dụng cụ máy. Sử dụng đúng dụng cụ máy cho công việc của bạn.** Sử dụng đúng dụng cụ máy sẽ giúp thực hiện công việc tốt hơn và an toàn hơn theo giá trị định mức được thiết kế của dụng cụ máy đó.
2. **Không sử dụng dụng cụ máy nếu công tắc không bật và tắt được dụng cụ máy đó.** Mọi dụng cụ máy không thể điều khiển được bằng công tắc đều rất nguy hiểm và phải được sửa chữa.
3. **Rút phích cắm ra khỏi nguồn điện và/hoặc tháo kết nối bộ pin khỏi dụng cụ máy, nếu có thể tháo rời trước khi thực hiện bất kỳ công việc điều chỉnh, thay đổi phụ tùng hay cất giữ dụng cụ máy nào.** Những biện pháp an toàn phòng ngừa này sẽ giảm nguy cơ vô tình khởi động dụng cụ máy.
4. **Cất giữ các dụng cụ máy không sử dụng ngoài tầm với của trẻ em và không cho bất kỳ người nào không có hiểu biết về dụng cụ máy hoặc các hướng dẫn này vận hành dụng cụ máy.** Dụng cụ máy sẽ rất nguy hiểm nếu được sử dụng bởi những người dùng chưa qua đào tạo.
5. **Bảo dưỡng dụng cụ máy và các phụ kiện.** Kiểm tra tình trạng lệch trục hoặc bó kẹt của các bộ phận chuyển động, hiện tượng nứt vỡ của các bộ phận và mọi tình trạng khác mà có thể ảnh hưởng đến hoạt động của dụng cụ máy. Nếu có hỏng hóc, hãy sửa chữa dụng cụ máy trước khi sử dụng. Nhiều tai nạn xảy ra là do không bảo quản tốt dụng cụ máy.
6. **Luôn giữ cho dụng cụ cất được sắc bén và sạch sẽ.** Những dụng cụ cất được bảo quản tốt có mép cắt sắc sẽ ít bị kẹt hơn và dễ điều khiển hơn.
7. **Sử dụng dụng cụ máy, phụ tùng và đầu dụng cụ cắt, v.v... theo các hướng dẫn này, có tính đến điều kiện làm việc và công việc được thực hiện.** Việc sử dụng dụng cụ máy cho các công việc khác với công việc dự định có thể gây nguy hiểm.
8. **Giữ tay cầm và bề mặt tay cầm khô, sạch, không dính dầu và mỡ.** Tay cầm trơn trượt và bề mặt tay cầm không cho phép xử lý an toàn và kiểm soát dụng cụ trong các tình huống bất ngờ.

9. **Khi sử dụng dụng cụ, không được đi giày tay lao động bằng vải, có thể bị vướng.** Việc giày tay lao động bằng vải vướng vào các bộ phận chuyển động có thể gây ra thương tích cá nhân.

Sử dụng và bảo quản dụng cụ dùng pin

1. **Chỉ sạc pin lại với bộ sạc do nhà sản xuất quy định.** Bộ sạc phù hợp với một loại bộ pin này có thể gây ra nguy cơ hỏa hoạn khi được dùng cho một bộ pin khác.
2. **Chỉ sử dụng các dụng cụ máy với các bộ pin được quy định cụ thể.** Việc sử dụng bất cứ bộ pin nào khác có thể gây ra thương tích và hỏa hoạn.
3. **Khi không sử dụng bộ pin, hãy giữ tránh xa các đồ vật khác bằng kim loại, chẳng hạn như kẹp giấy, tiền xu, chìa khóa, đinh, ốc vít hoặc các vật nhỏ bằng kim loại mà có thể làm nối tắt các đầu cực pin.** Các đầu cực pin bị đoản mạch có thể gây cháy hoặc hỏa hoạn.
4. **Trong điều kiện sử dụng quá mức, pin có thể bị cháy nước; hãy tránh tiếp xúc.** Nếu vô tình tiếp xúc với pin bị cháy nước, hãy rửa sạch bằng nước. Nếu dung dịch từ pin tiếp xúc với mắt, cần đi khám bác sĩ thêm. Dung dịch chảy ra từ pin có thể gây rất da hoặc bỏng.
5. **Không sử dụng bộ pin hoặc dụng cụ bị hư hỏng hoặc đã bị sửa đổi.** Pin đã bị hư hỏng hoặc đã bị sửa đổi có thể hành động theo cách không thể đoán trước dẫn đến cháy, nổ hoặc nguy cơ chấn thương.
6. **Không để bộ pin hoặc dụng cụ tiếp xúc với lửa hoặc nhiệt độ quá cao.** Tiếp xúc với lửa hoặc nhiệt độ trên 130 °C có thể gây ra cháy nổ.
7. **Làm theo tất cả các hướng dẫn sạc pin và không dùng sạc bộ pin hoặc dụng cụ vượt giới hạn nhiệt độ quy định trong hướng dẫn.** Sạc pin không đúng hoặc ở nhiệt độ vượt giới hạn nhiệt độ có thể gây hư hỏng cho pin và làm tăng nguy cơ cháy.

Bảo dưỡng

1. **Đề nghị viên sửa chữa đủ trình độ bảo dưỡng dụng cụ máy của bạn và chỉ sử dụng các bộ phụ tùng thay thế đồng nhất.** Việc này sẽ đảm bảo phụ trì được độ an toàn của dụng cụ máy.
2. **Không bao giờ sử dụng bộ pin đã hỏng.** Dịch vụ bảo hành bộ pin chỉ nên thực hiện bởi nhà sản xuất hoặc các nhà cung cấp dịch vụ được ủy quyền.
3. **Tuân theo hướng dẫn dành cho việc bôi trơn và thay phụ tùng.**

Cảnh báo an toàn đối với máy cưa xích thông thường

1. **Giữ tất cả các bộ phận của thân máy tránh xa khỏi máy cưa xích khi máy cưa xích đang hoạt động.** Trước khi bạn khởi động máy cưa xích, hãy đảm bảo rằng xích cưa không tiếp xúc với bất cứ thứ gì. Chỉ cần một giây không chú ý khi máy cưa xích hoạt động có thể khiến cho quần áo hay cơ thể của bạn vướng vào xích cưa.

2. **Luôn giữ tay cầm phía sau của máy cưa xích bằng tay phải và tay cầm phía trước bằng tay trái.** Giữ máy cưa xích với hình dáng tay ngược lại làm tăng nguy cơ gây thương tích cá nhân và không bao giờ nên làm điều đó.
3. **Chỉ giữ máy cưa xích bằng các bề mặt kẹp cách điện, vì xích cưa có thể tiếp xúc với dây dẫn điện.** Xích cưa tiếp xúc với dây dẫn "có điện" có thể khiến các bộ phận kim loại bị hở của máy cưa xích "có điện" và khiến người vận hành bị điện giật.
4. **Đeo thiết bị bảo vệ mắt. Những thiết bị bảo hộ thêm cho kính, đầu, tay, chân và bàn chân cũng được khuyến khích.** Thiết bị bảo hộ đầy đủ sẽ giảm thiểu thương tích cá nhân từ những mảnh vụn bay hay sự tiếp xúc bất ngờ với xích cưa.
5. **Không vận hành máy cưa xích trên cây, trên thang, từ mái nhà, hoặc bất kỳ bề đỡ nào không chắc chắn.** Việc vận hành máy cưa xích như vậy có thể dẫn đến thương tích cá nhân nghiêm trọng.
6. **Luôn giữ đứng chân và chỉ cho máy cưa xích hoạt động khi đứng trên bề mặt cố định, an toàn và cân bằng.** Bề mặt trơn hoặc không chắc chắn có thể gây mất thăng bằng hoặc mất kiểm soát máy cưa xích.
7. **Khi cắt cành cây to trong tình trạng kéo căng, hãy cảnh giác với lò xo bật ngược.** Khi sức nén của các thớ gỗ được giải phóng, cành cây nén lò xo có thể va đập vào người vận hành và/hoặc làm mất kiểm soát máy cưa xích.
8. **Đặc biệt cẩn trọng khi cắt bụi cây và những cây non.** Các vật liệu có tiết diện nhỏ có thể vướng vào xích cưa và bị quất vào người bạn hoặc khiến bạn mất thăng bằng.
9. **Cầm máy cưa xích bằng tay cầm trước khi máy cưa xích đã tắt và xa cơ thể của bạn. Khi vận chuyển hay cất giữ máy cưa xích, phải luôn gắn chặt vỏ bảo vệ thanh dẫn hướng.** Cầm đứng tư thế máy cưa xích sẽ giảm sự tiếp xúc vô tình xảy ra với xích cưa đang chuyển động.
10. **Tuân theo các hướng dẫn về bôi trơn, căng dây xích, và thay thanh dẫn hướng và xích.** Sức nén không thích hợp hay dây xích đã được bôi trơn cũng có thể gây hay tăng nguy cơ của lực đẩy ngược.
11. **Chỉ cắt gỗ. Không sử dụng máy cưa xích cho những mục đích chưa được dự tính trước.** Ví dụ: không sử dụng máy cưa xích để cắt kim loại, nhựa, gạch đá hoặc các vật liệu xây dựng không phải bằng gỗ. Việc dùng máy cưa xích cho các công việc khác với công việc dự định có thể gây nguy hiểm.
12. **Không cố gắng đốn hạ cây cho đến khi bạn nắm bắt được những rủi ro và cách phòng tránh chúng.** Có thể xảy ra thương tích nghiêm trọng cho người vận hành hoặc những người xung quanh khi đốn cây.
13. **Nguyên nhân và cách ngăn ngừa hiện tượng bật ngược cho người vận hành:**
 Lực đẩy ngược có thể xảy ra khi mũi hoặc đầu thanh dẫn hướng va chạm vào một vật, hoặc khi phần gỗ ở gần và kẹp xích cưa tại vết cắt. Tiếp xúc đầu mũi trong một vài trường hợp có thể gây ra phản ứng ngược bất ngờ, đẩy thanh dẫn hướng lên và bật ngược về hướng người vận hành.
 Kẹp chặt xích cưa dọc theo phần đầu của thanh dẫn hướng có thể đẩy nhanh thanh dẫn hướng về phía người vận hành.
 Một trong những phản ứng này có thể khiến cho bạn mất kiểm soát máy cưa và có thể dẫn đến thương tích cá nhân nghiêm trọng. Đừng chỉ dựa vào những thiết bị an toàn được gắn vào trong máy cưa. Là một người sử dụng máy cưa xích, bạn nên tiến hành nhiều bước để giữ cho công việc cắt không bị tai nạn hoặc chấn thương. Hiện tượng bật ngược lại là do sử dụng sai máy cưa xích và/hoặc quy trình hoặc tình trạng vận hành không chính xác và có thể tránh được bằng cách thực hiện các biện pháp phòng ngừa thích hợp dưới đây:
 - **Duy trì việc giữ chặt máy cưa, với ngón tay cái và các ngón tay bao quanh tay cầm của máy cưa xích, cả hai tay nắm máy cưa và vị trí cơ thể và cánh tay của bạn để giúp bạn chịu đựng được lực đẩy ngược.** Người vận hành có thể kiểm soát được lực đẩy ngược, nếu thực hiện các biện pháp phòng ngừa thích hợp. Không được buông máy cưa xích.
- **Hình 1**
 - **Không cắt quá cao và không cắt quá chiều cao vai.** Điều này giúp ngăn chặn vô ý tiếp xúc đầu mũi và cho phép kiểm soát máy cưa xích tốt hơn trong những trường hợp không mong muốn xảy ra.
 - **Chỉ sử dụng những thanh dẫn hướng và xích cưa thay thế do nhà sản xuất quy định.** Việc thay thế thanh dẫn hướng và xích cưa không đúng có thể làm gãy dây xích và/hoặc bật ngược lại.
 - **Tuân theo dõi các chỉ dẫn bảo trì và mài xích cưa của nhà sản xuất.** Giảm chiều cao thanh đo sâu có thể dẫn đến hiện tượng bật ngược gia tăng.
14. **Làm theo tất cả các hướng dẫn khi loại bỏ vật liệu bị kẹt, cất giữ hoặc bảo dưỡng máy cưa xích. Đảm bảo rằng đã tắt công tắc và đã tháo bộ pin.** Việc vô tình vận hành máy cưa xích trong khi đang loại bỏ vật liệu bị kẹt hoặc bảo dưỡng có thể dẫn đến thương tích cá nhân nghiêm trọng.

Các hướng dẫn an toàn bổ sung

Thiết bị bảo hộ cá nhân

1. Quần áo phải vừa khít, nhưng không được cản trở tính cơ động.

2. Mặc quần áo bảo hộ sau đây trong quá trình làm việc:
 - Mũ bảo hộ đã được kiểm tra, nếu xuất hiện nguy hiểm do các nhánh cây rơi hoặc tương tự;
 - Mặt nạ hoặc kính bảo hộ;
 - Thiết bị bảo vệ tai thích hợp (đồ chụp tai, nút tai tùy chỉnh hoặc có thể gắn được). Phân tích chỉ số octan theo yêu cầu.
 - Găng tay bảo hộ bằng da chắc chắn;
 - Quần dài được sản xuất từ vải bền;
 - Quần yếm bảo hộ làm từ vải chống cắt;
 - Giày bảo hộ hoặc giày ống có đế chống trượt, thép bảo vệ ngón chân và lớp lót bằng vải chống cắt;
 - Mặt nạ hô hấp, khi thực hiện công việc tạo ra bụi (ví dụ như cưa gỗ khô).
11. Sau khi tháo pin ra khỏi máy hoặc bộ sạc, hãy đảm bảo đã gắn nắp đậy pin vào pin và cất giữ ở nơi khô ráo.
12. Nếu hộp pin bị ướt, xả nước bên trong hộp pin sau đó lau bằng vải khô. Làm khô hộp pin hoàn toàn ở nơi khô ráo trước khi sử dụng.

LƯU GIỮ CÁC HƯỚNG DẪN NÀY.

⚠ CẢNH BÁO: KHÔNG vì đã thoải mái hay quen thuộc với sản phẩm (có được do sử dụng nhiều lần) mà không tuân thủ nghiêm ngặt các quy định về an toàn dành cho sản phẩm này. VIỆC DÙNG SAI hoặc không tuân theo các quy định về an toàn được nêu trong tài liệu hướng dẫn này có thể dẫn đến thương tích cá nhân nghiêm trọng.

Hướng dẫn quan trọng về an toàn dành cho hộp pin

Vận hành

1. **Trước khi bắt đầu công việc, kiểm tra lưới cửa xích nằm trong vị trí làm việc thích hợp và tình trạng của nó tuân theo các quy định an toàn. Kiểm tra cụ thể là:**
 - Phan của dây xích đang hoạt động đúng cách;
 - Phan ngả đang hoạt động đúng cách;
 - Vỏ bảo vệ đĩa xích và thanh dẫn vừa khít với nhau;
 - Dây xích đã được mài sắc và kéo căng theo đúng quy định.
2. **Không khởi động máy cưa xích khi nắp dây xích được lắp phía trên.** Khởi động máy cưa xích với nắp dây xích được lắp phía trên có thể khiến vỏ dây xích văng ra trước, dẫn đến thương tích cá nhân và hư hại các vật thể xung quanh người vận hành.

An toàn về điện và pin

1. **Tránh môi trường nguy hiểm. Không được sử dụng dụng cụ tại những nơi bừa bộn hoặc ẩm ướt hay dễ chúng tiếp xúc với mưa.** Nước lọt vào dụng cụ sẽ làm tăng nguy cơ điện giật.
2. **Không thổi bỏ (các) viên pin vào lửa.** Viên pin có thể phát nổ. Kiểm tra bằng mã địa phương để biết hướng dẫn thổi bỏ đặc biệt nếu có.
3. **Không mờ hay cắt xén (các) viên pin.** Chất điện phân thổi ra có tính ăn mòn và có thể gây tổn thương cho mắt hoặc da. Có thể độc hại nếu nuốt phải.
4. **Không sạc pin trong mưa, hoặc nơi ẩm ướt.**
5. **Không sạc pin ở ngoài trời.**
6. **Không thao tác bộ sạc, bao gồm phích cắm của bộ sạc, và điện cực của bộ sạc bằng tay ướt.**
7. **Không thay pin dưới trời mưa.**
8. **Không thay pin bằng tay ướt.**
9. **Không để pin dưới trời mưa, không sạc, sử dụng, hoặc cất giữ pin ở nơi ẩm hoặc ướt.**
10. **Không làm ướt điện cực của pin bằng chất lỏng ví dụ như nước, hoặc nhấn chìm pin.** Nếu điện cực bị ướt hoặc có chất lỏng lọt vào bên trong pin, pin có thể bị đoản mạch và có nguy cơ quá nhiệt, cháy hoặc nổ.

1. Trước khi sử dụng hộp pin, hãy đọc kỹ tất cả các hướng dẫn và dấu hiệu cảnh báo trên (1) bộ sạc pin, (2) pin và (3) sản phẩm sử dụng pin.
 2. **Không tháo rời hoặc làm thay đổi hộp pin.** Việc này có thể dẫn đến hỏa hoạn, quá nhiệt hoặc nổ.
 3. **Nếu thời gian vận hành ngắn hơn quá mức, hãy ngừng vận hành ngay lập tức.** Điều này có thể dẫn đến rủi ro quá nhiệt, có thể gây bỏng và thậm chí là nổ.
 4. **Nếu chất điện phân rơi vào mắt, hãy rửa sạch bằng nước sạch và đến cơ sở y tế ngay lập tức.** Chất này có thể khiến bạn giảm thị lực.
 5. **Không để hộp pin ở tình trạng đoản mạch:**
 - (1) Không chạm vào cực pin bằng vật liệu dẫn điện.
 - (2) Tránh cất giữ hộp pin trong hộp có các vật kim loại khác như đinh, tiền xu, v.v...
 - (3) Không được để hộp pin tiếp xúc với nước hoặc mưa.
- Đoản mạch pin có thể gây ra dòng điện lớn, quá nhiệt, có thể gây bỏng và thậm chí là hỏng hóc.
6. **Không cất giữ cũng như sử dụng dụng cụ và hộp pin ở nơi nhiệt độ có thể lên tới hoặc vượt quá 50 °C (122 °F).**
 7. **Không đốt hộp pin ngay cả khi hộp pin đã bị hư hại nặng hoặc hư hỏng hoàn toàn.** Hộp pin có thể nổ khi tiếp xúc với lửa.
 8. **Không đóng đinh, cắt, nghiền nát, ném, làm rơi hộp pin hoặc va vật cứng vào hộp pin.** Làm như thế có thể dẫn đến hỏa hoạn, quá nhiệt hoặc nổ.
 9. **Không sử dụng pin đã hỏng.**

- Pin nén lithium-ion là đối tượng có yêu cầu bắt buộc theo Luật Hàng hoá Nguy hiểm.**
Đối với vận tải thương mại, ví dụ như vận tải do bên thứ ba, đại lý giao nhận, thì yêu cầu đặc biệt về đóng gói và nhãn ghi phải được giám sát.
Để chuẩn bị cho mặt hàng cần vận chuyển, cần phải tham khảo ý kiến chuyên gia về vật liệu nguy hiểm. Nếu được, vui lòng tuân thủ các quy định quốc gia chi tiết hơn.
Buộc phải niêm phong các tiếp điểm mở và đóng gói pin theo cách đó để nó không thể di chuyển trong bao bì.
- Khi rút bỏ hộp pin, hãy tháo chúng khỏi dụng cụ và thái bỏ ở nơi an toàn. Phải tuân thủ theo các quy định của địa phương liên quan đến việc thái bỏ pin.**
- Chỉ sử dụng pin cho các sản phẩm Makita chỉ định.** Lắp pin vào sản phẩm không thích hợp có thể gây ra hỏa hoạn, quá nhiệt, nổ, hoặc rò chất điện phân.
- Nếu dụng cụ không được sử dụng trong một thời gian dài, cần phải tháo pin ra khỏi dụng cụ.**
- Trong và sau khi sử dụng, hộp pin có thể bị nóng, có thể gây bỏng hoặc bỏng ở nhiệt độ thấp. Chú ý xử lý hộp pin nóng.**
- Không chạm vào điện cực của dụng cụ ngay sau khi sử dụng vì điện cực đủ nóng để gây bỏng.**
- Không để vụn bào, bụi hoặc đất bám vào các điện cực, lỗ và rãnh của hộp pin.** Điều này có thể làm nóng, bắt lửa, nổ và gây trục trặc cho dụng cụ hoặc hộp pin, dẫn đến bỏng hoặc thương tích cá nhân.

- Trừ khi dụng cụ hỗ trợ sử dụng gần đường dây điện cao thế, không sử dụng hộp pin gần đường dây điện cao thế.** Việc này có thể dẫn đến trục trặc hoặc hỏng hóc dụng cụ hay hộp pin.
- Giữ pin tránh xa trẻ em.**

LƯU GIỮ CÁC HƯỚNG DẪN NÀY.

⚠ THẬN TRỌNG: Chỉ sử dụng pin Makita chính hãng. Việc sử dụng pin không chính hãng Makita, hoặc pin đã được sửa đổi, có thể dẫn đến nổ pin gây ra cháy, thương tích và thiệt hại cá nhân. Nó cũng sẽ làm mất hiệu lực bảo hành của Makita dành cho dụng cụ của Makita và bộ sạc.

Mẹo duy trì tuổi thọ tối đa cho pin

- Sạc hộp pin trước khi pin bị xả điện hoàn toàn.** Luôn dừng việc vận hành dụng cụ và sạc pin khi bạn nhận thấy công suất dụng cụ bị giảm.
- Không được phép sạc lại một hộp pin đã được sạc đầy.** Sạc quá mức sẽ làm giảm tuổi thọ của pin.
- Sạc pin ở nhiệt độ phòng 10°C - 40°C.** Để cho hộp pin nóng nguội lại dần trước khi sạc pin.
- Khi không sử dụng hộp pin, hãy tháo hộp pin ra khỏi dụng cụ hoặc bộ sạc.**
- Sạc pin sáu tháng một lần nếu bạn không sử dụng dụng cụ trong một thời gian dài (hơn sáu tháng).**

MÔ TẢ CÁC BỘ PHẬN

► Hình2

1	Phản bảo vệ tay phía trước	2	Cần kẹp	3	Thanh dẫn hướng
4	Xích cưa	5	Vỏ bảo vệ thanh dẫn hướng	6	Nút nhả khóa
7	Tay cầm phía sau	8	Cần khởi động công tắc	9	Hộp pin
10	Tay cầm phía trước	11	Nắp bình chứa dầu	12	Thanh đệm đỉnh
13	Chốt cài dây xích	14	Đĩa điều chỉnh	-	-

MÔ TẢ CHỨC NĂNG

⚠ THẬN TRỌNG: Luôn đảm bảo rằng đã tắt dụng cụ và tháo hộp pin ra trước khi thực hiện việc điều chỉnh hoặc kiểm tra chức năng trên dụng cụ.

Lắp hoặc tháo hộp pin

⚠ THẬN TRỌNG: Luôn tắt dụng cụ trước khi lắp hoặc tháo hộp pin.

⚠ THẬN TRỌNG: Giữ dụng cụ và hộp pin thật chắc khi lắp hoặc tháo hộp pin. Không giữ dụng cụ và hộp pin thật chắc có thể làm trượt chúng khỏi tay và làm hư hỏng dụng cụ và hộp pin hoặc gây thương tích cá nhân.

► Hình3: 1. Chỉ báo màu đỏ 2. Nút 3. Hộp pin

Đỡ tháo hộp pin, vừa trượt pin ra khỏi dụng cụ vừa đẩy trượt nút ở phía trước hộp pin.

Đỡ lắp hộp pin, đặt thẳng hàng phần chốt nhỏ ra của hộp pin vào phần rãnh nằm trên vỏ và trượt hộp pin vào vị trí. Đưa hộp pin vào hết mức cho đến khi chốt khóa vào đúng vị trí với một tiếng cách nhẹ. Nếu bạn có thể nhìn thấy chỉ báo màu đỏ như thể hiện trong hình, điều đó có nghĩa vẫn chưa được khóa hoàn toàn.

⚠️ THẬN TRỌNG: Luôn lắp hộp pin khớp hoàn toàn vào vị trí cho đến khi không thể nhìn thấy chỉ báo màu đỏ. Nếu không, hộp pin có thể vô tình rơi ra khỏi dụng cụ, gây thương tích cho bạn hoặc người khác xung quanh.

⚠️ THẬN TRỌNG: Không được dùng sức lắp hộp pin. Nếu hộp pin không nhẹ nhàng trượt vào vị trí, có nghĩa là pin vẫn chưa được lắp đúng.

Chỉ báo dung lượng pin còn lại

Chỉ dành cho hộp pin có đèn chỉ báo

► Hình4: 1. Các đèn chỉ báo 2. Nút Check (kiểm tra)

Ấn nút check (kiểm tra) trên hộp pin để chỉ báo dung lượng pin còn lại. Các đèn chỉ báo bật sáng lên trong vài giây.

Các đèn chỉ báo			Dung lượng còn lại
Bật sáng	Tắt	Nhấp nháy	
■	□	◐	75% đến 100%
■ ■ ■ ■			
■ ■ ■ ■	□		50% đến 75%
■ ■ ■ □	□ □		25% đến 50%
■ ■ □ □	□ □ □ □		0% đến 25%
◐ □ □ □	□ □ □ □		Sạc pin.
■ ■ □ □	□ □ □ □	↑ ↓	Pin có thể đã bị hỏng.

LƯU Ý: Tùy thuộc vào các điều kiện sử dụng và nhiệt độ xung quanh, việc chỉ báo có thể khác biệt một chút so với dung lượng thực sự.

LƯU Ý: Đèn chỉ báo (phía xa bên trái) đầu tiên sẽ nhấp nháy khi hệ thống bảo vệ pin hoạt động.

Hệ thống bảo vệ dụng cụ / pin

Dụng cụ này được trang bị hệ thống bảo vệ dụng cụ / pin. Hệ thống này sẽ tự động ngắt nguồn điện đến động cơ để kéo dài tuổi thọ dụng cụ và pin. Dụng cụ sẽ tự động dừng vận hành khi dụng cụ hoặc pin ở một trong những trường hợp sau đây:

Bảo vệ quá tải

Khi vận hành dụng cụ hoặc pin trong điều kiện làm máy tiêu tốn dòng điện cao bất thường, dụng cụ sẽ tự động dừng lại. Trong trường hợp này, hãy tắt dụng cụ và ngừng việc sử dụng đã làm cho dụng cụ trở nên quá tải. Sau đó bật dụng cụ lên để khởi động lại.

Bảo vệ quá nhiệt

Khi dụng cụ hoặc pin bị quá nhiệt, dụng cụ sẽ tự động dừng. Trong trường hợp này, hãy để dụng cụ và pin nguội trước khi bật dụng cụ lại.

LƯU Ý: Trong môi trường nhiệt độ cao, thiết bị bảo vệ quá nhiệt có khả năng hoạt động khiến dụng cụ dừng tự động.

Bảo vệ xả điện quá mức

Khi dung lượng pin không đủ, thì dụng cụ sẽ tự động dừng. Trong trường hợp này, hãy tháo pin khỏi dụng cụ và sạc pin lại.

Bảo vệ chống lại các nguyên nhân khác

Hệ thống bảo vệ cũng được thiết kế để chống lại các nguyên nhân khác có thể làm hỏng dụng cụ và cho phép dụng cụ tự động dừng. Thực hiện tất cả các bước sau đây để loại bỏ các nguyên nhân, khi dụng cụ đã được tạm dừng hoặc ngừng hoạt động.

1. Tắt dụng cụ, sau đó bật lại lần nữa để khởi động lại.
2. Sạc (các) pin hoặc thay pin/các pin bằng (các) pin đã sạc.
3. Đỡ máy và (các) pin nguội dần.

Nếu không thấy cải thiện bằng cách khôi phục hệ thống bảo vệ, hãy liên hệ với Trung tâm Dịch vụ Makita tại địa phương của bạn.

CHÚ Ý: Nếu dụng cụ dừng vì nguyên nhân không được mô tả bên trên, hãy tham khảo phần xử lý sự cố.

Hoạt động công tắc

⚠️ CẢNH BÁO: Để bạn được an toàn, dụng cụ này đều được trang bị nút nhà khóa nhằm ngăn ngừa vô ý khởi động dụng cụ. Không sử dụng dụng cụ này nếu nó khởi động khi bạn chỉ kéo cò khởi động công tắc mà không nhấn nút nhà khóa. Nhờ Trung Tâm Bảo Trì Makita ở địa phương bạn ở sửa chữa.

⚠️ CẢNH BÁO: Không bao giờ tắt chức năng khóa hoặc giữ nhấn chặt nút nhà khóa.

⚠️ THẬN TRỌNG: Trước khi lắp hộp pin vào dụng cụ, luôn luôn kiểm tra xem cần khởi động công tắc có hoạt động bình thường hay không và trả về vị trí "OFF" (TẮT) khi nhà ra.

CHÚ Ý: Không được kéo cưỡng chế cò khởi động công tắc mà không nhấn nút nhà khóa. Công tắc có thể bị vỡ.

► Hình5: 1. Nút nhà khóa 2. Cần khởi động công tắc

Để ngăn cản khởi động công tắc vô tình bị kéo, dụng cụ được trang bị nút nhà khóa. Để khởi động dụng cụ, nhấn nút nhà khóa và kéo cần khởi động công tắc. Nhà cần khởi động công tắc ra để dừng.

Kiểm tra phanh của dây xích

⚠ THẬN TRỌNG: Giữ máy cưa xích bằng hai tay khi bật máy. Giữ tay cầm phía sau bằng tay phải, tay cầm trước bằng tay trái. Thanh dẫn hướng và dây xích không được tiếp xúc với bất kỳ vật thể nào.

⚠ THẬN TRỌNG: Nếu xích cưa không dừng ngay lập tức khi thực hiện kiểm tra này, máy cưa có thể không sử dụng được dưới bất kỳ hình thức nào. Tham khảo ý kiến của trung tâm dịch vụ được ủy quyền.

1. Nhấn nút nhà khóa, sau đó kéo cần khởi động công tắc. Xích cưa khởi động ngay lập tức.
2. Đẩy phần đệm tay trước về phía trước bằng mu bàn tay của bạn. Đảm bảo rằng máy cưa xích dừng ngay lập tức.
▶ **Hình6:** 1. Phần bảo vệ tay phía trước 2. Vị trí mở khóa 3. Vị trí khóa

Kiểm tra thắng chạy xuống

⚠ THẬN TRỌNG: Nếu xích cưa không dừng lại trong vòng một giây trong phần kiểm tra này, dừng việc sử dụng máy cưa xích và tham khảo ý kiến của trung tâm dịch vụ được ủy quyền.

Chạy máy cưa xích rồi nhả hoàn toàn cần khởi động công tắc. Xích cưa phải dừng lại trong vòng một giây.

LẮP RÁP

⚠ THẬN TRỌNG: Luôn đảm bảo rằng đã tắt dụng cụ và tháo hộp pin ra trước khi thực hiện bất cứ thao tác nào trên dụng cụ.

⚠ THẬN TRỌNG: Không chạm vào xích cưa bằng tay trần. Luôn mang găng tay khi xử lý xích cưa.

Lắp hoặc tháo xích cưa

⚠ THẬN TRỌNG: Xích cưa và thanh dẫn hướng vẫn còn nóng ngay sau khi hoạt động. Để chúng giảm nhiệt xuống vừa đủ trước khi tiến hành bất kỳ công việc nào trên dụng cụ.

⚠ THẬN TRỌNG: Tiến hành quy trình lắp đặt hoặc tháo xích cưa ở nơi thoáng mát không có bụi bẩn và những nơi tương tự.

Lắp xích cưa

Để lắp xích cưa, hãy thực hiện các bước sau:

1. Nhả phanh xích bằng cách kéo phần bảo vệ tay phía trước ra.
2. Kéo cần kẹp lên trong khi nhấn cạnh của nó.
▶ **Hình7:** 1. Cần kẹp
3. Xoay cần ngược chiều kim đồng hồ cho đến khi vỏ bảo vệ đĩa xích bong ra.
▶ **Hình8:** 1. Cần kẹp 2. Vỏ bảo vệ đĩa xích
4. Tháo vỏ bảo vệ đĩa xích.
5. Kiểm tra hướng của xích cưa. Căn hướng của xích cưa trùng với hướng của điểm đánh dấu trên thân máy cưa xích.
▶ **Hình9:** 1. Đánh dấu trên thân máy cưa xích
6. Lắp phần cuối của xích cưa lên đỉnh của thanh dẫn hướng.
7. Lắp đầu kia của xích cưa quanh đĩa xích, sau đó gắn thanh dẫn hướng vào thân máy cưa xích.
▶ **Hình10:** 1. Đĩa xích
8. Xoay đĩa điều chỉnh đến hướng "-" để trượt pin điều chỉnh theo hướng mũi tên.
▶ **Hình11:** 1. Đĩa điều chỉnh 2. Điều chỉnh pin
9. Đặt vỏ bảo vệ đĩa xích trên máy cưa xích để chốt điều chỉnh được đặt trong một cái lỗ nhỏ trên thanh dẫn hướng.
▶ **Hình12:** 1. Vỏ bảo vệ đĩa xích 2. Thanh dẫn hướng 3. Lỗ
10. Xoay cần gạt hoàn toàn theo chiều kim đồng hồ và xoay cần gạt ngược lại một chút để giữ trạng thái lỏng cho điều chỉnh lực căng xích.
11. Điều chỉnh lực căng dây xích. Tham khảo phần điều chỉnh lực căng xích cưa để biết quy trình.
12. Xoay cần kẹp theo chiều kim đồng hồ cho đến khi vỏ bảo vệ đĩa xích được siết chặt rồi trở về vị trí ban đầu.
▶ **Hình13:** 1. Cần kẹp 2. Vỏ bảo vệ đĩa xích

Tháo xích cưa

Để tháo xích cưa, hãy thực hiện các bước sau:

1. Nhả phanh xích bằng cách kéo phần bảo vệ tay phía trước ra.
2. Xoay đĩa điều chỉnh đến hướng "-" để nhả bớt lực căng xích cưa.
▶ **Hình14:** 1. Đĩa điều chỉnh
3. Kéo cần kẹp lên trong khi nhấn cạnh của nó.
▶ **Hình15:** 1. Cần kẹp
4. Xoay cần ngược chiều kim đồng hồ cho đến khi vỏ bảo vệ đĩa xích bong ra.
▶ **Hình16:** 1. Cần kẹp 2. Vỏ bảo vệ đĩa xích
5. Tháo vỏ bảo vệ đĩa xích rồi tháo xích cưa và thanh dẫn hướng khỏi thân máy cưa xích.

Điều chỉnh lực căng xích cưa

⚠ THẬN TRỌNG: Tiến hành quy trình lắp đặt hoặc tháo xích cưa ở nơi thoáng mát không có bụi bẩn và những nơi tương tự.

⚠ THẬN TRỌNG: Không vận chặt xích cưa quá mức. Lực căng của xích cưa quá cao có thể làm đứt xích cưa, làm mòn thanh dẫn hướng và hỏng đĩa hiệu chỉnh.

⚠ THẬN TRỌNG: Một dây xích quá lỏng có thể rớt ra khỏi thanh dẫn hướng và nó có thể gây ra tai nạn chấn thương.

Xích cưa có thể trở nên lỏng lẻo sau nhiều giờ sử dụng. Thỉnh thoảng kiểm tra lực căng xích cưa trước khi sử dụng.

1. Kéo cần kẹp lên trong khi nhấn cạnh của nó.
▶ **Hình17:** 1. Cần kẹp
2. Xoay cần gạt ngược chiều kim đồng hồ một chút để nới nhẹ vỏ bảo vệ đĩa xích.
▶ **Hình18:** 1. Cần kẹp 2. Vỏ bảo vệ đĩa xích
3. Nâng thanh dẫn hướng lên một chút và điều chỉnh lực căng dây xích. Xoay đĩa hiệu chỉnh đến hướng “-” để thả lỏng, xoay đến hướng “+” để thắt chặt. Vận chặt xích cưa cho đến khi bên thấp hơn của xích cưa vừa khít với thanh ray dẫn hướng như hình minh họa.
▶ **Hình19:** 1. Đĩa điều chỉnh 2. Thanh dẫn hướng 3. Xích cưa
4. Tiếp tục giữ nhẹ thanh dẫn hướng và vận chặt vỏ bảo vệ đĩa xích. Đảm bảo xích cưa không bị lỏng ở bên thấp hơn.
5. Đưa cần kẹp trở về vị trí ban đầu.

Đảm bảo xích cưa vừa khít với bên thấp hơn của thanh dẫn.

VẬN HÀNH

Tra dầu mỡ

⚠ THẬN TRỌNG: Không vận hành máy cưa xích khi bình chứa cạn. Bổ sung dầu kịp thời trước khi bình chứa bị cạn.

⚠ THẬN TRỌNG: Tránh để dầu tiếp xúc với da và mắt. Tiếp xúc với mắt có thể gây kích ứng. Trong trường hợp tiếp xúc với mắt, hãy rửa mắt bị ảnh hưởng ngay lập tức bằng nước sạch, sau đó tham khảo ý kiến bác sĩ ngay.

⚠ THẬN TRỌNG: Tuyệt đối không sử dụng dầu thải. Dầu thải có chứa các chất gây ung thư. Các chất bẩn trong dầu thải làm tăng độ mòn của máy bơm dầu, thanh dẫn và dây xích. Dầu thải có hại cho môi trường.

CHÚ Ý: Khi máy cưa xích được sử dụng lần đầu tiên, có thể mất đến hai phút để dầu xích cưa bắt đầu có tác dụng bôi trơn theo cơ chế máy cưa. Chạy máy cưa không tải cho đến khi dầu xích cưa có tác dụng bôi trơn.

CHÚ Ý: Khi nạp dầu xích lần đầu tiên, hoặc làm đầy lại bình sau khi đã bị dọn sạch hoàn toàn, hãy thêm dầu lên đến cạnh đáy của vỏ bình lọc. Nếu không, việc cung cấp dầu có thể bị ảnh hưởng.

CHÚ Ý: Chỉ sử dụng dầu xích cưa cho máy cưa xích Makita hoặc loại dầu tương đương có trên thị trường.

CHÚ Ý: Không bao giờ sử dụng dầu chứa bụi và các hạt bụi hoặc dầu dễ bay hơi.

CHÚ Ý: Khi cắt tia cây, hãy sử dụng dầu thực vật. Dầu mỏ có thể gây hại cho cây.

CHÚ Ý: Trước khi vận hành cắt, đảm bảo rằng nắp bình dầu được cung cấp đã gắn chặt đúng vị trí.

Xích cưa sẽ được tra dầu tự động khi dụng cụ vận hành. Kiểm tra lượng dầu còn lại trong bình chứa dầu định kỳ thông qua lỗ nhìn mức dầu.

▶ **Hình20:** 1. Nắp bình chứa dầu 2. Lỗ nhìn mức dầu

Để nạp dầu, hãy thực hiện các bước sau:

1. Vệ sinh kỹ lưỡng khu vực xung quanh nắp bình chứa dầu để tránh bụi bẩn xâm nhập vào bình chứa dầu.
2. Đặt máy cưa xích nằm nghiêng và tháo nắp bình chứa dầu ra.
3. Đổ đầy dầu vào bình chứa dầu. Lượng dầu thích hợp là 150 ml.
4. Vận chặt nắp bình chứa dầu trở lại vị trí cũ.
5. Lau sạch dầu xích bị tràn một cách cẩn thận.

LƯU Ý: Nếu khó tháo nắp bình chứa dầu, hãy lắp tuốc-nơ-vít mũi dẹp vào khe của nắp bình chứa dầu, sau đó tháo nắp bình chứa dầu bằng cách xoay nó ngược chiều kim đồng hồ.

▶ **Hình21:** 1. Khe 2. Máy bắt vít có rãnh

Sau khi làm đầy lại, giữ cho máy cưa xích tránh xa khỏi cây. Khởi động máy và chờ cho đến khi đủ dầu bôi trơn trên xích cưa.

▶ **Hình22**

Làm việc với máy cưa xích

⚠ THẬN TRỌNG: Lần đầu tiên người sử dụng nên, như việc thực hành tối thiểu, đốn các khúc gỗ trên giá cưa hoặc bệ đỡ.

⚠ THẬN TRỌNG: Khi cưa gỗ xẻ, hãy dùng dụng cụ hỗ trợ an toàn (giá cưa hoặc bệ đỡ máy cưa). Không được để phôi gia công lên chân của bạn, và không cho bất kỳ ai khác giữ hay để chân lên nó.

⚠ THẬN TRỌNG: Đảm bảo các mảnh tròn chống khoan.

⚠ THẬN TRỌNG: Giữ mọi phần của cơ thể tránh xa khỏi xích cưa khi động cơ đang hoạt động.

⚠ THẬN TRỌNG: Giữ chặt máy cưa xích bằng cả hai tay khi động cơ đang hoạt động.

⚠ THẬN TRỌNG: Không vớ quá cao. Luôn giữ thăng bằng tốt và có chỗ để chân phù hợp.

CHÚ Ý: Không bao giờ được buông hay làm rơi dụng cụ.

CHÚ Ý: Không bịt khe thông khí của dụng cụ.

Mang cạnh đáy của thân máy cưa xích tiếp xúc với phần nhánh cần cắt trước khi bật máy. Nếu không thì nó có thể khiến thanh dẫn hướng bị rung, dẫn đến làm người vận hành bị thương. Cưa gỗ cần cắt chỉ bằng cách di chuyển xuống nhờ sử dụng khối lượng của máy cưa xích.

► Hình23

Nếu bạn không thể đốn gỗ chỉ với một lần cưa:

Tác dụng áp lực nhẹ lên tay cầm và tiếp tục cưa và kéo lùi máy cưa xích từng chút một; sau đó gắn thanh đệm đỉnh thấp hơn một chút và kết thúc phần cắt bằng cách nâng tay cầm lên.

► Hình24

Nghiền quặng

1. Cho phần cạnh đáy của thân máy cưa xích tựa trên phần gỗ cần cắt.

► Hình25

2. Khi xích cưa đang chạy, cưa vào phần gỗ khi đang sử dụng tay cầm phía sau để nâng máy cưa và tay cầm phía trước để lái nó. Sử dụng thanh đệm đỉnh như là một trục xoay.

3. Tiếp tục cắt bằng cách áp một lực nén nhẹ lên tay cầm trước, nới lỏng lưỡi cưa một chút. Di chuyển thanh đệm đỉnh xuống sâu vào phần gỗ và nâng tay cầm trước lên lần nữa.

CHÚ Ý: Sau khi tạo nhiều vết cắt, tắt máy cưa xích giữa những nhát cắt.

⚠ THẬN TRỌNG: Nếu phần cạnh trên của thanh dẫn được dùng cho việc cắt, máy cưa xích có thể bị chệch hướng của bạn nếu dây xích bị mắc kẹt. Vì lý do này, đốn phần cạnh dưới trước, để mà máy cưa sẽ không bị chệch hướng khỏi người bạn.

► Hình26

Khi bạn đốn gỗ dưới lực căng, cắt bên được nén (A) trước. Sau đó cắt nhát cuối cùng ở bên được kéo căng (B). Điều này ngăn cho thanh dẫn hướng không bị mắc kẹt.

► Hình27

Rìa

⚠ THẬN TRỌNG: Chỉ những người lành nghề mới thực hiện được phần rìa. Nguy cơ bật ngược có thể gây ra nguy hiểm.

Khi cắt rìa, đặt máy cưa xích trên thân cây nếu có thể. Không đốn bằng phần đầu của thanh, vì điều này sẽ gây nguy cơ bật ngược.

Chú ý đặc biệt vào các nhánh cây chịu lực căng. Không cắt những nhánh chưa được hỗ trợ từ phía dưới.

Không đứng trên những thân cây bị đốn gần khi cắt phần rìa.

Đào và cắt song-song-với-thớ-gỗ

⚠ THẬN TRỌNG: Đào và cắt song-song-với-thớ-gỗ có thể chỉ được tiến hành bởi người được đào tạo chuyên nghiệp. Khả năng xuất hiện lực bật ngược có thể gây nguy cơ chấn thương.

Thực hiện cắt song-song-với-thớ-gỗ ở những góc càng nông càng tốt. Cực kỳ cẩn thận khi tiến hành cắt vì thanh đệm đỉnh không thể dùng được.

► Hình28

Đốn hạ cây

⚠ THẬN TRỌNG: Công việc đốn hạ cây chỉ được thực hiện bởi những người lành nghề. Công việc rất nguy hiểm.

Quan sát quy định khu vực nếu bạn muốn đốn hạ một cái cây.

► Hình29: 1. Khu vực đốn hạ cây

- Trước khi đốn hạ cây, phải đảm bảo rằng:
 - Chỉ những người có liên quan đến công việc đốn hạ cây mới được tiếp cận;
 - Bất kỳ người nào có liên quan có đường cắt không bị ngăn trở thông qua phạm vi khoảng 45° ở mỗi bên của trục đốn cây. Cần nhắc những rủi ro vướng dây cáp điện có thể xảy ra;
 - Gốc thân cây không có ngoại vật, rễ cây hay nông trại;
 - Không người hay vật thể nào có mặt trong khoảng cách dài 2/3 thân cây trong hướng nơi mà cây sẽ ngã.
- Cần nhắc chú ý từng cái cây theo những điều sau đây:
 - Hướng nghiêng;
 - Những nhánh cây lỏng hoặc khô;
 - Chiều cao của cây;
 - Những phần nhô ra tự nhiên;
 - Dù cho cây có bị mục nát hay không.
- Cần nhắc tốc độ gió và hướng. Không tiến hành công việc đốn hạ nếu gió thổi giật mạnh.

- Cắt tia phần rễ phình lên: Bắt đầu với những chỗ phình lớn nhất. Cắt dọc trước, sau đó cắt ngang.
 - Đứng theo chiều cây ngã. Giữ cho khu vực sạch sẽ để phía sau cây đổ có góc 45° mỗi bên trực của cây (tham khảo hình “khu vực đổ ngã”). Chú ý những nhánh cây ngã.
 - Lối thoát nên được vạch ra trước và rõ ràng khi cần thiết trước khi việc đổ hạ bắt đầu. Lối thoát nên được mở rộng ra và chéo theo đường ngã đã dự định phía sau như con số mình họa.
- **Hình30:** 1. Hướng đổ hạ 2. Khu vực nguy hiểm 3. Lối thoát

Khi đổ hạ cây, tuân theo các phương pháp bên dưới:

1. Cắt các mối ghép càng gần với mặt đất càng tốt. Đầu tiên cắt dọc đến độ sâu 1/5-1/3 đường kính thân cây. Không để các mối ghép quá lớn. Sau đó cắt chéo.
- **Hình31**

LƯU Ý: Mỗi ghép quyết định hướng nơi cây sẽ ngã, và hướng vào nó. Nó được làm trên phần bên hướng về nơi cây ngã.

2. Phần cắt lưng cao hơn phần cắt để mối ghép. Phần cắt lưng phải chính xác theo chiều dọc. Bỏ chính xác 1/10 đường kính thân cây giữa phần cắt lưng và mối ghép. Những thớ gỗ trong khúc thân cây chưa cắt giống như là một bản lề. Thêm cái chêm vào phần cắt lưng đúng lúc.
- **Hình32**

⚠CẢNH BÁO: Không cắt ngay qua những thớ gỗ trong bất kỳ trường hợp nào. Nếu không cây sẽ đổ ngoài tầm kiểm soát.

CHÚ Ý: Chỉ nhựa và chêm nhôm có thể được sử dụng để giữ phần cắt lưng mờ ra. Cấm sử dụng chêm sắt.

Di chuyển dụng cụ

Trước khi mang dụng cụ, luôn gắn phanh của dây xích vào và tháo hộp pin ra khỏi dụng cụ. Sau đó cố định vỏ bảo vệ thanh dẫn hướng. Ngoài ra, che hộp pin bằng nắp đậy pin.

- **Hình33:** 1. Vỏ bảo vệ thanh dẫn hướng 2. Nắp đậy pin

BẢO TRÌ

⚠THẬN TRỌNG: Hãy luôn chắc chắn rằng dụng cụ đã được tắt và hộp pin đã được tháo ra trước khi cố gắng thực hiện việc kiểm tra hay bảo dưỡng.

⚠THẬN TRỌNG: Mang găng tay khi thực hiện kiểm tra hoặc bảo dưỡng.

CHÚ Ý: Không được phép dùng xăng, ét xăng, dung môi, cồn hoặc hóa chất tương tự. Có thể xảy ra hiện tượng mất màu, biến dạng hoặc nứt vỡ.

Để đảm bảo ĐỘ AN TOÀN và ĐỘ TIN CẬY của sản phẩm, việc sửa chữa hoặc bất cứ thao tác bảo trì, điều chỉnh nào đều phải được thực hiện bởi các Trung tâm Dịch vụ Nhà máy hoặc Trung tâm được Makita Ủy quyền và luôn sử dụng các phụ tùng thiết bị thay thế của Makita.

Mài xích cưa

Mài xích cưa khi:

- Bột mạt cưa được sinh ra khi cắt gỗ ẩm mục;
- Dây xích sẽ khó xuyên qua gỗ, ngay cả khi ép lực nén mạnh;
- Mép cắt hiển nhiên rất nguy hiểm;
- Máy cưa kéo về bên trái hay bên phải trong gỗ. (gây ra bởi xích cưa bị mài không đều hoặc chỉ mài hổng một bên)

Mài xích cưa thường xuyên nhưng mỗi lần chỉ mài một chút. Hai hay ba nhất giữa thường là đủ cho thói quen mài dũa. Khi xích cưa bị mài lại nhiều lần, hãy nhờ trung tâm dịch vụ được ủy quyền để mài lại nó.

Các tiêu chuẩn mài dũa:

⚠CẢNH BÁO: Khoảng cách dư giữa mép cắt và thanh đo sâu làm tăng nguy cơ bật ngược.

- **Hình34:** 1. Chiều dài máy cắt 2. Khoảng cách giữ mép cắt và thanh đo sâu 3. Chiều dài lưỡi cắt tối thiểu (3 mm)

- Tất cả chiều dài lưỡi cắt phải bằng nhau. Chiều dài lưỡi cắt khác nhau ngăn xích cưa vận hành trôi chảy và có thể làm xích cưa gãy.
- Không được mài dây xích khi chiều dài lưỡi cưa chạm ngưỡng 3mm hay ngắn hơn. Dây xích phải được thay dây mới.
- Độ dày vụn bảo dưỡng quyết định bởi khoảng cách giữa thanh đo sâu (mũi tròn) và mép cắt.
- Kết quả cắt tốt nhất đạt được với những khoảng cách giữa mép cắt và đế sâu sau đây.
 - Lưỡi cưa đĩa dây xích 90PX : 0,65 mm
 - Lưỡi cưa đĩa dây xích 91PX : 0,65 mm

► **Hình35**

- Góc mài 30° phải giống với mọi lưỡi cắt. Góc mài khác nhau làm dây xích vận hành gồ gề và xù xì, tăng độ mòn, và dẫn đến gãy dây xích.
- Sử dụng giữa tròn thích hợp để góc mài đúng được giữ tránh xa răng.
 - Lưỡi cưa đĩa dây xích 90PX : 55°
 - Lưỡi cưa đĩa dây xích 91PX : 55°

Giữa và hướng giữa

- Sử dụng một cái giữa tròn đặc biệt (phụ kiện tùy chọn) cho xích cưa để mài dây xích. Giữa tròn thông thường không thích hợp.
- Đường kính giữa tròn cho từng xích cưa như sau:
 - Lưỡi cưa đĩa dây xích 90PX : 4,5 mm
 - Lưỡi cưa đĩa dây xích 91PX : 4,0 mm
- Giữa chỉ nên gài vào lưỡi cưa trên những nhát chém tới. Nâng giữa lên lưỡi cưa trên nhát chém lùi.
- Mài lưỡi cưa ngắn nhất trước. Sau đó chiều dài của lưỡi cắt ngắn nhất trở thành tiêu chuẩn của tất cả các lưỡi cắt còn lại trên xích cưa.

— Dẫn hướng giữa như trình bày trong hình.

► **Hình36:** 1. Giữa 2. Xích cửa

— Giữa có thể được lái một cách dễ dàng nếu giá đỡ giữa (phụ kiện tùy chọn) được sử dụng. Giá đỡ giữa có đánh dấu cho góc mài chính xác 30° (căn chỉnh đầu song song với xích cửa) và giới hạn độ xuyên sâu (đến 4/5 đường kính giữa).

► **Hình37:** 1. Giá đỡ giữa

— Sau khi mài dây xích, kiểm tra chiều cao của thanh đo sâu bằng cách sử dụng dụng cụ đo dây xích (phụ kiện tùy chọn).

► **Hình38**

— Tháo bỏ bất kỳ vật liệu nào nhô ra, dù nhỏ đến cỡ nào, bằng một cái giữa phẳng đặc biệt (phụ kiện tùy chọn).

— Đeo tròn mặt trước của thanh đo sâu lần nữa.

Lau sạch thanh dẫn hướng

Mặt cửa và vụn bào sẽ đắp nổi trong các rãnh thanh dẫn hướng. Chúng có thể làm kẹt rãnh thanh dẫn hướng và làm suy yếu dòng chảy của dầu. Lau sạch mặt cửa và vụn bào mỗi lần khi bạn mài hay thay xích cửa.

► **Hình39**

Lau sạch vỏ bảo vệ đĩa xích

Mặt cửa và vụn bào sẽ tích tụ bên trong đĩa xích. Tháo đĩa xích và xích cửa khỏi dụng cụ sau đó làm sạch mặt cửa và vụn bào.

► **Hình40**

Làm sạch ống thải dầu

Các hạt bụi hay li ti có thể đắp nổi trong ống thải dầu trong lúc hoạt động. Các hạt và bụi li ti này có thể làm suy yếu dòng chảy của dầu và gây ra việc tra dầu mỡ không đủ trên toàn bộ xích cửa. Khi việc phân phối dầu dây xích yếu kém xảy ra trên đầu thanh dẫn hướng, làm sạch ống thải dầu theo các bước sau.

1. Tháo đĩa xích và xích cửa khỏi dụng cụ.

2. Tháo bỏ các hạt và bụi li ti bằng cách dùng máy vụn vít mũi dẹp hay dụng cụ tương tự.

► **Hình41:** 1. Máy bắt vít có rãnh 2. Ống thải dầu

3. Lắp hộp pin vào dụng cụ. Kéo cần khởi động công tắc để phun bụi hay mặt vụn tích tụ ra khỏi ống thải dầu bằng cách đổ hết dầu dây xích.

4. Tháo hộp pin ra khỏi dụng cụ. Tái lắp đặt đĩa xích và xích cửa trên dụng cụ.

Thay thế vỏ bảo vệ đĩa xích

⚠ THẬN TRỌNG: Đĩa xích bị mòn sẽ làm hư hại xích cửa mới. Thay thế đĩa xích trong trường hợp này.

Trước khi vật khít xích cửa mới, kiểm tra tình trạng của đĩa xích.

► **Hình42:** 1. Đĩa xích 2. Khu vực bị mòn

Luôn luôn vận khít vòng khóa khi thay thế đĩa xích.

► **Hình43:** 1. Vòng khóa 2. Đĩa xích

CHÚ Ý: Đảm bảo đĩa xích được lắp đặt theo như chỉ dẫn trong hình.

Cất giữ dụng cụ

1. Làm sạch dụng cụ trước khi cất giữ. Loại bỏ bất kỳ hạt cửa hay vụn bào nào khỏi dụng cụ sau khi tháo bỏ vỏ bảo vệ đĩa xích.

2. Sau khi làm sạch dụng cụ, không vận hành nó dưới chế độ không tải để tra dầu mỡ cho xích cửa và thanh dẫn hướng.

3. Bao bọc thanh dẫn hướng bằng vỏ bảo vệ thanh dẫn hướng.

4. Làm rỗng bình chứa dầu.

Hướng dẫn bảo dưỡng định kỳ

Để đảm bảo tuổi thọ lâu dài, phòng ngừa hư hỏng và đảm bảo chức năng của các tính năng an toàn được đầy đủ, phải thường xuyên thực hiện công việc bảo dưỡng sau đây. Các tuyên bố về bảo hành chỉ có thể được công nhận khi công việc này được thực hiện thường xuyên và đúng cách. Không thực hiện công việc bảo dưỡng theo quy định có thể dẫn đến tai nạn! Người sử dụng máy cưa xích không được thực hiện công việc bảo trì không được mô tả trong tài liệu hướng dẫn. Tất cả các công việc này phải được tiến hành bởi trung tâm dịch vụ được ủy quyền.

Phần kiểm tra / Giờ vận hành		Trước khi vận hành	Mỗi ngày	Mỗi tuần	Mỗi 3 tháng	Hàng năm	Trước khi cất giữ
Cưa xích	Kiểm tra.	✓	-	-	-	-	-
	Vệ sinh.	-	✓	-	-	-	-
	Kiểm tra tại trung tâm dịch vụ ủy quyền.	-	-	-	-	✓	✓
Xích cưa	Kiểm tra.	✓	-	-	-	-	-
	Mài đĩa nếu cần thiết.	-	-	-	-	-	✓
Thanh dẫn hướng	Kiểm tra.	✓	✓	-	-	-	-
	Tháo dỡ khỏi máy cưa xích.	-	-	-	-	-	✓
Phanh của dây xích	Kiểm tra các chức năng.	✓	-	-	-	-	-
	Nhờ trung tâm dịch vụ được ủy quyền để kiểm tra máy định kỳ.	-	-	-	✓	-	-
Tra dầu mỡ cho dây xích	Kiểm tra mức cung cấp dầu.	✓	-	-	-	-	-
Cần khởi động công tắc	Kiểm tra.	✓	-	-	-	-	-
Nút nhả khóa	Kiểm tra.	✓	-	-	-	-	-
Nạp bình chứa dầu	Kiểm tra độ khít.	✓	-	-	-	-	-
Chốt cài dây xích	Kiểm tra.	-	-	✓	-	-	-
Trục vít và đai ốc	Kiểm tra.	-	-	✓	-	-	-

XỬ LÝ SỰ CỐ

Trước khi yêu cầu sửa chữa, đầu tiên hãy tự tiến hành kiểm tra của riêng bạn. Nếu bạn phát hiện vấn đề nào đó không được giải thích trong sách hướng dẫn sử dụng này, đừng cố tháo dỡ dụng cụ. Thay vào đó, hãy nhờ Trung tâm dịch vụ Makita được ủy quyền, luôn sử dụng bộ phận thay thế của Makita để sửa chữa.

Tình trạng nguy hiểm	Nguyên nhân	Hành động
Máy cưa xích không hoạt động.	Không lắp hộp pin.	Lắp hộp pin đã được sạc đầy.
	Vấn đề pin (điện áp thấp).	Sạc pin lại cho hộp pin. Nếu sạc pin lại không hiệu quả, thay thế hộp pin.
Xích cưa không chạy.	Đã kích hoạt phanh của dây xích.	Nhả phanh của dây xích.
Động cơ ngừng chạy sau khi ít sử dụng đến.	Mức sạc pin thấp.	Sạc pin lại cho hộp pin. Nếu sạc pin lại không hiệu quả, thay thế hộp pin.
Không có dầu trên dây xích.	Bình chứa dầu rỗng.	Đổ đầy bình chứa dầu.
	Rãnh dẫn dầu dơ.	Lau sạch rãnh.
Máy cưa xích không đạt RPM tối đa.	Hộp pin được lắp đúng cách.	Lắp hộp pin như mô tả trong sách hướng dẫn này.
	Nguồn pin bị tụt áp.	Sạc pin lại cho hộp pin. Nếu sạc pin lại không hiệu quả, thay thế hộp pin.
	Hệ thống truyền động không làm việc đúng cách.	Hãy hỏi trung tâm bảo trì được ủy quyền ở khu vực của bạn để được yêu cầu sửa chữa.
Dây xích không dừng lại ngay cả khi đã kích hoạt phanh của dây xích: Ngừng dụng cụ ngay lập tức!	Dây đai phanh đang mòn dần.	Hãy hỏi trung tâm bảo trì được ủy quyền ở khu vực của bạn để được yêu cầu sửa chữa.
Rung bất thường: Ngừng dụng cụ ngay lập tức!	Nới lỏng thanh dẫn hướng hoặc xích cưa.	Điều chỉnh thanh dẫn hướng và lực căng xích cưa.
	Lỗi dụng cụ.	Hãy hỏi trung tâm bảo trì được ủy quyền ở khu vực của bạn để được yêu cầu sửa chữa.
Không thể lắp đặt xích cưa.	Kết hợp giữa xích cưa và đĩa xích không chính xác.	Sử dụng kết hợp xích cưa và đĩa xích đúng bằng cách tham khảo phần thông số kỹ thuật.

PHỤ KIỆN TỰ CHỌN

⚠ THẬN TRỌNG: Các phụ kiện hoặc phụ tùng gắn thêm này được khuyến cáo sử dụng với dụng cụ Makita của bạn theo như quy định trong hướng dẫn này. Việc sử dụng bất cứ phụ kiện hoặc phụ tùng gắn thêm nào khác đều có thể gây ra rủi ro thương tích cho người. Chỉ sử dụng phụ kiện hoặc phụ tùng gắn thêm cho mục đích đã quy định sẵn của chúng.

Nếu bạn cần bất kỳ sự hỗ trợ nào để biết thêm chi tiết về các phụ tùng này, hãy hỏi Trung tâm Dịch vụ của Makita tại địa phương của bạn.

- Xích cưa
- Thanh dẫn hướng
- Vỏ bảo vệ thanh dẫn hướng
- Giữa
- Túi dụng cụ
- Pin và bộ sạc chính hãng của Makita

⚠ CẢNH BÁO: Nếu bạn mua một thanh dẫn hướng có chiều dài khác thanh dẫn hướng chuẩn, và mua cùng với vỏ bảo vệ thanh dẫn hướng phù hợp. Nó phải vừa khít và hoàn toàn bao bọc thanh dẫn hướng trên máy cưa xích.

LƯU Ý: Một số mục trong danh sách có thể được bao gồm trong gói dụng cụ làm phụ kiện tiêu chuẩn. Các mục này ở một quốc gia có thể khác nhau.

ข้อมูลจำเพาะ

รุ่น:		DUC307	DUC357	DUC407
ความยาวโดยรวม (โดยไม่มีแผ่นบังคับโซ่)		428 mm		
แรงดันไฟฟ้าสูงสุด		D.C. 18 V		
น้ำหนักสุทธิ	*1	2.9 kg		
	*2	4.2 - 4.4 kg		
ความยาวของแถบรางมาตรฐาน		300 mm	350 mm	400 mm
ความยาวของไกด์ บาร์ที่แนะนำ	90PX	300 - 400 mm		
	91PX	-	350 mm	-
ประเภทของโซ่เลื่อยที่ใช้ได้ (โปรดดูรายละเอียดในตารางด้านล่าง)		90PX		
		91PX		
สเตอร์	จำนวนเฟือง	6		
	ระยะพิชท์ฟันเลื่อย	3/8"		
ความเร็วของโซ่		0 - 7.7 m/s (0 - 460 m/min)		
ปริมาตรถังน้ำมันของโซ่		150 cm ³		

• เนื่องจากการค้นคว้าวิจัยและพัฒนาอย่างต่อเนื่อง ข้อมูลจำเพาะในเอกสารฉบับนี้อาจเปลี่ยนแปลงได้โดยไม่ต้องแจ้งให้ทราบล่วงหน้า

• ข้อมูลจำเพาะอาจแตกต่างกันไปในแต่ละประเทศ

*1: น้ำหนัก ไม่มีโซ่เลื่อย แผ่นบังคับโซ่ ฝาครอบแผ่นบังคับโซ่ น้ำมัน และตลับแบตเตอรี่

*2: การผสมผสานน้ำหนักที่เบาที่สุดและหนักที่สุดตามมาตรฐาน EPTA-Procedure 01/2014 น้ำหนักอาจแตกต่างกันไปตามอุปกรณ์เสริม รวมถึงตลับแบตเตอรี่

ความเข้ากันได้ของโซ่เลื่อย แผ่นบังคับโซ่ และเฟืองโซ่

ประเภทของโซ่เลื่อย		90PX		
จำนวนการเชื่อมต่อในการขับเคลื่อน		46	52	56
แถบราง	ความยาวของแถบราง	300 mm	350 mm	400 mm
	ความยาวในการตัด	275 mm	330 mm	370 mm
	ระยะพิชท์ฟันเลื่อย	3/8"		
	เกจ	1.1 mm		
	ประเภท	แถบจุมูกสเตอร์		
เฟืองโซ่	จำนวนซี่ฟันเฟือง	6		
	ระยะพิชท์ยอดฟัน	3/8"		

ประเภทของโซ่เลื่อย		91PX
จำนวนการเชื่อมต่อในการขับเคลื่อน		52
แถบราง	ความยาวของแถบราง	350 mm
	ความยาวในการตัด	330 mm
	ระยะพิชท์ฟันเลื่อย	3/8"
	เกจ	1.3 mm
	ประเภท	แถบจุมูกสเตอร์
เฟืองโซ่	จำนวนซี่ฟันเฟือง	6
	ระยะพิชท์ยอดฟัน	3/8"

คำเตือน: ใช้แถบรางร่วมกับโซ่เลื่อยอย่างเหมาะสม มิฉะนั้นอาจเกิดการบาดเจ็บต่อร่างกายได้

ดัลับแบตเตอรี่และเครื่องชาร์จที่ใช้ได้

ดัลับแบตเตอรี่	BL1830B / BL1840B / BL1850B / BL1860B
เครื่องชาร์จ	DC18RC / DC18RD / DC18RE / DC18SD / DC18SE / DC18SF / DC18SH

- ดัลับแบตเตอรี่และเครื่องชาร์จบางรายการที่แสดงอยู่ด้านบนอาจไม่มีวางจำหน่ายขึ้นอยู่กับภูมิภาคที่คุณอาศัยอยู่

คำเตือน: ใช้ดัลับแบตเตอรี่และเครื่องชาร์จที่ระบุไว้ข้างบนเท่านั้น การใช้ดัลับแบตเตอรี่และเครื่องชาร์จประเภทอื่นอาจก่อให้เกิดความเสี่ยงที่จะได้รับบาดเจ็บและ/หรือเกิดไฟไหม้

แหล่งจ่ายไฟแบบเชื่อมต่อสายไฟที่แนะนำ

ชุดต้นกำลังแบบพกพา	PDC01
--------------------	-------

- แหล่งจ่ายไฟแบบเชื่อมต่อสายไฟตามรายการด้านบนอาจไม่มีจำหน่ายขึ้นอยู่กับภูมิภาคที่คุณอยู่
- ก่อนใช้งานแหล่งจ่ายไฟแบบเชื่อมต่อสายไฟให้อ่านคำแนะนำและเครื่องหมายเตือนที่ติดอยู่

สัญลักษณ์

ต่อไปนี้เป็นสัญลักษณ์ที่อาจใช้สำหรับอุปกรณ์ โปรดศึกษาความหมายของสัญลักษณ์ให้เข้าใจก่อนการใช้งาน



อ่านคู่มือการใช้งาน



สวมแว่นตานิรภัย



สวมใส่อุปกรณ์ป้องกันเสียง



ความยาวสูงสุดในการตัดที่ได้รับอนุญาต



ใช้มือทั้งสองข้างเสมอเมื่อใช้งานเลื่อยโซ่ยนต์



โปรดระวังการติดกลับของเลื่อยโซ่ยนต์และหลีกเลี่ยงการสัมผัสกับปลายแผ่นบังคับโซ่



อย่าให้โดนความชื้น



ทิศทางเคลื่อนที่ของโซ่



การปรับเปลี่ยนน้ำมันของเลื่อยโซ่ยนต์



สำหรับประเทศในสหภาพยุโรปเท่านั้น เนื่องจากในอุปกรณ์มีส่วนประกอบอันตราย ชยะจำพวกอุปกรณ์ไฟฟ้า และอิเล็กทรอนิกส์ แบตเตอรี่ และหม้อแปลงเตาหรือจิ้งอาจส่งผลต่อสิ่งแวดล้อมและสุขภาพของมนุษย์ในเชิงลบ อย่างไรก็ตามใช้ไฟฟ้าและอิเล็กทรอนิกส์หรือแบตเตอรีร่วมกับวัสดุเหลือทิ้งในครัวเรือน!

เพื่อให้เป็นไปตามกฎระเบียบของยุโรปว่าด้วยขยะจำพวกอุปกรณ์ไฟฟ้าและอิเล็กทรอนิกส์ และหม้อสะสมไฟฟ้าและแบตเตอรี และขยะจำพวกหม้อสะสมไฟฟ้าและแบตเตอรี รวมถึงการบังคับใช้ตามกฎหมายภายในประเทศ ควรมีการจัดเก็บขยะจำพวกอุปกรณ์ไฟฟ้า แบตเตอรี และหม้อสะสมไฟฟ้าแยกต่างหากและส่งไปยังจุดรับขยะต่างหากในเขตเทศบาลซึ่งมีการดำเนินการตามระเบียบว่าด้วยการดูแลสิ่งแวดล้อม

โดยระบุด้วยสัญลักษณ์เส้นคาดขวางรูปถังขยะแบบมีล้อไว้บนอุปกรณ์



ผ่านการรับรองระดับพลังงานเสียงตามกฎหมายเกี่ยวกับพลังงานเสียงตามกฎหมายของสหภาพยุโรป



ระดับพลังงานเสียงตามข้อบังคับการควบคุมเสียงรบกวนของรัฐนิวเซาท์เวลส์ ประเทศออสเตรเลีย

จุดประสงค์การใช้งาน

เลื่อยโซยนต์นี้ใช้สำหรับเลื่อยไม้

คำเตือนด้านความปลอดภัย

คำเตือนด้านความปลอดภัยของเครื่องมือไฟฟ้าทั่วไป

คำเตือน: โปรดอ่านคำเตือนด้านความปลอดภัย คำแนะนำ ภาพประกอบ และข้อมูลจำเพาะต่างๆ ที่หามากับเครื่องมือไฟฟ้านี้อย่างละเอียด การไม่ปฏิบัติตามคำแนะนำดังต่อไปนี้ อาจส่งผลให้เกิดไฟฟ้าช็อต ไฟไหม้ และ/หรือได้รับบาดเจ็บอย่างร้ายแรงได้

เก็บรักษาเครื่องมือและคำแนะนำทั้งหมดไว้

เป็นข้อมูลอ้างอิงในอนาคต

คำว่า “เครื่องมือไฟฟ้า” ในคำเตือนนี้หมายถึงเครื่องมือไฟฟ้า (มีสาย) ที่ทำงานโดยใช้กระแสไฟฟ้าหรือเครื่องมือไฟฟ้า (ไร้สาย) ที่ทำงานโดยใช้แบตเตอรี

ความปลอดภัยของพื้นที่ทำงาน

1. ดูแลพื้นที่ทำงานให้มีความสะอาดและมีแสงไฟสว่าง พื้นที่รกระเกะระกะหรือมืดที่บอาจนำไปสู่การเกิดอุบัติเหตุได้
2. อย่าใช้งานเครื่องมือไฟฟ้าในสภาพที่อาจเกิดการระเบิด เช่น ในสถานที่ที่มีของเหลว ก๊าซ หรือฝุ่นผงที่มีคุณสมบัติไวไฟ เครื่องมือไฟฟ้าอาจสร้างประกายไฟและจุดชนวนฝุ่นผงหรือก๊าซดังกล่าว
3. ดูแลไม่ให้มีเด็กๆ หรือบุคคลอื่นอยู่ในบริเวณที่กำลังใช้เครื่องมือไฟฟ้า การมีสิ่งรบกวนสมาธิอาจทำให้คุณสูญเสียการควบคุม

ความปลอดภัยด้านไฟฟ้า

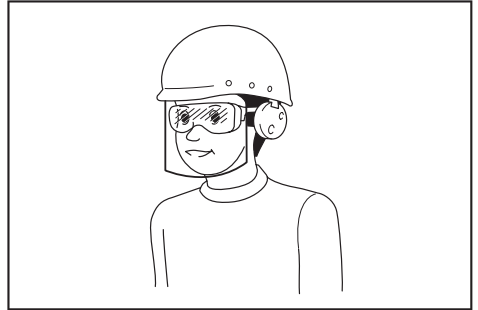
1. ปลั๊กของเครื่องมือไฟฟ้าต้องพอดีกับเต้ารับ อย่าดัดแปลงปลั๊กไม่ว่ากรณีใดๆ อย่าใช้ปลั๊กอะแดปเตอร์กับเครื่องมือไฟฟ้าที่ต่อสายดิน ปลั๊กที่ไม่ถูกดัดแปลงและเต้ารับที่เข้ากันพอดีจะช่วยลดความเสี่ยงของการเกิดไฟฟ้าช็อต
2. ระวังอย่าให้ร่างกายสัมผัสกับพื้นผิวที่ต่อสายดิน เช่น ท่อ เครื่องนำความร้อน เตาหุงต้ม และตู้เย็น มีความเสี่ยงที่จะเกิดไฟฟ้าช็อตสูงขึ้น หากร่างกายของคุณสัมผัสกับพื้น
3. อย่าให้เครื่องมือไฟฟ้าถูกน้ำหรืออยู่ในสภาพเปียกชื้น น้ำที่ไหลเข้าไปในเครื่องมือไฟฟ้าจะเพิ่มความเสี่ยงของการเกิดไฟฟ้าช็อต
4. อย่าใช้สายไฟอย่างไม่เหมาะสม อย่าใช้สายไฟเพื่อยก ดึง หรือถอดปลั๊กเครื่องมือไฟฟ้า เก็บสายไฟให้ห่างจากความร้อน น้ำมัน ของมีคม หรือชิ้นส่วนที่เคลื่อนที่ สายที่ชำรุดหรือพันกันจะเพิ่มความเสี่ยงของการเกิดไฟฟ้าช็อต
5. ขณะที่ใช้งานเครื่องมือไฟฟ้านอกอาคาร ควรใช้สายต่อพ่วงที่เหมาะสมกับงานภายนอกอาคาร การใช้สายที่เหมาะสมกับงานภายนอกอาคารจะลดความเสี่ยงของการเกิดไฟฟ้าช็อต
6. หากต้องใช้งานเครื่องมือไฟฟ้าในสถานที่เปียกชื้น ให้ใช้อุปกรณ์ป้องกันกระแสไฟรั่ว (RCD) การใช้ RCD จะลดความเสี่ยงของการเกิดไฟฟ้าช็อต

- เครื่องมือไฟฟ้าอาจสร้างสนามแม่เหล็ก (EMF) ที่ไม่เป็นอันตรายต่อผู้ใช้ อย่างไรก็ตาม ผู้ใช้ที่ใส่เครื่องกระตุ้นหัวใจและอุปกรณ์ทางการแพทย์ที่คล้ายกันนี้ ควรติดต่อผู้ผลิตอุปกรณ์และ/หรือแพทย์เพื่อรับคำแนะนำก่อนใช้งานเครื่องมือไฟฟ้านี้

ความปลอดภัยส่วนบุคคล

- ให้ระมัดระวังและมีสติอยู่เสมอขณะใช้งานเครื่องมือไฟฟ้า อย่าใช้งานเครื่องมือไฟฟ้าในขณะที่คุณกำลังเหนื่อย หรือในสภาพที่มึนเมาจากยาเสพติด เครื่องดื่ม แอลกอฮอล์ หรือการเข้ายา ช่วงเวลาที่ขาดความระมัดระวังเมื่อกำลังใช้งานเครื่องมือไฟฟ้าอาจทำให้ได้รับบาดเจ็บร้ายแรง
- ใช้อุปกรณ์ป้องกันส่วนบุคคล สวมแว่นตาป้องกันเสมอ อุปกรณ์ป้องกัน เช่น หน้ากากกันฝุ่น รองเท้านิรภัย กันลื่น หมวกนิรภัย หรือเครื่องป้องกันการได้ยินที่ใช้ในสภาพที่เหมาะสมจะช่วยลดการบาดเจ็บ
- ป้องกันไม่ให้เกิดการเปิดใช้งานโดยไม่ตั้งใจ ตรวจสอบให้แน่ใจว่าสวิตช์ปิดอยู่ก่อนที่จะเชื่อมต่อกับแหล่งจ่ายไฟ และ/หรือชุดแบตเตอรี่ รวมทั้งตรวจสอบก่อนการยกหรือเคลื่อนย้ายเครื่องมือ การสอดนิ้วมือบริเวณสวิตช์เพื่อถือเครื่องมือไฟฟ้า หรือการชาร์จไฟเครื่องมือไฟฟ้าในขณะที่เปิดสวิตช์อยู่อาจนำไปสู่การเกิดอุบัติเหตุ
- นำกฎฉบับปรับปรุงหรือประแจออกก่อนที่จะเปิดเครื่องมือไฟฟ้า ประแจหรือกฎฉบับที่เสียค้างอยู่ในชิ้นส่วนที่หมุนได้ของเครื่องมือไฟฟ้าอาจทำให้ได้รับบาดเจ็บ
- อย่าทำงานในระยะที่สูดเอื้อม จัดท่าการยืนและการทรงตัวให้เหมาะสมตลอดเวลา เพราะจะทำให้ควบคุมเครื่องมือไฟฟ้าได้ดีขึ้นในสถานการณ์ที่ไม่คาดคิด
- แต่งกายให้เหมาะสม อย่าสวมเครื่องแต่งกายที่หลวมเกินไป หรือสวมเครื่องประดับ ดูแลไม่ให้เส้นผมและเสื้อผ้าอยู่ใกล้ชิ้นส่วนที่เคลื่อนที่ เสื้อผ้า ร่ม ร่ม เครื่องประดับ หรือผมที่มีความยาวอาจเข้าไปติดในชิ้นส่วนที่เคลื่อนที่
- หากมีการจัดอุปกรณ์สำหรับตัดและจัดเก็บฝุ่นไว้ในสถานที่ ให้ตรวจสอบว่าได้เชื่อมต่อและใช้งานอุปกรณ์นั้นอย่างเหมาะสม การใช้เครื่องดูดและจัดเก็บฝุ่นจะช่วยลดอันตรายที่เกิดจากฝุ่นผงได้
- อย่าให้ความคุ้นเคยจากการใช้งานเครื่องมือเป็นประจำทำให้คุณทำตัวตามสบายและละเลยหลักการเพื่อความปลอดภัยในการใช้เครื่องมือ การกระทำที่ไม่ระมัดระวังอาจทำให้เกิดการบาดเจ็บร้ายแรงภายในเสี้ยววินาที

- สวมใส่แว่นครอบตานิรภัยเพื่อปกป้องดวงตาของคุณจากการบาดเจ็บเมื่อใช้เครื่องมือไฟฟ้า แว่นครอบตาจะต้องได้มาตรฐาน ANSI Z87.1 ในสหรัฐอเมริกา, EN 166 ในยุโรป หรือ AS/NZS 1336 ในออสเตรเลีย/นิวซีแลนด์ ในออสเตรเลีย/นิวซีแลนด์ จะต้องสวมเกราะป้องกันใบหน้าเพื่อปกป้องใบหน้าของคุณอย่างถูกต้องตามกฎหมายด้วย



ผู้ว่าจ้างมีหน้าที่รับผิดชอบในการบังคับผู้ใช้งานเครื่องมือและบุคคลอื่น ๆ ที่อยู่ในบริเวณที่ปฏิบัติงานให้ใช้อุปกรณ์ป้องกันที่เหมาะสม

การใช้และดูแลเครื่องมือไฟฟ้า

- อย่าฝืนใช้เครื่องมือไฟฟ้า ใช้เครื่องมือไฟฟ้าที่เหมาะสมกับการใช้งานของคุณ เครื่องมือไฟฟ้าที่เหมาะสมจะทำให้ได้งานที่มีประสิทธิภาพและปลอดภัยกว่าตามขีดความสามารถของเครื่องที่ได้รับการออกแบบมา
- อย่าใช้เครื่องมือไฟฟ้า หากสวิตช์ไม่สามารถเปิดปิดได้ เครื่องมือไฟฟ้าที่ควบคุมด้วยสวิตช์ไม่ได้เป็นสิ่งอันตรายและต้องได้รับการซ่อมแซม
- ถอดปลั๊กจากแหล่งจ่ายไฟ และ/หรือชุดแบตเตอรี่ออกจากเครื่องมือไฟฟ้าก่อนทำการปรับตั้ง เปลี่ยนอุปกรณ์เสริม หรือจัดเก็บเครื่องมือไฟฟ้า วิธีการป้องกันด้านความปลอดภัยดังกล่าวจะช่วยลดความเสี่ยงในการเปิดใช้งานเครื่องมือไฟฟ้าโดยไม่ตั้งใจ
- จัดเก็บเครื่องมือไฟฟ้าที่ไม่ได้ใช้งานให้ห่างจากมือเด็ก และอย่าอนุญาตให้บุคคลที่ไม่คุ้นเคยกับเครื่องมือไฟฟ้าหรือคำแนะนำเหล่านี้ใช้งานเครื่องมือไฟฟ้า เครื่องมือไฟฟ้าจะเป็นอันตรายเมื่ออยู่ในมือของผู้ที่ไม่ได้รับการฝึกอบรม

- บำรุงรักษาเครื่องมือไฟฟ้าและอุปกรณ์เสริม ตรวจสอบการประกอบที่ไม่ถูกต้องหรือการเชื่อมต่อนของชิ้นส่วนที่เคลื่อนที่ การแตกหักของชิ้นส่วนหรือสภาพอื่น ๆ ที่อาจส่งผลกระทบต่อการทำงานของเครื่องมือไฟฟ้า หากมีความเสียหาย ให้นำเครื่องมือไฟฟ้าไปซ่อมแซมก่อนการใช้งาน อุบัติเหตุจำนวนมากเกิดจากการดูแลรักษาเครื่องมือไฟฟ้าอย่างไม่ถูกต้อง
- ทำความเข้าใจเกี่ยวกับความปลอดภัยและข้อควรระวังของเครื่องมือการตัดที่มีการดูแลอย่างถูกต้องและเมื่อขอบการตัดคมมักจะมีปัญหาติดขัดน้อยและควบคุมได้ง่ายกว่า
- ใช้เครื่องมือไฟฟ้า อุปกรณ์เสริม และวัสดุสิ้นเปลือง ฯลฯ ตามคำแนะนำดังกล่าว พิจารณาสภาพการทำงานและงานที่จะลงมือทำ การใช้เครื่องมือไฟฟ้าเพื่อทำงานอื่นนอกเหนือจากที่กำหนดไว้อาจทำให้เกิดอันตราย
- ดูแลมือจับและบริเวณมือจับให้แห้ง สะอาด และไม่มีน้ำมันและจาระบีเปื้อน มือจับและบริเวณมือจับที่ลื่นจะทำให้ไม่สามารถจับและควบคุมเครื่องมือได้อย่างปลอดภัยในสถานการณ์ที่ไม่คาดคิด
- ขณะใช้งานเครื่องมือ อย่าสวมใส่ถุงมือผ้าที่อาจเข้าไปติดในเครื่องมือได้ หากถุงมือผ้าเข้าไปติดในชิ้นส่วนที่กำลังเคลื่อนที่อยู่อาจทำให้ได้รับบาดเจ็บ

การใช้งานและดูแลเครื่องมือที่ใช้แบตเตอรี่

- ชาร์จไฟใหม่ด้วยเครื่องชาร์จที่ระบุโดยผู้ผลิตเท่านั้น เครื่องชาร์จที่เหมาะสมสำหรับชุดแบตเตอรี่ประเภทหนึ่งอาจเสี่ยงที่จะเกิดไฟไหม้หากนำไปใช้กับชุดแบตเตอรี่อีกประเภทหนึ่ง
- ใช้เครื่องมือไฟฟ้ากับชุดแบตเตอรี่ที่กำหนดมาโดยเฉพาะเท่านั้น การใช้ชุดแบตเตอรี่ประเภทอื่นอาจทำให้เสี่ยงที่จะได้รับบาดเจ็บและเกิดไฟไหม้
- เมื่อไม่ใช้งานชุดแบตเตอรี่ ให้เก็บห่างจากวัตถุที่เป็นโลหะอื่น ๆ เช่น คลิปหนีบกระดาษ เหรียญ กุญแจ กรรไกรตัดเล็บ สกรู หรือวัตถุที่เป็นโลหะขนาดเล็กอื่น ๆ ที่สามารถเชื่อมต่อชั่วคราวกับอีกขั้วหนึ่งได้ การลัดวงจรขั้วแบตเตอรี่อาจทำให้อ่อนจัดหรือเกิดไฟไหม้
- ในกรณีที่ใช้งานไม่ถูกต้อง อาจมีของเหลวไหลออกจากแบตเตอรี่ ให้หลีกเลี่ยงการสัมผัส หากสัมผัสโดนของเหลวโดยไม่ตั้งใจ ให้ล้างออกด้วยน้ำ หากของเหลวกระเด็นเข้าตา ให้รีบไปพบแพทย์ ของเหลวที่ไหลออกจากแบตเตอรี่อาจทำให้ผิวหนังระคายเคืองหรือไหม้

- ห้ามใช้ชุดแบตเตอรี่หรือเครื่องมือที่ชาร์จหรือมีการแก้ไข แบตเตอรี่ที่เสียหายหรือมีการแก้ไขอาจทำให้เกิดสิ่งที่ไม่ดีได้ เช่น ไฟไหม้ระเบิด หรือเสี่ยงต่อการบาดเจ็บ
- ห้ามให้ชุดแบตเตอรี่อยู่ใกล้ไฟ หรือบริเวณที่มีอุณหภูมิสูงเกิน หากโดนไฟ หรืออุณหภูมิสูงเกิน 130 °C อาจก่อให้เกิดการระเบิดได้
- กรุณาปฏิบัติตามคำแนะนำสำหรับชาร์จไฟ และห้ามชาร์จแบตเตอรี่หรือเครื่องมือในบริเวณที่มีอุณหภูมิภายนอกเหนือไปจากที่ระบุในคำแนะนำ การชาร์จไฟที่ไม่เหมาะสม หรืออุณหภูมิภายนอกเหนือไปจากช่วงอุณหภูมิที่ระบุในคำแนะนำอาจทำให้แบตเตอรี่เสียหายและเป็นการเพิ่มความเสี่ยงในการเกิดไฟไหม้

การซ่อมบำรุง

- นำเครื่องมือไฟฟ้าเข้ารับบริการจากช่างซ่อมที่ผ่านการรับรองโดยช่างมืออาชีพแบบเดียวกันเท่านั้น เพราะจะทำให้การใช้เครื่องมือไฟฟ้ามีความปลอดภัย
- ห้ามใช้ชุดแบตเตอรี่ที่เสียหาย ชุดแบตเตอรี่ที่ใช้ควรเป็นชุดที่มาจากผู้ผลิต หรือผู้ให้บริการที่ได้รับอนุญาตเท่านั้น
- ปฏิบัติตามคำแนะนำในการหล่อลื่นและการเปลี่ยนอุปกรณ์เสริม

คำเตือนด้านความปลอดภัยของเลื่อยโซ่ยนต์ทั่วไป

- ดูแลร่างกายทุกส่วนให้ห่างจากโซ่เลื่อยในขณะที่เลื่อยโซ่ยนต์กำลังทำงาน ก่อนที่คุณจะเริ่มใช้งานเลื่อยโซ่ยนต์ ตรวจสอบให้แน่ใจว่าเลื่อยโซ่ยนต์ได้สัมผัสกับสิ่งใด การละเลยขณะใช้งานเลื่อยโซ่ยนต์อาจก่อให้เกิดการเกี่ยวเสี้ยงหรือร่างกายของคุณด้วยโซ่เลื่อย
- ถือเลื่อยโซ่ยนต์ด้วยมือข้างขวามือที่จับด้านหลังและมือด้านซ้ายบนที่จับด้านหน้าอยู่เสมอ การถือเลื่อยโซ่ยนต์ด้วยการใช้มือสลับกันจะเพิ่มความเสี่ยงของการบาดเจ็บส่วนบุคคล และไม่ควรกระทำ
- ถือเลื่อยโซ่ยนต์โดยมีพื้นผิวที่หุ้มด้วยฉนวนไฟฟ้าเท่านั้น เนื่องจากโซ่เลื่อยอาจสัมผัสกับสายไฟที่ซ่อนอยู่ โซ่เลื่อยที่สัมผัสกับสายไฟ "ที่มีกระแสไฟฟ้าเดินอยู่" อาจทำให้ชิ้นส่วนที่เป็นเหล็กของเลื่อยโซ่ยนต์ที่ถูกล้มผัส "ได้รับกระแสไฟฟ้า" และเกิดไฟช็อตแก่ผู้ใช้ งาน

4. สวมอุปกรณ์ป้องกันดวงตา ขอแนะนำให้อุปกรณ์ป้องกันเพิ่มเติมสำหรับหู ศีรษะ มือ ขา และเท้า อุปกรณ์ป้องกันจะลดการบาดเจ็บส่วนบุคคลโดยชิ้นส่วนที่ลอยหรือการสัมผัสกับโซ่เลื่อยโดยอุบัติเหตุ
5. อย่าใช้โซ่เลื่อยยนต์บนต้นไม้ บันได หลังกา หรือพื้นที่ที่ไม่มั่นคง การใช้งานเลื่อยโซยนต์ในลักษณะนี้อาจทำให้เกิดการบาดเจ็บได้
6. คอยรักษาการยึดมั่นที่เหมาะสมและใช้โซ่เลื่อยยนต์เมื่อยืนอยู่บนพื้นผิวระดับที่ราบเรียบและปลอดภัยเท่านั้น พื้นผิวที่ลื่นไหลหรือไม่ราบเรียบอาจก่อให้เกิดการสูญเสียการทรงตัวหรือการควบคุมของเลื่อยโซยนต์ได้
7. ในขณะตัดกิ่งไม้ที่อยู่ภายใต้ความตึง คอยระวังการดีดกลับ เมื่อความตึงในเส้นใยไม้ปล่อยออกมา กิ่งไม้ที่ดีดกลับมาอาจกระแทกผู้ใช้และ/หรือไม่อาจควบคุมเลื่อยโซยนต์ได้
8. คอยระมัดระวังอย่างสูงขณะตัดแปรงและกิ่งไม้อ่อนวัสดุที่บางอาจสัมผัสโซ่เลื่อย และตัดเข้าหาตัวคุณหรือทำให้คุณเสียการทรงตัว
9. ถือเลื่อยโซยนต์ตรงที่จับด้านหน้าขณะที่ปิดสวิทช์เลื่อยโซยนต์แล้ว และนำออกห่างจากร่างกายของคุณ เมื่อทำการเคลื่อนย้ายหรือจัดเก็บเลื่อยโซยนต์ ปิดฝาครอบแผ่นบังคับโซ่ให้สนิทอยู่เสมอ การใช้งานเลื่อยโซยนต์อย่างเหมาะสมจะลดความเป็นไปได้ของการสัมผัสโดยอุบัติเหตุด้วยโซ่เลื่อยที่ขยับ
10. ปฏิบัติตามคำแนะนำสำหรับการหล่อลื่น การปรับแรงตึงของโซ่ และการเปลี่ยนแผ่นบังคับโซ่และโซ่ โซ่ที่ถูกปรับแรงตึงหรือหล่อลื่นอย่างไม่ถูกต้องจะก่อให้เกิดหรือเพิ่มโอกาสของการดีดกลับ
11. ตัดไม้เท่านั้น อย่าใช้งานเลื่อยโซยนต์สำหรับวัตถุประสงค์ที่ไม่ได้กำหนด ตัวอย่าง: อย่าใช้งานเลื่อยโซยนต์สำหรับการตัดเหล็ก พลาสติก อิฐ หรือวัสดุก่อสร้างที่ไม่ใช่ไม้ การใช้งานเลื่อยโซยนต์สำหรับการดำเนินการที่แตกต่างไปจากที่กำหนดอาจก่อให้เกิดสถานการณ์ที่เป็นอันตรายได้
12. อย่าตัดต้นไม้จนกว่าคุณจะมีใจเกี่ยวกับความเสี่ยงและวิธีหลีกเลี่ยงอันตราย ผู้ใช้หรือคนรอบข้างอาจได้รับบาดเจ็บสาหัสขณะตัดต้นไม้
13. สาเหตุของการดีดกลับและการป้องกันผู้ใช้จากการดีดกลับ:
 - การดีดกลับอาจเกิดขึ้นเมื่อปลายของแผ่นบังคับโซ่สัมผัสกับวัตถุ หรือเมื่อไม้ขยับเข้ามาใกล้และบีบโซ่เลื่อยในระหว่างการตัด
 - การสัมผัสส่วนปลายในบางกรณีอาจก่อให้เกิดปฏิกิริยาย้อนกลับโดยทันทีขึ้นได้ ซึ่งจะดีดแผ่นบังคับโซ่ขึ้นด้านบนและดีดกลับใส่ผู้ใช้
 - การบีบโซ่เลื่อยอย่างแน่นบริเวณด้านบนของแผ่นบังคับโซ่อาจดันแผ่นบังคับโซ่กลับใส่ตัวผู้ใช้อย่างรวดเร็ว
 - ปฏิกิริยาเหล่านี้อาจทำให้คุณสูญเสียการควบคุมสำหรับเลื่อย ซึ่งอาจก่อให้เกิดการบาดเจ็บส่วนบุคคลที่ร้ายแรง อย่าใช้งานอุปกรณ์นี้รักษาที่ติดตั้งมาในเลื่อยของคุณเพียงอย่างเดียว ในฐานะผู้ใช้งานเลื่อยโซยนต์ คุณควรปฏิบัติตามหลายขั้นตอนเพื่อคอยหลีกเลี่ยงงานตัดจากอุบัติเหตุหรือการบาดเจ็บ
 - การดีดกลับเป็นผลมาจากการใช้เลื่อยโซยนต์ผิดวัตถุประสงค์และ/หรือการใช้ผิดวิธี และสามารถป้องกันได้ด้วยวิธีการป้องกันดังต่อไปนี้
 - คอยรักษาการจับให้แน่นด้วยหัวแม่มือและนิ้วมือรอบมือจับของเลื่อยโซยนต์ด้วยมือทั้งสองข้างบนตัวเลื่อย และจัดวางร่างกายและแขนของคุณเพื่อให้สามารถต้านทานแรงดีดกลับได้ แรงดีดกลับสามารถถูกควบคุมได้โดยผู้ใช้หากมีการปฏิบัติข้อควรระวังอย่างเหมาะสม อย่าปล่อยให้เลื่อยโซยนต์

► **หมายเลข 1**

- อย่าเอื้อมเกินตัวและอย่าตัดเหนือความสูงของไหล่ สิ่งนี้จะช่วยป้องกันการสัมผัสด้านปลายที่ไม่ได้เจตนาและช่วยควบคุมเลื่อยโซยนต์ในกรณีที่ไม่คาดคิดได้ดียิ่งขึ้น
- ใช้แผ่นบังคับโซ่และโซ่เลื่อยสำรองที่กำหนดโดยผู้ผลิตเท่านั้น การเปลี่ยนแผ่นบังคับโซ่และโซ่เลื่อยที่ไม่ถูกต้องอาจก่อให้เกิดการแตกของโซ่และ/หรือการดีดกลับ
- ปฏิบัติตามการล้มคมของผู้ผลิตและคำแนะนำในการซ่อมบำรุงสำหรับเลื่อยโซยนต์ การลดลงของความสูงสำหรับเกวียดความลึกอาจนำไปสู่การดีดกลับที่เพิ่มขึ้น

- ปฏิบัติตามคำแนะนำทั้งหมดเมื่อกำจัดสิ่งที่ดีอยู่ จัดเก็บ หรือบำรุงรักษาเลื่อยโซยนต์ ตรวจสอบให้แน่ใจว่าปัดสวิตช์และนำดลับแบตเตอรี่ออกแล้ว การที่เลื่อยโซยนต์ทำงานขึ้นมาโดยไม่คาดคิดขณะที่กำลังกำจัดสิ่งที่ดีอยู่หรือทำการบำรุงรักษาเครื่องมืออาจทำให้เกิดการบาดเจ็บร้ายแรงได้

คำแนะนำด้านความปลอดภัยเพิ่มเติม

อุปกรณ์ป้องกันส่วนบุคคล

- เสื้อมีจะต้องสวมใส่ได้พอดีตัว แต่ไม่เป็นอุปสรรคต่อการเคลื่อนไหว
- สวมใส่ชุดป้องกันต่อไปนี้ระหว่างทำงาน:
 - หมวกนิรภัยที่ผ่านการทดสอบแล้ว หากเกิดอันตรายจากกิ่งไม้ที่ร่วงลงมาหรือสิ่งอื่นที่ใกล้เคียง
 - หมวกากหรือแว่นกันลม
 - อุปกรณ์ป้องกันเสียงที่เหมาะสม (ที่ครอบหู ปลั๊กอุดหูเฉพาะบุคคลหรือแบบปรับขึ้นรูป) การตรวจวิเคราะห์ความถี่ตามคำร้อง
 - ถุงมือนิรภัยหนึ่งอย่างหนา
 - กางเกงขายาวที่ผลิตด้วยผ้าเนื้อหนา
 - ชุดเข็มนิรภัยที่ทำจากผ้าทนต่อการฉีกขาด
 - รองเท้าหรือรองเท้าบูตนิรภัยที่มีพื้นกันลื่น หัวเหล็ก และบุด้วยผ้าทนต่อการฉีกขาด
 - หมวกากช่วยหายใจ เมื่อต้องทำงานที่ทำให้เกิดฝุ่นผง (เช่น การเลื่อยไม้แห้ง)

การใช้งาน

- ก่อนการเริ่มงาน ตรวจสอบว่าเลื่อยโซยนต์อยู่ในลำดับงานที่ถูกต้องและสภาพสอดคล้องกับข้อบังคับด้านความปลอดภัย ตรวจสอบสิ่งต่อไปนี้โดยเฉพาะ:
 - เบรกของโซ่ทำงานอย่างเหมาะสม
 - เบรกที่ผ่านการใช้งานมานานทำงานอย่างเหมาะสม
 - แถบรางและฝาครอบสเตอร์อยู่ในตำแหน่งที่ถูกต้อง
 - ได้มีการลึบคมโซยนต์และกำหนดแรงตึงตามข้อบังคับ
- อย่าเริ่มใช้งานเลื่อยโซยนต์ด้วยฝาครอบเลื่อยที่ติดตั้งมา การเริ่มใช้งานเลื่อยโซยนต์ด้วยฝาครอบโซ่ที่ติดตั้งบนเลื่อยอาจก่อให้เกิดการปกคลุมโซ่เพื่อเหวี่ยงไปด้านหน้า ซึ่งก่อให้เกิดการบาดเจ็บส่วนบุคคลและความเสียหายแก่ตัวรถอบตัวผู้ใช้

ความปลอดภัยทางไฟฟ้าและแบตเตอรี่

- หลีกเลี่ยงการใช้งานในสภาพแวดล้อมที่อันตราย ห้ามใช้เครื่องมือในพื้นที่เปียกชื้นหรือโดนเม็ดฝน น้ำที่เข้าไปในเครื่องมือจะเพิ่มความเสี่ยงในการเกิดไฟฟ้าช็อต
- อย่ากำจัดแบตเตอรี่ในไฟ แบตเตอรี่อาจจะระเบิดได้ ตรวจสอบรหัสท้องถื่นสำหรับคำแนะนำเกี่ยวกับการกำจัดทั้งแบบพิเศษ
- อย่าเปิดหรือทำให้แบตเตอรี่เสียหาย อิเล็กโทรไลต์ที่ถูกปล่อยออกมามีคุณสมบัติกัดกร่อน และอาจทำลายดวงตาหรือผิวหนังได้ อาจเป็นพิษหากกลืนกินเข้าไป
- อย่าชาร์จแบตเตอรี่กลางฝนหรือในสถานที่ที่เปียก
- ห้ามชาร์จไฟนอกบ้าน หรือกลางแจ้ง
- ห้ามจับอุปกรณ์ชาร์จรวมถึงปลั๊กเครื่องชาร์จและขั้วอุปกรณ์ชาร์จด้วยมือที่เปียก
- อย่าเปลี่ยนแบตเตอรี่กลางฝน
- อย่าเปลี่ยนแบตเตอรี่ด้วยมือที่เปียก
- อย่าทิ้งแบตเตอรี่ไว้กลางฝน และไม่ชาร์จ ใช้ หรือเก็บแบตเตอรี่ในสถานที่ที่ชื้นหรือเปียก
- อย่าให้ขั้วแบตเตอรี่เปียกของเหลว เช่น น้ำ หรืออย่าให้แบตเตอรี่แช่ในน้ำ หากขั้วเปียกหรือของเหลวเข้าไปด้านในแบตเตอรี่ แบตเตอรี่อาจลัดวงจร และมีความเสี่ยงที่จะเกิดความร้อนสูง ไฟไหม้ หรือระเบิดได้
- หลังนำแบตเตอรี่ออกจากเครื่องหรือเครื่องชาร์จแล้ว ตรวจสอบให้แน่ใจว่าได้ใส่ฝาครอบแบตเตอรี่เข้ากับแบตเตอรี่ และเก็บไว้ในที่แห้ง
- หากดลับแบตเตอรี่เปียก ให้ระบายน้ำภายนอกแล้วเช็ดด้วยผ้าแห้ง ปล่อยให้ดลับแบตเตอรี่แห้งสนิทในที่แห้งก่อนใช้งาน

ปฏิบัติตามคำแนะนำเหล่านี้

⚠ คำเตือน: อย่าให้ความไม่ระมัดระวังหรือความคุ้นเคยกับผลิตภัณฑ์ (จากการใช้งานซ้ำหลายครั้ง) อยู่เหนือการปฏิบัติตามกฎเกณฑ์ด้านความปลอดภัยในการใช้งาน ผลิตภัณฑ์อย่างเคร่งครัด การใช้งานอย่างไม่เหมาะสมหรือการไม่ปฏิบัติตามกฎเกณฑ์ด้านความปลอดภัยในคู่มือการใช้งานนี้อาจทำให้ได้รับบาดเจ็บร้ายแรง

คำแนะนำเพื่อความปลอดภัยที่สำคัญสำหรับ ดัลล์แบตเตอรี่

1. ก่อนใช้งานดัลล์แบตเตอรี่ให้อ่านคำแนะนำและ
เครื่องหมายเตือนทั้งหมดบน (1) เครื่องชาร์จ
แบตเตอรี่ (2) แบตเตอรี่ และ (3) ตัวผลิตภัณฑ์ที่ใช้
แบตเตอรี่
2. อย่าถอดแยกชิ้นส่วนหรือทำการดัดแปลงดัลล์
แบตเตอรี่ เนื่องจากอาจทำให้เกิดไฟไหม้ ความร้อนที่
สูงเกินไป หรือระเบิดได้
3. หากระยะเวลาที่เครื่องทำงานสั้นเกินไป ให้หยุดใช้งาน
ทันที เนื่องจากอาจมีความเสี่ยงที่จะร้อนจัด ไหม้หรือ
ระเบิดได้
4. หากสารละลายอิเล็กโทรไลต์กระเด็นเข้าตา ให้ล้าง
ออกด้วยน้ำเปล่าและรีบไปพบแพทย์ทันที เนื่องจาก
อาจทำให้ตาบอด
5. ห้ามลัดวงจรดัลล์แบตเตอรี่:
 - (1) ห้ามแตะขั้วกับวัตถุที่เป็นสื่อไฟฟ้าใดๆ
 - (2) หลีกเลี่ยงการเก็บดัลล์แบตเตอรี่ไว้ในภาชนะร่วมกับวัตถุที่เป็นโลหะ เช่น กรรไกรตัดเล็บ เหรียญ
 ฯลฯ
 - (3) อย่าให้ดัลล์แบตเตอรี่ถูกน้ำหรือฝน
แบตเตอรี่ลัดวงจรอาจทำให้เกิดการไหลของกระแส
ไฟฟ้า ร้อนจัด ไหม้หรือเสียหายได้
6. ห้ามเก็บและใช้เครื่องมือและดัลล์แบตเตอรี่ไว้ในสถานที่
ที่มีอุณหภูมิสูงถึงหรือเกิน 50 °C (122 °F)
7. ห้ามเผาดัลล์แบตเตอรี่ทิ้ง แม้ว่าแบตเตอรี่จะเสียหาย
จนใช้การไม่ได้หรือเสื่อมสภาพแล้ว ดัลล์แบตเตอรี่
อาจจะระเบิดในกองไฟ
8. อย่าดองตะปู ตัด บด ขั้ว หรือทำดัลล์แบตเตอรี่
หล่นพื้น หรือกระแทกดัลล์แบตเตอรี่กับวัตถุของแข็ง
การกระทำดังกล่าวอาจส่งผลให้เกิดไฟไหม้ ความร้อน
ที่สูงเกินไป หรือระเบิดได้
9. ห้ามใช้แบตเตอรี่ที่เสียหาย
10. แบตเตอรี่ลิเทียมไอออนที่มีมาให้ในนี้เป็นไปตามข้อ
กำหนดของ Dangerous Goods Legislation
สำหรับการขนส่งเพื่อการพาณิชย์ เช่น โดยบุคคลที่
สาม ตัวแทนขนส่งสินค้า จะต้องตรวจสอบข้อกำหนด
พิเศษในด้านการบรรจุหีบห่อหรือการติดป้ายสินค้า
ในการเตรียมสินค้าที่จะขนส่ง ให้ปรึกษาผู้เชี่ยวชาญ
ด้านวัตถุอันตราย โปรดตรวจสอบข้อกำหนดใน
ประเทศที่อาจมีรายละเอียดอื่นๆ เพิ่มเติม
ให้ติดเทปหรือปิดหน้าสัมผัสและห่อแบตเตอรี่ใน
ลักษณะที่แบตเตอรี่จะไม่เคลื่อนที่ไปมาในหีบห่อ

11. เมื่อกำจัดดัลล์แบตเตอรี่ ให้ถอดดัลล์แบตเตอรี่ออก
จากเครื่องมือและกำจัดในสถานที่ที่ปลอดภัย ปฏิบัติ
ตามข้อบังคับในท้องถิ่นเกี่ยวกับการกำจัดแบตเตอรี่
12. ใช้แบตเตอรี่กับผลิตภัณฑ์ที่ระบุโดย Makita เท่านั้น
การติดตั้งแบตเตอรี่ในผลิตภัณฑ์ที่ไม่ใช่ตามที่ระบุอาจ
ทำให้เกิดไฟไหม้ ความร้อนสูง ระเบิด หรืออิเล็กโทร
ไลต์รั่วไหลได้
13. หากไม่ใช่เครื่องมือเป็นระยะเวลานาน จะต้องถอด
แบตเตอรี่ออกจากเครื่องมือ
14. ในระหว่างและหลังการใช้งาน ดัลล์แบตเตอรี่อาจร้อน
ซึ่งอาจลวกผิวหรือทำให้ผิวไหม้ที่อุณหภูมิที่ต่ำได้ โปรด
ระมัดระวังในการจัดการกับแบตเตอรี่ที่ร้อน
15. อย่าสัมผัสขั้วของเครื่องมือทันทีหลังจากการใช้งาน
เนื่องจากอาจมีความร้อนพอที่จะทำให้ผิวไหม้ได้
16. อย่าปล่อยให้เศษวัสดุ ฝุ่นผง หรือดินเข้าไปติดอยู่ใน
ขั้ว รู และร่องของดัลล์แบตเตอรี่ เนื่องจากอาจทำให้
เกิดความร้อน ไฟไหม้ ระเบิด และทำให้เครื่องมือหรือ
ดัลล์แบตเตอรี่ทำงานผิดปกติ ส่งผลกระทบต่อความปลอดภัย
เกิดการบาดเจ็บได้
17. หากเครื่องมือไม่รองรับสายไฟแรงดันสูง อย่าใช้ดัลล์
แบตเตอรี่ใกล้กับสายไฟแรงดันสูง เนื่องจากเครื่องมือ
หรือดัลล์แบตเตอรี่อาจทำงานผิดปกติหรือเสียหายได้
18. เก็บแบตเตอรี่ให้ห่างจากเด็ก

ปฏิบัติตามคำแนะนำเหล่านี้

⚠️ ข้อควรระวัง: ใช้แบตเตอรี่ของแท้จาก Makita เท่านั้น
การใช้แบตเตอรี่ Makita ที่ไม่แท้ หรือแบตเตอรี่ที่ถูก
เปลี่ยน อาจทำให้แบตเตอรี่ระเบิด ก่อให้เกิดเพลิงลุกไหม้
การบาดเจ็บ และความเสียหายได้ และจะทำให้การรับ
ประกันของ Makita สำหรับเครื่องมือและแท่นชาร์จของ
Makita เป็นโมฆะด้วย

เคล็ดลับในการรักษาอายุการใช้งาน ของแบตเตอรี่ให้ยาวนานที่สุด

1. ชาร์จดัลล์แบตเตอรี่ก่อนที่ไฟจะหมด หยุดการใช้
งานแล้วชาร์จประจุไฟฟ้าใหม่ทุกครั้งเมื่อคุณรู้สึกว่า
อุปกรณ์มีกำลังลดลง
2. อย่าชาร์จดัลล์แบตเตอรี่ที่มีไฟเต็มแล้ว การชาร์จ
ประจุไฟฟ้ามากเกินไปอาจจะทำให้อายุการใช้งาน
ของดัลล์แบตเตอรี่สั้นลง
3. ชาร์จประจุไฟฟ้าดัลล์แบตเตอรี่ในห้องที่มีอุณหภูมิ
ระหว่าง 10 °C - 40 °C ปล่อยให้ดัลล์แบตเตอรี่เย็น
ลงก่อนที่จะชาร์จไฟ
4. เมื่อไม่ใช้ดัลล์แบตเตอรี่ ให้ถอดออกจากเครื่องมือหรือ
เครื่องชาร์จ

5. ชาร์จไฟตลับแบตเตอรี่หากคุณไม่ต้องการใช้เป็นเวลา นาน (เกินกว่าหกเดือน)

คำอธิบายชิ้นส่วนต่างๆ

► หมายเลข 2

1	ที่ป้องกันมือด้านหน้า	2	ก้าน	3	แถบยาง
4	โซ่เลื่อย	5	ฝาครอบแถบยาง	6	ปุ่มล็อก
7	มือจับด้านหลัง	8	สวิตช์สั่งงาน	9	ตลับแบตเตอรี่
10	ที่จับด้านหน้า	11	ฝาปิดถังน้ำมัน	12	กันชนเหล็กแหลม
13	ตัวป้องกันโซ่	14	ปุ่มหมุนปรับ	-	-

คำอธิบายการทำงาน

⚠ ข้อควรระวัง: ตรวจสอบให้แน่ใจว่าได้ปิดสวิตช์เครื่องมือและถอดตลับแบตเตอรี่ออกก่อนปรับตั้งหรือตรวจสอบการทำงานของเครื่องมือ

การใส่หรือการถอดตลับแบตเตอรี่

⚠ ข้อควรระวัง: ปิดสวิตช์เครื่องมือก่อนทำการติดตั้งหรือการถอดตลับแบตเตอรี่ทุกครั้ง

⚠ ข้อควรระวัง: ถือเครื่องมือและตลับแบตเตอรี่ให้แน่นในระหว่างการติดตั้งหรือการถอดตลับแบตเตอรี่ หากไม่ถือเครื่องมือและตลับแบตเตอรี่ให้แน่น อาจทำให้ตลับแบตเตอรี่และเครื่องมือลื่นหลุดมือ และทำให้เครื่องมือและตลับแบตเตอรี่เสียหายหรือได้รับบาดเจ็บได้

- หมายเลข 3: 1. ชีลสีแดง 2. ปุ่ม 3. ตลับแบตเตอรี่

เมื่อต้องการถอดตลับแบตเตอรี่ ให้เลื่อนปุ่มที่ด้านหน้าของตลับแล้วดึงออกจากเครื่องมือ

การติดตั้งตลับแบตเตอรี่ ให้จัดตำแหน่งลิ้นของตลับแบตเตอรี่ให้ตรงกับร่องของเครื่อง แล้วเลื่อนเข้าที่ ใส่ตลับแบตเตอรี่เข้าจนสุดจนกระทั่งได้ยินเสียงคลิกกลิ้งเข้าที่ หากยังเห็นชีลสีแดงตามที่แสดงในภาพ แสดงว่าตลับแบตเตอรี่ยังไม่ล็อกเข้าที่

⚠ ข้อควรระวัง: ให้ดันตลับแบตเตอรี่เข้าจนสุดจนไม่เห็นชีลสีแดงอีก ไม่เช่นนั้น ตลับแบตเตอรี่อาจหลุดออกจากเครื่องมือทำให้คุณหรือคนรอบข้างได้รับบาดเจ็บ

⚠ ข้อควรระวัง: อย่าฝืนติดตั้งตลับแบตเตอรี่โดยใช้แรงมากเกินไป หากตลับแบตเตอรี่ไม่เลื่อนเข้าไปโดยง่าย แสดงว่าใส่ไม่ถูกต้อง

การระบุระดับพลังงานแบตเตอรี่ที่เหลืออยู่

สำหรับตลับแบตเตอรี่ที่มีตัวแสดงสถานะเท่านั้น

- หมายเลข 4: 1. ไฟแสดงสถานะ 2. ปุ่มตรวจสอบ กดปุ่ม ตรวจสอบ บนตลับแบตเตอรี่เพื่อดูปริมาณแบตเตอรี่ที่เหลือ ไฟแสดงสถานะจะสว่างขึ้นเป็นเวลาสองสามวินาที

ไฟแสดงสถานะ			แบตเตอรี่ที่เหลือ
ไฟสว่าง	ดับ	กะพริบ	
■ ■ ■ ■	□ □ □ □	▣ ▣ ▣ ▣	75% ถึง 100%
■ ■ ■ □	□ □ □ □	▣ ▣ ▣ □	50% ถึง 75%
■ ■ □ □	□ □ □ □	▣ ▣ □ □	25% ถึง 50%
■ □ □ □	□ □ □ □	▣ □ □ □	0% ถึง 25%
▣ □ □ □	□ □ □ □	▣ □ □ □	ชาร์จไฟแบตเตอรี่
■ ■ □ □	□ □ □ □	▣ □ □ □	แบตเตอรี่อาจจะเสียหาย
□ □ ■ ■	□ □ □ □	▣ □ □ □	

หมายเหตุ: ขึ้นอยู่กับสภาพการใช้งานและอุณหภูมิ โดยรอบ การแสดงสถานะอาจจะแตกต่างจากปริมาณแบตเตอรี่จริงเล็กน้อย

หมายเหตุ: ไฟแสดงสถานะดวงแรก (ซ้ายสุด) จะกะพริบเมื่อระบบป้องกันแบตเตอรี่ทำงาน

ระบบป้องกันเครื่องมือ/แบตเตอรี่

เครื่องมือมีระบบป้องกันเครื่องมือ/แบตเตอรี่ ระบบนี้จะตัดไฟที่ส่งไปยังมอเตอร์โดยอัตโนมัติเพื่อป้องกันการใช้งานเครื่องมือและแบตเตอรี่ เครื่องมือจะหยุดทำงานระหว่างการใช้งานโดยอัตโนมัติ หากเครื่องมือหรือแบตเตอรี่อยู่ภายใต้สถานการณ์ต่อไปนี้

การป้องกันโอเวอร์โหลด

เมื่อเครื่องมือหรือแบตเตอรี่ทำงานในลักษณะที่ทำให้ต้องใช้กระแสไฟฟ้าสูงเกินไป เครื่องมือจะหยุดโดยอัตโนมัติ ในสถานการณ์เช่นนี้ ให้ปิดเครื่องมือและหยุดการใช้งานที่ทำให้เครื่องมือทำงานหนักเกินไป จากนั้นเปิดเครื่องมือเพื่อเริ่มการทำงานอีกครั้ง

การป้องกันความร้อนสูงเกิน

เมื่อเครื่องมือหรือแบตเตอรี่ร้อนเกินไป เครื่องมือจะหยุดโดยอัตโนมัติ ในกรณีนี้ ปล่อยให้เครื่องมือและแบตเตอรี่เย็นลงก่อนที่จะเปิดเครื่องมืออีกครั้ง

หมายเหตุ: ในสภาพแวดล้อมที่มีอุณหภูมิสูง ระบบป้องกันความร้อนสูงเกินนี้จะทำงานและเครื่องมือจะหยุดทำงานโดยอัตโนมัติ

การป้องกันไฟหมด

เมื่อแบตเตอรี่มีระดับพลังงานไม่เพียงพอ เครื่องมือจะหยุดโดยอัตโนมัติ ในกรณีนี้ ให้ถอดแบตเตอรี่ออกจากเครื่องมือและนำแบตเตอรี่ไปชาร์จไฟ

การป้องกันจากสาเหตุอื่น ๆ

ระบบป้องกันได้รับการออกแบบมาเพื่อสาเหตุอื่นๆ ที่อาจสร้างความเสียหายต่อเครื่องมือและทำให้เครื่องมือหยุดทำงานโดยอัตโนมัติ ดำเนินการตามขั้นตอนดังต่อไปนี้ทุกขั้นตอนเพื่อกำจัดสาเหตุออกไป เมื่อเครื่องมือหยุดทำงานชั่วคราวหรือหยุดทำงาน

1. ปิดเครื่องมือ แล้วเปิดใหม่เพื่อเริ่มใช้งานอีกครั้ง
2. ชาร์จหรือเปลี่ยนแบตเตอรี่โดยนำแบตเตอรี่ที่ชาร์จแล้วมาใช้แทน
3. ทิ้งให้เครื่องจักรและแบตเตอรี่เย็นลง

หากอาการไม่ดีขึ้นเมื่อเปิดระบบป้องกันอีกครั้ง ให้ติดต่อศูนย์บริการ Makita ใกล้บ้านคุณ

ข้อสังเกต: หากเครื่องมือหยุดทำงานเนื่องจากสาเหตุที่ไม่ได้อธิบายไว้ข้างต้น โปรดดูส่วนการแก้ไขปัญหา

การทำงานของสวิตช์

คำเตือน: เพื่อความปลอดภัยของคุณ เครื่องมือนี้มิได้มีปุ่มปลดล๊อคติดตั้งมาด้วยซึ่งจะช่วยป้องกันไม่ให้เครื่องมือสตาร์ทโดยไม่ได้ตั้งใจ ห้ามใช้เครื่องมือหากเครื่องมือสามารถทำงานได้เมื่อคุณดึงสวิตช์สั่งงานโดยไม่ได้กดปุ่มปลดล๊อค สอบถามศูนย์บริการ Makita ในท้องถิ่นให้ทำการซ่อมแซมให้

คำเตือน: ห้ามปิดการทำงานแบบล๊อคหรือติดเทปทับปุ่มปลดล๊อค

ข้อควรระวัง: ก่อนใส่ด้ามแบตเตอรี่ลงในเครื่องมือ ให้ตรวจสอบว่าสวิตช์สั่งงานสามารถทำงานได้อย่างถูกต้องและกลับไปยังตำแหน่ง "ปิด" เมื่อปล่อย

ข้อสังเกต: อย่ายึดสวิตช์สั่งงานแรงๆ โดยไม่ได้กดปุ่มปลดล๊อค สวิตช์อาจแตกได้

► **หมายเลข 5:** 1. ปุ่มล๊อค 2. สวิตช์สั่งงาน

เพื่อป้องกันไม่ให้สวิตช์สั่งงานถูกกดโดยไม่ได้ตั้งใจมีปุ่มปลดล๊อคติดตั้งไว้ เพื่อเริ่มใช้งานเครื่องมือ กดปุ่มปลดล๊อคแล้วดึงสวิตช์สั่งงาน ปล่อยให้สวิตช์สั่งงานเพื่อหยุดการทำงาน

การตรวจสอบเบรกโช้

ข้อควรระวัง: ถือเลื่อยโซยนต์ด้วยมือทั้งสองเมื่อเปิดสวิตช์ ถือมือจับด้านหลังด้วยมือข้างขวา และถือมือจับด้านหน้าด้วยมือข้างซ้าย แถบรางและโช้จะต้องไม่สัมผัสกับวัตถุใดๆ

ข้อควรระวัง: หากโช้เลื่อยไม่หยุดทำงานในทันทีเมื่อมีการทดสอบเช่นนี้ อาจห้ามใช้งานเลื่อยภายใต้สถานการณ์ใดๆ ปรึกษาศูนย์บริการที่ผ่านการรับรองของเรา

1. กดปุ่มปลดล๊อค จากนั้นค่อยดึงสวิตช์สั่งงาน โช้เลื่อยจะเริ่มทำงานทันที
 2. ดันที่ป้องกันมือด้านหน้าไปข้างหน้าโดยใช้หลังมือของคุณ ตรวจสอบให้แน่ใจว่าเลื่อยโซยนต์หยุดนิ่งโดยทันที
- **หมายเลข 6:** 1. ที่ป้องกันมือด้านหน้า 2. ตำแหน่งปลดล๊อค 3. ตำแหน่งล๊อค

การตรวจสอบเบรกที่ผ่านการใช้งานมานาน

ข้อควรระวัง: หากโช้เลื่อยไม่หยุดทำงานภายในหนึ่งวินาทีในการทดสอบนี้ ให้หยุดการใช้งานเลื่อยโซยนต์นั้น และปรึกษาศูนย์บริการที่ผ่านการรับรองของเรา

เดินเครื่องเลื่อยโซยนต์ จากนั้นปล่อยให้สวิตช์สั่งงานออกจนสุด โช้เลื่อยต้องหยุดนิ่งภายในหนึ่งวินาที

การประกอบ

⚠ ข้อควรระวัง: ตรวจสอบให้แน่ใจว่าได้ปิดสวิทช์เครื่องมือและถอดด้ามแบตเตอรี่ออกก่อนดำเนินการใดๆ กับเครื่องมือ

⚠ ข้อควรระวัง: ห้ามสัมผัสโซ่เลื่อยด้วยมือเปล่า ใส่ถุงมือขณะจับโซ่เลื่อยเสมอ

การติดตั้งหรือการถอดโซ่เลื่อย

⚠ ข้อควรระวัง: โซ่เลื่อยปลงแถบวางยังคงร้อนหลังจากการใช้งาน ปล่อยให้เย็นก่อนการเริ่มใช้งานเครื่องมือ

⚠ ข้อควรระวัง: ดำเนินการตามขั้นตอนการติดตั้งหรือการถอดโซ่เลื่อยในสถานที่สะอาดโดยปราศจากขี้เลื่อยและวัตถุคล้ายคลึง

การติดตั้งโซ่เลื่อย

สำหรับการติดตั้งเลื่อย ให้ปฏิบัติตามขั้นตอนดังนี้:

1. ปลดเบรกโซ่โดยการดึงที่ป้องกันก้านด้านหน้า
2. ดึงก้านขึ้นในขณะกดที่ขอบ
▶ **หมายเลข 7:** 1. ก้าน
3. หมุนก้านทวนเข็มนาฬิกาจนกระทั่งฝาครอบสเตอร์หลุดออกมา
▶ **หมายเลข 8:** 1. ก้าน 2. ฝาครอบสเตอร์
4. ถอดฝาครอบเฟืองโซ่
5. ตรวจสอบทิศทางของโซ่เลื่อย จัดให้ทิศทางของโซ่เลื่อยตรงกับเครื่องหมายบนตัวเครื่องเลื่อยโซ่ยนต์
▶ **หมายเลข 9:** 1. เครื่องหมายบนตัวเครื่องเลื่อยโซ่ยนต์
6. ดัดตั้งปลายด้านหนึ่งของโซ่เลื่อยบริเวณด้านบนของแผ่นบังคับโซ่
7. ดัดตั้งปลายอีกด้านของโซ่เลื่อยรอบสเตอร์ จากนั้นดัดแผ่นบังคับโซ่บนตัวเครื่องเลื่อยโซ่ยนต์
▶ **หมายเลข 10:** 1. สเตอร์
8. หมุนปุ่มหมุนปรับไปในทิศทาง "-" เพื่อเลื่อนเข็มปรับในทิศทางของลูกศร
▶ **หมายเลข 11:** 1. ปุ่มหมุนปรับ 2. เข็มปรับ
9. วางฝาครอบสเตอร์บนเลื่อยโซ่ยนต์เพื่อให้เข็มปรับอยู่ในรูเล็ก บนแถบวาง
▶ **หมายเลข 12:** 1. ฝาครอบสเตอร์ 2. แถบวาง 3. รู
10. หมุนก้านตามเข็มนาฬิกาจนสุดแล้วหมุนก้านกลับเล็กน้อยเพื่อให้หลวมเพื่อปรับความตึงของโซ่

11. ปรับความตึงของโซ่ โปรดดูส่วนการปรับแรงตึงของโซ่ เลื่อยสำหรับขั้นตอน

12. หมุนก้านตามเข็มนาฬิกาจนกระทั่งยึดฝาครอบสเตอร์จนแน่น จากนั้นเก็บกลับเข้าที่ตำแหน่งเดิม
▶ **หมายเลข 13:** 1. ก้าน 2. ฝาครอบสเตอร์

การถอดโซ่เลื่อย

สำหรับการถอดเลื่อย ให้ปฏิบัติตามขั้นตอนดังนี้:

1. ปลดเบรกโซ่โดยการดึงที่ป้องกันก้านด้านหน้า
2. หมุนปุ่มหมุนปรับไปยังทิศทาง "-" เพื่อปลดเบรกตึงของโซ่เลื่อย
▶ **หมายเลข 14:** 1. ปุ่มหมุนปรับ
3. ดึงก้านขึ้นในขณะกดที่ขอบ
▶ **หมายเลข 15:** 1. ก้าน
4. หมุนก้านทวนเข็มนาฬิกาจนกระทั่งฝาครอบสเตอร์หลุดออกมา
▶ **หมายเลข 16:** 1. ก้าน 2. ฝาครอบสเตอร์
5. ถอดฝาครอบสเตอร์จากนั้นถอดโซ่เลื่อยและแถบวางจากตัวเครื่องเลื่อยโซ่ยนต์

การปรับแรงตึงของโซ่เลื่อย

⚠ ข้อควรระวัง: ดำเนินการตามขั้นตอนการติดตั้งหรือการถอดโซ่เลื่อยในสถานที่สะอาดโดยปราศจากขี้เลื่อยและวัตถุคล้ายคลึง

⚠ ข้อควรระวัง: อย่าผูกโซ่เลื่อยให้แน่นมากเกินไป แรงตึงที่สูงมากเกินไปของโซ่เลื่อยอาจก่อให้เกิดการแตกของโซ่เลื่อย การสึกหรอของแถบวาง และการแตกหักของปุ่มหมุนปรับ

⚠ ข้อควรระวัง: โซ่ที่หลวมมากเกินไปสามารถดีดออกจากแถบวาง และอาจก่อให้เกิดอุบัติเหตุหรือการบาดเจ็บได้

โซ่เลื่อยอาจหลวมหลังจากการใช้งานหลายชั่วโมง คอยตรวจสอบแรงตึงของโซ่เลื่อยเป็นครั้งคราวก่อนการใช้งาน

1. ดึงก้านขึ้นในขณะกดที่ขอบ
▶ **หมายเลข 17:** 1. ก้าน
2. หมุนก้านทวนเข็มนาฬิกาเล็กน้อยเพื่อคลายฝาครอบสเตอร์เบาๆ
▶ **หมายเลข 18:** 1. ก้าน 2. ฝาครอบสเตอร์

3. ยกปลายแถบวางขึ้นเล็กน้อยและปรับแรงดึงของโซ่ปรับปุ่มหมุนปรับไปยังทิศทางของ “-” เพื่อคลาย หรือปรับไปยังทิศทางของ “+” เพื่อขันให้แน่น ผูกโซ่เลื่อยให้แน่นจนกระทั่งด้านล่างของโซ่เลื่อยเข้ากับรางของแถบวาง ดังปรากฏในภาพ

► **หมายเลข 19:** 1. ปุ่มหมุนปรับ 2. แถบวาง 3. โซ่เลื่อย

4. คอยถือแถบวางเบาๆ และปิดฝาครอบสตอร์ให้แน่น ตรวจสอบให้แน่ใจว่าโซ่เลื่อยที่ด้านล่างไม่หลวม

5. ดันก้านกลับสู่ตำแหน่งเดิม

ตรวจสอบให้แน่ใจว่าโซ่เลื่อยอยู่ในตำแหน่งพอดีกับด้านล่างของแถบวาง

การใช้งาน

การหล่อลื่น

⚠ **ข้อควรระวัง:** อย่าใช้เลื่อยโซ่ยนต์เมื่อน้ำมันหมด เติมน้ำมันก่อนที่น้ำมันในถังจะหมด

⚠ **ข้อควรระวัง:** ป้องกันไม่ให้น้ำมันมาสัมผัสกับผิวหนังและดวงตา การสัมผัสกับดวงตาทำให้เกิดการระคายเคืองได้ ในกรณีที่เข้าตา ให้ล้างตาข้างที่โดนทันทีด้วยน้ำสะอาด จากนั้นปรึกษาแพทย์ทันที

⚠ **ข้อควรระวัง:** ห้ามใช้ของเสียน้ำมัน ของเสียน้ำมันมีสารก่อมะเร็ง สารปนเปื้อนในของเสียน้ำมันทำให้เกิดการสูดหรืออย่างรวดเร็วยังของปัมน้ำมัน แถบวาง และโซ่ของเสียน้ำมันเป็นอันตรายต่อสิ่งแวดล้อม

ข้อสังเกต: เมื่อใช้งานเลื่อยโซ่ยนต์เป็นครั้งแรก ให้รอสักสองนาทีก่อนให้น้ำมันโซ่เลื่อยเริ่มหล่อลื่นกลไกไปเลื่อย ให้หมุนใบเลื่อยเปล่าๆ จนกว่าน้ำมันจะหล่อลื่นใบเลื่อย

ข้อสังเกต: เมื่อทำการเติมน้ำมันโซ่สำหรับเลื่อยโซ่ยนต์ในครั้งแรก หรือเติมถึงน้ำมันหลังจากการใช้งานจนว่างเปล่า ให้เติมน้ำมันตรงขอบด้านล่างของคอกที่เติม มิฉะนั้นการจ่ายน้ำมันอาจจะไม่สมบูรณ์

ข้อสังเกต: ใช้ น้ำมันโซ่เลื่อยสำหรับเลื่อยโซ่ยนต์ Makita หรือเทียบเท่า น้ำมันที่จำหน่ายในท้องตลาดเท่านั้น

ข้อสังเกต: ห้ามใช้น้ำมันที่ผสมกับฝุ่นและอนุภาคเล็กๆ หรือน้ำมันหอมระเหย

ข้อสังเกต: เมื่อทำการตัดต้นไม้ ให้ใช้น้ำมันที่สกัดจากพืช น้ำมันมีเนอรัลอาจเป็นอันตรายแก่ต้นไม้

ข้อสังเกต: ก่อนการตัดไม้ ตรวจสอบให้แน่ใจว่าได้หมุนฝาปิดถังน้ำมันให้เข้าที่

โซ่เลื่อยจะได้รับการหล่อลื่นโดยอัตโนมัติเมื่อมีการใช้งาน เครื่องมือ ตรวจสอบปริมาณน้ำมันที่เหลือในถังน้ำมันผ่านแผงตรวจสอบน้ำมันเป็นระยะๆ

► **หมายเลข 20:** 1. ฝาปิดถังน้ำมัน 2. แผงตรวจสอบน้ำมัน

วิธีเติมน้ำมัน ให้ทำตามขั้นตอนดังนี้

1. ทำความสะอาดพื้นที่รอบฝาปิดถังน้ำมันให้เรียบร้อย เพื่อป้องกันสิ่งสกปรกหล่นเข้าถังน้ำมัน
2. วางเลื่อยโซ่ยนต์ไว้ด้านข้าง และถอดฝาปิดถังน้ำมัน
3. เติมน้ำมันลงถัง ปริมาณน้ำมันที่เหมาะสมคือ 150 ml
4. หมุนฝาปิดถังน้ำมันให้เข้าที่
5. เช็ดน้ำมันที่หกอย่างระมัดระวัง

หมายเหตุ: หากฝาปิดถังน้ำมันถอดยาก ให้สอดไขควงหัวแบนเข้าไปในช่องของฝาปิดถังน้ำมัน แล้วถอดฝาปิดถังน้ำมันออกโดยหมุนทวนเข็มนาฬิกา

► **หมายเลข 21:** 1. ช่อง 2. ไขควงหัวแบน

หลังจากการเติม ให้ถือเลื่อยโซ่ยนต์ออกจากต้นไม้ เริ่มเปิดใช้งานและรอจนกระทั่งการหล่อลื่นบนโซ่เลื่อยเพียงพอ

► **หมายเลข 22**

การทำงานด้วยเลื่อยโซยนต์

⚠ ข้อควรระวัง: ในครั้งแรกผู้ใช้ควรถ้าการบันทึกการตัดบนนำร่องเลื่อยหรือแท่นวางเป็นการปฏิบัติขั้นแรก

⚠ ข้อควรระวัง: เมื่อทำการเลื่อยท่อนไม้แบบตัดแต่ง ให้ใช้แท่นรองสำหรับความปลอดภัย (นำร่องเลื่อยหรือแท่นวาง) อย่ายึดชิ้นงานด้วยเท้าของคุณ และอย่าอนุญาตให้บุคคลอื่นถือหรือจับชิ้นงาน

⚠ ข้อควรระวัง: ชิ้นชิ้นงานวงกลมด้วยการหมุน

⚠ ข้อควรระวัง: ดูแลร่างกายทุกส่วนให้ห่างจากโซ่เลื่อยในขณะที่เลื่อยกำลังทำงาน

⚠ ข้อควรระวัง: ถือเลื่อยโซยนต์ให้แน่นด้วยมือทั้งสองข้างเมื่อมอเตอร์กำลังทำงาน

⚠ ข้อควรระวัง: อย่าทำงานในระยะที่สุดเอี่ยม จัดทำการยืนและการทรงตัวให้เหมาะสมตลอดเวลา

ข้อสังเกต: ห้ามโยนหรือทำเครื่องมือตกหล่น

ข้อสังเกต: ห้ามให้มีสิ่งใดมาขวางหรือปิดช่องระบายอากาศของเครื่องมือ

นำขอบด้านล่างของตัวเครื่องเลื่อยโซยนต์ให้สัมผัสกับกิ่งไม้เพื่อทำการตัดก่อนเปิดสวิตช์ มิฉะนั้น อาจทำให้แถบรางสายไปสายมาซึ่งก่อให้เกิดการบาดเจ็บแก่ผู้ใช้ เลื่อยไม้ที่ต้องการตัดโดยขยับเลื่อยขึ้นลงโดยใช้น้ำหนักของตัวเลื่อยโซยนต์

▶ หมายเลข 23

หากคุณไม่สามารถตัดท่อนไม้ได้ในจังหวะเดียว: ให้ใช้แรงดันเล็กน้อยกับมือจับและทำการเลื่อยต่อไป และดึงเลื่อยโซยนต์กลับมาเล็กน้อย จากนั้นให้ใช้กันชนเหล็กแหลมในตำแหน่งที่ต่ำเล็กน้อยและทำการตัดให้เสร็จสิ้นโดยการยกมือจับ

▶ หมายเลข 24

การตัดเป็นท่อนซุง

1. วางขอบด้านล่างของตัวเครื่องเลื่อยโซยนต์บนไม้เพื่อทำการตัด

▶ หมายเลข 25

2. ด้วยการไหลของโซ่เลื่อย เลื่อยไม้โดยการใช่มือจับด้านหลังเพื่อยกเลื่อยและมือจับด้านหน้าเพื่อนำทิศทาง ใช้กันชนเหล็กแหลมเป็นแกนหมุน

3. ดำเนินการตัดต่อไปโดยการใช้แรงดันเล็กน้อยกับมือจับด้านหน้า ซึ่งปล่อยเลื่อยถอยกลับเล็กน้อย ขยับกันชนเหล็กแหลมลงไปยังไม้เพิ่มขึ้นและยกมือจับด้านหน้าอีกครั้ง

ข้อสังเกต: เมื่อทำการตัดหลายครั้ง ให้ปิดสวิตช์ของเลื่อยโซยนต์ระหว่างการตัด

⚠ ข้อควรระวัง: หากมีการใช้ขอบด้านบนของแถบรางสำหรับการตัด เลื่อยโซยนต์อาจหันเหไปในทิศทางของคุณในกรณีที่โซ่ติดชะงัก สำหรับกรณีนี้ ตัดด้วยขอบด้านล่าง ดังนั้นเลื่อยก็จะหันเหออกจากร่างกายของคุณ

▶ หมายเลข 26

เมื่อคุณตัดไม้ภายใต้แรงดึง ให้ตัดด้านแรงดัน (A) เป็นอันดับแรก จากนั้น ทำการตัดครั้งสุดท้ายจากด้านแรงดึง (B) ซึ่งจะบ่งชี้แถบรางจากการติดชะงัก

▶ หมายเลข 27

การโค่นต้นไม้

⚠ ข้อควรระวัง: การโค่นต้นไม้อาจกระทำโดยบุคคลที่ได้รับการฝึกหัดมาเท่านั้น อันตรายจะเกิดขึ้นได้โดยความเสี่ยงของการติดกลับ

เมื่อทำการโค่นต้นไม้ รองรับเลื่อยโซยนต์บนลำต้นหากเป็นไปได้ อย่าตัดด้วยปลายแถบราง เนื่องจากจะเกิดความเสี่ยงของการติดกลับ

ใส่ใจเป็นพิเศษสำหรับกิ่งไม้ภายใต้แรงดึง อย่าตัดกิ่งไม้ที่ไม่มีการรองรับจากลำต้น

อย่ายืนบนลำต้นที่หล่นลงมาเมื่อทำการโค่นต้นไม้

การเจาะและการตัดตามแนวขนานเสี้ยน

⚠ ข้อควรระวัง: การเจาะและการตัดตามแนวขนานเสี้ยนอาจกระทำโดยบุคคลที่ได้รับการฝึกหัดพิเศษเท่านั้น ความเป็นไปได้ในการติดกลับจะเกิดความเสี่ยงของการบาดเจ็บ

ทำการตัดตามแนวขนานเสี้ยนในองศาที่ตื้นมากที่สุด ใช้ความระมัดระวังเป็นพิเศษระหว่างการตัดในขณะที่ไม่สามารถใช้กันชนเหล็กแหลมได้

▶ หมายเลข 28

การโค่นต้นไม้

⚠ ข้อควรระวัง: งานโค่นต้นไม้ลงอาจกระทำโดยบุคคลที่ได้รับการฝึกหัดมาเท่านั้น การกระทำนี้มอันตราย

ศึกษาข้อบังคับแห่งท้องถิ่นหากคุณต้องการล้มต้นไม้

▶ **หมายเลข 29:** 1. พื้นที่ในการล้มต้นไม้

- ก่อนเริ่มตัดงานโค่นต้นไม้ลง ตรวจสอบให้แน่ใจว่า
 - มีบุคคลที่เกี่ยวข้องในการดำเนินงานล้มต้นไม้ อยู่ในบริเวณใกล้เคียงเท่านั้น
 - บุคคลต่างๆ ที่เกี่ยวข้องมีทางเดินที่ไม่ได้ถูกกีดกันของการถอยกลับผ่านช่วงของด้านไดด้านหนึ่งที่ 45° ของแกนที่โค่นลง พิจารณาความเสี่ยงเพิ่มเติมของการสะดุดสายไฟ
 - ฐานของลำต้นต้องปราศจากวัตถุแปลกปลอม ราก และ
 - ไม่มีคนหรือวัตถุอยู่ภายในระยะ 2 1/2 ของความยาวของต้นไม้ ในทิศทางที่ต้นไม้จะร่วงหล่น

— พิจารณาลงต่อไปนี้ที่เกี่ยวกับต้นไม้แต่ละต้น

- ทิศทางการเอียง
- ต้นไม้ที่สั้นคลอนหรือแห้ง
- ความสูงของต้นไม้
- ส่วนที่ยื่นออกมาตามธรรมชาติ
- ต้นไม้ผุพังหรือไม่

— พิจารณาความเร็วและทิศทางของลม อย่าทำงานโค่นล้มต้นไม้หากลมกำลังพัดแรง

— การตัดการขยายของราก: เริ่มต้นด้วยการขยายที่ใหญ่ที่สุด ทำการตัดในแนวตั้งก่อน ตามด้วยการตัดในแนวนอน

— ยืนเตรียมพร้อมในด้านของต้นไม้ที่ล้ม คอยดูแลพื้นที่ให้ว่างเปล่าบริเวณด้านหลังของต้นไม้ที่ถูกโค่นล้มไม่เกินมุม 45° ในด้านของแกนต้นไม้ (โปรดดูรูปภาพ “พื้นที่ในการล้มต้นไม้”) ใสให้กับต้นไม้ที่ล้มลง

— ควรมีการตระเตรียมและทำความสะอาดเส้นทางหลีกเลี่ยงหากจำเป็นก่อนเริ่มการตัด เส้นทางหลีกเลี่ยงควรขยายไปด้านหลังและแบบมุมทแยงของเส้นทางการล้มที่คาดไว้ตามที่แสดงไว้ในรูปภาพ

▶ **หมายเลข 30:** 1. ทิศทางการล้มต้นไม้ 2. เขตอันตราย 3. เส้นทางหลบหลีก

เมื่อทำการโค่นล้มต้นไม้ ให้ปฏิบัติตามขั้นตอนด้านล่างนี้:

1. ติดตามรอยแนวทาบให้ใกล้กับพื้นดินมากที่สุด อันดับแรกให้ทำการตัดในแนวนอนจนถึงความลึกที่ 1/5 -1/3 ของเส้นผ่านศูนย์กลางของลำต้น อย่าทำรอยแนวทาบให้ใหญ่เกินไป จากนั้น ทำการตัดในแนวทแยงมุม

▶ **หมายเลข 31**

หมายเหตุ: รอยแนวทาบจำกัดทิศทางที่ต้นไม้จะหล่นและชี้หน้า มีการทำชั้นบนด้านที่ต้นไม้จะหล่น

2. ทำการตัดย้อนกลับในความสูงเล็กน้อยกว่าการตัดฐานของรอยแนวทาบ การตัดย้อนกลับต้องเป็นแนวนอนโดยสมบูรณ์ ปล่อยให้ไม้เส้นผ่านศูนย์กลางของลำต้นประมาณ 1/10 ระหว่างการตัดย้อนกลับและรอยแนวทาบ เส้นใยต้นไม้ในสัดส่วนของลำต้นที่ไม่ได้ถูกตัดจะเป็นรอยพับ ไม้ล้มเข้าไปในการตัดย้อนกลับแต่ละครั้ง

▶ **หมายเลข 32**

⚠ คำเตือน: ห้ามตัดผ่านเส้นใยภายใต้สถานการณ์ใดๆ มิฉะนั้นต้นไม้จะล้มลง

ข้อสังเกต: จะต้องใช้ลิ่มพลาสติกหรืออะลูมิเนียมเพื่อทำการตัดย้อนกลับให้เปิดเท่านั้น ห้ามใช้างนลิ้มเหล็ก

การยกเครื่องมือ

ก่อนยกเครื่องมือ ให้ใช้เบรกโช้ แล้วนำด้ามเบดเตอร์ออกจากเครื่องมือเสมอ จากนั้นใส่ฝาคครอบแผ่นบังคับโช้ นอกจากนี้ ปัดด้ามเบดเตอร์ด้วยฝาคครอบเบดเตอร์

▶ **หมายเลข 33:** 1. ฝาคครอบแถบรอง 2. ฝาคครอบเบดเตอร์

การบำรุงรักษา

⚠ ข้อควรระวัง: ตรวจสอบให้แน่ใจว่าได้ปิดสวิตช์เครื่องมือและถอดด้ามเบดเตอร์ออกก่อนทำการตรวจสอบหรือบำรุงรักษา

⚠ ข้อควรระวัง: สวมใส่ถุงมือเมื่อทำการตรวจเช็คหรือการซ่อมบำรุงอยู่เสมอ

ข้อสังเกต: อย่าใช้น้ำมันเชื้อเพลิง เบนซิน ทินเนอร์ แอลกอฮอล์ หรือวัสดุประเภทเดียวกัน เนื่องจากอาจทำให้ลีสซิดจาง เสียรูป หรือแตกร้าวได้

เพื่อความปลอดภัยและนำเชื้อถือของผลิตภัณฑ์ ควรให้ศูนย์บริการหรือโรงงานที่ผ่านการรับรองจาก Makita เป็นผู้ดำเนินการซ่อมแซม บำรุงรักษาและทำการปรับตั้งอื่นๆ นอกจากนี้ให้ใช้อะไหล่ของแท้จาก Makita เสมอ

การลับโซ่เลื่อย

ลับโซ่เลื่อยเมื่อ:

- โซ่เลื่อยที่เป็นผงเปิดขึ้นเมื่อตัดไม้ที่เปียกชื้น
- โซ่ตัดเนื้อไม้อย่างยากลำบาก แม้แต่การใช้แรงดันอย่างหนัก
- ขอบคมมีความเสียหายอย่างเห็นได้ชัด
- เลื่อยดึงไปทางซ้ายหรือทางขวาในเนื้อไม้ (เกิดจากการลับโซ่เลื่อยที่ไม่สม่ำเสมอ หรือความเสียหายแก่ด้านใดด้านหนึ่งเท่านั้น)

ลับโซ่เลื่อยเป็นประจำ แต่ลับเพียงเล็กน้อยในแต่ละครั้ง สองหรือสามจังหวัดด้วยตะไบก็เพียงพอสำหรับการลับที่เป็นประจำ เมื่อทำการลับโซ่เลื่อยใหม่อีกหลายๆ ครั้ง ให้ทำการลับเลื่อยในศูนย์บริการที่ผ่านการรับรองของเรา

เกณฑ์ในการลับ:

คำเตือน: ระยะห่างระหว่างขอบตัดและเกจวัดความลึกที่มากเกินไปจะเพิ่มความเสี่ยงของการติดกลับ

- ▶ **หมายเลข 34:** 1. ความยาวของหัวตัด 2. ระยะห่างระหว่างเกจวัดความลึกและขอบตัด 3. ความยาวของหัวตัดอย่างต่ำ (3 mm)
- ความยาวของหัวตัดทั้งหมดต้องเท่ากัน ความยาวของหัวตัดที่ต่างกันจะทำให้โซ่วิ่งไม่ราบเรียบ และอาจทำให้โซ่เกิดแตกหัก
- ห้ามลับโซ่เมื่อความยาวของหัวตัดมีขนาด 3 mm หรือสั้นกว่า ควรเปลี่ยนโซ่อันใหม่
- ความหนาของเศษกึ่งถูกกำหนดโดยระยะห่างระหว่างเกจวัดความลึก (รอบปลาย) และขอบตัด
- ผลลัพธ์ในการตัดที่ดีที่สุดจะได้รับด้วยระยะห่างต่อไปนี้ระหว่างขอบตัดและเกจวัดความลึก
 - ไบมีดโซ่ 90PX : 0.65 mm
 - ไบมีดโซ่ 91PX : 0.65 mm
- ▶ **หมายเลข 35**
- มุมในการลับที่ 30° ต้องเท่ากันสำหรับหัวตัดทุกตัวของคานของหัวตัดที่แตกต่างกันจะทำให้โซ่วิ่งไม่ราบเรียบและไม่สม่ำเสมอ เป็นการเร่งการสึกหรอและนำไปสู่การแตกหักของโซ่
- ใช้ตะไบแบบกลมที่เหมาะสมเพื่อให้มีมุมในการลับที่ถูกต้องต่อฟันเลื่อย
 - ไบมีดโซ่ 90PX : 55°
 - ไบมีดโซ่ 91PX : 55°

ตะไบและการใช้ตะไบ

- ใช้ตะไบกลมพิเศษ (อุปกรณ์สนับสนุนการทำงาน) สำหรับโซ่เลื่อยเพื่อลับโซ่ ตะไบกลมธรรมดาไม่เหมาะสำหรับการใช้งาน
- เส้นผ่าศูนย์กลางของตะไบกลมสำหรับโซ่มีดังต่อไปนี้:
 - ไบมีดโซ่ 90PX : 4.5 mm
 - ไบมีดโซ่ 91PX : 4.0 mm
- ตะไบควรมีสอดคล้องกับหัวตัดในจังหวะไปข้างหน้าเท่านั้น ยกตะไบออกจากหัวตัดในจังหวะย้อนกลับ
- ลับหัวตัดให้สั้นที่สุดในอันดับแรก จากนั้น ความยาวของหัวตัดให้สั้นที่สุดจะมีมาตรฐานสำหรับหัวตัดทุกหัวบนโซ่เลื่อย
- ใช้ตะไบตาม que แสดงไว้ในรูปภาพ
- ▶ **หมายเลข 36:** 1. ตะไบ 2. โซ่เลื่อย

- ตะไบสามารถใช้งานได้อย่างง่ายดายหากมีการใช้งานที่จับตะไบ (อุปกรณ์สนับสนุนการทำงาน) ที่จับตะไบมีเครื่องหมายสำหรับองศาการลับที่ถูกต้องที่ 30° (สอดคล้องกับเครื่องหมายที่ตรงกับโซ่เลื่อย) และขีดจำกัดความลึกของการที่มแทง (4/5 ของเส้นผ่าศูนย์กลางตะไบ)
- ▶ **หมายเลข 37:** 1. ที่จับตะไบ
- หลังจากการลับโซ่ ตรวจสอบความสูงของเกจวัดความลึกโดยใช้เครื่องมือเกจวัดโซ่ (อุปกรณ์สนับสนุนการทำงาน)
- ▶ **หมายเลข 38**
- ขจัดวัสดุที่ยื่นออกมาต่างๆ ไม่ว่าจะมีความเล็กด้วยตะไบแบนพิเศษ (อุปกรณ์สนับสนุนการทำงาน)
- ทำให้ด้านหน้าของเกจวัดความลึกเรียบอีกครั้ง

การทำความสะอาดแถบราง

เศษกึ่งและโซ่เลื่อยจะก่อตัวขึ้นในร่องแถบราง ซึ่งอาจอุดตันร่องแถบและทำให้การไหลของน้ำมันพร่อง ทำความสะอาดเศษกึ่งและโซ่เลื่อยทุกครั้งเมื่อมีการลับหรือเปลี่ยนโซ่เลื่อย

- ▶ **หมายเลข 39**

การทำความสะอาดฝาครอบสเตอร์

เศษกึ่งและโซ่เลื่อยจะสะสมด้านในของฝาครอบสเตอร์ ถอดฝาครอบสเตอร์และโซ่เลื่อยออกจากเครื่องมือ จากนั้นทำความสะอาดเศษกึ่งและโซ่เลื่อย

- ▶ **หมายเลข 40**

การทำความสะอาดรูจ่ายน้ำมัน

เศษผงหรืออนุภาคเล็กๆ อาจก่อดัชนีในรูจ่ายน้ำมันระหว่างการใช้งาน เศษผงหรืออนุภาคเหล่านี้อาจทำให้การไหลของน้ำมันบกพร่อง และก่อให้เกิดการหล่อลื่นที่ไม่เพียงพอบนชิ้นเสียดทั้งหมด เมื่อการจ่ายน้ำมันที่ไม่มีประสิทธิภาพของโซ่เกิดขึ้นบริเวณด้านบนแถบราง ให้ทำความสะอาดรูจ่ายน้ำมันดังนี้

1. ถอดฝาครอบสเตอร์และโซ่เลื่อยออกจากเครื่องมือ
 2. เช็ยฝุ่นขนาดเล็กหรือเศษต่างๆ ออก โดยใช้ไขควงปากแบนหรือสิ่งที่มีลักษณะคล้ายคลึงกัน
- ▶ **หมายเลข 41:** 1. ไขควงหัวแบน 2. รูจ่ายน้ำมัน
3. ใส่ดลับแบตเตอรี่ลงไปในเครื่องมือ ดึงสวิตช์สั่งงานเพื่อเป่าเศษผงหรืออนุภาคที่ก่อดัชนีออกจากรูจ่ายน้ำมันโดยจ่ายน้ำมันโซ่
 4. ถอดดลับแบตเตอรี่ออกจากเครื่องมือ ติดตั้งฝาครอบสเตอร์และโซ่เลื่อยเข้าไปใหม่บนเครื่องมือ

การเปลี่ยนสเตอร์

⚠ ข้อควรระวัง: สเตอร์ที่สึกหรอจะทำให้โซ่เลื่อยใหม่ชำรุด ให้เปลี่ยนสเตอร์ในกรณีเช่นนี้

ก่อนการติดตั้งโซ่เลื่อยใหม่ ตรวจสอบสภาพของสเตอร์

- ▶ **หมายเลข 42:** 1. สเตอร์ 2. พื้นที่สึกหรอ

ติดตั้งแหวนล็อกใหม่เมื่อเปลี่ยนสเตอร์ทุกครั้ง

- ▶ **หมายเลข 43:** 1. แหวนล็อก 2. สเตอร์

ข้อสังเกต: ตรวจสอบให้แน่ใจว่าได้ทำการติดตั้งสเตอร์ตามที่แสดงไว้ในภาพ

การจัดเก็บเครื่องมือ

1. ทำความสะอาดเครื่องมือก่อนการจัดเก็บ นำเศษก้างและโซ่เลื่อยออกจากเครื่องมือหลังการถอดฝาครอบสเตอร์
2. หลังจากการล้างเครื่องมือ เปิดเครื่องโดยไม่ต้องมีการโหลดเพื่อหล่อลื่นโซ่เลื่อยและแถบราง
3. ปิดแถบรางด้วยฝาครอบแถบราง
4. ทำให้ถึงน้ำมันว่างเปล่า

คำแนะนำสำหรับการซ่อมบำรุงตามระยะเวลา

สำหรับการตรวจสอบอายุการใช้งาน หลีกเลี่ยงความเสียหายและตรวจสอบให้มั่นใจว่ามีการปฏิบัติตามคุณสมบัติด้านความปลอดภัยและการซ่อมบำรุงอย่างเต็มที่เป็นประจำ การเรียกร้องการรับประกันสินค้าสามารถได้รับการยอมรับหากมีการใช้งานเป็นปกติและเหมาะสมเท่านั้น ความผิดพลาดในการปฏิบัติงานซ่อมบำรุงที่กำหนดสามารถก่อให้เกิดอุบัติเหตุได้! ผู้ใช้เลื่อยโซ่ยนต์ต้องไม่ปฏิบัติงานซ่อมบำรุงซึ่งไม่ได้ระบุในคู่มือการใช้งานเล่มนี้ ต้องมีการปฏิบัติงานดังกล่าวทั้งหมดโดยศูนย์ให้บริการที่ผ่านการรับรองของเรา

ตรวจสอบรายการ / ระยะเวลาในการใช้งาน	ก่อนใช้งาน	ทุกวัน	ทุกสัปดาห์	ทุกๆ 3 เดือน	ทุกปี	ก่อนการจัดเก็บ
เลื่อยโซ่ยนต์	การตรวจเช็ค	✓	-	-	-	-
	การทำความสะอาด	-	✓	-	-	-
	ตรวจสอบที่ศูนย์ให้บริการที่ผ่านการรับรอง	-	-	-	-	✓
โซ่เลื่อย	การตรวจเช็ค	✓	-	-	-	-
	การลับคมหากจำเป็น	-	-	-	-	✓
แถบยาง	การตรวจเช็ค	✓	✓	-	-	-
	ถอดออกจากเลื่อยโซ่ยนต์	-	-	-	-	✓
เบรกโซ่	ตรวจสอบการทำงาน	✓	-	-	-	-
	ได้มีการตรวจเช็คตามปกติที่ศูนย์ให้บริการที่ผ่านการรับรอง	-	-	-	✓	-
การหล่อลื่นโซ่	ตรวจสอบอัตราการจ่ายน้ำมัน	✓	-	-	-	-
สวิตช์สั่งงาน	การตรวจเช็ค	✓	-	-	-	-
ปุ่มปลดล็อก	การตรวจเช็ค	✓	-	-	-	-
ฝาปิดถังน้ำมัน	ตรวจสอบความฝืด	✓	-	-	-	-
ตัวป้องกันโซ่	การตรวจเช็ค	-	-	✓	-	-
สกรูและน็อต	การตรวจเช็ค	-	-	✓	-	-

การแก้ไขปัญหา

ก่อนนำไปซ่อม ให้ทำการตรวจสอบด้วยตัวเองก่อน หากพบปัญหาที่ไม่มีอธิบายในคู่มือการใช้งาน อย่าพยายามถอดแยกเครื่องมือ แต่ให้นำไปซ่อมที่ศูนย์บริการหรือโรงงานที่ผ่านการรับรองจาก Makita และใช้ชิ้นส่วนอะไหล่ของ Makita

สถานการณ์การทำงานที่ผิดปกติ	สาเหตุ	การดำเนินการ
เลื่อยโซ่ยนต์ไม่เริ่มทำงาน	ยังไม่ได้ติดตั้งตลับแบตเตอรี่	ติดตั้งตลับแบตเตอรี่ที่ชาร์จไฟแล้ว
	ปัญหาแบตเตอรี่ (แรงดันไฟฟ้าต่ำ)	นำตลับแบตเตอรี่ไปชาร์จอีกครั้ง หากการชาร์จแบตเตอรี่ใหม่ไม่ได้ผล ให้เปลี่ยนตลับแบตเตอรี่
โซ่เลื่อยไม่ทำงาน	เปิดใช้งานเบรกโซ่แล้ว	ปล่อยเบรกโซ่
มอเตอร์หยุดทำงานหลังจากใช้งานไปได้เล็กน้อย	ระดับการชาร์จของแบตเตอรี่ต่ำ	นำตลับแบตเตอรี่ไปชาร์จอีกครั้ง หากการชาร์จแบตเตอรี่ใหม่ไม่ได้ผล ให้เปลี่ยนตลับแบตเตอรี่
ไม่มีน้ำมันอยู่บนโซ่	ถังน้ำมันว่างเปล่า	เติมลงในถังน้ำมัน
	ร่องน้ำมันสกปรก	ทำความสะอาดร่องน้ำมัน
เลื่อยโซ่ยนต์หมุนด้วยความเร็วสูงสุดไม่ได้	ตลับแบตเตอรี่ติดตั้งอย่างไม่ถูกต้อง	ติดตั้งตลับแบตเตอรี่ตามที่อธิบายในคู่มือการใช้งานนี้
	กำลังของแบตเตอรี่ต่ำลง	ชาร์จตลับแบตเตอรี่ใหม่ หากการชาร์จแบตเตอรี่ใหม่ไม่ได้ผล ให้เปลี่ยนตลับแบตเตอรี่
	ระบบขับเคลื่อนไม่ทำงานอย่างถูกต้อง	สอบถามศูนย์บริการที่ผ่านการรับรองในพื้นที่ของคุณเพื่อทำการซ่อมแซม
โซ่ไม่หยุดทำงานถึงแม้ว่าจะมีการเปิดใช้งานเบรกโซ่: หยุดเครื่องมือโดยทันที!	แถบเบรกเสื่อมสภาพ	สอบถามศูนย์บริการที่ผ่านการรับรองในพื้นที่ของคุณเพื่อทำการซ่อมแซม
การสันสะเทือนผิดปกติ: หยุดเครื่องมือโดยทันที!	แถบรางหรือโซ่เลื่อยหลวม	ปรับแรงตึงของแถบรางและโซ่เลื่อย
	การทำงานผิดพลาดของเครื่องมือ	สอบถามศูนย์บริการที่ผ่านการรับรองในพื้นที่ของคุณเพื่อทำการซ่อมแซม
ไม่สามารถติดตั้งโซ่เลื่อยได้	ส่วนประกอบของโซ่เลื่อยและเฟืองโซ่ไม่ถูกต้อง	ใช้ส่วนประกอบของโซ่เลื่อยและเฟืองโซ่ที่ถูกต้องโดยดูที่ส่วนข้อมูลจำเพาะ

อุปกรณ์เสริม

⚠ ข้อควรระวัง: ขอแนะนำให้ใช้เฉพาะอุปกรณ์เสริมหรืออุปกรณ์ต่อพ่วงเหล่านี้กับเครื่องมือ Makita ที่ระบุในคู่มือการใช้อุปกรณ์เสริมหรืออุปกรณ์ต่อพ่วงอื่นๆ อาจมีความเสี่ยงที่จะได้รับบาดเจ็บ ใช้อุปกรณ์เสริมหรืออุปกรณ์ต่อพ่วงตามวัตถุประสงค์ที่ระบุไว้เท่านั้น

หากต้องการทราบรายละเอียดเพิ่มเติมเกี่ยวกับอุปกรณ์เสริมเหล่านี้ โปรดสอบถามศูนย์บริการ Makita ใกล้บ้านคุณ

- โช้ล้อย
- แถบราง
- ฝาครอบแถบราง
- ตะไบ
- ถุงเครื่องมือ
- แบตเตอรี่และเครื่องชาร์จ Makita ของแท้

⚠ คำเตือน: หากคุณซื้อแถบรางที่มีความยาวต่างไปจากแถบรางมาตรฐาน ให้ซื้อฝาครอบแถบรางที่เหมาะสมด้วย จะต้องใส่แถบรางได้พอดีและครอบแถบรางให้สนิทบนโช้ล้อยโซ่ยนต์

หมายเหตุ: อุปกรณ์บางรายการอาจจะรวมอยู่ในชุดเครื่องมือเป็นอุปกรณ์มาตรฐาน ซึ่งอาจแตกต่างกันไปในแต่ละประเทศ

Makita Corporation
3-11-8, Sumiyoshi-cho,
Anjo, Aichi 446-8502 Japan
www.makita.com

885980-376
EN, ZHCN, ID, MS,
VI, TH
20220425