



VN	VIETNAM
----	---------

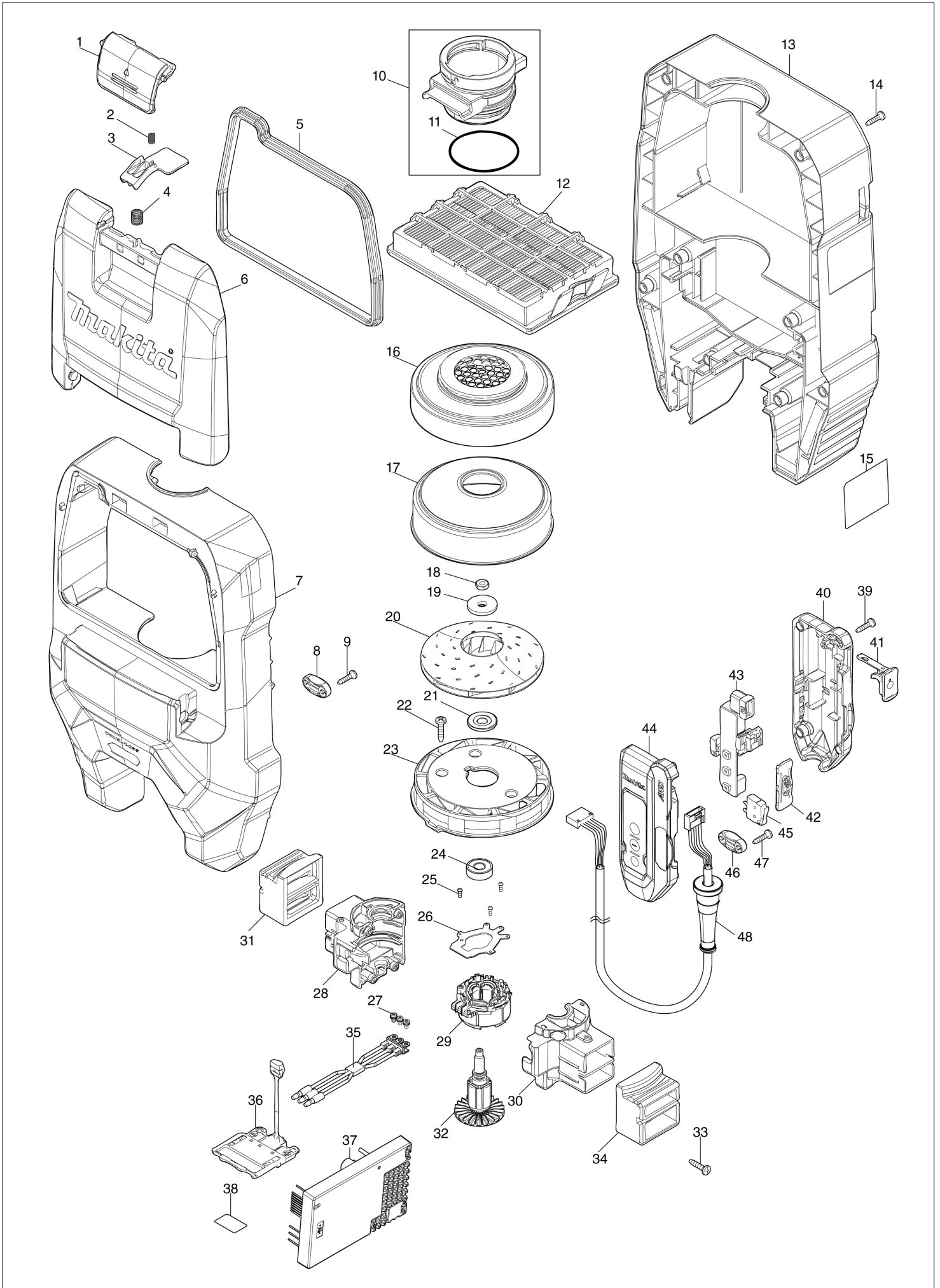
Diagram / Parts List

VC009G

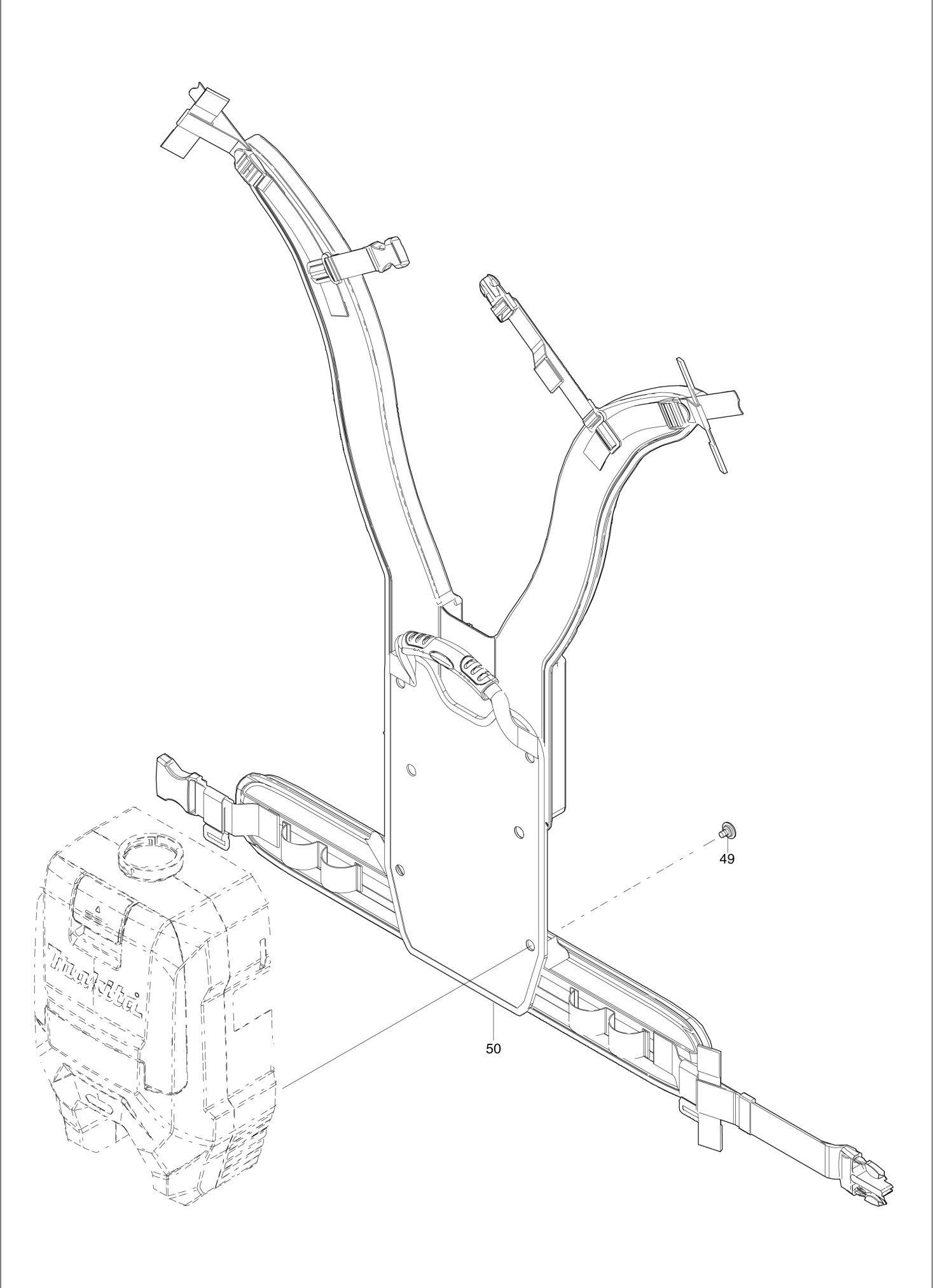
DC BACKPACK VACUUM CLEANER



(VN) VC009G / DC BACKPACK VACUUM CLEANER



(VN) VC009G / DC BACKPACK VACUUM CLEANER



VN	VIETNAM
-----------	----------------

VC009G / DC BACKPACK VACUUM CLEANER

Item	Sub	Parts No.	Parts Description	Qty	I/C	E/C No.	Close No.	Remark
001		413E53-4	HOOK	1				
002		232389-0	COMPRESSION SPRING 5	1				
003		412268-0	STOPPER PLATE	1				
004		234391-9	COMPRESSION SPRING 8	1				
005		422850-7	SEAL	1				
006		413E54-2	DUST BOX COVER	1				
007		136648-3	UPPER HOUSING ASSY	1				
	C10	263005-3	RUBBER PIN 6	2				
	C20	8025F3-0	XGT LOGO LABEL	1				
008		687124-5	STRAIN RELIEF	1				
009		266326-2	TAPPING SCREW 4X18	2				
010		135771-1	INLET ASS'Y	1				
	D10		INC. 11					
011		213655-4	O RING 56	1				
012		191Y27-2	MAIN FILTER H SET	1				
013		141H48-2	LOWER HOUSING COMPLETE	1				
	C10	422854-9	REAR BLOCK FILTER A	2				
	C20	422855-7	REAR BLOCK FILTER B	1				
014		266326-2	TAPPING SCREW 4X18	8				
015		8116L0-3	VC009G NAME PLATE	1				
016		422851-5	SUPPORT RING	1				
017		347965-8	FAN COVER	1				
018		252268-6	HEX. NUT M6	1				
019		253752-4	FLAT WASHER 8	1				
020		240178-9	FAN 104	1				
021		313062-2	FLANGE	1				
022		266326-2	TAPPING SCREW 4X18	3				
023		413E42-9	FAN BASE	1				
024		210005-4	BALL BEARING 608DDW	1				
025		266490-9	TAPPING SCREW PT 2X6	3				
026		620H32-5	CONTROLLER B	1				
027		652069-6	FLAT HEAD SCREW M3X6	3				
028		183V01-6	MOTOR HOUSING SET	1				
	D10		INC. 30					
029		629B16-4	STATOR	1				
030		183V01-6	MOTOR HOUSING SET	1				
	D10		INC. 28					
031		422856-5	SUPPORT A	1				
032		619746-3	ROTOR	1				
033		266326-2	TAPPING SCREW 4X18	4				
034		422856-5	SUPPORT A	1				
035		638A29-8	LEAD UNIT	1				
036		632P49-4	TERMINAL UNIT	1				
037		620H31-7	CONTROLLER	1				
038		8116L8-7	VC009G SERIAL NO. LABEL	1				
039		266130-9	TAPPING SCREW BIND PT 3X16	4				
040		183V69-2	SWITCH CASE SET	1				
	C10	8045G2-5	SWITCH LABEL	1				
	C20	818F56-3	SWITCH LABELB	1				
	D10		INC. 44					
041		140G18-2	CAP COMPLETE	1				
	C10	213A05-9	O-RING16	1				
042		458714-9	SWITCH LEVER	1				
043		620H34-1	SWITCH CIRCUIT	1				
044		183V69-2	SWITCH CASE SET	1				
	C10	8045G2-5	SWITCH LABEL	1				
	C20	818F56-3	SWITCH LABELB	1				
	D10		INC. 40					
045		632E26-0	SWITCH UNIT	1				
046		687124-5	STRAIN RELIEF	1				
047		266326-2	TAPPING SCREW 4X18	2				
048		699194-2	POWER SUPPLY CORD UNIT	1				
049		265008-3	+ FLAT HEAD SCREW M5	4				
050		162B37-8	HARNESS	1				
A01		A-34235	HOSE COMP 28-1.5	1				

Interchange
O : Yes
X : No
< : the new part can be substituted for the current.
> : the current part can be substituted for the new.
S : Interchangeable as a set.

