



VN	VIETNAM
----	---------

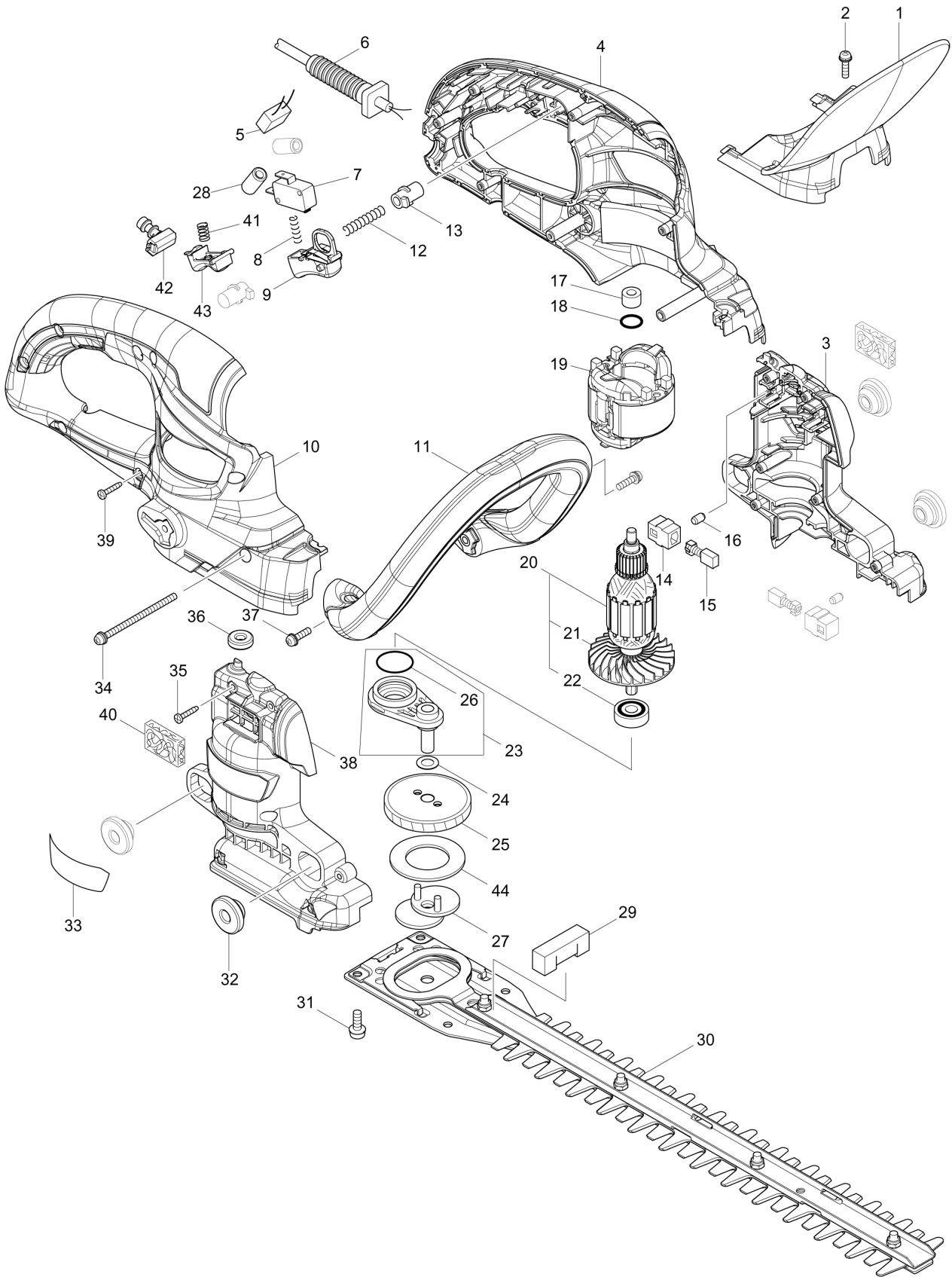
Diagram / Parts List

UH3502

350MM HEDGE TRIMMER



(VN) UH3502 / 350MM HEDGE TRIMMER



VN	VIETNAM
-----------	----------------

UH3502 / 350MM HEDGE TRIMMER

Item	Sub	Parts No.	Parts Description	Qty	I/C	E/C No.	Close No.	Remark
001		457444-9	PROTECTOR	1				
002		911128-8	P.H.SCREW M4X16 WITH WR	1				
003		183F92-1	MOTOR HOUSING SET	1				
	D10		INC. 38					
004-1		183F94-7	HANDLE SET	1				
	C10	252126-6	HEX. LOCK NUT M4-7	2				
	C20	931102-0	HEX. NUT M4	2				
	C30	422162-8	SPONGE SEAL	4				
	C40	424957-5	SPONGE SEAL	2				
	D10		INC. 10					
006-2		668140-6	POWER SUPPLY CORD 0.75-2-0.3	1				
007		650593-3	SWITCH	1				
008		231469-9	COMPRESSION SPRING 4	1				
009		144349-9	SWITCH LEVER COMPLETE	1				
010-1		183F94-7	HANDLE SET	1				
	C10	252126-6	HEX. LOCK NUT M4-7	2				
	C20	931102-0	HEX. NUT M4	2				
	C30	422162-8	SPONGE SEAL	4				
	C40	424957-5	SPONGE SEAL	2				
	D10		INC. 4					
011		457445-7	GRIP 25	1				
012		233092-6	COMPRESSION SPRING 5	1				
013		418881-2	LOCK ON BUTTON	2				
014		643566-3	BRUSH HOLDER 5X8	2				
015		B-80254	CARBON BRUSH SET CB-64A	1				
016		263002-9	RUBBER PIN 4	2				
017		214014-5	PLANE BEARING 6	1				
018		213105-9	O RING 11	1				
019		599133-1	FIELD ASS'Y 220V	1				
	C10	654001-6	TERMINAL R1.25-3.5	2				
020-1		518384-7	ARMATURE ASS'Y 220V	1				
	D10		INC. 22					
021		240145-4	FAN 55	1				
022		210007-0	BALL BEARING 608VV	1				
023		135882-2	BEARING BOX ASS'Y	1				
	D10		INC. 26					
024		253835-0	FLAT WASHER 8	1				
025		141903-0	GEAR COMPLETE	1				
026		213961-7	O RING 22	1				
027		165734-3	CRANK	1				
029		424958-3	SPONGE SEAL	1				
030		196879-6	SHEAR BLADE ASSEMBLY SET	1				
	C10	252180-0	HEX. LOCK NUT M5-8	4				
	C20	257672-4	SLEEVE 5	4			DE963	
	C21	257889-9	SLEEVE 5	4	O	DE963		
	C30	265193-2	+ TRUSS HEAD SCREW M5X14	4				
031		265A01-3	PAN HEAD SCREW M5X16	4				
032		424194-1	RUBBER RING 8	4				
033		853A66-3	UH3502 NAME PLATE	1				
034		911193-7	PAN HEAD SCREW M4X65	1				
035		266429-2	TAPPING SCREW 3X16	6				
036		424195-9	RUBBER RING 6	1				
037		911128-8	P.H.SCREW M4X16 WITH WR	2				
038		183F92-1	MOTOR HOUSING SET	1				
	D10		INC. 3					
039		266429-2	TAPPING SCREW 3X16	6				
040		423479-2	SPONGE	2				
041		233075-6	COMPRESSION SPRING 6	1				
042		620G65-4	PILOT LAMP	1				
043		457443-1	LOCK OFF LEVER	1				
044		267404-1	FLAT WASHER 28	1				
A01		457737-4	BLADE COVER	1				
A03		154511-8	CORD HOLDER COMPLETE	1				
A04		158024-1	HOOK COMPLETE	1				
A05		195246-2	SAFETY GOGGLE	1				

Interchange
O : Yes
X : No
< : the new part can be substituted for the current.
> : the current part can be substituted for the new.
S : Interchangeable as a set.

