



VN	VIETNAM
----	---------

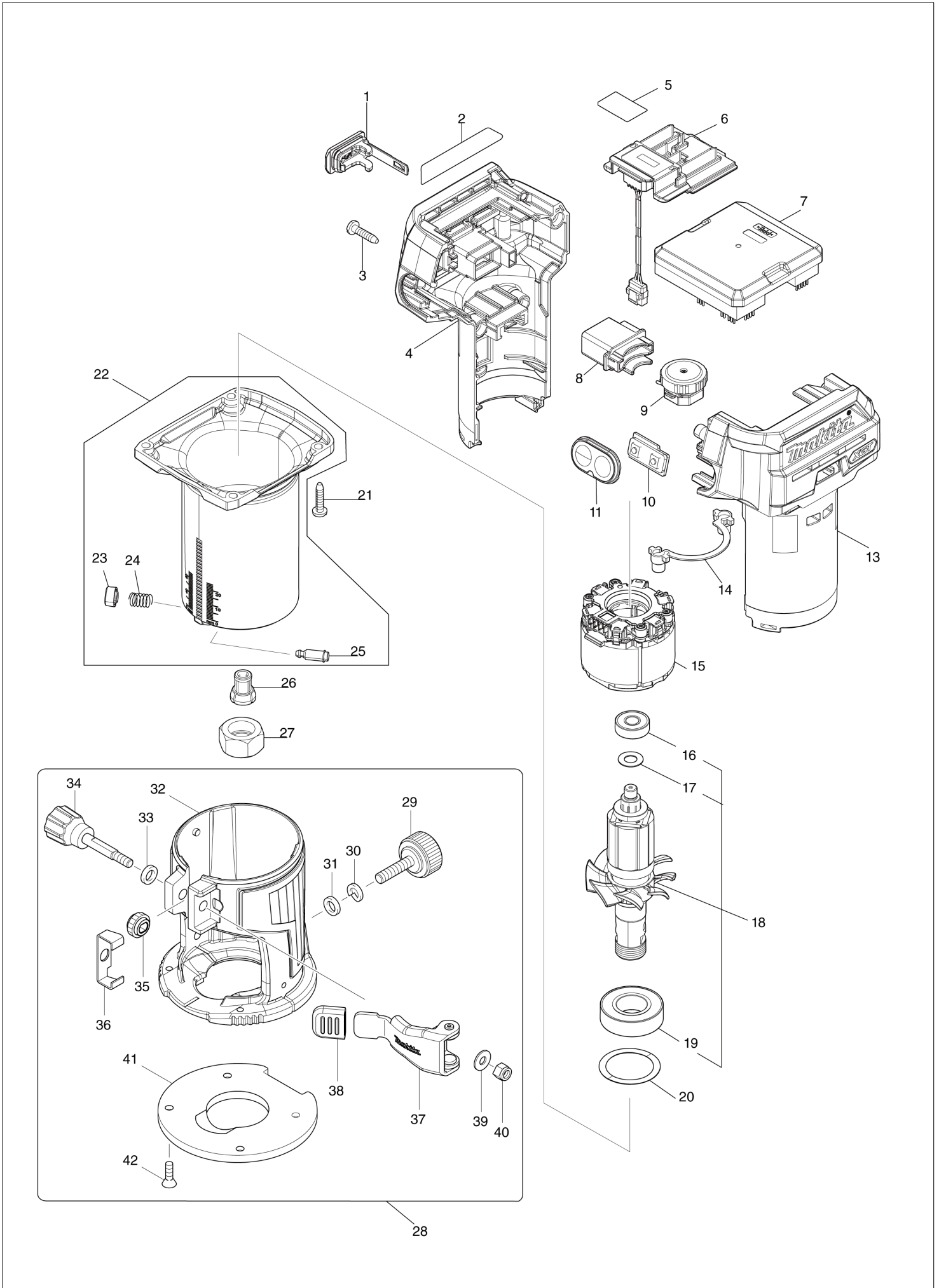
Diagram / Parts List

RT001G

CORDLESS TRIMMER



(VN) RT001G / CORDLESS TRIMMER



VN	VIETNAM
-----------	----------------

RT001G / CORDLESS TRIMMER

Item	Sub	Parts No.	Parts Description	Qty	I/C	E/C No.	Close No.	Remark
001		140F99-0	CAP COMPLETE	1				
	C10	213A05-9	O-RING16	1				
002		8116J2-5	RT001G NAME PLATE	1				
003		266326-2	TAPPING SCREW 4X18	4				
004		183V78-1	HOUSING SET	1				
	C10	263005-3	RUBBER PIN 6	2				
	C20	8007R2-2	XGT LOGO LABEL	1				
	D10		INC. 13					
005		8116J9-1	RT001G SERIAL NO. LABEL	1				
006		632P49-4	TERMINAL UNIT	1				
007		620H85-4	CONTROLLER	1				
008		413E39-8	DIAL COVER	1				
009		620H86-2	DIAL CIRCUIT	1				
010		620H87-0	SWITCH CIRCUIT	1				
011		144662-5	SWITCH PLATE COMPLETE	1				
013		183V78-1	HOUSING SET	1				
	C10	263005-3	RUBBER PIN 6	2				
	C20	8007R2-2	XGT LOGO LABEL	1				
	D10		INC. 4					
014		620721-4	LED CIRCUIT	1				
015		629B02-5	STATOR	1				
016		210017-7	BALL BEARING 607DDW	1				
017		253186-1	FLAT WASHER 7	1				
018		519735-7	ROTOR ASS'Y	1				
	D10		INC. 16,17,19					
019		210301-0	BALL BEARING 6003DDW	1				
020		253906-3	WAVE WASHER 26	1				
021		266326-2	TAPPING SCREW 4X18	4				
022		136686-5	OUTER HOUSING ASS'Y	1				
	D10		INC. 23-25					
023		452468-0	PUSH BUTTON	1				
024		233127-3	COMPRESSION SPRING 7	1				
025		256437-1	PIN 4	1				
026		763637-1	COLLET CONE 1/4"	1				
027		763615-1	COLLET NUT	1				
028		196613-4	TRIMMER BASE SET	1				
	D10		INC. 29-42					
029		265763-7	THUMB SCREW M6X25	1				
030		253428-3	SPRING WASHER 6	1				
031		941151-9	FLAT WASHER 6	1				
032		142403-3	TRIMMER BASE COMPLETE	1				
033		941151-9	FLAT WASHER 6	1				
034		265792-0	THUMB SCREW M5X35	1				
035		227262-7	SPUR GEAR 16	1				
036		346392-6	CAM PLATE	1				
037		163524-8	LOCK LEVER COMPLETE	1				
038		424396-9	RUBBER CAP	1				
039		941101-4	FLAT WASHER 5	1				
040		252103-8	HEX. LOCK NUT M5-8	1				
041		454842-8	BASE PROTECTOR	1				
042		912112-6	COUNTERSUNK HEAD SCREW M4X10	4				
A01		122965-7	STRAIGHT GUIDE ASSEMBLY	1				
	C10	252649-4	THUMB NUT M6	1				
	C20	266339-3	CAP SQUARE NECK BOLT M6X20	1				
	C30	346382-9	GUIDE PLATE	1				
A02		195559-1	DUST NOZZLE SET	1				
	C10	265774-2	THUMB SCREW M4X19	1				
A03		343577-5	TEMPLET GUIDE 10	1				
A04		781011-1	WRENCH 22	1				
A05		781039-9	WRENCH 13	1				
A07		763619-3	COLLET CONE 3/8"	1				

Interchange
O : Yes
X : No
< : the new part can be substituted for the current.
> : the current part can be substituted for the new.
S : Interchangeable as a set.