



VN	VIETNAM
----	---------

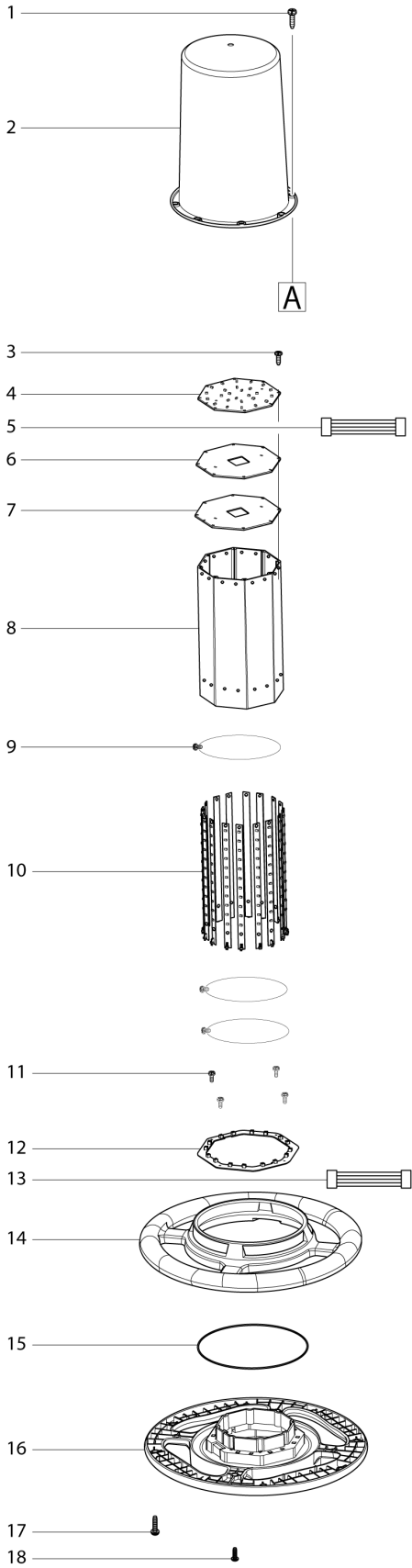
# Diagram / Parts List

**DML810**

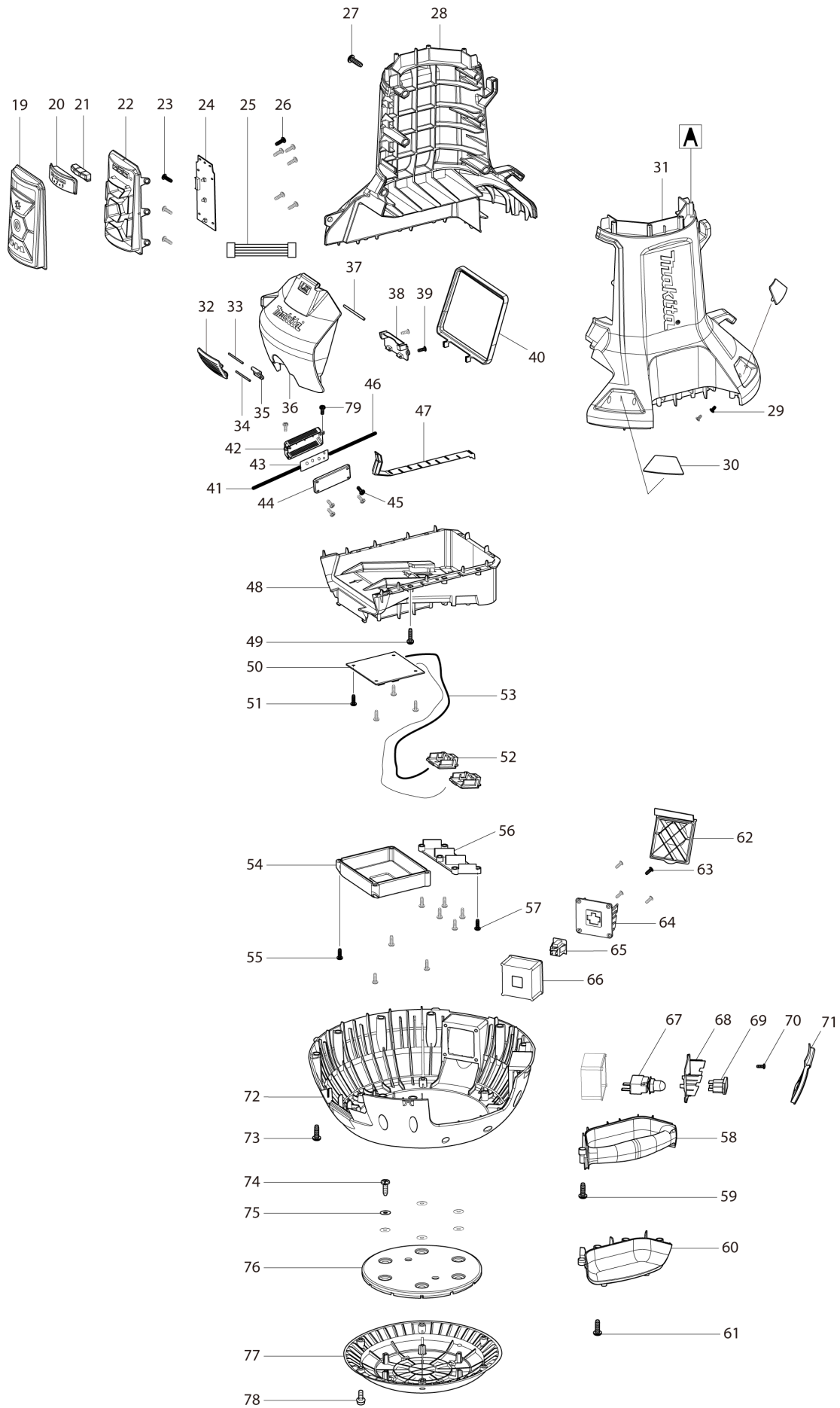
**CORDLESS AREA WORKLIGHT**



(VN) DML810 / CORDLESS AREA WORKLIGHT



# (VN) DML810 / CORDLESS AREA WORKLIGHT



<b>VN</b>	<b>VIETNAM</b>
-----------	----------------

### DML810 / CORDLESS AREA WORKLIGHT

Item	Sub	Parts No.	Parts Description	Qty	I/C	E/C No.	Close No.	Remark
001		QY00000001	TAPPING SCREW 4X20	8				
002		QY00000002	LED COVER	1				
003		QY00000003	TAPPING SCREW 3.5X14	8				
004		QY00000004	LED PLATE	1				
005		QY00000005	WIRE UNIT 6X300	1				
006		QY00000006	INSULATION PLATE	1				
007		QY00000007	HEAT SINK PLATE COVER	1				
008		QY00000008	HEAT SINK PLATE	1				
009		QY00000009	TAPPING SCREW 3X6	48				
010		QY00000010	LED PLATE LONG	16				
011		QY00000011	TAPPING SCREW 3X12	4				
012		QY00000012	DISTRIBUTION UNIT FOR LED	1				
013		QY00000013	WIRE UNIT 6X1000	1				
014		QY00000014	CIRCLE HANDLE UPPER	1				
015		QY00000015	O-RING	1				
016		QY00000016	CIRCLE HANDLE LOWER	1				
017		QY00000001	TAPPING SCREW 4X20	8				
018		QY00000017	TAPPING SCREW 3.5X14	12				
019		QY00000018	SWITCH COVER	1				
020		QY00000019	INDICATOR COVER	1				
021		QY00000020	INDICATOR UNIT	1				
022		QY00000021	SWITCH PCB BASE	1				
023		QY00000017	TAPPING SCREW 3.5X14	3				
024		QY00000022	SWITCH UNIT	1				
025		QY00000023	WIRE UNIT 10X850	1				
026		QY00000017	TAPPING SCREW 3.5X14	6				
027		QY00000024	TAPPING SCREW 5X20	6				
028		QY00000073	HOUSING SET	1				
	D10		INC. 31					
029		QY00000026	TAPPING SCREW 3X8	8				
030		QY00000027	REFLECTOR	4				
031		QY00000073	HOUSING SET	1				
	D10		INC. 28					
032		QY00000029	LATCH	1				
033		QY00000030	PIN 2.5X73	1				
034		QY00000031	PIN 4X75	1				
035		QY00000032	BATTERY COVER PLATE	1				
036		QY00000033	BATTERY COVER	1				
037		QY00000034	PIN 2.5X52.5	1				
038		QY00000035	BATTERY COVER BASE	1				
039		QY00000036	TAPPING SCREW 3X12	2				
040		QY00000037	BATTERY COVER PACKING	1				
041		QY00000038	CABLE	1			Y08251	
041-1		QY00000092	CABLE	1	X	Y08251		
042		QY00000039	POWER UNDER COVER	1				
043		QY00000040	PCB BOARD	1				
044		QY00000041	POWER COVER	1				
045		QY00000011	TAPPING SCREW 3X12	4				
046		QY00000042	WIRE UNIT 400	1				
047		QY00000043	PACKING	1				
048		QY00000044	BATTERY BOX LOWER	1				
049		QY00000001	TAPPING SCREW 4X20	8				
050		QY00000045	MAIN CONTROLER UNIT	1				
051		QY00000017	TAPPING SCREW 3.5X14	4				
052		QY00000046	TERMINAL	2				
053		QY00000047	WIRE UNIT 300	2				
054		QY00000048	CONTROLER BOX	1				
055		QY00000017	TAPPING SCREW 3.5X14	4				
056		QY00000049	BATTERY TERMINAL FIX PLATE	1				
057		QY00000017	TAPPING SCREW 3.5X14	6				
058		QY00000050	UPPER GRIP	1				
059		QY00000024	TAPPING SCREW 5X20	3				
060		QY00000051	LOWER GRIP	1				
061		QY00000024	TAPPING SCREW 5X20	4				
062		QY00000052	AC OUTPUT SOCKET COVER	1				

Interchange  
O : Yes  
X : No  
< : the new part can be substituted for the current.  
> : the current part can be substituted for the new.  
S : Interchangeable as a set.

