



VN	VIETNAM
----	---------

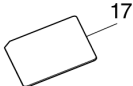
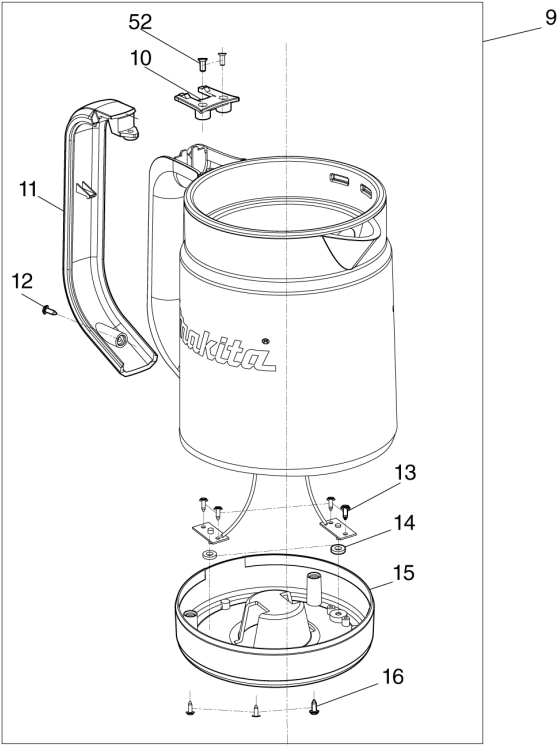
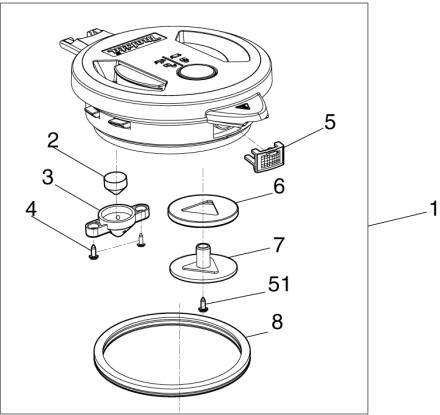
Diagram / Parts List

KT001G

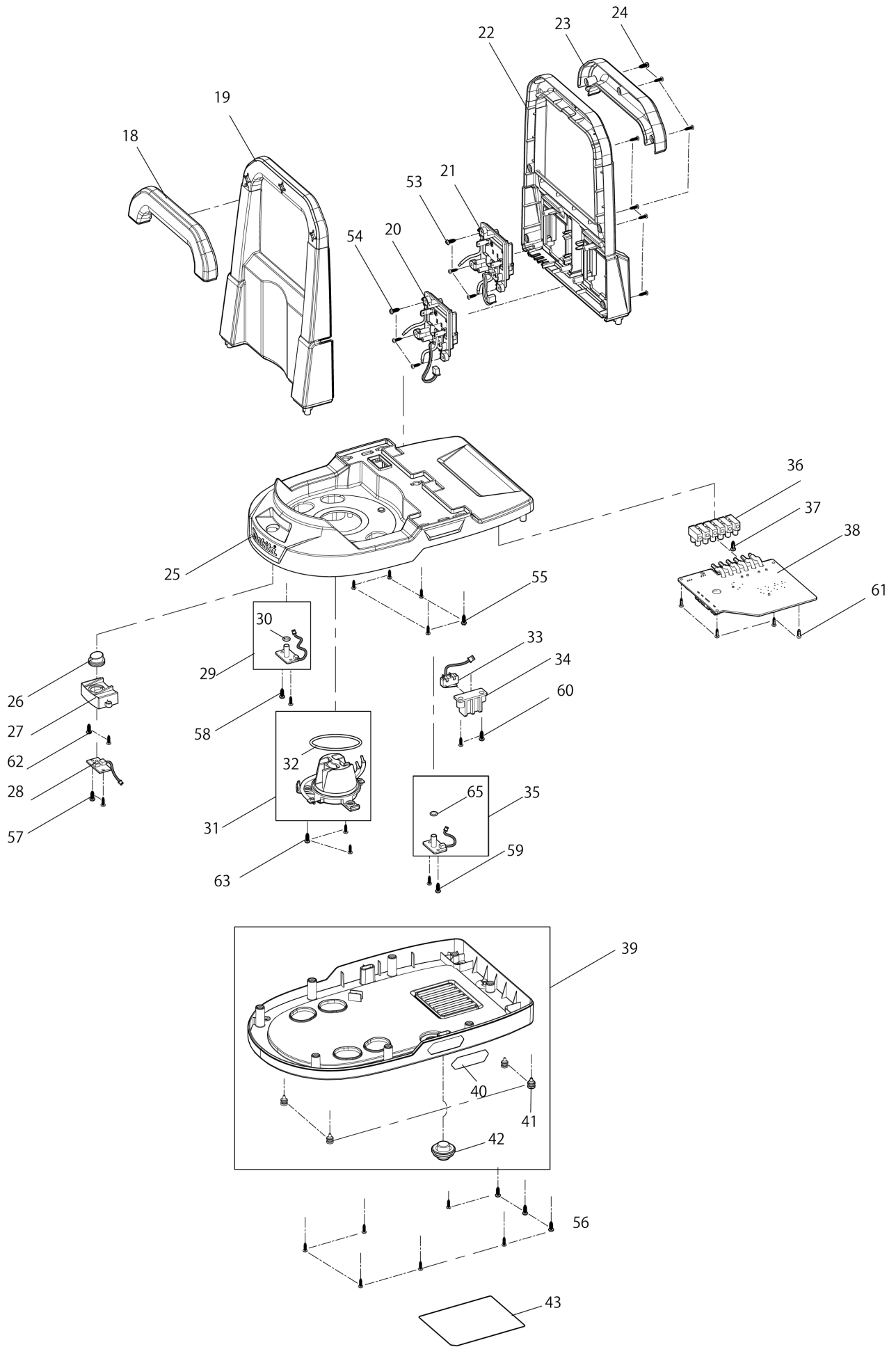
CORDLESS KETTLE



(VN) KT001G / CORDLESS KETTLE



(VN) KT001G / CORDLESS KETTLE



VN	VIETNAM
-----------	----------------

KT001G / CORDLESS KETTLE

Item	Sub	Parts No.	Parts Description	Qty	I/C	E/C No.	Close No.	Remark
001		KF00000076	TOP COVER ASSEMBLY(BLUE)	1				
	D10		INC. 2-8,51					
002		KF00000078	PLUG	1				
003		KF00000079	PLUG COVER	1				
004		KF00000080	COUNTERSUNK SCREW ST3X12	2				
005		KF00000081	FILTER NET	1				
006		KF00000082	SILICONE OF WATER STOPPER	1				
007		KF00000083	WATER STOPPPER	1				
008		KF00000084	SEAL RING OF COVER	1				
009		KF00000085	KETTLE ASSEMBLY(BLUE)	1				
	D10		INC. 10-16,52					
010		KF00000087	HANDLE CLIP	1				
011		KF00000088	HANDLE COVER	1				
012		KF00000002	TAPPING SCREW ST3X12	1				
013		KF00000089	TAPPING SCREW ST3X8	4				
014		KF00000090	SEAL RING	2				
015		KF00000091	BOTTOM COVER	1				
016		KF00000092	H.L. SOCKET HEAD SCREW T10	3				
017		KF00000160	KETTLE NAME PLATE	1				
018		KF00000103	HANDLE COVER L	1				
019		KF00000164	HANDLE BASE L(BLUE)	1				
020		KF00000165	BATTERY HOLDER A	1				
021		KF00000166	BATTERY HOLDER B	1				
022		KF00000167	HANDLE BASE R(BLUE)	1				
023		KF00000114	HANDLE COVER R	1				
024		KF00000211	TAPPING SCREW ST3X12	7				
025		KF00000169	BASE(BLUE)	1				
026		KF00000120	BUTTON	1				
027		KF00000121	PCB SWITCH SUPPORT	1				
028		KF00000122	SWITCH BOARD	1				
029		KF00000193	NTC BOTTOM CONTACT PAD A ASSY	1				
	D10		INC. 30					
030		KF00000119	SEAL RING	1				
031		KF00000170	COUPLER ASSEMBLY	1				
	D10		INC. 32					
032		KF00000127	COUPLER BASE SEAL RING	1				
033		KF00000194	MICRO-SWITCH ASSEMBLY	1				
034		KF00000125	MICRO-SWITCH SUPPORT	1				
035		KF00000123	NTC BOTTOM CONTACT PAD B ASSY	1				
	D10		INC. 65					
036		KF00000128	TERMIANL	1				
037		KF00000129	SCREW ST3X14	1				
038		KF00000171	MAIN PCB	1				
039		KF00000172	BASE COVER ASSEMBLY	1				
	D10		INC. 40-42					
040		KF00000195	XGT LOGO LABEL	1				
041		KF00000028	FOOT	4				
042		KF00000132	SILICONE BUTTON	1				
043		KF00000177	BASE NAME PLATE	1				
051		KF00000080	COUNTERSUNK SCREW ST3X12	1				
052		KF00000080	COUNTERSUNK SCREW ST3X12	2				
053		KF00000210	TAPPING SCREW ST3X12	3				
054		KF00000210	TAPPING SCREW ST3X12	3				
055		KF00000210	TAPPING SCREW ST3X12	5				
056		KF00000211	TAPPING SCREW ST3X12	9				
057		KF00000089	TAPPING SCREW ST3X8	2				
058		KF00000212	TAPPING SCREW ST3X8	2				
059		KF00000212	TAPPING SCREW ST3X8	2				
060		KF00000212	TAPPING SCREW ST3X8	2				
061		KF00000212	TAPPING SCREW ST3X8	4				
062		KF00000212	TAPPING SCREW ST3X8	2				
063		KF00000212	TAPPING SCREW ST3X8	3				
065		KF00000119	SEAL RING	1				

Interchange
O : Yes
X : No
< : the new part can be substituted for the current.
> : the current part can be substituted for the new.
S : Interchangeable as a set.