



VN	VIETNAM
----	---------

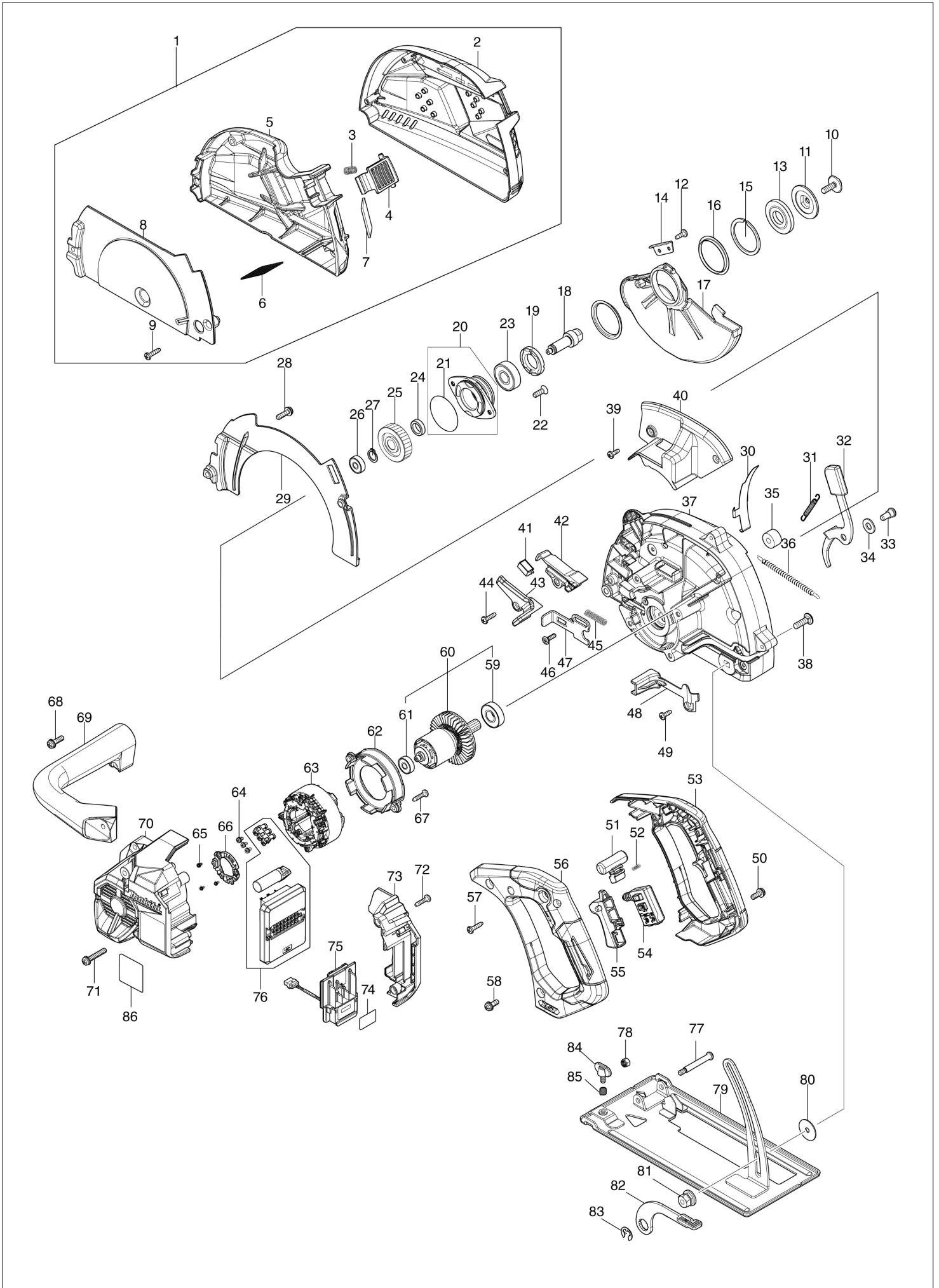
Diagram / Parts List

CS002G

185MM CORDLESS METAL CUTTER



(VN) CS002G / 185MM CORDLESS METAL CUTTER



VN	VIETNAM
-----------	----------------

CS002G / 185MM CORDLESS METAL CUTTER

Item	Sub	Parts No.	Parts Description	Qty	I/C	E/C No.	Close No.	Remark
001		136729-3	DUST CASE ASS'Y	1				
	D10		INC. 2-9					
002		183W40-2	DUST CASE COVER SET	1				
	C10	8012U4-2	XGT LOGO LABEL	1				
	C20	810055-5	CAUTION LABEL	1				
003		233189-1	COMPRESSION SPRING 6	1				
004		413E80-1	HOOK	1				
005		312C66-9	DUST CASE	1				
006		347996-7	PUNCHING METAL COVER	1				
007		431005-3	HEAT RESISTING GLASS	1				
008		312C67-7	DUST PLATE	1				
009		265995-6	TAPPING SCREW 4X18	5				
010		266458-5	HEX.SOCKET HEX.BOLT M6X18	1				
011		224366-6	OUTER FLANGE 40	1				
012		266026-4	TAPPING SCREW BIND CT 4X12	1				
013		224370-5	INNER FLANGE 40	1				
014		344944-7	SUB PLATE	1				
015		961186-4	RETAINING RING WR-40	1				
016		347964-0	SPACER	2				
017		312C69-3	SAFETY COVER	1				
018		327957-3	SPINDLE	1				
019		285802-7	BEARING RETAINER 19-33	1				
020		136703-1	BEARING BOX ASS'Y	1				
	D10		INC. 21					
021		213565-5	O RING 42	1				
022		265034-2	+ COUNTERSUNK HEAD SCREW M5X1	2				
023		211129-9	BALL BEARING 6201DDW	1				
024		257011-8	RING 12	1				
025		227944-1	HELICAL GEAR 29	1				
026		210022-4	BALL BEARING 626DDW	1				
027		961052-5	RETAINING RING S-12	1				
028		911228-4	PAN HEAD SCREW M5X18	2				
029		312C68-5	BLADE COVER	1				
030		347A66-8	PROTECTOR	1				
031		231823-7	TENSION SPRING 4	1				
032		162B55-6	LEVER	1				
033		251267-5	+ PAN HEAD SCREW M6	1			DG620	
033-1		265506-7	SHOULDER HEX. BOLT M6	1	S	DG620		
034		941201-0	FLAT WASHER 8	1			DG620	
034-1		253139-0	FLAT WASHER 8	1	S	DG620		
035		262552-1	RUBBER SLEEVE 6	1				
036		231845-7	TENSION SPRING 4	1				
037		141H36-9	GEAR HOUSING COMPLETE	1				
	C10	213437-4	O RING 28	1				
	C20	263002-9	RUBBER PIN 4	1				
038		266737-1	FLAT HEAD SQ. NECK BOLT M6X20	1				
039		266026-4	TAPPING SCREW BIND CT 4X12	2				
040		413E82-7	GEAR HOUSING COVER	1				
041		620936-3	LED CIRCUIT	1				
042		413E86-9	LED CASE	1				
043		413E85-1	LED COVER	1				
044		266034-5	TAPPING SCREW CT 4X16	1				
045		233084-5	COMPRESSION SPRING 6	1				
046		251529-1	+ PAN HEAD SCREW M4X14	1				
047		347963-2	SHAFT LOCK	1				
048		413E79-6	LEAD COVER	1				
049		266026-4	TAPPING SCREW BIND CT 4X12	1				
050		911218-7	PAN HEAD SCREW M5X14	2				
051		419704-7	LOCK OFF BUTTON	1				
052		231433-0	COMPRESSION SPRING 4	1				
053		183V81-2	HANDLE SET	1				
	D10		INC. 56					
054		650008-0	SWITCH C3XB-1LPSPM	1				
055		413C24-9	SWITCH LEVER	1				
056		183V81-2	HANDLE SET	1				

Interchange
O : Yes
X : No
< : the new part can be substituted for the current.
> : the current part can be substituted for the new.
S : Interchangeable as a set.

