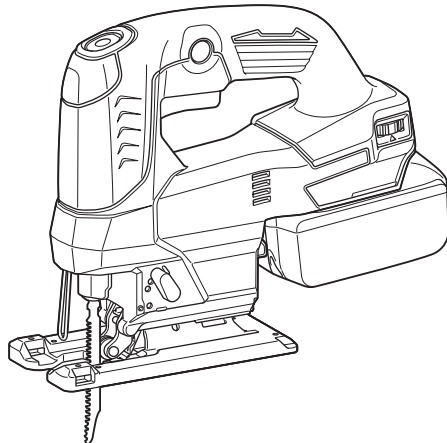




<b>EN</b>	Cordless Jig Saw	<b>INSTRUCTION MANUAL</b>	<b>7</b>
<b>ZHCN</b>	充电式曲线锯	使用说明书	<b>16</b>
<b>ID</b>	Gergaji Jig Tanpa Kabel	<b>PETUNJUK PENGGUNAAN</b>	<b>25</b>
<b>MS</b>	Gergaji Jig Tanpa Kord	<b>MANUAL ARAHAN</b>	<b>35</b>
<b>VI</b>	Máy Cưa Lọng Cầm Tay Hoạt Động Bằng Pin	<b>TÀI LIỆU HƯỚNG DẪN</b>	<b>45</b>
<b>TH</b>	เลื่อยฉลุไร้สาย	คู่มือการใช้งาน	<b>55</b>

## DJV184



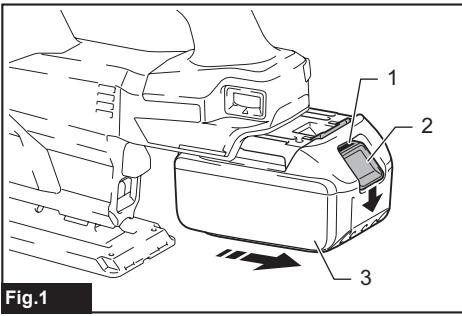


Fig.1

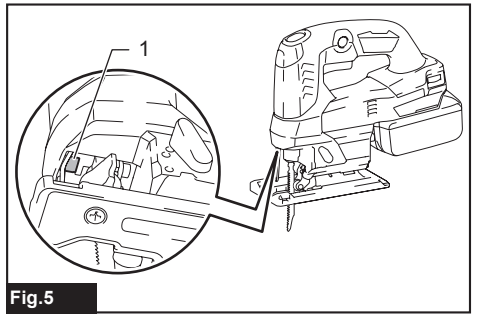


Fig.5

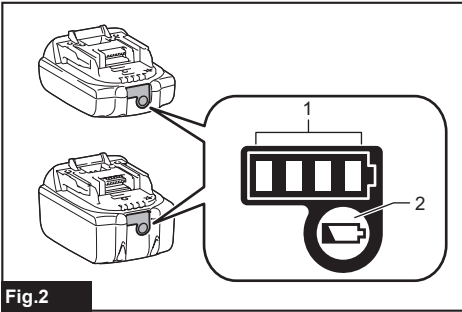


Fig.2

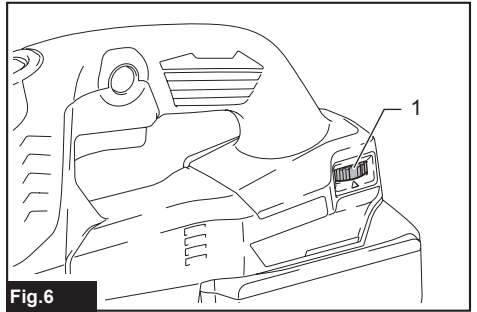


Fig.6

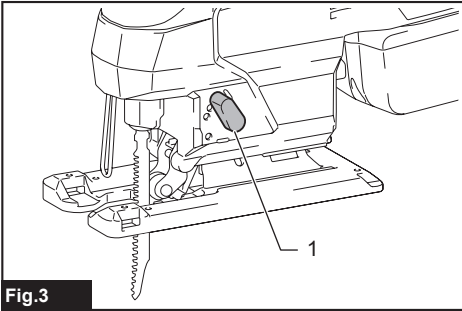


Fig.3

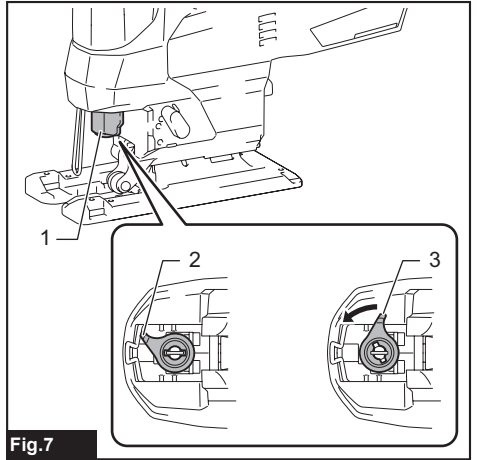


Fig.7

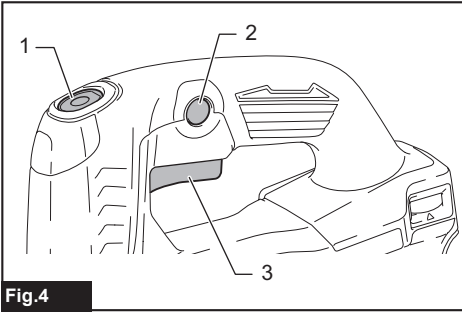
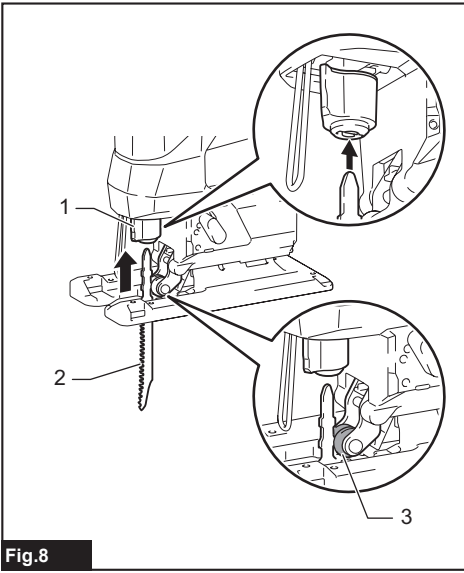
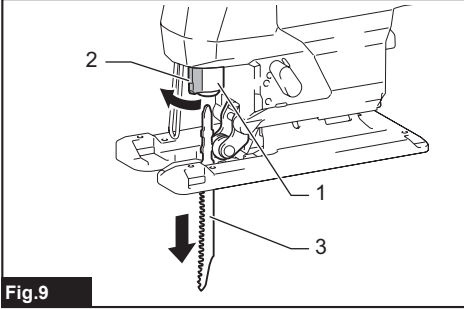


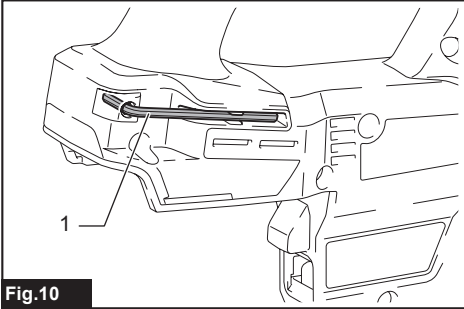
Fig.4



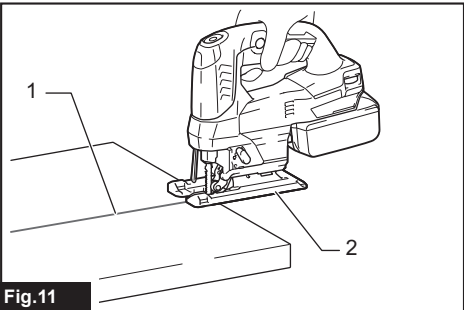
**Fig.8**



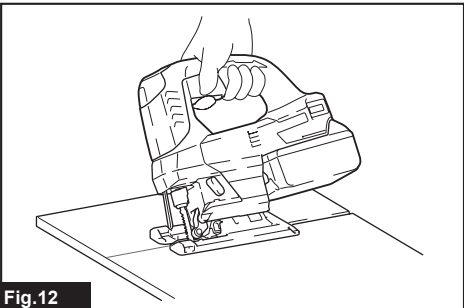
**Fig.9**



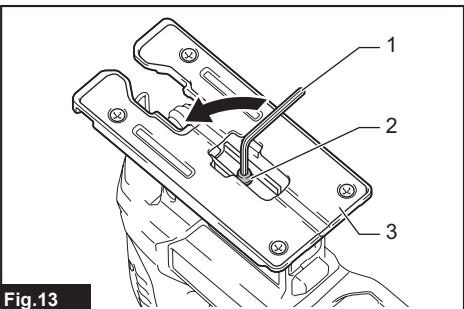
**Fig.10**



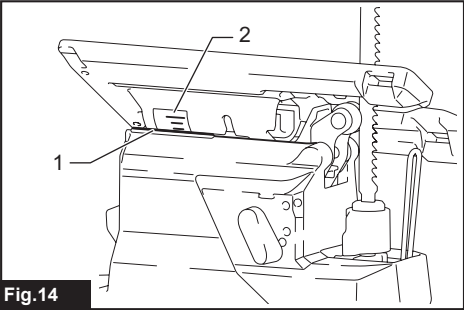
**Fig.11**



**Fig.12**



**Fig.13**



**Fig.14**

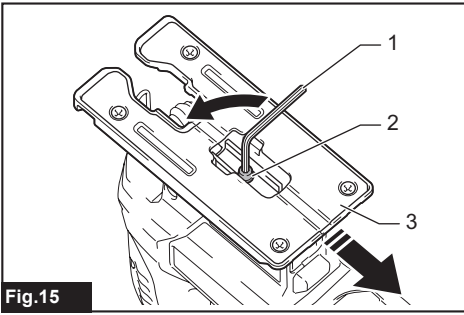


Fig. 15

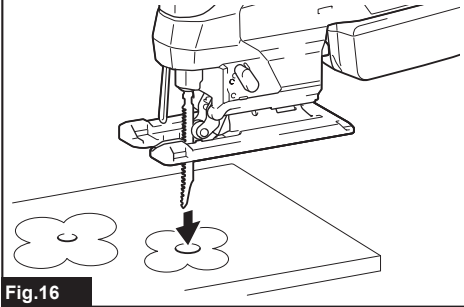


Fig. 16

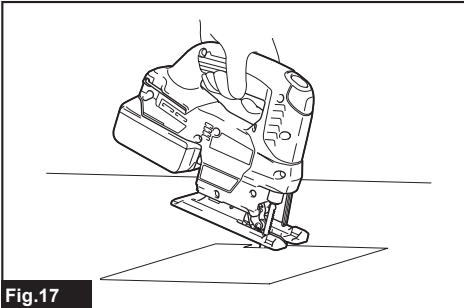


Fig. 17

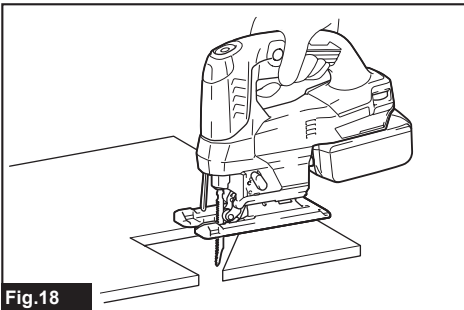


Fig. 18

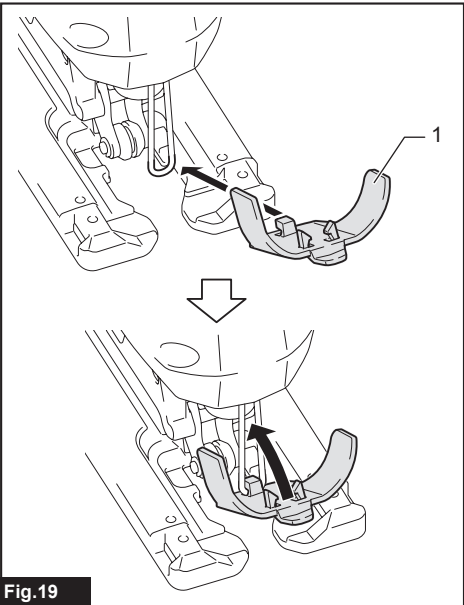


Fig. 19

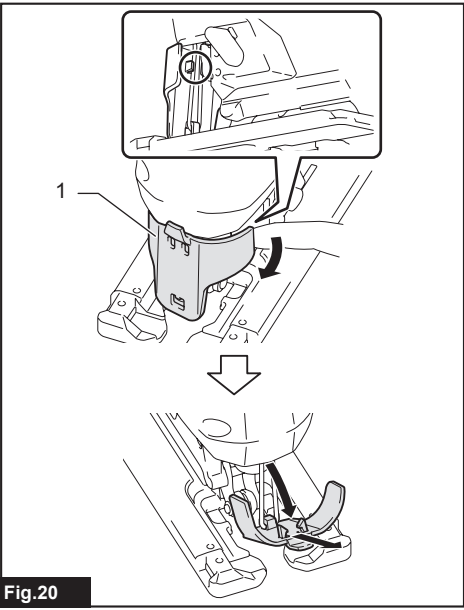
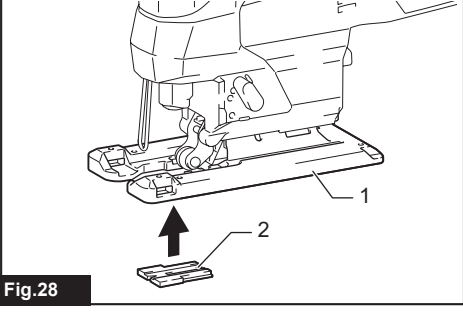
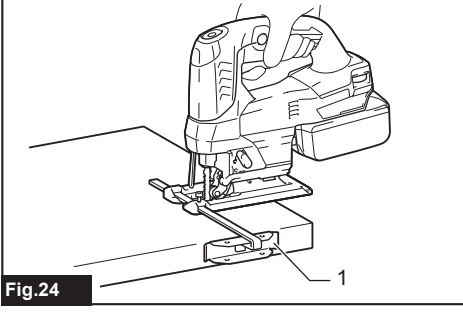
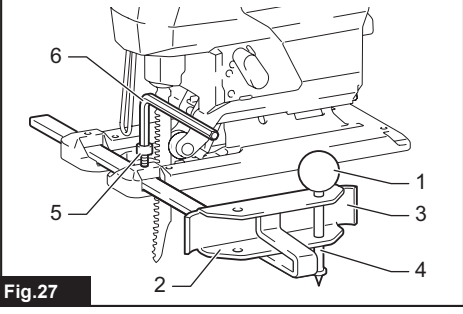
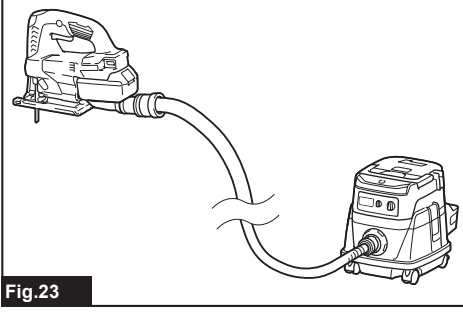
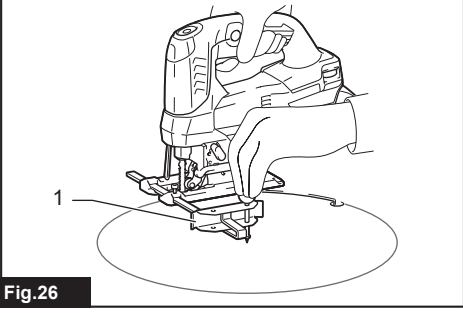
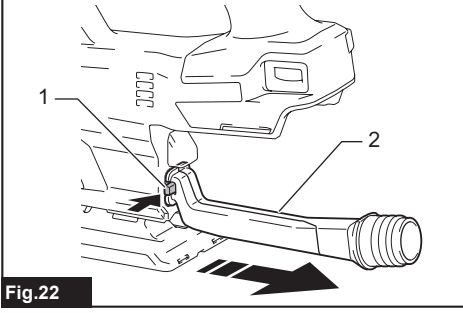
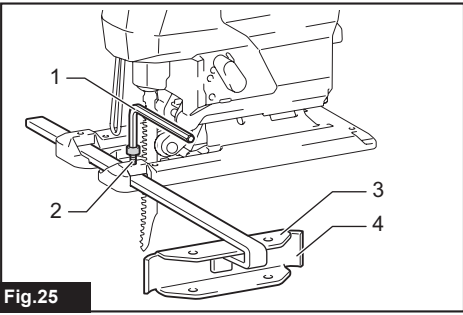
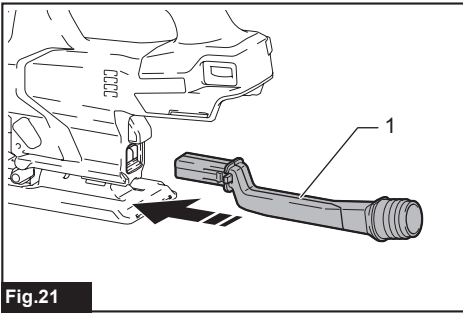
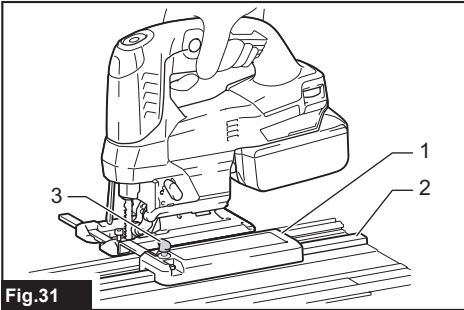
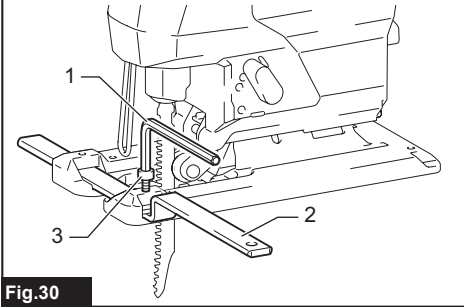
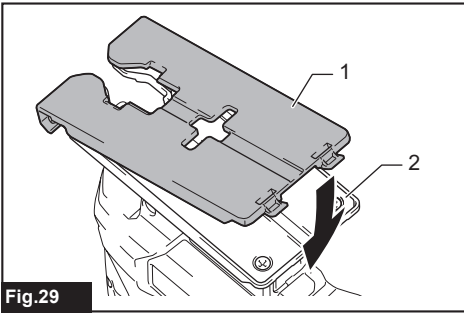


Fig. 20





## SPECIFICATIONS

<b>Model:</b>		<b>DJV184</b>
Length of stroke		23 mm
Strokes per minute		0 - 3,000 min <sup>-1</sup>
Blade type		B type
Max. cutting capacities	Wood	135 mm
	Mild steel	10 mm
	Aluminum	20 mm
Overall length		259 mm
Rated voltage		D.C. 18 V
Net weight		2.1 - 2.4 kg

- Due to our continuing program of research and development, the specifications herein are subject to change without notice.
- Specifications may differ from country to country.
- The weight may differ depending on the attachment(s), including the battery cartridge. The lightest and heaviest combination, according to EPTA-Procedure 01/2014, are shown in the table.

### Applicable battery cartridge and charger

Battery cartridge	BL1815N / BL1820B / BL1830B / BL1840B / BL1850B / BL1860B
Charger	DC18RC / DC18RD / DC18RE / DC18SD / DC18SE / DC18SF / DC18SH

- Some of the battery cartridges and chargers listed above may not be available depending on your region of residence.

**⚠ WARNING: Only use the battery cartridges and chargers listed above.** Use of any other battery cartridges and chargers may cause injury and/or fire.

### Symbols

The followings show the symbols which may be used for the equipment. Be sure that you understand their meaning before use.



Read instruction manual.



Wear safety glasses.



Only for EU countries

Due to the presence of hazardous components in the equipment, waste electrical and electronic equipment, accumulators and batteries may have a negative impact on the environment and human health. Do not dispose of electrical and electronic appliances or batteries with household waste!

In accordance with the European Directive on waste electrical and electronic equipment and on accumulators and batteries and waste accumulators and batteries, as well as their adaptation to national law, waste electrical equipment, batteries and accumulators should be stored separately and delivered to a separate collection point for municipal waste, operating in accordance with the regulations on environmental protection.

This is indicated by the symbol of the crossed-out wheeled bin placed on the equipment.

### Intended use

The tool is intended for the sawing of wood, plastic and metal materials. As a result of the extensive accessory and saw blade program, the tool can be used for many purposes and is very well suited for curved or circular cuts.

# SAFETY WARNINGS

## General power tool safety warnings

**⚠ WARNING:** Read all safety warnings, instructions, illustrations and specifications provided with this power tool. Failure to follow all instructions listed below may result in electric shock, fire and/or serious injury.

### Save all warnings and instructions for future reference.

The term "power tool" in the warnings refers to your mains-operated (corded) power tool or battery-operated (cordless) power tool.

#### Work area safety

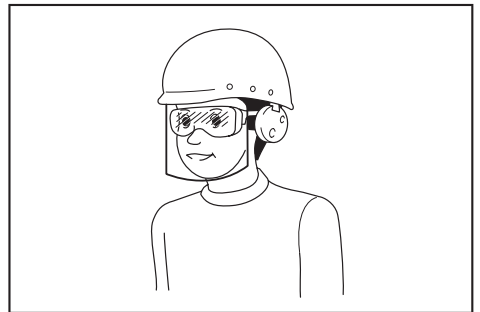
1. **Keep work area clean and well lit.** Cluttered or dark areas invite accidents.
2. **Do not operate power tools in explosive atmospheres, such as in the presence of flammable liquids, gases or dust.** Power tools create sparks which may ignite the dust or fumes.
3. **Keep children and bystanders away while operating a power tool.** Distractions can cause you to lose control.

#### Electrical safety

1. **Power tool plugs must match the outlet. Never modify the plug in any way. Do not use any adapter plugs with earthed (grounded) power tools.** Unmodified plugs and matching outlets will reduce risk of electric shock.
2. **Avoid body contact with earthed or grounded surfaces, such as pipes, radiators, ranges and refrigerators.** There is an increased risk of electric shock if your body is earthed or grounded.
3. **Do not expose power tools to rain or wet conditions.** Water entering a power tool will increase the risk of electric shock.
4. **Do not abuse the cord. Never use the cord for carrying, pulling or unplugging the power tool. Keep cord away from heat, oil, sharp edges or moving parts.** Damaged or entangled cords increase the risk of electric shock.
5. **When operating a power tool outdoors, use an extension cord suitable for outdoor use.** Use of a cord suitable for outdoor use reduces the risk of electric shock.
6. **If operating a power tool in a damp location is unavoidable, use a residual current device (RCD) protected supply.** Use of an RCD reduces the risk of electric shock.
7. **Power tools can produce electromagnetic fields (EMF) that are not harmful to the user.** However, users of pacemakers and other similar medical devices should contact the maker of their device and/or doctor for advice before operating this power tool.

#### Personal safety

1. **Stay alert, watch what you are doing and use common sense when operating a power tool. Do not use a power tool while you are tired or under the influence of drugs, alcohol or medication.** A moment of inattention while operating power tools may result in serious personal injury.
2. **Use personal protective equipment. Always wear eye protection.** Protective equipment such as a dust mask, non-skid safety shoes, hard hat or hearing protection used for appropriate conditions will reduce personal injuries.
3. **Prevent unintentional starting. Ensure the switch is in the off-position before connecting to power source and/or battery pack, picking up or carrying the tool.** Carrying power tools with your finger on the switch or energising power tools that have the switch on invites accidents.
4. **Remove any adjusting key or wrench before turning the power tool on.** A wrench or a key left attached to a rotating part of the power tool may result in personal injury.
5. **Do not overreach. Keep proper footing and balance at all times.** This enables better control of the power tool in unexpected situations.
6. **Dress properly. Do not wear loose clothing or jewellery. Keep your hair and clothing away from moving parts.** Loose clothes, jewellery or long hair can be caught in moving parts.
7. **If devices are provided for the connection of dust extraction and collection facilities, ensure these are connected and properly used.** Use of dust collection can reduce dust-related hazards.
8. **Do not let familiarity gained from frequent use of tools allow you to become complacent and ignore tool safety principles.** A careless action can cause severe injury within a fraction of a second.
9. **Always wear protective goggles to protect your eyes from injury when using power tools. The goggles must comply with ANSI Z87.1 in the USA, EN 166 in Europe, or AS/NZS 1336 in Australia/New Zealand. In Australia/New Zealand, it is legally required to wear a face shield to protect your face, too.**



It is an employer's responsibility to enforce the use of appropriate safety protective equipments by the tool operators and by other persons in the immediate working area.



## Power tool use and care

1. **Do not force the power tool. Use the correct power tool for your application.** The correct power tool will do the job better and safer at the rate for which it was designed.
2. **Do not use the power tool if the switch does not turn it on and off.** Any power tool that cannot be controlled with the switch is dangerous and must be repaired.
3. **Disconnect the plug from the power source and/or remove the battery pack, if detachable, from the power tool before making any adjustments, changing accessories, or storing power tools.** Such preventive safety measures reduce the risk of starting the power tool accidentally.
4. **Store idle power tools out of the reach of children and do not allow persons unfamiliar with the power tool or these instructions to operate the power tool.** Power tools are dangerous in the hands of untrained users.
5. **Maintain power tools and accessories. Check for misalignment or binding of moving parts, breakage of parts and any other condition that may affect the power tool's operation. If damaged, have the power tool repaired before use.** Many accidents are caused by poorly maintained power tools.
6. **Keep cutting tools sharp and clean.** Properly maintained cutting tools with sharp cutting edges are less likely to bind and are easier to control.
7. **Use the power tool, accessories and tool bits etc. in accordance with these instructions, taking into account the working conditions and the work to be performed.** Use of the power tool for operations different from those intended could result in a hazardous situation.
8. **Keep handles and grasping surfaces dry, clean and free from oil and grease.** Slippery handles and grasping surfaces do not allow for safe handling and control of the tool in unexpected situations.
9. **When using the tool, do not wear cloth work gloves which may be entangled.** The entanglement of cloth work gloves in the moving parts may result in personal injury.

## Battery tool use and care

1. **Recharge only with the charger specified by the manufacturer.** A charger that is suitable for one type of battery pack may create a risk of fire when used with another battery pack.
2. **Use power tools only with specifically designated battery packs.** Use of any other battery packs may create a risk of injury and fire.
3. **When battery pack is not in use, keep it away from other metal objects, like paper clips, coins, keys, nails, screws or other small metal objects, that can make a connection from one terminal to another.** Shorting the battery terminals together may cause burns or a fire.
4. **Under abusive conditions, liquid may be ejected from the battery; avoid contact. If contact accidentally occurs, flush with water. If liquid contacts eyes, additionally seek medical help.** Liquid ejected from the battery may cause irritation or burns.

5. **Do not use a battery pack or tool that is damaged or modified.** Damaged or modified batteries may exhibit unpredictable behaviour resulting in fire, explosion or risk of injury.
6. **Do not expose a battery pack or tool to fire or excessive temperature.** Exposure to fire or temperature above 130 °C may cause explosion.
7. **Follow all charging instructions and do not charge the battery pack or tool outside the temperature range specified in the instructions.** Charging improperly or at temperatures outside the specified range may damage the battery and increase the risk of fire.

## Service

1. **Have your power tool serviced by a qualified repair person using only identical replacement parts.** This will ensure that the safety of the power tool is maintained.
2. **Never service damaged battery packs.** Service of battery packs should only be performed by the manufacturer or authorized service providers.
3. **Follow instruction for lubricating and changing accessories.**

## Cordless jig saw safety warnings

1. **Hold the power tool by insulated gripping surfaces, when performing an operation where the cutting accessory may contact hidden wiring.** Cutting accessory contacting a "live" wire may make exposed metal parts of the power tool "live" and could give the operator an electric shock.
2. **Use clamps or another practical way to secure and support the workpiece to a stable platform.** Holding the workpiece by hand or against your body leaves it unstable and may lead to loss of control.
3. **Always use safety glasses or goggles. Ordinary eye or sun glasses are NOT safety glasses.**
4. **Avoid cutting nails. Inspect workpiece for any nails and remove them before operation.**
5. **Do not cut oversize workpiece.**
6. **Check for the proper clearance beyond the workpiece before cutting so that the blade will not strike the floor, workbench, etc.**
7. **Hold the tool firmly.**
8. **Make sure the blade is not contacting the workpiece before the switch is turned on.**
9. **Keep hands away from moving parts.**
10. **Do not leave the tool running. Operate the tool only when hand-held.**
11. **Always switch off and wait for the blade to come to a complete stop before removing the blade from the workpiece.**
12. **Do not touch the blade or the workpiece immediately after operation; they may be extremely hot and could burn your skin.**
13. **Do not operate the tool at no-load unnecessarily.**
14. **Some material contains chemicals which may be toxic. Take caution to prevent dust inhalation and skin contact. Follow material supplier safety data.**

15. Always use the correct dust mask/respirator for the material and application you are working with.

## SAVE THESE INSTRUCTIONS.

**⚠WARNING:** DO NOT let comfort or familiarity with product (gained from repeated use) replace strict adherence to safety rules for the subject product. MISUSE or failure to follow the safety rules stated in this instruction manual may cause serious personal injury.

### Important safety instructions for battery cartridge

1. Before using battery cartridge, read all instructions and cautionary markings on (1) battery charger, (2) battery, and (3) product using battery.
2. Do not disassemble or tamper with the battery cartridge. It may result in a fire, excessive heat, or explosion.
3. If operating time has become excessively shorter, stop operating immediately. It may result in a risk of overheating, possible burns and even an explosion.
4. If electrolyte gets into your eyes, rinse them out with clear water and seek medical attention right away. It may result in loss of your eyesight.
5. Do not short the battery cartridge:
  - (1) Do not touch the terminals with any conductive material.
  - (2) Avoid storing battery cartridge in a container with other metal objects such as nails, coins, etc.
  - (3) Do not expose battery cartridge to water or rain.

A battery short can cause a large current flow, overheating, possible burns and even a breakdown.
6. Do not store and use the tool and battery cartridge in locations where the temperature may reach or exceed 50 °C (122 °F).
7. Do not incinerate the battery cartridge even if it is severely damaged or is completely worn out. The battery cartridge can explode in a fire.
8. Do not nail, cut, crush, throw, drop the battery cartridge, or hit against a hard object to the battery cartridge. Such conduct may result in a fire, excessive heat, or explosion.
9. Do not use a damaged battery.

10. The contained lithium-ion batteries are subject to the Dangerous Goods Legislation requirements.

For commercial transports e.g. by third parties, forwarding agents, special requirement on packaging and labeling must be observed. For preparation of the item being shipped, consulting an expert for hazardous material is required. Please also observe possibly more detailed national regulations.

Tape or mask off open contacts and pack up the battery in such a manner that it cannot move around in the packaging.

11. When disposing the battery cartridge, remove it from the tool and dispose of it in a safe place. Follow your local regulations relating to disposal of battery.
12. Use the batteries only with the products specified by Makita. Installing the batteries to non-compliant products may result in a fire, excessive heat, explosion, or leak of electrolyte.
13. If the tool is not used for a long period of time, the battery must be removed from the tool.
14. During and after use, the battery cartridge may take on heat which can cause burns or low temperature burns. Pay attention to the handling of hot battery cartridges.
15. Do not touch the terminal of the tool immediately after use as it may get hot enough to cause burns.
16. Do not allow chips, dust, or soil stuck into the terminals, holes, and grooves of the battery cartridge. It may cause heating, catching fire, burst and malfunction of the tool or battery cartridge, resulting in burns or personal injury.
17. Unless the tool supports the use near high-voltage electrical power lines, do not use the battery cartridge near high-voltage electrical power lines. It may result in a malfunction or breakdown of the tool or battery cartridge.
18. Keep the battery away from children.

## SAVE THESE INSTRUCTIONS.

**⚠CAUTION:** Only use genuine Makita batteries. Use of non-genuine Makita batteries, or batteries that have been altered, may result in the battery bursting causing fires, personal injury and damage. It will also void the Makita warranty for the Makita tool and charger.

### Tips for maintaining maximum battery life

1. Charge the battery cartridge before completely discharged. Always stop tool operation and charge the battery cartridge when you notice less tool power.
2. Never recharge a fully charged battery cartridge. Overcharging shortens the battery service life.
3. Charge the battery cartridge with room temperature at 10 °C - 40 °C (50 °F - 104 °F). Let a hot battery cartridge cool down before charging it.

4. **When not using the battery cartridge, remove it from the tool or the charger.**
5. **Charge the battery cartridge if you do not use it for a long period (more than six months).**

## FUNCTIONAL DESCRIPTION

**⚠ CAUTION:** Always be sure that the tool is switched off and the battery cartridge is removed before adjusting or checking function on the tool.

### Installing or removing battery cartridge

**⚠ CAUTION:** Always switch off the tool before installing or removing of the battery cartridge.

**⚠ CAUTION:** Hold the tool and the battery cartridge firmly when installing or removing battery cartridge. Failure to hold the tool and the battery cartridge firmly may cause them to slip off your hands and result in damage to the tool and battery cartridge and a personal injury.

► Fig.1: 1. Red indicator 2. Button 3. Battery cartridge

To remove the battery cartridge, slide it from the tool while sliding the button on the front of the cartridge.

To install the battery cartridge, align the tongue on the battery cartridge with the groove in the housing and slip it into place. Insert it all the way until it locks in place with a little click. If you can see the red indicator as shown in the figure, it is not locked completely.

**⚠ CAUTION:** Always install the battery cartridge fully until the red indicator cannot be seen. If not, it may accidentally fall out of the tool, causing injury to you or someone around you.

**⚠ CAUTION:** Do not install the battery cartridge forcibly. If the cartridge does not slide in easily, it is not being inserted correctly.

### Tool / battery protection system

The tool is equipped with a tool/battery protection system. This system automatically cuts off power to the motor to extend tool and battery life. The tool will automatically stop during operation if the tool or battery is placed under one of the following conditions:

#### Overload protection

When the tool or battery is operated in a manner that causes it to draw an abnormally high current, the tool automatically stops without any indication. In this situation, turn the tool off and stop the application that caused the tool to become overloaded. Then turn the tool on to restart.

#### Overheat protection

When the tool or battery is overheated, the tool stops automatically and the lamp blinks. In this case, let the tool and battery cool before turning the tool on again.

#### Overdischarge protection

When the battery capacity is not enough, the tool stops automatically. If you turn the tool on, the motor runs again but stops soon. In this case, remove the battery from the tool and charge the battery.

#### Protections against other causes

Protection system is also designed for other causes that could damage the tool and allows the tool to stop automatically. Take all the following steps to clear the causes, when the tool has been brought to a temporary halt or stop in operation.

1. Turn the tool off, and then turn it on again to restart.
2. Charge the battery(ies) or replace it/them with recharged battery(ies).
3. Let the tool and battery(ies) cool down.



















If no improvement can be found by restoring protection system, then contact your local Makita Service Center.

### Indicating the remaining battery capacity

**Only for battery cartridges with the indicator**

► Fig.2: 1. Indicator lamps 2. Check button

Press the check button on the battery cartridge to indicate the remaining battery capacity. The indicator lamps light up for a few seconds.

Indicator lamps			Remaining capacity
 Lighted	 Off	 Blinking	
			75% to 100%
			50% to 75%
			25% to 50%
			0% to 25%
			Charge the battery.
			The battery may have malfunctioned.
			

**NOTE:** Depending on the conditions of use and the ambient temperature, the indication may differ slightly from the actual capacity.

**NOTE:** The first (far left) indicator lamp will blink when the battery protection system works.

## Selecting the cutting action

### ► Fig.3: 1. Cutting action changing lever

This tool can be operated with an orbital or a straight line (up and down) cutting action. The orbital cutting action thrusts the jig saw blade forward on the cutting stroke and greatly increases cutting speed.

To change the cutting action, just turn the cutting action changing lever to the desired cutting action position. Refer to the table to select the appropriate cutting action.

Position	Cutting action	Applications
0	Straight line cutting action	For cutting mild steel, stainless steel and plastics.
		For clean cuts in wood and plywood.
I	Small orbital cutting action	For cutting mild steel, aluminum and hard wood.
II	Medium orbital cutting action	For cutting wood and plywood.
		For fast cutting in aluminum and mild steel.
III	Large orbital cutting action	For fast cutting in wood and plywood.

## Switch action

To turn on the tool, press the lock/unlock button. The tool turns into the standby mode. To start the tool, pull the switch trigger in the standby mode. Tool speed is increased by increasing pressure on the switch trigger. To stop the tool, release the switch trigger. The tool turns into the standby mode. To turn off the tool, press the lock/unlock button in the standby mode.

For continuous operation, pull the switch trigger in the standby mode, and then push in the lock on button. To stop the tool, pull the switch trigger fully, and then release it.

### ► Fig.4: 1. Lock/unlock button 2. Lock on button 3. Switch trigger

**NOTE:** If the tool is left for 10 seconds without any operation in the standby mode, the tool automatically turns off and the lamp goes off.

**NOTE:** The lock/unlock button is not available while the tool is operating.

## Lighting up the front lamp

**⚠ CAUTION:** Do not look in the light or see the source of light directly.

To turn on the lamp, press the lock/unlock button. To turn off the lamp, press the lock/unlock button again.

### ► Fig.5: 1. Lamp

**NOTICE:** When the tool is overheated, the lamp blinks. Cool down the tool fully before operating the tool again.

**NOTE:** Use a dry cloth to wipe the dirt off the lens of the lamp. Be careful not to scratch the lens of lamp, or it may lower the illumination.

## Speed adjusting dial

### ► Fig.6: 1. Speed adjusting dial

The tool speed can be adjusted by turning the speed adjusting dial. You can get the highest speed at 5 and the lowest speed at 1.

Refer to the table to select the proper speed for the workpiece to be cut. However, the appropriate speed may differ with the type or thickness of the workpiece. In general, higher speeds will allow you to cut workpieces faster but the service life of the jig saw blade will be reduced.

Workpiece	Number
Wood	4 - 5
Mild steel	3 - 5
Stainless steel	3 - 4
Aluminum	3 - 5
Plastics	1 - 4

**NOTICE:** The speed adjusting dial can be turned only as far as 5 and back to 1. Do not force it past 5 or 1, or the speed adjusting function may no longer work.

## Electronic function

The tool is equipped with the electronic functions for easy operation.

### Soft start

The soft-start function minimizes start-up shock, and makes the tool start smoothly.

### Constant speed control

Electronic speed control for obtaining constant speed. Possible to get fine finish, because the rotating speed is kept constant even under load condition.

### Soft no-load rotation

To reduce the vibration and align the jig saw blade with the cutting line easily, the tool automatically reduces the rotation speed until the tool starts cutting the workpiece when the speed adjusting dial is set at 2 or higher. Once the tool starts cutting the workpiece, the tool speed reaches the preset speed and keeps the speed until the tool stops.

**NOTE:** When the temperature is low, this function may not be available.

### Disabling or enabling the soft no-load rotation function

To disable or enable the soft no-load rotation function, follow the steps below.

1. Make sure that the tool is turned off.
2. Set the speed adjusting dial to "1".
3. Press the lock/unlock button to turn on the tool.

4. Set the speed adjusting dial to "5" by turning it, and then set it to "1" by turn it back.

The lamp blinks twice to indicate that the soft no-load rotation function is disabled. To enable this function again, perform the same procedure again.

**NOTE:** If the soft no-load rotation function is disabled, the lamp blinks twice when the tool is turned on.

**NOTE:** You can also disable or enable the soft no-load rotation function by changing the speed adjusting dial from "5" to "1" and changing it from "1" to "5".

## Electric brake

This tool is equipped with an electric brake. If the tool consistently fails to quickly stop after the switch trigger is released, have the tool serviced at a Makita service center.

## ASSEMBLY

**CAUTION:** Always be sure that the tool is switched off and the battery cartridge is removed before carrying out any work on the tool.

### Installing or removing jig saw blade

**CAUTION:** Always clean out all chips or foreign matter adhering to the jig saw blade and/or blade holder. Failure to do so may cause insufficient tightening of the jig saw blade, resulting in a serious personal injury.

**CAUTION:** Do not touch the jig saw blade or the workpiece immediately after operation. They may be extremely hot and could burn your skin.

**CAUTION:** Always secure the jig saw blade firmly. Insufficient tightening of the jig saw blade may cause the blade breakage or serious personal injury.

**CAUTION:** Use only B type jig saw blades. Using blades other than B type causes insufficient tightening of the jig saw blade, resulting in a serious personal injury.

**CAUTION:** When you remove the jig saw blade, be careful not to hurt your fingers with the top of the jig saw blade or the tips of workpiece.

Before installing the jig saw blade, make sure that the blade clamp lever is in the released position. To install the jig saw blade, insert the jig saw blade (teeth facing forward) into the jig saw blade holder. The blade clamp lever moves to the fixed position and the jig saw blade is locked. Make sure that the back edge of the jig saw blade fits into the roller. Pull the jig saw blade lightly to make sure that the jig saw blade does not fall off during operation.

► **Fig.7:** 1. Jig saw blade holder 2. Blade clamp lever (released position) 3. Blade clamp lever (fixed position)

► **Fig.8:** 1. Jig saw blade holder 2. Jig saw blade 3. Roller

**CAUTION:** If the blade clamp lever does not move to the fixed position, the jig saw blade is not installed completely. Do not press the blade clamp lever by hand to the fixed position. It may damage the tool.

To remove the jig saw blade, push the blade clamp lever forward as far as it will go. This allows the jig saw blade to be released.

► **Fig.9:** 1. Jig saw blade holder 2. Blade clamp lever 3. Jig saw blade

**NOTE:** In case that it is difficult to remove the jig saw blade:  
Turn the cutting action changing lever to the position "III" and move the jig saw blade holder to the bottom before pushing the blade clamp lever to the released position. To move the jig saw blade holder to the bottom, return the blade clamp lever fully to the fixed position once and slightly switch on the tool several times.

**NOTE:** Occasionally lubricate the roller.

### Hex wrench storage

When not in use, store the hex wrench as shown in the figure to keep it from being lost.

► **Fig.10:** 1. Hex wrench

## OPERATION

**CAUTION:** Always hold the base flush with the workpiece. Failure to do so may cause jig saw blade breakage, resulting in a serious injury.

**CAUTION:** Advance the tool very slowly when cutting curves or scrolling. Forcing the tool may cause a slanted cutting surface and jig saw blade breakage.

► **Fig.11:** 1. Cutting line 2. Base

Turn the tool on without the jig saw blade making any contact and wait until the blade attains full speed. Then rest the base flat on the workpiece and gently move the tool forward along the previously marked cutting line.

### Bevel cutting

**CAUTION:** Always be sure that the tool is switched off and the battery cartridge is removed before tilting the base.

With the base tilted, you can make bevel cuts at any angle between 0° and 45° (left or right).

► **Fig.12**

Loosen the bolt on the back of the base with the hex wrench. Move the base so that the bolt is positioned in the center of the cross-shaped slot in the base.

► **Fig.13:** 1. Hex wrench 2. Bolt 3. Base

Tilt the base until the desired bevel angle is obtained. The edge of the motor housing indicates the bevel angle by graduations. Then tighten the bolt to secure the base.

► **Fig.14:** 1. Edge 2. Graduation

## Front flush cuts

► **Fig.15:** 1. Hex wrench 2. Bolt 3. Base

Loosen the bolt on the back of the base with the hex wrench and slide the base all the way back. Then tighten the bolt to secure the base.

## Cutouts

Cutouts can be made with either of two methods "Boring a starting hole" or "Plunge cutting".

### Boring a starting hole

► **Fig.16**

For internal cutouts without a lead-in cut from an edge, pre-drill a starting hole 12 mm or more in diameter. Insert the jig saw blade into this hole to start your cut.

### Plunge cutting

► **Fig.17**

You need not bore a starting hole or make a lead-in cut if you carefully do as follows.

1. Tilt the tool up on the front edge of the base with the jig saw blade point positioned just above the workpiece surface.
2. Apply pressure to the tool so that the front edge of the base will not move when you switch on the tool and gently lower the back end of the tool slowly.
3. As the jig saw blade pierces the workpiece, slowly lower the base of the tool down onto the workpiece surface.
4. Complete the cut in the normal manner.

## Finishing edges

► **Fig.18**

To trim edges or make dimensional adjustments, run the jig saw blade lightly along the cut edges.

## Metal cutting

Always use a suitable coolant (cutting oil) when cutting metal. Failure to do so will cause significant jig saw blade wear. The underside of the workpiece can be greased instead of using a coolant.

## Dust extraction

### Installing or removing the dust cover

#### Optional accessory

Install the dust cover as shown in the figure.

► **Fig.19:** 1. Dust cover

To remove the dust cover, press one side of the cover, and then remove it as shown in the figure.

► **Fig.20:** 1. Dust cover

## Installing or removing the dust nozzle

#### Country specific

You can connect this tool to a Makita vacuum cleaner by attaching the dust nozzle.

Insert the dust nozzle all the way into the tool.

► **Fig.21:** 1. Dust nozzle

To remove the dust nozzle, pull out the dust nozzle while pressing the button on the dust nozzle.

► **Fig.22:** 1. Button 2. Dust nozzle

### Connecting the tool to the vacuum cleaner

Connect the hose of the vacuum cleaner to the dust nozzle.

► **Fig.23**

## Rip fence

#### Optional accessory

**CAUTION:** Always be sure that the tool is switched off and the battery cartridge is removed before installing or removing accessories.

### Straight cuts

When repeatedly cutting widths of 160 mm or less, use of the rip fence will assure fast, clean, straight cuts.

► **Fig.24:** 1. Rip fence (Guide rule)

To install, insert the rip fence into the rectangular hole on the side of the base with the fence guide facing down. Slide the rip fence to the desired cutting width position, then tighten the bolt to secure it.

► **Fig.25:** 1. Hex wrench 2. Bolt 3. Fence guide 4. Rip fence (Guide rule)

### Circular cuts

When cutting circles or arcs of 170 mm or less in radius, install the rip fence as follows.

► **Fig.26:** 1. Rip fence (Guide rule)

1. Insert the rip fence into the rectangular hole on the side of the base with the fence guide facing up.

2. Insert the circular guide pin through either of the two holes on the fence guide. Screw the threaded knob onto the circular guide pin to secure the circular guide pin.

► **Fig.27:** 1. Threaded knob 2. Fence guide 3. Rip fence (Guide rule) 4. Circular guide pin 5. Bolt 6. Hex wrench

3. Slide the rip fence to the desired cutting radius, and tighten the bolt to secure it in place. Then move the base all the way forward.

**NOTE:** Always use jig saw blades No. B-17, B-18, B-26 or B-27 when cutting circles or arcs.

## Anti-splintering device

### Optional accessory

**CAUTION:** The anti-splintering device cannot be used when making bevel cuts.

► **Fig.28:** 1. Base 2. Anti-splintering device

For splinter-free cuts, the anti-splintering device can be used. To install the anti-splintering device, move the tool base all the way forward and fit it from the back of tool base.

When you use the cover plate, install the anti-splintering device onto the cover plate.

## Cover plate

► **Fig.29:** 1. Cover plate 2. Base

Use the cover plate when cutting decorative veneers, plastics, etc. It protects sensitive or delicate surfaces from damage. Fit it on the back of the tool base.

## Guide rail adapter set

### Optional accessory

When cutting parallel and uniform width or cutting straight, the use of the guide rail and the guide rail adapter will assure the production of fast and clean cuts. To install the guide rail adapter, insert the rule bar into the square hole of the base as far as it goes. Secure the bolt with the hex wrench securely.

► **Fig.30:** 1. Hex wrench 2. Rule bar 3. Bolt

Insert the rule bar into the square hole of the guide rail adapter, and secure the screw firmly. Place the guide rail adapter on the guide rail.

► **Fig.31:** 1. Guide rail adapter 2. Guide rail 3. Screw

**NOTICE:** Always use blades No. B-8, B-13, B-16, B-17 or 58 when using the guide rail and the guide rail adapter.

## MAINTENANCE

**CAUTION:** Always be sure that the tool is switched off and the battery cartridge is removed before attempting to perform inspection or maintenance.

**NOTICE:** Never use gasoline, benzine, thinner, alcohol or the like. Discoloration, deformation or cracks may result.

To maintain product SAFETY and RELIABILITY, repairs, any other maintenance or adjustment should be performed by Makita Authorized or Factory Service Centers, always using Makita replacement parts.

## OPTIONAL ACCESSORIES

**CAUTION:** These accessories or attachments are recommended for use with your Makita tool specified in this manual. The use of any other accessories or attachments might present a risk of injury to persons. Only use accessory or attachment for its stated purpose.

If you need any assistance for more details regarding these accessories, ask your local Makita Service Center.

- Jig saw blades
- Rip fence (guide rule) set
- Guide rail adapter set
- Anti-splintering device
- Cover plate
- Dust nozzle
- Dust cover
- Makita genuine battery and charger

**NOTE:** Some items in the list may be included in the tool package as standard accessories. They may differ from country to country.

## 规格

型号:	DJV184	
冲程长度	23 mm	
冲程速度	0 - 3,000 /min	
锯片类型	B型	
最大切割能力	木材	135 mm
	软钢	10 mm
	铝	20 mm
长度	259 mm	
额定电压	D.C. 18 V	
净重	2.1 - 2.4 kg	

- 生产者保留变更规格不另行通知之权利。
- 规格可能因销往国家之不同而异。
- 重量因附件（包括电池组）而异。根据EPTA-Procedure 01/2014，最重与最轻的组合见表格。

## 适用电池组和充电器

电池组	BL1815N / BL1820B / BL1830B / BL1840B / BL1850B / BL1860B
充电器	DC18RC / DC18RD / DC18RE / DC18SD / DC18SE / DC18SF / DC18SH

- 部分以上所列电池组和充电器是否适用视用户所在地区而异。

**警告：** 请仅使用以上所列电池组和充电器。使用其他类型的电池组或充电器可能会导致人身伤害和 / 或失火。

## 符号

以下显示本设备可能会使用的符号。在使用工具之前，请务必理解其含义。



阅读使用说明书。



佩带安全眼镜。



仅限于欧盟国家  
由于本设备中包含有害成分，因此废弃的电气和电子设备、蓄电池和普通电池可能会对环境和人体健康产生负面影响。请勿将电气和电子工具或电池与家庭普通废弃物放在一起处置！  
根据欧洲关于废弃电气电子设备、蓄电池和普通电池的指令及其国家层面的修订法案，废弃的电气设备、普通电池和蓄电池应当单独存放并递送至城市垃圾收集点，根据环保法规进行处置。  
此规定由标有叉形标志的带轮垃圾桶符号表示。



## 用途

本工具可锯木材、塑料及金属材料。如果与各类附件及锯片结合使用，本工具可以用于各种用途，尤其适合曲线或圆形切割。

## 安全警告

### 电动工具通用安全警告

**警告：** 阅读随电动工具提供的所有安全警告、说明、图示和规定。不遵照以下所列说明会导致电击、着火和 / 或严重伤害。

## 保存所有警告和说明书以备查阅。

警告中的术语“电动工具”是指市电驱动（有线）电动工具或电池驱动（无线）电动工具。

### 工作场地的安全

1. 保持工作场地清洁和明亮。杂乱和黑暗的场地会引发事故。
2. 不要在易爆环境，如有易燃液体、气体或粉尘的环境下操作电动工具。电动工具产生的火花会点燃粉尘或气体。
3. 操作电动工具时，远离儿童和旁观者。注意力不集中会使你失去对工具的控制。

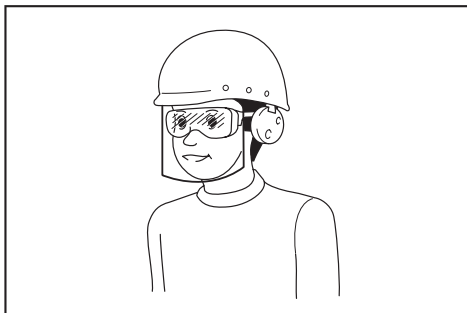
### 电气安全

1. 电动工具插头必须与插座相配。绝不能以任何方式改装插头。需接地的电动工具不能使用任何转换插头。未经改装的插头和相配的插座将降低电击风险。
2. 避免人体接触接地表面，如管道、散热片和冰箱。如果你身体接触接地表面会增加电击风险。
3. 不得将电动工具暴露在雨中或潮湿环境中。水进入电动工具将增加电击风险。
4. 不得滥用软线。绝不能用软线搬运、拉动电动工具或拔出其插头。使软线远离热源、油、锐边或运动部件。受损或缠绕的软线会增加电击风险。
5. 当在户外使用电动工具时，使用适合户外使用的延长线。适合户外使用的电线将降低电击风险。
6. 如果无法避免在潮湿环境中操作电动工具，应使用带有剩余电流装置（RCD）保护的电源。RCD的使用可降低电击风险。

7. 电动工具会产生对用户无害的电磁场（EMF）。但是，起搏器和其他类似医疗设备的用户应在操作本电动工具前咨询其设备的制造商和 / 或医生寻求建议。

### 人身安全

1. 保持警觉，当操作电动工具时关注所从事的操作并保持清醒。当你感到疲倦，或在有药物、酒精或治疗反应时，不要操作电动工具。在操作电动工具时瞬间的疏忽会导致严重人身伤害。
2. 使用个人防护装置。始终佩戴护目镜。防护装置，诸如适当条件下使用防尘面具、防滑安全鞋、安全帽、听力防护等装置能减少人身伤害。
3. 防止意外起动。在连接电源和/或电池包、拿起或搬运工具前确保开关处于关断位置。手指放在开关上搬运工具或开关处于接通时通电会导致危险。
4. 在电动工具接通之前，拿掉所有调节钥匙或扳手。遗留在电动工具旋转零件上的扳手或钥匙会导致人身伤害。
5. 手不要过分伸展。时刻注意立足点和身体平衡。这样能在意外情况下能更好地控制住电动工具。
6. 着装适当。不要穿宽松衣服或佩戴饰品。让你的头发和衣服远离运动部件。宽松衣服、佩饰或长发可能会卷入运动部件。
7. 如果提供了与排屑、集尘设备连接用的装置，要确保其连接完好且使用得当。使用集尘装置可降低尘屑引起的危险。
8. 不要因为频繁使用工具而产生的熟悉感而掉以轻心，忽视工具的安全准则。某个粗心的动作可能在瞬间导致严重的伤害。
9. 使用电动工具时请始终佩戴护目镜以免伤害眼睛。护目镜须符合美国ANSI Z87.1、欧洲EN 166或者澳大利亚 / 新西兰的AS / NZS 1336的规定。在澳大利亚 / 新西兰，法律要求佩戴面罩保护脸部。



雇主有责任监督工具操作者和其他近工作区域人员佩带合适的安全防护设备。

### 电动工具使用和注意事项

1. 不要勉强使用电动工具，根据用途使用合适的电动工具。选用合适的按照额定值设计的电动工具会使你工作更有效、更安全。
2. 如果开关不能接通或关断电源，则不能使用该电动工具。不能通过开关来控制电动工具是危险的且必须进行修理。
3. 在进行任何调节、更换附件或贮存电动工具之前，必须从电源上拔掉插头和/或卸下电池包（如可拆卸）。这种防护性的安全措施降低了电动工具意外起动的风险。
4. 将闲置不用的电动工具贮存在儿童所及范围之外，并且不允许不熟悉电动工具和不了解这些说明的人操作电动工具。电动工具在未经培训的使用者手中是危险的。
5. 维护电动工具及其附件。检查运动部件是否调整到位或卡住，检查零件破损情况和影响电动工具运行的其他状况。如有损坏，应在使用前修理好电动工具。许多事故是由维护不良的电动工具引发的。
6. 保持切削刀具锋利和清洁。维护良好地有锋利切削刃的刀具不易卡住而且容易控制。
7. 按照使用说明书，并考虑作业条件和要进行的作业来选择电动工具、附件和工具的刀头等。将电动工具用于那些与其用途不符的操作可能会导致危险情况。
8. 保持手柄和握持表面干燥、清洁，不得沾有油脂。在意外的情况下，湿滑的手柄不能保证握持的安全和对工具的控制。
9. 使用本工具时，请勿佩戴可能会缠绕的布质工作手套。布质工作手套卷入移动部件可能会造成人身伤害。

### 电池式工具使用和注意事项

1. 仅使用生产者规定的充电器充电。将适用于某种电池包的充电器用到其他电池包时可能会发生着火危险。
2. 仅使用配有专用电池包的电动工具。使用其他电池包可能会产生伤害和着火危险。
3. 当电池包不用时，将它远离其他金属物体，例如回形针、硬币、钥匙、钉子、螺钉或其他小金属物体，以防电池包一端与另一端连接。电池组端部短路可能会引起燃烧或着火。

4. 在滥用条件下，液体可能会从电池组中溅出；应避免接触。如果意外碰到液体，用水冲洗。如果液体碰到了眼睛，还应寻求医疗帮助。从电池中溅出的液体可能会发生腐蚀或燃烧。
5. 不要使用损坏或改装过的电池包或工具。损坏或改装过的电池组可能呈现无法预测的结果，导致着火、爆炸或伤害。
6. 不要将电池包暴露于火或高温中。电池包暴露于火或高于130℃的高温中可能导致爆炸。
7. 遵循所有充电说明。不要在说明书中指定的温度范围之外给电池包或电动工具充电。不正确或在指定的温度范围外充电可能会损坏电池和增加着火的风险。

### 维修

1. 让专业维修人员使用相同的备件维修电动工具。这将保证所维修的电动工具的安全。
2. 决不能维修损坏的电池包。电池包仅能由生产者或其授权的维修服务商进行维修。
3. 上润滑油及更换附件时请遵循本说明书指示。

### 充电式曲线锯使用安全警告

1. 在切削附件可能触及暗线进行操作时，要通过绝缘握持面来握持工具。切削附件碰到带电导线会使工具外露的金属零件带电从而使操作者受到电击。
2. 请使用螺丝钳或其他可行的方式将工件夹紧并固定在稳定的平台上。手持工件或将工件抵在身上，可能会导致工件摆放不稳，使工具失去控制。
3. 请使用安全眼镜或护目镜。普通眼镜或太阳眼镜并非安全眼镜。
4. 注意不要切割到铁钉。操作前请检查工件上是否有铁钉并将其清除。
5. 请勿切割尺寸过大的工件。
6. 切割作业前请检查确认已在工件周围留出合适的间隙，以免切割时锯片接触到地板或工作台等物体。
7. 请牢握本工具。
8. 打开开关前，请确认锯片未与工件接触。
9. 手应远离移动的部件。
10. 运行中的工具不可离手放置。只可在手握工具的情况下操作工具。
11. 将锯片从工件上取下之前，请务必关闭工具电源并等待锯片完全停止。

12. 操作之后，请勿立刻触摸锯片或工件，因为它们可能会非常烫而导致烫伤皮肤。
13. 如无必要，请勿在空载状态下操作工具。
14. 某些材料含有有毒化学物质。小心不要吸入粉尘，并避免皮肤接触。遵循材料供应商的安全提示。
15. 根据您操作的材料及应用，请务必使用正确的防尘面罩 / 呼吸器。

## 请保留此说明书。

**警告：** 请勿为图方便或因对产品足够熟悉（由于重复使用而获得的经验）而不严格遵循相关产品安全规则。使用不当或不遵循使用说明书中的安全规则会导致严重的人身伤害。

### 电池组的重要安全注意事项

1. 在使用电池组之前，请仔细阅读所有的说明以及 (1) 电池充电器，(2) 电池，以及 (3) 使用电池的产品上的警告标记。
2. 切勿拆卸或改装电池组。否则可能引起火灾、过热或爆炸。
3. 如果机器运行时间变得过短，请立即停止使用。否则可能会导致过热、起火甚至爆炸。
4. 如果电解液进入您的眼睛，用清水将其冲洗干净并立即就医。否则可能会导致视力受损。
5. 请勿使电池组短路：
  - (1) 请勿使任何导电材料碰触到端子。
  - (2) 避免将电池组与其他金属物品如钉子、硬币等放置在同一容器内。
  - (3) 请勿将电池组置于水中或使其淋雨。电池短路将产生大的电流，导致过热，并可能导致起火甚至击穿。
6. 请勿在温度可能达到或超过50°C (122°F) 的场所存放以及使用工具和电池组。
7. 即使电池组已经严重损坏或完全磨损，也请勿焚烧电池组。电池组会在火中爆炸。
8. 请勿对电池组射钉，或者切削、挤压、抛掷、掉落电池组，又或者用硬物撞击电池组。否则可能引起火灾、过热或爆炸。
9. 请勿使用损坏的电池。

10. 本工具附带的锂离子电池需符合危险品法规要求。

第三方或转运代理等进行商业运输时，应遵循包装和标识方面的特殊要求。有关运输项目的准备作业，咨询危险品方面的专业人士。同时，请遵守可能更为详尽的国家法规。

请使用胶带保护且勿遮掩表面的联络信息，并牢固封装电池，使电池在包装内不可动。

11. 丢弃电池组时，需将其从工具上卸下并在安全地带进行处理。关于如何处理废弃的电池，请遵循当地法规。
12. 仅将电池用于Makita（牧田）指定的产品。将电池安装至不兼容的产品会导致起火、过热、爆炸或电解液泄漏。
13. 如长时间未使用工具，必须将电池从工具内取出。
14. 使用工具期间以及使用工具之后，电池组温度可能较高易引起灼伤或低温烫伤。处理高温电池组时请小心操作。
15. 在使用工具后请勿立即触碰工具的端子，否则可能引起灼伤。
16. 避免锯屑、灰尘或泥土卡入电池组的端子、孔口和凹槽内。否则可能会导致过热、着火、爆炸和工具/电池组故障，导致烫伤或人身伤害。
17. 除非工具支持在高压电源线路附近使用，否则请勿在高压电源线路附近使用电池组。否则可能导致工具或电池组故障或失常。
18. 确保电池远离儿童。

## 请保留此说明书。

**小心：** 请仅使用Makita（牧田）原装电池。使用非Makita（牧田）原装电池或经过改装的电池可能会导致电池爆炸，从而造成火灾、人身伤害或物品受损。同时也会导致牧田工具和充电器的牧田保修服务失效。

## 保持电池最大使用寿命的提示

1. 在电池组电量完全耗尽前及时充电。发现工具电量低时，请停止工具操作，并给电池组充电。
2. 请勿对已充满电的电池组重新充电。过度充电将缩短电池的使用寿命。
3. 请在10°C - 40°C (50°F - 104°F) 的室温条件下给电池组充电。请在灼热的电池组冷却后再充电。

- 不使用电池组时，请将其从工具或充电器上拆除。
- 如果电池组长时间（超过六个月）未使用，请给其充电。

## 功能描述

**⚠️小心：** 调节或检查工具功能之前，请务必关闭工具的电源并取出电池组。

## 安装或拆卸电池组

**⚠️小心：** 安装或拆卸电池组之前，请务必关闭工具电源。

**⚠️小心：** 安装或拆卸电池组时请握紧工具和电池组。否则它们可能从您的手中滑落，导致工具和电池组受损，甚至造成人身伤害。

▶ **图片1：** 1. 红色指示器 2. 按钮 3. 电池组

拆卸电池组时，按下电池组前侧的按钮，同时将电池组从工具中抽出。

安装电池组时，要将电池组上的舌簧与外罩上的凹槽对齐，然后推滑到位。将其完全插入到位，直到锁定并发出咔哒声为止。若能看到图示中的红色指示器，则说明未完全锁紧。

**⚠️小心：** 务必完全装入电池组，直至看不见红色指示器为止。否则，它可能会从工具中意外脱落，从而造成自身或他人受伤。

**⚠️小心：** 请勿强行安装电池组。如果电池组难以插入，可能是插入方法不当。

## 工具 / 电池保护系统

本工具配备有工具 / 电池保护系统。该系统可自动切断机电源以延长工具和电池寿命。作业时，如果工具或电池处于以下情况，工具将会自动停止运转。

### 过载保护

以导致异常高电流的方式操作工具或电池时，工具会自动停止运转，无任何指示。在这种情况下，请关闭工具并停止导致工具过载的应用。然后开启工具以重新启动。

### 过热保护

工具或电池过热时，工具将自动停止运转且指示灯闪烁。在这种情况下，请待工具和电池冷却后再开启工具。

## 过放电保护

电池电量不足时，本工具自动停止运转。如果启动工具，电机会再次运行，但将很快停止。此时，请取出工具中的电池并予以充电。

## 其他原因防护

保护系统还适用于其他可能导致工具受损的情况，从而使工具自动停止运转。工具暂时或中途停止工作时，执行以下所有步骤以排除异常原因。

- 关闭工具，然后再次重新启动。
- 给电池充电或更换为充电电池。
- 请等待工具和电池冷却。

如果保护系统恢复后仍无改善，请联络当地的Makita（牧田）维修服务中心。

## 显示电池的剩余电量

### 仅限带指示灯的电池组

▶ **图片2：** 1. 指示灯 2. CHECK（查看）按钮  
按电池组上的CHECK（查看）按钮可显示电池剩余电量。指示灯将亮起数秒。

指示灯			剩余电量
■ 点亮	□ 熄灭	▨ 闪烁	
■ ■ ■ ■			75%至100%
■ ■ ■ □			50%至75%
■ ■ □ □			25%至50%
■ □ □ □			0%至25%
▨ □ □ □			给电池充电。
■ ■ □ □			电池可能出现故障。
□ □ ■ ■			

**注：** 在不同的使用条件及环境温度下，指示灯所示电量可能与实际情况略有不同。

**注：** 当电池保护系统启动时，第一个（最左侧）指示灯将闪烁。

## 选择切割操作

### ► 图片3: 1. 切割操作变换杆

本工具可用于轨道或直线(上下)切割操作。轨道切割操作在切削冲程中向前刺入曲线锯锯片,极大地增大了切割速度。

要更改切割操作,只需将切割操作变换杆转至所需切割操作的位置即可。请参阅下表,选择正确的切割操作。

位置	切割操作	应用场合
0	直线切割操作	用于切割软钢、不锈钢和塑料。 用于木材和夹板的干净切割。
I	小型轨道切割操作	用于切割软钢、铝和硬木。
II	中型轨道切割操作	用于切割木材和夹板。 用于快速切割铝和软钢。
III	大型轨道切割操作	用于快速切割木材和夹板。

## 开关操作

要开启工具时,请按锁定/解锁按钮。工具进入待机模式。要启动工具时,在待机模式下扣动开关扳机即可。随着施加在开关扳机上的压力逐渐增大,工具速度也会提高。要停止工具,请松开开关扳机。工具进入待机模式。要关闭工具时,请在待机模式下按锁定/解锁按钮。

连续操作时,在待机模式下扣动开关扳机并按下自锁按钮。要停止工具时,可将开关扳机扣到底,然后松开。

### ► 图片4: 1. 锁定/解锁按钮 2. 自锁按钮 3. 开关扳机

**注:** 如果在10秒钟内未对处于待机模式的工具执行任何操作,工具会自动关闭,同时灯也会熄灭。

**注:** 工具运转期间锁定/解锁按钮不可用。

## 点亮前灯

**小心:** 请勿直视灯光或光源。

要点亮灯时,请按锁定/解锁按钮。要熄灭灯时,请再次按锁定/解锁按钮。

### ► 图片5: 1. 照明灯

**注意:** 工具过热时,该灯闪烁。请在再次操作工具前充分冷却工具。

**注:** 请使用干布擦拭灯头灰。注意不要刮花灯头,否则会降低亮度。

## 转速调节刻度盘

### ► 图片6: 1. 转速调节刻度盘

可通过转动转速调节刻度盘来调节工具速度。转至刻度5时可获得最大工具速度,转至刻度1时可获得最小工具速度。

请参阅下表,为要切割的工件选择合适的速度。根据工件的类型或厚度的不同,所需的速率也可能会有所不同。通常,速度越快,切割工件的速度就越快,但是这会缩短曲线锯锯片的使用寿命。

工件	数值
木材	4 - 5
软钢	3 - 5
不锈钢	3 - 4
铝	3 - 5
塑料	1 - 4

**注意:** 转速调节刻度盘只能在1和5之间调节。请勿用强力将其拨至超过1或5的位置,否则调速功能可能会失灵。

## 电子功能

本工具配备了电子功能以提高操作便利性。

### 软启动

软启动功能可将启动时的震动减至最小,确保工具平稳启动。

### 恒速控制

为获得恒速,进行电子速度控制。即使在有负载的情况下,亦可保持旋转速度恒定,从而获得精细的加工表面。

### 软空载旋转

为减轻震动以及方便曲线锯锯片对齐切割线,当转速调节刻度盘拨至2或更高时,本工具会自动降低旋转速度,直至工具开始切割工件。一旦工具开始切割工件,工具速度会上升到预设值并保持该速度直至工具停止。

**注:** 温度较低时,该功能可能无法使用。

## 禁用或启用软空载旋转功能

要禁用或启用软空载旋转功能，请遵循以下步骤。

1. 确保工具已关闭。
2. 将转速调节刻度盘拨至“1”。
3. 按锁定 / 解锁按钮开启工具。
4. 拨动转速调节刻度盘将其拨至“5”，然后再拨回“1”。

指示灯闪烁两次表示软空载旋转功能已被禁用。要再次启用该功能，请再次执行相同的步骤。

**注：** 如果软空载旋转功能被禁用，则当工具开启时，指示灯会闪烁两次。

**注：** 也可以通过将转速调节刻度盘从“5”拨至“1”后从“1”拨至“5”的方法来禁用或启用软空载旋转功能。

## 电动制动器

本工具配备有电动制动器。如果在松开开关扳机后，工具始终无法立即停机，则须交由 Makita（牧田）维修中心维修。

## 装配

**⚠️小心：** 对工具进行任何装配操作前，请务必关闭工具电源，并取出电池组。

## 安装或拆卸曲线锯锯片

**⚠️小心：** 务必清除附着在曲线锯锯片和 / 或锯片支架上的全部碎屑或异物。否则可能会导致曲线锯锯片紧固不足，从而造成严重的人身伤害。

**⚠️小心：** 操作之后，请勿立刻触摸曲线锯锯片或工件。它们可能会非常烫而导致烫伤皮肤。

**⚠️小心：** 务必牢牢固定曲线锯锯片。曲线锯锯片紧固不足可能会导致锯片破损或严重的人身伤害。

**⚠️小心：** 仅使用B型曲线锯锯片。使用B型以外的锯片会导致曲线锯锯片紧固不足，从而造成严重的人身伤害。

**⚠️小心：** 拆卸曲线锯锯片时，请小心手指不要碰到曲线锯锯片刀锋或工件的尖头，以免受伤。

安装曲线锯锯片之前，请确保锯片夹处于释放位置。

安装曲线锯锯片时，请将曲线锯锯片（锯齿朝前）插入曲线锯锯片支架中。锯片夹杆移至固定位置，从而锁定曲线锯锯片。确保曲线锯锯片后缘进入滚轮。轻拉曲线锯锯片以确认曲线锯锯片不会在操作期间脱落。

► **图片7：** 1. 曲线锯锯片支架 2. 锯片夹杆（释放位置） 3. 锯片夹杆（固定位置）

► **图片8：** 1. 曲线锯锯片支架 2. 曲线锯锯片 3. 滚轮

**⚠️小心：** 如果锯片夹杆未能移动到固定位置，曲线锯锯片将不能完全安装。切勿用手将锯片夹杆推到固定位置。否则可能会损坏工具。

拆卸曲线锯锯片时，请将锯片夹杆向前推到底。这样可以松开曲线锯锯片。

► **图片9：** 1. 曲线锯锯片支架 2. 锯片夹杆 3. 曲线锯锯片

**注：** 如果曲线锯锯片难以拆除：将切割操作变换杆置于“III”位置，并在推动锯片夹杆至释放位置前，将曲线锯锯片支架移至上死点。要将曲线锯锯片支架移至上死点，首先将锯片夹杆完全返回固定位置，然后略微使工具开关开启数次。

**注：** 每隔一段时间润滑一下滚轮。

## 六角扳手的存放

不使用时，请如图所示贮存六角扳手以防丢失。

► **图片10：** 1. 六角扳手

## 操作

**⚠️小心：** 务必让基座与工件保持平齐。否则可能会导致曲线锯锯片破裂，造成严重人身伤害。

**⚠️小心：** 切割曲面或卷轴面时，请非常缓慢地推进工具。对工具过度施力可能会导致倾斜的切割面及曲线锯锯片破损。

► **图片11：** 1. 切割线 2. 基座

将工具电源打开，勿让曲线锯锯片接触工件，等待其转速达到全速。然后，将工具基座水平地放在工件上，沿着事先画好的切割线向前移动工具。

## 斜切割

**⚠️小心：**在倾斜基座之前，请务必关闭工具电源并取出电池组。

基座倾斜后，您可以进行0°到45°角之间任意角度（左边或右边）的斜切割。

### ► 图片12

用六角扳手拧松基座背面的螺栓。移动基座，直到螺栓位于基座上十字形槽的中心位置。

► **图片13：** 1. 六角扳手 2. 螺栓 3. 基座

倾斜基座直至达到所需的斜切割角度。电机外罩边缘上标有刻度，可测出斜切割角度。然后将基座用螺栓拧紧。

► **图片14：** 1. 边缘 2. 刻度

## 前平齐切割

► **图片15：** 1. 六角扳手 2. 螺栓 3. 基座

用六角扳手将基座背面的螺栓拧松，向后将基座推到底。然后将基座用螺栓拧紧。

## 挖切

通过“钻一个起始孔”或“切入式切割”都可以完成挖切操作。

### 钻一个起始孔

► **图片16**

对于内部挖切，如果在边缘没有切割导入点，可以先钻一个直径12mm以上的起始孔。将曲线锯锯片插入孔中，然后开始切割作业。

### 切入式切割

► **图片17**

如果按照下列方法认真执行，您不需要钻起始孔或准备切割导入点。

1. 将工具基座前端抬起并将曲线锯锯片尖端置于工件表面上方。
2. 紧握工具以确保基座前端在您启动工具并慢慢降低工具后端时不会移动。
3. 慢慢地降下工具基座，在曲线锯锯片穿过工件后，将基座落在工件的表面。
4. 然后以标准方式完成整个切割过程。

## 边缘修整

► **图片18**

要修整边缘或进行尺寸调整时，沿切边轻轻移动曲线锯锯片。

## 金属切割

切割金属时，请务必使用合适的冷却液（切削油）。否则会导致曲线锯锯片严重磨损。工件的背面可以使用润滑脂代替冷却液。

## 除尘

### 安装或拆卸防尘罩

#### 选购附件

如图所示，安装防尘罩。

► **图片19：** 1. 防尘罩

如图所示，要拆下防尘罩，请按下防尘罩的一侧，然后将其拆下。

► **图片20：** 1. 防尘罩

### 安装或拆卸集尘口

#### 规格因国家而异

可通过安装集尘口将本工具连接到Makita（牧田）集尘器。

将集尘口完全插入工具。

► **图片21：** 1. 集尘口

要拆下集尘口，请在按住集尘口上的按钮的同时抽出集尘口。

► **图片22：** 1. 按钮 2. 集尘口

### 将本工具连接至集尘器。

将集尘器的软管连接至集尘口。

► **图片23**

## 切锯导板

#### 选购附件

**⚠️小心：**安装或者取下附件之前，请务必关闭工具电源并取出电池组。

### 直线切割

当重复进行切割宽度为160mm以下的作业时，使用切锯导板可以快速、清洁、笔直地进行切割。

► **图片24：** 1. 切锯导板（导尺）

将切锯导板安装、插入工具基座侧的矩形孔时使切锯导板导向板正面朝下。将切锯导板滑至所需切割宽度位置，然后用螺栓拧紧。

► **图片25:** 1. 六角扳手 2. 螺栓 3. 切锯导板 导向板 4. 切锯导板（导尺）

## 圆形切割

切割半径为170 mm以下的圆或者圆弧时，按以下说明安装切锯导板。

► **图片26:** 1. 切锯导板（导尺）

1. 将切锯导板插入工具基座侧的矩形孔时使切锯导板导向板正面朝上。

2. 将圆形导销插入切锯导板导向板上两孔中任意一孔内。将螺纹旋钮旋入圆形导销以将圆形导销固定。

► **图片27:** 1. 螺纹旋钮 2. 切锯导板导向板 3. 切锯导板（导尺） 4. 圆形导销 5. 螺栓 6. 六角扳手

3. 将切锯导板滑至所需切割半径，拧紧螺栓将其紧固到位。然后与基座一起向前推到底。

**注：** 切割圆形或者圆弧时务必使用编号为B-17、B-18、B-26或B-27的曲线锯锯片。

## 防裂片设备

### 选购附件

**小心：** 防裂片设备不能用于斜切割。

► **图片28:** 1. 基座 2. 防裂片设备

如果不希望切割时产生裂片，可使用防裂片设备。安装防裂设备时，将工具基座向前推到底，然后将防裂片设备装在工具基座的背面。

如果同时使用盖板的话，就将防裂片设备安装于盖板上。

## 盖板

► **图片29:** 1. 盖板 2. 基座

在切割装饰板、塑料等材料时使用盖板，可以保护易损或易碎材料表面在切割过程中免遭破坏。将它装在工具基座的背面。

## 导轨适配器装置

### 选购附件

当进行平行等宽切割或直线切割时，使用导轨以及导轨适配器可以快速、清洁地完成切割。安装导轨适配器时，将标尺条完全插入基座上的矩形孔中。使用六角扳手拧紧螺栓。

► **图片30:** 1. 六角扳手 2. 标尺条 3. 螺栓

将标尺条插入导轨适配器上的矩形孔中，然后牢牢拧紧螺丝。在导轨上安装导轨适配器。

► **图片31:** 1. 导轨适配器 2. 导轨 3. 螺丝

**注意：** 使用导轨和导轨适配器时务必使用编号为B-8、B-13、B-16、B-17或58的锯片。

## 保养

**小心：** 检查或保养工具之前，请务必关闭工具电源并取出电池组。

**注意：** 切勿使用汽油、苯、稀释剂、酒精或类似物品清洁工具。否则可能会导致工具变色、变形或出现裂缝。

为了保证产品的安全与可靠性，维修、任何其他维修保养或调节需由Makita（牧田）授权的或工厂维修服务中心完成。务必使用Makita（牧田）的替换部件。

## 选购附件

**小心：** 这些附件或装置专用于本说明书所列的Makita（牧田）工具。如使用其他厂牌附件或装置，可能导致人身伤害。仅可将附件或装置用于规定目的。

如果您需要了解更多关于这些选购附件的信息，请咨询当地的Makita（牧田）维修服务中心。

- 曲线锯锯片
- 切锯导板（导尺）装置
- 导轨适配器装置
- 防裂片设备
- 盖板
- 集尘口
- 防尘罩
- Makita（牧田）原装电池和充电器

**注：** 本列表中的一些部件可能作为标准配件包含于工具包装内。它们可能因销往国家之不同而异。



## SPESIFIKASI

Model:	DJV184	
Panjang tembakan	23 mm	
Tembakan per menit	0 - 3.000 min <sup>-1</sup>	
Jenis mata pisau	Jenis B	
Kapasitas pemotongan maks.	Kayu	135 mm
	Baja lunak	10 mm
	Aluminium	20 mm
Panjang keseluruhan	259 mm	
Tegangan terukur	D.C. 18 V	
Berat bersih	2,1 - 2,4 kg	

- Karena kesinambungan program penelitian dan pengembangan kami, spesifikasi yang disebutkan di sini dapat berubah tanpa pemberitahuan.
- Spesifikasi dapat berbeda dari satu negara ke negara lainnya.
- Berat alat mungkin berbeda tergantung perangkat tambahan yang dipasang, termasuk kartrid baterai. Kombinasi alat terberat dan teringan, sesuai Prosedur EPTA 01/2014, ditunjukkan pada tabel.

## Kartrid dan pengisi daya baterai yang dapat digunakan



Kartrid baterai	BL1815N / BL1820B / BL1830B / BL1840B / BL1850B / BL1860B
Pengisi daya	DC18RC / DC18RD / DC18RE / DC18SD / DC18SE / DC18SF / DC18SH

- Beberapa kartrid baterai dan pengisi daya yang tercantum di atas mungkin tidak tersedia, tergantung wilayah tempat tinggal Anda.

**⚠️ PERINGATAN:** Hanya gunakan kartrid dan pengisi daya baterai yang tercantum di atas. Penggunaan kartrid dan pengisi daya baterai lain dapat menimbulkan risiko cedera dan/atau kebakaran.

## Simbol

Berikut ini adalah simbol-simbol yang dapat digunakan pada peralatan ini. Pastikan Anda memahami arti masing-masing simbol sebelum menggunakan peralatan.

	Baca petunjuk penggunaan.
	Gunakan kaca mata pengaman.



Hanya untuk negara-negara UE  
Akibat adanya komponen berbahaya dalam peralatan, limbah peralatan listrik dan elektronik, aki dan baterai dapat memiliki dampak negatif pada lingkungan dan kesehatan manusia.  
Jangan buang peralatan listrik dan elektronik atau baterai bersama limbah rumah tangga!  
Sesuai dengan Petunjuk Eropa tentang limbah peralatan listrik dan elektronik dan tentang aki dan baterai serta limbah aki dan baterai, serta penyesuaiannya terhadap undang-undang nasional, limbah peralatan listrik, baterai dan aki harus disimpan secara terpisah dan dikirim ke tempat pengumpulan terpisah untuk sampah kota, beroperasi sesuai dengan peraturan tentang perlindungan lingkungan.  
Hal ini ditunjukkan dengan simbol tempat sampah bersilang yang ditempatkan pada peralatan.

## Penggunaan

Mesin ini digunakan untuk menggergaji kayu, plastik dan bahan logam. Sebagai hasil dari aksesoris tambahan dan program mata pisau gergaji, mesin dapat digunakan untuk banyak tujuan dan sangat sesuai untuk potongan lengkung atau lingkaran.

# PERINGATAN KESELAMATAN

## Peringatan keselamatan umum mesin listrik

**⚠️ PERINGATAN:** Bacalah semua peringatan keselamatan, petunjuk, ilustrasi dan spesifikasi yang disertakan bersama mesin listrik ini. Kelalaian untuk mematuhi semua petunjuk yang tercantum di bawah ini dapat menyebabkan sengatan listrik, kebakaran dan/atau cedera serius.

## Simpanlah semua peringatan dan petunjuk untuk acuan di masa depan.

Istilah "mesin listrik" dalam semua peringatan mengacu pada mesin listrik yang dijalankan dengan sumber listrik jala-jala (berkabel) atau baterai (tanpa kabel).

### Keselamatan tempat kerja

1. **Jaga tempat kerja selalu bersih dan berpenerangan cukup.** Tempat kerja yang berantakan dan gelap mengundang kecelakaan.
2. **Jangan gunakan mesin listrik dalam lingkungan yang mudah meledak, misalnya jika ada cairan, gas, atau debu yang mudah menyala.** Mesin listrik menimbulkan bunga api yang dapat menyalakan debu atau uap tersebut.
3. **Jauhkan anak-anak dan orang lain saat menggunakan mesin listrik.** Bila perhatian terpecah, anda dapat kehilangan kendali.

### Keamanan Kelistrikan

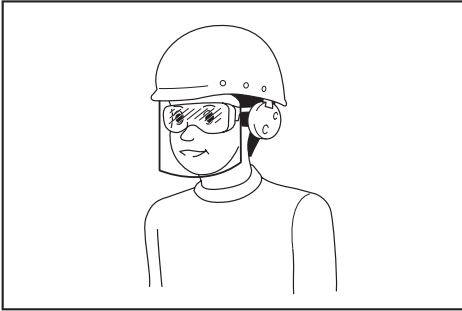
1. **Steker mesin listrik harus cocok dengan stopkontak. Jangan sekali-kali mengubah steker dengan cara apa pun. Jangan menggunakan steker adaptor dengan mesin listrik terbumi (dibumikan).** Steker yang tidak diubah dan stopkontak yang cocok akan mengurangi risiko sengatan listrik.
2. **Hindari sentuhan tubuh dengan permukaan terbumi atau yang dibumikan seperti pipa, radiator, kompor, dan kulkas.** Risiko sengatan listrik bertambah jika tubuh Anda terbumikan atau dibumikan.
3. **Jangan membiarkan mesin listrik kehujanan atau kebasahan.** Air yang masuk ke dalam mesin listrik akan meningkatkan risiko sengatan listrik.
4. **Jangan menyalahgunakan kabel. Jangan sekali-kali menggunakan kabel untuk membawa, menarik, atau mencabut mesin listrik dari stopkontak. Jauhkan kabel dari panas, minyak, tepian tajam, atau bagian yang bergerak.** Kabel yang rusak atau kusut memperbesar risiko sengatan listrik.
5. **Bila menggunakan mesin listrik di luar ruangan, gunakan kabel ekstensi yang sesuai untuk penggunaan di luar ruangan.** Penggunaan kabel yang sesuai untuk penggunaan luar ruangan mengurangi risiko sengatan listrik.

6. **Jika mengoperasikan mesin listrik di lokasi lembap tidak terhindarkan, gunakan pasokan daya yang dilindungi peranti imbasan arus (residual current device - RCD).** Penggunaan RCD mengurangi risiko sengatan listrik.
7. **Mesin listrik dapat menghasilkan medan magnet (EMF) yang tidak berbahaya bagi pengguna.** Namun, pengguna alat pacu jantung atau peralatan medis sejenisnya harus berkonsultasi dengan produsen peralatan tersebut dan/atau dokter mereka sebelum mengoperasikan mesin listrik ini.

### Keselamatan Diri

1. **Jaga kewaspadaan, perhatikan pekerjaan Anda dan gunakan akal sehat bila menggunakan mesin listrik. Jangan menggunakan mesin listrik saat Anda lelah atau di bawah pengaruh obat bius, alkohol, atau obat.** Sekejap saja lalai saat menggunakan mesin listrik dapat menyebabkan cedera badan serius.
2. **Gunakan alat pelindung diri. Selalu gunakan pelindung mata.** Peralatan pelindung seperti masker debu, sepatu pengaman anti-selip, helm pengaman, atau pelindung telinga yang digunakan untuk kondisi yang sesuai akan mengurangi risiko cedera badan.
3. **Cegah penyalaan yang tidak disengaja. Pastikan bahwa sakelar berada dalam posisi mati (off) sebelum menghubungkan mesin ke sumber daya dan/atau paket baterai, atau mengangkat atau membawanya.** Membawa mesin listrik dengan jari Anda pada sakelarnya atau mengalirkan listrik pada mesin listrik yang sakelarnya hidup (on) akan mengundang kecelakaan.
4. **Lepaskan kunci-kunci penyetel sebelum menghidupkan mesin listrik.** Kunci-kunci yang masih terpasang pada bagian mesin listrik yang berputar dapat menyebabkan cedera.
5. **Jangan meraih terlalu jauh. Jagalah pijakan dan keseimbangan sepanjang waktu.** Hal ini memungkinkan kendali yang lebih baik atas mesin listrik dalam situasi yang tidak diharapkan.
6. **Kenakan pakaian yang memadai. Jangan memakai pakaian yang longgar atau perhiasan. Jaga jarak antara rambut dan pakaian Anda dengan komponen mesin yang bergerak.** Pakaian yang longgar, perhiasan, atau rambut yang panjang dapat tersangkut pada komponen yang bergerak.
7. **Jika tersedia fasilitas untuk menghisap dan mengumpulkan debu, pastikan fasilitas tersebut terhubung listrik dan digunakan dengan baik.** Penggunaan pembersih debu dapat mengurangi bahaya yang terkait dengan debu.
8. **Jangan sampai Anda lelah dan mengabaikan prinsip keselamatan mesin ini hanya karena sudah sering mengoperasikannya dan sudah merasa terbiasa.** Tindakan yang lalai dapat menyebabkan cedera berat dalam sepersekian detik saja.

9. **Selalu kenakan kacamata pelindung untuk melindungi mata dari cedera saat menggunakan mesin listrik. Kacamata harus sesuai dengan ANSI Z87.1 di Amerika Serikat, EN 166 di Eropa, atau AS/NZS 1336 di Australia/Selandia Baru. Di Australia/Selandia Baru, secara hukum Anda juga diwajibkan mengenakan pelindung wajah untuk melindungi wajah Anda.**



**Menjadi tanggung jawab atasannya untuk menerapkan penggunaan alat pelindung keselamatan yang tepat bagi operator mesin dan orang lain yang berada di area kerja saat itu.**

#### **Penggunaan dan pemeliharaan mesin listrik**

1. **Jangan memaksa mesin listrik. Gunakan mesin listrik yang tepat untuk keperluan Anda.** Mesin listrik yang tepat akan menuntaskan pekerjaan dengan lebih baik dan aman pada kecepatan sesuai rancangannya.
2. **Jangan gunakan mesin listrik jika sakelar tidak dapat menyala dan memastikannya.** Mesin listrik yang tidak dapat dikendalikan dengan sakelarnya adalah berbahaya dan harus diperbaiki.
3. **Cabut steker dari sumber listrik dan/atau lepas paket baterai, jika dapat dilepas, dari mesin listrik sebelum melakukan penyetelan apa pun, mengganti aksesoris, atau menyimpan mesin listrik.** Langkah keselamatan preventif tersebut mengurangi risiko hidupnya mesin secara tak sengaja.
4. **Simpan mesin listrik jauh dari jangkauan anak-anak dan jangan biarkan orang yang tidak paham mengenai mesin listrik tersebut atau petunjuk ini menggunakan mesin listrik.** Mesin listrik sangat berbahaya di tangan pengguna yang tak terlatih.
5. **Rawatlah mesin listrik dan aksesoris. Periksa apakah ada komponen bergerak yang tidak lurus atau macet, komponen yang pecah, dan kondisi-kondisi lain yang dapat memengaruhi pengoperasian mesin listrik. Jika rusak, perbaiki mesin listrik terlebih dahulu sebelum digunakan.** Banyak kecelakaan disebabkan oleh kurangnya pemeliharaan mesin listrik.
6. **Jaga agar mesin pemotong tetap tajam dan bersih.** Mesin pemotong yang terawat baik dengan mata pemotong yang tajam tidak mudah macet dan lebih mudah dikendalikan.
7. **Gunakan mesin listrik, aksesoris, dan mata mesin, dll. sesuai dengan petunjuk ini, dengan memperhitungkan kondisi kerja dan jenis pekerjaan yang dilakukan.** Penggunaan mesin listrik untuk penggunaan yang lain dari peruntukan dapat menimbulkan situasi berbahaya.
8. **Jagalah agar gagang dan permukaan pegangan tetap kering, bersih, dan bebas dari minyak dan pelumas.** Gagang dan permukaan pegangan yang licin tidak mendukung keamanan penanganan dan pengendalian mesin dalam situasi-situasi tak terduga.
9. **Ketika menggunakan mesin, jangan menggunakan sarung tangan kain yang dapat tersangkut.** Sarung tangan kain yang tersangkut pada komponen bergerak dapat mengakibatkan cedera pada pengguna.

#### **Penggunaan dan pemeliharaan mesin bertenaga baterai**

1. **Isi ulang baterai hanya dengan pengisi daya yang ditentukan oleh pabrik.** Pengisi daya yang cocok untuk satu jenis paket baterai dapat menimbulkan risiko kebakaran ketika digunakan untuk paket baterai yang lain.
2. **Gunakan mesin listrik hanya dengan paket baterai yang telah ditentukan secara khusus.** Penggunaan paket baterai lain dapat menimbulkan risiko cedera dan kebakaran.
3. **Ketika paket baterai tidak digunakan, jauhkan dari benda logam lain, seperti penjepit kertas, uang logam, kunci, paku, sekrup atau benda logam kecil lainnya, yang dapat menghubungkan satu terminal ke terminal lain.** Hubungan singkat terminal baterai dapat menyebabkan luka bakar atau kebakaran.
4. **Pemakaian yang salah, dapat menyebabkan keluarnya cairan dari baterai; hindari kontak. Jika terjadi kontak secara tidak sengaja, bilas dengan air. Jika cairan mengenai mata, cari bantuan medis.** Cairan yang keluar dari baterai bisa menyebabkan iritasi atau luka bakar.
5. **Jangan menggunakan paket baterai atau mesin yang sudah rusak atau telah diubah.** Baterai yang rusak atau telah diubah dapat menyebabkan hal-hal yang tidak dapat diprediksi yang dapat menyebabkan kebakaran, ledakan atau risiko cedera.
6. **Jangan membiarkan paket baterai atau mesin dekat dengan api atau suhu yang berlebihan.** Paparan api atau suhu di atas 130 °C dapat menyebabkan ledakan.
7. **Ikuti semua petunjuk pengisian daya dan jangan mengisi daya paket baterai atau mesin di luar rentang suhu yang ditentukan di panduan.** Mengisi daya secara tidak tepat atau pada suhu di luar rentang yang ditentukan dapat merusak baterai dan meningkatkan risiko kebakaran.

#### **Servis**

1. **Berikan mesin listrik untuk diperbaiki hanya kepada oleh teknisi yang berkualifikasi dengan menggunakan hanya suku cadang pengganti yang serupa.** Hal ini akan menjamin terjaminnya keamanan mesin listrik.

2. **Jangan pernah memperbaiki paket baterai yang sudah rusak.** Perbaikan paket baterai harus dilakukan hanya oleh produsen atau penyedia servis resmi.
3. **Patuhi petunjuk pelumasan dan penggantian aksesoris.**

## Peringatan keselamatan gergaji jig tanpa kabel

1. **Pegang mesin listrik pada permukaan genggam yang terisolasi saat melakukan pekerjaan bila aksesoris pemotong mungkin bersentuhan dengan kawat tersembunyi.** Aksesoris pemotong yang menyentuh kawat "hidup" dapat menyebabkan bagian logam pada mesin teraliri arus listrik dan menyengat pengguna.
2. **Gunakan klem atau cara praktis lainnya untuk mengikat dan menahan benda kerja pada posisi yang stabil.** Menahan benda kerja dengan tangan atau berada pada posisi berlawanan dengan badan Anda membuat benda kerja tidak stabil dan dapat menyebabkan kehilangan kendali.
3. **Selalu gunakan kaca mata pengaman atau kaca mata pelindung.** Kaca mata biasa atau kaca mata hitam BUKANLAH kaca mata pengaman.
4. **Hindari memotong paku.** Periksa apakah terdapat paku di benda kerja dan buang semua paku sebelum pengoperasian.
5. **Jangan memotong benda kerja terlalu besar.**
6. **Periksa apakah jarak di luar benda kerja sudah tepat sebelum memotong sehingga mata pisau tidak akan menabrak lantai, meja kerja, dll.**
7. **Pegang mesin kuat-kuat.**
8. **Pastikan bahwa mata pisau tidak menyentuh benda kerja sebelum sakelar dinyalakan.**
9. **Jauhkan tangan dari bagian yang berputar.**
10. **Jangan tinggalkan mesin dalam keadaan hidup.** Jalankan mesin hanya ketika digenggam tangan.
11. **Selalu matikan dan tunggu sampai mata pisau benar-benar berhenti sebelum melepas mata pisau dari benda kerja.**
12. **Jangan menyentuh mata pisau atau benda kerja segera setelah pengoperasian;** suhunya mungkin masih sangat panas dan dapat membakar kulit Anda.
13. **Jangan mengoperasikan mesin tanpa beban dengan tanpa keperluan.**
14. **Bahan tertentu mengandung zat kimia yang mungkin beracun.** Hindari menghirup debu dan persentuhan dengan kulit. Ikuti data keselamatan bahan dari pemasok.
15. **Selalu gunakan masker debu/alat pernafasan yang tepat sesuai bahan dan pekerjaan yang sedang Anda kerjakan.**

## SIMPAN PETUNJUK INI.

**PERINGATAN:** JANGAN biarkan kenyamanan atau terbiasanya Anda dengan produk (karena penggunaan berulang) mengurangi kepatuhan yang ketat terhadap aturan keselamatan untuk produk yang terkait. **PENYALAHGUNAAN** atau kelalaian mematuhi kaidah keselamatan yang tertera dalam petunjuk ini dapat menyebabkan cedera badan serius.

## Petunjuk keselamatan penting untuk kartrid baterai

1. **Sebelum menggunakan kartrid baterai, bacalah semua petunjuk dan penandaan pada (1) pengisi daya baterai, (2) baterai, dan (3) produk yang menggunakan baterai.**
2. **Jangan membongkar atau memodifikasi kartrid baterai.** Tindakan tersebut dapat menimbulkan api, panas berlebih, atau ledakan.
3. **Jika waktu beroperasinya menjadi sangat singkat, segera hentikan penggunaan.** Hal tersebut dapat menimbulkan risiko panas berlebih, kemungkinan mengalami luka bakar atau bahkan terjadi ledakan.
4. **Jika elektrolit mengenai mata Anda, basuh dengan air bersih dan segera cari pertolongan medis.** Hal tersebut dapat mengakibatkan hilangnya kemampuan penglihatan Anda.
5. **Jangan menghubungkan terminal kartrid baterai:**
  - (1) **Jangan menyentuh terminal dengan bahan penghantar listrik apa pun.**
  - (2) **Hindari menyimpan kartrid baterai pada wadah yang berisi benda logam lain seperti paku, uang logam, dsb.**
  - (3) **Jangan membiarkan baterai terkena air atau kehujanan.**

Hubungan singkat baterai dapat menyebabkan aliran arus listrik yang besar, panas berlebih, kemungkinan mengalami luka bakar dan bahkan kerusakan pada baterai.
6. **Jangan menyimpan dan menggunakan mesin dan kartrid baterai pada lokasi dengan suhu yang bisa mencapai atau melebihi 50 °C (122 °F).**
7. **Jangan membuang kartrid baterai di tempat pembakaran sampah walaupun benar-benar rusak atau tidak bisa digunakan sama sekali.** Kartrid baterai bisa meledak jika terbakar.
8. **Jangan memaku, memotong, menghancurkan, melempar, menjatuhkan kartrid baterai, atau memukulkan benda keras ke kartrid baterai.** Tindakan tersebut dapat menimbulkan api, panas berlebih, atau ledakan.
9. **Jangan menggunakan baterai yang rusak.**

10. **Baterai litium-ion yang disertakan sesuai dengan persyaratan Perundangan Makanan Berbahaya.**  
Harus ada pengawasan untuk pengangkutan komersial misalnya oleh pihak ketiga, ekspeditor, persyaratan khusus terhadap pengemasan dan pelabelan.  
Diperlukan adanya konsultasi dengan ahli mengenai material berbahaya untuk persiapan barang yang akan dikirimkan. Perhatikan pula peraturan nasional yang lebih terperinci yang mungkin ada.  
Beri perekat atau tutupi bagian yang terbuka dan kemas baterai dengan cara yang tidak akan menimbulkan pergeseran dalam pengemasan.
11. **Ketika membuang kartrid baterai, lepaskan dari mesin dan buang ke tempat yang aman. Patuhi peraturan setempat yang berkaitan dengan pembuangan baterai.**
12. **Gunakan baterai hanya dengan produk yang ditentukan oleh Makita.** Memasang baterai pada produk yang tidak sesuai dapat menyebabkan kebakaran, kelebihan panas, ledakan, atau kebocoran elektrolit.
13. **Jika mesin tidak digunakan dalam jangka waktu yang lama, baterai harus dilepas dari mesin.**
14. **Selama dan setelah digunakan, kartrid baterai mungkin menyimpan panas yang dapat menyebabkan luka bakar atau luka bakar suhu rendah.** Perhatikan cara memegang kartrid baterai yang masih panas.
15. **Jangan langsung menyentuh terminal mesin setelah digunakan karena suhunya mungkin cukup panas untuk menyebabkan luka bakar.**
16. **Jangan biarkan serpihan, debu, atau tanah menempel di terminal, lubang, dan alur kartrid baterai.** Hal tersebut dapat menyebabkan pemanasan, kebakaran, ledakan, dan kegagalan fungsi mesin atau kartrid baterai, yang mengakibatkan luka bakar atau cedera diri.
17. **Kecuali jika mesin mendukung penggunaan di dekat saluran listrik bertegangan tinggi, jangan gunakan kartrid baterai di dekat saluran listrik bertegangan tinggi.** Hal tersebut dapat mengakibatkan kegagalan fungsi atau kerusakan mesin maupun kartrid baterai.
18. **Jauhkan baterai dari jangkauan anak-anak.**

## SIMPAN PETUNJUK INI.

**⚠PERHATIAN:** Gunakan baterai asli Makita. Penggunaan baterai Makita yang tidak asli, atau baterai yang sudah diubah, akan mengakibatkan baterai mudah terbakar, cedera dan kerusakan. Akan menghilangkan garansi Makita pada pengisi daya dan alat Makita.

## Tip untuk menjaga agar umur pemakaian baterai maksimum

1. **Isi ulang kartrid baterai sebelum habis sama sekali. Selalu hentikan penggunaan mesin dan ganti kartrid baterai jika Anda melihat bahwa mesin kurang tenaga.**
2. **Jangan pernah mengisi ulang kartrid baterai yang sudah diisi penuh. Pengisian ulang yang berlebih memperpendek umur pemakaian baterai.**
3. **Isi ulang kartrid baterai pada suhu ruangan 10 °C - 40 °C. Biarkan kartrid baterai yang panas menjadi dingin terlebih dahulu sebelum diisi ulang.**
4. **Saat kartrid baterai tidak digunakan, lepaskan dari mesin atau pengisi daya.**
5. **Isi ulang daya kartrid baterai jika Anda tidak menggunakannya untuk jangka waktu yang lama (lebih dari enam bulan).**

## DESKRIPSI FUNGSI

**⚠PERHATIAN:** Selalu pastikan bahwa mesin dimatikan dan kartrid baterai dilepas sebelum menyatel atau memeriksa kerja mesin.

## Memasang atau melepas baterai

**⚠PERHATIAN:** Selalu matikan mesin sebelum memasang atau melepas kartrid baterai.

**⚠PERHATIAN:** Pegang mesin dan kartrid baterai kuat-kuat saat memasang atau melepas kartrid baterai. Kelalaian untuk memegang mesin dan kartrid baterai kuat-kuat bisa menyebabkan keduanya tergelincir dari tangan Anda dan mengakibatkan kerusakan pada mesin dan kartrid baterai dan cedera diri.

- **Gbr.1:** 1. Indikator berwarna merah 2. Tombol 3. Kartrid baterai

Untuk melepas kartrid baterai, geser dari mesin sambil menggeser tombol pada bagian depan kartrid.

Untuk memasang kartrid baterai, sejajarkan lidah kartrid baterai dengan alur pada rumah dan masukkan ke dalam tempatnya. Masukkan seluruhnya sampai terkunci pada tempatnya dan terdengar bunyi klik kecil. Jika Anda bisa melihat indikator berwarna merah seperti yang ditunjukkan pada gambar, ini artinya kartrid baterai tidak terkunci sempurna.

**⚠PERHATIAN:** Selalu pasang kartrid baterai sepenuhnya sampai indikator berwarna merah tidak terlihat. Jika tidak, bisa terlepas dari mesin secara tidak sengaja, menyebabkan luka pada Anda atau orang di sekitar Anda.

**⚠PERHATIAN:** Jangan memasang kartrid baterai secara paksa. Jika kartrid tidak bergeser dengan mudah, berarti tidak dimasukkan dengan benar.

## Sistem perlindungan mesin / baterai

Mesin ini dilengkapi dengan sistem perlindungan mesin/ baterai. Sistem ini memutuskan daya ke motor secara otomatis untuk memperpanjang umur pakai mesin dan baterai. Mesin akan berhenti secara otomatis saat dioperasikan jika mesin atau baterai mengalami salah satu dari kondisi-kondisi berikut ini:

### Perlindungan kelebihan beban

Jika mesin atau baterai digunakan sedemikian rupa sehingga mesin menarik arus terlalu tinggi, mesin akan berhenti secara otomatis tanpa peringatan sebelumnya. Dalam situasi ini, matikan mesin dan hentikan pekerjaan yang menyebabkan mesin mengalami kelebihan beban. Kemudian, nyalakan mesin untuk kembali melanjutkan pekerjaan.

### Perlindungan panas berlebih

Apabila mesin atau baterai terlalu panas, mesin akan berhenti secara otomatis dan lampu akan berkedip. Pada keadaan ini, tunggu hingga mesin dan baterai mendingin sebelum dinyalakan kembali.

### Perlindungan pengisian daya berlebih

Ketika kapasitas baterai tidak cukup, mesin akan berhenti secara otomatis. Jika Anda menyalakan mesin, motor akan menyala lagi tetapi segera berhenti. Dalam kondisi ini, lepaskan baterai dari mesin dan isi ulang daya baterai.

### Perlindungan terhadap penyebab lain

Sistem perlindungan juga dirancang untuk penyebab lain yang dapat merusak mesin dan memungkinkan mesin untuk berhenti secara otomatis. Lakukan semua langkah berikut ini untuk mengatasi penyebabnya, saat mesin dihentikan sementara atau berhenti beroperasi.

1. Matikan mesin, dan kemudian hidupkan kembali untuk memulai ulang.
2. Isi baterai atau ganti dengan baterai yang sudah diisi ulang.
3. Biarkan mesin dan baterai menjadi dingin.

Jika tidak ada peningkatan yang dapat ditemukan dengan memulihkan sistem perlindungan, hubungi Pusat Servis Makita setempat Anda.

## Mengindikasikan kapasitas baterai yang tersisa

**Hanya untuk kartrid baterai dengan indikator**

► **Gbr.2:** 1. Lampu indikator 2. Tombol pemeriksaan

Tekan tombol pemeriksaan pada kartrid baterai untuk melihat kapasitas baterai yang tersisa. Lampu indikator menyala selama beberapa detik.

Lampu indikator			Kapasitas yang tersisa
Menyala	Mati	Berkedip	
■ ■ ■ ■			75% hingga 100%
■ ■ ■ □			50% hingga 75%
■ ■ □ □			25% hingga 50%
■ □ □ □			0% hingga 25%
▣ □ □ □			Isi ulang baterai.
■ ■ □ □			Baterai mungkin sudah rusak.
□ □ ■ ■			

**CATATAN:** Tergantung kondisi penggunaan dan suhu lingkungannya, penunjukkan mungkin saja sedikit berbeda dari kapasitas sebenarnya.

**CATATAN:** Lampu indikator pertama (ujung kiri) akan berkedip ketika sistem perlindungan mesin bekerja.

## Memilih gerak pemotongan

► **Gbr.3:** 1. Tuas pengubah gerak pemotongan

Mesin ini dapat dioperasikan dengan gerak pemotongan sejajar atau edar (naik dan turun). Gerak pemotongan edar mendorong mata pisau gergaji jig ke depan pada langkah pemotongan dan meningkatkan kecepatan pemotongan.

Untuk mengubah gerak pemotongan, putar tuas pengubah gerak pemotongan ke posisi gerak pemotongan yang diinginkan. Silakan mengacu pada tabel untuk memilih gerak pemotongan yang tepat.

Posisi	Gerak pemotongan	Aplikasi
0	Gerak pemotongan sejajar	Untuk pemotongan baja lunak, baja tahan karat, dan plastik.
		Untuk potongan bersih di kayu dan tripleks.
I	Gerak pemotongan edar kecil	Untuk pemotongan baja lunak, aluminium, dan kayu keras.
II	Gerak pemotongan edar medium	Untuk pemotongan kayu dan tripleks.
		Untuk pemotongan cepat pada aluminium dan baja lunak.
III	Gerak pemotongan edar besar	Untuk pemotongan cepat pada kayu dan tripleks.

## Kerja sakelar

Untuk menyalakan mesin, tekan tombol kunci/buka kunci. Mesin beralih ke mode siaga. Untuk memulai mesin, tarik pelatuk sakelar pada mode siaga. Kecepatan mesin akan meningkat dengan menambah tekanan pada pelatuk sakelar. Untuk menghentikan mesin, lepaskan pelatuk sakelarnya. Mesin beralih ke mode siaga. Untuk mematikan mesin, tekan tombol kunci/buka kunci pada mode siaga. Untuk penggunaan terus menerus, tarik pelatuk sakelar pada mode siaga, lalu tekan tombol kunci. Untuk menghentikan mesin, tarik pelatuk sakelar sampai penuh, dan kemudian lepaskan.

► **Gbr.4:** 1. Tombol kunci/buka kunci 2. Tombol kunci 3. Pelatuk sakelar

**CATATAN:** Jika mesin ditinggalkan selama 10 detik tanpa pengoperasian apa pun dalam mode siaga, secara otomatis mesin akan mati dan lampu akan mati.

**CATATAN:** Tombol kunci/buka kunci tidak tersedia ketika mesin sedang beroperasi.

## Menyalakan lampu depan

**PERHATIAN:** Jangan melihat lampu atau sumber cahaya secara langsung.

Untuk menyalakan lampu, tekan tombol kunci/buka kunci. Untuk mematikan lampu, tekan lagi tombol kunci/buka kunci.

► **Gbr.5:** 1. Lampu

**PEMBERITAHUAN:** Saat mesin mengalami kelebihan panas, lampu akan berkedip. Dinginkan mesin sepenuhnya sebelum mengoperasikan mesin lagi.

**CATATAN:** Gunakan kain kering untuk mengelap kotoran dari lensa lampu. Hati-hati jangan sampai menggores lensa lampu, atau hal tersebut dapat menurunkan tingkat penerangannya.

## Sakelar penyetel kecepatan

► **Gbr.6:** 1. Sakelar penyetel kecepatan

Kecepatan mesin dapat disetel dengan memutar sakelar penyetel kecepatan. Anda dapat mendapatkan kecepatan tertinggi di 5 dan kecepatan terendah di 1. Lihat tabel untuk memilih kecepatan yang tepat untuk benda kerja yang akan dipotong. Namun, kecepatan yang sesuai mungkin berbeda pada jenis atau ketebalan benda kerja. Pada umumnya, kecepatan yang lebih tinggi akan memungkinkan Anda memotong benda kerja lebih cepat namun masa pakai mata gergaji jig akan berkurang.

Benda kerja	Angka
Kayu	4 - 5
Baja lunak	3 - 5
Baja tahan karat	3 - 4
Aluminium	3 - 5
Plastik	1 - 4

**PEMBERITAHUAN:** Sakelar penyetel kecepatan dapat diputar sampai maksimum angka 5 dan kembali ke angka 1. Jangan dipaksa melewati angka 5 atau angka 1, karena fungsi penyetelan kecepatan bisa tidak berfungsi lagi.

## Fungsi elektronik

Mesin ini dilengkapi dengan fungsi elektronik untuk pengoperasian yang mudah.

## Awal pengerjaan yang lembut

Fungsi awal soft-start adalah untuk meminimalkan kejutan awal, dan membuat mesin berjalan lancar.

## Kontrol kecepatan konstan

Kontrol kecepatan elektronik untuk memperoleh kecepatan yang konstan. Memungkinkan untuk memperoleh pengerjaan akhir yang halus, karena kecepatan putaran dipertahankan secara konstan meskipun dalam kondisi diberi beban.

## Putaran lembut tanpa beban

Untuk mengurangi getaran dan untuk menyejajarkan mata gergaji jig dengan garis potong dengan mudah, mesin akan secara otomatis mengurangi kecepatan putaran hingga mesin mulai memotong benda kerja ketika sakelar penyetel kecepatan diatur ke 2 atau lebih tinggi. Saat mesin mulai memotong benda kerja, mesin akan mencapai kecepatan prasetel dan kecepatan tersebut dipertahankan sampai mesin berhenti.

**CATATAN:** Ketika temperatur rendah, fungsi ini mungkin tidak tersedia.

## Menonaktifkan atau mengaktifkan fungsi putaran lembut tanpa beban

Untuk menonaktifkan atau mengaktifkan fungsi putaran lembut tanpa beban, ikuti langkah-langkah berikut ini.

1. Pastikan bahwa mesin telah dimatikan.
2. Atur sakelar penyetel kecepatan ke "1".
3. Tekan tombol kunci/buka kunci untuk menghidupkan mesin.
4. Atur sakelar penyetel kecepatan ke "5" dengan memutarnya, lalu atur ke "1" dengan memutar ke arah sebaliknya.

Lampu berkedip dua kali untuk mengindikasikan bahwa fungsi putaran lembut tanpa beban dinonaktifkan. Untuk mengaktifkan fungsi ini lagi, lakukan lagi prosedur yang sama.

**CATATAN:** Jika fungsi putaran lembut tanpa beban dinonaktifkan, lampu akan berkedip dua kali ketika mesin dinyalakan.

**CATATAN:** Anda juga dapat mengaktifkan atau menonaktifkan fungsi putaran lembut tanpa beban dengan mengubah sakelar penyetel kecepatan dari "5" ke "1" dan mengubahnya dari "1" ke "5".

## Rem elektrik

Mesin ini dilengkapi dengan rem elektrik. Jika mesin selalu gagal melakukan pemberhentian cepat setelah pelatuk sakelar dilepaskan, servis mesin di pusat servis Makita.

## PERAKITAN

**⚠PERHATIAN:** Selalu pastikan bahwa mesin dimatikan dan kartrid baterai dilepas sebelum melakukan pekerjaan apa pun pada mesin.

## Memasang atau melepas mata gergaji jig

**⚠PERHATIAN:** Selalu bersihkan serpihan atau benda asing yang melekat pada mata gergaji jig dan/atau pemegang mata pisau. Kelalaian dalam melakukannya dapat mengakibatkan mata gergaji jig tidak terpasang dengan kencang, yang dapat mengakibatkan cedera diri serius.

**⚠PERHATIAN:** Jangan menyentuh mata pisau gergaji jig atau benda kerja segera setelah pengoperasian. Suhunya mungkin masih sangat panas dan dapat membakar kulit Anda.

**⚠PERHATIAN:** Selalu kencangkan mata gergaji jig. Pemasangan mata gergaji jig yang kurang kencang dapat menyebabkan kerusakan mata pisau atau cedera diri serius.

**⚠PERHATIAN:** Hanya gunakan mata pisau gergaji jig jenis B. Menggunakan mata pisau selain jenis B dapat mengakibatkan mata gergaji jig tidak terpasang dengan kencang, yang dapat mengakibatkan cedera diri serius.

**⚠PERHATIAN:** Ketika Anda melepaskan mata gergaji jig, berhati-hatilah jangan sampai melukai jari Anda dengan bagian atas mata gergaji jig atau ujung benda kerja.

Sebelum memasang mata gergaji jig, pastikan tuas klem mata pisau pada posisi pelepasan. Untuk memasang mata gergaji jig, masukkan mata gergaji jig (gerigi menghadap ke depan) ke pemegang mata gergaji jig. Tuas klem mata pisau akan berpindah ke posisi terpasang dan mata gergaji jig akan terkunci. Pastikan tepi belakang dari mata gergaji jig sesuai dengan rol. Tarik mata gergaji jig dengan halus untuk memastikan mata gergaji jig tidak jatuh selama pengoperasian.

► **Gbr.7:** 1. Pemegang mata gergaji jig 2. Tuas klem mata pisau (posisi dilepaskan) 3. Tuas klem mata pisau (posisi terpasang)

► **Gbr.8:** 1. Pemegang mata gergaji jig 2. Mata gergaji jig 3. Rol

**⚠PERHATIAN:** Jika tuas klem mata pisau tidak berpindah ke posisi terpasang, mata gergaji jig tidak terpasang sepenuhnya. Jangan menekan tuas klem mata pisau ke posisi terpasang dengan tangan. Hal tersebut bisa merusak mesin.

Untuk melepaskan mata gergaji jig, dorong tuas klem mata pisau ke depan dengan penuh. Ini akan melepaskan mata gergaji jig.

► **Gbr.9:** 1. Pemegang mata gergaji jig 2. Tuas klem mata pisau 3. Mata gergaji jig

**CATATAN:** Jika mata gergaji jig saw sulit dilepaskan: Putar tuas pengubah gerak pemotongan ke posisi "III" dan pindahkan pemegang mata gergaji jig ke bawah sebelum mendorong tuas klem mata pisau ke posisi pelepasan. Untuk memindahkan pemegang mata gergaji jig ke bawah,embalikan tuas klem mata pisau dengan sempurna ke posisi terpasang satu kali dan sedikit nyalakan mesin beberapa kali.

**CATATAN:** Lumasi rol secara berkala.

## Penyimpanan kunci L

Saat tidak digunakan, simpan kunci L seperti terlihat pada gambar agar tidak hilang.

► **Gbr.10:** 1. Kunci L

## PENGUNAAN

**⚠PERHATIAN:** Selalu pegangudukan benam dengan benda kerja. Kelalaian dalam melakukannya dapat menyebabkan pecahnya mata pisau gergaji jig, yang akan mengakibatkan cedera serius.

**⚠PERHATIAN:** Gerakkan mesin sangat perlahan ketika memotong lengkungan atau bergulir. Memaksakan mesin dapat menyebabkan permukaan pemotongan miring dan kerusakan mata pisah gergaji jig.

► **Gbr.11:** 1. Garis pemotongan 2. Dudukan

Nyalakan mesin dengan kondisi mata pisau tidak menyentuh apa pun dan tunggu sampai mata pisau gergaji jig mencapai kecepatan penuh. Kemudian letakkan dudukan mendarat di benda kerja dan perlahan gerakkan mesin ke depan mengikuti garis potong yang telah ditandai sebelumnya.

## Pemotongan siku-siku

**⚠PERHATIAN:** Selalu pastikan bahwa mesin dimatikan dan kartrid baterai dilepas sebelum memiringkan dudukan.

Dengan dudukan yang dimiringkan, Ana dapat melakukan pemotongan sudut siku-siku di sudut mana pun antara 0° dan 45° (kiri atau kanan).

► **Gbr.12**



Kendurkan baut di bagian belakang dudukan dengan kunci L. Pindahkan dudukan sehingga baut terletak di tengah lubang melintang di dudukan.

► **Gbr.13:** 1. Kunci L 2. Baut 3. Dudukan

Miringkan dudukan hingga sudut siku-siku yang diinginkan tercapai. Tepi rumahan motor mengindikasikan sudut siku-siku dengan skala. Kemudian kencangkan baut untuk mengencangkan dudukan.

► **Gbr.14:** 1. Tepi 2. Skala

## Potongan benam depan

► **Gbr.15:** 1. Kunci L 2. Baut 3. Dudukan

Kendurkan baut di belakang dudukan dengan kunci L dan geserkan dudukan jauh ke belakang. Kemudian kencangkan baut untuk mengencangkan dudukan.

## Potongan

Potongan dapat dibuat dengan dua metode “Mengebor lubang awal” atau “Pemotongan plunge”.

### Mengebor lubang awal

► **Gbr.16**

Untuk potongan internal tanpa potongan pemandu dari tepi, bor terlebih dahulu lubang awal berdiameter 12 mm atau lebih. Masukkan mata pisau gergaji jig ke lubang ini untuk memulai potongan Anda.

### Pemotongan plunge

► **Gbr.17**

Anda tidak perlu mengebor lubang awal atau membuat potongan pemandu jika Anda melakukan hal berikut secara berhati-hati.

1. Miringkan mesin ke tepian depan dudukan dengan titik mata pisau gergaji jig terletak di atas permukaan benda kerja.
2. Beri tekanan pada mesin sehingga tepi depan dudukan tidak akan bergerak ketika Anda menyalakan mesin dan perlahan turunkan bagian belakang mesin.
3. Sementara mata pisau gergaji jig menembus benda kerja, perlahan turunkan dudukan mesin ke permukaan benda kerja.
4. Selesaikan pemotongan dengan normal.

## Pengerjaan akhir tepi

► **Gbr.18**

Untuk memangkas tepian atau membuat penyetelan dimensi, jalankan mata pisau gergaji jig dengan ringan di tepi pemotongan.

## Pemotongan logam

Selalu gunakan pendingin (minyak pemotong) yang sesuai saat memotong logam. Kelalaian dalam melakukannya akan menyebabkan keausan parah pada mata pisau. Sisi bawah benda kerja lebih baik dilumasi gemuk daripada menggunakan pendingin.

## Pengumpulan debu

### Memasang atau melepas penutup debu

#### Pilihan aksesori

Pasang penutup debu seperti ditunjukkan pada gambar.

► **Gbr.19:** 1. Penutup debu

Untuk melepaskan penutup debu, tekan satu sisi penutup, lalu lepaskan seperti ditunjukkan pada gambar.

► **Gbr.20:** 1. Penutup debu

### Memasang atau melepas nosel debu

#### Negara tertentu

Anda dapat menghubungkan mesin ini ke pengisap debu Makita dengan memasang nosel debu. Masukkan nosel debu seluruhnya ke dalam mesin.

► **Gbr.21:** 1. Nosel debu

Untuk melepaskan nosel debu, tarik keluar nosel debu sambil menekan tombol di nosel debu.

► **Gbr.22:** 1. Tombol 2. Nosel debu

### Menyambungkan mesin ke pengisap debu

Sambungkan selang pengisap debu ke nosel debu.

► **Gbr.23**

## Pembatas potongan

#### Pilihan Aksesori

**⚠PERHATIAN:** Selalu pastikan bahwa mesin dimatikan dan kartrid baterai dilepas sebelum memasang atau melepaskan aksesori.

### Potongan lurus

Ketika berulang kali memotong dengan lebar 160 mm atau kurang, penggunaan pembatas potongan akan memastikan pemotongan yang cepat, bersih, dan lurus.

► **Gbr.24:** 1. Pembatas potongan (Mistar pemandu)

Untuk memasangnya, masukkan pembatas potongan ke lubang persegi di bagian samping dudukan dengan pemandu pembatas menghadap ke arah bawah.

Geser pembatas potongan ke posisi lebar pemotongan yang diinginkan, kemudian kencangkan baut untuk mengamankannya.

► **Gbr.25:** 1. Kunci L 2. Baut 3. Pemandu pembatas 4. Pembatas potongan (Mistar pemandu)

### Potongan bundar

Ketika memotong lingkaran atau lengkung dengan radius 170 mm atau kurang, pasang pembatas potongan seperti berikut.

► **Gbr.26:** 1. Pembatas potongan (Mistar pemandu)

1. Masukkan pembatas potongan ke lubang persegi di bagian samping dudukan dengan pemandu pembatas menghadap ke arah atas.

2. Masukkan pin pemandu sirkular melalui salah satu dari kedua lubang di pemandu pembatas. Lakukan penyekrupan knop berulir ke pin pemandu sirkular untuk mengamankan pin pemandu sirkular.

- **Gbr.27:** 1. Kenop berulir 2. Pemandu pembatas  
3. Pembatas potongan (Mistar pemandu)  
4. Pin pemandu sirkular 5. Baut 6. Kunci L

3. Geser pembatas potongan ke radius pemotongan yang diinginkan, dan kencangkan baut untuk mengamankannya. Kemudian pindahkan dudukan jauh ke depan.

**CATATAN:** Selalu gunakan mata pisau gergaji jig No. B-17, B-18, B-26, atau B-27 ketika melakukan pemotongan bundar atau lengkung.

## Perangkat antiserpih

### Pilihan aksesoris

**PERHATIAN:** Perangkat antiserpih tidak dapat digunakan ketika melakukan pemotongan sudut siku-siku.

- **Gbr.28:** 1. Dudukan 2. Perangkat antiserpih

Untuk pemotongan bebas serpihan, perangkat antiserpih bisa digunakan. Untuk memasang perangkat antiserpih, pindahkan dudukan peralatan jauh ke depan dan pasang dari bagian belakang dudukan peralatan. Saat Anda menggunakan pelat penutup, pasang perangkat antiserpih ke pelat penutup.

## Pelat penutup

- **Gbr.29:** 1. Pelat penutup 2. Dudukan

Gunakan pelat penutup saat memotong bagian melengkung, plastik, dan lain-lain. Pelat penutup tersebut melindungi bagian sensitif atau permukaan yang halus dari kerusakan. Pasangkan pada bagian belakang dudukan peralatan.

## Set adaptor rel pemandu

### Pilihan aksesoris

Ketika memotong lebar sejajar dan seragam atau memotong lurus, penggunaan rel pemandu dan adaptor rel pemandu akan memastikan produksi potongan yang cepat dan rapi. Untuk memasang adaptor rel pemandu, masukkan bilah penggaris ke lubang segi empat dudukan sejauh mungkin. Kencangkan baut dengan kuat menggunakan kunci L.

- **Gbr.30:** 1. Kunci L 2. Bilah penggaris 3. Baut

Masukkan bilah penggaris ke lubang segi empat adaptor rel pemandu, dan kencangkan sekrup kuat-kuat. Posisikan adaptor rel pemandu pada rel pemandu.

- **Gbr.31:** 1. Adaptor rel pemandu 2. Rel pemandu  
3. Sekrup

**PEMBERITAHUAN:** Selalu gunakan mata gergaji No. B-8, B-13, B-16, B-17 atau 58 ketika menggunakan rel pemandu dan adaptor rel pemandu.

## PERAWATAN

**PERHATIAN:** Selalu pastikan bahwa mesin dimatikan dan kartrid baterai dilepas sebelum melakukan pemeriksaan atau perawatan.

**PEMBERITAHUAN:** Jangan sekali-kali menggunakan bensin, tiner, alkohol, atau bahan sejenisnya. Penggunaan bahan demikian dapat menyebabkan perubahan warna, perubahan bentuk atau timbulnya retakan.

Untuk menjaga KEAMANAN dan KEANDALAN mesin, perbaikan, perawatan atau penyetulan lainnya harus dilakukan oleh Pusat Layanan Resmi atau Pabrik Makita; selalu gunakan suku cadang pengganti buatan Makita.

## AKSESORI PILIHAN

**PERHATIAN:** Dianjurkan untuk menggunakan aksesoris atau perangkat tambahan ini dengan mesin Makita Anda yang ditentukan dalam petunjuk ini. Penggunaan aksesoris atau perangkat tambahan lain bisa menyebabkan risiko cedera pada manusia. Hanya gunakan aksesoris atau perangkat tambahan sesuai dengan peruntukannya.

Jika Anda memerlukan bantuan lebih rinci berkenaan dengan aksesoris ini, tanyakan pada Pusat Layanan Makita terdekat.

- Mata gergaji jig
- Set Pembatas belahan (mistar pemandu)
- Set adaptor rel pemandu
- Perangkat antiserpih
- Pelat penutup
- Nosel debu
- Penutup debu
- Baterai dan pengisi daya asli buatan Makita

**CATATAN:** Beberapa item dalam daftar tersebut mungkin sudah termasuk dalam paket mesin sebagai aksesoris standar. Hal tersebut dapat berbeda dari satu negara ke negara lainnya.

## SPEKIFIKASI

<b>Model:</b>		<b>DJV184</b>
Panjang strok		23 mm
Strok seminit		0 - 3,000 min <sup>-1</sup>
Jenis bilah		Jenis B
Kapasiti pemotongan maks.	Kayu	135 mm
	Keluli lembut	10 mm
	Aluminium	20 mm
Panjang keseluruhan		259 mm
Voltan terkadar		D.C. 18 V
Berat bersih		2.1 - 2.4 kg

- Disebabkan program penyelidikan dan pembangunan kami yang berterusan, spesifikasi yang terkandung di dalam ini adalah tertakluk kepada perubahan tanpa notis.
- Spesifikasi mungkin berbeza mengikut negara.
- Berat mungkin berbeza bergantung kepada pemasangan, termasuk kartrij bateri. Kombinasi paling ringan dan paling berat, mengikut Prosedur EPTA 01/2014, ditunjukkan di dalam jadual.

### Kartrij bateri dan pengecas yang boleh digunakan

Kartrij bateri	BL1815N / BL1820B / BL1830B / BL1840B / BL1850B / BL1860B
Pengecas	DC18RC / DC18RD / DC18RE / DC18SD / DC18SE / DC18SF / DC18SH

- Sesetengah kartrij bateri dan pengecas yang disenaraikan di atas mungkin tidak tersedia bergantung pada kawasan kediaman anda.

**⚠️ AMARAN:** Hanya menggunakan kartrij bateri dan pengecas yang disenaraikan di atas. Penggunaan mana-mana kartrij bateri dan pengecas lain boleh menyebabkan kecederaan dan/atau kebakaran.

### Simbol

Berikut menunjukkan simbol-simbol yang boleh digunakan untuk alat ini. Pastikan anda memahami maksudnya sebelum menggunakan.



Baca manual arahan.



Pakai cermin mata keselamatan.



Ni-MH  
Li-ion

Hanya untuk negara-negara EU  
Disebabkan kehadiran komponen berbahaya dalam peralatan, sisa peralatan elektrik dan elektronik, akumulator dan bateri boleh memberi kesan negatif terhadap persekitaran dan kesihatan manusia.

Jangan buang alat elektrik dan elektronik atau bateri bersama dengan bahan buangan isi rumah!  
Mengikut Arahan Eropah mengenai sisa peralatan elektrik dan elektronik dan mengenai akumulator dan bateri dan sisa akumulator dan bateri serta penyesuaian dengan undang-undang negara, sisa peralatan elektrik, bateri dan akumulator hendaklah disimpan secara berasingan dan dihantar ke tempat pengumpulan berasingan untuk sisa perbandaran, beroperasi mengikut peraturan perlindungan persekitaran.  
Ini ditunjukkan oleh simbol tong sampah beroda yang bersilang pada peralatan.

### Tujuan penggunaan

Alat ini bertujuan untuk menggergaji kayu, plastik dan bahan logam. Hasil daripada aksesori yang luas dan program bilah gergaji, alat ini boleh digunakan untuk pelbagai tujuan dan sangat sesuai untuk pemotongan melengkung atau bulat.

# AMARAN KESELAMATAN

## Amaran keselamatan umum alat kuasa

**⚠️AMARAN:** Baca semua amaran keselamatan, arahan, ilustrasi dan spesifikasi yang disediakan dengan alat kuasa ini. Kegagalan mengikut amaran dan arahan boleh menyebabkan kejutan elektrik, kebakaran dan/atau kecederaan serius.

## Simpan semua amaran dan arahan untuk rujukan masa depan.

Istilah "alat kuasa" dalam amaran merujuk kepada alat kuasa yang menggunakan tenaga elektrik (kabel) atau alat kuasa yang menggunakan bateri (tanpa kord).

### Keselamatan kawasan kerja

1. **Pastikan kawasan kerja bersih dan terang.** Kawasan berselerak atau gelap mengundang kemalangan.
2. **Jangan kendalikan alat kuasa dalam keadaan yang mudah meletup, seperti dalam kehadiran cecair, gas atau habuk yang mudah terbakar.** Alat kuasa menghasilkan percikan api yang boleh menyalakan debu atau wasap.
3. **Jauhkan kanak-kanak dan orang ramai semasa mengendalikan alat kuasa.** Gangguan boleh menyebabkan anda hilang kawalan.

### Keselamatan elektrik

1. **Palam alat kuasa mesti sepadan dengan soket.** Jangan ubah suai palam dalam apa cara sekalipun. Jangan gunakan sebarang palam penyesuai dengan alat kuasa terbumi. Palam yang tidak diubah suai dan soket yang sepadan akan mengurangkan risiko kejutan elektrik.
2. **Elakkan sentuhan badan dengan permukaan terbumi, seperti paip, radiator, dapur dan peti sejuk.** Terdapat peningkatan risiko kejutan elektrik jika elektrik terbumi terkena badan anda.
3. **Jangan biarkan alat kuasa terkena hujan atau basah.** Air yang memasuki alat kuasa akan meningkatkan risiko kejutan elektrik.
4. **Jangan salah gunakan kord.** Jangan gunakan kord untuk membawa, menarik atau mencabut palam alat kuasa. Jauhkan kord dari haba, minyak, bucu tajam atau bahagian yang bergerak. Kord yang rosak atau tersimpul meningkatkan risiko kejutan elektrik.
5. **Semasa mengendalikan alat kuasa di luar, gunakan kord sambungan yang bersesuaian untuk kegunaan luar.** Penggunaan kord yang sesuai untuk kegunaan luar mengurangkan risiko kejutan elektrik.
6. **Sekiranya pengendalian alat kuasa di lokasi lembap tidak dapat dielakkan, gunakan bekalan peranti arus sisa (RCD) yang dilindungi.** Penggunaan RCD mengurangkan risiko kejutan elektrik.

7. **Alat kuasa boleh menghasilkan medan elektromagnetik (EMF) yang tidak berbahaya kepada pengguna.** Walau bagaimanapun, pengguna perentak jantung atau peranti perubatan yang serupa harus menghubungi pembuat peranti mereka dan/atau doktor untuk nasihat sebelum mengendalikan alat kuasa ini.

### Keselamatan diri

1. **Sentiasa berwaspada, perhatikan apa yang anda lakukan dan guna akal budi semasa mengendalikan alat kuasa. Jangan gunakan alat kuasa semasa anda letih atau di bawah pengaruh dadah, alkohol atau ubat.** Kelekaan seketika semasa mengendalikan alat kuasa boleh menyebabkan kecederaan diri yang serius.
2. **Gunakan peralatan pelindung diri. Sentiasa pakai pelindung mata.** Peralatan pelindung seperti topeng debu, kasut keselamatan tak mudah tergelincir, topi keselamatan atau pelindung pendengaran yang digunakan untuk keadaan yang sesuai akan mengurangkan kecederaan diri.
3. **Elakkan permulaan yang tidak disengajakan. Pastikan suis ditutup sebelum menyambung kepada sumber kuasa dan/atau pek bateri, semasa mengangkat atau membawa alat.** Membawa alat kuasa dengan jari anda pada suis atau menahan alatan alat kuasa dengan suis pada kedudukan hidup mengundang kemalangan.
4. **Alihkan sebarang kunci atau sepana pelaras sebelum menghidupkan alat kuasa.** Sepana atau kunci yang ditinggalkan pada bahagian berputar alat kuasa boleh menyebabkan kecederaan diri.
5. **Jangan lampau jangkau. Jaga pijakan dan keseimbangan yang betul pada setiap masa.** Ini membolehkan kawalan alat kuasa yang lebih baik dalam situasi yang tidak dijangka.
6. **Berpakaian dengan betul. Jangan pakai pakaian yang longgar atau barang kemas. Jauhkan rambut dan pakaian anda dari bahagian yang bergerak.** Pakaian longgar, barang kemas atau rambut yang panjang boleh terperangkap dalam bahagian yang bergerak.
7. **Jika peranti disediakan untuk sambungan kemudahan pengeksktrakan dan pengumpulan habuk, pastikan ia disambung dan digunakan dengan betul.** Penggunaan pengumpulan habuk boleh mengurangkan bahaya berkaitan habuk.
8. **Jangan biarkan kebiasaan daripada kekerapan penggunaan alat membuat anda berpuas hati dan mengabaikan prinsip keselamatan alat.** Keceuaian boleh menyebabkan kecederaan serius dalam sekelip mata.
9. **Sentiasa pakai gogal pelindung untuk melindungi mata anda daripada kecederaan apabila menggunakan alat kuasa.** Gogal mestilah mematuhi ANSI Z87.1 di AS, EN 166 di Eropah, atau AS/NZS 1336 di Australia/New Zealand. Di Australia/New Zealand, undang-undang mengarahkan untuk memakai pelindung muka bagi melindungi muka anda, juga.



**Menjadi tanggungjawab majikan untuk menguatkuasa penggunaan peralatan perlindungan keselamatan yang bersesuaian oleh pengendali alat dan oleh orang lain dalam kawasan bekerja semasa.**

#### **Penggunaan dan penjagaan alat kuasa**

1. **Jangan gunakan alat kuasa dengan kasar. Gunakan alat kuasa yang betul untuk penggunaan anda.** Alat kuasa yang betul akan melakukan tugas dengan lebih baik dan lebih selamat pada kadar mana ia direka cipta.
2. **Jangan gunakan alat kuasa jika suis tidak berfungsi untuk menghidupkan dan mematikannya.** Alat kuasa yang tidak dapat dikawal dengan suis adalah berbahaya dan mesti dibaiki.
3. **Cabut palam dari sumber kuasa dan/atau keluarkan pek bateri, jika boleh ditanggalkan, dari alat kuasa sebelum membuat sebarang pelarasan, menukar aksesori, atau menyimpan alat kuasa.** Langkah-langkah keselamatan pencegahan sedemikian mengurangkan risiko memulakan alat kuasa secara tidak sengaja.
4. **Simpan alat kuasa yang tidak digunakan jauh dari jangkauan kanak-kanak dan jangan biarkan orang yang tidak biasa dengan alat kuasa atau arahan ini untuk mengendalikan alat kuasa.** Alat kuasa adalah berbahaya di tangan pengguna yang tidak terlatih.
5. **Menyelenggara alat kuasa dan aksesori. Periksa salah jajaran atau ikatan pada bahagian yang bergerak, bahagian yang pecah dan apa-apa keadaan lain yang boleh menjejaskan operasi alat kuasa. Jika rosak,baiki alat kuasa sebelum digunakan.** Kebanyakan kemalangan adalah disebabkan oleh alat kuasa yang tidak dijaga dengan baik.
6. **Pastikan alat pemotong tajam dan bersih.** Alat pemotong yang dijaga dengan betul dengan hujung pemotong yang tajam mempunyai kemungkinan yang rendah untuk terikat dan lebih mudah dikendalikan.
7. **Gunakan alat kuasa, aksesori dan alat bit dan sebagainya mengikut arahan ini dengan mengambil kira keadaan kerja dan kerja yang perlu dilakukan.** Penggunaan alat kuasa untuk operasi yang berbeza dari yang dimaksudkan boleh menyebabkan keadaan berbahaya.

8. **Pastikan pemegang dan permukaan pegangan kering, bersih dan bebas dari minyak dan gris.** Pemegang dan permukaan pegangan yang licin tidak membolehkan pengendalian dan kawalan selamat bagi alat dalam situasi yang tidak dijangka.
9. **Apabila menggunakan alat, jangan pakai sarung tangan kerja kain yang mungkin boleh kusut.** Kekusutan sarung tangan kerja kain pada bahagian yang bergerak boleh menyebabkan kecederaan diri.

#### **Penggunaan dan penjagaan alat bateri**

1. **Cas semula dengan pengecas yang ditentukan oleh pengeluar sahaja.** Pengecas yang sesuai untuk satu jenis pek bateri mungkin menimbulkan risiko kebakaran apabila digunakan dengan pek bateri lain.
2. **Gunakan alat kuasa dengan pek bateri yang ditentukan secara khusus sahaja.** Penggunaan mana-mana pek bateri lain mungkin menimbulkan risiko kecederaan dan kebakaran.
3. **Apabila pek bateri tidak digunakan, jauhkannya daripada objek besi lain, seperti klip kertas, duit syiling, paku, skru atau objek besi kecil lain, yang boleh membuat sambungan dari satu terminal ke yang lain.** Memintas terminal bateri bersama-sama mungkin menyebabkan letupan atau kebakaran.
4. **Di bawah keadaan kasar, cecair mungkin dikeluarkan daripada bateri; elakkan sentuhan. Jika tersentuh secara tidak sengaja, siram dengan air. Jika cecair terkena mata, dapatkan bantuan perubatan di samping siraman air.** Cecair yang dikeluarkan dari bateri mungkin menyebabkan kegatalan atau letupan.
5. **Jangan gunakan pek bateri atau alat yang rosak atau diubah suai.** Bateri yang rosak atau diubah suai mungkin menunjukkan perilaku yang tidak dijangka menyebabkan kebakaran, letupan atau risiko kecederaan.
6. **Jangan dedahkan pek bateri atau alat kepada api atau suhu yang berlebihan.** Pendedahan kepada api atau suhu melebihi 130 °C mungkin menyebabkan letupan.
7. **Ikut semua arahan pengecasan dan jangan cas pek bateri atau alat di luar julat suhu yang ditetapkan dalam arahan.** Mengecas dengan tidak betul atau pada suhu di luar julat yang dinyatakan mungkin merosakkan bateri dan meningkatkan risiko kebakaran.

#### **Servis**

1. **Pastikan alat kuasa anda diservis oleh orang yang berkelayakan dengan hanya menggunakan alat ganti yang sama.** Ini akan memastikan keselamatan alat kuasa dapat dikekalkan.
2. **Jangan servis pek bateri yang telah rosak.** Servis pek bateri hanya boleh dilakukan oleh pengeluar atau penyedia servis yang sah.
3. **Ikut arahan untuk melincir dan menukar aksesori.**

## Amaran keselamatan gergaji jig tanpa kord

1. Pegang alat kuasa dengan permukaan mencengkam tertebat apabila melakukan operasi yang aksesori pemotong boleh tersentuh wayar tersembunyi. Aksesori pemotong yang bersentuhan dengan wayar "hidup" boleh menyebabkan bahagian logam terdedah alat kuasa "hidup" dan boleh memberi kejutan elektrik kepada pengendali.
2. Gunakan pengapit atau cara praktikal lain untuk mengukuhkan dan menyokong bahan kerja pada platform yang stabil. Memegang bahan kerja dengan tangan anda atau menyandar pada badan menyebabkan ia tidak stabil dan boleh menyebabkan anda hilang kawalan.
3. Sentiasa gunakan kaca mata atau gogal keselamatan. Cermin mata atau cermin mata gelap biasa BUKAN cermin mata keselamatan.
4. Elakkan memotong paku. Periksa bahan kerja untuk melihat sebarang paku dan buang sebelum pengendalian.
5. Jangan potong bahan kerja yang terlampau besar.
6. Pastikan pengosongan yang betul yang jauh dari bahan kerja sebelum memotong agar bilah tidak terkena lantai, bangku, dll.
7. Pegang alat dengan kukuh.
8. Pastikan bilah tidak menyentuh bahan kerja sebelum suis dihidupkan.
9. Jauhkan tangan dari bahagian bergerak.
10. Jangan tinggalkan alat yang sedang berjalan. Kendalikan alat hanya apabila dipegang.
11. Sentiasa matikan suis dan tunggu sehingga bilah berhenti sepenuhnya sebelum mengeluarkan bilah daripada bahan kerja.
12. Jangan sentuh bilah atau bahan kerja dengan serta-merta selepas operasi; ia mungkin sangat panas dan boleh melecurkan kulit anda.
13. Jangan kendalikan alat tanpa beban tanpa keperluan.
14. Sesetengah bahan mengandungi bahan kimia yang mungkin toksik. Sila berhati-hati untuk mencegah penyedutan habuk dan sentuhan kulit. Ikut data keselamatan pembekal bahan.
15. Sentiasa gunakan topeng habuk/alat pernafasan yang betul untuk bahan dan aplikasi yang anda sedang kerjakan.

## SIMPAN ARAHAN INI.

**⚠️AMARAN:** JANGAN biarkan keselesaan atau kebiasaan dengan produk (daripada penggunaan berulang) menggantikan pematuhan ketat terhadap peraturan keselamatan untuk produk yang ditetapkan. SALAH GUNA atau kegagalan mematuhi peraturan-peraturan keselamatan yang dinyatakan dalam manual arahan ini boleh menyebabkan kecederaan diri yang serius.

## Arahan keselamatan penting untuk kartrij bateri

1. Sebelum menggunakan kartrij bateri, baca semua arahan dan tanda amaran pada (1) pengcas bateri, (2) bateri, dan (3) produk menggunakan bateri.
2. Jangan buka atau cabut kartrij bateri. Ia boleh mengakibatkan kebakaran, haba berlebihan, atau letupan.
3. Jika masa operasi menjadi sangat pendek, berhenti operasi serta merta. Ia mungkin menyebabkan risiko pemanasan lampau, melecur bahkan letupan.
4. Jika elektrolit masuk ke dalam mata anda, bilas mata dengan air jernih dan dapatkan rawatan perubatan serta merta. Ia mungkin menyebabkan kehilangan penglihatan.
5. Jangan pintaskan kartrij bateri:
  - (1) Jangan sentuh terminal dengan bahan berkonduksi.
  - (2) Elakkan menyimpan kartrij bateri dalam bekas bersama-sama objek besi lain seperti paku, duit syiling, dll.
  - (3) Jangan dedahkan kartrij bateri kepada air atau hujan.Pintaskan bateri boleh menyebabkan aliran kuasa yang besar, pemanasan lampau, melecur dan juga kerosakan.
6. Jangan simpan dan gunakan alat dan kartrij bateri di lokasi yang suhunya mungkin mencapai atau melebihi 50 °C (122 °F).
7. Jangan bakar kartrij bateri walaupun jika ia rosak teruk atau haus sepenuhnya. Kartrij bateri boleh meletup dalam kebakaran.
8. Jangan paku, potong, pecahkan, buang, jatuhkan kartrij bateri, atau tekan objek keras pada kartrij bateri. Perbuatan sedemikian boleh mengakibatkan kebakaran, haba berlebihan, atau letupan.
9. Jangan gunakan bateri yang rosak.
10. Bateri litium ion yang terkandung adalah tertakluk kepada keperluan Perundangan Barangan Berbahaya. Bagi pengangkutan komersil cth. oleh pihak ketiga, ejen penghantar, keperluan khas pada pembungkusan dan pelabelan mestilah diperhatikan. Bagi persediaan item yang dihantar, berunding dengan pakar bahan berbahaya adalah diperlukan. Sila juga perhatikan sebolehnya peraturan kebangsaan yang lebih terperinci. Lekatkan atau balut bahagian terbuka dan pek bateri supaya ia tidak bergerak dalam pembungkusan.
11. Apabila melupuskan kartrij bateri, keluarkan ia daripada alat dan lupuskan ia di tempat selamat. Ikut peraturan tempatan anda mengenai pelupusan bateri.
12. Gunakan bateri hanya dengan produk yang ditentukan oleh Makita. Memasang bateri kepada produk yang tidak patuh mungkin menyebabkan kebakaran, pemanasan lampau, atau kebocoran elektrolit.

13. Jika alat tidak digunakan untuk tempoh masa yang lama, bateri mesti dikeluarkan daripada alat.
14. Semasa dan selepas penggunaan, kartrij bateri mungkin ada haba yang boleh menyebabkan terbakar atau suhu rendah terbakar. Beri perhatian kepada pengendalian kartrij bateri yang panas.
15. Jangan sentuh terminal alat itu selepas digunakan kerana ia mungkin panas menyebabkan terbakar.
16. Jangan biarkan cip, habuk, atau tanah terperangkap ke dalam terminal, lubang, dan alur cahaya kartrij bateri. Ia mungkin menyebabkan pemanasan, terbakar, meletup dan pincang tugas alat atau kartrij bateri, seterusnya menyebabkan lecur atau kecederaan diri.
17. **Melainkan alat ini menyokong penggunaan yang hampir dari talian kuasa elektrik voltan tinggi, jangan gunakan kartrij bateri berhampiran talian kuasa elektrik voltan tinggi.** Ia mungkin menyebabkan kerosakan atau pecah pada alat atau kartrij bateri.
18. **Jauhkan bateri daripada kanak-kanak.**

## SIMPAN ARAHAN INI.

**⚠PERHATIAN:** Hanya gunakan bateri asli Makita. Penggunaan bateri tidak asli Makita, atau bateri yang telah diubah suai, mungkin menyebabkan bateri meletup menyebabkan kebakaran, kecederaan diri dan kerosakan. Ia juga membatalkan jaminan Makita untuk alat Makita dan pengecas.

## Tip untuk mengekalkan hayat bateri maksimum

1. **Cas kartrij bateri sebelum ternyahcas sepenuhnya. Sentiasa hentikan operasi alat dan cas kartrij bateri apabila anda menyedari kurang kuasa alat.**
2. **Jangan cas semula kartrij bateri yang dicas sepenuhnya. Terlebih cas memendekkan hayat servis bateri.**
3. **Cas kartrij bateri dengan suhu bilik pada 10 °C - 40 °C (50 °F - 104 °F). Biarkan kartrij bateri yang panas menyejuk sebelum mengecasnya.**
4. **Apabila tidak menggunakan kartrij bateri, tanggalkannya dari alat atau pengecas.**
5. **Cas kartrij bateri jika anda tidak menggunakannya untuk tempoh yang lama (lebih daripada enam bulan).**

## KETERANGAN FUNGSI

**⚠PERHATIAN:** Sentiasa pastikan alat dimatikan dan kartrij bateri dikeluarkan sebelum menyelaras atau menyemak fungsi pada alat.

## Memasang atau mengeluarkan kartrij bateri

**⚠PERHATIAN:** Sentiasa matikan alat sebelum memasang atau mengeluarkan kartrij bateri.

**⚠PERHATIAN:** Pegang alat dan kartrij bateri dengan kukuh apabila memasang atau mengeluarkan kartrij bateri. Gagal untuk memegang alat dan kartrij bateri dengan kukuh mungkin menyebabkan mereka terlepas daripada tangan anda dan mengakibatkan kerosakan kepada alat dan kartrij bateri dan kecederaan peribadi.

- **Rajah1:** 1. Penunjuk merah 2. Butang 3. Kartrij bateri

Untuk mengeluarkan kartrij bateri, luncurkan ia daripada alat apabila meluncurkan butang di hadapan kartrij.

Untuk memasang kartrij bateri, selaraskan lidah pada kartrij bateri dengan alur pada perumahan dan gelincirkan ia ke tempatnya. Masukkan ia sepenuhnya sehingga ia terkunci di tempatnya dengan klik kecil. Jika anda boleh melihat penunjuk merah seperti yang ditunjukkan dalam rajah, ia tidak dikunci sepenuhnya.

**⚠PERHATIAN:** Sentiasa pasang kartrij bateri sepenuhnya sehingga penunjuk merah tidak boleh dilihat. Jika tidak, ia mungkin jatuh tanpa sengaja daripada alat, menyebabkan kecederaan kepada anda atau seseorang di sekeliling anda.

**⚠PERHATIAN:** Jangan pasang kartrij bateri secara paksa. Jika kartrij tidak meluncur dengan mudah, ia tidak dimasukkan dengan betul.

## Sistem perlindungan alat / bateri

Alat dilengkapi dengan sistem perlindungan alat/bateri. Sistem ini memotong kuasa kepada motor secara automatik untuk memanjangkan hayat alat dan bateri. Alat akan berhenti secara automatik ketika operasi jika alat atau bateri diletakkan di bawah salah satu keadaan berikut:

## Perlindungan lebih beban

Apabila alat atau bateri beroperasi dengan cara yang menyebabkan ia menarik arus tinggi yang luar biasa, alat secara automatik terhenti tanpa sebarang penunjuk. Dalam situasi ini, matikan alat dan hentikan penggunaan yang menyebabkan alat menjadi terlebih beban. Kemudian hidupkan alat untuk mula semula.

## Perlindungan pemanasan lampau

Apabila alat atau bateri terlalu panas, alat akan berhenti secara automatik dan lampu berkelip. Dalam hal ini, biarkan alat dan bateri sejuk sebelum menghidupkan semula alat.

## Perlindungan lebih nyahcas

Apabila kapasiti bateri tidak mencukupi, alat akan berhenti secara automatik. Jika anda menghidupkan alat, motor berjalan semula tetapi kemudiannya berhenti. Dalam kes ini, keluarkan bateri daripada alat dan cas bateri.

## Perlindungan terhadap punca lain

Sistem perlindungan juga direka bentuk untuk punca lain yang boleh merosakkan alat dan membolehkan alat berhenti secara automatik. Ambil semua langkah berikut untuk membuang punca, apabila alat telah dibawa kepada berhenti sementara atau berhenti beroperasi.

1. Matikan alat dan kemudian hidupkan alat lagi untuk mula semula.
2. Cas bateri atau gantikan bateri dengan bateri yang telah dicas.
3. Biarkan alat dan bateri menyejuk.

Jika tiada penambahbaikan boleh didapati melalui pemulihan sistem perlindungan, maka hubungi Pusat Servis Makita tempatan anda.

## Menunjukkan kapasiti bateri yang tinggal

**Hanya untuk kartrij bateri dengan penunjuk**

► **Rajah2:** 1. Lampu penunjuk 2. Butang semak

Tekan butang semak pada kartrij bateri untuk menunjukkan kapasiti bateri yang tinggal. Lampu penunjuk menyala untuk beberapa saat.

Lampu penunjuk			Kapasiti yang tinggal
Dinyalakan	Mati	Berkelip	
			75% hingga 100%
			50% hingga 75%
			25% hingga 50%
			0% hingga 25%
			Cas bateri.
			Bateri mungkin telah rosak.

**NOTA:** Bergantung kepada keadaan penggunaan dan suhu persekitaran, penunjuk mungkin berbeza sedikit daripada kapasiti sebenar.

**NOTA:** Lampu penunjuk (kiri jauh) pertama akan berkedip apabila sistem perlindungan bateri berfungsi.

## Pemilihan tindakan pemotongan

► **Rajah3:** 1. Tindakan pemotongan menukar tui

Alat ini boleh dikendalikan dengan cara orbit atau garis lurus (atas dan bawah) tindakan pemotongan. Tindakan pemotongan orbit menujah gergaji jig ke hadapan pada ayunan memotong dan meningkatkan kelajuan pemotongan.

Untuk menukar tindakan pemotongan, hanya tukar tindakan memotong tuas yang berubah-ubah kepada kedudukan tindakan memotong yang diinginkan. Rujuk jadual untuk memilih tindakan pemotongan yang sesuai.

Kedudukan	Tindakan pemotongan	Penggunaan
0	Tindakan memotong garis lurus	Untuk pemotongan keluli lembut, keluli tahan karat dan plastik. Untuk potong bersih di kayu dan papan lapis.
I	Tindakan pemotongan orbit yang kecil	Untuk pemotongan keluli lembut, aluminium dan kayu keras.
II	Tindakan pemotongan orbit yang sederhana	Untuk pemotongan kayu dan papan lapis. Untuk pemotongan cepat dalam aluminium dan keluli lembut.
III	Tindakan pemotongan orbit yang besar	Untuk pemotongan cepat di dalam kayu dan papan lapis.

## Tindakan suis

Untuk menghidupkan alat, tekan butang kunci/buka kunci. Alat ini bertukar kepada mod tunggu sedia. Untuk menghidupkan alat, hanya tarik pemacu suis dalam mod tunggu sedia. Kelajuan alat ditingkatkan dengan menambahkan tekanan pada pemacu suis. Untuk menghentikan alat, lepaskan pemacu suis. Alat ini bertukar kepada mod tunggu sedia. Untuk mematikan alat, tekan butang kunci/buka kunci dalam mod tunggu sedia.

Untuk operasi berterusan, tarik pemacu suis dalam mod tunggu sedia dan kemudian tolak masuk butang kunci. Untuk menghentikan alat, tarik pemacu suis sepenuhnya, kemudian lepaskan.

► **Rajah4:** 1. Butang kunci/buka kunci 2. Butang kunci 3. Pemacu suis



**NOTA:** Jika alat dibiarkan selama 10 saat tanpa sebarang operasi dalam mod tunggu sedia, alat ini akan dimatikan secara automatik dan lampu terpadam.

**NOTA:** Butang kunci/buka kunci tidak tersedia ketika alat sedang beroperasi.

## Menyalakan lampu hadapan

**⚠️ PERHATIAN:** Jangan lihat ke dalam cahaya atau lihat sumber cahaya secara langsung.

Untuk menghidupkan lampu, tekan butang kunci/buka kunci. Untuk mematikan lampu, tekan butang kunci/buka kunci sekali lagi.

► **Rajah5:** 1. Lampu

**NOTIS:** Apabila alat terlampau panas, lampu berkelip. Sejukkan alat sepenuhnya sebelum mengendalikan alat semula.

**NOTA:** Gunakan kain kering untuk mengelap kotoran daripada lensa lampu. Berhati-hati agar tidak mencalarakan lensa lampu, atau ia mungkin mengurangkan pencahayaan.

## Dail pelarasan kelajuan

► **Rajah6:** 1. Dail pelarasan kelajuan

Kelajuan alat boleh dilaraskan dengan memutar dail pelarasan kelajuan. Anda boleh mendapatkan kelajuan tertinggi pada 5 dan kelajuan terendah pada 1. Rujuk jadual untuk memilih kelajuan yang tepat untuk bahan kerja yang akan dipotong. Walau bagaimanapun, kelajuan yang sesuai mungkin berbeza dengan jenis atau ketebalan bahan kerja. Secara umum, kelajuan lebih tinggi akan membolehkan anda memotong bahan kerja dengan lebih cepat tetapi hayat perkhidmatan bilah gergaji jig akan berkurangan.

Bahan kerja	Nombor
Kayu	4 - 5
Keluli lembut	3 - 5
Keluli tahan karat	3 - 4
Aluminium	3 - 5
Plastik	1 - 4

**NOTIS:** Dail pelarasan kelajuan hanya boleh dipusingkan sejauh 5 dan kembali ke 1. Jangan memaksa ia melepasi 5 atau 1, atau fungsi pelaras kelajuan mungkin tidak berfungsi lagi.

## Fungsi elektronik

Alat ini dilengkapi dengan fungsi elektronik untuk memudahkan operasi.

## Mula ringan

Fungsi mula ringan meminimumkan kejutan permulaan dan menjadikan alat mula dengan lancar.

## Kawalan kelajuan malar

Kawalan kelajuan elektronik untuk mendapatkan kelajuan malar. Boleh mendapatkan kemasangan yang halus, kerana kelajuan berputar sentiasa malar walaupun di bawah keadaan beban.

## Putaran tanpa beban lembut

Untuk mengurangkan getaran dan melaraskan bilah gergaji jig dengan garisan pemotongan dengan mudah, alat ini secara automatik mengurangkan kelajuan putaran sehingga alat mula memotong bahan kerja apabila dail pelarasan kelajuan ditetapkan pada 2 atau lebih tinggi. Selepas alat mula memotong bahan kerja, kelajuan alat mencapai kelajuan yang telah dipratetapkan dan mengekalkan kelajuan sehingga alat berhenti.

**NOTA:** Apabila suhu rendah, fungsi ini mungkin tidak tersedia.

## Menyahdayakan atau mendayakan fungsi putaran tanpa beban lembut

Untuk menyahdayakan atau mendayakan fungsi putaran tanpa beban lembut, ikut langkah-langkah di bawah.

1. Pastikan bahawa alat dimatikan.
2. Tetapkan dail pelarasan kelajuan kepada "1".
3. Tekan butang kunci/buka kunci untuk menghidupkan alat.
4. Tetapkan dail pelarasan kelajuan kepada "5" dengan memutarkannya, kemudian tetapkannya kepada "1" dengan memutarkannya ke belakang.

Lampu berkelip dua kali untuk menunjukkan bahawa fungsi putaran tanpa beban lembut telah dinyahdayakan. Untuk mendayakan fungsi ini semula, lakukan prosedur yang sama sekali lagi.

**NOTA:** Jika fungsi putaran tanpa beban lembut dinyahdayakan, lampu akan berkelip dua kali apabila alat dihidupkan.

**NOTA:** Anda juga boleh mematikan atau mendayakan fungsi putaran tanpa beban lembut dengan menukar dail pelarasan kelajuan daripada "5" kepada "1" dan mengubahnya daripada "1" kepada "5".

## Brek elektrik

Alat ini dilengkapi dengan brek elektrik. Jika alat ini secara konsisten gagal untuk berhenti dengan cepat selepas pemicu suis dilepaskan, servis alat di pusat servis Makita.

# PEMASANGAN

**⚠️ PERHATIAN:** Sentiasa pastikan alat dimatikan dan kartrij bateri dikeluarkan sebelum menjalankan sebarang kerja pada alat.

## Memasang atau mengeluarkan bilah gergaji jig

**⚠️ PERHATIAN:** Sentiasa bersihkan semua serpih atau bahan asing melekap pada bilah gergaji jig dan/atau pemegang bilah. Kegagalan berbuat demikian boleh menyebabkan bilah gergaji jig menjadi tidak cukup ketat, mengakibatkan kecederaan diri yang serius.

**⚠️ PERHATIAN:** Jangan sentuh bilah gergaji jig atau bahan kerja serta-merta selepas operasi. Ia mungkin sangat panas dan boleh melecurkan kulit anda.

**⚠️ PERHATIAN:** Sentiasa pastikan bilah gergaji jig kukuh. Bilah gergaji jig yang tidak cukup ketat boleh menyebabkan kerosakan bilah atau kecederaan diri yang serius.

**⚠️ PERHATIAN:** Menggunakan hanya bilah gergaji jig jenis B. Menggunakan bilah selain daripada jenis B menyebabkan bilah gergaji jig menjadi tidak cukup ketat, mengakibatkan kecederaan diri yang serius.

**⚠️ PERHATIAN:** Apabila anda mengeluarkan bilah gergaji jig, berhati-hati agar tidak mencederakan jari anda dengan bahagian atas bilah gergaji jig atau hujung bahan kerja.

Sebelum memasang bilah gergaji jig, pastikan tuil pengapit bilah berada dalam kedudukan dilepaskan. Untuk memasang bilah gergaji jig, sisipkan bilah gergaji jig (gigi menghadap ke depan) ke dalam pemegang bilah gergaji jig. Tuil pengapit bilah bergerak ke kedudukan tetap dengan sendirinya dan bilah gergaji jig terkunci. Pastikan bahawa bahagian belakang bilah gergaji jig itu muat dengan pengelek. Tarik bilah gergaji jig dengan lembut untuk memastikan bilah gergaji jig tidak terjatuh semasa operasi.

► **Rajah7:** 1. Pemegang bilah gergaji jig 2. Tuil pengapit bilah (kedudukan dilepaskan)  
3. Tuil pengapit bilah (kedudukan tetap)

► **Rajah8:** 1. Memegang bilah gergaji jig 2. Bilah gergaji jig 3. Pengelek

**⚠️ PERHATIAN:** Jika tuil pengapit bilah tidak bergerak ke kedudukan ditetapkan dengan sendiri, bilah gergaji jig tidak dipasang sepenuhnya. Jangan tekan tuil pengapit bilah menggunakan tangan ke kedudukan ditetapkan. Ia boleh merosakkan alat itu.

Untuk mengeluarkan bilah gergaji jig, tolak tuil pengapit bilah ke depan sejauh yang mungkin. Tindakan ini membolehkan bilah gergaji jig dilepaskan.

► **Rajah9:** 1. Pemegang bilah gergaji jig 2. Tuil pengapit bilah 3. Bilah gergaji jig

**NOTA:** Sekiranya terlalu sukar untuk mengeluarkan bilah gergaji jig:  
Pusingkan tindakan pemotongan menukar tuil ke kedudukan "III" dan gerakan pemegang bilah gergaji jig ke bawah sebelum menolak tuil pengapit bilah ke kedudukan dilepaskan. Untuk menggerakkan tuil pemegang bilah gergaji jig ke bawah, kembalikan tuil pengapit bilah sepenuhnya ke kedudukan ditetapkan sekali dan hidupkan alat dengan perlahan beberapa kali.

**NOTA:** Sekali sekala melincirkan pengelek.

## Penyimpanan sepina heksagon

Apabila tidak digunakan, simpan sepina heksagon seperti yang ditunjukkan dalam rajah itu agar tidak hilang.

► **Rajah10:** 1. Kunci allen

## OPERASI

**⚠️ PERHATIAN:** Sentiasa memegang tapak sedatar dengan bahan kerja. Kegagalan berbuat demikian boleh menyebabkan bilah gergaji jig rosak, mengakibatkan kecederaan peribadi yang serius.

**⚠️ PERHATIAN:** Memajukan alat dengan perlahan-lahan apabila pemotongan melengkung atau menatal. Memaksa alat itu boleh menyebabkan kerosakan permukaan pemotongan serong dan bilah gergaji jig.

► **Rajah11:** 1. Garisan pemotongan 2. Tapak

Hidupkan alat tanpa bilah gergaji jig membuat sebarang sentuhan dan tunggu sehingga bilah mencapai kelajuan penuh. Kemudian letakkan tapak yang rata di atas bahan kerja dan perlahan-lahan gerakkan alat ke hadapan di sepanjang garis pemotongan yang telah ditandakan sebelumnya.

## Potongan serong

**⚠️ PERHATIAN:** Sentiasa pastikan alat dimatikan dan kartrij bateri dikeluarkan sebelum mencondongkan tapak.

Dengan tapak yang condong, anda boleh membuat potongan serong di mana-mana sudut antara 0° dan 45° (kiri atau kanan).

► **Rajah12**

Longgarkan bolt di belakang tapak dengan kunci allen. Gerakkan tapak supaya bolt diposisikan di tengah slot berbentuk silang di tapak.

► **Rajah13:** 1. Kunci allen 2. Bolt 3. Tapak

Condongkan tapak sehingga sudut serong yang dikehendaki diperolehi. Hujung penutup motor menunjukkan sudut serong oleh senggatan. Kemudian ketatkan bolt untuk mengukuhkan tapak.

► **Rajah14:** 1. Hujung 2. Senggatan

## Potong pengosongan depan

► **Rajah15:** 1. Kunci allen 2. Bolt 3. Tapak

Longgarkan bolt di bahagian belakang pada tapak dengan kunci allen dan luncurkan tapak ke belakang. Kemudian ketatkan bolt untuk mengukuhkan tapak.

## Potong

Potong boleh dibuat dengan salah satu daripada dua kaedah "Menggerek lubang permulaan" atau "Memotong dengan menjunam".

## Menggerek lubang permulaan

► **Rajah16**

Untuk memotong dalam tanpa memotong masuk ke dalam dari tepi, pra-gerudi lubang dengan 12 mm atau lebih dalam diameter. Masukkan gergaji jig ke dalam lubang ini untuk memulakan pemotongan anda.

## Pemotongan menjunam

► **Rajah17**

Anda tidak perlu menggerek lubang permulaan atau memotong masuk ke dalam jika anda berhati-hati melakukan seperti berikut.

1. Condongkan alat di pinggir hadapan tapak dengan bilah gergaji jig diletakkan tepat di atas permukaan bahan kerja.
2. Memberikan tekanan ke alat supaya hadapan tepi tapak tidak akan bergerak apabila anda menghidupkan alat dan menurunkan bahagian belakang alat dengan perlahan-lahan.
3. Apabila bilah gergaji jig menembusi bahan kerja, perlahan-lahan menurunkan asas alat ke permukaan bahan kerja.
4. Menyelesaikan pemotongan secara normal.

## Kemasan tepi

► **Rajah18**

Trim tepi atau membuat pelarasan dimensi, menggerakkan bilah gergaji jig ringan di sepanjang tepi pemotongan.

## Potongan logam

Sentiasa menggunakan penyejuk yang sesuai (minyak pelincir pemotong) apabila memotong logam. Kegagalan berbuat demikian akan menyebabkan bilah gergaji jig penting dipakai. Bahagian bawah bahan kerja boleh digriskan bukan menggunakan penyejuk.

## Pengekstrakan habuk

## Memasang atau menanggalkan penutup habuk

### Aksesori pilihan

Simpan penutup habuk seperti yang ditunjukkan dalam rajah.

► **Rajah19:** 1. Penutup habuk

Untuk menanggalkan penutup habuk, tekan pada satu sisi penutup, kemudian tanggalkan seperti yang ditunjukkan dalam rajah.

► **Rajah20:** 1. Penutup habuk

## Memasang atau menanggalkan muncung habuk

### Negara khusus

Anda boleh menyambungkan alat ini dengan pembersih vakum Makita dengan menyambungkan muncung habuk.

Masukkan muncung habuk sepenuhnya ke dalam alat.

► **Rajah21:** 1. Muncung habuk

Untuk menanggalkan muncung habuk, tarik keluar muncung habuk semasa menekan butang pada muncung habuk.

► **Rajah22:** 1. Butang 2. Muncung habuk

## Menyambung alat kepada pembersih vakum

Sambungkan hos pembersih vakum ke muncung habuk.

► **Rajah23**

## Pagar belah

### Aksesori pilihan

**⚠ PERHATIAN:** Sentiasa pastikan alat dimatikan dan kartrij bateri dikeluarkan sebelum memasang atau menanggalkan aksesori.

## Potongan lurus

Apabila memotong lebar 160 mm atau kurang berulang kali, penggunaan pagar belah menjamin pemotongan yang cepat, bersih, lurus.

► **Rajah24:** 1. Pagar belah (Pembaris panduan)

Untuk memasang, masukkan pagar belah ke dalam lubang segi empat tepat di sebelah tapak dengan pagar belah menghadap ke bawah. Gelongosor pagar belah ke kedudukan memotong lebar yang dikehendaki, kemudian ketatkan bolt untuk selamatkannya.

► **Rajah25:** 1. Kunci allen 2. Bolt 3. Panduan pagar 4. Pagar belah (Pembaris panduan)

## Pemotongan bulat

Apabila memotong bulatan atau lengkok 170 mm atau kurang dalam radius, pasang pagar bilah seperti berikut.

► **Rajah26:** 1. Pagar bilah (Pembaris panduan)

1. Masukkan pagar bilah ke dalam lubang segi empat tepat di sebelah tapak dengan panduan pagar menghadap ke atas.

2. Masukkan panduan pin bulat melalui salah satu daripada dua lubang pada panduan pagar. Skru tombol berulir di atas pin panduan bulat untuk mengetatkan panduan pin bulat.

► **Rajah27:** 1. Tombol berulir 2. Panduan pagar 3. Pagar bilah (Pembaris panduan) 4. Panduan pin bulat 5. Bolt 6. Kunci allen

3. Gelongsor pagar belah ke jejari pemotongan yang dikehendaki, dan ketatkan bolt untuk selamatkan di tempatnya. Kemudian gerakkan tapak sepanjang jalan ke hadapan.

**NOTA:** Sentiasa gunakan bilah gergaji jig No. B-17, B-18, B-26 atau B-27 apabila memotong bulatan atau arka.

## Peranti antiserpihan

### Aksesori pilihan

**PERHATIAN:** Peranti antiserpihan tidak boleh digunakan apabila membuat potongan serong.

► **Rajah28:** 1. Tapak 2. Peranti antiserpihan

Untuk potongan bebas serpihan, peranti antiserpihan boleh digunakan. Untuk memasang peranti antiserpihan, gerakkan tapak alat sepanjang jalan ke hadapan dan gerakannya dari belakang tapak alat. Apabila anda menggunakan plat penutup, pasang peranti antiserpihan ke plat penutup.

## Plat penutup

► **Rajah29:** 1. Plat penutup 2. Tapak

Gunakan plat penutup apabila memotong papan lapis hiasan, plastik, dll. Ia melindungi permukaan sensitif atau lembut daripada kerosakan. Pasangkannya di belakang tapak alat.

## Set penyesuai rel panduan

### Aksesori pilihan

Apabila memotong lebar selari dan seragam atau lurus, penggunaan landasan panduan dan penyesuai rel panduan akan memastikan pengeluaran potongan cepat dan bersih. Untuk memasang penyesuai rel panduan, masukkan bar pembaris ke dalam lubang persegi tapak sejauh mana ia pergi. Ikat bolt dengan kunci allen dengan ketat.

► **Rajah30:** 1. Kunci allen 2. Bar pembaris 3. Bolt

Masukkan bar pembaris ke dalam lubang persegi penyesuai rel panduan dan ketatkan dengan skru. Pasang penyesuai rel panduan pada rel panduan.

► **Rajah31:** 1. Penyesuai rel panduan 2. Rel panduan 3. Skru

**NOTIS:** Sentiasa gunakan bilah No. B-8, B-13, B-16, B-17 atau 58 apabila menggunakan rel panduan dan penyesuai rel panduan.

# PENYELENGGARAAN

**PERHATIAN:** Sentiasa pastikan alat dimatikan dan kartrij bateri dikeluarkan sebelum cuba menjalankan pemeriksaan atau penyelenggaraan.

**NOTIS:** Jangan gunakan petrol, benzin, pencair, alkohol atau bahan yang serupa. Ia boleh menyebabkan perubahan warna, bentuk atau keretakan.

Untuk mengekalkan KESELAMATAN dan KEBOLEHPERCAYAAN produk, pembaikan, apa-apa penyelenggaraan atau penyesuaian lain perlu dilakukan oleh Kilang atau Pusat Servis Makita yang Diiktiraf, sentiasa gunakan alat ganti Makita.

# AKSESORI PILIHAN

**PERHATIAN:** Aksesori-aksesori atau lampiran-lampiran ini adalah disyorkan untuk digunakan dengan alat Makita anda yang ditentukan dalam manual ini. Penggunaan mana-mana aksesori-aksesori atau lampiran-lampiran lain mungkin mengakibatkan risiko kecederaan kepada orang. Hanya gunakan aksesori atau lampiran untuk tujuan yang dinyatakannya.

Jika anda memerlukan sebarang bantuan untuk maklumat lebih lanjut mengenai aksesori ini, tanya Pusat Perkhidmatan Makita tempatan anda.

- Bilah gergaji jig
- Set (garis panduan) pagar belah
- Set penyesuai rel panduan
- Peranti antiserpihan
- Plat penutup
- Muncung habuk
- Penutup habuk
- Bateri dan pengecas asli Makita

**NOTA:** Beberapa item dalam senarai mungkin disertakan dalam pakej alat sebagai aksesori standard. Item mungkin berbeza mengikut negara.

## THÔNG SỐ KỸ THUẬT

Kiểu máy:		DJV184
Chiều dài hành trình		23 mm
Số nhát cắt trên một phút		0 - 3.000 min <sup>-1</sup>
Loại lưỡi		Loại B
Công suất cắt tối đa	Gỗ	135 mm
	Thép mềm	10 mm
	Nhôm	20 mm
Tổng chiều dài		259 mm
Điện áp định mức		D.C. 18 V
Khối lượng tịnh		2,1 - 2,4 kg

- Do chương trình nghiên cứu và phát triển liên tục của chúng tôi nên các thông số kỹ thuật trong đây có thể thay đổi mà không cần thông báo trước.
- Các thông số kỹ thuật có thể thay đổi tùy theo từng quốc gia.
- Khối lượng có thể khác nhau tùy thuộc vào (các) phụ kiện, bao gồm cả hộp pin. Tổ hợp nhẹ nhất và nặng nhất, theo Quy trình EPTA 01/2014, được trình bày trong bảng.

### Hộp pin và sạc pin có thể áp dụng

Hộp pin	BL1815N / BL1820B / BL1830B / BL1840B / BL1850B / BL1860B
Bộ sạc	DC18RC / DC18RD / DC18RE / DC18SD / DC18SE / DC18SF / DC18SH

- Một số hộp pin và sạc pin được nêu trong danh sách ở trên có thể không khả dụng tùy thuộc vào khu vực cư trú của bạn.

**⚠ CẢNH BÁO:** Chỉ sử dụng hộp pin và sạc pin được nêu trong danh sách ở trên. Việc sử dụng bất cứ hộp pin và sạc pin nào khác có thể gây ra thương tích và/hoặc hỏa hoạn.

### Ký hiệu

Phần dưới đây cho biết các ký hiệu có thể được dùng cho thiết bị. Đảm bảo rằng bạn hiểu rõ ý nghĩa của các ký hiệu này trước khi sử dụng.



Đọc tài liệu hướng dẫn.



Mang kính an toàn.



Chỉ dành cho các quốc gia EU

Do có các thành phần nguy hiểm bên trong thiết bị điện và điện tử, ắc quy và pin thải bỏ nên có thể có tác động không tốt đến môi trường và sức khỏe con người. Không vứt bỏ các thiết bị điện và điện tử hoặc pin với rác thải sinh hoạt!

Theo Chỉ thị của Châu Âu về thiết bị điện và điện tử thải bỏ và về pin và ắc quy và pin và ắc quy thải bỏ, cũng như sự thích ứng của chúng với luật pháp quốc gia, các thiết bị điện, pin và ắc quy thải phải được cất giữ riêng biệt và chuyển đến một điểm thu gom rác thải đô thị riêng, hoạt động theo các quy định về bảo vệ môi trường. Điều này được biểu thị bằng biểu tượng thùng rác có bánh xe gạch chéo được đặt trên thiết bị.

### Mục đích sử dụng

Dụng cụ được sử dụng để cưa gỗ, nhựa và vật liệu kim loại. Do phụ kiện mở rộng và lập trình lưỡi cưa, có thể sử dụng dụng cụ cho nhiều mục đích và rất phù hợp với việc cắt theo đường tròn hoặc đường cong.

# CẢNH BÁO AN TOÀN

## Cảnh báo an toàn chung dành cho dụng cụ máy

**⚠CẢNH BÁO:** Xin đọc tất cả các cảnh báo an toàn, hướng dẫn, minh họa và thông số kỹ thuật đi kèm với dụng cụ máy này. Việc không tuân theo các hướng dẫn được liệt kê dưới đây có thể dẫn đến điện giật, hỏa hoạn và/hoặc thương tích nghiêm trọng.

## Lưu giữ tất cả cảnh báo và hướng dẫn để tham khảo sau này.

Thuật ngữ “dụng cụ máy” trong các cảnh báo đề cập đến dụng cụ máy (có dây) được vận hành bằng nguồn điện chính hoặc dụng cụ máy (không dây) được vận hành bằng pin của bạn.

### An toàn tại nơi làm việc

- Giữ nơi làm việc sạch sẽ và có đủ ánh sáng.** Nơi làm việc bừa bộn hoặc tối thường dễ gây ra tai nạn.
- Không vận hành dụng cụ máy trong môi trường cháy nổ, ví dụ như môi trường có sự hiện diện của các chất lỏng, khí hoặc bụi dễ cháy.** Các dụng cụ máy tạo tia lửa điện có thể làm bụi hoặc khí bốc cháy.
- Giữ trẻ em và người ngoài tránh xa nơi làm việc khi đang vận hành dụng cụ máy.** Sự xao lãng có thể khiến bạn mất khả năng kiểm soát.

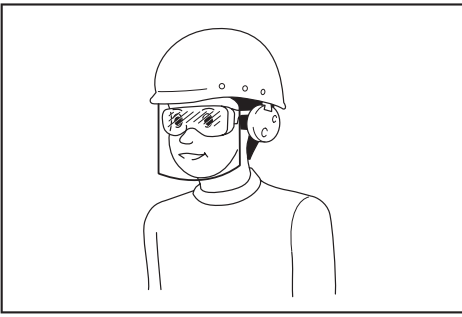
### An toàn về Điện

- Phích cắm của dụng cụ máy phải khớp với ổ cắm.** Không được sửa đổi phích cắm theo bất kỳ cách nào. Không sử dụng bất kỳ phích chuyển đổi nào với các dụng cụ máy được nối đất (tiếp đất). Các phích cắm còn nguyên vẹn và ổ cắm phù hợp sẽ giảm nguy cơ điện giật.
- Tránh đề cơ thể tiếp xúc với các bề mặt nóng đất hoặc tiếp đất như đường ống, bộ tản nhiệt, bếp ga và tủ lạnh.** Nguy cơ bị điện giật sẽ tăng lên nếu cơ thể bạn được nối đất hoặc tiếp đất.
- Không để dụng cụ máy tiếp xúc với mưa hoặc trong điều kiện ẩm ướt.** Nước lọt vào dụng cụ máy sẽ làm tăng nguy cơ điện giật.
- Không lạm dụng dây điện.** Không được phép sử dụng dây để mang, kéo hoặc tháo phích cắm dụng cụ máy. Giữ dây tránh xa nguồn nhiệt, dầu, các mép sắc hoặc các bộ phận chuyển động. Dây bị hỏng hoặc bị rối sẽ làm tăng nguy cơ điện giật.
- Khi vận hành dụng cụ máy ngoài trời, hãy sử dụng dây kéo dài phù hợp cho việc sử dụng ngoài trời.** Việc dùng dây phù hợp cho việc sử dụng ngoài trời sẽ giảm nguy cơ điện giật.
- Nếu bắt buộc phải vận hành dụng cụ máy ở nơi ẩm ướt, hãy sử dụng nguồn cấp điện được bảo vệ bằng thiết bị ngắt dòng điện rò (RCD).** Việc sử dụng RCD sẽ làm giảm nguy cơ điện giật.

- Các dụng cụ máy có thể tạo ra từ trường điện (EMF) có hại cho người dùng.** Tuy nhiên, người dùng máy trợ tim và những thiết bị y tế tương tự khác nên liên hệ với nhà sản xuất thiết bị và/hoặc bác sỹ để được tư vấn trước khi vận hành dụng cụ này.

### An toàn Cá nhân

- Luôn tỉnh táo, quan sát những việc bạn đang làm và sử dụng những phán đoán theo kinh nghiệm khi vận hành dụng cụ máy. Không sử dụng dụng cụ máy khi bạn đang mệt mỏi hoặc chịu ảnh hưởng của ma túy, rượu hay thuốc.** Chỉ một khoảnh khắc không tập trung khi đang vận hành dụng cụ máy cũng có thể dẫn đến thương tích cá nhân nghiêm trọng.
- Sử dụng thiết bị bảo hộ cá nhân. Luôn đeo thiết bị bảo vệ mắt.** Các thiết bị bảo hộ như mặt nạ chống bụi, giày an toàn chống trượt, mũ bảo hộ hay thiết bị bảo vệ thính giác được sử dụng trong các điều kiện thích hợp sẽ giúp giảm thương tích cá nhân.
- Tránh vô tình khởi động dụng cụ máy. Đảm bảo công tắc ở vị trí off (tắt) trước khi nối nguồn điện và/hoặc bộ pin, cầm hoặc di chuyển dụng cụ máy.** Giữ di chuyển dụng cụ máy khi đang đặt ngón tay ở vị trí công tắc hoặc cấp điện cho dụng cụ máy đang bật thường dễ gây ra tai nạn.
- Tháo tất cả các khóa hoặc cờ lê điều chỉnh trước khi bật dụng cụ máy.** Việc cờ lê hoặc khóa vẫn còn gắn vào bộ phận quay của dụng cụ máy có thể dẫn đến thương tích cá nhân.
- Không vớ quá cao. Luôn giữ thăng bằng tốt và có chỗ để chân phù hợp.** Điều này cho phép điều khiển dụng cụ máy tốt hơn trong những tình huống bất ngờ.
- Ăn mặc phù hợp. Không mặc quần áo rộng hay đeo đồ trang sức. Giữ tóc và quần áo tránh xa các bộ phận chuyển động.** Quần áo rộng, đồ trang sức hay tóc dài có thể mắc vào các bộ phận chuyển động.
- Nếu các thiết bị bị được cung cấp để kết nối các thiết bị thu gom và hút bụi, hãy đảm bảo chúng được kết nối và sử dụng hợp lý.** Việc sử dụng thiết bị thu gom bụi có thể làm giảm những mối nguy hiểm liên quan đến bụi.
- Không vì quen thuộc do thường xuyên sử dụng các dụng cụ mà cho phép bạn trở nên tự mãn và bỏ qua các nguyên tắc an toàn dụng cụ.** Một hành động bất cẩn có thể gây ra thương tích nghiêm trọng trong một phần của một giây.
- Luôn luôn mang kính bảo hộ để bảo vệ mắt khỏi bị thương khi đang sử dụng các dụng cụ máy. Kính bảo hộ phải tuân thủ ANSI Z87.1 ở Mỹ, EN 166 ở Châu Âu, hoặc AS/NZS 1336 ở Úc/New Zealand.** Tại Úc/New Zealand, theo luật pháp, bạn cũng phải mang mặt nạ che mặt để bảo vệ mặt.



Trách nhiệm của chủ lao động là bắt buộc người vận hành dụng cụ và những người khác trong khu vực làm việc cảnh đó phải sử dụng các thiết bị bảo hộ an toàn thích hợp.

### Sử dụng và bảo quản dụng cụ máy

1. **Không dùng lực đối với dụng cụ máy. Sử dụng đúng dụng cụ máy cho công việc của bạn.** Sử dụng đúng dụng cụ máy sẽ giúp thực hiện công việc tốt hơn và an toàn hơn theo giá trị định mức được thiết kế của dụng cụ máy đó.
2. **Không sử dụng dụng cụ máy nếu công tắc không bật và tắt được dụng cụ máy đó.** Mọi dụng cụ máy không thể điều khiển được bằng công tắc đều rất nguy hiểm và phải được sửa chữa.
3. **Rút phích cắm ra khỏi nguồn điện và/hoặc tháo kết nối bộ pin khỏi dụng cụ máy, nếu có thể tháo rời trước khi thực hiện bất kỳ công việc điều chỉnh, thay đổi phụ tùng hay cất giữ dụng cụ máy nào.** Những biện pháp an toàn phòng ngừa này sẽ giảm nguy cơ vô tình khởi động dụng cụ máy.
4. **Cất giữ các dụng cụ máy không sử dụng ngoài tầm với của trẻ em và không cho bất kỳ người nào không có hiểu biết về dụng cụ máy hoặc các hướng dẫn này vận hành dụng cụ máy.** Dụng cụ máy sẽ rất nguy hiểm nếu được sử dụng bởi những người dùng chưa qua đào tạo.
5. **Bảo dưỡng dụng cụ máy và các phụ kiện.** Kiểm tra tình trạng lệch trục hoặc bó kẹt của các bộ phận chuyên động, hiện tượng nứt vỡ của các bộ phận và mọi tình trạng khác mà có thể ảnh hưởng đến hoạt động của dụng cụ máy. Nếu có hỏng hóc, hãy sửa chữa dụng cụ máy trước khi sử dụng. Nhiều tai nạn xảy ra là do không bảo quản tốt dụng cụ máy.
6. **Luôn giữ cho dụng cụ cất được sắc bén và sạch sẽ.** Những dụng cụ cất được bảo quản tốt có mép cắt sắc sẽ ít bị kẹt hơn và dễ điều khiển hơn.
7. **Sử dụng dụng cụ máy, phụ tùng và đầu dụng cụ cắt, v.v... theo các hướng dẫn này, có tính đến điều kiện làm việc và công việc được thực hiện.** Việc sử dụng dụng cụ máy cho các công việc khác với công việc dự định có thể gây nguy hiểm.
8. **Giữ tay cầm và bề mặt tay cầm khô, sạch, không dính dầu và mỡ.** Tay cầm trơn trượt và bề mặt tay cầm không cho phép xử lý an toàn và kiểm soát dụng cụ trong các tình huống bất ngờ.

9. **Khi sử dụng dụng cụ, không được đi giày tay lao động bằng vải, có thể bị vướng.** Việc giày tay lao động bằng vải vướng vào các bộ phận chuyên động có thể gây ra thương tích cá nhân.

### Sử dụng và bảo quản dụng cụ dùng pin

1. **Chỉ sạc pin lại với bộ sạc do nhà sản xuất quy định.** Bộ sạc phù hợp với một loại bộ pin này có thể gây ra nguy cơ hỏa hoạn khi được dùng cho một bộ pin khác.
2. **Chỉ sử dụng các dụng cụ máy với các bộ pin được quy định cụ thể.** Việc sử dụng bất cứ bộ pin nào khác có thể gây ra thương tích và hỏa hoạn.
3. **Khi không sử dụng bộ pin, hãy giữ tránh xa các đồ vật khác bằng kim loại, chẳng hạn như kẹp giấy, tiền xu, chìa khóa, đinh, ốc vít hoặc các vật nhỏ bằng kim loại mà có thể làm nối tắt các đầu cực pin.** Các đầu cực pin bị đoản mạch có thể gây cháy hoặc hỏa hoạn.
4. **Trong điều kiện sử dụng quá mức, pin có thể bị cháy nước; hãy tránh tiếp xúc. Nếu vô tình tiếp xúc với pin bị cháy nước, hãy rửa sạch bằng nước. Nếu dung dịch từ pin tiếp xúc với mắt, cần đi khám bác sĩ thêm.** Dung dịch chảy ra từ pin có thể gây rát da hoặc bỏng.
5. **Không sử dụng bộ pin hoặc dụng cụ bị hư hỏng hoặc đã bị sửa đổi.** Pin đã bị hư hỏng hoặc đã bị sửa đổi có thể hành động theo cách không thể đoán trước dẫn đến cháy, nổ hoặc nguy cơ chấn thương.
6. **Không để bộ pin hoặc dụng cụ tiếp xúc với lửa hoặc nhiệt độ quá cao.** Tiếp xúc với lửa hoặc nhiệt độ trên 130 °C có thể gây ra cháy nổ.
7. **Làm theo tất cả các hướng dẫn sạc pin và không được sạc bộ pin hoặc dụng cụ vượt giới hạn nhiệt độ quy định trong hướng dẫn.** Sạc pin không đúng hoặc ở nhiệt độ vượt giới hạn nhiệt độ có thể gây hư hỏng cho pin và làm tăng nguy cơ cháy.

### Bảo dưỡng

1. **Đề nhân viên sửa chữa đủ trình độ bảo dưỡng dụng cụ máy của bạn và chỉ sử dụng các bộ phụ thay thế đồng nhất.** Việc này sẽ đảm bảo phụ tri được độ an toàn của dụng cụ máy.
2. **Không bao giờ sử dụng bộ pin đã hỏng.** Dịch vụ bảo hành bộ pin chỉ nên thực hiện bởi nhà sản xuất hoặc các nhà cung cấp dịch vụ được ủy quyền.
3. **Tuân theo hướng dẫn dành cho việc bôi trơn và thay phụ tùng.**

### Các cảnh báo an toàn cho máy cưa lọng chạy pin

1. **Cầm dụng cụ máy bằng bề mặt kẹp cách điện khi thực hiện một thao tác trong đó phụ kiện cắt có thể tiếp xúc với dây dẫn kín.** Phụ kiện cắt tiếp xúc với dây dẫn "có điện" có thể khiến các bộ phận kim loại bị hở của dụng cụ máy "có điện" và làm cho người vận hành bị điện giật.

2. Dùng kẹp hoặc làm theo cách khà thi khác để giữ chặt và đỡ phôi gia công trên bệ vững chắc. Giữ phôi gia công bằng tay hoặc tỳ vào cơ thể sẽ làm phôi không chắc chắn và có thể dẫn đến mất kiểm soát.
3. Luôn sử dụng kính bảo hộ hoặc kính an toàn. Kính mắt thông thường hoặc kính râm KHÔNG phải là kính an toàn.
4. Tránh cắt đỉnh. Kiểm tra phôi xem có đỉnh không và tháo đỉnh trước khi vận hành.
5. Không cắt phôi có kích thước quá lớn.
6. Kiểm tra khoảng trống phù hợp cách phôi gia công trước khi cắt để lưỡi cưa không cắt vào sàn, bàn gia công, v.v...
7. Cầm chắc dụng cụ.
8. Đảm bảo lưỡi cưa không tiếp xúc với phôi gia công trước khi bật công tắc.
9. Giữ tay tránh xa các bộ phận chuyển động.
10. Không để mặc dụng cụ hoạt động. Chỉ vận hành dụng cụ khi cầm trên tay.
11. Luôn tắt nguồn và đợi lưỡi cưa dừng hẳn trước khi tháo lưỡi cưa ra khỏi phôi gia công.
12. Không chạm vào lưỡi cưa hay phôi gia công ngay sau khi vận hành; chúng có thể cực nóng và có thể gây bỏng da.
13. Không vận hành dụng cụ không tải một cách không cần thiết.
14. Một số vật liệu có thể chứa hóa chất độc hại. Phải cẩn trọng tránh hít phải bụi và để tiếp xúc với da. Tuân theo dữ liệu an toàn của nhà cung cấp vật liệu.
15. Luôn luôn sử dụng đúng mặt nạ chống bụi/ khẩu trang đối với loại vật liệu và ứng dụng bạn đang làm việc.

5. Không để hộp pin ở tình trạng đoản mạch:
  - (1) Không chạm vào cực pin bằng vật liệu dẫn điện.
  - (2) Tránh cất giữ hộp pin trong hộp có các vật kim loại khác như đinh, tiền xu, v.v...
  - (3) Không được để hộp pin tiếp xúc với nước hoặc mưa.

Đoản mạch pin có thể gây ra dòng điện lớn, quá nhiệt, có thể gây bỏng và thậm chí là hỏng hóc.
6. Không cất giữ cũng như sử dụng dụng cụ và hộp pin ở nơi nhiệt độ có thể lên tới hoặc vượt quá 50 °C (122 °F).
7. Không đốt hộp pin ngay cả khi hộp pin đã bị hư hại nặng hoặc hư hỏng hoàn toàn. Hộp pin có thể nổ khi tiếp xúc với lửa.
8. Không đóng đinh, cắt, nghiền nát, ném, làm rơi hộp pin hoặc va vật cứng vào hộp pin. Làm như thế có thể dẫn đến hỏa hoạn, quá nhiệt hoặc nổ.
9. Không sử dụng pin đã hỏng.
10. Pin nén lithium-ion là đối tượng có yêu cầu bắt buộc theo Luật Hàng hoá Nguy hiểm. Đối với vận tải thương mại, ví dụ như vận tải do bên thứ ba, đại lý giao nhận, thì yêu cầu đặc biệt về đóng gói và nhãn ghi phải được giám sát. Để chuẩn bị cho mặt hàng cần vận chuyển, cần phải tham khảo ý kiến chuyên gia về vật liệu nguy hiểm. Nếu được, vui lòng tuân thủ các quy định quốc gia chi tiết hơn. Bước hoặc niêm phong các tiếp điểm mở và đóng gói pin theo cách đó để nó không thể di chuyển trong bao bì.
11. Khi vứt bỏ hộp pin, hãy tháo chúng khỏi dụng cụ và thải bỏ ở nơi an toàn. Phải tuân thủ theo các quy định của địa phương liên quan đến việc thải bỏ pin.
12. Chỉ sử dụng pin cho các sản phẩm Makita chi đình. Lắp pin vào sản phẩm không thích hợp có thể gây ra hỏa hoạn, quá nhiệt, nổ, hoặc rò chất điện phân.
13. Nếu dụng cụ không được sử dụng trong một thời gian dài, cần phải tháo pin ra khỏi dụng cụ.
14. Trong và sau khi sử dụng, hộp pin có thể bị nóng, có thể gây bỏng hoặc bỏng ở nhiệt độ thấp. Chú ý xử lý hộp pin nóng.
15. Không chạm vào điện cực của dụng cụ ngay sau khi sử dụng vì điện cực đủ nóng để gây bỏng.
16. Không để vụn bào, bụi hoặc đất bám vào các điện cực, lỗ và rãnh của hộp pin. Điều này có thể làm nóng, bắt lửa, nổ và gây trục trặc cho dụng cụ hoặc hộp pin, dẫn đến bỏng hoặc thương tích cá nhân.
17. Trừ khi dụng cụ hỗ trợ sử dụng gần đường dây điện cao thế, không sử dụng hộp pin gần đường dây điện cao thế. Việc này có thể dẫn đến trục trặc hoặc hỏng hóc dụng cụ hay hộp pin.
18. Giữ pin tránh xa trẻ em.

## LƯU GIỮ CÁC HƯỚNG DẪN NÀY.

**⚠CẢNH BÁO:** KHÔNG vì đã thoải mái hay quen thuộc với sản phẩm (có được do sử dụng nhiều lần) mà không tuân thủ nghiêm ngặt các quy định về an toàn dành cho sản phẩm này. VIỆC DÙNG SAI hoặc không tuân theo các quy định về an toàn được nêu trong tài liệu hướng dẫn này có thể dẫn đến thương tích cá nhân nghiêm trọng.

### Hướng dẫn quan trọng về an toàn dành cho hộp pin

1. Trước khi sử dụng hộp pin, hãy đọc kỹ tất cả các hướng dẫn và dấu hiệu cảnh báo trên (1) bộ sạc pin, (2) pin và (3) sản phẩm sử dụng pin.
2. Không tháo rời hoặc làm thay đổi hộp pin. Việc này có thể dẫn đến hỏa hoạn, quá nhiệt hoặc nổ.
3. Nếu thời gian vận hành ngắn hơn quá mức, hãy ngừng vận hành ngay lập tức. Điều này có thể dẫn đến rùi rò quá nhiệt, có thể gây bỏng và thậm chí là nổ.
4. Nếu chất điện phân rơi vào mắt, hãy rửa sạch bằng nước sạch và đến cơ sở y tế ngay lập tức. Chất này có thể khiến bạn giảm thị lực.

## LƯU GIỮ CÁC HƯỚNG DẪN NÀY.



**⚠ THẬN TRỌNG:** Chỉ sử dụng pin Makita chính hãng. Việc sử dụng pin không chính hãng Makita, hoặc pin đã được sửa đổi, có thể dẫn đến nổ pin gây ra cháy, thương tích và thiệt hại cá nhân. Nó cũng sẽ làm mất hiệu lực bảo hành của Makita dành cho dụng cụ của Makita và bộ sạc.

## Mẹo duy trì tuổi thọ tối đa cho pin

1. **Sạc hộp pin trước khi pin bị xả điện hoàn toàn.** Luôn dừng việc vận hành dụng cụ và sạc pin khi bạn nhận thấy công suất dụng cụ bị giảm.
2. **Không được phép sạc lại một hộp pin đã được sạc đầy.** Sạc quá mức sẽ làm giảm tuổi thọ của pin.
3. **Sạc pin ở nhiệt độ phòng 10°C - 40°C.** Để cho hộp pin nóng nguội lại dần trước khi sạc pin.
4. **Khi không sử dụng hộp pin, hãy tháo hộp pin ra khỏi dụng cụ hoặc bộ sạc.**
5. **Sạc pin sáu tháng một lần nếu bạn không sử dụng dụng cụ trong một thời gian dài (hơn sáu tháng).**

## MÔ TẢ CHỨC NĂNG

**⚠ THẬN TRỌNG:** Luôn đảm bảo rằng đã tắt dụng cụ và tháo hộp pin ra trước khi thực hiện việc điều chỉnh hoặc kiểm tra chức năng trên dụng cụ.

### Lắp hoặc tháo hộp pin

**⚠ THẬN TRỌNG:** Luôn tắt dụng cụ trước khi lắp hoặc tháo hộp pin.

**⚠ THẬN TRỌNG:** Giữ dụng cụ và hộp pin thật chắc khi lắp hoặc tháo hộp pin. Không giữ dụng cụ và hộp pin thật chắc có thể làm trượt chúng khỏi tay và làm hư hỏng dụng cụ và hộp pin hoặc gây thương tích cá nhân.

► **Hình1:** 1. Chỉ báo màu đỏ 2. Nút 3. Hộp pin

Để tháo hộp pin, vừa trượt pin ra khỏi dụng cụ vừa đẩy trượt nút ở phía trước hộp pin.

Để lắp hộp pin, đặt thẳng hàng phần chốt nhô ra của hộp pin vào phần rãnh nằm trên vỏ và trượt hộp pin vào vị trí. Đưa hộp pin vào hết mức cho đến khi chốt khóa vào đúng vị trí với một tiếng cách nhẹ. Nếu bạn có thể nhìn thấy chỉ báo màu đỏ như thể hiện trong hình, điều đó có nghĩa vẫn chưa được khóa hoàn toàn.

**⚠ THẬN TRỌNG:** Luôn lắp hộp pin khớp hoàn toàn vào vị trí cho đến khi không thể nhìn thấy chỉ báo màu đỏ. Nếu không, hộp pin có thể vô tình rơi ra khỏi dụng cụ, gây thương tích cho bạn hoặc người khác xung quanh.

**⚠ THẬN TRỌNG:** Không được dùng sức lắp hộp pin. Nếu hộp pin không nhẹ nhàng trượt vào vị trí, có nghĩa là pin vẫn chưa được lắp đúng.

## Hệ thống bảo vệ dụng cụ / pin

Dụng cụ này được trang bị hệ thống bảo vệ dụng cụ / pin. Hệ thống này sẽ tự động ngắt nguồn điện đến động cơ để kéo dài tuổi thọ dụng cụ và pin. Dụng cụ sẽ tự động dừng vận hành khi dụng cụ hoặc pin ở một trong những trường hợp sau đây:

### Bảo vệ quá tải

Khi vận hành dụng cụ hoặc pin trong điều kiện làm máy tiêu tốn dòng cao bất thường, dụng cụ sẽ tự động dừng lại mà không có bất cứ dấu hiệu nào. Trong trường hợp này, hãy tắt dụng cụ và ngừng việc sử dụng đã làm cho dụng cụ trở nên quá tải. Sau đó bật dụng cụ lên để khởi động lại.

### Bảo vệ quá nhiệt

Khi bị quá nhiệt, dụng cụ hoặc pin sẽ tự động dừng và đèn sẽ nhấp nháy. Trong trường hợp này, hãy để dụng cụ và pin nguội trước khi bật dụng cụ lại.

### Bảo vệ xả điện quá mức

Khi dung lượng pin không đủ, thì dụng cụ sẽ tự động dừng. Nếu bạn bật dụng cụ, động cơ tiếp tục chạy lại nhưng sẽ sớm ngừng. Trong trường hợp này, hãy tháo pin khỏi dụng cụ và sạc pin lại.

### Bảo vệ chống lại các nguyên nhân khác

Hệ thống bảo vệ cũng được thiết kế để chống lại các nguyên nhân khác có thể làm hỏng dụng cụ và cho phép dụng cụ tự động dừng. Thực hiện tất cả các bước sau đây để loại bỏ các nguyên nhân, khi dụng cụ đã được tạm dừng hoặc ngừng hoạt động.

1. Tắt dụng cụ, sau đó bật lại lần nữa để khởi động lại.
2. Sạc (các) pin hoặc thay pin/các pin bằng (các) pin đã sạc.
3. Để dụng cụ và (các) pin nguội dần.

Nếu không thấy cải thiện bằng cách khôi phục hệ thống bảo vệ, hãy liên hệ với Trung tâm Dịch vụ Makita tại địa phương của bạn.

## Chỉ báo dung lượng pin còn lại

### Chỉ dành cho hộp pin có đèn chỉ báo

► **Hình2:** 1. Các đèn chỉ báo 2. Nút Check (kiểm tra)

Ấn nút check (kiểm tra) trên hộp pin để chỉ báo dung lượng pin còn lại. Các đèn chỉ báo bật sáng lên trong vài giây.

Các đèn chỉ báo			Dung lượng còn lại
Bật sáng	Tắt	Nhấp nháy	
			75% đến 100%
			50% đến 75%
			25% đến 50%
			0% đến 25%
			Sạc pin.
			Pin có thể đã bị hỏng.

**LƯU Ý:** Tùy thuộc vào các điều kiện sử dụng và nhiệt độ xung quanh, việc chỉ báo có thể khác biệt một chút so với dung lượng thực sự.

**LƯU Ý:** Đèn chỉ báo (phía xa bên trái) đầu tiên sẽ nhấp nháy khi hệ thống bảo vệ pin hoạt động.

## Lựa chọn thao tác cắt

► **Hình3:** 1. Cần chuyển đổi thao tác cắt

Dụng cụ này có thể được vận hành với thao tác cắt đường xoay vòng hoặc đường thẳng (lên và xuống). Thao tác cắt đường xoay vòng đẩy lưỡi cưa lạng lên trên hành trình cắt và làm tăng tốc độ cắt đáng kể.

Để thay đổi thao tác cắt, chỉ cần xoay cần chuyển đổi thao tác cắt đến vị trí thao tác cắt mong muốn. Tham khảo bảng để chọn thao tác cắt phù hợp.

Vị trí	Thao tác cắt	Các ứng dụng
0	Thao tác cắt đường thẳng	Để cắt thép mềm, thép không gỉ và nhựa. Để làm sạch vết cắt gỗ và ván ép.
I	Thao tác cắt đường xoay vòng nhỏ	Để cắt thép mềm, nhôm và gỗ cứng.
II	Thao tác cắt đường xoay vòng vừa	Để cắt gỗ và ván ép. Để cắt nhanh nhôm và thép mềm.
III	Thao tác cắt đường xoay vòng lớn	Để cắt nhanh gỗ và ván ép.

## Hoạt động công tắc

Để bật dụng cụ, nhấn nút khóa/mở khóa. Dụng cụ sẽ chuyển sang chế độ chờ. Để khởi động dụng cụ, kéo cần khởi động công tắc ở chế độ chờ. Tốc độ dụng cụ được tăng lên bằng cách tăng áp lực lên cần khởi động công tắc. Để dừng dụng cụ, hãy nhả cần khởi động công tắc. Dụng cụ sẽ chuyển sang chế độ chờ. Để bật dụng cụ, nhấn nút khóa/mở khóa ở chế độ chờ.

Để tiếp tục vận hành, hãy kéo cần khởi động công tắc ở chế độ chờ và sau đó nhấn vào nút khóa. Để dừng dụng cụ, hãy kéo cần khởi động công tắc hết mức, rồi sau đó nhả ra.

► **Hình4:** 1. Nút khóa/mở khóa 2. Khóa nút 3. Cần khởi động công tắc

**LƯU Ý:** Nếu để dụng cụ không hoạt động trong 10 giây ở chế độ chờ, dụng cụ sẽ tự động tắt và đèn cũng tắt.

**LƯU Ý:** Nút khóa/mở khóa không khả dụng trong khi dụng cụ đang hoạt động.

## Bật sáng đèn phía trước

**⚠ THẬN TRỌNG:** Đừng nhìn thẳng trực tiếp vào đèn hoặc nguồn sáng.

Để bật đèn, nhấn nút khóa/mở. Để tắt đèn, nhấn lại nút khóa/mở.

► **Hình5:** 1. Đèn

**CHÚ Ý:** Khi dụng cụ bị quá nhiệt, đèn sẽ nhấp nháy. Làm mát dụng cụ hoàn toàn trước khi vận hành dụng cụ trở lại.

**LƯU Ý:** Dùng vải khô để lau bụi bẩn trên kính đèn. Cần thận không được làm xước kính đèn, nếu không đèn có thể bị giảm độ sáng.

## Đĩa điều chỉnh tốc độ

► **Hình6:** 1. Đĩa điều chỉnh tốc độ

Có thể điều chỉnh tốc độ dụng cụ bằng cách xoay đĩa điều chỉnh tốc độ. Bạn có thể đạt được tốc độ cao nhất ở mức 5 và tốc độ thấp nhất ở mức 1.

Tham khảo bảng để chọn tốc độ phù hợp cho phôi gia công sẽ cắt. Tuy nhiên, tốc độ hợp lý có thể khác nhau theo loại hoặc độ dày của phôi gia công. Nhìn chung, tốc độ cao hơn sẽ giúp bạn cắt phôi nhanh hơn nhưng tuổi thọ của lưỡi cưa lạng sẽ giảm đi.

Phôi gia công	Số
Gỗ	4 - 5
Thép mềm	3 - 5
Thép không gỉ	3 - 4
Nhôm	3 - 5
Nhựa	1 - 4

**CHÚ Ý:** Đĩa điều chỉnh tốc độ chỉ có thể được xoay cao nhất là 5 và trở về 1. Không cố gắng vận quá 5 hoặc 1, nếu không chức năng điều chỉnh tốc độ có thể sẽ không hoạt động nữa.

## Chức năng điện tử

Dụng cụ này được trang bị các chức năng điện tử để dễ dàng vận hành.

### Khởi động mềm

Chức năng khởi động mềm sẽ giảm tối thiểu việc rung giật lúc khởi động và làm dụng cụ khởi động trơn tru.

### Điều khiển tốc độ không đổi

Điều khiển tốc độ bằng điện tử để có tốc độ không đổi. Có khả năng tạo được bề mặt hoàn thiện đẹp bởi tốc độ xoay được giữ không đổi ngay cả trong điều kiện có tải.

### Chế độ quay êm khi không tải

Để giảm độ rung và dễ dàng căn chỉnh lưỡi cưa lọng bằng đường cắt, dụng cụ sẽ tự động giảm tốc độ quay cho đến khi dụng cụ bắt đầu cắt phối gia công khi đĩa điều chỉnh tốc độ được đặt ở mức 2 hoặc cao hơn. Khi dụng cụ bắt đầu cắt phối gia công, tốc độ dụng cụ sẽ đạt đến tốc độ định sẵn và giữ tốc độ này cho đến khi dụng cụ dừng lại.

**LƯU Ý:** Khi nhiệt độ thấp, chức năng này có thể không khả dụng.

### Vô hiệu hóa hoặc kích hoạt chức năng quay êm khi không tải

Để vô hiệu hóa hoặc kích hoạt chức năng quay êm khi không tải, hãy thực hiện các bước dưới đây.

1. Đảm bảo rằng đã tắt dụng cụ.
2. Đặt đĩa điều chỉnh tốc độ thành "1".
3. Nhấn nút khóa/mở khóa để bật dụng cụ.
4. Đặt đĩa điều chỉnh tốc độ thành "5" bằng cách xoay đĩa, và sau đó đặt thành "1" bằng cách xoay đĩa trở về.

Đèn nhấp nháy hai lần để biểu thị rằng chức năng quay êm khi không tải bị vô hiệu hóa. Để kích hoạt lại chức năng này, thực hiện quy trình giống vậy lần nữa.

**LƯU Ý:** Nếu chức năng quay êm khi không tải bị tắt, đèn sẽ nhấp nháy hai lần khi dụng cụ được bật.

**LƯU Ý:** Bạn cũng có thể vô hiệu hóa hoặc kích hoạt chức năng quay êm khi không tải bằng cách thay đổi đĩa điều chỉnh tốc độ từ "5" đến "1" và thay đổi từ "1" đến "5".

## Phanh điện tử

Dụng cụ này được trang bị một phanh điện tử. Nếu dụng cụ không thể dừng nhanh sau khi đã nhả cần khởi động công tắc, hãy đem dụng cụ đến trung tâm dịch vụ của Makita.

## LẮP RÁP

**▲THẬN TRỌNG:** Luôn đảm bảo rằng đã tắt dụng cụ và tháo hộp pin ra trước khi thực hiện bất cứ thao tác nào trên dụng cụ.

### Lắp đặt hoặc tháo lưỡi cưa lọng

**▲THẬN TRỌNG:** Luôn lau sạch tất cả phoi hoặc ngoại vật bám vào lưỡi cưa lọng và/hoặc bề mặt đỡ lưỡi. Không làm như vậy có thể khiến cho lưỡi cưa lọng được siết không đủ chặt dẫn đến thương tích cá nhân nghiêm trọng.

**▲THẬN TRỌNG:** Không chạm vào lưỡi cưa lọng hoặc phoi gia công ngay sau khi vận hành. Chúng có thể rất nóng và có thể gây bỏng da.

**▲THẬN TRỌNG:** Luôn luôn giữ lưỡi cưa lọng thật chặt. Siết lưỡi cưa lọng không đủ chặt có thể gây hỏng lưỡi cưa hoặc thương tích cá nhân nghiêm trọng.

**▲THẬN TRỌNG:** Chỉ sử dụng lưỡi cưa lọng loại B. Sử dụng lưỡi cưa khác loại B có thể khiến cho lưỡi cưa lọng được siết không đủ chặt dẫn đến thương tích cá nhân nghiêm trọng.

**▲THẬN TRỌNG:** Khi bạn tháo lưỡi cưa lọng, phải cẩn thận không để đầu lưỡi cưa lọng hoặc những chóp phoi gia công làm tổn thương các ngón tay của bạn.

Trước khi lắp đặt lưỡi cưa lọng, hãy chắc chắn rằng các kẹp lưỡi cưa đang ở vị trí nhà.

Để lắp đặt lưỡi cưa lọng, hãy lắp lưỡi cưa lọng (ràng hướng về phía trước) vào bề đỡ lưỡi cưa lọng. Căn kẹp lưỡi cưa di chuyển đến vị trí cố định và lưỡi cưa lọng bị khóa. Đảm bảo rằng cạnh sau của lưỡi cưa lọng vừa khít với trục xoay. Kéo nhẹ lưỡi cưa lọng để đảm bảo rằng lưỡi cưa lọng không bị rơi ra trong quá trình vận hành.

► **Hình7:** 1. Bề đỡ lưỡi cưa lọng 2. Căn kẹp lưỡi cưa (vị trí nhà) 3. Căn kẹp lưỡi cưa (vị trí cố định)

► **Hình8:** 1. Bề đỡ lưỡi cưa lọng 2. Lưỡi cưa lọng 3. Trục xoay

**▲THẬN TRỌNG:** Nếu căn kẹp lưỡi cưa không di chuyển đến vị trí cố định, lưỡi cưa lọng vẫn chưa được lắp đặt hoàn toàn. Không nhân căn kẹp lưỡi cưa sang vị trí cố định bằng tay. Điều này có thể làm hỏng dụng cụ.

Để tháo lưỡi cưa lọng, đẩy căn kẹp lưỡi cưa hết mức có thể về phía trước. Điều này cho phép lưỡi cưa lọng được nhả ra.

► **Hình9:** 1. Bề đỡ lưỡi cưa lọng 2. Căn kẹp lưỡi cưa 3. Lưỡi cưa lọng

**LƯU Ý:** Trong trường hợp bạn gặp khó khăn khi tháo tháo lưới cửa lọng:  
Xoay cần chuyển đổi thao tác cắt đến vị trí "III" và di chuyển bệ đỡ lưới cửa lọng về phía dưới cùng trước khi đẩy cần kẹp lưới cửa đến vị trí nhà. Để di chuyển bệ đỡ lưới cửa lọng xuống phía dưới cùng, trả cần kẹp lưới cửa hết cỡ đến vị trí cố định một lần và bật nhẹ dụng cụ nhiều lần.

**LƯU Ý:** Thỉnh thoảng bôi trơn trực xoay.

## Cắt giữ cờ lê sáu cạnh

Khi không sử dụng, cắt giữ cờ lê sáu cạnh như được minh họa trong hình để tránh làm mất.

► **Hình10:** 1. Cờ lê sáu cạnh

## VẬN HÀNH

**⚠ THẬN TRỌNG:** Luôn giữ để ngang bằng với phối gia công. Không làm như vậy có thể gây vỡ nứt lưới cửa lọng, dẫn đến thương tích nghiêm trọng.

**⚠ THẬN TRỌNG:** Đưa dụng cụ về trước thật chậm khi cắt đường cong hoặc xoay vòng. Áp mạnh lên dụng cụ có thể làm cho bề mặt cắt bị nghiêng và làm hỏng lưới cửa lọng.

► **Hình11:** 1. Đường cắt 2. Để

Bật dụng cụ lên mà không để lưới cửa lọng bị tiếp xúc và đợi đến khi lưới cửa đạt tốc độ tối đa. Sau đó đặt phần đế lên phối gia công và nhẹ nhàng di chuyển dụng cụ về phía trước dọc theo đường cắt đã đánh dấu trước đó.

## Cắt xiên góc

**⚠ THẬN TRỌNG:** Luôn đảm bảo rằng đã tắt dụng cụ và tháo hộp pin ra trước khi nghiêng phần đế.

Với phần đế bị nghiêng, bạn có thể thực hiện cắt xiên góc ở bất kỳ góc nào giữa 0° và 45° (trái hoặc phải).

► **Hình12**

Nơi lọng bu-lông ở phía sau để bằng cờ lê sáu cạnh. Di chuyển phần đế sao cho bu-lông được đặt ở vị trí trung tâm của rãnh hình dấu chéo bên trong đế.

► **Hình13:** 1. Cờ lê sáu cạnh 2. Bu-lông 3. Đế

Nghiêng phần đế cho đến khi đạt được góc xiên mong muốn. Cạnh vô ngoài động cơ chỉ ra góc xiên nhờ vạch chia độ. Sau đó vận chặt bu-lông để giữ phần đế.

► **Hình14:** 1. Cạnh 2. Vạch chia độ

## Cắt ngang về trước

► **Hình15:** 1. Cờ lê sáu cạnh 2. Bu-lông 3. Đế

Nơi lọng bu-lông trên phía sau để bằng cờ lê sáu cạnh và trượt để hết mức ra sau. Sau đó vận chặt bu-lông để giữ phần đế.

## Phần cắt rời

Có thể thực hiện các phần cắt rời bằng cả hai phương pháp "Khoan lỗ khởi đầu" hoặc "Cắt chìm".

## Khoan lỗ khởi đầu

► **Hình16**

Đối với phần cắt rời bên trong mà không cần cắt dẫn vào từ mép, khoan trước một lỗ khởi đầu có đường kính 12 mm hoặc hơn. Lắp lưới cửa lọng vào lỗ này để bắt đầu cắt.

## Cắt chìm

► **Hình17**

Bạn không cần khoan lỗ khởi đầu hoặc thực hiện cắt dẫn vào nếu bạn cẩn thận làm như sau.

1. Nghiêng dụng cụ lên trên cạnh phía trước của đế với điểm lưới cửa lọng đặt ở vị trí ngay phía trên bề mặt phối gia công.
2. Dùng lực lên dụng cụ sao cho cạnh phía trước của đế sẽ không di chuyển khi bạn bật dụng cụ và nhẹ nhàng hạ phần đầu phía sau của dụng cụ xuống.
3. Khi lưới cửa lọng chọc thủng phối gia công, từ từ hạ đế dụng cụ xuống trên bề mặt phối gia công.
4. Hoàn tất việc cắt theo cách thông thường.

## Cạnh hoàn thiện

► **Hình18**

Để cắt các cạnh hoặc thực hiện điều chỉnh kích thước, chày nhẹ lưới cửa lọng dọc theo mép cắt.

## Cắt kim loại

Luôn sử dụng chất làm mát phù hợp (dầu làm nguội) khi cắt kim loại. Không làm như vậy sẽ làm lưới cửa lọng bị mòn đáng kể. Mặt dưới của phối gia công có thể được bôi trơn thay vì sử dụng chất làm mát.

## Hệ thống xử lý bụi

### Lắp đặt hoặc tháo gỡ tấm chắn bụi

*Phụ kiện tùy chọn*

Lắp đặt tấm chắn bụi như minh họa trong hình.

► **Hình19:** 1. Tấm chắn bụi

Để tháo tấm chắn bụi, nhấn một bên của tấm chắn, sau đó tháo ra như minh họa trong hình.

► **Hình20:** 1. Tấm chắn bụi

### Lắp hoặc tháo vòi xả bụi

*Tùy thuộc vào quốc gia*

Bạn có thể kết nối dụng cụ này vào máy hút bụi cầm tay hoạt động bằng động cơ điện Makita bằng cách gắn vòi xả bụi.

Lắp vòi xả bụi hết mức vào trong dụng cụ.

► **Hình21:** 1. Vòi xả bụi

Để tháo các vòi xả bụi, kéo vòi xả bụi ra trong khi nhấn nút trên vòi xả bụi.

► **Hình22:** 1. Nút 2. Vòi xả bụi

## Nối dụng cụ vào máy hút bụi

Nối ống dẫn của máy hút bụi vào vòi xả bụi.

► **Hình23**

## Thanh cũ

*Phụ kiện tùy chọn*

**⚠ THẬN TRỌNG:** Luôn đảm bảo rằng đã tắt dụng cụ và tháo hộp pin ra trước khi lắp hoặc tháo phụ kiện.

## Cắt thẳng

Khi cắt liên tục với chiều rộng từ 160 mm trở xuống, sử dụng thanh cũ sẽ đảm bảo cắt thẳng, sạch, nhanh.

► **Hình24:** 1. Thanh cũ (Thước dẫn)

Đề lắp đặt, lắp thanh cũ vào lỗ hình chữ nhật nằm bên hông của phần đế với tấm chắn dẫn hướng nằm hướng xuống. Trượt thanh cũ đến vị trí có chiều rộng cắt mong muốn, sau đó vặn chặt bu-lông để giữ thanh cũ.

► **Hình25:** 1. Cờ lê sáu cạnh 2. Bu-lông 3. Tấm chắn dẫn hướng 4. Thanh cũ (Thước dẫn)

## Cắt đường tròn

Khi cắt đường tròn hoặc đường vòng cung có bán kính từ 170 mm trở xuống, hãy lắp đặt thanh cũ như sau.

► **Hình26:** 1. Thanh cũ (Thước dẫn)

1. Lắp thanh cũ vào lỗ hình chữ nhật nằm bên hông của phần đế với tấm chắn dẫn hướng nằm hướng lên.

2. Lắp chốt thanh dẫn vòng tròn qua cả hai lỗ trên tấm chắn dẫn hướng. Bật vít núm có ren lên chốt thanh dẫn vòng tròn để giữ chốt thanh dẫn vòng tròn.

► **Hình27:** 1. Núm có ren 2. Tấm chắn dẫn hướng 3. Thanh cũ (Thước dẫn) 4. Chốt thanh dẫn vòng tròn 5. Bu-lông 6. Cờ lê lục giác

3. Trượt thanh cũ đến bán kính cắt mong muốn, và vặn chặt bu-lông để giữ chặt thanh cũ vào đúng vị trí. Sau đó di chuyển phần đế về trước hết mức có thể.

**LƯU Ý:** Luôn sử dụng lưỡi cưa lạng Số B-17, B-18, B-26 hoặc B-27 khi cắt đường tròn hoặc đường vòng cung.

## Thiết bị chống mảnh vụn

*Phụ kiện tùy chọn*

**⚠ THẬN TRỌNG:** Thiết bị chống mảnh vụn không thể sử dụng được khi thực hiện cắt xiên góc.

► **Hình28:** 1. Đế 2. Thiết bị chống mảnh vụn

Đề cắt không có mảnh vụn, có thể sử dụng thiết bị chống mảnh vụn. Đề lắp đặt thiết bị chống mảnh vụn, di chuyển phần đế của dụng cụ về trước hết mức và cố định nó từ đằng sau để dụng cụ.

Khi bạn sử dụng nắp che, hãy lắp đặt thiết bị chống mảnh vụn vào nắp che.

## Nắp che

► **Hình29:** 1. Nắp che 2. Đế

Sử dụng nắp che khi cắt tấm trang trí, nhựa, v.v... Nó giúp bảo vệ các bề mặt nhạy cảm hoặc mỏng manh khỏi bị hư hại. Cố định nó từ đằng sau để dụng cụ.

## Bộ chuyển ray dẫn hướng

*Phụ kiện tùy chọn*

Khi cắt song song và độ rộng đồng đều hoặc cắt thẳng, sử dụng các thanh ray dẫn và bộ chuyển ray dẫn hướng sẽ đảm bảo việc sản xuất nhanh chóng và các vết cắt gọn gàng. Đề lắp đặt bộ chuyển ray dẫn hướng, lắp thanh thước vào lỗ hình vuông trên bề mặt hết mức có thể. Siết chặt bu lông bằng cờ lê sáu cạnh.

► **Hình30:** 1. Cờ lê sáu cạnh 2. Thanh thước 3. Bu-lông

Lắp thanh thước vào lỗ hình vuông của bộ chuyển ray dẫn hướng, và siết thật chặt ốc vít. Đặt bộ chuyển ray dẫn hướng trên thanh ray dẫn.

► **Hình31:** 1. Bộ chuyển ray dẫn hướng 2. Thanh ray dẫn 3. Vít

**CHÚ Ý:** Luôn luôn sử dụng lưỡi số B-8, B-13, B-16, B-17 hoặc 58 khi sử dụng thanh ray dẫn và bộ chuyển ray dẫn hướng.

## BẢO TRÌ

**⚠ THẬN TRỌNG:** Hãy luôn chắc chắn rằng dụng cụ đã được tắt và hộp pin đã được tháo ra trước khi cố gắng thực hiện việc kiểm tra hay bảo dưỡng.

**CHÚ Ý:** Không được phép dùng xăng, ét xăng, dung môi, cồn hoặc hóa chất tương tự. Có thể xảy ra hiện tượng mất màu, biến dạng hoặc nứt vỡ.

Để đảm bảo ĐỘ AN TOÀN và ĐỘ TIN CẬY của sản phẩm, việc sửa chữa hoặc bất cứ thao tác bảo trì, điều chỉnh nào đều phải được thực hiện bởi các Trung tâm Dịch vụ Nhà máy hoặc Trung tâm được Makita Ủy quyền và luôn sử dụng các phụ tùng thiết bị thay thế của Makita.

# PHỤ KIỆN TÙY CHỌN

**⚠ THẬN TRỌNG:** Các phụ kiện hoặc phụ tùng gắn thêm này được khuyến cáo sử dụng với dụng cụ Makita của bạn theo như quy định trong hướng dẫn này. Việc sử dụng bất cứ phụ kiện hoặc phụ tùng gắn thêm nào khác đều có thể gây ra rủi ro thương tích cho người. Chỉ sử dụng phụ kiện hoặc phụ tùng gắn thêm cho mục đích đã quy định sẵn của chúng.

Nếu bạn cần bất kỳ sự hỗ trợ nào để biết thêm chi tiết về các phụ tùng này, hãy hỏi Trung tâm Dịch vụ của Makita tại địa phương của bạn.

- Các lưới cửa lọng
- Bộ thanh cữ (thước dẫn)
- Bộ chuyển ray dẫn hướng
- Thiết bị chống mảnh vụn
- Nắp che
- Vòi xả bụi
- Tấm chắn bụi
- Pin và bộ sạc chính hãng của Makita

**LƯU Ý:** Một số mục trong danh sách có thể được bao gồm trong gói dụng cụ làm phụ kiện tiêu chuẩn. Các mục này ở mỗi quốc gia có thể khác nhau.

## ข้อมูลจำเพาะ

รุ่น:	DJV184	
ระยะชักใบมีด	23 mm	
อัตราการชักใบมีดต่อนาที	0 - 3,000 min <sup>-1</sup>	
ประเภทใบเลื่อย	ประเภท B	
ความสามารถในการตัดสูงสุด	ไม้	135 mm
	เหล็กเหนียว	10 mm
	อลูมิเนียม	20 mm
ความยาวโดยรวม	259 mm	
แรงดันไฟฟ้าสูงสุด	D.C. 18 V	
น้ำหนักสุทธิ	2.1 - 2.4 kg	

- เนื่องจากการค้นคว้าวิจัยและพัฒนาอย่างต่อเนื่อง ข้อมูลจำเพาะในเอกสารฉบับนี้อาจเปลี่ยนแปลงได้โดยไม่ต้องแจ้งให้ทราบล่วงหน้า
- ข้อมูลจำเพาะอาจแตกต่างกันไปในแต่ละประเทศ
- น้ำหนักอาจแตกต่างกันไปตามอุปกรณ์เสริม รวมถึงตลับแบตเตอรี่ การติดอุปกรณ์เสริมที่เบาที่สุดและหนักที่สุดตามข้อบังคับของ EPTA 01/2014 มีแสดงอยู่ในตาราง

### ตลับแบตเตอรี่และเครื่องชาร์จที่ใช้ได้

ตลับแบตเตอรี่	BL1815N / BL1820B / BL1830B / BL1840B / BL1850B / BL1860B
เครื่องชาร์จ	DC18RC / DC18RD / DC18RE / DC18SD / DC18SE / DC18SF / DC18SH

- ตลับแบตเตอรี่และเครื่องชาร์จบางรายการที่แสดงอยู่ด้านบนอาจไม่มีวางจำหน่ายขึ้นอยู่กับภูมิภาคที่คุณอาศัยอยู่

**คำเตือน:** ใช้ตลับแบตเตอรี่และเครื่องชาร์จที่ระบุไว้ข้างบนเท่านั้น การใช้ตลับแบตเตอรี่และเครื่องชาร์จประเภทอื่นอาจก่อให้เกิดความเสี่ยงที่จะได้รับบาดเจ็บและ/หรือเกิดไฟไหม้

## สัญลักษณ์

ต่อไปนี้เป็นสัญลักษณ์ที่อาจใช้สำหรับอุปกรณ์ โปรดศึกษาความหมายของสัญลักษณ์ให้เข้าใจก่อนการใช้งาน



อ่านคู่มือการใช้งาน



สวมแว่นตานิรภัย



NI-ML  
Li-ion

สำหรับประเทศในสหภาพยุโรปเท่านั้น เนื่องจากในอุปกรณ์มีส่วนประกอบอันตราย ชยะจำพวกอุปกรณ์ไฟฟ้า และอิเล็กทรอนิกส์ แบตเตอรี่ และหม้อแบตเตอรี่ซึ่งอาจส่งผลกระทบต่อสิ่งแวดล้อมและสุขภาพของมนุษย์ในเชิงลบ อย่่างทั้งเครื่องใช้ไฟฟ้าและอิเล็กทรอนิกส์ หรือแบตเตอรี่รวมกับวัสดุเหลือทิ้งในครัวเรือน!

เพื่อให้เป็นไปตามกฎระเบียบของยุโรป ว่าด้วยชยะจำพวกอุปกรณ์ไฟฟ้าและอิเล็กทรอนิกส์ และหม้อสะสมไฟฟ้าและแบตเตอรี่ และชยะจำพวกหม้อสะสมไฟฟ้าและแบตเตอรี่ รวมถึงการบังคับใช้ตามกฎหมายภายในประเทศ ควรมีการจัดเก็บชยะจำพวกอุปกรณ์ไฟฟ้า แบตเตอรี่ และหม้อสะสมไฟฟ้าแยกต่างหากและส่งไปยังจุดรับชยะต่างหากในเขตเทศบาลซึ่งมีการดำเนินการตามระเบียบว่าด้วยการดูแลสิ่งแวดล้อม

โดยระบุด้วยสัญลักษณ์เส้นคาดขวางรูปถังชยะแบบมีล้อไว้บนอุปกรณ์

## จุดประสงค์การใช้งาน

เครื่องมือนี้ใช้สำหรับเลื่อยไม้ พลาสติก และวัสดุโลหะ ด้วยอุปกรณ์เสริมและโปรแกรมใบเลื่อยที่หลากหลาย เครื่องมือนี้สามารถใช้งานได้ในหลายวัตถุประสงค์และเหมาะสำหรับการตัดโค้งหรือตัดวงกลมอย่างภาค

## คำเตือนด้านความปลอดภัย

### คำเตือนด้านความปลอดภัยของเครื่องมือไฟฟ้าทั่วไป

**⚠ คำเตือน:** โปรดอ่านคำเตือนด้านความปลอดภัย คำแนะนำ ภาพประกอบ และข้อมูลจำเพาะต่างๆ ที่ให้มา กับเครื่องมือไฟฟ้าน้อย่างละเอียด การไม่ปฏิบัติตามคำแนะนำดังต่อไปนี้ อาจส่งผลให้เกิดไฟฟ้าช็อต ไฟไหม้ และ/หรือได้รับบาดเจ็บอย่างร้ายแรงได้

### เก็บรักษาคำเตือนและคำแนะนำทั้งหมดไว้

#### เป็นข้อมูลอ้างอิงในขนาด

คำว่า “เครื่องมือไฟฟ้า” ในคำเตือนนี้หมายถึง เครื่องมือไฟฟ้า (มีสาย) ที่ทำงานโดยใช้กระแสไฟฟ้าหรือ เครื่องมือไฟฟ้า (ไร้สาย) ที่ทำงานโดยใช้แบตเตอรี่

#### ความปลอดภัยของพื้นที่ทำงาน

1. ดูแลพื้นที่ทำงานให้มีความสะอาดและมีแสงไฟสว่าง พื้นที่ที่กระเบื้องกระเบื้องหรือมิดที่บิดงอ นำไปสู่การเกิดอุบัติเหตุได้
2. อย่าใช้งานเครื่องมือไฟฟ้าในสภาพที่อาจเกิดการระเบิด เช่น ในสถานที่ที่มีของเหลว ก๊าซ หรือฝุ่นผงที่มีคุณสมบัติไวไฟ เครื่องมือไฟฟ้าอาจสร้างประกายไฟ และจุดชนวนฝุ่นผงหรือก๊าซดังกล่าว
3. ดูแลไม่ให้มีเด็กๆ หรือบุคคลอื่นอยู่ในบริเวณที่กำลังใช้เครื่องมือไฟฟ้า การมีสิ่งรบกวนสมาธิอาจทำให้คุณสูญเสียการควบคุม

#### ความปลอดภัยด้านไฟฟ้า

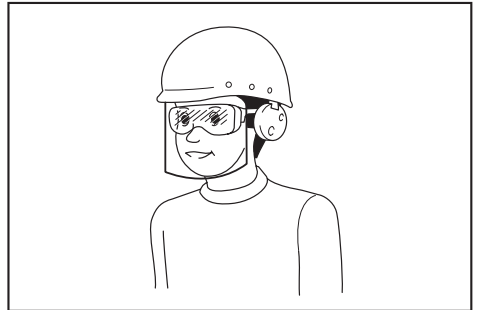
1. ปลั๊กของเครื่องมือไฟฟ้าต้องพอดีกับเต้ารับ อย่าดัดแปลงปลั๊กไม่ว่ากรณีใดๆ อย่าใช้ปลั๊กอะแดปเตอร์กับเครื่องมือไฟฟ้าที่ต่อสายดิน ปลั๊กที่ไม่ถูกดัดแปลงและเต้ารับที่เข้ากันพอดีจะช่วยลดความเสี่ยงของการเกิดไฟฟ้าช็อต
2. ระมัดระวังให้ร่างกายสัมผัสกับพื้นผิวที่ต่อสายดิน เช่น ท่อ เครื่องนำความร้อน เตาหุงต้ม และตู้เย็น มีความเสี่ยงที่จะเกิดไฟฟ้าช็อตสูงขึ้น หากร่างกายของคุณสัมผัสกับพื้น
3. อย่าให้เครื่องมือไฟฟ้าถูกน้ำหรืออยู่ในสภาพเปียกชื้น น้ำที่ไหลเข้าไปในเครื่องมือไฟฟ้าจะเพิ่มความเสี่ยงของการเกิดไฟฟ้าช็อต



- อย่าใช้สายไฟอย่างไม่เหมาะสม อย่าใช้สายไฟเพื่อยก ดึง หรือถอดปลั๊กเครื่องมือไฟฟ้า เก็บสายไฟให้ห่างจากความร้อน น้ำมัน ของมีคม หรือชิ้นส่วนที่เคลื่อนที่ สายที่ชำรุดหรือพันกันจะเพิ่มความเสี่ยงของการเกิดไฟฟ้าช็อต
- ขณะที่ใช้งานเครื่องมือไฟฟ้านอกอาคาร ควรใช้สายต่อพ่วงที่เหมาะสมกับงานภายนอกอาคาร การใช้สายที่เหมาะสมกับงานภายนอกอาคารจะลดความเสี่ยงของการเกิดไฟฟ้าช็อต
- หากต้องใช้งานเครื่องมือไฟฟ้าในสถานที่เปียกชื้น ให้ใช้อุปกรณ์ป้องกันกระแสไฟรั่ว (RCD) การใช้ RCD จะลดความเสี่ยงของการเกิดไฟฟ้าช็อต
- เครื่องมือไฟฟ้าอาจสร้างสนามแม่เหล็ก (EMF) ที่ไม่เป็นอันตรายต่อผู้ใช้ อย่างไรก็ตาม ผู้ใช้ที่ใส่เครื่องกระตุ้นหัวใจและอุปกรณ์ทางการแพทย์ที่คล้ายกันนี้ ควรติดต่อผู้ผลิตอุปกรณ์และ/หรือแพทย์เพื่อรับคำแนะนำก่อนใช้งานเครื่องมือไฟฟ้านี้
- แต่งกายให้เหมาะสม อย่าสวมเครื่องแต่งกายที่หลวมเกินไป หรือสวมเครื่องประดับ ดูแลไม่ให้เส้นผมและเสื้อผ้าอยู่ใกล้ชิ้นส่วนที่เคลื่อนที่ เสื้อผ้ารุ่มร่าม เครื่องประดับ หรือผมที่มีความยาวอาจเข้าไปติดในชิ้นส่วนที่เคลื่อนที่
- หากมีการจัดอุปกรณ์สำหรับดูดและจับฝุ่นไว้ในสถานที่ ให้ตรวจสอบว่าได้เชื่อมต่อและใช้งานอุปกรณ์นั้นอย่างเหมาะสม การใช้เครื่องดูดและจับฝุ่นจะช่วยลดอันตรายที่เกิดจากฝุ่นผงได้
- อย่าให้ความคุ้นเคยจากการใช้งานเครื่องมือเป็นประจำทำให้คุณทำตามตามสบายและละเลยหลักการเพื่อความปลอดภัยในการใช้เครื่องมือ การกระทำที่ไม่ระมัดระวังอาจทำให้เกิดการบาดเจ็บร้ายแรงภายในเสี้ยววินาที
- สวมใส่แว่นครอบตานิรภัยเพื่อปกป้องดวงตาของคุณจากการบาดเจ็บเมื่อใช้เครื่องมือไฟฟ้า แว่นครอบตาคงต้องได้มาตรฐาน ANSI Z87.1 ในสหรัฐอเมริกา, EN 166 ในยุโรป หรือ AS/NZS 1336 ในออสเตรเลีย/นิวซีแลนด์ ในออสเตรเลีย/นิวซีแลนด์ จะต้องสวมเกราะป้องกันใบหน้าเพื่อปกป้องใบหน้าของคุณอย่างถูกต้องตามกฎหมายด้วย

#### ความปลอดภัยส่วนบุคคล

- ให้ระมัดระวังและมีสติอยู่เสมอขณะใช้งานเครื่องมือไฟฟ้า อย่าใช้งานเครื่องมือไฟฟ้าในขณะที่คุณกำลังเหนื่อย หรือในสภาพที่มึนเมาจากยาเสพติด เครื่องดื่ม แอลกอฮอล์ หรือการใช้ยา ช่วงเวลาที่ขาดความระมัดระวังเมื่อกำลังใช้งานเครื่องมือไฟฟ้าอาจทำให้ได้รับบาดเจ็บร้ายแรง
- ใช้อุปกรณ์ป้องกันส่วนบุคคล สวมแว่นตาป้องกันเสมอ อุปกรณ์ป้องกัน เช่น หน้ากากกันฝุ่น รองเท้านิรภัย กันลื่น หมวกนิรภัย หรือเครื่องป้องกันการได้ยินที่ใช้ในสภาพที่เหมาะสมจะช่วยลดการบาดเจ็บ
- ป้องกันไม่ให้เกิดการเปิดใช้งานโดยไม่ตั้งใจ ตรวจสอบให้แน่ใจว่าสวิตช์ปิดอยู่ก่อนที่จะเชื่อมต่อกับแหล่งจ่ายไฟ และ/หรือชุดแบตเตอรี่ รวมทั้งตรวจสอบก่อนการยกหรือเคลื่อนย้ายเครื่องมือ การถอดนิ้วมือบริเวณสวิตช์เพื่อถี้อเครื่องมือไฟฟ้า หรือการชาร์จไฟเครื่องมือไฟฟ้าในขณะที่เปิดสวิตช์อยู่อาจนำไปสู่การเกิดอุบัติเหตุ
- นำกฎความปลอดภัยหรือประแจออกก่อนที่จะเปิดเครื่องมือไฟฟ้า ประแจหรือกฎเฉงที่เสียบค้างอยู่ในชิ้นส่วนที่หมุนได้ขอเครื่องมือไฟฟ้าอาจทำให้ได้รับบาดเจ็บ
- อย่าทำงานในระยะที่สูดไอ้ม จัดท่ากรยีนและการทรงตัวให้เหมาะสมตลอดเวลา เพราะจะทำให้ควบคุมเครื่องมือไฟฟ้าได้ดีขึ้นในสถานการณ์ที่ไม่คาดคิด



ผู้ว่าจ้างมีหน้าที่รับผิดชอบในการบังคับผู้ใช้งานเครื่องมือและบุคคลอื่นๆ ที่อยู่ในบริเวณที่ปฏิบัติงานให้ใช้อุปกรณ์ป้องกันที่เหมาะสม

#### การใช้และดูแลเครื่องมือไฟฟ้า

- อย่าฝืนใช้เครื่องมือไฟฟ้า ใช้เครื่องมือไฟฟ้าที่เหมาะสมกับการใช้งานของคุณ เครื่องมือไฟฟ้าที่เหมาะสมจะทำให้ได้งานที่มีประสิทธิภาพและปลอดภัยกว่าตามขีดความสามารถของเครื่องที่ได้รับการออกแบบมา
- อย่าใช้เครื่องมือไฟฟ้า หากสวิตช์ไม่สามารถเปิดปิดได้ เครื่องมือไฟฟ้าที่ควบคุมด้วยสวิตช์ไม่ได้เป็นสิ่งอันตรายและต้องได้รับการซ่อมแซม

3. ถอดปลั๊กจากแหล่งจ่ายไฟ และ/หรือชุดแบตเตอรี่ ออกจากเครื่องมือไฟฟ้าก่อนทำการปรับตั้ง เปลี่ยน อุปกรณ์เสริม หรือจัดเก็บเครื่องมือไฟฟ้า วิธีการ ป้องกันด้านความปลอดภัยดังกล่าวจะช่วยลดความเสี่ยงในการเปิดใช้งานเครื่องมือไฟฟ้าโดยไม่ตั้งใจ
4. จัดเก็บเครื่องมือไฟฟ้าที่ไม่ได้ใช้งานให้ห่างจากมือเด็ก และอย่าอนุญาตให้บุคคลที่ไม่คุ้นเคยกับเครื่องมือไฟฟ้าหรือคำแนะนำเหล่านี้ใช้งานเครื่องมือไฟฟ้า เครื่องมือไฟฟ้าจะเป็นอันตรายเมื่ออยู่ในมือของผู้ที่ไม่ได้รับการฝึกอบรม
5. บำรุงรักษาเครื่องมือไฟฟ้าและอุปกรณ์เสริม ตรวจสอบการประกอบที่ไม่ถูกต้องหรือการเชื่อมต่อของชิ้นส่วนที่เคลื่อนที่ การแตกหักของชิ้นส่วน หรือสภาพอื่นๆ ที่อาจส่งผลกระทบต่อการทำงานของเครื่องมือไฟฟ้า หากมีความเสียหาย ให้นำเครื่องมือไฟฟ้าไปซ่อมแซมก่อนการใช้งาน อุบัติเหตุจำนวนมากเกิดจากการดูแลรักษาเครื่องมือไฟฟ้าอย่างไม่ถูกต้อง
6. ทำความสะอาดเครื่องมือตัดและลับให้คมอยู่เสมอ เครื่องมือการตัดที่มีการดูแลอย่างถูกต้องและมีขอบการตัดคมมักจะมีปัญหาติดขัดน้อยและควบคุมได้ง่ายกว่า
7. ใช้เครื่องมือไฟฟ้า อุปกรณ์เสริม และวัสดุสิ้นเปลือง ชลช ตามคำแนะนำดังกล่าว จาการณาสภาพการทำงานและงานที่จะลงมือทำ การใช้เครื่องมือไฟฟ้าเพื่อทำงานอื่นนอกเหนือจากที่กำหนดไว้อาจทำให้เกิดอันตราย
8. ดูแลมือจับและบริเวณมือจับให้แห้ง สะอาด และไม่มีน้ำมันและจารบีเปื้อน มือจับและบริเวณมือจับที่ลื่นจะทำให้ไม่สามารถจับและควบคุมเครื่องมือได้อย่างปลอดภัยในสถานการณ์ที่ไม่คาดคิด
9. ขณะใช้งานเครื่องมือ อย่าสวมใส่ถุงมือผ้าที่อาจเข้าไปติดในเครื่องมือได้ หากถุงมือผ้าเข้าไปติดในชิ้นส่วนที่กำลังเคลื่อนที่อยู่อาจทำให้ได้รับบาดเจ็บ

#### การใช้งานและดูแลเครื่องมือที่ใช้แบตเตอรี่

1. ชาร์จไฟใหม่ด้วยเครื่องชาร์จที่ระบุโดยผู้ผลิตเท่านั้น เครื่องชาร์จที่เหมาะสมสำหรับชุดแบตเตอรี่ประเภทหนึ่ง อาจเสี่ยงที่จะเกิดไฟไหม้หากนำไปใช้กับชุดแบตเตอรี่อีกประเภทหนึ่ง
2. ใช้เครื่องมือไฟฟ้ากับชุดแบตเตอรี่ที่กำหนดมาโดยเฉพาะเท่านั้น การใช้ชุดแบตเตอรี่ประเภทอื่นอาจทำให้เสี่ยงที่จะได้รับบาดเจ็บและเกิดไฟไหม้

3. เมื่อไม่ใช้งานชุดแบตเตอรี่ ให้เก็บห่างจากวัตถุที่เป็นโลหะอื่นๆ เช่น คลิปหนีบกระดาษ เหรียญ กุญแจ กรรไกรตัดเล็บ สกรู หรือวัตถุที่เป็นโลหะขนาดเล็กอื่นๆ ที่สามารถเชื่อมต่อขั้วหนึ่งกับอีกขั้วหนึ่งได้ การลัดวงจรขั้วแบตเตอรี่อาจทำให้อ่อนจัดหรือเกิดไฟไหม้
4. ในกรณีที่ใช้งานไม่ถูกต้อง อาจมีของเหลวไหลออกจากแบตเตอรี่ ให้หลีกเลี่ยงการสัมผัส หากสัมผัส โดนของเหลวโดยไม่ตั้งใจ ให้ล้างออกด้วยน้ำ หากของเหลวกระเด็นเข้าตา ให้รีบไปพบแพทย์ ของเหลวที่ไหลออกจากแบตเตอรี่อาจทำให้ผิวหนังระคายเคืองหรือไหม้
5. ห้ามใช้ชุดแบตเตอรี่หรือเครื่องมือที่ชาร์จหรือมีการแก้ไข แบตเตอรี่ที่เสียหายหรือมีการแก้ไขอาจทำให้เกิดสิ่งที่คาดไม่ถึงได้ เช่น ไฟไหม้ ระเบิด หรือเสี่ยงต่อการบาดเจ็บ
6. ห้ามให้ชุดแบตเตอรี่อยู่ใกล้ไฟ หรือบริเวณที่มีอุณหภูมิสูงเกิน หากโดนไฟ หรืออุณหภูมิสูงเกิน 130 °C อาจก่อให้เกิดการระเบิดได้
7. กรุณาปฏิบัติตามคำแนะนำสำหรับการชาร์จไฟ และห้ามชาร์จแบตเตอรี่หรือเครื่องมือในบริเวณที่มีอุณหภูมินอกเหนือไปจากที่ระบุในคำแนะนำ การชาร์จไฟที่ไม่เหมาะสม หรืออุณหภูมินอกเหนือไปจากช่วงอุณหภูมิที่ระบุในคำแนะนำอาจทำให้แบตเตอรี่เสียหายและเป็นการเพิ่มความเสี่ยงในการเกิดไฟไหม้

#### การซ่อมบำรุง

1. นำเครื่องมือไฟฟ้าเข้ารับบริการจากช่างซ่อมที่ผ่านการรับรองโดยใช้อะไหล่แบบเดียวกันเท่านั้น เพราะจะทำให้การใช้เครื่องมือไฟฟ้ามีความปลอดภัย
2. ห้ามใช้ชุดแบตเตอรี่ที่เสียหาย ชุดแบตเตอรี่ที่ใช้ควรเป็นชุดที่มาจากผู้ผลิต หรือผู้ให้บริการที่ได้รับอนุญาตเท่านั้น
3. ปฏิบัติตามคำแนะนำในการหล่อลื่นและการเปลี่ยนอุปกรณ์เสริม

#### คำเตือนด้านความปลอดภัยของเลื่อยถูลูกโซ่สาย

1. ถือเครื่องมือไฟฟ้าบริเวณมือจับที่เป็นฉนวนเมื่อทำงานที่เครื่องมือตัดอาจสัมผัสกับสายไฟที่ซ่อนอยู่ เครื่องมือตัดที่สัมผัสกับสายไฟที่ “มีกระแสไฟฟ้าไหลผ่าน” อาจทำให้ส่วนที่เป็นโลหะของเครื่องมือไฟฟ้าที่ไม่ใช่ฉนวนหุ้ม “มีกระแสไฟฟ้าไหลผ่าน” และทำให้ผู้ปฏิบัติงานถูกไฟฟ้าช็อตได้
2. ใช้ปากกากลับหรือวิธีการปฏิบัติอื่นๆ เพื่อยึดและรองรับชิ้นงานไว้บนพื้นที่ที่มั่นคง การใช้มือจับชิ้นงานหรือยึดชิ้นงานไว้กับร่างกายจะทำให้เกิดความไม่มั่นคงและสูญเสียการควบคุมได้

3. สวมแว่นตานิรภัยหรือแว่นครอบตาเสมอ แว่นตাপกติหรือแว่นกันแดดไม่ใช่แว่นนิรภัย
4. หลีกเลี่ยงการตัดตะปู ตรวจสอบตะปูในชิ้นงานและถอนตะปูออกก่อนทำงาน
5. อย่าตัดชิ้นงานที่มีขนาดใหญ่เกินไป
6. ตรวจสอบสิ่งที่อยู่โดยรอบชิ้นงานก่อนการตัดเพื่อป้องกันไม่ให้ใบเลื่อยโดนพื้น ใต้ ฯลฯ
7. จับเครื่องมือให้แน่น
8. ตรวจสอบให้แน่ใจว่าใบมีดนั้นไม่ได้สัมผัสกับชิ้นงานก่อนที่จะเปิดสวิตช์
9. ระวังอย่าให้มีสัมผัสกับชิ้นส่วนที่เคลื่อนที่
10. อย่าปล่อยให้เครื่องมือทำงานค้างไว้ ใช้งานเครื่องมือในขณะที่ถืออยู่เท่านั้น
11. ปิดสวิตช์และรอจนกว่าใบเลื่อยหยุดนิ่งสนิทก่อนที่จะเอาใบเลื่อยออกจากชิ้นงาน
12. ห้ามสัมผัสกับใบเลื่อยหรือชิ้นงานทันทีที่ทำงานเสร็จเนื่องจากดอกไขควงหรือชิ้นงานอาจมีความร้อนสูงและลวกผิวหนังของคุณได้
13. อย่าใช้เครื่องมือโดยเปิดเครื่องทิ้งไว้เฉยๆ โดยไม่จำเป็น
14. วัสดุบางอย่างอาจมีสารเคมีที่เป็นพิษ ระวังอย่าสูดดมฝุ่นหรือสัมผัสกับผิวหนัง ปฏิบัติตามข้อมูลด้านความปลอดภัยของผู้ผลิตวัสดุ
15. ใช้หน้ากากกันฝุ่น/คว้นพิษที่เหมาะสมกับวัสดุและการทำงานที่คุณกำลังทำงานเสมอ
3. หากระยะเวลาที่เครื่องทำงานสั้นเกินไป ให้หยุดใช้งานทันที เนื่องจากอาจมีความเสี่ยงที่จะร้อนจัด ใหม่หรือระเบิดได้
4. หากสารละลายอิเล็กทรอนิกส์กระเด็นเข้าตา ให้ล้างออกด้วยน้ำเปล่าและรีบไปพบแพทย์ทันที เนื่องจากอาจทำให้ตาบอด
5. ห้ามลัดวงจรตลับแบตเตอรี่:
  - (1) ห้ามแตะขั้วกับวัตถุที่เป็นสื่อนำไฟฟ้าใดๆ
  - (2) หลีกเลี่ยงการเก็บตลับแบตเตอรี่ไว้ในภาชนะร่วมกับวัตถุที่เป็นโลหะ เช่น กรรไกรตัดเล็บ เหยียง ฯลฯ
  - (3) อย่าให้ตลับแบตเตอรี่ถูกน้ำหรือฝน
6. ห้ามเก็บและใช้เครื่องมือและตลับแบตเตอรี่ไว้ในสถานที่ที่มีอุณหภูมิสูงถึงหรือเกิน 50 °C (122 °F)
7. ห้ามเผาตลับแบตเตอรี่ทิ้ง แม้ว่าแบตเตอรี่จะเสียหายจนใช้การไม่ได้หรือเสื่อมสภาพแล้ว ตลับแบตเตอรี่อาจจะระเบิดในกองไฟ
8. อย่าถอดตะปู ตัด บด ขั้วง หรือทำตลับแบตเตอรี่หล่นพื้น หรือกระแทกตลับแบตเตอรี่กับวัตถุของแข็ง การกระทำดังกล่าวอาจส่งผลให้เกิดไฟไหม้ ความร้อนที่สูงเกินไป หรือระเบิดได้
9. ห้ามใช้แบตเตอรี่ที่เสียหาย
10. แบตเตอรี่ลิเทียมไอออนที่มีมาให้ห็นเป็นไปตามข้อกำหนดของ Dangerous Goods Legislation สำหรับการขนส่งเพื่อการพาณิชย์ เช่น โดยบุคคลที่สาม ตัวแทนขนส่งสินค้า จะต้องตรวจสอบข้อกำหนดพิเศษในด้านบรรจุหีบห่อหรือการติดป้ายสินค้าในการเตรียมสินค้าที่จะขนส่ง ให้ปรึกษาผู้เชี่ยวชาญด้านวัตถุอันตราย โปรดตรวจสอบข้อกำหนดในประเทศที่อาจมีรายละเอียดอื่น ๆ เพิ่มเติม ให้ติดเทปหรือปิดหน้าสัมผัสและห่อแบตเตอรี่ในลักษณะที่แบตเตอรี่จะไม่เคลื่อนที่ไปมาในหีบห่อ

## ปฏิบัติตามคำแนะนำเหล่านี้

**คำเตือน:** อย่าให้ความไม่ระมัดระวังหรือความคุ้นเคยกับผลิตภัณฑ์ (จากการใช้งานซ้ำหลายครั้ง) อยู่เหนือการปฏิบัติตามกฎเกณฑ์ด้านความปลอดภัยในการใช้งาน ผลิตภัณฑ์อย่างเคร่งครัด การใช้งานอย่างไม่เหมาะสมหรือการไม่ปฏิบัติตามกฎเกณฑ์ด้านความปลอดภัยในคู่มือการใช้งานนี้อาจทำให้ได้รับบาดเจ็บร้ายแรง

## คำแนะนำเพื่อความปลอดภัยที่สำคัญสำหรับตลับแบตเตอรี่

1. ก่อนใช้งานตลับแบตเตอรี่ให้อ่านคำแนะนำและเครื่องหมายเตือนทั้งหมดบน (1) เครื่องชาร์จแบตเตอรี่ (2) แบตเตอรี่ และ (3) ตัวผลิตภัณฑ์ที่ใช้แบตเตอรี่
2. อย่าถอดแยกชิ้นส่วนหรือทำการดัดแปลงตลับแบตเตอรี่ เนื่องจากอาจทำให้เกิดไฟไหม้ ความร้อนที่สูงเกินไป หรือระเบิดได้
3. หากไม่ใช่เครื่องมือเป็นระยะเวลานาน จะต้องถอดแบตเตอรี่ออกจากเครื่องมือ

14. ในระหว่างและหลังการใช้งาน ตลับแบตเตอรี่อาจร้อน ซึ่งอาจลวกผิวหรือทำให้ผิวหนังไหม้ที่อุณหภูมิต่ำได้ โปรดระมัดระวังในการจัดการกับแบตเตอรี่ที่ร้อน
15. อย่าสัมผัสขั้วของเครื่องมือทันทีหลังจากการใช้งาน เนื่องจากอาจมีความร้อนพอที่จะทำให้ผิวหนังไหม้ได้
16. อย่าปล่อยให้เศษวัสดุ ฝุ่นผง หรือดินเข้าไปติดอยู่ในขั้ว รู และร่องของตลับแบตเตอรี่ เนื่องจากอาจทำให้เกิดความร้อน ไฟไหม้ ระเบิด และทำให้เครื่องมือหรือตลับแบตเตอรี่ทำงานผิดปกติ ส่งผลให้โดนลวกหรือเกิดการบาดเจ็บได้
17. หากเครื่องมือไม่รองรับสายไฟแรงดันสูง อย่าใช้ตลับแบตเตอรี่ใกล้กับสายไฟแรงดันสูง เนื่องจากเครื่องมือหรือตลับแบตเตอรี่อาจทำงานผิดปกติหรือเสียหายได้
18. เก็บแบตเตอรี่ให้ห่างจากเด็ก

### ปฏิบัติตามคำแนะนำเหล่านี้

**⚠ ข้อควรระวัง:** ใช้แบตเตอรี่ของแท้จาก Makita เท่านั้น การใช้แบตเตอรี่ Makita ที่ไม่แท้ หรือแบตเตอรี่ที่ถูกเปลี่ยน อาจทำให้แบตเตอรี่ระเบิด ก่อให้เกิดเพลิงลุกไหม้ การบาดเจ็บ และความเสียหายได้ และจะทำให้การรับประกันของ Makita สำหรับเครื่องมือและแท่นชาร์จของ Makita เป็นโมฆะด้วย

### เคล็ดลับในการรักษาอายุการใช้งาน

#### ของแบตเตอรี่ให้ยาวนานที่สุด

1. ชาร์จตลับแบตเตอรี่ก่อนที่ไฟจะหมด หยุดการใช้งานแล้วชาร์จประจุไฟฟ้าใหม่ทุกครั้งเมื่อคุณรู้สึกว่าคุณประจักษ์กำลังลดลง
2. อย่าชาร์จตลับแบตเตอรี่ที่มีไฟเต็มแล้ว การชาร์จประจุไฟฟ้ามากเกินไปไปอาจจะทำให้อายุการใช้งานของตลับแบตเตอรี่สั้นลง
3. ชาร์จประจุไฟฟ้าตลับแบตเตอรี่ในห้องที่มีอุณหภูมิระหว่าง 10 °C - 40 °C ปล่อยให้ตลับแบตเตอรี่เย็นลงก่อนที่จะชาร์จไฟ
4. เมื่อไม่ใช้ตลับแบตเตอรี่ ให้ถอดออกจากเครื่องมือหรือเครื่องชาร์จ
5. ชาร์จไฟตลับแบตเตอรี่หากคุณไม่ต้องการใช้เป็นเวลานาน (เกินกว่าหกเดือน)

## คำอธิบายการทำงาน

**⚠ ข้อควรระวัง:** ตรวจสอบให้แน่ใจว่าได้ปิดสวิตช์เครื่องมือและถอดตลับแบตเตอรี่ออกก่อนปรับตั้งหรือตรวจสอบการทำงานของเครื่องมือ

## การใส่หรือการถอดตลับแบตเตอรี่

**⚠ ข้อควรระวัง:** ปิดสวิตช์เครื่องมือก่อนทำการติดตั้งหรือการถอดตลับแบตเตอรี่ทุกครั้ง

**⚠ ข้อควรระวัง:** ถือเครื่องมือและตลับแบตเตอรี่ให้แน่นในระหว่างการติดตั้งหรือการถอดตลับแบตเตอรี่ หากไม่ถือเครื่องมือและตลับแบตเตอรี่ให้แน่น อาจทำให้ตลับแบตเตอรี่และเครื่องมือลื่นหลุดมือ และทำให้เครื่องมือและตลับแบตเตอรี่เสียหายหรือได้รับบาดเจ็บได้

▶ หมายเลข 1: 1. ซีลสีแดง 2. ปุ่ม 3. ตลับแบตเตอรี่

เมื่อต้องการถอดตลับแบตเตอรี่ ให้เลื่อนปุ่มที่ด้านหน้าของตลับแล้วดึงออกจากเครื่องมือ

การติดตั้งตลับแบตเตอรี่ ให้จัดตำแหน่งลิ้นของตลับแบตเตอรี่ให้ตรงกับร่องของเครื่อง แล้วเลื่อนเข้าที่ ใส่ตลับแบตเตอรี่เข้าจนสุดจนกระทั่งได้ยินเสียงคลิกล็อกเข้าที่ หากยังเห็นซีลสีแดงตามที่แสดงในภาพ แสดงว่าตลับแบตเตอรี่ยังไม่ล็อกเข้าที่

**⚠ ข้อควรระวัง:** ให้ดันตลับแบตเตอรี่เข้าจนสุดจนไม่เห็นซีลสีแดงอีก ไม่เช่นนั้น ตลับแบตเตอรี่อาจหลุดออกจากเครื่องมือทำให้คุณหรือคนรอบข้างได้รับบาดเจ็บ

**⚠ ข้อควรระวัง:** อย่าฝืนติดตั้งตลับแบตเตอรี่โดยใช้แรงมากเกินไป หากตลับแบตเตอรี่ไม่เลื่อนเข้าไปได้ง่าย แสดงว่าใส่ไม่ถูกต้อง

## ระบบป้องกันเครื่องมือ/แบตเตอรี่

เครื่องมือมีระบบป้องกันเครื่องมือ/แบตเตอรี่ ระบบนี้จะตัดไฟที่ส่งไปยังมอเตอร์โดยอัตโนมัติเพื่อป้องกันการใช้งานเครื่องมือและแบตเตอรี่ เครื่องมือจะหยุดทำงานระหว่างการใช้งานโดยอัตโนมัติ หากเครื่องมือหรือแบตเตอรี่อยู่ภายใต้สถานการณ์ต่อไปนี้

### การป้องกันโอเวอร์โหลด

เมื่อเครื่องมือหรือแบตเตอรี่ทำงานในรูปแบบที่อาจจะดึงพลังงานไฟฟ้าสูงเกินไป เครื่องมือจะหยุดโดยอัตโนมัติโดยไม่มีภาระแจ้งเตือนใดๆ ในสถานการณ์เช่นนี้ ให้ปิดเครื่องมือและหยุดการใช้งานที่ทำให้เครื่องมือทำงานหนักเกินไป จากนั้นเปิดเครื่องมือเพื่อเริ่มการทำงานอีกครั้ง

### การป้องกันความร้อนสูงเกินไป

เมื่อเครื่องมือหรือแบตเตอรี่มีความร้อนสูงเกินไป เครื่องมือจะหยุดทำงานโดยอัตโนมัติและจะมีไฟกะพริบ ในกรณีนี้ปล่อยให้เครื่องมือและแบตเตอรี่เย็นลงก่อนที่จะเปิดเครื่องมืออีกครั้ง

### การป้องกันไฟหมด

เมื่อความจุแบตเตอรี่มีระดับพลังงานไม่เพียงพอ เครื่องมือจะหยุดโดยอัตโนมัติ หากคุณเปิดใช้เครื่องมือ มอเตอร์จะเริ่มทำงานอีกครั้ง แต่อีกสักพักจะหยุดทำงาน ในกรณีนี้ ให้ถอดแบตเตอรี่ออกจากเครื่องมือและนำแบตเตอรี่ไปชาร์จไฟ

### การป้องกันจากสาเหตุอื่นๆ

ระบบป้องกันได้รับการออกแบบมาเพื่อสาเหตุอื่นๆ ที่อาจสร้างความเสียหายต่อเครื่องมือและทำให้เครื่องมือหยุดทำงานโดยอัตโนมัติ ดำเนินการตามขั้นตอนดังต่อไปนี้ทุกขั้นตอนเพื่อกำจัดสาเหตุออกไป เมื่อเครื่องมือหยุดทำงานชั่วคราวหรือหยุดทำงาน

1. ปิดเครื่องมือ แล้วเปิดใหม่เพื่อเริ่มใช้งานอีกครั้ง
2. ชาร์จหรือเปลี่ยนแบตเตอรี่โดยนำแบตเตอรี่ที่ชาร์จแล้วมาใช้แทน
3. ปล่อยให้เครื่องมือและแบตเตอรี่เย็นลง








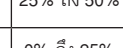

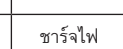

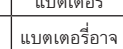

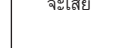

หากอาการไม่ดีขึ้นเมื่อเปิดระบบป้องกันอีกครั้ง ให้ติดต่อศูนย์บริการ Makita ใกล้บ้านคุณ

## การระบุระดับพลังงานแบตเตอรี่ที่เหลืออยู่

สำหรับดัลต์แบตเตอรี่ที่มีตัวแสดงสถานะเท่านั้น

▶ หมายเลข 2: 1. ไฟแสดงสถานะ 2. ปุ่มตรวจสอบ

กดปุ่ม ตรวจสอบ บนดัลต์แบตเตอรี่เพื่อดูปริมาณแบตเตอรี่ที่เหลือ ไฟแสดงสถานะจะสว่างขึ้นเป็นเวลาสองสามวินาที

ไฟแสดงสถานะ			แบตเตอรี่ที่เหลือ
 ไฟสว่าง	 ดับ	 กะพริบ	
			75% ถึง 100%
			50% ถึง 75%
			25% ถึง 50%
			0% ถึง 25%
			ชาร์จไฟแบตเตอรี่
			แบตเตอรี่อาจจะเสีย

**หมายเหตุ:** ขึ้นอยู่กับสภาพการใช้งานและอุณหภูมิ โดยรอบ การแสดงสถานะอาจจะแตกต่างจากปริมาณแบตเตอรี่จริงเล็กน้อย

**หมายเหตุ:** ไฟแสดงสถานะดวงแรก (ซ้ายสุด) จะกะพริบเมื่อระบบป้องกันแบตเตอรี่ทำงาน

## การเลือกวิธีการตัด

### ► หมายเลข 3: 1. ก้านเปลี่ยนวิธีการตัด

เครื่องมือสามารถทำงานในการตัดเป็นเส้นวงกลมหรือเส้นตรง (ขึ้นหรือลง) ได้ การตัดเป็นวงกลมจะดันใบเลื่อยลงไปข้างหน้าตามจังหวะการชักใบเลื่อยและจะเพิ่มความเร็วในการตัดขึ้นอย่างมาก

หากต้องการเปลี่ยนวิธีการตัด ให้หมุนก้านเปลี่ยนวิธีการตัดไปยังตำแหน่งวิธีการตัดที่ต้องการ โปรดดูตารางเพื่อเลือกวิธีการตัดที่เหมาะสม

ตำแหน่ง	วิธีการตัด	วิธีใช้งาน
0	การตัดเป็นเส้นตรง	สำหรับตัดเหล็ก เหนียว สแตนเลส สตีล และพลาสติก  สำหรับตัดไม้และไม้อัดอย่างเรียบ
I	การตัดเป็นวงกลมขนาดเล็ก	สำหรับตัดเหล็ก เหนียว อลูมิเนียม และไม้เนื้อแข็ง
II	การตัดเป็นวงกลมขนาดกลาง	สำหรับตัดไม้และไม้อัด  สำหรับตัดอลูมิเนียมและเหล็ก เหนียวอย่างรวดเร็ว
III	การตัดเป็นวงกลมขนาดใหญ่	สำหรับตัดไม้และไม้อัดอย่างรวดเร็ว

## การทำงานของสวิตช์

การเปิดเครื่องมือ ให้กดปุ่มล็อค/ปลดล็อค เครื่องมือจะเปลี่ยนไปอยู่ในโหมดพร้อมใช้งาน การเริ่มใช้เครื่องมือ ให้กดสวิตช์สั่งงานในโหมดพร้อมใช้งาน ความเร็วเครื่องมือจะเพิ่มขึ้นเมื่อออกแรงกดที่สวิตช์สั่งงาน การหยุดเครื่องมือ ให้ปล่อยสวิตช์สั่งงาน เครื่องมือจะเปลี่ยนไปอยู่ในโหมดพร้อมใช้งาน การปิดเครื่องมือ ให้กดปุ่มล็อค/ปลดล็อคในโหมดพร้อมใช้งาน

ถ้าต้องการใช้งานอย่างต่อเนื่อง ให้กดสวิตช์สั่งงานในโหมดพร้อมใช้งาน จากนั้นดันปุ่มล็อคการทำงานต่อเนื่องเข้าด้านใน และเมื่อต้องการหยุดเครื่องมือ ให้กดสวิตช์สั่งงานจนสุดแล้วปล่อยสวิตช์

### ► หมายเลข 4: 1. ปุ่มล็อค/ปลดล็อค 2. ปุ่มล็อคการทำงานต่อเนื่อง 3. สวิตช์สั่งงาน

**หมายเหตุ:** ถ้าเครื่องมือถูกปล่อยไว้เป็นเวลา 10 วินาที โดยไม่มีการใช้งานในโหมดเตรียมพร้อม เครื่องมือจะปิดและไฟจะดับโดยอัตโนมัติ

**หมายเหตุ:** ปุ่มล็อค/ปลดล็อคจะไม่สามารถใช้งานได้ในขณะที่เครื่องมือกำลังทำงาน

## การเปิดดวงไฟด้านหน้า

**⚠ ข้อควรระวัง:** อย่ามองเข้าไปในดวงไฟหรือจ้องดูแหล่งกำเนิดแสงโดยตรง

การเปิดไฟ ให้กดปุ่มล็อค/ปลดล็อค การปิดไฟ ให้กดปุ่มล็อค/ปลดล็อคอีกครั้ง

### ► หมายเลข 5: 1. ดวงไฟ

**ข้อสังเกต:** เมื่อเครื่องมือร้อนเกินไป ไฟจะกะพริบ ปล่อยให้เครื่องมือเย็นสนิทก่อนใช้งานอีกครั้ง

**หมายเหตุ:** ใช้ผ้าแห้งเพื่อเช็ดสิ่งสกปรกออกจากเลนส์ของดวงไฟ ระวังอย่าขีดข่วนเลนส์ของดวงไฟ ไม่เช่นนั้นอาจทำให้ส่องสว่างได้น้อยลง

## แป้นปรับความเร็ว

### ► หมายเลข 6: 1. แป้นปรับความเร็ว

สามารถปรับความเร็วของเครื่องมือได้โดยการหมุนแป้นปรับความเร็ว คุณสามารถปรับความเร็วสูงสุดที่หมายเลข 5 และความเร็วต่ำสุดที่หมายเลข 1 โปรดดูตารางเพื่อเลือกความเร็วที่เหมาะสมสำหรับชิ้นงานที่ต้องการตัด อย่างไรก็ตาม ความเร็วที่เหมาะสมอาจแตกต่างกันไปตามประเภทหรือความหนาของชิ้นงาน โดยทั่วไปแล้วความเร็วที่สูงขึ้นจะช่วยให้คุณตัดชิ้นงานได้เร็วขึ้น แต่อายุการใช้งานของใบเลื่อยจะลดลง

ชิ้นงาน	หมายเลข
ไม้	4 - 5
เหล็กเหนียว	3 - 5
สแตนเลสสตีล	3 - 4
อะลูมิเนียม	3 - 5
พลาสติก	1 - 4

**ข้อสังเกต:** สามารถหมุนแป้นปรับความเร็วได้สูงสุดถึงหมายเลข 5 และหมุนย้อนกลับได้ถึงหมายเลข 1 อย่าฝืนหมุนเลยหมายเลข 5 หรือ 1 ไม่เช่นนั้นฟังก์ชันปรับความเร็วอาจไม่สามารถทำงานได้อีกต่อไป

## ระบบไฟฟ้า

อุปกรณ์ถูกติดตั้งด้วยระบบไฟฟ้าเพื่อให้ใช้งานได้ง่าย

### ซอฟต์แวร์สตาร์ท

ระบบซอฟต์แวร์จะช่วยลดการกระตุกตอนเริ่มเปิดเครื่อง และทำให้เครื่องมือเริ่มทำงานอย่างนุ่มนวล

### ระบบควบคุมความเร็วคงที่

การควบคุมความเร็วด้วยระบบอิเล็กทรอนิกส์เพื่อให้ได้ความเร็วคงที่ ช่วยให้ผลงานที่เรียบร้อย เนื่องจากความเร็วในการหมุนเป็นไปอย่างคงที่และสม่ำเสมอแม้ว่าจะอยู่ในสภาวะทำงานหนักก็ตาม

### การหมุนเปล้ารอบเบา

เพื่อลดการสั่นและจัดแนวใบเลื่อยฉลุให้ตรงกับเส้นตัดได้อย่างง่ายดายนั้น เครื่องมือจะลดความเร็วการหมุนลงโดยอัตโนมัติจนกระทั่งเครื่องมือเริ่มตัดชิ้นงานเมื่อเป็นปรับความเร็วถูกตั้งค่าไว้ที่หมายเลข 2 ขึ้นไป เมื่อเครื่องมือเริ่มตัดชิ้นงาน ความเร็วของเครื่องมือจะเพิ่มขึ้นถึงความเร็วที่ตั้งไว้ และจะรักษาความเร็วนั้นจนกระทั่งเครื่องมือหยุดทำงาน

**หมายเหตุ:** เมื่ออุณหภูมิต่ำ อาจไม่สามารถใช้ฟังก์ชันนี้ได้

### ปิดหรือเปิดใช้งานฟังก์ชันหมุนเปล้ารอบเบา

การปิดหรือเปิดใช้งานฟังก์ชันหมุนเปล้ารอบเบา ให้ทำตามขั้นตอนต่อไปนี้

1. ตรวจสอบให้แน่ใจว่าได้ปิดเครื่องมือแล้ว
2. ตั้งเป็นปรับความเร็วไว้ที่หมายเลข "1"
3. กดปุ่มล็อก/ปลดล็อกเพื่อเปิดเครื่องมือ
4. ตั้งเป็นปรับความเร็วไปที่หมายเลข "5" โดยการหมุน จากนั้นตั้งไปที่หมายเลข "1" โดยการหมุนกลับ

ดวงไฟจะกะพริบสองครั้งเพื่อแสดงว่าฟังก์ชันการหมุนเปล้ารอบเบาถูกปิดใช้แล้ว การเปิดใช้ฟังก์ชันนี้อีกครั้ง ให้ปฏิบัติตามขั้นตอนเดิมอีกครั้ง

**หมายเหตุ:** หากฟังก์ชันการหมุนเปล้ารอบเบาถูกปิดใช้อยู่ ดวงไฟจะกะพริบสองครั้งเมื่อเปิดเครื่องมือ

**หมายเหตุ:** คุณสามารถปิดหรือเปิดใช้ฟังก์ชันการหมุนเปล้ารอบเบาโดยการเปลี่ยนเป็นปรับความเร็วจากหมายเลข "5" ถึง "1" และเปลี่ยนจากหมายเลข "1" ถึง "5" ได้

## เบรกไฟฟ้า

เครื่องมือนี้มีเบรกไฟฟ้า หากเครื่องมือไม่สามารถหยุดได้อย่างรวดเร็วหลังจากปล่อยสวิตช์สั่งงานให้นำเครื่องมือไปรับการซ่อมที่ศูนย์บริการของ Makita

### การประกอบ

**⚠ ข้อควรระวัง:** ตรวจสอบให้แน่ใจว่าได้ปิดสวิตช์เครื่องมือและถอดปลั๊กแบตเตอรี่ออกก่อนดำเนินการใดๆ กับเครื่องมือ

### การติดตั้งหรือการถอดใบเลื่อยฉลุ

**⚠ ข้อควรระวัง:** ทำความสะอาดเศษชิ้นส่วนหรือสิ่งแปลกปลอมที่ติดอยู่กับใบเลื่อยฉลุและ/หรือที่ยึดใบมีดเสมอ การไม่ทำเช่นนั้นอาจทำให้ใบเลื่อยฉลุถูกยึดไม่แน่นพอ ส่งผลให้ได้รับบาดเจ็บสาหัสได้

**⚠ ข้อควรระวัง:** อย่าสัมผัสกับใบเลื่อยฉลุหรือชิ้นงานทันทีที่ทำงานเสร็จ เนื่องจากอาจมีความร้อนสูงและทำให้ผิวหนังไหม้ได้

**⚠ ข้อควรระวัง:** ยึดใบเลื่อยฉลุให้แน่นอยู่เสมอ การยึดใบเลื่อยฉลุไม่แน่นพออาจทำให้ใบเลื่อยแตกหักหรือได้รับบาดเจ็บร้ายแรงได้

**⚠ ข้อควรระวัง:** ใช้ใบเลื่อยฉลุประเภท B เท่านั้น การใช้ใบเลื่อยประเภทอื่นนอกจากประเภท B อาจทำให้การยึดใบเลื่อยฉลุไม่แน่นพอ ส่งผลให้ได้รับบาดเจ็บร้ายแรงได้

**⚠ ข้อควรระวัง:** เมื่อทำการถอดใบเลื่อยฉลุ ระวังอย่าทำให้ส่วนของคุณได้รับบาดเจ็บจากส่วนบนของใบเลื่อยฉลุหรือส่วนปลายของชิ้นงาน

ก่อนการติดตั้งใบเลื่อยฉลุ ตรวจสอบให้แน่ใจว่าก้านตัวหนีบใบเลื่อยอยู่ในตำแหน่งปล่อย

การติดตั้งใบเลื่อยฉลุ ให้สอดใบเลื่อยฉลุ (หันด้านที่มีฟันไปข้างหน้า) เข้าไปในที่ยึดใบเลื่อยฉลุ ก้านตัวหนีบใบเลื่อยจะขยับมายังตำแหน่งยึดและใบเลื่อยฉลุจะถูกล็อก ตรวจสอบให้แน่ใจว่าขอบด้านหลังของใบเลื่อยฉลุเข้ากับรอกพอดีแล้วดึงใบเลื่อยฉลุเบาๆ เพื่อตรวจสอบว่าใบเลื่อยฉลุจะไม่หลุดออกมาในระหว่างการทำงาน

► **หมายเลข 7:** 1. ที่ยึดใบเลื่อยฉลุ 2. ก้านตัวหนีบใบเลื่อย (ตำแหน่งปล่อย) 3. ก้านตัวหนีบใบเลื่อย (ตำแหน่งยึด)

► **หมายเลข 8:** 1. ที่ยึดใบเลื่อยฉลุ 2. ใบเลื่อยฉลุ 3. รอก

**⚠ ข้อควรระวัง:** หากก้านตัวหนีบใบเลื่อยไม่ขยับไปยังตำแหน่งยึด แสดงว่าใบเลื่อยฉลุอาจยังติดตั้งไม่เข้าที่ อย่าใช้มือกดก้านตัวหนีบใบเลื่อยเพื่อให้มายึดตำแหน่งยึด เนื่องจากอาจทำให้เครื่องมือเสียหายได้

การถอดใบเลื่อยฉลุ ให้ดันก้านตัวหนีบใบเลื่อยไปด้านหน้าจนสุด การทำเช่นนี้จะทำให้ใบเลื่อยฉลุหลุดลอยออกมา

- ▶ **หมายเลข 9:** 1. ที่ยึดใบเลื่อยฉลุ 2. ก้านตัวหนีบใบเลื่อย 3. ใบเลื่อยฉลุ

**หมายเหตุ:** ในกรณีที่ถอดใบเลื่อยฉลุออกได้ยาก: หมุนก้านเปลี่ยนวิธีการตัดไปที่ตำแหน่ง "III" และเลื่อนที่ยึดใบเลื่อยฉลุลงมาด้านล่างก่อนดันก้านตัวหนีบใบเลื่อยไปที่ตำแหน่งปล่อย การเลื่อนที่ยึดใบเลื่อยฉลุลงมาด้านล่าง ให้นำก้านตัวหนีบใบเลื่อยกลับไปอยู่ที่ตำแหน่งยึดจนสุดหนึ่งครั้งและค่อยๆ เปลี่ยนบนเครื่องมือหลายๆ ครั้ง

**หมายเหตุ:** หล่อลื่นรอกเป็นครั้งคราว

## การเก็บประแจหกเหลี่ยม

เมื่อไม่ใช้งาน ให้เก็บประแจหกเหลี่ยมตามที่แสดงในภาพ เพื่อให้ไม่สูญหาย

- ▶ **หมายเลข 10:** 1. ประแจหกเหลี่ยม

## การใช้งาน

**⚠ ข้อควรระวัง:** ยึดให้ฐานเป็นระนาบเดียวกับชิ้นงานเสมอ มิฉะนั้นอาจทำให้ใบเลื่อยแตกหัก ซึ่งส่งผลให้เกิดการบาดเจ็บร้ายแรงได้

**⚠ ข้อควรระวัง:** ดันเครื่องมือไปข้างหน้าอย่างช้าๆ ขณะตัดโค้งหรือม้วน การฝืนเครื่องมืออาจทำให้พื้นผิวการตัดเฉไปและทำให้ใบเลื่อยฉลุแตกหักได้

- ▶ **หมายเลข 11:** 1. แนวการตัด 2. ฐาน

เปิดเครื่องมือโดยไม่ให้ใบเลื่อยฉลุสัมผัสกับชิ้นงานแล้วรอให้ใบเลื่อยทำความเร็วสูงสุด แล้วจึงวางส่วนแบนของฐานลงบนชิ้นงานและขยับเครื่องมือไปข้างหน้าอย่างเบาๆ ตามแนวการตัดที่ทำเครื่องหมายไว้ก่อนหน้า

## การตัดมุมเอียง

**⚠ ข้อควรระวัง:** ตรวจสอบให้แน่ใจว่าได้ปิดสวิตช์เครื่องมือและถอดด้ามแบตเตอรี่ออกก่อนเอียงฐาน

เมื่อเอียงฐานแล้ว คุณสามารถทำการตัดมุมเอียงในองศาใดก็ได้ระหว่าง 0° ถึง 45° (ซ้ายหรือขวา)

- ▶ **หมายเลข 12**

คลายสลักเกลียวด้านหลังฐานด้วยประแจหกเหลี่ยม ขยับฐานเพื่อให้สลักเกลียวอยู่ในตำแหน่งตรงกลางช่องรูปกากบาทบนฐาน

- ▶ **หมายเลข 13:** 1. ประแจหกเหลี่ยม 2. สลักเกลียว 3. ฐาน

เอียงฐานจนได้มุมเอียงที่ต้องการ ขอบของกรอบมอเตอร์ระบุมุมเอียงระบุมุมเอียงไว้ด้วยเลขบอกระดับ แล้วขันสลักเกลียวให้แน่นเพื่อยึดฐาน

- ▶ **หมายเลข 14:** 1. ขอบ 2. เลขบอกระดับ

## การตัดระนาบด้านหน้า

- ▶ **หมายเลข 15:** 1. ประแจหกเหลี่ยม 2. สลักเกลียว 3. ฐาน

คลายสลักเกลียวด้านหลังฐานด้วยประแจหกเหลี่ยมและเลื่อนฐานไปด้านหลังจนสุด แล้วขันสลักเกลียวให้แน่นเพื่อยึดฐาน

## การตัด

การตัดสามารถทำได้ด้วยวิธีใดวิธีหนึ่งในสองวิธีนี้ คือ "การเจาะรูนำ" หรือ "การจ้วงตัด"

## การเจาะรูนำ

- ▶ **หมายเลข 16**

สำหรับการตัดภายในโดยไม่มีการตัดนำมาจากขอบ ให้เจาะรูนำขนาดเส้นผ่านศูนย์กลาง 12 mm ขึ้นไปไว้ล่วงหน้า ใส่ใบเลื่อยฉลุเข้าไปในรูนี้เพื่อเริ่มตัด

## การจ้วงตัด

- ▶ **หมายเลข 17**

คุณไม่จำเป็นต้องเจาะรูนำหรือทำการตัดนำหากคุณปฏิบัติตามต่อไปนี้อย่างระมัดระวัง

1. เอียงเครื่องมือขึ้นบนขอบด้านหน้าของฐานโดยให้จุดของใบเลื่อยฉลุอยู่เหนือพื้นผิวของชิ้นงาน
2. ใช้แรงกดลงบนเครื่องมือเพื่อให้ขอบด้านหน้าของฐานไม่ขยับเมื่อคุณเปิดเครื่องมือ และกดปลายด้านหลังของเครื่องมือลงอย่างเบาๆ และช้าๆ
3. เมื่อใบเลื่อยฉลุเจาะเข้าไปในชิ้นงาน ให้กดฐานเครื่องมือลงบนพื้นผิวชิ้นงาน
4. ตัดให้เสร็จตามปกติ

## การขีดขอบ

- ▶ **หมายเลข 18**

หากต้องการตัดแต่งขอบหรือทำการปรับขนาด ให้ใช้ใบเลื่อยฉลุตามแนวตัดเบาๆ



## การตัดโลหะ

ใช้สารหล่อเย็น (น้ำมันตัดกลึง) ที่เหมาะสมเมื่อตัดโลหะผสม มิฉะนั้น อาจทำให้ใบเลื่อยสึกหรออย่างมาก ด้านล่าง ชิ้นงานสามารถทาสีได้เพื่อกันการใช้น้ำยาหล่อเย็น

## การดูดฝุ่น

### การติดตั้งหรือการถอดฝาครอบฝุ่น

#### อุปกรณ์เสริม

ติดตั้งฝาครอบฝุ่นตามที่แสดงในรูปภาพ

▶ **หมายเลข 19:** 1. ฝาครอบฝุ่น

การถอดฝาครอบฝุ่นออก ให้กดด้านหนึ่งของฝาครอบฝุ่นลง จากนั้นถอดออกตามที่แสดงในรูปภาพ

▶ **หมายเลข 20:** 1. ฝาครอบฝุ่น

### การติดตั้งหรือการถอดท่อตัดฝุ่น

#### เฉพาะประเทศ

คุณสามารถเชื่อมต่อเครื่องมือเข้ากับที่ดูดฝุ่นของ Makita โดยการติดตั้งท่อตัดฝุ่น

สอดท่อตัดฝุ่นเข้าไปในเครื่องมือจนสุด

▶ **หมายเลข 21:** 1. ท่อตัดฝุ่น

การถอดท่อตัดฝุ่น ให้ดึงท่อตัดฝุ่นออกโดยกดปุ่มที่อยู่บนท่อตัดฝุ่นค้างไว้

▶ **หมายเลข 22:** 1. ปุ่ม 2. ท่อตัดฝุ่น

### การเชื่อมต่อเครื่องมือเข้ากับที่ดูดฝุ่น

ต่อสายที่ดูดฝุ่นเข้ากับท่อตัดฝุ่น

▶ **หมายเลข 23**

## ฉากผ้า

#### อุปกรณ์เสริม

**⚠ ข้อควรระวัง:** ตรวจสอบให้แน่ใจว่าได้ปิดสวิตช์เครื่องมือและถอดปลั๊กเตลอร์ออกก่อนติดตั้งหรือถอดอุปกรณ์เสริมออก

### การตัดตรง

เมื่อต้องการตัดด้วยความกว้างไม่เกิน 160 mm ซ้ำๆ การใช้ฉากตัดจะทำให้สามารถตัดได้อย่างรวดเร็ว เรียบ และตรง

▶ **หมายเลข 24:** 1. ฉากตัด (ตัวนำ)

เมื่อต้องการติดตั้ง ให้ใส่ฉากตัดเข้าไปในรูรูปสี่เหลี่ยมมุมฉากบนด้านข้างของฐาน โดยให้ฉากนำคว่ำหน้าลง เลื่อนฉากตัดให้ถึงตำแหน่งความกว้างในการตัดที่ต้องการ แล้วขันสลักเกลียวให้แน่นเพื่อยึดไว้

▶ **หมายเลข 25:** 1. ประแจหกเหลี่ยม 2. สลักเกลียว 3. ฉากนำ 4. ฉากตัด (ตัวนำ)

### รอยตัดวงกลม

เมื่อตัดวงกลมหรือเส้นโค้งที่มีรัศมีไม่เกิน 170 mm ให้ติดตั้งฉากตัดดังนี้

▶ **หมายเลข 26:** 1. ฉากตัด (ตัวนำ)

1. ใส่ฉากตัดเข้าไปในรูรูปสี่เหลี่ยมมุมฉากบนด้านข้างของฐาน โดยให้ฉากนำหงายหน้าขึ้น

2. ใส่สลักนําร่องกลมลงในรูทั้งสองบนฉากนำ ขันปุ่มหมุนเกลียวบนสลักนําร่องกลมเพื่อยึดสลักนําร่องกลม

▶ **หมายเลข 27:** 1. ปุ่มหมุนเกลียว 2. ฉากนำ 3. ฉากตัด (ตัวนำ) 4. สลักนําร่องกลม 5. สลักเกลียว 6. ประแจหกเหลี่ยม

3. เลื่อนฉากตัดให้ถึงรัศมีการตัดที่ต้องการ แล้วขันสลักเกลียวให้แน่นเพื่อยึดไว้กับที่ แล้วขยับฐานไปด้านหน้าจนสุด

**หมายเหตุ:** ใช้ใบเลื่อยฉลุหมายเลข B-17, B-18, B-26 หรือ B-27 ขณะตัดวงกลมหรือเส้นโค้งเสมอ

## อุปกรณ์ป้องกันเศษชิ้นส่วน

#### อุปกรณ์เสริม

**⚠ ข้อควรระวัง:** อุปกรณ์ป้องกันเศษชิ้นส่วนจะไม่สามารถใช้งานได้ขณะทำการตัดมุมเฉียง

▶ **หมายเลข 28:** 1. ฐาน 2. อุปกรณ์ป้องกันเศษชิ้นส่วน

เพื่อให้การตัดไม้เศษชิ้นส่วนออกมา สามารถใช้อุปกรณ์ป้องกันเศษชิ้นส่วนได้ เมื่อต้องการติดตั้งอุปกรณ์ป้องกันเศษชิ้นส่วน ให้ขยับฐานเครื่องมือไปด้านหน้าจนสุดและยึดฐานจากด้านหลังของฐานเครื่องมือ

เมื่อใช้แผ่นปิด ให้ติดตั้งอุปกรณ์ป้องกันเศษชิ้นส่วนบนแผ่นปิด

#### แผ่นปิด

▶ **หมายเลข 29:** 1. แผ่นปิด 2. ฐาน

ใช้แผ่นปิดขณะตัดแผ่นไม้ประกอบสำหรับตกแต่ง พลาสติก และอื่นๆ ซึ่งจะป้องกันความเสียหายบนพื้นผิวที่บอบบางหรือเสียหายได้ง่าย ยึดไว้บนด้านหลังของฐานเครื่องมือ

## ชุดตัวปรับรางนำ

### อุปกรณ์เสริม

เมื่อทำการตัดความกว้างขนานกันและเท่ากันหรือตัดตรง การใช้รางนำและตัวปรับรางนำจะทำให้สามารถตัดได้อย่างรวดเร็วและเรียบ การติดตั้งตัวปรับรางนำ ให้สอดแถบไม้บรรทัดเข้าไปในรูสี่เหลี่ยมของฐานให้ลึกที่สุดเท่าที่จะทำได้ ใช้ประแจหกเหลี่ยมขันยึดสลักเกลียวให้แน่น

- ▶ **หมายเลข 30:** 1. ประแจหกเหลี่ยม 2. แถบไม้บรรทัด 3. สลักเกลียว

สอดแถบไม้บรรทัดเข้าไปในรูสี่เหลี่ยมของตัวปรับรางนำและยึดสลักเกลียวให้แน่น วางตัวปรับรางนำลงบนรางนำ

- ▶ **หมายเลข 31:** 1. ตัวปรับรางนำ 2. รางนำ 3. สกรู

**ข้อสังเกต:** ใช้ใบเลื่อยหมายเลข B-8, B-13, B-16, B-17 หรือ 58 เสมอ เมื่อใช้รางนำและตัวปรับรางนำ

## การบำรุงรักษา

**⚠ ข้อควรระวัง:** ตรวจสอบให้แน่ใจว่าได้ปิดสวิตช์เครื่องมือและถอดปลั๊กแบตเตอรี่ออกก่อนทำการตรวจสอบหรือบำรุงรักษา

**ข้อสังเกต:** อย่าใช้น้ำมันเชื้อเพลิง เบนซิน กิโนเนอร์ แอลกอฮอล์ หรือวัสดุประเภทเดียวกัน เนื่องจากอาจทำให้สีซีดจาง เสียรูป หรือแตกร้าวได้

เพื่อความปลอดภัยและน่าเชื่อถือของผลิตภัณฑ์ ควรให้ศูนย์บริการหรือโรงงานที่ผ่านการรับรองจาก Makita เป็นผู้ดำเนินการซ่อมแซม บำรุงรักษาและทำการปรับตั้งอื่น ๆ นอกจากนี้ให้ใช้อะไหล่ของแท้จาก Makita เสมอ

## อุปกรณ์เสริม

**⚠ ข้อควรระวัง:** ขอแนะนำให้ใช้เฉพาะอุปกรณ์เสริมหรืออุปกรณ์ต่อพ่วงเหล่านี้กับเครื่องมือ Makita ที่ระบุในคู่มือการใช้อุปกรณ์เสริมหรืออุปกรณ์ต่อพ่วงอื่นๆ อาจมีความเสี่ยงที่จะได้รับบาดเจ็บ ใช้อุปกรณ์เสริมหรืออุปกรณ์ต่อพ่วงตามวัตถุประสงค์ที่ระบุไว้เท่านั้น

หากต้องการทราบรายละเอียดเพิ่มเติมเกี่ยวกับอุปกรณ์เสริมเหล่านี้ โปรดสอบถามศูนย์บริการ Makita ใกล้บ้านคุณ

- ใบเลื่อยคด
- ชุดฉากตัด (ตัวนำ)
- ชุดตัวปรับรางนำ
- อุปกรณ์ป้องกันเศษชิ้นส่วน
- แผ่นปิด
- ท่อดักฝุ่น
- ฝาครอบฝุ่น
- แบตเตอรี่และเครื่องชาร์จ Makita ของแท้

**หมายเหตุ:** อุปกรณ์บางรายการอาจจะรวมอยู่ในชุดเครื่องมือเป็นอุปกรณ์มาตรฐาน ซึ่งอาจแตกต่างกันไปในแต่ละประเทศ



**Makita Corporation**  
3-11-8, Sumiyoshi-cho,  
Anjo, Aichi 446-8502 Japan  
[www.makita.com](http://www.makita.com)

885957A371  
EN, ZHCN, ID, MS,  
VI, TH  
20211203