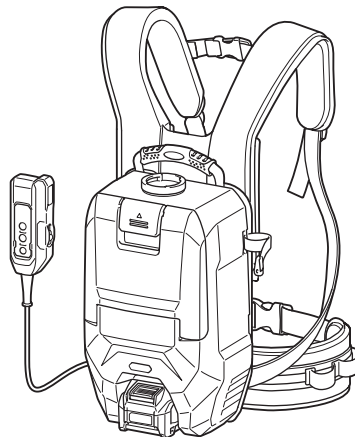




EN	Cordless Backpack Vacuum Cleaner	INSTRUCTION MANUAL	10
ZHCN	充电背负式工业吸尘器	使用说明书	25
ID	Penyedot Debu Ransel Nirkabel	PETUNJUK PENGGUNAAN	40
MS	Pembersih Vakum Beg Galas Tanpa Kord	MANUAL ARAHAN	56
VI	Máy Hút Bụi Đeo Vai Hoạt Động Bằng Pin	TÀI LIỆU HƯỚNG DẪN	72
TH	เครื่องดูดฝุ่นสะพายหลังไร้สาย	คู่มือการใช้งาน	87

VC009G



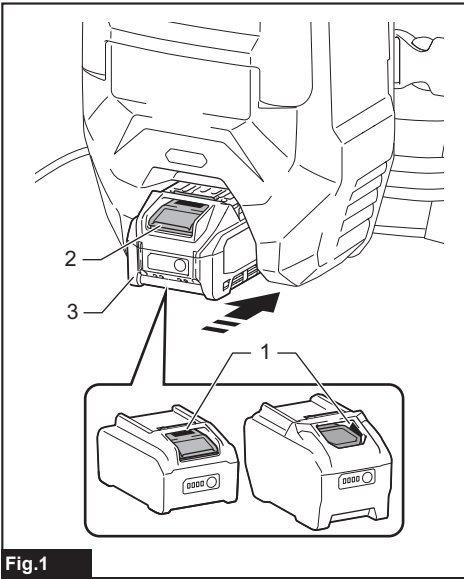


Fig.1

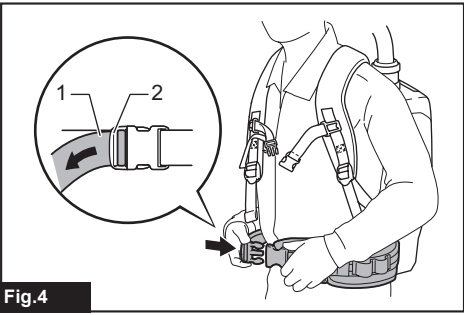


Fig.4

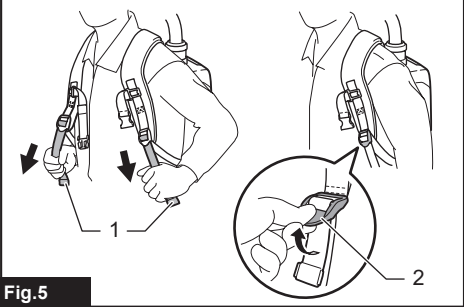


Fig.5

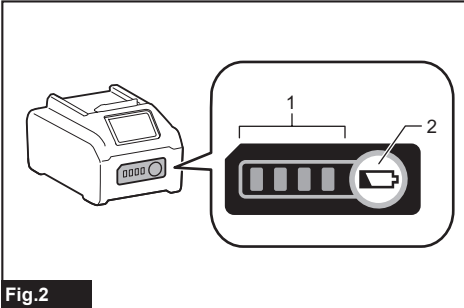


Fig.2

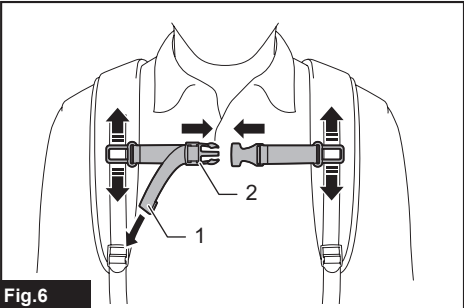


Fig.6

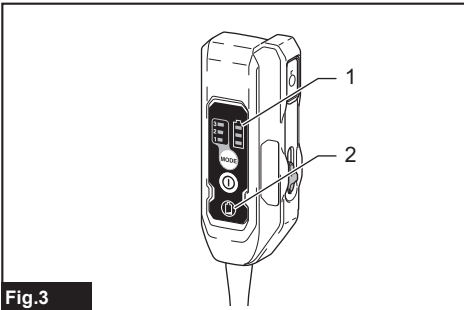


Fig.3

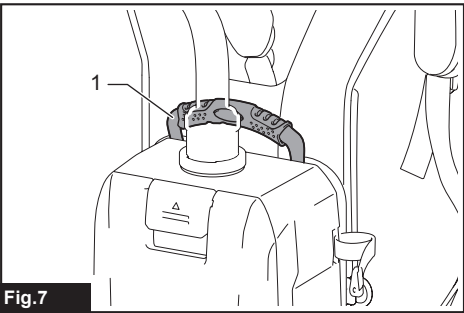


Fig.7

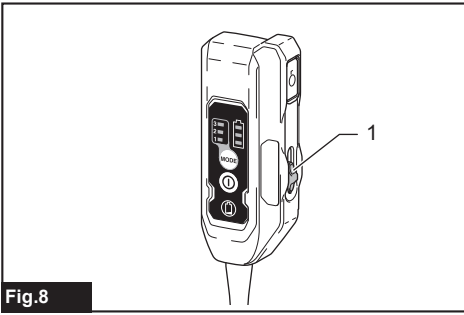


Fig.8

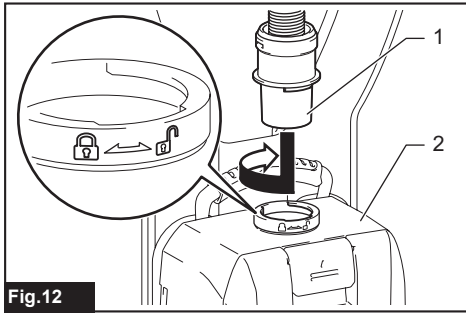


Fig.12

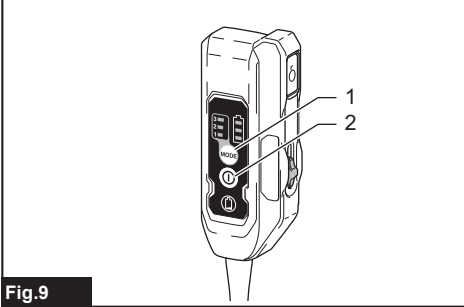


Fig.9

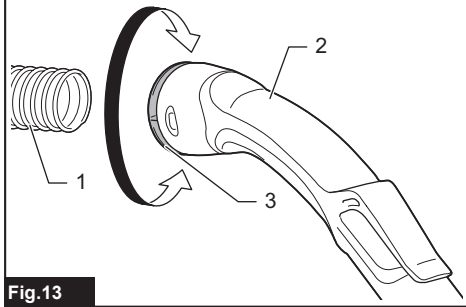


Fig.13

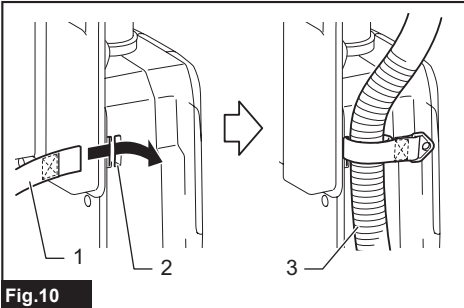


Fig.10

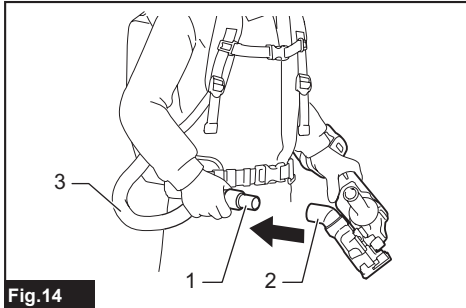


Fig.14

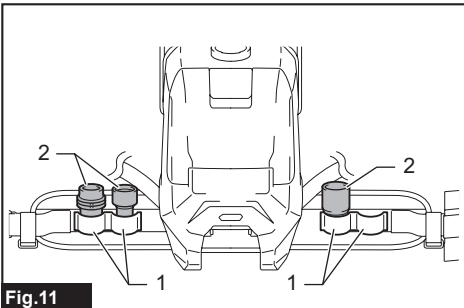


Fig.11

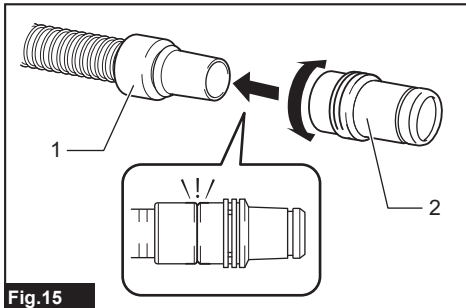


Fig.15

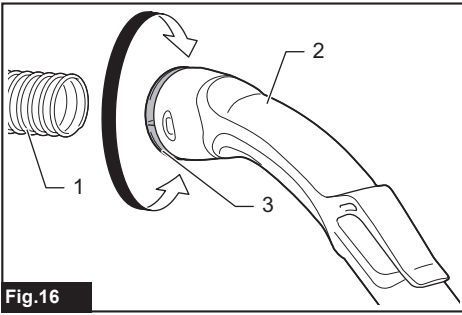


Fig.16

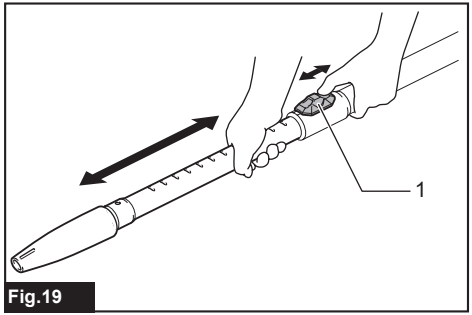


Fig.19

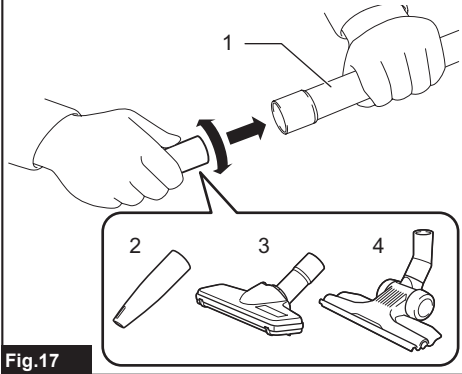


Fig.17

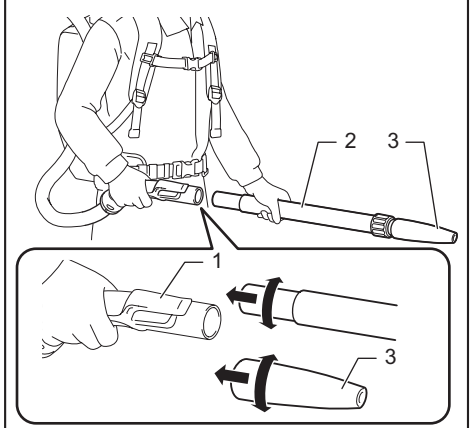


Fig.20

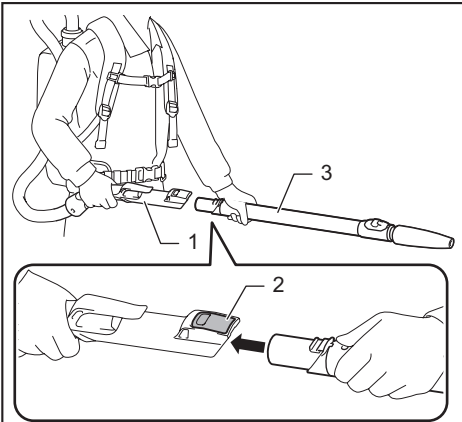


Fig.18

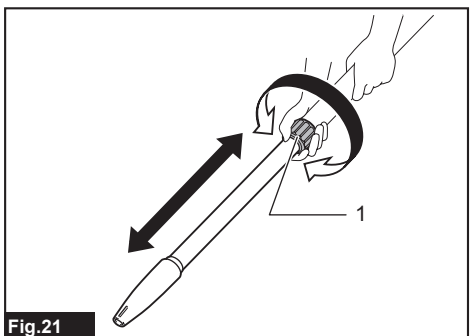


Fig.21

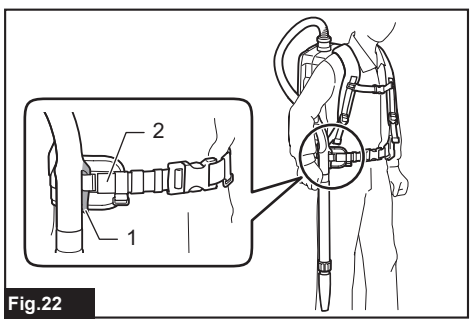


Fig.22

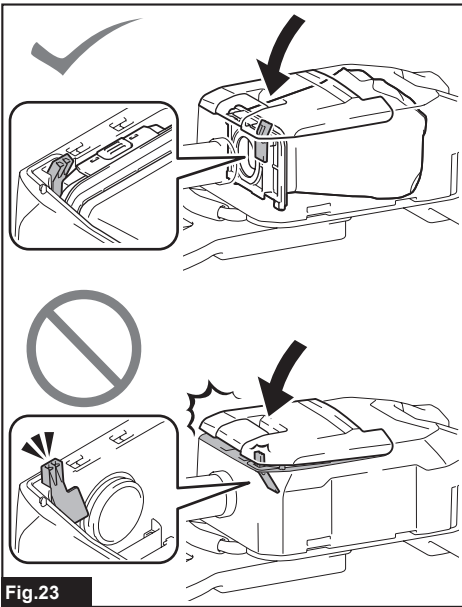


Fig.23

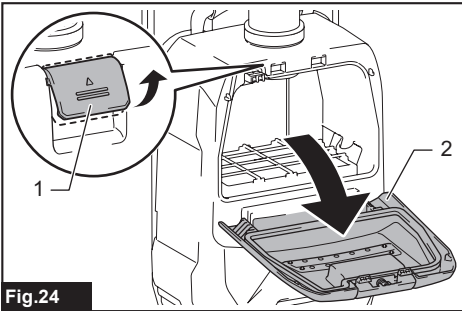


Fig.24

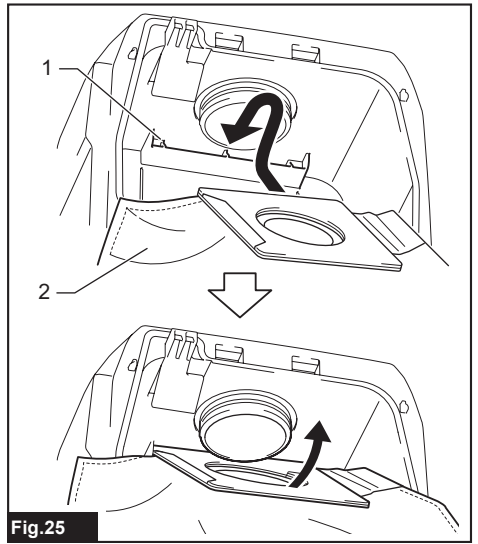


Fig.25

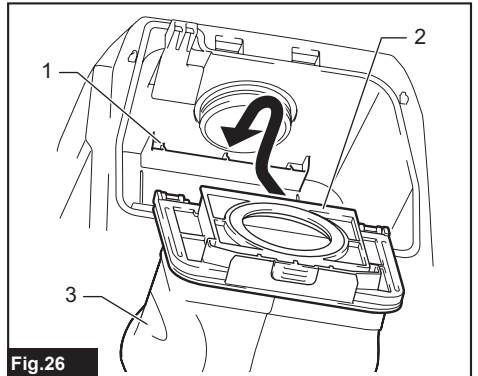


Fig.26

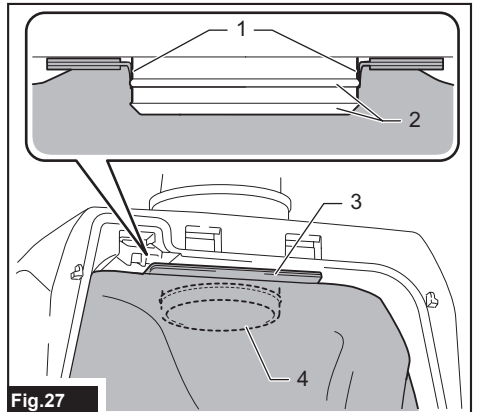


Fig.27

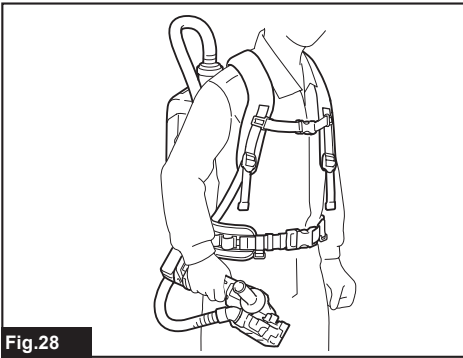


Fig.28

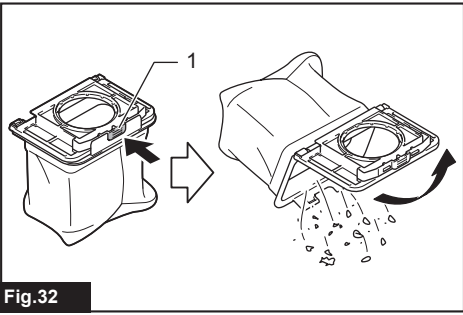


Fig.32

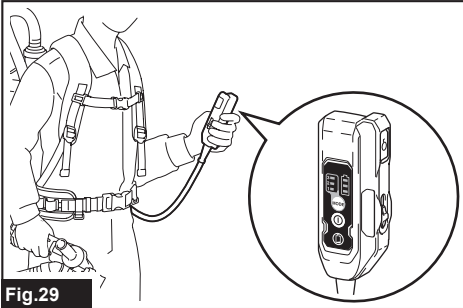


Fig.29

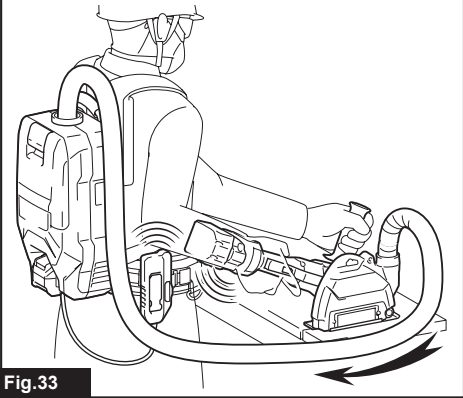


Fig.33

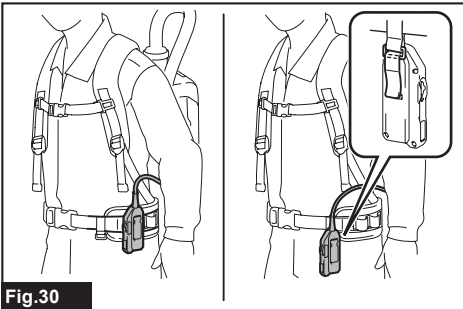


Fig.30

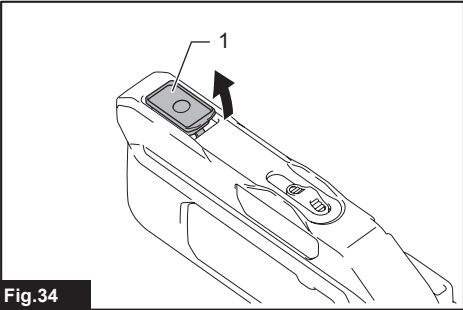


Fig.34

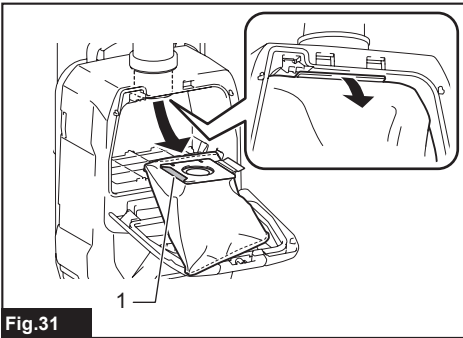


Fig.31

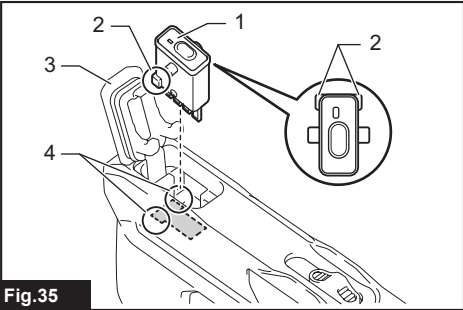


Fig.35

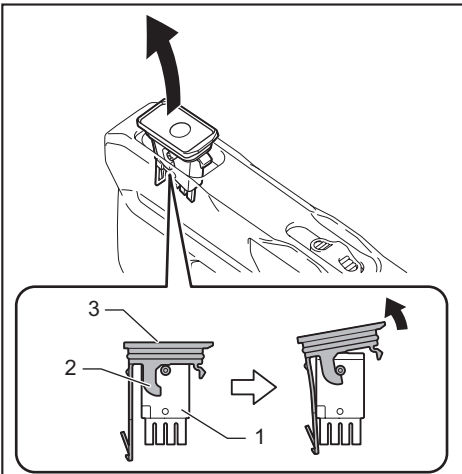


Fig.36

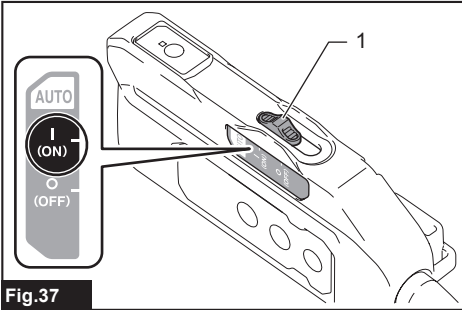


Fig.37

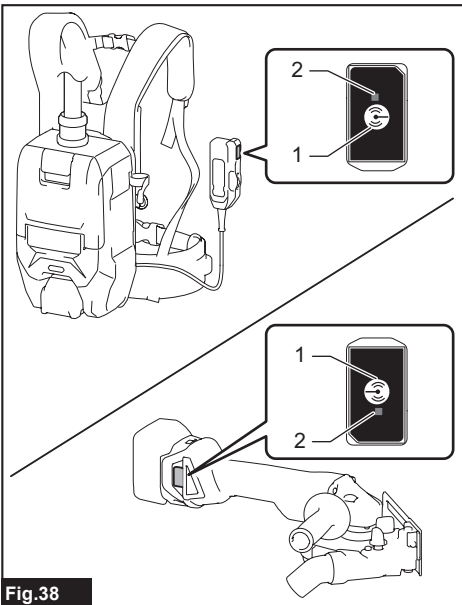


Fig.38

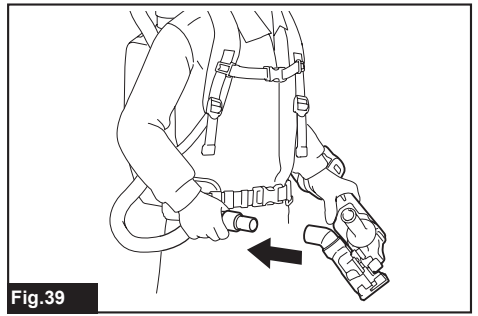


Fig.39

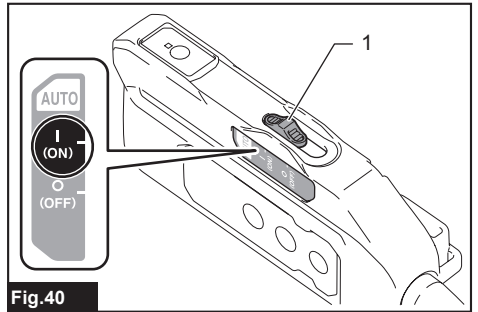


Fig.40

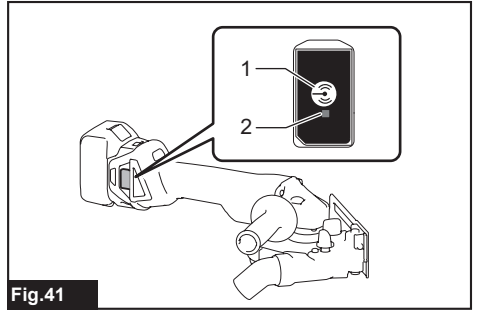


Fig.41

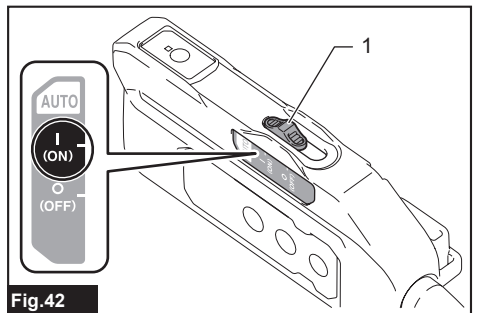


Fig.42

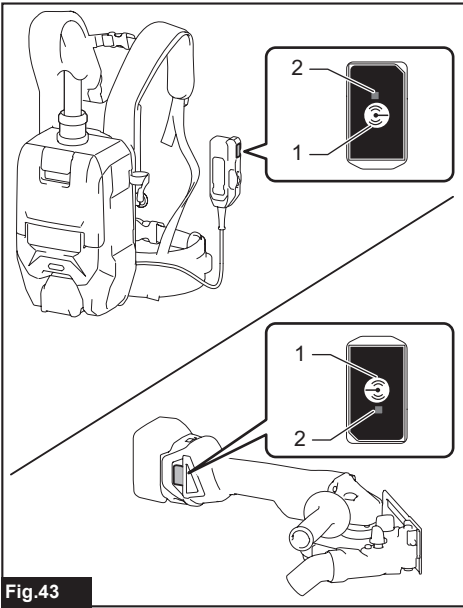


Fig.43

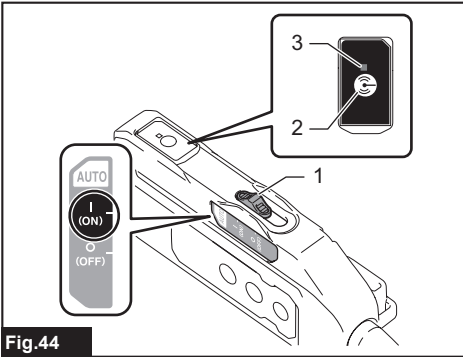


Fig.44

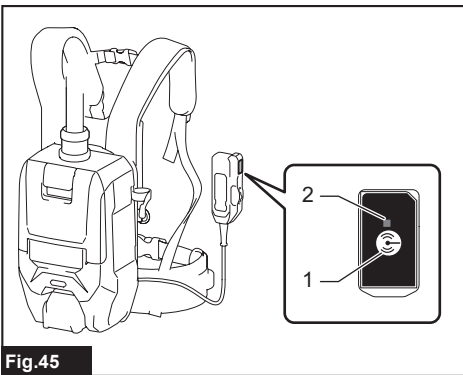


Fig.45

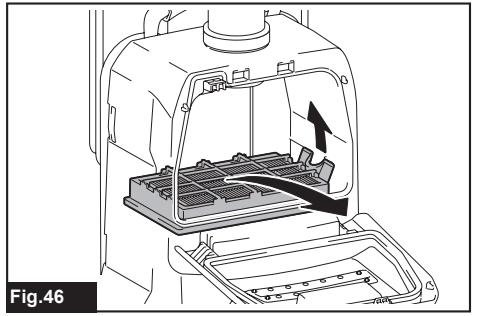


Fig.46

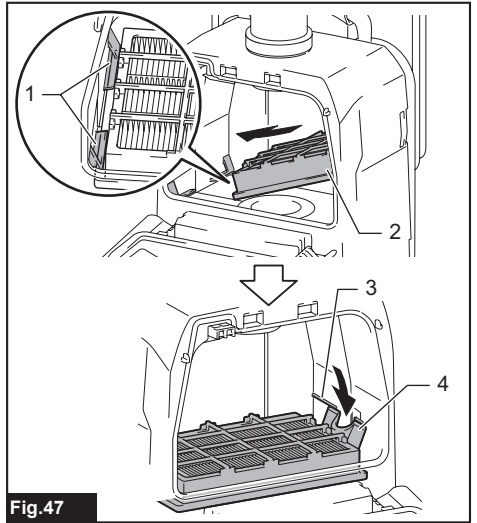


Fig.47

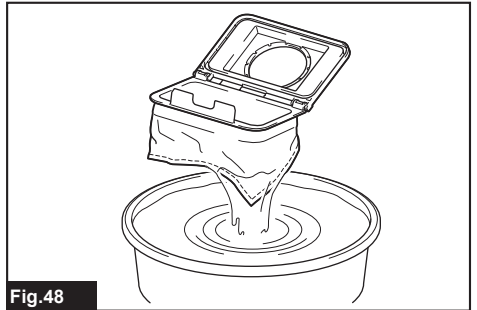


Fig.48

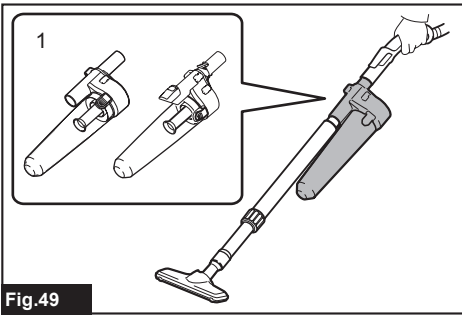


Fig.49

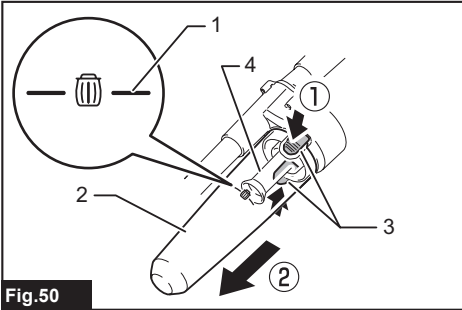


Fig.50

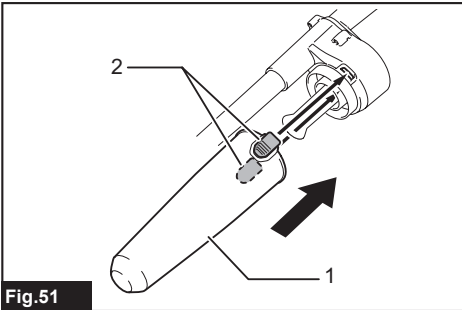


Fig.51

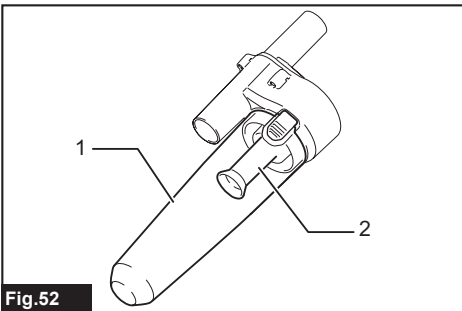


Fig.52

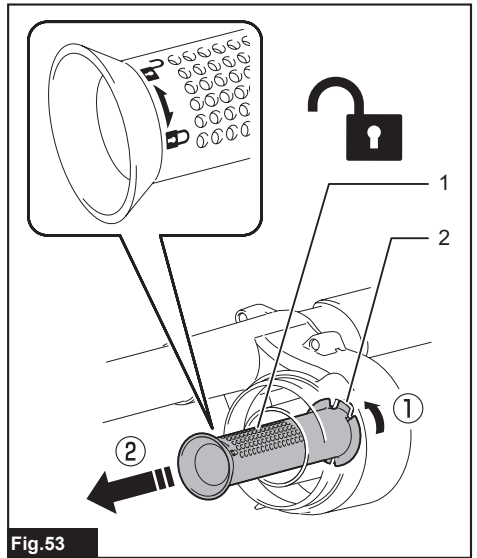


Fig.53

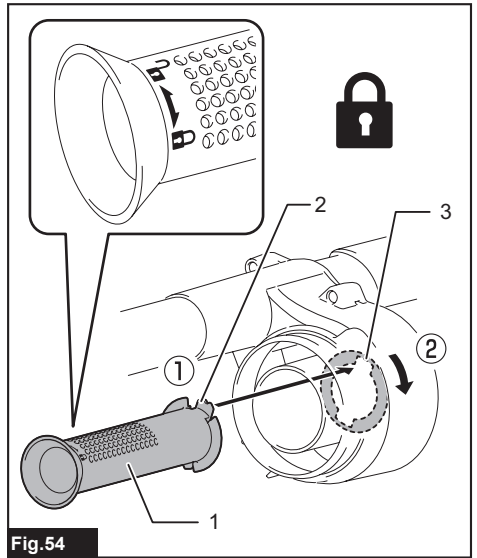


Fig.54

WARNING

- This machine is not intended for use by persons including children with reduced physical, sensory or mental capabilities, or lack of experience and knowledge.
- Children should be supervised to ensure that they do not play with the cleaner.
- See the chapter "SPECIFICATIONS" for the type reference of the battery.
- See the section "Installing or removing battery cartridge" for how to remove or install the battery.
- When disposing the battery cartridge, remove it from the tool and dispose of it in a safe place. Follow your local regulations relating to disposal of battery.
- If the tool is not used for a long period of time, the battery must be removed from the tool.
- Do not short the battery cartridge.
- See the chapter "MAINTENANCE" for the appropriate details of precautions during user maintenance.

SPECIFICATIONS

Model:		VC009G
Capacity	Filter bag	2.0 L
	Dust bag	1.5 L
Maximum air volume		1.9 m ³ /min
Vacuum		18 kPa
Dimensions (L x W x H) (excluding the harness, with BL4040)		233 mm x 150 mm x 375 mm
Rated voltage		D.C. 36 V - 40 V max
Net weight		4.1 - 5.3 kg

- Due to our continuing program of research and development, the specifications herein are subject to change without notice.
- Specifications may differ from country to country.
- The weight does not include accessories but battery cartridge(s). The lightest and heaviest combination weight of the appliance and battery cartridge(s) are shown in the table.

Applicable battery cartridge and charger

Battery cartridge	BL4020 / BL4025 / BL4040 / BL4050F / BL4080F
Charger	DC40RA / DC40RB / DC40RC

- Some of the battery cartridges and chargers listed above may not be available depending on your region of residence.

⚠ WARNING: Only use the battery cartridges and chargers listed above. Use of any other battery cartridges and chargers may cause injury and/or fire.

⚠ WARNING: Do not use a corded power supply such as battery adapter or portable power pack with this appliance. The cable of such power supply may hinder the operation and result in personal injury.

Symbols



A representative battery applicable to this product.

The followings show the symbols which may be used for the equipment. Be sure that you understand their meaning before use.



Read instruction manual.



Take particular care and attention.



Only for EU countries
Due to the presence of hazardous components in the equipment, waste electrical and electronic equipment, accumulators and batteries may have a negative impact on the environment and human health. Do not dispose of electrical and electronic appliances or batteries with household waste!

In accordance with the European Directive on waste electrical and electronic equipment and on accumulators and batteries and waste accumulators and batteries, as well as their adaptation to national law, waste electrical equipment, batteries and accumulators should be stored separately and delivered to a separate collection point for municipal waste, operating in accordance with the regulations on environmental protection.

This is indicated by the symbol of the crossed-out wheeled bin placed on the equipment.

Intended use

The tool is intended for collecting dry dust. The tool is suitable for commercial use, for example in hotels, schools, hospitals, factories, shops, offices and rental businesses.

SAFETY WARNINGS

Cordless vacuum cleaner safety warnings

⚠ WARNING: IMPORTANT! READ CAREFULLY all safety warnings and all instructions BEFORE USE. Failure to follow the warnings and instructions may result in electric shock, fire and/or serious injury.

1. **Before use, make sure that this cleaner must be used by people who have been adequately instructed on the use of this cleaner.**
2. **Do not use the cleaner without the filter. Replace a damaged filter immediately.**
3. **Do not attempt to pick up flammable materials, fire works, lighted cigarettes, hot ashes, hot metal chips, sharp materials such as razors, needles, broken glass or the like.**
4. **NEVER USE THE CLEANER IN THE VICINITY OF GASOLINE, GAS, PAINT, ADHESIVES OR OTHER HIGHLY EXPLOSIVE SUBSTANCES.** The switch emits sparks when turned ON and OFF. And so does the motor commutator during operation. A dangerous explosion may result.
5. **This cleaner is not suitable for picking up hazardous dust.**
6. **Never vacuum up toxic, carcinogenic, combustible or other hazardous materials such as asbestos, arsenic, barium, beryllium, lead, pesticides, or other health endangering materials.**
7. **Never use the cleaner outdoors in the rain.**
8. **For Finland, this machine is not to be used outdoors at low temperature.**
9. **Do not use close to heat sources (stoves, etc.).**
10. **Do not block cooling vents. These vents permit cooling of the motor. Blockage should be carefully avoided otherwise the motor will burn out from lack of ventilation.**
11. **Keep proper footing and balance at all times.**
12. **Do not fold, tug or step on the hose.**
13. **Stop the cleaner immediately if you notice poor performance or anything abnormal during operation.**
14. **DISCONNECT THE BATTERIES.** When not in use, before servicing, and when changing accessories.
15. **Clean and service the cleaner immediately after each use to keep it in tiptop operating condition.**
16. **MAINTAIN THE CLEANER WITH CARE.** Keep the cleaner clean for better and safer performance. Follow instructions for changing accessories. Keep handles dry, clean, and free from oil and grease.
17. **CHECK DAMAGED PARTS.** Before further use of the cleaner, a guard or other part that is damaged should be carefully checked to determine that it will operate properly and perform its intended function. Check for alignment of moving parts, binding of moving parts, breakage of parts, mounting, and any other conditions that may affect its operation. A guard or other part that is damaged should be properly repaired or replaced by an authorized service center unless otherwise indicated elsewhere in this instruction manual. Have defective switches replaced by authorized service center. Don't use the cleaner if switch does not turn it on and off.
18. **REPLACEMENT PARTS.** When servicing, use only identical replacement parts.
19. **When not in use, always store the cleaner indoors.**
20. **Be kind to your cleaner. Rough handling can cause breakage of even the most sturdily built cleaner.**
21. **Do not attempt to clean the exterior or interior with benzine, thinner or cleaning chemicals. Cracks and discoloration may be caused.**
22. **Do not use cleaner in an enclosed space where flammable, explosive or toxic vapors are given off by oil-base paint, paint-thinner, gasoline, some mothproofing substances, etc., or in areas where flammable dust is present.**
23. **Do not operate the cleaner while under the influence of drugs or alcohol.**
24. **As a basic rule of safety, use safety goggles or safety glasses with side shields.**
25. **Use a dust mask in dusty work conditions.**
26. **This machine is not intended for use by persons including children with reduced physical, sensory or mental capabilities, or lack of experience and knowledge.**
27. **Children should be supervised to ensure that they do not play with the cleaner.**

28. Never handle battery(ies) and cleaner with wet hands.
29. Use extreme caution when cleaning on stairs.
30. Do not use the cleaner as a stool or work bench. The machine may fall down and may result in personal injury.

Battery tool use and care

1. **Recharge only with the charger specified by the manufacturer.** A charger that is suitable for one type of battery pack may create a risk of fire when used with another battery pack.
2. **Use power tools only with specifically designated battery packs.** Use of any other battery packs may create a risk of injury and fire.
3. **When battery pack is not in use, keep it away from other metal objects, like paper clips, coins, keys, nails, screws or other small metal objects, that can make a connection from one terminal to another.** Shorting the battery terminals together may cause burns or a fire.
4. **Under abusive conditions, liquid may be ejected from the battery; avoid contact. If contact accidentally occurs, flush with water. If liquid contacts eyes, additionally seek medical help.** Liquid ejected from the battery may cause irritation or burns.
5. **Do not use a battery pack or tool that is damaged or modified.** Damaged or modified batteries may exhibit unpredictable behaviour resulting in fire, explosion or risk of injury.
6. **Do not expose a battery pack or tool to fire or excessive temperature.** Exposure to fire or temperature above 130 °C may cause explosion.
7. **Follow all charging instructions and do not charge the battery pack or tool outside the temperature range specified in the instructions.** Charging improperly or at temperatures outside the specified range may damage the battery and increase the risk of fire.
8. **Do not use a corded power supply such as battery adapter or portable power pack with this tool.** The cable of such power supply may hinder the operation and result in personal injury.

Service

1. **Have your power tool serviced by a qualified repair person using only identical replacement parts.** This will ensure that the safety of the power tool is maintained.
2. **Follow instruction for lubricating and changing accessories.**
3. **Keep handles dry, clean and free from oil and grease.**

Important safety instructions for battery cartridge

1. **Before using battery cartridge, read all instructions and cautionary markings on (1) battery charger, (2) battery, and (3) product using battery.**
2. **Do not disassemble or tamper with the battery cartridge.** It may result in a fire, excessive heat, or explosion.

3. **If operating time has become excessively shorter, stop operating immediately. It may result in a risk of overheating, possible burns and even an explosion.**
4. **If electrolyte gets into your eyes, rinse them out with clear water and seek medical attention right away. It may result in loss of your eyesight.**

5. **Do not short the battery cartridge:**
 - (1) **Do not touch the terminals with any conductive material.**
 - (2) **Avoid storing battery cartridge in a container with other metal objects such as nails, coins, etc.**
 - (3) **Do not expose battery cartridge to water or rain.**

A battery short can cause a large current flow, overheating, possible burns and even a breakdown.

6. **Do not store and use the tool and battery cartridge in locations where the temperature may reach or exceed 50 °C (122 °F).**
7. **Do not incinerate the battery cartridge even if it is severely damaged or is completely worn out. The battery cartridge can explode in a fire.**
8. **Do not nail, cut, crush, throw, drop the battery cartridge, or hit against a hard object to the battery cartridge.** Such conduct may result in a fire, excessive heat, or explosion.
9. **Do not use a damaged battery.**
10. **The contained lithium-ion batteries are subject to the Dangerous Goods Legislation requirements.**

For commercial transports e.g. by third parties, forwarding agents, special requirement on packaging and labeling must be observed.

For preparation of the item being shipped, consulting an expert for hazardous material is required.

Please also observe possibly more detailed national regulations.

Tape or mask off open contacts and pack up the battery in such a manner that it cannot move around in the packaging.

11. **When disposing the battery cartridge, remove it from the tool and dispose of it in a safe place. Follow your local regulations relating to disposal of battery.**
12. **Use the batteries only with the products specified by Makita.** Installing the batteries to non-compliant products may result in a fire, excessive heat, explosion, or leak of electrolyte.
13. **If the tool is not used for a long period of time, the battery must be removed from the tool.**
14. **During and after use, the battery cartridge may take on heat which can cause burns or low temperature burns. Pay attention to the handling of hot battery cartridges.**
15. **Do not touch the terminal of the tool immediately after use as it may get hot enough to cause burns.**

16. Do not allow chips, dust, or soil stuck into the terminals, holes, and grooves of the battery cartridge. It may cause heating, catching fire, burst and malfunction of the tool or battery cartridge, resulting in burns or personal injury.
17. Unless the tool supports the use near high-voltage electrical power lines, do not use the battery cartridge near a high-voltage electrical power lines. It may result in a malfunction or breakdown of the tool or battery cartridge.
18. Keep the battery away from children.
9. The wireless unit can produce electromagnetic fields (EMF) but they are not harmful to the user.
10. The wireless unit is an accurate instrument. Be careful not to drop or strike the wireless unit.
11. Avoid touching the terminal of the wireless unit with bare hands or metallic materials.
12. Always remove the battery on the product when installing the wireless unit into it.
13. When opening the lid of the slot, avoid the place where dust and water may come into the slot. Always keep the inlet of the slot clean.
14. Always insert the wireless unit in the correct direction.
15. Do not press the wireless activation button on the wireless unit too hard and/or press the button with an object with a sharp edge.
16. Always close the lid of the slot when operating.
17. Do not remove the wireless unit from the slot while the power is being supplied to the tool. Doing so may cause a malfunction of the wireless unit.
18. Do not remove the sticker on the wireless unit.
19. Do not put any sticker on the wireless unit.
20. Do not leave the wireless unit in a place where static electricity or electrical noise could be generated.
21. Do not leave the wireless unit in a place subject to high heat, such as a car sitting in the sun.
22. Do not leave the wireless unit in a dusty or powdery place or in a place corrosive gas could be generated.
23. Sudden change of the temperature may bedew the wireless unit. Do not use the wireless unit until the dew is completely dried.
24. When cleaning the wireless unit, gently wipe with a dry soft cloth. Do not use benzine, thinner, conductive grease or the like.
25. When storing the wireless unit, keep it in the supplied case or a static-free container.
26. Do not insert any devices other than Makita wireless unit into the slot on the tool.
27. Do not use the tool with the lid of the slot damaged. Water, dust, and dirt come into the slot may cause malfunction.
28. Do not pull and/or twist the lid of the slot more than necessary. Restore the lid if it comes off from the tool.
29. Replace the lid of the slot if it is lost or damaged.

SAVE THESE INSTRUCTIONS.

⚠ CAUTION: Only use genuine Makita batteries. Use of non-genuine Makita batteries, or batteries that have been altered, may result in the battery bursting causing fires, personal injury and damage. It will also void the Makita warranty for the Makita tool and charger.

Tips for maintaining maximum battery life

1. Charge the battery cartridge before completely discharged. Always stop tool operation and charge the battery cartridge when you notice less tool power.
2. Never recharge a fully charged battery cartridge. Overcharging shortens the battery service life.
3. Charge the battery cartridge with room temperature at 10 °C - 40 °C (50 °F - 104 °F). Let a hot battery cartridge cool down before charging it.
4. When not using the battery cartridge, remove it from the tool or the charger.
5. Charge the battery cartridge if you do not use it for a long period (more than six months).

Important safety instructions for wireless unit

1. Do not disassemble or tamper with the wireless unit.
2. Keep the wireless unit away from young children. If accidentally swallowed, seek medical attention immediately.
3. Use the wireless unit only with Makita tools.
4. Do not expose the wireless unit to rain or wet conditions.
5. Do not use the wireless unit in places where the temperature exceeds 50 °C (122 °F).
6. Do not operate the wireless unit in places where medical instruments, such as heart pace makers are nearby.
7. Do not operate the wireless unit in places where automated devices are nearby. If operated, automated devices may develop malfunction or error.
8. Do not operate the wireless unit in places under high temperature or places where static electricity or electrical noise could be generated.

SAVE THESE INSTRUCTIONS.

FUNCTIONAL DESCRIPTION

CAUTION: Always be sure that the appliance is switched off and the battery cartridge is removed before adjusting or checking function on the appliance.

Installing or removing battery cartridge

CAUTION: Always switch off the tool before installing or removing of the battery cartridge.

CAUTION: Hold the tool and the battery cartridge firmly when installing or removing battery cartridge. Failure to hold the tool and the battery cartridge firmly may cause them to slip off your hands and result in damage to the tool and battery cartridge and a personal injury.

► **Fig.1:** 1. Red indicator 2. Button 3. Battery cartridge

To remove the battery cartridge, slide it from the tool while sliding the button on the front of the cartridge.

To install the battery cartridge, align the tongue on the battery cartridge with the groove in the housing and slip it into place. Insert it all the way until it locks in place with a little click. If you can see the red indicator as shown in the figure, it is not locked completely.

CAUTION: Always install the battery cartridge fully until the red indicator cannot be seen. If not, it may accidentally fall out of the tool, causing injury to you or someone around you.

CAUTION: Do not install the battery cartridge forcibly. If the cartridge does not slide in easily, it is not being inserted correctly.

Indicating the remaining battery capacity

Press the check button on the battery cartridge to indicate the remaining battery capacity. The indicator lamps light up for a few seconds.

► **Fig.2:** 1. Indicator lamps 2. Check button


Indicator lamps			Remaining capacity
Lighted	Off	Blinking	
■ ■ ■ ■			75% to 100%
■ ■ ■ □			50% to 75%
■ ■ □ □			25% to 50%
■ □ □ □			0% to 25%
▣ □ □ □			Charge the battery.
■ ■ □ □			The battery may have malfunctioned.
□ □ ■ ■			





NOTE: Depending on the conditions of use and the ambient temperature, the indication may differ slightly from the actual capacity.

NOTE: The first (far left) indicator lamp will blink when the battery protection system works.

Indicating the remaining battery capacity



► **Fig.3:** 1. Battery indicator 2.  button

Press the  button to indicate the remaining battery capacities.

Battery indicator status			Remaining battery capacity
On	Off	Blinking	
			50% to 100%
			20% to 50%
			0% to 20%
			Charge the battery

Appliance / battery protection system

The appliance is equipped with appliance / battery protection system. This system automatically cuts off power to the motor to extend appliance and battery life. In this situation, the battery indicator lights up as following table.

Battery indicator status			Status
On	Off	Blinking	
			Overload protection (battery) / Overheat protection (battery) / Overdischarge protection
			Overheat protection (appliance)

The appliance will automatically stop during operation if the appliance or battery is placed under one of the following conditions:

Overload protection

When the appliance / battery is operated in a manner that causes it to draw an abnormally high current, the appliance automatically stops. In this situation, turn the appliance off and stop the application that caused the appliance to become overloaded. Then turn the appliance on to restart.

Overheat protection

When the appliance / battery is overheated, the appliance stops automatically. In this situation, let the appliance / battery cool down before turning the appliance on again.

Overdischarge protection

When the battery capacity becomes low, the appliance stops automatically. If the product does not operate even when the switches are operated, remove the batteries from the appliance and charge the batteries.

Protections against other causes

Protection system is also designed for other causes that could damage the appliance and allows the appliance to stop automatically. Take all the following steps to clear the causes, when the appliance has been brought to a temporary halt or stop in operation.

1. Turn the appliance off, and then turn it on again to restart.
2. Charge the battery(ies) or replace it/them with recharged battery(ies).
3. Let the appliance and battery(ies) cool down.

If no improvement can be found by restoring protection system, then contact your local Makita Service Center.

Adjusting belts

The tightness of the shoulder belts, upper and lower belts can be adjusted. Put your arms through the shoulder belts first then fasten the lower and upper belts. To tighten, pull the end of the strap as illustrated. To loosen, pull up the end of the fastener.

Lower belt

- Fig.4: 1. Strap 2. Fastener

Shoulder belts

- Fig.5: 1. Strap 2. Fastener

Upper belt

- Fig.6: 1. Strap 2. Fastener

Carrying hook

CAUTION: Use the hanging/mounting parts for their intended purposes only. Using for unintended purpose may cause accident or personal injury.

Always grab the carrying hook when handling the vacuum cleaner body.

- Fig.7: 1. Carrying hook

Stand-by switch

The stand-by switch is the switch to turn on/off the wireless activation function. The vacuum cleaner is in the stand-by state regardless of the switch position and it runs when **⓪** button is pushed.




- Fig.8: 1. Stand-by switch

Switch position		Status
AUTO	I (ON)	The vacuum cleaner is in the stand-by state and the wireless activation function is available.
	O (OFF)	The vacuum cleaner is in the stand-by state however the wireless activation function is not available.

Switch action

- Fig.9: 1. Suction power change button 2. ON/OFF button

To start the cleaner, simply push the ON/OFF button. To switch off, push the ON/OFF button again. You can change the suction power of the cleaner in three steps by pushing the suction power change button. Each push on this button repeats the 1 to 3 mode in a cycle.

Level	Indication	Mode
1		Normal speed mode
2		High speed mode
3		Max speed mode

NOTE: You can change the suction power before turning on the cleaner.

NOTE: The cleaner starts the operation with the same suction power as the last operation.

NOTE: If you remove the battery immediately after turning off the appliance, while the motor is rotating, the cleaner may not start the operation with the same suction power as the last operation.

Hose band

Hose band can be used for holding the hose or free nozzle.

To secure the hose to the vacuum cleaner body, pass the hose band through the slot on the body. You can attach the hose band on either side.

► **Fig.10:** 1. Hose band 2. Slot 3. Hose

The loop on the lower belt can be used for carrying nozzles as illustrated.

► **Fig.11:** 1. Loop 2. Nozzles

ASSEMBLY

⚠ CAUTION: Always be sure that the appliance is switched off and the battery cartridge is removed before carrying out any work on the appliance.

Assembling hose

Insert the hose cuff into the vacuum cleaner body and turn it clockwise.

► **Fig.12:** 1. Hose cuff 2. Vacuum cleaner body

Connecting the tool

If the bent pipe assembly is attached to the hose, loosen the sleeve of bent pipe assembly and remove it.

► **Fig.13:** 1. Hose 2. Bent pipe assembly 3. Sleeve

1. Attach the front cuff to the hose for dust extraction. When connecting the front cuff, make sure that it is securely screwed on the hose.

2. Connect the front cuff to the tool's extraction outlet.

► **Fig.14:** 1. Front cuff 2. Extraction outlet 3. Hose

The front cuff can be detached by turning it counter-clockwise while holding the hose.

NOTE: Always use a suitable front cuff. When using the front cuff 24, attach it to the front cuff 22 that is connected to the hose.

► **Fig.15:** 1. Front cuff 22 2. Front cuff 24

Using as a cleaner

If you want to use this product as a cleaner, follow the below procedures.

NOTICE: If the front cuff is attached to the hose, remove it beforehand.

NOTE: The bent pipe assembly, extension wand, and nozzles are supplied as optional accessories in some countries.

NOTE: There are two types of bent pipe assembly; the one for slide-type extension wand and the one for ring-type extension wand. If you prepare the bent pipe assembly, choose the one for your desired extension wand type.

1. Fasten the sleeve of bent pipe assembly onto the hose.

► **Fig.16:** 1. Hose 2. Bent pipe assembly 3. Sleeve

To remove the bent pipe assembly, loosen the sleeve of bent pipe assembly from the hose.

2. Twist and insert the nozzle to the extension wand.

► **Fig.17:** 1. Extension wand 2. Free nozzle 3. T-shape nozzle 4. T-shape nozzle (slim)

NOTE: By twisting the nozzle while inserting, the nozzle can be attached to the extension wand securely.

3. Follow the procedures below, depending on the type of the extension wand :

NOTE: The slide-type extension wand and the ring-type extension wand are not compatible with each other. If you want to change the slide-type extension wand to the ring-type extension wand or vice versa, change the bent pipe assembly also.

For the slide-type extension wand

Shoulder the vacuum cleaner body then insert the extension wand into the bent pipe assembly until it clicks. To disconnect, extract the extension wand with pressing the button.

► **Fig.18:** 1. Bent pipe assembly 2. Button 3. Slide-type extension wand

The length of the wand can be adjusted.

With pressing the slide button, adjust the wand length. The length is locked when releasing the slide button.

► **Fig.19:** 1. Slide button

For the ring-type extension wand

Shoulder the vacuum cleaner body then twist and insert the extension wand into the bent pipe assembly. To disconnect, twist and extract it.

► **Fig.20:** 1. Bent pipe assembly 2. Ring-type extension wand 3. Free nozzle

NOTE: The free nozzle can be attached to the bent pipe assembly without pipe lock directly.

The length of the wand can be adjusted.

Loosen the ring on the wand and adjust the wand length. Tighten the ring at your desired length.

► **Fig.21:** 1. Ring

Hose hook

When you suspend the operation, the hook on the bent pipe assembly can be used for hanging the wand on the lower belt.

► **Fig.22:** 1. Hook 2. Lower belt

Installing filter bag / dust bag

Optional accessory

CAUTION: Do not use a damaged filter bag. Always use the vacuum cleaner with the filter bag properly installed. Otherwise the vacuumed dust or particles may be exhausted from the cleaner and they may cause respiratory disease to the operator.

NOTICE: When the filter bag is already full, replace with new one. When the dust bag is already full, empty it. Continuous use with the filter bag/dust bag full results in reduced suction power.

NOTICE: To prevent dust from getting into the motor:

- Make sure that the filter bag/dust bag is installed before use.
- Do not use a broken or ripped bag.

Otherwise the motor may be broken.

NOTICE: Do not fold the cardboard at its opening when installing the filter bag/dust bag.

NOTICE: The filter bag/dust bag for the cleaner is an important component for maintaining the appliance performance. Using non-genuine filter bag/dust bag may cause smoke or ignition.

NOTE: When the filter bag/dust bag is not installed in the cleaner, the front cover does not close completely.

► Fig.23

1. Unlock the lever and open the dust box cover.
► Fig.24: 1. Lever 2. Dust box cover
2. Insert the filter bag into the slit on the upper side of the room as illustrated.
► Fig.25: 1. Slit 2. Filter bag

When using the dust bag, insert the brim of the dust bag into the slit.

► Fig.26: 1. Slit 2. Brim 3. Dust bag

3. Align the hole of the filter bag with the hose cuff and push the cardboard portion to the end. Make sure that the rubber ring on the filter bag goes over the rim on the hose cuff.
► Fig.27: 1. Rubber ring on the filter bag 2. Rim on the hose cuff 3. Cardboard portion of the filter bag 4. Hose cuff
4. Lock the dust box cover certainly.

CAUTION: Be careful not to pinch your fingers when hooking the latch, and when closing the dust box cover.

OPERATION


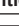

WARNING: Operators shall be adequately instructed on the use of the vacuum cleaner.

WARNING: This vacuum cleaner is not suitable for picking up hazardous dust.

CAUTION: This cleaner is for dry use only.

CAUTION: Always insert the battery cartridge all the way until it locks in place. If you can see the red indicator on the upper side of the button, it is not locked completely. Insert it fully until the red indicator cannot be seen. If not, it may accidentally fall out of the tool, causing injury to you or someone around you.

CAUTION: During operation, be conscious of the vacuum cleaner on your back. You may lose your balance if the vacuum cleaner body bumps against a wall or the hose is hooked by an obstacle.

1. Shoulder the vacuum cleaner body and fasten lower and upper belts. Adjust the tightness as necessary.
► Fig.28
2. Press  button to start vacuuming. If you want to change the suction power, press  button until the desired suction power is selected. Press  button to stop.
► Fig.29

During the operation, hook the switch box on the lower belt or the D-ring.

► Fig.30

3. Replace the filter bag when it becomes full. Open the lid and take out the filter bag. Pull the strip on the side of the opening to shut the filter bag and dispose of the filter bag in whole.
► Fig.31: 1. Strip

When using a dust bag, take out the dust bag and dispose of the dust by releasing the latch.

► Fig.32: 1. Latch

NOTICE: Periodically check the filter bag if it is full. Continuous use with the filter bag full results in reduced suction power.

NOTICE: Do not use an used filter bag. The filter bag is designed for single use. Using filter bag repeatedly may cause clogging of the filter and results in damage to the cleaner. If you want to use the bag repeatedly, use a dust bag.

WIRELESS ACTIVATION FUNCTION

What you can do with the wireless activation function

The wireless activation function enables clean and comfortable operation. By connecting a supported tool to the cleaner, you can run the cleaner automatically along with the switch operation of the tool.

► Fig.33

NOTICE: Be sure to refer to the instruction manual of the tool when using the cleaner with wireless activation function.

NOTICE: Do not disassemble or tamper with the wireless unit.

NOTICE: To prevent dust coming into the slot of the wireless unit, always close the lid securely during operation and storage.

NOTICE: Do not remove the wireless unit while the power is being supplied. Doing so may cause a malfunction of the wireless unit.

NOTICE: Do not press the wireless activation button too hard and/or press the button with an object with a sharp edge.

NOTE: Wireless activation needs Makita tools equipped with the wireless unit.

NOTE: Prior to the initial use of the wireless activation function with each tool, the tool registration is required. Once the registration is finished with the tool, the re-registration is not required unless it is cancelled.

NOTE: Before registration, be sure that the wireless unit is properly inserted.

NOTE: One wireless unit can register up to 10 links with other wireless units. If more than 10 other wireless units are registered to one wireless unit, the one registered earliest will be cancelled automatically.

NOTE: The position of the wireless activation button varies depending on the tool.

NOTE: The cleaner also starts by pressing **(I)** button when the stand-by switch is set to "I (ON)".

However the **(I)** button will not work when the wireless activation function is used.

Installing the wireless unit

CAUTION: Place the cleaner on a flat and stable surface when installing the wireless unit.

NOTICE: Clean the dust and dirt on the cleaner before installing the wireless unit. Dust or dirt may cause malfunction if it comes into the slot of the wireless unit.

NOTICE: To prevent the malfunction caused by static, touch a static discharging material, such as a metallic part, before picking up the wireless unit.

NOTICE: When installing the wireless unit, always be sure that the wireless unit is inserted in the correct direction and the lid is completely closed.

1. Open the lid on the cleaner as shown in the figure.

► Fig.34: 1. Lid

2. Insert the wireless unit to the slot and then close the lid.

When inserting the wireless unit, align the projections with the recessed portions on the slot.

► Fig.35: 1. Wireless unit 2. Projection 3. Lid
4. Recessed portion

When removing the wireless unit, open the lid slowly. The hooks on the back of the lid will lift the wireless unit as you pull up the lid.

► Fig.36: 1. Wireless unit 2. Hook 3. Lid

After removing the wireless unit, keep it in the supplied case or a static-free container.

NOTICE: Always use the hooks on the back of the lid when removing the wireless unit. If the hooks do not catch the wireless unit, close the lid completely and open it slowly again.

Tool registration for the cleaner

NOTE: A Makita tool supporting the wireless activation function is required for the tool registration.

NOTE: Finish installing the wireless unit to the tool before starting the tool registration.

NOTE: During the tool registration, do not pull the switch trigger on the tool or push the cleaner's switch for vacuuming.

NOTE: Refer to the instruction manual of the tool, too.

If you wish to activate the cleaner along with the switch operation of the tool, finish the tool registration beforehand.

1. Install the wireless units to the cleaner and the tool, respectively.

2. Install the batteries to the cleaner and the tool.

3. Set the stand-by switch on the cleaner to "I (ON)".

► Fig.37: 1. Stand-by switch

4. Press the wireless activation button on the cleaner for 3 seconds until the wireless activation lamp blinks in green. And then press the wireless activation button on the tool in the same way.

► **Fig.38:** 1. Wireless activation button 2. Wireless activation lamp

If the cleaner and the tool are linked successfully, the wireless activation lamps will light up in green for 2 seconds and start blinking in blue.

NOTE: The wireless activation lamps finish blinking in green after 20 seconds elapsed. Press the wireless activation button on the tool while the wireless activation lamp on the cleaner is blinking. If the wireless activation lamp does not blink in green, push the wireless activation button briefly and hold it down again.

NOTE: When performing two or more tool registration for the cleaner, finish the tool registration one by one.

Starting the wireless activation function

NOTE: Finish the tool registration for the cleaner for wireless activation.

NOTE: Always place the cleaner so that you can see the status of the wireless activation lamp.

NOTE: Refer to the instruction manual of the tool, too.

After registering a tool to the cleaner, the cleaner will automatically runs along with the switch operation of the tool.

1. Install the wireless units to the cleaner and the tool, respectively.
2. Install the batteries to the cleaner and the tool.
3. Connect the hose of the cleaner with the tool.
► **Fig.39**
4. Set the stand-by switch on the cleaner to "I (ON)". The wireless activation lamp will blink in blue.
► **Fig.40:** 1. Stand-by switch
5. Push the wireless activation button on the tool briefly. The wireless activation lamp will blink in blue.
► **Fig.41:** 1. Wireless activation button 2. Wireless activation lamp
6. Turn on the tool. Check if the cleaner runs while the tool is operating.

CAUTION: Always check if the wireless activation function works before starting a work with the tool.

To stop the wireless activation, push the wireless activation button on the tool or set the stand-by switch on the cleaner to "O (OFF)".

NOTE: The wireless activation lamp on the tool will stop blinking in blue when there is no operation for 2 hours. In this case, press the wireless activation buttons on the tool again.

NOTE: The cleaner starts/stops with a delay. There is a time lag when the cleaner detects a switch operation of the tool.

NOTE: The transmission distance of the wireless unit may vary depending on the location and surrounding circumstances.

NOTE: When two or more tools are registered to one cleaner, the cleaner may start running even if you do not turn on the tool because other user is using the wireless activation function.

Cancelling tool registration for the cleaner

Perform the following procedure when cancelling the tool registration for the cleaner.

1. Install the wireless units to the cleaner and the tool, respectively.
2. Install the batteries to the cleaner and the tool.
3. Set the stand-by switch on the cleaner to "I (ON)".
► **Fig.42:** 1. Stand-by switch

4. Press the wireless activation button on the cleaner for 6 seconds. The wireless activation lamp blinks in green and then become red. After that, press the wireless activation button on the tool in the same way.

► **Fig.43:** 1. Wireless activation button 2. Wireless activation lamp

If the cancellation is performed successfully, the wireless activation lamps will light up in red for 2 seconds and start blinking in blue.

NOTE: The wireless activation lamps finish blinking in red after 20 seconds elapsed. Press the wireless activation button on the tool while the wireless activation lamp on the cleaner is blinking. If the wireless activation lamp does not blink in red, push the wireless activation button briefly and hold it down again.

Erasing all tool registrations

You can erase all tool registrations from the cleaner as follows.

► **Fig.44:** 1. Stand-by switch 2. Wireless activation button 3. Wireless activation lamp

1. Install the wireless unit to the cleaner.
2. Install the batteries to the cleaner.
3. Set the stand-by switch to "I (ON)".
4. Hold down the wireless activation button for about 6 seconds until the wireless activation lamp blinks in red (about twice per one second).
5. When the wireless activation lamp starts blinking in red, release your finger from the wireless activation button. Thereafter, hold down the wireless activation button again for about 6 seconds.











6. When the wireless activation lamp starts blinking fast (about 5 times per one second) in red, release your finger from the wireless activation button. When the wireless activation lamp lights up in red and later lights off, all tool registrations are erased.

NOTE: If the wireless activation lamp does not blink in red, press the wireless activation button briefly and try again.

Description of the wireless activation lamp status

► **Fig.45:** 1. Wireless activation button 2. Wireless activation lamp

The wireless activation lamp shows the status of the wireless activation function. Refer to the below table for the meaning of the lamp status.

Status	Wireless activation lamp			Description	
	Color	 On	 Blinking		Duration (approximate)
Standby	Blue			Cleaner: continuing Tool: 2 hours	Waiting for the tool registration or the wireless activation function is available. The lamp on the cleaner blinks when the stand-by switch is set in "I (ON)". The lamp on the tool blinks when the wireless activation button is pushed. The lamp on the tool will automatically turn off when no operation is performed for 2 hours.
				When the tool is running.	
Tool registration	Green			20 seconds	Ready for the tool registration. Searching the tool to be registered.
				2 seconds	The tool registration has been finished. The wireless activation lamp will start blinking in blue.
Cancelling/erasing tool registration	Red	 (slow: 2 times/sec.)		20 seconds	Ready for the cancellation of the tool registration. Searching the tool to be cancelled.
		 (fast: 5 times/sec.)		When the wireless activation button is pressed down.	Ready to erase all tool registrations.
				2 seconds	The tool registration has been cancelled/erased. The wireless activation lamp will start blinking in blue.
Others	Red			3 seconds	The power is supplied to the wireless unit and the wireless activation function is starting up.
	Off	-		-	The stand-by switch is not set to "I (ON)".

Troubleshooting for wireless activation function

Before asking for repairs, conduct your own inspection first. If you find a problem that is not explained in the manual, do not attempt to dismantle the tool. Instead, ask Makita Authorized Service Centers, always using Makita replacement parts for repairs.

State of abnormality	Probable cause (malfunction)	Remedy
The wireless activation lamp does not light/blink.	The wireless unit is not installed into the cleaner and/or the tool. The wireless unit is improperly installed into the cleaner and/or the tool.	Install the wireless unit correctly.
	The terminal of the wireless unit and/or the slot is dirty.	Gently wipe off dust and dirt on the terminal of the wireless unit and clean the slot of the cleaner and/or the tool.
	The wireless activation button on the cleaner and/or the tool have not been pushed.	Push the wireless activation button on the tool briefly. Make sure that the wireless activation lamp is blinking in blue.
	The stand-by switch on the cleaner is not set to " I (ON)".	Set the stand-by switch on the cleaner to " I (ON)".
	No power supply	Supply the power to the tool and the cleaner.
Cannot finish tool registration / cancelling tool registration successfully.	The wireless unit is not installed into the cleaner and/or the tool. The wireless unit is improperly installed into the cleaner and/or the tool.	Install the wireless unit correctly.
	The terminal of the wireless unit and/or the slot is dirty.	Gently wipe off dust and dirt on the terminal of the wireless unit and clean the slot of the cleaner and/or the tool.
	The stand-by switch on the cleaner is not set to " I (ON)".	Set the stand-by switch on the cleaner to " I (ON)".
	No power supply	Supply the power to the tool and the cleaner.
	Incorrect operation	Push the wireless activation button briefly and perform the tool registration/cancellation procedures again.
	The tool and cleaner are away from each other (out of the transmission range).	Get the tool and the cleaner closer to each other. The maximum transmission distance is approximately 10 m however it may vary according to the circumstances.
	Before finishing the tool registration/cancellation; - the switch of the tool is turned on or; - the power button on the cleaner is turned on.	Push the wireless activation button briefly and perform the tool registration/cancellation procedures again.
	The tool registration procedures for the tool or the cleaner has not been finished.	Perform the tool registration procedures for the tool and the cleaner at the same timing.
Radio disturbance by other appliances which generate high-intensity radio waves.	Keep the tool and the cleaner away from the appliances such as Wi-Fi devices and microwave ovens.	

State of abnormality	Probable cause (malfunction)	Remedy
The cleaner does not run along with the switch operation of the tool.	The wireless unit is not installed into the cleaner and/or the tool. The wireless unit is improperly installed into the cleaner and/or the tool.	Install the wireless unit correctly.
	The terminal of the wireless unit and/or the slot is dirty.	Gently wipe off dust and dirt on the terminal of the wireless unit and clean the slot of the cleaner and/or the tool.
	The wireless activation button on the tool have not been pushed.	Push the wireless activation button on the tool briefly. Make sure that the wireless activation lamp is blinking in blue.
	The stand-by switch on the cleaner is not set to " I (ON)".	Set the stand-by switch on the cleaner to " I (ON)".
	More than 10 tools are registered to the cleaner.	Perform the tool registration again. If more than 10 tools are registered to the cleaner, the tool registered earliest will be cancelled automatically.
	The cleaner erased all tool registrations.	Perform the tool registration again.
	No power supply	Supply the power to the tool and the cleaner.
	The tool and cleaner are away from each other (out of the transmission range).	Get the tool and the cleaner closer to each other. The maximum transmission distance is approximately 10 m however it may vary according to the circumstances.
	Radio disturbance by other appliances which generate high-intensity radio waves.	Keep the tool and the cleaner away from the appliances such as Wi-Fi devices and microwave ovens.
The cleaner runs while the tool is not operating.	Other users are using the wireless activation of the cleaner with their tools.	Perform one of the following way; - set the stand-by switch on the cleaner to "O" position or; - turn off the wireless activation button of the other tools or; - cancel the tool registration of the other tools.
Cannot erase all tool registrations in the cleaner.	Pressing the wireless button on the tool.	Press the wireless button on the cleaner for erasing all tool registrations.
	The stand-by switch on the cleaner is not set to " I (ON)".	Set the stand-by switch on the cleaner to " I (ON)".
	The wireless activation button is not held down correctly.	Hold down the wireless activation button for more than 6 seconds and then release it when the wireless activation lamp blinks in red. Hold down the wireless activation button for more than 6 seconds again until the wireless activation button rapidly blinks in red and then release the button.

MAINTENANCE

CAUTION: Always be sure that the appliance is switched off and the battery cartridge is removed before attempting to perform inspection or maintenance.

NOTICE: Never use gasoline, benzine, thinner, alcohol or the like. Discoloration, deformation or cracks may result.

To maintain product SAFETY and RELIABILITY, repairs, any other maintenance or adjustment should be performed by Makita Authorized or Factory Service Centers, always using Makita replacement parts.

Cleaning the HEPA filter

CAUTION: Do not use the vacuum cleaner without a HEPA filter or continue to use dirty or damaged HEPA filter. Vacuumed dust or particles may be exhausted from the cleaner and they may cause respiratory disease to the operator.

NOTICE: To keep optimum suction power and clean exhaust, clean the HEPA filter periodically. If enough suction power is not obtained even after the cleaning, replace the HEPA filter with new one.

NOTICE: To prevent the HEPA filter from being damaged, do not use following tools and similar items for cleaning :

- Air duster
- High pressure washer
- Tools made of hard materials such as a metallic brush

1. Open the lid and take out the filter bag. Release the hook on the HEPA filter and remove it from the vacuum cleaner body.

► Fig.46

2. Beat the dust off from the HEPA filter. The HEPA filter can be washed with water. Rinse away the dust and particles on the HEPA filter every 1 or 2 month. After that, dry the HEPA filter completely in a shaded and well-ventilated place to prevent unpleasant odor or malfunctions.

3. To install the HEPA filter, insert the side without the flap into the holder then push the HEPA filter downward until the flap is secured by the rib.

► Fig.47: 1. Holder 2. HEPA filter 3. Rib 4. Flap

Cleaning the dust bag

Regularly clean the dust bag with soap and water. Turn the dust bag inside out and remove the sticky dust. Wash lightly by hand and rinse well with water. Dry completely before installing to the vacuum cleaner.

► Fig.48

NOTICE: Wet dust bag lowers the vacuuming performance as well as the life of the motor.

OPTIONAL ACCESSORIES

CAUTION: These accessories or attachments are recommended for use with your Makita tool specified in this manual. The use of any other accessories or attachments might present a risk of injury to persons. Only use accessory or attachment for its stated purpose.

If you need any assistance for more details regarding these accessories, ask your local Makita Service Center.

- Hose (for dust extraction type)
- Hose (for vacuum cleaner type)
- Extension wand
- Free nozzle
- T-shape nozzle
- Seat nozzle
- Corner nozzle
- Shelf brush
- Round brush
- Bent pipe assembly
- Filter bag
- Dust bag
- Front cuff
- HEPA filter
- Harness cover
- Wireless unit
- Cyclone attachment
- Makita genuine battery and charger

NOTE: Some items in the list may be included in the tool package as standard accessories. They may differ from country to country.

Cyclone attachment

NOTE: When using the cyclone attachment with this appliance, the bent pipe is also required.

► Fig.49: 1. Cyclone attachment

About the cyclone attachment

Using the cleaner with the cyclone attachment installed reduces the amount of dust that enters the dust bag, which helps to prevent the suction force from weakening. In addition, cleaning after use is also simple.

CAUTION: Always be sure that the tool is switched off and the battery cartridge is removed before carrying out any work on the tool. If the battery cartridge is left inserted, the cleaner may start unexpectedly and result in injury.

CAUTION: Clean the mesh filter of the cyclone attachment and the dust bag of the cleaner unit when they become clogged. Continued use in the clogged condition may result in heating or smoke.

NOTICE: When the cyclone attachment is attached, do not use the cyclone attachment in the horizontal or upward facing condition. Doing so may cause the mesh filter to become clogged.

NOTICE: Always use the cleaner with the dust bag installed, even when using the cyclone attachment. Using the cleaner without the dust bag installed may result in a motor malfunction.

NOTE: Check that the cyclone attachment, cleaner, and straight pipe are locked properly before use.

NOTE: Empty the dust case of the cyclone attachment and the dust bag of the cleaner when dust has accumulated. Continued use will result in weakened suction force.

NOTE: You can use the cyclone attachment with or without lock function.

NOTE: To install or remove the cyclone attachment, refer to the section "Using as a cleaner".

Disposing of dust

When dust has accumulated up to the full line of the dust case, follow the procedure below and dispose of the dust.

1. Hold the dust case firmly, press and hold the two buttons, and remove the dust case.

► Fig.50: 1. Full line 2. Dust case 3. Button (two locations) 4. Mesh filter

2. Dispose of the dust inside the dust case and remove any dust and powder adhered to the surface of the mesh filter.

3. Insert the dust case all the way until the two buttons lock with a click.

► Fig.51: 1. Dust case 2. Button (two locations)

NOTE: Check that the cyclone attachment, cleaner, and straight pipe are locked properly before restarting operation.

NOTE: If the suction force does not recover even after disposing of the dust and cleaning the mesh filter, check whether dust has accumulated in the dust bag of the cleaner or clogging has occurred.

Cleaning

When the dust case becomes dirty or the mesh filter is clogged, remove and wash them with water. (Refer to “Disposing of dust” for the removal procedure.)

Dry the parts thoroughly before reinstallation and use.

► **Fig.52:** 1. Dust case 2. Mesh filter

When the mesh filter gets dirty badly, clean it in the following procedures.

1. Turn the mesh filter counterclockwise and remove it while the hooks are unlocked.

► **Fig.53:** 1. Mesh filter 2. Hook

2. Remove the dust on the mesh filter and then wash it with water. After that, dry it thoroughly.

3. Insert the mesh filter into the base while the hooks are aligned with the port. Turn the mesh filter clockwise until the hooks are locked with a click. Make sure that the mesh filter is installed securely.

► **Fig.54:** 1. Mesh filter 2. Hook 3. Port

警告

- 本设备不得由不熟悉操作说明的人员（包括小孩）和体力、感觉及心智不健全或缺乏经验和知识的人员使用。
- 应看管好儿童，勿让其玩耍本吸尘器。
- 有关电池的类型信息，请参阅“规格”章节。
- 有关如何拆卸或安装电池的信息，请参阅“安装或拆卸电池组”部分。
- 丢弃电池组时，需将其从工具上卸下并在安全地带进行处理。关于如何处理废弃的电池，请遵循当地法规。
- 如长时间不使用工具，必须将电池从工具内取出。
- 请勿使电池组短路。
- 有关用户维护期间的注意事项的详情，请参阅“维护”章节。

规格

型号:	VC009G	
集尘能力	过滤袋	2.0 L
	集尘袋	1.5 L
最大风量	1.9 m ³ /min	
真空吸力	18 kPa	
尺寸 (长 × 宽 × 高) (不含肩带, 含BL4040)	233 mm x 150 mm x 375 mm	
额定电压	D.C. 36 V - 40 V (最大)	
净重	4.1 - 5.3 kg	

- 生产者保留变更规格不另行通知之权利。
- 规格可能因销往国家之不同而异。
- 重量不含附件，但包含电池组。设备和电池组的最轻和最重组合重量见表格。

适用电池组和充电器

电池组	BL4020 / BL4025 / BL4040 / BL4050F / BL4080F
充电器	DC40RA / DC40RB / DC40RC

- 部分以上所列电池组和充电器是否适用视用户所在地区而异。

⚠警告： 请仅使用以上所列电池组和充电器。使用其他类型的电池组或充电器可能会导致人身伤害和/或失火。

⚠警告： 请勿对本工具使用带线电源，例如电池连接转换器或便携电源装置。此类电源的电缆可能会阻碍操作，进而导致人员受伤。

符号

以下显示本设备可能会使用的符号。在使用工具之前，请务必理解其含义。



阅读使用说明书。



特别小心和注意。



适用于本产品的代表性电池。



仅限于欧盟国家

由于本设备中包含有害成分，因此废弃的电气和电子设备、蓄电池和普通电池可能会对环境和人体健康产生负面影响。请勿将电气和电子工具或电池与家庭普通废弃物放在一起处置！

根据欧洲关于废弃电气电子设备、蓄电池和普通电池的指令及其国家层面的修订法案，废弃的电气设备、普通电池和蓄电池应当单独存放并递送至城市垃圾收集点，根据环保法规进行处置。

此规定由标有叉形标志的带轮垃圾桶符号表示。

用途

本工具用于收集干尘。本工具适用于商业用途，例如，用于酒店、学校、医院、工厂、商店、办公室和租借的办公场所。

安全警告

充电式吸尘器安全警告

警告： 重要事项 使用前请仔细阅读所有的安全警告和所有的说明事项。若不遵循警告和说明事项，可能导致触电、起火和/或严重的人身伤害。

1. 使用前，请确保本吸尘器必须由经过培训的合格人员使用。
2. 请勿在没有过滤器的情况下使用吸尘器。如果过滤器受损，请立即更换。
3. 请勿试图吸取可燃物、鞭炮、点燃的香烟、热灰、热金属片、以及剃刀、针、碎玻璃等尖锐物体。

4. 切勿在附近有汽油、煤气、油漆、粘合剂或其他易爆物质的环境下使用吸尘器。开启和关闭时开关会发出火花。操作期间电机整流器也会发出火花。可能会导致爆炸。
5. 该集尘器不适合吸取有毒灰尘。
6. 切勿吸取有毒物质、致癌物质、易燃物质或石棉、砷、钡、铍、铅、杀虫剂等有害物质或其他危及健康的物质。
7. 下雨时切勿在室外使用吸尘器。
8. 芬兰地区用户不得在低温户外使用本机。
9. 请勿在热源（火炉等）附近使用。
10. 请勿堵塞冷却通风口。这些通风口可冷却电机。应小心避免堵塞，否则电机可能会因为通风不足而被烧坏。
11. 操作时请双脚站稳，始终保持平衡。
12. 请勿折叠、拉拽或踩踏软管。
13. 如果您在操作期间发现性能下降或任何异常，请立即停止工具。
14. 断开电池组与工具的连接。不使用时，维修前或更换附件时请断开吸尘器电源。
15. 每次使用后请立即清洁和维护吸尘器，使其处于最佳的工作状态。
16. 小心保养吸尘器。保持吸尘器的清洁，以提高产品的性能和安全性。根据说明更换附件。保持把手干燥、清洁，无油污和润滑油。
17. 检查有无部件损坏。在进一步使用吸尘器之前，应仔细检查保护罩或其他部件有无损坏，以确定工具是否可以正常运转。检查运动部件是否有偏差或粘连、部件是否破损、安装是否妥当以及其他可能会影响工具运行的情况。除非本手册另有声明，否则应由授权维修中心对受损保护罩或其他部件进行修复或更换。失灵的开关由授权的维修中心进行更换。如果开关不能开启和关闭吸尘器，请勿使用。
18. 更换部件。进行维修时，请仅使用与原来相同的更换部件。
19. 存放闲置的吸尘器。不使用时，应将吸尘器存放在室内。
20. 善待吸尘器。即便吸尘器再结实，野蛮操作也会将其损坏。
21. 请勿试图用苯、稀释剂或清洁用化学品清洁工具的外部或内部。否则可能会导致工具破裂和褪色。

22. 请勿在存放有油基涂料、涂料稀释剂、汽油或防蛀物品，会释放出易燃、易爆或有毒气体的密闭空间里或存在易燃灰尘的地方使用吸尘器。
23. 请勿在麻醉品、酒精等影响下操作本设备。
24. 作为一项基本的安全措施，请佩戴带侧面罩的护目镜或安全眼镜。
25. 在灰尘较多的工作环境下请使用防尘面罩。
26. 本设备不得由不熟悉操作说明的人员（包括小孩）和体力、感觉及心智不健全或缺乏经验和知识的人员使用。
27. 应看管好儿童，勿让其玩耍本吸尘器。
28. 切勿用湿手操作电池和集尘器。
29. 清洁楼梯时要特别注意安全。
30. 切勿将吸尘器当做凳子或工作台使用。机器可能会跌倒导致人身伤害。

用电池驱动的电动工具的使用和保养

1. 请仅使用制造商指定的充电器进行充电。将适用于某一种类型电池组的充电器用于其他类型的电池组时，可能会导致起火。
2. 电动工具仅可使用专门指定的电池组。使用其他类型的电池组可能会导致人身伤害或起火。
3. 不使用电池组时请将其远离纸夹、硬币、钥匙、钉子、螺丝或其他小型金属物体放置。这些物体可能会使电池端子短路。这些物体可能会使电池端子短路，引起燃烧或起火。
4. 使用过度时，电池中可能溢出液体。请避免接触。如果意外接触到电池漏液，请用水冲洗。如果液体接触到眼睛，请就医。电池漏液可能会导致过敏发炎或灼伤。
5. 不要使用损坏或改装过的电池包或工具。损坏或改装过的电池组可能呈现无法预测的结果，导致着火、爆炸或伤害。
6. 不要将电池包暴露于火或高温中。电池包暴露于火或高于130 °C的高温中可能导致爆炸。
7. 遵循所有充电说明。不要在说明书中指定的温度范围之外给电池包或电动工具充电。不正确或在指定的温度范围外充电可能会损坏电池和增加着火的风险。
8. 请勿对本工具使用带线电源，例如电池连接转换器或便携电源装置。此类电源的电缆可能会阻碍操作，进而导致人员受伤。

维修

1. 将您的电动工具送交专业维修人员，使用同样的备件进行修理。这样将确保所维修的电动工具的安全性。
2. 上润滑油及更换附件时请遵循本说明书指示。
3. 手柄务必保持干燥、清洁、无油（脂）。

电池组的重要安全注意事项

1. 在使用电池组之前，请仔细阅读所有的说明以及（1）电池充电器，（2）电池，以及（3）使用电池的产品上的警告标记。
2. 切勿拆卸或改装电池组。否则可能引起火灾、过热或爆炸。
3. 如果机器运行时间变得过短，请立即停止使用。否则可能会导致过热、起火甚至爆炸。
4. 如果电解液进入您的眼睛，请用清水将其冲洗干净并立即就医。否则可能会导致视力受损。
5. 请勿使电池组短路：
 - (1) 请勿使任何导电材料碰到端子。
 - (2) 避免将电池组与其他金属物品如钉子、硬币等放置在同一容器内。
 - (3) 请勿将电池组置于水中或使其淋雨。电池短路将产生大的电流，导致过热，并可能导致起火甚至击穿。
6. 请勿在温度可能达到或超过50°C（122°F）的场所存放以及使用工具和电池组。
7. 即使电池组已经严重损坏或完全磨损，也请勿焚烧电池组。电池组会在火中爆炸。
8. 请勿对电池组射钉，或者切削、挤压、抛掷、掉落电池组，又或者用硬物撞击电池组。否则可能引起火灾、过热或爆炸。
9. 请勿使用损坏的电池。
10. 本工具附带的锂离子电池需符合危险品法规要求。
第三方或转运代理等进行商业运输时，应遵循包装和标识方面的特殊要求。有关运输项目的准备作业，咨询危险品方面的专业人士。同时，请遵守可能更为详尽的国家法规。
请使用胶带保护且勿遮掩表面的联络信息，并牢固封装电池，使电池在包装内不可动。

11. 丢弃电池组时，需将其从工具上卸下并在安全地带进行处理。关于如何处理废弃的电池，请遵循当地法规。
 12. 仅将电池用于Makita（牧田）指定的产品。将电池安装至不兼容的产品会导致起火、过热、爆炸或电解液泄漏。
 13. 如长时间未使用工具，必须将电池从工具内取出。
 14. 使用工具期间以及使用工具之后，电池组温度可能较高易引起灼伤或低温烫伤。处理高温电池组时请小心操作。
 15. 在使用工具后请勿立即触碰工具的端子，否则可能引起灼伤。
 16. 避免锯屑、灰尘或泥土卡入电池组的端子、孔口和凹槽内。否则可能会导致过热、着火、爆炸和工具/电池组故障，导致烫伤或人身伤害。
 17. 除非工具支持在高压电源线路附近使用，否则请勿在高压电源线路附近使用电池组。否则可能导致工具或电池组故障或失常。
 18. 确保电池远离儿童。
4. 请勿将此无线装置暴露在雨水或潮湿的环境中。
 5. 请勿在温度超过50°C的环境下使用此无线装置。
 6. 请勿在医疗器械（例如心脏起搏器）附近运行此无线装置。
 7. 请勿在自动化设备附近运行此无线装置。否则，自动化设备可能会发生故障或出现错误。
 8. 不要在高温场所或可能产生静电或电气噪音的场所操作无线装置。
 9. 无线装置会产生对用户无害的电磁场（EMF）。
 10. 此无线装置属于精密仪器。请小心，勿掉落或撞击此无线装置。
 11. 避免徒手或用金属材料接触无线装置的端子。
 12. 在产品中安装无线装置时，务必取下产品上的电池。
 13. 请勿在那些可能会使灰尘和水进入插槽的地方打开插槽的封盖。插槽的插口务必保持干净清洁。
 14. 务必沿正确的方向插入无线装置。
 15. 请勿过度用力按压无线装置上的无线启动按钮，也不可使用边缘锋利的物体按压该按钮。
 16. 运行此无线装置时务必关闭插槽的封盖。
 17. 切勿在工具正在通电的情况下从插槽取下无线装置。否则可能会导致此无线装置发生故障。
 18. 切勿揭下此无线装置上的贴纸。
 19. 切勿在此无线装置上粘贴任何贴纸。
 20. 切勿将此无线装置留在可能会产生静电或电气噪音的地方。
 21. 切勿将此无线装置留在可能会产生高温的地方，例如阳光照射下的车内。
 22. 切勿将此无线装置留在灰尘或粉尘较重的地方，或可能会产生腐蚀性气体的地方。
 23. 温度的剧烈变化可能会使此无线装置产生凝露。露水未完全干燥前，请勿使用此无线装置。
 24. 清洁此无线装置时，请使用柔软的干抹布轻轻擦拭。切勿使用汽油、稀释剂或导电脂等类似物品。
 25. 存放此无线装置时，请将其放在随附的盒中或防静电的容器中。
 26. 请勿将非Makita（牧田）无线装置的任何其它设备插入工具的插槽中。

请保留此说明书。

小心： 请仅使用Makita（牧田）原装电池。使用非Makita（牧田）原装电池或经过改装的电池可能会导致电池爆炸，从而造成火灾、人身伤害或物品受损。同时也会導致牧田工具和充电器的牧田保修服务失效。

保持电池最大使用寿命的提示

1. 在电池组电量完全耗尽前及时充电。发现工具电量低时，请停止工具操作，并给电池组充电。
2. 请勿对已充满电的电池组重新充电。过度充电将缩短电池的使用寿命。
3. 请在10 °C - 40 °C (50 °F - 104 °F) 的室温条件下给电池组充电。请在灼热的电池组冷却后再充电。
4. 不使用电池组时，请将其从工具或充电器上拆除。
5. 如果电池组长时间（超过六个月）未使用，请给其充电。

无线装置的重要安全注意事项

1. 切勿拆卸或改装此无线装置。
2. 请远离儿童存放无线装置。如果意外吞食，请立即就医。
3. 此无线装置仅用于Makita（牧田）电动工具。

27. 如果插槽的封盖受损，请勿使用该工具。否则水、灰尘和泥土进入插槽可能会导致故障。
28. 如非必要，请勿拉动和 / 或扭动插槽的封盖。如果封盖从工具脱落，请将其还原。
29. 如果插槽的封盖丢失或受损，请更换。
请保留此说明书。

功能描述

⚠️ 小心： 调节或检查工具功能之前，请务必关闭工具的电源并取出电池组。

安装或拆卸电池组

⚠️ 小心： 安装或拆卸电池组之前，请务必关闭工具电源。

⚠️ 小心： 安装或拆卸电池组时请握紧工具和电池组。否则它们可能从您的手中滑落，导致工具和电池组受损，甚至造成人身伤害。

► **图片1：** 1. 红色指示器 2. 按钮 3. 电池组

拆卸电池组时，按下电池组前侧的按钮，同时将电池组从工具中抽出。

安装电池组时，要将电池组上的舌簧与外罩上的凹槽对齐，然后推滑到位。将其完全插入到位，直到锁定并发出咔哒声为止。若能看到图示中的红色指示器，则说明未完全锁紧。

⚠️ 小心： 务必完全装入电池组，直至看不见红色指示器为止。否则，它可能会从工具中意外脱落，从而造成自身或他人受伤。

⚠️ 小心： 请勿强行安装电池组。如果电池组难以插入，可能是插入方法不当。

显示电池的剩余电量

按电池组上的CHECK（查看）按钮可显示电池剩余电量。指示灯将亮起数秒。

► **图片2：** 1. 指示灯 2. CHECK（查看）按钮


指示灯			剩余电量
■ 点亮	□ 熄灭	▧ 闪烁	
■ ■ ■ ■			75%至100%
■ ■ ■ □			50%至75%
■ ■ □ □			25%至50%
■ □ □ □			0%至25%
▧ □ □ □			给电池充电。
■ ■ □ □			电池可能出现故障。
□ □ ■ ■			





注： 在不同的使用条件及环境温度下，指示灯所示电量可能与实际情况略有不同。

注： 当电池保护系统启动时，第一个（最左侧）指示灯将闪烁。

显示电池的剩余电量






► **图片3：** 1. 电池指示灯 2.  按钮

按  按钮可显示剩余电池电量。

电池指示灯状态			剩余的电池电量
■ 亮起	□ 熄灭	▧ 闪烁	
			50%至100%
			20%至50%
			0%至20%
			给电池充电

工具/电池保护系统

本工具配备有工具/电池保护系统。该系统可自动切断电机电源以延长工具和电池寿命。在这种情况下，电池指示灯亮起状态如下表所示。

电池指示灯状态			状态
 亮起	 熄灭	 闪烁	
			过载保护 (电池) / 过热保护 (电池) / 过放电保 护
			过热保护 (工具)

作业时，如果工具或电池处于以下情况，工具将会自动停止运转：

过载保护

工具 / 电池的操作导致电流异常高时，工具会自动停止运转。在这种情况下，请关闭工具并停止导致工具过载的应用操作。然后开启工具重新启动。

过热保护

工具/电池过热时，工具会自动停止运转。在这种情况下，请等待工具/电池冷却后再重新开启工具。

过放电保护

电池电量变低时，工具会自动停止运转。如果在打开开关时本产品仍不运转，请从工具上拆下电池并给电池充电。

其他原因防护

保护系统还适用于其他可能导致工具受损的情况，从而使工具自动停止运转。工具暂时或中途停止工作时，执行以下所有步骤以排除异常原因。

1. 关闭工具，然后再次重新启动。
2. 给电池充电或更换为充电电池。
3. 请等待工具和电池冷却。

如果保护系统恢复后仍无改善，请联络当地的Makita（牧田）维修服务中心。

调节肩带和腰带

可以调节肩带、上胸带和下腰带的张紧度。先使手臂穿过肩带，然后紧固下腰带和上胸带。紧固时，拉图中所示的束带末端。松开时，向上拉紧固装置的末端。

下腰带

- 图片4: 1. 带子 2. 紧固装置

肩带

- 图片5: 1. 带子 2. 紧固装置

上腰带

- 图片6: 1. 带子 2. 紧固装置

提手

小心： 悬挂 / 安装部件只能用于预期用途。用作其他用途可能会引发意外或造成人身伤害。

携带运输集尘器时务必抓握提手。

- 图片7: 1. 提手

待机开关

待机开关用于打开 / 关闭无线启动功能。无论开关位置如何，吸尘器均处于待机状态并在按下 **⓪** 按钮时运转。

- 图片8: 1. 待机开关




开关位置		状态
AUTO	I (ON)	吸尘器处于待机状态并可使用无线启动功能。
	O (OFF)	吸尘器处于待机状态，但不可使用无线启动功能。

开关操作

- 图片9: 1. 吸力切换按钮 2. ON/OFF (开/关) 按钮

要启动吸尘器时，只需按ON/OFF（开/关）按钮即可。关闭工具时，请再次按ON/OFF（开/关）按钮。

您可以按下吸力切换按钮切换吸尘器吸力，吸力档位共有三个。每次按下此按钮都会重复模式1至3循环。

档位	指示	模式
1		常规速度模式
2		高速模式
3		最大速度模式

注：您可以在开启吸尘器之前切换吸力。

注：若未切换吸力，吸尘器将以上次运行的吸力运行。

注：如果在工具刚关闭、电机仍在转动的情况下取出电池，则吸尘器可能不会以上次运行的吸力运行。

软管束带

软管束带可用于固定软管或通用集尘口。要固定软管至集尘器主机，请使软管束带穿过主机上的槽口。您可以将软管束带固定至任一侧。

► **图片10：** 1. 软管束带 2. 槽口 3. 软管

如图所示，下腰带上的卷环可用于携带集尘口。

► **图片11：** 1. 卷环 2. 集尘口

装配

⚠小心：对工具进行任何装配操作前，请务必关闭工具并取出电池组。

组装软管

将软管口插入吸尘器机身并顺时针转动。

► **图片12：** 1. 软管接头 2. 集尘器机身

连接工具

如果弯管组件已安装至软管，请松开弯管组件的套筒并将其取下。

► **图片13：** 1. 软管 2. 弯管组件 3. 套筒

1. 安装前端管口至除尘软管。
连接前端管口时，确保其与软管牢固接合。

2. 将前端管口连接至工具的除尘出气口。
► **图片14：** 1. 前端管口 2. 除尘出气口 3. 软管

可在握住软管的同时逆时针旋转前端管口将其拆下。

注：务必使用合适的前端管口。使用24号前端管口时，请将其安装至已连接软管的22号前端管口。

► **图片15：** 1. 22号前端管口 2. 24号前端管口

用作吸尘器

如果要将本产品用作吸尘器，请按以下步骤操作。

注意：如果前端管口已安装至软管，请先将其取下。

注：弯管组件、伸延杆和集尘口在某些国家作为选购附件提供。

注：弯管组件有两种类型：一种用于滑动型伸延杆，另一种用于环型伸延杆。如果您准备弯管组件，应选择适合所需伸延杆类型的弯管组件。

1. 将弯管组件上的套筒紧固至软管。

► **图片16：** 1. 软管 2. 弯管组件 3. 套筒

拆下弯管组件时，拧松软管上的弯管组件的套筒。

2. 边转动边插入集尘口至伸延杆。

► **图片17：** 1. 伸延杆 2. 通用集尘口 3. T型集尘口 4. T型集尘口（纤细）

注：边转动边插入集尘口，可将集尘口牢固安装至伸延杆。

3. 根据伸延杆的类型，按照以下步骤操作：

注：滑动型伸延杆和环型伸延杆互不兼容。如果要将滑动型伸延杆换成环型伸延杆或相反，还应更换弯管组件。

对于滑动型伸延杆

背负吸尘器主机，然后将伸延杆插入弯管组件直至其发出咔嚓声。要断开时，按下按钮并抽出伸延杆。

► **图片18：** 1. 弯管组件 2. 按钮 3. 滑动型伸延杆

可以调节杆的长度。
按滑动钮，调节杆的长度。松开滑动钮时，长度即被锁定。

► **图片19：** 1. 滑动钮

对于环型伸延杆

背负吸尘器主机，然后边转动边插入伸延杆至弯管组件。要断开时，边转动边将其抽出。

► **图片20：** 1. 弯管组件 2. 环型伸延杆 3. 通用集尘口

注：通用集尘口可直接安装至不带管锁的弯管组件。

可以调节杆的长度。

拧松杆上的环并调节杆的长度。在所需的长度拧紧环。

► **图片21:** 1. 环

软管挂钩

悬挂操作时，弯管组件上挂钩可用于悬挂下腰带上的杆。

► **图片22:** 1. 挂钩 2. 下腰带

安装过滤袋 / 集尘袋

选购附件

小心： 请勿使用损坏的过滤袋。使用集尘器时，务必确保过滤袋已正确安装。否则吸入的灰尘或颗粒物有可能会从集尘器排出，可能会导致操作者罹患呼吸道疾病。

注意： 过滤袋已满时，请更换新的。集尘袋已满时，请将其清空。继续使用已满的过滤袋/集尘袋会导致吸力下降。

注意： 为防止灰尘进入电机：

- 确保在使用前已安装过滤袋/集尘袋。
- 请勿使用已受损或破裂的集尘袋。

否则可能会损坏电机。

注意： 安装过滤袋/集尘袋时，请勿折叠其开口处的卡纸板。

注意： 用于本吸尘机的过滤袋/集尘袋是保持工具良好性能的重要部件。使用非原装过滤袋/集尘袋可能引起冒烟或起火。

注： 集尘器中没有安装过滤袋/集尘袋时，前盖板不会完全关闭。

► **图片23**

1. 将锁定杆解锁，然后打开集尘箱盖板。

► **图片24:** 1. 锁定杆 2. 集尘箱盖板

2. 将过滤袋插入图中所示部位上侧的凹槽中。

► **图片25:** 1. 凹槽 2. 过滤袋

使用集尘袋时，将集尘袋的边缘插入凹槽。

► **图片26:** 1. 凹槽 2. 边缘 3. 集尘袋

3. 将过滤袋的孔对准软管接头，将卡纸板部分推入到底。请确保过滤袋的橡胶垫贴紧软管接口的边缘。

► **图片27:** 1. 过滤袋的橡胶垫 2. 软管接口的边缘 3. 过滤袋的卡纸板部分 4. 软管接头

4. 将集尘箱盖板牢固锁定。

小心： 钩住锁扣以及关闭集尘箱盖板时请小心操作，避免夹住手指。

操作

警告： 操作者必须充分了解如何使用该集尘器。

警告： 该集尘器不适合吸取有毒灰尘。

小心： 该吸尘器仅用于干燥环境。

小心： 插入电池组时请务必使其完全锁紧到位。如果插入后仍能看到按钮上侧的红色指示灯，则说明电池组未完全锁紧。此时，须将电池适配器完全插入，直到红色指示灯不亮为止。否则它可能会意外从工具中脱落，从而造成自身或他人受伤。

小心： 作业期间，应注意背负的吸尘器。如果吸尘器磕碰到墙壁或软管被障碍物勾住，您可能会失去平衡。

1. 背负吸尘器主机，并固定下腰带和上胸带。根据需要调节张紧度。

► **图片28**

2. 按下①按钮开始吸尘。要切换吸力时，请按 MODE 按钮直至选择了所需的吸力。按下①按钮停止吸尘。

► **图片29**

作业期间，请将开关盒悬于下腰带或D形环上。

► **图片30**

3. 过滤袋装满时请更换。打开开盖，取出过滤袋。拉动开口侧的带子以闭合过滤袋，然后整体丢弃过滤袋。

► **图片31:** 1. 带子

使用集尘袋时，请取出集尘袋并松开锁扣以清理灰尘。

► **图片32:** 1. 锁扣

注意： 定期检查过滤袋是否已满。继续使用已满的过滤袋会导致吸力下降。

注意： 不要使用用过的过滤袋。过滤袋设计为一次性耗材。重复使用过滤袋可能会堵塞过滤器并造成吸尘器损坏。如果要重复使用，请使用集尘袋。

无线启动功能

无线启动功能的作用

无线启动功能让操作更加干净舒适。将受支持的工具连接至集尘器，集尘器可随工具的开关操作自动运行。

► 图片33

注意： 务必按照使用说明书使用带无线启动功能的集尘器。

注意： 切勿拆卸或改装此无线装置。

注意： 为防止灰尘进入无线装置的插槽，请务必在作业和存放期间牢固闭合封盖。

注意： 切勿在通电的情况下取下无线装置。否则可能会导致此无线装置发生故障。

注意： 请勿过度用力按压无线启动按钮，也不可使用边缘锋利的物体按压该按钮。

注： 使用无线启动功能需要装配了无线装置的Makita（牧田）电动工具。

注： 首次使用各个工具的无线启动功能之前，需要先进行工具注册。一旦工具完成注册，除非取消注册，否则不再需要重新注册。

注： 在注册前，请确保已正确插入无线装置。

注： 一个无线装置最多可关联注册10个其他无线装置。如果一个无线装置注册的其他无线装置超过10个，则最先注册的无线装置会被自动删除。

注： 无线启动按钮的具体位置因工具不同而异。

注： 当待机开关被设为“**I(ON)**”（开）时，按**①**按钮也会启动吸尘器。

但是，当使用无线启动功能时，**①**按钮将不工作。

安装无线装置

⚠小心： 安装无线装置时，请将吸尘器放置在平坦且稳固的表面上。

注意： 安装无线装置前，请先清洁吸尘器上的灰尘和污垢。如果灰尘和污垢进入无线装置的插槽，则可能会导致其发生故障。

注意： 为避免静电导致故障发生，拿起无线装置前，请先触摸静电释放材料，例如金属部件。

注意： 安装无线装置时，务必确保沿正确方向插入无线装置，且将封盖完全关闭。

1. 如图所示打开吸尘机的封盖。

► **图片34：** 1. 封盖

2. 将无线装置插入插槽，然后关闭封盖。插入无线装置时，请将凸起部分对齐插槽上的凹陷部分。

► **图片35：** 1. 无线装置 2. 突起部分 3. 封盖 4. 凹陷部分

拆下无线装置时，请缓慢打开封盖。封盖后面的挂钩在拉起封盖时会钩住无线装置。

► **图片36：** 1. 无线装置 2. 挂钩 3. 封盖

取下无线装置后，请将其放在随附的盒中或防静电的容器中。

注意： 取下无线装置时，务必使用封盖后面的挂钩。如果挂钩未钩住无线装置，请完全关闭封盖，然后再缓慢打开。

集尘器的工具注册

注： 进行工具注册需要支持无线启动功能的Makita（牧田）电动工具。

注： 开始工具注册前，请先将无线装置安装至工具。

注： 工具注册期间，请勿扣动工具上的开关扳机，或按吸尘机的开关进行吸尘。

注： 请参阅工具的使用说明书。

如果您希望集尘器可随工具的开关操作而启动，请预先完成工具注册。

1. 分别将无线装置安装至吸尘机和工具。

2. 安装集尘器和工具的电池。

3. 将吸尘器上的待机开关设为“**I(ON)**”（开）。

► **图片37：** 1. 待机开关

4. 按住集尘器上的无线启动按钮3秒，直至无线启动指示灯呈绿色闪烁。然后以相同的方式按工具上的无线启动按钮。

► **图片38:** 1. 无线启动按钮 2. 无线启动指示灯

如果集尘器和工具成功闪烁，无线启动指示灯将呈绿色亮起2秒，然后开始呈蓝色闪烁。

注：无线启动指示灯在20秒后结束绿色闪烁。当集尘器上的无线启动指示灯闪烁时，按下工具上的无线启动按钮。如果无线启动指示灯未呈绿色闪烁，短按一下无线启动按钮，然后再次按住该按钮。

注：对集尘器执行两个或以上工具注册时，请逐个完成工具注册。

启动无线启动功能

注：完成集尘器无线启动功能的工具注册。

注：放置集尘器时，务必使自己可以随时看到无线启动指示灯的状态。

注：请参阅工具的使用说明书。

将工具注册至集尘器后，集尘器会随着工具的开关操作自动运行。

1. 分别将无线装置安装至吸尘机和工具。
2. 安装吸尘机和工具的电池。
3. 将集尘器的软管连接至工具。

► **图片39**

4. 将吸尘机上的待机开关设为“**I (ON)**”（开）。无线启动指示灯将呈蓝色闪烁。

► **图片40:** 1. 待机开关

5. 短按一下工具上的无线启动按钮。无线启动指示灯将呈蓝色闪烁。

► **图片41:** 1. 无线启动按钮 2. 无线启动指示灯

6. 打开工具。检查工具运转期间集尘器是否运行。

⚠小心：使用工具开始作业前，务必检查无线启动功能是否工作。

要停止无线启动功能，请按下工具上的无线启动按钮，或将待机开关设至“**O (OFF)**”（关）。

注：闲置2小时无操作后，工具上的无线启动指示灯会停止蓝色闪烁。在此情况下，请再按工具上的无线启动按钮。

注：集尘器会延迟启动/停止。集尘器检测工具的开关操作会存在时滞。

注：无线装置的传送距离视位置和周边环境不同而异。

注：当一个集尘器被注册了两个或多个工具时，则即使您未开启工具，该集尘器也可能因为其他用户正在使用无线启动功能而开始运行。

取消集尘器的工具注册

取消集尘器的工具注册时，请执行以下步骤。

1. 分别将无线装置安装至吸尘机和工具。
2. 安装集尘器和工具的电池。
3. 将吸尘机上的待机开关设为“**I (ON)**”（开）。

► **图片42:** 1. 待机开关

4. 按住集尘器上的无线启动按钮6秒。无线启动指示灯呈绿色闪烁，然后转为红色。然后以相同的方式按工具上的无线启动按钮。

► **图片43:** 1. 无线启动按钮 2. 无线启动指示灯

如果成功执行取消工具注册，无线启动指示灯将呈红色亮起2秒，然后开始呈蓝色闪烁。

注：无线启动指示灯在20秒后结束红色闪烁。当集尘器上的无线启动指示灯闪烁时，按下工具上的无线启动按钮。如果无线启动指示灯未呈红色闪烁，短按一下无线启动按钮，然后再次按住该按钮。

删除所有工具注册

您可以按照如下方式删除所有工具注册。

► **图片44:** 1. 待机开关 2. 无线启动按钮 3. 无线启动指示灯

1. 将无线装置安装至吸尘机。
2. 安装集尘器的电池。
3. 将待机开关设为“**I (ON)**”（开）。
4. 按住无线启动按钮约6秒，直至无线启动指示灯呈红色闪烁（约每秒闪烁两次）。

5. 当无线启动指示灯开始呈红色闪烁时，请松开按在无线启动按钮上的手指。然后再次按住无线启动按钮约6秒。

6. 当无线启动指示灯开始快速闪烁（约每秒闪烁5次）时，请松开按在无线启动按钮上的手指。当无线启动功能指示灯呈红色亮起并随后熄灭时，所有工具注册均已删除。

注： 如果无线启动指示灯未呈红色闪烁，短按一下无线启动按钮，然后重试。

无线启动指示灯状态的说明

► **图片45:** 1. 无线启动按钮 2. 无线启动指示灯

无线启动指示灯显示无线启动功能的状态。关于指示灯状态的意义请参阅下表。

状态	无线启动指示灯			说明	
	颜色	 亮起	 闪烁		时长 (大约)
待机	蓝色			集尘器：继续工作 工具：2小时	等待工具注册或无线启动功能生效。当待机开关设为“ I(ON) ”（开）时，吸尘器上的指示灯闪烁。按下无线启动按钮时，工具上的指示灯闪烁。2小时无操作后工具上的指示灯会自动熄灭。
				工具正在运行时。	
工具注册	绿色			20秒	准备好进行工具注册。搜索要注册的工具。
				2秒	完成工具注册。无线启动指示灯将开始呈蓝色闪烁。
取消 / 删除工具注册	红色	 (慢速： 2次 / 秒)		20秒	准备好取消工具注册。搜索要取消的工具。
		 (快速： 5次 / 秒)		按下无线启动功能时。	准备删除所有工具注册。
				2秒	工具注册已取消 / 删除。无线启动指示灯将开始呈蓝色闪烁。
其它	红色			3秒	向无线装置供电，且无线启动功能启动。
	熄灭	-		-	待机开关未设为“ I(ON) ”（开）。

无线启动功能的故障排除

请求维修前，请首先自行检查。如果您发现本手册中未作说明的问题，请勿拆解工具。而请联络Makita（牧田）授权维修服务中心，务必使用Makita（牧田）的替换部件进行修复。

异常状态	可能原因（故障）	纠正措施
无线启动指示灯未亮起 / 闪烁。	无线装置未安装至吸尘机和 / 或工具。 无线装置未正确安装至吸尘机和 / 或工具。	正确安装无线装置。
	无线装置的端子和 / 或插槽脏污。	轻轻擦除无线装置端子上的灰尘和污垢并清洁吸尘机和 / 或工具上的插槽。
	未按工具上的无线启动按钮。	短按一下工具上的无线启动按钮。确保无线启动指示灯呈蓝色闪烁。
	吸尘机上的待机开关未设为“ I(ON) ”（开）。	将吸尘机上的待机开关设为“ I(ON) ”（开）。
	未通电	接通工具和集尘器电源。
未成功完成工具注册 / 取消工具注册操作。	无线装置未安装至吸尘机和 / 或工具。 无线装置未正确安装至吸尘机和 / 或工具。	正确安装无线装置。
	无线装置的端子和 / 或插槽脏污。	轻轻擦除无线装置端子上的灰尘和污垢并清洁吸尘机和 / 或工具上的插槽。
	吸尘机上的待机开关未设为“ I(ON) ”（开）。	将吸尘机上的待机开关设为“ I(ON) ”（开）。
	未通电	接通工具和集尘器电源。
	错误操作	短按一下无线启动按钮，并再次执行工具注册 / 取消工具注册操作步骤。
	工具和集尘器相隔较远（超出传送范围）。	缩短工具和集尘器之间的距离。它们之间的最大距离为约 10 m ，该距离视实际环境不同而异。
	完成工具注册 / 取消工具注册之前： -打开了工具的开关； -打开了集尘器上的电源按钮。	短按一下无线启动按钮，并再次执行工具注册 / 取消工具注册操作步骤。
	工具或吸尘机的工具注册步骤未完成。	同时对工具和集尘器执行工具注册步骤。
其它设备的无线电干扰会产生高强度的无线电波。	使工具和集尘器远离Wi-Fi设备和微波炉等电器。	

异常状态	可能原因（故障）	纠正措施
集尘器未随着工具的开关操作而运行。	无线装置未安装至吸尘机和 / 或工具。 无线装置未正确安装至吸尘机和 / 或工具。	正确安装无线装置。
	无线装置的端子和 / 或插槽脏污。	轻轻擦除无线装置端子上的灰尘和污垢并清洁吸尘机和 / 或工具上的插槽。
	未按工具上的无线启动按钮。	短按一下工具上的无线启动按钮。 确保无线启动指示灯呈蓝色闪烁。
	吸尘器上的待机开关未设为“ I (ON) ”（开）。	将吸尘器上的待机开关设为“ I (ON) ”（开）。
	集尘器可注册超过10个工具。	请再次执行工具注册。 如果集尘器注册的工具有超过10个，则最先注册的工具会被自动删除。
	集尘器删除了所有工具注册。	再次执行工具注册。
	未通电	接通工具和集尘器电源。
	工具和集尘器相隔较远（超出传送范围）。	缩短工具和集尘器之间的距离。它们之间的最大距离为约10 m，该距离视实际环境不同而异。
	其它设备的无线电干扰会产生高强度的无线电波。	使工具和集尘器远离Wi-Fi设备和微波炉等电器。
工具未运转但集尘器运行。	其他用户正在他们的工具上使用该集尘器的无线启动功能。	执行以下一种操作： -将吸尘器上的待机开关设至“ O ”位置或； -关闭其他工具的无线启动按钮或； -取消其他工具的工具注册。
无法全部删除集尘器中的工具注册。	按一下工具上的无线按钮。	按一下集尘器上的无线按钮以删除所有工具注册。
	吸尘器上的待机开关未设为“ I (ON) ”（开）。	将吸尘器上的待机开关设为“ I (ON) ”（开）。
	未正确按住无线启动按钮。	按住无线启动按钮6秒以上，当无线启动指示灯呈红色闪烁时释放按钮。再次按住无线启动按钮6秒以上，直至无线启动指示灯呈红色快速闪烁后再释放按钮。

保养

⚠️ 小心： 检查或保养工具之前，请务必关闭机器并取出电池组。

注意： 切勿使用汽油、苯、稀释剂、酒精或类似物品清洁工具。否则可能会导致工具变色、变形或出现裂缝。

为了保证产品的安全与可靠性，维修、任何其他维修保养或调节需由Makita（牧田）授权的或工厂维修服务中心完成。务必使用Makita（牧田）的替换部件。

清洁HEPA过滤器

⚠️小心：不得在未安装HEPA过滤器的情况下使用吸尘器或者继续使用已脏污或损坏的HEPA过滤器。吸入的灰尘或颗粒可能会从吸尘器中排出，导致操作人员出现呼吸道疾病。

注意：为保持最佳吸力并排出清洁空气，请定期清洁HEPA过滤器。如果清洁后吸力仍不足，请更换新的HEPA过滤器。

注意：为防止HEPA过滤器受损，请勿使用以下和类似工具进行清洁：

- 空气除尘器
- 高压清洗机
- 金属刷等采用硬质材料制成的工具

1. 打开封盖，然后取出过滤袋。释放HEPA过滤器上的挂钩，然后将其从吸尘器主体上拆除。

► **图片46**

2. 拍掉HEPA过滤器上的灰尘。HEPA过滤器可用水冲刷。每隔1或2个月冲洗去HEPA过滤器上的灰尘和颗粒。随后，为防止异味或故障，请将HEPA过滤器放置在阴凉且通风良好的地点彻底晾干。

3. 安装HEPA过滤器时，将没有垂悬平片的一侧插入支架，然后向下按HEPA过滤器直至垂悬平片被肋片固定。

► **图片47：** 1. 支架 2. HEPA过滤器 3. 肋片
4. 垂悬平片

清洁集尘袋

定期使用肥皂水清洁集尘袋。将集尘袋内侧翻向外部并清除粘性粉尘。用手轻轻清洗并用清水漂净。在将其安装至吸尘器前使其彻底干燥。

► **图片48**

注意：潮湿的集尘袋会降低吸尘性能并缩短电机寿命。

选购附件

⚠️小心：这些附件或装置专用于本说明书所列的Makita（牧田）工具。如使用其他厂牌附件或装置，可能导致人身伤害。仅可将附件或装置用于规定目的。

如果您需要了解更多关于这些选购附件的信息，请咨询当地的Makita（牧田）维修服务中心。

- 软管（除尘型）
- 软管（吸尘型）
- 伸延杆
- 通用集尘口
- T型集尘口
- 座椅集尘口
- 角落集尘口
- 货架刷
- 圆刷
- 弯管组件
- 过滤袋
- 集尘袋
- 前端管口
- HEPA过滤器
- 肩带罩
- 无线装置
- 气旋组件
- Makita（牧田）原装电池和充电器

注：本列表中的一些部件可能作为标准配件包含于工具包装内。它们可能因销往国家之不同而异。

气旋组件

注：气旋组件与本工具搭配使用时，还需要弯管。

► **图片49：** 1. 气旋组件

关于气旋组件

使用安装有气旋组件的吸尘器可减少进入集尘袋内的灰尘量，由此可避免吸尘器吸力的下降。此外，气旋组件使用后，也十分易于清洁。

⚠小心：对工具进行任何装配操作前，请务必关闭工具电源并取出电池组。若电池组保留在工具内，吸尘器可能会意外启动，从而造成人员伤害。

⚠小心：当吸尘器的气旋组件滤网和集尘袋阻塞时，应对其进行清洁。若任由其阻塞并继续使用可能会导致吸尘器过热或冒烟。

注意：吸尘器安装气旋组件后，请勿沿水平方向或将气旋组件朝向上方使用。否则可能导致滤网阻塞。

注意：即便使用气旋组件，也必须始终对吸尘器安装集尘袋。使用未安装集尘袋的吸尘器可能导致电机故障。

注：使用前请检查气旋组件、吸尘机和直管是否正确锁定。

注：当气旋组件的集尘盒和吸尘机的集尘袋有灰尘积聚时，请将其清空。继续使用将导致吸力下降。

注：此外，您可以使用带锁定功能或不带锁定功能的气旋组件。

注：若要安装或拆卸气旋组件，请参考“用作吸尘器”章节。

灰尘处理

当灰尘积聚量达到集尘盒的满载标线时，请按照以下步骤处理灰尘。

1. 将集尘盒抓紧，然后按住两个按钮将集尘盒拆除。

► **图片50：** 1. 满载标线 2. 集尘盒 3. 按钮（两处） 4. 滤网

2. 处理集尘盒内的灰尘，然后清除粘附在滤网表面的灰尘和粉末。

3. 将集尘盒径直插入底部直至听到咔哒声确认两个按钮锁定为止。

► **图片51：** 1. 集尘盒 2. 按钮（两处）

注：重新开始操作前，请检查气旋组件、吸尘机和直管是否正确锁定。

注：在处理灰尘并清洁滤网之后，若吸力仍未恢复，请检查吸尘器集尘袋是否有灰尘积聚或者是否阻塞。

清洁

若集尘盒脏污或者滤网阻塞，请清除阻塞物并用水清洗。（请参见“灰尘处理”章节了解清除步骤。）

重新安装和使用部件之前，请将部件彻底干燥。

► **图片52：** 1. 集尘盒 2. 滤网

若滤网污染严重，请按以下步骤清洁滤网。

1. 沿逆时针旋转滤网，卡钩解锁时拆卸滤网。

► **图片53：** 1. 滤网 2. 卡钩

2. 清除滤网上的灰尘，然后用水清洗滤网。随后将其彻底干燥。

3. 将卡钩与端口对齐，与此同时将滤网插入基座内。顺时针旋转滤网直至听到咔哒声确认卡钩锁定为止。确保滤网安装牢固。

► **图片54：** 1. 滤网 2. 卡钩 3. 端口

PERINGATAN

- Pengisap ini tidak dimaksudkan untuk digunakan oleh orang termasuk anak-anak dengan kemampuan fisik, indra, atau mental terbatas atau orang yang tidak berpengalaman.
- Awasi anak-anak untuk memastikan mereka tidak bermain-main dengan pembersih ini.
- Lihat bagian "SPESIFIKASI" untuk mengetahui referensi tipe baterai.
- Lihat bagian "Memasang atau melepas kartrid baterai" untuk mengetahui cara mengganti atau memasang baterai.
- Ketika membuang kartrid baterai, lepaskan dari mesin dan buang ke tempat yang aman. Patuhi peraturan setempat yang berkaitan dengan pembuangan baterai.
- Jika mesin tidak digunakan dalam jangka waktu yang lama, baterai harus dilepas dari mesin.
- Jangan menghubungkan terminal kartrid baterai.
- Lihat bagian "PEMELIHARAAN" untuk mengetahui detail tindakan pencegahan yang sesuai selama perawatan oleh pengguna.

SPESIFIKASI

Model:		VC009G
Kapasitas	Kantong saringan	2,0 L
	Kantong debu	1,5 L
Volume udara maksimum		1,9 m ³ /min
Pengisap		18 kPa
Dimensi (P x L x T) (tidak termasuk harness, dengan BL4040)		233 mm x 150 mm x 375 mm
Tegangan terukur		D.C. 36 V - 40 V maks
Berat bersih		4,1 - 5,3 kg

- Karena kesinambungan program penelitian dan pengembangan kami, spesifikasi yang disebutkan di sini dapat berubah tanpa pemberitahuan.
- Spesifikasi dapat berbeda dari satu negara ke negara lainnya.
- Berat tidak termasuk aksesoris selain kartrid baterai. Berat gabungan paling ringan dan paling berat dari peralatan dan kartrid baterai ditampilkan dalam tabel.

Kartrid dan pengisi daya baterai yang dapat digunakan

Kartrid baterai	BL4020 / BL4025 / BL4040 / BL4050F / BL4080F
Pengisi daya	DC40RA / DC40RB / DC40RC

- Beberapa kartrid baterai dan pengisi daya yang tercantum di atas mungkin tidak tersedia, tergantung wilayah tempat tinggal Anda.

⚠ PERINGATAN: Hanya gunakan kartrid dan pengisi daya baterai yang tercantum di atas. Penggunaan kartrid dan pengisi daya baterai lain dapat menimbulkan risiko cedera dan/atau kebakaran.

⚠ PERINGATAN: Jangan menggunakan suplai daya berkabel seperti adaptor baterai atau paket daya portabel dengan peralatan ini. Kabel suplai daya tersebut dapat menghalangi pengoperasian dan mengakibatkan cedera.

Simbol

Berikut ini adalah simbol-simbol yang dapat digunakan pada peralatan ini. Pastikan Anda memahami arti masing-masing simbol sebelum menggunakan peralatan.



Baca petunjuk penggunaan.



Berhati-hatilah dan pusatkan perhatian Anda.



Baterai representatif yang berlaku untuk produk ini.



Hanya untuk negara-negara UE
Akibat adanya komponen berbahaya dalam peralatan, limbah peralatan listrik dan elektronik, aki dan baterai dapat memiliki dampak negatif pada lingkungan dan kesehatan manusia.
Jangan buang peralatan listrik dan elektronik atau baterai bersama limbah rumah tangga!
Sesuai dengan Petunjuk Eropa tentang limbah peralatan listrik dan elektronik dan tentang aki dan baterai serta limbah aki dan baterai, serta penyesuaiannya terhadap undang-undang nasional, limbah peralatan listrik, baterai dan aki harus disimpan secara terpisah dan dikirim ke tempat pengumpulan terpisah untuk sampah kota, beroperasi sesuai dengan peraturan tentang perlindungan lingkungan.
Hal ini ditunjukkan dengan simbol tempat sampah bersilang yang ditempatkan pada peralatan.

Penggunaan

Mesin ini digunakan untuk mengumpulkan debu. Mesin ini cocok untuk penggunaan komersial, misalnya pada hotel, sekolah, rumah sakit, pabrik, toko, kantor, dan bisnis penyewaan.

PERINGATAN KESELAMATAN

Peringatan keselamatan penyedot debu nirkabel

⚠️ PERINGATAN: PENTING BACALAH semua peringatan keselamatan dan semua petunjuk **SEBELUM MENGGUNAKAN DENGAN SAKSAMA.** Kelalaian mematuhi peringatan dan petunjuk dapat menyebabkan sengatan listrik, kebakaran, dan/atau cedera serius.

1. **Sebelum penggunaan, pastikan pengisap digunakan oleh orang yang telah memahami petunjuk penggunaan pengisap ini.**
2. **Jangan menggunakan pengisap tanpa saringan. Segera ganti saringan yang rusak.**

3. **Jangan gunakan untuk membersihkan bahan yang mudah terbakar, kembang api, rokok menyala, abu panas, serpihan logam panas, benda tajam seperti pisau cukur, jarum, pecahan kaca, atau sejenisnya.**
4. **JANGAN GUNAKAN PENGISAP DI DEKAT BENSIN, GAS, CAT, PEREKAT, ATAU BAHAN LAINNYA YANG MUDAH MELEDAK.** Sakelar memercikkan api saat dinyalakan dan dimatikan. Begitu pula komutator motor saat pengoperasian. Dapat terjadi ledakan.
5. **Pembersih ini tidak cocok digunakan untuk mengangkat debu berbahaya.**
6. **Jangan gunakan untuk membersihkan bahan beracun, karsinogenik, mudah terbakar, atau bahan berbahaya lain seperti asbestos, arsenik, barium, berilium, timbal, pestisida, atau bahan lain yang berbahaya bagi kesehatan.**
7. **Jangan pernah gunakan pengisap di luar ruangan saat hujan.**
8. **Di Finlandia, mesin ini tidak digunakan di luar ruangan pada suhu rendah.**
9. **Jangan gunakan di dekat sumber panas (kompor, dsb.).**
10. **Jangan menghalangi ventilasi pendingin.** Ventilasi ini berfungsi mendinginkan motor. Jangan sampai terhalang karena motor dapat terbakar akibat kekurangan ventilasi.
11. **Selalu jaga pijakan dan keseimbangan yang tepat.**
12. **Jangan menekuk, menarik, atau menginjak kabel.**
13. **Segera hentikan pengisap jika kinerjanya buruk atau terjadi hal yang tidak wajar selama pengoperasian.**
14. **LEPASKAN BATERAI.** Saat tidak digunakan, sebelum diperbaiki, dan saat mengganti aksesori.
15. **Bersihkan dan rawat pengisap segera setelah selesai digunakan untuk menjaganya tetap dalam kondisi operasi yang prima.**
16. **RAWATLAH PENGISAP DENGAN BAIK.** Jaga agar pengisap tetap bersih untuk mendapatkan kinerja yang lebih baik dan aman. Ikuti petunjuk saat mengganti aksesori. Jagalah agar gagang kering, bersih, serta bebas dari minyak dan gemuk.
17. **PERIKSA BAGIAN YANG RUSAK.** Sebelum terus menggunakan pengisap, pelindung dan bagian lainnya yang rusak harus diperiksa secara cermat untuk menentukan apakah pengisap akan bekerja dengan baik dan berfungsi sesuai yang diharapkan. Periksa kesejajaran bagian yang berputar, kerusakan komponen, kondisi pemasangan dan hal lain yang dapat memengaruhi kerja pengisap. Pelindung atau bagian lain yang rusak harus diperbaiki dengan benar atau diganti oleh pusat layanan resmi kecuali jika diindikasikan lain dalam petunjuk penggunaan ini. Ganti sakelar-sakelar yang rusak oleh pusat layanan resmi. Jangan gunakan pengisap jika sakelar tidak dapat menyalakan dan mematikan pengisap.

18. **SUKU CADANG PENGGANTI.** Saat melakukan perbaikan, gunakan hanya suku cadang pengganti yang serupa.
 19. **SIMPAN PENGISAP SAAT TIDAK DIGUNAKAN.** Saat tidak digunakan, pengisap harus disimpan dalam ruangan.
 20. **Tangani pengisap dengan hati-hati.** Penanganan yang kasar dapat menyebabkan kerusakan pada pengisap paling kokoh sekalipun.
 21. **Jangan bersihkan bagian luar pengisap dengan benzena, tiner, atau bahan kimia pembersih.** Penggunaan bahan tersebut dapat menimbulkan keretakan dan perubahan warna.
 22. **Jangan gunakan pengisap di ruangan tertutup yang terdapat uap yang mudah terbakar, mudah meledak, atau beracun yang berasal dari cat berbahan dasar minyak, tiner cat, bensin, bahan antirayap, dsb. atau di area di mana terdapat debu yang mudah terbakar.**
 23. **Jangan gunakan penyedot debu di bawah pengaruh obat-obatan atau alkohol.**
 24. **Sesuai aturan dasar keselamatan, gunakan kaca mata pengaman dengan pelindung samping.**
 25. **Gunakan masker debu dalam kondisi kerja yang berdebu.**
 26. **Pengisap ini tidak dimaksudkan untuk digunakan oleh orang termasuk anak-anak dengan kemampuan fisik, indra, atau mental terbatas atau orang yang tidak berpengalaman.**
 27. **Awasi anak-anak untuk memastikan mereka tidak bermain-main dengan pembersih ini.**
 28. **Dilarang memegang baterai atau pengisap dengan tangan yang basah.**
 29. **Berhati-hatilah saat membersihkan tangga.**
 30. **Jangan gunakan pengisap sebagai tempat duduk atau meja kerja. Pengisap dapat jatuh dan menyebabkan cedera.**
5. **Jangan menggunakan paket baterai atau mesin yang sudah rusak atau telah diubah.** Baterai yang rusak atau telah diubah dapat menyebabkan hal-hal yang tidak dapat diprediksi yang dapat menyebabkan kebakaran, ledakan atau risiko cedera.
 6. **Jangan membiarkan paket baterai atau mesin dekat dengan api atau suhu yang berlebihan.** Paparan api atau suhu di atas 130 °C dapat menyebabkan ledakan.
 7. **Ikuti semua petunjuk pengisian daya dan jangan mengisi daya paket baterai atau mesin di luar rentang suhu yang ditentukan di panduan.** Mengisi daya secara tidak tepat atau pada suhu di luar rentang yang ditentukan dapat merusak baterai dan meningkatkan risiko kebakaran.
 8. **Jangan menggunakan suplai daya berkabel seperti adaptor baterai atau paket daya portabel dengan mesin ini.** Kabel suplai daya tersebut dapat menghalangi pengoperasian dan mengakibatkan cedera.

Servis

1. **Berikan mesin listrik untuk diperbaiki hanya kepada oleh teknisi yang berkualifikasi dengan menggunakan hanya suku cadang pengganti yang serupa.** Hal ini akan menjamin terjaganya keamanan mesin listrik.
2. **Patuhi petunjuk pelumasan dan penggantian aksesoris.**
3. **Jagalah agar gagang kering, bersih, dan bebas dari minyak dan gemuk.**

Petunjuk keselamatan penting untuk kartrid baterai

Penggunaan dan pemeliharaan mesin bertenaga baterai

1. **Isi ulang baterai hanya dengan pengisi daya yang ditentukan oleh pabrikan.** Pengisi daya yang cocok untuk satu jenis paket baterai dapat menimbulkan risiko kebakaran ketika digunakan untuk paket baterai yang lain.
2. **Gunakan mesin listrik hanya dengan paket baterai yang telah ditentukan secara khusus.** Penggunaan paket baterai lain dapat menimbulkan risiko cedera dan kebakaran.
3. **Ketika paket baterai tidak digunakan, jauhkan dari benda logam lain, seperti penjepit kertas, uang logam, kunci, paku, sekrup atau benda logam kecil lainnya, yang dapat menghubungkan satu terminal ke terminal lain.** Hubungan singkat terminal baterai dapat menyebabkan luka bakar atau kebakaran.
4. **Pemakaian yang salah, dapat menyebabkan keluarnya cairan dari baterai; hindari kontak.** Jika terjadi kontak secara tidak sengaja, bilas dengan air. Jika cairan mengenai mata, cari bantuan medis. Cairan yang keluar dari baterai bisa menyebabkan iritasi atau luka bakar.

1. **Sebelum menggunakan kartrid baterai, bacalah semua petunjuk dan penandaan pada (1) pengisi daya baterai, (2) baterai, dan (3) produk yang menggunakan baterai.**
2. **Jangan membongkar atau memodifikasi kartrid baterai.** Tindakan tersebut dapat menimbulkan api, panas berlebih, atau ledakan.
3. **Jika waktu beroperasinya menjadi sangat singkat, segera hentikan penggunaan.** Hal tersebut dapat menimbulkan risiko panas berlebih, kemungkinan mengalami luka bakar atau bahkan terjadi ledakan.
4. **Jika elektrolit mengenai mata Anda, basuh dengan air bersih dan segera cari pertolongan medis.** Hal tersebut dapat mengakibatkan hilangnya kemampuan penglihatan Anda.
5. **Jangan menghubungkan terminal kartrid baterai:**
 - (1) **Jangan menyentuh terminal dengan bahan penghantar listrik apa pun.**
 - (2) **Hindari menyimpan kartrid baterai pada wadah yang berisi benda logam lain seperti paku, uang logam, dsb.**

- (3) Jangan membiarkan baterai terkena air atau kehujanan. Hubungan singkat baterai dapat menyebabkan aliran arus listrik yang besar, panas berlebih, kemungkinan mengalami luka bakar dan bahkan kerusakan pada baterai.
6. Jangan menyimpan dan menggunakan mesin dan kartrid baterai pada lokasi dengan suhu yang bisa mencapai atau melebihi 50 °C (122 °F).
 7. Jangan membuang kartrid baterai di tempat pembakaran sampah walaupun benar-benar rusak atau tidak bisa digunakan sama sekali. Kartrid baterai bisa meledak jika terbakar.
 8. Jangan memaku, memotong, menghancurkan, melempar, menjatuhkan kartrid baterai, atau memukul benda keras ke kartrid baterai. Tindakan tersebut dapat menimbulkan api, panas berlebih, atau ledakan.
 9. Jangan menggunakan baterai yang rusak.
 10. **Baterai litium-ion yang disertakan sesuai dengan persyaratan Perundang-undangan Makanan Berbahaya.** Harus ada pengawasan untuk pengangkutan komersial misalnya oleh pihak ketiga, ekspeditor, persyaratan khusus terhadap pengemasan dan pelabelan. Diperlukan adanya konsultasi dengan ahli mengenai material berbahaya untuk persiapan barang yang akan dikirimkan. Perhatikan pula peraturan nasional yang lebih terperinci yang mungkin ada. Beri perekat atau tutupi bagian yang terbuka dan kemasi baterai dengan cara yang tidak akan menimbulkan pergeseran dalam pengemasan.
 11. **Ketika membuang kartrid baterai, lepaskan dari mesin dan buang ke tempat yang aman. Patuhi peraturan setempat yang berkaitan dengan pembuangan baterai.**
 12. **Gunakan baterai hanya dengan produk yang ditentukan oleh Makita.** Memasang baterai pada produk yang tidak sesuai dapat menyebabkan kebakaran, kelebihan panas, ledakan, atau kebocoran elektrolit.
 13. **Jika mesin tidak digunakan dalam jangka waktu yang lama, baterai harus dilepas dari mesin.**
 14. **Selama dan setelah digunakan, kartrid baterai mungkin menyimpan panas yang dapat menyebabkan luka bakar atau luka bakar suhu rendah.** Perhatikan cara memegang kartrid baterai yang masih panas.
 15. **Jangan langsung menyentuh terminal mesin setelah digunakan karena suhunya mungkin cukup panas untuk menyebabkan luka bakar.**
 16. **Jangan biarkan serpihan, debu, atau tanah menempel di terminal, lubang, dan alur kartrid baterai.** Hal tersebut dapat menyebabkan pemanasan, kebakaran, ledakan, dan kegagalan fungsi mesin atau kartrid baterai, yang mengakibatkan luka bakar atau cedera diri.

17. **Kecuali jika mesin mendukung penggunaan di dekat saluran listrik bertegangan tinggi, jangan gunakan kartrid baterai di dekat saluran listrik bertegangan tinggi.** Hal tersebut dapat mengakibatkan kegagalan fungsi atau kerusakan mesin maupun kartrid baterai.
18. **Jauhkan baterai dari jangkauan anak-anak.**

SIMPAN PETUNJUK INI.

PERHATIAN: Gunakan baterai asli Makita. Penggunaan baterai Makita yang tidak asli, atau baterai yang sudah diubah, akan mengakibatkan baterai mudah terbakar, cedera dan kerusakan. Akan menghilangkan garansi Makita pada pengisi daya dan alat Makita.

Tip untuk menjaga agar umur pemakaian baterai maksimum

1. **Isi ulang kartrid baterai sebelum habis sama sekali.** Selalu hentikan penggunaan mesin dan ganti kartrid baterai jika Anda melihat bahwa mesin kurang tenaga.
2. **Jangan pernah mengisi ulang kartrid baterai yang sudah diisi penuh.** Pengisian ulang yang berlebih memperpendek umur pemakaian baterai.
3. **Isi ulang kartrid baterai pada suhu ruangan 10 °C - 40 °C.** Biarkan kartrid baterai yang panas menjadi dingin terlebih dahulu sebelum diisi ulang.
4. **Saat kartrid baterai tidak digunakan, lepaskan dari mesin atau pengisi daya.**
5. **Isi ulang daya kartrid baterai jika Anda tidak menggunakannya untuk jangka waktu yang lama (lebih dari enam bulan).**

Petunjuk keselamatan penting untuk unit nirkabel

1. **Jangan membongkar atau memodifikasi unit nirkabel.**
2. **Jauhkan unit nirkabel dari anak kecil. Jika tidak sengaja tertelan, segera minta pertolongan medis.**
3. **Gunakan unit nirkabel hanya dengan peralatan Makita.**
4. **Pastikan unit nirkabel tidak kehujanan atau basah.**
5. **Jangan menggunakan unit nirkabel di tempat-tempat yang bersuhu lebih dari 50°C.**
6. **Jangan menggunakan unit nirkabel di tempat-tempat yang dekat dengan peralatan medis, seperti alat pacu jantung.**
7. **Jangan menggunakan unit nirkabel di tempat-tempat yang dekat dengan perangkat otomatis.** Jika tetap digunakan, perangkat otomatis dapat menjadi tidak berfungsi atau rusak.
8. **Jangan mengoperasikan unit nirkabel di tempat-tempat yang bersuhu tinggi atau tempat-tempat yang dapat menghasilkan listrik statis atau gangguan listrik.**

9. Unit nirkabel dapat menghasilkan medan magnet (EMF), tetapi medan magnet ini tidak berbahaya bagi pengguna.
10. Unit nirkabel merupakan suatu peralatan yang akurat. Berhati-hatilah jangan sampai unit nirkabel jatuh atau terbentur.
11. Jangan menyentuh terminal unit nirkabel dengan tangan tanpa pelindung atau dengan barang berbahan logam.
12. Selalu lepaskan baterai dari produk ketika memasang unit nirkabel ke dalamnya.
13. Ketika membuka penutup celah hindari tempat yang dapat mengakibatkan debu dan air masuk ke dalam celah. Selalu jaga tempat masuk celah dalam keadaan bersih.
14. Selalu masukkan unit nirkabel dengan arah yang benar.
15. Jangan menekan tombol pengaktifan nirkabel pada unit nirkabel terlalu kuat dan/atau menekan tombol dengan benda berujung tajam.
16. Selalu tutup bagian penutup celah selama digunakan.
17. Jangan melepaskan unit nirkabel dari celah ketika daya sedang mengalir ke dalam mesin. Melakukan hal ini dapat menyebabkan kerusakan fungsi pada unit nirkabel.
18. Jangan melepaskan stiker pada unit nirkabel.
19. Jangan menempelkan stiker apa pun pada unit nirkabel.
20. Jangan meninggalkan unit nirkabel di tempat yang dapat menghasilkan listrik statis atau gangguan listrik.
21. Jangan meninggalkan unit nirkabel di tempat dengan panas tinggi seperti pada mobil di bawah sinar matahari langsung.
22. Jangan meninggalkan unit nirkabel di tempat berdebu atau berserbuk atau di tempat yang dapat menghasilkan gas yang bersifat korosif.
23. Perubahan suhu secara mendadak dapat mengakibatkan unit nirkabel menjadi berembun. Jangan menggunakan unit nirkabel hingga embun telah benar-benar kering.
24. Ketika membersihkan unit nirkabel, usap dengan hati-hati menggunakan kain lembut dan kering. Jangan menggunakan benzena, tiner, gemuk konduktif atau sejenisnya.
25. Ketika menyimpan unit nirkabel, simpan dalam kotak yang disediakan atau wadah bebas listrik statis.
26. Jangan memasukkan perangkat apa pun selain unit nirkabel Makita ke dalam celah pada mesin.
27. Jangan menggunakan mesin jika penutup celah rusak. Air, debu, dan kotoran yang masuk ke dalam celah dapat mengakibatkan malafungsinya.
28. Jangan menarik dan/atau memutar penutup celah lebih dari yang diperlukan. Pasang ke tempatnya semula jika penutup terlepas dari mesin.
29. Ganti penutup celah jika hilang atau rusak.

SIMPAN PETUNJUK INI.

DESKRIPSI FUNGSI

⚠PERHATIAN: Selalu pastikan bahwa peralatan dimatikan dan kartrid baterai dilepas sebelum menyetel atau memeriksa fungsi peralatan.

Memasang atau melepas baterai

⚠PERHATIAN: Selalu matikan mesin sebelum memasang atau melepas kartrid baterai.

⚠PERHATIAN: Pegang mesin dan kartrid baterai kuat-kuat saat memasang atau melepas kartrid baterai. Kelalaian untuk memegang mesin dan kartrid baterai kuat-kuat bisa menyebabkan keduanya tergelincir dari tangan Anda dan mengakibatkan kerusakan pada mesin dan kartrid baterai dan cedera diri.

► **Gbr.1:** 1. Indikator berwarna merah 2. Tombol 3. Kartrid baterai

Untuk melepas kartrid baterai, geser dari mesin sambil menggeser tombol pada bagian depan kartrid.

Untuk memasang kartrid baterai, sejajarkan lidah kartrid baterai dengan alur pada rumah dan masukkan ke dalam tempatnya. Masukkan seluruhnya sampai terkunci pada tempatnya dan terdengar bunyi klik kecil. Jika Anda bisa melihat indikator berwarna merah seperti yang ditunjukkan pada gambar, ini artinya kartrid baterai tidak terkunci sempurna.

⚠PERHATIAN: Selalu pasang kartrid baterai sepenuhnya sampai indikator berwarna merah tidak terlihat. Jika tidak, bisa terlepas dari mesin secara tidak sengaja, menyebabkan luka pada Anda atau orang di sekitar Anda.

⚠PERHATIAN: Jangan memasang kartrid baterai secara paksa. Jika kartrid tidak bergeser dengan mudah, berarti tidak dimasukkan dengan benar.

Mengindikasikan kapasitas baterai yang tersisa

Tekan tombol pemeriksaan pada kartrid baterai untuk melihat kapasitas baterai yang tersisa. Lampu indikator menyala selama beberapa detik.

► **Gbr.2:** 1. Lampu indikator 2. Tombol pemeriksaan

Lampu indikator			Kapasitas yang tersisa
Menyala	Mati	Berkedip	
			75% hingga 100%
			50% hingga 75%
			25% hingga 50%
			0% hingga 25%
			Isi ulang baterai.
			Baterai mungkin sudah rusak.

CATATAN: Tergantung kondisi penggunaan dan suhu lingkungannya, penunjukkan mungkin saja sedikit berbeda dari kapasitas sebenarnya.

CATATAN: Lampu indikator pertama (ujung kiri) akan berkedip ketika sistem perlindungan mesin bekerja.

Mengindikasikan kapasitas baterai yang tersisa

► **Gbr.3:** 1. Indikator baterai 2. Tombol

Tekan tombol untuk menunjukkan kapasitas baterai yang tersisa.

Status indikator baterai			Kapasitas baterai yang tersisa
Menyala	Mati	Berkedip	
			50% hingga 100%
			20% hingga 50%
			0% hingga 20%
			Isi ulang baterai

Sistem perlindungan peralatan / baterai

Peralatan dilengkapi dengan sistem perlindungan peralatan/baterai. Sistem ini memutuskan aliran daya ke motor secara otomatis untuk memperpanjang umur pakai peralatan dan baterai. Dalam situasi ini, indikator baterai menyala sebagaimana tabel berikut ini.

Status indikator baterai			Status
Menyala	Mati	Berkedip	
			Peringatan kelebihan beban (baterai)/ Peringatan kelebihan panas (baterai)/ Peringatan kelebihan muatan
			Peringatan kelebihan panas (peralatan)

Peralatan akan berhenti secara otomatis saat penggunaan jika peralatan atau baterai mengalami salah satu kondisi berikut ini:

Perlindungan kelebihan beban

Jika peralatan/baterai digunakan dengan cara yang menyebabkan baterai mengeluarkan arus tinggi yang berlebihan, peralatan akan berhenti secara otomatis. Dalam situasi ini, matikan peralatan dan hentikan pekerjaan yang menyebabkan peralatan mengalami kelebihan beban. Kemudian, nyalakan peralatan untuk kembali melanjutkan pekerjaan.

Perlindungan panas berlebih

Saat peralatan/baterai kelebihan panas, peralatan akan berhenti secara otomatis. Dalam situasi ini, biarkan peralatan/baterai menjadi dingin sebelum menyalakan peralatan kembali.

Perlindungan pengisian daya berlebih

Ketika kapasitas baterai melemah, peralatan akan berhenti secara otomatis. Jika produk tidak beroperasi bahkan ketika sakelar digunakan, lepaskan baterai dari peralatan dan isi daya baterai.

Perlindungan terhadap penyebab lain

Sistem perlindungan juga dirancang untuk penyebab lain yang dapat merusak peralatan dan memungkinkan peralatan untuk berhenti secara otomatis. Lakukan semua langkah berikut ini untuk mengatasi penyebabnya, saat peralatan dihentikan sementara atau berhenti beroperasi.

1. Matikan peralatan, dan kemudian hidupkan kembali untuk memulai ulang.
2. Isi baterai atau ganti dengan baterai yang sudah diisi ulang.
3. Biarkan peralatan dan baterai menjadi dingin.

Jika tidak ada peningkatan yang dapat ditemukan dengan memulihkan sistem perlindungan, hubungi Pusat Servis Makita setempat Anda.

Menyetel sabuk

Kekencangan tali bahu, tali atas dan bawah dapat disesuaikan. Masukkan lengan Anda ke tali bahu terlebih dahulu lalu kencangkan tali bawah dan atas. Untuk mengencangkan, tarik ujung tali seperti yang diilustrasikan. Untuk mengendurkan, tarik ujung pengencang.

Sabuk bawah

► **Gbr.4:** 1. Tali pengikat 2. Pengencang

Selempang

► **Gbr.5:** 1. Tali pengikat 2. Pengencang

Sabuk atas

► **Gbr.6:** 1. Tali pengikat 2. Pengencang


Kait pembawa

⚠PERHATIAN: Gunakan komponen penggantung/pemasangan untuk tujuan yang dimaksudkan saja. Menggunakan untuk tujuan yang tidak dimaksudkan dapat mengakibatkan kecelakaan atau cedera diri.

Selalu pegang kait pembawa saat memegang badan penyedot debu.

► **Gbr.7:** 1. Kait pembawa

Sakelar siaga

Sakelar siaga adalah sakelar untuk menyalakan/mematikan fungsi pengaktifan nirkabel. Pengisap debu dalam kondisi siaga bagaimana pun posisi sakelar dan bekerja saat tombol  ditekan.




► **Gbr.8:** 1. Sakelar siaga

Posisi sakelar		Status
AUTO	I (ON)	Pengisap debu dalam kondisi siaga dan fungsi pengaktifan nirkabel tersedia.
	O (OFF)	Pengisap debu dalam kondisi siaga namun fungsi pengaktifan nirkabel tidak tersedia.

Kerja sakelar

► **Gbr.9:** 1. Tombol pengubah daya isap 2. Tombol ON/OFF

Untuk memulai pembersih, cukup tekan tombol ON/OFF. Untuk mematikan, tekan tombol ON/OFF lagi. Anda dapat mengubah daya isap pembersih dalam tiga langkah dengan menekan tombol pengubah daya isap. Setiap menekan tombol ini akan mengulangi mode 1 hingga 3 dalam siklus.

Tingkat	Indikasi	Mode
1		Mode kecepatan normal
2		Mode kecepatan tinggi
3		Mode kecepatan maks

CATATAN: Anda dapat mengubah daya isap sebelum menyalakan pembersih.

CATATAN: Pembersih memulai operasi dengan daya isap yang sama seperti operasi terakhir.

CATATAN: Jika Anda segera melepas baterai setelah mematikan peralatan, saat motor berputar, pembersih mungkin tidak memulai operasi dengan daya isap yang sama seperti operasi terakhir.

Pita selang

Karet selang dapat digunakan untuk menahan selang atau nosel bebas.

Untuk mengencangkan selang ke badan pengisap debu, lewatkan karet selang melalui celah pada badan. Anda dapat memasang karet selang pada salah satu sisi.

► **Gbr.10:** 1. Pita selang 2. Celah 3. Selang

Loop pada sabuk bawah dapat digunakan untuk membawa nosel sebagaimana diilustrasikan.

► **Gbr.11:** 1. Loop 2. Nosel

PERAKITAN

⚠PERHATIAN: Selalu pastikan bahwa peralatan dimatikan dan kartrid baterai dilepas sebelum melakukan pekerjaan apa pun pada peralatan.

Memasang selang

Masukkan manset selang ke dalam badan mesin pengisap debu, kemudian putar searah jarum jam.

► **Gbr.12:** 1. Ujung selang 2. Badan penyedot debu

Menghubungkan alat

Jika rakitan pipa lengkung terpasang pada selang, kendurkan selongsong rakitan pipa lengkung dan lepaskan.

► **Gbr.13:** 1. Selang 2. Rakitan pipa lengkung 3. Selongsong

1. Pasang manset depan ke selang untuk pengumpulan debu. Saat menyambungkan manset depan, pastikan telah disekrup dengan kuat pada selang.
2. Hubungkan manset depan ke lubang pengumpul pada alat.

- **Gbr.14:** 1. Manset depan 2. Lubang pengumpul
3. Selang

Manset depan dapat dilepaskan dengan memutarkannya berlawanan arah jarum jam selagi memegang selang.

CATATAN: Selalu gunakan manset depan yang sesuai. Saat menggunakan manset depan 24, pasang ke dalam manset depan 22 yang terhubung ke selang.

- **Gbr.15:** 1. Manset depan 22 2. Manset depan 24

Menggunakan sebagai pembersih

Jika Anda ingin menggunakan produk ini sebagai pembersih, ikuti prosedur di bawah ini.

PEMBERITAHUAN: Jika manset depan terpasang pada selang, lepaskan terlebih dahulu.

CATATAN: Rakitan pipa lengkung, pipa sambungan, dan nosel disediakan sebagai aksesoris pilihan di beberapa negara.

CATATAN: Terdapat dua tipe rakitan pipa lengkung; untuk pipa sambungan tipe geser dan untuk pipa sambungan tipe cincin. Jika Anda menyiapkan rakitan pipa lengkung, pilih untuk tipe pipa sambungan yang Anda inginkan.

1. Kencangkan selongsong rakitan pipa lengkung ke selang.

- **Gbr.16:** 1. Selang 2. Rakitan pipa lengkung
3. Selongsong

Untuk melepaskan rakitan pipa lengkung, kendurkan selongsong rakitan pipa lengkung dari selang.

2. Putar dan masukkan nosel ke pipa sambungan.

- **Gbr.17:** 1. Pipa sambungan 2. Nosel bebas
3. Nosel bentuk T 4. Nosel bentuk T (tipis)

CATATAN: Dengan memelintir nosel saat dimasukkan, nosel dapat dipasang ke pipa sambungan dengan kuat.

3. Ikuti prosedur di bawah ini, bergantung pada tipe pipa sambungan:

CATATAN: Pipa sambungan tipe geser dan pipa sambungan tipe cincin tidak sesuai satu sama lain. Jika Anda ingin mengubah pipa sambungan tipe geser ke pipa sambungan tipe cincin atau sebaliknya, ubah pula rakitan pipa lengkungnya.

Untuk pipa sambungan tipe geser

Pikul badan pengisap debu lalu masukkan pipa sambungan ke rakitan pipa lengkung hingga berbunyi klik. Untuk melepaskan, tarik pipa sambungan dengan menekan tombol.

- **Gbr.18:** 1. Rakitan pipa lengkung 2. Tombol 3. Pipa sambungan tipe geser

Panjang pipa dapat disesuaikan.

Dengan menekan tombol geser, sesuaikan panjang pipa. Panjangnya terkunci saat tombol geser dilepaskan.

- **Gbr.19:** 1. Tombol geser

Untuk pipa sambungan tipe cincin

Pikul badan pengisap debu lalu putar dan masukkan pipa sambungan ke rakitan pipa lengkung. Untuk melepaskan, putar dan tarik.

- **Gbr.20:** 1. Rakitan pipa lengkung 2. Pipa sambungan tipe cincin 3. Mulut pipa serbaguna

CATATAN: Nosel bebas dapat langsung dipasang ke rakitan pipa lengkung tanpa kunci pipa.

Panjang pipa dapat disesuaikan.

Kendurkan cincin pada pipa dan sesuaikan panjang pipa. Kencangkan cincin pada posisi yang Anda inginkan.

- **Gbr.21:** 1. Cincin

Kait selang

Saat Anda berhenti menggunakannya, kait pada rakitan pipa lengkung dapat digunakan untuk menggantungkan pipa yang ada pada tali bawah.

- **Gbr.22:** 1. Kait 2. Tali bawah

Memasang kantong saringan/kantong debu

Pilihan Aksesoris

PERHATIAN: Jangan menggunakan kantong saringan yang rusak. Selalu gunakan penyedot debu dengan kantong saringan yang sudah terpasang dengan benar. Bila tidak, debu atau benda-benda kecil yang terisap akan dibuang dari penyedot debu dan dapat menyebabkan gangguan pernapasan pada pengguna.

PEMBERITAHUAN: Saat kantong saringan telah penuh, ganti dengan yang baru. Saat kantong debu telah penuh, kosongkan.

Penggunaan jangka panjang dengan kantong saringan/kantong debu yang penuh menyebabkan daya isap berkurang.

PEMBERITAHUAN: Untuk mencegah debu masuk ke dalam motor:

- Pastikan kantong saringan/kantong debu telah terpasang sebelum digunakan.
- Jangan menggunakan kantong yang rusak atau sobek.

Jika tidak, motor bisa rusak.

PEMBERITAHUAN: Jangan melipat papan pada bukannya saat memasang kantong saringan/kantong debu.

PEMBERITAHUAN: Kantong saringan/kantong debu untuk pembersih adalah komponen penting untuk menjaga kinerja peralatan. Menggunakan kantong saringan/kantong debu yang bukan asli dapat menyebabkan asap atau percikan api.

CATATAN: Saat kantong saringan/kantong debu tidak terpasang di dalam pembersih, penutup depan tidak akan menutup sepenuhnya.

- **Gbr.23**

1. Buka tuas lalu buka penutup kotak debu.
▶ **Gbr.24:** 1. Tuas 2. Penutup kotak debu
2. Masukkan kantong saringan ke dalam celah pada ruang bagian atas seperti digambarkan.
▶ **Gbr.25:** 1. Celah 2. Kantong saringan

Saat menggunakan kantong debu, masukkan pinggir an kantong debu ke celah.

- ▶ **Gbr.26:** 1. Celah 2. Bagian pinggir 3. Kantong debu

3. Sejajarkan lubang kantong saringan dengan ujung selang lalu tekan bagian kardus hingga terantuk. Pastikan bahwa cincin karet pada kantong saringan melebihi pinggir an ujung selang.

- ▶ **Gbr.27:** 1. Cincin karet pada kantong saringan
2. Pinggir an pada ujung selang 3. Bagian kardus kantong saringan 4. Ujung selang

4. Kunci penutup kotak debu dengan rapat.

⚠PERHATIAN: Berhati-hatilah agar jari Anda tidak terjepit saat mengaitkan kait dan menutup penutup kotak debu.

PENGGUNAAN

⚠PERINGATAN: Pengguna harus cukup terlatih dalam penggunaan penyedot debu.

⚠PERINGATAN: Penyedot debu ini tidak cocok untuk mengisap debu beracun.




⚠PERHATIAN: Penyedot debu ini hanya boleh digunakan untuk mengisap material kering.

⚠PERHATIAN: Selalu masukkan baterai seluruhnya sampai terkunci pada tempatnya. Jika Anda bisa melihat indikator berwarna merah pada sisi atas tombol, berarti tidak terkunci sepenuhnya. Masukkan sepenuhnya sampai indikator berwarna merah tidak terlihat. Jika tidak, baterai bisa terlepas dari mesin secara tidak sengaja, menyebabkan luka pada Anda atau orang di sekitar Anda.

⚠PERHATIAN: Saat pengoperasian, sadari pengisap debu di belakang Anda. Anda bisa saja kehilangan keseimbangan jika badan pengisap debu terbentur dinding atau selang tersangkut penghalang.

1. Pikul badan pengisap debu dan kencangkan tali bawah dan atas. Sesuaikan kencangan sebagaimana diperlukan.

- ▶ **Gbr.28**

2. Tekan tombol  untuk memulai pengisapan. Jika Anda ingin mengubah daya isap, tekan tombol  hingga daya isap yang diinginkan terpilih. Tekan tombol  untuk berhenti.

- ▶ **Gbr.29**

Selama digunakan, kaitkan kotak sakelar pada tali bawah atau cincin D.

- ▶ **Gbr.30**

3. Ganti kantong saringan jika penuh. Buka penutup lalu keluarkan kantong saringan. Tarik tali yang berada pada sisi pembuka untuk menutup kantong saringan dan membuang kantong saringan seluruhnya.

- ▶ **Gbr.31:** 1. Tali

Saat menggunakan kantong debu, keluarkan kantong debu dan buang debu dengan melepaskan pengunci.

- ▶ **Gbr.32:** 1. Pengunci

PEMBERITAHUAN: Secara berkala, periksa kantong saringan jika penuh. Penggunaan jangka panjang dengan kantong saringan yang penuh menyebabkan daya isap berkurang.

PEMBERITAHUAN: Jangan gunakan kantong saringan bekas. Kantong saringan dirancang untuk sekali pakai. Menggunakan kantong saringan berulang kali dapat menyebabkan saringan tersumbat dan mengakibatkan kerusakan pada pembersih. Jika Anda ingin menggunakan kantong berulang kali, gunakan kantong debu.

FUNGSI PENGAKTIFAN NIRKABEL

Kegunaan dari fungsi pengaktifan nirkabel

Fungsi pengaktifan nirkabel memungkinkan pengoperasian yang bersih dan nyaman. Dengan menyambungkan mesin yang didukung ke pembersih, Anda dapat menjalankan pembersih secara otomatis bersama dengan pengoperasian sakelar mesin.

- ▶ **Gbr.33**

PEMBERITAHUAN: Pastikan telah melihat petunjuk penggunaan mesin saat menggunakan pembersih dengan fungsi pengaktifan nirkabel.

PEMBERITAHUAN: Jangan membongkar atau memodifikasi unit nirkabel.

PEMBERITAHUAN: Untuk menghindari debu masuk ke celah unit nirkabel, selalu tutup penutup dengan kuat selama pengoperasian dan penyimpanan.

PEMBERITAHUAN: Jangan melepaskan unit nirkabel ketika daya sedang dialirkan. Melakukan hal ini dapat menyebabkan kerusakan fungsi pada unit nirkabel.

PEMBERITAHUAN: Jangan menekan tombol pengaktifan nirkabel terlalu kuat dan/atau menekan tombol dengan benda berujung tajam.

CATATAN: Pengaktifan nirkabel memerlukan peralatan Makita yang dilengkapi dengan unit nirkabel.

CATATAN: Sebelum penggunaan awal fungsi pengaktifan nirkabel dengan masing-masing mesin, diperlukan registrasi mesin. Setelah registrasi selesai dengan mesin, registrasi ulang tidak perlu dilakukan kecuali apabila registrasi tersebut dibatalkan.

CATATAN: Sebelum registrasi, pastikan bahwa unit nirkabel telah dimasukkan dengan benar.

CATATAN: Satu unit nirkabel dapat meregistrasi hingga 10 tautan dengan unit nirkabel lain. Jika lebih dari 10 unit nirkabel lain teregistrasi ke satu unit nirkabel, yang teregistrasi paling awal akan dibatalkan secara otomatis.

CATATAN: Terdapat berbagai posisi tombol pengaktifan nirkabel, tergantung pada mesin.

CATATAN: Pembersih juga dijalankan dengan menekan tombol **Ⓛ** saat sakelar siaga disetel ke "I (ON)".

Namun, tombol **Ⓛ** tidak akan bekerja saat fungsi pengaktifan nirkabel digunakan.

Memasang unit nirkabel

⚠PERHATIAN: Letakkan pembersih pada permukaan yang datar dan stabil pada saat memasang unit nirkabel.

PEMBERITAHUAN: Bersihkan debu dan kotoran yang menempel pada pembersih sebelum memasang unit nirkabel. Debu atau kotoran dapat mengakibatkan malafungsi jika masuk ke dalam celah unit nirkabel.

PEMBERITAHUAN: Untuk mencegah terjadinya malafungsi yang disebabkan oleh listrik statis, sentuh bahan yang melepaskan muatan listrik statis, seperti bagian logam, sebelum mengambil unit nirkabel.

PEMBERITAHUAN: Ketika memasang unit nirkabel, selalu pastikan bahwa unit nirkabel dimasukkan dengan arah yang benar dan penutup telah benar-benar ditutup.

1. Buka penutup pada pembersih sebagaimana yang ditunjukkan dalam gambar.

► **Gbr.34:** 1. Penutup

2. Masukkan unit nirkabel ke celah dan kemudian tutup penutup.

Ketika memasang unit nirkabel, sejajarkan proyeksi dengan bagian-bagian ceruk pada celah.

► **Gbr.35:** 1. Unit nirkabel 2. Proyeksi 3. Penutup
4. Bagian-bagian ceruk

Ketika melepaskan unit nirkabel, buka penutup secara perlahan. Kait pada bagian belakang penutup akan mengangkat unit nirkabel ketika Anda menarik penutup.

► **Gbr.36:** 1. Unit nirkabel 2. Kait 3. Penutup

Setelah melepaskan unit nirkabel, simpan unit dalam kotak yang disediakan atau wadah bebas listrik statis.

PEMBERITAHUAN: Selalu gunakan kait pada bagian belakang penutup pada saat melepaskan unit nirkabel. Jika kait tidak mengenai unit nirkabel, tutup penutup sepenuhnya dan buka kembali secara perlahan.

Registrasi mesin untuk pembersih

CATATAN: Mesin Makita yang mendukung fungsi pengaktifan nirkabel diperlukan untuk registrasi mesin.

CATATAN: Selesaikan pemasangan unit nirkabel ke mesin sebelum memulai registrasi mesin.

CATATAN: Selama registrasi mesin, jangan menarik pelatuk sakelar pada mesin atau menekan sakelar pembersih untuk mengisap debu.

CATATAN: Lihat juga petunjuk penggunaan mesin.

Jika Anda ingin mengaktifkan pembersih bersama dengan pengoperasian sakelar mesin, selesaikan registrasi mesin terlebih dahulu.

1. Pasang unit nirkabel ke pembersih dan mesin, secara berurutan.
2. Pasang baterai ke pembersih dan mesin.
3. Setel sakelar siaga pada pembersih ke "I (ON)".
► **Gbr.37:** 1. Sakelar siaga

4. Tekan tombol pengaktifan nirkabel pada pembersih selama 3 detik hingga lampu pengaktifan nirkabel berkedip menjadi warna hijau. Kemudian tekan tombol pengaktifan nirkabel pada mesin dengan cara yang sama.

► **Gbr.38:** 1. Tombol pengaktifan nirkabel 2. Lampu pengaktifan nirkabel

Jika pembersih dan mesin berhasil tersambung, lampu pengaktifan nirkabel akan menyala hijau selama 2 detik dan mulai berkedip dalam warna biru.

CATATAN: Lampu pengaktifan nirkabel akan berhenti berkedip dalam warna hijau setelah 20 detik. Tekan tombol pengaktifan nirkabel pada mesin ketika lampu pengaktifan nirkabel pada pembersih berkedip. Jika lampu pengaktifan nirkabel tidak berkedip dalam warna hijau, tekan tombol pengaktifan nirkabel sebentar dan tahan kembali.

CATATAN: Ketika melakukan registrasi beberapa mesin untuk pembersih, selesaikan registrasi mesin satu demi satu.

Memulai fungsi pengaktifan nirkabel

CATATAN: Selesaikan registrasi mesin untuk pembersih untuk pengaktifan nirkabel.

CATATAN: Selalu posisikan pembersih sehingga Anda dapat melihat status lampu pengaktifan nirkabel.

CATATAN: Lihat juga petunjuk penggunaan mesin.

Setelah registrasi mesin ke pembersih, pembersih akan secara otomatis bekerja bersama dengan pengoperasian sakelar mesin.

1. Pasang unit nirkabel ke pembersih dan mesin, secara berurutan.
2. Pasang baterai ke pembersih dan mesin.
3. Sambungkan selang pembersih dengan mesin.
▶ **Gbr.39**

4. Setel sakelar siaga pada pembersih ke "I (ON)". Lampu pengaktifan nirkabel akan berkedip dalam warna biru.
▶ **Gbr.40:** 1. Sakelar siaga

5. Tekan sebentar tombol pengaktifan nirkabel pada mesin. Lampu pengaktifan nirkabel akan berkedip dalam warna biru.
▶ **Gbr.41:** 1. Tombol pengaktifan nirkabel 2. Lampu pengaktifan nirkabel

6. Nyalakan mesin. Periksa apakah pembersih bekerja ketika mesin beroperasi.

⚠PERHATIAN: Selalu periksa jika fungsi pengaktifan nirkabel bekerja sebelum memulai pekerjaan dengan mesin.

Untuk menghentikan pengaktifan nirkabel, tekan tombol pengaktifan nirkabel pada mesin, atau setel sakelar siaga pada pembersih ke "O (OFF)".

CATATAN: Lampu pengaktifan nirkabel pada mesin akan berhenti berkedip dalam warna biru jika tidak ada pengoperasian selama 2 jam. Dalam hal ini, tekan tombol pengaktifan nirkabel pada mesin lagi.

CATATAN: Pembersih akan mulai/berhenti dengan jeda. Ada jeda waktu ketika pembersih mendeteksi adanya pengoperasian sakelar mesin.

CATATAN: Jarak transmisi unit nirkabel dapat berbeda, tergantung lokasi dan keadaan sekitar.

CATATAN: Ketika dua atau lebih mesin teregistrasi ke satu pembersih, pembersih dapat mulai bekerja walaupun Anda tidak menyalakan mesin karena pengguna lain sedang menggunakan fungsi pengaktifan nirkabel.

CATATAN: Lampu pengaktifan nirkabel berhenti berkedip dalam warna merah setelah 20 detik. Tekan tombol pengaktifan nirkabel pada mesin ketika lampu pengaktifan nirkabel pada pembersih berkedip. Jika lampu pengaktifan nirkabel tidak berkedip dalam warna merah, tekan tombol pengaktifan nirkabel sebentar dan tahan kembali.

Menghapus semua registrasi mesin

Anda dapat menghapus semua registrasi mesin dari pembersih sebagai berikut.

▶ **Gbr.44:** 1. Sakelar siaga 2. Tombol pengaktifan nirkabel 3. Lampu pengaktifan nirkabel

1. Pasang unit nirkabel ke pembersih.
2. Pasang baterai ke pembersih.
3. Setel sakelar siaga ke "I (ON)".
4. Tahan tombol pengaktifan nirkabel selama sekitar 6 detik sampai lampu pengaktifan nirkabel berkedip merah (sekitar dua kali per satu detik).
5. Saat lampu pengaktifan nirkabel mulai berkedip merah, lepaskan jari Anda dari tombol pengaktifan nirkabel. Setelah itu, tekan tombol pengaktifan nirkabel lagi selama sekitar 6 detik.
6. Saat lampu pengaktifan nirkabel mulai berkedip cepat (sekitar 5 kali per satu detik) berwarna merah, lepaskan jari Anda dari tombol pengaktifan nirkabel. Saat lampu pengaktifan nirkabel menyala merah lalu mati, semua registrasi mesin terhapus.

CATATAN: Jika lampu pengaktifan nirkabel tidak berkedip dalam warna merah, tekan tombol pengaktifan nirkabel sebentar dan coba lagi.

Membatalkan registrasi mesin untuk pembersih

Lakukan prosedur berikut ketika membatalkan registrasi mesin untuk pembersih.

1. Pasang unit nirkabel ke pembersih dan mesin, secara berurutan.
2. Pasang baterai ke pembersih dan mesin.
3. Setel sakelar siaga pada pembersih ke "I (ON)".
▶ **Gbr.42:** 1. Sakelar siaga











4. Tekan tombol pengaktifan nirkabel pada pembersih selama 6 detik. Lampu pengaktifan nirkabel berkedip dalam warna hijau dan kemudian akan menjadi merah. Setelah itu, tekan tombol pengaktifan nirkabel pada mesin dengan cara yang sama.
▶ **Gbr.43:** 1. Tombol pengaktifan nirkabel 2. Lampu pengaktifan nirkabel

Jika pembatalan berhasil dilakukan, lampu pengaktifan nirkabel akan menyala dalam warna merah selama 2 detik dan mulai berkedip dalam warna biru.

Deskripsi mengenai status lampu pengaktifan nirkabel

- **Gbr.45:** 1. Tombol pengaktifan nirkabel 2. Lampu pengaktifan nirkabel

Lampu pengaktifan nirkabel menunjukkan status dari fungsi pengaktifan nirkabel. Lihat pada tabel di bawah untuk mengetahui arti dari status lampu.

Status	Lampu pengaktifan nirkabel			Deskripsi
	Warna	 Menyala	 Berkedip	
Siaga	Biru		Pembersih: melanjutkan Mesin: 2 jam	Menunggu registrasi mesin atau fungsi pengaktifan nirkabel tersedia. Lampu pada pembersih berkedip jika sakelar siaga disetel ke "I (ON)". Lampu pada mesin berkedip saat tombol pengaktifan nirkabel ditekan. Lampu pada mesin akan mati secara otomatis ketika tidak ada pengoperasian yang dilakukan selama 2 jam.
			Ketika mesin bekerja.	Tersedia pengaktifan nirkabel pada pembersih dan mesin bekerja.
Registrasi mesin	Hijau		20 detik	Siap untuk registrasi mesin. Mencari mesin yang akan diregistrasi.
			2 detik	Registrasi mesin telah selesai. Lampu pengaktifan nirkabel akan mulai berkedip dalam warna biru.
Membatalkan/ menghapus registrasi mesin	Merah	 (pelan: 2 kali/detik.)	20 detik	Siap untuk membatalkan registrasi mesin. Mencari mesin yang akan dibatalkan.
		 (cepat: 5 kali/detik.)	Saat tombol pengaktifan nirkabel ditekan.	Siap menghapus semua registrasi mesin.
			2 detik	Registrasi mesin telah dibatalkan/dihapus. Lampu pengaktifan nirkabel akan mulai berkedip dalam warna biru.
Lainnya	Merah		3 detik	Daya dialirkan ke unit nirkabel dan fungsi pengaktifan nirkabel dimulai.
	Mati	-	-	Sakelar siaga tidak disetel ke "I (ON)".

Pemecahan masalah fungsi pengaktifan nirkabel

Sebelum meminta perbaikan, lakukan pemeriksaan mandiri terlebih dahulu. Jika Anda menemukan masalah yang tidak dijelaskan dalam buku petunjuk ini, jangan coba membongkar mesin. Sebaliknya, hubungi Pusat Servis Resmi Makita, dan selalu gunakan suku cadang pengganti Makita untuk perbaikan.

Keadaan Tidak Normal	Kemungkinan penyebab (kerusakan fungsi)	Perbaikan
Lampu pengaktifan nirkabel tidak menyala/berkedip.	Unit nirkabel tidak terpasang ke pembersih dan/atau mesin. Unit nirkabel terpasang secara tidak tepat ke pembersih dan/atau mesin.	Pasang unit nirkabel dengan benar.
	Terminal unit nirkabel dan/atau celah kotor.	Bersihkan dengan lembut debu dan kotoran yang terdapat pada terminal unit nirkabel dan bersihkan celah pembersih dan/atau mesin.
	Tombol pengaktifan nirkabel pada mesin belum ditekan.	Tekan sebentar tombol pengaktifan nirkabel pada mesin. Pastikan lampu pengaktifan nirkabel berkedip dalam warna biru.
	Sakelar siaga pada pembersih tidak disetel ke "I (ON)".	Setel sakelar siaga pada pembersih ke "I (ON)".
	Tidak ada pasokan daya	Alirkan daya ke mesin dan pembersih.
Tidak dapat menyelesaikan registrasi mesin/pembatalan registrasi mesin.	Unit nirkabel tidak terpasang ke pembersih dan/atau mesin. Unit nirkabel terpasang secara tidak tepat ke pembersih dan/atau mesin.	Pasang unit nirkabel dengan benar.
	Terminal unit nirkabel dan/atau celah kotor.	Bersihkan dengan lembut debu dan kotoran yang terdapat pada terminal unit nirkabel dan bersihkan celah pembersih dan/atau mesin.
	Sakelar siaga pada pembersih tidak disetel ke "I (ON)".	Setel sakelar siaga pada pembersih ke "I (ON)".
	Tidak ada pasokan daya	Alirkan daya ke mesin dan pembersih.
	Pengoperasian salah	Tekan sejenak tombol pengaktifan nirkabel dan lakukan kembali prosedur registrasi mesin/pembatalan.
	Mesin dan pembersih saling berjauhan satu sama lain (di luar jangkauan transmisi).	Dekatkan mesin dan pembersih satu sama lain. Jarak transmisi maksimum adalah sekitar 10 m, tetapi jarak dapat berbeda sesuai dengan keadaan.
	Sebelum menyelesaikan registrasi mesin/pembatalan; - sakelar mesin dinyalakan, atau; - tombol daya pada pembersih dinyalakan.	Tekan sejenak tombol pengaktifan nirkabel dan lakukan kembali prosedur registrasi mesin/pembatalan.
	Prosedur registrasi mesin untuk mesin atau pembersih belum selesai.	Lakukan prosedur registrasi mesin untuk mesin dan pembersih di waktu yang sama.
	Gangguan radio oleh perangkat lain yang menghasilkan gelombang radio intensitas tinggi.	Jauhkan mesin dan pembersih dari perangkat seperti perangkat Wi-Fi dan oven microwave.

Keadaan Tidak Normal	Kemungkinan penyebab (kerusakan fungsi)	Perbaikan
Pembersih tidak bekerja bersama dengan pengoperasian sakelar mesin.	Unit nirkabel tidak terpasang ke pembersih dan/atau mesin. Unit nirkabel terpasang secara tidak tepat ke pembersih dan/atau mesin.	Pasang unit nirkabel dengan benar.
	Terminal unit nirkabel dan/atau celah kotor.	Bersihkan dengan lembut debu dan kotoran yang terdapat pada terminal unit nirkabel dan bersihkan celah pembersih dan/atau mesin.
	Tombol pengaktifan nirkabel pada mesin belum ditekan.	Tekan sebentar tombol pengaktifan nirkabel pada mesin. Pastikan lampu pengaktifan nirkabel berkedip dalam warna biru.
	Sakelar siaga pada pembersih tidak disetel ke "I (ON)".	Setel sakelar siaga pada pembersih ke "I (ON)".
	Lebih dari 10 mesin teregistrasi ke pembersih.	Lakukan kembali registrasi mesin. Jika lebih dari 10 mesin teregistrasi ke pembersih, mesin yang teregistrasi paling awal akan dibatalkan secara otomatis.
	Pembersih menghapus semua registrasi mesin.	Lakukan kembali registrasi mesin.
	Tidak ada pasokan daya	Alirkan daya ke mesin dan pembersih.
	Mesin dan pembersih saling berjauhan satu sama lain (di luar jangkauan transmisi). Gangguan radio oleh perangkat lain yang menghasilkan gelombang radio intensitas tinggi.	Dekatkan mesin dan pembersih satu sama lain. Jarak transmisi maksimum adalah sekitar 10 m, tetapi jarak dapat berbeda sesuai dengan keadaan. Jauhkan mesin dan pembersih dari perangkat seperti perangkat Wi-Fi dan oven microwave.
Pembersih bekerja ketika mesin tidak beroperasi.	Pengguna lain sedang menggunakan pengaktifan nirkabel pembersih dengan mesin mereka.	Lakukan salah satu dari langkah berikut; -setel sakelar siaga pada pembersih ke posisi "O" atau; -matikan tombol pengaktifan nirkabel dari mesin lain atau; - batalkan registrasi mesin dari mesin lain.
Tidak dapat menghapus semua registrasi mesin pada pembersih.	Menekan tombol nirkabel pada mesin.	Tekan tombol nirkabel pada pembersih untuk menghapus semua registrasi mesin.
	Sakelar siaga pada pembersih tidak disetel ke "I (ON)".	Setel sakelar siaga pada pembersih ke "I (ON)".
	Tombol pengaktifan nirkabel tidak ditahan dengan benar.	Tahan tombol pengaktifan nirkabel selama lebih dari 6 detik dan kemudian lepaskan saat lampu pengaktifan nirkabel berkedip merah. Tahan kembali tombol pengaktifan nirkabel selama lebih dari 6 detik sampai lampu pengaktifan nirkabel berkedip merah dengan cepat kemudian lepaskan tombol.

PERAWATAN

⚠ PERHATIAN: Selalu pastikan bahwa peralatan sudah dimatikan dan kartrid baterai dilepas sebelum berupaya untuk melakukan pemeriksaan atau perawatan.

PEMBERITAHUAN: Jangan sekali-kali menggunakan bensin, tiner, alkohol, atau bahan sejenisnya. Penggunaan bahan demikian dapat menyebabkan perubahan warna, perubahan bentuk atau timbulnya retakan.

Untuk menjaga KEAMANAN dan KEANDALAN mesin, perbaikan, perawatan atau penyetelan lainnya harus dilakukan oleh Pusat Layanan Resmi atau Pabrik Makita; selalu gunakan suku cadang pengganti buatan Makita.

Membersihkan saringan HEPA

PERHATIAN: Jangan menggunakan pengisap debu tanpa saringan HEPA atau menggunakan saringan HEPA yang sudah kotor atau rusak. Debu atau partikel yang terisap dapat keluar dari pembersih debu dan menyebabkan penyakit pernapasan pada pengguna.

PEMBERITAHUAN: Untuk menjaga daya isap yang optimal dan pembuangan yang bersih, bersihkan saringan HEPA secara berkala. Jika daya isap yang cukup tidak diperoleh bahkan setelah pembersihan, ganti saringan HEPA dengan yang baru.

PEMBERITAHUAN: Untuk menghindari kerusakan saringan HEPA, jangan gunakan alat berikut dan item serupa untuk membersihkan:

- Pembersih udara
- Cincin penutup tekanan tinggi
- Alat dari bahan keras seperti sikat logam

1. Buka penutup dan keluarkan kantong saringan. Lepaskan kait pada saringan HEPA dan lepaskan dari bodi pengisap debu.

► **Gbr.46**

2. Kebaskan debu dari saringan HEPA. Saringan HEPA dapat dicuci dengan air. Bilas debu dan partikel pada saringan HEPA setiap 1 atau 2 bulan. Setelah itu, keringkan saringan HEPA sepenuhnya di tempat yang teduh dan berventilasi baik untuk mencegah bau tidak sedap atau malafungsi.

3. Untuk memasang saringan HEPA, masukkan sisi tanpa penutup ke dalam penahan, kemudian dorong saringan HEPA ke bawah hingga penutup terpasang dengan baik pada bingkai.

► **Gbr.47:** 1. Penahan 2. Saringan HEPA 3. Bingkai 4. Penutup

Membersihkan kantong debu

Bersihkan kantong debu secara teratur dengan menggunakan sabun dan air. Balik bagian dalam kantong debu lalu lepas debu yang menempel. Cuci dengan tangan secara perlahan dan bilas dengan air. Keringkan sebelum dipasang kembali pada mesin penyedot debu.

► **Gbr.48**

PEMBERITAHUAN: Kantong debu yang masih basah menurunkan kinerja mesin juga umur mesin.

AKSESORI PILIHAN

PERHATIAN: Dianjurkan untuk menggunakan aksesoris atau perangkat tambahan ini dengan mesin Makita Anda yang ditentukan dalam petunjuk ini. Penggunaan aksesoris atau perangkat tambahan lain bisa menyebabkan risiko cedera pada manusia. Hanya gunakan aksesoris atau perangkat tambahan sesuai dengan peruntukannya.

Jika Anda memerlukan bantuan lebih rinci berkenaan dengan aksesoris ini, tanyakan pada Pusat Layanan Makita terdekat.

- Selang (untuk tipe pengumpul debu)
- Selang (untuk tipe pengisap debu)
- Gagang tambahan
- Mulut pipa serbaguna
- Mulut pipa T
- Nosel dudukan
- Nosel sudut
- Sikat rak
- Sikat bundar
- Rakitan pipa lengkung
- Kantong saringan
- Kantong debu
- Manset depan
- Saringan HEPA
- Penutup harness
- Unit nirkabel
- Perangkat tambahan siklon
- Baterai dan pengisi daya asli buatan Makita

CATATAN: Beberapa item dalam daftar tersebut mungkin sudah termasuk dalam paket mesin sebagai aksesoris standar. Hal tersebut dapat berbeda dari satu negara ke negara lainnya.

Perangkat tambahan siklon

CATATAN: Saat menggunakan perangkat tambahan siklon dengan peralatan ini, pipa bengkok juga diperlukan.

► **Gbr.49:** 1. Perangkat tambahan siklon

Tentang perangkat tambahan siklon

Menggunakan pembersih dengan perangkat tambahan siklon yang terpasang dapat mengurangi jumlah debu yang masuk ke kantong debu, sehingga membantu mencegah melemahnya daya pengisapan. Selain itu, langkah pembersihan setelah penggunaan juga sederhana.

⚠️PERHATIAN: Selalu pastikan bahwa mesin dimatikan dan kartrid baterai dilepas sebelum melakukan pekerjaan apa pun pada mesin. Jika kartrid baterai dibiarkan terpasang, pembersih dapat menyala secara tak terduga dan mengakibatkan cedera.

⚠️PERHATIAN: Bersihkan saringan jala dari perangkat tambahan siklon dan kantong debu dari unit pembersih apabila tersumbat. Penggunaan yang terus menerus dalam kondisi tersumbat dapat menyebabkan panas berlebih atau asap.

PEMBERITAHUAN: Ketika perangkat tambahan siklon terpasang, jangan gunakan perangkat tambahan siklon dalam posisi horizontal atau menghadap ke atas. Tindakan tersebut dapat menyebabkan tersumbatnya saringan jala.

PEMBERITAHUAN: Selalu gunakan pembersih dengan kantong debu yang terpasang, meskipun ketika menggunakan perangkat tambahan siklon. Menggunakan pembersih tanpa memasang kantong debu dapat mengakibatkan kegagalan fungsi motor.

CATATAN: Pastikan perangkat tambahan siklon, pembersih, dan pipa lurus telah terkunci dengan benar sebelum digunakan.

CATATAN: Kosongkan wadah debu pada perangkat tambahan siklon dan kantong debu pada pembersih apabila tersumbat. Penggunaan yang terus menerus dapat mengakibatkan melemahnya daya pengisapan.

CATATAN: Anda dapat menggunakan perangkat tambahan siklon dengan atau tanpa fungsi penguncian.

CATATAN: Untuk memasang atau melepas perangkat tambahan siklon, baca bagian "Menggunakan sebagai pembersih".

Pembersihan

Ketika wadah debu kotor atau saringan jala tersumbat, lepaskan dan cuci dengan air. (Baca "Membuang debu" untuk mengetahui prosedur pelepasan.)

Keringkan komponen seluruhnya sebelum memasang dan menggunakannya kembali.

► **Gbr.52:** 1. Wadah debu 2. Saringan jala

Ketika saringan jala sangat kotor, bersihkan dengan mengikuti prosedur berikut.

1. Putar saringan jala berlawanan arah jarum jam, lalu lepaskan saat kaitnya terbuka pengunciannya.

► **Gbr.53:** 1. Saringan jala 2. Kait

2. Hilangkan debu pada saringan jala, lalu cuci dengan air. Setelah itu, keringkan seluruhnya.

3. Masukkan saringan jala ke dalam dudukan saat kaitnya sejajar dengan port. Putar saringan jala searah jarum jam hingga kaitnya terkunci dan berbunyi klik. Pastikan mata saringan jala mesin terpasang dengan kencang.

► **Gbr.54:** 1. Saringan jala 2. Kait 3. Port

Membuang debu

Ketika debu yang terkumpul melebihi garis batas pada wadah debu, ikuti prosedur di bawah ini dan buang debu.

1. Tahan wadah debu kuat-kuat, tekan dan tahan dua tombol, lalu lepaskan wadah debu.

► **Gbr.50:** 1. Garis batas 2. Wadah debu 3. Tombol (dua lokasi) 4. Saringan jala

2. Buang debu di dalam wadah debu dan hilangkan debu atau serbuk yang menempel pada permukaan saringan jala.

3. Masukkan wadah debu sepenuhnya hingga dua tombol terkunci dan berbunyi klik.

► **Gbr.51:** 1. Wadah debu 2. Tombol (dua lokasi)

CATATAN: Pastikan perangkat tambahan siklon, pembersih, dan pipa lurus telah terkunci dengan benar sebelum memulai ulang pengoperasian.

CATATAN: Jika daya pengisapan tidak kembali normal meskipun Anda sudah membuang debu dan membersihkan saringan jala, periksa apakah ada debu yang terkumpul dalam kantong debu pembersih atau terjadi penyumbatan.

AMARAN

- Mesin ini tidak bertujuan untuk digunakan oleh individu termasuk kanak-kanak dengan kekurangan daya fizikal, deria atau mental, atau kekurangan pengetahuan dan pengalaman.
- Kanak-kanak harus diselia untuk memastikan mereka tidak bermain dengan pembersih ini.
- Lihat bab "SPESIFIKASI" untuk rujukan jenis bateri.
- Lihat bahagian "Memasang atau mengeluarkan kartrij bateri" untuk cara mengeluarkan atau memasang bateri.
- Apabila melupuskan kartrij bateri, keluarkan ia daripada alat dan lupuskan ia di tempat selamat. Ikut peraturan tempatan anda mengenai pelupusan bateri.
- Jika alat tidak digunakan untuk tempoh masa yang lama, bateri mesti dikeluarkan daripada alat.
- Jangan pintaskan kartrij bateri.
- Lihat bab "PENYELENGGARAAN" untuk mendapatkan butiran langkah berjaga-jaga yang sesuai semasa penyelenggaraan pengguna.

SPESIFIKASI

Model:		VC009G
Kapasiti	Beg penapis	2.0 L
	Beg habuk	1.5 L
Isi padu udara maksimum		1.9 m ³ /min
Vakum		18 kPa
Dimensi (P x L x T) (kecuali abah-abah, dengan BL4040)		233 mm x 150 mm x 375 mm
Voltan terkadar		D.C. 36 V - 40 V maks
Berat bersih		4.1 - 5.3 kg

- Disebabkan program penyelidikan dan pembangunan kami yang berterusan, spesifikasi yang terkandung di dalam ini adalah tertakluk kepada perubahan tanpa notis.
- Spesifikasi mungkin berbeza mengikut negara.
- Berat tidak termasuk aksesori tetapi kartrij bateri. Berat kombinasi paling ringan dan paling berat peralatan dan kartrij bateri ditunjukkan di dalam jadual.

Kartrij bateri dan pengecas yang boleh digunakan

Kartrij bateri	BL4020 / BL4025 / BL4040 / BL4050F / BL4080F
Pengecas	DC40RA / DC40RB / DC40RC

- Sesetengah kartrij bateri dan pengecas yang disenaraikan di atas mungkin tidak tersedia bergantung pada kawasan kediaman anda.

⚠️ AMARAN: Gunakan hanya kartrij bateri dan pengecas yang disenaraikan di atas. Penggunaan mana-mana kartrij bateri dan pengecas yang lain mungkin menyebabkan kecederaan dan/atau kebakaran.

⚠️ AMARAN: Jangan gunakan bekalan kuasa yang dikodkan seperti penyesuai bateri atau pek kuasa mudah alih dengan peralatan ini. Kabel bekalan kuasa mungkin menghalang pengendalian dan mengakibatkan kecederaan peribadi.

Simbol

Berikut menunjukkan simbol-simbol yang boleh digunakan untuk alat ini. Pastikan anda memahami maksudnya sebelum menggunakan.



Sila gunakan dengan berhati-hati dan penuh perhatian.



Bateri wakilan yang boleh digunakan untuk produk ini.



Baca manual arahan.



Hanya untuk negara-negara EU
Disebabkan kehadiran komponen berbahaya dalam peralatan, sisa peralatan elektrik dan elektronik, akumulator dan bateri boleh memberi kesan negatif terhadap persekitaran dan kesihatan manusia.

Jangan buang alat elektrik dan elektronik atau bateri bersama dengan bahan buangan isi rumah!

Mengikut Arahan Eropah mengenai sisa peralatan elektrik dan elektronik dan mengenai akumulator dan bateri dan sisa akumulator dan bateri serta penyesuaian dengan undang-undang negara, sisa peralatan elektrik, bateri dan akumulator hendaklah disimpan secara berasingan dan dihantar ke tempat pengumpulan berasingan untuk sisa perbandaran, beroperasi mengikut peraturan perlindungan persekitaran.

Ini ditunjukkan oleh simbol tong sampah beroda yang bersilang pada peralatan.

Tujuan penggunaan

Tujuan penggunaan alat untuk mengumpul debu kering. Alat ini sesuai untuk kegunaan komersial, sebagai contoh di hotel, sekolah, hospital, kilang, kedai, pejabat dan perniagaan sewaan.

AMARAN KESELAMATAN

Amaran keselamatan pembersih hampagas tanpa wayar

⚠️ AMARAN: PENTING! BACA DENGAN TELITI semua amaran keselamatan dan semua arahan SEBELUM GUNA. Kegagalan mematuhi amaran dan arahan boleh menyebabkan kejutan elektrik, kebakaran dan/atau kecederaan serius.

1. Sebelum digunakan, pastikan yang pembersih ini mestilah digunakan oleh individu yang telah diberi arahan yang secukupnya tentang kegunaan pembersih ini.
2. Jangan gunakan pembersih ini tanpa penapis. Gantikan penapis yang rosak dengan serta-merta.
3. Jangan cuba untuk menyedut bahan mudah terbakar, bunga api, puntung rokok yang menyala, abu panas, serpihan logam panas, bahan tajam seperti pisau cukur, jarum, gelas yang pecah atau yang sama sepertinya.
4. JANGAN SEKALI-KALI GUNAKAN PEMBERSIH DI SEKITAR GASOLIN, GAS, CAT, PEREKAT ATAU LAIN-LAIN BAHAN YANG SANGAT MUDAH MELETUP. Suis menghasilkan percikan semasa ON dan OFF. Penukar tertib motor juga begitu semasa operasi. Letupan yang berbahaya mungkin berlaku.
5. Pembersih ini tidak sesuai untuk menangkap habuk berbahaya.
6. Jangan sekali-kali menyedut bahan toksik, karsinogenik, bahan mudah terbakar atau berbahaya yang lain seperti asbestos, arsenik, barium, berilium, plumbum, racun serangga, atau bahan lain yang memudaratkan kesihatan.
7. Jangan sekali-kali menggunakan pembersih di luar dalam hujan.
8. Untuk Finland, mesin ini tidak boleh digunakan di luar pada suhu rendah.
9. Jangan gunakan berhampiran dengan sumber haba (dapur dan sebagainya).
10. Jangan halang injap penyejukan. Injap ini membenarkan penyejukan motor. Sumbatan harus dielakkan dengan berhati-hati jika tidak, motor akan terbakar disebabkan kurang pengudaraan.
11. Pastikan pijakan dan keseimbangan yang betul pada setiap masa.
12. Jangan lipat, tarik atau pijak hos.
13. Hentikan pembersih serta-merta jika anda mengesan prestasi yang lemah atau sesuatu yang tidak normal semasa operasi.
14. NYAHSAMBUNGAN BATERI. Apabila tidak digunakan, sebelum melakukan servis, dan semasa menukar aksesori.
15. Bersihkan dan servis pembersih serta-merta selepas setiap penggunaan untuk memastikan ia dalam keadaan operasi yang terbaik.
16. SELENGGARA PEMBERSIH DENGAN BERHATI-HATI. Pastikan pembersih sentiasa bersih untuk prestasi yang lebih baik dan selamat. Ikuti arahan untuk menukar aksesori. Pastikan pemegang sentiasa kering, bersih dan bebas daripada minyak dan gris.
17. PERIKSA BAHAGIAN YANG ROSAK. Sebelum menggunakan alat dengan lebih lanjut, pengadag atau bahagian lain yang rosak harus diperiksa dengan berhati-hati untuk menentukan yang ia akan beroperasi dengan betul dan berfungsi seperti yang dinyatakan. Periksa penjarangan bahagian yang bergerak, keterikatan bahagian yang bergerak, bahagian yang pecah, lekapan dan sebarang keadaan lain yang boleh menjejaskan operasinya. Pengadag atau bahagian lain yang rosak harus dibaiki dengan betul atau diganti oleh pusat servis sah melainkan sebaliknya dinyatakan di tempat lain dalam manual arahan ini. Gantikan suis yang rosak di pusat servis yang disahkan. Jangan gunakan pembersih jika suis tidak menghidupkan atau mematikannya.
18. ALAT GANTIAN. Semasa menservis, gunakan hanya alat gantian yang serupa.
19. Apabila tidak digunakan, sentiasa simpan pembersih di dalam bangunan.
20. Jaga pembersih anda dengan baik. Pengendalian yang kasar boleh menyebabkan retakan walaupun pada pembersih yang dibina dengan sangat kukuh.
21. Jangan cuba untuk membersihkan bahagian luaran atau dalaman dengan benzin, pencair atau bahan pencuci kimia. Retakan dan perubahan warna boleh berlaku.

22. Jangan gunakan pembersih di ruang tertutup tempat wap mudah terbakar, meletup dan toksik dibebaskan oleh cat berasaskan minyak, pencair cat, gasolin, dan sesetengah bahan tahan rama-rama dan sebagainya atau di kawasan wujudnya debu mudah terbakar.
23. Jangan mengendalikannya pembersih semasa di bawah pengaruh dadah atau alkohol.
24. Sebagai peraturan asas keselamatan, gunakan gogal keselamatan atau cermin mata keselamatan dengan pelindung sisi.
25. Gunakan topeng debu dalam keadaan kerja yang berdebu.
26. Mesin ini tidak bertujuan untuk digunakan oleh individu termasuk kanak-kanak dengan kekurangan daya fizikal, deria atau mental, atau kekurangan pengetahuan dan pengalaman.
27. Kanak-kanak harus diselia untuk memastikan mereka tidak bermain dengan pembersih ini.
28. Jangan sekali-kali memegang bateri dan pembersih dengan tangan yang basah.
29. Gunakan langkah yang lebih berhati-hati semasa membersihkan tangga.
30. Jangan gunakan pembersih sebagai bangku atau bangku kerja. Mesin mungkin terjatuh dan boleh mengakibatkan kecederaan diri.

Penggunaan dan penjagaan alat bateri

1. Cas semula dengan pengecas yang ditentukan oleh pengeluar sahaja. Pengecas yang sesuai untuk satu jenis pek bateri mungkin menimbulkan risiko kebakaran apabila digunakan dengan pek bateri lain.
2. Gunakan alat kuasa dengan pek bateri yang ditentukan secara khusus sahaja. Penggunaan mana-mana pek bateri lain mungkin menimbulkan risiko kecederaan dan kebakaran.
3. Apabila pek bateri tidak digunakan, jauhkannya daripada objek logam lain, seperti klip kertas, duit syiling, kunci, paku, skru atau objek logam kecil lain, yang boleh membuat sambungan dari satu terminal ke terminal yang lain. Memintas terminal bateri bersama-sama mungkin menyebabkan lecuran atau kebakaran.
4. Di bawah keadaan kasar, cecair mungkin dikeluarkan daripada bateri; elakkan sentuhan. Jika tersentuh secara tidak sengaja, siram dengan air. Jika cecair terkena mata, dapatkan bantuan perubatan di samping siraman air. Cecair yang dikeluarkan dari bateri mungkin menyebabkan kegatalan atau lecuran.
5. Jangan gunakan pek bateri atau alat yang rosak atau diubah suai. Bateri yang rosak atau diubah suai mungkin menunjukkan perilaku yang tidak dijangka menyebabkan kebakaran, letupan atau risiko kecederaan.
6. Jangan dedahkan pek bateri atau alat kepada api atau suhu yang berlebihan. Pendedahan kepada api atau suhu melebihi 130 °C mungkin menyebabkan letupan.

7. Ikut semua arahan pengecasan dan jangan cas pek bateri atau alat di luar julat suhu yang ditetapkan dalam arahan. Mengecas dengan tidak betul atau pada suhu di luar julat yang dinyatakan mungkin merosakkan bateri dan meningkatkan risiko kebakaran.
8. Jangan menggunakan bekalan kuasa yang dikodkan seperti penyesuai bateri atau pek kuasa mudah alih dengan alat ini. Kabel bekalan kuasa mungkin menghalang pengendalian dan mengakibatkan kecederaan peribadi.

Servis

1. Pastikan alat kuasa anda diservis oleh orang yang berkelayakan dengan hanya menggunakan alat ganti yang sama. Ini akan memastikan keselamatan alat kuasa dapat dikekalkan.
2. Ikut arahan untuk melincir dan menukar aksesori.
3. Pastikan pemegang sentiasa kering, bersih dan bebas dari minyak dan gris.

Arahan keselamatan penting untuk kartrij bateri

1. Sebelum menggunakan kartrij bateri, baca semua arahan dan tanda amaran pada (1) pengecas bateri, (2) bateri, dan (3) produk menggunakan bateri.
2. Jangan buka atau cabut kartrij bateri. Ia boleh mengakibatkan kebakaran, haba berlebihan, atau letupan.
3. Jika masa operasi menjadi sangat pendek, berhenti operasi serta merta. Ia mungkin menyebabkan risiko pemanasan lampau, melecur bahkan letupan.
4. Jika elektrolit masuk ke dalam mata anda, bilas mata dengan air jernih dan dapatkan rawatan perubatan serta merta. Ia mungkin menyebabkan kehilangan penglihatan.
5. Jangan pintaskan kartrij bateri:
 - (1) Jangan sentuh terminal dengan bahan berkonduksi.
 - (2) Elakkan menyimpan kartrij bateri dalam bekas bersama-sama objek besi lain seperti paku, duit syiling, dll.
 - (3) Jangan dedahkan kartrij bateri kepada air atau hujan.
 Pintasan bateri boleh menyebabkan aliran kuasa yang besar, pemanasan lampau, melecur dan juga kerosakan.
6. Jangan simpan dan gunakan alat dan kartrij bateri di lokasi yang suhunya mungkin mencapai atau melebihi 50 °C (122 °F).
7. Jangan bakar kartrij bateri walaupun jika ia rosak teruk atau haus sepenuhnya. Kartrij bateri boleh meletup dalam kebakaran.
8. Jangan paku, potong, pecahkan, buang, jatuhkan kartrij bateri, atau tekan objek keras pada kartrij bateri. Perbuatan sedemikian boleh mengakibatkan kebakaran, haba berlebihan, atau letupan.
9. Jangan gunakan bateri yang rosak.

10. **Bateri litium ion yang terkandung adalah tertakluk kepada keperluan Perundangan Barangan Berbahaya.**
Bagi pengangkutan komersil cth. oleh pihak ketiga, ejen penghantar, keperluan khas pada pembungkusan dan pelabelan mestilah diperhatikan.
Bagi persediaan item yang dihantar, berunding dengan pakar bahan berbahaya adalah diperlukan. Sila juga perhatikan sebolehnya peraturan kebangsaan yang lebih terperinci. Lekatkan atau balut bahagian terbuka dan pek bateri supaya ia tidak bergerak dalam pembungkusan.
11. **Apabila melupuskan kartrij bateri, keluarkan ia daripada alat dan lupuskan ia di tempat selamat. Ikut peraturan tempatan anda mengenai pelupusan bateri.**
12. **Gunakan bateri hanya dengan produk yang ditentukan oleh Makita.** Memasang bateri kepada produk yang tidak patuh mungkin menyebabkan kebakaran, pemanasan lampau, atau kebocoran elektrolit.
13. **Jika alat tidak digunakan untuk tempoh masa yang lama, bateri mesti dikeluarkan daripada alat.**
14. **Semasa dan selepas penggunaan, kartrij bateri mungkin ada haba yang boleh menyebabkan terbakar atau suhu rendah terbakar. Beri perhatian kepada pengendalian kartrij bateri yang panas.**
15. **Jangan sentuh terminal alat itu selepas digunakan kerana ia mungkin panas menyebabkan terbakar.**
16. **Jangan biarkan cip, habuk, atau tanah terperangkap ke dalam terminal, lubang, dan alur cahaya kartrij bateri.** Ia mungkin menyebabkan pemanasan, terbakar, meletup dan pincang tugas alat atau kartrij bateri, seterusnya menyebabkan lecur atau kecederaan diri.
17. **Melainkan alat ini menyokong penggunaan yang hampir dari talian kuasa elektrik voltan tinggi, jangan gunakan kartrij bateri berhampiran talian kuasa elektrik voltan tinggi.** Ia mungkin menyebabkan kerosakan atau pecah pada alat atau kartrij bateri.
18. **Jauhkan bateri daripada kanak-kanak.**

SIMPAN ARAHAN INI.

⚠️PERHATIAN: Hanya gunakan bateri asli Makita. Penggunaan bateri tidak asli Makita, atau bateri yang telah diubah suai, mungkin menyebabkan bateri meletup menyebabkan kebakaran, kecederaan diri dan kerosakan. Ia juga membatalkan jaminan Makita untuk alat Makita dan pengecas.

Tip untuk mengekalkan hayat bateri maksimum

1. **Cas kartrij bateri sebelum ternyata habis sepenuhnya.** Sentiasa hentikan operasi alat dan cas kartrij bateri apabila anda menyedari kurang kuasa alat.
2. **Jangan cas semula kartrij bateri yang dicas sepenuhnya.** Terlebih cas memendekkan hayat servis bateri.
3. **Cas kartrij bateri dengan suhu bilik pada 10 °C - 40 °C (50 °F - 104 °F).** Biarkan kartrij bateri yang panas menyejuk sebelum mengecasnya.
4. **Apabila tidak menggunakan kartrij bateri, tanggalkannya dari alat atau pengecas.**
5. **Cas kartrij bateri jika anda tidak menggunakannya untuk tempoh yang lama (lebih daripada enam bulan).**

Arahan keselamatan yang penting untuk unit tanpa wayar

1. **Jangan leraikan atau menghentak dengan unit tanpa wayar.**
2. **Pastikan unit tanpa wayar jauh dari kanak-kanak.** Jika ditelan dengan sengaja, dapatkan segera rawatan perubatan.
3. **Guna unit tanpa wayar sahaja dengan alat Makita.**
4. **Jangan biarkan unit tanpa wayar terkena hujan atau keadaan basah.**
5. **Jangan gunakan unit tanpa wayar di tempat di mana suhu melebihi 50°C (122°F).**
6. **Jangan mengendalikan unit tanpa wayar di tempat alat perubatan, seperti pembuat langkah jantung yang berdekatan.**
7. **Jangan mengendalikan unit tanpa wayar di tempat di mana peranti automatik berada berdekatan.** Jika dikendalikan, peranti automatik mungkin mengalami kerosakan atau ralat.
8. **Jangan mengendalikan unit tanpa wayar di tempat bawah suhu tinggi atau tempat di mana elektrik statik atau bunyi elektrik yang boleh dijana.**
9. **Unit tanpa wayar boleh menghasilkan medan elektromagnet (EMF) tetapi tidak membahayakan kepada pengguna.**
10. **Unit tanpa wayar adalah alat yang tepat.** Berhati-hati untuk tidak jatuhkan atau mengetuk unit tanpa wayar.
11. **Elakkan menyentuh terminal unit tanpa wayar dengan tangan kosong atau bahan logam.**
12. **Sentiasa keluarkan bateri pada produk apabila memasang unit tanpa wayar ke dalamnya.**
13. **Apabila membuka penutup slot, elakkan tempat di mana habuk dan air boleh masuk ke dalam slot.** Sentiasa pastikan slot salur masuk bersih.
14. **Sentiasa masukkan unit tanpa wayar ke arah yang betul.**
15. **Jangan tekan butang pengaktifan pada unit tanpa wayar terlalu kuat dan/atau tekan butang dengan objek dengan sisi tajam.**

16. Sentiasa tutup penutup slot semasa beroperasi.
17. Jangan keluarkan unit tanpa wayar dari slot semasa kuasa sedang dibekalkan ke alat itu. Berbuat demikian boleh menyebabkan kerosakan pada unit tanpa wayar.
18. Jangan keluarkan pelekat pada unit tanpa wayar.
19. Jangan letak sebarang pelekat pada unit tanpa wayar.
20. Jangan tinggalkan unit tanpa wayar di tempat bawah suhu tinggi atau tempat di mana elektrik statik atau bunyi elektrik yang boleh dijana.
21. Jangan biarkan unit tanpa wayar di tempat yang subjek kepada haba yang tinggi, seperti kereta yang duduk di bawah sinar matahari.
22. Jangan biarkan unit tanpa wayar di tempat yang berdebu atau serbuk atau di tempat menghakis gas yang boleh dijana.
23. Perubahan suhu yang mendadak mungkin merosakkan unit tanpa wayar. Jangan gunakan unit tanpa wayar sehingga embun selesai sepenuhnya.
24. Apabila membersihkan unit tanpa wayar, perlahan-lahan lap dengan kain lembut yang kering. Jangan gunakan benzin, nipis, gris konduktif atau sebagainya.
25. Apabila menyimpan unit tanpa wayar, simpan bekas yang dibekalkan atau bekas statik percuma.
26. Jangan masukkan sebarang peranti selain unit tanpa wayar Makita ke dalam slot pada alat itu.
27. Jangan gunakan alat dengan tudung slot yang rosak. Air, habuk, dan kotoran yang masuk ke dalam slot boleh menyebabkan kerosakan.
28. Jangan tarik dan/atau memutar tudung slot lebih daripada perlu. Pulihan tudung jika ia keluar dari alat.
29. Gantikan tudung slot jika ia hilang atau rosak.

SIMPAN ARAHAN INI.

KETERANGAN FUNGSI

PERHATIAN: Sentiasa pastikan peralatan dimatikan dan kartrij bateri ditanggalkan sebelum menelaraskan atau memeriksa fungsi pada peralatan.

Memasang atau mengeluarkan kartrij bateri

PERHATIAN: Sentiasa matikan alat sebelum memasang atau mengeluarkan kartrij bateri.

PERHATIAN: Pegang alat dan kartrij bateri dengan kukuh apabila memasang atau mengeluarkan kartrij bateri. Gagal untuk memegang alat dan kartrij bateri dengan kukuh mungkin menyebabkan mereka terlepas daripada tangan anda dan mengakibatkan kerosakan kepada alat dan kartrij bateri dan kecederaan peribadi.

► **Rajah1:** 1. Penunjuk merah 2. Butang 3. Kartrij bateri

Untuk mengeluarkan kartrij bateri, luncurkan ia daripada alat apabila meluncurkan butang di hadapan kartrij.

Untuk memasang kartrij bateri, selaraskan lidah pada kartrij bateri dengan alur pada perumahan dan gelincirkan ia ke tempatnya. Masukkan ia sepenuhnya sehingga ia terkunci di tempatnya dengan klik kecil. Jika anda boleh melihat penunjuk merah seperti yang ditunjukkan dalam rajah, ia tidak dikunci sepenuhnya.

PERHATIAN: Sentiasa pasang kartrij bateri sepenuhnya sehingga penunjuk merah tidak boleh dilihat. Jika tidak, ia mungkin jatuh tanpa sengaja daripada alat, menyebabkan kecederaan kepada anda atau seseorang di sekeliling anda.

PERHATIAN: Jangan pasang kartrij bateri secara paksa. Jika kartrij tidak meluncur dengan mudah, ia tidak dimasukkan dengan betul.

Menunjukkan kapasiti bateri yang tinggal

Tekan butang semak pada kartrij bateri untuk menunjukkan kapasiti bateri yang tinggal. Lampu penunjuk menyala untuk beberapa saat.


► **Rajah2:** 1. Lampu penunjuk 2. Butang semak


Lampu penunjuk			Kapasiti yang tinggal
Dinyalakan	Mati	Berkelip	
■ ■ ■ ■			75% hingga 100%
■ ■ ■ □			50% hingga 75%
■ ■ □ □			25% hingga 50%
■ □ □ □			0% hingga 25%
▬ □ □ □			Cas bateri.
■ ■ □ □			Bateri mungkin telah rosak.
□ □ ■ ■			








NOTA: Bergantung kepada keadaan penggunaan dan suhu persekitaran, penunjuk mungkin berbeza sedikit daripada kapasiti sebenar.

NOTA: Lampu penunjuk (kiri jauh) pertama akan berkedip apabila sistem perlindungan bateri berfungsi.

Menunjukkan kapasiti bateri yang tinggal






► **Rajah3:** 1. Penunjuk bateri 2. Butang 

Tekan butang  untuk menunjukkan kapasiti bateri yang tinggal.

Status penunjuk bateri			Kapasiti bateri yang tinggal
 Hidup	 Mati	 Berkelip	
			50% hingga 100%
			20% hingga 50%
			0% hingga 20%
			Cas bateri

Sistem perlindungan bateri / peralatan

Peralatan dilengkapi dengan sistem perlindungan peralatan / bateri. Sistem ini memotong kuasa kepada motor secara automatik untuk memanjangkan hayat peralatan dan bateri. Dalam situasi ini, penunjuk bateri menyala seperti jadual berikut.

Status penunjuk bateri			Status
 Hidup	 Mati	 Berkelip	
			Perlindungan lebih beban (bateri) / Perlindungan pemanasan lampau (bateri) / Perlindungan lebih nyahcas
			Perlindungan pemanasan lampau (peralatan)

Peralatan akan berhenti secara automatik semasa operasi jika peralatan atau bateri diletakkan di bawah salah satu keadaan yang berikut:

Perlindungan lebih beban

Apabila peralatan / bateri beroperasi dengan cara yang menyebabkan ia menarik arus tinggi yang luar biasa, peralatan akan berhenti secara automatik. Dalam situasi ini, matikan peralatan dan hentikan penggunaan yang menyebabkan mesin menjadi terlebih beban. Kemudian hidupkan peralatan untuk mula semula.

Perlindungan pemanasan lampau

Apabila peralatan / bateri terlampau panas, peralatan berhenti secara automatik. Dalam situasi ini, biarkan peralatan / bateri sejuk sebelum menghidupkan semula peralatan.

Perlindungan lebih nyahcas

Apabila kapasiti bateri menjadi rendah, peralatan akan berhenti secara automatik. Jika produk tidak beroperasi walaupun suis telah dioperasikan, tanggalkan bateri daripada peralatan dan cas bateri.

Perlindungan terhadap punca lain

Sistem perlindungan juga direka bentuk untuk punca lain yang boleh merosakkan peralatan dan membolehkan peralatan berhenti secara automatik. Ambil semua langkah yang berikut untuk membuang punca, apabila peralatan telah dibawa kepada berhenti sementara atau berhenti beroperasi.

1. Matikan peralatan dan kemudian hidupkan peralatan lagi untuk mula semula.
2. Cas bateri atau gantikan bateri dengan bateri yang telah dicas.
3. Biarkan peralatan dan bateri menyejuk.

Jika tiada penambahbaikan boleh didapati melalui pemuliharaan sistem perlindungan, maka hubungi Pusat Servis Makita tempatan anda.

Melaraskan tali

Keketatan tali galas, tali atas dan bawah boleh dilaraskan. Letakkan lengan anda melalui tali galas terlebih dahulu kemudian ketatkan tali bawah dan atas. Untuk mengetatkan, tarik hujung pengikat seperti yang digambarkan. Untuk melonggarkan, tarik ke atas hujung kancing.

Tali bawah

► **Rajah4:** 1. Pengikat 2. Kancing

Tali galas

► **Rajah5:** 1. Pengikat 2. Kancing

Tali atas

► **Rajah6:** 1. Pengikat 2. Kancing


Cangkuk pembawa

⚠PERHATIAN: Gunakan bahagian penggantung/pelekap bagi tujuan bahagian tersebut sahaja. Menggunakan bukan bagi tujuan yang dimaksudkan boleh menyebabkan kemalangan atau kecederaan diri.

Sentiasa pegang cangkuk pembawa semasa mengendalikan badan pembersih vakum.

► **Rajah7:** 1. Cangkuk pembawa

Suis tunggu sedia

Suis tunggu sedia adalah suis untuk menghidupkan/ mematikan fungsi pengaktifan tanpa wayar. Pembersih vakum dalam keadaan tunggu sedia tanpa mengira kedudukan suis dan ia berfungsi apabila butang  ditekan.

► **Rajah8:** 1. Suis tunggu sedia

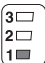


Kedudukan suis		Status
AUTO	I (ON)	Pembersih vakum dalam keadaan tunggu sedia dan fungsi pengaktifan tanpa wayar tersedia.
	O (OFF)	Pembersih vakum dalam keadaan tunggu sedia walau bagaimanapun fungsi pengaktifan tanpa wayar tidak tersedia.

Tindakan suis

► **Rajah9:** 1. Butang ubah kuasa sedutan 2. Butang ON/OFF

Untuk memulakan pembersih, hanya tekan butang ON/OFF. Untuk mematikan, tekan butang ON/OFF sekali lagi.

Anda boleh mengubah kuasa sedutan pembersih dalam tiga langkah dengan menekan butang ubah kuasa sedutan. Setiap tekanan pada butang ini mengulangi mod 1 hingga 3 dalam kitaran.

Tahap	Penunjuk	Mod
1		Mod kelajuan normal
2		Mod berkelajuan tinggi
3		Mod kelajuan maks

NOTA: Anda boleh mengubah kuasa sedutan sebelum menghidupkan pembersih.

NOTA: Pembersih mula beroperasi dengan kuasa sedutan yang sama seperti operasi terakhir.

NOTA: Jika anda menanggalkan bateri serta-merta selepas mematikan peralatan semasa motor berputar, pembersih mungkin tidak dapat memulakan operasi dengan kuasa sedutan yang sama dengan operasi terakhir.

Pengikat hos

Pengikat hos boleh digunakan untuk memegang hos atau muncung bebas.

Untuk mengikat hos ke badan pembersih vakum, lalukan pengikat hos melalui slot pada badan. Anda boleh melekatkan pengikat hos pada mana-mana sisi.

► **Rajah10:** 1. Pengikat hos 2. Slot 3. Hos

Gelung pada tali bawah boleh digunakan untuk membawa muncung seperti yang digambarkan.

► **Rajah11:** 1. Gelung 2. Muncung

PEMASANGAN

PERHATIAN: Sentiasa pastikan peralatan dimatikan dan kartrij bateri dikeluarkan sebelum menjalankan sebarang kerja pada peralatan.

Memasang hos

Masukkan manset hos ke dalam badan pembersih vakum dan putarkannya mengikut arah jam.

► **Rajah12:** 1. Manset hos 2. Badan pembersih vakum

Menyambungkan alat

Jika pemasangan paip bengkok dilekatkan pada hos, longgarkan lengan pemasangan paip bengkok dan tanggalkannya.

► **Rajah13:** 1. Hos 2. Pemasangan paip bengkok 3. Lengan

1. Lekatkan manset hadapan ke hos untuk pengekstrakan habuk. Apabila menyambungkan manset hadapan, pastikan ia diskru pada hos dengan ketat.

2. Sambungkan manset hadapan ke saluran keluar pengekstrakan alat.

► **Rajah14:** 1. Manset hadapan 2. Saluran keluar pengekstrakan 3. Hos

Manset hadapan boleh dilekatkan dengan memutarkannya mengikut arah lawan jam semasa memegang hos.

NOTA: Sentiasa gunakan manset hadapan yang sesuai. Apabila menggunakan manset hadapan 24, lekatkannya ke manset hadapan 22 yang disambungkan ke hos.

► **Rajah15:** 1. Manset hadapan 22 2. Manset hadapan 24

Gunakan sebagai pembersih

Jika anda ingin menggunakan produk ini sebagai pembersih, ikuti prosedur di bawah.

NOTIS: Jika manset hadapan dilekatkan ke hos, tanggalkannya terlebih dahulu.

NOTA: Pemasangan paip bengkok, tongkat sambungan dan muncung disediakan sebagai aksesori pilihan di beberapa negara.

NOTA: Terdapat dua jenis pemasangan paip bengkok; satu untuk tongkat sambungan jenis lurus dan satu untuk tongkat sambungan jenis gelang. Jika anda menyediakan pemasangan paip bengkok, pilih jenis tongkat sambungan yang anda mahukan.

1. Ketatkan lengan pemasangan paip bengkok kepada hos.

► **Rajah16:** 1. Hos 2. Pemasangan paip bengkok 3. Lengan

Untuk menanggalkan pemasangan paip bengkok, longgarkan lengan pemasangan paip bengkok daripada hos.

Memasang beg penapis / beg habuk

2. Putar dan masukkan muncung ke tongkat sambungan.

► **Rajah17:** 1. Tongkat sambungan 2. Muncung bebas 3. Muncung bentuk T 4. Muncung bentuk T (nipis)

NOTA: Dengan memutar muncung semasa memasukkan, muncung dapat dilekatkan ke tongkat sambungan dengan selamat.

3. Ikuti prosedur di bawah bergantung pada jenis tongkat sambungan:

NOTA: Tongkat sambungan jenis luncur dan tongkat sambungan jenis gelang tidak serasi antara satu sama lain. Jika anda ingin menukar tongkat sambungan jenis luncur ke tongkat sambungan jenis gelang atau sebaliknya, tukarkan juga pemasangan paip bengkok.

Untuk tongkat sambungan jenis luncur

Galas badan pembersih vakum kemudian masukkan tongkat sambungan ke dalam pemasangan paip bengkok sehingga berbunyi klik. Untuk mencabut, keluarkan tongkat sambungan dengan menekan butang.

► **Rajah18:** 1. Pemasangan paip bengkok 2. Butang 3. Tongkat sambungan jenis luncur

Panjang tongkat boleh dilaraskan.

Dengan menekan butang luncur, laraskan panjang tongkat. Panjang dikunci apabila melepaskan butang luncur.

► **Rajah19:** 1. Butang luncur

Untuk tongkat sambungan jenis gelang

Galas badan pembersih vakum kemudian putar dan masukkan tongkat sambungan ke dalam pemasangan paip bengkok. Untuk mencabut sambungan, putar dan tanggalkannya.

► **Rajah20:** 1. Pemasangan paip bengkok 2. Tongkat sambungan jenis gelang 3. Muncung bebas

NOTA: Muncung bebas boleh dilekatkan pada pemasangan paip bengkok tanpa mengunci paip secara langsung.

Panjang tongkat boleh dilaraskan.

Longgarkan gelang pada tongkat dan laraskan panjang tongkat. Ketatkan gelang pada panjang yang anda kehendaki.

► **Rajah21:** 1. Gelang

Cangkuk hos

Apabila anda menangguhkan operasi, cangkuk pada pemasangan paip bengkok boleh digunakan untuk menggantung tongkat pada tali bawah.

► **Rajah22:** 1. Cangkuk 2. Tali bawah

Aksesori pilihan

PERHATIAN: Jangan gunakan beg penapis yang rosak. Sentiasa gunakan pembersih vakum dengan beg penapis yang dipasang dengan betul. Jika tidak debu atau zarah yang telah disedut mungkin dilepaskan daripada pembersih dan ia mungkin menyebabkan penyakit pernafasan kepada pengendali.

NOTIS: Apabila beg penapis sudah penuh, gantikan dengan yang baharu. Apabila beg habuk sudah penuh, kosongkannya. Penggunaan beg penapis/beg habuk secara berterusan mengakibatkan pengurangan kuasa sedutan.

NOTIS: Untuk mengelakkan habuk daripada masuk ke dalam motor:

- Pastikan beg penapis/beg habuk dipasang sebelum digunakan.
- Jangan gunakan beg yang rosak atau koyak.

Jika tidak, motor boleh rosak.

NOTIS: Jangan lipat kadbad pada bukaannya apabila memasang beg penapis/beg habuk.

NOTIS: Beg penapis/beg habuk untuk pembersih adalah komponen penting bagi mengekalkan prestasi peralatan. Menggunakan beg penapis/beg habuk yang tidak asli mungkin menyebabkan asap atau penyalaaan.

NOTA: Apabila beg penapis/beg habuk tidak dipasang dalam pembersih, penutup hadapan tidak tertutup sepenuhnya.

► **Rajah23**

1. Buka kunci tuil dan buka penutup kotak habuk.

► **Rajah24:** 1. Tuil 2. Penutup kotak habuk

2. Masukkan beg penapis ke dalam celahan pada sisi atas bilik seperti yang digambarkan.

► **Rajah25:** 1. Celahan 2. Beg penapis

Apabila menggunakan beg habuk, masukkan tepi beg habuk ke dalam celahan.

► **Rajah26:** 1. Celahan 2. Tepi 3. Beg habuk

3. Jajarkan lubang beg penapis dengan manset hos dan tolak bahagian kadbad ke hujung. Pastikan gelang getah pada beg penapis melepasi rim pada manset hos.

► **Rajah27:** 1. Gelang getah pada beg penapis 2. Rim pada manset hos 3. Bahagian kadbad pada beg penapis 4. Manset hos

4. Kunci penutup kotak habuk dengan pasti.

PERHATIAN: Berhati-hati supaya tidak tersepit jari anda semasa mencangkuk selak dan semasa menutup penutup kotak habuk.

OPERASI

⚠️ AMARAN: Pengendali hendaklah diberi petunjuk yang mencukupi tentang penggunaan pembersih vakum.

⚠️ AMARAN: Pembersih vakum ini tidak sesuai untuk menangkap habuk berbahaya.

⚠️ PERHATIAN: Pembersih ini untuk kegunaan kering sahaja.

⚠️ PERHATIAN: Sentiasa masukkan kartrij bateri sepenuhnya sehingga ia terkunci di tempatnya. Jika anda boleh melihat penunjuk merah di sisi atas butang, ia tidak dikunci sepenuhnya. Masukkan ia sepenuhnya sehingga penunjuk merah tidak boleh dilihat. Jika tidak, ia mungkin jatuh daripada alat, menyebabkan kecederaan kepada anda atau seseorang di sekeliling anda.

⚠️ PERHATIAN: Semasa pengendalian, berhati-hati dengan pembersih vakum di belakang anda. Anda mungkin kehilangan keseimbangan jika badan pembersih vakum melentur ke dinding atau hos tercangkuk oleh halangan.

1. Galas badan pembersih vakum dan ketatkan tali bawah dan atas. Laraskan keketatan seperti yang diperlukan.

▶ **Rajah28**

2. Tekan butang ① untuk mula memvakum. Jika anda mahu mengubah kuasa sedutan, tekan butang ② sehingga kuasa sedutan yang dikehendaki dipilih. Pilih butang ① untuk berhenti.

▶ **Rajah29**

Semasa pengendalian, cangkukkan kotak suis pada tali bawah atau gelang D.

▶ **Rajah30**

3. Gantikan beg penapis apabila ia sudah penuh. Buka penutup dan keluarkan beg penapis. Tarik jalur pada sebelah tepi bukaan untuk menutup beg penapis dan buang seluruh beg penapis.

▶ **Rajah31:** 1. Jalur

Semasa menggunakan beg habuk, keluarkan beg habuk dan buangkan habuk dengan melepaskan selak.

▶ **Rajah32:** 1. Selak

NOTIS: Periksa beg penapis jika penuh secara berkala. Penggunaan beg penapis secara berterusan mengakibatkan pengurangan kuasa sedutan.

NOTIS: Jangan gunakan beg penapis yang telah digunakan. Beg penapis direka untuk sekali guna. Penggunaan beg penapis berulang kali boleh menyebabkan penapis tersumbat dan mengakibatkan kerosakan pada pembersih. Jika anda mahu menggunakan beg berulang kali, gunakan beg habuk.

FUNGSI PENGAKTIFAN TANPA WAYAR

Apa yang boleh anda lakukan dengan fungsi pengaktifan tanpa wayar

Fungsi pengaktifan tanpa wayar membolehkan operasi yang bersih dan selesa. Dengan menyambungkan alat yang disokong kepada pembersih, anda boleh menjalankan pembersih secara automatik bersama dengan operasi suis alat tersebut.

▶ **Rajah33**

NOTIS: Pastikan rujuk kepada manual arahan alat apabila menggunakan pembersih dengan fungsi pengaktifan tanpa wayar.

NOTIS: Jangan leraikan atau menghentak dengan unit tanpa wayar.

NOTIS: Untuk mengelakkan habuk masuk ke dalam slot unit tanpa wayar, sentiasa tutup dengan selamat semasa operasi dan penyimpanan.

NOTIS: Jangan keluarkan unit tanpa wayar semasa kuasa sedang dibekalkan ke alat itu. Berbuat demikian boleh menyebabkan kerosakan pada unit tanpa wayar.

NOTIS: Jangan tekan butang pengaktifan tanpa wayar terlalu kuat dan/atau tekan butang dengan objek dengan sisi tajam.

NOTA: Pengaktifan tanpa wayar memerlukan alat Makita dilengkapi dengan unit tanpa wayar.

NOTA: Sebelum penggunaan awal fungsi pengaktifan tanpa wayar dengan setiap alat, pelarasan alat diperlukan. Sebaik sahaja pelarasan selesai dengan alat, pelarasan semula tidak diperlukan melainkan dibatalkan.

NOTA: Sebelum pelarasan, pastikan unit tanpa wayar dipasang dengan betul.

NOTA: Satu unit tanpa wayar boleh dipadankan sehingga 10 pautan dengan unit tanpa wayar yang lain. Jika lebih daripada 10 unit tanpa wayar yang lain dipadankan kepada satu unit tanpa wayar, satu yang dipadankan yang terawal akan dibatalkan secara automatik.

NOTA: Kedudukan butang pengaktifan tanpa wayar berbeza bergantung pada alat.

NOTA: Pembersih juga dimulakan dengan menekan butang ① apabila suis tunggu sedia ditetapkan ke "I (ON)".

Walau bagaimanapun butang ① tidak akan berfungsi semasa fungsi pengaktifan tanpa wayar digunakan.

Memasang unit tanpa wayar

PERHATIAN: Letakkan pembersih pada permukaan yang rata dan stabil apabila memasang unit tanpa wayar.

NOTIS: Membersihkan debu dan kotoran pada pembersih sebelum memasang unit tanpa wayar. Debu atau kotoran boleh menyebabkan kerosakan jika ia masuk ke dalam slot unit tanpa wayar.

NOTIS: Untuk mengelakkan kerosakan yang disebabkan oleh statik, sentuh bahan pelepas statik, seperti bahagian logam, sebelum mengambil unit tanpa wayar.

NOTIS: Apabila memasang unit tanpa wayar, pastikan unit tanpa wayar dimasukkan ke dalam arah yang betul dan penutup ditutup sepenuhnya.

1. Membuka penutup pada pembersih seperti yang ditunjukkan pada gambar.

► **Rajah34:** 1. Penutup

2. Masukkan unit tanpa wayar ke slot dan tutup penutup.

Apabila memasukkan unit tanpa wayar, sejajarkan unjuran dengan bahagian-bahagian berlekuk pada slot.

► **Rajah35:** 1. Unit tanpa wayar 2. Unjuran 3. Penutup 4. Bahagian berlekuk

Apabila mengeluarkan unit tanpa wayar, buka penutup perlahan-lahan. Cangkuk pada bahagian belakang penutup akan mengangkat unit tanpa wayar semasa anda menarik penutup.

► **Rajah36:** 1. Unit tanpa wayar 2. Cangkuk 3. Penutup

Apabila mengeluarkan unit tanpa wayar, simpan bekas yang dibekalkan atau bekas bebas statik.

NOTIS: Sentiasa menggunakan cangkuk di bahagian belakang penutup apabila mengeluarkan unit tanpa wayar. Jika cangkuk tidak mencapai unit tanpa wayar, tutup penutup sepenuhnya dan buka dengan perlahan sekali lagi.

Pelarasan alat untuk pembersih

NOTA: Alat Makita yang menyokong fungsi pengaktifan tanpa wayar diperlukan untuk pelarasan alat.

NOTA: Selesai memasang unit tanpa wayar kepada alat sebelum memulakan pelarasan alat.

NOTA: Semasa pelarasan alat, jangan tarik pemacu suis pada alat atau menolak suis pembersih untuk memvakum.

NOTA: Rujuk kepada manual arahan alat itu juga.

Jika anda ingin mengaktifkan pembersih bersama dengan operasi suis alat itu, selesaikan pelarasan alat terlebih dahulu.

1. Pasang unit tanpa wayar kepada pembersih dan alat masing-masing.

2. Pasang bateri kepada pembersih dan alat itu.

3. Tetapkan suis tunggu sedia pada pembersih ke "I (ON)".

► **Rajah37:** 1. Suis tunggu sedia

4. Tekan butang pengaktifan tanpa wayar pada pembersih selama 3 saat sehingga lampu pengaktifan tanpa wayar berkelip hijau. Kemudian tekan butang pengaktifan tanpa wayar pada alat dengan cara yang sama.

► **Rajah38:** 1. Butang pengaktifan tanpa wayar 2. Lampu pengaktifan tanpa wayar

Jika pembersih dan alat tersebut berjaya dihubungkan, lampu pengaktifan tanpa wayar akan menyala hijau selama 2 saat dan mula berkelip biru.

NOTA: Lampu pengaktifan tanpa wayar selesai berkelip dalam warna hijau selepas 20 saat berlalu. Tekan butang pengaktifan tanpa wayar pada alat semasa lampu pengaktifan tanpa wayar pada pembersih berkelip. Jika lampu pengaktifan tanpa wayar tidak berkelip hijau, tolak butang pengaktifan tanpa wayar sekejap dan tahannya lagi.

NOTA: Apabila melakukan dua atau lebih alat pelarasan untuk pembersih, selesaikan pelarasan alat satu demi satu.

Memulakan fungsi pengaktifan tanpa wayar

NOTA: Selesaikan pelarasan alat untuk pembersih bagi pengaktifan tanpa wayar.

NOTA: Sentiasa meletakkan pembersih agar anda dapat melihat status lampu pengaktifan tanpa wayar.

NOTA: Rujuk kepada manual arahan alat itu juga.

Selepas memadamkan alat kepada pembersih, pembersih akan berfungsi secara automatik bersama dengan operasi suis alat tersebut.

1. Pasang unit tanpa wayar kepada pembersih dan alat masing-masing.

2. Pasang bateri kepada pembersih dan alat itu.

3. Sambungkan hos pembersih dengan alat.

► **Rajah39**

4. Tetapkan suis tunggu sedia pada pembersih ke "I (ON)". Lampu pengaktifan tanpa wayar akan berkelip warna biru.

► **Rajah40:** 1. Suis tunggu sedia

5. Tolak butang pengaktifan tanpa wayar pada alat sekejap. Lampu pengaktifan tanpa wayar akan berkelip warna biru.

► **Rajah41:** 1. Butang pengaktifan tanpa wayar 2. Lampu pengaktifan tanpa wayar

6. Hidupkan alat. Periksa jika pembersih berjalan semasa alat beroperasi.

PERHATIAN: Sentiasa periksa jika fungsi pengaktifan tanpa wayar berfungsi sebelum memulakan kerja dengan alat.

Untuk menghentikan pengaktifan tanpa wayar, tolak butang pengaktifan tanpa wayar pada alat atau tetapkan suis tunggu sedia pada pembersih ke "O (OFF)".

NOTA: Lampu pengaktifan tanpa wayar pada alat akan berhenti berkelip warna biru apabila tiada operasi selama 2 jam. Dalam kes ini, tekan butang pengaktifan tanpa wayar pada alat sekali lagi.

NOTA: Pembersih mula/berhenti dengan lambat. Terdapat penundaan ketika pembersih mengesan operasi suis pada alat.

NOTA: Jarak penghantaran unit tanpa wayar mungkin berbeza-beza bergantung kepada lokasi dan keadaan sekitarnya.

NOTA: Apabila dua atau lebih alat berdaftar pada satu pembersih, pembersih akan mula berjalan walaupun jika anda tidak menghidupkan alat kerana pengguna lain menggunakan fungsi pengaktifan tanpa wayar.

Membatalkan pelarasan alat untuk pembersih

Melaksanakan prosedur berikut apabila membatalkan pelarasan alat pembersih.

1. Pasang unit tanpa wayar kepada pembersih dan alat masing-masing.
2. Pasang bateri kepada pembersih dan alat itu.
3. Tetapkan suis tunggu sedia pada pembersih ke "I (ON)".

► **Rajah42:** 1. Suis tunggu sedia

4. Tekan butang pengaktifan tanpa wayar pada pembersih selama 6 saat. Lampu pengaktifan tanpa wayar berkedip hijau dan kemudian menjadi merah. Selepas itu, tekan butang pengaktifan tanpa wayar pada alat dengan cara yang sama.

► **Rajah43:** 1. Butang pengaktifan tanpa wayar
2. Lampu pengaktifan tanpa wayar

Jika pembatalan dilakukan dengan jayanya, lampu pengaktifan tanpa wayar akan menyala merah selama 2 saat dan mula berkelip biru.

NOTA: Lampu pengaktifan tanpa wayar selesai berkelip dalam warna merah selepas 20 saat berlalu. Tekan butang pengaktifan tanpa wayar pada alat semasa lampu pengaktifan tanpa wayar pada pembersih berkelip. Jika lampu pengaktifan tanpa wayar tidak berkelip merah, tolak butang pengaktifan tanpa wayar sekejap dan tahan lagi.

Memadamkan semua pelarasan alat

Anda boleh memadam semua pelarasan alat dari pembersih seperti berikut.

► **Rajah44:** 1. Suis tunggu sedia 2. Butang pengaktifan tanpa wayar 3. Lampu pengaktifan tanpa wayar










1. Pasang unit tanpa wayar kepada pembersih.
2. Pasang bateri kepada pembersih.
3. Tetapkan suis tunggu sedia ke "I (ON)".
4. Tahan butang pengaktifan tanpa wayar selama kira-kira 6 saat sehingga lampu pengaktifan tanpa wayar berkelip merah (kira-kira dua kali satu saat).
5. Apabila lampu pengaktifan tanpa wayar mula berkelip dengan warna merah, lepaskan jari anda dari butang pengaktifan tanpa wayar. Selepas itu, tahan butang pengaktifan tanpa wayar sekali lagi selama 6 saat.
6. Apabila lampu pengaktifan tanpa wayar mula berkelip cepat (kira-kira 5 kali setiap saat) warna merah, lepaskan jari anda dari butang pengaktifan tanpa wayar. Apabila lampu pengaktifan tanpa wayar menyala merah dan kemudian padam, semua pelarasan alat dipadamkan.

NOTA: Jika lampu pengaktifan tanpa wayar tidak berkelip merah, tolak butang pengaktifan tanpa wayar sekejap dan cuba lagi.

Keterangan status lampu pengaktifan tanpa wayar

- **Rajah45:** 1. Butang pengaktifan tanpa wayar
2. Lampu pengaktifan tanpa wayar

Lampu pengaktifan tanpa wayar menunjukkan status fungsi pengaktifan tanpa wayar. Rujuk jadual di bawah adalah maksud status lampu.

Status	Lampu pengaktifan tanpa wayar				Keterangan
	Warna	 Hidup	 Berkelip	Tempoh (anggaran)	
Tunggu sedia	Biru			Pembersih: Alat berterusan: 2 jam	Menunggu pelarasan alat atau fungsi pengaktifan tanpa wayar tersedia. Lampu pada pembersih berkelip apabila suis tunggu sedia ditetapkan dalam "I (ON)". Lampu pada alat itu berkelip apabila butang pengaktifan tanpa wayar ditolak. Lampu pada alat akan dimatikan secara automatik apabila tiada operasi dijalankan selama 2 jam.
				Apabila alat sedang berjalan.	
Pelarasan alat	Hijau			20 saat	Sedia untuk pelarasan alat. Mencari alat untuk dilaraskan.
				2 saat	Pelarasan alat telah selesai. Lampu pengaktifan tanpa wayar akan mula berkelip warna biru.
Membatalkan/ memadam pelarasan alat	Merah			20 saat	Sedia untuk pembatalan pelarasan alat. Mencari alat untuk dibatalkan.
				Apabila butang pengaktifan tanpa wayar ditekan ke bawah.	Bersedia untuk memadam semua pelarasan alat.
				2 saat	Pelarasan alat telah dibatalkan/dipadam. Lampu pengaktifan tanpa wayar akan mula berkelip warna biru.
Lain-lain	Merah			3 saat	Kuasa dibekalkan kepada unit tanpa wayar dan fungsi pengaktifan tanpa wayar dimulakan.
	Mati	-		-	Suis tunggu sedia tidak ditetapkan ke "I (ON)".

Penyelesaian masalah untuk fungsi pengaktifan tanpa wayar

Sebelum meminta pembaikan, jalankan pemeriksaan sendiri terlebih dahulu. Jika anda mendapati masalah tidak diterangkan dalam manual, jangan cuba untuk menanggalkan alat. Sebaliknya, tanya Pusat Servis Sah Makita, sentiasa gunakan alat ganti Makita untuk pembaikan.

Keadaan keabnormalan	Sebab yang mungkin (kerosakan)	Remedi
Lampu pengaktifan tanpa wayar tidak menyala/berkelip.	Unit tanpa wayar tidak dipasang kepada pembersih dan/atau alat itu. Unit tanpa wayar dipasang secara tidak betul ke dalam pembersih dan/atau alat itu.	Memasang unit tanpa wayar dengan betul.
	Terminal unit tanpa wayar dan/atau slot adalah kotor.	Perlahan-lahan mengelap habuk dan kotoran pada terminal unit tanpa wayar dan membersihkan slot daripada pembersih dan/atau alat.
	Butang pengaktifan tanpa wayar pada alat tidak ditolak.	Tolak butang pengaktifan tanpa wayar pada alat sekejap. Pastikan lampu pengaktifan tanpa wayar berkelip dalam warna biru.
	Suis tunggu sedia pada pembersih tidak ditetapkan ke "I (ON)".	Tetapkan suis tunggu sedia pada pembersih ke "I (ON)".
	Tiada bekalan kuasa	Bekalkan kuasa kepada alat dan pembersih.
Tidak dapat menyelesaikan pelarasan alat/pembatalan pelarasan alat dengan berjaya.	Unit tanpa wayar tidak dipasang kepada pembersih dan/atau alat itu. Unit tanpa wayar tidak dipasang dengan betul kepada pembersih dan/atau alat itu.	Memasang unit tanpa wayar dengan betul.
	Terminal unit tanpa wayar dan/atau slot adalah kotor.	Perlahan-lahan mengelap habuk dan kotoran pada terminal unit tanpa wayar dan membersihkan slot daripada pembersih dan/atau alat.
	Suis tunggu sedia pada pembersih tidak ditetapkan ke "I (ON)".	Tetapkan suis tunggu sedia pada pembersih ke "I (ON)".
	Tiada bekalan kuasa	Bekalkan kuasa kepada alat dan pembersih.
	Operasi yang tidak betul	Tekan butang pengaktifan tanpa wayar sekejap dan lakukan prosedur pelarasan/pembatalan alat sekali lagi.
	Alat dan pembersih berada jauh antara satu sama lain (di luar julat penghantaran).	Dapatkan alat dan pembersih lebih rapat antara satu sama lain. Jarak penghantaran maksimum adalah kira-kira 10 m walau bagaimanapun mungkin berbeza-beza mengikut keadaan.
	Sebelum menyelesaikan pendaftaran/pembatalan alat; - suis alat dihidupkan atau; - butang kuasa pada pembersih dihidupkan.	Tekan butang pengaktifan tanpa wayar sekejap dan lakukan prosedur pelarasan/pembatalan alat sekali lagi.
	Prosedur pelarasan alat untuk alat atau pembersih belum selesai.	Lakukan prosedur pelarasan untuk alat dan pembersih pada masa yang sama.
	Gangguan radio oleh peralatan lain yang menghasilkan gelombang radio intensiti tinggi.	Pastikan alat dan pembersih jauh dari peralatan seperti peranti Wi-Fi dan ketuhar gelombang mikro.

Kedaaan keabnormalan	Sebab yang mungkin (kerosakan)	Remedi
Pembersih tidak berjalan bersama dengan alat suis operasi itu.	Unit tanpa wayar tidak dipasang kepada pembersih dan/atau alat itu. Unit tanpa wayar dipasang secara tidak betul ke dalam pembersih dan/atau alat itu.	Memasang unit tanpa wayar dengan betul.
	Terminal unit tanpa wayar dan/atau slot adalah kotor.	Perlahan-lahan mengelap habuk dan kotoran pada terminal unit tanpa wayar dan membersihkan slot daripada pembersih dan/atau alat.
	Butang pengaktifan tanpa wayar pada alat tidak ditolak.	Tolak butang pengaktifan tanpa wayar pada alat sekejap. Pastikan lampu pengaktifan tanpa wayar berkelip dalam warna biru.
	Suis tunggu sedia pada pembersih tidak ditetapkan ke "I (ON)".	Tetapkan suis tunggu sedia pada pembersih ke "I (ON)".
	Lebih daripada 10 alat dilaraskan kepada pembersih.	Lakukan pelarasan pada alat sekali lagi. Jika lebih daripada 10 alat dilaraskan kepada pembersih, alat yang dilaraskan paling awal akan dibatalkan secara automatik.
	Semua pelarasan alat pembersih dipadamkan.	Lakukan pelarasan alat sekali lagi.
	Tiada bekalan kuasa	Bekalkan kuasa kepada alat dan pembersih.
	Alat dan pembersih berada jauh antara satu sama lain (di luar julat penghantaran).	Dapatkan alat dan pembersih lebih rapat antara satu sama lain. Jarak penghantaran maksimum adalah kira-kira 10 m walau bagaimanapun mungkin berbeza-beza mengikut keadaan.
	Gangguan radio oleh peralatan lain yang menghasilkan gelombang radio intensiti tinggi.	Pastikan alat dan pembersih jauh dari peralatan seperti peranti Wi-Fi dan ketuhar gelombang mikro.
Pembersih berjalan semasa alat tidak beroperasi.	Pengguna lain menggunakan pembersih pengaktifan tanpa wayar dengan alat mereka.	Jalankan salah satu cara berikut; <ul style="list-style-type: none"> - tetapkan suis tunggu sedia pada pembersih ke kedudukan "O" atau; - matikan butang pengaktifan tanpa wayar untuk alat lain atau; - batalkan pelarasan alat untuk alat lain.
Tidak dapat memadam semua pelarasan alat pada pembersih.	Menekan butang tanpa wayar kepada alat.	Tekan butang tanpa wayar pada pembersih untuk memadam semua pelarasan alat.
	Suis tunggu sedia pada pembersih tidak ditetapkan ke "I (ON)".	Tetapkan suis tunggu sedia pada pembersih ke "I (ON)".
	Butang pengaktifan tanpa wayar tidak ditekan dengan betul.	Tahan butang pengaktifan tanpa wayar lebih daripada 6 saat dan kemudian lepaskan apabila lampu pengaktifan berkelip merah. Tahan butang pengaktifan tanpa wayar lebih dari 6 saat sekali lagi sehingga butang pengaktifan tanpa wayar cepat berkelip merah dan kemudian lepaskan butang.

PENYELENGARAAN

⚠️ PERHATIAN: Sentiasa pastikan peralatan dimatikan dan kartrij bateri dikeluarkan sebelum cuba menjalankan pemeriksaan atau penyelenggaraan.

NOTIS: Jangan gunakan petrol, benzin, pencair, alkohol atau bahan yang serupa. Ia boleh menyebabkan perubahan warna, bentuk atau keretakan.

Untuk mengekalkan KESELAMATAN dan KEBOLEHPERCAYAAN produk, pembaikan, apa-apa penyelenggaraan atau penyesuaian lain perlu dilakukan oleh Kilang atau Pusat Servis Makita yang Diiktiraf, sentiasa gunakan alat ganti Makita.

Membersihkan penapis HEPA

⚠️PERHATIAN: Jangan gunakan pembersih vakum tanpa penapis HEPA atau berterusan menggunakan penapis HEPA yang kotor atau rosak. Habuk atau zarah yang disedut mungkin dilepaskan daripada pembersih dan ia mungkin menyebabkan penyakit pernafasan kepada pengendali.

NOTIS: Untuk mengekalkan kuasa sedutan yang optimum dan ekzos yang bersih, bersihkan penapis HEPA secara berkala. Jika kuasa sedutan yang mencukupi tidak diperoleh walaupun selepas pembersihan, gantikan penapis HEPA dengan yang baharu.

NOTIS: Untuk mengelakkan penapis HEPA daripada rosak, jangan gunakan alat berikut dan item yang sama untuk pembersihan:

- Pengabuk udara
- Pencuci bertekanan tinggi
- Alat yang diperbuat daripada bahan yang keras seperti berus metalik

1. Buka penutup dan keluarkan beg penapis. Lepaskan cangkuk pada penapis HEPA dan tanggalkannya daripada badan pembersih vakum.

► Rajah46

2. Keluarkan habuk dari penapis HEPA. Penapis HEPA boleh dibasuh dengan air. Bilas habuk dan zarah pada penapis HEPA setiap 1 atau 2 bulan. Selepas itu, keringkan penapis HEPA sepenuhnya di tempat yang teduh dan mempunyai pengudaraan yang baik untuk mencegah bau tidak menyenangkan atau pincang tugas.

3. Untuk memasang penapis HEPA, masukkan sisi tanpa kelopak ke dalam pemegang kemudian tekan penapis HEPA ke bawah sehingga penutupnya diikat oleh t rusuk.

► **Rajah47:** 1. Pemegang 2. Penapis HEPA 3. Rusuk 4. Kelopak

Membersihkan beg habuk

Bersihkan beg habuk dengan sabun dan air secara kerap. Balikkan beg habuk dari dalam ke luar dan keluarkan habuk yang melekit. Basuh sedikit dengan tangan dan bilas dengan air. Keringkan sepenuhnya sebelum memasangkan ke pembersih vakum.

► Rajah48

NOTIS: Beg habuk yang basah menurunkan prestasi penyedutan dan juga jangka hayat motor.

AKSESORI PILIHAN

⚠️PERHATIAN: Aksesori-aksesori atau lampiran-lampiran ini adalah disyorkan untuk digunakan dengan alat Makita anda yang ditentukan dalam manual ini. Penggunaan mana-mana aksesori-aksesori atau lampiran-lampiran lain mungkin mengakibatkan risiko kecederaan kepada orang. Hanya gunakan aksesori atau lampiran untuk tujuan yang dinyatakan.

Jika anda memerlukan sebarang bantuan untuk maklumat lebih lanjut mengenai aksesori ini, tanya Pusat Perkhidmatan Makita tempatan anda.

- Hos (untuk jenis pengekstrakan habuk)
- Hos (untuk jenis pembersih vakum)
- Tongkat sambungan
- Muncung bebas
- Muncung bentuk T
- Muncung tempat duduk
- Muncung penjuru
- Berus rak
- Berus bulat
- Pemasangan paip bengkok
- Beg penapis
- Beg habuk
- Manset hadapan
- Penapis HEPA
- Penutup abah-abah
- Unit tanpa wayar
- Pemasangan siklon
- Bateri dan pengecas asli Makita

NOTA: Beberapa item dalam senarai mungkin disertakan dalam pakej alat sebagai aksesori standard. Item mungkin berbeza mengikut negara.

Pemasangan siklon

NOTA: Apabila menggunakan sambungan siklon dengan peralatan ini, paip bengkok juga diperlukan.

► **Rajah49:** 1. Pemasangan siklon

Tentang pemasangan siklon

Menggunakan pembersih dipasang dengan pemasangan siklon mengurangkan jumlah habuk yang masuk ke dalam beg habuk, yang membantu menggalakkan daya sedutan daripada menjadi lemah. Tambahan pula, pembersihan selepas penggunaan juga adalah mudah.

⚠️PERHATIAN: Sentiasa pastikan yang alat dipadam dan kartrij bateri dikeluarkan sebelum melakukan sebarang kerja pada alat. Jika kartrij bateri ditinggalkan dalam alat, pembersih boleh hidup tanpa diduga dan mengakibatkan kecederaan.

⚠️PERHATIAN: Bersihkan penapis jaring pemasangan siklon dan beg habuk unit pembersih semasa ia tersumbat. Penggunaan berterusan dalam keadaan tersumbat boleh menyebabkan kepanasan atau asap.

NOTIS: Apabila sambungan siklon dipasang, jangan gunakan sambungan siklon dalam keadaan mendatar atau menghadap ke atas. Melakukan sedemikian boleh menyebabkan penapis jaring tersumbat.

NOTIS: Sentiasa gunakan pembersih dengan beg habuk dipasang, walaupun semasa menggunakan pemasangan siklon. Menggunakan pembersih tanpa beg habuk dipasang boleh menyebabkan kepincangan tugas motor.

NOTA: Periksa pemasangan siklon, pembersih dan paip lurus telah dikunci dengan betul sebelum penggunaan.

NOTA: Kosongkan bekas habuk pemasangan siklon dan beg habuk pembersih apabila habuk telah terkumpul. Penggunaan berterusan akan menyebabkan daya sedutan menjadi lemah.

NOTA: Anda juga boleh menggunakan sambungan siklon dengan atau tanpa fungsi kunci.

NOTA: Untuk memasang atau mengeluarkan sambungan siklon, rujuk pada bahagian "Menggunakan sebagai pembersih".

Pembuangan habuk

Apabila habuk terkumpul sehingga garis penuh bekas habuk, ikuti prosedur di bawah dan buang habuk.

1. Pegang bekas habuk dengan kemas, tekan dan jangan lepaskan dua butang, dan keluarkan bekas habuk.

► **Rajah50:** 1. Garis penuh 2. Bekas habuk 3. Butang (dua lokasi) 4. Penapis jaring

2. Buang habuk di dalam bekas habuk dan keluarkan mana-mana habuk dan serbuk yang melekat pada permukaan penapis jaring.

3. Masukkan bekas habuk sepenuhnya sehingga dua butang terkunci dengan bunyi klik.

► **Rajah51:** 1. Bekas habuk 2. Butang (dua lokasi)

NOTA: Periksa yang pemasangan siklon, pembersih dan paip lurus telah terkunci dengan betul sebelum memulakan semula operasi.

NOTA: Jika daya sedutan tidak dipulihkan semula walaupun selepas pembuangan habuk dan pembersihan penapis jaring, periksa sama ada habuk telah terkumpul di dalam beg habuk pembersih atau telah tersumbat.

Pembersihan

Apabila bekas habuk menjadi kotor atau penapis jaring tersumbat, keluarkan dan basuh ia dengan air. (Rujuk pada "Pembuangan habuk" untuk prosedur mengeluarkan.)

Keringkan bahagian sepenuhnya sebelum pemasangan dan penggunaan semula.

► **Rajah52:** 1. Bekas habuk 2. Penapis jaring

Apabila penapis jaring menjadi sangat kotor, bersihkan ia mengikut prosedur berikut.

1. Pusingkan penapis jaring arah lawan jam dan keluarkan ia semasa cangkuk dinyahkunci.

► **Rajah53:** 1. Penapis jaring 2. Cangkuk

2. Keluarkan habuk pada penapis jaring dan kemudian basuh ia dengan air. Selepas itu, keringkan ia sepenuhnya.

3. Masukkan penapis jaring ke dalam tapak semasa cangkuk disejajarkan dengan port. Pusingkan penapis jaring mengikut arah jam sehingga cangkuk terkunci dengan bunyi klik. Pastikan bahawa penapis jaring dipasang dengan kukuh.

► **Rajah54:** 1. Penapis jaring 2. Cangkuk 3. Port

CẢNH BÁO

- Máy này không dành cho những người suy giảm thể chất, giác quan hoặc khả năng trí óc, hoặc thiếu kinh nghiệm và kiến thức sử dụng bao gồm cả trẻ em.
- Trẻ em cần được giám sát để đảm bảo rằng chúng sẽ không nghịch máy hút bụi.
- Xem chương “THÔNG SỐ KỸ THUẬT” để biết loại tham chiếu dành cho pin.
- Xem phần “Lắp hoặc tháo hộp pin” để biết cách tháo hoặc lắp pin.
- Khi vứt bỏ hộp pin, hãy tháo chúng khỏi dụng cụ và thải bỏ ở nơi an toàn. Phải tuân thủ theo các quy định của địa phương liên quan đến việc thải bỏ pin.
- Nếu dụng cụ không được sử dụng trong một thời gian dài, cần phải tháo pin ra khỏi dụng cụ.
- Không để hộp pin ở tình trạng đoản mạch.
- Xem chương “BẢO DƯỠNG” để biết các chi tiết thích hợp về các biện pháp phòng ngừa trong quá trình bảo dưỡng của người dùng.

THÔNG SỐ KỸ THUẬT

Kiểu máy:		VC009G
Dung lượng	Túi lọc	2,0 L
	Túi chứa bụi	1,5 L
Lượng không khí tối đa		1,9 m ³ /min
Lưu lượng hút		18 kPa
Kích thước (D x R x C) (trừ dây quai đeo, với BL4040)		233 mm x 150 mm x 375 mm
Điện áp định mức		D.C. 36 V - tối đa 40 V
Khối lượng tịnh		4,1 - 5,3 kg

- Do chương trình nghiên cứu và phát triển liên tục của chúng tôi nên các thông số kỹ thuật trong đây có thể thay đổi mà không cần thông báo trước.
- Các thông số kỹ thuật có thể thay đổi tùy theo quốc gia.
- Khối lượng không bao gồm các phụ kiện, ngoại trừ (các) hộp pin. Khối lượng kết hợp nhẹ nhất, nặng nhất của thiết bị và (các) hộp pin được thể hiện như trong bảng.

Hộp pin và sạc pin có thể áp dụng

Hộp pin	BL4020 / BL4025 / BL4040 / BL4050F / BL4080F
Bộ sạc	DC40RA / DC40RB / DC40RC

- Một số hộp pin và sạc pin được nêu trong danh sách ở trên có thể không khả dụng tùy thuộc vào khu vực cư trú của bạn.

⚠ CẢNH BÁO: Chi sử dụng hộp pin và sạc pin được nêu trong danh sách ở trên. Việc sử dụng bất cứ hộp pin và sạc pin nào khác có thể gây ra thương tích và/hoặc hỏa hoạn.

⚠ CẢNH BÁO: Không sử dụng nguồn cấp điện có dây như bộ chuyển đổi pin hoặc bộ cấp nguồn di động đeo vai với thiết bị này. Cấp của nguồn cấp điện này có thể cản trở vận hành và dẫn đến thương tích cá nhân.

Ký hiệu

Phần dưới đây cho biết các ký hiệu có thể được dùng cho thiết bị. Đảm bảo rằng bạn hiểu rõ ý nghĩa của các ký hiệu này trước khi sử dụng.



Hãy cẩn thận và đặc biệt chú ý.



Pin đại diện áp dụng cho sản phẩm này.



Đọc tài liệu hướng dẫn.



Chỉ dành cho các quốc gia EU
Do có các thành phần nguy hiểm bên trong thiết bị điện và điện tử, ắc quy và pin thải bỏ nên có thể có tác động không tốt đến môi trường và sức khỏe con người. Không vứt bỏ các thiết bị điện và điện tử hoặc pin với rác thải sinh hoạt!
Theo Chỉ thị của Châu Âu về thiết bị điện và điện tử thải bỏ và về pin và ắc quy và pin và ắc quy thải bỏ, cũng như sự thích ứng của chúng với luật pháp quốc gia, các thiết bị điện, pin và ắc quy thải phải được cất giữ riêng biệt và chuyển đến một điểm thu gom rác thải đô thị riêng, hoạt động theo các quy định về bảo vệ môi trường. Điều này được biểu thị bằng hình tượng thùng rác có bánh xe gạch chéo được đặt trên thiết bị.

Mục đích sử dụng

Dụng cụ này được dùng để gom bụi khô. Dụng cụ này thích hợp cho sử dụng thương mại, ví dụ như trong khách sạn, trường học, bệnh viện, nhà máy, cửa hàng, văn phòng và các ngành kinh doanh cho thuê.

CẢNH BÁO AN TOÀN

Cảnh báo an toàn cho Máy hút bụi chạy pin

⚠ CẢNH BÁO: LƯU Ý ĐỌC KỸ tất cả các cảnh báo an toàn và các hướng dẫn **TRƯỚC KHI SỬ DỤNG**. Việc không tuân theo các cảnh báo và hướng dẫn có thể dẫn đến điện giật, hỏa hoạn và/hoặc thương tích nghiêm trọng.

1. Trước khi sử dụng, đảm bảo rằng máy hút bụi này phải do người đã được hướng dẫn đầy đủ về cách dùng máy hút bụi này sử dụng.
2. Không vận hành máy hút bụi khi không có bộ lọc. Thay thế bộ lọc bị hỏng ngay lập tức.
3. Không cố hút các vật liệu dễ cháy, pháo hoa, thuốc lá đang cháy, tro nóng, mặt kim loại nóng, các vật liệu sắc nhọn như dao cạo, kim, thủy tinh vỡ hoặc những vật tương tự.
4. **KHÔNG BAO GIỜ SỬ DỤNG MÁY HÚT BỤI TRONG KHU VỰC GẦN XĂNG DẦU, KHÍ GAS, SƠN, KEO DÁN HOẶC CÁC CHẤT CHẤY NÓ MẠNH.** Công tắc phát ra tia lửa khi **BẬT** và **TẮT**. Và vành góp điện động cơ cũng bị tương tự trong quá trình vận hành. Có thể gây ra cháy nổ nguy hiểm.
5. Máy hút bụi này không thích hợp để hút bụi nguy hiểm.
6. Không bao giờ hút các vật liệu độc hại, gây ung thư, để bắt lửa hoặc các vật liệu nguy hiểm khác như amiăng, thạch tín, bari, berili, chì, thuốc trừ sâu, hoặc các vật liệu nguy hại cho sức khỏe khác.
7. Không sử dụng máy hút bụi ngoài trời khi đang mưa.
8. Máy này không được sử dụng ngoài trời với nhiệt độ thấp đối với nước Phần Lan.

9. Không sử dụng gần với nguồn nhiệt (bếp, v.v...).
10. Không được chặn các lỗ thông hơi làm mát. Các lỗ thông hơi này cho phép làm mát động cơ. Cần thận tránh làm tắc nghẽn nếu không động cơ sẽ cháy hỏng do thiếu thông gió.
11. Luôn giữ thăng bằng tốt và có chỗ để chân phù hợp.
12. Không gấp, kéo hoặc dẫm lên ống hút.
13. Dừng máy hút bụi ngay lập tức nếu bạn nhận thấy hiệu suất hoạt động của máy kém hoặc bất cứ điều gì bất thường trong khi vận hành.
14. **NGẮT KẾT NỐI PIN.** Khi không sử dụng, trước khi bảo trì, và khi thay đổi các phụ kiện.
15. **Làm sạch và bảo trì máy hút bụi ngay sau mỗi lần sử dụng để giữ máy trong điều kiện vận hành tốt nhất.**
16. **BẢO DƯỠNG MÁY HÚT BỤI CẦN THẬN.** Giữ máy hút bụi sạch sẽ để máy hoạt động tốt và an toàn hơn. Tuân theo các hướng dẫn dành cho việc thay phụ tùng. Giữ tay cầm khô, sạch, không dính dầu và mỡ.
17. **KIỂM TRA CÁC BỘ PHẬN BỊ HƯ HỎNG.** Trước khi sử dụng tiếp máy hút bụi, cần phải kiểm tra kỹ lưỡng bộ phận bảo vệ hoặc bộ phận khác bị hư hỏng để xác định rằng máy sẽ vận hành bình thường và thực hiện đúng chức năng như được thiết kế. Kiểm tra cẩn chính các bộ phận chuyên động, bó kẹp của các bộ phận chuyên động, chỗ nút vỡ các bộ phận, chỗ gắn và bất cứ tình trạng nào khác có thể ảnh hưởng đến việc vận hành. Bộ phận bảo vệ hoặc bộ phận nào khác bị hư hỏng cần phải được sửa chữa đúng cách hoặc thay thế bởi trung tâm bảo trì được ủy quyền trừ khi có chỉ dẫn khác trong hướng dẫn sử dụng này. Hãy để trung tâm dịch vụ được ủy quyền thay thế các công tắc bị hỏng. Không sử dụng máy hút bụi nếu công tắc không bật và tắt được máy.
18. **CÁC BỘ PHẬN THAY THẾ.** Khi bảo trì, chỉ sử dụng các bộ phận thay thế giống nhau.
19. **CẮT MÁY HÚT BỤI KHI KHÔNG SỬ DỤNG.** Khi không sử dụng, phải cắt máy hút bụi trong nhà.
20. **Cất giữ cẩn thận máy hút bụi của bạn.** Xử lý mạnh tay có thể làm nứt vỡ ngay cả đối với máy hút bụi được thiết kế riêng cấp nhất.
21. Không cố làm sạch bên ngoài hoặc bên trong bằng et xăng, dung môi hoặc hóa chất làm sạch. Điều này có thể gây nứt và làm mất màu.
22. Không sử dụng máy hút bụi trong một không gian khép kín nơi có khí dễ cháy, nổ hoặc độc hại do sơn gốc dầu, dung môi pha sơn, xăng, một số chất chống sâu mọt, v.v... gây ra, hoặc ở những khu vực có bụi dễ cháy.
23. Không vận hành máy hút bụi khi đang chịu ảnh hưởng của ma túy hoặc rượu.
24. Theo nguyên tắc cơ bản về an toàn, phải sử dụng kính bảo hộ hoặc kính an toàn có tấm chắn.
25. Sử dụng mặt nạ chống bụi trong điều kiện làm việc nhiều bụi.

Hướng dẫn quan trọng về an toàn dành cho hộp pin

26. Máy này không dành cho những người suy giảm thể chất, giác quan hoặc khả năng trí óc, hoặc thiếu kinh nghiệm và kiến thức sử dụng bao gồm cả trẻ em.
27. Trẻ em cần được giám sát để đảm bảo rằng chúng sẽ không nghịch máy hút bụi.
28. Không bao giờ xử lý (các) pin và máy hút bụi bằng tay ướt.
29. Hết sức cẩn trọng khi làm sạch trên các bậc thang.
30. Không sử dụng máy hút bụi làm ghế ngồi hay ghế băng làm việc. Máy có thể đổ xuống và dẫn đến chấn thương cá nhân.

Sử dụng và bảo quản dụng cụ dùng pin

1. **Chỉ sạc pin lại với bộ sạc do nhà sản xuất quy định.** Bộ sạc phù hợp với một loại bộ pin này có thể gây ra nguy cơ hỏa hoạn khi được dùng cho một bộ pin khác.
2. **Chỉ sử dụng các dụng cụ máy với các bộ pin được quy định cụ thể.** Việc sử dụng bất cứ bộ pin nào khác có thể gây ra thương tích và hỏa hoạn.
3. **Khi không sử dụng bộ pin, hãy giữ tránh xa các đồ vật khác bằng kim loại, chẳng hạn như kẹp giấy, tiền xu, chìa khóa, đinh, ốc vít hoặc các vật nhỏ bằng kim loại mà có thể làm nối tất các đầu cực pin.** Các đầu cực pin bị đoản mạch có thể gây cháy hoặc hỏa hoạn.
4. **Trong điều kiện sử dụng quá mức, pin có thể bị chảy nước; hãy tránh tiếp xúc.** Nếu vô tình tiếp xúc với pin bị chảy nước, hãy rửa sạch bằng nước. Nếu dung dịch từ pin tiếp xúc với mắt, cần đi khám bác sĩ thêm. Dung dịch chảy ra từ pin có thể gây rát da hoặc bỏng.
5. **Không sử dụng bộ pin hoặc dụng cụ bị hư hỏng hoặc đã bị sửa đổi.** Pin đã bị hư hỏng hoặc đã bị sửa đổi có thể hành động theo cách không thể đoán trước dẫn đến cháy, nổ hoặc nguy cơ chấn thương.
6. **Không để bộ pin hoặc dụng cụ tiếp xúc với lửa hoặc nhiệt độ quá cao.** Tiếp xúc với lửa hoặc nhiệt độ trên 130 °C có thể gây ra cháy nổ.
7. **Làm theo tất cả các hướng dẫn sạc pin và không được sạc bộ pin hoặc dụng cụ vượt giới hạn nhiệt độ quy định trong hướng dẫn.** Sạc pin không đúng hoặc ở nhiệt độ vượt giới hạn nhiệt độ có thể gây hư hỏng cho pin và làm tăng nguy cơ cháy.
8. **Không sử dụng nguồn cấp điện có dây như bộ chuyển đổi pin hoặc bộ cấp nguồn di động đeo vai với dụng cụ này.** Cấp của nguồn cấp điện này có thể cản trở vận hành và dẫn đến thương tích cá nhân.

Bảo dưỡng

1. **Đề nghị viên sửa chữa đủ trình độ bảo dưỡng dụng cụ máy của bạn và chỉ sử dụng các bộ phận thay thế đồng nhất.** Việc này sẽ đảm bảo duy trì được độ an toàn của dụng cụ máy.
2. **Tuân theo hướng dẫn dành cho việc bôi trơn và thay phụ tùng.**
3. **Giữ tay cầm khô, sạch, không dính dầu và mỡ.**

1. **Trước khi sử dụng hộp pin, hãy đọc kỹ tất cả các hướng dẫn và dấu hiệu cảnh báo trên (1) bộ sạc pin, (2) pin và (3) sản phẩm sử dụng pin.**
2. **Không tháo rời hoặc làm thay đổi hộp pin.** Việc này có thể dẫn đến hỏa hoạn, quá nhiệt hoặc nổ.
3. **Nếu thời gian vận hành ngắn hơn quá mức, hãy ngừng vận hành ngay lập tức.** Điều này có thể dẫn đến rùi rò quá nhiệt, có thể gây bỏng và thậm chí là nổ.
4. **Nếu chất điện phân rơi vào mắt, hãy rửa sạch bằng nước sạch và đến cơ sở y tế ngay lập tức.** Chất này có thể khiến bạn giảm thị lực.
5. **Không để hộp pin ở tình trạng đoản mạch:**
 - (1) Không chạm vào cực pin bằng vật liệu dẫn điện.
 - (2) Tránh cất giữ hộp pin trong hộp có các vật kim loại khác như đinh, tiền xu, v.v...
 - (3) Không được để hộp pin tiếp xúc với nước hoặc mưa.

Đoản mạch pin có thể gây ra dòng điện lớn, quá nhiệt, có thể gây bỏng và thậm chí là hỏng hóc.

6. **Không cất giữ cũng như sử dụng dụng cụ và hộp pin ở nơi nhiệt độ có thể lên tới hoặc vượt quá 50 °C (122 °F).**
7. **Không đốt hộp pin ngay cả khi hộp pin đã bị hư hại nặng hoặc hư hỏng hoàn toàn.** Hộp pin có thể nổ khi tiếp xúc với lửa.
8. **Không đóng đinh, cắt, nghiền nát, ném, làm rơi hộp pin hoặc va vật cứng vào hộp pin.** Làm như thế có thể dẫn đến hỏa hoạn, quá nhiệt hoặc nổ.
9. **Không sử dụng pin đã hỏng.**
10. **Pin nén lithium-ion là đối tượng có yêu cầu bắt buộc theo Luật Hàng hoá Nguy hiểm.** Đối với vận tải thương mại, ví dụ như vận tải do bên thứ ba, đại lý giao nhận, thì yêu cầu đặc biệt về đóng gói và nhãn ghi phải được giám sát. Để chuẩn bị cho mặt hàng cần vận chuyển, cần phải tham khảo ý kiến chuyên gia về vật liệu nguy hiểm. Nếu được, vui lòng tuân thủ các quy định quốc gia chi tiết hơn. Buộc hoặc niêm phong các tiếp điểm mở và đóng gói pin theo cách đó để nó không thể di chuyển trong bao bì.
11. **Khi vứt bỏ hộp pin, hãy tháo chúng khỏi dụng cụ và thái bỏ ở nơi an toàn. Phải tuân thủ theo các quy định của địa phương liên quan đến việc thái bỏ pin.**
12. **Chỉ sử dụng pin cho các sản phẩm Makita chi định.** Lắp pin vào sản phẩm không thích hợp có thể gây ra hỏa hoạn, quá nhiệt, nổ, hoặc rò chất điện phân.
13. **Nếu dụng cụ không được sử dụng trong một thời gian dài, cần phải tháo pin ra khỏi dụng cụ.**
14. **Trong và sau khi sử dụng, hộp pin có thể bị nóng, có thể gây bỏng hoặc bỏng ở nhiệt độ thấp. Chú ý xử lý hộp pin nóng.**

15. Không chạm vào điện cực của dụng cụ ngay sau khi sử dụng vì điện cực đủ nóng để gây bỏng.
16. Không để vụn bào, bụi hoặc đất bám vào các điện cực, lỗ và rãnh của hộp pin. Điều này có thể làm nóng, bắt lửa, nổ và gây trục trặc cho dụng cụ hoặc hộp pin, dẫn đến bỏng hoặc thương tích cá nhân.
17. Trừ khi dụng cụ hỗ trợ sử dụng gần đường dây điện cao thế, không sử dụng hộp pin gần đường dây điện cao thế. Việc này có thể dẫn đến trục trặc hoặc hỏng hóc dụng cụ hay hộp pin.
18. Giữ pin tránh xa trẻ em.

LƯU GIỮ CÁC HƯỚNG DẪN NÀY.

⚠ THẬN TRỌNG: Chỉ sử dụng pin Makita chính hãng. Việc sử dụng pin không chính hãng Makita, hoặc pin đã được sửa đổi, có thể dẫn đến nổ pin gây ra cháy, thương tích và thiệt hại cá nhân. Nó cũng sẽ làm mất hiệu lực bảo hành của Makita dành cho dụng cụ của Makita và bộ sạc.

Mẹo duy trì tuổi thọ tối đa cho pin

1. Sạc hộp pin trước khi pin bị xả điện hoàn toàn. Luôn dừng việc vận hành dụng cụ và sạc pin khi bạn nhận thấy công suất dụng cụ bị giảm.
2. Không được phép sạc lại một hộp pin đã được sạc đầy. Sạc quá mức sẽ làm giảm tuổi thọ của pin.
3. Sạc pin ở nhiệt độ phòng 10°C - 40°C. Để cho hộp pin nóng nguội lại dần trước khi sạc pin.
4. Khi không sử dụng hộp pin, hãy tháo hộp pin ra khỏi dụng cụ hoặc bộ sạc.
5. Sạc pin sáu tháng một lần nếu bạn không sử dụng dụng cụ trong một thời gian dài (hơn sáu tháng).

Hướng dẫn quan trọng về an toàn dành cho thiết bị thu và phát không dây

1. Không tháo rời hoặc làm thay đổi thiết bị thu và phát không dây.
2. Giữ thiết bị thu và phát không dây tránh xa trẻ em. Nếu vô tình nuốt phải, hãy đến cơ sở y tế ngay lập tức.
3. Chỉ sử dụng thiết bị thu và phát không dây với các dụng cụ Makita.
4. Không để thiết bị thu và phát không dây tiếp xúc với mưa hoặc điều kiện ẩm ướt.
5. Không sử dụng thiết bị thu và phát không dây ở những nơi nhiệt độ vượt quá 50°C.
6. Không vận hành thiết bị thu và phát không dây ở những nơi gần các dụng cụ y tế, chẳng hạn như máy tạo nhịp tim.
7. Không vận hành thiết bị thu và phát không dây ở những nơi gần các thiết bị tự động. Nếu vận hành, các thiết bị tự động có thể phát sinh sự cố hoặc bị lỗi.

8. Không để thiết bị thu và phát không dây ở những nơi chịu nhiệt độ cao hoặc nơi có thể tạo ra tĩnh điện hoặc nhiễu điện.
9. Thiết bị thu và phát không dây có thể tạo ra từ trường điện (EMF) nhưng không có hại cho người dùng.
10. Thiết bị thu và phát không dây là một dụng cụ chính xác. Hãy cẩn trọng không làm rơi hoặc va đập thiết bị thu và phát không dây.
11. Tránh chạm vào điện cực của thiết bị thu và phát không dây bằng tay để trần hoặc vật liệu kim loại.
12. Luôn tháo pin ra khỏi sản phẩm khi lắp đặt thiết bị thu và phát không dây vào sản phẩm.
13. Khi mở nắp khe, hãy tránh nơi có bụi và nước có thể lọt vào khe. Luôn giữ sạch đầu vào của khe.
14. Luôn lắp thiết bị thu và phát không dây vào đúng hướng.
15. Không nhấn nút kích hoạt không dây trên thiết bị thu và phát không dây quá chặt và/hoặc nhấn nút bằng một vật có cạnh mềm sắc.
16. Luôn đóng nắp khe khi vận hành.
17. Không tháo thiết bị thu và phát không dây khỏi khe trong khi dụng cụ đang được cấp điện. Làm như vậy có thể khiến thiết bị thu và phát không dây bị hỏng.
18. Không gỡ bỏ nhãn trên thiết bị thu và phát không dây.
19. Không được dán bất kỳ nhãn nào lên thiết bị thu và phát không dây.
20. Không để thiết bị thu và phát không dây ở những nơi có thể tạo ra tĩnh điện hoặc nhiễu điện.
21. Không được để thiết bị thu và phát không dây ở những nơi tiếp xúc với nguồn nhiệt cao, như trong ô tô dưới trời nắng.
22. Không để thiết bị thu và phát không dây ở những nơi có bụi hoặc bột hoặc ở những nơi tạo ra khí ăn mòn.
23. Thay đổi nhiệt độ đột ngột có thể làm thiết bị thu và phát không dây bị tụ hơi nước. Không sử dụng thiết bị thu và phát không dây cho đến khi nước ngưng tụ khô hoàn toàn.
24. Khi vệ sinh thiết bị thu và phát không dây, hãy lau nhẹ nhàng bằng vải mềm khô. Không sử dụng ét xăng, dung môi, dầu mỡ dẫn hoặc tương tự.
25. Khi bảo quản thiết bị thu và phát không dây, hãy cất giữ thiết bị trong hộp đựng được giao kèm hoặc hộp chống tĩnh điện.
26. Không được lắp bất kỳ thiết bị nào ngoài thiết bị thu và phát không dây Makita vào khe trên dụng cụ.
27. Không sử dụng dụng cụ có nắp khe bị hư hỏng. Nước, bụi bắn lọt vào khe có thể gây ra sự cố.
28. Không kéo và/hoặc vận nắp khe nếu không cần thiết. Lắp lại nắp nếu nó rơi ra khỏi dụng cụ.
29. Thay thế nắp khe nếu bị mất hoặc hư hỏng.

LƯU GIỮ CÁC HƯỚNG DẪN NÀY.

MÔ TẢ CHỨC NĂNG

⚠ THẬN TRỌNG: Luôn đảm bảo rằng đã tắt thiết bị và tháo hộp pin ra trước khi thực hiện việc điều chỉnh hoặc kiểm tra chức năng trên dụng cụ.

Lắp hoặc tháo hộp pin

⚠ THẬN TRỌNG: Luôn tắt dụng cụ trước khi lắp hoặc tháo hộp pin.

⚠ THẬN TRỌNG: Giữ dụng cụ và hộp pin thật chắc khi lắp hoặc tháo hộp pin. Không giữ dụng cụ và hộp pin thật chắc có thể làm trượt chúng khỏi tay và làm hư hỏng dụng cụ và hộp pin hoặc gây thương tích cá nhân.

► **Hình1:** 1. Chỉ báo màu đỏ 2. Nút 3. Hộp pin

Để tháo hộp pin, vừa trượt pin ra khỏi dụng cụ vừa đẩy trượt nút ở phía trước hộp pin.

Để lắp hộp pin, đặt thẳng hàng phần chốt nhỏ ra của hộp pin vào phần rãnh nằm trên vỏ và trượt hộp pin vào vị trí. Đưa hộp pin vào hết mức cho đến khi chốt khóa vào đúng vị trí với một tiếng cách nhẹ. Nếu bạn có thể nhìn thấy chỉ báo màu đỏ như thể hiện trong hình, điều đó có nghĩa là pin vẫn chưa được khóa hoàn toàn.

⚠ THẬN TRỌNG: Luôn lắp hộp pin khớp hoàn toàn vào vị trí cho đến khi không thể nhìn thấy chỉ báo màu đỏ. Nếu không, hộp pin có thể vô tình rơi ra khỏi dụng cụ, gây thương tích cho bạn hoặc người khác xung quanh.

⚠ THẬN TRỌNG: Không được dùng sức lắp hộp pin. Nếu hộp pin không nhẹ nhàng trượt vào vị trí, có nghĩa là pin vẫn chưa được lắp đúng.

Chỉ báo dung lượng pin còn lại

Ấn nút check (kiểm tra) trên hộp pin để chỉ báo dung lượng pin còn lại. Các đèn chỉ báo bật sáng lên trong vài giây.

► **Hình2:** 1. Các đèn chỉ báo 2. Nút Check (kiểm tra)

Các đèn chỉ báo			Dung lượng còn lại
Bật sáng	Tắt	Nhấp nháy	
■	□	◐	75% đến 100%
■ ■ ■ ■			50% đến 75%
■ ■ ■ □			25% đến 50%
■ □ □ □			0% đến 25%
◐ □ □ □			Sạc pin.
■ ■ □ □	↑	↓	Pin có thể đã bị hỏng.
□ □ ■ ■			

LƯU Ý: Tùy thuộc vào các điều kiện sử dụng và nhiệt độ xung quanh, việc chỉ báo có thể khác biệt một chút so với dung lượng thực sự.

LƯU Ý: Đèn chỉ báo (phía xa bên trái) đầu tiên sẽ nhấp nháy khi hệ thống bảo vệ pin hoạt động.

Chỉ báo dung lượng pin còn lại

► **Hình3:** 1. Đèn chỉ báo pin 2. Nút

Nhấn nút để chỉ báo dung lượng pin còn lại.

Trạng thái đèn chỉ báo pin			Dung lượng pin còn lại
Bật	Tắt	Nhấp nháy	
			50% đến 100%
			20% đến 50%
			0% đến 20%
			Sạc pin

Hệ thống bảo vệ thiết bị / pin

Thiết bị này được trang bị hệ thống bảo vệ thiết bị / pin. Hệ thống này sẽ tự động ngắt nguồn điện đến động cơ để kéo dài tuổi thọ thiết bị và pin. Trong trường hợp này, đèn chỉ báo pin sẽ sáng lên như trong bảng sau.

Trạng thái đèn chỉ báo pin			Tình trạng
Bật	Tắt	Nhấp nháy	
			Bảo vệ quá tải (pin) / Bảo vệ quá nhiệt (pin) / Bảo vệ xả quá mức
			Bảo vệ quá nhiệt (thiết bị)

Thiết bị sẽ tự động dừng vận hành khi thiết bị hoặc pin ở một trong những trường hợp sau đây:

Bảo vệ quá tải

Khi vận hành thiết bị / pin trong điều kiện tiêu tốn dòng cao bất thường, thiết bị sẽ tự động dừng lại. Trong trường hợp này, hãy tắt thiết bị và ngừng việc sử dụng đã làm cho thiết bị trở nên quá tải. Sau đó bật thiết bị lên để khởi động lại.

Bảo vệ quá nhiệt

Khi thiết bị / pin bị quá nhiệt, thiết bị sẽ tự động dừng lại. Trong trường hợp này, hãy để thiết bị / pin nguội dần trước khi bật thiết bị một lần nữa.

Bảo vệ xả điện quá mức

Khi dung lượng pin yếu, thì thiết bị sẽ tự động dừng. Nếu sản phẩm không vận hành ngay cả khi vận hành công tắc, hãy tháo pin ra khỏi dụng cụ và sạc pin.

Bảo vệ chống lại các nguyên nhân khác

Hệ thống bảo vệ cũng được thiết kế để chống lại các nguyên nhân khác có thể làm hư hỏng thiết bị và cho phép thiết bị dừng tự động. Thực hiện tất cả các bước sau đây để loại bỏ nguyên nhân, khi thiết bị đã được tạm dừng hoặc ngừng hoạt động.

1. Tắt thiết bị, sau đó bật lại lần nữa để khởi động lại.
2. Sạc (các) pin hoặc thay pin/các pin bằng (các) pin đã sạc.
3. Để thiết bị và (các) pin nguội dần.

Nếu không thấy cải thiện bằng cách khôi phục hệ thống bảo vệ, hãy liên hệ với Trung tâm Dịch vụ Makita tại địa phương của bạn.

Điều chỉnh dây đeo

Thắt chặt dây đeo vai, có thể điều chỉnh dây đeo trên và dưới. Đầu tiên đặt cánh tay của bạn qua các dây đeo vai sau đó gắn chặt dây đeo dưới trên. Để thắt chặt, kéo đoạn cuối của dải dây như minh họa. Để nới lỏng, kéo phần cuối của bộ phận kẹp lên.

Dây đeo dưới

► **Hình4:** 1. Dải dây 2. Thanh kẹp

Dây đeo vai

► **Hình5:** 1. Dải dây 2. Thanh kẹp

Dây đeo trên

► **Hình6:** 1. Dải dây 2. Thanh kẹp

Móc treo

⚠ THẬN TRỌNG: Chỉ sử dụng các bộ phận treo/gắn dựa vào mục đích thiết kế của chúng. Sử dụng sai mục đích có thể gây ra tai nạn hoặc thương tích cá nhân.

Luôn kẹp móc treo khi cầm thân máy hút bụi.

► **Hình7:** 1. Móc treo

Công tắc chờ

Công tắc chờ là công tắc dùng để bật/tắt chức năng kích hoạt không dây. Máy hút bụi ở trạng thái chờ bất kể vị trí công tắc và hoạt động khi bấm nút **⓪**.

► **Hình8:** 1. Công tắc chờ

Vị trí công tắc		Tình trạng
AUTO	I (ON)	Máy hút bụi ở trạng thái chờ và chức năng kích hoạt không dây khả dụng.
	O (OFF)	Máy hút bụi ở trạng thái chờ, tuy nhiên chức năng kích hoạt không dây không khả dụng.

Hoạt động công tắc

► **Hình9:** 1. Nút thay đổi lực hút 2. Nút BẬT/TẮT

Để khởi động máy hút bụi, chỉ cần nhấn nút BẬT/TẮT. Để tắt, nhấn lại nút BẬT/TẮT.

Bạn có thể thay đổi lực hút của máy hút bụi theo ba bước bằng cách nhấn nút thay đổi lực hút. Mỗi lần nhấn nút này sẽ lập lại chế độ từ 1 đến 3 trong một chu kỳ.

Cấp độ	Chỉ định	Chế độ
1		Chế độ tốc độ bình thường
2		Chế độ tốc độ cao
3		Chế độ tốc độ tối đa

LƯU Ý: Bạn có thể thay đổi lực hút trước khi bật máy hút bụi.

LƯU Ý: Máy hút bụi bắt đầu hoạt động với lực hút tương tự ở lần vận hành cuối cùng.

LƯU Ý: Nếu bạn tháo pin ngay sau khi tắt thiết bị, trong khi động cơ đang quay, máy hút bụi có thể sẽ không bắt đầu vận hành với cùng công suất hút của lần vận hành gần nhất.

Dài ống dẫn

Dài ống dẫn có thể được dùng để giữ ống hút và vòi rời. Để cố định ống hút vào thân máy hút bụi, hãy luôn dài ống dẫn qua khe trên thân máy. Bạn có thể gắn đai ống hút ở cả hai bên.

► **Hình10:** 1. Dài ống dẫn 2. Khe 3. Ống hút

Có thể sử dụng móc trên dây đeo dưới để mang vòi phun như minh họa.

► **Hình11:** 1. Móc 2. Vòi phun

LẮP RÁP

⚠ THẬN TRỌNG: Luôn bảo đảm đã tắt thiết bị và tháo hộp pin trước khi tiến hành bất cứ công việc nào trên thiết bị.

Lắp ống dẫn

Chèn túi hơi của ống dẫn vào thân máy hút bụi và xoay nó theo chiều kim đồng hồ.

► **Hình12:** 1. Vòng bít ống dẫn 2. Thân máy hút bụi

Kết nối dụng cụ

Nếu bộ phận ống cong được gắn vào ống dẫn, hãy nới lỏng trụ ngoài của bộ phận ống cong và tháo ra.

► **Hình13:** 1. Ống hút 2. Bộ phận ống cong 3. Trụ ngoài

1. Gắn ống hơi trước vào ống dẫn dành cho hệ thống xử lý bụi.

Khi nối ống hơi trước, đảm bảo rằng ống hơi trước được vặn chặt vào ống dẫn.

2. Nối ống hơi trước với đầu ra bụi của công cụ.

► **Hình14:** 1. Ống hơi trước 2. Đầu ra bụi 3. Ống hút

Ống hơi trước có thể được tách ra bằng cách xoay ngược chiều kim đồng hồ khi đang cầm ống.

LƯU Ý: Luôn sử dụng một ống hơi trước phù hợp. Khi sử dụng ống hơi trước 24, gắn nó vào ống hơi trước 22 đã được nối với ống dẫn.

► **Hình15:** 1. Ống hơi trước 22 2. Ống hơi trước 24

Sử dụng làm máy hút bụi

Nếu bạn muốn sử dụng sản phẩm này làm máy hút bụi, hãy làm theo quy trình dưới đây.

CHÚ Ý: Nếu ống hơi trước được gắn vào ống dẫn, hãy tháo ống hơi trước ra trước.

LƯU Ý: Bộ phận ống cong, ống nối nối dài và vòi phun được cung cấp dưới dạng phụ kiện tùy chọn ở một số quốc gia.

LƯU Ý: Có hai loại bộ phận ống cong; một loại dành cho ống nối nối dài dạng trượt và một loại dành cho ống nối nối dài dạng vòng. Nếu bạn chuẩn bị bộ phận ống cong, hãy chọn bộ phận ống cong dành cho loại ống nối nối dài mong muốn của bạn.

1. Gắn chặt trụ ngoài của bộ phận ống cong vào ống dẫn.

► **Hình16:** 1. Ống hút 2. Bộ phận ống cong 3. Trụ ngoài

Đề tháo bộ phận ống cong, hãy rời lỏng trụ ngoài của bộ phận ống cong khỏi ống dẫn.

2. Xoắn và lắp vòi phun vào ống nối nối dài.

► **Hình17:** 1. Ống nối nối dài 2. Vòi rời 3. Vòi phun hình chữ T 4. Vòi phun hình chữ T (mỏng)

LƯU Ý: Bằng cách xoắn vòi phun khi lắp, vòi phun có thể được gắn chặt vào ống nối nối dài.

3. Hãy làm theo các quy trình dưới đây, tùy thuộc vào loại ống nối nối dài:

LƯU Ý: Ống nối nối dài dạng trượt và ống nối nối dài dạng vòng không tương thích với nhau. Nếu bạn muốn thay đổi ống nối nối dài dạng trượt thành ống nối nối dài dạng vòng hoặc ngược lại, hãy thay đổi cả bộ phận ống cong.

Đổi với ống nối nối dài dạng trượt

Khoác thân máy hút bụi lên vai sau đó lắp ống nối nối dài vào bộ phận ống cong cho đến khi kêu cách. Đề tháo ra, hãy rút ống nối nối dài bằng cách nhấn nút.

► **Hình18:** 1. Bộ phận ống cong 2. Nút 3. Ống nối nối dài dạng trượt

Có thể điều chỉnh chiều dài của ống nối.

Vừa nhấn nút trượt, vừa điều chỉnh chiều dài ống nối. Chiều dài được khóa khi nhả nút trượt.

► **Hình19:** 1. Nút trượt

Đổi với ống nối nối dài dạng vòng

Khoác thân máy hút bụi lên vai sau đó xoắn và lắp ống nối nối dài vào bộ phận ống cong. Đề tháo ra, hãy xoắn và rút ra.

► **Hình20:** 1. Bộ phận ống cong 2. Ống nối nối dài dạng vòng 3. Vòi rời

LƯU Ý: Có thể gắn vòi rời vào bộ phận ống cong mà không cần khóa ống trực tiếp.

Có thể điều chỉnh chiều dài của ống nối.

Nới lỏng vòng trên ống nối và điều chỉnh chiều dài ống nối. Siết chặt vòng tại chiều dài bạn mong muốn.

► **Hình21:** 1. Vòng

Móc treo ống

Khi bạn tạm ngừng hoạt động, có thể sử dụng móc treo trên bộ phận ống cong để treo thanh móc trên dây đeo dưới.

► **Hình22:** 1. Móc treo 2. Dây đeo dưới

Lắp túi lọc/túi chứa bụi

Phụ kiện tùy chọn

⚠ THẬN TRỌNG: Không sử dụng túi lọc đã bị hư hỏng. Luôn luôn sử dụng máy hút bụi có túi lọc được lắp đúng cách. Nếu không bụi và các hạt bụi đã được hút có thể bay ra khỏi máy hút bụi và chúng có thể gây ra bệnh đường hô hấp cho người vận hành.

CHÚ Ý: Khi túi lọc đã đầy bụi, hãy thay thế bằng cái mới. Khi túi chứa bụi đã đầy, hãy đổ hết bụi đi.

Tiếp tục sử dụng máy với túi lọc/túi chứa bụi đầy sẽ làm giảm công suất hút.

CHÚ Ý: Để ngăn ngừa bụi rơi vào trong động cơ:

- Đảm bảo rằng túi lọc/túi chứa bụi đã được lắp đặt trước khi sử dụng.
- Không sử dụng túi bị vỡ hoặc bị rách.

Nếu không động cơ có thể bị hỏng.

CHÚ Ý: Không gấp tấm bìa lúc tấm bìa đang mở khi đang lắp đặt túi lọc/túi chứa bụi.

CHÚ Ý: Túi lọc/túi chứa bụi cho máy hút bụi là một bộ phận quan trọng trong việc duy trì hiệu năng thiết bị. Sử dụng túi lọc/túi chứa bụi không chính hãng có thể gây ra khói hoặc đánh lửa.

LƯU Ý: Khi không lắp đặt túi lọc/túi chứa bụi trong máy hút bụi, nắp trước sẽ không thể đóng hoàn toàn.

► **Hình23**

1. Mở khóa cần gạt và mở nắp hộp chứa bụi.

► **Hình24:** 1. Cần gạt 2. Nắp hộp chứa bụi

2. Lắp túi lọc vào khe hở ở phía trên của khoang như minh họa.

► **Hình25:** 1. Khe hở 2. Túi lọc

Khi sử dụng túi chứa bụi, hãy lắp vành của túi chứa bụi vào khe.

► **Hình26:** 1. Khe 2. Vành 3. Túi chứa bụi

3. Căn chỉnh lỗ của túi lọc với vòng vít ống dẫn và đẩy phần tấm bia về cuối. Đảm bảo rằng vòng cao su trên túi lọc đi qua vành trên vòng vít ống dẫn.
- **Hình27:** 1. Vòng nhựa trên túi lọc 2. Vành tựa trên vòng vít ống dẫn 3. Phần tấm bia của túi lọc 4. Vòng vít ống dẫn
4. Khóa nắp hộp chứa bụi thật chắc.

⚠ THẬN TRỌNG: Cần thận tránh kẹp ngón tay của bạn khi móc chốt gài, và khi đóng nắp hộp chứa bụi.

VẬN HÀNH

⚠ CẢNH BÁO: Người vận hành phải được hướng dẫn đầy đủ về cách sử dụng máy hút bụi này.

⚠ CẢNH BÁO: Máy hút bụi này là không thích hợp để hút bụi độc hại.

⚠ THẬN TRỌNG: Máy hút bụi này chỉ sử dụng hút khô.

⚠ THẬN TRỌNG: Luôn luôn lắp hộp pin vào hết mức cho đến khi nó khóa đúng vào vị trí. Nếu bạn vẫn còn nhìn thấy đèn chỉ báo màu đỏ ở mặt trên của nút, điều đó có nghĩa là chốt vẫn chưa được khóa hoàn toàn. Lắp chốt hoàn toàn vào vị trí cho đến khi không thể nhìn thấy đèn chỉ báo màu đỏ. Nếu không, hộp pin có thể vô tình rơi ra khỏi dụng cụ, gây thương tích cho bạn hoặc người khác xung quanh.

⚠ THẬN TRỌNG: Trong quá trình vận hành, hãy chú ý đến máy hút bụi trên lưng bạn. Bạn có thể mất cân bằng nếu thân máy hút bụi va vào tường hoặc ống dẫn bị móc vào chướng ngại vật.

1. Khoác thân máy hút bụi lên vai rồi gắn chặt dây đeo dưới và trên. Điều chỉnh độ chặt nếu cần.
- **Hình28**

2. Nhấn nút ❶ để bắt đầu hút bụi. Nếu bạn muốn thay đổi lực hút, hãy nhấn nút ❷ cho đến khi chọn được lực hút mong muốn. Nhấn nút ❶ để dừng lại.
- **Hình29**

Trong khi vận hành, hãy móc hộp công tắc vào dây đeo dưới hoặc vòng chữ D.

► **Hình30**

3. Thay thế túi lọc khi túi đã đầy bụi. Mở nắp và lấy túi lọc ra. Kéo băng ở phía khe hở để kẹp túi lọc hoặc xả toàn bộ túi lọc.
- **Hình31:** 1. Băng

Khi sử dụng túi chứa bụi, hãy lấy túi chứa bụi ra và xả bụi bằng cách tháo chốt gài.

► **Hình32:** 1. Chốt gài

CHÚ Ý: Kiểm tra định kỳ túi lọc nếu nó đầy bụi. Tiếp tục sử dụng túi lọc đầy bụi sẽ làm giảm công suất hút.

CHÚ Ý: Không sử dụng túi lọc đã qua sử dụng. Túi lọc được thiết kế để sử dụng một lần. Sử dụng túi lọc nhiều lần có thể gây tắc nghẽn bộ lọc và dẫn đến hỏng máy hút bụi. Nếu bạn muốn sử dụng túi nhiều lần, hãy sử dụng túi chứa bụi.

CHỨC NĂNG KÍCH HOẠT KHÔNG DÂY

Những điều bạn có thể thực hiện với chức năng kích hoạt không dây

Chức năng kích hoạt không dây cho phép vận hành sạch và thuận lợi. Bằng cách nối dụng cụ được hỗ trợ vào máy hút bụi, bạn có thể chạy máy hút bụi tự động cùng với vận hành chuyển đổi của dụng cụ.

► **Hình33**

CHÚ Ý: Hãy đảm bảo rằng bạn đã tham khảo kỹ tài liệu hướng dẫn sử dụng dụng cụ khi dùng máy hút bụi bằng chức năng kích hoạt không dây.

CHÚ Ý: Không tháo rời hoặc làm thay đổi thiết bị thu và phát không dây.

CHÚ Ý: Để ngăn bụi rơi vào khe của thiết bị thu và phát không dây, luôn đóng chặt nắp trong quá trình vận hành và bảo quản.

CHÚ Ý: Không tháo thiết bị thu và phát không dây khi đang cấp điện. Làm như vậy có thể khiến thiết bị thu và phát không dây bị hỏng.

CHÚ Ý: Không nhấn nút kích hoạt không dây quá chặt và/hoặc nhấn nút bằng một vật có cạnh mép sắc.

LƯU Ý: Để sử dụng chức năng kích hoạt không dây bạn cần có các dụng cụ của Makita được trang bị thiết bị thu và phát không dây.

LƯU Ý: Cần phải đăng ký dụng cụ vào lần đầu dùng chức năng kích hoạt không dây cho từng dụng cụ sử dụng. Khi việc đăng ký dụng cụ được hoàn thành, sẽ không cần phải đăng ký lại, trừ khi bạn huỷ bỏ đăng ký.

LƯU Ý: Trước khi đăng ký, hãy chắc chắn rằng thiết bị thu và phát không dây được gắn đúng cách.

LƯU Ý: Một thiết bị thu và phát không dây có thể đăng ký tối đa 10 liên kết với các thiết bị thu và phát không dây khác. Nếu có hơn 10 thiết bị thu và phát không dây khác được đăng ký với một thiết bị thu và phát không dây, thiết bị thu và phát không dây được đăng ký sớm nhất sẽ tự động bị huỷ.

LƯU Ý: Vị trí của nút kích hoạt không dây có thể khác nhau tùy theo dụng cụ.

LƯU Ý: Máy hút bụi cũng sẽ khởi động bằng cách nhấn nút **⓪** khi công tắc chờ được gạt về "I (ON)". Tuy nhiên nút **⓪** sẽ không hoạt động khi chức năng kích hoạt không dây được sử dụng.

Lắp thiết bị thu và phát không dây

⚠ THẬN TRỌNG: Đặt máy hút bụi lên trên bề mặt phẳng và cố định khi lắp thiết bị thu và phát không dây.

CHÚ Ý: Làm sạch bụi bẩn trên máy hút bụi trước khi lắp đặt thiết bị thu và phát không dây. Bụi bẩn có thể gây ra sự cố nếu lọt vào khe của thiết bị thu và phát không dây.

CHÚ Ý: Để ngăn sự cố do tĩnh điện, hãy chạm vào vật liệu xa tĩnh, chẳng hạn như bộ phận kim loại, trước khi cầm thiết bị thu và phát không dây.

CHÚ Ý: Khi lắp thiết bị thu và phát không dây, luôn đảm bảo rằng thiết bị không dây được lắp vào đúng hướng và nắp được đóng lại hoàn toàn.

1. Mở nắp trên máy hút bụi như minh họa trong hình.
▶ **Hình34:** 1. Nắp

2. Lắp thiết bị thu và phát không dây vào khe và sau đó đóng nắp lại.

Khi lắp thiết bị thu và phát không dây, căn chỉnh các góc nhô ra thẳng với các phần lõm trên khe.

▶ **Hình35:** 1. Thiết bị thu và phát không dây 2. Góc nhô ra 3. Nắp 4. Phần lõm

Khi tháo thiết bị thu và phát không dây, mở nắp từ từ. Các móc treo vào phía sau nắp sẽ nâng thiết bị thu và phát không dây khi bạn kéo nắp lên.

▶ **Hình36:** 1. Thiết bị thu và phát không dây 2. Móc treo 3. Nắp

Sau khi tháo thiết bị thu và phát không dây, hãy cất giữ trong hộp đựng máy được giao kèm hoặc hộp chống tĩnh điện.

CHÚ Ý: Luôn sử dụng các móc ở phía sau nắp khi tháo thiết bị thu và phát không dây. Nếu các móc không móc vào thiết bị thu và phát không dây, đóng nắp hoàn toàn và mở lại từ từ.

Đăng ký dụng cụ cho máy hút bụi

LƯU Ý: Việc đăng ký dụng cụ yêu cầu có dụng cụ Makita hỗ trợ chức năng kích hoạt không dây.

LƯU Ý: Hãy hoàn tất quá trình lắp thiết bị thu và phát không dây vào dụng cụ trước khi bắt đầu đăng ký dụng cụ.

LƯU Ý: Trong khi đăng ký dụng cụ, không được kéo cần khởi động công tắc trên dụng cụ hoặc đẩy công tắc trên máy hút bụi để hút bụi.

LƯU Ý: Tham khảo cả tài liệu hướng dẫn về dụng cụ.

Nếu bạn muốn kích hoạt máy hút bụi cùng với vận hành chuyển đổi dụng cụ, hãy hoàn tất đăng ký dụng cụ trước.

1. Lắp thiết bị thu và phát không dây tương ứng vào máy hút bụi và dụng cụ.

2. Lắp pin vào máy hút bụi và dụng cụ.

3. Gạt công tắc chờ trên máy hút bụi về "I (ON)".

▶ **Hình37:** 1. Công tắc chờ

4. Nhấn nút kích hoạt không dây trên máy hút bụi trong 3 giây cho đến khi đèn kích hoạt không dây nhấp nháy màu xanh lá. Và sau đó nhấn nút kích hoạt không dây trên dụng cụ theo cách tương tự.

▶ **Hình38:** 1. Nút kích hoạt không dây 2. Đèn kích hoạt không dây

Nếu máy hút bụi và dụng cụ được kết nối thành công, đèn kích hoạt không dây sẽ sáng màu xanh lá trong 2 giây và bắt đầu nhấp nháy màu xanh dương.

LƯU Ý: Đèn kích hoạt không dây sẽ ngừng nhấp nháy màu xanh lá sau khoảng thời gian 20 giây. Nhấn nút kích hoạt không dây trên dụng cụ khi đèn kích hoạt không dây trên máy hút bụi đang nhấp nháy. Nếu đèn kích hoạt không dây không nhấp nháy màu xanh lá, bấm nút kích hoạt không dây một cách dứt khoát và để nút xuống lần nữa.

LƯU Ý: Khi thực hiện hai hay nhiều đăng ký dụng cụ cho một máy hút bụi, hãy hoàn tất từng đăng ký dụng cụ một.

Khởi động chức năng kích hoạt không dây

LƯU Ý: Hoàn tất đăng ký dụng cụ máy hút bụi cho kích hoạt không dây.

LƯU Ý: Luôn đặt máy hút bụi sao cho bạn có thể nhìn thấy trạng thái của đèn kích hoạt không dây.

LƯU Ý: Tham khảo cả tài liệu hướng dẫn về dụng cụ.

Sau khi đăng ký dụng cụ cho máy hút bụi, máy hút bụi sẽ chạy tự động cùng với vận hành chuyển đổi của dụng cụ.

1. Lắp thiết bị thu và phát không dây tương ứng vào máy hút bụi và dụng cụ.

2. Lắp pin vào máy hút bụi và dụng cụ.

3. Nối ống dẫn của máy hút bụi vào dụng cụ.

▶ **Hình39**

4. Gạt công tắc chờ trên máy hút bụi về "I (ON)". Đèn kích hoạt không dây sẽ nhấp nháy màu xanh dương.

▶ **Hình40:** 1. Công tắc chờ

5. Bấm dứt khoá nút kích hoạt không dây trên dụng cụ. Đèn kích hoạt không dây sẽ nhấp nháy màu xanh dương.

► **Hình41:** 1. Nút kích hoạt không dây 2. Đèn kích hoạt không dây

6. Bật dụng cụ. Kiểm tra xem máy hút bụi có hoạt động trong khi dụng cụ đang hoạt động hay không.

⚠ THẬN TRỌNG: Luôn kiểm tra xem chức năng kích hoạt không dây có hoạt động không trước khi bắt đầu công việc với dụng cụ.

Để dừng kích hoạt không dây, bấm nút kích hoạt không dây trên dụng cụ hoặc gạt công tắc chờ trên máy hút bụi về "O (OFF)".

LƯU Ý: Đèn kích hoạt không dây trên dụng cụ sẽ dừng nhấp nháy màu xanh dương khi không vận hành 2 giờ. Trong trường hợp này, nhấn các nút kích hoạt không dây trên dụng cụ lần nữa.

LƯU Ý: Máy hút bụi khởi động/dừng lại với khoảng trì hoãn. Có một khoảng thời gian chậm lại khi máy hút bụi phát hiện việc vận hành chuyển đổi của dụng cụ.

LƯU Ý: Khoảng cách truyền của thiết bị thu và phát không dây có thể khác nhau tùy thuộc vào vị trí và hoàn cảnh xung quanh.

LƯU Ý: Khi hai dụng cụ trở lên được đăng ký cho một máy hút bụi, máy hút bụi có thể bắt đầu hoạt động ngay cả khi bạn không bật dụng cụ vì người dùng khác đang sử dụng chức năng kích hoạt không dây.

Hủy bỏ đăng ký dụng cụ cho máy hút bụi

Thực hiện theo quy trình sau đây khi hủy bỏ đăng ký dụng cụ cho máy hút bụi.

1. Lắp thiết bị thu và phát không dây tương ứng vào máy hút bụi và dụng cụ.
2. Lắp pin vào máy hút bụi và dụng cụ.
3. Gạt công tắc chờ trên máy hút bụi về "I (ON)".

► **Hình42:** 1. Công tắc chờ

4. Nhấn nút kích hoạt không dây trên máy hút bụi trong 6 giây. Đèn kích hoạt không dây nhấp nháy màu xanh lá và sau đó bật màu đỏ. Sau đó, nhấn nút kích hoạt không dây trên dụng cụ theo cách tương tự.

► **Hình43:** 1. Nút kích hoạt không dây 2. Đèn kích hoạt không dây

Nếu thực hiện hủy bỏ thành công, đèn kích hoạt không dây sẽ sáng màu đỏ trong 2 giây và bắt đầu nhấp nháy màu xanh dương.

LƯU Ý: Đèn kích hoạt không dây sẽ ngừng nhấp nháy màu đỏ sau khoảng thời gian 20 giây. Nhấn nút kích hoạt không dây trên dụng cụ khi đèn kích hoạt không dây trên máy hút bụi đang nhấp nháy. Nếu đèn kích hoạt không dây không nhấp nháy màu đỏ, bấm nút kích hoạt không dây một cách dứt khoát và để nút xuống lần nữa.

Xoá tất cả đăng ký dụng cụ

Bạn có thể xoá tất cả đăng ký dụng cụ khỏi máy hút bụi theo các bước sau đây.

► **Hình44:** 1. Công tắc chờ 2. Nút kích hoạt không dây 3. Đèn kích hoạt không dây











1. Lắp thiết bị thu và phát không dây vào máy hút bụi.
2. Lắp pin vào máy hút bụi.
3. Gạt công tắc chờ về "I (ON)".
4. Nhấn giữ nút kích hoạt không dây trong khoảng 6 giây cho đến khi đèn kích hoạt không dây nhấp nháy màu đỏ (khoảng hai lần/giây).
5. Khi đèn kích hoạt không dây bắt đầu nhấp nháy màu đỏ, thả ngón tay ra khỏi nút kích hoạt không dây. Sau đó, nhấn giữ nút kích hoạt không dây trong khoảng 6 giây lần nữa.
6. Khi đèn kích hoạt không dây bắt đầu nhấp nháy nhanh màu đỏ (khoảng 5 lần/giây), thả ngón tay ra khỏi nút kích hoạt không dây. Khi đèn kích hoạt không dây sáng lên màu đỏ rồi tắt, tất cả đăng ký dụng cụ đã được xoá.

LƯU Ý: Nếu đèn kích hoạt không dây không nhấp nháy màu đỏ, nhấn nút kích hoạt không dây một cách dứt khoát và thử lại.

Mô tả tình trạng đèn kích hoạt không dây

► **Hình45:** 1. Nút kích hoạt không dây 2. Đèn kích hoạt không dây

Đèn kích hoạt không dây cho biết tình trạng của chức năng kích hoạt không dây. Tham khảo bảng bên dưới để biết ý nghĩa của tình trạng đèn.

Tình trạng	Đèn kích hoạt không dây				Mô tả
	Màu	 Bật	 Nhấp nháy	Khoảng thời gian (tương đối)	
Chờ	Màu xanh dương		Máy hút bụi: vận hành Dụng cụ liên tục: 2 giờ	Chờ cho đăng ký dụng cụ hoặc chức năng kích hoạt không dây khả dụng. Đèn trên máy hút bụi sẽ nhấp nháy khi công tắc chờ được gạt về "I (ON)". Đèn trên dụng cụ sẽ nhấp nháy khi bấm nút kích hoạt không dây. Đèn trên dụng cụ sẽ tự động tắt khi không vận hành trong 2 giờ.	
			Khi dụng cụ đang chạy.	Kích hoạt không dây của máy hút bụi là khả dụng và dụng cụ đang chạy.	
Đăng ký dụng cụ	Màu xanh lá		20 giây	Sẵn sàng để đăng ký dụng cụ. Tìm dụng cụ để đăng ký.	
			2 giây	Đăng ký dụng cụ đã hoàn tất. Đèn kích hoạt không dây sẽ bắt đầu nhấp nháy màu xanh dương.	
Hủy bỏ/xóa đăng ký dụng cụ	Màu đỏ	 (chậm: 2 lần/giây)	20 giây	Sẵn sàng để hủy bỏ đăng ký dụng cụ. Tìm dụng cụ để hủy bỏ.	
		 (nhANH: 5 lần/giây)	Khi nút kích hoạt không dây được nhấn xuống.	Sẵn sàng để xóa tất cả các đăng ký dụng cụ.	
			2 giây	Đăng ký dụng cụ đã hoàn tất hủy bỏ/xóa. Đèn kích hoạt không dây sẽ bắt đầu nhấp nháy màu xanh dương.	
Khác	Màu đỏ		3 giây	Cấp nguồn cho thiết bị thu và phát không dây và chức năng kích hoạt không dây khởi động.	
	Tắt	-	-	Công tắc chờ không được gạt về "I (ON)".	

Xử lý sự cố cho chức năng kích hoạt không dây

Trước khi yêu cầu sửa chữa, đầu tiên hãy tự tiến hành kiểm tra của riêng bạn. Nếu bạn phát hiện vấn đề nào đó không được giải thích trong sách hướng dẫn sử dụng này, đừng cố tháo dỡ dụng cụ. Thay vào đó, hãy nhờ Trung tâm dịch vụ Makita được ủy quyền, luôn sử dụng bộ phận thay thế của Makita để sửa chữa.

Tình trạng bất thường	Nguyên nhân tiềm tàng (sự cố hồng học)	Biện pháp khắc phục
Đèn kích hoạt không dây không sáng/nhấp nháy.	Thiết bị thu và phát không dây không được lắp vào máy hút bụi và/hoặc dụng cụ. Thiết bị thu và phát không dây được lắp không đúng cách vào máy hút bụi và/hoặc dụng cụ.	Lắp thiết bị thu và phát không dây đúng cách.
	Điện cực của thiết bị thu và phát không dây và/hoặc khe bị bẩn.	Nhẹ nhàng lau sạch bụi bẩn trên điện cực của thiết bị thu và phát không dây và làm sạch khe của máy hút bụi và/hoặc dụng cụ.
	Chưa bấm nút kích hoạt không dây trên dụng cụ.	Bấm dứt khoá nút kích hoạt không dây trên dụng cụ. Đảm bảo rằng đèn kích hoạt không dây đang nhấp nháy màu xanh dương.
	Công tắc chờ trên máy hút bụi không được gạt về "I (ON)".	Gạt công tắc chờ trên máy hút bụi về "I (ON)".
	Không có nguồn cấp điện	Cấp điện cho dụng cụ và máy hút bụi.
Không thể hoàn tất đăng ký dụng cụ / hủy bỏ đăng ký dụng cụ thành công.	Thiết bị thu và phát không dây không được lắp vào máy hút bụi và/hoặc dụng cụ. Thiết bị thu và phát không dây được lắp không đúng cách vào máy hút bụi và/hoặc dụng cụ.	Lắp thiết bị thu và phát không dây đúng cách.
	Điện cực của thiết bị thu và phát không dây và/hoặc khe bị bẩn.	Nhẹ nhàng lau sạch bụi bẩn trên điện cực của thiết bị thu và phát không dây và làm sạch khe của máy hút bụi và/hoặc dụng cụ.
	Công tắc chờ trên máy hút bụi không được gạt về "I (ON)".	Gạt công tắc chờ trên máy hút bụi về "I (ON)".
	Không có nguồn cấp điện	Cấp điện cho dụng cụ và máy hút bụi.
	Vận hành không chính xác	Bấm dứt khoá nút kích hoạt không dây và thực hiện lại quy trình đăng ký/hủy bỏ dụng cụ.
	Dụng cụ và máy hút bụi cách xa nhau (ngoài phạm vi truyền).	Đặt dụng cụ và máy hút bụi gần nhau hơn. Khoảng cách truyền tối đa là khoảng 10 m, tuy nhiên có thể khác nhau tùy theo trường hợp.
	Trước khi hoàn tất đăng ký/hủy bỏ dụng cụ; - bật công tắc dụng cụ hoặc; - nút nguồn trên máy hút bụi được bật.	Bấm dứt khoá nút kích hoạt không dây và thực hiện lại quy trình đăng ký/hủy bỏ dụng cụ.
	Quy trình đăng ký dụng cụ cho dụng cụ hoặc máy hút bụi chưa được hoàn tất.	Thực hiện quy trình đăng ký dụng cụ cho cả dụng cụ và máy hút bụi cùng một lúc.
	Nhiều sóng vô tuyến do các thiết bị có thể tạo ra sóng vô tuyến cường độ cao khác gây ra.	Giữ dụng cụ và máy hút bụi cách xa các thiết bị như các thiết bị Wi-Fi và lò vi sóng.

Tình trạng bất thường	Nguyên nhân tiềm tàng (sự cố hồng hóc)	Biện pháp khắc phục
Máy hút bụi không hoạt động theo vận hành chuyển đổi dụng cụ.	Thiết bị thu và phát không dây không được lắp vào máy hút bụi và/hoặc dụng cụ. Thiết bị thu và phát không dây được lắp không đúng cách vào máy hút bụi và/hoặc dụng cụ.	Lắp thiết bị thu và phát không dây đúng cách.
	Điện cực của thiết bị thu và phát không dây và/hoặc khe bị bẩn.	Nhẹ nhàng lau sạch bụi bẩn trên điện cực của thiết bị thu và phát không dây và làm sạch khe của máy hút bụi và/hoặc dụng cụ.
	Chưa bấm nút kích hoạt không dây trên dụng cụ.	Bấm dứt khoá nút kích hoạt không dây trên dụng cụ. Đảm bảo rằng đèn kích hoạt không dây đang nhấp nháy màu xanh dương.
	Công tắc chờ trên máy hút bụi không được gạt về "I (ON)".	Gạt công tắc chờ trên máy hút bụi về "I (ON)".
	Hơn 10 dụng cụ được đăng ký cho máy hút bụi.	Thực hiện lại đăng ký dụng cụ. Nếu có hơn 10 dụng cụ được đăng ký cho máy hút bụi, dụng cụ được đăng ký sớm nhất sẽ tự động bị hủy bỏ.
	Máy hút bụi đã xóa toàn bộ các đăng ký dụng cụ.	Thực hiện lại đăng ký dụng cụ.
	Không có nguồn cấp điện	Cấp điện cho dụng cụ và máy hút bụi.
	Dụng cụ và máy hút bụi cách xa nhau (ngoài phạm vi truyền).	Đặt dụng cụ và máy hút bụi gần nhau hơn. Khoảng cách truyền tối đa là khoảng 10 m, tuy nhiên có thể khác nhau tùy theo trường hợp.
	Nhiều sóng vô tuyến do các thiết bị có thể tạo ra sóng vô tuyến cường độ cao khác gây ra.	Giữ dụng cụ và máy hút bụi cách xa các thiết bị như các thiết bị Wi-Fi và lò vi sóng.
Máy hút bụi hoạt động trong khi dụng cụ không hoạt động.	Người dùng khác đang sử dụng kích hoạt không dây của máy hút bụi bằng dụng cụ của họ.	Thực hiện một trong những cách sau; - gạt công tắc chờ trên máy hút bụi về vị trí "O" hoặc; - tắt nút kích hoạt không dây của các dụng cụ khác hoặc; - hủy bỏ đăng ký dụng cụ của các dụng cụ khác.
Không thể xoá tất cả các đăng ký dụng cụ trong máy hút bụi.	Nhấn dứt khoá nút kích hoạt không dây trên dụng cụ.	Nhấn nút kích hoạt không dây trên máy hút bụi để xoá toàn bộ các đăng ký dụng cụ.
	Công tắc chờ trên máy hút bụi không được gạt về "I (ON)".	Gạt công tắc chờ trên máy hút bụi về "I (ON)".
	Nút kích hoạt không dây chưa được nhấn giữ đúng cách.	Nhấn giữ nút kích hoạt không dây trong hơn 6 giây và sau đó thả nút này ra khi đèn kích hoạt không dây nhấp nháy màu đỏ. Nhấn giữ nút kích hoạt không dây trong hơn 6 giây một lần nữa cho đến khi đèn kích hoạt không dây nhấp nháy nhanh màu đỏ và sau đó thả nút ra.

BẢO TRÌ

⚠ THẬN TRỌNG: Luôn đảm bảo rằng thiết bị đã được tắt công tắc và hộp pin đã được tháo ra trước khi bạn cố gắng thực hiện việc kiểm tra hay bảo dưỡng.

CHÚ Ý: Không được phép dùng xăng, ết xăng, dung môi, cồn hoặc hóa chất tương tự. Có thể xảy ra hiện tượng mất màu, biến dạng hoặc nứt vỡ.

Để đảm bảo ĐỘ AN TOÀN và ĐỘ TIN CẬY của sản phẩm, việc sửa chữa hoặc bất cứ thao tác bảo trì, điều chỉnh nào đều phải được thực hiện bởi các Trung tâm Dịch vụ Nhà máy hoặc Trung tâm được Makita Ủy quyền và luôn sử dụng các phụ tùng thiết bị thay thế của Makita.

Làm sạch bộ lọc khí HEPA

⚠ THẬN TRỌNG: Không sử dụng máy hút bụi không có bộ lọc khí HEPA hoặc tiếp tục sử dụng bộ lọc khí HEPA bị bẩn hoặc bị hư hỏng. Bụi và các hạt bụi đã được hút có thể bay ra khỏi máy hút bụi và chúng có thể gây ra bệnh đường hô hấp cho người vận hành.

CHÚ Ý: Để giữ công suất hút và xả sạch ở mức tối ưu, hãy làm sạch bộ lọc khí HEPA định kỳ. Nếu không đạt được đủ lực hút ngay cả sau khi làm sạch, hãy thay bộ lọc khí HEPA đó bằng một bộ lọc mới.

CHÚ Ý: Để tránh bộ lọc HEPA bị hư hỏng, không sử dụng các dụng cụ sau đây và các vật tương tự để làm sạch:

- Máy hút bụi
- Máy xịt rửa cao áp
- Dụng cụ làm bằng vật liệu cứng như chổi kim loại

1. Mở nắp và lấy túi lọc ra. Nhả móc trên bộ lọc khí HEPA và tháo bộ lọc ra khỏi thân máy hút bụi.

► **Hình 46**

2. Đập bụi ra khỏi bộ lọc khí HEPA. Có thể rửa bộ lọc khí HEPA bằng nước. Xả sạch bụi và các hạt bụi trên bộ lọc khí HEPA mỗi 1 hoặc 2 tháng một lần. Sau đó, sấy khô hoàn toàn bộ lọc khí HEPA ở nơi có bóng râm và thông thoáng để tránh mùi khó chịu hoặc xảy ra trực.

3. Để lắp đặt bộ lọc khí HEPA, hãy lắp phía không có nắp gấp vào giá đỡ, sau đó ấn bộ lọc khí HEPA xuống cho đến khi nắp gấp được giữ chặt bằng gờ.

► **Hình 47:** 1. Giá đỡ 2. Bộ lọc khí HEPA 3. Gờ 4. Nắp gấp

Vệ sinh túi chứa bụi

Thường xuyên vệ sinh túi chứa bụi bằng xà phòng và nước. Lộn túi chứa bụi từ trong ra ngoài và loại bỏ bụi bám dính. Rửa nhẹ nhàng bằng tay và rửa sạch bằng nước. Để khô hoàn toàn trước khi lắp vào máy hút bụi.

► **Hình 48**

CHÚ Ý: Túi chứa bụi ướt làm giảm hiệu suất hút bụi cũng như tuổi thọ của động cơ.

PHỤ KIỆN TỰY CHỌN

⚠ THẬN TRỌNG: Các phụ kiện hoặc phụ tùng gắn thêm này được khuyến cáo sử dụng với dụng cụ Makita của bạn theo như quy định trong hướng dẫn này. Việc sử dụng bất cứ phụ kiện hoặc phụ tùng gắn thêm nào khác đều có thể gây ra rủi ro thương tích cho người. Chỉ sử dụng phụ kiện hoặc phụ tùng gắn thêm cho mục đích đã quy định sẵn của chúng.

Nếu bạn cần bất kỳ sự hỗ trợ nào để biết thêm chi tiết về các phụ tùng này, hãy hỏi Trung tâm Dịch vụ của Makita tại địa phương của bạn.

- Ống nối (cho loại máy xử lý bụi)
- Ống nối (cho loại máy hút bụi)
- Ống nối nối dài
- Vòi hút
- Vòi hút hình chữ T
- Vòi phun ở đế
- Vòi hút góc
- Bàn chải dẹt
- Bàn chải tròn
- Bộ phận ống cong
- Túi lọc
- Túi chứa bụi
- Ống hơi trước
- Bộ lọc khí HEPA
- Vở dây quai đeo
- Thiết bị thu và phát không dây
- Phụ kiện ly tâm máy hút bụi
- Pin và bộ sạc chính hãng của Makita

LƯU Ý: Một số mục trong danh sách có thể được bao gồm trong gói dụng cụ làm phụ kiện tiêu chuẩn. Các mục này ở mỗi quốc gia có thể khác nhau.

Phụ Kiện Ly Tâm Máy Hút Bụi

LƯU Ý: Khi sử dụng phụ kiện ly tâm máy hút bụi với thiết bị này, cũng cần có ống cong.

► **Hình 49:** 1. Phụ Kiện Ly Tâm Máy Hút Bụi

Về phụ kiện ly tâm máy hút bụi

Sử dụng máy hút bụi có lắp phụ kiện ly tâm máy hút bụi sẽ làm giảm lượng bụi đi vào túi chứa bụi, giúp ngăn lực hút bị yếu đi. Ngoài ra, việc vệ sinh sau khi sử dụng cũng đơn giản.

⚠ THẬN TRỌNG: Luôn đảm bảo rằng đã tắt dụng cụ và tháo hộp pin ra trước khi thực hiện bất cứ thao tác nào trên dụng cụ. Nếu vẫn lắp hộp pin, máy hút bụi có thể khởi động bất ngờ và gây thương tích.

⚠ THẬN TRỌNG: Vệ sinh bộ lọc dạng lưới của phụ kiện ly tâm máy hút bụi và túi chứa bụi của thiết bị máy hút bụi khi các bộ phận này bị tắc. Sử dụng liên tục trong điều kiện bị tắc có thể dẫn đến nóng lên hoặc bốc khói.

CHÚ Ý: Khi gắn phụ kiện ly tâm máy hút bụi, không sử dụng phụ kiện ly tâm máy hút bụi trong điều kiện nằm ngang hoặc hướng lên trên. Làm như vậy có thể khiến bộ lọc dạng lưới bị tắc.

CHÚ Ý: Luôn sử dụng máy hút bụi có lắp túi chứa bụi, ngay cả khi sử dụng phụ kiện ly tâm máy hút bụi. Sử dụng máy hút bụi không lắp túi chứa bụi có thể gây trục trặc động cơ.

LƯU Ý: Kiểm tra để đảm bảo phụ kiện ly tâm máy hút bụi, máy hút bụi và ống thẳng được khóa đúng cách trước khi sử dụng.

LƯU Ý: Đổ hết bụi trong hộp chứa bụi của phụ kiện ly tâm máy hút bụi và túi chứa bụi của máy hút bụi khi bụi đã tích tụ. Sử dụng liên tục sẽ khiến lực hút bị yếu đi.

LƯU Ý: Bạn có thể sử dụng phụ kiện ly tâm máy hút bụi có hoặc không có chức năng khóa.

LƯU Ý: Để lắp hoặc tháo phụ kiện ly tâm máy hút bụi, tham khảo phần "Sử dụng làm máy hút bụi".

Thải bụi

Khi bụi đã tích tụ đến vạch đầy của hộp chứa bụi, hãy làm theo quy trình bên dưới và thải bỏ bụi.

1. Giữ chắc hộp chứa bụi, nhấn giữ hai nút này và tháo hộp chứa bụi ra.

► **Hình50:** 1. Vạch đầy 2. Hộp chứa bụi 3. Nút (hai vị trí) 4. Bộ lọc dạng lưới

2. Thải bỏ bụi bên trong hộp chứa bụi đồng thời làm sạch bất kỳ bụi và bột nào dính vào bề mặt của bộ lọc dạng lưới.

3. Lắp hộp chứa bụi vào hết mức cho đến khi hai nút khóa với một tiếng cách.

► **Hình51:** 1. Hộp chứa bụi 2. Nút (hai vị trí)

LƯU Ý: Kiểm tra để đảm bảo phụ kiện ly tâm máy hút bụi, máy hút bụi và ống thẳng được khóa đúng cách trước khi khởi động lại thao tác.

LƯU Ý: Nếu lực hút không phục hồi cả sau khi thải bỏ bụi và vệ sinh bộ lọc dạng lưới, hãy kiểm tra xem bụi có tích tụ trong túi chứa bụi của máy hút bụi hoặc có xảy ra tắc nghẽn hay không.

Vệ sinh

Khi hộp chứa bụi bị bẩn hoặc bộ lọc dạng lưới bị tắc, hãy tháo và rửa các bộ phận này bằng nước. (Tham khảo "Thải bụi" để biết về quy trình tháo ra.)

Làm khô các bộ phận kỹ lưỡng trước khi lắp đặt lại và sử dụng.

► **Hình52:** 1. Hộp chứa bụi 2. Bộ lọc dạng lưới

Khi bộ lọc dạng lưới bị bẩn nặng, hãy vệ sinh bộ lọc theo các quy trình sau đây.

1. Xoay bộ lọc dạng lưới ngược chiều kim đồng hồ và tháo ra khi các móc được mở khóa.

► **Hình53:** 1. Bộ lọc dạng lưới 2. Móc

2. Làm sạch bụi trên bộ lọc dạng lưới rồi rửa sạch bằng nước. Sau đó, làm khô bộ lọc hoàn toàn.

3. Lắp bộ lọc dạng lưới vào để trong khi các móc được căn chỉnh với cổng. Xoay bộ lọc dạng lưới theo chiều kim đồng hồ cho đến khi các móc được khóa lại với một tiếng cách. Đảm bảo rằng bộ lọc dạng lưới được lắp chắc chắn.

► **Hình54:** 1. Bộ lọc dạng lưới 2. Móc 3. Cổng

คำเตือน

- เครื่องนี้ไม่ได้ออกแบบมาให้ใช้งานโดยบุคคล (รวมถึงเด็ก) ที่มีความบกพร่องทางร่างกาย ประสาทสัมผัส หรือจิตใจ หรือขาดประสบการณ์และความรู้
- เด็กควรอยู่ในความดูแลเพื่อให้มั่นใจว่าจะไม่มาเล่นที่ตู้ฝุ่น
- โปรดอ้างอิงบท “ข้อมูลจำเพาะ” สำหรับอ้างอิงประเภทแบตเตอรี่
- โปรดอ้างอิงส่วน “การติดตั้งหรือการถอดกลับแบตเตอรี่” สำหรับวิธีถอดหรือติดตั้งแบตเตอรี่
- เมื่อกำจัดถลับแบตเตอรี่ ให้ถอดถลับแบตเตอรี่ออกจากเครื่องมือและกำจัดในสถานที่ที่ปลอดภัย ปฏิบัติตามข้อบังคับเกี่ยวกับการกำจัดแบตเตอรี่ที่บังคับใช้ในท้องถิ่น
- หากไม่ใช้เครื่องมือเป็นระยะเวลานาน จะต้องถอดแบตเตอรี่ออกจากเครื่องมือ
- อย่าลัดวงจรถลับแบตเตอรี่
- โปรดอ้างอิงบท “การบำรุงรักษา” สำหรับรายละเอียดข้อควรระวังในระหว่างการซ่อมบำรุง

ข้อมูลจำเพาะ

รุ่น:	VC009G	
ความจุ	ถุงกรอง	2.0 L
	ถุงดักฝุ่น	1.5 L
ปริมาณอากาศสูงสุด	1.9 m ³ /min	
เครื่องดูดฝุ่น	18 kPa	
ขนาด (ยาว x กว้าง x สูง) (ไม่รวมสายสะพาย, รวม BL4040)	233 mm x 150 mm x 375 mm	
แรงดันไฟฟ้าที่กำหนด	D.C. 36 V - 40 V สูงสุด	
น้ำหนักสุทธิ	4.1 - 5.3 kg	

- เนื่องจากการค้นคว้าวิจัยและพัฒนาอย่างต่อเนื่อง ข้อมูลจำเพาะในเอกสารฉบับนี้อาจเปลี่ยนแปลงได้โดยไม่ต้องแจ้งให้ทราบล่วงหน้า
- ข้อมูลจำเพาะอาจแตกต่างกันไปในแต่ละประเทศ
- น้ำหนักไม่รวมอุปกรณ์เสริมยกเว้นถลับแบตเตอรี่ น้ำหนักของเครื่องใช้และถลับแบตเตอรี่รวมกันที่น้อยที่สุดและมากที่สุดแสดงอยู่ในตาราง

ถลับแบตเตอรี่และเครื่องชาร์จที่ใช้ได้

ถลับแบตเตอรี่	BL4020 / BL4025 / BL4040 / BL4050F / BL4080F
เครื่องชาร์จ	DC40RA / DC40RB / DC40RC

- ถลับแบตเตอรี่และเครื่องชาร์จบางรายการที่แสดงอยู่ด้านบนอาจไม่มีวางจำหน่ายขึ้นอยู่กับภูมิภาคที่คุณอาศัยอยู่

คำเตือน: ใช้ตัวแบตเตอรี่และเครื่องชาร์จที่ระบุไว้ข้างบนเท่านั้น การใช้ตัวแบตเตอรี่และเครื่องชาร์จประเภทอื่นอาจก่อให้เกิดความเสี่ยงที่จะได้รับบาดเจ็บและ/หรือเกิดไฟไหม้

คำเตือน: อย่าใช้แหล่งจ่ายไฟที่มีสายช้อนแอดปเตอร์แบตเตอรี่หรือชุดต้นกำลังแบบพกพากับเครื่องใช้นี้ สายของแหล่งจ่ายไฟดังกล่าวอาจเข้าไปข้างการทำงานของเครื่องและทำให้เกิดอันตรายแก่ตัวผู้ใช้ได้

สัญลักษณ์

ต่อไปนี้เป็นสัญลักษณ์ที่อาจใช้สำหรับอุปกรณ์ โปรดศึกษาความหมายของสัญลักษณ์นี้ให้เข้าใจก่อนการใช้งาน



อ่านคู่มือการใช้งาน



ใช้ความระมัดระวังและความสนใจเป็นพิเศษ



แบตเตอรี่ที่สามารถใช้ได้กับผลิตภัณฑ์นี้



NI-MH
Li-Ion

สำหรับประเทศในสหภาพยุโรปเท่านั้น เนื่องจากในอุปกรณ์มีส่วนประกอบอันตราย ชยะจำพวกอุปกรณ์ไฟฟ้าและอิเล็กทรอนิกส์ และหม้อแบตเตอรี่จึงอาจส่งผลกระทบต่อสิ่งแวดล้อมและสุขภาพของมนุษย์ในเชิงลบ อย่างไรก็ตามการใช้ไฟฟ้าและอิเล็กทรอนิกส์หรือแบตเตอรี่ร่วมกับวัสดุเหลือทิ้งในครัวเรือน!

เพื่อให้เป็นไปตามกฎระเบียบของยุโรป ว่าด้วยชยะจำพวกอุปกรณ์ไฟฟ้าและอิเล็กทรอนิกส์ และหม้อสะสมไฟฟ้าและแบตเตอรี่ และชยะจำพวกหม้อสะสมไฟฟ้าและแบตเตอรี่ รวมถึงการบังคับใช้ตามกฎหมายภายในประเทศ ควรมีการจัดเก็บชยะจำพวกอุปกรณ์ไฟฟ้า แบตเตอรี่ และหม้อสะสมไฟฟ้าแยกต่างหากและส่งไปยังจุดรับชยะต่างหากในเขตเทศบาลซึ่งมีการดำเนินการตามระเบียบว่าด้วยการดูแลสิ่งแวดล้อม โดยระบุด้วยสัญลักษณ์เส้นคาดขวางรูปถังชยะแบบมีล้อไว้บนอุปกรณ์

จุดประสงค์การใช้งาน

เครื่องมือนี้มีจุดประสงค์เพื่อเก็บฝุ่นแห้ง เครื่องมือนี้เหมาะสำหรับการใช้งานในทางการค้า เช่น ในโรงแรม โรงเรียน โรงพยาบาล โรงงาน ร้านค้า สำนักงาน และธุรกิจให้เช่า

คำเตือนด้านความปลอดภัย

คำเตือนด้านความปลอดภัยของเครื่องดูดฝุ่นสะพายหลังไร้สาย

คำเตือน: ข้อควรจำ โปรดอ่านคำเตือนด้านความปลอดภัยและคำแนะนำทั้งหมดอย่างละเอียดก่อนใช้งาน การไม่ปฏิบัติตามคำเตือนและคำแนะนำดังกล่าวอาจส่งผลให้ไฟฟ้าช็อต ไฟไหม้ และ/หรือได้รับบาดเจ็บร้ายแรง

1. ก่อนใช้งาน ตรวจสอบให้แน่ใจว่าเครื่องดูดฝุ่นนี้จะถูกใช้งานโดยผู้ที่ได้รับการฝึกใช้เครื่องดูดฝุ่นนี้มาอย่างเพียงพอ
2. อย่าใช้งานเครื่องดูดฝุ่นโดยไม่มีตัวกรอง เปลี่ยนตัวกรองที่ชำรุดทันที
3. อย่าพยายามดูดวัสดุไวไฟ ดอกไม้ไฟ บุหรี่ที่จุดไฟอยู่ ไข่ไถ่ร้อน เศษโลหะร้อน วัสดุมีคม เช่น มีดโกน เข็ม แก้วแตก หรือสิ่งที่ยึดกันแน่น
4. ห้ามใช้งานเครื่องดูดฝุ่นในบริเวณที่ใกล้กับแก๊สโซลีน แก๊ส สี กาว หรือวัตถุอื่นที่มีความเสี่ยงจะระเบิดสูง เนื่องจากสวิตช์จะเกิดประกายไฟขณะเปิดและปิด เช่นเดียวกันกับคอมมิวเตเตอร์ของมอเตอร์ในระหว่างการใช้งาน ซึ่งอาจส่งผลให้เกิดการระเบิดที่เป็นอันตรายได้
5. เครื่องดูดฝุ่นนี้ไม่เหมาะสำหรับใช้เก็บฝุ่นที่เป็นอันตราย
6. ห้ามดูดวัสดุเป็นพิษ วัสดุอะมะเร็ง วัสดุติดไฟได้ หรือวัสดุอื่น ๆ ที่เป็นอันตราย เช่น แร่ใยหิน สารหนู แบเรียม เบริลเลียม ตะกั่ว ยาฆ่าแมลง หรือวัสดุอื่น ๆ ที่เป็นอันตรายต่อสุขภาพ
7. ห้ามใช้งานเครื่องดูดฝุ่นนอกอาคารในขณะที่ฝนตก
8. สำหรับฟินแลนด์ เครื่องนี้ไม่สามารถใช้งานนอกบ้านในอุณหภูมิที่ต่ำได้
9. อย่าใช้งานใกล้กับแหล่งความร้อน (เตาไฟ ฯลฯ)
10. อย่าปิดกั้นช่องระบายความร้อน ช่องระบายเหล่านี้ช่วยทำให้มอเตอร์เย็นลง จึงควรระมัดระวังเพื่อหลีกเลี่ยงการปิดกั้นช่องดังกล่าว ไม่เช่นนั้นมอเตอร์อาจไหม้เนื่องจากการระบายอากาศไม่เพียงพอ
11. รักษาทำยีนและความสมดุลที่เหมาะสมตลอดเวลา
12. อย่าพับ ดึง หรือเหยียบบนท่อ

13. หยุดเครื่องดูดฝุ่นทันที หากคุณสังเกตเห็นว่าประสิทธิภาพการทำงานของเครื่องลดลงหรือมีความผิดปกติใดๆ ระหว่างการปฏิบัติงาน
 14. ถอดแบตเตอรี่ เมื่อไม่ได้ใช้ ก่อนการซ่อมแซม และเมื่อเปลี่ยนอุปกรณ์ต่างๆ
 15. ทำความสะอาดและบำรุงรักษาเครื่องดูดฝุ่นทันทีหลังการใช้แต่ละครั้งเพื่อรักษาสภาพการทำงานของเครื่องที่ดีที่สุด
 16. ดูแลรักษาเครื่องดูดฝุ่นด้วยความใส่ใจ โดยดูแลให้เครื่องดูดฝุ่นสะอาดอยู่เสมอเพื่อประสิทธิภาพการทำงานที่ดีและปลอดภัยยิ่งขึ้น ปฏิบัติตามคำแนะนำสำหรับการเปลี่ยนอุปกรณ์เสริม ดูแลเมื่อจับให้แห้งสะอาด และไม่มีน้ำมันและจาระบีเปื้อน
 17. ตรวจสอบส่วนที่เสียหาย ก่อนใช้งานเครื่องดูดฝุ่นในครั้งต่อไป ควรตรวจสอบที่ป้องกันหรือชิ้นส่วนอื่นๆ ที่ชำรุดอย่างละเอียดเพื่อให้แน่ใจว่าส่วนต่างๆ จะทำงานได้อย่างเหมาะสมและทำงานได้ตามฟังก์ชันที่ระบุไว้ ตรวจสอบการวางแนวของชิ้นส่วนเคลื่อนที่ การติดขัดของชิ้นส่วนเคลื่อนที่ ความเสียหายของชิ้นส่วน การติดตั้ง และสภาพอื่นๆ ที่อาจส่งผลกระทบต่อการทำงานของเครื่อง ควรนำที่ป้องกันหรือชิ้นส่วนอื่นที่ชำรุดเข้ารับการซ่อมแซมหรือเปลี่ยนใหม่อย่างเหมาะสมโดยศูนย์บริการที่ได้รับการรับรองหรือที่อื่นๆ ที่ระบุไว้ในคู่มือการใช้งานนี้ ให้ศูนย์บริการที่ได้รับการรับรองเป็นผู้เปลี่ยนสวิตช์ที่ชำรุด อย่าใช้งานเครื่องดูดฝุ่นหากสวิตช์ไม่ปิดหรือเปิดอย่างเหมาะสม
 18. ะไหล่ทดแทน เมื่อบำรุงรักษา ให้ใช้อะไหล่ทดแทนที่เหมือนกันกับของเดิมเท่านั้น
 19. การเก็บรักษาเครื่องดูดฝุ่นที่ไม่ได้ใช้งาน เมื่อไม่ใช้งาน ควรเก็บเครื่องดูดฝุ่นไว้ในที่ร่ม
 20. ใช้เครื่องดูดฝุ่นด้วยความระมัดระวัง การใช้เครื่องดูดฝุ่นอย่างรุนแรงอาจทำให้เครื่องดูดฝุ่นที่แม้จะผลิตขึ้นอย่างแข็งแกร่งที่สุดแล้วเกิดความเสียหายได้
 21. อย่าพยายามทำความสะอาดพื้นผิวภายนอกและภายในของเครื่องด้วยเบนซิน ทินเนอร์ หรือสารเคมีสำหรับทำความสะอาด เนื่องจากอาจทำให้เกิดการรั่วหรือเปลี่ยนสีได้
 22. อย่าใช้เครื่องดูดฝุ่นในพื้นที่ที่มีไอระเหยที่ไวไฟ เกิดการระเบิดได้ หรือเป็นพิษซึ่งถูกปล่อยออกจากสีที่มีส่วนผสมหลักเป็นน้ำมัน ทินเนอร์ผสมสี แก๊สโซลีน หรือสารป้องกันแมลงบางชนิด ชลช หรือในบริเวณที่มีฝุ่นที่ติดไฟได้
 23. อย่าใช้งานเครื่องดูดฝุ่นขณะมีเมฆาเสพติดหรือสุรา
 24. ตามกฎพื้นฐานด้านความปลอดภัย ให้ใช้แว่นตากันลมนิรภัยหรือแว่นตานิรภัยที่มีเกราะป้องกันด้านข้าง
 25. และใช้หน้ากากป้องกันฝุ่นในสภาวะการทำงานที่เต็มไปด้วยฝุ่น
 26. เครื่องนี้ไม่ได้ออกแบบมาเพื่อให้ใช้งานโดยบุคคล (รวมถึงเด็ก) ที่มีความบกพร่องทางร่างกาย ประสาทสัมผัส หรือจิตใจ หรือขาดประสบการณ์และความรู้
 27. เด็กควรอยู่ในความดูแลเพื่อให้มั่นใจว่าจะไม่มาเล่นที่ดูดฝุ่น
 28. ห้ามจับแบตเตอรี่และเครื่องดูดฝุ่นด้วยมือเปียก
 29. ใช้ความระมัดระวังให้มากเมื่อทำความสะอาดบันได
 30. อย่าใช้เครื่องดูดฝุ่นเป็นม้านั่งหรือม้านั่งทำงาน เนื่องจากเครื่องอาจล้มลงมาและทำให้ได้รับบาดเจ็บได้
- การใช้งานและดูแลเครื่องมือที่ใช้แบตเตอรี่
1. ชาร์จไฟใหม่ด้วยเครื่องชาร์จที่ระบุโดยผู้ผลิตเท่านั้น เครื่องชาร์จที่เหมาะสมสำหรับชุดแบตเตอรี่ประเภทหนึ่ง อาจเสี่ยงที่จะเกิดไฟไหม้หากนำไปใช้กับชุดแบตเตอรี่อีกประเภทหนึ่ง
 2. ใช้เครื่องมือไฟฟ้ากับชุดแบตเตอรี่ที่กำหนดมาโดยเฉพาะเท่านั้น การใช้ชุดแบตเตอรี่ประเภทอื่นอาจทำให้เสี่ยงที่จะได้รับบาดเจ็บและเกิดไฟไหม้
 3. เมื่อไม่ใช้งานชุดแบตเตอรี่ ให้เก็บห่างจากวัตถุที่เป็นโลหะอื่นๆ เช่น คลิปหนีบกระดาษ เหรียญ กุญแจ กรรไกรตัดเล็บ สกรู หรือวัตถุที่เป็นโลหะขนาดเล็กอื่นๆ ที่สามารถเชื่อมต่อชั่วคราวกับขั้วหนึ่งได้ การลัดวงจรขั้วแบตเตอรี่อาจทำให้อ่อนจัดหรือเกิดไฟไหม้
 4. ในกรณีที่ใช้งานไม่ถูกต้อง อาจมีของเหลวไหลออกจากแบตเตอรี่ ให้หลีกเลี่ยงการสัมผัส หากสัมผัสโดนของเหลวโดยบังเอิญ ให้ล้างออกด้วยน้ำ หากของเหลวกระเด็นเข้าตา ให้รีบไปพบแพทย์ ของเหลวที่ไหลออกจากแบตเตอรี่อาจทำให้ผิวหนังระคายเคืองหรือไหม้
 5. ห้ามใช้ชุดแบตเตอรี่หรือเครื่องมือที่ชำรุดหรือมีการแก้ไข แบตเตอรี่ที่เสียหายหรือมีการแก้ไขอาจทำให้เกิดสิ่งที่คาดไม่ถึงได้ เช่น ไฟไหม้ ระเบิด หรือเสี่ยงต่อการบาดเจ็บ
 6. ห้ามให้ชุดแบตเตอรี่อยู่ใกล้ไฟ หรือบริเวณที่มีอุณหภูมิสูงเกิน หากโดนไฟ หรืออุณหภูมิสูงเกิน 130 °C อาจก่อให้เกิดการระเบิดได้
 7. กรุณาปฏิบัติตามคำแนะนำสำหรับการชาร์จไฟ และห้ามชาร์จแบตเตอรี่หรือเครื่องมือในบริเวณที่มีอุณหภูมิภายนอกเหนือไปจากที่ระบุในคำแนะนำ การชาร์จไฟที่ไม่เหมาะสม หรืออุณหภูมิภายนอกเหนือไปจากช่วงอุณหภูมิที่ระบุในคำแนะนำอาจทำให้แบตเตอรี่เสียหายและเป็นการเพิ่มความเสี่ยงในการเกิดไฟไหม้

8. อย่าใช้แหล่งจ่ายไฟที่มีสายเช่นอะแดปเตอร์แบตเตอรี่หรือชุดต้นกำลังแบบพกพาไปกับเครื่องมือนี้ สายของแหล่งจ่ายไฟดังกล่าวอาจเข้าไปขวางการทำงานของเครื่องและทำให้เกิดอันตรายแก่ตัวผู้ใช้ได้

การซ่อมบำรุง

1. นำเครื่องมือไฟฟ้าเข้ารับการบริการจากช่างซ่อมที่ผ่านการรับรองโดยใช้อะไหล่แบบเดียวกันเท่านั้น เพราะจะทำให้การใช้เครื่องมือไฟฟ้ามีความปลอดภัย
2. ปฏิบัติตามคำแนะนำในการหล่อลื่นและการเปลี่ยนอุปกรณ์เสริม
3. ดูแลมือจับให้แห้ง สะอาด และไม่มีน้ำมันและจาระบีเปื้อน

คำแนะนำเพื่อความปลอดภัยที่สำคัญสำหรับดัลลิบแบตเตอรี่

1. ก่อนใช้งานดัลลิบแบตเตอรี่ให้อ่านคำแนะนำและเครื่องหมายเตือนทั้งหมดบน (1) เครื่องชาร์จแบตเตอรี่ (2) แบตเตอรี่ และ (3) ตัวผลิตภัณฑ์ที่ใช้แบตเตอรี่
2. อย่าถอดแยกชิ้นส่วนหรือทำการดัดแปลงดัลลิบแบตเตอรี่ เนื่องจากอาจทำให้เกิดไฟไหม้ ความร้อนที่สูงเกินไป หรือระเบิดได้
3. หากระยะเวลาที่เครื่องทำงานสั้นเกินไป ให้หยุดใช้งานทันที เนื่องจากอาจมีความเสี่ยงที่จะร้อนจัด ไฟไหม้หรือระเบิดได้
4. หากสารละลายอิเล็กโทรไลต์กระเด็นเข้าตา ให้ล้างออกด้วยน้ำเปล่าและรีบไปพบแพทย์ทันที เนื่องจากอาจทำให้ตาบอด
5. ห้ามลัดวงจรดัลลิบแบตเตอรี่:
 - (1) ห้ามแตะขั้วกับวัตถุที่เป็นสื่อไฟฟ้าใดๆ
 - (2) หลีกเลี่ยงการเก็บดัลลิบแบตเตอรี่ไว้ในภาชนะร่วมกับวัตถุที่เป็นโลหะ เช่น กรรไกรตัดเล็บ เหรียญ ฯลฯ
 - (3) อย่าให้ดัลลิบแบตเตอรี่ถูกน้ำหรือฝน แบตเตอรี่ลัดวงจรอาจทำให้เกิดการไหลของกระแสไฟฟ้า ร้อนจัด ไฟไหม้หรือเสียหายได้
6. ห้ามเก็บและใช้เครื่องมือและดัลลิบแบตเตอรี่ไว้ในสถานที่ที่มีอุณหภูมิสูงถึงหรือเกิน 50 °C (122 °F)
7. ห้ามเผาดัลลิบแบตเตอรี่ทิ้ง แม้ว่าแบตเตอรี่จะเสียหายจนไม่ใช้งานได้หรือเสื่อมสภาพแล้ว ดัลลิบแบตเตอรี่อาจจะระเบิดในกองไฟ

8. อย่าตอกตะปู ตัด บด ข้าง หรือทำดัลลิบแบตเตอรี่หล่นพื้น หรือกระแทกดัลลิบแบตเตอรี่กับวัตถุของแข็ง การกระทำได้ดังกล่าวอาจส่งผลให้เกิดไฟไหม้ ความร้อนที่สูงเกินไป หรือระเบิดได้

9. ห้ามใช้แบตเตอรี่ที่เสียหาย

10. แบตเตอรี่ lithium-ion ที่มีมาให้มาเป็นไปตามข้อกำหนดของ Dangerous Goods Legislation สำหรับการขนส่งเพื่อการพาณิชย์ เช่น โดยบุคคลที่สาม ตัวแทนขนส่งสินค้า จะต้องตรวจสอบข้อกำหนดพิเศษในด้านการบรรจุหีบห่อหรือการติดป้ายสินค้าในการเตรียมสินค้าที่จะขนส่ง ให้ปรึกษาผู้เชี่ยวชาญด้านวัตถุอันตราย โปรดตรวจสอบข้อกำหนดในประเทศที่อาจมีรายละเอียดอื่น ๆ เพิ่มเติม ให้ติดเทปหรือปิดหน้าสัมผัสและห่อแบตเตอรี่ในลักษณะที่แบตเตอรี่จะไม่เคลื่อนที่ไปมาในหีบห่อ
11. เมื่อกำจัดดัลลิบแบตเตอรี่ ให้ถอดดัลลิบแบตเตอรี่ออกจากเครื่องมือและกำจัดในสถานที่ปลอดภัย ปฏิบัติตามข้อบังคับในท้องถิ่นที่เกี่ยวกับการกำจัดแบตเตอรี่
12. ใช้แบตเตอรี่กับผลิตภัณฑ์ที่ระบุโดย Makita เท่านั้น การติดตั้งแบตเตอรี่ในผลิตภัณฑ์ที่ไม่ใช่ตามที่ระบุอาจทำให้เกิดไฟไหม้ ความร้อนสูง ระเบิด หรืออิเล็กทรอนิกส์รั่วไหลได้
13. หากไม่ใช่เครื่องมือเป็นระยะเวลานาน จะต้องถอดแบตเตอรี่ออกจากเครื่องมือ
14. ในระหว่างและหลังการใช้งาน ดัลลิบแบตเตอรี่อาจร้อน ซึ่งอาจลวกผิวหรือทำให้ผิวไหม้ที่อุณหภูมิต่ำได้ โปรดระมัดระวังในการจัดการกับแบตเตอรี่ที่ร้อน
15. อย่าสัมผัสขั้วของเครื่องมือทันทีหลังจากการใช้งาน เนื่องจากอาจมีความร้อนพอที่จะทำให้ผิวไหม้ได้
16. อย่าปล่อยให้เศษวัสดุ ฝุ่นผง หรือดินเข้าไปติดอยู่ในขั้ว รู และร่องของดัลลิบแบตเตอรี่ เนื่องจากอาจทำให้เกิดความร้อน ไฟไหม้ ระเบิด และทำให้เครื่องมือหรือดัลลิบแบตเตอรี่ทำงานผิดปกติ ส่งผลให้โดนลวกหรือเกิดการบาดเจ็บได้
17. หากเครื่องมือไม่รองรับสายไฟแรงดันสูง อย่าใช้ดัลลิบแบตเตอรี่ใกล้กับสายไฟแรงดันสูง เนื่องจากเครื่องมือหรือดัลลิบแบตเตอรี่อาจทำงานผิดปกติหรือเสียหายได้
18. เก็บแบตเตอรี่ให้ห่างจากเด็ก

ปฏิบัติตามคำแนะนำเหล่านี้

⚠️ ข้อควรระวัง: ใช้แบตเตอรี่ของแท้จาก Makita เท่านั้น การใช้แบตเตอรี่ Makita ที่ไม่แท้ หรือแบตเตอรี่ที่ถูกเปลี่ยน อาจทำให้แบตเตอรี่ระเบิด ก่อให้เกิดเพลิงลุกไหม้ การบาดเจ็บ และความเสียหายได้ และจะทำให้การรับประกันของ Makita สำหรับเครื่องมือและแท่นชาร์จของ Makita เป็นโมฆะด้วย

เคล็ดลับในการรักษาอายุการใช้งานของ

แบตเตอรี่ให้ยาวนานที่สุด

1. ชาร์จตัวแบตเตอรี่ก่อนที่ไฟจะหมด หยุดการใช้งานแล้วชาร์จประจุไฟฟ้าใหม่ทุกครั้งเมื่อคุณรู้สึกว่าอุปกรณ์มีกำลังลดลง
2. อย่าชาร์จตัวแบตเตอรี่ที่มีไฟเต็มแล้ว การชาร์จประจุไฟฟ้ามากเกินไปอาจจะทำให้อายุการใช้งานของตัวแบตเตอรี่สั้นลง
3. ชาร์จประจุไฟฟ้าตัวแบตเตอรี่ในห้องที่มีอุณหภูมิระหว่าง 10 °C - 40 °C ปล่อยให้ตัวแบตเตอรี่เย็นลงก่อนที่จะชาร์จไฟ
4. เมื่อไม่ใช้ตัวแบตเตอรี่ ให้ถอดออกจากเครื่องมือหรือเครื่องชาร์จ
5. ชาร์จไฟตัวแบตเตอรี่หากคุณไม่ต้องการใช้เป็นเวลานาน (เกินกว่าหกเดือน)

คำแนะนำด้านความปลอดภัยที่สำคัญสำหรับอุปกรณ์รับส่งสัญญาณไร้สาย

1. อย่าถอดแยกชิ้นส่วนหรือปรับเปลี่ยนอุปกรณ์รับส่งสัญญาณไร้สาย
2. เก็บอุปกรณ์รับส่งสัญญาณไร้สายให้ห่างจากเด็กเล็ก หากเด็กกลืนอุปกรณ์เข้าไปโดยบังเอิญ โปรดพาไปพบแพทย์ทันที
3. ใช้อุปกรณ์รับส่งสัญญาณไร้สายกับเครื่องมือของ Makita เท่านั้น
4. อย่าให้อุปกรณ์รับส่งสัญญาณไร้สายถูกฝนหรืออยู่ในสภาพเปียกชื้น
5. อย่าใช้อุปกรณ์รับส่งสัญญาณไร้สายในสถานที่ที่มีอุณหภูมิสูงกว่า 50°C
6. อย่าใช้งานอุปกรณ์รับส่งสัญญาณไร้สายในสถานที่ที่มีเครื่องมือทางการแพทย์อยู่ใกล้ๆ เช่น เครื่องกระตุ้นการเต้นของหัวใจ เป็นต้น
7. อย่าใช้งานอุปกรณ์รับส่งสัญญาณไร้สายในสถานที่ที่มีอุปกรณ์อัตโนมัติอยู่ใกล้ๆ เนื่องจากอุปกรณ์อัตโนมัติอาจทำงานผิดพลาดหรือเกิดความผิดพลาดได้
8. อย่าใช้อุปกรณ์ไร้สายในสถานที่ที่มีอุณหภูมิสูง หรือสถานที่ที่อาจเกิดไฟฟ้าสถิต หรือสัญญาณรบกวนทางไฟฟ้า
9. อุปกรณ์รับส่งสัญญาณไร้สายอาจสร้างสนามแม่เหล็ก (EMF) แต่ไม่เป็นอันตรายต่อผู้ใช้
10. อุปกรณ์รับส่งสัญญาณไร้สายเป็นเครื่องมือที่มีความแม่นยำ ระวังอย่าทำอุปกรณ์รับส่งสัญญาณไร้สายตกหล่นหรือกระทบกระแทก
11. หลีกเลี่ยงการสัมผัสขั้วต่อของอุปกรณ์รับส่งสัญญาณไร้สายด้วยมือเปล่าหรือวัสดุที่ทึบจากโลหะ
12. นำแบตเตอรี่ออกจากผลิตภัณฑ์เสมอเมื่อติดตั้งอุปกรณ์รับส่งสัญญาณไร้สายบนผลิตภัณฑ์
13. เมื่อเปิดฝาปิดช่องเสียบ โปรดหลีกเลี่ยงสถานที่ที่ฝุ่นและน้ำอาจเข้าไปในช่องเสียบได้ รักษาช่องทางเข้าช่องเสียบให้สะอาดอยู่เสมอ
14. ใส่อุปกรณ์รับส่งสัญญาณไร้สายในทิศทางที่ถูกต้องเสมอ
15. อย่ากดปุ่มส่งงานด้วยสัญญาณไร้สายบนอุปกรณ์รับส่งสัญญาณไร้สายแรงจนเกินไป และ/หรือ อย่ากดปุ่มด้วยวัตถุที่มีขอบคม
16. ปิดฝาปิดช่องเสียบขณะใช้งานเสมอ
17. ยื่อนำอุปกรณ์รับส่งสัญญาณไร้สายออกจากช่องเสียบในขณะที่เครื่องมือยังเชื่อมต่อกับไฟฟ้าอยู่ มิฉะนั้นอาจทำให้อุปกรณ์รับส่งสัญญาณไร้สายทำงานผิดพลาดได้
18. อย่าแกะสติ๊กเกอร์บนอุปกรณ์รับส่งสัญญาณไร้สายออก
19. อย่าแปะสติ๊กเกอร์บนอุปกรณ์รับส่งสัญญาณไร้สาย
20. อย่าวางอุปกรณ์รับส่งสัญญาณไร้สายไว้ในสถานที่ที่อาจเกิดไฟฟ้าสถิตหรือสัญญาณรบกวนทางไฟฟ้า
21. อย่าวางอุปกรณ์รับส่งสัญญาณไร้สายไว้ในสถานที่ที่อาจเกิดความร้อนสูง เช่น รถยนต์ที่จอดไว้กลางแจ้ง
22. อย่าวางอุปกรณ์รับส่งสัญญาณไร้สายไว้ในสถานที่ที่เต็มไปด้วยฝุ่นหรือผง หรือในสถานที่ที่อาจเกิดก๊าซกัดกร่อน
23. การเปลี่ยนแปลงของอุณหภูมิอย่างกะทันหันอาจทำให้อุปกรณ์รับส่งสัญญาณไร้สายขึ้นด้วยหยดน้ำค้างได้ อย่าใช้อุปกรณ์รับส่งสัญญาณไร้สายจนกว่าน้ำค้างจะแห้งสนิท
24. เมื่อต้องการทำความสะอาดอุปกรณ์รับส่งสัญญาณไร้สาย ให้ใช้ผ้าแห้งที่อ่อนนุ่มค่อยๆ เช็ดอย่างเบามือ อย่าใช้เบนซิน ทินเนอร์ จาระบีที่นำกระแสไฟฟ้า หรือที่คล้ายกันนี้

25. เมื่อต้องการเก็บอุปกรณ์รับส่งสัญญาณไร้สาย ให้เก็บไว้ในกล่องที่ให้มาหรือในภาชนะที่ปลอดภัยไฟสถิต
 26. อย่าใส่อุปกรณ์อื่นนอกจากอุปกรณ์รับส่งสัญญาณไร้สายของ Makita เข้าไปในช่องเสียบบนเครื่องมือ
 27. อย่าใช้เครื่องมือที่ฝาปิดของช่องเสียบชาร์จ น้ำ ฝุ่น และสิ่งสกปรกที่เข้าไปในช่องเสียบอาจทำให้เกิดการทำงานผิดปกติได้
 28. อย่าดึงและ/หรือบิดฝาปิดช่องเสียบมากเกินไปจนความจำเป็น เก็บฝาปิดไว้หากฝาปิดหลุดออกจากเครื่องมือ
 29. เปลี่ยนฝาปิดช่องเสียบใหม่หากสูญหายหรือชำรุด
- ปฏิบัติตามคำแนะนำเหล่านี้**

คำอธิบายการทำงาน

⚠ ข้อควรระวัง: ตรวจสอบให้แน่ใจเสมอว่าปิดสวิตช์เครื่องใช้และนำด้ามแบตเตอรี่ออกแล้วก่อนทำการปรับหรือตรวจสอบฟังก์ชันบนเครื่องใช้

การใส่หรือการถอดด้ามแบตเตอรี่

⚠ ข้อควรระวัง: ปิดสวิตช์เครื่องมือก่อนทำการติดตั้งหรือการถอดด้ามแบตเตอรี่ทุกครั้ง

⚠ ข้อควรระวัง: ถือเครื่องมือและด้ามแบตเตอรี่ให้แน่นในระหว่างการติดตั้งหรือการถอดด้ามแบตเตอรี่ หากไม่ถือเครื่องมือและด้ามแบตเตอรี่ให้แน่น อาจทำให้ด้ามแบตเตอรี่และเครื่องมืออื่นหลุดมือ และทำให้เครื่องมือและด้ามแบตเตอรี่เสียหายหรือได้รับบาดเจ็บได้

- ▶ **หมายเลข 1:** 1. ซิลลี่แดง 2. ปุ่ม 3. ด้ามแบตเตอรี่

เมื่อต้องการถอดด้ามแบตเตอรี่ ให้เลื่อนปุ่มที่ด้านหน้าของด้ามแล้วดึงออกจากเครื่องมือ

การติดตั้งด้ามแบตเตอรี่ ให้จัดตำแหน่งลิ้นของด้ามแบตเตอรี่ให้ตรงกับร่องของเครื่อง แล้วเลื่อนเข้าที่ ใส่ด้ามแบตเตอรี่เข้าจนสุดจนกระทั่งได้ยินเสียงคลิกล็อคเข้าที่ หากยังเห็นซิลลี่แดงตามที่แสดงในภาพ แสดงว่าด้ามแบตเตอรี่ยังไม่ล็อคเข้าที่

⚠ ข้อควรระวัง: ให้ดันด้ามแบตเตอรี่เข้าจนสุดจนไม่เห็นซิลลี่แดงอีก ไม่เช่นนั้น ด้ามแบตเตอรี่อาจหลุดออกจากเครื่องมือทำให้คุณหรือคนรอบข้างได้รับบาดเจ็บ

⚠ ข้อควรระวัง: อย่าฝืนติดตั้งด้ามแบตเตอรี่โดยใช้แรงมากเกินไป หากด้ามแบตเตอรี่ไม่เลื่อนเข้าไปโดยง่าย แสดงว่าใส่ไม่ถูกต้อง

การระบุระดับพลังงานแบตเตอรี่ที่เหลืออยู่

กดปุ่ม ตรวจสอบ บนด้ามแบตเตอรี่เพื่อดูปริมาณแบตเตอรี่ที่เหลือ ไฟแสดงสถานะจะสว่างขึ้นเป็นเวลาสามวินาที

- ▶ **หมายเลข 2:** 1. ไฟแสดงสถานะ 2. ปุ่มตรวจสอบ

ไฟแสดงสถานะ			แบตเตอรี่ที่เหลือ
ไฟสว่าง	ดับ	กะพริบ	
			75% ถึง 100%
			50% ถึง 75%
			25% ถึง 50%
			0% ถึง 25%
			ชาร์จไฟแบตเตอรี่
			แบตเตอรี่อาจจะเสีย

หมายเหตุ: ขึ้นอยู่กับสภาพการใช้งานและอุณหภูมิ โดยรอบ การแสดงสถานะอาจจะแตกต่างจากปริมาณแบตเตอรี่จริงเล็กน้อย

หมายเหตุ: ไฟแสดงสถานะดวงแรก (ซ้ายสุด) จะกะพริบเมื่อระบบป้องกันแบตเตอรี่ทำงาน






การระบุระดับพลังงานแบตเตอรี่ที่เหลืออยู่

- ▶ **หมายเลข 3:** 1. ไฟแสดงสถานะแบตเตอรี่ 2. ปุ่ม กดปุ่ม เพื่อแสดงความจุแบตเตอรี่ที่เหลืออยู่

สถานะของไฟแสดงสถานะแบตเตอรี่			ความจุแบตเตอรี่ที่เหลืออยู่
สว่าง	ดับ	กะพริบ	
			50% ถึง 100%
			20% ถึง 50%
			0% ถึง 20%
			ชาร์จแบตเตอรี่

ระบบป้องกันเครื่องใช้ / แบตเตอรี่

เครื่องใช้นี้มาพร้อมกับระบบป้องกันเครื่องใช้ / แบตเตอรี่ ระบบนี้จะตัดไฟที่ส่งไปยังมอเตอร์โดยอัตโนมัติเพื่อยืดอายุเครื่องใช้และแบตเตอรี่ ในสถานการณ์เช่นนี้ ไฟแสดงสถานะแบตเตอรี่จะสว่างขึ้นตามตารางดังต่อไปนี้

สถานะของไฟแสดงสถานะแบตเตอรี่			สถานะ
 สว่าง	 ดับ	 กระพริบ	
			การป้องกันการ ทำงานหนักเกินไป (แบตเตอรี่) / การป้องกันการ ความร้อนสูงเกินไป (แบตเตอรี่) / การป้องกันการ ปลดปล่อยประจุมากเกินไป
			การป้องกันการ ความร้อนสูงเกินไป (เครื่องใช้)

เครื่องใช้นี้จะหยุดทำงานโดยอัตโนมัติในระหว่างการทำงาน หากเครื่องใช้หรือแบตเตอรี่อยู่ในสภาวะดังต่อไปนี้

การป้องกันโอเวอร์โหลด

เมื่อเครื่องใช้ / แบตเตอรี่ทำงานในลักษณะที่ดึงกระแสไฟฟ้าให้สูงผิดปกติ เครื่องใช้จะหยุดทำงานโดยอัตโนมัติ ในสถานการณ์เช่นนี้ ให้ปิดเครื่องใช้และหยุดการใช้ที่จะทำให้เครื่องใช้ทำงานหนักเกินไป จากนั้นให้เปิดเครื่องใช้เพื่อเริ่มใช้งานอีกครั้ง

การป้องกันความร้อนสูงเกินไป

เมื่อเครื่องใช้ / แบตเตอรี่เกิดความร้อนสูงเกินไป เครื่องใช้จะหยุดทำงานโดยอัตโนมัติ ในสถานการณ์เช่นนี้ ให้ปล่อยให้เครื่องใช้ / แบตเตอรี่เย็นลงก่อนเปิดเครื่องใช้อีกครั้ง

การป้องกันไฟหมด

เมื่อความจุแบตเตอรี่เหลือน้อย เครื่องใช้จะหยุดทำงานโดยอัตโนมัติ หากผลิตภัณฑ์ไม่ทำงานแม้ว่าจะเปิดสวิตช์แล้ว ให้ถอดแบตเตอรี่ออกจากเครื่องใช้แล้วนำแบตเตอรี่ไปชาร์จ

การป้องกันจากสาเหตุอื่นๆ

ระบบป้องกันได้รับการออกแบบมาเพื่อสาเหตุอื่นๆ ที่อาจสร้างความเสียหายต่อเครื่องใช้และทำให้เครื่องใช้หยุดทำงานโดยอัตโนมัติ ดำเนินการตามขั้นตอนดังต่อไปนี้ทุกขั้นตอนเพื่อกำจัดสาเหตุออกไป เมื่อเครื่องใช้หยุดทำงานชั่วคราวหรือหยุดทำงาน

1. ปิดเครื่องใช้ แล้วเปิดใหม่เพื่อเริ่มใช้งานอีกครั้ง
2. ชาร์จหรือเปลี่ยนแบตเตอรี่โดยนำแบตเตอรี่ที่ชาร์จแล้วมาใช้แทน
3. ปลดปล่อยเครื่องใช้และแบตเตอรี่เย็นลง

หากอาการไม่ดีขึ้นเมื่อเปิดระบบป้องกันอีกครั้ง ให้ติดต่อศูนย์บริการ Makita ใกล้บ้านคุณ

การปรับเซต

สามารถปรับความแน่นของสายสะพายไหล่ สายคาดด้านบนและด้านล่างได้ สอดแขนผ่านสายสะพายไหล่ก่อน จากนั้นค่อยคาดสายคาดด้านล่างและด้านบน การปรับให้แน่นให้ดึงปลายสายตามภาพ การคลาย ให้ดึงปลายด้วยมือขึ้น

เข็มขัดเส้นล่าง

- ▶ หมายเลข 4: 1. สายสะพาย 2. สายรัด

เข็มขัดสะพายไหล่

- ▶ หมายเลข 5: 1. สายสะพาย 2. สายรัด

เข็มขัดเส้นบน

- ▶ หมายเลข 6: 1. สายสะพาย 2. สายรัด

ขอเกี่ยว

⚠ ข้อควรระวัง: ใช้ส่วนที่แขวน/ยึดตามวัตถุประสงค์ที่ระบุไว้เท่านั้น การใช้งานผิดวัตถุประสงค์อาจก่อให้เกิดอุบัติเหตุหรือได้รับบาดเจ็บได้

จับขอเกี่ยวขณะถือตัวเครื่องดูผู้เดินไวเสมอ

- ▶ หมายเลข 7: 1. ขอเกี่ยว

สวิตช์เตรียมพร้อม

สวิตช์เตรียมพร้อมเป็นสวิตช์สำหรับการเปิด/ปิดฟังก์ชันสั่งงานด้วยสัญญาณไร้สาย ที่ดูดฝุ่นจะอยู่ในสถานะเตรียมพร้อมไม่ว่าสวิตช์จะอยู่ในตำแหน่งใด และจะทำงานเมื่อกดปุ่ม ①

- ▶ หมายเลข 8: 1. สวิตช์เตรียมพร้อม

ตำแหน่งสวิตช์		สถานะ
AUTO	I (ON)	ที่ดูดฝุ่นจะอยู่ในสถานะเตรียมพร้อมและสามารถใช้ฟังก์ชันสั่งงานด้วยสัญญาณไร้สายได้
	O (OFF)	ที่ดูดฝุ่นจะอยู่ในสถานะเตรียมพร้อมแม้ว่าจะไม่สามารถใช้ฟังก์ชันสั่งงานด้วยสัญญาณไร้สายได้

การทำงานของสวิตช์

- **หมายเลข 9:** 1. ปุ่มเปลี่ยนกำลังการดูด 2. ปุ่มเปิด/ปิด

ในการเปิดเครื่องดูดฝุ่นเพื่อเริ่มการใช้งาน เพียงแค่กดปุ่มเปิด/ปิด ปิดสวิตช์ โดยกดปุ่มเปิด/ปิด คุณสามารถเปลี่ยนกำลังการดูดของเครื่องดูดฝุ่นได้สามระดับโดยกดปุ่มเปลี่ยนกำลังการดูด ในแต่ละครั้งที่กดปุ่มนี้ จะเป็นการเลือกโหมด 1 ถึง 3 วงในแต่ละรอบ

ระดับ	การแสดง	โหมด
1		โหมดความเร็วปกติ
2		โหมดความเร็วสูง
3		โหมดความเร็วสูงสุด

- หมายเหตุ:** คุณสามารถเปลี่ยนกำลังการดูดก่อนเปิดใช้งานเครื่องดูดฝุ่น
- หมายเหตุ:** เครื่องดูดฝุ่นจะเริ่มทำงานด้วยกำลังการดูดเดียวกับการใช้งานครั้งล่าสุด
- หมายเหตุ:** หากคุณถอดแบตเตอรี่ทันทีหลังจากปิดเครื่องใช้ ในขณะที่มอเตอร์ยังคงหมุนอยู่ เครื่องดูดฝุ่นจะไม่เริ่มทำงานที่กำลังการดูดเดียวกับการทำงานครั้งที่แล้ว

สายคาดท่อ

สามารถใช้สายรัดท่อสำหรับยึดท่อหรือหัวดูดสำหรับพื้นที่เข้าถึงยากได้

การยึดท่อเข้ากับที่ดูดฝุ่น ให้สอดสายรัดท่อผ่านช่องที่ตัวเครื่อง คุณสามารถติดตั้งสายรัดท่อที่อีกด้านได้

- **หมายเลข 10:** 1. สายคาดท่อ 2. ช่อง 3. ท่อ

สามารถใช้ห่วงรัดบนสายคาดด้านล่างในการเคลื่อนย้ายหัวดูดตามภาพ

- **หมายเลข 11:** 1. ห่วงรัด 2. หัวดูด

การประกอบ

⚠ ข้อควรระวัง: ตรวจสอบให้แน่ใจเสมอว่าปิดสวิตช์เครื่องใช้และถอดตลับแบตเตอรี่ออกแล้วก่อนดำเนินการใดๆ กับเครื่องใช้

การประกอบท่อเครื่องดูดฝุ่น

สอดข้อต่อท่อดูดเข้าไปในตัวเครื่องดูดฝุ่นแล้วหมุนตามเข็มนาฬิกา

- **หมายเลข 12:** 1. ข้อต่อของท่อดูด 2. ตัวเครื่องดูดฝุ่น

การเชื่อมต่อเครื่องมือ

หากชุดท่อโค้งถูกติดตั้งเข้ากับท่ออ่อน ให้คลายปลอกของชุดท่อโค้ง แล้วถอดออก

- **หมายเลข 13:** 1. ท่ออ่อน 2. ชุดท่อโค้ง 3. ปลอก

1. ต่อข้อต่อด้านหน้าเข้ากับท่ออ่อนที่ใช้สำหรับการระบายฝุ่น

เมื่อต่อข้อต่อด้านหน้า ตรวจสอบให้แน่ใจว่าขันข้อต่อด้านหน้าเข้ากับท่ออ่อนแน่นดีแล้ว

2. เชื่อมต่อข้อต่อด้านหน้าเข้ากับทางระบายฝุ่นของเครื่องมือ

- **หมายเลข 14:** 1. ข้อต่อด้านหน้า 2. ทางระบายฝุ่น 3. ท่ออ่อน

สามารถถอดข้อต่อด้านหน้าออกได้โดยหมุนทวนเข็มนาฬิกาในขณะที่จับท่ออ่อนไว้

หมายเหตุ: ใช้ข้อต่อด้านหน้าที่เหมาะสมเสมอ เมื่อใช้ข้อต่อด้านหน้าเบอร์ 24 ให้ต่อเข้ากับข้อต่อด้านหน้าเบอร์ 22 ที่ต่อกับท่ออ่อนอยู่

- **หมายเลข 15:** 1. ข้อต่อด้านหน้าเบอร์ 22 2. ข้อต่อด้านหน้าเบอร์ 24

การใช้ที่ดูดฝุ่น

หากคุณต้องการใช้ผลิตภัณฑ์นี้เป็นที่ดูดฝุ่น โปรดปฏิบัติตามขั้นตอนต่อไปนี้

ข้อสังเกต: หากข้อต่อด้านหน้าถูกต้องเข้ากับท่ออ่อน ให้ถอดออกก่อน

หมายเหตุ: ในบางประเทศจะมีชุดท่อโค้ง ท่อต่อ และหัวดูดมาให้เป็นอุปกรณ์เสริม

หมายเหตุ: ชุดท่อโค้งมี 2 ประเภท ประเภทหนึ่งสำหรับท่อต่อประเภทสไลด์ และอีกประเภทสำหรับท่อต่อประเภททวงแหวน หากคุณจะเตรียมชุดท่อโค้ง ให้เลือกตามประเภทท่อต่อที่คุณต้องการ

1. ยึดปลอกของชุดท่อโค้งบนท่ออ่อน

▶ **หมายเลข 16:** 1. ท่ออ่อน 2. ชุดท่อโค้ง 3. ปลอก

การถอดชุดท่อโค้ง ให้คลายปลอกของชุดท่อโค้งจากท่ออ่อน

2. บิดและสอดหัวดูดเข้ากับท่อต่อ

▶ **หมายเลข 17:** 1. ท่อต่อ 2. หัวดูดสำหรับพื้นที่เข้าถึงยาก 3. หัวดูดรูปตัว T 4. หัวดูดรูปตัว T (แบบบาง)

หมายเหตุ: บิดหัวดูดในขณะที่ยึดเข้าเพื่อให้หัวดูดสามารถต่อเข้ากับท่อต่อได้แน่น

3. ปฏิบัติตามขั้นตอนด้านล่างโดยอิงตามประเภทของท่อต่อ :

หมายเหตุ: ท่อต่อประเภทสไลด์และท่อต่อประเภททวงแหวนไม่สามารถใช้ด้วยกันได้ หากคุณต้องการเปลี่ยนท่อต่อประเภทสไลด์เป็นท่อต่อประเภททวงแหวน หรือในทางกลับกัน ให้เปลี่ยนชุดท่อโค้งด้วย

สำหรับท่อต่อประเภทสไลด์

สะพายที่ดูดฝุ่นที่ใหญ่ จากนั้นสอดท่อต่อเข้าไปในชุดท่อโค้ง จนกระทั่งได้ยินเสียงคลิก เมื่อต้องการถอดออก ให้กดปุ่มเพื่อดึงท่อต่อออก

▶ **หมายเลข 18:** 1. ชุดท่อโค้ง 2. ปุ่ม 3. ท่อต่อประเภทสไลด์

สามารถปรับความยาวของท่อต่อได้

ปรับความยาวของท่อต่อโดยการกดปุ่มสไลด์ ความยาวจะถูกล็อกเมื่อปล่อยปุ่มสไลด์

▶ **หมายเลข 19:** 1. ปุ่มสไลด์

สำหรับท่อต่อประเภททวงแหวน

สะพายที่ดูดฝุ่นที่ใหญ่ จากนั้นบิดและสอดท่อต่อเข้าไปในชุดท่อโค้ง เมื่อต้องการถอดออก ให้บิดและดึงออกจากกัน

▶ **หมายเลข 20:** 1. ชุดท่อโค้ง 2. ท่อต่อประเภททวงแหวน 3. หัวดูด

หมายเหตุ: สามารถต่อหัวดูดสำหรับพื้นที่เข้าถึงยากเข้ากับชุดท่อโค้งได้โดยตรงโดยไม่ต้องใช้ตัวล็อกท่อ

สามารถปรับความยาวของท่อต่อได้

คลายวงแหวนบนท่อต่อ แล้วปรับความยาวของท่อต่อ ขึ้นวงแหวนให้แน่นที่ความยาวที่คุณต้องการ

▶ **หมายเลข 21:** 1. วงแหวน

ตะขอบนท่อดูด

เมื่อคุณหยุดการทำงานไว้ชั่วคราว สามารถใช้ข้อยกเว้นชุดท่อโค้งเพื่อแขวนท่อตะขอบนสายคาดด้านล่างได้

▶ **หมายเลข 22:** 1. ข้อยกเว้น 2. สายคาดด้านล่าง

การติดตั้งถุงกรอง / ถุงดักฝุ่น

อุปกรณ์เสริม

⚠ ข้อควรระวัง: ห้ามใช้ถุงกรองฝุ่นที่เสียหาย ใช้เครื่องดูดฝุ่นที่มีถุงกรองฝุ่นที่ติดตั้งอย่างเหมาะสมเสมอ มิฉะนั้นผงฝุ่นหรือเศษวัสดุที่ดูดมาอาจถูกปล่อยออกมาจากเครื่องดูดฝุ่นและอาจให้เกิดการเจ็บป่วยทางระบบทางเดินหายใจหรืออื่นๆ แก่ผู้ปฏิบัติงานได้

ข้อสังเกต: เมื่อถุงกรองเต็ม ให้เปลี่ยนถุงใหม่ เมื่อถุงดักฝุ่นเต็ม ให้เปลี่ยนออกให้หมด การใช้ท่อโดยที่ถุงกรอง/ถุงดักฝุ่นเต็มจะส่งผลให้กำลังในการดูดลดลง

ข้อสังเกต: การป้องกันไม่ให้ผงฝุ่นเข้าไปที่มอเตอร์:

- ตรวจสอบให้แน่ใจว่าติดตั้งถุงกรอง/ถุงดักฝุ่นแล้วก่อนใช้งาน
- ห้ามใช้ถุงที่ขาดหรือฉีก

มิฉะนั้นมอเตอร์อาจเสียหายได้

ข้อสังเกต: อย่าพับกระดาดบนช่องที่ช่องเปิดเมื่อทำการติดตั้งถุงกรอง/ถุงดักฝุ่น

ข้อสังเกต: ถุงกรอง/ถุงดักฝุ่นสำหรับเครื่องดูดฝุ่นเป็นส่วนประกอบที่สำคัญในการคงประสิทธิภาพการทำงานของเครื่องใช้ การใช้ถุงกรอง/ถุงดักฝุ่นที่ไม่ใช่ของแท้อาจส่งผลให้เกิดควันหรือประกายไฟได้

หมายเหตุ: เมื่อถุงกรอง/ถุงดักฝุ่นไม่ได้ถูกติดตั้งอยู่ที่ดูดฝุ่น ฝาครอบด้านหน้าจะปิดไม่สนิท

▶ **หมายเลข 23**

1. ปลดล็อกก้านและเปิดฝาครอบกล่องเก็บฝุ่น

▶ **หมายเลข 24:** 1. ก้าน 2. ฝาครอบกล่องเก็บฝุ่น

2. สอดถุงกรองฝุ่นเข้าไปในช่องที่อยู่ด้านบนของช่องว่างตามที่แสดงในภาพ

▶ **หมายเลข 25:** 1. ช่อง 2. ถุงกรอง

เมื่อใช้ถุงดักฝุ่น ให้สอดขอบของถุงดักฝุ่นลงในร่อง

▶ **หมายเลข 26:** 1. รอยตัด 2. ขอบ 3. ถุงดักฝุ่น

3. จักรของดุนกรองฝุ่นให้ตรงกับข้อต่อของท่อดูด และ ดันส่วนกระดาษแข็งไปจนสุด ตรวจสอบให้แน่ใจว่าแหวน ยางบนดุนกรองฝุ่นเข้าไปในขอบบนข้อต่อของท่อดูด
- ▶ **หมายเลข 27:** 1. แหวนยางบนดุนกรองฝุ่น 2. ขอบ บนข้อต่อของท่อดูด 3. ส่วนกระดาษ แข็งของดุนกรองฝุ่น 4. ข้อต่อของ ท่อดูด

4. ล็อคฝาครอบกล่องเก็บฝุ่นให้สนิท

⚠ ข้อควรระวัง: ระวังอย่าให้หนีบนิ้วขณะเกี่ยวตัวล็อค และขณะเปิดฝาครอบกล่องเก็บฝุ่น

การใช้งาน

⚠ คำเตือน: ผู้ปฏิบัติงานควรได้รับคำแนะนำอย่างเหมาะสมในด้านการใช้งานเครื่องดูดฝุ่น

⚠ คำเตือน: เครื่องดูดฝุ่นนี้ไม่เหมาะสำหรับการเก็บฝุ่น อันตราย

⚠ ข้อควรระวัง: เครื่องดูดฝุ่นนี้ใช้สำหรับการใช้งานแบบ แห้งเท่านั้น

⚠ ข้อควรระวัง: ให้แน่ใจว่าสวิตช์แบตเตอรี่ใช้งานสุด จนกระทั่งได้ยินเสียงล็อคเข้าที่ หากยังเห็นส่วนสีแดงที่ ด้านบนของปุ่ม แสดงว่าสวิตช์แบตเตอรี่ยังไม่ล็อคเข้าที่ ให้ ดันสวิตช์แบตเตอรี่ใช้งานสุดจนไม่เห็นส่วนสีแดงอีก ไม่เช่นนั้น สวิตช์แบตเตอรี่อาจหลุดออกจากเครื่องมือทำให้ คุณหรือคนรอบข้างได้รับบาดเจ็บ

⚠ ข้อควรระวัง: ในระหว่างการทำงาน ฟังก์ชันที่มีที่ ดูดฝุ่นอยู่ที่หลังของคุณ คุณอาจสูญเสียการทรงตัวหากที่ ดูดฝุ่นชนเข้ากับผนังหรือท่ออ่อนเกี่ยวเข้ากับสิ่งกีดขวาง ต่างๆ

1. สะพายที่ดูดฝุ่นที่ไหล แล้วคาดสายคาดด้านหลังและ ด้านบน ปรับความแน่นตามความจำเป็น

▶ **หมายเลข 28**

2. กดปุ่ม **⓪** เพื่อเริ่มดูดฝุ่น หากคุณต้องการเปลี่ยน กำลังการดูด ให้กดปุ่ม **Ⓜ** จนกว่ากำลังการดูดที่ต้องการจะ ถูกเลือก กดปุ่ม **⓪** เพื่อหยุด

▶ **หมายเลข 29**

ในระหว่างการทำงาน ให้แหวนกล่องสวิตช์บนสายคาดด้านหลังหรือวงแหวนรูปตัว D

▶ **หมายเลข 30**

3. เปลี่ยนดุนกรองฝุ่นเมื่อถุงเต็ม เปิดฝาและนำดุนกรอง ฝุ่นออกมา ดึงแถบด้านข้างของเปิดเพื่อปิดดุนกรองฝุ่นและ ทิ้งดุนกรองฝุ่นทิ้ง

▶ **หมายเลข 31:** 1. แถบ

เมื่อใช้ถุงดักฝุ่นให้นำถุงดักฝุ่นออกมาและทิ้งฝุ่นโดยการ ปลดสลัก

▶ **หมายเลข 32:** 1. ตัวล็อค

ข้อสังเกต: ตรวจสอบดุนกรองว่าเต็มหรือไม่เป็นระยะๆ การใช้ดุนกรองที่เต็มต่อไปจะส่งผลให้กำลังการดูดลดลงได้

ข้อสังเกต: อย่าใช้ดุนกรองที่ใช่แล้ว ดุนกรองถูกออกแบบ มาให้ใช้งานได้เพียงครั้งเดียว การใช้ดุนกรองซ้ำอาจทำให้ ตัวกรองอุดตันและส่งผลให้ที่ดูดฝุ่นเสียหายได้ หากคุณ ต้องการใช้ถุงซ้ำ ให้ใช้ถุงดักฝุ่น

ฟังก์ชันสั่งงานด้วยสัญญาณไร้สาย

คุณสามารถทำอะไรกับฟังก์ชันสั่งงานด้วย สัญญาณไร้สายนี้ได้บ้าง

ฟังก์ชันสั่งงานด้วยสัญญาณไร้สายจะทำให้คุณสามารถใช้ งานได้อย่างสะดวกสบายและสะอาดเรียบร้อย เมื่อเชื่อมต่อ เครื่องมือที่รองรับเข้ากับที่ดูดฝุ่น คุณสามารถทำให้ที่ดูด ฝุ่นทำงานได้อย่างอัตโนมัติตามการควบคุมด้วยสวิตช์ของ เครื่องมือ

▶ **หมายเลข 33**

ข้อสังเกต: โปรดดูคู่มือการใช้งานของเครื่องมือเมื่อใช้ที่ ดูดฝุ่นที่มีฟังก์ชันสั่งงานด้วยสัญญาณไร้สาย

ข้อสังเกต: อย่าถอดแยกชิ้นส่วนหรือปรับเปลี่ยนอุปกรณ์ รับผิดชอบสัญญาณไร้สาย

ข้อสังเกต: เพื่อป้องกันฝุ่นเข้าไปในช่องอุปกรณ์รับส่ง สัญญาณไร้สาย ให้ปิดฝาให้แน่นในระหว่างการใช้งานและ การจัดเก็บ

ข้อสังเกต: อย่าถอดอุปกรณ์รับส่งสัญญาณไร้สายใน ขณะที่มีการจ่ายไฟ ไม่เช่นนั้นอาจทำให้อุปกรณ์รับส่ง สัญญาณไร้สายทำงานผิดปกติ

ข้อสังเกต: อย่ากดปุ่มสั่งงานด้วยสัญญาณไร้สายแรงจน เกินไปและ/หรืออย่ากดปุ่มด้วยวัตถุที่มีขอบคม

หมายเหตุ: การใช้งานด้วยสัญญาณไร้สายจะใช้ได้กับเครื่องมือของ Makita ที่มาพร้อมกับอุปกรณ์รับส่งสัญญาณไร้สายเท่านั้น

หมายเหตุ: ก่อนเริ่มใช้ฟังก์ชันสั่งงานด้วยสัญญาณไร้สายกับแต่ละเครื่องมือจำเป็นจะต้องทำการบันทึกเครื่องมือเมื่อทำการบันทึกเครื่องมือเสร็จสิ้นแล้ว ไม่จำเป็นต้องบันทึกอีก ยกเว้นแต่มีการยกเลิก

หมายเหตุ: ก่อนการลงทะเบียน ตรวจสอบให้แน่ใจว่าใส่อุปกรณ์รับส่งสัญญาณไร้สายเข้าที่อย่างเหมาะสมแล้ว

หมายเหตุ: อุปกรณ์รับส่งสัญญาณไร้สายหนึ่งเครื่องสามารถลงทะเบียนการเชื่อมต่อกับอุปกรณ์รับส่งสัญญาณไร้สายอื่น ๆ ได้สูงสุด 10 เครื่อง หากมีการลงทะเบียนอุปกรณ์รับส่งสัญญาณไร้สายอื่นเกิน 10 เครื่องกับอุปกรณ์รับส่งสัญญาณไร้สายหนึ่งเครื่อง เครื่องที่ถูกลงทะเบียนแรกสุดจะถูกยกเลิกโดยอัตโนมัติ

หมายเหตุ: ตำแหน่งของปุ่มสั่งงานด้วยสัญญาณไร้สายจะแตกต่างกันในแต่ละเครื่องมือ

หมายเหตุ: เครื่องดูดฝุ่นจะเริ่มทำงานโดยการกดปุ่ม ① เมื่อสวิตช์เตรียมพร้อมถูกตั้งเป็น "I (ON)"
อย่างไรก็ตาม ปุ่ม ① จะไม่ทำงานเมื่อฟังก์ชันสั่งงานด้วยสัญญาณไร้สายถูกใช้อยู่

การติดตั้งอุปกรณ์รับส่งสัญญาณไร้สาย

⚠ ข้อควรระวัง: วางที่ดูดฝุ่นไว้บนพื้นผิวที่ราบเรียบและมั่นคงเมื่อทำการติดตั้งอุปกรณ์รับส่งสัญญาณไร้สาย

ข้อสังเกต: ทำความสะอาดฝุ่นและสิ่งสกปรกบนที่ดูดฝุ่นก่อนทำการติดตั้งอุปกรณ์รับส่งสัญญาณไร้สาย ฝุ่นและสิ่งสกปรกอาจทำให้เครื่องมือทำงานผิดปกติหากฝุ่นเข้าไปในช่องใส่อุปกรณ์รับส่งสัญญาณไร้สาย

ข้อสังเกต: การป้องกันการทำงานผิดปกติที่เกิดจากไฟฟ้าสถิต ให้สัมผัสวัสดุที่ปล่อยไฟฟ้าสถิต เช่น ชิ้นส่วนที่เป็นโลหะ ก่อนจับอุปกรณ์รับส่งสัญญาณไร้สาย

ข้อสังเกต: เมื่อทำการติดตั้งอุปกรณ์รับส่งสัญญาณไร้สาย ตรวจสอบให้แน่ใจว่าอุปกรณ์รับส่งสัญญาณไร้สายถูกใส่เข้าไปในทิศทางที่ถูกต้องและปิดฝาปิดสนิทแล้ว

1. เปิดฝาด้านที่ดูดฝุ่นตามที่แสดงในภาพ

▶ **หมายเลข 34:** 1. ฝาปิด

2. ใส่อุปกรณ์รับส่งสัญญาณไร้สายเข้าไปในช่องเสียบ จากนั้นปิดฝาปิด

เมื่อใส่อุปกรณ์รับส่งสัญญาณไร้สายแล้ว ให้จัดตำแหน่งให้ส่วนที่ยื่นออกมาตรงกับส่วนที่ถอยเข้าไปบนช่องเสียบ

▶ **หมายเลข 35:** 1. อุปกรณ์รับส่งสัญญาณไร้สาย
2. ส่วนที่ยื่นออกมา 3. ฝาปิด 4. ส่วนที่ถอยเข้าไป

เมื่อต้องการถอดอุปกรณ์รับส่งสัญญาณไร้สายออก ให้เปิดฝาด้านออกข้าง ขอบเกี่ยวกับด้านหลังของฝาด้านจะยกอุปกรณ์รับส่งสัญญาณไร้สายในขณะที่คุณดึงฝาปิดขึ้น

▶ **หมายเลข 36:** 1. อุปกรณ์รับส่งสัญญาณไร้สาย 2. ขอบเกี่ยว 3. ฝาปิด

หลังจากถอดอุปกรณ์รับส่งสัญญาณไร้สายออกแล้ว ให้เก็บไว้ในกล่องที่ให้มาหรือในภาชนะที่ปลอดภัยไฟฟ้าสถิต

ข้อสังเกต: ใช้ขอบเกี่ยวที่ด้านหลังของฝาปิดเมื่อต้องการถอดอุปกรณ์รับส่งสัญญาณไร้สายเสมอ หากขอบเกี่ยวไม่เกี่ยวกับอุปกรณ์รับส่งสัญญาณไร้สาย ให้ปิดฝาปิดให้สนิทแล้วเปิดอีกครั้งซ้ำ

การบันทึกเครื่องมือสำหรับที่ดูดฝุ่น

หมายเหตุ: ที่ดูดฝุ่นของ Makita ที่รองรับฟังก์ชันสั่งงานด้วยสัญญาณไร้สายจำเป็นจะต้องมีการบันทึกเครื่องมือ

หมายเหตุ: ติดตั้งอุปกรณ์รับส่งสัญญาณไร้สายเข้ากับเครื่องมือให้เรียบร้อยก่อนเริ่มบันทึกเครื่องมือ

หมายเหตุ: ในระหว่างการลงทะเบียน อย่ากดสวิตช์สั่งงานบนเครื่องมือหรือคันสวิตช์ที่ดูดฝุ่นหรือดูดฝุ่น

หมายเหตุ: โปรดดูคู่มือการใช้งานของเครื่องมือร่วมด้วย

หากคุณต้องการสั่งงานที่ดูดฝุ่นตามการควบคุมด้วยสวิตช์ของเครื่องมือ ให้บันทึกเครื่องมือให้เสร็จสิ้นก่อน

1. ติดตั้งอุปกรณ์รับส่งสัญญาณไร้สายเข้ากับที่ดูดฝุ่นและเครื่องมือตามลำดับ

2. ติดตั้งแบตเตอรี่เข้ากับที่ดูดฝุ่นและเครื่องมือ

3. ตั้งสวิตช์เตรียมพร้อมบนที่ดูดฝุ่นเป็น "I (ON)"

▶ **หมายเลข 37:** 1. สวิตช์เตรียมพร้อม

4. กดปุ่มสั่งงานด้วยสัญญาณไร้สายบนที่ดูดฝุ่นค้างไว้ประมาณ 3 วินาทีจนกระทั่งดวงไฟแสดงการสั่งงานด้วยสัญญาณไร้สายกะพริบเป็นสีเขียว จากนั้นกดปุ่มสั่งงานด้วยสัญญาณไร้สายบนเครื่องมือในลักษณะเดียวกัน

▶ **หมายเลข 38:** 1. ปุ่มสั่งงานด้วยสัญญาณไร้สาย
2. ดวงไฟแสดงการสั่งงานด้วยสัญญาณไร้สาย

หากที่ดูดฝุ่นและเครื่องมือเชื่อมต่อกันเรียบร้อยแล้ว ดวงไฟแสดงการสั่งงานด้วยสัญญาณไร้สายจะสว่างเป็นสีเขียวเป็นเวลา 2 วินาที และจะเริ่มกะพริบเป็นสีฟ้า

หมายเหตุ: ดวงไฟแสดงการสั่งงานด้วยสัญญาณไร้สายจะกะพริบเป็นสีเขียวหลังผ่านไป 20 วินาที กดปุ่มสั่งงานด้วยสัญญาณไร้สายบนเครื่องมือในขณะที่ดวงไฟแสดงการสั่งงานด้วยสัญญาณไร้สายบนที่ดูดฝุ่นกำลังกะพริบอยู่ หากดวงไฟแสดงการสั่งงานด้วยสัญญาณไร้สายไม่กะพริบเป็นสีเขียว ให้ดันปุ่มสั่งงานด้วยสัญญาณไร้สายสักครู่ และกดลงไปอีกครั้ง

หมายเหตุ: เมื่อต้องการดำเนินการบันทึกเครื่องมือสองเครื่องขึ้นไปสำหรับที่ดูดฝุ่นเครื่องเดียว ให้บันทึกเครื่องมือทีละเครื่อง

การเริ่มฟังก์ชันสั่งงานด้วยสัญญาณไร้สาย

หมายเหตุ: บันทึกเครื่องมือสำหรับที่ดูดฝุ่นให้เสร็จสิ้นเพื่อสั่งงานด้วยสัญญาณไร้สาย

หมายเหตุ: วางที่ดูดฝุ่นไว้โดยให้คุณสามารถมองเห็นสถานะของดวงไฟแสดงการสั่งงานด้วยสัญญาณไร้สาย

หมายเหตุ: โปรดดูคู่มือการใช้งานของเครื่องมือร่วมด้วย

หลังจากบันทึกเครื่องมือเข้ากับที่ดูดฝุ่นแล้ว ที่ดูดฝุ่นจะทำงานตามการควบคุมด้วยสวิตช์ของเครื่องมือโดยอัตโนมัติ

1. ติดตั้งอุปกรณ์รับส่งสัญญาณไร้สายเข้ากับที่ดูดฝุ่นและเครื่องมือตามลำดับ
2. ติดตั้งแบตเตอรี่เข้ากับที่ดูดฝุ่นและเครื่องมือ
3. เชื่อมต่อท่อของที่ดูดฝุ่นเข้ากับเครื่องมือ

▶ หมายเลข 39

4. ตั้งสวิตช์เตรียมพร้อมบนที่ดูดฝุ่นเป็น "I (ON)" ดวงไฟแสดงการสั่งงานด้วยสัญญาณไร้สายจะกะพริบเป็นสีฟ้า

▶ **หมายเลข 40:** 1. สวิตช์เตรียมพร้อม

5. ดันปุ่มสั่งงานด้วยสัญญาณไร้สายบนเครื่องมือไว้สักครู่ ดวงไฟแสดงการสั่งงานด้วยสัญญาณไร้สายจะกะพริบเป็นสีฟ้า

▶ **หมายเลข 41:** 1. ปุ่มสั่งงานด้วยสัญญาณไร้สาย
2. ดวงไฟแสดงการสั่งงานด้วยสัญญาณไร้สาย

6. เปิดเครื่องมือ ตรวจสอบว่าที่ดูดฝุ่นทำงานในขณะที่เครื่องมือกำลังทำงานอยู่หรือไม่

⚠ ข้อควรระวัง: ตรวจสอบว่าฟังก์ชันสั่งงานด้วยสัญญาณไร้สายทำงานก่อนเริ่มใช้งานเครื่องมือ

การหยุดการสั่งงานด้วยสัญญาณไร้สายให้ดันปุ่มสั่งงานด้วยสัญญาณไร้สายบนเครื่องมือ หรือตั้งสวิตช์เตรียมพร้อมบนที่ดูดฝุ่นไปที่ "O (OFF)"

หมายเหตุ: ดวงไฟแสดงการสั่งงานด้วยสัญญาณไร้สายบนเครื่องมือจะหยุดกะพริบเป็นสีฟ้าเมื่อไม่มีการใช้งานเป็นเวลา 2 ชั่วโมง ในกรณีนี้ให้กดปุ่มสั่งงานด้วยสัญญาณไร้สายบนเครื่องมืออีกครั้ง

หมายเหตุ: ที่ดูดฝุ่นจะเริ่ม/หยุดทำงานลำช้าเล็กน้อย ในขณะที่ที่ดูดฝุ่นตรวจจัดการควบคุมด้วยสวิตช์ของเครื่องมือจะเกิดความล่าช้าขึ้นเล็กน้อย

หมายเหตุ: ระยะเวลาการส่งสัญญาณของอุปกรณ์รับส่งสัญญาณไร้สายอาจแตกต่างกันไปขึ้นอยู่กับสถานที่และสภาวะแวดล้อม

หมายเหตุ: เมื่อลงทะเบียนเครื่องมือสองเครื่องขึ้นไปกับที่ดูดฝุ่นหนึ่งเครื่อง ที่ดูดฝุ่นอาจเริ่มทำงานแม้ว่าคุณจะไม่ได้เปิดเครื่องมือ เนื่องจากผู้ใช้อีกคนกำลังใช้ฟังก์ชันการสั่งงานด้วยสัญญาณไร้สาย

การยกเลิกการบันทึกเครื่องมือสำหรับที่ดูดฝุ่น

เมื่อต้องการยกเลิกการบันทึกเครื่องมือสำหรับที่ดูดฝุ่น ให้ดำเนินการตามขั้นตอนดังต่อไปนี้

1. ติดตั้งอุปกรณ์รับส่งสัญญาณไร้สายเข้ากับที่ดูดฝุ่นและเครื่องมือตามลำดับ
2. ติดตั้งแบตเตอรี่เข้ากับที่ดูดฝุ่นและเครื่องมือ
3. ตั้งสวิตช์เตรียมพร้อมบนที่ดูดฝุ่นเป็น "I (ON)"

▶ **หมายเลข 42:** 1. สวิตช์เตรียมพร้อม

4. กดปุ่มสั่งงานด้วยสัญญาณไร้สายบนที่ดูดฝุ่นค้างไว้ประมาณ 6 วินาที ดวงไฟแสดงการสั่งงานด้วยสัญญาณไร้สายจะกะพริบเป็นสีเขียว จากนั้นจะเปลี่ยนเป็นสีแดง หลังจากนั้นให้กดปุ่มสั่งงานด้วยสัญญาณไร้สายบนเครื่องมือในลักษณะเดียวกัน

▶ **หมายเลข 43:** 1. ปุ่มสั่งงานด้วยสัญญาณไร้สาย
2. ดวงไฟแสดงการสั่งงานด้วยสัญญาณไร้สาย

หากดำเนินการยกเลิกเสร็จสิ้นแล้ว ดวงไฟแสดงการสั่งงานด้วยสัญญาณไร้สายจะสว่างขึ้นเป็นสีแดงประมาณ 2 วินาที และจะเริ่มกะพริบเป็นสีฟ้า

หมายเหตุ: ดวงไฟแสดงการสั่งงานด้วยสัญญาณไร้สายจะหยุดกะพริบเป็นสีแดงหลังผ่านไป 20 วินาที กดปุ่มสั่งงานด้วยสัญญาณไร้สายบนเครื่องมือในขณะที่ดวงไฟแสดงการสั่งงานด้วยสัญญาณไร้สายบนที่ดูดฝุ่นกำลังกะพริบอยู่ หากดวงไฟแสดงการสั่งงานด้วยสัญญาณไร้สายไม่กะพริบเป็นสีแดง ให้ดันปุ่มสั่งงานด้วยสัญญาณไร้สายสักครู่ แล้วกดลงไปอีกครั้ง

ลบการบันทึกเครื่องมือทั้งหมด

คุณสามารถลบการบันทึกเครื่องมือทั้งหมดออกจากที่ตู้ตู้ฝุ่นตามขั้นตอนดังต่อไปนี้

- ▶ **หมายเลข 44:** 1. สวิตช์เตรียมพร้อม 2. ปุ่มสั่งงานด้วยสัญญาณไร้สาย 3. ดวงไฟแสดงการสั่งงานด้วยสัญญาณไร้สาย
1. ดัดตั้งอุปกรณ์รับส่งสัญญาณไร้สายเข้ากับที่ตู้ตู้ฝุ่น
 2. ดัดตั้งแบตเตอรี่เข้ากับที่ตู้ตู้ฝุ่น
 3. ตั้งสวิตช์เตรียมพร้อมไปที่ "I (ON)"
 4. กดปุ่มสั่งงานด้วยสัญญาณไร้สายค้างไว้ประมาณ 6 วินาที จนกระทั่งดวงไฟแสดงการสั่งงานด้วยสัญญาณไร้สายกะพริบเป็นสีแดง (ประมาณสองครั้งต่อหนึ่งวินาที)
 5. เมื่อดวงไฟแสดงการสั่งงานด้วยสัญญาณไร้สายเริ่มกะพริบเป็นสีแดง ให้ปล่อยนิ้วออกจากปุ่มสั่งงานด้วยสัญญาณไร้สาย หลังจากนั้นให้กดปุ่มสั่งงานด้วยสัญญาณไร้สายค้างไว้อีกครั้งประมาณ 6 วินาที
 6. เมื่อดวงไฟแสดงการสั่งงานด้วยสัญญาณไร้สายเริ่มกะพริบถี่ๆ (ประมาณ 5 ครั้งต่อหนึ่งวินาที) เป็นสีแดง ให้ปล่อยนิ้วออกจากปุ่มสั่งงานด้วยสัญญาณไร้สาย เมื่อดวงไฟแสดงการสั่งงานด้วยสัญญาณไร้สายสว่างขึ้นเป็นสีแดงและจากนั้นดับลง การบันทึกเครื่องมือทั้งหมดจะถูกลบออก

หมายเหตุ: หากดวงไฟแสดงการสั่งงานด้วยสัญญาณไร้สายไม่กะพริบเป็นสีแดง ให้กดปุ่มสั่งงานด้วยสัญญาณไร้สายสักครู่ แล้วลองใหม่อีกครั้ง

คำอธิบายสถานะดวงไฟแสดงการสั่งงานด้วยสัญญาณไร้สาย

- หมายเลข 45: 1. ปุ่มสั่งงานด้วยสัญญาณไร้สาย
2. ดวงไฟแสดงการสั่งงานด้วยสัญญาณไร้สาย

ดวงไฟแสดงการสั่งงานด้วยสัญญาณไร้สายจะแสดงสถานะของฟังก์ชันสั่งงานด้วยสัญญาณไร้สาย ความหมายของสถานะดวงไฟได้ที่ตารางด้านล่าง

สถานะ	ดวงไฟแสดงการสั่งงานด้วยสัญญาณไร้สาย				คำอธิบาย
	สี	<input type="checkbox"/> สว่าง	<input type="checkbox"/> กระพริบ	ระยะเวลา (โดยประมาณ)	
เตรียมพร้อม	สีฟ้า	<input checked="" type="checkbox"/>		ที่ตู้ดูฝุ่น: ทำงานต่อเนื่อง เครื่องมือ: 2 ชั่วโมง	รอจนกระทั่งการลงทะเบียนเครื่องมือหรือฟังก์ชันสั่งงานด้วยสัญญาณไร้สายสามารถใช้งานได้แล้ว ดวงไฟบนที่ตู้ดูฝุ่นจะกระพริบเมื่อสวิตช์เตรียมพร้อมถูกตั้งเป็น "I (ON)" ดวงไฟบนเครื่องมือจะกระพริบเมื่อดันปุ่มสั่งงานด้วยสัญญาณไร้สาย ดวงไฟบนเครื่องมือจะดับลงอัตโนมัติเมื่อไม่มีการใช้งานเป็นเวลา 2 ชั่วโมง
		<input type="checkbox"/>		เมื่อเครื่องมือกำลังทำงาน	สามารถใช้การสั่งงานด้วยสัญญาณไร้สายของที่ตู้ดูฝุ่นได้และเครื่องมือกำลังทำงานอยู่
การบันทึกเครื่องมือ	สีเขียว	<input checked="" type="checkbox"/>		20 วินาที	พร้อมสำหรับการบันทึกเครื่องมือ ค้นหาเครื่องมือที่จะบันทึก
		<input type="checkbox"/>		2 วินาที	การบันทึกเครื่องมือเสร็จสิ้นแล้ว ดวงไฟแสดงการสั่งงานด้วยสัญญาณไร้สายจะเริ่มกระพริบเป็นสีฟ้า
ยกเลิก/ลบการบันทึกเครื่องมือ	สีแดง	<input checked="" type="checkbox"/>		20 วินาที (ช้า: 2 ครั้ง/วินาที)	พร้อมสำหรับการยกเลิกการบันทึกเครื่องมือ ค้นหาเครื่องมือที่จะยกเลิก
		<input checked="" type="checkbox"/>		เมื่อปุ่มสั่งงานด้วยสัญญาณไร้สายถูกกดลง	พร้อมสำหรับการลบการบันทึกเครื่องมือทั้งหมด
		<input type="checkbox"/>		2 วินาที	การบันทึกเครื่องมือถูกยกเลิก/ลบออกแล้ว ดวงไฟแสดงการสั่งงานด้วยสัญญาณไร้สายจะเริ่มกระพริบเป็นสีฟ้า
อื่นๆ	สีแดง	<input type="checkbox"/>		3 วินาที	ไฟฟ้าจะถูกจ่ายไปยังอุปกรณ์รับส่งสัญญาณไร้สายและฟังก์ชันสั่งงานด้วยสัญญาณไร้สายจะเริ่มทำงาน
	ดับ	-		-	สวิตช์เตรียมพร้อมไม่ได้ถูกตั้งเป็น "I (ON)"

การแก้ไขปัญหาสำหรับฟังก์ชันสั่งงานด้วยสัญญาณไร้สาย

ก่อนนำไปซ่อม ให้ทำการตรวจสอบด้วยตัวเองก่อน หากพบปัญหาที่ไม่มีอธิบายในคู่มือการใช้งาน อย่าพยายามถอดแยกเครื่องมือ แต่ให้นำไปซ่อมที่ศูนย์บริการหรือโรงงานที่ผ่านการรับรองจาก Makita และใช้ชิ้นส่วนอะไหล่ของ Makita

สภาวะความผิดปกติ	สาเหตุที่เป็นไปได้ (การทำงานผิดปกติ)	การแก้ไข
ดวงไฟแสดงการสั่งงานด้วยสัญญาณไร้สายไม่สว่าง/กะพริบ	อุปกรณ์รับส่งสัญญาณไร้สายไม่ได้ถูกติดตั้งลงในที่ดูดฝุ่นและ/หรือเครื่องมือ อุปกรณ์รับส่งสัญญาณไร้สายไม่ได้ถูกติดตั้งลงในที่ดูดฝุ่นและ/หรือเครื่องมืออย่างเหมาะสม	ติดตั้งอุปกรณ์รับส่งสัญญาณไร้สายให้ถูกต้อง
	ขั้วต่อของอุปกรณ์รับส่งสัญญาณไร้สายและ/หรือช่องเสียบสกรก	ค่อยๆ เช็ดฝุ่นและสิ่งสกปรกบนขั้วต่อของอุปกรณ์รับส่งสัญญาณไร้สายออกเบาๆ และทำความสะอาดช่องใส่ของที่ดูดฝุ่นและ/หรือเครื่องมือ
	ปุ่มสั่งงานด้วยสัญญาณไร้สายบนเครื่องมือยังไม่ถูกดัน	ดันปุ่มสั่งงานด้วยสัญญาณไร้สายบนเครื่องมือไว้สักครู่ ตรวจสอบให้แน่ใจว่าดวงไฟสั่งงานด้วยสัญญาณไร้สายกะพริบเป็นสีฟ้า
	สวิตช์เตรียมพร้อมบนที่ดูดฝุ่นไม่ได้ถูกตั้งเป็น "I (ON)"	ตั้งสวิตช์เตรียมพร้อมบนที่ดูดฝุ่นเป็น "I (ON)"
	ไม่มีกระแสไฟฟ้า	จ่ายไฟฟ้าให้เครื่องมือและที่ดูดฝุ่น

สภาวะความผิดปกติ	สาเหตุที่เป็นไปได้ (การทำงานผิดปกติ)	การแก้ไข
ไม่สามารถเสิร์จล้นการบันทึกเครื่องมือ / การยกเลิกการบันทึกเครื่องมือได้สำเร็จ	อุปกรณ์รับส่งสัญญาณไร้สายไม่ได้ถูกติดตั้งในที่ดูดฝุ่นและ/หรือเครื่องมืออุปกรณ์รับส่งสัญญาณไร้สายไม่ได้ถูกติดตั้งในที่ดูดฝุ่นและ/หรือเครื่องมืออย่างเหมาะสม	ติดตั้งอุปกรณ์รับส่งสัญญาณไร้สายให้ถูกต้อง
	ขั้วต่อของอุปกรณ์รับส่งสัญญาณไร้สายและ/หรือช่องเสียบสกรก	ค่อยๆ เช็ดฝุ่นและสิ่งสกปรกบนขั้วต่อของอุปกรณ์รับส่งสัญญาณไร้สายออกเบาๆ และทำความสะอาดช่องใส่ของที่ดูดฝุ่นและ/หรือเครื่องมือ
	สวิตช์เตรียมพร้อมบนที่ดูดฝุ่นไม่ได้ถูกตั้งเป็น "I (ON)"	ตั้งสวิตช์เตรียมพร้อมบนที่ดูดฝุ่นเป็น "I (ON)"
	ไม่มีกระแสไฟฟ้า	จ่ายไฟฟ้าให้เครื่องมือและที่ดูดฝุ่น
	การทำงานไม่ถูกต้อง	ดันปุ่มสั่งงานด้วยสัญญาณไร้สายไว้สักครู่ จากนั้นดำเนินการตามขั้นตอนการบันทึก/การยกเลิกเครื่องมืออีกครั้ง
	เครื่องมือและที่ดูดฝุ่นอยู่ห่างจากกัน (เกินช่วงระยะการส่งสัญญาณ)	นำเครื่องมือและที่ดูดฝุ่นเข้ามาไว้ใกล้กันมากขึ้น ระยะการส่งสัญญาณสูงสุดคือประมาณ 10 m อย่างไรก็ตามอาจแตกต่างกันไปขึ้นอยู่กับสภาวะแวดล้อม
	ก่อนเสิร์จล้นการลงทะเบียน/การยกเลิกเครื่องมือ - สวิตช์ของเครื่องมือเปิดอยู่ หรือ - ปุ่มไฟหลักบนที่ดูดฝุ่นเปิดอยู่	ดันปุ่มสั่งงานด้วยสัญญาณไร้สายไว้สักครู่ จากนั้นดำเนินการตามขั้นตอนการบันทึก/การยกเลิกเครื่องมืออีกครั้ง
	ขั้นตอนการลงทะเบียนเครื่องมือสำหรับเครื่องมือหรือที่ดูดฝุ่นยังไม่เสร็จสิ้น	ดำเนินการตามขั้นตอนการบันทึกเครื่องมือสำหรับเครื่องมือและที่ดูดฝุ่นในเวลาเดียวกัน
	การรบกวนจากคลื่นวิทยุของเครื่องใช้อื่นๆ ซึ่งทำให้เกิดคลื่นวิทยุความถี่สูง	นำเครื่องมือและที่ดูดฝุ่นออกจากเครื่องใช้ต่างๆ เช่น อุปกรณ์ Wi-Fi และเตาอบไมโครเวฟ

สภาวะความผิดปกติ	สาเหตุที่เป็นไปได้ (การทำงานผิดปกติ)	การแก้ไข
ที่ดูดฝุ่นไม่ทำงานตามการควบคุมด้วยสวิตช์ของเครื่องมือ	อุปกรณ์รับส่งสัญญาณไร้สายไม่ได้ถูกติดตั้งลงในที่ดูดฝุ่นและ/หรือเครื่องมือ	ติดตั้งอุปกรณ์รับส่งสัญญาณไร้สายให้ถูกต้อง
	ขั้วต่อของอุปกรณ์รับส่งสัญญาณไร้สายและ/หรือช่องใส่สกรู	ค่อยๆ เช็ดฝุ่นและสิ่งสกปรกบนขั้วต่อของอุปกรณ์รับส่งสัญญาณไร้สายออกเบาๆ และทำความสะอาดช่องใส่ของที่ดูดฝุ่นและ/หรือเครื่องมือ
	ปุ่มสั่งงานด้วยสัญญาณไร้สายบนเครื่องมือยังไม่ถูกดัน	ดันปุ่มสั่งงานด้วยสัญญาณไร้สายบนเครื่องมือไว้สักครู่ ตรวจสอบให้แน่ใจว่าดวงไฟสั่งงานด้วยสัญญาณไร้สายกะพริบเป็นสีฟ้า
	สวิตช์เตรียมพร้อมบนที่ดูดฝุ่นไม่ได้ถูกตั้งเป็น "I (ON)"	ตั้งสวิตช์เตรียมพร้อมบนที่ดูดฝุ่นเป็น "I (ON)"
	มีเครื่องมือที่บันทึกเข้ากับที่ดูดฝุ่นมากกว่า 10 เครื่อง	ดำเนินการบันทึกเครื่องมืออีกครั้ง หากมีเครื่องมือที่บันทึกเข้ากับที่ดูดฝุ่นมากกว่า 10 เครื่อง เครื่องมือที่บันทึกเครื่องแรกสุดจะถูกยกเลิกโดยอัตโนมัติ
	ที่ดูดฝุ่นลบการบันทึกเครื่องมือทั้งหมด	ดำเนินการบันทึกเครื่องมืออีกครั้ง
	ไม่มีการจ่ายไฟฟ้า	จ่ายไฟฟ้าให้เครื่องมือและที่ดูดฝุ่น
	เครื่องมือและที่ดูดฝุ่นอยู่ห่างจากกัน (เกินช่วงระยะการส่งสัญญาณ)	นำเครื่องมือและที่ดูดฝุ่นเข้ามาไว้ใกล้กันมากขึ้น ระยะการส่งสัญญาณสูงสุดคือประมาณ 10 m อย่างไรก็ตามอาจแตกต่างกันไปขึ้นอยู่กับสภาวะแวดล้อม
การรบกวนจากคลื่นวิทยุของเครื่องใช้อื่นๆ ซึ่งทำให้เกิดคลื่นวิทยุความถี่สูง	นำเครื่องมือและที่ดูดฝุ่นออกห่างจากเครื่องใช้ต่างๆ เช่น อุปกรณ์ Wi-Fi และเตาอบไมโครเวฟ	
ที่ดูดฝุ่นทำงานในขณะที่เครื่องมือไม่ได้กำลังทำงานอยู่	ปฏิบัติตามวิธีดังต่อไปนี้ <ul style="list-style-type: none"> - ตั้งสวิตช์เตรียมพร้อมบนที่ดูดฝุ่นไปที่ตำแหน่ง "O" หรือ - ปิดปุ่มสั่งงานด้วยสัญญาณไร้สายของเครื่องมือ หรือ - ยกเลิกการลงทะเบียนเครื่องมือของเครื่องใช้อื่นๆ 	

สภาวะความผิดปกติ	สาเหตุที่เป็นไปได้ (การทำงานผิดปกติ)	การแก้ไข
ไม่สามารถลบการบันทึกเครื่องมือทั้งหมดในที่สุดฝุ่นได้	กดปุ่มสั่งงานด้วยสัญญาณไร้สายบนเครื่องมือ	กดปุ่มสั่งงานด้วยสัญญาณไร้สายบนที่ดูดฝุ่นเพื่อลบการบันทึกเครื่องมือทั้งหมด
	สวิตช์เตรียมพร้อมบนที่ดูดฝุ่นไม่ได้ถูกตั้งเป็น "I (ON)"	ตั้งสวิตช์เตรียมพร้อมบนที่ดูดฝุ่นเป็น "I (ON)"
	ปุ่มสั่งงานด้วยสัญญาณไร้สายไม่ถูกกดลงอย่างถูกต้อง	กดปุ่มสั่งงานด้วยสัญญาณไร้สายค้างไว้ 6 วินาทีขึ้นไป จากนั้นค่อยปล่อยปุ่มเมื่อดวงไฟแสดงการสั่งงานด้วยสัญญาณไร้สายกะพริบเป็นสีแดง กดปุ่มสั่งงานด้วยสัญญาณไร้สายค้างไว้ 6 วินาทีขึ้นไป จนกระทั่งดวงไฟแสดงการสั่งงานด้วยสัญญาณไร้สายกะพริบเป็นสีแดง จากนั้นค่อยปล่อยปุ่ม

การบำรุงรักษา

⚠️ ข้อควรระวัง: ตรวจสอบให้แน่ใจเสมอว่าปิดสวิตช์เครื่องใช้และถอดปลั๊กแบตเตอรี่ออกแล้วก่อนพยายามทำการตรวจสอบหรือบำรุงรักษา

ข้อสังเกต: อย่าใช้น้ำมันเชื้อเพลิง เบนซิน ทินเนอร์ แอลกอฮอล์ หรือวัสดุประเภทเดียวกัน เนื่องจากอาจทำให้สีซีดจาง เสียวรูป หรือแตกร้าวได้

เพื่อความปลอดภัยและนำเชื้อถือของผลิตภัณฑ์ ควรให้ศูนย์บริการหรือโรงงานที่ผ่านการรับรองจาก Makita เป็นผู้ดำเนินการซ่อมแซม บำรุงรักษาและทำการปรับตั้งอื่นๆ นอกจากนี้ให้ใช้อะไหล่ของแท้จาก Makita เสมอ

การทำความสะอาดตัวกรอง HEPA

⚠️ ข้อควรระวัง: อย่าใช้ที่ดูดฝุ่นโดยไม่มีตัวกรอง HEPA หรือใช้ตัวกรอง HEPA ที่สกปรกหรือเสียหายต่อ ผงฝุ่นหรือเศษวัสดุที่ดูดมาอาจถูกปล่อยออกมาจากเครื่องดูดฝุ่นและอาจทำให้เกิดการเจ็บป่วยทางระบบทางเดินหายใจหรืออื่นๆ แก่ผู้ปฏิบัติงานได้

ข้อสังเกต: เพื่อรักษากำลังดูดที่เหมาะสมและโอเอซีที่สะอาด ให้ทำความสะอาดตัวกรอง HEPA เป็นระยะ หากกำลังดูดไม่เพียงพอแม้ว่าหลังจากทำความสะอาดตัวกรองแล้ว ให้เปลี่ยนตัวกรอง HEPA ใหม่

ข้อสังเกต: เพื่อป้องกันตัวกรอง HEPA เสียหาย อย่าใช้เครื่องมือต่อไปนี้และเครื่องมืออื่นๆ ที่คล้ายกันในการทำความสะอาด

- สเปรย์ลมเป่าฝุ่น
- เครื่องฉีดน้ำแรงดันสูง
- เครื่องมือที่ทำจากวัสดุที่แข็ง เช่น แปรงโลหะ

1. เปิดฝาแล้วนำถุงกรองฝุ่นออกมา ปลดขอเกี่ยวบนตัวกรอง HEPA แล้วนำตัวกรองออกจากตัวเครื่องดูดฝุ่น
 - ▶ หมายเลข 46
2. เคาะฝุ่นออกจากตัวกรอง HEPA สามารถล้างตัวกรอง HEPA ด้วยน้ำได้ ล้างฝุ่นและอนุภาคต่างๆ ออกจากตัวกรอง HEPA ทุกๆ 1 หรือ 2 เดือน หลังจากนั้น ปล่อยให้ตัวกรอง HEPA แห้งสนิทในที่ร่มและมีอากาศถ่ายเทได้ดีเพื่อป้องกันกลิ่นไม่พึงประสงค์หรือการทำงานผิดปกติ
3. การติดตั้งตัวกรอง HEPA ให้สอดด้านที่ไม่มีแผ่นเปิดปิดลงในที่ยึด จากนั้นดันตัวกรอง HEPA ลงไปจนกระทั่งแผ่นเปิดปิดยึดเข้ากับโครง
 - ▶ หมายเลข 47: 1. ที่ยึด 2. ตัวกรอง HEPA 3. โครง 4. แผ่นเปิดปิด

การทำความสะอาดถุงดักฝุ่น

ทำความสะอาดถุงดักฝุ่นด้วยสบู่และน้ำเป็นประจำ พลิกถุงดักฝุ่นด้านในออกมาด้านนอกและกำจัดฝุ่นที่เกาะติด ทำความสะอาดเบาๆ ด้วยมือและล้างด้วยน้ำให้สะอาด ทำให้แห้งสนิทก่อนติดตั้งเข้ากับเครื่องดูดฝุ่น

▶ **หมายเลข 48**

ข้อสังเกต: ถุงดักฝุ่นที่เปียกจะทำให้ประสิทธิภาพในการดูดและอายุการใช้งานของมอเตอร์ลดลง

อุปกรณ์เสริม

▲ ข้อควรระวัง: ขอแนะนำให้ใช้เฉพาะอุปกรณ์เสริมหรืออุปกรณ์ต่อพ่วงเหล่านี้กับเครื่องมือ Makita ที่ระบุในคู่มือการใช้อุปกรณ์เสริมหรืออุปกรณ์ต่อพ่วงอื่นๆ อาจมีความเสี่ยงที่จะได้รับบาดเจ็บ ใช้อุปกรณ์เสริมหรืออุปกรณ์ต่อพ่วงตามวัตถุประสงค์ที่ระบุไว้เท่านั้น

หากต้องการทราบรายละเอียดเพิ่มเติมเกี่ยวกับอุปกรณ์เสริมเหล่านี้ โปรดสอบถามศูนย์บริการ Makita ใกล้บ้านคุณ

- ท่อดูด (สำหรับประเภทดักฝุ่น)
- ท่ออ่อน (สำหรับประเภทที่ดูดฝุ่น)
- ก้านดูดแบบยืดได้
- หัวดูด
- หัวดูดรูปตัวที
- หัวดูดสำหรับที่นั่ง
- หัวดูดฝุ่นสำหรับมุมอับ
- แปรงดูดฝุ่นบนชั้นวาง
- แปรงหัวกลม
- ชุดท่อโค้ง
- ถุงกรองฝุ่น
- ถุงดักฝุ่น
- ข้อต่อด้านหน้า
- ตัวกรอง HEPA
- ปลอกครอบสายสะพาย
- อุปกรณ์รับส่งสัญญาณไร้สาย
- อุปกรณ์ต่อพ่วงไซโคลน
- แบตเตอรี่และเครื่องชาร์จ Makita ของแท้

หมายเหตุ: อุปกรณ์บางรายการอาจจะรวมอยู่ในชุดเครื่องมือเป็นอุปกรณ์มาตรฐาน ซึ่งอาจแตกต่างกันไปในแต่ละประเทศ

อุปกรณ์ต่อพ่วงไซโคลน

หมายเหตุ: ขณะที่ใช้อุปกรณ์ต่อพ่วงไซโคลนกับเครื่องใช้นี้ จะต้องใช้ท่อโค้งด้วย

▶ **หมายเลข 49:** 1. อุปกรณ์ต่อพ่วงไซโคลน

เกี่ยวกับอุปกรณ์ต่อพ่วงไซโคลน

การใช้เครื่องดูดฝุ่นโดยติดตั้งอุปกรณ์ต่อพ่วงไซโคลนจะช่วยลดปริมาณฝุ่นที่เข้าไปในถุงดักฝุ่น ซึ่งช่วยป้องกันแรงดูดอ่อนลง นอกจากนี้ การทำความสะอาดหลังการใช้งานก็ง่ายขึ้นด้วย

▲ ข้อควรระวัง: ตรวจสอบให้แน่ใจว่าได้ปิดสวิตช์เครื่องมือและถอดปลั๊กแบตเตอรี่ออกก่อนดำเนินการใดๆ กับเครื่องมือ หากใส่ปลั๊กแบตเตอรี่ค้างไว้ เครื่องดูดฝุ่นอาจทำงานโดยอัตโนมัติและอาจส่งผลให้เกิดการบาดเจ็บได้

▲ ข้อควรระวัง: ทำความสะอาดตัวกรองของอุปกรณ์ต่อพ่วงไซโคลนและถุงดักฝุ่นของเครื่องดูดฝุ่นเมื่อฝุ่นอุดตัน การใช้งานต่อเนื่องขณะที่เกิดฝุ่นอุดตันอาจทำให้เกิดความร้อนหรือควันได้

ข้อสังเกต: เมื่อติดตั้งอุปกรณ์ต่อพ่วงไซโคลน อยาใช้ อุปกรณ์ต่อพ่วงไซโคลนในแนวนอนหรือหันขึ้น มิเช่นนั้น อาจทำให้ตัวกรองเกิดการอุดตัน

ข้อสังเกต: ใช้เครื่องดูดฝุ่นที่ติดตั้งถุงดักฝุ่นอยู่เสมอ แม้จะใช้งานอุปกรณ์ต่อพ่วงไซโคลนด้วย การใช้เครื่องดูดฝุ่นโดยไม่ติดตั้งถุงดักฝุ่นอาจทำให้มอเตอร์ทำงานผิดปกติ

หมายเหตุ: ตรวจสอบว่าลิ้นอกอุปกรณ์ต่อพ่วงไซโคลน เครื่องดูดฝุ่น และท่อตรงให้เหมาะสมก่อนการใช้งาน

หมายเหตุ: ทำความสะอาดกล่องดักฝุ่นของอุปกรณ์ต่อพ่วงไซโคลนและถุงดักฝุ่นของเครื่องดูดฝุ่นเมื่อมีฝุ่นสะสม การใช้งานต่อไปจะทำให้แรงดูดอ่อนลง

หมายเหตุ: คุณสามารถใช้อุปกรณ์ต่อพ่วงไซโคลนโดยมีหรือไม่มีฟังก์ชันลือคก็ได

หมายเหตุ: การติดตั้งหรือถอดอุปกรณ์ต่อพ่วงไซโคลน โปรดดูส่วน "การใช้ที่ดูดฝุ่น"

การนำผงฝุ่นออกไปทิ้ง

เมื่อมีฝุ่นสะสมถึงขีดระดับสูงสุดของกล่องดักฝุ่น ให้ปฏิบัติตามกระบวนการด้านล่างและนำผงฝุ่นออกไปทิ้ง

1. จับกล่องดักฝุ่นให้แน่น กดค้างที่ปุ่มทั้งสอง และถอดกล่องดักฝุ่น

► **หมายเลข 50:** 1. ขีดระดับสูงสุด 2. กล่องดักฝุ่น
3. ปุ่ม (สองตำแหน่ง) 4. ตัวกรอง

2. นำผงฝุ่นภายในกล่องดักฝุ่นออกไปทิ้ง จากนั้นจึงทิ้งฝุ่นและผงที่ติดบนพื้นผิวตัวกรอง

3. ใส่กล่องดักฝุ่นจนสุดจนกว่าจะได้ยินเสียงคลิกจากกลไกของปุ่มทั้งสอง

► **หมายเลข 51:** 1. กล่องดักฝุ่น 2. ปุ่ม (สองตำแหน่ง)

หมายเหตุ: ตรวจสอบว่าลิ้ออกอุปกรณ์ต่อพ่วงไซโคลน เครื่องดูดฝุ่น และท่อตรงให้เหมาะสมก่อนการใช้งานอีกครั้ง

หมายเหตุ: หากแรงดูดไม่ดีขึ้นหลังจากการนำผงฝุ่นออกไปทิ้งและการทำความสะอาดตัวกรอง ให้ตรวจสอบว่ามีฝุ่นสะสมในถุงดักฝุ่นของเครื่องดูดฝุ่นหรือมีฝุ่นอุดตันหรือไม่

การทำความสะอาด

เมื่อกล่องดักฝุ่นมีคราบสกปรกหรือตัวกรองมีฝุ่นอุดตัน ให้ขัดออกและล้างน้ำ (โปรดอ้างอิง “การนำผงฝุ่นออกไปทิ้ง” สำหรับกระบวนการกำจัดฝุ่น)

ตากชิ้นส่วนให้แห้งก่อนนำมาติดตั้งและใช้งานอีกครั้ง

► **หมายเลข 52:** 1. กล่องดักฝุ่น 2. ตัวกรอง

เมื่อตัวกรองมีคราบสกปรกมาก ให้ล้างตามกระบวนการดังต่อไปนี้

1. หมุนตัวกรองทวนเข็มนาฬิกาและถอดออกมาหลังจากปลดล็อกขอเกี่ยว

► **หมายเลข 53:** 1. ตัวกรอง 2. ขอเกี่ยว

2. บัดฝุ่นบนตัวกรองแล้วล้างน้ำ หลังจากนั้น ให้ตากจนแห้ง

3. ใส่ตัวกรองที่ฐานโดยให้ขอเกี่ยวตรงกับช่องต่อ หมุนตัวกรองตามเข็มนาฬิกาจนกว่าขอเกี่ยวจะมีเสียงคลิก ตรวจสอบให้แน่ใจว่าติดตั้งตัวกรองให้แน่น

► **หมายเลข 54:** 1. ตัวกรอง 2. ขอเกี่ยว 3. ช่องต่อ

Makita Corporation
3-11-8, Sumiyoshi-cho,
Anjo, Aichi 446-8502 Japan
www.makita.com

885949A370
EN, ZHCN, ID, MS,
VI, TH
20220216