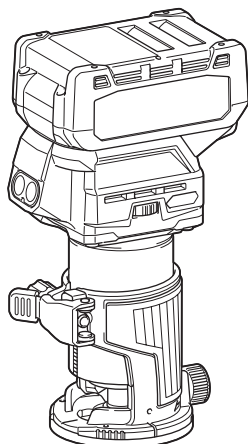




EN	Cordless Trimmer	INSTRUCTION MANUAL	15
ZHCN	充电式木工修边机	使用说明书	30
ID	Mesin Profil Tanpa Kabel	PETUNJUK PENGGUNAAN	47
MS	Pemangkas Tanpa Kord	MANUAL ARAHAN	64
VI	Máy Đánh Cạnh Cầm Tay Hoạt Động Bằng Pin	TÀI LIỆU HƯỚNG DẪN	81
TH	เครื่องฉลุสายไม้อิเล็กทริกไร้สาย	คู่มือการใช้งาน	96

RT001G



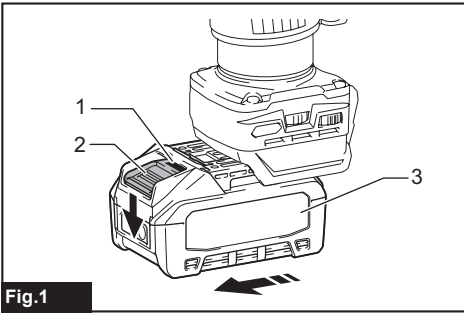


Fig.1

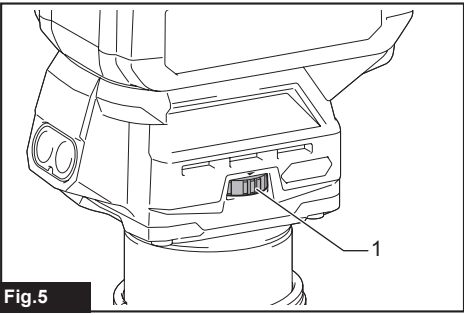


Fig.5

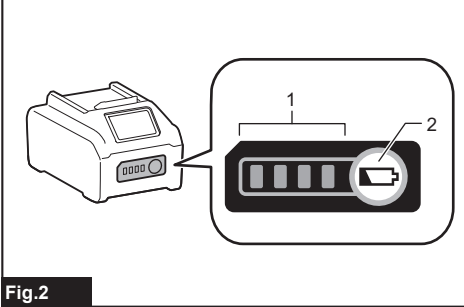


Fig.2

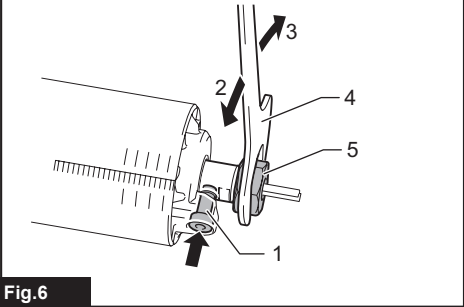


Fig.6

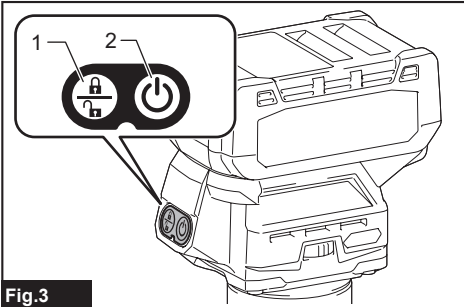


Fig.3

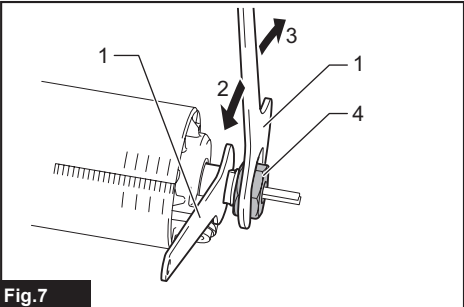


Fig.7

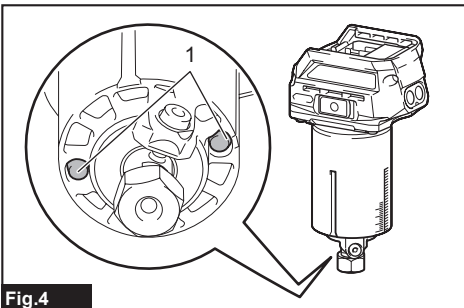


Fig.4

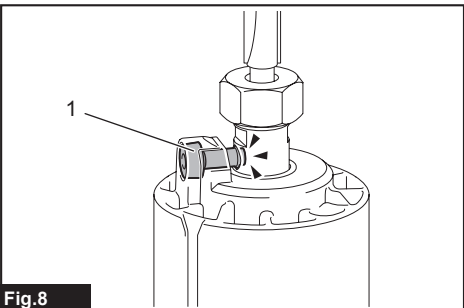
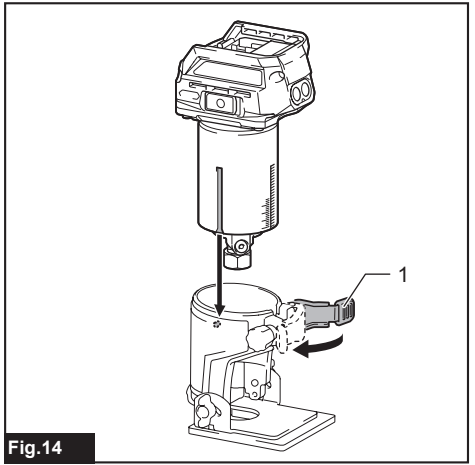
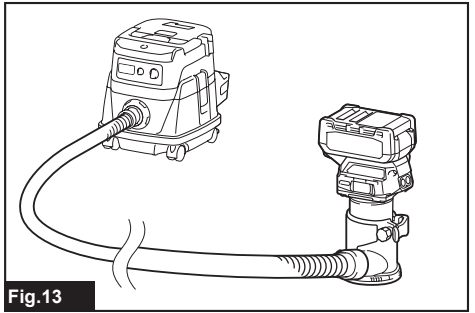
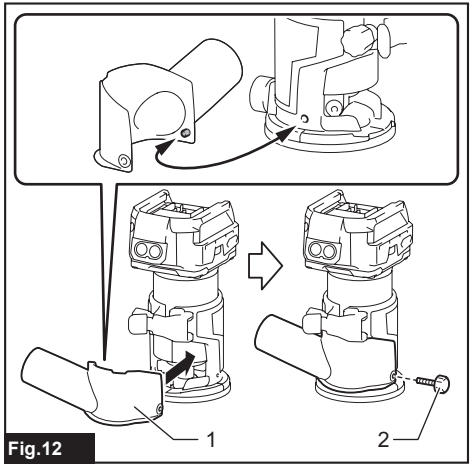
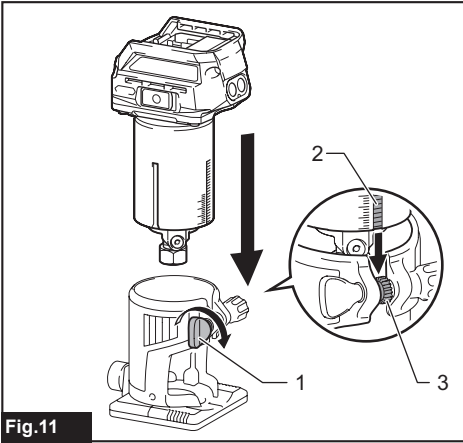
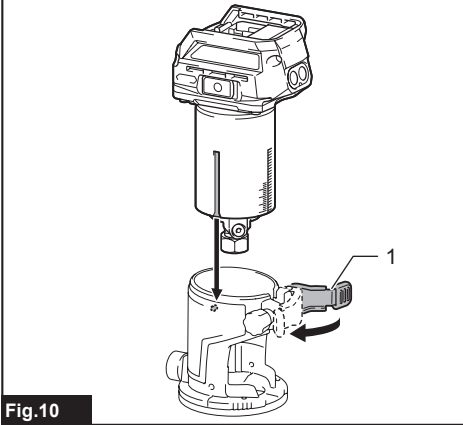
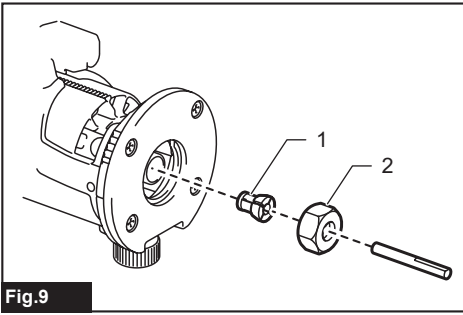
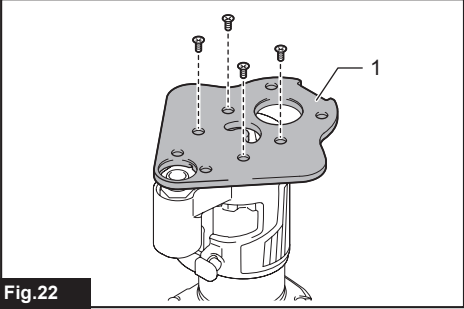
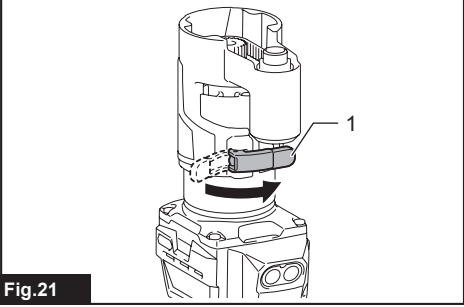
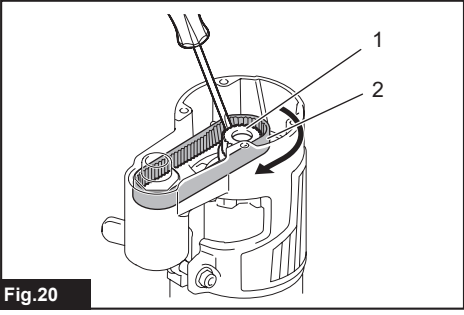
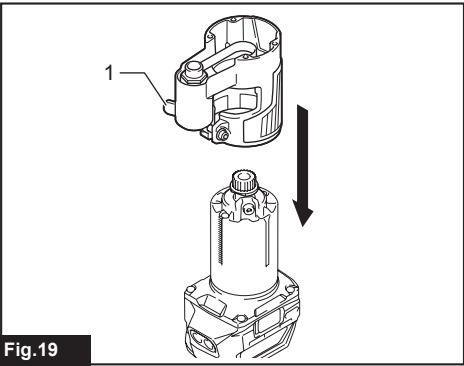
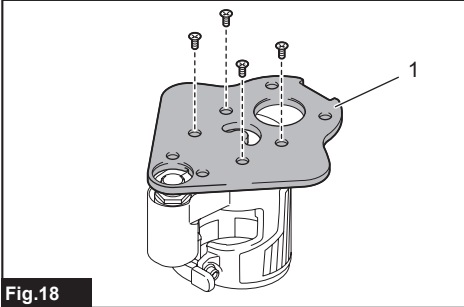
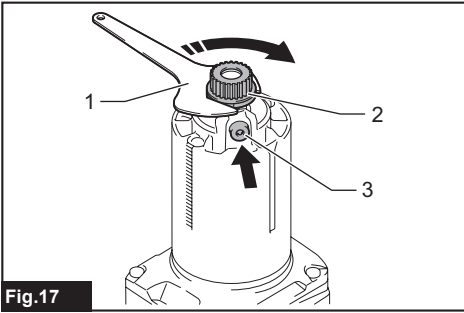
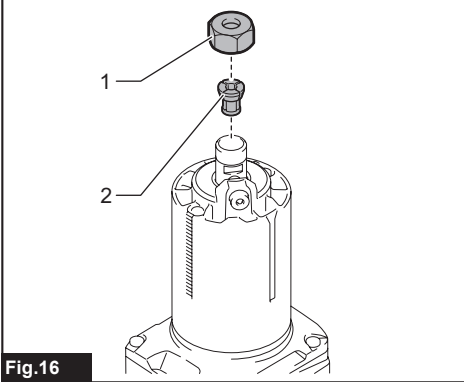
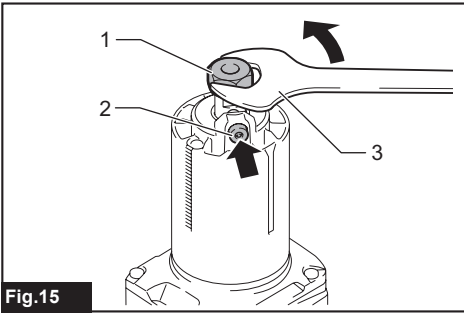
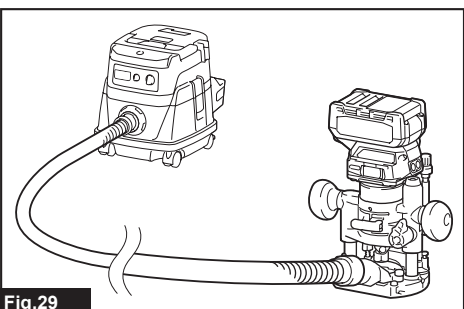
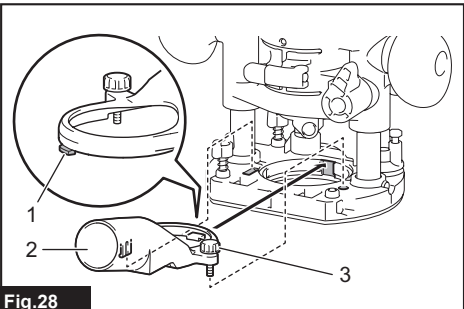
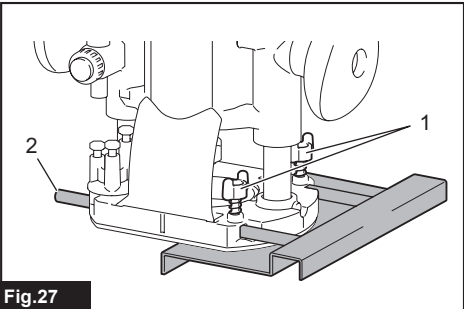
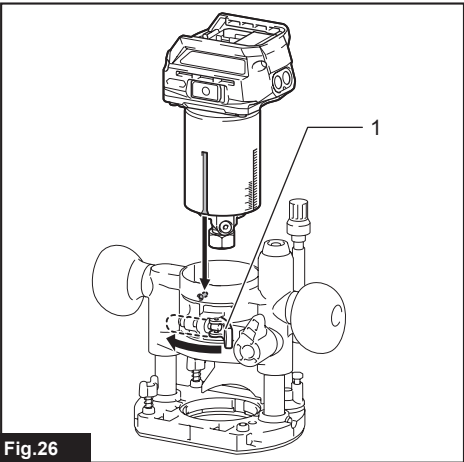
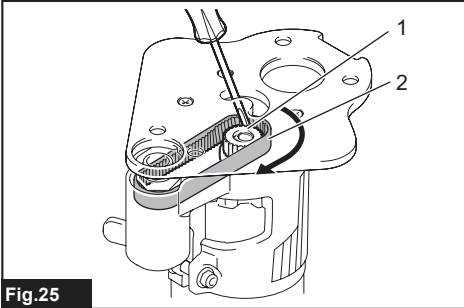
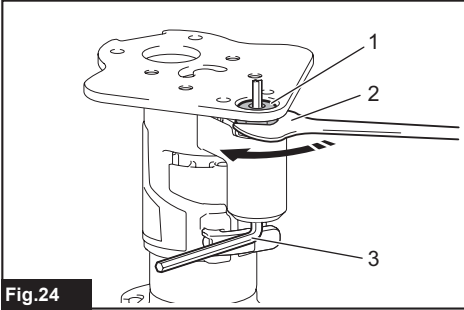
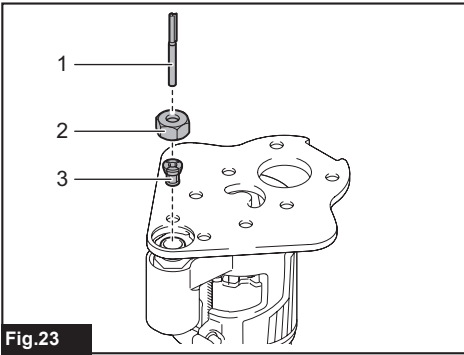


Fig.8







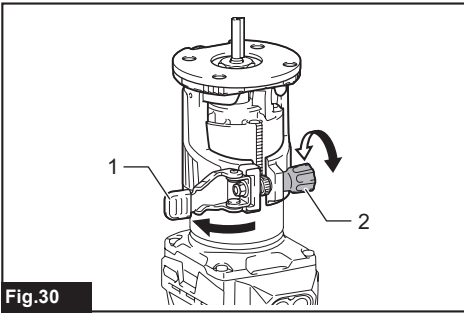


Fig.30

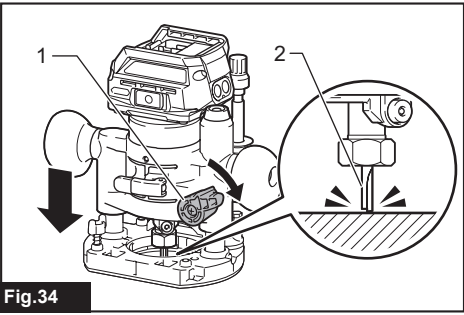


Fig.34

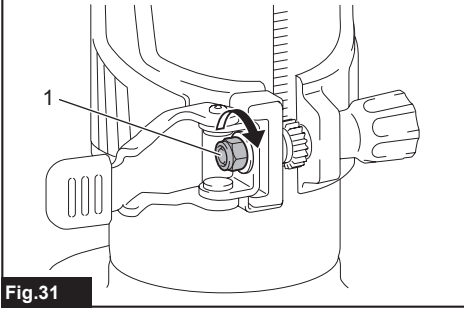


Fig.31

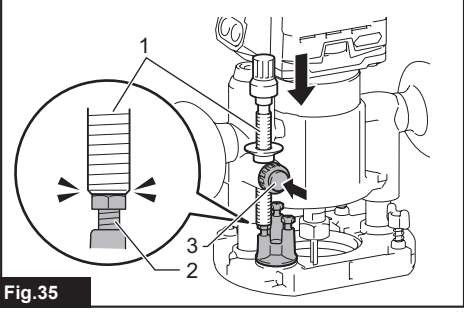


Fig.35

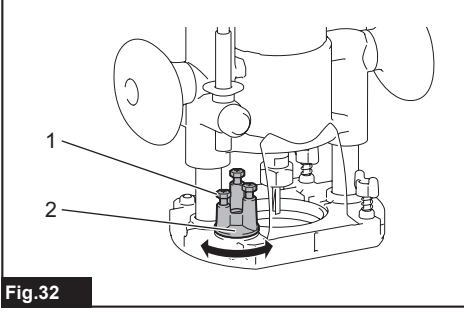


Fig.32

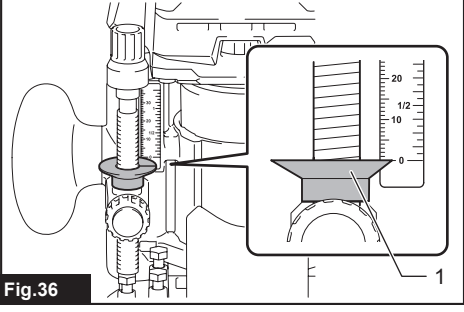


Fig.36

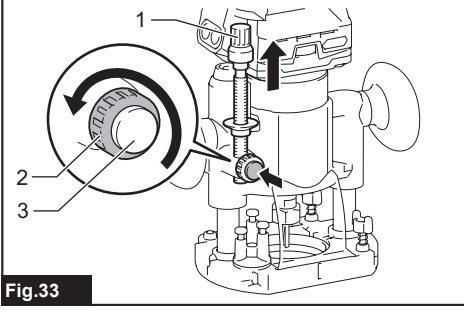


Fig.33

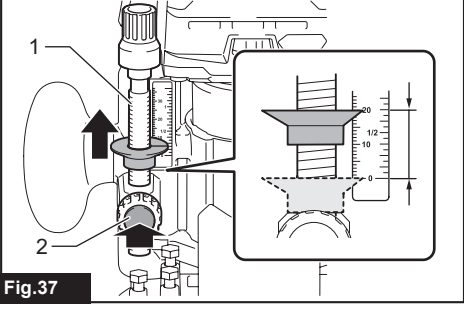


Fig.37

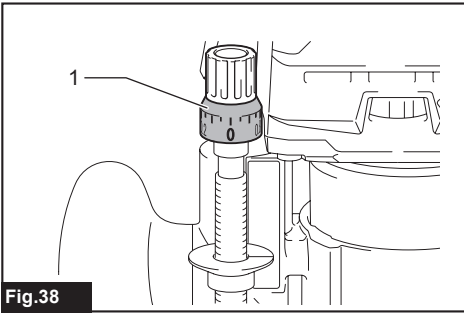


Fig.38

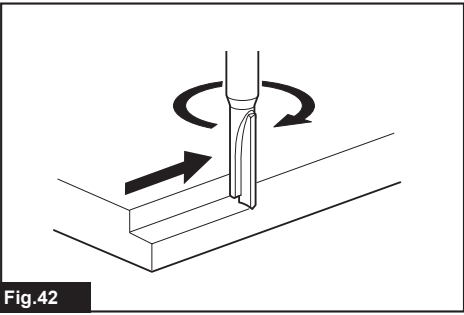


Fig.42

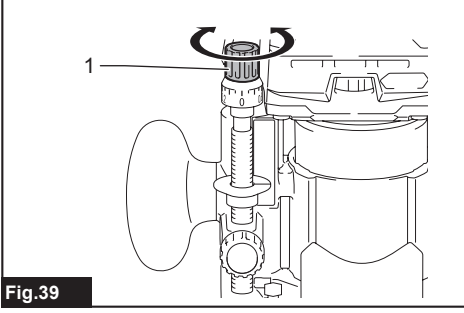


Fig.39

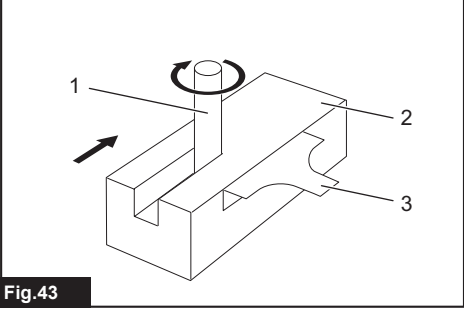


Fig.43

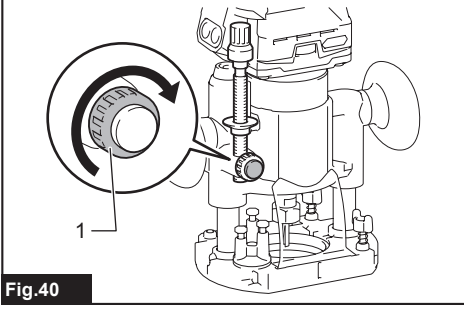


Fig.40

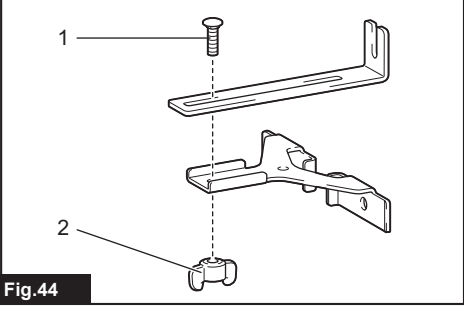


Fig.44

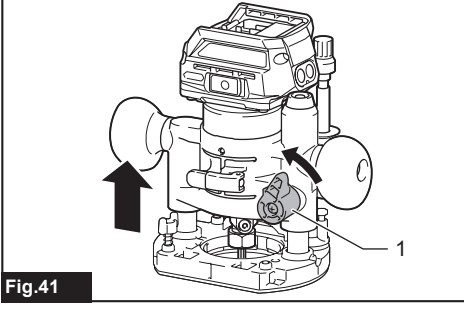


Fig.41

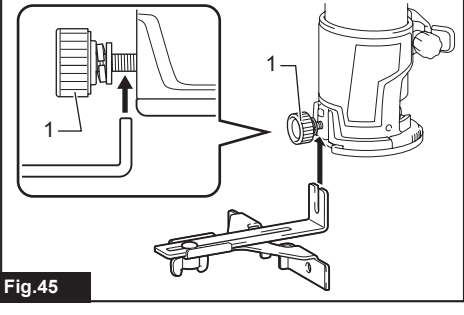
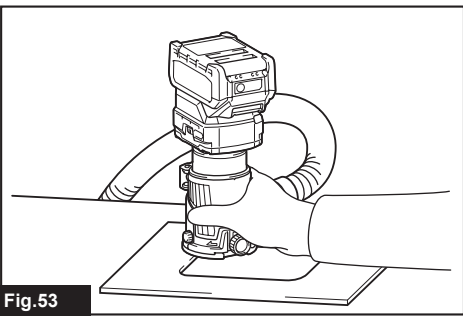
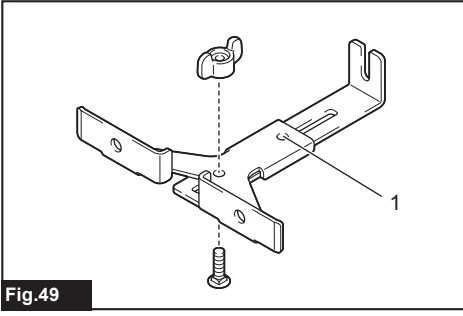
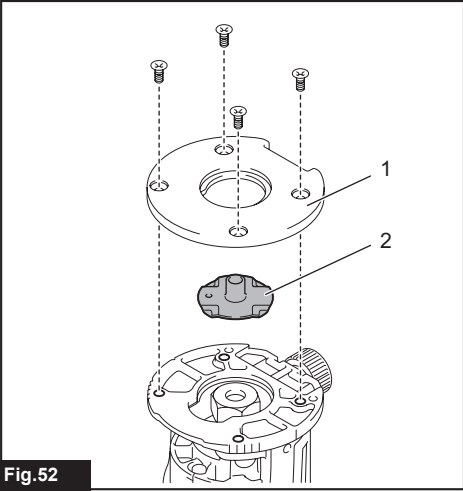
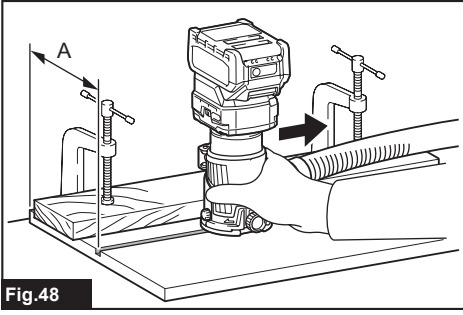
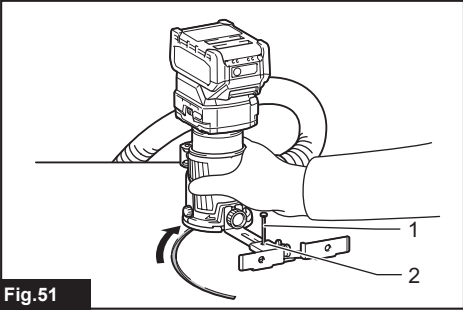
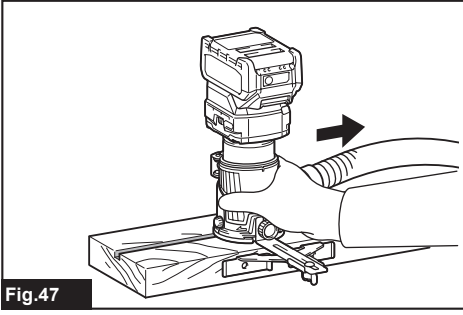
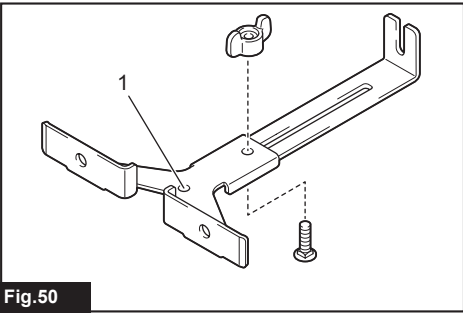
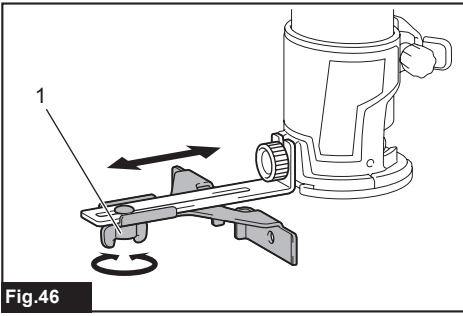


Fig.45



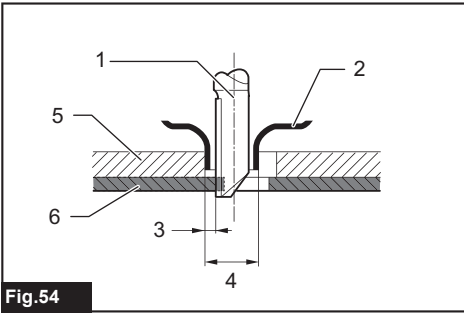


Fig.54

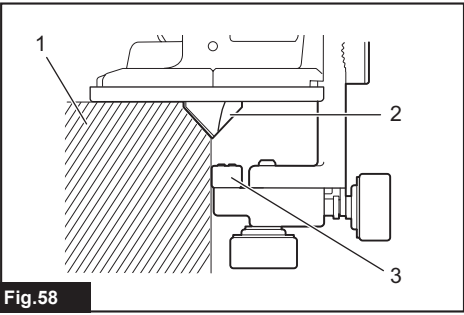


Fig.58

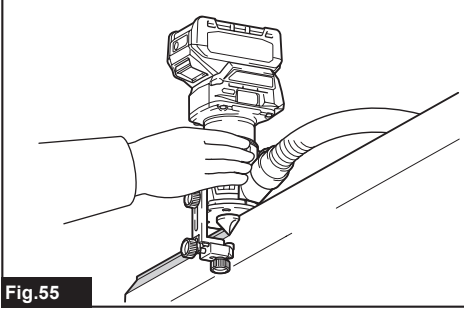


Fig.55

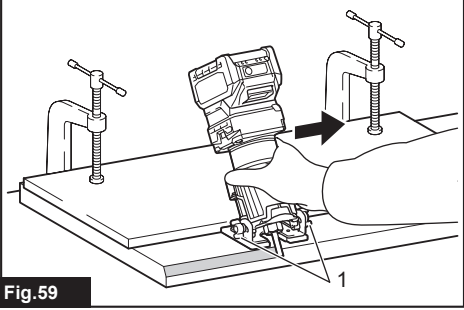


Fig.59

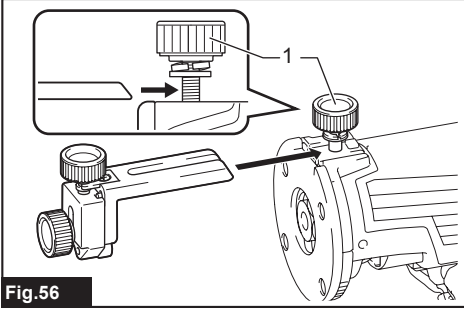


Fig.56

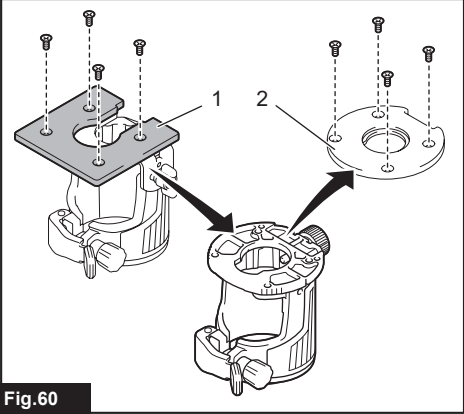


Fig.60

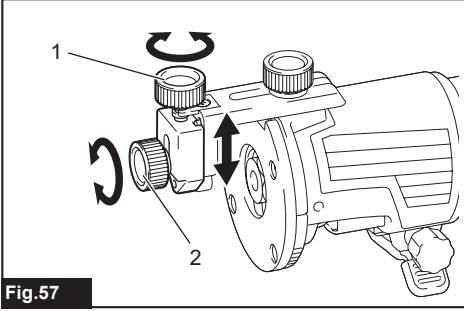


Fig.57

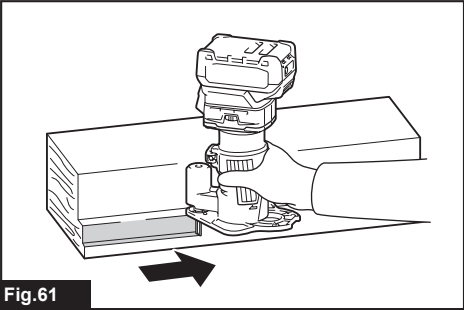
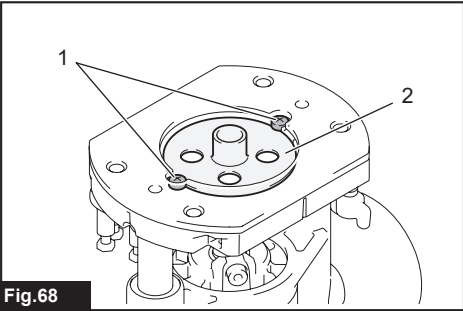
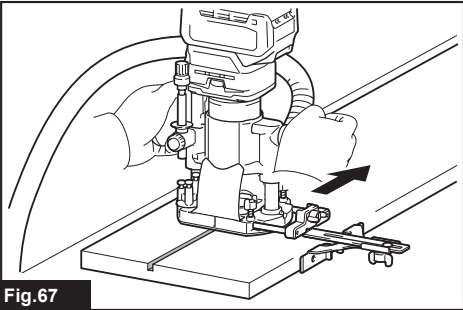
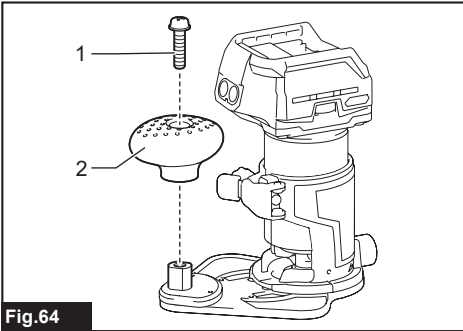
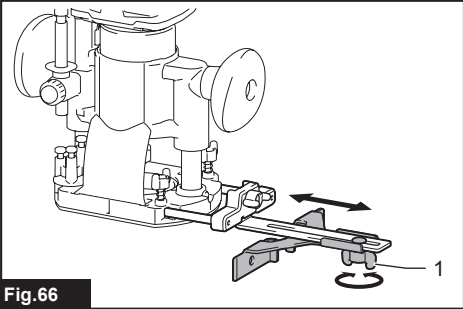
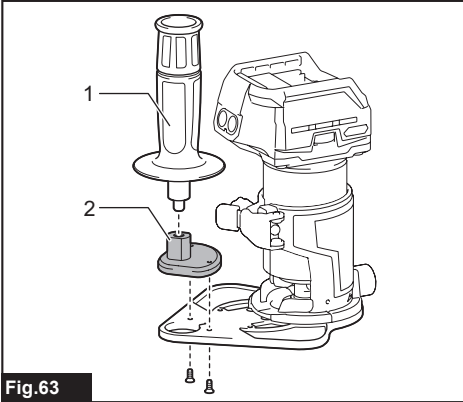
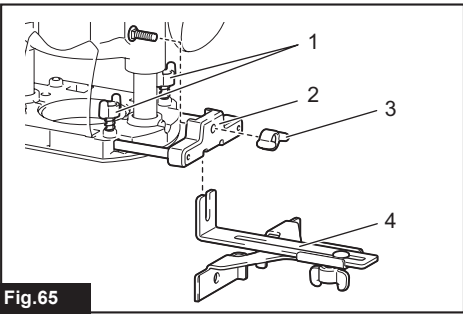
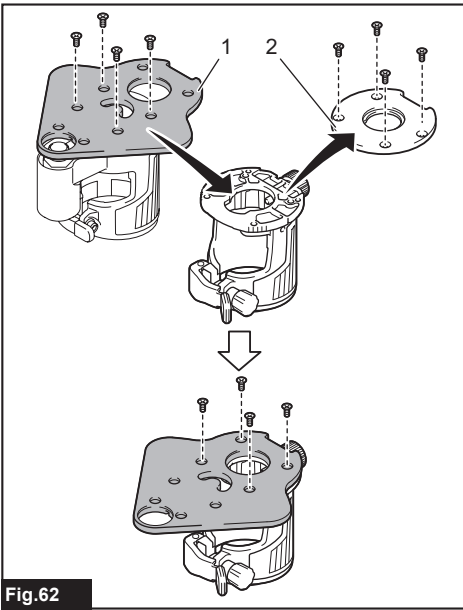


Fig.61



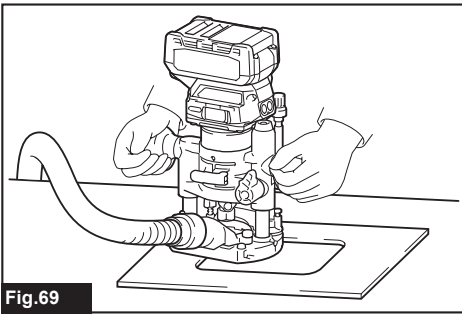


Fig.69

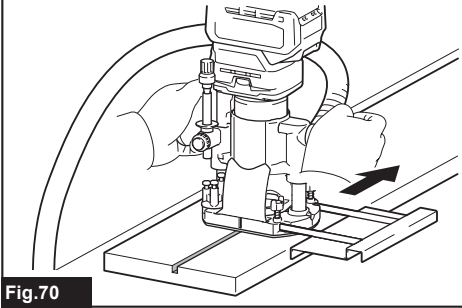


Fig.70

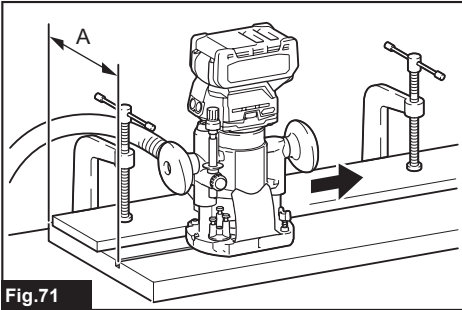


Fig.71

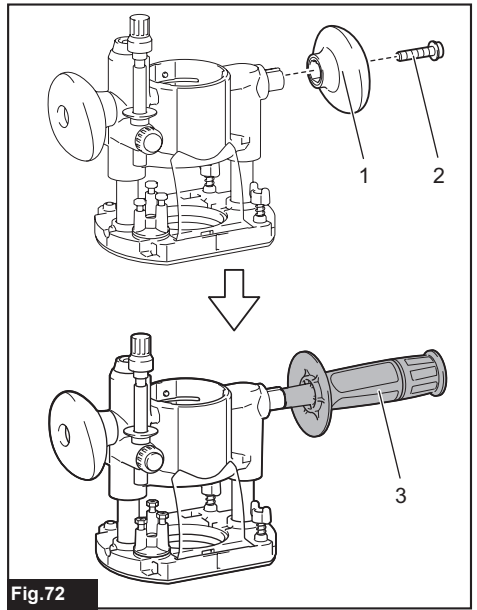


Fig.72

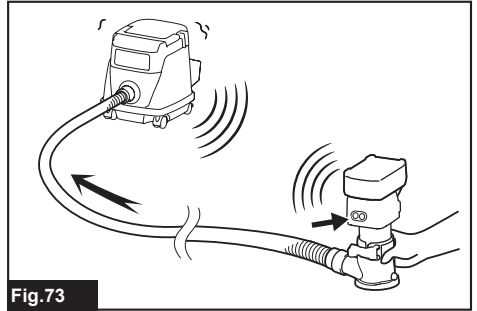


Fig.73

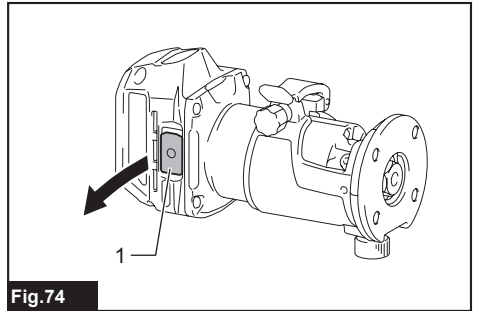


Fig.74

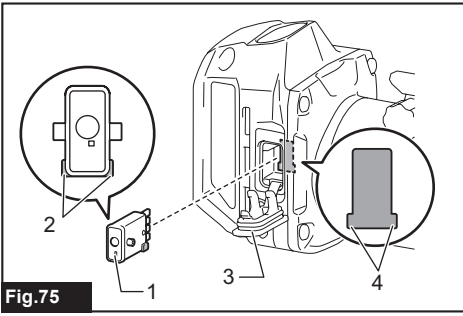


Fig.75

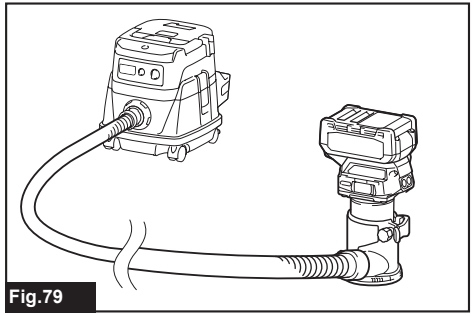


Fig.79

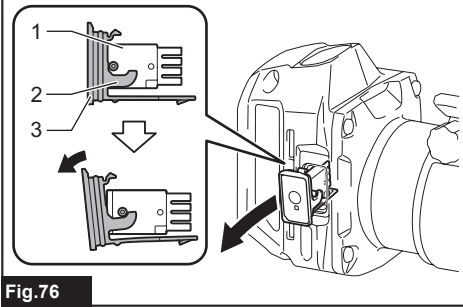


Fig.76

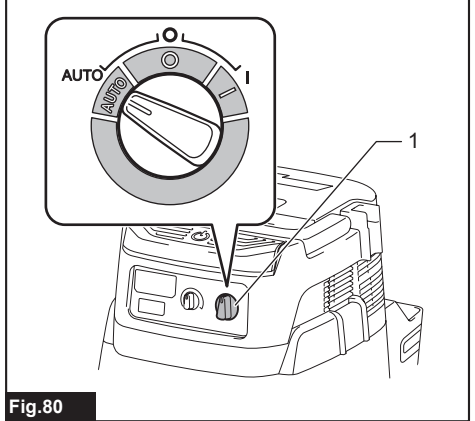


Fig.80

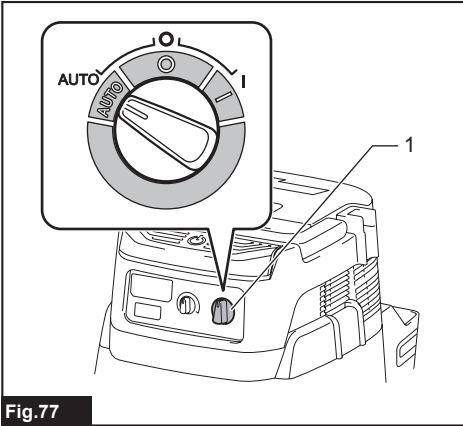


Fig.77

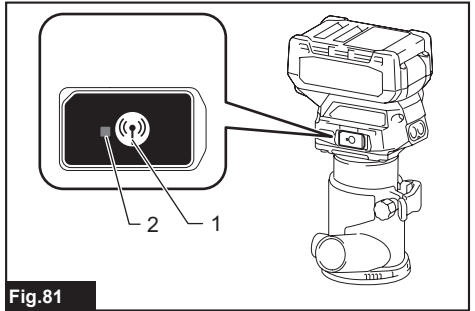


Fig.81

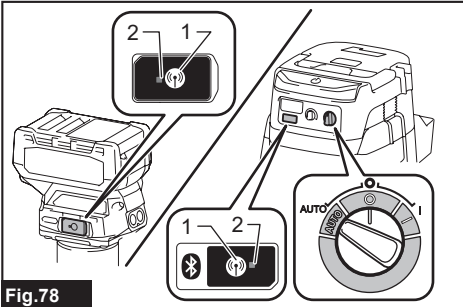


Fig.78

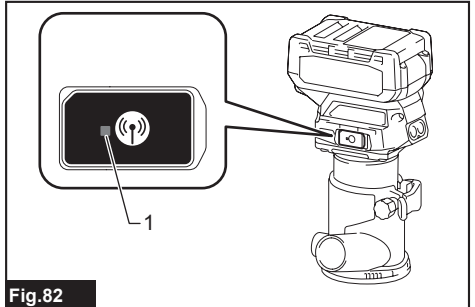


Fig.82

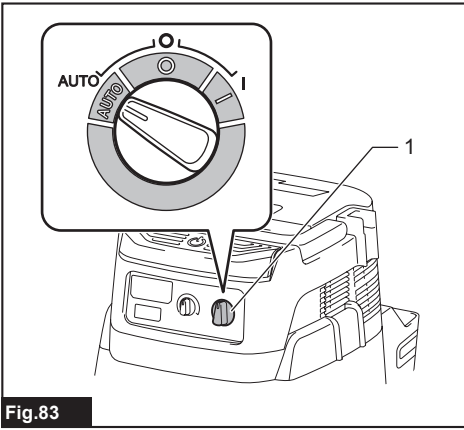


Fig.83

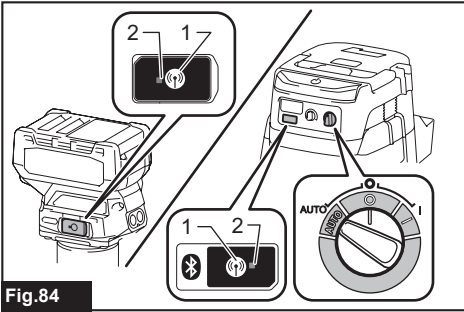


Fig.84

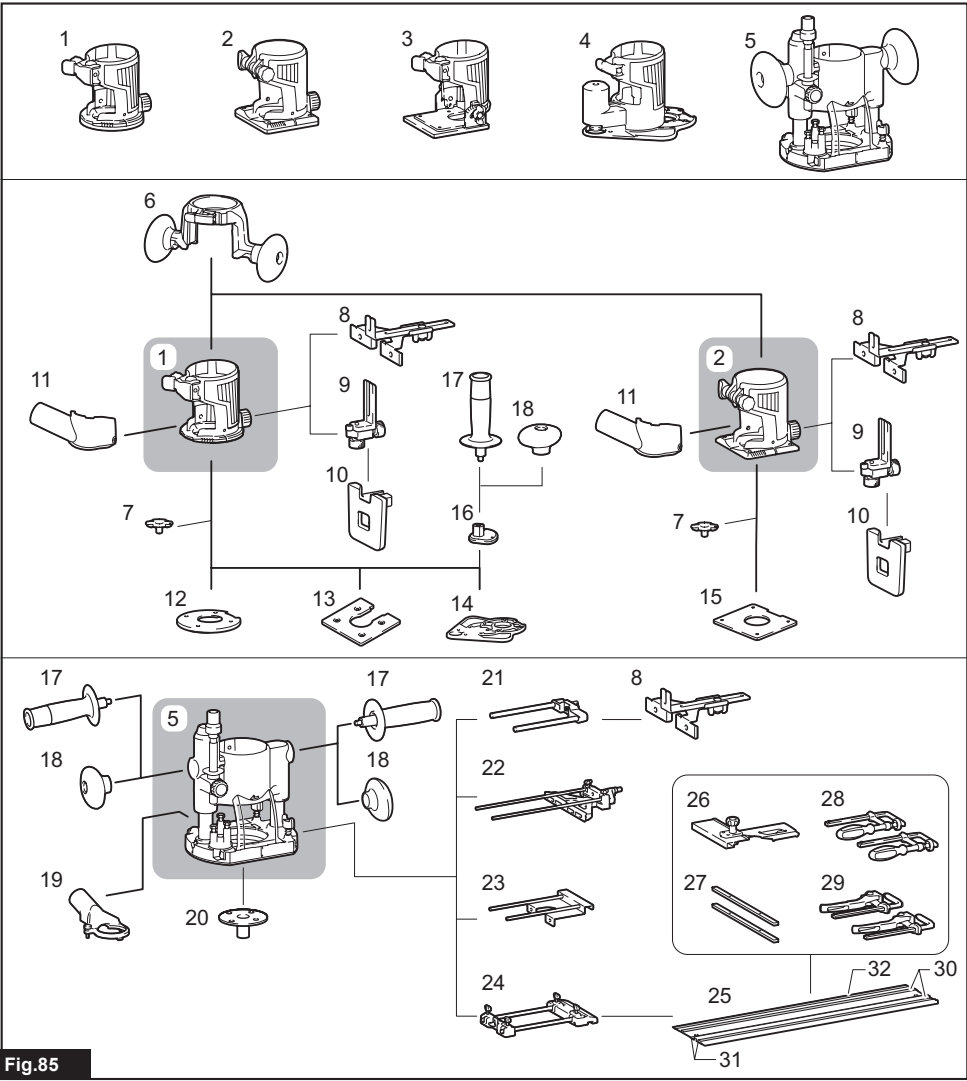


Fig.85

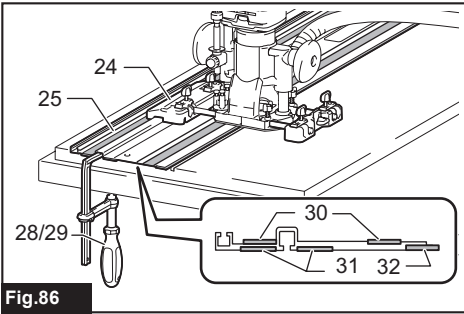


Fig.86

SPECIFICATIONS

Model:		RT001G
Collet chuck capacity		6 mm, 8 mm, 1/4", or 3/8"
No load speed		10,000 - 31,000 min ⁻¹
Overall height	with BL4025	245 mm
	with BL4040	251 mm
Rated voltage		D.C. 36 V - 40 V max
Net weight		2.2 - 2.5 kg

- Due to our continuing program of research and development, the specifications herein are subject to change without notice.
- Specifications and battery cartridge may differ from country to country.
- The weight may differ depending on the attachment(s), including the battery cartridge. The lightest and heaviest combinations, according to EPTA-Procedure 01/2014, are shown in the table.

Applicable battery cartridge and charger

Battery cartridge	BL4020 / BL4025 / BL4040
Charger	DC40RA / DC40RB / DC40RC

- Some of the battery cartridges and chargers listed above may not be available depending on your region of residence.

⚠ WARNING: Only use the battery cartridges and chargers listed above. Use of any other battery cartridges and chargers may cause injury and/or fire.

Symbols

The followings show the symbols which may be used for the equipment. Be sure that you understand their meaning before use.



Read instruction manual.



Wear safety glasses.



Only for EU countries
 Due to the presence of hazardous components in the equipment, waste electrical and electronic equipment, accumulators and batteries may have a negative impact on the environment and human health. Do not dispose of electrical and electronic appliances or batteries with household waste!
 In accordance with the European Directive on waste electrical and electronic equipment and on accumulators and batteries and waste accumulators and batteries, as well as their adaptation to national law, waste electrical equipment, batteries and accumulators should be stored separately and delivered to a separate collection point for municipal waste, operating in accordance with the regulations on environmental protection.
 This is indicated by the symbol of the crossed-out wheeled bin placed on the equipment.

Intended use

The tool is intended for flush trimming and profiling of wood, plastic and similar materials.

SAFETY WARNINGS

General power tool safety warnings

⚠ WARNING: Read all safety warnings, instructions, illustrations and specifications provided with this power tool. Failure to follow all instructions listed below may result in electric shock, fire and/or serious injury.

Save all warnings and instructions for future reference.

The term "power tool" in the warnings refers to your mains-operated (corded) power tool or battery-operated (cordless) power tool.

Work area safety

1. **Keep work area clean and well lit.** Cluttered or dark areas invite accidents.
2. **Do not operate power tools in explosive atmospheres, such as in the presence of flammable liquids, gases or dust.** Power tools create sparks which may ignite the dust or fumes.

3. **Keep children and bystanders away while operating a power tool.** Distractions can cause you to lose control.

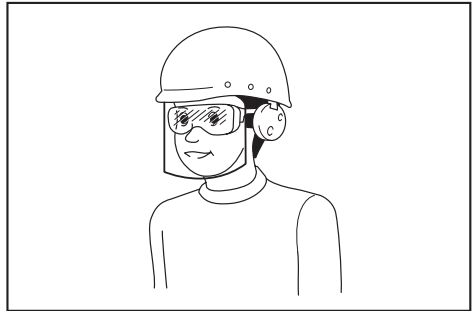
Electrical safety

1. **Power tool plugs must match the outlet. Never modify the plug in any way. Do not use any adapter plugs with earthed (grounded) power tools.** Unmodified plugs and matching outlets will reduce risk of electric shock.
2. **Avoid body contact with earthed or grounded surfaces, such as pipes, radiators, ranges and refrigerators.** There is an increased risk of electric shock if your body is earthed or grounded.
3. **Do not expose power tools to rain or wet conditions.** Water entering a power tool will increase the risk of electric shock.
4. **Do not abuse the cord. Never use the cord for carrying, pulling or unplugging the power tool. Keep cord away from heat, oil, sharp edges or moving parts.** Damaged or entangled cords increase the risk of electric shock.
5. **When operating a power tool outdoors, use an extension cord suitable for outdoor use.** Use of a cord suitable for outdoor use reduces the risk of electric shock.
6. **If operating a power tool in a damp location is unavoidable, use a residual current device (RCD) protected supply.** Use of an RCD reduces the risk of electric shock.
7. **Power tools can produce electromagnetic fields (EMF) that are not harmful to the user.** However, users of pacemakers and other similar medical devices should contact the maker of their device and/or doctor for advice before operating this power tool.

Personal safety

1. **Stay alert, watch what you are doing and use common sense when operating a power tool. Do not use a power tool while you are tired or under the influence of drugs, alcohol or medication.** A moment of inattention while operating power tools may result in serious personal injury.
2. **Use personal protective equipment. Always wear eye protection.** Protective equipment such as a dust mask, non-skid safety shoes, hard hat or hearing protection used for appropriate conditions will reduce personal injuries.
3. **Prevent unintentional starting. Ensure the switch is in the off-position before connecting to power source and/or battery pack, picking up or carrying the tool.** Carrying power tools with your finger on the switch or energising power tools that have the switch on invites accidents.
4. **Remove any adjusting key or wrench before turning the power tool on.** A wrench or a key left attached to a rotating part of the power tool may result in personal injury.
5. **Do not overreach. Keep proper footing and balance at all times.** This enables better control of the power tool in unexpected situations.
6. **Dress properly. Do not wear loose clothing or jewellery. Keep your hair and clothing away from moving parts.** Loose clothes, jewellery or long hair can be caught in moving parts.

7. **If devices are provided for the connection of dust extraction and collection facilities, ensure these are connected and properly used.** Use of dust collection can reduce dust-related hazards.
8. **Do not let familiarity gained from frequent use of tools allow you to become complacent and ignore tool safety principles.** A careless action can cause severe injury within a fraction of a second.
9. **Always wear protective goggles to protect your eyes from injury when using power tools. The goggles must comply with ANSI Z87.1 in the USA, EN 166 in Europe, or AS/NZS 1336 in Australia/New Zealand. In Australia/New Zealand, it is legally required to wear a face shield to protect your face, too.**



It is an employer's responsibility to enforce the use of appropriate safety protective equipments by the tool operators and by other persons in the immediate working area.

Power tool use and care

1. **Do not force the power tool. Use the correct power tool for your application.** The correct power tool will do the job better and safer at the rate for which it was designed.
2. **Do not use the power tool if the switch does not turn it on and off.** Any power tool that cannot be controlled with the switch is dangerous and must be repaired.
3. **Disconnect the plug from the power source and/or remove the battery pack, if detachable, from the power tool before making any adjustments, changing accessories, or storing power tools.** Such preventive safety measures reduce the risk of starting the power tool accidentally.
4. **Store idle power tools out of the reach of children and do not allow persons unfamiliar with the power tool or these instructions to operate the power tool.** Power tools are dangerous in the hands of untrained users.
5. **Maintain power tools and accessories. Check for misalignment or binding of moving parts, breakage of parts and any other condition that may affect the power tool's operation. If damaged, have the power tool repaired before use.** Many accidents are caused by poorly maintained power tools.
6. **Keep cutting tools sharp and clean.** Properly maintained cutting tools with sharp cutting edges are less likely to bind and are easier to control.

Cordless trimmer safety warnings

7. **Use the power tool, accessories and tool bits etc. in accordance with these instructions, taking into account the working conditions and the work to be performed.** Use of the power tool for operations different from those intended could result in a hazardous situation.
8. **Keep handles and grasping surfaces dry, clean and free from oil and grease.** Slippery handles and grasping surfaces do not allow for safe handling and control of the tool in unexpected situations.
9. **When using the tool, do not wear cloth work gloves which may be entangled.** The entanglement of cloth work gloves in the moving parts may result in personal injury.

Battery tool use and care

1. **Recharge only with the charger specified by the manufacturer.** A charger that is suitable for one type of battery pack may create a risk of fire when used with another battery pack.
2. **Use power tools only with specifically designed battery packs.** Use of any other battery packs may create a risk of injury and fire.
3. **When battery pack is not in use, keep it away from other metal objects, like paper clips, coins, keys, nails, screws or other small metal objects, that can make a connection from one terminal to another.** Shorting the battery terminals together may cause burns or a fire.
4. **Under abusive conditions, liquid may be ejected from the battery; avoid contact. If contact accidentally occurs, flush with water. If liquid contacts eyes, additionally seek medical help.** Liquid ejected from the battery may cause irritation or burns.
5. **Do not use a battery pack or tool that is damaged or modified.** Damaged or modified batteries may exhibit unpredictable behaviour resulting in fire, explosion or risk of injury.
6. **Do not expose a battery pack or tool to fire or excessive temperature.** Exposure to fire or temperature above 130 °C may cause explosion.
7. **Follow all charging instructions and do not charge the battery pack or tool outside the temperature range specified in the instructions.** Charging improperly or at temperatures outside the specified range may damage the battery and increase the risk of fire.

Service

1. **Have your power tool serviced by a qualified repair person using only identical replacement parts.** This will ensure that the safety of the power tool is maintained.
2. **Never service damaged battery packs.** Service of battery packs should only be performed by the manufacturer or authorized service providers.
3. **Follow instruction for lubricating and changing accessories.**

1. **Use clamps or another practical way to secure and support the workpiece to a stable platform.** Holding the work by your hand or against the body leaves it unstable and may lead to loss of control.
2. **Hold the power tool by insulated gripping surfaces only, because the cutter may contact hidden wiring.** Cutting a "live" wire may make exposed metal parts of the power tool "live" and could give the operator an electric shock.
3. **Only use a trimmer bit that is rated at least equal to the maximum speed marked on the tool.** If the tool has a variable speed control function, set the tool speed under the speed rating of the trimmer bit.
4. **The trimmer bit shank must match the designed collet chuck.**
5. **Wear hearing protection during extended period of operation.**
6. **Handle the trimmer bits very carefully.**
7. **Check the trimmer bit carefully for cracks or damage before operation. Replace cracked or damaged trimmer bit immediately.**
8. **Avoid cutting nails. Inspect for and remove all nails from the workpiece before operation.**
9. **Hold the tool firmly.**
10. **Keep hands away from rotating parts.**
11. **Make sure the trimmer bit is not contacting the workpiece before the switch is turned on.**
12. **Before using the tool on an actual workpiece, let it run for a while. Watch for vibration or wobbling that could indicate improperly installed trimmer bit.**
13. **Be careful of the trimmer bit rotating direction and the feed direction.**
14. **Do not leave the tool running. Operate the tool only when hand-held.**
15. **Always switch off and wait for the trimmer bit to come to a complete stop before removing the tool from workpiece.**
16. **Do not touch the trimmer bit immediately after operation; it may be extremely hot and could burn your skin.**
17. **Do not smear the base carelessly with thinner, gasoline, oil or the like. They may cause cracks in the base.**
18. **Use trimmer bits of the correct shank diameter suitable for the speed of the tool.**
19. **Some material contains chemicals which may be toxic. Take caution to prevent dust inhalation and skin contact. Follow material supplier safety data.**
20. **Always use the correct dust mask/respirator for the material and application you are working with.**

SAVE THESE INSTRUCTIONS.

⚠WARNING: DO NOT let comfort or familiarity with product (gained from repeated use) replace strict adherence to safety rules for the subject product. MISUSE or failure to follow the safety rules stated in this instruction manual may cause serious personal injury.

Important safety instructions for battery cartridge

1. Before using battery cartridge, read all instructions and cautionary markings on (1) battery charger, (2) battery, and (3) product using battery.
2. Do not disassemble or tamper with the battery cartridge. It may result in a fire, excessive heat, or explosion.
3. If operating time has become excessively shorter, stop operating immediately. It may result in a risk of overheating, possible burns and even an explosion.
4. If electrolyte gets into your eyes, rinse them out with clear water and seek medical attention right away. It may result in loss of your eyesight.
5. Do not short the battery cartridge:
 - (1) Do not touch the terminals with any conductive material.
 - (2) Avoid storing battery cartridge in a container with other metal objects such as nails, coins, etc.
 - (3) Do not expose battery cartridge to water or rain.

A battery short can cause a large current flow, overheating, possible burns and even a breakdown.

6. Do not store and use the tool and battery cartridge in locations where the temperature may reach or exceed 50 °C (122 °F).
7. Do not incinerate the battery cartridge even if it is severely damaged or is completely worn out. The battery cartridge can explode in a fire.
8. Do not nail, cut, crush, throw, drop the battery cartridge, or hit against a hard object to the battery cartridge. Such conduct may result in a fire, excessive heat, or explosion.
9. Do not use a damaged battery.
10. The contained lithium-ion batteries are subject to the Dangerous Goods Legislation requirements.

For commercial transports e.g. by third parties, forwarding agents, special requirement on packaging and labeling must be observed.

For preparation of the item being shipped, consulting an expert for hazardous material is required. Please also observe possibly more detailed national regulations.

Tape or mask off open contacts and pack up the battery in such a manner that it cannot move around in the packaging.

11. When disposing the battery cartridge, remove it from the tool and dispose of it in a safe place. Follow your local regulations relating to disposal of battery.

12. Use the batteries only with the products specified by Makita. Installing the batteries to non-compliant products may result in a fire, excessive heat, explosion, or leak of electrolyte.
13. If the tool is not used for a long period of time, the battery must be removed from the tool.
14. During and after use, the battery cartridge may take on heat which can cause burns or low temperature burns. Pay attention to the handling of hot battery cartridges.
15. Do not touch the terminal of the tool immediately after use as it may get hot enough to cause burns.
16. Do not allow chips, dust, or soil stuck into the terminals, holes, and grooves of the battery cartridge. It may cause heating, catching fire, burst and malfunction of the tool or battery cartridge, resulting in burns or personal injury.
17. Unless the tool supports the use near high-voltage electrical power lines, do not use the battery cartridge near a high-voltage electrical power lines. It may result in a malfunction or breakdown of the tool or battery cartridge.
18. Keep the battery away from children.

SAVE THESE INSTRUCTIONS.

⚠CAUTION: Only use genuine Makita batteries. Use of non-genuine Makita batteries, or batteries that have been altered, may result in the battery bursting causing fires, personal injury and damage. It will also void the Makita warranty for the Makita tool and charger.

Tips for maintaining maximum battery life

1. Charge the battery cartridge before completely discharged. Always stop tool operation and charge the battery cartridge when you notice less tool power.
2. Never recharge a fully charged battery cartridge. Overcharging shortens the battery service life.
3. Charge the battery cartridge with room temperature at 10 °C - 40 °C (50 °F - 104 °F). Let a hot battery cartridge cool down before charging it.
4. When not using the battery cartridge, remove it from the tool or the charger.
5. Charge the battery cartridge if you do not use it for a long period (more than six months).

Important safety instructions for wireless unit

1. Do not disassemble or tamper with the wireless unit.
2. Keep the wireless unit away from young children. If accidentally swallowed, seek medical attention immediately.
3. Use the wireless unit only with Makita tools.
4. Do not expose the wireless unit to rain or wet conditions.

5. Do not use the wireless unit in places where the temperature exceeds 50 °C (122 °F).
6. Do not operate the wireless unit in places where medical instruments, such as heart pace makers are nearby.
7. Do not operate the wireless unit in places where automated devices are nearby. If operated, automated devices may develop malfunction or error.
8. Do not operate the wireless unit in places under high temperature or places where static electricity or electrical noise could be generated.
9. The wireless unit can produce electromagnetic fields (EMF) but they are not harmful to the user.
10. The wireless unit is an accurate instrument. Be careful not to drop or strike the wireless unit.
11. Avoid touching the terminal of the wireless unit with bare hands or metallic materials.
12. Always remove the battery on the product when installing the wireless unit into it.
13. When opening the lid of the slot, avoid the place where dust and water may come into the slot. Always keep the inlet of the slot clean.
14. Always insert the wireless unit in the correct direction.
15. Do not press the wireless activation button on the wireless unit too hard and/or press the button with an object with a sharp edge.
16. Always close the lid of the slot when operating.
17. Do not remove the wireless unit from the slot while the power is being supplied to the tool. Doing so may cause a malfunction of the wireless unit.
18. Do not remove the sticker on the wireless unit.
19. Do not put any sticker on the wireless unit.
20. Do not leave the wireless unit in a place where static electricity or electrical noise could be generated.
21. Do not leave the wireless unit in a place subject to high heat, such as a car sitting in the sun.
22. Do not leave the wireless unit in a dusty or powdery place or in a place corrosive gas could be generated.
23. Sudden change of the temperature may bedew the wireless unit. Do not use the wireless unit until the dew is completely dried.
24. When cleaning the wireless unit, gently wipe with a dry soft cloth. Do not use benzene, thinner, conductive grease or the like.
25. When storing the wireless unit, keep it in the supplied case or a static-free container.
26. Do not insert any devices other than Makita wireless unit into the slot on the tool.
27. Do not use the tool with the lid of the slot damaged. Water, dust, and dirt come into the slot may cause malfunction.
28. Do not pull and/or twist the lid of the slot more than necessary. Restore the lid if it comes off from the tool.

29. Replace the lid of the slot if it is lost or damaged.

SAVE THESE INSTRUCTIONS.

FUNCTIONAL DESCRIPTION

CAUTION: Always be sure that the tool is switched off and the battery cartridge is removed before adjusting or checking function on the tool.

Installing or removing battery cartridge

CAUTION: Always switch off the tool before installing or removing of the battery cartridge.

CAUTION: Hold the tool and the battery cartridge firmly when installing or removing battery cartridge. Failure to hold the tool and the battery cartridge firmly may cause them to slip off your hands and result in damage to the tool and battery cartridge and a personal injury.

To remove the battery cartridge, slide it from the tool while sliding the button on the front of the cartridge.

► **Fig.1:** 1. Red indicator 2. Button 3. Battery cartridge

To install the battery cartridge, align the tongue on the battery cartridge with the groove in the housing and slip it into place. Insert it all the way until it locks in place with a little click. If you can see the red indicator on the upper side of the button, it is not locked completely.

CAUTION: Always install the battery cartridge fully until the red indicator cannot be seen. If not, it may accidentally fall out of the tool, causing injury to you or someone around you.

CAUTION: Do not install the battery cartridge forcibly. If the cartridge does not slide in easily, it is not being inserted correctly.

Indicating the remaining battery capacity

Press the check button on the battery cartridge to indicate the remaining battery capacity. The indicator lamps light up for a few seconds.

► **Fig.2:** 1. Indicator lamps 2. Check button

Indicator lamps			Remaining capacity
Lighted	Off	Blinking	
■	□	▧	75% to 100%
■ ■ ■ ■			
■ ■ ■ □			50% to 75%
■ ■ □ □			25% to 50%
■ □ □ □			0% to 25%
▧ □ □ □			Charge the battery.
■ ■ □ □			The battery may have malfunctioned.
□ □ ■ ■			

NOTE: Depending on the conditions of use and the ambient temperature, the indication may differ slightly from the actual capacity.

NOTE: The first (far left) indicator lamp will blink when the battery protection system works.

Tool / battery protection system

The tool is equipped with a tool/battery protection system. This system automatically cuts off power to the motor to extend tool and battery life. The tool will automatically stop during operation if the tool or battery is placed under one of the following conditions:

Overload protection

When the battery is operated in a manner that causes it to draw an abnormally high current, the tool automatically stops without any indication. In this situation, turn the tool off and stop the application that caused the tool to become overloaded. Then turn the tool on to restart.

Overheat protection

When the tool or battery is overheated, the tool stops automatically. In this case, let the tool and battery cool before turning the tool on again.

Overdischarge protection

When the battery capacity is not enough, the tool stops automatically. In this case, remove the battery from the tool and charge the battery.

Protections against other causes

Protection system is also designed for other causes that could damage the tool and allows the tool to stop automatically. Take all the following steps to clear the causes, when the tool has been brought to a temporary halt or stop in operation.

1. Turn the tool off, and then turn it on again to restart.
2. Charge the battery(ies) or replace it/them with recharged battery(ies).
3. Let the tool and battery(ies) cool down.

If no improvement can be found by restoring protection system, then contact your local Makita Service Center.

Switch action

To turn on the tool, press the lock/unlock button. The tool turns into the standby mode. To start the tool, press the start/stop button in the standby mode. To stop the tool, press the start/stop button again. The tool turns into the standby mode. To turn off the tool, press the lock/unlock button in the standby mode.

► **Fig.3:** 1. Lock/unlock button 2. Start/stop button

NOTE: If the tool is left for 10 seconds without any operation in the standby mode, the tool automatically turns off and the lamp goes off.

NOTE: You can also stop and turn off the tool by pressing the lock/unlock button while the tool is operating.

Lighting up the front lamp

CAUTION: Do not look in the light or see the source of light directly.

To turn on the lamp, press the lock/unlock button. To turn off the lamp, press the lock/unlock button again.

NOTICE: When the tool is overheated, the lamp blinks. Cool down the tool fully before operating the tool again.

NOTE: Use a dry cloth to wipe the dirt off the lens of the lamp. Be careful not to scratch the lens of lamp, or it may lower the illumination.

► **Fig.4:** 1. Lamp

Speed adjusting dial

The rotation speed of the tool can be changed by turning the speed adjusting dial. The table below shows the number on the dial and the corresponding rotation speed.

► **Fig.5:** 1. Speed adjusting dial

Number	Speed
1	10,000 min ⁻¹
2	15,000 min ⁻¹
3	21,000 min ⁻¹
4	26,000 min ⁻¹
5	31,000 min ⁻¹

CAUTION: Do not change the rotation speed during operation. Otherwise unexpected reaction of the tool may cause an injury.

NOTICE: If the tool is operated continuously at low speed for a long time, the motor will get overloaded, resulting in tool malfunction.

NOTICE: The speed adjusting dial can be turned only as far as 5 and back to 1. Do not force it past 5 or 1, or the speed adjusting function may no longer work.

Electronic function

The tool is equipped with the electronic functions for easy operation.

- **Constant speed control**
The speed control function provides the constant rotation speed regardless of load conditions.
- **Soft start**
The soft-start function minimizes start-up shock, and makes the tool start smoothly.
- **Soft brake**
The tool stops gently with the soft brake. The soft brake prevents damage to the workpiece due to recoil and allows you to start next operation earlier.
If the tool consistently fails to stop the trimmer bit after the switch is turned off, have the tool serviced at a Makita service center.

ASSEMBLY

CAUTION: Always be sure that the tool is switched off and the battery cartridge is removed before carrying out any work on the tool.

Installing or removing trimmer bit

NOTICE: Do not tighten the collet nut without installing a trimmer bit, or the collet cone may break.

Insert the trimmer bit all the way into the collet cone. Press the shaft lock and tighten the collet nut with the wrench.

- **Fig.6:** 1. Shaft lock 2. Loosen 3. Tighten 4. Wrench 5. Collet nut

You can also tighten the collet nut securely with the two wrenches.

- **Fig.7:** 1. Wrench 2. Loosen 3. Tighten 4. Collet nut

To remove the trimmer bit, follow the installation procedure in reverse.

NOTE: The shaft lock may not return to the original position when you tighten the collet nut in the installation of the trimmer bit. The shaft lock returns to the original position when you start the tool.

- **Fig.8:** 1. Shaft lock

Changing the collet cone

CAUTION: Use the correct size collet cone for the trimmer bit which you intended to use.

CAUTION: Do not tighten the collet nut without installing a trimmer bit, or the collet cone may break.

1. Loosen the collet nut and remove.
 2. Replace the installed collet cone with desired collet cone.
 3. Reinstall collet nut.
- **Fig.9:** 1. Collet cone 2. Collet nut

Installing or removing the trimmer base

1. Open the lock lever of the trimmer base, then insert the tool into the trimmer base aligning the groove on the tool with the protrusion on the trimmer base.

2. Close the lock lever.

► **Fig.10:** 1. Lock lever

NOTE: You can use the trimmer base (resin) as an optional accessory as shown in the figure. When using the trimmer base (resin), loosen or tighten the thumb nut instead of opening or closing the lock lever.

Align the rack on the tool with the spur gear on the trimmer base.

► **Fig.11:** 1. Thumb nut 2. Rack 3. Spur gear

3. Attach the dust nozzle to the trimmer base, and then tighten the thumb screw.

► **Fig.12:** 1. Dust nozzle 2. Thumb screw

► **Fig.13**

To remove the base, follow the installation procedure in reverse.

CAUTION: When using the tool with the trimmer base, be sure to install the dust nozzle on the trimmer base.

Installing or removing the tilt base

Optional accessory

1. Open the lock lever of the tilt base, then insert the tool into the tilt base aligning the groove on the tool with the protrusion on the tilt base.

2. Close the lock lever.

► **Fig.14:** 1. Lock lever

To remove the base, follow the installation procedure in reverse.

Installing or removing the offset base

Optional accessory

1. Press the shaft lock, then loosen the collet nut.

► **Fig.15:** 1. Collet nut 2. Shaft lock 3. Wrench

2. Remove the collet nut and the collet cone.

► **Fig.16:** 1. Collet nut 2. Collet cone

3. Install the pulley onto the tool by pressing the shaft lock and tightening the pulley with the wrench.

► **Fig.17:** 1. Wrench 2. Pulley 3. Shaft lock

4. Loosen the screws on the base plate, and then remove the base plate.

► **Fig.18:** 1. Base plate

5. Open the lock lever of the offset base, then attach the offset base to the tool.

► **Fig.19:** 1. Lock lever

6. Mount the belt to the pulley with a stick like a slotted screwdriver by rotating the belt manually.

► **Fig.20:** 1. Pulley 2. Belt

7. Close the lock lever.

► **Fig.21:** 1. Lock lever

8. Attach the base plate by tightening the screws.

► **Fig.22:** 1. Base plate

9. Insert the collet cone and the trimmer bit into the offset base, and then tighten the collet nut.

► **Fig.23:** 1. Trimmer bit 2. Collet nut 3. Collet cone

10. Insert the hex wrench into the hole of the offset base, and then tighten the collet nut with the wrench.

► **Fig.24:** 1. Collet nut 2. Wrench 3. Hex wrench

To remove the base, follow the installation procedure in reverse.

NOTE: You can also mount the belt to the pulley without removing the base plate as shown in the figure.

► **Fig.25:** 1. Pulley 2. Belt

Installing or removing the plunge base

Optional accessory

1. Open the lock lever of the plunge base, then insert the tool into the plunge base all the way aligning the groove on the tool with the protrusion on the plunge base.

2. Close the lock lever.

► **Fig.26:** 1. Lock lever

To remove the base, follow the installation procedure in reverse.

Installing or removing the parallel ruler on the plunge base

Optional accessory

Insert the guide bars into the holes in the plunge base, and then tighten the wing bolts. To remove the ruler, follow the installation procedure in reverse.

► **Fig.27:** 1. Wing bolt 2. Guide bar

Installing or removing the dust nozzle on the plunge base

Insert the dust nozzle into the plunge base so that the protrusion on the dust nozzle fits in the notch in the plunge base, and then tighten the thumb screw on the dust nozzle. To remove the nozzle, follow the installation procedure in reverse.

► **Fig.28:** 1. Protrusion 2. Dust nozzle 3. Thumb screw

► **Fig.29**

OPERATION

Adjusting cutting depth

To adjust the cutting depth, open the lock lever, then move the tool base up or down by turning the adjusting screw. After the adjustment, close the lock lever firmly.

► **Fig.30:** 1. Lock lever 2. Adjusting screw

NOTICE: If the tool is not secured after closing the lock lever, tighten the hex nut, and then close the lock lever.

► **Fig.31:** 1. Hex nut

Adjusting cutting depth with the plunge base

Optional accessory

1. Place the tool on the flat surface.

2. Select the stopper screw by rotating the stopper base.

► **Fig.32:** 1. Stopper screw 2. Stopper base

3. Loosen the fixing nut, then pull up the stopper pole while pressing the feed button.

► **Fig.33:** 1. Stopper pole 2. Fixing nut 3. Feed button

4. Push down the tool until the tip of the trimmer bit touches the flat surface, and then turn the fixing lever to secure the tool.

► **Fig.34:** 1. Fixing lever 2. Trimmer bit

5. Press down the stopper pole while pressing the feed button until it contacts the stopper screw.

► **Fig.35:** 1. Stopper pole 2. Stopper screw 3. Feed button

6. Slide the depth pointer so that the pointer indicates "0" on the scale.

► **Fig.36:** 1. Depth pointer

7. Adjust the cutting depth by pulling up the stopper pole while pressing the feed button.

► **Fig.37:** 1. Stopper pole 2. Feed button

8. To perform fine adjustment of the cutting depth, turn the dial on the stopper pole so that it indicates "0".

► **Fig.38:** 1. Dial

9. Turn the head of the stopper pole to obtain the desired depth. To increase the depth, turn the head counterclockwise. To decrease the depth, turn the head clockwise. (The depth changes by 1 mm per one revolution.)

► **Fig.39:** 1. Head of the stopper pole

10. Tighten the stopper pole fixing nut.

► **Fig.40:** 1. Fixing nut

11. Release the fixing lever.

► **Fig.41:** 1. Fixing lever

By pushing down the tool until the stopper pole meets the stopper screw, you can obtain the depth of cut which you adjusted by above procedure.

Using the tool with the trimmer base

Set the tool base on the workpiece without the trimmer bit making any contact. Turn the tool on and wait until the trimmer bit attains full speed. Move the tool forward over the workpiece surface. Keep the tool base flush while moving the tool.

When cutting the edge, be sure to keep the workpiece surface on the left side of the trimmer bit in the feed direction.

► **Fig.42**

NOTE: Before cutting on the actual workpiece, it is recommended to make a sample cut. The proper feed speed depends on the trimmer bit size, the kind of workpiece, and depth of cut. Moving the tool forward too fast may cause a poor quality of cut, or damage to the trimmer bit or motor. Moving the tool forward too slowly may burn and mar the cutting surface.

When using the trimmer shoe, the straight guide, or the trimmer guide, be sure to keep it on the right side in the feed direction. This will help to keep it flush with the side of the workpiece.

► **Fig.43:** 1. Trimmer bit 2. Workpiece 3. Straight guide

NOTICE: Since excessive cutting may cause overload of the motor or difficulty in controlling the tool, the depth of cut should not be more than 3 mm at a pass when cutting grooves. When you wish to cut grooves more than 3 mm deep, make several passes with progressively deeper trimmer bit settings.

Using the straight guide

1. Assemble the straight guide with the bolt and the wing nut.

► **Fig.44:** 1. Bolt 2. Wing nut

2. Attach the straight guide to the trimmer base with the clamp screw.

► **Fig.45:** 1. Clamp screw

3. Loosen the wing nut on the straight guide and adjust the distance between the trimmer bit and the straight guide. At the desired distance, tighten the wing nut.

► **Fig.46:** 1. Wing nut

4. Move the tool with the straight guide flush with the side of the workpiece.

► **Fig.47**

If the distance (A) between the side of the workpiece and the cutting position is too wide for the straight guide, or if the side of the workpiece is not straight, the straight guide cannot be used.

In this case, firmly clamp a straight board to the workpiece and use it as a guide against the trimmer base. Feed the tool in the direction of the arrow.

► **Fig.48**

Using the straight guide for circular work

For circular work, assemble the straight guide as shown in the figures. The minimum and maximum radius of circles to be cut (distance between the center of circle and the center of trimmer bit) are as follows:

- Minimum: 70 mm
- Maximum: 221 mm

For cutting circles between 70 mm and 121 mm in radius.

► **Fig.49:** 1. Center hole

For cutting circles between 121 mm and 221 mm in radius.

► **Fig.50:** 1. Center hole

NOTE: Circles between 172 mm and 186 mm in radius cannot be cut using this guide.

Align the center hole in the straight guide with the center of the circle to be cut. Drive a nail less than 6 mm in diameter into the center hole to secure the straight guide. Pivot the tool around the nail in the clockwise direction.

► **Fig.51:** 1. Nail 2. Center hole

Using the templet guide

The templet guide allows for repetitive cut with templet patterns by using a templet.

1. Loosen the screws on the base plate, and then remove the base plate from the trimmer base.

2. Place the templet guide on the base, and then attach the base plate by tightening the screws.

► **Fig.52:** 1. Base plate 2. Templet guide

3. Place the tool on the templet and move the tool so that the templet guide slides along the side of the templet.

► **Fig.53**

NOTE: The actual cut size on the workpiece is slightly different from the templet. The difference is the distance (X) between the trimmer bit and the outside of the templet guide. The distance (X) can be calculated by using the following equation:

Distance (X) = (outside diameter of templet guide - trimmer bit diameter) / 2

► **Fig.54:** 1. Trimmer bit 2. Templet guide 3. Distance (X) 4. Outside diameter of templet guide 5. Templet 6. Workpiece

Using the trimmer guide

Optional accessory

The trimmer guide allows for trimming the curved side like veneers for furniture by moving the guide roller along the side of the workpiece.

► **Fig.55**

1. Loosen the clamp screw, then install the trimmer guide on the trimmer base, and then tighten the clamp screw.

► **Fig.56:** 1. Clamp screw

2. Loosen the clamp screw and adjust the distance between the trimmer bit and the trimmer guide by turning the adjusting screw (1 mm per turn). At the desired distance, tighten the clamp screw to secure the trimmer guide.

► **Fig.57:** 1. Adjusting screw 2. Clamp screw

3. Move the tool with the guide roller riding the side of the workpiece.

► **Fig.58:** 1. Workpiece 2. Trimmer bit 3. Guide roller

Using the tool with the tilt base

The tilt base is used for trimming the edge of laminate sheet or similar materials.

The tilt base is convenient for chamfering. Loosen the wing screws, then tilt the tool at the desired angle, and then tighten the wing screws.

Firmly clamp a straight board to the workpiece and use it as a guide against the tilt base. Feed the tool in the direction of the arrow.

► **Fig.59:** 1. Wing screw

Using the tilt base plate with the trimmer base

To use the trimmer base with a square base plate, remove the base plate from the tilt base, and then attach it to the trimmer base.

► **Fig.60:** 1. Tilt base plate 2. Trimmer base plate

NOTICE: Use screws on the trimmer base when installing the tilt base plate. The screws on the tilt base are shorter than the screws on the trimmer base.

Using the tool with the offset base

The offset base is used for trimming the edge of laminate sheet or similar materials. The offset base is convenient for work in a tight area.

► **Fig.61**

Using the trimmer base with the offset base plate and grip

The offset base plate can also be used with a trimmer base and a grip attachment (optional accessory) for more stability.

1. Loosen the screws on the offset base plate, then remove the offset base plate from the offset base.

► **Fig.62:** 1. Offset base plate 2. Trimmer base plate

2. Attach the offset base plate to the trimmer base by tightening the screws.

3. Attach the grip attachment and the bar type grip to the offset base plate by tightening the screws.

► **Fig.63:** 1. Bar type grip 2. Grip attachment

The knob type grip removed from the plunge base can be installed on the offset base instead of the bar type grip.

► **Fig.64:** 1. Screw 2. Knob type grip

Using the tool with the plunge base

Always hold the grips firmly with both hands during operation. Operate the tool in the same way as the trimmer base.

Using the straight guide

Optional accessory

1. Install the straight guide to the guide holder by tightening the wing nut. Insert the guide holder into the holes in the plunge base, and then tighten the wing bolts.

► **Fig.65:** 1. Wing bolt 2. Guide holder 3. Wing nut 4. Straight guide

2. Loosen the wing nut on the straight guide and adjust the distance between the trimmer bit and the straight guide. At the desired distance, tighten the wing nut.

► **Fig.66:** 1. Wing nut

3. Operate the tool in the same way as the straight guide for the trimmer base.

► **Fig.67**

Using the templet guide

Optional accessory

1. Loosen the screws on the base and remove them. Place the templet guide on the base, and then tighten the screws.

► **Fig.68:** 1. Screw 2. Templet guide

2. Operate the tool in the same way as the templet guide for the trimmer base.

► **Fig.69**

Using the parallel ruler

The parallel ruler is effectively used for straight cuts when chamfering or grooving. Adjust the distance between the trimmer bit and the parallel ruler. At the desired distance, tighten the wing bolts to secure the parallel ruler. When cutting, move the tool with the parallel ruler flush with the side of the workpiece.

► **Fig.70**

If the distance (A) between the side of the workpiece and the cutting position is too wide for the parallel ruler, or if the side of the workpiece is not straight, the parallel ruler cannot be used.

In this case, firmly clamp a straight board to the workpiece and use it as a guide against the plunge base. Feed the tool in the direction of the arrow.

► **Fig.71**

Changing knob type grip to bar type grip

To install the bar type grip on the plunge base, loosen the screw of the knob type grip, then remove the knob type grip, and then install the bar type grip by tightening it.

► **Fig.72:** 1. Knob type grip 2. Screw 3. Bar type grip

WIRELESS ACTIVATION FUNCTION

What you can do with the wireless activation function

The wireless activation function enables clean and comfortable operation. By connecting a supported vacuum cleaner to the tool, you can run the vacuum cleaner automatically along with the switch operation of the tool.

► **Fig.73**

To use the wireless activation function, prepare following items:

- A wireless unit (optional accessory)
- A vacuum cleaner which supports the wireless activation function

The overview of the wireless activation function setting is as follows. Refer to each section for detail procedures.

1. Installing the wireless unit
2. Tool registration for the vacuum cleaner
3. Starting the wireless activation function

Installing the wireless unit

Optional accessory

CAUTION: Place the tool on a flat and stable surface when installing the wireless unit.

NOTICE: Clean the dust and dirt on the tool before installing the wireless unit. Dust or dirt may cause malfunction if it comes into the slot of the wireless unit.

NOTICE: To prevent the malfunction caused by static, touch a static discharging material, such as a metal part of the tool, before picking up the wireless unit.

NOTICE: When installing the wireless unit, always be sure that the wireless unit is inserted in the correct direction and the lid is completely closed.

1. Open the lid on the tool as shown in the figure.

► **Fig.74:** 1. Lid

2. Insert the wireless unit to the slot and then close the lid.

When inserting the wireless unit, align the projections with the recessed portions on the slot.

► **Fig.75:** 1. Wireless unit 2. Projection 3. Lid 4. Recessed portion

When removing the wireless unit, open the lid slowly. The hooks on the back of the lid will lift the wireless unit as you pull up the lid.

► **Fig.76:** 1. Wireless unit 2. Hook 3. Lid

After removing the wireless unit, keep it in the supplied case or a static-free container.

NOTICE: Always use the hooks on the back of the lid when removing the wireless unit. If the hooks do not catch the wireless unit, close the lid completely and open it slowly again.

Tool registration for the vacuum cleaner

NOTE: A Makita vacuum cleaner supporting the wireless activation function is required for the tool registration.

NOTE: Finish installing the wireless unit to the tool before starting the tool registration.

NOTE: During the tool registration, do not pull the switch trigger or turn on the power switch on the vacuum cleaner.

NOTE: Refer to the instruction manual of the vacuum cleaner, too.

If you wish to activate the vacuum cleaner along with the switch operation of the tool, finish the tool registration beforehand.

1. Install the batteries to the vacuum cleaner and the tool.

2. Set the stand-by switch on the vacuum cleaner to "AUTO".

► **Fig.77:** 1. Stand-by switch

3. Press the wireless activation button on the vacuum cleaner for 3 seconds until the wireless activation lamp blinks in green. And then press the wireless activation button on the tool in the same way.

► **Fig.78:** 1. Wireless activation button 2. Wireless activation lamp

If the vacuum cleaner and the tool are linked successfully, the wireless activation lamps will light up in green for 2 seconds and start blinking in blue.

NOTE: The wireless activation lamps finish blinking in green after 20 seconds elapsed. Press the wireless activation button on the tool while the wireless activation lamp on the cleaner is blinking. If the wireless activation lamp does not blink in green, push the wireless activation button briefly and hold it down again.

NOTE: When performing two or more tool registrations for one vacuum cleaner, finish the tool registration one by one.

Starting the wireless activation function

NOTE: Finish the tool registration for the vacuum cleaner prior to the wireless activation.

NOTE: Refer to the instruction manual of the vacuum cleaner, too.

After registering a tool to the vacuum cleaner, the vacuum cleaner will automatically runs along with the switch operation of the tool.

1. Install the wireless unit to the tool.
2. Connect the hose of the vacuum cleaner with the tool.

► **Fig.79**

3. Set the stand-by switch on the vacuum cleaner to "AUTO".

► **Fig.80:** 1. Stand-by switch

4. Push the wireless activation button on the tool briefly. The wireless activation lamp will blink in blue.

► **Fig.81:** 1. Wireless activation button 2. Wireless activation lamp

5. Turn on the tool. Check if the vacuum cleaner runs while the tool is operating.

To stop the wireless activation of the vacuum cleaner, push the wireless activation button on the tool.

NOTE: The wireless activation lamp on the tool will stop blinking in blue when there is no operation for 2 hours. In this case, set the stand-by switch on the vacuum cleaner to "AUTO" and push the wireless activation button on the tool again.

NOTE: The vacuum cleaner starts/stops with a delay. There is a time lag when the vacuum cleaner detects a switch operation of the tool.










NOTE: The transmission distance of the wireless unit may vary depending on the location and surrounding circumstances.

NOTE: When two or more tools are registered to one vacuum cleaner, the vacuum cleaner may start running even if you do not turn on your tool because another user is using the wireless activation function.

Description of the wireless activation lamp status

► **Fig.82:** 1. Wireless activation lamp

The wireless activation lamp shows the status of the wireless activation function. Refer to the table below for the meaning of the lamp status.

Status	Wireless activation lamp			Duration	Description
	Color	 On	 Blinking		
Standby	Blue			2 hours	The wireless activation of the vacuum cleaner is available. The lamp will automatically turn off when no operation is performed for 2 hours.
				When the tool is running.	The wireless activation of the vacuum cleaner is available and the tool is running.
Tool registration	Green			20 seconds	Ready for the tool registration. Waiting for the registration by the vacuum cleaner.
				2 seconds	The tool registration has been finished. The wireless activation lamp will start blinking in blue.
Cancelling tool registration	Red			20 seconds	Ready for the cancellation of the tool registration. Waiting for the cancellation by the vacuum cleaner.
				2 seconds	The cancellation of the tool registration has been finished. The wireless activation lamp will start blinking in blue.
Others	Red			3 seconds	The power is supplied to the wireless unit and the wireless activation function is starting up.
	Off	-		-	The wireless activation of the vacuum cleaner is stopped.

Cancelling tool registration for the vacuum cleaner

Perform the following procedure when cancelling the tool registration for the vacuum cleaner.

1. Install the batteries to the vacuum cleaner and the tool.

2. Set the stand-by switch on the vacuum cleaner to "AUTO".

► **Fig.83:** 1. Stand-by switch

3. Press the wireless activation button on the vacuum cleaner for 6 seconds. The wireless activation lamp blinks in green and then become red. After that, press the wireless activation button on the tool in the same way.

► **Fig.84:** 1. Wireless activation button 2. Wireless activation lamp

If the cancellation is performed successfully, the wireless activation lamps will light up in red for 2 seconds and start blinking in blue.

NOTE: The wireless activation lamps finish blinking in red after 20 seconds elapsed. Press the wireless activation button on the tool while the wireless activation lamp on the cleaner is blinking. If the wireless activation lamp does not blink in red, push the wireless activation button briefly and hold it down again.

Troubleshooting for wireless activation function

Before asking for repairs, conduct your own inspection first. If you find a problem that is not explained in the manual, do not attempt to dismantle the tool. Instead, ask Makita Authorized Service Centers, always using Makita replacement parts for repairs.

State of abnormality	Probable cause (malfunction)	Remedy
The wireless activation lamp does not light/blink.	The wireless unit is not installed into the tool. The wireless unit is improperly installed into the tool.	Install the wireless unit correctly.
	The terminal of the wireless unit and/or the slot is dirty.	Gently wipe off dust and dirt on the terminal of the wireless unit and clean the slot.
	The wireless activation button on the tool has not been pushed.	Push the wireless activation button on the tool briefly.
	The stand-by switch on the vacuum cleaner is not set to "AUTO".	Set the stand-by switch on the vacuum cleaner to "AUTO".
	No power supply	Supply the power to the tool and the vacuum cleaner.
Cannot finish tool registration / cancelling tool registration successfully.	The wireless unit is not installed into the tool. The wireless unit is improperly installed into the tool.	Install the wireless unit correctly.
	The terminal of the wireless unit and/or the slot is dirty.	Gently wipe off dust and dirt on the terminal of the wireless unit and clean the slot.
	The stand-by switch on the vacuum cleaner is not set to "AUTO".	Set the stand-by switch on the vacuum cleaner to "AUTO".
	No power supply	Supply the power to the tool and the vacuum cleaner.
	Incorrect operation	Push the wireless activation button briefly and perform the tool registration/cancellation procedures again.
	The tool and vacuum cleaner are away from each other (out of the transmission range).	Get the tool and vacuum cleaner closer to each other. The maximum transmission distance is approximately 10 m however it may vary according to the circumstances.
	Before finishing the tool registration/cancellation; - the switch of the tool is turned on or; - the power button on the vacuum cleaner is turned on.	Push the wireless activation button briefly and perform the tool registration/cancellation procedures again.
	The tool registration procedures for the tool or vacuum cleaner have not finished.	Perform the tool registration procedures for both the tool and the vacuum cleaner at the same timing.
	Radio disturbance by other appliances which generate high-intensity radio waves.	Keep the tool and vacuum cleaner away from the appliances such as Wi-Fi devices and microwave ovens.

State of abnormality	Probable cause (malfunction)	Remedy
The vacuum cleaner does not run along with the switch operation of the tool.	The wireless unit is not installed into the tool. The wireless unit is improperly installed into the tool.	Install the wireless unit correctly.
	The terminal of the wireless unit and/or the slot is dirty.	Gently wipe off dust and dirt on the terminal of the wireless unit and clean the slot.
	The wireless activation button on the tool has not been pushed.	Push the wireless activation button briefly and make sure that the wireless activation lamp is blinking in blue.
	The stand-by switch on the vacuum cleaner is not set to "AUTO".	Set the stand-by switch on the vacuum cleaner to "AUTO".
	More than 10 tools are registered to the vacuum cleaner.	Perform the tool registration again. If more than 10 tools are registered to the vacuum cleaner, the tool registered earliest will be cancelled automatically.
	The vacuum cleaner erased all tool registrations.	Perform the tool registration again.
	No power supply	Supply the power to the tool and the vacuum cleaner.
	The tool and vacuum cleaner are away from each other (out of the transmission range).	Get the tool and vacuum cleaner closer each other. The maximum transmission distance is approximately 10 m however it may vary according to the circumstances.
	Radio disturbance by other appliances which generate high-intensity radio waves.	Keep the tool and vacuum cleaner away from the appliances such as Wi-Fi devices and microwave ovens.
The vacuum cleaner runs while the tool is not operating.	Other users are using the wireless activation of the vacuum cleaner with their tools.	Turn off the wireless activation button of the other tools or cancel the tool registration of the other tools.

MAINTENANCE

⚠ CAUTION: Always be sure that the tool is switched off and the battery cartridge is removed before attempting to perform inspection or maintenance.

NOTICE: Never use gasoline, benzine, thinner, alcohol or the like. Discoloration, deformation or cracks may result.

To maintain product SAFETY and RELIABILITY, repairs, any other maintenance or adjustment should be performed by Makita Authorized or Factory Service Centers, always using Makita replacement parts.

OPTIONAL ACCESSORIES

⚠ CAUTION: These accessories or attachments are recommended for use with your Makita tool specified in this manual. The use of any other accessories or attachments might present a risk of injury to persons. Only use accessory or attachment for its stated purpose.

If you need any assistance for more details regarding these accessories, ask your local Makita Service Center.

- Straight and groove forming bits
- Edge forming bits
- Laminate trimming bits
- Straight guide assembly
- Trimmer guide assembly
- Trimmer base assembly
- Trimmer base assembly (resin)
- Tilt base assembly
- Plunge base assembly
- Offset base assembly
- Grip attachment
- Templet guide
- Collet cone
- Wrench 13
- Wrench 22
- Wireless unit
- Makita genuine battery and charger

NOTE: Some items in the list may be included in the tool package as standard accessories. They may differ from country to country.

Accessories applicable to this trimmer

The tool can be used with the following accessories for a variety of purposes.

Some accessories are not available in your country.

► Fig.85

1. **Trimmer base** (metal)
2. **Trimmer base** (resin)
Clear visibility of the cut.
3. **Tilt base**
4. **Offset base**
5. **Plunge base**
6. **Grip attachment**
7. **Templet guide**
8. **Straight guide**
9. **Trimmer guide**
10. **Trimmer shoe**
Enables accurate edge works. *Use with parts of the trimmer guide.
11. **Dust nozzle**
12. **Base plate** (metal)
13. **Square base plate** (base plate of the tilt base)
14. **Offset base plate** (base plate of the offset base)
By using the offset base plate with the grip attachment, grip can be attached.
15. **Base plate** (resin)
16. **Grip base**
17. **Bar type grip**
18. **Knob type grip** (grip of the plunge base)
19. **Dust nozzle** for the plunge base
20. **Templet guide** for the plunge base
21. **Guide holder**
This allows the straight guide for the trimmer base to be used on the plunge base.
22. **Parallel ruler**
Fine adjustment function of positioning.
23. **Parallel ruler**
24. **Guide rail adapter**
25. **Guide rail**
For accurate straight cutting.
26. **Bevel guide**
For angle adjustment of the guide rail.
27. **Guide rail joint connector** (2 pcs.)
For jointing two guide rails.
28. **Clamp** (standard type)
For fixation of the guide rail.
29. **Clamp** (quick type)
For fixation of the guide rail.
30. **Seat**
Repair parts of the guide rail for upper plastic tape.
31. **Rubber seat**
Repair parts of the guide rail for lower rubber tape.
32. **Position seat**
Repair parts of the guide rail for position seat.

► Fig.86

规格

型号:	RT001G	
筒夹卡盘能力	6 mm、8 mm、1/4"或3/8"	
空载速度	10,000 - 31,000 r/min	
总高度	配置BL4025	245 mm
	配置BL4040	251 mm
额定电压	D.C. 36 V - 40 V (最大)	
净重	2.2 - 2.5 kg	

- 生产者保留变更规格不另行通知之权利。
- 规格和电池组可能因销往国家之不同而异。
- 重量因附件（包括电池组）而异。根据EPTA-Procedure 01/2014，最重与最轻的组合见表格。

适用电池组和充电器

电池组	BL4020 / BL4025 / BL4040
充电器	DC40RA / DC40RB / DC40RC

- 部分以上所列电池组和充电器是否适用视用户所在地区而异。

警告： 请仅使用以上所列电池组和充电器。使用其他类型的电池组或充电器可能会导致人身伤害和/或失火。

符号

以下显示本设备可能会使用的符号。在使用工具之前，请务必理解其含义。



阅读使用说明书。



佩带安全眼镜。



仅限于欧盟国家

由于本设备中包含有害成分，因此废弃的电气和电子设备、蓄电池和普通电池可能会对环境和人体健康产生负面影响。请勿将电气和电子工具或电池与家庭普通废弃物放在一起处置！

根据欧洲关于废弃电气电子设备、蓄电池和普通电池的指令及其国家层面的修订法案，废弃的电气设备、普通电池和蓄电池应当单独存放并递送至城市垃圾收集点，根据环保法规进行处置。

此规定由标有叉形标志的带轮垃圾桶符号表示。

用途

本工具用于对木材、塑料和类似材料的修整和压型。

安全警告

电动工具通用安全警告

警告： 阅读随电动工具提供的所有安全警告、说明、图示和规定。不遵照以下所列说明会导致电击、着火和 / 或严重伤害。

保存所有警告和说明书以备查阅。

警告中的术语“电动工具”是指市电驱动（有线）电动工具或电池驱动（无线）电动工具。

工作场地的安全

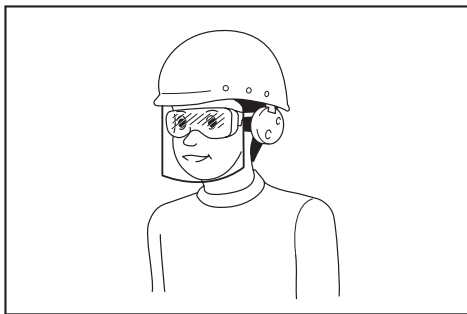
1. 保持工作场地清洁和明亮。杂乱和黑暗的场地会引发事故。
2. 不要在易爆环境，如有易燃液体、气体或粉尘的环境下操作电动工具。电动工具产生的火花会点燃粉尘或气体。
3. 操作电动工具时，远离儿童和旁观者。注意力不集中会使你失去对工具的控制。

电气安全

1. 电动工具插头必须与插座相配。绝不能以任何方式改装插头。需接地的电动工具不能使用任何转换插头。未经改装的插头和相配的插座将降低电击风险。
2. 避免人体接触接地表面，如管道、散热片和冰箱。如果你身体接触接地表面会增加电击风险。
3. 不得将电动工具暴露在雨中或潮湿环境中。水进入电动工具将增加电击风险。
4. 不得滥用软线。绝不能用软线搬运、拉动电动工具或拔出其插头。使软线远离热源、油、锐边或运动部件。受损或缠绕的软线会增加电击风险。
5. 当在户外使用电动工具时，使用适合户外使用的延长线。适合户外使用的电线将降低电击风险。
6. 如果无法避免在潮湿环境中操作电动工具，应使用带有剩余电流装置（RCD）保护的电源。RCD的使用可降低电击风险。
7. 电动工具会产生对用户无害的电磁场（EMF）。但是，起搏器和其他类似医疗设备的用户应在操作本电动工具前咨询其设备的制造商和 / 或医生寻求建议。

人身安全

1. 保持警觉，当操作电动工具时关注所从事的操作并保持清醒。当你感到疲倦，或在有药物、酒精或治疗反应时，不要操作电动工具。在操作电动工具时瞬间的疏忽会导致严重人身伤害。
2. 使用个人防护装置。始终佩戴护目镜。防护装置，诸如适当条件下使用防尘面具、防滑安全鞋、安全帽、听力防护等装置能减少人身伤害。
3. 防止意外起动。在连接电源和/或电池包、拿起或搬运工具前确保开关处于关闭位置。手指放在开关上搬运工具或开关处于接通时通电会导致危险。
4. 在电动工具接通之前，拿掉所有调节钥匙或扳手。遗留在电动工具旋转零件上的扳手或钥匙会导致人身伤害。
5. 手不要过分伸展。时刻注意立足点和身体平衡。这样能在意外情况下能更好地控制住电动工具。
6. 着装适当。不要穿宽松衣服或佩戴饰品。让你的头发和衣服远离运动部件。宽松衣服、佩饰或长发可能会卷入运动部件。
7. 如果提供了与排屑、集尘设备连接用的装置，要确保其连接完好且使用得当。使用集尘装置可降低尘屑引起的危险。
8. 不要因为频繁使用工具而产生的熟悉感而掉以轻心，忽视工具的安全准则。某个粗心的动作可能在瞬间导致严重的伤害。
9. 使用电动工具时请始终佩带护目镜以免伤害眼睛。护目镜须符合美国ANSI Z87.1、欧洲EN 166或者澳大利亚 / 新西兰的AS/NZS 1336的规定。在澳大利亚 / 新西兰，法律要求佩带面罩保护脸部。



雇主有责任监督工具操作者和其他近工作区域人员佩带合适的安全防护设备。

电动工具使用和注意事项

1. 不要勉强使用电动工具，根据用途使用合适的电动工具。选用合适的按照额定值设计的电动工具会使你工作更有效、更安全。
2. 如果开关不能接通或关断电源，则不能使用该电动工具。不能通过开关来控制电动工具是危险的且必须进行修理。
3. 在进行任何调节、更换附件或贮存电动工具之前，必须从电源上拔掉插头和/或卸下电池包（如可拆卸）。这种防护性的安全措施降低了电动工具意外起动的风险。
4. 将闲置不用的电动工具贮存在儿童所及范围之外，并且不允许不熟悉电动工具和不了解这些说明的人操作电动工具。电动工具在未经培训的使用者手中是危险的。
5. 维护电动工具及其附件。检查运动部件是否调整到位或卡住，检查零件破损情况和影响电动工具运行的其他状况。如有损坏，应在使用前修理好电动工具。许多事故是由维护不良的电动工具引发的。
6. 保持切削刀具锋利和清洁。维护良好地有锋利切削刃的刀具不易卡住而且容易控制。
7. 按照使用说明书，并考虑作业条件和要进行的作业来选择电动工具、附件和工具的刀头等。将电动工具用于那些与其用途不符的操作可能会导致危险情况。
8. 保持手柄和握持表面干燥、清洁，不得沾有油脂。在意外的情况下，湿滑的手柄不能保证握持的安全和对工具的控制。
9. 使用本工具时，请勿佩戴可能会缠绕的布质工作手套。布质工作手套卷入移动部件可能会造成人身伤害。

电池式工具使用和注意事项

1. 仅使用生产者规定的充电器充电。将适用于某种电池包的充电器用到其他电池包时可能会发生着火危险。
2. 仅使用配有专用电池包的电动工具。使用其他电池包可能会产生伤害和着火危险。
3. 当电池包不用时，将它远离其他金属物体，例如回形针、硬币、钥匙、钉子、螺钉或其他小金属物体，以防电池包一端与另一端连接。电池组端部短路可能会引起燃烧或着火。

4. 在滥用条件下，液体可能会从电池组中溅出；应避免接触。如果意外碰到液体，用水冲洗。如果液体碰到了眼睛，还寻求医疗帮助。从电池中溅出的液体可能会发生腐蚀或燃烧。
5. 不要使用损坏或改装过的电池包或工具。损坏或改装过的电池组可能呈现无法预测的结果，导致着火、爆炸或伤害。
6. 不要将电池包暴露于火或高温中。电池包暴露于火或高于 130 °C 的高温中可能导致爆炸。
7. 遵循所有充电说明。不要在说明书中指定的温度范围之外给电池包或电动工具充电。不正确或在指定的温度范围外充电可能会损坏电池和增加着火的风险。

维修

1. 让专业维修人员使用相同的备件维修电动工具。这将保证所维修的电动工具的安全。
2. 决不能维修损坏的电池包。电池包仅能由生产者或其授权的维修服务商进行维修。
3. 上润滑油及更换附件时请遵循本说明书指示。

充电式木工修边机使用安全警告

1. 请使用螺丝钳或其他可行的方式将工件夹紧并固定在稳定的平台上。手持工件或将工件抵在身上，可能会导致工件摆放不稳，使工具失去控制。
2. 由于刀具可能会接触到隐藏的电线，因此操作电动工具时请仅握住工具的绝缘抓握表面。切割到“带电”的电线时，电动工具上暴露的金属部分可能也会“带电”，由此可能导致操作人员触电。
3. 只能使用额定转速至少等于工具上标记的最大转速的木工修边机刀头。如果工具具有变速控制功能，工具转速不得高于木工修边机刀头的额定转速。
4. 木工修边机刀头的刀柄必须与指定的筒夹卡盘相匹配。
5. 长时间操作时请佩戴耳罩。
6. 装卸木工修边机刀头时，需十分小心。
7. 操作之前请仔细检查木工修边机刀头上是否有裂缝或损坏。请立即更换有裂缝或损坏的木工修边机刀头。
8. 注意不要切割到铁钉。操作之前请检查并清除工件上的所有铁钉。
9. 请牢握本工具。
10. 手应远离旋转的部件。

11. 打开开关前，请确认木工修边机刀头未与工件接触。
 12. 在实际的工件上使用工具之前，请先让工具空转片刻。请注意，出现振动或摇摆可能说明木工修边机刀头安装不当。
 13. 注意木工修边机刀头旋转方向和馈送方向。
 14. 运行中的工具不可离手放置。只可在手握工具的情况下操作工具。
 15. 将工具从工件上取下之前，请务必关闭工具电源并等待木工修边机刀头完全停止。
 16. 操作完成后，请勿立刻触摸木工修边机刀头，因为其可能会非常烫，导致烫伤皮肤。
 17. 请勿使用稀释剂、汽油、油或类似物品涂沫基座。否则可能会导致基座开裂。
 18. 根据工具速度使用具有合适刀柄直径的木工修边机刀头。
 19. 某些材料含有有毒化学物质。小心不要吸入粉尘，并避免皮肤接触。遵循材料供应商的安全提示。
 20. 根据您操作的材料及应用，请务必使用正确的防尘面罩 / 呼吸器。
5. 请勿使电池组短路：
 - (1) 请勿使任何导电材料碰到端子。
 - (2) 避免将电池组与其他金属物品如钉子、硬币等放置在同一容器内。
 - (3) 请勿将电池组置于水中或使其淋雨。电池短路将产生大的电流，导致过热，并可能导致起火甚至击穿。
 6. 请勿在温度可能达到或超过**50°C (122°F)**的场所存放以及使用工具和电池组。
 7. 即使电池组已经严重损坏或完全磨损，也请勿焚烧电池组。电池组会在火中爆炸。
 8. 请勿对电池组射钉，或者切削、挤压、抛掷、掉落电池组，又或者用硬物撞击电池组。否则可能引起火灾、过热或爆炸。
 9. 请勿使用损坏的电池。
 10. 本工具附带的锂离子电池需符合危险品法规要求。
 第三方或转运代理等进行商业运输时，应遵循包装和标识方面的特殊要求。有关运输项目的准备作业，咨询危险品方面的专业人士。同时，请遵守可能更为详尽的国家法规。
 请使用胶带保护且勿遮掩表面的联络信息，并牢固封装电池，使电池在包装内不可动。

请保留此说明书。

警告： 请勿为图方便或因对产品足够熟悉（由于重复使用而获得的经验）而不严格遵循相关产品安全规则。使用不当或不遵循使用说明书中的安全规则会导致严重的人身伤害。

电池组的重要安全注意事项

1. 在使用电池组之前，请仔细通读所有的说明以及（1）电池充电器，（2）电池，以及（3）使用电池的的产品上的警告标记。
 2. 切勿拆卸或改装电池组。否则可能引起火灾、过热或爆炸。
 3. 如果机器运行时间变得过短，请立即停止使用。否则可能会导致过热、起火甚至爆炸。
 4. 如果电解液进入您的眼睛，用清水将其冲洗干净并立即就医。否则可能会导致视力受损。
11. 丢弃电池组时，需将其从工具上卸下并在安全地带进行处理。关于如何处理废弃的电池，请遵循当地法规。
 12. 仅将电池用于**Makita**（牧田）指定的产品。将电池安装至不兼容的产品会导致起火、过热、爆炸或电解液泄漏。
 13. 如长时间未使用工具，必须将电池从工具内取出。
 14. 使用工具期间以及使用工具之后，电池组温度可能较高易引起灼伤或低温烫伤。处理高温电池组时请小心操作。
 15. 在使用工具后请勿立即触碰工具的端子，否则可能引起灼伤。
 16. 避免锯屑、灰尘或泥土卡入电池组的端子、孔口和凹槽内。否则可能会导致过热、着火、爆炸和工具/电池组故障，导致烫伤或人身伤害。
 17. 除非工具支持在高压电源线路附近使用，否则请勿在高压电源线路附近使用电池组。否则可能导致工具或电池组故障或失常。
 18. 确保电池远离儿童。

请保留此说明书。

小心： 请仅使用Makita（牧田）原装电池。使用非Makita（牧田）原装电池或经过改装的电池可能会导致电池爆炸，从而造成火灾、人身伤害或物品受损。同时也会导致牧田工具和充电器的牧田保修服务失效。

保持电池最大使用寿命的提示

1. 在电池组电量完全耗尽前及时充电。发现工具电量低时，请停止工具操作，并给电池组充电。
2. 请勿对已充满电的电池组重新充电。过度充电将缩短电池的使用寿命。
3. 请在10 °C - 40 °C (50 °F - 104 °F) 的室温条件下给电池组充电。请在灼热的电池组冷却后再充电。
4. 不使用电池组时，请将其从工具或充电器上拆除。
5. 如果电池组长时间（超过六个月）未使用，请给其充电。

无线装置的重要安全注意事项

1. 切勿拆卸或改装此无线装置。
2. 请远离儿童存放无线装置。如果意外吞食，请立即就医。
3. 此无线装置仅用于Makita（牧田）电动工具。
4. 请勿将此无线装置暴露在雨水或潮湿的环境中。
5. 请勿在温度超过50°C的环境下使用此无线装置。
6. 请勿在医疗器械（例如心脏起搏器）附近运行此无线装置。
7. 请勿在自动化设备附近运行此无线装置。否则，自动化设备可能会发生故障或出现错误。
8. 不要在高温场所或可能产生静电或电气噪音的场所操作无线装置。
9. 无线装置会产生对用户无害的电磁场（EMF）。
10. 此无线装置属于精密仪器。请小心，勿掉落或撞击此无线装置。
11. 避免徒手或用金属材料接触无线装置的端子。
12. 在产品中安装无线装置时，务必取下产品上的电池。
13. 请勿在那些可能会使灰尘和水进入插槽的地方打开插槽的封盖。插槽的插口务必保持干净整洁。

14. 务必沿正确的方向插入无线装置。
15. 请勿过度用力按压无线装置上的无线启动按钮，也不可使用边缘锋利的物体按压该按钮。
16. 运行此无线装置时务必关闭插槽的封盖。
17. 切勿在工具正在通电的情况下从插槽取下无线装置。否则可能会导致此无线装置发生故障。
18. 切勿揭下此无线装置上的贴纸。
19. 切勿在此无线装置上粘贴任何贴纸。
20. 切勿将此无线装置留在可能会产生静电或电气噪音的地方。
21. 切勿将此无线装置留在可能会产生高温的地方，例如阳光照射下的车内。
22. 切勿将此无线装置留在灰尘或粉尘较重的地方，或可能会产生腐蚀性气体的地方。
23. 温度的剧烈变化可能会使此无线装置产生凝露。露水未完全干燥前，请勿使用此无线装置。
24. 清洁此无线装置时，请使用柔软的干抹布轻轻擦拭。切勿使用汽油、稀释剂或导电脂等类似物品。
25. 存放此无线装置时，请将其放在随附的盒中或防静电的容器中。
26. 请勿将非Makita（牧田）无线装置的任何其它设备插入工具的插槽中。
27. 如果插槽的封盖受损，请勿使用该工具。否则水、灰尘和泥土进入插槽可能会导致故障。
28. 如非必要，请勿拉动和 / 或扭动插槽的封盖。如果封盖从工具脱落，请将其还原。
29. 如果插槽的封盖丢失或受损，请更换。

请保留此说明书。

功能描述

⚠小心： 调节或检查工具功能之前，请务必关闭工具的电源并取出电池组。

安装或拆卸电池组

⚠小心： 安装或拆卸电池组之前，请务必关闭工具电源。

⚠小心： 安装或拆卸电池组时请握紧工具和电池组。否则它们可能从您的手中滑落，导致工具和电池组受损，甚至造成人身伤害。

拆卸电池组时，按下电池组前侧的按钮，同时可将电池组从工具中抽出。

► **图片1：** 1. 红色指示器 2. 按钮 3. 电池组

安装电池组时，要将电池组上的舌簧与外罩上的凹槽对齐，然后推滑到位。将其完全插入到位，直到电池组被锁定并发出卡嗒声为止。如果插入后仍能看到按钮上侧的红色指示器，则说明电池组未完全锁紧。



















⚠小心： 务必完全装入电池组，直至看不见红色指示器为止。否则，它可能会从工具中意外脱落，从而造成自身或他人受伤。

⚠小心： 请勿强行安装电池组。如果电池组难以插入，可能是插入方法不当。

显示电池的剩余电量

按电池组上的CHECK（查看）按钮可显示电池剩余电量。指示灯将亮起数秒。

► **图片2：** 1. 指示灯 2. CHECK（查看）按钮

指示灯			剩余电量
 点亮	 熄灭	 闪烁	
			75%至100%
			50%至75%
			25%至50%
			0%至25%
			给电池充电。
 	 	 	电池可能出现故障。

注： 在不同的使用条件及环境温度下，指示灯所示电量可能与实际情况略有不同。

注： 当电池保护系统启动时，第一个（最左侧）指示灯将闪烁。

工具 / 电池保护系统

本工具配备有工具 / 电池保护系统。该系统可自动切断机电源以延长工具和电池寿命。作业时，如果工具或电池处于以下情况，工具将会自动停止运转。

过载保护

以导致异常高电流的方式操作电池时，工具会自动停止运转，指示灯不闪烁。在这种情况下，请关闭工具并停止导致工具过载的应用操作。然后开启工具重新启动。

过热保护

工具或电池过热时，工具会自动停止运转。在这种情况下，请待工具和电池冷却后再重新开启工具。

过放电保护

电池电量不足时，本工具自动停止运转。此时，请取出工具中的电池并予以充电。

其他原因防护

保护系统还适用于其他可能导致工具受损的情况，从而使工具自动停止运转。工具暂时或中途停止工作时，执行以下所有步骤以排除异常原因。

1. 关闭工具，然后再次重新启动。
2. 给电池充电或更换为充电电池。
3. 请等待工具和电池冷却。

如果保护系统恢复后仍无改善，请联络当地的Makita（牧田）维修服务中心。

开关操作

要打开工具时，请按锁定 / 解锁按钮。工具进入待机模式。要启动工具时，请在待机模式下按启动 / 停止按钮。要停止工具时，请再次按启动 / 停止按钮。工具进入待机模式。要关闭工具时，请在待机模式下按锁定 / 解锁按钮。

► **图片3:** 1. 锁定 / 解锁按钮 2. 启动 / 停止按钮

注: 如果在10秒钟内未对处于待机模式的工具执行任何操作，工具会自动关闭，同时灯也会熄灭。

注: 您还可以在工具操作时按锁定 / 解锁按钮来停止和关闭工具。

点亮前灯

小心: 请勿直视灯光或光源。

要点亮灯时，请按锁定 / 解锁按钮。要熄灭灯时，请再次按锁定 / 解锁按钮。

注意: 工具过热时，该灯闪烁。请在再次操作工具前充分冷却工具。

注: 请使用干布擦拭灯头灰。注意不要刮花灯头，否则会降低亮度。

► **图片4:** 1. 照明灯

转速调节刻度盘

可通过旋转转速调节刻度盘来改变工具的旋转速度。下表显示了刻度盘上的数字和对应的旋转速度。

► **图片5:** 1. 转速调节刻度盘

数值	速度
1	10,000 r/min
2	15,000 r/min
3	21,000 r/min
4	26,000 r/min
5	31,000 r/min

小心: 请勿在操作期间调节转速。否则，工具可能会意外启动并造成人身伤害。

注意: 如果工具长时间以低速持续操作，则电机可能会过载，导致工具出现故障。

注意: 转速调节刻度盘只能在1和5之间调节。请勿用强力将其拨至超过1或5的位置，否则调速功能可能会失灵。

电子功能

本工具配备了电子功能以提高操作便利性。

- 恒速控制
速度控制功能可保持转速恒定，而无论负载如何。
- 软启动
软启动功能可最小化启动时的震动，让工具平稳启动。
- 软制动
使用软制动使工具慢慢停止。软制动可以防止工件因回弹而受损，从而及早开始下一操作。
如果在关闭开关后，工具始终无法停止木工修边机刀头，请交由Makita（牧田）维修中心进行维修。

装配

小心: 对工具进行任何装配操作前，请务必关闭工具电源，并取出电池组。

安装或拆卸木工修边机刀头

注意: 请勿在未安装木工修边机刀头的情况下拧紧筒夹螺母，否则可能会损坏锥形筒夹。

将木工修边机刀头完全插入锥形筒夹。按下轴锁，并使用扳手拧紧筒夹螺母。

► **图片6:** 1. 轴锁 2. 拧松 3. 拧紧 4. 扳手 5. 筒夹螺母

您还可以使用两个扳手牢固拧紧筒夹螺母。

► **图片7:** 1. 扳手 2. 拧松 3. 拧紧 4. 筒夹螺母

若要拆卸木工修边机刀头，请以与安装相反的步骤操作。

注: 在安装木工修边机刀头时若拧紧筒夹螺母，轴锁可能不会返回至原位。轴锁会在启动工具时返回至原位。

► 图片8: 1. 轴锁

更换锥形筒夹

⚠小心: 根据您使用的木工修边机刀头选择合适尺寸的锥形筒夹。

⚠小心: 请勿在未安装木工修边机刀头的情况下拧紧筒夹螺母, 否则可能会损坏锥形筒夹。

1. 请拧松筒夹螺母并将其取下。
2. 用所需的锥形筒夹替换掉已安装的锥形筒夹。
3. 重新安装筒夹螺母。

► 图片9: 1. 锥形筒夹 2. 筒夹螺母

安装或拆卸木工修边机基座

1. 打开木工修边机基座的锁定杆, 然后对齐工具上的凹槽和木工修边机基座上的凸出部分, 将工具插入木工修边机基座。

2. 闭合锁定杆。

► 图片10: 1. 锁定杆

注: 可使用图中所示的选购附件木工修边机基座(树脂)。使用木工修边机基座(树脂)时, 请拧松或拧紧翼形螺母, 而不要打开或关闭锁定杆。

将工具上的齿条与木工修边机基座上的正齿轮对齐。

► 图片11: 1. 翼形螺母 2. 齿条 3. 正齿轮

3. 安装集尘口至木工修边机基座, 然后拧紧蝶形螺丝。

► 图片12: 1. 集尘口 2. 蝶形螺丝

► 图片13

拆下基座时, 按与安装步骤相反的顺序进行。

⚠小心: 使用工具和木工修边机基座时, 请务必在木工修边机基座上安装集尘口。

安装或拆卸倾斜基座

选购附件

1. 打开倾斜基座的锁定杆, 然后对齐工具上的凹槽和倾斜基座上的凸出部分, 将工具插入倾斜基座。

2. 闭合锁定杆。

► 图片14: 1. 锁定杆

拆下基座时, 按与安装步骤相反的顺序进行。

安装或拆卸偏置基座

选购附件

1. 按轴锁, 然后松开筒夹螺母。

► 图片15: 1. 筒夹螺母 2. 轴锁 3. 扳手

2. 取下筒夹螺母和锥形筒夹。

► 图片16: 1. 筒夹螺母 2. 锥形筒夹

3. 按住轴锁并使用扳手拧紧滑轮, 将滑轮安装至工具。

► 图片17: 1. 扳手 2. 滑轮 3. 轴锁

4. 拧松基板上的螺丝, 然后拆下基板。

► 图片18: 1. 基板

5. 打开偏置基座的锁定杆, 然后将偏置基座安装到工具上。

► 图片19: 1. 锁定杆

6. 通过一字螺丝刀等棒形工具手动旋转皮带, 将其安装至滑轮。

► 图片20: 1. 滑轮 2. 皮带

7. 闭合锁定杆。

► 图片21: 1. 锁定杆

8. 通过拧紧螺丝安装基板。

► 图片22: 1. 基板

9. 将锥形筒夹和木工修边机刀头插入偏置基座, 然后拧紧筒夹螺母。

► 图片23: 1. 木工修边机刀头 2. 筒夹螺母 3. 锥形筒夹

10. 插入六角扳手至偏置基座的孔, 然后用扳手拧紧筒夹螺母。

► 图片24: 1. 筒夹螺母 2. 扳手 3. 六角扳手

拆下基座时, 按与安装步骤相反的顺序进行。

注: 您还可按图中所示, 在不拆下基板的情况下安装皮带至滑轮。

► 图片25: 1. 滑轮 2. 皮带

安装或拆卸切入式基座

选购附件

1. 打开切入式基座的锁定杆, 然后对齐工具上的凹槽和切入式基座上的凸出部分, 将工具完全插入切入式基座。

2. 闭合锁定杆。

► 图片26: 1. 锁定杆

拆下基座时，按与安装步骤相反的顺序进行。

在切入式基座上安装或拆卸平行尺

选购附件

将导板插入切入式基座上的孔内，然后拧紧蝶形螺栓。拆下规矩时，按与安装步骤相反的顺序进行。

► **图片27:** 1. 蝶形螺栓 2. 导板

在切入式基座上安装或拆卸集尘口

将集尘口插入切入式基座，使集尘口上的凸起部分扣入切入式基座的凹口，然后拧紧集尘口上的蝶形螺丝。拆下集尘口时，按与安装步骤相反的顺序进行。

► **图片28:** 1. 凸起部分 2. 集尘口 3. 蝶形螺丝

► **图片29**

操作

调节切割深度

调节切割深度时，请打开锁定杆并通过旋转调节螺丝上下移动工具基座。调节后，牢固闭合锁定杆。

► **图片30:** 1. 锁定杆 2. 调节螺丝

注意：如果在闭合锁定杆的情况下也没有固定工具，请紧固六角螺母，然后闭合锁定杆。

► **图片31:** 1. 六角螺母

通过切入式基座调节切割深度

选购附件

1. 将工具置于平坦的表面。

2. 通过旋转止动座选择止动器螺丝。

► **图片32:** 1. 止动器螺丝 2. 止动座

3. 松开固定螺母，然后在按馈送按钮的同时向上拨止动器杆。

► **图片33:** 1. 止动器杆 2. 固定螺母 3. 馈送按钮

4. 向下按工具，直至木工修边机刀头的端部接触平坦表面，然后转动固定杆以固定工具。

► **图片34:** 1. 固定杆 2. 木工修边机刀头

5. 在按馈送按钮的同时向下按止动器杆直至其接触止动器螺丝。

► **图片35:** 1. 止动器杆 2. 止动器螺丝 3. 馈送按钮

6. 滑动深度指针，使指针指向刻度盘上的“0”。

► **图片36:** 1. 深度指针

7. 在按馈送按钮的同时，通过拨止动器杆调节切割深度。

► **图片37:** 1. 止动器杆 2. 馈送按钮

8. 要执行切割深度调节，请转动止动器杆上的拨盘，使其指向“0”。

► **图片38:** 1. 拨盘

9. 转动止动器杆的头部，获得所需的深度。要增大深度，请逆时针转动头部。要减小深度，请顺时针转动头部。（每圈可改变1 mm的深度。）

► **图片39:** 1. 止动器杆的头部

10. 紧固止动器杆固定螺母。

► **图片40:** 1. 固定螺母

11. 释放固定杆。

► **图片41:** 1. 固定杆

向下按工具直至止动器杆接触止动器螺丝，即可获得通过上述步骤调节的切割深度。

在木工修边机基座上使用工具

将工具基座放在工件上，木工修边机刀头不得与工件有任何接触。启动工具并等待，直至木工修边机刀头达到全速运转时再进行操作。在工件表面上向前推进工具。移动工具时，使工具基座保持齐平。

切割边缘时，请务必使工件表面位于馈送方向上木工修边机刀头的左侧。

► **图片42**

注：在实际工件上进行切割前，建议进行试切割。馈送速度依木工修边机刀头尺寸、工件类型和切割深度而定。太快地向前移动本工具可能会导致切割不良，或者损坏木工修边机刀头或电机。太慢地向前移动本工具可能会灼烧和损毁切割表面。

使用木工修边机导靴、直线导板或木工修边机导板时，请确保将其安装在馈送方向的右侧。这有助于保持其与工件的侧边齐平。

► **图片43:** 1. 木工修边机刀头 2. 工件 3. 直线导板

注意： 由于过度切割可能会导致电机过载或使工具变得难以控制，因此在切槽时，一次切割深度不应超过**3 mm**。如果需要切割超过**3 mm**深的槽时，请分多次进行切割，并逐渐加深木工修边机刀头设定深度。

使用直线导板

1. 使用螺栓和蝶形螺母组装直线导板。

► **图片44:** 1. 螺栓 2. 蝶形螺母

2. 使用夹紧螺丝将直线导板安装至木工修边机基座。

► **图片45:** 1. 夹紧螺丝

3. 松开直线导板上的蝶形螺母，并调节木工修边机刀头和直线导板之间的距离。在所需的距离位置上，拧紧蝶形螺母。

► **图片46:** 1. 蝶形螺母

4. 在直线导板与工件的一侧平齐的情况下移动工具。

► **图片47**

如果工件一侧与切割位置之间的距离(A)对于直线导板来说过宽，或者如果工件的一侧不直，直线导板无法使用。

在这种情况下，可将一个直导板牢固地夹紧至工件上，并使其抵住木工修边机基座，作为导板使用。朝箭头方向馈送工具。

► **图片48**

对圆形切割使用直线导板

对于圆形切割，请按图中所示组装直线导板。可切割的最小和最大半径（圆心和木工修边机刀头中心之间的距离）如下：

- 最小：70 mm
- 最大：221 mm

用于半径为**70 mm**至**121 mm**的切割圆。

► **图片49:** 1. 中心孔

用于半径为**121 mm**至**221 mm**的切割圆。

► **图片50:** 1. 中心孔

注： 无法使用该导板切割半径为**172 mm**至**186 mm**的圆。

对齐直线导板上的中心孔和要切割圆的圆心。在中心孔中钉入一个直径小于**6 mm**的钉子以固定直线导板。以钉子为轴顺时针转动工具。

► **图片51:** 1. 钉子 2. 中心孔

使用样规导板

样规导板可通过使用样规并借助样规模式进行重复切割。

1. 拧松基板上的螺丝，然后从木工修边机基座拆下基板。

2. 将样规导板置于基座上，然后拧紧螺丝以安装基板。

► **图片52:** 1. 基板 2. 样规导板

3. 将工具放置在样规上，移动工具使样规导板沿样规侧滑动。

► **图片53**

注： 工件上的实际切割尺寸与样规略有不同。差异为木工修边机刀头和样规导板外部之间的距离(X)。可使用下列方程式计算距离(X)：

距离(X) = (样规导板的外径-木工修边机刀头直径) / 2

► **图片54:** 1. 木工修边机刀头 2. 样规导板
3. 距离(X) 4. 样规导板的外径
5. 样规 6. 工件

使用木工修边机导板

选购附件

木工修边机导板可通过沿工件侧面移动导辊来修整家具层板等曲面。

► **图片55**

1. 拧松夹紧螺丝，在木工修边机基座上安装木工修边机导板，然后拧紧夹紧螺丝。

► **图片56:** 1. 夹紧螺丝

2. 拧松夹紧螺丝并旋拧调节螺丝（每圈1 mm）以调节木工修边机刀头和木工修边机导板之间的距离。达到所需距离后，拧紧夹紧螺丝，固定木工修边机导板。

► **图片57:** 1. 调节螺丝 2. 夹紧螺丝

3. 在导辊置于工件的一侧上的情况下移动工具。

► **图片58:** 1. 工件 2. 木工修边机刀头 3. 导辊

使用工具和倾斜基座

倾斜基座用于对层压板或类似材料的边缘进行修整。

倾斜基座方便进行斜刨削。拧松翼形螺丝，倾斜工具至所需的角度的，然后拧紧翼形螺丝。

将一个直导板牢固地夹紧至工件上，并使其抵住倾斜基座，作为导板使用。朝箭头方向馈送工具。

► **图片59:** 1. 翼形螺丝

使用倾斜基座和木工修边机基座

要使用木工修边机基座和方形基板，请从倾斜基座拆下基板，然后将其安装至木工修边机基座。

► **图片60:** 1. 倾斜基座板 2. 木工修边机基座板

注意：安装倾斜基座板时，请使用木工修边机基座上的螺丝。倾斜基座上的螺丝比木工修边机基座上的螺丝短。

使用工具和偏置基座

偏置基座用于对层压板或类似材料的边缘进行修整。对操作不便的位置进行作业时，偏置基座十分有用。

► **图片61**

使用木工修边机基座和偏置基座板及把手

偏置基座板可与木工修边机基座和把手装置（选购附件）配合使用以获得更加稳定的性能。

1. 拧松偏置基座板上的螺丝，然后从偏置基座上拆下偏置基座板。

► **图片62:** 1. 偏置基座板 2. 木工修边机基座板

2. 拧紧螺丝，将偏置基座板安装至木工修边机基座。

3. 拧紧螺丝，将把手装置和杆式把手安装至偏置基座板。

► **图片63:** 1. 杆式把手 2. 把手装置

从切入式基座拆下的旋钮式把手可安装至偏置基座以代替杆式把手。

► **图片64:** 1. 螺丝 2. 旋钮式把手

使用工具和切入式基座

操作时，务必双手握紧把手。按与木工修边机基座相同的方式操作工具。

使用直线导板

选购附件

1. 使用蝶形螺母将直线导板安装至导板支架。将导板支架插入切入式基座上的孔内，然后拧紧蝶形螺栓。

► **图片65:** 1. 蝶形螺栓 2. 导板支架 3. 蝶形螺母 4. 直线导板

2. 松开直线导板上的蝶形螺母，并调节木工修边机刀头和直线导板之间的距离。在所需的距离位置上，拧紧蝶形螺母。

► **图片66:** 1. 蝶形螺母

3. 按与木工修边机基座直线导板相同的方式操作工具。

► **图片67**

使用样规导板

选购附件

1. 拧松基座上的螺丝，并将它们拆下。将样规导板置于基座上，然后拧紧螺丝。

► **图片68:** 1. 螺丝 2. 样规导板

2. 按与木工修边机基座样规导板相同的方式操作工具。

► **图片69**

使用平行尺

斜刨削或开槽时，使用平行尺进行直线切割尤为有效。调节木工修边机刀头和平行尺之间的距离。达到所需距离后，拧紧蝶形螺栓，固定平行尺。切割时，在平行尺与工件的一侧平齐的情况下移动工具。

► **图片70**

如果工件一侧与切割位置之间的距离（A）对于平行尺来说过宽，或者如果工件的一侧不直，平行尺无法使用。

在这种情况下，可将一个直导板牢固地夹紧至工件上，并使其抵住切入式基座，作为导板使用。朝箭头方向馈送工具。

► **图片71**

更换旋钮式把手至杆式把手

要在切入式基座上安装杆式把手，请松开旋钮式把手的螺丝，拆下旋钮式把手，然后安装杆式把手并将其拧紧。

► **图片72:** 1. 旋钮式把手 2. 螺丝 3. 杆式把手

无线启动功能

无线启动功能的作用

无线启动功能让操作更加干净舒适。将受支持的集尘器连接至工具，集尘器可随工具的开关操作自动运行。

► **图片73**

要使用无线启动功能，请准备以下项目：

- 无线装置（选购附件）
- 支持无线启动功能的集尘器

无线启动功能设置的概况如下。详细步骤请参考各章节。

1. 安装无线装置
2. 集尘器的工具注册
3. 启动无线启动功能

安装无线装置

选购附件

⚠小心： 安装无线装置时，请将工具放置在平坦且稳固的表面上。

注意： 安装无线装置前，请先清洁工具上的灰尘和泥土。如果灰尘和泥土进入无线装置的插槽，则可能会导致其发生故障。

注意： 为避免静电导致故障发生，拿起无线装置前，请先触摸静电释放材料，例如工具的金属部分。

注意： 安装无线装置时，务必确保沿正确方向插入无线装置，且将封盖完全关闭。

1. 如图所示打开工具的封盖。

► **图片74:** 1. 封盖

2. 将无线装置插入插槽，然后关闭封盖。

插入无线装置时，请将凸起部分对齐插槽上的凹陷部分。

► **图片75:** 1. 无线装置 2. 突起部分 3. 封盖 4. 凹陷部分

拆下无线装置时，请缓慢打开封盖。封盖后面的挂钩在拉起封盖时会钩住无线装置。

► **图片76:** 1. 无线装置 2. 挂钩 3. 封盖

取下无线装置后，请将其放在随附的盒中或防静电的容器中。

注意： 取下无线装置时，务必使用封盖后面的挂钩。如果挂钩未钩住无线装置，请完全关闭封盖，然后再缓慢打开。

集尘器的工具注册

注： 进行工具注册需要支持无线启动功能的Makita（牧田）集尘器。

注： 开始工具注册前，请先将无线装置安装至工具。

注： 工具注册期间，请勿扣动开关扳机，或打开集尘器上的电源开关。

注： 请参阅集尘器的使用说明书。

如果您希望集尘器可随工具的开关操作而启动，请预先完成工具注册。

1. 安装集尘器和工具的电池。
2. 将集尘器上的待机开关拧至“**AUTO**”（自动）位置。

► **图片77:** 1. 待机开关

3. 按住集尘器上的无线启动按钮3秒，直至无线启动指示灯呈绿色闪烁。然后以相同的方式按工具上的无线启动按钮。

► **图片78:** 1. 无线启动按钮 2. 无线启动指示灯

如果集尘器和工具成功闪烁，无线启动指示灯将呈绿色亮起2秒，然后开始呈蓝色闪烁。

注： 无线启动指示灯在20秒后结束绿色闪烁。当集尘器上的无线启动指示灯闪烁时，按下工具上的无线启动按钮。如果无线启动指示灯未呈绿色闪烁，短按一下无线启动按钮，然后再次按住该按钮。

注： 对一个集尘器执行两个或以上工具注册时，请逐个完成工具注册。

启动无线启动功能

注：请在无线启动前完成集尘器的工具注册。

注：请参阅集尘器的使用说明书。

将工具注册至集尘器后，集尘器会随着工具的开关操作自动运行。

1. 将无线装置安装至工具。

2. 将集尘器的软管连接至工具。

► **图片79**

3. 将集尘器上的待机开关拧至“**AUTO**”（自动）位置。

► **图片80：**1. 待机开关

4. 短按一下工具上的无线启动按钮。无线启动指示灯将呈蓝色闪烁。

► **图片81：**1. 无线启动按钮 2. 无线启动指示灯

5. 打开工具。检查工具运转期间集尘器是否运行。

要停用集尘器的无线启动功能，请按下工具上的无线启动按钮。

注：闲置2小时无操作后，工具上的无线启动指示灯会停止蓝色闪烁。此时，请将集尘器上的待机开关拧至“**AUTO**”（自动）位置，并再次按下工具上的无线启动按钮。

注：集尘器会延迟启动 / 停止。集尘器检测工具的开关操作会存在时滞。

注：无线装置的传送距离视位置和周边环境不同而异。

注：当一个集尘器被注册了两个或多个工具时，则即使您未开启工具，该集尘器也可能因为其他用户正在使用无线启动功能而开始运行。

无线启动指示灯状态的说明

► **图片82：**1. 无线启动指示灯

无线启动指示灯显示无线启动功能的状态。关于指示灯状态的意义请参阅下表。

状态	无线启动指示灯				说明
	颜色	 亮起	 闪烁	持续时间	
待机	蓝色		2小时	集尘器的无线启动可用。2小时无操作后指示灯会自动熄灭。	
			工具正在运行时。	集尘器的无线启动可用且工具正在运行。	
工具注册	绿色		20秒	准备好进行工具注册。等待集尘器的注册。	
			2秒	完成工具注册。无线启动指示灯将开始呈蓝色闪烁。	
取消工具注册	红色		20秒	准备好取消工具注册。等待集尘器取消工具注册。	
			2秒	完成取消工具注册。无线启动指示灯将开始呈蓝色闪烁。	
其它	红色		3秒	向无线装置供电，且无线启动功能启动。	
	熄灭	-	-	集尘器的无线启动不可用。	

取消集尘器的工具注册

取消集尘器的工具注册时，请执行以下步骤。

1. 安装集尘器和工具的电池。
2. 将集尘器上的待机开关拧至“**AUTO**”（自动）位置。

► **图片83:** 1. 待机开关

3. 按住集尘器上的无线启动按钮**6**秒。无线启动指示灯呈绿色闪烁，然后转为红色。然后以相同的方式按工具上的无线启动按钮。

► **图片84:** 1. 无线启动按钮 2. 无线启动指示灯

如果成功执行取消工具注册，无线启动指示灯将呈红色亮起**2**秒，然后开始呈蓝色闪烁。

注：无线启动指示灯在**20**秒后结束红色闪烁。当集尘器上的无线启动指示灯闪烁时，按下工具上的无线启动按钮。如果无线启动指示灯未呈红色闪烁，短按一下无线启动按钮，然后再次按住该按钮。


无线启动功能的故障排除

请求维修前，请首先自行检查。如果您发现本手册中未作说明的问题，请勿拆解工具。而请联络Makita（牧田）授权维修服务中心，务必使用Makita（牧田）的替换部件进行修复。

异常状态	可能原因（故障）	纠正措施
无线启动指示灯未亮起 / 闪烁。	无线装置未安装至工具。 无线装置未正确安装至工具。	正确安装无线装置。
	无线装置的端子和 / 或插槽脏污。	轻轻擦掉无线装置上的灰尘并清洁插槽。
	未按工具上的无线启动按钮。	短按一下工具上的无线启动按钮。
	集尘器上的待机开关未拧至“ AUTO ”（自动）位置。	将集尘器上的待机开关拧至“ AUTO ”（自动）位置。
	未通电	接通工具和集尘器电源。
未成功完成工具注册 / 取消工具注册操作。	无线装置未安装至工具。 无线装置未正确安装至工具。	正确安装无线装置。
	无线装置的端子和 / 或插槽脏污。	轻轻擦掉无线装置上的灰尘并清洁插槽。
	集尘器上的待机开关未拧至“ AUTO ”（自动）位置。	将集尘器上的待机开关拧至“ AUTO ”（自动）位置。
	未通电	接通工具和集尘器电源。
	错误操作	短按一下无线启动按钮，并再次执行工具注册 / 取消工具注册操作步骤。
	工具和集尘器相隔较远（超出传送范围）。	缩短工具和集尘器之间的距离。它们之间的最大距离为约 10 m ，该距离视实际环境不同而异。
	完成工具注册 / 取消工具注册之前； -打开了工具的开关； -打开了集尘器上的电源按钮。	短按一下无线启动按钮，并再次执行工具注册 / 取消工具注册操作步骤。
	工具或集尘器的工具注册步骤未完成。	同时对工具和集尘器执行工具注册步骤。
其它设备的无线电干扰会产生高强度的无线电波。	使工具和集尘器远离 Wi-Fi 设备和微波炉等电器。	

异常状态	可能原因（故障）	纠正措施
集尘器未随着工具的开关操作而运行。	无线装置未安装至工具。 无线装置未正确安装至工具。	正确安装无线装置。
	无线装置的端子和 / 或插槽脏污。	轻轻擦掉无线装置上的灰尘并清洁插槽。
	未按工具上的无线启动按钮。	短按一下无线启动按钮，确保无线启动指示灯呈蓝色闪烁。
	集尘器上的待机开关未拧至“ AUTO ”（自动）位置。	将集尘器上的待机开关拧至“ AUTO ”（自动）位置。
	集尘器可注册超过 10 个工具。	请再次执行工具注册。 如果集尘器注册的工具超过 10 个，则最先注册的工具会被自动删除。
	集尘器删除了所有工具注册。	再次执行工具注册。
	未通电	接通工具和集尘器电源。
	工具和集尘器相隔较远（超出传送范围）。	缩短工具和集尘器之间的距离。它们之间的最大距离为约 10 m ，该距离视实际环境不同而异。
	其它设备的无线电干扰会产生高强度的无线电波。	使工具和集尘器远离 Wi-Fi 设备和微波炉等电器。
工具未运转但集尘器运行。	其他用户正在他们的工具上使用该集尘器的无线启动功能。	关闭其它工具的无线启动功能或取消其它工具的工具注册。

保养

 **小心：** 检查或保养工具之前，请务必关闭工具电源并取出电池组。

注意： 切勿使用汽油、苯、稀释剂、酒精或类似物品清洁工具。否则可能会导致工具变色、变形或出现裂缝。

为了保证产品的安全与可靠性，维修、任何其他维修保养或调节需由**Makita**（牧田）授权的或工厂维修服务中心完成。务必使用**Makita**（牧田）的替换部件。

选购附件

⚠小心： 这些附件或装置专用于本说明书所列的Makita（牧田）工具。如使用其他厂牌附件或装置，可能导致人身伤害。仅可将附件或装置用于规定目的。

如您需要了解更多关于这些选购附件的信息，请咨询当地的Makita（牧田）维修服务中心。

- 直线和凹槽成型刀头
- 修边成型刀头
- 层压整修刀头
- 直线导板组件
- 修边机导板组件

- 修边机基座组件
- 修边机基座组件（树脂）
- 倾斜基座组件
- 切入式基座组件
- 偏置基座组件
- 把手装置
- 样规导板
- 锥形筒夹
- 扳手13
- 扳手22
- 无线装置
- Makita（牧田）原装电池和充电器

注： 本列表中的一些部件可能作为标准配件包含于工具包装内。它们可能因销往国家之不同而异。

适用于此木工修边机的附件

此工具可以与以下附件搭配使用以用于各种用途。您所在的国家可能不提供某些附件。

► 图片85

1. 木工修边机基座（金属）
2. 木工修边机基座（树脂）
切口清晰可见。
3. 倾斜基座
4. 偏置基座
5. 切入式基座
6. 把手装置
7. 样规导板
8. 直线导板
9. 木工修边机导板
10. 木工修边机导靴
用于精确修整边缘。*与木工修边机导板部件配合使用。
11. 集尘口
12. 基座板（金属）
13. 方形基座板（倾斜基座的基座板）
14. 偏置基座板（偏置基座的基座板）
使用带把手装置的偏置基座板时，可以安装把手。
15. 基座板（树脂）
16. 把手基座
17. 杆式把手
18. 旋钮式把手（切入式基座的把手）
19. 切入式基座集尘口
20. 切入式基座样规导板
21. 导板支架
可在切入式基座上使用木工修边机基座直线导板。
22. 平行尺
定位微调功能。
23. 平行尺
24. 导轨适配器
25. 导轨
用于精确的直线切割。
26. 斜导板
用于调节导轨的角度。
27. 导轨铰接接头（2件）
用于连接两根导轨。
28. 固定钳（标准型）
用于固定导轨。
29. 固定钳（快装型）
用于固定导轨。
30. 底座
导轨上部塑料带的维修部件。
31. 橡胶底座
导轨下部橡胶带的维修部件。
32. 定位底座
导轨定位底座的维修部件。

► 图片86

SPESIFIKASI

Model:		RT001G
Kapasitas cekam collet		6 mm, 8 mm, 1/4", atau 3/8"
Kecepatan tanpa beban		10.000 - 31.000 min ⁻¹
Tinggi keseluruhan	dengan BL4025	245 mm
	dengan BL4040	251 mm
Tegangan terukur		D.C. 36 V - 40 V maks
Berat bersih		2,2 - 2,5 kg

- Karena kesinambungan program penelitian dan pengembangan kami, spesifikasi yang disebutkan di sini dapat berubah tanpa pemberitahuan.
- Spesifikasi dan kartrid baterai dapat berbeda dari satu negara ke negara lainnya.
- Berat alat mungkin berbeda tergantung perangkat tambahan yang dipasang, termasuk kartrid baterai. Kombinasi alat terberat dan teringan, sesuai Prosedur EPTA 01/2014, ditunjukkan pada tabel.

Kartrid dan pengisi daya baterai yang dapat digunakan

Kartrid baterai	BL4020 / BL4025 / BL4040
Pengisi daya	DC40RA / DC40RB / DC40RC

- Beberapa kartrid baterai dan pengisi daya yang tercantum di atas mungkin tidak tersedia, tergantung wilayah tempat tinggal Anda.

⚠ PERINGATAN: Hanya gunakan kartrid dan pengisi daya baterai yang tercantum di atas. Penggunaan kartrid dan pengisi daya baterai lain dapat menimbulkan risiko cedera dan/atau kebakaran.

Simbol

Berikut ini adalah simbol-simbol yang dapat digunakan pada peralatan ini. Pastikan Anda memahami arti masing-masing simbol sebelum menggunakan peralatan.



Baca petunjuk penggunaan.



Gunakan kaca mata pengaman.



Hanya untuk negara-negara UE
Akibat adanya komponen berbahaya dalam peralatan, limbah peralatan listrik dan elektronik, aki dan baterai dapat memiliki dampak negatif pada lingkungan dan kesehatan manusia.
Jangan buang peralatan listrik dan elektronik atau baterai bersama limbah rumah tangga!
Sesuai dengan Petunjuk Eropa tentang limbah peralatan listrik dan elektronik dan tentang aki dan baterai serta limbah aki dan baterai, serta penyesuaiannya terhadap undang-undang nasional, limbah peralatan listrik, baterai dan aki harus disimpan secara terpisah dan dikirim ke tempat pengumpulan terpisah untuk sampah kota, beroperasi sesuai dengan peraturan tentang perlindungan lingkungan.
Hal ini ditunjukkan dengan simbol tempat sampah bersilang yang ditempatkan pada peralatan.

Penggunaan

Mesin ini digunakan untuk pekerjaan pemotongan benam dan memprofil kayu, plastik serta bahan-bahan sejenisnya.

PERINGATAN KESELAMATAN

Peringatan keselamatan umum mesin listrik

⚠️ PERINGATAN: Bacalah semua peringatan keselamatan, petunjuk, ilustrasi dan spesifikasi yang disertakan bersama mesin listrik ini. Kelalaian untuk mematuhi semua petunjuk yang tercantum di bawah ini dapat menyebabkan sengatan listrik, kebakaran dan/atau cedera serius.

Simpanlah semua peringatan dan petunjuk untuk acuan di masa depan.

Istilah "mesin listrik" dalam semua peringatan mengacu pada mesin listrik yang dijalankan dengan sumber listrik jala-jala (berkabel) atau baterai (tanpa kabel).

Keselamatan tempat kerja

1. **Jaga tempat kerja selalu bersih dan berpenerangan cukup.** Tempat kerja yang berantakan dan gelap mengundang kecelakaan.
2. **Jangan gunakan mesin listrik dalam lingkungan yang mudah meledak, misalnya jika ada cairan, gas, atau debu yang mudah menyala.** Mesin listrik menimbulkan bunga api yang dapat menyalakan debu atau uap tersebut.
3. **Jauhkan anak-anak dan orang lain saat menggunakan mesin listrik.** Bila perhatian terpecah, anda dapat kehilangan kendali.

Keamanan Kelistrikan

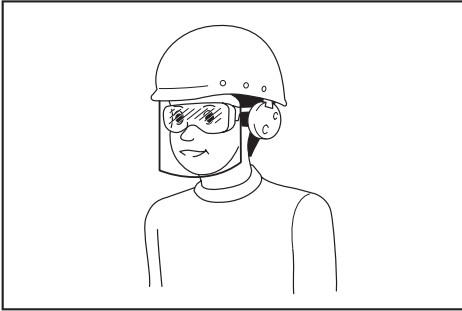
1. **Steker mesin listrik harus cocok dengan stopkontak. Jangan sekali-kali mengubah steker dengan cara apa pun. Jangan menggunakan steker adaptor dengan mesin listrik terbumi (dibumikan).** Steker yang tidak diubah dan stopkontak yang cocok akan mengurangi risiko sengatan listrik.
2. **Hindari sentuhan tubuh dengan permukaan terbumi atau yang dibumikan seperti pipa, radiator, kompor, dan kulkas.** Risiko sengatan listrik bertambah jika tubuh Anda terbumikan atau dibumikan.
3. **Jangan membiarkan mesin listrik kehujanan atau kebasahan.** Air yang masuk ke dalam mesin listrik akan meningkatkan risiko sengatan listrik.
4. **Jangan menyalahgunakan kabel. Jangan sekali-kali menggunakan kabel untuk membawa, menarik, atau mencabut mesin listrik dari stopkontak. Jauhkan kabel dari panas, minyak, tepian tajam, atau bagian yang bergerak.** Kabel yang rusak atau kusut memperbesar risiko sengatan listrik.
5. **Bila menggunakan mesin listrik di luar ruangan, gunakan kabel ekstensi yang sesuai untuk penggunaan di luar ruangan.** Penggunaan kabel yang sesuai untuk penggunaan luar ruangan mengurangi risiko sengatan listrik.

6. **Jika mengoperasikan mesin listrik di lokasi lembap tidak terhindarkan, gunakan pasokan daya yang dilindungi peranti imbasan arus (residual current device - RCD).** Penggunaan RCD mengurangi risiko sengatan listrik.
7. **Mesin listrik dapat menghasilkan medan magnet (EMF) yang tidak berbahaya bagi pengguna.** Namun, pengguna alat pacu jantung atau peralatan medis sejenisnya harus berkonsultasi dengan produsen peralatan tersebut dan/atau dokter mereka sebelum mengoperasikan mesin listrik ini.

Keselamatan Diri

1. **Jaga kewaspadaan, perhatikan pekerjaan Anda dan gunakan akal sehat bila menggunakan mesin listrik. Jangan menggunakan mesin listrik saat Anda lelah atau di bawah pengaruh obat bius, alkohol, atau obat.** Sekejap saja lalai saat menggunakan mesin listrik dapat menyebabkan cedera badan serius.
2. **Gunakan alat pelindung diri. Selalu gunakan pelindung mata.** Peralatan pelindung seperti masker debu, sepatu pengaman anti-selip, helm pengaman, atau pelindung telinga yang digunakan untuk kondisi yang sesuai akan mengurangi risiko cedera badan.
3. **Cegah penyalaan yang tidak disengaja. Pastikan bahwa sakelar berada dalam posisi mati (off) sebelum menghubungkan mesin ke sumber daya dan/atau paket baterai, atau mengangkat atau membawanya.** Membawa mesin listrik dengan jari Anda pada sakelarnya atau mengalirkan listrik pada mesin listrik yang sakelarnya hidup (on) akan mengundang kecelakaan.
4. **Lepaskan kunci-kunci penyetel sebelum menghidupkan mesin listrik.** Kunci-kunci yang masih terpasang pada bagian mesin listrik yang berputar dapat menyebabkan cedera.
5. **Jangan meraih terlalu jauh. Jagalah pijakan dan keseimbangan sepanjang waktu.** Hal ini memungkinkan kendali yang lebih baik atas mesin listrik dalam situasi yang tidak diharapkan.
6. **Kenakan pakaian yang memadai. Jangan memakai pakaian yang longgar atau perhiasan. Jaga jarak antara rambut dan pakaian Anda dengan komponen mesin yang bergerak.** Pakaian yang longgar, perhiasan, atau rambut yang panjang dapat tersangkut pada komponen yang bergerak.
7. **Jika tersedia fasilitas untuk menghisap dan mengumpulkan debu, pastikan fasilitas tersebut terhubung listrik dan digunakan dengan baik.** Penggunaan pembersih debu dapat mengurangi bahaya yang terkait dengan debu.
8. **Jangan sampai Anda lelah dan mengabaikan prinsip keselamatan mesin ini hanya karena sudah sering mengoperasikannya dan sudah merasa terbiasa.** Tindakan yang lalai dapat menyebabkan cedera berat dalam sepersekian detik saja.

9. **Selalu kenakan kacamata pelindung untuk melindungi mata dari cedera saat menggunakan mesin listrik. Kacamata harus sesuai dengan ANSI Z87.1 di Amerika Serikat, EN 166 di Eropa, atau AS/NZS 1336 di Australia/Selandia Baru. Di Australia/Selandia Baru, secara hukum Anda juga diwajibkan mengenakan pelindung wajah untuk melindungi wajah Anda.**



Menjadi tanggung jawab atasannya untuk menerapkan penggunaan alat pelindung keselamatan yang tepat bagi operator mesin dan orang lain yang berada di area kerja saat itu.

Penggunaan dan pemeliharaan mesin listrik

- 1. Jangan memaksa mesin listrik. Gunakan mesin listrik yang tepat untuk keperluan Anda.** Mesin listrik yang tepat akan menuntaskan pekerjaan dengan lebih baik dan aman pada kecepatan sesuai rancangannya.
- 2. Jangan gunakan mesin listrik jika sakelar tidak dapat menyala dan memastikannya.** Mesin listrik yang tidak dapat dikendalikan dengan sakelarnya adalah berbahaya dan harus diperbaiki.
- 3. Cabut steker dari sumber listrik dan/atau lepas paket baterai, jika dapat dilepas, dari mesin listrik sebelum melakukan penyetelan apa pun, mengganti aksesoris, atau menyimpan mesin listrik.** Langkah keselamatan preventif tersebut mengurangi risiko hidupnya mesin secara tak sengaja.
- 4. Simpan mesin listrik jauh dari jangkauan anak-anak dan jangan biarkan orang yang tidak paham mengenai mesin listrik tersebut atau petunjuk ini menggunakan mesin listrik.** Mesin listrik sangat berbahaya di tangan pengguna yang tak terlatih.
- 5. Rawatlah mesin listrik dan aksesoris. Periksa apakah ada komponen bergerak yang tidak lurus atau macet, komponen yang pecah, dan kondisi-kondisi lain yang dapat memengaruhi pengoperasian mesin listrik. Jika rusak, perbaiki mesin listrik terlebih dahulu sebelum digunakan.** Banyak kecelakaan disebabkan oleh kurangnya pemeliharaan mesin listrik.
- 6. Jaga agar mesin pemotong tetap tajam dan bersih.** Mesin pemotong yang terawat baik dengan mata pemotong yang tajam tidak mudah macet dan lebih mudah dikendalikan.
- 7. Gunakan mesin listrik, aksesoris, dan mata mesin, dll. sesuai dengan petunjuk ini, dengan memperhitungkan kondisi kerja dan jenis pekerjaan yang dilakukan.** Penggunaan mesin listrik untuk penggunaan yang lain dari peruntukan dapat menimbulkan situasi berbahaya.
- 8. Jagalah agar gagang dan permukaan pegangan tetap kering, bersih, dan bebas dari minyak dan pelumas.** Gagang dan permukaan pegangan yang licin tidak mendukung keamanan penanganan dan pengendalian mesin dalam situasi-situasi tak terduga.
- 9. Ketika menggunakan mesin, jangan menggunakan sarung tangan kain yang dapat tersangkut.** Sarung tangan kain yang tersangkut pada komponen bergerak dapat mengakibatkan cedera pada pengguna.

Penggunaan dan pemeliharaan mesin bertenaga baterai

- 1. Isi ulang baterai hanya dengan pengisi daya yang ditentukan oleh pabrik.** Pengisi daya yang cocok untuk satu jenis paket baterai dapat menimbulkan risiko kebakaran ketika digunakan untuk paket baterai yang lain.
- 2. Gunakan mesin listrik hanya dengan paket baterai yang telah ditentukan secara khusus.** Penggunaan paket baterai lain dapat menimbulkan risiko cedera dan kebakaran.
- 3. Ketika paket baterai tidak digunakan, jauhkan dari benda logam lain, seperti penjepit kertas, uang logam, kunci, paku, sekrup atau benda logam kecil lainnya, yang dapat menghubungkan satu terminal ke terminal lain.** Hubungan singkat terminal baterai dapat menyebabkan luka bakar atau kebakaran.
- 4. Pemakaian yang salah, dapat menyebabkan keluarnya cairan dari baterai; hindari kontak. Jika terjadi kontak secara tidak sengaja, bilas dengan air. Jika cairan mengenai mata, cari bantuan medis.** Cairan yang keluar dari baterai bisa menyebabkan iritasi atau luka bakar.
- 5. Jangan menggunakan paket baterai atau mesin yang sudah rusak atau telah diubah.** Baterai yang rusak atau telah diubah dapat menyebabkan hal-hal yang tidak dapat diprediksi yang dapat menyebabkan kebakaran, ledakan atau risiko cedera.
- 6. Jangan membiarkan paket baterai atau mesin dekat dengan api atau suhu yang berlebihan.** Paparan api atau suhu di atas 130 °C dapat menyebabkan ledakan.
- 7. Ikuti semua petunjuk pengisian daya dan jangan mengisi daya paket baterai atau mesin di luar rentang suhu yang ditentukan di panduan.** Mengisi daya secara tidak tepat atau pada suhu di luar rentang yang ditentukan dapat merusak baterai dan meningkatkan risiko kebakaran.

Servis

- 1. Berikan mesin listrik untuk diperbaiki hanya kepada oleh teknisi yang berkualifikasi dengan menggunakan hanya suku cadang pengganti yang serupa.** Hal ini akan menjamin terjaminnya keamanan mesin listrik.

2. **Jangan pernah memperbaiki paket baterai yang sudah rusak.** Perbaiki paket baterai harus dilakukan hanya oleh produsen atau penyedia servis resmi.
3. **Patuhi petunjuk pelumasan dan penggantian aksesoris.**

Peringatan keselamatan mesin profil tanpa kabel

1. **Gunakan klem atau cara praktis lainnya untuk mengikat dan menahan benda kerja pada posisi yang stabil.** Menahan benda kerja dengan tangan Anda atau berada pada posisi berlawanan dengan badan membuat benda kerja tidak stabil dan dapat menyebabkan kehilangan kendali.
2. **Pegang mesin listrik hanya pada permukaan genggang yang terisolasi karena pemotong mungkin bersentuhan dengan kawat atau kabel tersembunyi.** Memotong kawat yang “teraliri arus listrik” dapat menyebabkan bagian logam pada mesin “teraliri arus listrik” dan menyengat pengguna.
3. **Hanya gunakan mata mesin profil terukur yang setidaknya sama dengan kecepatan maksimum yang ditandai pada mesin.** Jika mesin memiliki fungsi kontrol kecepatan variabel, atur kecepatan mesin di bawah pengukuran kecepatan mata mesin profil.
4. **Kepala mata mesin profil harus cocok dengan cekam collet yang telah ditentukan.**
5. **Gunakan pelindung telinga selama penggunaan terus-menerus.**
6. **Tangani mata mesin profil dengan sangat hati-hati.**
7. **Pastikan dengan saksama bahwa mata mesin profil tidak memiliki keretakan atau kerusakan sebelum pengoperasian.** Segera ganti mata mesin profil yang retak atau rusak.
8. **Hindari memotong paku.** Periksa dan buang semua paku dari benda kerja sebelum pengoperasian.
9. **Pegang mesin kuat-kuat.**
10. **Jauhkan tangan dari bagian yang berputar.**
11. **Pastikan bahwa mata mesin profil tidak menyentuh benda kerja sebelum sakelar dinyalakan.**
12. **Sebelum menggunakan mesin pada benda kerja yang sebenarnya, jalankan mesin sebentar.** Perhatikan akan adanya getaran atau goyangan yang dapat menunjukkan mata mesin profil terpasang secara tidak benar.
13. **Hati-hati terhadap arah putaran mata mesin profil dan arah pemakanan.**
14. **Jangan tinggalkan mesin dalam keadaan hidup.** Jalankan mesin hanya ketika digenggam tangan.
15. **Selalu matikan dan tunggu sampai mata mesin profil benar-benar berhenti sebelum mengangkat mesin dari benda kerja.**
16. **Jangan menyentuh mata mesin profil atau benda kerja segera setelah pengoperasian;** suhunya mungkin masih sangat panas dan dapat membakar kulit Anda.

17. **Jangan melumuri dudukan dengan tiner, bensin, oli atau bahan sejenisnya.** Hal tersebut bisa menyebabkan keretakan pada dudukan.
18. **Gunakan mata mesin profil dengan diameter kepala tirus yang tepat dan sesuai dengan kecepatan mesin.**
19. **Bahan tertentu mengandung zat kimia yang mungkin beracun.** Hindari menghirup debu dan persentuhan dengan kulit. Ikuti data keselamatan bahan dari pemasok.
20. **Selalu gunakan masker debu/alat pernafasan yang tepat sesuai bahan dan pekerjaan yang sedang Anda kerjakan.**

SIMPAN PETUNJUK INI.

⚠️ PERINGATAN: JANGAN biarkan kenyamanan atau terbiasanya Anda dengan produk (karena penggunaan berulang) mengurangi kepatuhan yang ketat terhadap aturan keselamatan untuk produk yang terkait. **PENYALAHGUNAAN** atau kelalaian mematuhi kaidah keselamatan yang tertera dalam petunjuk ini dapat menyebabkan cedera badan serius.

Petunjuk keselamatan penting untuk kartrid baterai

1. **Sebelum menggunakan kartrid baterai, bacalah semua petunjuk dan penandaan pada (1) pengisi daya baterai, (2) baterai, dan (3) produk yang menggunakan baterai.**
 2. **Jangan membongkar atau memodifikasi kartrid baterai.** Tindakan tersebut dapat menimbulkan api, panas berlebih, atau ledakan.
 3. **Jika waktu beroperasinya menjadi sangat singkat, segera hentikan penggunaan.** Hal tersebut dapat menimbulkan risiko panas berlebih, kemungkinan mengalami luka bakar atau bahkan terjadi ledakan.
 4. **Jika elektrolit mengenai mata Anda, basuh dengan air bersih dan segera cari pertolongan medis.** Hal tersebut dapat mengakibatkan hilangnya kemampuan penglihatan Anda.
 5. **Jangan menghubungkan terminal kartrid baterai:**
 - (1) **Jangan menyentuh terminal dengan bahan penghantar listrik apa pun.**
 - (2) **Hindari menyimpan kartrid baterai pada wadah yang berisi benda logam lain seperti paku, uang logam, dsb.**
 - (3) **Jangan membiarkan baterai terkena air atau kehujanan.**
- Hubungan singkat baterai dapat menyebabkan aliran arus listrik yang besar, panas berlebih, kemungkinan mengalami luka bakar dan bahkan kerusakan pada baterai.
6. **Jangan menyimpan dan menggunakan mesin dan kartrid baterai pada lokasi dengan suhu yang bisa mencapai atau melebihi 50 °C (122 °F).**
 7. **Jangan membuang kartrid baterai di tempat pembakaran sampah walaupun benar-benar rusak atau tidak bisa digunakan sama sekali.** Kartrid baterai bisa meledak jika terbakar.

8. **Jangan memaku, memotong, menghancurkan, melempar, menjatuhkan kartrid baterai, atau memukulkan benda keras ke kartrid baterai.** Tindakan tersebut dapat menimbulkan api, panas berlebih, atau ledakan.
9. **Jangan menggunakan baterai yang rusak.**
10. **Baterai litium-ion yang disertakan sesuai dengan persyaratan Perundangan Makanan Berbahaya.** Harus ada pengawasan untuk pengangkutan komersial misalnya oleh pihak ketiga, ekspeditor, persyaratan khusus terhadap pengemasan dan pelabelan. Diperlukan adanya konsultasi dengan ahli mengenai material berbahaya untuk persiapan barang yang akan dikirimkan. Perhatikan pula peraturan nasional yang lebih terperinci yang mungkin ada. Beri perekat atau tutupi bagian yang terbuka dan kemasan baterai dengan cara yang tidak akan menimbulkan pergeseran dalam pengemasan.
11. **Ketika membuang kartrid baterai, lepaskan dari mesin dan buang ke tempat yang aman. Patuhi peraturan setempat yang berkaitan dengan pembuangan baterai.**
12. **Gunakan baterai hanya dengan produk yang ditentukan oleh Makita.** Memasang baterai pada produk yang tidak sesuai dapat menyebabkan kebakaran, kelebihan panas, ledakan, atau kebocoran elektrolit.
13. **Jika mesin tidak digunakan dalam jangka waktu yang lama, baterai harus dilepas dari mesin.**
14. **Selama dan setelah digunakan, kartrid baterai mungkin menyimpan panas yang dapat menyebabkan luka bakar atau luka bakar suhu rendah.** Perhatikan cara memegang kartrid baterai yang masih panas.
15. **Jangan langsung menyentuh terminal mesin setelah digunakan karena suhunya mungkin cukup panas untuk menyebabkan luka bakar.**
16. **Jangan biarkan serpihan, debu, atau tanah menempel di terminal, lubang, dan alur kartrid baterai.** Hal tersebut dapat menyebabkan pemanasan, kebakaran, ledakan, dan kegagalan fungsi mesin atau kartrid baterai, yang mengakibatkan luka bakar atau cedera diri.
17. **Kecuali jika mesin mendukung penggunaan di dekat saluran listrik bertegangan tinggi, jangan gunakan kartrid baterai di dekat saluran listrik bertegangan tinggi.** Hal tersebut dapat mengakibatkan kegagalan fungsi atau kerusakan mesin maupun kartrid baterai.
18. **Jauhkan baterai dari jangkauan anak-anak.**

SIMPAN PETUNJUK INI.

⚠️ PERHATIAN: Gunakan baterai asli Makita. Penggunaan baterai Makita yang tidak asli, atau baterai yang sudah diubah, akan mengakibatkan baterai mudah terbakar, cedera dan kerusakan. Akan menghilangkan garansi Makita pada pengisi daya dan alat Makita.

Tip untuk menjaga agar umur pemakaian baterai maksimum

1. **Isi ulang kartrid baterai sebelum habis sama sekali. Selalu hentikan penggunaan mesin dan ganti kartrid baterai jika Anda melihat bahwa mesin kurang tenaga.**
2. **Jangan pernah mengisi ulang kartrid baterai yang sudah diisi penuh. Pengisian ulang yang berlebih memperpendek umur pemakaian baterai.**
3. **Isi ulang kartrid baterai pada suhu ruangan 10 °C - 40 °C. Biarkan kartrid baterai yang panas menjadi dingin terlebih dahulu sebelum diisi ulang.**
4. **Saat kartrid baterai tidak digunakan, lepaskan dari mesin atau pengisi daya.**
5. **Isi ulang daya kartrid baterai jika Anda tidak menggunakannya untuk jangka waktu yang lama (lebih dari enam bulan).**

Petunjuk keselamatan penting untuk unit nirkabel

1. **Jangan membongkar atau memodifikasi unit nirkabel.**
2. **Jauhkan unit nirkabel dari anak kecil. Jika tidak sengaja tertelan, segera minta pertolongan medis.**
3. **Gunakan unit nirkabel hanya dengan peralatan Makita.**
4. **Pastikan unit nirkabel tidak kehujanan atau basah.**
5. **Jangan menggunakan unit nirkabel di tempat-tempat yang bersuhu lebih dari 50°C.**
6. **Jangan menggunakan unit nirkabel di tempat-tempat yang dekat dengan peralatan medis, seperti alat pacu jantung.**
7. **Jangan menggunakan unit nirkabel di tempat-tempat yang dekat dengan perangkat otomatis. Jika tetap digunakan, perangkat otomatis dapat menjadi tidak berfungsi atau rusak.**
8. **Jangan mengoperasikan unit nirkabel di tempat-tempat yang bersuhu tinggi atau tempat-tempat yang dapat menghasilkan listrik statis atau gangguan listrik.**
9. **Unit nirkabel dapat menghasilkan medan magnet (EMF), tetapi medan magnet ini tidak berbahaya bagi pengguna.**
10. **Unit nirkabel merupakan suatu peralatan yang akurat. Berhati-hatilah jangan sampai unit nirkabel jatuh atau terbentur.**
11. **Jangan menyentuh terminal unit nirkabel dengan tangan tanpa pelindung atau dengan barang berbahan logam.**
12. **Selalu lepaskan baterai dari produk ketika memasang unit nirkabel ke dalamnya.**
13. **Ketika membuka penutup celah hindari tempat yang dapat mengakibatkan debu dan air masuk ke dalam celah. Selalu jaga tempat masuk celah dalam keadaan bersih.**
14. **Selalu masukkan unit nirkabel dengan arah yang benar.**

15. Jangan menekan tombol pengaktifan nirkabel pada unit nirkabel terlalu kuat dan/atau menekan tombol dengan benda berujung tajam.
16. Selalu tutup bagian penutup celah selama digunakan.
17. Jangan melepaskan unit nirkabel dari celah ketika daya sedang mengalir ke dalam mesin. Melakukan hal ini dapat menyebabkan kerusakan fungsi pada unit nirkabel.
18. Jangan melepaskan stiker pada unit nirkabel.
19. Jangan menempelkan stiker apa pun pada unit nirkabel.
20. Jangan meninggalkan unit nirkabel di tempat yang dapat menghasilkan listrik statis atau gangguan listrik.
21. Jangan meninggalkan unit nirkabel di tempat dengan panas tinggi seperti pada mobil di bawah sinar matahari langsung.
22. Jangan meninggalkan unit nirkabel di tempat berdebu atau berserbuk atau di tempat yang dapat menghasilkan gas yang bersifat korosif.
23. Perubahan suhu secara mendadak dapat mengakibatkan unit nirkabel menjadi berembun. Jangan menggunakan unit nirkabel hingga embun telah benar-benar kering.
24. Ketika membersihkan unit nirkabel, usap dengan hati-hati menggunakan kain lembut dan kering. Jangan menggunakan benzena, tiner, gemuk konduktif atau sejenisnya.
25. Ketika menyimpan unit nirkabel, simpan dalam kotak yang disediakan atau wadah bebas listrik statis.
26. Jangan memasukkan perangkat apa pun selain unit nirkabel Makita ke dalam celah pada mesin.
27. Jangan menggunakan mesin jika penutup celah rusak. Air, debu, dan kotoran yang masuk ke dalam celah dapat mengakibatkan malafungsi.
28. Jangan menarik dan/atau memutar penutup celah lebih dari yang diperlukan. Pasang ke tempatnya semula jika penutup terlepas dari mesin.
29. Ganti penutup celah jika hilang atau rusak.

SIMPAN PETUNJUK INI.

DESKRIPSI FUNGSI

PERHATIAN: Selalu pastikan bahwa mesin dimatikan dan kartrid baterai dilepas sebelum menyatel atau memeriksa kerja mesin.

Memasang atau melepas baterai

PERHATIAN: Selalu matikan mesin sebelum memasang atau melepas kartrid baterai.

PERHATIAN: Pegang mesin dan kartrid baterai kuat-kuat saat memasang atau melepas kartrid baterai. Kelalaian untuk memegang mesin dan kartrid baterai kuat-kuat bisa menyebabkan keduanya tergelincir dari tangan Anda dan mengakibatkan kerusakan pada mesin dan kartrid baterai dan cedera diri.

Untuk melepas kartrid baterai, geser dari mesin sambil menggeser tombol pada bagian depan kartrid.

► **Gbr.1:** 1. Indikator berwarna merah 2. Tombol 3. Kartrid baterai

Untuk memasang kartrid baterai, sejajarkan lidah kartrid baterai dengan alur pada rumah dan masukkan ke dalam tempatnya. Masukkan seluruhnya sampai terkunci pada tempatnya dan terdengar bunyi klik kecil. Jika Anda bisa melihat indikator berwarna merah pada sisi atas tombol, berarti tidak terkunci sepenuhnya.

PERHATIAN: Selalu pasang kartrid baterai sepenuhnya sampai indikator berwarna merah tidak terlihat. Jika tidak, bisa terlepas dari mesin secara tidak sengaja, menyebabkan luka pada Anda atau orang di sekitar Anda.

PERHATIAN: Jangan memasang kartrid baterai secara paksa. Jika kartrid tidak bergeser dengan mudah, berarti tidak dimasukkan dengan benar.

Mengindikasikan kapasitas baterai yang tersisa

Tekan tombol pemeriksaan pada kartrid baterai untuk melihat kapasitas baterai yang tersisa. Lampu indikator menyala selama beberapa detik.

► **Gbr.2:** 1. Lampu indikator 2. Tombol pemeriksaan

Lampu indikator			Kapasitas yang tersisa
Menyala	Mati	Berkedip	
■	□	▧	
■ ■ ■ ■			75% hingga 100%
■ ■ ■ □			50% hingga 75%
■ ■ □ □			25% hingga 50%
■ □ □ □			0% hingga 25%
▧ □ □ □			Isi ulang baterai.
■ ■ □ □			Baterai mungkin sudah rusak.
□ □ ■ ■	↑ ↓		

CATATAN: Tergantung kondisi penggunaan dan suhu lingkungannya, penunjukkan mungkin saja sedikit berbeda dari kapasitas sebenarnya.

CATATAN: Lampu indikator pertama (ujung kiri) akan berkedip ketika sistem perlindungan mesin bekerja.

Sistem perlindungan mesin / baterai

Mesin ini dilengkapi dengan sistem perlindungan mesin/baterai. Sistem ini memutus daya ke motor secara otomatis untuk memperpanjang umur pakai mesin dan baterai. Mesin akan berhenti secara otomatis saat dioperasikan jika mesin atau baterai mengalami salah satu dari kondisi-kondisi berikut ini:

Perlindungan kelebihan beban

Jika baterai digunakan dengan cara yang membuat baterai menarik arus tinggi berlebihan, mesin akan berhenti secara otomatis tanpa peringatan sebelumnya. Dalam situasi ini, matikan mesin dan hentikan pekerjaan yang menyebabkan mesin mengalami kelebihan beban. Kemudian, nyalakan mesin untuk kembali melanjutkan pekerjaan.

Perlindungan panas berlebih

Saat mesin atau baterai terlalu panas, mesin akan berhenti secara otomatis. Pada keadaan ini, tunggu hingga mesin dan baterai mendingin sebelum dinyalakan kembali.

Perlindungan pengisian daya berlebih

Ketika kapasitas baterai tidak cukup, mesin akan berhenti secara otomatis. Dalam kondisi ini, lepaskan baterai dari mesin dan isi ulang baterai.

Perlindungan terhadap penyebab lain

Sistem perlindungan juga dirancang untuk penyebab lain yang dapat merusak mesin dan memungkinkan mesin untuk berhenti secara otomatis. Lakukan semua langkah berikut ini untuk mengatasi penyebabnya, saat mesin dihentikan sementara atau berhenti beroperasi.

1. Matikan mesin, dan kemudian hidupkan kembali untuk memulai ulang.
2. Isi baterai atau ganti dengan baterai yang sudah diisi ulang.
3. Biarkan mesin dan baterai menjadi dingin.

Jika tidak ada peningkatan yang dapat ditemukan dengan memulihkan sistem perlindungan, hubungi Pusat Servis Makita setempat Anda.

Kerja sakelar

Untuk menyalakan mesin, tekan tombol kunci/buka kunci. Mesin beralih ke mode siaga. Untuk memulai mesin, tekan tombol mulai/berhenti pada mode siaga. Untuk menghentikan mesin, tekan lagi tombol mulai/berhenti. Mesin beralih ke mode siaga. Untuk mematikan mesin, tekan tombol kunci/buka kunci pada mode siaga.

► **Gbr.3:** 1. Tombol kunci/buka kunci 2. Tombol mulai/berhenti

CATATAN: Jika mesin ditinggalkan selama 10 detik tanpa pengoperasian apa pun dalam mode siaga, secara otomatis mesin akan mati dan lampu akan mati.

CATATAN: Anda juga dapat menghentikan atau mematikan mesin dengan menekan tombol kunci/buka kunci saat mesin beroperasi.

Menyalakan lampu depan

PERHATIAN: Jangan melihat lampu atau sumber cahaya secara langsung.

Untuk menyalakan lampu, tekan tombol kunci/buka kunci. Untuk mematikan lampu, tekan lagi tombol kunci/buka kunci.

PEMBERITAHUAN: Saat mesin mengalami kelebihan panas, lampu akan berkedip. Dinginkan mesin sepenuhnya sebelum mengoperasikan mesin lagi.

CATATAN: Gunakan kain kering untuk mengelap kotoran dari lensa lampu. Hati-hati jangan sampai menggores lensa lampu, atau hal tersebut dapat menurunkan tingkat penerangannya.

► **Gbr.4:** 1. Lampu

Sakelar penyetel kecepatan

Kecepatan rotasi mesin dapat diubah dengan memutar sakelar penyetel kecepatan. Tabel di bawah ini menunjukkan angka pada sakelar dan kecepatan rotasi yang sesuai.

► **Gbr.5:** 1. Sakelar penyetel kecepatan

Angka	Kecepatan
1	10.000 min ⁻¹
2	15.000 min ⁻¹
3	21.000 min ⁻¹
4	26.000 min ⁻¹
5	31.000 min ⁻¹

PERHATIAN: Jangan mengubah kecepatan putaran selama pengoperasian. Jika tidak, reaksi yang tidak diharapkan pada mesin dapat menyebabkan cedera.

PEMBERITAHUAN: Jika mesin dijalankan secara terus-menerus dengan kecepatan rendah dalam waktu yang lama, motor akan mengalami kelebihan beban dan mengakibatkan kerusakan mesin.

PEMBERITAHUAN: Sakelar penyetel kecepatan dapat diputar sampai maksimum angka 5 dan kembali ke 1. Jangan dipaksa melewati angka 5 atau 1, karena fungsi penyetelan kecepatan bisa tidak berfungsi lagi.

Fungsi elektronik

Mesin ini dilengkapi dengan fungsi elektronik untuk pengoperasian yang mudah.

- Kontrol kecepatan konstan
Fungsi kontrol kecepatan memberikan kecepatan rotasi yang konstan terlepas dari kondisi muatan.
- Awal pengerjaan yang lembut
Fungsi awal pengerjaan yang lembut akan meminimalkan kejutan awal, dan membuat mesin berjalan lancar.
- Pengereman yang lembut
Mesin berhenti secara perlahan dengan pengereman yang lembut. Pengereman yang lembut mencegah kerusakan pada benda kerja akibat hentakan balik dan memungkinkan Anda untuk memulai pengoperasian berikutnya lebih awal.

Jika mesin selalu gagal untuk menghentikan mata mesin profil setelah sakelar dimatikan, lakukan servis mesin di pusat servis Makita.

PERAKITAN

PERHATIAN: Selalu pastikan bahwa mesin dimatikan dan kartrid baterai dilepas sebelum melakukan pekerjaan apa pun pada mesin.

Memasang atau melepas mata mesin profil

PEMBERITAHUAN: Jangan mengencangkan mur collet tanpa memasang mata mesin profil, atau konus collet bisa rusak.

Masukkan mata mesin profil seluruhnya ke dalam konus collet. Tekan kunci poros dan kencangkan mur collet dengan kunci pas.

► **Gbr.6:** 1. Kunci poros 2. Kendurkan 3. Kencangkan 4. Kunci pas 5. Mur collet

Anda juga dapat mengencangkan mur collet dengan kuat menggunakan kedua kunci pas.

► **Gbr.7:** 1. Kunci pas 2. Kendurkan 3. Kencangkan 4. Mur collet

Untuk melepas mata mesin profil, ikuti urutan terbalik dari prosedur pemasangan.

CATATAN: Kunci poros mungkin tidak dapat kembali ke posisi awal saat Anda mengencangkan mur collet dalam pemasangan mata mesin profil. Kunci poros kembali ke posisi awal saat Anda menyalakan mesin.

► **Gbr.8:** 1. Kunci poros

Mengubah konus collet

PERHATIAN: Gunakan konus collet dengan ukuran yang tepat untuk mata mesin profil yang ingin Anda gunakan.

PERHATIAN: Jangan mengencangkan mur collet tanpa memasang mata mesin profil, atau konus collet bisa rusak.

1. Kendurkan mur collet dan lepaskan.
2. Ganti konus collet yang terpasang dengan konus collet yang diinginkan.
3. Pasang kembali mur collet.

► **Gbr.9:** 1. Konus collet 2. Mur collet

Memasang atau melepas dudukan mesin profil

1. Buka tuas kunci dudukan mesin profil, kemudian masukkan mesin ke dudukan mesin profil sejajar dengan alur pada mesin dengan tonjolan pada dudukan mesin profil.

2. Tutup tuas kunci.

► **Gbr.10:** 1. Tuas kunci

CATATAN: Anda dapat menggunakan dudukan mesin profil (resin) sebagai pilihan aksesoris seperti ditunjukkan pada gambar. Ketika menggunakan dudukan mesin profil (resin), kendurkan atau kencangkan mur sayap, jangan membuka atau menutup tuas kunci.

Sejajarkan rak pada mesin dengan gir taji pada dudukan mesin profil.

► **Gbr.11:** 1. Mur sayap 2. Rak 3. Gir taji

3. Pasang nosel debu ke dudukan mesin profil, lalu kencangkan sekrup putar.

► **Gbr.12:** 1. Nosel debu 2. Sekrup putar

► **Gbr.13**

Untuk melepas dudukan, ikuti urutan terbalik dari prosedur pemasangan.

⚠ PERHATIAN: Saat menggunakan mesin dengan dudukan mesin profil, pastikan memasang nosel debu pada dudukan mesin profil.

Memasang atau melepas dudukan kemiringan

Pilihan aksesoris

1. Buka tuas kunci dudukan kemiringan, kemudian masukkan mesin ke dudukan kemiringan sejajar dengan alur pada mesin dengan tonjolan pada dudukan kemiringan.

2. Tutup tuas kunci.

► **Gbr.14:** 1. Tuas kunci

Untuk melepas dudukan, ikuti urutan terbalik dari prosedur pemasangan.

Memasang atau melepas dudukan offset

Pilihan Aksesoris

1. Tekan kunci poros, kemudian kendurkan mur collet.

► **Gbr.15:** 1. Mur collet 2. Kunci poros 3. Kunci pas

2. Lepas mur collet dan konus collet.

► **Gbr.16:** 1. Mur collet 2. Konus collet

3. Pasang puli ke mesin dengan menekan kunci poros dan kencangkan puli dengan kunci pas.

► **Gbr.17:** 1. Kunci pas 2. Puli 3. Kunci poros

4. Kendurkan sekrup pada pelat dudukan, lalu lepas pelat dudukan.

► **Gbr.18:** 1. Pelat dudukan

5. Buka tuas kunci dudukan offset, kemudian pasang dudukan offset ke mesin.

► **Gbr.19:** 1. Tuas kunci

6. Pasang sabuk ke puli dengan tongkat seperti obeng berlubang dengan memutar sabuk secara manual.

► **Gbr.20:** 1. Puli 2. Sabuk

7. Tutup tuas kunci.

► **Gbr.21:** 1. Tuas kunci

8. Pasang pelat dudukan dengan mengencangkan sekrup.

► **Gbr.22:** 1. Pelat dudukan

9. Masukkan konus collet dan mata mesin profil ke dudukan offset, lalu kencangkan mur collet.

► **Gbr.23:** 1. Mata mesin profil 2. Mur collet 3. Konus collet

10. Masukkan kunci L ke lubang dudukan offset, lalu kencangkan mur collet dengan kunci pas.

► **Gbr.24:** 1. Mur collet 2. Kunci pas 3. Kunci L

Untuk melepas dudukan, ikuti urutan terbalik dari prosedur pemasangan.

CATATAN: Anda juga dapat memasang sabuk ke puli tanpa melepas pelat dudukan sebagaimana ditunjukkan dalam gambar.

► **Gbr.25:** 1. Puli 2. Sabuk

Memasang atau melepas dudukan benam

Pilihan Aksesoris

1. Buka tuas kunci dudukan benam, kemudian masukkan mesin ke dudukan benam sejajar dengan alur pada mesin dengan tonjolan pada dudukan benam.

2. Tutup tuas kunci.

► **Gbr.26:** 1. Tuas kunci

Untuk melepas dudukan, ikuti urutan terbalik dari prosedur pemasangan.

Memasang atau melepas penggaris paralel pada dudukan benam

Pilihan Aksesoris

Masukkan bilah pemandu ke dalam lubang pada dudukan benam, lalu kencangkan baut kupu-kupu. Untuk melepas penggaris, ikuti urutan terbalik dari prosedur pemasangan.

► **Gbr.27:** 1. Baut kupu-kupu 2. Bilah pemandu

Memasang atau melepas nosel debu pada dudukan benam

Masukkan nosel debu ke dudukan benam sehingga tonjolan pada nosel debu pas dalam takik di dudukan benam, lalu kencangkan sekrup putar pada nosel debu. Untuk melepas nosel, ikuti urutan terbalik dari prosedur pemasangan.

► **Gbr.28:** 1. Tonjolan 2. Nosel debu 3. Sekrup putar

► **Gbr.29**

PENGUNAAN

Menyetel kedalaman pemotongan

Untuk menyetel kedalaman pemotongan, buka tuas kunci, kemudian gerakkan dudukan mesin naik atau ke turun dengan memutar sekrup penyetel. Setelah penyetelan selesai, tutup tuas kunci dengan kencang.

► **Gbr.30:** 1. Tuas kunci 2. Sekrup penyetel

PEMBERITAHUAN: Jika mesin tidak terpasang setelah penutupan tuas kunci, kencangkan mur segi-enam, lalu tutup tuas kuncinya.

► **Gbr.31:** 1. Mur segi-enam

Menyetel kedalaman pemotongan dengan dudukan benam

Pilihan aksesori

1. Tempatkan mesin pada permukaan yang rata.
2. Pilih sekrup penahan dengan memutar dudukan penahan.
► **Gbr.32:** 1. Sekrup penahan 2. Dudukan penahan
3. Kendurkan mur pemasangan, kemudian tarik batang penahan sembari menekan tombol pemakanan.
► **Gbr.33:** 1. Batang penahan 2. Mur pemasangan 3. Tombol pemakanan
4. Dorong mesin ke bawah hingga ujung mata mesin profil menyentuh permukaan rata, dan kemudian putar tuas pemasangan untuk menahan mesin.
► **Gbr.34:** 1. Tuas pemasangan 2. Mata mesin profil
5. Tekan batang penahan ke bawah sembari menekan tombol pemakanan hingga bersentuhan dengan sekrup penahan.
► **Gbr.35:** 1. Batang penahan 2. Sekrup penahan 3. Tombol pemakanan
6. Geser penunjuk kedalaman sehingga penunjuk menunjuk angka "0" pada skala.
► **Gbr.36:** 1. Penunjuk kedalaman
7. Setel kedalaman pemotongan dengan menarik batang penahan sembari menekan tombol pemakanan.
► **Gbr.37:** 1. Batang penahan 2. Tombol pemakanan
8. Untuk melakukan penyetelan halus pada kedalaman pemotongan, putar sakelar pada batang penahan hingga menunjukkan angka "0".
► **Gbr.38:** 1. Sakelar
9. Putar kepala batang penahan untuk mendapatkan kedalaman yang diinginkan. Untuk menambah kedalaman, putar kepala berlawanan arah jarum jam. Untuk mengurangi kedalaman, putar kepala searah jarum jam. (Kedalaman berubah 1 mm per satu putaran.)
► **Gbr.39:** 1. Kepala batang penahan
10. Kencangkan mur pemasangan batang penahan.
► **Gbr.40:** 1. Mur pemasangan
11. Lepas tuas pemasangan.
► **Gbr.41:** 1. Tuas pemasangan

Dengan menekan mesin hingga batang penahan bertemu dengan sekrup penghenti, Anda dapat memperoleh kedalaman pemotongan yang Anda sesuaikan dengan prosedur di atas.

Menggunakan mesin dengan dudukan mesin profil

Setel dudukan mesin pada benda kerja tanpa mata mesin profil menyentuh apa pun. Nyalakan mesin dan tunggu sampai mata mesin profil mencapai kecepatan penuh. Gerakkan mesin ke depan pada permukaan benda kerja. Jaga agar dudukan mesin terbenam saat menggerakkan mesin.

Saat memotong tepi, pastikan permukaan benda kerja tetap berada pada sisi kiri mata mesin profil dalam arah pemakanan.

► **Gbr.42**

CATATAN: Sebelum melakukan pemotongan pada benda kerja sebenarnya, dianjurkan untuk membuat pemotongan sampel. Kecepatan pemakanan yang tepat bergantung pada ukuran mata mesin profil, jenis benda kerja, dan kedalaman pemotongan. Menggerakkan mesin ke depan terlalu cepat bisa menyebabkan kurang baiknya kualitas pemotongan, atau merusak mata mesin profil atau motor. Menggerakkan mesin ke depan terlalu lambat bisa membakar dan merusak permukaan pemotongan.

Ketika menggunakan sepatu mesin profil, pemandu kelurusan, atau pemandu mesin profil, pastikan untuk tetap berada di sisi kanan pada arah pemakanan. Hal ini bisa membantu untuk menjaganya agar tepat berada pada sisi benda kerja.

► **Gbr.43:** 1. Mata mesin profil 2. Benda kerja 3. Pemandu kelurusan

PEMBERITAHUAN: Karena pemotongan yang berlebihan bisa menyebabkan kelebihan beban pada motor atau kesulitan dalam mengendalikannya, kedalaman potongan tidak boleh lebih dari 3 mm pada jalan masuk ketika memotong alur. Jika Anda ingin memotong alur berkedalaman lebih dari 3 mm, buat beberapa jalan masuk dengan setelan mata mesin profil yang berurutan semakin dalam.

Menggunakan pemandu kelurusan

1. Rakit pemandu kelurusan dengan baut dan mur kupu-kupu.
► **Gbr.44:** 1. Baut 2. Mur kupu-kupu
2. Pasang pemandu kelurusan pada dudukan mesin profil dengan sekrup penjepit.
► **Gbr.45:** 1. Sekrup penjepit
3. Kendurkan mur kupu-kupu pada pemandu kelurusan dan setel jarak antara mata mesin profil dan pemandu kelurusan. Pada jarak yang diinginkan, kencangkan mur kupu-kupu.
► **Gbr.46:** 1. Mur kupu-kupu
4. Gerakkan mesin dengan pemandu kelurusan berada tepat pada sisi benda kerja.
► **Gbr.47**

Jika jarak (A) antara sisi benda kerja dan posisi pemotongan terlalu lebar bagi pemandu kelurusan, atau jika sisi benda kerja tidak lurus, maka pemandu kelurusan tidak bisa digunakan.

Untuk kasus ini, jepit papan yang lurus pada benda kerja dan gunakan sebagai pemandu terhadap kedudukan mesin profil. Lakukan pemakanan dengan mesin sesuai arah panah.

► **Gbr.48**

Menggunakan pemandu kelurusan untuk pengerjaan melingkar

Untuk pengerjaan melingkar, rakit pemandu kelurusan sebagaimana ditunjukkan dalam gambar. Jari-jari minimum dan maksimum lingkaran yang akan dipotong (jarak antara pusat lingkaran dan pusat mata mesin profil) adalah sebagai berikut:

- Minimal: 70 mm
- Maksimal: 221 mm

Untuk memotong lingkaran yang jari-jarinya antara 70 mm dan 121 mm.

► **Gbr.49:** 1. Lubang tengah

Untuk memotong lingkaran yang jari-jarinya antara 121 mm dan 221 mm.

► **Gbr.50:** 1. Lubang tengah

CATATAN: Lingkaran yang jari-jarinya antara 172 mm dan 186 mm tidak bisa dipotong menggunakan pemandu ini.

Sejajarkan lubang tengah pada pemandu kelurusan dengan pusat lingkaran yang akan dipotong. Pasang paku berdiameter kurang dari 6 mm pada lubang tengah untuk mengencangkan pemandu kelurusan. Putar mesin mengelilingi paku searah jarum jam.

► **Gbr.51:** 1. Paku 2. Lubang tengah

Menggunakan pemandu mal

Pemandu mal memungkinkan pemotongan berulang dengan pola mal menggunakan mal.

1. Kendurkan sekrup pada pelatudukan, lalu lepas pelatudukan dari kedudukan mesin profil.
2. Tempatkan pemandu mal pada kedudukan, lalu pasang pelatudukan dengan mengencangkan sekrup.
► **Gbr.52:** 1. Pelatudukan 2. Pemandu mal
3. Posisikan mesin pada mal dan gerakkan mesin sehingga pemandu mal bergeser di sepanjang sisi mal.
► **Gbr.53**

CATATAN: Ukuran potongan sebenarnya pada benda kerja sedikit berbeda dari mal. Perbedaannya adalah jarak (X) antara mata mesin profil dan sisi luar pemandu mal. Jarak (X) bisa dihitung dengan menggunakan persamaan berikut ini:

$$\text{Jarak (X)} = (\text{diameter luar pemandu mal} - \text{diameter mata mesin profil}) / 2$$

► **Gbr.54:** 1. Mata mesin profil 2. Pemandu mal
3. Jarak (X) 4. Diameter luar pemandu mal
5. Mal 6. Benda kerja

Menggunakan pemandu mesin profil

Pilihan aksesoris

Pemandu mesin profil memungkinkan untuk memotong sisi melengkung seperti pernis untuk furnitur dengan menggerakkan rol pemandu di sepanjang sisi benda kerja.

► **Gbr.55**

1. Kendurkan sekrup penjepit, kemudian pasang pemandu mesin profil pada kedudukan mesin profil, lalu kencangkan sekrup penjepit.

► **Gbr.56:** 1. Sekrup penjepit

2. Kendurkan sekrup penjepit dan setel jarak antara mata mesin profil dan pemandu mesin profil dengan memutar sekrup penyetel (1 mm tiap putaran). Pada jarak yang diinginkan, kencangkan sekrup penjepit untuk mengikat pemandu mesin profil.

► **Gbr.57:** 1. Sekrup penyetel 2. Sekrup penjepit

3. Gerakkan mesin dengan rol pemandu bergerak di sepanjang sisi benda kerja.

► **Gbr.58:** 1. Benda kerja 2. Mata mesin profil 3. Rol pemandu

Menggunakan mesin pada kedudukan kemiringan

Dudukan kemiringan ini digunakan untuk pekerjaan pemotongan tepi lembaran kayu lapis atau bahan-bahan sejenis.

Dudukan kemiringan mudah untuk memotong miring. Kendurkan sekrup kupu-kupu, kemudian miringkan mesin pada sudut yang diinginkan, lalu kencangkan sekrup kupu-kupu.

Jepit papan yang lurus pada benda kerja dengan kuat dan gunakan sebagai pemandu terhadap kedudukan kemiringan. Lakukan pemakanan dengan mesin sesuai arah panah.

► **Gbr.59:** 1. Sekrup kupu-kupu

Menggunakan pelatudukan kemiringan dengan kedudukan mesin profil

Untuk menggunakan kedudukan mesin profil dengan pelatudukan persegi, lepas pelatudukan dari kedudukan kemiringan, lalu pasang ke kedudukan mesin profil.

► **Gbr.60:** 1. Pelatudukan kemiringan 2. Pelatudukan mesin profil

PEMBERITAHUAN: Gunakan sekrup pada kedudukan mesin profil saat memasang pelatudukan kemiringan. Sekrup pada kedudukan kemiringan lebih pendek dari sekrup pada kedudukan mesin profil.

Menggunakan mesin dengan dudukan offset

Dudukan offset ini digunakan untuk pekerjaan pemotongan tepi lembaran kayu lapis atau bahan-bahan sejenis. Dudukan offset berguna untuk pekerjaan di area yang sulit.

► **Gbr.61**

Menggunakan dudukan mesin profil dengan gagang dan pelat dudukan offset

Pelat dudukan offset juga bisa digunakan dengan dudukan mesin profil dan perangkat tambahan gagang (pilihan aksesoris) agar lebih stabil.

1. Kendurkan sekrup pada pelat dudukan offset, kemudian lepas pelat dudukan offset dari dudukan offset.

► **Gbr.62:** 1. Pelat dudukan offset 2. Pelat dudukan mesin profil

2. Pasang pelat dudukan offset ke dudukan mesin profil dengan mengencangkan sekrup.

3. Pasang perangkat tambahan gagang dan gagang tipe batang ke pelat dudukan offset dengan mengencangkan sekrup.

► **Gbr.63:** 1. Gagang tipe batang 2. Perangkat tambahan gagang

Gagang tipe-knop yang dilepas dari dudukan benam dapat dipasang pada dudukan offset alih-alih gagang tipe batang.

► **Gbr.64:** 1. Sekrup 2. Gagang tipe-knop

Menggunakan mesin dengan dudukan benam

Selalu pegang gagang kuat-kuat dengan kedua tangan selama pengoperasian. Operasikan mesin dengan cara yang sama sebagaimana dudukan mesin profil.

Menggunakan pemandu kelurusan

Pilihan aksesoris

1. Pasang pemandu kelurusan ke pemegang pemandu dengan mur kupu-kupu. Masukkan pemegang pemandu ke lubang pada dudukan benam, lalu kencangkan baut kupu-kupu.

► **Gbr.65:** 1. Baut kupu-kupu 2. Pemegang pemandu 3. Mur kupu-kupu 4. Pemandu kelurusan

2. Kendurkan mur kupu-kupu pada pemandu kelurusan dan setel jarak antara mata mesin profil dan pemandu kelurusan. Pada jarak yang diinginkan, kencangkan mur kupu-kupu.

► **Gbr.66:** 1. Mur kupu-kupu

3. Operasikan mesin dengan cara yang sama sebagaimana pemandu kelurusan untuk dudukan mesin profil.

► **Gbr.67**

Menggunakan pemandu mal

Pilihan aksesoris

1. Kendurkan sekrup pada dudukan dan lepaskan. Posisikan pemandu mal pada dudukan, lalu kencangkan sekrup.

► **Gbr.68:** 1. Sekrup 2. Pemandu mal

2. Operasikan mesin dengan cara yang sama sebagaimana pemandu mal untuk dudukan mesin profil.

► **Gbr.69**

Menggunakan penggaris paralel

Penggaris paralel bisa digunakan secara efektif untuk hasil pemotongan yang lurus ketika memotong miring atau membuat alur. Sesuaikan jarak antara mata mesin profil dan penggaris paralel. Pada jarak yang diinginkan, kencangkan baut kupu-kupu untuk mengikat penggaris paralel. Ketika memotong, gerakkan mesin dengan penggaris paralel berada tepat pada sisi benda kerja.

► **Gbr.70**

Jika jarak (A) antara sisi benda kerja dan posisi pemotongan terlalu lebar bagi penggaris paralel, atau jika sisi benda kerja tidak lurus, maka penggaris paralel tidak bisa digunakan.

Untuk kasus ini, jepit papan yang lurus pada benda kerja dan gunakan sebagai pemandu terhadap dudukan benam. Lakukan pemakanan dengan mesin sesuai arah panah.

► **Gbr.71**

Ubah gagang tipe-knop ke gagang tipe batang

Untuk memasang gagang tipe batang pada dudukan benam, kendurkan sekrup gagang tipe-knop, kemudian lepas gagang tipe-knop, lalu pasang gagang tipe batang dengan mengencangkannya.

► **Gbr.72:** 1. Gagang tipe-knop 2. Sekrup 3. Gagang tipe batang

FUNGSI PENGAKTIFAN NIRKABEL

Kegunaan dari fungsi pengaktifan nirkabel

Fungsi pengaktifan nirkabel memungkinkan pengoperasian yang bersih dan nyaman. Dengan menyambungkan pengisap debu yang didukung ke mesin, Anda dapat menjalankan pengisap debu secara otomatis bersama dengan pengoperasian sakelar mesin.

► **Gbr.73**

Untuk menggunakan fungsi pengaktifan nirkabel, siapkan item-item berikut:

- Unit nirkabel (pilihan aksesoris)
- Pengisap debu yang mendukung fungsi pengaktifan nirkabel

Berikut ialah gambaran umum mengenai pengaturan fungsi pengaktifan nirkabel. Lihat pada masing-masing bagian untuk prosedur terperinci.

1. Memasang unit nirkabel
2. Registrasi mesin untuk pengisap debu
3. Memulai fungsi pengaktifan nirkabel

Memasang unit nirkabel

Pilihan Aksesoris

PERHATIAN: Letakkan mesin pada permukaan yang datar dan stabil pada saat memasang unit nirkabel.

PEMBERITAHUAN: Bersihkan debu dan kotoran yang menempel pada mesin sebelum memasang unit nirkabel. Debu atau kotoran dapat mengakibatkan malafungsi jika masuk ke dalam celah unit nirkabel.

PEMBERITAHUAN: Untuk mencegah terjadinya malafungsi yang disebabkan oleh listrik statis, sentuh bahan yang melepaskan muatan listrik statis, seperti bagian logam pada mesin, sebelum mengambil unit nirkabel.

PEMBERITAHUAN: Ketika memasang unit nirkabel, selalu pastikan bahwa unit nirkabel dimasukkan dengan arah yang benar dan penutup telah benar-benar ditutup.

1. Buka penutup pada mesin sebagaimana yang ditunjukkan dalam gambar.

► **Gbr.74:** 1. Penutup

2. Masukkan unit nirkabel ke celah dan kemudian tutup penutup.

Ketika memasang unit nirkabel, sejajarkan proyeksi dengan bagian-bagian ceruk pada celah.

► **Gbr.75:** 1. Unit nirkabel 2. Proyeksi 3. Penutup 4. Bagian-bagian ceruk

Ketika melepaskan unit nirkabel, buka penutup secara perlahan. Kait pada bagian belakang penutup akan mengangkat unit nirkabel ketika Anda menarik penutup.

► **Gbr.76:** 1. Unit nirkabel 2. Kait 3. Penutup

Setelah melepaskan unit nirkabel, simpan unit dalam kotak yang disediakan atau wadah bebas listrik statis.

PEMBERITAHUAN: Selalu gunakan kait pada bagian belakang penutup pada saat melepaskan unit nirkabel. Jika kait tidak mengenai unit nirkabel, tutup penutup sepenuhnya dan buka kembali secara perlahan.

Registrasi mesin untuk pengisap debu

CATATAN: Pengisap debu Makita yang mendukung fungsi pengaktifan nirkabel diperlukan untuk registrasi mesin.

CATATAN: Selesaikan pemasangan unit nirkabel ke mesin sebelum memulai registrasi mesin.

CATATAN: Selama registrasi mesin, jangan menarik pelatuk sakelar atau menghidupkan sakelar daya pada pengisap debu.

CATATAN: Lihat juga petunjuk penggunaan pengisap debu.

Jika Anda ingin mengaktifkan pengisap debu bersama dengan pengoperasian sakelar mesin, selesaikan registrasi mesin terlebih dahulu.

1. Pasang baterai ke pengisap debu dan mesin.

2. Setel sakelar siaga pada pengisap debu ke "AUTO".

► **Gbr.77:** 1. Sakelar siaga

3. Tekan tombol pengaktifan nirkabel pada pengisap debu selama 3 detik hingga lampu pengaktifan nirkabel berkedip menjadi warna hijau. Kemudian tekan tombol pengaktifan nirkabel pada mesin dengan cara yang sama.

► **Gbr.78:** 1. Tombol pengaktifan nirkabel 2. Lampu pengaktifan nirkabel

Jika pengisap debu dan mesin berhasil tersambung, lampu pengaktifan nirkabel akan menyala hijau selama 2 detik dan mulai berkedip dalam warna biru.

CATATAN: Lampu pengaktifan nirkabel akan berhenti berkedip dalam warna hijau setelah 20 detik. Tekan tombol pengaktifan nirkabel pada mesin ketika lampu pengaktifan nirkabel pada pembersih berkedip. Jika lampu pengaktifan nirkabel tidak berkedip dalam warna hijau, tekan tombol pengaktifan nirkabel sebentar dan tahan kembali.

CATATAN: Ketika melakukan registrasi beberapa mesin untuk satu pengisap debu, selesaikan registrasi mesin satu demi satu.

Memulai fungsi pengaktifan nirkabel

CATATAN: Selesaikan registrasi mesin untuk pengisap debu sebelum pengaktifan nirkabel.

CATATAN: Lihat juga petunjuk penggunaan pengisap debu.

Setelah registrasi mesin ke pengisap debu, pengisap debu akan secara otomatis bekerja bersama dengan pengoperasian sakelar mesin.

1. Pasang unit nirkabel ke mesin.

2. Sambungkan selang pengisap debu dengan mesin.

► **Gbr.79**

3. Setel sakelar siaga pada pengisap debu ke "AUTO".

► **Gbr.80:** 1. Sakelar siaga

4. Tekan sebentar tombol pengaktifan nirkabel pada mesin. Lampu pengaktifan nirkabel akan berkedip dalam warna biru.

► **Gbr.81:** 1. Tombol pengaktifan nirkabel 2. Lampu pengaktifan nirkabel

5. Nyalakan mesin. Periksa apakah pengisap debu bekerja ketika mesin beroperasi.

Untuk menghentikan pengaktifan nirkabel pada pengisap debu, tekan tombol pengaktifan nirkabel pada mesin.

CATATAN: Lampu pengaktifan nirkabel pada mesin akan berhenti berkedip dalam warna biru jika tidak ada pengoperasian selama 2 jam. Dalam kasus ini, setel sakelar siaga pada pengisap debu ke "AUTO" dan tekan kembali tombol pengaktifan nirkabel pada mesin.

CATATAN: Pengisap debu akan mulai/berhenti dengan jeda. Ada jeda waktu ketika pengisap debu mendeteksi adanya pengoperasian sakelar mesin.










CATATAN: Jarak transmisi unit nirkabel dapat berbeda, tergantung lokasi dan keadaan sekitar.

CATATAN: Ketika dua atau lebih mesin teregistrasi ke satu pengisap debu, pengisap debu dapat mulai bekerja walaupun Anda tidak menyalakan mesin Anda karena pengguna lainnya sedang menggunakan fungsi pengaktifan nirkabel.

Deskripsi mengenai status lampu pengaktifan nirkabel

► **Gbr.82:** 1. Lampu pengaktifan nirkabel

Lampu pengaktifan nirkabel menunjukkan status dari fungsi pengaktifan nirkabel. Lihat pada tabel di bawah untuk mengetahui arti dari status lampu.

Status	Lampu pengaktifan nirkabel			Durasi	Deskripsi
	Warna	 Menyala	 Berkedip		
Siaga	Biru		2 jam	Tersedia pengaktifan nirkabel pada pengisap debu. Lampu akan mati secara otomatis ketika tidak ada pengoperasian yang dilakukan selama 2 jam.	
			Ketika mesin bekerja.	Tersedia pengaktifan nirkabel pada pengisap debu dan mesin bekerja.	
Registrasi mesin	Hijau		20 detik	Siap untuk registrasi mesin. Menunggu registrasi oleh pengisap debu.	
			2 detik	Registrasi mesin telah selesai. Lampu pengaktifan nirkabel akan mulai berkedip dalam warna biru.	
Membatalkan registrasi mesin	Merah		20 detik	Siap untuk membatalkan registrasi mesin. Menunggu untuk dibatalkan oleh pengisap debu.	
			2 detik	Pembatalan registrasi mesin telah selesai. Lampu pengaktifan nirkabel akan mulai berkedip dalam warna biru.	
Lainnya	Merah		3 detik	Daya dialirkan ke unit nirkabel dan fungsi pengaktifan nirkabel dimulai.	
	Mati	-	-	Pengaktifan nirkabel pada pengisap debu dihentikan.	

Membatalkan registrasi mesin untuk pengisap debu

Lakukan prosedur berikut ketika membatalkan registrasi mesin untuk pengisap debu.

1. Pasang baterai ke pengisap debu dan mesin.

2. Setel sakelar siaga pada pengisap debu ke "AUTO".

► **Gbr.83:** 1. Sakelar siaga

3. Tekan tombol pengaktifan nirkabel pada pengisap debu selama 6 detik. Lampu pengaktifan nirkabel berkedip dalam warna hijau dan kemudian akan menjadi merah. Setelah itu, tekan tombol pengaktifan nirkabel pada mesin dengan cara yang sama.

► **Gbr.84:** 1. Tombol pengaktifan nirkabel 2. Lampu pengaktifan nirkabel

Jika pembatalan berhasil dilakukan, lampu pengaktifan nirkabel akan menyala dalam warna merah selama 2 detik dan mulai berkedip dalam warna biru.

CATATAN: Lampu pengaktifan nirkabel berhenti berkedip dalam warna merah setelah 20 detik. Tekan tombol pengaktifan nirkabel pada mesin ketika lampu pengaktifan nirkabel pada pembersih berkedip. Jika lampu pengaktifan nirkabel tidak berkedip dalam warna merah, tekan tombol pengaktifan nirkabel sebentar dan tahan kembali.

Pemecahan masalah fungsi pengaktifan nirkabel

Sebelum meminta perbaikan, lakukan pemeriksaan mandiri terlebih dahulu. Jika Anda menemukan masalah yang tidak dijelaskan dalam buku petunjuk ini, jangan coba membongkar mesin. Sebaliknya, hubungi Pusat Servis Resmi Makita, dan selalu gunakan suku cadang pengganti Makita untuk perbaikan.

Keadaan Tidak Normal	Kemungkinan penyebab (kerusakan fungsi)	Perbaikan
Lampu pengaktifan nirkabel tidak menyala/berkedip.	Unit nirkabel tidak dipasang ke dalam mesin. Unit nirkabel tidak dipasang dengan benar ke dalam mesin.	Pasang unit nirkabel dengan benar.
	Terminal unit nirkabel dan/atau celah kotor.	Bersihkan dengan lembut debu dan kotoran yang terdapat pada terminal unit nirkabel dan bersihkan celah.
	Tombol pengaktifan nirkabel pada mesin belum ditekan.	Tekan sebentar tombol pengaktifan nirkabel pada mesin.
	Sakelar siaga pada pengisap debu tidak disetel ke "AUTO".	Setel sakelar siaga pada pengisap debu ke "AUTO".
	Tidak ada pasokan daya	Alirkan daya ke mesin dan pengisap debu.
Tidak dapat menyelesaikan registrasi mesin/pembatalan registrasi mesin.	Unit nirkabel tidak dipasang ke dalam mesin. Unit nirkabel tidak dipasang dengan benar ke dalam mesin.	Pasang unit nirkabel dengan benar.
	Terminal unit nirkabel dan/atau celah kotor.	Bersihkan dengan lembut debu dan kotoran yang terdapat pada terminal unit nirkabel dan bersihkan celah.
	Sakelar siaga pada pengisap debu tidak disetel ke "AUTO".	Setel sakelar siaga pada pengisap debu ke "AUTO".
	Tidak ada pasokan daya	Alirkan daya ke mesin dan pengisap debu.
	Pengoperasian salah	Tekan sejenak tombol pengaktifan nirkabel dan lakukan kembali prosedur registrasi mesin/pembatalan.
	Mesin dan pengisap debu saling berjauhan satu sama lain (di luar jangkauan transmisi).	Dekatkan mesin dan pengisap debu satu sama lain. Jarak transmisi maksimum adalah sekitar 10 m, tetapi jarak dapat berbeda sesuai dengan keadaan.
	Sebelum menyelesaikan registrasi/pembatalan mesin; - sakelar mesin dinyalakan, atau; - tombol daya pada pengisap debu dinyalakan.	Tekan sejenak tombol pengaktifan nirkabel dan lakukan kembali prosedur registrasi mesin/pembatalan.
	Prosedur registrasi mesin untuk mesin atau pengisap debu belum selesai.	Lakukan prosedur registrasi mesin untuk mesin dan pengisap debu di waktu yang sama.
Gangguan radio oleh perangkat lain yang menghasilkan gelombang radio intensitas tinggi.	Jauhkan mesin dan pengisap debu dari perangkat seperti perangkat Wi-Fi dan oven microwave.	

Kondisi Tidak Normal	Kemungkinan penyebab (kerusakan fungsi)	Perbaikan
Pemisap debu tidak bekerja bersama dengan pengoperasian sakelar mesin.	Unit nirkabel tidak dipasang ke dalam mesin. Unit nirkabel tidak dipasang dengan benar ke dalam mesin.	Pasang unit nirkabel dengan benar.
	Terminal unit nirkabel dan/atau celah kotor.	Bersihkan dengan lembut debu dan kotoran yang terdapat pada terminal unit nirkabel dan bersihkan celah.
	Tombol pengaktifan nirkabel pada mesin belum ditekan.	Tekan sejenak tombol pengaktifan nirkabel dan pastikan lampu pengaktifan nirkabel berkedip dalam warna biru.
	Sakelar siaga pada pemisap debu tidak disetel ke "AUTO".	Setel sakelar siaga pada pemisap debu ke "AUTO".
	Lebih dari 10 mesin teregistrasi ke pemisap debu.	Lakukan kembali registrasi mesin. Jika lebih dari 10 mesin teregistrasi ke pemisap debu, mesin yang teregistrasi paling awal akan dibatalkan secara otomatis.
	Pemisap debu menghapus semua registrasi mesin.	Lakukan kembali registrasi mesin.
	Tidak ada pasokan daya	Alirkan daya ke mesin dan pemisap debu.
	Mesin dan pemisap debu saling berjauhan satu sama lain (di luar jangkauan transmisi).	Dekatkan mesin dan pemisap debu satu sama lain. Jarak transmisi maksimum adalah sekitar 10 m, tetapi jarak dapat berbeda sesuai dengan keadaan.
Pemisap debu bekerja ketika mesin tidak beroperasi.	Gangguan radio oleh perangkat lain yang menghasilkan gelombang radio intensitas tinggi.	Jauhkan mesin dan pemisap debu dari perangkat seperti perangkat Wi-Fi dan oven microwave.
	Pengguna lain sedang menggunakan pengaktifan nirkabel pemisap debu dengan mesin mereka.	Matikan tombol pengaktifan nirkabel dari mesin lain atau batalkan registrasi mesin dari mesin lain.

PERAWATAN

⚠PERHATIAN: Selalu pastikan bahwa mesin dimatikan dan kartrid baterai dilepas sebelum melakukan pemeriksaan atau perawatan.

PEMBERITAHUAN: Jangan sekali-kali menggunakan bensin, tiner, alkohol, atau bahan sejenisnya. Penggunaan bahan demikian dapat menyebabkan perubahan warna, perubahan bentuk atau timbulnya retakan.

Untuk menjaga KEAMANAN dan KEANDALAN mesin, perbaikan, perawatan atau penyetulan lainnya harus dilakukan oleh Pusat Layanan Resmi atau Pabrik Makita; selalu gunakan suku cadang pengganti buatan Makita.

AKSESORI PILIHAN

⚠PERHATIAN: Dianjurkan untuk menggunakan aksesoris atau perangkat tambahan ini dengan mesin Makita Anda yang ditentukan dalam petunjuk ini. Penggunaan aksesoris atau perangkat tambahan lain bisa menyebabkan risiko cedera pada manusia. Hanya gunakan aksesoris atau perangkat tambahan sesuai dengan peruntukannya.

Jika Anda memerlukan bantuan lebih rinci berkenaan dengan aksesoris ini, tanyakan pada Pusat Layanan Makita terdekat.

- Mata mesin lurus dan pembentuk alur
- Mata mesin pembentuk tepi
- Mata mesin pemotong kayu lapis
- Rakitan pemandu kelurusan
- Rakitan pemandu mesin profil
- Rakitan dudukan mesin profil
- Rakitan dudukan mesin profil (resin)
- Rakitan dudukan kemiringan
- Rakitan dudukan benam
- Rakitan dudukan offset
- Perangkat tambahan gagang
- Pemandu mal
- Konus collet
- Kunci pas 13
- Kunci pas 22
- Unit nirkabel
- Baterai dan pengisi daya asli buatan Makita

CATATAN: Beberapa item dalam daftar tersebut mungkin sudah termasuk dalam paket mesin sebagai aksesoris standar. Hal tersebut dapat berbeda dari satu negara ke negara lainnya.

Aksesori yang berlaku untuk mesin profil ini

Mesin dapat digunakan dengan aksesori berikut ini untuk berbagai tujuan.

Beberapa aksesori tidak tersedia di negara Anda.

► Gbr.85

1. **Dudukan mesin profil** (logam)
2. **Dudukan mesin profil** (resin)
Visibilitas potongan yang jelas.
3. **Dudukan kemiringan**
4. **Dudukan offset**
5. **Dudukan benam**
6. **Perangkat tambahan gagang**
7. **Pemandu mal**
8. **Pemandu kelurusan**
9. **Pemandu mesin profil**
10. **Sepatu mesin profil**
Memungkinkan pekerjaan tepi yang akurat.
*Gunakan dengan bagian pemandu mesin profil.
11. **Nosel debu**
12. **Pelat dudukan** (logam)
13. **Pelat dudukan persegi** (pelat dudukan dari dudukan kemiringan)
14. **Pelat dudukan offset** (pelat dudukan dari dudukan offset)
Dengan menggunakan pelat dudukan offset dengan alat tambahan gagang, gagang dapat dipasang.
15. **Pelat dudukan** (resin)
16. **Alas gagang**
17. **Gagang tipe batang**
18. **Gagang tipe kenop** (gagang dari dudukan benam)
19. **Nosel debu** untuk dudukan benam
20. **Pemandu mal** untuk dudukan benam
21. **Pemegang pemandu**
Hal ini memungkinkan pemandu kelurusan untuk dudukan mesin profil untuk digunakan pada dudukan benam.
22. **Penggaris paralel**
Fungsi penyesuaian halus pada pemosisian.
23. **Penggaris paralel**
24. **Adaptor rel pemandu**
25. **Rel pemandu**
Untuk pemotongan lurus yang akurat.
26. **Panduan siku-siku**
Untuk penyesuaian sudut rel pemandu.
27. **Konektor sambungan rel pemandu** (2 buah)
Untuk menyambungkan dua rel pemandu.
28. **Penjepit** (tipe standar)
Untuk penetapan sudut rel pemandu.
29. **Penjepit** (tipe cepat)
Untuk penetapan sudut rel pemandu.
30. **Tempat duduk**
Memperbaiki bagian rel pemandu untuk pita plastik atas.
31. **Tempat duduk karet**
Memperbaiki bagian rel pemandu untuk pita karet bawah.

32. **Tempat duduk posisi**

Memperbaiki bagian rel pemandu untuk tempat duduk posisi.

► Gbr.86

SPEKIFIKASI

Model:		RT001G
Kapasiti cuk sesimpai		6 mm, 8 mm, 1/4", atau 3/8"
Kelajuan tanpa beban		10,000 - 31,000 min ⁻¹
Tinggi keseluruhan	dengan BL4025	245 mm
	dengan BL4040	251 mm
Voltan terkadar		D.C. 36 V - 40 V maks
Berat bersih		2.2 - 2.5 kg

- Disebabkan program penyelidikan dan pembangunan kami yang berterusan, spesifikasi yang terkandung di dalam ini adalah tertakluk kepada perubahan tanpa notis.
- Spesifikasi dan kartrij bateri mungkin berbeza mengikut negara.
- Berat mungkin berbeza bergantung kepada pemasangan, termasuk kartrij bateri. Kombinasi paling ringan dan paling berat, mengikut Prosedur EPTA 01/2014, ditunjukkan di dalam jadual.

Kartrij bateri dan pengecas yang boleh digunakan

Kartrij bateri	BL4020 / BL4025 / BL4040
Pengecas	DC40RA / DC40RB / DC40RC

- Sesetengah kartrij bateri dan pengecas yang disenaraikan di atas mungkin tidak tersedia bergantung pada kawasan kediaman anda.

AMARAN: Gunakan hanya kartrij bateri dan pengecas yang disenaraikan di atas. Penggunaan mana-mana kartrij bateri dan pengecas yang lain mungkin menyebabkan kecederaan dan/atau kebakaran.

Simbol

Berikut menunjukkan simbol-simbol yang boleh digunakan untuk alat ini. Pastikan anda memahami maksudnya sebelum menggunakan.



Baca manual arahan.



Pakai cermin mata keselamatan.



Ni-MH
Li-ion

Hanya untuk negara-negara EU
Disebabkan kehadiran komponen berbahaya dalam peralatan, sisa peralatan elektrik dan elektronik, akumulator dan bateri boleh memberi kesan negatif terhadap persekitaran dan kesihatan manusia.

Jangan buang alat elektrik dan elektronik atau bateri bersama dengan bahan buangan isi rumah!
Mengikut Arahan Eropah mengenai sisa peralatan elektrik dan elektronik dan mengenai akumulator dan bateri dan sisa akumulator dan bateri serta penyesuaian dengan undang-undang negara, sisa peralatan elektrik, bateri dan akumulator hendaklah disimpan secara berasingan dan dihantar ke tempat pengumpulan berasingan untuk sisa perbandaran, beroperasi mengikut peraturan perlindungan persekitaran.
Ini ditunjukkan oleh simbol tong sampah beroda yang bersilang pada peralatan.

Tujuan penggunaan

Alat ini bertujuan untuk pemangkasan sedatar dan penyusukan kayu, plastik atau bahan yang serupa.

AMARAN KESELAMATAN

Amaran keselamatan umum alat kuasa

AMARAN: Baca semua amaran keselamatan, arahan, ilustrasi dan spesifikasi yang disediakan dengan alat kuasa ini. Kegagalan mengikut amaran dan arahan boleh menyebabkan kejutan elektrik, kebakaran dan/atau kecederaan serius.

Simpan semua amaran dan arahan untuk rujukan masa depan.

Istilah "alat kuasa" dalam amaran merujuk kepada alat kuasa yang menggunakan tenaga elektrik (kabel) atau alat kuasa yang menggunakan bateri (tanpa kord).

Keselamatan kawasan kerja

1. **Pastikan kawasan kerja bersih dan terang.** Kawasan berselerak atau gelap mengundang kemalangan.
2. **Jangan kendalikan alat kuasa dalam keadaan yang mudah meletup, seperti dalam kehadiran cecair, gas atau habuk yang mudah terbakar.** Alat kuasa menghasilkan percikan api yang boleh menyalakan debu atau wasap.
3. **Jauhkan kanak-kanak dan orang ramai semasa mengendalikan alat kuasa.** Gangguan boleh menyebabkan anda hilang kawalan.

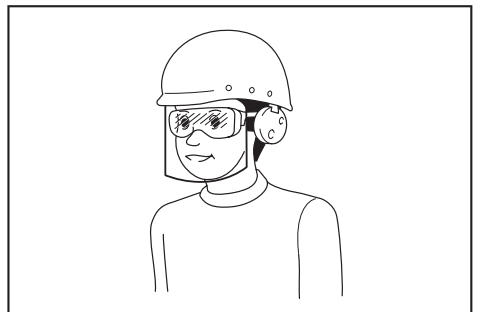
Keselamatan elektrik

1. **Palam alat kuasa mesti sepadan dengan soket. Jangan ubah suai palam dalam apa cara sekalipun. Jangan gunakan sebarang palam penyesuai dengan alat kuasa terbumi.** Palam yang tidak diubah suai dan soket yang sepadan akan mengurangkan risiko kejutan elektrik.
2. **Elakkan sentuhan badan dengan permukaan terbumi, seperti paip, radiator, dapur dan peti sejuk.** Terdapat peningkatan risiko kejutan elektrik jika elektrik terbumi terkena badan anda.
3. **Jangan biarkan alat kuasa terkena hujan atau basah.** Air yang memasuki alat kuasa akan meningkatkan risiko kejutan elektrik.
4. **Jangan salah gunakan kord. Jangan gunakan kord untuk membawa, menarik atau mencabut palam alat kuasa. Jauhkan kord dari haba, minyak, bucu tajam atau bahagian yang bergerak.** Kord yang rosak atau tersimpul meningkatkan risiko kejutan elektrik.
5. **Semasa mengendalikan alat kuasa di luar, gunakan kord sambungan yang bersesuaian untuk kegunaan luar.** Penggunaan kord yang sesuai untuk kegunaan luar mengurangkan risiko kejutan elektrik.
6. **Sekiranya pengendalian alat kuasa di lokasi lembap tidak dapat dielakkan, gunakan bekalan peranti arus sisa (RCD) yang dilindungi.** Penggunaan RCD mengurangkan risiko kejutan elektrik.
7. **Alat kuasa boleh menghasilkan medan elektromagnetik (EMF) yang tidak berbahaya kepada pengguna.** Walau bagaimanapun, pengguna perentak jantung atau peranti perubatan yang serupa harus menghubungi pembuat peranti mereka dan/atau doktor untuk nasihat sebelum mengendalikan alat kuasa ini.

Keselamatan diri

1. **Sentiasa berwaspada, perhatikan apa yang anda lakukan dan guna akal budi semasa mengendalikan alat kuasa. Jangan gunakan alat kuasa semasa anda letih atau di bawah pengaruh dadah, alkohol atau ubat.** Kelekaan seketika semasa mengendalikan alat kuasa boleh menyebabkan kecederaan diri yang serius.
2. **Gunakan peralatan pelindungan diri. Sentiasa pakai pelindung mata.** Peralatan pelindungan seperti topeng debu, kasut keselamatan tak mudah tergelincir, topi keselamatan atau pelindungan pendengaran yang digunakan untuk keadaan yang sesuai akan mengurangkan kecederaan diri.

3. **Elakkan permulaan yang tidak disengajakan. Pastikan suis ditutup sebelum menyambungkan kepada sumber kuasa dan/atau pek bateri, semasa mengangkat atau membawa alat.** Membawa alat kuasa dengan jari anda pada suis atau menentagakan alat kuasa dengan suis pada kedudukan hidup mengundang kemalangan.
4. **Alihkan sebarang kunci atau sepana pelaras sebelum menghidupkan alat kuasa.** Sepana atau kunci yang ditinggalkan pada bahagian berputar alat kuasa boleh menyebabkan kecederaan diri.
5. **Jangan lampau jangkau. Jaga pijakan dan keseimbangan yang betul pada setiap masa.** Ini membolehkan kawalan alat kuasa yang lebih baik dalam situasi yang tidak dijangka.
6. **Berpakaian dengan betul. Jangan pakai pakaian yang longgar atau barang kemas. Jauhkan rambut dan pakaian anda dari bahagian yang bergerak.** Pakaian longgar, barang kemas atau rambut yang panjang boleh terperangkap dalam bahagian yang bergerak.
7. **Jika peranti disediakan untuk sambungan kemudahan pengekstrakan dan pengumpulan habuk, pastikan ia disambung dan digunakan dengan betul.** Penggunaan pengumpulan habuk boleh mengurangkan bahaya berkaitan habuk.
8. **Jangan biarkan kebiasaan daripada kekerapan penggunaan alat membuat anda berpuas hati dan mengabaikan prinsip keselamatan alat.** Kecuaian boleh menyebabkan kecederaan serius dalam sekelip mata.
9. **Sentiasa pakai gogal pelindung untuk melindungi mata anda daripada kecederaan apabila menggunakan alat kuasa. Gogal mestilah mematuhi ANSI Z87.1 di AS, EN 166 di Eropah, atau AS/NZS 1336 di Australia/ New Zealand. Di Australia/New Zealand, undang-undang mengarahkan untuk memakai pelindung muka bagi melindungi muka anda, juga.**



Menjadi tanggungjawab majikan untuk menguatkuasa penggunaan peralatan perlindungan keselamatan yang bersesuaian oleh pengendali alat dan oleh orang lain dalam kawasan bekerja semasa.

Penggunaan dan penjagaan alat kuasa

1. **Jangan gunakan alat kuasa dengan kasar. Gunakan alat kuasa yang betul untuk penggunaan anda.** Alat kuasa yang betul akan melakukan tugas dengan lebih baik dan lebih selamat pada kadar mana ia direka cipta.
2. **Jangan gunakan alat kuasa jika suis tidak berfungsi untuk menghidupkan dan mematikannya.** Alat kuasa yang tidak dapat dikawal dengan suis adalah berbahaya dan mesti dibaiki.
3. **Cabut palam dari sumber kuasa dan/atau keluarkan pek bateri, jika boleh ditanggalkan, dari alat kuasa sebelum membuat sebarang pelarasan, menukar aksesori, atau menyimpan alat kuasa.** Langkah-langkah keselamatan pencegahan sedemikian mengurangkan risiko memulakan alat kuasa secara tidak sengaja.
4. **Simpan alat kuasa yang tidak digunakan jauh dari jangkauan kanak-kanak dan jangan biarkan orang yang tidak biasa dengan alat kuasa atau arahan ini untuk mengendalikan alat kuasa.** Alat kuasa adalah berbahaya di tangan pengguna yang tidak terlatih.
5. **Menyelenggara alat kuasa dan aksesori. Periksa salah jajaran atau ikatan pada bahagian yang bergerak, bahagian yang pecah dan apa-apa keadaan lain yang boleh menjejaskan operasi alat kuasa. Jika rosak,baiki alat kuasa sebelum digunakan.** Kebanyakan kemalangan adalah disebabkan oleh alat kuasa yang tidak dijaga dengan baik.
6. **Pastikan alat pemotong tajam dan bersih.** Alat pemotong yang dijaga dengan betul dengan hujung pemotong yang tajam mempunyai kemungkinan yang rendah untuk terikat dan lebih mudah dikendalikan.
7. **Gunakan alat kuasa, aksesori dan alat bit dan sebagainya mengikut arahan ini dengan mengambil kira keadaan kerja dan kerja yang perlu dilakukan.** Penggunaan alat kuasa untuk operasi yang berbeza dari yang dimaksudkan boleh menyebabkan keadaan berbahaya.
8. **Pastikan pemegang dan permukaan pegangan kering, bersih dan bebas dari minyak dan gris.** Pemegang dan permukaan pegangan yang licin tidak membolehkan pengendalian dan kawalan selamat bagi alat dalam situasi yang tidak dijangka.
9. **Apabila menggunakan alat, jangan pakai sarung tangan kerja kain yang mungkin boleh rosak.** Kekusutan sarung tangan kerja kain pada bahagian yang bergerak boleh menyebabkan kecederaan diri.

Penggunaan dan penjagaan alat bateri

1. **Cas semula dengan pengecas yang ditentukan oleh pengeluar sahaja.** Pengecas yang sesuai untuk satu jenis pek bateri mungkin menimbulkan risiko kebakaran apabila digunakan dengan pek bateri lain.
2. **Gunakan alat kuasa dengan pek bateri yang ditentukan secara khusus sahaja.** Penggunaan mana-mana pek bateri lain mungkin menimbulkan risiko kecederaan dan kebakaran.

3. **Apabila pek bateri tidak digunakan, jauhkannya daripada objek besi lain, seperti klip kertas, duit syiling, paku, skru atau objek besi kecil lain, yang boleh membuat sambungan dari satu terminal ke yang lain.** Memintas terminal bateri bersama-sama mungkin menyebabkan lecuran atau kebakaran.
4. **Di bawah keadaan kasar, cecair mungkin dikeluarkan daripada bateri; elakkan sentuhan. Jika tersentuh secara tidak sengaja, siram dengan air. Jika cecair terkena mata, dapatkan bantuan perubatan di samping siraman air.** Cecair yang dikeluarkan dari bateri mungkin menyebabkan kegatalan atau lecuran.
5. **Jangan gunakan pek bateri atau alat yang rosak atau diubah suai.** Bateri yang rosak atau diubah suai mungkin menunjukkan perilaku yang tidak dijangka menyebabkan kebakaran, letupan atau risiko kecederaan.
6. **Jangan dedahkan pek bateri atau alat kepada api atau suhu yang berlebihan.** Pendedahan kepada api atau suhu melebihi 130 °C mungkin menyebabkan letupan.
7. **Ikut semua arahan pengecasan dan jangan cas pek bateri atau alat di luar julat suhu yang ditetapkan dalam arahan.** Mengecas dengan tidak betul atau pada suhu di luar julat yang dinyatakan mungkin merosakkan bateri dan meningkatkan risiko kebakaran.

Servis

1. **Pastikan alat kuasa anda diservis oleh orang yang berkelayakan dengan hanya menggunakan alat ganti yang sama.** Ini akan memastikan keselamatan alat kuasa dapat dikekalkan.
2. **Jangan servis pek bateri yang telah rosak.** Servis pek bateri hanya boleh dilakukan oleh pengeluar atau penyedia servis yang sah.
3. **Ikut arahan untuk melincir dan menukar aksesori.**

Amanan keselamatan pemangkas tanpa kord

1. **Gunakan pengapit atau cara praktikal lain untuk mengukuhkan dan menyokong bahan kerja pada platform yang stabil.** Memegang bahan kerja dengan tangan anda atau menyandar pada badan menyebabkan ia tidak stabil dan boleh menyebabkan hilang kawalan.
2. **Pegang alat kuasa dengan permukaan mencengkam terbebas sahaja, kerana pemotong boleh tersentuh wayar tersembunyi.** Memotong wayar "hidup" boleh menyebabkan bahagian logam terdedah alat kuasa "hidup" dan boleh memberi kejutan elektrik kepada pengendali.
3. **Hanya gunakan bit pemangkas yang dikadarkan sekurang-kurangnya sama dengan kelajuan maksimum yang ditandakan pada alat.** Jika alat ini mempunyai fungsi kawalan kelajuan boleh ubah, tetapkan kelajuan alat bawah kadar kelajuan bit pemangkas.
4. **Batang bit pemangkas mesti sepadan dengan cuk sesimpai yang direka.**

5. Pakai pelindung pendengaran semasa tempoh operasi yang panjang.
6. Kendalikan bit pemangkas dengan berhati-hati.
7. Periksa bit pemangkas dengan teliti untuk melihat keretakan atau kerosakan sebelum operasi. Gantikan bit pemangkas yang retak atau rosak dengan segera.
8. Elakkan memotong paku. Periksa untuk atau keluarkan semua paku daripada bahan kerja sebelum operasi.
9. Pegang alat dengan kukuh.
10. Jauhkan tangan daripada bahagian berpusing.
11. Pastikan bit pemangkas tidak menyentuh bahan kerja sebelum suis dihidupkan.
12. Sebelum menggunakan alat pada bahan kerja sebenar, biarkan ia beroperasi seketika. Perhatikan getaran atau goyangan yang boleh menunjukkan pemasangan bit pemangkas yang tidak betul.
13. Berhati-hati dengan arah putaran bit pemangkas dan arah suapan.
14. Jangan tinggalkan alat yang sedang berjalan. Kendalikan alat hanya apabila dipegang.
15. Sentiasa matikan dan tunggu sehingga bit pemangkas berhenti sepenuhnya sebelum mengeluarkan alat daripada bahan kerja.
16. Jangan sentuh bit pemangkas dengan serta-merta selepas operasi; ia mungkin sangat panas dan boleh melecurkan kulit anda.
17. Jangan lumurkan tapak dengan pencair, gasolin, minyak atau yang serupa dengan cuai. Ia boleh menyebabkan retak pada tapak.
18. Gunakan bit pemangkas dengan diameter batang yang betul yang sesuai dengan kelajuan alat.
19. Sesetengah bahan mengandungi bahan kimia yang mungkin toksik. Sila berhati-hati untuk mencegah penyedutan habuk dan sentuhan kulit. Ikut data keselamatan pembekal bahan.
20. Sentiasa gunakan topeng habuk/alat pernafasan yang betul untuk bahan dan aplikasi yang anda sedang kerjakan.

SIMPAN ARAHAN INI.

⚠️AMARAN: JANGAN biarkan keselesaan atau kebiasaan dengan produk (daripada penggunaan berulang) menggantikan pematuhan ketat terhadap peraturan keselamatan untuk produk yang ditetapkan. SALAH GUNA atau kegagalan mematuhi peraturan-peraturan keselamatan yang dinyatakan dalam manual arahan ini boleh menyebabkan kecederaan diri yang serius.

Arahan keselamatan penting untuk kartrij bateri

1. Sebelum menggunakan kartrij bateri, baca semua arahan dan tanda amaran pada (1) pengcas bateri, (2) bateri, dan (3) produk menggunakan bateri.
2. Jangan buka atau cabut kartrij bateri. Ia boleh mengakibatkan kebakaran, haba berlebihan, atau letupan.
3. Jika masa operasi menjadi sangat pendek, berhenti operasi serta merta. Ia mungkin menyebabkan risiko pemanasan lampau, melecur bahkan letupan.
4. Jika elektrolit masuk ke dalam mata anda, bilas mata dengan air jernih dan dapatkan rawatan perubatan serta merta. Ia mungkin menyebabkan kehilangan penglihatan.
5. Jangan pintaskan kartrij bateri:
 - (1) Jangan sentuh terminal dengan bahan berkonduksi.
 - (2) Elakkan menyimpan kartrij bateri dalam bekas bersama-sama objek besi lain seperti paku, duit syiling, dll.
 - (3) Jangan dedahkan kartrij bateri kepada air atau hujan.
 Pintasan bateri boleh menyebabkan aliran kuasa yang besar, pemanasan lampau, melecur dan juga kerosakan.
6. Jangan simpan dan gunakan alat dan kartrij bateri di lokasi yang suhunya mungkin mencapai atau melebihi 50 °C (122 °F).
7. Jangan bakar kartrij bateri walaupun jika ia rosak teruk atau haus sepenuhnya. Kartrij bateri boleh meletup dalam kebakaran.
8. Jangan paku, potong, pecahkan, buang, jatuhkan kartrij bateri, atau tekan objek keras pada kartrij bateri. Perbuatan sedemikian boleh mengakibatkan kebakaran, haba berlebihan, atau letupan.
9. Jangan gunakan bateri yang rosak.
10. Bateri litium ion yang terkandung adalah tertakluk kepada keperluan Perundangan Barangan Berbahaya.

Bagi pengangkutan komersil cth. oleh pihak ketiga, ejen penghantar, keperluan khas pada pembungkusan dan pelabelan mestilah diperhatikan.

Bagi persediaan item yang dihantar, berunding dengan pakar bahan berbahaya adalah diperlukan. Sila juga perhatikan sebolehnya peraturan kebangsaan yang lebih terperinci. Lekatkan atau balut bahagian terbuka dan pek bateri supaya ia tidak bergerak dalam pembungkusan.
11. Apabila melupuskan kartrij bateri, keluarkan ia daripada alat dan lupuskan ia di tempat selamat. Ikut peraturan tempatan anda mengenai pelupusan bateri.
12. Gunakan bateri hanya dengan produk yang ditentukan oleh Makita. Memasang bateri kepada produk yang tidak patuh mungkin menyebabkan kebakaran, pemanasan lampau, atau kebocoran elektrolit.

13. Jika alat tidak digunakan untuk tempoh masa yang lama, bateri mesti dikeluarkan daripada alat.
14. Semasa dan selepas penggunaan, kartrij bateri mungkin ada haba yang boleh menyebabkan terbakar atau suhu rendah terbakar. Beri perhatian kepada pengendalian kartrij bateri yang panas.
15. Jangan sentuh terminal alat itu selepas digunakan kerana ia mungkin panas menyebabkan terbakar.
16. Jangan biarkan cip, habuk, atau tanah terperangkap ke dalam terminal, lubang, dan alur cahaya kartrij bateri. Ia mungkin menyebabkan pemanasan, terbakar, meletup dan pincang tugas alat atau kartrij bateri, seterusnya menyebabkan lecur atau kecederaan diri.
17. Melainkan alat ini menyokong penggunaan yang hampir dari talian kuasa elektrik voltan tinggi, jangan gunakan kartrij bateri berhampiran talian kuasa elektrik voltan tinggi. Ia mungkin menyebabkan kerosakan atau pecah pada alat atau kartrij bateri.
18. Jauhkan bateri daripada kanak-kanak.

SIMPAN ARAHAN INI.

⚠️PERHATIAN: Hanya gunakan bateri asli Makita. Penggunaan bateri tidak asli Makita, atau bateri yang telah diubah suai, mungkin menyebabkan bateri meletup menyebabkan kebakaran, kecederaan diri dan kerosakan. Ia juga membatalkan jaminan Makita untuk alat Makita dan pengecas.

Tip untuk mengekalkan hayat bateri maksimum

1. Cas kartrij bateri sebelum ternyahcas sepenuhnya. Sentiasa hentikan operasi alat dan cas kartrij bateri apabila anda menyedari kurang kuasa alat.
2. Jangan cas semula kartrij bateri yang dicas sepenuhnya. Terlebih cas memendekkan hayat servis bateri.
3. Cas kartrij bateri dengan suhu bilik pada 10 °C - 40 °C (50 °F - 104 °F). Biarkan kartrij bateri yang panas menyejuk sebelum mengecasnya.
4. Apabila tidak menggunakan kartrij bateri, tanggalkannya dari alat atau pengecas.
5. Cas kartrij bateri jika anda tidak menggunakannya untuk tempoh yang lama (lebih daripada enam bulan).

Arahan keselamatan yang penting untuk unit tanpa wayar

1. Jangan leraikan atau menghentak dengan unit tanpa wayar.
2. Pastikan unit tanpa wayar jauh dari kanak-kanak. Jika ditelan dengan sengaja, dapatkan segera rawatan perubatan.
3. Guna unit tanpa wayar sahaja dengan alat Makita.
4. Jangan biarkan unit tanpa wayar terkena hujan atau keadaan basah.
5. Jangan gunakan unit tanpa wayar di tempat di mana suhu melebihi 50°C (122°F).
6. Jangan mengendalikan unit tanpa wayar di tempat alat perubatan, seperti pembuat langkah jantung yang berdekatan.
7. Jangan mengendalikan unit tanpa wayar di tempat di mana peranti automatik berada berdekatan. Jika dikendalikan, peranti automatik mungkin mengalami kerosakan atau ralat.
8. Jangan mengendalikan unit tanpa wayar di tempat bawah suhu tinggi atau tempat di mana elektrik statik atau bunyi elektrik yang boleh dijana.
9. Unit tanpa wayar boleh menghasilkan medan elektromagnet (EMF) tetapi tidak membahayakan kepada pengguna.
10. Unit tanpa wayar adalah alat yang tepat. Berhati-hati untuk tidak jatuhkan atau mengetuk unit tanpa wayar.
11. Elakkan menyentuh terminal unit tanpa wayar dengan tangan kosong atau bahan logam.
12. Sentiasa keluarkan bateri pada produk apabila memasang unit tanpa wayar ke dalamnya.
13. Apabila membuka penutup slot, elakkan tempat di mana habuk dan air boleh masuk ke dalam slot. Sentiasa pastikan slot salur masuk bersih.
14. Sentiasa masukkan unit tanpa wayar ke arah yang betul.
15. Jangan tekan butang pengaktifan pada unit tanpa wayar terlalu kuat dan/atau tekan butang dengan objek dengan sisi tajam.
16. Sentiasa tutup penutup slot semasa beroperasi.
17. Jangan keluarkan unit tanpa wayar dari slot semasa kuasa sedang dibekalkan ke alat itu. Buat demikian boleh menyebabkan kerosakan pada unit tanpa wayar.
18. Jangan keluarkan pelekat pada unit tanpa wayar.
19. Jangan letak sebarang pelekat pada unit tanpa wayar.
20. Jangan tinggalkan unit tanpa wayar di tempat bawah suhu tinggi atau tempat di mana elektrik statik atau bunyi elektrik yang boleh dijana.
21. Jangan biarkan unit tanpa wayar di tempat yang subjek kepada haba yang tinggi, seperti kereta yang duduk di bawah sinar matahari.
22. Jangan biarkan unit tanpa wayar di tempat yang berdebu atau serbuk atau di tempat menghakis gas yang boleh dijana.
23. Perubahan suhu yang mendadak mungkin merosakkan unit tanpa wayar. Jangan gunakan unit tanpa wayar sehingga embun selesai sepenuhnya.
24. Apabila membersihkan unit tanpa wayar, perlahan-lahan lap dengan kain lembut yang kering. Jangan gunakan benzin, nipis, gris konduktif atau sebagainya.
25. Apabila menyimpan unit tanpa wayar, simpan bekas yang dibekalkan atau bekas statik percuma.

26. **Jangan masukkan sebarang peranti selain unit tanpa wayar Makita ke dalam slot pada alat itu.**
27. **Jangan gunakan alat dengan tudung slot yang rosak.** Air, habuk, dan kotoran yang masuk ke dalam slot boleh menyebabkan kerosakan.
28. **Jangan tarik dan/atau memutar tudung slot lebih daripada perlu.** Pulihan tudung jika ia keluar dari alat.
29. **Gantikan tudung slot jika ia hilang atau rosak.**

SIMPAN ARAHAN INI.

KETERANGAN FUNGSI

⚠️ PERHATIAN: Sentiasa pastikan alat dimatikan dan kartrij bateri dikeluarkan sebelum menyelaras atau menyemak fungsi pada alat.

Memasang atau mengeluarkan kartrij bateri

⚠️ PERHATIAN: Sentiasa matikan alat sebelum memasang atau mengeluarkan kartrij bateri.

⚠️ PERHATIAN: Pegang alat dan kartrij bateri dengan kukuh apabila memasang atau mengeluarkan kartrij bateri. Gagal untuk memegang alat dan kartrij bateri dengan kukuh mungkin menyebabkan mereka terlepas daripada tangan anda dan mengakibatkan kerosakan kepada alat dan kartrij bateri dan kecederaan peribadi.

Untuk mengeluarkan kartrij bateri, luncurkan ia daripada alat apabila meluncurkan butang di hadapan kartrij.

► **Rajah1:** 1. Penunjuk merah 2. Butang 3. Kartrij bateri

Untuk memasang kartrij bateri, selaraskan lidah pada kartrij bateri dengan alur pada perumahan dan gelincirkan ia ke tempatnya. Masukkan ia sepenuhnya sehingga ia terkunci di tempatnya dengan klik kecil. Jika anda boleh melihat penunjuk merah di sisi atas butang, ia tidak dikunci sepenuhnya.

⚠️ PERHATIAN: Sentiasa pasang kartrij bateri sepenuhnya sehingga penunjuk merah tidak boleh dilihat. Jika tidak, ia mungkin jatuh tanpa sengaja daripada alat, menyebabkan kecederaan kepada anda atau seseorang di sekeliling anda.

⚠️ PERHATIAN: Jangan pasang kartrij bateri secara paksa. Jika kartrij tidak meluncur dengan mudah, ia tidak dimasukkan dengan betul.

Menunjukkan kapasiti bateri yang tinggal

Tekan butang semak pada kartrij bateri untuk menunjukkan kapasiti bateri yang tinggal. Lampu penunjuk menyala untuk beberapa saat.

► **Rajah2:** 1. Lampu penunjuk 2. Butang semak

Lampu penunjuk			Kapasiti yang tinggal
Dinyalakan	Mati	Berkelip	
■ ■ ■ ■			75% hingga 100%
■ ■ ■ □			50% hingga 75%
■ ■ □ □			25% hingga 50%
■ □ □ □			0% hingga 25%
◻ ◻ ◻ ◻			Cas bateri.
■ ■ □ □			Bateri mungkin telah rosak.
□ □ ■ ■			

NOTA: Bergantung kepada keadaan penggunaan dan suhu persekitaran, penunjuk mungkin berbeza sedikit daripada kapasiti sebenar.

NOTA: Lampu penunjuk (kiri jauh) pertama akan berkedip apabila sistem perlindungan bateri berfungsi.

Sistem perlindungan alat / bateri

Alat dilengkapi dengan sistem perlindungan alat/bateri. Sistem ini memotong kuasa kepada motor secara automatik untuk memanjangkan hayat alat dan bateri. Alat akan berhenti secara automatik ketika operasi jika alat atau bateri diletakkan di bawah salah satu syarat yang berikut:

Perlindungan lebih beban

Apabila bateri dihidupkan dengan cara yang menyebabkan ia menarik arus tinggi yang luar biasa, alat itu akan berhenti secara automatik tanpa sebarang petunjuk. Dalam situasi ini, matikan alat dan hentikan penggunaan yang menyebabkan alat menjadi terlebih beban. Kemudian hidupkan alat untuk mula semula.

Perlindungan pemanasan lampu

Apabila alat atau bateri terlalu panas, alat itu berhenti secara automatik. Dalam situasi ini, biarkan alat dan bateri menyejuk sebelum menghidupkan alat semula.

Perlindungan lebih nyahcas

Apabila kapasiti bateri tidak mencukupi, alat akan berhenti secara automatik. Dalam situasi ini, keluarkan bateri daripada alat dan cas bateri.

Perlindungan terhadap punca lain

Sistem perlindungan juga direka bentuk untuk punca lain yang boleh merosakkan alat dan membolehkan alat berhenti secara automatik. Ambil semua langkah berikut untuk membuang punca, apabila alat telah dibawa kepada berhenti sementara atau berhenti beroperasi.

1. Matikan alat dan kemudian hidupkan alat lagi untuk mula semula.
2. Cas bateri atau gantikan bateri dengan bateri yang telah dicas.
3. Biarkan alat dan bateri menyejuk.

Jika tiada penambahbaikan boleh didapati melalui pemulihan sistem perlindungan, maka hubungi Pusat Servis Makita tempatan anda.

Tindakan suis

Untuk menghidupkan alat, tekan butang kunci/buka kunci. Alat ini bertukar kepada mod tunggu sedia. Untuk memulakan alat, tekan butang mula/henti dalam mod tunggu sedia. Untuk menghentikan alat, tekan butang mula/henti sekali lagi. Alat ini bertukar kepada mod tunggu sedia. Untuk mematikan alat, tekan butang kunci/buka kunci dalam mod tunggu sedia.

► **Rajah3:** 1. Butang kunci/buka kunci 2. Butang mula/henti

NOTA: Jika alat dibiarkan selama 10 saat tanpa sebarang operasi dalam mod tunggu sedia, alat ini akan dimatikan secara automatik dan lampu terpadam.

NOTA: Anda juga boleh menghentikan dan mematikan alat dengan menekan butang kunci/buka kunci semasa alat sedang beroperasi.

Menyalakan lampu hadapan

PERHATIAN: Jangan lihat ke dalam cahaya atau lihat sumber cahaya secara langsung.

Untuk menghidupkan lampu, tekan butang kunci/buka kunci. Untuk mematikan lampu, tekan butang kunci/buka kunci sekali lagi.

NOTIS: Apabila alat terlampau panas, lampu berkelip. Sejukkan alat sepenuhnya sebelum mengendalikan alat semula.

NOTA: Gunakan kain kering untuk mengelap kotoran daripada lensa lampu. Berhati-hati agar tidak mencalarakan lensa lampu, atau ia mungkin mengurangkan pencahayaan.

► **Rajah4:** 1. Lampu

Dail pelarasan kelajuan

Kelajuan putaran alat boleh ditukar dengan memutar dail pelarasan kelajuan. Jadual di bawah menunjukkan nombor dail dan kelajuan putaran berkaitan.

► **Rajah5:** 1. Dail pelarasan kelajuan

Nombor	Kelajuan
1	10,000 min ⁻¹
2	15,000 min ⁻¹
3	21,000 min ⁻¹
4	26,000 min ⁻¹
5	31,000 min ⁻¹

PERHATIAN: Jangan ubah kelajuan putaran semasa operasi. Jika tidak, tindak balas alat yang tidak dijangka boleh menyebabkan kecederaan.

NOTIS: Jika alat ini dikendalikan secara berterusan pada kelajuan yang rendah, motor akan menjadi lebih beban, mengakibatkan pincang tugas.

NOTIS: Dail pelaras kelajuan boleh dipusingkan hanya sejauh 5 dan kembali ke 1. Jangan memaksa ia melepasi 5 atau 1, atau fungsi pelaras kelajuan mungkin tidak berfungsi lagi.

Fungsi elektronik

Alat ini dilengkapi dengan fungsi elektronik untuk memudahkan operasi.

- Kawalan kelajuan malar
Fungsi kawalan kelajuan memberikan kelajuan putaran malar tanpa mengira keadaan beban.
- Mula ringan
Fungsi mula ringan meminimumkan kejutan permulaan dan menjadikan alat mula dengan lancar.
- Brek ringan
Alat berhenti dengan perlahan menggunakan brek ringan. Brek ringan mencegah kerosakan pada bahan kerja disebabkan sentakan dan membolehkan anda memulakan operasi seterusnya lebih awal.
Jika alat ini secara konsisten gagal untuk menghentikan bit pemangkas selepas suis dimatikan, servis alat di pusat servis Makita.

PEMASANGAN

PERHATIAN: Sentiasa pastikan alat dimatikan dan kartrij bateri dikeluarkan sebelum menjalankan sebarang kerja pada alat.

Memasang atau menanggalkan bit pemangkas

NOTIS: Jangan ketatkan nat sesimpai tanpa memasang bit pemangkas atau kon sesimpai mungkin pecah.

Masukkan bit pemangkas sepenuhnya ke dalam kon sesimpai. Tekan kunci aci dan ketatkan nat sesimpai dengan perengkuh.

► **Rajah6:** 1. Kunci aci 2. Longgarkan 3. Ketatkan 4. Perengkuh 5. Nat sesimpai

Anda juga boleh mengetatkan nat sesimpai dengan dua perengkuh.

► **Rajah7:** 1. Perengkuh 2. Longgarkan 3. Ketatkan 4. Nat sesimpai

Untuk menanggalkan bit pemangkas, ikuti prosedur pemasangan secara terbalik.

NOTA: Kunci aci tidak boleh kembali ke kedudukan asal apabila anda mengetatkan nat sesimpai dalam pemasangan bit pemangkas. Kunci aci kembali ke kedudukan asal apabila anda memulakan alat.

► **Rajah8:** 1. Kunci aci

Menukar kon sesimpai

⚠PERHATIAN: Gunakan saiz kon sesimpai yang betul untuk bit pemangkas yang anda ingin gunakan.

⚠PERHATIAN: Jangan ketatkan nat sesimpai tanpa memasang bit pemangkas atau kon sesimpai mungkin pecah.

1. Longgarkan nat sesimpai dan tanggalkan.
 2. Gantikan kon sesimpai yang dipasang dengan kon sesimpai yang dikehendaki.
 3. Pasang semula nat sesimpai.
- **Rajah9:** 1. Kon sesimpai 2. Nat sesimpai

Memasang atau menanggalkan tapak pemangkas

1. Buka tuil kunci tapak pemangkas, kemudian masukkan alat ke dalam tapak pemangkas dan menjajarkan alur pada alat dengan tonjolan pada tapak pemangkas.
 2. Tutup tuil kunci.
- **Rajah10:** 1. Tuil kunci

NOTA: Anda boleh menggunakan tapak pemangkas (resin) sebagai aksesori pilihan seperti yang ditunjukkan dalam rajah. Apabila menggunakan tapak pemangkas (resin), longgarkan atau ketatkan nat ibu jari dan bukannya membuka atau menutup tuil kunci. Sejajarkan rak pada alat dengan gear taji pada tapak pemangkas.

► **Rajah11:** 1. Nat ibu jari 2. Rak 3. Gear taji

3. Pasangkan muncung habuk pada tapak pemangkas, kemudian ketatkan skru ibu jari.
- **Rajah12:** 1. Muncung habuk 2. Skru ibu jari
- **Rajah13**

Untuk menanggalkan tapak, ikuti prosedur pemasangan secara terbalik.

⚠PERHATIAN: Sebelum menggunakan alat dengan tapak pemangkas, pastikan anda memasang muncung habuk pada tapak pemangkas.

Memasang atau menanggalkan tapak condong

Aksesori pilihan

1. Buka tuil kunci tapak condong, kemudian masukkan alat ke dalam tapak condong dan menjajarkan alur pada alat dengan tonjolan pada tapak condong.

2. Tutup tuil kunci.

► **Rajah14:** 1. Tuil kunci

Untuk menanggalkan tapak, ikuti prosedur pemasangan secara terbalik.

Memasang atau menanggalkan tapak offset

Aksesori pilihan

1. Tekan kunci aci, kemudian longgarkan nat sesimpai.

► **Rajah15:** 1. Nat sesimpai 2. Kunci aci 3. Perengkuh

2. Tanggalkan nat sesimpai dan kon sesimpai.

► **Rajah16:** 1. Nat sesimpai 2. Kon sesimpai

3. Pasang takal pada alat dengan menekan kunci aci dan ketatkan takal dengan perengkuh.

► **Rajah17:** 1. Perengkuh 2. Takal 3. Kunci aci

4. Longgarkan skru pada plat tapak, kemudian tanggalkan plat tapak.

► **Rajah18:** 1. Plat tapak

5. Buka tuil kunci tapak offset, kemudian pasang tapak offset pada alat.

► **Rajah19:** 1. Tuil kunci

6. Lepakkan tali sawat pada takal menggunakan batang seperti pemutar skru beralur dengan memutar tali sawat secara manual.

► **Rajah20:** 1. Takal 2. Tali sawat

7. Tutup tuil kunci.

► **Rajah21:** 1. Tuil kunci

8. Pasangkan plat tapak dengan mengetatkan skru.

► **Rajah22:** 1. Plat tapak

9. Masukkan kon sesimpai dan bit pemangkas ke dalam tapak offset, kemudian ketatkan nat sesimpai.

► **Rajah23:** 1. Bit pemangkas 2. Nat sesimpai 3. Kon sesimpai

10. Masukkan kunci allen ke dalam lubang tapak offset, kemudian ketatkan nat sesimpai dengan perengkuh.

► **Rajah24:** 1. Nat sesimpai 2. Perengkuh 3. Kunci allen

Untuk menanggalkan tapak, ikuti prosedur pemasangan secara terbalik.

NOTA: Anda juga boleh memasangkan tali sawat pada takal tanpa menanggalkan plat tapak seperti yang ditunjukkan dalam rajah.

► **Rajah25:** 1. Takal 2. Tali sawat

Memasang atau menanggalkan tapak terjun

Aksesori pilihan

1. Buka tuil kunci tapak terjun, kemudian masukkan alat ke dalam tapak terjun sepenuhnya dan menajarkannya alur pada alat dengan tonjolan pada tapak terjun.
2. Tutup tuil kunci.
► **Rajah26:** 1. Tuil kunci

Untuk menanggalkan tapak, ikuti prosedur pemasangan secara terbalik.

Memasang atau menanggalkan pembaris selari pada tapak terjun

Aksesori pilihan

Masukkan bar panduan ke dalam lubang di dalam tapak terjun, kemudian ketatkan bolt telinga. Untuk menanggalkan pembaris, ikuti prosedur pemasangan secara terbalik.

- **Rajah27:** 1. Bolt telinga 2. Bar panduan

Memasang atau menanggalkan muncung habuk pada tapak terjun

Masukkan muncung habuk ke dalam tapak terjun supaya tonjolan pada muncung habuk sepadan dengan takuk di dalam tapak terjun, kemudian ketatkan skru ibu jari pada muncung habuk. Untuk menanggalkan muncung, ikuti prosedur pemasangan secara terbalik.

- **Rajah28:** 1. Tonjolan 2. Muncung habuk 3. Skru ibu jari

- **Rajah29**

OPERASI

Melaraskan kedalaman pemotongan

Untuk melaraskan kedalaman pemotongan, buka tuil kunci, kemudian gerakkan tapak alat ke atas atau ke bawah dengan memutar skru pelaras. Selepas pelarasan, tutup tuil kunci dengan kukuh.

- **Rajah30:** 1. Tuil kunci 2. Skru pelaras

NOTIS: Jika alat tidak dikukuhkan selepas menutup tuil kunci, ketatkan nat heksagon, kemudian tutup tuil kunci.

- **Rajah31:** 1. Nat heksagon

Melaraskan kedalaman pemotongan dengan tapak terjun

Aksesori pilihan

1. Letakkan alat pada permukaan rata.
2. Pilih skru penahan dengan memutar tapak penahan.
► **Rajah32:** 1. Skru penahan 2. Tapak penahan
3. Longgarkan nat ikat, kemudian tarik pancang penahan ke atas sambil menekan butang suapan.
► **Rajah33:** 1. Pancang penahan 2. Nat ikat 3. Butang suapan
4. Tekan alat ke bawah sehingga hujung bit pemangkas menyentuh permukaan rata, kemudian putar tuil ikat untuk mengukuhkan alat.
► **Rajah34:** 1. Tuil ikat 2. Bit pemangkas
5. Tekan pancang penahan ke bawah sambil menekan butang suapan sehingga ia menyentuh skru penahan.
► **Rajah35:** 1. Pancang penahan 2. Skru penahan 3. Butang suapan
6. Luncurkan penunjuk kedalaman sehingga penunjuk menunjukkan "0" pada skala.
► **Rajah36:** 1. Penunjuk kedalaman
7. Laraskan kedalaman pemotongan dengan menarik pancang penahan ke atas sambil menekan butang suapan.
► **Rajah37:** 1. Pancang penahan 2. Butang suapan
8. Untuk melakukan pelarasan halus bagi kedalaman pemotongan, putarkan dail pada pancang penahan supaya ia menunjukkan "0".
► **Rajah38:** 1. Dail
9. Putarkan kepala pancang penahan untuk mendapatkan kedalaman yang diinginkan. Untuk meningkatkan kedalaman, putarkan kepala lawan arah jam. Untuk mengurangkan kedalaman, putarkan kepala ikut arah jam. (Kedalaman berubah sebanyak 1 mm bagi setiap satu putaran.)
► **Rajah39:** 1. Kepala pancang penahan

10. Ketatkan nat ikat pancang penahan.

- **Rajah40:** 1. Nat ikat

11. Lepaskan tuil ikat.

- **Rajah41:** 1. Tuil ikat

Dengan menekan alat sehingga pancang penahan bertemu skru penahan, anda dapat memperoleh kedalaman potongan yang anda selaraskan mengikut prosedur di atas.

Menggunakan alat dengan tapak pemangkas

Tetapkan tapak alat pada bahan kerja tanpa bit pemangkas melakukan sebarang sentuhan. Hidupkan alat dan tunggu sehingga bit pemangkas mencapai kelajuan penuh. Gerakkan alat ke hadapan di atas permukaan bahan kerja. Kekalkan tapak alat sedatar semasa menggerakkan alat.

Apabila memotong tepi, pastikan permukaan bahan kerja di sebelah kiri bit pemangkas dalam arah suapan.

► **Rajah42**

NOTA: Sebelum memotong pada bahan kerja sebenar, disyorkan untuk membuat potongan sampel. Kelajuan suapan yang betul bergantung pada saiz bit pemangkas, jenis bahan kerja dan kedalaman potongan. Menggerakkan alat ke hadapan dengan terlalu laju boleh menyebabkan kualiti potongan yang tidak baik, atau kerosakan pada bit pemangkas atau motor. Menggerakkan alat ke hadapan dengan terlalu perlahan boleh membakar dan merosakkan permukaan pemotongan.

Apabila menggunakan kasut pemangkas, panduan lurus atau panduan pemangkas, pastikan ia sentiasa berada di sebelah kanan dalam arah suapan. Ini akan membantu untuk memastikan ia sedatar dengan bahagian tepi bahan kerja.

► **Rajah43:** 1. Bit pemangkas 2. Bahan kerja
3. Panduan lurus

NOTIS: Memandangkan pemotongan berlebihan boleh menyebabkan beban lebih motor atau kesukaran dalam mengawal alat, kedalaman potongan hendaklah tidak lebih daripada 3 mm dalam satu potongan apabila memotong alur. Apabila anda ingin memotong alur lebih daripada 3 mm dalam, lakukan beberapa potongan dengan tetapan bit pemangkas lebih dalam secara berperingkat.

Menggunakan panduan lurus

1. Pasangkan panduan lurus dengan bolt dan nat telinga.

► **Rajah44:** 1. Bolt 2. Nat telinga

2. Pasangkan panduan lurus pada tapak pemangkas dengan skru pengapit.

► **Rajah45:** 1. Skru pengapit

3. Longgarkan nat telinga pada panduan lurus dan laraskan jarak antara bit pemangkas dan panduan lurus. Pada jarak yang diinginkan, ketatkan nat telinga.

► **Rajah46:** 1. Nat telinga

4. Gerakkan alat dengan panduan lurus sedatar dengan bahagian tepi bahan kerja.

► **Rajah47**

Jika jarak (A) antara bahagian tepi bahan kerja dan kedudukan memotong terlalu jauh untuk panduan lurus, atau jika bahagian tepi bahan kerja tidak lurus, panduan lurus tidak boleh digunakan.

Dalam situasi ini, apit satu papan lurus dengan kukuh pada bahan kerja dan gunakan ia sebagai panduan pada tapak pemangkas. Masukkan alat mengikut arah anak panah.

► **Rajah48**

Menggunakan panduan lurus untuk kerja membulat

Untuk kerja membulat, pasang panduan lurus seperti yang ditunjukkan dalam rajah. Radius minimum dan maksimum bulatan yang akan dipotong (jarak antara pusat bulatan dan pusat bit pemangkas) adalah seperti berikut:

- Minimum: 70 mm
- Maksimum: 221 mm

Untuk memotong bulatan beradius antara 70 mm dan 121 mm.

► **Rajah49:** 1. Lubang tengah

Untuk memotong bulatan beradius antara 121 mm dan 221 mm.

► **Rajah50:** 1. Lubang tengah

NOTA: Bulatan beradius antara 172 mm dan 186 mm tidak boleh dipotong menggunakan panduan ini.

Jajarkan lubang tengah di dalam panduan lurus dengan pusat bulatan yang akan dipotong. Pakukan paku berdiameter kurang daripada 6 mm ke dalam lubang tengah untuk mengukuhkan panduan lurus. Putarkan alat di sekeliling paku mengikut arah jam.

► **Rajah51:** 1. Paku 2. Lubang tengah

Menggunakan panduan templet

Panduan templet membolehkan pemotongan berulang dengan corak templet dengan menggunakan templet.

1. Longgarkan skru pada plat tapak, kemudian tanggalkan plat tapak daripada tapak pemangkas.

2. Letakkan panduan templet pada tapak, kemudian pasang plat tapak dengan mengetatkan skru.

► **Rajah52:** 1. Plat tapak 2. Panduan templet

3. Letakkan alat pada templet dan gerakkan alat supaya panduan templet meluncur di sepanjang bahagian tepi templet.

► **Rajah53**

NOTA: Saiz potongan sebenar pada bahan kerja sedikit berbeza daripada templet. Perbezaannya ialah jarak (X) antara bit pemangkas dan bahagian luar panduan templet. Jarak (X) boleh dikira dengan menggunakan persamaan berikut:

Jarak (X) = (diameter luar panduan templet - diameter bit pemangkas) / 2

► **Rajah54:** 1. Bit pemangkas 2. Panduan templet
3. Jarak (X) 4. Diameter luar panduan templet 5. Templet 6. Bahan kerja

Menggunakan panduan pemangkas

Aksesori pilihan

Panduan pemangkas membolehkan anda memangkas sisi melengkung seperti venir untuk perabot dengan menggerakkan pengelek panduan di sepanjang bahagian tepi bahan kerja.

► Rajah55

1. Longgarkan skru pengapit, kemudian pasang panduan pemangkas pada tapak pemangkas, kemudian ketatkan skru pengapit.
► **Rajah56:** 1. Skru pengapit
2. Longgarkan skru pengapit dan laraskan jarak antara bit pemangkas dan panduan pemangkas dengan memutar skru pelaras (1 mm bagi setiap putaran). Pada jarak yang diingini, ketatkan skru pengapit untuk mengukuhkan panduan pemangkas.
► **Rajah57:** 1. Skru pelaras 2. Skru pengapit
3. Gerakkan alat dengan pengelek panduan di atas bahagian tepi bahan kerja.
► **Rajah58:** 1. Bahan kerja 2. Bit pemangkas 3. Pengelek panduan

Menggunakan alat dengan tapak condong

Tapak condong digunakan untuk merapikan tepi lembaran lamina atau bahan yang serupa.

Tapak condong memudahkan penyerongan. Longgarkan skru telinga, kemudian condongkan alat pada sudut yang dikehendaki dan kemudian ketatkan skru telinga.

Apit satu papan lurus dengan kemas pada bahan kerja dan gunakan ia sebagai panduan pada tapak pemangkas. Masukkan alat mengikut arah anak panah.
► **Rajah59:** 1. Skru telinga

Menggunakan plat tapak condong dengan tapak pemangkas

Untuk menggunakan tapak pemangkas dengan plat tapak segi empat sama, keluarkan plat tapak dari tapak condong dan kemudian pasang pada tapak pemangkas.

► **Rajah60:** 1. Plat tapak condong 2. Plat tapak pemangkas

NOTIS: Gunakan skru pada tapak pemangkas semasa memasang plat tapak condong. Skru pada tapak condong lebih pendek daripada skru pada tapak pemangkas.

Menggunakan alat dengan tapak ofset

Tapak ofset digunakan untuk merapikan tepi lembaran lamina atau bahan yang serupa. Tapak ofset memudahkan kerja di kawasan sempit.

► Rajah61

Menggunakan tapak pemangkas dengan plat tapak ofset dan genggaman

Plat tapak ofset juga boleh digunakan dengan tapak pemangkas dan pemasangan genggaman (aksesori pilihan) untuk lebih kestabilan.

1. Longgarkan skru pada plat tapak ofset, kemudian tanggalkan plat tapak ofset daripada tapak ofset.
► **Rajah62:** 1. Plat tapak ofset 2. Plat tapak pemangkas
2. Pasang plat tapak ofset pada tapak pemangkas dengan mengetatkan skru.
3. Pasang pemasangan genggaman dan genggaman jenis bar pada plat tapak ofset dengan mengetatkan skru.
► **Rajah63:** 1. Genggaman jenis bar 2. Pemasangan genggaman

Genggaman jenis tombol yang dikeluarkan dari tapak terjun boleh dipasang pada tapak ofset dan bukannya genggaman jenis bar.

► **Rajah64:** 1. Skru 2. Genggaman jenis tombol

Menggunakan alat dengan tapak terjun

Sentiasa pegang dengan kukuh menggunakan kedua-dua tangan semasa pengendalian. Kendalikan alat dengan cara yang sama seperti tapak pemangkas.

Menggunakan panduan lurus

Aksesori pilihan

1. Pasangkan panduan lurus pada pemegang panduan dengan mengetatkan nat telinga. Masukkan pemegang panduan ke dalam lubang di dalam tapak terjun, kemudian ketatkan bolt telinga.
► **Rajah65:** 1. Bolt telinga 2. Pemegang panduan 3. Nat telinga 4. Panduan lurus
2. Longgarkan nat telinga pada panduan lurus dan laraskan jarak antara bit pemangkas dan panduan lurus. Pada jarak yang diingini, ketatkan nat telinga.
► **Rajah66:** 1. Nat telinga
3. Kendalikan alat dengan cara yang sama seperti panduan lurus untuk tapak pemangkas.
► **Rajah67**

Menggunakan panduan templet

Aksesori pilihan

1. Longgarkan skru pada tapak dan tanggalkannya. Letakkan panduan templet pada tapak, kemudian ketatkan skru.

► **Rajah68:** 1. Skru 2. Panduan templet

2. Kendalikan alat dengan cara yang sama seperti panduan templet untuk tapak pemangkas.

► **Rajah69**

Menggunakan pembaris selari

Pembaris selari digunakan secara efektif untuk potongan lurus apabila membuat penyerongan atau pengaluran. Laraskan jarak antara bit pemangkas dan pembaris selari. Pada jarak yang diinginkan, ketatkan bolt telinga untuk mengukuhkan pembaris selari. Apabila memotong, gerakkan alat menggunakan pembaris selari sedatar dengan bahagian tepi bahan kerja.

► **Rajah70**

Jika jarak (A) antara bahagian tepi bahan kerja dan kedudukan memotong terlalu jauh untuk pembaris selari, atau jika bahagian tepi bahan kerja tidak lurus, pembaris selari tidak boleh digunakan. Dalam situasi ini, apit satu papan lurus dengan kukuh pada bahan kerja dan gunakan ia sebagai panduan pada tapak terjun. Masukkan alat mengikut arah anak panah.

► **Rajah71**

Menukar genggam jenis tombol kepada genggam jenis bar

Untuk memasang genggam jenis bar pada tapak terjun, longgarkan skru genggam jenis tombol, kemudian tanggalkan genggam jenis tombol, kemudian pasang genggam jenis bar dengan menyetakkannya.

► **Rajah72:** 1. Genggam jenis tombol 2. Skru
3. Genggam jenis bar

FUNGSI PENGAKTIFAN TANPA WAYAR

Apa yang boleh anda lakukan dengan fungsi pengaktifan tanpa wayar

Fungsi pengaktifan tanpa wayar membolehkan operasi yang bersih dan selesa. Dengan menyambungkan pembersih hampagas yang disokong kepada alat ini, anda boleh menjalankan pembersih hampagas secara automatik bersama dengan operasi suis alat tersebut.

► **Rajah73**

Untuk menggunakan fungsi pengaktifan tanpa wayar, sediakan item berikut:

- Unit tanpa wayar (aksesori pilihan)
- Pembersih hampagas yang menyokong fungsi pengaktifan tanpa wayar

Gambaran keseluruhan tetapan fungsi pengaktifan tanpa wayar adalah seperti berikut. Merujuk kepada setiap bahagian untuk prosedur terperinci.

1. Memasang unit tanpa wayar
2. Pelarasan alat untuk pembersih hampagas
3. Memulakan fungsi pengaktifan tanpa wayar

Memasang unit tanpa wayar

Aksesori pilihan

⚠PERHATIAN: Letakkan alat pada permukaan yang rata dan stabil apabila memasang unit tanpa wayar.

NOTIS: Bersihkan habuk dan kotoran pada alat sebelum memasang unit tanpa wayar. Habuk atau kotoran boleh menyebabkan kerosakan jika ia masuk ke dalam slot unit tanpa wayar.

NOTIS: Untuk mengelakkan kerosakan yang disebabkan oleh statik, sentuh bahan pelepas statik, seperti bahagian logam alat, sebelum mengambil unit tanpa wayar.

NOTIS: Apabila memasang unit tanpa wayar, pastikan unit tanpa wayar dimasukkan ke dalam arah yang betul dan penutup ditutup sepenuhnya.

1. Buka penutup pada alat seperti ditunjukkan dalam gambar.

► **Rajah74:** 1. Penutup

2. Masukkan unit tanpa wayar ke slot dan tutup penutup.

Apabila memasukkan unit tanpa wayar, selaraskan unjuran dengan bahagian tersembunyi pada slot.

► **Rajah75:** 1. Unit tanpa wayar 2. Unjuran 3. Penutup
4. Bahagian berlekuk

Apabila mengeluarkan unit tanpa wayar, buka penutup perlahan-lahan. Cangkuk pada bahagian belakang penutup akan mengangkup unit tanpa wayar semasa anda menarik penutup.

► **Rajah76:** 1. Unit tanpa wayar 2. Cangkuk
3. Penutup

Selepas mengeluarkan unit tanpa wayar, simpannya dalam kes yang dibekalkan atau bekas bebas daripada statik.

NOTIS: Sentiasa gunakan cangkuk di bahagian belakang tudung apabila mengeluarkan unit tanpa wayar. Jika cangkuk tidak menangkap unit tanpa wayar, tutup penutup sepenuhnya dan buka dengan perlahan sekali lagi.

Pelarasan alat untuk pembersih hampagas

NOTA: Pembersih hampagas Makita yang menyokong fungsi pengaktifan tanpa wayar diperlukan untuk pelarasan alat.

NOTA: Selesai memasang unit tanpa wayar kepada alat sebelum memulakan pelarasan alat.

NOTA: Semasa pelarasan alat, jangan tarik pemicu suis atau hidupkan suis kuasa pada pembersih hampagas.

NOTA: Merujuk kepada manual arahan pembersih hampagas juga.

Jika anda ingin mengaktifkan pembersih hampagas bersama-sama dengan operasi suis alat, selesaikan pelarasan alat terlebih dahulu.

1. Pasang bateri kepada pembersih hampagas dan alat itu.

2. Tetapkan suis tunggu sedia pada pembersih hampagas kepada "AUTO".

► **Rajah77:** 1. Suis tunggu sedia

3. Tekan butang pengaktifan tanpa wayar pada pembersih hampagas selama 3 saat sehingga lampu pengaktifan tanpa wayar berkelip hijau. Kemudian tekan butang pengaktifan tanpa wayar pada alat dengan cara yang sama.

► **Rajah78:** 1. Butang pengaktifan tanpa wayar
2. Lampu pengaktifan tanpa wayar

Jika pembersih hampagas dan alat itu terhubung dengan jayanya, lampu pengaktifan wayarles akan menyala hijau selama 2 saat dan mula berkedip biru.

NOTA: Lampu pengaktifan tanpa wayar selesai berkelip dalam warna hijau selepas 20 saat berlalu. Tekan butang pengaktifan tanpa wayar pada alat semasa lampu pengaktifan tanpa wayar pada pembersih berkelip. Jika lampu pengaktifan tanpa wayar tidak berkelip hijau, tolak butang pengaktifan tanpa wayar sekejap dan tahannya lagi.

NOTA: Apabila melakukan dua atau lebih alat pelarasan untuk satu pembersih hampagas, selesaikan pelarasan alat satu demi satu.

Memulakan fungsi pengaktifan tanpa wayar

NOTA: Selesaikan pelarasan alat untuk pembersih hampagas sebelum pengaktifan tanpa wayar.

NOTA: Merujuk kepada manual arahan pembersih hampagas juga.

Selepas pelarasan alat kepada pembersih hampagas, pembersih hampagas akan berjalan secara automatik bersama dengan operasi suis alat tersebut.

1. Pasang unit tanpa wayar kepada alat tersebut.
2. Sambungkan hos pembersih hampagas dengan alat ini.

► **Rajah79**

3. Tetapkan suis tunggu sedia pada pembersih hampagas kepada "AUTO".

► **Rajah80:** 1. Suis tunggu sedia

4. Tolak butang pengaktifan tanpa wayar pada alat sekejap. Lampu pengaktifan tanpa wayar akan berkelip warna biru.

► **Rajah81:** 1. Butang pengaktifan tanpa wayar
2. Lampu pengaktifan tanpa wayar

5. Hidupkan alat. Periksa jika pembersih vakum berjalan semasa alat beroperasi.

Untuk menghentikan pengaktifan tanpa wayar pembersih hampagas, tolak butang pengaktifan tanpa wayar pada alat.

NOTA: Lampu pengaktifan tanpa wayar pada alat akan berhenti berkelip warna biru apabila tiada operasi selama 2 jam. Dalam kes ini, tetapkan suis tunggu sedia pada pembersih hampagas kepada "AUTO" dan tolak butang pengaktifan tanpa wayar pada alat itu lagi.

NOTA: Pembersih hampagas mula/berhenti dengan lambat. Terdapat jarak masa apabila pembersih hampagas mengesan operasi suis alat.










NOTA: Jarak penghantaran unit tanpa wayar mungkin berbeza-beza bergantung kepada lokasi dan keadaan sekitarnya.

NOTA: Apabila dua atau lebih alat berdaftar pada satu pembersih hampagas, pembersih vakum akan mula berjalan walaupun jika anda tidak menghidupkan alat kerana pengguna lain menggunakan fungsi pengaktifan tanpa wayar.

Keterangan status lampu pengaktifan tanpa wayar

► Rajah82: 1. Lampu pengaktifan tanpa wayar

Lampu pengaktifan tanpa wayar menunjukkan status fungsi pengaktifan tanpa wayar. Merujuk kepada jadual di bawah untuk maksud status lampu.

Status	Lampu pengaktifan tanpa wayar				Keterangan
	Warna	 Hidup	 Berkelip	Tempoh	
Tunggu sedia	Biru			2 jam	Pengaktifan tanpa wayar pembersih hampagas tersedia. Lampu akan dimatikan secara automatik apabila tiada operasi dilakukan selama 2 jam.
				Apabila alat sedang berjalan.	Pengaktifan tanpa wayar pembersih hampagas tersedia dan alat sedang berjalan.
Pelarasan alat	Hijau			20 saat	Sedia untuk pelarasan alat. Menunggu pelarasan oleh pembersih hampagas.
				2 saat	Pelarasan alat telah selesai. Lampu pengaktifan tanpa wayar akan mula berkelip warna biru.
Membatalkan pelarasan alat	Merah			20 saat	Sedia untuk pembatalan pelarasan alat. Menunggu pembatalan oleh pembersih hampagas.
				2 saat	Pembatalan pelarasan alat telah selesai. Lampu pengaktifan tanpa wayar akan mula berkelip warna biru.
Lain-lain	Merah			3 saat	Kuasa dibekalkan kepada unit tanpa wayar dan fungsi pengaktifan tanpa wayar dimulakan.
	Mati	-		-	Pengaktifan tanpa wayar pembersih hampagas dihentikan.

Pembatalan pelarasan alat untuk pembersih hampagas

Lakukan prosedur berikut apabila membatalkan pelarasan alat untuk pembersih vakum.

1. Pasang bateri kepada pembersih hampagas dan alat itu.
2. Tetapkan suis tunggu sedia pada pembersih hampagas kepada "AUTO".

► Rajah83: 1. Suis tunggu sedia

3. Tekan butang pengaktifan tanpa wayar pada pembersih hampagas selama 6 saat. Lampu pengaktifan tanpa wayar berkelip hijau dan kemudian menjadi merah. Selepas itu, tekan butang pengaktifan tanpa wayar pada alat dengan cara yang sama.

- Rajah84: 1. Butang pengaktifan tanpa wayar
2. Lampu pengaktifan tanpa wayar

Jika pembatalan dilakukan dengan jayanya, lampu pengaktifan tanpa wayar akan menyala merah selama 2 saat dan mula berkelip biru.

NOTA: Lampu pengaktifan tanpa wayar selesai berkelip dalam warna merah selepas 20 saat berlalu. Tekan butang pengaktifan tanpa wayar pada alat semasa lampu pengaktifan tanpa wayar pada pembersih berkelip. Jika lampu pengaktifan tanpa wayar tidak berkelip merah, tolak butang pengaktifan tanpa wayar sekejap dan tahan lagi.

Penyelesaian masalah untuk fungsi pengaktifan tanpa wayar

Sebelum meminta pembaikan, jalankan pemeriksaan sendiri terlebih dahulu. Jika anda mendapati masalah tidak diterangkan dalam manual, jangan cuba untuk menanggalkan alat. Sebaliknya, tanya Pusat Servis Sah Makita, sentiasa gunakan alat ganti Makita untuk pembaikan.

Keadaan keabnormalan	Sebab yang mungkin (pincang tugas)	Remedi
Lampu pengaktifan tanpa wayar tidak menyala/berkelip.	Unit tanpa wayar tidak dipasang ke dalam alat. Unit tanpa wayar dipasang tidak betul ke dalam alat tersebut.	Memasang unit tanpa wayar dengan betul.
	Terminal unit tanpa wayar dan/atau slot adalah kotor.	Bersihkan habuk dan kotoran dengan lembut pada terminal unit tanpa wayar dan bersihkan slot.
	Butang pengaktifan tanpa wayar pada alat tidak ditolak.	Tolak butang pengaktifan tanpa wayar pada alat sekejap.
	Suis pada pembersih hampagas tidak ditetapkan kepada "AUTO".	Tetapkan suis tunggu sedia pada pembersih hampagas kepada "AUTO".
	Tiada bekalan kuasa	Berikan kuasa kepada alat dan pembersih hampagas.
Tidak dapat menyelesaikan pelarasan alat/pembatalan pelarasan alat dengan berjaya.	Unit tanpa wayar tidak dipasang ke dalam alat. Unit tanpa wayar dipasang tidak betul ke dalam alat tersebut.	Memasang unit tanpa wayar dengan betul.
	Terminal unit tanpa wayar dan/atau slot adalah kotor.	Bersihkan habuk dan kotoran dengan lembut pada terminal unit tanpa wayar dan bersihkan slot.
	Suis pada pembersih hampagas tidak ditetapkan kepada "AUTO".	Tetapkan suis tunggu sedia pada pembersih hampagas kepada "AUTO".
	Tiada bekalan kuasa	Berikan kuasa kepada alat dan pembersih hampagas.
	Operasi yang tidak betul	Tekan butang pengaktifan tanpa wayar sekejap dan lakukan prosedur pelarasan/pembatalan alat sekali lagi.
	Alat dan pembersih hampagas jauh dari satu sama lain (daripada jarak penghantaran).	Dapatkan alat dan pembersih hampagas rapat antara satu sama lain. Jarak penghantaran maksimum adalah kira-kira 10 m bagaimanapun mungkin berbeza-beza mengikut keadaan.
	Sebelum menyelesaikan pendaftaran/pembatalan alat; - suis alat dihidupkan atau; - butang kuasa pada pembersih vakum dihidupkan.	Tekan butang pengaktifan tanpa wayar sekejap dan lakukan prosedur pelarasan/pembatalan alat sekali lagi.
	Prosedur pelarasan alat untuk alat atau pembersih hampagas belum selesai.	Lakukan prosedur pendaftaran alat untuk kedua-dua alat dan pembersih hampagas pada masa yang sama.
Gangguan radio oleh peralatan lain yang menghasilkan gelombang radio intensiti tinggi.	Pastikan alat dan pembersih hampagas jauh dari peralatan seperti peranti Wi-Fi dan ketuhar gelombang mikro.	

Keadaan keabnormalan	Sebab yang mungkin (pincang tugas)	Remedi
Pembersih hampagas tidak berjalan bersama dengan operasi suis alat itu.	Unit tanpa wayar tidak dipasang ke dalam alat. Unit tanpa wayar dipasang tidak betul ke dalam alat tersebut.	Memasang unit tanpa wayar dengan betul.
	Terminal unit tanpa wayar dan/atau slot adalah kotor.	Bersihkan habuk dan kotoran dengan lembut pada terminal unit tanpa wayar dan bersihkan slot.
	Butang pengaktifan tanpa wayar pada alat tidak ditolak.	Tekan butang pengaktifan tanpa wayar sekejap dan pastikan lampu pengaktifan tanpa wayar berkelip biru.
	Suis pada pembersih hampagas tidak ditetapkan kepada "AUTO".	Tetapkan suis tunggu sedia pada pembersih hampagas kepada "AUTO".
	Lebih daripada 10 alat telah dilaraskan kepada pembersih vakum.	Lakukan pelarasan alat lagi. Jika lebih daripada 10 alat yang dilaraskan kepada pembersih hampagas, alat yang dilaraskan paling awal akan dibatalkan secara automatik.
	Pembersih hampagas memadam semua pelarasan alat.	Lakukan pelarasan alat lagi.
	Tiada bekalan kuasa	Berikan kuasa kepada alat dan pembersih hampagas.
	Alat dan pembersih hampagas jauh dari satu sama lain (daripada jarak penghantaran).	Dapatkan alat dan pembersih hampagas lebih dekat antara satu sama lain. Jarak penghantaran maksimum adalah kira-kira 10 m bagaimanapun mungkin berbeza-beza mengikut keadaan.
	Gangguan radio oleh peralatan lain yang menghasilkan gelombang radio intensiti tinggi.	Pastikan alat dan pembersih hampagas jauh dari peralatan seperti peranti Wi-Fi dan ketuhar gelombang mikro.
Pembersih vakum berjalan semasa alat tidak beroperasi.	Pengguna lain menggunakan pengaktifan tanpa wayar pembersih hampagas dengan alat mereka.	Matikan butang pengaktifan tanpa wayar pada alat lain atau batalkan pelarasan alat lain.

PENYELENGGARAAN

⚠️PERHATIAN: Sentiasa pastikan alat dimatikan dan kartrij bateri dikeluarkan sebelum cuba menjalankan pemeriksaan atau penyelenggaraan.

NOTIS: Jangan gunakan petrol, benzin, pencair, alkohol atau bahan yang serupa. Ia boleh menyebabkan perubahan warna, bentuk atau keretakan.

Untuk mengekalkan KESELAMATAN dan KEBOLEHPERCAYAAN produk, pembaikan, apa-apa penyelenggaraan atau penyesuaian lain perlu dilakukan oleh Kilang atau Pusat Servis Makita yang Diiktiraf, sentiasa gunakan alat ganti Makita.

AKSESORI PILIHAN

⚠️PERHATIAN: Aksesori-aksesori atau lampiran-lampiran ini adalah disyorkan untuk digunakan dengan alat Makita anda yang ditentukan dalam manual ini. Penggunaan mana-mana aksesori-aksesori atau lampiran-lampiran lain mungkin mengakibatkan risiko kecederaan kepada orang. Hanya gunakan aksesori atau lampiran untuk tujuan yang dinyatakan.

Jika anda memerlukan sebarang bantuan untuk maklumat lebih lanjut mengenai aksesori ini, tanya Pusat Perkhidmatan Makita tempatan anda.

- Bit pembentukan lurus dan alur
- Bit pembentukan pinggir
- Bit pemangkas laminat
- Pemasangan panduan lurus
- Pemasangan panduan pemangkas
- Pemasangan tapak pemangkas
- Pemasangan tapak pemangkas (resin)
- Pemasangan tapak condong
- Pemasangan tapak terjun
- Pemasangan tapak ofset
- Pemasangan genggam
- Panduan templet
- Kon sesimpai
- Perengkuh 13
- Perengkuh 22
- Unit tanpa wayar
- Bateri dan pengecas asli Makita

NOTA: Beberapa item dalam senarai mungkin disertakan dalam pakej alat sebagai aksesori standard. Item mungkin berbeza mengikut negara.

Aksesori yang sesuai untuk pemangkas ini

Alat ini boleh digunakan dengan aksesori berikut untuk pelbagai tujuan. Sesetengah aksesori tidak tersedia di negara anda.

► Rajah85

1. **Tapak pemangkas** (logam)
2. **Tapak pemangkas** (resin)
Kebolehlihatan potongan yang jelas.
3. **Tapak condong**
4. **Tapak ofset**
5. **Tapak terjun**
6. **Pemasangan genggaman**
7. **Panduan templet**
8. **Panduan lurus**
9. **Panduan pemangkas**
10. **Kasut pemangkas**
Membolehkan kerja tepi yang tepat. *Gunakan dengan bahagian panduan pemangkas.
11. **Muncung habuk**
12. **Plat tapak** (logam)
13. **Plat tapak segi empat sama** (plat tapak bagi tapak condong)
14. **Plat tapak ofset** (plat tapak bagi tapak ofset)
Dengan menggunakan plat tapak ofset menggunakan pemasangan genggaman, genggaman dapat dipasangkan.
15. **Plat tapak** (resin)
16. **Tapak genggaman**
17. **Genggaman jenis bar**
18. **Genggaman jenis tombol** (genggaman tapak terjun)
19. **Muncung habuk** untuk tapak terjun
20. **Panduan templet** untuk tapak terjun
21. **Pemegang panduan**
Ini membolehkan panduan lurus untuk tapak pemangkas digunakan pada tapak terjun.
22. **Pembaris selari**
Fungsi pelarasan kedudukan yang baik.
23. **Pembaris selari**
24. **Penyesuai landasan panduan**
25. **Landasan panduan**
Untuk pemotongan lurus yang tepat.
26. **Panduan serong**
Untuk pelarasan sudut landasan panduan.
27. **Penyambung sendi landasan panduan** (2 biji)
Untuk menyambungkan dua landasan panduan.
28. **Pengapit** (jenis standard)
Untuk penetapan landasan panduan.
29. **Pengapit** (jenis pantas)
Untuk penetapan landasan panduan.
30. **Pelapik**
Alat ganti landasan panduan untuk pita plastik atas.
31. **Pelapik getah**
Alat ganti landasan panduan untuk pita plastik bawah.
32. **Pelapik kedudukan**
Alat ganti landasan panduan untuk pelapik kedudukan.

► Rajah86

THÔNG SỐ KỸ THUẬT

Kiểu máy:	RT001G	
Công suất ngậm ống lồng	6 mm, 8 mm, 1/4", hoặc 3/8"	
Tốc độ không tải	10.000 - 31.000 min ⁻¹	
Chiều cao tổng thể	với BL4025	245 mm
	với BL4040	251 mm
Điện áp định mức	D.C. 36 V - tối đa 40 V	
Khối lượng tịnh	2,2 - 2,5 kg	

- Do chương trình nghiên cứu và phát triển liên tục của chúng tôi nên các thông số kỹ thuật trong đây có thể thay đổi mà không cần thông báo trước.
- Các thông số kỹ thuật và hộp pin có thể thay đổi tùy theo từng quốc gia.
- Khối lượng có thể khác nhau tùy thuộc vào (các) phụ kiện, bao gồm cả hộp pin. Tổ hợp nhẹ nhất và nặng nhất, theo Quy trình EPTA 01/2014, được trình bày trong bảng.

Hộp pin và sạc pin có thể áp dụng

Hộp pin	BL4020 / BL4025 / BL4040
Bộ sạc	DC40RA / DC40RB / DC40RC

- Một số hộp pin và sạc pin được nêu trong danh sách ở trên có thể không khả dụng tùy thuộc vào khu vực cư trú của bạn.

⚠ CẢNH BÁO: Chỉ sử dụng hộp pin và sạc pin được nêu trong danh sách ở trên. Việc sử dụng bất cứ hộp pin và sạc pin nào khác có thể gây ra thương tích và/hoặc hỏa hoạn.

Ký hiệu

Phần dưới đây cho biết các ký hiệu có thể được dùng cho thiết bị. Đảm bảo rằng bạn hiểu rõ ý nghĩa của các ký hiệu này trước khi sử dụng.



Đọc tài liệu hướng dẫn.



Mang kính an toàn.



Ni-MH
Li-Ion

Chỉ dành cho các quốc gia EU
Do có các thành phần nguy hiểm bên trong thiết bị điện và điện tử, ắc quy và pin thải bỏ nên có thể có tác động không tốt đến môi trường và sức khỏe con người. Không vứt bỏ các thiết bị điện và điện tử hoặc pin với rác thải sinh hoạt!
Theo Chỉ thị của Châu Âu về thiết bị điện và điện tử thải bỏ và về pin và ắc quy và pin và ắc quy thải bỏ, cũng như sự thích ứng của chúng với luật pháp quốc gia, các thiết bị điện, pin và ắc quy thải phải được cất giữ riêng biệt và chuyển đến một điểm thu gom rác thải đô thị riêng, hoạt động theo các quy định về bảo vệ môi trường. Điều này được biểu thị bằng biểu tượng thùng rác có bánh xe gạch chéo được đặt trên thiết bị.

Mục đích sử dụng

Dụng cụ này nhằm mục đích cắt gọt phẳng và định hình cho gỗ, nhựa và các vật liệu tương tự.

CẢNH BÁO AN TOÀN

Cảnh báo an toàn chung dành cho dụng cụ máy

⚠ CẢNH BÁO: Xin đọc tất cả các cảnh báo an toàn, hướng dẫn, minh họa và thông số kỹ thuật đi kèm với dụng cụ máy này. Việc không tuân theo các hướng dẫn được liệt kê dưới đây có thể dẫn đến điện giật, hỏa hoạn và/hoặc thương tích nghiêm trọng.

Lưu giữ tất cả cảnh báo và hướng dẫn để tham khảo sau này.

Thuật ngữ "dụng cụ máy" trong các cảnh báo đề cập đến dụng cụ máy (có dây) được vận hành bằng nguồn điện chính hoặc dụng cụ máy (không dây) được vận hành bằng pin của bạn.

An toàn tại nơi làm việc

1. **Giữ nơi làm việc sạch sẽ và có đủ ánh sáng.** Nơi làm việc bừa bộn hoặc tối thường dễ gây ra tai nạn.
2. **Không vận hành dụng cụ máy trong môi trường cháy nổ, ví dụ như môi trường có sự hiện diện của các chất lỏng, khí hoặc bụi dễ cháy.** Các dụng cụ máy tạo tia lửa điện có thể làm bụi hoặc khí bốc cháy.
3. **Giữ trẻ em và người ngoài tránh xa nơi làm việc khi đang vận hành dụng cụ máy.** Sự xao lãng có thể khiến bạn mất khả năng kiểm soát.

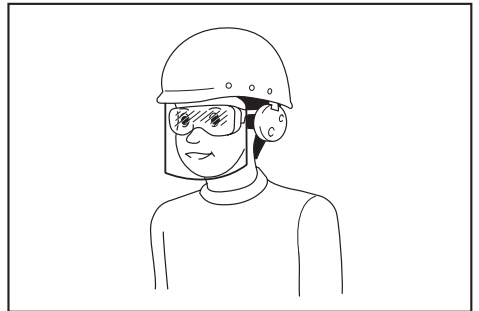
An toàn về Điện

1. **Phích cắm của dụng cụ máy phải khớp với ổ cắm. Không được sửa đổi phích cắm theo bất kỳ cách nào. Không sử dụng bất kỳ phích chuyển đổi nào với các dụng cụ máy được nối đất (tiếp đất).** Các phích cắm còn nguyên vẹn và ổ cắm phù hợp sẽ giảm nguy cơ điện giật.
2. **Tránh để cơ thể tiếp xúc với các bề mặt nóng ẩm hoặc tiếp đất như đường ống, bộ tản nhiệt, bếp ga và tủ lạnh.** Nguy cơ bị điện giật sẽ tăng lên nếu cơ thể bạn được nối đất hoặc tiếp đất.
3. **Không để dụng cụ máy tiếp xúc với mưa hoặc trong điều kiện ẩm ướt.** Nước lọt vào dụng cụ máy sẽ làm tăng nguy cơ điện giật.
4. **Không lạm dụng dây điện. Không được phép sử dụng dây để mang, kéo hoặc tháo phích cắm dụng cụ máy. Giữ dây tránh xa nguồn nhiệt, dầu, các mép sắc hoặc các bộ phận chuyển động.** Dây bị hỏng hoặc bị rối sẽ làm tăng nguy cơ điện giật.
5. **Khi vận hành dụng cụ máy ngoài trời, hãy sử dụng dây kéo dài phù hợp cho việc sử dụng ngoài trời.** Việc dùng dây phù hợp cho việc sử dụng ngoài trời sẽ giảm nguy cơ điện giật.
6. **Nếu bất buộc phải vận hành dụng cụ máy ở nơi ẩm ướt, hãy sử dụng nguồn cấp điện được bảo vệ bằng thiết bị ngắt dòng điện rò (RCD).** Việc sử dụng RCD sẽ làm giảm nguy cơ điện giật.
7. **Các dụng cụ máy có thể tạo ra từ trường điện (EMF) có hại cho người dùng.** Tuy nhiên, người dùng máy trợ tim và những thiết bị y tế tương tự khác nên liên hệ với nhà sản xuất thiết bị và/hoặc bác sỹ để được tư vấn trước khi vận hành dụng cụ này.

An toàn Cá nhân

1. **Luôn tỉnh táo, quan sát những việc bạn đang làm và sử dụng những phán đoán theo kinh nghiệm khi vận hành dụng cụ máy. Không sử dụng dụng cụ máy khi bạn đang mệt mỏi hoặc chịu ảnh hưởng của ma túy, rượu hay thuốc.** Chỉ một khoảnh khắc không tập trung khi đang vận hành dụng cụ máy cũng có thể dẫn đến thương tích cá nhân nghiêm trọng.
2. **Sử dụng thiết bị bảo hộ cá nhân. Luôn đeo thiết bị bảo vệ mắt.** Các thiết bị bảo hộ như mặt nạ chống bụi, giày an toàn chống trượt, mũ bảo hộ hay thiết bị bảo vệ thính giác được sử dụng trong các điều kiện thích hợp sẽ giúp giảm thương tích cá nhân.

3. **Tránh vô tình khởi động dụng cụ máy. Đảm bảo công tắc ở vị trí off (tắt) trước khi nối nguồn điện và/hoặc bộ pin, cầm hoặc di chuyển dụng cụ máy.** Việc di chuyển dụng cụ máy khi đang đặt ngón tay ở vị trí công tắc hoặc cấp điện cho dụng cụ máy đang bật thường dễ gây ra tai nạn.
4. **Tháo tất cả các khóa hoặc cờ lê điều chỉnh trước khi bật dụng cụ máy.** Việc cờ lê hoặc khóa vẫn còn gắn vào bộ phận quay của dụng cụ máy có thể dẫn đến thương tích cá nhân.
5. **Không vởi quá cao. Luôn giữ thăng bằng tốt và có chỗ để chân phù hợp.** Điều này cho phép điều khiển dụng cụ máy tốt hơn trong những tình huống bất ngờ.
6. **Ăn mặc phù hợp. Không mặc quần áo rộng hay đeo đồ trang sức. Giữ tóc và quần áo tránh xa các bộ phận chuyển động.** Quần áo rộng, đồ trang sức hay tóc dài có thể mắc vào các bộ phận chuyển động.
7. **Nếu cần thiết bị được cung cấp để kết nối các thiết bị thu gom và hút bụi, hãy đảm bảo chúng được kết nối và sử dụng hợp lý.** Việc sử dụng thiết bị thu gom bụi có thể làm giảm những mối nguy hiểm liên quan đến bụi.
8. **Không vì quen thuộc do thường xuyên sử dụng các dụng cụ mà cho phép bạn trở nên tự mãn và bỏ qua các nguyên tắc an toàn dụng cụ.** Một hành động bất cẩn có thể gây ra thương tích nghiêm trọng trong một phần của một giây.
9. **Luôn luôn mang kính bảo hộ để bảo vệ mắt khỏi bị thương khi đang sử dụng các dụng cụ máy. Kính bảo hộ phải tuân thủ ANSI Z87.1 ở Mỹ, EN 166 ở Châu Âu, hoặc AS/NZS 1336 ở Úc/New Zealand.** Tại Úc/New Zealand, theo luật pháp, bạn cũng phải mang mặt nạ để bảo vệ mắt.



Trách nhiệm của chủ lao động là bắt buộc người vận hành dụng cụ và những người khác trong khu vực làm việc cạnh đó phải sử dụng các thiết bị bảo hộ an toàn thích hợp.

Sử dụng và bảo quản dụng cụ máy

1. **Không dùng lực đối với dụng cụ máy. Sử dụng đúng dụng cụ máy cho công việc của bạn.** Sử dụng đúng dụng cụ máy sẽ giúp thực hiện công việc tốt hơn và an toàn hơn theo giá trị định mức được thiết kế của dụng cụ máy.

2. **Không sử dụng dụng cụ máy nếu công tắc không bật và tắt được dụng cụ máy đó.** Mọi dụng cụ máy không thể điều khiển được bằng công tắc đều rất nguy hiểm và phải được sửa chữa.
3. **Rút phích cắm ra khỏi nguồn điện và/hoặc tháo kết nối bộ pin khỏi dụng cụ máy, nếu có thể tháo rời trước khi thực hiện bất kỳ công việc điều chỉnh, thay đổi phụ tùng hay cất giữ dụng cụ máy nào.** Những biện pháp an toàn phòng ngừa này sẽ giảm nguy cơ vô tình khởi động dụng cụ máy.
4. **Cất giữ các dụng cụ máy không sử dụng ngoài tầm với của trẻ em và không cho bất kỳ người nào không có hiểu biết về dụng cụ máy hoặc các hướng dẫn này vận hành dụng cụ máy.** Dụng cụ máy sẽ rất nguy hiểm nếu được sử dụng bởi những người dùng chưa qua đào tạo.
5. **Bảo dưỡng dụng cụ máy và các phụ kiện.** Kiểm tra tình trạng lệch trục hoặc bộ kẹp của các bộ phận chuyên động, hien tượng nứt vỡ của các bộ phận và mọi tình trạng khác mà có thể ảnh hưởng đến hoạt động của dụng cụ máy. Nếu có hỏng hóc, hãy sửa chữa dụng cụ máy trước khi sử dụng. Nhiều tai nạn xảy ra là do không bảo quản tốt dụng cụ máy.
6. **Luôn giữ cho dụng cụ cất được sắc bén và sạch sẽ.** Những dụng cụ cất được bảo quản tốt có mép cắt sắc sẽ ít bị kẹt hơn và dễ điều khiển hơn.
7. **Sử dụng dụng cụ máy, phụ tùng và đầu dụng cụ cắt, v.v... theo các hướng dẫn này, có tính đến điều kiện làm việc và công việc được thực hiện.** Việc sử dụng dụng cụ máy cho các công việc khác với công việc dự định có thể gây nguy hiểm.
8. **Giữ tay cầm và bề mặt tay cầm khô, sạch, không dính dầu và mỡ.** Tay cầm trơn trượt và bề mặt tay cầm không cho phép xử lý an toàn và kiểm soát dụng cụ trong các tình huống bất ngờ.
9. **Khi sử dụng dụng cụ, không được đi gang tay lao động bằng vải, có thể bị vướng.** Việc gang tay lao động bằng vải vướng vào các bộ phận chuyển động có thể gây ra thương tích cá nhân.

Sử dụng và bảo quản dụng cụ dùng pin

1. **Chỉ sạc pin lại với bộ sạc do nhà sản xuất quy định.** Bộ sạc phù hợp với một loại bộ pin này có thể gây ra nguy cơ hỏa hoạn khi được dùng cho một bộ pin khác.
2. **Chỉ sử dụng các dụng cụ máy với các bộ pin được quy định cụ thể.** Việc sử dụng bất cứ bộ pin nào khác có thể gây ra thương tích và hỏa hoạn.
3. **Khi không sử dụng bộ pin, hãy giữ tránh xa các đồ vật khác bằng kim loại, chẳng hạn như kẹp giấy, tiền xu, chìa khóa, đinh, ốc vít hoặc các vật nhỏ bằng kim loại mà có thể làm nối tắt các đầu cực pin.** Các đầu cực pin bị đoản mạch có thể gây cháy hoặc hỏa hoạn.
4. **Trong điều kiện sử dụng quá mức, pin có thể bị chảy nước; hãy tránh tiếp xúc.** Nếu vô tình tiếp xúc với pin bị chảy nước, hãy rửa sạch bằng nước. Nếu dung dịch từ pin tiếp xúc với mắt, cần đi khám bác sĩ thêm. Dung dịch chảy ra từ pin có thể gây rát da hoặc bỏng.

5. **Không sử dụng bộ pin hoặc dụng cụ bị hư hỏng hoặc đã bị sửa đổi.** Pin đã bị hư hỏng hoặc đã bị sửa đổi có thể hành động theo cách không thể đoán trước dẫn đến cháy, nổ hoặc nguy cơ chấn thương.
6. **Không để bộ pin hoặc dụng cụ tiếp xúc với lửa hoặc nhiệt độ quá cao.** Tiếp xúc với lửa hoặc nhiệt độ trên 130 °C có thể gây ra cháy nổ.
7. **Làm theo tất cả các hướng dẫn sạc pin và không được sạc bộ pin hoặc dụng cụ vượt giới hạn nhiệt độ quy định trong hướng dẫn.** Sạc pin không đúng hoặc ở nhiệt độ vượt giới hạn nhiệt độ có thể gây hư hỏng cho pin và làm tăng nguy cơ cháy.

Bảo dưỡng

1. **Đề nhân viên sửa chữa đủ trình độ bảo dưỡng dụng cụ máy của bạn và chỉ sử dụng các bộ phận thay thế đồng nhất.** Việc này sẽ đảm bảo duy trì được độ an toàn của dụng cụ máy.
2. **Không bao giờ sử dụng bộ pin đã hỏng.** Dịch vụ bảo hành bộ pin chỉ nên thực hiện bởi nhà sản xuất hoặc các nhà cung cấp dịch vụ được ủy quyền.
3. **Tuân theo hướng dẫn dành cho việc bôi trơn và thay phụ tùng.**

Cảnh báo an toàn đối với máy đánh cạnh cầm tay hoạt động bằng pin

1. **Dùng kẹp hoặc làm theo cách khác để giữ chặt và đỡ phối gia công trên bề mặt vững chắc.** Nắm giữ vật phẩm bằng tay hoặc để tựa lên người của bạn sẽ làm máy không ổn định và có thể dẫn tới mất kiểm soát.
2. **Chỉ giữ dụng cụ máy bằng các bề mặt kẹp cách điện, vì máy cắt có thể tiếp xúc với dây dẫn kín.** Việc cắt một dây dẫn "có điện" có thể khiến các bộ phận kim loại bị hở của dụng cụ máy "có điện" và làm cho người vận hành bị điện giật.
3. **Chỉ sử dụng đầu mũi máy đánh cạnh được định mức ít nhất bằng với tốc độ tối đa đánh dấu trên dụng cụ.** Nếu dụng cụ có chức năng điều khiển tốc độ biến thiên, hãy thiết lập tốc độ dụng cụ theo định mức tốc độ của đầu mũi máy đánh cạnh.
4. **Đầu gắn mũi của máy đánh cạnh phải khớp với ngàm ống lồng được thiết kế.**
5. **Mang thiết bị bảo vệ tai khi làm việc trong thời gian kéo dài.**
6. **Bảo quản các đầu mũi máy đánh cạnh thật cẩn thận.**
7. **Kiểm tra đầu mũi máy đánh cạnh thật cẩn thận xem có nứt hoặc hư hỏng gì không trước khi vận hành.** Thay thế đầu mũi máy đánh cạnh bị nứt hoặc hư hỏng ngay lập tức.
8. **Tránh cắt phải đinh.** Kiểm tra và gỡ bỏ tất cả các đinh khỏi phối gia công trước khi vận hành.
9. **Cầm chắc dụng cụ.**
10. **Giữ tay tránh xa các bộ phận quay.**
11. **Phải đảm bảo rằng đầu mũi máy đánh cạnh không tiếp xúc với phối gia công trước khi bật công tắc lên.**

12. Trước khi dùng dụng cụ này trên phiá gia công thực, hãy để dụng cụ chạy trong ít phút. Kiểm tra xem có rung hoặc lắc giật nào có thể cho biết đầu mũi máy đánh cạnh được lắp không đúng cách.
13. Cần thận đối với hướng xoay của đầu mũi máy đánh cạnh và hướng nạp.
14. Không để mặt dụng cụ hoạt động. Chỉ vận hành dụng cụ khi cầm trên tay.
15. Luôn tắt công tắc và chờ cho đầu mũi máy đánh cạnh ngừng hoàn toàn trước khi đưa dụng cụ ra khỏi phiá gia công.
16. Không chạm vào đầu mũi máy đánh cạnh ngay sau khi vận hành; chúng có thể rất nóng và có thể gây bỏng da.
17. Không được bắt cần làm vậy bản đế bằng chất pha loãng, xăng, dầu hoặc chất tương tự. Chúng có thể gây ra các vết nứt trên đế.
18. Sử dụng các đầu mũi máy đánh cạnh có đường kính thân đúng kích thước phù hợp với tốc độ của dụng cụ.
19. Một số vật liệu có thể chứa hóa chất độc hại. Phải cẩn trọng tránh hít phải bụi và để tiếp xúc với da. Tuân theo dữ liệu an toàn của nhà cung cấp vật liệu.
20. Luôn luôn sử dụng đúng mặt nạ chống bụi/ khẩu trang đối với loại vật liệu và ứng dụng bạn đang làm việc.

- (3) Không được để hộp pin tiếp xúc với nước hoặc mưa.
Đoàn mạch pin có thể gây ra dòng điện lớn, quá nhiệt, có thể gây bỏng và thậm chí là hỏng hóc.
6. Không cất giữ cũng như sử dụng dụng cụ và hộp pin ở nơi nhiệt độ có thể lên tới hoặc vượt quá 50 °C (122 °F).
7. Không đốt hộp pin ngay cả khi hộp pin đã bị hư hại nặng hoặc hư hỏng hoàn toàn. Hộp pin có thể nổ khi tiếp xúc với lửa.
8. Không đóng đinh, cắt, nghiền nát, ném, làm rơi hộp pin hoặc va vật cứng vào hộp pin. Làm như thế có thể dẫn đến hỏa hoạn, quá nhiệt hoặc nổ.
9. Không sử dụng pin đã hỏng.
10. Pin nân lithium-ion là đối tượng có yêu cầu bắt buộc theo Luật Hàng hoá Nguy hiểm.
Đối với vận tải thương mại, ví dụ như vận tải do bên thứ ba, đại lý giao nhận, thì yêu cầu đặc biệt về đóng gói và nhãn ghi phải được giám sát.
Đề chuẩn bị cho mặt hàng cần vận chuyển, cần phải tham khảo ý kiến chuyên gia về vật liệu nguy hiểm. Nếu được, vui lòng tuân thủ các quy định quốc gia chi tiết hơn.
Buộc hoặc niêm phong các tiếp điểm mở và đóng gói pin theo cách đó để nó không thể di chuyển trong bao bì.
11. Khi vứt bỏ hộp pin, hãy tháo chúng khỏi dụng cụ và thả bỏ ở nơi an toàn. Phải tuân thủ theo các quy định của địa phương liên quan đến việc thải bỏ pin.
12. Chỉ sử dụng pin cho các sản phẩm Makita chỉ định. Lắp pin vào sản phẩm không thích hợp có thể gây ra hỏa hoạn, quá nhiệt, nổ, hoặc rò chất điện phân.
13. Nếu dụng cụ không được sử dụng trong một thời gian dài, cần phải tháo pin ra khỏi dụng cụ.
14. Trong và sau khi sử dụng, hộp pin có thể bị nóng, có thể gây bỏng hoặc bỏng ở nhiệt độ thấp. Chú ý xử lý hộp pin nóng.
15. Không chạm vào điện cực của dụng cụ ngay sau khi sử dụng vì điện cực đủ nóng để gây bỏng.
16. Không để vận bào, bụi hoặc đất bám vào các điện cực, lỗ và rãnh của hộp pin. Điều này có thể làm nóng, bắt lửa, nổ và gây trục trặc cho dụng cụ hoặc hộp pin, dẫn đến bỏng hoặc thương tích cá nhân.
17. Trừ khi dụng cụ hỗ trợ sử dụng gần đường dây điện cao thế, không sử dụng hộp pin gần đường dây điện cao thế. Việc này có thể dẫn đến trục trặc hoặc hỏng hóc dụng cụ hay hộp pin.
18. Giữ pin tránh xa trẻ em.

LƯU GIỮ CÁC HƯỚNG DẪN NÀY.

⚠CẢNH BÁO: KHÔNG vì đã thoải mái hay quen thuộc với sản phẩm (có được do sử dụng nhiều lần) mà không tuân thủ nghiêm ngặt các quy định về an toàn dành cho sản phẩm này. **VIỆC DÙNG SAI** hoặc không tuân theo các quy định về an toàn được nêu trong tài liệu hướng dẫn này có thể dẫn đến thương tích cá nhân nghiêm trọng.

Hướng dẫn quan trọng về an toàn dành cho hộp pin

1. Trước khi sử dụng hộp pin, hãy đọc kỹ tất cả các hướng dẫn và dấu hiệu cảnh báo trên (1) bộ sạc pin, (2) pin và (3) sản phẩm sử dụng pin.
2. Không tháo rời hoặc làm thay đổi hộp pin. Việc này có thể dẫn đến hỏa hoạn, quá nhiệt hoặc nổ.
3. Nếu thời gian vận hành ngắn hơn quá mức, hãy ngừng vận hành ngay lập tức. Điều này có thể dẫn đến rủi ro quá nhiệt, có thể gây bỏng và thậm chí là nổ.
4. Nếu chất điện phân rơi vào mắt, hãy rửa sạch bằng nước sạch và đến cơ sở y tế ngay lập tức. Chất này có thể khiến bạn giảm thị lực.
5. Không để hộp pin ở tình trạng đoản mạch:
 - (1) Không chạm vào cực pin bằng vật liệu dẫn điện.
 - (2) Tránh cất giữ hộp pin trong hộp có các vật kim loại khác như đinh, tiền xu, v.v...

LƯU GIỮ CÁC HƯỚNG DẪN NÀY.

⚠THẬN TRỌNG: Chỉ sử dụng pin Makita chính hãng. Việc sử dụng pin không chính hãng Makita, hoặc pin đã được sửa đổi, có thể dẫn đến nổ pin gây ra cháy, thương tích và thiệt hại cá nhân. Nó cũng sẽ làm mất hiệu lực bảo hành của Makita dành cho dụng cụ của Makita và bộ sạc.

Mẹo duy trì tuổi thọ tối đa cho pin

1. Sạc hộp pin trước khi pin bị xả điện hoàn toàn. Luôn dừng việc vận hành dụng cụ và sạc pin khi bạn nhận thấy công suất dụng cụ bị giảm.
2. Không được phép sạc lại một hộp pin đã được sạc đầy. Sạc quá mức sẽ làm giảm tuổi thọ của pin.
3. Sạc pin ở nhiệt độ phòng 10°C - 40°C. Để cho hộp pin nóng nguội lại dần trước khi sạc pin.
4. Khi không sử dụng hộp pin, hãy tháo hộp pin ra khỏi dụng cụ hoặc bộ sạc.
5. Sạc pin sâu tháng một lần nếu bạn không sử dụng dụng cụ trong một thời gian dài (hơn sáu tháng).

Hướng dẫn quan trọng về an toàn dành cho thiết bị thu và phát không dây

1. Không tháo rời hoặc làm thay đổi thiết bị thu và phát không dây.
2. Giữ thiết bị thu và phát không dây tránh xa trẻ em. Nếu vô tình nuốt phải, hãy đến cơ sở y tế ngay lập tức.
3. Chỉ sử dụng thiết bị thu và phát không dây với các dụng cụ Makita.
4. Không để thiết bị thu và phát không dây tiếp xúc với mưa hoặc điều kiện ẩm ướt.
5. Không sử dụng thiết bị thu và phát không dây ở những nơi nhiệt độ vượt quá 50°C.
6. Không vận hành thiết bị thu và phát không dây ở những nơi gần các dụng cụ y tế, chẳng hạn như máy tạo nhịp tim.
7. Không vận hành thiết bị thu và phát không dây ở những nơi gần các thiết bị tự động. Nếu vận hành, các thiết bị tự động có thể phát sinh sự cố hoặc bị lỗi.
8. Không để thiết bị thu và phát không dây ở những nơi chịu nhiệt độ cao hoặc nơi có thể tạo ra tĩnh điện hoặc nhiễu điện.
9. Thiết bị thu và phát không dây có thể tạo ra từ trường điện (EMF) nhưng không có hại cho người dùng.
10. Thiết bị thu và phát không dây là một dụng cụ chính xác. Hãy cẩn trọng không làm rơi hoặc va đập thiết bị thu và phát không dây.
11. Tránh chạm vào điện cực của thiết bị thu và phát không dây bằng tay để trần hoặc vật liệu kim loại.
12. Luôn tháo pin ra khỏi sản phẩm khi lắp đặt thiết bị thu và phát không dây vào sản phẩm.
13. Khi mở nắp khe, hãy tránh nơi có bụi và nước có thể lọt vào khe. Luôn giữ sạch đầu vào của khe.
14. Luôn lắp thiết bị thu và phát không dây vào đúng hướng.
15. Không nhấn nút kích hoạt không dây trên thiết bị thu và phát không dây quá chặt và/hoặc nhấn nút bằng một vật có cạnh mép sắc.
16. Luôn đóng nắp khe khi vận hành.

17. Không tháo thiết bị thu và phát không dây khỏi khe trong khi dụng cụ đang được cấp điện. Làm như vậy có thể khiến thiết bị thu và phát không dây bị hỏng.
18. Không gỡ bỏ nhãn trên thiết bị thu và phát không dây.
19. Không được dán bất kỳ nhãn nào lên thiết bị thu và phát không dây.
20. Không để thiết bị thu và phát không dây ở những nơi có thể tạo ra tĩnh điện hoặc nhiễu điện.
21. Không được để thiết bị thu và phát không dây ở những nơi tiếp xúc với nguồn nhiệt cao, như trong ô tô dưới trời nắng.
22. Không để thiết bị thu và phát không dây ở những nơi có bụi hoặc bột hoặc ở những nơi tạo ra khí ăn mòn.
23. Thay đổi nhiệt độ đột ngột có thể làm thiết bị thu và phát không dây bị tụ hơi nước. Không sử dụng thiết bị thu và phát không dây cho đến khi nước ngưng tụ khô hoàn toàn.
24. Khi vệ sinh thiết bị thu và phát không dây, hãy lau nhẹ nhàng bằng vải mềm khô. Không sử dụng ét xăng, dung môi, dầu mỡ dẫn hoặc tương tự.
25. Khi bảo quản thiết bị thu và phát không dây, hãy cất giữ thiết bị trong hộp đựng được giao kèm hoặc hộp chống tĩnh điện.
26. Không được lắp bất kỳ thiết bị nào ngoài thiết bị thu và phát không dây Makita vào khe trên dụng cụ.
27. Không sử dụng dụng cụ có nắp khe bị hư hỏng. Nước, bụi bắn lọt vào khe có thể gây ra sự cố.
28. Không kéo và/hoặc vận nắp khe nếu không cần thiết. Lắp lại nắp nếu nó rơi ra khỏi dụng cụ.
29. Thay thế nắp khe nếu bị mất hoặc hư hỏng.

LƯU GIỮ CÁC HƯỚNG DẪN NÀY.

MÔ TẢ CHỨC NĂNG

⚠ THẬN TRỌNG: Luôn đảm bảo rằng đã tắt dụng cụ và tháo hộp pin ra trước khi thực hiện việc điều chỉnh hoặc kiểm tra chức năng trên dụng cụ.

Lắp hoặc tháo hộp pin

⚠ THẬN TRỌNG: Luôn tắt dụng cụ trước khi lắp hoặc tháo hộp pin.

⚠ THẬN TRỌNG: Giữ dụng cụ và hộp pin thật chắc khi lắp hoặc tháo hộp pin. Không giữ dụng cụ và hộp pin thật chắc có thể làm trượt chúng khỏi tay và làm hư hỏng dụng cụ và hộp pin hoặc gây thương tích cá nhân.

Để tháo hộp pin, vừa trượt pin ra khỏi dụng cụ vừa đẩy trượt nút ở phía trước hộp pin.

► **Hình 1:** 1. Chỉ báo màu đỏ 2. Nút 3. Hộp pin

Đề lắp hộp pin, đặt thẳng hàng phần chốt nhô ra của hộp pin vào phần rãnh nằm trên vỏ và trượt hộp pin vào vị trí. Đưa hộp pin vào cho đến khi chốt khóa vào đúng vị trí với một tiếng "cách" nhẹ. Nếu bạn vẫn còn nhìn thấy chỉ báo màu đỏ ở mặt trên của nút, điều đó có nghĩa là chốt vẫn chưa được khóa hoàn toàn.

⚠ THẬN TRỌNG: Luôn lắp hộp pin khớp hoàn toàn vào vị trí cho đến khi không thể nhìn thấy chỉ báo màu đỏ. Nếu không, hộp pin có thể vô tình rơi ra khỏi dụng cụ, gây thương tích cho bạn hoặc người khác xung quanh.

⚠ THẬN TRỌNG: Không được dùng sức lắp hộp pin. Nếu hộp pin không nhẹ nhàng trượt vào vị trí, có nghĩa là pin vẫn chưa được lắp đúng.

Chỉ báo dung lượng pin còn lại

Ấn nút check (kiểm tra) trên hộp pin để chỉ báo dung lượng pin còn lại. Các đèn chỉ báo bật sáng lên trong vài giây.

► **Hình2:** 1. Các đèn chỉ báo 2. Nút Check (kiểm tra)

Các đèn chỉ báo			Dung lượng còn lại
Bật sáng	Tắt	Nhấp nháy	
			75% đến 100%
			50% đến 75%
			25% đến 50%
			0% đến 25%
			Sạc pin.
			Pin có thể đã bị hỏng.

LƯU Ý: Tùy thuộc vào các điều kiện sử dụng và nhiệt độ xung quanh, việc chỉ báo có thể khác biệt một chút so với dung lượng thực sự.

LƯU Ý: Đèn chỉ báo (phía xa bên trái) đầu tiên sẽ nhấp nháy khi hệ thống bảo vệ pin hoạt động.

Hệ thống bảo vệ dụng cụ / pin

Dụng cụ này được trang bị hệ thống bảo vệ dụng cụ / pin. Hệ thống này sẽ tự động ngắt nguồn điện đến động cơ để kéo dài tuổi thọ dụng cụ và pin. Dụng cụ sẽ tự động dừng vận hành khi dụng cụ hoặc pin ở một trong những trường hợp sau đây:

Bảo vệ quá tải

Khi vận hành pin trong điều kiện làm máy tiêu tốn dòng cao bất thường, dụng cụ sẽ tự động dừng lại mà không có bất cứ dấu hiệu nào. Trong trường hợp này, hãy tắt dụng cụ và ngừng ứng dụng làm cho dụng cụ trở nên quá tải. Sau đó bật dụng cụ lên để khởi động lại.

Bảo vệ quá nhiệt

Khi dụng cụ hoặc pin bị quá nhiệt, dụng cụ sẽ tự động dừng. Trong trường hợp này, hãy để dụng cụ và pin nguội trước khi bật dụng cụ lại.

Bảo vệ xả điện quá mức

Khi dung lượng pin không đủ, thì dụng cụ sẽ tự động dừng. Trong trường hợp này, hãy tháo pin khỏi dụng cụ và sạc pin lại.

Bảo vệ chống lại các nguyên nhân khác

Hệ thống bảo vệ cũng được thiết kế để chống lại các nguyên nhân khác có thể làm hỏng dụng cụ và cho phép dụng cụ tự động dừng. Thực hiện tất cả các bước sau đây để loại bỏ các nguyên nhân, khi dụng cụ đã được tạm dừng hoặc ngừng hoạt động.

1. Tắt dụng cụ, sau đó bật lại lần nữa để khởi động lại.
2. Sạc (các) pin hoặc thay pin/các pin bằng (các) pin đã sạc.
3. Để dụng cụ và (các) pin nguội dần.

Nếu không thấy cải thiện bằng cách khôi phục hệ thống bảo vệ, hãy liên hệ với Trung tâm Dịch vụ Makita tại địa phương của bạn.

Hoạt động công tắc

Để bật dụng cụ, nhấn nút khóa/mở khóa. Dụng cụ sẽ chuyển sang chế độ chờ. Để khởi động dụng cụ, nhấn nút khởi động/dừng ở chế độ chờ. Để dừng dụng cụ, nhấn nút khởi động/dừng một lần nữa. Dụng cụ sẽ chuyển sang chế độ chờ. Để bật dụng cụ, nhấn nút khóa/mở khóa ở chế độ chờ.

► **Hình3:** 1. Nút khóa/mở khóa 2. Nút khởi động/dừng

LƯU Ý: Nếu để dụng cụ không hoạt động trong 10 giây ở chế độ chờ, dụng cụ sẽ tự động tắt và đèn cũng tắt.

LƯU Ý: Bạn cũng có thể dừng và tắt dụng cụ bằng cách nhấn nút khóa/mở khóa khi dụng cụ đang hoạt động.

Bật sáng đèn phía trước

⚠ THẬN TRỌNG: Đừng nhìn thẳng trực tiếp vào đèn hoặc nguồn sáng.

Để bật đèn, nhấn nút khóa/mở. Để tắt đèn, nhấn lại nút khóa/mở.

CHÚ Ý: Khi dụng cụ bị quá nhiệt, đèn sẽ nhấp nháy. Làm mát dụng cụ hoàn toàn trước khi vận hành dụng cụ trở lại.

LƯU Ý: Dùng vải khô để lau bụi bẩn trên kính đèn. Cần thận không được làm xước kính đèn, nếu không đèn có thể bị giảm độ sáng.

► **Hình4:** 1. Đèn

Đĩa điều chỉnh tốc độ

Có thể điều chỉnh tốc độ quay của dụng cụ bằng cách xoay đĩa điều chỉnh tốc độ. Bảng dưới đây chỉ ra số trên đĩa xoay và tốc độ quay tương ứng.

► **Hình5:** 1. Đĩa điều chỉnh tốc độ

Số	Tốc độ
1	10.000 min ⁻¹
2	15.000 min ⁻¹
3	21.000 min ⁻¹
4	26.000 min ⁻¹
5	31.000 min ⁻¹

⚠ THẬN TRỌNG: Không được thay đổi tốc độ xoay trong quá trình vận hành. Nếu không, dụng cụ có thể gây ra chấn thương bất ngờ.

CHÚ Ý: Nếu dụng cụ được vận hành liên tục ở tốc độ chậm trong thời gian dài, động cơ sẽ bị quá tải, gây trục trặc cho dụng cụ.

CHÚ Ý: Đĩa điều chỉnh tốc độ có thể được xoay tới 5 và trở về 1. Không cố gắng vặn quá 5 hoặc 1, nếu không chức năng điều chỉnh tốc độ có thể không hoạt động nữa.

Chức năng điện tử

Dụng cụ này được trang bị các chức năng điện tử để dễ dàng vận hành.

- Điều khiển tốc độ không đổi
Chức năng điều khiển tốc độ cung cấp tốc độ quay không đổi bất kể điều kiện tải.
- Khởi động mềm
Chức năng khởi động mềm sẽ giảm tối thiểu việc rung giật lúc khởi động và làm dụng cụ khởi động nhẹ nhàng.
- Phanh mềm
Dụng cụ dừng nhẹ nhàng bằng phanh mềm. Phanh mềm ngăn ngừa hư hỏng đối với phối gia công do bị dội ngược và cho phép bạn bắt đầu hoạt động tiếp theo trước đó.
Nếu dụng cụ liên tục không thể dừng đầu mũi máy đánh cạnh sau khi tắt công tắc, hãy đem dụng cụ đến trung tâm dịch vụ Makita.

LẮP RÁP

⚠ THẬN TRỌNG: Luôn đảm bảo rằng đã tắt dụng cụ và tháo hộp pin ra trước khi thực hiện bất cứ thao tác nào trên dụng cụ.

Lắp hoặc tháo gỡ đầu mũi máy đánh cạnh

CHÚ Ý: Không được vặn chặt đai ốc ống lồng mà không lắp đầu mũi máy đánh cạnh vào, nếu không trụ ống lồng có thể bị vỡ.

Lắp đầu mũi máy đánh cạnh vào trong trụ ống lồng hết mức. Nhấn khóa trục và vặn chặt đai ốc ống lồng bằng cờ lê.

► **Hình6:** 1. Khóa trục 2. Nới lỏng 3. Vặn chặt 4. Cờ lê 5. Đai ốc ống lồng

Bạn cũng có thể vặn chặt đai ốc ống lồng bằng hai cờ lê.

► **Hình7:** 1. Cờ lê 2. Nới lỏng 3. Vặn chặt 4. Đai ốc ống lồng

Để tháo đầu mũi máy đánh cạnh, hãy làm ngược lại quy trình lắp vào.

LƯU Ý: Khóa trục có thể không trở về vị trí ban đầu khi bạn vặn chặt đai ốc ống lồng trong quá trình lắp đầu mũi máy đánh cạnh. Khóa trục trở về vị trí ban đầu khi bạn khởi động dụng cụ.

► **Hình8:** 1. Khóa trục

Thay đổi trụ ống lồng

⚠ THẬN TRỌNG: Sử dụng trụ ống lồng đúng kích cỡ dành cho đầu mũi máy đánh cạnh mà bạn dự định sử dụng.

⚠ THẬN TRỌNG: Không được vặn chặt đai ốc ống lồng mà không lắp đầu mũi máy đánh cạnh vào, nếu không trụ ống lồng có thể bị vỡ.

1. Vặn lỏng đai ốc ống lồng và tháo ra.
2. Thay thế trụ ống lồng đã gắn bằng trụ ống lồng mong muốn.
3. Lắp lại đai ốc ống lồng.

► **Hình9:** 1. Trụ ống lồng 2. Đai ốc ống lồng

Lắp hoặc tháo đế máy đánh cạnh

1. Mở cần khóa của đế máy đánh cạnh, sau đó lắp dụng cụ vào đế máy đánh cạnh thẳng hàng với rãnh trên dụng cụ với phần nhô ra nằm trên đế máy đánh cạnh.

2. Đóng cần khóa.

► **Hình10:** 1. Cần khóa

LƯU Ý: Bạn có thể sử dụng đế máy đánh cạnh (nhựa) như một phụ kiện tùy chọn như minh họa trong hình. Khi sử dụng đế máy đánh cạnh (nhựa), nới lỏng hoặc vặn chặt đai ốc có tai vặn thay vì mở hoặc đóng cần khóa.

Căn chỉnh khung trên dụng cụ với bánh răng thẳng trên đế máy đánh cạnh.

► **Hình11:** 1. Đai ốc có tai vặn 2. Khung 3. Bánh răng thẳng

3. Gắn vòi xả bụi vào đế máy đánh cạnh, và vặn chặt vít có tai vặn.

► **Hình12:** 1. Vòi xả bụi 2. Vít có tai vặn

► **Hình13**

Để tháo đế, hãy làm ngược lại quy trình lắp vào.

⚠ THẬN TRỌNG: Khi sử dụng dụng cụ có đế máy đánh cạnh, hãy đảm bảo việc lắp vòi xả bụi vào đế máy đánh cạnh.

Lắp hoặc tháo đế nghiêng

Phụ kiện tùy chọn

1. Mở cần khóa của đế nghiêng, sau đó lắp dụng cụ vào đế nghiêng thẳng hàng với rãnh trên dụng cụ với phần nhô ra nằm trên đế nghiêng.

2. Đóng cần khóa.
▶ **Hình14:** 1. Cần khóa

Để tháo đế, hãy làm ngược lại quy trình lắp vào.

Lắp hoặc tháo đế cũ

Phụ kiện tùy chọn

1. Nhấn khóa trục, rồi rời lồng đai ốc ống lồng.
▶ **Hình15:** 1. Đai ốc ống lồng 2. Khóa trục 3. Cờ lê

2. Tháo đai ốc ống lồng và trụ ống lồng.
▶ **Hình16:** 1. Đai ốc ống lồng 2. Trụ ống lồng

3. Lắp puli vào dụng cụ bằng cách nhấn giữ khóa trục và vận chặt puli bằng cờ lê.
▶ **Hình17:** 1. Cờ lê 2. Puli 3. Khóa trục

4. Nới lỏng các vít trên tấm đế, sau đó tháo tấm đế.
▶ **Hình18:** 1. Tấm đế

5. Mở cần khóa của đế cũ, sau đó gắn đế cũ vào dụng cụ.
▶ **Hình19:** 1. Cần khóa

6. Gắn đai vào puli bằng thanh tương tự tước-nơ-vít mũi dẹp bằng cách xoay đai bằng tay.
▶ **Hình20:** 1. Puli 2. Dây đai

7. Đóng cần khóa.
▶ **Hình21:** 1. Cần khóa

8. Gắn tấm đế bằng cách vận chặt các vít.
▶ **Hình22:** 1. Tấm đế

9. Đưa trụ ống lồng và đầu mũi máy đánh cạnh vào đế cũ, sau đó vận chặt đai ốc ống lồng.
▶ **Hình23:** 1. Đầu mũi máy đánh cạnh 2. Đai ốc ống lồng 3. Trụ ống lồng

10. Đưa cờ lê sáu cạnh vào lỗ trong đế cũ, sau đó vận chặt đai ốc ống lồng bằng cờ lê.
▶ **Hình24:** 1. Đai ốc ống lồng 2. Cờ lê 3. Cờ lê sáu cạnh

Để tháo đế, hãy làm ngược lại quy trình lắp vào.

LƯU Ý: Bạn cũng có thể gắn dây đai vào puli mà không cần tháo tấm đế như minh họa trong hình.

▶ **Hình25:** 1. Puli 2. Dây đai

Lắp hoặc tháo đế nhấn sâu

Phụ kiện tùy chọn

1. Mở cần khóa của đế nhấn sâu, sau đó lắp dụng cụ vào đế máy nhấn sâu thẳng hàng với rãnh trên dụng cụ với phần nhô ra nằm trên đế nhấn sâu.

2. Đóng cần khóa.
▶ **Hình26:** 1. Cần khóa

Để tháo đế, hãy làm ngược lại quy trình lắp vào.

Lắp hoặc tháo thước đo song song trên đế nhấn sâu

Phụ kiện tùy chọn

Lắp các thanh dẫn vào trong các lỗ ở đế nhấn sâu và vận chặt bu-lông tai vận. Để tháo thước đo, hãy làm ngược lại quy trình lắp vào.

▶ **Hình27:** 1. Bu-lông tai vận 2. Thanh dẫn hướng

Lắp hoặc tháo vòi xả bụi trên đế nhấn sâu

Đưa vòi xả bụi vào đế nhấn sâu sao cho phần nhỏ ra trên vòi xả bụi khớp vào rãnh khía trên đế nhấn sâu, sau đó vận chặt vít có tai vận trên vòi xả bụi. Để tháo vòi xả, hãy làm ngược lại quy trình lắp vào.

▶ **Hình28:** 1. Phần nhỏ ra 2. Vòi xả bụi 3. Vít có tai vận

▶ **Hình29**

VẬN HÀNH

Điều chỉnh độ sâu cắt

Để điều chỉnh độ sâu cắt, mở cần khóa, sau đó di chuyển đế dụng cụ lên hoặc xuống bằng cách vận vít điều chỉnh. Sau khi điều chỉnh, đóng chặt cần khóa.

▶ **Hình30:** 1. Cần khóa 2. Vít điều chỉnh

CHÚ Ý: Nếu công cụ không được cố định sau khi đóng cần khóa, hãy vận chặt đai ốc lục giác, sau đó đóng cần khóa.

▶ **Hình31:** 1. Đai ốc lục giác

Điều chỉnh độ sâu cắt với đế nhấn sâu

Phụ kiện tùy chọn

1. Đặt dụng cụ trên bề mặt phẳng.

2. Chọn vít chặn bằng cách xoay đế chặn.

▶ **Hình32:** 1. Vít chặn 2. Đế chặn

3. Nới lỏng đai ốc cố định, sau đó kéo thanh chặn lên trong khi nhấn nút nạp.

▶ **Hình33:** 1. Thanh chặn 2. Đai ốc cố định 3. Nút nạp

4. Ấn dụng cụ xuống cho đến khi đầu mũi máy đánh cạnh chạm vào bề mặt phẳng, sau đó vận cần cố định để cố định dụng cụ.

▶ **Hình34:** 1. Cần cố định 2. Đầu mũi máy đánh cạnh

5. Nhấn thanh chặn xuống trong khi nhấn nút nạp cho đến khi nó tiếp xúc với vít chặn.

▶ **Hình35:** 1. Thanh chặn 2. Vít chặn 3. Nút nạp

6. Trượt vạch kim chỉ độ sâu sao cho kim chỉ mức "0" trên thanh đo.

▶ **Hình36:** 1. Vạch chỉ chiều sâu

7. Điều chỉnh độ sâu cắt bằng kéo thanh chặn lên trong khi nhấn nút nạp.

▶ **Hình37:** 1. Thanh chặn 2. Nút nạp

8. Để thực hiện điều chỉnh chính xác độ sâu cắt, quay đĩa xoay trên thanh chặn sao cho nó chỉ mức "0".

► **Hình38:** 1. Đĩa xoay

9. Xoay đầu của thanh chặn để đạt độ sâu mong muốn. Để tăng độ sâu, quay đầu thanh ngược chiều kim đồng hồ. Để giảm độ sâu, quay đầu thanh theo chiều kim đồng hồ. (Độ sâu thay đổi 1 mm mỗi vòng.)

► **Hình39:** 1. Đầu của thanh chặn

10. Vận chặt đai ốc cố định thanh chặn.

► **Hình40:** 1. Đai ốc cố định

11. Nhả cần cố định.

► **Hình41:** 1. Cần cố định

Bằng cách đẩy dụng cụ xuống cho đến khi thanh chặn khớp với vít chặn, bạn có thể có được chiều sâu cắt mà bạn đã điều chỉnh theo quy trình bên trên.

Sử dụng dụng cụ với đế máy đánh cạnh

Đặt đế dụng cụ lên phôi gia công mà không làm va chạm đầu mũi máy đánh cạnh vào bất cứ vật gì. Bật dụng cụ lên và chờ đến khi đầu mũi máy đánh cạnh đạt tốc độ tối đa. Di chuyển dụng cụ qua bề mặt phôi gia công. Giữ cho đế dụng cụ ngang bằng khi di chuyển dụng cụ.

Khi cắt mép, hãy chắc chắn bề mặt phôi gia công phải ở bên trái của đầu mũi máy đánh cạnh theo hướng nạp.

► **Hình42**

LƯU Ý: Trước khi cắt trên phôi gia công thực tế, bạn nên cắt thử mẫu. Tốc độ nạp phù hợp phụ thuộc vào kích thước đầu mũi máy đánh cạnh, loại phôi gia công và độ sâu cắt. Di chuyển dụng cụ về phía trước quá nhanh có thể làm cho chất lượng vết cắt kém đi hoặc gây hư hỏng đầu mũi máy đánh cạnh hoặc mô-tơ. Di chuyển dụng cụ về phía trước quá chậm có thể gây bóng hoặc làm hỏng bề mặt cắt.

Khi sử dụng loại đế máy đánh cạnh, thanh dẫn thẳng hoặc thanh dẫn máy đánh cạnh, cần đảm bảo lắp nó ở bên phải của hướng đẩy. Điều này sẽ giúp nó ngang bằng với mặt bên của phôi gia công.

► **Hình43:** 1. Đầu mũi máy đánh cạnh 2. Phôi gia công 3. Thanh dẫn thẳng

CHÚ Ý: Do việc cắt quá mức có thể làm động cơ quá tải hoặc gặp khó khăn khi điều khiển dụng cụ, chiều sâu cắt không nên vượt quá 3 mm mỗi lượt khi cắt các rãnh. Khi bạn muốn cắt các rãnh có chiều sâu lớn hơn 3 mm, hãy thực hiện vài lượt cắt với cái đặt đầu mũi máy đánh cạnh sâu hơn.

Sử dụng thanh dẫn thẳng

1. Gắn thanh dẫn thẳng bằng bu-lông và ốc tai vận.

► **Hình44:** 1. Bu-lông 2. Ốc tai vận

2. Gắn thanh dẫn thẳng vào đế máy đánh cạnh bằng ốc xiết.

► **Hình45:** 1. Ốc xiết

3. Vận lỏng ốc tai vận trên thanh dẫn thẳng và điều chỉnh khoảng cách giữa đầu mũi máy đánh cạnh và thanh dẫn thẳng. Tại khoảng cách mong muốn, vận chặt ốc tai vận.

► **Hình46:** 1. Ốc tai vận

4. Di chuyển dụng cụ sao cho thanh dẫn thẳng ngang bằng với mặt bên của phôi gia công.

► **Hình47**

Nếu khoảng cách (A) giữa mặt bên vật gia công và vị trí cắt quá rộng cho thanh dẫn thẳng, hoặc nếu mặt bên vật gia công không thẳng thì không thể sử dụng thanh dẫn thẳng.

Trong trường hợp này, hãy kẹp chặt bàn đế thẳng vào phôi gia công và dùng nó làm thanh dẫn cho đế máy đánh cạnh. Nạp dụng cụ theo hướng của mũi tên.

► **Hình48**

Sử dụng thanh dẫn thẳng cho các công việc thi công dạng tròn

Đối với công việc thi công dạng tròn, gắn thanh dẫn thẳng theo minh họa trong hình. Bán kính tối thiểu và tối đa của các vòng tròn được cắt (khoảng cách giữa tâm vòng tròn và tâm đầu mũi máy đánh cạnh) sẽ như sau:

- Tối thiểu: 70 mm
- Tối đa: 221 mm

Đề cắt các vòng tròn bán kính từ 70 mm đến 121 mm.

► **Hình49:** 1. Lỗ ở giữa

Đề cắt các vòng tròn bán kính từ 121 mm đến 221 mm.

► **Hình50:** 1. Lỗ ở giữa

LƯU Ý: Các vòng tròn có bán kính từ 172 mm đến 186 mm không thể cắt được bằng thanh dẫn này.

Căn chỉnh lỗ ở giữa trên thanh dẫn hướng thẳng theo tâm vòng tròn sẽ cắt. Đóng một chiếc đinh đường kính nhỏ hơn 6 mm vào lỗ ở giữa để giữ chặt thanh dẫn hướng thẳng. Quay dụng cụ xung quanh chiếc đinh đó theo chiều kim đồng hồ.

► **Hình51:** 1. Đinh ốc 2. Lỗ ở giữa

Sử dụng thanh dẫn khuôn mẫu

Thanh dẫn khuôn mẫu cho phép cắt lặp lại với các mẫu khuôn bằng cách sử dụng khuôn mẫu.

1. Nói lỏng các vít trên tấm đế, sau đó tháo tấm đế từ đế máy đánh cạnh.

2. Đặt thanh dẫn khuôn mẫu trên đế, sau đó gắn tấm đế bằng cách vận chặt các vít.

► **Hình52:** 1. Tấm đế 2. Thanh dẫn khuôn mẫu

3. Đặt dụng cụ lên khuôn mẫu và di chuyển dụng cụ sao cho thanh dẫn khuôn mẫu trượt dọc theo mặt bên khuôn mẫu.

► **Hình53**

LƯU Ý: Kích thước cắt thực tế trên phôi gia công sẽ hơi khác với khuôn mẫu. Sự sai khác là khoảng cách (X) giữa đầu mũi máy đánh cạnh và bên ngoài của thanh dẫn khuôn mẫu. Khoảng cách (X) có thể được tính toán bằng phương trình sau:

Khoảng cách (X) = (đường kính ngoài thanh dẫn khuôn mẫu - đường kính đầu mũi máy đánh cạnh) / 2

- **Hình54:** 1. Đầu mũi máy đánh cạnh 2. Thanh dẫn khuôn mẫu 3. Khoảng cách (X) 4. Đường kính ngoài của thanh dẫn khuôn mẫu 5. Khuôn mẫu 6. Phôi gia công

Sử dụng thanh dẫn máy đánh cạnh

Phụ kiện tùy chọn

Thanh dẫn máy đánh cạnh cho phép cắt gọt các mặt cong như lớp gỗ mặt của đồ nội thất thẳng cách di chuyển trục xoay dẫn hướng dọc theo mặt của phôi gia công.

► Hình55

1. Nới lỏng ốc xiết, sau đó lắp thanh dẫn máy đánh cạnh lên đế máy đánh cạnh, và sau đó vận chặt ốc xiết.

► Hình56:

1. Ốc xiết
2. Vận lỏng ốc xiết và điều chỉnh khoảng cách giữa đầu mũi đánh cạnh và thanh dẫn máy đánh cạnh bằng cách xoay vít điều chỉnh (1 mm mỗi vòng xoay). Tại khoảng cách mong muốn, vận chặt ốc xiết để cố định thanh dẫn máy đánh cạnh.

► Hình57:

1. Vít điều chỉnh 2. Ốc xiết
3. Di chuyển dụng cụ sao cho trục xoay dẫn hướng đi theo mặt bên của phôi gia công.

► Hình58:

1. Phôi gia công 2. Đầu mũi máy đánh cạnh 3. Trục xoay dẫn hướng

Sử dụng dụng cụ với đế nghiêng

Đế nghiêng này được dùng để cắt cạnh của tấm cán mỏng hoặc các vật liệu tương tự.

Đế nghiêng rất thuận tiện cho việc làm vát góc. Nới lỏng vít tai vận, sau đó nghiêng dụng cụ tới góc mong muốn, và sau đó vận chặt vít tai vận.

Hãy kẹp chặt bàn đế thẳng vào vật gia công và dùng nó làm thanh dẫn so với đế nghiêng. Nạp dụng cụ theo hướng của mũi tên.

► Hình59:

Sử dụng tấm đế nghiêng với đế máy đánh cạnh

Đề sử dụng đế máy đánh cạnh với tấm đế vuông, tháo tấm đế khỏi đế nghiêng, sau đó gắn nó vào đế máy đánh cạnh.

- #### ► Hình60:
1. Tấm đế nghiêng 2. Tấm đế máy đánh cạnh

CHÚ Ý: Sử dụng vít trên đế máy đánh cạnh khi lắp tấm đế nghiêng. Vít trên đế nghiêng ngăn hơn vít trên đế máy đánh cạnh.

Sử dụng dụng cụ với đế cũ

Đế cũ này được dùng để cắt cạnh của tấm cán mỏng hoặc các vật liệu tương tự. Đế cũ rất thuận tiện cho thao tác trong khu vực chật hẹp.

► Hình61

Sử dụng đế máy đánh cạnh với tấm đế cũ và tay nắm

Đế cũ cũng có thể được dùng với đế máy đánh cạnh và phụ kiện tay nắm (phụ kiện tùy chọn) để tăng độ ổn định.

1. Nới lỏng các vít trên tấm đế cũ, sau đó tháo tấm đế cũ khỏi đế cũ.

► Hình62:

1. Tấm đế cũ 2. Tấm đế máy đánh cạnh
2. Gắn tấm đế cũ vào đế máy đánh cạnh bằng cách vận chặt các vít.

3. Gắn phụ kiện tay nắm và tay nắm loại thanh vào tấm đế cũ bằng cách vận chặt các vít.

► Hình63:

1. Tay nắm dạng thanh 2. Phụ kiện tay nắm

Tay nắm dạng núm được tháo rời khỏi đế nhấn sâu có thể được lắp vào đế cũ thay cho tay nắm dạng thanh.

► Hình64:

1. Vít 2. Tay nắm dạng núm

Sử dụng dụng cụ với đế nhấn sâu

Luôn cầm chắc dụng cụ bằng cả hai tay trong quá trình vận hành. Thao tác với dụng cụ theo cách giống như với đế máy đánh cạnh.

Sử dụng thanh dẫn thẳng

Phụ kiện tùy chọn

1. Lắp thanh dẫn thẳng trên giá đỡ thanh dẫn bằng cách vận chặt đai ốc tai vận. Lắp giá đỡ thanh dẫn vào trong các lỗ ở đế nhấn sâu và vận chặt bu-lông tai vận.

► Hình65:

1. Bu-lông tai vận 2. Giá đỡ thanh dẫn 3. Ốc tai vận 4. Thanh dẫn thẳng

2. Vận lỏng ốc tai vận trên thanh dẫn thẳng và điều chỉnh khoảng cách giữa đầu mũi máy đánh cạnh và thanh dẫn thẳng. Tại khoảng cách mong muốn, vận chặt ốc tai vận.

► Hình66:

1. Ốc tai vận
3. Thao tác với dụng cụ theo cách giống như với thanh dẫn thẳng cho đế máy đánh cạnh.

► Hình67

Sử dụng thanh dẫn khuôn mẫu

Phụ kiện tùy chọn

1. Vận lỏng các vít trên đế và tháo chúng ra. Đặt thanh dẫn khuôn mẫu lên đế và vận chặt các vít.

► Hình68:

1. Vít 2. Thanh dẫn khuôn mẫu
2. Thao tác với dụng cụ theo cách giống như với thanh dẫn khuôn mẫu cho đế máy đánh cạnh.

► Hình69

Sử dụng thước đo song song

Thước đo song song rất hiệu quả cho các đường cắt thẳng khi vật góc hoặc tạo rãnh. Điều chỉnh khoảng cách giữa đầu mũi máy đánh cạnh và thước đo song song. Tại khoảng cách mong muốn, vận chặt bu-lông tai vận để cố định thước đo song song. Khi cắt, hãy di chuyển dụng cụ sao cho thước đo song song ngang bằng với mặt bên của phôi gia công.

► Hình70

Nếu khoảng cách (A) giữa mặt bên phôi gia công và vị trí cắt quá rộng cho thước đo song song, hoặc nếu mặt bên phôi gia công không thẳng thì không thể sử dụng thước đo song song.

Trong trường hợp này, hãy kẹp chặt bàn để thẳng vào phôi gia công và dùng nó làm thanh dẫn cho để nhấn sâu. Nạp dụng cụ theo hướng của mũi tên.

► Hình71

Thay tay nắm dạng núm sang tay nắm dạng thanh

Để lắp tay nắm dạng thanh lên để nhấn sâu, rời lỏng vít của tay nắm dạng núm, sau đó tháo tay nắm dạng núm, và sau đó lắp tay nắm dạng thanh và vận chặt nó.

► **Hình72:** 1. Tay nắm dạng núm 2. Vít 3. Tay nắm dạng thanh

CHỨC NĂNG KÍCH HOẠT KHÔNG DÂY

Những điều bạn có thể thực hiện với chức năng kích hoạt không dây

Chức năng kích hoạt không dây cho phép vận hành sạch và thuận lợi. Bằng cách nối máy hút bụi được hỗ trợ vào dụng cụ, bạn có thể chạy máy hút bụi tự động cùng với vận hành chuyển đổi của dụng cụ.

► Hình73

Để sử dụng chức năng kích hoạt không dây, hãy chuẩn bị các mục sau đây:

- Một thiết bị thu và phát không dây (phụ kiện tùy chọn)
- Một máy hút bụi hỗ trợ chức năng kích hoạt không dây

Cài đặt chức năng kích hoạt không dây được trình bày khái quát như sau đây. Vui lòng tham khảo từng phần để biết về các quy trình chi tiết.

1. Lắp thiết bị thu và phát không dây
2. Đăng ký dụng cụ cho máy hút bụi
3. Khởi động chức năng kích hoạt không dây

Lắp thiết bị thu và phát không dây

Phụ kiện tùy chọn

▲ THẬN TRỌNG: Đặt dụng cụ lên trên bề mặt phẳng và cố định khi lắp thiết bị thu và phát không dây.

CHÚ Ý: Làm sạch bụi bẩn trên dụng cụ trước khi lắp đặt thiết bị thu và phát không dây. Bụi bẩn có thể gây ra sự cố nếu lọt vào khe của thiết bị thu và phát không dây.

CHÚ Ý: Để ngăn sự cố do tĩnh điện, hãy chạm vào vật liệu xả tĩnh, chẳng hạn như phần kim loại của dụng cụ, trước khi cầm thiết bị thu và phát không dây.

CHÚ Ý: Khi lắp thiết bị thu và phát không dây, luôn đảm bảo rằng thiết bị không dây được lắp vào đúng hướng và nắp được đóng lại hoàn toàn.

1. Mở nắp trên dụng cụ như minh họa trong hình.

► **Hình74:** 1. Nắp

2. Lắp thiết bị thu và phát không dây vào khe và sau đó đóng nắp lại.

Khi lắp thiết bị thu và phát không dây, căn chỉnh các góc nhô ra thẳng với các phần lõm trên khe.

► **Hình75:** 1. Thiết bị thu và phát không dây 2. Góc nhô ra 3. Nắp 4. Phần lõm

Khi tháo thiết bị thu và phát không dây, mở nắp từ từ. Các móc treo vào phía sau nắp sẽ nâng thiết bị thu và phát không dây khi bạn kéo nắp lên.

► **Hình76:** 1. Thiết bị thu và phát không dây 2. Móc treo 3. Nắp

Sau khi tháo thiết bị thu và phát không dây, hãy cất giữ trong hộp đựng máy được giao kèm hoặc hộp chống tĩnh điện.

CHÚ Ý: Luôn sử dụng các móc ở phía sau nắp khi tháo thiết bị thu và phát không dây. Nếu các móc không móc vào thiết bị thu và phát không dây, đóng nắp hoàn toàn và mở lại từ từ.

Đăng ký dụng cụ cho máy hút bụi

LƯU Ý: Việc đăng ký dụng cụ yêu cầu có máy hút bụi Makita hỗ trợ chức năng kích hoạt không dây.

LƯU Ý: Hãy hoàn tất quá trình lắp thiết bị thu và phát không dây vào dụng cụ trước khi bắt đầu đăng ký dụng cụ.

LƯU Ý: Trong khi đăng ký dụng cụ, không được kéo cần khởi động công tắc hoặc bật công tắc nguồn trên máy hút bụi.

LƯU Ý: Tham khảo cả tài liệu hướng dẫn về máy hút bụi.

Nếu bạn muốn kích hoạt máy hút bụi cùng với vận hành chuyển đổi dụng cụ, hãy hoàn tất đăng ký dụng cụ trước.

1. Lắp pin vào máy hút bụi và dụng cụ.

2. Gạt công tắc chờ trên máy hút bụi về "AUTO".

► **Hình77:** 1. Công tắc chờ

3. Nhấn nút kích hoạt không dây trên máy hút bụi trong 3 giây cho đến khi đèn kích hoạt không dây nhấp nháy màu xanh lá. Và sau đó nhấn nút kích hoạt không dây trên dụng cụ theo cách tương tự.

► **Hình78:** 1. Nút kích hoạt không dây 2. Đèn kích hoạt không dây

Nếu máy hút bụi và dụng cụ được kết nối thành công, đèn kích hoạt không dây sẽ sáng màu xanh lá trong 2 giây và bắt đầu nhấp nháy màu xanh dương.

LƯU Ý: Đèn kích hoạt không dây sẽ ngừng nhấp nháy màu xanh lá sau khoảng thời gian 20 giây. Nhấn nút kích hoạt không dây trên dụng cụ khi đèn kích hoạt không dây trên máy hút bụi đang nhấp nháy. Nếu đèn kích hoạt không dây không nhấp nháy màu xanh lá, bấm nút kích hoạt không dây một cách dứt khoát và để nút xuống lần nữa.

LƯU Ý: Khi thực hiện hai hay nhiều đăng ký dụng cụ cho một máy hút bụi, hãy hoàn tất từng đăng ký dụng cụ một.

Khởi động chức năng kích hoạt không dây

LƯU Ý: Hoàn tất đăng ký dụng cụ cho máy hút bụi trước khi kích hoạt không dây.

LƯU Ý: Tham khảo cả tài liệu hướng dẫn về máy hút bụi.

Sau khi đăng ký dụng cụ cho máy hút bụi, máy hút bụi sẽ chạy tự động cùng với vận hành chuyển đổi của dụng cụ.

1. Lắp thiết bị thu và phát không dây vào dụng cụ.

2. Nối ống dẫn của máy hút bụi vào dụng cụ.

► **Hình79**

3. Gạt công tắc chờ trên máy hút bụi về "AUTO".

► **Hình80:** 1. Công tắc chờ

4. Đẩy dứt khoát nút kích hoạt không dây trên dụng cụ. Đèn kích hoạt không dây sẽ nhấp nháy màu xanh dương.

► **Hình81:** 1. Nút kích hoạt không dây 2. Đèn kích hoạt không dây

5. Bật dụng cụ. Kiểm tra xem máy hút bụi có hoạt động trong khi dụng cụ đang hoạt động hay không.

Để dừng việc kích hoạt không dây của máy hút bụi, nhấn nút kích hoạt không dây trên dụng cụ.

LƯU Ý: Đèn kích hoạt không dây trên dụng cụ sẽ dừng nhấp nháy màu xanh dương khi không vận hành 2 giờ. Trong trường hợp này, cài đặt công tắc chờ trên máy hút bụi về "AUTO" và nhấn nút kích hoạt không dây trên dụng cụ lần nữa.

LƯU Ý: Máy hút bụi khởi động/dừng lại với khoảng trì hoãn. Có một khoảng thời gian chậm lại khi máy hút bụi phát hiện việc vận hành chuyển đổi của dụng cụ.










LƯU Ý: Khoảng cách truyền của thiết bị thu và phát không dây có thể khác nhau tùy thuộc vào vị trí và hoàn cảnh xung quanh.

LƯU Ý: Khi hai dụng cụ trở lên được đăng ký cho một máy hút bụi, máy hút bụi có thể bắt đầu hoạt động ngay cả khi bạn không bật dụng cụ của bạn vì người dùng khác đang sử dụng chức năng kích hoạt không dây.

Mô tả tình trạng đèn kích hoạt không dây

► **Hình82:** 1. Đèn kích hoạt không dây

Đèn kích hoạt không dây cho biết tình trạng của chức năng kích hoạt không dây. Tham khảo bảng bên dưới để biết ý nghĩa của tình trạng đèn.

Tình trạng	Đèn kích hoạt không dây				Mô tả
	Màu	 Bật	 Nhấp nháy	Khoảng thời gian	
Chờ	Màu xanh dương			2 giờ	Kích hoạt không dây của máy hút bụi là khả dụng. Đèn sẽ tự động tắt khi không vận hành 2 giờ.
				Khi dụng cụ đang chạy.	Kích hoạt không dây của máy hút bụi là khả dụng và dụng cụ đang chạy.
Đăng ký dụng cụ	Màu xanh lá			20 giây	Sẵn sàng để đăng ký dụng cụ. Chờ máy hút bụi đăng ký.
				2 giây	Đăng ký dụng cụ đã hoàn tất. Đèn kích hoạt không dây sẽ bắt đầu nhấp nháy màu xanh dương.
Hủy bỏ đăng ký dụng cụ	Màu đỏ			20 giây	Sẵn sàng để hủy bỏ đăng ký dụng cụ. Chờ máy hút bụi hủy bỏ.
				2 giây	Hủy bỏ đăng ký dụng cụ đã hoàn tất. Đèn kích hoạt không dây sẽ bắt đầu nhấp nháy màu xanh dương.
Khác	Màu đỏ			3 giây	Cấp nguồn cho thiết bị thu và phát không dây và chức năng kích hoạt không dây khởi động.
	Tắt	-		-	Kích hoạt không dây của máy hút bụi bị ngừng lại.

Hủy bỏ đăng ký dụng cụ cho máy hút bụi

Thực hiện theo quy trình sau đây khi hủy bỏ đăng ký dụng cụ cho máy hút bụi.

- Lắp pin vào máy hút bụi và dụng cụ.
 - Gạt công tắc chờ trên máy hút bụi về "AUTO".
- **Hình83:** 1. Công tắc chờ
- Nhấn nút kích hoạt không dây trên máy hút bụi trong 6 giây. Đèn kích hoạt không dây nhấp nháy màu xanh lá và sau đó bật màu đỏ. Sau đó, nhấn nút kích hoạt không dây trên dụng cụ theo cách tương tự.

- **Hình84:** 1. Nút kích hoạt không dây 2. Đèn kích hoạt không dây

Nếu thực hiện hủy bỏ thành công, đèn kích hoạt không dây sẽ sáng màu đỏ trong 2 giây và bắt đầu nhấp nháy màu xanh dương.

LƯU Ý: Đèn kích hoạt không dây sẽ ngừng nhấp nháy màu đỏ sau khoảng thời gian 20 giây. Nhấn nút kích hoạt không dây trên dụng cụ khi đèn kích hoạt không dây trên máy hút bụi đang nhấp nháy. Nếu đèn kích hoạt không dây không nhấp nháy màu đỏ, bấm nút kích hoạt không dây một cách dứt khoát và để nút xuống lần nữa.

Xử lý sự cố cho chức năng kích hoạt không dây

Trước khi yêu cầu sửa chữa, đầu tiên hãy tự tiến hành kiểm tra của riêng bạn. Nếu bạn phát hiện vấn đề nào đó không được giải thích trong sách hướng dẫn sử dụng này, đừng cố tháo dỡ dụng cụ. Thay vào đó, hãy nhờ Trung tâm dịch vụ Makita được ủy quyền, luôn sử dụng bộ phận thay thế của Makita để sửa chữa.

Tình trạng bất thường	Nguyên nhân tiềm tàng (sự cố hỏng hóc)	Biện pháp khắc phục
Đèn kích hoạt không dây không sáng/nhấp nháy.	Thiết bị thu và phát không dây không được lắp vào dụng cụ.	Lắp thiết bị thu và phát không dây đúng cách.
	Thiết bị thu và phát không dây được lắp không đúng cách vào dụng cụ.	
	Điện cực của thiết bị thu và phát không dây và/hoặc khe bị bẩn.	Nhẹ nhàng lau sạch bụi bẩn trên điện cực của thiết bị thu và phát không dây và làm sạch khe.
	Nút kích hoạt không dây trên dụng cụ không được nhấn.	Đẩy dứt khoát nút kích hoạt không dây trên dụng cụ.
	Công tắc chờ trên máy hút bụi không được gạt về "AUTO".	Gạt công tắc chờ trên máy hút bụi về "AUTO".
Không thể hoàn tất đăng ký dụng cụ / hủy bỏ đăng ký dụng cụ thành công.	Không có nguồn cấp điện	Cấp điện cho dụng cụ và máy hút bụi.
	Thiết bị thu và phát không dây không được lắp vào dụng cụ.	Lắp thiết bị thu và phát không dây đúng cách.
	Thiết bị thu và phát không dây không được lắp không đúng cách vào dụng cụ.	
	Điện cực của thiết bị thu và phát không dây và/hoặc khe bị bẩn.	Nhẹ nhàng lau sạch bụi bẩn trên điện cực của thiết bị thu và phát không dây và làm sạch khe.
	Công tắc chờ trên máy hút bụi không được gạt về "AUTO".	Gạt công tắc chờ trên máy hút bụi về "AUTO".
	Không có nguồn cấp điện	Cấp điện cho dụng cụ và máy hút bụi.
	Vận hành không chính xác	Nhấn dứt khoát nút kích hoạt không dây và thực hiện lại quy trình đăng ký/hủy bỏ dụng cụ.
	Dụng cụ và máy hút bụi cách xa nhau (ngoài phạm vi truyền).	Đặt dụng cụ và máy hút bụi gần nhau hơn. Khoảng cách truyền tối đa là khoảng 10 m, tuy nhiên có thể khác nhau tùy theo trường hợp.
	Trước khi hoàn tất đăng ký/hủy bỏ dụng cụ; - công tắc dụng cụ được bật hoặc; - nút nguồn trên máy hút bụi phải được bật.	Nhấn dứt khoát nút kích hoạt không dây và thực hiện lại quy trình đăng ký/hủy bỏ dụng cụ.
	Quy trình đăng ký dụng cụ cho dụng cụ hoặc máy hút bụi chưa hoàn tất.	Thực hiện quy trình đăng ký dụng cụ cho cả dụng cụ và máy hút bụi cùng một lúc.
Nhiều sóng vô tuyến do các thiết bị có thể tạo ra sóng vô tuyến cường độ cao khác gây ra.	Giữ dụng cụ và máy hút bụi cách xa các thiết bị như các thiết bị Wi-Fi và lò vi sóng.	

Tình trạng bất thường	Nguyên nhân tiềm tàng (sự cố hồng học)	Biện pháp khắc phục
Máy hút bụi không hoạt động theo vận hành chuyển đổi dụng cụ.	Thiết bị thu và phát không dây không được lắp vào dụng cụ.	Lắp thiết bị thu và phát không dây đúng cách.
	Thiết bị thu và phát không dây được lắp không đúng cách vào dụng cụ.	
	Điện cực của thiết bị thu và phát không dây và/hoặc khe bị bẩn.	Nhẹ nhàng lau sạch bụi bẩn trên điện cực của thiết bị thu và phát không dây và làm sạch khe.
	Nút kích hoạt không dây trên dụng cụ không được nhấn.	Nhấn dứt khoát nút kích hoạt không dây và đảm bảo rằng đèn kích hoạt không dây đang nhấp nháy màu xanh dương.
	Công tắc chờ trên máy hút bụi không được gạt về "AUTO".	Gạt công tắc chờ trên máy hút bụi về "AUTO".
	Hơn 10 dụng cụ được đăng ký cho máy hút bụi.	Thực hiện lại đăng ký dụng cụ. Nếu có hơn 10 dụng cụ được đăng ký cho máy hút bụi, dụng cụ được đăng ký sớm nhất sẽ tự động bị hủy bỏ.
	Máy hút bụi đã xóa toàn bộ các đăng ký dụng cụ.	Thực hiện lại đăng ký dụng cụ.
	Không có nguồn cấp điện	Cấp điện cho dụng cụ và máy hút bụi.
	Dụng cụ và máy hút bụi cách xa nhau (ngoài phạm vi truyền).	Đặt dụng cụ và máy hút bụi gần nhau hơn. Khoảng cách truyền tối đa là khoảng 10 m, tuy nhiên có thể khác nhau tùy theo trường hợp.
Máy hút bụi hoạt động trong khi dụng cụ không hoạt động.	Nhiều sóng vô tuyến do các thiết bị có thể tạo ra sóng vô tuyến cường độ cao khác gây ra.	Giữ dụng cụ và máy hút bụi cách xa các thiết bị như các thiết bị Wi-Fi và lò vi sóng.
	Người dùng khác đang sử dụng kích hoạt không dây của máy hút bụi bằng dụng cụ của họ.	Tắt nút kích hoạt không dây của các dụng cụ khác hoặc hủy bỏ đăng ký dụng cụ của các dụng cụ khác.

BẢO TRÌ

⚠ THẬN TRỌNG: Hãy luôn chắc chắn rằng dụng cụ đã được tắt và hộp pin đã được tháo ra trước khi cố gắng thực hiện việc kiểm tra hay bảo dưỡng.

CHÚ Ý: Không được phép dùng xăng, ét xăng, dung môi, cồn hoặc hóa chất tương tự. Có thể xảy ra hiện tượng mất màu, biến dạng hoặc nứt vỡ.

Để đảm bảo ĐỘ AN TOÀN và ĐỘ TIN CẬY của sản phẩm, việc sửa chữa hoặc bất cứ thao tác bảo trì, điều chỉnh nào đều phải được thực hiện bởi các Trung tâm Dịch vụ Nhà máy hoặc Trung tâm được Makita Ủy quyền và luôn sử dụng các phụ tùng thiết bị thay thế của Makita.

PHỤ KIỆN TỰY CHỌN

⚠ THẬN TRỌNG: Các phụ kiện hoặc phụ tùng gắn thêm này được khuyến cáo sử dụng với dụng cụ Makita của bạn theo như quy định trong hướng dẫn này. Việc sử dụng bất cứ phụ kiện hoặc phụ tùng gắn thêm nào khác đều có thể gây ra rủi ro thương tích cho người. Chỉ sử dụng phụ kiện hoặc phụ tùng gắn thêm cho mục đích đã quy định sẵn của chúng.

Nếu bạn cần bất kỳ sự hỗ trợ nào để biết thêm chi tiết về các phụ tùng này, hãy hỏi Trung tâm Dịch vụ của Makita tại địa phương của bạn.

- Đầu mũi loại thẳng và loại rãnh
- Đầu mũi tạo cạnh mép
- Đầu mũi đánh cạnh lớp mỏng
- Bộ phận thanh dẫn thẳng
- Bộ phận thanh dẫn máy đánh cạnh
- Bộ phận đế máy đánh cạnh
- Bộ phận đế máy đánh cạnh (nhựa)
- Bộ phận đế nghiêng
- Bộ phận đế nhấn sâu
- Bộ phận đế cũ
- Phụ kiện tay nắm
- Thanh dẫn khuôn mẫu
- Trụ ống lồng
- Cờ lê 13
- Cờ lê 22
- Thiết bị thu và phát không dây
- Pin và bộ sạc chính hãng của Makita

LƯU Ý: Một số mục trong danh sách có thể được bao gồm trong gói dụng cụ làm phụ kiện tiêu chuẩn. Các mục này ở mỗi quốc gia có thể khác nhau.

Phụ kiện có thể dùng được cho máy đánh cạnh này

Dụng cụ này có thể được sử dụng với các phụ kiện sau đây cho nhiều mục đích khác nhau.

Một số phụ kiện không có sẵn ở quốc gia của bạn.

► Hình 85

1. **Đế máy đánh cạnh** (kim loại)
2. **Đế máy đánh cạnh** (nhựa)
Làm rõ tầm nhìn của vết cắt.
3. **Đế nghiêng**
4. **Đế cũ**
5. **Đế nhấn sâu**
6. **Phụ kiện tay cầm**
7. **Thanh dẫn khuôn mẫu**
8. **Thanh dẫn thẳng**
9. **Thanh dẫn máy đánh cạnh**
10. **Đế đánh cạnh**
Cho các công việc bào mép chính xác. *Sử dụng với các bộ phận của thanh dẫn máy đánh cạnh.
11. **Vòi xả bụi**
12. **Tấm đế** (kim loại)
13. **Tấm đế vuông** (tấm đế của đế nghiêng)
14. **Tấm đế cũ** (tấm đế của đế cũ)
Có thể gắn tay cầm bằng cách sử dụng tấm đế cũ có phụ kiện tay cầm.
15. **Tấm đế** (nhựa)
16. **Đế tay cầm**
17. **Tay cầm dạng thanh**
18. **Tay cầm dạng núm** (tay cầm của đế nhấn sâu)
19. **Vòi xả bụi** dành cho đế nhấn sâu
20. **Thanh dẫn khuôn mẫu** cho đế nhấn sâu
21. **Giá đỡ thanh dẫn**
Điều này cho phép thanh dẫn thẳng cho đế máy đánh cạnh được sử dụng trên đế nhấn sâu.
22. **Thước đo song song**
Chức năng điều chỉnh chính xác về định vị.
23. **Thước đo song song**
24. **Bộ chuyển ray dẫn hướng**
25. **Thanh ray dẫn**
Để cắt thẳng chính xác.
26. **Thanh dẫn xiên góc**
Để điều chỉnh góc của thanh ray dẫn.
27. **Đầu nối khớp thanh ray dẫn** (2 cái)
Để nối hai thanh ray dẫn.
28. **Kẹp** (loại tiêu chuẩn)
Để cố định thanh ray dẫn.
29. **Kẹp** (loại nhanh)
Để cố định thanh ray dẫn.
30. **Đế**
Sửa chữa các bộ phận của thanh ray dẫn cho băng nhựa phía trên.
31. **Đế cao su**
Sửa chữa các bộ phận của thanh ray dẫn cho băng nhựa phía dưới.
32. **Đế định vị**
Sửa chữa các bộ phận của thanh ray dẫn cho đế định vị.

► Hình 86

ข้อมูลจำเพาะ

รุ่น:	RT001G	
ความสามารถในการจับของหัวจับคอลเล็คต์	6 mm, 8 mm, 1/4", หรือ 3/8"	
ความเร็วหมุนเปล่า	10,000 - 31,000 min ⁻¹	
ความสูงรวม	รวม BL4025	245 mm
	รวม BL4040	251 mm
แรงดันไฟฟ้าสูงสุด	D.C. 36 V - 40 V สูงสุด	
น้ำหนักสุทธิ	2.2 - 2.5 kg	

- เนื่องจากการค้นคว้าวิจัยและพัฒนาอย่างต่อเนื่อง ข้อมูลจำเพาะในเอกสารฉบับนี้อาจเปลี่ยนแปลงได้โดยไม่ต้องแจ้งให้ทราบล่วงหน้า
- ข้อมูลจำเพาะและตลับแบตเตอรี่อาจแตกต่างกันไปในแต่ละประเทศ
- น้ำหนักอาจแตกต่างกันไปตามอุปกรณ์เสริม รวมถึงตลับแบตเตอรี่ การติดอุปกรณ์เสริมที่เบาที่สุดและหนักที่สุดตามข้อบังคับของ EPTA 01/2014 มีแสดงอยู่ในตาราง

ตลับแบตเตอรี่และเครื่องชาร์จที่ใช้ได้

ตลับแบตเตอรี่	BL4020 / BL4025 / BL4040
เครื่องชาร์จ	DC40RA / DC40RB / DC40RC

- ตลับแบตเตอรี่และเครื่องชาร์จบางรายการที่แสดงอยู่ด้านบนอาจไม่มีวางจำหน่ายขึ้นอยู่กับภูมิภาคที่คุณอาศัยอยู่

คำเตือน: ใช้ตลับแบตเตอรี่และเครื่องชาร์จที่ระบุไว้ข้างบนเท่านั้น การใช้ตลับแบตเตอรี่และเครื่องชาร์จประเภทอื่นอาจก่อให้เกิดความเสี่ยงที่จะได้รับบาดเจ็บและ/หรือเกิดไฟไหม้

สัญลักษณ์

ต่อไปนี้เป็นสัญลักษณ์ที่อาจใช้สำหรับอุปกรณ์ โปรดศึกษาความหมายของสัญลักษณ์ให้เข้าใจก่อนการใช้งาน



อ่านคู่มือการใช้งาน



สวมแว่นตานิรภัย



Ni-MH
Li-ion

สำหรับประเทศในสหภาพยุโรปเท่านั้น เนื่องจากในอุปกรณ์มีส่วนประกอบอันตราย ชยะจำพวกอุปกรณ์ไฟฟ้าและอิเล็กทรอนิกส์ แบตเตอรี่ และหม้อแบตเตอรี่ซึ่งอาจส่งผลต่อสิ่งแวดล้อมและสุขภาพของมนุษย์ในเชิงลบ

อย่าทิ้งเครื่องใช้ไฟฟ้าและอิเล็กทรอนิกส์ หรือแบตเตอรี่ร่วมกับวัสดุเหลือทิ้งในครัวเรือน!

เพื่อให้เป็นไปตามกฎระเบียบของยุโรปว่าด้วยขยะจำพวกอุปกรณ์ไฟฟ้าและอิเล็กทรอนิกส์ และหม้อสะสมไฟฟ้าและแบตเตอรี่ รวมถึงการบังคับใช้ตามกฎหมายภายในประเทศ ควรมีการจัดเก็บขยะจำพวกอุปกรณ์ไฟฟ้า แบตเตอรี่ และหม้อสะสมไฟฟ้าแยกต่างหากและส่งไปยังจุดรับขยะต่างหากในเขตเทศบาลซึ่งมีการดำเนินการตามระเบียบว่าด้วยการดูแลสิ่งแวดล้อม

โดยระบุด้วยสัญลักษณ์เส้นคาดขวางรูปถังขยะแบบมีล้อไว้บนอุปกรณ์

จุดประสงค์การใช้งาน

เครื่องมือนี้ใช้สำหรับการตัดแต่งและทำลวดลายบนไม้พลาสติก หรือวัสดุที่มีลักษณะเดียวกัน

คำเตือนด้านความปลอดภัย

คำเตือนด้านความปลอดภัยของเครื่องมือไฟฟ้าทั่วไป

⚠ คำเตือน: โปรดอ่านคำเตือนด้านความปลอดภัย คำแนะนำ ภาพประกอบ และข้อมูลจำเพาะต่างๆ ที่ให้มากับเครื่องมือไฟฟ้าน้อย่างละเอียด การไม่ปฏิบัติตามคำแนะนำดังต่อไปนี้ อาจส่งผลให้เกิดไฟฟ้าช็อต ไฟไหม้ และ/หรือได้รับบาดเจ็บอย่างร้ายแรงได้

เก็บรักษาคำเตือนและคำแนะนำทั้งหมดไว้

เป็นข้อมูลอ้างอิงในอนาคต

คำว่า “เครื่องมือไฟฟ้า” ในคำเตือนนี้หมายถึงเครื่องมือไฟฟ้า (มีสาย) ที่ทำงานโดยใช้กระแสไฟฟ้าหรือเครื่องมือไฟฟ้า (ไร้สาย) ที่ทำงานโดยใช้แบตเตอรี่

ความปลอดภัยของพื้นที่ทำงาน

1. ดูแลพื้นที่ทำงานให้มีความสะอาดและมีแสงไฟสว่าง พื้นที่ที่ระเกะระกะหรือมืดที่บอานำไปสู่การเกิดอุบัติเหตุได้
2. อย่าใช้งานเครื่องมือไฟฟ้าในสภาพที่อาจเกิดการระเบิด เช่น ในสถานที่ที่มีของเหลว ก๊าซ หรือฝุ่นผงที่มีคุณสมบัติไวไฟ เครื่องมือไฟฟ้าอาจสร้างประกายไฟและจุดชนวนฝุ่นผงหรือก๊าซดังกล่าว
3. ดูแลไม่ให้มีเด็กหรือบุคคลอื่นอยู่ในบริเวณที่กำลังใช้เครื่องมือไฟฟ้า การมีสิ่งรบกวนสมาธิอาจทำให้คุณสูญเสียการควบคุม

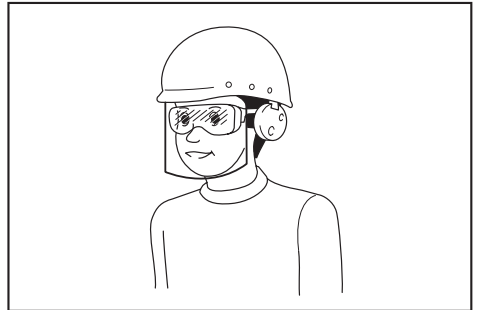
ความปลอดภัยด้านไฟฟ้า

1. ปลั๊กของเครื่องมือไฟฟ้าต้องพอดีกับเต้ารับ อย่าดัดแปลงปลั๊กไม่ว่ากรณีใดๆ อย่าใช้ปลั๊กอะแดปเตอร์กับเครื่องมือไฟฟ้าที่ต่อสายดิน ปลั๊กที่ไม่ถูกดัดแปลงและเต้ารับที่เข้ากันพอดีจะช่วยลดความเสี่ยงของการเกิดไฟฟ้าช็อต
2. ระมัดระวังอย่าให้ร่างกายสัมผัสกับพื้นผิวที่ต่อสายดิน เช่น ท่อ เครื่องนำความร้อน เตาหุงต้ม และตู้เย็น มีความเสี่ยงที่จะเกิดไฟฟ้าช็อตสูงขึ้น หากร่างกายของคุณสัมผัสกับพื้น
3. อย่าให้เครื่องมือไฟฟ้าถูกน้ำหรืออยู่ในสภาพเปียกชื้น น้ำที่ไหลเข้าไปในเครื่องมือไฟฟ้าจะเพิ่มความเสี่ยงของการเกิดไฟฟ้าช็อต

- อย่าใช้สายไฟอย่างไม่เหมาะสม อย่าใช้สายไฟเพื่อยก ดึง หรือถอดปลั๊กเครื่องมือไฟฟ้า เก็บสายไฟให้ห่างจากความร้อน น้ำมัน ของมีคม หรือชิ้นส่วนที่เคลื่อนที่ สายที่ชำรุดหรือพันกันจะเพิ่มความเสี่ยงของการเกิดไฟฟ้าช็อต
- ขณะที่ใช้งานเครื่องมือไฟฟ้านอกอาคาร ควรใช้สายต่อพ่วงที่เหมาะสมกับงานภายนอกอาคาร การใช้สายที่เหมาะสมกับงานภายนอกอาคารจะลดความเสี่ยงของการเกิดไฟฟ้าช็อต
- หากต้องใช้งานเครื่องมือไฟฟ้าในสถานที่เปียกชื้น ให้ใช้อุปกรณ์ป้องกันกระแสไฟรั่ว (RCD) การใช้ RCD จะลดความเสี่ยงของการเกิดไฟฟ้าช็อต
- เครื่องมือไฟฟ้าอาจสร้างสนามแม่เหล็ก (EMF) ที่ไม่เป็นอันตรายต่อผู้ใช้ อย่างไรก็ตาม ผู้ใช้ที่ใส่เครื่องกระตุ้นหัวใจและอุปกรณ์ทางการแพทย์ที่คล้ายกันนี้ ควรติดต่อผู้ผลิตอุปกรณ์และ/หรือแพทย์เพื่อรับคำแนะนำก่อนใช้งานเครื่องมือไฟฟ้านี้
- แต่งกายให้เหมาะสม อย่าสวมเครื่องแต่งกายที่หลวมเกินไป หรือสวมเครื่องประดับ ดูแลไม่ให้เส้นผมและเสื้อผ้าอยู่ใกล้ชิ้นส่วนที่เคลื่อนที่ เสื้อผ้ารุ่มร่าม เครื่องประดับ หรือผมที่มีความยาวอาจเข้าไปติดในชิ้นส่วนที่เคลื่อนที่
- หากมีการจัดอุปกรณ์สำหรับดูดและจับฝุ่นไว้ในสถานที่ ให้ตรวจสอบว่าได้เชื่อมต่อและใช้งานอุปกรณ์นั้นอย่างเหมาะสม การใช้เครื่องดูดและจับฝุ่นจะช่วยลดอันตรายที่เกิดจากฝุ่นผงได้
- อย่าให้ความคุ้นเคยจากการใช้งานเครื่องมือเป็นประจำทำให้คุณทำตามตามสบายและละเลยหลักการเพื่อความปลอดภัยในการใช้เครื่องมือ การกระทำที่ไม่ระมัดระวังอาจทำให้เกิดการบาดเจ็บร้ายแรงภายในเสี้ยววินาที
- สวมใส่แว่นครอบตานิรภัยเพื่อปกป้องดวงตาของคุณจากการบาดเจ็บเมื่อใช้เครื่องมือไฟฟ้า แว่นครอบตาคงต้องได้มาตรฐาน ANSI Z87.1 ในสหรัฐอเมริกา, EN 166 ในยุโรป หรือ AS/NZS 1336 ในออสเตรเลีย/นิวซีแลนด์ ในออสเตรเลีย/นิวซีแลนด์ จะต้องสวมเกราะป้องกันใบหน้าเพื่อปกป้องใบหน้าของคุณอย่างถูกต้องตามกฎหมายด้วย

ความปลอดภัยส่วนบุคคล

- ให้ระมัดระวังและมีสติอยู่เสมอขณะใช้งานเครื่องมือไฟฟ้า อย่าใช้งานเครื่องมือไฟฟ้าในขณะที่คุณกำลังเหนื่อย หรือในสภาพที่มึนเมาจากยาเสพติด เครื่องดื่ม แอลกอฮอล์ หรือการใช้ยา ช่วงเวลาที่ขาดความระมัดระวังเมื่อกำลังใช้งานเครื่องมือไฟฟ้าอาจทำให้ได้รับบาดเจ็บร้ายแรง
- ใช้อุปกรณ์ป้องกันส่วนบุคคล สวมแว่นตาป้องกันเสมอ อุปกรณ์ป้องกัน เช่น หน้ากากกันฝุ่น รองเท้านิรภัย กันลื่น หมวกนิรภัย หรือเครื่องป้องกันการได้ยินที่ใช้ในสภาพที่เหมาะสมจะช่วยลดการบาดเจ็บ
- ป้องกันไม่ให้เกิดการเปิดใช้งานโดยไม่ตั้งใจ ตรวจสอบให้แน่ใจว่าสวิตช์ปิดอยู่ก่อนที่จะเชื่อมต่อกับแหล่งจ่ายไฟ และ/หรือชุดแบตเตอรี่ รวมทั้งตรวจสอบก่อนการยกหรือเคลื่อนย้ายเครื่องมือ การสอดนิ้วมือบริเวณสวิตช์เพื่อถือเครื่องมือไฟฟ้า หรือการชาร์จไฟเครื่องมือไฟฟ้าในขณะที่เปิดสวิตช์อยู่อาจนำไปสู่การเกิดอุบัติเหตุ
- นำกฎความปลอดภัยหรือประแจออกก่อนที่จะเปิดเครื่องมือไฟฟ้า ประแจหรือกฎเฉงที่เสียบค้างอยู่ในชิ้นส่วนที่หมุนได้ของเครื่องมือไฟฟ้าอาจทำให้ได้รับบาดเจ็บ
- อย่าทำงานในระยะที่สูดไอ้ม จัดท่ากรงยืนและการทรงตัวให้เหมาะสมตลอดเวลา เพราะจะทำให้ควบคุมเครื่องมือไฟฟ้าได้ดีขึ้นในสถานการณ์ที่ไม่คาดคิด



ผู้ว่าจ้างมีหน้าที่รับผิดชอบในการบังคับผู้ใช้งานเครื่องมือและบุคคลอื่นๆ ที่อยู่ในบริเวณที่ปฏิบัติงานให้ใช้อุปกรณ์ป้องกันที่เหมาะสม

การใช้และดูแลเครื่องมือไฟฟ้า

- อย่าฝืนใช้เครื่องมือไฟฟ้า ใช้เครื่องมือไฟฟ้าที่เหมาะสมกับการใช้งานของคุณ เครื่องมือไฟฟ้าที่เหมาะสมจะทำให้ได้งานที่มีประสิทธิภาพและปลอดภัยกว่าตามขีดความสามารถของเครื่องที่ได้รับการออกแบบมา
- อย่าใช้เครื่องมือไฟฟ้า หากสวิตช์ไม่สามารถเปิดปิดได้ เครื่องมือไฟฟ้าที่ควบคุมด้วยสวิตช์ไม่ได้เป็นสิ่งอันตรายและต้องได้รับการซ่อมแซม

3. ถอดปลั๊กจากแหล่งจ่ายไฟ และ/หรือชุดแบตเตอรี่ ออกจากเครื่องมือไฟฟ้าก่อนทำการปรับตั้ง เปลี่ยน อุปกรณ์เสริม หรือจัดเก็บเครื่องมือไฟฟ้า วิธีการ ป้องกันด้านความปลอดภัยดังกล่าวจะช่วยลดความเสี่ยงในการเปิดใช้งานเครื่องมือไฟฟ้าโดยไม่ตั้งใจ
4. จัดเก็บเครื่องมือไฟฟ้าที่ไม่ได้ใช้งานให้ห่างจากมือเด็ก และอย่าอนุญาตให้บุคคลที่ไม่คุ้นเคยกับเครื่องมือไฟฟ้าหรือคำแนะนำเหล่านี้ใช้งานเครื่องมือไฟฟ้า เครื่องมือไฟฟ้าจะเป็นอันตรายเมื่ออยู่ในมือของผู้ที่ไม่ได้รับการฝึกอบรม
5. บำรุงรักษาเครื่องมือไฟฟ้าและอุปกรณ์เสริม ตรวจสอบการประกอบที่ไม่ถูกต้องหรือการเชื่อมต่อของ ชิ้นส่วนที่เคลื่อนที่ การแตกหักของชิ้นส่วน หรือ สภาพอื่น ๆ ที่อาจส่งผลกระทบต่อการทำงานของ เครื่องมือไฟฟ้า หากมีความเสียหาย ให้นำเครื่องมือ ไฟฟ้าไปซ่อมแซมก่อนการใช้งาน อุบัติเหตุจำนวนมากเกิดจากการดูแลรักษาเครื่องมือไฟฟ้าอย่างไม่ถูกต้อง
6. ทำความสะอาดเครื่องมือตัดและลับให้คมอยู่เสมอ เครื่องมือการตัดที่มีการดูแลอย่างถูกต้องและมีขอบ การตัดคมมักจะมีปัญหาติดขัดน้อยและควบคุมได้ง่ายกว่า
7. ใช้เครื่องมือไฟฟ้า อุปกรณ์เสริม และวัสดุสิ้นเปลือง ชลช ตามคำแนะนำดังกล่าว พิจารณาสภาพการทำงานและงานที่จะลงมือทำ การใช้เครื่องมือไฟฟ้า เพื่อทำงานอื่นนอกเหนือจากที่กำหนดไว้อาจทำให้เกิด อันตราย
8. ดูแลมือจับและบริเวณมือจับให้แห้ง สะอาด และไม่มี น้ำมันและจารบีเปื้อน มือจับและบริเวณมือจับที่ลื่น จะทำให้ไม่สามารถจับและควบคุมเครื่องมือได้อย่าง ปลอดภัยในสถานการณ์ที่ไม่คาดคิด
9. ขณะใช้งานเครื่องมือ อย่าสวมใส่ถุงมือผ้าที่อาจเข้าไป ติดในเครื่องมือได้ หากถุงมือผ้าเข้าไปติดในชิ้นส่วนที่ กำลังเคลื่อนที่อยู่อาจทำให้ได้รับบาดเจ็บ

การใช้งานและดูแลเครื่องมือที่ใช้แบตเตอรี่

1. ชาร์จไฟใหม่ด้วยเครื่องชาร์จที่ระบุโดยผู้ผลิตเท่านั้น เครื่องชาร์จที่เหมาะสมสำหรับชุดแบตเตอรี่ประเภทหนึ่ง อาจเสี่ยงที่จะเกิดไฟไหม้หากนำไปใช้กับชุดแบตเตอรี่ อีกประเภทหนึ่ง
2. ใช้เครื่องมือไฟฟ้ากับชุดแบตเตอรี่ที่กำหนดมาโดยเฉพาะเท่านั้น การใช้ชุดแบตเตอรี่ประเภทอื่นอาจ ทำให้เสี่ยงที่จะได้รับบาดเจ็บและเกิดไฟไหม้

3. เมื่อไม่ใช้งานชุดแบตเตอรี่ ให้เก็บห่างจากวัตถุที่เป็น โลหะอื่น ๆ เช่น คลิปหนีบกระดาษ เหรียญ กุญแจ การกรัดเล็บ สกรู หรือวัตถุที่เป็นโลหะขนาดเล็ก อื่น ๆ ที่สามารถเชื่อมต่อกับขั้วหนึ่งกับอีกขั้วหนึ่งได้ การ ลัดวงจรขั้วแบตเตอรี่อาจทำให้อันตรกิริยาเกิดไฟไหม้
4. ในกรณีที่ใช้งานไม่ถูกต้อง อาจมีของเหลวไหลออก จากแบตเตอรี่ ให้หลีกเลี่ยงการสัมผัส หากสัมผัส โดนของเหลวโดยไม่ตั้งใจ ให้ล้างออกด้วยน้ำ หาก ของเหลวกระเด็นเข้าตา ให้รีบไปพบแพทย์ ของเหลว ที่ไหลออกจากแบตเตอรี่อาจทำให้ผิวหนังระคายเคือง หรือไหม้
5. ห้ามใช้ชุดแบตเตอรี่หรือเครื่องมือที่ชาร์จหรือมีการ แก้ว แบตเตอรี่ที่เสียหายหรือมีการแก้ไขอาจทำให้เกิดสิ่งที่คาดไม่ถึงได้ เช่น ไฟไหม้ ระเบิด หรือเสี่ยง ต่อการบาดเจ็บ
6. ห้ามให้ชุดแบตเตอรี่อยู่ใกล้ไฟ หรือบริเวณที่มีอุณหภูมิ สูงเกิน หากโดนไฟ หรืออุณหภูมิสูงเกิน 130 °C อาจ ก่อให้เกิดการระเบิดได้
7. กรุณาปฏิบัติตามคำแนะนำสำหรับการชาร์จไฟ และ ห้ามชาร์จแบตเตอรี่หรือเครื่องมือในบริเวณที่มี อุณหภูมิ นอกเหนือไปจากที่ระบุในคำแนะนำ การชาร์จ ไฟที่ไม่เหมาะสม หรืออุณหภูมิ นอกเหนือไปจากช่วง อุณหภูมิที่ระบุในคำแนะนำอาจทำให้แบตเตอรี่เสียหาย และเป็น การเพิ่มความเสี่ยงในการเกิดไฟไหม้

การซ่อมบำรุง

1. นำเครื่องมือไฟฟ้าเข้ารับบริการจากช่างซ่อมที่ผ่าน การรับรองโดยใช้อะไหล่แบบเดียวกันเท่านั้น เพราะจะ ทำให้การใช้เครื่องมือไฟฟ้ามีความปลอดภัย
2. ห้ามใช้ชุดแบตเตอรี่ที่เสียหาย ชุดแบตเตอรี่ที่ใช้ควร เป็นชุดที่มาจากผู้ผลิต หรือผู้ให้บริการที่ได้รับอนุญาต เท่านั้น
3. ปฏิบัติตามคำแนะนำในการหล่อลื่นและการเปลี่ยน อุปกรณ์เสริม

คำเตือนด้านความปลอดภัยสำหรับเครื่องมือผลูสาย ไม้ไฟฟ้าไร้สาย

1. ใช้ปากกาจับหรือวิธีการปฏิบัติอื่น ๆ เพื่อยึดและรองรับ ชิ้นงานไว้บนพื้นที่ที่มั่นคง การใช้มือจับชิ้นงานหรือยึด ชิ้นงานไว้กับร่างกายจะทำให้เกิดความไม่มั่นคงและ สูญเสียการควบคุมได้

2. สัมผัสเครื่องมือไฟฟ้าที่พื้นผิวมือจับที่มีฉนวนหุ้มเท่านั้น เนื่องจากหัตถ์ตออาจสัมผัสกับสายไฟที่ซ่อนอยู่ การตัดสายไฟที่ "มีกระแสไฟฟ้าไหลผ่าน" อาจทำให้ส่วนที่เป็นโลหะของเครื่องมือไฟฟ้าที่ไม่มีฉนวนหุ้ม "มีกระแสไฟฟ้าไหลผ่าน" และทำให้ผู้ปฏิบัติงานถูกไฟฟ้าช็อตได้
3. ใช้ดอกฉลุที่มีอัตราชิ้นต่ำเทียบเท่ากับความเร็วสูงสุดที่ทำให้เครื่องหมายไว้บนเครื่องมือ หากเครื่องมือมีฟังก์ชันการควบคุมความเร็วที่หลากหลาย ให้ตั้งค่าความเร็วของเครื่องมือภายใต้อัตราความเร็วที่กำหนดของดอกฉลุ
4. หัตถ์ตอดอกฉลุต้องตรงกับหัวจับคอลเล็คเตอร์ที่ได้รับการออกแบบมา
5. สวมเครื่องป้องกันการได้ยินในระหว่างการใช้งานนานๆ
6. จับดอกฉลุด้วยความระมัดระวัง
7. ตรวจสอบดอกฉลุอย่างระมัดระวังเพื่อหารอยแตกหรือความเสียหายก่อนที่จะใช้งาน เปลี่ยนดอกฉลุที่แตกหรือเสียหายทันที
8. หลีกเลี่ยงการตัดตะปู ตรวจสอบและถอนตะปูทั้งหมดออกจากชิ้นงานก่อนการทำงาน
9. จับเครื่องมือให้แน่น
10. ระวังอย่าให้มือสัมผัสกับชิ้นส่วนที่หมุนได้
11. ตรวจสอบให้แน่ใจว่าดอกฉลุนั้นไม่ได้สัมผัสกับชิ้นงานก่อนที่จะเปิดสวิตช์
12. ก่อนที่จะใช้เครื่องมือบนชิ้นงานจริง ปล่อยให้เครื่องมือทำงานเปล่าๆ สักครู่ สังเกตการสั่นหรือการส่ายไปมาที่บ่งชี้ว่าติดตั้งดอกฉลุได้ไม่เหมาะสม
13. ระวังทิศทางการหมุนของดอกฉลุและทิศทางการป้อน
14. อย่าปล่อยให้เครื่องมือทำงานค้างไว้ ใช้งานเครื่องมือในขณะที่ถืออยู่เท่านั้น
15. ปิดสวิตช์และรอจนกว่าดอกฉลุหยุดนิ่งสนิทก่อนที่จะเอาเครื่องมือออกจากชิ้นงาน
16. ห้ามสัมผัสกับดอกฉลุทันทีที่ทำงานเสร็จ เนื่องจากดอกเขาร่องหรือชิ้นงานอาจมีความร้อนสูงและลวกผิวหนังของคุณได้
17. อย่าให้ฐานเลอะทินเนอร์ แก๊สโซลีน น้ำมัน หรือสิ่งที่คล้ายกันนี้ เนื่องจากอาจทำให้ฐานแตกได้
18. ใช้ดอกฉลุที่มีเส้นผ่านศูนย์กลางของขาเหมาะสมกับความเร็วของเครื่องมือ
19. วัสดุบางอย่างอาจมีสารเคมีที่เป็นพิษ ระวังอย่าสูดดมฝุ่นหรือสัมผัสกับผิวหนัง ปฏิบัติตามข้อมูลด้านความปลอดภัยของผู้ผลิตวัสดุ

20. ใช้หน้ากากกันฝุ่น/ควันพิษที่เหมาะสมกับวัสดุและการใช้งานที่คุณกำลังทำงานเสมอ

ปฏิบัติตามคำแนะนำเหล่านี้

คำเตือน: อย่าให้ความไม่ระมัดระวังหรือความคุ้นเคยกับผลิตภัณฑ์ (จากการใช้งานซ้ำหลายครั้ง) อยู่เหนือการปฏิบัติตามกฎเกณฑ์ด้านความปลอดภัยในการใช้งาน ผลิตภัณฑ์อย่างเคร่งครัด การใช้งานอย่างไม่เหมาะสมหรือการไม่ปฏิบัติตามกฎเกณฑ์ด้านความปลอดภัยในคู่มือการใช้งานนี้อาจทำให้ได้รับบาดเจ็บร้ายแรง

คำแนะนำเพื่อความปลอดภัยที่สำคัญสำหรับดัลลิบแบตเตอรี่

1. ก่อนใช้งานดัลลิบแบตเตอรี่ ให้อ่านคำแนะนำและเครื่องหมายเตือนทั้งหมดบน (1) เครื่องชาร์จแบตเตอรี่ (2) แบตเตอรี่ และ (3) ตัวผลิตภัณฑ์ที่ใช้แบตเตอรี่
2. อย่าถอดแยกชิ้นส่วนหรือทำการดัดแปลงดัลลิบแบตเตอรี่ เนื่องจากอาจทำให้เกิดไฟไหม้ ความร้อนที่สูงเกินไป หรือระเบิดได้
3. หากระยะเวลาที่เครื่องทำงานสั้นเกินไป ให้หยุดใช้งานทันที เนื่องจากอาจมีความเสี่ยงที่จะร้อนจัด ไหม้หรือระเบิดได้
4. หากสารละลายอิเล็กโทรไลต์กระเด็นเข้าตา ให้ล้างออกด้วยน้ำเปล่าและรีบไปพบแพทย์ทันที เนื่องจากอาจทำให้ตาบอด
5. ห้ามลัดวงจรดัลลิบแบตเตอรี่:
 - (1) ห้ามแตะขั้วกับวัตถุที่เป็นสื่อนำไฟฟ้าใดๆ
 - (2) หลีกเลี่ยงการเก็บดัลลิบแบตเตอรี่ไว้ในภาชนะร่วมกับวัตถุที่เป็นโลหะ เช่น กรรไกรตัดเล็บ เหรียญ ฯลฯ
 - (3) อย่าให้ดัลลิบแบตเตอรี่ถูกน้ำหรือฝน แบตเตอรี่ลัดวงจรอาจทำให้เกิดการไหลของกระแสไฟฟ้า ร้อนจัด ไหม้หรือเสียหายได้
6. ห้ามเก็บและใช้เครื่องมือและดัลลิบแบตเตอรี่ไว้ในสถานที่ที่อุณหภูมิสูงถึงหรือเกิน 50 °C (122 °F)
7. ห้ามเผาดัลลิบแบตเตอรี่ทิ้ง แม้ว่าแบตเตอรี่จะเสียหายจนใช้การไม่ได้หรือเสื่อมสภาพแล้ว ดัลลิบแบตเตอรี่อาจจะระเบิดในกองไฟ
8. อย่าตอกตะปู ตัด บด ขั้วง หรือทำดัลลิบแบตเตอรี่หล่นพื้น หรือกระแทกดัลลิบแบตเตอรี่กับวัตถุของแข็ง การกระทำดังกล่าวอาจส่งผลให้เกิดไฟไหม้ ความร้อนที่สูงเกินไป หรือระเบิดได้
9. ห้ามใช้แบตเตอรี่ที่เสียหาย

10. แบตเตอรี่ลิเทียมไอออนที่มีมาให้เห็นเป็นไปตามข้อกำหนดของ Dangerous Goods Legislation สำหรับการขนส่งเพื่อการพาณิชย์ เช่น โดยบุคคลที่สาม ตัวแทนขนส่งสินค้า จะต้องตรวจสอบข้อกำหนดพิเศษในด้านการบรรจุหีบห่อหรือการติดป้ายสินค้าในการเตรียมสินค้าที่จะขนส่ง ให้ปรึกษาผู้เชี่ยวชาญด้านวัตถุอันตราย โปรดตรวจสอบข้อกำหนดในประเทศที่อาจมีรายละเอียดอื่น ๆ เพิ่มเติม ให้ติดเทปหรือปิดหน้าสัมผัสและห่อแบตเตอรี่ในลักษณะที่แบตเตอรี่จะไม่เคลื่อนที่ไปมาในหีบห่อ
11. เมื่อกำจัดดัดลบแบตเตอรี่ ให้ถอดดัดลบแบตเตอรี่ออกจากเครื่องมือและกำจัดในสถานที่ที่ปลอดภัย ปฏิบัติตามข้อบังคับในท้องถิ่นที่เกี่ยวข้องกับการกำจัดแบตเตอรี่
12. ใช้แบตเตอรี่กับผลิตภัณฑ์ที่ระบุโดย Makita เท่านั้น การติดตั้งแบตเตอรี่ในผลิตภัณฑ์ที่ไม่ใช่ตามที่ระบุอาจทำให้เกิดไฟไหม้ ความร้อนสูง ระเบิด หรืออิเล็กทรอนิกส์รั่วไหลได้
13. หากไม่ใช้เครื่องมือเป็นระยะเวลานาน จะต้องถอดแบตเตอรี่ออกจากเครื่องมือ
14. ในระหว่างและหลังการใช้งาน ดัดลบแบตเตอรี่อาจร้อนซึ่งอาจลวกผิวหรือทำให้ผิวไหม้ที่อุณหภูมิต่ำได้ โปรดระมัดระวังในการจัดการกับแบตเตอรี่ที่ร้อน
15. อย่าสัมผัสขั้วของเครื่องมือทันทีหลังจากการใช้งาน เนื่องจากอาจมีความร้อนพอที่จะทำให้ผิวไหม้ได้
16. อย่าปล่อยให้เศษวัสดุ ผุ่นผง หรือดินเข้าไปติดอยู่ในขั้ว รู และร่องของดัดลบแบตเตอรี่ เนื่องจากอาจทำให้เกิดความร้อน ไฟไหม้ ระเบิด และทำให้เครื่องมือหรือดัดลบแบตเตอรี่ทำงานผิดปกติ ส่งผลให้โดนลวกหรือเกิดการบาดเจ็บได้
17. หากเครื่องมือไม่รองรับสายไฟแรงดันสูง อย่าใช้ดัดลบแบตเตอรี่ใกล้กับสายไฟแรงดันสูง เนื่องจากเครื่องมือหรือดัดลบแบตเตอรี่อาจทำงานผิดปกติหรือเสียหายได้
18. เก็บแบตเตอรี่ให้ห่างจากเด็ก

ปฏิบัติตามคำแนะนำเหล่านี้

⚠️ ข้อควรระวัง: ใช้แบตเตอรี่ของแท้จาก Makita เท่านั้น การใช้แบตเตอรี่ Makita ที่ไม่แท้ หรือแบตเตอรี่ที่ถูกเปลี่ยน อาจทำให้แบตเตอรี่ระเบิด ก่อให้เกิดเพลิงลุกไหม้ การบาดเจ็บ และความเสียหายได้ และจะทำให้การรับประกันของ Makita สำหรับเครื่องมือและแท่นชาร์จของ Makita เป็นโมฆะด้วย

เคล็ดลับในการรักษาอายุการใช้งานของ

แบตเตอรี่ให้ยาวนานที่สุด

1. ชาร์จดัดลบแบตเตอรี่ก่อนที่ไฟจะหมด หยุดการใช้งานแล้วชาร์จประจุไฟฟ้าใหม่ทุกครั้งเมื่อคุณรู้สึกว่าคุณปรารถนีกาลังลดลง
2. อย่าชาร์จดัดลบแบตเตอรี่ที่มีไฟเต็มแล้ว การชาร์จประจุไฟฟ้ามากเกินไปอาจจะทำให้อายุการใช้งานของดัดลบแบตเตอรี่สั้นลง
3. ชาร์จประจุไฟฟ้าดัดลบแบตเตอรี่ในห้องที่มีอุณหภูมิระหว่าง 10 °C - 40 °C ปล่อยให้ดัดลบแบตเตอรี่เย็นลงก่อนที่จะชาร์จไฟ
4. เมื่อไม่ใช้ดัดลบแบตเตอรี่ ให้ถอดออกจากเครื่องมือหรือเครื่องชาร์จ
5. ชาร์จไฟดัดลบแบตเตอรี่หากคุณไม่ต้องการใช้เป็นเวลานาน (เกินกว่าหกเดือน)

คำแนะนำด้านความปลอดภัยที่สำคัญสำหรับอุปกรณ์รับส่งสัญญาณไร้สาย

1. อย่าถอดแยกชิ้นส่วนหรือปรับเปลี่ยนอุปกรณ์รับส่งสัญญาณไร้สาย
2. เก็บอุปกรณ์รับส่งสัญญาณไร้สายให้ห่างจากเด็กเล็ก หากเด็กกลืนอุปกรณ์เข้าไปโดยบังเอิญ โปรดพาไปพบแพทย์ทันที
3. ใช้อุปกรณ์รับส่งสัญญาณไร้สายกับเครื่องมือของ Makita เท่านั้น
4. อย่าให้อุปกรณ์รับส่งสัญญาณไร้สายถูกฝนหรืออยู่ในสภาพเปียกชื้น
5. อย่าให้อุปกรณ์รับส่งสัญญาณไร้สายในสถานที่ที่มีอุณหภูมิสูงกว่า 50°C
6. อย่าใช้งานอุปกรณ์รับส่งสัญญาณไร้สายในสถานที่ที่มีเครื่องมือทางการแพทย์อยู่ใกล้ๆ เช่น เครื่องกระตุ้นการเต้นของหัวใจ เป็นต้น
7. อย่าใช้งานอุปกรณ์รับส่งสัญญาณไร้สายในสถานที่ที่มีอุปกรณ์อัตโนมัติอยู่ใกล้ๆ เนื่องจากอุปกรณ์อัตโนมัติอาจทำงานผิดปกติหรือเกิดความผิดพลาดได้
8. อย่าให้อุปกรณ์ไร้สายในสถานที่ที่มีอุณหภูมิสูง หรือสถานที่ที่อาจเกิดไฟฟ้าสถิต หรือสัญญาณรบกวนทางไฟฟ้า
9. อุปกรณ์รับส่งสัญญาณไร้สายอาจสร้างสนามแม่เหล็ก (EMF) แต่ไม่เป็นอันตรายต่อผู้ใช้
10. อุปกรณ์รับส่งสัญญาณไร้สายเป็นเครื่องมือที่มีความแม่นยำ ระวังอย่าทำอุปกรณ์รับส่งสัญญาณไร้สายตกหล่นหรือกระทบกระแทก

11. หลีกเลี่ยงการสัมผัสตัวต่อของอุปกรณ์รับส่งสัญญาณไร้สายด้วยมือเปล่าหรือวัสดุที่อาจก่อให้เกิด
12. นำแบตเตอรี่ออกจากผลิตภัณฑ์เสมอเมื่อติดตั้งอุปกรณ์รับส่งสัญญาณไร้สายบนผลิตภัณฑ์
13. เมื่อเปิดฝาปิดช่องเสียบ โปรดหลีกเลี่ยงสถานที่ที่ฝุ่นและน้ำอาจเข้าไปในช่องเสียบได้ รักษาช่องทางเข้าช่องเสียบให้สะอาดอยู่เสมอ
14. ใส่อุปกรณ์รับส่งสัญญาณไร้สายในทิศทางที่ถูกต้องเสมอ
15. อย่ากดปุ่มสั่งงานด้วยสัญญาณไร้สายบนอุปกรณ์รับส่งสัญญาณไร้สายแรงจนเกินไป และ/หรือ อย่ากดปุ่มด้วยวัตถุที่มีขอบคม
16. ปิดฝาปิดช่องเสียบขณะใช้งานเสมอ
17. อย่านำอุปกรณ์รับส่งสัญญาณไร้สายออกจากช่องเสียบในขณะที่เครื่องมือยังเชื่อมต่อกับไฟฟ้ายูนิคั้นนั้นอาจทำให้อุปกรณ์รับส่งสัญญาณไร้สายทำงานผิดปกติได้
18. อย่าแกะสติกเกอร์บนอุปกรณ์รับส่งสัญญาณไร้สายออก
19. อย่าแกะสติกเกอร์บนอุปกรณ์รับส่งสัญญาณไร้สาย
20. อย่าวางอุปกรณ์รับส่งสัญญาณไร้สายไว้ในสถานที่ที่อาจเกิดไฟฟ้าสถิตหรือสัญญาณรบกวนทางไฟฟ้า
21. อย่าวางอุปกรณ์รับส่งสัญญาณไร้สายไว้ในสถานที่ที่อาจเกิดความร้อนสูง เช่น รถยนต์ที่จอดไว้กลางแจ้ง
22. อย่าวางอุปกรณ์รับส่งสัญญาณไร้สายไว้ในสถานที่ที่เต็มไปด้วยฝุ่นหรือผง หรือในสถานที่ที่อาจเกิดก๊าซกัดกร่อน
23. การเปลี่ยนแปลงของอุณหภูมิอย่างกะทันหันอาจทำให้อุปกรณ์รับส่งสัญญาณไร้สายขึ้นด้วยหยดน้ำค้างได้ อย่าใช้อุปกรณ์รับส่งสัญญาณไร้สายจนกว่าน้ำค้างจะแห้งสนิท
24. เมื่อต้องการทำความสะอาดอุปกรณ์รับส่งสัญญาณไร้สาย ให้ใช้ผ้าแห้งที่อ่อนนุ่มค่อยๆ เช็ดอย่างเบามือ อย่าใช้เบนซิน ทินเนอร์ จาระบีที่นำกระแสไฟฟ้า หรือที่คล้ายกันนี้
25. เมื่อต้องการเก็บอุปกรณ์รับส่งสัญญาณไร้สาย ให้เก็บไว้ในกล่องที่ให้มาหรือในภาชนะที่ปลอดภัยไฟฟ้สถิต
26. อย่าใส่อุปกรณ์อื่นนอกจากอุปกรณ์รับส่งสัญญาณไร้สายของ Makita เข้าไปในช่องเสียบบนเครื่องมือ
27. อย่าใช้เครื่องมือที่ฝาปิดช่องช่องเสียบชำรุด น้ำ ฝุ่น และสิ่งสกปรกที่เข้าไปในช่องเสียบอาจทำให้เกิดการทำงานผิดปกติได้
28. อย่าดึงและ/หรือบิดฝาปิดช่องเสียบมากเกินไปจนจำเป็น เก็บฝาปิดไว้หากฝาปิดหลุดออกจากเครื่องมือ

29. เปลี่ยนฝาปิดช่องเสียบใหม่หากสูญหายหรือชำรุด ปฏิบัติตามคำแนะนำเหล่านี้

คำอธิบายการทำงาน

⚠ ข้อควรระวัง: ตรวจสอบให้แน่ใจว่าได้ปิดสวิตช์เครื่องมือและถอดตัลบบแบตเตอรี่ออกก่อนปรับตั้งหรือตรวจสอบการทำงานของเครื่องมือ

การใส่หรือการถอดตัลบบแบตเตอรี่

⚠ ข้อควรระวัง: ปิดสวิตช์เครื่องมือก่อนทำการติดตั้งหรือการถอดตัลบบแบตเตอรี่ทุกครั้ง

⚠ ข้อควรระวัง: ถือเครื่องมือและตัลบบแบตเตอรี่ให้แน่นในระหว่างการติดตั้งหรือการถอดตัลบบแบตเตอรี่ หากไม่ถือเครื่องมือและตัลบบแบตเตอรี่ให้แน่น อาจทำให้ตัลบบแบตเตอรี่และเครื่องมือลื่นหลุดมือ และทำให้เครื่องมือและตัลบบแบตเตอรี่เสียหายหรือได้รับบาดเจ็บได้

เมื่อต้องการถอดตัลบบแบตเตอรี่ ให้เลื่อนปุ่มที่ด้านหน้าของตัลบบแล้วดึงออกจากเครื่องมือ

▶ **หมายเลข 1:** 1. ซิลลี่แดง 2. ปุ่ม 3. ตัลบบแบตเตอรี่

เมื่อต้องการติดตั้งตัลบบแบตเตอรี่ ให้จัดแนวสันบนตัลบบแบตเตอรี่ให้ตรงกับร่องบนตัวเครื่องมือ แล้วเลื่อนตัลบบแบตเตอรี่เข้าที่ ติดตั้งตัลบบแบตเตอรี่เข้าจนสุดจนกระทั่งล็อกเข้าที่และได้ยินเสียงคลิก หากยังเห็นซิลลี่แดงที่ด้านบนของปุ่ม แสดงว่าตัลบบแบตเตอรี่ยังไม่ล็อกเข้าที่

⚠ ข้อควรระวัง: ให้ดันตัลบบแบตเตอรี่เข้าจนสุดจนไม่เห็นซิลลี่แดงอีก ไม่เช่นนั้น ตัลบบแบตเตอรี่อาจหลุดออกจากเครื่องมือทำให้คุณหรือคนรอบข้างได้รับบาดเจ็บ

⚠ ข้อควรระวัง: อย่าฝืนติดตั้งตัลบบแบตเตอรี่โดยใช้แรงมากเกินไป หากตัลบบแบตเตอรี่ไม่เลื่อนเข้าไปโดยง่าย แสดงว่าใส่ไม่ถูกต้อง

การระบุระดับพลังงานแบตเตอรี่ที่เหลืออยู่

กดปุ่ม ตรวจสอบ บนตัลบบแบตเตอรี่เพื่อดูปริมาณแบตเตอรี่ที่เหลือ ไฟแสดงสถานะจะสว่างขึ้นเป็นเวลาสองสามวินาที

▶ **หมายเลข 2:** 1. ไฟแสดงสถานะ 2. ปุ่มตรวจสอบ

ไฟแสดงสถานะ			แบตเตอรี่ที่
ไฟสว่าง	ดับ	กะพริบ	เหลือ
■	□	▣	75% ถึง 100%
■ ■ ■ ■	□	□	50% ถึง 75%
■ ■	□ □	□ □	25% ถึง 50%
■	□ □ □	□ □ □	0% ถึง 25%
▣	□ □ □ □	□ □ □ □	ชาร์จไฟ แบตเตอรี่
■ ■ □ □	□ □	■ ■	แบตเตอรี่อาจ จะเสีย

หมายเหตุ: ขึ้นอยู่กับสภาพการใช้งานและอุณหภูมิ โดยรอบ การแสดงสถานะอาจแตกต่างกันจากปริมาณ แบตเตอรี่จริงเล็กน้อย

หมายเหตุ: ไฟแสดงสถานะดวงแรก (ซ้ายสุด) จะกะพริบ เมื่อระบบป้องกันแบตเตอรี่ทำงาน

ระบบป้องกันเครื่องมือ/แบตเตอรี่

เครื่องมือมีระบบป้องกันเครื่องมือ/แบตเตอรี่ ระบบนี้จะตัดไฟที่ส่งไปยังมอเตอร์โดยอัตโนมัติเพื่อยืดอายุการใช้งาน เครื่องมือและแบตเตอรี่ เครื่องมือจะหยุดทำงานระหว่างการใช้งานโดยอัตโนมัติ หากเครื่องมือหรือแบตเตอรี่อยู่ภายใต้สถานการณ์ต่อไปนี้

การป้องกันโอเวอร์โหลด

เมื่อแบตเตอรี่ทำงานในรูปแบบที่อาจจะดึงพลังงานไฟฟ้าสูงเกินไป เครื่องมือจะหยุดโดยอัตโนมัติโดยไม่มีภาระแจ้งเตือนใดๆ ในกรณีนี้ ให้ปิดเครื่องมือและหยุดการใช้งานในลักษณะที่อาจทำให้เครื่องมือทำงานหนักเกินไป แล้วเปิดเครื่องมือเพื่อเริ่มทำงานอีกครั้ง

การป้องกันความร้อนสูงเกิน

เมื่อเครื่องมือหรือแบตเตอรี่ร้อนเกินไป เครื่องมือจะหยุดโดยอัตโนมัติ ในกรณีนี้ ปล่อยให้เครื่องมือและแบตเตอรี่เย็นลงก่อนที่จะเปิดเครื่องมืออีกครั้ง

การป้องกันไฟหมด

เมื่อแบตเตอรี่มีระดับพลังงานไม่เพียงพอ เครื่องมือจะหยุดโดยอัตโนมัติ ในกรณีนี้ ให้ถอดแบตเตอรี่ออกจากเครื่องมือและนำแบตเตอรี่ไปชาร์จไฟ

การป้องกันจากสาเหตุอื่นๆ

ระบบป้องกันได้รับการออกแบบมาเพื่อสาเหตุอื่นๆ ที่อาจสร้างความเสียหายต่อเครื่องมือและทำให้เครื่องมือหยุดทำงานโดยอัตโนมัติ ดำเนินการตามขั้นตอนดังต่อไปนี้ทุกขั้นตอนเพื่อกำจัดสาเหตุออกไป เมื่อเครื่องมือหยุดทำงานชั่วคราวหรือหยุดทำงาน

1. ปิดเครื่องมือ แล้วเปิดใหม่เพื่อเริ่มใช้งานอีกครั้ง
2. ชาร์จหรือเปลี่ยนแบตเตอรี่โดยนำแบตเตอรี่ที่ชาร์จแล้วมาใช้แทน
3. ปล่อยให้เครื่องมือและแบตเตอรี่เย็นลง

หากอาการไม่ดีขึ้นเมื่อเปิดระบบป้องกันอีกครั้ง ให้ติดต่อศูนย์บริการ Makita ใกล้บ้านคุณ

การทำงานของสวิตช์

การเปิดเครื่องมือ ให้กดปุ่มล็อค/ปลดล็อค เครื่องมือจะเปลี่ยนไปอยู่ในโหมดพร้อมใช้งาน การเริ่มใช้เครื่องมือ ให้กดปุ่มเริ่ม/หยุด ในโหมดพร้อมใช้งาน การหยุดเครื่องมือ ให้กดปุ่มเริ่ม/หยุดอีกครั้ง เครื่องมือจะเปลี่ยนไปอยู่ในโหมดพร้อมใช้งาน การปิดเครื่องมือ ให้กดปุ่มล็อค/ปลดล็อค ในโหมดพร้อมใช้งาน

▶ **หมายเลข 3:** 1. ปุ่มล็อค/ปลดล็อค 2. ปุ่มเริ่ม/หยุด

หมายเหตุ: ถ้าเครื่องมือถูกปล่อยไว้เป็นเวลา 10 วินาที โดยไม่มีการใช้งานในโหมดเตรียมพร้อม เครื่องมือจะปิดและไฟจะดับโดยอัตโนมัติ

หมายเหตุ: คุณสามารถหยุดและเปิดเครื่องมือโดยการกดปุ่มล็อค/ปลดล็อค ในขณะที่เครื่องมือกำลังทำงานอยู่ได้

การเปิดดวงไฟด้านหน้า

⚠ ข้อควรระวัง: อย่ามองเข้าไปในดวงไฟหรือจ้องดูแหล่งกำเนิดแสงโดยตรง

การเปิดไฟ ให้กดปุ่มล็อค/ปลดล็อค การปิดไฟ ให้กดปุ่มล็อค/ปลดล็อคอีกครั้ง

ข้อสังเกต: เมื่อเครื่องมือร้อนเกินไป ไฟจะกะพริบ ปล่อยให้เครื่องมือเย็นสนิทก่อนใช้งานอีกครั้ง

หมายเหตุ: ใช้ผ้าแห้งเพื่อเช็ดสิ่งสกปรกออกจากเลนส์ของดวงไฟ ระมัดระวังอย่าขีดข่วนเลนส์ของดวงไฟ ไม่เช่นนั้น อาจทำให้ส่องสว่างได้น้อยลง

▶ **หมายเลข 4:** 1. ดวงไฟ

แป้นปรับความเร็ว

ความเร็วในการหมุนของเครื่องมือสามารถเปลี่ยนได้ด้วยการหมุนแป้นปรับความเร็ว ตารางด้านล่างแสดงหมายเลขบนแป้น และความเร็วการหมุนที่สอดคล้องกัน

► **หมายเลข 5:** 1. แป้นปรับความเร็ว

หมายเลข	ความเร็ว
1	10,000 min ⁻¹
2	15,000 min ⁻¹
3	21,000 min ⁻¹
4	26,000 min ⁻¹
5	31,000 min ⁻¹

⚠ ข้อควรระวัง: อย่าเปลี่ยนความเร็วการหมุนในระหว่างการทำงาน ไม่เช่นนั้น ปฏิกริยาที่ไม่คาดคิดของเครื่องมืออาจส่งผลให้เกิดการบาดเจ็บได้

ข้อสังเกต: หากเครื่องมือถูกใช้งานอย่างต่อเนื่องด้วยความเร็วต่ำเป็นเวลานาน มอเตอร์จะทำงานหนักเกินไปซึ่งทำให้เครื่องมือทำงานผิดปกติได้

ข้อสังเกต: สามารถหมุนแป้นปรับความเร็วได้สูงสุดที่หมายเลข 5 และหมุนกลับจนสุดที่หมายเลข 1 อย่าฝืนหมุนเลขหมายเลข 5 หรือ 1 ไม่เช่นนั้นฟังก์ชันการปรับความเร็วอาจไม่สามารถใช้งานได้อีกต่อไป

ระบบไฟฟ้า

อุปกรณ์ถูกติดตั้งด้วยระบบไฟฟ้าเพื่อให้ใช้งานได้ง่าย

- ระบบควบคุมความเร็วคงที่
ระบบควบคุมความเร็วช่วยให้ระบบควบคุมความเร็วคงที่ได้ไม่ว่าจะอยู่ในสภาวะการทำงานใดๆ
- ซอฟต์สตาร์ท
ระบบซอฟต์สตาร์ทจะช่วยลดการกระตุกตอนเริ่มเปิดเครื่อง และทำให้เครื่องมือเริ่มทำงานอย่างนุ่มนวล
- ซอฟต์เบรก
เครื่องมือจะค่อยๆ หยุดทำงานด้วยซอฟต์เบรก ซอฟต์เบรกป้องกันความเสียหายต่อชิ้นงานอันเนื่องมาจากการสะท้อนกลับ และทำให้คุณสามารถเริ่มงานต่อไปได้เร็วขึ้น
หากเครื่องมือยังคงไม่สามารถหยุดดอกฉลุได้หลังจกปิดสวิตช์แล้ว ให้นำเครื่องมือไปซ่อมที่ศูนย์บริการของ Makita

การประกอบ

⚠ ข้อควรระวัง: ตรวจสอบให้แน่ใจว่าได้ปิดสวิตช์เครื่องมือและถอดปลั๊กแบตเตอรี่ออกก่อนดำเนินการใดๆ กับเครื่องมือ

การติดตั้งหรือถอดดอกฉลุ

ข้อสังเกต: อย่าขันน็อตหัวจับโดยไม่ใส่ดอกฉลุ มิฉะนั้นกรวยหัวจับอาจเสียหายได้

สอดดอกฉลุเข้าไปในกรวยหัวจับจนสุด กดล็อกค้ำกันและขันน็อตหัวจับด้วยประแจ

► **หมายเลข 6:** 1. ล็อกค้ำกัน 2. คลาย 3. ขันแน่น 4. ประแจ 5. น็อตหัวจับ

คุณสามารถขันน็อตหัวจับให้แน่นด้วยประแจสองอัน

► **หมายเลข 7:** 1. ประแจ 2. คลาย 3. ขันแน่น 4. น็อตหัวจับ

เมื่อต้องการถอดดอกฉลุ ให้ปฏิบัติตามขั้นตอนการติดตั้งแบบย้อนกลับ

หมายเหตุ: ล็อกค้ำกันอาจไม่กลับไปยังตำแหน่งเดิมเมื่อคุณขันน็อตหัวจับในการติดตั้งดอกฉลุ ล็อกค้ำกันจะกลับไปตำแหน่งเดิมเมื่อคุณสตาร์ทเครื่องมือ

► **หมายเลข 8:** 1. ล็อกค้ำกัน

การเปลี่ยนกรวยหัวจับ

⚠ ข้อควรระวัง: ใช้กรวยหัวจับให้มีขนาดเหมาะสมกับดอกฉลุที่คุณต้องการใช้

⚠ ข้อควรระวัง: อย่าขันน็อตหัวจับโดยไม่ใส่ดอกฉลุ มิฉะนั้นกรวยหัวจับอาจเสียหายได้

1. คลายน็อตหัวจับ แล้วถอดออก
2. เปลี่ยนกรวยหัวจับเป็นกรวยหัวจับที่ต้องการ
3. ใส่ น็อตหัวจับ

► **หมายเลข 9:** 1. กรวยหัวจับ 2. น็อตหัวจับ

การติดตั้งหรือการถอดฐานเล็ม

1. เปิดก้านล็อกของฐานเล็ม จากนั้นสอดเครื่องมือลงไปในฐานเล็มโดยจัดแนวร่องของเครื่องมือให้ตรงกับส่วนที่ยื่นออกมาของฐานเล็ม

2. ปิดก้านล็อก

► **หมายเลข 10:** 1. ก้านล็อก

หมายเหตุ: คุณสามารถใช้ฐาน (เรซิน) ของเครื่องฉลุฉาย ไม้ไฟฟ้าเป็นอุปกรณ์เสริมได้ตั้งที่แสดงในภาพ เมื่อต้องการใช้ฐาน (เรซิน) ของเครื่องฉลุฉายไม้ไฟฟ้า ให้ คลายหรือขันน็อตมือหมุนแทนการเปิดหรือปิดก้านล็อก จัดตำแหน่งรางบนเครื่องมือให้ตรงกับเฟืองตรงบนฐาน เล็ม

▶ **หมายเลข 11:** 1. น็อตมือหมุน 2. ราง 3. เฟืองตรง

3. ดัดท่อดักฝุ่นที่ฐานเล็ม และขันสกรูหางแบนให้แน่น

▶ **หมายเลข 12:** 1. ท่อดักฝุ่น 2. สกรูหางแบน

▶ **หมายเลข 13**

การถอดฐานออก ให้ปฏิบัติตามแบบย้อนกลับขั้นตอนการติดตั้ง

⚠ ข้อควรระวัง: เมื่อใช้เครื่องมือที่มีฐานเล็ม ให้ติดตั้ง ท่อดักฝุ่นบนฐานเล็มด้วย

การติดตั้งหรือการถอดฐานเอียง

อุปกรณ์เสริม

1. เปิดก้านล็อกของฐานเอียงและสอดเครื่องมือลงไปใน ฐานเอียงโดยจัดแนวร่องของเครื่องมือให้ตรงกับส่วนที่ยื่น ออกมาของฐานเอียง

2. ปิดก้านล็อก

▶ **หมายเลข 14:** 1. ก้านล็อก

การถอดฐานออก ให้ปฏิบัติตามแบบย้อนกลับขั้นตอนการติดตั้ง

การติดตั้งหรือการถอดฐานออฟเซต

อุปกรณ์เสริม

1. กดล็อกก้าน จากนั้นคลายน็อตหัวจับ

▶ **หมายเลข 15:** 1. น็อตหัวจับ 2. ล็อกก้าน 3. ประแจ

2. ถอดน็อตหัวจับและกรวยหัวจับออก

▶ **หมายเลข 16:** 1. น็อตหัวจับ 2. กรวยหัวจับ

3. ติดตั้งรอกบนเครื่องมือโดยการกดล็อกก้านและขันรอก ให้แน่นด้วยประแจ

▶ **หมายเลข 17:** 1. ประแจ 2. รอก 3. ล็อกก้าน

4. คลายสกรูบนแผ่นฐาน จากนั้นถอดแผ่นฐานออก

▶ **หมายเลข 18:** 1. แผ่นฐาน

5. เปิดก้านล็อกของฐานออฟเซต จากนั้นติดตั้งฐานออฟ เซตเข้ากับเครื่องมือ

▶ **หมายเลข 19:** 1. ก้านล็อก

6. ติดตั้งสายพานเข้ากับรอกด้วยอุปกรณ์อย่างเช่นไขควง ปากแบนโดยการหมุนสายพานด้วยมือ

▶ **หมายเลข 20:** 1. รอก 2. สายพาน

7. ปิดก้านล็อก

▶ **หมายเลข 21:** 1. ก้านล็อก

8. ใส่แผ่นฐานโดยการขันสกรูให้แน่น

▶ **หมายเลข 22:** 1. แผ่นฐาน

9. สอดกรวยหัวจับและดอกฉลุลงไปในฐานออฟเซต และ ขันน็อตหัวจับให้แน่น

▶ **หมายเลข 23:** 1. ดอกฉลุ 2. น็อตหัวจับ 3. กรวย หัวจับ

10. ใส่ประแจหกเหลี่ยมเข้าไปในรูของฐานออฟเซต และ ขันน็อตหัวจับให้แน่นด้วยประแจ

▶ **หมายเลข 24:** 1. น็อตหัวจับ 2. ประแจ 3. ประแจ หกเหลี่ยม

การถอดฐานออก ให้ปฏิบัติตามแบบย้อนกลับขั้นตอนการติดตั้ง

หมายเหตุ: คุณสามารถติดตั้งสายพานที่รอกได้โดยไม่ต้อง ถอดถอดแผ่นฐานออกตามภาพ

▶ **หมายเลข 25:** 1. รอก 2. สายพาน

การติดตั้งหรือการถอดฐานฉลุ

อุปกรณ์เสริม

1. เปิดก้านล็อกของฐานฉลุ จากนั้นสอดเครื่องมือลงใน ฐานฉลุโดยจัดแนวร่องของเครื่องมือให้ตรงกับส่วนที่ยื่นออก มาของฐานฉลุ

2. ปิดก้านล็อก

▶ **หมายเลข 26:** 1. ก้านล็อก

การถอดฐานออก ให้ปฏิบัติตามแบบย้อนกลับขั้นตอนการติดตั้ง

การติดตั้งหรือการถอดไม้บรรทัดขนานบนฐานฉลุ

อุปกรณ์เสริม

ติดตั้งแถบวางลงในรูของฐานฉลุ และขันสลักเกลียวหางปลา ให้แน่น เพื่อถอดไม้บรรทัดออก ให้ปฏิบัติตามแบบย้อนกลับขั้นตอนการติดตั้ง

▶ **หมายเลข 27:** 1. สลักเกลียวหางปลา 2. แถบวาง

การติดตั้งหรือการถอดท่อตัดฝุ่นออกจากฐานฉล

สอดท่อตัดฝุ่นเข้าไปในฐานฉล โดยให้ส่วนที่ยื่นออกมาบนท่อตัดฝุ่นตรงกับร่องในฐานฉล และขันสกรูหางแบนบนท่อตัดฝุ่นให้แน่น การถอดท่อตัดฝุ่นออก ให้ปฏิบัติแบบย้อนกลับขั้นตอนการติดตั้ง

- ▶ **หมายเลข 28:** 1. ส่วนที่ยื่นออกมา 2. ท่อตัดฝุ่น
3. สกรูหางแบน

▶ **หมายเลข 29**

การใช้งาน

การปรับความลึกการตัด

การปรับความลึกการตัด ให้เปิดก้านลีด จากนั้นเลื่อนฐานเครื่องมือขึ้นหรือลงโดยการหมุนสกรูปรับ หลังจากปรับแล้วให้ปิดก้านลีดให้แน่น

- ▶ **หมายเลข 30:** 1. ก้านลีด 2. สกรูปรับ

ข้อสังเกต: หากเครื่องมือยังไม่ยึดแน่นหลังจากปิดก้านลีดแล้ว ให้ขันน็อตหกเหลี่ยมให้แน่นขึ้นและปิดก้านลีด

- ▶ **หมายเลข 31:** 1. น็อตหกเหลี่ยม

การปรับความลึกการตัดของฐานฉล

อุปกรณ์เสริม

1. วางอุปกรณ์บนพื้นผิวราบ
 2. เลือกสกรูสตัดเปอร์โดยการหมุนฐานสตัดเปอร์
- ▶ **หมายเลข 32:** 1. สกรูสตัดเปอร์ 2. ฐานสตัดเปอร์
3. คลายน็อตยึด จากนั้นดึงเสาสตัดเปอร์ขึ้นในขณะที่กดปุ่มป้อนไว้

- ▶ **หมายเลข 33:** 1. เสาสตัดเปอร์ 2. น็อตยึด 3. ปุ่มป้อน

4. กดเครื่องมือลงจนกว่าปลายดอกฉลจะสัมผัสกับพื้นผิวราบ จากนั้นหมุนก้านยึดเพื่อยึดเครื่องมือให้แน่น

- ▶ **หมายเลข 34:** 1. ก้านยึด 2. ดอกฉล

5. กดเสาสตัดเปอร์ลงในขณะที่กดปุ่มป้อนไว้จนกว่าเสาสจะสัมผัสกับสกรูสตัดเปอร์

- ▶ **หมายเลข 35:** 1. เสาสตัดเปอร์ 2. สกรูสตัดเปอร์
3. ปุ่มป้อน

6. เลื่อนตัวบอกความลึก เพื่อให้ตัวบอกความลึกอยู่ที่ "0" บนสเกล

- ▶ **หมายเลข 36:** 1. ตัวบอกความลึก

7. ปรับความลึกการตัดโดยการดึงเสาสตัดเปอร์ในขณะที่กดปุ่มป้อนไว้

- ▶ **หมายเลข 37:** 1. เสาสตัดเปอร์ 2. ปุ่มป้อน

8. เพื่อให้ปรับความลึกของการตัดได้อย่างเหมาะสม ให้หมุนแป้นบนเสาสตัดเปอร์ให้อยู่ที่ "0"

- ▶ **หมายเลข 38:** 1. แป้น

9. หมุนหัวเสาสตัดเปอร์เพื่อให้ได้ความลึกที่ต้องการ เมื่อต้องการเพิ่มความลึก ให้หมุนหัวเสาสทวนเข็มนาฬิกา เมื่อต้องการลดความลึก ให้หมุนหัวเสาสทวนเข็มนาฬิกา (ความลึกจะเปลี่ยน 1 mm ต่อการหมุนหนึ่งครั้ง)

- ▶ **หมายเลข 39:** 1. หัวเสาสตัดเปอร์

10. ขันน็อตยึดเสาสตัดเปอร์ให้แน่น

- ▶ **หมายเลข 40:** 1. น็อตยึด

11. ปลดก้านยึด

- ▶ **หมายเลข 41:** 1. ก้านยึด

เมื่อถอดเครื่องมือลงจนกระทั่งเสาสตัดเปอร์ชนกับสกรูสตัดเปอร์ คุณจะได้รับความลึกในการตัดที่คุณปรับตามขั้นตอนด้านบน

การใช้เครื่องมือกับฐานเล็ม

วางฐานเครื่องมือบนชิ้นงานโดยไม่ให้สัมผัสดอกฉล เปิดสวิตช์เครื่องมือ และรอจนกระทั่งดอกฉลทำงานด้วยความเร็วเต็มที่ เลื่อนเครื่องมือไปข้างหน้าบนพื้นผิวของชิ้นงาน รักษาระดับของฐานเครื่องมือไว้ในขณะที่เลื่อนเครื่องมือ

เมื่อทำการตัดขอบ ให้รักษาทิศทางการป้อนโดยให้พื้นผิวชิ้นงานอยู่ทางด้านซ้ายของดอกฉล

- ▶ **หมายเลข 42**

หมายเหตุ: ก่อนทำการตัดชิ้นงานจริง ขอแนะนำให้ทำการทดสอบการตัดก่อน ระดับความเร็วการป้อนที่เหมาะสมขึ้นอยู่กับขนาดของดอกฉล ประเภทของชิ้นงาน และความลึกของการตัด การเลื่อนเครื่องมือไปข้างหน้าเร็วเกินไปอาจส่งผลให้คุณภาพการตัดไม่ดี หรือทำความเสียหายกับดอกฉลหรือมอเตอร์ได้ การเลื่อนเครื่องมือไปข้างหน้าช้าเกินไปอาจทำให้มีหัวการตัดใหม่หรือเสียหายได้

เมื่อใช้ปลอกฉล รางแนวตรง หรือรางแนวเล็ม รักษาทิศทางการป้อนให้อยู่ด้านขวา ซึ่งจะช่วยให้รางอยู่ในแนวระดับเดียวกับด้านข้างของชิ้นงาน

- ▶ **หมายเลข 43:** 1. ดอกฉล 2. ชิ้นงาน 3. รางแนวตรง

ข้อสังเกต: เนื่องจากการตัดที่ลึกเกินไปอาจส่งผลให้มอเตอร์ทำงานหนักเกินไปหรือควบคุมเครื่องมือได้ยาก ความลึกในการตัดจึงไม่ควรเกิน 3 mm ในการตัดหนึ่งครั้ง เมื่อทำการตัดร่อง เมื่อคุณต้องการตัดร่องที่ลึกมากกว่า 3 mm ให้ทำการตัดหลายๆ ครั้งด้วยการตั้งค่าดอกฉลุให้ลึกขึ้นทีละนิด

การใช้รางแนวตรง

1. ประกอบรางแนวตรงด้วยสลักเกลียวและน็อตหางปลา

▶ **หมายเลข 44:** 1. สลักเกลียว 2. น็อตหางปลา

2. ดัดรางแนวตรงเข้ากับฐานเดิมด้วยสกรูยึด

▶ **หมายเลข 45:** 1. สกรูยึด

3. คลายน็อตหางปลาบนรางแนวตรงแล้วปรับระยะระหว่างดอกฉลุกับรางแนวตรง ชันน็อตหางปลาให้แน่นที่ระยะที่ต้องการ

▶ **หมายเลข 46:** 1. น็อตหางปลา

4. เลื่อนเครื่องมือโดยให้รางแนวตรงอยู่แนวเดียวกับด้านข้างของชิ้นงาน

▶ **หมายเลข 47**

หากระยะห่าง (A) ระหว่างด้านข้างของชิ้นงานและตำแหน่งในการตัดนั้นกว้างมากเกินไปสำหรับรางแนวตรง หรือด้านข้างของชิ้นงานไม่ใช่แนวตรง จะไม่สามารถใช้รางแนวตรงได้

ในกรณีนี้ ให้ยึดแผ่นกระดานแนวตรงเข้ากับชิ้นงานและใช้แผ่นกระดานนี้เป็นแนวสำหรับฐานเดิม ป้อนเครื่องมือในทิศทางตามลูกศร

▶ **หมายเลข 48**

การใช้รางแนวตรงสำหรับงานรูวงกลม

สำหรับงานรูวงกลม ให้ประกอบรางแนวตรงตามที่แสดงในภาพ ขนาดรัศมีเล็กสุดและใหญ่สุดของวงกลมที่จะตัด (ระยะระหว่างกึ่งกลางของวงกลมและกึ่งกลางดอกฉลุ) เป็นดังนี้:

- เล็กสุด: 70 mm
- ใหญ่สุด: 221 mm

สำหรับวงกลมการตัดที่มีรัศมีระหว่าง 70 mm และ 121 mm

▶ **หมายเลข 49:** 1. รูศูนย์กลาง

สำหรับวงกลมการตัดที่มีรัศมีระหว่าง 121 mm และ 221 mm

▶ **หมายเลข 50:** 1. รูศูนย์กลาง

หมายเหตุ: วงกลมที่มีรัศมีระหว่าง 172 mm และ 186 mm จะไม่สามารถตัดได้โดยใช้รางแนวนั้น

จัดรูศูนย์กลางในรางแนวตรงเข้ากับจุดศูนย์กลางของวงกลมที่จะตัด ดันตะปูที่มีเส้นผ่านศูนย์กลางน้อยกว่า 6 mm ลงในรูศูนย์กลางเพื่อยึดตรึงแนวตรง หมุนเครื่องมือรอบตะปูในทิศทางตามเข็มนาฬิกา

▶ **หมายเลข 51:** 1. ตะปู 2. รูศูนย์กลาง

การใช้แนวแม่แบบ

แนวแม่แบบจะช่วยให้ทำการตัดซ้ำได้ตามลายแม่แบบโดยใช้แม่แบบ

1. คลายสกรูบนแผ่นฐาน และถอดแผ่นฐานออกจากฐานเดิม

2. วางแนวแม่แบบบนฐาน และใส่แผ่นฐานโดยการขันสกรูให้แน่น

▶ **หมายเลข 52:** 1. แผ่นฐาน 2. แนวแม่แบบ

3. วางเครื่องมือบนแม่แบบและเลื่อนเครื่องมือโดยให้แนวแม่แบบเลื่อนไปตามด้านข้างของแม่แบบ

▶ **หมายเลข 53**

หมายเหตุ: ขนาดการตัดจริงบนชิ้นงานจะต่างจากแม่พิมพ์เล็กน้อย ความแตกต่างคือระยะ (X) ระหว่างดอกฉลุและรอบนอกของแนวแม่แบบ ระยะ (X) สามารถคำนวณได้โดยใช้สมการต่อไปนี้:

$$\text{ระยะ (X)} = (\text{เส้นผ่านศูนย์กลางรอบนอกของแนวแม่แบบ} - \text{เส้นผ่านศูนย์กลางของดอกฉลุ}) / 2$$

▶ **หมายเลข 54:** 1. ดอกฉลุ 2. แนวแม่แบบ 3. ระยะ (X) 4. เส้นผ่านศูนย์กลางรอบนอกของแนวแม่แบบ 5. แม่แบบ 6. ชิ้นงาน

การใช้รางแนวเดิม

อุปกรณ์เสริม

รางแนวเดิมช่วยให้สามารถตัดแต่งด้านโค้งเว้าเหมือนแผ่นไม้อัดที่ใช้ทำเฟอร์นิเจอร์ด้วยการเลื่อนลูกกลิ้งนำทางตามแนวด้านข้างของชิ้นงาน

▶ **หมายเลข 55**

1. คลายสกรูยึด และติดตั้งรางแนวเดิมบนฐานเดิม จากนั้นขันสกรูยึดให้แน่น

▶ **หมายเลข 56:** 1. สกรูยึด

2. คลายสกรูยึดและปรับระยะระหว่างดอกฉลุและรางแนวเดิมด้วยการหมุนสกรูปรับ (1 mm ต่อรอบ) ชันสกรูยึดเพื่อยึดรางแนวเดิมให้แน่นที่ระยะที่ต้องการ

▶ **หมายเลข 57:** 1. สกรูปรับ 2. สกรูยึด

3. เลื่อนเครื่องมือไปตามแนวด้านข้างของชิ้นงานด้วย ลูกกลิ้งนำทาง

▶ **หมายเลข 58:** 1. ชิ้นงาน 2. ดอกฉลุ 3. ลูกกลิ้งนำทาง

การใช้เครื่องมือกับฐานเอียง

ฐานเอียงนี้ใช้สำหรับตัดขอบแผ่นลามิเนตหรือวัสดุที่ใกล้เคียง

ฐานเอียงเหมาะสำหรับการเลาะมุม คลายสลักเกลียวหางปลา และเอียงเครื่องมือไปที่องศาที่ต้องการ จากนั้นขันสกรูหางปลาให้แน่น

ยึดแผ่นกระดานแนวตรงกับชิ้นงานให้แน่น และใช้แผ่นกระดานนี้เป็นแนวของฐานเอียง ป้อนเครื่องมือในทิศทางตามลูกศร

▶ **หมายเลข 59:** 1. สกรูหางปลา

การใช้แผ่นฐานเอียงกับฐานเหลี่ยม

การใช้ฐานเหลี่ยมกับแผ่นฐานทรงสี่เหลี่ยม ให้ถอดแผ่นฐานออกจากฐานเอียง จากนั้นติดตั้งแผ่นฐานเข้ากับฐานเหลี่ยม

▶ **หมายเลข 60:** 1. แผ่นฐานเอียง 2. แผ่นฐานเหลี่ยม

ข้อสังเกต: ใช้สกรูบนฐานเหลี่ยมเมื่อติดตั้งแผ่นฐานเอียง สกรูบนฐานเอียงจะสั้นกว่าสกรูบนฐานเหลี่ยม

การใช้เครื่องมือกับฐานออฟเซต

ฐานออฟเซตนี้ใช้สำหรับตัดขอบแผ่นลามิเนตหรือวัสดุที่ใกล้เคียง ฐานออฟเซตเหมาะสำหรับใช้ในพื้นที่แคบ

▶ **หมายเลข 61**

การใช้ฐานเหลี่ยมกับแผ่นฐานออฟเซตและมือจับ

แผ่นฐานออฟเซตสามารถใช้กับฐานเหลี่ยมและมือจับ (อุปกรณ์เสริม) เพื่อให้สามารถใช้งานได้อย่างมั่นคงยิ่งขึ้น

1. คลายสกรูบนแผ่นฐานออฟเซต จากนั้นนำแผ่นฐานออฟเซตออกจากฐานออฟเซต

▶ **หมายเลข 62:** 1. แผ่นฐานออฟเซต 2. แผ่นฐานเหลี่ยม

2. ติดแผ่นฐานออฟเซตเข้ากับฐานเหลี่ยมโดยขันสกรูให้แน่น

3. ติดมือจับและมือจับแบบแถบเข้ากับแผ่นฐานออฟเซต โดยการขันสกรูให้แน่น

▶ **หมายเลข 63:** 1. มือจับแบบแถบ 2. มือจับ

มือจับแบบปุ่มที่ถูกถอดออกจากฐานฉลุ สามารถติดตั้งบนฐานออฟเซตแทนมือจับแบบแถบได้

▶ **หมายเลข 64:** 1. สกรู 2. มือจับแบบปุ่ม

การใช้เครื่องมือกับฐานฉลุ

ใช้มือทั้งสองข้างจับมือจับให้แน่นเสมอระหว่างการใช้งาน ใช้เครื่องมือด้วยวิธีเดียวกันกับฐานเหลี่ยม

การใช้รางแนวตรง

อุปกรณ์เสริม

1. ติดตั้งรางแนวตรงเข้ากับตัวอีตรงโดยการขันน็อตหางปลาให้แน่น ใส่ตัวอีตรงเข้ากับรูในฐานฉลุ จากนั้นขันสลักเกลียวหางปลาให้แน่น

▶ **หมายเลข 65:** 1. สลักเกลียวหางปลา 2. ตัวอีตรง 3. น็อตหางปลา 4. รางแนวตรง

2. คลายน็อตหางปลาบนรางแนวตรงแล้วปรับระยะระหว่างดอกฉลุกับรางแนวตรง ขันน็อตหางปลาให้แน่นที่ระยะที่ต้องการ

▶ **หมายเลข 66:** 1. น็อตหางปลา

3. ใช้เครื่องมือด้วยวิธีเดียวกันกับรางแนวตรงสำหรับฐานเหลี่ยม

▶ **หมายเลข 67**

การใช้แนวแม่แบบ

อุปกรณ์เสริม

1. คลายสกรูออกจากฐานแล้วถอดออก วางแนวแม่แบบบนฐาน จากนั้นขันสกรูให้แน่น

▶ **หมายเลข 68:** 1. สกรู 2. แนวแม่แบบ

2. ใช้งานเครื่องมือด้วยวิธีเดียวกันกับแนวแม่แบบสำหรับฐานเหลี่ยม

▶ **หมายเลข 69**

การใช้ไม้บรรทัดขนาน

ไม้บรรทัดขนานนี้ใช้สำหรับการตัดแนวตรงเมื่อทำการเลาะมุมหรือทำแนวร่องได้อย่างมีประสิทธิภาพ ปรับระยะระหว่างดอกฉลุกับไม้บรรทัดขนาน ขันสลักเกลียวหางปลาเพื่อยึดไม้บรรทัดขนานที่ระยะที่ต้องการ เมื่อทำการตัด ให้เลื่อนเครื่องมือพร้อมด้วยไม้บรรทัดขนานให้อยู่ในระดับเดียวกับด้านข้างของชิ้นงาน

▶ **หมายเลข 70**

ถ้าระยะ (A) ระหว่างด้านข้างของชิ้นงาน และตำแหน่งการตัดกว้างเกินไปสำหรับไม้บรรทัดขนาน หรือถ้าด้านข้างของชิ้นงานไม่ตรง ไม้บรรทัดขนานจะไม่สามารถใช้ได้

ในกรณีนี้ ให้ยึดแผ่นกระดานแนวดิ่งเข้ากับชิ้นงาน และใช้แผ่นกระดานแนวดิ่งเป็นแนวของฐานฉลุน บ่อนเครื่องมือในทิศทางตามลูกศร

▶ หมายเลข 71

การเปลี่ยนมือจับแบบปุ่มเป็นมือจับแบบแถบ

การติดตั้งมือจับแบบแกน ให้คลายสกรูของมือจับแบบปุ่ม และถอดฐานฉลุน จากนั้นติดตั้งมือจับแบบแถบด้วยการขันให้แน่น

▶ หมายเลข 72: 1. มือจับแบบปุ่ม 2. สกรู 3. มือจับแบบแถบ

ฟังก์ชันสั่งงานด้วยสัญญาณไร้สาย

คุณสามารถทำอะไรกับฟังก์ชันสั่งงานด้วยสัญญาณไร้สายนี้ได้บ้าง

ฟังก์ชันสั่งงานด้วยสัญญาณไร้สายจะทำให้คุณสามารถใช้งานได้อย่างสะดวกสบายและสะอาดเรียบร้อย เมื่อเชื่อมต่อที่จุดฝุ่นที่รองรับเข้ากับเครื่องมือ คุณสามารถทำให้ที่จุดฝุ่นทำงานได้อย่างอัตโนมัติตามการควบคุมด้วยสวิทช์ของเครื่องมือ

▶ หมายเลข 73

การใช้ฟังก์ชันสั่งงานด้วยสัญญาณไร้สาย ให้เตรียมอุปกรณ์ดังต่อไปนี้:

- อุปกรณ์รับส่งสัญญาณไร้สาย (อุปกรณ์เสริม)
 - ที่จุดฝุ่นที่รองรับฟังก์ชันสั่งงานด้วยสัญญาณไร้สาย
- ต่อไปนี้เป็นคำอธิบายการตั้งค่าฟังก์ชันสั่งงานด้วยสัญญาณไร้สายแบบย่อ ดูการดำเนินการอย่างละเอียดได้ในแต่ละส่วน
1. การติดตั้งอุปกรณ์รับส่งสัญญาณไร้สาย
 2. การบันทึกเครื่องมือสำหรับที่จุดฝุ่น
 3. การเริ่มฟังก์ชันสั่งงานด้วยสัญญาณไร้สาย

การติดตั้งอุปกรณ์รับส่งสัญญาณไร้สาย

อุปกรณ์เสริม

⚠ ข้อควรระวัง: วางเครื่องมือบนพื้นผิวที่ราบเรียบและมั่นคงขณะทำการติดตั้งอุปกรณ์รับส่งสัญญาณไร้สาย

ข้อสังเกต: ทำความสะอาดฝุ่นและสิ่งสกปรกที่ติดอยู่บนเครื่องมือก่อนติดตั้งอุปกรณ์รับส่งสัญญาณไร้สาย ฝุ่นและสิ่งสกปรกอาจทำให้เครื่องมือทำงานผิดปกติ หากเข้าไปในช่องเสียบของอุปกรณ์รับส่งสัญญาณไร้สาย

ข้อสังเกต: เพื่อป้องกันการดำเนินงานผิดปกติที่เกิดจากไฟฟ้าสถิต ให้สัมผัสกับวัสดุที่ปล่อยไฟฟ้าสถิต เช่น ส่วนที่เป็นโลหะของเครื่องมือก่อนหยิบอุปกรณ์รับส่งสัญญาณไร้สาย

ข้อสังเกต: เมื่อทำการติดตั้งอุปกรณ์รับส่งสัญญาณไร้สาย ตรวจสอบให้แน่ใจว่าอุปกรณ์รับส่งสัญญาณไร้สายถูกใส่เข้าไปในทิศทางที่ถูกต้องและปิดฝาปิดสนิทแล้ว

1. เปิดฝาปิดบนเครื่องมือดังที่แสดงในภาพ

▶ หมายเลข 74: 1. ฝาปิด

2. ใส่อุปกรณ์รับส่งสัญญาณไร้สายเข้าไปในช่องเสียบ จากนั้นปิดฝาปิด

เมื่อใส่อุปกรณ์รับส่งสัญญาณไร้สายแล้ว ให้จัดตำแหน่งให้ส่วนที่ยื่นออกมาตรงกับส่วนที่ถอยเข้าไปบนช่องเสียบ

▶ หมายเลข 75: 1. อุปกรณ์รับส่งสัญญาณไร้สาย
2. ส่วนที่ยื่นออกมา 3. ฝาปิด 4. ส่วนที่ถอยเข้าไป

เมื่อต้องการถอดอุปกรณ์รับส่งสัญญาณไร้สายออก ให้เปิดฝาดอกข้างๆ ขอเกี่ยวที่ด้านหลังของฝาปิดจะยกอุปกรณ์รับส่งสัญญาณไร้สายในขณะที่คุณดึงฝาปิดขึ้น

▶ หมายเลข 76: 1. อุปกรณ์รับส่งสัญญาณไร้สาย 2. ขอเกี่ยว 3. ฝาปิด

หลังจากถอดอุปกรณ์รับส่งสัญญาณไร้สายออกแล้ว ให้เก็บไว้ในกล่องที่หิม่าหรือในภาชนะที่ปลอดภัย

ข้อสังเกต: ใช้ขอเกี่ยวที่ด้านหลังของฝาปิดเมื่อต้องการถอดอุปกรณ์รับส่งสัญญาณไร้สายเสมอ หากขอเกี่ยวไม่เกี่ยวกับอุปกรณ์รับส่งสัญญาณไร้สาย ให้ปิดฝาปิดให้สนิทแล้วเปิดอีกครั้งข้างๆ

การบันทึกเครื่องมือสำหรับที่ดูดฝุ่น

หมายเหตุ: ที่ดูดฝุ่นของ Makita ที่รองรับฟังก์ชันสั่งงานด้วยสัญญาณไร้สายจำเป็นต้องมีการบันทึกเครื่องมือ

หมายเหตุ: ติดตั้งอุปกรณ์รับส่งสัญญาณไร้สายเข้ากับเครื่องมือให้เรียบร้อยก่อนเริ่มบันทึกเครื่องมือ

หมายเหตุ: ระหว่างการบันทึกเครื่องมือ อย่าดึงสวิตช์สั่งงานหรือเปิดสวิตช์ไฟบนที่ดูดฝุ่น

หมายเหตุ: โปรดดูคู่มือการใช้งานที่ดูดฝุ่นร่วมด้วย

หากคุณต้องการสั่งงานที่ดูดฝุ่นตามการควบคุมด้วยสวิตช์ของเครื่องมือ ให้บันทึกเครื่องมือให้เสร็จสิ้นก่อน

1. ติดตั้งแบตเตอรี่เข้ากับที่ดูดฝุ่นและเครื่องมือ
 2. ตั้งสวิตช์เตรียมพร้อมบนที่ดูดฝุ่นเป็น "AUTO"
- ▶ **หมายเลข 77:** 1. สวิตช์เตรียมพร้อม
3. กดปุ่มสั่งงานด้วยสัญญาณไร้สายบนที่ดูดฝุ่นค้างไว้ประมาณ 3 วินาที จนกระทั่งดวงไฟแสดงการสั่งงานด้วยสัญญาณไร้สายกะพริบเป็นสีเขียว จากนั้นกดปุ่มสั่งงานด้วยสัญญาณไร้สายบนเครื่องมือในลักษณะเดียวกัน
- ▶ **หมายเลข 78:** 1. ปุ่มสั่งงานด้วยสัญญาณไร้สาย
2. ดวงไฟแสดงการสั่งงานด้วยสัญญาณไร้สาย

หากที่ดูดฝุ่นและเครื่องมือเชื่อมต่อกันเรียบร้อยแล้ว ดวงไฟแสดงการสั่งงานด้วยสัญญาณไร้สายจะสว่างเป็นสีเขียวเป็นเวลา 2 วินาที และจะเริ่มกะพริบเป็นสีฟ้า

หมายเหตุ: ดวงไฟแสดงการสั่งงานด้วยสัญญาณไร้สายจะกะพริบเป็นสีเขียวหลังผ่านไป 20 วินาที กดปุ่มสั่งงานด้วยสัญญาณไร้สายบนเครื่องมือในขณะที่ดวงไฟแสดงการสั่งงานด้วยสัญญาณไร้สายบนที่ดูดฝุ่นกำลังกะพริบอยู่ หากดวงไฟแสดงการสั่งงานด้วยสัญญาณไร้สายไม่กะพริบเป็นสีเขียว ให้ดันปุ่มสั่งงานด้วยสัญญาณไร้สายสักครู่ และกดลงไปอีกครั้ง

หมายเหตุ: เมื่อต้องการดำเนินการบันทึกเครื่องมือสองเครื่องขึ้นไปสำหรับที่ดูดฝุ่นเครื่องเดียว ให้บันทึกเครื่องมือทีละเครื่อง

การเริ่มฟังก์ชันสั่งงานด้วยสัญญาณไร้สาย

หมายเหตุ: บันทึกเครื่องมือสำหรับที่ดูดฝุ่นให้เสร็จสิ้นก่อนการสั่งงานด้วยสัญญาณไร้สาย

หมายเหตุ: โปรดดูคู่มือการใช้งานที่ดูดฝุ่นร่วมด้วย

หลังจากบันทึกเครื่องมือเข้ากับที่ดูดฝุ่นแล้ว ที่ดูดฝุ่นจะทำงานตามการควบคุมด้วยสวิตช์ของเครื่องมือโดยอัตโนมัติ

1. ติดตั้งอุปกรณ์รับส่งสัญญาณไร้สายเข้ากับเครื่องมือ
 2. เชื่อมต่อท่อของที่ดูดฝุ่นเข้ากับเครื่องมือ
- ▶ **หมายเลข 79**
3. ตั้งสวิตช์เตรียมพร้อมบนที่ดูดฝุ่นเป็น "AUTO"
- ▶ **หมายเลข 80:** 1. สวิตช์เตรียมพร้อม
4. ดันปุ่มสั่งงานด้วยสัญญาณไร้สายบนเครื่องมือไว้สักครู่ ดวงไฟแสดงการสั่งงานด้วยสัญญาณไร้สายจะกะพริบเป็นสีฟ้า
- ▶ **หมายเลข 81:** 1. ปุ่มสั่งงานด้วยสัญญาณไร้สาย
2. ดวงไฟแสดงการสั่งงานด้วยสัญญาณไร้สาย
5. เปิดเครื่องมือ ตรวจสอบว่าที่ดูดฝุ่นทำงานในขณะที่เครื่องมือกำลังทำงานอยู่หรือไม่
- การหยุดการสั่งงานด้วยสัญญาณไร้สายของที่ดูดฝุ่นให้ดันปุ่มสั่งงานด้วยสัญญาณไร้สายบนเครื่องมือ

หมายเหตุ: ดวงไฟแสดงการสั่งงานด้วยสัญญาณไร้สายบนเครื่องมือจะหยุดกะพริบเป็นสีฟ้าเมื่อไม่มีการใช้งานเป็นเวลา 2 ชั่วโมง ในกรณีนี้ให้ตั้งสวิตช์เตรียมพร้อมบนที่ดูดฝุ่นไปที่ "AUTO" จากนั้นดันปุ่มสั่งงานด้วยสัญญาณไร้สายบนเครื่องมืออีกครั้ง

หมายเหตุ: ที่ดูดฝุ่นจะเริ่มหยุดทำงานล่าช้าเล็กน้อย ในขณะที่ที่ดูดฝุ่นตรวจจับการควบคุมด้วยสวิตช์ของเครื่องมือจะมีความล่าช้าเกิดขึ้นเล็กน้อย

หมายเหตุ: ระยะเวลาการส่งสัญญาณของอุปกรณ์รับส่งสัญญาณไร้สายอาจแตกต่างกันไปขึ้นอยู่กับสถานที่และสภาวะแวดล้อม

หมายเหตุ: เมื่อลงทะเบียนเครื่องมือสองเครื่องขึ้นไปกับที่ดูดฝุ่นหนึ่งเครื่อง ที่ดูดฝุ่นอาจเริ่มทำงานแม้ว่าคุณจะไม่ได้เปิดเครื่องมือของคุณ เนื่องจากผู้ใช้คนอื่นกำลังใช้ฟังก์ชันการสั่งงานด้วยสัญญาณไร้สาย

คำอธิบายสถานะดวงไฟแสดงการสั่งงานด้วยสัญญาณไร้สาย

- **หมายเลข 82:** 1. ดวงไฟแสดงการสั่งงานด้วยสัญญาณไร้สาย

ดวงไฟแสดงการสั่งงานด้วยสัญญาณไร้สายจะแสดงสถานะของฟังก์ชันสั่งงานด้วยสัญญาณไร้สาย หมายความว่าสถานะดวงไฟได้ที่ตารางด้านล่าง

สถานะ	ดวงไฟแสดงการสั่งงานด้วยสัญญาณไร้สาย				คำอธิบาย
	สี	<input type="checkbox"/> สว่าง	<input checked="" type="checkbox"/> กระพริบ	ระยะเวลา	
เตรียมพร้อม	สีฟ้า	<input checked="" type="checkbox"/>		2 ชั่วโมง	สามารถใช้การสั่งงานด้วยสัญญาณไร้สายของที่ดูดฝุ่นได้ ดวงไฟจะดับลงอัตโนมัติเมื่อไม่มีการใช้งานเป็นเวลา 2 ชั่วโมง
		<input type="checkbox"/>		เมื่อเครื่องมือกำลังทำงาน	สามารถใช้การสั่งงานด้วยสัญญาณไร้สายของที่ดูดฝุ่นได้และเครื่องมือกำลังทำงานอยู่
การบันทึกเครื่องมือ	สีเขียว	<input checked="" type="checkbox"/>		20 วินาที	พร้อมสำหรับการบันทึกเครื่องมือ รอกการบันทึกโดยที่ดูดฝุ่น
		<input type="checkbox"/>		2 วินาที	การบันทึกเครื่องมือเสร็จสิ้นแล้ว ดวงไฟแสดงการสั่งงานด้วยสัญญาณไร้สายจะเริ่มกระพริบเป็นสีฟ้า
การยกเลิกการบันทึกเครื่องมือ	สีแดง	<input checked="" type="checkbox"/>		20 วินาที	พร้อมสำหรับการยกเลิกการบันทึกเครื่องมือ รอกการยกเลิกโดยที่ดูดฝุ่น
		<input type="checkbox"/>		2 วินาที	การยกเลิกการบันทึกเครื่องมือเสร็จสิ้นแล้ว ดวงไฟแสดงการสั่งงานด้วยสัญญาณไร้สายจะเริ่มกระพริบเป็นสีฟ้า
อื่นๆ	สีแดง	<input type="checkbox"/>		3 วินาที	ไฟฟ้าจะถูกจ่ายไปยังอุปกรณ์รับส่งสัญญาณไร้สายและฟังก์ชันสั่งงานด้วยสัญญาณไร้สายจะเริ่มทำงาน
		ดับ	-	-	การสั่งงานด้วยสัญญาณไร้สายของที่ดูดฝุ่นจะหยุดทำงาน

การยกเลิกการบันทึกเครื่องมือสำหรับที่ดูดฝุ่น

เมื่อต้องการยกเลิกการบันทึกเครื่องมือสำหรับที่ดูดฝุ่น ให้ดำเนินการตามขั้นตอนดังต่อไปนี้

1. ติดตั้งแบตเตอรี่เข้ากับที่ดูดฝุ่นและเครื่องมือ
 2. ตั้งสวิตช์เตรียมพร้อมบนที่ดูดฝุ่นเป็น "AUTO"
- **หมายเลข 83:** 1. สวิตช์เตรียมพร้อม
3. กดปุ่มสั่งงานด้วยสัญญาณไร้สายบนที่ดูดฝุ่นค้างไว้ประมาณ 6 วินาที ดวงไฟแสดงการสั่งงานด้วยสัญญาณไร้สายจะกระพริบเป็นสีเขียว จากนั้นจะเปลี่ยนเป็นสีแดง หลังจากนั้นให้กดปุ่มสั่งงานด้วยสัญญาณไร้สายบนเครื่องมือในลักษณะเดียวกัน

- **หมายเลข 84:** 1. ปุ่มสั่งงานด้วยสัญญาณไร้สาย
2. ดวงไฟแสดงการสั่งงานด้วยสัญญาณไร้สาย

หากดำเนินการยกเลิกเสร็จสิ้นแล้ว ดวงไฟแสดงการสั่งงานด้วยสัญญาณไร้สายจะสว่างขึ้นเป็นสีแดงประมาณ 2 วินาที และจะเริ่มกระพริบเป็นสีฟ้า

หมายเหตุ: ดวงไฟแสดงการสั่งงานด้วยสัญญาณไร้สายจะหยุดกระพริบเป็นสีแดงหลังผ่านไป 20 วินาทีที่ กดปุ่มสั่งงานด้วยสัญญาณไร้สายบนเครื่องมือในขณะที่ดวงไฟแสดงการสั่งงานด้วยสัญญาณไร้สายบนที่ดูดฝุ่นกำลังกระพริบอยู่ หากดวงไฟแสดงการสั่งงานด้วยสัญญาณไร้สายไม่กระพริบเป็นสีแดง ให้ดันปุ่มสั่งงานด้วยสัญญาณไร้สายสักครู่ แล้วคลิกอีกครั้ง

การแก้ไขปัญหาสำหรับฟังก์ชันสั่งงานด้วยสัญญาณไร้สาย

ก่อนนำไปซ่อม ให้ทำการตรวจสอบด้วยตัวเองก่อน หากพบปัญหาที่ไม่มีอธิบายในคู่มือการใช้งาน อย่าพยายามถอดแยกเครื่องมือ แต่ให้นำไปซ่อมที่ศูนย์บริการหรือโรงงานที่ผ่านการรับรองจาก Makita และใช้ชิ้นส่วนอะไหล่ของ Makita

สถานะความผิดปกติ	สาเหตุที่เป็นไปได้ (การทำงานผิดปกติ)	การแก้ไข
ดวงไฟแสดงการสั่งงานด้วยสัญญาณไร้สายไม่สว่าง/กะพริบ	อุปกรณ์รับส่งสัญญาณไร้สายไม่ถูกติดตั้งลงในเครื่องมือ	ติดตั้งอุปกรณ์รับส่งสัญญาณไร้สายให้ถูกต้อง
	อุปกรณ์รับส่งสัญญาณไร้สายไม่ถูกติดตั้งลงในเครื่องมืออย่างถูกต้อง	
	ขั้วต่อของอุปกรณ์รับส่งสัญญาณไร้สายและ/หรือช่องเสียบสกรปรก	ค่อยๆ เช็ดฝุ่นและสิ่งสกปรกบนขั้วต่อของอุปกรณ์รับส่งสัญญาณไร้สายและทำความสะอาดช่องเสียบ
	ปุ่มสั่งงานด้วยสัญญาณไร้สายบนเครื่องมือยังไม่ถูกดันเข้าไป	ดันปุ่มสั่งงานด้วยสัญญาณไร้สายบนเครื่องมือไว้สักครู่
	สวิตช์เตรียมพร้อมบนที่ดูดฝุ่นไม่ได้ถูกตั้งเป็น "AUTO"	ตั้งสวิตช์เตรียมพร้อมบนที่ดูดฝุ่นเป็น "AUTO"
ไม่มีการจ่ายไฟฟ้า	จ่ายไฟฟ้าให้เครื่องมือและที่ดูดฝุ่น	
ไม่สามารถเสร็จสิ้นการบันทึกเครื่องมือ / การยกเลิกการบันทึกเครื่องมือได้สำเร็จ	อุปกรณ์รับส่งสัญญาณไร้สายไม่ถูกติดตั้งลงในเครื่องมือ	ติดตั้งอุปกรณ์รับส่งสัญญาณไร้สายให้ถูกต้อง
	อุปกรณ์รับส่งสัญญาณไร้สายไม่ถูกติดตั้งลงในเครื่องมืออย่างถูกต้อง	
	ขั้วต่อของอุปกรณ์รับส่งสัญญาณไร้สายและ/หรือช่องเสียบสกรปรก	ค่อยๆ เช็ดฝุ่นและสิ่งสกปรกบนขั้วต่อของอุปกรณ์รับส่งสัญญาณไร้สายและทำความสะอาดช่องเสียบ
	สวิตช์เตรียมพร้อมบนที่ดูดฝุ่นไม่ได้ถูกตั้งเป็น "AUTO"	ตั้งสวิตช์เตรียมพร้อมบนที่ดูดฝุ่นเป็น "AUTO"
	ไม่มีการจ่ายไฟฟ้า	จ่ายไฟฟ้าให้เครื่องมือและที่ดูดฝุ่น
	การทำงานไม่ถูกต้อง	ดันปุ่มสั่งงานด้วยสัญญาณไร้สายไว้สักครู่ จากนั้นดำเนินการขั้นตอนการบันทึก/การยกเลิกเครื่องมืออีกครั้ง
	เครื่องมือและที่ดูดฝุ่นอยู่ห่างจากกัน (เกินช่วงระยะการส่งสัญญาณ)	นำเครื่องมือและที่ดูดฝุ่นเข้ามาไว้ใกล้กันมากขึ้น ระยะการส่งสัญญาณสูงสุดคือประมาณ 10 m อย่างไรก็ตามอาจแตกต่างกันไปขึ้นอยู่กับสถานะแวดล้อม
	ก่อนเสร็จสิ้นการลงทะเบียน/ยกเลิกเครื่องมือ - สวิตช์ของเครื่องมือเปิดอยู่ หรือ - ปุ่มไฟหลักบนที่ดูดฝุ่นเปิดอยู่	ดันปุ่มสั่งงานด้วยสัญญาณไร้สายไว้สักครู่ จากนั้นดำเนินการขั้นตอนการบันทึก/การยกเลิกเครื่องมืออีกครั้ง
	ขั้นตอนการบันทึกเครื่องมือสำหรับเครื่องมือหรือที่ดูดฝุ่นยังไม่เสร็จสิ้น	ดำเนินการตามขั้นตอนการบันทึกเครื่องมือสำหรับทั้งเครื่องมือและที่ดูดฝุ่นในเวลาเดียวกัน
การรบกวนจากคลื่นวิทยุของเครื่องใช้อื่นๆ ซึ่งทำให้เกิดคลื่นรบกวนความถี่สูง	นำเครื่องมือและที่ดูดฝุ่นออกจากเครื่องใช้ต่างๆ เช่น อุปกรณ์ Wi-Fi และเตาอบไมโครเวฟ	

สภาวะความผิดปกติ	สาเหตุที่เป็นไปได้ (การทำงานผิดปกติ)	การแก้ไข
ที่ดูดฝุ่นไม่ทำงานตามการควบคุมด้วยสวิตช์ของเครื่องมือ	อุปกรณ์รับส่งสัญญาณไร้สายไม่ถูกติดตั้งลงในเครื่องมือ	ติดตั้งอุปกรณ์รับส่งสัญญาณไร้สายให้ถูกต้อง
	อุปกรณ์รับส่งสัญญาณไร้สายไม่ถูกติดตั้งลงในเครื่องมืออย่างถูกต้อง	
	ขั้วต่อของอุปกรณ์รับส่งสัญญาณไร้สายและ/หรือช่องเสียบสปริง	ค่อยๆ เช็ดฝุ่นและสิ่งสกปรกบนขั้วต่อของอุปกรณ์รับส่งสัญญาณไร้สายและความสะอาดช่องเสียบ
	ปุ่มสั่งงานด้วยสัญญาณไร้สายบนเครื่องมือยังไม่ถูกดันเข้าไป	ดันปุ่มสั่งงานด้วยสัญญาณไร้สายไว้สักครู่ และตรวจสอบให้แน่ใจว่าดวงไฟแสดงการสั่งงานด้วยสัญญาณไร้สายกะพริบเป็นสีฟ้า
	สวิตช์เตรียมพร้อมบนที่ดูดฝุ่นไม่ได้ถูกตั้งเป็น "AUTO"	ตั้งสวิตช์เตรียมพร้อมบนที่ดูดฝุ่นเป็น "AUTO"
	มีเครื่องมือที่บันทึกเข้ากับที่ดูดฝุ่นมากกว่า 10 เครื่อง	ดำเนินการบันทึกเครื่องมืออีกครั้ง หากมีเครื่องมือที่บันทึกเข้ากับที่ดูดฝุ่นมากกว่า 10 เครื่อง เครื่องมือที่บันทึกเครื่องแรกสูงสุดจะถูกยกเลิกไปโดยอัตโนมัติ
	ที่ดูดฝุ่นลบการบันทึกเครื่องมือทั้งหมด	ดำเนินการบันทึกเครื่องมืออีกครั้ง
	ไม่มีการจ่ายไฟฟ้า	จ่ายไฟฟ้าให้เครื่องมือและที่ดูดฝุ่น
ที่ดูดฝุ่นทำงานในขณะที่เครื่องมือไม่ได้กำลังทำงานอยู่	เครื่องมือและที่ดูดฝุ่นอยู่ห่างจากกัน (เกินช่วงระยะการส่งสัญญาณ)	นำเครื่องมือและที่ดูดฝุ่นเข้ามาไว้ใกล้กันมากขึ้น ระยะการส่งสัญญาณสูงสุดคือประมาณ 10 m อย่างไรก็ตามอาจแตกต่างกันไปขึ้นอยู่กับสภาวะแวดล้อม
	การรบกวนจากคลื่นวิทยุของเครื่องใช้อื่นๆ ซึ่งทำให้เกิดคลื่นวิทยุความถี่สูง	นำเครื่องมือและที่ดูดฝุ่นออกห่างจากเครื่องใช้ต่างๆ เช่น อุปกรณ์ Wi-Fi และเดอบอไมโครเวฟ
	ผู้ใช้อื่นกำลังใช้การสั่งงานด้วยสัญญาณไร้สายของที่ดูดฝุ่นจากเครื่องมือของพวกเขาอยู่	ปิดปุ่มสั่งงานด้วยสัญญาณไร้สายของเครื่องมืออื่นๆ หรือยกเลิกการบันทึกเครื่องมือของเครื่องมืออื่น

การบำรุงรักษา

⚠️ ข้อควรระวัง: ตรวจสอบให้แน่ใจว่าได้ปิดสวิตช์เครื่องมือและถอดด้ามแบตเตอรี่ออกก่อนทำการตรวจสอบหรือบำรุงรักษา

ข้อสังเกต: อย่าใช้น้ำมันเชื้อเพลิง เบนซิน กิโนเนอร์ แอลกอฮอล์ หรือวัสดุประเภทเดียวกัน เนื่องจากอาจทำให้สีซีดจาง เสียวรูป หรือแตกร้าวได้

เพื่อความปลอดภัยและนำเชื้อถือของผลิตภัณฑ์ ควรให้ศูนย์บริการหรือโรงงานที่ผ่านการรับรองจาก Makita เป็นผู้ดำเนินการซ่อมแซม บำรุงรักษาและทำการปรับตั้งอื่นๆ นอกจากนี้ให้ใช้อะไหล่ของแท้จาก Makita เสมอ

อุปกรณ์เสริม

⚠ ข้อควรระวัง: ขอแนะนำให้ใช้เฉพาะอุปกรณ์เสริมหรืออุปกรณ์ต่อพ่วงเหล่านี้กับเครื่องมือ Makita ที่ระบุในคู่มือการใช้อุปกรณ์เสริมหรืออุปกรณ์ต่อพ่วงอื่นๆ อาจมีความเสี่ยงที่จะได้รับบาดเจ็บ ใช้อุปกรณ์เสริมหรืออุปกรณ์ต่อพ่วงตามวัตถุประสงค์ที่ระบุไว้เท่านั้น

หากต้องการทราบรายละเอียดเพิ่มเติมเกี่ยวกับอุปกรณ์เสริมเหล่านี้ โปรดสอบถามศูนย์บริการ Makita ใกล้บ้านคุณ

- ดอกทำแนวตรงและทำร่อง
- ดอกทำขอบ
- ดอกเล็มลามิเนต
- การติดตั้งรางแนวตรง
- การติดตั้งรางแนวเล็ม
- การติดตั้งฐานเล็ม
- ชุดส่วนประกอบฐาน (เรซิน) ของเครื่องฉลุลายไม้ไฟฟ้า
- การติดตั้งฐานเอียง
- การติดตั้งฐานฉลุ
- การติดตั้งฐานออฟเซต
- มือจับ
- แนวแม่แบบ
- กรวยหัวจับ
- ประแจ 13
- ประแจ 22
- อุปกรณ์รับส่งสัญญาณไร้สาย
- แบตเตอรี่และเครื่องชาร์จ Makita ของแท้

หมายเหตุ: อุปกรณ์บางรายการอาจจะรวมอยู่ในชุดเครื่องมือเป็นอุปกรณ์มาตรฐาน ซึ่งอาจแตกต่างกันไปในแต่ละประเทศ

สามารถใช้เครื่องมือกับอุปกรณ์เสริมดังต่อไปนี้เพื่อวัตถุประสงค์ที่หลากหลาย
อุปกรณ์เสริมบางชิ้นอาจไม่มีจำหน่ายในประเทศของคุณ

► หมายเลข 85

1. ฐานเล็ม (โลหะ)
2. ฐานเล็ม (เรซิน)
มองเห็นการตัดได้ชัดเจน
3. ฐานเอียง
4. ฐานออฟเซต
5. ฐานฉลุ
6. ตัวติดตั้งตามจับ
7. แนวแม่แบบ
8. รางแนวตรง
9. รางแนวเล็ม
10. รางเท้าฉลุ
ทำงานตัดขอบแม่นยำ *ใช้ร่วมกับชิ้นส่วนของรางแนวเล็ม
11. ท่อดักฝุ่น
12. แผ่นฐาน (โลหะ)
13. แผ่นฐานทรงสี่เหลี่ยม (แผ่นฐานของฐานเอียง)
14. แผ่นฐานออฟเซต (แผ่นฐานของฐานออฟเซต)
เมื่อใช้แผ่นฐานออฟเซตกับอุปกรณ์ติดตั้งตามจับ จะสามารถติดตั้งตามจับได้
15. แผ่นฐาน (เรซิน)
16. ฐานตามจับ
17. มือจับแบบแท่ง
18. มือจับแบบลูกบิด (มือจับของฐานฉลุ)
19. ท่อดักฝุ่น สำหรับฐานฉลุ
20. แนวแม่แบบ สำหรับฐานฉลุ
21. ตัวยึดราง
ตัวยึดรางจะทำให้สามารถใช้รางแนวตรงสำหรับฐานเล็มบนฐานฉลุได้
22. ไม้บรรทัดขนาน
ฟังก์ชันการปรับตำแหน่งแบบละเอียด
23. ไม้บรรทัดขนาน
24. ตัวปรับรางนำ
25. รางนำ
สำหรับการตัดแนวตรงที่แม่นยำ
26. ตัวนำมุมเอียง
สำหรับการปรับมุมของรางนำ
27. ตัวเชื่อมต่อรางนำ (2 ชิ้น)
สำหรับเชื่อมต่อรางนำสองอัน
28. แคลมป์ (แบบมาตรฐาน)
สำหรับยึดรางนำ
29. แคลมป์ (แบบแรงดัน)
สำหรับยึดรางนำ
30. แท่น
ชิ้นส่วนทดแทนรางนำสำหรับเทปพลาสติกด้านบน
31. แท่นยาง
ชิ้นส่วนทดแทนรางนำสำหรับเทปยางด้านล่าง
32. แท่นกำหนดตำแหน่ง
ชิ้นส่วนทดแทนรางนำสำหรับแท่นกำหนดตำแหน่ง

► หมายเลข 86

Makita Corporation
3-11-8, Sumiyoshi-cho,
Anjo, Aichi 446-8502 Japan
www.makita.com

885945-912
EN, ZHCN, ID, MS,
VI, TH
20210924