



VN	VIETNAM
----	---------

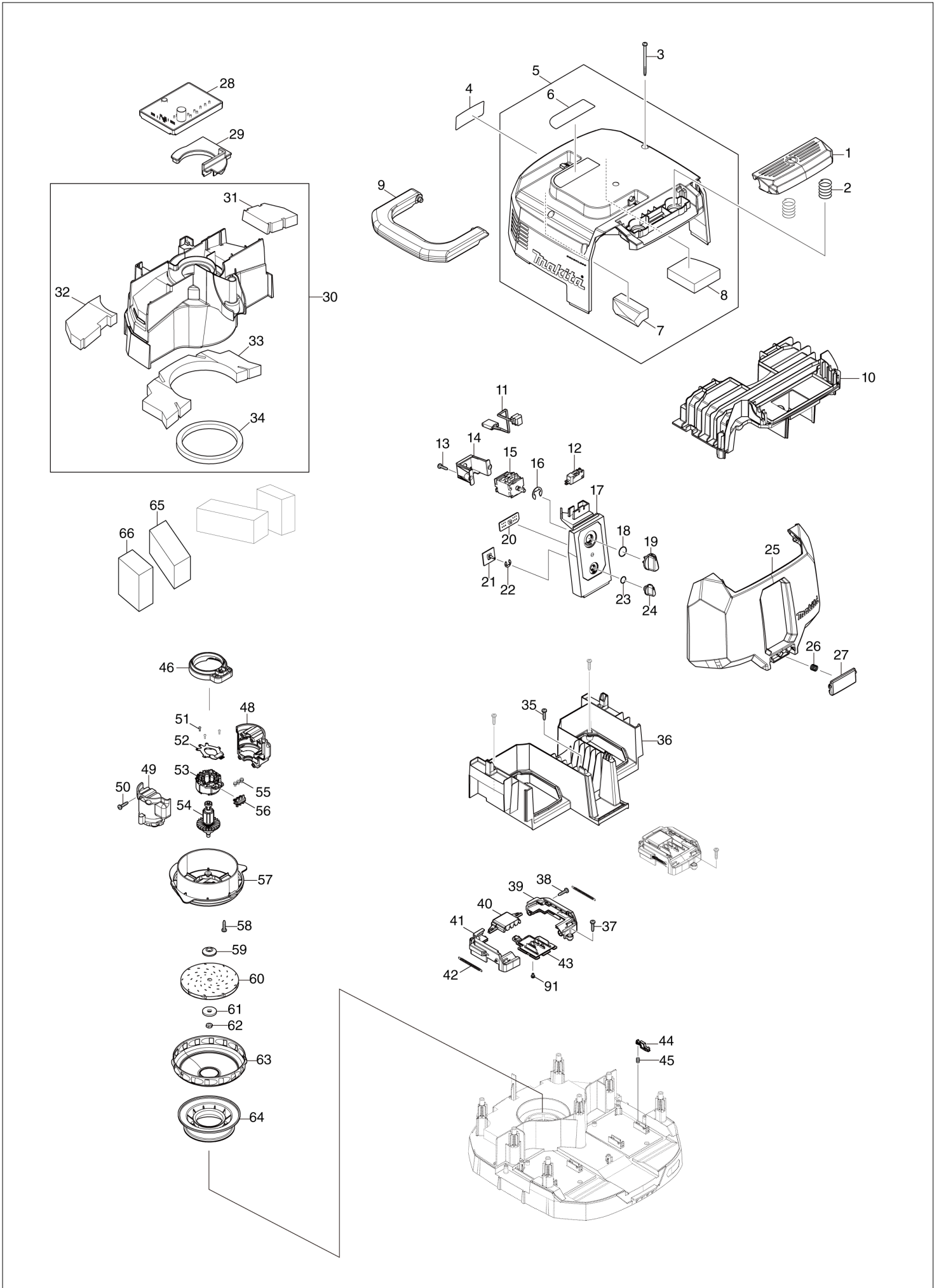
# Diagram / Parts List

**VC005GL**

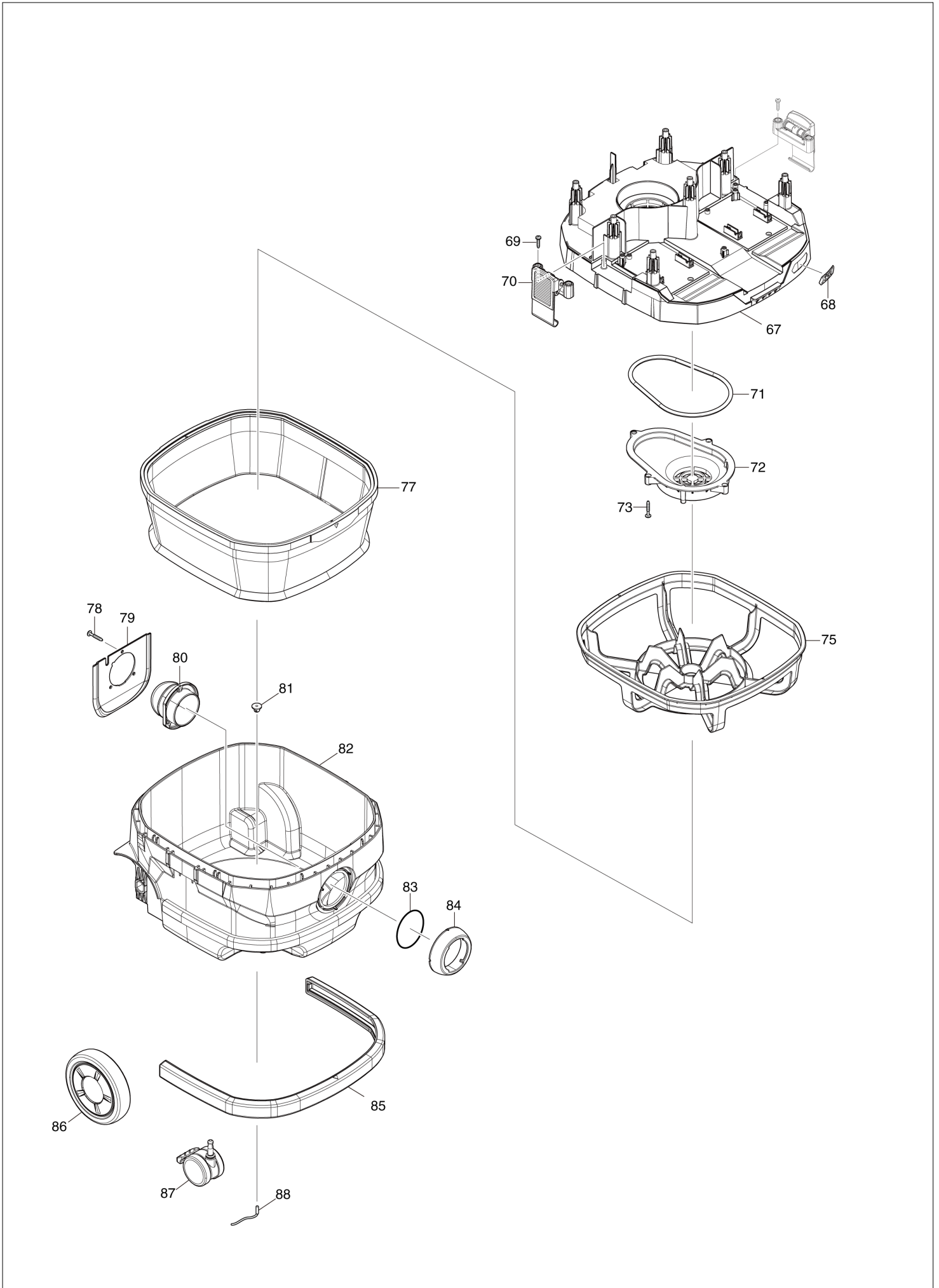
**CORDLESS VACUUM CLEANER**



# (VN) VC005GL / CORDLESS VACUUM CLEANER



(VN) VC005GL / CORDLESS VACUUM CLEANER



<b>VN</b>	<b>VIETNAM</b>
-----------	----------------

### VC005GL / CORDLESS VACUUM CLEANER

Item	Sub	Parts No.	Parts Description	Qty	I/C	E/C No.	Close No.	Remark
001		413B26-9	SWITCH BUTTON	1				
002		234273-5	COMPRESSION SPRING 20	2				
003		266340-8	TAPPING SCREW 4X65	7				
004		8112N6-1	VC005GL NAME PLATE	1				
005		141F78-1	COWLING COMPLETE	1				
	D10		INC. 6-8					
006		813A18-6	CAUTION LABEL	1				
007		422796-7	TOP DAMPER A	1				
008		422797-5	TOP DAMPER B	1				
009		413B27-7	GRIP	1				
010		413B33-2	UPPER HOUSING	1				
011		638A20-6	LEAD UNIT	1				
012		651910-0	SWITCH D2VW-01-3HS	1				
013		266326-2	TAPPING SCREW 4X18	2				
014		451343-7	SWITCH HOLDER	1				
015		650013-7	SWITCH 1703.4002	1				
016		961062-2	STOP RING E-12	1				
017		141H90-3	SWITCH BASE COMPLETE	1				
	C10	8045P7-8	INDICATION LABEL	1				
018		213176-6	O RING 14	1				
019		455733-6	SWITCH LEVER	1				
020		620F40-4	INDICATION CIRCUIT	1				
021		620D39-7	SUB CONTROLLER	1				
022		961013-5	STOP RING E-7	1				
023		213054-0	O RING 9	1				
024		451344-5	SWITCH DIAL	1				
025		413B28-5	BATTERY COVER	1				
026		231456-8	COMPRESSION SPRING 7	1				
027		413B30-8	BATTERY COVER HOOK	1				
028		620F37-3	CONTROLLER	1				
029		422795-9	RUBBER CAP	1				
030		141F84-6	SEPARATOR COMPLETE	1				
	D10		INC. 31-34					
031		422802-8	BAND DUMPER E	1				
032		422801-0	BAND DUMPER D	1				
033		422799-1	BAND DUMPER B	1				
034		422804-4	SEAL A	1				
035		266326-2	TAPPING SCREW 4X18	3				
036		413B31-6	LOWER HOUSING	1				
037		266326-2	TAPPING SCREW 4X18	4				
038		266326-2	TAPPING SCREW 4X18	4				
039		183U06-0	TERMINAL CASE SET	2				
	D10		INC. 41					
040		413B40-5	TERMINAL COVER	2				
041		183U06-0	TERMINAL CASE SET	2				
	D10		INC. 39					
042		232722-6	TENSION SPRING 4	4				
043		632T08-2	TERMINAL UNIT	2				
044		413B41-3	LOCK LEVER	4				
045		232472-3	COMPRESSION SPRING 2	4				
046		422794-1	RUBBER RING	1				
048		183U05-2	MOTOR HOUSING SET	1				
	D10		INC. 49					
049		183U05-2	MOTOR HOUSING SET	1				
	D10		INC. 48					
050		266326-2	TAPPING SCREW 4X18	4				
051		266490-9	TAPPING SCREW PT 2X6	3				
052		620F39-9	CONTROLLER B	1				
053		629A83-3	STATOR	1				
054		619704-9	ROTOR	1				
055		652069-6	FLAT HEAD SCREW M3X6	3				
056		632S88-2	LEAD UNIT	1				
057		413B45-5	FAN BASE	1				
058		266326-2	TAPPING SCREW 4X18	3				
059		313062-2	FLANGE	1				

Interchange  
O : Yes  
X : No  
< : the new part can be substituted for the current.  
> : the current part can be substituted for the new.  
S : Interchangeable as a set.

