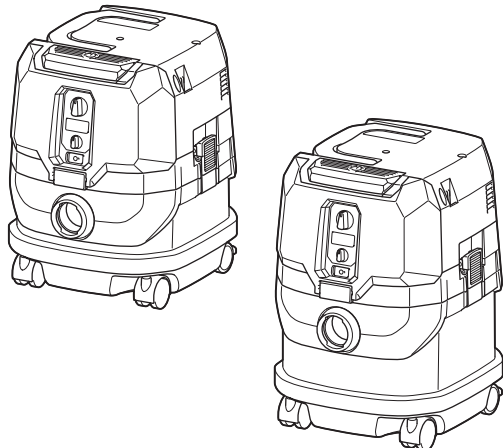




EN	Cordless Vacuum Cleaner	INSTRUCTION MANUAL	9
ZHCN	充电式小型集尘器	使用说明书	24
ID	Pengisap Debu Tanpa Kabel	PETUNJUK PENGGUNAAN	39
MS	Pembersih Hampagas Tanpa Wayar	MANUAL ARAHAN	55
VI	Máy Hút Bụi Cầm Tay Hoạt Động Bằng Pin	TÀI LIỆU HƯỚNG DẪN	71
TH	เครื่องดูดฝุ่นไร้สาย	คู่มือการใช้งาน	86

VC002GL
VC004GL



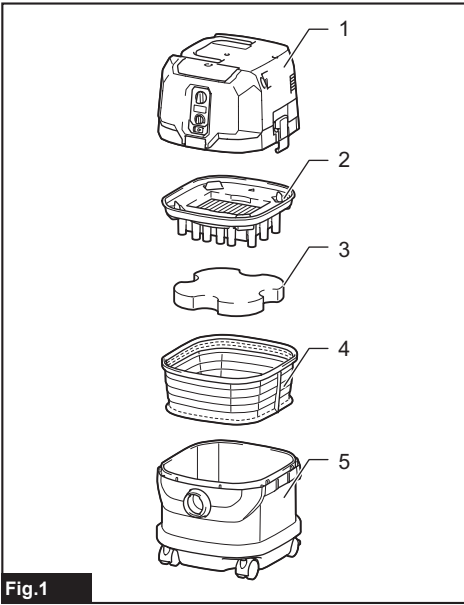


Fig.1

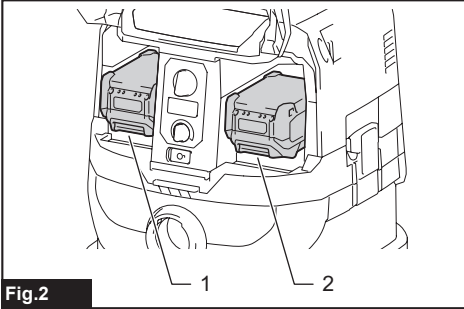


Fig.2

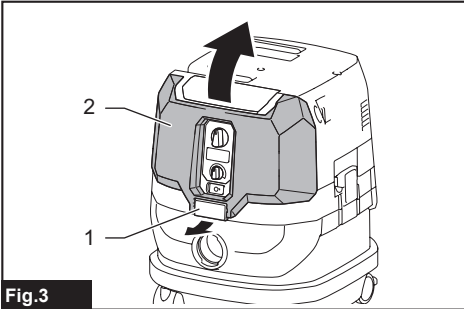


Fig.3

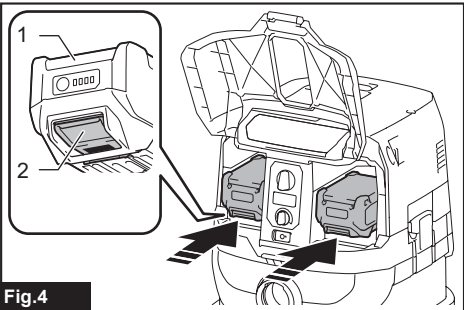


Fig.4

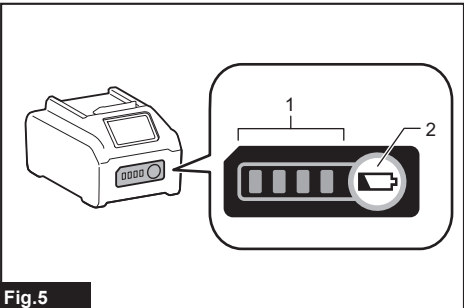


Fig.5

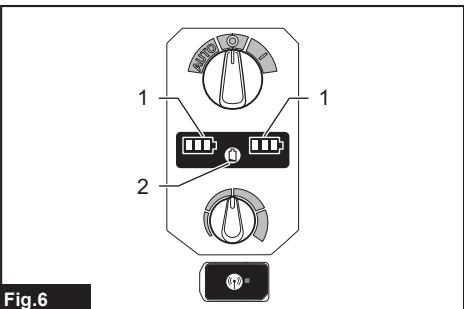


Fig.6

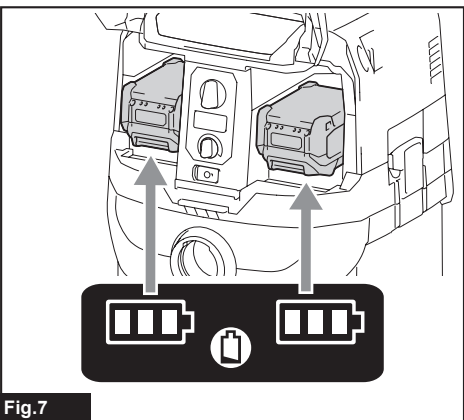


Fig.7

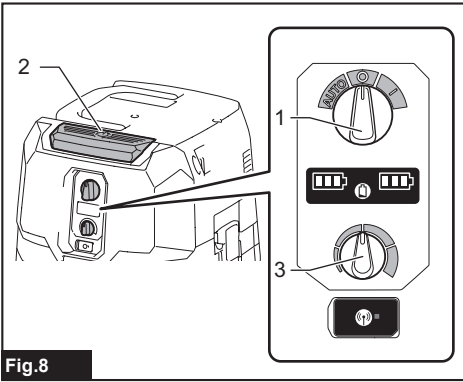


Fig.8

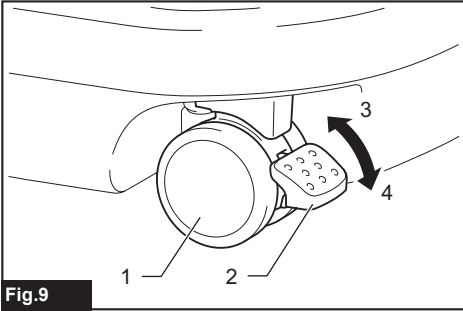


Fig.9

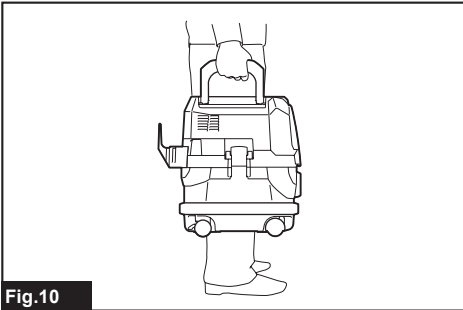


Fig.10

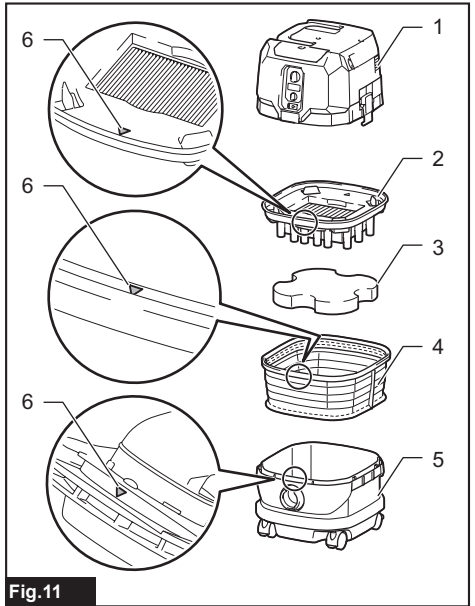


Fig.11

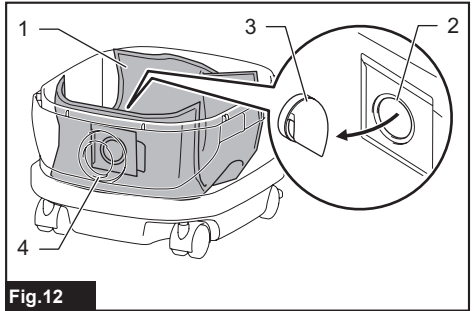


Fig.12

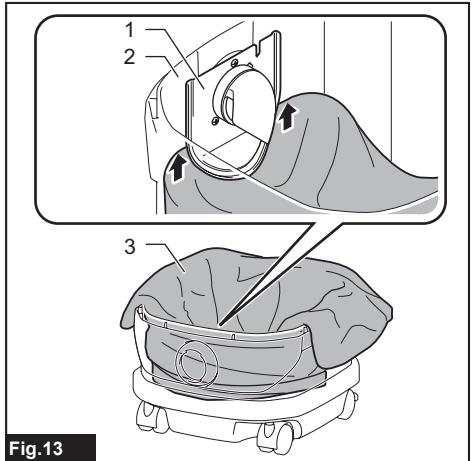


Fig.13

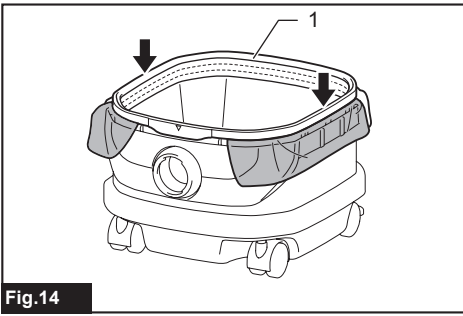


Fig.14

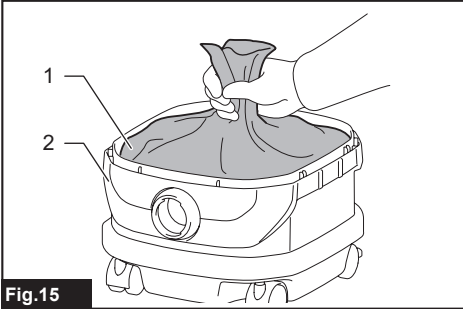


Fig.15

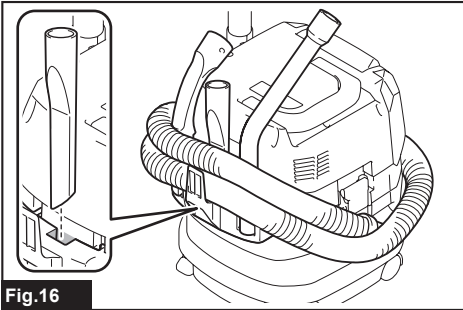


Fig.16

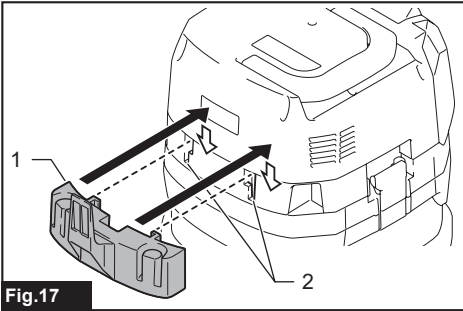


Fig.17

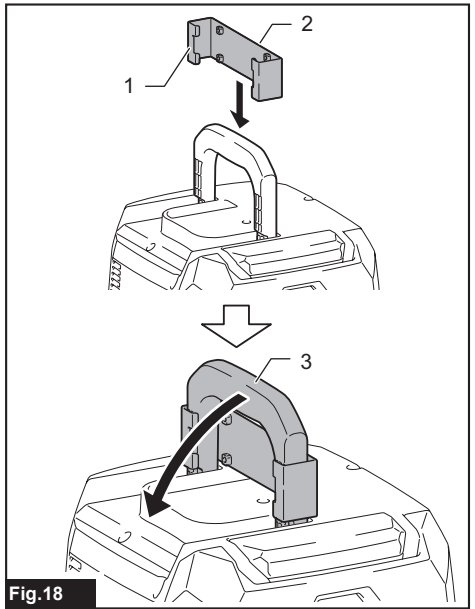


Fig.18

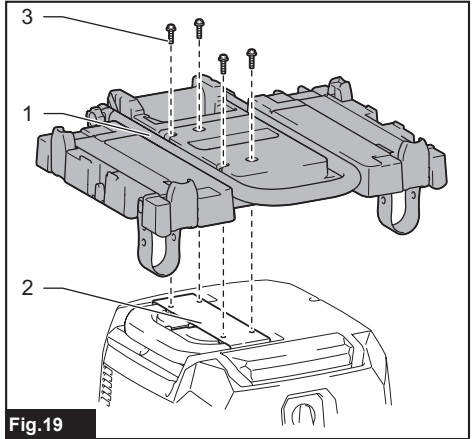


Fig.19

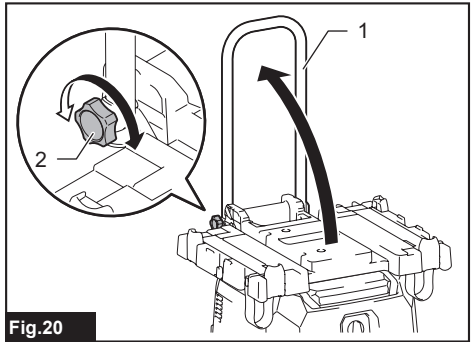
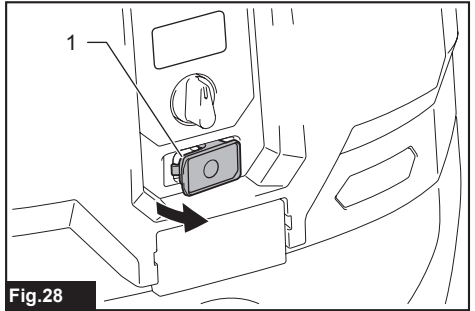
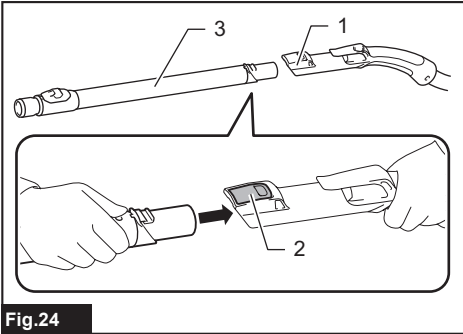
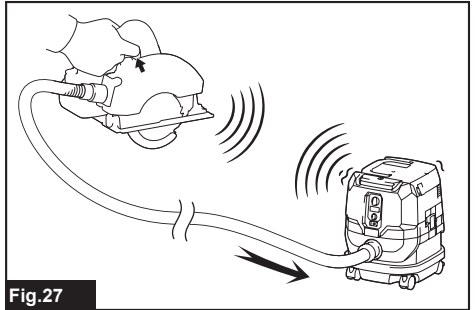
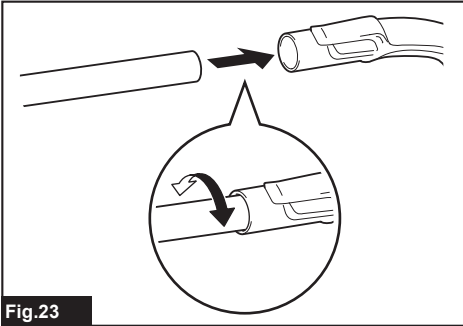
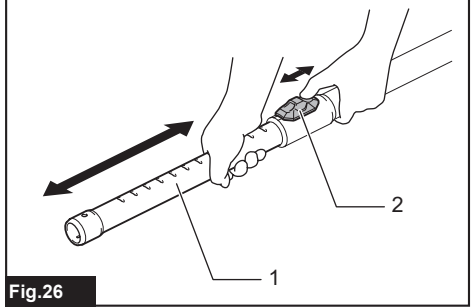
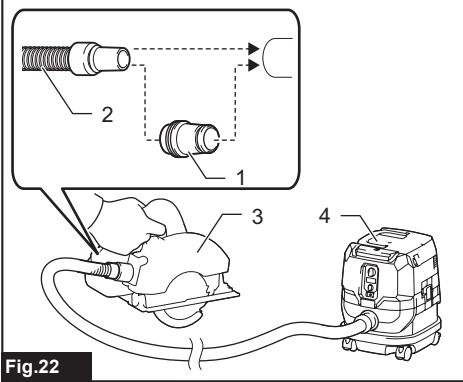
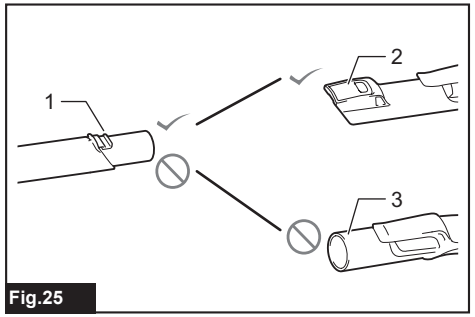
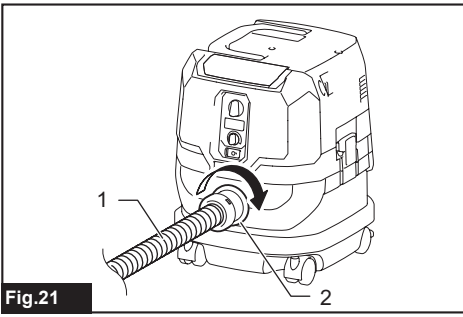


Fig.20



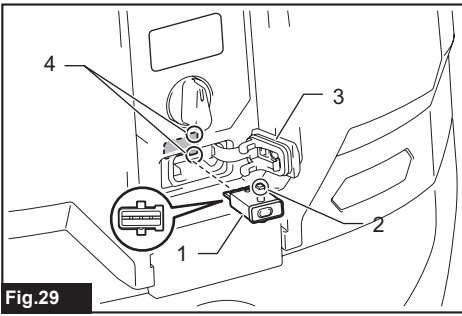


Fig.29

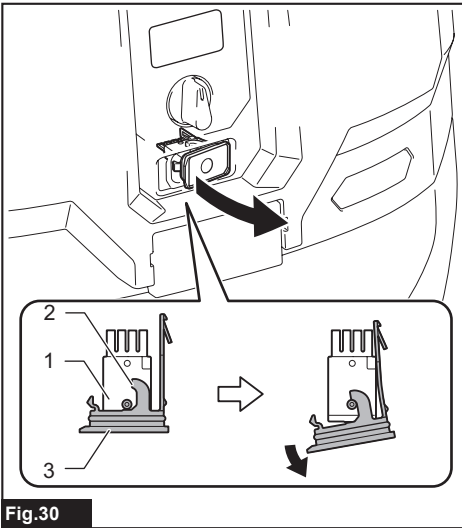


Fig.30

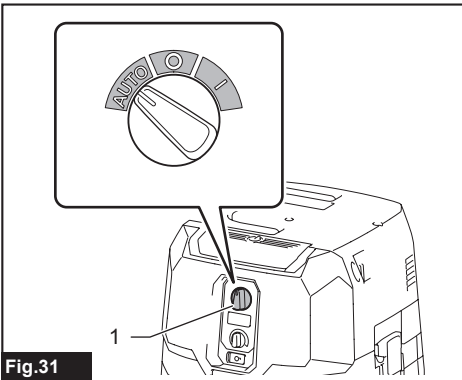


Fig.31

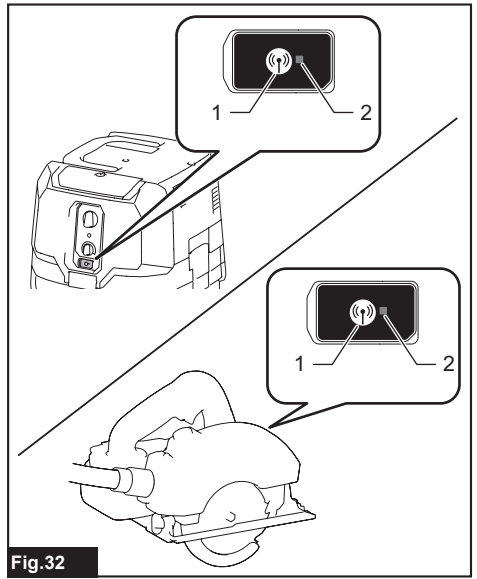


Fig.32

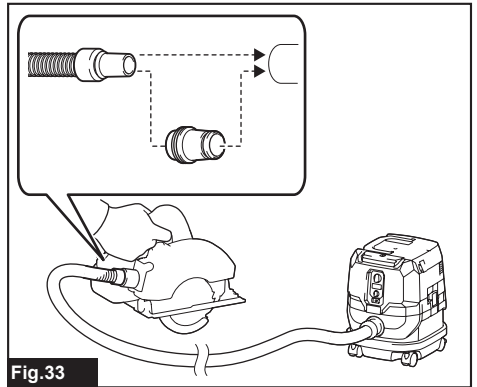


Fig.33

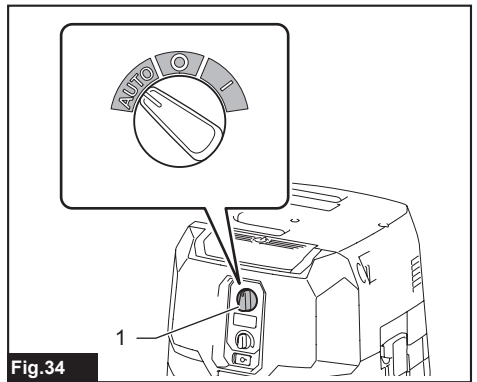
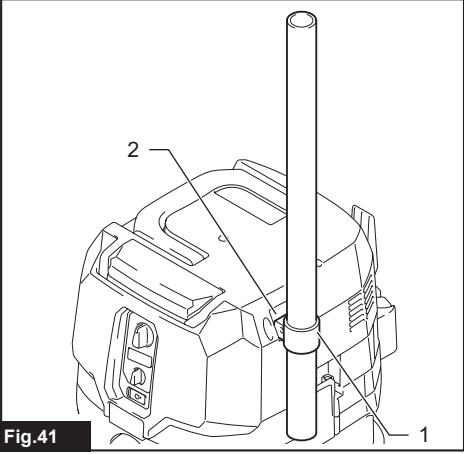
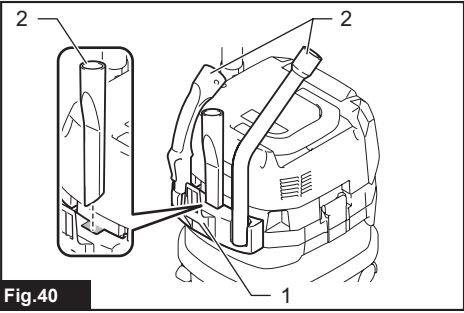
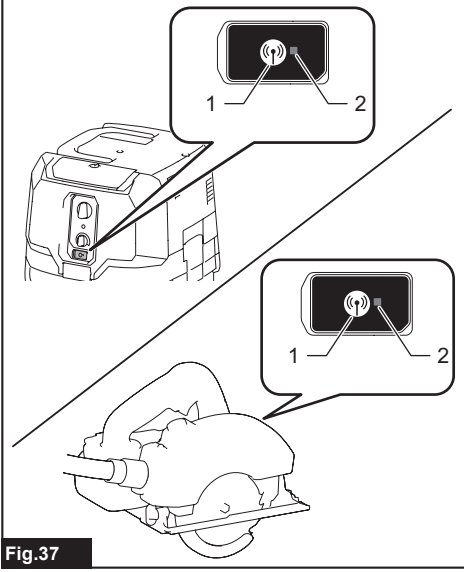
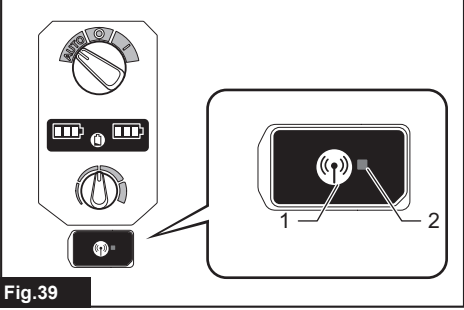
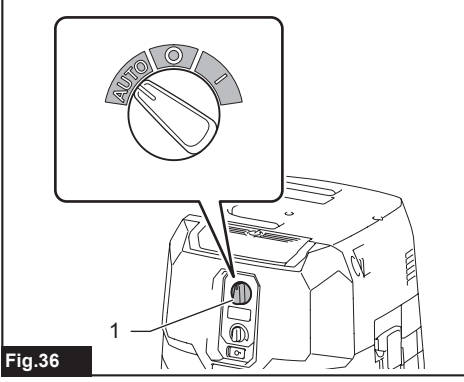
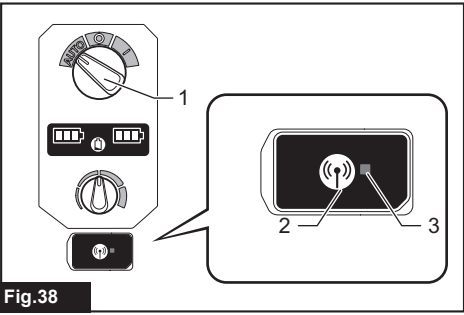
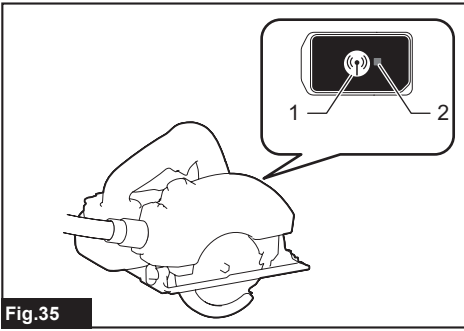


Fig.34



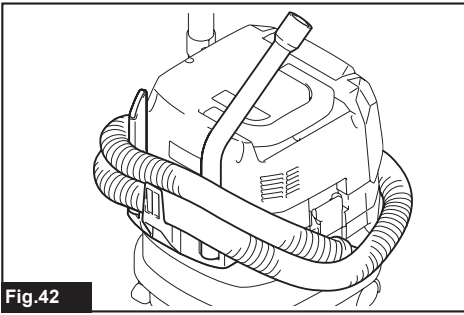


Fig.42

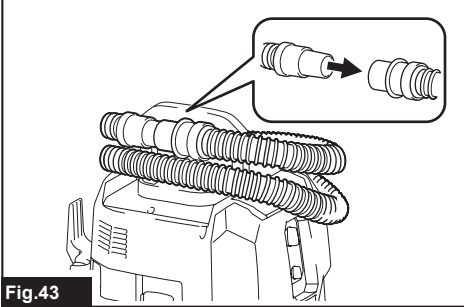


Fig.43

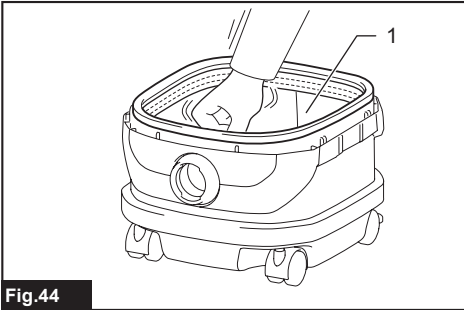


Fig.44

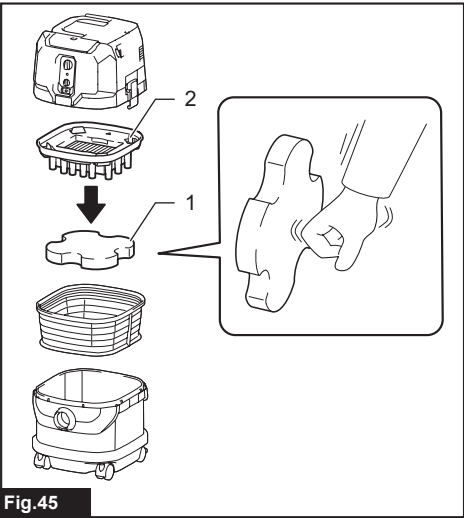


Fig.45

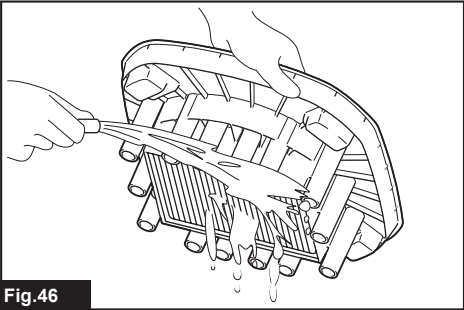


Fig.46

WARNING

- This machine is not intended for use by persons including children with reduced physical, sensory or mental capabilities, or lack of experience and knowledge.
- Children should be supervised to ensure that they do not play with the cleaner.
- See the chapter "SPECIFICATIONS" for the type reference of the battery.
- See the section "Installing or removing battery cartridge" for how to remove or install the battery.
- When disposing the battery cartridge, remove it from the tool and dispose of it in a safe place. Follow your local regulations relating to disposal of battery.
- If the tool is not used for a long period of time, the battery must be removed from the tool.
- Do not short the battery cartridge.
- See the chapter "MAINTENANCE" for the appropriate details of precautions during user maintenance.

SPECIFICATIONS

Model:	VC002GL	VC004GL
Standard filter type	Powder filter (for dry dust)	
Maximum air volume at the end of hose (with BL4040, ø38 mm x 2.5 m hose)	2.7 m ³ /min	
Maximum air volume at turbine (with BL4040)	4.2 m ³ /min	
Vacuum (with BL4040)	23 kPa	
Recoverable capacity	8 L	15 L
Dimensions (L x W x H)	366 mm x 334 mm x 425 mm	366 mm x 334 mm x 475 mm
Rated voltage	D.C. 36 V - 40 V max	
Net weight	8.3 - 11.4 kg	8.6 - 11.7 kg
Protection degree	IPX4	

- Due to our continuing program of research and development, the specifications herein are subject to change without notice.
- Specifications and battery cartridge may differ from country to country.
- The weight does not include accessories but battery cartridge(s). The lightest and heaviest combination weight of the appliance and battery cartridge(s) are shown in the table.
- For wet dust, the float and the water filter or cloth filter are required.

Applicable battery cartridge and charger







Battery cartridge	BL4020 / BL4025 / BL4040* / BL4050F* / BL4080F* * : Recommended battery
Charger	DC40RA / DC40RB / DC40RC

- Some of the battery cartridges and chargers listed above may not be available depending on your region of residence.

⚠ WARNING: Only use the battery cartridges and chargers listed above. Use of any other battery cartridges and chargers may cause injury and/or fire.

Symbols

The followings show the symbols which may be used for the equipment. Be sure that you understand their meaning before use.

	Read instruction manual.
	Take particular care and attention.
	Warning! The cleaner may contain hazardous dust.
	Never stand on the cleaner.
	Dust class L (light). The cleaners are capable of picking up dust class L. Follow your country's regulations relating to dusts and to occupational health and safety.
	Only for EU countries Due to the presence of hazardous components in the equipment, waste electrical and electronic equipment, accumulators and batteries may have a negative impact on the environment and human health. Do not dispose of electrical and electronic appliances or batteries with household waste! In accordance with the European Directive on waste electrical and electronic equipment and on accumulators and batteries and waste accumulators and batteries, as well as their adaptation to national law, waste electrical equipment, batteries and accumulators should be stored separately and delivered to a separate collection point for municipal waste, operating in accordance with the regulations on environmental protection. This is indicated by the symbol of the crossed-out wheeled bin placed on the equipment.

Intended use

The appliance is intended for collecting dry dust. The appliance is suitable for commercial use, for example in hotels, schools, hospitals, factories, shops, offices and rental businesses.

SAFETY WARNINGS

Cordless vacuum cleaner safety warnings

⚠ WARNING: IMPORTANT! READ CAREFULLY all safety warnings and all instructions BEFORE USE. Failure to follow the warnings and instructions may result in electric shock, fire and/or serious injury.

- Before use, make sure that this cleaner must be used by people who have been adequately instructed on the use of this cleaner.**
- Before use, operators shall be provided with information, instruction and training for the use of the machine and the substances for which it is to be used, including the safe method of removal and disposal of the material collected.**
- Always make sure that filters are correctly installed before use. Do not use the cleaner without filters in place. Replace a damaged filter immediately. It is recommended to have some spares as filters are consumable items.**
- AVOID UNINTENTIONAL STARTING.** Be sure switch is OFF when installing battery(ies).
- Do not attempt to pick up flammable materials, fire works, lighted cigarettes, hot ashes, hot metal chips, sharp materials such as razors, needles, broken glass or the like.**
- NEVER USE THE CLEANER IN THE VICINITY OF GASOLINE, GAS, PAINT, ADHESIVES OR OTHER HIGHLY EXPLOSIVE SUBSTANCES.** The switch emits sparks when turned ON and OFF. And so does the motor commutator during operation. A dangerous explosion may result.
- Never vacuum up toxic, carcinogenic, combustible or other hazardous materials such as asbestos, arsenic, barium, beryllium, lead, pesticides, or other health endangering materials.**
- Always place the cleaner on a horizontal flat surface to prevent it from falling or moving unintentionally.**
- Never use the cleaner outdoors in the rain.**
- For Finland, this machine is not to be used outdoors at low temperature.**
- Do not use close to heat sources (stoves, etc.).**
- If the exhaust air is returned to the room, it is necessary to provide for an adequate air change rate in the room. Reference to National regulations is necessary.**
- Do not block suction inlet/outlet/cooling vents.** These vents permit cooling of the motor. Blockage should be carefully avoided otherwise the motor will burn out due to a lack of ventilation.
- Keep proper footing and balance at all times. Do not fold, tug or step on the hose.**
- Stop the cleaner immediately if you notice poor performance or anything abnormal during operation.**
- REMOVE THE BATTERY (IES).** When not in use, before servicing, and when changing accessories.
- Clean and service the cleaner immediately after each use to keep it in tiptop operating condition.**
- MAINTAIN THE CLEANER WITH CARE.** Keep the cleaner clean for better and safer performance. Follow instructions for changing accessories. Keep handles dry, clean, and free from oil and grease.

20. **CHECK DAMAGED PARTS.** Before further use of the cleaner, a guard or other part that is damaged should be carefully checked to determine that it will operate properly and perform its intended function. Check for alignment of moving parts, binding of moving parts, breakage of parts, mounting, and any other conditions that may affect its operation. A guard or other part that is damaged should be properly repaired or replaced by an authorized service center unless otherwise indicated elsewhere in this instruction manual. Have defective switches replaced by authorized service center. Don't use the cleaner if switch does not turn it on and off.
 21. For user servicing, the machine shall be dismantled, cleaned and serviced, as far as is reasonably practicable, without causing risk to the maintenance staff and others.
 22. The machine should be technically inspected by the manufacturer, or an instructed person, at least annually, consisting of, for example, inspection of filters for damage, air tightness of the machine and proper function of the control mechanism.
 23. When carrying out service or repair operations, all contaminated items which cannot be satisfactorily cleaned are to be disposed of; such items shall be disposed of in impervious bags in accordance with any current regulation for the disposal of such waste.
 24. **REPLACEMENT PARTS.** When servicing, use only identical replacement parts.
 25. When not in use, always store the cleaner indoors.
 26. Be kind to your cleaner. Rough handling can cause breakage of even the most sturdily built cleaner.
 27. Do not attempt to clean the exterior or interior with benzine, thinner or cleaning chemicals. Cracks and discoloration may be caused.
 28. Do not use cleaner in an enclosed space where flammable, explosive or toxic vapors are given off by oil-base paint, paint-thinner, gasoline, some mothproofing substances, etc., or in areas where flammable dust is present.
 29. Do not operate the cleaner or any tool while under the influence of drugs or alcohol.
 30. As a basic rule of safety, use safety goggles or safety glasses with side shields.
 31. Use a dust mask in dusty work conditions.
 32. This machine is not intended for use by persons including children with reduced physical, sensory or mental capabilities, or lack of experience and knowledge.
 33. Children should be supervised to ensure that they do not play with the cleaner.
 34. Never handle battery(ies) and cleaner with wet hands.
 35. Use extreme caution when cleaning on stairs.
 36. Do not use the cleaner as a stool or work bench. The machine may fall down and may result in personal injury.
 37. Do not pick up foam or soapy liquid. It can cause foam to come out of air exit, resulting in electric shock and damage to the cleaner.
- Battery tool use and care**
1. Recharge only with the charger specified by the manufacturer. A charger that is suitable for one type of battery pack may create a risk of fire when used with another battery pack.
 2. Use power tools only with specifically designated battery packs. Use of any other battery packs may create a risk of injury and fire.
 3. When battery pack is not in use, keep it away from other metal objects, like paper clips, coins, keys, nails, screws or other small metal objects, that can make a connection from one terminal to another. Shorting the battery terminals together may cause burns or a fire.
 4. Under abusive conditions, liquid may be ejected from the battery; avoid contact. If contact accidentally occurs, flush with water. If liquid contacts eyes, additionally seek medical help. Liquid ejected from the battery may cause irritation or burns.
 5. Do not use a battery pack or tool that is damaged or modified. Damaged or modified batteries may exhibit unpredictable behaviour resulting in fire, explosion or risk of injury.
 6. Do not expose a battery pack or tool to fire or excessive temperature. Exposure to fire or temperature above 130 °C may cause explosion.
 7. Follow all charging instructions and do not charge the battery pack or tool outside the temperature range specified in the instructions. Charging improperly or at temperatures outside the specified range may damage the battery and increase the risk of fire.

SAVE THESE INSTRUCTIONS.

⚠WARNING: DO NOT let comfort or familiarity with product (gained from repeated use) replace strict adherence to safety rules for the subject product. MISUSE or failure to follow the safety rules stated in this instruction manual may cause serious personal injury.

Important safety instructions for battery cartridge

1. Before using battery cartridge, read all instructions and cautionary markings on (1) battery charger, (2) battery, and (3) product using battery.
2. Do not disassemble or tamper with the battery cartridge. It may result in a fire, excessive heat, or explosion.
3. If operating time has become excessively shorter, stop operating immediately. It may result in a risk of overheating, possible burns and even an explosion.
4. If electrolyte gets into your eyes, rinse them out with clear water and seek medical attention right away. It may result in loss of your eyesight.

5. **Do not short the battery cartridge:**
 - (1) **Do not touch the terminals with any conductive material.**
 - (2) **Avoid storing battery cartridge in a container with other metal objects such as nails, coins, etc.**
 - (3) **Do not expose battery cartridge to water or rain.**

A battery short can cause a large current flow, overheating, possible burns and even a breakdown.

6. **Do not store and use the tool and battery cartridge in locations where the temperature may reach or exceed 50 °C (122 °F).**
7. **Do not incinerate the battery cartridge even if it is severely damaged or is completely worn out. The battery cartridge can explode in a fire.**
8. **Do not nail, cut, crush, throw, drop the battery cartridge, or hit against a hard object to the battery cartridge.** Such conduct may result in a fire, excessive heat, or explosion.
9. **Do not use a damaged battery.**
10. **The contained lithium-ion batteries are subject to the Dangerous Goods Legislation requirements.**

For commercial transports e.g. by third parties, forwarding agents, special requirement on packaging and labeling must be observed. For preparation of the item being shipped, consulting an expert for hazardous material is required. Please also observe possibly more detailed national regulations.

Tape or mask off open contacts and pack up the battery in such a manner that it cannot move around in the packaging.

11. **When disposing the battery cartridge, remove it from the tool and dispose of it in a safe place. Follow your local regulations relating to disposal of battery.**
12. **Use the batteries only with the products specified by Makita.** Installing the batteries to non-compliant products may result in a fire, excessive heat, explosion, or leak of electrolyte.
13. **If the tool is not used for a long period of time, the battery must be removed from the tool.**
14. **During and after use, the battery cartridge may take on heat which can cause burns or low temperature burns. Pay attention to the handling of hot battery cartridges.**
15. **Do not touch the terminal of the tool immediately after use as it may get hot enough to cause burns.**
16. **Do not allow chips, dust, or soil stuck into the terminals, holes, and grooves of the battery cartridge.** It may cause heating, catching fire, burst and malfunction of the tool or battery cartridge, resulting in burns or personal injury.
17. **Unless the tool supports the use near high-voltage electrical power lines, do not use the battery cartridge near a high-voltage electrical power lines.** It may result in a malfunction or breakdown of the tool or battery cartridge.
18. **Keep the battery away from children.**

SAVE THESE INSTRUCTIONS.

⚠CAUTION: Only use genuine Makita batteries. Use of non-genuine Makita batteries, or batteries that have been altered, may result in the battery bursting causing fires, personal injury and damage. It will also void the Makita warranty for the Makita tool and charger.

Tips for maintaining maximum battery life

1. **Charge the battery cartridge before completely discharged. Always stop tool operation and charge the battery cartridge when you notice less tool power.**
2. **Never recharge a fully charged battery cartridge. Overcharging shortens the battery service life.**
3. **Charge the battery cartridge with room temperature at 10 °C - 40 °C (50 °F - 104 °F). Let a hot battery cartridge cool down before charging it.**
4. **When not using the battery cartridge, remove it from the tool or the charger.**
5. **Charge the battery cartridge if you do not use it for a long period (more than six months).**

Important safety instructions for wireless unit

1. **Do not disassemble or tamper with the wireless unit.**
2. **Keep the wireless unit away from young children. If accidentally swallowed, seek medical attention immediately.**
3. **Use the wireless unit only with Makita tools.**
4. **Do not expose the wireless unit to rain or wet conditions.**
5. **Do not use the wireless unit in places where the temperature exceeds 50 °C (122 °F).**
6. **Do not operate the wireless unit in places where medical instruments, such as heart pace makers are nearby.**
7. **Do not operate the wireless unit in places where automated devices are nearby.** If operated, automated devices may develop malfunction or error.
8. **Do not operate the wireless unit in places under high temperature or places where static electricity or electrical noise could be generated.**
9. **The wireless unit can produce electromagnetic fields (EMF) but they are not harmful to the user.**
10. **The wireless unit is an accurate instrument. Be careful not to drop or strike the wireless unit.**
11. **Avoid touching the terminal of the wireless unit with bare hands or metallic materials.**
12. **Always remove the battery on the product when installing the wireless unit into it.**
13. **When opening the lid of the slot, avoid the place where dust and water may come into the slot. Always keep the inlet of the slot clean.**

14. Always insert the wireless unit in the correct direction.
15. Do not press the wireless activation button on the wireless unit too hard and/or press the button with an object with a sharp edge.
16. Always close the lid of the slot when operating.
17. Do not remove the wireless unit from the slot while the power is being supplied to the tool. Doing so may cause a malfunction of the wireless unit.
18. Do not remove the sticker on the wireless unit.
19. Do not put any sticker on the wireless unit.
20. Do not leave the wireless unit in a place where static electricity or electrical noise could be generated.
21. Do not leave the wireless unit in a place subject to high heat, such as a car sitting in the sun.
22. Do not leave the wireless unit in a dusty or powdery place or in a place corrosive gas could be generated.
23. Sudden change of the temperature may bedew the wireless unit. Do not use the wireless unit until the dew is completely dried.
24. When cleaning the wireless unit, gently wipe with a dry soft cloth. Do not use benzine, thinner, conductive grease or the like.
25. When storing the wireless unit, keep it in the supplied case or a static-free container.
26. Do not insert any devices other than Makita wireless unit into the slot on the tool.
27. Do not use the tool with the lid of the slot damaged. Water, dust, and dirt come into the slot may cause malfunction.
28. Do not pull and/or twist the lid of the slot more than necessary. Restore the lid if it comes off from the tool.
29. Replace the lid of the slot if it is lost or damaged.

SAVE THESE INSTRUCTIONS.

PARTS DESCRIPTION

- Fig.1: 1. Head unit 2. Powder filter (HEPA)
3. Damper 4. Prefilter 5. Tank

FUNCTIONAL DESCRIPTION

CAUTION: Always be sure that the appliance is switched off and the battery cartridges are removed before adjusting or checking function on the appliance.

Installing or removing battery cartridge

CAUTION: Always switch off the appliance before installing or removing battery cartridges.

CAUTION: Hold the cleaner and battery cartridges firmly when installing or removing battery cartridges. Failure to do so may cause them to slip off your hands, resulting in damage to the cleaner and battery cartridges or personal injury.

CAUTION: Be careful not to pinch your fingers when opening or closing the battery cover. Failure to do so may cause personal injury.

The cleaner has double battery slots. With two identical batteries in parallel, you can extend your running time in one or more uses without having to stop to recharge batteries. The cleaner also works with a single battery, so you can choose with either double batteries or single battery according to your needs.

► Fig.2: 1. Left battery slot 2. Right battery slot

With double batteries

Continuous drive with two batteries allows longer run-time and more efficient cleaning. When the first battery is becoming empty, the cleaner automatically switches a power source, so it continues working with the second battery.

NOTE: The left battery slot (when facing the front of the cleaner) has priority over the right battery slot. The right battery slot will only be identified as a power source, either when no battery is installed in the left battery slot or the battery in the left battery slot becomes empty.

NOTE: You can remove the battery from the left battery slot and recharge it after the cleaner has switched its power source from the left battery slot to the right without ceasing operation. To give priority back to the left battery slot after installing a recharged battery, restart the cleaner.

With a single battery

Only one battery is required as a power source in either the left or right battery slot. The cleaner automatically determines which battery slot is available according to operating conditions.

Installation and uninstallation

To install battery cartridges, release the lock first, and open the battery cover. Then insert the battery cartridges.

► Fig.3: 1. Lock 2. Battery cover

Align the tongues on the battery cartridges with the grooves in the battery housing and slip them into place. Insert them all the way until they lock in place with a little click.

Then lock the battery cover.

► **Fig.4:** 1. Battery cartridge 2. Button

To remove the battery cartridges, slide them out of the battery housing while pressing and holding the buttons in front of the cartridges.

⚠ CAUTION: Always install the battery cartridge fully. If not, it may accidentally fall out of the appliance, causing injury to you or someone around you.

⚠ CAUTION: Do not install the battery cartridge forcibly. If the cartridge does not slide in easily, it is not being inserted correctly.

NOTE: When the cleaner switches the power source from the first battery to the second, it may require a temporary halt in operations, causing a slight loss of suction. Please note that it is not malfunction so the cleaner recovers and resumes operations immediately after the pause.

Indicating the remaining battery capacity

Press the check button on the battery cartridge to indicate the remaining battery capacity. The indicator lamps light up for a few seconds.

► **Fig.5:** 1. Indicator lamps 2. Check button

Indicator lamps			Remaining capacity
Lighted	Off	Blinking	
■	□	◐	75% to 100%
■ ■ ■ ■			
■	□	◐	50% to 75%
■ ■ ■ □			
■	□	◐	25% to 50%
■ ■ □ □			
■	□	◐	0% to 25%
■ □ □ □			
◐	□	◐	Charge the battery.
◐ □ □ □			
◐	□	◐	The battery may have malfunctioned.
◐ ■ □ □	↑ ↓	◐ ■ ■ ■	

NOTE: Depending on the conditions of use and the ambient temperature, the indication may differ slightly from the actual capacity.

NOTE: The first (far left) indicator lamp will blink when the battery protection system works.

Battery indicators on control panel

The remaining battery capacity can be read on the control panel at any time. Press the check button, and the left and right indicators will show the battery charge levels correspondingly.

► **Fig.6:** 1. Battery indicators 2. Check button

► **Fig.7**

Battery indicator status			Remaining battery capacity
On	Off	Blinking	
■	□	◐	50% to 100%
■ ■ ■ ■			
■	□	◐	20% to 50%
■ ■ ■ □			
■	□	◐	0% to 20%
■ ■ □ □			
■	□	◐	Charge the battery
■ □ □ □			
■	□	◐	Battery not inserted
■ □ □ □			

NOTE: The battery indicators will also be activated when the cleaner starts functioning or switches its power source from one to another.

Appliance / battery protection system

The appliance is equipped with an appliance/battery protection system. This system automatically cuts off power to the motor to extend appliance and battery life. The appliance will automatically stop during operation if the appliance or battery is placed under one of the following conditions:

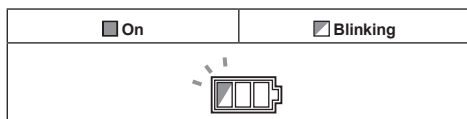
Overload protection

When the appliance/battery is operated in a manner that causes it to draw an abnormally high current, the appliance automatically stops. In this situation, turn the appliance off and stop the application that caused the appliance to become overloaded. Then turn the appliance on to restart.

Overheat protection

■ On	◐ Blinking
■ ■ ■ ■	◐ ◐

When the appliance is overheated, the appliance stops automatically, and both left and right battery indicators blink. In this situation, let the appliance cool down before turning the appliance on again.



When the battery is overheated, the appliance stops automatically, and one of the indicators for overheated battery blinks. In this situation, let the battery cool down before turning the appliance on again.

Overdischarge protection

When the battery capacity becomes low, the appliance stops automatically. If the appliance does not run along with the switch operation, remove the batteries from the appliance and recharge them.

Protections against other causes

Protection system is also designed for other causes that could damage the appliance and allows the appliance to stop automatically. Take all the following steps to clear the causes, when the appliance has been brought to a temporary halt or stop in operation.

1. Turn the appliance off, and then turn it on again to restart.
2. Charge the battery(ies) or replace it/them with recharged battery(ies).
3. Let the appliance and battery(ies) cool down.

If no improvement can be found by restoring protection system, then contact your local Makita Service Center.

Switch action

Turning cleaner on

1. Turn the stand-by switch in the "I" (ON) or "AUTO" (ON) position to have the cleaner ready in stand-by mode.
2. Press the power button.
To switch back to stand-by mode, press the power button again.

Turning cleaner off

Perform one of the following steps.

- Press the power button to set the cleaner back in stand-by mode, and then turn the stand-by switch in the "O" (OFF) position.
- Turn the stand-by switch in the "O" (OFF) position.

Adjusting suction power

The suction power can be adjusted according to your work needs.

- Turn the suction force adjusting knob to the left to reduce the suction power.
- Turn the suction force adjusting knob to the right to increase the suction power.

► **Fig.8:** 1. Stand-by switch 2. Power button 3. Suction force adjusting knob

Locking and unlocking casters

Rear casters can be locked with stoppers to help the cleaner stand still. Lower the stopper lever by hand to lock the caster, and raise it up to release.

► **Fig.9:** 1. Caster 2. Stopper lever 3. Unlocked position 4. Locked position

NOTE: When moving the cleaner, make sure that the caster is unlocked. Moving the cleaner with the caster in a locked position may cause damage to the caster.

Carriage handle

CAUTION: Lift and carry the appliance with due care. Failing to do so may result in personal injury or damage to the appliance.

When carrying the cleaner, carry it by holding the handle on the head unit. The handle is retractable on the head unit when not in use.

► **Fig.10**

ASSEMBLY

CAUTION: Always be sure that the appliance is switched off and the battery cartridges are removed before carrying out any work on the appliance.

CAUTION: Always wear dust mask during assembly or maintenance.

Installing powder filter (HEPA) and prefilter (for dry dust)

CAUTION: Never pick up water or other liquids or wet dusts when using the powder filter. Picking up such things may cause the powder filter breakage.

To use powder filter:

1. Place the prefilter into the tank aligning the mounting position markings on the prefilter and tank.
2. Set the damper into the prefilter, and then place the powder filter over the damper aligning the mounting position markings on the powder filter and prefilter.

3. Mount the head unit over the tank and secure them with the locking latches.
- **Fig.11:** 1. Head unit 2. Powder filter (HEPA) 3. Damper 4. Prefilter 5. Tank 6. Mounting position marking

NOTICE: Before using the powder filter, make sure that prefilter and damper are used together. It is not allowed to install powder filter alone.

Installing paper pack

Optional accessory

WARNING: Before using a paper pack, make sure that the prefilter is used together. Failure to use the prefilter together may cause unusual noise and heat, resulting in a fire.

NOTICE: Never pick up water or other liquids or wet dusts when using a paper pack. Picking up such things may cause the paper pack breakage.

NOTICE: Before using a paper pack, make sure that the powder filter, damper and prefilter are always used together.

1. Unfold a paper pack.
 2. Align the paper pack opening with the dust intake of the tank.
 3. Install the paper pack into the tank with its cardboard opening hooked on the paper pack holder.
- **Fig.12:** 1. Paper pack 2. Cardboard opening 3. Paper pack holder 4. Dust intake

Installing polyethylene bag

With a polyethylene bag installed in the tank, you can easily empty the tank without letting your hands dirty.

Lay a polyethylene bag over the tank, and slip one side of the top edge of the bag at its open end in between the holder plate and the front wall of the tank.

- **Fig.13:** 1. Holder plate 2. Front wall of tank 3. Polyethylene bag

Spread the other top edges of the bag outwards over the top rims of the tank. Place the prefilter over the polyethylene bag to fasten the opening of the bag securely.

- **Fig.14:** 1. Prefilter

NOTE: A polyethylene bag available on the market can be used. 0.04 mm or thicker one is recommended.

NOTE: Too much dust will tear the bag easily, so do not collect the dust more than the half of the bag capacity.

Emptying tank with polyethylene bag

⚠ WARNING: Always make sure that the cleaner is switched off and the battery cartridges are removed before emptying the tank. Failure to do so may cause an electric shock and serious personal injury.

NOTICE: Do not apply a great impact on the tank. Applying a great impact may cause deformation and damage to the parts.

NOTICE: Empty the tank at least once a day although this depends on picked-up dust volume in the tank. Or, the suction force will weaken and the motor may be broken.

NOTICE: Do not grab the hooks or latches when emptying the tank. Grabbing the hooks or latches may cause them to break.

Release the locking latches and lift the head unit up off the tank.

Shake off dust from the prefilter before lifting the filter away from the tank.

Then remove the polyethylene bag out of the tank, closing the opening of the bag by hand.

- **Fig.15:** 1. Polyethylene bag 2. Tank

NOTE: Take the polyethylene bag out of the tank carefully to avoid it from being scratched and torn by the edges inside the tank.

NOTE: Empty the polyethylene bag before it becomes full. Too much dust in the tank may cause the polyethylene bag to be torn.

Installing multi hook

Use the multi hook to hold a hose, accessories and attachments not in use in place, and you can quickly take them out according to your preferences.

- **Fig.16**

Place the multi hook over the mounting base at the rear of the cleaner, setting the rails on the multi hook along the grooves on the mounting base.

- **Fig.17:** 1. Multi hook 2. Mounting base

Installing MAKPAC adapter

Optional accessory

Connectable and stackable MAKPAC storage cases can be installed on top of the cleaner with an optional adapter. The cases are available in many sizes and styles to suit your preferences.

Place the mounting base hook over the handle of the cleaner with its mounting surface facing upwards when the handle is folded into the closed position.

- **Fig.18:** 1. Mounting base hook 2. Mounting surface 3. Handle

Mount the MAKPAC adapter onto the mounting base hook, and secure them together with four screws provided.

- **Fig.19:** 1. MAKPAC adapter 2. Mounting base hook 3. Screw

Lift the push bar up and tighten the knob to prepare installing the MAKPAC cases onto the cleaner.

- **Fig.20:** 1. Push bar 2. Knob

NOTE: For details on installing the MAKPAC cases, refer to the instructions provided with the MAKPAC adapter and cases.

Installing hose

NOTICE: Never force the hose for bending or stamp it. Never move the cleaner by pulling the hose. Forcing, stamping and pulling the hose may cause a breakage or deformation of the hose.

NOTICE: When picking up large wastes such as planer carvings, concrete dusts or similar other than small wastes, use the 38 mm inner diameter hose (optional accessory). Using the 28 mm inner diameter hose (optional accessory) may cause a hose stuffing and damage.

Connection to cleaner

Insert the hose end to the dust intake (hose inlet) of the cleaner, then turn it clockwise until it locks in place.

- **Fig.21:** 1. Hose 2. Dust intake (hose inlet)

Connections with your work tools (Country specific)

By connecting the vacuum cleaner to any available work tools compatible with the cleaner, it works as a dust extractor for your power tools.

Select one of the front cuffs or joints (optional accessories) as most suitable for your tool model. Place the cuffs or joint, as necessary, between the front end of the cleaner hose and a dust extraction port of your tool.

- **Fig.22:** 1. Front cuffs or joint 2. Cleaner hose
3. Power tool 4. Vacuum cleaner

Installing or removing cleaner attachments

⚠ CAUTION: After installing an attachment, check if it is securely installed. If the attachment is installed imperfectly, it may come off and cause personal injury.

Attachments without lock function

Optional accessory

Insert an attachment into the suction inlet of the cleaner by pushing and hand screwing it in place. Hand twist and pull the attachment apart from the suction inlet after use.

- **Fig.23**

Attachments with lock function

Optional accessory

NOTICE: When installing the attachment with lock function, be sure to align the release button with the hook on the attachment. If they are not aligned, the attachment will not be locked and may come off from the cleaner.

Insert an attachment into the suction inlet of the cleaner by pushing them together with a click. To remove the attachment, pull it off while pushing the release button.

- **Fig.24:** 1. Suction inlet with lock function 2. Release button 3. Attachment with lock function

NOTE: An attachment with lock function can only be installed in the suction inlet with lock function.

- **Fig.25:** 1. Attachment with lock function 2. Suction inlet with lock function 3. Suction inlet without lock function

Adjusting lengths of slide-type extension wand

Optional accessory

A slide-type extension wand can be combined for shorter and longer lengths. It allows to clean hard-to-reach areas and comfortable positioning options.

Pull in and out the slide pipe to change wand lengths while pressing and holding the slide button. Release the slide button to lock the slide pipe in your desired position.

- **Fig.26:** 1. Slide pipe 2. Slide button

WIRELESS ACTIVATION FUNCTION

What you can do with the wireless activation function

The wireless activation function enables clean and comfortable operation. By connecting a supported tool to the cleaner, you can run the cleaner automatically along with the switch operation of the tool.

- **Fig.27**

NOTICE: Be sure to refer to the instruction manual of the tool when using the cleaner with wireless activation function.

NOTICE: Do not disassemble or tamper with the wireless unit.

NOTICE: To prevent dust coming into the slot of the wireless unit, always close the lid securely during operation and storage.

NOTICE: Do not remove the wireless unit while the power is being supplied. Doing so may cause a malfunction of the wireless unit.

NOTICE: Do not press the wireless activation button too hard and/or press the button with an object with a sharp edge.

NOTE: Wireless activation needs Makita tools equipped with the wireless unit.

NOTE: Prior to the initial use of the wireless activation function with each tool, the tool registration is required. Once the registration is finished with the tool, the re-registration is not required unless it is cancelled.

NOTE: Before registration, be sure that the wireless unit is properly inserted.

NOTE: One wireless unit can register up to 10 links with other wireless units. If more than 10 other wireless units are registered to one wireless unit, the one registered earliest will be cancelled automatically.

NOTE: The position of the wireless activation button varies depending on the tool.

NOTE: The cleaner also starts by pressing the power button when the stand-by switch is set to "AUTO". However the power button will not actuate when the wireless activation function is used.

Installing the wireless unit

CAUTION: Place the cleaner on a flat and stable surface when installing the wireless unit.

NOTICE: Clean the dust and dirt on the cleaner before installing the wireless unit. Dust or dirt may cause malfunction if it comes into the slot of the wireless unit.

NOTICE: To prevent the malfunction caused by static, touch a static discharging material, such as a metallic part, before picking up the wireless unit.

NOTICE: When installing the wireless unit, always be sure that the wireless unit is inserted in the correct direction and the lid is completely closed.

1. Open the lid on the cleaner as shown in the figure.
▶ **Fig.28:** 1. Lid

2. Insert the wireless unit to the slot and then close the lid.

When inserting the wireless unit, align the projections with the recessed portions on the slot.

- ▶ **Fig.29:** 1. Wireless unit 2. Projection 3. Lid
4. Recessed portion

When removing the wireless unit, open the lid slowly. The hooks on the back of the lid will lift the wireless unit as you pull up the lid.

- ▶ **Fig.30:** 1. Wireless unit 2. Hook 3. Lid

After removing the wireless unit, keep it in the supplied case or a static-free container.

NOTICE: Always use the hooks on the back of the lid when removing the wireless unit. If the hooks do not catch the wireless unit, close the lid completely and open it slowly again.

Tool registration for the cleaner

NOTE: A Makita tool supporting the wireless activation function is required for the tool registration.

NOTE: Finish installing the wireless unit to the tool before starting the tool registration.

NOTE: During the tool registration, do not pull the switch trigger on the tool or turn on the power switch on the cleaner.

NOTE: Refer to the instruction manual of the tool, too.

If you wish to activate the cleaner along with the switch operation of the tool, finish the tool registration beforehand.

1. Install the wireless units to the cleaner and the tool, respectively.
2. Install the batteries to the cleaner and the tool.
3. Set the stand-by switch on the cleaner to "AUTO".
▶ **Fig.31:** 1. Stand-by switch

4. Press the wireless activation button on the cleaner for 3 seconds until the wireless activation lamp blinks in green. And then press the wireless activation button on the tool in the same way.

▶ **Fig.32:** 1. Wireless activation button 2. Wireless activation lamp

If the cleaner and the tool are linked successfully, the wireless activation lamps will light up in green for 2 seconds and start blinking in blue.

NOTE: The wireless activation lamps finish blinking in green after 20 seconds elapsed. Press the wireless activation button on the tool while the wireless activation lamp on the cleaner is blinking. If the wireless activation lamp does not blink in green, push the wireless activation button briefly and hold it down again.

NOTE: When performing two or more tool registration for the cleaner, finish the tool registration one by one.

Starting the wireless activation function

NOTE: Finish the tool registration for the cleaner for wireless activation.

NOTE: Always place the cleaner so that you can see the status of the wireless activation lamp.

NOTE: Refer to the instruction manual of the tool, too.

After registering a tool to the cleaner, the cleaner will automatically runs along with the switch operation of the tool.

1. Install the wireless units to the cleaner and the tool, respectively.
2. Install the batteries to the cleaner and the tool.
3. Connect the hose of the cleaner with the tool.
▶ **Fig.33**
4. Set the stand-by switch on the cleaner to "AUTO".
▶ **Fig.34:** 1. Stand-by switch
5. Push the wireless activation button on the tool briefly. The wireless activation lamp will blink in blue.
▶ **Fig.35:** 1. Wireless activation button 2. Wireless activation lamp

6. Turn on the tool. Check if the cleaner runs while the tool is operating.

CAUTION: Always check if the wireless activation function works before starting a work with the tool.

To stop the wireless activation, push the wireless activation button on the tool, or set the stand-by switch on the cleaner to "I" or "O".

NOTE: The wireless activation lamp on the tool will stop blinking in blue when there is no operation for 2 hours. In this case, set the stand-by switch on the cleaner to "AUTO" and press the wireless activation button on the tool again.

NOTE: The cleaner starts/stops with a delay. There is a time lag when the cleaner detects a switch operation of the tool.

NOTE: The transmission distance of the wireless unit may vary depending on the location and surrounding circumstances.

NOTE: When two or more tools are registered to one cleaner, the cleaner may start running even if you do not turn on the tool because other user is using the wireless activation function.

Cancelling tool registration for the cleaner

Perform the following procedure when cancelling the tool registration for the cleaner.

1. Install the wireless units to the cleaner and the tool, respectively.
2. Install the batteries to the cleaner and the tool.
3. Set the stand-by switch on the cleaner to "AUTO".

► **Fig.36:** 1. Stand-by switch

4. Press the wireless activation button on the cleaner for 6 seconds. The wireless activation lamp blinks in green and then become red. After that, press the wireless activation button on the tool in the same way.

► **Fig.37:** 1. Wireless activation button 2. Wireless activation lamp

If the cancellation is performed successfully, the wireless activation lamps will light up in red for 2 seconds and start blinking in blue.

NOTE: The wireless activation lamps finish blinking in red after 20 seconds elapsed. Press the wireless activation button on the tool while the wireless activation lamp on the cleaner is blinking. If the wireless activation lamp does not blink in red, push the wireless activation button briefly and hold it down again.

Erasing all tool registrations

You can erase all tool registrations from the cleaner as follows.

► **Fig.38:** 1. Stand-by switch 2. Wireless activation button 3. Wireless activation lamp











1. Install the wireless unit to the cleaner.
2. Install the batteries to the cleaner.
3. Set the stand-by switch to "AUTO".
4. Hold down the wireless activation button for about 6 seconds until the wireless activation lamp blinks in red (about twice per one second).
5. When the wireless activation lamp starts blinking in red, release your finger from the wireless activation button. Thereafter, hold down the wireless activation button again for about 6 seconds.
6. When the wireless activation lamp starts blinking fast (about 5 times per one second) in red, release your finger from the wireless activation button. When the wireless activation lamp lights up in red and later lights off, all tool registrations are erased.

NOTE: If the wireless activation lamp does not blink in red, press the wireless activation button briefly and try again.

Description of the wireless activation lamp status

► **Fig.39:** 1. Wireless activation button 2. Wireless activation lamp

The wireless activation lamp shows the status of the wireless activation function. Refer to the below table for the meaning of the lamp status.

Status	Wireless activation lamp			Description
	Color	 On	 Blinking	
Standby	Blue		Cleaner: continuing Tool: 2 hours	Waiting for the tool registration or the wireless activation function is available. The lamp on the cleaner blinks when the stand-by switch is set in AUTO. The lamp on the tool blinks when the wireless activation button is pushed. The lamp on the tool will automatically turn off when no operation is performed for 2 hours.
			When the tool is running.	The wireless activation of the cleaner is available and the tool is running.
Tool registration	Green		20 seconds	Ready for the tool registration. Searching the tool to be registered.
			2 seconds	The tool registration has been finished. The wireless activation lamp will start blinking in blue.
Cancelling/erasing tool registration	Red	 (slow: 2 times/sec.)	20 seconds	Ready for the cancellation of the tool registration. Searching the tool to be cancelled.
		 (fast: 5 times/sec.)	When the wireless activation button is pressed down.	Ready to erase all tool registrations.
			2 seconds	The tool registration has been cancelled/erased. The wireless activation lamp will start blinking in blue.
Others	Red		3 seconds	The power is supplied to the wireless unit and the wireless activation function is starting up.
	Off	-	-	The stand-by switch is not set to "AUTO".

Troubleshooting for wireless activation function

Before asking for repairs, conduct your own inspection first. If you find a problem that is not explained in the manual, do not attempt to dismantle the tool. Instead, ask Makita Authorized Service Centers, always using Makita replacement parts for repairs.

State of abnormality	Probable cause (malfunction)	Remedy
The wireless activation lamp does not light/blink.	The wireless unit is not installed into the cleaner and/or the tool. The wireless unit is improperly installed into the cleaner and/or the tool.	Install the wireless unit correctly.
	The terminal of the wireless unit and/or the slot is dirty.	Gently wipe off dust and dirt on the terminal of the wireless unit and clean the slot of the cleaner and/or the tool.
	The wireless activation button on the tool has not been pushed.	Push the wireless activation button on the tool briefly.
	The stand-by switch on the cleaner is not set to "AUTO".	Set the stand-by switch on the cleaner to "AUTO".
	No power supply	Supply the power to the tool and the cleaner.
Cannot finish tool registration / cancelling tool registration successfully.	The wireless unit is not installed into the cleaner and/or the tool. The wireless unit is improperly installed into the cleaner and/or the tool.	Install the wireless unit correctly.
	The terminal of the wireless unit and/or the slot is dirty.	Gently wipe off dust and dirt on the terminal of the wireless unit and clean the slot of the cleaner and/or the tool.
	The stand-by switch on the cleaner is not set to "AUTO".	Set the stand-by switch on the cleaner to "AUTO".
	No power supply	Supply the power to the tool and the cleaner.
	Incorrect operation	Push the wireless activation button briefly and perform the tool registration/cancellation procedures again.
	The tool and cleaner are away from each other (out of the transmission range).	Get the tool and the cleaner closer to each other. The maximum transmission distance is approximately 10 m however it may vary according to the circumstances.
	Before finishing the tool registration/cancellation; - the switch of the tool is turned on or; - the power button on the cleaner is turned on.	Push the wireless activation button briefly and perform the tool registration/cancellation procedures again.
	The tool registration procedures for the tool or the cleaner has not finished.	Perform the tool registration procedures for the tool and the cleaner at the same timing.
Radio disturbance by other appliances which generate high-intensity radio waves.	Keep the tool and the cleaner away from the appliances such as Wi-Fi devices and microwave ovens.	

State of abnormality	Probable cause (malfunction)	Remedy
The cleaner does not run along with the switch operation of the tool.	The wireless unit is not installed into the cleaner and/or the tool. The wireless unit is improperly installed into the cleaner and/or the tool.	Install the wireless unit correctly.
	The terminal of the wireless unit and/or the slot is dirty.	Gently wipe off dust and dirt on the terminal of the wireless unit and clean the slot of the cleaner and/or the tool.
	The wireless activation button on the tool has not been pushed.	Push the wireless activation button briefly and make sure that the wireless activation lamp is blinking in blue.
	The stand-by switch on the cleaner is not set to "AUTO".	Set the stand-by switch on the cleaner to "AUTO".
	More than 10 tools are registered to the cleaner.	Perform the tool registration again. If more than 10 tools are registered to the cleaner, the tool registered earliest will be cancelled automatically.
	The cleaner erased all tool registrations.	Perform the tool registration again.
	No power supply	Supply the power to the tool and the cleaner.
	The tool and cleaner are away from each other (out of the transmission range).	Get the tool and the cleaner closer to each other. The maximum transmission distance is approximately 10 m however it may vary according to the circumstances.
	Radio disturbance by other appliances which generate high-intensity radio waves.	Keep the tool and the cleaner away from the appliances such as Wi-Fi devices and microwave ovens.
The cleaner runs while the tool is not operating.	Other users are using the wireless activation of the cleaner with their tools.	Turn off the wireless activation button of the other tools or cancel the tool registration of the other tools.
Cannot erase all tool registrations in the cleaner.	Pressing the wireless button on the tool.	Press the wireless button on the cleaner for erasing all tool registrations.
	The stand-by switch on the cleaner is not set to "AUTO".	Set the stand-by switch on the cleaner to "AUTO".
	The wireless activation button is not held down correctly.	Hold down the wireless activation button for more than 6 seconds and then release it when the wireless activation lamp blinks in red. Hold down the wireless activation button for more than 6 seconds again until the wireless activation button rapidly blinks in red and then release the button.

MAINTENANCE

⚠ CAUTION: Always be sure that the appliance is switched off and the battery cartridges are removed before attempting to perform inspection or maintenance.

NOTICE: Never use gasoline, benzine, thinner, alcohol or the like. Discoloration, deformation or cracks may result.

To maintain product SAFETY and RELIABILITY, repairs, any other maintenance or adjustment should be performed by Makita Authorized or Factory Service Centers, always using Makita replacement parts.

Storage of accessories

Accessories and attachments not in use, such as nozzles and brushes, can be hooked and stored in the multi hook at the rear of the cleaner.

► **Fig.40:** 1. Multi hook 2. Accessories and attachments not in use

Pipes (with an optional stopper installed) can be placed into the pipe holder when not using the cleaner for a short time.

► **Fig.41:** 1. Stopper (optional accessory) 2. Pipe holder

A hose can be wrapped and stored around the housing or handle of the cleaner in large loops. Connect its both ends together to make loops and hook the loops onto the handle raised up. Alternatively, keep its root end installed in the hose inlet and hang the loops on the multi hook with the loose end tied up.

► **Fig.42**

► **Fig.43**

Cleaning of powder filter (HEPA) and prefilter

Clean out the powder filter, prefilter and damper at regular intervals since clogged filters and damper may result in poor suction performance.

Routinely wipe and shake dust off filters and damper by hand.

► **Fig.44:** 1. Prefilter

► **Fig.45:** 1. Damper 2. Powder filter (HEPA)

Occasionally wash the powder filter in water, rinse and dry thoroughly in the shade before use. Never wash filters in a washing machine.

► **Fig.46**

NOTE: Do not rub or scratch the powder filter, the prefilter and the damper with hard objects such as a brush and a paddle.

NOTE: The filters wear out in course of time. It is recommended to have some spares for them.

OPTIONAL ACCESSORIES

⚠ CAUTION: These accessories or attachments are recommended for use with your Makita tool specified in this manual. The use of any other accessories or attachments might present a risk of injury to persons. Only use accessory or attachment for its stated purpose.

If you need any assistance for more details regarding these accessories, ask your local Makita Service Center.

- Hose
- Front cuffs (22, 24, 38)
- Straight pipe
- Extension wand
- Corner nozzle
- Round brush
- Powder filter, HEPA (for dry dust)
- Damper
- Prefilter
- Nozzle assembly
- Bent pipe
- Polyethylene bag
- Paper pack
- MAKPAC adapter
- Wireless unit
- Makita genuine battery and charger

NOTE: Some items in the list may be included in the tool package as standard accessories. They may differ from country to country.

警告

- 本设备不得由不熟悉操作说明的人员（包括小孩）和体力、感觉及心智不健全或缺乏经验和知识的人员使用。
- 应看管好儿童，勿让其玩耍本吸尘器。
- 有关电池的类型信息，请参阅“规格”章节。
- 有关如何拆卸或安装电池的信息，请参阅“安装或拆卸电池组”部分。
- 丢弃电池组时，需将其从工具上卸下并在安全地带进行处理。关于如何处理废弃的电池，请遵循当地法规。
- 如长时间不使用工具，必须将电池从工具内取出。
- 请勿使电池组短路。
- 有关用户维护期间的注意事项的详情，请参阅“维护”章节。

规格

型号:	VC002GL	VC004GL
标准过滤器类型	粉末过滤器（干尘）	
软管末端的最大风量 （配置BL4040， ø38 mm x 2.5 m 软管）	2.7 m ³ /min	
涡轮处的最大风量 （配置BL4040）	4.2 m ³ /min	
真空 （配置BL4040）	23 kPa	
可回收容量	8 L	15 L
尺寸（长 × 宽 × 高）	366 mm x 334 mm x 425 mm	366 mm × 334 mm × 475 mm
额定电压	D.C. 36 V - 40 V（最大）	
净重	8.3 - 11.4 kg	8.6 - 11.7 kg
防护等级	IPX4	

- 生产者保留变更规格不另行通知之权利。
- 规格和电池组可能因销往国家之不同而异。
- 重量不含附件，但包含电池组。设备和电池组的最轻和最重组合重量见表格。
- 对于湿尘收集，要用到浮标和滤水器或布质过滤器。

适用电池组和充电器

电池组	BL4020 / BL4025 / BL4040* / BL4050F* / BL4080F* *: 建议使用的电池
充电器	DC40RA / DC40RB / DC40RC

- 部分以上所列电池组和充电器是否适用视用户所在地区而异。

警告： 请仅使用以上所列电池组和充电器。使用其他类型的电池组或充电器可能会导致人身伤害和/或失火。

符号

以下显示本设备可能会使用的符号。在使用工具之前，请务必理解其含义。



阅读使用说明书。



特别小心和注意。



警告！该清洁剂可能含有有毒粉尘。



切勿踩踏清洁剂。



粉尘等级L（轻）。清洁剂适用于粉尘等级L。请遵循您所在国家关于灰尘和工作区域卫生及安全的法律法规。



仅限于欧盟国家
由于本设备中包含有害成分，因此废弃的电气和电子设备、蓄电池和普通电池可能会对环境和人体健康产生负面影响。请勿将电气和电子工具或电池与家庭普通废弃物放在一起处置！
根据欧洲关于废弃电气电子设备、蓄电池和普通电池、废弃的蓄电池和普通电池的指令及其国家层面的修订法案，废弃的电气设备、普通电池和蓄电池应当单独存放并递送至城市垃圾收集点，根据环保法规进行处置。
此规定由标有叉形标志的带轮垃圾桶符号表示。

用途

本工具用于收集干尘。本工具适合商业用途，例如，用于酒店、学校、医院、工厂、商店、办公室和租借的办公场所。

安全警告

充电式吸尘器安全警告

警告： 重要事项 使用前请仔细阅读所有的安全警告和所有的说明事项。若不遵循警告和说明事项，可能导致触电、起火和/或严重的人身伤害。

1. 使用前，请确保本吸尘器必须由经过培训的合格人员使用。
2. 使用本机前，操作人员应先接受指导、培训，熟悉相关使用知识，了解机器使用方法和使用对象，例如如何安全清除和丢弃吸入物等。
3. 使用前，务必确保过滤器已正确安装。过滤器未放置到位时，请勿使用吸尘器。如果过滤器受损，请立即更换。过滤器为耗材，建议购买数份以备用。
4. 避免意外启动。安装电池时请确保开关已关闭。
5. 请勿试图吸取可燃物、鞭炮、点燃的香烟、热灰、热金属片、以及剃刀、针、碎玻璃等尖锐物体。
6. 切勿在附近有汽油、煤气、油漆、粘合剂或其他易爆物质的环境下使用吸尘器。开启和关闭时开关会发出火花。操作期间电机整流器也会发出火花。可能会导致爆炸。
7. 切勿吸取有毒物质、致癌物质、易燃物质或石棉、砷、钡、铍、铅、杀虫剂等有害物质或其他危及健康的物质。
8. 务必将吸尘器放置在水平表面上以防止其意外掉落或移动。
9. 下雨时切勿在室外使用吸尘器。
10. 芬兰地区用户不得在低温户外使用本机。
11. 请勿在热源（火炉等）附近使用。
12. 若废气回流至室内，必须保证室内换气率充足。同时需要参考国家规定。
13. 切勿堵塞吸气口 / 吹气口 / 冷却通风口。这些通风口可冷却电机。应小心避免堵塞，否则电机会因为通风不足而被烧坏。
14. 操作时请双脚站稳，始终保持平衡。
15. 请勿折叠、拉拽或踩踏软管。
16. 如果您在操作期间发现性能下降或任何异常，请立即停止工具。

17. 取出电池。不使用时，维修前或更换附件时，请断开吸尘器电源。
18. 每次使用后请立即清洁和维护吸尘器，使其处于最佳的工作状态。
19. 小心保养吸尘器。保持吸尘器的清洁，以提高产品的性能和安全性。根据说明更换附件。保持把手干燥、清洁，无油污和润滑油。
20. 检查有无部件损坏。在进一步使用吸尘器之前，应仔细检查保护罩或其他部件有无损坏，以确定工具是否可以正常运转。检查运动部件是否有偏差或粘连、部件是否破损、安装是否妥当以及其他可能会影响工具运行的情况。除非本手册另有声明，否则应由授权维修中心对受损保护罩或其他部件进行修复或更换。失灵的开关由授权的维修中心进行更换。如果开关不能开启和关闭吸尘器，请勿使用。
21. 用户在维修机器时，应先将机器拆解并清洁，然后在保证不会危及维修人员及其他人安全的情况下以尽可能合理的方式维修机器。
22. 机器应由制造商或委派人员至少每年进行一次技术检查。检查内容包括：过滤器是否受损、机器气密性是否良好，以及控制机构是否正常运行。
23. 进行维修或修理作业时，所有无法有效清理的脏污部件均需丢弃。此类部件丢弃时应根据相关垃圾处理法规的要求装入防渗袋丢弃。
24. 更换部件。进行维修时，请仅使用与原来相同的更换部件。
25. 存放闲置的吸尘器。不使用时，应将吸尘器存放在室内。
26. 善待吸尘器。即便吸尘器再结实，野蛮操作也会将其损坏。
27. 请勿试图用苯、稀释剂或清洁用化学品清洁工具的外部或内部。否则可能会导致工具破裂和褪色。
28. 请勿在存放有油基涂料、涂料稀释剂、汽油或防蛀物品，会释放出易燃、易爆或有毒气体的密闭空间里或存在易燃灰尘的地方使用吸尘器。
29. 请勿在服药或饮酒的情况下操作本工具或其他工具。
30. 作为一项基本的安全措施，请佩戴带侧面罩的护目镜或安全眼镜。
31. 在灰尘较多的工作环境下请使用防尘面罩。
32. 本设备不得由不熟悉操作说明的人员（包括小孩）和体力、感觉及心智不健全或缺乏经验和知识的人员使用。
33. 应看管好儿童，勿让其玩耍本吸尘器。
34. 切勿用湿手操作电池和吸尘器。
35. 清洁楼梯时要特别注意安全。
36. 切勿将吸尘器当做凳子或工作台使用。机器可能会跌倒导致人身伤害。
37. 请勿吸取泡沫或肥皂水。否则会导致泡沫从出气口中渗出，造成触电事故和吸尘器受损。

用电池驱动的电动工具的使用和保养

1. 请仅使用制造商指定的充电器进行充电。将适用于某一种类型电池组的充电器用于其他类型的电池组时，可能会导致起火。
2. 电动工具仅可使用专门指定的电池组。使用其他类型的电池组可能会导致人身伤害或起火。
3. 不使用电池组时请将其远离纸夹、硬币、钥匙、钉子、螺丝或其他小型金属物体放置。这些物体可能会使电池端子短路。这些物体可能会使电池端子短路，引起燃烧或起火。
4. 使用过度时，电池中可能溢出液体。请避免接触。如果意外接触到电池漏液，请用水冲洗。如果液体接触到眼睛，请就医。电池漏液可能会导致过敏发炎或灼伤。
5. 不要使用损坏或改装过的电池包或工具。损坏或改装过的电池组可能呈现无法预测的结果，导致着火、爆炸或伤害。
6. 不要将电池包暴露于火或高温中。电池包暴露于火或高于130 °C的高温中可能导致爆炸。
7. 遵循所有充电说明。不要在说明书中指定的温度范围之外给电池包或电动工具充电。不正确或在指定的温度范围外充电可能会损坏电池和增加着火的风险。

请保留此说明书。

警告： 请勿为图方便或因对产品足够熟悉（由于重复使用而获得的经验）而不严格遵循相关产品安全规则。使用不当或不遵循使用说明书中的安全规则会导致严重的人身伤害。

电池组的重要安全注意事项


1. 在使用电池组之前，请仔细阅读所有的说明以及 (1) 电池充电器，(2) 电池，以及 (3) 使用电池的产品上的警告标记。
 2. 切勿拆卸或改装电池组。否则可能引起火灾、过热或爆炸。
 3. 如果机器运行时间变得过短，请立即停止使用。否则可能会导致过热、起火甚至爆炸。
 4. 如果电解液进入您的眼睛，用清水将其冲洗干净并立即就医。否则可能会导致视力受损。
 5. 请勿使电池组短路：
 - (1) 请勿使任何导电材料碰到端子。
 - (2) 避免将电池组与其他金属物品如钉子、硬币等放置在同一容器内。
 - (3) 请勿将电池组置于水中或使其淋雨。电池短路将产生大的电流，导致过热，并可能导致起火甚至击穿。
 6. 请勿在温度可能达到或超过50°C (122°F) 的场所存放以及使用工具和电池组。
 7. 即使电池组已经严重损坏或完全磨损，也请勿焚烧电池组。电池组会在火中爆炸。
 8. 请勿对电池组射钉，或者切削、挤压、抛掷、掉落电池组，又或者用硬物撞击电池组。否则可能引起火灾、过热或爆炸。
 9. 请勿使用损坏的电池。
 10. 本工具附带的锂离子电池需符合危险品法规要求。

第三方或转运代理等进行商业运输时，应遵循包装和标识方面的特殊要求。有关运输项目的准备作业，咨询危险品方面的专业人士。同时，请遵守可能更为详尽的国家法规。

请使用胶带保护且勿遮掩表面的联络信息，并牢固封装电池，使电池在包装内不可动。
11. 丢弃电池组时，需将其从工具上卸下并在安全地带进行处理。关于如何处理废弃的电池，请遵循当地法规。
 12. 仅将电池用于Makita (牧田) 指定的产品。将电池安装至不兼容的产品会导致起火、过热、爆炸或电解液泄漏。
 13. 如长时间未使用工具，必须将电池从工具内取出。
 14. 使用工具期间以及使用工具之后，电池组温度可能较高易引起灼伤或低温烫伤。处理高温电池组时请小心操作。

15. 在使用工具后请勿立即触碰工具的端子，否则可能引起灼伤。
16. 避免锯屑、灰尘或泥土卡入电池组的端子、孔口和凹槽内。否则可能会导致过热、着火、爆炸和工具/电池组故障，导致烫伤或人身伤害。
17. 除非工具支持在高压电源线路附近使用，否则请勿在高压电源线路附近使用电池组。否则可能导致工具或电池组故障或失常。
18. 确保电池远离儿童。

请保留此说明书。

 **小心：** 请仅使用Makita (牧田) 原装电池。使用非Makita (牧田) 原装电池或经过改装的电池可能会导致电池爆炸，从而造成火灾、人身伤害或物品受损。同时也会导致牧田工具和充电器的牧田保修服务失效。

保持电池最大使用寿命的提示

1. 在电池组电量完全耗尽前及时充电。发现工具电量低时，请停止工具操作，并给电池组充电。
2. 请勿对已充满电的电池组重新充电。过度充电将缩短电池的使用寿命。
3. 请在10°C - 40°C (50°F - 104°F) 的室温条件下给电池组充电。请在灼热的电池组冷却后再充电。
4. 不使用电池组时，请将其从工具或充电器上拆除。
5. 如果电池组长时间 (超过六个月) 未使用，请给其充电。

无线装置的重要安全注意事项

1. 切勿拆卸或改装此无线装置。
2. 请远离儿童存放无线装置。如果意外吞食，请立即就医。
3. 此无线装置仅用于Makita (牧田) 电动工具。
4. 请勿将此无线装置暴露在雨水或潮湿的环境中。
5. 请勿在温度超过50°C的环境下使用此无线装置。
6. 请勿在医疗器械 (例如心脏起搏器) 附近运行此无线装置。
7. 请勿在自动化设备附近运行此无线装置。否则，自动化设备可能会发生故障或出现错误。
8. 不要在高温场所或可能产生静电或电气噪音的场所操作无线装置。

9. 无线装置会产生对用户无害的电磁场 (EMF)。
10. 此无线装置属于精密仪器。请小心，勿掉落或撞击此无线装置。
11. 避免徒手或用金属材料接触无线装置的端子。
12. 在产品中安装无线装置时，务必取下产品上的电池。
13. 请勿在那些可能会使灰尘和水进入插槽的地方打开插槽的封盖。插槽的插口务必保持干净整洁。
14. 务必沿正确的方向插入无线装置。
15. 请勿过度用力按压无线装置上的无线启动按钮，也不可使用边缘锋利的物体按压该按钮。
16. 运行此无线装置时务必关闭插槽的封盖。
17. 切勿在工具正在通电的情况下从插槽取下无线装置。否则可能会导致此无线装置发生故障。
18. 切勿揭下此无线装置上的贴纸。
19. 切勿在此无线装置上粘贴任何贴纸。
20. 切勿将此无线装置留在可能会产生静电或电气噪音的地方。
21. 切勿将此无线装置留在可能会产生高温的地方，例如阳光照射下的车内。
22. 切勿将此无线装置留在灰尘或粉尘较重的地方，或可能会产生腐蚀性气体的地方。
23. 温度的剧烈变化可能会使此无线装置产生凝露。露水未完全干燥前，请勿使用此无线装置。
24. 清洁此无线装置时，请使用柔软的干抹布轻轻擦拭。切勿使用汽油、稀释剂或导电脂等类似物品。
25. 存放此无线装置时，请将其放在随附的盒中或防静电的容器中。
26. 请勿将非Makita（牧田）无线装置的任何其它设备插入工具的插槽中。
27. 如果插槽的封盖受损，请勿使用该工具。否则水、灰尘和泥土进入插槽可能会导致故障。
28. 如非必要，请勿拉动和 / 或扭动插槽的封盖。如果封盖从工具脱落，请将其还原。
29. 如果插槽的封盖丢失或受损，请更换。

请保留此说明书。

部件说明

- 图片1: 1. 头部单元 2. 粉末过滤器 (HEPA) 3. 减震器 4. 预过滤器 5. 容器

功能描述

⚠️小心： 调节或检查工具功能之前，请务必关闭工具电源并取出电池组。

安装或拆卸电池组

⚠️小心： 安装或拆卸电池组之前，请务必关闭工具电源。

⚠️小心： 安装或拆卸电池组时，请握紧集尘器和电池组。否则它们可能会从您的手中滑落，导致集尘器和电池组受损，甚至造成人身伤害。

⚠️小心： 打开或关闭电池盖时请小心不要夹住您的手指。否则可能会导致人身伤害。

集尘器配有双电池槽。通过平行安装两个相同的电池，可以在一次或多次使用过程中延长运行时间，而无需中途停止以给电池充电。集尘器也可以在单电池下使用，因此可以根据需要选择使用双电池或单电池。

- 图片2: 1. 左电池槽 2. 右电池槽

使用双电池

在双电池下连续工作可以延长运行时间，提高清洁效率。第一块电池电量即将耗尽时，集尘器将自动切换电源，通过第二块电池继续工作。

注： 左电池槽（朝向集尘器前部时）优先于右电池槽。只有当左电池槽未安装电池或左电池槽中的电池电量耗尽时，右电池槽才会被识别为电源。

注： 集尘器电源从左电池槽切换为右电池槽后，即可取出左电池槽中的电池进行充电，而无需终止运行。安装重新充电的电池后，如果需要重新设置左电池槽的优先级，则重新启动集尘器。

使用单电池

左右电池槽只需装有一个电池，即可用作电源。根据操作条件，集尘器自动确定可用电池槽。

安装和拆卸

安装电池组时，请先解除锁定，然后打开电池盖。然后插入电池组。

► **图片3:** 1. 锁定 2. 电池盖

将电池组上的舌簧与电池盒上的凹槽对齐，然后推滑到位。将其完全插入到位，直到锁定并发出咔哒声为止。

然后锁定电池盖。

► **图片4:** 1. 电池组 2. 按钮

拆卸电池组时，按住电池组前侧的按钮，同时将电池组从电池盒中滑出。

⚠️小心: 务必将电池组完全装入。否则它可能会从工具中意外脱落，从而造成自身或他人受伤。

⚠️小心: 请勿强行安装电池组。如果电池组难以插入，可能是插入方法不当。

注: 集尘器电源从第一块电池切换到第二块时，其工作可能会暂时停止，导致吸力略微下降。请注意这并非故障，集尘器将在暂停后立即恢复正常并继续工作。

显示电池的剩余电量

按电池组上的CHECK（查看）按钮可显示电池剩余电量。指示灯将亮起数秒。

► **图片5:** 1. 指示灯 2. CHECK（查看）按钮

指示灯			剩余电量
■ 点亮	□ 熄灭	▨ 闪烁	
■	■	■	75%至100%
■	■	■	50%至75%
■	■	□	25%至50%
■	□	□	0%至25%
▨	□	□	给电池充电。
■	■	□	电池可能出现故障。
□	□	■	

注: 在不同的使用条件及环境温度下，指示灯所示电量可能与实际情况略有不同。

注: 当电池保护系统启动时，第一个（最左侧）指示灯将闪烁。

控制面板上的电池指示灯

通过控制面板，可随时读取剩余电池电量。按下CHECK（查看）按钮，左右指示灯将显示相应的电池电量。

► **图片6:** 1. 电池指示灯 2. CHECK（查看）按钮

► **图片7**

电池指示灯状态			剩余的 电池电量
■ 亮起	□ 熄灭	▨ 闪烁	
			50%至100%
			20%至50%
			0%至20%
			给电 池充电
			电池 未插入

注: 集尘器启动或切换电源时，电池指示灯也将会激活。

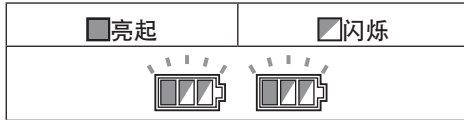
工具/电池保护系统

本工具配备有工具/电池保护系统。该系统可自动切断电机电源以延长工具和电池寿命。作业时，如果工具或电池处于以下情况，工具将会自动停止运转：

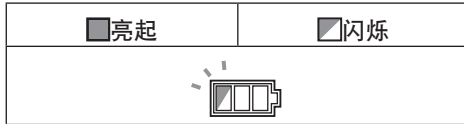
过载保护

工具/电池的操作导致电流异常高时，工具会自动停止运转。在这种情况下，请关闭工具并停止导致工具过载的应用操作。然后开启工具重新启动。

过热保护



工具过热时，工具将自动停止运转且左右两个电池指示灯闪烁。在这种情况下，请等待工具冷却后再重新开启工具。



电池过热时，工具将自动停止运转且过热电池的一个指示灯闪烁。在这种情况下，请等待电池冷却后再重新开启工具。

过放电保护

电池电量变低时，工具会自动停止运转。若操作开关未能使工具运转，请取出工具中的电池并予以充电。

其他原因防护

保护系统还适用于其他可能导致工具受损的情况，从而使工具自动停止运转。工具暂时或中途停止工作时，执行以下所有步骤以排除异常原因。

1. 关闭工具，然后再次重新启动。
2. 给电池充电或更换为充电电池。
3. 请等待工具和电池冷却。

如果保护系统恢复后仍无改善，请联络当地的Makita（牧田）维修服务中心。

开关操作

打开集尘器

1. 将待机开关转动至“**I**”（ON）或“**AUTO**”（ON）位置，可使集尘器进入待机模式。
2. 按下电源按钮。
要回到待机模式，请再次按下电源按钮。

关闭集尘器

执行以下任一步骤。

- 按下电源按钮使集尘器回到待机模式，然后将待机开关转动至“**O**”（OFF）位置。
- 将待机开关转动至“**O**”（OFF）位置。

调节吸力

可以根据您的工作需要调节吸力。

- 向左转动吸力调节旋钮可降低吸力。
- 向右转动吸力调节旋钮可增加吸力。

► **图片8:** 1. 待机开关 2. 电源按钮 3. 吸力调节旋钮

锁定和释放脚轮

后脚轮可通过止动器锁定，使集尘器保持静止。

手动放下止动杆可锁定脚轮，抬起可释放脚轮。

► **图片9:** 1. 脚轮 2. 止动杆 3. 自由位置 4. 锁定位置

注：移动集尘器时，请确保脚轮没有被锁定。在脚轮处于锁定位置的情况下移动集尘器可能会损坏脚轮。

携运手柄

小心：提起并搬运工具时请务必小心。否则可能会造成人身伤害或工具损坏。

搬运集尘器时，请持握其头部单元的手柄。不使用时，头部单元的手柄可缩回。

► **图片10**

装配

小心：对工具进行任何操作前，请务必关闭工具并取出电池组。

小心：安装或维护期间请务必佩戴防尘面罩。

安装粉末过滤器（HEPA）和预过滤器（干尘）

小心：使用粉末过滤器时切勿吸取水或其他液体或湿尘。否则可能会导致粉末过滤器破裂。

要使用粉末过滤器：

1. 将预过滤器放在容器中，使预过滤器和容器上的安装位置标记对齐。
2. 在预过滤器上安装减震器，然后将粉末过滤器放到减震器上，使粉末过滤器和预过滤器上的安装位置标记对齐。

3. 将头部单元安装到容器上，然后用锁门固定。

► **图片11:** 1. 头部单元 2. 粉末过滤器 (HEPA) 3. 减震器 4. 预过滤器 5. 容器 6. 安装位置标记

注意: 使用粉末过滤器之前，请务必同时使用预过滤器和减震器。不允许单独安装粉末过滤器。

安装集尘纸包

选购附件

警告: 使用集尘纸包之前，请务必同时使用预过滤器。否则可能会导致异常噪音和发热，从而引起火灾。

注意: 使用集尘纸包时切勿吸取水或其他液体或湿尘。否则可能会导致集尘纸包破裂。

注意: 使用集尘纸包之前，请务必同时使用粉末过滤器、减震器和预过滤器。

1. 展开集尘纸包。
 2. 将集尘纸包的开口与容器的灰尘吸入口对齐。
 3. 将集尘纸包安装到容器中，让纸板盖与集尘纸包固定夹咬合。
- **图片12:** 1. 集尘纸包 2. 纸板盖 3. 集尘纸包固定夹 4. 灰尘吸入口

安装聚乙烯袋

通过将聚乙烯袋安装到容器中，可以在不弄脏手的情况下更轻松地完成清空容器。

在容器上方放置聚乙烯袋，将袋子开口处顶部边缘的一侧滑入固定板和容器前壁之间。

► **图片13:** 1. 固定板 2. 容器前壁 3. 聚乙烯袋

将聚乙烯袋顶部边缘的其余部分向外摊开在容器顶部外缘上。将预过滤器放置在聚乙烯袋上，以便紧固袋子的开口。

► **图片14:** 1. 预过滤器

注: 可使用市场上购买的聚乙烯袋。建议使用0.04 mm或更厚的袋子。

注: 灰尘过多会撑破袋子，因此，袋子中堆积的灰尘不要超过袋子的一半容量。

清空带聚乙烯袋的容器

警告: 在清空容器之前，请务必关闭集尘器电源并取出电池组。否则可能会导致触电和严重的人身伤害。

注意: 请勿用力撞击容器。否则可能会导致部件变形和受损。

注意: 视容器中吸取的灰尘量而定，请至少每天清空容器一次。否则，吸力将变弱，且电机可能受损。

注意: 清空容器时请勿抓住挂钩或锁门。抓住挂钩或锁门可能会导致其破裂。

释放锁门，将头部单元从容器上提起。将过滤器从容器上提起前，抖掉预过滤器上的灰尘。

然后将聚乙烯袋从容器中取出，用手闭合袋子的开口。

► **图片15:** 1. 聚乙烯袋 2. 容器

注: 小心地从容器中取出聚乙烯袋，不要让其被容器内的边缘划伤或划破。

注: 在聚乙烯袋变满之前将其清空。容器中的灰尘过多可能会导致聚乙烯袋被撑破。

安装多功能挂钩

通过多功能挂钩将不使用的软管、配件和附件固定到位，以便在需要时快速取出。

► **图片16**

将多功能挂钩放在集尘器后部的安装基座上，使多功能挂钩的导轨嵌入安装基座的凹槽。

► **图片17:** 1. 多功能挂钩 2. 安装基座

安装MAKPAC适配器

选购附件

通过选购的适配器，可以将可连接、可堆叠的MAKPAC存储盒安装到集尘器顶部。这些存储盒提供有多种尺寸和类型，可满足您的各种需要。

将安装基座卡钩放在集尘器的把手上，使其安装表面朝上（把手折叠在关闭位置时）。

► **图片18:** 1. 安装基座卡钩 2. 安装表面 3. 把手

将MAKPAC适配器安装到安装基座卡钩上，并且使用附带的四个螺丝固定。

► **图片19:** 1. MAKPAC适配器 2. 安装基座卡钩 3. 螺丝

提起推杆并拧紧旋钮，准备将MAKPAC存储盒安装到集尘器上。

► **图片20:** 1. 推杆 2. 旋钮

注: 关于安装MAKPAC存储盒的详细内容，请参阅MAKPAC适配器和存储盒随附的使用说明书。

安装软管

注意: 切勿用力弯曲软管或踩踏软管。切勿通过拉拽软管来移动集尘器。用力弯曲、踩踏或拉拽软管会使其破裂或变形。

注意: 吸取电刨切片、水泥灰等较大的废料时，请使用内径为38 mm的软管（选购附件）。使用内径为28 mm的软管（选购附件）可能会导致软管堵塞或受损。

连接至集尘器

将软管端插入集尘器的灰尘吸入口（软管入口），然后顺时针转动直至其锁定到位。

► **图片21:** 1. 软管 2. 灰尘吸入口（软管入口）

与您的操作工具连接 (规格因国家而异)

通过将集尘器连接至与其兼容的任何市售操作工具，可用作该电动工具的除尘装置。

根据您的工具型号，选择最适用的任一前端管口或接头（选购附件）。根据需要，将管口或接头置于集尘器软管前端和该工具除尘装置端口之间。

► **图片22:** 1. 前端管口或接头 2. 集尘器软管 3. 电动工具 4. 集尘器

安装或拆卸集尘器附件

⚠小心: 安装附件后，请检查其是否安装牢固。如果附件安装不正确，可能会掉落并造成人身伤害。

使用无锁定功能的附件时

选购附件

将附件插入集尘器的吸气口，同时推动并手动拧紧到位。

使用后，将附件从吸气口上手动拧松并拉下。

► **图片23**

有锁定功能的附件

选购附件

注意: 安装有锁定功能的附件时，确保对齐释放按钮和附件上的卡钩。如果没有对齐，附件将不会被锁定，并且可能会从吸尘机上脱落。

将附件插入集尘器的吸气口，同时推动直至听到咔哒声。

若要拆卸附件，请在按释放按钮的同时拉拔附件。

► **图片24:** 1. 有锁定功能的吸气口 2. 释放按钮 3. 有锁定功能的附件

注: 有锁定功能的附件仅可安装于有锁定功能的吸气口。

► **图片25:** 1. 有锁定功能的附件 2. 有锁定功能的吸气口 3. 无锁定功能的吸气口

调节滑动型伸延杆的长度

选购附件

滑动型伸延杆可拼接成各种长短组合。适用于清洁难以触及的区域并提供舒适的操作位置。

按住滑动钮，同时推入或拉出滑动配管以改变杆的长度。

松开滑动钮，将滑动配管锁定在所需位置。

► **图片26:** 1. 滑动配管 2. 滑动钮

无线启动功能

无线启动功能的作用

无线启动功能让操作更加干净舒适。将受支持的工具连接至吸尘器，吸尘器可随工具的开关操作自动运行。

► **图片27**

注意: 务必按照使用说明书使用带无线启动功能的吸尘器。

注意: 切勿拆卸或改装此无线装置。

注意: 为防止灰尘进入无线装置的插槽，请务必在作业和存放期间牢固闭合封盖。

注意: 切勿在通电的情况下取下无线装置。否则可能会导致此无线装置发生故障。

注意: 请勿过度用力按压无线启动按钮，也不可使用边缘锋利的物体按压该按钮。

注：使用无线启动功能需要装配了无线装置**Makita**（牧田）电动工具。

注：首次使用各个工具的无线启动功能之前，需要先进行工具注册。一旦工具完成注册，除非取消注册，否则不再需要重新注册。

注：在注册前，请确保已正确插入无线装置。

注：一个无线装置最多可关联注册**10**个其他无线装置。如果一个无线装置注册的其他无线装置超过**10**个，则最先注册的无线装置会被自动删除。

注：无线启动按钮的具体位置因工具不同而异。

注：当待机开关设为“**AUTO**”（自动）时，也可通过按下电源按钮启动吸尘器。但在使用无线启动功能时，电源按钮不会起作用。

安装无线装置

⚠️小心：安装无线装置时，请将吸尘器放置在平坦且稳固的表面上。

注意：安装无线装置前，请先清洁吸尘器上的灰尘和污垢。如果灰尘和污垢进入无线装置的插槽，则可能会导致其发生故障。

注意：为避免静电导致故障发生，拿起无线装置前，请先触摸静电释放材料，例如金属部件。

注意：安装无线装置时，务必确保沿正确方向插入无线装置，且将封盖完全关闭。

1. 如图所示打开吸尘机的封盖。

▶ **图片28：** 1. 封盖

2. 将无线装置插入插槽，然后关闭封盖。插入无线装置时，请将凸起部分对齐插槽上的凹陷部分。

▶ **图片29：** 1. 无线装置 2. 突起部分 3. 封盖 4. 凹陷部分

拆下无线装置时，请缓慢打开封盖。封盖后面的挂钩在拉起封盖时会钩住无线装置。

▶ **图片30：** 1. 无线装置 2. 挂钩 3. 封盖

取下无线装置后，请将其放在随附的盒中或防静电的容器中。

注意：取下无线装置时，务必使用封盖后面的挂钩。如果挂钩未钩住无线装置，请完全关闭封盖，然后再缓慢打开。

吸尘器的工具注册

注：进行工具注册需要支持无线启动功能的**Makita**（牧田）电动工具。

注：开始工具注册前，请先将无线装置安装至工具。

注：工具注册期间，请勿扣动工具上的开关扳机，或打开吸尘器上的电源开关。

注：请参阅工具的使用说明书。

如果您希望吸尘器可随工具的开关操作而启动，请预先完成工具注册。

1. 分别将无线装置安装至吸尘机和工具。

2. 安装吸尘器和工具的电池。

3. 将吸尘器上的待机开关拧至“**AUTO**”（自动）位置。

▶ **图片31：** 1. 待机开关

4. 按住吸尘器上的无线启动按钮**3**秒，直至无线启动指示灯呈绿色闪烁。然后以相同的方式按工具上的无线启动按钮。

▶ **图片32：** 1. 无线启动按钮 2. 无线启动指示灯

如果吸尘器和工具成功闪烁，无线启动指示灯将呈绿色亮起**2**秒，然后开始呈蓝色闪烁。

注：无线启动指示灯在**20**秒后结束绿色闪烁。当吸尘器上的无线启动指示灯闪烁时，按下工具上的无线启动按钮。如果无线启动指示灯未呈绿色闪烁，短按一下无线启动按钮，然后再次按住该按钮。

注：对吸尘器执行两个或以上工具注册时，请逐个完成工具注册。

启动无线启动功能

注：完成吸尘器无线启动功能的工具注册。

注：放置吸尘器时，务必使自己可以随时看到无线启动指示灯的状态。

注：请参阅工具的使用说明书。

将工具注册至吸尘器后，吸尘器会随着工具的开关操作自动运行。

1. 分别将无线装置安装至吸尘机和工具。

2. 安装吸尘器和工具的电池。

3. 将吸尘器的软管连接至工具。

▶ **图片33**

4. 将吸尘器上的待机开关拧至“**AUTO**”（自动）位置。

▶ **图片34：** 1. 待机开关

5. 短按一下工具上的无线启动按钮。无线启动指示灯将呈蓝色闪烁。

► **图片35:** 1. 无线启动按钮 2. 无线启动指示灯

6. 打开工具。检查工具运转期间吸尘器是否运行。

小心: 使用工具开始作业前, 务必检查无线启动功能是否工作。

要停止无线启动功能, 请按下工具上的无线启动按钮, 或将待机开关拧至“**I**”或“**O**”侧。

注: 闲置2小时无操作后, 工具上的无线启动指示灯会停止蓝色闪烁。此时, 请将吸尘器上的待机开关拧至“**AUTO**”（自动）位置, 并再次按下工具上的无线启动按钮。

注: 吸尘器会延迟启动 / 停止。吸尘器检测工具的开关操作会存在时滞。

注: 无线装置的传送距离视位置和周边环境不同而异。

注: 当一个吸尘器被注册了两个或多个工具时, 则即使您未开启工具, 该吸尘器也可能因为其他用户正在使用无线启动功能而开始运行。

取消吸尘器的工具注册

取消吸尘器的工具注册时, 请执行以下步骤。

1. 分别将无线装置安装至吸尘机和工具。
2. 安装吸尘器和工具的电池。
3. 将吸尘器上的待机开关拧至“**AUTO**”（自动）位置。

► **图片36:** 1. 待机开关

4. 按住吸尘器上的无线启动按钮**6**秒。无线启动指示灯呈绿色闪烁, 然后转为红色。然后以相同的方式按工具上的无线启动按钮。

► **图片37:** 1. 无线启动按钮 2. 无线启动指示灯

如果成功执行取消工具注册, 无线启动指示灯将呈红色亮起**2**秒, 然后开始呈蓝色闪烁。

注: 无线启动指示灯在**20**秒后结束红色闪烁。当吸尘器上的无线启动指示灯闪烁时, 按下工具上的无线启动按钮。如果无线启动指示灯未呈红色闪烁, 短按一下无线启动按钮, 然后再次按住该按钮。

删除所有工具注册

您可以按照如下方式删除所有工具注册。

► **图片38:** 1. 待机开关 2. 无线启动按钮 3. 无线启动指示灯

1. 将无线装置安装至吸尘器。
2. 安装吸尘器的电池。
3. 将待机开关拧至“**AUTO**”（自动）位置。
4. 按住无线启动按钮约**6**秒, 直至无线启动指示灯呈红色闪烁（约每秒闪烁两次）。
5. 当无线启动指示灯开始呈红色闪烁时, 请松开按在无线启动按钮上的手指。然后再次按住无线启动按钮约**6**秒。
6. 当无线启动指示灯开始快速闪烁（约每秒闪烁**5**次）时, 请松开按在无线启动按钮上的手指。当无线启动功能指示灯呈红色亮起并随后熄灭时, 所有工具注册均已删除。

注: 如果无线启动指示灯未呈红色闪烁, 短按一下无线启动按钮, 然后重试。

无线启动指示灯状态的说明

► 图片39: 1. 无线启动按钮 2. 无线启动指示灯

无线启动指示灯显示无线启动功能的状态。关于指示灯状态的意义请参阅下表。

状态	无线启动指示灯			说明	
	颜色	 亮起	 闪烁		时长 (大约)
待机	蓝色			吸尘器： 继续工作 工具： 2小时	等待工具注册或无线启动功能生效。 当待机开关拧至 AUTO （自动）位置时，吸尘器上的指示灯闪烁。按下无线启动按钮时，工具上的指示灯闪烁。2小时无操作后工具上的指示灯会自动熄灭。
				工具正在运行时。	吸尘器的无线启动可用且工具正在运行。
工具注册	绿色			20秒	准备好进行工具注册。搜索要注册的工具。
				2秒	完成工具注册。无线启动指示灯将开始呈蓝色闪烁。
取消 / 删除工具注册	红色	 (慢速： 2次 / 秒)		20秒	准备好取消工具注册。搜索要取消的工具。
		 (快速： 5次 / 秒)		按下无线启动功能时。	准备删除所有工具注册。
				2秒	工具注册已取消 / 删除。无线启动指示灯将开始呈蓝色闪烁。
其它	红色			3秒	向无线装置供电，且无线启动功能启动。
	熄灭	-		-	待机开关未拧至“ AUTO ”（自动）位置。

无线启动功能的故障排除

请求维修前，请首先自行检查。如果您发现本手册中未作说明的问题，请勿拆解工具。而请联络Makita（牧田）授权维修服务中心，务必使用Makita（牧田）的替换部件进行修复。

异常状态	可能原因（故障）	纠正措施
无线启动指示灯未亮起 / 闪烁。	无线装置未安装至吸尘机和 / 或工具。 无线装置未正确安装至吸尘机和 / 或工具。	正确安装无线装置。
	无线装置的端子和 / 或插槽脏污。	轻轻擦除无线装置端子上的灰尘和污垢并清洁吸尘机和 / 或工具上的插槽。
	未按工具上的无线启动按钮。	短按一下工具上的无线启动按钮。
	吸尘器上的待机开关未拧至“ AUTO ”（自动）位置。	将吸尘器上的待机开关拧至“ AUTO ”（自动）位置。
	未通电	接通工具和吸尘器电源。
未成功完成工具注册 / 取消工具注册操作。	无线装置未安装至吸尘机和 / 或工具。 无线装置未正确安装至吸尘机和 / 或工具。	正确安装无线装置。
	无线装置的端子和 / 或插槽脏污。	轻轻擦除无线装置端子上的灰尘和污垢并清洁吸尘机和 / 或工具上的插槽。
	吸尘器上的待机开关未拧至“ AUTO ”（自动）位置。	将吸尘器上的待机开关拧至“ AUTO ”（自动）位置。
	未通电	接通工具和吸尘器电源。
	错误操作	短按一下无线启动按钮，并再次执行工具注册 / 取消工具注册操作步骤。
	工具和吸尘器相隔较远（超出传送范围）。	缩短工具和吸尘器之间的距离。它们之间的最大距离为约 10m ，该距离视实际环境不同而异。
	完成工具注册 / 取消工具注册之前： -打开了工具的开关； -打开了吸尘器上的电源按钮。	短按一下无线启动按钮，并再次执行工具注册 / 取消工具注册操作步骤。
	工具或吸尘器的工具注册步骤未完成。	同时对工具和吸尘器执行工具注册步骤。
	其它设备的无线电干扰会产生高强度的无线电波。	使工具和吸尘器远离 Wi-Fi 设备和微波炉等电器。

异常状态	可能原因（故障）	纠正措施
吸尘器未随着工具的开关操作而运行。	无线装置未安装至吸尘机和 / 或工具。 无线装置未正确安装至吸尘机和 / 或工具。	正确安装无线装置。
	无线装置的端子和 / 或插槽脏污。	轻轻擦除无线装置端子上的灰尘和污垢并清洁吸尘机和 / 或工具上的插槽。
	未按工具上的无线启动按钮。	短按一下无线启动按钮，确保无线启动指示灯呈蓝色闪烁。
	吸尘器上的待机开关未拧至“ AUTO ”（自动）位置。	将吸尘器上的待机开关拧至“ AUTO ”（自动）位置。
	吸尘器可注册超过 10 个工具。	请再次执行工具注册。 如果吸尘器注册的工具超过 10 个，则最先注册的工具会被自动删除。
	吸尘器删除了所有工具注册。	再次执行工具注册。
	未通电	接通工具和吸尘器电源。
	工具和吸尘器相隔较远（超出传送范围）。	缩短工具和吸尘器之间的距离。它们之间的最大距离为约 10m ，该距离视实际环境不同而异。
	其它设备的无线电干扰会产生高强度的无线电波。	使工具和吸尘器远离 Wi-Fi 设备和微波炉等电器。
	工具未运转但吸尘器运行。	其他用户正在他们的工具上使用该吸尘器的无线启动功能。
无法全部删除吸尘器中的工具注册。	按一下工具上的无线按钮。	按一下吸尘器上的无线按钮以删除所有工具注册。
	吸尘器上的待机开关未拧至“ AUTO ”（自动）位置。	将吸尘器上的待机开关拧至“ AUTO ”（自动）位置。
	未正确按住无线启动按钮。	按住无线启动按钮 6 秒以上，当无线启动指示灯呈红色闪烁时释放按钮。再次按住无线启动按钮 6 秒以上，直至无线启动指示灯呈红色快速闪烁后再释放按钮。

保养

⚠小心： 检查或保养工具之前，请务必关闭机器并取出电池组。

注意： 切勿使用汽油、苯、稀释剂、酒精或类似物品清洁工具。否则可能会导致工具变色、变形或出现裂缝。

为了保证产品的安全与可靠性，维修、任何其他维修保养或调节需由Makita（牧田）授权的或工厂维修服务中心完成。务必使用Makita（牧田）的替换部件。

附件的存放

喷嘴和刷子等不使用的配件和附件可以卡住并存放在集尘器后部的多功能挂钩中。

► **图片40：** 1. 多功能挂钩 2. 不使用的配件和附件

集尘器暂时不用时，管子（安装有选购的止动件）可以放入管支架。

► **图片41：** 1. 止动件（选购附件） 2. 管支架

可以将软管围绕集尘器的外壳或把手缠绕存放。可以将其首尾相连，然后挂在提起的把手上。或者将其根端安装在软管入口，垂下的一端捆扎后挂在多功能挂钩上。

► **图片42**

► **图片43**

清理粉末过滤器（HEPA）和预过滤器

由于过滤器和减震器堵塞可能导致集尘性能不良，请定期清洁粉末过滤器、预过滤器和减震器。

定期用手擦除并抖掉过滤器和减震器上的灰尘。

► **图片44：** 1. 预过滤器

► **图片45：** 1. 减震器 2. 粉末过滤器（HEPA）

不时用水清洗粉末过滤器，使用前在阴凉的地方冲洗并彻底晾干。切勿在洗衣机中清洗过滤器。

► **图片46**

注： 请勿用刷子和清洗板等硬物摩擦或刮蹭粉末过滤器、预过滤器或减震器。

注： 过滤器会因使用时间的增加而磨损。建议购买一些备用。

选购附件

⚠小心： 这些附件或装置专用于本说明书所列的Makita（牧田）工具。如使用其他厂牌附件或装置，可能导致人身伤害。仅可将附件或装置用于规定目的。

如果您需要了解更多关于这些选购附件的信息，请咨询当地的Makita（牧田）维修服务中心。

- 软管
- 前端管口（22、24、38）
- 直管
- 伸延杆
- 角落集尘口
- 圆刷
- 粉末过滤器，HEPA（干尘）
- 减震器
- 预过滤器
- 集尘口组件
- 弯管
- 聚乙烯袋
- 集尘纸包
- MAKPAC适配器
- 无线装置
- Makita（牧田）原装电池和充电器

注： 本列表中的一些部件可能作为标准配件包含于工具包装内。它们可能因销往国家之不同而异。

PERINGATAN

- Pengisap ini tidak dimaksudkan untuk digunakan oleh orang termasuk anak-anak dengan kemampuan fisik, indra, atau mental terbatas atau orang yang tidak berpengalaman.
- Awasi anak-anak untuk memastikan mereka tidak bermain-main dengan pembersih ini.
- Lihat bagian "SPESIFIKASI" untuk mengetahui referensi tipe baterai.
- Lihat bagian "Memasang atau melepas kartrid baterai" untuk mengetahui cara mengganti atau memasang baterai.
- Ketika membuang kartrid baterai, lepaskan dari mesin dan buang ke tempat yang aman. Patuhi peraturan setempat yang berkaitan dengan pembuangan baterai.
- Jika mesin tidak digunakan dalam jangka waktu yang lama, baterai harus dilepas dari mesin.
- Jangan menghubungkan terminal kartrid baterai.
- Lihat bagian "PEMELIHARAAN" untuk mengetahui detail tindakan pencegahan yang sesuai selama perawatan oleh pengguna.

SPESIFIKASI

Model:	VC002GL	VC004GL
Tipe saringan standar	Saringan serbuk (untuk debu kering)	
Volume udara maksimum pada ujung selang (dengan selang BL4040, ø38 mm x 2,5 m)	2,7 m ³ /min	
Volume udara maksimum pada turbin (dengan BL4040)	4,2 m ³ /min	
Isapan (dengan BL4040)	23 kPa	
Kapasitas yang dapat dipulihkan	8 L	15 L
Dimensi (P x L x T)	366 mm x 334 mm x 425 mm	366 mm x 334 mm x 475 mm
Tegangan terukur	D.C. 36 V - 40 V maks	
Berat bersih	8,3 - 11,4 kg	8,6 - 11,7 kg
Derajat perlindungan	IPX4	

- Karena kesinambungan program penelitian dan pengembangan kami, spesifikasi yang disebutkan di sini dapat berubah tanpa pemberitahuan.
- Spesifikasi dan kartrid baterai dapat berbeda dari satu negara ke negara lainnya.
- Berat tidak termasuk aksesoris selain kartrid baterai. Berat gabungan paling ringan dan paling berat dari peralatan dan kartrid baterai ditampilkan dalam tabel.
- Untuk debu basah, dibutuhkan float dan saringan air atau saringan kain.

Kartrid dan pengisi daya baterai yang dapat digunakan

Kartrid baterai	BL4020 / BL4025 / BL4040* / BL4050F* / BL4080F* * : Baterai yang direkomendasikan
Pengisi daya	DC40RA / DC40RB / DC40RC

- Beberapa kartrid baterai dan pengisi daya yang tercantum di atas mungkin tidak tersedia, tergantung wilayah tempat tinggal Anda.

⚠ PERINGATAN: Hanya gunakan kartrid dan pengisi daya baterai yang tercantum di atas. Penggunaan kartrid dan pengisi daya baterai lain dapat menimbulkan risiko cedera dan/atau kebakaran.

Simbol

Berikut ini adalah simbol-simbol yang dapat digunakan pada peralatan ini. Pastikan Anda memahami arti masing-masing simbol sebelum menggunakan peralatan.



Baca petunjuk penggunaan.



Berhati-hatilah dan pusatkan perhatian Anda.



Peringatan! Mesin mungkin mengandung debu berbahaya.



Dilarang berdiri di atas mesin.



Debu kelas L (ringan). Mesin dapat mengisap debu kelas L. Ikuti peraturan negara Anda terkait dengan debu dan kesehatan dan keselamatan kerja.



Hanya untuk negara-negara UE
Akibat adanya komponen berbahaya dalam peralatan, limbah peralatan listrik dan elektronik, aki dan baterai dapat memiliki dampak negatif pada lingkungan dan kesehatan manusia.
Jangan buang peralatan listrik dan elektronik atau baterai bersama limbah rumah tangga!
Sesuai dengan Petunjuk Eropa tentang limbah peralatan listrik dan elektronik dan tentang aki dan baterai serta limbah aki dan baterai, serta penyesuaiannya terhadap undang-undang nasional, limbah peralatan listrik, baterai dan aki harus disimpan secara terpisah dan dikirim ke tempat pengumpulan terpisah untuk sampah kota, beroperasi sesuai dengan peraturan tentang perlindungan lingkungan.
Hal ini ditunjukkan dengan simbol tempat sampah bersilang yang ditempatkan pada peralatan.

Penggunaan

Peralatan ini digunakan untuk membersihkan debu kering. Peralatan ini cocok untuk penggunaan komersial, misalnya di hotel, sekolah, rumah sakit, pabrik, toko, kantor dan bisnis penyewaan.

PERINGATAN KESELAMATAN

Peringatan keselamatan penyedot debu nirkabel

PERINGATAN: PENTING BACALAH semua peringatan keselamatan dan semua petunjuk **SEBELUM MENGGUNAKAN DENGAN SAKSAMA.** Kelalaian mematuhi peringatan dan petunjuk dapat menyebabkan sengatan listrik, kebakaran, dan/atau cedera serius.

1. Sebelum penggunaan, pastikan pengisap digunakan oleh orang yang telah memahami petunjuk penggunaan pengisap ini.
2. Sebelum penggunaan, operator harus mendapatkan informasi, instruksi, dan pelatihan untuk penggunaan mesin dan bahan-bahan yang akan digunakan, termasuk metode yang aman untuk pembersihan dan pembuangan material terkumpul.
3. Selalu pastikan bahwa saringan dipasang dengan benar sebelum menggunakan. Jangan menggunakan pengisap tanpa saringan pada tempatnya. Segera ganti saringan yang rusak. Disarankan untuk memiliki cadangan karena saringan adalah item habis pakai.
4. **HINDARI PENYALAAAN YANG TIDAK DISENGAJA.** Pastikan sakelar di posisi OFF saat memasang baterai.
5. Jangan gunakan untuk membersihkan bahan yang mudah terbakar, kembang api, rokok menyala, abu panas, serpihan logam panas, benda tajam seperti pisau cukur, jarum, pecahan kaca, atau sejenisnya.
6. **JANGAN GUNAKAN PENGISAP DI DEKAT BENSIN, GAS, CAT, PEREKAT, ATAU BAHAN LAINNYA YANG MUDAH MELEDAK.** Sakelar memercikkan api saat dinyalakan dan dimatikan. Begitu pula komutator motor saat pengoperasian. Dapat terjadi ledakan.
7. Jangan gunakan untuk membersihkan bahan beracun, karsinogenik, mudah terbakar, atau bahan berbahaya lain seperti asbes, arsenik, barium, berilium, timbal, pestisida, atau bahan lain yang berbahaya bagi kesehatan.
8. Selalu letakkan pengisap pada permukaan rata horizontal untuk mencegahnya terjatuh atau bergerak tanpa disengaja.
9. Jangan pernah gunakan pengisap di luar ruangan saat hujan.
10. Di Finlandia, mesin ini tidak digunakan di luar ruangan pada suhu rendah.
11. Jangan gunakan di dekat sumber panas (kompor, dsb.).
12. Jika udara pembuangan kembali ke ruangan, perlu disediakan laju pergantian udara yang memadai di dalam ruangan. Rujukan ke regulasi Nasional diperlukan.
13. Jangan menghalangi ventilasi inlet/ stopkontak/pendingin pengisap. Ventilasi ini berfungsi mendinginkan motor. Jangan sampai terhalang karena motor dapat terbakar akibat kekurangan ventilasi.
14. Selalu jaga pijakan dan keseimbangan yang tepat.
15. Jangan menekuk, menarik, atau menginjak kabel.
16. Segera hentikan pengisap jika kinerjanya buruk atau terjadi hal yang tidak wajar selama pengoperasian.
17. **LEPASKAN BATERAI.** Saat tidak digunakan, sebelum diperbaiki, dan saat mengganti aksesori.

18. Bersihkan dan rawat pengisap segera setelah selesai digunakan untuk menjaganya tetap dalam kondisi operasi yang prima.
 19. **RAWATLAH PENGISAP DENGAN BAIK.** Jaga agar pengisap tetap bersih untuk mendapatkan kinerja yang lebih baik dan aman. Ikuti petunjuk saat mengganti aksesoris. Jagalah agar gagang kering, bersih, serta bebas dari minyak dan gemuk.
 20. **PERIKSA BAGIAN YANG RUSAK.** Sebelum terus menggunakan pengisap, pelindung dan bagian lainnya yang rusak harus diperiksa secara cermat untuk menentukan apakah pengisap akan bekerja dengan baik dan berfungsi sesuai yang diharapkan. Periksa kesejajaran bagian yang berputar, macetnya gerakan bagian yang berputar, kerusakan komponen, kondisi pemasangan dan hal lain yang dapat memengaruhi kerja pengisap. Pelindung atau bagian lain yang rusak harus diperbaiki dengan benar atau diganti oleh pusat layanan resmi kecuali jika diindikasikan lain dalam petunjuk penggunaan ini. Ganti sakelar-sakelar yang rusak oleh pusat layanan resmi. Jangan gunakan pengisap jika sakelar tidak dapat menyalakan dan mematikan pengisap.
 21. Untuk pemberian layanan pengguna, mesin harus dibongkar, dibersihkan dan diservis, sejauh dapat dilakukan secara wajar, tanpa menimbulkan risiko bagi staf pemeliharaan dan orang lain.
 22. Mesin harus diperiksa secara teknis oleh produsen, atau seorang ahli, setidaknya setiap tahun, yang terdiri atas, misalnya, pemeriksaan kerusakan saringan, kekedapan udara mesin, dan fungsi mekanisme kontrol yang tepat.
 23. Saat melakukan servis atau operasi perbaikan, semua item terkontaminasi yang tidak dapat dibersihkan dengan sempurna harus dibuang; item tersebut harus dibuang dalam kantong rapat kedap air sesuai dengan peraturan terkini untuk pembuangan limbah tersebut.
 24. **SUKU CADANG PENGGANTI.** Saat melakukan perbaikan, gunakan hanya suku cadang pengganti yang serupa.
 25. **SIMPAN PENGISAP SAAT TIDAK DIGUNAKAN.** Saat tidak digunakan, pengisap harus disimpan dalam ruangan.
 26. Tangani pengisap dengan hati-hati. Penanganan yang kasar dapat menyebabkan kerusakan pada pengisap paling kokoh sekalipun.
 27. Jangan bersihkan bagian luar pengisap dengan benzena, tiner, atau bahan kimia pembersih. Penggunaan bahan tersebut dapat menimbulkan keretakan dan perubahan warna.
 28. Jangan gunakan pengisap di ruangan tertutup yang terdapat uap yang mudah terbakar, mudah meledak, atau beracun yang berasal dari cat berbasis dasar minyak, tiner cat, bensin, bahan antirayap, dsb. atau di area di mana terdapat debu yang mudah terbakar.
 29. Jangan mengoperasikan mesin ini atau alat lainnya saat berada dalam pengaruh obat atau alkohol.
 30. Sesuai aturan dasar keselamatan, gunakan kacamata pengaman dengan pelindung samping.
 31. Gunakan masker debu dalam kondisi kerja yang berdebu.
 32. Pengisap ini tidak dimaksudkan untuk digunakan oleh orang termasuk anak-anak dengan kemampuan fisik, indra, atau mental terbatas atau orang yang tidak berpengalaman.
 33. Awasi anak-anak untuk memastikan mereka tidak bermain-main dengan pembersih ini.
 34. Dilarang memegang baterai atau pengisap dengan tangan yang basah.
 35. Berhati-hatilah saat membersihkan tangga.
 36. Jangan gunakan pengisap sebagai tempat duduk atau meja kerja. Pengisap dapat jatuh dan menyebabkan cedera.
 37. Jangan mengisap busa atau cairan sabun. Hal ini dapat menyebabkan keluarnya busa dari jalan keluar udara, mengakibatkan sengatan listrik dan kerusakan pada pengisap.
- Penggunaan dan pemeliharaan mesin bertenaga baterai**
1. Isi ulang baterai hanya dengan pengisi daya yang ditentukan oleh pabrikan. Pengisi daya yang cocok untuk satu jenis paket baterai dapat menimbulkan risiko kebakaran ketika digunakan untuk paket baterai yang lain.
 2. Gunakan mesin listrik hanya dengan paket baterai yang telah ditentukan secara khusus. Penggunaan paket baterai lain dapat menimbulkan risiko cedera dan kebakaran.
 3. Ketika paket baterai tidak digunakan, jauhkan dari benda logam lain, seperti penjepit kertas, uang logam, kunci, paku, sekrup atau benda logam kecil lainnya, yang dapat menghubungkan satu terminal ke terminal lain. Hubungan singkat terminal baterai dapat menyebabkan luka bakar atau kebakaran.
 4. Pemakaian yang salah, dapat menyebabkan keluarnya cairan dari baterai; hindari kontak. Jika terjadi kontak secara tidak sengaja, bilas dengan air. Jika cairan mengenai mata, cari bantuan medis. Cairan yang keluar dari baterai bisa menyebabkan iritasi atau luka bakar.
 5. Jangan menggunakan paket baterai atau mesin yang sudah rusak atau telah diubah. Baterai yang rusak atau telah diubah dapat menyebabkan hal-hal yang tidak dapat diprediksi yang dapat menyebabkan kebakaran, ledakan atau risiko cedera.
 6. Jangan membiarkan paket baterai atau mesin dekat dengan api atau suhu yang berlebihan. Pajanan api atau suhu di atas 130 °C dapat menyebabkan ledakan.

- Ikuti semua petunjuk pengisian daya dan jangan mengisi daya paket baterai atau mesin di luar rentang suhu yang ditentukan di panduan. Mengisi daya secara tidak tepat atau pada suhu di luar rentang yang ditentukan dapat merusak baterai dan meningkatkan risiko kebakaran.

SIMPAN PETUNJUK INI.

⚠PERINGATAN: JANGAN biarkan kenyamanan atau terbiasanya Anda dengan produk (karena penggunaan berulang) mengurangi kepatuhan yang ketat terhadap aturan keselamatan untuk produk yang terkait. **PENYALAHGUNAAN** atau kelalaian mematuhi kaidah keselamatan yang tertera dalam petunjuk ini dapat menyebabkan cedera badan serius.

Petunjuk keselamatan penting untuk kartrid baterai

- Sebelum menggunakan kartrid baterai, bacalah semua petunjuk dan penandaan pada (1) pengisi daya baterai, (2) baterai, dan (3) produk yang menggunakan baterai.
- Jangan membongkar atau memodifikasi kartrid baterai. Tindakan tersebut dapat menimbulkan api, panas berlebih, atau ledakan.
- Jika waktu beroperasinya menjadi sangat singkat, segera hentikan penggunaan. Hal tersebut dapat menimbulkan risiko panas berlebih, kemungkinan mengalami luka bakar atau bahkan terjadi ledakan.
- Jika elektrolit mengenai mata Anda, basuh dengan air bersih dan segera cari pertolongan medis. Hal tersebut dapat mengakibatkan hilangnya kemampuan penglihatan Anda.
- Jangan menghubungkan terminal kartrid baterai:
 - Jangan menyentuh terminal dengan bahan penghantar listrik apa pun.
 - Hindari menyimpan kartrid baterai pada wadah yang berisi benda logam lain seperti paku, uang logam, dsb.
 - Jangan membiarkan baterai terkena air atau keuhujan.Hubungan singkat baterai dapat menyebabkan aliran arus listrik yang besar, panas berlebih, kemungkinan mengalami luka bakar dan bahkan kerusakan pada baterai.
- Jangan menyimpan dan menggunakan mesin dan kartrid baterai pada lokasi dengan suhu yang bisa mencapai atau melebihi 50 °C (122 °F).
- Jangan membuang kartrid baterai di tempat pembakaran sampah walaupun benar-benar rusak atau tidak bisa digunakan sama sekali. Kartrid baterai bisa meledak jika terbakar.
- Jangan memaku, memotong, menghancurkan, melempar, menjatuhkan kartrid baterai, atau memukulkan benda keras ke kartrid baterai. Tindakan tersebut dapat menimbulkan api, panas berlebih, atau ledakan.
- Jangan menggunakan baterai yang rusak.

- Baterai litium-ion yang disertakan sesuai dengan persyaratan Perundangan Makanan Berbahaya.**

Harus ada pengawasan untuk pengangkutan komersial misalnya oleh pihak ketiga, ekspeditor, persyaratan khusus terhadap pengemasan dan pelabelan.

Diperlukan adanya konsultasi dengan ahli mengenai material berbahaya untuk persiapan barang yang akan dikirimkan. Perhatikan pula peraturan nasional yang lebih terperinci yang mungkin ada.

Beri perekat atau tutupi bagian yang terbuka dan kemasi baterai dengan cara yang tidak akan menimbulkan pergeseran dalam pengemasan.
- Ketika membuang kartrid baterai, lepaskan dari mesin dan buang ke tempat yang aman. Patuhi peraturan setempat yang berkaitan dengan pembuangan baterai.**
- Gunakan baterai hanya dengan produk yang ditentukan oleh Makita.** Memasang baterai pada produk yang tidak sesuai dapat menyebabkan kebakaran, kelebihan panas, ledakan, atau kebocoran elektrolit.
- Jika mesin tidak digunakan dalam jangka waktu yang lama, baterai harus dilepas dari mesin.**
- Selama dan setelah digunakan, kartrid baterai mungkin menyimpan panas yang dapat menyebabkan luka bakar atau luka bakar suhu rendah.** Perhatikan cara memegang kartrid baterai yang masih panas.
- Jangan langsung menyentuh terminal mesin setelah digunakan karena suhunya mungkin cukup panas untuk menyebabkan luka bakar.**
- Jangan biarkan serpihan, debu, atau tanah menempel di terminal, lubang, dan alur kartrid baterai.** Hal tersebut dapat menyebabkan pemanasan, kebakaran, ledakan, dan kegagalan fungsi mesin atau kartrid baterai, yang mengakibatkan luka bakar atau cedera diri.
- Kecuali jika mesin mendukung penggunaan di dekat saluran listrik bertegangan tinggi, jangan gunakan kartrid baterai di dekat saluran listrik bertegangan tinggi.** Hal tersebut dapat mengakibatkan kegagalan fungsi atau kerusakan mesin maupun kartrid baterai.
- Jauhkan baterai dari jangkauan anak-anak.**

SIMPAN PETUNJUK INI.

⚠PERHATIAN: Gunakan baterai asli Makita. Penggunaan baterai Makita yang tidak asli, atau baterai yang sudah diubah, akan mengakibatkan baterai mudah terbakar, cedera dan kerusakan. Akan menghilangkan garansi Makita pada pengisi daya dan alat Makita.

Tip untuk menjaga agar umur pemakaian baterai maksimum

1. Isi ulang kartrid baterai sebelum habis sama sekali. Selalu hentikan penggunaan mesin dan ganti kartrid baterai jika Anda melihat bahwa mesin kurang tenaga.
2. Jangan pernah mengisi ulang kartrid baterai yang sudah diisi penuh. Pengisian ulang yang berlebihan memperpendek umur pemakaian baterai.
3. Isi ulang kartrid baterai pada suhu ruangan 10 °C - 40 °C. Biarkan kartrid baterai yang panas menjadi dingin terlebih dahulu sebelum diisi ulang.
4. Saat kartrid baterai tidak digunakan, lepaskan dari mesin atau pengisi daya.
5. Isi ulang daya kartrid baterai jika Anda tidak menggunakannya untuk jangka waktu yang lama (lebih dari enam bulan).

Petunjuk keselamatan penting untuk unit nirkabel

1. Jangan membongkar atau memodifikasi unit nirkabel.
2. Jauhkan unit nirkabel dari anak kecil. Jika tidak sengaja tertelan, segera minta pertolongan medis.
3. Gunakan unit nirkabel hanya dengan peralatan Makita.
4. Pastikan unit nirkabel tidak keujanan atau basah.
5. Jangan menggunakan unit nirkabel di tempat-tempat yang bersuhu lebih dari 50°C.
6. Jangan menggunakan unit nirkabel di tempat-tempat yang dekat dengan peralatan medis, seperti alat pacu jantung.
7. Jangan menggunakan unit nirkabel di tempat-tempat yang dekat dengan perangkat otomatis. Jika tetap digunakan, perangkat otomatis dapat menjadi tidak berfungsi atau rusak.
8. Jangan mengoperasikan unit nirkabel di tempat-tempat yang dapat menghasilkan listrik statis atau gangguan listrik.
9. Unit nirkabel dapat menghasilkan medan magnet (EMF), tetapi medan magnet ini tidak berbahaya bagi pengguna.
10. Unit nirkabel merupakan suatu peralatan yang akurat. Berhati-hatilah jangan sampai unit nirkabel jatuh atau terbentur.
11. Jangan menyentuh terminal unit nirkabel dengan tangan tanpa pelindung atau dengan barang berbahan logam.
12. Selalu lepaskan baterai dari produk ketika memasang unit nirkabel ke dalamnya.
13. Ketika membuka penutup celah hindari tempat yang dapat mengakibatkan debu dan air masuk ke dalam celah. Selalu jaga tempat masuk celah dalam keadaan bersih.
14. Selalu masukkan unit nirkabel dengan arah yang benar.
15. Jangan menekan tombol pengaktifan nirkabel pada unit nirkabel terlalu kuat dan/atau menekan tombol dengan benda berujung tajam.
16. Selalu tutup bagian penutup celah selama digunakan.
17. Jangan melepaskan unit nirkabel dari celah ketika daya sedang mengalir ke dalam mesin. Melakukan hal ini dapat menyebabkan kerusakan fungsi pada unit nirkabel.
18. Jangan melepaskan stiker pada unit nirkabel.
19. Jangan menempelkan stiker apa pun pada unit nirkabel.
20. Jangan meninggalkan unit nirkabel di tempat yang dapat menghasilkan listrik statis atau gangguan listrik.
21. Jangan meninggalkan unit nirkabel di tempat dengan panas tinggi seperti pada mobil di bawah sinar matahari langsung.
22. Jangan meninggalkan unit nirkabel di tempat berdebu atau berserbuk atau di tempat yang dapat menghasilkan gas yang bersifat korosif.
23. Perubahan suhu secara mendadak dapat mengakibatkan unit nirkabel menjadi berembun. Jangan menggunakan unit nirkabel hingga embun telah benar-benar kering.
24. Ketika membersihkan unit nirkabel, usap dengan hati-hati menggunakan kain lembut dan kering. Jangan menggunakan benzena, tiner, gemuk konduktif atau sejenisnya.
25. Ketika menyimpan unit nirkabel, simpan dalam kotak yang disediakan atau wadah bebas listrik statis.
26. Jangan memasukkan perangkat apa pun selain unit nirkabel Makita ke dalam celah pada mesin.
27. Jangan menggunakan mesin jika penutup celah rusak. Air, debu, dan kotoran yang masuk ke dalam celah dapat mengakibatkan malafungsi.
28. Jangan menarik dan/atau memutar penutup celah lebih dari yang diperlukan. Pasang ke tempatnya semula jika penutup terlepas dari mesin.
29. Ganti penutup celah jika hilang atau rusak.

SIMPAN PETUNJUK INI.

DESKRIPSI KOMPONEN MESIN

- **Gbr.1:** 1. Unit kepala 2. Filter serbuk (HEPA)
3. Peredam 4. Pra-saringan 5. Tangki

DESKRIPSI FUNGSI

⚠️ PERHATIAN: Selalu pastikan bahwa peralatan dimatikan dan kartrid baterai dilepas sebelum menyetel atau memeriksa fungsi pada peralatan.

Memasang atau melepas baterai

⚠️ PERHATIAN: Selalu matikan peralatan sebelum memasang atau melepas kartrid baterai.

⚠️ PERHATIAN: Pegang pengisap dan kartrid baterai dengan kuat saat memasang atau melepas kartrid baterai. Apabila gagal melakukannya dapat menyebabkan mesin dapat terlepas dari tangan Anda, mengakibatkan kerusakan pada pengisap dan kartrid baterai atau cedera badan.

⚠️ PERHATIAN: Berhati-hatilah agar jari Anda tidak terjepit saat membuka atau menutup tutup baterai. Kelalaian dalam melakukannya dapat menyebabkan cedera pribadi.

Pengisap memiliki slot baterai ganda. Dengan dua baterai identik secara paralel, Anda dapat memperpanjang waktu pengoperasian dalam satu atau lebih penggunaan tanpa harus berhenti untuk mengisi ulang baterai. Pengisap juga bekerja dengan baterai tunggal, sehingga Anda dapat memilih dengan baterai ganda atau baterai tunggal sesuai dengan kebutuhan Anda.

► **Gbr.2:** 1. Slot baterai kiri 2. Slot baterai kanan

Dengan baterai ganda

Penggerak berkelanjutan dengan dua baterai memungkinkan waktu kerja yang lebih lama dan pembersihan yang lebih efisien. Saat baterai pertama lemah, pengisap secara otomatis mengganti sumber daya, sehingga ia terus bekerja dengan baterai kedua.

CATATAN: Slot baterai kiri (saat menghadap ke depan pengisap) memiliki prioritas dibandingkan slot baterai kanan. Slot baterai kanan hanya akan diidentifikasi sebagai sumber daya, baik saat tidak ada baterai yang dipasang di slot baterai kiri maupun baterai di slot baterai kiri menjadi kosong.

CATATAN: Anda dapat melepaskan baterai dari slot baterai kiri dan mengisi ulang setelah pengisap mengalihkan sumber dayanya dari slot baterai kiri ke kanan tanpa menghentikan pengoperasian. Untuk memprioritaskan kembali ke slot baterai kiri setelah memasang baterai yang sudah diisi ulang, hidupkan ulang pengisap.

Dengan baterai tunggal

Hanya satu baterai yang dibutuhkan sebagai sumber daya baik di slot baterai kiri maupun kanan. Pengisap secara otomatis menentukan slot baterai mana yang tersedia sesuai dengan kondisi pengoperasian.

Pemasangan dan pembongkaran

Untuk memasang kartrid baterai, lepaskan kunci terlebih dahulu, dan buka tutup baterai. Kemudian masukkan kartrid baterai.

► **Gbr.3:** 1. Kunci 2. Kotak baterai

Sejajarkan lidah pada kartrid baterai dengan alur di rumahan baterai dan masukkan ke dalam tempatnya. Masukkan seluruhnya sampai terkunci pada tempatnya hingga terdengar bunyi klik kecil. Kemudian kunci penutup baterai.

► **Gbr.4:** 1. Kartrid baterai 2. Tombol

Untuk melepas kartrid baterai, geser dari rumahan baterai sambil menekan dan menahan tombol di bagian depan kartrid.

⚠️ PERHATIAN: Selalu pasang kartrid baterai dengan penuh. Jika tidak, kartrid baterai dapat terlepas dari peralatan secara tidak sengaja, menyebabkan cedera pada Anda atau orang di sekitar Anda.

⚠️ PERHATIAN: Jangan memasang kartrid baterai secara paksa. Jika kartrid tidak bergeser dengan mudah, berarti tidak dimasukkan dengan benar.

CATATAN: Saat pengisap mengalihkan sumber daya dari baterai pertama ke baterai kedua, operasi mungkin perlu dihentikan sementara, menyebabkan sedikit hilangnya daya isap. Harap dicatat bahwa ini bukan kerusakan sehingga pengisap pulih dan melanjutkan operasi segera setelah jeda.

Mengindikasikan kapasitas baterai yang tersisa

Tekan tombol pemeriksaan pada kartrid baterai untuk melihat kapasitas baterai yang tersisa. Lampu indikator menyala selama beberapa detik.

► **Gbr.5:** 1. Lampu indikator 2. Tombol pemeriksaan

Lampu indikator			Kapasitas yang tersisa
Menyala	Mati	Berkedip	
■	□	◐	75% hingga 100%
■	■	□	50% hingga 75%
■	■	□	25% hingga 50%
■	□	□	0% hingga 25%
◐	□	□	Isi ulang baterai.
■	■	□	Baterai mungkin sudah rusak.
□	□	■	

CATATAN: Tergantung kondisi penggunaan dan suhu lingkungannya, penunjukkan mungkin saja sedikit berbeda dari kapasitas sebenarnya.





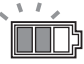
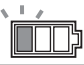


CATATAN: Lampu indikator pertama (ujung kiri) akan berkedip ketika sistem perlindungan mesin bekerja.

Indikator baterai pada panel kontrol

Kapasitas baterai yang tersisa dapat dibaca kapan saja pada panel kontrol. Tekan tombol centang, dan indikator kiri dan kanan akan menunjukkan level pengisian baterai secara sesuai.

► **Gbr.6:** 1. Indikator baterai 2. Tombol pemeriksaan

► **Gbr.7**

Status indikator baterai			Kapasitas baterai yang tersisa
 Menyala	 Mati	 Berkedip	
			50% hingga 100%
			20% hingga 50%
			0% hingga 20%
			Isi ulang baterai
			Baterai tidak dimasukkan

CATATAN: Indikator baterai juga akan diaktifkan saat pengisap mulai berfungsi atau mengalihkan sumber dayanya dari satu ke yang lainnya.



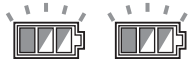
Sistem perlindungan peralatan / baterai

Peralatan ini dilengkapi dengan sistem perlindungan peralatan/baterai. Sistem ini memutuskan aliran daya ke motor secara otomatis untuk memperpanjang umur pakai peralatan dan baterai. Peralatan akan berhenti secara otomatis saat penggunaan jika peralatan atau baterai mengalami salah satu kondisi berikut ini:

Perlindungan kelebihan beban




Jika peralatan/baterai digunakan dengan cara yang menjadikan baterai mengeluarkan arus tinggi yang berlebihan, peralatan akan berhenti secara otomatis. Dalam situasi ini, matikan peralatan dan hentikan pekerjaan yang menyebabkan peralatan mengalami kelebihan beban. Kemudian, nyalakan peralatan untuk kembali melanjutkan pekerjaan.

Perlindungan panas berlebih

 Menyala	 Berkedip
	

Ketika peralatan mengalami panas berlebih, peralatan akan berhenti secara otomatis, dan kedua indikator baterai kiri dan kanan berkedip. Untuk situasi ini,

biarkan peralatan menjadi dingin sebelum dinyalakan kembali.

 Menyala	 Berkedip
	

Ketika baterai mengalami panas berlebih, peralatan berhenti secara otomatis, dan salah satu indikator untuk baterai yang mengalami panas berlebih, akan berkedip. Dalam situasi ini, biarkan baterai menjadi dingin sebelum menyalakan peralatan kembali.

Perlindungan pengisian daya berlebih

Ketika kapasitas baterai melemah, peralatan akan berhenti secara otomatis. Jika peralatan tidak berjalan bersama dengan pengoperasian sakelar, lepaskan baterai dari peralatan dan isi dayanya.

Perlindungan terhadap penyebab lain

Sistem perlindungan juga dirancang untuk penyebab lain yang dapat merusak peralatan dan memungkinkan peralatan untuk berhenti secara otomatis. Lakukan semua langkah berikut ini untuk mengatasi penyebabnya, saat peralatan dihentikan sementara atau berhenti beroperasi.

1. Matikan peralatan, dan kemudian hidupan kembali untuk memulai ulang.
2. Isi baterai atau ganti dengan baterai yang sudah diisi ulang.
3. Biarkan peralatan dan baterai menjadi dingin.

Jika tidak ada peningkatan yang dapat ditemukan dengan memulihkan sistem perlindungan, hubungi Pusat Servis Makita setempat Anda.

Kerja sakelar

Menghidupkan pengisap

1. Putar sakelar siaga dalam posisi "I" (ON) atau "AUTO" (ON) agar pengisap siap dalam mode siaga.
2. Tekan tombol daya. Untuk beralih kembali ke mode siaga, tekan tombol daya kembali.

Mematikan pengisap

Lakukan salah satu langkah berikut.

- Tekan tombol daya untuk mengatur kembali pengisap ke mode siaga, dan kemudian putar sakelar stand by ke posisi "O" (OFF).
- Putar sakelar stand by ke posisi "O" (OFF).

Menyetel tenaga pengisian

Tenaga isapan dapat disesuaikan dengan kebutuhan pekerjaan Anda.

- Putar knob penyetelan daya isapan ke kiri untuk mengurangi tenaga isapan.
- Putar knob penyetelan daya isapan ke kanan untuk menambah tenaga isapan.

► **Gbr.8:** 1. Sakelar stand by 2. Tombol daya 3. Knob penyetelan daya isapan

Mengunci dan membuka kunci roda caster

Roda caster belakang dapat dikunci dengan penghenti untuk membantu pengisap tetap berdiri. Turunkan tuas penghenti dengan tangan untuk mengunci roda caster, dan angkat untuk melepaskannya.

- **Gbr.9:** 1. Roda caster 2. Tuas penghenti 3. Posisi BEBAS 4. Posisi TERBUKA

CATATAN: Saat menggerakkan pengisap, pastikan roda caster tidak terkunci. Menggerakkan pengisap dengan posisi roda caster terkunci dapat menyebabkan kerusakan pada roda caster.

Pegangan mesin

⚠PERHATIAN: Angkat dan bawa peralatan dengan hati-hati. Kelalaian untuk melakukannya dapat mengakibatkan cedera pribadi atau kerusakan pada peralatan.

Saat membawa pengisap, bawa dengan memegang pegangan pada unit kepala. Pegangan dapat dilipat pada unit kepala saat tidak digunakan.

- **Gbr.10**

PERAKITAN

⚠PERHATIAN: Selalu pastikan bahwa peralatan dimatikan dan kartrid baterai dilepas sebelum melakukan pekerjaan apa pun pada peralatan.

⚠PERHATIAN: Selalu gunakan masker debu saat perakitan atau perawatan.

Memasang filter serbuk (HEPA) dan pra-saringan (untuk debu kering)

⚠PERHATIAN: Dilarang mengisap air atau cairan lain atau debu basah saat menggunakan saringan serbuk. Mengisap benda-benda tersebut dapat menyebabkan kerusakan saringan serbuk.

Cara menggunakan saringan serbuk:

1. Tempatkan pra-saringan ke dalam tangki sejajar dengan tanda posisi pemasangan pada pra-saringan dan tangki.
 2. Atur peredam ke dalam pra-saringan, dan kemudian letakkan filter serbuk di atas peredam sejajar dengan tanda posisi pemasangan pada saringan serbuk dan pra-saringan.
 3. Pasang unit kepala di atas tangki dan kencangkan dengan kait pengunci.
- **Gbr.11:** 1. Unit kepala 2. Filter serbuk (HEPA) 3. Peredam 4. Pra-saringan 5. Tangki 6. Tanda posisi pemasangan

PEMBERITAHUAN: Sebelum menggunakan saringan serbuk, pastikan pra-saringan dan peredam selalu digunakan bersamaan. Dilarang memasang saringan serbuk tanpa memasang komponen lainnya.

Memasang saringan kertas

Pilihan Aksesori

⚠PERINGATAN: Sebelum menggunakan saringan kertas, pastikan bahwa pra-saringan digunakan bersamaan. Kelalaian untuk menggunakan pra-saringan bersamaan dapat menyebabkan suara dan panas tidak biasa, yang mengakibatkan terbakar.

PEMBERITAHUAN: Dilarang mengisap air atau cairan lain atau debu basah saat menggunakan saringan kertas. Mengisap benda-benda tersebut dapat menyebabkan kerusakan saringan kertas.

PEMBERITAHUAN: Sebelum menggunakan saringan kertas, pastikan saringan serbuk, peredam, dan pra-saringan selalu digunakan bersamaan.

1. Buka lipatan saringan kertas.
 2. Sejajarkan bukaan saringan kertas dengan pipa masuk debu pada tangki.
 3. Pasang paket kertas ke dalam tangki dengan bukaan karton yang dikaitkan pada pemegang saringan kertas.
- **Gbr.12:** 1. Saringan kertas 2. Bukaan karton 3. Pemegang saringan kertas 4. Pipa masuk debu

Memasang kantong polietilen

Dengan kantong polietilen yang terpasang dalam tangki, Anda dapat dengan mudah mengosongkan tangki tanpa membiarkan tangan Anda kotor.

Letakkan kantong polietilen di atas tangki, dan selipkan satu sisi tepi atas kantong pada ujungnya yang terbuka di antara pelat pemegang dan dinding depan tangki.

- **Gbr.13:** 1. Pelat pemegang 2. Dinding depan tangki 3. Kantong polietilen

Sebarikan tepi atas kantong lainnya ke arah luar melewati tepi atas tangki. Tempatkan pra-saringan di atas kantong polietilen untuk mengencangkan bukaan kantong dengan aman.

- **Gbr.14:** 1. Pra-saringan

CATATAN: Anda dapat menggunakan kantong polietilen yang tersedia di toko. Disarankan menggunakan ukuran 0,04 mm atau lebih tebal.

CATATAN: Debu yang terlalu banyak dapat merobek kantong dengan mudah, jadi jangan mengisap debu lebih dari setengah kapasitas kantong.

Mengosongkan tangki dengan kantong polietilen

PERINGATAN: Selalu pastikan bahwa pengisap telah dimatikan dan kartrid baterai dilepas sebelum mengosongkan tangki. Kelalaian dalam melakukannya dapat mengakibatkan sengatan listrik atau cedera.

PEMBERITAHUAN: Jangan sampai terjadi benturan keras pada tangki. Terjadinya benturan keras dapat menyebabkan perubahan bentuk dan kerusakan komponen.

PEMBERITAHUAN: Kosongkan tangki setidaknya satu kali sehari tetapi hal ini tergantung dari volume debu yang terisap di dalam tangki. Jika tidak, kekuatan isapan akan melemah dan motor dapat rusak.

PEMBERITAHUAN: Dilarang memegang kait atau slot saat mengosongkan tangki. Mencengkeram kait atau slot dapat menyebabkannya patah.

Lepaskan kait pengunci dan angkat unit kepala dari tangki.

Singkirkan debu dari pra-saringan sebelum mengangkat saringan dari tangki.

Kemudian keluarkan kantong polietilen dari tangki, tutup bukaan kantong dengan tangan.

► **Gbr.15:** 1. Kantong polietilen 2. Tangki

CATATAN: Keluarkan kantong polietilen dari tangki dengan hati-hati agar tidak tergores dan robek pada tepi di dalam tangki.

CATATAN: Kosongkan kantong polietilen sebelum penuh. Debu yang terlalu banyak di dalam tangki dapat menyebabkan kantong polietilen robek.

Memasang kait serbaguna

Gunakan kait serbaguna untuk menahan selang, aksesoris dan perangkat tambahan yang tidak digunakan pada tempatnya, dan Anda dapat dengan cepat mengeluarkannya sesuai dengan preferensi Anda.

► **Gbr.16**

Tempatkan kait serbaguna di atas dudukan pemasangan di bagian belakang pengisap, atur rel pada multi kait di sepanjang alur pada dudukan pemasangan.

► **Gbr.17:** 1. Kait serbaguna 2. Dudukan pemasangan

Memasang adaptor MAKPAC

Pilihan Aksesoris

Kasing penyimpanan MAKPAC yang dapat dihubungkan dan dapat ditumpuk dapat dipasang di atas pengisap dengan adaptor opsional. Kasing tersedia dalam berbagai ukuran dan gaya yang sesuai dengan preferensi Anda.

Letakkan kait dudukan pemasangan di atas gagang pengisap dengan permukaan pemasangan menghadap ke atas saat gagang dilipat ke dalam posisi tertutup.

► **Gbr.18:** 1. Kait dudukan pemasangan 2. Permukaan pemasangan 3. Pegangan

Pasang adaptor MAKPAC ke kait dudukan pemasangan, dan kencangkan bersama dengan empat sekrup yang disediakan.

► **Gbr.19:** 1. Adaptor MAKPAC 2. Kait dudukan pemasangan 3. Sekrup

Angkat batang tekan ke atas dan kencangkan kenop untuk menyiapkan pemasangan kasing MAKPAC ke pengisap.

► **Gbr.20:** 1. Batang tekan 2. Kenop

CATATAN: Untuk detail tentang memasang kasing MAKPAC, lihat petunjuk yang disediakan dengan adaptor dan kasing MAKPAC.

Memasang selang

PEMBERITAHUAN: Dilarang menekuk atau menyentak selang secara paksa. Dilarang menggerakkan pengisap dengan menarik selang. Menekuk, menyentak, dan menarik selang dapat menyebabkan kebocoran atau perubahan bentuk selang.

PEMBERITAHUAN: Saat mengisap limbah besar seperti sampah serutan, debu beton atau sejenisnya kecuali limbah kecil, gunakan selang dengan diameter bagian dalam sebesar 38 mm (pilihan aksesoris). Menggunakan selang dengan diameter dalam 28 mm (pilihan aksesoris) dapat menyebabkan tersumbat dan rusaknya selang.

Sambungan ke pengisap

Masukkan ujung selang ke pipa masuk debu (jalan masuk selang) pengisap, kemudian putar searah jarum jam hingga terkunci di tempatnya.

► **Gbr.21:** 1. Selang 2. Pipa masuk debu (jalan masuk selang)

Sambungan dengan mesin kerja Anda (Negara tertentu)

Dengan menyambungkan pengisap debu ke mesin kerja yang tersedia yang kompatibel dengan pengisap, mesin ini berfungsi sebagai pengisap debu untuk mesin daya Anda.

Pilih salah satu manset depan atau sambungan (aksesoris opsional) yang paling sesuai untuk model mesin Anda. Tempatkan manset atau sambungan, jika perlu, di antara ujung depan selang pengisap dan port pembuangan debu pada mesin Anda.

► **Gbr.22:** 1. Manset depan atau sambungan 2. Selang pengisap 3. Mesin daya 4. Pengisap debu

Memasang atau melepas perangkat tambahan pengisap

PERHATIAN: Setelah memasang perangkat tambahan, periksa apakah perangkat sudah terpasang dengan kencang. Jika perangkat tambahan tidak terpasang sempurna, perangkat dapat terlepas dan menyebabkan cedera.

Saat menggunakan perangkat tambahan tanpa fungsi pengunci

Pilihan Aksesori

Masukkan perangkat tambahan ke dalam inlet pengisap pada pengisap dengan mendorong dan mengencangkannya dengan tangan pada tempatnya. Putar dengan tangan dan tarik perangkat tambahan dari inlet pengisap setelah digunakan.

► Gbr.23

Perangkat tambahan dengan fungsi pengunci

Pilihan Aksesori

PEMBERITAHUAN: Saat memasang perangkat tambahan dengan fungsi pengunci, pastikan untuk menyejajarkan tombol pelepas dengan kait pada perangkat tambahan. Jika tidak sejajar, perangkat tambahan tidak akan terkunci dan dapat terlepas dari pembersih.

Masukkan perangkat tambahan ke dalam inlet pengisap pada pengisap dengan mendorongnya bersama-sama dengan sekali klik.

Untuk melepas perangkat tambahan, tarik sambil menekan tombol pelepas.

► Gbr.24: 1. Inlet pengisap dengan fungsi pengunci
2. Tombol pelepas 3. Perangkat tambahan dengan fungsi pengunci

CATATAN: Perangkat tambahan dengan fungsi pengunci hanya dapat dipasang dalam inlet pengisap dengan fungsi pengunci.

► Gbr.25: 1. Perangkat tambahan dengan fungsi pengunci
2. Inlet pengisap dengan fungsi pengunci
3. Inlet pengisap tanpa fungsi pengunci

Menyetel panjang pipa sambungan tipe geser

Pilihan Aksesori

Pipa sambungan tipe geser dapat dikombinasikan untuk panjang yang lebih pendek dan lebih panjang. Hal ini memungkinkan untuk membersihkan area yang sulit dijangkau dan opsi pemosisian yang nyaman.

Tarik masuk dan keluar pipa geser untuk mengubah panjang tongkat sambil menekan dan menahan tombol geser.

Lepaskan tombol geser untuk mengunci pipa geser pada posisi yang Anda inginkan.

► Gbr.26: 1. Pipa geser 2. Tombol geser

FUNGSI PENGAKTIFAN NIRKABEL

Kegunaan dari fungsi pengaktifan nirkabel

Fungsi pengaktifan nirkabel memungkinkan pengoperasian yang bersih dan nyaman. Dengan menyambungkan mesin yang didukung ke pembersih, Anda dapat menjalankan pembersih secara otomatis bersama dengan pengoperasian sakelar mesin.

► Gbr.27

PEMBERITAHUAN: Pastikan telah melihat petunjuk penggunaan mesin saat menggunakan pembersih dengan fungsi pengaktifan nirkabel.

PEMBERITAHUAN: Jangan membongkar atau memodifikasi unit nirkabel.

PEMBERITAHUAN: Untuk menghindari debu masuk ke celah unit nirkabel, selalu tutup penutup dengan kuat selama pengoperasian dan penyimpanan.

PEMBERITAHUAN: Jangan melepaskan unit nirkabel ketika daya sedang dialirkan. Melakukan hal ini dapat menyebabkan kerusakan fungsi pada unit nirkabel.

PEMBERITAHUAN: Jangan menekan tombol pengaktifan nirkabel terlalu kuat dan/atau menekan tombol dengan benda berujung tajam.

CATATAN: Pengaktifan nirkabel memerlukan peralatan Makita yang dilengkapi dengan unit nirkabel.

CATATAN: Sebelum penggunaan awal fungsi pengaktifan nirkabel dengan masing-masing mesin, diperlukan registrasi mesin. Setelah registrasi selesai dengan mesin, registrasi ulang tidak perlu dilakukan kecuali apabila registrasi tersebut dibatalkan.

CATATAN: Sebelum registrasi, pastikan bahwa unit nirkabel telah dimasukkan dengan benar.

CATATAN: Satu unit nirkabel dapat meregistrasi hingga 10 tautan dengan unit nirkabel lain. Jika lebih dari 10 unit nirkabel lain teregistrasi ke satu unit nirkabel, yang teregistrasi paling awal akan dibatalkan secara otomatis.

CATATAN: Terdapat berbagai posisi tombol pengaktifan nirkabel, tergantung pada mesin.

CATATAN: Pembersih juga dijalankan dengan menekan tombol daya saat sakelar siaga disetel ke "AUTO".

Namun, tombol daya tidak akan berfungsi saat fungsi pengaktifan nirkabel digunakan.

Memasang unit nirkabel

PERHATIAN: Letakkan pembersih pada permukaan yang datar dan stabil pada saat memasang unit nirkabel.

PEMBERITAHUAN: Bersihkan debu dan kotoran yang menempel pada pembersih sebelum memasang unit nirkabel. Debu atau kotoran dapat mengakibatkan malafungsi jika masuk ke dalam celah unit nirkabel.

PEMBERITAHUAN: Untuk mencegah terjadinya malafungsi yang disebabkan oleh listrik statis, sentuh bahan yang melepaskan muatan listrik statis, seperti bagian logam, sebelum mengambil unit nirkabel.

PEMBERITAHUAN: Ketika memasang unit nirkabel, selalu pastikan bahwa unit nirkabel dimasukkan dengan arah yang benar dan penutup telah benar-benar ditutup.

1. Buka penutup pada pembersih sebagaimana yang ditunjukkan dalam gambar.

► **Gbr.28:** 1. Penutup

2. Masukkan unit nirkabel ke celah dan kemudian tutup penutup.

Ketika memasang unit nirkabel, sejajarkan proyeksi dengan bagian-bagian ceruk pada celah.

► **Gbr.29:** 1. Unit nirkabel 2. Proyeksi 3. Penutup 4. Bagian-bagian ceruk

Ketika melepaskan unit nirkabel, buka penutup secara perlahan. Kait pada bagian belakang penutup akan mengangkat unit nirkabel ketika Anda menarik penutup.

► **Gbr.30:** 1. Unit nirkabel 2. Kait 3. Penutup

Setelah melepaskan unit nirkabel, simpan unit dalam kotak yang disediakan atau wadah bebas listrik statis.

PEMBERITAHUAN: Selalu gunakan kait pada bagian belakang penutup pada saat melepaskan unit nirkabel. Jika kait tidak mengenai unit nirkabel, tutup penutup sepenuhnya dan buka kembali secara perlahan.

Registrasi mesin untuk pembersih

CATATAN: Mesin Makita yang mendukung fungsi pengaktifan nirkabel diperlukan untuk registrasi mesin.

CATATAN: Selesaikan pemasangan unit nirkabel ke mesin sebelum memulai registrasi mesin.

CATATAN: Selama registrasi mesin, jangan menarik pelatuk sakelar pada mesin atau menghidupkan sakelar daya pada pembersih.

CATATAN: Lihat juga petunjuk penggunaan mesin.

Jika Anda ingin mengaktifkan pembersih bersama dengan pengoperasian sakelar mesin, selesaikan registrasi mesin terlebih dahulu.

1. Pasang unit nirkabel ke pembersih dan mesin, secara berurutan.

2. Pasang baterai ke pembersih dan mesin.

3. Setel sakelar siaga pada pembersih ke "AUTO".

► **Gbr.31:** 1. Sakelar siaga

4. Tekan tombol pengaktifan nirkabel pada pembersih selama 3 detik hingga lampu pengaktifan nirkabel berkedip menjadi warna hijau. Kemudian tekan tombol pengaktifan nirkabel pada mesin dengan cara yang sama.

► **Gbr.32:** 1. Tombol pengaktifan nirkabel 2. Lampu pengaktifan nirkabel

Jika pembersih dan mesin berhasil tersambung, lampu pengaktifan nirkabel akan menyala hijau selama 2 detik dan mulai berkedip dalam warna biru.

CATATAN: Lampu pengaktifan nirkabel akan berhenti berkedip dalam warna hijau setelah 20 detik. Tekan tombol pengaktifan nirkabel pada mesin ketika lampu pengaktifan nirkabel pada pembersih berkedip. Jika lampu pengaktifan nirkabel tidak berkedip dalam warna hijau, tekan tombol pengaktifan nirkabel sebentar dan tahan kembali.

CATATAN: Ketika melakukan registrasi beberapa mesin untuk pembersih, selesaikan registrasi mesin satu demi satu.

Memulai fungsi pengaktifan nirkabel

CATATAN: Selesaikan registrasi mesin untuk pembersih untuk pengaktifan nirkabel.

CATATAN: Selalu posisikan pembersih sehingga Anda dapat melihat status lampu pengaktifan nirkabel.

CATATAN: Lihat juga petunjuk penggunaan mesin.

Setelah registrasi mesin ke pembersih, pembersih akan secara otomatis bekerja bersama dengan pengoperasian sakelar mesin.

1. Pasang unit nirkabel ke pembersih dan mesin, secara berurutan.

2. Pasang baterai ke pembersih dan mesin.

3. Sambung selang pembersih dengan mesin.

► **Gbr.33**

4. Setel sakelar siaga pada pembersih ke "AUTO".

► **Gbr.34:** 1. Sakelar siaga

5. Tekan sebentar tombol pengaktifan nirkabel pada mesin. Lampu pengaktifan nirkabel akan berkedip dalam warna biru.

► **Gbr.35:** 1. Tombol pengaktifan nirkabel 2. Lampu pengaktifan nirkabel

6. Nyalakan mesin. Periksa apakah pembersih bekerja ketika mesin beroperasi.

PERHATIAN: Selalu periksa jika fungsi pengaktifan nirkabel bekerja sebelum memulai pekerjaan dengan mesin.

Untuk menghentikan pengaktifan nirkabel, tekan tombol pengaktifan nirkabel pada mesin, atau setel sakelar siaga pada pembersih ke "I" atau "O".

CATATAN: Lampu pengaktifan nirkabel pada mesin akan berhenti berkedip dalam warna biru jika tidak ada pengoperasian selama 2 jam. Dalam kasus ini, setel sakelar siaga pada pembersih ke "AUTO" dan tekan kembali tombol pengaktifan nirkabel pada mesin.

CATATAN: Pembersih akan mulai/berhenti dengan jeda. Ada jeda waktu ketika pembersih mendeteksi adanya pengoperasian sakelar mesin.

CATATAN: Jarak transmisi unit nirkabel dapat berbeda, tergantung lokasi dan keadaan sekitar.

CATATAN: Ketika dua atau lebih mesin teregistrasi ke satu pembersih, pembersih dapat mulai bekerja walaupun Anda tidak menyalakan mesin karena pengguna lain sedang menggunakan fungsi pengaktifan nirkabel.

Membatalkan registrasi mesin untuk pembersih

Lakukan prosedur berikut ketika membatalkan registrasi mesin untuk pembersih.

1. Pasang unit nirkabel ke pembersih dan mesin, secara berurutan.
2. Pasang baterai ke pembersih dan mesin.
3. Setel sakelar siaga pada pembersih ke "AUTO".
► **Gbr.36:** 1. Sakelar siaga

4. Tekan tombol pengaktifan nirkabel pada pembersih selama 6 detik. Lampu pengaktifan nirkabel berkedip dalam warna hijau dan kemudian akan menjadi merah. Setelah itu, tekan tombol pengaktifan nirkabel pada mesin dengan cara yang sama.

- **Gbr.37:** 1. Tombol pengaktifan nirkabel 2. Lampu pengaktifan nirkabel

Jika pembatalan berhasil dilakukan, lampu pengaktifan nirkabel akan menyala dalam warna merah selama 2 detik dan mulai berkedip dalam warna biru.

CATATAN: Lampu pengaktifan nirkabel berhenti berkedip dalam warna merah setelah 20 detik. Tekan tombol pengaktifan nirkabel pada mesin ketika lampu pengaktifan nirkabel pada pembersih berkedip. Jika lampu pengaktifan nirkabel tidak berkedip dalam warna merah, tekan tombol pengaktifan nirkabel sebentar dan tahan kembali.

Menghapus semua registrasi mesin

Anda dapat menghapus semua registrasi mesin dari pembersih sebagai berikut.

- **Gbr.38:** 1. Sakelar siaga 2. Tombol pengaktifan nirkabel 3. Lampu pengaktifan nirkabel

1. Pasang unit nirkabel ke pembersih.
2. Pasang baterai ke pembersih.
3. Setel sakelar siaga ke "AUTO".
4. Tahan tombol pengaktifan nirkabel selama sekitar 6 detik sampai lampu pengaktifan nirkabel berkedip merah (sekitar dua kali per satu detik).
5. Saat lampu pengaktifan nirkabel mulai berkedip merah, lepaskan jari Anda dari tombol pengaktifan nirkabel. Setelah itu, tekan tombol pengaktifan nirkabel lagi selama sekitar 6 detik.
6. Saat lampu pengaktifan nirkabel mulai berkedip cepat (sekitar 5 kali per satu detik) berwarna merah, lepaskan jari Anda dari tombol pengaktifan nirkabel. Saat lampu pengaktifan nirkabel menyala merah lalu mati, semua registrasi mesin terhapus.

CATATAN: Jika lampu pengaktifan nirkabel tidak berkedip dalam warna merah, tekan tombol pengaktifan nirkabel sebentar dan coba lagi.

Deskripsi mengenai status lampu pengaktifan nirkabel

- **Gbr.39:** 1. Tombol pengaktifan nirkabel 2. Lampu pengaktifan nirkabel

Lampu pengaktifan nirkabel menunjukkan status dari fungsi pengaktifan nirkabel. Lihat pada tabel di bawah untuk mengetahui arti dari status lampu.

Status	Lampu pengaktifan nirkabel			Deskripsi
	Warna	<input type="checkbox"/> Menyala <input type="checkbox"/> Berkedip	Durasi (kira-kira)	
Siaga	Biru	<input type="checkbox"/>	Pembersih: melanjutkan Mesin: 2 jam	Menunggu registrasi mesin atau fungsi pengaktifan nirkabel tersedia. Lampu pada pembersih berkedip jika sakelar siaga disetel ke AUTO. Lampu pada mesin berkedip saat tombol pengaktifan nirkabel ditekan. Lampu pada mesin akan mati secara otomatis ketika tidak ada pengoperasian yang dilakukan selama 2 jam.
		<input type="checkbox"/>	Ketika mesin bekerja.	Tersedia pengaktifan nirkabel pada pembersih dan mesin bekerja.
Registrasi mesin	Hijau	<input type="checkbox"/>	20 detik	Siap untuk registrasi mesin. Mencari mesin yang akan diregistrasi.
		<input type="checkbox"/>	2 detik	Registrasi mesin telah selesai. Lampu pengaktifan nirkabel akan mulai berkedip dalam warna biru.
Membatalkan/menghapus registrasi mesin	Merah	<input type="checkbox"/> (pelan: 2 kali/detik.)	20 detik	Siap untuk membatalkan registrasi mesin. Mencari mesin yang akan dibatalkan.
		<input type="checkbox"/> (cepat: 5 kali/detik.)	Saat tombol pengaktifan nirkabel ditekan.	Siap menghapus semua registrasi mesin.
		<input type="checkbox"/>	2 detik	Registrasi mesin telah dibatalkan/dihapus. Lampu pengaktifan nirkabel akan mulai berkedip dalam warna biru.
Lainnya	Merah	<input type="checkbox"/>	3 detik	Daya dialirkan ke unit nirkabel dan fungsi pengaktifan nirkabel dimulai.
	Mati	-	-	Sakelar siaga tidak disetel ke "AUTO".

Pemecahan masalah fungsi pengaktifan nirkabel

Sebelum meminta perbaikan, lakukan pemeriksaan mandiri terlebih dahulu. Jika Anda menemukan masalah yang tidak dijelaskan dalam buku petunjuk ini, jangan coba membongkar mesin. Sebaliknya, hubungi Pusat Servis Resmi Makita, dan selalu gunakan suku cadang pengganti Makita untuk perbaikan.

Keadaan Tidak Normal	Kemungkinan penyebab (kerusakan fungsi)	Perbaikan
Lampu pengaktifan nirkabel tidak menyala/berkedip.	Unit nirkabel tidak terpasang ke pembersih dan/atau mesin. Unit nirkabel terpasang secara tidak tepat ke pembersih dan/atau mesin.	Pasang unit nirkabel dengan benar.
	Terminal unit nirkabel dan/atau celah kotor.	Bersihkan dengan lembut debu dan kotoran yang terdapat pada terminal unit nirkabel dan bersihkan celah pembersih dan/atau mesin.
	Tombol pengaktifan nirkabel pada mesin belum ditekan.	Tekan sebentar tombol pengaktifan nirkabel pada mesin.
	Sakelar siaga pada pembersih tidak disetel ke "AUTO".	Setel sakelar siaga pada pembersih ke "AUTO".
	Tidak ada pasokan daya	Alirkan daya ke mesin dan pembersih.
Tidak dapat menyelesaikan registrasi mesin/pembatalan registrasi mesin.	Unit nirkabel tidak terpasang ke pembersih dan/atau mesin. Unit nirkabel terpasang secara tidak tepat ke pembersih dan/atau mesin.	Pasang unit nirkabel dengan benar.
	Terminal unit nirkabel dan/atau celah kotor.	Bersihkan dengan lembut debu dan kotoran yang terdapat pada terminal unit nirkabel dan bersihkan celah pembersih dan/atau mesin.
	Sakelar siaga pada pembersih tidak disetel ke "AUTO".	Setel sakelar siaga pada pembersih ke "AUTO".
	Tidak ada pasokan daya	Alirkan daya ke mesin dan pembersih.
	Pengoperasian salah	Tekan sejenak tombol pengaktifan nirkabel dan lakukan kembali prosedur registrasi mesin/pembatalan.
	Mesin dan pembersih saling berjauhan satu sama lain (di luar jangkauan transmisi).	Dekatkan mesin dan pembersih satu sama lain. Jarak transmisi maksimum adalah sekitar 10 m, tetapi jarak dapat berbeda sesuai dengan keadaan.
	Sebelum menyelesaikan registrasi mesin/pembatalan; - sakelar mesin dinyalakan, atau; - tombol daya pada pembersih dinyalakan.	Tekan sejenak tombol pengaktifan nirkabel dan lakukan kembali prosedur registrasi mesin/pembatalan.
	Prosedur registrasi mesin untuk mesin atau pembersih belum selesai.	Lakukan prosedur registrasi mesin untuk mesin dan pembersih di waktu yang sama.
Gangguan radio oleh perangkat lain yang menghasilkan gelombang radio intensitas tinggi.	Jauhkan mesin dan pembersih dari perangkat seperti perangkat Wi-Fi dan oven microwave.	

Keadaan Tidak Normal	Kemungkinan penyebab (kerusakan fungsi)	Perbaikan
Pembersih tidak bekerja bersama dengan pengoperasian sakelar mesin.	Unit nirkabel tidak terpasang ke pembersih dan/atau mesin. Unit nirkabel terpasang secara tidak tepat ke pembersih dan/atau mesin.	Pasang unit nirkabel dengan benar.
	Terminal unit nirkabel dan/atau celah kotor.	Bersihkan dengan lembut debu dan kotoran yang terdapat pada terminal unit nirkabel dan bersihkan celah pembersih dan/atau mesin.
	Tombol pengaktifan nirkabel pada mesin belum ditekan.	Tekan sejenak tombol pengaktifan nirkabel dan pastikan lampu pengaktifan nirkabel berkedip dalam warna biru.
	Sakelar siaga pada pembersih tidak disetel ke "AUTO".	Setel sakelar siaga pada pembersih ke "AUTO".
	Lebih dari 10 mesin teregistrasi ke pembersih.	Lakukan kembali registrasi mesin. Jika lebih dari 10 mesin teregistrasi ke pembersih, mesin yang teregistrasi paling awal akan dibatalkan secara otomatis.
	Pembersih menghapus semua registrasi mesin.	Lakukan kembali registrasi mesin.
	Tidak ada pasokan daya	Alirkan daya ke mesin dan pembersih.
	Mesin dan pembersih saling berjauhan satu sama lain (di luar jangkauan transmisi).	Dekatkan mesin dan pembersih satu sama lain. Jarak transmisi maksimum adalah sekitar 10 m, tetapi jarak dapat berbeda sesuai dengan keadaan.
	Gangguan radio oleh perangkat lain yang menghasilkan gelombang radio intensitas tinggi.	Jauhkan mesin dan pembersih dari perangkat seperti perangkat Wi-Fi dan oven microwave.
Pembersih bekerja ketika mesin tidak beroperasi.	Pengguna lain sedang menggunakan pengaktifan nirkabel pembersih dengan mesin mereka.	Matikan tombol pengaktifan nirkabel dari mesin lain atau batalkan registrasi mesin dari mesin lain.
Tidak dapat menghapus semua registrasi mesin pada pembersih.	Menekan tombol nirkabel pada mesin.	Tekan tombol nirkabel pada pembersih untuk menghapus semua registrasi mesin.
	Sakelar siaga pada pembersih tidak disetel ke "AUTO".	Setel sakelar siaga pada pembersih ke "AUTO".
	Tombol pengaktifan nirkabel tidak ditahan dengan benar.	Tahan tombol pengaktifan nirkabel selama lebih dari 6 detik dan kemudian lepaskan saat lampu pengaktifan nirkabel berkedip merah. Tahan kembali tombol pengaktifan nirkabel selama lebih dari 6 detik sampai lampu pengaktifan nirkabel berkedip merah dengan cepat kemudian lepaskan tombol.

PERAWATAN

⚠️ PERHATIAN: Selalu pastikan bahwa peralatan sudah dimatikan dan kartrid baterai dilepas sebelum berupaya untuk melakukan pemeriksaan atau perawatan.

PEMBERITAHUAN: Jangan sekali-kali menggunakan bensin, tiner, alkohol, atau bahan sejenisnya. Penggunaan bahan demikian dapat menyebabkan perubahan warna, perubahan bentuk atau timbulnya retakan.

Untuk menjaga KEAMANAN dan KEANDALAN mesin, perbaikan, perawatan atau penyetelan lainnya harus dilakukan oleh Pusat Layanan Resmi atau Pabrik Makita; selalu gunakan suku cadang pengganti buatan Makita.

Penyimpanan aksesoris

Aksesoris dan perangkat tambahan yang tidak digunakan, seperti nosel dan sikat, dapat dikaitkan dan disimpan dalam kait serbaguna di bagian belakang pengisap.

► **Gbr.40:** 1. Kait serbaguna 2. Aksesoris dan perangkat tambahan yang tidak digunakan

Pipa (dengan penghenti opsional yang terpasang) dapat dimasukkan ke dalam penahan pipa saat tidak menggunakan pengisap dalam waktu sebentar.

► **Gbr.41:** 1. Penghenti (aksesori pilihan) 2. Penahan pipa

Selang dapat dibungkus dan disimpan di sekitar rumahan atau pegangan pengisap dalam loop besar. Sambungkan kedua ujungnya bersama-sama untuk membuat loop dan kaitkan loop ke pegangan yang diangkat. Sebagai alternatif, pertahankan ujung akarnya tetap terpasang di inlet selang dan gantung loop pada kait serbaguna dengan ujung yang longgar diikat.

► **Gbr.42**

► **Gbr.43**

Membersihkan filter serbuk (HEPA) dan pra-saringan

Bersihkan filter serbuk, pra-saringan dan peredam secara berkala karena saringan kain yang tersumbat dapat menyebabkan kinerja pengisapan yang buruk.

Secara rutin bersihkan dan kibaskan debu saringan dan peredam dengan tangan.

► **Gbr.44:** 1. Pra-saringan

► **Gbr.45:** 1. Peredam 2. Filter serbuk (HEPA)

Bersihkan saringan serbuk secara berkala, cuci dan keringkan di tempat yang teduh sebelum menggunakan. Dilarang mencuci saringan dengan mesin cuci.

► **Gbr.46**

CATATAN: Dilarang menggosok atau menggaruk saringan serbuk, pra-saringan atau peredam dengan benda keras seperti sikat dan pengeruk.

CATATAN: Saringan akan aus seiring waktu. Disarankan untuk memiliki cadangannya.

AKSESORI PILIHAN

⚠️ PERHATIAN: Dianjurkan untuk menggunakan aksesoris atau perangkat tambahan ini dengan mesin Makita Anda yang ditentukan dalam petunjuk ini. Penggunaan aksesoris atau perangkat tambahan lain bisa menyebabkan risiko cedera pada manusia. Hanya gunakan aksesoris atau perangkat tambahan sesuai dengan peruntukannya.

Jika Anda memerlukan bantuan lebih rinci berkenaan dengan aksesoris ini, tanyakan pada Pusat Layanan Makita terdekat.

- Selang
- Manset depan (22, 24, 38)
- Pipa lurus
- Gagang tambahan
- Nosel sudut
- Sikat bundar
- Filter serbuk, HEPA (untuk debu kering)
- Peredam
- Pra-saringan
- Rakitan nosel
- Pipa lengkung
- Kantong polietilen
- Saringan kertas
- Adaptor MAKPAC
- Unit nirkabel
- Baterai dan pengisi daya asli buatan Makita

CATATAN: Beberapa item dalam daftar tersebut mungkin sudah termasuk dalam paket mesin sebagai aksesoris standar. Hal tersebut dapat berbeda dari satu negara ke negara lainnya.

AMARAN

- Mesin ini tidak bertujuan untuk digunakan oleh individu termasuk kanak-kanak dengan kekurangan daya fizikal, deria atau mental, atau kekurangan pengetahuan dan pengalaman.
- Kanak-kanak harus diselia untuk memastikan mereka tidak bermain dengan pembersih ini.
- Lihat bab "SPESIFIKASI" untuk rujukan jenis bateri.
- Lihat bahagian "Memasang atau mengeluarkan kartrij bateri" untuk cara mengeluarkan atau memasang bateri.
- Apabila melupuskan kartrij bateri, keluarkan ia daripada alat dan lupuskan ia di tempat selamat. Ikut peraturan tempatan anda mengenai pelupusan bateri.
- Jika alat tidak digunakan untuk tempoh masa yang lama, bateri mesti dikeluarkan daripada alat.
- Jangan pintaskan kartrij bateri.
- Lihat bab "PENYELENGGARAAN" untuk mendapatkan butiran langkah berjaga-jaga yang sesuai semasa penyelenggaraan pengguna.

SPESIFIKASI

Model:	VC002GL	VC004GL
Jenis penapis standard	Penapis serbuk (untuk debu kering)	
Isi padu udara maksimum pada hujung hos (dengan BL4040, hos ø38 mm x 2.5 m)	2.7 m ³ /min	
Isi padu udara maksimum pada turbin (dengan BL4040)	4.2 m ³ /min	
Hampagas (dengan BL4040)	23 kPa	
Kapasiti boleh pulih	8 L	15 L
Dimensi (P x L x T)	366 mm x 334 mm x 425 mm	366 mm x 334 mm x 475 mm
Voltan terkadar	D.C. 36 V - 40 V maks	
Berat bersih	8.3 - 11.4 kg	8.6 - 11.7 kg
Tahap perlindungan	IPX4	

- Disebabkan program penyelidikan dan pembangunan kami yang berterusan, spesifikasi yang terkandung di dalam ini adalah tertakluk kepada perubahan tanpa notis.
- Spesifikasi dan kartrij bateri mungkin berbeza mengikut negara.
- Berat tidak termasuk aksesori tetapi kartrij bateri. Berat kombinasi paling ringan dan paling berat perkakas dan kartrij bateri ditunjukkan di dalam jadual.
- Untuk debu basah, apungan dan penapis air atau penapis kain diperlukan.

Kartrij bateri dan pengecas yang boleh digunakan

Kartrij bateri	BL4020 / BL4025 / BL4040* / BL4050F* / BL4080F* * : Bateri yang disyorkan
Pengecas	DC40RA / DC40RB / DC40RC

- Sesetengah kartrij bateri dan pengecas yang disenaraikan di atas mungkin tidak tersedia bergantung pada kawasan kediaman anda.

⚠️ AMARAN: Gunakan hanya kartrij bateri dan pengecas yang disenaraikan di atas. Penggunaan mana-mana kartrij bateri dan pengecas yang lain mungkin menyebabkan kecederaan dan/atau kebakaran.

Simbol

Berikut menunjukkan simbol-simbol yang boleh digunakan untuk alat ini. Pastikan anda memahami maksudnya sebelum menggunakan.



Baca manual arahan.



Sila gunakan dengan berhati-hati dan penuh perhatian.



Amaran! Pembersih ini mungkin mengandungi debu yang berbahaya.



Jangan sekali-kali berdiri di atas pembersih.



Debu kelas L (ringan). Pembersih ini mampu menyedut debu kelas L. Ikut peraturan negara anda berkaitan dengan debu dan kesihatan dan keselamatan pekerjaan.



Ni-MH
Li-ion

Hanya untuk negara-negara EU
Disebabkan kehadiran komponen berbahaya dalam peralatan, sisa peralatan elektrik dan elektronik, akumulator dan bateri boleh memberi kesan negatif terhadap persekitaran dan kesihatan manusia.

Jangan buang alat elektrik dan elektronik atau bateri bersama dengan bahan buangan isi rumah!
Mengikut Arahan Eropah mengenai sisa peralatan elektrik dan elektronik dan mengenai akumulator dan bateri dan sisa akumulator dan bateri serta penyesuaian dengan undang-undang negara, sisa peralatan elektrik, bateri dan akumulator hendaklah disimpan secara berasingan dan dihantar ke tempat pengumpulan berasingan untuk sisa perbandaran, beroperasi mengikut peraturan perlindungan persekitaran.
Ini ditunjukkan oleh simbol tong sampah beroda yang bersilang pada peralatan.

Tujuan penggunaan

Tujuan penggunaan alat ini untuk mengumpul debu kering. Peralatan ini sesuai untuk kegunaan komersial, sebagai contoh di hotel, sekolah, hospital, kilang, kedai, pejabat dan perniagaan sewaan.

AMARAN KESELAMATAN

Amaran keselamatan pembersih hampagas tanpa wayar

⚠️ AMARAN: PENTING! BACA DENGAN TELITI semua amaran keselamatan dan semua arahan SEBELUM GUNA. Kegagalan mematuhi amaran dan arahan boleh menyebabkan kejutan elektrik, kebakaran dan/atau kecederaan serius.

1. Sebelum digunakan, pastikan yang pembersih ini mestilah digunakan oleh individu yang telah diberi arahan yang secukupnya tentang kegunaan pembersih ini.
2. Sebelum guna, pengendali hendaklah diberikan maklumat, arahan dan latihan untuk penggunaan mesin dan bahan yang akan digunakan, termasuk kaedah penyingkiran dan pelupusan bahan yang dikumpulkan.
3. Sentiasa memastikan bahawa penapis dipasang dengan betul sebelum digunakan. Jangan gunakan pembersih tanpa memasang penapis. Gantikan penapis yang rosak dengan serta-merta. Disyorkan untuk mendapatkan beberapa alat ganti seperti penapis kerana ia item guna habis.
4. ELAKKAN PERMULAAN YANG TIDAK DISENGAJAKAN. Pastikan suis OFF apabila memasang bateri.
5. Jangan cuba untuk menyedut bahan mudah terbakar, bunga api, puntung rokok yang menyala, abu panas, serpihan logam panas, bahan tajam seperti pisau cukur, jarum, gelas yang pecah atau yang sama sepertinya.
6. JANGAN SEKALI-KALI GUNAKAN PEMBERSIH DI SEKITAR GASOLIN, GAS, CAT, PEREKAT ATAU LAIN-LAIN BAHAN YANG SANGAT MUDAH MELETUP. Suis menghasilkan percikan semasa ON dan OFF. Penukar tertib motor juga begitu semasa operasi. Letupan yang berbahaya mungkin berlaku.
7. Jangan sekali-kali menyedut bahan toksik, karsinogenik, bahan mudah terbakar atau berbahaya yang lain seperti asbestos, arsenik, barium, berilium, plumbum, racun serangga, atau bahan lain yang memudaratkan kesihatan.
8. Sentiasa letakkan pembersih di permukaan rata yang mendatar untuk mengelakkan pembersih daripada terjatuh atau bergerak secara tidak sengaja.
9. Jangan sekali-kali menggunakan pembersih di luar dalam hujan.
10. Untuk Finland, mesin ini tidak boleh digunakan di luar pada suhu rendah.
11. Jangan gunakan berhampiran dengan sumber haba (dapur dan sebagainya).
12. Jika udara ekzos kembali ke bilik, kadar perubahan udara yang mencukupi perlu diberikan di dalam bilik. Rujukan kepada peraturan Kebangsaan diperlukan.

13. Jangan halang sedutan salur masuk/ salur keluar/lohong penyejukan. Injap ini membenarkan penyejukan motor. Halangan harus dielakkan dengan berhati-hati jika tidak motor akan terbakar disebabkan kekurangan pengudaraan.
 14. Pastikan pijakan dan keseimbangan yang betul pada setiap masa.
 15. Jangan lipat, tarik atau pijak hos.
 16. Hentikan pembersih serta-merta jika anda mengesan prestasi yang lemah atau sesuatu yang tidak normal semasa operasi.
 17. **KELUARKAN BATERI.** Apabila tidak digunakan, sebelum melakukan servis, dan semasa menukar aksesori.
 18. Bersihkan dan servis pembersih serta-merta selepas setiap penggunaan untuk memastikan ia dalam keadaan operasi yang terbaik.
 19. **SELENGGARA PEMBERSIH DENGAN BERHATI-HATI.** Pastikan pembersih sentiasa bersih untuk prestasi yang lebih baik dan selamat. Ikuti arahan untuk menukar aksesori. Pastikan pemegang sentiasa kering, bersih dan bebas daripada minyak dan gris.
 20. **PERIKSA BAHAGIAN YANG ROSAK.** Sebelum menggunakan alat dengan lebih lanjut, pengadang atau bahagian lain yang rosak harus diperiksa dengan berhati-hati untuk menentukan yang ia akan beroperasi dengan betul dan berfungsi seperti yang dinyatakan. Periksa penjarangan bahagian yang bergerak, keterikatan bahagian yang bergerak, bahagian yang pecah, lekapan dan sebarang keadaan lain yang boleh menjejaskan operasinya. Pengadang atau bahagian lain yang rosak harus dibaiki dengan betul atau diganti oleh pusat servis sah melainkan sebaliknya dinyatakan di tempat lain dalam manual arahan ini. Gantikan suis yang rosak di pusat servis yang disahkan. Jangan gunakan pembersih jika suis tidak menghidupkan atau mematkannya.
 21. Untuk servis pengguna, mesin hendaklah ditanggalkan, dibersihkan dan diservis, setakat yang boleh dilakukan secara munasabah, tanpa menimbulkan risiko kepada kakitangan penyelenggaraan dan orang lain.
 22. Mesin harus diperiksa secara teknikal oleh pengeluar, atau orang yang diarahkan, sekurang-kurangnya setiap tahun, yang terdiri dari, contohnya, pemeriksaan penapis untuk kerosakan, ketegangan udara mesin dan fungsi mekanisme kawalan yang betul.
 23. Apabila menjalankan perkhidmatan atau operasi pembaikan, semua barangan yang tercemar yang tidak dapat dibersihkan secara memuaskan akan dilupuskan; barang-barang tersebut hendaklah dilupuskan dalam beg yang tidak tahan lama mengikut peraturan semasa untuk pembuangan sisa tersebut.
 24. **ALAT GANTIAN.** Semasa menservis, gunakan hanya alat gantian yang serupa.
 25. Apabila tidak digunakan, sentiasa simpan pembersih di dalam bangunan.
 26. Jaga pembersih anda dengan baik. Pengendalian yang kasar boleh menyebabkan retakan walaupun pada pembersih yang dibina dengan sangat kukuh.
 27. Jangan cuba untuk membersihkan bahagian luaran atau dalaman dengan benzin, pencair atau bahan pencuci kimia. Retakan dan perubahan warna boleh berlaku.
 28. Jangan gunakan pembersih di ruang tertutup tempat wap mudah terbakar, meletup dan toksik dibebaskan oleh cat berasaskan minyak, pencair cat, gasolin, dan sesetengah bahan tahan rama-rama dan sebagainya atau di kawasan wujudnya debu mudah terbakar.
 29. Jangan mengendalikan pembersih atau sebarang alat semasa di bawah pengaruh dadah atau alkohol.
 30. Sebagai peraturan asas keselamatan, gunakan gogal keselamatan atau cermin mata keselamatan dengan pelindung sisi.
 31. Gunakan topeng debu dalam keadaan kerja yang berdebu.
 32. Mesin ini tidak bertujuan untuk digunakan oleh individu termasuk kanak-kanak dengan kekurangan daya fizikal, deria atau mental, atau kekurangan pengetahuan dan pengalaman.
 33. Kanak-kanak harus diselia untuk memastikan mereka tidak bermain dengan pembersih ini.
 34. Jangan sekali-kali memegang bateri dan pembersih dengan tangan yang basah.
 35. Gunakan langkah yang lebih berhati-hati semasa membersihkan tangga.
 36. Jangan gunakan pembersih sebagai bangku atau bangku kerja. Mesin mungkin terjatuh dan boleh mengakibatkan kecederaan diri.
 37. Jangan sedut buih atau cecair bersabun. Ia boleh menyebabkan buih terkeluar daripada bukaan udara yang boleh menyebabkan renjatan elektrik dan kerosakan kepada pembersih.
- Penggunaan dan penjagaan alat bateri**
1. Cas semula dengan pengecas yang ditentukan oleh pengeluar sahaja. Pengecas yang sesuai untuk satu jenis pek bateri mungkin menimbulkan risiko kebakaran apabila digunakan dengan pek bateri lain.
 2. Gunakan alat kuasa dengan pek bateri yang ditentukan secara khusus sahaja. Penggunaan mana-mana pek bateri lain mungkin menimbulkan risiko kecederaan dan kebakaran.
 3. Apabila pek bateri tidak digunakan, jauhkan daripada objek logam lain, seperti klip kertas, duit syiling, kunci, paku, skru atau objek logam kecil lain, yang boleh membuat sambungan dari satu terminal ke terminal yang lain. Memintas terminal bateri bersama-sama mungkin menyebabkan lecuran atau kebakaran.

4. Di bawah keadaan kasar, cecair mungkin dikeluarkan daripada bateri; elakkan sentuhan. Jika tersentuh secara tidak sengaja, siram dengan air. Jika cecair terkena mata, dapatkan bantuan perubatan di samping siraman air. Cecair yang dikeluarkan dari bateri mungkin menyebabkan kegatalan atau lecuran.
5. **Jangan gunakan pek bateri atau alat yang rosak atau diubah suai.** Bateri yang rosak atau diubah suai mungkin menunjukkan perilaku yang tidak dijangka menyebabkan kebakaran, letupan atau risiko kecederaan.
6. **Jangan dedahkan pek bateri atau alat kepada api atau suhu yang berlebihan.** Pendedahan kepada api atau suhu melebihi 130 °C mungkin menyebabkan letupan.
7. **Ikut semua arahan pengecasan dan jangan cas pek bateri atau alat di luar julat suhu yang ditetapkan dalam arahan.** Mengecas dengan tidak betul atau pada suhu di luar julat yang dinyatakan mungkin merosakkan bateri dan meningkatkan risiko kebakaran.
8. **Jangan simpan dan gunakan alat dan kartrij bateri di lokasi yang suhunya mungkin mencapai atau melebihi 50 °C (122 °F).**
9. **Jangan bakar kartrij bateri walaupun jika ia rosak teruk atau haus sepenuhnya.** Kartrij bateri boleh meletup dalam kebakaran.
10. **Jangan paku, potong, pecahkan, buang, jatuhkan kartrij bateri, atau tekan objek keras pada kartrij bateri.** Perbuatan sedemikian boleh mengakibatkan kebakaran, haba berlebihan, atau letupan.
11. **Jangan gunakan bateri yang rosak.**
12. **Bateri litium ion yang terkandung adalah tertakluk kepada keperluan Perundangan Barangan Berbahaya.** Bagi pengangkutan komersil cth. oleh pihak ketiga, ejen penghantar, keperluan khas pada pembungkusan dan pelabelan mestilah diperhatikan. Bagi persediaan item yang dihantar, berunding dengan pakar bahan berbahaya adalah diperlukan. Sila juga perhatikan sebolehnya peraturan kebangsaan yang lebih terperinci. Lekatkan atau balut bahagian terbuka dan pek bateri supaya ia tidak bergerak dalam pembungkusan.

SIMPAN ARAHAN INI.

⚠️AMARAN: JANGAN biarkan keselesaan atau kebiasaan dengan produk (diperoleh dari kegunaan berulang) menggantikan pematuhan ketat terhadap peraturan keselamatan untuk produk yang ditetapkan. SALAH GUNA atau kegagalan mematuhi peraturan-peraturan keselamatan yang dinyatakan dalam manual arahan ini boleh menyebabkan kecederaan diri yang serius.

Arahan keselamatan penting untuk kartrij bateri

1. Sebelum menggunakan kartrij bateri, baca semua arahan dan tanda amaran pada (1) pengecas bateri, (2) bateri, dan (3) produk menggunakan bateri.
2. Jangan buka atau cabut kartrij bateri. Ia boleh mengakibatkan kebakaran, haba berlebihan, atau letupan.
3. Jika masa operasi menjadi sangat pendek, berhenti operasi serta merta. Ia mungkin menyebabkan risiko pemanasan lampau, melecur bahkan letupan.
4. Jika elektrolit masuk ke dalam mata anda, bilas mata dengan air jernih dan dapatkan rawatan perubatan serta merta. Ia mungkin menyebabkan kehilangan penglihatan.
5. **Jangan pintaskan kartrij bateri:**
 - (1) Jangan sentuh terminal dengan bahan berkonduksi.
 - (2) Elakkan menyimpan kartrij bateri dalam bekas bersama-sama objek besi lain seperti paku, duit syiling, dll.
 - (3) Jangan dedahkan kartrij bateri kepada air atau hujan.
6. **Jauhkan bateri daripada kanak-kanak.**
7. **Jangan simpan dan gunakan alat dan kartrij bateri di lokasi yang suhunya mungkin mencapai atau melebihi 50 °C (122 °F).**
8. **Jangan bakar kartrij bateri walaupun jika ia rosak teruk atau haus sepenuhnya.** Kartrij bateri boleh meletup dalam kebakaran.
9. **Jangan paku, potong, pecahkan, buang, jatuhkan kartrij bateri, atau tekan objek keras pada kartrij bateri.** Perbuatan sedemikian boleh mengakibatkan kebakaran, haba berlebihan, atau letupan.
10. **Jangan gunakan bateri yang rosak.**
11. **Bateri litium ion yang terkandung adalah tertakluk kepada keperluan Perundangan Barangan Berbahaya.** Bagi pengangkutan komersil cth. oleh pihak ketiga, ejen penghantar, keperluan khas pada pembungkusan dan pelabelan mestilah diperhatikan. Bagi persediaan item yang dihantar, berunding dengan pakar bahan berbahaya adalah diperlukan. Sila juga perhatikan sebolehnya peraturan kebangsaan yang lebih terperinci. Lekatkan atau balut bahagian terbuka dan pek bateri supaya ia tidak bergerak dalam pembungkusan.
12. **Apabila melupuskan kartrij bateri, keluarkan ia daripada alat dan lupuskan ia di tempat selamat.** Ikut peraturan tempatan anda mengenai pelupusan bateri.
13. **Gunakan bateri hanya dengan produk yang ditentukan oleh Makita.** Memasang bateri kepada produk yang tidak patuh mungkin menyebabkan kebakaran, pemanasan lampau, atau kebocoran elektrolit.
14. **Jika alat tidak digunakan untuk tempoh masa yang lama, bateri mesti dikeluarkan daripada alat.**
15. **Semasa dan selepas penggunaan, kartrij bateri mungkin ada haba yang boleh menyebabkan terbakar atau suhu rendah terbakar.** Beri perhatian kepada pengendalian kartrij bateri yang panas.
16. **Jangan sentuh terminal alat itu selepas digunakan kerana ia mungkin panas menyebabkan terbakar.**
17. **Jangan biarkan cip, habuk, atau tanah terperangkap ke dalam terminal, lubang, dan alur cahaya kartrij bateri.** Ia mungkin menyebabkan pemanasan, terbakar, meletup dan pincang tugas alat atau kartrij bateri, seterusnya menyebabkan lecur atau kecederaan diri.
18. **Melainkan alat ini menyokong penggunaan yang hampir dari talian kuasa elektrik voltan tinggi, jangan gunakan kartrij bateri berhampiran talian kuasa elektrik voltan tinggi.** Ia mungkin menyebabkan kerosakan atau pecah pada alat atau kartrij bateri.

SIMPAN ARAHAN INI.

Pintasan bateri boleh menyebabkan aliran kuasa yang besar, pemanasan lampau, melecur dan juga kerosakan.

⚠️ PERHATIAN: Hanya gunakan bateri asli Makita. Penggunaan bateri tidak asli Makita, atau bateri yang telah diubah suai, mungkin menyebabkan bateri meletup menyebabkan kebakaran, kecederaan diri dan kerosakan. Ia juga membatalkan jaminan Makita untuk alat Makita dan pengecas.

Tip untuk mengekalkan hayat bateri maksimum

1. Cas kartrij bateri sebelum ternyahcas sepenuhnya. Sentiasa hentikan operasi alat dan cas kartrij bateri apabila anda menyedari kurang kuasa alat.
2. Jangan cas semula kartrij bateri yang dicas sepenuhnya. Terlebih cas memendekkan hayat servis bateri.
3. Cas kartrij bateri dengan suhu bilik pada 10 °C - 40 °C (50 °F - 104 °F). Biarkan kartrij bateri yang panas menyejuk sebelum mengecasnya.
4. Apabila tidak menggunakan kartrij bateri, tanggalkannya dari alat atau pengecas.
5. Cas kartrij bateri jika anda tidak menggunakannya untuk tempoh yang lama (lebih daripada enam bulan).

Arahan keselamatan yang penting untuk unit tanpa wayar

1. Jangan leraikan atau menghentak dengan unit tanpa wayar.
2. Pastikan unit tanpa wayar jauh dari kanak-kanak. Jika ditelan dengan sengaja, dapatkan segera rawatan perubatan.
3. Guna unit tanpa wayar sahaja dengan alat Makita.
4. Jangan biarkan unit tanpa wayar terkena hujan atau keadaan basah.
5. Jangan gunakan unit tanpa wayar di tempat di mana suhu melebihi 50°C (122°F).
6. Jangan mengendalikan unit tanpa wayar di tempat alat perubatan, seperti pembuat langkah jantung yang berdekatan.
7. Jangan mengendalikan unit tanpa wayar di tempat di mana peranti automatik berada berdekatan. Jika dikendalikan, peranti automatik mungkin mengalami kerosakan atau ralat.
8. Jangan mengendalikan unit tanpa wayar di tempat bawah suhu tinggi atau tempat di mana elektrik statik atau bunyi elektrik yang boleh dijana.
9. Unit tanpa wayar boleh menghasilkan medan elektromagnet (EMF) tetapi tidak membahayakan kepada pengguna.
10. Unit tanpa wayar adalah alat yang tepat. Berhati-hati untuk tidak jatuhkan atau mengetuk unit tanpa wayar.
11. Elakkan menyentuh terminal unit tanpa wayar dengan tangan kosong atau bahan logam.
12. Sentiasa keluarkan bateri pada produk apabila memasang unit tanpa wayar ke dalamnya.

13. Apabila membuka penutup slot, elakkan tempat di mana habuk dan air boleh masuk ke dalam slot. Sentiasa pastikan slot salur masuk bersih.
14. Sentiasa masukkan unit tanpa wayar ke arah yang betul.
15. Jangan tekan butang pengaktifan pada unit tanpa wayar terlalu kuat dan/atau tekan butang dengan objek dengan sisi tajam.
16. Sentiasa tutup penutup slot semasa beroperasi.
17. Jangan keluarkan unit tanpa wayar dari slot semasa kuasa sedang dibekalkan ke alat itu. Berbuat demikian boleh menyebabkan kerosakan pada unit tanpa wayar.
18. Jangan keluarkan pelekat pada unit tanpa wayar.
19. Jangan letak sebarang pelekat pada unit tanpa wayar.
20. Jangan tinggalkan unit tanpa wayar di tempat bawah suhu tinggi atau tempat di mana elektrik statik atau bunyi elektrik yang boleh dijana.
21. Jangan biarkan unit tanpa wayar di tempat yang subjek kepada haba yang tinggi, seperti kereta yang duduk di bawah sinar matahari.
22. Jangan biarkan unit tanpa wayar di tempat yang berdebu atau serbuk atau di tempat menghakis gas yang boleh dijana.
23. Perubahan suhu yang mendadak mungkin merosakkan unit tanpa wayar. Jangan gunakan unit tanpa wayar sehingga embun selesai sepenuhnya.
24. Apabila membersihkan unit tanpa wayar, perlahan-lahan lap dengan kain lembut yang kering. Jangan gunakan benzin, nipis, gris konduktif atau sebagainya.
25. Apabila menyimpan unit tanpa wayar, simpan bekas yang dibekalkan atau bekas statik percuma.
26. Jangan masukkan sebarang peranti selain unit tanpa wayar Makita ke dalam slot pada alat itu.
27. Jangan gunakan alat dengan tudung slot yang rosak. Air, habuk, dan kotoran yang masuk ke dalam slot boleh menyebabkan kerosakan.
28. Jangan tarik dan/atau memutar tudung slot lebih daripada perlu. Pulihkan tudung jika ia keluar dari alat.
29. Gantikan tudung slot jika ia hilang atau rosak.

SIMPAN ARAHAN INI.

KETERANGAN BAHAGIAN

- **Rajah1:** 1. Unit kepala 2. Penapis serbuk (HEPA) 3. Peredam 4. Penapis awal 5. Tangki

KETERANGAN FUNGSI

⚠️ PERHATIAN: Sentiasa memastikan bahawa peralatan dimatikan dan kartrij bateri ditinggalkan sebelum menyelaraskan atau memeriksa fungsi pada peralatan.

Memasang atau mengeluarkan kartrij bateri

⚠️ PERHATIAN: Sentiasa matikan peralatan sebelum memasang atau menanggalkan kartrij bateri.

⚠️ PERHATIAN: Pegang pembersih dan kartrij bateri dengan kukuh apabila memasang atau mengeluarkan kartrij bateri. Kegagalan berbuat demikian boleh menyebabkan peralatan terlepas daripada tangan dan mengakibatkan kerosakan kepada pembersih dan kartrij bateri atau kecederaan diri.

⚠️ PERHATIAN: Berhati-hati supaya tidak terkepik jari anda semasa membuka atau menutup penutup bateri. Gagal berbuat demikian boleh menyebabkan kecederaan peribadi.

Pembersih mempunyai dua slot bateri. Dengan dua bateri yang serupa secara selari, anda boleh memanjangkan masa jualan anda dalam satu atau lebih penggunaan tanpa perlu berhenti untuk mengecaskan bateri. Pembersih juga berfungsi dengan satu bateri, oleh itu anda boleh memilih sama ada dengan dua bateri atau satu bateri mengikut keperluan anda.

► **Rajah2:** 1. Slot bateri kiri 2. Slot bateri kanan

Dengan dua bateri

Memacu secara berterusan dengan dua bateri membolehkan masa jualan lebih lama dan pembersihan yang lebih cekap. Apabila bateri pertama menjadi kosong, pembersih menukar sumber kuasa secara automatik, oleh itu pembersih terus berfungsi dengan bateri kedua.

NOTA: Slot bateri kiri (apabila menghadap ke hadapan pembersih) akan diutamakan berbanding slot bateri kanan. Slot bateri kanan hanya akan dikenal pasti sebagai sumber kuasa, sama ada apabila tiada bateri dipasang di dalam slot bateri kiri atau bateri di dalam slot bateri kiri menjadi kosong.

NOTA: Anda boleh mengeluarkan bateri daripada slot bateri kiri dan mengecaskannya selepas pembersih menukar sumber kuasanya daripada slot bateri kiri kepada slot bateri kanan tanpa menghentikan operasi. Untuk memberi keutamaan kembali kepada slot bateri kiri selepas memasang bateri yang telah dicas, mulakan semula pembersih.

Dengan satu bateri

Hanya satu bateri diperlukan sebagai sumber kuasa sama ada di dalam slot bateri kiri atau kanan. Pembersih menentukan secara automatik slot bateri yang tersedia mengikut keadaan pengendalian.

Pemasangan dan penyahpasangan

Untuk memasang kartrij bateri, lepaskan kunci dahulu dan buka penutup bateri. Kemudian sisipkan kartrij bateri.

► **Rajah3:** 1. Kunci 2. Penutup bateri

Sejajarkan lidah pada kartrij bateri dengan alur pada bateri perumah dan selitkan ia ke tempatnya. Sisipkan ia sepenuhnya sehingga ia terkunci di tempatnya dengan klik kecil.

Kemudian kunci penutup bateri.

► **Rajah4:** 1. Kartrij bateri 2. Butang

Untuk mengeluarkan kartrij bateri, luncurkan ia keluar daripada perumah bateri sambil menekan butang dan menahan di hadapan kartrij.

⚠️ PERHATIAN: Sentiasa pasang kartrij bateri sepenuhnya. Jika tidak, ia mungkin terjatuh dari peralatan, menyebabkan kecederaan kepada anda atau seseorang di sekeliling anda.

⚠️ PERHATIAN: Jangan pasang kartrij bateri secara paksa. Jika kartrij tidak meluncur dengan mudah, ia tidak dimasukkan dengan betul.

NOTA: Apabila pembersih bertukar sumber kuasa daripada bateri pertama kepada bateri kedua, ia mungkin memerlukan henti operasi sementara, menyebabkan kehilangan sedutan sedikit. Sila ambil perhatian bahawa ini bukan pincang tugas kerana pembersih akan pulih dan menyambung semula operasi dengan serta-merta selepas berhenti seketika.

Menunjukkan kapasiti bateri yang tinggal

Tekan butang semak pada kartrij bateri untuk menunjukkan kapasiti bateri yang tinggal. Lampu penunjuk menyala untuk beberapa saat.

► **Rajah5:** 1. Lampu penunjuk 2. Butang semak

Lampu penunjuk			Kapasiti yang tinggal
Dinyalakan	Mati	Berkelip	
			75% hingga 100%
			50% hingga 75%
			25% hingga 50%
			0% hingga 25%
			Cas bateri.
			Bateri mungkin telah rosak.

NOTA: Bergantung kepada keadaan penggunaan dan suhu persekitaran, penunjuk mungkin berbeza sedikit daripada kapasiti sebenar.

NOTA: Lampu penunjuk (kiri jauh) pertama akan berkedip apabila sistem perlindungan bateri berfungsi.

Penunjuk bateri pada panel kawalan

Kapasiti bateri yang tinggal boleh dibaca pada panel kawalan pada bila-bila masa. Tekan butang semak, dan penunjuk kiri dan kanan akan menunjukkan tahap cas bateri sewajarnya.

► **Rajah6:** 1. Penunjuk bateri 2. Butang semak

► **Rajah7**

Status penunjuk bateri			Kapasiti bateri yang tinggal
Hidup	Mati	Berkelip	
			50% hingga 100%
			20% hingga 50%
			0% hingga 20%
			Cas bateri
			Bateri tidak disisipkan

NOTA: Penunjuk bateri juga akan diaktifkan apabila pembersih mula berfungsi atau menukar sumber kuasanya daripada satu bateri kepada bateri yang lain.

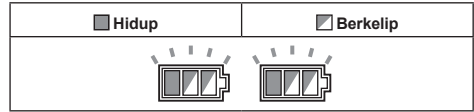
Sistem perlindungan bateri / peralatan

Peralatandilengkapi dengan sistem perlindungan peralatan/bateri. Sistem ini memotong kuasa kepada motor secara automatik untuk memanjangkan hayat peralatan dan bateri. Peralatan akan berhenti secara automatik semasa operasi jika peralatan atau bateri diletakkan di bawah salah satu keadaan yang berikut:

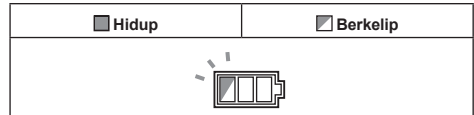
Perlindungan lebih beban

Apabila peralatan/bateri beroperasi dengan cara yang menyebabkan ia menarik arus tinggi yang luar biasa, peralatan akan berhenti secara automatik. Dalam situasi ini, matikan peralatan dan hentikan penggunaan yang menyebabkan mesin menjadi terlebih beban. Kemudian hidupkan peralatan untuk mula semula.

Perlindungan pemanasan lampu



Apabila peralatan terlampau panas, peralatan berhenti secara automatik dan kedua-dua penunjuk bateri kiri dan kanan berkelip. Dalam situasi ini, biarkan peralatan sejuk sebelum menghidupkan semula peralatan.



Apabila bateri terlampau panas, peralatan berhenti secara automatik dan salah satu penunjuk untuk bateri terlampau panas berkelip. Dalam situasi ini, biarkan bateri sejuk sebelum menghidupkan semula peralatan.

Perlindungan lebih nyahcas

Apabila kapasiti bateri menjadi rendah, peralatan akan berhenti secara automatik. Jika peralatan tidak berjalan walaupun suis telah beroperasi, keluarkan bateri daripada peralatan dan cas bateri tersebut.

Perlindungan terhadap punca lain

Sistem perlindungan juga direka bentuk untuk punca lain yang boleh merosakkan peralatan dan membolehkan peralatan berhenti secara automatik. Ambil semua langkah yang berikut untuk membuang punca, apabila peralatan telah dibawa kepada berhenti sementara atau berhenti beroperasi.

1. Matikan peralatan dan kemudian hidupkan peralatan lagi untuk mula semula.
2. Cas bateri atau gantikan bateri dengan bateri yang telah dicas.
3. Biarkan peralatan dan bateri menyejuk.

Jika tiada penambahbaikan boleh didapati melalui pemulihan sistem perlindungan, maka hubungi Pusat Servis Makita tempatan anda.

Tindakan suis

Menghidupkan pembersih

1. Putarkan suis tunggu sedia dalam kedudukan "I" (ON) atau "AUTO" (ON) untuk membolehkan pembersih bersedia dalam mod tunggu sedia.
2. Tekan butang kuasa. Untuk menukar kembali kepada mod tunggu sedia, tekan butang kuasa sekali lagi.

Mematikan pembersih

Lakukan salah satu langkah yang berikut.

- Tekan butang kuasa untuk menetapkan pembersih kembali kepada mod tunggu sedia dan kemudian putarkan suis tunggu sedia dalam kedudukan "O" (OFF).
- Putarkan suis tunggu sedia dalam kedudukan "O" (OFF).

Melaraskan kuasa sedutan

Kuasa sedutan boleh dilaraskan mengikut keperluan kerja anda.

- Putarkan tombol pelaras daya sedutan ke kiri untuk mengurangkan kuasa sedutan.
- Putarkan tombol pelaras daya sedutan ke kanan untuk meningkatkan kuasa sedutan.

- **Rajah8:** 1. Suis tunggal sedia 2. Butang kuasa
3. Tombol pelaras daya sedutan

Mengunci dan membuka kunci roda caster

Roda caster belakang boleh dikunci dengan penahan untuk membantu pembersih berdiri tegak.

Rendahkan tuil penahan menggunakan tangan untuk mengunci roda caster dan naikkan tuil penahan itu untuk melepaskannya.

- **Rajah9:** 1. Lereng-lereng 2. Tuil penahan
3. Kedudukan BEBAS 4. Kedudukan KUNCI

NOTA: Semasa menggerakkan pembersih, pastikan bahawa roda caster tidak dikunci. Menggerakkan pembersih dengan roda caster pada kedudukan terkunci boleh menyebabkan kerosakan pada roda caster.

Pemegang pembawa

PERHATIAN: Angkat dan bawa peralatan secara berhati-hati. Gagal berbuat sedemikian boleh menyebabkan kecederaan diri atau kerosakan kepada peralatan.

Semasa membawa pembersih, bawa ia dengan memegang pada pemegang pada unit kepala. Pemegang boleh dilipat pada unit kepala apabila tidak digunakan.

- **Rajah10**

PEMASANGAN

PERHATIAN: Sentiasa memastikan bahawa peralatan dimatikan dan kartrij bateri dikeluarkan sebelum menjalankan sebarang kerja pada peralatan.

PERHATIAN: Sentiasa pakai topeng debu semasa pemasangan atau penyelenggaraan.

Memasang penapis serbuk (HEPA) dan penapis awal (untuk debu kering)

PERHATIAN: Jangan sekali-kali menyedut air atau cecair lain atau debu basah semasa menggunakan penapis serbuk. Menyedut benda sedemikian boleh menyebabkan kebocoran penapis serbuk.

Untuk menggunakan penapis serbuk:

1. Letakkan penapis awal ke dalam tangki sejajar dengan tanda kedudukan pelekap pada penapis awal dan tangki.
2. Tetapkan peredam ke dalam penapis awal dan kemudian letakkan penapis serbuk di atas peredam sejajar dengan tanda kedudukan pelekap pada penapis serbuk dan penapis awal.
3. Lepapkan unit kepala di atas tangki dan kukuhkannya dengan selak pengunci.
► **Rajah11:** 1. Unit kepala 2. Penapis serbuk (HEPA) 3. Peredam 4. Penapis awal 5. Tangki 6. Penandaan kedudukan pelekap

NOTIS: Sebelum menggunakan penapis serbuk, pastikan pra penapis dan peredam sentiasa digunakan bersama. Tidak dibenarkan untuk memasang penapis serbuk semata-mata.

Memasang pek kertas

Aksesori pilihan

AMARAN: Sebelum menggunakan pek kertas, pastikan bahawa penapis awal digunakan bersama-sama. Kegagalan untuk menggunakan penapis awal bersama-sama boleh menyebabkan hingar dan haba luar biasa, yang boleh mengakibatkan kebakaran.

NOTIS: Jangan sekali-kali menyedut air atau cecair lain atau debu basah semasa menggunakan pek kertas. Menyedut benda sedemikian boleh menyebabkan kebocoran pek kertas.

NOTIS: Sebelum menggunakan pek kertas, pastikan bahawa penapis serbuk, peredam dan penapis awal sentiasa digunakan bersama-sama.

1. Buka lipatan pek kertas.
2. Sejajarkan bukaan pek kertas dengan masukan habuk tangki.
3. Pasang pek kertas ke dalam tangki dengan bukaan kadbodynya dicangkukkan pada pemegang pek kertas.
► **Rajah12:** 1. Pek kertas 2. Bukaan kadbody 3. Pemegang pek kertas 4. Masukan habuk

Memasang beg polietilena

Dengan beg polietilena dipasang di dalam tangki, anda boleh mengosongkan tangki dengan mudah tanpa mengotorkan tangan anda.

Letakkan beg polietilena di atas tangki dan selitkan satu sisi tepi atas beg pada hujung terbukanya antara plat pemegang dan dinding hadapan tangki.

- **Rajah13:** 1. Plat pemegang 2. Dinding hadapan tangki 3. Beg polietilena

Kembangkan tepi atas beg yang lain ke luar di atas bibir atas tangki. Letakkan penapis awal di atas beg polietilena untuk mengetatkan bukaan beg dengan kukuh.

- **Rajah14:** 1. Penapis awal

NOTA: Beg polietilena yang boleh didapati di pasaran boleh digunakan. Ketebalan 0.04 mm atau lebih adalah disarankan.

NOTA: Debu yang terlalu banyak boleh mengoyakkan beg dengan mudah, jadi, jangan kumpul debu lebih daripada separuh kapasiti beg.

Mengosongkan tangki dengan beg polietilena

⚠️AMARAN: Sentiasa memastikan pembersih dimatikan dan kartrij bateri dikeluarkan sebelum mengosongkan tangki. Kegagalan berbuat demikian boleh menyebabkan kejutan elektrik dan kecederaan diri yang serius.

NOTIS: Jangan kenakan impak yang besar pada tangki. Impak yang kuat boleh menyebabkan perubahan bentuk dan merosakkan bahagian.

NOTIS: Kosongkan tangki sekurang-kurangnya sehari sekali walaupun ini bergantung kepada isi padu debu yang sedut dalam tangki. Atau, daya sedutan akan lemah dan motor boleh rosak.

NOTIS: Jangan sentap cangkuk atau selak semasa mengosongkan tangki. Tindakan menyentap cangkuk atau selak boleh menyebabkannya pecah.

Lepaskan selak pengunci dan angkat unit kepala daripada tangki.

Goncang keluar habuk daripada penapis awal sebelum mengangkat keluar penapis daripada tangki. Kemudian keluarkan beg polietilena daripada tangki, sambil menutup bukaan beg dengan tangan.

► **Rajah15:** 1. Beg polietilena 2. Tangki

NOTA: Bawa keluar beg polietilena daripada tangki secara berhati-hati untuk mengelakkannya daripada tercalar atau terkoyak akibat bergeser dengan sisi dalam tangki.

NOTA: Kosongkan beg polietilena sebelum ia penuh. Terlalu banyak debu di dalam tangki boleh menyebabkan beg polietilena terkoyak.

Memasang berbilang cangkuk

Gunakan berbilang cangkuk untuk memegang hos, aksesori dan sambungan yang tidak digunakan di tempatnya dan anda boleh mengeluarkannya dengan cepat mengikut pilihan anda.

► **Rajah16**

Letakkan berbilang cangkuk di atas tapak lekapan di bahagian belakang pembersih, menetapkan landasan pada berbilang cangkuk sepanjang alur pada tapak lekapan.

► **Rajah17:** 1. Berbilang cangkuk 2. Tapak lekapan

Memasang penyusui MAKPAC

Aksesori pilihan

Bekas simpanan MAKPAC boleh sambung dan boleh tindih boleh dipasang di bahagian atas pembersih dengan penyusui pilihan. Bekas ini boleh didapati dalam banyak saiz dan gaya mengikut pilihan anda.

Letakkan cangkuk tapak lekapan di atas pemegang pembersih dengan permukaan lekapannya menghadap ke atas apabila pemegang dilipat ke dalam kedudukan tertutup.

► **Rajah18:** 1. Cangkuk tapak lekapan 2. Permukaan lekapan 3. Pemegang

Lekapkan penyusui MAKPAC kepada cangkuk tapak lekapan dan kukuhkannya bersama-sama dengan nempat skru yang disediakan.

► **Rajah19:** 1. Penyusui MAKPAC 2. Cangkuk tapak lekapan 3. Skru

Angkat bar tolak dan ketatkan tombol untuk menyediakan pemasangan bekas MAKPAC ke dalam pembersih.

► **Rajah20:** 1. Bar tolak 2. Tombol

NOTA: Untuk butiran tentang pemasangan bekas MAKPAC, rujuk kepada arahan yang disediakan dengan penyusui dan bekas MAKPAC.

Memasang hos

NOTIS: Jangan paksa hos dengan membengkok atau menghentaknyanya. Jangan menggerakkan pembersih dengan menarik hos. Memaksa, menghentak dan menarik hos boleh menyebabkan hos pecah atau berubah bentuk.

NOTIS: Semasa menyedut sisa yang besar seperti ukiran pengetam, debu konkrit atau yang serupa selain sisa kecil, gunakan hos berdiameter dalaman 38 mm (aksesori pilihan). Menggunakan hos berdiameter dalaman 28 mm (aksesori pilihan) boleh menyebabkan sumbatan dan kerosakan hos.

Sambungan kepada pembersih

Sisipkan hujung hos kepada masukan habuk (salur masuk hos) pembersih, kemudian putarkan mengikut arah jam sehingga ia terkunci di tempatnya.

► **Rajah21:** 1. Hos 2. Masukan habuk (salur masuk hos)

Sambungan dengan alat kerja anda (Negara khusus)

Dengan menyambungkan pembersih vakum kepada sebarang alat kerja tersedia yang sesuai dengan pembersih, ia berfungsi sebagai pengekstrak habuk untuk alat kuasa anda.

Pilih salah satu manset atau sambungan hadapan (aksesori pilihan) sebagai yang paling sesuai untuk model alat anda. Letakkan manset atau sambungan, sebagaimana perlu, antara hujung hadapan hos pembersih dan port pengekstrak habuk alat anda.

► **Rajah22:** 1. Manset atau sambungan hadapan 2. Hos pembersih 3. Alat kuasa 4. Pembersih vakum

Memasang atau mengeluarkan sambungan pembersih

⚠ PERHATIAN: Selepas memasang pemasangan, periksa jika ia telah dipasang dengan kukuh. Jika pemasangan dipasang dengan tidak sempurna, ia mungkin tertanggal dan menyebabkan kecederaan diri.

Apabila menggunakan pemasangan tanpa fungsi kunci

Aksesori pilihan

Sisipkan sambungan ke dalam salur masuk sedutan pembersih dengan menolak dan menskrulkannya dengan tangan di tempatnya.

Putar dengan tangan dan tarik sambungan keluar daripada salur masuk sedutan selepas digunakan.

► **Rajah23**

Sambungan dengan fungsi kunci

Aksesori pilihan

NOTIS: Semasa memasang pemasangan dengan fungsi kunci, pastikan untuk menjajarkan butang lepas dengan cangkuk pada pemasangan.

Jika kedua-dua tidak disejajarkan, pemasangan tidak akan terkunci dan boleh tertanggal daripada pembersih.

Sisipkan sambungan ke dalam salur masuk sedutan pembersih dengan menolaknya bersama-sama dengan klik.

Untuk mengeluarkan sambungan, tarik ia keluar sambil menekan butang pelepas.

► **Rajah24:** 1. Salur masuk sedutan dengan fungsi kunci 2. Butang pelepas 3. Lampiran dengan fungsi kunci

NOTA: Sambungan dengan fungsi kunci hanya boleh dipasang dalam salur masuk sedutan dengan fungsi kunci.

► **Rajah25:** 1. Lampiran dengan fungsi kunci 2. Salur masuk sedutan dengan fungsi kunci 3. Salur masuk sedutan tanpa fungsi kunci

Melaraskan panjang tongkat sambungan jenis luncur

Aksesori pilihan

Tongkat sambungan jenis luncur boleh digabungkan untuk panjang yang lebih pendek dan lebih panjang. Ia membolehkan membersihkan kawasan yang sukar dicapai dan pilihan kedudukan yang selesa.

Tarik ke dalam dan ke luar paip luncur untuk mengubah panjang tongkat sambil menekan dan menahan butang luncur.

Lepaskan butang luncur untuk mengunci paip luncur pada kedudukan yang dikehendaki.

► **Rajah26:** 1. Paip luncur 2. Butang luncur

FUNGSI PENGAKTIFAN TANPA WAYAR

Apa yang boleh anda lakukan dengan fungsi pengaktifan tanpa wayar

Fungsi pengaktifan tanpa wayar membolehkan operasi yang bersih dan selesa. Dengan menyambungkan alat yang disokong kepada pembersih, anda boleh menjalankan pembersih secara automatik bersama dengan operasi suis alat tersebut.

► **Rajah27**

NOTIS: Pastikan rujuk kepada manual arahan alat apabila menggunakan pembersih dengan fungsi pengaktifan tanpa wayar.

NOTIS: Jangan leraikan atau menghentak dengan unit tanpa wayar.

NOTIS: Untuk mengelakkan habuk masuk ke dalam slot unit tanpa wayar, sentiasa tutup dengan selamat semasa operasi dan penyimpanan.

NOTIS: Jangan keluarkan unit tanpa wayar semasa kuasa sedang dibekalkan ke alat itu. Berbuat demikian boleh menyebabkan kerosakan pada unit tanpa wayar.

NOTIS: Jangan tekan butang pengaktifan tanpa wayar terlalu kuat dan/atau tekan butang dengan objek dengan sisi tajam.

NOTA: Pengaktifan tanpa wayar memerlukan alat Makita dilengkapi dengan unit tanpa wayar.

NOTA: Sebelum penggunaan awal fungsi pengaktifan tanpa wayar dengan setiap alat, pelarasan alat diperlukan. Sebaik sahaja pelarasan selesai dengan alat, pelarasan semula tidak diperlukan melainkan dibatalkan.

NOTA: Sebelum pelarasan, pastikan unit tanpa wayar dipasang dengan betul.

NOTA: Satu unit tanpa wayar boleh dipadankan sehingga 10 pautan dengan unit tanpa wayar yang lain. Jika lebih daripada 10 unit tanpa wayar yang lain dipadankan kepada satu unit tanpa wayar, satu yang dipadankan yang terawal akan dibatalkan secara automatik.

NOTA: Kedudukan butang pengaktifan tanpa wayar berbeza bergantung pada alat.

NOTA: Pembersih juga bermula dengan menekan butang kuasa apabila suis tunggu sedia ditetapkan kepada "AUTO".

Tetapi butang kuasa tidak akan berfungsi apabila fungsi pengaktifan tanpa wayar digunakan.

Memasang unit tanpa wayar

PERHATIAN: Letakkan pembersih pada permukaan yang rata dan stabil apabila memasang unit tanpa wayar.

NOTIS: Membersihkan debu dan kotoran pada pembersih sebelum memasang unit tanpa wayar. Debu atau kotoran boleh menyebabkan kerosakan jika ia masuk ke dalam slot unit tanpa wayar.

NOTIS: Untuk mengelakkan kerosakan yang disebabkan oleh statik, sentuh bahan pelepas statik, seperti bahagian logam, sebelum mengambil unit tanpa wayar.

NOTIS: Apabila memasang unit tanpa wayar, pastikan unit tanpa wayar dimasukkan ke dalam arah yang betul dan penutup ditutup sepenuhnya.

1. Membuka penutup pada pembersih seperti yang ditunjukkan pada gambar.

► **Rajah28:** 1. Penutup

2. Masukkan unit tanpa wayar ke slot dan tutup penutup.

Apabila memasukkan unit tanpa wayar, sejajarkan unjuran dengan bahagian-bahagian berlekuk pada slot.

► **Rajah29:** 1. Unit tanpa wayar 2. Unjuran 3. Penutup 4. Bahagian berlekuk

Apabila mengeluarkan unit tanpa wayar, buka penutup perlahan-lahan. Cangkuk pada bahagian belakang penutup akan mengangkat unit tanpa wayar semasa anda menarik penutup.

► **Rajah30:** 1. Unit tanpa wayar 2. Cangkuk 3. Penutup

Apabila mengeluarkan unit tanpa wayar, simpan bekas yang dibekalkan atau bekas bebas statik.

NOTIS: Sentiasa menggunakan cangkuk di bahagian belakang penutup apabila mengeluarkan unit tanpa wayar. Jika cangkuk tidak mencapai unit tanpa wayar, tutup penutup sepenuhnya dan buka dengan perlahan sekali lagi.

Pelarasan alat untuk pembersih

NOTA: Alat Makita yang menyokong fungsi pengaktifan tanpa wayar diperlukan untuk pelarasan alat.

NOTA: Selesaikan memasang unit tanpa wayar kepada alat sebelum memulakan pelarasan alat.

NOTA: Semasa pelarasan alat, jangan tarik pemicu suis pada alat atau hidupkan suis kuasa pada pembersih.

NOTA: Rujuk kepada manual arahan alat itu juga.

Jika anda ingin mengaktifkan pembersih bersama dengan operasi suis alat itu, selesaikan pelarasan alat terlebih dahulu.

1. Pasang unit tanpa wayar kepada pembersih dan alat masing-masing.

2. Pasang bateri kepada pembersih dan alat itu.

3. Tetapkan suis tunggu sedia pada pembersih kepada "AUTO".

► **Rajah31:** 1. Suis tunggu sedia

4. Tekan butang pengaktifan tanpa wayar pada pembersih selama 3 saat sehingga lampu pengaktifan tanpa wayar berkelip hijau. Dan kemudian tekan butang pengaktifan tanpa wayar pada alat dengan cara yang sama.

► **Rajah32:** 1. Butang pengaktifan tanpa wayar 2. Lampu pengaktifan tanpa wayar

Jika pembersih dan alat tersebut berjaya dihubungkan, lampu pengaktifan tanpa wayar akan menyala hijau selama 2 saat dan mula berkelip biru.

NOTA: Lampu pengaktifan tanpa wayar selesai berkelip dalam warna hijau selepas 20 saat berlalu. Tekan butang pengaktifan tanpa wayar pada alat semasa lampu pengaktifan tanpa wayar pada pembersih berkelip. Jika lampu pengaktifan tanpa wayar tidak berkelip hijau, tolak butang pengaktifan tanpa wayar sekejap dan tahannya lagi.

NOTA: Apabila melakukan dua atau lebih alat pelarasan untuk pembersih, selesaikan pelarasan alat satu demi satu.

Memulakan fungsi pengaktifan tanpa wayar

NOTA: Selesaikan pelarasan alat untuk pembersih bagi pengaktifan tanpa wayar.

NOTA: Sentiasa meletakkan pembersih agar anda dapat melihat status lampu pengaktifan tanpa wayar.

NOTA: Rujuk kepada manual arahan alat itu juga.

Selepas memadamkan alat kepada pembersih, pembersih akan berfungsi secara automatik bersama dengan operasi suis alat tersebut.

1. Pasang unit tanpa wayar kepada pembersih dan alat masing-masing.

2. Pasang bateri kepada pembersih dan alat itu.

3. Sambungkan hos pembersih dengan alat.

► **Rajah33**

4. Tetapkan suis tunggu sedia pada pembersih kepada "AUTO".

► **Rajah34:** 1. Suis tunggu sedia

5. Tolak butang pengaktifan tanpa wayar kepada alat dengan sekejap. Lampu pengaktifan tanpa wayar akan berkelip dalam warna biru.

► **Rajah35:** 1. Butang pengaktifan tanpa wayar 2. Lampu pengaktifan tanpa wayar

6. Hidupkan alat. Periksa jika pembersih berjalan semasa alat beroperasi.

PERHATIAN: Sentiasa periksa jika fungsi pengaktifan tanpa wayar berfungsi sebelum memulakan kerja dengan alat.

Untuk menghentikan pengaktifan tanpa wayar, tolak butang pengaktifan tanpa wayar pada alat, atau tetapkan suis tunggu sedia pada pembersih kepada "I" atau "O".

NOTA: Lampu pengaktifan tanpa wayar pada alat akan berhenti berkelip dalam warna biru apabila tidak ada operasi selama 2 jam. Dalam kes ini, tetapkan suis tunggu sedia pada pembersih kepada "AUTO" dan tekan butang pengaktifan tanpa wayar pada alat itu lagi.

NOTA: Pembersih mula/berhenti dengan lambat. Terdapat penundaan ketika pembersih mengesan operasi suis pada alat.

NOTA: Jarak penghantaran unit tanpa wayar mungkin berbeza-beza bergantung kepada lokasi dan keadaan sekitarnya.

NOTA: Apabila dua atau lebih alat berdaftar pada satu pembersih, pembersih akan mula berjalan walaupun jika anda tidak menghidupkan alat kerana pengguna lain menggunakan fungsi pengaktifan tanpa wayar.

Membatalkan pelarasan alat untuk pembersih

Melaksanakan prosedur berikut apabila membatalkan pelarasan alat pembersih.

1. Pasang unit tanpa wayar kepada pembersih dan alat masing-masing.
2. Pasang bateri kepada pembersih dan alat itu.
3. Tetapkan suis tunggu sedia pada pembersih kepada "AUTO".

► **Rajah36:** 1. Suis tunggu sedia

4. Tekan butang pengaktifan tanpa wayar pada pembersih selama 6 saat. Lampu pengaktifan tanpa wayar berkelip hijau dan kemudian menjadi merah. Selepas itu, tekan butang pengaktifan tanpa wayar pada alat dengan cara yang sama.

► **Rajah37:** 1. Butang pengaktifan tanpa wayar
2. Lampu pengaktifan tanpa wayar

Jika pemadaman dilakukan dengan jayanya, lampu pengaktifan tanpa wayar akan menyala merah selama 2 saat dan mula berkelip biru.

NOTA: Lampu pengaktifan tanpa wayar selesai berkelip dalam warna merah selepas 20 saat berlalu. Tekan butang pengaktifan tanpa wayar pada alat semasa lampu pengaktifan tanpa wayar pada pembersih berkelip. Jika lampu pengaktifan tanpa wayar tidak berkelip merah, tolak butang pengaktifan tanpa wayar sekejap dan tahan lagi.

Memadamkan semua pelarasan alat

Anda boleh memadam semua pelarasan alat dari pembersih seperti berikut.

► **Rajah38:** 1. Suis tunggu sedia 2. Butang pengaktifan tanpa wayar 3. Lampu pengaktifan tanpa wayar











1. Pasang unit tanpa wayar kepada pembersih.
2. Pasang bateri kepada pembersih.
3. Tetapkan suis tunggu sedia kepada "AUTO".
4. Tahan butang pengaktifan tanpa wayar selama kira-kira 6 saat sehingga lampu pengaktifan tanpa wayar berkelip merah (kira-kira dua kali satu saat).
5. Apabila lampu pengaktifan tanpa wayar mula berkelip dengan warna merah, lepaskan jari anda dari butang pengaktifan tanpa wayar. Selepas itu, tahan butang pengaktifan tanpa wayar sekali lagi selama 6 saat.
6. Apabila lampu pengaktifan tanpa wayar mula berkelip cepat (kira-kira 5 kali setiap saat) warna merah, lepaskan jari anda dari butang pengaktifan tanpa wayar. Apabila lampu pengaktifan tanpa wayar menyala merah dan kemudian menyala off, semua pelarasan alat dipadamkan.

NOTA: Jika lampu pengaktifan tanpa wayar tidak berkelip merah, tolak butang pengaktifan tanpa wayar sekejap dan cuba lagi.

Penerangan status lampu pengaktifan tanpa wayar

- **Rajah39:** 1. Butang pengaktifan tanpa wayar
2. Lampu pengaktifan tanpa wayar

Lampu pengaktifan tanpa wayar menunjukkan status fungsi pengaktifan tanpa wayar. Rujuk jadual di bawah adalah maksud status lampu.

Status	Lampu pengaktifan tanpa wayar			Penerangan
	Warna	 Hidup	 Berkelip	
Tunggu sedia	Biru		Pembersih: Atal berterusan: 2 jam	Menunggu pelarasan alat atau fungsi pengaktifan tanpa wayar tersedia. Lampu pada pembersih berkelip apabila suis tunggu sedia ditetapkan di AUTO. Lampu pada alat itu berkelip apabila butang pengaktifan tanpa wayar ditolak. Lampu pada alat akan dimatikan secara automatik apabila tiada operasi dijalankan selama 2 jam.
			Apabila alat sedang berjalan.	Pengaktifan tanpa wayar pembersih tersedia dan alat sedang berjalan.
Pelarasan alat	Hijau		20 saat	Bersedia untuk pelarasan alat. Mencari alat untuk dilaraskan.
			2 saat	Pelarasan alat telah selesai. Lampu pengaktifan tanpa wayar akan mula berkelip dalam warna biru.
Membatalkan/memadam pelarasan alat	Merah	 (perlahan: 2 kali/saat)	20 saat	Sedia untuk pembatalan pelarasan alat. Mencari alat untuk dibatalkan.
		 (cepat: 5 kali/saat)	Apabila butang pengaktifan tanpa wayar ditekan ke bawah.	Bersedia untuk memadam semua pelarasan alat.
			2 saat	Pelarasan alat telah dibatalkan/dipadam. Lampu pengaktifan tanpa wayar akan mula berkelip dalam warna biru.
Lain-lain	Merah		3 saat	Kuasa dibekalkan kepada unit tanpa wayar dan fungsi pengaktifan tanpa wayar dimulakan.
	Mati	-	-	Suis tunggu sedia tidak di set kepada "AUTO".

Pencarisilapan untuk fungsi pengaktifan tanpa wayar

Sebelum meminta pembaikan, jalankan pemeriksaan sendiri terlebih dahulu. Jika anda mendapati masalah tidak diterangkan dalam manual, jangan cuba untuk menanggalkan alat. Sebaliknya, tanya Pusat Servis Sah Makita, sentiasa gunakan alat ganti Makita untuk pembaikan.

Keadaan keabnormalan	Sebab yang mungkin (kerosakan)	Remedi
Lampu pengaktifan tanpa wayar tidak menyala/berkelip.	Unit tanpa wayar tidak dipasang kepada pembersih dan/atau alat itu. Unit tanpa wayar dipasang secara tidak betul ke dalam pembersih dan/atau alat itu.	Memasang unit tanpa wayar dengan betul.
	Terminal unit tanpa wayar dan/atau slot adalah kotor.	Perlahan-lahan mengelap habuk dan kotoran pada terminal unit tanpa wayar dan membersihkan slot daripada pembersih dan/atau alat.
	Butang pengaktifan tanpa wayar pada alat tidak ditolak.	Tolak butang pengaktifan tanpa wayar kepada alat dengan sekejap.
	Suis tunggu sedia pada pembersih tidak di set kepada "AUTO".	Tetapkan suis tunggu sedia pada pembersih kepada "AUTO".
	Tiada bekalan kuasa	Berikan kuasa kepada alat dan pembersih.
Tidak dapat menyelesaikan pelarasan alat / pelarasan pembatalan alat dengan jayanya.	Unit tanpa wayar tidak dipasang kepada pembersih dan/atau alat itu. Unit tanpa wayar tidak dipasang dengan betul kepada pembersih dan/atau alat itu.	Memasang unit tanpa wayar dengan betul.
	Terminal unit tanpa wayar dan/atau slot adalah kotor.	Perlahan-lahan mengelap habuk dan kotoran pada terminal unit tanpa wayar dan membersihkan slot daripada pembersih dan/atau alat.
	Suis tunggu sedia pada pembersih tidak di set kepada "AUTO".	Tetapkan suis tunggu sedia pada pembersih kepada "AUTO".
	Tiada bekalan kuasa	Berikan kuasa kepada alat dan pembersih.
	Operasi yang tidak betul	Tekan butang pengaktifan tanpa wayar sekejap dan lakukan prosedur pelarasan/pembatalan alat sekali lagi.
	Alat dan bersih berada jauh antara satu sama lain (di luar julat penghantaran).	Dapatkan alat dan pembersih lebih rapat antara satu sama lain. Jarak penghantaran maksimum adalah kira-kira 10 m namun ia mungkin berbeza-beza mengikut keadaan.
	Sebelum menyelesaikan pendaftaran/pembatalan alat; - suis alat dihidupkan atau; - butang kuasa pada pembersih dihidupkan.	Tekan butang pengaktifan tanpa wayar sekejap dan lakukan prosedur pelarasan/pembatalan alat sekali lagi.
	Prosedur pendaftaran untuk alat atau pembersih belum selesai.	Lakukan prosedur pelarasan untuk alat dan pembersih pada masa yang sama.
Gangguan radio oleh peralatan lain menghasilkan gelombang radio intensiti yang tinggi.	Pastikan alat dan pembersih jauh dari peralatan seperti peranti Wi-Fi dan ketuhar gelombang mikro.	

Keadaan keabnormalan	Sebab yang mungkin (kerusakan)	Remedi
Pembersih tidak berjalan bersama dengan alat suis operasi itu.	Unit tanpa wayar tidak dipasang kepada pembersih dan/atau alat itu. Unit tanpa wayar dipasang secara tidak betul ke dalam pembersih dan/atau alat itu.	Memasang unit tanpa wayar dengan betul.
	Terminal unit tanpa wayar dan/atau slot adalah kotor.	Perlahan-lahan mengelap habuk dan kotoran pada terminal unit tanpa wayar dan membersihkan slot daripada pembersih dan/atau alat.
	Butang pengaktifan tanpa wayar pada alat tidak ditolak.	Tekan butang pengaktifan tanpa wayar sekejap dan pastikan lampu pengaktifan tanpa wayar berkelip biru.
	Suis tunggu sedia pada pembersih tidak di set kepada "AUTO".	Tetapkan suis tunggu sedia pada pembersih kepada "AUTO".
	Lebih daripada 10 alat dilaraskan kepada pembersih.	Lakukan pelarasan pada alat sekali lagi. Jika lebih daripada 10 alat dilaraskan kepada pembersih, alat yang dilaraskan paling awal akan dibatalkan secara automatik.
	Semua pelarasan alat pembersih dipadamkan .	Lakukan pelarasan alat sekali lagi.
	Tiada bekalan kuasa	Berikan kuasa kepada alat dan pembersih.
	Alat dan bersih berada jauh antara satu sama lain (di luar julat penghantaran).	Dapatkan alat dan pembersih lebih rapat antara satu sama lain. Jarak penghantaran maksimum adalah kira-kira 10 m namun ia mungkin berbeza-beza mengikut keadaan.
	Gangguan radio oleh peralatan lain menghasilkan gelombang radio intensiti yang tinggi.	Pastikan alat dan pembersih jauh dari peralatan seperti peranti Wi-Fi dan ketuhaar gelombang mikro.
Pembersih berjalan semasa alat tidak beroperasi.	Pengguna lain menggunakan pembersih pengaktifan tanpa wayar dengan alat mereka.	Mematikan butang pengaktifan tanpa wayar pada alat yang lain atau membatalkan pelarasan alat yang lain.
Tidak dapat memadam semua pelarasan alat dalam pembersih.	Menolak butang tanpa wayar kepada alat.	Tekan butang tanpa wayar pada pembersih untuk memadam semua pelarasan alat.
	Suis tunggu sedia pada pembersih tidak di set kepada "AUTO".	Tetapkan suis tunggu sedia pada pembersih kepada "AUTO".
	Butang pengaktifan tanpa wayar tidak ditekan dengan betul.	Tahan butang pengaktifan tanpa wayar lebih daripada 6 saat dan kemudian lepaskan apabila lampu pengaktifan berkelip merah. Tahan butang pengaktifan tanpa wayar lebih dari 6 saat sekali lagi sehingga butang pengaktifan tanpa wayar cepat berkelip merah dan kemudian lepaskan butang.

PENYELENGGARAAN

⚠️ PERHATIAN: Sentiasa memastikan bahawa peralatan dimatikan dan kartrij bateri dikeluarkan sebelum cuba menjalankan pemeriksaan atau penyelenggaraan.

NOTIS: Jangan gunakan petrol, benzin, pencair, alkohol atau bahan yang serupa. Ia boleh menyebabkan perubahan warna, bentuk atau keretakan.

Untuk mengekalkan KESELAMATAN dan KEBOLEHPERCAYAAN produk, pembaikan, apa-apa penyelenggaraan atau penyesuaian lain perlu dilakukan oleh Kilang atau Pusat Servis Makita yang Diiktiraf, sentiasa gunakan alat ganti Makita.

Penyimpanan aksesori

Aksesori dan sambungan yang tidak digunakan, seperti muncung dan berus, boleh dicangkuk dan disimpan di dalam berbilang cangkuk di bahagian belakang pembersih.

► **Rajah40:** 1. Berbilang cangkuk 2. Aksesori dan sambungan yang tidak digunakan

Paip (dengan penahan pilihan dipasang) boleh diletakkan ke dalam pemegang paip apabila pembersih tidak digunakan untuk masa yang singkat.

► **Rajah41:** 1. Penahan (aksesori pilihan) 2. Pemegang paip

Hos boleh digulung dan disimpan mengelilingi perumah atau pemegang pembersih dengan gelung yang besar. Sambungkan kedua-dua hujungnya bersama-sama untuk membuat gelung dan cangkuk gelung pada pemegang yang dinaikkan ke atas. Sebagai pilihan, pastikan hujung pangkalnya dipasang pada salur masuk hos dan gantungkan gelung pada berbilang cangkuk dengan hujung yang lepas terikat.

► **Rajah42**

► **Rajah43**

Membersihkan penapis serbuk (HEPA) dan penapis awal

Bersihkan penapis serbuk, penapis awal dan peredam pada selang yang kerap kerana penapis dan peredam yang tersumbat boleh menyebabkan prestasi sedutan yang lemah.

Lap dan goncang keluar habuk secara rutin daripada penapis dan peredam dengan tangan.

► **Rajah44:** 1. Penapis awal

► **Rajah45:** 1. Peredam 2. Penapis serbuk (HEPA)

Basuh penapis serbuk sekali-sekala di dalam air, bilas dan keringkan sepenuhnya di bawah teduhan sebelum menggunakannya. Jangan sekali-kali basuh penapis di dalam mesin basuh.

► **Rajah46**

NOTA: Jangan gosok atau calarkan penapis serbuk, penapis awal atau peredam dengan objek keras seperti berus dan sudip.

NOTA: Penapis akan haus lama-kelamaan. Disyorkan untuk mendapatkan alat ganti bagi penapis.

AKSESORI PILIHAN

⚠️ PERHATIAN: Aksesori-aksesori atau lampiran-lampiran ini adalah disyorkan untuk digunakan dengan alat Makita anda yang ditentukan dalam manual ini. Penggunaan mana-mana aksesori-aksesori atau lampiran-lampiran lain mungkin mengakibatkan risiko kecederaan kepada orang. Hanya gunakan aksesori atau lampiran untuk tujuan yang dinyatakan.

Jika anda memerlukan sebarang bantuan untuk maklumat lebih lanjut mengenai aksesori ini, tanya Pusat Perkhidmatan Makita tempatan anda.

- Hos
- Manset hadapan (22, 24, 38)
- Paip lurus
- Tongkat sambungan
- Muncung penjuru
- Berus bulat
- Penapis serbuk, HEPA (untuk debu kering)
- Peredam
- Penapis awal
- Pemasangan muncung
- Paip bengkok
- Beg polietilena
- Pek kertas
- Penyesuai MAKPAC
- Unit tanpa wayar
- Bateri dan pengecas asli Makita

NOTA: Beberapa item dalam senarai mungkin disertakan dalam pakej alat sebagai aksesori standard. Item mungkin berbeza mengikut negara.

CẢNH BÁO

- Máy này không dành cho những người suy giảm thể chất, giác quan hoặc khả năng trí óc, hoặc thiếu kinh nghiệm và kiến thức sử dụng bao gồm cả trẻ em.
- Trẻ em cần được giám sát để đảm bảo rằng chúng sẽ không nghịch máy hút bụi.
- Xem chương “THÔNG SỐ KỸ THUẬT” để biết loại tham chiếu dành cho pin.
- Xem phần “Lắp hoặc tháo hộp pin” để biết cách tháo hoặc lắp pin.
- Khi vứt bỏ hộp pin, hãy tháo chúng khỏi dụng cụ và thải bỏ ở nơi an toàn. Phải tuân thủ theo các quy định của địa phương liên quan đến việc thải bỏ pin.
- Nếu dụng cụ không được sử dụng trong một thời gian dài, cần phải tháo pin ra khỏi dụng cụ.
- Không để hộp pin ở tình trạng đoản mạch.
- Xem chương “BẢO DƯỠNG” để biết các chi tiết thích hợp về các biện pháp phòng ngừa trong quá trình bảo dưỡng của người dùng.

THÔNG SỐ KỸ THUẬT

Kiểu máy:	VC002GL	VC004GL
Loại bộ lọc tiêu chuẩn	Bộ lọc bụi dạng bột (cho bụi khô)	
Lượng không khí tối đa ở đầu ống (với BL4040, ống $\varnothing 38$ mm x 2,5 m)	2,7 m ³ /min	
Lượng không khí tối đa ở tua bin (với BL4040)	4,2 m ³ /min	
Chân không (với BL4040)	23 kPa	
Dung lượng hút	8 L	15 L
Kích thước (D x R x C)	366 mm x 334 mm x 425 mm	366 mm x 334 mm x 475 mm
Điện áp định mức	D.C. 36 V - tối đa 40 V	
Khối lượng tịnh	8,3 - 11,4 kg	8,6 - 11,7 kg
Cấp bảo vệ	IPX4	

- Do chương trình nghiên cứu và phát triển liên tục của chúng tôi nên các thông số kỹ thuật trong đây có thể thay đổi mà không cần thông báo trước.
- Các thông số kỹ thuật và hộp pin có thể thay đổi tùy theo từng quốc gia.
- Khối lượng không bao gồm các phụ kiện, ngoại trừ (các) hộp pin. Khối lượng kết hợp nhẹ nhất, nặng nhất của thiết bị và (các) hộp pin được thể hiện như trong bảng.
- Với bụi ướt, cần phải có phao và bộ lọc nước hoặc bộ lọc vải.

Hộp pin và sạc pin có thể áp dụng

Hộp pin	BL4020 / BL4025 / BL4040* / BL4050F* / BL4080F* *: Pin được khuyến dùng
Bộ sạc	DC40RA / DC40RB / DC40RC

- Một số hộp pin và sạc pin được nêu trong danh sách ở trên có thể không khả dụng tùy thuộc vào khu vực cư trú của bạn.

⚠ CẢNH BÁO: Chỉ sử dụng hộp pin và sạc pin được nêu trong danh sách ở trên. Việc sử dụng bất cứ hộp pin và sạc pin nào khác có thể gây ra thương tích và/hoặc hỏa hoạn.

Ký hiệu

Phần dưới đây cho biết các ký hiệu có thể được dùng cho thiết bị. Đảm bảo rằng bạn hiểu rõ ý nghĩa của các ký hiệu này trước khi sử dụng.



Đọc tài liệu hướng dẫn.



Hãy cẩn thận và đặc biệt chú ý.



Cảnh báo! Máy hút bụi có thể chứa bụi nguy hiểm.



Không bao giờ đứng lên máy hút bụi.



Bụi loại L (nhẹ). Máy hút bụi có khả năng hút bụi loại L. Tuân thủ theo các quy định của quốc gia của bạn liên quan đến bụi và sức khỏe và an toàn nghề nghiệp.



NI-MH
Li-Ion

Chỉ dành cho các quốc gia EU
Do có các thành phần nguy hiểm bên trong thiết bị điện và điện tử, ắc quy và pin thải bỏ nên có thể có tác động không tốt đến môi trường và sức khỏe con người.
Không vứt bỏ các thiết bị điện và điện tử hoặc pin với rác thải sinh hoạt!
Theo Chỉ thị của Châu Âu về thiết bị điện và điện tử thải bỏ và về pin và ắc quy và pin và ắc quy thải bỏ, cũng như sự thích ứng của chúng với luật pháp quốc gia, các thiết bị điện, pin và ắc quy thải phải được cất giữ riêng biệt và chuyển đến một điểm thu gom rác thải đô thị riêng, hoạt động theo các quy định về bảo vệ môi trường. Điều này được biểu thị bằng biểu tượng thùng rác có bánh xe gạch chéo được đặt trên thiết bị.

Mục đích sử dụng

Thiết bị này được dùng để gom bụi khô. Thiết bị này thích hợp cho sử dụng thương mại, ví dụ như trong khách sạn, trường học, bệnh viện, nhà máy, cửa hàng, văn phòng và các cơ sở cho thuê.

CẢNH BÁO AN TOÀN

Cảnh báo an toàn cho Máy hút bụi chạy pin

⚠ CẢNH BÁO: LƯU Ý ĐỌC KỸ tất cả các cảnh báo an toàn và các hướng dẫn **TRƯỚC KHI SỬ DỤNG**. Việc không tuân theo các cảnh báo và hướng dẫn có thể dẫn đến điện giật, hỏa hoạn và/hoặc thương tích nghiêm trọng.

1. Trước khi sử dụng, đảm bảo rằng máy hút bụi này phải do người đã được hướng dẫn đầy đủ về cách dùng máy hút bụi này sử dụng.
2. Trước khi sử dụng, nên cung cấp thông tin, hướng dẫn và đào tạo cho người vận hành để sử dụng máy và cho biết các chất tương tự mà máy sẽ sử dụng, bao gồm cả phương pháp an toàn để loại bỏ và xử lý vật liệu thu thập được.

3. Luôn đảm bảo các bộ lọc được lắp đặt chính xác trước khi sử dụng. Không sử dụng máy hút bụi khi không có các bộ lọc ở đúng vị trí. Thay thế bộ lọc bị hỏng ngay lập tức. Nền có một số phụ tùng thay thế vì bộ lọc là vật tư tiêu hao.
4. **TRÁNH VÔ TÌNH KHỞI ĐỘNG MÁY.** Đảm bảo rằng đưa công tắc về nút TẮT khi lắp (các) pin.
5. Không cố hút các vật liệu dễ cháy, pháo hoa, thuốc lá đang cháy, tro nóng, mặt kim loại nóng, các vật liệu sắc nhọn như dao cạo, kim, thủy tinh vỡ hoặc những vật tương tự.
6. **KHÔNG BAO GIỜ SỬ DỤNG MÁY HÚT BỤI TRONG KHU VỰC GẦN XĂNG DẦU, KHÍ GAS, SƠN, KEO DÁN HOẶC CÁC CHẤT CHÁY NÓNG MANH.** Công tắc phát ra tia lửa khi BẬT và TẮT. Và vành góp điện động cơ cũng bị tương tự trong quá trình vận hành. Có thể gây ra cháy nổ nguy hiểm.
7. Không bao giờ hút các vật liệu độc hại, gây ung thư, dễ bắt lửa hoặc các vật liệu nguy hiểm khác như amiăng, thạch tín, bari, berili, chì, thuốc trừ sâu, hoặc các vật liệu nguy hại cho sức khỏe khác.
8. Luôn đặt máy hút bụi trên một bề mặt phẳng nằm ngang để tránh rơi ngã hoặc xô dịch ngoài ý muốn.
9. Không sử dụng máy hút bụi ngoài trời khi đang mưa.
10. Máy này không được sử dụng ngoài trời với nhiệt độ thấp đối với nước Phần Lan.
11. Không sử dụng gần với nguồn nhiệt (bếp, v.v...).
12. Nếu khí xả trả ngược vào phòng, cần phải cung cấp tốc độ thay đổi không khí trong phòng thích hợp. Cần tham khảo các quy định của Quốc gia.
13. Không chặn ngõ vào đầu hút/ngõ ra/lỗ thông hơi làm mát. Các lỗ thông hơi này cho phép làm mát động cơ. Cần thận trọng làm tắc nghẽn nếu không động cơ sẽ cháy hỏng do thiếu thông gió.
14. Luôn giữ thăng bằng tốt và có chỗ để chân phù hợp.
15. Không gấp, kéo hoặc dẫm lên ống hút.
16. Dừng máy hút bụi ngay lập tức nếu bạn nhận thấy hiệu suất hoạt động của máy kém hoặc bất cứ điều gì bất thường trong khi vận hành.
17. **THẢO (CẮC) PIN.** Khi không sử dụng, trước khi bảo trì, và khi thay đổi các phụ kiện.
18. Làm sạch và bảo trì máy hút bụi ngay sau mỗi lần sử dụng để giữ máy trong điều kiện vận hành tốt nhất.
19. **BẢO DƯỠNG MÁY HÚT BỤI CẦN THẬN.** Giữ máy hút bụi sạch sẽ để máy hoạt động tốt và an toàn hơn. Tuân theo các hướng dẫn dành cho việc thay phụ tùng. Giữ tay cầm khô, sạch, không dính dầu và mỡ.

20. **KIỂM TRA CÁC BỘ PHẬN BỊ HƯ HỒNG.** Trước khi sử dụng tiếp máy hút bụi, cần phải kiểm tra kỹ lưỡng bộ phận bảo vệ hoặc bộ phận khác bị hư hỏng để xác định rằng máy sẽ vận hành bình thường và thực hiện đúng chức năng như được thiết kế. Kiểm tra cân chỉnh các bộ phận chuyên động, bó kẹp của các bộ phận chuyên động, chỗ nứt vỡ các bộ phận, chỗ gắn và bất cứ tình trạng nào khác có thể ảnh hưởng đến việc vận hành. Bộ phận bảo vệ hoặc bộ phận nào khác bị hư hỏng cần phải được sửa chữa đúng cách hoặc thay thế bởi trung tâm bảo trì được ủy quyền trừ khi có chỉ dẫn khác trong hướng dẫn sử dụng này. Hãy để trung tâm dịch vụ được ủy quyền thay thế các công tắc bị hỏng. Không sử dụng máy hút bụi nếu công tắc không bật và tắt được máy.
 21. Đối với bảo dưỡng dành cho người dùng, máy phải được tháo dỡ, làm sạch và bảo dưỡng trong chừng mực hợp lý có thể thực hiện được, mà không gây rủi ro cho nhân viên bảo trì và những người khác.
 22. Máy phải được kiểm tra kỹ thuật bởi nhà sản xuất, hoặc người đã được hướng dẫn, ít nhất là hàng năm, bao gồm, ví dụ, kiểm tra hư hỏng của các bộ lọc, độ kín khí của máy và cơ chế điều khiển đúng chức năng.
 23. Khi thực hiện các hoạt động bảo hành hoặc sửa chữa, cần phải tháo bỏ tất cả các vật bị nhiễm bẩn mà không thể tẩy sạch một cách ung ý; các vật như vậy khi tháo bỏ phải đựng trong túi chống thấm theo mọi quy định hiện hành về việc xử lý chất thải đó.
 24. **CÁC BỘ PHẬN THAY THẾ.** Khi bảo trì, chỉ sử dụng các bộ phận thay thế giống nhau.
 25. **CẮT MÁY HÚT BỤI KHI KHÔNG SỬ DỤNG.** Khi không sử dụng, phải cắt máy hút bụi trong nhà.
 26. Cắt giữ cẩn thận máy hút bụi của bạn. Xử lý mạnh tay có thể làm nứt vỡ ngay cả đối với máy hút bụi được thiết kế cứng cáp nhất.
 27. Không cố làm sạch bên ngoài hoặc bên trong bằng ét xăng, dung môi hoặc hóa chất làm sạch. Điều này có thể gây nứt và làm mất màu.
 28. Không sử dụng máy hút bụi trong một không gian khép kín nơi có khí dễ cháy, nổ hoặc độc hại do sơn gốc dầu, dung môi pha sơn, xăng, một số chất chống sương một, v.v... gây ra, hoặc ở những khu vực có bụi dễ cháy.
 29. Không vận hành máy hút bụi này hoặc bất kỳ máy nào khi đang chịu ảnh hưởng của ma túy hoặc rượu.
 30. Theo nguyên tắc cơ bản về an toàn, phải sử dụng kính bảo hộ hoặc kính an toàn có tấm chắn.
 31. Sử dụng mặt nạ chống bụi trong điều kiện làm việc nhiều bụi.
 32. Máy này không dành cho những người suy giảm thể chất, giác quan hoặc khả năng trí óc, hoặc thiếu kinh nghiệm và kiến thức sử dụng bao gồm cả trẻ em.
 33. Trẻ em cần được giám sát để đảm bảo rằng chúng sẽ không nghịch máy hút bụi.
 34. Không bao giờ xử lý (cắt) pin và máy hút bụi bằng tay ướt.
 35. **Hết sức cẩn trọng khi làm sạch trên các bậc thang.**
 36. **Không sử dụng máy hút bụi làm ghế ngồi hay ghế băng làm việc. Máy có thể đổ xuống và dẫn đến chấn thương cá nhân.**
 37. **Không hút bột hoặc xà phòng lỏng. Việc này có thể khiến bột thoát ra khỏi đường thoát khí, dẫn đến điện giật và hư hỏng cho máy hút bụi.**
- Sử dụng và bảo quản dụng cụ dùng pin**
1. **Chỉ sạc pin lại với bộ sạc do nhà sản xuất quy định.** Bộ sạc phù hợp với một loại bộ pin này có thể gây ra nguy cơ hỏa hoạn khi được dùng cho một bộ pin khác.
 2. **Chỉ sử dụng các dụng cụ máy với các bộ pin được quy định cụ thể.** Việc sử dụng bất cứ bộ pin nào khác có thể gây ra thương tích và hỏa hoạn.
 3. **Khi không sử dụng bộ pin, hãy giữ tránh xa các đồ vật khác bằng kim loại, chẳng hạn như kẹp giấy, tiền xu, chìa khóa, đinh, ốc vít hoặc các vật nhỏ bằng kim loại mà có thể làm nối tất các đầu cực pin.** Các đầu cực pin bị đoản mạch có thể gây cháy hoặc hỏa hoạn.
 4. **Trong điều kiện sử dụng quá mức, pin có thể bị cháy nước; hãy tránh tiếp xúc. Nếu vô tình tiếp xúc với pin bị cháy nước, hãy rửa sạch bằng nước. Nếu dung dịch từ pin tiếp xúc với mắt, cần đi khám bác sĩ thêm.** Dung dịch chảy ra từ pin có thể gây rát da hoặc bỏng.
 5. **Không sử dụng bộ pin hoặc dụng cụ bị hư hỏng hoặc đã bị sửa đổi.** Pin đã bị hư hỏng hoặc đã bị sửa đổi có thể hành động theo cách không thể đoán trước dẫn đến cháy, nổ hoặc nguy cơ chấn thương.
 6. **Không để bộ pin hoặc dụng cụ tiếp xúc với lửa hoặc nhiệt độ quá cao.** Tiếp xúc với lửa hoặc nhiệt độ trên 130 °C có thể gây ra cháy nổ.
 7. **Làm theo tất cả các hướng dẫn sạc pin và không được sạc bộ pin hoặc dụng cụ vượt giới hạn nhiệt độ quy định trong hướng dẫn.** Sạc pin không đúng hoặc ở nhiệt độ vượt giới hạn nhiệt độ có thể gây hư hỏng cho pin và làm tăng nguy cơ cháy.

LƯU GIỮ CÁC HƯỚNG DẪN NÀY.

⚠CẢNH BÁO: KHÔNG vì đã thoải mái hay quen thuộc với sản phẩm (có được do sử dụng nhiều lần) mà không tuân thủ nghiêm ngặt các quy định về an toàn dành cho sản phẩm này. VIỆC DÙNG SAI hoặc không tuân theo các quy định về an toàn được nêu trong tài liệu hướng dẫn này có thể dẫn đến thương tích cá nhân nghiêm trọng.

Hướng dẫn quan trọng về an toàn dành cho hộp pin

1. Trước khi sử dụng hộp pin, hãy đọc kỹ tất cả các hướng dẫn và dấu hiệu cảnh báo trên (1) bộ sạc pin, (2) pin và (3) sản phẩm sử dụng pin.
2. Không tháo rời hoặc làm thay đổi hộp pin. Việc này có thể dẫn đến hỏa hoạn, quá nhiệt hoặc nổ.

3. Nếu thời gian vận hành ngắn hơn quá mức, hãy ngừng vận hành ngay lập tức. Điều này có thể dẫn đến rùi rò quá nhiệt, có thể gây bỏng và thậm chí là nổ.
4. Nếu chất điện phân rơi vào mắt, hãy rửa sạch bằng nước sạch và đến cơ sở y tế ngay lập tức. Chất này có thể khiến bạn giảm thị lực.
5. Không để hộp pin ở tình trạng đoản mạch:
 - (1) Không chạm vào cực pin bằng vật liệu dẫn điện.
 - (2) Tránh cất giữ hộp pin trong hộp có các vật kim loại khác như đinh, tiền xu, v.v...
 - (3) Không được để hộp pin tiếp xúc với nước hoặc mưa.

Đoản mạch pin có thể gây ra dòng điện lớn, quá nhiệt, có thể gây bỏng và thậm chí là hỏng hóc.

6. Không cất giữ cũng như sử dụng dụng cụ và hộp pin ở nơi nhiệt độ có thể lên tới hoặc vượt quá 50 °C (122 °F).
7. Không đốt hộp pin ngay cả khi hộp pin đã bị hư hại nặng hoặc hư hỏng hoàn toàn. Hộp pin có thể nổ khi tiếp xúc với lửa.
8. Không đóng đinh, cắt, nghiền nát, ném, làm rơi hộp pin hoặc va vật cứng vào hộp pin. Làm như thế có thể dẫn đến hỏa hoạn, quá nhiệt hoặc nổ.
9. Không sử dụng pin đã hỏng.
10. Pin nén lithium-ion là đối tượng có yêu cầu bắt buộc theo Luật Hàng hoá Nguy hiểm. Đối với vận tải thương mại, ví dụ như vận tải do bên thứ ba, đại lý giao nhận, thì yêu cầu đặc biệt về đóng gói và nhãn ghi phải được giám sát. Để chuẩn bị cho mặt hàng cần vận chuyển, cần phải tham khảo ý kiến chuyên gia về vật liệu nguy hiểm. Nếu được, vui lòng tuân thủ các quy định quốc gia chi tiết hơn. Buộc hoặc niêm phong các tiếp điểm mở và đóng gói pin theo cách đó để nó không thể di chuyển trong bao bì.
11. Khi vứt bỏ hộp pin, hãy tháo chúng khỏi dụng cụ và thả bỏ ở nơi an toàn. Phải tuân thủ theo các quy định của địa phương liên quan đến việc thải bỏ pin.
12. Chỉ sử dụng pin cho các sản phẩm Makita chỉ định. Lắp pin vào sản phẩm không thích hợp có thể gây ra hỏa hoạn, quá nhiệt, nổ, hoặc rò chất điện phân.
13. Nếu dụng cụ không được sử dụng trong một thời gian dài, cần phải tháo pin ra khỏi dụng cụ.
14. Trong và sau khi sử dụng, hộp pin có thể bị nóng, có thể gây bỏng hoặc bỏng ở nhiệt độ thấp. Chú ý xử lý hộp pin nóng.
15. Không chạm vào điện cực của dụng cụ ngay sau khi sử dụng vì điện cực đủ nóng để gây bỏng.
16. Không để vụn bào, bụi hoặc đất bám vào các điện cực, lỗ và rãnh của hộp pin. Điều này có thể làm nóng, bắt lửa, nổ và gây trực trực cho dụng cụ hoặc hộp pin, dẫn đến bỏng hoặc thương tích cá nhân.

17. Trừ khi dụng cụ hỗ trợ sử dụng gần đường dây điện cao thế, không sử dụng hộp pin gần đường dây điện cao thế. Việc này có thể dẫn đến trực trực hoặc hỏng hóc dụng cụ hay hộp pin.
18. Giữ pin tránh xa trẻ em.

LƯU GIỮ CÁC HƯỚNG DẪN NÀY.

⚠ THẬN TRỌNG: Chỉ sử dụng pin Makita chính hãng. Việc sử dụng pin không chính hãng Makita, hoặc pin đã được sửa đổi, có thể dẫn đến nổ pin gây ra cháy, thương tích và thiệt hại cá nhân. Nó cũng sẽ làm mất hiệu lực bảo hành của Makita dành cho dụng cụ của Makita và bộ sạc.

Mẹo duy trì tuổi thọ tối đa cho pin

1. Sạc hộp pin trước khi pin bị xả điện hoàn toàn. Luôn dừng việc vận hành dụng cụ và sạc pin khi bạn nhận thấy công suất dụng cụ bị giảm.
2. Không được phép sạc lại một hộp pin đã được sạc đầy. Sạc quá mức sẽ làm giảm tuổi thọ của pin.
3. Sạc pin ở nhiệt độ phòng 10°C - 40°C. Để cho hộp pin nóng nguội lại dần trước khi sạc pin.
4. Khi không sử dụng hộp pin, hãy tháo hộp pin ra khỏi dụng cụ hoặc bộ sạc.
5. Sạc pin sáu tháng một lần nếu bạn không sử dụng dụng cụ trong một thời gian dài (hơn sáu tháng).

Hướng dẫn quan trọng về an toàn dành cho thiết bị thu và phát không dây

1. Không tháo rời hoặc làm thay đổi thiết bị thu và phát không dây.
2. Giữ thiết bị thu và phát không dây tránh xa trẻ em. Nếu vô tình nuốt phải, hãy đến cơ sở y tế ngay lập tức.
3. Chỉ sử dụng thiết bị thu và phát không dây với các dụng cụ Makita.
4. Không để thiết bị thu và phát không dây tiếp xúc với mưa hoặc điều kiện ẩm ướt.
5. Không sử dụng thiết bị thu và phát không dây ở những nơi nhiệt độ vượt quá 50°C.
6. Không vận hành thiết bị thu và phát không dây ở những nơi gần các dụng cụ y tế, chẳng hạn như máy tạo nhịp tim.
7. Không vận hành thiết bị thu và phát không dây ở những nơi gần các thiết bị tự động. Nếu vận hành, các thiết bị tự động có thể phát sinh sự cố hoặc bị lỗi.
8. Không để thiết bị thu và phát không dây ở những nơi chịu nhiệt độ cao hoặc nơi có thể tạo ra tĩnh điện hoặc nhiễu điện.
9. Thiết bị thu và phát không dây có thể tạo ra từ trường điện (EMF) nhưng không có hại cho người dùng.
10. Thiết bị thu và phát không dây là một dụng cụ chính xác. Hãy cẩn trọng không làm rơi hoặc va đập thiết bị thu và phát không dây.

11. Tránh chạm vào điện cực của thiết bị thu và phát không dây bằng tay để trần hoặc vật liệu kim loại.
12. Luôn tháo pin ra khỏi sản phẩm khi lắp đặt thiết bị thu và phát không dây vào sản phẩm.
13. Khi mở nắp khe, hãy tránh nơi có bụi và nước có thể lọt vào khe. Luôn giữ sạch đầu vào của khe.
14. Luôn lắp thiết bị thu và phát không dây vào đúng hướng.
15. Không nhấn nút kích hoạt không dây trên thiết bị thu và phát không dây quá chặt và/hoặc nhấn nút bằng một vật có cạnh mép sắc.
16. Luôn đóng nắp khe khi vận hành.
17. Không tháo thiết bị thu và phát không dây khỏi khe trong khi dụng cụ đang được cấp điện. Làm như vậy có thể khiến thiết bị thu và phát không dây bị hỏng.
18. Không gỡ bỏ nhãn trên thiết bị thu và phát không dây.
19. Không được dán bất kỳ nhãn nào lên thiết bị thu và phát không dây.
20. Không để thiết bị thu và phát không dây ở những nơi có thể tạo ra tĩnh điện hoặc nhiễu điện.
21. Không được để thiết bị thu và phát không dây ở những nơi tiếp xúc với nguồn nhiệt cao, như trong ô tô dưới trời nắng.
22. Không để thiết bị thu và phát không dây ở những nơi có bụi hoặc bột hoặc ở những nơi tạo ra khí ăn mòn.
23. Thay đổi nhiệt độ đột ngột có thể làm thiết bị thu và phát không dây bị tụ hơi nước. Không sử dụng thiết bị thu và phát không dây cho đến khi nước ngưng tụ khô hoàn toàn.
24. Khi vệ sinh thiết bị thu và phát không dây, hãy lau nhẹ nhàng bằng vải mềm khô. Không sử dụng ét xăng, dung môi, dầu mỡ dẫn hoặc tương tự.
25. Khi bảo quản thiết bị thu và phát không dây, hãy cất giữ thiết bị trong hộp đựng được giao kèm hoặc hộp chống tĩnh điện.
26. Không được lắp bất kỳ thiết bị nào ngoài thiết bị thu và phát không dây Makita vào khe trên dụng cụ.
27. Không sử dụng dụng cụ có nắp khe bị hư hỏng. Nước, bụi bắn lọt vào khe có thể gây ra sự cố.
28. Không kéo và/hoặc vặn nắp khe nếu không cần thiết. Lắp lại nắp nếu nó rơi ra khỏi dụng cụ.
29. Thay thế nắp khe nếu bị mất hoặc hư hỏng.

LƯU GIỮ CÁC HƯỚNG DẪN NÀY.

MÔ TẢ CÁC BỘ PHẬN

- **Hình1:** 1. Cụm đầu 2. Bộ lọc dạng bột (HEPA) 3. Bộ điều tiết 4. Bộ lọc thô 5. Thùng chứa

MÔ TẢ CHỨC NĂNG

▲ THẬN TRỌNG: Luôn đảm bảo rằng đã tắt thiết bị và tháo hộp pin ra trước khi thực hiện việc điều chỉnh hoặc kiểm tra chức năng trên thiết bị.

Lắp hoặc tháo hộp pin

▲ THẬN TRỌNG: Luôn tắt thiết bị trước khi lắp hoặc tháo hộp pin.

▲ THẬN TRỌNG: Giữ máy hút bụi và hộp pin thật chắc khi lắp hoặc tháo hộp pin. Nếu không làm như vậy có thể khiến chúng trượt khỏi tay của bạn, dẫn đến hư hỏng máy hút bụi và hộp pin hoặc thương tích cá nhân.

▲ THẬN TRỌNG: Cần thận trọng kẹp ngón tay của bạn khi mở hoặc đóng nắp pin. Nếu không, làm như vậy có thể gây ra thương tích cá nhân.

Máy hút bụi có khe pin kép. Với hai pin giống nhau song song, bạn có thể kéo dài thời gian hoạt động trong một hoặc nhiều lần sử dụng mà không cần phải dừng để sạc pin. Máy hút bụi cũng hoạt động với pin đơn, vì vậy bạn có thể chọn với pin kép hoặc pin đơn theo nhu cầu của bạn.

► **Hình2:** 1. Khe pin bên trái 2. Khe pin bên phải

Với pin kép

Tiếp tục vận hành với hai pin cho phép thời gian hoạt động lâu hơn và làm sạch hiệu quả hơn. Khi pin đầu tiên hết, máy hút bụi sẽ tự động chuyển sang nguồn điện, vì vậy máy tiếp tục làm việc với pin thứ hai.

LƯU Ý: Khe pin bên trái (khi đối diện với phía trước của máy hút bụi) được ưu tiên hơn khe pin bên phải. Khe pin bên phải sẽ chỉ được xác định là nguồn điện, khi không lắp pin vào khe pin bên trái hoặc pin ở khe pin bên trái hết.

LƯU Ý: Bạn có thể tháo pin ra khỏi khe pin bên trái và sạc lại pin sau khi máy hút bụi đã chuyển nguồn điện từ khe pin bên trái sang bên phải mà không cần dừng vận hành. Để đặt ưu tiên lại cho khe pin bên trái sau khi lắp pin đã sạc, hãy khởi động lại máy hút bụi.

Với pin đơn

Chỉ cần một pin làm nguồn điện ở khe pin bên trái hoặc bên phải. Máy hút bụi sẽ tự động xác định khe pin nào khả dụng tùy theo điều kiện vận hành.

Lắp đặt và tháo gỡ

Để lắp đặt hộp pin, trước tiên mở khóa và mở nắp pin. Sau đó lắp hộp pin vào.

► **Hình3:** 1. Khóa 2. Nắp đậy pin

Căn chỉnh phần chốt nhô ra của hộp pin với các rãnh nằm trên vỏ pin và trượt chúng vào vị trí. Lắp chúng vào hết mức cho đến khi chúng khóa vào vị trí với một tiếng cách nhẹ.

Sau đó khóa nắp pin lại.

► **Hình4:** 1. Hộp pin 2. Nút

Để tháo hộp pin, trượt chúng ra khỏi vỏ pin trong khi nhấn và giữ các nút ở phía trước hộp pin.

⚠ THẬN TRỌNG: Luôn lắp đặt hộp pin hết mức. Nếu không, hộp pin có thể vô ý rơi ra khỏi thiết bị, gây thương tích cho bạn hoặc người khác ở xung quanh.

⚠ THẬN TRỌNG: Không được dùng sức lắp hộp pin. Nếu hộp pin không nhẹ nhàng trượt vào vị trí, có nghĩa là pin vẫn chưa được lắp đúng.

LƯU Ý: Khi máy hút bụi chuyển nguồn điện từ pin đầu tiên sang pin thứ hai, có thể cần phải tạm dừng hoạt động của máy, gây mất một chút lực hút. Vui lòng lưu ý rằng đó không phải là trục trặc nên máy hút bụi sẽ phục hồi và tiếp tục hoạt động ngay sau khi tạm dừng.

Chỉ báo dung lượng pin còn lại

Ấn nút check (kiểm tra) trên hộp pin để chỉ báo dung lượng pin còn lại. Các đèn chỉ báo bật sáng lên trong vài giây.

► **Hình5:** 1. Các đèn chỉ báo 2. Nút Check (kiểm tra)

Các đèn chỉ báo			Dung lượng còn lại
Bật sáng	Tắt	Nhấp nháy	
■	□	◐	75% đến 100%
■ ■ ■ ■			
■ ■ ■ □			50% đến 75%
■ ■ □ □			25% đến 50%
■ □ □ □			0% đến 25%
◐ □ □ □			Sạc pin.
■ ■ □ □			Pin có thể đã bị hỏng.
□ □ ■ ■			

LƯU Ý: Tùy thuộc vào các điều kiện sử dụng và nhiệt độ xung quanh, việc chỉ báo có thể khác biệt một chút so với dung lượng thực sự.

LƯU Ý: Đèn chỉ báo (phía xa bên trái) đầu tiên sẽ nhấp nháy khi hệ thống bảo vệ pin hoạt động.

Đèn chỉ báo pin trên bảng điều khiển

Có thể đọc dung lượng pin còn lại trên bảng điều khiển bất kỳ lúc nào. Nhấn nút kiểm tra, các đèn chỉ báo bên trái và bên phải sẽ thể hiện mức sạc pin tương ứng.

► **Hình6:** 1. Đèn chỉ báo pin 2. Nút Check (kiểm tra)

► **Hình7**

Trạng thái đèn chỉ báo pin			Dung lượng pin còn lại
Bật	Tắt	Nhấp nháy	
■	□	◐	50% đến 100%
■ ■ ■ ■			
■ ■ ■ □			20% đến 50%
■ ■ □ □			0% đến 20%
■ □ □ □			Sạc pin
◐ □ □ □			Pin chưa được lắp vào

LƯU Ý: Đèn chỉ báo pin cũng sẽ được kích hoạt khi máy hút bụi bắt đầu hoạt động hoặc chuyển nguồn điện từ pin này sang một pin khác.

Hệ thống bảo vệ thiết bị/pin

Thiết bị này được trang bị hệ thống bảo vệ thiết bị/pin. Hệ thống này sẽ tự động ngắt nguồn điện đến động cơ để kéo dài tuổi thọ thiết bị và pin. Thiết bị sẽ tự động dừng vận hành khi thiết bị hoặc pin ở một trong những trường hợp sau đây:

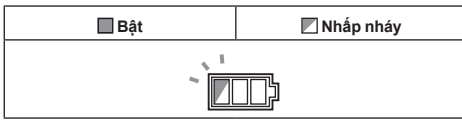
Bảo vệ quá tải

Khi vận hành thiết bị/pin trong điều kiện làm máy tiêu tốn dòng cao bất thường, thiết bị sẽ tự động dừng lại. Trong trường hợp này, hãy tắt thiết bị và ngừng việc sử dụng đã làm cho thiết bị trở nên quá tải. Sau đó bật thiết bị lên để khởi động lại.

Bảo vệ quá nhiệt

■ Bật	◐ Nhấp nháy
■ ■ ■ ■	◐ ◐ ◐ ◐

Khi bị quá nhiệt, thiết bị sẽ tự động dừng, cả đèn chỉ báo pin bên trái và bên phải đều nhấp nháy. Trong tình huống này, hãy để thiết bị nguội lại dần trước khi bật thiết bị một lần nữa.



Khi pin bị quá nhiệt, thiết bị sẽ tự động dừng, và một trong các đèn chỉ báo dành cho pin bị quá nhiệt sẽ nhấp nháy. Trong tình huống này, hãy để pin nguội dần trước khi bật thiết bị một lần nữa.

Bảo vệ xả điện quá mức

Khi dung lượng pin yếu, thì thiết bị sẽ tự động dừng. Nếu thiết bị không hoạt động theo vận hành chuẩn đổi, hãy tháo pin ra khỏi thiết bị và sạc lại.

Bảo vệ chống lại các nguyên nhân khác

Hệ thống bảo vệ cũng được thiết kế để chống lại các nguyên nhân khác có thể làm hư hỏng thiết bị và cho phép thiết bị dừng tự động. Thực hiện tất cả các bước sau đây để loại bỏ nguyên nhân, khi thiết bị đã được tạm dừng hoặc ngừng hoạt động.

1. Tắt thiết bị, sau đó bật lại lần nữa để khởi động lại.
2. Sạc (các) pin hoặc thay pin/các pin bằng (các) pin đã sạc.
3. Để thiết bị và (các) pin nguội dần.

Nếu không thấy cải thiện bằng cách khôi phục hệ thống bảo vệ, hãy liên hệ với Trung tâm Dịch vụ Makita tại địa phương của bạn.

Hoạt động công tắc

Bật máy hút bụi

1. Bật công tắc chờ trong vị trí "I" (BẬT) hoặc "AUTO" (BẬT) để máy hút bụi sẵn sàng ở chế độ chờ.
2. Nhấn nút nguồn. Để chuyển lại sang chế độ chờ, hãy nhấn nút nguồn lần nữa.

Tắt máy hút bụi

Thực hiện một trong các bước sau đây.

- Nhấn nút nguồn để đặt máy hút bụi về lại chế độ chờ, sau đó bật công tắc chờ ở vị trí "O" (TẮT).
- Bật công tắc chờ ở vị trí "O" (TẮT).

Điều chỉnh lực hút

Lực hút có thể được điều chỉnh tùy theo yêu cầu công việc của bạn.

- Xoay núm điều chỉnh lực hút sang bên trái để giảm lực hút.
- Xoay núm điều chỉnh lực hút sang bên phải để tăng lực hút.

► **Hình8:** 1. Công tắc chờ 2. Nút nguồn 3. Núm điều chỉnh lực hút

Khóa và mở khóa bánh xe

Bánh xe phía sau có thể bị khóa bởi các cỡ chặn để giúp máy hút bụi đứng yên.

Hạ cần chặn bằng tay để khóa bánh xe và nâng cần chặn lên để nhả ra.

► **Hình9:** 1. Bánh xe 2. Cần chặn 3. Vị trí THẢ 4. Vị trí KHÓA

LƯU Ý: Khi di chuyển máy hút bụi, hãy chắc chắn rằng bánh xe đã được mở khóa. Di chuyển máy hút bụi khi bánh xe ở vị trí bị khóa có thể gây hư hại bánh xe.

Tay xách

⚠ THẬN TRỌNG: Nâng lên và mang thiết bị cẩn thận. Nếu không làm như vậy có thể dẫn đến thương tích cá nhân hoặc hư hỏng cho thiết bị.

Khi mang máy hút bụi, mang máy bằng cách nắm tay cầm trên cụm đầu. Tay cầm có thể kéo gọn vào trên cụm đầu khi không sử dụng.

► **Hình10**

LẮP RÁP

⚠ THẬN TRỌNG: Luôn đảm bảo đã tắt thiết bị và tháo hộp pin trước khi tiến hành bất kỳ công việc nào trên thiết bị.

⚠ THẬN TRỌNG: Luôn luôn đeo mặt nạ chống bụi trong quá trình lắp ráp hoặc bảo trì.

Lắp bộ lọc dạng bột (HEPA) và bộ lọc thô (đối với bụi khô)

⚠ THẬN TRỌNG: Không bao giờ được hút nước hay các chất lỏng khác hoặc bụi ướt khi đang sử dụng bộ lọc bụi dạng bột. Hút những thứ này có thể khiến bột lọc bụi bị vỡ.

Để sử dụng bộ lọc bụi dạng bột:

1. Đặt bộ lọc thô vào thùng chứa có căn chỉnh các dấu vị trí lắp đặt trên bộ lọc thô và thùng chứa.
 2. Đặt bộ điều tiết vào trong bộ lọc thô, sau đó đặt bộ lọc dạng bột trên bộ điều tiết, có căn chỉnh các dấu vị trí lắp đặt trên bộ lọc bụi dạng bột và bộ lọc thô.
 3. Gắn cụm đầu lên trên thùng chứa và cố định chúng bằng chốt khóa.
- **Hình11:** 1. Cụm đầu 2. Bộ lọc dạng bột (HEPA) 3. Bộ điều tiết 4. Bộ lọc thô 5. Thùng chứa 6. Dấu chỉ thị vị trí lắp đặt

CHÚ Ý: Trước khi sử dụng bộ lọc bụi dạng bột, hãy chắc chắn rằng bộ lọc thô và bộ điều tiết luôn được sử dụng cùng với nhau. Không được phép chỉ lắp đặt riêng bộ lọc bụi dạng bột.

Lắp đặt hộp bằng giấy

Phụ kiện tùy chọn

⚠ CẢNH BÁO: Trước khi sử dụng hộp bằng giấy, đảm bảo rằng bộ lọc thô được sử dụng cùng nhau. Nếu không sử dụng kèm bộ lọc thô thì có thể gây ra tiếng ồn và nhiệt độ bất thường, dẫn đến cháy.

CHÚ Ý: Tuyệt đối không hút nước hay các chất lỏng khác hoặc bụi ướt khi sử dụng hộp bằng giấy. Hút các vật thể này có thể khiến hộp bằng giấy bị rách.

CHÚ Ý: Trước khi sử dụng hộp bằng giấy, đảm bảo rằng bộ lọc bụi dạng bột, bộ điều tiết và bộ lọc thô luôn được sử dụng cùng nhau.

1. Mở hộp bằng giấy ra.
2. Căn chỉnh phần mở hộp bằng giấy với khe hút bụi của thùng chứa.
3. Lắp đặt hộp bằng giấy vào thùng chứa với khe hở của tấm bia được móc vào trên giá đỡ hộp bằng giấy.
► **Hình12:** 1. Hộp bằng giấy 2. Khe hở của tấm bia 3. Giá đỡ hộp bằng giấy 4. Khe hút bụi

Lắp túi polyethylene

Với túi polyethylene được lắp đặt trong thùng chứa, bạn có thể dễ dàng xả rỗng thùng chứa mà không làm tay bị bẩn.

Đặt túi polyethylene lên trên thùng chứa, sau đó trượt một cạnh ở mép trên của túi nằm ở đầu mở vào giữa tấm đỡ và vách trước của thùng chứa.

► **Hình13:** 1. Tấm đỡ 2. Vách trước thùng chứa 3. Túi polyethylene

Trải các mép trên còn lại của túi ra ngoài lên mép trên của thùng chứa. Đặt bộ lọc thô lên túi polyethylene để kẹp chặt khe hở của túi.

► **Hình14:** 1. Bộ lọc thô

LƯU Ý: Có thể sử dụng túi polyethylene sẵn có trên thị trường. Khuyến nghị sử dụng túi dày khoảng 0,04 mm hoặc dày hơn.

LƯU Ý: Quá nhiều bụi sẽ dễ dàng làm rách túi, do đó, không hút nhiều bụi hơn một nửa dung tích túi.

Xả rỗng thùng chứa với túi polyethylene

⚠ CẢNH BÁO: Luôn đảm bảo rằng đã tắt máy hút bụi và tháo hộp pin ra trước khi xả rỗng thùng chứa. Nếu không làm như vậy có thể gây ra điện giật và gây nguy hiểm cho người sử dụng.

CHÚ Ý: Không tác động lực lớn lên thùng chứa. Tác động lực lớn có thể gây ra biến dạng và hư hỏng các bộ phận.

CHÚ Ý: Mặc dù điều này phụ thuộc vào khối lượng bụi được hút trong bình chứa hãy làm sạch thùng chứa ít nhất một ngày một lần. Nếu không, lực hút sẽ bị yếu đi và động cơ có thể bị hỏng.

CHÚ Ý: Không nắm vào móc treo hoặc chốt khi xả rỗng thùng chứa. Nắm vào móc treo hoặc chốt có thể làm chúng bị hỏng.

Nhả chốt khóa và nhấn cụm đầu lên khỏi thùng chứa. Lắc hết bụi ra khỏi bộ lọc thô trước khi nhấn bộ lọc ra khỏi thùng chứa.

Sau đó tháo túi polyethylene ra khỏi thùng chứa, đóng khe hở của túi bằng tay.

► **Hình15:** 1. Túi polyethylene 2. Thùng chứa

LƯU Ý: Cẩn thận lấy túi polyethylene ra khỏi thùng chứa để tránh làm túi bị trầy và rách bởi các mép bên trong thùng chứa.

LƯU Ý: Đổ túi polyethylene trước khi nó bị đầy. Quá nhiều bụi trong thùng chứa có thể làm rách túi polyethylene.

Lắp móc đa năng

Sử dụng móc đa năng để giữ ống dẫn, phụ kiện và phụ tùng không sử dụng đúng chỗ và bạn có thể nhanh chóng lấy chúng ra theo yêu cầu của bạn.

► **Hình16**

Đặt móc đa năng trên để gắn ở phía sau máy hút bụi, lắp các thanh ray trên móc đa năng dọc theo các rãnh trên để gắn.

► **Hình17:** 1. Móc đa năng 2. Để gắn

Lắp đặt bộ chuyển đổi MAKPAC

Phụ kiện tùy chọn

Có thể lắp đặt vỏ bảo quản MAKPAC có thể kết nối và xếp chồng ở phía trên của máy hút bụi bằng bộ chuyển đổi tùy chọn. Các vỏ có sẵn với nhiều kích cỡ và phong cách phù hợp với yêu cầu của bạn.

Đặt móc để gắn trên tay cầm của máy hút bụi với bề mặt gắn hướng lên trên khi tay cầm được gập vào vị trí đóng.

► **Hình18:** 1. Móc để gắn 2. Bề mặt gắn 3. Tay cầm

Gắn bộ chuyển đổi MAKPAC lên móc để gắn và cố định chúng bằng bốn vít được cung cấp.

► **Hình19:** 1. Bộ chuyển đổi MAKPAC 2. Móc để gắn 3. Vít

Nâng thanh đẩy lên và vặn chặt núm để chuẩn bị lắp đặt vỏ MAKPAC vào máy hút bụi.

► **Hình20:** 1. Thanh đẩy 2. Núm

LƯU Ý: Để biết chi tiết về cách lắp đặt vỏ MAKPAC, vui lòng tham khảo hướng dẫn được cung cấp kèm theo bộ chuyển đổi và vỏ MAKPAC.

Lắp ống dẫn

CHÚ Ý: Tuyệt đối không tác động lực lên ống dẫn để uốn cong hoặc làm bẹp ống. Tuyệt đối không di chuyển máy hút bụi bằng cách kéo ống dẫn. Tác động lực, làm bẹp và kéo ống dẫn có thể gây vỡ hoặc biến dạng ống dẫn.

CHÚ Ý: Khi hút rác lớn như vụn máy bào bàn, bụi xi măng hay các rác tương tự ngoài các rác nhỏ, hãy sử dụng ống có đường kính trong 38 mm (phụ tùng tùy chọn). Sử dụng ống dẫn có đường kính trong 28 mm (phụ tùng tùy chọn) có thể dẫn đến việc làm tắc và hư hỏng ống.

Kết nối với máy hút bụi

Lắp đầu ống dẫn vào khe hút bụi (đầu vào của ống dẫn) của máy hút bụi, sau đó xoay nó theo chiều kim đồng hồ cho đến khi khóa vào vị trí.

► **Hình21:** 1. Ống dẫn 2. Khe hút bụi (đầu vào của ống dẫn)

Kết nối với các dụng cụ làm việc của bạn (Tùy thuộc vào quốc gia)

Bằng cách kết nối máy hút bụi vào bất kỳ dụng cụ làm việc nào có sẵn tương thích với máy hút bụi, máy sẽ hoạt động như bộ hút bụi cho dụng cụ máy của bạn.

Chọn một trong các ống hơi hoặc khớp nối trước (phụ kiện tùy chọn) phù hợp nhất với kiểu dụng cụ của bạn. Đặt ống hơi hoặc khớp nối, khi cần thiết, giữa đầu trước của ống dẫn máy hút bụi và cổng hút bụi của dụng cụ của bạn.

► **Hình22:** 1. Ống hơi hoặc khớp nối trước 2. Ống dẫn máy hút bụi 3. Dụng cụ máy 4. Máy hút bụi

Lắp hoặc tháo phụ tùng máy hút bụi

⚠ THẬN TRỌNG: Sau khi lắp đặt phụ tùng, kiểm tra xem đã được lắp chặt chưa. Nếu phụ tùng vẫn chưa được lắp hoàn toàn, phụ tùng có thể rơi ra và gây thương tích cá nhân.

Khi sử dụng phụ tùng không có chức năng khóa

Phụ kiện tùy chọn

Lắp phụ tùng vào ngõ vào đầu hút của máy hút bụi bằng cách đẩy và dùng tay vận nó vào vị trí.

Dùng tay xoắn và kéo phụ tùng ra khỏi ngõ vào đầu hút sau khi sử dụng.

► **Hình23**

Phụ tùng có chức năng khóa

Phụ kiện tùy chọn

CHÚ Ý: Khi lắp đặt phụ tùng có chức năng khóa, đảm bảo đã căn chỉnh nút nhà với móc trên phụ tùng. Nếu chúng không được căn chỉnh, phụ tùng sẽ không được khóa lại và có thể rơi khỏi máy hút bụi.

Lắp phụ tùng vào ngõ vào đầu hút của máy hút bụi bằng cách nhấn chúng cùng nhau cho đến khi nghe tiếng cách.

Để tháo phụ tùng, kéo phụ tùng ra trong khi nhấn nút nhà.

► **Hình24:** 1. Ngõ vào đầu hút có chức năng khóa 2. Nút nhà 3. Phụ tùng có chức năng khóa

LƯU Ý: Chỉ có thể lắp đặt phụ tùng có chức năng khóa trong ngõ vào đầu hút có chức năng khóa.

► **Hình25:** 1. Phụ tùng có chức năng khóa 2. Ngõ vào đầu hút có chức năng khóa 3. Ngõ vào đầu hút không có chức năng khóa

Điều chỉnh độ dài của ống nối dài dạng trượt

Phụ kiện tùy chọn

Ống nối dài dạng trượt có thể được kết hợp với chiều dài ngắn hơn và dài hơn. Điều này cho phép làm sạch khu vực khó với tới và tùy chọn định vị thoải mái.

Kéo ống trượt vào và ra để thay đổi chiều dài của ống nối trong khi nhấn và giữ nút trượt.

Nhả nút trượt để khóa ống trượt ở vị trí mong muốn.

► **Hình26:** 1. Ống trượt 2. Nút trượt

CHỨC NĂNG KÍCH HOẠT KHÔNG DÂY

Những điều bạn có thể thực hiện với chức năng kích hoạt không dây

Chức năng kích hoạt không dây cho phép vận hành sạch và thuận lợi. Bằng cách nối dụng cụ được hỗ trợ vào máy hút bụi, bạn có thể chạy máy hút bụi tự động cùng với vận hành chuyển đổi của dụng cụ.

► **Hình27**

CHÚ Ý: Hãy đảm bảo rằng bạn đã tham khảo kỹ tài liệu hướng dẫn sử dụng dụng cụ khi dùng máy hút bụi bằng chức năng kích hoạt không dây.

CHÚ Ý: Không tháo rời hoặc làm thay đổi thiết bị thu và phát không dây.

CHÚ Ý: Để ngăn bụi rơi vào khe của thiết bị thu và phát không dây, luôn đóng chặt nắp trong quá trình vận hành và bảo quản.

CHÚ Ý: Không tháo thiết bị thu và phát không dây khi đang cấp điện. Làm như vậy có thể khiến thiết bị thu và phát không dây bị hỏng.

CHÚ Ý: Không nhấn nút kích hoạt không dây quá chặt và/hoặc nhấn nút bằng một vật có cạnh mép sắc.

LƯU Ý: Để sử dụng chức năng kích hoạt không dây bạn cần có các dụng cụ của Makita được trang bị thiết bị thu và phát không dây.

LƯU Ý: Cần phải đăng ký dụng cụ vào lần đầu dùng chức năng kích hoạt không dây cho từng dụng cụ sử dụng. Khi việc đăng ký dụng cụ được hoàn thành, sẽ không cần phải đăng ký lại, trừ khi bạn huỷ bỏ đăng ký.

LƯU Ý: Trước khi đăng ký, hãy chắc chắn rằng thiết bị thu và phát không dây được gắn đúng cách.

LƯU Ý: Một thiết bị thu và phát không dây có thể đăng ký tối đa 10 liên kết với các thiết bị thu và phát không dây khác. Nếu có hơn 10 thiết bị thu và phát không dây khác được đăng ký với một thiết bị thu và phát không dây, thiết bị thu và phát không dây được đăng ký sớm nhất sẽ tự động bị huỷ.

LƯU Ý: Vị trí của nút kích hoạt không dây có thể khác nhau tùy theo dụng cụ.

LƯU Ý: Máy hút bụi cũng sẽ khởi động bằng cách nhấn nút nguồn khi công tắc chờ được gạt về "AUTO".

Tuy nhiên, nút nguồn sẽ không khởi hoạt khi chức năng kích hoạt không dây được sử dụng.

Lắp thiết bị thu và phát không dây

⚠ THẬN TRỌNG: Đặt máy hút bụi lên trên bề mặt phẳng và cố định khi lắp thiết bị thu và phát không dây.

CHÚ Ý: Làm sạch bụi bẩn trên máy hút bụi trước khi lắp đặt thiết bị thu và phát không dây. Bụi bẩn có thể gây ra sự cố nếu lọt vào khe của thiết bị thu và phát không dây.

CHÚ Ý: Để ngăn sự cố do tĩnh điện, hãy chạm vào vật liệu xâ tĩnh, chẳng hạn như bộ phận kim loại, trước khi cầm thiết bị thu và phát không dây.

CHÚ Ý: Khi lắp thiết bị thu và phát không dây, luôn đảm bảo rằng thiết bị không dây được lắp vào đúng hướng và nắp được đóng lại hoàn toàn.

1. Mở nắp trên máy hút bụi như minh họa trong hình.
▶ **Hình28:** 1. Nắp

2. Lắp thiết bị thu và phát không dây vào khe và sau đó đóng nắp lại.

Khi lắp thiết bị thu và phát không dây, căn chỉnh các góc nhỏ ra thẳng với các phần lõm trên khe.

▶ **Hình29:** 1. Thiết bị thu và phát không dây 2. Góc nhỏ ra 3. Nắp 4. Phần lõm

Khi tháo thiết bị thu và phát không dây, mở nắp từ từ. Các móc treo vào phía sau nắp sẽ nâng thiết bị thu và phát không dây khi bạn kéo nắp lên.

▶ **Hình30:** 1. Thiết bị thu và phát không dây 2. Móc treo 3. Nắp

Sau khi tháo thiết bị thu và phát không dây, hãy cất giữ trong hộp đựng máy được giao kèm hoặc hộp chống tĩnh điện.

CHÚ Ý: Luôn sử dụng các móc ở phía sau nắp khi tháo thiết bị thu và phát không dây. Nếu các móc không móc vào thiết bị thu và phát không dây, đóng nắp hoàn toàn và mở lại từ từ.

Đăng ký dụng cụ cho máy hút bụi

LƯU Ý: Việc đăng ký dụng cụ yêu cầu có dụng cụ Makita hỗ trợ chức năng kích hoạt không dây.

LƯU Ý: Hãy hoàn tất quá trình lắp thiết bị thu và phát không dây vào dụng cụ trước khi bắt đầu đăng ký dụng cụ.

LƯU Ý: Trong khi đăng ký dụng cụ, không được kéo cần khởi động công tắc trên dụng cụ hoặc bật công tắc nguồn trên máy hút bụi.

LƯU Ý: Tham khảo cả tài liệu hướng dẫn về dụng cụ.

Nếu bạn muốn kích hoạt máy hút bụi cùng với vận hành chuyển đổi dụng cụ, hãy hoàn tất đăng ký dụng cụ trước.

1. Lắp thiết bị thu và phát không dây tương ứng vào máy hút bụi và dụng cụ.

2. Lắp pin vào máy hút bụi và dụng cụ.

3. Gạt công tắc chờ trên máy hút bụi về "AUTO".

▶ **Hình31:** 1. Công tắc chờ

4. Nhấn nút kích hoạt không dây trên máy hút bụi trong 3 giây cho đến khi đèn kích hoạt không dây nhấp nháy màu xanh lá. Và sau đó nhấn nút kích hoạt không dây trên dụng cụ theo cách tương tự.

▶ **Hình32:** 1. Nút kích hoạt không dây 2. Đèn kích hoạt không dây

Nếu máy hút bụi và dụng cụ được kết nối thành công, đèn kích hoạt không dây sẽ sáng màu xanh lá trong 2 giây và bắt đầu nhấp nháy màu xanh dương.

LƯU Ý: Đèn kích hoạt không dây sẽ ngừng nhấp nháy màu xanh lá sau khoảng thời gian 20 giây. Nhấn nút kích hoạt không dây trên dụng cụ khi đèn kích hoạt không dây trên máy hút bụi đang nhấp nháy. Nếu đèn kích hoạt không dây không nhấp nháy màu xanh lá, bấm nút kích hoạt không dây một cách dứt khoát và để nút xuống lần nữa.

LƯU Ý: Khi thực hiện hai hay nhiều đăng ký dụng cụ cho một máy hút bụi, hãy hoàn tất từng đăng ký dụng cụ một.

Khởi động chức năng kích hoạt không dây

LƯU Ý: Hoàn tất đăng ký dụng cụ máy hút bụi cho kích hoạt không dây.

LƯU Ý: Luôn đặt máy hút bụi sao cho bạn có thể nhìn thấy trạng thái của đèn kích hoạt không dây.

LƯU Ý: Tham khảo cả tài liệu hướng dẫn về dụng cụ.

Sau khi đăng ký dụng cụ cho máy hút bụi, máy hút bụi sẽ chạy tự động cùng với vận hành chuyển đổi của dụng cụ.

1. Lắp thiết bị thu và phát không dây tương ứng vào máy hút bụi và dụng cụ.

2. Lắp pin vào máy hút bụi và dụng cụ.

3. Nối ống dẫn của máy hút bụi vào dụng cụ.

▶ **Hình33**

4. Gạt công tắc chờ trên máy hút bụi về "AUTO".

▶ **Hình34:** 1. Công tắc chờ

5. Bấm dứt khoá nút kích hoạt không dây trên dụng cụ. Đèn kích hoạt không dây sẽ nhấp nháy màu xanh dương.

► **Hình35:** 1. Nút kích hoạt không dây 2. Đèn kích hoạt không dây

6. Bật dụng cụ. Kiểm tra xem máy hút bụi có hoạt động trong khi dụng cụ đang hoạt động hay không.

⚠ THẬN TRỌNG: Luôn kiểm tra xem chức năng kích hoạt không dây có hoạt động không trước khi bắt đầu công việc với dụng cụ.

Để dừng kích hoạt không dây, bấm nút kích hoạt không dây trên dụng cụ, hoặc gạt công tắc chờ trên máy hút bụi về "I" hay "O".

LƯU Ý: Đèn kích hoạt không dây trên dụng cụ sẽ dừng nhấp nháy màu xanh dương khi không vận hành 2 giờ. Trong trường hợp này, cài đặt công tắc chờ trên máy hút bụi về "AUTO" và nhấn nút kích hoạt không dây trên dụng cụ lần nữa.

LƯU Ý: Máy hút bụi khởi động/dừng lại với khoảng 17 giây. Có một khoảng thời gian chậm lại khi máy hút bụi phát hiện việc vận hành chuyển đổi của dụng cụ.

LƯU Ý: Khoảng cách truyền của thiết bị thu và phát không dây có thể khác nhau tùy thuộc vào vị trí và hoàn cảnh xung quanh.

LƯU Ý: Khi hai dụng cụ trở lên được đăng ký cho một máy hút bụi, máy hút bụi có thể bắt đầu hoạt động ngay cả khi bạn không bật dụng cụ vì người dùng khác đang sử dụng chức năng kích hoạt không dây.

Hủy bỏ đăng ký dụng cụ cho máy hút bụi

Thực hiện theo quy trình sau đây khi hủy bỏ đăng ký dụng cụ cho máy hút bụi.

1. Lắp thiết bị thu và phát không dây tương ứng vào máy hút bụi và dụng cụ.

2. Lắp pin vào máy hút bụi và dụng cụ.

3. Gạt công tắc chờ trên máy hút bụi về "AUTO".

► **Hình36:** 1. Công tắc chờ

4. Nhấn nút kích hoạt không dây trên máy hút bụi trong 6 giây. Đèn kích hoạt không dây nhấp nháy màu xanh lá và sau đó bật màu đỏ. Sau đó, nhấn nút kích hoạt không dây trên dụng cụ theo cách tương tự.

► **Hình37:** 1. Nút kích hoạt không dây 2. Đèn kích hoạt không dây

Nếu thực hiện hủy bỏ thành công, đèn kích hoạt không dây sẽ sáng màu đỏ trong 2 giây và bắt đầu nhấp nháy màu xanh dương.

LƯU Ý: Đèn kích hoạt không dây sẽ ngừng nhấp nháy màu đỏ sau khoảng thời gian 20 giây. Nhấn nút kích hoạt không dây trên dụng cụ khi đèn kích hoạt không dây trên máy hút bụi đang nhấp nháy. Nếu đèn kích hoạt không dây không nhấp nháy màu đỏ, bấm nút kích hoạt không dây một cách dứt khoát và để nguội lần nữa.

Xoá tất cả đăng ký dụng cụ

Bạn có thể xoá tất cả đăng ký dụng cụ khỏi máy hút bụi theo các bước sau đây.

► **Hình38:** 1. Công tắc chờ 2. Nút kích hoạt không dây 3. Đèn kích hoạt không dây

1. Lắp thiết bị thu và phát không dây vào máy hút bụi.

2. Lắp pin vào máy hút bụi.

3. Gạt công tắc chờ về "AUTO".

4. Nhấn giữ nút kích hoạt không dây trong khoảng 6 giây cho đến khi đèn kích hoạt không dây nhấp nháy màu đỏ (khoảng hai lần/giây).

5. Khi đèn kích hoạt không dây bắt đầu nhấp nháy màu đỏ, thả ngón tay ra khỏi nút kích hoạt không dây. Sau đó, nhấn giữ nút kích hoạt không dây trong khoảng 6 giây lần nữa.











6. Khi đèn kích hoạt không dây bắt đầu nhấp nháy nhanh màu đỏ (khoảng 5 lần/giây), thả ngón tay ra khỏi nút kích hoạt không dây. Khi đèn kích hoạt không dây sáng lên màu đỏ rồi tắt, tất cả đăng ký dụng cụ đã được xoá.

LƯU Ý: Nếu đèn kích hoạt không dây không nhấp nháy màu đỏ, nhấn nút kích hoạt không dây một cách dứt khoát và thử lại.

Mô tả tình trạng đèn kích hoạt không dây

► **Hình39:** 1. Nút kích hoạt không dây 2. Đèn kích hoạt không dây

Đèn kích hoạt không dây cho biết tình trạng của chức năng kích hoạt không dây. Tham khảo bảng bên dưới để biết ý nghĩa của tình trạng đèn.

Tình trạng	Đèn kích hoạt không dây				Mô tả
	Màu	 Bật	 Nhấp nháy	Khoảng thời gian (tương đối)	
Chờ	Màu xanh dương		Máy hút bụi: vận hành Dụng cụ liên tục: 2 giờ	Chờ cho đăng ký dụng cụ hoặc chức năng kích hoạt không dây khả dụng. Đèn trên máy hút bụi sẽ nhấp nháy khi công tắc chờ được gạt về AUTO. Đèn trên dụng cụ sẽ nhấp nháy khi bấm nút kích hoạt không dây. Đèn trên dụng cụ sẽ tự động tắt khi không vận hành trong 2 giờ.	
			Khi dụng cụ đang chạy.	Kích hoạt không dây của máy hút bụi là khả dụng và dụng cụ đang chạy.	
Đăng ký dụng cụ	Màu xanh lá		20 giây	Sẵn sàng để đăng ký dụng cụ. Tìm dụng cụ để đăng ký.	
			2 giây	Đăng ký dụng cụ đã hoàn tất. Đèn kích hoạt không dây sẽ bắt đầu nhấp nháy màu xanh dương.	
Huỷ bỏ/xoá đăng ký dụng cụ	Màu đỏ	 (chậm: 2 lần/giây)	20 giây	Sẵn sàng để huỷ bỏ đăng ký dụng cụ. Tìm dụng cụ để huỷ bỏ.	
		 (nhANH: 5 lần/giây)	Khi nút kích hoạt không dây được nhấn xuống.	Sẵn sàng để xoá tất cả các đăng ký dụng cụ.	
			2 giây	Đăng ký dụng cụ đã hoàn tất huỷ bỏ/xoá. Đèn kích hoạt không dây sẽ bắt đầu nhấp nháy màu xanh dương.	
Khác	Màu đỏ		3 giây	Cấp nguồn cho thiết bị thu và phát không dây và chức năng kích hoạt không dây khởi động.	
	Tắt	-	-	Công tắc chờ không được gạt về "AUTO".	

Xử lý sự cố cho chức năng kích hoạt không dây

Trước khi yêu cầu sửa chữa, đầu tiên hãy tự tiến hành kiểm tra của riêng bạn. Nếu bạn phát hiện vấn đề nào đó không được giải thích trong sách hướng dẫn sử dụng này, đừng cố tháo dỡ dụng cụ. Thay vào đó, hãy nhờ Trung tâm dịch vụ Makita được ủy quyền, Luôn sử dụng bộ phận thay thế của Makita để sửa chữa.

Tình trạng bất thường	Nguyên nhân tiềm tàng (sự cố hồng học)	Biện pháp khắc phục
Đèn kích hoạt không dây không sáng/nhấp nháy.	Thiết bị thu và phát không dây không được lắp vào máy hút bụi và/hoặc dụng cụ. Thiết bị thu và phát không dây được lắp không đúng cách vào máy hút bụi và/hoặc dụng cụ.	Lắp thiết bị thu và phát không dây đúng cách.
	Điện cực của thiết bị thu và phát không dây và/hoặc khe bị bẩn.	Nhe nhàng lau sạch bụi bẩn trên điện cực của thiết bị thu và phát không dây và làm sạch khe của máy hút bụi và/hoặc dụng cụ.
	Chưa bấm nút kích hoạt không dây trên dụng cụ.	Bấm dứt khoá nút kích hoạt không dây trên dụng cụ.
	Công tắc chờ trên máy hút bụi không được gạt về "AUTO".	Gạt công tắc chờ trên máy hút bụi về "AUTO".
	Không có nguồn cấp điện	Cấp điện cho dụng cụ và máy hút bụi.
Không thể hoàn tất đăng ký dụng cụ / hủy bỏ đăng ký dụng cụ thành công.	Thiết bị thu và phát không dây không được lắp vào máy hút bụi và/hoặc dụng cụ. Thiết bị thu và phát không dây được lắp không đúng cách vào máy hút bụi và/hoặc dụng cụ.	Lắp thiết bị thu và phát không dây đúng cách.
	Điện cực của thiết bị thu và phát không dây và/hoặc khe bị bẩn.	Nhe nhàng lau sạch bụi bẩn trên điện cực của thiết bị thu và phát không dây và làm sạch khe của máy hút bụi và/hoặc dụng cụ.
	Công tắc chờ trên máy hút bụi không được gạt về "AUTO".	Gạt công tắc chờ trên máy hút bụi về "AUTO".
	Không có nguồn cấp điện	Cấp điện cho dụng cụ và máy hút bụi.
	Vận hành không chính xác	Bấm dứt khoá nút kích hoạt không dây và thực hiện lại quy trình đăng ký/hủy bỏ dụng cụ.
	Dụng cụ và máy hút bụi cách xa nhau (ngoài phạm vi truyền).	Đặt dụng cụ và máy hút bụi gần nhau hơn. Khoảng cách truyền tối đa là khoảng 10 m, tuy nhiên có thể khác nhau tùy theo trường hợp.
	Trước khi hoàn tất đăng ký/hủy bỏ dụng cụ; - bật công tắc dụng cụ hoặc; - nút nguồn trên máy hút bụi được bật.	Bấm dứt khoá nút kích hoạt không dây và thực hiện lại quy trình đăng ký/hủy bỏ dụng cụ.
	Quy trình đăng ký dụng cụ cho dụng cụ hoặc máy hút bụi chưa hoàn tất.	Thực hiện quy trình đăng ký dụng cụ cho cả dụng cụ và máy hút bụi cùng một lúc.
	Nhiều sóng vô tuyến do các thiết bị có thể tạo ra sóng vô tuyến cường độ cao khác gây ra.	Giữ dụng cụ và máy hút bụi cách xa các thiết bị như các thiết bị Wi-Fi và lò vi sóng.

Tình trạng bất thường	Nguyên nhân tiềm tàng (sự cố hồng học)	Biện pháp khắc phục
Máy hút bụi không hoạt động theo vận hành chuyển đổi dụng cụ.	Thiết bị thu và phát không dây không được lắp vào máy hút bụi và/hoặc dụng cụ. Thiết bị thu và phát không dây được lắp không đúng cách vào máy hút bụi và/hoặc dụng cụ.	Lắp thiết bị thu và phát không dây đúng cách.
	Điện cực của thiết bị thu và phát không dây và/hoặc khe bị bẩn.	Nhẹ nhàng lau sạch bụi bẩn trên điện cực của thiết bị thu và phát không dây và làm sạch khe của máy hút bụi và/hoặc dụng cụ.
	Chưa Bấm nút kích hoạt không dây trên dụng cụ.	Nhấn dứt khoát nút kích hoạt không dây và đảm bảo rằng đèn kích hoạt không dây đang nhấp nháy màu xanh dương.
	Công tắc chờ trên máy hút bụi không được gạt về "AUTO".	Gạt công tắc chờ trên máy hút bụi về "AUTO".
	Hơn 10 dụng cụ được đăng ký cho máy hút bụi.	Thực hiện lại đăng ký dụng cụ. Nếu có hơn 10 dụng cụ được đăng ký cho máy hút bụi, dụng cụ được đăng ký sớm nhất sẽ tự động bị hủy bỏ.
	Máy hút bụi đã xóa toàn bộ các đăng ký dụng cụ.	Thực hiện lại đăng ký dụng cụ.
	Không có nguồn cấp điện	Cấp điện cho dụng cụ và máy hút bụi.
	Dụng cụ và máy hút bụi cách xa nhau (ngoài phạm vi truyền).	Đặt dụng cụ và máy hút bụi gần nhau hơn. Khoảng cách truyền tối đa là khoảng 10 m, tuy nhiên có thể khác nhau tùy theo trường hợp.
	Nhiều sóng vô tuyến do các thiết bị có thể tạo ra sóng vô tuyến cường độ cao khác gây ra.	Giữ dụng cụ và máy hút bụi cách xa các thiết bị như các thiết bị Wi-Fi và lò vi sóng.
Máy hút bụi hoạt động trong khi dụng cụ không hoạt động.	Người dùng khác đang sử dụng kích hoạt không dây của máy hút bụi bằng dụng cụ của họ.	Tắt nút kích hoạt không dây của các dụng cụ khác hoặc hủy bỏ đăng ký dụng cụ của các dụng cụ khác.
Không thể xóa tất cả các đăng ký dụng cụ trong máy hút bụi.	Nhấn dứt khoát nút kích hoạt không dây trên dụng cụ.	Nhấn nút kích hoạt không dây trên máy hút bụi để xóa toàn bộ các đăng ký dụng cụ.
	Công tắc chờ trên máy hút bụi không được gạt về "AUTO".	Gạt công tắc chờ trên máy hút bụi về "AUTO".
	Nút kích hoạt không dây chưa được nhấn giữ đúng cách.	Nhấn giữ nút kích hoạt không dây trong hơn 6 giây và sau đó thả nút này ra khi đèn kích hoạt không dây nhấp nháy màu đỏ. Nhấn giữ nút kích hoạt không dây trong hơn 6 giây một lần nữa cho đến khi đèn kích hoạt không dây nhấp nháy nhanh màu đỏ và sau đó thả nút ra.

BẢO TRÌ

⚠ THẬN TRỌNG: Luôn đảm bảo đã tắt thiết bị và tháo hộp pin trước khi cố gắng thực hiện việc kiểm tra hoặc bảo dưỡng.

CHÚ Ý: Không được phép dùng xăng, ét xăng, dung môi, cồn hoặc hóa chất tương tự. Có thể xảy ra hiện tượng mất màu, biến dạng hoặc nứt vỡ.

Để đảm bảo ĐỘ AN TOÀN và ĐỘ TIN CẬY của sản phẩm, việc sửa chữa hoặc bất cứ thao tác bảo trì, điều chỉnh nào đều phải được thực hiện bởi các Trung tâm Dịch vụ Nhà máy hoặc Trung tâm được Makita Ủy quyền và luôn sử dụng các phụ tùng thiết bị thay thế của Makita.

Cất giữ phụ tùng

Các phụ kiện và phụ tùng không sử dụng, chẳng hạn như vòi phun và bàn chải, có thể được móc và bảo quản bằng móc đa năng ở phía sau máy hút bụi.

► **Hình40:** 1. Móc đa năng 2. Phụ kiện và phụ tùng không sử dụng

Các ống (có lắp đặt cỡ chặn tùy chọn) có thể được đặt vào trong giá đỡ ống khi không sử dụng máy hút bụi trong thời gian ngắn.

► **Hình41:** 1. Cỡ chặn (phụ kiện tùy chọn) 2. Giá đỡ ống

Có thể quấn quanh và cất giữ ống dẫn quanh vỏ máy hoặc tay cầm máy hút bụi bằng các vòng lặp lớn. Nối cả hai đầu của ống dẫn lại với nhau để tạo thành vòng lặp và móc vòng lặp vào tay cầm được nâng lên. Ngoài ra, giữ đầu gốc được lắp đặt trong đầu vào của ống dẫn và treo các vòng lặp lên móc đa năng với đầu lỏng được cột lên.

► **Hình42**

► **Hình43**

Làm sạch bộ lọc dạng bột (HEPA) và bộ lọc thô

Làm sạch bộ lọc bụi dạng bột, bộ lọc thô và bộ điều tiết định kỳ vì các bộ lọc và bộ điều tiết bị tắc nghẽn có thể dẫn đến hiệu suất hút kém.

Thường xuyên lau và lắc hết bụi ra khỏi các bộ lọc và bộ điều tiết bằng tay.

► **Hình44:** 1. Bộ lọc thô

► **Hình45:** 1. Bộ điều tiết 2. Bộ lọc dạng bột (HEPA)

Thình thoảng rửa bộ lọc bụi dạng bột trong nước, giữ và làm khô hoàn toàn trong bóng râm trước khi sử dụng. Không bao giờ rửa bộ lọc bằng máy giặt.

► **Hình46**

LƯU Ý: Không chà hoặc cào xước bộ lọc bụi dạng bột, bộ lọc thô, hoặc bộ điều tiết với các vật cứng như bàn chải nhỏ và bàn chải lớn.

LƯU Ý: Các bộ lọc sẽ mòn dần theo thời gian. Khuyến nghị nên có phụ tùng thay thế cho chúng.

PHỤ KIỆN TÙY CHỌN

⚠ THẬN TRỌNG: Các phụ kiện hoặc phụ tùng gắn thêm này được khuyến cáo sử dụng với dụng cụ Makita của bạn theo như quy định trong hướng dẫn này. Việc sử dụng bất cứ phụ kiện hoặc phụ tùng gắn thêm nào khác đều có thể gây ra rủi ro thương tích cho người. Chỉ sử dụng phụ kiện hoặc phụ tùng gắn thêm cho mục đích đã quy định sẵn của chúng.

Nếu bạn cần bất kỳ sự hỗ trợ nào để biết thêm chi tiết về các phụ tùng này, hãy hỏi Trung tâm Dịch vụ của Makita tại địa phương của bạn.

- Ống dẫn
- Ống hơi trước (22, 24, 38)
- Ống thẳng
- Ống nối nối dài
- Vòi hút góc
- Bàn chải tròn
- Bộ lọc bụi dạng bột, HEPA (cho bụi khô)
- Bộ điều tiết
- Bộ lọc thô
- Bộ phận vòi xả
- Ống cong
- Túi polyethylene
- Hộp bằng giấy
- Bộ chuyển đổi MAKPAC
- Thiết bị thu và phát không dây
- Pin và bộ sạc chính hãng của Makita

LƯU Ý: Một số mục trong danh sách có thể được bao gồm trong gói dụng cụ làm phụ kiện tiêu chuẩn. Các mục này ở mỗi quốc gia có thể khác nhau.

คำเตือน

- เครื่องนี้ไม่ได้ออกแบบมาเพื่อให้ใช้งานโดยบุคคล (รวมถึงเด็ก) ที่มีความบกพร่องทางร่างกาย ประสาทสัมผัส หรือจิตใจ หรือขาดประสบการณ์และความรู้
- เด็กควรอยู่ในความดูแลเพื่อให้มั่นใจว่าจะไม่มาเล่นที่ตู้ดูดฝุ่น
- โปรดอ้างอิงบท “ข้อมูลจำเพาะ” สำหรับอ้างอิงประเภทแบตเตอรี่
- โปรดอ้างอิงส่วน “การติดตั้งหรือการถอดกลับแบตเตอรี่” สำหรับวิธีถอดหรือติดตั้งแบตเตอรี่
- เมื่อกำจัดถลับแบตเตอรี่ ให้ถอดถลับแบตเตอรี่ออกจากเครื่องมือและกำจัดในสถานที่ที่ปลอดภัย ปฏิบัติตามข้อบังคับเกี่ยวกับการกำจัดแบตเตอรี่ที่บังคับใช้ในท้องถิ่น
- หากไม่ใช้เครื่องมือเป็นระยะเวลานาน จะต้องถอดแบตเตอรี่ออกจากเครื่องมือ
- อย่าลัดวงจรถลับแบตเตอรี่
- โปรดอ้างอิงบท “การบำรุงรักษา” สำหรับรายละเอียดข้อควรระวังในระหว่างการซ่อมบำรุง

ข้อมูลจำเพาะ

รุ่น:	VC002GL	VC004GL
ประเภทของตัวกรองมาตรฐาน	ตัวกรองผง (สำหรับฝุ่นชนิดแห้ง)	
ปริมาณลมสูงสุดที่ปลายท่อ (ด้วย BL4040, ท่อ Ø38 mm x 2.5 m)	2.7 m ³ /min	
ปริมาณลมสูงสุดที่ใบพัด (ด้วย BL4040)	4.2 m ³ /min	
เครื่องดูดฝุ่น (ด้วย BL4040)	23 kPa	
ความจุที่สามารถเก็บได้	8 L	15 L
ขนาด (ยาว x กว้าง x สูง)	366 mm x 334 mm x 425 mm	366 mm x 334 mm x 475 mm
แรงดันไฟฟ้าสูงสุด	D.C. 36 V - 40 V สูงสุด	
น้ำหนักสุทธิ	8.3 - 11.4 kg	8.6 - 11.7 kg
ระดับการป้องกัน	IPX4	

- เนื่องจากการค้นคว้าวิจัยและพัฒนาอย่างต่อเนื่อง ข้อมูลจำเพาะในเอกสารฉบับนี้อาจเปลี่ยนแปลงได้โดยไม่ต้องแจ้งให้ทราบล่วงหน้า
- ข้อมูลจำเพาะและถลับแบตเตอรี่อาจแตกต่างกันไปในแต่ละประเทศ
- น้ำหนักไม่รวมอุปกรณ์เสริมยกเว้นถลับแบตเตอรี่ น้ำหนักของเครื่องและถลับแบตเตอรี่รวมกันที่น้อยที่สุดและมากที่สุดแสดงอยู่ในตาราง
- สำหรับฝุ่นชนิดเปียก ต้องใช้ลูกกลยและตัวกรองน้ำ หรือตัวกรองผ้า

ตลับแบตเตอรี่และเครื่องชาร์จที่ใช้ได้

ตลับแบตเตอรี่	BL4020 / BL4025 / BL4040* / BL4050F* / BL4080F* * : แบตเตอรี่ที่แนะนำ
เครื่องชาร์จ	DC40RA / DC40RB / DC40RC

- ตลับแบตเตอรี่และเครื่องชาร์จบางรายการที่แสดงอยู่ด้านบนอาจไม่มีวางจำหน่ายขึ้นอยู่กับภูมิภาคที่คุณอาศัยอยู่

คำเตือน: ใช้ตลับแบตเตอรี่และเครื่องชาร์จที่ระบุไว้ข้างบนเท่านั้น การใช้ตลับแบตเตอรี่และเครื่องชาร์จประเภทอื่นอาจก่อให้เกิดความเสี่ยงที่จะได้รับบาดเจ็บและ/หรือเกิดไฟไหม้

สัญลักษณ์

ต่อไปนี้เป็นสัญลักษณ์ที่อาจใช้สำหรับอุปกรณ์ โปรดศึกษาความหมายของสัญลักษณ์ให้เข้าใจก่อนการใช้งาน



อ่านคู่มือการใช้งาน



ใช้ความระมัดระวังและความสนใจเป็นพิเศษ



คำเตือน: เครื่องดูดฝุ่นอาจมีฝุ่นชนิดอันตราย



อย่าโยนบนเครื่องดูดฝุ่นโดยเด็ดขาด



ฝุ่นประเภท L (เบา) เครื่องดูดฝุ่นสามารถดูดฝุ่นประเภท L ได้ กรุณาปฏิบัติตามข้อบังคับเกี่ยวกับฝุ่นและอาชีวอนามัยและความปลอดภัยของประเทศคุณ



NI-MH
Li-ion

สำหรับประเทศในสหภาพยุโรปเท่านั้น เนื่องจากในอุปกรณ์มีส่วนประกอบอันตราย ชยะจำพวกอุปกรณ์ไฟฟ้าและอิเล็กทรอนิกส์ แบตเตอรี่ และหม้อแบตเตอรี่จึงอาจส่งผลกระทบต่อสิ่งแวดล้อมและสุขภาพของมนุษย์ในเชิงลบ

อย่าทิ้งเครื่องใช้ไฟฟ้าและอิเล็กทรอนิกส์ หรือแบตเตอรี่รวมกับวัสดุเหลือทิ้งในครัวเรือน!

เพื่อให้เป็นไปตามกฎระเบียบของยุโรป ว่าด้วยขยะจำพวกอุปกรณ์ไฟฟ้าและอิเล็กทรอนิกส์ และหม้อสะสมไฟฟ้าและแบตเตอรี่ และขยะจำพวกหม้อสะสมไฟฟ้าและแบตเตอรี่ รวมถึงการบังคับใช้ตามกฎหมายภายในประเทศ ควรมีการจัดเก็บขยะจำพวกอุปกรณ์ไฟฟ้า แบตเตอรี่ และหม้อสะสมไฟฟ้าแยกต่างหากและส่งไปยังจุดรับขยะต่างหากในเขตเทศบาลซึ่งมีการดำเนินการตามระเบียบว่าด้วยการดูแลสิ่งแวดล้อม

โดยระบุด้วยสัญลักษณ์เส้นคาดขวางรูปถังขยะแบบมีล้อไว้บนอุปกรณ์

จุดประสงค์การใช้งาน

เครื่องใช้นี้ใช้สำหรับดูดฝุ่นแบบแห้ง เครื่องใช้นี้เหมาะสำหรับการใช้งานในเชิงพาณิชย์ ตัวอย่างเช่น ในโรงแรม โรงเรียน โรงพยาบาล โรงงาน ร้านค้า สำนักงาน และธุรกิจ ให้เช่าต่างๆ

คำเตือนด้านความปลอดภัย

คำเตือนด้านความปลอดภัยของเครื่องดูดฝุ่นสะพายหลังไร้สาย

คำเตือน: ข้อควรจำ โปรดอ่านคำเตือนด้านความปลอดภัยและคำแนะนำทั้งหมดอย่างละเอียดก่อนใช้งาน การไม่ปฏิบัติตามคำเตือนและคำแนะนำดังกล่าวอาจส่งผลให้ไฟฟ้าช็อต ไฟไหม้ และ/หรือได้รับบาดเจ็บร้ายแรง

1. ก่อนใช้งาน ตรวจสอบให้แน่ใจว่าเครื่องดูดฝุ่นนี้จะถูกใช้งานโดยผู้ที่ได้รับการฝึกใช้เครื่องดูดฝุ่นนี้มาอย่างเพียงพอ
2. ก่อนใช้ ผู้ปฏิบัติงานควรได้รับข้อมูล คำแนะนำ และการฝึกอบรมการใช้เครื่องและวัตถุที่สามารถใช้เครื่องนี้ได้ รวมถึงวิธีการถอดชิ้นส่วนและการทิ้งวัสดุที่ถูกดูดอย่างปลอดภัย
3. ตรวจสอบให้แน่ใจเสมอว่าตัวกรองติดตั้งอย่างถูกต้องก่อนใช้งาน อย่าใช้งานเครื่องดูดฝุ่นโดยไม่มีตัวกรองติดตั้งอยู่ เปลี่ยนตัวกรองที่ชำรุดทันที แนะนำให้มีการสำรองตัวกรองเพื่อไว้ด้วยเนื่องจากเป็นชิ้นส่วนสิ้นเปลือง
4. หลีกเลี่ยงไม่ให้เปิดใช้งานโดยไม่มีถัง ตรวจสอบให้แน่ใจว่าสวิตช์เป็น OFF ขณะใส่แบตเตอรี่
5. อย่าพยายามดูดวัสดุไวไฟ ดอกไม้ไฟ บุหรี่ที่จุดไฟอยู่ ชี้อากาศร้อน เศษโลหะร้อน วัสดุมีคม เช่น มิดโคน เข็ม แก้วแตก หรือสิ่งที่มีลักษณะอื่น

6. ห้ามใช้งานเครื่องดูดฝุ่นในบริเวณที่ใกล้กับแก๊สโซลีน แก๊ส สี กาว หรือวัตถุอื่นที่มีความเสี่ยงจะระเบิดสูง เนื่องจากสวิตช์จะเกิดประกายไฟขณะเปิดและปิด เช่นเดียวกับกับคอมมิวเตเตอร์ของมอเตอร์ในระหว่างการใช้งาน ซึ่งอาจส่งผลให้เกิดการระเบิดที่เป็นอันตรายได้
7. ห้ามดูดวัสดุเป็นพิษ วัสดุที่คมแรง วัสดุติดไฟได้ หรือวัสดุอื่น ๆ ที่เป็นอันตราย เช่น แร่ใยหิน สารหนู แบเรียม เบริลเลียม ตะกั่ว ยาฆ่าแมลง หรือวัสดุอื่น ๆ ที่เป็นอันตรายต่อสุขภาพ
8. วางเครื่องดูดฝุ่นราบบนพื้นผิวส่วนเรียบเสมอเพื่อป้องกันไม่ให้ตกหรือเคลื่อนที่โดยไม่ตั้งใจ
9. ห้ามใช้งานเครื่องดูดฝุ่นนอกอาคารในขณะที่ฝุ่นตก
10. สำหรับฟินแลนด์ เครื่องนี้ไม่สามารถใช้งานนอกบ้านในอุณหภูมิทำได้
11. อย่าใช้งานใกล้กับแหล่งความร้อน (เตาไฟ ฯลฯ)
12. หากเอาเสียบกลับเข้ามาในห้อง จำเป็นต้องใช้ฉัตรการเปลี่ยนแรงลมที่เหมาะสมในห้อง โปรดอ้างอิงระเบียบที่บังคับใช้ในประเทศ
13. อย่าปิดกั้นช่องระบายอากาศของช่องดูดเข้า/ช่องปล่อยลมออก/ช่องระบายความร้อน ช่องระบายอากาศเหล่านี้ช่วยทำให้มอเตอร์เย็นลง จึงควรระมัดระวังเพื่อหลีกเลี่ยงการปิดกั้นช่องดังกล่าว ไม่เช่นนั้นมอเตอร์อาจไหม้เนื่องจากการระบายอากาศไม่เพียงพอ
14. รักษาทำเย็นและความสมดุลที่เหมาะสมตลอดเวลา
15. อย่าพับ ดึง หรือเหยียบบนท่อ
16. หยุดเครื่องดูดฝุ่นทันที หากคุณสังเกตเห็นสภาพการทำงานของเครื่องลดลงหรือมีความผิดปกติใดๆ ระหว่างการปฏิบัติงาน
17. ถอดแบตเตอรี่ เมื่อไม่ได้ใช้ ก่อนการซ่อมแซม และเมื่อเปลี่ยนอุปกรณ์ต่างๆ
18. ทำความสะอาดและบำรุงรักษาเครื่องดูดฝุ่นทันทีหลังการใช้แต่ละครั้งเพื่อรักษาสภาพการทำงานของเครื่องที่ดีที่สุด
19. ดูแลรักษาเครื่องดูดฝุ่นด้วยความใส่ใจ โดยดูแลให้เครื่องดูดฝุ่นสะอาดอยู่เสมอเพื่อประสิทธิภาพการทำงานที่ดีและปลอดภัยยิ่งขึ้น ปฏิบัติตามคำแนะนำสำหรับการเปลี่ยนอุปกรณ์เสริม ดูแลเมื่อจับให้แห้งสะอาด และไม่มันน้ำมันและจารบีเปื้อน
20. ตรวจสอบส่วนที่เสียหาย ก่อนใช้งานเครื่องดูดฝุ่นในครั้งต่อไป ควรตรวจสอบที่ป้องกันหรือชิ้นส่วนอื่นๆ ที่ชำรุดอย่างละเอียดเพื่อให้แน่ใจว่าส่วนต่างๆ จะทำงานได้อย่างเหมาะสมและทำงานได้ตามฟังก์ชันที่ระบุไว้ ตรวจสอบการวางแนวของชิ้นส่วนเคลื่อนที่ การติดตั้งของชิ้นส่วนเคลื่อนที่ ความเสียหายของชิ้นส่วนการติดตั้ง และสภาพอื่น ๆ ที่อาจส่งผลกระทบต่อการทำงานของเครื่อง ควรนำที่ป้องกันหรือชิ้นส่วนอื่นที่ชำรุดเข้ารับการซ่อมแซมหรือเปลี่ยนใหม่อย่างเหมาะสมโดยศูนย์บริการที่ได้รับการรับรองหรือที่อื่นๆ ที่ระบุไว้ในคู่มือการใช้งานนี้ ให้ศูนย์บริการที่ได้รับการรับรองเป็นผู้เปลี่ยนสวิตช์ที่ชำรุด อย่าใช้งานเครื่องดูดฝุ่นหากสวิตช์ไม่ปิดหรือเปิดอย่างเหมาะสม
21. หากผู้ใช้ต้องการทำการบำรุงรักษา ต้องถอดแยกทำความสะอาด และทำการบำรุงรักษาเครื่องเท่าที่สามารถทำได้โดยเหมาะสม โดยไม่ก่อให้เกิดความเสี่ยงต่อพนักงานบำรุงรักษาและผู้อื่น
22. เครื่องนี้ควรได้รับการตรวจสอบทางเทคนิคอย่างน้อยปีละครั้ง โดยผู้ผลิตหรือบุคคลที่ผ่านการอบรมมาแล้ว รายการที่ตรวจสอบ เช่น การตรวจสอบความเสียหายของตัวกรอง การรั่วไหลของอากาศของเครื่อง และฟังก์ชันการทำงานของกลไกควบคุมที่เหมาะสม เป็นต้น
23. เมื่อทำการบำรุงรักษาหรือซ่อมแซม สิ่งปนเปื้อนที่ไม่สามารถทำความสะอาดได้ตามที่ต้องการทั้งหมดจะต้องถูกกำจัดทิ้ง โดยจะต้องทิ้งในถุงที่นำหรือก๊าซผ่านเข้าไม่ได้ตามข้อบังคับปัจจุบันว่าด้วยการกำจัดของเสียดังกล่าว
24. อะไหล่ทดแทน เมื่อบำรุงรักษา ให้ใช้อะไหล่ทดแทนที่เหมือนกันกับของเดิมเท่านั้น
25. การเก็บรักษาเครื่องดูดฝุ่นที่ไม่ได้ใช้งาน เมื่อไม่ใช้งานควรเก็บเครื่องดูดฝุ่นไว้ในที่ร่ม
26. ใช้เครื่องดูดฝุ่นด้วยความระมัดระวัง การใช้เครื่องดูดฝุ่นอย่างรุนแรงอาจทำให้เครื่องดูดฝุ่นที่แม้จะผลิตขึ้นอย่างแข็งแรงที่สุดแล้วเกิดความเสียหายได้
27. อย่าพยายามทำความสะอาดพื้นผิวภายนอกและภายในของเครื่องด้วยเบนซิน ทินเนอร์ หรือสารเคมีสำหรับทำความสะอาด เนื่องจากอาจทำให้เกิดการรั่วหรือเปลี่ยนสีได้
28. อย่าใช้เครื่องดูดฝุ่นในพื้นที่ปิดที่มีไอระเหยที่ไวไฟเกิดการระเบิดได้ หรือเป็นพิษซึ่งถูกปล่อยออกจากสีที่มีส่วนผสมหลักเป็นน้ำมัน ทินเนอร์ผสมสี แก๊สโซลีน หรือสารป้องกันแมลงบางชนิด ฯลฯ หรือในบริเวณที่มีฝุ่นที่ติดไฟได้

29. อย่าใช้งานเครื่องดูดฝุ่นหรือเครื่องมืออื่นๆ ขณะมีนเมยาเสพติดหรือสุรา
30. ตามกฎพื้นฐานด้านความปลอดภัย ให้ใช้แว่นตากันลมนิรภัยหรือแว่นตานิรภัยที่มีเกราะป้องกันด้านข้าง
31. และใช้หน้ากากป้องกันฝุ่นในสภาวะการทำงานที่เต็มไปด้วยฝุ่น
32. เครื่องนี้ไม่ได้ออกแบบมาเพื่อให้ใช้งานโดยบุคคล (รวมถึงเด็ก) ที่มีความบกพร่องทางร่างกาย ประสาทสัมผัส หรือจิตใจ หรือขาดประสบการณ์และความรู้
33. เด็กควรอยู่ในความดูแลเพื่อให้มั่นใจว่าจะไม่มาเล่นที่ดูดฝุ่น
34. ห้ามจับแบตเตอรี่และเครื่องดูดฝุ่นด้วยมือเปียก
35. ใช้ความระมัดระวังให้มากเมื่อทำความสะอาดบันได
36. อย่าใช้เครื่องดูดฝุ่นเป็นม้านั่งหรือม้านั่งทำงานเนื่องจากเครื่องอาจล้มลงมาและทำให้ได้รับบาดเจ็บได้
37. อย่าตัดโพมหรือของเหลวที่มีฟอง เนื่องจากอาจทำให้โพมไหลออกทางช่องระบายอากาศ ทำให้เกิดไฟฟ้าช็อตและเครื่องดูดฝุ่นเสียหายได้

การใช้งานและดูแลเครื่องมือที่ใช้แบตเตอรี่

1. ชาร์จไฟใหม่ด้วยเครื่องชาร์จที่ระบุโดยผู้ผลิตเท่านั้น เครื่องชาร์จที่เหมาะสมสำหรับชุดแบตเตอรี่ประเภทหนึ่งอาจเสี่ยงที่จะเกิดไฟไหม้หากนำไปใช้กับชุดแบตเตอรี่อีกประเภทหนึ่ง
2. ใช้เครื่องมือไฟฟ้ากับชุดแบตเตอรี่ที่กำหนดมาโดยเฉพาะเท่านั้น การใช้ชุดแบตเตอรี่ประเภทอื่นอาจทำให้เสี่ยงที่จะได้รับบาดเจ็บและเกิดไฟไหม้
3. เมื่อไม่ใช้งานชุดแบตเตอรี่ ให้เก็บห่างจากวัตถุที่เป็นโลหะอื่นๆ เช่น คลิปหนีบกระดาษ เหรียญ กุญแจ กรรไกรตัดเล็บ สกรู หรือวัตถุที่เป็นโลหะขนาดเล็กอื่นๆ ที่สามารถเชื่อมต่อขั้วหนึ่งกับอีกขั้วหนึ่งได้ การลัดวงจรขั้วแบตเตอรี่อาจทำให้ร้อนจัดหรือเกิดไฟไหม้
4. ในกรณีที่ใช้งานไม่ถูกต้อง อาจมีของเหลวไหลออกจากแบตเตอรี่ ให้หลีกเลี่ยงการสัมผัส หากสัมผัสโดนของเหลวโดยไม่ตั้งใจ ให้ล้างออกด้วยน้ำ หากของเหลวกระเด็นเข้าตา ให้รีบไปพบแพทย์ ของเหลวที่ไหลออกจากแบตเตอรี่อาจทำให้ผิวหนังระคายเคืองหรือไหม้
5. ห้ามใช้ชุดแบตเตอรี่หรือเครื่องมือที่ชำรุดหรือมีการแก้ไข แบตเตอรี่ที่เสียหายหรือมีการแก้ไขอาจทำให้เกิดสิ่งที่ไม่ถึงใจได้ เช่น ไฟไหม้ ระเบิด หรือเสียงต่อการบาดเจ็บ

6. ห้ามให้ชุดแบตเตอรี่อยู่ใกล้ไฟ หรือบริเวณที่มีอุณหภูมิสูงเกิน หากโดนไฟ หรืออุณหภูมิสูงเกิน 130 °C อาจก่อให้เกิดการระเบิดได้
7. กรุณาปฏิบัติตามคำแนะนำสำหรับชาร์จไฟ และห้ามชาร์จแบตเตอรี่หรือเครื่องมือในบริเวณที่มีอุณหภูมินอกเหนือไปจากที่ระบุในคำแนะนำ การชาร์จไฟที่ไม่เหมาะสม หรืออุณหภูมินอกเหนือไปจากช่วงอุณหภูมิที่ระบุในคำแนะนำอาจทำให้แบตเตอรี่เสียหายและเป็นการเพิ่มความเสี่ยงในการเกิดไฟไหม้

ปฏิบัติตามคำแนะนำเหล่านี้

คำเตือน: อย่าให้ความไม่ระมัดระวังหรือความคุ้นเคยกับผลิตภัณฑ์ (จากการใช้งานซ้ำหลายครั้ง) อยู่เหนือการปฏิบัติตามกฎเกณฑ์ด้านความปลอดภัยในการใช้งานผลิตภัณฑ์อย่างเคร่งครัด การใช้งานอย่างไม่เหมาะสมหรือการไม่ปฏิบัติตามกฎเกณฑ์ด้านความปลอดภัยในคู่มือการใช้งานนี้อาจทำให้ได้รับบาดเจ็บร้ายแรง

คำแนะนำเพื่อความปลอดภัยที่สำคัญสำหรับดัลลิบแบตเตอรี่

1. ก่อนใช้งานดัลลิบแบตเตอรี่ ให้อ่านคำแนะนำและเครื่องหมายเตือนทั้งหมดบน (1) เครื่องชาร์จแบตเตอรี่ (2) แบตเตอรี่ และ (3) ตัวผลิตภัณฑ์ที่ใช้แบตเตอรี่
2. อย่าถอดแยกชิ้นส่วนหรือทำการดัดแปลงดัลลิบแบตเตอรี่ เนื่องจากอาจทำให้เกิดไฟไหม้ ความร้อนที่สูงเกินไป หรือระเบิดได้
3. หากระยะเวลาที่เครื่องทำงานสั้นเกินไป ให้หยุดใช้งานทันที เนื่องจากอาจมีความเสี่ยงที่จะร้อนจัด ไหม้หรือระเบิดได้
4. หากสารละลายอิเล็กโทรไลต์กระเด็นเข้าตา ให้ล้างออกด้วยน้ำเปล่าและรีบไปพบแพทย์ทันที เนื่องจากอาจทำให้ตาบอด
5. ห้ามลัดวงจรดัลลิบแบตเตอรี่:
 - (1) ห้ามแตะขั้วกับวัตถุที่เป็นสื่อนำไฟฟ้าใดๆ
 - (2) หลีกเลี่ยงการเก็บดัลลิบแบตเตอรี่ไว้ในภาชนะร่วมกับวัตถุที่เป็นโลหะ เช่น กรรไกรตัดเล็บ เหรียญ ฯลฯ
 - (3) อย่าให้ดัลลิบแบตเตอรี่ถูกน้ำหรือฝน แบตเตอรี่ลัดวงจรอาจทำให้เกิดการไหลของกระแสไฟฟ้า ร้อนจัด ไหม้หรือเสียหายได้
6. ห้ามเก็บและใช้เครื่องมือและดัลลิบแบตเตอรี่ไว้ในสถานที่ที่มีอุณหภูมิสูงถึงหรือเกิน 50 °C (122 °F)

7. ห้ามเผาถลับแบตเตอรี่ทิ้ง แม้ว่าแบตเตอรี่จะเสียหายจนใช้การไม่ได้หรือเสื่อมสภาพแล้ว ถลับแบตเตอรี่อาจจะระเบิดในกองไฟ
8. อย่าถอดตะปู ตัด บด ขั้วง หรือทำถลับแบตเตอรี่หล่นพื้น หรือกระแทกถลับแบตเตอรี่กับวัตถุของแข็ง การกระทำดังกล่าวอาจส่งผลให้เกิดไฟไหม้ ความร้อนที่สูงเกินไป หรือระเบิดได้
9. ห้ามใช้แบตเตอรี่ที่เสียหาย
10. แบตเตอรี่ลิเทียมไอออนที่มีมาให้ นั้นเป็นไปตามข้อกำหนดของ Dangerous Goods Legislation สำหรับการขนส่งเพื่อการพาณิชย์ เช่น โดยบุคคลที่สาม ตัวแทนขนส่งสินค้า จะต้องตรวจสอบข้อกำหนดพิเศษในด้านการบรรจุหีบห่อหรือการติดป้ายสินค้าในการเตรียมสินค้าที่จะขนส่ง ให้ปรึกษาผู้เชี่ยวชาญด้านวัตถุอันตราย โปรดตรวจสอบข้อกำหนดในประเทศที่อาจมีรายละเอียดอื่น ๆ เพิ่มเติม ให้ติดเทปหรือปิดหน้าสัมผัสและห่อแบตเตอรี่ในลักษณะที่แบตเตอรี่จะไม่เคลื่อนที่ไปมาในหีบห่อ
11. เมื่อกำจัดถลับแบตเตอรี่ ให้ถอดถลับแบตเตอรี่ออกจากเครื่องมือและกำจัดในสถานที่ที่ปลอดภัย ปฏิบัติตามข้อบังคับในท้องถิ่นที่เกี่ยวกับการกำจัดแบตเตอรี่
12. ใช้แบตเตอรี่กับผลิตภัณฑ์ที่ระบุโดย Makita เท่านั้น การติดตั้งแบตเตอรี่ในผลิตภัณฑ์ที่ไม่ใช่ตามที่ระบุอาจทำให้เกิดไฟไหม้ ความร้อนสูง ระเบิด หรืออิเล็กทรอนิกส์รั่วไหลได้
13. หากไม่ใช่เครื่องมือเป็นระยะเวลานาน จะต้องถอดแบตเตอรี่ออกจากเครื่องมือ
14. ในระหว่างและหลังการใช้งาน ถลับแบตเตอรี่อาจร้อนซึ่งอาจลวกผิวหรือทำให้ผิวหนังไหม้ที่อุณหภูมิต่ำได้ โปรดระมัดระวังในการจัดการกับแบตเตอรี่ที่ร้อน
15. อย่าสัมผัสขั้วของเครื่องมือทันทีหลังจากการใช้งาน เนื่องจากอาจมีความร้อนพอที่จะทำให้ผิวหนังไหม้ได้
16. อย่าปล่อยให้เศษวัสดุ ฝุ่นผง หรือดินเข้าไปติดอยู่ในขั้ว รู และร่องของถลับแบตเตอรี่ เนื่องจากอาจทำให้เกิดความร้อน ไฟไหม้ ระเบิด และทำให้เครื่องมือหรือถลับแบตเตอรี่ทำงานผิดปกติ ส่งผลให้โดนลวกหรือเกิดการบาดเจ็บได้
17. หากเครื่องมือไม่รองรับสายไฟแรงดันสูง อย่าใช้ถลับแบตเตอรี่ใกล้กับสายไฟแรงดันสูง เนื่องจากเครื่องมือหรือถลับแบตเตอรี่อาจทำงานผิดปกติหรือเสียหายได้
18. เก็บแบตเตอรี่ให้ห่างจากเด็ก

ปฏิบัติตามคำแนะนำเหล่านี้

⚠ ข้อควรระวัง: ใช้แบตเตอรี่ของแท้จาก Makita เท่านั้น การใช้แบตเตอรี่ Makita ที่ไม่แท้ หรือแบตเตอรี่ที่ถูกเปลี่ยน อาจทำให้แบตเตอรี่ระเบิด ก่อให้เกิดเพลิงลุกไหม้ การบาดเจ็บ และความเสียหายได้ และจะทำให้การรับประกันของ Makita สำหรับเครื่องมือและแท่นชาร์จของ Makita เป็นโมฆะด้วย

เคล็ดลับในการรักษาอายุการใช้งานของแบตเตอรี่ให้ยาวนานที่สุด

1. ชาร์จถลับแบตเตอรี่ก่อนที่ไฟจะหมด หยุดการใช้งานแล้วชาร์จประจุไฟฟ้าให้ทุกครั้งเมื่อคุณรู้สึกว่าคุณประณมีกำลังลดลง
2. อย่าชาร์จถลับแบตเตอรี่ที่มีไฟเต็มแล้ว การชาร์จประจุไฟฟ้ามากเกินไปอาจจะทำให้อายุการใช้งานของถลับแบตเตอรี่สั้นลง
3. ชาร์จประจุไฟฟ้าถลับแบตเตอรี่ในห้องที่มีอุณหภูมิระหว่าง 10 °C - 40 °C ปล่อยให้ถลับแบตเตอรี่เย็นลงก่อนที่จะชาร์จไฟ
4. เมื่อไม่ใช่ถลับแบตเตอรี่ ให้ถอดออกจากเครื่องมือหรือเครื่องชาร์จ
5. ชาร์จไฟถลับแบตเตอรี่หากคุณไม่ต้องการใช้เป็นเวลานาน (เกินกว่าหกเดือน)

คำแนะนำด้านความปลอดภัยที่สำคัญสำหรับอุปกรณ์รับส่งสัญญาณไร้สาย

1. อย่าถอดแยกชิ้นส่วนหรือปรับเปลี่ยนอุปกรณ์รับส่งสัญญาณไร้สาย
2. เก็บอุปกรณ์รับส่งสัญญาณไร้สายให้ห่างจากเด็กเล็ก หากเด็กกลืนอุปกรณ์เข้าไปโดยบังเอิญ โปรดพาไปพบแพทย์ทันที
3. ใช้อุปกรณ์รับส่งสัญญาณไร้สายกับเครื่องมือของ Makita เท่านั้น
4. อย่าให้อุปกรณ์รับส่งสัญญาณไร้สายถูกฝนหรืออยู่ในสภาพเปียกชื้น
5. อย่าใช้อุปกรณ์รับส่งสัญญาณไร้สายในสถานที่ที่มีอุณหภูมิสูงกว่า 50°C
6. อย่าใช้งานอุปกรณ์รับส่งสัญญาณไร้สายในสถานที่ที่มีเครื่องมือทางการแพทย์อยู่ใกล้ๆ เช่น เครื่องกระตุ้นการเต้นของหัวใจ เป็นต้น
7. อย่าใช้งานอุปกรณ์รับส่งสัญญาณไร้สายในสถานที่ที่มีอุปกรณ์อัตโนมัติอยู่ใกล้ๆ เนื่องจากอุปกรณ์อัตโนมัติอาจทำงานผิดปกติหรือเกิดความผิดพลาดได้

8. อย่าใช้อุปกรณ์ไร้สายในสถานที่ที่มีอุณหภูมิสูง หรือสถานที่ที่อาจเกิดไฟฟ้าสถิต หรือสัญญาณรบกวนทางไฟฟ้า
9. อุปกรณ์รับส่งสัญญาณไร้สายอาจสร้างสนามแม่เหล็ก (EMF) แต่ไม่เป็นอันตรายต่อผู้ใช้
10. อุปกรณ์รับส่งสัญญาณไร้สายเป็นเครื่องมือที่มีความแม่นยำ ระวังอย่าทำอุปกรณ์รับส่งสัญญาณไร้สายตกหล่นหรือกระทบกระแทก
11. หลีกเลี่ยงการสัมผัสขั้วต่อของอุปกรณ์รับส่งสัญญาณไร้สายด้วยมือเปล่าหรือวัสดุที่ทำจากโลหะ
12. นำแบตเตอรี่ออกจากผลิตภัณฑ์เสมอเมื่อติดตั้งอุปกรณ์รับส่งสัญญาณไร้สายบนผลิตภัณฑ์
13. เมื่อเปิดฝาปิดช่องเสียบ โปรดหลีกเลี่ยงสถานที่ที่ฝุ่นและน้ำอาจเข้าไปในช่องเสียบได้ รักษาช่องทางเข้าช่องเสียบให้สะอาดอยู่เสมอ
14. ใส่อุปกรณ์รับส่งสัญญาณไร้สายในทิศทางที่ถูกต้องเสมอ
15. อย่ากดปุ่มสั่งงานด้วยสัญญาณไร้สายบนอุปกรณ์รับส่งสัญญาณไร้สายแรงจนเกินไป และ/หรือ อย่ากดปุ่มด้วยวัตถุที่มีขอบคม
16. ปิดฝาปิดช่องเสียบขณะใช้งานเสมอ
17. อย่านำอุปกรณ์รับส่งสัญญาณไร้สายออกจากช่องเสียบในขณะที่เครื่องมือยังเชื่อมต่อกับไฟฟ้าอยู่ มิฉะนั้นอาจทำให้อุปกรณ์รับส่งสัญญาณไร้สายทำงานผิดปกติได้
18. อย่าแกะสติ๊กเกอร์บนอุปกรณ์รับส่งสัญญาณไร้สายออก
19. อย่าแกะสติ๊กเกอร์บนอุปกรณ์รับส่งสัญญาณไร้สาย
20. อย่าวางอุปกรณ์รับส่งสัญญาณไร้สายไว้ในสถานที่ที่อาจเกิดไฟฟ้าสถิตหรือสัญญาณรบกวนทางไฟฟ้า
21. อย่าวางอุปกรณ์รับส่งสัญญาณไร้สายไว้ในสถานที่ที่อาจเกิดความร้อนสูง เช่น รถยนต์ที่จอดไว้กลางแจ้ง
22. อย่าวางอุปกรณ์รับส่งสัญญาณไร้สายไว้ในสถานที่ที่เต็มไปด้วยฝุ่นหรือผง หรือในสถานที่ที่อาจเกิดก๊าซกัดกร่อน
23. การเปลี่ยนแปลงของอุณหภูมิอย่างกะทันหันอาจทำให้อุปกรณ์รับส่งสัญญาณไร้สายขึ้นด้วยหยดน้ำค้างได้ อย่าใช้อุปกรณ์รับส่งสัญญาณไร้สายจนกว่าน้ำค้างจะแห้งสนิท
24. เมื่อต้องการทำความสะอาดอุปกรณ์รับส่งสัญญาณไร้สาย ให้ใช้ผ้าแห้งที่อ่อนนุ่มค่อยๆ เช็ดอย่างเบามือ อย่าใช้เบนซิน ทินเนอร์ จาระบีที่นำกระแสไฟฟ้า หรือที่คล้ายกันนี้

25. เมื่อต้องการเก็บอุปกรณ์รับส่งสัญญาณไร้สาย ให้เก็บไว้ในกล่องที่หีมาหรือในภาชนะที่ปลอดภัย
 26. อย่าใส่อุปกรณ์อื่นนอกจากอุปกรณ์รับส่งสัญญาณไร้สายของ Makita เข้าไปในช่องเสียบบนเครื่องมือ
 27. อย่าใช้เครื่องมือที่ฝาปิดของช่องเสียบชำรุด น้ำ ฝุ่น และสิ่งสกปรกที่เข้าไปในช่องเสียบอาจทำให้เกิดการทำงานผิดปกติได้
 28. อย่าดึงและ/หรือบิดฝาปิดช่องเสียบมากเกินไปจนจำเป็น เก็บฝาปิดไว้หากฝาปิดหลุดออกจากเครื่องมือ
 29. เปลี่ยนฝาปิดช่องเสียบใหม่หากสูญหายหรือชำรุด
- ปฏิบัติตามคำแนะนำเหล่านี้**

คำอธิบายชิ้นส่วนต่างๆ

- ▶ หมายเลข 1: 1. ส่วนบน 2. ตัวกรองผง (HEPA) 3. ตัวหว่งการสะท้อน 4. แผ่นกรองชั้นต้น 5. ถัง

คำอธิบายการทำงาน

⚠ ข้อควรระวัง: ตรวจสอบให้แน่ใจเสมอว่าปิดสวิตช์เครื่องใช้และนำด้ามแบตเตอรี่ออกแล้วก่อนทำการปรับหรือตรวจสอบฟังก์ชันบนเครื่องใช้

การใส่หรือการถอดด้ามแบตเตอรี่

⚠ ข้อควรระวัง: ปิดสวิตช์เครื่องใช้ก่อนใส่หรือถอดด้ามแบตเตอรี่ออกเสมอ

⚠ ข้อควรระวัง: จับเครื่องดูดฝุ่นและด้ามแบตเตอรี่ให้แน่นเมื่อทำการติดตั้งหรือถอดด้ามแบตเตอรี่ มิฉะนั้นอาจทำให้เครื่องหรือด้ามแบตเตอรี่ลื่นหลุดออกจากมือ ส่งผลให้เกิดความเสียหายกับเครื่องดูดฝุ่นและด้ามแบตเตอรี่ หรือทำให้ได้รับบาดเจ็บได้

⚠ ข้อควรระวัง: ระวังอย่าให้หนีบน้ำขณะเปิดเปิดหรือปิดฝาด้ามแบตเตอรี่ มิฉะนั้น อาจก่อให้เกิดการบาดเจ็บได้

เครื่องดูดฝุ่นมีช่องใส่แบตเตอรี่คู่ เมื่อมีแบตเตอรี่เหมือนกันสองก้อนใช้งานคู่กัน คุณจะสามารถยืดระยะเวลาทำงานในการทำงานหนึ่งครั้งหรือมากกว่าได้โดยไม่ต้องหยุดเพื่อชาร์จแบตเตอรี่ เครื่องดูดฝุ่นทำงานด้วยแบตเตอรี่ก้อนเดียวได้เช่นกัน ดังนั้น คุณจึงสามารถเลือกว่าจะใช้แบตเตอรี่สองก้อนหรือก้อนเดียวได้ตามความต้องการ

► **หมายเลข 2:** 1. ช่องใส่แบตเตอรี่ซ้าย 2. ช่องใส่แบตเตอรี่ขวา

เมื่อใส่แบตเตอรี่คู่

การใช้งานอย่างต่อเนื่องด้วยแบตเตอรี่สองก้อนทำให้สามารถทำงานได้นานขึ้นและทำความสะอาดได้อย่างมีประสิทธิภาพยิ่งขึ้น เมื่อแบตเตอรี่ก้อนแรกหมด เครื่องดูดฝุ่นจะสลับแหล่งจ่ายไฟโดยอัตโนมัติ ทำให้ทำงานต่อไปได้ด้วยแบตเตอรี่ก้อนที่สอง

หมายเหตุ: ช่องใส่แบตเตอรี่ซ้าย (เมื่อหันหน้าเข้าหาด้านหน้าของเครื่องดูดฝุ่น) จะถูกเลือกใช้เป็นช่องหลักก่อน ช่องใส่แบตเตอรี่ขวา ช่องใส่แบตเตอรี่ขวาจะถูกกำหนดให้เป็นแหล่งจ่ายไฟต่อเมื่อไม่มีแบตเตอรี่ติดตั้งอยู่ในช่องใส่แบตเตอรี่ซ้ายหรือแบตเตอรี่ในช่องใส่แบตเตอรี่ซ้ายหมด

หมายเหตุ: คุณสามารถถอดแบตเตอรี่ออกจากช่องใส่แบตเตอรี่ซ้ายและชาร์จใหม่ได้หลังจากที่เครื่องดูดฝุ่นสลับแหล่งจ่ายไฟจากช่องใส่แบตเตอรี่ซ้ายมาเป็นช่องขวาโดยไม่หยุดทำงาน การทำให้ช่องใส่แบตเตอรี่ซ้ายกลับมาเป็นช่องหลักหลังจากติดตั้งแบตเตอรี่ที่ชาร์จเสร็จแล้ว ให้เริ่มเปิดใช้งานเครื่องดูดฝุ่นใหม่อีกครั้ง

เมื่อใส่แบตเตอรี่ก้อนเดียว

แบตเตอรี่เพียงก้อนเดียวก็สามารถใช้เป็นแหล่งจ่ายไฟได้ โดยจะอยู่ในช่องใส่แบตเตอรี่ซ้ายหรือขวาก็ได้ เครื่องดูดฝุ่นจะตรวจสอบว่าใช้งานช่องใส่แบตเตอรี่ช่องใดโดยอัตโนมัติตามเงื่อนไขการทำงาน

การติดตั้งและการถอดการติดตั้ง

ปลดล๊อคและเปิดฝาครอบแบตเตอรี่เพื่อติดตั้งแบตเตอรี่ จากนั้นใส่ตลับแบตเตอรี่เข้าไป

► **หมายเลข 3:** 1. ล็อก 2. ฝาครอบแบตเตอรี่

จัดให้ลิ้นบนตลับแบตเตอรี่ตรงกับร่องในช่องใส่แบตเตอรี่แล้วเลื่อนตลับแบตเตอรี่เข้าไป ใส่ตลับแบตเตอรี่เข้าจนสุดจนกระทั่งได้ยินเสียงคลิกล็อกเข้าที่ จากนั้นล็อกฝาครอบแบตเตอรี่

► **หมายเลข 4:** 1. ตลับแบตเตอรี่ 2. ปุ่ม

เมื่อต้องการถอดตลับแบตเตอรี่ ให้เลื่อนออกจากช่องใส่แบตเตอรี่พร้อมกับกดปุ่มที่ด้านหน้าของตลับเอาไว้

⚠ ข้อควรระวัง: ติดตั้งตลับแบตเตอรี่เข้าจนสุดเสมอ ไมเช่นนั้น ตลับแบตเตอรี่อาจร่วงหล่นออกจากเครื่องใช้โดยไม่ได้ตั้งใจ ซึ่งส่งผลให้คุณหรือผู้ที่อยู่รอบข้างคุณได้รับบาดเจ็บได้

⚠ ข้อควรระวัง: อย่าฝืนติดตั้งตลับแบตเตอรี่โดยใช้แรงมากเกินไป หากตลับแบตเตอรี่ไม่เลื่อนเข้าไปโดยง่าย แสดงว่าใส่ไม่ถูกต้อง

หมายเหตุ: เมื่อเครื่องดูดฝุ่นสลับแหล่งจ่ายไฟจากแบตเตอรี่ก้อนแรกมาเป็นก้อนที่สอง อาจจำเป็นต้องหยุดทำงานชั่วคราว ทำให้แรงดูดหายไปเล็กน้อย โปรดทราบว่าไม่ใช่การทำงานผิดปกติ ดังนั้นเครื่องดูดฝุ่นจะกลับมาเป็นเหมือนเดิมและทำงานต่อทันทีหลังจากหยุดพักชั่วคราว

การระบุระดับพลังงานแบตเตอรี่ที่เหลืออยู่

กดปุ่ม ตรวจสอบ บนตลับแบตเตอรี่เพื่อดูปริมาณแบตเตอรี่ที่เหลือ ไฟแสดงสถานะจะสว่างขึ้นเป็นเวลาสองสามวินาที

► **หมายเลข 5:** 1. ไฟแสดงสถานะ 2. ปุ่มตรวจสอบ

ไฟแสดงสถานะ			แบตเตอรี่ที่เหลือ
ไฟสว่าง	ดับ	กะพริบ	
			75% ถึง 100%
			50% ถึง 75%
			25% ถึง 50%
			0% ถึง 25%
			ชาร์จไฟแบตเตอรี่
			แบตเตอรี่อาจจะเสีย

หมายเหตุ: ขึ้นอยู่กับสภาพการใช้งานและอุณหภูมิ โดยรอบ การแสดงสถานะอาจจะแตกต่างจากปริมาณแบตเตอรี่จริงเล็กน้อย









หมายเหตุ: ไฟแสดงสถานะดวงแรก (ซ้ายสุด) จะกะพริบเมื่อระบบป้องกันแบตเตอรี่ทำงาน

ไฟแสดงสถานะแบตเตอรี่บนแผงควบคุม

ความจุแบตเตอรี่ที่เหลือยังสามารถอ่านจากบนแผงควบคุมได้ตลอดเวลา กดปุ่มตรวจสอบ และไฟแสดงสถานะด้านซ้ายและขวาจะแสดงระดับการชาร์จแบตเตอรี่อย่างสอดคล้องกัน

► **หมายเลข 6:** 1. ไฟแสดงสถานะแบตเตอรี่ 2. ปุ่มตรวจสอบ

► **หมายเลข 7**

สถานะของไฟแสดงสถานะแบตเตอรี่			ความจุแบตเตอรี่ที่เหลืออยู่
 สว่าง	 ดับ	 กระพริบ	
			50% ถึง 100%
			20% ถึง 50%
			0% ถึง 20%
			ชาร์จแบตเตอรี่
			ไม่ได้ใส่แบตเตอรี่

หมายเหตุ: เมื่อเครื่องดูดฝุ่นเริ่มทำงานหรือสลับแหล่งจ่ายไฟจากช่องหนึ่งเป็นอีกช่องหนึ่ง ไฟแสดงสถานะแบตเตอรี่ก็จะทำงานด้วยเช่นกัน



ระบบป้องกันเครื่องใช้/แบตเตอรี่

เครื่องใช้ไม่มีระบบป้องกันเครื่องใช้/แบตเตอรี่ ระบบนี้จะตัดไฟที่ส่งไปยังมอเตอร์โดยอัตโนมัติเพื่อยืดอายุเครื่องใช้และแบตเตอรี่ เครื่องใช้นี้จะหยุดทำงานโดยอัตโนมัติในระหว่างการทำงานหากเครื่องใช้หรือแบตเตอรี่อยู่ในสภาวะดังต่อไปนี้

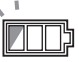
การป้องกันโอเวอร์โหลด

เมื่อเครื่องใช้/แบตเตอรี่ทำงานในลักษณะที่ทำให้ต้องใช้กระแสไฟฟ้าสูงเกินไป เครื่องใช้จะหยุดโดยอัตโนมัติ ในสถานการณ์เช่นนี้ ให้ปิดเครื่องใช้และหยุดการใช้ที่จะทำให้เครื่องใช้ทำงานหนักเกินไป จากนั้นให้เปิดเครื่องใช้เพื่อเริ่มใช้งานอีกครั้ง

การป้องกันความร้อนสูงเกิน

<input type="checkbox"/> สว่าง	<input checked="" type="checkbox"/> กระพริบ
	

เมื่อเครื่องใช้เกิดความร้อนสูงเกินไป เครื่องใช้จะหยุดทำงานโดยอัตโนมัติ และไฟแสดงสถานะแบตเตอรี่ด้านซ้ายและขวาจะกระพริบ ในสถานการณ์เช่นนี้ ปล่อยให้เครื่องใช้เย็นลงก่อนเปิดเครื่องใช้อีกครั้ง

<input type="checkbox"/> สว่าง	<input checked="" type="checkbox"/> กระพริบ
	

เมื่อแบตเตอรี่เกิดความร้อนสูงเกินไป เครื่องใช้จะหยุดทำงานโดยอัตโนมัติ และไฟแสดงสถานะของแบตเตอรี่ความร้อนสูงเกินจะกระพริบ ในสถานการณ์เช่นนี้ ปล่อยให้แบตเตอรี่เย็นลงก่อนเปิดเครื่องใช้อีกครั้ง

การป้องกันไฟหมด

เมื่อความจุแบตเตอรี่เหลือน้อย เครื่องใช้จะหยุดทำงานโดยอัตโนมัติ หากเครื่องใช้ไม่ทำงานแม้ว่าจะกดสวิตช์แล้ว ให้ถอดถลับแบตเตอรี่ออกจากเครื่องใช้แล้วนำไปชาร์จซ้ำ

การป้องกันจากสาเหตุอื่นๆ

ระบบป้องกันได้รับการออกแบบมาเพื่อสาเหตุอื่นๆ ที่อาจสร้างความเสียหายต่อเครื่องใช้และทำให้เครื่องใช้หยุดทำงานโดยอัตโนมัติ ดำเนินการตามขั้นตอนดังต่อไปนี้ทุกขั้นตอนเพื่อกำจัดสาเหตุออกไป เมื่อเครื่องใช้หยุดทำงานชั่วคราวหรือหยุดทำงาน

1. ปิดเครื่องใช้ แล้วเปิดใหม่เพื่อเริ่มใช้งานอีกครั้ง
2. ชาร์จหรือเปลี่ยนแบตเตอรี่โดยนำแบตเตอรี่ที่ชาร์จแล้วมาใช้แทน
3. ปล่อยให้เครื่องใช้และแบตเตอรี่เย็นลง

หากอาการไม่ดีขึ้นเมื่อเปิดระบบป้องกันอีกครั้ง ให้ติดต่อศูนย์บริการ Makita ใกล้บ้านคุณ

การทำงานของสวิตช์

การเปิดเครื่องดูดฝุ่น

1. หมุนสวิตช์เตรียมพร้อมไปที่ตำแหน่ง "I" (เปิด) หรือ "AUTO" (เปิด) เพื่อให้เครื่องดูดฝุ่นพร้อมในโหมดเตรียมพร้อม
2. กดปุ่มไฟหลัก
เมื่อต้องการสลับกลับไปอยู่ในโหมดเตรียมพร้อม ให้กดปุ่มไฟหลักอีกครั้ง

การปิดเครื่องดูดฝุ่น

ปฏิบัติตามขั้นตอนใดขั้นตอนหนึ่งดังต่อไปนี้

- กดปุ่มไฟหลักเพื่อให้เครื่องดูดฝุ่นกลับไปในโหมดเตรียมพร้อม จากนั้นจึงหมุนสวิตช์เตรียมพร้อมไปที่ตำแหน่ง "O" (ปิด)
- หมุนสวิตช์เตรียมพร้อมไปที่ตำแหน่ง "O" (ปิด)

การปรับแรงดูด

สามารถปรับแรงดูดได้ตามงานที่คุณต้องการ

- หมุนปุ่มหมุนปรับแรงดูดไปทางซ้ายเพื่อลดแรงดูด
 - หมุนปุ่มหมุนปรับแรงดูดไปทางขวาเพื่อเพิ่มแรงดูด
- ▶ **หมายเลข 8:** 1. สวิตช์เตรียมพร้อม 2. ปุ่มไฟหลัก
3. ปุ่มหมุนปรับแรงดูด

การล็อกและปลดล็อกล้อเลื่อน

ล้อเลื่อนหลังสามารถล็อกได้ด้วยสตัดอปเปอร์เพื่อช่วยให้เครื่องดูดฝุ่นอยู่กับที่
ลดก้านสตัดอปเปอร์ด้วยมือเพื่อล็อกล้อเลื่อนและยกขึ้นเพื่อปลดปล่อย

- ▶ **หมายเลข 9:** 1. ล้อเลื่อน 2. ก้านสตัดอปเปอร์
3. ตำแหน่ง FREE 4. ตำแหน่ง LOCK

หมายเหตุ: เมื่อต้องการเคลื่อนย้ายเครื่องดูดฝุ่น ตรวจสอบให้แน่ใจว่าล้อเลื่อนไม่ได้ถูกล็อกอยู่ การเคลื่อนย้ายเครื่องดูดฝุ่นในขณะที่ล้อเลื่อนยังอยู่ในตำแหน่งล็อกอาจทำให้ล้อเลื่อนชำรุดได้

มือจับสำหรับการยก

▶ **ข้อควรระวัง:** ยกและย้ายเครื่องใช้ด้วยความระมัดระวัง ไม่เช่นนั้นอาจส่งผลให้ได้รับบาดเจ็บหรือทำให้เครื่องใช้เสียหายได้

เมื่อยกเครื่องดูดฝุ่น ให้ยกโดยจับที่มือจับที่อยู่ส่วนบนของเครื่อง สามารถถอดมือจับที่อยู่ส่วนบนของเครื่องออกได้เมื่อไม่ต้องการใช้งาน

- ▶ **หมายเลข 10**

การประกอบ

▶ **ข้อควรระวัง:** ตรวจสอบให้แน่ใจเสมอว่าปิดสวิตช์เครื่องใช้และถอดปลั๊กแบตเตอรี่ออกแล้วก่อนดำเนินการใดๆ กับเครื่องใช้

▶ **ข้อควรระวัง:** สวมใส่หน้ากากกันฝุ่นระหว่างการประกอบหรือการบำรุงรักษา

ติดตั้งตัวกรองผง (HEPA) และแผ่นกรองชั้นต้น (สำหรับฝุ่นชนิดแห้ง)

▶ **ข้อควรระวัง:** อย่ายูดน้ำ หรือของเหลวอื่นๆ หรือฝุ่นชนิดเปียก เมื่อใช้ตัวกรองผง เพราะอาจทำให้ตัวกรองผงเสียหายได้

วิธีใช้งานตัวกรองผง:

1. วางแผ่นกรองชั้นต้นลงในถังโดยจัดให้ตรงกับเครื่องหมายตำแหน่งติดตั้งบนแผ่นกรองชั้นต้นและถัง
 2. ติดตัวหุ้มการสะท้อนบนแผ่นกรองชั้นต้น จากนั้นวางตัวกรองผงเหนือตัวหุ้มการสะท้อนโดยจัดให้ตรงกับเครื่องหมายตำแหน่งติดตั้งบนตัวกรองผงและแผ่นกรองชั้นต้น
 3. ติดตั้งส่วนบนไว้เหนือถังและยึดด้วยตัวล็อก
- ▶ **หมายเลข 11:** 1. ส่วนบน 2. ตัวกรองผง (HEPA)
3. ตัวหุ้มการสะท้อน 4. แผ่นกรองชั้นต้น 5. ถัง 6. เครื่องหมายตำแหน่งติดตั้ง

ข้อสังเกต: ก่อนใช้ตัวกรองผง ตรวจสอบให้แน่ใจว่ามีการใช้แผ่นกรองชั้นต้นและตัวหุ้มการสะท้อนร่วมกันเสมอ ห้ามติดตั้งตัวกรองผงเพียงอย่างเดียว

การติดตั้งถุงกระดาษ

อุปกรณ์เสริม

▶ **คำเตือน:** ก่อนใช้ถุงกระดาษ ตรวจสอบให้แน่ใจว่ามีการใช้แผ่นกรองชั้นต้นร่วมกับ หากไม่ใช้ร่วมกับแผ่นกรองชั้นต้นอาจทำให้เกิดเสียงและความร้อนผิดปกติซึ่งส่งผลให้ไฟไหม้ได้

ข้อสังเกต: อย่ายูดน้ำ หรือของเหลวอื่นๆ หรือฝุ่นชนิดเปียก เมื่อใช้ถุงกระดาษ มิฉะนั้น อาจทำให้ถุงกระดาษเสียหายได้

ข้อสังเกต: ก่อนใช้ถุงกระดาษ ตรวจสอบให้แน่ใจว่ามีการใช้ตัวกรองผง ตัวหุ้มการสะท้อน และแผ่นกรองชั้นต้นร่วมกับเสมอ

1. คลี่ถุงกระดาษ
 2. จัดปากถุงกระดาษให้อยู่ในตำแหน่งช่องรับฝุ่นของถัง
 3. ติดตั้งถุงกระดาษเข้ากับถังโดยให้ช่องเปิดกระดาษแข็งเกี่ยวเข้ากับที่ยึดถุงกระดาษ
- ▶ **หมายเลข 12:** 1. ถุงกระดาษ 2. ช่องเปิดกระดาษแข็ง 3. ที่ยึดถุงกระดาษ 4. ช่องรับฝุ่น

การติดตั้งถุงโพลีเอทิลีน

เมื่อติดตั้งถุงโพลีเอทิลีนในถังแล้ว คุณสามารถนำฝุ่นในถังออกได้ง่ายโดยที่มือของคุณไม่เป็น

วางถุงโพลีเอทิลีนไว้เหนือถัง และเลื่อนด้านหนึ่งของขอบด้านบนของถุงตรงปลายเปิดเข้าไประหว่างแผ่นยึดและผนังด้านหน้าของถัง

- **หมายเลข 13:** 1. แผ่นยึด 2. ผนังด้านหน้าของถัง 3. ถุงโพลีเอทิลีน

แผ่นขอบด้านบนของถุงออกเหนือขอบบนของถัง วางแผ่นกรองชั้นต้นเหนือถุงโพลีเอทิลีนเพื่อรัดช่องเปิดของถุงไว้อย่างแน่นหนา

- **หมายเลข 14:** 1. แผ่นกรองชั้นต้น

หมายเหตุ: สามารถใช้ถุงโพลีเอทิลีนที่มีขายในท้องตลาดได้ ควรใช้ถุงที่มีความหนา 0.04 mm ขึ้นไป

หมายเหตุ: หากมีปริมาณฝุ่นมากเกินไปจะทำให้ถุงฉีกขาดได้ง่าย เพราะฉะนั้นอย่าให้มีฝุ่นสะสมมากกว่าครึ่งหนึ่งของความจุ

การทิ้งฝุ่นในถังที่มีถุงโพลีเอทิลีน

คำเตือน: ตรวจสอบให้แน่ใจว่าปิดสวิตช์ที่ดูดฝุ่นและนำตัวแบตเตอรี่ออกก่อนเทสิ่งที่อยู่ในถังออกเสมอ ไม่เช่นนั้นอาจส่งผลให้เกิดไฟฟ้าช็อตและได้รับบาดเจ็บสาหัสได้

ข้อสังเกต: อย่างระมัดระวังอย่างรุนแรง การกระแทกอย่างรุนแรงอาจทำให้ชิ้นส่วนดังกล่าวผิดรูปและเสียหายได้

ข้อสังเกต: นำฝุ่นออกจากถังให้หมดอย่างน้อยวันละครั้ง โดยขึ้นอยู่กับปริมาณของฝุ่นในถัง มิฉะนั้น จะทำให้แรงดูดลดกำลังลงและอาจทำให้มอเตอร์เสียหายได้

ข้อสังเกต: อย่าจับที่ขอเกี่ยวหรือตัวล็อคขณะนำฝุ่นออกจากถัง การจับขอเกี่ยวหรือตัวล็อคอาจทำให้แตกหักได้

ปลดตัวล็อคและยกส่วนบนออกจากถัง
เขย่าฝุ่นออกจากแผ่นกรองชั้นต้นก่อนยกตัวกรองออกจากถัง

จากนั้นถอดถุงโพลีเอทิลีนออกจากถัง โดยปิดช่องเปิดของถุงด้วยมือ

- **หมายเลข 15:** 1. ถุงโพลีเอทิลีน 2. ถัง

หมายเหตุ: นำถุงโพลีเอทิลีนออกจากถังด้วยความระมัดระวังเพื่อไม่ให้ถุงมีรอยขีดข่วนและฉีกขาดเนื่องจากถูกขอบด้านในถัง

หมายเหตุ: นำฝุ่นออกจากถุงโพลีเอทิลีนก่อนถุงเต็ม หากมีปริมาณฝุ่นสะสมในถังมากเกินไปอาจทำให้ถุงโพลีเอทิลีนฉีกขาด

การติดตั้งขอเกี่ยวเนกประสงค์

ใช้ขอเกี่ยวเนกประสงค์ในการยึดท่อดูด อุปกรณ์เสริม และอุปกรณ์ต่อพ่วงที่ไม่ได้ใช้งานให้อยู่กับที่ และคุณสามารถนำออกได้อย่างรวดเร็วตามความต้องการ

- **หมายเลข 16**

วางขอเกี่ยวเนกประสงค์เหนือฐานยึดทางด้านหลังของเครื่องดูดฝุ่น โดยตั้งวางบนขอเกี่ยวเนกประสงค์ตามร่องบนฐานยึด

- **หมายเลข 17:** 1. ขอเกี่ยวเนกประสงค์ 2. ฐานยึด

การติดตั้งอะแดปเตอร์ MAKPAC

อุปกรณ์เสริม

กล่องเก็บ MAKPAC ที่เชื่อมต่อได้และซ้อนกันได้ สามารถติดตั้งด้านบนเครื่องดูดฝุ่นที่มีอะแดปเตอร์เสริม กล่องมีจำหน่ายหลายขนาดและหลายรูปแบบเพื่อตอบสนองตามความต้องการของคุณ

วางขอเกี่ยวฐานยึดไว้เหนือมือจับของเครื่องดูดฝุ่น โดยให้พื้นผิวยึดหันหน้าขึ้นเมื่อพับมือจับในตำแหน่งปิด

- **หมายเลข 18:** 1. ขอเกี่ยวฐานยึด 2. พื้นผิวยึด 3. มือจับ

ยึดอะแดปเตอร์ MAKPAC ไว้กับขอเกี่ยวฐานยึด และยึดไว้ด้วยกันด้วยสกรูสี่ตัวที่ให้มา

- **หมายเลข 19:** 1. อะแดปเตอร์ MAKPAC 2. ขอเกี่ยวฐานยึด 3. สกรู

ยกเสาดันและชั้นปุ่มหมุ่นให้แน่นเพื่อเตรียมติดตั้งกล่อง MAKPAC เข้ากับเครื่องดูดฝุ่น

- **หมายเลข 20:** 1. เสาดัน 2. ปุ่มหมุ่น

หมายเหตุ: สำหรับรายละเอียดในการติดตั้งกล่อง MAKPAC โปรดดูคำแนะนำที่หามากับอะแดปเตอร์และกล่อง MAKPAC

การติดตั้งท่อดูด

ข้อสังเกต: ห้ามฝืนงอหรือเหยียบท่อดูด ห้ามเคลื่อนย้ายเครื่องดูดฝุ่นโดยการดึงท่อดูด การฝืนงอ การเหยียบ และการดึงท่อดูดอาจทำให้ท่อเสียหายหรือผิดรูปได้

ข้อสังเกต: เมื่อดูดเศษวัสดุขนาดใหญ่ เช่น เศษจากกบไฟฟ้า ฝุ่นคอนกรีต หรือเศษวัสดุอื่น ๆ ที่ไม่ใช่เศษขนาดเล็ก ให้ใช้ท่อดูดที่มีเส้นผ่านศูนย์กลางภายในขนาด 38 mm (อุปกรณ์เสริม) การใช้ท่อดูดที่มีเส้นผ่านศูนย์กลางภายในขนาด 28 mm (อุปกรณ์เสริม) อาจทำให้ท่ออุดตันและเสียหายได้

การเชื่อมต่อกับเครื่องดูดฝุ่น

สอดส่วนปลายท่อดูดเข้ากับช่องรับฝุ่น (ช่องท่อดูด) ของเครื่องดูดฝุ่น จากนั้นจึงหมุนตามเข็มนาฬิกาจนกระทั่งล็อกเข้าที่

► **หมายเลข 21:** 1. ท่อดูด 2. ช่องรับฝุ่น (ช่องท่อดูด)

การเชื่อมต่อกับเครื่องมือทำงาน (เฉพาะประเทศ)

เมื่อเชื่อมต่อกับท่อดูดเข้ากับเครื่องมือทำงานใดๆ ที่มีซึ่งใช้ได้กับเครื่องดูดฝุ่น จะสามารถใช้เป็นเครื่องดูดฝุ่นสำหรับเครื่องมือไฟฟ้าของคุณได้

เลือกข้อต่อด้านหน้าหรือข้อต่ออันใดอันหนึ่ง (อุปกรณ์เสริม) ที่เหมาะสมกับรุ่นเครื่องมือของคุณที่สุด วางข้อต่อตามความจำเป็นระหว่างปลายด้านหน้าของท่อดูดเครื่องดูดฝุ่น และช่องเครื่องดูดฝุ่นของเครื่องมือของคุณ

► **หมายเลข 22:** 1. ข้อต่อด้านหน้าหรือข้อต่อ 2. ท่อดูดเครื่องดูดฝุ่น 3. เครื่องมือไฟฟ้า 4. ที่ดูดฝุ่น

การติดตั้งและการถอดอุปกรณ์ต่อพ่วงของเครื่องดูดฝุ่น

⚠ ข้อควรระวัง: หลังจากติดตั้งอุปกรณ์ต่อพ่วง ให้ตรวจสอบว่าติดตั้งอุปกรณ์แน่นดีแล้ว หากติดตั้งอุปกรณ์ต่อพ่วงไม่สมบูรณ์ อุปกรณ์อาจหลุดออกและทำให้ได้รับบาดเจ็บได้

เมื่อใช้งานอุปกรณ์ต่อพ่วงที่ไม่มีฟังก์ชันล็อก

อุปกรณ์เสริม

สอดอุปกรณ์ต่อพ่วงเข้าไปในช่องดูดเข้าของเครื่องดูดฝุ่น โดยดันและขันสกรูด้วยมือให้เข้าที่

ใช้มือหมุนและดึงอุปกรณ์ต่อพ่วงออกจากช่องดูดเข้าหลังใช้งาน

► **หมายเลข 23**

อุปกรณ์ต่อพ่วงที่มีฟังก์ชันล็อก

อุปกรณ์เสริม

ข้อสังเกต: เมื่อติดตั้งอุปกรณ์ต่อพ่วงที่มีฟังก์ชันล็อก ตรวจสอบให้แน่ใจว่าปุ่มปล่อยอยู่ตรงกับขอกเกี่ยวกับอุปกรณ์ต่อพ่วง หากปุ่มปล่อยกับขอกเกี่ยวไม่ตรงกัน อุปกรณ์ต่อพ่วงจะไม่ล็อกและอาจหลุดออกจากเครื่องดูดฝุ่นได้

สอดอุปกรณ์ต่อพ่วงเข้าไปในช่องดูดเข้าของเครื่องดูดฝุ่น โดยดันเข้าด้วยกันให้ได้ยินเสียงคลิก

การถอดอุปกรณ์ต่อพ่วง ให้ดึงออกในขณะที่กดปุ่มปล่อยไว้

► **หมายเลข 24:** 1. ช่องดูดเข้าที่มีฟังก์ชันล็อก 2. ปุ่มปล่อย 3. อุปกรณ์ต่อพ่วงที่มีฟังก์ชันล็อก

หมายเหตุ: อุปกรณ์ต่อพ่วงที่มีฟังก์ชันล็อกสามารถติดตั้งในช่องดูดเข้าที่มีฟังก์ชันล็อกเท่านั้น

► **หมายเลข 25:** 1. อุปกรณ์ต่อพ่วงที่มีฟังก์ชันล็อก 2. ช่องดูดเข้าที่มีฟังก์ชันล็อก 3. ช่องดูดเข้าที่ไม่มีฟังก์ชันล็อก

การปรับความยาวของท่อต่อประเภทสไลด์

อุปกรณ์เสริม

ท่อต่อประเภทสไลด์สามารถต่อรวมกันให้มีความยาวสั้นลงหรือยาวขึ้นได้ ทำให้สามารถทำความสะอาดบริเวณที่ยากจะเข้าถึงและเป็นทางเลือกการวางตำแหน่งที่สะดวกสบาย

ดึงท่อสไลด์เข้าและออกเพื่อปรับเปลี่ยนความยาวของท่อต่อระหว่างที่กดปุ่มสไลด์ค้างไว้

ปล่อยปุ่มสไลด์เพื่อล็อกท่อสไลด์ในตำแหน่งที่คุณต้องการ

► **หมายเลข 26:** 1. ท่อสไลด์ 2. ปุ่มสไลด์

ฟังก์ชันสั่งงานด้วยสัญญาณไร้สาย

คุณสามารถทำอะไรกับฟังก์ชันสั่งงานด้วยสัญญาณไร้สายนี้ได้บ้าง

ฟังก์ชันสั่งงานด้วยสัญญาณไร้สายจะทำให้คุณสามารถใช้งานได้อย่างสะดวกสบายและสะอาดเรียบร้อย เมื่อเชื่อมต่อเครื่องมือที่รองรับเข้ากับที่ดูดฝุ่น คุณจะสามารทำให้ที่ดูดฝุ่นทำงานได้อย่างอัตโนมัติตามการควบคุมด้วยสวิทช์ของเครื่องมือ

► **หมายเลข 27**

ข้อสังเกต: โปรดดูคู่มือการใช้งานของเครื่องมือเมื่อใช้ที่
จุดฝุ่นที่มีฟังก์ชันสั่งงานด้วยสัญญาณไร้สาย

ข้อสังเกต: อย่าถอดแยกชิ้นส่วนหรือปรับเปลี่ยนอุปกรณ์
รับส่งสัญญาณไร้สาย

ข้อสังเกต: เพื่อป้องกันฝุ่นเข้าไปในช่องอุปกรณ์รับส่ง
สัญญาณไร้สาย ให้ปิดฝาให้แน่นในระหว่างการใช้งานและ
การจัดเก็บ

ข้อสังเกต: อย่าถอดอุปกรณ์รับส่งสัญญาณไร้สายใน
ขณะที่มีการจ่ายไฟ ไม่เช่นนั้นอาจทำให้อุปกรณ์รับส่ง
สัญญาณไร้สายทำงานผิดปกติ

ข้อสังเกต: อย่ากดปุ่มสั่งงานด้วยสัญญาณไร้สายแรงจน
เกินไปและ/หรืออย่ากดปุ่มด้วยวัตถุที่มีขอบคม

หมายเหตุ: การสั่งงานด้วยสัญญาณไร้สายจะใช้ได้กับ
เครื่องมือของ Makita ที่มาพร้อมกับอุปกรณ์รับส่ง
สัญญาณไร้สายเท่านั้น

หมายเหตุ: ก่อนเริ่มใช้ฟังก์ชันสั่งงานด้วยสัญญาณไร้สาย
กับแต่ละเครื่องมือจำเป็นจะต้องทำการบันทึกเครื่องมือ
เมื่อทำการบันทึกเครื่องมือเสร็จสิ้นแล้ว ไม่จำเป็นต้อง
บันทึกอีก ยกเว้นแต่มีการยกเลิก

หมายเหตุ: ก่อนการลงทะเบียน ตรวจสอบให้แน่ใจว่าใส่
อุปกรณ์รับส่งสัญญาณไร้สายเข้าที่อย่างเหมาะสมแล้ว

หมายเหตุ: อุปกรณ์รับส่งสัญญาณไร้สายหนึ่งเครื่อง
สามารถลงทะเบียนการเชื่อมต่อกับอุปกรณ์รับส่งสัญญาณ
ไร้สายอื่นๆ ได้สูงสุด 10 เครื่อง หากมีการลงทะเบียน
อุปกรณ์รับส่งสัญญาณไร้สายอื่นเกิน 10 เครื่องกับอุปกรณ์
รับส่งสัญญาณไร้สายหนึ่งเครื่อง เครื่องที่ถูกลงทะเบียน
แรกสุดจะถูกยกเลิกโดยอัตโนมัติ

หมายเหตุ: ตำแหน่งของปุ่มสั่งงานด้วยสัญญาณไร้สายจะ
แตกต่างกันในแต่ละเครื่องมือ

หมายเหตุ: เปิดใช้ที่จุดฝุ่นโดยการกดปุ่มไฟหลักเมื่อ
สวิตช์เตรียมพร้อมถูกตั้งไว้ที่ "AUTO"
อย่างไรก็ตามปุ่มไฟหลักจะไม่สั่งงานเมื่อมีการใช้ฟังก์ชัน
สั่งงานด้วยสัญญาณไร้สาย

การติดตั้งอุปกรณ์รับส่งสัญญาณไร้สาย

⚠ ข้อควรระวัง: วางที่จุดฝุ่นไว้บนพื้นผิวที่ราบเรียบและ
มั่นคงเมื่อทำการติดตั้งอุปกรณ์รับส่งสัญญาณไร้สาย

ข้อสังเกต: ทำความสะอาดฝุ่นและสิ่งสกปรกบนที่จุดฝุ่น
ก่อนทำการติดตั้งอุปกรณ์รับส่งสัญญาณไร้สาย ฝุ่นและสิ่ง
สกปรกอาจทำให้เครื่องมือทำงานผิดปกติหากฝุ่นเข้าไป
ในช่องใส่อุปกรณ์รับส่งสัญญาณไร้สาย

ข้อสังเกต: การป้องกันการทำงานผิดปกติที่เกิดจาก
ไฟฟ้าสถิต ให้สัมผัสวัสดุที่ปล่อยไฟฟ้าสถิต เช่น ชิ้นส่วน
ที่เป็นโลหะ ก่อนจับอุปกรณ์รับส่งสัญญาณไร้สาย

ข้อสังเกต: เมื่อทำการติดตั้งอุปกรณ์รับส่งสัญญาณไร้
สาย ตรวจสอบให้แน่ใจว่าอุปกรณ์รับส่งสัญญาณไร้สายถูก
ใส่เข้าไปในทิศทางที่ถูกต้องและปิดฝาปิดสนิทแล้ว

1. เปิดฝาบนที่จุดฝุ่นตามที่แสดงในภาพ

▶ **หมายเลข 28:** 1. ฝาปิด

2. ใส่อุปกรณ์รับส่งสัญญาณไร้สายเข้าไปในช่องเสียบ
จากนั้นปิดฝาปิด

เมื่อใส่อุปกรณ์รับส่งสัญญาณไร้สายแล้ว ให้จัดตำแหน่งให้
ส่วนที่ยื่นออกมาตรงกับส่วนที่ถอยเข้าไปบนช่องเสียบ

▶ **หมายเลข 29:** 1. อุปกรณ์รับส่งสัญญาณไร้สาย
2. ส่วนที่ยื่นออกมา 3. ฝาปิด 4. ส่วน
ที่ถอยเข้าไป

เมื่อต้องการถอดอุปกรณ์รับส่งสัญญาณไร้สายออก ให้เปิด
ฝาปิดออกข้างๆ ขอเกี่ยวที่ด้านหลังของฝาปิดจะยกอุปกรณ์
รับส่งสัญญาณไร้สายในขณะที่คุณดึงฝาปิดขึ้น

▶ **หมายเลข 30:** 1. อุปกรณ์รับส่งสัญญาณไร้สาย 2. ขอ
เกี่ยว 3. ฝาปิด

หลังจากถอดอุปกรณ์รับส่งสัญญาณไร้สายออกแล้ว ให้เก็บ
ไว้ในกล่องที่ให้มาหรือในภาชนะที่ปลอดภัยไฟฟ้าสถิต

ข้อสังเกต: ใช้ขอเกี่ยวที่ด้านหลังของฝาปิดเมื่อต้องการ
ถอดอุปกรณ์รับส่งสัญญาณไร้สายเสมอ หากขอเกี่ยวไม่
เกี่ยวกับอุปกรณ์รับส่งสัญญาณไร้สาย ให้ปิดฝาปิดให้สนิท
แล้วเปิดอีกครั้งข้างๆ

การบันทึกเครื่องมือสำหรับที่ดูดฝุ่น

หมายเหตุ: ที่ดูดฝุ่นของ Makita ที่รองรับฟังก์ชันสั่งงานด้วยสัญญาณไร้สายจำเป็นต้องมีการบันทึกเครื่องมือ

หมายเหตุ: ติดตั้งอุปกรณ์รับส่งสัญญาณไร้สายเข้ากับเครื่องมือให้เรียบร้อยก่อนเริ่มบันทึกเครื่องมือ

หมายเหตุ: ระหว่างการบันทึกเครื่องมือ อย่าดึงสวิตช์สั่งงานบนเครื่องมือหรือเปิดสวิตช์ไฟบนที่ดูดฝุ่น

หมายเหตุ: โปรดดูคู่มือการใช้งานของเครื่องมือร่วมด้วย

หากคุณต้องการสั่งงานที่ดูดฝุ่นตามการควบคุมด้วยสวิตช์ของเครื่องมือ ให้บันทึกเครื่องมือให้เสร็จสิ้นก่อน

1. ติดตั้งอุปกรณ์รับส่งสัญญาณไร้สายเข้ากับที่ดูดฝุ่นและเครื่องมือตามลำดับ
 2. ติดตั้งแบตเตอรี่เข้ากับที่ดูดฝุ่นและเครื่องมือ
 3. ตั้งสวิตช์เตรียมพร้อมบนที่ดูดฝุ่นเป็น "AUTO"
- ▶ **หมายเลข 31:** 1. สวิตช์เตรียมพร้อม

4. กดปุ่มสั่งงานด้วยสัญญาณไร้สายบนที่ดูดฝุ่นค้างไว้ประมาณ 3 วินาทีจนกระทั่งดวงไฟแสดงการสั่งงานด้วยสัญญาณไร้สายกะพริบเป็นสีเขียว จากนั้นกดปุ่มสั่งงานด้วยสัญญาณไร้สายบนเครื่องมือในลักษณะเดียวกัน

- ▶ **หมายเลข 32:** 1. ปุ่มสั่งงานด้วยสัญญาณไร้สาย
2. ดวงไฟแสดงการสั่งงานด้วยสัญญาณไร้สาย

หากที่ดูดฝุ่นและเครื่องมือเชื่อมต่อกันเรียบร้อยแล้ว ดวงไฟแสดงการสั่งงานด้วยสัญญาณไร้สายจะสว่างเป็นสีเขียวเป็นเวลา 2 วินาที และจะเริ่มกะพริบเป็นสีฟ้า

หมายเหตุ: ดวงไฟแสดงการสั่งงานด้วยสัญญาณไร้สายจะกะพริบเป็นสีเขียวหลังผ่านไป 20 วินาที กดปุ่มสั่งงานด้วยสัญญาณไร้สายบนเครื่องมือในขณะที่ดวงไฟแสดงการสั่งงานด้วยสัญญาณไร้สายบนที่ดูดฝุ่นกำลังกะพริบอยู่ หากดวงไฟแสดงการสั่งงานด้วยสัญญาณไร้สายไม่กะพริบเป็นสีเขียว ให้ดันปุ่มสั่งงานด้วยสัญญาณไร้สายสักครู่ และกดลงไปอีกครั้ง

หมายเหตุ: เมื่อต้องการดำเนินการบันทึกเครื่องมือสองเครื่องขึ้นไปสำหรับที่ดูดฝุ่นเครื่องเดียว ให้บันทึกเครื่องมือทีละเครื่อง

การเริ่มฟังก์ชันสั่งงานด้วยสัญญาณไร้สาย

หมายเหตุ: บันทึกเครื่องมือสำหรับที่ดูดฝุ่นให้เสร็จสิ้นเพื่อสั่งงานด้วยสัญญาณไร้สาย

หมายเหตุ: วางที่ดูดฝุ่นไว้โดยให้คุณสามารถมองเห็นสถานะของดวงไฟแสดงการสั่งงานด้วยสัญญาณไร้สาย

หมายเหตุ: โปรดดูคู่มือการใช้งานของเครื่องมือร่วมด้วย

หลังจากบันทึกเครื่องมือเข้ากับที่ดูดฝุ่นแล้ว ที่ดูดฝุ่นจะทำงานตามการควบคุมด้วยสวิตช์ของเครื่องมือโดยอัตโนมัติ

1. ติดตั้งอุปกรณ์รับส่งสัญญาณไร้สายเข้ากับที่ดูดฝุ่นและเครื่องมือตามลำดับ
2. ติดตั้งแบตเตอรี่เข้ากับที่ดูดฝุ่นและเครื่องมือ
3. เชื่อมต่อท่อของที่ดูดฝุ่นเข้ากับเครื่องมือ

▶ **หมายเลข 33**

4. ตั้งสวิตช์เตรียมพร้อมบนที่ดูดฝุ่นเป็น "AUTO"

▶ **หมายเลข 34:** 1. สวิตช์เตรียมพร้อม

5. ดันปุ่มสั่งงานด้วยสัญญาณไร้สายบนเครื่องมือไว้สักครู่ ดวงไฟแสดงการสั่งงานด้วยสัญญาณไร้สายจะกะพริบเป็นสีฟ้า

▶ **หมายเลข 35:** 1. ปุ่มสั่งงานด้วยสัญญาณไร้สาย
2. ดวงไฟแสดงการสั่งงานด้วยสัญญาณไร้สาย

6. เปิดเครื่องมือ ตรวจสอบว่าที่ดูดฝุ่นทำงานในขณะที่เครื่องมือกำลังทำงานอยู่หรือไม่

⚠ ข้อควรระวัง: ตรวจสอบว่าฟังก์ชันสั่งงานด้วยสัญญาณไร้สายทำงานก่อนเริ่มใช้งานเครื่องมือ

การหยุดการสั่งงานแบบไร้สาย ให้ดันปุ่มสั่งงานด้วยสัญญาณไร้สายบนเครื่องมือ หรือตั้งสวิตช์เตรียมพร้อมบนที่ดูดฝุ่นไปที่ "I" หรือ "O"

หมายเหตุ: ดวงไฟแสดงการสั่งงานด้วยสัญญาณไร้สายบนเครื่องมือจะหยุดกะพริบเป็นสีฟ้าเมื่อไม่มีการใช้งานเป็นเวลา 2 ชั่วโมง ในกรณีนี้ให้ตั้งสวิตช์เตรียมพร้อมบนที่ดูดฝุ่นไปที่ "AUTO" จากนั้นกดปุ่มสั่งงานด้วยสัญญาณไร้สายบนเครื่องมืออีกครั้ง

หมายเหตุ: ที่ดูดฝุ่นจะเริ่ม/หยุดทำงานล่าช้าเล็กน้อย ในขณะที่ที่ดูดฝุ่นตรวจจบการควบคุมด้วยสวิทช์ของเครื่องมือจะเกิดความล่าช้าขึ้นเล็กน้อย

หมายเหตุ: ระยะเวลาการส่งสัญญาณของอุปกรณ์รับส่งสัญญาณไร้สายอาจแตกต่างกันไปขึ้นอยู่กับสถานะแวดล้อม

หมายเหตุ: เมื่อลงทะเบียนเครื่องมือสองเครื่องขึ้นไปกับที่ดูดฝุ่นหนึ่งเครื่อง ที่ดูดฝุ่นอาจเริ่มทำงานแม้ว่าคุณจะไม่ได้เปิดเครื่องมือ เนื่องจากผู้ใช้คนอื่นกำลังใช้ฟังก์ชันการสั่งงานด้วยสัญญาณไร้สาย

การยกเลิกการบันทึกเครื่องมือสำหรับที่ดูดฝุ่น

เมื่อต้องการยกเลิกการบันทึกเครื่องมือสำหรับที่ดูดฝุ่น ให้ดำเนินการตามขั้นตอนดังต่อไปนี้

1. ดัดตั้งอุปกรณ์รับส่งสัญญาณไร้สายเข้ากับที่ดูดฝุ่นและเครื่องมือตามลำดับ
2. ดัดตั้งแบตเตอรี่เข้ากับที่ดูดฝุ่นและเครื่องมือ
3. ตั้งสวิตช์เตรียมพร้อมบนที่ดูดฝุ่นเป็น "AUTO"

▶ **หมายเลข 36:** 1. สวิตช์เตรียมพร้อม

4. กดปุ่มสั่งงานด้วยสัญญาณไร้สายบนที่ดูดฝุ่นค้างไว้ประมาณ 6 วินาที ดวงไฟแสดงการสั่งงานด้วยสัญญาณไร้สายจะกะพริบเป็นสีเขียว จากนั้นจะเปลี่ยนเป็นสีแดง หลังจากนั้นให้กดปุ่มสั่งงานด้วยสัญญาณไร้สายบนเครื่องมือในลักษณะเดียวกัน

- ▶ **หมายเลข 37:** 1. ปุ่มสั่งงานด้วยสัญญาณไร้สาย
2. ดวงไฟแสดงการสั่งงานด้วยสัญญาณไร้สาย

หากดำเนินการยกเลิกเสร็จสิ้นแล้ว ดวงไฟแสดงการสั่งงานด้วยสัญญาณไร้สายจะสว่างขึ้นเป็นสีแดงประมาณ 2 วินาที และจะเริ่มกะพริบเป็นสีฟ้า

หมายเหตุ: ดวงไฟแสดงการสั่งงานด้วยสัญญาณไร้สายจะหยุดกะพริบเป็นสีแดงหลังผ่านไป 20 วินาที กดปุ่มสั่งงานด้วยสัญญาณไร้สายบนเครื่องมือในขณะที่ดวงไฟแสดงการสั่งงานด้วยสัญญาณไร้สายบนที่ดูดฝุ่นกำลังกะพริบอยู่ หากดวงไฟแสดงการสั่งงานด้วยสัญญาณไร้สายไม่กะพริบเป็นสีแดง ให้ดันปุ่มสั่งงานด้วยสัญญาณไร้สายสักครู่ แล้วกดลงอีกครั้ง

ลบการบันทึกเครื่องมือทั้งหมด

คุณสามารถลบการบันทึกเครื่องมือทั้งหมดออกจากที่ดูดฝุ่นตามขั้นตอนดังต่อไปนี้

- ▶ **หมายเลข 38:** 1. สวิตช์เตรียมพร้อม 2. ปุ่มสั่งงานด้วยสัญญาณไร้สาย 3. ดวงไฟแสดงการสั่งงานด้วยสัญญาณไร้สาย

1. ดัดตั้งอุปกรณ์รับส่งสัญญาณไร้สายเข้ากับที่ดูดฝุ่น
2. ดัดตั้งแบตเตอรี่เข้ากับที่ดูดฝุ่น
3. ตั้งสวิตช์เตรียมพร้อมเป็น "AUTO"
4. กดปุ่มสั่งงานด้วยสัญญาณไร้สายค้างไว้ประมาณ 6 วินาที จนกระทั่งดวงไฟแสดงการสั่งงานด้วยสัญญาณไร้สายกะพริบเป็นสีแดง (ประมาณสองครั้งต่อหนึ่งวินาที)
5. เมื่อดวงไฟแสดงการสั่งงานด้วยสัญญาณไร้สายเริ่มกะพริบเป็นสีแดง ให้ปล่อยนิ้วออกจากปุ่มสั่งงานด้วยสัญญาณไร้สาย หลังจากนั้นให้กดปุ่มสั่งงานด้วยสัญญาณไร้สายค้างไว้อีกครั้งประมาณ 6 วินาที
6. เมื่อดวงไฟแสดงการสั่งงานด้วยสัญญาณไร้สายเริ่มกะพริบถี่ๆ (ประมาณ 5 ครั้งต่อหนึ่งวินาที) เป็นสีแดง ให้ปล่อยนิ้วออกจากปุ่มสั่งงานด้วยสัญญาณไร้สาย เมื่อดวงไฟแสดงการสั่งงานด้วยสัญญาณไร้สายสว่างขึ้นเป็นสีแดงและจากนั้นดับลง การบันทึกเครื่องมือทั้งหมดจะถูกลบออก

หมายเหตุ: หากดวงไฟแสดงการสั่งงานด้วยสัญญาณไร้สายไม่กะพริบเป็นสีแดง ให้กดปุ่มสั่งงานด้วยสัญญาณไร้สายสักครู่ แล้วลองใหม่อีกครั้ง

คำอธิบายสถานะดวงไฟแสดงการสั่งงานด้วยสัญญาณไร้สาย

- หมายเลข 39: 1. ปุ่มสั่งงานด้วยสัญญาณไร้สาย
2. ดวงไฟแสดงการสั่งงานด้วยสัญญาณไร้สาย

ดวงไฟแสดงการสั่งงานด้วยสัญญาณไร้สายจะแสดงสถานะของฟังก์ชันสั่งงานด้วยสัญญาณไร้สาย ความหมายของสถานะดวงไฟได้ที่ตารางด้านล่าง

สถานะ	ดวงไฟแสดงการสั่งงานด้วยสัญญาณไร้สาย				คำอธิบาย
	สี	<input type="checkbox"/> สว่าง	<input type="checkbox"/> กระพริบ	ระยะเวลา (โดยประมาณ)	
เตรียมพร้อม	สีฟ้า	<input checked="" type="checkbox"/>		ที่ตู้ฝุ่น: ทำงานต่อเนื่อง เครื่องมือ: 2 ชั่วโมง	รอจนกระทั่งสามารถบันทึกเครื่องมือหรือใช้ฟังก์ชันสั่งงานด้วยสัญญาณไร้สายได้ ดวงไฟบนที่ตู้ฝุ่นจะกระพริบเมื่อสวิตช์เตรียมพร้อมถูกตั้งเป็น AUTO ดวงไฟบนเครื่องมือจะกระพริบเมื่อกดปุ่มสั่งงานด้วยสัญญาณไร้สาย ดวงไฟบนเครื่องมือจะดับลงอัตโนมัติเมื่อไม่มีการใช้งานเป็นเวลา 2 ชั่วโมง
		<input type="checkbox"/>		เมื่อเครื่องมือกำลังทำงาน	สามารถใช้การสั่งงานด้วยสัญญาณไร้สายของที่ตู้ฝุ่นได้และเครื่องมือกำลังทำงานอยู่
การบันทึกเครื่องมือ	สีเขียว	<input checked="" type="checkbox"/>		20 วินาที	พร้อมสำหรับการบันทึกเครื่องมือ ค้นหาเครื่องมือที่จะบันทึก
		<input type="checkbox"/>		2 วินาที	การบันทึกเครื่องมือเสร็จสิ้นแล้ว ดวงไฟแสดงการสั่งงานด้วยสัญญาณไร้สายจะเริ่มกระพริบเป็นสีฟ้า
ยกเลิก/ลบการบันทึกเครื่องมือ	สีแดง	<input checked="" type="checkbox"/>		20 วินาที (ช้า: 2 ครั้ง/วินาที)	พร้อมสำหรับการยกเลิกการบันทึกเครื่องมือ ค้นหาเครื่องมือที่จะยกเลิก
		<input checked="" type="checkbox"/>		เมื่อปุ่มสั่งงานด้วยสัญญาณไร้สายถูกกดลง	พร้อมสำหรับลบการบันทึกเครื่องมือทั้งหมด
		<input type="checkbox"/>		2 วินาที	การบันทึกเครื่องมือถูกยกเลิก/ลบออกแล้ว ดวงไฟแสดงการสั่งงานด้วยสัญญาณไร้สายจะเริ่มกระพริบเป็นสีฟ้า
อื่นๆ	สีแดง	<input type="checkbox"/>		3 วินาที	ไฟฟ้าจะถูกจ่ายไปยังอุปกรณ์รับส่งสัญญาณไร้สายและฟังก์ชันสั่งงานด้วยสัญญาณไร้สายจะเริ่มทำงาน
		ดับ	-	-	สวิตช์เตรียมพร้อมไม่ได้ถูกตั้งเป็น "AUTO"

การแก้ไขปัญหาสำหรับฟังก์ชันสั่งงานด้วยสัญญาณไร้สาย

ก่อนนำไปซ่อม ให้ทำการตรวจสอบด้วยตัวเองก่อน หากพบปัญหาที่ไม่มีอธิบายในคู่มือการใช้งาน อย่าพยายามถอดแยกเครื่องมือ แต่ให้นำไปซ่อมที่ศูนย์บริการหรือโรงงานที่ผ่านการรับรองจาก Makita และใช้ชิ้นส่วนอะไหล่ของ Makita

สภาวะความผิดปกติ	สาเหตุที่เป็นไปได้ (การทำงานผิดปกติ)	การแก้ไข
ดวงไฟแสดงการสั่งงานด้วยสัญญาณไร้สายไม่สว่าง/กะพริบ	อุปกรณ์รับส่งสัญญาณไร้สายไม่ได้ถูกติดตั้งลงในที่ดูดฝุ่นและ/หรือเครื่องมือ	ติดตั้งอุปกรณ์รับส่งสัญญาณไร้สายให้ถูกต้อง
	อุปกรณ์รับส่งสัญญาณไร้สายไม่ได้ถูกติดตั้งลงในที่ดูดฝุ่นและ/หรือเครื่องมืออย่างเหมาะสม	
	ขั้วต่อของอุปกรณ์รับส่งสัญญาณไร้สายและ/หรือช่องเสียบสกรู	ค่อยๆ เช็ดฝุ่นและสิ่งสกปรกบนขั้วต่อของอุปกรณ์รับส่งสัญญาณไร้สายออกเบาๆ และทำความสะอาดช่องใส่ช่องที่ดูดฝุ่นและ/หรือเครื่องมือ
	ปุ่มสั่งงานด้วยสัญญาณไร้สายบนเครื่องมือยังไม่ถูกดันเข้าไป	ดันปุ่มสั่งงานด้วยสัญญาณไร้สายบนเครื่องมือไว้สักครู่
	สวิตช์เตรียมพร้อมบนที่ดูดฝุ่นไม่ได้ถูกตั้งเป็น "AUTO"	ตั้งสวิตช์เตรียมพร้อมบนที่ดูดฝุ่นเป็น "AUTO"
	ไม่มีการจ่ายไฟฟ้า	จ่ายไฟฟ้าให้เครื่องมือและที่ดูดฝุ่น
ไม่สามารถเสร็จสิ้นการบันทึกเครื่องมือ / การยกเลิกการบันทึกเครื่องมือได้สำเร็จ	อุปกรณ์รับส่งสัญญาณไร้สายไม่ได้ถูกติดตั้งลงในที่ดูดฝุ่นและ/หรือเครื่องมือ	ติดตั้งอุปกรณ์รับส่งสัญญาณไร้สายให้ถูกต้อง
	อุปกรณ์รับส่งสัญญาณไร้สายไม่ได้ถูกติดตั้งลงในที่ดูดฝุ่นและ/หรือเครื่องมืออย่างเหมาะสม	
	ขั้วต่อของอุปกรณ์รับส่งสัญญาณไร้สายและ/หรือช่องเสียบสกรู	ค่อยๆ เช็ดฝุ่นและสิ่งสกปรกบนขั้วต่อของอุปกรณ์รับส่งสัญญาณไร้สายออกเบาๆ และทำความสะอาดช่องใส่ช่องที่ดูดฝุ่นและ/หรือเครื่องมือ
	สวิตช์เตรียมพร้อมบนที่ดูดฝุ่นไม่ได้ถูกตั้งเป็น "AUTO"	ตั้งสวิตช์เตรียมพร้อมบนที่ดูดฝุ่นเป็น "AUTO"
	ไม่มีการจ่ายไฟฟ้า	จ่ายไฟฟ้าให้เครื่องมือและที่ดูดฝุ่น
	การทำงานไม่ถูกต้อง	ดันปุ่มสั่งงานด้วยสัญญาณไร้สายไว้สักครู่ จากนั้นดำเนินการตามขั้นตอนการบันทึก/การยกเลิกเครื่องมืออีกครั้ง
	เครื่องมือและที่ดูดฝุ่นอยู่ห่างจากกัน (เกินช่วงระยะการส่งสัญญาณ)	นำเครื่องมือและที่ดูดฝุ่นเข้ามาไว้ใกล้กันมากขึ้น ระยะการส่งสัญญาณสูงสุดคือประมาณ 10 m อย่างไรก็ตามอาจแตกต่างกันไปขึ้นอยู่กับสภาวะแวดล้อม
	ก่อนเสร็จสิ้นการลงทะเบียน/การยกเลิกเครื่องมือ - สวิตช์ของเครื่องมือเปิดอยู่ หรือ - ปุ่มไฟหลักบนที่ดูดฝุ่นเปิดอยู่	ดันปุ่มสั่งงานด้วยสัญญาณไร้สายไว้สักครู่ จากนั้นดำเนินการตามขั้นตอนการบันทึก/การยกเลิกเครื่องมืออีกครั้ง
	ขั้นตอนการบันทึกเครื่องมือสำหรับเครื่องมือหรือที่ดูดฝุ่นยังไม่เสร็จสิ้น	ดำเนินการตามขั้นตอนการบันทึกเครื่องมือสำหรับเครื่องมือและที่ดูดฝุ่นในเวลาเดียวกัน
การรบกวนจากคลื่นวิทยุของเครื่องใช้อื่นๆ ซึ่งทำให้เกิดคลื่นวิทยุความถี่สูง	นำเครื่องมือและที่ดูดฝุ่นออกจากเครื่องใช้ต่างๆ เช่น อุปกรณ์ Wi-Fi และเตาอบไมโครเวฟ	

สภาวะความผิดปกติ	สาเหตุที่เป็นไปได้ (การทำงานผิดปกติ)	การแก้ไข
ที่ตุตฝุ่นไม่ทำงานตามการควบคุมด้วยสวิตช์ของเครื่องมือ	อุปกรณ์รับส่งสัญญาณไร้สายไม่ได้ถูกติดตั้งลงในที่ตุตฝุ่นและ/หรือเครื่องมือ อุปกรณ์รับส่งสัญญาณไร้สายไม่ได้ถูกติดตั้งลงในที่ตุตฝุ่นและ/หรือเครื่องมืออย่างเหมาะสม	ติดตั้งอุปกรณ์รับส่งสัญญาณไร้สายให้ถูกต้อง
	ขั้วต่อของอุปกรณ์รับส่งสัญญาณไร้สายและ/หรือช่องเสียบสกรู	ค่อยๆ เช็ดฝุ่นและสิ่งสกปรกบนขั้วต่อของอุปกรณ์รับส่งสัญญาณไร้สายออกเบาๆ และทำความสะอาดช่องใส่ช่องที่ตุตฝุ่นและ/หรือเครื่องมือ
	ปุ่มสั่งงานด้วยสัญญาณไร้สายบนเครื่องมือยังไม่ถูกดันเข้าไป	ดันปุ่มสั่งงานด้วยสัญญาณไร้สายไว้สักครู่ และตรวจสอบให้แน่ใจว่าดวงไฟแสดงการสั่งงานด้วยสัญญาณไร้สายกะพริบเป็นสีฟ้า
	สวิตช์เตรียมพร้อมบนที่ตุตฝุ่นไม่ได้ถูกตั้งเป็น "AUTO"	ตั้งสวิตช์เตรียมพร้อมบนที่ตุตฝุ่นเป็น "AUTO"
	มีเครื่องมือที่บันทึกเข้ากับที่ตุตฝุ่นมากกว่า 10 เครื่อง	ดำเนินการบันทึกเครื่องมืออีกครั้ง หากมีเครื่องมือที่บันทึกเข้ากับที่ตุตฝุ่นมากกว่า 10 เครื่อง เครื่องมือที่บันทึกเครื่องแรกสุดจะถูกยกเลิกโดยอัตโนมัติ
	ที่ตุตฝุ่นลบการบันทึกเครื่องมือทั้งหมด	ดำเนินการบันทึกเครื่องมืออีกครั้ง
	ไม่มีการจ่ายไฟฟ้า	จ่ายไฟฟ้าให้เครื่องมือและที่ตุตฝุ่น
	เครื่องมือและที่ตุตฝุ่นอยู่ห่างจากกัน (เกินช่วงระยะการส่งสัญญาณ)	นำเครื่องมือและที่ตุตฝุ่นเข้ามาไว้ใกล้กันมากขึ้น ระยะการส่งสัญญาณสูงสุดคือประมาณ 10 m อย่างไรก็ตามอาจแตกต่างกันไปขึ้นอยู่กับสภาวะแวดล้อม
การรบกวนจากคลื่นวิทยุของเครื่องใช้อื่นๆ ซึ่งทำให้เกิดคลื่นวิทยุความถี่สูง	นำเครื่องมือและที่ตุตฝุ่นออกจากเครื่องใช้ต่างๆ เช่น อุปกรณ์ Wi-Fi และเดาอบไมโครเวฟ	
ที่ตุตฝุ่นทำงานในขณะที่เครื่องมือไม่ได้กำลังทำงานอยู่	ปิดปุ่มสั่งงานด้วยสัญญาณไร้สายของเครื่องมืออื่นๆ หรือยกเลิกการบันทึกเครื่องมือของเครื่องมืออื่น	
ไม่สามารถลบการบันทึกเครื่องมือทั้งหมดในที่ตุตฝุ่นได้	กดปุ่มสั่งงานด้วยสัญญาณไร้สายบนเครื่องมือ	กดปุ่มสั่งงานด้วยสัญญาณไร้สายบนที่ตุตฝุ่นเพื่อลบการบันทึกเครื่องมือทั้งหมด
	สวิตช์เตรียมพร้อมบนที่ตุตฝุ่นไม่ได้ถูกตั้งเป็น "AUTO"	ตั้งสวิตช์เตรียมพร้อมบนที่ตุตฝุ่นเป็น "AUTO"
	ปุ่มสั่งงานด้วยสัญญาณไร้สายไม่ถูกกดลงอย่างถูกต้อง	กดปุ่มสั่งงานด้วยสัญญาณไร้สายค้างไว้ 6 วินาทีขึ้นไป จากนั้นค่อยปล่อยปุ่มเมื่อดวงไฟแสดงการสั่งงานด้วยสัญญาณไร้สายกะพริบเป็นสีแดง กดปุ่มสั่งงานด้วยสัญญาณไร้สายค้างไว้ 6 วินาทีขึ้นไป จนกระทั่งดวงไฟแสดงการสั่งงานด้วยสัญญาณไร้สายกะพริบเป็นสีแดง จากนั้นค่อยปล่อยปุ่ม

การบำรุงรักษา

⚠ ข้อควรระวัง: ตรวจสอบให้แน่ใจเสมอว่าปิดสวิตช์เครื่องใช้และถอดปลั๊กแบตเตอรี่ออกแล้วก่อนดำเนินการตรวจสอบหรือบำรุงรักษา

ข้อสังเกต: อย่าใช้น้ำมันเชื้อเพลิง เบนซิน ทินเนอร์ แอลกอฮอล์ หรือวัสดุประเภทเดียวกัน เนื่องจากอาจทำให้สีซีดจาง เสียรูป หรือแตกร้าวได้

เพื่อความปลอดภัยและนำเชื้อถือของผลิตภัณฑ์ ควรให้ศูนย์บริการหรือโรงงานที่ผ่านการรับรองจาก Makita เป็นผู้ดำเนินการซ่อมแซม บำรุงรักษาและทำการปรับตั้งอื่นๆ นอกจากนี้ให้ซื้ออะไหล่ของแท้จาก Makita เสมอ

การเก็บรักษาอุปกรณ์เสริม

อุปกรณ์เสริมและอุปกรณ์ต่อพ่วงที่ไม่ได้ใช้งาน เช่น หัวฉีดและแปรง สามารถเก็บและเก็บไว้ที่ขอกเกี่ยวกับประสงค์ด้านหลังเครื่องดูดฝุ่นได้

► **หมายเลข 40:** 1. ขอกเกี่ยวกับประสงค์ 2. อุปกรณ์เสริมและอุปกรณ์ต่อพ่วงที่ไม่ได้ใช้งาน

ท่อ (ที่ติดตั้งสตัดเปอร์เสริม) สามารถวางไว้ในที่ยึดท่อเมื่อไม่ใช้งานเครื่องดูดฝุ่นเป็นระยะเวลาสั้นๆ

► **หมายเลข 41:** 1. สตัดเปอร์ (อุปกรณ์เสริม) 2. ที่ยึดท่อ

ท่อดูดสามารถพันเป็นห่วงวงใหญ่และเก็บไว้รอบโครงหรือมือจับเครื่องดูดฝุ่นได้ เชื่อมต่อปลายทั้งสองด้านเข้าด้วยกันเพื่อทำให้เป็นห่วงและเกี่ยวห่วงไว้กับมือจับที่ยกขึ้น หรือให้ปลายด้านล่างติดตั้งอยู่กับขอกท่อดูดและแขวนห่วงไว้กับขอกเกี่ยวกับประสงค์และมัดปลายที่หลวมไว้

► **หมายเลข 42**

► **หมายเลข 43**

การทำความสะอาดตัวกรองผง (HEPA) และแผ่นกรองชั้นต้น

ทำความสะอาดตัวกรองผง แผ่นกรองชั้นต้น และตัวห่่วงการสะท้อนเป็นประจำ เนื่องจากตัวกรองและตัวห่่วงการสะท้อนที่อุดตันอาจทำให้ประสิทธิภาพในการดูดฝุ่นแย่ เซ็ดและเขย่าฝุ่นออกจากตัวกรองและตัวห่่วงการสะท้อนด้วยมือเป็นประจำ

► **หมายเลข 44:** 1. แผ่นกรองชั้นต้น

► **หมายเลข 45:** 1. ตัวห่่วงการสะท้อน 2. ตัวกรองผง (HEPA)

ล้างตัวกรองผงบ้างเป็นครั้งคราวในน้ำ ล้างให้สะอาดและตากให้แห้งสนิทในที่ร่มก่อนใช้งาน อย่าล้างตัวกรองในเครื่องซักผ้าเด็ดขาด

► **หมายเลข 46**

หมายเหตุ: อย่าถูหรือขูดตัวกรองผง แผ่นกรองชั้นต้นหรือตัวห่่วงการสะท้อนด้วยวัตถุที่มีความแข็ง เช่น แปรง และใบพัด

หมายเหตุ: ตัวกรองอาจเสื่อมสภาพได้ตามระยะเวลา ควรสำรองตัวกรองเผื่อไว้ด้วย

อุปกรณ์เสริม

⚠ ข้อควรระวัง: ขอแนะนำให้ใช้เฉพาะอุปกรณ์เสริมหรืออุปกรณ์ต่อพ่วงเหล่านี้กับเครื่องมือ Makita ที่ระบุในคู่มือการใช้อุปกรณ์เสริมหรืออุปกรณ์ต่อพ่วงอื่นๆ อาจมีความเสี่ยงที่จะได้รับบาดเจ็บ ใช้อุปกรณ์เสริมหรืออุปกรณ์ต่อพ่วงตามวัตถุประสงค์ที่ระบุไว้เท่านั้น

หากต้องการทราบรายละเอียดเพิ่มเติมเกี่ยวกับอุปกรณ์เสริมเหล่านี้ โปรดสอบถามศูนย์บริการ Makita ใกล้บ้านคุณ

- ท่อดูด
- ข้อต่อด้านหน้า (22, 24, 38)
- ท่อตรง
- ก้านดูดแบบยึดได้
- หัวดูดฝุ่นสำหรับมุมอับ
- แปรงหัวกลม
- ตัวกรองผง, HEPA (สำหรับฝุ่นชนิดแห้ง)
- ตัวห่่วงการสะท้อน
- แผ่นกรองชั้นต้น
- การติดตั้งท่อ
- ท่อโค้ง
- ลูกโพลีเอทิลีน
- ลูกกระดาษ
- อะแดปเตอร์ MAKPAC
- อุปกรณ์รับส่งสัญญาณไร้สาย
- แบตเตอรี่และเครื่องชาร์จ Makita ของแท้

หมายเหตุ: อุปกรณ์บางรายการอาจรวมอยู่ในชุดเครื่องมือเป็นอุปกรณ์มาตรฐาน ซึ่งอาจแตกต่างกันไปในแต่ละประเทศ

Makita Corporation
3-11-8, Sumiyoshi-cho,
Anjo, Aichi 446-8502 Japan
www.makita.com

885913B371
EN, ZHCN, ID, MS,
VI, TH
20220622