



VN	VIETNAM
----	---------

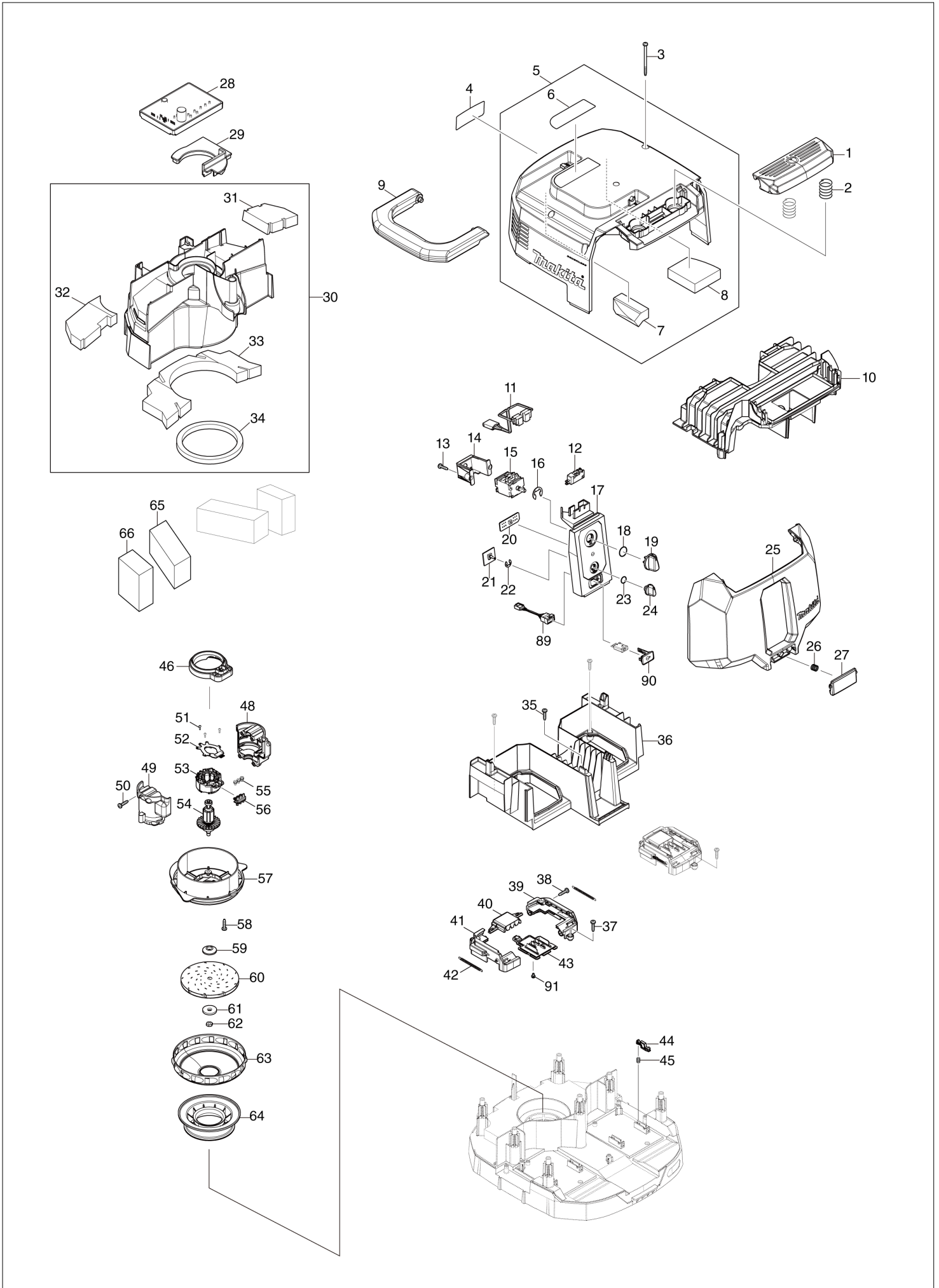
Diagram / Parts List

VC002GL

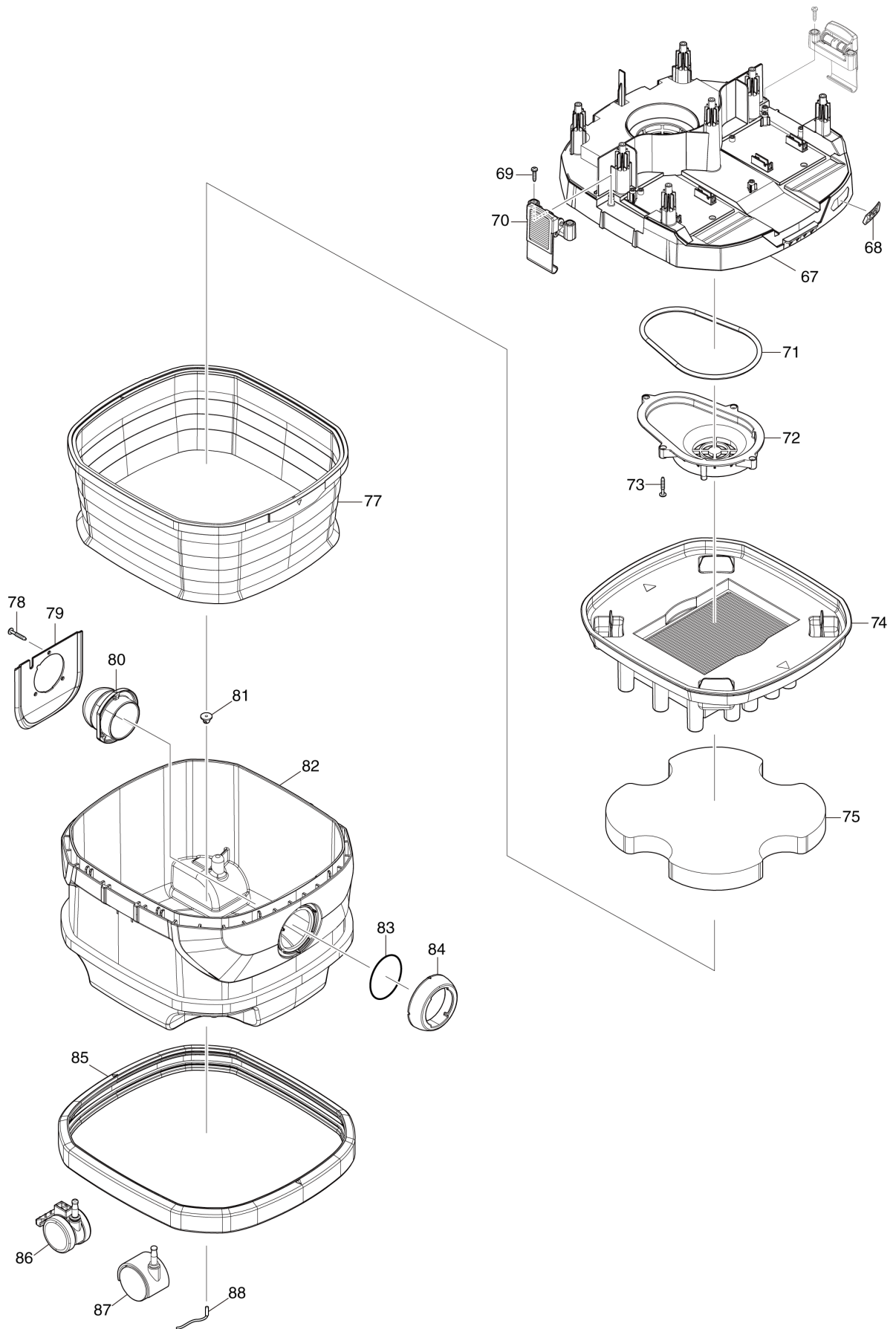
CORDLESS VACUUM CLEANER



(VN) VC002GL / CORDLESS VACUUM CLEANER



(VN) VC002GL / CORDLESS VACUUM CLEANER



VN	VIETNAM
-----------	----------------

VC002GL / CORDLESS VACUUM CLEANER

Item	Sub	Parts No.	Parts Description	Qty	I/C	E/C No.	Close No.	Remark
001		413B26-9	SWITCH BUTTON	1				
002		234273-5	COMPRESSION SPRING 20	2				
003		266340-8	TAPPING SCREW 4X65	7				
004		8112J8-9	VC002GL NAME PLATE	1				
005		141F80-4	COWLING COMPLETE	1				
	D10		INC. 6-8					
006		813A18-6	CAUTION LABEL	1				
007		422796-7	TOP DAMPER A	1				
008		422797-5	TOP DAMPER B	1				
009		413B27-7	GRIP	1				
010		413B33-2	UPPER HOUSING	1				
011		638A19-1	LEAD UNIT	1				
012		651910-0	SWITCH D2VW-01-3HS	1				
013		266326-2	TAPPING SCREW 4X18	2				
014		451343-7	SWITCH HOLDER	1				
015		650014-5	SWITCH 1703.4803	1				
016		961062-2	STOP RING E-12	1				
017		141F76-5	SWITCH BASE COMPLETE	1				
	C10	8040N0-8	INDICATION LABEL	1				
018		213176-6	O RING 14	1				
019		455733-6	SWITCH LEVER	1				
020		620F40-4	INDICATION CIRCUIT	1				
021		620D39-7	SUB CONTROLLER	1				
022		961013-5	STOP RING E-7	1				
023		213054-0	O RING 9	1				
024		451344-5	SWITCH DIAL	1				
025		413B29-3	BATTERY COVER	1				
026		231456-8	COMPRESSION SPRING 7	1				
027		413B30-8	BATTERY COVER HOOK	1				
028		620F38-1	CONTROLLER	1				
029		422795-9	RUBBER CAP	1				
030		141F84-6	SEPARATOR COMPLETE	1				
	D10		INC. 31-34					
031		422802-8	BAND DUMPER E	1				
032		422801-0	BAND DUMPER D	1				
033		422799-1	BAND DUMPER B	1				
034		422804-4	SEAL A	1				
035		266326-2	TAPPING SCREW 4X18	3				
036		413B31-6	LOWER HOUSING	1				
037		266326-2	TAPPING SCREW 4X18	4				
038		266326-2	TAPPING SCREW 4X18	4				
039		183U06-0	TERMINAL CASE SET	2				
	D10		INC. 41					
040		413B40-5	TERMINAL COVER	2				
041		183U06-0	TERMINAL CASE SET	2				
	D10		INC. 39					
042		232722-6	TENSION SPRING 4	4				
043		632T08-2	TERMINAL UNIT	2				
044		413B41-3	LOCK LEVER	4				
045		232472-3	COMPRESSION SPRING 2	4				
046		422794-1	RUBBER RING	1				
048		183U05-2	MOTOR HOUSING SET	1				
	D10		INC. 49					
049		183U05-2	MOTOR HOUSING SET	1				
	D10		INC. 48					
050		266326-2	TAPPING SCREW 4X18	4				
051		266490-9	TAPPING SCREW PT 2X6	3				
052		620F39-9	CONTROLLER B	1				
053		629A83-3	STATOR	1				
054		619704-9	ROTOR	1				
055		652069-6	FLAT HEAD SCREW M3X6	3				
056		632S88-2	LEAD UNIT	1				
057		413B45-5	FAN BASE	1				
058		266326-2	TAPPING SCREW 4X18	3				
059		313062-2	FLANGE	1				

Interchange
O : Yes
X : No
< : the new part can be substituted for the current.
> : the current part can be substituted for the new.
S : Interchangeable as a set.

VC002GL / CORDLESS VACUUM CLEANER

Item	Sub	Parts No.	Parts Description	Qty	I/C	E/C No.	Close No.	Remark
060		240178-9	FAN 104	1				
061		253752-4	FLAT WASHER 8	1				
062		252268-6	HEX. NUT M6	1				
063		347171-5	FAN COVER	1				
064		422793-3	SUPPORT RING	1				
065		422803-6	REAR BLOCK FILTER A	2				
066		422819-1	REAR BLOCK FILTER B	2				
067		141F83-8	TANK COVER COMPLETE	1				
	C10	422798-3	BAND DUMPER A	1				
068		8030S0-0	XGT LOGO LABEL	1				
069		266326-2	TAPPING SCREW 4X18	4				
070		162A10-2	HOOK COMPLETE	2				
071		422805-2	SEAL RING	1				
072		413B22-7	LOWER TANK COVER	1				
073		266374-1	TAPPING SCREW 4X25	4				
074		191V70-3	POWDER FILTER H SET	1				
075		191V68-0	DAMPER SET	1				
077		191V69-8	PRE FILTER SET	1				
078		266374-1	TAPPING SCREW 4X25	3				
079		457853-2	HOLDER PLATE	1				
080		457852-4	HOLDER	1				
081		421468-1	CORD SEAL	1				
082		457854-0	TANK	1				
083		213655-4	O RING 56	1				
084		457851-6	INLET	1				
085		422176-7	BUMPER	1				
086		168535-8	CASTER 50	2				
087		168434-4	CASTER 50	2				
088		649150-2	EARTH LINE 120	1				
089		632L47-4	CONNECTOR UNIT	1				
090		140G18-2	CAP COMPLETE	1				
	C10	213A05-9	O-RING16	1				
	C20	818F57-1	CAP LABEL	1				
091		652031-1	PAN HEAD SCREW M3X6	4				
A01		199455-5	NOZZLE ASSEMBLY SET	1				
A02		195433-3	HOSE COMPLETE 28-3.5 SET	1				
	C10	417191-4	CUFF LOCK	1				
	C20	417586-1	STOPPER	1				
	C30	417662-1	SLEEVE	1				
	C40	417766-9	FRONT CUFF 38	1				
	C50	417765-1	FRONT CUFF 22	1				
	C60	424379-9	FRONT CUFF 24	1				
A03		195434-1	HOSE COMPLETE 38-2.5 SET	1				
	C10	417191-4	CUFF LOCK	1				
	C20	417306-3	SLEEVE	2				
	C30	417307-1	FRONT CUFF	1				
	C40	417586-1	STOPPER	2				
A04		195432-5	POLY BAG SET(650X650)	1				
A06		192563-1	STRAIGHT PIPE SET 565-38	1				
A07		192562-3	BENDING PIPE	1				
A08		410306-2	CORNER NOZZLE	1				
A09		413B37-4	MULTI HOOK	1				
A10		451350-0	STOPPER	1				
A11		911138-5	P.H.SCREW M4X20 WITH WR	1				
A12		195547-8	FRONT CUFF 22 SET	1				
A13		195546-0	FRONT CUFF 24 SET	1				

Interchange
 O : Yes
 X : No
 < : the new part can be substituted for the current.
 > : the current part can be substituted for the new.
 S : Interchangeable as a set.