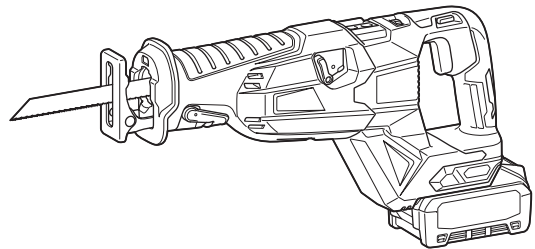
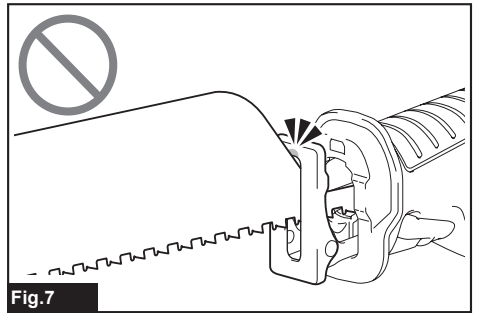
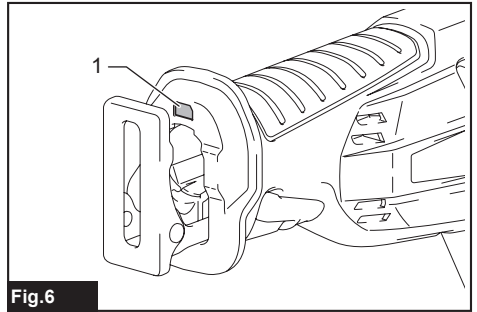
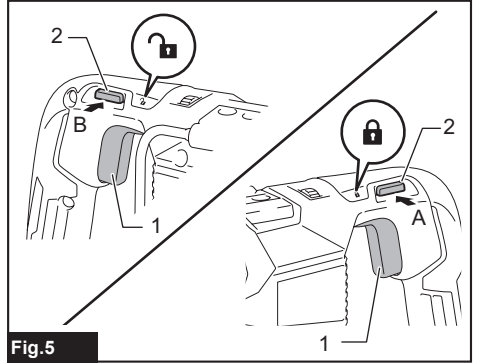
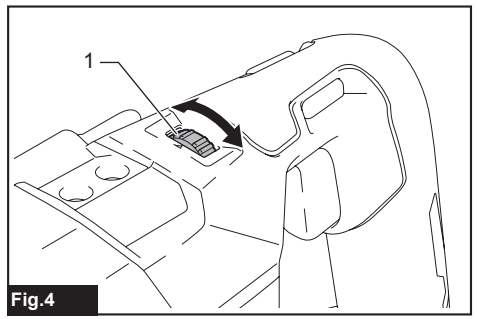
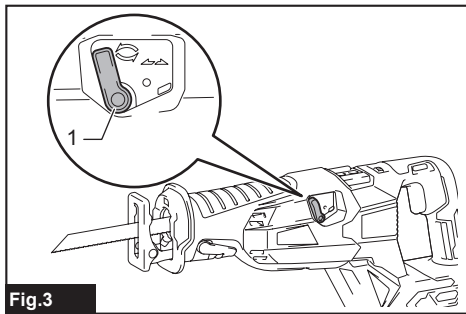
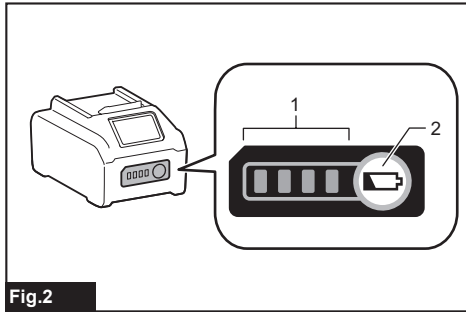
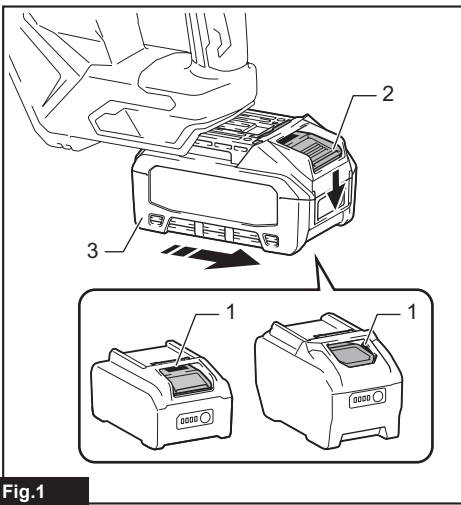




EN	Cordless Recipro Saw	INSTRUCTION MANUAL	4
ZHCN	充电式往复锯	使用说明书	12
ID	Gergaji Bolak-Balik Nirkabel	PETUNJUK PENGGUNAAN	20
MS	Gergaji Recipro Tanpa Kord	MANUAL ARAHAN	29
VI	Máy Cưa Kiếm Cầm Tay Hoạt Động Bằng Pin	TÀI LIỆU HƯỚNG DẪN	38
TH	เลื่อยอนเนกประสงคไร้สาย	คู่มือการใช้งาน	46

JR002G





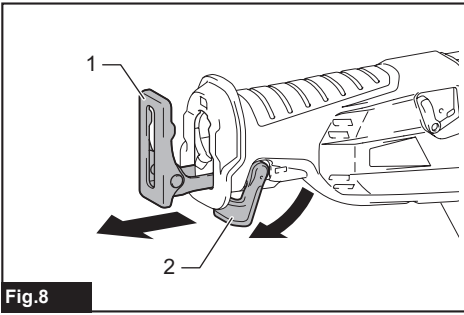


Fig.8

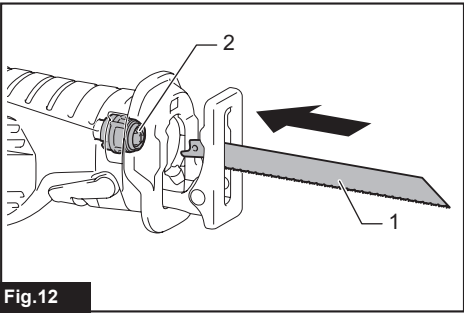


Fig.12

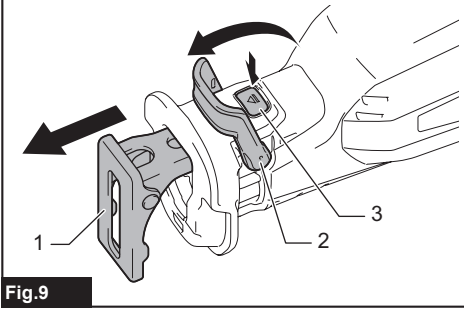


Fig.9

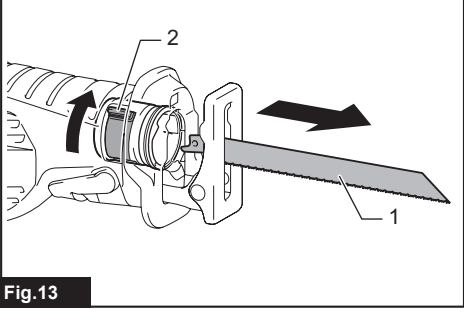


Fig.13

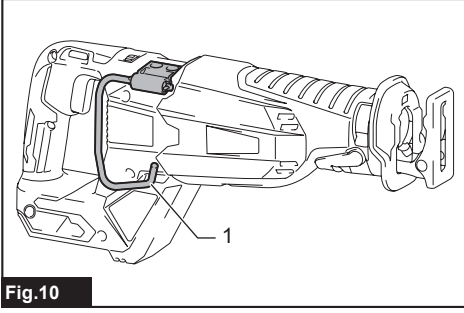


Fig.10

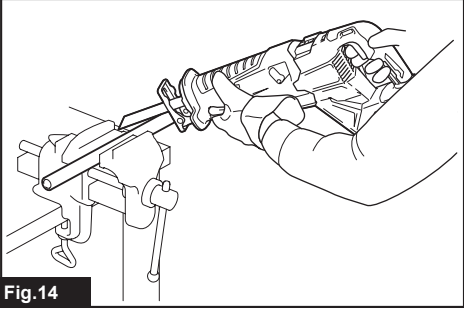


Fig.14

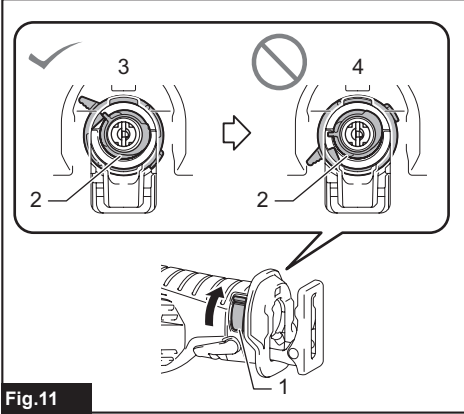


Fig.11

SPECIFICATIONS

Model:		JR002G
Length of stroke		32 mm
Strokes per minute		0 - 3,000 min ⁻¹
Max. cutting capacities	Pipe	130 mm
	Wood	255 mm
Overall length	with BL4025	436 mm
	with BL4050F	473 mm
Rated voltage		D.C. 36 V - 40 V max
Net weight		4.6 - 5.8 kg

- Due to our continuing program of research and development, the specifications herein are subject to change without notice.
- Specifications and battery cartridge may differ from country to country.
- The weight may differ depending on the attachment(s), including the battery cartridge. The lightest and heaviest combinations, according to EPTA-Procedure 01/2014, are shown in the table.

Applicable battery cartridge and charger



Battery cartridge	BL4020* / BL4025* / BL4040* / BL4050F* / BL4080F * : Recommended battery
Charger	DC40RA / DC40RB / DC40RC

- Some of the battery cartridges and chargers listed above may not be available depending on your region of residence.

⚠ WARNING: Only use the battery cartridges and chargers listed above. Use of any other battery cartridges and chargers may cause injury and/or fire.

Symbols

The followings show the symbols which may be used for the equipment. Be sure that you understand their meaning before use.

	Read instruction manual.
	Wear safety glasses.



Only for EU countries

Due to the presence of hazardous components in the equipment, waste electrical and electronic equipment, accumulators and batteries may have a negative impact on the environment and human health. Do not dispose of electrical and electronic appliances or batteries with household waste!

In accordance with the European Directive on waste electrical and electronic equipment and on accumulators and batteries and waste accumulators and batteries, as well as their adaptation to national law, waste electrical equipment, batteries and accumulators should be stored separately and delivered to a separate collection point for municipal waste, operating in accordance with the regulations on environmental protection.

This is indicated by the symbol of the crossed-out wheeled bin placed on the equipment.

Intended use

The tool is intended for sawing wood, plastic and ferrous materials.

SAFETY WARNINGS

General power tool safety warnings

⚠ WARNING: Read all safety warnings, instructions, illustrations and specifications provided with this power tool. Failure to follow all instructions listed below may result in electric shock, fire and/or serious injury.

Save all warnings and instructions for future reference.

The term "power tool" in the warnings refers to your mains-operated (corded) power tool or battery-operated (cordless) power tool.

Work area safety

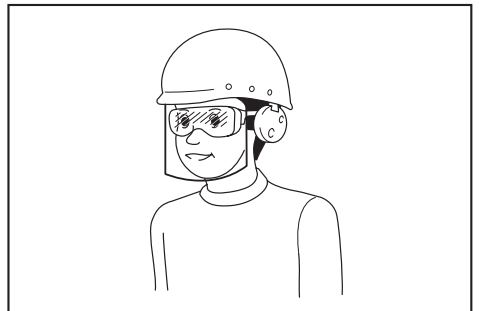
1. **Keep work area clean and well lit.** Cluttered or dark areas invite accidents.
2. **Do not operate power tools in explosive atmospheres, such as in the presence of flammable liquids, gases or dust.** Power tools create sparks which may ignite the dust or fumes.
3. **Keep children and bystanders away while operating a power tool.** Distractions can cause you to lose control.

Electrical safety

1. **Power tool plugs must match the outlet. Never modify the plug in any way. Do not use any adapter plugs with earthed (grounded) power tools.** Unmodified plugs and matching outlets will reduce risk of electric shock.
2. **Avoid body contact with earthed or grounded surfaces, such as pipes, radiators, ranges and refrigerators.** There is an increased risk of electric shock if your body is earthed or grounded.
3. **Do not expose power tools to rain or wet conditions.** Water entering a power tool will increase the risk of electric shock.
4. **Do not abuse the cord. Never use the cord for carrying, pulling or unplugging the power tool. Keep cord away from heat, oil, sharp edges or moving parts.** Damaged or entangled cords increase the risk of electric shock.
5. **When operating a power tool outdoors, use an extension cord suitable for outdoor use.** Use of a cord suitable for outdoor use reduces the risk of electric shock.
6. **If operating a power tool in a damp location is unavoidable, use a residual current device (RCD) protected supply.** Use of an RCD reduces the risk of electric shock.
7. **Power tools can produce electromagnetic fields (EMF) that are not harmful to the user.** However, users of pacemakers and other similar medical devices should contact the maker of their device and/or doctor for advice before operating this power tool.

Personal safety

1. **Stay alert, watch what you are doing and use common sense when operating a power tool. Do not use a power tool while you are tired or under the influence of drugs, alcohol or medication.** A moment of inattention while operating power tools may result in serious personal injury.
2. **Use personal protective equipment. Always wear eye protection.** Protective equipment such as a dust mask, non-skid safety shoes, hard hat or hearing protection used for appropriate conditions will reduce personal injuries.
3. **Prevent unintentional starting. Ensure the switch is in the off-position before connecting to power source and/or battery pack, picking up or carrying the tool.** Carrying power tools with your finger on the switch or energising power tools that have the switch on invites accidents.
4. **Remove any adjusting key or wrench before turning the power tool on.** A wrench or a key left attached to a rotating part of the power tool may result in personal injury.
5. **Do not overreach. Keep proper footing and balance at all times.** This enables better control of the power tool in unexpected situations.
6. **Dress properly. Do not wear loose clothing or jewellery. Keep your hair and clothing away from moving parts.** Loose clothes, jewellery or long hair can be caught in moving parts.
7. **If devices are provided for the connection of dust extraction and collection facilities, ensure these are connected and properly used.** Use of dust collection can reduce dust-related hazards.
8. **Do not let familiarity gained from frequent use of tools allow you to become complacent and ignore tool safety principles.** A careless action can cause severe injury within a fraction of a second.
9. **Always wear protective goggles to protect your eyes from injury when using power tools. The goggles must comply with ANSI Z87.1 in the USA, EN 166 in Europe, or AS/NZS 1336 in Australia/New Zealand. In Australia/New Zealand, it is legally required to wear a face shield to protect your face, too.**



It is an employer's responsibility to enforce the use of appropriate safety protective equipments by the tool operators and by other persons in the immediate working area.

Power tool use and care

1. **Do not force the power tool. Use the correct power tool for your application.** The correct power tool will do the job better and safer at the rate for which it was designed.
2. **Do not use the power tool if the switch does not turn it on and off.** Any power tool that cannot be controlled with the switch is dangerous and must be repaired.
3. **Disconnect the plug from the power source and/or remove the battery pack, if detachable, from the power tool before making any adjustments, changing accessories, or storing power tools.** Such preventive safety measures reduce the risk of starting the power tool accidentally.
4. **Store idle power tools out of the reach of children and do not allow persons unfamiliar with the power tool or these instructions to operate the power tool.** Power tools are dangerous in the hands of untrained users.
5. **Maintain power tools and accessories. Check for misalignment or binding of moving parts, breakage of parts and any other condition that may affect the power tool's operation. If damaged, have the power tool repaired before use.** Many accidents are caused by poorly maintained power tools.
6. **Keep cutting tools sharp and clean.** Properly maintained cutting tools with sharp cutting edges are less likely to bind and are easier to control.
7. **Use the power tool, accessories and tool bits etc. in accordance with these instructions, taking into account the working conditions and the work to be performed.** Use of the power tool for operations different from those intended could result in a hazardous situation.
8. **Keep handles and grasping surfaces dry, clean and free from oil and grease.** Slippery handles and grasping surfaces do not allow for safe handling and control of the tool in unexpected situations.
9. **When using the tool, do not wear cloth work gloves which may be entangled.** The entanglement of cloth work gloves in the moving parts may result in personal injury.

Battery tool use and care

1. **Recharge only with the charger specified by the manufacturer.** A charger that is suitable for one type of battery pack may create a risk of fire when used with another battery pack.
2. **Use power tools only with specifically designated battery packs.** Use of any other battery packs may create a risk of injury and fire.
3. **When battery pack is not in use, keep it away from other metal objects, like paper clips, coins, keys, nails, screws or other small metal objects, that can make a connection from one terminal to another.** Shorting the battery terminals together may cause burns or a fire.
4. **Under abusive conditions, liquid may be ejected from the battery; avoid contact. If contact accidentally occurs, flush with water. If liquid contacts eyes, additionally seek medical help.** Liquid ejected from the battery may cause irritation or burns.

5. **Do not use a battery pack or tool that is damaged or modified.** Damaged or modified batteries may exhibit unpredictable behaviour resulting in fire, explosion or risk of injury.
6. **Do not expose a battery pack or tool to fire or excessive temperature.** Exposure to fire or temperature above 130 °C may cause explosion.
7. **Follow all charging instructions and do not charge the battery pack or tool outside the temperature range specified in the instructions.** Charging improperly or at temperatures outside the specified range may damage the battery and increase the risk of fire.

Service

1. **Have your power tool serviced by a qualified repair person using only identical replacement parts.** This will ensure that the safety of the power tool is maintained.
2. **Never service damaged battery packs.** Service of battery packs should only be performed by the manufacturer or authorized service providers.
3. **Follow instruction for lubricating and changing accessories.**

Cordless reciprocating saw safety warnings

1. **Hold the power tool by insulated gripping surfaces, when performing an operation where the cutting accessory may contact hidden wiring.** Cutting accessory contacting a "live" wire may make exposed metal parts of the power tool "live" and could give the operator an electric shock.
2. **Use clamps or another practical way to secure and support the workpiece to a stable platform.** Holding the workpiece by hand or against your body leaves it unstable and may lead to loss of control.
3. **Always use safety glasses or goggles.** Ordinary eye or sun glasses are NOT safety glasses.
4. **Avoid cutting nails. Inspect workpiece for any nails and remove them before operation.**
5. **Do not cut oversize workpiece.**
6. **Check for the proper clearance beyond the workpiece before cutting so that the blade will not strike the floor, workbench, etc.**
7. **Hold the tool firmly.**
8. **Make sure the blade is not contacting the workpiece before the switch is turned on.**
9. **Keep hands away from moving parts.**
10. **Do not leave the tool running. Operate the tool only when hand-held.**
11. **Always switch off and wait for the blade to come to a complete stop before removing the blade from the workpiece.**
12. **Do not touch the blade or the workpiece immediately after operation; they may be extremely hot and could burn your skin.**
13. **Do not operate the tool at no-load unnecessarily.**
14. **Always use the correct dust mask/respirator for the material and application you are working with.**

15. **Some material contains chemicals which may be toxic. Take caution to prevent dust inhalation and skin contact. Follow material supplier safety data.**
16. **Before operation, make sure that there is no buried object such as electric pipe, water pipe or gas pipe in the workpiece.** Otherwise, the reciprocating saw blade may touch them, resulting in an electric shock, electrical leakage or gas leak.
10. **The contained lithium-ion batteries are subject to the Dangerous Goods Legislation requirements.**
For commercial transports e.g. by third parties, forwarding agents, special requirements on packaging and labeling must be observed. For preparation of the item being shipped, consulting an expert for hazardous material is required. Please also observe possibly more detailed national regulations.
Tape or mask off open contacts and pack up the battery in such a manner that it cannot move around in the packaging.

SAVE THESE INSTRUCTIONS.

⚠ WARNING: DO NOT let comfort or familiarity with product (gained from repeated use) replace strict adherence to safety rules for the subject product. MISUSE or failure to follow the safety rules stated in this instruction manual may cause serious personal injury.

Important safety instructions for battery cartridge

1. **Before using battery cartridge, read all instructions and cautionary markings on (1) battery charger, (2) battery, and (3) product using battery.**
2. **Do not disassemble or tamper with the battery cartridge.** It may result in a fire, excessive heat, or explosion.
3. **If operating time has become excessively shorter, stop operating immediately.** It may result in a risk of overheating, possible burns and even an explosion.
4. **If electrolyte gets into your eyes, rinse them out with clear water and seek medical attention right away.** It may result in loss of your eyesight.
5. **Do not short the battery cartridge:**
 - (1) **Do not touch the terminals with any conductive material.**
 - (2) **Avoid storing battery cartridge in a container with other metal objects such as nails, coins, etc.**
 - (3) **Do not expose battery cartridge to water or rain.**

A battery short can cause a large current flow, overheating, possible burns and even a breakdown.

6. **Do not store and use the tool and battery cartridge in locations where the temperature may reach or exceed 50 °C (122 °F).**
7. **Do not incinerate the battery cartridge even if it is severely damaged or is completely worn out.** The battery cartridge can explode in a fire.
8. **Do not nail, cut, crush, throw, drop the battery cartridge, or hit against a hard object to the battery cartridge.** Such conduct may result in a fire, excessive heat, or explosion.
9. **Do not use a damaged battery.**

11. **When disposing the battery cartridge, remove it from the tool and dispose of it in a safe place.** Follow your local regulations relating to disposal of battery.
12. **Use the batteries only with the products specified by Makita.** Installing the batteries to non-compliant products may result in a fire, excessive heat, explosion, or leak of electrolyte.
13. **If the tool is not used for a long period of time, the battery must be removed from the tool.**
14. **During and after use, the battery cartridge may take on heat which can cause burns or low temperature burns.** Pay attention to the handling of hot battery cartridges.
15. **Do not touch the terminal of the tool immediately after use as it may get hot enough to cause burns.**
16. **Do not allow chips, dust, or soil stuck into the terminals, holes, and grooves of the battery cartridge.** It may cause heating, catching fire, burst and malfunction of the tool or battery cartridge, resulting in burns or personal injury.
17. **Unless the tool supports the use near high-voltage electrical power lines, do not use the battery cartridge near a high-voltage electrical power lines.** It may result in a malfunction or breakdown of the tool or battery cartridge.
18. **Keep the battery away from children.**

SAVE THESE INSTRUCTIONS.

⚠ CAUTION: Only use genuine Makita batteries. Use of non-genuine Makita batteries, or batteries that have been altered, may result in the battery bursting causing fires, personal injury and damage. It will also void the Makita warranty for the Makita tool and charger.

Tips for maintaining maximum battery life

1. **Charge the battery cartridge before completely discharged.** Always stop tool operation and charge the battery cartridge when you notice less tool power.
2. **Never recharge a fully charged battery cartridge.** Overcharging shortens the battery service life.
3. **Charge the battery cartridge with room temperature at 10 °C - 40 °C (50 °F - 104 °F).** Let a hot battery cartridge cool down before charging it.

- When not using the battery cartridge, remove it from the tool or the charger.
- Charge the battery cartridge if you do not use it for a long period (more than six months).

FUNCTIONAL DESCRIPTION

CAUTION: Always be sure that the tool is switched off and the battery cartridge is removed before adjusting or checking function on the tool.

Installing or removing battery cartridge

CAUTION: Always switch off the tool before installing or removing of the battery cartridge.

CAUTION: Hold the tool and the battery cartridge firmly when installing or removing battery cartridge. Failure to hold the tool and the battery cartridge firmly may cause them to slip off your hands and result in damage to the tool and battery cartridge and a personal injury.

► Fig.1: 1. Red indicator 2. Button 3. Battery cartridge

To remove the battery cartridge, slide it from the tool while sliding the button on the front of the cartridge.

To install the battery cartridge, align the tongue on the battery cartridge with the groove in the housing and slip it into place. Insert it all the way until it locks in place with a little click. If you can see the red indicator as shown in the figure, it is not locked completely.

CAUTION: Always install the battery cartridge fully until the red indicator cannot be seen. If not, it may accidentally fall out of the tool, causing injury to you or someone around you.

CAUTION: Do not install the battery cartridge forcibly. If the cartridge does not slide in easily, it is not being inserted correctly.

Tool / battery protection system

The tool is equipped with a tool/battery protection system. This system automatically cuts off power to the motor to extend tool and battery life. The tool will automatically stop during operation if the tool or battery is placed under one of the following conditions:

Overload protection

When the battery is operated in a manner that causes it to draw an abnormally high current, the tool automatically stops without any indication. In this situation, turn the tool off and stop the application that caused the tool to become overloaded. Then turn the tool on to restart.

Overheat protection

When the tool or battery is overheated, the tool stops automatically and the lamp blinks. In this case, let the tool and battery cool before turning the tool on again.

Overdischarge protection

When the battery capacity is not enough, the tool stops automatically and the lamp blinks. In this case, remove the battery from the tool and charge the battery.

Protections against other causes

Protection system is also designed for other causes that could damage the tool and allows the tool to stop automatically. Take all the following steps to clear the causes, when the tool has been brought to a temporary halt or stop in operation.

- Turn the tool off, and then turn it on again to restart.
- Charge the battery(ies) or replace it/them with recharged battery(ies).
- Let the tool and battery(ies) cool down.

If no improvement can be found by restoring protection system, then contact your local Makita Service Center.

Indicating the remaining battery capacity

Press the check button on the battery cartridge to indicate the remaining battery capacity. The indicator lamps light up for a few seconds.

► Fig.2: 1. Indicator lamps 2. Check button

Indicator lamps			Remaining capacity
Lighted	Off	Blinking	
■	□	◐	75% to 100%
■ ■ ■ ■			
■ ■ ■ □			
■ ■ □ □			
■ □ □ □			50% to 75%
■ □ □ □			25% to 50%
■ □ □ □			0% to 25%
◐ □ □ □			Charge the battery.
■ ■ □ □			The battery may have malfunctioned.
□ □ ■ ■			

NOTE: Depending on the conditions of use and the ambient temperature, the indication may differ slightly from the actual capacity.



NOTE: The first (far left) indicator lamp will blink when the battery protection system works.

Selecting the cutting action

► Fig.3: 1. Lever

This tool can be operated with an orbital or a straight line cutting action.

To change the cutting action, turn the lever to the desired cutting action position. Refer to the table to select the appropriate cutting action.

Position	Cutting action	Applications
	Orbital cutting action	For fast cutting in wood and autoclaved lightweight concrete.
	Straight line cutting action	For cutting iron pipes, cast iron pipes, aluminum, stainless steel and plastics.

NOTE: Orbital action means that the saw blade moves up and down, and back and forth at the same time. This increases the efficiency of cutting.

Speed adjusting dial

► Fig.4: 1. Speed adjusting dial

The strokes per minute can be adjusted just by turning the speed adjusting dial. This can be done even while the tool is running. The dial is marked 1 (lowest speed) to 5 (full speed). Turn the speed adjusting dial between 1 and 5 according to your work.

Refer to the table to select the proper speed for the workpiece to be cut. However, the appropriate application may differ with the shape and hardness of the workpiece. In general, orbital cutting action is suitable for soft materials.

NOTE: Orbital cutting action is suitable for most soft materials such as wood, however, sometimes not, according to the shape or the hardness of the workpiece, etc.

Number on adjusting dial	Strokes per minute
5	3,000
4	2,500
3	2,000
2	1,500
1	1,000

Workpiece to be cut	Number on adjusting dial
Wood	5
Autoclaved lightweight concrete	4 - 5
Iron pipes, cast iron pipes and aluminum	2 - 4
Plastics	1 - 3
Stainless steel	1 - 2

NOTE: If the tool is operated continuously at low speeds for a long period of time, the operation life of the motor will be reduced.

NOTE: The speed adjusting dial can be turned only as far as 5 and back to 1. Do not force it past 5 or 1, or the speed adjusting function may no longer work.

Switch action

CAUTION: Before installing the battery cartridge into the tool, always check to see that the switch trigger actuates properly and returns to the "OFF" position when released.

CAUTION: When not operating the tool, depress the lock-off button from A side to lock the switch trigger in the OFF position.

► Fig.5: 1. Switch trigger 2. Lock-off button

To prevent the switch trigger from accidentally pulled, the lock-off button is provided.

To start the tool, depress the lock-off button from B side and pull the switch trigger.

Tool speed is increased by increasing pressure on the switch trigger. Release the switch trigger to stop. After use, always press in the lock-off button from A side.

Lighting up the front lamp

► Fig.6: 1. Lamp

CAUTION: Do not look in the light or see the source of light directly.

Pull the switch trigger to light up the lamp. The lamp keeps on lighting while the switch trigger is being pulled. The lamp goes out approximately 10 seconds after releasing the switch trigger.

NOTE: Use a dry cloth to wipe the dirt off the lens of the lamp. Be careful not to scratch the lens of lamp, or it may lower the illumination.

NOTE: When the tool is overheated, the lamp blinks for one minute. In this case, cool down the tool before another operation.

Adjusting the shoe

WARNING: Always remove the battery cartridge and the reciprocating saw blade when removing or adjusting the shoe.

CAUTION: Always install the shoe and make sure that the shoe touches the workpiece before operating the tool.

CAUTION: Always make sure that the shoe is adjusted in proper position so that the reciprocating saw blade does not touch the tool during operation.

► Fig.7

When the reciprocating saw blade loses its cutting efficiency in one place along its cutting edge, reposition the shoe to utilize a sharp, unused portion of its cutting edge. This will help to lengthen the life of the reciprocating saw blade.

The position of the shoe can be adjusted in 6 levels. To reposition the shoe, open the shoe adjusting lever and select the suitable position, then close the shoe adjusting lever.

► **Fig.8:** 1. Shoe 2. Shoe adjusting lever

NOTE: The shoe cannot be adjusted without opening the shoe adjusting lever fully.

Cleaning inside of the shoe

You can remove the shoe and clean dust or chip inside of the tool.

1. Pull the shoe adjusting lever fully.
2. Pull out the shoe while pushing the button.
► **Fig.9:** 1. Shoe 2. Shoe adjusting lever 3. Button
3. Remove dust or chip inside the tool.
4. Install the shoe while pushing the button.
5. To reposition the shoe, open the shoe adjusting lever fully and insert the shoe into the suitable position, then close the shoe adjusting lever.

Hook

CAUTION: When hanging the tool, set the lock-off button in  position to lock the switch trigger. (See the section for switch action.)

CAUTION: Never hang the tool at high or potentially unstable location.

CAUTION: Use the hanging/mounting parts for their intended purposes only. Using for unintended purpose may cause accident or personal injury.

CAUTION: Do not hook the tool on your belt or other accessories. The reciprocating saw blade may contact your body and cause personal injury.

► **Fig.10:** 1. Hook

The hook is convenient for hanging the tool temporarily. To use the hook, simply lift up hook until it snaps into the open position.

When not in use, always lower hook until it snaps into the closed position.

Electric brake

This tool is equipped with an electric brake. If the tool consistently fails to quickly stop after the switch trigger is released, have the tool serviced at a Makita service center.

Electronic function

The tool is equipped with the electronic functions for easy operation.

Constant speed control

The speed control function provides the constant rotation speed regardless of load conditions.

ASSEMBLY

CAUTION: Always be sure that the tool is switched off and the battery cartridge is removed before carrying out any work on the tool.

Installing or removing the reciprocating saw blade

CAUTION: Always clean out all chips or foreign matter adhering to the blade and around the blade clamp. Failure to do so may cause insufficient tightening of the blade, resulting in a serious injury.

To install the reciprocating saw blade, pull the release lever fully so that the blade clamp sleeve comes to the released position before inserting the reciprocating saw blade.

► **Fig.11:** 1. Release lever 2. Blade clamp sleeve 3. Released position 4. Fixed position

NOTE: Always pull the release lever fully to the end. If not, the blade clamp sleeve does not come to the released position and the reciprocating saw blade cannot be inserted.

Insert the reciprocating saw blade into the slot of the blade clamp sleeve as far as it will go. The blade clamp sleeve will catch the reciprocating saw blade with a click. Make sure that the reciprocating saw blade cannot be extracted even though you try to pull it out.

► **Fig.12:** 1. Reciprocating saw blade 2. Blade clamp sleeve

CAUTION: If you do not insert the reciprocating saw blade deep enough, the reciprocating saw blade may be ejected unexpectedly during operation. This can be extremely dangerous.

To remove the reciprocating saw blade, pull the release lever in the direction of the arrow fully.

► **Fig.13:** 1. Reciprocating saw blade 2. Release lever

NOTICE: Never operate the release lever when operating the switch trigger. Doing so may cause malfunction.

OPERATION

⚠ CAUTION: Always press the shoe firmly against the workpiece during operation. If the shoe is removed or held away from the workpiece during operation, strong vibration and/or twisting will be produced, causing the blade to snap dangerously.

⚠ CAUTION: Always wear gloves to protect your hands from hot flying chips when cutting metal.

⚠ CAUTION: Be sure to always wear suitable eye protection which conforms with current national standards.

⚠ CAUTION: Always use a suitable coolant (cutting oil) when cutting metal. Failure to do so will cause premature blade wear.

⚠ CAUTION: Do not quirk the blade during cutting.

⚠ CAUTION: Do not operate the tool with the hook opened.

Press the shoe firmly against the workpiece. Do not allow the tool to bounce. Bring the reciprocating saw blade into light contact with the workpiece. First, make a pilot groove using a slower speed. Then use a faster speed to continue cutting.

► Fig.14

NOTICE: Do not cut the workpiece with the shoe away from the workpiece or without the shoe. Doing so increases the reaction force which may break the reciprocating saw blade.

MAINTENANCE

⚠ CAUTION: Always be sure that the tool is switched off and the battery cartridge is removed before attempting to perform inspection or maintenance.

NOTICE: Never use gasoline, benzene, thinner, alcohol or the like. Discoloration, deformation or cracks may result.

To maintain product SAFETY and RELIABILITY, repairs, any other maintenance or adjustment should be performed by Makita Authorized or Factory Service Centers, always using Makita replacement parts.

OPTIONAL ACCESSORIES

⚠ CAUTION: These accessories or attachments are recommended for use with your Makita tool specified in this manual. The use of any other accessories or attachments might present a risk of injury to persons. Only use accessory or attachment for its stated purpose.

If you need any assistance for more details regarding these accessories, ask your local Makita Service Center.

- Reciprocating saw blades
- Makita genuine battery and charger

NOTE: Some items in the list may be included in the tool package as standard accessories. They may differ from country to country.

规格

型号:	JR002G	
冲程长度	32 mm	
冲程速度	0 - 3,000 /min	
最大切割能力	管材	130 mm
	木材	255 mm
总长度	含BL4025	436 mm
	含BL4050F	473 mm
额定电压	D.C. 36 V - 40 V (最大)	
净重	4.6 - 5.8 kg	

- 生产者保留变更规格不另行通知之权利。
- 规格和电池组可能因销往国家之不同而异。
- 重量因附件 (包括电池组) 而异。根据EPTA-Procedure 01/2014, 最重与最轻的组合见表格。

适用电池组和充电器

电池组	BL4020* / BL4025* / BL4040* / BL4050F* / BL4080F *: 建议使用的电池
充电器	DC40RA / DC40RB / DC40RC

- 部分以上所列电池组和充电器是否适用视用户所在地区而异。

警告： 请仅使用以上所列电池组和充电器。使用其他类型的电池组或充电器可能会导致人身伤害和/或失火。

符号

以下显示本设备可能会使用的符号。在使用工具之前, 请务必理解其含义。



阅读使用说明书。



佩带安全眼镜。



仅限于欧盟国家
由于本设备中包含有害成分, 因此废弃的电气和电子设备、蓄电池和普通电池可能会对环境和人体健康产生负面影响。请勿将电气和电子工具或电池与家庭普通废弃物放在一起处置!
根据欧洲关于废弃电气电子设备、蓄电池和普通电池的指令及其国家层面的修订法案, 废弃的电气设备、普通电池和蓄电池应当单独存放并递送至城市垃圾收集点, 根据环保法规进行处置。
此规定由标有叉形标志的带轮垃圾桶符号表示。

用途

本工具可锯木材、塑料及铁质材料。

安全警告

电动工具通用安全警告

警告： 阅读随电动工具提供的所有安全警告、说明、图示和规定。不遵照以下所列说明会导致电击、着火和 / 或严重伤害。

保存所有警告和说明书以备查阅。

警告中的术语“电动工具”是指市电驱动(有线)电动工具或电池驱动(无线)电动工具。

工作场地的安全

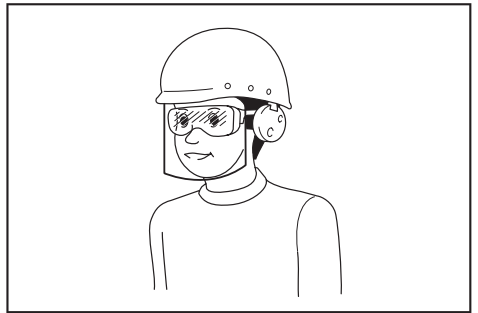
1. 保持工作场地清洁和明亮。杂乱和黑暗的场地会引发事故。
2. 不要在易爆环境，如有易燃液体、气体或粉尘的环境下操作电动工具。电动工具产生的火花会点燃粉尘或气体。
3. 操作电动工具时，远离儿童和旁观者。注意力不集中会使你失去对工具的控制。

电气安全

1. 电动工具插头必须与插座相配。绝不能以任何方式改装插头。需接地的电动工具不能使用任何转换插头。未经改装的插头和相配的插座将降低电击风险。
2. 避免人体接触接地表面，如管道、散热片和冰箱。如果你身体接触接地表面会增加电击风险。
3. 不得将电动工具暴露在雨中或潮湿环境中。水进入电动工具将增加电击风险。
4. 不得滥用软线。绝不能用软线搬运、拉动电动工具或拔出其插头。使软线远离热源、油、锐边或运动部件。受损或缠绕的软线会增加电击风险。
5. 当在户外使用电动工具时，使用适合户外使用的延长线。适合户外使用的电线将降低电击风险。
6. 如果无法避免在潮湿环境中操作电动工具，应使用带有剩余电流装置(RCD)保护的电源。RCD的使用可降低电击风险。
7. 电动工具会产生对用户无害的电磁场(EMF)。但是，起搏器和其他类似医疗设备的用户应在操作本电动工具前咨询其设备的制造商和 / 或医生寻求建议。

人身安全

1. 保持警觉，当操作电动工具时关注所从事的操作并保持清醒。当你感到疲倦，或在有药物、酒精或治疗反应时，不要操作电动工具。在操作电动工具时瞬间的疏忽会导致严重人身伤害。
2. 使用个人防护装置。始终佩戴护目镜。防护装置，诸如适当条件下使用防尘面具、防滑安全鞋、安全帽、听力防护等装置能减少人身伤害。
3. 防止意外启动。在连接电源和/或电池包、拿起或搬运工具前确保开关处于关断位置。手指放在开关上搬运工具或开关处于接通时通电会导致危险。
4. 在电动工具接通之前，拿掉所有调节钥匙或扳手。遗留在电动工具旋转零件上的扳手或钥匙会导致人身伤害。
5. 手不要过分伸展。时刻注意立足点和身体平衡。这样能在意外情况下能更好地控制住电动工具。
6. 着装适当。不要穿宽松衣服或佩戴饰品。让你的头发和衣服远离运动部件。宽松衣服、配饰或长发可能会卷入运动部件。
7. 如果提供了与排屑、集尘设备连接用的装置，要确保其连接完好且使用得当。使用集尘装置可降低尘屑引起的危险。
8. 不要因为频繁使用工具而产生的熟悉感而掉以轻心，忽视工具的安全准则。某个粗心的动作可能在瞬间导致严重的伤害。
9. 使用电动工具时请始终佩戴护目镜以免伤害眼睛。护目镜须符合美国ANSI Z87.1、欧洲EN 166或者澳大利亚 / 新西兰的AS/NZS 1336的规定。在澳大利亚 / 新西兰，法律要求佩戴面罩保护脸部。



雇主有责任监督工具操作者和其他近工作区域人员佩戴合适的安全防护设备。

电动工具使用和注意事项

1. 不要勉强使用电动工具，根据用途使用合适的电动工具。选用合适的按照额定值设计的电动工具会使你工作更有效、更安全。
2. 如果开关不能接通或关断电源，则不能使用该电动工具。不能通过开关来控制电动工具是危险的且必须进行修理。
3. 在进行任何调节、更换附件或贮存电动工具之前，必须从电源上拔掉插头和/或卸下电池包（如可拆卸）。这种防护性的安全措施降低了电动工具意外起动的风险。
4. 将闲置不用的电动工具贮存在儿童所及范围之外，并且不允许不熟悉电动工具和不了解这些说明的人操作电动工具。电动工具在未经培训的使用者手中是危险的。
5. 维护电动工具及其附件。检查运动部件是否调整到位或卡住，检查零件破损情况和影响电动工具运行的其他状况。如有损坏，应在使用前修理好电动工具。许多事故是由维护不良的电动工具引发的。
6. 保持切削刀具锋利和清洁。维护良好地有锋利切削刃的刀具不易卡住而且容易控制。
7. 按照使用说明书，并考虑作业条件和要进行的作业来选择电动工具、附件和工具的刀头等。将电动工具用于那些与其用途不符的操作可能会导致危险情况。
8. 保持手柄和握持表面干燥、清洁，不得沾有油脂。在意外的情况下，湿滑的手柄不能保证握持的安全和对工具的控制。
9. 使用本工具时，请勿佩戴可能会缠绕的布质工作手套。布质工作手套卷入移动部件可能会造成人身伤害。

电池式工具使用和注意事项

1. 仅使用生产者规定的充电器充电。将适用于某种电池包的充电器用到其他电池包时可能会发生着火危险。
2. 仅使用配有专用电池包的电动工具。使用其他电池包可能会产生伤害和着火危险。
3. 当电池包不用时，将它远离其他金属物体，例如回形针、硬币、钥匙、钉子、螺钉或其他小金属物体，以防电池包一端与另一端连接。电池组端部短路可能会引起燃烧或着火。

4. 在滥用条件下，液体可能会从电池组中溅出；应避免接触。如果意外碰到液体，用水冲洗。如果液体碰到了眼睛，还寻求医疗帮助。从电池中溅出的液体可能会发生腐蚀或燃烧。
5. 不要使用损坏或改装过的电池包或工具。损坏或改装过的电池组可能呈现无法预测的结果，导致着火、爆炸或伤害。
6. 不要将电池包暴露于火或高温中。电池包暴露于火或高于130℃的高温中可能导致爆炸。
7. 遵循所有充电说明。不要在说明书中指定的温度范围之外给电池包或电动工具充电。不正确或在指定的温度范围外充电可能会损坏电池和增加着火的风险。

维修

1. 让专业维修人员使用相同的备件维修电动工具。这将保证所维修的电动工具的安全。
2. 决不能维修损坏的电池包。电池包仅能由生产者或其授权的维修服务商进行维修。
3. 上润滑油及更换附件时请遵循本说明书指示。

充电式往复锯使用安全警告

1. 在切削附件可能触及暗线进行操作时，要通过绝缘握持面来握持工具。切削附件碰到带电导线会使工具外露的金属零件带电从而使操作者受到电击。
2. 请使用螺丝钳或其他可行的方式将工件夹紧并固定在稳定的平台上。手持工件或将工件抵在身上，可能会导致工件摆放不稳，使工具失去控制。
3. 请使用安全眼镜或护目镜。普通眼镜或太阳眼镜并非安全眼镜。
4. 注意不要切割到铁钉。操作前请检查工件上是否有铁钉并将其清除。
5. 请勿切割尺寸过大的工件。
6. 切割作业前请检查确认已在工件周围留出合适的间隙，以免切割时锯片接触到地板或工作台等物体。
7. 请牢握本工具。
8. 打开开关前，请确认锯片未与工件接触。
9. 手应远离移动的部件。
10. 运行中的工具不可离手放置。只可在手握工具的情况下操作工具。
11. 将锯片从工件上取下之前，请务必关闭工具电源并等待锯片完全停止。

12. 操作之后，请勿立刻触摸锯片或工件，因为它们可能会非常烫而导致烫伤皮肤。
13. 如无必要，请勿在空载状态下操作工具。
14. 根据您操作的材料及应用，请务必使用正确的防尘面罩/呼吸器。
15. 某些材料含有有毒化学物质。小心不要吸入粉尘，并避免皮肤接触。遵循材料供应商的安全提示。
16. 操作前，请务必保证工件内无埋藏物，例如电气配管、水管或气体管。否则，往复锯锯片可能会触及上述部件，引发触电、漏电或漏气。
10. 本工具附带的锂离子电池需符合危险品法规要求。
第三方或转运代理等进行商业运输时，应遵循包装和标识方面的特殊要求。有关运输项目的准备作业，咨询危险品方面的专业人士。同时，请遵守可能更为详尽的国家法规。
请使用胶带保护且勿遮掩表面的联络信息，并牢固封装电池，使电池在包装内不可动。

请保留此说明书。

警告： 请勿为图方便或因对产品足够熟悉（由于重复使用而获得的经验）而不严格遵循相关产品安全规则。使用不当或不遵循使用说明书中的安全规则会导致严重的人身伤害。

电池组的重要安全注意事项

1. 在使用电池组之前，请仔细阅读所有的说明以及 (1) 电池充电器，(2) 电池，以及 (3) 使用电池的产品上的警告标记。
2. 切勿拆卸或改装电池组。否则可能引起火灾、过热或爆炸。
3. 如果机器运行时间变得过短，请立即停止使用。否则可能会导致过热、起火甚至爆炸。
4. 如果电解液进入您的眼睛，用清水将其冲洗干净并立即就医。否则可能会导致视力受损。
5. 请勿使电池组短路：
 - (1) 请勿使任何导电材料碰到到端子。
 - (2) 避免将电池组与其他金属物品如钉子、硬币等放置在同一容器内。
 - (3) 请勿将电池组置于水中或使其淋雨。电池短路将产生大的电流，导致过热，并可能导致起火甚至击穿。
6. 请勿在温度可能达到或超过50°C (122°F) 的场所存放以及使用工具和电池组。
7. 即使电池组已经严重损坏或完全磨损，也请勿焚烧电池组。电池组会在火中爆炸。
8. 请勿对电池组射钉，或者切削、挤压、抛掷、掉落电池组，又或者用硬物撞击电池组。否则可能引起火灾、过热或爆炸。
9. 请勿使用损坏的电池。

11. 丢弃电池组时，需将其从工具上卸下并在安全地带进行处理。关于如何处理废弃的电池，请遵循当地法规。
12. 仅将电池用于Makita（牧田）指定的产品。将电池安装至不兼容的产品会导致起火、过热、爆炸或电解液泄漏。
13. 如长时间未使用工具，必须将电池从工具内取出。
14. 使用工具期间以及使用工具之后，电池组温度可能较高易引起灼伤或低温烫伤。处理高温电池组时请小心操作。
15. 在使用工具后请勿立即触碰工具的端子，否则可能引起灼伤。
16. 避免锯屑、灰尘或泥土卡入电池组的端子、孔口和凹槽内。否则可能会导致过热、着火、爆炸和工具/电池组故障，导致烫伤或人身伤害。
17. 除非工具支持在高压电源线路附近使用，否则请勿在高压电源线路附近使用电池组。否则可能导致工具或电池组故障或失常。
18. 确保电池远离儿童。

请保留此说明书。

小心： 请仅使用Makita（牧田）原装电池。使用非Makita（牧田）原装电池或经过改装的电池可能会导致电池爆炸，从而造成火灾、人身伤害或物品受损。同时也会导致牧田工具和充电器的牧田保修服务失效。

保持电池最大使用寿命的提示

1. 在电池组电量完全耗尽前及时充电。发现工具电量低时，请停止工具操作，并给电池组充电。
2. 请勿对已充满电的电池组重新充电。过度充电将缩短电池的使用寿命。
3. 请在10°C - 40°C (50°F - 104°F) 的室温条件下给电池组充电。请在灼热的电池组冷却后再充电。

- 不使用电池组时，请将其从工具或充电器上拆除。
- 如果电池组长时间（超过六个月）未使用，请给其充电。

功能描述

小心： 调节或检查工具功能之前，请务必关闭工具的电源并取出电池组。

安装或拆卸电池组

小心： 安装或拆卸电池组之前，请务必关闭工具电源。

小心： 安装或拆卸电池组时请握紧工具和电池组。否则它们可能从您的手中滑落，导致工具和电池组受损，甚至造成人身伤害。

► **图片1：** 1. 红色指示器 2. 按钮 3. 电池组

拆卸电池组时，按下电池组前侧的按钮，同时将电池组从工具中抽出。

安装电池组时，要将电池组上的舌簧与外罩上的凹槽对齐，然后推滑到位。将其完全插入到位，直到锁定并发出咔哒声为止。若能看到图示中的红色指示器，则说明未完全锁紧。

小心： 务必完全装入电池组，直至看不见红色指示器为止。否则，它可能会从工具中意外脱落，从而造成自身或他人受伤。

小心： 请勿强行安装电池组。如果电池组难以插入，可能是插入方法不当。

工具 / 电池保护系统

本工具配备有工具 / 电池保护系统。该系统可自动切断电机电源以延长工具和电池寿命。作业时，如果工具或电池处于以下情况，工具将会自动停止运转。

过载保护

以导致异常高电流的方式操作电池时，工具会自动停止运转，指示灯不闪烁。在这种情况下，请关闭工具并停止导致工具过载的应用操作。然后开启工具重新启动。

过热保护

工具或电池过热时，工具将自动停止运转且指示灯闪烁。在这种情况下，请待工具和电池冷却后再重新开启工具。

过放电保护

电池电量不足时，工具会自动停止运转并且指示灯闪烁。此时，请取出工具中的电池并予以充电。

其他原因防护

保护系统还适用于其他可能导致工具受损的情况，从而使工具自动停止运转。工具暂时或中途停止工作时，执行以下所有步骤以排除异常原因。

- 关闭工具，然后再次重新启动。
- 给电池充电或更换为充电电池。
- 请等待工具和电池冷却。

如果保护系统恢复后仍无改善，请联络当地的Makita（牧田）维修服务中心。

显示电池的剩余电量

按电池组上的CHECK（查看）按钮可显示电池剩余电量。指示灯将亮起数秒。

► **图片2：** 1. 指示灯 2. CHECK（查看）按钮

指示灯			剩余电量
点亮	熄灭	闪烁	
■ ■ ■ ■			75%至100%
■ ■ ■ □			50%至75%
■ ■ □ □			25%至50%
■ □ □ □			0%至25%
▣ □ □ □			给电池充电。
■ ■ □ □			电池可能出现故障。
□ □ ■ ■			

注： 在不同的使用条件及环境温度下，指示灯所示电量可能与实际情况略有不同。

注： 当电池保护系统启动时，第一个（最左侧）指示灯将闪烁。

选择切割操作

► 图片3: 1. 杆

本工具可用于轨道或直线切割操作。
要更改切割操作，将杆转至所需切割操作的位置。请参阅下表，选择正确的切割操作。

位置	切割操作	应用场合
	轨道切割操作	用于快速切割木材和蒸压轻质加气混凝土。
	直线切割操作	用于切割铁管、铸铁管、铝、不锈钢和塑料。

注：轨道操作表示锯片同时上下前后移动。这样能够提高切割效率。

转速调节刻度盘

► 图片4: 1. 转速调节刻度盘

只需转动转速调节刻度盘即可调节冲程速度。即使工具正在运行中也可执行该操作。刻度盘分为1（最低速）至5（全速）档。根据作业需求在1到5之间调节转速调节刻度盘。请参阅下表，为要切割的工件选择合适的速度。根据工件的形状和硬度的不同，所需应用场合也可能会有所不同。通常，轨道切割操作适用于软性材料。

注：轨道切割操作适用于木材等大部分软性材料，但有时候根据工件的形状或硬度等可能不适用。

调节刻度盘上的数值	冲程速度
5	3,000
4	2,500
3	2,000
2	1,500
1	1,000

要切割的工件	调节刻度盘上的数值
木材	5
蒸压轻质加气混凝土	4 - 5
铁管、铸铁管和铝	2 - 4
塑料	1 - 3
不锈钢	1 - 2

注：如果工具长时间以低速持续操作，电机的使用寿命将会缩短。

注：转速调节刻度盘只能在1和5之间调节。请勿用强力将其拨至超过1或5的位置，否则调速功能可能会失灵。

开关操作

⚠小心：在将电池组插入工具之前，请务必检查开关扳机是否能扣动自如，松开时能否退回至“OFF”（关闭）位置。

⚠小心：不再操作工具时，从A侧按下锁止按钮，将开关扳机锁定在“OFF”（关）位置。

► 图片5: 1. 开关扳机 2. 锁止按钮

为避免使用者不小心扣动开关扳机，本工具采用锁止按钮。

要启动工具时，从B侧按下锁止按钮，然后扣动开关扳机即可。

随着在开关扳机上施加压力的增大，工具速度会提高。松开开关扳机工具即停止。使用之后，请务必从A侧按锁止按钮。

点亮前灯

► 图片6: 1. 照明灯

⚠小心：请勿直视灯光或光源。

扣动开关扳机点亮照明灯。在扣动开关扳机期间此灯保持常亮。松开开关扳机约10秒后，灯将熄灭。

注：请使用干布擦拭灯头灰。注意不要刮花灯头，否则会降低亮度。

注：工具过热时，指示灯会闪烁一分钟。在这种情况下，请使工具冷却后再进行操作。

调节导靴

⚠警告：拆卸或调节导靴时，务必先取出电池组和往复锯锯片。

⚠小心：在操作工具前，务必安装导靴，并确认导靴与工件接触。

⚠小心：务必确认导靴已调节至适当位置，以免操作期间往复锯锯片与工具接触。

► 图片7

当往复锯锯片切割边的一处变钝时，请重新放置导靴以利用锯片切割边锐利、未使用的部分。这将有助于延长往复锯锯片的使用寿命。

导靴的位置可分6级进行调整。

要重新放置导靴，请打开导靴调节杆并选择合适的位置，然后闭合导靴调节杆。

► **图片8:** 1. 导靴 2. 导靴调节杆

注: 不可在没有完全打开导靴调节杆的情况下调节导靴。

清洁导靴内部

可以卸下导靴，清洁工具内部的灰尘或碎屑。

1. 将导靴调节杆完全拉开。

2. 请在按下按钮的同时拉出导靴。

► **图片9:** 1. 导靴 2. 导靴调节杆 3. 按钮

3. 清除工具内部的灰尘或碎屑。

4. 请在按下按钮的同时装入导靴。

5. 要重新放置导靴，请完全打开导靴调节杆并将导靴插入至合适的位置，然后闭合导靴调节杆。

挂钩

⚠️小心: 悬挂工具时，请将锁止按钮置于位置以锁定开关扳机。(请参见开关操作章节。)

⚠️小心: 切勿将工具悬挂在高处或可能不稳固的位置。

⚠️小心: 悬挂 / 安装部件只能用于预期用途。用作其他用途可能会引发意外或造成人身伤害。

⚠️小心: 请勿将工具悬挂在您的腰带或其他配件上。往复锯锯片可能会接触您的身体并导致人身伤害。

► **图片10:** 1. 挂钩

挂钩便于临时悬挂工具。

要使用挂钩时，只需提起挂钩使其咬在打开位置即可。

不使用时，务必压低挂钩使其咬在关闭位置。

电动制动器

本工具配备有电动制动器。如果在松开开关扳机后，工具始终无法立即停机，则须交由 Makita (牧田) 维修中心维修。

电子功能

本工具配备了电子功能以提高操作便利性。

恒速控制

速度控制功能可保持转速恒定，而无论负载如何。

装配

⚠️小心: 对工具进行任何装配操作前，请务必关闭工具电源，并取出电池组。

安装或拆卸往复锯锯片

⚠️小心: 清除全部碎屑以及附着在锯片和锯片夹旁的异物。否则可能会导致锯片紧固不足，从而导致严重人身伤害。

要安装往复锯锯片，请先将释放杆拉至末端使锯片夹套筒进入释放位置，然后再插入往复锯锯片。

► **图片11:** 1. 释放杆 2. 锯片夹套筒 3. 释放位置 4. 固定位置

注: 请务必将释放杆拉至末端。否则，锯片夹套筒将不会进入释放位置，由此导致无法插入往复锯锯片。

尽量将往复锯锯片插入锯片夹套筒插槽底部。随后，伴随一声咔哒声，锯片夹套筒便与往复锯锯片扣合。请确保往复锯锯片无法被您拔出。

► **图片12:** 1. 往复锯锯片 2. 锯片夹套筒

⚠️小心: 如果未将锯片插入到底，操作期间锯片可能会意外弹出。这样会非常危险。

要拆卸往复锯锯片时，请沿箭头方向将释放杆拉至底部。

► **图片13:** 1. 往复锯锯片 2. 释放杆

注意: 操作开关扳机时，切勿操作释放杆。否则可能会导致故障。

操作

⚠小心： 操作期间，请务必将导靴牢牢固定在工件上。如果导靴在操作期间脱离工件，将产生剧烈的震动和/或扭曲，会导致锯片折断，十分危险。

⚠小心： 切割金属时，请务必佩带手套，以保护您免受灼热飞溅碎片的伤害。

⚠小心： 请务必佩带符合当前国家标准的安全眼镜。

⚠小心： 切割金属时，请务必使用合适的冷却液（切割油）。否则会导致锯片过早磨损。

⚠小心： 切割时切勿急转锯片。

⚠小心： 请勿在挂钩打开的情况下运行工具。

将导靴牢牢固定在工件上。请勿使工具弹跳。使往复锯锯片略微与工件接触。首先，请使用低速切割出一道导槽。然后使用较快的速度继续进行切割。

► 图片14

注意： 请勿在导靴离开工件或无导靴的情况下切割工件。否则会增大反作用力，从而导致往复锯锯片破裂。

保养

⚠小心： 检查或保养工具之前，请务必关闭工具电源并取出电池组。

注意： 切勿使用汽油、苯、稀释剂、酒精或类似物品清洁工具。否则可能会导致工具变色、变形或出现裂缝。

为了保证产品的安全与可靠性，维修、任何其他维修保养或调节需由Makita（牧田）授权的或工厂维修服务中心完成。务必使用Makita（牧田）的替换部件。

选购附件

⚠小心： 这些附件或装置专用于本说明书所列的Makita（牧田）工具。如使用其他厂牌附件或装置，可能导致人身伤害。仅可将附件或装置用于规定目的。

如您需要了解更多关于这些选购附件的信息，请咨询当地的Makita（牧田）维修服务中心。

- 往复锯锯片
- Makita（牧田）原装电池和充电器

注： 本列表中的一些部件可能作为标准配件包含于工具包装内。它们可能因销往国家之不同而异。

SPEKIFIKASI

Model:		JR002G
Panjang langkah		32 mm
Langkah per menit		0 - 3.000 min ⁻¹
Kapasitas pemotongan maks.	Pipa	130 mm
	Kayu	255 mm
Panjang keseluruhan	dengan BL4025	436 mm
	dengan BL4050F	473 mm
Tegangan terukur		D.C. 36 V - 40 V maks
Berat bersih		4,6 - 5,8 kg

- Karena kesinambungan program penelitian dan pengembangan kami, spesifikasi yang disebutkan di sini dapat berubah tanpa pemberitahuan.
- Spesifikasi dan kartrid baterai dapat berbeda dari satu negara ke negara lainnya.
- Berat alat mungkin berbeda tergantung perangkat tambahan yang dipasang, termasuk kartrid baterai. Kombinasi alat terberat dan teringan, sesuai Prosedur EPTA 01/2014, ditunjukkan pada tabel.

Kartrid dan pengisi daya baterai yang dapat digunakan

Kartrid baterai	BL4020* / BL4025* / BL4040* / BL4050F* / BL4080F* * : Baterai yang direkomendasikan
Pengisi daya	DC40RA / DC40RB / DC40RC

- Beberapa kartrid baterai dan pengisi daya yang tercantum di atas mungkin tidak tersedia, tergantung wilayah tempat tinggal Anda.

⚠ PERINGATAN: Hanya gunakan kartrid dan pengisi daya baterai yang tercantum di atas. Penggunaan kartrid dan pengisi daya baterai lain dapat menimbulkan risiko cedera dan/atau kebakaran.

Simbol

Berikut ini adalah simbol-simbol yang dapat digunakan pada peralatan ini. Pastikan Anda memahami arti masing-masing simbol sebelum menggunakan peralatan.



Baca petunjuk penggunaan.



Gunakan kaca mata pengaman.



Hanya untuk negara-negara UE
Akibat adanya komponen berbahaya dalam peralatan, limbah peralatan listrik dan elektronik, aki dan baterai dapat memiliki dampak negatif pada lingkungan dan kesehatan manusia.
Jangan buang peralatan listrik dan elektronik atau baterai bersama limbah rumah tangga!
Sesuai dengan Petunjuk Eropa tentang limbah peralatan listrik dan elektronik dan tentang aki dan baterai serta limbah aki dan baterai, serta penyesuaiannya terhadap undang-undang nasional, limbah peralatan listrik, baterai dan aki harus disimpan secara terpisah dan dikirim ke tempat pengumpulan terpisah untuk sampah kota, beroperasi sesuai dengan peraturan tentang perlindungan lingkungan.
Hal ini ditunjukkan dengan simbol tempat sampah bersilang yang ditempatkan pada peralatan.

Penggunaan

Mesin ini digunakan untuk menggergaji kayu, plastik dan bahan yang terbuat dari besi.

PERINGATAN KESELAMATAN

Peringatan keselamatan umum mesin listrik

⚠️ PERINGATAN: Bacalah semua peringatan keselamatan, petunjuk, ilustrasi dan spesifikasi yang disertakan bersama mesin listrik ini. Kelalaian untuk mematuhi semua petunjuk yang tercantum di bawah ini dapat menyebabkan sengatan listrik, kebakaran dan/atau cedera serius.

Simpanlah semua peringatan dan petunjuk untuk acuan di masa depan.

Istilah "mesin listrik" dalam semua peringatan mengacu pada mesin listrik yang dijalankan dengan sumber listrik jala-jala (berkabel) atau baterai (tanpa kabel).

Keselamatan tempat kerja

1. **Jaga tempat kerja selalu bersih dan berpenerangan cukup.** Tempat kerja yang berantakan dan gelap mengundang kecelakaan.
2. **Jangan gunakan mesin listrik dalam lingkungan yang mudah meledak, misalnya jika ada cairan, gas, atau debu yang mudah menyala.** Mesin listrik menimbulkan bunga api yang dapat menyalakan debu atau uap tersebut.
3. **Jauhkan anak-anak dan orang lain saat menggunakan mesin listrik.** Bila perhatian terpecah, anda dapat kehilangan kendali.

Keamanan Kelistrikan

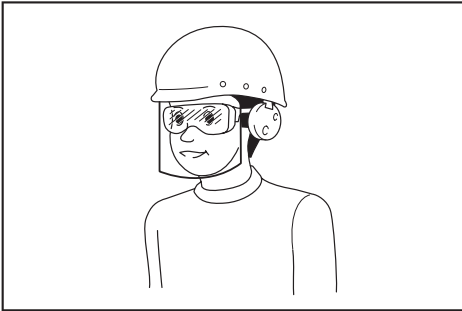
1. **Steker mesin listrik harus cocok dengan stopkontak. Jangan sekali-kali mengubah steker dengan cara apa pun. Jangan menggunakan steker adaptor dengan mesin listrik terbumi (dibumikan).** Steker yang tidak diubah dan stopkontak yang cocok akan mengurangi risiko sengatan listrik.
2. **Hindari sentuhan tubuh dengan permukaan terbumi atau yang dibumikan seperti pipa, radiator, kompor, dan kulkas.** Risiko sengatan listrik bertambah jika tubuh Anda terbumikan atau dibumikan.
3. **Jangan membiarkan mesin listrik kehujanan atau kebasahan.** Air yang masuk ke dalam mesin listrik akan meningkatkan risiko sengatan listrik.
4. **Jangan menyalahgunakan kabel. Jangan sekali-kali menggunakan kabel untuk membawa, menarik, atau mencabut mesin listrik dari stopkontak. Jauhkan kabel dari panas, minyak, tepian tajam, atau bagian yang bergerak.** Kabel yang rusak atau kusut memperbesar risiko sengatan listrik.
5. **Bila menggunakan mesin listrik di luar ruangan, gunakan kabel ekstensi yang sesuai untuk penggunaan di luar ruangan.** Penggunaan kabel yang sesuai untuk penggunaan luar ruangan mengurangi risiko sengatan listrik.

6. **Jika mengoperasikan mesin listrik di lokasi lembap tidak terhindarkan, gunakan pasokan daya yang dilindungi peranti imbasan arus (residual current device - RCD).** Penggunaan RCD mengurangi risiko sengatan listrik.
7. **Mesin listrik dapat menghasilkan medan magnet (EMF) yang tidak berbahaya bagi pengguna.** Namun, pengguna alat pacu jantung atau peralatan medis sejenisnya harus berkonsultasi dengan produsen peralatan tersebut dan/atau dokter mereka sebelum mengoperasikan mesin listrik ini.

Keselamatan Diri

1. **Jaga kewaspadaan, perhatikan pekerjaan Anda dan gunakan akal sehat bila menggunakan mesin listrik. Jangan menggunakan mesin listrik saat Anda lelah atau di bawah pengaruh obat bius, alkohol, atau obat.** Sekejap saja lalai saat menggunakan mesin listrik dapat menyebabkan cedera badan serius.
2. **Gunakan alat pelindung diri. Selalu gunakan pelindung mata.** Peralatan pelindung seperti masker debu, sepatu pengaman anti-selip, helm pengaman, atau pelindung telinga yang digunakan untuk kondisi yang sesuai akan mengurangi risiko cedera badan.
3. **Cegah penyalaaan yang tidak disengaja. Pastikan bahwa sakelar berada dalam posisi mati (off) sebelum menghubungkan mesin ke sumber daya dan/atau paket baterai, atau mengangkat atau membawanya.** Membawa mesin listrik dengan jari Anda pada sakelarnya atau mengalirkan listrik pada mesin listrik yang sakelarnya hidup (on) akan mengundang kecelakaan.
4. **Lepaskan kunci-kunci penyetel sebelum menghidupkan mesin listrik.** Kunci-kunci yang masih terpasang pada bagian mesin listrik yang berputar dapat menyebabkan cedera.
5. **Jangan meraih terlalu jauh. Jagalah pijakan dan keseimbangan sepanjang waktu.** Hal ini memungkinkn kendali yang lebih baik atas mesin listrik dalam situasi yang tidak diharapkan.
6. **Kenakan pakaian yang memadai. Jangan memakai pakaian yang longgar atau perhiasan. Jaga jarak antara rambut dan pakaian Anda dengan komponen mesin yang bergerak.** Pakaian yang longgar, perhiasan, atau rambut yang panjang dapat tersangkut pada komponen yang bergerak.
7. **Jika tersedia fasilitas untuk menghisap dan mengumpulkan debu, pastikan fasilitas tersebut terhubung listrik dan digunakan dengan baik.** Penggunaan pembersih debu dapat mengurangi bahaya yang terkait dengan debu.
8. **Jangan sampai Anda lelah dan mengabaikan prinsip keselamatan mesin ini hanya karena sudah sering mengoperasikannya dan sudah merasa terbiasa.** Tindakan yang lalai dapat menyebabkan cedera berat dalam sepersekian detik saja.

9. **Selalu kenakan kacamata pelindung untuk melindungi mata dari cedera saat menggunakan mesin listrik. Kacamata harus sesuai dengan ANSI Z87.1 di Amerika Serikat, EN 166 di Eropa, atau AS/NZS 1336 di Australia/Selandia Baru. Di Australia/Selandia Baru, secara hukum Anda juga diwajibkan mengenakan pelindung wajah untuk melindungi wajah Anda.**



Menjadi tanggung jawab atasannya untuk menerapkan penggunaan alat pelindung keselamatan yang tepat bagi operator mesin dan orang lain yang berada di area kerja saat itu.

Penggunaan dan pemeliharaan mesin listrik

1. **Jangan memaksa mesin listrik. Gunakan mesin listrik yang tepat untuk keperluan Anda.** Mesin listrik yang tepat akan menuntaskan pekerjaan dengan lebih baik dan aman pada kecepatan sesuai rancangannya.
2. **Jangan gunakan mesin listrik jika sakelar tidak dapat menyala dan mematikannya.** Mesin listrik yang tidak dapat dikendalikan dengan sakelarnya adalah berbahaya dan harus diperbaiki.
3. **Cabut steker dari sumber listrik dan/atau lepas paket baterai, jika dapat dilepas, dari mesin listrik sebelum melakukan penyetelan apa pun, mengganti aksesoris, atau menyimpan mesin listrik.** Langkah keselamatan preventif tersebut mengurangi risiko hidupnya mesin secara tak sengaja.
4. **Simpan mesin listrik jauh dari jangkauan anak-anak dan jangan biarkan orang yang tidak paham mengenai mesin listrik tersebut atau petunjuk ini menggunakan mesin listrik.** Mesin listrik sangat berbahaya di tangan pengguna yang tak terlatih.
5. **Rawatlah mesin listrik dan aksesoris. Periksa apakah ada komponen bergerak yang tidak lurus atau macet, komponen yang pecah, dan kondisi-kondisi lain yang dapat memengaruhi pengoperasian mesin listrik. Jika rusak, perbaiki mesin listrik terlebih dahulu sebelum digunakan.** Banyak kecelakaan disebabkan oleh kurangnya pemeliharaan mesin listrik.
6. **Jaga agar mesin pemotong tetap tajam dan bersih.** Mesin pemotong yang terawat baik dengan mata pemotong yang tajam tidak mudah macet dan lebih mudah dikendalikan.
7. **Gunakan mesin listrik, aksesoris, dan mata mesin, dll. sesuai dengan petunjuk ini, dengan memperhitungkan kondisi kerja dan jenis pekerjaan yang dilakukan.** Penggunaan mesin listrik untuk penggunaan yang lain dari peruntukan dapat menimbulkan situasi berbahaya.
8. **Jagalah agar gagang dan permukaan pegangan tetap kering, bersih, dan bebas dari minyak dan pelumas.** Gagang dan permukaan pegangan yang licin tidak mendukung keamanan penanganan dan pengendalian mesin dalam situasi-situasi tak terduga.
9. **Ketika menggunakan mesin, jangan menggunakan sarung tangan kain yang dapat tersangkut.** Sarung tangan kain yang tersangkut pada komponen bergerak dapat mengakibatkan cedera pada pengguna.

Penggunaan dan pemeliharaan mesin bertenaga baterai

1. **Isi ulang baterai hanya dengan pengisi daya yang ditentukan oleh pabrik.** Pengisi daya yang cocok untuk satu jenis paket baterai dapat menimbulkan risiko kebakaran ketika digunakan untuk paket baterai yang lain.
2. **Gunakan mesin listrik hanya dengan paket baterai yang telah ditentukan secara khusus.** Penggunaan paket baterai lain dapat menimbulkan risiko cedera dan kebakaran.
3. **Ketika paket baterai tidak digunakan, jauhkan dari benda logam lain, seperti penjepit kertas, uang logam, kunci, paku, sekrup atau benda logam kecil lainnya, yang dapat menghubungkan satu terminal ke terminal lain.** Hubungan singkat terminal baterai dapat menyebabkan luka bakar atau kebakaran.
4. **Pemakaian yang salah, dapat menyebabkan keluarnya cairan dari baterai; hindari kontak. Jika terjadi kontak secara tidak sengaja, bilas dengan air. Jika cairan mengenai mata, cari bantuan medis.** Cairan yang keluar dari baterai bisa menyebabkan iritasi atau luka bakar.
5. **Jangan menggunakan paket baterai atau mesin yang sudah rusak atau telah diubah.** Baterai yang rusak atau telah diubah dapat menyebabkan hal-hal yang tidak dapat diprediksi yang dapat menyebabkan kebakaran, ledakan atau risiko cedera.
6. **Jangan membiarkan paket baterai atau mesin dekat dengan api atau suhu yang berlebihan.** Paparan api atau suhu di atas 130 °C dapat menyebabkan ledakan.
7. **Ikuti semua petunjuk pengisian daya dan jangan mengisi daya paket baterai atau mesin di luar rentang suhu yang ditentukan di panduan.** Mengisi daya secara tidak tepat atau pada suhu di luar rentang yang ditentukan dapat merusak baterai dan meningkatkan risiko kebakaran.

Servis

1. **Berikan mesin listrik untuk diperbaiki hanya kepada oleh teknisi yang berkualifikasi dengan menggunakan hanya suku cadang pengganti yang serupa.** Hal ini akan menjamin terjaganya keamanan mesin listrik.

2. **Jangan pernah memperbaiki paket baterai yang sudah rusak.** Perbaikan paket baterai harus dilakukan hanya oleh produsen atau penyedia servis resmi.
3. **Patuhi petunjuk pelumasan dan penggantian aksesoris.**

Peringatan keselamatan gergaji bolak-balik nirkabel

1. **Pegang mesin listrik pada permukaan genggam yang terisolasi saat melakukan pekerjaan bila aksesoris pemotong mungkin bersentuhan dengan kawat tersembunyi.** Aksesoris pemotong yang menyentuh kawat "hidup" dapat menyebabkan bagian logam pada mesin teraliri arus listrik dan menyengat pengguna.
2. **Gunakan klem atau cara praktis lainnya untuk mengikat dan menahan benda kerja pada posisi yang stabil.** Menahan benda kerja dengan tangan atau berada pada posisi berlawanan dengan badan Anda membuat benda kerja tidak stabil dan dapat menyebabkan kehilangan kendali.
3. **Selalu gunakan kaca mata pengaman atau kaca mata pelindung.** Kaca mata biasa atau kaca mata hitam **BUKANLAH** kaca mata pengaman.
4. **Hindari memotong paku.** Periksa apakah terdapat paku di benda kerja dan buang semua paku sebelum pengoperasian.
5. **Jangan memotong benda kerja terlalu besar.**
6. **Periksa apakah jarak di luar benda kerja sudah tepat sebelum memotong sehingga mata pisau tidak akan menabrak lantai, meja kerja, dll.**
7. **Pegang mesin kuat-kuat.**
8. **Pastikan bahwa mata pisau tidak menyentuh benda kerja sebelum sakelar dinyalakan.**
9. **Jauhkan tangan dari bagian yang berputar.**
10. **Jangan tinggalkan mesin dalam keadaan hidup.** Jalankan mesin hanya ketika digenggam tangan.
11. **Selalu matikan dan tunggu sampai mata pisau benar-benar berhenti sebelum melepas mata pisau dari benda kerja.**
12. **Jangan menyentuh mata pisau atau benda kerja segera setelah pengoperasian;** suhunya mungkin masih sangat panas dan dapat membakar kulit Anda.
13. **Jangan mengoperasikan mesin tanpa beban dengan tanpa keperluan.**
14. **Selalu gunakan masker debu/alat pernafasan yang tepat sesuai bahan dan pekerjaan yang sedang Anda kerjakan.**
15. **Bahan tertentu mengandung zat kimia yang mungkin beracun.** Hindari menghirup debu dan persentuhan dengan kulit. Ikuti data keselamatan bahan dari pemasok.

16. **Sebelum penggunaan, pastikan tidak ada benda yang terkubur seperti pipa listrik, pipa air, atau pipa gas di benda kerja.** Jika tidak, mata gergaji bolak balik dapat menyentuhnya, sehingga mengakibatkan sengatan listrik, kebocoran arus listrik, atau kebocoran gas.

SIMPAN PETUNJUK INI.

⚠️ PERINGATAN: JANGAN biarkan kenyamanan atau terbiasanya Anda dengan produk (karena penggunaan berulang) mengurangi kepatuhan yang ketat terhadap aturan keselamatan untuk produk yang terkait. **PENYALAHGUNAAN** atau kelalaian mematuhi kaidah keselamatan yang tertera dalam petunjuk ini dapat menyebabkan cedera badan serius.

Petunjuk keselamatan penting untuk kartrid baterai

1. **Sebelum menggunakan kartrid baterai, bacalah semua petunjuk dan penandaan pada (1) pengisi daya baterai, (2) baterai, dan (3) produk yang menggunakan baterai.**
2. **Jangan membongkar atau memodifikasi kartrid baterai.** Tindakan tersebut dapat menimbulkan api, panas berlebih, atau ledakan.
3. **Jika waktu beroperasinya menjadi sangat singkat, segera hentikan penggunaan.** Hal tersebut dapat menimbulkan risiko panas berlebih, kemungkinan mengalami luka bakar atau bahkan terjadi ledakan.
4. **Jika elektrolit mengenai mata Anda, basuh dengan air bersih dan segera cari pertolongan medis.** Hal tersebut dapat mengakibatkan hilangnya kemampuan penglihatan Anda.
5. **Jangan menghubungkan terminal kartrid baterai:**
 - (1) **Jangan menyentuh terminal dengan bahan penghantar listrik apa pun.**
 - (2) **Hindari menyimpan kartrid baterai pada wadah yang berisi benda logam lain seperti paku, uang logam, dsb.**
 - (3) **Jangan membiarkan baterai terkena air atau kehujanan.**

Hubungan singkat baterai dapat menyebabkan aliran arus listrik yang besar, panas berlebih, kemungkinan mengalami luka bakar dan bahkan kerusakan pada baterai.
6. **Jangan menyimpan dan menggunakan mesin dan kartrid baterai pada lokasi dengan suhu yang bisa mencapai atau melebihi 50 °C (122 °F).**
7. **Jangan membuang kartrid baterai di tempat pembakaran sampah walaupun benar-benar rusak atau tidak bisa digunakan sama sekali.** Kartrid baterai bisa meledak jika terbakar.
8. **Jangan memaku, memotong, menghancurkan, melempar, menjatuhkan kartrid baterai, atau memukulkan benda keras ke kartrid baterai.** Tindakan tersebut dapat menimbulkan api, panas berlebih, atau ledakan.
9. **Jangan menggunakan baterai yang rusak.**

10. **Baterai litium-ion yang disertakan sesuai dengan persyaratan Perundangan Makanan Berbahaya.**
Harus ada pengawasan untuk pengangkutan komersial misalnya oleh pihak ketiga, ekspeditor, persyaratan khusus terhadap pengemasan dan pelabelan.
Diperlukan adanya konsultasi dengan ahli mengenai material berbahaya untuk persiapan barang yang akan dikirimkan. Perhatikan pula peraturan nasional yang lebih terperinci yang mungkin ada.
Beri perekat atau tutupi bagian yang terbuka dan kemasi baterai dengan cara yang tidak akan menimbulkan pergeseran dalam pengemasan.
11. **Ketika membuang kartrid baterai, lepaskan dari mesin dan buang ke tempat yang aman. Patuhi peraturan setempat yang berkaitan dengan pembuangan baterai.**
12. **Gunakan baterai hanya dengan produk yang ditentukan oleh Makita.** Memasang baterai pada produk yang tidak sesuai dapat menyebabkan kebakaran, kelebihan panas, ledakan, atau kebocoran elektrolit.
13. **Jika mesin tidak digunakan dalam jangka waktu yang lama, baterai harus dilepas dari mesin.**
14. **Selama dan setelah digunakan, kartrid baterai mungkin menyimpan panas yang dapat menyebabkan luka bakar atau luka bakar suhu rendah. Perhatikan cara memegang kartrid baterai yang masih panas.**
15. **Jangan langsung menyentuh terminal mesin setelah digunakan karena suhunya mungkin cukup panas untuk menyebabkan luka bakar.**
16. **Jangan biarkan serpihan, debu, atau tanah menempel di terminal, lubang, dan alur kartrid baterai.** Hal tersebut dapat menyebabkan pemanasan, kebakaran, ledakan, dan kegagalan fungsi mesin atau kartrid baterai, yang mengakibatkan luka bakar atau cedera diri.
17. **Kecuali jika mesin mendukung penggunaan di dekat saluran listrik bertegangan tinggi, jangan gunakan kartrid baterai di dekat saluran listrik bertegangan tinggi.** Hal tersebut dapat mengakibatkan kegagalan fungsi atau kerusakan mesin maupun kartrid baterai.
18. **Jauhkan baterai dari jangkauan anak-anak.**

SIMPAN PETUNJUK INI.

⚠PERHATIAN: Gunakan baterai asli Makita. Penggunaan baterai Makita yang tidak asli, atau baterai yang sudah diubah, akan mengakibatkan baterai mudah terbakar, cedera dan kerusakan. Akan menghilangkan garansi Makita pada pengisi daya dan alat Makita.

Tip untuk menjaga agar umur pemakaian baterai maksimum

1. **Isi ulang kartrid baterai sebelum habis sama sekali. Selalu hentikan penggunaan mesin dan ganti kartrid baterai jika Anda melihat bahwa mesin kurang tenaga.**
2. **Jangan pernah mengisi ulang kartrid baterai yang sudah diisi penuh. Pengisian ulang yang berlebih memperpendek umur pemakaian baterai.**
3. **Isi ulang kartrid baterai pada suhu ruangan 10 °C - 40 °C. Biarkan kartrid baterai yang panas menjadi dingin terlebih dahulu sebelum diisi ulang.**
4. **Saat kartrid baterai tidak digunakan, lepaskan dari mesin atau pengisi daya.**
5. **Isi ulang daya kartrid baterai jika Anda tidak menggunakannya untuk jangka waktu yang lama (lebih dari enam bulan).**

DESKRIPSI FUNGSI

⚠PERHATIAN: Selalu pastikan bahwa mesin dimatikan dan kartrid baterai dilepas sebelum menyatel atau memeriksa kerja mesin.

Memasang atau melepas baterai

⚠PERHATIAN: Selalu matikan mesin sebelum memasang atau melepas kartrid baterai.

⚠PERHATIAN: Pegang mesin dan kartrid baterai kuat-kuat saat memasang atau melepas kartrid baterai. Kelalaian untuk memegang mesin dan kartrid baterai kuat-kuat bisa menyebabkan keduanya tergelincir dari tangan Anda dan mengakibatkan kerusakan pada mesin dan kartrid baterai dan cedera diri.

- **Gbr.1:** 1. Indikator berwarna merah 2. Tombol 3. Kartrid baterai

Untuk melepas kartrid baterai, geser dari mesin sambil menggeser tombol pada bagian depan kartrid.

Untuk memasang kartrid baterai, sejajarkan lidah kartrid baterai dengan alur pada rumah dan masukkan ke dalam tempatnya. Masukkan seluruhnya sampai terkunci pada tempatnya dan terdengar bunyi klik kecil. Jika Anda bisa melihat indikator berwarna merah seperti yang ditunjukkan pada gambar, ini artinya kartrid baterai tidak terkunci sempurna.

⚠PERHATIAN: Selalu pasang kartrid baterai sepenuhnya sampai indikator berwarna merah tidak terlihat. Jika tidak, bisa terlepas dari mesin secara tidak sengaja, menyebabkan luka pada Anda atau orang di sekitar Anda.

⚠PERHATIAN: Jangan memasang kartrid baterai secara paksa. Jika kartrid tidak bergeser dengan mudah, berarti tidak dimasukkan dengan benar.

Sistem perlindungan mesin / baterai

Mesin ini dilengkapi dengan sistem perlindungan mesin/ baterai. Sistem ini memutuskan daya ke motor secara otomatis untuk memperpanjang umur pakai mesin dan baterai. Mesin akan berhenti secara otomatis saat dioperasikan jika mesin atau baterai mengalami salah satu dari kondisi-kondisi berikut ini:

Perlindungan kelebihan beban

Jika baterai digunakan dengan cara yang membuat baterai menarik arus tinggi berlebihan, mesin akan berhenti secara otomatis tanpa peringatan sebelumnya. Dalam situasi ini, matikan mesin dan hentikan pekerjaan yang menyebabkan mesin mengalami kelebihan beban. Kemudian, nyalakan mesin untuk kembali melanjutkan pekerjaan.

Perlindungan panas berlebih

Apabila mesin atau baterai terlalu panas, mesin akan berhenti secara otomatis dan lampu akan berkedip. Pada keadaan ini, tunggu hingga mesin dan baterai mendingin sebelum dinyalakan kembali.

Perlindungan pengisian daya berlebih

Apabila kapasitas baterai tidak mencukupi, mesin akan berhenti secara otomatis dan lampu berkedip. Dalam kondisi ini, lepaskan baterai dari mesin dan isi ulang daya baterai.

Perlindungan terhadap penyebab lain

Sistem perlindungan juga dirancang untuk penyebab lain yang dapat merusak mesin dan memungkinkan mesin untuk berhenti secara otomatis. Lakukan semua langkah berikut ini untuk mengatasi penyebabnya, saat mesin dihentikan sementara atau berhenti beroperasi.

1. Matikan mesin, dan kemudian hidupkan kembali untuk memulai ulang.
2. Isi baterai atau ganti dengan baterai yang sudah diisi ulang.
3. Biarkan mesin dan baterai menjadi dingin.

Jika tidak ada peningkatan yang dapat ditemukan dengan memulihkan sistem perlindungan, hubungi Pusat Servis Makita setempat Anda.

Mengindikasikan kapasitas baterai yang tersisa

Tekan tombol pemeriksaan pada kartrid baterai untuk melihat kapasitas baterai yang tersisa. Lampu indikator menyala selama beberapa detik.

► **Gbr.2:** 1. Lampu indikator 2. Tombol pemeriksaan

Lampu indikator			Kapasitas yang tersisa
Menyala	Mati	Berkedip	
■ ■ ■ ■			75% hingga 100%
■ ■ ■ □			50% hingga 75%
■ ■ □ □			25% hingga 50%
■ □ □ □			0% hingga 25%
▣ □ □ □			Isi ulang baterai.
■ ■ □ □			Baterai mungkin sudah rusak.
□ □ ■ ■			

CATATAN: Tergantung kondisi penggunaan dan suhu lingkungannya, penunjukkan mungkin saja sedikit berbeda dari kapasitas sebenarnya.



CATATAN: Lampu indikator pertama (ujung kiri) akan berkedip ketika sistem perlindungan mesin bekerja.

Memilih gerak pemotongan

► **Gbr.3:** 1. Tuas

Mesin ini dapat dioperasikan dengan gerak pemotongan sejajar atau orbital.

Untuk mengubah gerak pemotongan, putar tuas ke posisi gerak pemotongan yang diinginkan. Silakan mengacu pada tabel untuk memilih gerak pemotongan yang tepat.

Posisi	Gerak pemotongan	Aplikasi
	Gerak pemotongan orbital	Untuk pemotongan cepat pada beton ringan autoklaf.
	Gerak pemotongan sejajar	Untuk memotong pipa besi, pipa besi cor, aluminium, baja tahan karat, dan plastik.

CATATAN: Tindakan orbital berarti bahwa mata gergaji bergerak ke atas dan ke bawah, dan bolak-balik pada saat yang sama. Hal ini akan meningkatkan efisiensi pemotongan.

Sakelar penyetel kecepatan

► Gbr.4: 1. Sakelar penyetel kecepatan

Langkah per menit bisa disetel hanya dengan memutar sakelar penyetel kecepatan. Hal ini dapat dilakukan bahkan ketika mesin sedang bekerja. Sakelar diberi tanda 1 (kecepatan terendah) sampai 5 (kecepatan penuh). Putar sakelar penyetel kecepatan antara 1 dan 5 sesuai dengan pekerjaan Anda.

Lihat tabel untuk memilih kecepatan yang tepat untuk benda kerja yang akan dipotong. Namun, aplikasi yang sesuai dapat berbeda dengan bentuk dan kekerasan benda kerja. Biasanya, gerak pemotongan orbital cocok untuk bahan lunak.

CATATAN: Gerak pemotongan orbital cocok untuk sebagian besar bahan lunak seperti kayu, tetapi terkadang tidak cocok karena disesuaikan dengan bentuk atau kekerasan benda kerja, dll.

Angka pada sakelar penyetel	Langkah per menit
5	3.000
4	2.500
3	2.000
2	1.500
1	1.000

Benda kerja yang akan dipotong	Angka pada sakelar penyetel
Kayu	5
Beton ringan autoklaf	4 - 5
Pipa besi, pipa besi cor, dan aluminium	2 - 4
Plastik	1 - 3
Baja tahan karat	1 - 2

CATATAN: Jika mesin dijalankan secara terus-menerus dengan kecepatan rendah untuk jangka waktu yang lama, masa operasi motor akan menurun.

CATATAN: Sakelar penyetel kecepatan dapat diputar sampai maksimum angka 5 dan kembali ke 1. Jangan dipaksa melewati angka 5 atau 1, karena fungsi penyetelan kecepatan bisa tidak berfungsi lagi.

Kerja sakelar

▲PERHATIAN: Sebelum memasukkan kartrid baterai pada mesin, pastikan picu saklar berfungsi dengan baik dan kembali ke posisi "OFF" saat dilepas.

▲PERHATIAN: Saat mesin tidak dioperasikan, tekan tombol buka kunci dari sisi A untuk mengunci pelatuk sakelar di posisi OFF.

► Gbr.5: 1. Pelatuk sakelar 2. Tombol pengunci

Untuk mencegah picu sakelar tertarik dengan tidak sengaja, tersedia tombol buka kunci.

Untuk menjalankan mesin, tekan tombol buka kunci dari sisi B dan tarik picu saklar.

Kecepatan mesin akan meningkat dengan menambah tekanan pada picu saklar. Lepaskan pelatuk sakelar untuk berhenti. Setelah penggunaan, selalu tekan tombol buka kunci dari sisi A.

Menyalakan lampu depan

► Gbr.6: 1. Lampu

▲PERHATIAN: Jangan melihat lampu atau sumber cahaya secara langsung.

Tarik picu saklar untuk menyalakan lampu. Lampu tetap menyala selama picu saklar ditarik. Lampu akan padam kira-kira 10 detik setelah melepas picu saklar.

CATATAN: Gunakan kain kering untuk mengelap kotoran dari lensa lampu. Hati-hati jangan sampai menggores lensa lampu, atau hal tersebut dapat menurunkan tingkat penerangannya.

CATATAN: Jika mesin mengalami kelebihan panas, mabka lampu akan berkedip selama satu menit. Untuk kasus ini, biarkan mesin mendingin sebelum digunakan kembali.

Menyetel sepatu

▲PERINGATAN: Selalu lepaskan kartrid baterai dan mata gergaji bolak balik saat melepas atau menyetel sepatu.

▲PERHATIAN: Selalu pasang sepatu dan pastikan sepatu menyentuh benda kerja sebelum mengoperasikan mesin.

▲PERHATIAN: Selalu pastikan sepatu disesuaikan pada posisi yang tepat sehingga mata gergaji bolak balik tidak menyentuh mesin selama pengoperasian.

► Gbr.7

Saat mata gergaji bolak-balik kehilangan efisiensi pemotongan di satu tempat bersama dengan tepi pemotongnya, posisikan ulang sepatu untuk menggunakan bagian tepi pemotong yang tajam dan tidak digunakan. Hal ini dapat membantu memperpanjang masa pakai mata gergaji bolak-balik. Posisi sepatu dapat disetel dalam 6 level. Untuk mengubah posisi sepatu, buka tuas penyetel sepatu dan pilih posisi yang cocok, lalu tutup tuas penyetel sepatu.

► Gbr.8: 1. Sepatu 2. Tuas penyetel sepatu


CATATAN: Sepatu dapat disetel tanpa membuka tuas penyetel sepatu sepenuhnya.

Membersihkan bagian dalam sepatu

Anda dapat melepas sepatu dan membersihkan debu atau serpihan di bagian dalam mesin.

1. Tarik tuas penyetel sepatu dengan sempurna.
2. Tarik sepatu sembari menekan tombol.
- Gbr.9: 1. Sepatu 2. Tuas penyetel sepatu 3. Tombol
3. Bersihkan debu dan serpihan di bagian dalam mesin.
4. Pasang sepatu sembari menekan tombol.
5. Untuk mengubah posisi sepatu, buka tuas penyetel sepatu dengan sempurna dan masukkan sepatu ke posisi yang cocok, lalu tutup tuas penyetel sepatu.

Kait

⚠️ PERHATIAN: Pada waktu menggantung mesin, setel tombol buka kunci dalam posisi  untuk mengunci pelatuk sakelar. (Lihat bagian kerja sakelar.)

⚠️ PERHATIAN: Jangan sekali-kali menggantung mesin di tempat yang tinggi atau yang mungkin tidak stabil.

⚠️ PERHATIAN: Gunakan komponen penggantung/pemasangan untuk tujuan yang dimaksudkan saja. Menggunakan untuk tujuan yang tidak dimaksudkan dapat mengakibatkan kecelakaan atau cedera diri.

⚠️ PERHATIAN: Jangan mengaitkan mesin pada sabuk Anda atau aksesorinya. Mata gergaji bolak-balik dapat menyentuh tubuh Anda dan menyebabkan cedera badan.

► **Gbr.10:** 1. Kait

Kait ini cocok untuk menggantung mesin untuk sementara.

Untuk menggunakan kait ini, cukup angkat kait sampai berada di posisi terbuka.

Jika tidak digunakan, selalu turunkan kembali kait ke posisi tertutup.

Rem elektrik

Mesin ini dilengkapi dengan rem elektrik. Jika mesin selalu gagal melakukan pemberhentian cepat setelah pelatuk sakelar dilepaskan, servis mesin di pusat servis Makita.

Fungsi elektronik

Mesin ini dilengkapi dengan fungsi elektronik untuk pengoperasian yang mudah.

Kontrol kecepatan konstan

Fungsi kontrol kecepatan memberikan kecepatan rotasi yang konstan terlepas dari kondisi muatan.

PERAKITAN

⚠️ PERHATIAN: Selalu pastikan bahwa mesin dimatikan dan kartrid baterai dilepas sebelum melakukan pekerjaan apa pun pada mesin.

Memasang dan melepas mata pisau gergaji bolak-balik

⚠️ PERHATIAN: Selalu bersihkan serpihan atau benda asing yang melekat pada mata pisau dan di sekitar klem mata pisau. Kelalaian dalam melakukannya dapat mengakibatkan mata pisau tidak terpasang dengan kencang, yang dapat mengakibatkan cedera serius.

Untuk memasang mata gergaji bolak-balik, tarik tuas pelepas sepenuhnya sehingga lengan klem mata pisau sampai ke posisi pelepasan sebelum memasukkan mata gergaji bolak-balik.

► **Gbr.11:** 1. Tuas pelepas 2. Lengan klem mata pisau 3. Posisi pelepasan 4. Posisi Terpasang

CATATAN: Selalu tarik tuas pelepasan sepenuhnya ke ujung. Jika tidak, lengan klem mata pisau tidak akan sampai pada posisi pelepasan dan mata gergaji bolak-balik tidak dapat dimasukkan.

Masukkan sejauh mungkin mata gergaji bolak-balik ke dalam celah pada lengan klem mata pisau. Lengan klem mata pisau akan menangkap mata gergaji bolak-balik hanya dengan sekali klik. Pastikan mata gergaji bolak-balik tidak dapat dilepas meskipun Anda menariknya keluar.

► **Gbr.12:** 1. Mata gergaji bolak-balik 2. Lengan klem mata pisau

⚠️ PERHATIAN: Jika Anda tidak memasukkan mata gergaji bolak-balik dengan cukup dalam, mata gergaji bolak-balik dapat terlontar keluar tanpa terduga selama pengoperasian. Hal ini dapat sangat membahayakan.

Untuk melepas mata gergaji bolak-balik, tarik tuas pelepas ke arah tanda panah.

► **Gbr.13:** 1. Mata gergaji bolak-balik 2. Tuas pelepas

PEMBERITAHUAN: Jangan pernah mengoperasikan tuas pelepas saat sedang mengoperasikan pelatuk sakelar. Hal tersebut dapat menyebabkan malafungsi.

PENGUNAAN

⚠️ PERHATIAN: Selalu tekan sepatu kuat-kuat terhadap benda kerja selama pengoperasian. Jika sepatu dikeluarkan atau dipisahkan dari benda kerja selama pengoperasian, akan ada getaran yang kuat dan/atau putaran, sehingga mata pisau mungkin berada dalam posisi yang membahayakan.

⚠️ PERHATIAN: Selalu gunakan sarung tangan untuk melindungi tangan Anda dari serpihan panas yang beterbangan saat memotong logam.

⚠️ PERHATIAN: Pastikan selalu gunakan pelindung mata yang sesuai dengan standar nasional.

⚠️ PERHATIAN: Selalu gunakan pendingin (minyak pemotong) yang sesuai saat memotong logam. Kelalaian dalam melakukannya akan menyebabkan keausan dini pada mata pisau.

⚠️ PERHATIAN: Jangan memutar mata pisau saat memotong.

⚠️ PERHATIAN: Jangan operasikan mesin jika kait terbuka.

Tekan sepatu kuat-kuat terhadap benda kerja. Jangan sampai mesin melompat. Tempatkan mata gergaji bolak-balik untuk bersentuhan ringan dengan benda kerja. Pertama-tama, buat alur permulaan dengan menggunakan kecepatan rendah. Lalu gunakan kecepatan yang lebih untuk melanjutkan pemotongan.

► Gbr.14

PEMBERITAHUAN: Jangan potong benda kerja dengan sepatu yang berada jauh dari benda kerja atau tanpa sepatu. Hal tersebut meningkatkan gaya reaksi yang dapat merusak mata gergaji bolak balik.

PERAWATAN

⚠PERHATIAN: Selalu pastikan bahwa mesin dimatikan dan kartrid baterai dilepas sebelum melakukan pemeriksaan atau perawatan.

PEMBERITAHUAN: Jangan sekali-kali menggunakan bensin, tiner, alkohol, atau bahan sejenisnya. Penggunaan bahan demikian dapat menyebabkan perubahan warna, perubahan bentuk atau timbulnya retakan.

Untuk menjaga KEAMANAN dan KEANDALAN mesin, perbaikan, perawatan atau penyetelan lainnya harus dilakukan oleh Pusat Layanan Resmi atau Pabrik Makita; selalu gunakan suku cadang pengganti buatan Makita.

AKSESORI PILIHAN

⚠PERHATIAN: Dianjurkan untuk menggunakan aksesori atau perangkat tambahan ini dengan mesin Makita Anda yang ditentukan dalam petunjuk ini. Penggunaan aksesori atau perangkat tambahan lain bisa menyebabkan risiko cedera pada manusia. Hanya gunakan aksesori atau perangkat tambahan sesuai dengan peruntukannya.

Jika Anda memerlukan bantuan lebih rinci berkenaan dengan aksesori ini, tanyakan pada Pusat Layanan Makita terdekat.

- Mata gergaji bolak balik
- Baterai dan pengisi daya asli buatan Makita

CATATAN: Beberapa item dalam daftar tersebut mungkin sudah termasuk dalam paket mesin sebagai aksesori standar. Hal tersebut dapat berbeda dari satu negara ke negara lainnya.

SPEKIFIKASI

Model:		JR002G
Panjang strok		32 mm
Strok seminit		0 - 3,000 min ⁻¹
Kapasiti pemotongan maks.	Paip	130 mm
	Kayu	255 mm
Panjang keseluruhan	dengan BL4025	436 mm
	dengan BL4050F	473 mm
Voltan terkadar		D.C. 36 V - 40 V maks
Berat bersih		4.6 - 5.8 kg

- Disebabkan program penyelidikan dan pembangunan kami yang berterusan, spesifikasi yang terkandung di dalam ini adalah tertakluk kepada perubahan tanpa notis.
- Spesifikasi dan kartrij bateri mungkin berbeza mengikut negara.
- Berat mungkin berbeza bergantung kepada pemasangan, termasuk kartrij bateri. Kombinasi paling ringan dan paling berat, mengikut Prosedur EPTA 01/2014, ditunjukkan di dalam jadual.

Kartrij bateri dan pengecas yang boleh digunakan

Kartrij bateri	BL4020* / BL4025* / BL4040* / BL4050F* / BL4080F * : Bateri yang disyorkan
Pengecas	DC40RA / DC40RB / DC40RC

- Sesetengah kartrij bateri dan pengecas yang disenaraikan di atas mungkin tidak tersedia bergantung pada kawasan kediaman anda.

⚠️ AMARAN: Gunakan hanya kartrij bateri dan pengecas yang disenaraikan di atas. Penggunaan mana-mana kartrij bateri dan pengecas yang lain mungkin menyebabkan kecederaan dan/atau kebakaran.

Simbol

Berikut menunjukkan simbol-simbol yang boleh digunakan untuk alat ini. Pastikan anda memahami maksudnya sebelum menggunakan.



Baca manual arahan.



Pakai cermin mata keselamatan.



Ni-MH
Li-ion

Hanya untuk negara-negara EU
Disebabkan kehadiran komponen berbahaya dalam peralatan, sisa peralatan elektrik dan elektronik, akumulator dan bateri boleh memberi kesan negatif terhadap persekitaran dan kesihatan manusia.

Jangan buang alat elektrik dan elektronik atau bateri bersama dengan bahan buangan isi rumah!

Mengikut Arahan Eropah mengenai sisa peralatan elektrik dan elektronik dan mengenai akumulator dan bateri dan sisa akumulator dan bateri serta penyesuaian dengan undang-undang negara, sisa peralatan elektrik, bateri dan akumulator hendaklah disimpan secara berasingan dan dihantar ke tempat pengumpulan berasingan untuk sisa perbandaran, beroperasi mengikut peraturan perlindungan persekitaran.

Ini ditunjukkan oleh simbol tong sampah beroda yang bersilang pada peralatan.

Tujuan penggunaan

Alat ini bertujuan untuk menggergaji bahan kayu, plastik dan ferus.

AMARAN KESELAMATAN

Amaran keselamatan umum alat kuasa

⚠️ AMARAN: Baca semua amaran keselamatan, arahan, ilustrasi dan spesifikasi yang disediakan dengan alat kuasa ini. Kegagalan mengikut amaran dan arahan boleh menyebabkan kejutan elektrik, kebakaran dan/atau kecederaan serius.

Simpan semua amaran dan arahan untuk rujukan masa depan.

Istilah "alat kuasa" dalam amaran merujuk kepada alat kuasa yang menggunakan tenaga elektrik (kabel) atau alat kuasa yang menggunakan bateri (tanpa kord).

Keselamatan kawasan kerja

1. **Pastikan kawasan kerja bersih dan terang.** Kawasan berselerak atau gelap mengundang kemalangan.
2. **Jangan kendalikan alat kuasa dalam keadaan yang mudah meletup, seperti dalam kehadiran cecair, gas atau habuk yang mudah terbakar.** Alat kuasa menghasilkan percikan api yang boleh menyalakan debu atau wasap.
3. **Jauhkan kanak-kanak dan orang ramai semasa mengendalikan alat kuasa.** Gangguan boleh menyebabkan anda hilang kawalan.

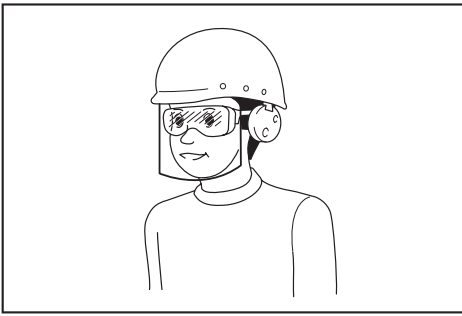
Keselamatan elektrik

1. **Palam alat kuasa mesti sepadan dengan soket.** Jangan ubah suai palam dalam apa cara sekalipun. Jangan gunakan sebarang palam penyesuai dengan alat kuasa terbumi. Palam yang tidak diubah suai dan soket yang sepadan akan mengurangkan risiko kejutan elektrik.
2. **Elakkan sentuhan badan dengan permukaan terbumi, seperti paip, radiator, dapur dan peti sejuk.** Terdapat peningkatan risiko kejutan elektrik jika elektrik terbumi terkena badan anda.
3. **Jangan biarkan alat kuasa terkena hujan atau basah.** Air yang memasuki alat kuasa akan meningkatkan risiko kejutan elektrik.
4. **Jangan salah gunakan kord.** Jangan gunakan kord untuk membawa, menarik atau mencabut palam alat kuasa. Jauhkan kord dari haba, minyak, bucu tajam atau bahagian yang bergerak. Kord yang rosak atau tersimpul meningkatkan risiko kejutan elektrik.
5. **Semasa mengendalikan alat kuasa di luar, gunakan kord sambungan yang bersesuaian untuk kegunaan luar.** Penggunaan kord yang sesuai untuk kegunaan luar mengurangkan risiko kejutan elektrik.
6. **Sekiranya pengendalian alat kuasa di lokasi lembap tidak dapat dielakkan, gunakan bekalan peranti arus sisa (RCD) yang dilindungi.** Penggunaan RCD mengurangkan risiko kejutan elektrik.

7. **Alat kuasa boleh menghasilkan medan elektromagnetik (EMF) yang tidak berbahaya kepada pengguna.** Walau bagaimanapun, pengguna perentak jantung atau peranti perubatan yang serupa harus menghubungi pembuat peranti mereka dan/atau doktor untuk nasihat sebelum mengendalikan alat kuasa ini.

Keselamatan diri

1. **Sentiasa berwaspada, perhatikan apa yang anda lakukan dan guna akal budi semasa mengendalikan alat kuasa. Jangan gunakan alat kuasa semasa anda letih atau di bawah pengaruh dadah, alkohol atau ubat.** Kelekaan seketika semasa mengendalikan alat kuasa boleh menyebabkan kecederaan diri yang serius.
2. **Gunakan peralatan pelindung diri. Sentiasa pakai pelindung mata.** Peralatan pelindung seperti topeng debu, kasut keselamatan tak mudah tergelincir, topi keselamatan atau pelindung pendengaran yang digunakan untuk keadaan yang sesuai akan mengurangkan kecederaan diri.
3. **Elakkan permulaan yang tidak disengajakan. Pastikan suis ditutup sebelum menyambung kepada sumber kuasa dan/atau pek bateri, semasa mengangkat atau membawa alat.** Membawa alat kuasa dengan jari anda pada suis atau menentagalkan alat kuasa dengan suis pada kedudukan hidup mengundang kemalangan.
4. **Alihkan sebarang kunci atau sepana pelaras sebelum menghidupkan alat kuasa.** Sepana atau kunci yang ditinggalkan pada bahagian berputar alat kuasa boleh menyebabkan kecederaan diri.
5. **Jangan lampau jangkau. Jaga pijakan dan keseimbangan yang betul pada setiap masa.** Ini membolehkan kawalan alat kuasa yang lebih baik dalam situasi yang tidak dijangka.
6. **Berpakaian dengan betul. Jangan pakai pakaian yang longgar atau barang kemas. Jauhkan rambut dan pakaian anda dari bahagian yang bergerak.** Pakaian longgar, barang kemas atau rambut yang panjang boleh terperangkap dalam bahagian yang bergerak.
7. **Jika peranti disediakan untuk sambungan kemudahan pengeksktrakan dan pengumpulan habuk, pastikan ia disambung dan digunakan dengan betul.** Penggunaan pengumpulan habuk boleh mengurangkan bahaya berkaitan habuk.
8. **Jangan biarkan kebiasaan daripada kekerapan penggunaan alat membuat anda berpuas hati dan mengabaikan prinsip keselamatan alat.** Kecuaian boleh menyebabkan kecederaan serius dalam sekelip mata.
9. **Sentiasa pakai gogal pelindung untuk melindungi mata anda daripada kecederaan apabila menggunakan alat kuasa.** Gogal mestilah mematuhi ANSI Z87.1 di AS, EN 166 di Eropah, atau AS/NZS 1336 di Australia/New Zealand. Di Australia/New Zealand, undang-undang mengarahkan untuk memakai pelindung muka bagi melindungi muka anda, juga.



Menjadi tanggungjawab majikan untuk menguatkuasa penggunaan peralatan perlindungan keselamatan yang bersesuaian oleh pengendali alat dan oleh orang lain dalam kawasan bekerja semasa.

Penggunaan dan penjagaan alat kuasa

1. **Jangan gunakan alat kuasa dengan kasar. Gunakan alat kuasa yang betul untuk penggunaan anda.** Alat kuasa yang betul akan melakukan tugas dengan lebih baik dan lebih selamat pada kadar mana ia direka cipta.
2. **Jangan gunakan alat kuasa jika suis tidak berfungsi untuk menghidupkan dan mematikannya.** Alat kuasa yang tidak dapat dikawal dengan suis adalah berbahaya dan mesti dibaiki.
3. **Cabut palam dari sumber kuasa dan/atau keluarkan pek bateri, jika boleh ditanggalkan, dari alat kuasa sebelum membuat sebarang pelarasan, menukar aksesori, atau menyimpan alat kuasa.** Langkah-langkah keselamatan pencegahan sedemikian mengurangkan risiko memulakan alat kuasa secara tidak sengaja.
4. **Simpan alat kuasa yang tidak digunakan jauh dari jangkauan kanak-kanak dan jangan biarkan orang yang tidak biasa dengan alat kuasa atau arahan ini untuk mengendalikan alat kuasa.** Alat kuasa adalah berbahaya di tangan pengguna yang tidak terlatih.
5. **Menyelenggara alat kuasa dan aksesori. Periksa salah jajaran atau ikatan pada bahagian yang bergerak, bahagian yang pecah dan apa-apa keadaan lain yang boleh menjejaskan operasi alat kuasa. Jika rosak,baiki alat kuasa sebelum digunakan.** Kebanyakan kemalangan adalah disebabkan oleh alat kuasa yang tidak dijaga dengan baik.
6. **Pastikan alat pemotong tajam dan bersih.** Alat pemotong yang dijaga dengan betul dengan hujung pemotong yang tajam mempunyai kemungkinan yang rendah untuk terikat dan lebih mudah dikendalikan.
7. **Gunakan alat kuasa, aksesori dan alat bit dan sebagainya mengikut arahan ini dengan mengambil kira keadaan kerja dan kerja yang perlu dilakukan.** Penggunaan alat kuasa untuk operasi yang berbeza dari yang dimaksudkan boleh menyebabkan keadaan berbahaya.

8. **Pastikan pemegang dan permukaan pegangan kering, bersih dan bebas dari minyak dan gris.** Pemegang dan permukaan pegangan yang licin tidak membolehkan pengendalian dan kawalan selamat bagi alat dalam situasi yang tidak dijangka.
9. **Apabila menggunakan alat, jangan pakai sarung tangan kerja kain yang mungkin boleh kusut.** Kekusutan sarung tangan kerja kain pada bahagian yang bergerak boleh menyebabkan kecederaan diri.

Penggunaan dan penjagaan alat bateri

1. **Cas semula dengan pengecas yang ditentukan oleh pengeluar sahaja.** Pengecas yang sesuai untuk satu jenis pek bateri mungkin menimbulkan risiko kebakaran apabila digunakan dengan pek bateri lain.
2. **Gunakan alat kuasa dengan pek bateri yang ditentukan secara khusus sahaja.** Penggunaan mana-mana pek bateri lain mungkin menimbulkan risiko kecederaan dan kebakaran.
3. **Apabila pek bateri tidak digunakan, jauhkannya daripada objek besi lain, seperti klip kertas, duit syiling, paku, skru atau objek besi kecil lain, yang boleh membuat sambungan dari satu terminal ke yang lain.** Memintas terminal bateri bersama-sama mungkin menyebabkan lecuran atau kebakaran.
4. **Di bawah keadaan kasar, cecair mungkin dikeluarkan daripada bateri; elakkan sentuhan. Jika tersentuh secara tidak sengaja, siram dengan air. Jika cecair terkena mata, dapatkan bantuan perubatan di samping siraman air.** Cecair yang dikeluarkan dari bateri mungkin menyebabkan kegatalan atau lecuran.
5. **Jangan gunakan pek bateri atau alat yang rosak atau diubah suai.** Bateri yang rosak atau diubah suai mungkin menunjukkan perilaku yang tidak dijangka menyebabkan kebakaran, letupan atau risiko kecederaan.
6. **Jangan dedahkan pek bateri atau alat kepada api atau suhu yang berlebihan.** Pendedahan kepada api atau suhu melebihi 130 °C mungkin menyebabkan letupan.
7. **Ikut semua arahan pengecasan dan jangan cas pek bateri atau alat di luar julat suhu yang ditetapkan dalam arahan.** Mengecas dengan tidak betul atau pada suhu di luar julat yang dinyatakan mungkin merosakkan bateri dan meningkatkan risiko kebakaran.

Servis

1. **Pastikan alat kuasa anda diservis oleh orang yang berkelayakan dengan hanya menggunakan alat ganti yang sama.** Ini akan memastikan keselamatan alat kuasa dapat dikekalkan.
2. **Jangan servis pek bateri yang telah rosak.** Servis pek bateri hanya boleh dilakukan oleh pengeluar atau penyedia servis yang sah.
3. **Ikut arahan untuk melincir dan menukar aksesori.**

Amaran keselamatan gergaji recipro tanpa kord

1. Pegang alat kuasa dengan permukaan mencengkam tertebat apabila melakukan operasi yang aksesori pemotong boleh tersentuh wayar tersembunyi. Aksesori pemotong yang bersentuhan dengan wayar "hidup" boleh menyebabkan bahagian logam terdedah alat kuasa "hidup" dan boleh memberi kejutan elektrik kepada pengendali.
2. Gunakan pengapit atau cara praktikal lain untuk mengukuhkan dan menyokong bahan kerja pada platform yang stabil. Memegang bahan kerja dengan tangan anda atau menyandar pada badannya yang tidak stabil dan boleh menyebabkan hilang kawalan.
3. Sentiasa gunakan kaca mata keselamatan atau goggles. Cermin mata atau cermin mata gelap biasa BUKAN cermin mata keselamatan.
4. Elakkan memotong paku. Periksa bahan kerja untuk mana-mana paku dan keluarkannya sebelum operasi.
5. Jangan potong bahan kerja yang besar.
6. Periksa pembersihan yang betul di luar bahan kerja sebelum memotong supaya bilah tidak akan menyentuh lantai, bangku kerja, dll.
7. Pegang alat dengan kukuh.
8. Pastikan bilah tidak menyentuh bahan kerja sebelum suis dihidupkan.
9. Jauhkan tangan dari bahagian bergerak.
10. Jangan tinggalkan alat yang sedang beroperasi. Kendalikan alat hanya apabila dipegang.
11. Sentiasa matikan dan tunggu sehingga bilah berhenti sepenuhnya sebelum mengeluarkan bilah daripada bahan kerja.
12. Jangan sentuh bilah atau bahan kerja dengan serta-merta selepas operasi; ia mungkin sangat panas dan boleh melecurkan kulit anda.
13. Jangan kendalikan alat tanpa beban tanpa keperluan.
14. Sentiasa gunakan topeng habuk/alat pernafasan yang betul untuk bahan dan aplikasi yang anda sedang kerjakan.
15. Beberapa bahan mengandungi bahan kimia yang mungkin toksik. Sila berhati-hati untuk mencegah penyedutan habuk dan sentuhan kulit. Ikut data keselamatan pembekal bahan.
16. Sebelum beroperasi, pastikan tiada objek tersembunyi seperti paip elektrik, paip air atau paip gas di dalam bahan kerja. Jika tidak, bilah gergaji recipro boleh menyentuhnya, menyebabkan kejutan elektrik, kebocoran elektrik atau kebocoran gas.

SIMPAN ARAHAN INI.

AMARAN: JANGAN biarkan keselesaan atau kebiasaan dengan produk (diperoleh dari kegunaan berulang) menggantikan pematuhan ketat terhadap peraturan keselamatan untuk produk yang ditetapkan. SALAH GUNA atau kegagalan mematuhi peraturan-peraturan keselamatan yang dinyatakan dalam manual arahan ini boleh menyebabkan kecederaan diri yang serius.

Arahan keselamatan penting untuk kartrij bateri

1. Sebelum menggunakan kartrij bateri, baca semua arahan dan tanda amaran pada (1) pengecas bateri, (2) bateri, dan (3) produk menggunakan bateri.
2. Jangan buka atau cabut kartrij bateri. Ia boleh mengakibatkan kebakaran, haba berlebihan, atau letupan.
3. Jika masa operasi menjadi sangat pendek, berhenti operasi serta merta. Ia mungkin menyebabkan risiko pemanasan lampau, melecur bahkan letupan.
4. Jika elektrolit masuk ke dalam mata anda, bilas mata dengan air jernih dan dapatkan rawatan perubatan serta merta. Ia mungkin menyebabkan kehilangan penglihatan.
5. Jangan pintaskan kartrij bateri:
 - (1) Jangan sentuh terminal dengan bahan berkonduksi.
 - (2) Elakkan menyimpan kartrij bateri dalam bekas bersama-sama objek besi lain seperti paku, duit syiling, dll.
 - (3) Jangan dedahkan kartrij bateri kepada air atau hujan.Pintasan bateri boleh menyebabkan aliran kuasa yang besar, pemanasan lampau, melecur dan juga kerosakan.
6. Jangan simpan dan gunakan alat dan kartrij bateri di lokasi yang suhunya mungkin mencapai atau melebihi 50 °C (122 °F).
7. Jangan bakar kartrij bateri walaupun jika ia rosak teruk atau haus sepenuhnya. Kartrij bateri boleh meletup dalam kebakaran.
8. Jangan paku, potong, pecahkan, buang, jatuhkan kartrij bateri, atau tekan objek keras pada kartrij bateri. Perbuatan sedemikian boleh mengakibatkan kebakaran, haba berlebihan, atau letupan.
9. Jangan gunakan bateri yang rosak.

10. **Bateri litium ion yang terkandung adalah tertakluk kepada keperluan Perundangan Barangan Berbahaya.**
Bagi pengangkutan komersil cth. oleh pihak ketiga, ejen penghantar, keperluan khas pada pembungkusan dan pelabelan mestilah diperhatikan.
Bagi persediaan item yang dihantar, berunding dengan pakar bahan berbahaya adalah diperlukan. Sila juga perhatikan sebolehnya peraturan kebangsaan yang lebih terperinci. Lekatkan atau balut bahagian terbuka dan pek bateri supaya ia tidak bergerak dalam pembungkusan.
11. **Apabila melupuskan kartrij bateri, keluarkan ia daripada alat dan lupuskan ia di tempat selamat. Ikut peraturan tempatan anda mengenai pelupusan bateri.**
12. **Gunakan bateri hanya dengan produk yang ditentukan oleh Makita.** Memasang bateri kepada produk yang tidak patuh mungkin menyebabkan kebakaran, pemanasan lampau, atau kebocoran elektrolit.
13. **Jika alat tidak digunakan untuk tempoh masa yang lama, bateri mesti dikeluarkan daripada alat.**
14. **Semasa dan selepas penggunaan, kartrij bateri mungkin ada haba yang boleh menyebabkan terbakar atau suhu rendah terbakar. Beri perhatian kepada pengendalian kartrij bateri yang panas.**
15. **Jangan sentuh terminal alat itu selepas digunakan kerana ia mungkin panas menyebabkan terbakar.**
16. **Jangan biarkan cip, habuk, atau tanah terperangkap ke dalam terminal, lubang, dan alur cahaya kartrij bateri.** Ia mungkin menyebabkan pemanasan, terbakar, meletup dan pincang tugas alat atau kartrij bateri, seterusnya menyebabkan lecur atau kecederaan diri.
17. **Melainkan alat ini menyokong penggunaan yang hampir dari talian kuasa elektrik voltan tinggi, jangan gunakan kartrij bateri berhampiran talian kuasa elektrik voltan tinggi.** Ia mungkin menyebabkan kerosakan atau pecah pada alat atau kartrij bateri.
18. **Jauhkan bateri daripada kanak-kanak.**

SIMPAN ARAHAN INI.

⚠️PERHATIAN: Hanya gunakan bateri asli Makita. Penggunaan bateri tidak asli Makita, atau bateri yang telah diubah suai, mungkin menyebabkan bateri meletup menyebabkan kebakaran, kecederaan diri dan kerosakan. Ia juga membatalkan jaminan Makita untuk alat Makita dan pengecas.

Tip untuk mengekalkan hayat bateri maksimum

1. **Cas kartrij bateri sebelum ternyahcas sepenuhnya. Sentiasa hentikan operasi alat dan cas kartrij bateri apabila anda menyedari kurang kuasa alat.**
2. **Jangan cas semula kartrij bateri yang dicas sepenuhnya. Terlebih cas memendekkan hayat servis bateri.**
3. **Cas kartrij bateri dengan suhu bilik pada 10 °C - 40 °C (50 °F - 104 °F). Biarkan kartrij bateri yang panas menyejuk sebelum mengecasnya.**
4. **Apabila tidak menggunakan kartrij bateri, tanggalkannya dari alat atau pengecas.**
5. **Cas kartrij bateri jika anda tidak gunakannya untuk tempoh yang lama (lebih daripada enam bulan).**

KETERANGAN FUNGSI

⚠️PERHATIAN: Sentiasa pastikan alat dimatikan dan kartrij bateri dikeluarkan sebelum menyelaraskan atau menyemak fungsi pada alat.

Memasang atau mengeluarkan kartrij bateri

⚠️PERHATIAN: Sentiasa matikan alat sebelum memasang atau mengeluarkan kartrij bateri.

⚠️PERHATIAN: Pegang alat dan kartrij bateri dengan kukuh apabila memasang atau mengeluarkan kartrij bateri. Gagal untuk memegang alat dan kartrij bateri dengan kukuh mungkin menyebabkan mereka terlepas daripada tangan anda dan mengakibatkan kerosakan kepada alat dan kartrij bateri dan kecederaan peribadi.

► **Rajah1:** 1. Penunjuk merah 2. Butang 3. Kartrij bateri

Untuk mengeluarkan kartrij bateri, luncurkan ia daripada alat apabila meluncurkan butang di hadapan kartrij.

Untuk memasang kartrij bateri, selaraskan lidah pada kartrij bateri dengan alur pada perumahan dan gelincirkan ia ke tempatnya. Masukkan ia sepenuhnya sehingga ia terkunci di tempatnya dengan klik kecil. Jika anda boleh melihat penunjuk merah seperti yang ditunjukkan dalam rajah, ia tidak dikunci sepenuhnya.

⚠️PERHATIAN: Sentiasa pasang kartrij bateri sepenuhnya sehingga penunjuk merah tidak boleh dilihat. Jika tidak, ia mungkin jatuh tanpa sengaja daripada alat, menyebabkan kecederaan kepada anda atau seseorang di sekeliling anda.

⚠️PERHATIAN: Jangan pasang kartrij bateri secara paksa. Jika kartrij tidak meluncur dengan mudah, ia tidak dimasukkan dengan betul.

Sistem perlindungan alat / bateri

Alat dilengkapi dengan sistem perlindungan alat/bateri. Sistem ini memotong kuasa kepada motor secara automatik untuk memanjangkan hayat alat dan bateri. Alat akan berhenti secara automatik ketika operasi jika alat atau bateri diletakkan di bawah salah satu keadaan berikut:

Perlindungan lebih beban

Apabila bateri dihidupkan dengan cara yang menyebabkan ia menarik arus yang luar biasa tinggi, alat itu akan berhenti secara automatik tanpa sebarang petunjuk. Dalam situasi ini, matikan alat dan hentikan penggunaan yang menyebabkan alat menjadi terlebih beban. Kemudian hidupkan alat untuk mula semula.

Perlindungan pemanasan lampau

Apabila alat atau bateri terlampau panas, alat akan berhenti secara automatik dan lampu berkelip. Dalam hal ini, biarkan alat dan bateri sejuk sebelum menghidupkan semula alat.

Perlindungan lebih nyahcas

Apabila kapasiti bateri tidak mencukupi, alat berhenti secara automatik dan lampu akan berkelip. Dalam kes ini, keluarkan bateri daripada alat dan cas bateri.

Perlindungan terhadap punca lain

Sistem perlindungan juga direka bentuk untuk punca lain yang boleh merosakkan alat dan membolehkan alat berhenti secara automatik. Ambil semua langkah berikut untuk membuang punca, apabila alat telah dibawa kepada berhenti sementara atau berhenti beroperasi.

1. Matikan alat dan kemudian hidupkan alat lagi untuk mula semula.
2. Cas bateri atau gantikan bateri dengan bateri yang telah dicas.
3. Biarkan alat dan bateri menyejuk.

Jika tiada penambahbaikan boleh didapati melalui pemulihan sistem perlindungan, maka hubungi Pusat Servis Makita tempatan anda.

Menunjukkan kapasiti bateri yang tinggal

Tekan butang semak pada kartrij bateri untuk menunjukkan kapasiti bateri yang tinggal. Lampu penunjuk menyala untuk beberapa saat.

► **Rajah2:** 1. Lampu penunjuk 2. Butang semak

Lampu penunjuk			Kapasiti yang tinggal
Dinyalakan	Mati	Berkelip	
			75% hingga 100%
			50% hingga 75%
			25% hingga 50%
			0% hingga 25%
			Cas bateri.
			Bateri mungkin telah rosak.

NOTA: Bergantung kepada keadaan penggunaan dan suhu persekitaran, penunjuk mungkin berbeza sedikit daripada kapasiti sebenar.

NOTA: Lampu penunjuk (kiri jauh) pertama akan berkedip apabila sistem perlindungan bateri berfungsi.

Pemilihan tindakan pemotongan

► **Rajah3:** 1. Tuil

Alat ini boleh dikendalikan dengan cara orbit atau tindakan memotong garis lurus. Untuk menukar tindakan pemotongan, putarkan tuil kepada kedudukan tindakan yang dikehendaki. Rujuk jadual untuk memilih tindakan pemotongan yang sesuai.

Kedudukan	Tindakan pemotongan	Penggunaan
	Tindakan pemotongan orbit	Untuk pemotongan cepat di dalam kayu dan konkrit ringan terautoklaf.
	Tindakan pemotongan garis lurus	Untuk memotong paip besi, paip besi tempa, aluminium, keluli tahan karat dan plastik.

NOTA: Tindakan orbit bermakna bilah gergaji bergerak ke atas dan ke bawah, dan bolak-balik pada masa yang sama. Ini meningkatkan kecekapan pemotongan.

Dail pelaras kelajuan

► Rajah4: 1. Dail pelaras kelajuan

Strok seminit boleh dilaraskan hanya dengan memutarakan dail pelaras kelajuan. Ini boleh dilakukan walaupun semasa alat dijalankan. Dail ditandakan 1 (kelajuan terendah) hingga 5 (kelajuan penuh).

Putarkan dail pelaras kelajuan antara 1 hingga 5 mengikut kerja anda.

Rujuk jadual untuk memilih kelajuan yang tepat untuk bahan kerja yang akan dipotong. Walau bagaimanapun, penggunaan yang sesuai mungkin berbeza dengan bentuk dan kekerasan bahan kerja. Secara umum, tindakan pemotongan orbit sesuai untuk bahan lembut.

NOTA: Tindakan pemotongan orbit sesuai untuk kebanyakan bahan lembut seperti kayu, walau bagaimanapun, kadangkala tidak, mengikut bentuk dan kekerasan bahan kerja tersebut, dsb.

Nombor pada dail pelaras	Strok seminit
5	3,000
4	2,500
3	2,000
2	1,500
1	1,000

Bahan kerja yang akan dipotong	Nombor pada dail pelaras
Kayu	5
Konkrit ringan terautoklaf	4 - 5
Paip besi, paip besi tempa dan aluminium	2 - 4
Plastik	1 - 3
Keluli tahan karat	1 - 2

NOTA: Jika alat ini dikendalikan secara berterusan pada kelajuan yang rendah untuk masa yang lama, hayat operasi motor akan dikurangkan.

NOTA: Dail pelaras kelajuan boleh dipusingkan hanya sejauh 5 dan kembali ke 1. Jangan memaksa ia melepasi 5 atau 1, atau fungsi pelaras kelajuan mungkin tidak berfungsi lagi.

Tindakan suis

▲PERHATIAN: Sebelum memasang kartrij bateri ke dalam alat, sentiasa periksa untuk melihat pemicu suis bergerak dengan betul dan kembali ke posisi "OFF" apabila dilepaskan.

▲PERHATIAN: Apabila tidak mengendalikan alat ini, tekan butang buka kunci dari sisi A untuk mengunci pemicu suis di kedudukan OFF.

► Rajah5: 1. Pemicu suis 2. Butang buka kunci

Untuk mengelakkan pemicu suis daripada ditarik secara tidak sengaja, butang buka kunci disediakan.

Untuk memulakan alat, tekan butang buka kunci dari sisi B dan tarik pemicu suis.

Kelajuan alat ditingkatkan dengan menambahkan tekanan pada pemicu suis. Lepaskan pemicu suis untuk berhenti. Selepas digunakan, sentiasa tekan butang buka kunci dari sisi A.

Menyalakan lampu hadapan

► Rajah6: 1. Lampu

▲PERHATIAN: Jangan lihat ke dalam cahaya atau lihat sumber cahaya secara langsung.

Tarik pemicu suis untuk menyalakan lampu. Lampu tetap menyala apabila pemicu suis ditarik. Lampu padam lebih kurang 10 saat selepas melepaskan pemicu suis.

NOTA: Gunakan kain kering untuk mengelap kotoran daripada lensa lampu. Berhati-hati agar tidak mencalarakan lensa lampu, atau ia mungkin mengurangkan pencahayaan.

NOTA: Apabila alat terlalu panas, lampu berkelip selama satu minit. Dalam kes ini, sejukkan alat sebelum operasi lain.

Melaraskan kasut

▲AMARAN: Sentiasa menanggalkan kartrij bateri dan bilah gergaji recipro apabila menanggalkan atau melaraskan kasut.

▲PERHATIAN: Sentiasa memasang kasut dan memastikan bahawa kasut menyentuh bahan kerja sebelum mengendalikannya.

▲PERHATIAN: Sentiasa memastikan bahawa kasut dilaraskan dalam kedudukan yang betul supaya bilah gergaji recipro tidak menyentuh alat semasa operasi.

► Rajah7

Apabila bilah gergaji recipro kehilangan kecekapan pemotongan di satu tempat di sepanjang tepi potongan, letakkan semula kasut untuk menggunakan bahagian tajam yang tidak digunakan daripada tepi potongan. Ini akan membantu untuk memanjangkan hayat bilah gergaji recipro.

Kedudukan kasut boleh dilaraskan dalam 6 tahap. Untuk meletakkan semula kasut, buka tuil pelaras kasut dan pilih kedudukan yang sesuai, kemudian tutup tuil pelaras kasut.

► Rajah8: 1. Kasut 2. Tuil pelaras kasut

NOTA: Kasut tidak boleh dilaraskan tanpa membuka tuil pelaras kasut sepenuhnya.

Membersihkan dalam kasut

Anda boleh menanggalkan kasut dan membersihkan habuk atau serpihan di dalam alat.

1. Tarik tuil pelaras kasut sepenuhnya.

2. Tarik keluar kasut sambil menekan butang.


► Rajah9: 1. Kasut 2. Tuil pelaras kasut 3. Butang

3. Buang habuk atau serpihan di dalam alat.

4. Pasang kasut sambil menekan butang.

5. Untuk meletakkan semula kasut, buka tuil pelaras kasut sepenuhnya dan sisipkan kasut ke dalam kedudukan yang sesuai, kemudian tutup tuil pelaras kasut tersebut.

Cangkuk

⚠️ PERHATIAN: Apabila menggantung alat, tetapkan butang buka kunci dalam kedudukan  untuk mengunci pemicu suis. (Lihat bahagian untuk tindakan suis.)

⚠️ PERHATIAN: Jangan sangkut alat pada lokasi yang tinggi atau pada lokasi yang berpotensi tidak stabil.

⚠️ PERHATIAN: Gunakan bahagian penggantung/pelekap bagi tujuan bahagian tersebut sahaja. Menggunakan bukan bagi tujuan yang dimaksudkan boleh menyebabkan kemalangan atau kecederaan diri.

⚠️ PERHATIAN: Jangan cangkuk alat pada tali pinggang anda atau aksesori lain. Bilah gergaji recipro mungkin tersentuh badan anda dan boleh menyebabkan kecederaan diri.

► **Rajah10:** 1. Cangkuk

Cangkuk digunakan untuk menggantung alat sementara.

Untuk menggunakan cangkuk, hanya naikan cangkuk sehingga ia berdetap ke kedudukan terbuka. Apabila tidak digunakan, sentiasa rendahkan cangkuk sehingga ia berdetap ke kedudukan tertutup.

Brek elektrik

Alat ini dilengkapi dengan brek elektrik. Jika alat ini secara konsisten gagal untuk berhenti dengan cepat selepas pemicu suis dilepaskan, servis alat di pusat servis Makita.

Fungsi elektronik

Alat ini dilengkapi dengan fungsi elektronik untuk memudahkan operasi.

Kawalan kelajuan malar

Fungsi kawalan kelajuan memberikan kelajuan putaran malar tanpa mengira keadaan beban.

PEMASANGAN

⚠️ PERHATIAN: Sentiasa pastikan alat dimatikan dan kartrij bateri dikeluarkan sebelum menjalankan sebarang kerja pada alat.

Memasang atau mengeluarkan bilah gergaji recipro

⚠️ PERHATIAN: Sentiasa bersihkan kesemua serpihan atau bendasing yang melekat pada bilah dan di sekeliling pengapit bilah. Kegagalan berbuat demikian boleh menyebabkan bilah yang tidak cukup ketat, mengakibatkan kecederaan yang serius.

Untuk memasang bilah gergaji recipro, tarik tuil pelepas sepenuhnya supaya Isarung pengapit bilah berada pada kedudukan dilepaskan sebelum menyisipkan bilah gergaji recipro.

► **Rajah11:** 1. Tuil pelepas 2. Sarung pengapit bilah 3. Kedudukan dilepaskan 4. Kedudukan ditetapkan

NOTA: Sentiasa menarik tuil pelepas sepenuhnya hingga ke hujung. Jika tidak, sarung pengapit bilah tidak pergi ke kedudukan dilepaskan dan bilah gergaji recipro tidak boleh disisipkan.

Sisipkan bilah gergaji recipro ke dalam slot sarung pengapit bilah sejauh ia akan pergi. Sarung pengapit bilah akan memegang bilah gergaji recipro dengan satu klik. Pastikan bilah gergaji recipro tidak boleh diekstrak walaupun anda cuba menariknya.

► **Rajah12:** 1. Bilah gergaji recipro 2. Sarung pengapit bilah

⚠️ PERHATIAN: Jika anda tidak memasukkan bilah gergaji recipro cukup dalam, bilah gergaji recipro boleh terkeluar tanpa diduga semasa operasi. Ini boleh menjadi sangat bahaya.

Untuk menanggalkan bilah gergaji recipro, tarik tuil pelepas mengikut anak panah sepenuhnya.

► **Rajah13:** 1. Bilah gergaji recipro 2. Tuil pelepas

NOTIS: Jangan sekali-kali mengendalikan tuil pelepas ketika mengendalikan pemicu suis. Berbuat demikian boleh menyebabkan pincang tugas.

OPERASI

⚠️ PERHATIAN: Sentiasa tekan kasut dengan tegas terhadap bahan kerja semasa operasi. Jika kasut yang dikeluarkan atau dipegang jauh dari bahan kerja semasa operasi, getaran dan/atau berpusuk kuat akan terhasil, menyebabkan bilah berdetap dengan bahaya.

⚠️ PERHATIAN: Sentiasa memakai sarung tangan untuk melindungi tangan anda dari percikan api berterbangan apabila memotong logam.

⚠️ PERHATIAN: Pastikan anda sentiasa memakai pelindung mata sesuai yang mematuhi piawaian semasa negara.

⚠️ PERHATIAN: Sentiasa menggunakan penyejuk yang sesuai (minyak pelincir pemotong) apabila memotong logam. Kegagalan berbuat demikian akan menyebabkan bilah gergaji dipakai sekejap.

⚠️ PERHATIAN: Jangan pusingkan bilah semasa memotong.

⚠️ PERHATIAN: Jangan kendalikan alat dengan cangkuk terbuka.

Tekan kasut dengan perlahan terhadap bahan kerja. Jangan biarkan alat itu melantun. Bawa bilah gergaji recipro berdekatan sedikit dengan bahan kerja. Pertama, buat alur penahan menggunakan kelajuan yang lebih perlahan. Kemudian gunakan kelajuan yang lebih cepat untuk terus memotong.

► **Rajah14**

NOTIS: Jangan potong bahan kerja dengan kasut berada jauh daripada bahan kerja atau tanpa kasut. Melakukan perkara sedemikian akan meningkatkan daya tindak balas yang mungkin merosakkan bilah gergaji recipro.

PENYELENGGARAAN

⚠PERHATIAN: Sentiasa pastikan alat dimatikan dan kartrij bateri dikeluarkan sebelum cuba menjalankan pemeriksaan atau penyelenggaraan.

NOTIS: Jangan gunakan petrol, benzin, pencair, alkohol atau bahan yang serupa. Ia boleh menyebabkan perubahan warna, bentuk atau keretakan.

Untuk mengekalkan KESELAMATAN dan KEBOLEHPERCAYAAN produk, pembaikan, apa-apa penyelenggaraan atau penyesuaian lain perlu dilakukan oleh Kilang atau Pusat Servis Makita yang Diiktiraf, sentiasa gunakan alat ganti Makita.

AKSESORI PILIHAN

⚠PERHATIAN: Aksesori-aksesori atau lampiran-lampiran ini adalah disyorkan untuk digunakan dengan alat Makita anda yang ditentukan dalam manual ini. Penggunaan mana-mana aksesori-aksesori atau lampiran-lampiran lain mungkin mengakibatkan risiko kecederaan kepada orang. Hanya gunakan aksesori atau lampiran untuk tujuan yang dinyatakan.

Jika anda memerlukan sebarang bantuan untuk maklumat lebih lanjut mengenai aksesori ini, tanya Pusat Perkhidmatan Makita tempatan anda.

- Bilah gergaji recipro
- Bateri dan pengecas asli Makita

NOTA: Beberapa item dalam senarai mungkin disertakan dalam pakej alat sebagai aksesori standard. Item mungkin berbeza mengikut negara.

THÔNG SỐ KỸ THUẬT

Kiểu máy:	JR002G		
Chiều dài hành trình	32 mm		
Số nhát mỗi phút	0 - 3.000 min ⁻¹		
Công suất cắt tối đa	Ông	130 mm	
	Gỗ	255 mm	
Chiều dài tổng thể	với BL4025	436 mm	
	với BL4050F	473 mm	
Điện áp định mức	D.C. 36 V - tối đa 40 V		
Khối lượng tịnh	4,6 - 5,8 kg		

- Do chương trình nghiên cứu và phát triển liên tục của chúng tôi nên các thông số kỹ thuật trong đây có thể thay đổi mà không cần thông báo trước.
- Các thông số kỹ thuật và hộp pin có thể thay đổi tùy theo từng quốc gia.
- Khối lượng có thể khác nhau tùy thuộc vào (các) phụ kiện, bao gồm cả hộp pin. Tổ hợp nhẹ nhất và nặng nhất, theo Quy trình EPTA 01/2014, được trình bày trong bảng.

Hộp pin và sạc pin có thể áp dụng

Hộp pin	BL4020* / BL4025* / BL4040* / BL4050F* / BL4080F * : Pin được khuyến dùng
Bộ sạc	DC40RA / DC40RB / DC40RC

- Một số hộp pin và sạc pin được nêu trong danh sách ở trên có thể không khả dụng tùy thuộc vào khu vực cư trú của bạn.

⚠ CẢNH BÁO: Chỉ sử dụng hộp pin và sạc pin được nêu trong danh sách ở trên. Việc sử dụng bất cứ hộp pin và sạc pin nào khác có thể gây ra thương tích và/hoặc hỏa hoạn.

Ký hiệu

Phần dưới đây cho biết các ký hiệu có thể được dùng cho thiết bị. Đảm bảo rằng bạn hiểu rõ ý nghĩa của các ký hiệu này trước khi sử dụng.



Đọc tài liệu hướng dẫn.



Mang kính an toàn.



Ni-MH
Li-ion

Chỉ dành cho các quốc gia EU
Do có các thành phần nguy hiểm bên trong thiết bị điện và điện tử, ắc quy và pin thải bỏ nên có thể có tác động không tốt đến môi trường và sức khỏe con người.
Không vứt bỏ các thiết bị điện và điện tử hoặc pin với rác thải sinh hoạt!
Theo Chỉ thị của Châu Âu về thiết bị điện và điện tử thải bỏ và về pin và ắc quy và pin và ắc quy thải bỏ, cũng như sự thích ứng của chúng với luật pháp quốc gia, các thiết bị điện, pin và ắc quy phải được cất giữ riêng biệt và chuyển đến một điểm thu gom rác thải đô thị riêng, hoạt động theo các quy định về bảo vệ môi trường.
Điều này được biểu thị bằng biểu tượng thùng rác có bánh xe gạch chéo được đặt trên thiết bị.

Mục đích sử dụng

Dụng cụ được sử dụng để cưa gỗ, nhựa và vật liệu chứa sắt.

CẢNH BÁO AN TOÀN

Cảnh báo an toàn chung dành cho dụng cụ máy

⚠ CẢNH BÁO: Xin đọc tất cả các cảnh báo an toàn, hướng dẫn, minh họa và thông số kỹ thuật đi kèm với dụng cụ máy này. Việc không tuân theo các hướng dẫn được liệt kê dưới đây có thể dẫn đến điện giật, hỏa hoạn và/hoặc thương tích nghiêm trọng.

Lưu giữ tất cả cảnh báo và hướng dẫn để tham khảo sau này.

Thuật ngữ “dụng cụ máy” trong các cảnh báo đề cập đến dụng cụ máy (có dây) được vận hành bằng nguồn điện chính hoặc dụng cụ máy (không dây) được vận hành bằng pin của bạn.

An toàn tại nơi làm việc

1. **Giữ nơi làm việc sạch sẽ và có đủ ánh sáng.** Nơi làm việc bừa bộn hoặc tối thường dễ gây ra tai nạn.
2. **Không vận hành dụng cụ máy trong môi trường cháy nổ, ví dụ như môi trường có sự hiện diện của các chất lỏng, khí hoặc bụi dễ cháy.** Các dụng cụ máy tạo tia lửa điện có thể làm bụi hoặc khí bốc cháy.
3. **Giữ trẻ em và người ngoài tránh xa nơi làm việc khi đang vận hành dụng cụ máy.** Sự xao lãng có thể khiến bạn mất khả năng kiểm soát.

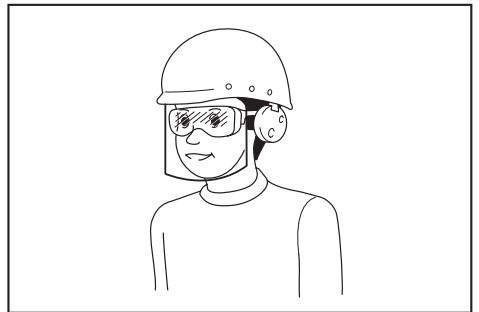
An toàn về Điện

1. **Phích cắm của dụng cụ máy phải khớp với ổ cắm. Không được sửa đổi phích cắm theo bất kỳ cách nào. Không sử dụng bất kỳ phích chuyển đổi nào với các dụng cụ máy được nối đất (tiếp đất).** Các phích cắm còn nguyên vẹn và ổ cắm phù hợp sẽ giảm nguy cơ điện giật.
2. **Tránh để cơ thể tiếp xúc với các bề mặt nóng hoặc tiếp đất như đường ống, bộ tản nhiệt, bếp ga và tủ lạnh.** Nguy cơ bị điện giật sẽ tăng lên nếu cơ thể bạn được nối đất hoặc tiếp đất.
3. **Không để dụng cụ máy tiếp xúc với mưa hoặc trong điều kiện ẩm ướt.** Nước lọt vào dụng cụ máy sẽ làm tăng nguy cơ điện giật.
4. **Không lạm dụng dây điện. Không được phép sử dụng dây để mang, kéo hoặc tháo phích cắm dụng cụ máy. Giữ dây tránh xa nguồn nhiệt, dầu, các mép sắc hoặc các bộ phận chuyển động.** Dây bị hỏng hoặc bị rối sẽ làm tăng nguy cơ điện giật.
5. **Khi vận hành dụng cụ máy ngoài trời, hãy sử dụng dây kéo dài phù hợp cho việc sử dụng ngoài trời.** Việc dùng dây phù hợp cho việc sử dụng ngoài trời sẽ giảm nguy cơ điện giật.
6. **Nếu bất buộc phải vận hành dụng cụ máy ở nơi ẩm ướt, hãy sử dụng nguồn cấp điện được bảo vệ bằng thiết bị ngắt dòng điện rò (RCD).** Việc sử dụng RCD sẽ làm giảm nguy cơ điện giật.
7. **Các dụng cụ máy có thể tạo ra từ trường điện (EMF) có hại cho người dùng.** Tuy nhiên, người dùng máy trợ tim và những thiết bị y tế tương tự khác nên liên hệ với nhà sản xuất thiết bị và/hoặc bác sỹ để được tư vấn trước khi vận hành dụng cụ này.

An toàn Cá nhân

1. **Luôn tỉnh táo, quan sát những việc bạn đang làm và sử dụng những phán đoán theo kinh nghiệm khi vận hành dụng cụ máy. Không sử dụng dụng cụ máy khi bạn đang mệt mỏi hoặc chịu ảnh hưởng của ma túy, rượu hay thuốc.** Chỉ một khoảnh khắc không tập trung khi đang vận hành dụng cụ máy cũng có thể dẫn đến thương tích cá nhân nghiêm trọng.
2. **Sử dụng thiết bị bảo hộ cá nhân. Luôn đeo thiết bị bảo vệ mắt.** Các thiết bị bảo hộ như mặt nạ chống bụi, giày an toàn chống trượt, mũ bảo hộ hay thiết bị bảo vệ thính giác được sử dụng trong các điều kiện thích hợp sẽ giúp giảm thương tích cá nhân.

3. **Tránh vô tình khởi động dụng cụ máy. Đảm bảo công tắc ở vị trí off (tắt) trước khi nối nguồn điện và/hoặc bộ pin, cầm hoặc di chuyển dụng cụ máy.** Việc di chuyển dụng cụ máy khi đang đặt ngón tay ở vị trí công tắc hoặc cấp điện cho dụng cụ máy đang bật thường dễ gây ra tai nạn.
4. **Tháo tất cả các khóa hoặc cờ lê điều chỉnh trước khi bật dụng cụ máy.** Việc cờ lê hoặc khóa vẫn còn gắn vào bộ phận quay của dụng cụ máy có thể dẫn đến thương tích cá nhân.
5. **Không vởi quá cao. Luôn giữ thăng bằng tốt và có chỗ để chân phù hợp.** Điều này cho phép điều khiển dụng cụ máy tốt hơn trong những tình huống bất ngờ.
6. **Ăn mặc phù hợp. Không mặc quần áo rộng hay đeo đồ trang sức. Giữ tóc và quần áo tránh xa các bộ phận chuyển động.** Quần áo rộng, đồ trang sức hay tóc dài có thể mắc vào các bộ phận chuyển động.
7. **Nếu cần thiết bị được cung cấp để kết nối các thiết bị thu gom và hút bụi, hãy đảm bảo chúng được kết nối và sử dụng hợp lý.** Việc sử dụng thiết bị thu gom bụi có thể làm giảm những mối nguy hiểm liên quan đến bụi.
8. **Không vì quen thuộc do thường xuyên sử dụng các dụng cụ mà cho phép bạn trở nên tự mãn và bỏ qua các nguyên tắc an toàn dụng cụ.** Một hành động bất cẩn có thể gây ra thương tích nghiêm trọng trong một phần của một giây.
9. **Luôn luôn mang kính bảo hộ để bảo vệ mắt khỏi bị thương khi đang sử dụng các dụng cụ máy. Kính bảo hộ phải tuân thủ ANSI Z87.1 ở Mỹ, EN 166 ở Châu Âu, hoặc AS/NZS 1336 ở Úc/New Zealand.** Tại Úc/New Zealand, theo luật pháp, bạn cũng phải mang mặt nạ để bảo vệ mắt.



Trách nhiệm của chủ lao động là bắt buộc người vận hành dụng cụ và những người khác trong khu vực làm việc cạnh đó phải sử dụng các thiết bị bảo hộ an toàn thích hợp.

Sử dụng và bảo quản dụng cụ máy

1. **Không dùng lực đối với dụng cụ máy. Sử dụng đúng dụng cụ máy cho công việc của bạn.** Sử dụng đúng dụng cụ máy sẽ giúp tăng hiệu quả công việc tốt hơn và an toàn hơn theo giá trị định mức được thiết kế của dụng cụ máy.

- Không sử dụng dụng cụ máy nếu công tắc không bật và tắt được dụng cụ máy đó.** Mọi dụng cụ máy không thể điều khiển được bằng công tắc đều rất nguy hiểm và phải được sửa chữa.
- Rút phích cắm ra khỏi nguồn điện và/hoặc tháo kết nối bộ pin khỏi dụng cụ máy, nếu có thể tháo rời trước khi thực hiện bất kỳ công việc điều chỉnh, thay đổi phụ tùng hay cất giữ dụng cụ máy nào.** Những biện pháp an toàn phòng ngừa này sẽ giảm nguy cơ vô tình khởi động dụng cụ máy.
- Cất giữ các dụng cụ máy không sử dụng ngoài tầm với của trẻ em và không cho bất kỳ người nào không có hiểu biết về dụng cụ máy hoặc các hướng dẫn này vận hành dụng cụ máy.** Dụng cụ máy sẽ rất nguy hiểm nếu được sử dụng bởi những người dùng chưa qua đào tạo.
- Bảo dưỡng dụng cụ máy và các phụ kiện.** Kiểm tra tình trạng lệch trục hoặc bộ kẹp của các bộ phận chuyển động, liên tục loại bỏ vớ của các bộ phận và mọi tình trạng khác mà có thể ảnh hưởng đến hoạt động của dụng cụ máy. Nếu có hỏng hóc, hãy sửa chữa dụng cụ máy trước khi sử dụng. Nhiều tai nạn xảy ra là do không bảo quản tốt dụng cụ máy.
- Luôn giữ cho dụng cụ cất được sắc bén và sạch sẽ.** Những dụng cụ cất được bảo quản tốt có mép cắt sắc sẽ ít bị kẹt hơn và dễ điều khiển hơn.
- Sử dụng dụng cụ máy, phụ tùng và đầu dụng cụ cắt, v.v... theo các hướng dẫn này, có tính đến điều kiện làm việc và công việc được thực hiện.** Việc sử dụng dụng cụ máy cho các công việc khác với công việc dự định có thể gây nguy hiểm.
- Giữ tay cầm và bề mặt tay cầm khô, sạch, không dính dầu và mỡ.** Tay cầm trơn trượt và bề mặt tay cầm không cho phép xử lý an toàn và kiểm soát dụng cụ trong các tình huống bất ngờ.
- Khi sử dụng dụng cụ, không được đi giày tay lao động bằng vải, có thể bị vướng.** Việc giày tay lao động bằng vải vướng vào các bộ phận chuyển động có thể gây ra thương tích cá nhân.

- Sử dụng và bảo quản dụng cụ dùng pin**
- Chỉ sạc pin lại với bộ sạc do nhà sản xuất quy định.** Bộ sạc phù hợp với một loại bộ pin này có thể gây ra nguy cơ hỏa hoạn khi được dùng cho một bộ pin khác.
 - Chỉ sử dụng các dụng cụ máy với các bộ pin được quy định cụ thể.** Việc sử dụng bất cứ bộ pin nào khác có thể gây ra thương tích và hỏa hoạn.
 - Khi không sử dụng bộ pin, hãy giữ tránh xa các đồ vật khác bằng kim loại, chẳng hạn như kẹp giấy, tiền xu, chìa khóa, đinh, ốc vít hoặc các vật nhỏ bằng kim loại mà có thể làm nổi tất cả đầu cực pin.** Các đầu cực pin bị đoản mạch có thể gây cháy hoặc hỏa hoạn.
 - Trong điều kiện sử dụng quá mức, pin có thể bị chảy nước; hãy tránh tiếp xúc.** Nếu vô tình tiếp xúc với pin bị chảy nước, hãy rửa sạch bằng nước. Nếu dung dịch từ pin tiếp xúc với mắt, cần đi khám bác sĩ thêm. Dung dịch chảy ra từ pin có thể gây rát da hoặc bỏng.

- Không sử dụng bộ pin hoặc dụng cụ bị hư hỏng hoặc đã bị sửa đổi.** Pin đã bị hư hỏng hoặc đã bị sửa đổi có thể hành động theo cách không thể đoán trước dẫn đến cháy, nổ hoặc nguy cơ chấn thương.
- Không để bộ pin hoặc dụng cụ tiếp xúc với lửa hoặc nhiệt độ quá cao.** Tiếp xúc với lửa hoặc nhiệt độ trên 130 °C có thể gây ra cháy nổ.
- Làm theo tất cả các hướng dẫn sạc pin và không được sạc bộ pin hoặc dụng cụ vượt giới hạn nhiệt độ quy định trong hướng dẫn.** Sạc pin không đúng hoặc ở nhiệt độ vượt giới hạn nhiệt độ có thể gây hư hỏng cho pin và làm tăng nguy cơ cháy.

Bảo dưỡng

- Đề nhân viên sửa chữa đủ trình độ bảo dưỡng dụng cụ máy của bạn và chỉ sử dụng các bộ phận thay thế đồng nhất.** Việc này sẽ đảm bảo duy trì được độ an toàn của dụng cụ máy.
- Không bao giờ sử dụng bộ pin đã hỏng.** Dịch vụ bảo hành bộ pin chỉ nên thực hiện bởi nhà sản xuất hoặc các nhà cung cấp dịch vụ được ủy quyền.
- Tuân theo hướng dẫn dành cho việc bôi trơn và thay phụ tùng.**

Cảnh báo an toàn dành cho máy cưa kiểm chạy pin

- Cầm dụng cụ máy bằng bề mặt tay cầm cách điện khi thực hiện một thao tác trong đó phụ tùng cắt có thể tiếp xúc với dây điện ngầm.** Phụ kiện cắt tiếp xúc với dây dẫn "có điện" có thể khiến các bộ phận kim loại bị hở của dụng cụ máy "có điện" và làm cho người vận hành bị điện giật.
- Dùng kẹp hoặc làm theo cách khác để giữ chặt và đỡ phôi gia công trên bề vững chắc.** Giữ phôi gia công bằng tay hoặc tỳ vào cơ thể sẽ làm phôi không chắc chắn và có thể dẫn đến mất kiểm soát.
- Luôn sử dụng kính bảo hộ hoặc kính an toàn.** Kính mắt thông thường hoặc kính râm KHÔNG phải là kính an toàn.
- Tránh cắt đinh.** Kiểm tra phôi xem có đinh không và tháo đinh trước khi vận hành.
- Không cắt phôi có kích thước quá lớn.**
- Kiểm tra khoảng trống phù hợp cách phôi gia công trước khi cắt để lưỡi cưa không cắt vào sàn, bàn gia công, v.v...**
- Cầm chắc dụng cụ.**
- Đảm bảo lưỡi cưa không tiếp xúc với phôi gia công trước khi bật công tắc.**
- Giữ tay tránh xa các bộ phận chuyển động.**
- Không để mặc dụng cụ hoạt động.** Chỉ vận hành dụng cụ khi cầm trên tay.
- Luôn tắt nguồn và đợi lưỡi cưa dừng hẳn trước khi tháo lưỡi cưa ra khỏi phôi gia công.**
- Không chạm vào lưỡi cưa hay phôi gia công ngay sau khi vận hành; chúng có thể cực nóng và có thể gây bỏng da.**
- Không vận hành dụng cụ ở chế độ không tải nếu không cần thiết.**
- Luôn sử dụng đúng mặt nạ chống bụi/bình thở khi làm việc với vật liệu và ứng dụng của mình.**

15. Một số vật liệu có thể chứa hóa chất độc hại. Phải cẩn trọng tránh hít phải bụi và tiếp xúc với da. Tuân theo dữ liệu an toàn của nhà cung cấp vật liệu.
16. Trước khi vận hành, đảm bảo rằng không có vật bị chôn vùi như ống điện, ống nước hoặc ống dẫn khí trong phối gia công. Nếu không, lưỡi cưa kiếm có thể chạm vào chúng, gây ra điện giật, rò rỉ điện hoặc rò rỉ gas.
10. Pin nén lithium-ion là đối tượng có yêu cầu bắt buộc theo Luật Hàng hoá Nguy hiểm. Đối với vận tải thương mại, ví dụ như vận tải do bên thứ ba, đại lý giao nhận, thì yêu cầu đặc biệt về đóng gói và nhãn ghi phải được giám sát. Để chuẩn bị cho mặt hàng cần vận chuyển, cần phải tham khảo ý kiến chuyên gia về vật liệu nguy hiểm. Nếu được, vui lòng tuân thủ các quy định quốc gia chi tiết hơn. Buộc hoặc niêm phong các tiếp điểm mở và đóng gói pin theo cách đó để nó không thể di chuyển trong bao bì.

LƯU GIỮ CÁC HƯỚNG DẪN NÀY.

⚠CẢNH BÁO: KHÔNG vì đã thoải mái hay quen thuộc với sản phẩm (có được do sử dụng nhiều lần) mà không tuân thủ nghiêm ngặt các quy định về an toàn dành cho sản phẩm này. VIỆC DÙNG SAI hoặc không tuân theo các quy định về an toàn được nêu trong tài liệu hướng dẫn này có thể dẫn đến thương tích cá nhân nghiêm trọng.

Hướng dẫn quan trọng về an toàn dành cho hộp pin

1. Trước khi sử dụng hộp pin, hãy đọc kỹ tất cả các hướng dẫn và dấu hiệu cảnh báo trên (1) bộ sạc pin, (2) pin và (3) sản phẩm sử dụng pin.
2. Không tháo rời hoặc làm thay đổi hộp pin. Việc này có thể dẫn đến hỏa hoạn, quá nhiệt hoặc nổ.
3. Nếu thời gian vận hành ngắn hơn quá mức, hãy ngừng vận hành ngay lập tức. Điều này có thể dẫn đến rủi ro quá nhiệt, có thể gây bỏng và thậm chí là nổ.
4. Nếu chất điện phân rơi vào mắt, hãy rửa sạch bằng nước sạch và đến cơ sở y tế ngay lập tức. Chất này có thể khiến bạn giảm thị lực.
5. Không để hộp pin ở tình trạng đoản mạch:
 - (1) Không chạm vào cực pin bằng vật liệu dẫn điện.
 - (2) Tránh cất giữ hộp pin trong hộp có các vật kim loại khác như đinh, tiền xu, v.v...
 - (3) Không được để hộp pin tiếp xúc với nước hoặc mưa.
 Đoàn mạch pin có thể gây ra dòng điện lớn, quá nhiệt, có thể gây bỏng và thậm chí là hồng hóc.
6. Không cất giữ cũng như sử dụng dụng cụ và hộp pin ở nơi nhiệt độ có thể lên tới hoặc vượt quá 50 °C (122 °F).
7. Không đốt hộp pin ngay cả khi hộp pin đã bị hư hại nặng hoặc hư hỏng hoàn toàn. Hộp pin có thể nổ khi tiếp xúc với lửa.
8. Không đóng đinh, cắt, nghiền nát, ném, làm rơi hộp pin hoặc va vật cứng vào hộp pin. Làm như thế có thể dẫn đến hỏa hoạn, quá nhiệt hoặc nổ.
9. Không sử dụng pin đã hỏng.
11. Khi vứt bỏ hộp pin, hãy tháo chúng khỏi dụng cụ và thả bỏ ở nơi an toàn. Phải tuân thủ theo các quy định của địa phương liên quan đến việc thải bỏ pin.
12. Chỉ sử dụng pin cho các sản phẩm Makita chỉ định. Lắp pin vào sản phẩm không thích hợp có thể gây ra hỏa hoạn, quá nhiệt, nổ, hoặc rò chất điện phân.
13. Nếu dụng cụ không được sử dụng trong một thời gian dài, cần phải tháo pin ra khỏi dụng cụ.
14. Trong và sau khi sử dụng, hộp pin có thể bị nóng, có thể gây bỏng hoặc bỏng ở nhiệt độ thấp. Chú ý xử lý hộp pin nóng.
15. Không chạm vào điện cực của dụng cụ ngay sau khi sử dụng vì điện cực đủ nóng để gây bỏng.
16. Không để vụn bào, bụi hoặc đất bám vào các điện cực, lỗ và rãnh của hộp pin. Điều này có thể làm nóng, bắt lửa, nổ và gây trực trực cho dụng cụ hoặc hộp pin, dẫn đến bỏng hoặc thương tích cá nhân.
17. Trừ khi dụng cụ hỗ trợ sử dụng gần đường dây điện cao thế, không sử dụng hộp pin gần đường dây điện cao thế. Việc này có thể dẫn đến trực trực hoặc hồng hóc dụng cụ hay hộp pin.
18. Giữ pin tránh xa trẻ em.

LƯU GIỮ CÁC HƯỚNG DẪN NÀY.

⚠THẬN TRỌNG: Chỉ sử dụng pin Makita chính hãng. Việc sử dụng pin không chính hãng Makita, hoặc pin đã được sửa đổi, có thể dẫn đến nổ pin gây ra cháy, thương tích và thiệt hại cá nhân. Nó cũng sẽ làm mất hiệu lực bảo hành của Makita dành cho dụng cụ của Makita và bộ sạc.

Mẹo duy trì tuổi thọ tối đa cho pin

1. Sạc hộp pin trước khi pin bị xả điện hoàn toàn. Luôn dừng việc vận hành dụng cụ và sạc pin khi bạn nhận thấy công suất dụng cụ bị giảm.
2. Không được phép sạc lại một hộp pin đã được sạc đầy. Sạc quá mức sẽ làm giảm tuổi thọ của pin.
3. Sạc pin ở nhiệt độ phòng 10°C - 40°C. Để cho hộp pin nóng nguội lại dần trước khi sạc pin.
4. Khi không sử dụng hộp pin, hãy tháo hộp pin ra khỏi dụng cụ hoặc bộ sạc.

5. **Sạc pin sáu tháng một lần nếu bạn không sử dụng dụng cụ trong một thời gian dài (hơn sáu tháng).**

MÔ TẢ CHỨC NĂNG

⚠ THẬN TRỌNG: Luôn đảm bảo rằng đã tắt dụng cụ và tháo hộp pin ra trước khi thực hiện việc điều chỉnh hoặc kiểm tra chức năng trên dụng cụ.

Lắp hoặc tháo hộp pin

⚠ THẬN TRỌNG: Luôn tắt dụng cụ trước khi lắp hoặc tháo hộp pin.

⚠ THẬN TRỌNG: Giữ dụng cụ và hộp pin thật chắc khi lắp hoặc tháo hộp pin. Không giữ dụng cụ và hộp pin thật chắc có thể làm trượt chúng khỏi tay và làm hư hỏng dụng cụ và hộp pin hoặc gây thương tích cá nhân.

► **Hình1:** 1. Chỉ báo màu đỏ 2. Nút 3. Hộp pin

Để tháo hộp pin, vừa trượt pin ra khỏi dụng cụ vừa đẩy trượt nút ở phía trước hộp pin.

Để lắp hộp pin, đặt thẳng hàng phần chốt nhô ra của hộp pin vào phần rãnh nằm trên vỏ và trượt hộp pin vào vị trí. Đưa hộp pin vào hết mức cho đến khi chốt khóa vào đúng vị trí với một tiếng cách nhẹ. Nếu bạn có thể nhìn thấy chỉ báo màu đỏ như thể hiện trong hình, điều đó có nghĩa vẫn chưa được khóa hoàn toàn.

⚠ THẬN TRỌNG: Luôn lắp hộp pin khớp hoàn toàn vào vị trí cho đến khi không thể nhìn thấy chỉ báo màu đỏ. Nếu không, hộp pin có thể vô tình rơi ra khỏi dụng cụ, gây thương tích cho bạn hoặc người khác xung quanh.

⚠ THẬN TRỌNG: Không được dùng sức lắp hộp pin. Nếu hộp pin không nhẹ nhàng trượt vào vị trí, có nghĩa là pin vẫn chưa được lắp đúng.

Hệ thống bảo vệ dụng cụ / pin

Dụng cụ này được trang bị hệ thống bảo vệ dụng cụ / pin. Hệ thống này sẽ tự động ngắt nguồn điện đến động cơ để kéo dài tuổi thọ dụng cụ và pin. Dụng cụ sẽ tự động dừng vận hành khi dụng cụ hoặc pin ở một trong những trường hợp sau đây:

Bảo vệ quá tải

Khi vận hành pin trong điều kiện làm máy tiêu tốn dòng cao bất thường, dụng cụ sẽ tự động dừng lại mà không có bất cứ dấu hiệu nào. Trong trường hợp này, hãy tắt dụng cụ và ngừng ứng dụng làm cho dụng cụ trở nên quá tải. Sau đó bật dụng cụ lên để khởi động lại.

Bảo vệ quá nhiệt

Khi dụng cụ hoặc pin bị quá nhiệt, dụng cụ sẽ tự động dừng và đèn sẽ nhấp nháy. Trong trường hợp này, hãy tắt dụng cụ và pin nguội trước khi bật dụng cụ lại.

Bảo vệ xả điện quá mức

Khi dung lượng pin không đủ, dụng cụ sẽ tự động dừng và đèn sẽ nhấp nháy. Trong trường hợp này, hãy tháo pin khỏi dụng cụ và sạc pin lại.

Bảo vệ chống lại các nguyên nhân khác

Hệ thống bảo vệ cũng được thiết kế để chống lại các nguyên nhân khác có thể làm hỏng dụng cụ và cho phép dụng cụ tự động dừng. Thực hiện tất cả các bước sau đây để loại bỏ các nguyên nhân, khi dụng cụ đã được tạm dừng hoặc ngừng hoạt động.

1. Tắt dụng cụ, sau đó bật lại lần nữa để khởi động lại.
2. Sạc (các) pin hoặc thay pin/các pin bằng (các) pin đã sạc.
3. Để dụng cụ và (các) pin nguội dần.

Nếu không thấy cải thiện bằng cách khôi phục hệ thống bảo vệ, hãy liên hệ với Trung tâm Dịch vụ Makita tại địa phương của bạn.

Chỉ báo dung lượng pin còn lại

Ấn nút check (kiểm tra) trên hộp pin để chỉ báo dung lượng pin còn lại. Các đèn chỉ báo bật sáng lên trong vài giây.

► **Hình2:** 1. Các đèn chỉ báo 2. Nút Check (kiểm tra)

Các đèn chỉ báo			Dung lượng còn lại
Bật sáng	Tắt	Nhấp nháy	
			75% đến 100%
			50% đến 75%
			25% đến 50%
			0% đến 25%
			Sạc pin.
			Pin có thể đã bị hỏng.



LƯU Ý: Tùy thuộc vào các điều kiện sử dụng và nhiệt độ xung quanh, việc chỉ báo có thể khác biệt một chút so với dung lượng thực sự.

LƯU Ý: Đèn chỉ báo (phía xa bên trái) đầu tiên sẽ nhấp nháy khi hệ thống bảo vệ pin hoạt động.

Lựa chọn thao tác cắt

► Hình3: 1. Cắn gạt

Dụng cụ này có thể được vận hành với thao tác cắt đường xoay vòng hoặc đường thẳng. Để thay đổi thao tác cắt, xoay cần gạt đến vị trí thao tác cắt mong muốn. Tham khảo bảng để chọn thao tác cắt phù hợp.

Vị trí	Thao tác cắt	Các ứng dụng
	Thao tác cắt đường xoay vòng	Để cắt nhanh gỗ và bê tông khí chưng áp.
	Thao tác cắt đường thẳng	Để cắt ống sắt, ống sắt đúc, nhôm, thép không rỉ và nhựa.

LƯU Ý: Hoạt động có quỹ đạo có nghĩa là lưỡi cưa di chuyển lên xuống và qua lại cùng một lúc. Điều này làm tăng hiệu quả cắt.

Đĩa điều chỉnh tốc độ

► Hình4: 1. Đĩa điều chỉnh tốc độ

Số nhát mỗi phút có thể được điều chỉnh bằng cách xoay đĩa điều chỉnh tốc độ. Có thể thực hiện việc này ngay cả khi dụng cụ đang hoạt động. Đĩa xoay được đánh dấu từ 1 (tốc độ thấp nhất) đến 5 (tốc độ cao nhất). Xoay đĩa điều chỉnh tốc độ từ 1 đến 5 tùy theo công việc của bạn. Tham khảo bảng để chọn tốc độ phù hợp cho phối gia công sẽ cắt. Tuy nhiên, ứng dụng thích hợp có thể khác với hình dạng và độ cứng của phối. Nhìn chung, thao tác cắt đường xoay vòng sẽ phù hợp với các vật liệu mềm.

LƯU Ý: Thao tác cắt đường xoay vòng phù hợp với hầu hết các vật liệu mềm như gỗ, tuy nhiên, thỉnh thoảng không theo hình dạng hoặc độ cứng của phối gia công, v.v...

Số trên đĩa điều chỉnh	Số nhát mỗi phút
5	3.000
4	2.500
3	2.000
2	1.500
1	1.000

Phối gia công cần cắt	Số trên đĩa điều chỉnh
Gỗ	5
Bê tông khí chưng áp	4 - 5
Ống sắt, ống sắt đúc và nhôm	2 - 4
Nhựa	1 - 3
Thép không rỉ	1 - 2

LƯU Ý: Nếu dụng cụ được vận hành liên tục ở tốc độ chậm trong thời gian dài, tuổi thọ hoạt động của động cơ sẽ bị giảm đi.

LƯU Ý: Đĩa xoay điều chỉnh tốc độ chỉ có thể được xoay cao nhất là 5 và trở về 1. Không cố gắng vận quá 5 hoặc 1, nếu không chức năng điều chỉnh tốc độ có thể không hoạt động nữa.

Hoạt động công tắc

⚠THẬN TRỌNG: Trước khi lắp hộp pin vào dụng cụ, luôn luôn kiểm tra xem cần khởi động công tắc có hoạt động bình thường hay không và trả về vị trí "OFF" (TẮT) khi nhả ra.

⚠THẬN TRỌNG: Khi không vận hành dụng cụ, nhấn nút nhà khóa từ bên hông A để khóa cần khởi động công tắc vào vị trí OFF (TẮT).

► Hình5: 1. Cần khởi động công tắc 2. Nút nhà khóa

Để ngăn ngừa cần khởi động công tắc vô tình bị kéo, dụng cụ được trang bị nút nhà khóa. Để khởi động dụng cụ, nhấn nút nhà khóa và kéo cần khởi động công tắc từ bên hông B. Tốc độ của dụng cụ được tăng lên bằng cách tăng áp lực lên cần khởi động công tắc. Nhả cần khởi động công tắc ra để dừng. Sau khi sử dụng, luôn nhấn nút nhà khóa từ bên hông A.

Bật sáng đèn phía trước

► Hình6: 1. Đèn

⚠THẬN TRỌNG: Đừng nhìn thẳng trực tiếp vào đèn hoặc nguồn sáng.

Kéo cần khởi động công tắc để bật sáng đèn. Đèn sẽ vẫn sáng trong lúc cần khởi động công tắc đang được kéo. Đèn sẽ tắt khoảng 10 giây sau khi nhả cần khởi động công tắc.

LƯU Ý: Dùng vải khô để lau bụi bẩn trên kính đèn. Cần thận trọng dụng cụ làm xước kính đèn, nếu không đèn có thể bị giảm độ sáng.

LƯU Ý: Khi dụng cụ bị quá nhiệt, đèn sẽ nhấp nháy trong vòng một phút. Trong trường hợp này, hãy để nguội dụng cụ trước khi vận hành đợt khác.

Điều chỉnh để hãm

⚠CẢNH BÁO: Luôn tháo hộp pin và lưỡi cưa kiểm khi tháo hoặc điều chỉnh để hãm.

⚠THẬN TRỌNG: Luôn lắp để hãm và đảm bảo rằng để hãm chạm vào phối gia công trước khi vận hành dụng cụ.

⚠THẬN TRỌNG: Luôn đảm bảo rằng để hãm được điều chỉnh ở vị trí thích hợp để lưỡi cưa kiểm không chạm vào dụng cụ trong quá trình vận hành.

► Hình7

Khi lưỡi cưa kiểm mất hiệu suất cưa tại một vị trí dọc theo cạnh cắt, hãy định vị để hãm để sử dụng phần sắc, chưa sử dụng chỗ của cạnh cắt. Làm như vậy sẽ kéo dài tuổi thọ của lưỡi cưa kiểm.

Vị trí của để hãm có thể được điều chỉnh theo 6 mức. Để định vị lại để hãm, mở cần điều chỉnh để hãm và chọn vị trí thích hợp, sau đó đóng cần điều chỉnh để hãm.

► Hình8: 1. Để hãm 2. Cần điều chỉnh để hãm


LƯU Ý: Để hãm không thể điều chỉnh nếu không mở cần điều chỉnh để hãm hết cỡ.

Làm sạch bên trong để hãm

Bạn có thể tháo để hãm và làm sạch bụi hoặc vụn bào bên trong dụng cụ.

1. Kéo cần điều chỉnh để hãm hết cỡ.
2. Kéo để hãm ra trong khi đẩy nút.
► **Hình9:** 1. Để hãm 2. Cần điều chỉnh để hãm 3. Nút
3. Loại bỏ bụi hoặc mặt vụn bên trong dụng cụ.
4. Lắp để hãm trong khi đẩy nút.
5. Để định vị lại để hãm, mở cần điều chỉnh để hãm hoàn toàn và lắp để hãm vào vị trí thích hợp, sau đó đóng cần điều chỉnh để hãm.

Móc treo

▲THẬN TRỌNG: Khi treo dụng cụ, đặt nút nhà khóa ở vị trí  để khóa cần khởi động công tắc. (Xem phần hoạt động công tắc.)

▲THẬN TRỌNG: Không bao giờ treo dụng cụ ở vị trí cao hoặc nơi có khả năng không thăng bằng.

▲THẬN TRỌNG: Chỉ sử dụng các bộ phận treo/gắn dựa vào mục đích thiết kế của chúng. Sử dụng sai mục đích có thể gây ra tai nạn hoặc thương tích cá nhân.

▲THẬN TRỌNG: Không được móc dụng cụ vào đai lưng của bạn hoặc các phụ kiện khác. Lưỡi cưa kiểm có thể tiếp xúc với cơ thể của bạn và gây thương tích cá nhân.

► **Hình10:** 1. Móc treo

Móc treo rất tiện lợi khi dùng treo tạm dụng cụ. Để sử dụng móc treo, chỉ cần nâng móc treo cho đến khi nó trượt "tách" vào vị trí mở. Khi không sử dụng, luôn hạ móc treo xuống cho đến khi nó trượt "tách" vào vị trí đóng.

Phanh điện tử

Dụng cụ này được trang bị một phanh điện tử. Nếu dụng cụ không thể dừng nhanh sau khi đã nhả cần khởi động công tắc, hãy đem dụng cụ đến trung tâm dịch vụ của Makita.

Chức năng điện tử

Dụng cụ này được trang bị các chức năng điện tử để dễ dàng vận hành.

Điều khiển tốc độ không đổi

Chức năng điều khiển tốc độ cung cấp tốc độ quay không đổi bất kể điều kiện tải.

LẮP RÁP

▲THẬN TRỌNG: Luôn đảm bảo rằng đã tắt dụng cụ và tháo hộp pin ra trước khi thực hiện bất cứ thao tác nào trên dụng cụ.

Lắp hoặc tháo lưỡi cưa kiểm

▲THẬN TRỌNG: Luôn lau sạch tất cả phoi hoặc ngoại vật bám vào lưỡi cưa và xung quanh kẹp lưỡi cưa. Không làm như vậy có thể khiến cho lưỡi cưa được siết không đủ chặt dẫn đến thương tích nghiêm trọng.

Để lắp đặt lưỡi cưa kiểm, kéo cần nhà hoàn toàn để ống kẹp lưỡi cưa đến vị trí nhà trước khi lắp lưỡi cưa kiểm.

► **Hình11:** 1. Cần nhà 2. Ống kẹp lưỡi cưa 3. Vị trí nhà 4. Vị trí cố định

LƯU Ý: Luôn kéo cần nhà hết mức đến phía cuối. Nếu không, ống kẹp lưỡi cưa sẽ không đến vị trí nhà và không thể lắp lưỡi cưa kiểm vào.

Lắp lưỡi cưa kiểm vào khe ống kẹp lưỡi cưa hết mức có thể. Ống kẹp lưỡi cưa sẽ bắt được lưỡi cưa kiểm với tiếng cách. Đảm bảo rằng không thể rút lưỡi cưa kiểm ngay cả khi bạn cố rút lưỡi cưa ra.

► **Hình12:** 1. Lưỡi cưa kiểm 2. Ống kẹp lưỡi cưa

▲THẬN TRỌNG: Nếu bạn không lắp lưỡi cưa kiểm đủ sâu, lưỡi cưa kiểm có thể bất ngờ bị văng ra trong khi vận hành. Điều này có thể cực kỳ nguy hiểm.

Để tháo lưỡi cưa kiểm, kéo cần nhà hết cỡ theo hướng mũi tên.

► **Hình13:** 1. Lưỡi cưa kiểm 2. Cần nhà

CHÚ Ý: Tuyệt đối không vận hành cần nhà khi vận hành cần khởi động công tắc. Làm như vậy có thể gây ra trục trặc.

VẬN HÀNH

⚠ THẬN TRỌNG: Luôn ấn chặt đế hãm vào phôi gia công trong khi vận hành. Nếu đế hãm đã bị tháo hoặc cách xa phôi gia công trong khi vận hành, lực xoắn và/hoặc rung mạnh sẽ sinh ra khiến lưỡi cưa bị gãy một cách nguy hiểm.

⚠ THẬN TRỌNG: Luôn đeo găng tay để bảo vệ tay bạn khỏi các phôi nóng bắn ra khi cắt kim loại.

⚠ THẬN TRỌNG: Đảm bảo luôn đeo thiết bị bảo vệ mắt phù hợp tuân thủ theo các tiêu chuẩn quốc gia hiện tại.

⚠ THẬN TRỌNG: Luôn sử dụng chất làm mát phù hợp (dầu làm nguội) khi cắt kim loại. Không làm như vậy sẽ làm lưỡi cưa bị mòn sớm.

⚠ THẬN TRỌNG: Không đột ngột bẻ cong lưỡi cưa khi đang cắt.

⚠ THẬN TRỌNG: Không vận hành dụng cụ khi móc treo đang mở.

Ấn chặt đế hãm vào phôi gia công. Không để dụng cụ bật lên. Để lưỡi cưa chạm nhẹ vào phôi gia công. Trước tiên, tạo rãnh dẫn hướng với tốc độ chậm hơn. Sau đó sử dụng tốc độ nhanh hơn để tiếp tục cắt.

► Hình 14

CHÚ Ý: Không được cắt phôi gia công khi đế hãm rơi ra khỏi phôi gia công hoặc khi không có đế hãm. Làm như vậy sẽ làm tăng lực phản ứng có thể phá vỡ lưỡi cưa kiểm.

BẢO TRÌ

⚠ THẬN TRỌNG: Hãy luôn chắc chắn rằng dụng cụ đã được tắt và hộp pin đã được tháo ra trước khi cố gắng thực hiện việc kiểm tra hay bảo dưỡng.

CHÚ Ý: Không được phép dùng xăng, ét xăng, dung môi, cồn hoặc hóa chất tương tự. Có thể xảy ra hiện tượng mất màu, biến dạng hoặc nứt vỡ.

Để đảm bảo ĐỘ AN TOÀN và ĐỘ TIN CẬY của sản phẩm, việc sửa chữa hoặc bất cứ thao tác bảo trì, điều chỉnh nào đều phải được thực hiện bởi các Trung tâm Dịch vụ Nhà máy hoặc Trung tâm được Makita Ủy quyền và luôn sử dụng các phụ tùng thiết bị thay thế của Makita.

PHỤ KIỆN TỰY CHỌN

⚠ THẬN TRỌNG: Các phụ kiện hoặc phụ tùng gắn thêm này được khuyến cáo sử dụng với dụng cụ Makita của bạn theo như quy định trong hướng dẫn này. Việc sử dụng bất cứ phụ kiện hoặc phụ tùng gắn thêm nào khác đều có thể gây ra rủi ro thương tích cho người. Chỉ sử dụng phụ kiện hoặc phụ tùng gắn thêm cho mục đích đã quy định sẵn của chúng.

Nếu bạn cần bất kỳ sự hỗ trợ nào để biết thêm chi tiết về các phụ tùng này, hãy hỏi Trung tâm Dịch vụ của Makita tại địa phương của bạn.

- Lưỡi cưa kiểm
- Pin và bộ sạc chính hãng của Makita

LƯU Ý: Một số mục trong danh sách có thể được bao gồm trong gói dụng cụ làm phụ kiện tiêu chuẩn. Các mục này ở mỗi quốc gia có thể khác nhau.

ข้อมูลจำเพาะ

รุ่น:	JR002G	
ความยาวของระยะชัก	32 mm	
อัตราการชักต่อนาที	0 - 3,000 min ⁻¹	
ความสามารถในการตัดสูงสุด	ท่อ	130 mm
	ไม้	255 mm
ความยาวโดยรวม	รวม BL4025	436 mm
	รวม BL4050F	473 mm
แรงดันไฟฟ้าสูงสุด	D.C. 36 V - 40 V สูงสุด	
น้ำหนักสุทธิ	4.6 - 5.8 kg	

- เนื่องจากการค้นคว้าวิจัยและพัฒนาอย่างต่อเนื่อง ข้อมูลจำเพาะในเอกสารฉบับนี้อาจเปลี่ยนแปลงได้โดยไม่ต้องแจ้งให้ทราบล่วงหน้า
- ข้อมูลจำเพาะและตลับแบตเตอรี่อาจแตกต่างกันไปในแต่ละประเทศ
- น้ำหนักอาจแตกต่างกันไปตามอุปกรณ์เสริม รวมถึงตลับแบตเตอรี่ การติดอุปกรณ์เสริมที่เบาที่สุดและหนักที่สุดตามข้อบังคับของ EPTA 01/2014 มีแสดงอยู่ในตาราง

ตลับแบตเตอรี่และเครื่องชาร์จที่ใช้ได้

ตลับแบตเตอรี่	BL4020* / BL4025* / BL4040* / BL4050F* / BL4080F * : แบตเตอรี่ที่แนะนำ
เครื่องชาร์จ	DC40RA / DC40RB / DC40RC

- ตลับแบตเตอรี่และเครื่องชาร์จบางรายการที่แสดงอยู่ด้านบนอาจไม่มีวางจำหน่ายขึ้นอยู่กับภูมิภาคที่คุณอาศัยอยู่

⚠ คำเตือน: ใช้ตลับแบตเตอรี่และเครื่องชาร์จที่ระบุไว้ข้างบนเท่านั้น การใช้ตลับแบตเตอรี่และเครื่องชาร์จประเภทอื่นอาจก่อให้เกิดความเสี่ยงที่จะได้รับบาดเจ็บและ/หรือเกิดไฟไหม้

สัญลักษณ์

ต่อไปนี้เป็นสัญลักษณ์ที่อาจใช้สำหรับอุปกรณ์ โปรดศึกษาความหมายของสัญลักษณ์ให้เข้าใจก่อนการใช้งาน



อ่านคู่มือการใช้งาน



สวมแว่นตานิรภัย



NI-MH
Li-ion

สำหรับประเทศในสหภาพยุโรปเท่านั้น เนื่องจากในอุปกรณ์มีส่วนประกอบอันตราย ชะยะจำพวกอุปกรณ์ไฟฟ้า และอิเล็กทรอนิกส์ แบตเตอรี่ และหม้อแบตเตอรี่จึงอาจส่งผลกระทบต่อสิ่งแวดล้อมและสุขภาพของมนุษย์ในเชิงลบ

อย่าทิ้งเครื่องใช้ไฟฟ้าและอิเล็กทรอนิกส์หรือแบตเตอรี่รวมกับวัสดุเหลือทิ้งในครัวเรือน! เพื่อให้เป็นไปตามกฎระเบียบของยุโรป ว่าด้วยชะยะจำพวกอุปกรณ์ไฟฟ้าและอิเล็กทรอนิกส์ และหม้อสะสมไฟฟ้าและแบตเตอรี่ และชะยะจำพวกหม้อสะสมไฟฟ้าและแบตเตอรี่ รวมถึงการบังคับใช้ตามกฎหมายภายในประเทศ ควรมีการจัดเก็บชะยะจำพวกอุปกรณ์ไฟฟ้า แบตเตอรี่ และหม้อสะสมไฟฟ้าแยกต่างหากและส่งไปยังจุดรับชะยะต่างหากในเขตเทศบาลซึ่งมีการดำเนินการตามระเบียบว่าด้วยการดูแลสิ่งแวดล้อม โดยระบุด้วยสัญลักษณ์เส้นคาดขวางรูปถังชะยะแบบมีล้อไว้บนอุปกรณ์

จุดประสงค์การใช้งาน

เครื่องมือนี้ใช้สำหรับเลื่อยไม้ พลาสติก และวัสดุโลหะ

คำเตือนด้านความปลอดภัย

คำเตือนด้านความปลอดภัยของเครื่องมือไฟฟ้าทั่วไป

⚠ คำเตือน: โปรดอ่านคำเตือนด้านความปลอดภัย คำแนะนำ ภาพประกอบ และข้อมูลจำเพาะต่างๆ ที่หามา กับเครื่องมือไฟฟ้านี้อย่างละเอียด การไม่ปฏิบัติตามคำแนะนำดังต่อไปนี้ อาจส่งผลให้เกิดไฟฟ้าช็อต ไฟไหม้ และ/หรือได้รับบาดเจ็บอย่างร้ายแรงได้

เก็บรักษา ค่าเตือน และคำแนะนำทั้งหมดไว้

เป็นข้อมูลอ้างอิงในขนาด

คำว่า “เครื่องมือไฟฟ้า” ในคำเตือนนี้หมายถึงเครื่องมือไฟฟ้า (มีสาย) ที่ทำงานโดยใช้กระแสไฟฟ้าหรือเครื่องมือไฟฟ้า (ไร้สาย) ที่ทำงานโดยใช้แบตเตอรี่

ความปลอดภัยของพื้นที่ทำงาน

1. ดูแลพื้นที่ทำงานให้มีความสะอาดและมีแสงไฟสว่าง พื้นที่ที่กระเบื้องกระเบื้องหรือมิดที่บอบนำไปสู่การเกิดอุบัติเหตุได้
2. อย่าใช้งานเครื่องมือไฟฟ้าในสภาพที่อาจเกิดการระเบิด เช่น ในสถานที่ที่มีของเหลว ก๊าซ หรือฝุ่นผงที่มีคุณสมบัติไวไฟ เครื่องมือไฟฟ้าอาจสร้างประกายไฟและจุดชนวนฝุ่นผงหรือก๊าซดังกล่าว
3. ดูแลไม่ให้มีเด็ก หรือบุคคลอื่นอยู่ในบริเวณที่กำลังใช้เครื่องมือไฟฟ้า การมีสิ่งรบกวนสมาธิอาจทำให้คุณสูญเสียการควบคุม

ความปลอดภัยด้านไฟฟ้า

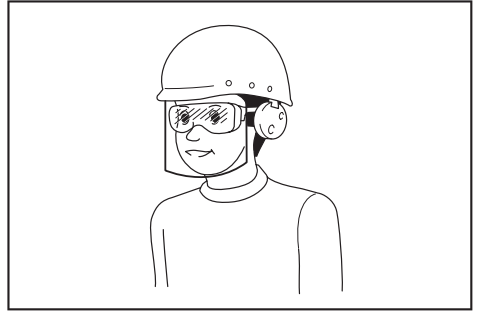
1. ปลั๊กของเครื่องมือไฟฟ้าต้องพอดีกับเต้ารับ อย่าดัดแปลงปลั๊กไม่ว่ากรณีใดๆ อย่าใช้ปลั๊กอะแดปเตอร์กับเครื่องมือไฟฟ้าที่ต่อสายดิน ปลั๊กที่ไม่ถูกดัดแปลงและเต้ารับที่เข้ากันพอดีจะช่วยลดความเสี่ยงของการเกิดไฟฟ้าช็อต
2. ระวังอย่าให้ร่างกายสัมผัสกับพื้นผิวที่ต่อสายดิน เช่น ท่อ เครื่องนำความร้อน เตาหุงต้ม และตู้เย็น มีความเสี่ยงที่จะเกิดไฟฟ้าช็อตสูงชัน หากร่างกายของคุณสัมผัสกับพื้น
3. อย่าให้เครื่องมือไฟฟ้าถูกน้ำหรืออยู่ในสภาพเปียกชื้น น้ำที่ไหลเข้าไปในเครื่องมือไฟฟ้าจะเพิ่มความเสี่ยงของการเกิดไฟฟ้าช็อต
4. อย่าใช้สายไฟอย่างไม่เหมาะสม อย่าใช้สายไฟเพื่อยก ดึง หรือถอดปลั๊กเครื่องมือไฟฟ้า เก็บสายไฟให้ห่างจากความร้อน น้ำมัน ของมีคม หรือชิ้นส่วนที่เคลื่อนที่ สายที่ชำรุดหรือพันกันจะเพิ่มความเสี่ยงของการเกิดไฟฟ้าช็อต
5. ขณะที่ใช้งานเครื่องมือไฟฟ้านอกอาคาร ควรใช้สายต่อพ่วงที่เหมาะสมกับงานภายนอกอาคาร การใช้สายที่เหมาะสมกับงานภายนอกอาคารจะลดความเสี่ยงของการเกิดไฟฟ้าช็อต
6. หากต้องใช้งานเครื่องมือไฟฟ้าในสถานที่เปียกชื้น ให้ใช้อุปกรณ์ป้องกันกระแสไฟรั่ว (RCD) การใช้ RCD จะลดความเสี่ยงของการเกิดไฟฟ้าช็อต

- เครื่องมือไฟฟ้าอาจสร้างสนามแม่เหล็ก (EMF) ที่ไม่เป็นอันตรายต่อผู้ใช้ อย่างไรก็ตาม ผู้ใช้ที่ใส่เครื่องกระตุ้นหัวใจและอุปกรณ์ทางการแพทย์ที่คล้ายกันนี้ควรติดต่อผู้ผลิตอุปกรณ์และ/หรือแพทย์เพื่อรับคำแนะนำก่อนใช้งานเครื่องมือไฟฟ้านี้

ความปลอดภัยส่วนบุคคล

- ให้ระมัดระวังและมีสติอยู่เสมอขณะใช้งานเครื่องมือไฟฟ้า อย่าใช้งานเครื่องมือไฟฟ้าในขณะที่คุณกำลังเหนื่อย หรือในสภาพที่มึนเมาจากยาเสพติด เครื่องดื่ม แอลกอฮอล์ หรือการเข้ายา ช่วงเวลาที่ขาดความระมัดระวังเมื่อกำลังใช้งานเครื่องมือไฟฟ้าอาจทำให้ได้รับบาดเจ็บร้ายแรง
- ใช้อุปกรณ์ป้องกันส่วนบุคคล สวมแว่นตาป้องกันเสมอ อุปกรณ์ป้องกัน เช่น หน้ากากกันฝุ่น รองเท้านิรภัยกันลื่น หมวกนิรภัย หรือเครื่องป้องกันการได้ยินที่ใช้ในสภาพที่เหมาะสมจะช่วยลดการบาดเจ็บ
- ป้องกันไม่ให้เกิดการเปิดใช้งานโดยไม่ตั้งใจ ตรวจสอบให้แน่ใจว่าสวิตช์ปิดอยู่ก่อนที่จะเชื่อมต่อกับแหล่งจ่ายไฟ และ/หรือชุดแบตเตอรี่ รวมทั้งตรวจสอบก่อนการยกหรือเคลื่อนย้ายเครื่องมือ การสอดนิ้วมือบริเวณสวิตช์เพื่อถือเครื่องมือไฟฟ้า หรือการชาร์จไฟเครื่องมือไฟฟ้าในขณะที่เปิดสวิตช์อยู่อาจนำไปสู่การเกิดอุบัติเหตุ
- นำกฎฉบับปรับปรุงหรือประแจออกก่อนที่จะเปิดเครื่องมือไฟฟ้า ประแจหรือกฎฉบับที่เสียค้างอยู่ในชิ้นส่วนที่หมุนได้ของเครื่องมือไฟฟ้าอาจทำให้ได้รับบาดเจ็บ
- อย่าทำงานในระยะเวลาที่ยาวนาน จัดท่าการยืนและการทรงตัวให้เหมาะสมตลอดเวลา เพราะจะทำให้ควบคุมเครื่องมือไฟฟ้าได้ดีขึ้นในสถานการณ์ที่ไม่คาดคิด
- แต่งกายให้เหมาะสม อย่าสวมเครื่องแต่งกายที่หลวมเกินไป หรือสวมเครื่องประดับ ดูแลไม่ให้เส้นผมและเสื้อผ้าอยู่ใกล้ชิ้นส่วนที่เคลื่อนที่ เสื้อผ้า ร่ม ร่ม เครื่องประดับ หรือผมที่มีความยาวอาจเข้าไปติดในชิ้นส่วนที่เคลื่อนที่
- หากมีการจัดอุปกรณ์สำหรับตัดและจัดเก็บฝุ่นไว้ในสถานที่ ให้ตรวจสอบว่าได้เชื่อมต่อและใช้งานอุปกรณ์นั้นอย่างเหมาะสม การใช้เครื่องดูดและจัดเก็บฝุ่นจะช่วยลดอันตรายที่เกิดจากฝุ่นผงได้
- อย่าให้ความคุ่นเคยจากการใช้งานเครื่องมือเป็นประจำวันให้คุณทำตัวตามสบายและละเลยหลักการเพื่อความปลอดภัยในการใช้เครื่องมือ การกระทำที่ไม่ระมัดระวังอาจทำให้เกิดการบาดเจ็บร้ายแรงภายในเสี้ยววินาที

- สวมใส่แว่นครอบตานิรภัยเพื่อปกป้องดวงตาของคุณจากการบาดเจ็บเมื่อใช้เครื่องมือไฟฟ้า แว่นครอบตาจะต้องได้มาตรฐาน ANSI Z87.1 ในสหรัฐอเมริกา, EN 166 ในยุโรป หรือ AS/NZS 1336 ในออสเตรเลีย/นิวซีแลนด์ ในออสเตรเลีย/นิวซีแลนด์ จะต้องสวมเกราะป้องกันใบหน้าเพื่อปกป้องใบหน้าของคุณอย่างถูกต้องตามกฎหมายด้วย



ผู้ว่าจ้างมีหน้าที่รับผิดชอบในการบังคับผู้ใช้งานเครื่องมือและบุคคลอื่น ๆ ที่อยู่ในบริเวณที่ปฏิบัติงานให้ใช้อุปกรณ์ป้องกันที่เหมาะสม

การใช้และดูแลเครื่องมือไฟฟ้า

- อย่าฝืนใช้เครื่องมือไฟฟ้า ใช้เครื่องมือไฟฟ้าที่เหมาะสมกับการใช้งานของคุณ เครื่องมือไฟฟ้าที่เหมาะสมจะทำให้ได้งานที่มีประสิทธิภาพและปลอดภัยกว่าตามขีดความสามารถของเครื่องที่ได้รับการออกแบบมา
- อย่าใช้เครื่องมือไฟฟ้า หากสวิตช์ไม่สามารถเปิดปิดได้ เครื่องมือไฟฟ้าที่ควบคุมด้วยสวิตช์ไม่ได้เป็นสิ่งอันตรายและต้องได้รับการซ่อมแซม
- ถอดปลั๊กจากแหล่งจ่ายไฟ และ/หรือชุดแบตเตอรี่ออกจากเครื่องมือไฟฟ้าก่อนทำการปรับตั้ง เปลี่ยนอุปกรณ์เสริม หรือจัดเก็บเครื่องมือไฟฟ้า วิธีการป้องกันด้านความปลอดภัยดังกล่าวจะช่วยลดความเสี่ยงในการเปิดใช้งานเครื่องมือไฟฟ้าโดยไม่ตั้งใจ
- จัดเก็บเครื่องมือไฟฟ้าที่ไม่ได้ใช้งานให้ห่างจากมือเด็ก และอย่าอนุญาตให้บุคคลที่ไม่คุ้นเคยกับเครื่องมือไฟฟ้าหรือคำแนะนำเหล่านี้ใช้งานเครื่องมือไฟฟ้า เครื่องมือไฟฟ้าจะเป็นอันตรายเมื่ออยู่ในมือของผู้ที่ไม่ได้รับการฝึกอบรม

- บำรุงรักษาเครื่องมือไฟฟ้าและอุปกรณ์เสริม ตรวจสอบการประกอบที่ไม่ถูกต้องหรือการเชื่อมต่อของชิ้นส่วนที่เคลื่อนที่ การแตกหักของชิ้นส่วน หรือสภาพอื่น ๆ ที่อาจส่งผลกระทบต่อการทำงานของเครื่องมือไฟฟ้า หากมีความเสียหาย ให้นำเครื่องมือไฟฟ้าไปซ่อมแซมก่อนการใช้งาน อุบัติเหตุจำนวนมากเกิดจากการดูแลรักษาเครื่องมือไฟฟ้าอย่างไม่ถูกต้อง
- ทำความสะอาดเครื่องมือตัดและลับให้คมอยู่เสมอ เครื่องมือการตัดที่มีการดูแลอย่างถูกต้องและมีขอบการตัดคมมักจะมีปัญหาติดขัดน้อยและควบคุมได้ง่ายกว่า
- ใช้เครื่องมือไฟฟ้า อุปกรณ์เสริม และวัสดุสิ้นเปลือง ฯลฯ ตามคำแนะนำดังกล่าว พิจารณาสภาพการทำงานและงานที่จะลงมือทำ การใช้เครื่องมือไฟฟ้าเพื่อทำงานอื่นนอกเหนือจากที่กำหนดไว้อาจทำให้เกิดอันตราย
- ดูแลมือจับและบริเวณมือจับให้แห้ง สะอาด และไม่มีน้ำมันและจาระบีเปื้อน มือจับและบริเวณมือจับที่ลื่นจะทำให้ไม่สามารถจับและควบคุมเครื่องมือได้อย่างปลอดภัยในสถานการณ์ที่ไม่คาดคิด
- ขณะใช้งานเครื่องมือ อย่าสวมใส่ถุงมือผ้าที่อาจเข้าไปติดในเครื่องมือได้ หากถุงมือผ้าเข้าไปติดในชิ้นส่วนที่กำลังเคลื่อนที่อยู่อาจทำให้ได้รับบาดเจ็บ

การใช้งานและดูแลเครื่องมือที่ใช้แบตเตอรี่

- ชาร์จไฟใหม่ด้วยเครื่องชาร์จที่ระบุโดยผู้ผลิตเท่านั้น เครื่องชาร์จที่เหมาะสมสำหรับชุดแบตเตอรี่ประเภทหนึ่ง อาจเสี่ยงที่จะเกิดไฟไหม้หากนำไปใช้กับชุดแบตเตอรี่อีกประเภทหนึ่ง
- ใช้เครื่องมือไฟฟ้ากับชุดแบตเตอรี่ที่กำหนดมาโดยเฉพาะเท่านั้น การใช้ชุดแบตเตอรี่ประเภทอื่นอาจทำให้เสี่ยงที่จะได้รับบาดเจ็บและเกิดไฟไหม้
- เมื่อไม่ใช้งานชุดแบตเตอรี่ ให้เก็บห่างจากวัตถุที่เป็นโลหะอื่น ๆ เช่น คลิปหนีบกระดาษ เหรียญ กุญแจ กรรไกรตัดเล็บ สกรู หรือวัตถุที่เป็นโลหะขนาดเล็กอื่น ๆ ที่สามารถเชื่อมต่อชั่วคราวกับอีกขั้วหนึ่งได้ การลัดวงจรขั้วแบตเตอรี่อาจทำให้อ่อนจัดหรือเกิดไฟไหม้
- ในกรณีที่ใช้งานไม่ถูกต้อง อาจมีของเหลวไหลออกจากแบตเตอรี่ ให้หลีกเลี่ยงการสัมผัส หากสัมผัสโดนของเหลวโดยไม่ได้ตั้งใจ ให้ล้างออกด้วยน้ำ หากของเหลวกระเด็นเข้าตา ให้รีบไปพบแพทย์ ของเหลวที่ไหลออกจากแบตเตอรี่อาจทำให้ผิวหนังระคายเคืองหรือไหม้

- ห้ามใช้ชุดแบตเตอรี่หรือเครื่องมือที่ชาร์จหรือมีการแก้ไข แบตเตอรี่ที่เสียหายหรือมีการแก้ไขอาจทำให้เกิดสิ่งที่ไม่ดีได้ เช่น ไฟไหม้ ระเบิด หรือเสี่ยงต่อการบาดเจ็บ
- ห้ามให้ชุดแบตเตอรี่อยู่ใกล้ไฟ หรือบริเวณที่มีอุณหภูมิสูงเกิน หากโดนไฟ หรืออุณหภูมิสูงเกิน 130 °C อาจก่อให้เกิดการระเบิดได้
- กรุณาปฏิบัติตามคำแนะนำสำหรับชาร์จไฟ และห้ามชาร์จแบตเตอรี่หรือเครื่องมือในบริเวณที่มีอุณหภูมินอกเหนือไปจากที่ระบุในคำแนะนำ การชาร์จไฟที่ไม่เหมาะสม หรืออุณหภูมินอกเหนือไปจากช่วงอุณหภูมิที่ระบุในคำแนะนำอาจทำให้แบตเตอรี่เสียหายและเป็นการเพิ่มความเสี่ยงในการเกิดไฟไหม้

การซ่อมบำรุง

- นำเครื่องมือไฟฟ้าเข้ารับบริการจากช่างซ่อมที่ผ่านการรับรองโดยช่างผู้เชี่ยวชาญเท่านั้น เพราะจะทำให้การใช้เครื่องมือไฟฟ้ามีความปลอดภัย
- ห้ามใช้ชุดแบตเตอรี่ที่เสียหาย ชุดแบตเตอรี่ที่ใช้ควรเป็นชุดที่มาจากผู้ผลิต หรือผู้ให้บริการที่ได้รับอนุญาตเท่านั้น
- ปฏิบัติตามคำแนะนำในการหล่อลื่นและการเปลี่ยนอุปกรณ์เสริม

คำเตือนด้านความปลอดภัยของเลื่อยอเนกประสงค์ไร้สาย

- ถือเครื่องมือไฟฟ้าบริเวณมือจับที่เป็นฉนวนเมื่อทำงานที่เครื่องมือตัดอาจสัมผัสกับสายไฟที่ซ่อนอยู่ เครื่องมือตัดที่สัมผัสกับสายไฟที่ "มีกระแสไฟฟ้าไหลผ่าน" อาจทำให้ส่วนที่เป็นโลหะของเครื่องมือไฟฟ้าที่ไม่มีฉนวนหุ้ม "มีกระแสไฟฟ้าไหลผ่าน" และทำให้ผู้ปฏิบัติงานถูกไฟฟ้าช็อตได้
- ใช้ปากกาคีบหรือวิธีการปฏิบัติอื่น ๆ เพื่อยึดและรองรับชิ้นงานไว้บนพื้นที่ที่มั่นคง การใช้มือจับชิ้นงานหรือยึดชิ้นงานไว้กับร่างกายจะทำให้เกิดความไม่มั่นคงและสูญเสียการควบคุมได้
- สวมแว่นตานิรภัยหรือแว่นครอบตาเสมอ แว่นตานิรภัยหรือแว่นกันแดดไม่ใช่แว่นนิรภัย
- หลีกเลี่ยงการตัดตะปู ตรวจสอบตะปูในชิ้นงานและถอนตะปูออกก่อนทำงาน
- อย่าตัดชิ้นงานที่มีขนาดใหญ่เกินไป
- ตรวจสอบสิ่งที่อยู่โดยรอบชิ้นงานก่อนการตัดเพื่อป้องกันไม่ให้ใบเลื่อยโดนพื้น โต๊ะ ฯลฯ
- จับเครื่องมือให้แน่น

8. ตรวจสอบให้แน่ใจว่าไม่มีดินน้ำมันได้สัมผัสกับชิ้นงานก่อนที่จะเปิดสวิตช์
 9. ระวังอย่าให้มีสัมผัสกับชิ้นส่วนที่เคลื่อนที่
 10. อย่าปล่อยให้เครื่องมือทำงานค้างไว้ ใช้งานเครื่องมือในขณะที่ถืออยู่เท่านั้น
 11. ปิดสวิตช์และรอนจนกว่าใบเลื่อยหยุดนิ่งสนิทก่อนที่จะเอาใบเลื่อยออกจากชิ้นงาน
 12. ห้ามสัมผัสกับใบมีดหรือชิ้นงานทันทีที่ทำงานเสร็จเนื่องจากดอกไขควงหรือชิ้นงานอาจมีความร้อนสูงและลวกผิวหนังของคุณได้
 13. อย่าใช้เครื่องมือโดยเปิดเครื่องทิ้งไว้เฉยๆ โดยไม่จำเป็น
 14. ใช้หน้ากากกันฝุ่น/แว่นกันแดดที่เหมาะสมกับวัสดุและกาการใช้งานที่คุณกำลังทำงานเสมอ
 15. วัสดุบางอย่างอาจมีสารเคมีที่เป็นพิษ ระวังอย่าสูดดมฝุ่นหรือสัมผัสกับผิวหนัง ปฏิบัติตามข้อมูลด้านความปลอดภัยของผู้ผลิตรวด
 16. ก่อนใช้งาน ตรวจสอบให้แน่ใจว่าไม่มีวัตถุใดๆ ผังอยู่ เช่น ท่อไฟฟ้า ท่อน้ำ หรือท่อแก๊สในชิ้นงาน ไม่เช่นนั้น ใบเลื่อยจะประกบหรืออาจสัมผัสกับวัตถุที่ผังอยู่ซึ่งจะส่งผลให้เกิดไฟฟ้าช็อต ไฟรั่ว หรือแก๊สรั่วได้
4. หากสารละลายอิเล็กทรอนิกส์กระเด็นเข้าตา ให้ล้างออกด้วยน้ำเปล่าและรีบไปพบแพทย์ทันที เนื่องจากอาจทำให้ตาบอด
 5. ห้ามลัดวงจรตลับแบตเตอรี่:
 - (1) ห้ามแตะขั้วกับวัตถุที่เป็นสื่อนำไฟฟ้าใดๆ
 - (2) หลีกเลี่ยงการเก็บตลับแบตเตอรี่ไว้ในภาชนะร่วมกับวัตถุที่เป็นโลหะ เช่น กรรไกรตัดเล็บ เหยียง ฯลฯ
 - (3) อย่าให้ตลับแบตเตอรี่ถูกน้ำหรือฝน แบตเตอรี่ลัดวงจรอาจทำให้เกิดการไหลของกระแสไฟฟ้า ร้อนจัด ไหม้หรือเสียหายได้
 6. ห้ามเก็บและใช้เครื่องมือและตลับแบตเตอรี่ไว้ในสถานที่ที่อุณหภูมิสูงถึงหรือเกิน 50 °C (122 °F)
 7. ห้ามเผาตลับแบตเตอรี่ทิ้ง แม้ว่าแบตเตอรี่จะเสียหายจนใช้งานได้หรือเสื่อมสภาพแล้ว ตลับแบตเตอรี่อาจระเบิดในกองไฟ
 8. อย่าถอดตะปู ตัด บด ขว้าง หรือทำตลับแบตเตอรี่หล่นพื้น หรือกระแทกตลับแบตเตอรี่กับวัตถุของแข็ง การกระทำดังกล่าวอาจส่งผลให้เกิดไฟไหม้ ความร้อนที่สูงเกินไป หรือระเบิดได้
 9. ห้ามใช้แบตเตอรี่ที่เสียหาย
 10. แบตเตอรี่ลิเทียมไอออนที่มีมาให้ห็นั้นเป็นไปตามข้อกำหนดของ Dangerous Goods Legislation สำหรับการขนส่งเพื่อการพาณิชย์ เช่น โดยบุคคลที่สาม ตัวแทนขนส่งสินค้า จะต้องตรวจสอบข้อกำหนดพิเศษในด้านการบรรจุหีบห่อหรือการติดป้ายสินค้าในการเตรียมสินค้าที่จะขนส่ง ให้ปรึกษาผู้เชี่ยวชาญด้านวัตถุอันตราย โปรดตรวจสอบข้อกำหนดในประเทศที่อาจมีรายละเอียดอื่น ๆ เพิ่มเติม ให้ติดเทปหรือปิดหน้าสัมผัสและห่อแบตเตอรี่ในลักษณะที่แบตเตอรี่จะไม่เคลื่อนที่ไปมาในหีบห่อ

ปฏิบัติตามคำแนะนำเหล่านี้

คำเตือน: อย่านำความไม่ระมัดระวังหรือความคุ้นเคยกับผลิตภัณฑ์ (จากการใช้งานซ้ำหลายครั้ง) อยู่เหนือการปฏิบัติตามกฎเกณฑ์ด้านความปลอดภัยในการใช้งานผลิตภัณฑ์อย่างเคร่งครัด การใช้งานอย่างไม่เหมาะสมหรือการไม่ปฏิบัติตามกฎเกณฑ์ด้านความปลอดภัยในคู่มือการใช้งานนี้อาจทำให้ได้รับบาดเจ็บร้ายแรง

คำแนะนำเพื่อความปลอดภัยที่สำคัญสำหรับตลับแบตเตอรี่

1. ก่อนใช้งานตลับแบตเตอรี่ให้อ่านคำแนะนำและเครื่องหมายเตือนทั้งหมดบน (1) เครื่องชาร์จแบตเตอรี่ (2) แบตเตอรี่ และ (3) ตัวผลิตภัณฑ์ที่ใช้แบตเตอรี่
2. อย่านถอดแยกชิ้นส่วนหรือทำการดัดแปลงตลับแบตเตอรี่ เนื่องจากอาจทำให้เกิดไฟไหม้ ความร้อนที่สูงเกินไป หรือระเบิดได้
3. หากระยะเวลาที่เครื่องทำงานสั้นเกินไป ให้หยุดใช้งานทันที เนื่องจากอาจมีความเสี่ยงที่จะร้อนจัด ไหม้หรือระเบิดได้
11. เมื่อกำจัดตลับแบตเตอรี่ ให้ถอดตลับแบตเตอรี่ออกจากเครื่องมือและกำจัดในสถานที่ที่ปลอดภัย ปฏิบัติตามข้อบังคับในท้องถิ่นที่เกี่ยวกับการกำจัดแบตเตอรี่
12. ใช้แบตเตอรี่กับผลิตภัณฑ์ที่ระบุโดย Makita เท่านั้น การติดตั้งแบตเตอรี่ในผลิตภัณฑ์ที่ไม่ใช่ตามที่ระบุอาจทำให้เกิดไฟไหม้ ความร้อนสูง ระเบิด หรืออิเล็กทรอนิกส์รั่วไหลได้
13. หากไม่ใช่เครื่องมือเป็นระยะเวลานาน จะต้องถอดแบตเตอรี่ออกจากเครื่องมือ
14. ในระหว่างและหลังการใช้งาน ตลับแบตเตอรี่อาจร้อนซึ่งอาจลวกผิวหรือทำให้ผิวไหม้ที่อุณหภูมิที่ต่ำได้ โปรดระมัดระวังในการจัดการกับแบตเตอรี่ที่ร้อน

- อย่าสัมผัสขั้วของเครื่องมือทันทีหลังจากการใช้งาน เนื่องจากอาจมีความร้อนพอที่จะทำให้ผิวไหม้ได้
- อย่าปล่อยให้เศษวัสดุ ฝุ่นผง หรือดินเข้าไปติดอยู่ในขั้ว รู และร่องของตลับแบตเตอรี่ เนื่องจากอาจทำให้เกิดความร้อน ไฟไหม้ ระเบิด และทำให้เครื่องมือหรือตลับแบตเตอรี่ทำงานผิดปกติ ส่งผลให้โดนลวกหรือเกิดการบาดเจ็บได้
- หากเครื่องมือไม่รองรับสายไฟแรงดันสูง อย่าใช้ตลับแบตเตอรี่ใกล้กับสายไฟแรงดันสูง เนื่องจากเครื่องมือหรือตลับแบตเตอรี่อาจทำงานผิดปกติหรือเสียหายได้
- เก็บแบตเตอรี่ให้ห่างจากเด็ก

ปฏิบัติตามคำแนะนำเหล่านี้

⚠ ข้อควรระวัง: ใช้แบตเตอรี่ของแท้จาก Makita เท่านั้น การใช้แบตเตอรี่ Makita ที่ไม่แท้ หรือแบตเตอรี่ที่ถูกเปลี่ยน อาจทำให้แบตเตอรี่ระเบิด ก่อให้เกิดเพลิงลุกไหม้ การบาดเจ็บ และความเสียหายได้ และจะทำให้การรับประกันของ Makita สำหรับเครื่องมือและแท่นชาร์จของ Makita เป็นโมฆะด้วย

เคล็ดลับในการรักษาอายุการใช้งานของแบตเตอรี่ให้ยาวนานที่สุด

- ชาร์จตลับแบตเตอรี่ก่อนที่ไฟจะหมด หยุดการใช้งานแล้วชาร์จประจุไฟฟ้าใหม่ทุกครั้งเมื่อคุณรู้สึกว่าคุณรู้สึกว่าการใช้แบตเตอรี่กำลังลดลง
- อย่าชาร์จตลับแบตเตอรี่ที่มีไฟเต็มแล้ว การชาร์จประจุไฟฟ้ามากเกินไปอาจจะทำให้อายุการใช้งานของตลับแบตเตอรี่สั้นลง
- ชาร์จประจุไฟฟ้าตลับแบตเตอรี่ในห้องที่มีอุณหภูมิระหว่าง 10 °C - 40 °C ปล่อยให้ตลับแบตเตอรี่เย็นลงก่อนที่จะชาร์จไฟ
- เมื่อไม่ใช่ตลับแบตเตอรี่ ให้ถอดออกจากเครื่องมือหรือเครื่องชาร์จ
- ชาร์จไฟตลับแบตเตอรี่หากคุณไม่ต้องการใช้เป็นเวลานาน (เกินกว่าหกเดือน)

คำอธิบายการทำงาน

⚠ ข้อควรระวัง: ตรวจสอบให้แน่ใจว่าได้ปิดสวิตช์เครื่องมือและถอดตลับแบตเตอรี่ออกก่อนปรับตั้งหรือตรวจสอบการทำงานของเครื่องมือ

การใส่หรือการถอดตลับแบตเตอรี่

⚠ ข้อควรระวัง: ปิดสวิตช์เครื่องมือก่อนทำการติดตั้งหรือการถอดตลับแบตเตอรี่ทุกครั้ง

⚠ ข้อควรระวัง: ถือเครื่องมือและตลับแบตเตอรี่ให้แน่นในระหว่างการติดตั้งหรือการถอดตลับแบตเตอรี่ หากไม่ถือเครื่องมือและตลับแบตเตอรี่ให้แน่น อาจทำให้ตลับแบตเตอรี่และเครื่องมือลื่นหลุดมือ และทำให้เครื่องมือและตลับแบตเตอรี่เสียหายหรือได้รับบาดเจ็บได้

▶ **หมายเลข 1:** 1. ชีลส์แดง 2. ปุ่ม 3. ตลับแบตเตอรี่

เมื่อต้องการถอดตลับแบตเตอรี่ ให้เลื่อนปุ่มที่ด้านหน้าของตลับแล้วดึงออกจากเครื่องมือ

การติดตั้งตลับแบตเตอรี่ ให้จัดตำแหน่งลิ้นของตลับแบตเตอรี่ให้ตรงกับร่องของเครื่อง แล้วเลื่อนเข้าที่ ใส่ตลับแบตเตอรี่เข้าจนสุดจนกระทั่งได้ยินเสียงคลิกล็อคเข้าที่ หากยังเห็นชีลส์แดงตามที่แสดงในภาพ แสดงว่าตลับแบตเตอรี่ยังไม่ล็อคเข้าที่

⚠ ข้อควรระวัง: ให้ดันตลับแบตเตอรี่เข้าจนสุดจนไม่เห็นชีลส์แดงอีก ไม่เช่นนั้น ตลับแบตเตอรี่อาจหลุดออกจากเครื่องมือทำให้คุณหรือคนรอบข้างได้รับบาดเจ็บ

⚠ ข้อควรระวัง: อย่าฝืนติดตั้งตลับแบตเตอรี่โดยใช้แรงมากเกินไป หากตลับแบตเตอรี่ไม่เลื่อนเข้าไปโดยง่าย แสดงว่าใส่ไม่ถูกต้อง

ระบบป้องกันเครื่องมือ/แบตเตอรี่

เครื่องมือมีระบบป้องกันเครื่องมือ/แบตเตอรี่ ระบบนี้จะตัดไฟที่ส่งไปยังมอเตอร์โดยอัตโนมัติเพื่อยืดอายุการใช้งานเครื่องมือและแบตเตอรี่ เครื่องมือจะหยุดทำงานระหว่างการใช้งานโดยอัตโนมัติ หากเครื่องมือหรือแบตเตอรี่อยู่ภายใต้สถานการณ์ต่อไปนี้

การป้องกันโอเวอร์โหลต

เมื่อแบตเตอรี่ทำงานในรูปแบบที่อาจจะดึงพลังงานไฟฟ้าสูงเกินไป เครื่องมือจะหยุดโดยอัตโนมัติโดยไม่มีแรงจูงใจใดๆ ในกรณีนี้ ให้ปิดเครื่องมือและหยุดการใช้งานในลักษณะที่อาจทำให้เครื่องมือทำงานหนักเกินไป แล้วเปิดเครื่องมือเพื่อเริ่มทำงานอีกครั้ง

การป้องกันความร้อนสูงเกิน

เมื่อเครื่องมือหรือแบตเตอรี่มีความร้อนสูงเกินไป เครื่องมือจะหยุดทำงานโดยอัตโนมัติและดวงไฟจะกะพริบ ในกรณีนี้ ปล่อยให้เครื่องมือและแบตเตอรี่เย็นลงก่อนที่จะเปิดเครื่องมืออีกครั้ง

การป้องกันไฟหมด

เมื่อความจุแบตเตอรี่ไม่เพียงพอ เครื่องมือจะหยุดทำงานโดยอัตโนมัติและดวงไฟจะกะพริบ ในกรณีนี้ ให้ถอดแบตเตอรี่ออกจากเครื่องมือและนำแบตเตอรี่ไปชาร์จไฟ

การป้องกันจากสาเหตุอื่นๆ

ระบบป้องกันได้รับการออกแบบมาเพื่อสาเหตุอื่นๆ ที่อาจสร้างความเสียหายต่อเครื่องมือและทำให้เครื่องมือหยุดทำงานโดยอัตโนมัติ ดำเนินการตามขั้นตอนดังต่อไปนี้ทุกขั้นตอนเพื่อกำจัดสาเหตุออกไป เมื่อเครื่องมือหยุดทำงานชั่วคราวหรือหยุดทำงาน










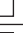
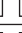






1. ปิดเครื่องมือ แล้วเปิดใหม่เพื่อเริ่มใช้งานอีกครั้ง
2. ชาร์จหรือเปลี่ยนแบตเตอรี่โดยนำแบตเตอรี่ที่ชาร์จแล้วมาใช้แทน
3. ปล่อยให้เครื่องมือและแบตเตอรี่เย็นลง

หากอาการไม่ดีขึ้นเมื่อเปิดระบบป้องกันอีกครั้ง ให้ติดต่อศูนย์บริการ Makita ใกล้บ้านคุณ

การระบุระดับพลังงานแบตเตอรี่ที่เหลืออยู่

กดปุ่ม ตรวจสอบ บนตลับแบตเตอรี่เพื่อดูปริมาณแบตเตอรี่ที่เหลือ ไฟแสดงสถานะจะสว่างขึ้นเป็นเวลาสองสามวินาที

- **หมายเลข 2:** 1. ไฟแสดงสถานะ 2. ปุ่มตรวจสอบ

ไฟแสดงสถานะ			แบตเตอรี่ที่เหลือ
			
ไฟสว่าง	ดับ	กะพริบ	
			75% ถึง 100%
			50% ถึง 75%
			25% ถึง 50%
			0% ถึง 25%
			ชาร์จไฟแบตเตอรี่
			แบตเตอรี่อาจจะเสีย

หมายเหตุ: ขึ้นอยู่กับสภาพการใช้งานและอุณหภูมิ โดยรอบ การแสดงสถานะอาจแตกต่างจากปริมาณแบตเตอรี่จริงเล็กน้อย


หมายเหตุ: ไฟแสดงสถานะดวงแรก (ซ้ายสุด) จะกะพริบเมื่อระบบป้องกันแบตเตอรี่ทำงาน

การเลือกวิธีการตัด

- **หมายเลข 3:** 1. ก้าน

เครื่องมือนี้สามารถทำงานในการตัดเป็นวงกลมหรือเส้นตรงได้

การเปลี่ยนการตัด ให้หมุนก้านไปที่ตำแหน่งการตัดที่ต้องการ โปรดอ้างอิงตารางเพื่อเลือกการตัดที่เหมาะสม

ตำแหน่ง	วิธีการตัด	วิธีใช้งาน
	การตัดเป็นวงกลม	สำหรับการตัดไม้และคอนกรีตมวลเบาเซาะร่องอย่างรวดเร็ว
	การตัดเป็นเส้นตรง	สำหรับการตัดท่อเหล็ก ท่อเหล็กหล่อ อะลูมิเนียม สเตนเลสสตีล และพลาสติก

หมายเหตุ: การตัดเป็นวงกลมหมายความว่าใบเลื่อยจะเลื่อนขึ้นลงและเดินหน้าถอยหลังไปพร้อมกัน ทำให้ประสิทธิภาพในการตัดเพิ่มขึ้น

แป้นปรับความเร็ว

- **หมายเลข 4:** 1. แป้นปรับความเร็ว

สามารถปรับระยะชักต่อนาทีได้โดยการหมุนแป้นปรับความเร็ว ซึ่งสามารถทำได้ขณะที่เครื่องมือกำลังทำงานอยู่ แป้นปรับจะมีระดับ 1 (ความเร็วต่ำสุด) ถึง 5 (ความเร็วสูงสุด) หมุนแป้นปรับความเร็วระหว่าง 1 และ 5 ตามการทำงานของคุณ

โปรดดูตารางเพื่อเลือกความเร็วที่เหมาะสมสำหรับชิ้นงานที่ต้องการตัด อย่างไรก็ตาม การใช้งานที่เหมาะสมอาจแตกต่างกันไปตามขนาดและความแข็งของชิ้นงาน โดยทั่วไปแล้ว การตัดเป็นวงกลมเหมาะสำหรับวัสดุที่อ่อน

หมายเหตุ: การตัดเป็นวงกลมเหมาะสำหรับวัสดุที่อ่อน เช่น ไม้ อย่างไรก็ตาม บางครั้งก็อาจไม่สามารถตัดได้ทั้งนี้ขึ้นอยู่กับรูปร่างหรือความแข็งของชิ้นงาน ฯลฯ

หมายเลขบนแป้นปรับ	อัตราการชักต่อนาที
5	3,000
4	2,500
3	2,000
2	1,500
1	1,000

ชิ้นงานที่ต้องการตัด	หมายเลขบนแป้นปรับ
ไม้	5
คอนกรีตมวลเบาเขาวงร่อง อัดโนมิตี	4 - 5
ท่อเหล็ก ท่อเหล็กหล่อ และ อะลูมิเนียม	2 - 4
พลาสติก	1 - 3
สแตนเลสสตีล	1 - 2

หมายเหตุ: หากเครื่องมือถูกใช้งานที่ความเร็วต่ำอย่างต่อเนื่องเป็นระยะเวลานาน อายุการใช้งานของมอเตอร์จะลดลง

หมายเหตุ: ปุ่มหมุนปรับสามารถหมุนไปจนสุดที่หมายเลข 5 และหมุนกลับจนถึงหมายเลข 1 อย่างสิ้นเชิงเกินหมายเลข 5 หรือ 1 มิเช่นนั้น พังก้านปรับความเร็ว อาจไม่สามารถใช้งานได้

การทำงานของสวิตช์

⚠️ ข้อควรระวัง: ก่อนใส่ด้ามจับมอเตอร์ลงในเครื่องมือให้ตรวจสอบว่าสวิตช์สั่งงานสามารถทำงานได้อย่างถูกต้องและกลับไปยังตำแหน่ง "ปิด" เมื่อปล่อย

⚠️ ข้อควรระวัง: เมื่อไม่ใช้งานเครื่องมือ ให้กดปุ่มปลดล็อกจากด้าน A เพื่อล็อกสวิตช์สั่งงานในตำแหน่ง OFF

▶ **หมายเลข 5:** 1. สวิตช์สั่งงาน 2. ปุ่มปลดล็อก

เพื่อป้องกันไม่ให้สวิตช์สั่งงานถูกดึงโดยไม่ตั้งใจจึงมีปุ่มปลดล็อกดัดตั้งไว้

เพื่อเริ่มใช้งานเครื่องมือ กดปุ่มปลดล็อกจากด้าน B แล้วดึงสวิตช์สั่งงาน

ความเร็วเครื่องมือจะเพิ่มขึ้นเมื่อออกแรงกดที่สวิตช์สั่งงาน ปล่อยสวิตช์สั่งงานเพื่อหยุดทำงาน หลังใช้งาน ให้กดปุ่มปลดล็อกจากด้าน A เสมอ

การเปิดดวงไฟด้านหลัง

▶ **หมายเลข 6:** 1. ดวงไฟ

⚠️ ข้อควรระวัง: อย่ามองเข้าไปในดวงไฟหรือจ้องดูแหล่งกำเนิดแสงโดยตรง

ดึงสวิตช์สั่งงานเพื่อเปิดไฟ ดวงไฟจะดับลงเมื่อปล่อยสวิตช์สั่งงาน ดวงไฟจะดับลงภายในเวลาประมาณ 10 วินาทีหลังจากปล่อยสวิตช์สั่งงาน

หมายเหตุ: ใช้ผ้าแห้งเพื่อเช็ดสิ่งสกปรกออกจากเลนส์ของดวงไฟ ระวังอย่าขีดข่วนเลนส์ของดวงไฟ ไม่เช่นนั้น อาจทำให้ส่องสว่างได้น้อยลง

หมายเหตุ: เมื่อเครื่องมือมีความร้อนสูงเกินไป ไฟจะกระพริบเป็นเวลา 1 นาที ในกรณีนี้ ให้รอจนเครื่องมือเย็นลงก่อนแล้วค่อยใช้งานต่อ

การปรับปลอก

⚠️ คำเตือน: ถอดด้ามจับมอเตอร์และใบเลื่อยออกประสงค้ทุกครั้งเมื่อถอดหรือปรับปลอก

⚠️ ข้อควรระวัง: ติดตั้งปลอกและตรวจสอบให้แน่ใจทุกครั้งว่าปลอกสัมผัสกับชิ้นงานก่อนใช้งานเครื่องมือ

⚠️ ข้อควรระวัง: ตรวจสอบให้แน่ใจทุกครั้งว่าปลอกถูกปรับอยู่ในตำแหน่งที่เหมาะสมเพื่อให้ใบเลื่อยออกประสงค้สัมผัสกับเครื่องมือในระหว่างการใช้งาน

▶ **หมายเลข 7**

เมื่อใบเลื่อยออกประสงค้มีประสิทธิภาพในการตัดลดลงในจุดหนึ่งตามแนวขอบการตัด ให้เปลี่ยนตำแหน่งปลอกเพื่อใช้ประโยชน์ในส่วนขอบการตัดที่ยังคมและไม่ได้ใช้งาน ซึ่งจะช่วยให้ลดอายุการใช้งานของใบเลื่อยออกประสงค้ได้

ตำแหน่งปลอกสามารถปรับได้ 6 ระดับ

ในการเปลี่ยนตำแหน่งปลอก ให้ก้านปรับปลอกและเลือกตำแหน่งที่เหมาะสม แล้วจึงปิดก้านปรับปลอก

▶ **หมายเลข 8:** 1. ปลอก 2. ก้านปรับปลอก


หมายเหตุ: ปลอกจะไม่สามารถปรับได้หากเปิดก้านปรับปลอกไม่สุด

การทำความสะอาดภายในปลอก

คุณสามารถถอดปลอกออกและทำความสะอาดฝุ่นและขี้เลื่อยภายในเครื่องมือได้

1. ดึงก้านปรับปลอกให้สุด
2. ดึงปลอกออกในขณะที่ยกปุ่มไว้
- ▶ **หมายเลข 9:** 1. ปลอก 2. ก้านปรับปลอก 3. ปุ่ม
3. ทำความสะอาดฝุ่นหรือขี้เลื่อยภายในเครื่องมือ
4. ดัดตั้งปลอกในขณะที่ยกปุ่มไว้
5. การปรับตำแหน่งของปลอก ให้เปิดก้านปรับปลอกให้สุด แล้วใส่ปลอกลงไปในด้านที่เหมาะสม จากนั้นปิดก้านปรับปลอก

ข้อเกี่ยว

⚠ ข้อควรระวัง: เมื่อแขวนเครื่องมือ ให้ตั้งปุ่มปลดล็อกในตำแหน่ง  เพื่อล็อกสวิตช์สั่งงาน (ดูที่ส่วนการทำงานของสวิตช์)

⚠ ข้อควรระวัง: อย่าแขวนเครื่องมือที่ตำแหน่งสูงหรือตำแหน่งที่อาจไม่มั่นคง

⚠ ข้อควรระวัง: ใช้ส่วนที่ยึดตามวัตถุประสงคที่ระบุไว้เท่านั้น การใช้งานผิดวัตถุประสงค์อาจก่อให้เกิดอุบัติเหตุหรือได้รับบาดเจ็บได้

⚠ ข้อควรระวัง: อย่าเกี่ยวเครื่องมือไว้กับเข็มขัดหรือเครื่องประดับอื่นๆ ไบเลื่อยอเนกประสงค์อาจสัมผัสเข้ากับร่างกายของคุณและทำให้ได้รับบาดเจ็บสาหัสได้

- ▶ **หมายเลข 10:** 1. ข้อเกี่ยว

ข้อเกี่ยวเหมาะสำหรับใช้แขวนเครื่องมือชั่วคราวในการใช้งานข้อเกี่ยว ให้ยกข้อเกี่ยวขึ้นจนติดเข้ากับตำแหน่งเปิด
เมื่อไม่ใช้งานแล้ว ให้เอาข้อเกี่ยวลงจนติดเข้ากับตำแหน่งปิด

เบรกไฟฟ้า

เครื่องมือนี้ไม่มีเบรกไฟฟ้า หากเครื่องมือไม่สามารถหยุดได้อย่างรวดเร็วหลังจากปล่อยสวิตช์สั่งงาน ให้นำเครื่องมือไปรับการซ่อมที่ศูนย์บริการของ Makita

ระบบไฟฟ้า

อุปกรณ์ถูกติดตั้งด้วยระบบไฟฟ้าเพื่อให้ใช้งานได้ง่าย

ระบบควบคุมความเร็วคงที่

ระบบควบคุมความเร็วช่วยให้ระบบควบคุมความเร็วคงที่ใดไม่ว่าจะอยู่ในสภาวะการทำงานใดๆ

การประกอบ

⚠ ข้อควรระวัง: ตรวจสอบให้แน่ใจว่าได้ปิดสวิตช์เครื่องมือและถอดปลอกแบตเตอรี่ออกก่อนดำเนินการใดๆ กับเครื่องมือ

การติดตั้งหรือถอดไบเลื่อยอเนกประสงค์

⚠ ข้อควรระวัง: ทำความสะอาดเศษชิ้นส่วนหรือสิ่งแปลกปลอมที่ติดอยู่กับไบเลื่อยและรอบตัวหนีบไบเลื่อยเสมอ มิฉะนั้นอาจทำให้ชิ้นไบเลื่อยไม่มั่นคง ซึ่งส่งผลให้เกิดการบาดเจ็บร้ายแรง

การติดตั้งไบเลื่อยอเนกประสงค์ ให้ดึงก้านปล่อยจนสุดโดยให้ปลอกตัวหนีบไบเลื่อยไหลออกมาถึงตำแหน่งปล่อยก่อนสอดไบเลื่อยของเลื่อยอเนกประสงค์

- ▶ **หมายเลข 11:** 1. ก้านปล่อย 2. ปลอกตัวหนีบไบเลื่อย 3. ตำแหน่งปล่อย 4. ตำแหน่งยึด

หมายเหตุ: ดึงก้านปล่อยจนสุดเสมอ ไม่เช่นนั้น ปลอกตัวหนีบไบเลื่อยอาจไม่ไหลออกมาถึงตำแหน่งปล่อยและจะไม่สามารถสอดไบเลื่อยอเนกประสงค์ได้

สอดไบเลื่อยอเนกประสงค์ลงไปในช่องของปลอกตัวหนีบไบเลื่อยจนสุด ปลอกตัวหนีบไบเลื่อยจะยึดไบเลื่อยอเนกประสงค์พร้อมส่งเสียงคลิก ตรวจสอบให้แน่ใจว่าไม่สามารถดึงไบเลื่อยอเนกประสงค์ออกมาได้แม้ว่าจะพยายามดึงออกมาก็ตาม

- ▶ **หมายเลข 12:** 1. ไบเลื่อยอเนกประสงค์ 2. ปลอกตัวหนีบไบเลื่อย

⚠ ข้อควรระวัง: ถ้าคุณใส่ไบเลื่อยอเนกประสงค์ไม่ลึกพอ ไบเลื่อยอเนกประสงค์อาจถูกดึงออกมาอย่างไม่คาดคิดระหว่างการทำงาน ซึ่งจะเป็นอันตรายอย่างมาก

การถอดไบเลื่อยอเนกประสงค์ ให้ดึงก้านปล่อยไปในทิศทางตามลูกศรจนสุด

- ▶ **หมายเลข 13:** 1. ไบเลื่อยอเนกประสงค์ 2. ก้านปล่อย

ข้อสังเกต: ห้ามใช้ก้านปล่อยเมื่อใช้สวิตช์สั่งงาน ไม่เช่นนั้นอาจทำให้เลื่อยทำงานผิดปกติได้

การใช้งาน

⚠ ข้อควรระวัง: กดปลดเข้าหาชิ้นงานให้แน่นในระหว่างการทำงานเสมอ ถ้าปลดถูกกดออกหรืออยู่ห่างจากชิ้นงานในระหว่างการทำงาน จะเกิดการสั่นสะเทือนและ/หรือการบิดอย่างแรง ทำให้ใบเลื่อยสะบัดซึ่งก่อให้เกิดอันตราย

⚠ ข้อควรระวัง: ใส่ถุงมือเสมอเพื่อป้องกันมือของคุณจากเศษชิ้นส่วนร้อนๆ ที่ปลิวมาระหว่างการตัดโลหะ

⚠ ข้อควรระวัง: ตรวจสอบให้แน่ใจว่าสวมอุปกรณ์ป้องกันดวงตาที่เหมาะสมซึ่งเป็นไปตามมาตรฐานแห่งชาติในปัจจุบันเสมอ

⚠ ข้อควรระวัง: ใช้สารหล่อเย็น (น้ำมันตัดกลึง) ที่เหมาะสมเมื่อตัดโลหะเสมอ มิฉะนั้น อาจทำให้ใบเลื่อยสึกหรอก่อนเวลาอันควร

⚠ ข้อควรระวัง: อย่าเปลี่ยนทิศทางใบเลื่อยอย่างฉับพลันระหว่างการตัด

⚠ ข้อควรระวัง: อย่าใช้งานเครื่องมือโดยที่ขอกเกี่ยวเว็ดไว้อยู่

กดปลดเข้าหาชิ้นงานให้แน่น อย่าปล่อยให้เครื่องมือตั้งใบเลื่อยเนกประสงค์เข้าสัมผัสกับชิ้นงานเบาๆ ชั้นแรกให้ทำร่องนำโดยใช้ความเร็วช้า แล้วค่อยใช้ความเร็วมากขึ้นเพื่อทำการตัดต่อไป

► หมายเลข 14

ข้อสังเกต: อย่าตัดชิ้นงานโดยที่ฐานรองใบเลื่อยอยู่ห่างจากชิ้นงานหรือไม่มีฐานรองใบเลื่อย เนื่องจากจะเพิ่มแรงสะท้อนกลับที่ทำให้ใบเลื่อยเนกประสงค์แตกหักได้

การบำรุงรักษา

⚠ ข้อควรระวัง: ตรวจสอบให้แน่ใจว่าได้ปิดสวิทช์เครื่องมือและถอดถลับแบตเตอรี่ออกก่อนทำการตรวจสอบหรือบำรุงรักษา

ข้อสังเกต: อย่าใช้น้ำมันเชื้อเพลิง เบนซิน ทินเนอร์ แอลกอฮอล์ หรือวัสดุประเภทเดียวกัน เนื่องจากอาจทำให้สีซีดจาง เสียรูป หรือแตกกร้าวได้

เพื่อความปลอดภัยและนำเชื้อถือของผลิตภัณฑ์ ควรให้ศูนย์บริการหรือโรงงานที่ผ่านการรับรองจาก Makita เป็นผู้ดำเนินการซ่อมแซม บำรุงรักษาและทำการปรับตั้งอื่นๆ นอกจากนี้ให้ใช้อะไหล่ของแท้จาก Makita เสมอ

อุปกรณ์เสริม

⚠ ข้อควรระวัง: ขอแนะนำให้ใช้เฉพาะอุปกรณ์เสริมหรืออุปกรณ์ต่อพ่วงเหล่านี้กับเครื่องมือ Makita ที่ระบุในคู่มือการใช้งานใช้อุปกรณ์เสริมหรืออุปกรณ์ต่อพ่วงอื่นๆ อาจมีความเสี่ยงที่จะได้รับบาดเจ็บ ใช้อุปกรณ์เสริมหรืออุปกรณ์ต่อพ่วงตามวัตถุประสงค์ที่ระบุไว้เท่านั้น

หากต้องการทราบรายละเอียดเพิ่มเติมเกี่ยวกับอุปกรณ์เสริมเหล่านี้ โปรดสอบถามศูนย์บริการ Makita ใกล้บ้านคุณ

- ใบเลื่อยเนกประสงค์
- แบตเตอรี่และเครื่องชาร์จ Makita ของแท้

หมายเหตุ: อุปกรณ์บางรายการอาจรวมอยู่ในชุดเครื่องมือเป็นอุปกรณ์มาตรฐาน ซึ่งอาจแตกต่างกันไปในแต่ละประเทศ

Makita Corporation
3-11-8, Sumiyoshi-cho,
Anjo, Aichi 446-8502 Japan
www.makita.com

885947-374
EN, ZHCN, ID, MS,
VI, TH
20211103