



VN	VIETNAM
----	---------

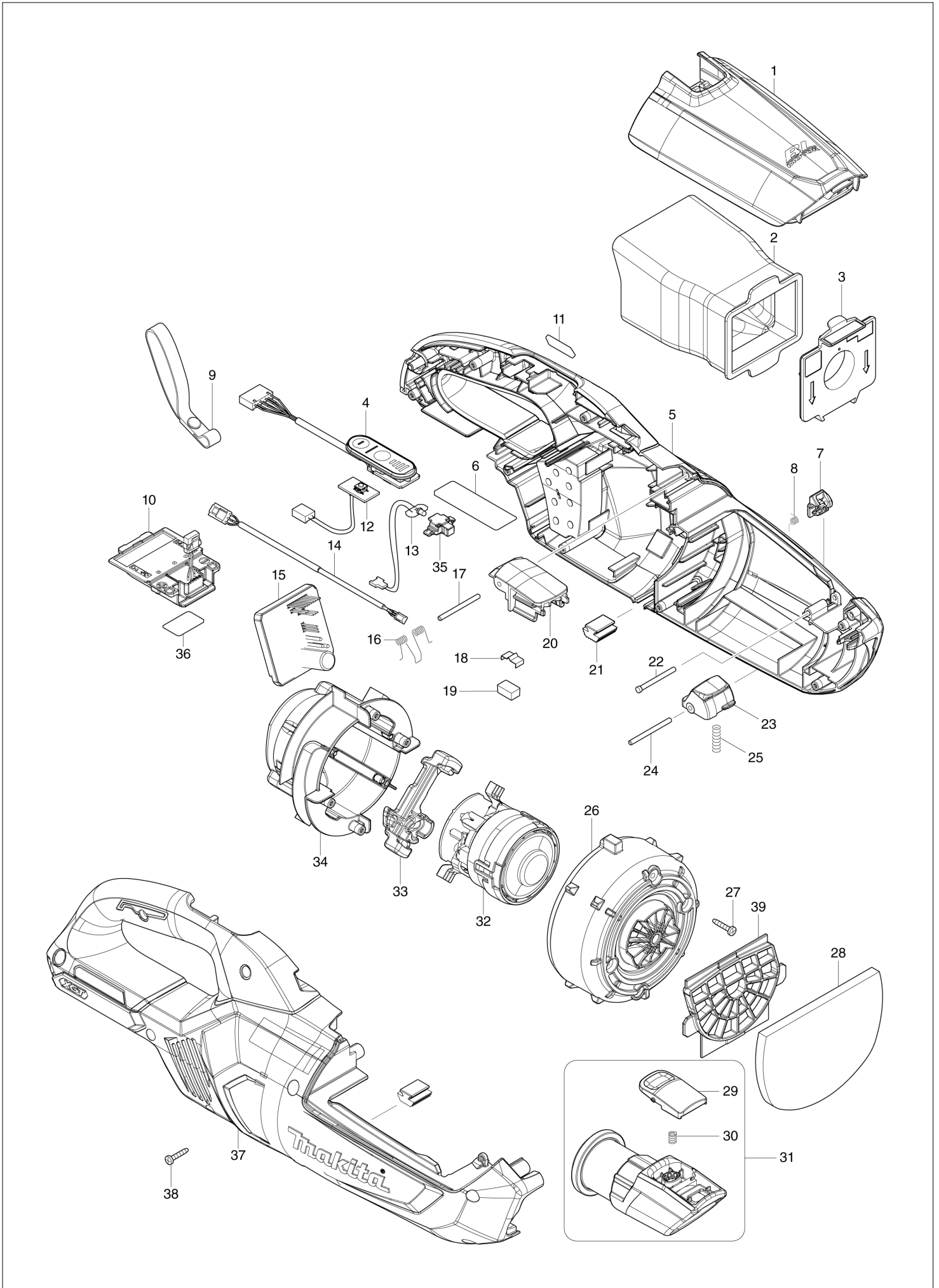
Diagram / Parts List

CL002G

CORDLESS CLEANER



(VN) CL002G / CORDLESS CLEANER



VN	VIETNAM
-----------	----------------

CL002G / CORDLESS CLEANER

Item	Sub	Parts No.	Parts Description	Qty	I/C	E/C No.	Close No.	Remark
001A		141F22-8	FRONT COVER COMPLETE	1				
001B		141F21-0	FRONT COVER COMPLETE	1				
001C		141F10-5	FRONT COVER COMPLETE	1				
	C10	424093-7	SEAL	1				
002		198748-7	EASY SHAKE OFF DUST BAG SET	1			DD835	
002-1		1910M4-5	HIGH PERFORMANCE DUST BAG SET	1	<	DD835		
003		140K23-3	VALVE STAY COMPLETE	1				
004		141B54-1	INDICATION CIRCUIT COMPLETE	1				
	C10	8031J2-9	SWITCH LABEL	1				
005A		183U76-9	HOUSING SET	1				
005B		183U75-1	HOUSING SET	1				
005C		183U26-4	HOUSING SET	1				
	C10	263005-3	RUBBER PIN 6	2				
	C20	422714-5	SPONGE SEAT	2				
	D10		INC. 21,37					
006		8115A3-4	CL002G NAME PLATE	1				
007A		459352-0	STOPPER PLATE	1				
007B		459302-5	STOPPER PLATE	1				
007C		459327-9	STOPPER PLATE	1				
008		232484-6	TORSION SPRING 4	1				
009		163400-6	HANDSTRAP	1				
010		632P65-6	TERMINAL UNIT	1				
011		8005T5-8	XGT LOGO LABEL	1				
012		620E74-1	SWITCH UNIT	1				
013		620E82-2	LED CIRCUIT	1				
014		632S32-9	LEAD UNIT	1				
015		620E72-5	CONTROLLER	1				
016		233580-3	TORSION SPRING 4	1				
017		268271-7	PIN 3	1				
018		232264-0	LEAF SPRING	1				
019		424367-6	RUBBER	1				
020A		459350-4	FRONT COVER JOINT	1				
020B		459351-2	FRONT COVER JOINT	1				
020C		459330-0	FRONT COVER JOINT	1				
021		422460-0	RUBBER PLATE	2				
022		256590-3	FLAT FILLISTER HD. PIN 3	1				
023A		459348-1	BUTTON B	1				
023B		459349-9	BUTTON B	1				
023C		459329-5	BUTTON B	1				
024		268271-7	PIN 3	1				
025		233344-5	COMPRESSION SPRING 4	1				
026		413645-9	MOTOR COVER F	1				
027		266429-2	TAPPING SCREW 3X16	4				
028		424804-0	SPONGE SHEET 76-110	1				
029		413F33-6	BUTTON C	1				
030		232485-4	COMPRESSION SPRING 5	1				
031A		136587-7	INLET ASS'Y	1				
031B		136586-9	INLET ASS'Y	1				
031C		136585-1	INLET ASS'Y	1				
	C10	424094-5	PACKING	1				
	D10		INC. 29,30					
032		629A46-9	MOTOR ASSEMBLY	1				
033		422723-4	MOTOR COVER SEAL	1				
034		141E55-7	MOTOR COVER R COMPLETE	1				
	C10	263002-9	RUBBER PIN 4	4				
035		141H09-2	LED CASE COMPLETE	1				
036		8115A9-2	CL002G SERIAL NO. LABEL	1				
037A		183U76-9	HOUSING SET	1				
037B		183U75-1	HOUSING SET	1				
037C		183U26-4	HOUSING SET	1				
	C10	263005-3	RUBBER PIN 6	2				
	C20	422714-5	SPONGE SEAT	2				
	D10		INC. 5,21					
038		266429-2	TAPPING SCREW 3X16	9				
039		413J77-0	GUARD	1		DD835		

A:CL002GZ01(N)
 B:CL002GZ03(N)
 C:CL002GZ07(N)

Interchange
 O : Yes
 X : No
 < : the new part can be substituted for the current.
 > : the current part can be substituted for the new.
 S : Interchangeable as a set.

